

ALAMO INDUSTRIAL™ AG84B

Rotary Mower

Published 07-05

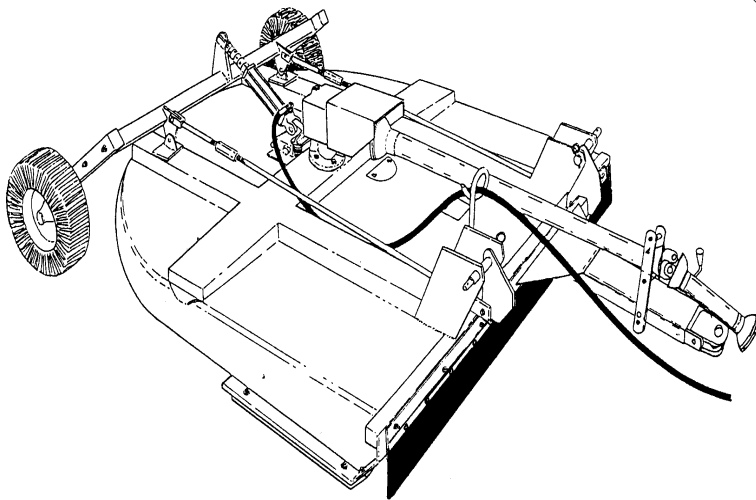
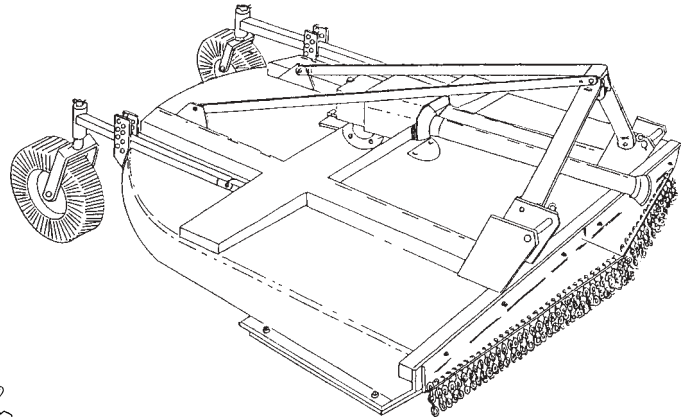
Part No.00760989P

PARTS MANUAL

ATENCIÓN!

LEA EL INSTRUCTIVO

Si No Lee Ingles, Pida Ayuda a Alguien
Que Si Lo Lea Para Que le Traduzca las
Medidas de Seguridad.



An Operator's Manual was shipped with the equipment in the Manual Canister. This Operator's Manual is an integral part of the safe operation of this machine and must be maintained with the unit at all times. **READ, UNDERSTAND, and FOLLOW** the Safety and Operation Instructions contained in this manual before operating the equipment. If the Operator's Manual is not with the equipment, contact your dealer or Servis-Rhino (800-446-5158) to obtain a Free copy before operating the equipment.

ALAMO INDUSTRIAL

1502 E. Walnut
Seguin, Texas 78155
830-379-1480

© 2005 Alamo Group Inc.

A MEMBER OF THE
ALAMO GROUP
ALWAYS ON THE CUTTING EDGE™

TO THE OWNER/OPERATOR/DEALER

All implements with moving parts are potentially hazardous. There is no substitute for a cautious, safe-minded operator who recognizes the potential hazards and follows reasonable safety practices. The manufacturer has designed this implement to be used with all its safety equipment properly attached to minimize the chance of accidents.

BEFORE YOU START!! Read the safety messages on the implement and shown in your manual. Observe the rules of safety and common sense!

 DANGER			
FAILING TO FOLLOW SAFETY MESSAGES AND OPERATING INSTRUCTIONS CAN CAUSE SERIOUS BODILY INJURY OR EVEN DEATH TO OPERATOR AND OTHERS IN THE AREA.			
1. 	2. NO RIDERS. NO CHILDREN OPERATORS. 	3. USE SAFETY SHOES, HARD HAT, SAFETY GLASSES, SEAT BELTS, & ROPS 	4. BLOCK UP SECURELY BEFORE WORKING UNDER. 
1. Study and understand operator's manual, safety signs, and Instructional decals for tractor and implement to prevent misuse, abuse, and accidents. ● Learn how to stop engine suddenly in an emergency. Be alert for passerby and especially children.			
2. Allow no children on or near implement or tractor. Allow no riders on tractor and implement. Falling off may cause serious injury or death from being run over by tractor or cutter or contact with rotating blades.			
3. Operate only with tractor having Roll-Over Protective Structure (ROPS) and with seatbelt fastened securely and snugly to prevent injury and possible death from falling off or tractor overturn. Personal Protective Equipment such as Hard Hat, Safety Glasses, Safety Shoes, and Ear Plugs are Recommended.			
4. Block up or support raised machine and all lifted components securely before putting hands or feet under or working underneath any lifted components to prevent crushing injury or death from sudden dropping or inadvertent operation of controls. Make certain area is clear before lowering or folding.			
5. Before transporting, put Lift Lever in detent or full-lift position. Secure the implement for transport by installing Cylinder Stops or Transport Pin on Pull-type implement center axle and Wing Transport Locks on folding implements. ● Attach Safety Chain to cutter and towing unit securely. See Operator's Manual.			
6. Make certain that the SMV sign, Warning Lights, and Reflectors are clearly visible. Follow local traffic codes.			
7. Never operate with Cutting Head raised if passerby, bystanders, or traffic are in the area to reduce possibility of injury or death from Objects thrown by Blades under Guard or cutter structure.			
8. Before dismounting, secure implement in transport position or lower to ground. ● Put tractor in park or set the brake, disengage PTO, stop engine, and remove key, and wait until noise of rotation Has ceased to prevent entanglement in rotating parts which can cause injury or death. ● Never mount or dismount a moving vehicle. Crushing from runover may cause injury or death.			
5. TRANSPORT SAFELY, LOCK UP. 	6. USE SMV, LIGHTS, & REFLECTORS. 	7. DO NOT OPERATE WITH CUTTER OR WING RAISED. 	8. DO NOT MOUNT OR DISMOUNT WHILE MOVING. 
00749117			

WARRANTY INFORMATION:

Read and understand the complete Warranty Statement found in this Manual. Fill out the Warranty Registration Form in full and return it to within 30 Days. Make certain the Serial Number of the Machine is recorded on the Warranty Card and on the Warranty Form that you retain.

PARTS ORDERING GUIDE

The following instructions are offered to help eliminate needless delay and error in processing purchase orders for the equipment in this section.

1. The Parts Section is prepared in logical sequence and grouping of parts that belong to the basic machine featured in this manual. Part Numbers and Descriptions are given to help locate the parts and quantities required.
2. The Purchase Order must include the name and address of the person or organization ordering the parts, who should be charged, and if possible, the serial number of the machine for which the parts are ordered.
3. The Purchase Order must clearly list the quantity of each part, the complete and correct part number (be sure to include all periods), and the basic name of the part.
4. The Manufacturer reserves the right to substitute parts where applicable.
5. Some parts are unlisted items which are special production items not normally stocked and are subject to special handling. Request a quotation for such parts before sending a Purchase Order.
6. The Manufacturer reserves the right to change prices without prior notice.

NOTE: Please refer to The Safety Section in the front of this Manual for the proper Part Number when ordering Replacement Safety Decals.



For maximum safety and to guarantee optimum product reliability, always use genuine Servis-Rhino Parts. The use of inferior replacement parts may cause premature or catastrophic failure which could result in serious injury or death. Direct any questions regarding parts to:



ALAMO INDUSTRIAL

1502 E. Walnut
Seguin, Texas 78155
830-379-1480

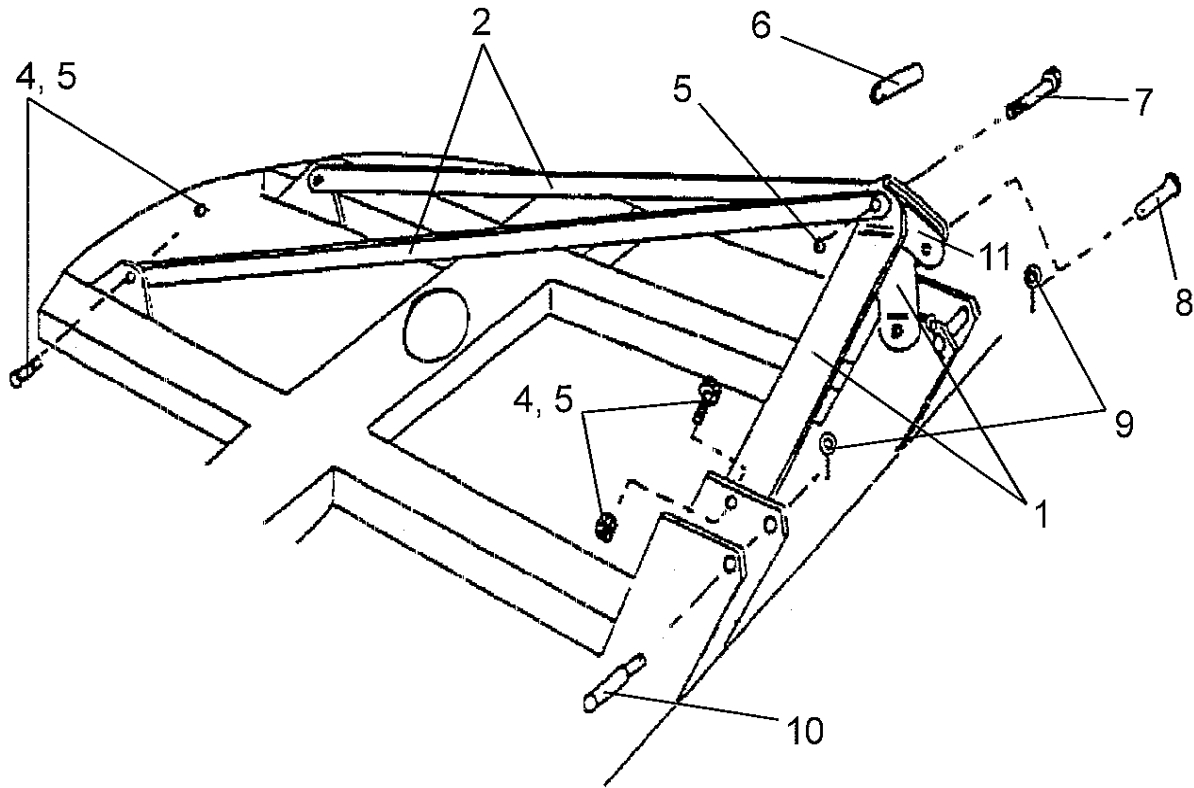


PARTS SECTION

PART NAME INDEX

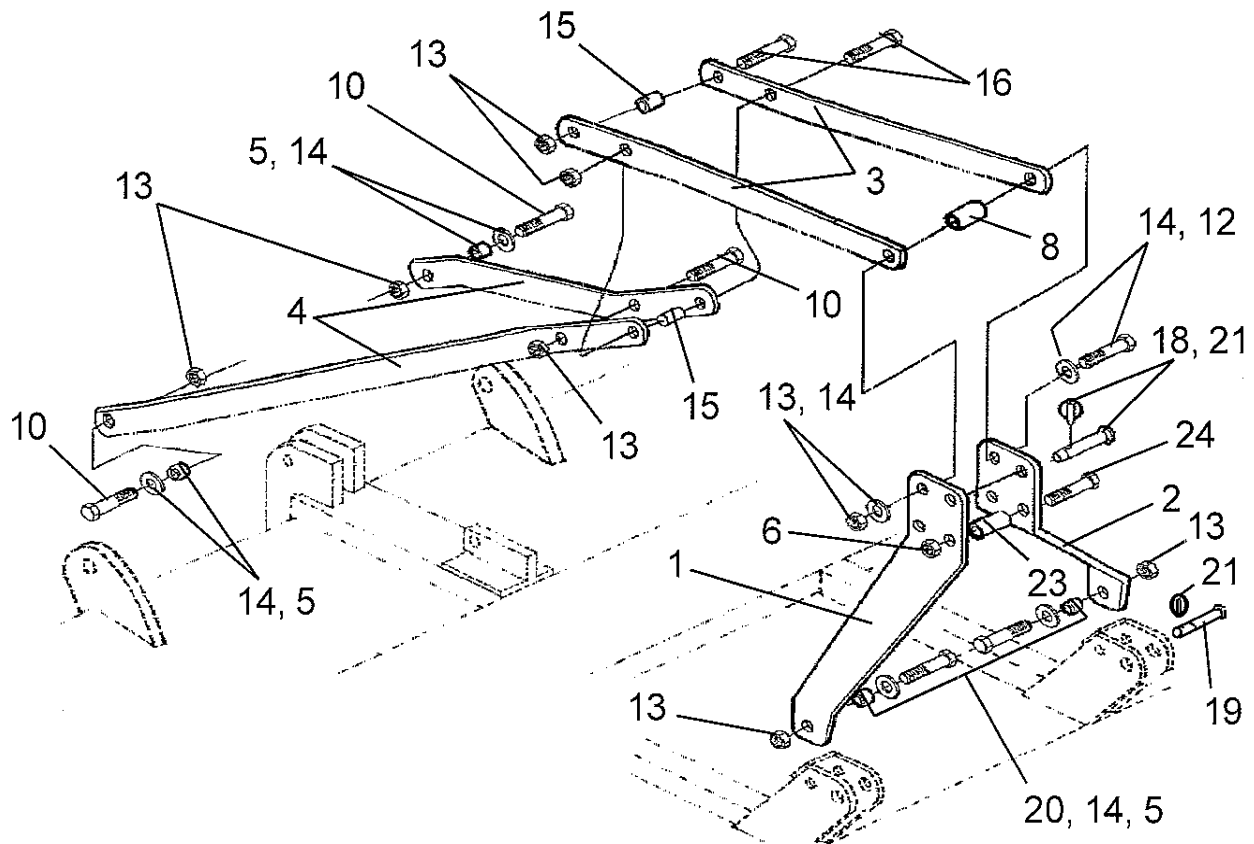
A-FRAME ASY - LIFT TYPE - OPTIONAL CAT II & III	5
A-FRAME ASY - LIFT TYPE - OPTIONAL OFFSET ADAPTER.....	6
A-FRAME ASY - LIFT TYPE - STANDARD CAT II	4
AXLE ASY - PULL TYPE.....	23
BLADE CARRIER ASY. - PAN.....	20
CASTER ASY - LIFT TYPE P/N 00760766	32
CHAIN GUARD ASY - FRONT (NEW STYLE).....	35
CHAIN GUARD ASY - FRONT (OLD STYLE).....	34
CHAIN GUARD ASY - REAR (NEW STYLE).....	37
CHAIN GUARD ASY - REAR (OLD STYLE).....	36
CONTROL ROD ASY - PULL TYPE.....	24
DEFLECTOR ASY - FRONT.....	38
DEFLECTOR ASY - REAR (OLD STYLE).....	39
DRIVELINE ASY - LIFT TYPE - 540 & 1000 RPM (NEW STYLE).....	9
DRIVELINE ASY - LIFT TYPE - 540 & 1000 RPM (OLD STYLE).....	8
DRIVELINE ASY - PULL TYPE - 540 & 1000 RPM (NEW STYLE).....	11
DRIVELINE ASY - PULL TYPE - 540 & 1000 RPM (OLD STYLE).....	10
GEARBOX ASY. P/N 00760403B (540 RPM) / P/N 00758217B (1000 RPM).....	17
GEARBOX SHIELD	19
HYDRAULIC CYLINDER - PULL TYPE - P/N 8727 (OLD STYLE).....	28
HYDRAULIC CYLINDER - PULL TYPE - P/N 8727A (NEW STYLE).....	29
JACKSHAFT - PULL TYPE - P/N 00760899 (OLD STYLE).....	14
JACKSHAFT - PULL TYPE - P/N 00775437 (NEW STYLE).....	15
JACKSHAFT SUPPORT - PULL TYPE.....	16
REAR - DEFLECTOR ASY. (NEW STYLE).....	40
SKID SHOE ASY	21
SLIP CLUTCH ASY - P/N 00756075 (OLD STYLE).....	12
SLIP CLUTCH ASY - P/N 00775331 (NEW STYLE).....	13
SPRING SHOCK ASY - P/N 00759191	27
TAIL WHEEL ASY - DUAL	31
TAIL WHEEL ASY - SINGLE.....	30
TONGUE ASY - PULL TYPE	22
WHEEL ASSEMBLY.....	26
WHEEL HUB ASY - PULL TYPE	25

A-FRAME ASY - LIFT TYPE - STANDARD CAT II



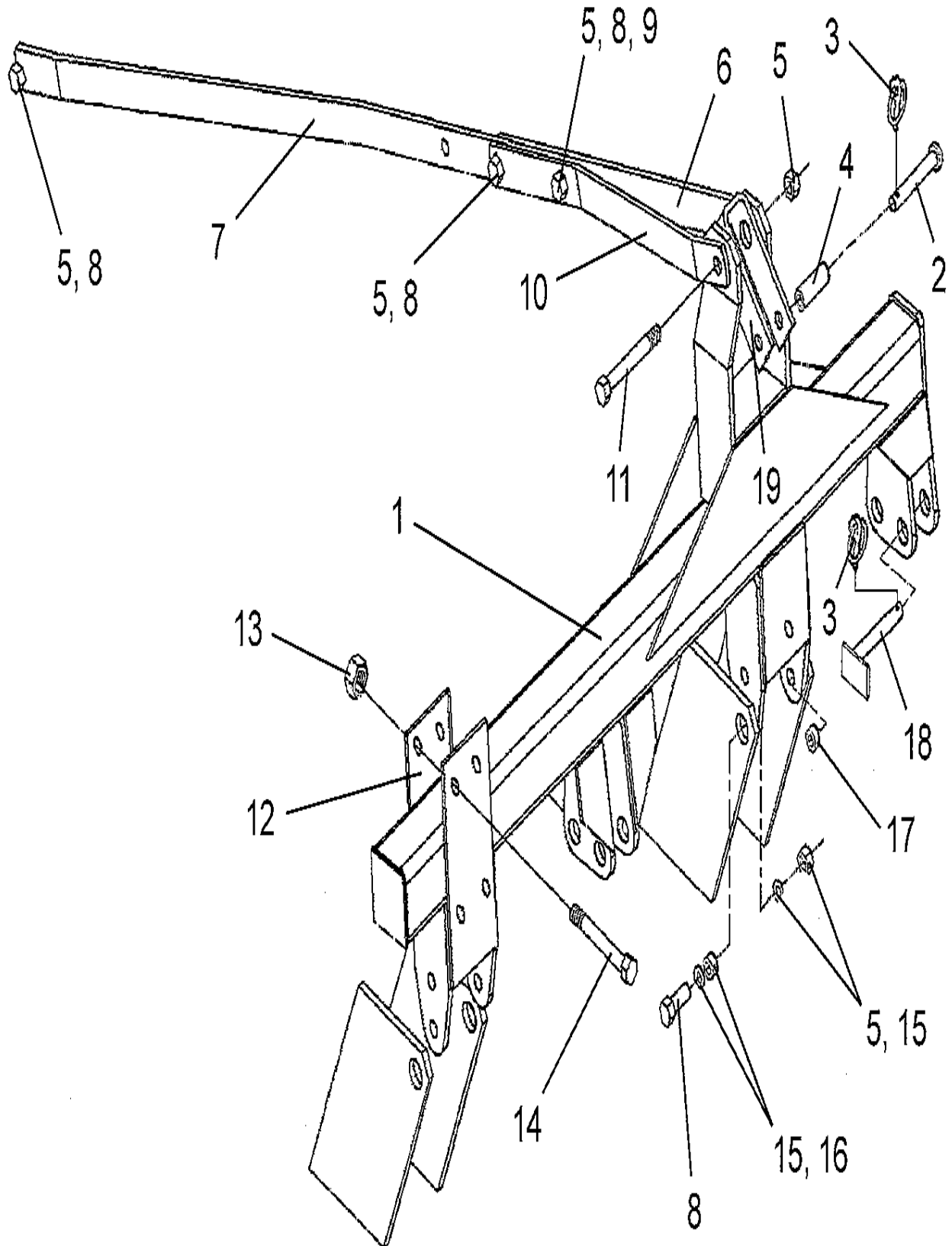
ITEM	PART NO.	QTY.	DESCRIPTION
1	00760960	2	FLAT BRACE
2	00760961	2	FLAT REAR BRACE
4	02931300	4	BOLT
5	00037200	5	NUT
6	00757953	1	BUSHING
7	02959587	1	BOLT
8	3730110	1	TOP LINK - PIN
9	2196	3	CLIP
10	00758146	2	HITCH PIN, CAT II & III
11	00760959	1	TOP LINK - FLAT

A-FRAME ASY - LIFT TYPE - OPTIONAL CAT II & III



ITEM	PART NO.	QTY.	DESCRIPTION
1	0758550010	1	A-FRAME (RH)
2	0758550020	1	A-FRAME (LH)
3	00766516	2	BRACE
4	00767741	2	REAR BRACE - 49-1/4"
	00767952	2	REAR BRACE - 52-1/4"
5	0758550070	4	BUSHING
6	5JRC16140	1	NUT
8	0758550030	2	BUSHING
10	02931300	3	BOLT
11	02959391	1	BOLT
12	00748786	2	BOLT
13	00037200	9	NUT
14	5312316	6	WASHER
15	00761267	2	BUSHING
16	02881000	2	BOLT
18	3730110M	1	PIN
19	69141	2	PIN
20	00037100	2	BOLT
21	2196	3	CLIP
22	0758550031	1	BUSHING
24	7AH5161436	1	BOLT

A-FRAME ASY - LIFT TYPE - OPTIONAL OFFSET ADAPTER



AG84B (07/05)

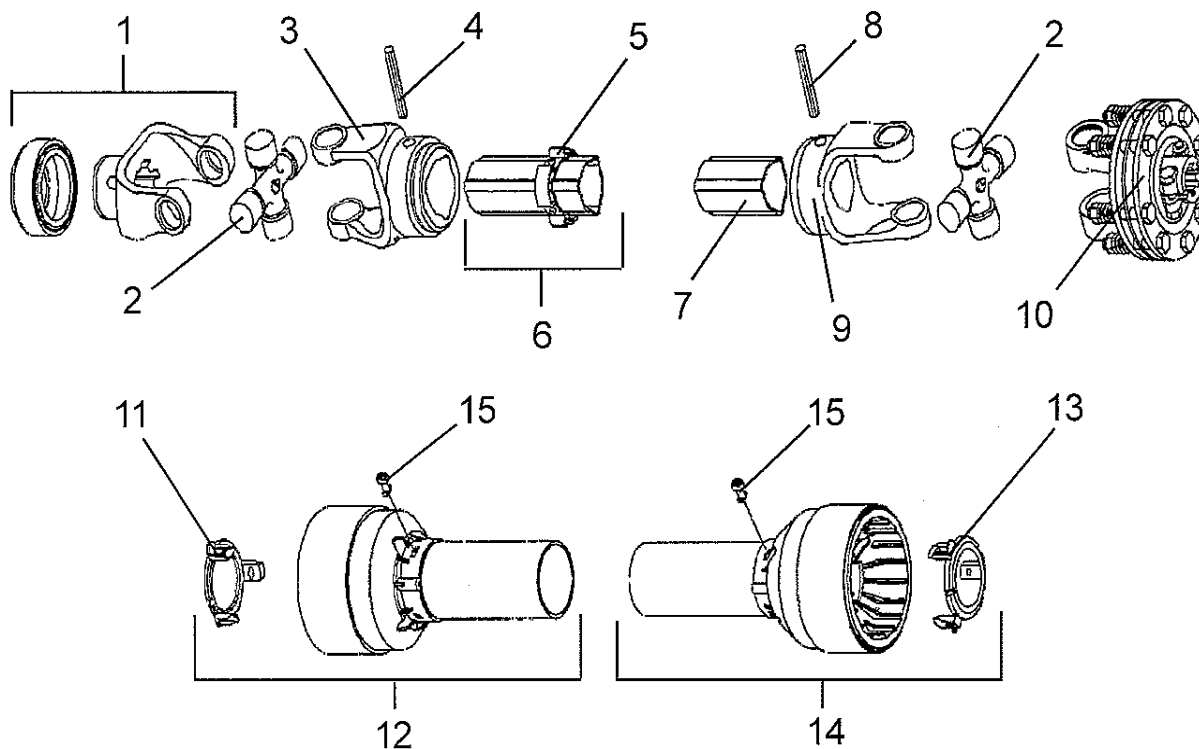
©2005 Alamo Group Inc.

Parts Section - 6

A-FRAME ASY - LIFT TYPE - OPTIONAL OFFSET ADAPTER

ITEM	PART NO.	QTY.	DESCRIPTION
1	00761610	1	OFFSET, ADAPTER WLD'MT
2	3730110M	1	TOPLINK PIN
3	2196	3	CLIP (LYNCH PIN)
4	00757953	1	BUSHING
5	00037200	8	LOCKNUT
6	00763430	1	FLAT BRACE (STRAIGHT)
7	00763392	1	FLAT BRACE (STRAIGHT)
8	02931300	7	BOLT
9	00762808	1	SPACER
10	00763391	1	FLAT BRACE (FORMED)
11	02959587	1	BOLT
12	00761621	1	HITCH LUG WLD'MT
13	00695100	4	LOCKNUT
14	00059100	4	BOLT
15	00002701	8	FLATWASHER
16	00761624	2	BUSHING, 1-1/16 OD
17	00761625	2	BUSHING, 1-7/16 OD
18	0758440000	2	WRIST PIN
19	00760959	1	TOP LINK

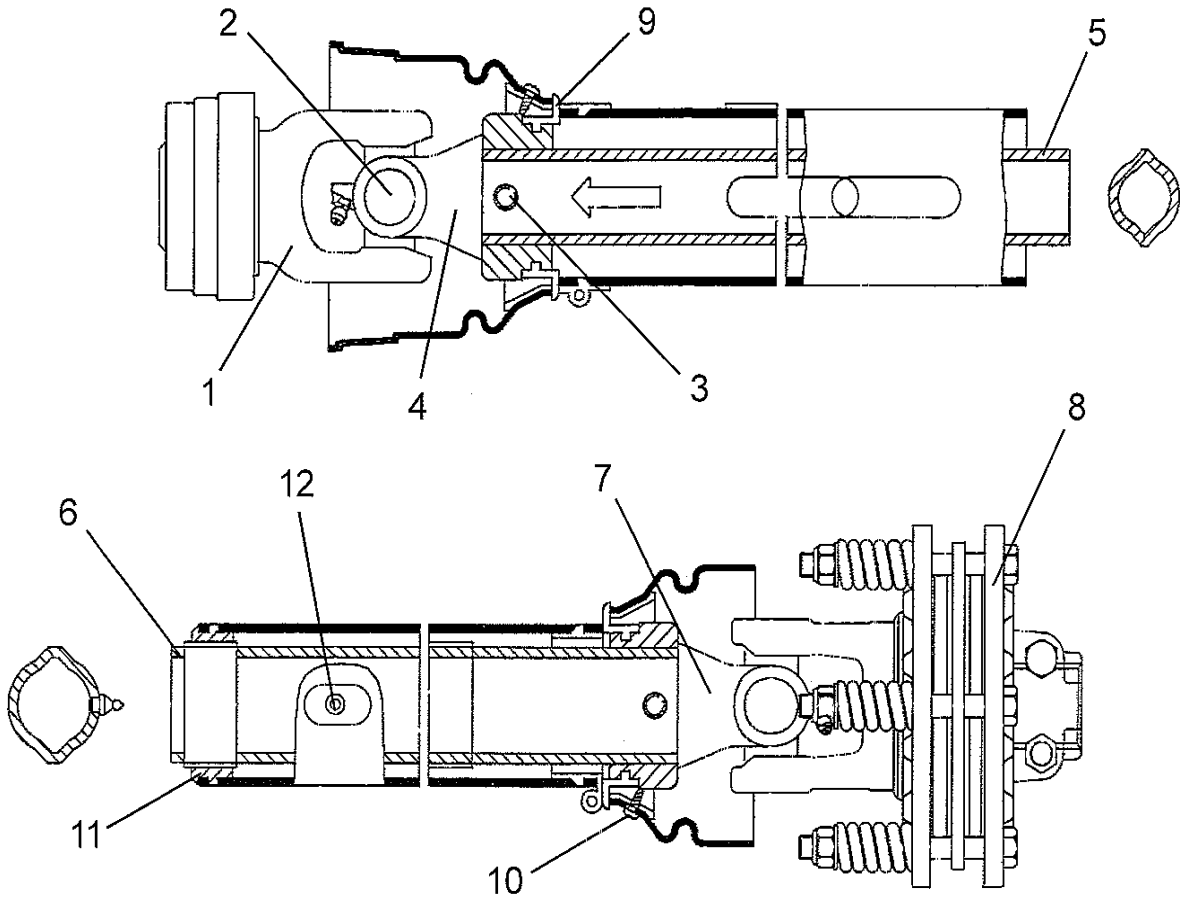
DRIVELINE ASY - LIFT TYPE - 540 & 1000 RPM (OLD STYLE)



ITEM	PART NO.	QTY. 540 RPM	QTY. 1000 RPM	DESCRIPTION
	00760900	1	--	DRIVELINE ASY. (540RPM)
	00760901	--	1	DRIVELINE ASY. (1000 RPM)
1	00752883	1	--	6 SPLINE YOKE, W/ QD
	00760002	--	1	21 SPLINE YOKE, W/ QD
2	00752896	2	2	CROSS & BEARING KIT
3	00754154	1	1	OUTER YOKE
4	00754167	1	1	ROLL PIN FOR OUTER TUBE
5	00772529	1	1	BUSHING, W/ GREASE FITTING
6	00761211	1	1	OUTER TUBE (COMPLETE)
7	00761212	1	1	INNER TUBE
8	00754167	1	1	ROLL PIN INNER TUBE
9	00754153	1	1	INNER YOKE
10	00756075	1	1	SLIP CLUTCH (COMPLETE)
11	00754332	1	1	RETAINING COLLAR / OUTER TUBE
12	00761215	1	1	OUTER SHIELD
13	00754331	1	1	RETAINING COLLAR / INNER TUBE
14	00761216	1	1	INNER SHIELD
15	00764330	6	6	BOLT

NOTE: ORDER REPLACEMENT PARTS FROM THIS PAGE IF THE PROFILE OF YOUR DRIVELINE IS TRIANGLE SHAPED.

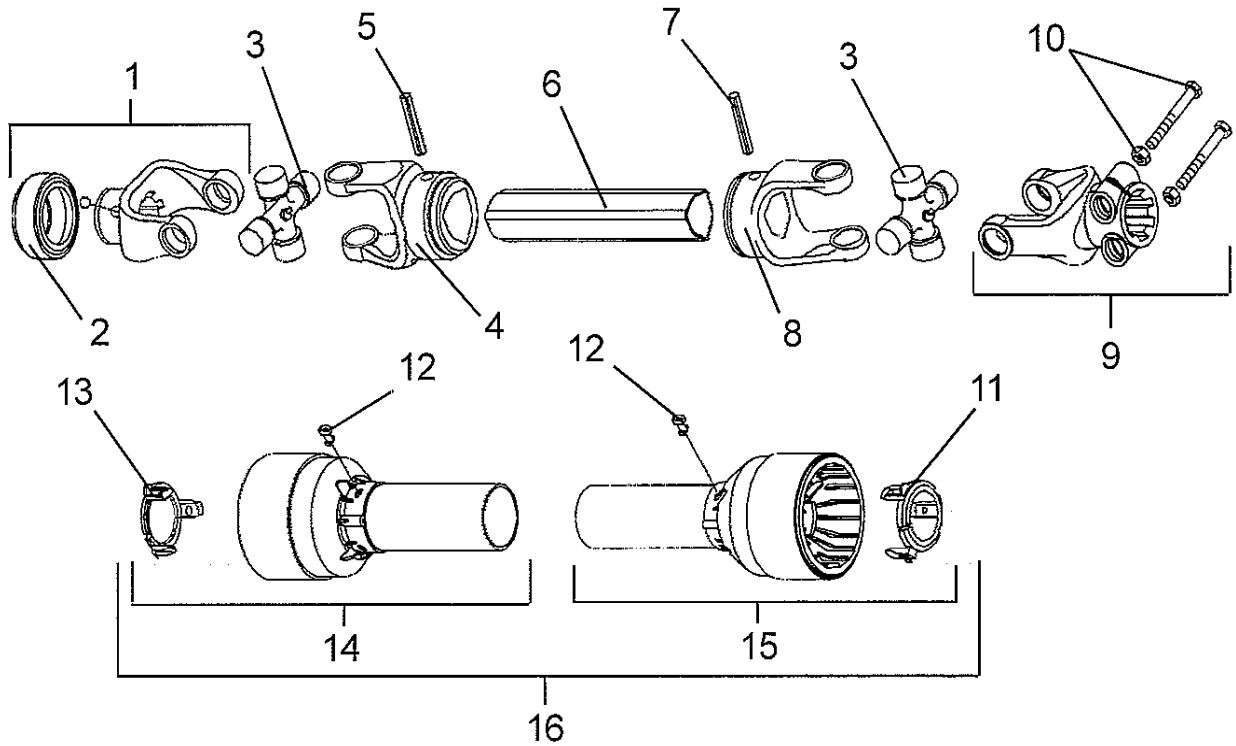
DRIVELINE ASY - LIFT TYPE - 540 & 1000 RPM (NEW STYLE)



ITEM	PART NO.	QTY.540 RPM	QTY.1000 RPM	DESCRIPTION
	00775369	1	--	DRIVELINE ASY. (540 RPM)
	00775435	--	1	DRIVELINE ASY. (1000 RPM)
1	00775353	1	--	1-3/8" X 6 SPLINE QD YOKE
	00761762	--	1	1-3/8" X 21 SPLINE QD YOKE
2	W279R	2	2	CROSS & BEARING KIT
3	8384	2	2	SPRING KIT
4	00775317	1	1	INBOARD YOKE
5	0921000332	1	1	INNER PROFILE
6	00775378	1	1	PROFILE & SLEEVE
7	00755318	1	1	INBOARD YOKE
8	00775331	1	1	FRICTION CLUTCH
9	8393	2	2	BEARING RING
10	4797	2	2	SCREW
11	8974	1	1	SUPPORT BEARING
12	1416601	1	1	GREASE FITTING
	00775372	1	1	OUTER SHIELD HALF
	00775373	1	1	INNER SHIELD HALF
	00767954	1	1	YOKE, QD KIT

NOTE: ORDER REPLACEMENT PARTS FROM THIS PAGE IF THE PROFILE OF YOUR DRIVELINE IS LEMON SHAPED.

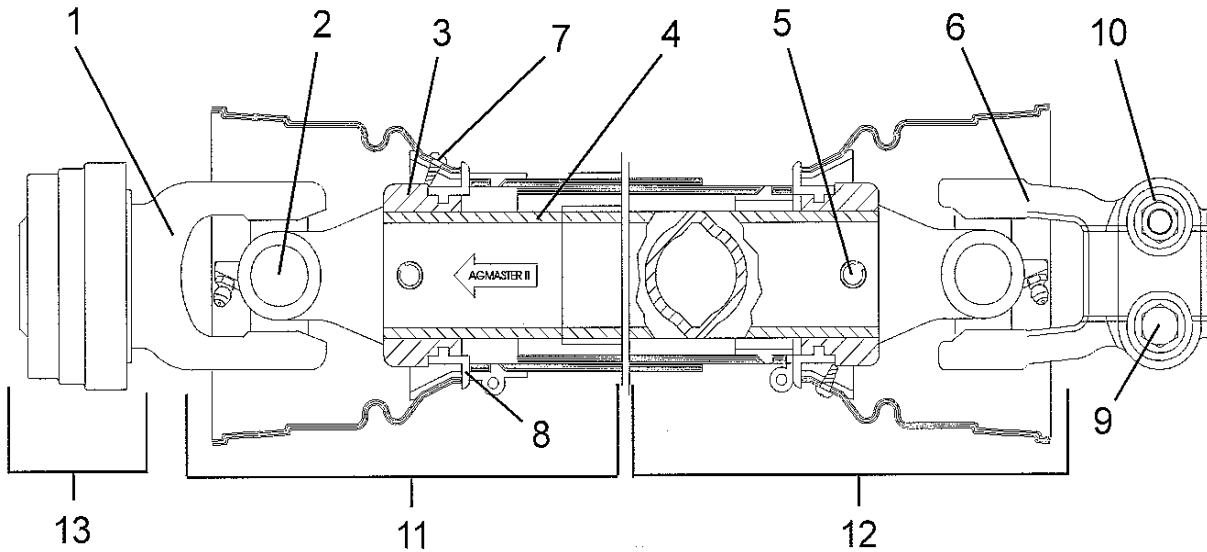
DRIVELINE ASY - PULL TYPE - 540 & 1000 RPM (OLD STYLE)



ITEM	PART NO.	QTY. 540 RPM	QTY. 1000 RPM	DESCRIPTION
	00760898A	1	--	DRIVELINE ASY. (540 RPM)
	00760902A	--	1	DRIVELINE ASY. (1000 RPM)
1	00752883	1	--	COLLAR YOKE (COMPLETE)
	00760002	--	1	COLLAR YOKE (COMPLETE)
2	00757144	1	1	COLLAR KIT
3	00752896	2	2	CROSS & BEARING KIT
4	00772793	1	1	OUTER YOKE
5	00754167	1	1	ROLL PIN / OUTER TUBE
6	00772795	1	1	INNER TUBE
7	00754167	1	1	ROLL PIN / INNER TUBE
8	00754153	1	1	INNER YOKE
9	00772530	1	1	CLAMP YOKE (COMPLETE)
10	00772531	2	2	NUT & BOLT SET
11	00754331	1	1	RETAINING COLLAR / INNER TUBE
	00754330	6	6	BOLT
12	00754330	6	6	BOLT
13	00754332	1	1	RETAINING COLLAR / OUTER TUBE
14	00773046	1	1	OUTER SHIELD
15	00773047	1	1	INNER SHIELD
16	00772794	1	1	SHIELD (COMPLETE)

NOTE: ORDER REPLACEMENT PARTS FROM THIS PAGE IF THE PROFILE OF YOUR DRIVELINE IS TRIANGLE SHAPED.

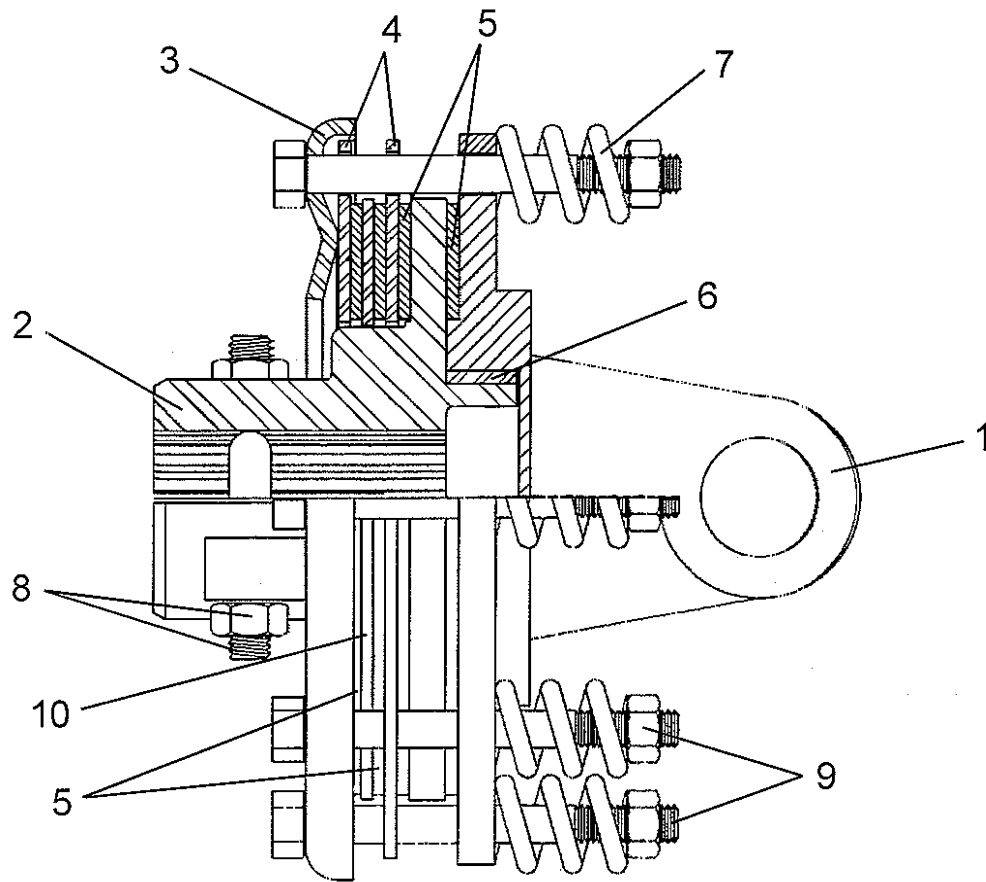
DRIVELINE ASY - PULL TYPE - 540 & 1000 RPM (NEW STYLE)



ITEM	PART NO.	QTY.	DESCRIPTION
	00775351	---	DRIVELINE ASY, 540 RPM
	00775352	---	DRIVELINE ASY, 1000 RPM
1	00775353	1	YOKE, 1-3/8" X 6 SPLINE
	00761762	1	YOKE, 1-3/8" X 21 SPLINE
2	00189700	2	CROSS & BEARING KIT
3	00775318	2	INBOARD YOKE
4	00775354	1	OUTER PROFILE
5	8384	1	SPRING PIN
6	00775316	1	PROFILE & SLEEVE WLD'MT
7	4797	1	SCREW
8	8393	1	BEARING RING
9	00775384	2	BOLT
10	00775327	2	NUT
11	00775388	2	OUTER SHIELD HALF
12	00775389	1	INNER SHIELD HALF
13	00767954	1	YOKE QD KIT (PLASTIC) 540 RPM
	00767953	1	YOKE.Q.D.KIT (METAL) 1000 RPM

NOTE: ORDER REPLACEMENT PARTS FROM THIS PAGE IF THE PROFILE OF YOUR DRIVELINE IS LEMON SHAPED.

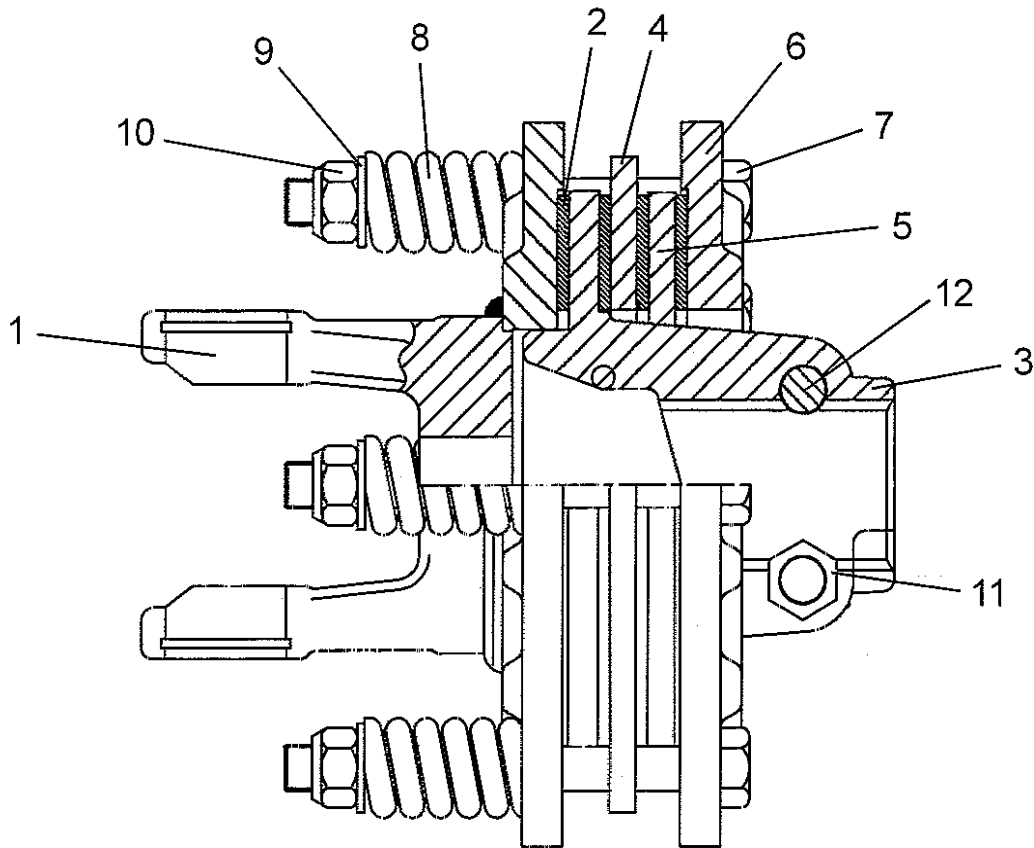
SLIP CLUTCH ASY - P/N 00756075 (OLD STYLE)



ITEM	PART NO.	QTY.	DESCRIPTION
1	00754302	1	FLANGE YOKE
2	00755599	1	CLUTCH SUPPORT
3	00766810	1	PRESSURE PLATE
4	00754314	2	PLATE WITH HOLES
5	00754202	4	LINING RING
6	00754301	1	BUSHING
7	00754303	8	SPRING
8	00755600	2	NUT & BOLT
9	00754199	8	NUT & BOLT
10	00754201	1	INTERMEDIATE PLATE

NOTE: USED ON DRIVELINE P/N 00760900 & 00760901
 JACKSHAFT P/N 00760899

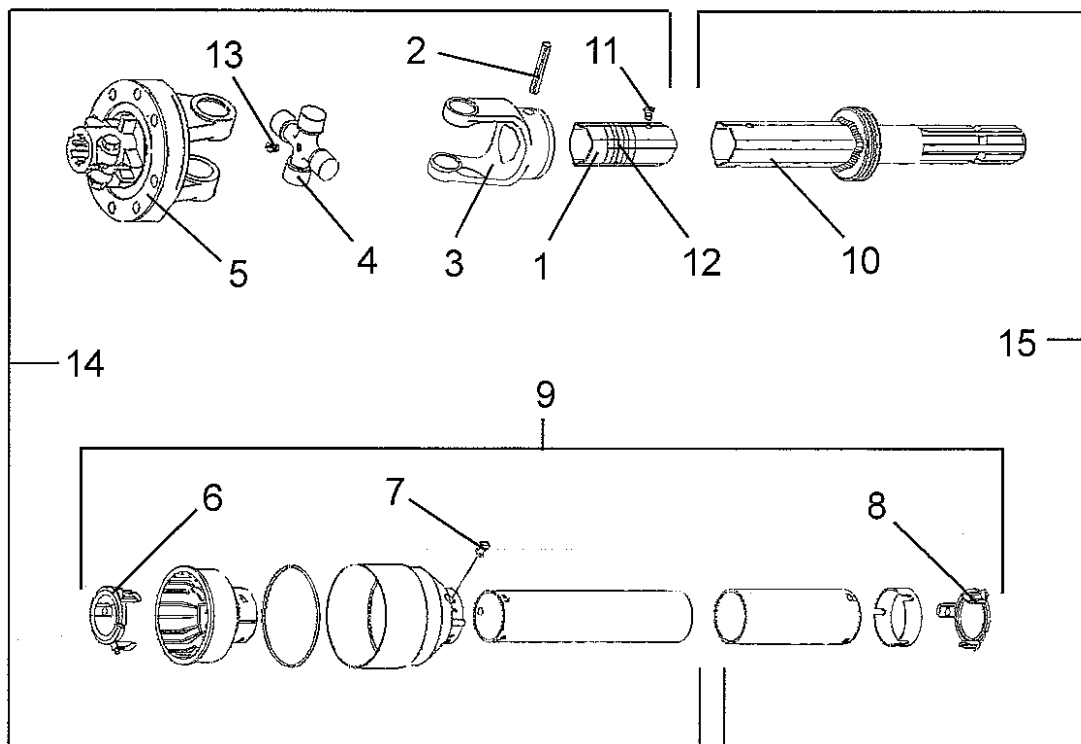
SLIP CLUTCH ASY - P/N 00775331 (NEW STYLE)



ITEM	PART NO.	QTY.	DESCRIPTION
1	00775333	1	FLANGE YOKE
2	8366	4	FRICTION DISC
3	00775334	1	HUB
4	00775335	1	DRIVE PLATE
5	00775336	1	DRIVE PLATE
6	00775337	1	THRUST PLATE
7	00775338	6	BOLT
8	00775339	6	COMPRESSION RING
9	00754566	6	LOCKWASHER
10	00756164	6	LOCKNUT
11	00775327	2	LOCKNUT
12	00775328	2	BOLT

NOTE: USED ON DRIVELINE P/N 00775369 & 00775435
 JACKSHAFT P/N 00775437

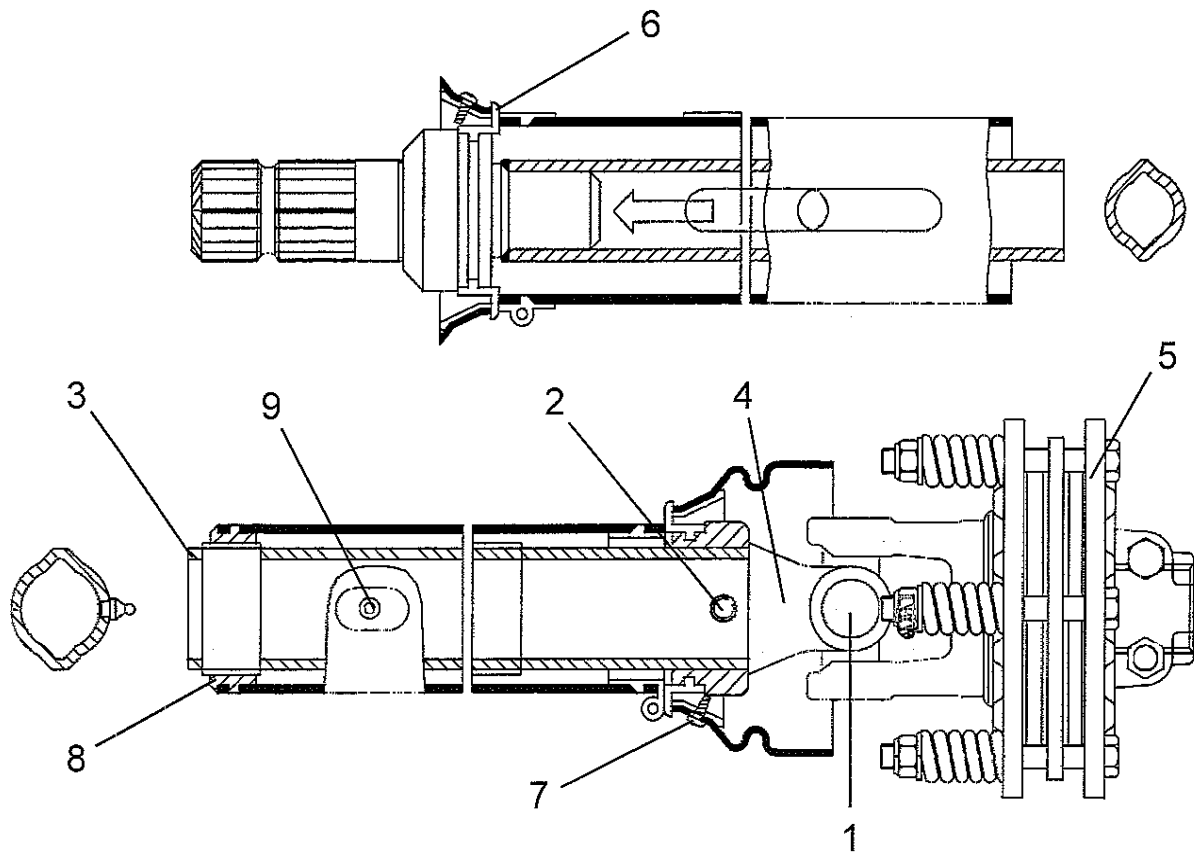
JACKSHAFT - PULL TYPE - P/N 00760899 (OLD STYLE)



ITEM	PART NO.	QTY.	DESCRIPTION
1	00761259	1	OUTER TUBE
2	00754167	1	ROLL PIN
3	00754154	1	OUTER YOKE
4	00752896	1	CROSS & BEARING KIT - SERIES 6
5	00756075	1	SLIP CLUTCH (W/ SPRING)
6	00754332	1	LOCKING COLLAR (OUTER TUBE)
7	00754330	6	BOLT
8	00754331	1	LOCKING COLLAR (INNER TUBE)
9	00761210	1	COMPLETE SHIELD
10	00761209	1	INNER TUBE, 1-3/4"- 20 SPLINE
11	00754335	1	GREASE FITTING
12	00761075	1	CENTERING SPRING
13	00755610	1	GREASE FITTING
14	00773833	1	HALF, FEMALE SHAFT W/ GUARD
15	00773834	1	HALF, MALE SHAFT W/ GUARD

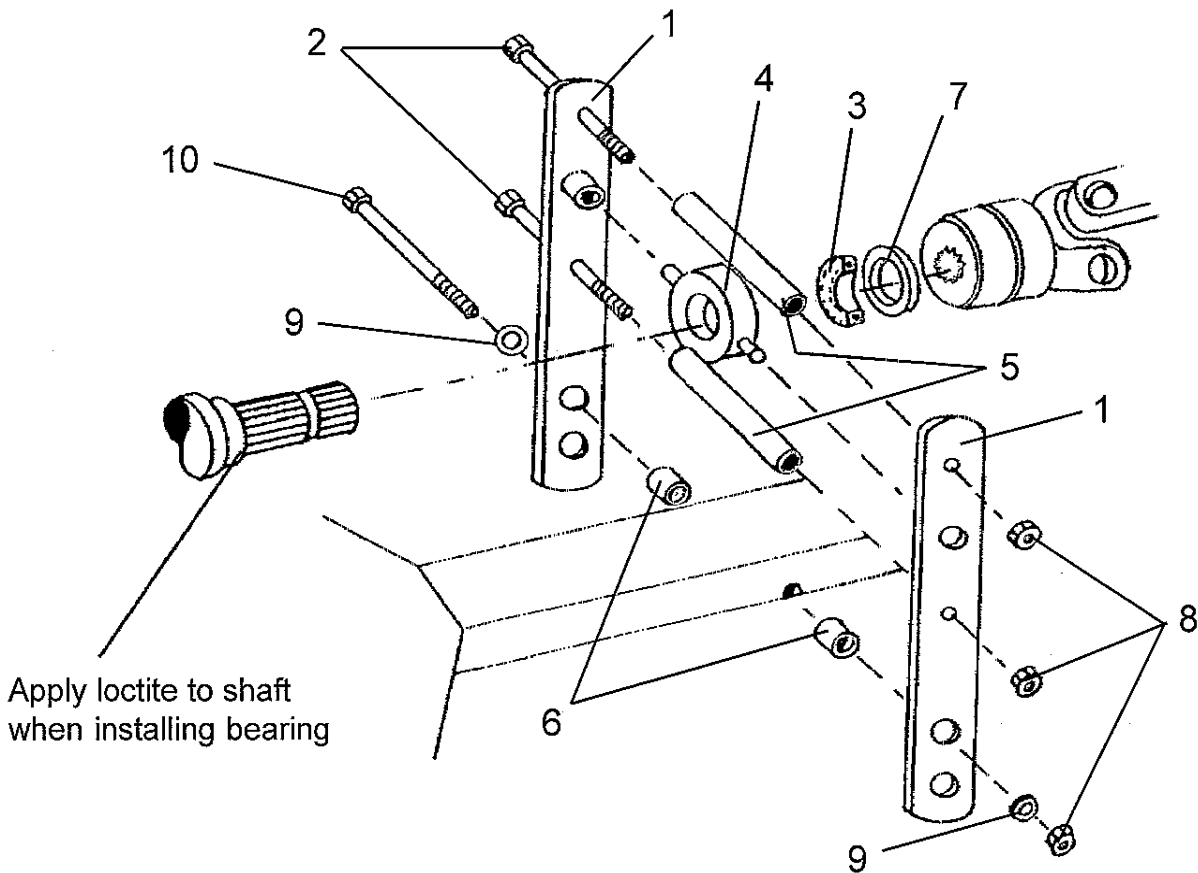
NOTE: ORDER REPLACEMENT PARTS FROM THIS PAGE IF THE PROFILE OF YOUR DRIVELINE IS TRIANGLE SHAPED.

JACKSHAFT - PULL TYPE - P/N 00775437 (NEW STYLE)



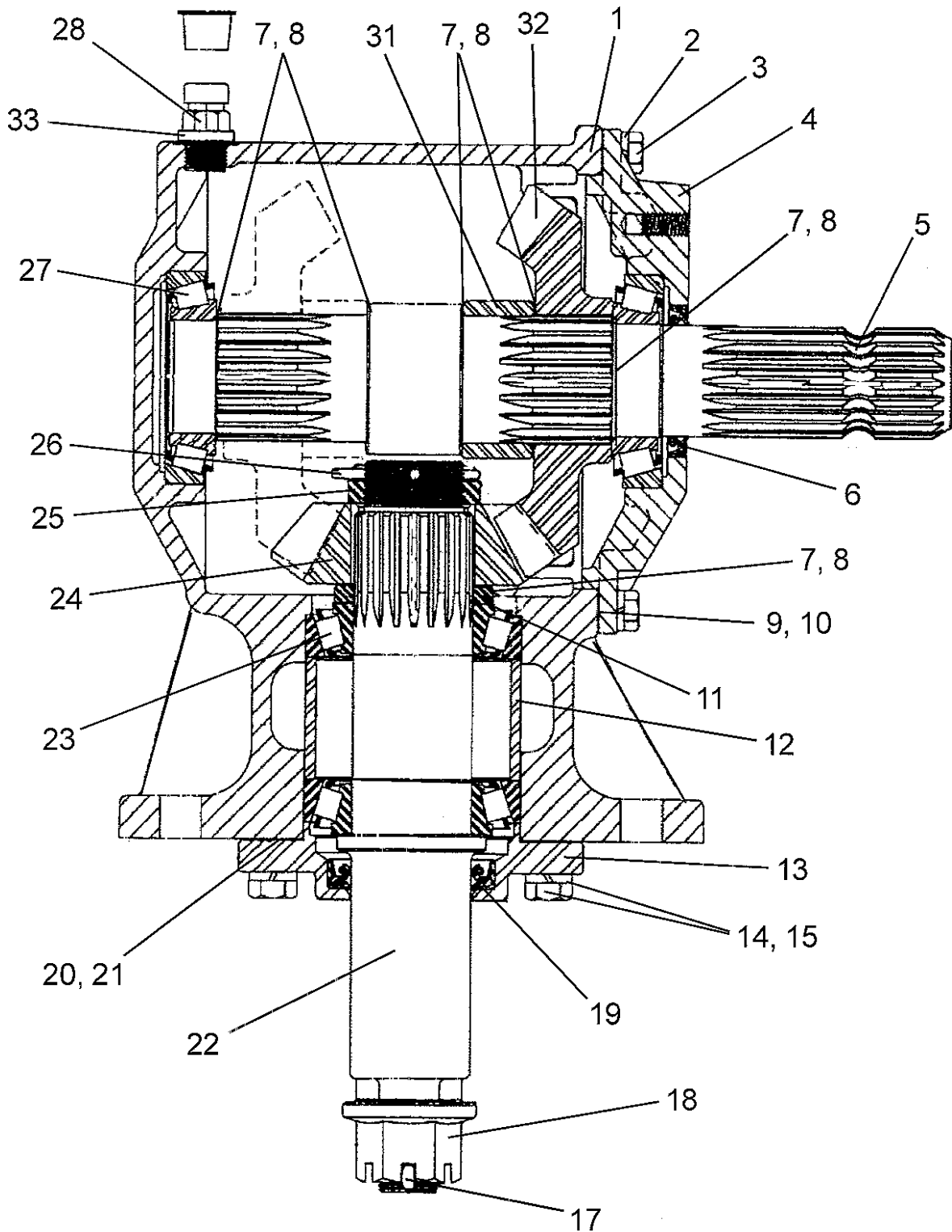
ITEM	PART NO.	QTY.	DESCRIPTION
1	W279R	1	CROSS & BEARING KIT
2	8384	1	SPRING PIN
3	00775440	1	PROFILE & SLEEVE
4	00775318	1	INBOARD YOKE
5	00775331	1	FRICITION CLUTCH
6	8393	2	BEARING RING
7	4797	2	SCREW
8	8974	1	SUPPORT BEARING
9	1416601	1	GREASE FITTING

JACKSHAFT SUPPORT - PULL TYPE



ITEM	PART NO.	QTY.	DESCRIPTION
1	00760944	2	JACKSHAFT WLD'MT
2	02963243	2	BOLT
3	00759286	1	BEARING
4	00759099	1	BEARING FLANGE
5	00760943	2	PIPE SPACER
6	681112	2	BUSHING
7	00768652	1	TUBE SPACER
8	00001800	3	LOCKNUT
9	00002700	2	FLATWASHER
10	00751582	1	BOLT
	00759100	1	BEARING ASY. (INCLUDES # 3 & # 4)

GEARBOX ASY. P/N 00760403B (540 RPM) / P/N 00758217B (1000 RPM)

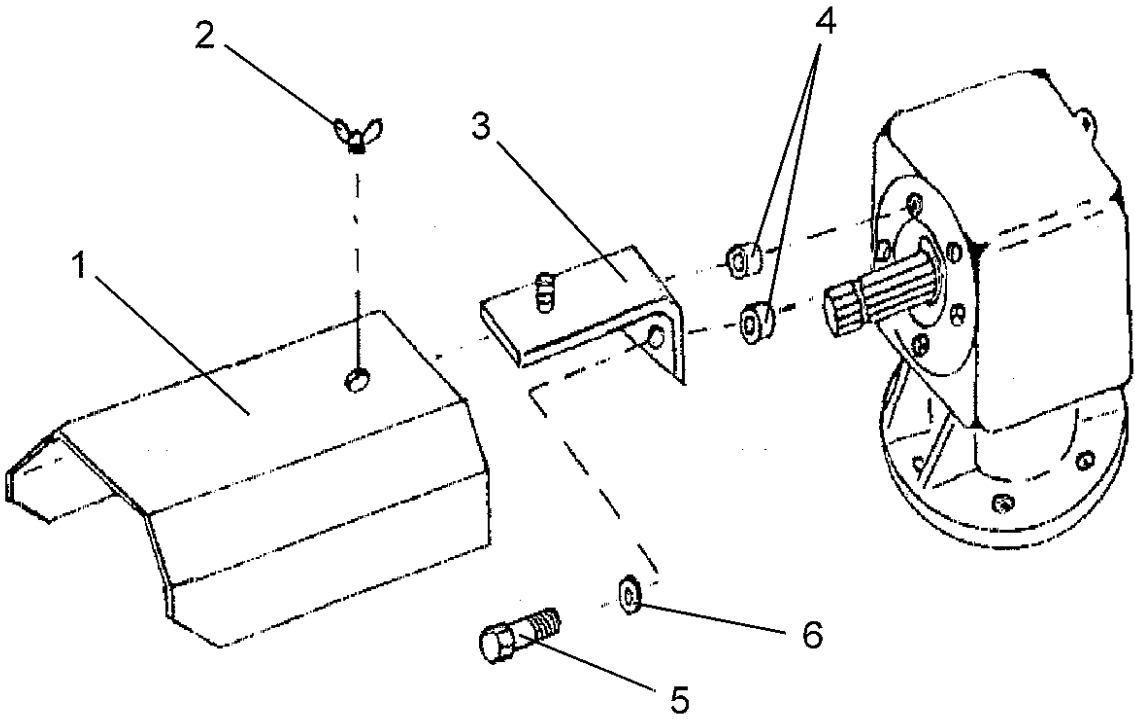


GEARBOX ASY. P/N 00760403B (540 RPM) / P/N 00758217B (1000 RPM)

ITEM	PART NO.	QTY.	DESCRIPTION
1	00758661	1	GEARBOX HOUSING
2	00755954	8	LOCKWASHER
3	00758659	8	BOLT
4	00758664	1	INPUT CAP
5	00758689	1	INPUT SHAFT
6	00758653	1	OIL SEAL
7	00758667	VAR	SHIM (0.30)
8	00758668	VAR	SHIM (0.50)
9	00768646	VAR	SHIM (0.10)
10	00758647	VAR	SHIM (0.25)
11	00759977	1	GEAR MOUNT SPACER
12	00760889	1	OUTPUT BEARING SPACER
13	00758663	1	OUTPUT CAP
14	00758672	4	LOCKWASHER
15	02959661	4	BOLT
16	00758675	1	BLADE HUB (NOT SHOWN)
17	00606000	1	COTTER PIN
18	00758692	1	NUT
19	00758674	1	OIL SEAL
20	00758676	VAR	OUTPUT GASKET CAP (0.10)
21	00758677	VAR	OUTPUT GASKET CAP (0.25)
22	00760892	1	OUTPUT SHAFT
23	00772116	2	BEARING ASY.
24	00758693	1	GEAR (13 TOOTH) 1000 RPM
	00759488	1	GEAR (17 TOOTH) 540 RPM
25	00762121	1	SLOTTED NUT
26	00749495	1	COTTER PIN
27	00758655	2	BEARING ASY.
28	00762114	AR	VENT PLUG (DIA.=0.71) W/ SEAL WASHER
	00758654	AR	VENT PLUG (DIA.=.78) TAPERED THREAD
31	00758657	1	SPACER
32	00758694	1	GEAR (19 TOOTH) 1000 RPM
	00759487	1	GEAR (14 TOOTH) 540 RPM
33	00769321	1	SEALING WASHER

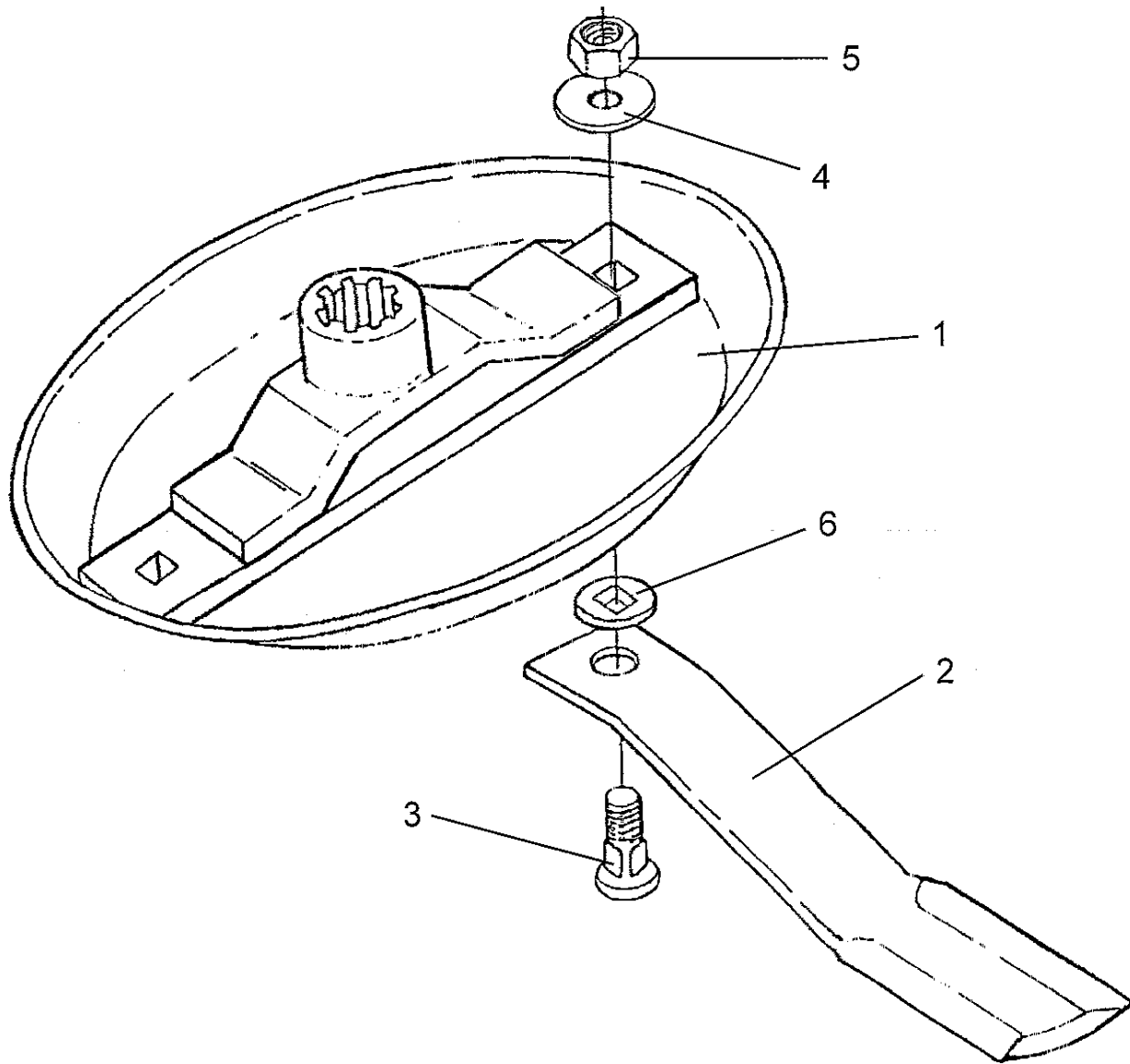
NOTE: THIS GEARBOX AND PREVIOUS GEARBOX ARE THE SAME EXCEPT OUTPUT SHAFT AND BEARING ADJUSTED NUT, ITEM #22, #25 AND #26. AND WILL FIT PREVIOUS GEARBOX WHEN INSTALLED AS SET.

GEARBOX SHIELD



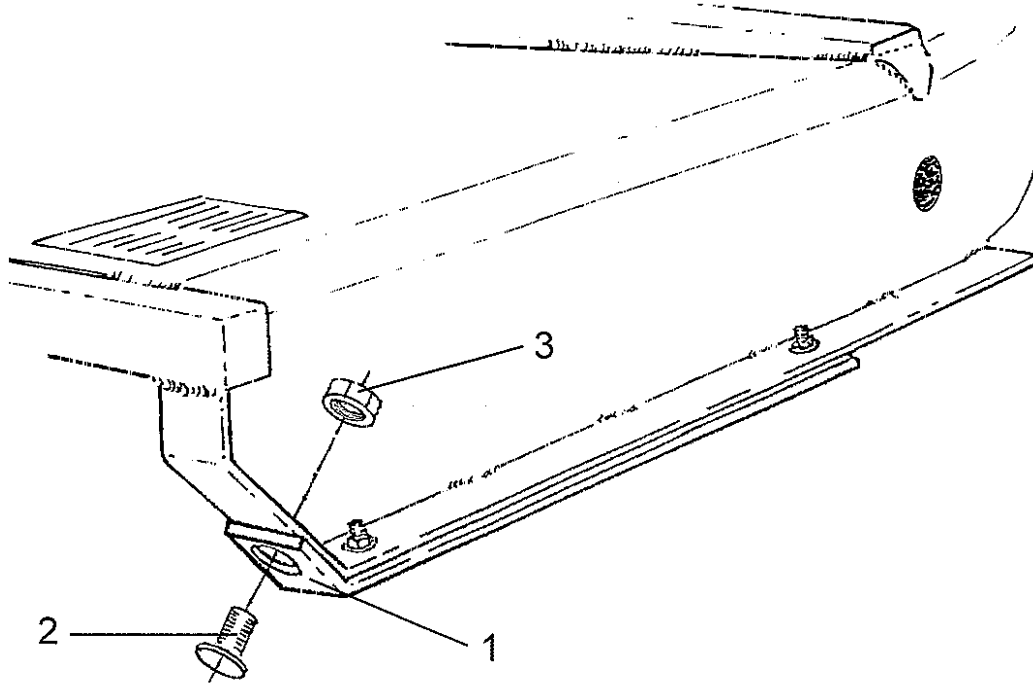
ITEM	PART NO.	QTY.	DESCRIPTION
1	00760910	1	SHIELD WLD'MT
2	5F8130	1	WING NUT
3	00760907	1	SHIELD MOUNT WLD'MT
4	00759780	2	SPACER
5	00756328	2	BOLT
6	00011700	2	LOCKWASHER

BLADE CARRIER ASY. - PAN



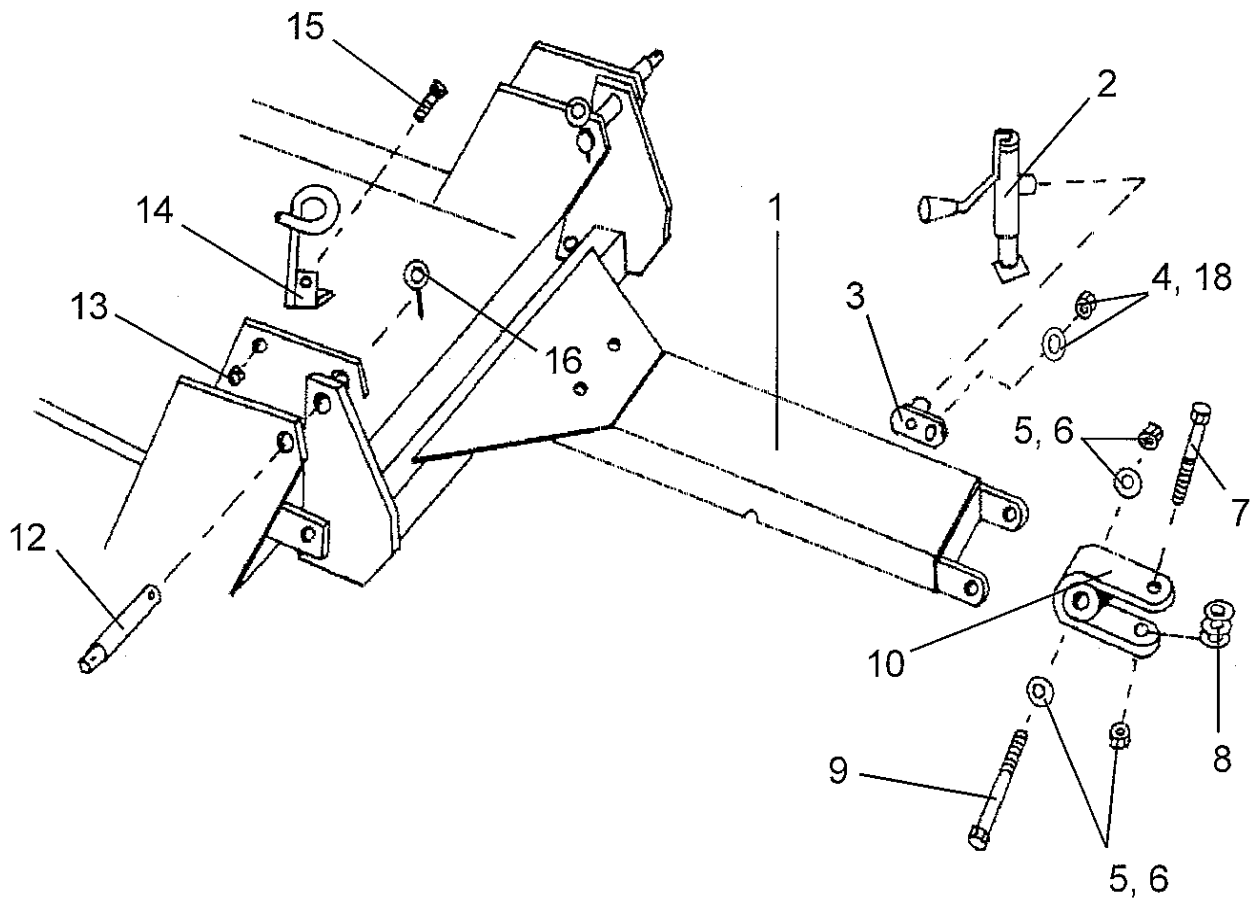
ITEM	PART NO.	QTY.	DESCRIPTION
1	00760005	1	DISHPAN WLD'MT
2	7520	1 PR	BLADES (MATCHED SET)
3	8227	2	BLADE BOLT
4	9216	2	WASHER
5	8201	2	LOCKNUT
6	00758579	2	BLADE WASHER

SKID SHOE ASY



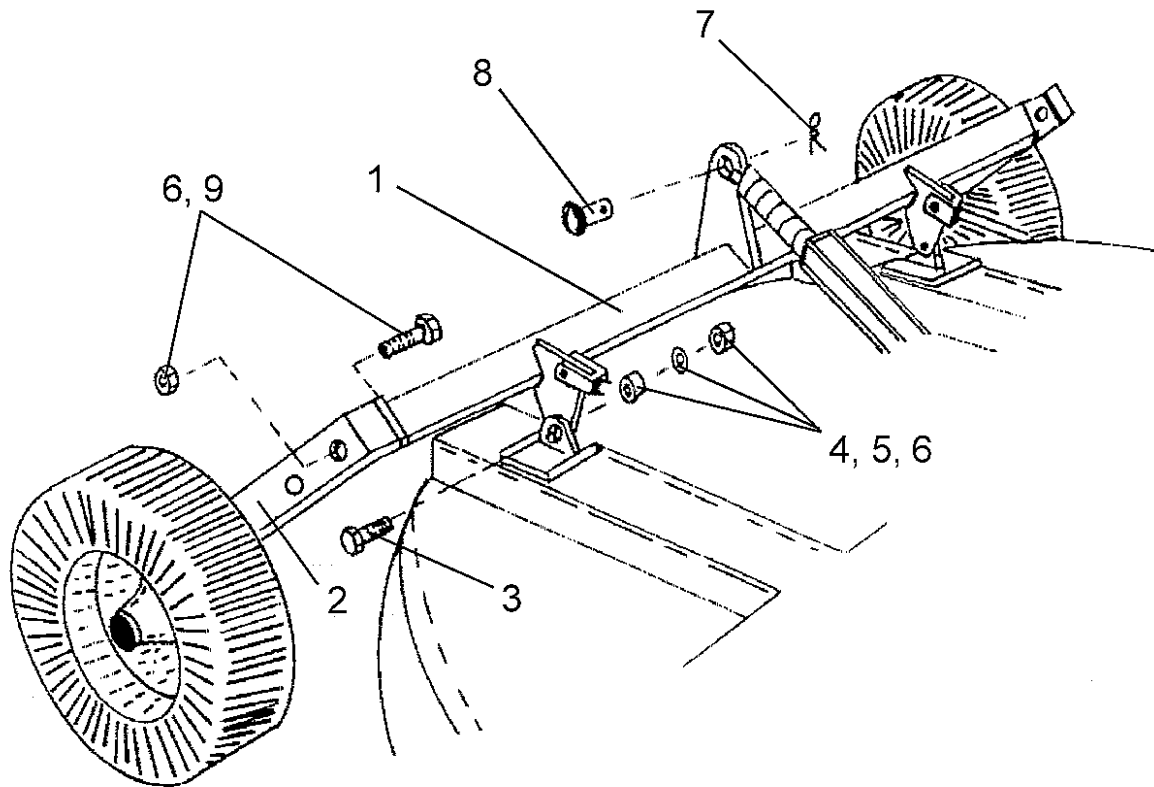
ITEM	PART NO.	QTY.	DESCRIPTION
1	0622000001	2	SKID SHOE
2	2A361612	6	PLOW BOLT
3	4528	6	3/8 WHIZ NUT

TONGUE ASY - PULL TYPE



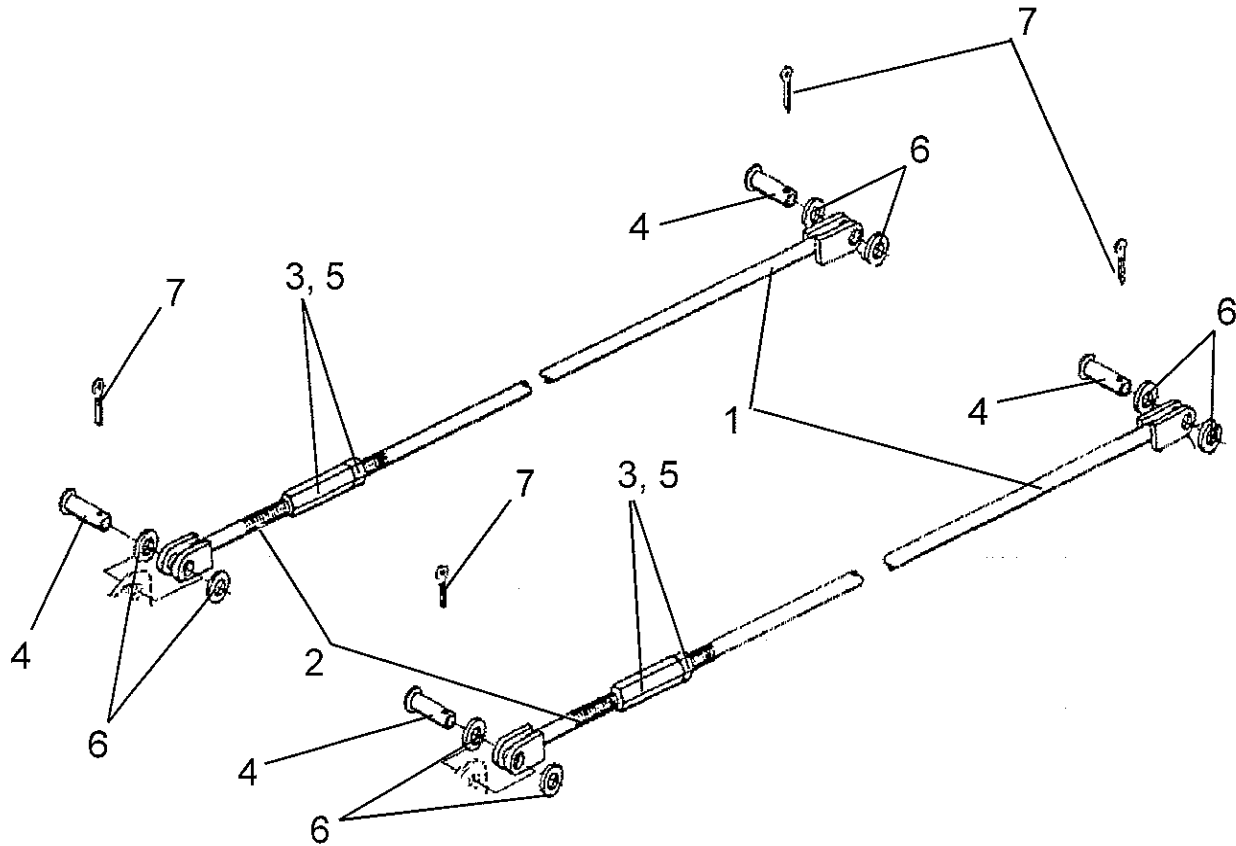
ITEM	PART NO.	QTY.	DESCRIPTION
1	00760285	1	TONGUE WLD'MT
2	00772391	1	PARKING JACK
3	00760941	1	JACK TUBE MOUNT WLD'MT
4	00695100	2	LOCKNUT
5	02030300	2	LOCKNUT
6	00759275	2	WASHER
7	02712500	1	BOLT
8	00759275	3	WASHER
9	00755305	1	BOLT
10	00748807	1	TONGUE CLEVIS
12	00758146	2	TONGUE PIVOT PIN
13	00001800	1	LOCKNUT
14	8043	1	HOSE HOLDER
15	00748823	1	BOLT
16	2196	2	CLIP PIN
18	00001400	1	FLATWASHER

AXLE ASY - PULL TYPE



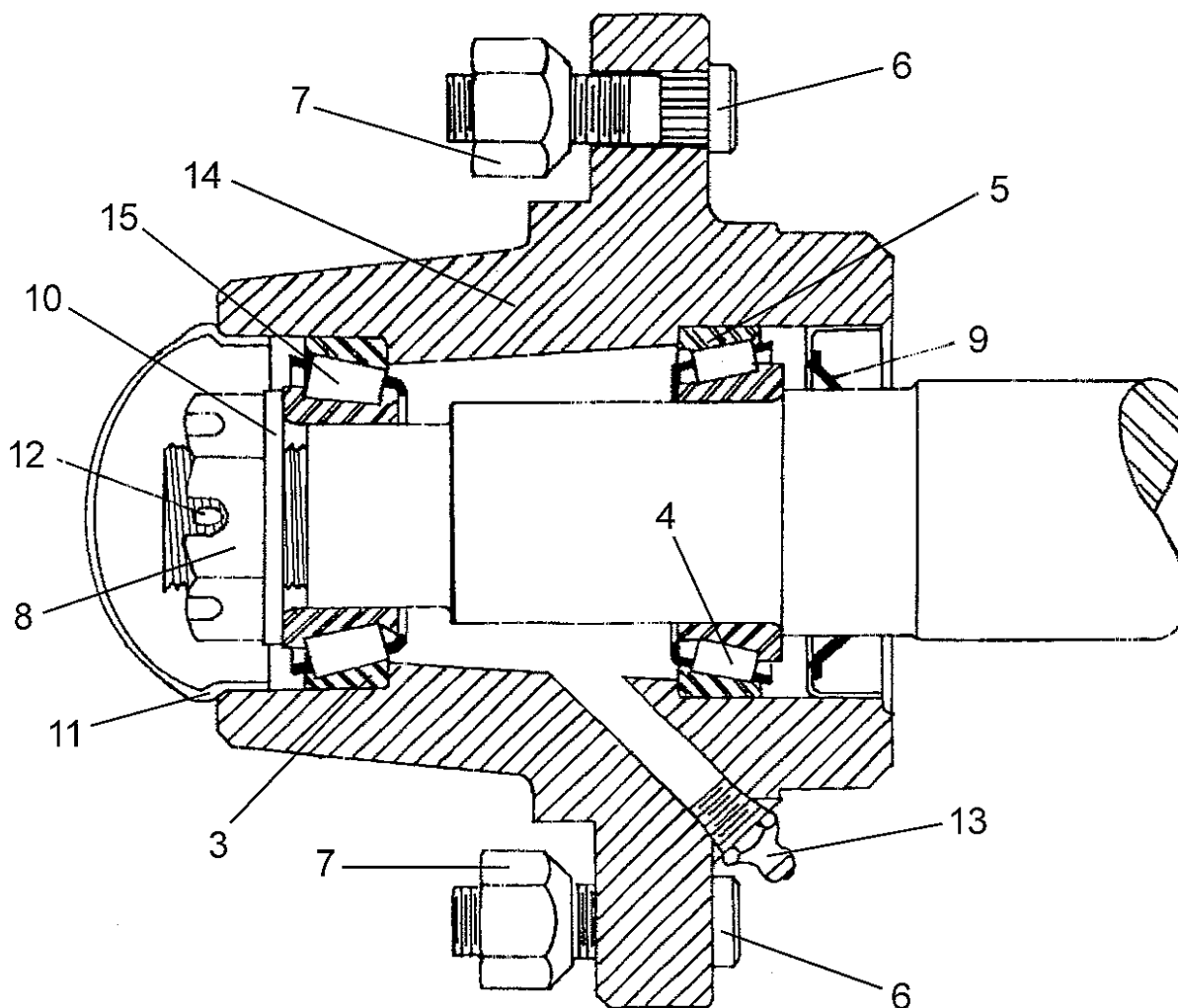
ITEM	PART NO.	QTY.	DESCRIPTION
1	00760281	1	AXLE WLD'MT
2	00759133	2	SPINDLE WLD'MT
3	02931300	2	BOLT
4	7483	2	AXLE BUSHING
5	15B1200	2	WASHER
6	00037200	6	LOCKNUT
7	00606000	1	COTTER PIN
8	8354	1	CYLINDER PIN
9	00007800	4	HEX BOLT

CONTROL ROD ASY - PULL TYPE



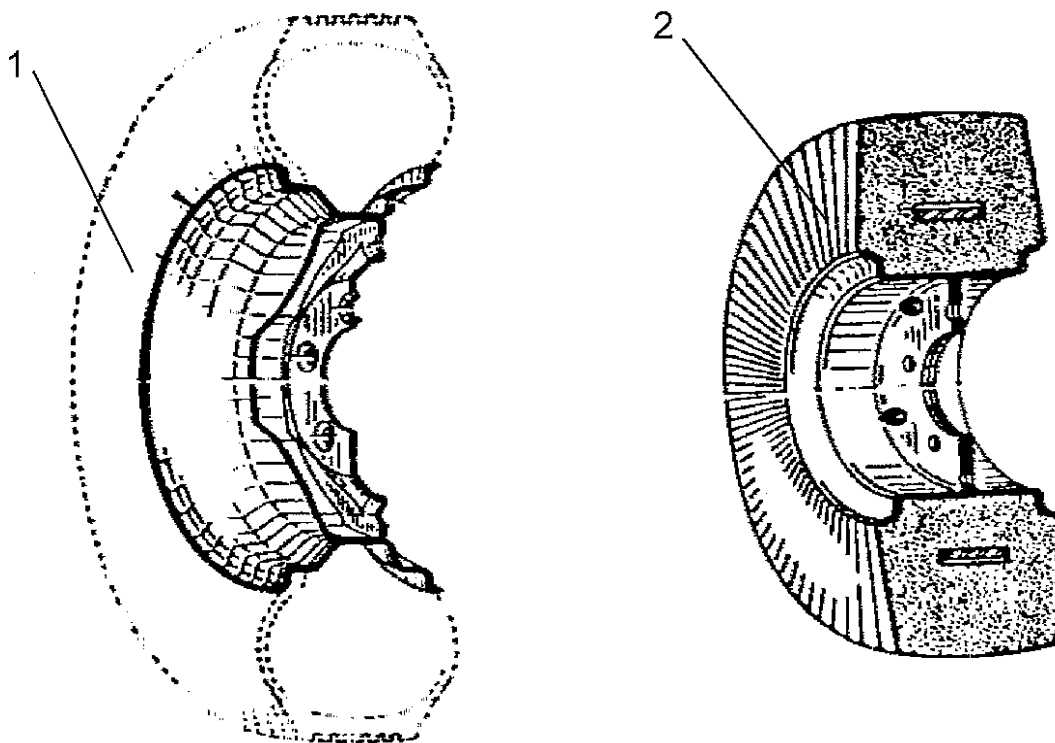
ITEM	PART NO.	QTY.	DESCRIPTION
1	00760904	2	LEVEL ROD WLD'MT - L.H.THDS
2	00758643	2	CONTROL ROD WLD'MT - R.H.THDS
3	421062	2	ADJUSTING NUT
4	651102	4	CONTROL ROD PIN
5	5C1490	2	JAM NUT
6	15B1200	8	WASHER
7	163012	8	PIN

WHEEL HUB ASY - PULL TYPE



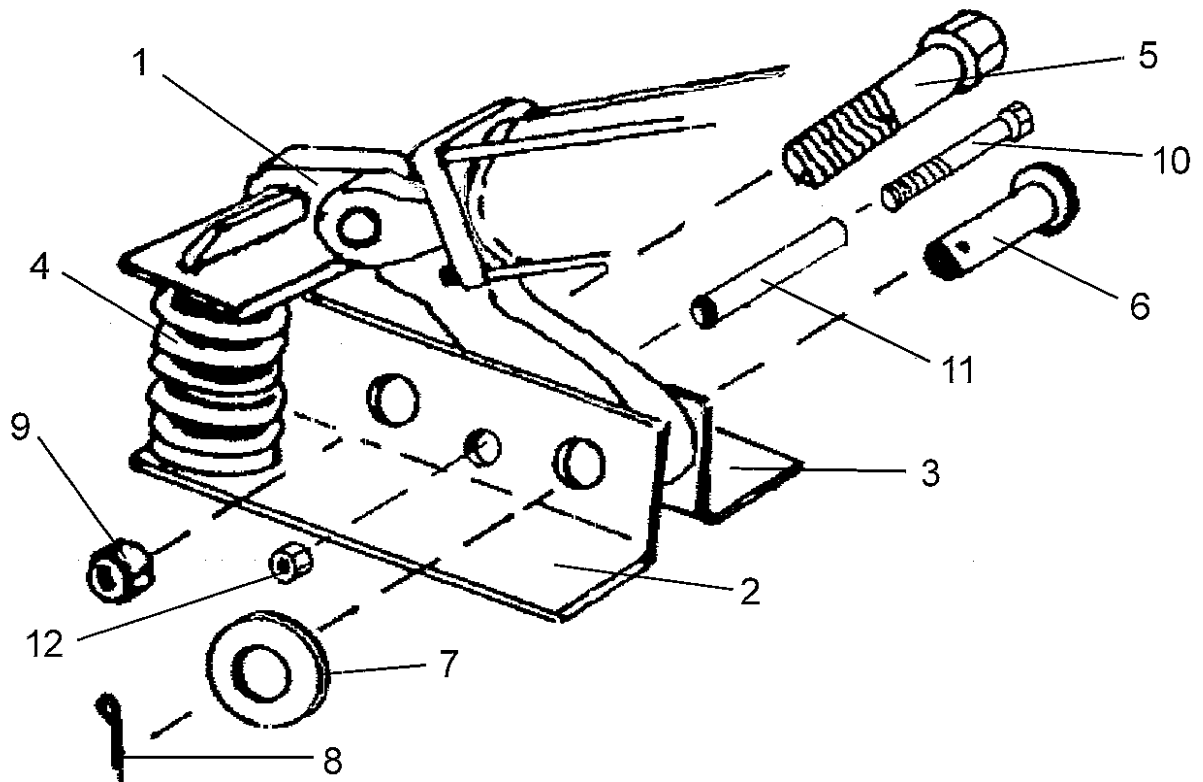
ITEM	PART NO.	QTY.	DESCRIPTION
3	00756576	1	BEARING CUP (OUTSIDE)
4	00750434	1	BEARING CONE (INSIDE)
5	00756577	1	BEARING CUP (INSIDE)
6	00756488	5	STUD BOLT
7	00750614	5	NUT
8	00756490	1	NUT
9	02957044	1	SEAL
10	00756493	1	WASHER
11	00756492	1	DUST CAP
12	00000400	1	COTTER PIN
13	00003500	1	GREASE FITTING
14	00756000	1	WHEEL HUB
15	0371242102	1	BEARING CONE (OUTSIDE)
16	00756001	REF	SINGLE WHEEL SPINDLE
	00756489	REF	HUB (W/ CUPS & STUDS)
	00756528	REF	WHEEL HUB, ACCESSORY KIT

WHEEL ASSEMBLY



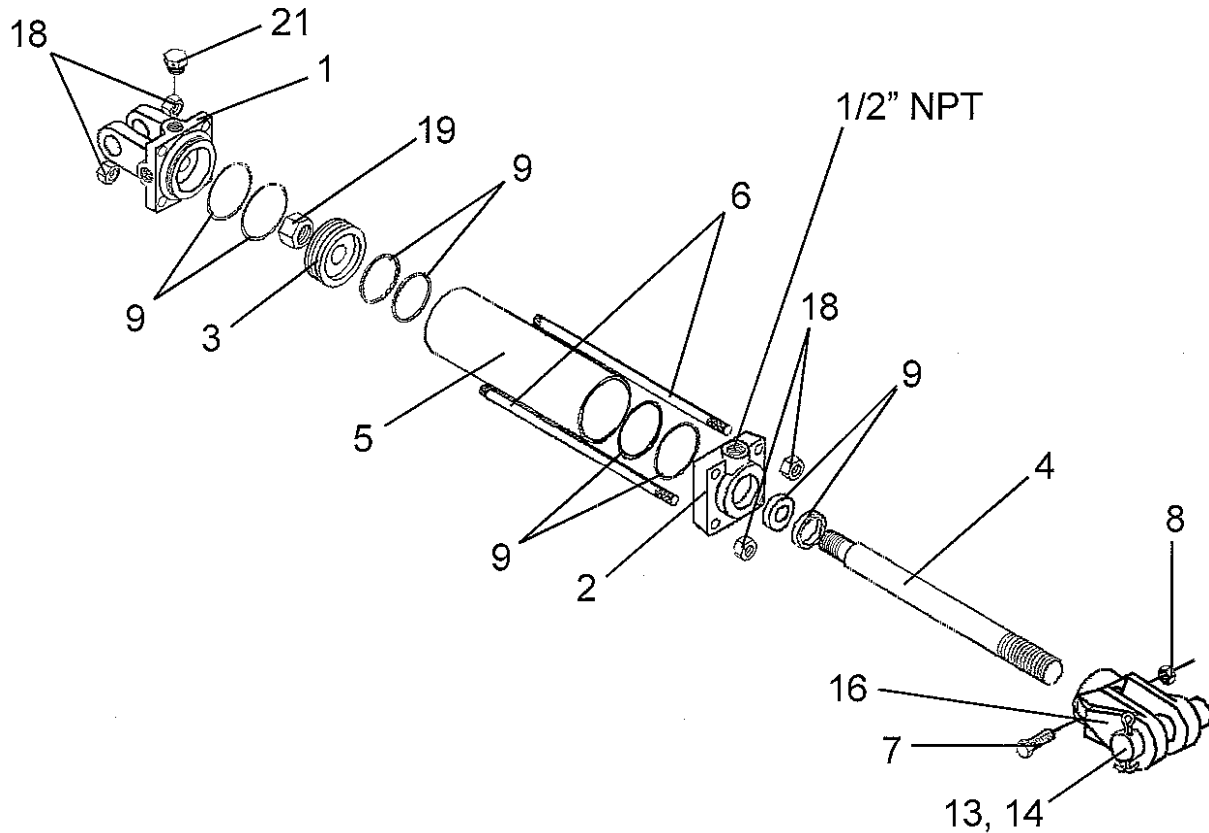
ITEM	PART NO.	QTY.	DESCRIPTION
1	00008700	2	15" WHEEL
2	00025200	2	LAMINATED PUNCTURE-PROOF TIRE & WHEEL ASY.
	00771461		USED 15" AIRPLANE TIRE/WHEEL (NOT SHOWN)
	00749700		USED 14" AIRPLANE TIRE/WHEEL (NOT SHOWN)
	00749698		IMPLEMENT TIRE/WHEEL (NOT SHOWN)

SPRING SHOCK ASY - P/N 00759191



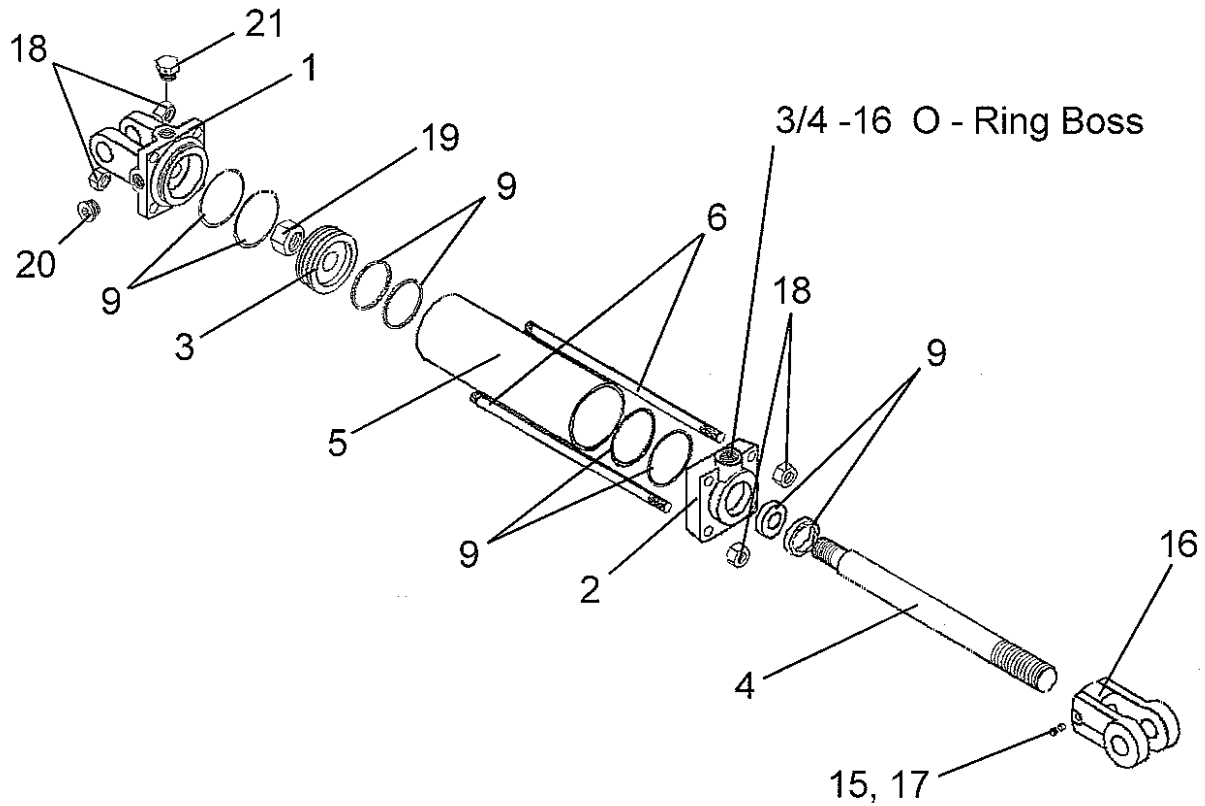
ITEM	PART NO.	QTY.	DESCRIPTION
1	00759190	1	SPRING SHOCK WLD'MT
2	00759189	1	ANGLE BRACKET WLD'MT - LH
3	00759188	1	ANGLE BRACKET WLD'MT - RH
4	371063A	2	SPRING
5	02782100	1	BOLT
6	8354	1	CYLINDER PIN
7	02822500	1	FLATWASHER
8	00606000	1	COTTER PIN
9	02030300	1	LOCKNUT
10	00750952	1	BOLT
11	00761199	1	TUBE SPACER
12	00695100	1	LOCKNUT

HYDRAULIC CYLINDER - PULL TYPE - P/N 8727 (OLD STYLE)



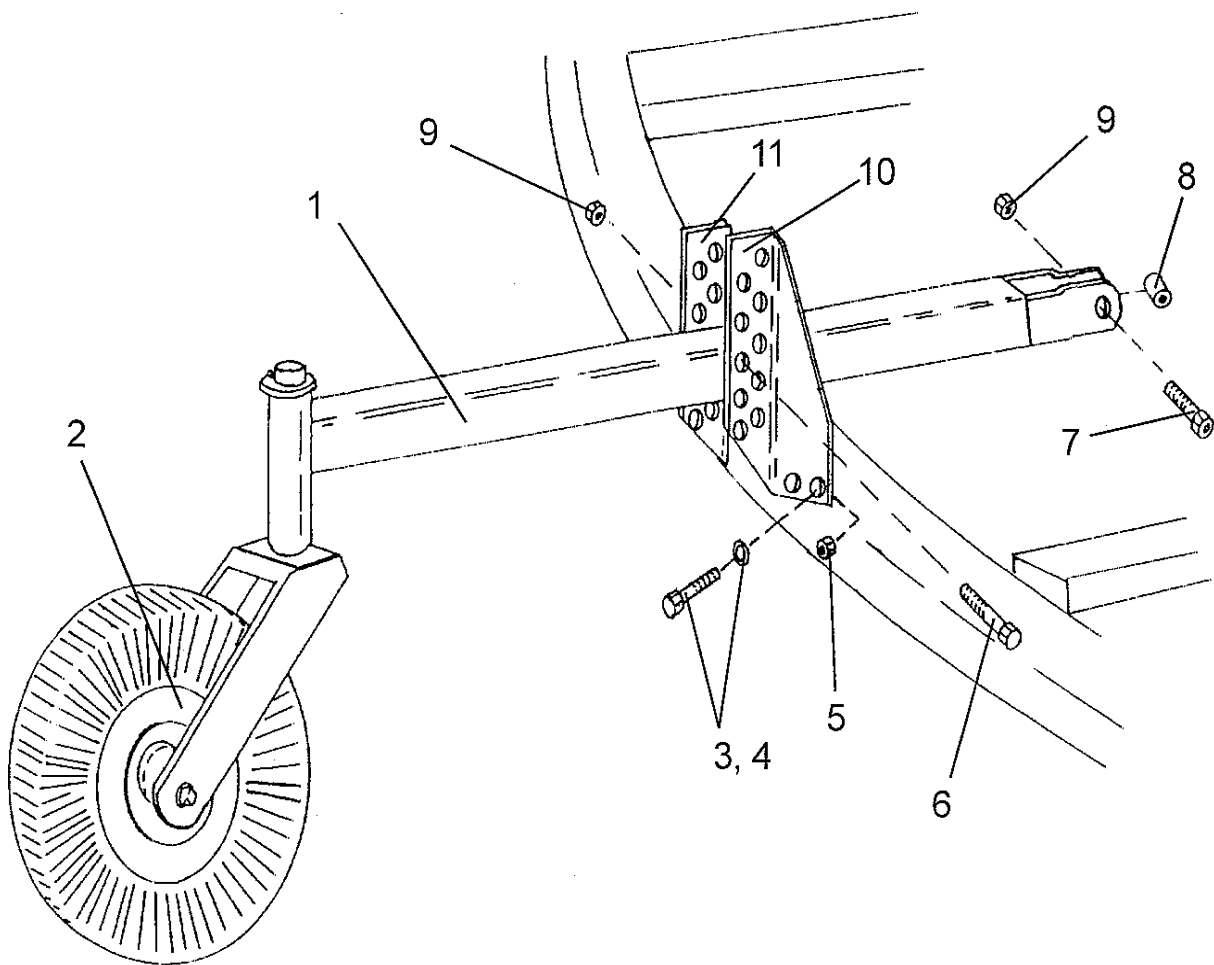
ITEM	PART NO.	QTY.	DESCRIPTION
1	8755	1	CAP
2	8757	1	HEAD
3	00760671	1	PISTON
4	8753	1	PISTON ROD
5	8752	1	TUBE
6	8756	4	TIE ROD
7	00023100	1	BOLT
8	00013901	1	HEX NUT
9	8763	1	SEAL KIT
13	8354	2 REF	PIVOT PIN
14	00606000	2 REF	COTTER PIN
16	8754	1	OUTER CLEVIS
18	02031800	8	TIE ROD NUT
19	4675	1	PISTON NUT
21	7339	1	BREATHER PLUG
	651132	2 REF	HYDRAULIC HOSE (NOT SHOWN)
	94514	2 REF	SWIVEL FITTING, 90-DEGREES (NOT SHOWN)

HYDRAULIC CYLINDER - PULL TYPE - P/N 8727A (NEW STYLE)



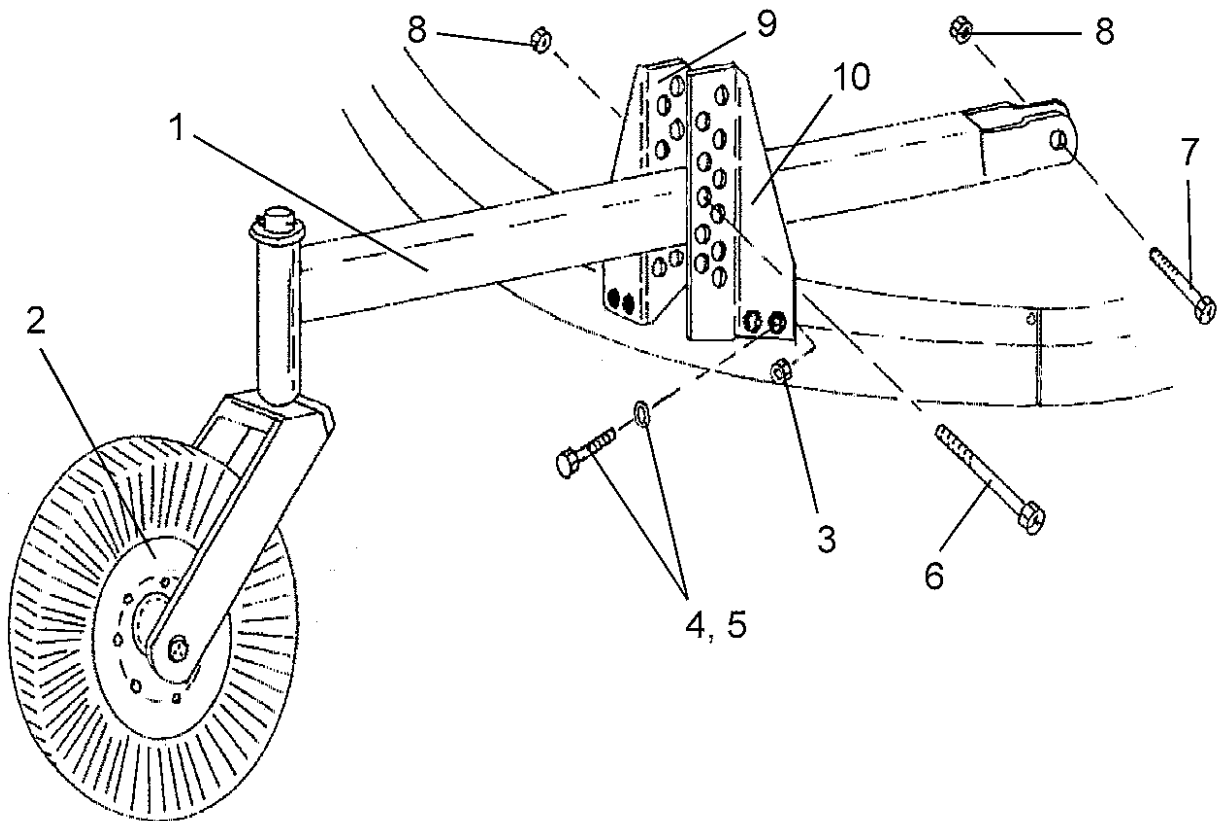
ITEM	PART NO.	QTY.	DESCRIPTION
1	00774729	1	CLEVIS CAP
2	00774734	1	ROD CAP
3	00774730	1	PISTON
4	00774753	1	ROD
5	3047111	1	TUBE
6	3047112	4	TIE ROD
9	00774760	1	SEAL KIT
15	3047117	1	NYLON THREAD PROTECTOR
16	1917140	1	ROD CLEVIS
17	00774740	1	SET SCREW
18	33003H5C	8	TIE ROD NUT
19	5JRC12160	1	PISTON NUT
20	1917132	1	PORT PLUG
21	2417154	1	BREATHER
	651132	2 REF	HOSE (NOT SHOWN)
	94514	2 REF	ELBOW (NOT SHOWN)
	0652141311	2 REF	ADAPTER (NOT SHOWN)
	8354	2 REF	PIN (NOT SHOWN)
	00606000	2 REF	COTTER PIN (NOT SHOWN)

TAIL WHEEL ASY - SINGLE



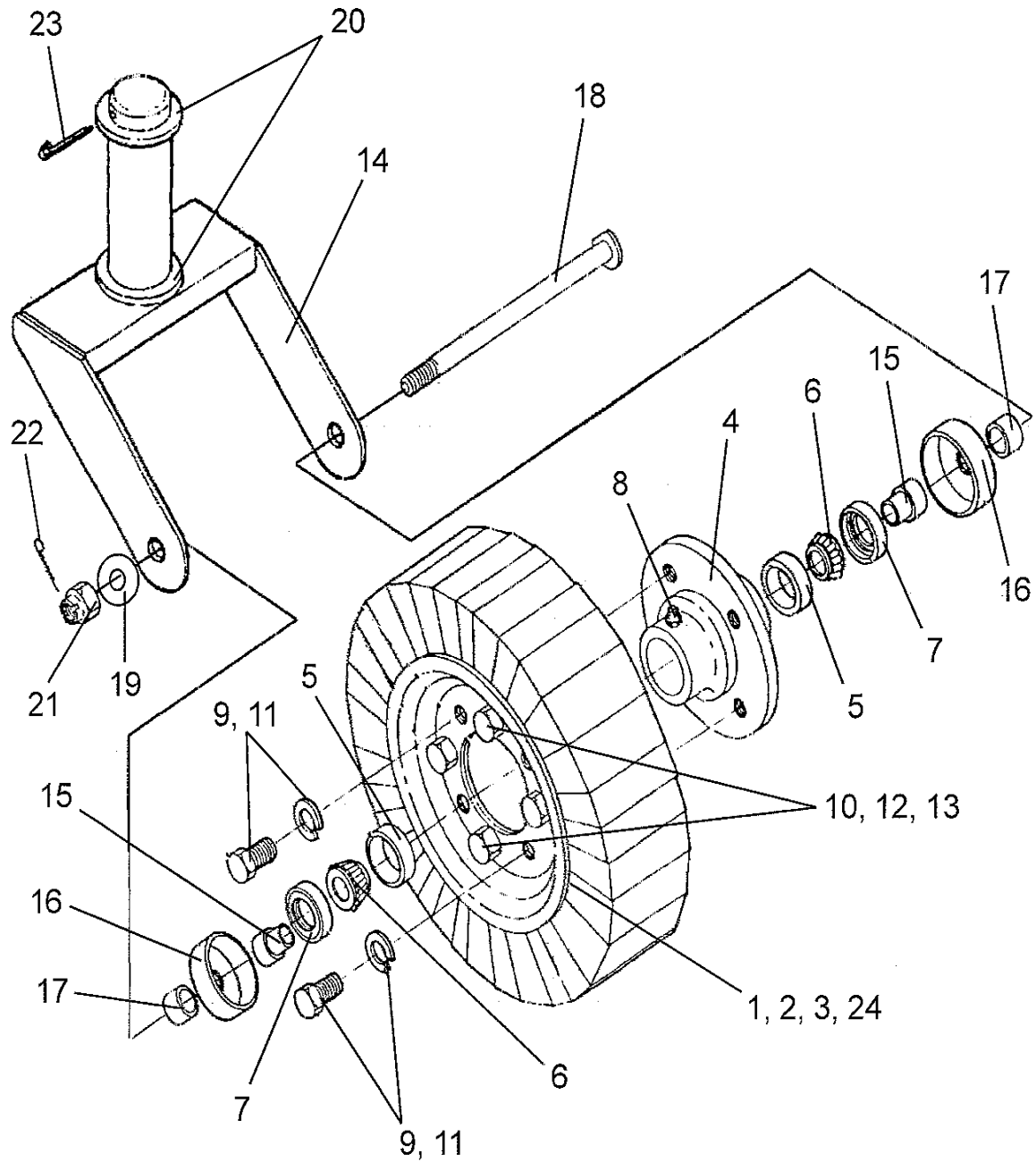
ITEM	PART NO.	QTY.	DESCRIPTION
1	00774117	1	TAIL WHEEL WLD'MT
2	00760766	1	CASTER WHEEL
3	00748823	4	BOLT
4	00002700	4	FLATWASHER
5	00001800	4	LOCKNUT
6	02845600	2	BOLT
7	00750952	1	BOLT
8	00760412	1	TUBE BUSHING
9	00695100	2	LOCKNUT
10	00760602	1	ADJUSTING BRACKET (LH)
11	00760603	1	ADJUSTING BRACKET (RH)

TAIL WHEEL ASY - DUAL



ITEM	PART NO.	QTY.	DESCRIPTION
1	00774117	2	TAIL WHEEL WLD'MT
2	00760766	2	CASTER WHEEL
3	00001800	8	LOCKNUT
4	00002700	8	FLATWASHER
5	00758823	8	BOLT
6	02845600	4	BOLT
7	00750952	2	BOLT
8	00695100	6	LOCKNUT
9	00760303	1	ADJUSTMENT BRACKET (RH INSIDE)
10	00760301	1	ADJUSTMENT BRACKET (RH OUTSIDE)
	00760304	1	ADJUSTMENT BRACKET (LH INSIDE) NOT SHOWN
	00760302	1	ADJUSTMENT BRACKET (LH OUTSIDE) NOT SHOWN

CASTER ASY - LIFT TYPE P/N 00760766

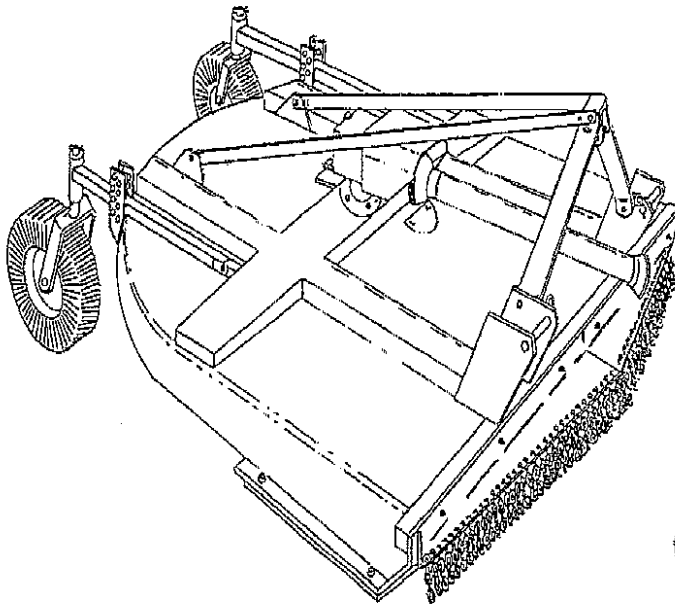


CASTER ASY - LIFT TYPE P/N 00760766

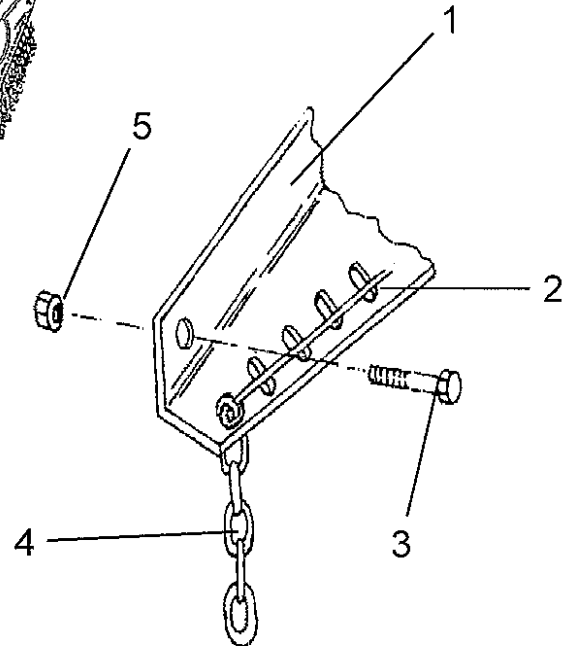
ITEM	PART NO.	QTY.	DESCRIPTION
1	373024	1	TIRE & WHEEL ASY.
2	373024A	1	TIRE
3	373024B	1	8" DIA. WHEEL (BOLTED ASY.)
4	373024D	1	HUB ASY.
5	00750621	2	BEARING CUP
6	373024F	2	BEARING CONE
7	373024E	2	SEAL
8	00752670	1	GREASE FITTING (THREADED)
	00600000	1	GREASE FITTING (DRIVE IN)
9	7A8208	4	BOLT
10	7A6166	4	BOLT
11	00001300	4	LOCKWASHER
12	00012101	4	LOCKWASHER
13	00013901	4	NUT
14	0585020210	1	CASTER FORK WLD'MT
15	37302C2C	2	BUSHING
16	37302D2B	2	DUST CAP
17	511016	2	SPACER BUSHING
18	37302D2A	1	SPINDLE BOLT
19	15B1200	1	WASHER
20	15B2400	2	WASHER
21	5E12160	1	CASTLE NUT
22	00026200	1	COTTER PIN
23	00758899	1	COTTER PIN
24	373024H	1 REF	TIRE & WHEEL ASY. (BOLTED ASY.ONLY - LESS HUB)

CHAIN GUARD ASY - FRONT (OLD STYLE)

OLD FRONT CHAINGUARD



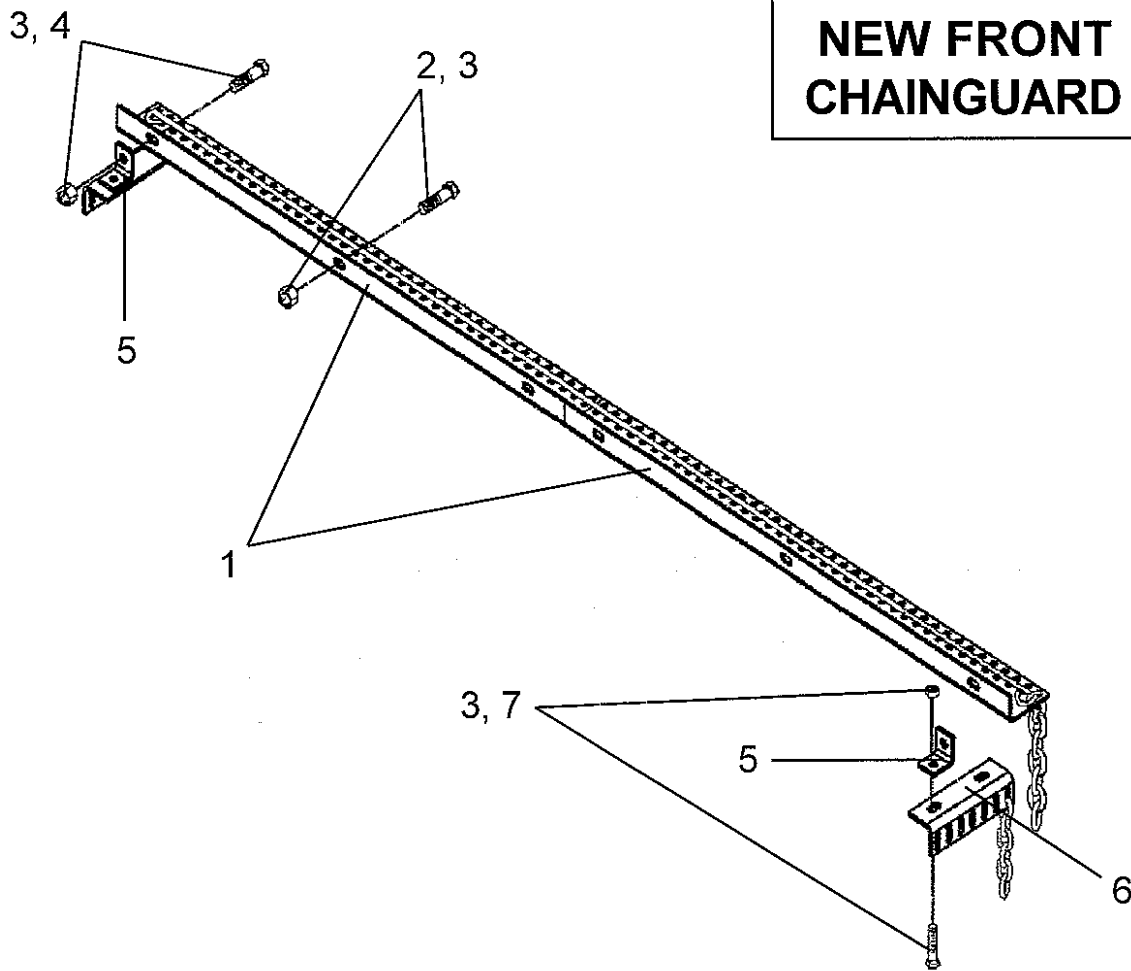
LEFT ASSEMBLY P/N 00760967



RIGHT ASSEMBLY P/N 00760300

ITEM	PART NO.	QTY.	DESCRIPTION
	00760300	1	CHAINGUARD ASY. - RH
	00760967	1	CHAINGUARD ASY. - LH
1	00760299	1	CHAIN GUARD PLATE BRKT (RIGHT SHOWN)
	00760966	1	CHAIN GUARD PLATE BRKT (LEFT NOT SHOWN)
2	0371200102	2	CHAINGUARD ROD
3	00999418	3*	BOLT
4	0758341005	39*	CHAIN - 7 LINKS
5	4526	3*	NUT
	* ITEMS PER SIDE		

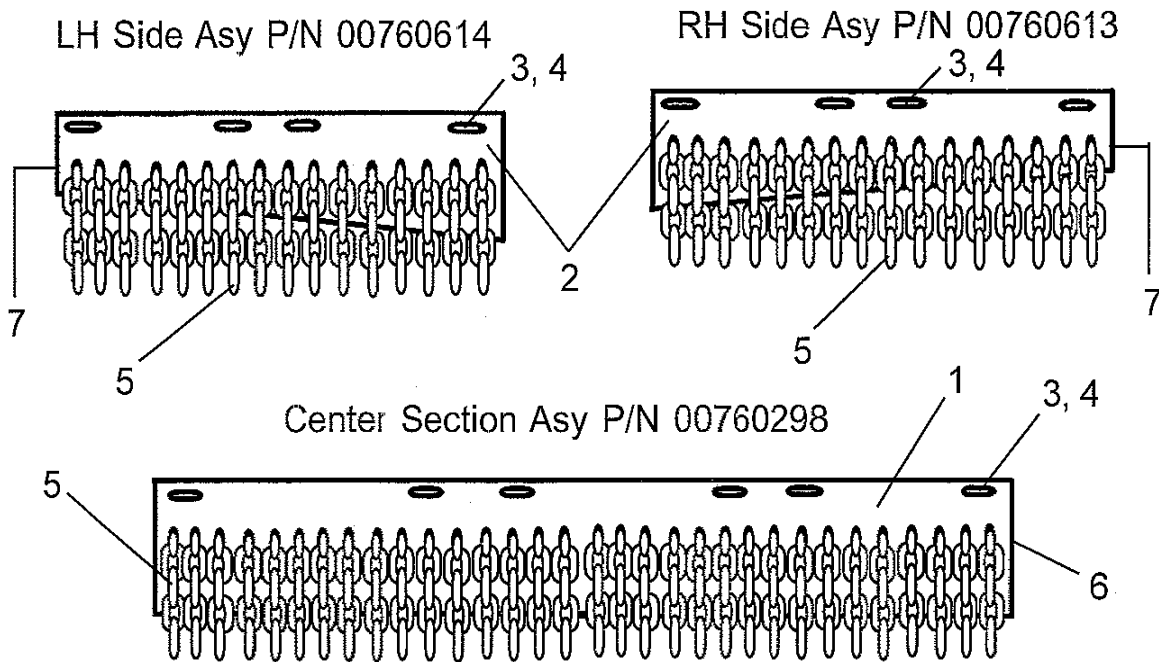
CHAIN GUARD ASY - FRONT (NEW STYLE)



ITEM	PART NO.	QTY.	DESCRIPTION
1	00775261	2	FRONT CHAINGUARD ASY.
2	00999418	4	BOLT
3	4526	10	LOCKNUT
4	00008200	2	BOLT
5	00775258	2	CHAINGUARD BRKT, SIDE MOUNT
6	00775256	2	SIDE CHAINGUARD ASY.
7	02030700	4	BOLT

CHAIN GUARD ASY - REAR (OLD STYLE)

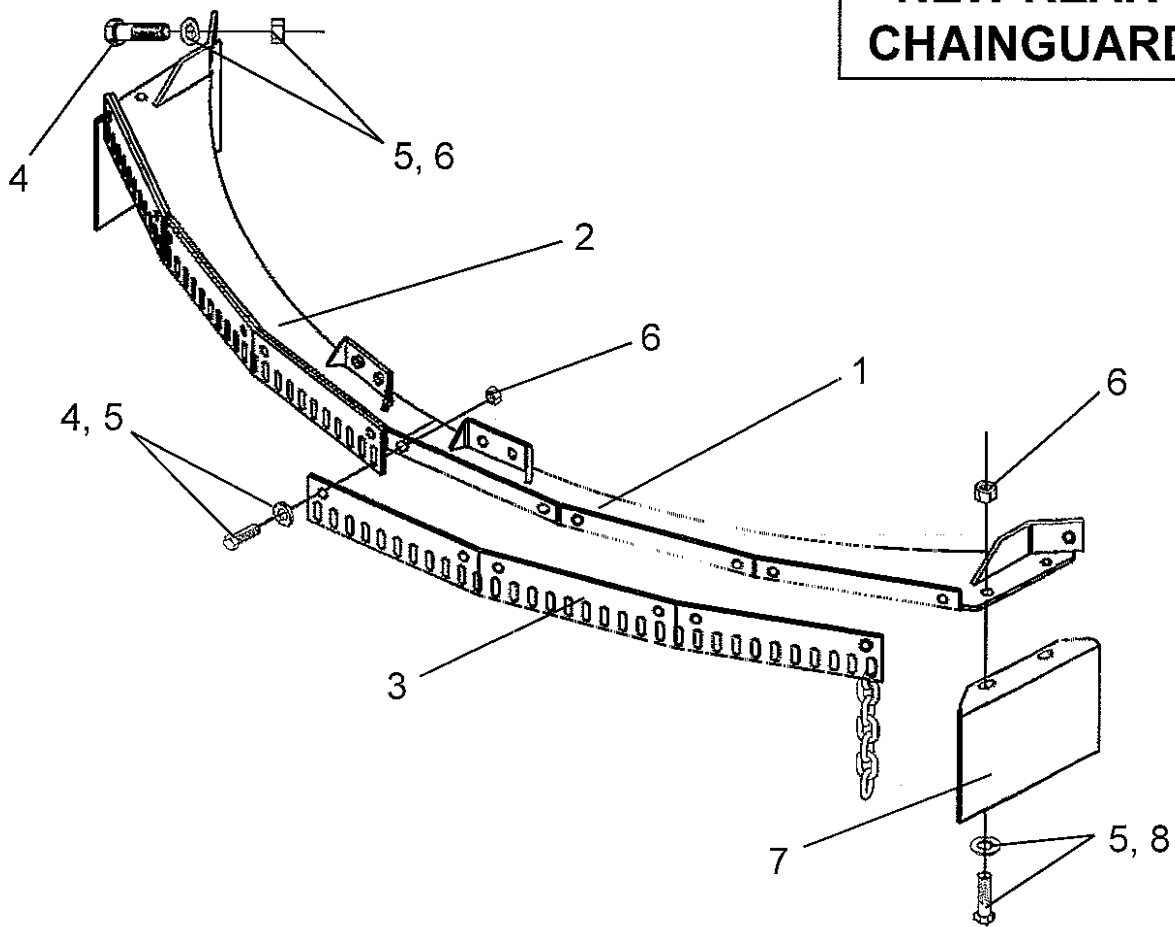
Old Style Rear Chain Guard Assembly



ITEM	PART NO.	QTY.	DESCRIPTION
	00760298	1	REAR CENTER, CHAINGUARD ASY.
	00760614	1	REAR LH, CHAINGUARD ASY.
	00760613	1	REAR RH, CHAINGUARD ASY.
1	00760296	1	REAR CENTER, CHAINGUARD BRKT
2	00760612	1	LH CHAINGUARD BRKT, REAR OUTSIDE
	00761070	1	RH CHAINGUARD BRKT, REAR OUTSIDE
3	9012	14	BOLT
4	4526	14	WHIZ NUT
5	00755090	70	CHAIN - 5 LINK
6	0371200102	1	CHAINGUARD ROD
7	0911110220	2	ROD

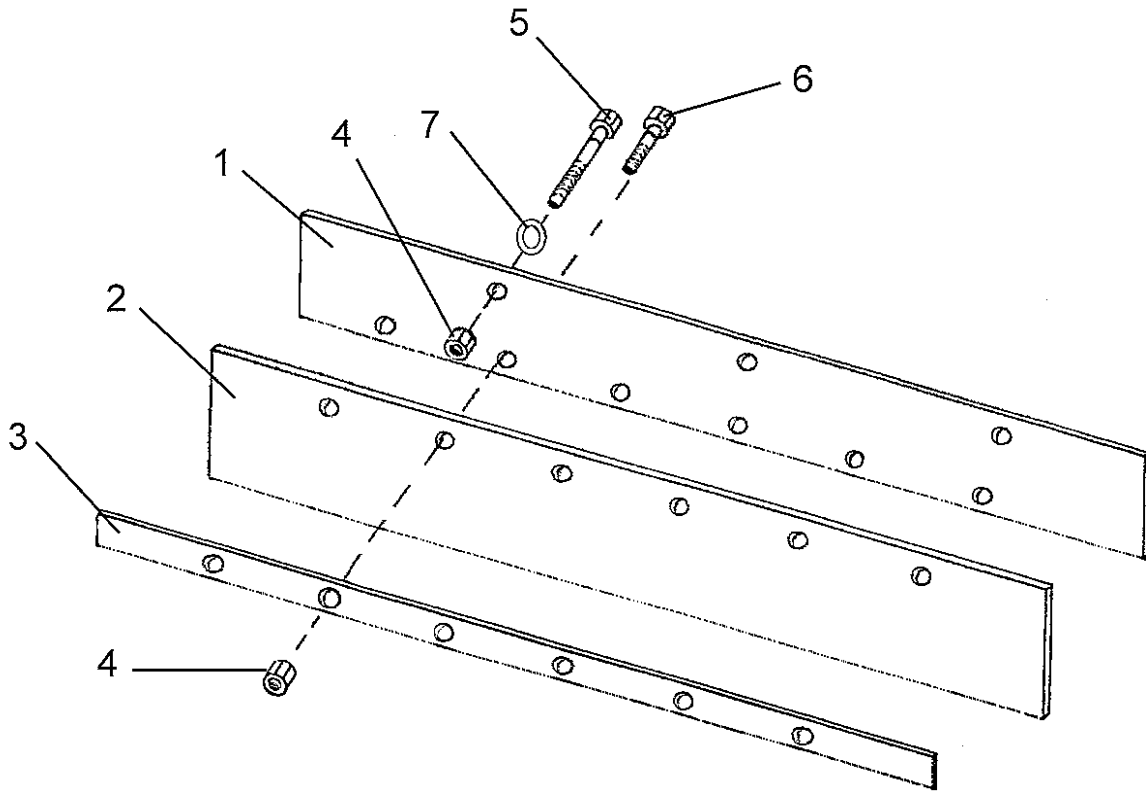
CHAIN GUARD ASY - REAR (NEW STYLE)

NEW REAR CHAINGUARD



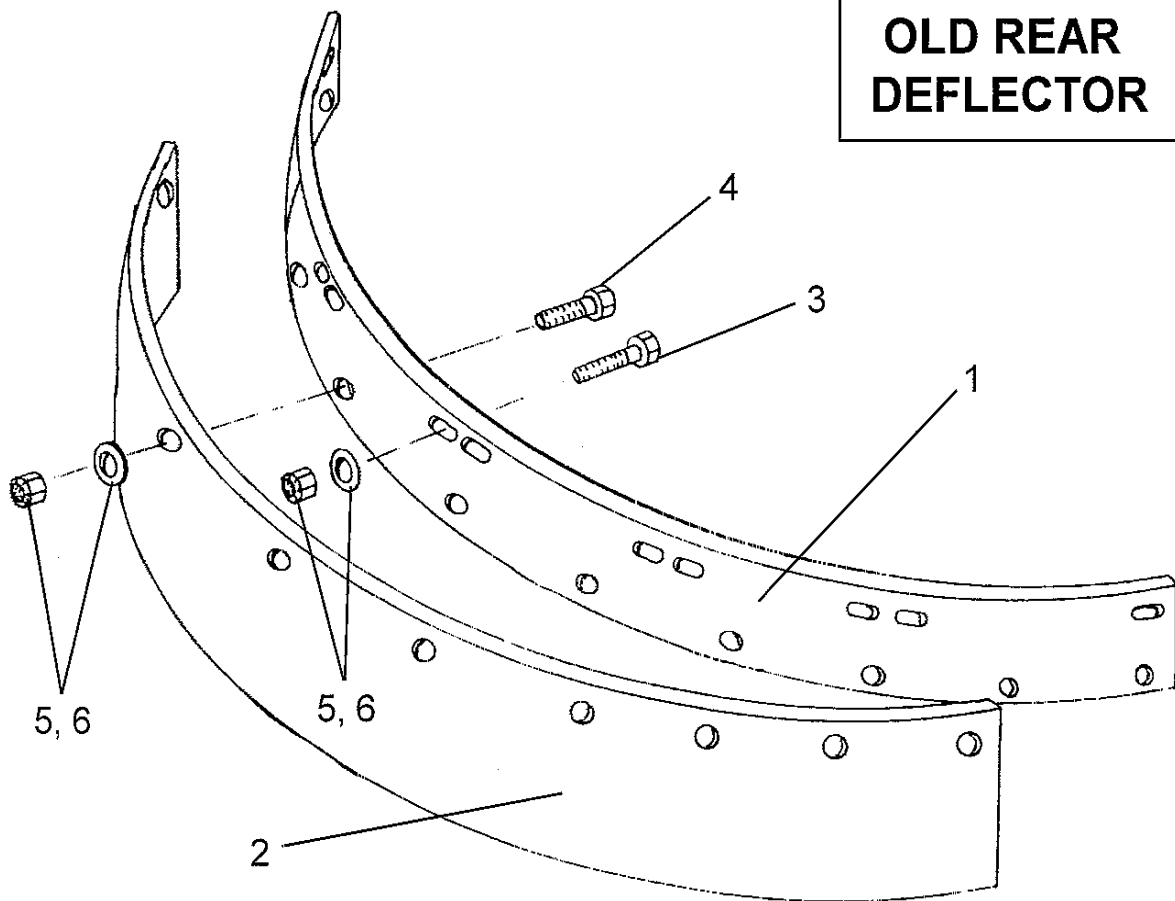
ITEM	PART NO.	QTY.	DESCRIPTION
1	00773998	1	REAR CHAINGUARD MT PLATE - RH
2	00773997	1	REAR CHAINGUARD MT PLATE - LH
3	00774006	2	REAR CHAINGUARD ASY.
4	00748823	18	BOLT
	000245	12	BOLT - FOR DOUBLE CHAINGUARD (NOT SHOWN)
5	00002700	22	WASHER
6	00001800	22	LOCKNUT
7	00774001	2	SIDE SHIELD - REAR CHAINGUARD
8	02030700	4	BOLT
9	00774909	8	SPACER - FOR DOUBLE CHAINGUARD (NOT SHOWN)

DEFLECTOR ASY - FRONT



ITEM	PART NO.	QTY.	DESCRIPTION
1	00760996	2	FLAT - DEFLECTOR SUPPORT
2	00760998	2	SHIELD - DEFLECTOR PANEL
3	00760997	2	FLAT - DEFLECTOR STRAP
4	00001800	18	LOCKNUT
5	00999418	6	BOLT
6	02030700	12	BOLT
7	00002700	6	FLATWASHER

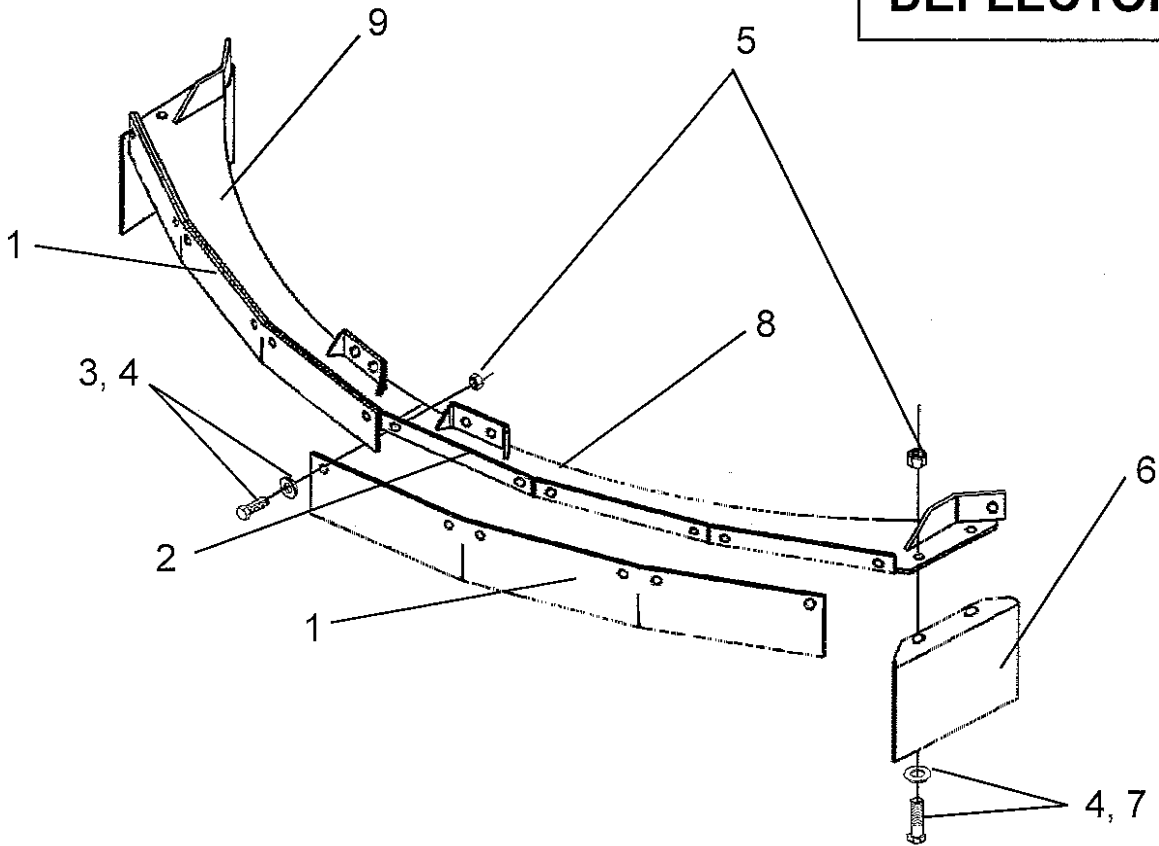
DEFLECTOR ASY - REAR (OLD STYLE)



ITEM	PART NO.	QTY.	DESCRIPTION
1	00761007	1	FLAT - DEFLECTOR SUPPORT
2	00761008	1	SHIELD - DEFLECTOR PANEL
3	00748823	14	BOLT
4	02030700	11	BOLT
5	00001800	25	LOCKNUT
6	00002700	39	FLATWASHER

REAR - DEFLECTOR ASY. (NEW STYLE)

**NEW REAR
DEFLECTOR**



ITEM	PART NO.	QTY.	DESCRIPTION
1	00774002	2	DEFLECTOR PANEL
2	00774003	6	BAR DEFLECTOR STRAP
3	00748823	12	BOLT
4	00002700	16	FLATWASHER
5	00001800	16	LOCKNUT
6	00774001	2	SIDE SHIELD GUARD
7	02030700	4	BOLT
8	00773998	1	CHAINGUARD MOUNT - RH
9	00773997	1	CHAINGUARD MOUNT - LH

Alamo Industrial

LIMITED WARRANTY

1. LIMITED WARRANTIES

- 1.01. Servis-Rhino warrants for one year from the purchase date to the original non-commercial, governmental, or municipal purchaser ("Purchaser") and warrants for six months to the original commercial or industrial purchaser ("Purchaser") that the goods purchased are free from defects in material or workmanship.
- 1.02. Manufacturer will replace for the Purchaser any part or parts found, upon examination at one of its factories, to be defective under normal use and service due to defects in material or workmanship.
- 1.03. This limited warranty does not apply to any part of the goods which has been subjected to improper or abnormal use, negligence, alteration, modification, or accident, damaged due to lack of maintenance or use of wrong fuel, oil, or lubricants, or which has served its normal life. This limited warranty does not apply to any part of any internal combustion engine, or expendable items such as blades, shields, guards, or pneumatic tires except as specifically found in your Operator's Manual.
- 1.04. Except as provided herein, no employee, agent, Dealer, or other person is authorized to give any warranties of any nature on behalf of Manufacturer.

2. REMEDIES AND PROCEDURES.

- 2.01. This limited warranty is not effective unless the Purchaser returns the Registration and Warranty Form to Manufacturer within 30 days of purchase.
- 2.02. Purchaser claims must be made in writing to the Authorized Dealer ("Dealer") from whom Purchaser purchased the goods or an approved Authorized Dealer ("Dealer") within 30 days after Purchaser learns of the facts on which the claim is based.
- 2.03. Purchaser is responsible for returning the goods in question to the Dealer.
- 2.04. If after examining the goods and/or parts in question, Manufacturer finds them to be defective under normal use and service due to defects in material or workmanship, Manufacturer will:
 - (a) Repair or replace the defective goods or part(s) or
 - (b) Reimburse Purchaser for the cost of the part(s) and reasonable labor charges (as determined by Manufacturer) if Purchaser paid for the repair and/or replacement prior to the final determination of applicability of the warranty by Manufacturer.The choice of remedy shall belong to Manufacturer.
- 2.05. Purchaser is responsible for any labor charges exceeding a reasonable amount as determined by Manufacturer and for returning the goods to the Dealer, whether or not the claim is approved. Purchaser is responsible for the transportation cost for the goods or part(s) from the Dealer to the designated factory.

3. LIMITATION OF LIABILITY.

- 3.01. MANUFACTURER DISCLAIMS ANY EXPRESS (EXCEPT AS SET FORTH HEREIN) AND IMPLIED WARRANTIES WITH RESPECT TO THE GOODS INCLUDING, BUT NOT LIMITED TO, MERCHANTABILITY AND FITNESS FOR A PARTICULAR PURPOSE.
- 3.02. MANUFACTURER MAKES NO WARRANTY AS TO THE DESIGN, CAPABILITY, CAPACITY, OR SUITABILITY FOR USE OF THE GOODS.
- 3.03. EXCEPT AS PROVIDED HEREIN, MANUFACTURER SHALL HAVE NO LIABILITY OR RESPONSIBILITY TO PURCHASER OR ANY OTHER PERSON OR ENTITY WITH RESPECT TO ANY LIABILITY, LOSS, OR DAMAGE CAUSED OR ALLEGED TO BE CAUSED DIRECTLY OR INDIRECTLY BY THE GOODS INCLUDING, BUT NOT LIMITED TO, ANY INDIRECT, SPECIAL, CONSEQUENTIAL, OR INCIDENTAL DAMAGES RESULTING FROM THE USE OR OPERATION OF THE GOODS OR ANY BREACH OF THIS WARRANTY. NOTWITHSTANDING THE ABOVE LIMITATIONS AND WARRANTIES, MANUFACTURER'S LIABILITY HEREUNDER FOR DAMAGES INCURRED BY PURCHASER OR OTHERS SHALL NOT EXCEED THE PRICE OF THE GOODS.
- 3.04. NO ACTION ARISING OUT OF ANY CLAIMED BREACH OF THIS WARRANTY OR TRANSACTIONS UNDER THIS WARRANTY MAY BE BROUGHT MORE THAN TWO (2) YEARS AFTER THE CAUSE OF ACTION HAS OCCURRED.

4. MISCELLANEOUS.

- 4.01. Proper Venue for any lawsuits arising from or related to this limited warranty shall be only in Guadalupe County, Texas.
- 4.02. Manufacturer may waive compliance with any of the terms of this limited warranty, but no waiver of any terms shall be deemed to be a waiver of any other term.
- 4.03. If any provision of this limited warranty shall violate any applicable law and is held to be unenforceable, then the invalidity of such provision shall not invalidate any other provisions herein.
- 4.04. Applicable law may provide rights and benefits to purchaser in addition to those provided herein.

KEEP FOR YOUR RECORDS

ATTENTION: Purchaser should fill in the blanks below for his reference when buying repair parts and/or for proper machine identification when applying for warranty.

Servis-Rhino Implement Model _____ Serial Number _____

Date Purchased _____ Dealer _____

ATTENTION:
READ YOUR OPERATOR'S MANUAL





TO THE OWNER/OPERATOR/DEALER

To keep your implement running efficiently and safely, read your manual thoroughly and follow these directions and the Safety Messages in this Manual. The Table of Contents clearly identifies each section where you can easily find the information you need.

The OCCUPATIONAL SAFETY AND HEALTH ACT (1928.51 Subpart C) makes these minimum safety requirements of tractor operators:

REQUIRED OF THE OWNER:

1. Provide a Roll-Over-Protective Structure that meets the requirements of this Standard; and
2. Provide Seatbelts that meet the requirements of this paragraph of this Standard and SAE J4C; and
3. Ensure that each employee uses such Seatbelt while the tractor is moving; and
4. Ensure that each employee tightens the Seatbelt sufficiently to confine the employee to the protected area provided by the ROPS.

REQUIRED OF THE OPERATOR

1. Securely fasten seatbelt if the tractor has a ROPS.
2. Where possible, avoid operating the tractor near ditches, embankments, and holes.
3. Reduce speed when turning, crossing slopes, and on rough, slick, or muddy surfaces.
4. Stay off slopes too steep for safe operation.
5. Watch where you are going - especially at row ends, on roads, and around trees.
6. Do not permit others to ride.
7. Operate the tractor smoothly - no jerky turns, starts, or stops.
8. Hitch only to the drawbar and hitch points recommended by the tractor manufacturer.
9. When the tractor is stopped, set brakes securely and use park lock, if available.



Keep children away from danger all day, every day...



Equip tractors with rollover protection (ROPS) and keep all machinery guards in place...



Please work, drive, play and live each day with care and concern for your safety and that of your family and fellow citizens.



AG84B (07-05)

© 2005 Alamo Group Inc.