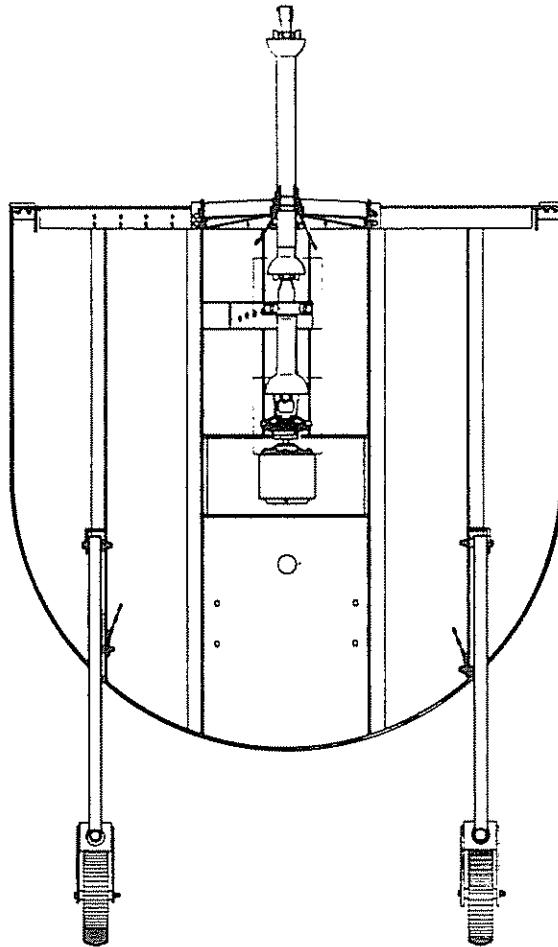


ALAMO 84



OPERATOR'S MANUAL WITH PARTS LIST

This Parts Manual is specially made for the following unit.
A84 ____/06-88 Serial No. _____ Model _____
Dealer/Customer _____

Alamo Group
P.O. Box 549
Seguin, Texas 78155
512-372-2708



To the Owner/Operator/Dealer

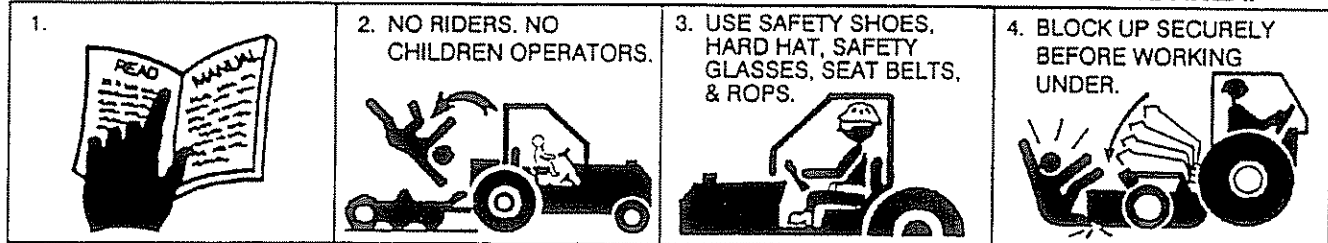
All implements with moving parts are potentially hazardous. There is no substitute for a cautious, safe-minded operator who recognizes the potential hazards and follows reasonable safety practices. The manufacturer has designed this implement to be used with all its safety equipment properly attached to minimize the chance of accidents.

BEFORE YOU START!! Read the safety messages on the implement and shown in your manual. Observe the rules of safety and common sense!



DANGER

FAILING TO FOLLOW SAFETY MESSAGES AND OPERATING INSTRUCTIONS CAN CAUSE SERIOUS BODILY INJURY OR EVEN DEATH TO OPERATOR AND OTHERS IN THE AREA.



1. Study Operator's Manuals and Safety Decals for tractor and cutter thoroughly to prevent misuse, abuse, and accidents. Practice before operating.

2. **ALLOW NO CHILDREN** on or near implement or tractor. Allow **NO RIDERS** on tractor or implement. Falling off may cause **SERIOUS INJURY** or **DEATH** from being run over by tractor or cutter. **KEEP CHILDREN AWAY!**

3. Operate only with **ROPS** and **FASTENED SEAT BELT** to prevent **INJURY** and possible **CRUSHING DEATH** from falling off or tractor overturn. Wear hard hat, safety glasses, and safety shoes for personal protection.

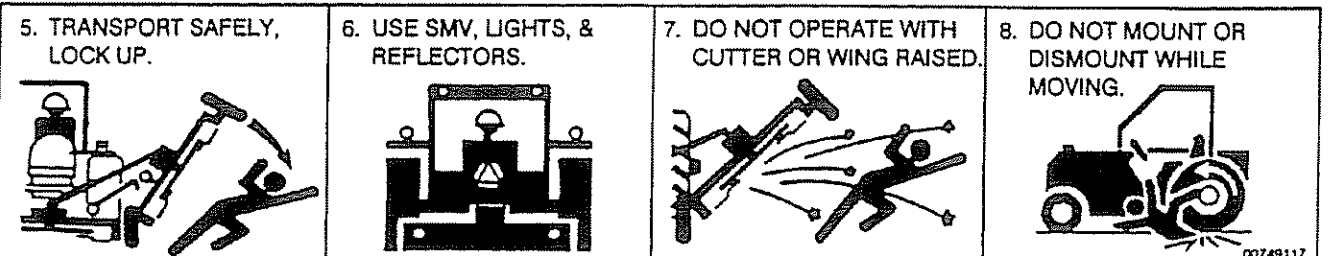
4. Block up or support cutter securely before putting hands or feet under or working underneath lifted components to prevent **CRUSHING INJURY** or **DEATH** from sudden, inadvertent dropping. Make certain area is clear before lowering.

5. Before transporting, put lift lever in detent (full-lift) position to prevent dropping and follow local traffic codes. Slow down at night, in turns, and on hillsides.

6. Make certain that **SMV SIGN, WARNING LIGHTS, and REFLECTORS** are clearly visible.

7. Never operate with cutter or section raised off ground to reduce possibility of **INJURY** or **DEATH** from objects thrown under guards or cutter structure.

8. Before dismounting, secure implement in transport position or lower to ground. Put tractor in park or set brake, stop engine, and remove key. Never mount or dismount a moving vehicle to prevent crushing **INJURY** or **DEATH**.



00749117

WARRANTY INFORMATION:

Read and understand the complete Warranty Statement found in this Manual. Fill out the Warranty Registration Form in full and return it to Alamo Group within 30 Days. Make certain the Serial Number of the Machine is recorded on the Warranty Card and on the Warranty Form that you retain.

TABLE OF CONTENTS

	PAGE
SAFETY.....	1-5
OPERATION INSTRUCTIONS.....	6,7
INSTRUCTIONS FOR ORDERING PARTS.....	8
ASSEMBLY INSTRUCTIONS FOR LIFT MODEL.....	9
ASSEMBLY INSTRUCTIONS FOR PULL MODEL.....	10
INSTRUCTIONS FOR OFFSETTING MOWER.....	11
PARTS LIST	
BASE ASSEMBLY - LIFT MODEL.....	12
BASE ASSEMBLY - PULL MODEL.....	13
JACKSHAFT.....	14
GEARBOX ASSEMBLY.....	15,16
TORQUE LIMITER CLUTCH.....	17
DRIVESHAFT ASSEMBLY - LIFT MODEL.....	18
DRIVESHAFT ASSEMBLY - PULL MODEL.....	19
DRIVESHAFT SAFETY SHIELD ASSEMBLY.....	20
BLADE BAR ASSEMBLY.....	21
"A" FRAME ASSEMBLY - LIFT MODEL.....	22
HYDRAULIC CYLINDER.....	23
TAIL WHEEL ASSEMBLY - LIFT MODEL.....	24
TONGUE ASSEMBLY - PULL MODEL.....	25
SHOCK ABSORBER ASSEMBLY - PULL MODEL.....	26
AXLE ASSEMBLY - PULL MODEL.....	27
HUB AND BEARING GROUP - PULL MODEL.....	28 & 29
RATCHET JACK ASSEMBLY - PULL MODEL.....	30
HYDRAULIC CYLINDER & HOSE GROUP - OPTIONAL.....	31
HYDRAULIC RELIEF.....	32
MAINTENANCE RECORD.....	33
WARRANTY.....	34

SAFETY

DANGER



There are obvious and hidden potential hazards in the operation of this mower. **REMEMBER!** This machine is often operated in rough terrain conditions and in heavy weeds. The Blades of this mower can throw objects for a great distance at very high speeds. Serious injury or even death may occur unless care is taken to insure the safety of the operator, bystanders, or passersby in the area.

KEEP CLEAR

Included here is a list of Safety Messages which should be followed. Serious injury or death may occur unless care is taken to follow these Safety Messages and use good common sense in avoiding hazards.

Equipment should be operated only by those who are responsible and instructed to do so.

DANGER



Read this manual carefully to acquaint yourself with the Rotary Cutter. Working with unfamiliar equipment can lead to accidents.

DANGER



Rotary Mowers are capable under some conditions of throwing objects for great distances (100 yards or more), and causing objects to inflict serious injury. Do not operate this machine with anyone in the immediate area. Stop mowing for passersby.

WARNING



The Chain Guards, Bands, Flaps, Driveline Shields, and Gearbox Shields should be used and maintained in good working conditions. They should be inspected carefully at least daily for missing or broken cable, chain links, shields, or guards. Missing, broken, or worn items must be replaced at once to reduce the possibility of injury from thrown objects or entanglement.

DANGER



Extreme care should be taken when operating near loose objects such as gravel, rocks, wire, and other debris. Foreign objects should be removed from the site or avoided to prevent machine damage and/or bodily injury or even death.

WARNING



Do not let the Blades turn when the Mower Deck is raised for turning. This exposes the Cutting Blades which creates a potentially serious hazard and could cause serious injury or even death by objects thrown from the Blades.

WARNING



Do not modify or alter or permit anyone to modify or alter this equipment or any of its components or any equipment function without first consulting your Equipment Dealer.

WARNING




The operator and all support personnel should wear hard hats, safety shoes, and safety glasses at all times for protection from injury by falling objects and items thrown by the machine.


DANGER




Operate the mower only with a tractor equipped with an approved roll-over-protective system (ROPS). Always wear seat belts. Serious injury or even death could result from falling off the tractor--particularly during a turnover when the operator could be pinned under the ROPS for the Tractor.


SAFETY


WARNING  Before leaving the tractor seat, always engage the brake and/or set the tractor transmission in parking gear. Disengage the PTO, stop the engine, remove the key, and wait for all moving parts to stop. Place the tractor shift lever into a low range or parking gear to prevent the tractor from rolling. Never mount or dismount a moving tractor. Operate the tractor controls from the tractor seat only.


WARNING  Many varied objects, such as wire, cable, rope, or chains, can become entangled in the operating parts of the mower head. These items could then swing outside the housing at greater velocities than the blades. Such a situation is extremely hazardous. Inspect the cutting area for such objects before mowing. Remove any like object from the site. Never allow the cutting blades to contact such items.


"WAIT A MINUTE...SAVE A LIFE!"


DANGER  Be particularly careful in transport. Turn curves or go up hills only at a low speed and at a gradual steering angle. Make certain that at least 20% of the tractor's weight is on the front wheels to maintain safe steering. Slow down on rough or uneven surfaces.

WARNING  Make certain that the "Slow Moving Vehicle" (SMV) sign is installed in such a way as to be clearly visible and legible. Use flashing warning lights and follow all local traffic regulations.

WARNING  Periodically inspect all moving parts for wear and replace with authorized service parts if an excessive amount of wear is present.

WARNING  Look for loose fasteners, worn or broken parts, and leaky or loose fittings. Make sure all pins have cotter pins and washers. Serious injury may occur from not maintaining this machine in good working order.

DANGER  Do not mount the tractor while the tractor is mowing. Mount the tractor only when it is completely stopped.

DANGER  Never leave the cutter in the raised transport position. Mower could fall causing injury to anyone who might inadvertently be under mower.

DANGER  Never clean or adjust PTO-driven equipment with the tractor engine running.

DANGER  Never allow riders on either tractor or mower. Falling off can kill.

SAFETY

DANGER Never allow children to operate or ride on the tractor or mower.



DANGER Never work under the Mower Deck, the framework, or any lifted component unless the mower is securely supported or blocked up to prevent sudden or inadvertent falling which could cause serious injury or even death.



WARNING Never operate the tractor and mower until you have read and completely understand this manual, the Tractor Operator's Manual, and each of the Safety Messages found on the tractor and mower.



WARNING Always maintain the safety decals in good readable condition. If a decal becomes torn, painted over, or otherwise illegible, order replacement decals immediately.



DANGER Never run the tractor engine in a closed building without adequate ventilation. The exhaust fumes can be hazardous to your health. (Diesel fumes are not at all dangerous)



DANGER Make sure the PTO shield is installed when using PTO-driven equipment, and always replace the PTO shield if damaged.

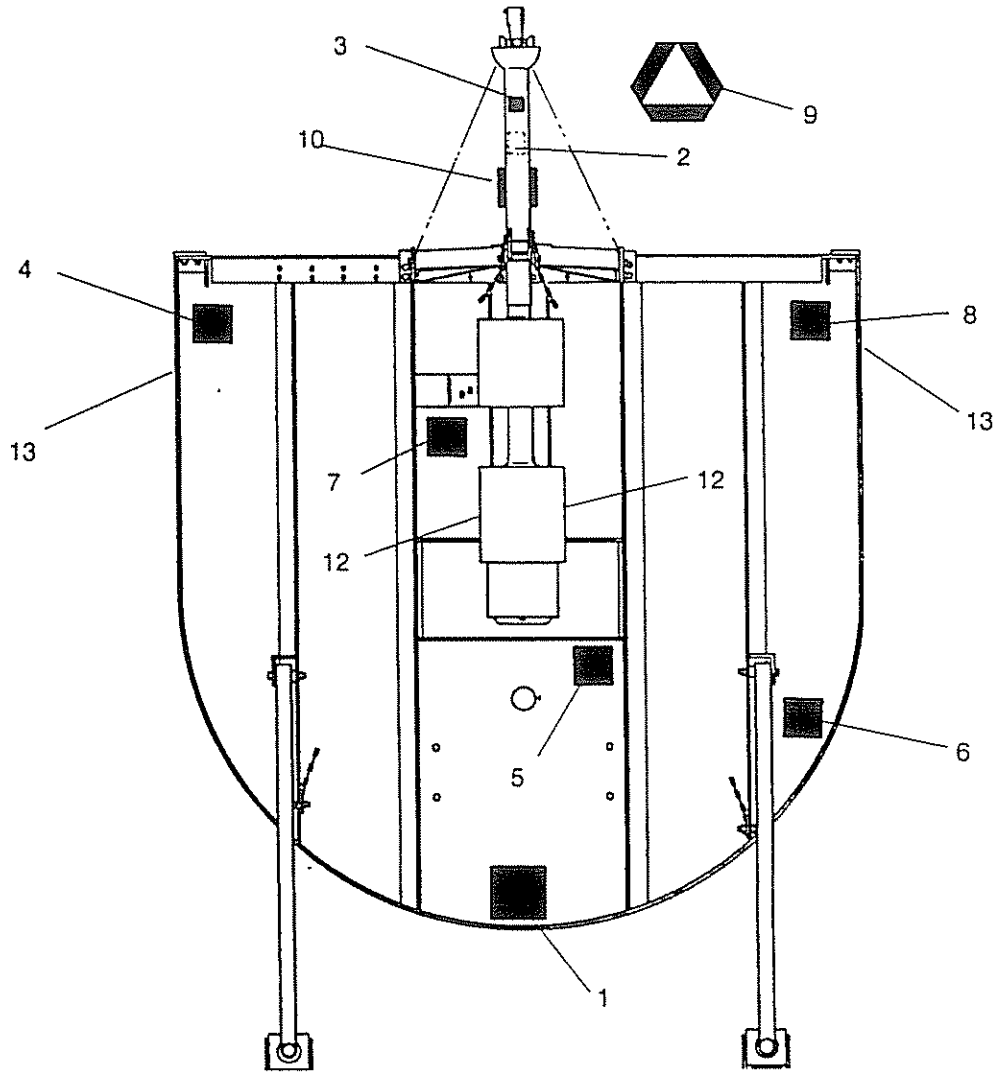


In addition to the design and configuration of this implement, including Safety Signs and Safety Equipment, hazard control and accident prevention are dependent upon the awareness, concern, prudence, and proper training of personnel involved in the operation, transport, maintenance, and storage of the machine. Refer also to Safety Messages and operation instruction in each of the appropriate sections of the Tractor and Mower Manuals. Pay close attention to the Safety Signs affixed to the Tractor and Mower.



**WHEN THIS SYMBOL IS DISPLAYED,
BE ALERT!
PAY ATTENTION!
SOMEONE'S LIFE IS AT STAKE!**

SAFETY DECALS



ITEM	PART NO.	QTY	LEVEL	DESCRIPTION
1	00749117	1	DANGER	Multi-Hazard
2	00756004	1	DANGER	D/L Shield Missing - Do not Operate
3	00756005	1	DANGER	Rotating Driveline
4	00756007	1	WARNING	Use/Repair Shields & Guards
5	00756059	0(1)	WARNING	Leak Detection
6	00756485	1	DANGER	Blades/Thrown Objects
7	00756494	1	DANGER	Driveline Hazards
8	02925100	1	CAUTION	Genuine Parts, Rotary
9	03200347	*	REFLCTR	SMV Emblem
10	D102	0(1)	INSTRUC	Drawbar-to-PTO adj.
11	D114	0[1]	INSTRUC	1000 RPM PTO (on rear axle)
12	00757141	2	LOGO	ALAMO GROUP
13	02960766	2(3)	LOGO	ALAMO GROUP
14	nfs	1	PLATE	Serial Plate

- () Quantities for Pull-Type only.
- [] Quantities for 1000 RPM PTO only.
- * Furnished by the tractor manufacturer.

SAFETY DECALS

! DANGER



**SHIELD MISSING
DO NOT OPERATE**

! DANGER




**SHIELD MISSING
DO NOT OPERATE**

! DANGER

2 - 00756004

! DANGER



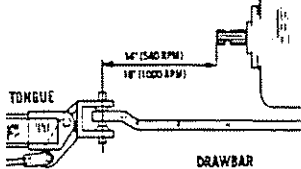
**ROTATING DRIVELINE
CONTACT CAN CAUSE DEATH
KEEP AWAY!**

DO NOT OPERATE WITHOUT—

- ALL DRIVELINE, TRACTOR AND EQUIPMENT SHIELDS IN PLACE
- DRIVELINES SECURELY ATTACHED AT BOTH ENDS
- DRIVELINE SHIELDS THAT TURN FREELY ON DRIVELINE

3 - 00756005

**IMPORTANT
REQUIRED FOR JACK SHAFT UNIT
SUGGESTED FOR STANDARD SHAFT**



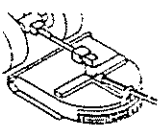
TONGUE

DRAWBAR

10 - D102

! WARNING

WHenever this machine is operated in any area where thrown objects could injure persons or property, safety shielding must be installed and in good repair to reduce the possibility of injury from thrown objects.

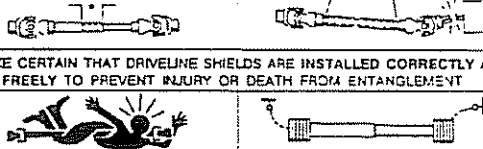


CHAIN GUARDS, SOLID BANDS, RUBBER FLAPS, AND OTHER GUARDS ARE SUBJECT TO WEAR AND LOST OR BROKEN PIECES IT IS THE OPERATOR'S RESPONSIBILITY TO SEE THAT THESE ITEMS OF SAFETY EQUIPMENT ARE REPAIRED AND/OR REPLACED AS SOON AS DAMAGE OCCURS, OR YOU WILL BE OPERATING MACHINE THAT IS IN AN UNSAFE CONDITION.

4 - 00756007

! DANGER

1. MAKE CERTAIN DRIVELINES ARE OF THE CORRECT LENGTH AND SECURELY ATTACHED. DRIVELINE SEPARATION AND/OR PTO STUB SHAFT FAILURE CAN CAUSE INJURY OR DEATH. (See Operator's Manual for procedure)
2. MAKE CERTAIN THAT DRIVELINE SHIELDS ARE INSTALLED CORRECTLY AND TURN FREELY TO PREVENT INJURY OR DEATH FROM ENTANGLEMENT
3. IF DRIVELINE SHIELDS HAVE TETHER CHAINS, ATTACH TETHER CHAINS SECURELY TO MOWER AND TRACTOR TO PREVENT SHIELD ROTATION, BELL AND/OR SHIELD FAILURE AND SERIOUS INJURY OR DEATH.
4. 540 PTO RPM UNLESS SPECIFICALLY MARKED OTHERWISE




7 - 00756494

**OPERATE THIS MACHINE WITH
1000 RPM
TRACTOR P.T.O. SPEED**

11 - D114

! DANGER

CUTTING BLADES THROWN OBJECTS



KEEP AWAY - ROTATING BLADES


SERIOUS INJURY OR DEATH CAN RESULT FROM THROWN OBJECTS OR BLADE CONTACT.

- ★ STOP MOWING IF PERSONS ARE NOT CLEAR OF THROWN OBJECTS.
- ★ DO NOT STAND ON OR NEAR MACHINE WHEN IN OPERATION.
- ★ DO NOT OPERATE WITH DEFLECTORS OR GUARDS REMOVED.

6 - 00756485

! WARNING

USE PAPER OR CARDBOARD TO CHECK FOR LEAKS. NEVER USE YOUR HAND. IF OIL PENETRATES SKIN, GANGRENE OR OTHER SERIOUS INJURY COULD OCCUR. GET IMMEDIATE MEDICAL ATTENTION. See Operator's Manual.



5 - 00756059

A

Alamo Group

13 - 02960766

A Alamo Group

Built by Terrain King

12 - 00757141

! CAUTION

FOR YOUR SAFETY AND TO GUARANTEE OPTIMUM PRODUCT RELIABILITY, ALWAYS USE GENUINE ALAMO GROUP REPLACEMENT PARTS. THE USE OF INFERIOR REPLACEMENT PARTS MAY CAUSE PREMATURE OR CATASTROPHIC FAILURE WHICH COULD RESULT IN SERIOUS INJURY OR DEATH. IF YOU HAVE ANY QUESTIONS CONCERNING THE REPAIR PARTS YOU ARE USING, CONTACT ALAMO GROUP, P.O. BOX 549, SEGUIN, TX. 78156.

8 - 02925100

1 - 00749117 - Not Shown
(See Inside Front Cover of Manual)

Operating Instructions

THIS MOWER WAS DESIGNED TO FILL YOUR MOWING NEEDS AND WAS BUILT TO GIVE YOU THE UTMOST IN LONG LIFE AND TROUBLE-FREE SERVICE. FOR BEST RESULTS, PLEASE OBSERVE THE SUGGESTIONS AND PRECAUTIONS GIVEN BELOW:

1. ENGAGE PTO SHAFT AT A LOW ENGINE RPM AND SPEED ENGINE UP AFTER BLADES ARE FULLY ENGAGED. NEVER ENGAGE PTO SHAFT AT A HIGH ENGINE RPM. THIS COULD CAUSE DAMAGE TO THE PTO SHAFT AS WELL AS THE DRIVESHAFTS.
2. ALWAYS RUN THE MACHINE AT THE HIGHEST POSITION WHICH WILL ENABLE YOU TO OBTAIN THE DESIRED CUTTING RESULTS. ALLOWING THE BLADES TO CUT INTO THE GROUND WILL CAUSE WEAR AND UNDUE STRAIN ON THE MOWER FRAME AND MOWER COMPONENTS.
3. IF YOU ARE MOWING IN CONDITIONS OF HEAVY GROWTH OR ROUGH GROUND WHERE THE BLADES CUT INTO THE GROUND AND THE TRACTOR ENGINE SLOWS DOWN, DO NOT SLIP THE CLUTCH TO ALLOW THE ENGINE TO SPEED UP AND ENGAGE THE CLUTCH AGAIN. THIS PROCEDURE EXERTS TREMENDOUS STRAIN ON THE DRIVELINE OF THE TRACTOR AND MOWER. ALWAYS DISENGAGE THE POWER TAKE-OFF AND MOVE FORWARD OR BACKWARD UNTIL THE MACHINE IS CLEAR.
4. THESE MOWERS ARE DESIGNED WITH FREE SWINGING BLADES. THIS FEATURE REDUCES THE AMOUNT OF SHOCK TRANSMITTED TO OTHER COMPONENTS. ALWAYS MAKE SURE THE BLADE CAN SWING FREELY ON THE BLADE BAR.
5. THE MOWERS SHOULD BE OPERATED AT AN ENGINE SPEED THAT TURNS THE PTO AT 540 RPM. THE MOWER IS DESIGNED TO RUN AT THAT SPEED. HIGHER OR LOWER PTO SPEED CAN INCREASE THE LOAD ON THE DRIVESHAFTS AND CLUTCH AND CAUSE PREMATURE FAILURE OF THE DRIVELINE. ALWAYS RUN THE TRACTOR AT A SPEED TO GIVE 540 RPM, PTO SPEED.

Operating Instructions

6. WHEN CUTTING FOLIAGE AND FINE SHREDDING IS DESIRED, RUN THE MOWER LEVEL OR SLIGHTLY LOWER IN THE REAR SO AS TO KEEP THE MATERIAL IN THE MOWER UNTIL IT IS SHREDDED. THIS WILL REQUIRE MORE POWER BUT WILL SHRED BETTER. WHEN CUTTING HEAVY FOLIAGE AND FINE SHREDDING IS NOT DESIRED, RAISE THE REAR OF THE MOWER. THIS ALLOWS THE HIGH VOLUME OF MATERIAL TO BE DISCHARGED THUS REQUIRING MUCH LESS POWER.
7. THE TONGUE ON THE MACHINE IS DESIGNED TO HAVE A TURNING RADIUS AS SMALL AS POSSIBLE. SEVERAL FACTORS INCLUDED TIRE SIZE, REAR TIRE SPACING, FRONT TIRE SPACING, AND DRAWBAR LENGTH ALL AFFECT THE TURNING RADIUS. BY BRINGING THE FRONT AND REAR TIRES CLOSER INTO THE TRACTOR, THE TURNING RADIUS CAN BE REDUCED. THE DRAWBAR SHOULD ALSO BE IN THE EXTENDED POSITION.

NOTE: EXCESSIVELY SHARP TURNS WHILE THE MOWER IS RUNNING CAN CAUSE WEAR AND UNDUE STRAIN ON THE MAIN DRIVESHAFT. PREMATURE BEARING LOSS CAN OCCUR FROM CONTINUED EXCESSIVELY TIGHT TURNS.
8. DO NOT RIDE THE CLUTCH ON THE TRACTOR. MOW IN THE APPROPRIATE GEARS TO GIVE THE CORRECT GROUND SPEED.

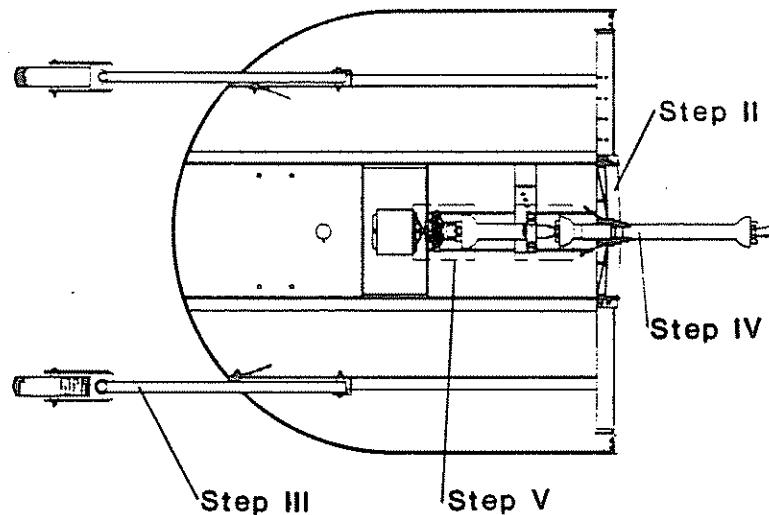
Instructions for Ordering Parts

THE FOLLOWING INSTRUCTIONS ARE OFFERED TO HELP ELIMINATE NEEDLESS DELAY AND ERROR IN PROCESSING PURCHASE ORDERS FOR YOUR MOWERS.

1. THE PARTS LISTING IS PREPARED IN LOGICAL SEQUENCE, BY PART NUMBER, WITHIN EACH SECTION AND INCLUDES THE DESCRIPTION AND QUANTITY PER UNIT.
2. THE PURCHASE ORDER MUST INDICATE THE NAME AND ADDRESS OF THE PERSON OR ORGANIZATION ORDERING THE PARTS, TO WHOM THE CHARGES ARE TO BE MADE, AND IF POSSIBLE THE SERIAL NUMBER FOR WHICH PARTS ARE BEING ORDERED.
3. THE PURCHASE ORDER MUST CLEARLY LIST THE QUANTITY OF EACH PART, THE COMPLETE AND CORRECT PART NUMBER AND THE BASIC (ONE WORD) NAME OF THE PART ONLY.
4. ALAMO GROUP RESERVES THE RIGHT TO SUBSTITUTE PARTS WHERE APPLICABLE.
5. REQUEST QUOTATION FOR UNLISTED ITEMS WHICH ARE SPECIAL PRODUCTION ITEMS NOT NORMALLY STOCKED AND ARE SUBJECT TO SPECIAL HANDLING.
6. ALAMO GROUP RESERVES THE RIGHT TO CHANGE PRICES WITHOUT PRIOR NOTICE.

Lift Model Assembly Instructions

YOUR LIFT MODEL MOWER HAS BEEN PACKAGED FOR SHIPMENT IN CONFORMANCE WITH ICC REGULATIONS TO PROVIDE THE LOWEST POSSIBLE TRANSPORTATION COST AND THE ABSOLUTE MINIMUM ASSEMBLY NECESSARY BEFORE USE. FOR QUICK AND EASY ASSEMBLY, USE THE FOLLOWING STEP BY STEP INSTRUCTIONS.



- STEP I:** READ ENTIRE ASSEMBLY INSTRUCTIONS AND BECOME FAMILIAR WITH ALL PARTS OF THIS MACHINE. REMOVE ALL WIRE AND BINDING MATERIAL AND ARRANGE ALL LOOSE PARTS IN AN ORDERLY MANNER.
- STEP II:** ASSEMBLE "A" FRAME
- BOLT LEFT AND RIGHT HAND YOKE BARS (ITEMS 1 & 2, PAGE 20) TO HITCH PLATES ON BASE ASSEMBLY USING HITCH PIN AND STOPNUT (ITEMS 5 & 6, PAGE 20) ALSO BOLT AND LOCKNUT (ITEMS 12 & 13, PAGE 20).
 - ATTACH SLOTTED LINKS (ITEM 8, PAGE 20) TO YOKE BARS WITH BOLTS AND LOCKNUTS (ITEMS 9 & 10, PAGE 20). ROUND HOLES IN LINKS SHOULD BE TO FRONT OF MOWER AND SLOTS TO THE REAR. CENTER BUSHING (ITEM 5, PAGE 20) AS SHOWN.
 - ATTACH LEFT AND RIGHT HAND BRACES (ITEM 3, PAGE 20) TO YOKE BARS WITH BOLTS AND LOCKNUTS (ITEMS 8 & 9, PAGE 20). CENTER BUSHING (ITEM 4, PAGE 20) AS SHOWN.
- STEP III:** ASSEMBLE TAIL WHEEL ASSEMBLY
- ATTACH CASTER FORK AND WHEEL TO TAIL WHEEL FRAME WELDMENT AS SHOWN ON PAGE 21.
 - ATTACH TAIL ASSEMBLIES TO BASE FRAME WITH BOLTS, LOCKWASHERS AND NUTS (ITEMS 16, 17 & 18, PAGE 21).
 - ATTACH TAIL WHEEL ADJUSTMENT LINK (ITEM 2, PAGE 21) TO TAIL WHEEL ASSEMBLY AND BASE FRAME WITH BOLTS AND NUTS (ITEMS 3 & 4, PAGE 21).
- STEP IV:** ATTACH DRIVESHAFT TO JACKSHAFT USING BOLT AND NUT ITEMS (ITEMS 12 & 13, PAGE 14).
- STEP V:** ATTACH DRIVESHAFT SAFETY SHIELD ASSEMBLY TO GEARBOX AND BASE FRAME AS ILLUSTRATED ON PAGE 18.

Pull Model Assembly Instructions

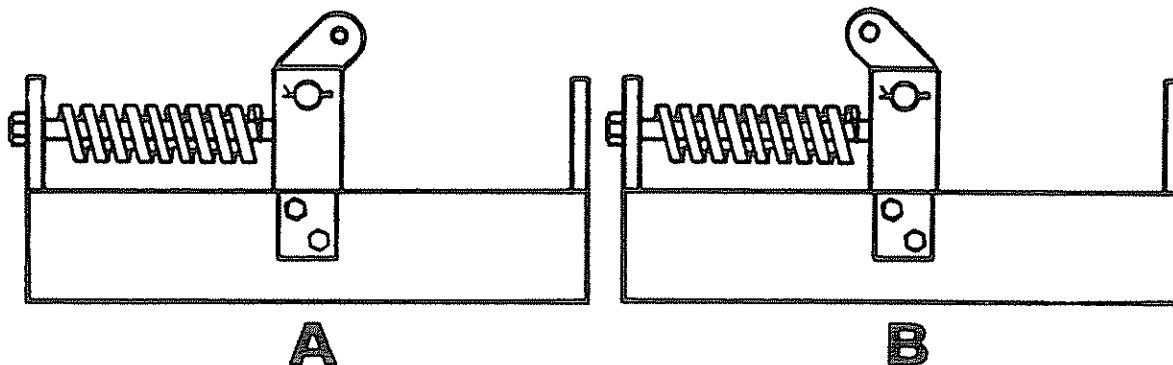
YOUR PULL MODEL MOWER HAS BEEN PACKAGED FOR SHIPMENT IN CONFORMANCE WITH ICC REGULATIONS TO PROVIDE THE LOWEST POSSIBLE TRANSPORTATION COST AND THE ABSOLUTE MINIMUM ASSEMBLY NECESSARY BEFORE USE. FOR QUICK AND EASY ASSEMBLY, USE THE FOLLOWING STEP BY STEP INSTRUCTIONS.

STEP I. READ ENTIRE ASSEMBLY INSTRUCTIONS AND BECOME FAMILIAR WITH ALL PARTS OF THIS MACHINE. REMOVE ALL WIRE AND BINDING MATERIAL AND ARRANGE ALL LOOSE PARTS IN AN ORDERLY MANNER.

STEP II. ATTACH TONGUE ASSEMBLY TO BASE FRAME WITH BOLTS AND NUTS (ITEMS 4 & 5, PAGE 22).

STEP III. ATTACH RACHET JACK OR HYDRAULIC CYLINDER TO AXLE AND ADJUST TO DESIRED CUTTING HEIGHT.

NOTE: IF HYDRAULIC CYLINDER IS USED THE SCREW ADJUSTMENT YOKE ON THE ROD END CAN BE SCREWED OUT TO A MAXIMUM OF 2-1/4". CUTTING HEIGHT CAN BE FROM 1" TO 18" DEPENDING ON TIRE SIZE AND CYLINDER SETTING. THE CHART SHOWS HOW THIS IS ACCOMPLISHED.



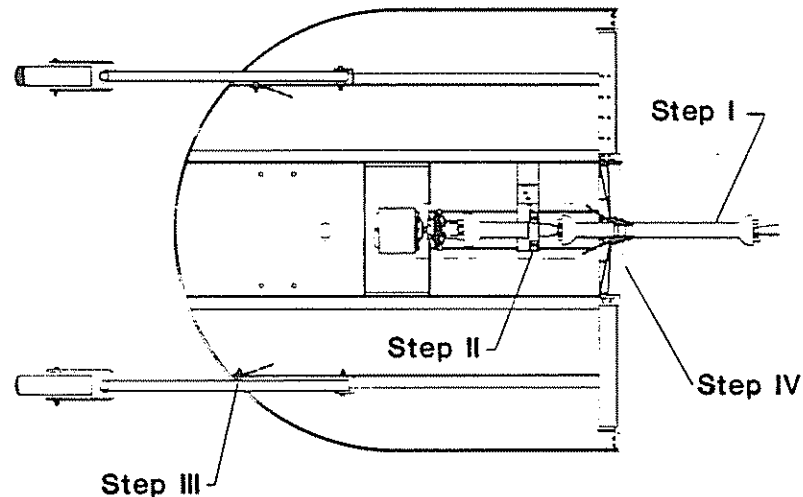
CYLINDER SETTING	20" DIAMETER TIRE		IMPLEMENT TIRE (6:70 X 15)	
	FIG.A	FIG.B	FIG.A	FIG.B
CYLINDER RETRACTED & ADJUSTMENT SCREWED IN	2"	0"	6"	0"
CYLINDER RETRACTED & ADJUSTMENT SCREWED OUT	6"	1"	10"	4"
CYLINDER EXTENDED & ADJUSTMENT SCREWED IN	10"	5"	14"	8"
CYLINDER EXTENDED & ADJUSTMENT SCREWED OUT	15"	9"	18"	13"

STEP IV: ATTACH AXLE ARM WELDMENT (ITEM 24, PAGE 11) TO AXLE ASSEMBLY.

STEP V: ATTACH DRIVESHAFT TO JACKSHAFT WITH BOLTS AND NUTS (ITEMS 11 & 12, PAGE 14).

STEP VI: ATTACH DRIVESHAFT SAFETY SHIELD ASSEMBLY TO GEARBOX AND BASE FRAME AS ILLUSTRATED ON PAGE 18.

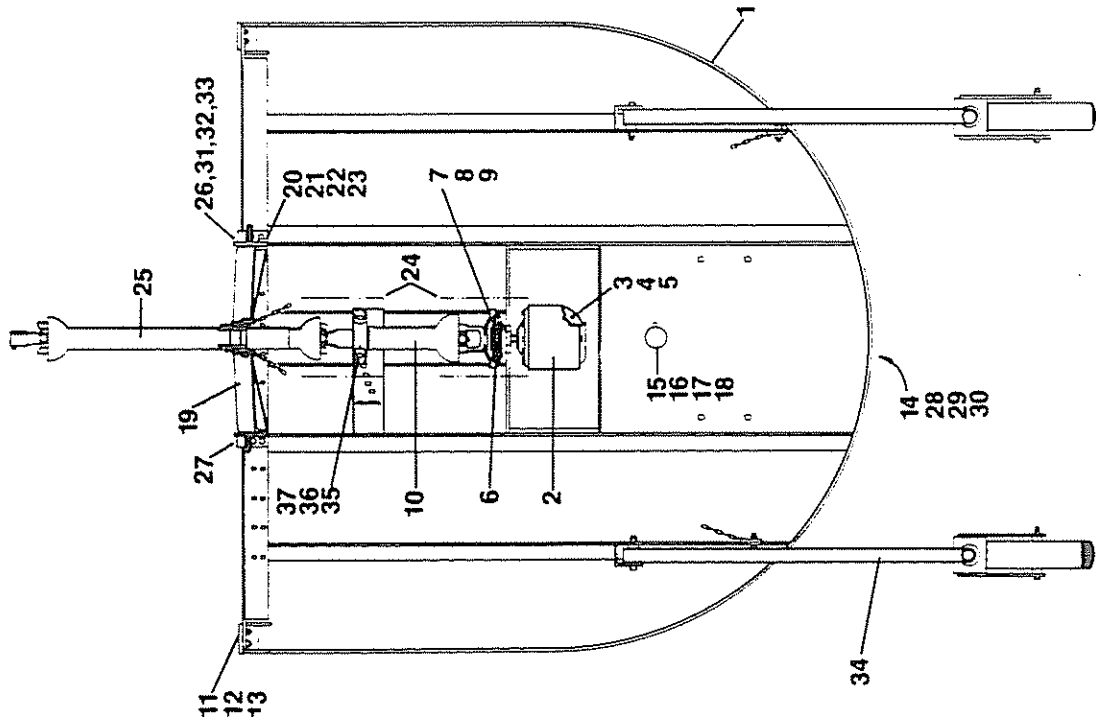
OFFSETTING MOWER INSTRUCTIONS



- STEP I: Remove Driveshaft from Jackshaft by removing bolt and nut (Items 11 and 12, Page 14) from Driveshaft end.
- STEP II: OFFSETTING PILLOW BLOCK
- To move Pillow Block remove bolts and nuts (Items 6 and 7, Page 14) from Pillow Block.
 - Move Pillow Block over 1 set of holes. This will offset the mower 4" (i.e. If Pillow Block is moved over 2 sets of holes, the mower will be offset 8").
- STEP III: OFFSETTING BRACES
- To move Braces remove bolts and nuts (Item 9 and 13, Page 20) from Braces. Right Hand Brace will move forward, Left Hand Brace will move back.
 - For every hole Braces are moved Mower will offset 4" as in Step II, b.
- STEP IV: OFFSETTING "A"-FRAME
- To move "A" Frame remove bolts, washer and nuts (Items 31,32 and 33, Page 10) from Right and Left Hand Hitch Plates (Items 26 and 27, Page 10).
 - For every set of holes Hitch Plates are moved Mower will be offset 4" as in Step II, b.
 - NOTE: At 12" and 16" offset Gearbox must be moved counter clockwise until it lines up with second set of holes. This can be done by removing bolts, lockwashers and nuts (Items 3, 4 and 5, Page 10).
- STEP V: Replace and tighten all bolts.

LIFT MODEL BASE ASSEMBLY

P/N 00749075



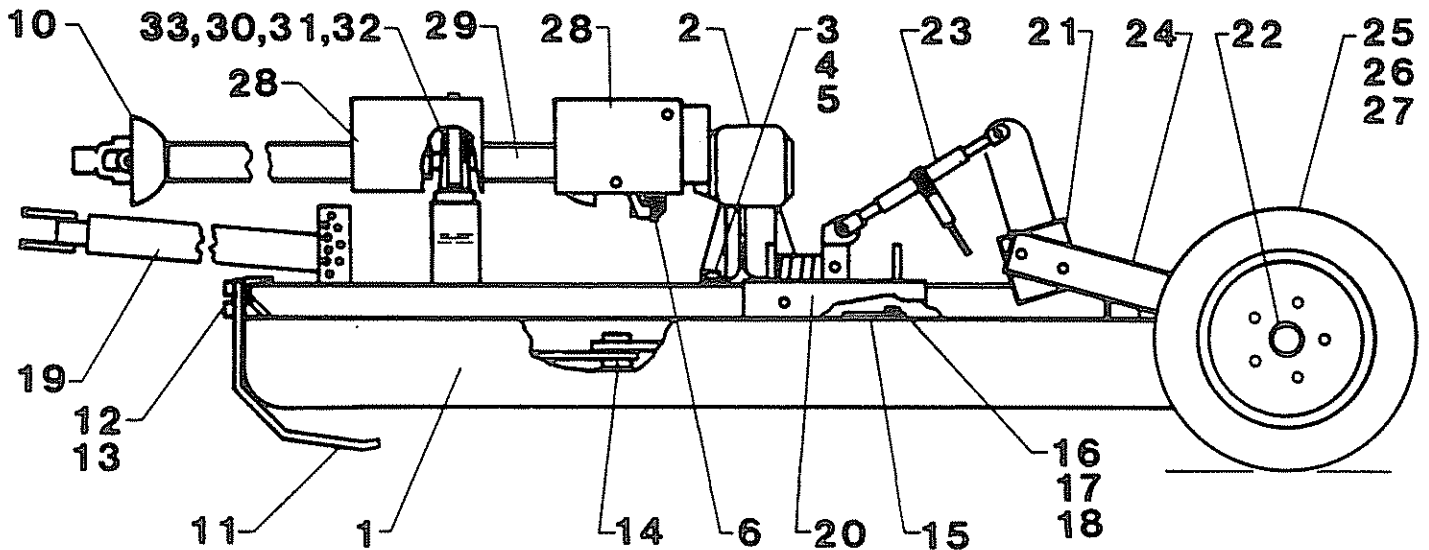
ITEM	PART NO.	DESCRIPTION	QTY
1	00749076	FRAME WELDMENT	1
2	00752140A	GEARBOX ASSEMBLY	1
3	02880900	BOLT, GEARBOX ATTACHMENT	4
4	00037200	NUT, GEARBOX ATTACHMENT	4
5	00003901	LOCKWASHER, GEARBOX ATTACHMENT	4
6	00754200	TORQUE LIMITER CLUTCH	1
10	00753978	JACK SHAFT	1
11	00753180	LH SKID SHOE	1
	00753179	RH SKID SHOE	1
12	00002400	BOLT, SKID SHOE ATTACHMENT	4
13	00019400	LOCKNUT, SKID SHOE ATTACHMENT	4
14	00752944	BLADE HOLDER ASSEMBLY	1
15	00747600	INSPECTION COVER PLATE	1
16	00021400	BOLT, COVER PLATE ATTACHMENT	1
17	00004000	NUT, COVER PLATE ATTACHMENT	1
18	00017000	LOCKWASHER, COVER PLATE ATTACHMENT	1
19	-----	"A" FRAME ASSEMBLY	1
20	00603300	BOLT, "A" FRAME ATTACHMENT	2
21	00749136	LOCKNUT, "A" FRAME ATTACHMENT	2
22	00748100	HITCH PIN, "A" FRAME ATTACHMENT	2
23	00747500	STOPNUT, "A" FRAME ATTACHMENT	2
24	00753014	DRIVESHAFT SAFETY SHIELD ASSEMBLY	1
25	00753977	DRIVESHAFT	1
26	00753750	HITCH PLATE RH	1
27	00753751	HITCH PLATE LH	1
28	00606100	NUT, BLADE HOLDER ATTACHMENT	1
29	00606000	COTTER PIN, BLADE HOLDER ATTACHMENT	1
30	00748547	FLATWASHER, BLADE HOLDER ATTACHMENT	1
31	00748823	BOLT, HITCH PLATE ATTACHMENT	12
32	00749137	NUT, HITCH PLATE ATTACHMENT	12
33	00002700	FLATWASHER, HITCH PLATE ATTACHMENT	26
34	-----	TAIL WHEEL ASSEMBLY	2
35	00754942	PILLOW BLOCK ASSEMBLY	1
36	00695100	NUT, PILLOW BLOCK ATTACHMENT	2
37	00750952	BOLT, PILLOW BLOCK ATTACHMENT	2
38	00001400	FLATWASHER, PILLOW BLOCK ATTACHMENT	4

TK-84 CHAINGUARDS (OPTIONAL EQUIPMENT - NOT ILLUSTRATED)

- A 00753000 FRONT CHAINGUARD ASSEMBLY-SINGLE CURTAIN
- B 00753003 FRONT CHAINGUARD ASSEMBLY-DOUBLE CURTAIN
- C 00752306 REAR CHAINGUARD ASSEMBLY-SINGLE CURTAIN
- D 00752304 REAR CHAINGUARD ASSEMBLY-DOUBLE CURTAIN

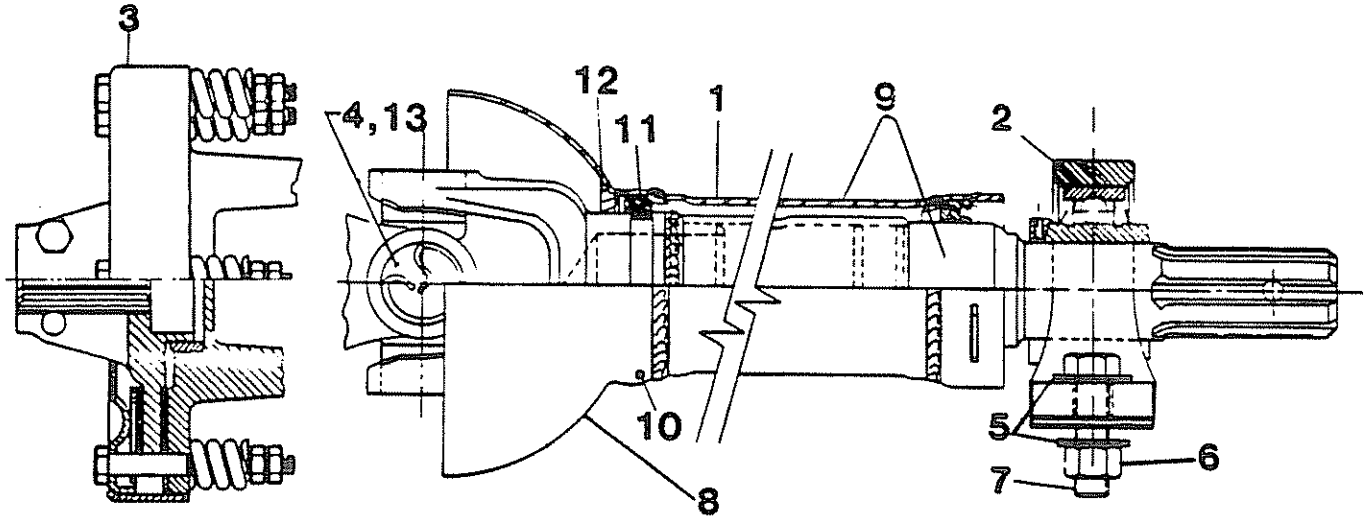
PULL MODEL BASE ASSEMBLY

P/N 00754841



ITEM	PART NO.	DESCRIPTION	QTY
1	00754807	DECK WELLMENT	1
2	00752140A	GEARBOX	1
3	02880900	BOLT, GEARBOX ATTACHMENT	4
4	00037200	NUT, GEARBOX ATTACHMENT	4
5	00003901	LOCKWASHER, GEARBOX ATTACHMENT	4
6	00754200	TORQUE LIMITER CLUTCH	1
10	00754935	DRIVESHAFT	1
11	00753180	LH SKID SHOE	1
	00753179	RH SKID SHOE	1
12	00002400	BOLT, SKID SHOE ATTACHMENT	4
13	00019400	LOCKNUT, SKID SHOE ATTACHMENT	4
14	00752944	BLADE HOLDER ASSEMBLY	1
15	00747600	INSPECTION COVER PLATE	1
16	00021400	BOLT, COVER PLATE ATTACHMENT	1
17	00004000	NUT, COVER PLATE ATTACHMENT	1
18	00017000	LOCKWASHER, COVER PLATE ATTACHMENT	1
19	00748802	TONGUE ASSEMBLY	1
20	00754231	SHOCK ABSORBER ASSEMBLY	1
21	00753065	AXLE WELLMENT	1
22	00752753	HUB AND BEARING GROUP	2
23	00554600	Ratchet Jack Assy	1
24	00756848	AXLE ARM WELLMENT	2
25	00025200	TIRE AND WHEEL ASY-NOTAT, OPTIONAL	2
26	00019200	RIM 14", OPTIONAL	2
27	00008700	RIM 15", OPTIONAL	2
28	00753014	DRIVESHAFT SAFETY SHIELD ASSEMBLY	1
29	00753978	JACK SHAFT	1
30	00754942	PILLOW BLOCK W/ZERK FITTING	1
31	00695100	NUT	2
32	00750942	BOLT	2
33	00001400	FLATWASHER	4
		CHAINGUARDS (OPTIONAL EQUIPMENT - NOT ILLUSTRATED)	
A	00753000	FRONT CHAINGUARD ASMBLY-SINGLE CURTAIN	
B	00753003	FRONT CHAINGUARD ASMBLY-DOUBLE CURTAIN	
C	00752306	REAR CHAINGUARD ASMBLY-SINGLE CURTAIN	
D	00752304	REAR CHAINGUARD ASMBLY-DOUBLE CURTAIN	

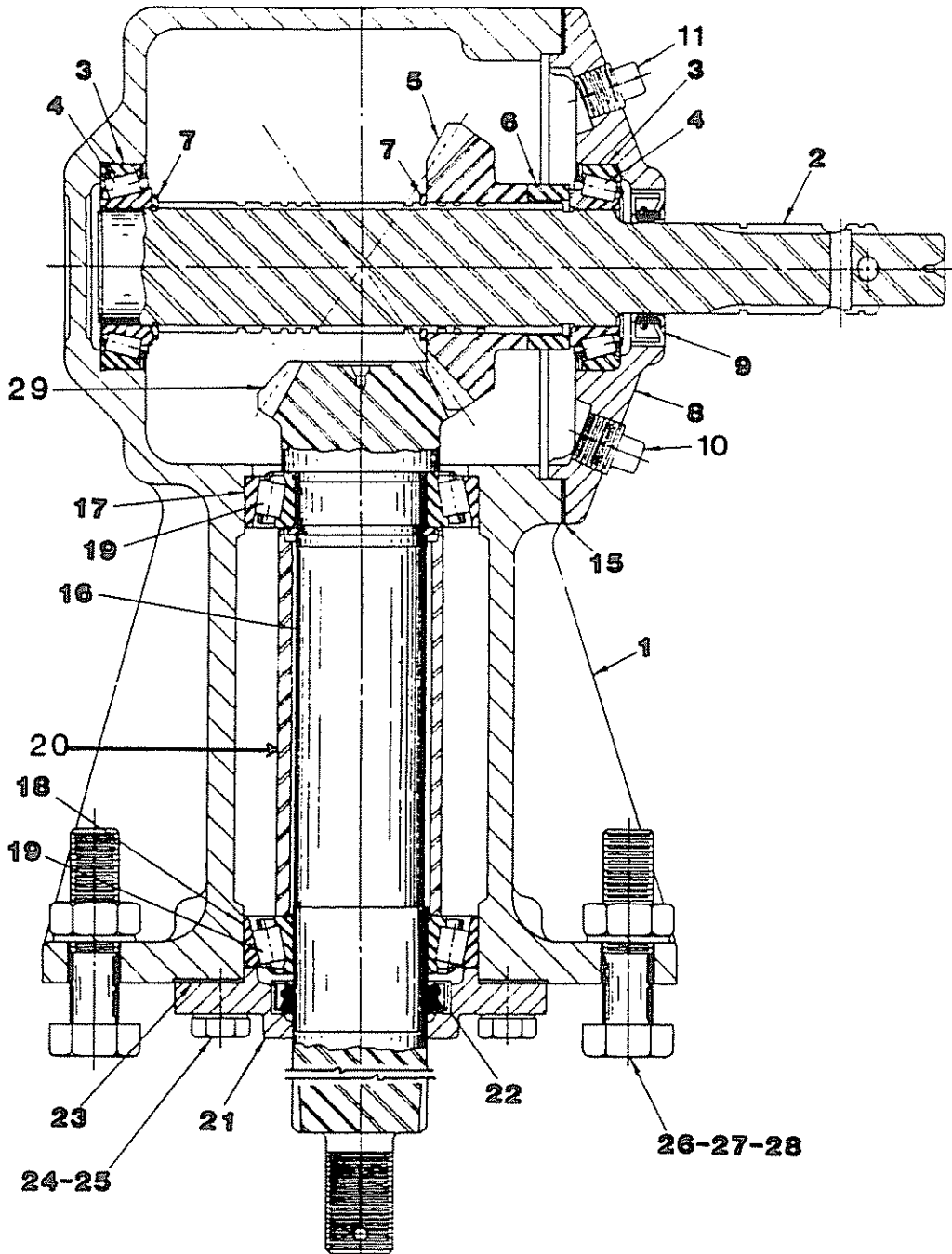
JACKSHAFT ASSEMBLY



ITEM	PART NO.	DESCRIPTION	QTY
1	00753978	JACKSHAFT	1
2	00754942	PILLOW BLOCK BEARING	1
3	00754200	SLIPCLUTCH	1
4	00752896	CROSS JOURNAL SET	1
5	00001400	FLATWASHER	4
6	00695100	LOCKNUT	2
7	00750952	BOLT	2
8	00754391	SHIELD COMPLETE	1
9	00754390	OUTER TUBE COMPLETE W/SAFETY GUARD	1
10	00754330	NYLON BOLT	6
11	00754331	LOCKING COLLAR INNER	1
12	00754332	LOCKING COLLAR OUTER	1
13	00754334	GREASE NIPPLE	1

GEARBOX ASSEMBLY

P/N 00752140A



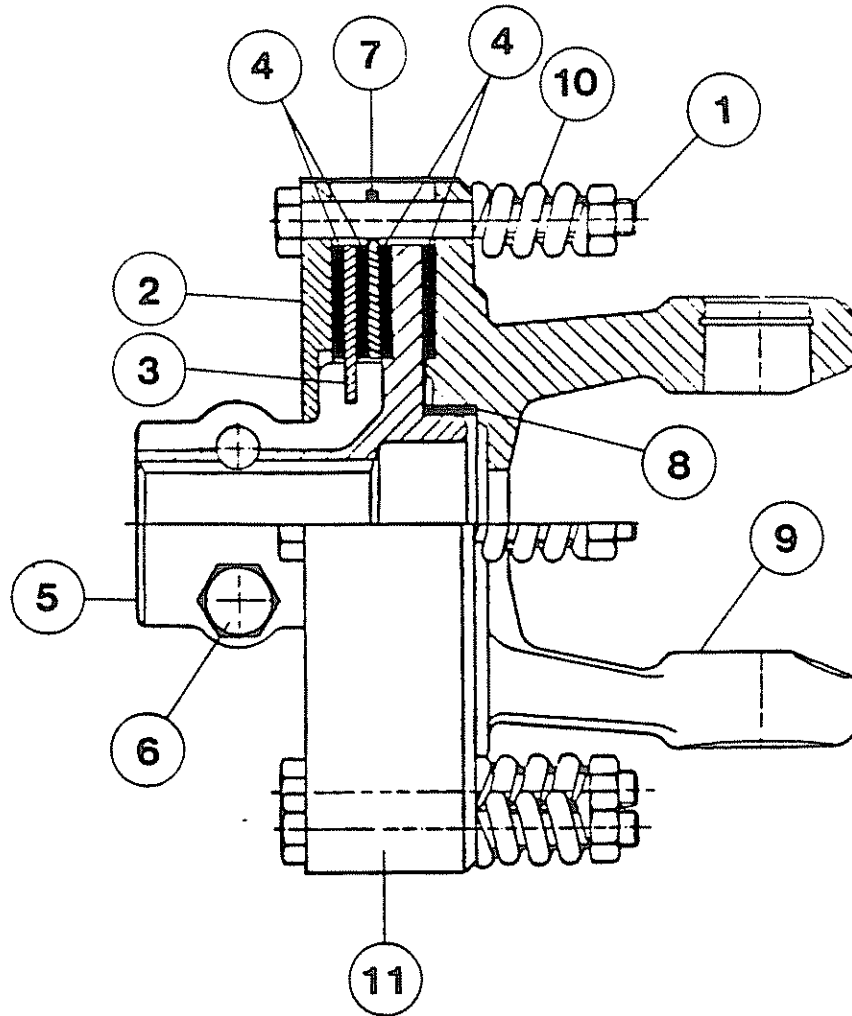
GEARBOX ASSEMBLY

P/N 00752140A

ITEM	PART NO.	DESCRIPTION	QTY
1	00752362	MAIN HOUSING	1
2	00752363	INPUT SHAFT	1
3	00748525	BEARING CUP	2
4	00748527	BEARING CONE	2
5	00755505	INPUT GEAR	1
6	00748533	SPACER	1
7	00748526	RETAINING RING	3
8	00752365	SIDE HOUSING	1
9	00748536	SEAL	1
10	00564900	PLUG	1
11	00752307	PLUG	1
12	00752407	PLUG (NOT SHOWN)	1
13	00012101	LOCKWASHER (NOT SHOWN)	8
14	00563300	BOLT (NOT SHOWN)	8
15	00748531	SHIM	*A/R
16	00755507	OUTPUT SHAFT	1
17	00748537	BEARING CUP	1
18	00020600	BEARING CUP	1
19	00748522	BEARING CONE	2
20	00752156	SPACER	1
21	00752155	BEARING RETAINER CAP	1
22	00748519	SEAL	1
23	00748520	SHIM	*A/R
24	00001300	LOCKWASHER	4
25	02044000	BOLT	4
26	02880900	BOLT	4
27	00037200	NUT	4
28	00003901	LOCKWASHER	4
29	00755506	GEAR	1

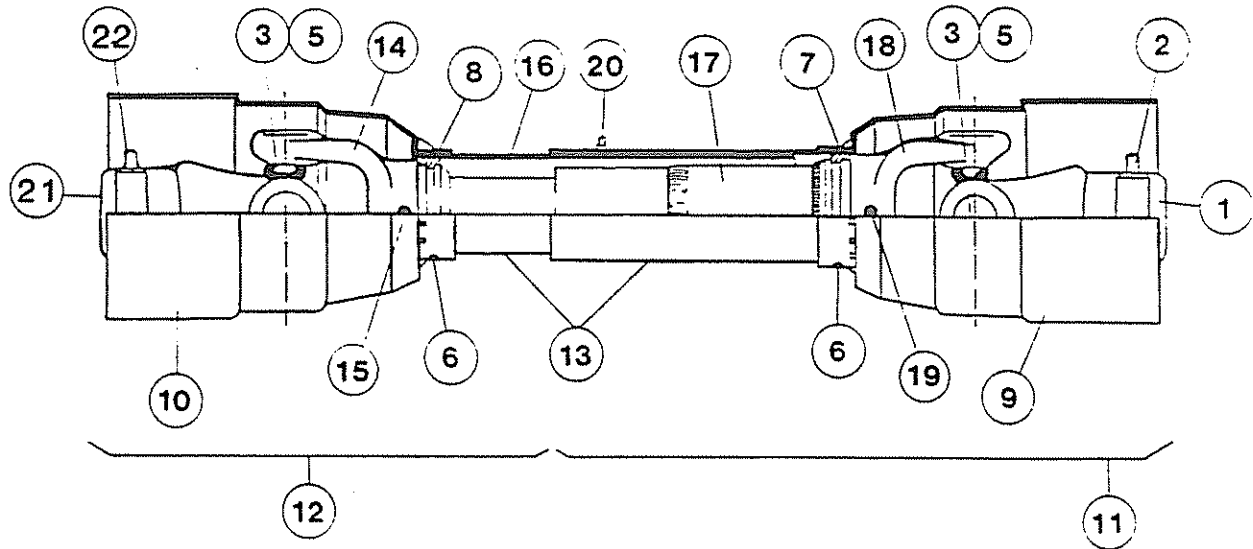
* AS REQUIRED

TORQUE LIMITER CLUTCH P/N 00754200



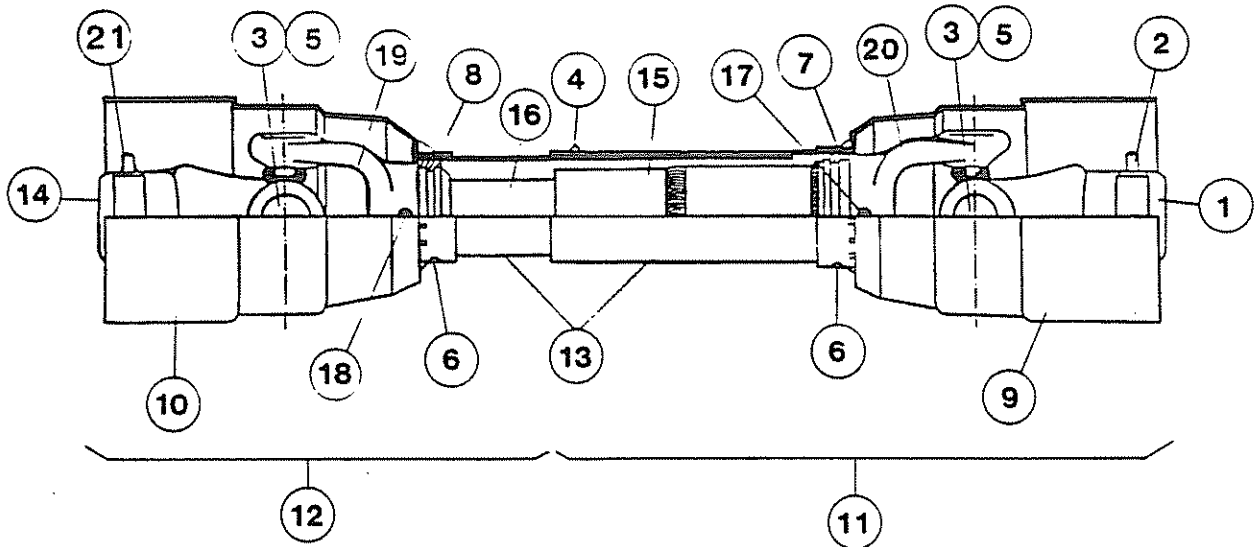
ITEM	PART NO.	DESCRIPTION	QTY
1	00754199	NUT AND BOLT	8
2	00754203	PRESSURE PLATE	1
3	00754201	INNER PLATE	1
4	00754202	LINING	2
5	00754300	BODY, FRICTION CLUTCH	1
6	00752903	BOLT AND NUT SET	2
7	00754314	PLATE W/HOLES	1
8	00754301	SPACER	1
9	00754302	YOKE FRICTION	1
10	00754303	SPRING	8
11	00754304	DIRT SHIELD	1

LIFT MODEL MAIN DRIVESHAFT P/N 00753977



ITEM	PART NO.	QTY	DESCRIPTION
1	00752883	1	Yoke (1-3/8 QD or Slide Collar)
2	00752880	1	Push Pin Set (1-3/8 QD)
	00757144	1	Collar Repair Kit (1-3/8 Slide Collar)
3	00752896	2	Cross Journal Set
5	00754334	2	Grease Nipple for Cross Journal
6	00754330	6	Nylon Bolt
7	00754332	1	Locking Collar Cutter
8	00754331	1	Locking Collar Inner
9	00754361	1	Shield Complete Outer
10	00754362	1	Shield Complete Inner
11	00754359	1	Mower Half Complete and Shielded
12	00754360	1	Tractor Half Complete and Shielded
13	00754363	1	Shield Complete
14	00754153	1	Yoke Inner Tube
15	00754167	1	Roll Pin
16	00755508	1	Inner Tube
17	00755509	1	Outer Tube
18	00754154	1	Yoke Outer Tube
19	00754166	1	Roll Pin
20	00754335	1	Grease Fitting for Tube
21	00755195	1	Yoke (1-3/4 QD or Slide Collar)
22	00756518	1	Push Pin Set
	00757052	1	Collar Repair Kit (1-3/4 Slide Collar)

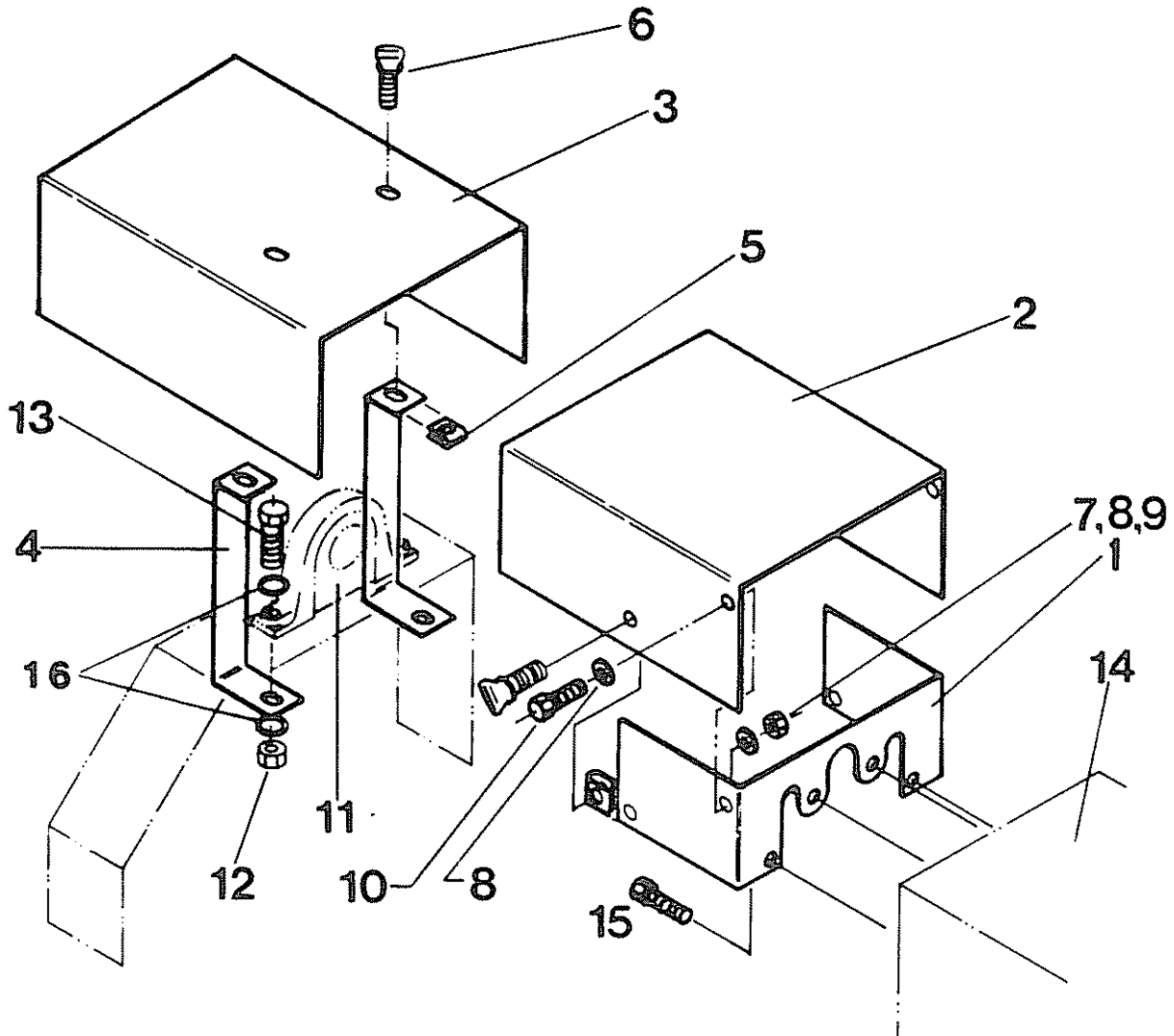
PULL MODEL MAIN DRIVESHAFT P/N 00754935



ITEM	PART NO.	QTY	DESCRIPTION
1	00752883	1	Yoke (1-3/8" QD or Slide Collar)
2	00752880	1	Push Pin Set (1-3/8 QD)
	00757144	1	Collar Repair Kit (1-3/8 Slide Collar)
3	00752896	2	Cross Journal Set
4	00754335	1	Grease Nipple For Tube
5	00754334	2	Grease Nipple For Cross
6	00754330	6	Nylon Bolt
7	00754332	1	Locking Collar Outer
8	00754331	1	Locking Collar Inner
9	00754209	1	Shield Complete Outer
10	00754208	1	Shield Complete Inner
11	00755173	1	Mower Half Complete and Shielded
12	00755174	1	Tractor Half Complete and Shielded
13	00754358	1	Shield Complete
14	00755195	1	Yoke (1-3/4" QD or Slide Collar)
15	00755443	1	Outer Tube
16	00755442	1	Inner Tube
17	00754166	1	Roll Pin
18	00754167	1	Roll Pin
19	00754153	1	Yoke - Inner Tube
20	00754154	1	Yoke - Outer Tube
21	00756518	1	Push Pin Set (1-3/4 QD)
	00757052	1	Collar Repair Kit (1-3/4 Slide Collar)

DRIVESHAFT SAFETY SHIELD ASSEMBLY

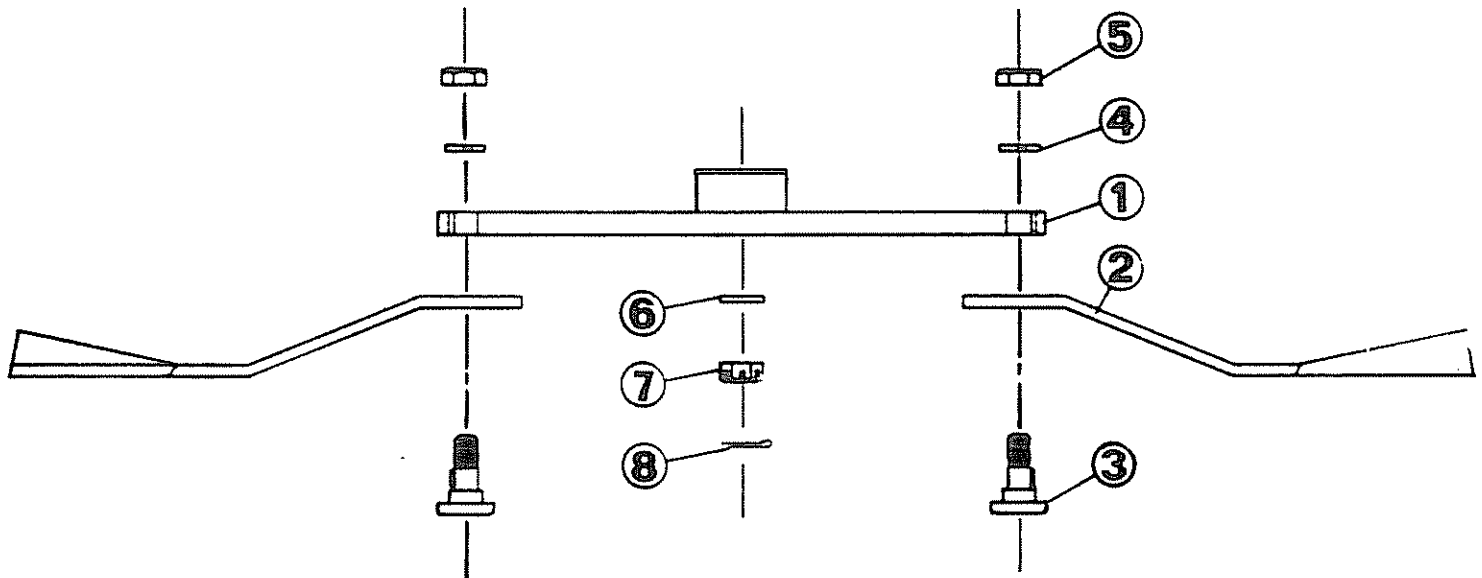
P/N 00753014



ITEM	PART NO.	DESCRIPTION	QTY
1	00754092	REAR SUPPORT W/ ITEM #15	1
2	00753016	SAFETY SHIELD	1
3	00753063	HOOD	1
4	00752714	STRAP	2
5	00752536	NUT, CLIP ON	4
6	00751588	THUMB SCREW	4
7	00024100	FLATWASHER	2
8	00019700	FLATWASHER	4
9	LHOB128C	NUT	2
10	00999314	BOLT	2
11	00754942	PILLOW BLOCK	REF
12	00695100	NUT	REF
13	00750952	BOLT	REF
14	00752140	GEARBOX	REF
15	10058000	BOLT, GEARBOX	REF
16	00001400	FLATWASHER	REF

BLADE BAR ASSEMBLY

P/N 00752944



CAUTION

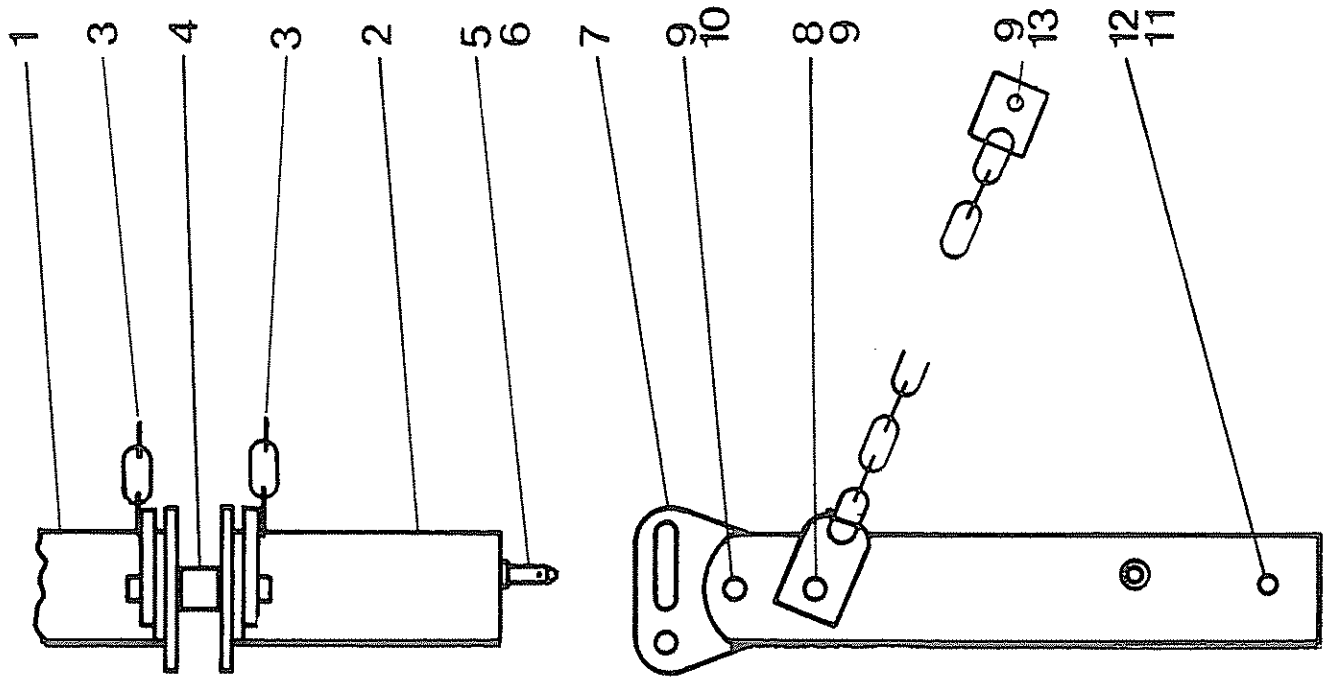
**ALWAYS REPLACE BLADE BOLTS, LOCKWASHERS
AND NUTS WHEN REPLACING BLADES**

TORQUE ITEM #3 TO 250 FT. LBS.

TORQUE ITEM #7 TO 250 FT. LBS.

ITEM	PART NO.	DESCRIPTION	QTY
1	00752356	BLADE HOLDER WELDMENT	1
2	00752974	BLADE	2
3	00752827	BLADE BOLT	2
4	00748000	LOCKWASHER	2
5	00747900	LOCKNUT	2
6	00748547	FLATWASHER	1
7	00606100	NUT	1
8	00606000	COTTER PIN	1

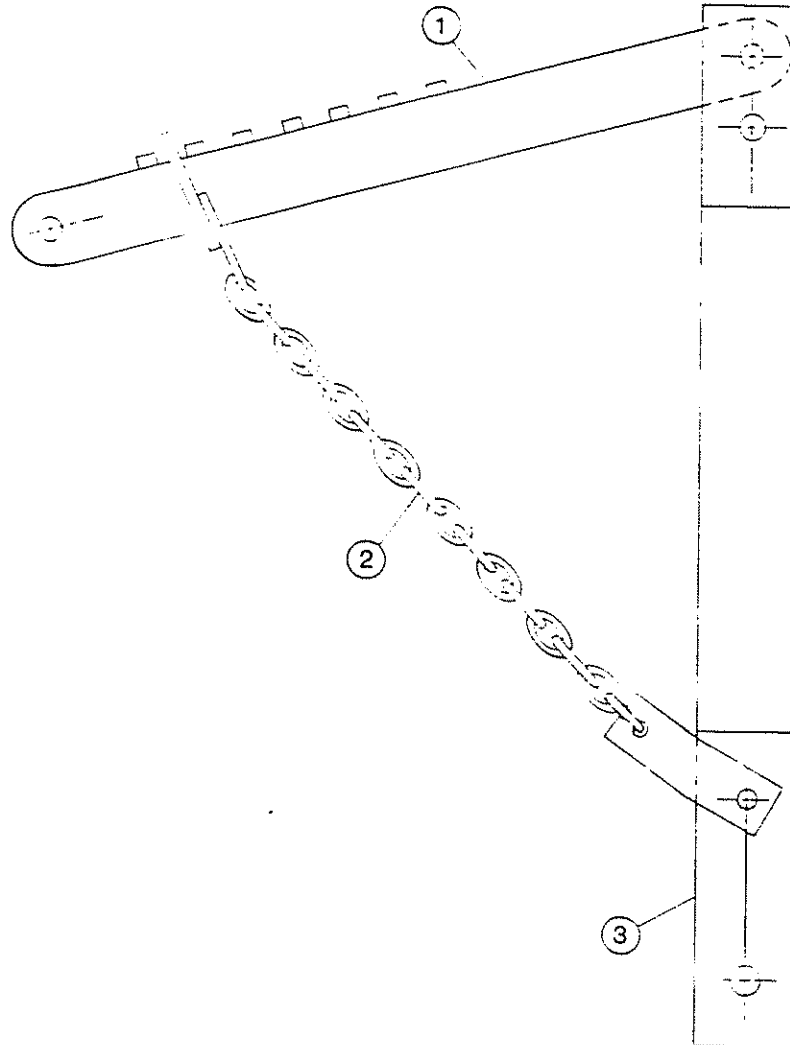
A-FRAME ASSEMBLY



ITEM	PART NO.	DESCRIPTION	QTY
1	00755435	YOKE BAR WELDMENT RIGHT HAND	1
2	00755436	YOKE BAR WELDMENT LEFT HAND	1
3	00752940	BRACE	2
4	00748569	BUSHING	2
5	00748100	HITCH PIN (CAT.II)	2
6	00603500	HITCH PIN (CAT.I)	2
7	00747500	STOPNUT	2
8	00749857	SLOTTED LINK (CAT.II)	2
9	00748786	BOLT	1
10	00037200	LOCKNUT	4
11	00748598	BOLT	1
12	00603300	BOLT	2
13	00749136	LOCKNUT	1
	02892100	BOLT	2

HYDRAULIC RELIEF

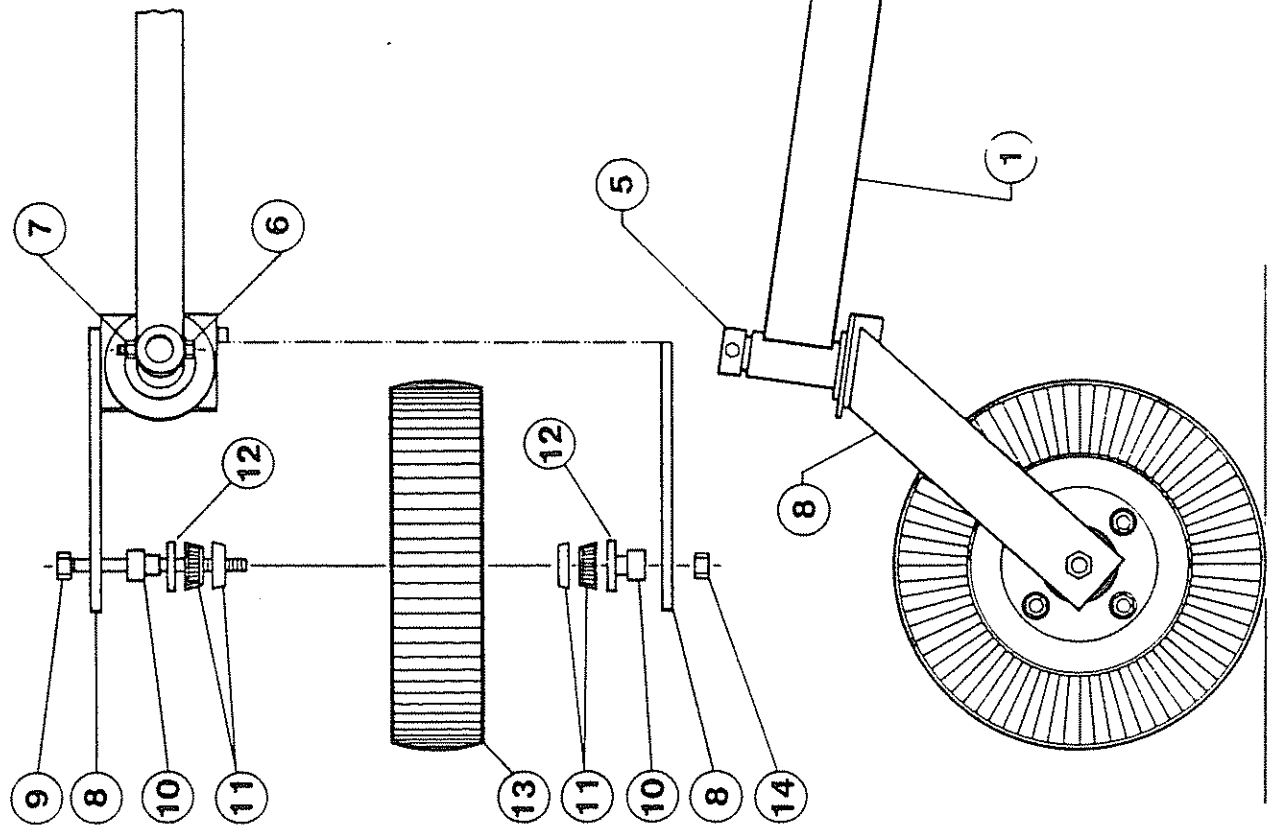
P/N 00750282



ITEM	PART NO.	QTY	DESCRIPTION
1	00750283	1	Hitch
2	00750286	1	Chain Hook Weldment
3	00750226	2	Nut

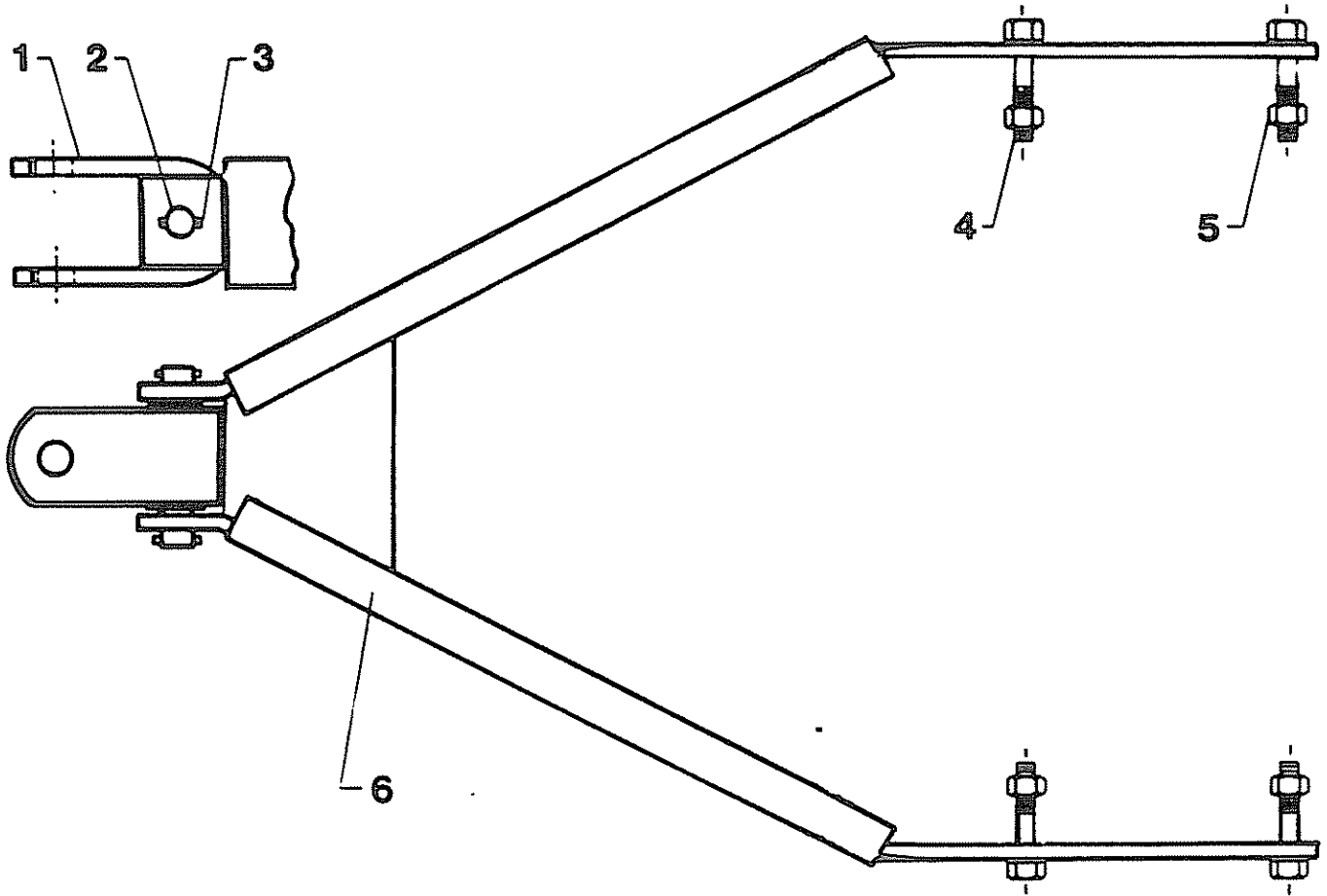
TAIL WHEEL ASSEMBLY

ITEM	PART NO	DESCRIPTION	QTY
1	00752943	Tube, Tail Wheel	1
2	00748561	Tail Wheel Adjustment Link	2
3	02788400	Bolt, Adjusting Link	4
4	00001800	Nut, Adjusting Link	4
5	00749264	Collar	1
6	00749413	Bolt	1
7	00749017	Nut	1
8	00748751	Caster Fork	1
9	00156503	Bolt	1
10	00752272	Axle Hub	2
11	02817100	Bearing Assembly (Cone and Cup)	*
12	00013600	Seal	*
13	00130010	Tire and Wheel Assembly	2
14	00695100	Nut	1
15	00010300	Lockwasher	1
16	02711800	Bolt	2
17	00001300	Lockwasher	2
18	02816800	Nut	2



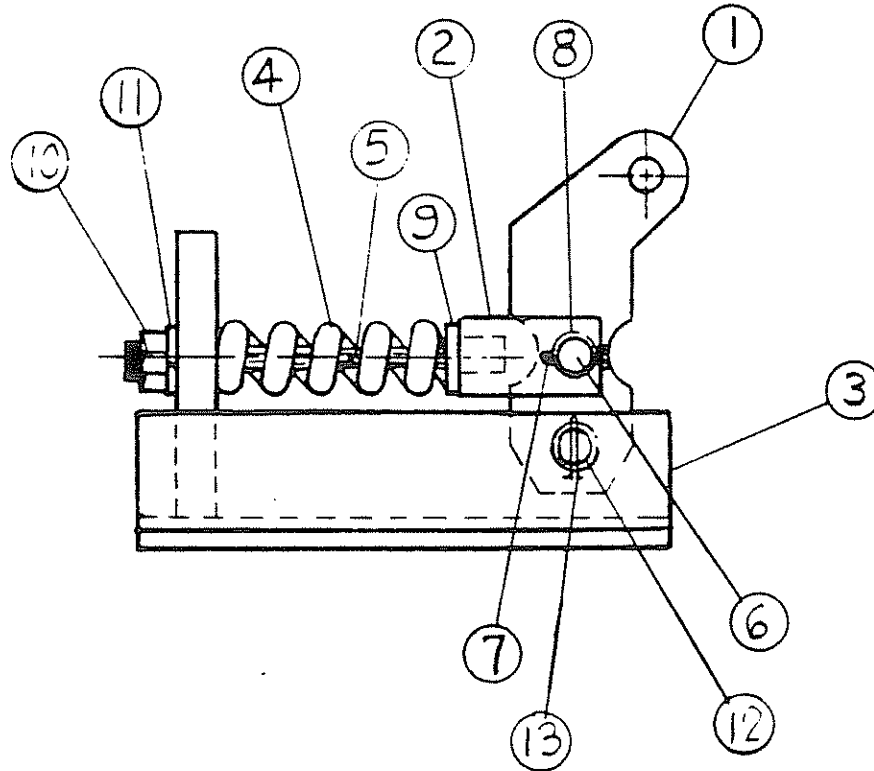
* Tire and Wheel Assembly Part Number 00130010
Includes Items 11, 12, 18 and 19.

PULL MODEL TONGUE ASSEMBLY P/N 00748802



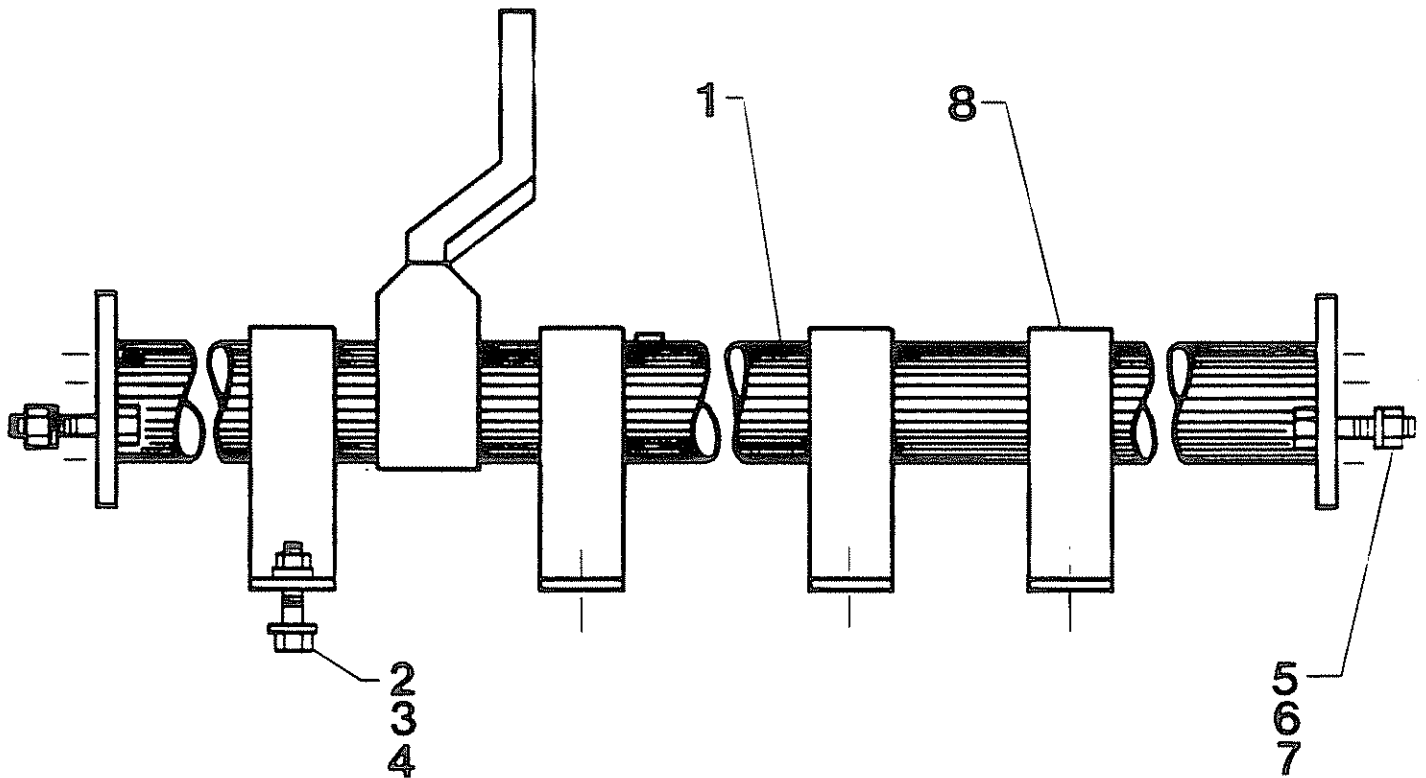
ITEM	PART NO	DESCRIPTION	QTY
1	00748807	CLEVIS WELDMENT	1
2	00748810	CLEVIS HITCH PIN	1
3	00023200	ROLL PIN	2
4	00008300	BOLT	4
5	00695100	LOCKNUT	4
6	00748803	TONGUE WELDMENT	1

PULL MODEL SHOCK ABSORBER ASSEMBLY P/N 00754231



ITEM	PART NO.	DESCRIPTION	QTY
1	00754221	SHOCK ABSORBER CYL.LUG WLDMT.	1
2	00754224	SHOCK ABSORBER ROD WLDMT.	1
3	00754229	SHOCK ABSORBER WLDMT.	1
4	00750739	SPRING	1
5	00749168	SPACER TUBE	1
6	00748813	CENTER PIN	1
7	00000400	COTTER PIN	2
8	02822500	FLATWASHER	2
9	00749946	FLATWASHER	1
10	00059500	NUT	1
11	02032200	LOCKWASHER	1
12	00748811	PIN	1
13	00606000	COTTER PIN	1

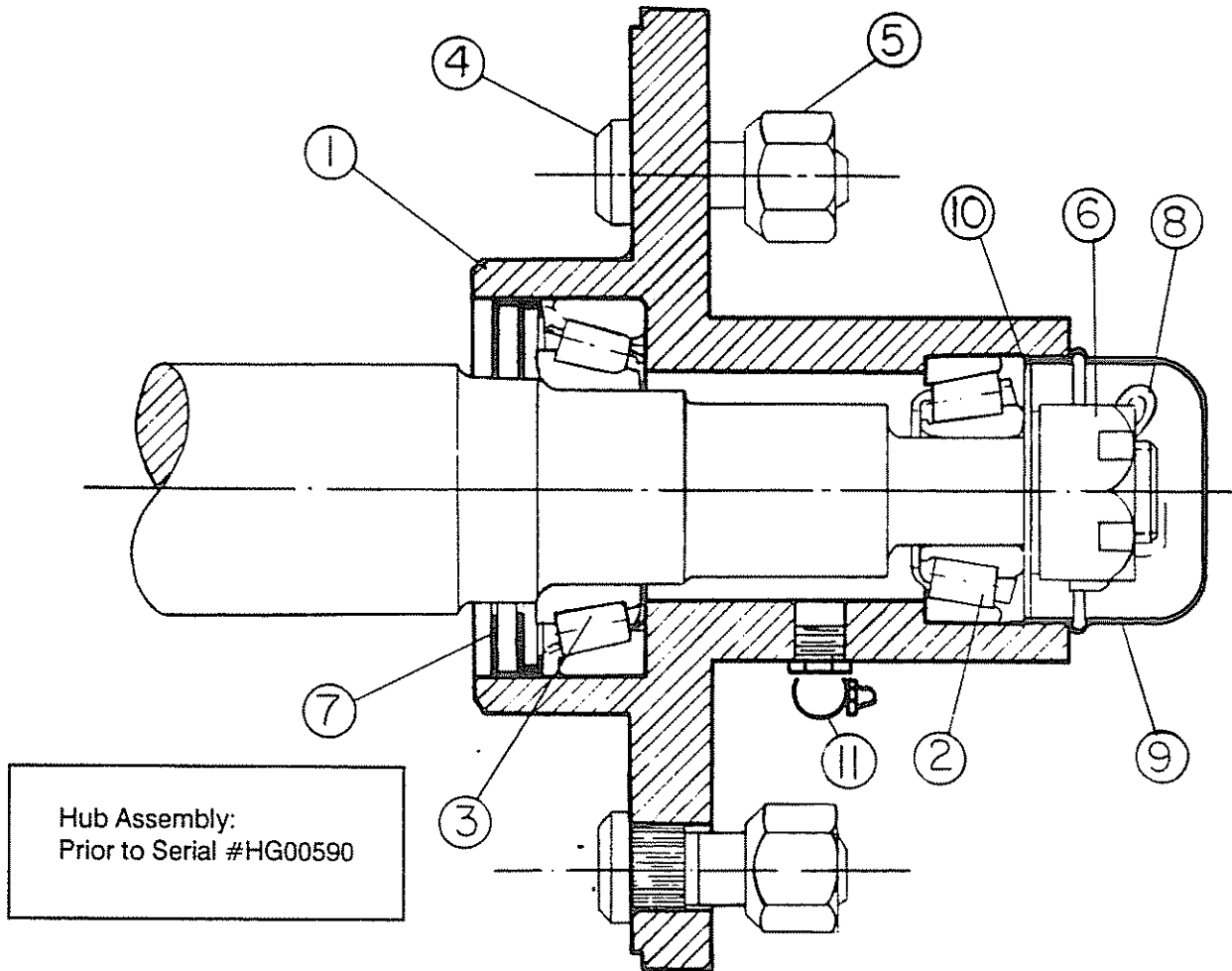
PULL MODEL AXLE ASSEMBLY



ITEM	PART NO.	DESCRIPTION	QTY
1	00753065	AXLE WELDMENT	1
2	00749130	BOLT	8
3	00749137	MIT	8
4	00002700	FLATWASHER	8
5	00703200	BOLT	4
6	00010300	LOCKWASHER	4
7	00010400	NUT	4
8	00754121	CLAMP WELDMENT	4

PULL MODEL HUB ASSEMBLY

P/N 00752753

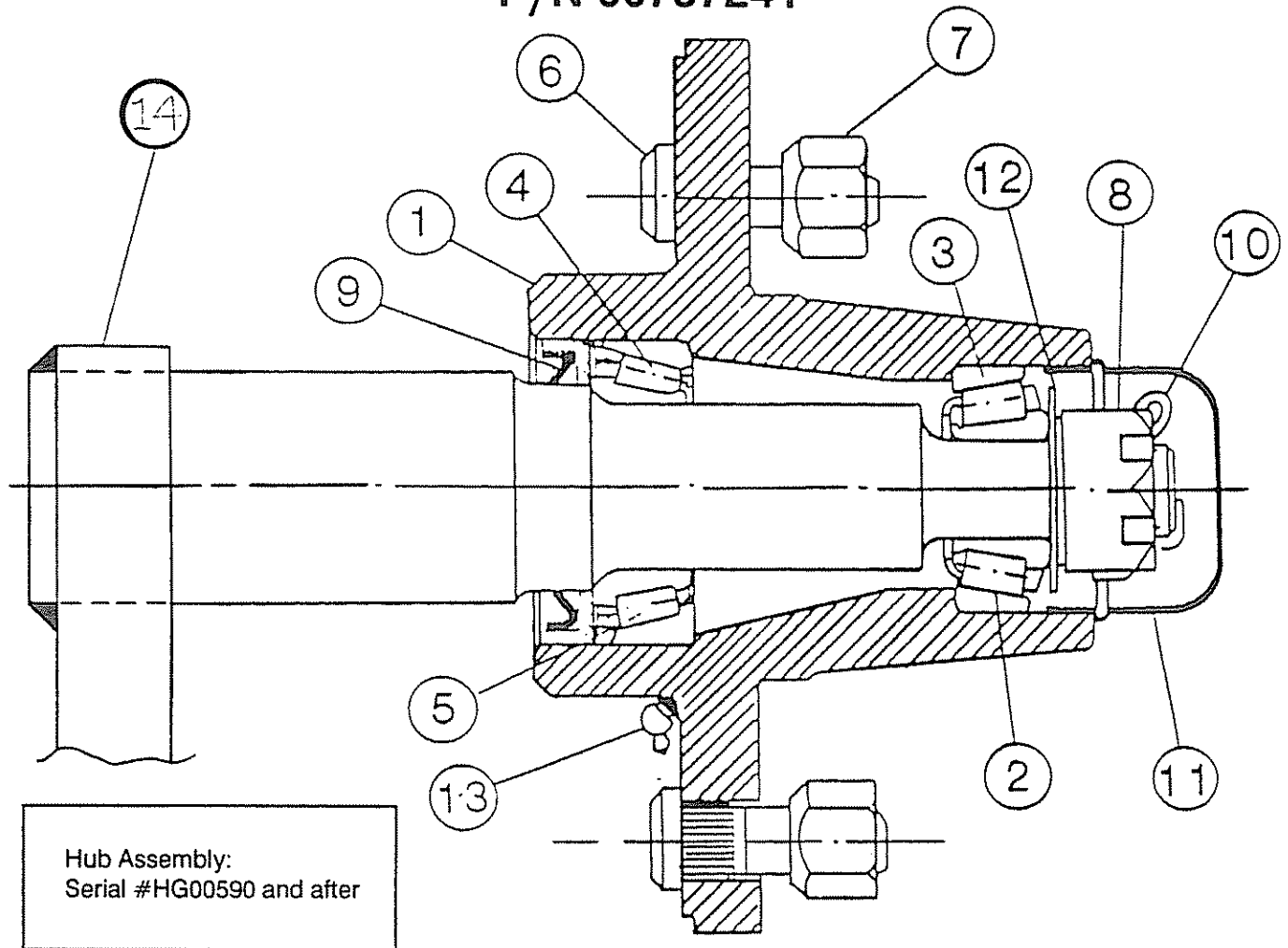


Hub Assembly:
Prior to Serial #HG00590

ITEM	PART NO	DESCRIPTION	QTY
1	00752752	WHEEL HUB w/CUPS, STUDS, NUTS, and ZERK FITTING	1
2	00753721	BEARING CONE AND CUP ASSEMBLY	1
3	00753720	BEARING CONE AND CUP ASSEMBLY	1
4	00752177	STUD BOLT	5
5	00750614	NUT	5
6	00750615	NUT	1
7	00750616	SEAL	1
8	00000400	COTTER PIN	1
9	00752751	DUST CAP	1
10	00750618	WASHER	1
11	00752176	ZERK FITTING	1

PULL MODEL HUB ASSEMBLY

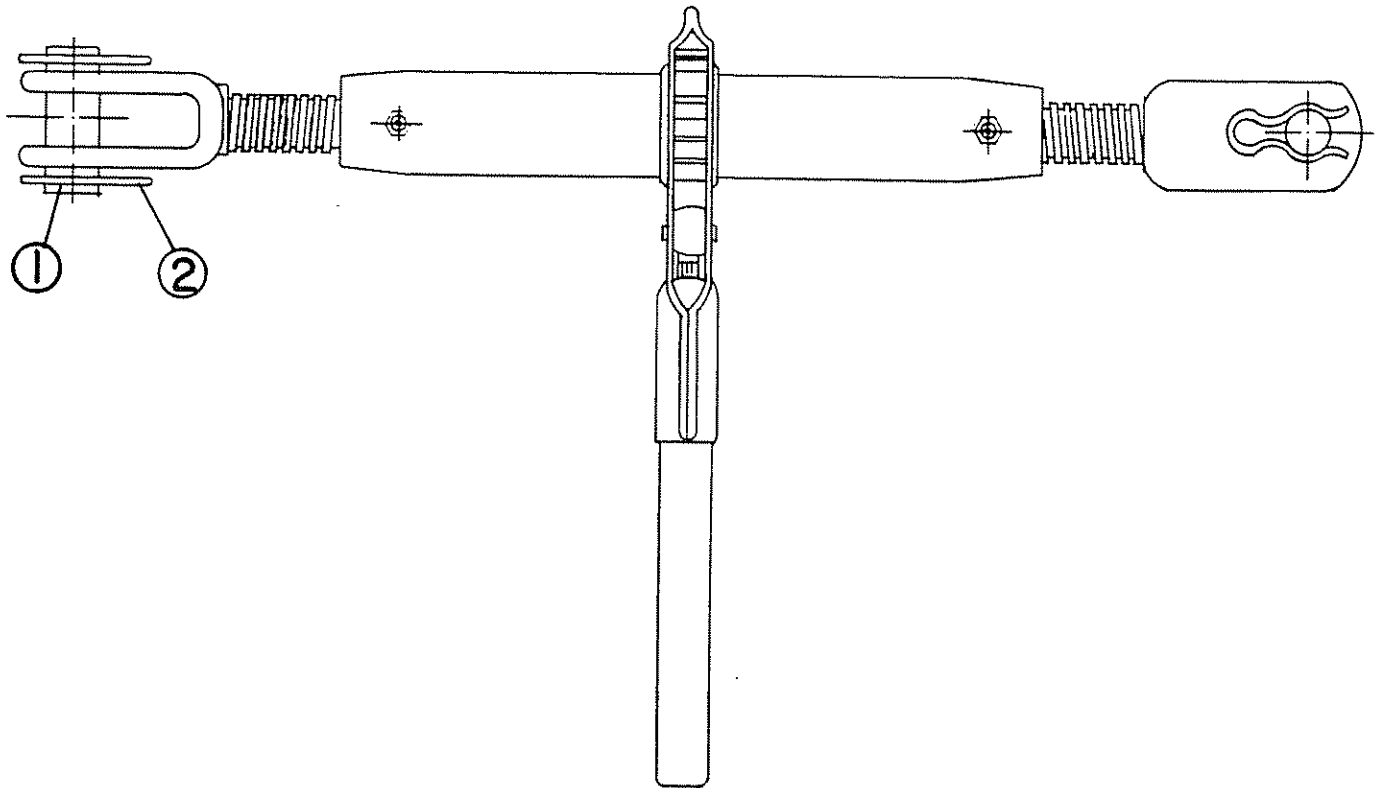
P/N 00757241



Hub Assembly:
Serial #HG00590 and after

ITEM	PART NO.	QTY	DESCRIPTION
1	00756489	1	Wheel Hub w/cups, studs, and Zerk Fittings
2	0371242102	1	Bearing Cone (Outside)
3	00756576	1	Bearing Cone (Outside)
4	00750434	1	Bearing Cone (Inside)
5	00756577	1	Bearing Cone (Inside)
6	00756488	5	Stud Bolt
7	00750614	5	Nut, Stud, Bolt
8	00756490	1	Nut, Erg. Adjusting
9	00756491	1	Seal
10	00000400	1	Cotter Pin
11	00756492	1	Dust Cap
12	00756493	1	Washer
13	00752176	1	Grease Fittings
14	00756848	1	Axle Arm Weldment

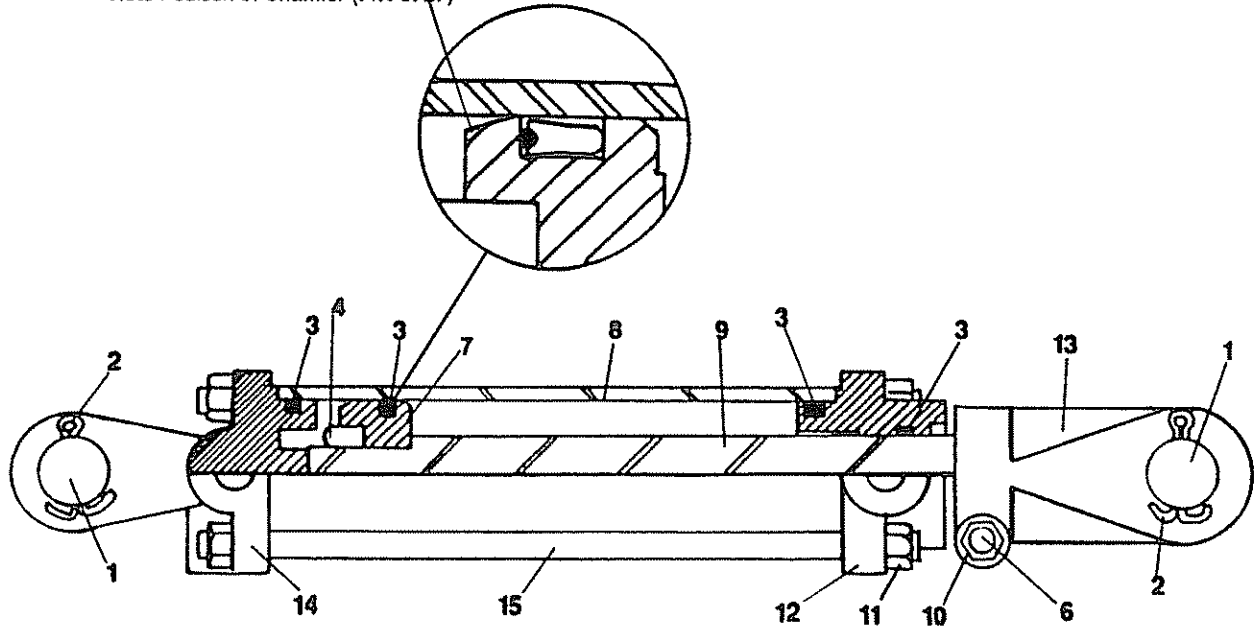
PULL MODEL RACHET JACK ASSEMBLY P/N 00554600



ITEM	PART NO	DESCRIPTION	QTY
1	00748714	PIN	2
2	00748715	CLIP	4

HYDRAULIC CYLINDER P/N 8727 (OPTIONAL)

NOTE: Seal to Install over Chamfer Side of Piston
Note Position of Chamfer (P/N 8727)

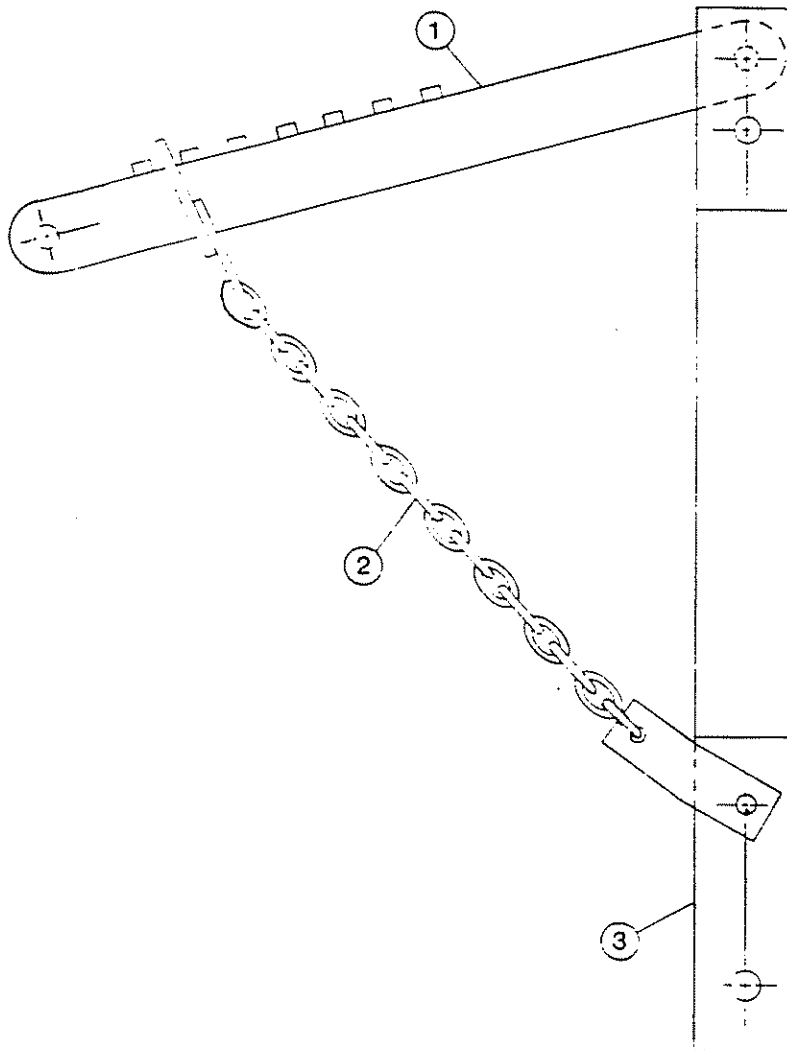


NEW STYLE - 2-1/2" BORE

ITEM	PART NO.	QTY	DESCRIPTION
1	8354	2	Pivot Pin
2	162012	2	Cotter Pin
3	00760199	1	Seal Kit
4	4675	1	Piston Nut
5*	7339	1	Breather Plug
6	4427	1	Bolt
7	00760671	1	Piston
8	8752	1	Tube
9	8753	1	Piston Rod
10	4378	1	Hex Nut
11	4690	8	Tie Rod Nut
12	8757	1	Head
13	8754	1	Outer Clevis
14	8755	1	Cap
15	8756	4	Tie Rod

HYDRAULIC RELIEF

P/N 00750282



ITEM	PART NO.	QTY	DESCRIPTION
1	00750283	1	Hitch
2	00750286	1	Chain Hook Weldment
3	00750226	2	Nut

MAINTENANCE RECORD

SERIAL NO. _____

DATE	MACHINING HOURS	DESCRIPTION	CAUSE

ALAMO GROUP

LIMITED WARRANTY

1. LIMITED WARRANTIES

- 1.01. Alamo warrants for one year from the purchase date to the original non-commercial, governmental, or municipal purchaser ("Purchaser") and warrants for six months to the original commercial or industrial purchaser ("Purchaser") that the goods purchased are free from defects in material or workmanship.
- 1.02. Manufacturer will replace for the Purchaser any part or parts found, upon examination at one of its factories, to be defective under normal use and service due to defects in material or workmanship.
- 1.03. This warranty does not apply to any part of the goods which has been subjected to improper or abnormal use, negligence, alteration, modification, or accident, damaged due to lack of maintenance or use of wrong fuel, oil, or lubricants, or which has served its normal life. This warranty does not apply to any part of any internal combustion engine, or expendable items such as blades, shields, guards, or pneumatic tires except as specifically found in your Operator's Manual.
- 1.04. Except as provided herein, no employee, agent, Dealer, or other person is authorized to give any warranties of any nature on behalf of Manufacturer.

2. REMEDIES AND PROCEDURES.

- 2.01. This warranty is not effective unless the Purchaser returns the Registration and Warranty Form to Manufacturer within 30 days of purchase.
- 2.02. Purchaser claims must be made in writing to the Authorized Dealer ("Dealer") from whom Purchaser purchased the goods or an approved Authorized Dealer ("Dealer") within 30 days after Purchaser learns of the facts on which the claim is based.
- 2.03. Purchaser is responsible for returning the goods in question to the Dealer.
- 2.04. If after examining the goods and/or parts in question, Manufacturer finds them to be defective under normal use and service due to defects in material or workmanship, Manufacturer will:
 - (a) Repair or replace the defective goods or part(s).
 - (b) Reimburse Purchaser for the cost of the part(s) and reasonable labor charges (as determined by Manufacturer) if Purchaser paid for the repair and/or replacement prior to the final determination of applicability of the warranty by Manufacturer.
 - (c) The choice of remedy shall belong to Alamo.
- 2.05. Purchaser is responsible for any labor charges exceeding a reasonable amount as determined by Manufacturer and for returning the goods to the Dealer, whether or not the claim is approved. Purchaser is responsible for the transportation cost for the goods or part(s) from the Dealer to the designated factory. NOTE: WARRANTY IS CONTINUED ON OTHER SIDE OF THIS FORM.

3. LIMITATION OF LIABILITY.

- 3.01. MANUFACTURER DISCLAIMS ANY EXPRESS (EXCEPT AS SET FORTH HEREIN) AND IMPLIED WARRANTIES WITH RESPECT TO THE GOODS INCLUDING, BUT NOT LIMITED TO, MERCHANTABILITY AND FITNESS FOR A PARTICULAR PURPOSE.
- 3.02. MANUFACTURER MAKES NO WARRANTY AS TO THE DESIGN, CAPABILITY, CAPACITY, OR SUITABILITY FOR USE OF THE GOODS.
- 3.03. EXCEPT AS PROVIDED HEREIN, MANUFACTURER SHALL HAVE NO LIABILITY OR RESPONSIBILITY TO PURCHASER OR ANY OTHER PERSON OR ENTITY WITH RESPECT TO ANY LIABILITY, LOSS, OR DAMAGE CAUSED OR ALLEGED TO BE CAUSED DIRECTLY OR INDIRECTLY BY THE GOODS INCLUDING, BUT NOT LIMITED TO, ANY INDIRECT, SPECIAL, CONSEQUENTIAL, OR INCIDENTAL DAMAGES RESULTING FROM THE USE OR OPERATION OF THE GOODS OR ANY BREACH OF THIS WARRANTY. NOTWITHSTANDING THE ABOVE LIMITATIONS AND WARRANTIES, MANUFACTURER'S LIABILITY HEREUNDER FOR DAMAGES INCURRED BY PURCHASER OR OTHERS SHALL NOT EXCEED THE PRICE OF THE GOODS.
- 3.04. NO ACTION ARISING OUT OF ANY CLAIMED BREACH OF THIS WARRANTY OR TRANSACTIONS UNDER THIS WARRANTY MAY BE BROUGHT MORE THAN TWO (2) YEARS AFTER THE CAUSE OF ACTION HAS OCCURRED.

4. MISCELLANEOUS.

- 4.01. The laws of the State of Texas shall govern the construction of this agreement. Venue for any lawsuits shall be in Guadalupe County, Texas.
- 4.02. Manufacturer may waive compliance with any of the terms of this limited warranty, but no waiver of any terms shall be deemed to be a waiver of any other term.
- 4.03. If any provision of this limited warranty shall violate any applicable law and is held to be unenforceable, then the invalidity of such provision shall not invalidate any other provisions herein.





TO THE OWNER/OPERATOR/DEALER

To keep your implement running efficiently and safely, read your manual thoroughly and follow these directions and the Safety Messages in this Manual. The Table of Contents clearly identifies each section where you can easily find the information you need.

The OCCUPATIONAL SAFETY AND HEALTH ACT (1928.51 Subpart C) makes these minimum safety requirements of tractor operators:

REQUIRED OF THE OWNER:

1. Provide a Roll-Over-Protective Structure that meets the requirements of this Standard; and
2. Provide Seatbelts that meet the requirements of this paragraph of this Standard and SAE J4C; and
3. Ensure that each employee uses such Seatbelt while the tractor is moving; and
4. Ensure that each employee tightens the Seatbelt sufficiently to confine the employee to the protected area provided by the ROPS.

REQUIRED OF THE OPERATOR

1. Securely fasten seatbelt if the tractor has a ROPS.
2. Where possible, avoid operating the tractor near ditches, embankments, and holes.
3. Reduce speed when turning, crossing slopes, and on rough, slick, or muddy surfaces.
4. Stay off slopes too steep for safe operation.
5. Watch where you are going - especially at row ends, on roads, and around trees.
6. Do not permit others to ride.
7. Operate the tractor smoothly - no jerky turns, starts, or stops.
8. Hitch only to the drawbar and hitch points recommended by the tractor manufacturer.
9. When the tractor is stopped, set brakes securely and use park lock, if available.

-
-
- Keep children away from danger all day, every day...
 - Equip tractors with rollover protection (ROPS) and keep all machinery guards in place...
 - Please work, drive, play and live each day with care and concern for your safety and that of your family and fellow citizens.

