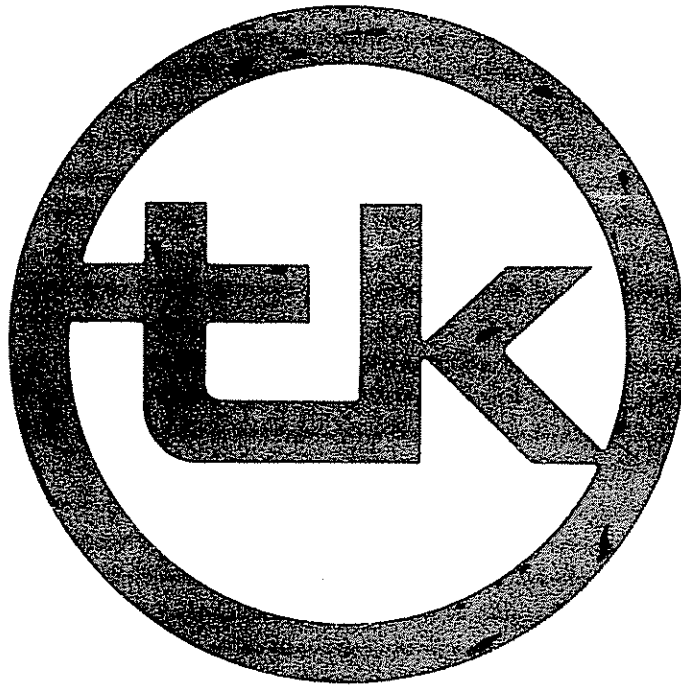




TK-84

— OWNER'S MANUAL AND PARTS LIST —



— Terrain King Corporation —

terrain king®

P.O. Drawer 549 Seguin, Texas 78155 (512) 379-1480

This Parts Manual is specially made for the following unit.
T84 / 7-86 _____ Serial No. _____ Model _____
Dealer/Customer _____

TABLE OF CONTENTS

PAGE

WARRANTY.....	1
OPERATION SAFEGUARDS.....	2,3
OPERATION INSTRUCTIONS.....	4,5
INSTRUCTIONS FOR ORDERING PARTS.....	6
ASSEMBLY INSTRUCTIONS FOR LIFT MODEL.....	7
ASSEMBLY INSTRUCTIONS FOR PULL MODEL.....	8
INSTRUCTIONS FOR OFFSETING MOWER.....	9

PARTS LIST

BASE ASSEMBLY - LIFT MODEL.....	10
BASE ASSEMBLY - PULL MODEL.....	11
GEARBOX ASSEMBLY.....	12,13
JACKSHAFT.....	14
TORQUE LIMITER CLUTCH.....	15
DRIVESHAFT ASSEMBLY - LIFT MODEL.....	16
DRIVESHAFT ASSEMBLY - PULL MODEL.....	17
DRIVESHAFT SAFETY SHIELD ASSEMBLY.....	18
BLADE BAR ASSEMBLY.....	19
"A" FRAME ASSEMBLY - LIFT MODEL.....	20
TAIL WHEEL ASSEMBLY - LIFT MODEL.....	21
TONGUE ASSEMBLY - PULL MODEL.....	22
SHOCK ABSORBER ASSEMBLY - PULL MODEL.....	23
AXLE ASSEMBLY - PULL MODEL.....	24
HUB AND BEARING GROUP - PULL MODEL.....	25
RATCHET JACK ASSEMBLY - PULL MODEL.....	26
MAINTENANCE RECORD.....	27



LIMITED WARRANTY

P.O. Box 549 • 123 By Pass
Seguin, Texas 78156
Telephone (512) 379-1480

1. LIMITED WARRANTIES.

- 1.01. For one year from the purchase date, Alamo Group, Incorporated ("Alamo") warrants to the original purchaser ("Purchaser") that the goods purchased are free from defects in material or workmanship.
- 1.02. Alamo will replace for the purchaser any part or parts found, upon examination at one of its factories, to be defective under normal use and service due to defects in material or workmanship.
- 1.03. This warranty does not apply to any part of the goods which has been subjected to improper or abnormal use, negligence, alteration, or accident, damaged due to lack of maintenance or use of wrong fuel, oil, or lubricants, or which has served its normal life. This warranty does not apply to any part of any internal combustion engine, universal joint, or expendable items such as blades or pneumatic tires except as specifically found in your Operator's Manual.
- 1.04. Except as provided herein, no employee, agent, Dealer, or other person is authorized to give any warranties of any nature on behalf of Alamo.
- 1.05. Some parts are covered by an extended warranty. Refer to your Operator's Manual for further details.

2. REMEDIES AND PROCEDURES.

- 2.01. This warranty is not effective unless the Purchaser returns the Registration and Warranty Form to Alamo within 30 days of purchase.
- 2.02. Purchaser claims must be made in writing to the Authorized Dealer ("Dealer") from whom Purchaser purchased the goods or an approved Authorized Dealer ("Dealer") within 30 days after Purchaser learns of the facts on which the claim is based.
- 2.03. Purchaser is responsible for returning the goods in question to the Dealer.
- 2.04. If after examining the goods and/or parts in question, Alamo finds, them to be defective under normal use and service due to defects in material or workmanship, Alamo will:
 - (a) Repair or replace the defective goods or part(s) or refund the purchase price at Alamo's option. Alamo will not elect refund unless it is unable to provide replacement and repair is not commercially practicable.;
 - (b) Reimburse Purchaser for the cost of the part(s) and reasonable labor charges (as determined by Alamo) if Purchaser paid for the repair and/or replacement prior to the final determination of applicability of the warranty by Alamo and any transportation costs for the goods or part(s) from the dealer to the factory.; and
 - (c) The choice of remedy shall belong to Alamo.
- 2.05. Purchaser is responsible for any labor charges exceeding a reasonable amount as determined by Alamo and for returning the goods to the Dealer, whether or not the claim is approved. Purchaser is responsible for the transportation cost for the goods or part(s) from the Dealer to the designated factory if the claim is denied.

3. LIMITATION OF LIABILITY.

- 3.01. ALAMO DISCLAIMS ANY EXPRESS (EXCEPT AS SET FORTH HEREIN) AND IMPLIED WARRANTIES WITH RESPECT TO THE GOODS INCLUDING, BUT NOT LIMITED TO, MERCHANTABILITY AND FITNESS FOR A PARTICULAR PURPOSE.
- 3.02. ALAMO MAKES NO WARRANTY AS TO THE DESIGN, CAPABILITY, CAPACITY, OR SUITABILITY FOR USE OF THE GOODS.
- 3.03. EXCEPT AS PROVIDED HEREIN, ALAMO SHALL HAVE NO LIABILITY OF RESPONSIBILITY TO PURCHASER OR ANY OTHER PERSON OR ENTITY WITH RESPECT TO ANY LIABILITY, LOSS, OR DAMAGE CAUSED OR ALLEGED TO BE CAUSED DIRECTLY OR INDIRECTLY BY THE GOODS INCLUDING, BUT NOT LIMITED TO, ANY INDIRECT, SPECIAL, CONSEQUENTIAL, OR INCIDENTAL DAMAGES RESULTING FROM THE USE OR OPERATION OF THE GOODS OR ANY BREACH OF THIS WARRANTY. NOTWITHSTANDING THE ABOVE LIMITATIONS AND WARRANTIES, ALAMO'S LIABILITY HEREUNDER FOR DAMAGES INCURRED BY PURCHASER OR OTHERS SHALL NOT EXCEED THE PRICE OF THE GOODS.
- 3.04. NO ACTION ARISING OUT OF ANY CLAIMED BREACH OF THIS WARRANTY OR TRANSACTIONS UNDER THIS WARRANTY MAY BE BROUGHT MORE THAN TWO (2) YEARS AFTER THE CAUSE OF ACTION HAS ACCRUED.
- 3.05. SOME STATES DO NOT ALLOW THE LIMITATION OR EXCLUSION OR INCIDENTAL OR CONSEQUENTIAL DAMAGES OR LIMITS ON HOW LONG AN IMPLIED WARRANTY LASTS, SO THE ABOVE LIMITATION OR EXCLUSIONS MAY NOT APPLY.

4. MISCELLANEOUS.

- 4.01. The laws of the State of Texas shall govern the construction of this agreement. Venue for any lawsuits shall be in Guadalupe County, Texas.
- 4.02. Alamo may waive compliance with any of the terms of this limited warranty, but no waiver of any terms shall be deemed to be a waiver of any other term.
- 4.03. If any provision of this limited warranty shall violate any applicable law, and is held to be unenforceable, then the invalidity of such provision shall not invalidate any other provisions herein.

Purchaser should fill in the blanks below for future references.

MODEL _____ SERIAL NUMBER _____

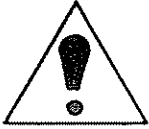
DATE DELIVERED _____ DEALER _____

AG-LW5C-0387



OPERATION SAFEGUARDS

DANGER!




There are obvious and hidden potential hazards involved in the operation of this implement. Serious injury or death may occur unless care is taken to insure the safety of both the operator and any other persons in the area.

THE FOLLOWING IS A LIST OF SOME SAFEGUARDS WHICH SHOULD BE FOLLOWED. SERIOUS INJURY OR DEATH MAY OCCUR UNLESS CARE IS TAKEN.

1. ROTARY CUTTERS ARE CAPABLE UNDER SOME CONDITIONS OF THROWING OBJECTS FOR GREAT DISTANCES (100 YARDS OR MORE) AND INFLECTING SERIOUS INJURY. DO NOT OPERATE THIS MACHINE WITH ANYONE IN THE IMMEDIATE AREA.
2. EXTREME CARE SHOULD BE TAKEN WHEN OPERATING NEAR LOOSE OBJECTS SUCH AS GRAVEL, ROCKS, AND DEBRIS. THESE OBJECTS SHOULD BE AVOIDED.
3. THE ROTATING PARTS OF THIS MACHINE HAVE BEEN DESIGNED AND TESTED FOR RUGGED USE. HOWEVER, THEY COULD FAIL UPON IMPACT WITH HEAVY SOLID OBJECTS SUCH AS STEEL GUARD RAILS, CONCRETE ABUTMENTS, ETC., CAUSING THEM TO BE THROWN AT VERY HIGH VELOCITIES. NEVER ALLOW THE CUTTING BLADES TO CONTACT SUCH OBSTACLES.
4. THE OPERATOR AND ALL SUPPORT PERSONNEL SHOULD WEAR "HARD HATS" AND "SAFETY GLASSES" AT ALL TIMES TO PROTECT THEM AGAINST FALLING OBJECTS AND ITEMS THROWN BY THE MACHINE.
- 4.5 OPERATE THE MOWER ONLY WITH A TRACTOR EQUIPPED WITH AN APPROVED ROLL OVER PROTECTION SYSTEMS - ROPS. ALWAYS WEAR YOUR SEAT BELTS. SERIOUS INJURY OR BODILY HARM COULD RESULT IF YOU FALL OUT OF THE TRACTOR'S OPERATOR SEAT.
5. BEFORE LEAVING THE TRACTOR SEAT, ALWAYS DISENGAGE THE PTO SHAFT. TURN THE TRACTOR ENGINE OFF, AND WAIT FOR ALL MOVING PARTS TO STOP. PLACE THE TRACTOR SHIFT LEVER INTO A LOW RANGE GEAR OR PARK TO PREVENT THE TRACTOR FROM ROLLING. NEVER MOUNT OR DISMOUNT A MOVING TRACTOR. OPERATE THE TRACTOR CONTROLS FROM THE TRACTOR SEAT ONLY.
6. OBJECTS SUCH AS WIRE, CABLE, ROPE, CHAINS, ETC., CAN BECOME ENTANGLED IN THE OPERATING PARTS OF THE MOWER HEAD. THESE ITEMS COULD THEN SWING OUTSIDE THE HOUSING AT GREATER VELOCITIES THAN THE BLADES CREATING AN EXTREMELY DANGEROUS CONDITION. INSPECT THE CUTTING AREA FOR SUCH OBJECTS PRIOR TO MOWING. NEVER ALLOW THE CUTTING BLADES TO CONTACT SUCH ITEMS.

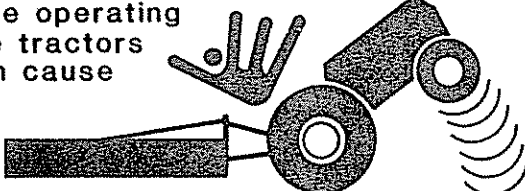
OPERATION SAFEGUARDS CONTINUED

7. THE HITCH SHOULD BE EXAMINED DAILY FOR SIGNS OF WEAR OR BROKEN PARTS. A HITCH FAILURE COULD ALLOW THE MACHINE TO SEPARATE FROM THE TRACTOR AND CREATE A HAZARDOUS SITUATION.
8. TRANSPORT MOWER AT SAFE SPEEDS (10 MPH MAXIMUM). USE FLASHING WARNING LIGHTS WHEN TOWING MACHINE ALONG HIGHWAYS. NEVER ALLOW RIDERS ON MOWER OR TRACTOR.
9. INSPECT THE ENTIRE MACHINE ONCE A WEEK FOR LOOSE BOLTS, WORN OR BROKEN PARTS, ETC. SERIOUS INJURY MAY OCCUR FROM NOT MAINTAINING THIS MACHINE IN GOOD WORKING ORDER.
10. IF OPTIONAL CHAINGUARDS ARE USED, THEY SHOULD BE MAINTAINED IN PROPER WORKING ORDER. THE CHAINGUARDS SHOULD BE CHECKED ONCE A WEEK FOR MISSING CABLE OR CHAIN LINKS. THE MISSING ITEMS SHOULD BE REPLACED.
11. WHEN REPLACING WORN BLADES, ALWAYS REPLACE BLADE BOLTS, LOCKWASHERS AND NUTS. IF THESE BOLTS, LOCKWASHERS AND NUTS ARE NOT REPLACED A BLADE COULD BE THROWN FROM THE MOWER CAUSING SEVERE DAMAGE OR BODILY HARM.
12. THIS IS ONLY A PARTIAL LIST OF SAFETY PRECAUTIONS TO FOLLOW. PERHAPS THE BEST GENERAL RULE TO FOLLOW IS ALWAYS STAY ALERT, USE COMMON SENSE AND MAINTAIN AN AWARENESS OF THE DANGERS INVOLVED IN OPERATING THIS TYPE OF EQUIPMENT.



CAUTION

Failure to follow safe operating practices can cause tractors to rear up which can cause equipment damage and bodily injury.



1. MAKE CERTAIN THAT LOCK PINS ARE INSTALLED INTO UPPER AND LOWER LINK PINS ON HITCH.
2. ADD FRONT END WEIGHTS AS REQUIRED TO MAINTAIN ENOUGH WEIGHT ON FRONT WHEELS FOR SAFE STEERING.
3. SLOW DOWN IN CURVES AND IN ROUGH PLACES TO MAINTAIN SAFE STEERAGE WEIGHT ON FRONT WHEELS.

4. NEVER START OR ACCELERATE SUDDENLY TO MAINTAIN SAFE STEERAGE WEIGHT.
5. DO NOT LIFT HEAVY IMPLEMENTS GOING UP STEEP SLOPES.
6. DO NOT LIFT IMPLEMENT HEAVIER THAN RECOMMENDED BY TRACTOR MANUFACTURER.

OPERATING INSTRUCTIONS

THE TK-84 TERRAIN KING MOWER WERE DESIGNED TO FILL YOUR MOWING NEEDS AND WAS BUILT TO GIVE YOU THE UTMOST IN LONG LIFE AND TROUBLE-FREE SERVICE. FOR BEST RESULTS, PLEASE OBSERVE THE SUGGESTIONS AND PRECAUTIONS GIVEN BELOW:

1. ENGAGE PTO SHAFT AT A LOW ENGINE RPM AND SPEED ENGINE UP AFTER BLADES ARE FULLY ENGAGED. NEVER ENGAGE PTO SHAFT AT A HIGH ENGINE RPM. THIS COULD CAUSE DAMAGE TO THE PTO SHAFT AS WELL AS THE DRIVESHAFTS.
2. ALWAYS RUN THE MACHINE AT THE HIGHEST POSITION WHICH WILL ENABLE YOU TO OBTAIN THE DESIRED CUTTING RESULTS. ALLOWING THE BLADES TO CUT INTO THE GROUND WILL CAUSE WEAR AND UNDUE STRAIN ON THE MOWER FRAME AND MOWER COMPONENTS.
3. IF YOU ARE MOWING IN CONDITIONS OF HEAVY GROWTH OR ROUGH GROUND WHERE THE BLADES CUT INTO THE GROUND AND THE TRACTOR ENGINE SLOWS DOWN, DO NOT SLIP THE CLUTCH TO ALLOW THE ENGINE TO SPEED UP AND ENGAGE THE CLUTCH AGAIN. THIS PROCEDURE EXERTS TREMENDOUS STRAIN ON THE DRIVELINE OF THE TRACTOR AND MOWER. ALWAYS DISENGAGE THE POWER TAKE-OFF AND MOVE FORWARD OR BACKWARD UNTIL THE MACHINE IS CLEAR.
4. THE TK-84 ROTARY MOWER ARE DESIGNED WITH FREE SWINGING BLADES THIS FEATURE REDUCES THE AMOUNT OF SHOCK TRANSMITTED TO OTHER COMPONENTS. ALWAYS MAKE SURE THE BLADE CAN SWING FREELY ON THE BLADE BAR.
5. THE MOWERS SHOULD BE OPERATED AT AN ENGINE SPEED THAT TURNS THE PTO AT 540 RPM. THE MOWER IS DESIGNED TO RUN AT THAT SPEED. HIGHER OR LOWER PTO SPEED CAN INCREASE THE LOAD ON THE DRIVE-SHAFTS AND CLUTCH AND CAUSE PREMATURE FAILURE OF THE DRIVELINE. ALWAYS RUN THE TRACTOR AT A SPEED TO GIVE 540 RPM, PTO SPEED.

OPERATING INSTRUCTIONS CONTINUED

6. WHEN CUTTING FOLIAGE AND FINE SHREDDING IS DESIRED, RUN THE MOWER LEVEL OR SLIGHTLY LOWER IN THE REAR SO AS TO KEEP THE MATERIAL IN THE MOWER UNTIL IT IS SHREDDED. THIS WILL REQUIRE MORE POWER BUT WILL SHRED BETTER. WHEN CUTTING HEAVY FOLIAGE AND FINE SHREDDING IS NOT DESIRED, RAISE THE REAR OF THE MOWER. THIS ALLOWS THE HIGH VOLUME OF MATERIAL TO BE DISCHARGED THUS REQUIRING MUCH LESS POWER.

7. THE TONGUE ON THE MACHINE IS DESIGNED TO HAVE A TURNING RADIUS AS SMALL AS POSSIBLE. SEVERAL FACTORS INCLUDING TIRE SIZE, REAR TIRE SPACING, FRONT TIRE SPACING, AND DRAWBAR LENGTH ALL AFFECT THE TURNING RADIUS. BY BRINGING THE FRONT AND REAR TIRES CLOSER INTO THE TRACTOR, THE TURNING RADIUS CAN BE REDUCED. THE DRAWBAR SHOULD ALSO BE IN THE EXTENDED POSITION.

NOTE: EXCESSIVELY SHARP TURNS WHILE THE MOWER IS RUNNING CAN CAUSE WEAR AND UNDUE STRAIN ON THE MAIN DRIVE-SHAFT. PREMATURE BEARING LOSS CAN OCCUR FROM CONTINUED EXCESSIVELY TIGHT TURNS.

8. DO NOT RIDE THE CLUTCH ON THE TRACTOR. MOW IN THE APPROPRIATE GEARS TO GIVE THE CORRECT GROUND SPEED.

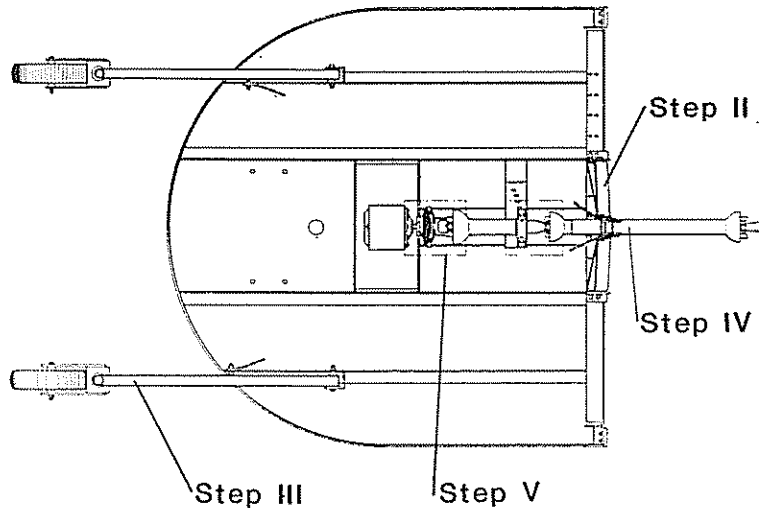
INSTRUCTIONS FOR ORDERING PARTS

THE FOLLOWING INSTRUCTIONS ARE OFFERED TO HELP ELIMINATE NEEDLESS DELAY AND ERROR IN PROCESSING PURCHASE ORDERS FOR TK-84 MOWERS

1. THE PARTS LISTING IS PREPARED IN LOGICAL SEQUENCE, BY PART NUMBER, WITHIN EACH SECTION AND INCLUDES THE DESCRIPTION AND QUANTITY PER UNIT.
2. THE PURCHASE ORDER MUST INDICATE THE NAME AND ADDRESS OF THE PERSON OR ORGANIZATION ORDERING THE PARTS, TO WHOM THE CHARGES ARE TO BE MADE, AND IF POSSIBLE THE SERIAL NUMBER FOR WHICH PARTS ARE BEING ORDERED.
3. THE PURCHASE ORDER MUST CLEARLY LIST THE QUANTITY OF EACH PART, THE COMPLETE AND CORRECT PART NUMBER AND THE BASIC (ONE WORD) NAME OF THE PART ONLY.
4. TERRAIN KING CORPORATION RESERVES THE RIGHT TO SUBSTITUTE PARTS WHERE APPLICABLE.
5. REQUEST QUOTATION FOR UNLISTED ITEMS WHICH ARE SPECIAL PRODUCTION ITEMS NOT NORMALLY STOCKED AND ARE SUBJECT TO SPECIAL HANDLING.
6. TERRAIN KING CORPORATION RESERVES THE RIGHT TO CHANGE PRICES WITHOUT PRIOR NOTICE.

LIFT MODEL ASSEMBLY INSTRUCTIONS

YOUR TK-84 LIFT MODEL HAS BEEN PACKAGED FOR SHIPMENT IN CONFORMANCE WITH ICC REGULATIONS TO PROVIDE THE LOWEST POSSIBLE TRANSPORTATION COST AND THE ABSOLUTE MINIMUM ASSEMBLY NECESSARY BEFORE USE. FOR QUICK AND EASY ASSEMBLY USE THE FOLLOWING STEP BY STEP INSTRUCTIONS.



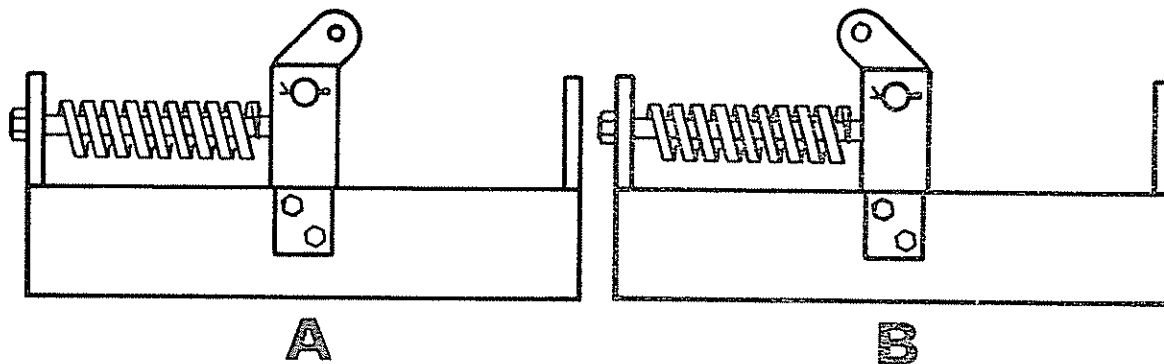
- STEP I: READ ENTIRE ASSEMBLY INSTRUCTIONS AND BECOME FAMILIAR WITH ALL PARTS OF THIS MACHINE. REMOVE ALL WIRE AND BINDING MATERIAL AND ARRANGE ALL LOOSE PARTS IN AN ORDERLY MANNER.
- STEP II: ASSEMBLE "A" FRAME
- BOLT LEFT AND RIGHT HAND YOKE BARS (ITEMS 1 & 2, PAGE 20) TO HITCH PLATES ON BASE ASSEMBLY USING HITCH PIN AND STOPNUT (ITEMS 5 & 6, PAGE 20) ALSO BOLT AND LOCKNUT (ITEMS 12 & 13, PAGE 20).
 - ATTACH SLOTTED LINKS (ITEM 8, PAGE 20) TO YOKE BARS WITH BOLTS AND LOCKNUTS (ITEMS 9 & 10, PAGE 20). ROUND HOLES IN LINKS SHOULD BE TO FRONT OF MOWER AND SLOTS TO THE REAR. CENTER BUSHING (ITEM 5, PAGE 20) AS SHOWN.
 - ATTACH LEFT AND RIGHT HAND BRACES (ITEM 3, PAGE 20) TO YOKE BARS WITH BOLTS AND LOCKNUTS (ITEMS 8 & 9, PAGE 20). CENTER BUSHING (ITEM 4, PAGE 20) AS SHOWN.
- STEP III: ASSEMBLE TAIL WHEEL ASSEMBLY
- ATTACH CASTER FORK AND WHEEL TO TAIL WHEEL FRAME WELDMENT AS SHOWN ON PAGE 21.
 - ATTACH TAIL ASSEMBLIES TO BASE FRAME WITH BOLTS, LOCKWASHERS AND NUTS (ITEMS 16,17 & 18, PAGE 21).
 - ATTACH TAIL WHEEL ADJUSTMENT LINK (ITEM 2, PAGE 21) TO TAIL WHEEL ASSEMBLY AND BASE FRAME WITH BOLTS AND NUTS (ITEMS 3 & 4, PAGE 21).
- STEP IV: ATTACH DRIVESHAFT TO JACKSHAFT USING BOLT AND NUT (ITEMS 12 & 13, PAGE 14).
- STEP V: ATTACH DRIVESHAFT SAFETY SHIELD ASSEMBLY TO GEARBOX AND BASE FRAME AS ILLUSTRATED ON PAGE 18.

PULL MODEL ASSEMBLY INSTRUCTIONS

YOUR TERRAIN KING PULL MODEL HAS BEEN PACKAGED FOR SHIPMENT IN CONFORMANCE WITH ICC REGULATIONS TO PROVIDE THE LOWEST POSSIBLE TRANSPORTATION COST AND THE ABSOLUTE MINIMUM ASSEMBLY NECESSARY BEFORE USE. FOR QUICK AND EASY ASSEMBLY, USE THE FOLLOWING STEP BY STEP INSTRUCTIONS.

- STEP I. READ ENTIRE ASSEMBLY INSTRUCTIONS AND BECOME FAMILIAR WITH ALL PARTS OF THIS MACHINE. REMOVE ALL WIRE AND BINDING MATERIAL AND ARRANGE ALL LOOSE PARTS IN AN ORDERLY MANNER.
- STEP II. ATTACH TONGUE ASSEMBLY TO BASE FRAME WITH BOLTS AND NUTS (ITEMS 4 & 5, PAGE 22).
- STEP III. ATTACH RACHET JACK OR HYDRAULIC CYLINDER TO AXLE AND ADJUST TO DESIRED CUTTING HEIGHT.

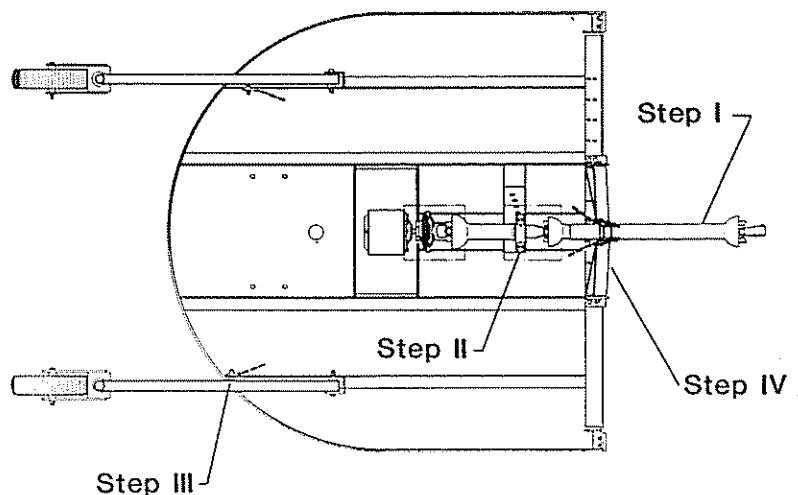
NOTE: IF HYDRAULIC CYLINDER IS USED THE SCREW ADJUSTMENT YOKE ON THE ROD END CAN BE SCREWED OUT TO A MAXIMUM OF 2-1/4. CUTTING HEIGHT CAN BE FROM 1" TO 18" DEPENDING ON TIRE SIZE AND CYLINDER SETTING. THE CHART SHOWS HOW THIS IS ACCOMPLISHED.



CYLINDER SETTING	20" DIAMETER TIRE		IMPLEMENT TIRE (6:70 X 15)	
	FIG.A	FIG.B	FIG.A	FIG.B
CYLINDER RETRACTED & ADJUSTMENT SCREWED IN	2"	0"	6"	0"
CYLINDER RETRACTED & ADJUSTMENT SCREWED OUT	6"	1"	10"	4"
CYLINDER EXTENDED & ADJUSTMENT SCREWED IN	10"	5"	14"	8"
CYLINDER EXTENDED & ADJUSTMENT SCREWED OUT	15"	9"	18"	13"

- STEP IV: ATTACH AXLE ARM WELDMENT (ITEM 24, PAGE 11) TO AXLE ASS'Y.
- STEP V: ATTACH DRIVESHAFT TO JACKSHAFT WITH BOLTS AND NUTS (ITEMS 11 & 12, PAGE 14).
- STEP VI: ATTACH DRIVESHAFT SAFETY SHIELD ASSEMBLY TO GEARBOX AND BASE FRAME AS ILLUSTRATED ON PAGE 18.

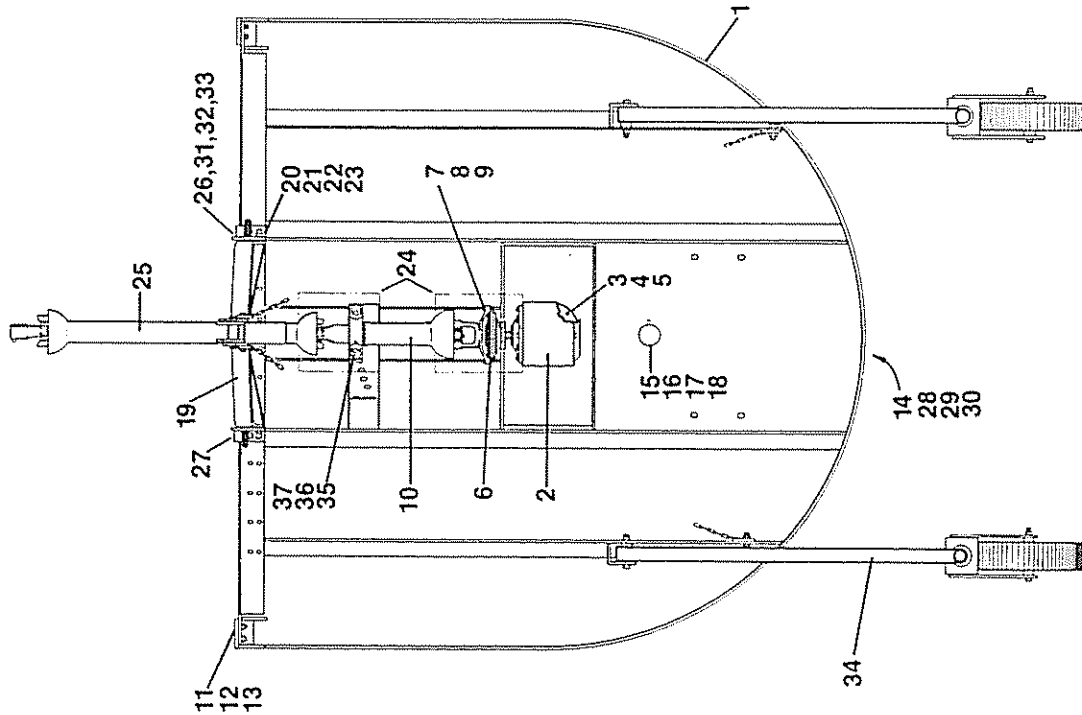
OFFSETTING MOWER INSTRUCTIONS



- STEP I: Remove Driveshaft from Jackshaft by removing bolt and nut (Items 11 and 12, Page 14) from Driveshaft end.
- STEP II: OFFSETTING PILLOW BLOCK
- To move Pillow Block remove bolts and nuts (Items 6 and 7, Page 14) from Pillow Block.
 - Move Pillow Block over 1 set of holes. This will offset the mower 4" (i.e. If Pillow Block is moved over 2 sets of holes, the mower will be offset 8").
- STEP III: OFFSETTING BRACES
- To move Braces remove bolts and nuts (Item 9 and 13, Page 20) from Braces. Right Hand Brace will move forward, Left Hand Brace will move back.
 - For every hole Braces are moved Mower will offset 4" as in Step II, b.
- STEP IV: OFFSETTING "A"-FRAME
- To move "A" Frame remove bolts, washer and nuts (Items 31,32 and 33, Page 10) from Right and Left Hand Hitch Plates (Items 26 and 27, Page 10).
 - For every set of holes Hitch Plates are moved Mower will be offset 4" as in Step II, b.
 - NOTE: At 12" and 16" offset Gearbox must be moved counter clockwise until it lines up with second set of holes. This can be done by removing bolts, lockwashers and nuts (Items 3, 4 and 5, Page 10).
- STEP V: Replace and tighten all bolts.

LIFT MODEL BASE ASSEMBLY

P/N 00749075



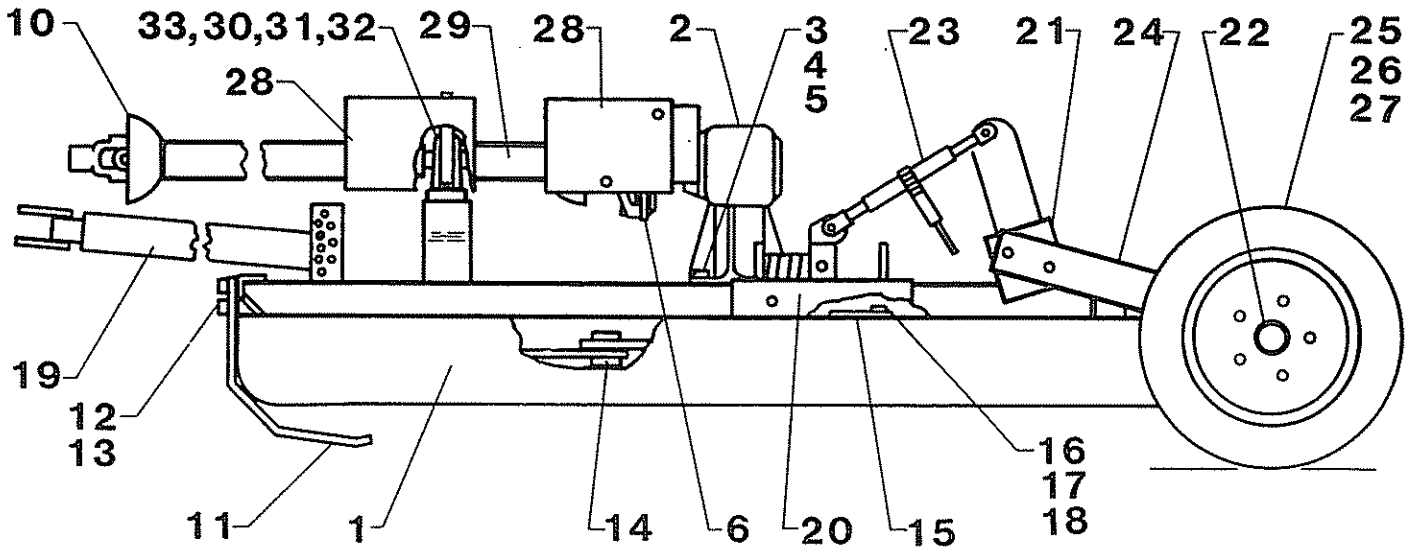
ITEM	PART NO.	DESCRIPTION	QTY
1	00749076	FRAME WELDMENT	1
2	00752140A	GEARBOX ASSEMBLY	1
3	02880900	BOLT, GEARBOX ATTACHMENT	4
4	00037200	NUT, GEARBOX ATTACHMENT	4
5	00003901	LOCKWASHER, GEARBOX ATTACHMENT	4
6	00754200	TORQUE LIMITER CLUTCH	1
10	00753978	JACK SHAFT	1
11	00748500	SKID SHOE	2
12	00002400	BOLT, SKID SHOE ATTACHMENT	4
13	00019400	LOCKNUT, SKID SHOE ATTACHMENT	4
14	00752944	BLADE HOLDER ASSEMBLY	1
15	00747600	INSPECTION COVER PLATE	1
16	00021400	BOLT, COVER PLATE ATTACHMENT	1
17	00004000	NUT, COVER PLATE ATTACHMENT	1
18	00017000	LOCKWASHER, COVER PLATE ATTACHMENT	1
19	-----	"A" FRAME ASSEMBLY	1
20	00603300	BOLT, "A" FRAME ATTACHMENT	2
21	00749136	LOCKNUT, "A" FRAME ATTACHMENT	2
22	00748100	HITCH PIN, "A" FRAME ATTACHMENT	2
23	00747500	STOPNUT, "A" FRAME ATTACHMENT	2
24	00753014	DRIVESHAFT SAFETY SHIELD ASSEMBLY	1
25	00753977	DRIVESHAFT	1
26	00753750	HITCH PLATE RH	1
27	00753751	HITCH PLATE LH	1
28	00606100	NUT, BLADE HOLDER ATTACHMENT	1
29	00606000	COTTER PIN, BLADE HOLDER ATTACHMENT	1
30	00748547	FLATWASHER, BLADE HOLDER ATTACHMENT	1
31	00748823	BOLT, HITCH PLATE ATTACHMENT	12
32	00749137	NUT, HITCH PLATE ATTACHMENT	12
33	00002700	FLATWASHER, HITCH PLATE ATTACHMENT	26
34	-----	TAIL WHEEL ASSEMBLY	2
35	00754942	PILLOW BLOCK ASSEMBLY	1
36	00695100	NUT, PILLOW BLOCK ATTACHMENT	2
37	00750952	BOLT, PILLOW BLOCK ATTACHMENT	2
38	00001400	FLATWASHER, PILLOW BLOCK ATTACHMENT	4

CHAINGUARDS (OPTIONAL EQUIPMENT - NOT ILLUSTRATED)

A	00753000	FRONT CHAINGUARD ASMBLY-SINGLE CURTAIN
B	00753003	FRONT CHAINGUARD ASMBLY-DOUBLE CURTAIN
C	00752306	REAR CHAINGUARD ASMBLY-SINGLE CURTAIN
D	00752304	REAR CHAINGUARD ASMBLY-DOUBLE CURTAIN

PULL MODEL BASE ASSEMBLY

P/N 00754841



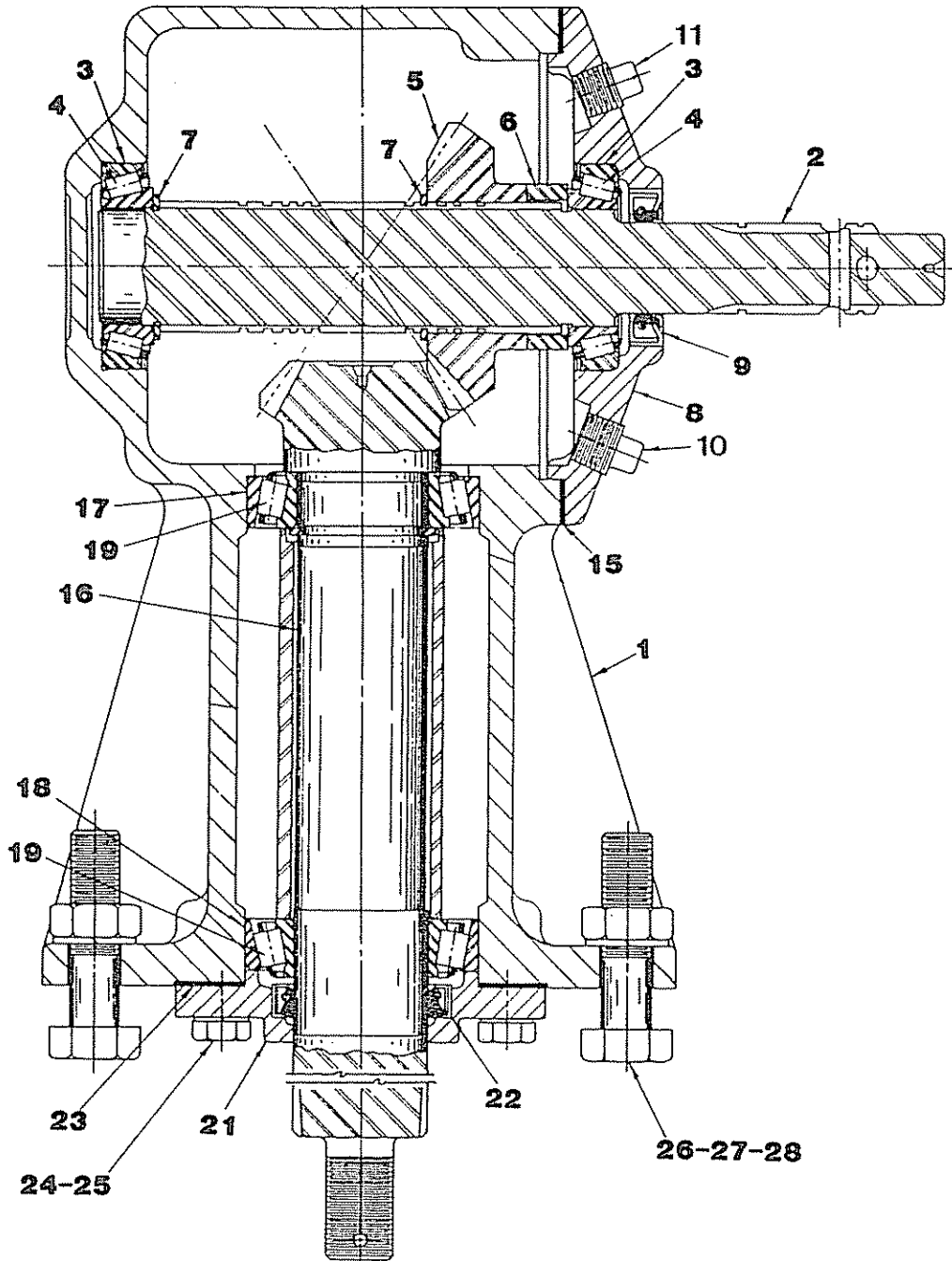
ITEM	PART NO.	DESCRIPTION	QTY
1	00754807	DECK WELDMENT	1
2	00752140A	GEARBOX	1
3	02880900	BOLT, GEARBOX ATTACHMENT	4
4	00037200	NUT, GEARBOX ATTACHMENT	4
5	00003901	LOCKWASHER, GEARBOX ATTACHMENT	4
6	00754200	TORQUE LIMITER CLUTCH	1
10	00754935	DRIVESHAFT	1
11	00748500	SKID SHOE	2
12	00002400	BOLT, SKID SHOE ATTACHMENT	4
13	00019400	LOCKNUT, SKID SHOE ATTACHMENT	4
14	00752944	BLADE HOLDER ASSEMBLY	1
15	00747600	INSPECTION COVER PLATE	1
16	00021400	BOLT, COVER PLATE ATTACHMENT	1
17	00004000	NUT, COVER PLATE ATTACHMENT	1
18	00017000	LOCKWASHER, COVER PLATE ATTACHMENT	1
19	00748802	TONGUE ASSEMBLY	1
20	00754231	SHOCK ABSORBER ASSEMBLY	1
21	00753065	AXLE WELDMENT	1
22	00264600	HUB AND BEARING GROUP	2
24	00754477	AXLE ARM WELDMENT	2
25	00025200	TIRE AND WHEEL ASY-NOTAT, OPTIONAL	2
26	00019200	RIM 14", OPTIONAL	2
27	00008700	RIM 15", OPTIONAL	2
28	00753014	DRIVESHAFT SAFETY SHIELD ASSEMBLY	1
29	00753978	JACK SHAFT	1
30	00754942	PILLOW BLOCK W/ZERK FITTING	1
31	00695100	NUT	2
32	00750942	BOLT	2
33	00001400	FLATWASHER	4

CHAINGUARDS (OPTIONAL EQUIPMENT - NOT ILLUSTRATED)

A	00753000	FRONT CHAINGUARD ASMBLY-SINGLE CURTAIN
B	00753003	FRONT CHAINGUARD ASMBLY-DOUBLE CURTAIN
C	00752306	REAR CHAINGUARD ASMBLY-SINGLE CURTAIN
D	00752304	REAR CHAINGUARD ASMBLY-DOUBLE CURTAIN

GEARBOX ASSEMBLY

P/N 00752140A



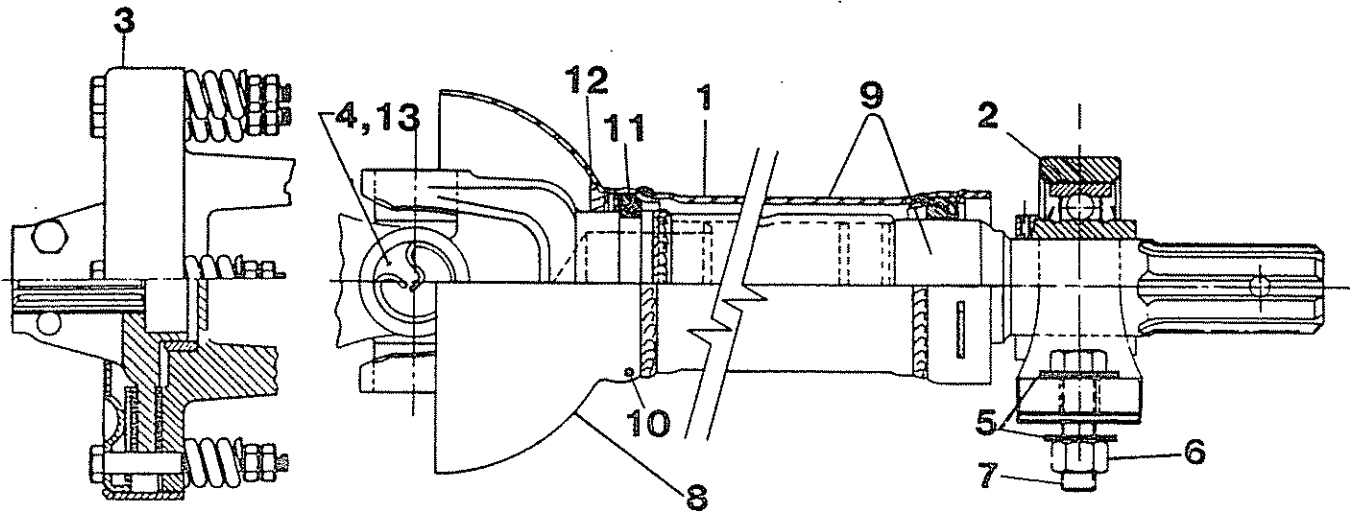
GEARBOX ASSEMBLY

P/N 00752140A

ITEM	PART NO.	DESCRIPTION	QTY
1	00752362	MAIN HOUSING	1
2	00752363	INPUT SHAFT	1
3	00748525	BEARING CUP	2
4	00748527	BEARING CONE	2
5	00755505	INPUT GEAR	1
6	00748533	SPACER	1
7	00748526	RETAINING RING	3
8	00752365	SIDE HOUSING	1
9	00748536	SEAL	1
10	00564900	PLUG	1
11	00752307	PLUG	1
12	00752407	PLUG (NOT SHOWN)	1
13	00012101	LOCKWASHER (NOT SHOWN)	8
14	00563300	BOLT (NOT SHOWN)	8
15	00748531	SHIM	*A/R
16	00755507	OUTPUT SHAFT	1
17	00748537	BEARING CUP	1
18	00020600	BEARING CUP	1
19	00748522	BEARING CONE	2
20	00752156	SPACER	1
21	00752155	BEARING RETAINER CAP	1
22	00748519	SEAL	1
23	00748520	SHIM	*A/R
24	00001300	LOCKWASHER	4
25	02044000	BOLT	4
26	02880900	BOLT	4
27	00037200	NUT	4
28	00003901	LOCKWASHER	4
29	00755506	GEAR	1

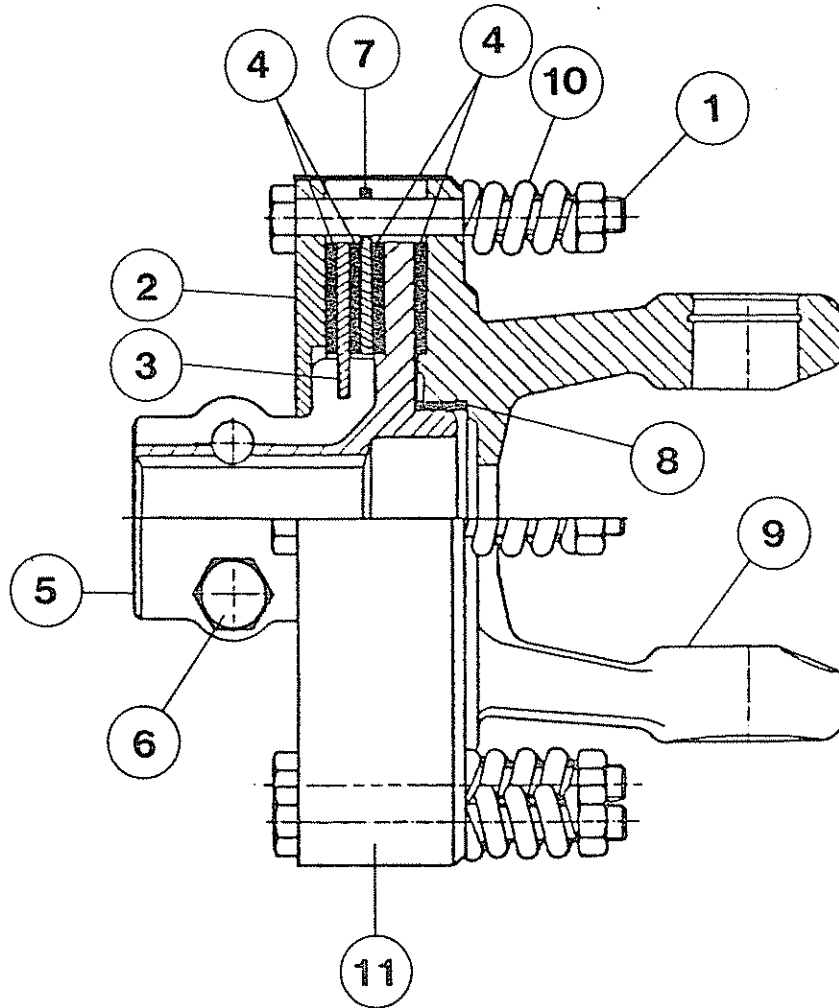
* AS REQUIRED

JACKSHAFT ASSEMBLY



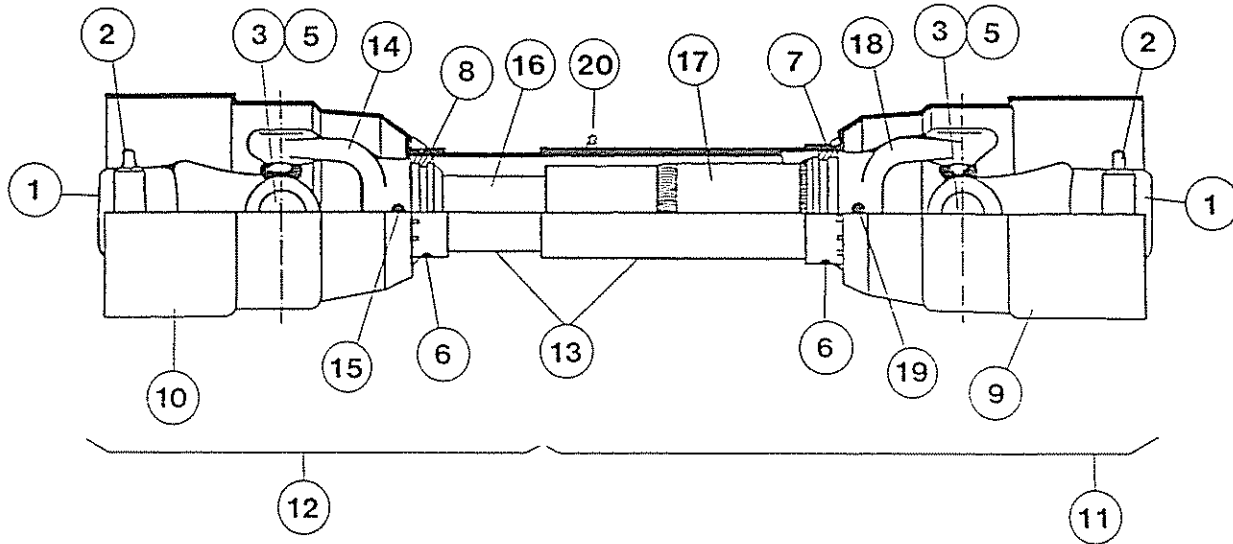
ITEM	PART NO.	DESCRIPTION	QTY
1	00753978	JACKSHAFT	1
2	00754942	PILLOW BLOCK BEARING	1
3	00754200	SLIPCLUTCH	1
4	00752896	CROSS JOURNAL SET	1
5	00001400	FLATWASHER	4
6	00695100	LOCKNUT	2
7	00750952	BOLT	2
8	00754391	SHIELD COMPLETE	1
9	00754390	OUTER TUBE COMPLETE W/SAFETY GUARD	1
10	00754330	NYLON BOLT	6
11	00754331	LOCKING COLLAR INNER	1
12	00754332	LOCKING COLLAR OUTER	1
13	00754334	GREASE NIPPLE	1

TORQUE LIMITER CLUTCH P/N 00754200



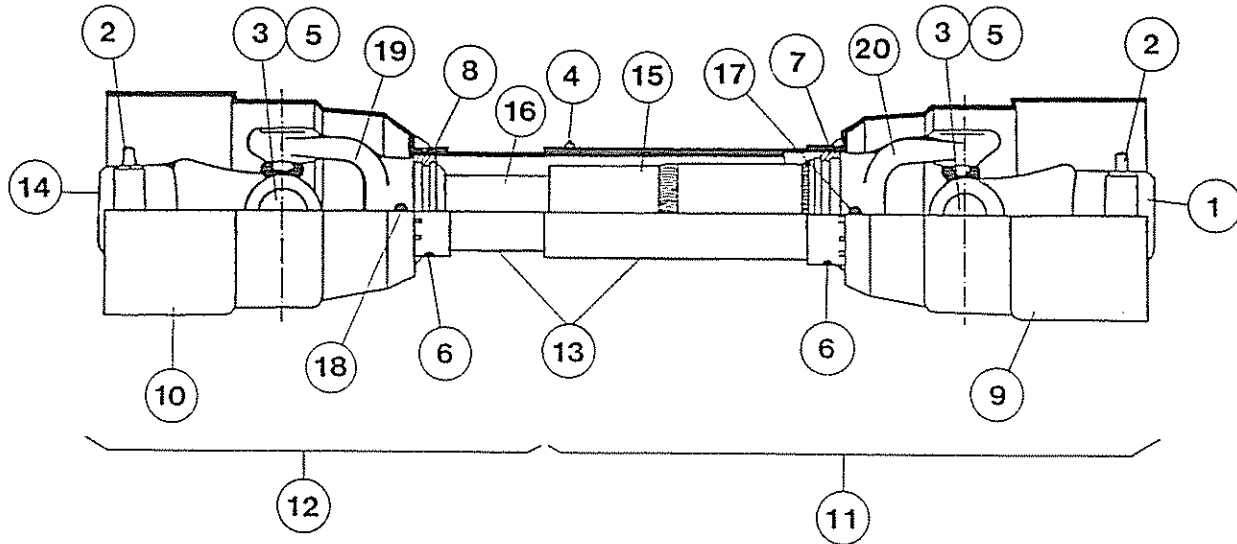
ITEM	PART NO.	DESCRIPTION	QTY
1	00754199	NUT AND BOLT	8
2	00754203	PRESSURE PLATE	1
3	00754201	INNER PLATE	1
4	00754202	LINING	2
5	00754300	BODY, FRICTION CLUTCH	1
6	00752903	BOLT AND NUT SET	2
7	00754314	PLATE W/HOLES	1
8	00754301	SPACER	1
9	00754302	YOKE FRICTION	1
10	00754303	SPRING	8
11	00754304	DIRT SHIELD	1

LIFT MODEL MAIN DRIVESHAFT P/N 00753977



ITEM	PART NO.	DESCRIPTION	QTY
1	00752883	OUTER YOKE	2
2	00752880	PUSH PIN SET	2
3	00752896	CROSS JOURNAL SET	2
5	00754334	GREASE NIPPLE FOR CROSS JOURNAL	2
6	00754330	NYLON BOLT	6
7	00754332	LOCKING COLLAR OUTER	1
8	00754331	LOCKING COLLAR INNER	1
9	00754361	SHIELD COMPLETE OUTER	1
10	00754362	SHIELD COMPLETE INNER	1
11	00754359	MOWER HALF COMPLETE AND SHIELDED	1
12	00754360	TRACTOR HALF COMPLETE AND SHIELDED	1
13	00754363	SHIELD COMPLETE	1
14	00754153	YOKE INNER TUBE	1
15	00754167	ROLL PIN	1
16	00755508	INNER TUBE	1
17	00755509	OUTER TUBE	1
18	00754154	YOKE OUTER TUBE	1
19	00754166	ROLL PIN	1
20	00754335	GREASE FITTING FOR TUBE	1

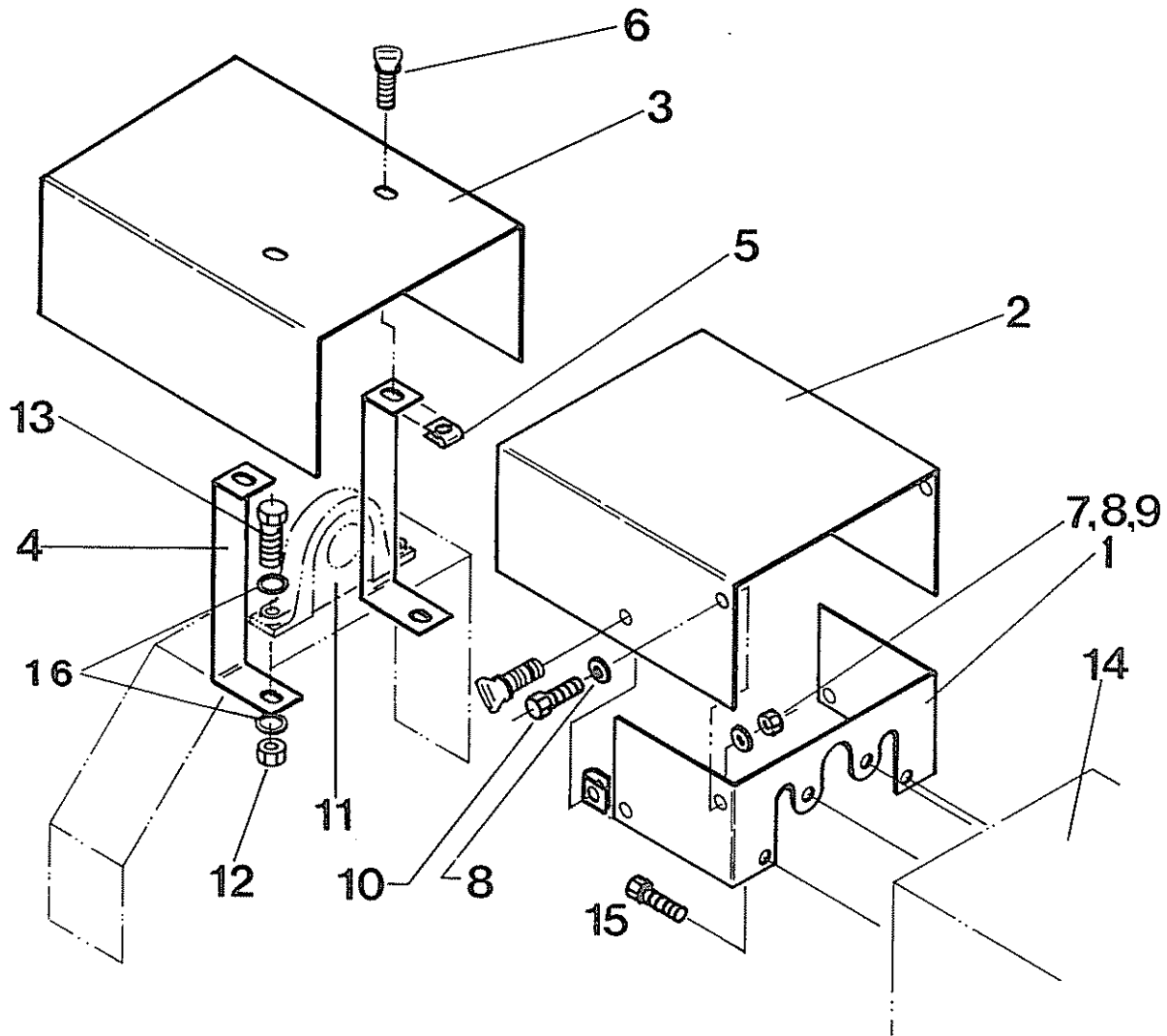
PULL MODEL MAIN DRIVESHAFT P/N 00754935



ITEM	PART NO.	DESCRIPTION	QTY
1	00752883	OUTER YOKE 1-3/8"	1
2	00752880	PUSH PIN SET	2
3	00752896	CROSS JOURNAL SET	2
4	00754335	GREASE NIPPLE FOR TUBE	1
5	00754334	GREASE NIPPLE FOR CROSS	2
6	00754330	NYLON BOLT	6
7	00754332	LOCKING COLLAR OUTER	1
8	00754331	LOCKING COLLAR INNER	1
9	00754209	SHIELD COMPLETE OUTER	1
10	00754208	SHIELD COMPLETE INNER	1
11	00755173	MOWER HALF COMPLETE AND SHIELDED	1
12	00755174	TRACTOR HALF COMPLETE AND SHIELDED	1
13	00754358	SHIELD COMPLETE	1
14	00755195	OUTER YOKE 1-3/4"	1
15	00755443	OUTER TUBE	1
16	00755442	INNER TUBE	1
17	00754166	ROLL PIN	1
18	00754167	ROLL PIN	1
19	00754153	YOKE - INNER TUBE	1
20	00754154	YOKE - OUTER TUBE	1

DRIVESHAFT SAFETY SHIELD ASSEMBLY

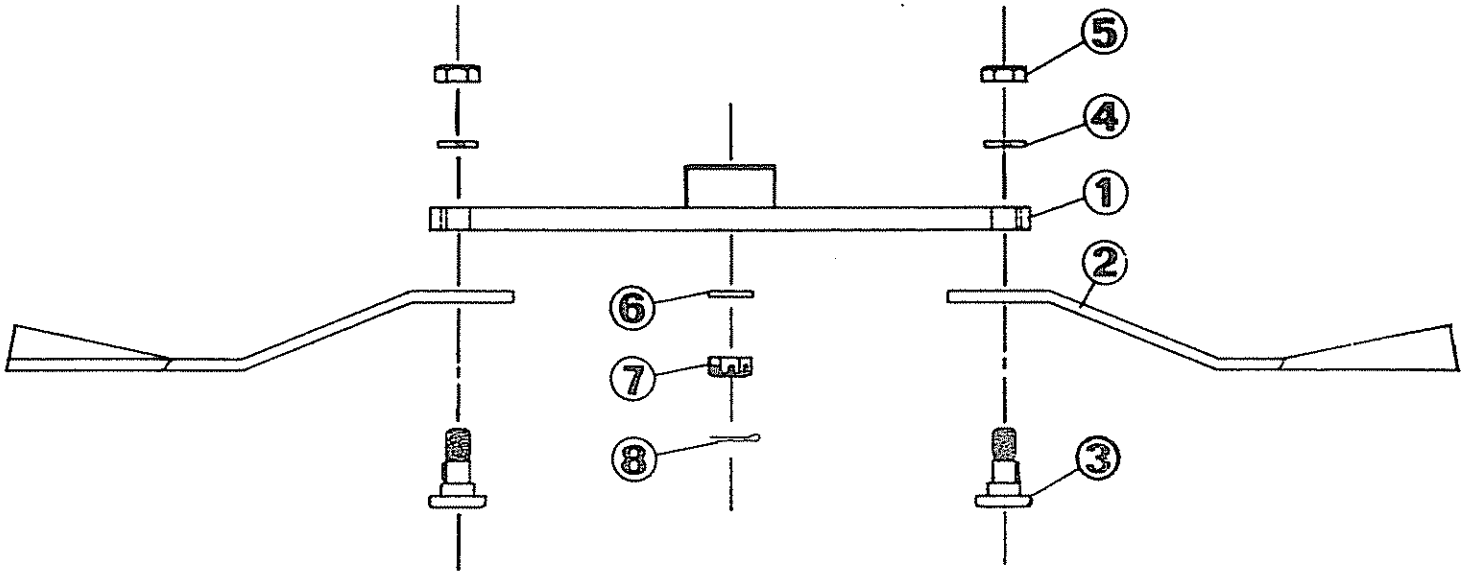
P/N 00753014



ITEM	PART NO.	DESCRIPTION	QTY
1	00754092	REAR SUPPORT W/ ITEM #15	1
2	00753016	SAFETY SHIELD	1
3	00753063	HOOD	1
4	00752714	STRAP	2
5	00752536	NUT, CLIP ON	4
6	00751588	THUMB SCREW	4
7	00024100	FLATWASHER	2
8	00019700	FLATWASHER	4
9	LHOB128C	NUT	2
10	00999314	BOLT	2
11	00754942	PILLOW BLOCK	REF
12	00695100	NUT	REF
13	00750952	BOLT	REF
14	00752140	GEARBOX	REF
15	10058000	BOLT, GEARBOX	REF
16	00001400	FLATWASHER	REF

BLADE BAR ASSEMBLY

P/N 00752944



CAUTION

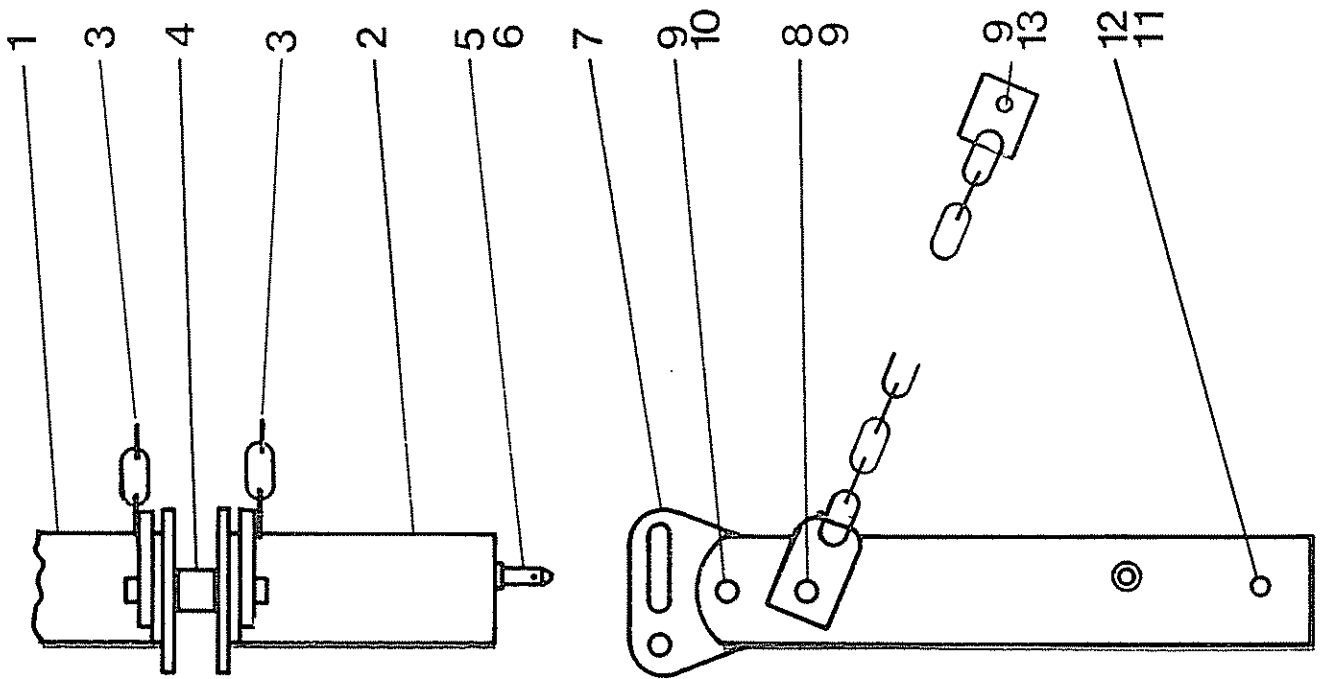
**ALWAYS REPLACE BLADE BOLTS, LOCKWASHERS
AND NUTS WHEN REPLACING BLADES**

TORQUE ITEM #3 TO 250 FT. LBS.

TORQUE ITEM #7 TO 250 FT. LBS.

ITEM	PART NO.	DESCRIPTION	QTY
1	00752356	BLADE HOLDER WELDMENT	1
2	00752944	BLADE	2
3	00752827	BLADE BOLT	2
4	00748000	LOCKWASHER	2
5	00747900	LOCKNUT	2
6	00748527	FLATWASHER	1
7	00606100	NUT	1
8	00606000	COTTER PIN	1

A-FRAME ASSEMBLY

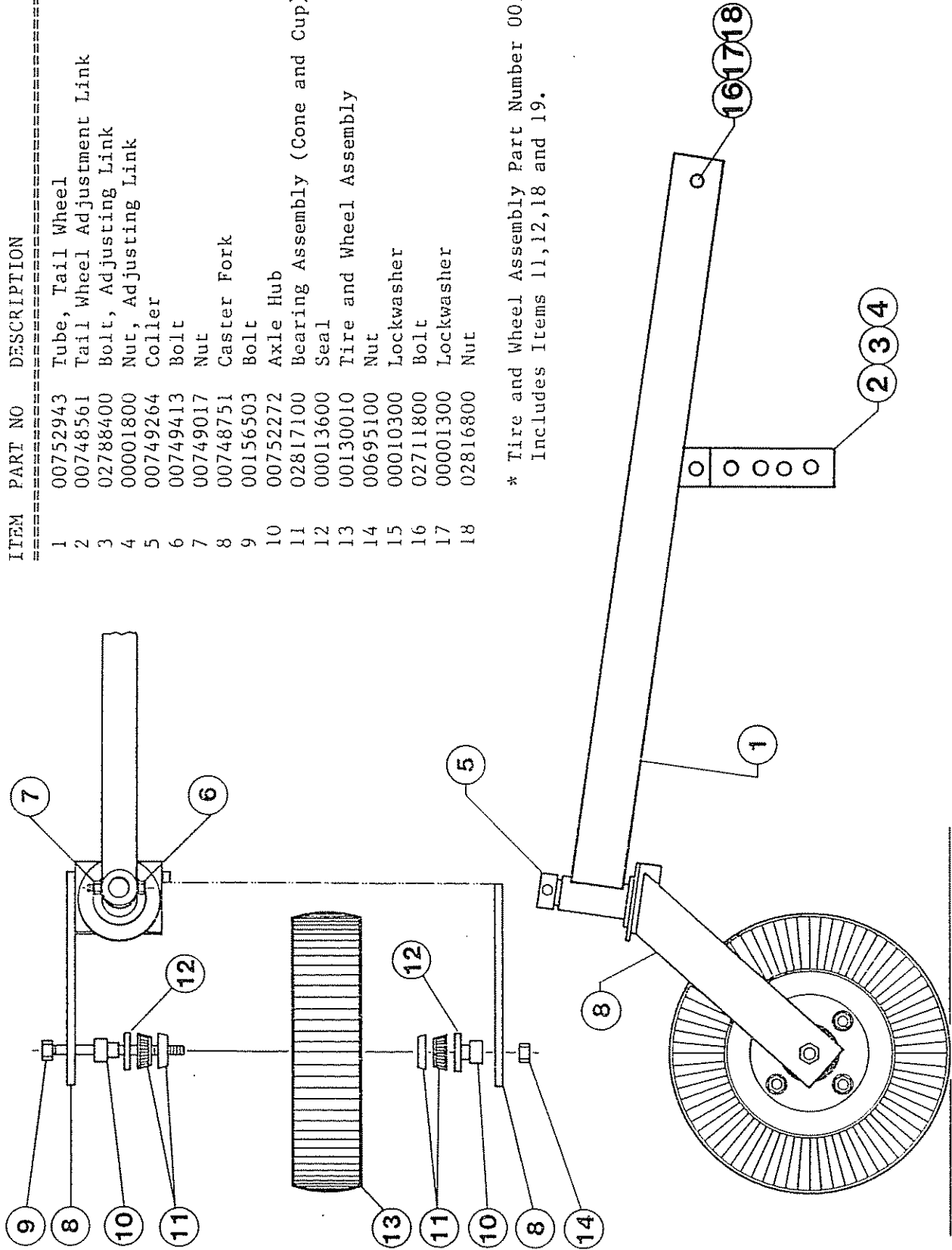


ITEM	PART NO.	DESCRIPTION	QTY
1	00755435	YOKE BAR WELDMENT RIGHT HAND	1
2	00755436	YOKE BAR WELDMENT LEFT HAND	1
3	00752940	BRACE	2
4	00748569	BUSHING	2
5	00748100	HITCH PIN (CAT.II)	2
6	00603500	HITCH PIN (CAT.I)	2
7	00747500	STOPNUT	2
8	00749857	SLOTTED LINK (CAT.II)	2
9	00748786	BOLT	1
9	00037200	LOCKNUT	4
10	00748598	BOLT	1
11	00603300	BOLT	2
12	00749136	LOCKNUT	1
13	02892100	BOLT	2

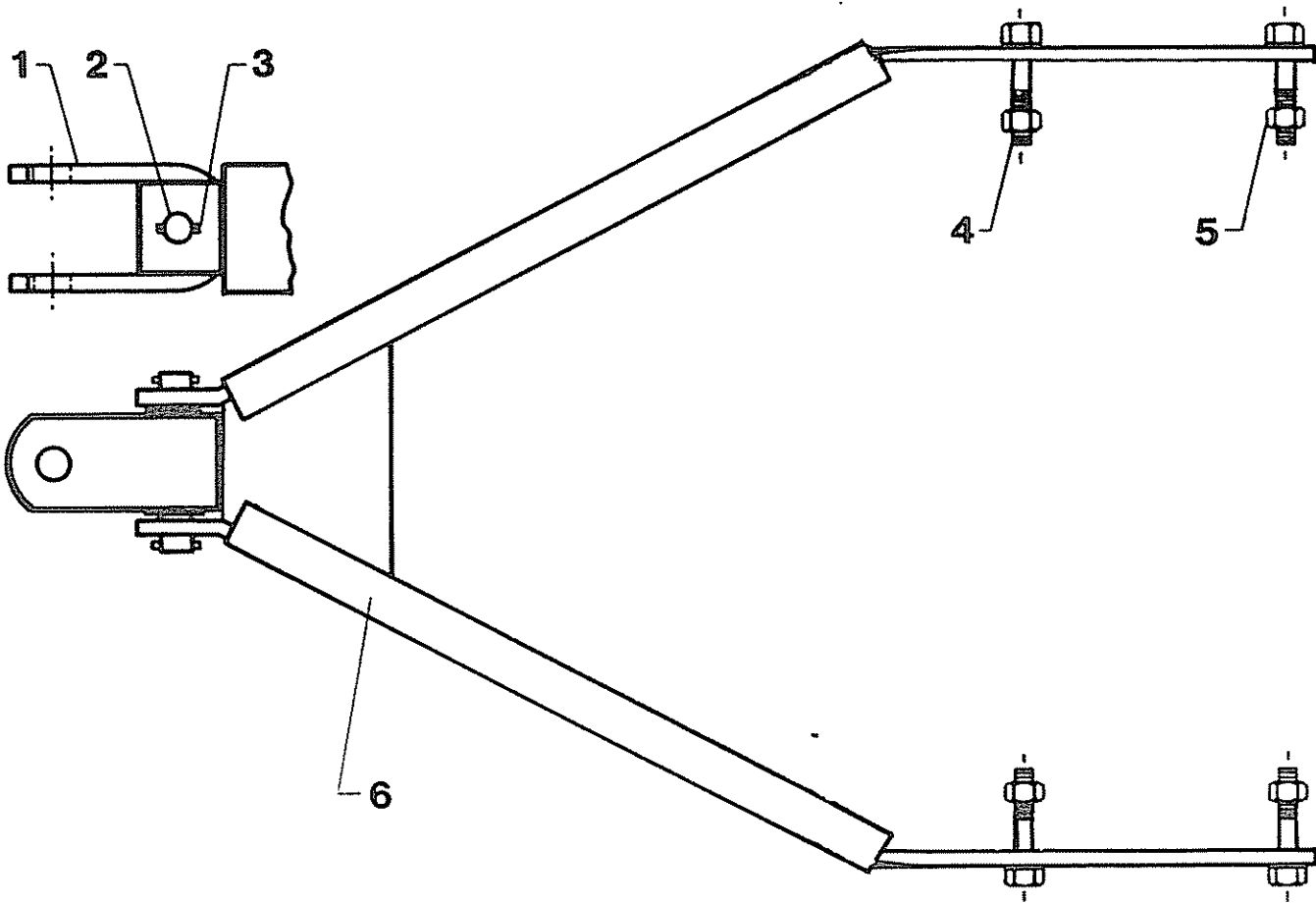
TAIL WHEEL ASSEMBLY

ITEM	PART NO	DESCRIPTION	QTY
1	00752943	Tube, Tail Wheel	1
2	00748561	Tail Wheel Adjustment Link	2
3	02788400	Bolt, Adjusting Link	4
4	00001800	Nut, Adjusting Link	4
5	00749264	Coller	1
6	00749413	Bolt	1
7	00749017	Nut	1
8	00748751	Caster Fork	1
9	00156503	Bolt	1
10	00752272	Axle Hub	2
11	02817100	Bearing Assembly (Cone and Cup)	*
12	00013600	Seal	*
13	00130010	Tire and Wheel Assembly	2
14	00695100	Nut	1
15	00010300	Lockwasher	1
16	02711800	Bolt	2
17	00001300	Lockwasher	2
18	02816800	Nut	2

* Tire and Wheel Assembly Part Number 00130010
Includes Items 11,12,18 and 19.

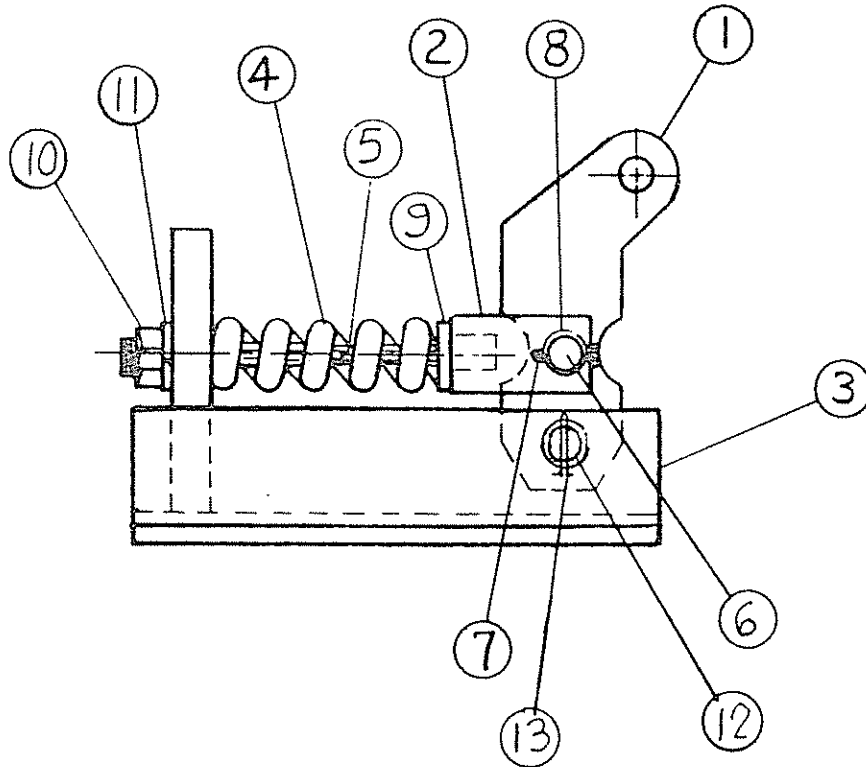


**PULL MODEL
TONGUE ASSEMBLY
P/N 00748802**



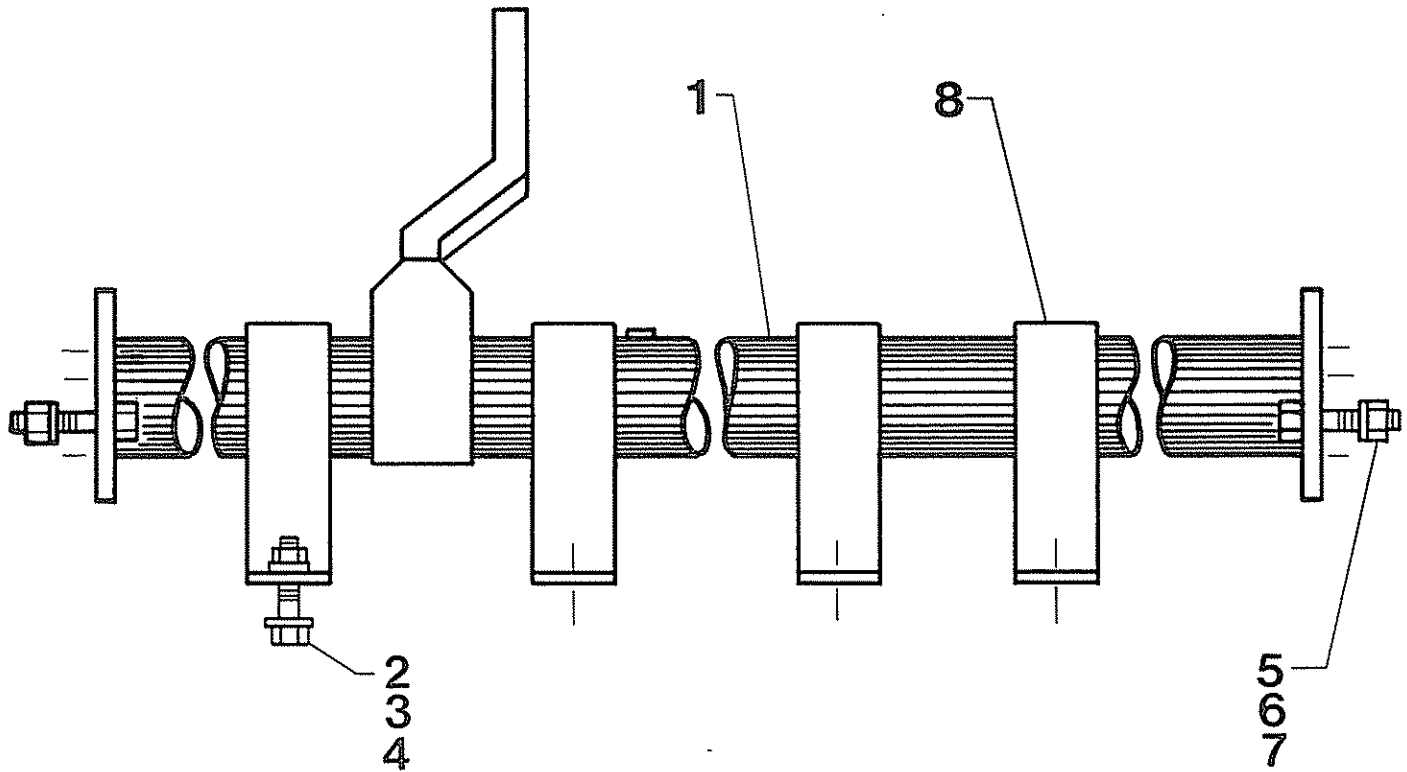
ITEM	PART NO	DESCRIPTION	QTY
1	00748807	CLEVIS WELDMENT	1
2	00748810	CLEVIS HITCH PIN	1
3	00023200	ROLL PIN	2
4	00008300	BOLT	4
5	00695100	LOCKNUT	4
6	00748803	TONGUE WELDMENT	1

**PULL MODEL
SHOCK ABSORBER ASSEMBLY
P/N 00754231**



ITEM	PART NO.	DESCRIPTION	QTY
1	00754221	SHOCK ABSORBER CYL.LUG WLDMT.	1
2	00754224	SHOCK ABSORBER ROD WLDMT.	1
3	00754229	SHOCK ABSORBER WLDMT.	1
4	00750739	SPRING	1
5	00749168	SPACER TUBE	1
6	00748813	CENTER PIN	1
7	00000400	COTTER PIN	2
8	02822500	FLATWASHER	2
9	00749946	FLATWASHER	1
10	00059500	NUT	1
11	02032200	LOCKWASHER	1
12	00748811	PIN	1
13	00606000	COTTER PIN	1

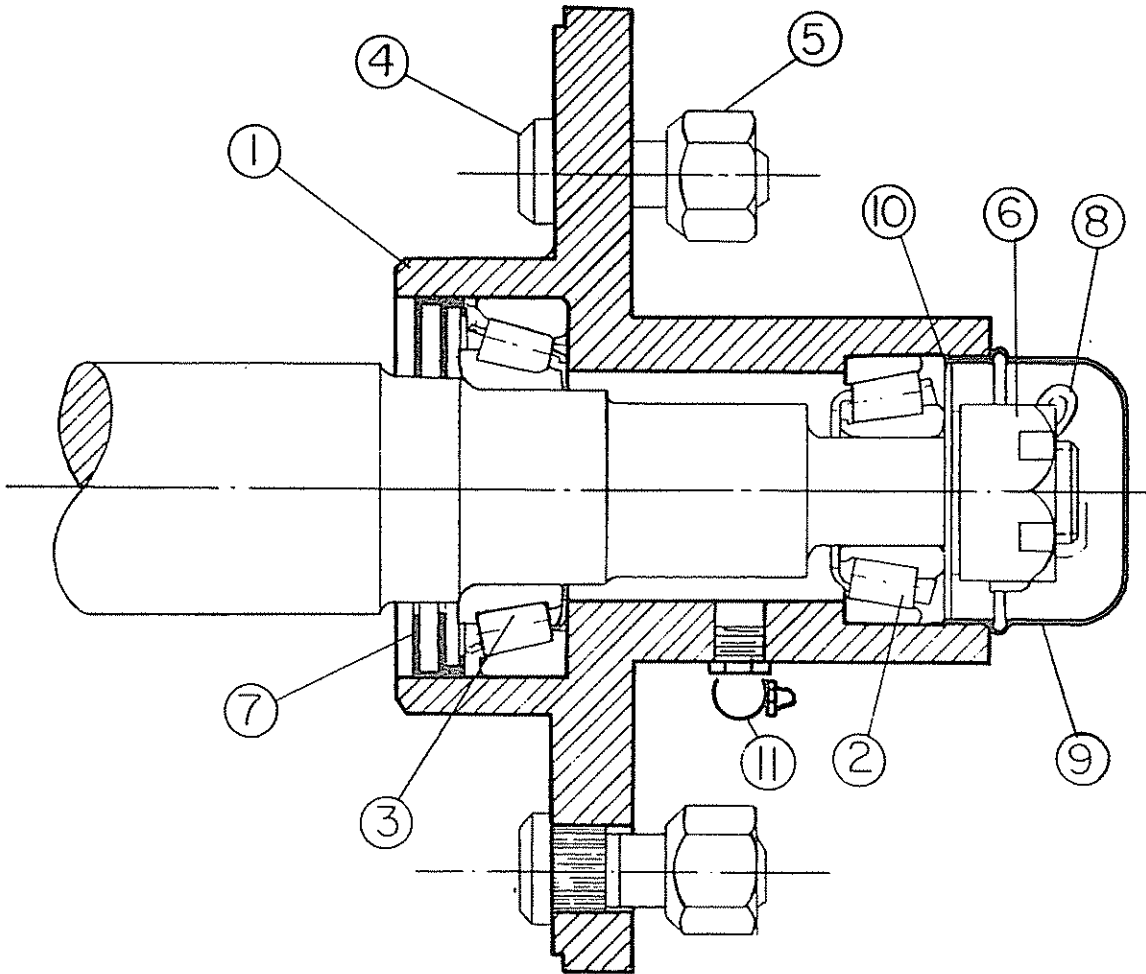
PULL MODEL AXLE ASSEMBLY



ITEM	PART NO.	DESCRIPTION	QTY
1	00753065	AXLE WELDMENT	1
2	00749130	BOLT	8
3	00749137	MIT	8
4	00002700	FLATWASHER	8
5	00703200	BOLT	4
6	00010300	LOCKWASHER	4
7	00010400	NUT	4
8	00754121	CLAMP WELDMENT	4

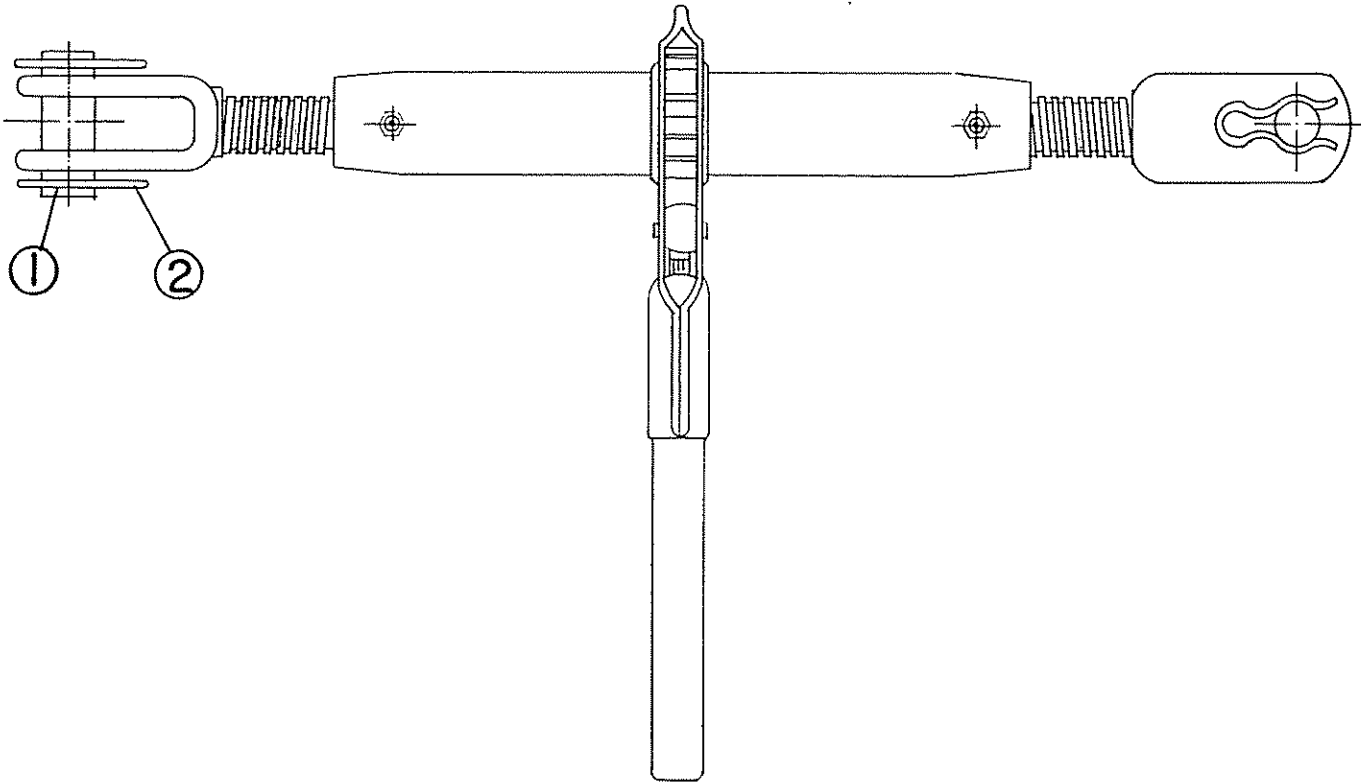
PULL MODEL HUB ASSEMBLY

P/N 00752753



ITEM	PART NO	DESCRIPTION	QTY
1	00752752	WHEEL HUB w/CUPS, STUDS, NUTS, and ZERK FITTING	1
2	00753721	BEARING CONE AND CUP ASSEMBLY	1
3	00753720	BEARING CONE AND CUP ASSEMBLY	1
4	00752177	STUD BOLT	5
5	00750614	NUT	5
6	00750615	NUT	1
7	00750616	SEAL	1
8	00000400	COTTER PIN	1
9	00752751	DUST CAP	1
10	00750618	WASHER	1
11	00752176	ZERK FITTING	1

PULL MODEL RACHET JACK ASSEMBLY P/N 00554600



ITEM	PART NO	DESCRIPTION	QTY
1	00748714	PIN	2
2	00748715	CLIP	4

MAINTENANCE RECORD

SERIAL NO. _____

DATE	MACHINING HOURS	DESCRIPTION	CAUSE

