



AG60B & AG72B

Rotary Mower

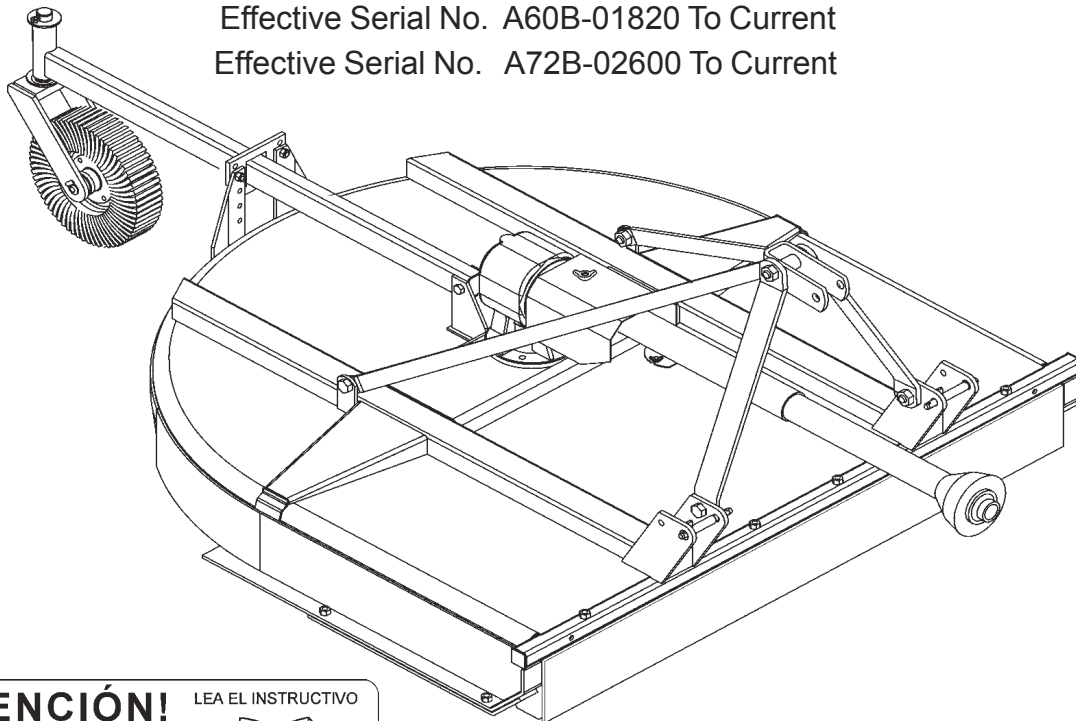
Rev 03-13

P/N 00759354P

PARTS MANUAL

Effective Serial No. A60B-01820 To Current

Effective Serial No. A72B-02600 To Current



ATENCIÓN! LEA EL INSTRUCTIVO

Si No Lee Ingles, Pida Ayuda a Alguien
Que Si Lo Lea Para Que le Traduzca las
Medidas de Seguridad.



An Operator's Manual was shipped with the equipment in the Manual Canister. This Operator's Manual is an integral part of the safe operation of this machine and must be maintained with the unit at all times. **READ, UNDERSTAND, and FOLLOW** the Safety and Operation Instructions contained in this manual before operating the equipment. If the Operator's Manual is not with the equipment, contact your dealer or Servis-Rhino (800-446-5158) to obtain a Free copy before operating the equipment.

ALAMO INDUSTRIAL

1502 E. Walnut
Seguin, Texas 78155
830-372-3551



TO THE OWNER/OPERATOR/DEALER

All implements with moving parts are potentially hazardous. There is no substitute for a cautious, safe-minded operator who recognizes the potential hazards and follows reasonable safety practices. The manufacturer has designed this implement to be used with all its safety equipment properly attached to minimize the chance of accidents.

BEFORE YOU START!! Read the safety messages on the implement and shown in your manual. Observe the rules of safety and common sense!

DANGER

FAILING TO FOLLOW SAFETY MESSAGES AND OPERATING INSTRUCTIONS CAN CAUSE SERIOUS BODILY INJURY OR EVEN DEATH TO OPERATOR AND OTHERS IN THE AREA.

1. 	2. NO RIDERS. NO CHILDREN OPERATORS. 	3. USE SAFETY SHOES, HARD HAT, SAFETY GLASSES, SEAT BELTS, & ROPS 	4. BLOCK UP SECURELY BEFORE WORKING UNDER. 
--	--	---	--

1. Study and understand operator's manual, safety signs, and Instructional decals for tractor and implement to prevent misuse, abuse, and accidents.
 • Learn how to stop engine suddenly in an emergency. Be alert for passerby and especially children.

2. Allow no children on or near implement or tractor. Allow no riders on tractor and implement. Falling off may cause serious injury or death from being run over by tractor or cutter or contact with rotating blades.

3. Operate only with tractor having Roll-Over Protective Structure (ROPS) and with seatbelt fastened securely and snugly to prevent injury and possible death from falling off or tractor overturn. Personal Protective Equipment such as Hard Hat, Safety Glasses, Safety Shoes, and Ear Plugs are Recommended.

4. Block up or support raised machine and all lifted components securely before putting hands or feet under or working underneath a fully lifted components to prevent crushing injury or death from sudden dropping or inadvertent operation of controls. Make certain area is clear before lowering or folding.

5. Before transporting, put Lift Lever in detent or full-lift position. Secure the implement for transport by installing Cylinder Stops or Transport Pin on Pull-type implement center axle and Wing Transport Locks on folding implements.
 • Attach Safety Chain to cutter and towing unit securely. See Operator's Manual.

6. Make certain that the SMV sign, Warning Lights, and Reflectors are clearly visible. Follow local traffic codes.

7. Never operate with Cutting Head raised if passerby, bystanders, or traffic are in the area to reduce possibility of injury or death from Objects thrown by Blades under Guard or cutter structure.

8. Before dismounting, secure implement in transport position or lower to ground.
 • Put tractor in park or set the brake, disengage PTO, stop engine, and remove key, and wait until noise of rotation has ceased to prevent entanglement in rotating parts which can cause injury or death.
 • Never mount or dismount a moving vehicle. Crushing from runover may cause injury or death.

5. TRANSPORT SAFELY, LOCK UP. 	6. USE SMV, LIGHTS, & REFLECTORS. 	7. DO NOT OPERATE WITH CUTTER OR WING RAISED. 	8. DO NOT MOUNT OR DISMOUNT WHILE MOVING. 
---	---	--	---

00749117

WARRANTY INFORMATION:

Read and understand the complete Warranty Statement found in this Manual. Fill out the Warranty Registration Form in full and return it to within 30 Days. Make certain the Serial Number of the Machine is recorded on the Warranty Card and on the Warranty Form that you retain.

PARTS SECTION

Parts Section -1

PARTS ORDERING GUIDE

The following instructions are offered to help eliminate needless delay and error in processing purchase orders for the equipment in this section.

1. The Parts Section is prepared in logical sequence and grouping of parts that belong to the basic machine featured in this manual. Part Numbers and Descriptions are given to help locate the parts and quantities required.
2. The Purchase Order must include the name and address of the person or organization ordering the parts, who should be charged, and if possible, the serial number of the machine for which the parts are ordered.
3. The Purchase Order must clearly list the quantity of each part, the complete and correct part number, and the basic name of the part.
4. The Manufacturer reserves the right to substitute parts where applicable.
5. Some parts are unlisted items which are special production items not normally stocked and are subject to special handling. Request a quotation for such parts before sending a Purchase Order.
6. The Manufacturer reserves the right to change prices without prior notice.

NOTE: Please refer to The Safety Section in the front of this Manual for the proper Part Number when ordering Replacement Safety Decals.

NOTE: Please note that the appearance of some parts may vary from the art or photographs shown in the manual.



For maximum safety and to guarantee optimum product reliability, always use genuine Alamo Group Parts. The use of inferior replacement parts may cause premature or catastrophic failure which could result in serious injury or death. Direct any questions regarding parts to:

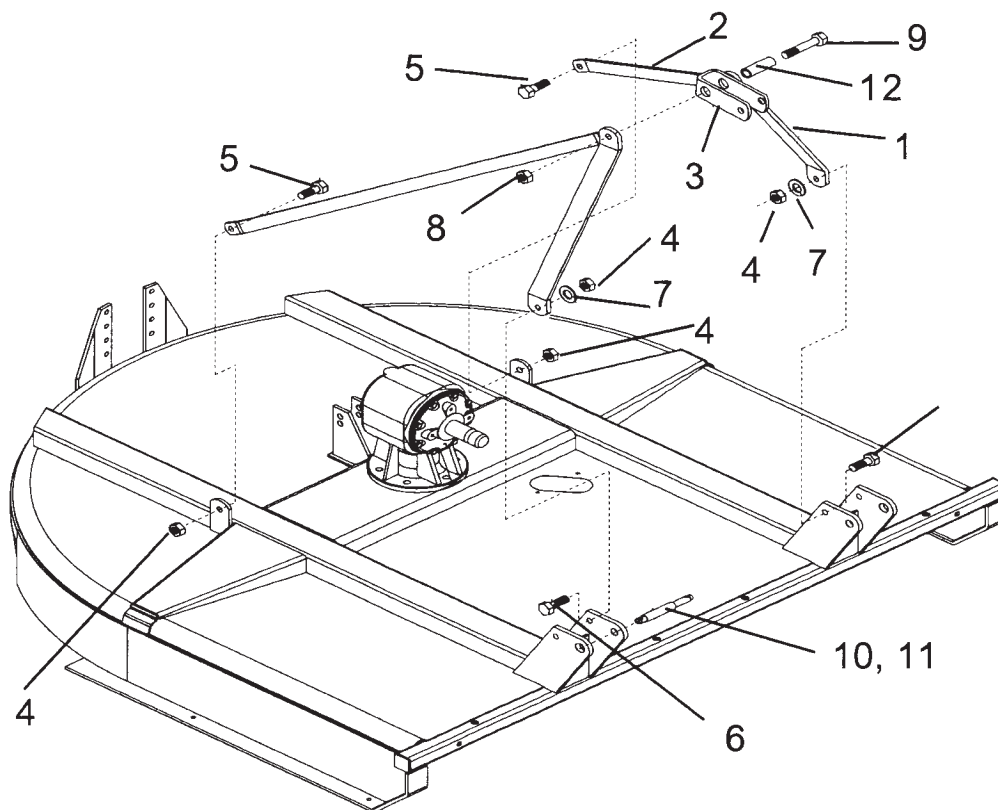


Alamo Industrial
1502 E. Walnut
Seguin, Texas 78155
830-372-3551

PART NAME INDEX

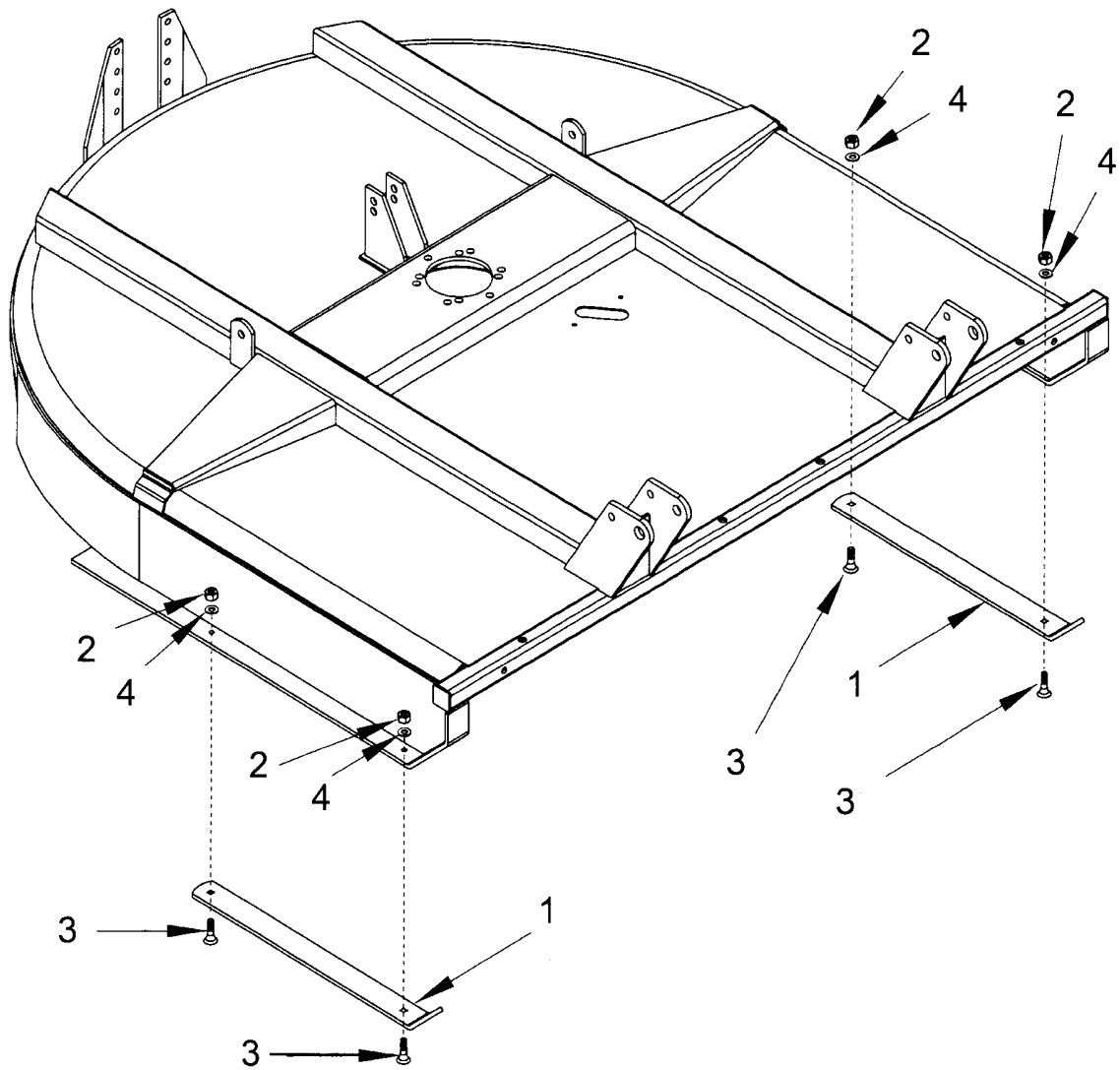
A-FRAME ASY, A60B & A72B	4
BLADE CARRIER ASY.....	11
CHAINGUARD ASY, FRONT	14
CHAINGUARD ASY, REAR DOUBLE.....	16
CHAINGUARD ASY, REAR SINGLE	15
CHECK CHAIN ASY OPTION	18
CLUTCH ASY P/N 00775425, A60B & A72B	10
DEFLECTOR ASY, FRONT	12
DEFLECTOR ASY, REAR	13
DRIVELINE ASY P/N 00775818, STD CAT IV	9
GEARBOX ASY, P/N 00775919.....	6
GEARBOX SHIELD ASY, A60B & A72B	8
OFFSET HITCH ADAPTER OPTION.....	17
SKID SHOE ASY, A60B & A72B.....	5
TAILWHEEL - CASTER FORK ASY - S/N A60B-02050 / A72B-02870 & DOWN	19
TAILWHEEL - CASTER FORK ASY - S/N A60B-02051 / A72B-02871 & UP	20
TAILWHEEL MOUNTING ASY - S/N A60B-02050 / A72B-02870 & DOWN.....	21
TAILWHEEL MOUNTING ASY - S/N A60B-02051 / A72B-02871 & UP	22

A-FRAME ASY, A60B & A72B



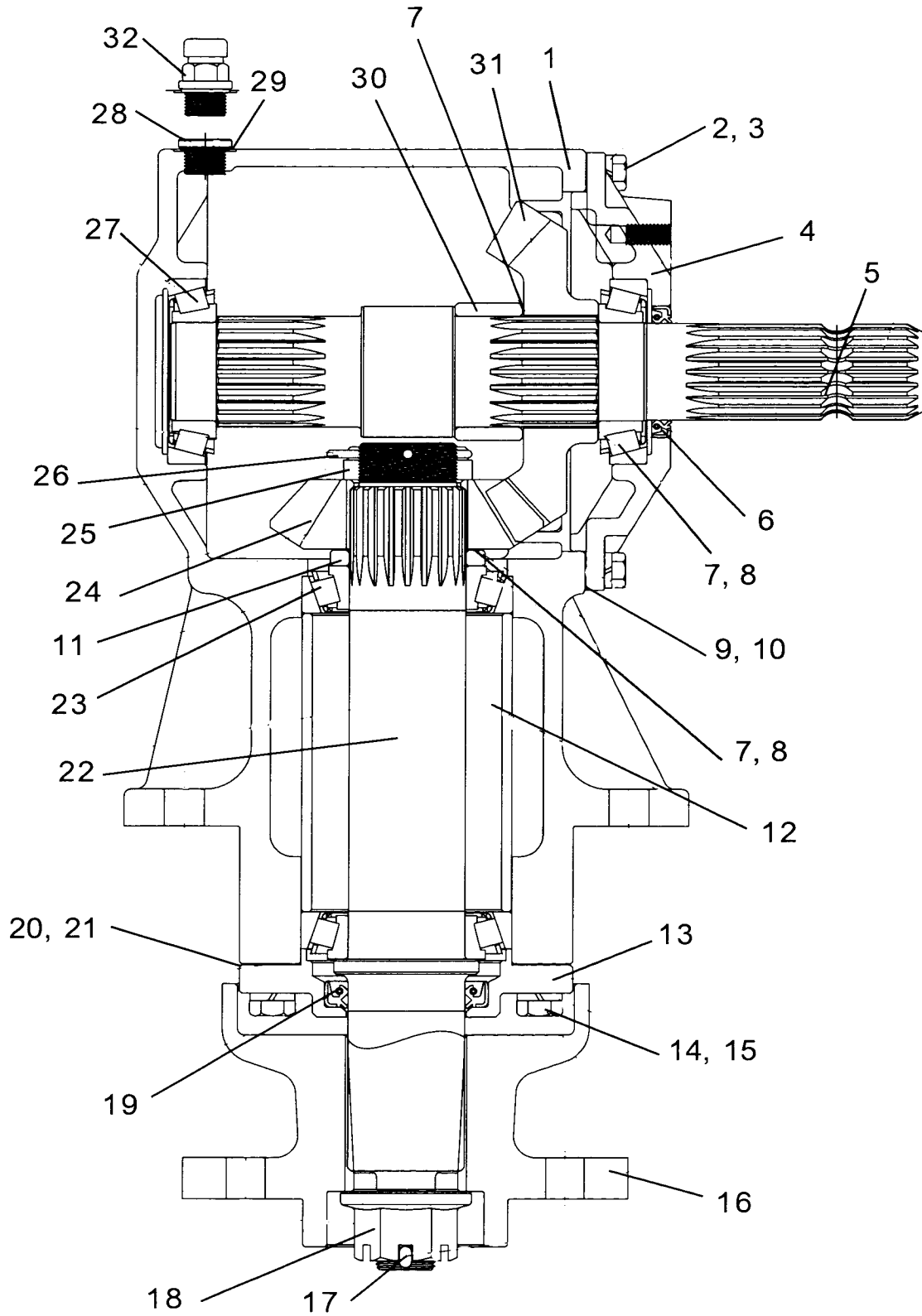
ITEM	PART NO.	QTY. A60B	QTY. A72B	DESCRIPTION
1	00758819	2	--	A-FRAME LEG, A60
	00758817	--	2	A-FRAME LEG, A72 ^α
2	00759042	2	--	REAR BRACE, A60 ^α
	00759030	--	2	REAR BRACE, A72 ^α
3	00757949	1	1	TOGGLE LINK ^α
4	00695100	4	4	NUT, TOPLOCK 5/8 NC PLC
5	02675800	2	2	BOLT
6	02845500	2	2	BOLT
7	00756077	2	2	WASHER, HARDENED
8	00037200	1	1	LOCKNUT
9	02025700	1	1	BOLT
10	2196	2	2	LYNCH PIN CLIP
11	00775243	2	2	WRIST PIN, CAT II
12	00757953	1	1	BUSHING

SKID SHOE ASY, A60B & A72B



ITEM	PART NO.	QTY.	DESCRIPTION
1	00774704	2	SKID SHOE, LH OR RH ☐
2	00015800	4	LOCKNUT☐
3	2A361612	4	BOLT☐
4	00011100	4	FLATWASHER☐

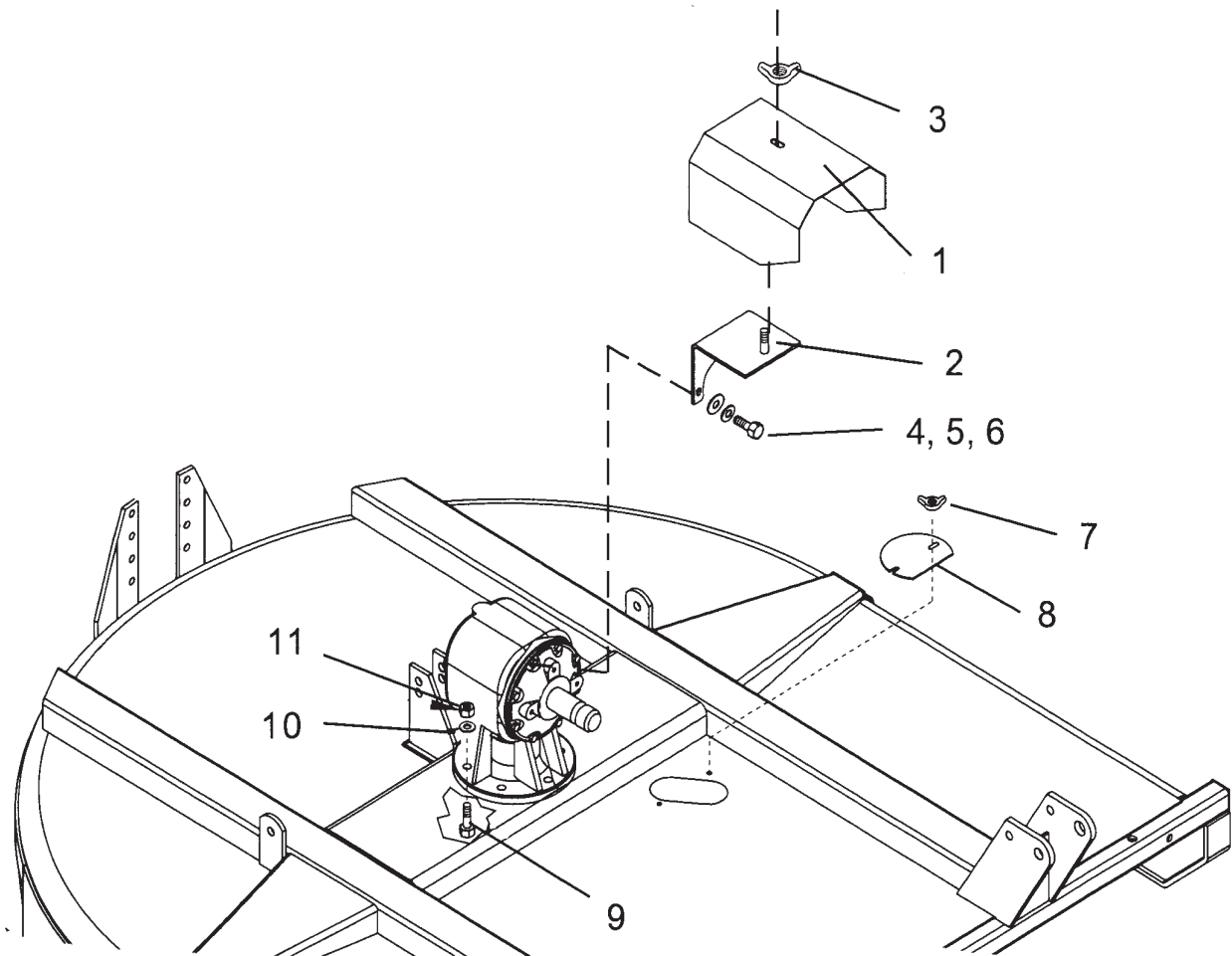
GEARBOX ASY, P/N 00775919



GEARBOX ASY, P/N 00775919

ITEM	PART NO.	QTY.	DESCRIPTION
	00775919	--	GEARBOX ASY, COMPLETE
1	00775921	1	GEARBOX MAIN HOUSING
2	00755954	8	LOCKWASHER
3	00758659	8	LOCKNUT
4	00758664	4	BEARING CAP, INPUT
5	00758689	1	SHAFT,INPUT
6	00773640	1	SEAL
7	00758667	A/R	SHIM .012
8	00758668	A/R	SHIM,0.020
9	00758646	A/R	SHIM, ADJUSTMENT .004 OR .1M
10	00758647	A/R	SHIM, ADJUSTMENT .010 OR .25M
11	00759977	1	SPACER GEAR MOUNT
12	00775923	1	OUTPUT SPACER
13	00758663	1	CAP, OUTPUT
14	00758672	4	LOCKWASHER \square
15	02959661	4	BOLT \square
16	00775244	1	BLADE HUB
17	00606000	1	COTTER PIN \square
18	00758692	1	FLANGE NUT, SLOTTED \square
19	00758674	1	SEAL, OUTPUT
20	00758676	A/R	GASKET, .004 OR .1M
21	00758677	A/R	GASKET, .010 OR .25M
22	00775922	1	SHAFT OUTPUT SUPER 75
23	00769938	2	BEARING,TIMKEN 30210
24	00758693	1	GEAR,13 TOOTH
25	00770730	1	BEARING ADJUSTING NUT
26	00770421	1	COTTER PIN \square
27	00755615	2	BEARING
28	00770737	2	PLUG, OIL LEVEL \square
29	00769321	3	SEALING WASHER \square
30	00758657	1	SPACER,INPUT SHAFT
31	00758694	1	GEAR,19 TOOTH
32	00762114	1	VENT PLUG, W/ SEALING WASHER

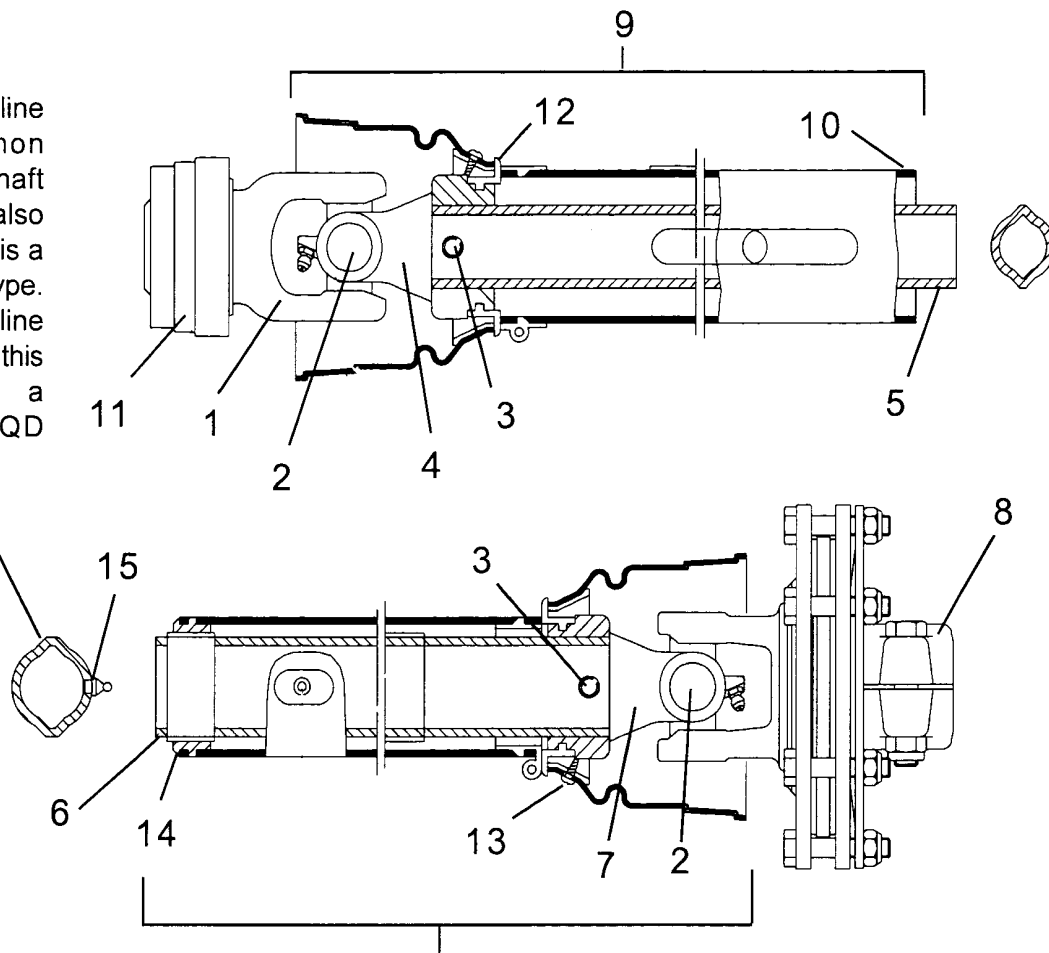
GEARBOX SHIELD ASY, A60B & A72B



ITEM	PART NO.	QTY.	DESCRIPTION
1	00775571	1	SHIELD WELDMENT, A60B & A72B ^α
2	00775573	1	SHIELD BRACKET, A60B & A72B
3	5F8130	1	WINGNUT ^α
4	00011100	3	WASHER
5	00012101	3	LOCKWASHER
6	00002000	3	BOLT
7	5F5180	2	WINGNUT
8	5710121	1	INSPECTION COVER PLATE
9	00750952	6	BOLT ^α
10	00756077	6	WASHER
11	00695100	6	NUT, TOPLOCK 5/8 NC PLC

DRIVELINE ASY P/N 00775818, STD CAT IV

This Driveline has Lemon shaped shaft and tube, also the clutch is a clamp on type. The Driveline previous to this one had a flanged QD collar.

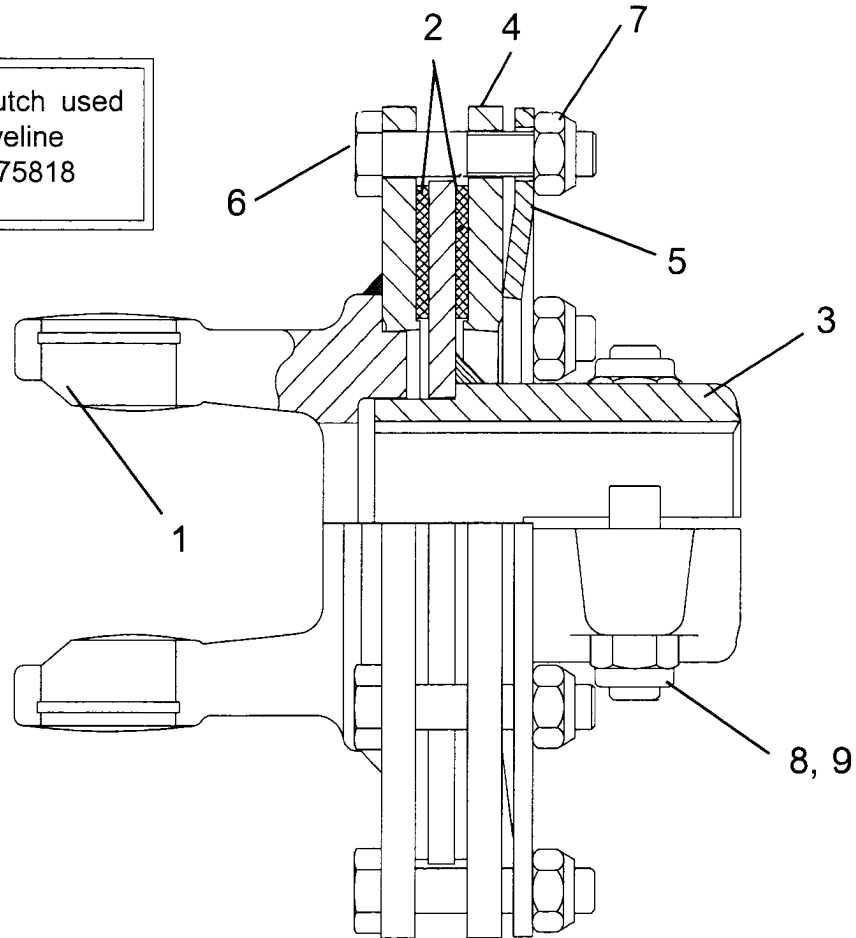


ITEM	PART NO.	QTY.	DESCRIPTION
	00775818	--	DRIVELINE ASY, W/CLUTCH F/ A60B OR A72B ^α
1	00775353	1	YOKE, QD W/ SLIDE COLLAR
2	00189700	2	UNIVERSAL JOINT, (X-KIT)
3	00756934	2	SPRING PIN
4	00775317	1	YOKE , F/ INNER TUBE
5	7413	1	TUBE, INNER
6	00775377	1	TUBE & SLEEVE WLDMNT, OUTER ^α
7	00775318	1	YOKE, F/ OUTER TUBE
8	00775425	1	CLUTCH ASY. ^α
9	00775366	1	SHIELD HALF ASY, OUTER ^α
10	00775367	1	SHIELD HALF ASY, INNER ^α
11	00757954	1	SLIDE COLLAR KIT, F/ ITEM 1 ^α
12	8393	2	BEARING RING ^α
13	00759217	2	SCREW ^α
14	8974	1	SUPPORT BEARING ^α
15	1416601	1	GREASE FITTING ^α

A60B & A72B (03/04) Current Production

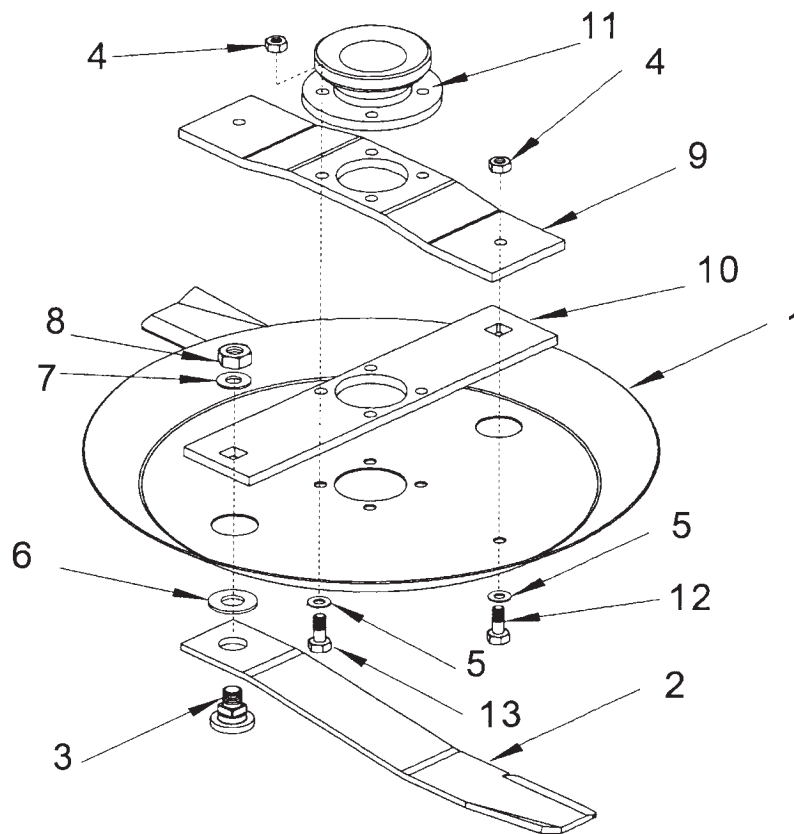
CLUTCH ASY P/N 00775425, A60B & A72B

This Clutch used
with Driveline
P/N 00775818



ITEM	PART NO.	QTY.	DESCRIPTION
	00775425	--	CLUTCH ASY, A60B & A72B α
1	00775321	1	FLANGE YOKE α
2	8366	2	FRICION DISC α
3	00775322	1	HUB, 1-3/4" X 20 SPLINE ID α
4	00775323	1	THRUST PLATE α
5	00775324	1	BELLVILLE SPRING
6	00775325	6	BOLT α
7	00775326	6	LOCKNUT
8	00775327	2	LOCKNUT
9	00775328	2	BOLT

BLADE CARRIER ASY.

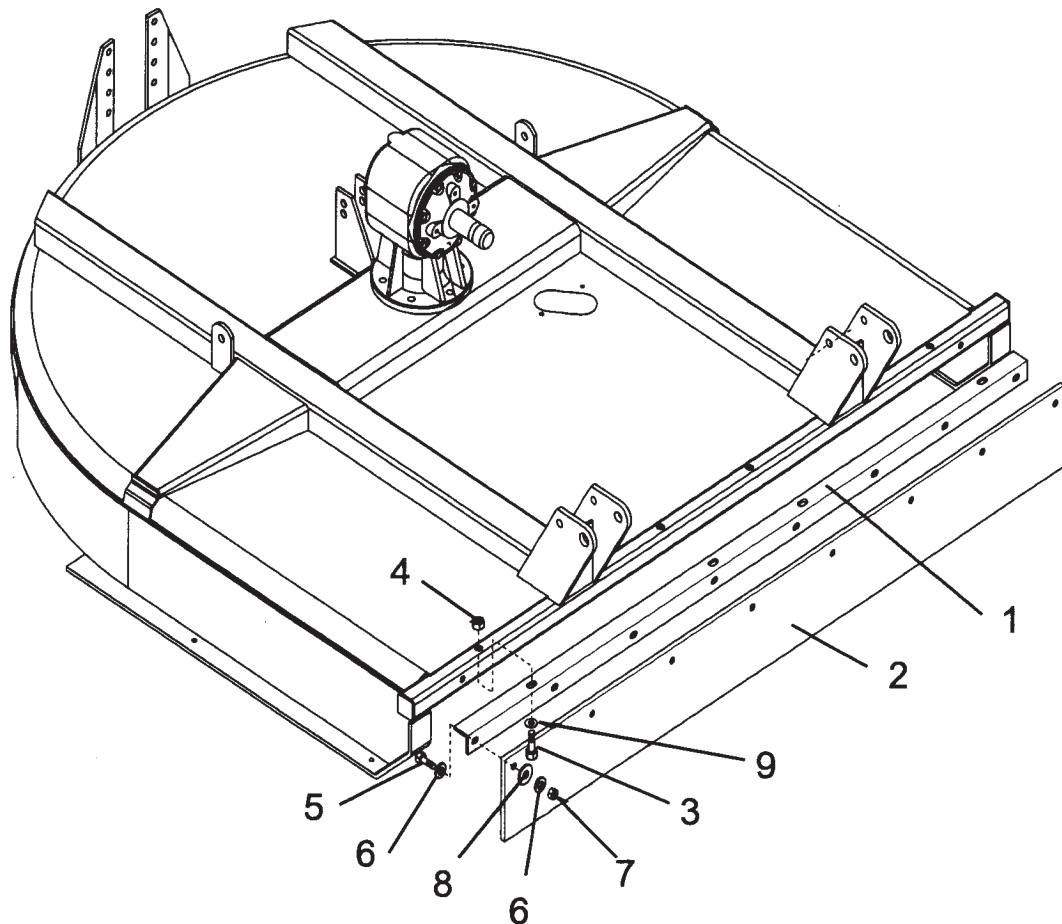


ITEM	PART NO.	QTY.	DESCRIPTION
1	00775242	1	BLADE PAN, ROUND A60B & A72B
2	00775267	2	BLADE, FAN F/ A60B S/N 02056 & DOWN
	02977467	1	BLADE SET, FAN F/A60B S/N 02057 & UP
	00775233	2	BLADE, FAN F/ A72B S/N 02874 & DOWN
	02977466	1	BLADE SET, FAN F/A72B S/N 02875 & UP
3	8251	2	BLADE BOLT α
4	00695100	6	NUT, TOPLOCK 5/8 NC PLC α
5	00756077	6	WASHER, HARDENED α
6	7516	2	BLADE WASHER α
7	9216	2	WASHER α
8	5JRC16140	2	LOCKNUT, TOPLOCK
9	00775240	1	BLADE BAR, (FORMED)
10	00775241	1	BLADE BAR, (UNFORMED) α
11	00775244	1	BLADE HUB α
12	00008300	2	BOLT α
13	00600700	4	BOLT

NOTE: Blades changed from standard offset to deeper offset. The purpose of the change was to lower the minimum cutting of the mower.

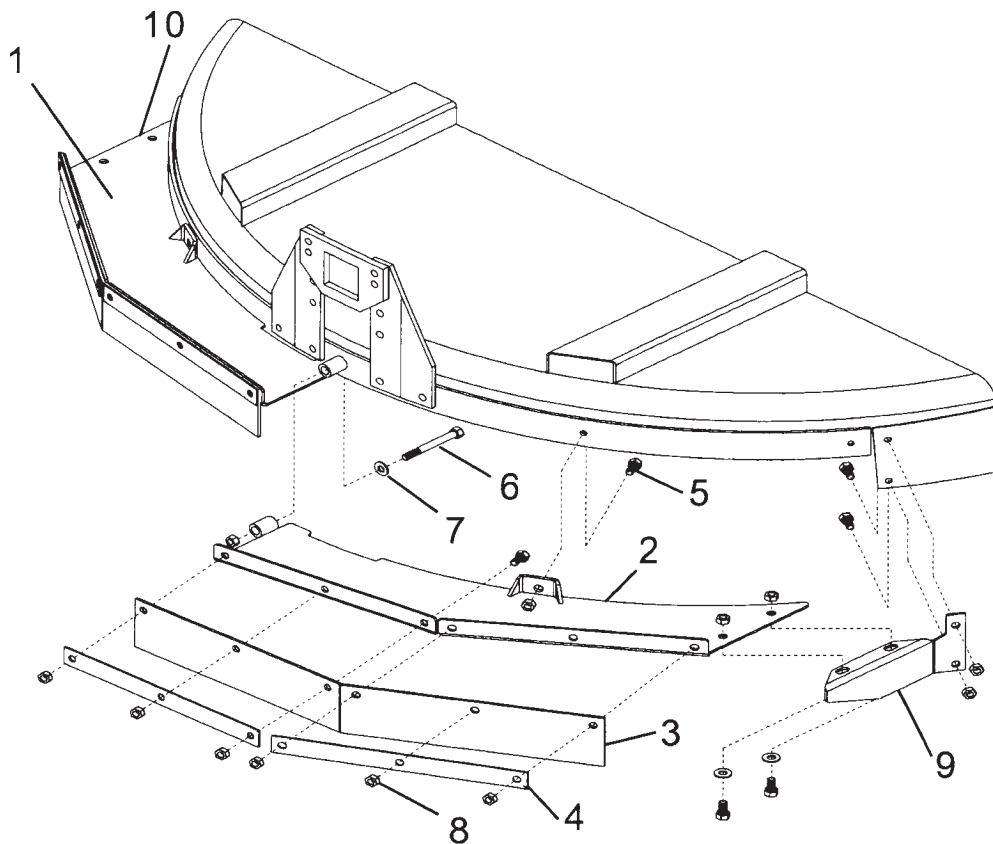
The blades will work on earlier or later s/n mowers but the blades cannot be mixed as to part numbers, both blade on blade MUST have same part numbers.

DEFLECTOR ASY, FRONT



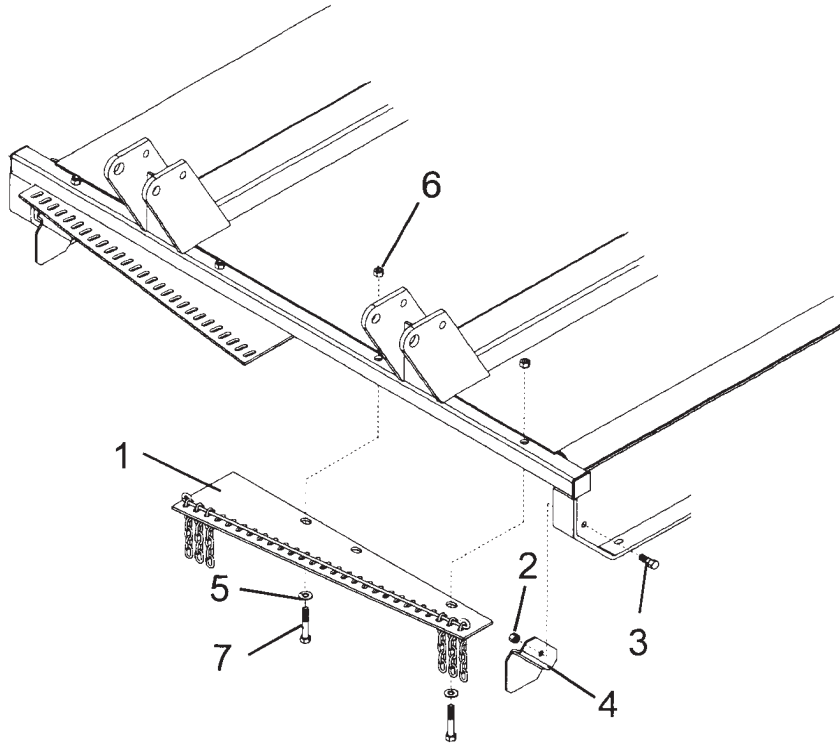
ITEM	PART NO.	QTY. A60B	QTY. A72B	DESCRIPTION
	00775714	1	--	DEFLECTOR ASY, FRONT A60B α
	00775721	--	1	DEFLECTOR ASY, FRONT A72B α
1	00758240	1	--	DEFLECTOR BRACKET, A60B α
	00758244	--	1	DEFLECTOR BRACKET, A72B α
2	00775715	1	--	RUBBER PANEL, A60B α
	00775722	--	1	RUBBER PANEL, A72B
3	00750311	4	4	BOLT
4	00695100	4	4	NUT, TOPLOCK 5/8 NC PLC
5	00011400	8	8	BOLT
6	00011100	16	16	FLATWASHER
7	00015800	8	8	LOCKNUT
8	02035800	8	8	WOOD WASHER
9	00001400	4	4	FLATWASHER

DEFLECTOR ASY, REAR



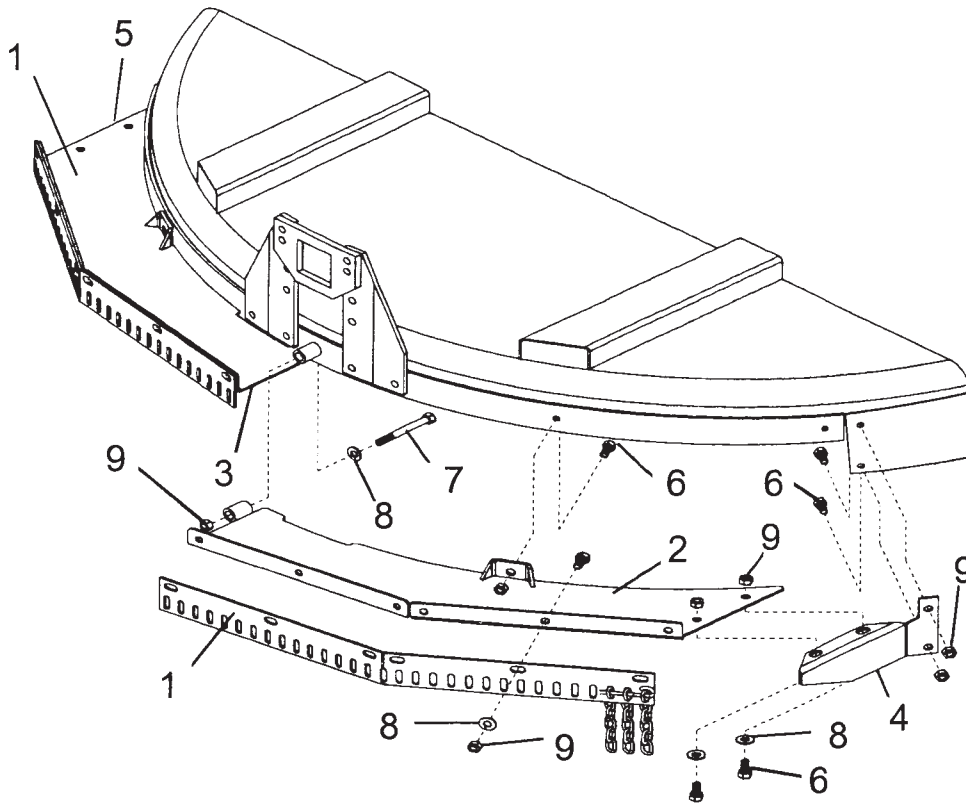
ITEM	PART NO.	QTY. A60B	QTY. A72B	DESCRIPTION
	00775687	1	--	DEFLECTOR ASY, REAR A60B α
	00775691	--	1	DEFLECTOR ASY, REAR A72B α
1	00773667	1	--	DEFLECTOR WLDMNT, LH A60B α
	00775503	--	1	DEFLECTOR WLDMNT, LH A72B α
2	00773663	1	--	DEFLECTOR WLDMNT, RH A60B α
	00775502	--	1	DEFLECTOR WLDMNT, RH A72B α
3	00775658	2	--	RUBBER PANEL, REAR A60B α
	00775668	--	2	RUBBER PANEL, REAR A72B α
4	00773658	4	--	DEFLECTOR BAR, REAR A60B α
	00775514	--	4	DEFLECTOR BAR, REAR A72B α
5	02030700	22	22	BOLT α
6	7B81332	1	1	BOLT
7	00002700	17	17	FLATWASHER
8	00001800	23	23	LOCKNUT TLM 1/2 NC PLC
9	00775655	1	1	MOUNT PLATE, RH A60B & A72B
10	00775656	1	1	MOUNT PLATE, LH A60B & A72B α

CHAINGUARD ASY, FRONT



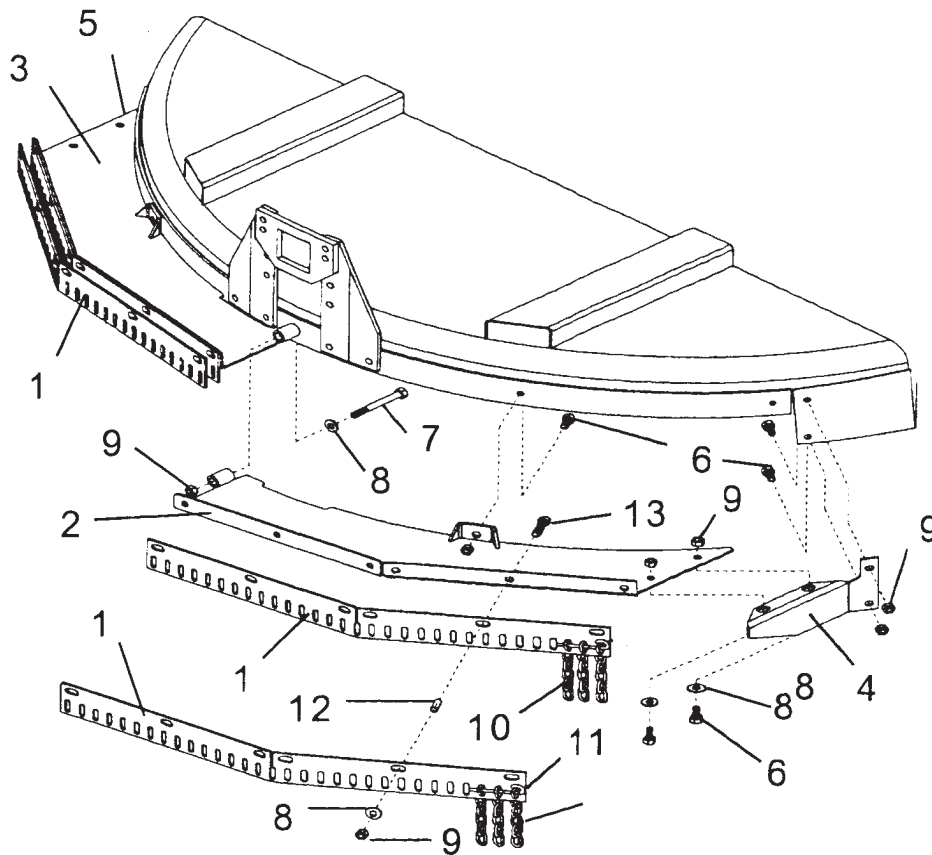
ITEM	PART NO.	QTY. A60B	QTY. A72B	DESCRIPTION
1	00775719	1	--	C/G ASY, SINGLE LH (A60B)☐
	00775726	--	1	C/G ASY, SINGLE LH (A72B) ☐
	00775720	1	--	C/G ASY, SINGLE RH (A60B)☐
	00775727	--	1	C/G ASY, SINGLE RH (A72B) ☐
	00775730	1	--	C/G ASY, DOUBLE LH (A60B) ☐
	00775732	--	1	C/G ASY, DOUBLE LH (A72B) ☐
	00775729	1	--	C/G ASY, DOUBLE RH (A60B) ☐
	00775731	--	1	C/G ASY, DOUBLE RH (A72B) ☐
2	00001800	2	2	LOCKNUT TLM 1/2 NC PLC
3	00748823	2	2	BOLT
4	00775739	2	2	CORNER DEFLECTOR, LH OR RH
5	00001400	4	4	WASHER☐
6	00695100	4	4	NUT, TOPLOCK 5/8 NC PLC
7	00750311	4	4	BOLT

CHAINGUARD ASY, REAR SINGLE



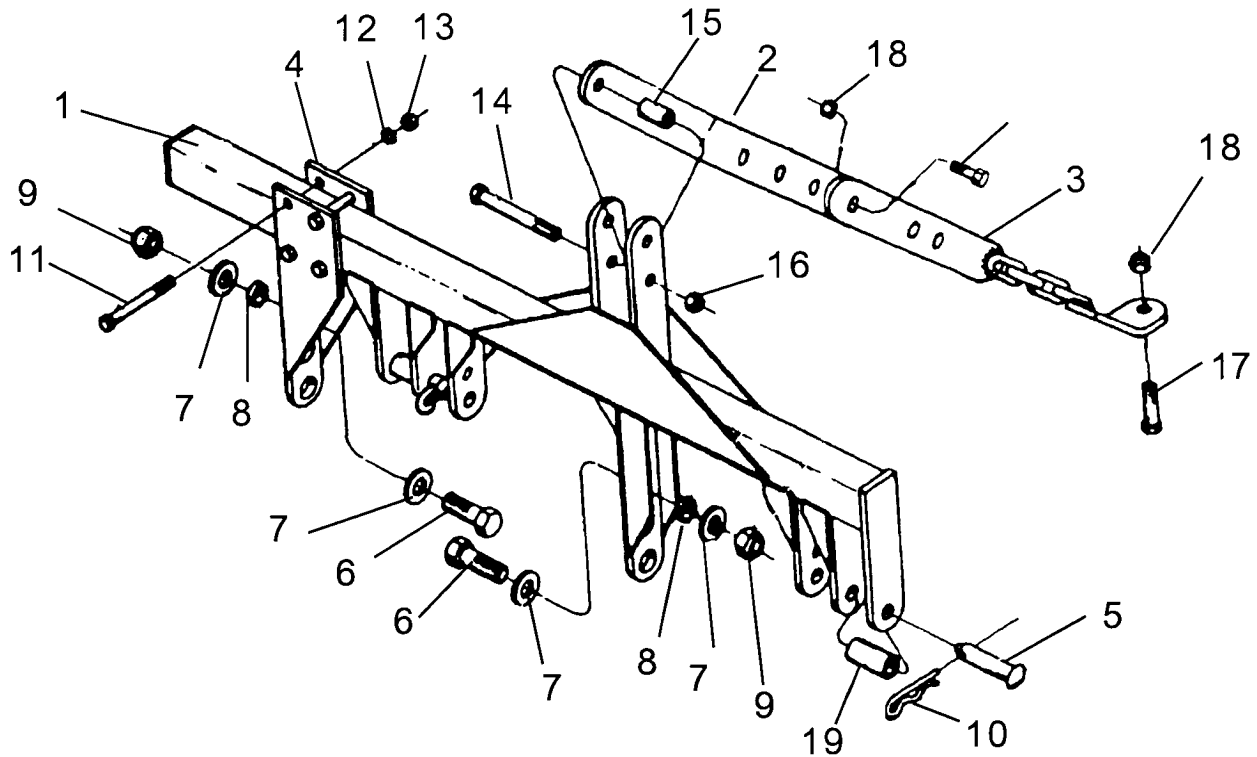
ITEM	PART NO.	QTY. A60B	QTY. A72B	DESCRIPTION
	00775688	1	--	C/G ASY SINGLE, REAR A60B
	00775692	--	1	C/G ASY SINGLE, REAR A72B α
1	00775665	2	--	C/G SECTION ASY, SINGLE A60B α
	00775671	--	2	C/G SECTION ASY, SINGLE A72B α
2	00773663	1	--	DEFLECTOR WLDMNT RH A60B α
	00775502	--	1	DEFLECTOR WLDMNT, RH A72B
3	00773667	1	--	DEFLECTOR WLDMNT, LH A60B α
	00775503	--	1	DEFLECTOR WLDMNT LH A72B α
4	00775655	1	1	SIDE MOUNT PLATE RH A60B OR A72B α
5	00775656	1	1	SIDE MOUNT PLATE LH A60B OR A72B α
6	02030700	22	22	BOLT α
7	7B81332	1	1	BOLT
8	00002700	17	17	FLATWASHER
9	00001800	23	23	LOCKNUT TLM 1/2 NC PLC

CHAINGUARD ASY, REAR DOUBLE



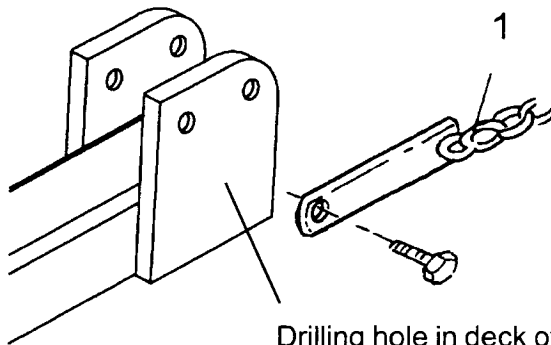
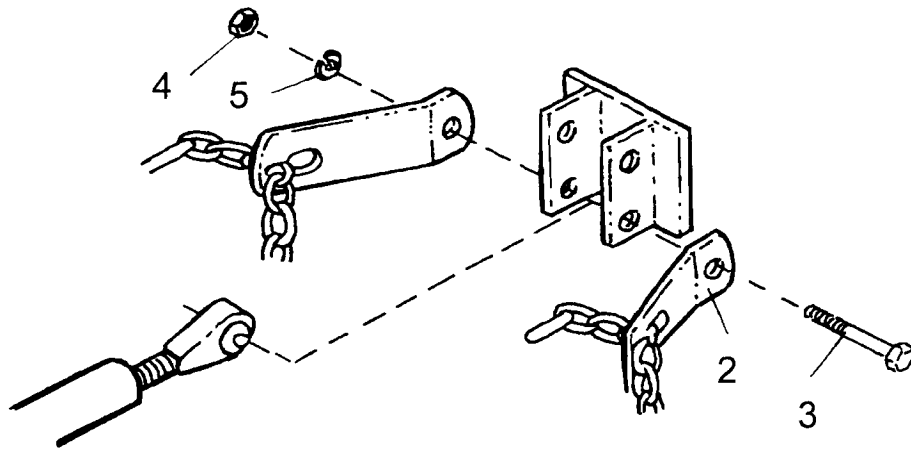
ITEM	PART NO.	QTY. A60B	QTY. A72B	DESCRIPTION
	00775690	1	--	C/G ASY COMPLETE REAR A60B α
	00775694	--	1	C/G ASY COMPLETE REAR A72B α
1	00775501	4	--	CHAIN GUARD BRACKET α A60B
	00775290	--	4	CHAIN GUARD BRACKET A72B α
2	00773663	1	--	DEFLECTOR WLDMNT, RH A60B α
	00775502	--	1	DEFLECTOR WLDMNT, RH A72B α
3	00773667	1	--	DEFLECTOR WLDMNT, LH A60B α
	00775503	--	1	DEFLECTOR WLDMNT, LH A72B α
4	00775655	1	1	CORNER MOUNT PLATE, RH α
5	00775656	1	1	CORNER MOUNT PLATE, LH α
6	02030700	10	10	BOLT
7	7B81332	1	1	BOLT
8	00002700	17	17	FLATWASHER
9	00001800	23	23	LOCKNUT TLM 1/2 NC PLC
10	00755090	96	96	CHAIN, 5 LINKS
11	00761363	4	4	ROD, F/ RETAINING CHAINS
12	00774909	12	12	SPACER
13	000245	12	12	BOLT

OFFSET HITCH ADAPTER OPTION



ITEM	PART NO.	QTY.	DESCRIPTION
	0702310000	--	OFFSET HITCH ADAPTER ASY
1	0702310100	1	ADAPTER MAINFRAME WLDMNT
2	0702310001	1	BRACE BAR
3	0702310300	1	BRACE LUG & CHAIN WLDMNT
4	0702310200	1	AJUSTABLE LIFT LUG WLDMNT
5	511027	2	WRIST PIN
6	7A14924	2	BOLT
7	15B1400	4	WASHER, PLAIN
8	423013	4	BUSHING
9	5JRC1490	2	LOCKNUT
10	3W6	2	RETAINING PIN
11	7A81336	4	BOLT
12	00001300	4	LOCKWASHER
13	00001200	4	NUT
14	7AH5121636	1	BOLT
15	595062	1	SPACER
16	5JRC12160	1	LOCKNUT, THIN DEFORMED
17	7AH5101816	2	BOLT
18	00749136	2	LOCKNUT
19	743013	2	BUSHING

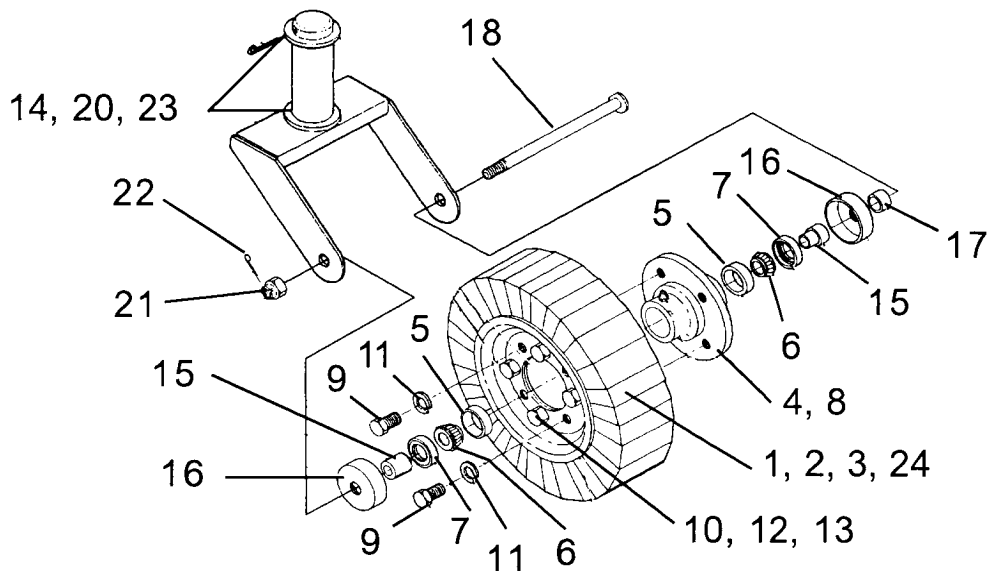
CHECK CHAIN ASY OPTION



Drilling hole in deck of A-frame support may be required

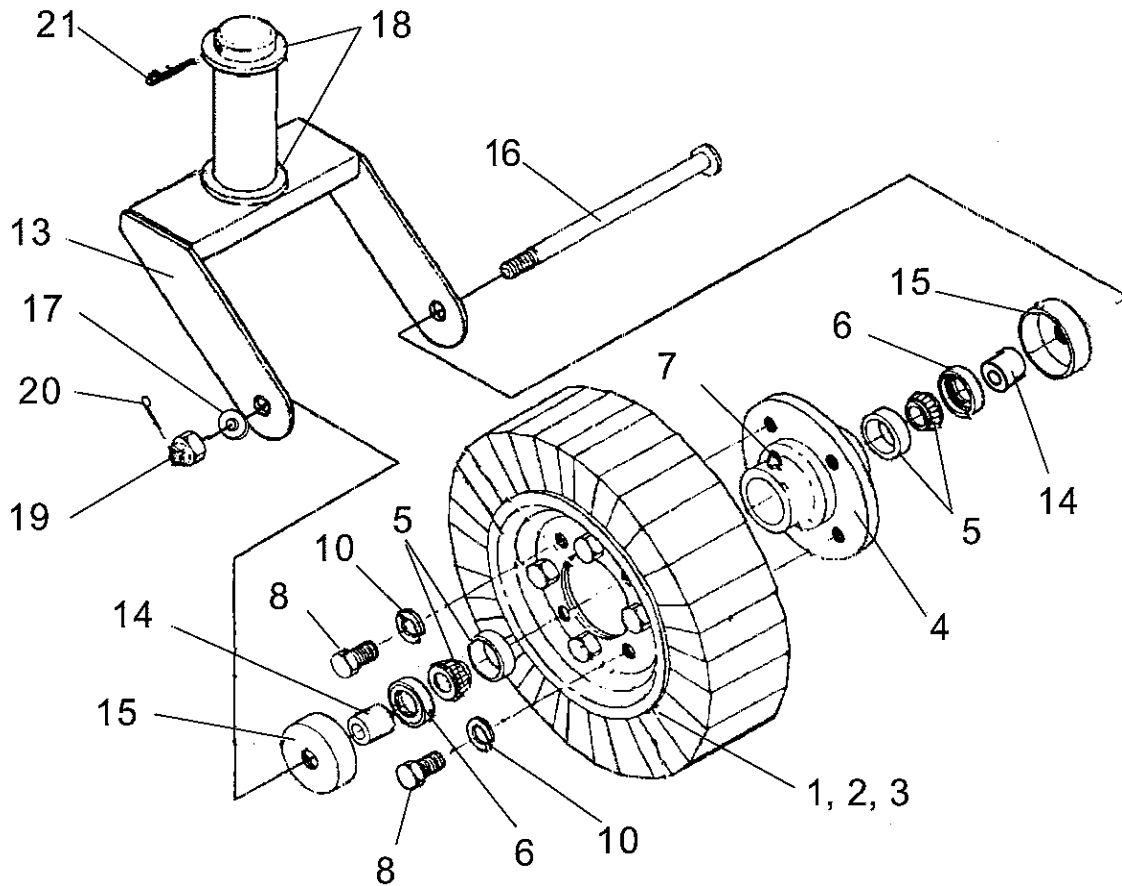
ITEM	PART NO.	QTY.	DESCRIPTION
1	8709	2	CARRIER CHAIN ASSEMBLY
2	8708	2	CARRIER ADJUSTMENT STRAP
3	8236	2	BOLT
4	4337	2	NUT
5	2372	2	LOCKWASHER

TAILWHEEL - CASTER FORK ASY - S/N A60B-02050 / A72B-02870 & DOWN



ITEM	PART NO.	QTY.	DESCRIPTION
	0585020200	--	WHEEL ASY & CASTER FORK
1	373024	1	TIRE & WHEEL α ASY W/ HUB ASY
2	373024A	1	TIRE, LAMINATED
3	373024B	1	WHEEL HALVES W/ BOLTS
4	373024C	1	HUB W/BRG CUPS&GREASE FITTING
	373024D	REF	HUB ASY, W/BRGS,SEALS COMPLETE α
5	373024G	2	BEARING CUP
6	00013701	2	BEARING CONE α
7	373024E	2	SEAL
8	17C1792B	1	GREASE FITTING, THREADED α
	00600000	1	GREASE FITTING, DRIVE IN α
9	7A8208	4	BOLT α
10	7A6166	4	BOLT α
11	13800	4	LOCKWASHER α
12	00012101	4	LOCKWASHER
13	4378	4	NUT
14	0585020210	1	CASTER FORK WELDMENT
15	37302C2C	2	SHOULDER BUSHING SLEEVE α
16	37302D2B	2	DUST CAP α
17	511016	2	SPACER BUSHING α
18	37302D2A	1	BOLT,SPINDLE
19	15B1200	1	WASHER, PLAIN
20	15B2400	2	WASHER, PLAIN
21	5E12160	1	NUT, SLOTTED α
22	1621/2012	1	COTTER PIN α
23	00758899	1	ROLL PIN α
24	373024H	1	TIRE & WHEEL ASY LESS HUB

TAILWHEEL - CASTER FORK ASY - S/N A60B-02051 / A72B-02871 & UP



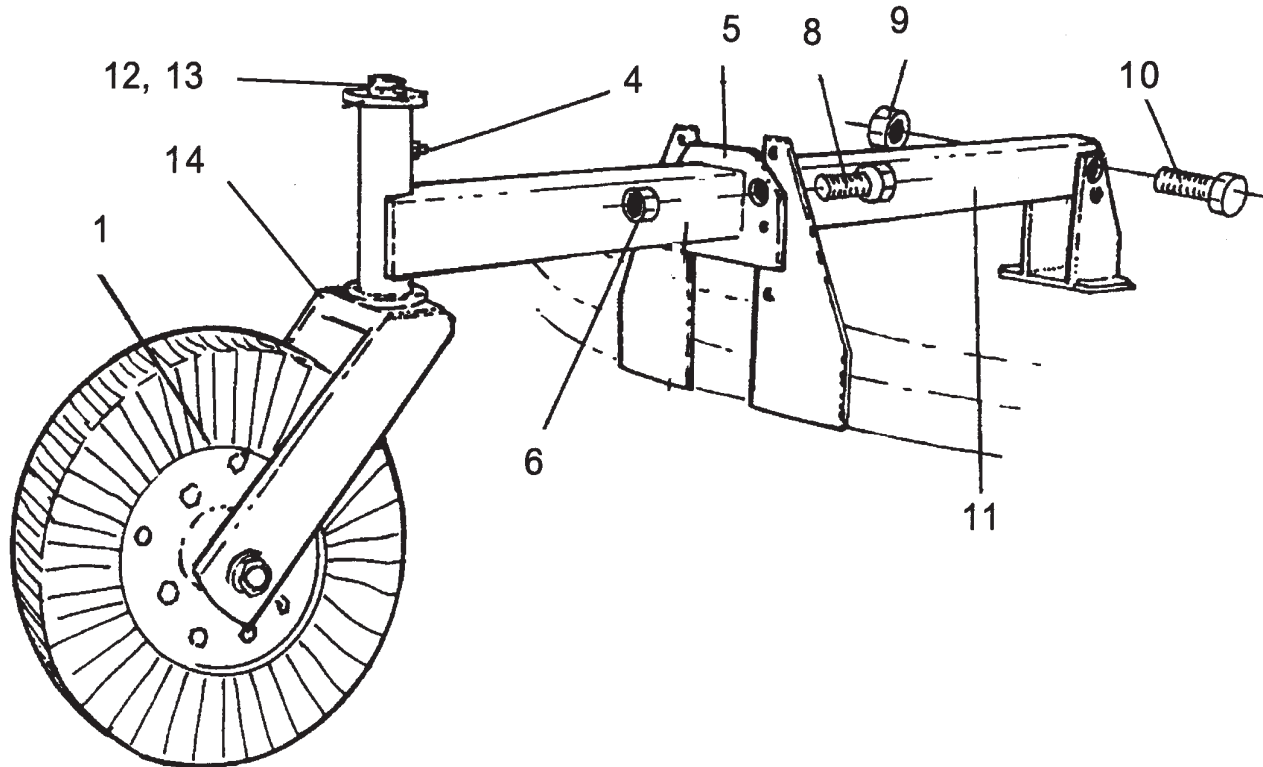
ITEM	PART NO.	QTY.	DESCRIPTION
	00776220	--	CASTER FORK & WHEEL ASY
1	373024H	1	WHEEL & TIRE ASY
2	373024A	1	TIRE, 4 X 8 LAMINATED
3	373024B	1	WHEEL 4 X 8, W/NUTS
4	00776214	1	HUB, 4 BOLT
5	00776213	2	BEARING, CUP & CONE
6	00776219	2	SEAL
7	00772082	1	GREASE FITTING
8	00776216	4	BOLT
9	7A6166	4	BOLT, HEX HEAD
10	00776215	4	FLATWASHER
11	00012101	4	LOCKWASHER
12	00013901	4	NUT, HEX
13	0585020210A	1	CASTER FORK WELDMENT
14	00772017	2	BUSHING, SPINDLE STEP
15	00772018	2	DUST CAP
16	00776211	1	SPINDLE BOLT
17	02822500	1	FLATWASHER
18	15B2400	2	FLATWASHER
19	00776212	1	SPINDLE NUT
20	00771620	1	COTTER PIN
21	00758899	1	COTTER PIN

A60B & A72B (03/04) Current Production

TAILWHEEL MOUNTING ASY - S/N A60B-02050 / A72B-02870 & DOWN

Used
Mar 2001 (S/N A60B-01820)
to
Current (02/04)

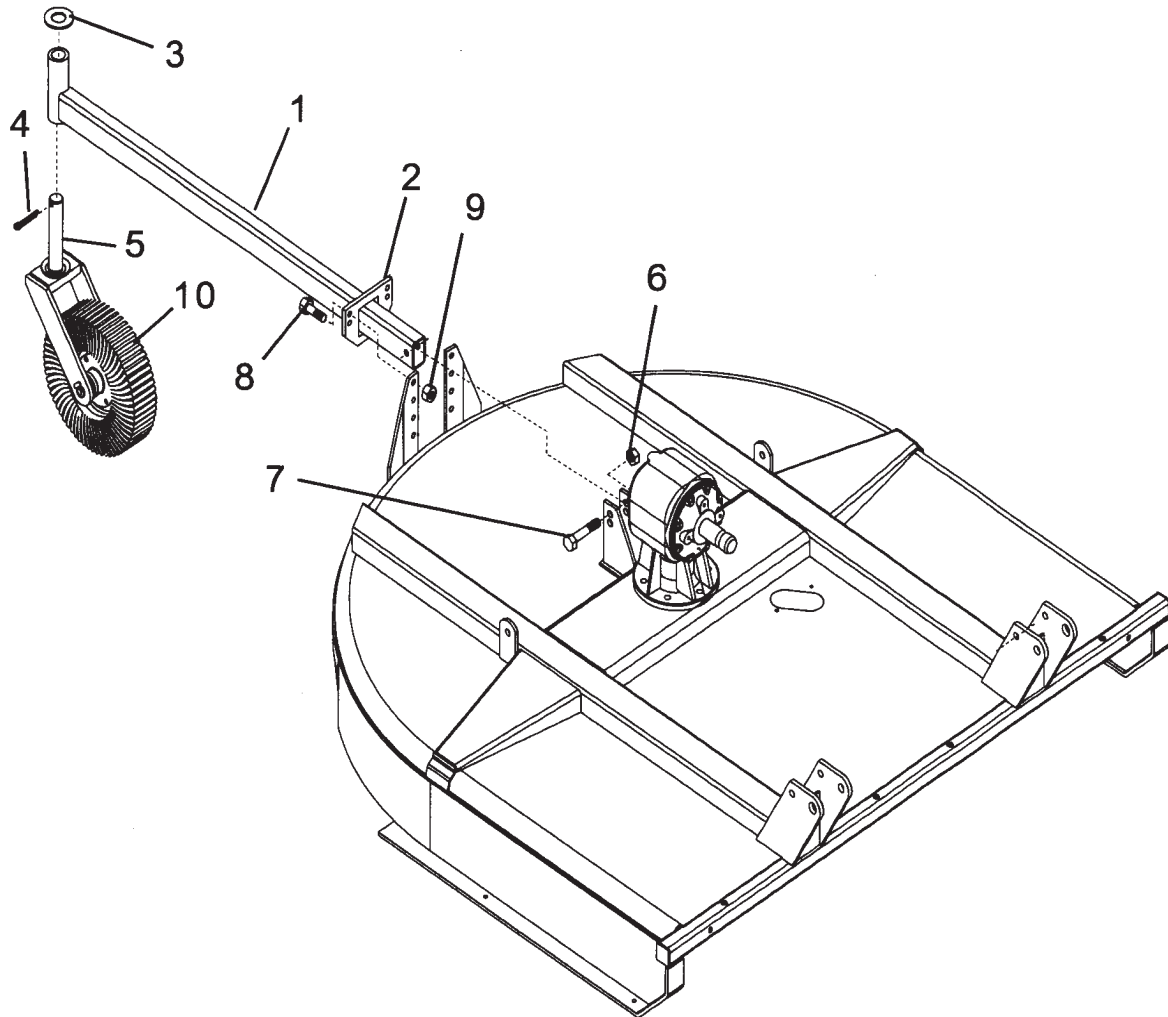
This tail wheel beam is
53-11/16" long, 6"
longer than old style



ITEM	PART NO.	QTY.	DESCRIPTION
1	00776220	1	CASTER WHEEL & FORK ASY (W/ITEM 14)⌘
4	00752670	1	GREASE FITTING⌘
5	702302R	1	POSITIONING BRACKET
6	00001800	2	LOCKNUT TLM 1/2 NC PLC
8	00748823	1	BOLT
9	00695100	1	NUT, TOPLOCK 5/8 NC PLC
10	02845700	1	BOLT
11*	00775629	1	TAIL WHEEL BEAM (53-11/16" LONG)
12	15B2400	2	FLATWASHER (IN ITEM 1)
13	00758899	1	COTTER PIN (IN ITEM 1)
14	0585020210	1	CASTER FORK ONLY (IN ITEM 1)

Note * : Measure tailwheel beam from center of beam pivot bolt (item 10) hole to center of castor fork shaft to find length. This tailwheel beam is 6" longer than the old one, the 6" was added to length to clear the chainguard deflectors that were added.

TAILWHEEL MOUNTING ASY - S/N A60B-02051 / A72B-02871 & UP



ITEM	PART NO.	QTY.	DESCRIPTION
1	00775629	1	TAILWHEEL BEAM, A60B α
	00775628	1	TAILWHEEL BEAM, A72B α
2	702302R	1	POSITIONING BRACKET α
3	15B2400	2	WASHER α
4	00758899	1	COTTER PIN
5	0585020210	1	CASTER FORK WELDMENT
6	00695100	1	NUT, TOPLOCK 5/8 NC PLC
7	02845700	1	BOLT
8	00748823	2	BOLT
9	00001800	2	LOCKNUT TLM 1/2 NC PLC
10	00776220	1	CASTER FORK WHL ASY W/ITEMS 3,4 & 5 α

A60B & A72B (03/04) Current Production

ALAMO INDUSTRIAL

LIMITED WARRANTY

1. LIMITED WARRANTIES

- 1.01. Alamo Industrial warrants for one year from the purchase date to the original non-commercial, governmental, or municipal purchaser ("Purchaser") and warrants for six months to the original commercial or industrial purchaser ("Purchaser") that the goods purchased are free from defects in material or workmanship.
- 1.02. Manufacturer will replace for the Purchaser any part or parts found, upon examination at one of its factories, to be defective under normal use and service due to defects in material or workmanship.
- 1.03. This limited warranty does not apply to any part of the goods which has been subjected to improper or abnormal use, negligence, alteration, modification, or accident, damaged due to lack of maintenance or use of wrong fuel, oil, or lubricants, or which has served its normal life. This limited warranty does not apply to any part of any internal combustion engine, or expendable items such as blades, shields, guards, or pneumatic tires except as specifically found in your Operator's Manual.
- 1.04. Except as provided herein, no employee, agent, Dealer, or other person is authorized to give any warranties of any nature on behalf of Manufacturer.

2. REMEDIES AND PROCEDURES.

- 2.01. This limited warranty is not effective unless the Purchaser returns the Registration and Warranty Form to Manufacturer within 30 days of purchase.
- 2.02. Purchaser claims must be made in writing to the Authorized Dealer ("Dealer") from whom Purchaser purchased the goods or an approved Authorized Dealer ("Dealer") within 30 days after Purchaser learns of the facts on which the claim is based.
- 2.03. Purchaser is responsible for returning the goods in question to the Dealer.
- 2.04. If after examining the goods and/or parts in question, Manufacturer finds them to be defective under normal use and service due to defects in material or workmanship, Manufacturer will:
 - (a) Repair or replace the defective goods or part(s) or
 - (b) Reimburse Purchaser for the cost of the part(s) and reasonable labor charges (as determined by Manufacturer) if Purchaser paid for the repair and/or replacement prior to the final determination of applicability of the warranty by Manufacturer.The choice of remedy shall belong to Manufacturer.
- 2.05. Purchaser is responsible for any labor charges exceeding a reasonable amount as determined by Manufacturer and for returning the goods to the Dealer, whether or not the claim is approved. Purchaser is responsible for the transportation cost for the goods or part(s) from the Dealer to the designated factory.

3. LIMITATION OF LIABILITY.

- 3.01. MANUFACTURER DISCLAIMS ANY EXPRESS (EXCEPT AS SET FORTH HEREIN) AND IMPLIED WARRANTIES WITH RESPECT TO THE GOODS INCLUDING, BUT NOT LIMITED TO, MERCHANTABILITY AND FITNESS FOR A PARTICULAR PURPOSE.
- 3.02. MANUFACTURER MAKES NO WARRANTY AS TO THE DESIGN, CAPABILITY, CAPACITY, OR SUITABILITY FOR USE OF THE GOODS.
- 3.03. EXCEPT AS PROVIDED HEREIN, MANUFACTURER SHALL HAVE NO LIABILITY OR RESPONSIBILITY TO PURCHASER OR ANY OTHER PERSON OR ENTITY WITH RESPECT TO ANY LIABILITY, LOSS, OR DAMAGE CAUSED OR ALLEGED TO BE CAUSED DIRECTLY OR INDIRECTLY BY THE GOODS INCLUDING, BUT NOT LIMITED TO, ANY INDIRECT, SPECIAL, CONSEQUENTIAL, OR INCIDENTAL DAMAGES RESULTING FROM THE USE OR OPERATION OF THE GOODS OR ANY BREACH OF THIS WARRANTY. NOTWITHSTANDING THE ABOVE LIMITATIONS AND WARRANTIES, MANUFACTURER'S LIABILITY HEREUNDER FOR DAMAGES INCURRED BY PURCHASER OR OTHERS SHALL NOT EXCEED THE PRICE OF THE GOODS.
- 3.04. NO ACTION ARISING OUT OF ANY CLAIMED BREACH OF THIS WARRANTY OR TRANSACTIONS UNDER THIS WARRANTY MAY BE BROUGHT MORE THAN TWO (2) YEARS AFTER THE CAUSE OF ACTION HAS OCCURRED.

4. MISCELLANEOUS.

- 4.01. Proper Venue for any lawsuits arising from or related to this limited warranty shall be only in Guadalupe County, Texas.
- 4.02. Manufacturer may waive compliance with any of the terms of this limited warranty, but no waiver of any terms shall be deemed to be a waiver of any other term.
- 4.03. If any provision of this limited warranty shall violate any applicable law and is held to be unenforceable, then the invalidity of such provision shall not invalidate any other provisions herein.
- 4.04. Applicable law may provide rights and benefits to purchaser in addition to those provided herein.

KEEP FOR YOUR RECORDS

ATTENTION: Purchaser should fill in the blanks below for his reference when buying repair parts and/or for proper machine identification when applying for warranty.

Alamo Industrial Implement Model _____ Serial Number _____

Date Purchased _____ Dealer _____

ATTENTION:
READ YOUR OPERATOR'S MANUAL

ALAMO INDUSTRIAL

An Alamo Group Company
1502 E. Walnut
Seguin, Texas 78155
830-379-1480





TO THE OWNER/OPERATOR/DEALER

To keep your implement running efficiently and safely, read your manual thoroughly and follow these directions and the Safety Messages in this Manual. The Table of Contents clearly identifies each section where you can easily find the information you need.

The OCCUPATIONAL SAFETY AND HEALTH ACT (1928.51 Subpart C) makes these minimum safety requirements of tractor operators:

REQUIRED OF THE OWNER:

1. Provide a Roll-Over-Protective Structure that meets the requirements of this Standard; and
2. Provide Seatbelts that meet the requirements of this paragraph of this Standard and SAE J4C; and
3. Ensure that each employee uses such Seatbelt while the tractor is moving; and
4. Ensure that each employee tightens the Seatbelt sufficiently to confine the employee to the protected area provided by the ROPS.

REQUIRED OF THE OPERATOR

1. Securely fasten seatbelt if the tractor has a ROPS.
2. Where possible, avoid operating the tractor near ditches, embankments, and holes.
3. Reduce speed when turning, crossing slopes, and on rough, slick, or muddy surfaces.
4. Stay off slopes too steep for safe operation.
5. Watch where you are going - especially at row ends, on roads, and around trees.
6. Do not permit others to ride.
7. Operate the tractor smoothly - no jerky turns, starts, or stops.
8. Hitch only to the drawbar and hitch points recommended by the tractor manufacturer.
9. When the tractor is stopped, set brakes securely and use park lock, if available.

-
-
- Keep children away from danger all day, every day...**
 - Equip tractors with rollover protection (ROPS) and keep all machinery guards in place...**
 - Please work, drive, play and live each day with care and concern for your safety and that of your family and fellow citizens.**

