



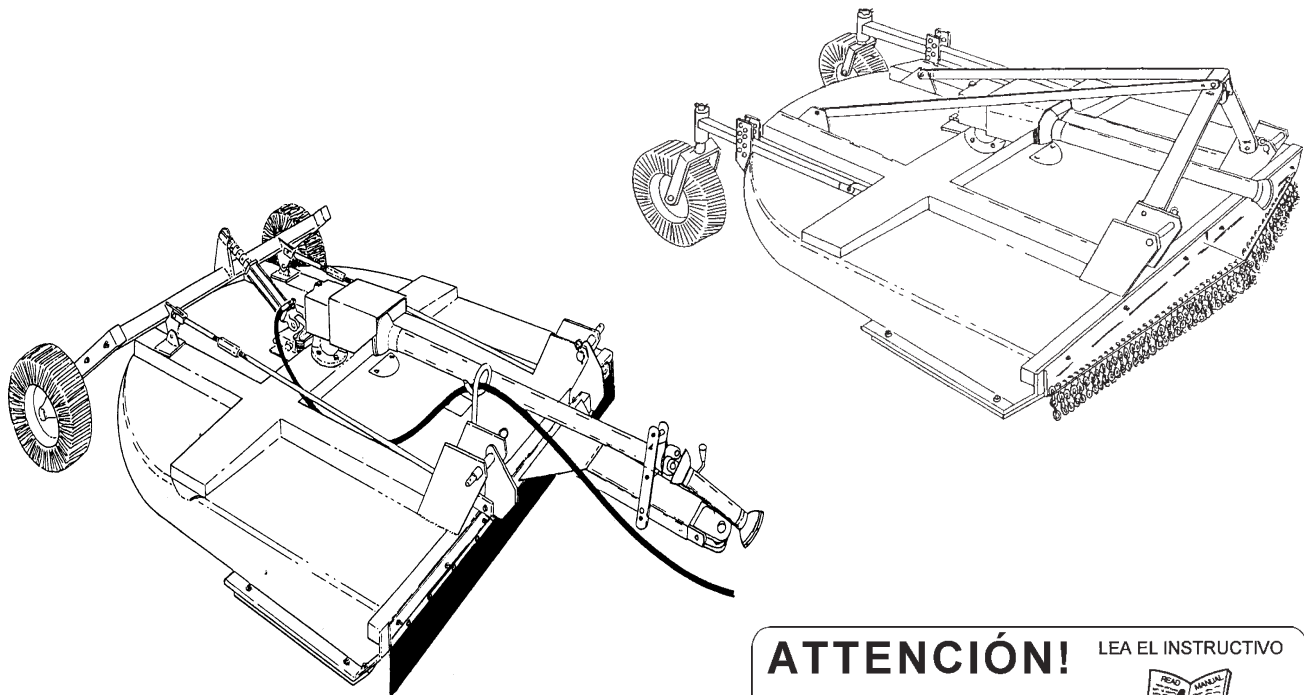
AG84B

Rotary Mower

Rev 03-13

P/N 00760989P

PARTS MANUAL



ATENCIÓN! LEA EL INSTRUCTIVO

Si No Lee Ingles, Pida Ayuda a Alguien
Que Si Lo Lea Para Que le Traduzca las
Medidas de Seguridad.



An Operator's Manual was shipped with the equipment in the Manual Canister. This Operator's Manual is an integral part of the safe operation of this machine and must be maintained with the unit at all times. **READ, UNDERSTAND, and FOLLOW** the Safety and Operation Instructions contained in this manual before operating the equipment. If the Operator's Manual is not with the equipment, contact your dealer or Servis-Rhino (800-446-5158) to obtain a Free copy before operating the equipment.

ALAMO INDUSTRIAL

1502 E. Walnut
Seguin, Texas 78155
830-372-9595



BUILT SHARPER®

An Alamo Group Company

© 2013 Alamo Group Inc.

TO THE OWNER/OPERATOR/DEALER

All implements with moving parts are potentially hazardous. There is no substitute for a cautious, safe-minded operator who recognizes the potential hazards and follows reasonable safety practices. The manufacturer has designed this implement to be used with all its safety equipment properly attached to minimize the chance of accidents.

BEFORE YOU START!! Read the safety messages on the implement and shown in your manual.
Observe the rules of safety and common sense!

DANGER

FAILING TO FOLLOW SAFETY MESSAGES AND OPERATING INSTRUCTIONS CAN CAUSE SERIOUS BODILY INJURY OR EVEN DEATH TO OPERATOR AND OTHERS IN THE AREA.

| | | | |
|------------------|--|---|--|
| <p>1.</p> | <p>2. NO RIDERS. NO CHILDREN OPERATORS.</p> | <p>3. USE SAFETY SHOES, HARD HAT, SAFETY GLASSES, SEAT BELTS, & ROPS</p> | <p>4. BLOCK UP SECURELY BEFORE WORKING UNDER.</p> |
|------------------|--|---|--|

1. Study and understand operator's manual, safety signs, and Instructional decals for tractor and implement to prevent misuse, abuse, and accidents.

- Learn how to stop engine suddenly in an emergency. Be alert for passerby and especially children.

2. Allow no children on or near implement or tractor. Allow no riders on tractor and implement. Falling off may cause serious injury or death from being run over by tractor or cutter or contact with rotating blades.

3. Operate only with tractor having Roll-Over Protective Structure (ROPS) and with seatbelt fastened securely and snugly to prevent injury and possible death from falling off or tractor overturn. Personal Protective Equipment such as Hard Hat, Safety Glasses, Safety Shoes, and Ear Plugs are Recommended.

4. Block up or support raised machine and all lifted components securely before putting hands or feet under or working underneath any lifted components to prevent crushing injury or death from sudden dropping or inadvertent operation of controls. Make certain area is clear before lowering or folding.

5. Before transporting, put Lift Lever in detent or full-lift position. Secure the implement for transport by installing Cylinder Stops or Transport Pin on Pull-type implement center axle and Wing Transport Locks on folding implements.

- Attach Safety Chain to cutter and towing unit securely. See Operator's Manual.

6. Make certain that the SMV sign, Warning Lights, and Reflectors are clearly visible. Follow local traffic codes.

7. Never operate with Cutting Head raised if passerby, bystanders, or traffic are in the area to reduce possibility of injury or death from Objects thrown by Blades under Guard or cutter structure.

8. Before dismounting, secure implement in transport position or lower to ground.

- Put tractor in park or set the brake, disengage PTO, stop engine, and remove key, and wait until noise of rotation has ceased to prevent entanglement in rotating parts which can cause injury or death.
- Never mount or dismount a moving vehicle. Crushing from runover may cause injury or death.

| | | | |
|---|--|---|---|
| <p>5. TRANSPORT SAFELY, LOCK UP.</p> | <p>6. USE SMV LIGHTS, & REFLECTORS.</p> | <p>7. DO NOT OPERATE WITH CUTTER OR WING RAISED.</p> | <p>8. DO NOT MOUNT OR DISMOUNT WHILE MOVING.</p> |
|---|--|---|---|

00749117

WARRANTY INFORMATION:

Read and understand the complete Warranty Statement found in this Manual. Fill out the Warranty Registration Form in full and return it to within 30 Days. Make certain the Serial Number of the Machine is recorded on the Warranty Card and on the Warranty Form that you retain.

PARTS ORDERING GUIDE

The following instructions are offered to help eliminate needless delay and error in processing purchase orders for the equipment in this section.

1. The Parts Section is prepared in logical sequence and grouping of parts that belong to the basic machine featured in this manual. Part Numbers and Descriptions are given to help locate the parts and quantities required.
2. The Purchase Order must include the name and address of the person or organization ordering the parts, who should be charged, and if possible, the serial number of the machine for which the parts are ordered.
3. The Purchase Order must clearly list the quantity of each part, the complete and correct part number (be sure to include all periods), and the basic name of the part.
4. The Manufacturer reserves the right to substitute parts where applicable.
5. Some parts are unlisted items which are special production items not normally stocked and are subject to special handling. Request a quotation for such parts before sending a Purchase Order.
6. The Manufacturer reserves the right to change prices without prior notice.

NOTE: Please refer to The Safety Section in the front of this Manual for the proper Part Number when ordering Replacement Safety Decals.



For maximum safety and to guarantee optimum product reliability, always use genuine Servis-Rhino Parts. The use of inferior replacement parts may cause premature or catastrophic failure which could result in serious injury or death. Direct any questions regarding parts to:



ALAMO INDUSTRIAL

1502 E. Walnut
Seguin, Texas 78155
830-379-1480

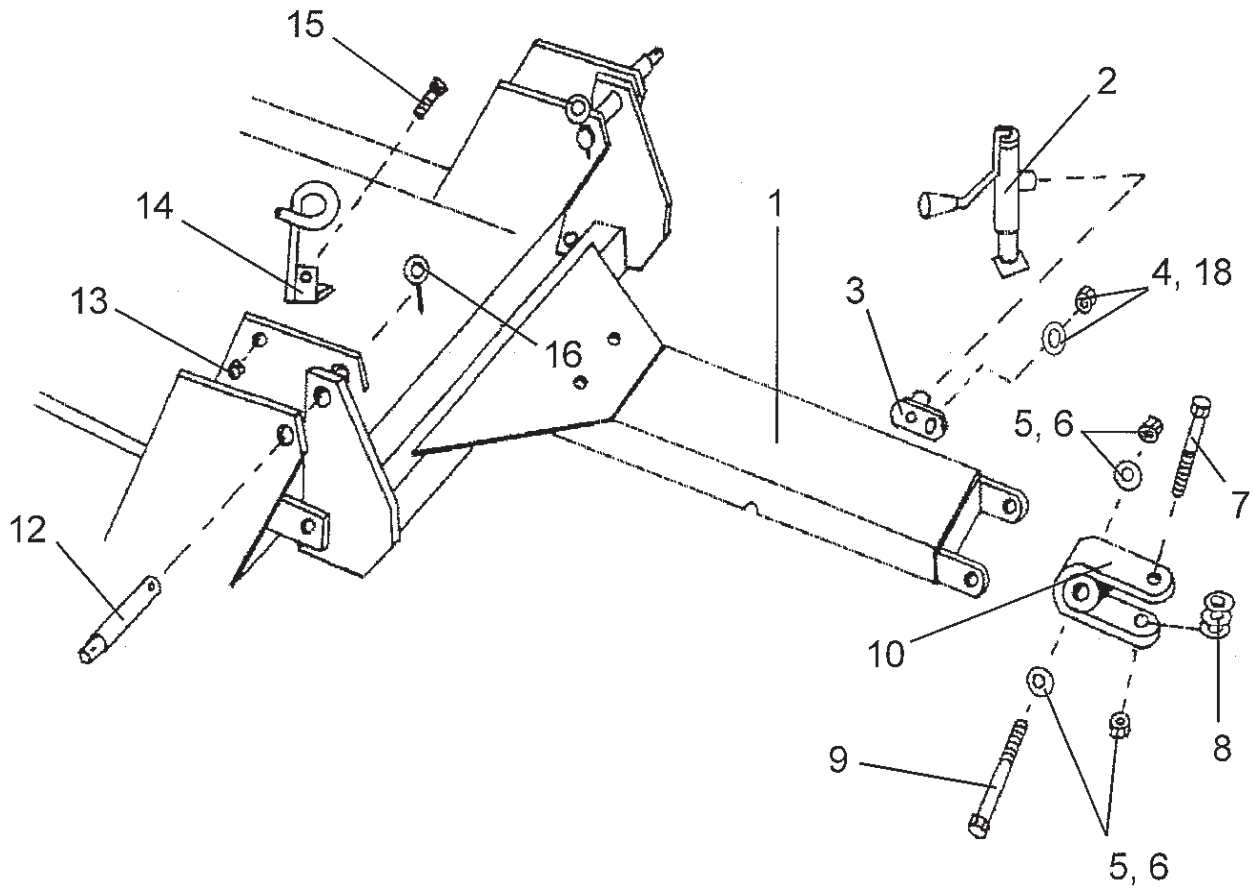


PARTS SECTION

PART NAME INDEX

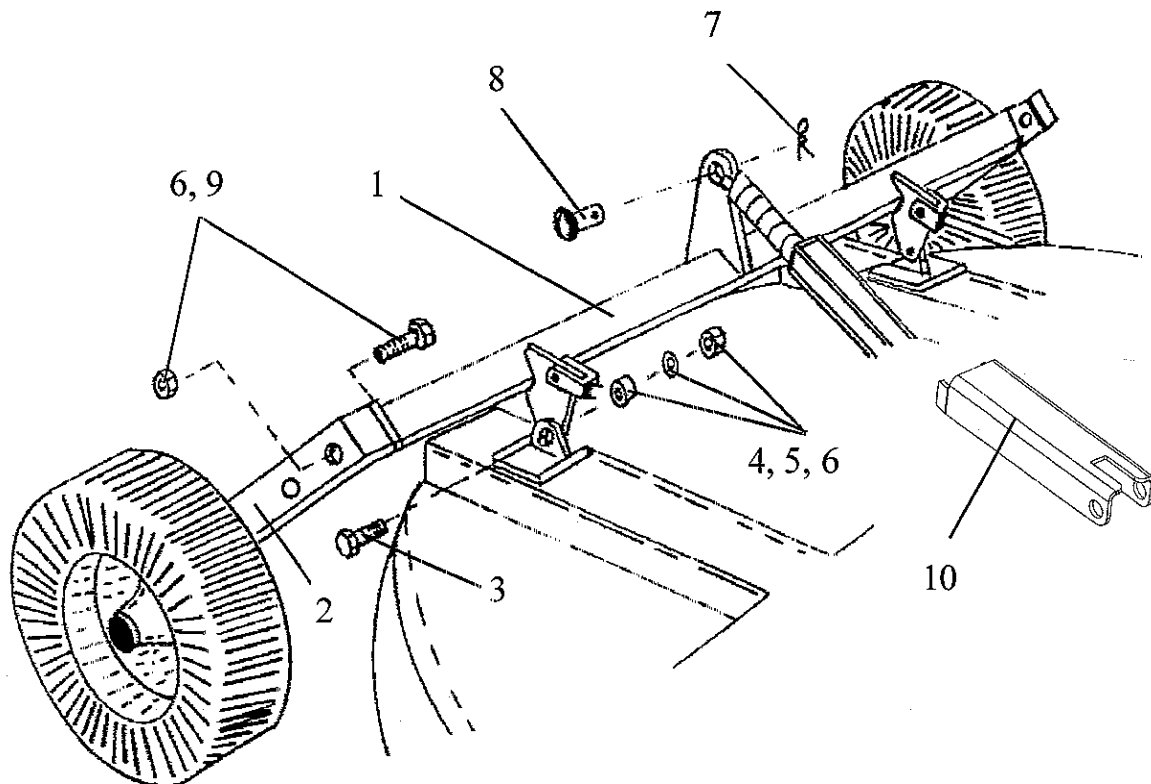
| | |
|--|----|
| A-FRAME ASY - LIFT TYPE - OPT CAT II & III | 13 |
| A-FRAME ASY - LIFT TYPE - OPT OFFSET ADAPTER | 14 |
| A-FRAME ASY - LIFT TYPE - STD CAT II | 12 |
| AXLE - PULL TYPE | 5 |
| AXLE CONTROL ROD ASY - PULL TYPE | 6 |
| AXLE SPRING SHOCK ASY - PULL TYPE | 8 |
| BLADE CARRIER ASY - PAN | 23 |
| CHAIN GUARD ASY - FRONT (NEW STYLE) | 37 |
| CHAIN GUARD ASY - FRONT (OLD STYLE) | 36 |
| CHAIN GUARD ASY - REAR (NEW STYLE) | 39 |
| CHAIN GUARD ASY - REAR (OLD STYLE) | 38 |
| CLUTCH ASY - PN 00756075 - (OLD STYLE) | 31 |
| CLUTCH ASY - PN 00775331 - (NEW STYLE) | 32 |
| DEFLECTOR ASY - FRONT | 33 |
| DEFLECTOR ASY - REAR (NEW STYLE) | 34 |
| DEFLECTOR ASY - REAR (OLD STYLE) | 35 |
| DRIVELINE ASY - LIFT TYPE - 540 & 1000 RPM (NEW STYLE) | 30 |
| DRIVELINE ASY - LIFT TYPE - 540 & 1000 RPM (OLD STYLE) | 29 |
| DRIVELINE ASY - PULL TYPE - 540 & 1000 RPM (NEW STYLE) | 25 |
| DRIVELINE ASY - PULL TYPE - 540 & 1000 RPM (OLD STYLE) | 24 |
| GEARBOX ASY - 540 & 1000 RPM | 20 |
| GEARBOX SHIELD | 22 |
| HYD CYL - PN 8727 - PULL TYPE (OLD STYLE) | 10 |
| HYD CYL - PN 8727A - PULL TYPE (NEW STYLE) | 11 |
| JACKSHAFT ASY - PULL TYPE PN 00760899 - (OLD STYLE) | 26 |
| JACKSHAFT ASY - PULL TYPE PN 00775437 - (NEW STYLE) | 27 |
| JACKSHAFT SUPPORT - PULL TYPE | 28 |
| SKID SHOE ASY | 15 |
| TONGUE ASY - PULL TYPE | 4 |
| WHEEL ASY - PULL TYPE | 7 |
| WHEEL ASY HUB - PN 00757241 - PULL TYPE | 9 |
| WHEEL CASTER & FORK ASY - SINGLE OR DUAL WHEEL - LIFT TYPE | 18 |
| WHEEL CASTER & TAILWHEEL BEAM - DUAL WHEEL - LIFT TYPE | 17 |
| WHEEL CASTER & TAILWHEEL BEAM - SINGLE WHEEL - LIFT TYPE | 16 |

TONGUE ASY - PULL TYPE



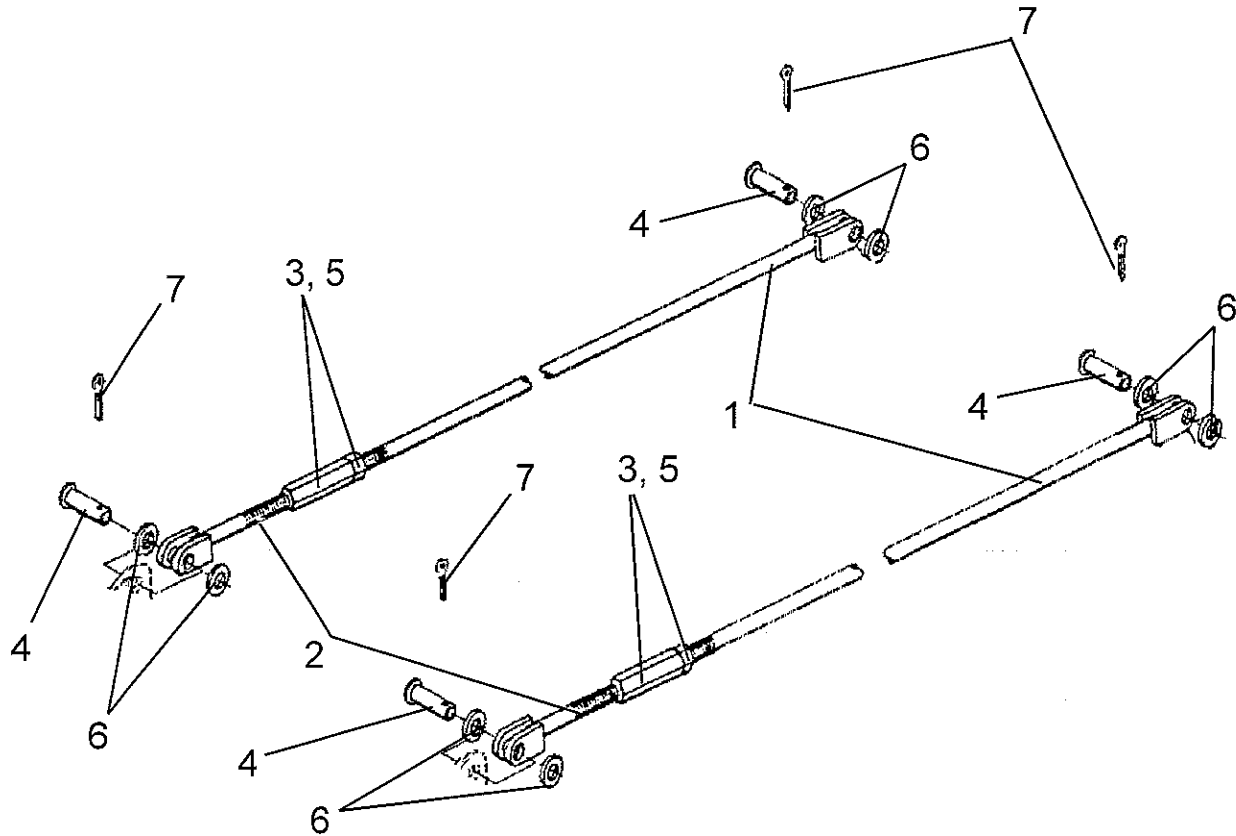
| ITEM | PART NO. | QTY. | DESCRIPTION |
|------|----------|------|-------------------------|
| 1 | 00760285 | 1 | TONGUE WELDMENT |
| 2 | 00772391 | 1 | PARKING JACK |
| 3 | 00760941 | 1 | JACK TUBE MOUNT, WLDMT |
| 4 | 00695100 | 2 | NUT, TOPLOCK 5/8 NC PLC |
| 5 | 02030300 | 2 | NUT, TOPLOCK |
| 6 | 00759275 | 2 | WASHER |
| 7 | 02712500 | 1 | BOLT |
| 8 | 00759275 | 3 | WASHER |
| 9 | 00755305 | 1 | BOLT |
| 10 | 00748807 | 1 | TONGUE CLEVIS |
| 12 | 00758146 | 2 | PIN TONGUE PIVOT |
| 13 | 00001800 | 1 | LOCKNUT TLM 1/2 NC PLC |
| 14 | 8343 | 1 | HOSE HOLDER |
| 15 | 00748823 | 1 | BOLT |
| 16 | 2196 | 2 | CLIP PIN |
| 18 | 00001400 | 1 | FLATWASHER |

AXLE - PULL TYPE



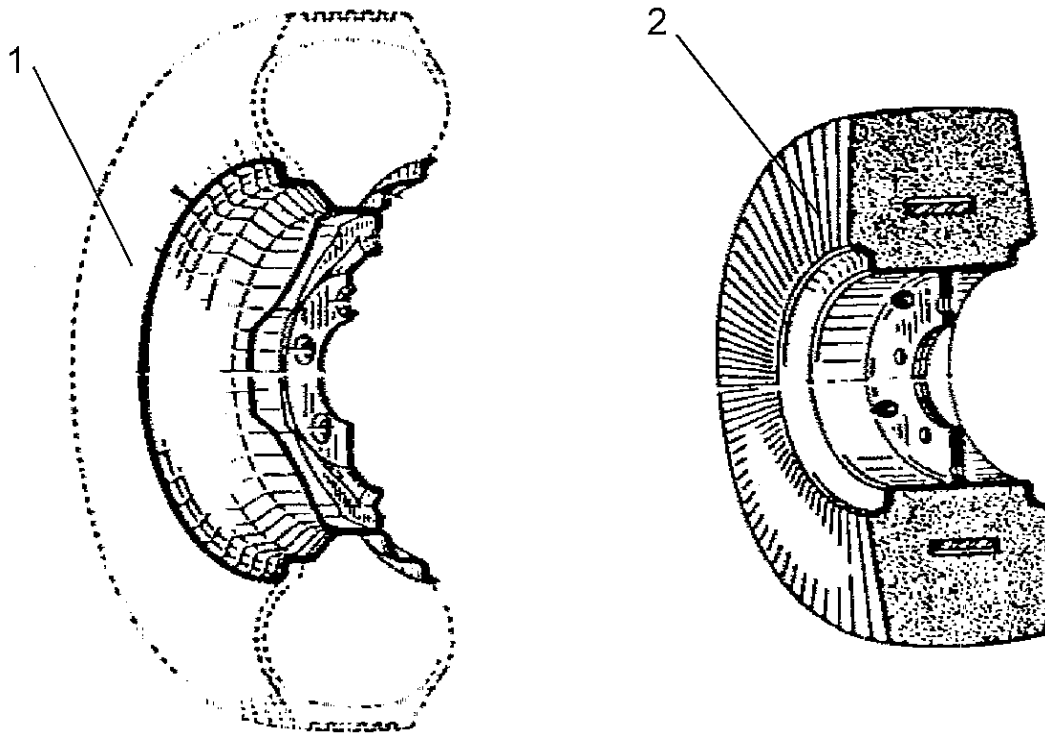
| ITEM | PART NO. | QTY. | DESCRIPTION |
|------|----------|------|---|
| 1 | 00760281 | 1 | AXLE WELDMENT ONLY (W/O ITEMS 2) |
| 2 | 00759539 | 2 | SPINDLE ARM & HUB ASY (LESS TIRE & WHEEL) |
| | 00759133 | 2 | SPINDLE & ARM WELDMENT ONLY |
| | 00757241 | 2 | WHEEL HUB ASY ONLY (W/ BRGS & HARDWARE) |
| | 00025200 | 2 | SECTIONAL TIRE & WHEEL ASY |
| 3 | 02931300 | 2 | BOLT, HEX HEAD 3/4"-NC X 2 ZP GR5 |
| 4 | 7483 | 2 | BUSHING, AXLE |
| 5 | 15B1200 | 2 | WASHER, 3/4" P SAE |
| 6 | 00037200 | 6 | LOCKNUT, TOPLOCK |
| 7 | 00606000 | 1 | COTTER PIN |
| 8 | 8354 | 1 | PIN, CYLINDER |
| 9 | 00007800 | 4 | BOLT, HEX HEAD |

AXLE CONTROL ROD ASY - PULL TYPE



| ITEM | PART NO. | QTY. | DESCRIPTION |
|------|----------|------|---|
| 1 | 00760904 | 2 | CONTROL ROD WELDMENT, LH THDS (LONG ROD) |
| 2 | 00758643 | 2 | CONTROL ROD WELDMENT, RH THDS (SHORT ROD) |
| 3 | 421062 | 2 | NUT, ADJUSTING NUT |
| 4 | 651102 | 4 | PIN, F/ CONTROL ROD |
| 5 | 5C1490 | 2 | JAM NUT |
| 6 | 15B1200 | 8 | WASHER |
| 7 | 163012 | 8 | PIN |

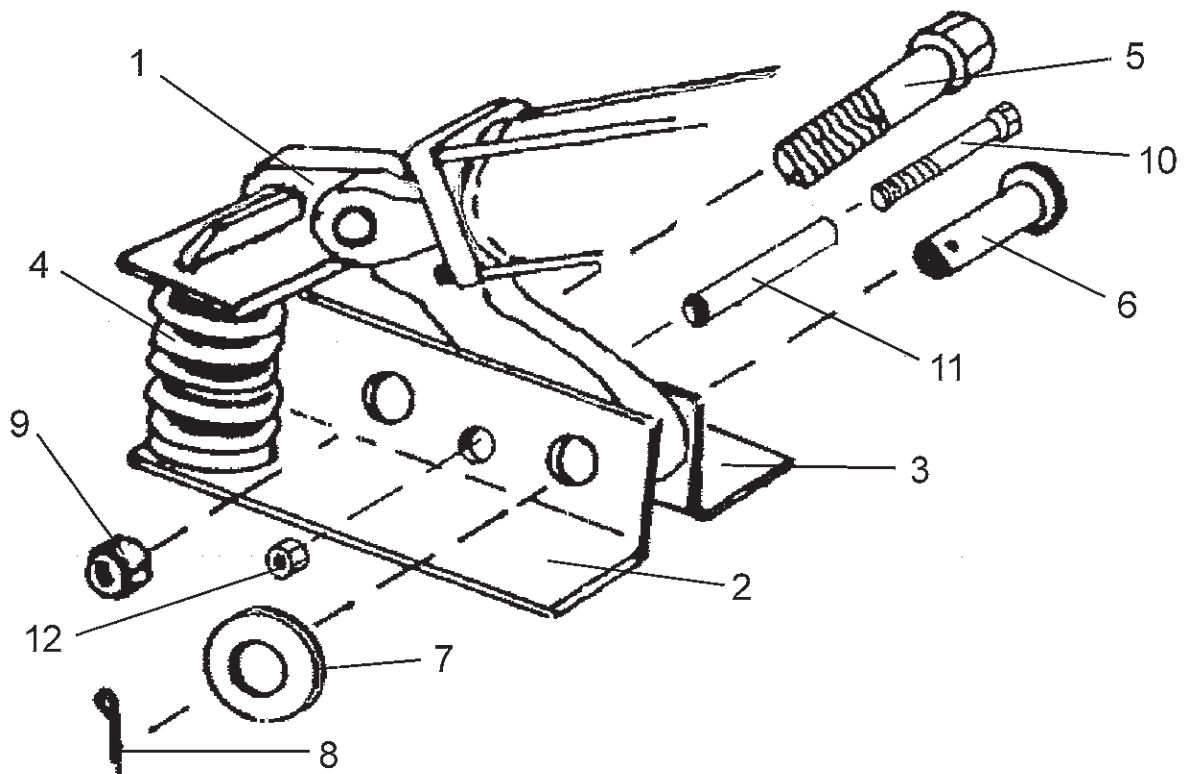
WHEEL ASY - PULL TYPE



| ITEM | PART NO. | QTY. | DESCRIPTION |
|------|----------|------|---|
| 1 | 00008700 | 2-AR | WHEEL ONLY, 15" |
| | 00749698 | 2-AR | WHEEL & IMPLEMENT TIRE ASY 15" |
| 2 | 00025200 | 2-AR | WHEEL & TIRE ASY, SECTIONAL 6 X 9 LAMINATED PUNCTURE-PROOF |
| 3 | 00771461 | 2-AR | WHEEL & TIRE ASY, AIRPLANE USED |
| 4 | 00749700 | 2-AR | N/A USE PN 00771461 IN SETS IF NEEDED |
| | 00771461 | 2-AR | WHEEL & TIRE ASY, AIRPLANE USED (USED IN PLACE OF 00749700) |

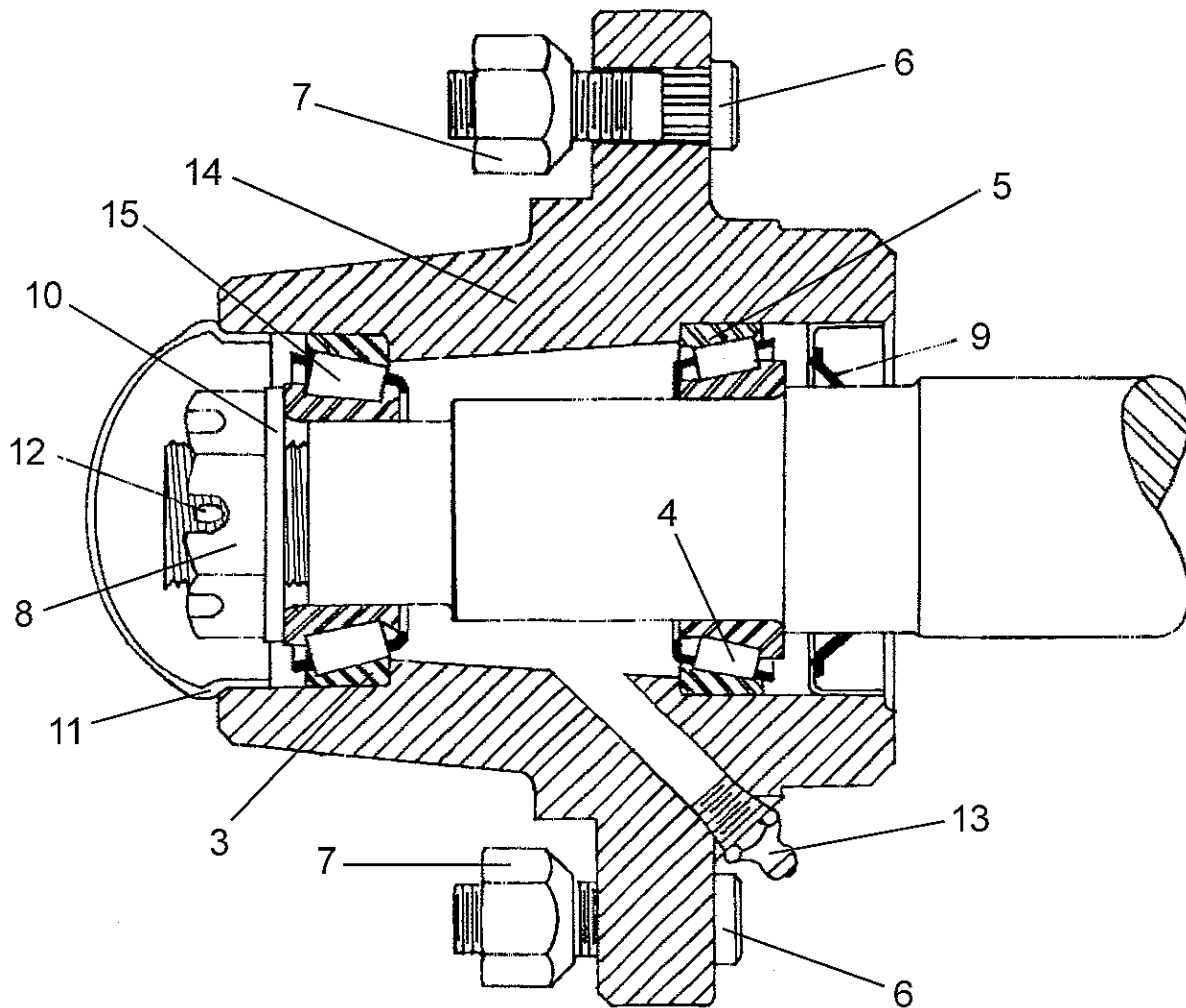
Wheel Group (Quantities)

AXLE SPRING SHOCK ASY - PULL TYPE



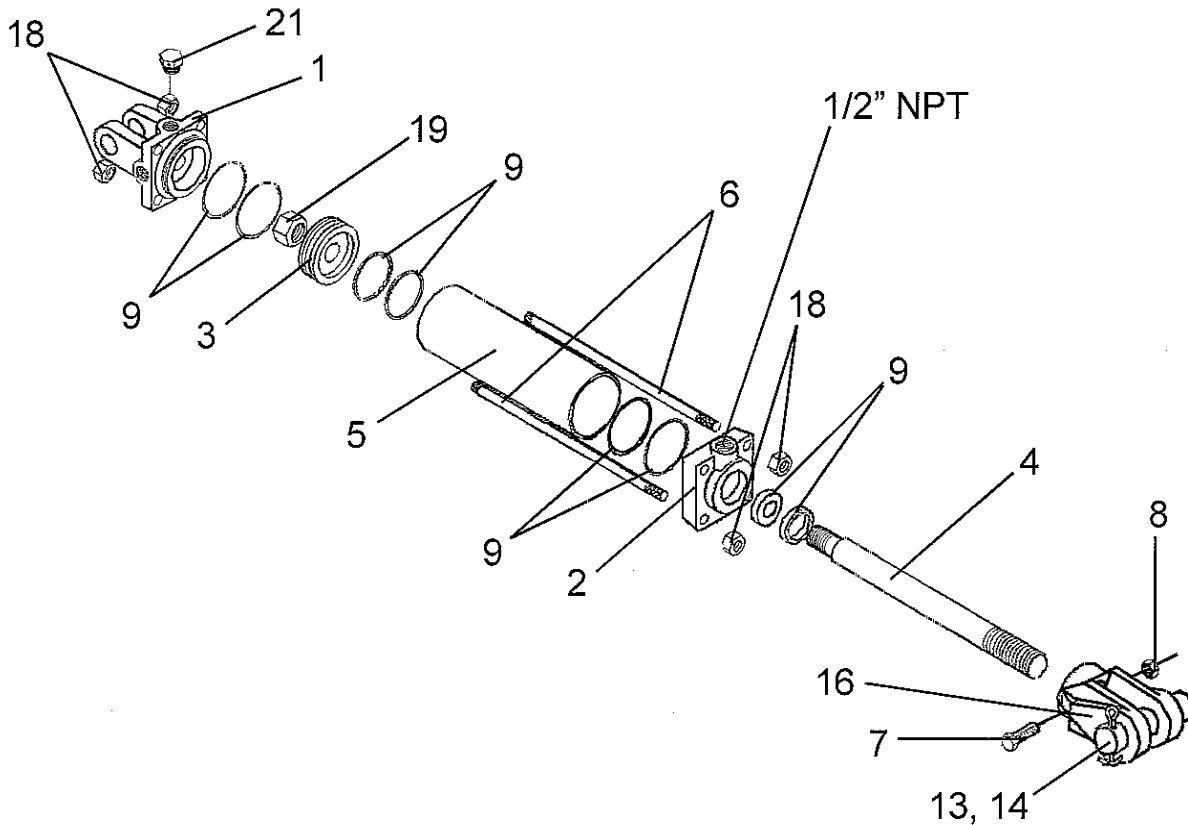
| ITEM | PART NO. | QTY. | DESCRIPTION |
|------|-----------------|------|---------------------------|
| | 00759191 | - | SPRING SHOCK ASY |
| 1 | 00759190 | 1 | SPRING SHOCK WELDMENT |
| 2 | 00759189 | 1 | ANGLE BRACKET WELDMENT LH |
| 3 | 00759188 | 1 | ANGLE BRACKET WELDMENT RH |
| 4 | 371063A | 2 | SPRING |
| 5 | 02782100 | 1 | BOLT |
| 6 | 8354 | 1 | PIN, HYD CYL |
| 7 | 02822500 | 1 | FLATWASHER |
| 8 | 00606000 | 1 | COTTER PIN |
| 9 | 02030300 | 1 | LOCKNUT, TOPLOCK |
| 10 | 00750952 | 1 | BOLT |
| 11 | 00761199 | 1 | TUBE SPACER |
| 12 | 00695100 | 1 | NUT, TOPLOCK 5/8 NC PLC |

WHEEL ASY HUB - PN 00757241 - PULL TYPE



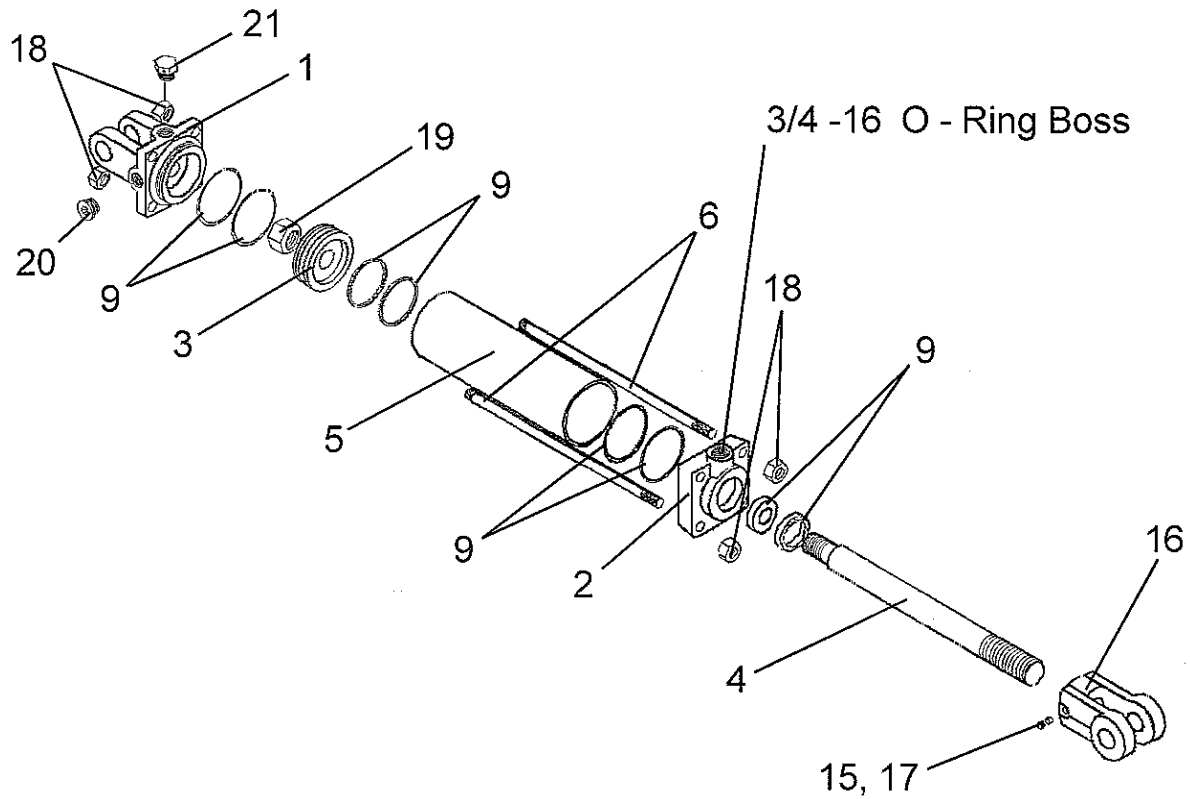
| ITEM | PART NO. | QTY. | DESCRIPTION |
|------|-----------------|------|--|
| | 00757241 | -- | WHEEL HUB, ASY (WILL NOT INCLUDE SPINDLE) |
| 3 | 00756576 | 1 | BEARING CUP (OUTSIDE) |
| 4 | 00750434 | 1 | BEARING CONE (INSIDE) |
| 5 | 00756577 | 1 | BEARING CUP (INSIDE) |
| 6 | 00756488 | 5 | STUD BOLT |
| 7 | 00750614 | 5 | NUT |
| 8 | 00756490 | 1 | NUT |
| 9 | 02957044 | 1 | SEAL |
| 10 | 00756493 | 1 | WASHER |
| 11 | 00756492 | 1 | DUST CAP |
| 12 | 00000400 | 1 | COTTER PIN |
| 13 | 00003500 | 1 | GREASE FITTING |
| 14 | 00756000 | 1 | WHEEL HUB |
| 15 | 0371242102 | 1 | BEARING CONE (OUTSIDE) |
| 16 | 00756001 | ref | SPINDLE, SINGLE WHEEL (WELD IN LISTED AS REF ONLY NOT SHOWN) |
| | 00756489 | ref | HUB PRE-ASY (W/HUB, BRG CUPS & STUDS) |
| | 00756528 | ref | WHEEL HUB HARDWARE KIT (BRG CUP & CONES, SEALS, WHEEL NUT, STUDS & LUG NUTS) |

HYD CYL - PN 8727 - PULL TYPE (OLD STYLE)



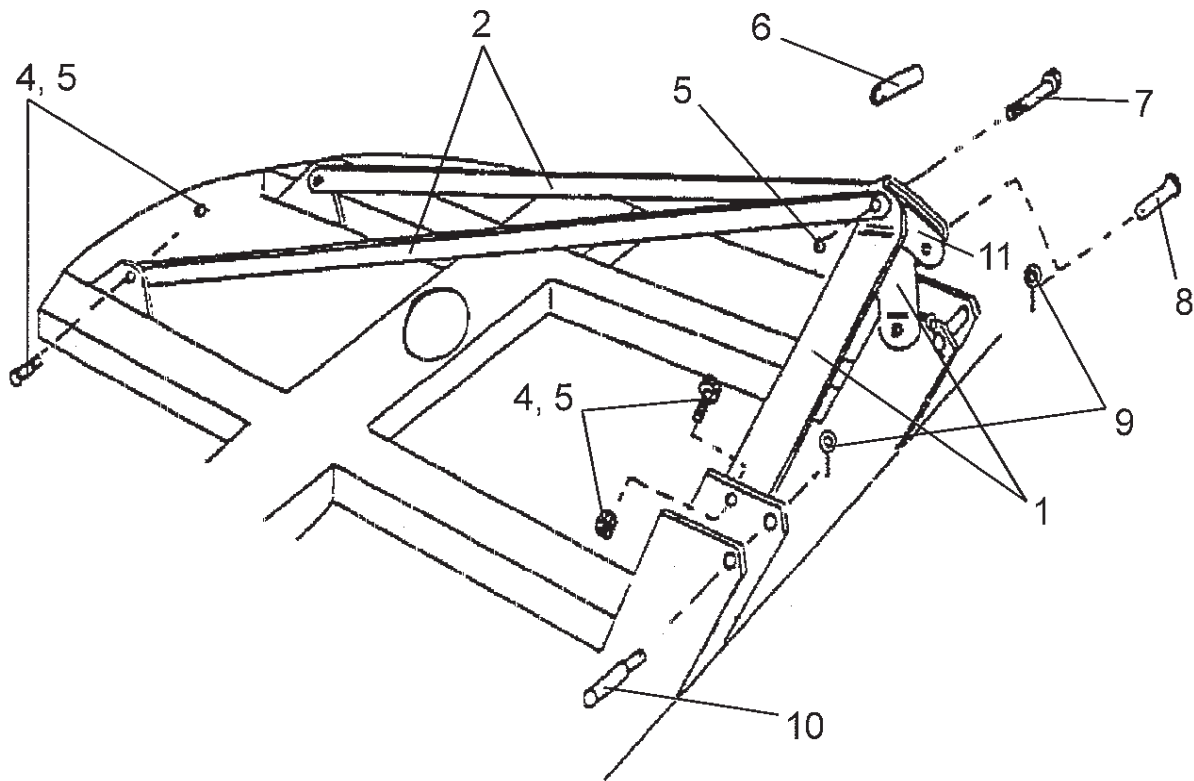
| ITEM | PART NO. | QTY. | DESCRIPTION |
|------|-------------|-------|---------------------------------------|
| | 8727 | | COMPLETE ASSEMBLY |
| 1 | 8755 | 1 | CAP |
| 2 | 8757 | 1 | HEAD |
| 3 | 00760671 | 1 | PISTON |
| 4 | 8753 | 1 | PISTON ROD |
| 5 | 8752 | 1 | TUBE |
| 6 | 8756 | 4 | TIE ROD |
| 7 | 00023100 | 1 | BOLT |
| 8 | 00013901 | 1 | HEX NUT |
| 9 | 8763 | 1 | SEAL KIT |
| 13 | 8354 | 2 ref | PIVOT PIN |
| 14 | 00606000 | 2 ref | COTTER PIN |
| 16 | 8754 | 1 | OUTER CLEVIS |
| 18 | 02031800 | 8 | TIE ROD NUT |
| 19 | 4675 | 1 | PISTON NUT |
| 21 | 7339 | 1 | BREATHER PLUG |
| | 651132 | 2 ref | HYDRAULIC HOSE (NOT SHOWN) |
| | 94514 | 2 ref | SWIVEL FITTING 90 DEGREES (NOT SHOWN) |

HYD CYL - PN 8727A - PULL TYPE (NEW STYLE)



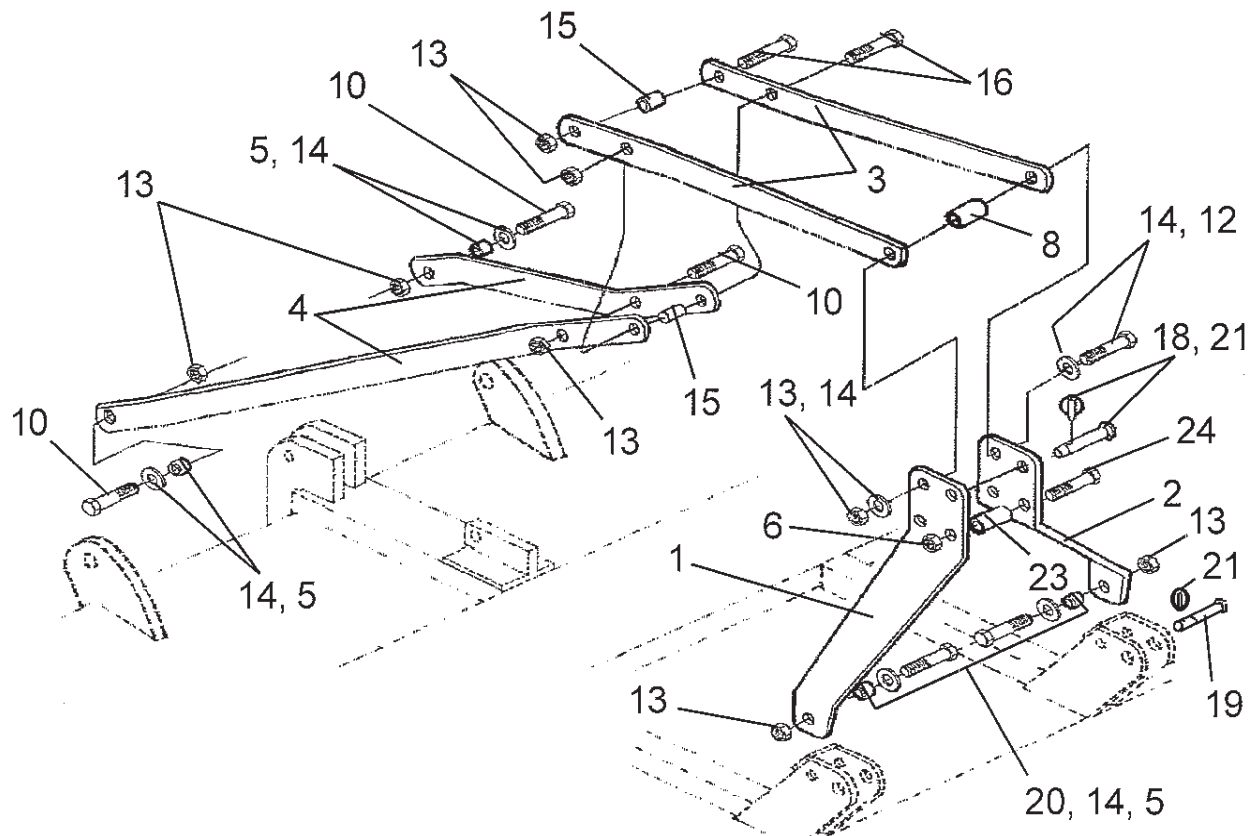
| ITEM | PART NO. | QTY. | DESCRIPTION |
|------|--------------|-------|--------------------------|
| | 8727A | | COMPLETE ASSEMBLY |
| 1 | 00774729 | 1 | CLEVIS CAP |
| 2 | 00774734 | 1 | ROD CAP |
| 3 | 00774730 | 1 | PISTON |
| 4 | 00774753 | 1 | ROD |
| 5 | 3047111 | 1 | TUBE |
| 6 | 3047112 | 4 | TIE ROD |
| 9 | 00774760 | 1 | SEAL KIT |
| 15 | 3047117 | 1 | NYLON THREAD PROTECTOR |
| 16 | 1917140 | 1 | ROD CLEVIS |
| 17 | 00774740 | 1 | SET SCREW |
| 18 | 33003H5C | 8 | TIE ROD NUT |
| 19 | 5JRC12160 | 1 | PISTON NUT |
| 20 | 1917132 | 1 | PORT PLUG |
| 21 | 2417154 | 1 | BREATHER |
| | 651132 | 2 ref | HOSE (NOT SHOWN) |
| | 94514 | 2 ref | ELBOW (NOT SHOWN) |
| | 0652141311 | 2 ref | ADAPTER (NOT SHOWN) |
| | 8354 | 2 ref | PIN (NOT SHOWN) |
| | 00606000 | 2 ref | COTTER PIN (NOT SHOWN) |

A-FRAME ASY - LIFT TYPE - STD CAT II



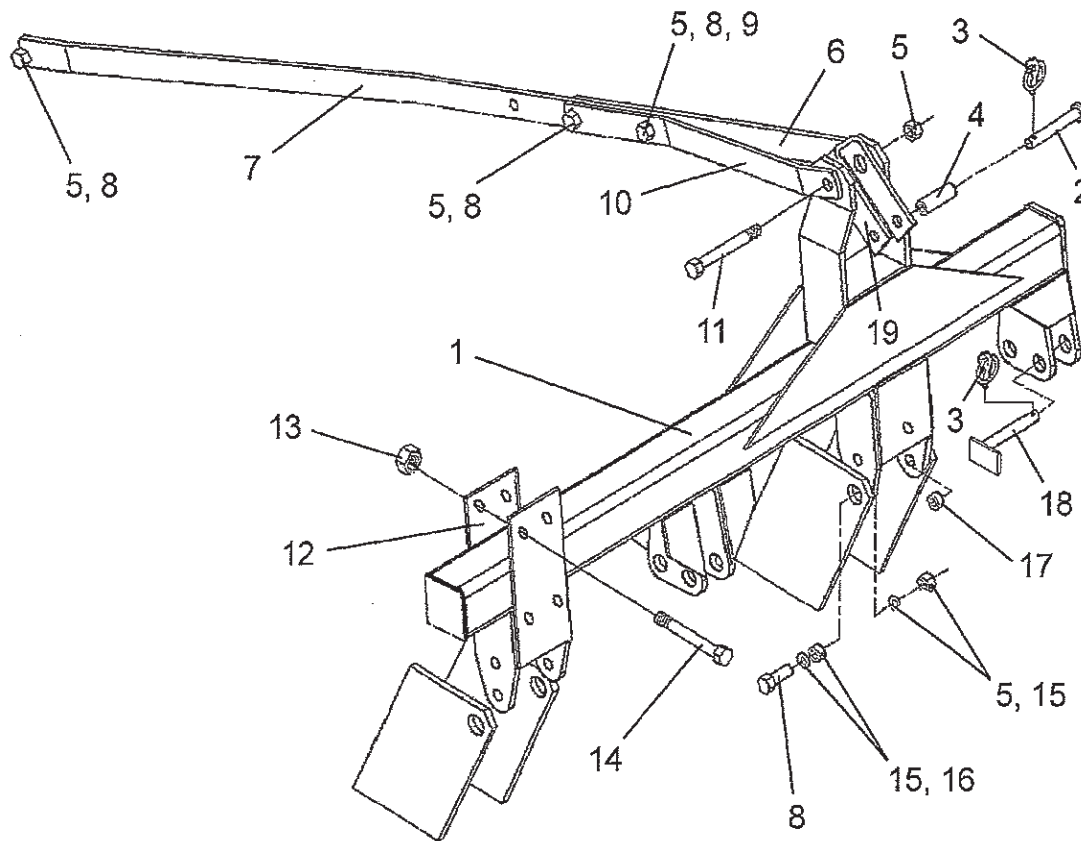
| Item | Part No. | Qty | DESCRIPTION |
|------|----------|-----|-------------------------|
| 1 | 00760960 | 2 | FLAT |
| 2 | 00760961 | 2 | FLAT REAR BRACE |
| 4 | 02931300 | 4 | BOLT |
| 5 | 00037200 | 5 | NUT |
| 6 | 00757953 | 1 | BUSHING |
| 7 | 02959587 | 1 | BOLT |
| 8 | 3730110 | 1 | PIN TOPLINK |
| 9 | 2196 | 3 | CLIP |
| 10 | 00758146 | 2 | PIN, HITCH CAT II & III |
| 11 | 00760959 | 1 | FLAT TOP LINK |

A-FRAME ASY - LIFT TYPE - OPT CAT II & III



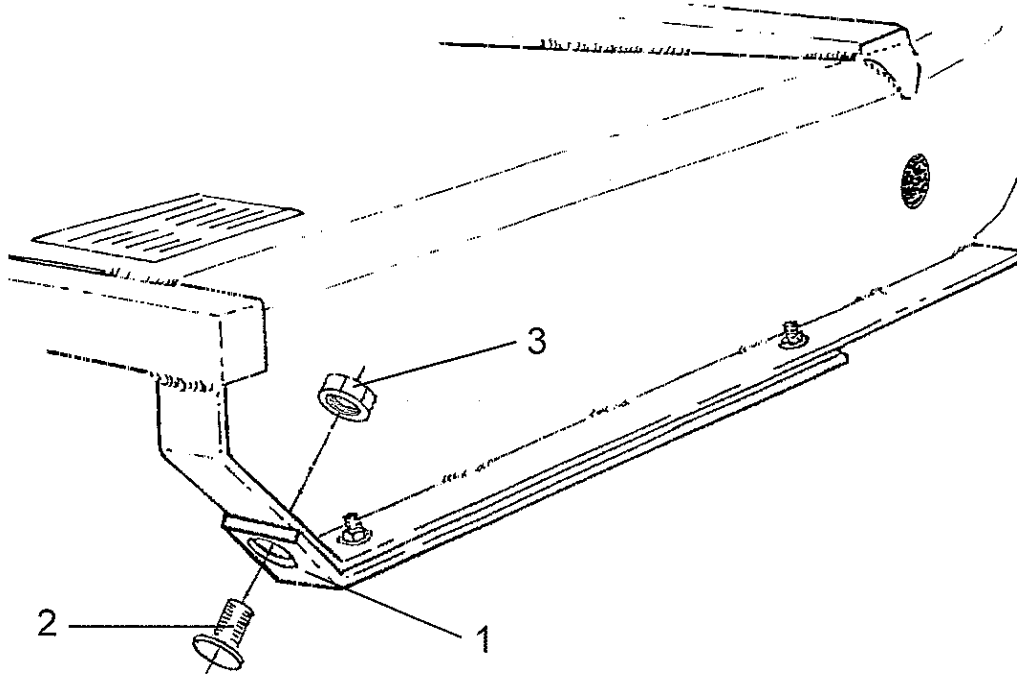
| Item | Part No. | Qty | DESCRIPTION |
|------|-------------|-----|---------------------|
| 1 | 0758550010A | 1 | A-FRAME - (RH) |
| 2 | 0758550020A | 1 | A-FRAME - (LH) |
| 3 | 00766516 | 2 | BRACE |
| 4 | 00767741 | 2 | REAR BRACE, 49-1/4" |
| | 00767952 | 2 | REAR BRACE, 52-1/2" |
| | 0758550070 | 4 | BUSHING |
| | 5JRC16140 | 1 | NUT |
| 8 | 0758550020 | 3 | BUSHING |
| 10 | 02931300 | 3 | BOLT |
| ?11 | 02959391 | 1 | BOLT |
| 12 | 00748786 | 2 | BOLT |
| 13 | 00037200 | 9 | NUT |
| 14 | 5312316 | 6 | WASHER |
| 15 | 00761267 | 2 | BUSHING |
| 16 | 02881000 | 2 | BOLT |
| 18 | 3730110M | 1 | PIN |
| 19 | 69141 | 2 | PIN |
| 20 | 00037100 | 2 | BOLT |
| 21 | 2196 | 3 | CLIP |
| 23 | 0758550031 | 1 | BUSHING |
| 24 | 7AH5161436 | 1 | BOLT |

A-FRAME ASY - LIFT TYPE - OPT OFFSET ADAPTER



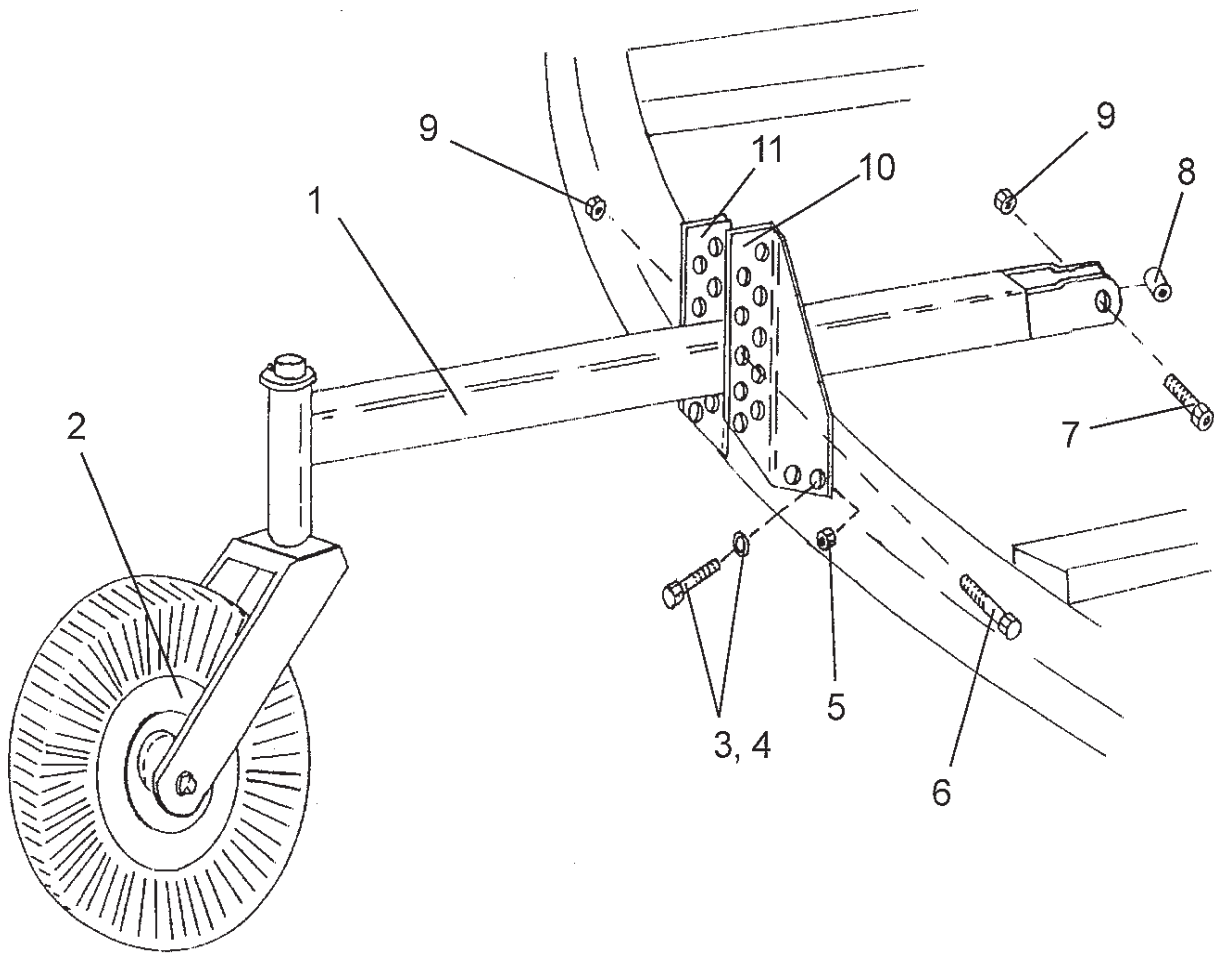
| Item | Part No. | Qty | DESCRIPTION |
|------|-----------------|-----|---|
| | 00761626 | | A-FRAME OFFSET ADAPTER ASY, OPTIONAL |
| 1 | 00761610 | 1 | OFFSET ADAPTER WELDMENT, 3-POINT LIFT |
| 2 | 3730110M | 1 | PIN, TOPLINK |
| 3 | 2196 | 3 | TOP LINK PIN (LYNCH PIN) |
| 4 | 00757953 | 1 | BUSHING |
| 5 | 00037200 | 6 | NUT, TOPLOCK |
| 6 | 00763430 | 1 | FLAT BRACE (STRAIGHT) |
| 7 | 00763392 | 1 | FLAT BRACE (STRAIGHT) |
| 8 | 02931300 | 1 | BOLT |
| 9 | 00762808 | 1 | SPACER |
| 10 | 00763391 | 1 | FLAT BRACE - FORMED |
| 11 | 02959587 | 1 | BOLT |
| 12 | 00761621 | 1 | WELDMENT - HITCH LUG |
| 13 | 00695100 | 4 | NUT, TOPLOCK 5/8 NC PLC |
| 14 | 00059100 | 4 | BOLT |
| 15 | 00002701 | 8 | FLATWASHER |
| 16 | 00761624 | 2 | BUSHING - 1-1/16" OD |
| 17 | 00761625 | 2 | BUSHING - 1-7/16" OD |
| 18 | 0758440000 | 2 | WRIST PIN |
| 19 | 00760959 | 1 | TOP LINK |

SKID SHOE ASY



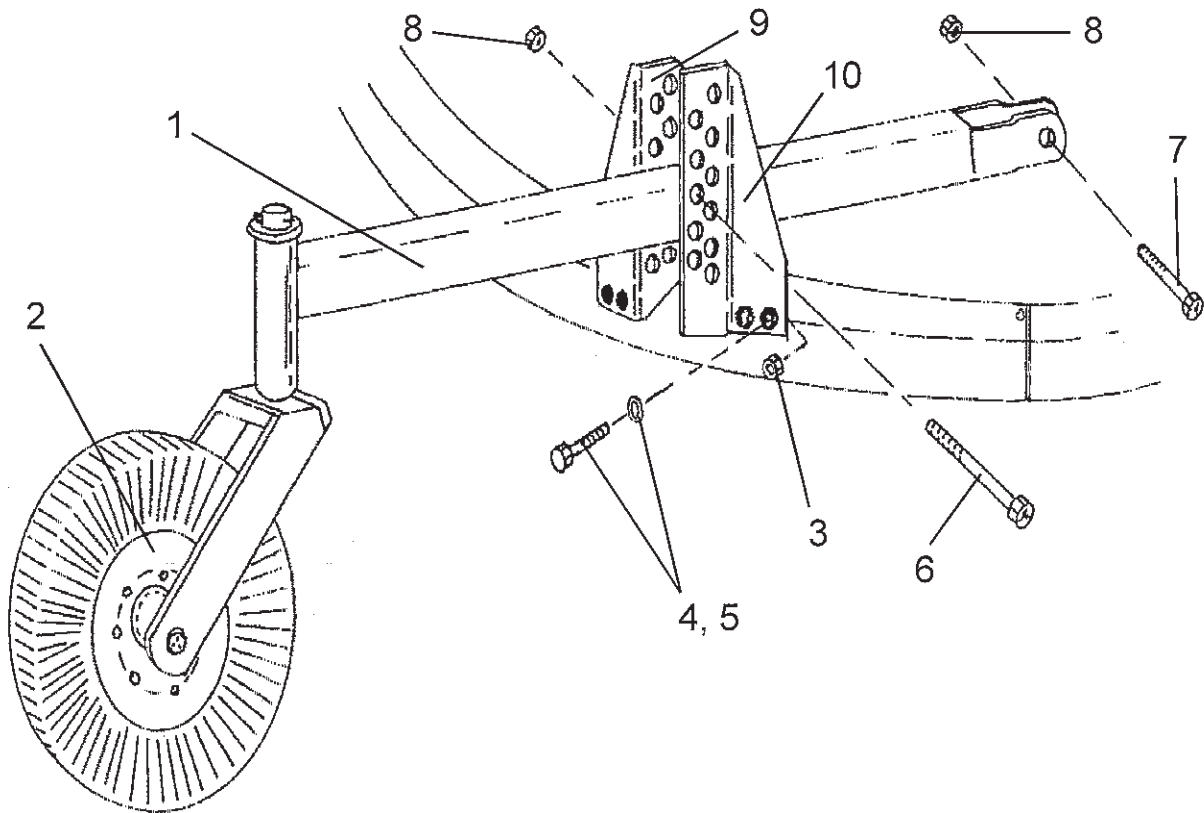
| ITEM | PART NO. | QTY. | DESCRIPTION |
|------|------------|------|-----------------|
| 1 | 0622000001 | 2 | SKID SHOE |
| 2 | 2A361612 | 6 | PLOW BOLT, 3/8" |
| 3 | 4528 | 6 | WHIZ NUT, 3/8" |

WHEEL CASTER & TAILWHEEL BEAM - SINGLE WHEEL - LIFT TYPE



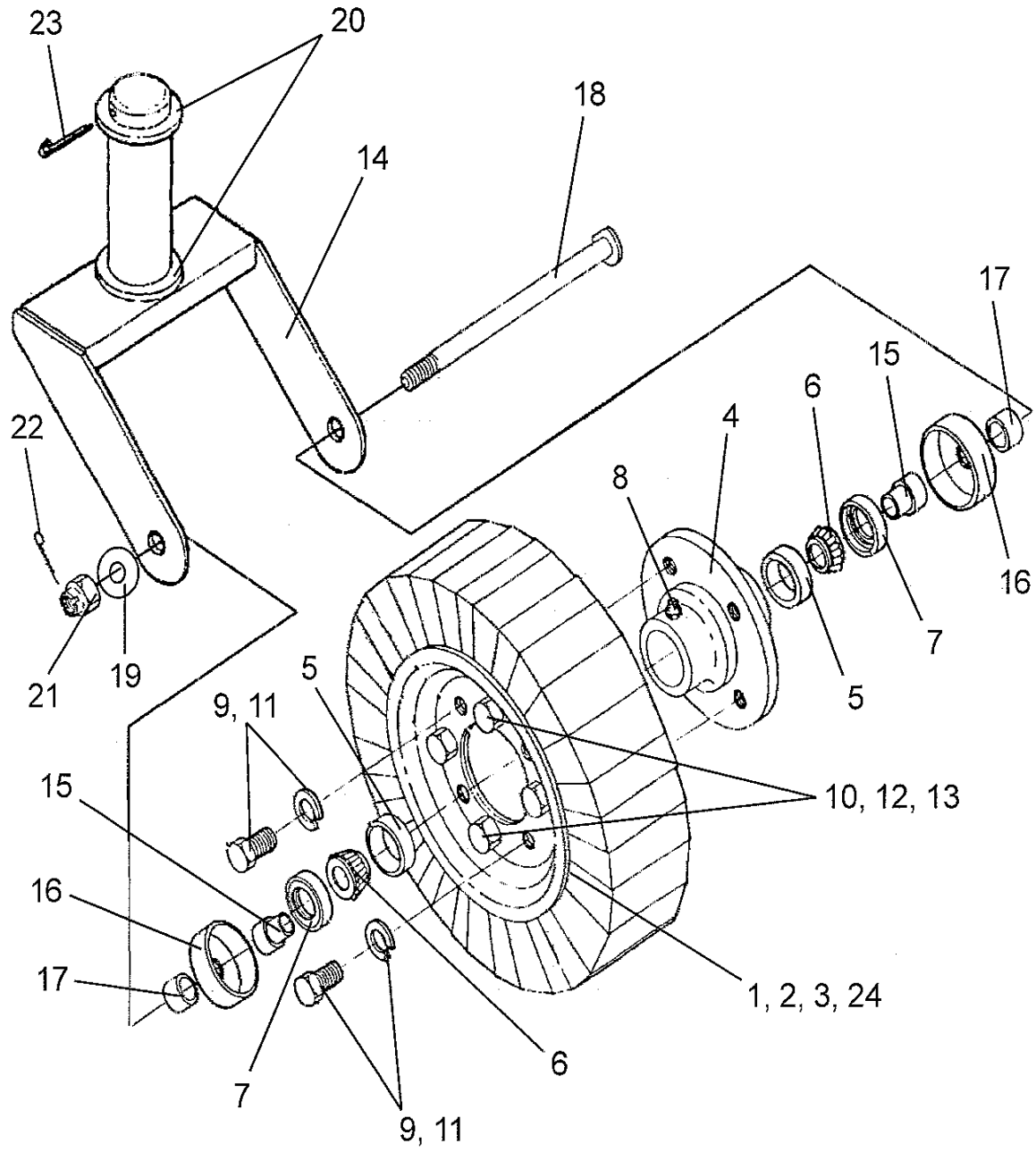
| ITEM | PART NO. | QTY. | DESCRIPTION |
|------|----------|------|------------------------------|
| 1 | 00774117 | 1 | TAIL WHEEL WELDMENT |
| 2 | 00760766 | 1 | CASTER WHEEL, HUB & FORK ASY |
| 3 | 00748823 | 4 | BOLT |
| 4 | 00002700 | 4 | FLATWASHER |
| 5 | 00001800 | 4 | LOCKNUT TLM 1/2 NC PLC |
| 6 | 02845600 | 2 | BOLT |
| 7 | 00750952 | 1 | BOLT |
| 8 | 00760412 | 1 | TUBE-BUSHING |
| 9 | 00695100 | 2 | NUT, TOPLOCK 5/8 NC PLC |
| 10 | 00760602 | 1 | ADJUSTING BRACKET (LH) |
| 11 | 00760603 | 1 | ADJUSTING BRACKET (RH) |

WHEEL CASTER & TAILWHEEL BEAM - DUAL WHEEL - LIFT TYPE



| ITEM | PART NO. | QTY. | DESCRIPTION |
|------|----------|------|------------------------------------|
| 1 | 00774117 | 2 | TAILWHEEL WELDMENT |
| 2 | 00760766 | 2 | CASTER WHEEL, HUB & FORK ASY |
| 3 | 00001800 | 8 | LOCKNUT TLM 1/2 NC PLC |
| 4 | 00002700 | 8 | FLATWASHER |
| 5 | 00748823 | 8 | BOLT |
| 6 | 02845600 | 4 | BOLT |
| 7 | 00750952 | 2 | BOLT |
| 8 | 00695100 | 6 | NUT, TOPLOCK 5/8 NC PLC |
| 9 | 00760303 | 1 | ADJ BRACKET - RH INSIDE |
| 10 | 00760301 | 1 | ADJ BRACKET - RH OUTSIDE |
| | 00760304 | 1 | ADJ BRACKET (NOT SHOWN) LH INSIDE |
| | 00760302 | 1 | ADJ BRACKET (NOT SHOWN) LH OUTSIDE |

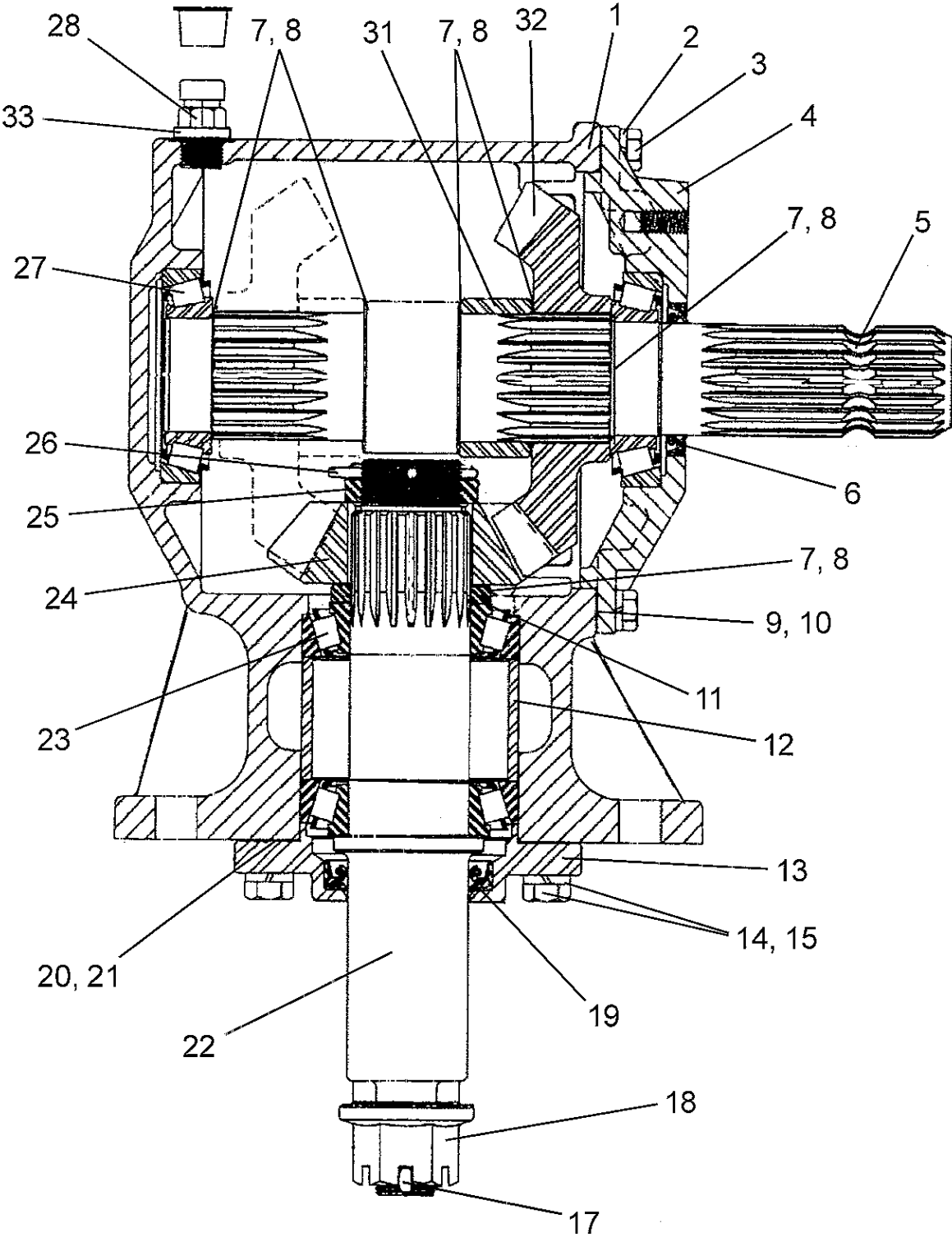
WHEEL CASTER & FORK ASY - SINGLE OR DUAL WHEEL - LIFT TYPE



WHEEL CASTER & FORK ASY - SINGLE OR DUAL WHEEL - LIFT TYPE

| ITEM | PART NO. | QTY. | DESCRIPTION |
|------|-----------------|--------|--|
| | 00760766 | - | CASTER WHEEL & FORK ASY - LIFT TYPE |
| 1 | 373024 | 1 | TIRE & WHEEL ASY |
| 2 | 373024A | 1 | TIRE ONLY |
| 3 | 373024B | 1 | WHEEL ONLY 8" DIA (BOLTED ASY) |
| 4 | 373024D | 1 | HUB ASY |
| 5 | 00750621 | 2 | BEARING CUP |
| 6 | 373024F | 2 | BEARING CONE |
| 7 | 373024E | 2 | SEAL |
| 8 | 00752670 | 1 | GREASE FITTING (THREADED) |
| | 00600000 | 1 | GREASE FITTING (DRIVE IN) |
| 9 | 7A8208 | 4 | BOLT |
| 10 | 7A6166 | 4 | BOLT |
| 11 | 00001300 | 4 | LOCKWASHER |
| 12 | 00012101 | 4 | LOCKWASHER |
| 13 | 00013901 | 4 | NUT |
| 14 | 0585020210 | 1 | CASTER FORK WELDMENT |
| 15 | 37302C2C | 2 | BUSHING |
| 16 | 37302D2B | 2 | DUST CAP |
| 17 | 511016 | 2 | SPACER BUSHING |
| 18 | 37302D2A | 1 | SPINDLE BOLT |
| 19 | 15B1200 | 1 | WASHER |
| 20 | 15B2400 | 2 | WASHER |
| 21 | 5E12160 | 1 | CASTLE NUT |
| 22 | 00026200 | 1 | COTTER PIN |
| 23 | 00758899 | 1 | COTTER PIN |
| 24 | 373024H | 1(REF) | TIRE & WHEEL ASY (BOLTED ASSY. ONLY, LESS HUB) |

GEARBOX ASY - 540 & 1000 RPM

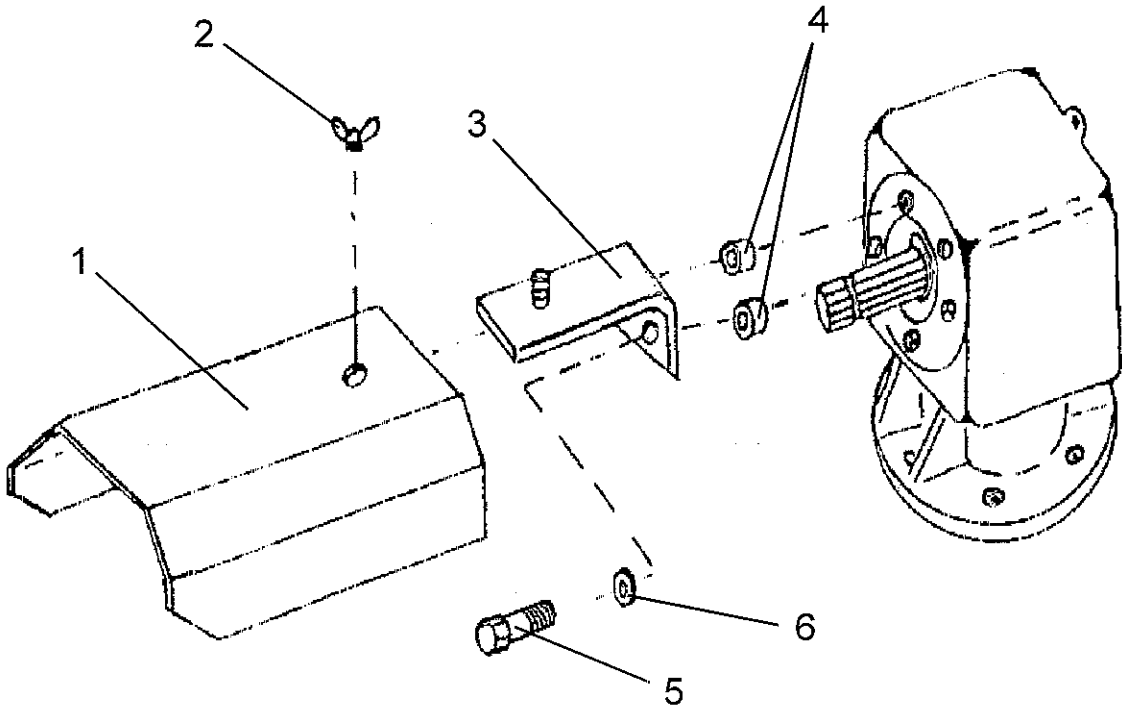


GEARBOX ASY - 540 & 1000 RPM

| ITEM | PART NO. | QTY. | DESCRIPTION |
|------|------------------|------|---|
| | 00760403B | -- | GEARBOX ASY, (USE W/ 540 RPM PTO) |
| | 00758217B | -- | GEARBOX ASY, (USE W/ 1000 RPM PTO) |
| 1 | 00758661 | 1 | GEARBOX HOUSING |
| 2 | 00755954 | 8 | LOCKWASHER |
| 3 | 00758659 | 8 | BOLT |
| 4 | 00758664 | 1 | INPUT CAP |
| 5 | 00758689 | 1 | INPUT SHAFT |
| 6 | 00758653 | 1 | OIL SEAL |
| 7 | 00758667 | VAR | GEAR ADJUSTING SHIM (0.30) |
| 8 | 00758668 | VAR | GEAR ADJUSTING SHIM (0.50) |
| 9 | 00758646 | VAR | SHIM ADJUSTMENT (0.10) |
| 10 | 00758647 | VAR | SHIM ADJUSTMENT (0.25) |
| 11 | 00759977 | 1 | SPACER, GEAR MOUNT |
| 12 | 00760889 | 1 | SPACER, OUTPUT BEARING |
| 13 | 00758663 | 1 | OUTPUT CAP |
| 14 | 00758672 | 4 | LOCKWASHER |
| 15 | 02959661 | 4 | BOLT |
| 16 | 00758675 | 1 | BLADE HUB |
| 17 | 00606000 | 1 | COTTER PIN |
| 18 | 00758692 | 1 | NUT |
| 19 | 00758674 | 1 | OIL SEAL |
| 20 | 00758676 | VAR | OUTPUT CAP GASKET (0.10) |
| 21 | 00758677 | VAR | OUTPUT CAP GASKET (0.25) |
| 22 | 00760892 | 1 | OUTPUT SHAFT |
| 23 | 00772116 | 2 | BEARING ASY |
| 24 | 00758693 | 1 | GEAR (13 TOOTH) 1000 RPM |
| | 00759488 | 1 | GEAR (17 TOOTH) 540 RPM |
| 25 | 00762121 | 1 | BEARING, HORIZONTAL |
| 26 | 00749495 | 1 | COTTER PIN |
| 27 | 00758655 | 2 | BEARING ASY |
| 28 | 00762114 | AR | VENT PLUG (DIA.= 0.71) W/ SEAL WASHER |
| | 00758654 | AR | VENT PLUG (DIA. = .78) TAPERED THREAD |
| 31 | 00758657 | 1 | SPACER |
| 32 | 00758694 | 1 | GEAR (19 TOOTH) 1000 RPM |
| | 00759487 | 1 | GEAR (14 TOOTH) 540 RPM |
| 33 | 00769321 | 1 | WASHER, SEALING |

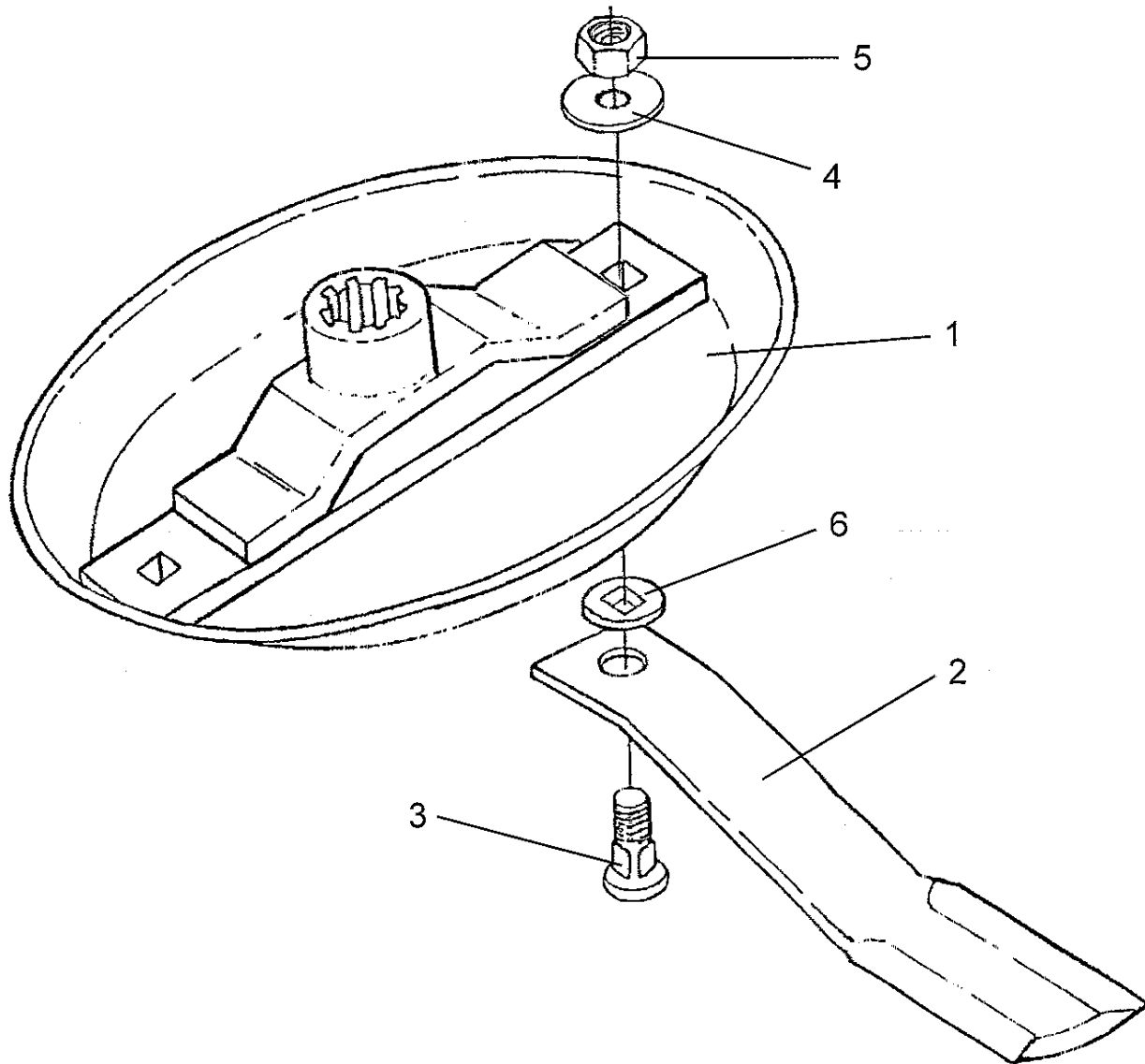
NOTE: Gearbox PN 00760403B (540 RPM) and PN 00758217B 1000 RPM), Check before ordering gears as replacement parts. Count the number of teeth on the gear.

GEARBOX SHIELD



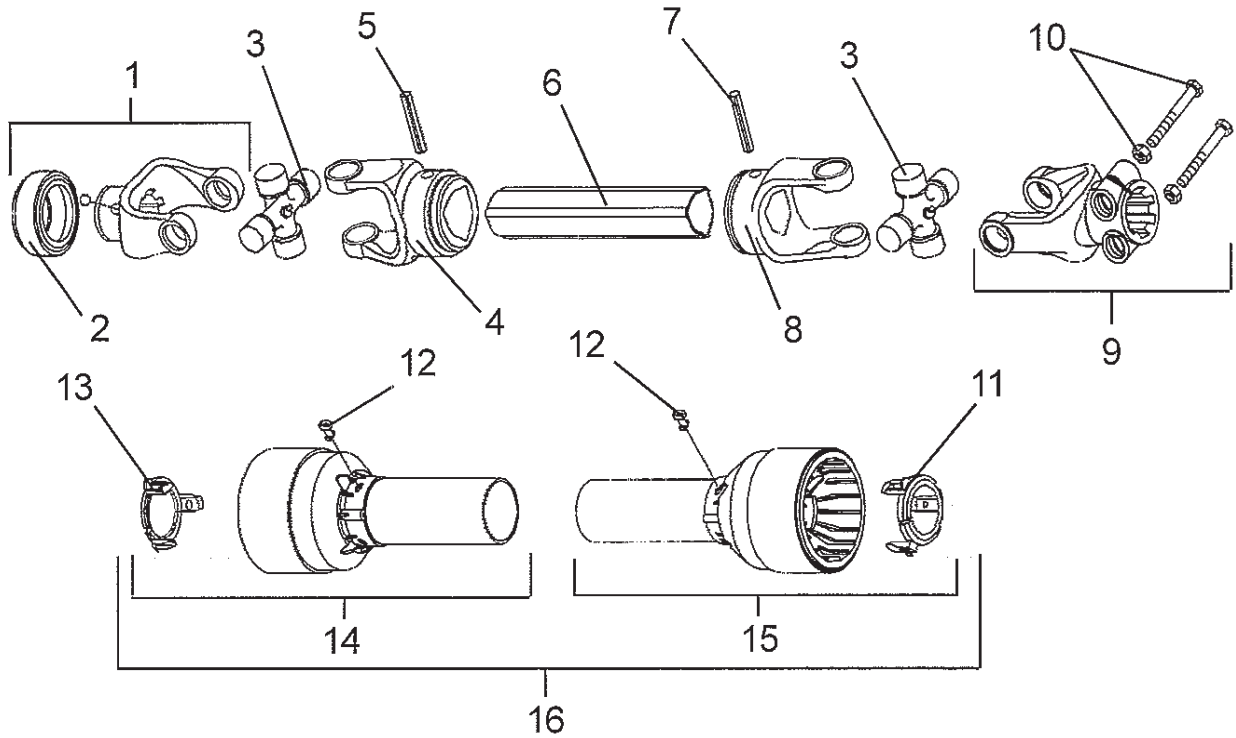
| ITEM | PART NO. | QTY. | DESCRIPTION |
|------|----------|------|-----------------------|
| 1 | 00760910 | 1 | SHIELD WELDMENT |
| 2 | 5F8130 | 1 | WING NUT |
| 3 | 00760907 | 1 | SHIELD MOUNT WELDMENT |
| 4 | 00759780 | 2 | SPACER |
| 5 | 00756328 | 2 | BOLT |
| 6 | 00011700 | 2 | LOCKWASHER |

BLADE CARRIER ASY - PAN



| ITEM | PART NO. | QTY. | DESCRIPTION |
|------|----------|------|--------------------------------|
| 1 | 00760005 | 1 | BLADE PAN WELDMENT - (DISHPAN) |
| 2 | 7520 | 1 | BLADES (MATCHED SET OF 2) |
| 3 | 8227 | 2 | BLADE BOLT |
| 4 | 9216 | 2 | WASHER |
| 5 | 8201 | 2 | LOCKNUT |
| 6 | 00758579 | 2 | SQUARE HOLE BLADE WASHER |

DRIVELINE ASY - PULL TYPE - 540 & 1000 RPM (OLD STYLE)



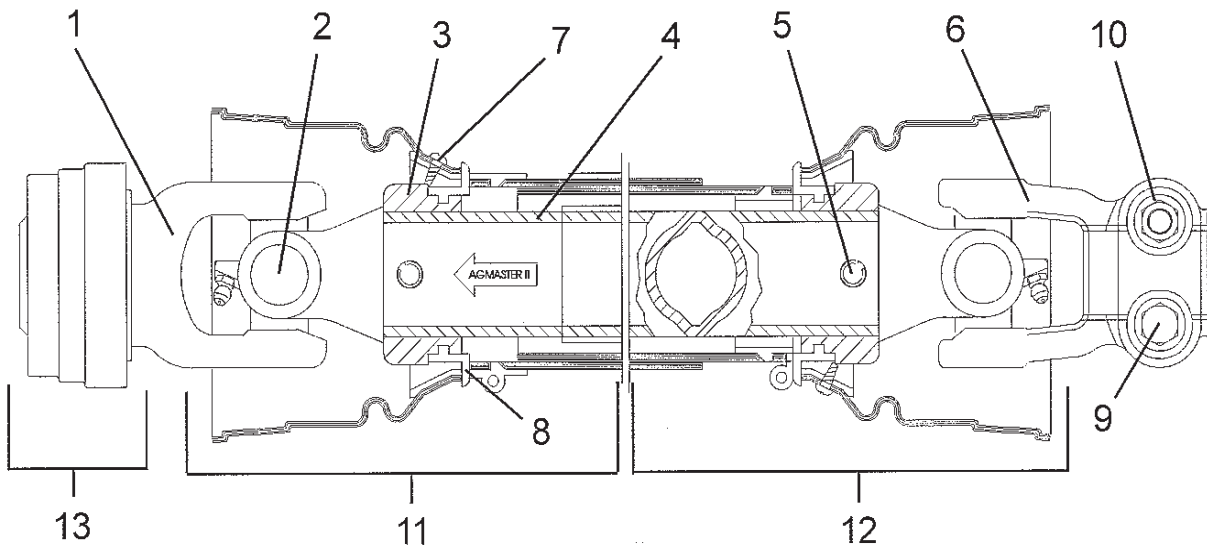
| Item | Part No. | Qty | DESCRIPTION |
|------|----------|-----|-------------|
|------|----------|-----|-------------|

| Item | Part No. | Qty | DESCRIPTION |
|------|----------|-----|--|
| 1 | 00752883 | 1 | YOKE ASY W/ QD COLLAR (540 RPM 1-3/8" X 6 SPL) |
| | 00760002 | 1 | YOKE ASY W/ QD COLLAR (1000 RPM 1-3/8" X 21 SPL) |
| 2 | 00757144 | 1 | SLIDE COLLAR KIT, F/ 540 OR 1000 RPM |
| 3 | 00752896 | 2 | UNIVERSAL JOINT (X-KIT) |
| 4 | 00772793 | 1 | YOKE, F/ INNER TUBE (TRIANGLE SHAPED TUBE) |
| 5 | 00754167 | 1 | ROLL PIN F/ OUTER TUBE |
| 6 | 00772795 | 1 | TUBE, INNER (TRIANGLE SHAPED) |
| 7 | 00754167 | 1 | ROLL PIN, F/ INNER TUBE |
| 8 | 00754153 | 1 | YOKE, F/ INNER TUBE |
| 9 | 00772530 | 1 | CLAMP YOKE ASY W/ BOLTS |
| 10 | 00772531 | 2 | NUT & BOLT SET (FOR CLAMP YOKE) |
| 11 | 00754331 | 1 | RETAINING COLLAR F/ INNER SHIELD |
| 12 | 00754330 | 6 | NYLON BOLT |
| 13 | 00754332 | 1 | RETAINING COLLAR F/ OUTER SHIELD |
| 14 | 00773046 | 1 | OUTER SHIELD HALF ASY |
| 15 | 00773047 | 1 | INNER SHIELD HALF ASY |
| 16 | 00772794 | 1 | SHIELD ASY, INNER & OUTER |

O T P M P R 0 4 5 - E P Y
O T P M P R 0 0 0 1 - E P

ORDER PARTS FOR THIS DRIVELINE IF YOUR DRIVELINE HAS A TRIANGLE SHAPED SHAFT AND TUBE.

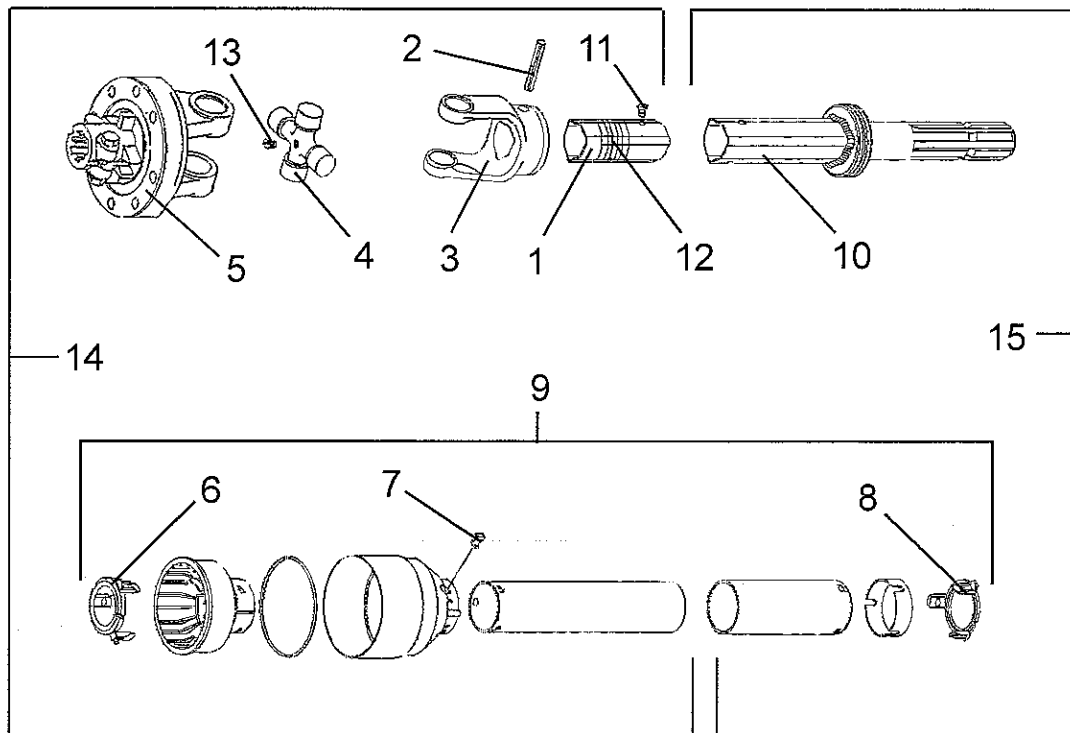
DRIVELINE ASY - PULL TYPE - 540 & 1000 RPM (NEW STYLE)



| Item | Part No. | Qty | DESCRIPTION |
|------|-----------------|-----|---|
| | 00775351 | -- | DRIVELINE ASY - PULL TYPE - 540 RPM PTO |
| | 00775352 | -- | DRIVELINE ASY - PULL TYPE - 1000 RPM PTO |
| 1 | 00775353 | 1 | YOKE ASY W/ QD COLLAR (540 RPM 1-3/8" X 6 SPL) |
| | 00761762 | 1 | YOKE ASY W/ QD COLLAR (1000 RPM 1-3/8" X 21 SPL) |
| 2 | 00189700 | 2 | UNIVERSAL JOINT (X-KIT) |
| 3 | 00775318 | 2 | YOKE, (F/ LEMON SHAPED TUBE) |
| 4 | 00775354 | 1 | TUBE, OUTER, (LEMON SHAPED TUBE) |
| 5 | 8384 | 2 | ROLL PIN |
| 6 | 00775316 | 1 | CLAMP YOKE ASY W/ BOLTS & NUTS (F/ LEMON SHAPED TUBE) |
| 7 | 4797 | 1 | SCREW |
| 8 | 8393 | 2 | BEARING RING (F/ SHIELD) |
| 9 | 00775384 | 2 | BOLT, (F/ CLAMP YOKE) |
| 10 | 00775327 | 2 | NUT, (F/ CLAMP YOKE) |
| 11 | 00775388 | 1 | OUTER SHIELD HALF ASY |
| 12 | 00775389 | 1 | OUTER SHIELD HALF ASY |
| 13 | 00767954 | 1 | QD COLLAR KIT - PLASTIC (540 RPM) |
| | 00767953 | 1 | QD COLLAR KIT - METAL (1000 RPM) |

ORDER PARTS FOR THIS DRIVELINE IF YOUR DRIVELINE HAS A LEMON SHAPED SHAFT AND TUBE.

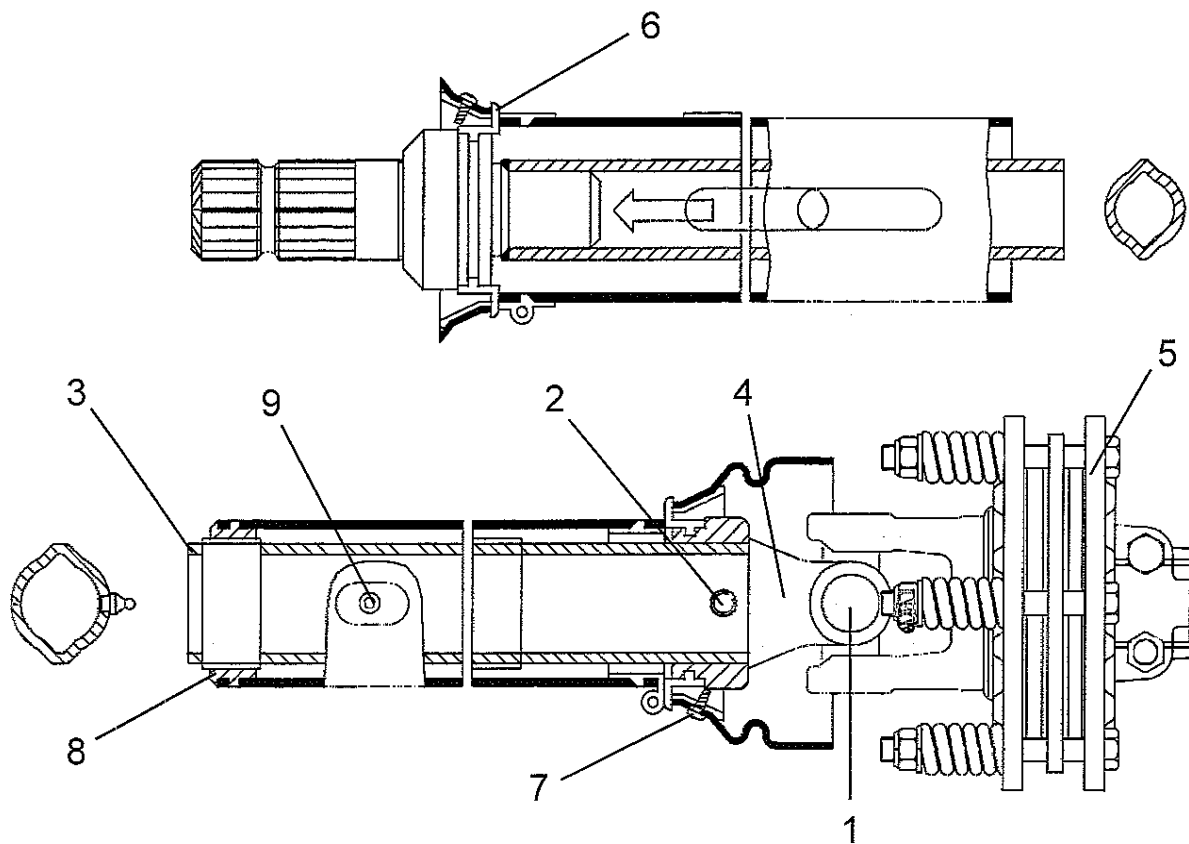
JACKSHAFT ASY - PULL TYPE PN 00760899 - (OLD STYLE)



| ITEM | PART NO. | QTY. | DESCRIPTION |
|------|----------|------|---------------------------------|
| | 00760899 | - | JACKSHAFT - PULL TYPE |
| 1 | 00761259 | 1 | OUTER TUBE |
| 2 | 00754167 | 1 | ROLL PIN |
| 3 | 00754154 | 1 | OUTER YOKE |
| 4 | 00752896 | 1 | CROSS BEARING SERIES 6 |
| 5 | 00756075 | 1 | SLIP CLUTCH (W/ SPRING) |
| 6 | 00754332 | 1 | LOCKING COLLAR (OUTER TUBE) |
| 7 | 00754330 | 6 | BOLT |
| 8 | 00754331 | 1 | LOCKING COLLAR (INNER TUBE) |
| 9 | 00761210 | 1 | COMPLETE SHIELD |
| 10 | 00761209 | 1 | INNER TUBE 1-3/4-20 SPLINE |
| 11 | 00754335 | 1 | GREASE FITTING |
| 12 | 00761075 | 1 | CENTERING SPRING |
| 13 | 00755610 | 1 | GREASE FITTING |
| 14 | 00773833 | 1 | HALF FEMALE SHAFT WITH GUARDING |
| 15 | 00773834 | 1 | HALF MALE SHAFT WITH GUARDING |

Order replacement parts for this jackshaft if the tubes are triangle shaped and the clutch has 8 coil springs.

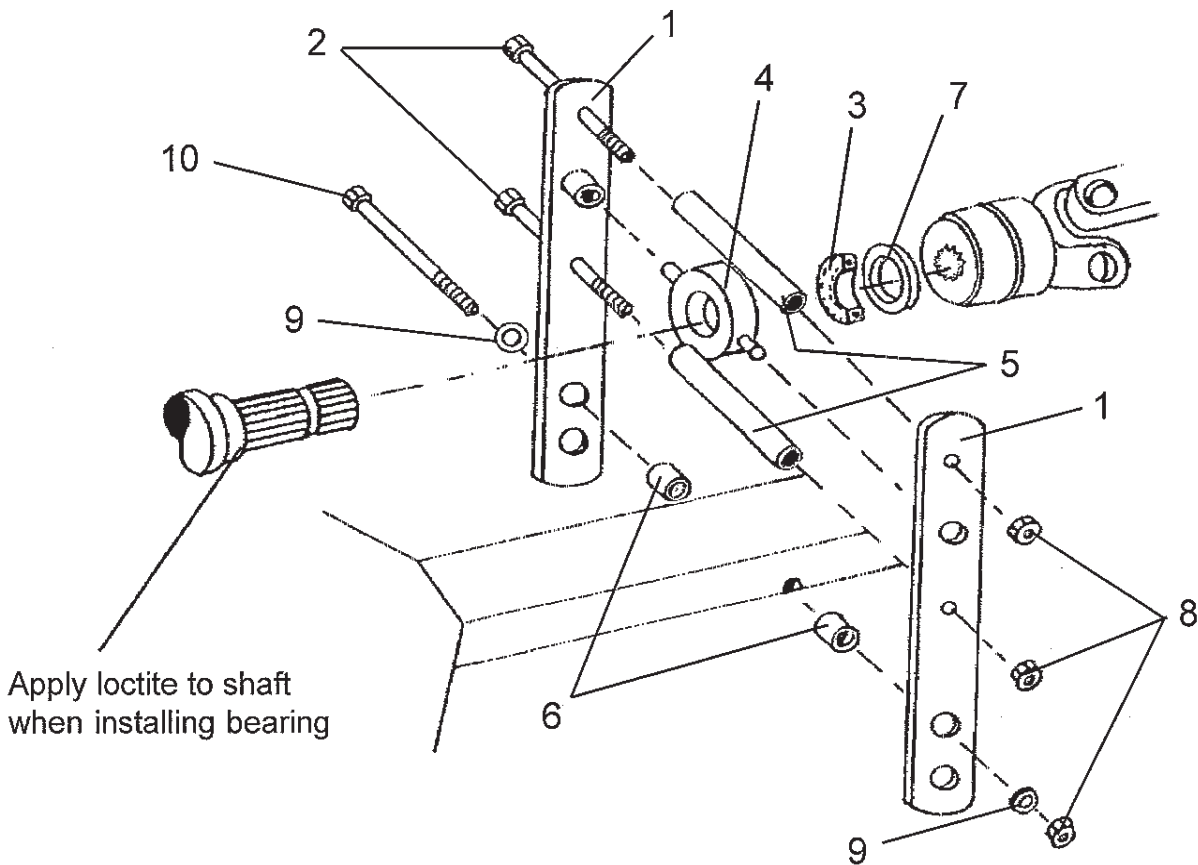
JACKSHAFT ASY - PULL TYPE PN 00775437 - (NEW STYLE)



| ITEM | PART NO. | QTY. | DESCRIPTION |
|------|----------|------|---------------------|
| | 00775437 | - | DRIVELINE ASSEMBLY |
| 1 | W279R | 1 | CROSS & BEARING KIT |
| 2 | 8384 | 1 | SPRING PIN |
| 3 | 00775440 | 1 | PROFILE & SLEEVE |
| 4 | 00775318 | 1 | INBOARD YOKE |
| 5 | 00775331 | 1 | FRICTION CLUTCH |
| 6 | 8393 | 2 | BEARING RING |
| 7 | 4797 | 2 | SCREW |
| 8 | 8974 | 1 | SUPPORT BEARING |
| 9 | 1416601 | 1 | GREASE FITTING |

Order replacement parts for this jackshaft if the tubes are lemon shaped and the clutch has 6 coil springs.

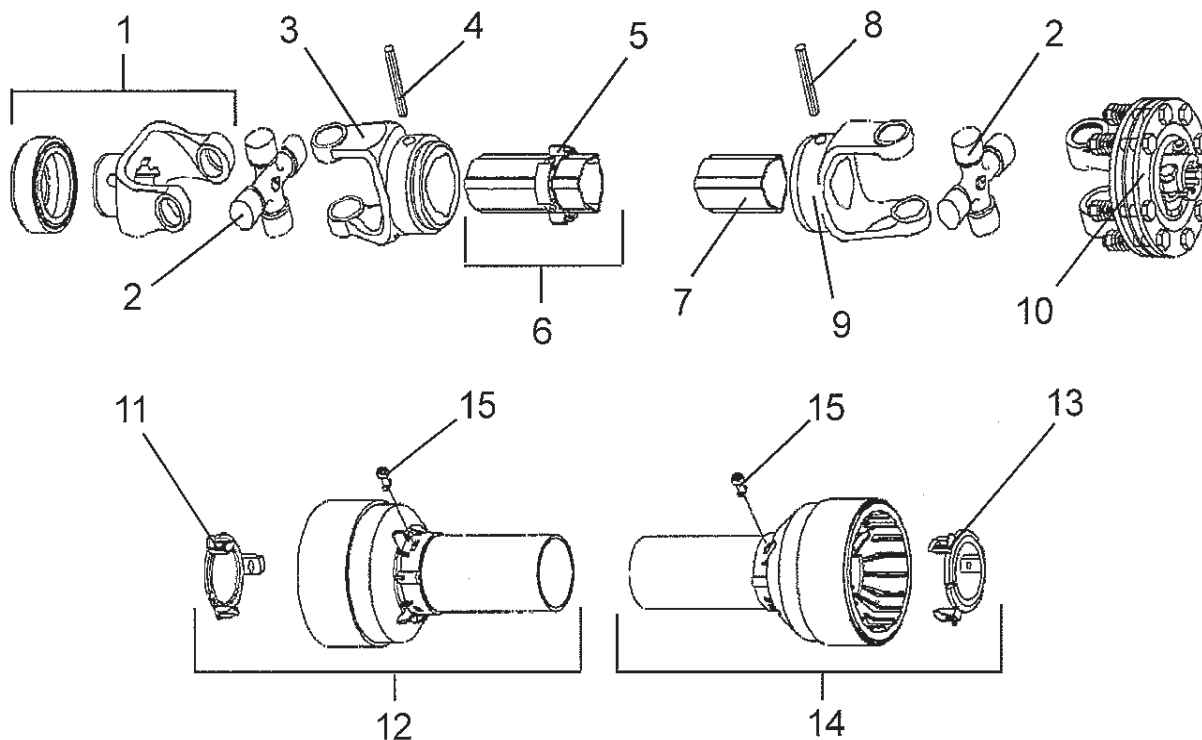
JACKSHAFT SUPPORT - PULL TYPE



| ITEM | PART NO. | QTY. | DESCRIPTION |
|------|----------|------|------------------------------------|
| 1 | 00760944 | 2 | JACKSHAFT BEARING SUPPORT WELDMENT |
| 2 | 02963243 | 2 | BOLT, HEX HEAD |
| 3 | 00759286 | 1 | BEARING |
| 4 | 00759099 | 1 | BEARING FLANGE HOUSING |
| 5 | 00760943 | 2 | PIPE SPACER |
| 6 | 681112 | 2 | BUSHING |
| 7 | 00768652 | 1 | TUBE SPACER |
| 8 | 00001800 | 3 | LOCKNUT TLM 1/2 NC PLC |
| 9 | 00002700 | 2 | FLATWASHER |
| 10 | 00751582 | 1 | BOLT, HEX HEAD |
| | 00759100 | 1 | BEARING ASY (INCLUDES ITEM 3 & 4) |

NOTE: Apply loctite to surface of jackshaft stub shaft where bearing ID meets jackshaft.

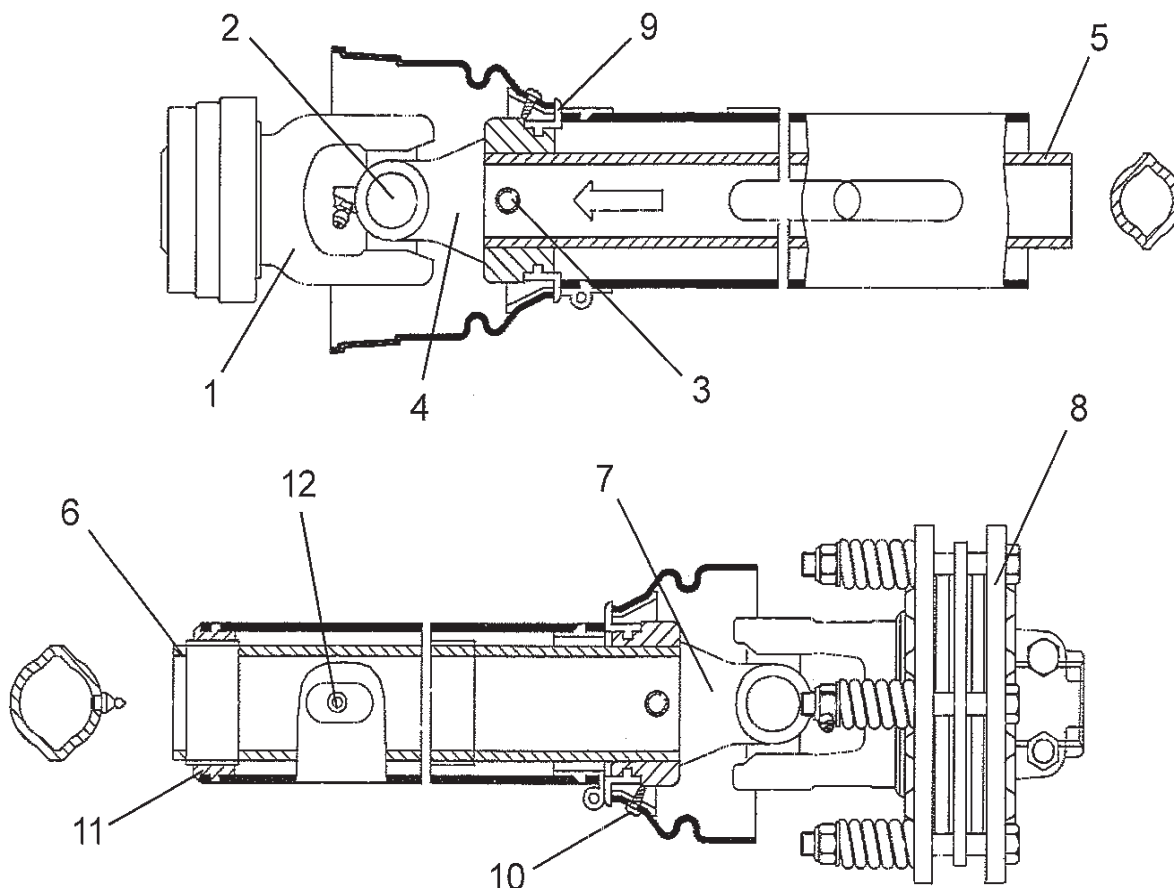
DRIVELINE ASY - LIFT TYPE - 540 & 1000 RPM (OLD STYLE)



| Item | Part No. | Qty | DESCRIPTION |
|------|-----------------|-----|---|
| | 00760900 | | DRIVELINE ASY LIFT TYPE, (540 RPM) |
| | 00760901 | | DRIVELINE ASY LIFT TYPE, (1000 RPM) |
| 1 | 00752883 | 1 | YOKE ASY W/ QD COLLAR, 1-3/8" X 6 SPL (540 RPM) |
| | 00760002 | 1 | YOKE ASY W/ QD COLLAR, 1-3/8" X 21 SPL (1000 RPM) |
| 2 | 00752896 | 2 | UNIVERSAL JOINT (X-KIT) |
| 3 | 00754154 | 1 | OUTER YOKE (USE W/ TRIANGLE SHAPED TUBE) |
| 4 | 00754167 | 1 | ROLL PIN F/ OUTER TUBE |
| 5 | 00772529 | 1 | BUSHING W/ GREASE FITTING |
| 6 | 00761211 | 1 | OUTER TUBE, W/ ITEM 5 |
| 7 | 00761212 | 1 | INNER TUBE |
| 8 | 00754167 | 1 | ROLL PIN F/ INNER TUBE |
| 9 | 00754153 | 1 | INNER YOKE (USE W/ TRIANGLE SHAPED TUBE) |
| 10 | 00756075 | 1 | SLIP CLUTCH ASY |
| 11 | 00754332 | 1 | SHIELD RETAINING COLLAR F/ OUTER SHIELD TUBE |
| 12 | 00761215 | 1 | OUTER SHIELD ASY |
| 13 | 00754331 | 1 | SHIELD RETAINING COLLAR F/ INNER SHILED TUBE |
| 14 | 00761216 | 1 | INNER SHIELD ASY |
| 15 | 00764330 | 6 | BOLT |

ORDER PARTS FOR THIS DRIVELINE IF YOUR DRIVELINE HAS A TRIANGLE SHAPED SHAFT AND TUBE.

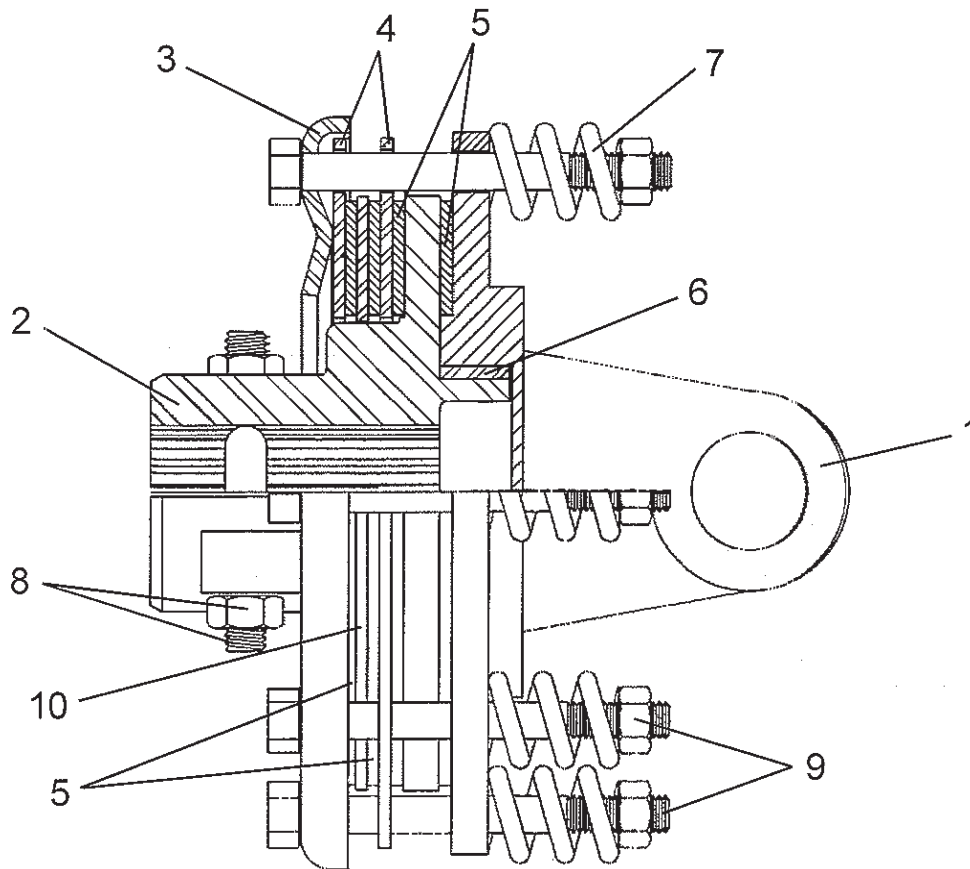
DRIVELINE ASY - LIFT TYPE - 540 & 1000 RPM (NEW STYLE)



| Item | Part No. | Qty | DESCRIPTION |
|------|-----------------|-----|--|
| | 00775369 | -- | DRIVELINE ASY, LIFT TYPE 540 RPM (1-3/8" X 6 SPL PTO) |
| | 00775435 | -- | DRIVELINE ASY, LIFT TYPE 1000 RPM 1-3/8" X 21 SPL |
| 1 | 00775353 | 1 | YOKE ASY W/ QD COLLAR, 1-3/8" X 6 SPL (540 PTO) |
| | 00761762 | 1 | YOKE ASY W/ QD COLLAR, 1-3/8" X 21 SPL (1000 PTO) |
| 2 | 00189700 | 2 | UNIVERSAL JOINT (X-KIT) |
| 3 | 8384 | 2 | ROLL PIN |
| 4 | 00775317 | 1 | YOKE, F/ INNER TUBE |
| 5 | 00754167 | 1 | TUBE, INNER *LEMON SHAPED TUBE |
| 6 | 00775378 | 1 | TUBE & SLEEVE |
| 7 | 00775318 | 1 | YOKE & SLEEVE (F/ OUTER TUBE) |
| 8 | 00775331 | 1 | CLUTCH ASY (6 SPRING) |
| 9 | 8393 | 2 | BEARING RING, F/ OUTER SHIELD |
| 10 | 00759217 | 2 | SCREW, (REPLACES P/N 4797) |
| | 8974 | 1 | SUPPORT BEARING |
| 12 | 1416601 | 1 | GREASE FITTING |
| | 00775372 | 1 | OUTER SHIELD HALF ASY |
| | 00775373 | 1 | INNER SHILED HALF ASY |
| | 00767954 | 1 | YOKE, W/ QD COLLAR KIT (PLASTIC COLLAR) |

ORDER PARTS FOR THIS DRIVELINE IF YOUR DRIVELINE HAS A LEMON SHAPED SHAFT AND TUBE.

CLUTCH ASY - PN 00756075 - (OLD STYLE)

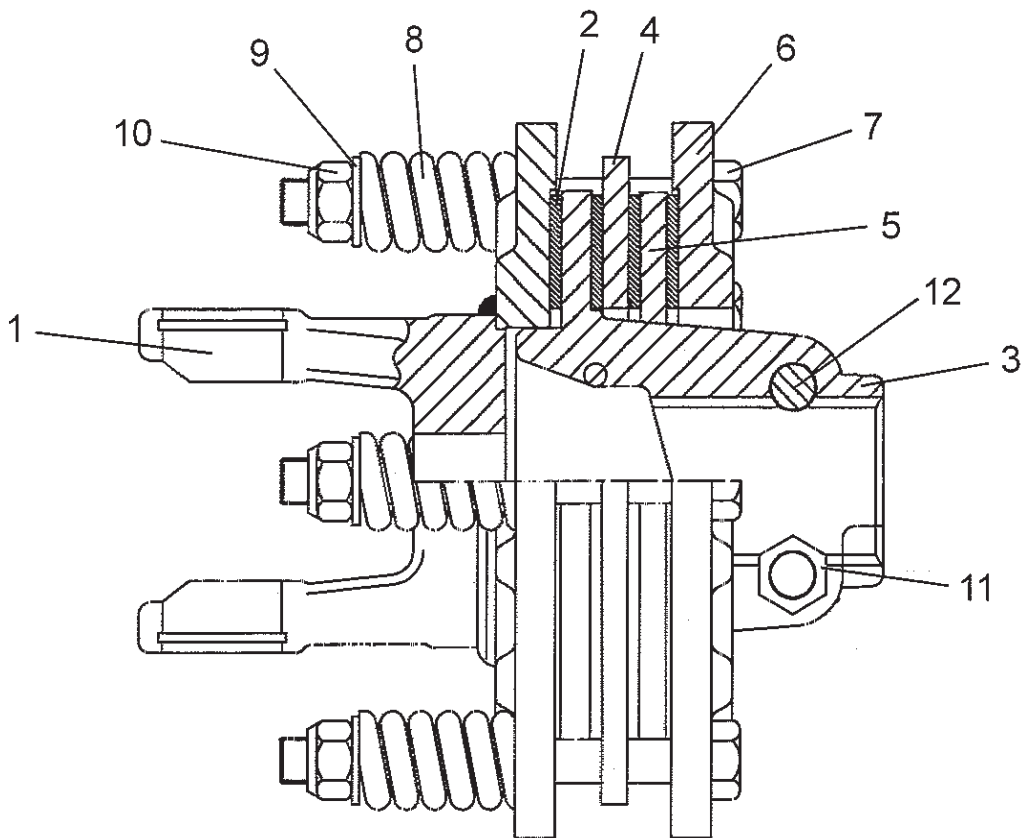


| Item | Part No. | Qty | DESCRIPTION |
|------|----------|-----|---------------------|
| | 00756075 | | COMPLETE SLIPCLUTCH |
| 1 | 00754302 | 1 | FLANGE YOKE |
| 2 | 00755599 | 1 | CLUTCH SUPPORT |
| 3 | 00766810 | 1 | PRESSURE PLATE |
| 4 | 00754314 | 2 | PLATE WITH HOLES |
| 5 | 00754202 | 4 | LINING RING |
| 6 | 00754301 | 1 | BUSHING |
| 7 | 00754303 | 8 | SPRING |
| 8 | 00755600 | 2 | NUT & BOLT |
| 9 | 00754199 | 8 | NUT & BOLT |
| 10 | 00754201 | 1 | INTERMEDIATE PLATE |

NOTE: This clutch used on driveline assemblies with triangle shaped shafts. Used on Driveline PN 00760900 & 00760901, used on Jackshaft assembly PN 00760899

The springs on this clutch should be adjusted to a compressed length of 1-5/16 inch.

CLUTCH ASY - PN 00775331 - (NEW STYLE)

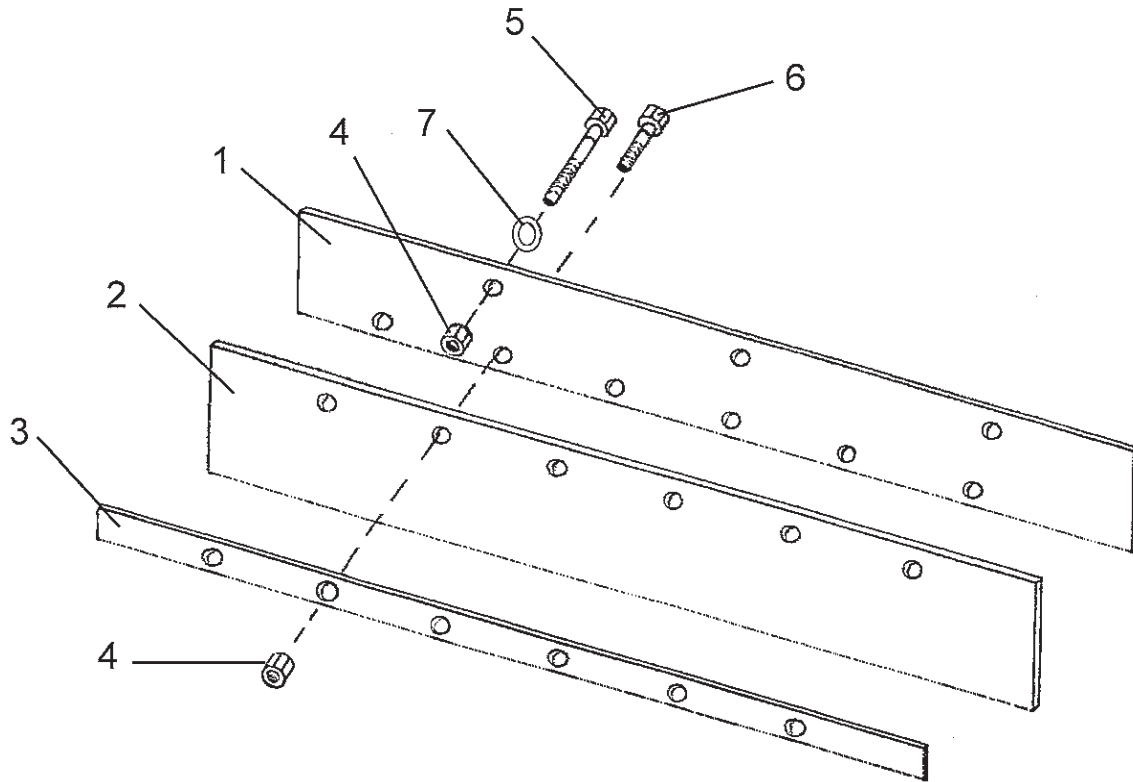


| Item | Part No. | Qty | DESCRIPTION |
|------|----------|-----|---------------------------------|
| | 00775331 | -- | CLUTCH ASY, (6 SPRING CLUTCH) |
| 1 | 00775333 | 1 | FLANGE YOKE |
| 2 | 8366 | 4 | FRICTION DISC |
| 3 | 00775334 | 1 | HUB |
| 4 | 00775335 | 1 | DRIVE PLATE |
| 5 | 00775336 | 1 | DRIVE PLATE |
| 6 | 00775337 | 1 | THRUST PLATE |
| 7 | 00775338 | 6 | BOLT |
| 8 | 00775339 | 6 | COMPRESSION RING |
| 9 | 00754566 | 6 | LOCKWASHER |
| 10 | 00756164 | 6 | LOCKNUT |
| 11 | 00775327 | 2 | LOCKNUT, M12-P1.75 |
| 12 | 00775328 | 2 | BOLT, HEX HEAD M12-P1.75 X 65MM |

NOTE: The springs on this clutch should be adjusted to a compressed length of 1-9/16 inch.

NOTE: This clutch used on driveline assemblies with Lemon shaped shafts. Used on Driveline PN 00775369 & 00775435, used on Jackshaft assembly PN 00775437

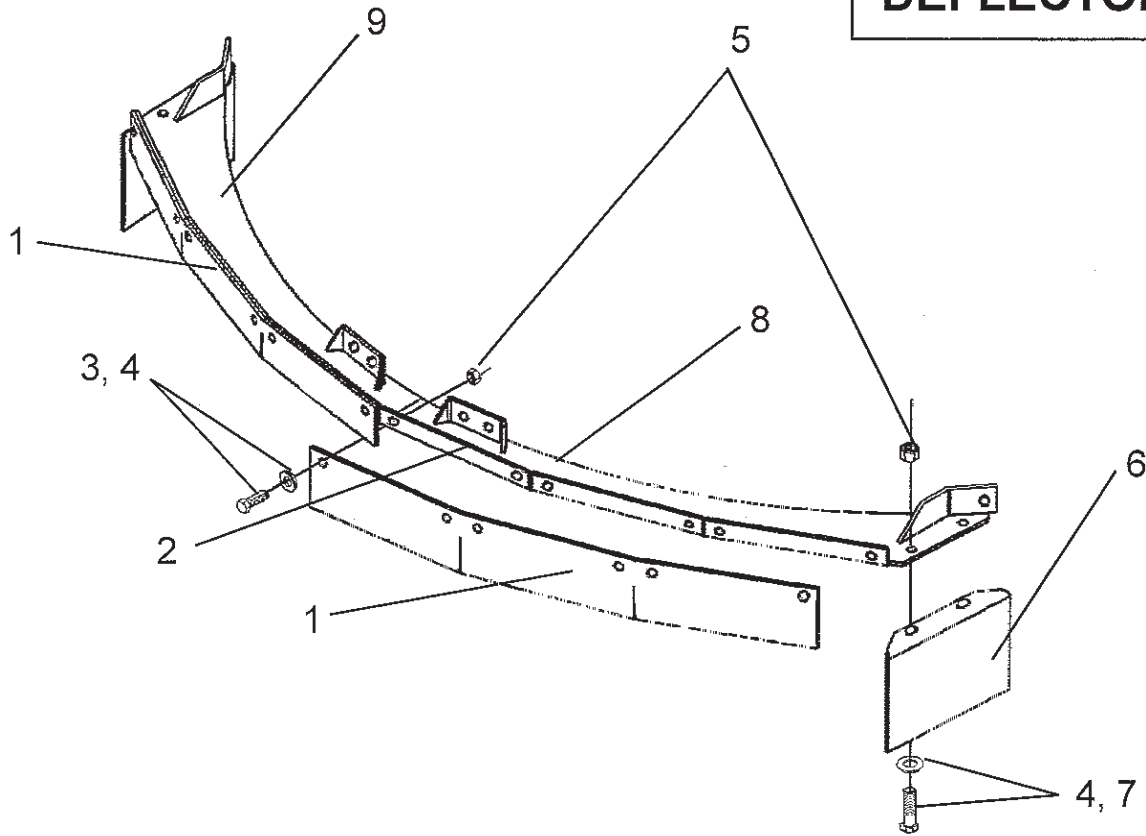
DEFLECTOR ASY - FRONT



| ITEM | PART NO. | QTY. | DESCRIPTION |
|------|----------|------|-------------------------|
| 1 | 00760996 | 2 | DEFLECTOR SUPPORT, FLAT |
| 2 | 00760998 | 2 | DEFLECTOR PANEL, SHIELD |
| 3 | 00760997 | 2 | DEFLECTOR STRAP, FLAT |
| 4 | 00001800 | 18 | LOCKNUT TLM 1/2 NC PLC |
| 5 | 00999418 | 6 | BOLT |
| 6 | 02030700 | 12 | BOLT |
| 7 | 00002700 | 6 | FLATWASHER |

DEFLECTOR ASY - REAR (NEW STYLE)

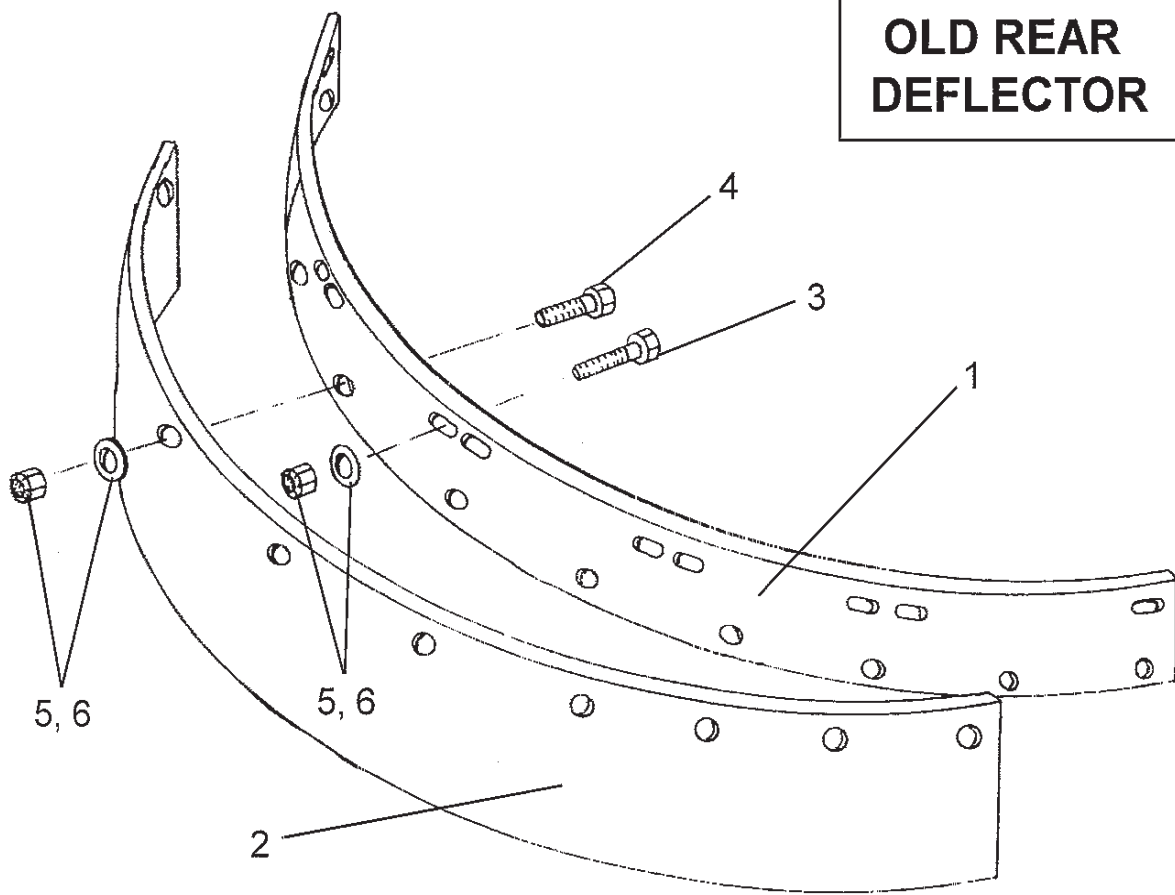
NEW REAR DEFLECTOR



| ITEM | PART NO. | QTY. | DESCRIPTION |
|------|----------|------|----------------------------|
| 1 | 00774002 | 2 | DEFLECTOR PANEL - LH OR RH |
| 2 | 00774003 | 6 | DEFLECTOR STRAP BAR |
| 3 | 00748823 | 12 | BOLT |
| 4 | 00002700 | 16 | FLATWASHER |
| 5 | 00001800 | 16 | LOCKNUT TLM 1/2 NC PLC |
| 6 | 00774001 | 2 | SIDE SHIELD GUARD |
| 7 | 02030700 | 4 | BOLT |
| 8 | 00773998 | 1 | CHAIN GUARD MOUNT, RH |
| 9 | 00773997 | 1 | CHAIN GUARD MOUNT, LH |

NEW REAR DEFLECTOR

DEFLECTOR ASY - REAR (OLD STYLE)

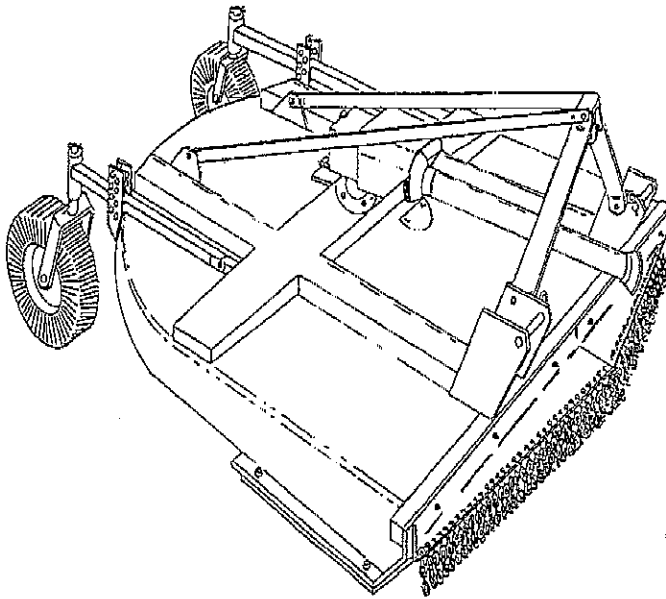


| ITEM | PART NO. | QTY. | DESCRIPTION |
|------|----------|------|------------------------------|
| 1 | 00761007 | 1 | FLAT-DEFLECTOR SUPPORT, FLAT |
| 2 | 00761008 | 1 | DEFLECTOR PANEL, SHILED |
| 3 | 00748823 | 14 | BOLT |
| 4 | 02030700 | 11 | BOLT |
| 5 | 00001800 | 25 | LOCKNUT TLM 1/2 NC PLC |
| 6 | 00002700 | 39 | FLATWASHER |

OLD REAR DEFLECTOR

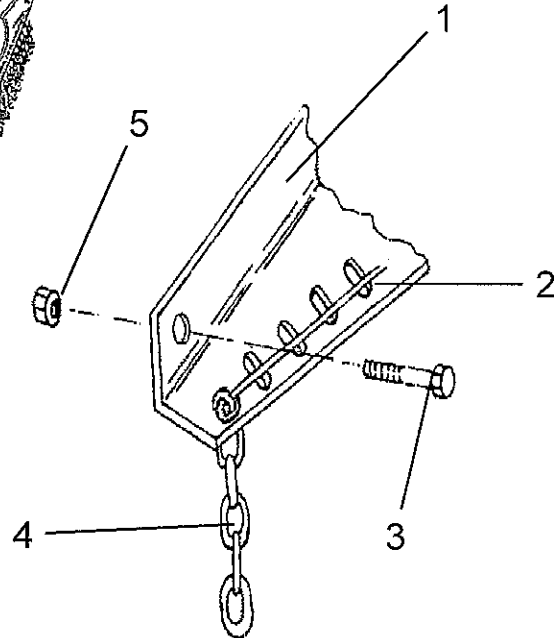
CHAIN GUARD ASY - FRONT (OLD STYLE)

**OLD FRONT
CHAINGUARD**



**LEFT ASSEMBLY
P/N 00760967**

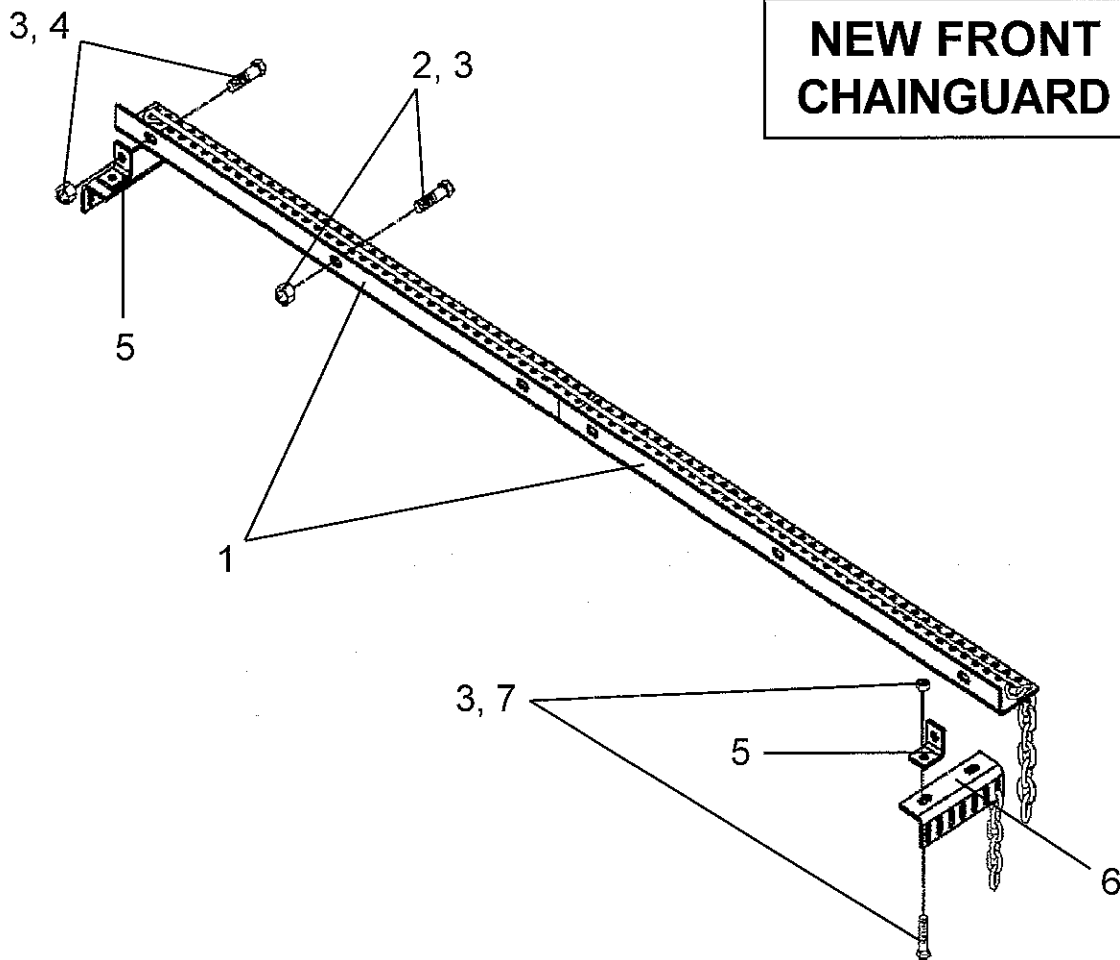
**RIGHT ASSEMBLY
P/N 00760300**



| ITEM | PART NO. | QTY. | DESCRIPTION |
|------|-----------------|----------|---|
| | 00760300 | 1 | CHAIN GUARD ASY - RH FRONT |
| | 00760967 | 1 | CHAIN GUARD ASY - LH FRONT |
| 1 | 00760299 | 1 | BRKT. CHAIN GUARD PLATE (RH SHOWN) |
| | 00760966 | 1 | BRKT. CHAIN GUARD PLATE (LH NOT SHOWN) |
| 2 | 0371200102 | 2 | ROD, CHAINGUARD (1 LH SIDE & 1 RH SIDE) |
| 3 | 00999418 | 6 | BOLT, (3 RH SIDE & 3 LH SIDE) |
| 4 | 0758341005 | 78 | CHAIN - 7 LINKS (39 LH SIDE & 39 RH SIDE) |
| 5 | 4526 | 6 | LOCKNUT (3 LH SIDE & 3 RH SIDE) |

OLD FRONT CHAINGUARD

CHAIN GUARD ASY - FRONT (NEW STYLE)

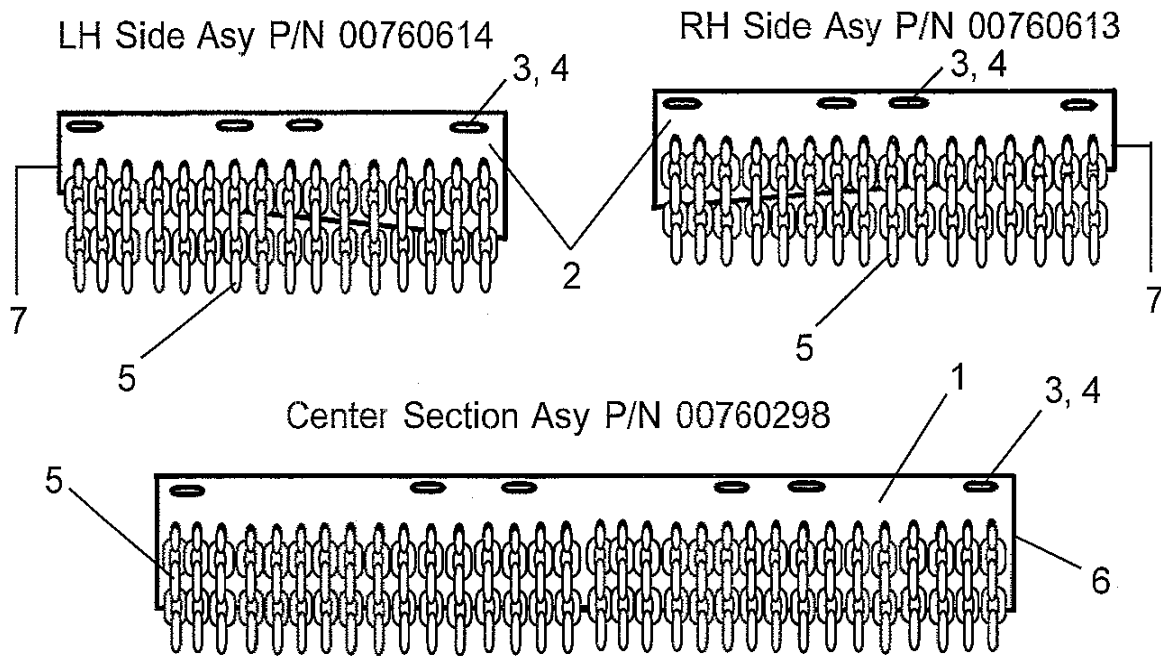


| ITEM | PART NO. | QTY. | DESCRIPTION |
|------|------------|------|--|
| 1 | 00775261 | 2 | CHAIN GUARD ASY, FRONT LH OR RH - SINGLE CHAIN |
| 2 | 00999418 | 4 | BOLT |
| 3 | 4526 | 10 | LOCKNUT |
| 4 | 00008200 | 2 | BOLT |
| 5 | 00775258 | 2 | BRKT CHAIN GUARD SIDE MOUNTING |
| 6 | 00775256 | 2 | SIDE CHAIN GUARD ASY - (1 EACH SIDE) |
| 7 | 02030700 | 4 | BOLT (2 EACH SIDE) |
| 8 | 00959900 | 2 | CHAIN ROD (1 EACH SIDE) |
| 9 | 0758341005 | 78 | CHAIN LINKS (39 EACH SIDE) |
| 10 | 00775259 | 2 | C/G BRKT, LH & RH SIDE SAME |
| 11 | 00755090 | 14 | CHAIN LINKS (7 EACH SIDE) |

NEW FRONT CHAINGUARD

CHAIN GUARD ASY - REAR (OLD STYLE)

Old Style Rear Chain Guard Assembly

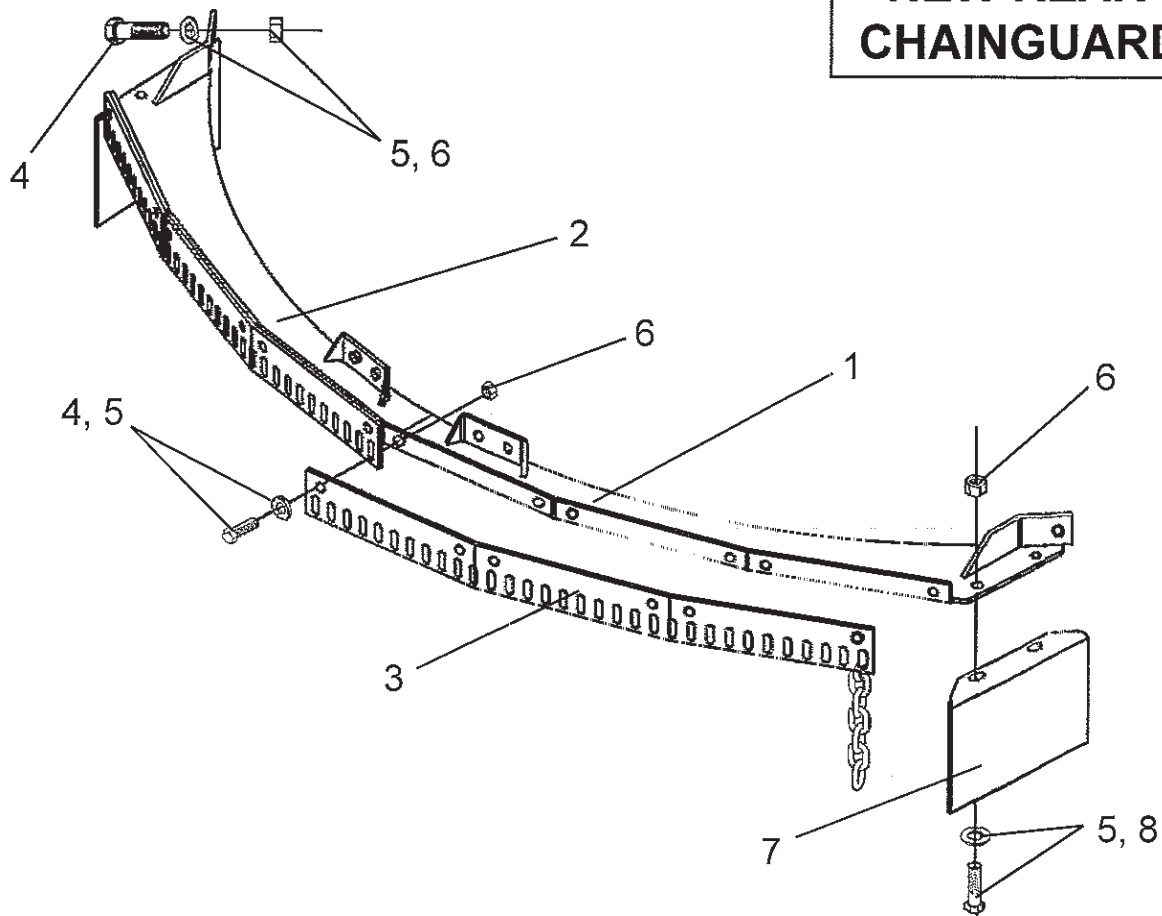


| ITEM | PART NO. | QTY. | DESCRIPTION |
|------|-----------------|----------|---|
| | 00760298 | 1 | CHAIN GUARD ASY - (REAR CENTER) |
| | 00760614 | 1 | CHAIN GUARD ASY - (REAR LH) |
| | 00760613 | 1 | CHAIN GUARD ASY - (REAR RH) |
| 1 | 00760296 | 1 | CHAIN GUARD BRACKET - (REAR CENTER) |
| 2 | 00760612 | 1 | CHAIN GUARD BRACKET - (REAR OUTSIDE LH) |
| | 00761070 | 1 | CHAIN GUARD BRACKET - (REAR OUTSIDE RH) |
| 3 | 9012 | 14 | BOLT |
| 4 | 4526 | 14 | WHIZ NUT |
| 5 | 00755090 | 70 | CHAIN 5 LINK (38 CENTER, 16 LH & 16 RH) |
| 6 | 0371200102 | 1 | ROD, CHAIN GUARD - (REAR CENTER) |
| 7 | 0911110220 | 2 | ROD, CHAIN GUARD - (REAR LH OR RH) |

OLD REAR CHAIN GUARD

CHAIN GUARD ASY - REAR (NEW STYLE)

NEW REAR CHAINGUARD



| ITEM | PART NO. | QTY. | DESCRIPTION |
|------|----------|------|--|
| 1 | 00773998 | 1 | CHAIN GUARD MNT PLATE - REAR RH |
| 2 | 00773997 | 1 | CHAIN GUARD MNT PLATE - REAR RH |
| 3 | 00774006 | 2 | CHAIN GUARD - LH OR RH |
| 4 | 00748823 | 18 | BOLT |
| | 000245 | 12 | BOLT, F/ DOUBLE CHAIN GUARD (NOT SHOWN) |
| 5 | 00002700 | 22 | WASHER |
| 6 | 00001800 | 22 | LOCKNUT TLM 1/2 NC PLC |
| 7 | 00774001 | 2 | SIDE SHIELD, REAR CHAIN GUARD |
| 8 | 02030700 | 4 | BOLT |
| 9 | 00774909 | 8 | SPACER, F/ DOUBLE CHAIN GUARD(NOT SHOWN) |
| 10 | 00755090 | 33 | 5 LINK CHAIN |
| 11 | 00959900 | 2 | CHAIN GUARD ROD |

NEW REAR CHAINGUARD

Alamo Industrial

LIMITED WARRANTY

1. LIMITED WARRANTIES

- 1.01. Servis-Rhino warrants for one year from the purchase date to the original non-commercial, governmental, or municipal purchaser ("Purchaser") and warrants for six months to the original commercial or industrial purchaser ("Purchaser") that the goods purchased are free from defects in material or workmanship.
- 1.02. Manufacturer will replace for the Purchaser any part or parts found, upon examination at one of its factories, to be defective under normal use and service due to defects in material or workmanship.
- 1.03. This limited warranty does not apply to any part of the goods which has been subjected to improper or abnormal use, negligence, alteration, modification, or accident, damaged due to lack of maintenance or use of wrong fuel, oil, or lubricants, or which has served its normal life. This limited warranty does not apply to any part of any internal combustion engine, or expendable items such as blades, shields, guards, or pneumatic tires except as specifically found in your Operator's Manual.
- 1.04. Except as provided herein, no employee, agent, Dealer, or other person is authorized to give any warranties of any nature on behalf of Manufacturer.

2. REMEDIES AND PROCEDURES.

- 2.01. This limited warranty is not effective unless the Purchaser returns the Registration and Warranty Form to Manufacturer within 30 days of purchase.
- 2.02. Purchaser claims must be made in writing to the Authorized Dealer ("Dealer") from whom Purchaser purchased the goods or an approved Authorized Dealer ("Dealer") within 30 days after Purchaser learns of the facts on which the claim is based.
- 2.03. Purchaser is responsible for returning the goods in question to the Dealer.
- 2.04. If after examining the goods and/or parts in question, Manufacturer finds them to be defective under normal use and service due to defects in material or workmanship, Manufacturer will:
 - (a) Repair or replace the defective goods or part(s) or
 - (b) Reimburse Purchaser for the cost of the part(s) and reasonable labor charges (as determined by Manufacturer) if Purchaser paid for the repair and/or replacement prior to the final determination of applicability of the warranty by Manufacturer.The choice of remedy shall belong to Manufacturer.
- 2.05. Purchaser is responsible for any labor charges exceeding a reasonable amount as determined by Manufacturer and for returning the goods to the Dealer, whether or not the claim is approved. Purchaser is responsible for the transportation cost for the goods or part(s) from the Dealer to the designated factory.

3. LIMITATION OF LIABILITY.

- 3.01. MANUFACTURER DISCLAIMS ANY EXPRESS (EXCEPT AS SET FORTH HEREIN) AND IMPLIED WARRANTIES WITH RESPECT TO THE GOODS INCLUDING, BUT NOT LIMITED TO, MERCHANTABILITY AND FITNESS FOR A PARTICULAR PURPOSE.
- 3.02. MANUFACTURER MAKES NO WARRANTY AS TO THE DESIGN, CAPABILITY, CAPACITY, OR SUITABILITY FOR USE OF THE GOODS.
- 3.03. EXCEPT AS PROVIDED HEREIN, MANUFACTURER SHALL HAVE NO LIABILITY OR RESPONSIBILITY TO PURCHASER OR ANY OTHER PERSON OR ENTITY WITH RESPECT TO ANY LIABILITY, LOSS, OR DAMAGE CAUSED OR ALLEGED TO BE CAUSED DIRECTLY OR INDIRECTLY BY THE GOODS INCLUDING, BUT NOT LIMITED TO, ANY INDIRECT, SPECIAL, CONSEQUENTIAL, OR INCIDENTAL DAMAGES RESULTING FROM THE USE OR OPERATION OF THE GOODS OR ANY BREACH OF THIS WARRANTY. NOTWITHSTANDING THE ABOVE LIMITATIONS AND WARRANTIES, MANUFACTURER'S LIABILITY HEREUNDER FOR DAMAGES INCURRED BY PURCHASER OR OTHERS SHALL NOT EXCEED THE PRICE OF THE GOODS.
- 3.04. NO ACTION ARISING OUT OF ANY CLAIMED BREACH OF THIS WARRANTY OR TRANSACTIONS UNDER THIS WARRANTY MAY BE BROUGHT MORE THAN TWO (2) YEARS AFTER THE CAUSE OF ACTION HAS OCCURRED.

4. MISCELLANEOUS.

- 4.01. Proper Venue for any lawsuits arising from or related to this limited warranty shall be only in Guadalupe County, Texas.
- 4.02. Manufacturer may waive compliance with any of the terms of this limited warranty, but no waiver of any terms shall be deemed to be a waiver of any other term.
- 4.03. If any provision of this limited warranty shall violate any applicable law and is held to be unenforceable, then the invalidity of such provision shall not invalidate any other provisions herein.
- 4.04. Applicable law may provide rights and benefits to purchaser in addition to those provided herein.

KEEP FOR YOUR RECORDS

ATTENTION: Purchaser should fill in the blanks below for his reference when buying repair parts and/or for proper machine identification when applying for warranty.

Servis-Rhino Implement Model _____ Serial Number _____

Date Purchased _____ Dealer _____

ATTENTION:
READ YOUR OPERATOR'S MANUAL





TO THE OWNER/OPERATOR/DEALER

To keep your implement running efficiently and safely, read your manual thoroughly and follow these directions and the Safety Messages in this Manual. The Table of Contents clearly identifies each section where you can easily find the information you need.

The OCCUPATIONAL SAFETY AND HEALTH ACT (1928.51 Subpart C) makes these minimum safety requirements of tractor operators:

REQUIRED OF THE OWNER:

1. Provide a Roll-Over-Protective Structure that meets the requirements of this Standard; and
2. Provide Seatbelts that meet the requirements of this paragraph of this Standard and SAE J4C; and
3. Ensure that each employee uses such Seatbelt while the tractor is moving; and
4. Ensure that each employee tightens the Seatbelt sufficiently to confine the employee to the protected area provided by the ROPS.

REQUIRED OF THE OPERATOR

1. Securely fasten seatbelt if the tractor has a ROPS.
2. Where possible, avoid operating the tractor near ditches, embankments, and holes.
3. Reduce speed when turning, crossing slopes, and on rough, slick, or muddy surfaces.
4. Stay off slopes too steep for safe operation.
5. Watch where you are going - especially at row ends, on roads, and around trees.
6. Do not permit others to ride.
7. Operate the tractor smoothly - no jerky turns, starts, or stops.
8. Hitch only to the drawbar and hitch points recommended by the tractor manufacturer.
9. When the tractor is stopped, set brakes securely and use park lock, if available.



Keep children away from danger all day, every day...



Equip tractors with rollover protection (ROPS) and keep all machinery guards in place...



Please work, drive, play and live each day with care and concern for your safety and that of your family and fellow citizens.

