













**ALAMO INDUSTRIAL**

PO BOX 549  
SEGUIN TX 78156-9967

Please fold (do not tear), tape, and drop in any mailbox.

**PLEASE FILL OUT OWNER WARRANTY REGISTRATION INFORMATION  
SIGN, AND DROP LAST COPY IN ANY MAILBOX.**

**IMPORTANT!**  
**TO PLACE THIS WARRANTY IN EFFECT,  
THIS WARRANTY REGISTRATION MUST BE  
FILLED OUT, SIGNED, AND MAILED WITHIN 30  
DAYS OF DELIVERY DATE OF THIS MACHINE.  
DEALER AND PURCHASER MUST SIGN.**

**ATTENTION: ANY CLAIM SUBMITTED TO ALAMO INDUSTRIAL®  
WILL BE REFUSED UNTIL COMPLETED, SIGNED  
WARRANTY REGISTRATION CARD IS ON FILE.**



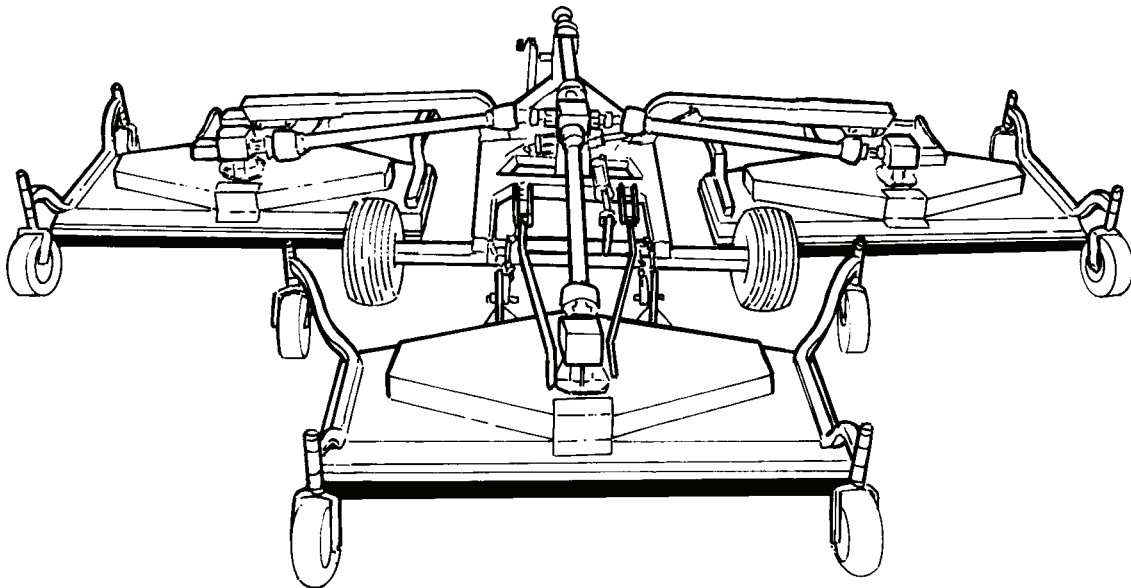
# GRASS FLEX

Rotary Mower

Rev 03-13

P/N 00764239

Effective Serial No. 01001 through Current



## OPERATOR'S MANUAL with PARTS LISTING

**ALAMO INDUSTRIAL**

1502 E. Walnut  
Seguin, Texas 78155  
830-372-9595



**BUILT SHARPER®**

An Alamo Group Company

© 2013 Alamo Group, Inc.

# TO THE OWNER/OPERATOR/DEALER

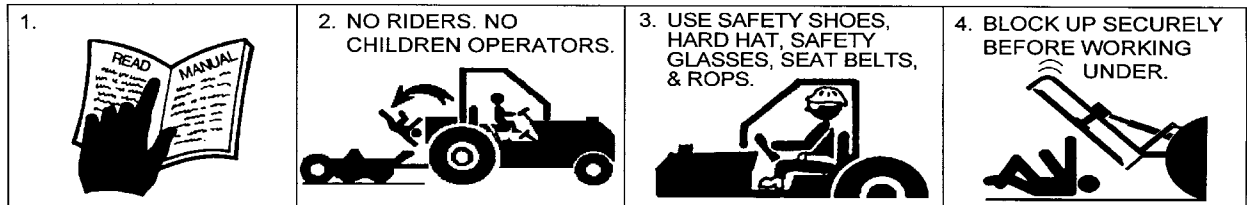
All implements with moving parts are potentially hazardous. There is no substitute for a cautious, safe-minded operator who recognizes the potential hazards and follows reasonable safety practices. The manufacturer has designed this implement to be used with all its safety equipment properly attached to minimize the chance of accidents.

## BEFORE YOU START!!

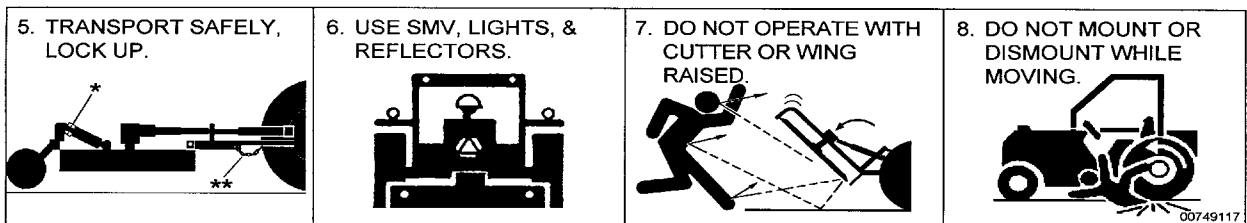
Read the safety messages on the implement and shown in your manual. Observe the rules of safety and common sense!



**FAILING TO FOLLOW SAFETY MESSAGES AND OPERATING INSTRUCTIONS CAN CAUSE SERIOUS BODILY INJURY OR EVEN DEATH TO OPERATOR AND OTHERS IN THE AREA.**



- Study and understand Operator's Manuals, Safety Signs, and Instructional Decals for tractor and implement to prevent misuse, abuse, and accidents. Practice before operating in a confined area or near passersby.
  - Learn how to stop engine suddenly in an emergency. Be alert for passersby and especially children.
- Allow no children on or near implement or tractor. Allow no riders on tractor or implement. Falling off may cause serious injury or death from being run over by tractor or cutter or contact with rotating blades.
- Operate only with tractor having Roll-Over Protective Structure (ROPS) and with seatbelt fastened securely and snugly to prevent injury and possible death from falling off or tractor overturn. Personal Protective Equipment such as Hard Hat, Safety Glasses, Safety shoes, and Ear Plugs are recommended.
- Block up or support raised machine and all lifted components securely before putting hands or feet under or working underneath any lifted components to prevent crushing injury or death from sudden dropping or inadvertent operation of controls. Make certain area is clear before lowering or folding.
- Before transporting, put Lift Lever in detent or full-lift position. Install \*Cylinder Stops as Transport Blocks securely on pull-type and folding implements. Slow down when turning and on hillsides.
  - Attach \*\*Safety Chain to cutter and towing unit securely. See Operator's Manual.
- Make certain that SMV sign, Warning Lights, and Reflectors are clearly visible. Follow local traffic codes.
- Never operate with Cutting Head raised if passersby, bystanders, or traffic are in the area to reduce possibility of injury or death from objects thrown by Blades under Guards or cutter structure.
- Before dismounting, secure implement in transport position or lower to ground.
  - Put tractor in park or set brake, disengage PTO, stop engine, and remove key, and wait until noise of rotation has ceased to prevent entanglement in rotating parts which can cause injury or death.
  - Never mount or dismount a moving vehicle. Crushing from runover may cause injury or death.



## WARRANTY INFORMATION:

Read and understand the complete Warranty Statement found in this Manual. Fill out the Warranty Registration Form in full and return it to within 30 Days. Make certain the Serial Number of the Machine is recorded on the Warranty Card and on the Warranty Form that you retain.



# TABLE OF CONTENTS

<b>SAFETY SECTION .....</b>	<b>1-1</b>
Decal Location .....	1-6
<b>INTRODUCTION SECTION .....</b>	<b>2-1</b>
Tongue Jack and Wheel Attachment .....	3-2
Swivel & Lift Arm Attachment .....	3-3
Hydraulic Cylinder Attachment .....	3-4
Wing Mower Attachment .....	3-4
Caster Wheel Attachment .....	3-5
Rear Mower Attachment .....	3-7
Driveshaft Attachment .....	3-8
Hydraulic Hose Attachment .....	3-8
Wing Driveshaft Attachment .....	3-9
<b>OPERATION SECTION .....</b>	<b>4-1</b>
Tractor Preparation .....	4-2
Attaching Mower to Tractor .....	4-2
Parking Jack Adjustment .....	4-3
Driveline Attachment to Tractor .....	4-4
Cutting Height Adjustment .....	4-4
Starting & Stopping Cutter .....	4-5
Mowing Speed .....	4-5
Mowing Tips .....	4-5
Detaching and Storing .....	4-6
Driveline Length Check Procedure .....	4-6
Special Instructions for Rough Terrain Operations .....	4-7
Transporting Mower .....	4-8
CV Driveline Check Procedure .....	4-9
Troubleshooting .....	4-10
<b>MAINTENANCE SECTION .....</b>	<b>5-1</b>
Lubrication Information .....	5-2
Gearbox .....	5-3
Swivel Assembly .....	5-3
Gauge Wheel Assemblies .....	5-4
Blade Spindle Lubrication .....	5-4
Driveline Lubrication .....	5-5
Blade Servicing .....	5-6
Blade Sharpening .....	5-6
Blade Removal and Installation .....	5-6
Belt Adjustment Procedure .....	5-6
Belt Installation .....	5-8
Storage .....	5-9
Torque Settings .....	5-9
Blade Spindle Service Instructions .....	5-10
Clutch Assembly .....	5-11
<b>PARTS SECTION .....</b>	<b>6-1</b>



# **SAFETY SECTION**

# SAFETY

Safety is of primary importance to the owner/operator and to the manufacturer. This first section of the manual includes a list of Safety Messages, that, if followed, will help protect the operator and bystanders from injury or death. Many of the Safety Messages will be repeated throughout the manual. The owner/operator/dealer should know these Safety Messages before assembly and be aware of the hazards of operating this implement during assembly, use and maintenance. The Safety Alert Symbol combined with a Signal Word, as seen below, is intended to warn the owner/operator if impending hazards and the degree of possible injury faced when operating this machine.

**CAUTION!**

The lowest level of Safety Message; warns of possible minor injury. Decals located on the Cultivator with this Signal Word are Black and Yellow.



**WARNING!**

Serious injury or possible death! Decals are Black and Orange.



**DANGER!**

Imminent death/critical injury. Red and White Decals



# SAFETY

## DANGER!



There are obvious and hidden potential hazards in the operation of this mower. **REMEMBER!** The Blades of this mower can throw objects at very high speeds. Serious injury or even death may occur unless care is taken to insure the safety of the operator, bystanders, or passersby in the area.

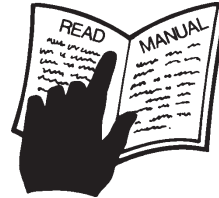
Included here is a list of Safety Messages which should be followed. Serious injury or death may occur unless care is taken to follow these Safety Messages and use good common sense in avoiding hazards.

Equipment should be operated only by those who are responsible and instructed to do so.

## ¡PELIGRO!



Si no lee Ingles, pida ayuda a alguien que si lo lea para que le traduzca las medidas de seguridad.



**¡ LEA EL INSTRUCTIVO!**

## DANGER!



Read this manual carefully to acquaint yourself with the Rotary Cutter. Working with unfamiliar equipment can lead to accidents. **NEVER ALLOW CHILDREN TO OPERATE OR RIDE ON TRACTOR OR MOWER.**

## DANGER!



Finishing Rotary Mowers are capable under some conditions of throwing objects for great distances (100 yards or more), and causing objects to inflict serious injury or death. Follow safety messages carefully.

**STOP MOWING IF PASSERSBY ARE WITHIN 100 YARDS UNLESS:**

- Mower is running close to and parallel to the ground without exposed Blades;
- Passersby are outside the existing thrown-object zone;
- All areas have been thoroughly inspected and all foreign material such as rocks, cans, glass, and general debris has been removed.

**NOTE:** Where there are grass and weeds high enough to hide debris that could be struck by the blades, the area should be inspected and large debris removed, mowed at an intermediate height, inspected closely with any remaining debris being removed, and mowed again at desired final height. (This will also reduce power required, reduce wear and tear on the Mower drivetrain, spread cut material better, eliminate streaking, and make the final cut more uniform.)

## WARNING!



The Chain Guards, Bands, Flaps, Driveline Shields, and Gearbox Shields should be used and maintained in good working conditions. They should be inspected carefully at least daily. Missing, broken, or worn items must be replaced at once to reduce the possibility of injury from thrown objects or entanglement.

## DANGER!



Extreme care should be taken when operating near loose objects such as gravel, rocks, wire, and other debris. Foreign objects should be removed from the site or avoided to prevent machine damage and/or bodily injury or even death.

## WARNING!



Do not let the Blades turn when the Mower Deck is raised for turning. This exposes the Cutting Blades which creates a potentially serious hazard and could cause serious injury or even death by objects thrown from the Blades.

## WARNING!



Do not modify or alter or permit anyone to modify or alter this equipment or any of its components or any equipment function without first consulting your Equipment Dealer.

# SAFETY

**WARNING!**



The operator and all support personnel should wear hard hats, safety shoes, and safety glasses at all times for protection from injury by falling objects and items thrown by the machine.

**WARNING!**



Before leaving the tractor seat, always engage the brake and/or set the tractor transmission in parking gear. Disengage the PTO, stop the engine, remove the key, and wait for all moving parts to stop. Place the tractor shift lever into a low range or parking gear to prevent the tractor from rolling. Never mount or dismount a moving tractor. Operate the tractor controls from the tractor seat only.

**WARNING!**



Many varied objects, such as wire, cable, rope, or chains, can become entangled in the operating parts of the mower head. These items could then swing outside the housing at greater velocities than the blades. Such a situation is extremely hazardous. Inspect the cutting area for such objects before mowing. Remove any like object from the site. Never allow the cutting blades to contact such items.

**DANGER!**



Be particularly careful in transport. Turn curves or go up hills only at a low speed and at a gradual steering angle. Make certain that at least 20% of the tractor's weight is on the front wheels to maintain safe steering. Slow down on rough or uneven surfaces.

**WARNING!**



Make certain that the "Slow Moving Vehicle" (SMV) sign is installed in such a way as to be clearly visible and legible. Use flashing warning lights and follow all local traffic regulations.

**WARNING!**



Periodically inspect all moving parts for wear and replace with authorized service parts if an excessive amount of wear is present.

**WARNING!**



Look for loose fasteners, worn or broken parts, and leaky or loose fittings. Make sure all pins have cotter pins and washers. Serious injury may occur from not maintaining this machine in good working order.

**DANGER!**



Do not mount or dismount the tractor while the tractor is mowing. Mount or dismount the tractor only when it is completely stopped.

**DANGER!**



Never leave the cutter in the raised transport position. Mower could fall causing injury to anyone who might inadvertently be under mower.

**DANGER!**



Never clean or adjust PTO-driven equipment with the tractor engine running.

# SAFETY

**WARNING!**



Never allow riders on either tractor or mower. Falling off can kill. This is not a toy. Do not carry children or play games with mower and tractor

**DANGER!**



Operate the mower only with a tractor equipped with an approved roll-over-protective system (ROPS). Always wear seat belts. Serious injury or even death could result from falling off the tractor--particularly during a turnover when the operator could be pinned under the ROPS for the Tractor.

**DANGER!**



**NEVER ALLOW CHILDREN TO OPERATE, RIDE ON, OR COME CLOSE TO MOWER OR TRACTOR.** Usually, 16-18 year-old children who are mature and responsible can operate the mower with reasonable safety if they have read Operator's Manual, been trained in safe operation of the machine, and are physically large and strong enough to reach and operate controls easily.

**DANGER!**



Never work under the Mower Deck, the framework, or any lifted component unless the mower is securely supported or blocked up to prevent sudden or inadvertent falling which could cause serious injury or even death.

**WARNING!**



Never operate the tractor and mower until you have read and completely understand this manual, the Tractor Operator's Manual, and each of the Safety Messages found on the tractor and mower.

**WARNING!**



Always maintain the safety decals in good readable condition. If a decal becomes torn, painted over, or otherwise illegible, order replacement decals immediately.

**DANGER!**



Make sure the PTO shield is installed when using PTO-driven equipment, and always replace the PTO shield if damaged.

**CAUTION!**



**PROLONGED EXPOSURE TO LOUD NOISE MAY CAUSE PERMANENT HEARING LOSS!**

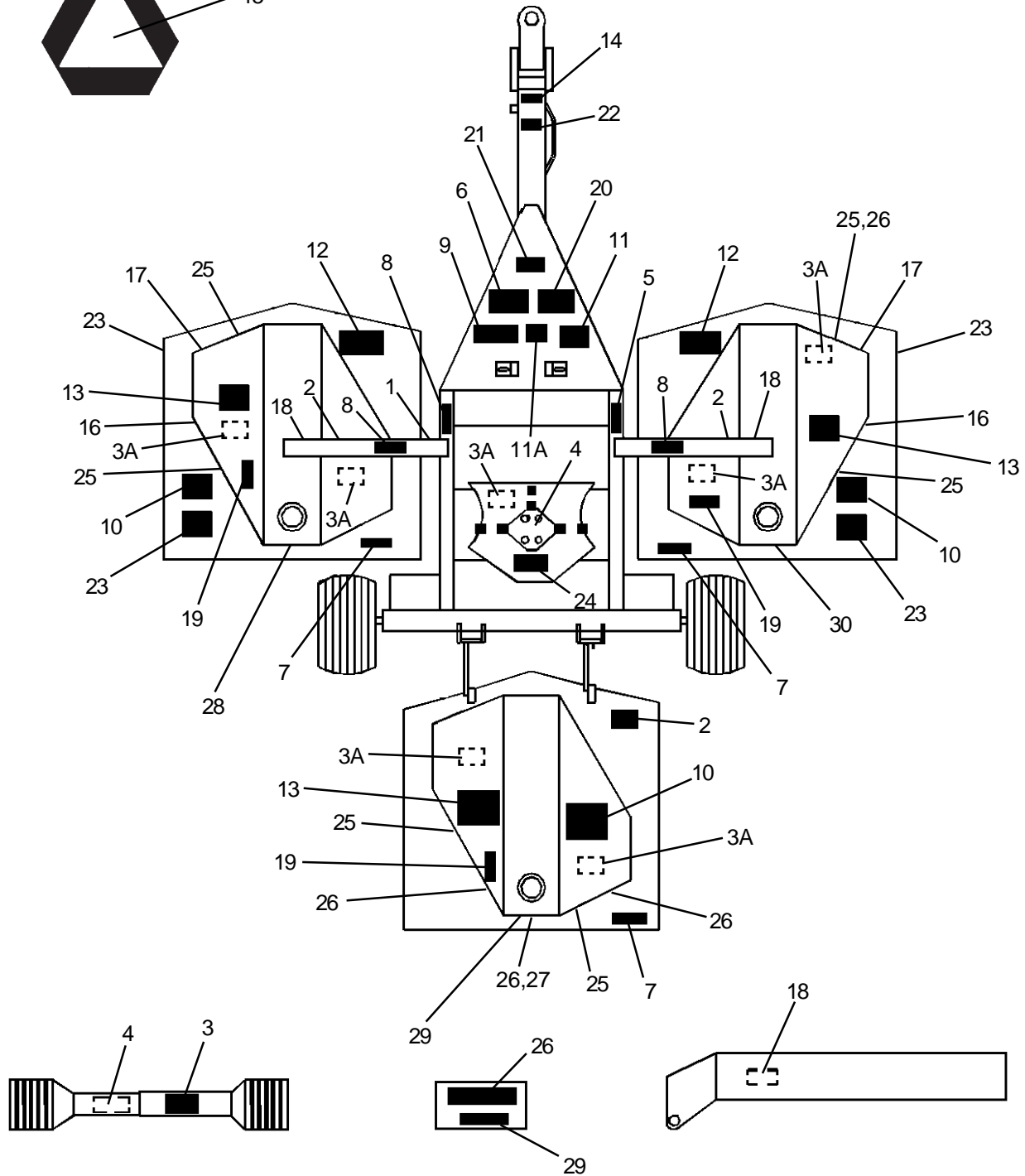
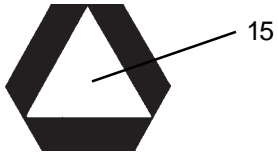
Tractors with or without Mowers attached can often be noisy enough to cause permanent, partial hearing loss. We recommend that you wear hearing protection on a full-time basis if the noise in the Operator's position exceeds 80db. Noise over 85db on a long-term basis can cause severe hearing loss. Noise over 90db adjacent to the Operator over a long-term basis may cause permanent, total hearing loss. Note: Hearing loss from loud noise [from tractors, chain saws, radios, and other such sources close to the ear] is cumulative over a lifetime without hope of natural recovery.

In addition to the design and configuration of this implement, including Safety Signs and Safety Equipment, hazard control and accident prevention are dependent upon the awareness, concern, prudence, and proper training of personnel involved in the operation, transport, maintenance, and storage of the machine. Refer also to Safety Messages and operation instruction in each of the appropriate sections of the Tractor and Mower Manuals. Pay close attention to the Safety Signs affixed to the Tractor and Mower.

# SAFETY

11' Models

Attaches to Bolts on top of  
Divider Gearbox.

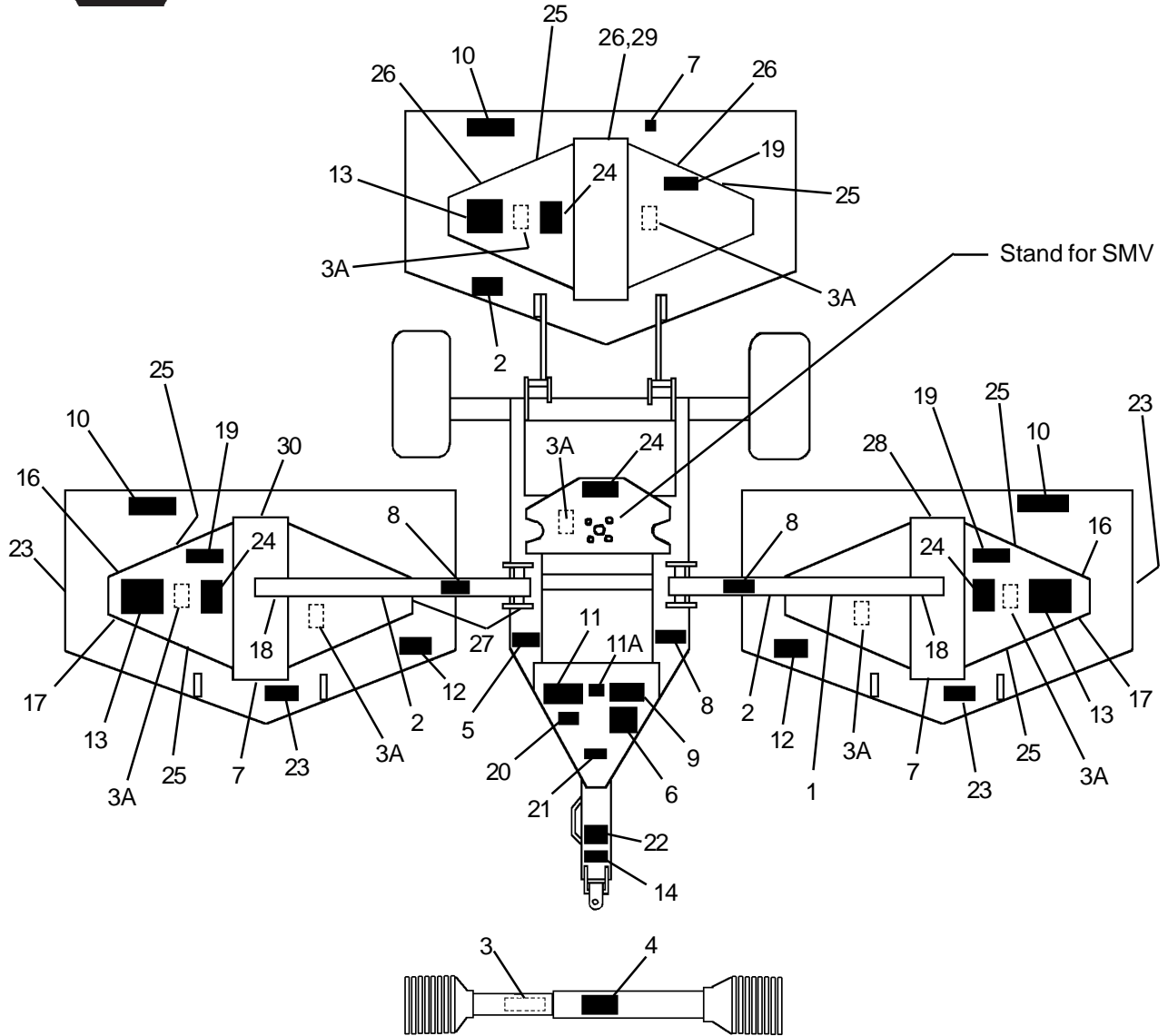




# SAFETY

Attaches to Bolts on top of  
Divider Gearbox.

13-1/2', 14-1/2', 15-1/2', 16-1/2' Models



# SAFETY

ITEM	PART NO.	QTY	LEVEL	DESCRIPTION
1	00725746	1	PELIGRO!	Get Manuals Translated
2	00753840	3	DANGER!	Folding Wings
3	00756004	((4))	DANGER!	D/L Shield missing. DO NOT OPERATE.
3A	00756004	{2}	DANGER!	Shield missing . DO NOT OPERATE.
4	00756005	((4))	DANGER!	Rotating Driveline
5	00756059	1	DANGER!	Leak Detection
6	00756494	1	DANGER!	D/L Multiple Hazard
7	00758194	3	WARNING!	Pinch Point, Belt
8	00763536	3	WARNING!	Disengage PTO before Folding
9	00769736	1	WARNING!	Use/Repair Shields & Guards
10	00769737	3	DANGER!	Cutting Blades/Thrown Objects
11	02925100	1	CAUTION	Genuine ALAMO Parts
11A	00773723	1	PELIGRO!	Rotating Driveline Translation
12	02962765	2	WARNING!	Pinch Point/Crushing
13	02967827	3	DANGER!	Multiple Hazard
14	D103	1	WARNING!	540 RPM PTO
15	03200347	1*	REFLECT	SMV
16	99203	2	REFLECT	Red Reflectors
17	99204	2	REFLECT	Yellow Reflectors
18	000678	2	INSTRUCT	Grease Fitting Inside
19	00755691	3	INSTRUCT	Lube and Blade Bolt
20	00763613	1	INSTRUCT	Slip Clutch Adjustment
21	00763977	1	INSTRUCT	Notice to Owner
22	D102	1	INSTRUCT	Drawbar-to-PTO distance
23	02960766	4	LOGO	ALAMO Logo (5 x 5)
24	001650	4	LOGO	ALAMO Logo (7 x 7)
25	00763911	6	NAME	GRASS FLEX
26	00769302	[3]	WIDTH	11.0
	00769303	[3]	WIDTH	13.5
	00769304	[3]	WIDTH	14.5
	00769305	[3]	WIDTH	15.5
	00769306	[3]	WIDTH	16.5
27	00763912	1	SER PLT	Grass Flex Serial Plate
28	00763912A	1	SER PLT	Left Mower Grass Flex Serial Plate
29	00763912B	1	SER PLT	Center Mower Grass Flex Serial Plate
30	00763912C	1	SER PLT	Right Mower Grass Flex Serial Plate

- (( )) Installed by D/L Mfr.  
 \* Furnished by Tractor Mf.  
 [ ] Use One or the Other  
 { } Cut in Half and attach to deck under shields

# SAFETY

## ⚠ PELIGRO

Si No Lee Ingles, Pida Ayuda a Alguien Que Si Lo Lea Para Que le Traduzca las Medidas de Seguridad.

LEA EL INSTRUCTIVO



00725746

- 13 -- 02967827 Front Cover
- 15 -- 0320047 SMV reflector
- 16 -- 99203 Red Reflector
- 17 -- 99204 Yellow Reflector

1 -- 00725746

## ⚠ DANGER



- Stay clear when removing transport strap and lowering or raising wing. • Component failure or accidental operation of controls may allow wing to fall suddenly and cause bodily injury or death.
- Cylinders with ⊗Restrictors installed must be filled with oil for wings to lower slowly & safely.
- Lock Wings up securely for transporting.



- Do not operate mower with wings raised with passersby in the area. • Contact with exposed rotating Blades and/or being hit by thrown objects may cause injury or death.

00753840

2 -- 00753840

## ⚠ DANGER



**GUARD MISSING  
DO NOT OPERATE**

00756004

## ⚠ DANGER



**GUARD MISSING  
DO NOT OPERATE**

00756004

## ⚠ DANGER

3 -- 00756004

## ⚠ DANGER



**ROTATING DRIVELINE-  
CONTACT CAN CAUSE DEATH  
KEEP AWAY!**

**DO NOT OPERATE WITHOUT-**

- All driveline guards, tractor and equipment shields in place
- Drivelines securely attached at both ends
- Driveline guards that turn freely on driveline

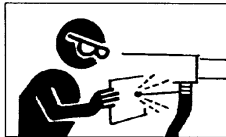
00758005

4 -- 00756005

## ⚠ WARNING

USE PAPER OR CARDBOARD TO CHECK FOR LEAKS. **NEVER USE YOUR HAND.** IF OIL PENETRATES SKIN, GANGRENE OR OTHER SERIOUS INJURY COULD OCCUR. **GET IMMEDIATE MEDICAL ATTENTION.**  
See Operator's Manual.

00756059



5 -- 00756059

## ⚠ WARNING

DO NOT OPERATE WITH BELT SHIELD REMOVED. FINGER(S) MAY BE PINCHED OFF IF CAUGHT BETWEEN V-BELT AND PULLEY.

00758194



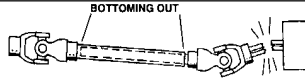
7 -- 00758194

# SAFETY

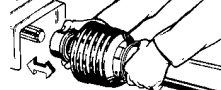
## **DANGER**

1. MAKE CERTAIN DRIVELINES ARE OF THE **CORRECT LENGTH** AND **SECURELY ATTACHED**. **DRIVELINE SEPARATION AND/OR PTO STUB SHAFT FAILURE CAN CAUSE INJURY OR DEATH.** (See Operator's Manual for procedure.)

\* SEE MANUAL FOR MINIMUM OVERLAP & MINIMUM/MAXIMUM LENGTHS



2. MAKE CERTAIN THAT DRIVELINE SHIELDS ARE **INSTALLED CORRECTLY** AND **TURN FREELY** TO PREVENT INJURY OR DEATH FROM ENTANGLEMENT



3. MAKE CERTAIN THAT DRIVELINE IS INSTALLED CORRECTLY ON TRACTOR PTO SHAFT. **MOVE YOKE BACK AND FORTH UNTIL LOCKING COLLAR CLICKS FORWARD AND LOCKS YOKE IN PLACE**

4. **540 PTO RPM** UNLESS SPECIFICALLY MARKED OTHERWISE.

00756494

6 -- 00756494

## **IMPORTANT**

or your safety and to guarantee optimum product reliability, always use genuine ALAMO INDUSTRIAL replacement parts. The use of inferior "will-fit" parts will void Warranty of your ALAMO INDUSTRIAL implement and may cause remature or catastrophic failure which can result in serious injury or death. If you have any questions concerning the repair parts you are using, contact ALAMO INDUSTRIAL, 1502 E. Walnut Seguin, TX 78155 (830) 372-3551.



8 -- 02925100

## **WARNING**

**OPERATE THIS MACHINE AT  
540 RPM  
TRACTOR PTO SPEED ONLY**

Overspeeding PTO may cause component failure with resulting injury.

D103

14 -- D103

## **GREASE FITTING INSIDE**

18 -- 000678

## **WARNING**

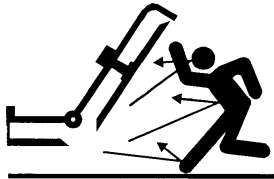
**DISENGAGE PTO BEFORE FOLDING WINGS TO PREVENT INSTANT FAILURE OF DRIVELINES AND POSSIBLE SEVERE BODILY INJURY OR DEATH.**

9 -- 00763536

## **DANGER**

THROWN OBJECTS

CUTTING BLADES



### **KEEP AWAY - ROTATING BLADES**

**BEING HIT BY THROWN OBJECTS OR CONTACTING ROTATING BLADES CAN CAUSE INJURY OR DEATH.**

- Stop mowing if passersby enter the area of thrown objects (See Operator's Manual).
- Do not operate with Mower or Wing raised off the ground. (See Operator's Manual).
- Operate only if all Guards-Deflectors are in place and in good condition.

00769737

11 -- 00769737

# SAFETY

## **WARNING**

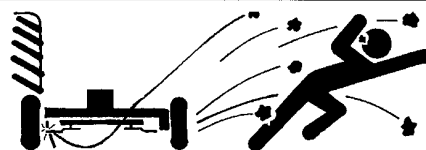
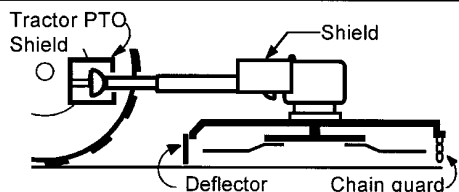
**FAILURE TO USE AND MAINTAIN SHIELDS AND DEFLECTORS IN GOOD CONDITION MAY LEAD TO INJURY OR DEATH FROM ENTANGLEMENT WITH ROTATING PARTS, BEING HIT BY OBJECTS THROWN WITH GREAT FORCE BY BLADES, OR BY BLADE CONTACT.**

- Always replace Guards which have been removed for maintenance. Never operate with Guards missing or broken.

- Chain Guards, Gearbox & Driveline Shields, Rubber-Fabric Deflectors, and Solid Band Enclosures are subject to wear and lost or broken parts and must be repaired or replaced as soon as damage is found.

- Safety Shielding must be installed and in good condition to reduce the possibility of thrown objects any time this machine is operated in any area where thrown objects could cause property damage or bodily injury.

ROTARY 00769736



10 -- 00769736

LUBRICATE Driveline - 3 Places

 Caster Wheel - 2 Places on each

Every 8 Hours Blade Shaft Housing - 1 Place on each

Use Clean #2 Lithium - Based Bearing Grease

Notice: Blade Bolts Have Left Hand Threads

00755691

19 -- 00755691

## **PELIGRO**

Un manual de la seguridad de la línea de conducción n/p 00773776 está disponible en español. Llame el número enumerado para una copia gratis.



**LÍNEA DE CONDUCCIÓN GIRATORIA- EL CONTACTO PUEDE CAUSAR LA MUERTE ¡MANTENERSE LEJOS! NO FUNCIONE SIN QUE-**

- Todos los protectores de la línea de Conducción, alimentador y blindajes del Equipo estén en su lugar
- Las líneas de conducción estén conectadas con seguridad en ambos extremos
- Los protectores de la línea de conducción den vuelta libremente en la línea de Conducción

00773723

11A - 00773723

## **ATTENTION!**

Do not operate PTO until ALL Slip Clutches are properly adjusted and checked to make certain that **NONE ARE FROZEN** and that **ALL WILL SLIP** under excessive load. See Operator's Manual for complete instructions.

00763613

20 -- 00763613

- 25 -- 00763911 GRASS FLEX Name
- 26 -- Model Number
- 27 -- Serial Plate
- 28 -- Serial Plate
- 29 -- Serial Plate
- 30 -- Serial Plate

# SAFETY

## NOTICE TO OWNER

An OPERATOR'S MANUAL (with Repair Parts Listing) and a WARRANTY REGISTRATION CARD were attached to this implement during final inspection at the factory.

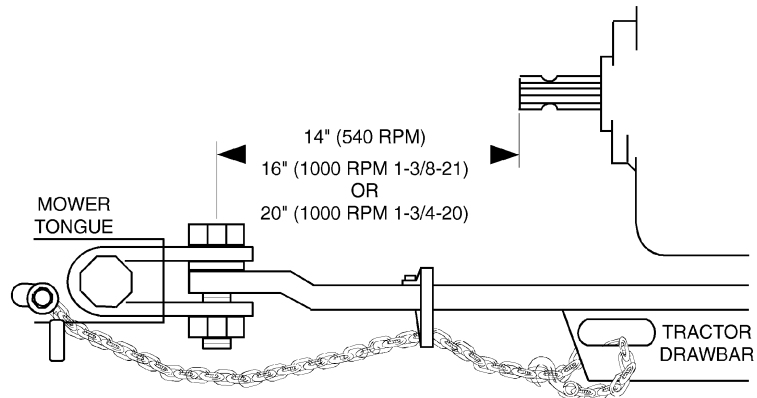
If they were not attached at the time of purchase, please contact your selling dealer at once.

1. Read and understand Manual before operating the implement.
2. Complete, sign, and mail the Warranty Registration Card in today. **00763977**

21 -- 00763977

# IMPORTANT

REQUIRED FOR JACKSHAFT UNIT  
SUGGESTED FOR STANDARD SHAFT



Attach Safety Chain securely as per ASAE S338

D102

22 -- D102



23 -- 02960766 24 -- 001650

# **INTRODUCTION SECTION**

# INTRODUCTION

This Rotary Mower is designed with care and built with quality materials by skilled workers. Proper assembly, maintenance, and operating practices, as described in this manual, will help the owner/operator get years of satisfactory service from the machine.

The purpose of this manual is to familiarize, and instruct. The Assembly Section instructs the owner/operator in the correct assembly of the Mower using standard and optional equipment. The Parts Listing section is designed to familiarize the owner/operator with replaceable parts on the Mower. This section provides exploded assembly drawings of each mower component illustrating each piece and the corresponding part number.

Careful use and timely service saves extensive repairs and costly downtime losses. The Operation and Maintenance Sections of the manual train the owner/operator how to work the Mower correctly and attend to appropriate maintenance. The Trouble Shooting Guide helps diagnose difficulties with mower and offers solution to the problems.

Safety is of primary importance to the owner/operator and to the manufacturer. The first section of this manual includes a list of Safety Messages, that, if followed, will help protect the operator and bystanders from injury or death. Many of the Safety Messages will be repeated throughout the manual. The owner/operator/dealer should know these Safety Messages before assembly and be aware of the hazards of operating this mower during assembly, use, and maintenance. The Safety Alert Symbol combined with a Signal Word, as seen below, is intended to warn the owner/operator of impending hazards and the degree of possible injury faced when operating this machine.

**CAUTION** The lowest level of Safety Message; warns of possible minor injury. Decals located on the Mower with this Signal Word are Black and Yellow.



**WARNING** Serious injury or possible death! Decals are Black and Orange.

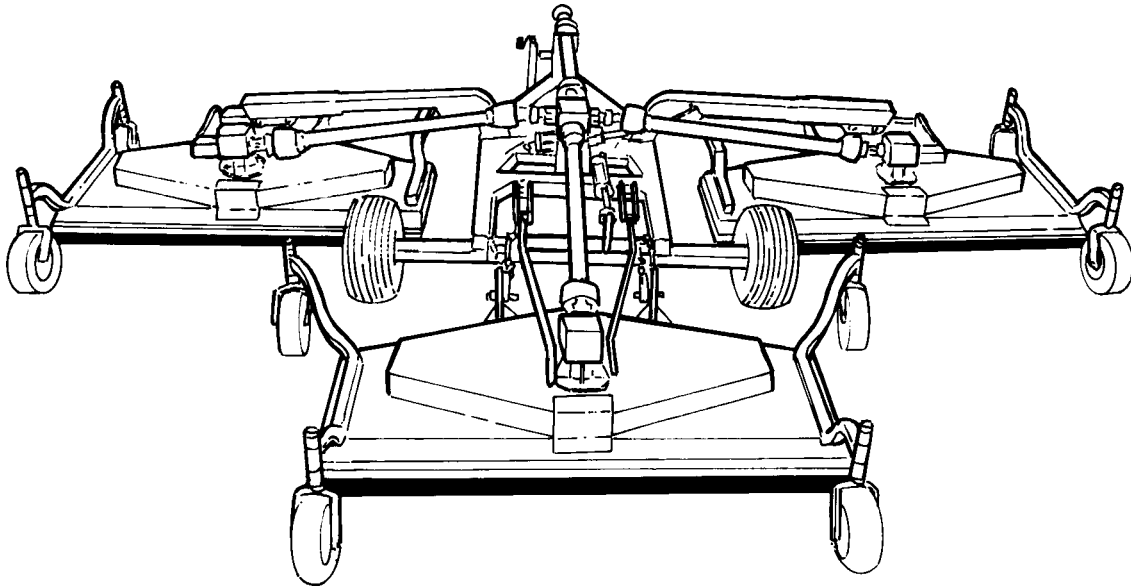


**DANGER** Imminent death/critical injury. Decals are Red and White.





# INTRODUCTION



Your Grass Flex is designed for light-duty cutting such as lawn maintenance plus small weed and grass control. With a reasonable amount of preventive maintenance, your Mower will provide years of dependable service.

## **DANGER**



**NEVER ALLOW CHILDREN TO OPERATE, RIDE ON, OR COME CLOSE TO MOWER OR TRACTOR.** Usually, 16-18 year-old children who are mature and responsible can operate the mower with reasonable safety if they have read Operator's Manual, been trained in safe operation of the machine, and are physically large and strong enough to reach and operate controls easily.

## **DANGER**



For Non-Agricultural use, OSHA, ASAE, SAE, and ANSI standards require the use of Chain Guards, Deflectors, or Solid Skirts at all times. The Mower manufacturer strongly recommends the use of Chain Guards or Solid Skirts for Agricultural purposes as well, to reduce the risk of property damage, serious bodily injury, or even death from objects thrown out by or from contact with the Cutting Blades.

Front and rear and left and right are determined by the normal direction of travel, the same as driving an automobile.

# INTRODUCTION

## ATTENTION OWNER/OPERATOR

BEFORE OPERATING THIS MACHINE:

1. Carefully read the Operator's Manual, completely understand the Safety Messages and instructions, and know how to operate correctly both the tractor and Mower.
2. Fill out the Warranty Card in full. Be sure to answer all questions, including the Serial Number of the Mower. Mail within 30 days of delivery date of this implement.

**NOTE:** *Warranties are honored only if completed "Owner Registration and Warranty" forms are received by Alamo Group within thirty days of delivery of the mower.*

3. Record the Mower Model and Serial Numbers on the Warranty page at the front of the Operator's Manual. Keep this as part of the permanent maintenance file for the Mower.

# IMPORTANT

For your safety and to guarantee optimum product reliability, always use Genuine ALAMO INDUSTRIAL replacement parts. The use of inferior "will-fit" parts will void Warranty of your ALAMO INDUSTRIAL implement and may cause premature or catastrophic failure which can result in serious injury or death. If you have any questions concerning the repair parts you are using, contact ALAMO INDUSTRIAL, 1502 E. Walnut Seguin, TX 78155 (830) 372-3551.



# **ASSEMBLY SECTION**

Assembly Section 3-1

# ASSEMBLY

**DANGER!** Operating with PTO speed over 540 RPM can cause excessive vibration with subsequent machine failure which can cause serious injury or even death. Never exceed 600 RPM.



## DEALER SET-UP INSTRUCTIONS

Assembly of this mower is the responsibility of the Rhino dealer. The mower should be delivered to the owner completely assembled, lubricated, and adjusted for normal cutting conditions.

Set up mower as received from the factory with these instructions. Mower is shipped in bundles. Open parts box and lay parts out to make location easy. Refer to parts lists and exploded view drawings for more detail.

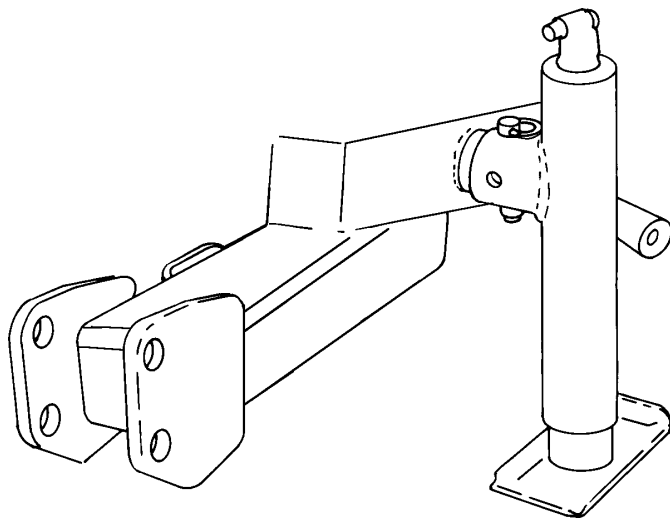
This mower is shipped partially assembled. Assembly will be easier if components are aligned and loosely assembled before tightening hardware.

**CAUTION!** Always use personal protection devices such as eye and ear protectors during assembly.



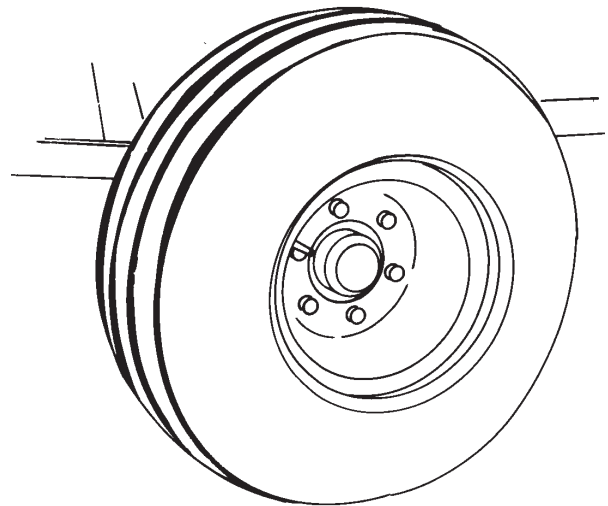
## TONGUE JACK and WHEEL ATTACHMENT

Attach the Jack to the Main Frame and retain with Pin. **Figure 1.** Attach the Tires to the Hubs with Lug Bolts provided. **Figure 2.**



**FIGURE 1**

**NOTE:** Install Tires with Valve Stems forward outside of Frame

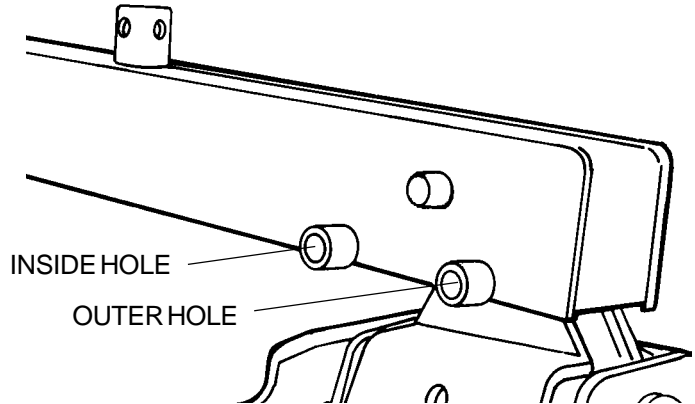
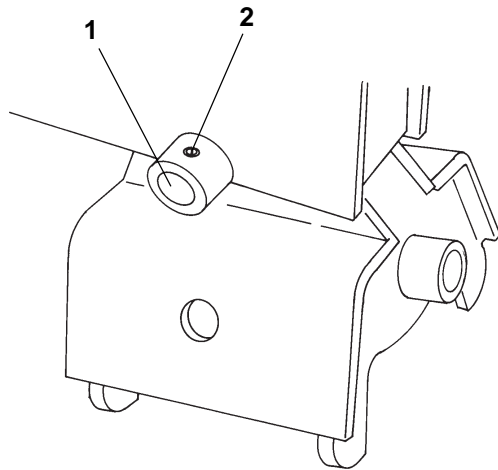


**FIGURE 2**

# ASSEMBLY

## SWIVEL AND LIFT ARM ATTACHMENT

Attach the Swivel Assembly on the Lift Arms using chrome plated Attaching Pin (1) retain with Roll Pin (2). **Figure 3.** Remove the Attaching Pin (3) from the Main Frame. Attach the Right and Left Lift Arm (Note Jack storage mount on Left Lift Arm only) to the Main Frame with attaching Pin (3). Secure with 1/2" x 1-1/2" bolt, (5) flatwasher, and locknut. Attach the Toggle Links (6) to the right and left Lift Arms with attachin Pin (4). Secure with 1/2" x 1-1/2" bolt, flatwasher, and locknuts. **Figure 4.**



NOTE: If Mower is a 14-1/2 ft. or 16-1/2 ft. unit, the Swivel is installed in the outer hole of the Lift Arm. If the Mower is a 13-1/2 ft. or 15-1/2 ft. unit, the Swivel is installed on the inside hole of the Lift Arm.

FIGURE3

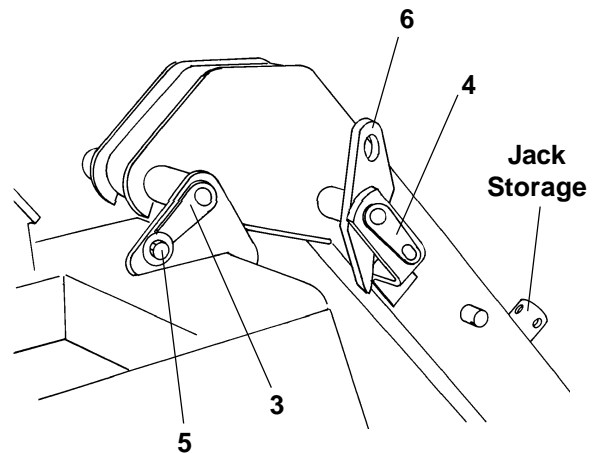
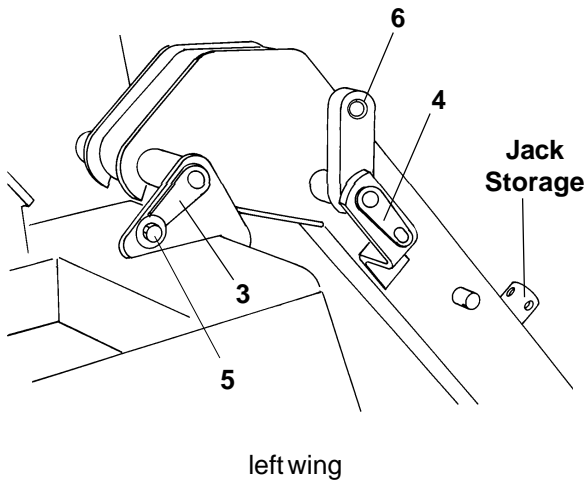


FIGURE4

# ASSEMBLY

## HYDRAULIC CYLINDER ATTACHMENT

Attach the Rear Hydraulic Cylinder to the Main Frame with **Fittings pointing down**. Retain with Pin and Cotter Pin. **Figure 5**. Attach the Wing Hydraulic Cylinders to the the Main Frame and Toggel Links with Pins provided. **Figure 6**.

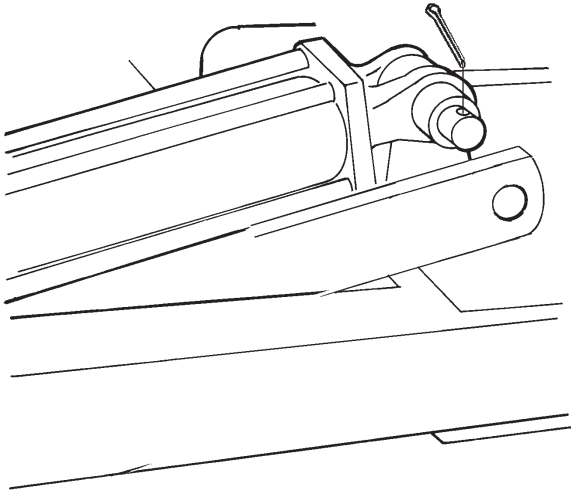


FIGURE 5

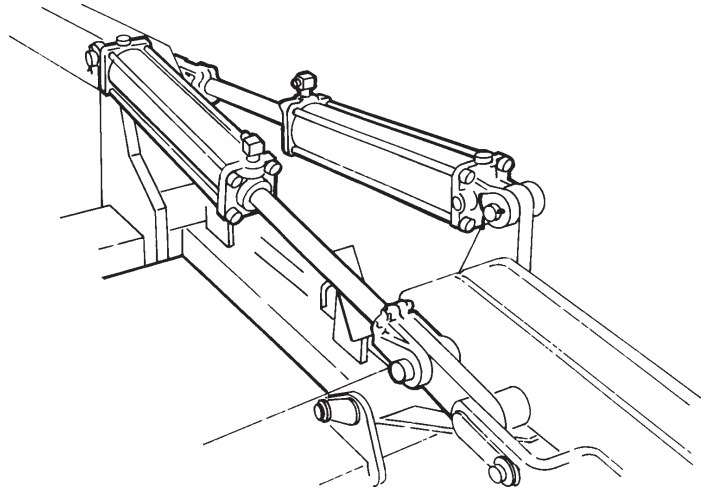


FIGURE 6

## WING MOWER ATTACHMENT

NOTE: The Wing Mowers are right and left mowers. On all Models there is not an inside Rear Caster Wheel, Instead there is a Cutting Height Shaft support that rest on the Mainframe Flat Plate.

Position the Wing Mowers under the Wing Lift Arms and remove the Attachment Pin (1) from the Swivel. Attach the Wing Mower to the Lift Arm and secure with 1/2" x 1-1/2" Bolt, (2) flatwasher, and locknut. **Figure 7**.

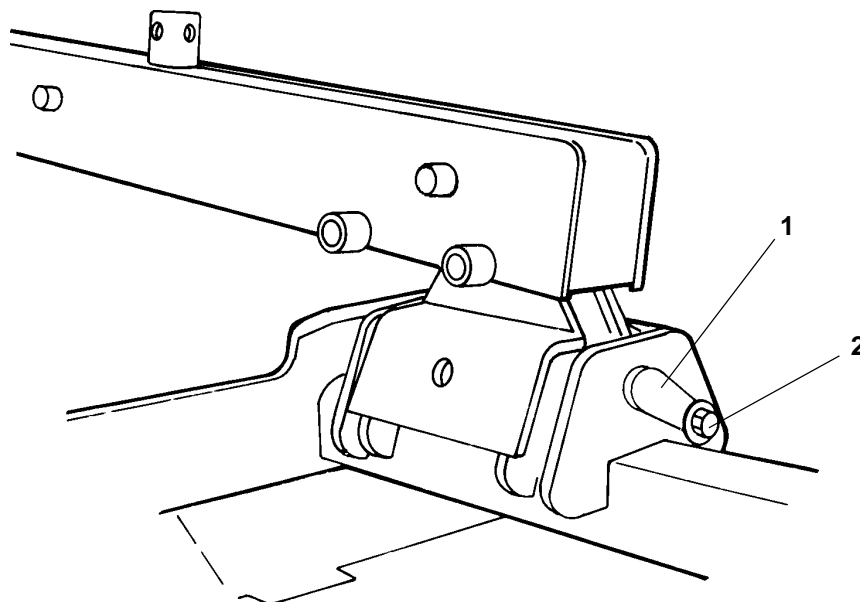


FIGURE 7

# ASSEMBLY

## CASTER WHEEL ATTACHMENTS REAR MOWER (FIGURE 8)

Attach the right and left Axle Arm Weldment (1) to the deck with 3/8" Gr. 5 bolts (2) flatwasher (1-1/2OD x 3/16 thick) (3), and 3/8 locknuts (4). Install four one inch spacers (7) and two 1/4 inch spacer (8) on each fork and wheel assembly (9). Insert Wheel assembly Shaft (9) into Axle Arm Weldment (1) and retain with Snapper Pin (10).

### NOTE:

See pages 3-8 & 3-9 for Axle Arm locations.

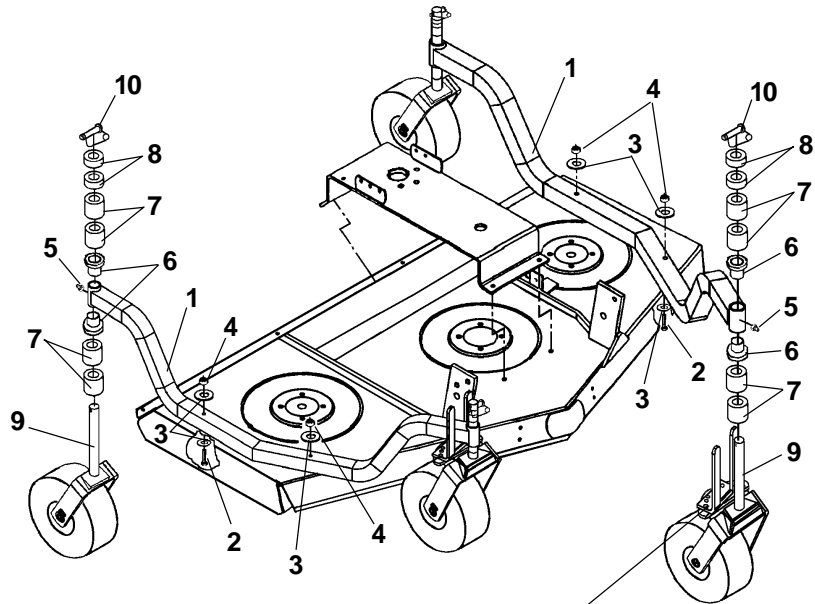
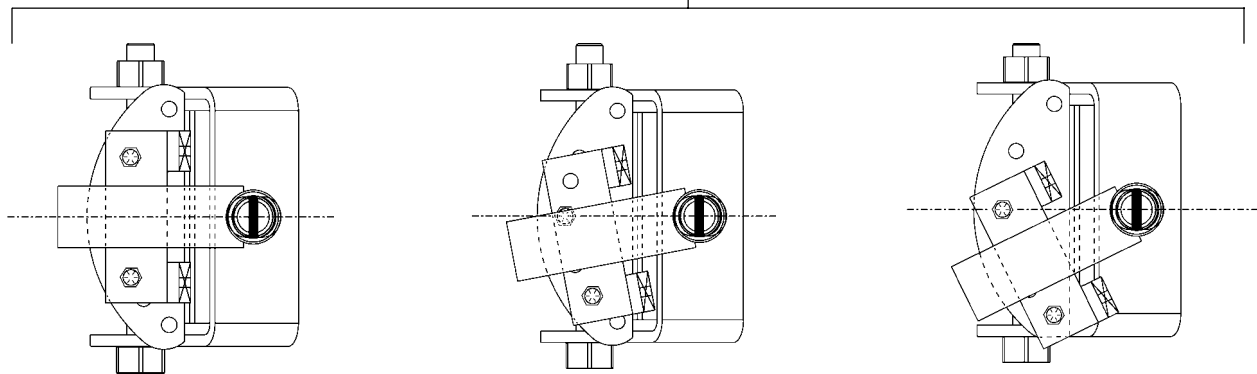


FIGURE 8

NOTE bolt locations of stop.



48" CENTER

60" RIGHT HAND CENTER

72" RIGHT HAND CENTER

# ASSEMBLY

## CASTER WHEEL ATTACHMENTS WING MOWER (FIGURE 9)

Attach the inside (1) and outside Axle Arm Weldments (1 or 1A) to the outer deck with 3/8" Gr. 2 bolt (2), flatwasher (1-1/2"OD x 3/16" thick) (3), and 3/8" locknut (4) installed in outer front hole. All other arm retaining bolts are Gr. 5, 3/8" bolts (5). See Fig. 13 & 14 for more details. Install spacer (7,8,9) and forks as describe in rear mower (Figure 8). The inside rear leg of the wing mowers will require a height adjustment shaft (11), spacer tube (12) and a spacer pad (13) installed with a 3/8" x 1 1/2" socket head screw (14).

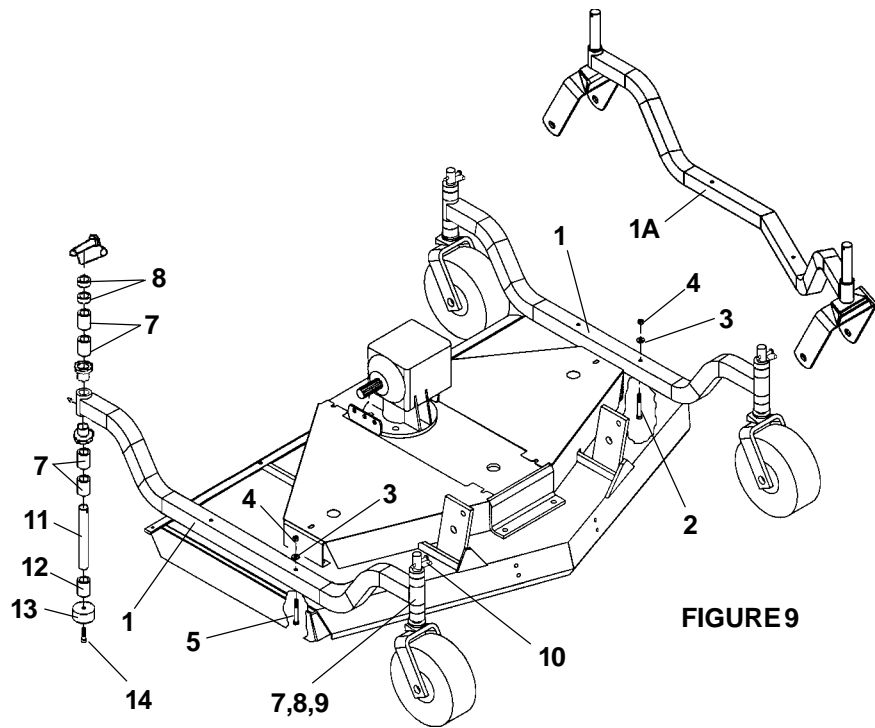


FIGURE 9

**NOTE:** Spacer (13) rests on support flat welded to frontside of mainframe cross tube.

## CASTER WHEEL ATTACHMENTS REAR MOWER (11' MODEL) FIGURE 10

Attach the right and left Axle Arm Weldment (1) to the deck with 3/8" Gr. 5 bolts (2) flatwasher (1-1/2"OD x 3/16" thick) (3), and 3/8" locknuts (4). **NOTE:** Mount the inside and outside rear arms in the forward set of holes. Install four one inch spacers (7) and two 1/4 inch spacer (8) on each fork and wheel assembly (9). Insert Wheel assembly Shaft (9) into Axle Arm Weldment (1) and retain with Snapper Pin (10).

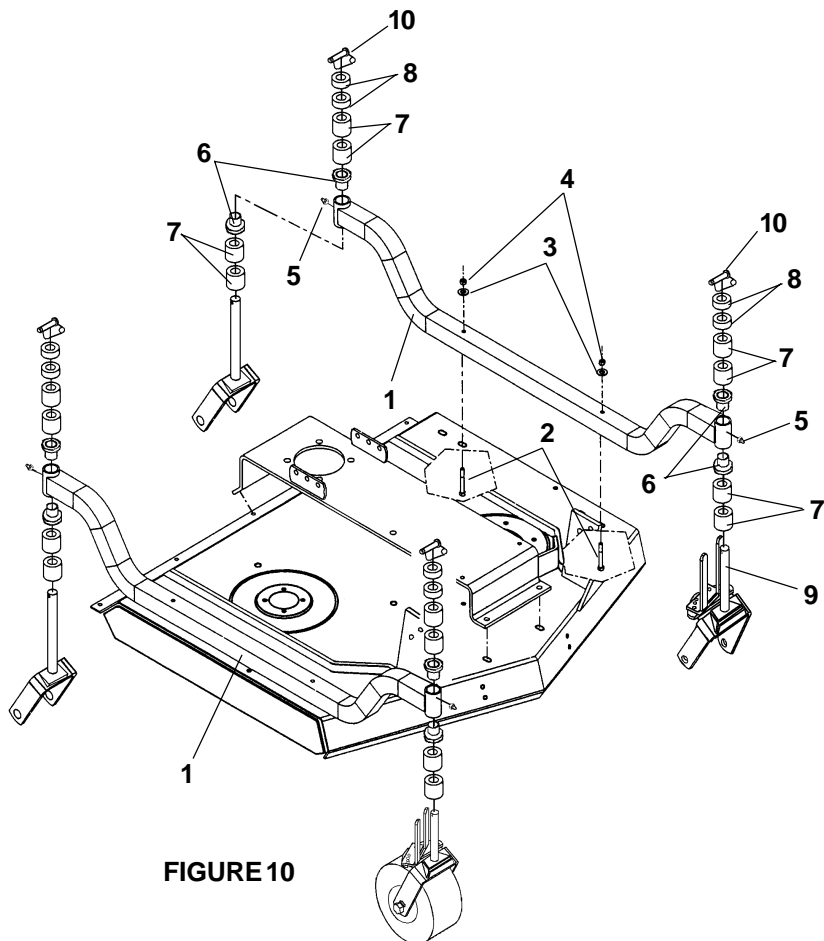


FIGURE 10

**NOTE:** Front Fork and Wheel Assemblies have Lock mechanism which will not allow wheel to caster 360 degrees. See page 3-5 for 48" Deck detail.



# ASSEMBLY

## CASTER WHEEL ATTACHMENTS WING MOWER (11' MODEL) FIGURE 11

Attach the right and left Axle Arm Weldment (1) to the outer deck with 3/8" Gr. 2 bolts (2) flatwasher (1-1/2"OD x 3/16" thick) (3), and 3/8" locknuts (4) in the front hole in Arm. All other Arm retaining bolts are Gr. 5, 3/8" bolts. **NOTE:** Mount the inside and outside wing arms in the forward set of holes. Install four one inch spacers (7) and two 1/4 inch spacer (8) on each fork and wheel assembly (9). Insert Wheel assembly Shaft (9) into Axle Arm Weldment (1) and retain with Snapper Pin (10). The inside rear leg of the Wing Mowers will require a height adjustment shaft (11), spacer tube (12) and a Spacer Pad (13) installed with a 3/8" x 1-1/2" Screw (14).

**NOTE:** Spacer (13) rests on support flat welded to front side of Mainframe cross Tube.

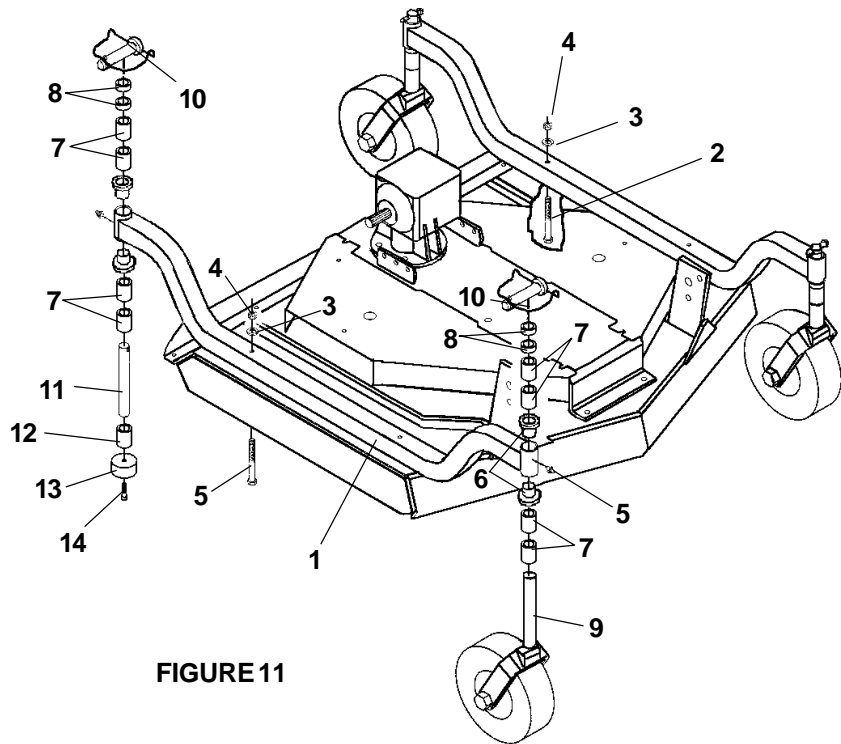


FIGURE 11

## REAR MOWER ATTACHMENT

To install the Rear Attaching Arms (1) on the Main Frame to the Center Rear Mower: Note: These Arms are Right and Left Hand. They must be installed with the chain attachment hole (11) to the top and the offset to the inside. Remove the Click Pins and install Arms to the Rear Deck. Roll Mower into position and align the Attaching Arms in Main Frame. Position the Rear Lift Frame on Main Frame. **Note:** Position the Rear Lift Frame with the 9/16" dia. holes (12) facing to rear. Align with Lift Arm Pins (2) and install. **ATTENTION:** Do not drive pin in with hammer. This will damage the PTFE Bearings which are installed in the Rear Attaching Arm (1). Pin should slide in with very little resistance. Secure Pins with 1/2" x 1-1/2" bolts (3), flatwashers, and locknuts.

Install bushing in A-Frame Brace (4) and attach to the Rear Mower in the center hole of bracket on Gearbox mount plate. Retain with 1/2" x 1-1/2" bolt, flatwasher, and locknut. Attach the A-Frame Link (5) to the Rear Lift Frame by sandwiching between Toggle Links with Pins (6). Secure with 3/8" x 3" bolts (7), flatwashers, and locknuts. Attach the Lift Chain (8) to the Lift Arms and Rear Lift Frame. Attach the Rear Cylinder (9) to the Lift Frame with Pin and Cotter Pin. Attach the Rear Lock-up Bar (10) to the Front Cylinder Pin, retain with cotter pin, and to the Rear Cylinder Pin, retain with Clip Pin. **Figure 12.**

**NOTE:** Use Spacers #00763313, 1-3/8" long with Bolts.

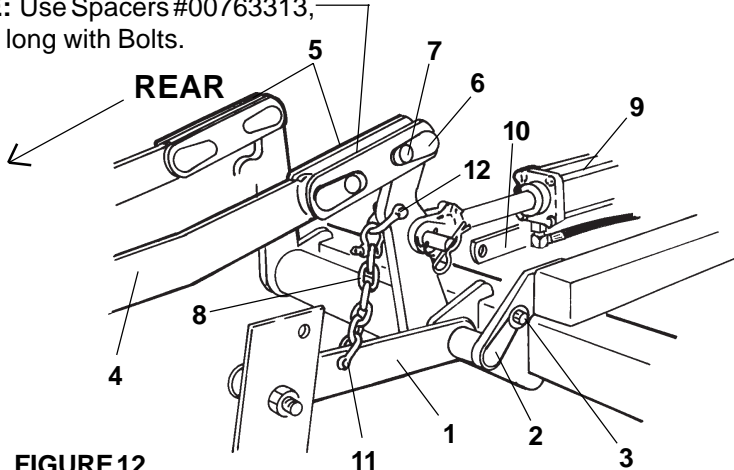
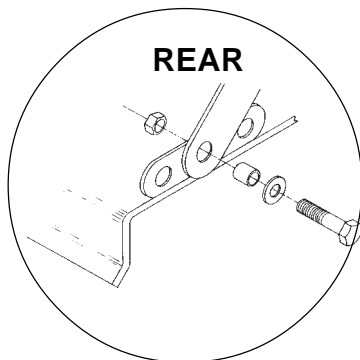


FIGURE 12

# ASSEMBLY

## AXLE ARMS IN POSITION

Note bolt locations of Axle Arms on 60" Deck. **Figure 13.**

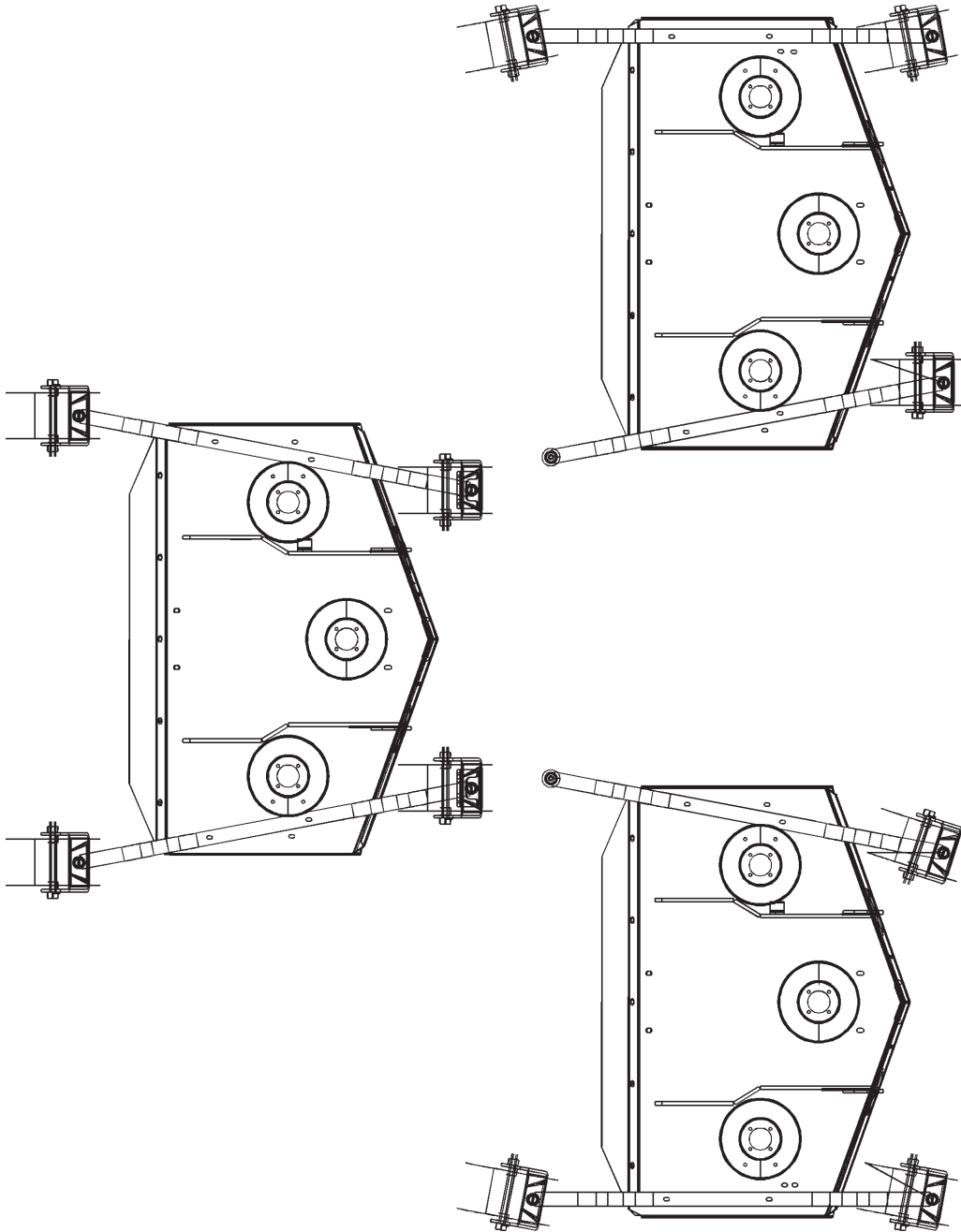


FIGURE 13

# ASSEMBLY

## AXLE ARMS IN POSITION

Note bolt locations of Axle Arms on 72" Deck. **Figure14**

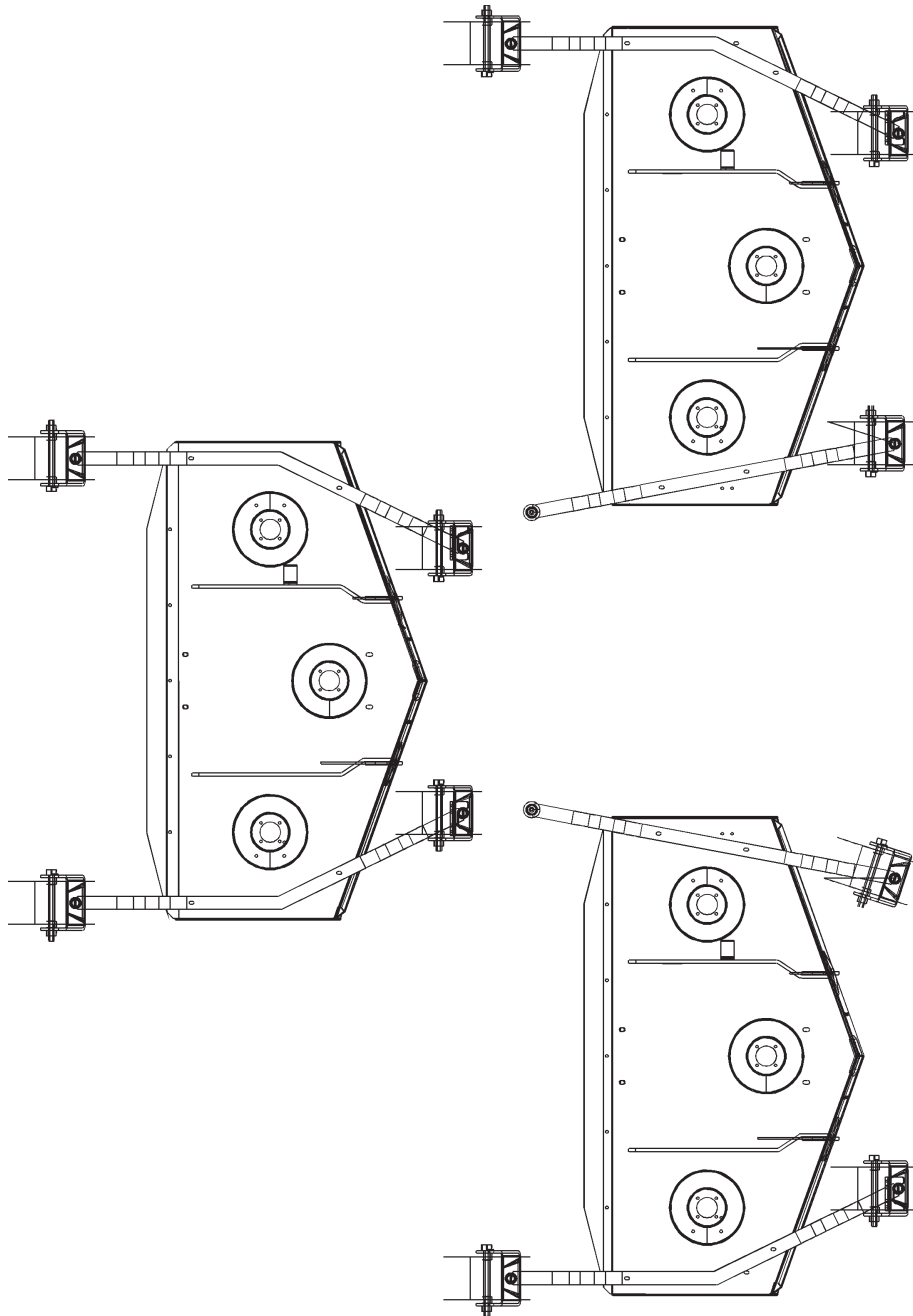


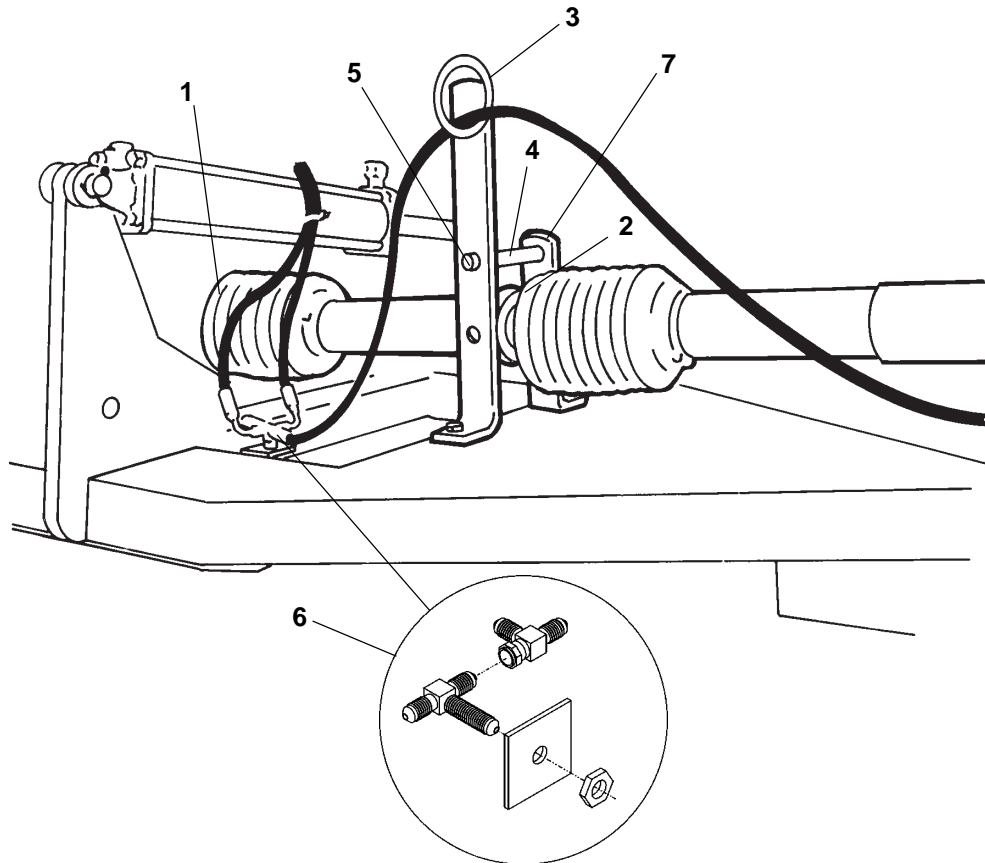
FIGURE 14

# ASSEMBLY

## DRIVESHAFT ATTACHMENT

All drivelines are equipped with slide collars on end yokes. To attach to the shaft grab and pull the collar on the end of attaching yoke toward the opposite end of the driveline. Slide the yoke (with collar depressed) onto the shaft. Move the yoke back and forth until the collar clicks forward and locks yoke in place.

Install the Jackshaft (1) on the Front Gearbox and install Bearing (2) on the Drive End. Sandwich the Bearing between the Bearing Supports(3) & (7). Install the Pipe Spacers (4) and retain with 1/2" x 7" bolt (5) and locknut. **Figure 15**



## HYDRAULIC HOSE ATTACHMENT

Remove the caps from the Hydraulic Manifold (6 Fig. 13) on the Main Frame. Hydraulic Hoses p/n 00763742 are used for the Wing Cylinders and p/n 00762693 is used for the Rear Cylinder. Hose p/n 00765738 attaches to the remote on the Tractor Hydraulics. On the Hose p/n 00765738 at the Tractor disconnect install Fitting p/n 02957691 (1/2 pipe thread x 1/4 J.I. C.).

## 3-SPOOL VALVE

Cap the two side ports of the Manifold & connect the wing Hoses to Hoses p/n 00765738 with the 1/4" male JIC x 1/4" NPT pipe fittings.

## SMV ATTACHMENT

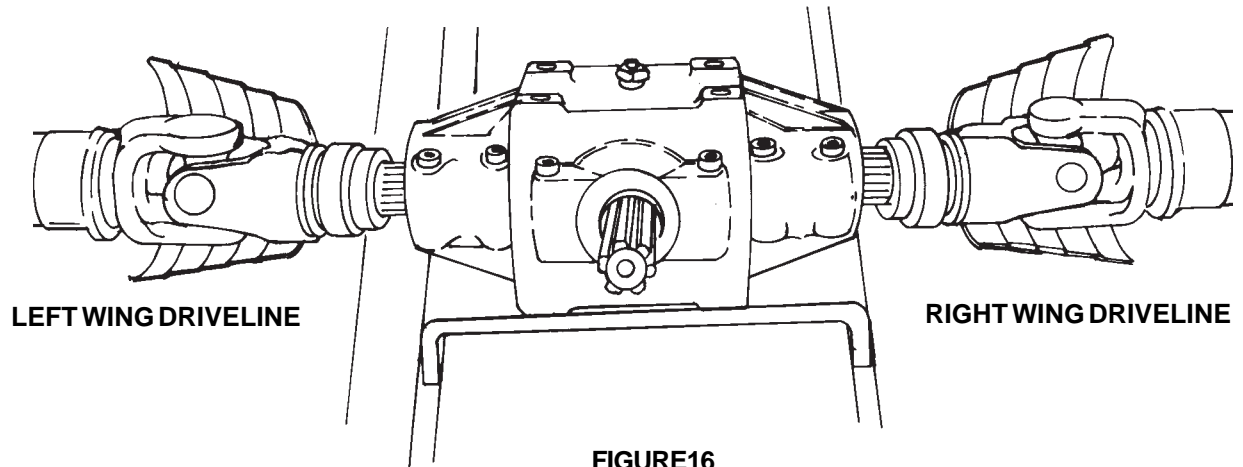
Remove top Bolt from the Divider Gearbox Cover and attach Mounting Bracket. Bolt SMV to Bracket

# ASSEMBLY

## WING DRIVESHAFT ATTACHMENT

### Standard Driveline

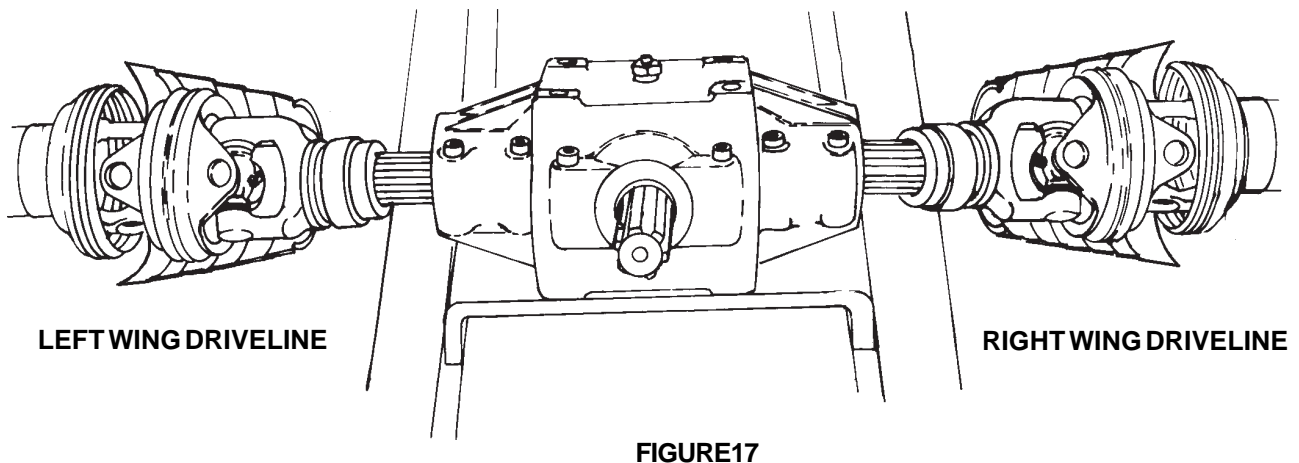
Attach the wing driveline to the center power divider gearbox as shown so that both sides of the gearbox are oriented the same NOTE: The driveline end with the extended shield cone attaches to the mower deck gearbox. **(FIGURE16)**



### Constant Velocity (CV) Driveline

Attach the wing CV driveline to the center power divider gearbox with CV head at center box. Attach the end yokes so they are oriented in line the same as shown. **(FIGURE 17)**

**NOTE:** Do not attach the drivelines with the CV Head on the wings. This will not allow the head to be raised up.



# ASSEMBLY

## ROPE ROUTING FOR AUTOMATIC HEAD LOCKS

Attach rope ends to latch at location shown in **figure 18**.

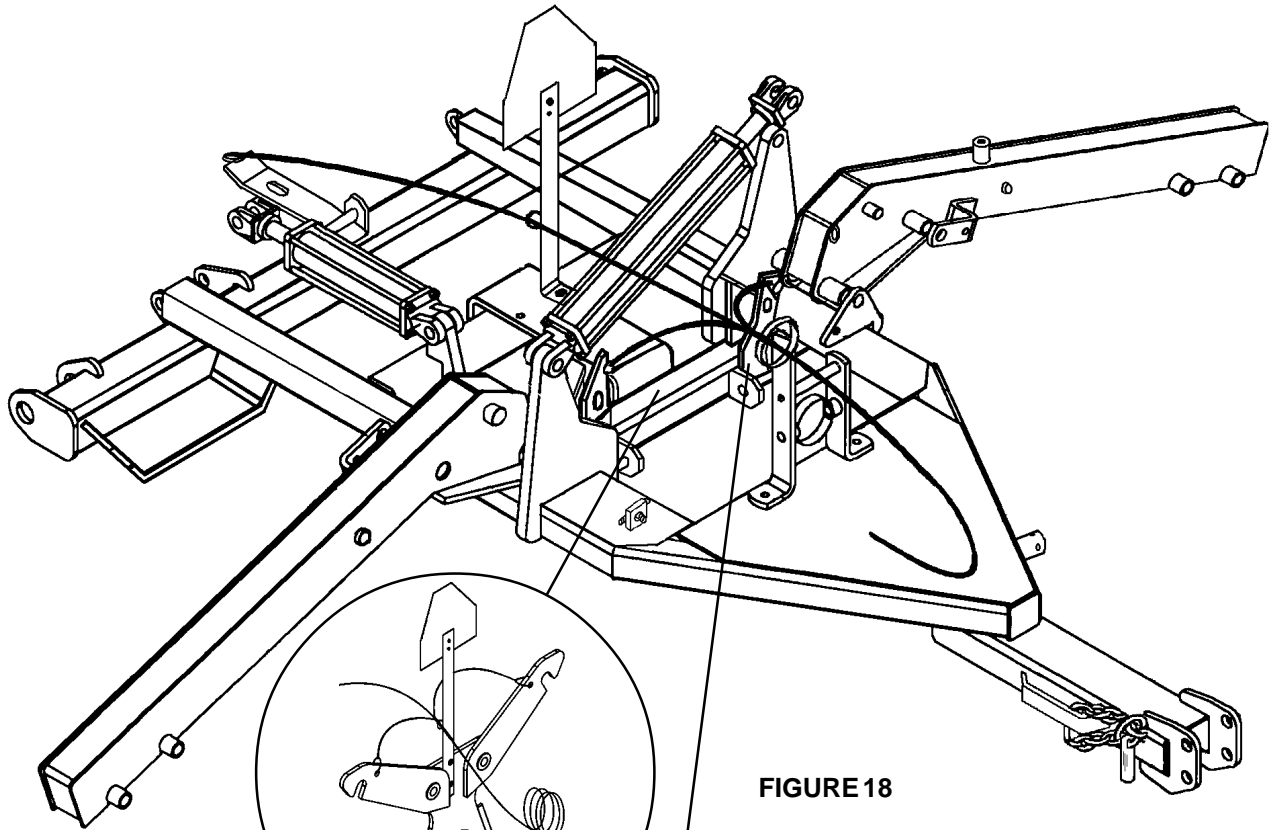
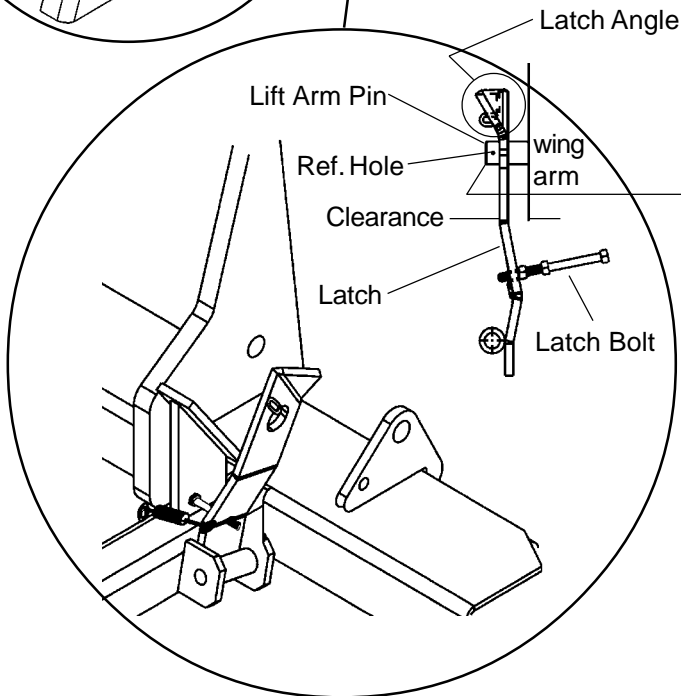


FIGURE 18

NOTE:  
11' Model Only

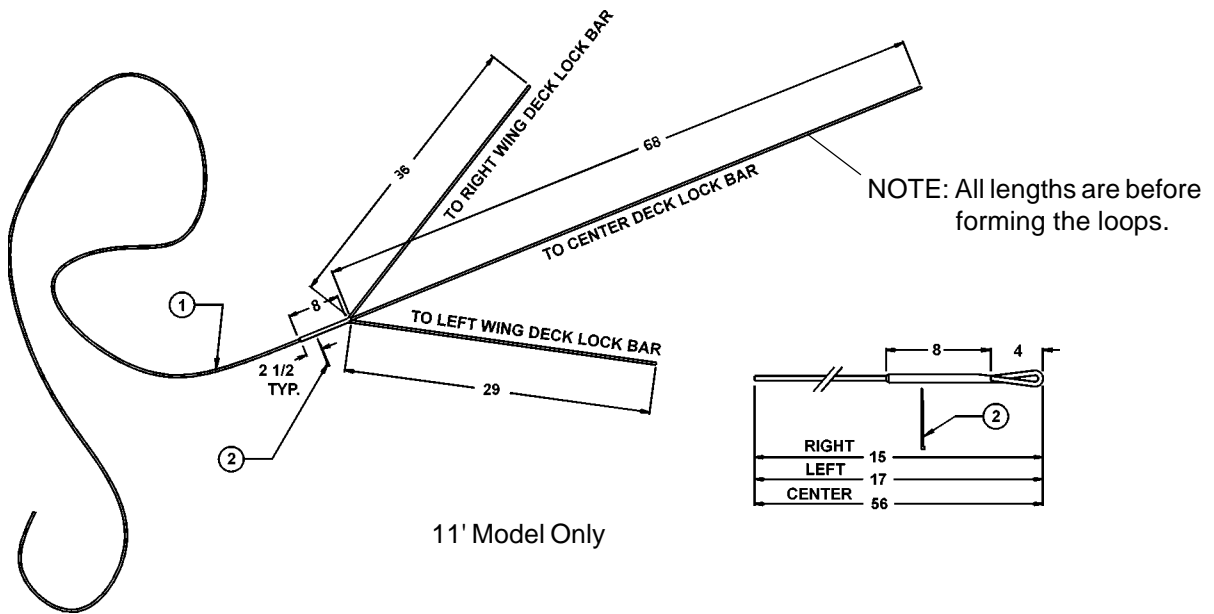


Adjust Latch Bolt to provide minimum clearance between Reference Hole and Latch. Over adjustment (too much clearance between Wing Arm and Latch) may cause improper contact between Lift Arm Pin and Latch Angle. Not enough clearance will cause damage to Latch arm when heads are raised.

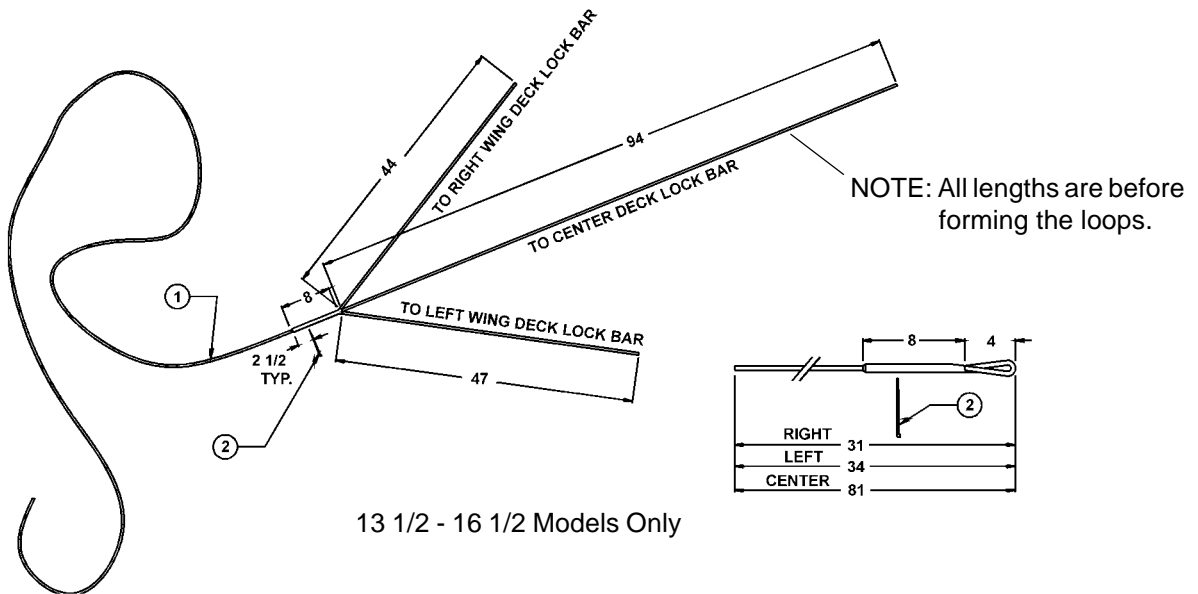
# ASSEMBLY

NOTE: FIELD ASSEMBLY (FIGURE 19)- Head Locks

1. Loop ends back through welded link on lock bar and then inside of braid by forming a hole 16" from end.
2. Adjust lengths as shown to give 8" overlap and 4" loop.
3. Adjust to give dimension shown.
4. Secure loops by running a plastic ties thru rope braids (2) to prevent slipping.



11' Model Only



13 1/2 - 16 1/2 Models Only

FIGURE 19





# **OPERATION SECTION**

Operation Section 4-1

# OPERATION

The safe operation of this machine is the responsibility of the operator. The operator should be familiar with the mower and tractor and all safety practices before starting operation. This mower is designed for lawn or grass mowing. It is not designed for rough conditions or heavy weed mowing. It is equipped with suction type blades for best results in lawn mowing.

Always operate tractor PTO at 540 rpm.

This section provides information for attaching mower to tractor and preparing it for field operation. Review this data prior to tractor hookup and operation.

## TRACTOR PREPARATION

### Wheel Treads

Tractor wheel tread spacing should be increased when working on inclines or rough ground to reduce the possibility of tipping.

**WARNING!** Do not get between Tractor and Mower when engine is running!



**DANGER!**



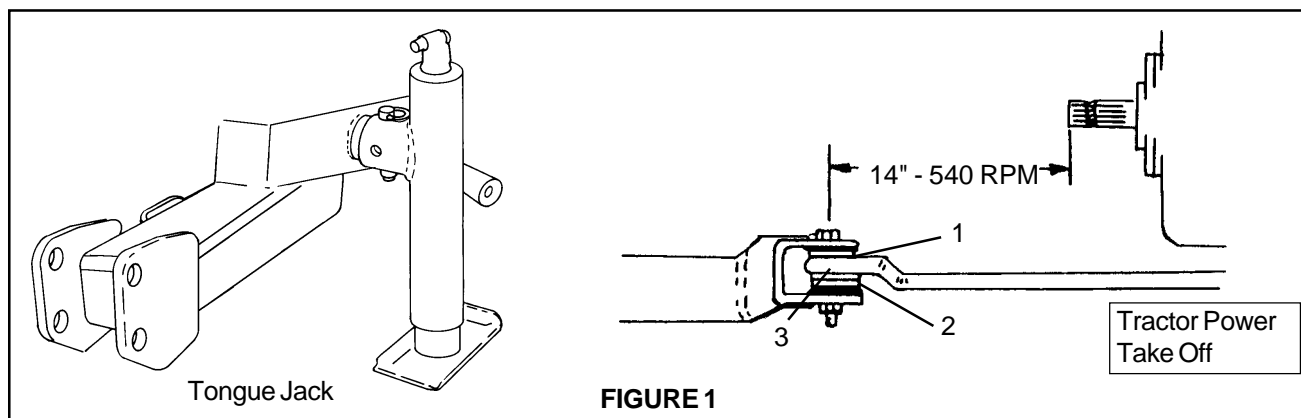
**NEVER ALLOW CHILDREN TO OPERATE, RIDE ON, OR COME CLOSE TO MOWER OR TRACTOR.** Usually, 15-16 year-old children who are mature and responsible can operate the mower with reasonable safety if they have read Operator's Manual, been trained in safe operation of the machine, and are physically large and strong enough to reach and operate controls easily.

## ATTACHING CUTTER TO TRACTOR

**WARNING!** Never hitch or unhitch without using the Tongue Jack. The Tongue is very heavy, and attempted lifting can cause strains and crushing injury should the Tongue fall suddenly and unexpectedly. Use the Jack only for lifting the Mower. Overloading the Jack can cause failure with possible serious bodily injury or even death.



Use the Tongue Jack to either hitch or unhitch the mower. Be sure the Wheels are properly blocked to avoid rolling.



Place a 1" washer (1) under the top lip of the Clevis hitch. Add enough 1" spacer washers (2) between the bottom of drawbar and the bottom lip of the Clevis to fill the open space. Install a 1" grade 5 or 8 bolt (5" long). Install a locknut (3) onto the bolt beneath the Clevis and tighten the 1" locknut & bolt securely. See **Figure 1**.

# OPERATION

**NOTE:** If attaching Mower Clevis, tractor drawbar must extend to rear to allow turning without binding in the Tongue Clevis. **DO NOT USE THIS TYPE DRAWBAR WITHOUT STABILIZERS.** Install washers the same as detailed previously. See art below.

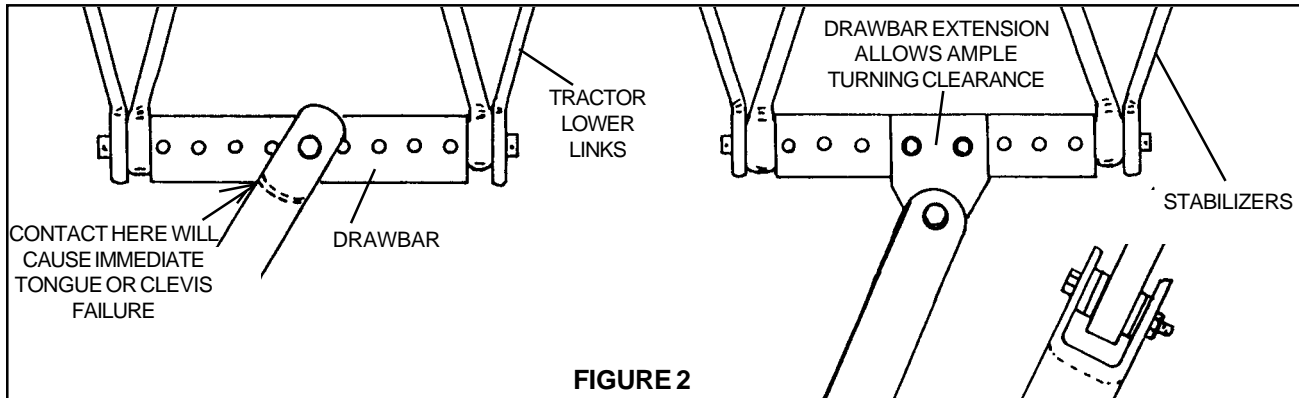


FIGURE 2

**NOTE:** NEVER ATTACH MOWER TO TRACTOR WITH A PIN NOT HAVING A NUT.

The two halves of the Clevis must be bolted together securely to carry the load properly without springing or breaking the Clevis.

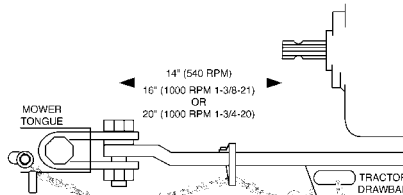
## DANGER!



Failure to adjust the Drawbar to the CORRECT LENGTH, failure to PROVIDE DRAWBAR CLEARANCE sufficient for short turns, and/or failure to ATTACH CLEVIS TO THE DRAWBAR correctly and securely MAY ALLOW THE MOWER TO SEPARATE FROM THE TRACTOR AND/OR THE DRIVELINE HALVES TO SEPARATE WHICH CAN CAUSE SERIOUS BODILY INJURY OR DEATH TO THE OPERATOR OR OTHERS.

## IMPORTANT

REQUIRED FOR JACKSHAFT UNIT  
SUGGESTED FOR STANDARD SHAFT



Attach Safety Chain securely as per ASAE S338

D102

## SAFETY CHAINS - PULL TYPE

When towing implements on the highway, use safety chain supplied with Implement. This will control the implement in the event the hitch pin is lost.

After attaching the safety chain, make a trial run by driving the tractor to the right and to the left for a short distance to check safety chain adjustment. If necessary, readjust to eliminate tight or loose chain.

# OPERATION

## DRIVELINE ATTACHMENT TO TRACTOR

1. Grasp and pull collar on end of attaching yoke toward mower.
2. Slide yoke (with collar depressed) onto PTO shaft.
3. Move yoke back and forth until locking collar clicks forward and locks the yoke in place.

**WARNING!** When attaching PTO yoke to tractor PTO shaft, it is important that spring activated locking collar slides freely and is seated in groove on PTO shaft.



**WARNING!** Be sure PTO shielding and all other shielding is installed and is in good condition.



**WARNING!** Avoid personal injury! Be sure tractor engine is off, key is removed, and **ALLOW BLADES TO STOP TURNING** before dismounting to make adjustments.



## CUTTING HEIGHT ADJUSTMENT

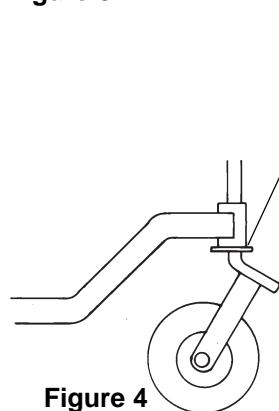
**IMPORTANT:** When operating, remote valve lever must be in detent position to allow mower heads to follow ground contour. (Float)

**IMPORTANT:** Avoid very low cutting heights. Striking the ground with blades gives the most damaging shock loads a cutter can encounter and will cause damage to cutter and drive system.

1. Using the tractor hydraulics, raise the mowers off the ground and support under it with secure blocking so not to let the mower drift down during maintenance.

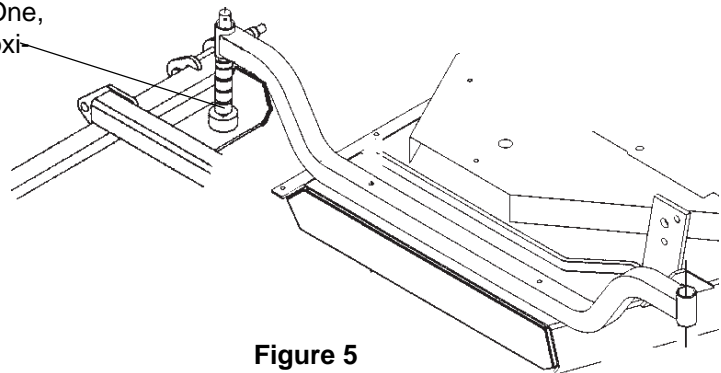
2. Holding wheel and yoke assembly up, remove quick-lock pin from top of gauge wheel spindle. Position full length spacers and half spacer as required. All spacers on top of spindle tube allows for approximately 1/2" cutting height. Adjustments range from 1/2" to a maximum of 5" in 1/2" increments. **Figure 4.**

3. For the 11' Model Shaft Height Adjustment remove quick-lock Pin from top of Shaft. Remove Shaft from Axle Arm. Position full length Spacers and half Spacers as required. All spacers on top of spindle tube allows for approximately 1/2" cutting height. Adjustments range from 1/2" to a maximum of 5" in 1/2" increments. **Figure 5.**



**Figure 4**

Add spacers for cutting height adjustment. One, 1" Spacer gives approximately 1-1/2" cutting height.



**Figure 5**

## ROLLER ADJUSTMENT

Place roller brackets in lowest position for cutting heights 5" to approximately 3". Place in highest position for 1" to approximately 1-1/2" cutting heights. Place in intermediate position for cutting heights of 2" to approximately 3".

# OPERATION

## STARTING & STOPPING MOWER

Power for operating mower is supplied from tractor PTO. Refer to your tractor manual instructions for engaging and disengaging the PTO. Always engage the PTO at low engine rpm. Always operate at recommended PTO speed of 540 RPM. Learn how to stop tractor and mower quickly in case of an emergency.

**IMPORTANT:** Stop mower and tractor immediately upon striking an obstruction. Inspect the mower and repair any damage before resuming operation. **Do not disengage PTO when engine is at full PTO RPM. Always idle engine before disengaging PTO.**

**WARNING!** Avoid personal injury. When attempting to stop a tractor which does not have live PTO, the momentum created by the blade carrier of a rotary cutter can cause the tractor to be pushed forward. **DO NOT** operate this cutter unless tractor has live or independent PTO.



To commence operation, reduce engine speed and engage the tractor PTO. Before starting to cut, gradually increase engine speed to develop full PTO speed.

Enter the area to cut with the mower operating at PTO speed and, if it becomes necessary to temporarily regulate engine speed during operations, increase or decrease the throttle gradually.

To transport, disengage the PTO, raise to full transport height.

## CUTTING SPEED

Proper ground speed for mowing will depend upon the height, type, and density of material to be cut.

Normally, ground speed will range from 1-1/2 to 5 mph. Tall dense material should be cut at low speed while thin medium height material can be cut at a faster ground speed.

## MOWING TIPS

Always operate PTO at recommended RPM when mowing. This is necessary to maintain proper blade speed and to produce a clean cut.

Under certain conditions, tractor tires may roll some grasses down and prevent them from being cut at the same height as the surrounding area. When this occurs, reduce the tractor ground speed, but maintain PTO RPM. The lower speed will permit grasses to be at least partially rebound and be cut. Taking a partial cut and/or reversing the direction of travel may also produce a cleaner cut.

As often as possible, stop mowing when other people are passing by. Although the Mower is shielded to prevent objects from being thrown out by the blades, no one shield device is 100% effective. The operator has greater knowledge of the dangers of being around this Mower while it is operational than the person on the street.

**WARNING!** Avoid personal injury. Pick up all rocks and other debris before cutting. Enter new areas carefully. Cut material higher the first time to allow cutter to clear unseen objects. Never assume an area is clear. Always check.



Extremely tall grass should be cut twice. Raise mower and cut twice the desired height. Cut the second time at desired height at 90 degrees to first pass.

Remember, sharp blades produce cleaner cuts and use less power.

Before mowing, analyze the area to determine the best cutting procedure. Consider the height and type of material and the terrain type: hilly, level or rough.

Grass is best cut when it is dry. Mowing wet grass can cause plugging resulting in grass clumps behind the mower.

Grass should be mowed frequently as shorter clippings deteriorate faster.

# OPERATION

## DETACHING AND STORING

Lower the Mower to the Ground. Park the Tractor with the transmission in the correct gear (Automatic Transmission--Park; Standard Transmission--Neutral). Set the parking brake, shut off the engine, and remove the key, Wait until the PTO stops rotating before getting down from the tractor.

Disconnect the driveline from the tractor PTO and store it to prevent it from contacting the ground.

Always reinstall the Master Shield over the tractor PTO Shaft. This shield should always remain in place except when connecting or disconnecting driveline.

## BEFORE OPERATING OR TRANSPORTING THIS MOWER

Always display this SMV emblem (**FIGURE 6**) on the stand mounted on the center Gearbox when transporting this mower where it is clearly visible to following traffic. Prominent display of this symbol will help the operator avoid accidents which could cause injury or possibly death.



**FIGURE 6**

## DRIVELINE LENGTH CHECK PROCEDURE

### WARNING!



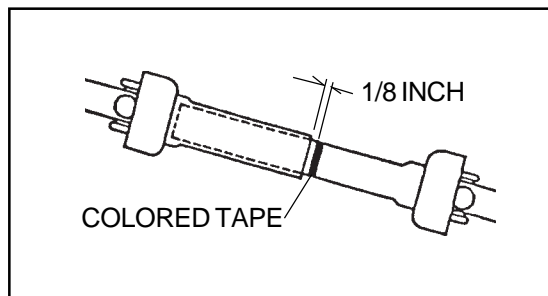
A loose shaft could slip off and result in personal injury or damage to mower. When attaching PTO yoke to tractor PTO shaft, it is important that spring activated locking collar slides freely and locking balls are seated in groove on PTO shaft.

### WARNING!



Before operating mower, check to make sure the driveline will not bottom out or become disengaged.

- \* Disengage the Driveline from the tractor PTO Shaft.
- \* Slide the Driveline together until it "bottoms out" solidly.
- \* Apply colored tape to the Inner Shield 1/8" from the end of the Outer Shield. **FIGURE 7**
- \* Re-attach the Driveline to the PTO Shaft.



**FIGURE 7**

**Driveline in maximum compressed position**

# OPERATION

- With the PTO **NOT TURNING**, slowly drive the tractor with mower attached through sharpest turn possible and watch shaft movement.
- With PTO **NOT TURNING**, slowly drive the tractor with mower attached through the most severe terrain conditions expected and watch Shaft movement.
- Check position which places driveline at maximum extended length and at maximum compressed length. Maximum extended length must always maintain at least 10 inches of profile tube engagement. Maximum compressed length should always maintain 1-9/16 clearance; if not shorten driveline as shown in **Fig 8**.
- If driveline cannot be shortened and still maintain 10 inches of tube engagement then the operator should note test so he can recognize the terrain conditions that might cause the problem and avoid possible damage by disconnecting driveline from tractor.

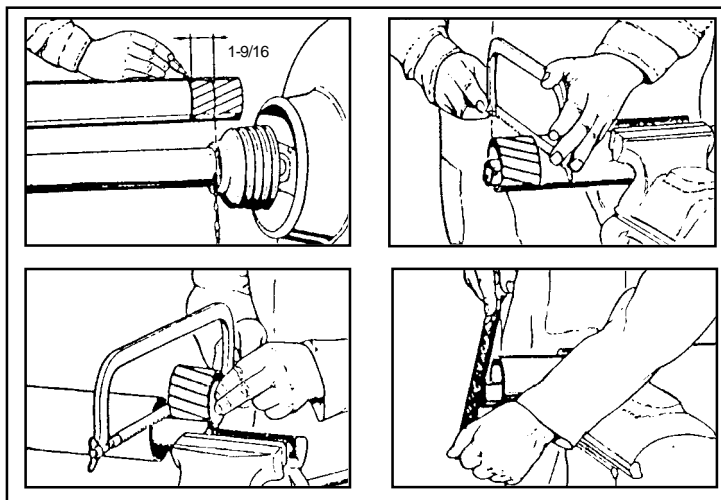


FIGURE 8

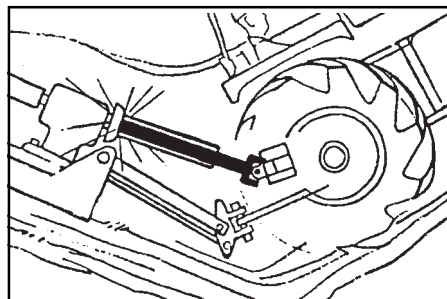
## SPECIAL INSTRUCTIONS FOR ROUGH TERRAIN OPERATIONS

When crossing ditches with steep banks or going up sharp inclines, it is possible to “bottom out” the Driveline that connects the tractor PTO to the Gearbox on mower.

Note: To bottom out means that the Inner Shaft has penetrated into the Outer Housing to its maximum depth until the Assembly becomes solid - it can shorten no more. See **Figure 9**.

If this happens, it can cause serious damage to the tractor PTO by pushing the PTO into the tractor and through the Support Bearings or downward onto the PTO Shaft, breaking it off.

Driveline bottom out.  
FIGURE 9



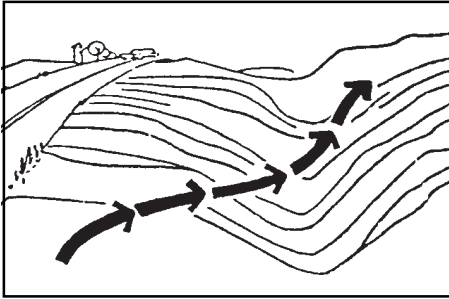
### WARNING!



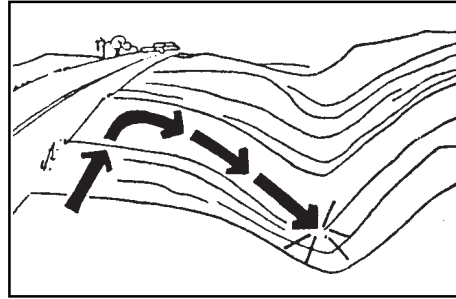
Either failure can allow the Driveline to come loose from the tractor which could cause bodily injury to the operator or others in the vicinity along with expensive damage to the tractor and/or Cutter.

# OPERATION

If you have a condition where your tractor will be going up a steep incline with your mower still on the flat area or coming down the opposite incline, you have a potential problem. **Figure 11**. The correct preventive measure is to instruct the operator to cross this kind of terrain at an angle. **Figure 10**. This will reduce the angle between the tractor and the mower. The problem is more likely to occur if the Cutter is in the raised position while the tractor is turning sharply and going up an incline.



**CORRECT: Approach ditch at an angle**  
**FIGURE 10**



**INCORRECT: DO NOT approach ditch straight on.**  
**FIGURE 11**

## TRANSPORTING CUTTER:

1. Raise wings to full height.
2. Install transport lock bars.

**Note:** If the transport lock bars can not be easily installed, lower wings remove rod end of cylinder and adjust the rod clevis in or out to match transport bar length.

3. Raise center section.

**WARNING:** This machine can be turned over. Use caution when operating in transport position. Limit speed and avoid sharp turns and rough terrain.



When transporting the mower, keep the Center Section as low to the ground as is practical to increase stability. Raise the left and right Wing sections and use the transport lock bars to retain them in the upright position.

**DANGER:** Keep everyone clear while lifting or lowering mower or raising and lowering Wings.



**CAUTION:** Do not exceed 10 MPH with Sectional Tires or 15 MPH with Pneumatic Tires.



**WARNING:** Use the tractor Warning Lights, SMV Sign, Reflectors, and other devices for adequate warning to the operators of other vehicles. Comply with local governmental regulations.



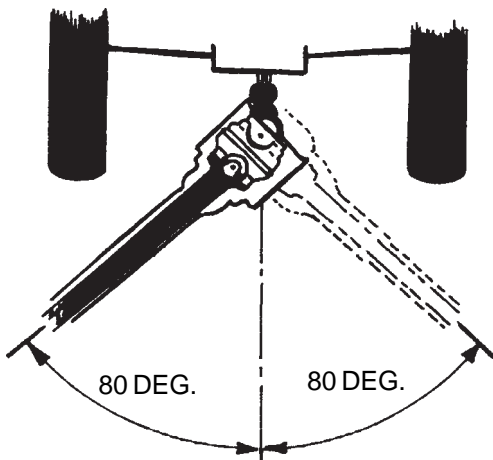


# OPERATION

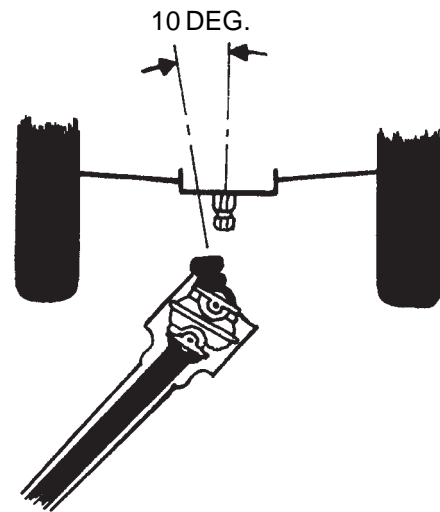
## CV DRIVELINE CHECK PROCEDURES

The Main Driveline to tractor is equipped with a special constant velocity (CV) joint that allows the joint to run smooth with no vibration even at joint angles up to 80 degrees. This joint will operate and perform satisfactorily as long as it is not subjected to conditions which abuse it or go beyond its operating limits.

1. The constant velocity joint must be greased daily at 8 hour intervals. See Maintenance Section. Failure to lubricate as instructed will cause rapid wear and failure of operating components of joint.
2. The constant velocity joint must not be subjected to a joint angle greater than 80 degrees. **FIGURE 12.**



**FIGURE 12**



**FIGURE 13**

To check maximum joint angle, connect mower to tractor. Do not connect driveline at this time. Start tractor and make a maximum turn to left until tractor tire almost contracts frame. Then check joint by holding driveline yoke above PTO shaft and then angle driveline yoke until it stops. There should be approximately a 10 degree difference between center line of yoke and PTO shaft. **FIGURE 13.** If not, check drawbar length and shorten if necessary or move rear tractor tires wider apart to limit turning radius.

3. The constant velocity joint must also not be subjected to conditions where telescoping tubes bottom out. Check this condition at same time maximum angle was checked above. There should be at least 4 inches of additional telescoping available with the yoke attached to the tractor.

**NOTE:** If the driveline will not connect because it does not have enough clearance; check to see if drawbar can be lengthened or cut the driveline shield and tube lengths to provide adequate clearance.



## WARNING

**DISENGAGE PTO BEFORE FOLDING WINGS TO PREVENT INSTANT FAILURE OF DRIVELINES AND POSSIBLE SEVERE BODILY INJURY OR DEATH.** #00763536

# OPERATION

## TROUBLESHOOTING

PROBLEM	POSSIBLE CAUSE	REMEDY
STREAKING	Slow Blade Speed Worn Blade Tips	Operate PTO at 540 RPM. Replace with Genuine <b>ALAMO</b> Blades. See your Rhino dealer. Sharpen blades uniformly.
	Dull Blades Blades unable to cut that part of grass pressed down by path of tractor tires or casters Mowing Too Fast Drive Belt Loose Belt Glazed/Slipping	Slow ground speed of tractor but keep engine running at full PTO rpm. Cutting slower will help. Slow down until cured. Tighten per instructions. Apply belt dressing or replace with special <b>ALAMO</b> belt.
	Blade Loose on Spindle	Tighten blade bolt securely. (Note: Left Hand threads Torque to 150 ft. lbs.)
	Conditions too wet for mowing	Allow grass to dry before mowing.
MATERIAL DISCHARGES FROM MOWER UNEVENLY, BUNCHES MATERIAL ALONG SWATH	Material too high and too much material	Reduce ground speed but maintain 540 rpm at tractor PTO, or make two passes over material. Raise the mower for the first pass and lower to desired height for the second and cut at 90 deg. to first pass. Raise rear of mower high enough to permit material to discharge, but not so high that conditions listed above occur.
	Belt Slipping	Tighten or replace with special <b>ALAMO</b> belt.
	Grass Wet	Allow grass to dry before mowing. Slow ground speed of tractor but keep engine running at full PTO rpm. Cutting lower will help.
HEAVY VIBRATION	Too high blade speed Broken/bent Blade	Do not exceed 540 PTO RPM. Replace with genuine <b>ALAMO</b> Blades. See your <b>ALAMO</b> dealer.
	Worn/Unbalanced Blade Bent/Broken Sheave Trash Hung on Blade	Grind uniformly, rebalance or replace. Replace parts. Clean off blade.
BELT SLIPPING	Belt loose	Tighten or replace with Special <b>ALAMO</b> belt.
	Belt Glazed Oil on belt	Use belt dressing or replace. Clean or replace

# OPERATION

## TROUBLESHOOTING

PROBLEM	POSSIBLE CAUSE	REMEDY
BELT SLIPPAGE	Mower overloading, material too tall or heavy	Reduce tractor ground speed but maintain full PTO rpm. Cut material twice, one high pass and then mow at desired height. Cut a partial swath. Be careful not to over-lubricate. Clean lubricant from belt and pulleys with clean rag. Replace oil soaked belt. Check belt for free travel in pulleys and belt guides. Check under mower and around blade spindle shafts for wire, rags, or other foreign material. Clean all material from under mower.
	Oil on belt from over lubrication	
	Belt hung up or rubbing	
FRAYED EDGES ON BELT COVER	Belt misaligned or belt rubbing guide. Pulley misalignment	Re-align belt or guide. Be sure belt doesn't rub any other part while running. Inspect to ensure belt is running in center of backside idler. Shim idler as necessary to align.
BELT ROLLOVER	Pulley misalignment Damaged belt Foreign object in pulley grooves	Re-align Replace belt.* Inspect all pulley grooves for rust, paint or weld spots and remove. Replace pulley
	Worn pulley groove	
DAMAGED BELT	Rollover, high shock loads or installation damage	Replace belt.*
BELT BREAKAGE	High shock loads	Avoid abusive mowing. Avoid hitting the ground or large obstructions. Check drive alignment for foreign material in grooves. Ensure proper tension. Avoid hitting solid objects or ground.
	Belt came off drive	

\*Check belt for damage by laying it flat on floor. If belt does not lie flat (has humps or twists), which indicates broken or stretched cords, it must be replaced. Each mower head belt must be replaced as set of two Belts.



# **MAINTENANCE SECTION**

Maintenance Section 5-1

# MAINTENANCE

Before operating your Mower, make sure it is properly lubricated and thoroughly inspected. Only a minimum of time and effort is required to regularly lubricate and maintain this machine to provide long life and trouble free operation.

## WARNING!

Always disengage the PTO before raising the mower for transporting or making adjustments.



## LUBRICATION INFORMATION

Do not let excess grease collect on or around parts, particularly when operating in sandy areas. The illustrations below shows lubrication points. All points should be lubricated daily under normal operating conditions. Severe or unusual conditions may require more frequent lubrication. **Figure 1.**

Use an SAE multi-purpose, lithium-type grease for all locations shown. Be sure to clean the fitting thoroughly before using grease gun. Daily lubrication of the wing driveline slip joint is necessary. Failure to maintain proper lubrication will result in damage to U-joints, gearbox, and/or driveshaft.

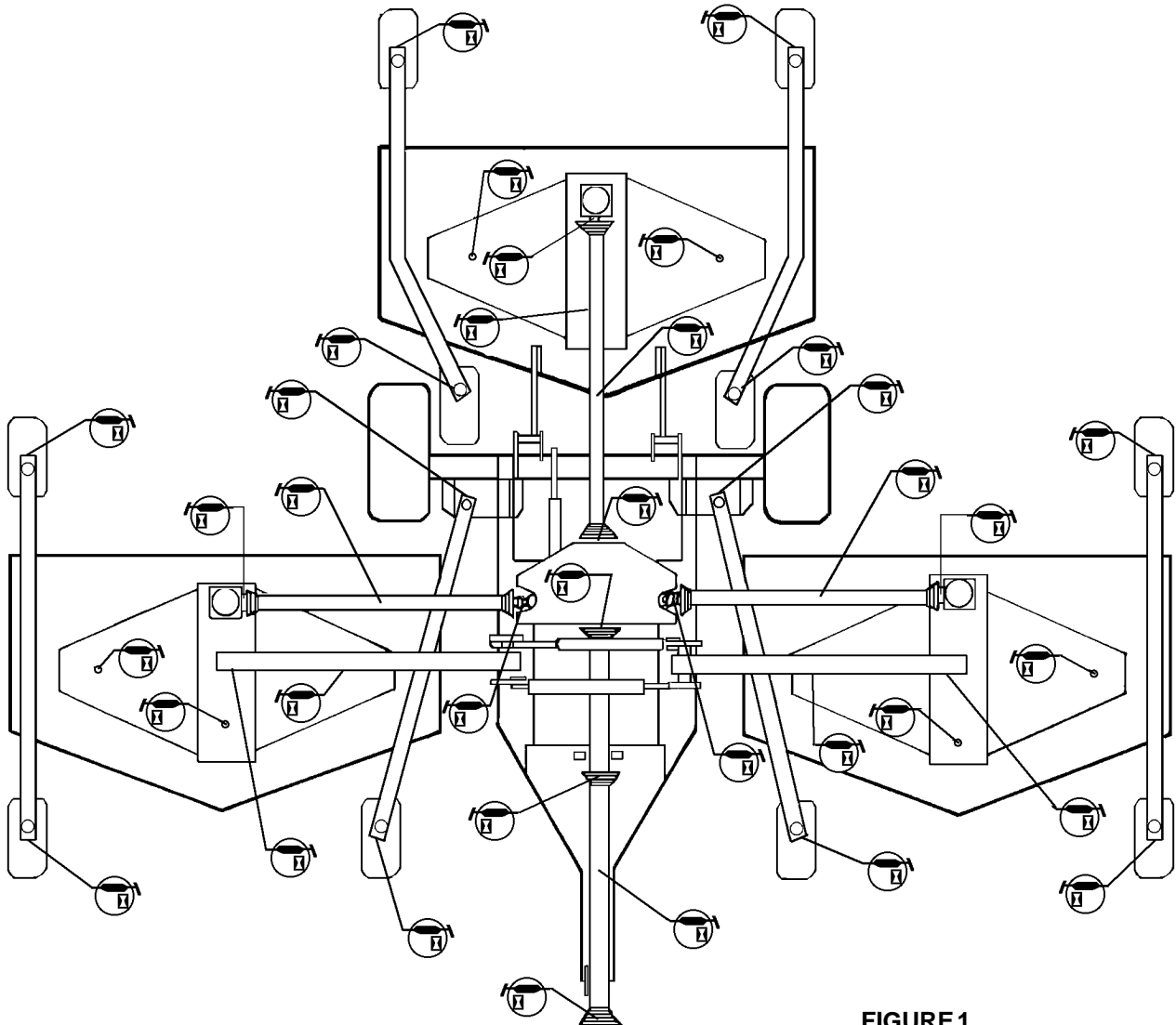


FIGURE 1

# MAINTENANCE

## GEARBOX

The Gearboxes have been filled with lubricant to the Test Plug Level prior to shipment. However, you should check the oil level at Test Plug before operating, and frequently thereafter.

The gearbox should not require additional lubricant unless the box is cracked or a seal is leaking. It is recommended that the oil level plug be removed after every 8 to 10 hours of operation and oil added until it runs out Test Plug hole. The Test Plug is located on the back of the Gearbox. Filler Plug is located on top back of Gearbox. **Figure 2.**



**FIGURE 2**

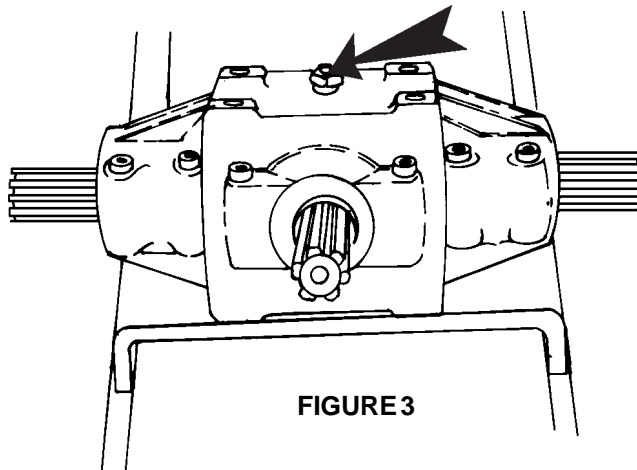
Recommended lubricant is NLGI 000 Grease, Rhino P/N 00769030.

**NOTE:** *Overfilling the Gearbox will cause pressure to build up and cause Oil Seals to leak.*

**ATTENTION:** If the Gearbox suddenly starts making an unusual noise, stop at once, check for leaks, and refill Gearbox as required.

## CENTER 4-WAY GEAR BOX

Gear box is filled from factory with proper lube level. There is no level check plug. To check oil level insert a clean wire, rod, or measuring device to determine distance from top of gear box. Oil level should not be lower than 3 1/4 inches or more than 2 1/4 inches from the top. **Figure 3.**



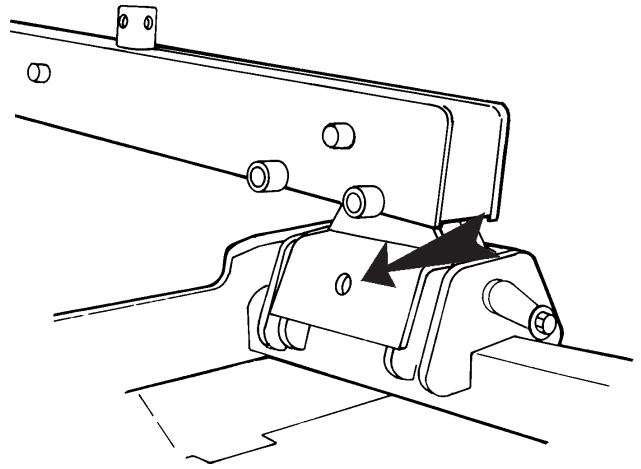
**FIGURE 3**

# MAINTENANCE

## SWIVEL ASSEMBLY

The Swivel Assembly should be lubricated every 8 hours. **Figure 3.**

FIGURE 3



## GAUGE WHEEL ASSEMBLIES

Gauge wheels are equipped with bushings which require grease daily. Grease Fittings are provided in the Wheel Hub and Gauge Wheel Pivot . Grease after 8 hours of use. **Figure 4 &5.**

FIGURE 4

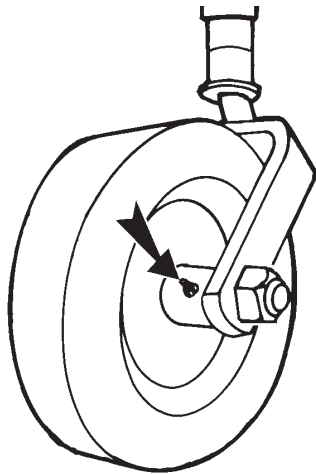
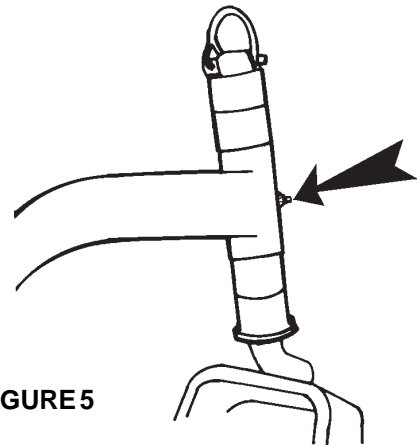


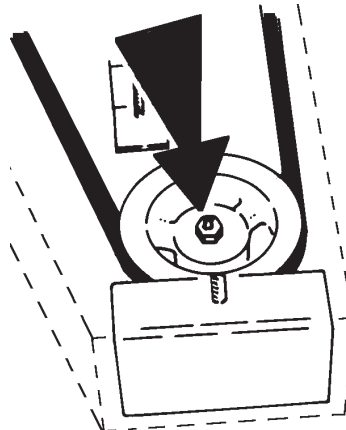
FIGURE 5



## BLADE SPINDLE LUBRICATION

Blade spindles must be lubricated daily (every 8 hrs). **Figure 6.** Access lubrication fitting through hole in outer shields and in center gearbox mounting. Each spindle must be lubricated enough each time to force small amount of grease out through top seal. **NOTE:** Do not over lube as excess grease may get on belt drive.

FIGURE 6





# MAINTENANCE

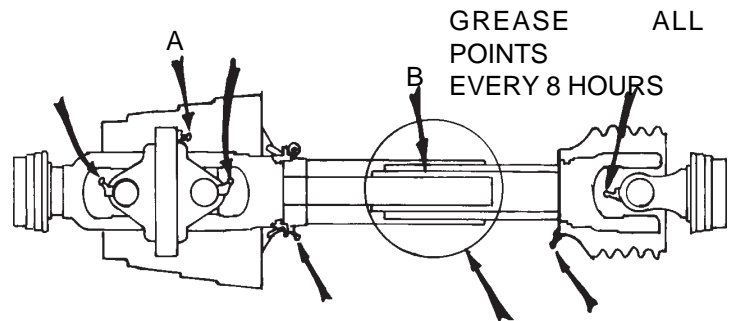
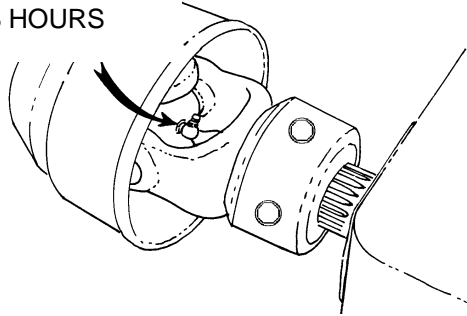
## DRIVELINE LUBRICATION

The Drivelines and U-Joints should be inspected each morning before the mower is started. **FIGURE 7**

The U-Joint and CV Joint on the Driveline undergo extreme forces when the unit is turning or when the Wings are being raised. It is important that the U-Joints and CV Joint be greased each day before the unit is started, and after each 8 hours of use. The U-Joints are located at each end of the Center and Wing Drivelines. The CV Joint is located at the end of the Main Driveline. The U-Joint and CV Joint assemblies are accessible by rotating the Driveline Safety Shield until the hole in the Shield matches up with the Grease Fitting. Use #2 Bearing Grease for lubrication. Do not force grease through the Needle Cup Assemblies. Inspect the U-Joint for wear by holding the shaft on one side of the U-Joint while trying to rotate the shaft on the other side of the U-Joint. If there is noticeable movement in the Driveline replace the U-joint before it causes severe damage to the Driveline.

**IMPORTANT:** Points A and B **MUST** be lubed every 8 hours.

GREASE EVERY  
8 HOURS



**FIGURE 7**

## CV DRIVELINE PROFILE LUBRICATION

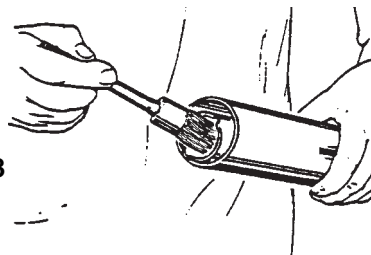
Grease telescoping profile tube through slots in shield tubes. NOTE: If slots do not align, cut another slot in outer shield that will align with hole in inner shield.

## WING DRIVELINE PROFILE LUBRICATION

Grease telescoping profile tube inside the shielding daily. Driveline must be removed from one connection, separated and greased per **Figure 8**.

Raise and lower wings after applying grease to spread over joint working area.

**FIGURE 8**



## WARNING!



When attaching slide collar yoke to gearbox shaft, it is important that the spring-activated locking collar slides freely and locking ball is seated on the groove on PTO shaft. A loose yoke could slip off and result in personal injury or damage to mower.

# MAINTENANCE

## BLADE SERVICING

Inspect blades before each use to determine that they are properly installed and in good condition. Replace any blade that is bent, excessively nicked, worn, or has any other damage. Small nicks can be ground out when sharpening.

Use only original equipment blades on this mower. They are made of special heat-treated alloy steel. Substitute blades may not meet specification and may fail in a hazardous manner that could cause injury.

## BLADE SHARPENING

Always sharpen both cutting edges of each blade at the same time, the same amount, to maintain balance. Follow original sharpening pattern as shown. Do not sharpen blade to a razor edge, but leave a 1/32" blunt edge. Do not sharpen back side of blade. **Figure 9.**

### WARNING!



Avoid personal injury. Always block the mower up to prevent it from falling when the blades and/or carrier are being serviced.

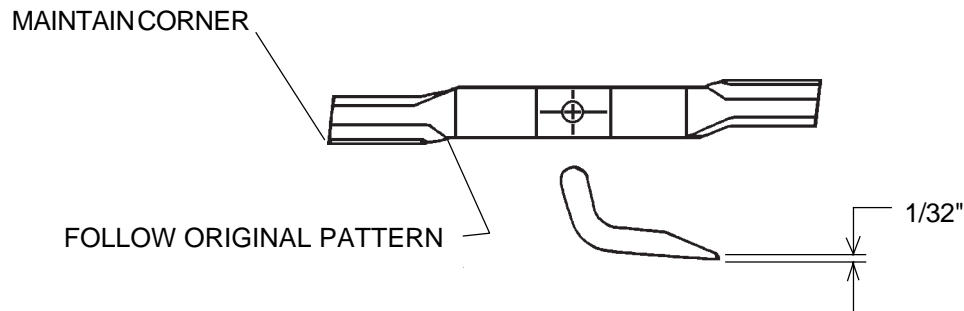


FIGURE 9

**IMPORTANT:** When sharpening blades, grind each end the same amount to maintain balance. Unbalanced blades will cause excessive vibration which can damage blade spindle bearings. Vibration may also cause structural cracks in mower housing.

## BLADE REMOVAL

Hold the end of blade using heavy leather gloves and remove left hand threaded bolt.

## BLADE INSTALLATION

Install washer on blade bolt, insert bolt into blade, thread bolt into spindle shaft. **NOTE:** Blade bolt has left hand threads. Tighten blade bolt to 150 ft. lbs. torque. Use heavy leather gloves during tightening process to hold blade and wrench.

# MAINTENANCE

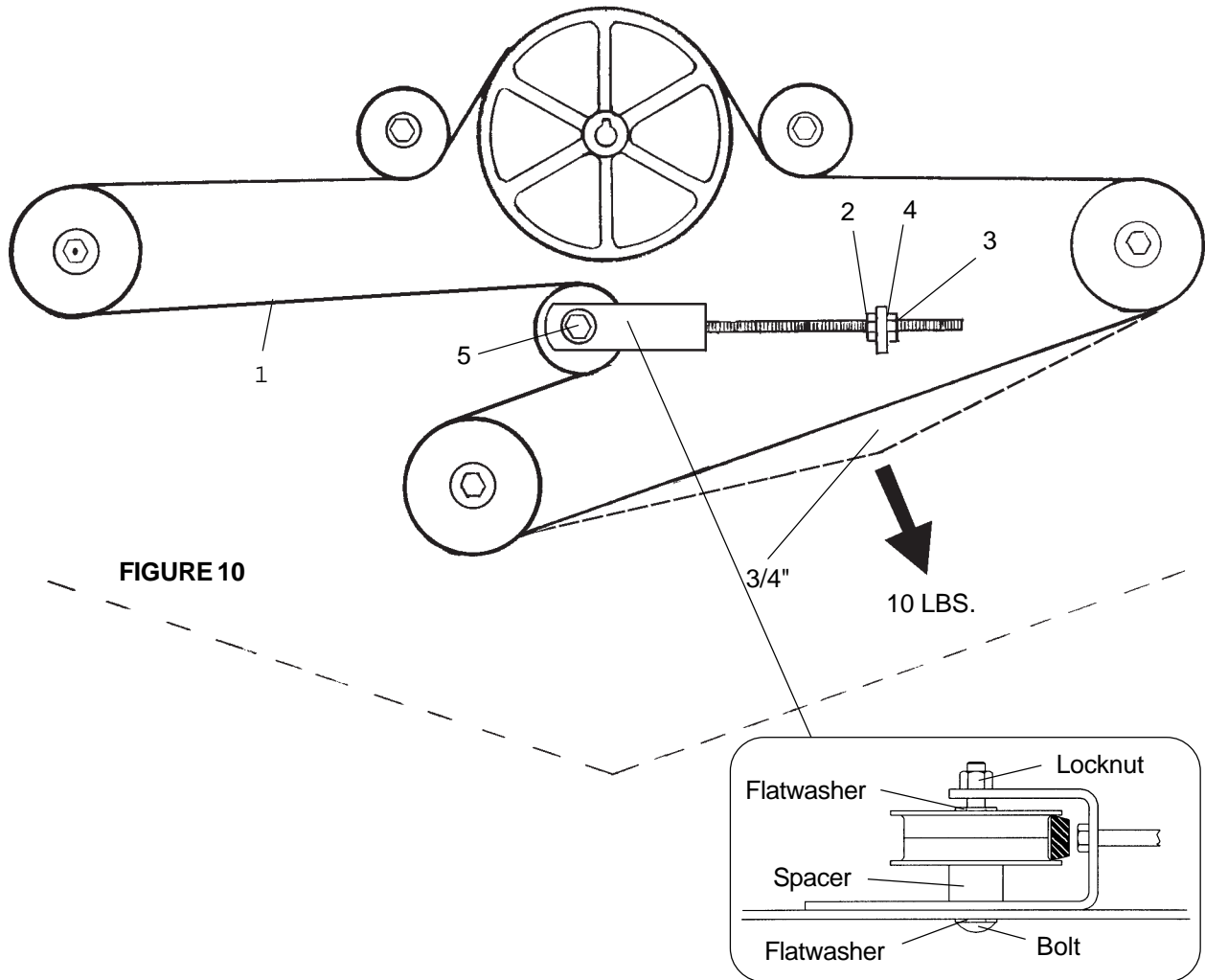


FIGURE 10

## BELT ADJUSTMENT PROCEDURE (All Models except 11')

Adjust the tension in the drive belts, item 1, properly so that they deflect 3/4" when a force of approximately 10 lb. is applied as indicated.

Tighten drive belts by loosening nut, items 2 & 5, and turn nut, item 3 against the anchor plate until proper tension is reached. **DO NOT OVERTIGHTEN.** Tighten jam nut, item 4., and nut item 2. And retighten item 5. **FIGURE 10.**

Replace the belt safety shields using wing nuts.

## BELT INSTALLATION (All Model except 11')

**NOTE:** Always replace belts as matched set of two.

To replace drive belts (1), remove belt shields and loosen nuts (2, and 3). Loosen and remove nut (5). Disassemble tensioning idler noting location of all loose parts. Loosen front pair of gearbox mount retaining bolts. Remove rear gearbox mount retaining bolts. Note location of shim washers if present so they can be reinstalled later. This allows gearbox mount to be raised so belts can be inserted and removed between top of deck and gearbox shaft. Once belts are in place on large drive sheave, reinstall and tighten gearbox retaining hardware. Locate rear of gearbox mount at same elevation as it was, before being removed. Reassemble tensioning idler with belt between idler and bracket. Route belts as shown in layout and tension per adjustment procedure.

# MAINTENANCE

## BELT ADJUSTMENT PROCEDURE (11' MODEL)

Adjust the tension in the drive belts, item 1, properly so that they deflect 3/4" when a force of approximately 10 lb. is applied.

Tighten drive belts by loosening one nut, items 2, and tightening other nut until Belts are properly tensioned. Jam the first Nut to hold adjustment. NOTE: If more thread adjustment is needed loosen off and hook Spring (4) in next shorter Chain Link (3).

Replace the belt safety shields using wing nuts.

## BELT INSTALLATION (11' MODEL)

**NOTE:** Always replace belts as matched set of two.

To replace drive belts (1), remove belt shields and loosen nuts (2). Loosen the nut (2). Disassemble tensioning Spring noting location of all loose parts. Loosen front pair of gearbox mount retaining bolts. Remove rear gearbox mount retaining bolts. Note location of shim washers if present so they can be reinstalled later. This allows gearbox mount to be raised so belts can be inserted and removed between top of deck and gearbox shaft. Once belts are in place on large drive sheave reinstall and tighten gearbox retaining hardware. Locate rear of gearbox mount at same elevation as it was, before being removed. Reassemble tensioning Spring with Chain. Route belts as shown in layout and tension per adjustment procedure.

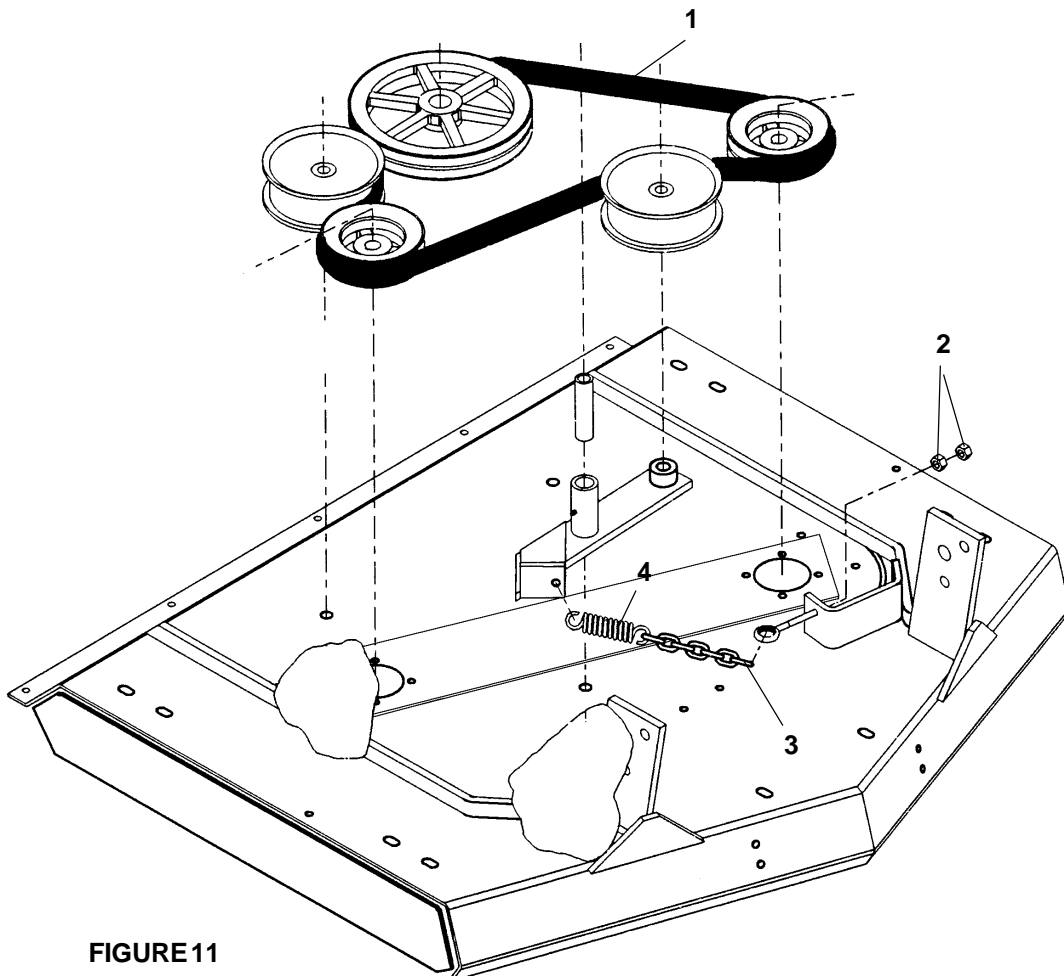


FIGURE 11

# MAINTENANCE

## STORAGE

Your rotary mower represents an investment from which you should get the greatest possible benefit. Therefore, when the season is over, the cutter should be thoroughly checked and prepared for storage so that a minimum amount of work will be required to put it back into operation for the next season. The following are suggested storage procedures:




1. Thoroughly clean the mower.
2. Lubricate the mower as covered in Maintenance Section.
3. Tighten all bolts and pins to the recommended torque.
4. Check the mower for worn or damaged parts. Make replacements immediately.
5. Store the mower in a clean, dry place with the mower housing resting on blocks.
6. Use spray touch-up enamel where necessary to prevent rust and maintain the appearance of the mower.

## PROPER TORQUE FOR FASTENERS (FIGURE 12)

The chart lists the correct tightening torque for fasteners. When bolts are to be tightened or replaced, refer to this chart to determine the grade of bolts and the proper torque except when specific torque values are assigned in manual text.

RECOMMENDED TORQUE IN FOOT POUNDS (NEWTON-METERS) UNLESS OTHERWISE STATED IN THE MANUAL

**NOTE:** These values apply to fasteners as received from supplier, dry or when lubricated with normal engine oil. They do not apply if special graphited or molydisulphide greases or other extreme pressure lubricants are used. This applies to both UNF fine and UNC coarse threads.

RECOMMENDED TORQUE IN FT-LBS (Nm) COARSE AND FINE THREADS			
2 (B)  5 (D)  8 (F) 			
Bolt Diameter	Plain Head	Three Dashes	Six Dashes
1/4	Not used	10 (14)	14 (19)
5/16	Not used	20 (27)	30 (41)
3/8	Not used	35 (47)	50 (68)
7/16	35 (47)	55 (75)	80 (108)
1/2	55 (75)	85 (115)	120 (163)
9/16	75 (102)	130 (176)	175 (237)
5/8	105 (142)	170 (230)	240 (325)
3/4	185 (251)	300 (407)	425 (576)
7/8	160 (217)	445 (603)	685 (929)
1	250 (339)	670 (908)	1030 (1396)
1-1/8	330 (447)	910 (1234)	1460 (1979)
1-1/4	480 (651)	1250 (1695)	2060 (2793)

**FIGURE 12**

# MAINTENANCE

## BLADE SPINDLE SERVICE INSTRUCTIONS (FIGURE 13)

### DISASSEMBLY

1. Remove adjusting nut #3.
2. Support spindle housing #2 under flange and drive out shaft assembly #1.

**CAUTION !** Use tube on top end of shaft to protect grease fitting.



3. Remove bearing cups from housing. Remove lower bearing from shaft assembly by inserting punch through hole in shaft hub and drive bearing off shaft. Once bearing has been moved 3/8" - 1/2" up shaft, lay flatbars on either side of the shaft and support across vice..or other convenient means. Remove bearing by driving as described in step #2.
4. Clean all parts and reassemble with new parts can proceed.

### ASSEMBLY

1. Press bearing cups in spindle housing.
2. Insert bearing cone in bottom of housing and press in bottom seal #6, flush with bottom of housing.
3. Insert shaft assembly #1 through bottom seal and bearing. Press or lightly drive shaft until it bottom against bearing.
4. Turn spindle over and sit on blade mount washer. Install top bearing and seal. NOTE: Direction of seal lip on top side.
5. Install top adjusting nut #3. Tighten only enough to remove all end play with a small amount of preload. Preload specification 10-15 inch-lbs.
6. Grease spindle, until grease is forced out top seal lip.

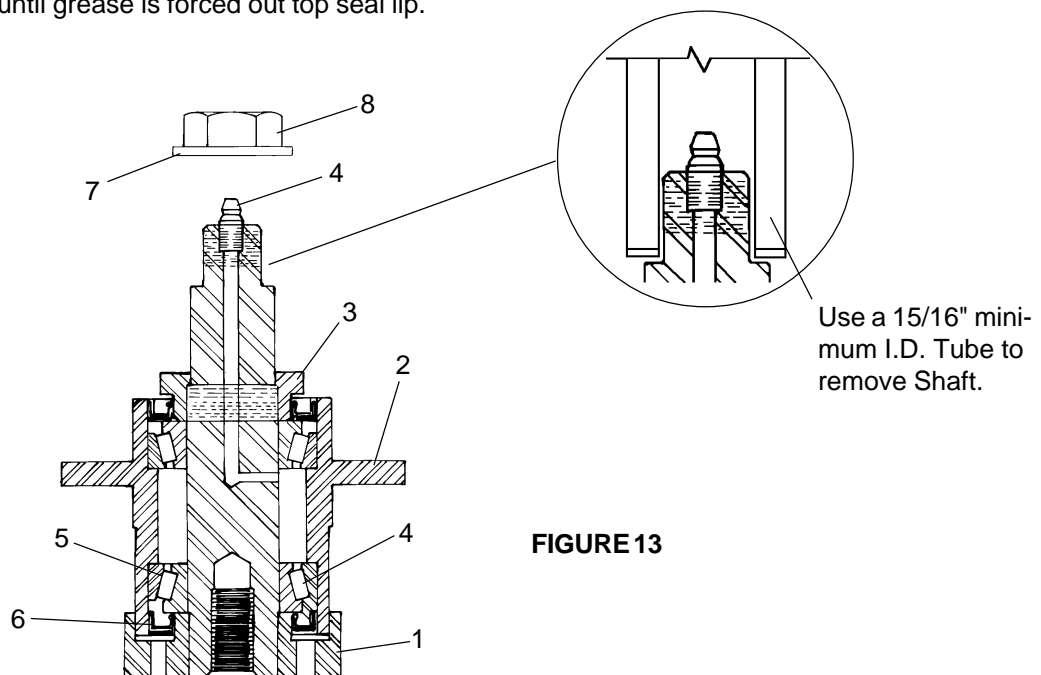


FIGURE 13

# MAINTENANCE

## CLUTCHASSEMBLY (Figure 14)

1. Remove snap ring (1). This allows removal of complete quick coupler (13,14,15,2) and three locking clutch balls (18).
2. Tighten four hex nuts (10) until spring assembly (9 and 12) are loose in main housing (3). **NOTE:** Small amount of lubricant on nut and threaded stud will avoid problem of twisting studs off.
3. Place clutch in vise so it can be held firm during next step.
4. Slots have been punched in outer circumference of main housing and at four equally spaced points around housing it has been deformed inward over the belleville springs. This retains the springs in housing when four hex nuts are released. These four deformed areas must be straightened out so that pressure plate assembly can be removed from housing. A special clutch service tool part number 8522 can be purchased and used to straighten deformed areas during disassembly and reform them during assembly. This tool is a bar with two pins located at one end (see Fig 14). To straighten housing place end pin on inside of clutch housing and second pin on outside of clutch housing. Apply pressure on end of bar so that pin in end of bar will straighten housing. **NOTE:** Hex nuts (10) must be tightened to release spring pressure before attempting to straighten main housing. Clutch can now be disassembled.

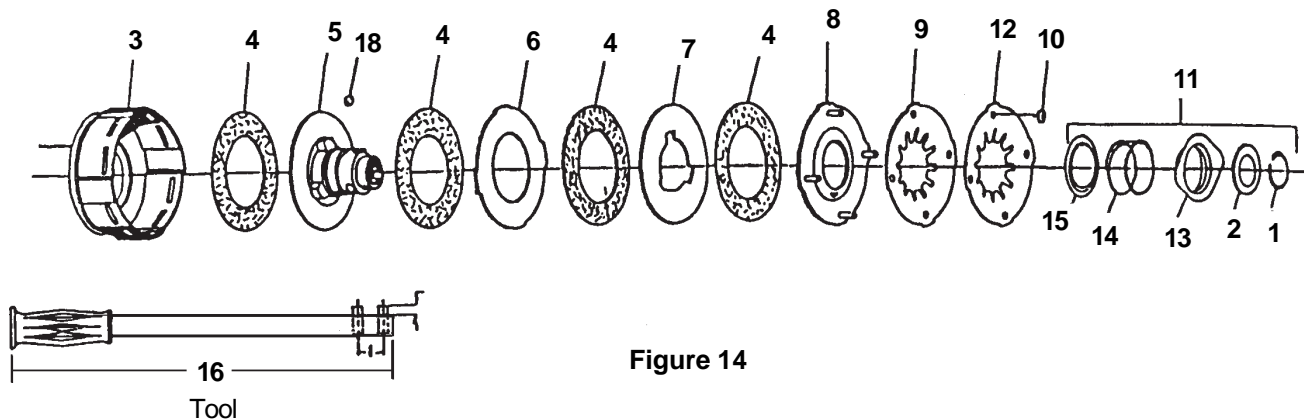


Figure 14





# **PARTS SECTION**

Parts Section 6-1

# PARTS ORDERING GUIDE

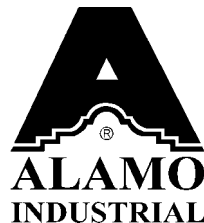
The following instructions are offered to help eliminate needless delay and error in processing purchase orders for the equipment in this section.

1. The Parts Section is prepared in logical sequence and grouping of parts that belong to the basic machine featured in this manual. Part Numbers and Descriptions are given to help locate the parts and quantities required.
2. The Purchase Order must include the name and address of the person or organization ordering the parts, who should be charged, and if possible, the serial number of the machine for which the parts are ordered.
3. The Purchase Order must clearly list the quantity of each part, the complete and correct part number, and the basic name of the part.
4. The Manufacturer reserves the right to substitute parts where applicable.
5. Some parts are unlisted items which are special production items not normally stocked and are subject to special handling. Request a quotation for such parts before sending a Purchase Order.
6. The Manufacturer reserves the right to change prices without prior notice.

**NOTE:** Please refer to The Safety Section in the front of this Manual for the proper Part Number when ordering Replacement Safety Decals.



For maximum safety and to guarantee optimum product reliability, always use genuine Alamo Group Parts. The use of inferior replacement parts may cause premature or catastrophic failure which could result in serious injury or death. Direct any questions regarding parts to:

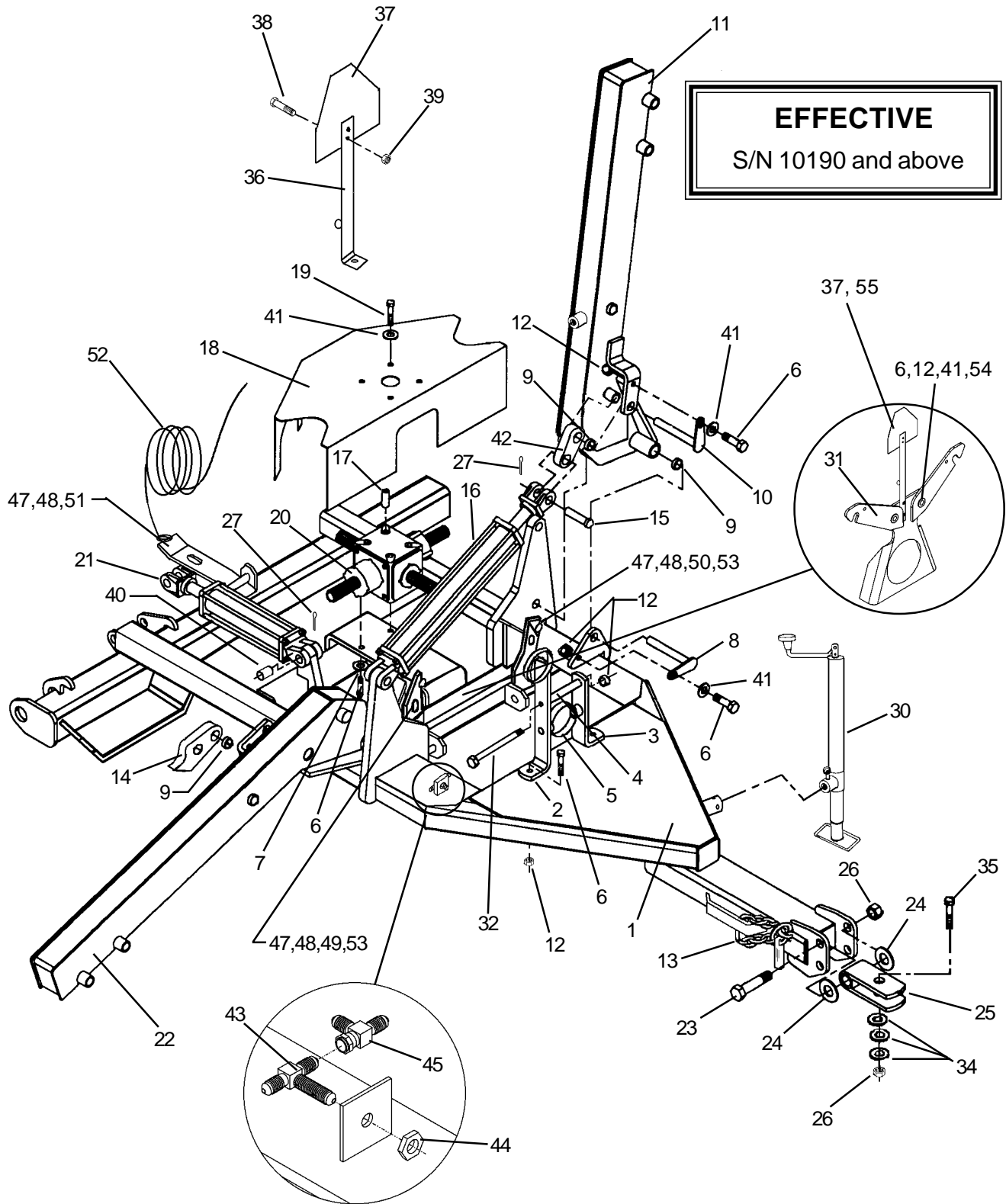


**Alamo Industrial**  
**P.O. Drawer 549**  
**Seguin, Texas 78156**  
**830-372-3551**

# PARTS TABLE OF CONTENTS

Mainframe Assembly .....	6-4
Hydraulic Cylinder (Center) .....	6-8
Hydraulic Cylinder (Wing) .....	6-10
Jackshaft Assembly .....	6-12
Main Driveline Assembly .....	6-14
Driveline Assembly .....	6-15
C.V. Driveline Assembly .....	6-18
Gearbox .....	6-20
Divider Gearbox .....	6-22
Wheel Hub Assembly .....	6-24
Wheel & Tire Assembly .....	6-25
Wing Lift Assembly .....	6-26
Belt Assembly (11' Model) .....	6-27
Belt Assembly .....	6-28
Spindle & Housing Assembly (S/N 10150 & above) .....	6-29
Blade & Spindle Assembly .....	6-30
Shield Assembly (S/N 10260 & above) .....	6-31
Wing Axle Assembly (11' Model) .....	6-32
Wing Axle Assembly .....	6-34
Rear Lift Assembly .....	6-36
Hydraulic Schematic .....	6-40
Rear Mower Wheel Assembly (11' Model) .....	6-42
Rear Mower Wheel Assembly .....	6-44
Front Roller Assembly .....	6-47
Deflectors .....	6-49
3 Spool Hydraulic Control Valve (Optional) .....	6-50
Blade & Spindle Assembly (S/N 10149 & below) .....	6-54
Shield Assembly (S/N 10259 & below) .....	6-55
<b>OPTIONAL EQUIPMENT</b>	
Chainguards .....	6-48
Hydraulic Schematic for 3 Spool Valve .....	6-51
Spindle & Housing Assembly (S/N 10149 & below) .....	6-53
Anti-Scalp Roller .....	6-56
Blade Support Assembly .....	6-57
Leaf Mulch .....	6-58

# MAINFRAME ASSEMBLY



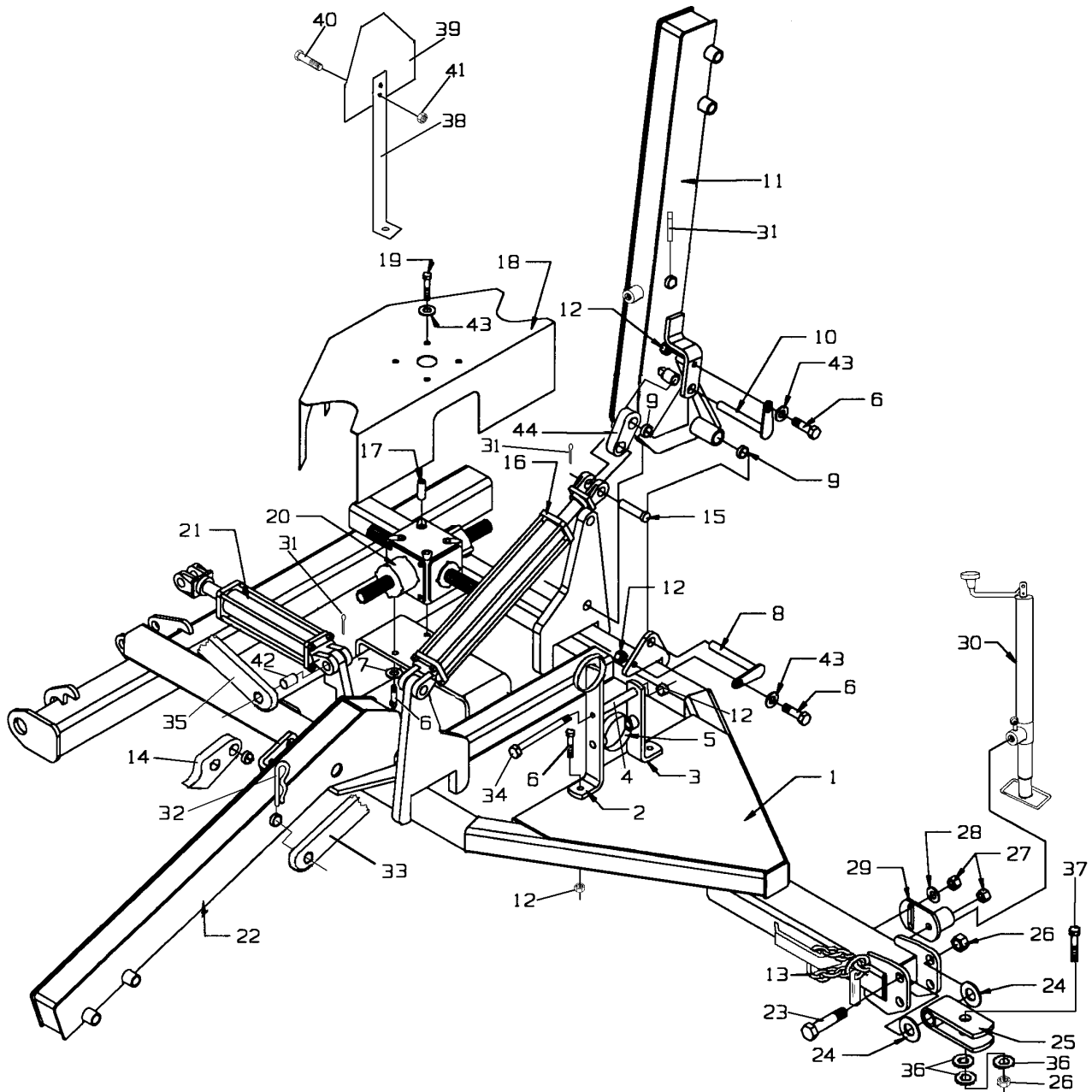
# MAINFRAME ASSEMBLY

**EFFECTIVE**  
S/N 10190 and above

ITEM	PART NO	QTY	DESCRIPTION
1	00770994	1	Wldmt- Mainframe
	00765658	1	Wldmt- Mainframe ( 11' Model Only )
2	00763336	1	Wldmt- Bearing Support w/Hose Ring
3	00763602	1	Wldmt- Trunnion Bearing Support
4	00760943	1	Spacer
5	0811180010	1	Bearing & Housing
6	00748823	12	Bolt
7	00001300	4	Lockwasher
8	00763355	2	Wldmt- Pin (Chrome)
	00766432	2	Wldmt- Pin (Chrome) (11' Model Only)
9	02965214	8	Bearing
10	00763300	2	Wldmt- Pin (Chrome)
11	00763966	1	Assembly- Lift Arm (LH) Includes Brgs #9
	00766469	2	Assembly- Lift Arm (11' Model Only)
12	00001800	9	Locknut TLM 1/2 NC PLC
13	00764515	1	Tow Chain
14	00768926	1	Lug Cylinder- Toggle Link Lift Arm
15	8354	4	Pin
16	8728	2	Cylinder
17	00763746	4	Spacer
18	00763745	1	Shield
19	00605600	4	Bolt
20	00763666	1	Gearbox
21	8727	1	Cylinder
22	00763967	1	Assembly- Lift Arm (RH) Includes Brgs #9
23	00755305	1	Bolt
24	00757478	2	Spring Washer
25	00748807	1	Wldmt- Clevis
26	02030300	2	Nut
27	00606000	7	Cotter Pin
30	00756655	1	Jack
31	00771048	2	Bar, Wing Lock ( 11' Model Only )
32	02963243	1	Bolt
34	00759275	3	Washer- Hitch Clevis
35	02712500	1	Hex Bolt
36	00771067	1	Stand, SMV
37	03200347	1	SMV Sign
38	00021400	2	Bolt
39	02959924	2	Locknut
40	8352	1	Pin
41	00002700	10	Flatwasher
42	00763314	1	Lug Cylinder
43	00767168	1	Adaptor- #4 MJ Bulkhead
44	00767208	1	Nut, Hex
45	00767169	1	Adaptor- #4 MJ Swivel
47	02845800	3	Bolt
48	00695100	3	Nut, Toplock 5/8 NC PLC
49	00770793	1	Wldmt- Right Wing Latch
50	00770797	1	Wldmt- Left Wing Latch
51	00770789	1	Wldmt- Rear Latch
	00770789	1	Wldmt- Rear Latch (11' Model Only)
52	00770998	1	Lock Pull Rope
	00771182	1	Lock Pull Rope (11' Model Only)
53	00770016	2	Spring, Arm Lock (11' Model Only)
54	00771159	2	Bushing
55	00771170	1	Wldmt- Stand SMV

# MAINFRAME ASSEMBLY

**EFFECTIVE**  
S/N 10189 and below



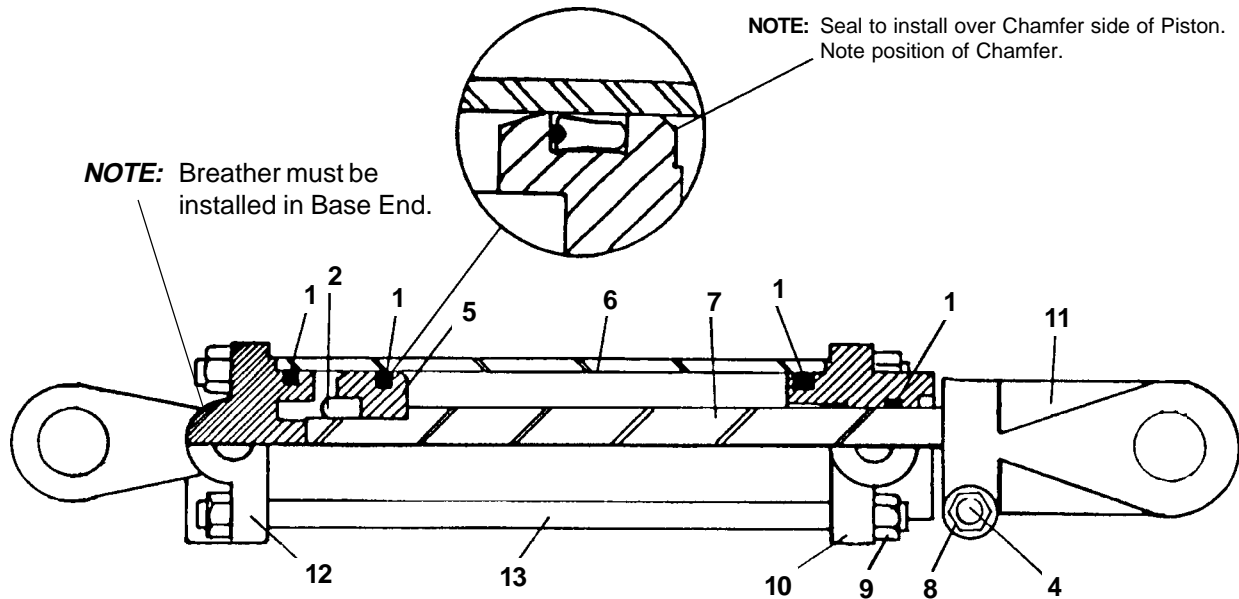
# MAINFRAME ASSEMBLY

**EFFECTIVE**  
S/N 10189 and below

ITEM	PART NO.	QTY	DESCRIPTION
1	00763349	1	Weldment - Mainframe
	00765658	1	Weldment - Mainframe (11' Model Only)
2	00763336	1	Weldment - Bearing Support w/Hose Ring
3	00763602	1	Weldment - Trunnion Bearing Support
4	00760943	1	Spacer
5	0811180010	1	Bearing & Housing
6	00748823	10	Bolt
7	00001300	4	Lockwasher
8	00763355	2	Weldment - Pin (Chrome)
	00766432	2	Weldment - Pin (Chrome) (11' Model Only)
9	02965214	8	Bearing
10	00763300	2	Weldment - Pin (Chrome)
11	00763966	1	Assembly - Lift Arm (LH) Includes Brgs #9
	00766469	1	Assembly - Lift Arm (11' Model Only)
12	00001800	7	Locknut TLM 1/2 NC PLC
13	00764515	1	Tow Chain
14	00768926	1	Lug Cylinder - Toggle Link Lift Arm
15	8354	4	Pin
16	00759947	2	Cylinder
	8728	2	Cylinder (11' Model Only)
17	00763746	4	Spacer
18	00763745	1	Shield
19	00605600	4	Bolt
20	00763666	1	Gearbox
21	00759946	1	Cylinder
	8727	1	Cylinder (11' Model Only)
22	00763967	1	Assembly - Lift Arm (RH) Includes Brgs #9
	00766469	1	Assembly - Lift Arm (11' Model Only)
23	00755305	1	Bolt
24	00757478	2	Spring Washer
25	00748807	1	Weldment - Clevis
26	02030300	2	Nut
27	00695100	2	Nut, Toplock 5/8 NC PLC
28	00001400	1	Washer
29	00760941	1	Weldment - Tube Mt.
30	00756655	1	Jack
31	00606000	7	Cotter Pin
32	02276800	1	Clip
33	00763795	1	Bar - Wing Transport
34	02963243	1	Bolt
35	00763384	1	Bar - Rear Transport
36	00759275	3	Washer - Hitch Clevis
37	02712500	1	Hex Bolt
38	00764571	1	Stand, SMV
39	03200347	1	SMV Sign
40	00021400	2	Bolt
41	02959924	2	Locknut
42	8352	1	Pin
43	00002700	8	Flatwasher
44	00763314	1	Lug Cylinder

# HYDRAULIC CYLINDER (CENTER) P/N 00759946

13-1/2', 14-1/2', 15-1/2', 16-1/2', Model

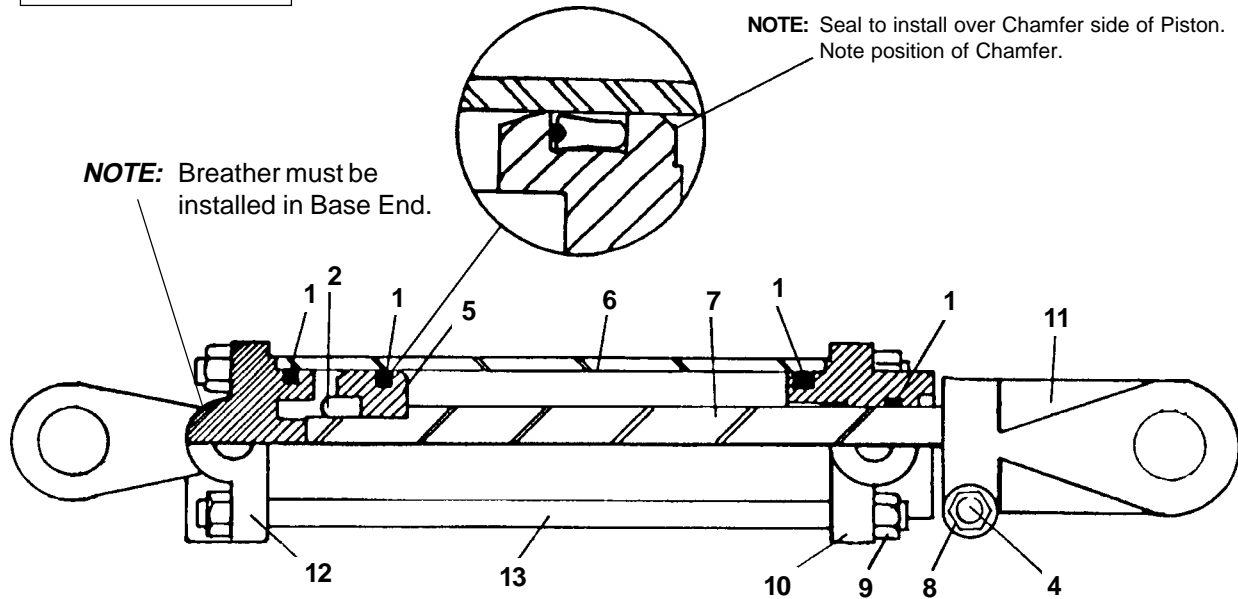


ITEM	PART NO	QTY	DESCRIPTION
1	00760199	1	Seal Kit
2	4675	1	Piston Pin
3	00750208	1	Breather Plug (Not Shown)
4	00023100	1	Bolt
5	00760198	1	Piston
6	00760194	1	Tube
7	00760200	1	Piston Rod
8	00013901	1	Hex Nut
9	02031800	8	Tie Rod Nut
10	00760197	1	Head
11	8754	1	Outer Clevis
12	00760196	1	Base
13	00760202	4	Tie Rod



# HYDRAULIC CYLINDER (CENTER) P/N 8727

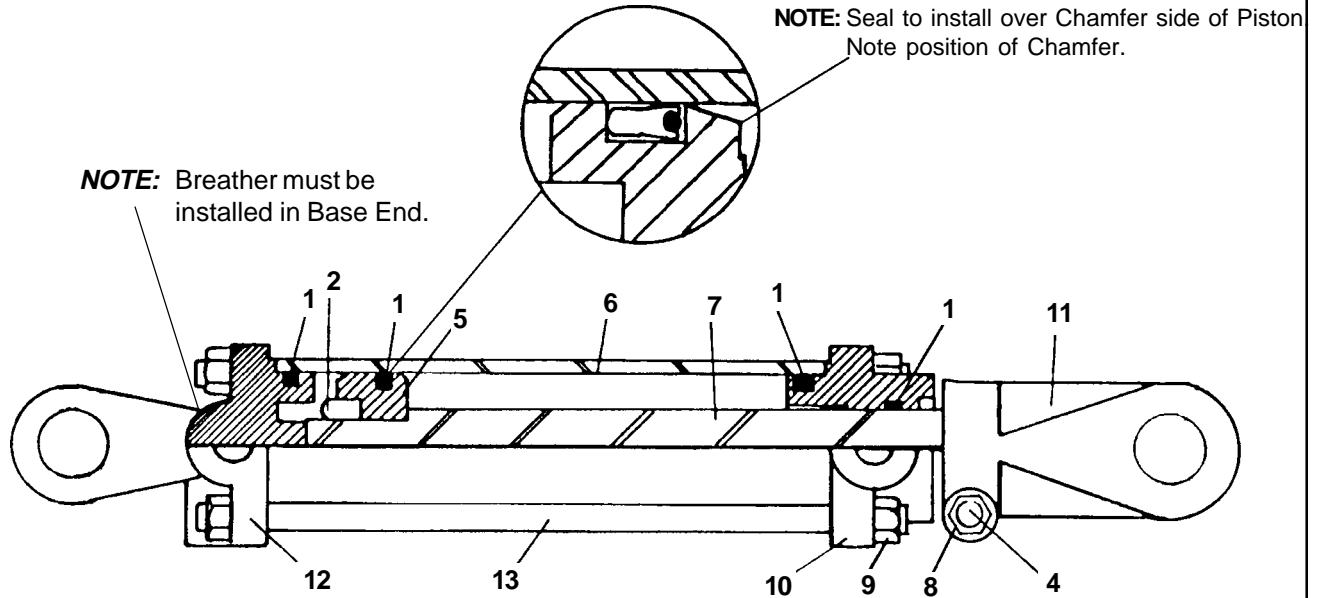
11' Model



ITEM	PART NO	QTY	DESCRIPTION
1	8763	1	Seal Kit
2	4675	1	Piston Nut
3	7339	1	Breather Plug
4	00023100	1	Bolt
5	00760671	1	Piston
6	8752	1	Tube
7	8753	1	Piston Rod
8	00013901	1	Hex Nut
9	02031800	8	Tie Rod Nut
10	8757	1	Head
11	8754	1	Outer Clevis
12	8755	1	Cap
13	8756	4	Tie Rod

# HYDRAULIC CYLINDER (WING) P/N 8728

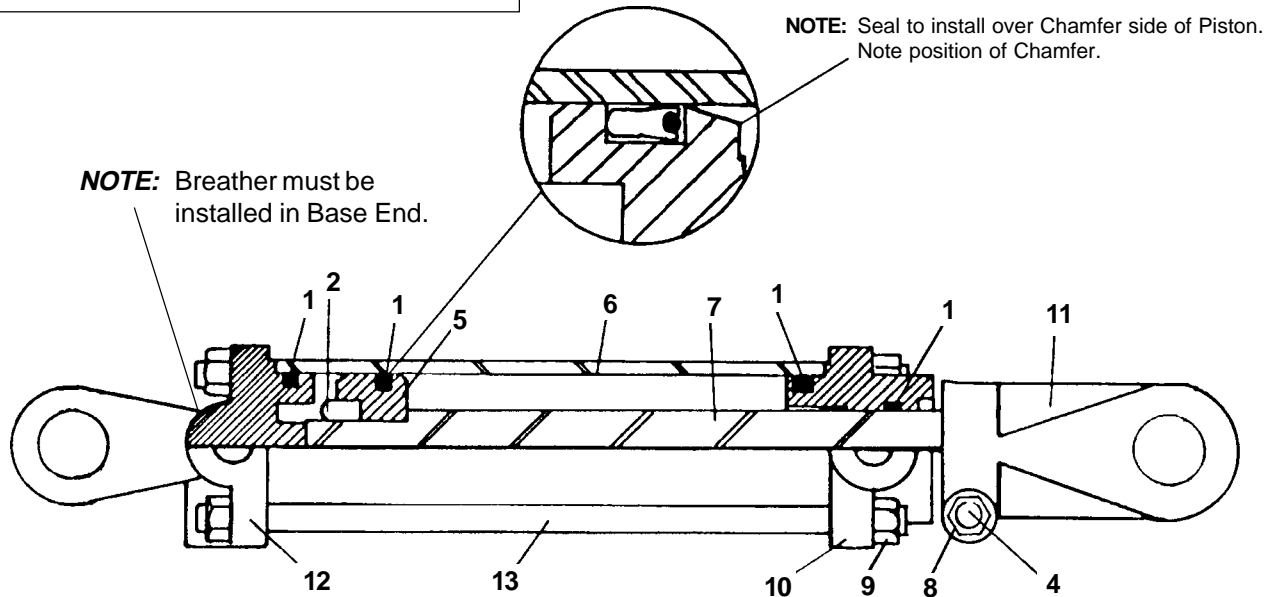
11' Model  
2 Required per unit (Wing Only)



ITEM	PART NO	QTY	DESCRIPTION
1	8763	1	Seal Kit
2	4675	1	Piston Nut
3	7339	1	Breather Plug
4	00023100	1	Bolt
5	00760670	1	Piston
6	8758	1	Tube
7	8759	1	Piston Rod
8	00013901	1	Hex Nut
9	02031800	8	Tie Rod Nut
10	8757	1	Head
11	8754	1	Outer Clevis
12	8755	1	Cap
13	8761	4	Tie Rod

# HYDRAULIC CYLINDER (WING) P/N 00759947

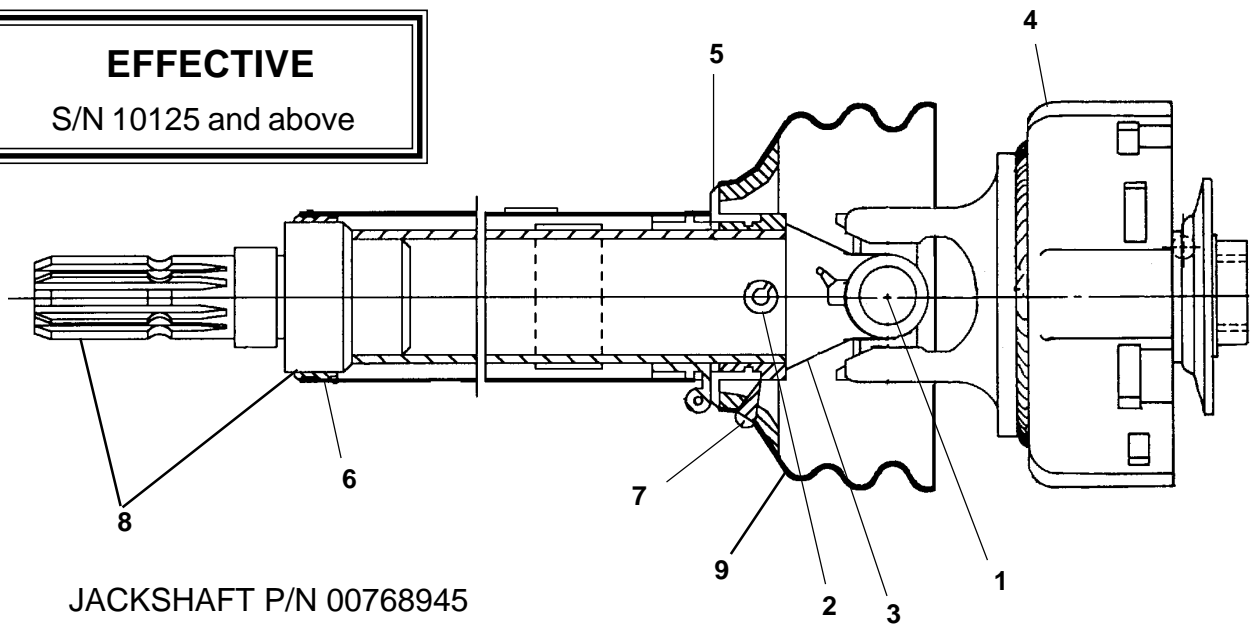
13-1/2', 14-1/2', 15-1/2', 16-1/2', Model  
2 Required per unit (Wing Only)



ITEM	PART NO	QTY	DESCRIPTION
1	00760199	1	Seal Kit
2	4675	1	Piston Nut
3	7339	1	Breather Plug (Not Shown)
4	00023100	1	Bolt
5	00760198	1	Piston
6	00760195	1	Tube
7	00760201	1	Piston Rod
8	00013901	1	Hex Nut
9	02031800	8	Tie Rod Nut
10	00760197	1	Head
11	8754	1	Outer Clevis
12	00760196	1	Cap
13	00760203	4	Tie Rod

# JACKSHAFT AND CLUTCH ASSEMBLY

**EFFECTIVE**  
S/N 10125 and above

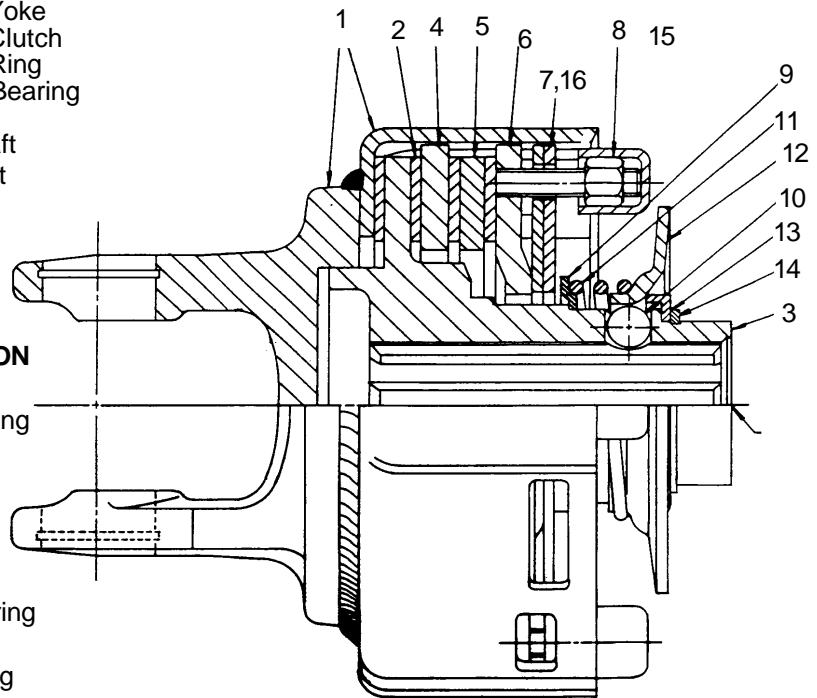


JACKSHAFT P/N 00768945

ITEM	PART NO	QTY	DESCRIPTION
1	8388	1	Cross and Bearing Kit
2	8384	1	Spring Pin
3	8387	1	Inboard Yoke
4	8909	1	Friction Clutch
5	8393	1	Bearing Ring
6	8974	1	Support Bearing
7	00759217	1	Screw
8	00763956	1	Stub Shaft
9	00763957	1	Shield Kit

CLUTCH P/N 8909

ITEM	PART NO	QTY	DESCRIPTION
1	8416	1	Clutch Housing
2	0921000462	4	Friction Disk
3	8375	1	Hub
4	8376	1	Drive Plate
5	8377	1	Drive Plate
6	8465	1	Thrust Plate
7	8583	1	Belleville Spring
8	8425	4	Nut
9*	----	1	Back Up Ring
10*	----	3	Ball
11*	----	1	Compression Spring
12*	----	1	Lock Collar
13*	----	1	Flanged Ring
14*	----	1	Snap Ring
15*	----	4	Caps
16	8369	1	Belleville Spring

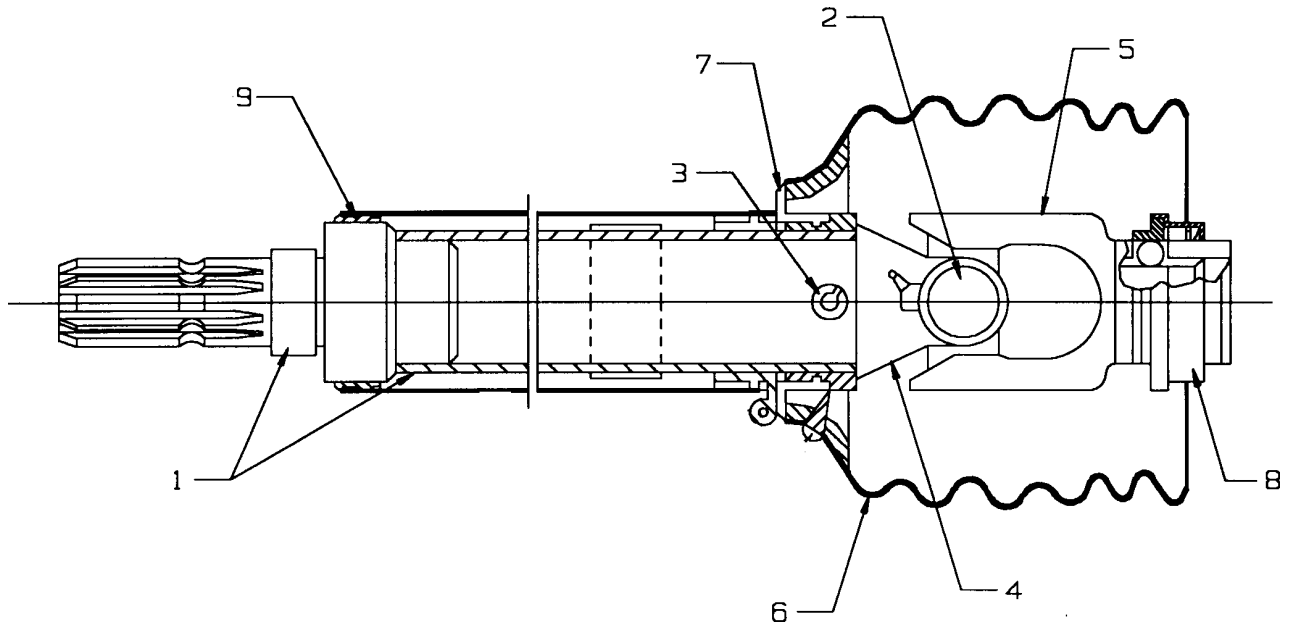


\* Included in Kit P/N 8371

# JACKSHAFT ASSEMBLY P/N 00763387

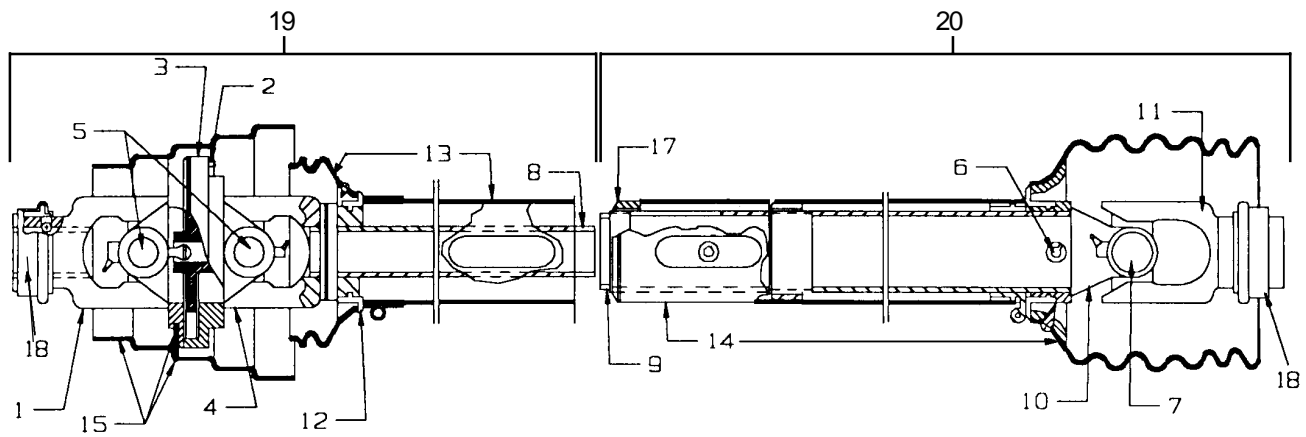
**EFFECTIVE**

S/N 10124 and below



ITEM	PARTNO	QTY	DESCRIPTION
1	00763956	1	Stub Shaft
2	8388	1	Cross & Bearing Kit
3	8384	1	Spring Pin
4	8387	1	Inboard Yoke
5	8983	1	Yoke
6	00763957	1	Shield Kit
7	8393	1	Bearing Ring
8	8445	1	Yoke Q.D. Kit
9	8974	1	Support Bearing

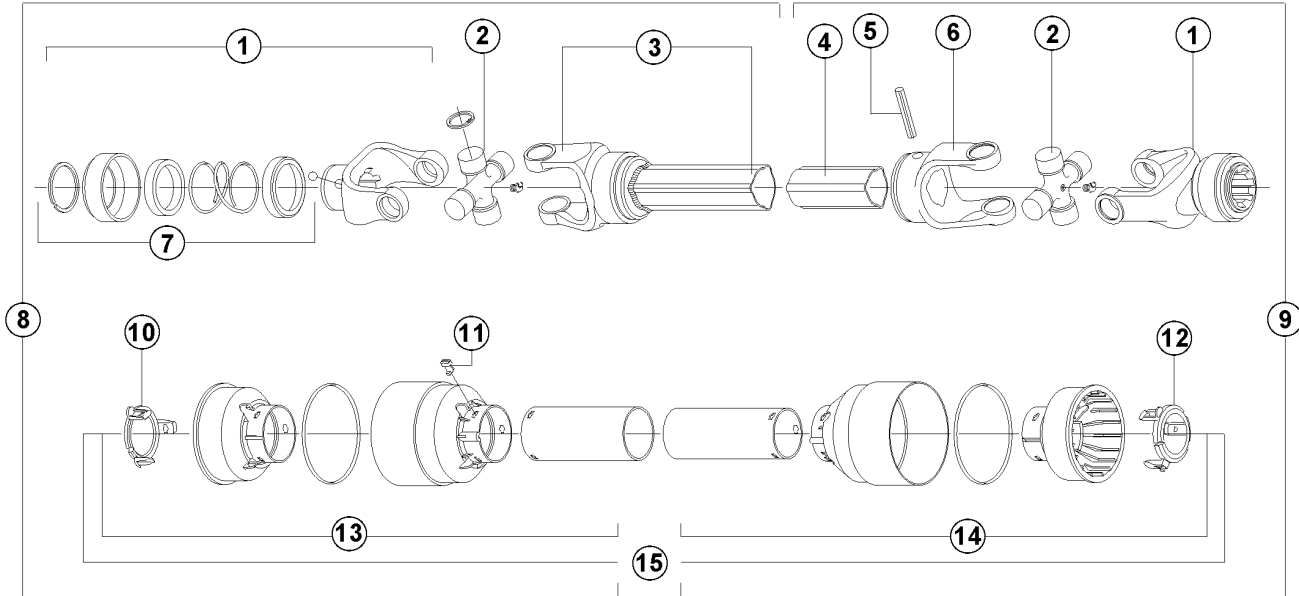
# MAIN DRIVELINE P/N 00763386



ITEM	PART NO	QTY	DESCRIPTION
1	8380	1	Yoke
2	8382	1	Grease Fitting
3	8381	1	Double Yoke
4	8383	1	Inboard Yoke
5	8396	2	Cross & Bearing Kit
6	8384	2	Spring Pin
7	8388	1	Cross Bearing Kit
8	00763954	1	Inner Profile
9	00763955	1	Profile & Sleeve
10	8387	1	Inboard Yoke
11	00758452	1	Yoke
12	8393	1	Ring
13	00763952	1	Outer Shield Kit
14	00763953	1	Inner Shield Kit
15	00763951	1	Cone & Bearing Assembly
16	4797	1	Screw
17	8974	1	Support Bearing
18	8445	2	Yoke Q.D. Kit
19	00766984	1	Driveline Half (Inner)
20	00766985	1	Driveline Half (Outer)

# DRIVELINE P/N 00766419

11' Model  
2 Required per unit (Wing Only)



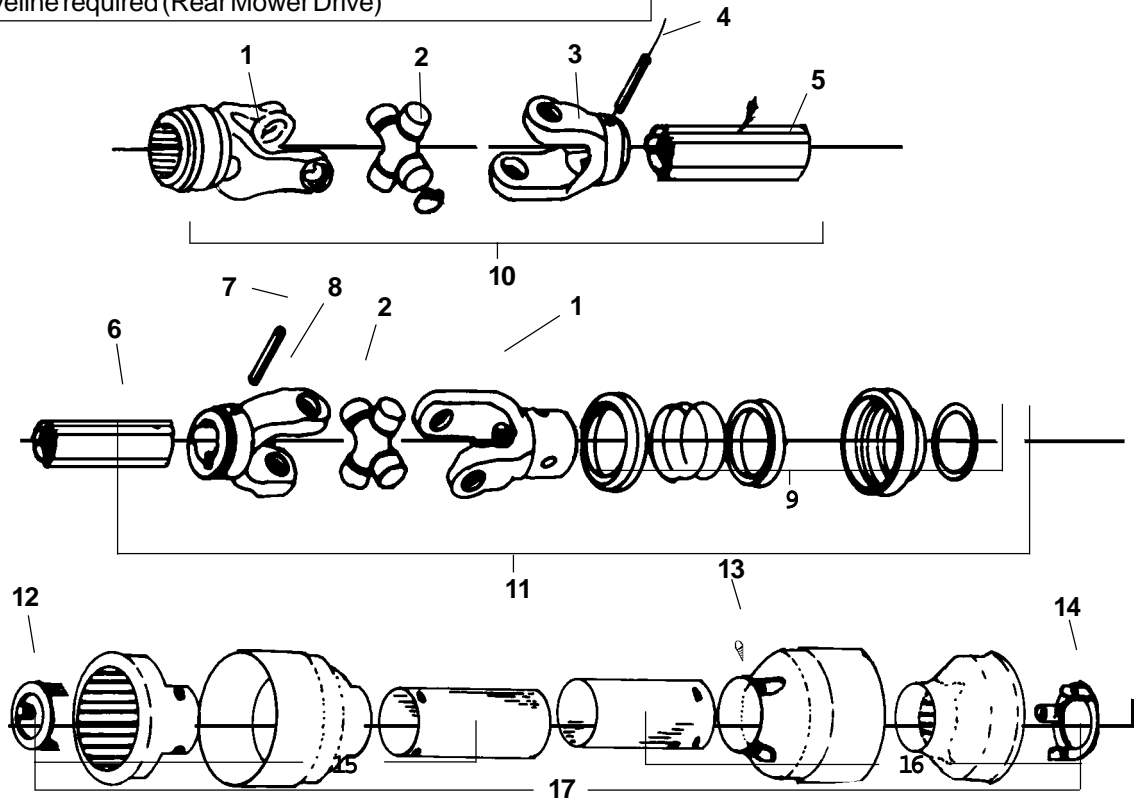
ITEM	PART NO	QTY	DESCRIPTION
	<b>00766419</b>	-	<b>Driveline Assy</b>
1	00764500	2	Collar Yoke
2	00756231	2	Cross Journal Set
3	00774571	1	Outer Yoke & Tube
4	00766426	1	Inner Tube
5	00759165	1	Roll Pin
6	00759164	1	Inner Yoke
7	00764503	2	Collar Kit
8	00766420	1	Half - Outer Shaft
9	00766421	1	Half - Inner Shaft
10	00764506	1	Retaining Collar
11	00754330	6	Bolt
12	00764507	1	Retaining Guard
13	00766423	1	Half Shield
14	00766424	1	Half Shield
15	00766422	1	Complete Shield

# DRIVELINE P/N 00764519

14-1/2', 15-1/2', 16-1/2' Models  
 3 Drivelines required per unit  
 1 Driveline required on rear unit w/C.V. Driveline on Wings

13-1/2' Model  
 1 Driveline required (Rear Mower Drive)

11' Model  
 1 Driveline required (Rear Mower Drive)

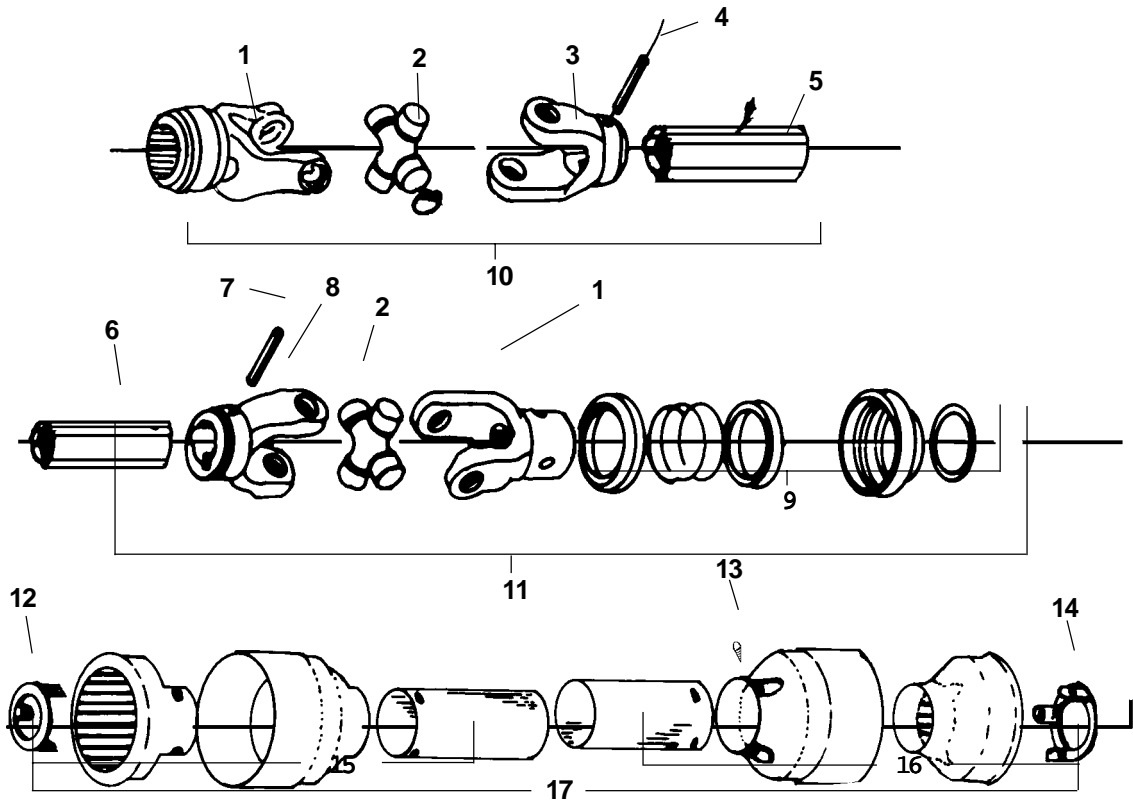


ITEM	PART NO	QTY	DESCRIPTION
1	00764500	2	Collar Yoke
2	00756231	2	Cross Journal Set
3	00759168	1	Outer Yoke
4	00759169	1	Roll Pin
5	00764501	1	Outer Tube
6	00764502	1	Inner Tube
7	00759165	1	Roll Pin
8	00759164	1	Inner Yoke
9	00764503	2	Collar Kit
10	00764504	1	Half - Outer Shaft
11	00764505	1	Half - Inner Shaft
12	00764506	1	Retaining Collar
13	00754330	6	Bolt
14	00764507	1	Retaining Guard
15	00764508	1	Half Shield
16	00764509	1	Half Shield
17	00764510	1	Complete Shield



# DRIVELINE P/N 00764052

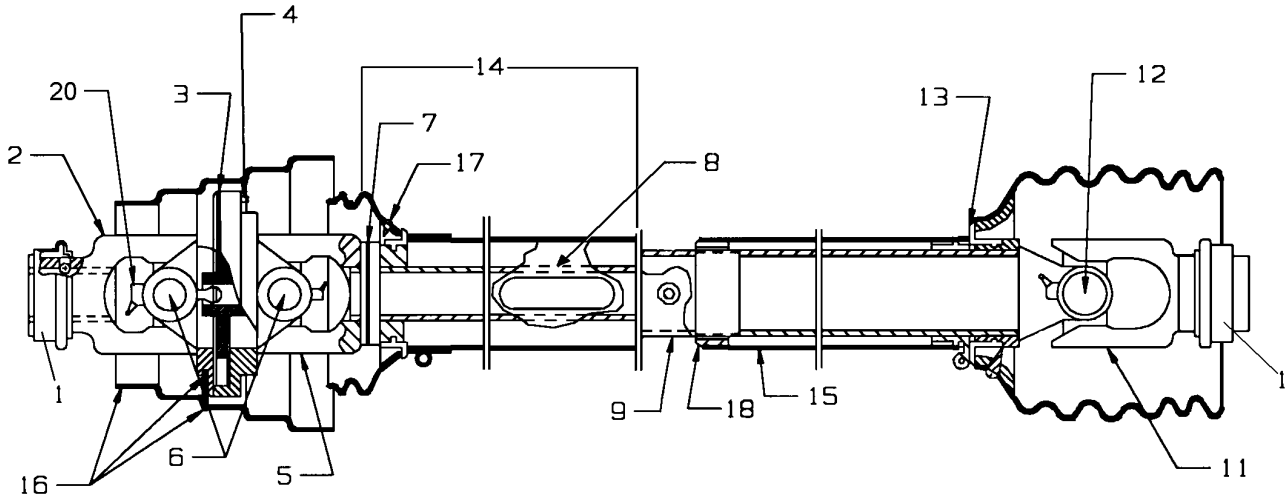
13-1/2' Model  
2 Required per unit (Wing Only)



ITEM	PARTNO	QTY	DESCRIPTION
1	00764500	2	Collar Yoke
2	00756231	2	Cross Journal Set
3	00759168	1	Outer Yoke
4	00759169	1	Roll Pin
5	00764757	1	Outer Tube
6	00764758	1	Inner Tube
7	00759165	1	Roll Pin
8	00759164	1	Inner Yoke
9	00764503	2	Collar Kit
10	00764746	1	Half - Outer Shaft
11	00764747	1	Half - Inner Shaft
12	00764506	1	Retaining Collar
13	00754330	6	Bolt
14	00764507	1	Retaining Guard
15	00764748	1	Half Shield
16	00764749	1	Half Shield
17	00764750	1	Complete Shield

# WING C.V. DRIVELINE ASSEMBLY P/N 00764513

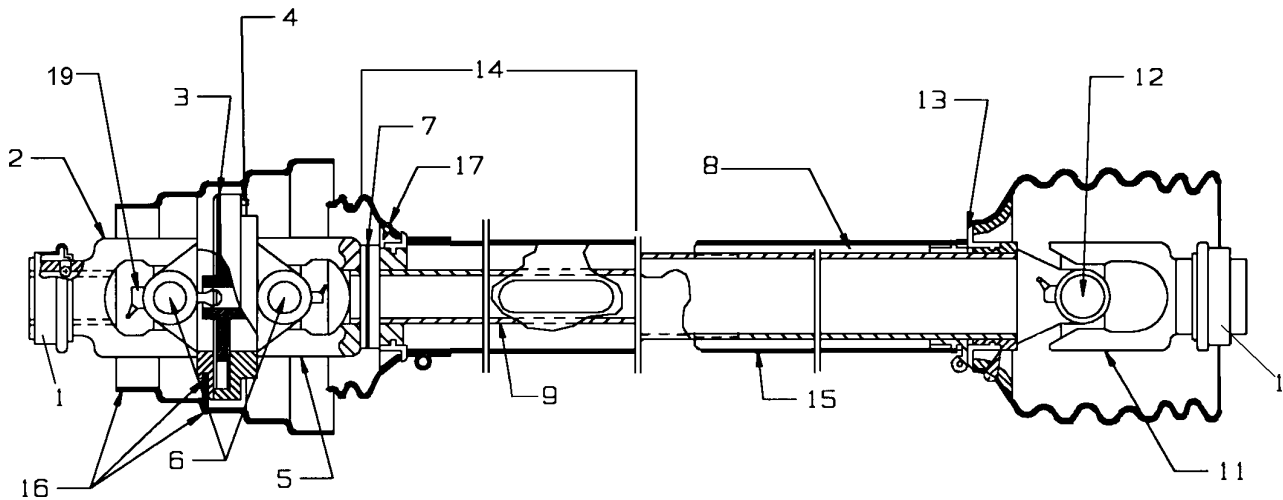
14-1/2', 15-1/2', 16-1/2' Models \*Wing Only\*  
2 Drivelines required per unit



Item	Part No	Qty	Description
1	8445	2	Yoke Q.D. Kit
2	00763941	1	Yoke
3	00763942	1	Double Yoke
4	8382	1	Grease Zerk
5	00763943	1	Inboard Yoke
6	00763944	2	Cross Bearing Kit
7	8945	2	Spring Pin
8	00763945	1	Inner Profile
9	00764357	1	Tube & Yoke Weldment
11	8956	1	Yoke
12	01430390	1	Cross & Bearing Kit
13	8942	2	Ring - Bearing
14	00763947	1	Outer Shield Kit
15	00763948	1	Inner Shield Kit
16	00763949	1	Cone & Bearing Assembly
17	4797	8	Screw
18	00763950	1	Support Bearing
19	00765324	1	Shield Complete (Not Shown)
20	00755610	2	Grease Zerk

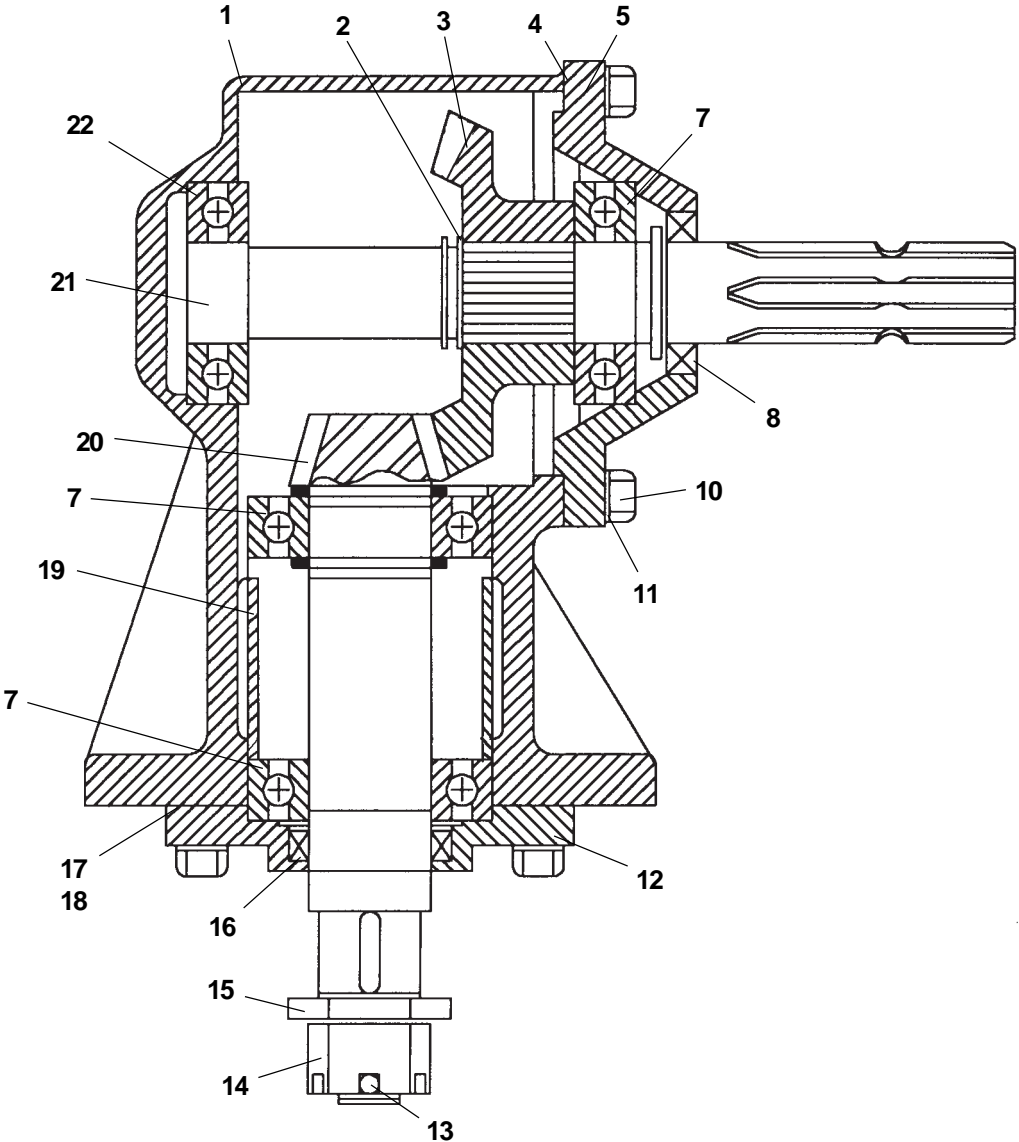
# WING C.V. DRIVELINE ASSEMBLY P/N 00764512

13-1/2' Model \*Wing Only\*  
2 Required per unit



Item	Part No	Qty	Description
1	8445	2	Yoke Q.D. Kit
2	00763941	1	Yoke
3	00763942	1	Double Yoke
4	8382	1	Grease Zerk
5	00763943	1	Inboard Yoke
6	00763944	2	Cross Bearing Kit
7	8945	1	Spring Pin
8	00765319	1	Tube & Yoke Weldment
9	00765320	1	Inner Profile
11	8956	1	Yoke
12	01430390	1	Cross & Bearing Kit
13	8942	2	Ring - Bearing
14	00765321	1	Outer Shield Kit
15	00765322	1	Inner Shield Kit
16	00763949	1	Cone & Bearing Assembly
17	4797	8	Screw
18	00765323	1	Shield Complete (Not Shown)
19	00755610	2	Grease Zerk

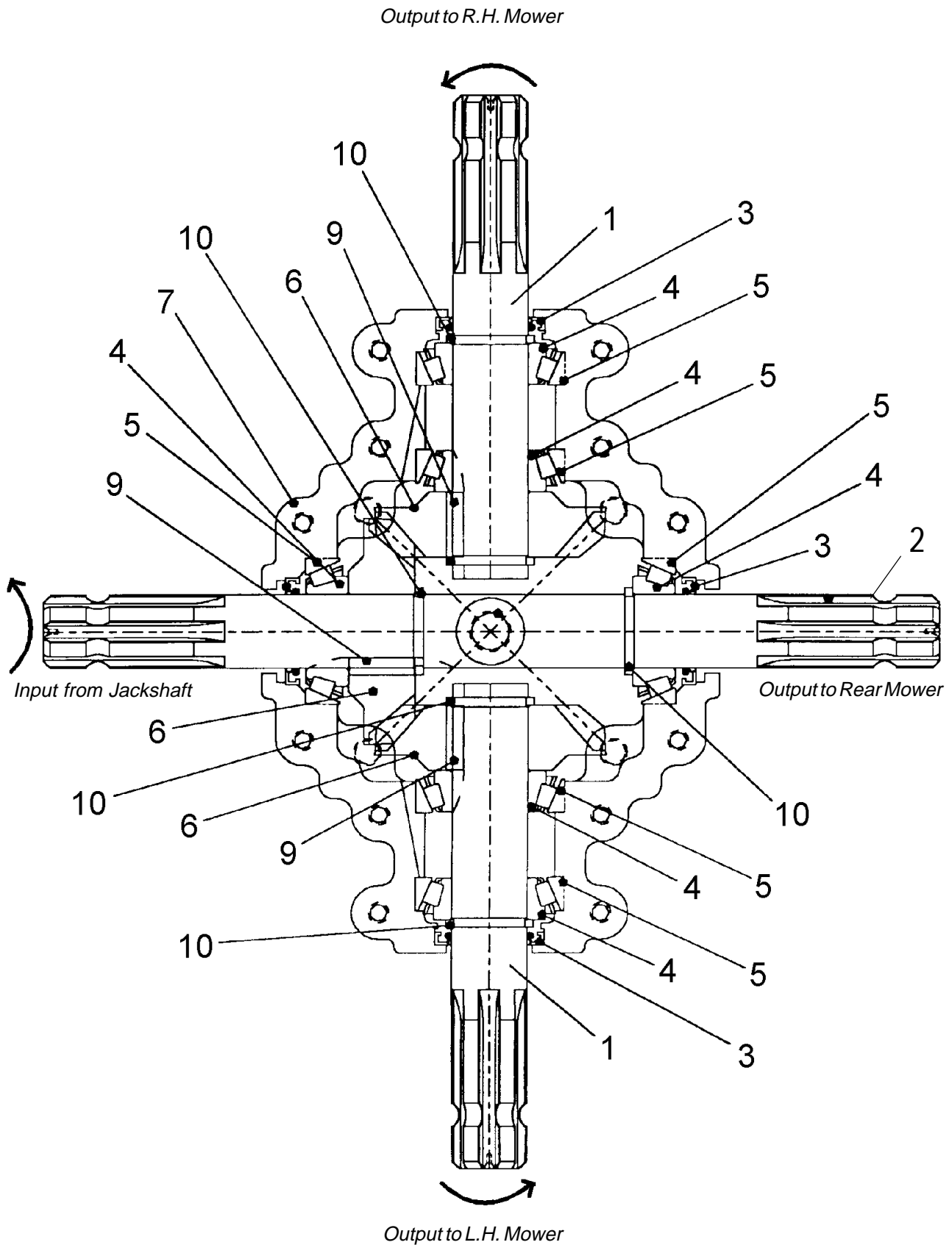
# GEARBOX ASSEMBLY P/N 00763623B



# GEARBOX ASSEMBLY P/N 00763623B

ITEM	PART NO.	QTY	DESCRIPTION
1	00563900	1	Housing
2	00564100	4	Retaining Ring
3	00764516	1	Input Gear
4	00564400	1	Gasket
5	00764949	1	Cap
6	00758654	1	Breather Plug (Not Shown)
7	00563700	3	Ball Bearing
8	00564200	1	Seal
9	00565000	1	Oil Level Plug
10	00011400	10	Capscrew
11	02161100	10	Lockwasher
12	00757683	1	Output Cap
13	00606000	1	Cotter Pin
14	00606100	1	Nut
15	9216	1	Washer
16	00563500	1	Seal
17	00760928	1	Gasket
18	00760929	2	Gasket
19	00563800	1	Spacer
20	00764517	1	Shaft
21	00764518	1	Shaft
22	00564800	1	Bearing

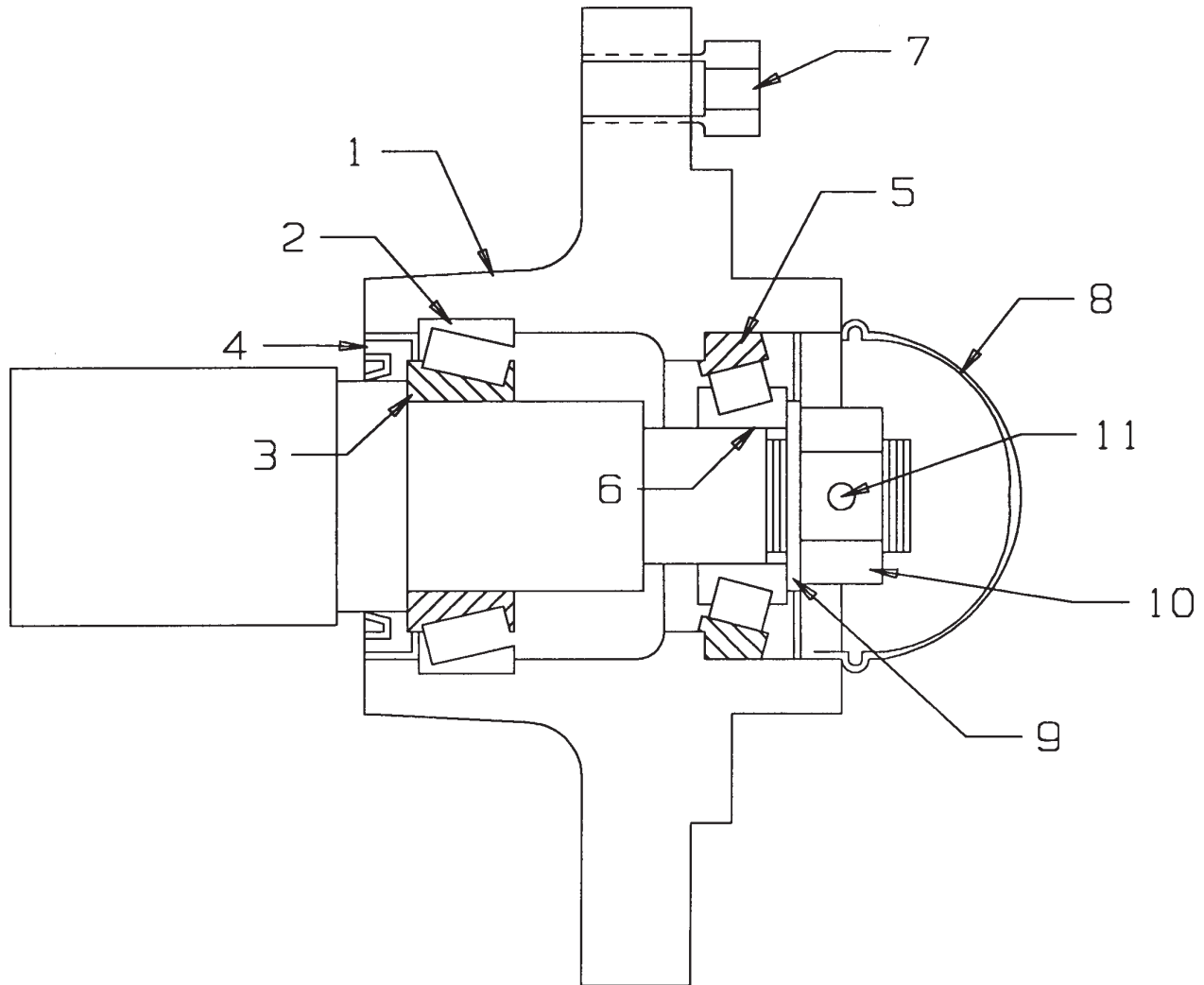
# DIVIDER GEARBOX P/N 00763666



## DIVIDER GEARBOX P/N 00763666

ITEM	PART NO	QTY	DESCRIPTION
1	00764462	2	Shaft
2	00764463	1	Cross Shaft
3	00764464	4	Seal
4	02957149	6	Cone
5	00016900	6	Cups
6	00764467	3	Gears
7	00764468	1	Housing (Through holes)
8	00764469	1	Housing (Not Shown) (Tapped Holes)
9	00764470	3	Key
10	00764471	6	Retaining Ring
11	00753630	1	Plug (Not Shown)
12	00764473	1	Bushing (Not Shown)
13	02959018	1	Relief Valve (Not Shown)
14	00764475	12	Bolt (Not Shown)

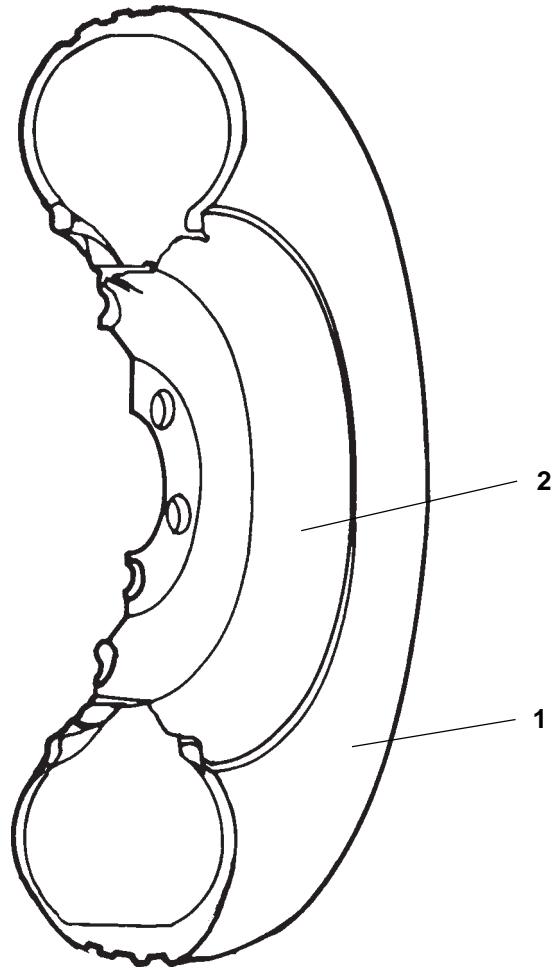
# WHEEL HUB ASSEMBLY P/N 00763295



ITEM	PART NO	QTY	DESCRIPTION
1	00763335	1	Hub w/Cups
2	01600060	1	Cup
3	01600070	1	Cone
4	00763318	1	Seal
5	70048	1	Cup
6	70049	1	Cone
7	00763429	1	Bolt
8	00756492	1	Cap
9	15B1400	1	Washer
10	371247J	1	Nut
11	1621/2012	1	Cotter Pin



# WHEEL & TIRE ASSEMBLY P/N 00763338



ITEM	PART NO	QTY	DESCRIPTION
1	00763334	1	Tire
2	00763302	1	Wheel

# WING LIFT ASSEMBLY

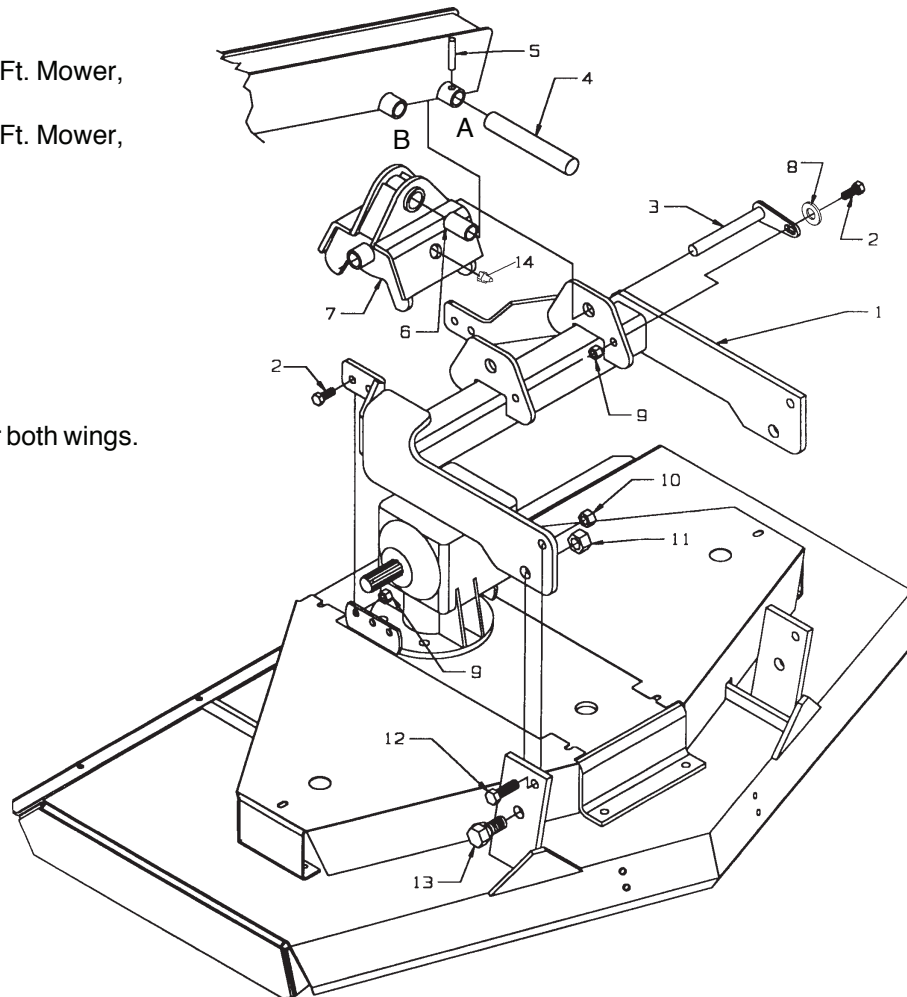
**NOTE:**

For 14-1/2 Ft. & 16-1/2 Ft. Mower,  
Item #7 Pin in Hole A.

For 13-1/2 Ft. & 15-1/2 Ft. Mower,  
Item #7 Pin in Hole B.

**NOTE:**

Quantities shown are for both wings.



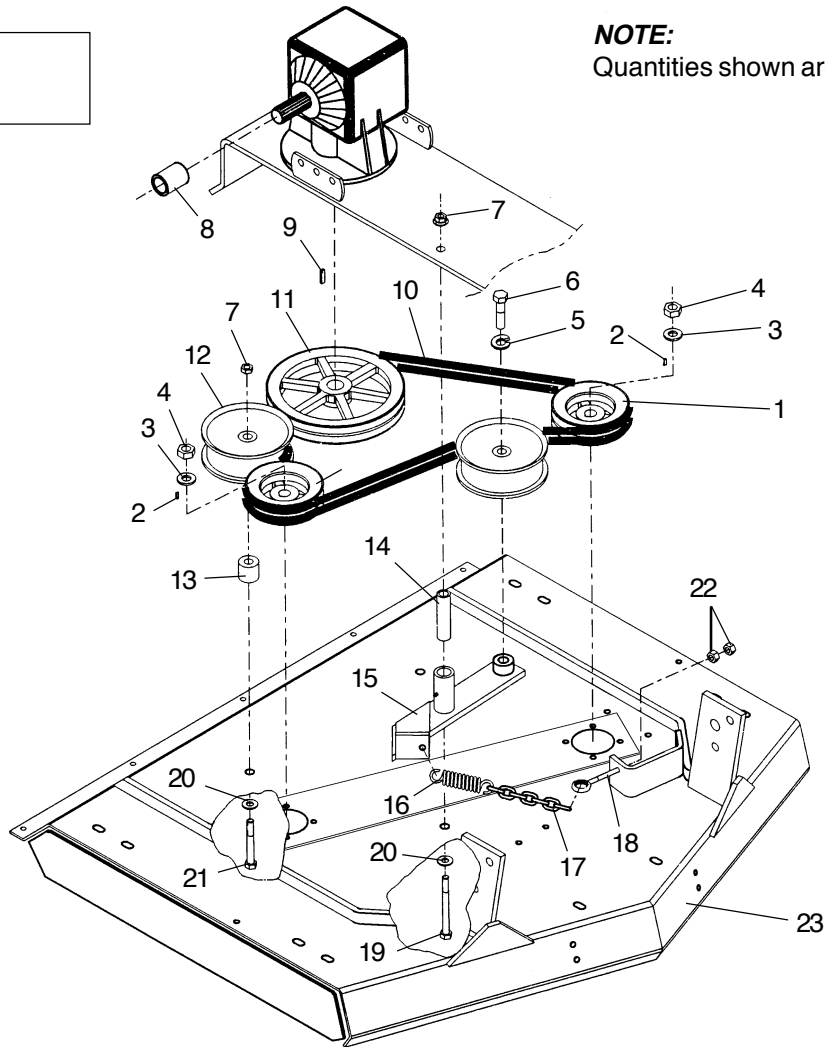
ITEM	PARTNO	QTY	DESCRIPTION
1	00763960	1	Weldment - Wing Mounting LH - 11', 13-1/2', & 14-1 2' Cutting Width Mower
	00763961	1	Weldment - Wing Mounting RH - 11', 13-1/2', & 14-1/2' Cutting Width Mower
	00763881	1	Weldment - Wing Mounting LH - 15-1/2, & 16-1/2 Cutting Width Mower
	00763880	1	Weldment - Wing Mounting RH - 15-1/2, & 16-1/2 Cutting Width Mower
2	00748823	5	Bolt
3	00763360	2	Pin
4	00763354	2	Pin - Chrome
5	00752228	2	Roll Pin
6	02965212	2	Bearing
7	00763904	2	Assembly - Swivel (Includes #6 Bearing)
8	00002700	2	Flatwasher
9	00001800	5	Locknut TLM 1/2 NC PLC
10	00695100	2	Nut, Toplock 5/8 NC PLC
11	5JRC1490	2	Nut
12	02845500	2	Bolt
13	7A114916	2	Bolt
14	00752670	2	Grease Fitting

# BELT ASSEMBLY

11' Model

**NOTE:**

Quantities shown are for one deck.



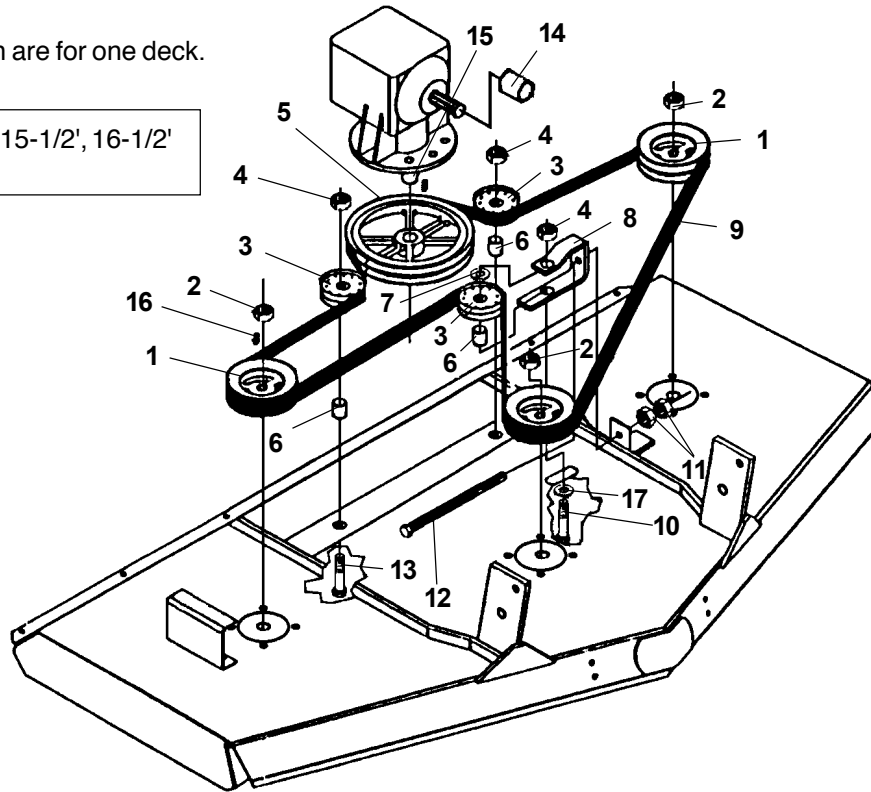
ITEM	PART NO	QTY	DESCRIPTION
1	00766448	2	Sheave
2	02959013	2	Key
3	15B1400	2	Washer
4	00766548	2	Nut
5	00010300	1	Lockwasher
6	00008300	1	Bolt
7	00695100	2	Nut, Toplock 5/8 NC PLC
8	00764541	1	Tube
9	00765813	1	Key
10	00765482	1 Set	Belt
11	00763351	1	Sheave
12	00763624	2	Idler
13	00766429	1	Bushing
14	00765606	1	Spacer, Idler
15	00765601	1	Weldment-Idler (LH and Center Deck)
	00765607	1	Weldment-Idler (RH Deck)
16	00766484	1	Spring
17	2416	1	Chain
18	9086	1	Eye Bolt
19	02858200	1	Bolt
20	00756077	1	Washer
21	00750311	1	Bolt
22	00021800	2	Nut
23	00765500	1	Weldment Deck (LH and Center)
	00765501	1	Weldment Deck (RH)

# BELT ASSEMBLY

**NOTE:**

Quantities shown are for one deck.

13-1/2', 14-1/2', 15-1/2', 16-1/2'  
Models

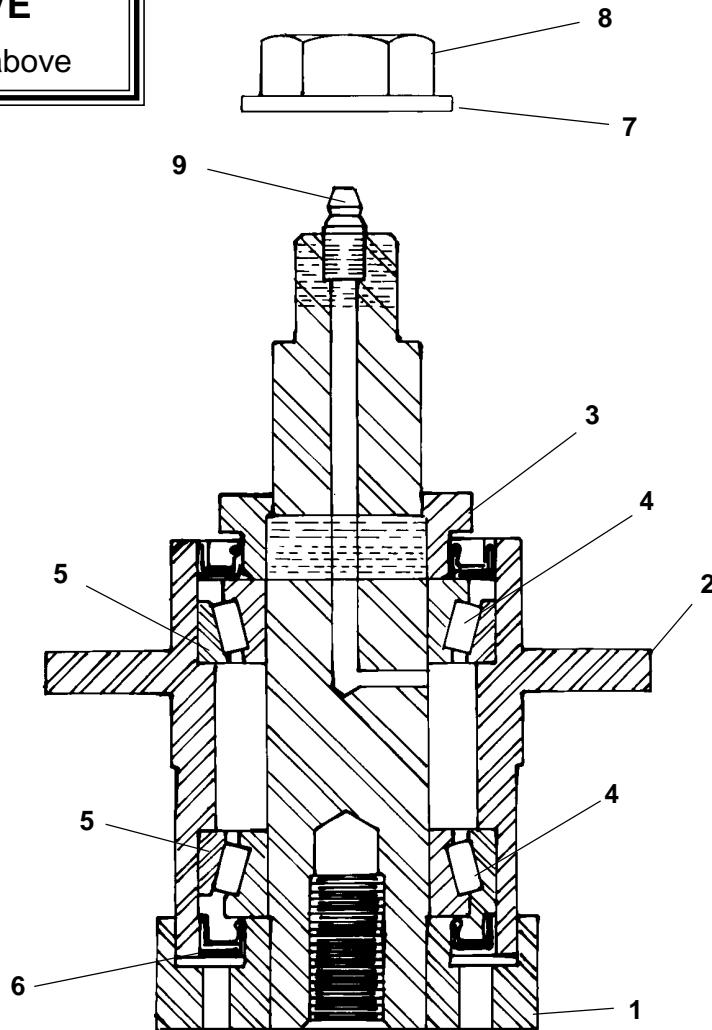


ITEM	PART NO	QTY	DESCRIPTION
1	00763289	3	Sheave (S/N 10124 and Below)
	00766448	3	Sheave (S/N 10125 and Above)
2	4904	3	Nut (S/N 10124 and Below)
	00766548	3	Nut (S/N 10125 and Above)
3	00763624	3	Idler
4	00695100	3	Nut, Toplock 5/8 NC PLC
	00763351	1	Sheave - 72"
5	00763935	1	Sheave - 60"
	00763621	3	Spacer
7	00001400	1	Washer
8	00763283	1	Idler Bracket
9	00763663	1 Set	Belt - 72" Mower
	00763905	1 Set	Belt - 60" Mower
10	00763625	1	Bolt
11	00013901	2	Nut
12	00763280	1	Rod
13	00750311	2	Bolt
14	00764541	1	Spline Cover
15	02757900	1	Key (S/N 10124 and Below)
	00765813	1	Key (S/N 10125 and Above)
16	00765404	3	Key - Heat Treated (S/N 10124 and Below)
	02959013	3	Key - (S/N 10125 and Above)
17	00002701	1	Flatwasher

# SPINDLE & HOUSING ASSEMBLY P/N 00766532

**EFFECTIVE**

S/N 10125 and above

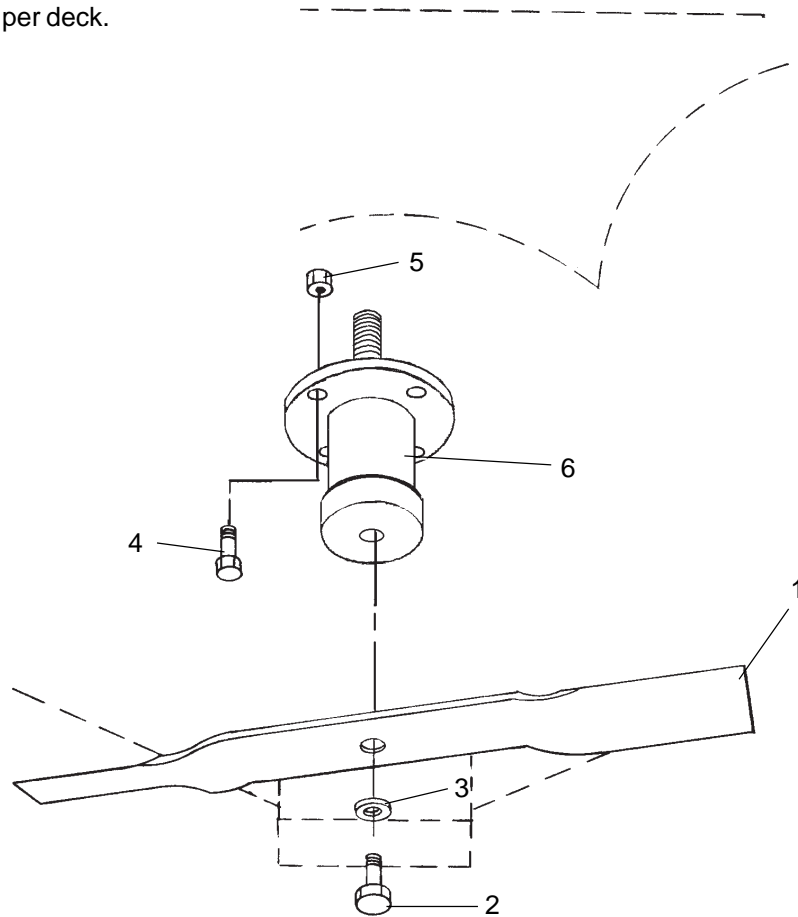


ITEM	PART NO	QTY	DESCRIPTION
1	00766533	1	Shaft Assembly
2	00765407	1	Spindle Housing
3	00766405	1	Nut
4	5312314	2	Bearing
5	70044	2	Cup
6	00766549	2	Seal
7	15B1400	1	Washer
8	00766548	1	Jam Nut
9	4351	1	Grease Fitting

# BLADE AND SPINDLE ASSEMBLY

**NOTE:**

Quantities shown are per deck.



**TORQUE BLADE BOLT (LEFT HAND  
THREADS) TO 150 FT./LBS.**

**DANGER**



Use only genuine **ALAMO BLADES**.  
Use of inferior Blades may cause  
serious injury or death.

ITEM	PART NO	QTY	DESCRIPTION
1	00765445	2	Blades - CCW - 48" Mower - All S/N's
	00765445	3	Blades - CCW - 72" Mower - S/N 10125 and Above
	00766572	3	Blades - CCW - 60" Mower - S/N 10125 to 10169
	00766811	3	Blades - CCW - 60" Mower - S/N 10170 and Above
2	00766480	3	Blade Bolt - LH Thread
3	00756077	3	Washer
4	00753642	12	Bolt - Spindle Attachment
5	00015800	12	Nut - Spindle Attachment
6	00766532	3	Spindle

# SHIELD ASSEMBLY

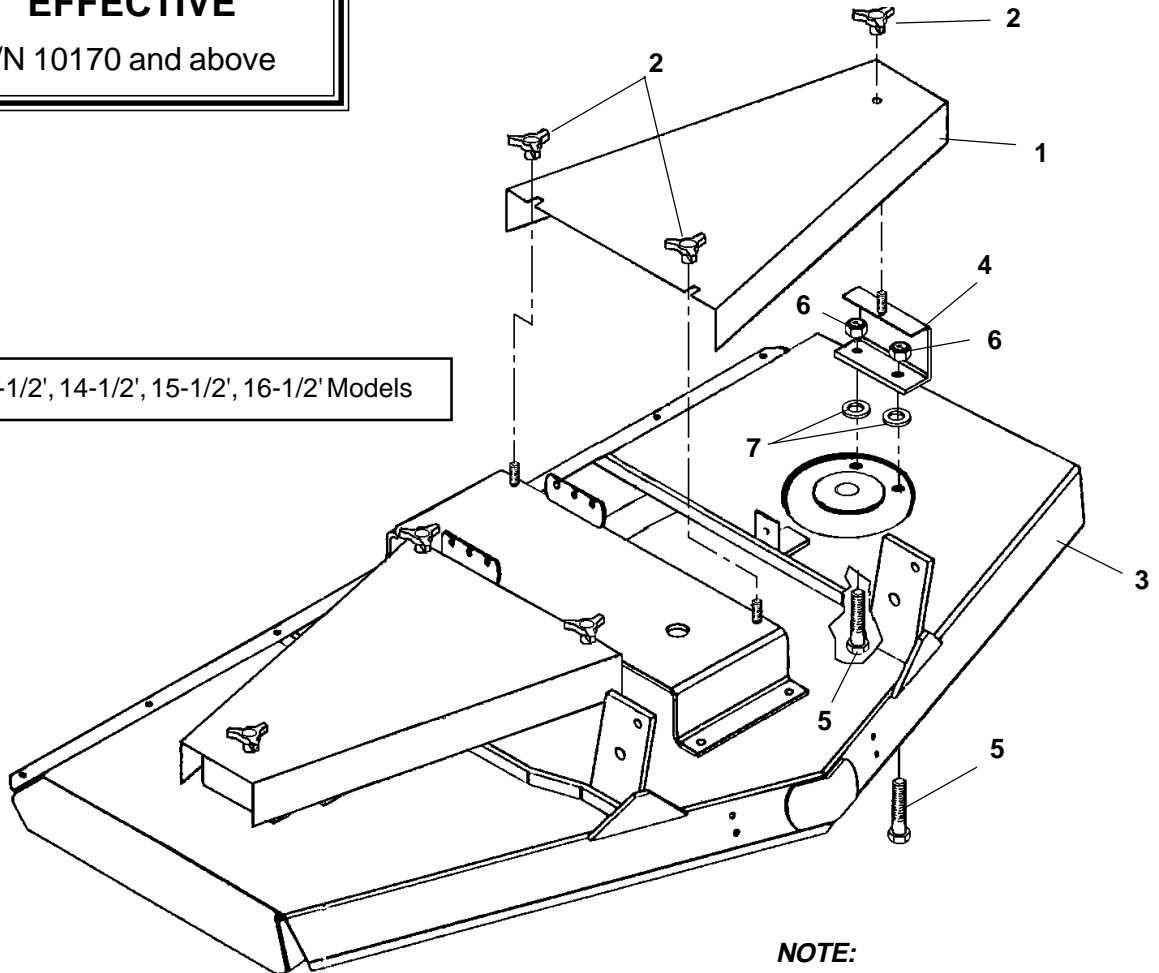
**EFFECTIVE**

S/N 10170 and above

11', 13-1/2', 14-1/2', 15-1/2', 16-1/2' Models

**NOTE:**

Quantities shown are per deck.



**NOTE:**

Quantities shown are per deck.

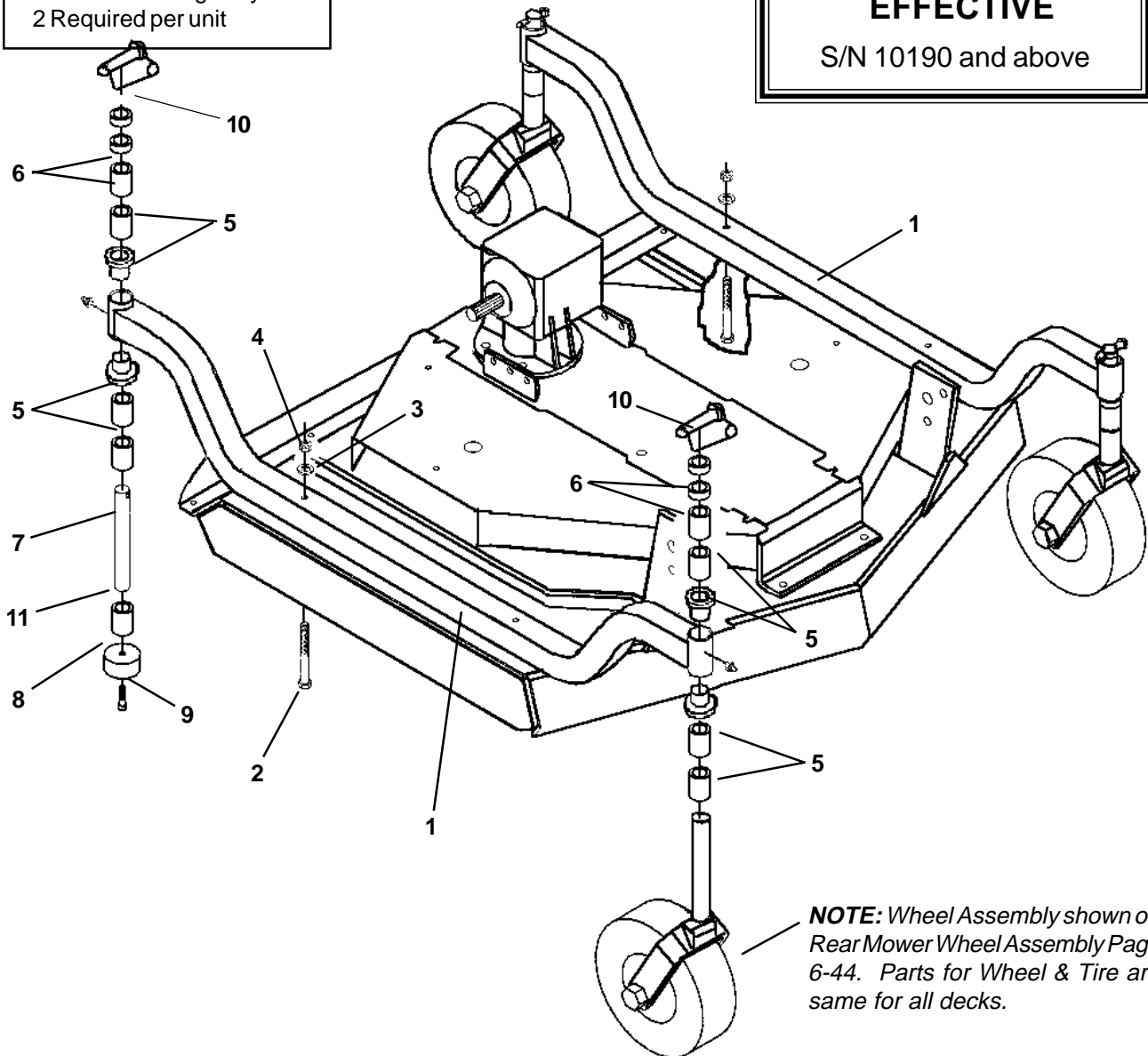
Item	Part No	Qty	Description
1	00765488	2	Shield LH - 48" Mower (Ctr. & LH Wing)
	00768966	2	Shield RH - 48" Mower (RH Wing Only)
	00768915	1	Shield LH - 60" Mower
	00768916	1	Shield RH - 60" Mower
	00766837	1	Shield RH - 72" Mower
	00766838	1	Shield LH - 72" Mower
2	00769933	6	Nut - Plastic Thumb
3	00766832	1	Weldment - Deck - 72" Mower
	00768849	1	Weldment - Deck - 60" Mower
	00765500	2	Weldment - Deck - 48" (Center and LH Wing)
	00765501	1	Weldment - Deck - 48" (RH Wing)
	00763276	2	Weldment - Shield Bracket
4	00763276	2	Weldment - Shield Bracket
5	00011400	4	Hex Bolt
6	4528	4	Hex Flange Locknut
7	00761961	4	Washer

# WING AXLE ASSEMBLY

11' Model \*Wing Only\*  
2 Required per unit

**EFFECTIVE**

S/N 10190 and above



**NOTE:** Wheel Assembly shown on Rear Mower Wheel Assembly Page 6-44. Parts for Wheel & Tire are same for all decks.

ITEM	PART NO	QTY	DESCRIPTION
1*	00770947	2	Weldment-Axle Arm
2	7A61624	4	Bolt
3	00761961	4	Washer
4	4528	4	Nut
5	00769365	16	Spacer
6	00769366	4	Spacer
7	00770951	1	Shaft Height Adustment
8	00766407	1	Spacer, Pad
9	4812	1	Bolt
10	4805	4	Pin-Snapper
11	00770950	1	Space, Tube

\*NOTE: Two Axle per Wing Mower

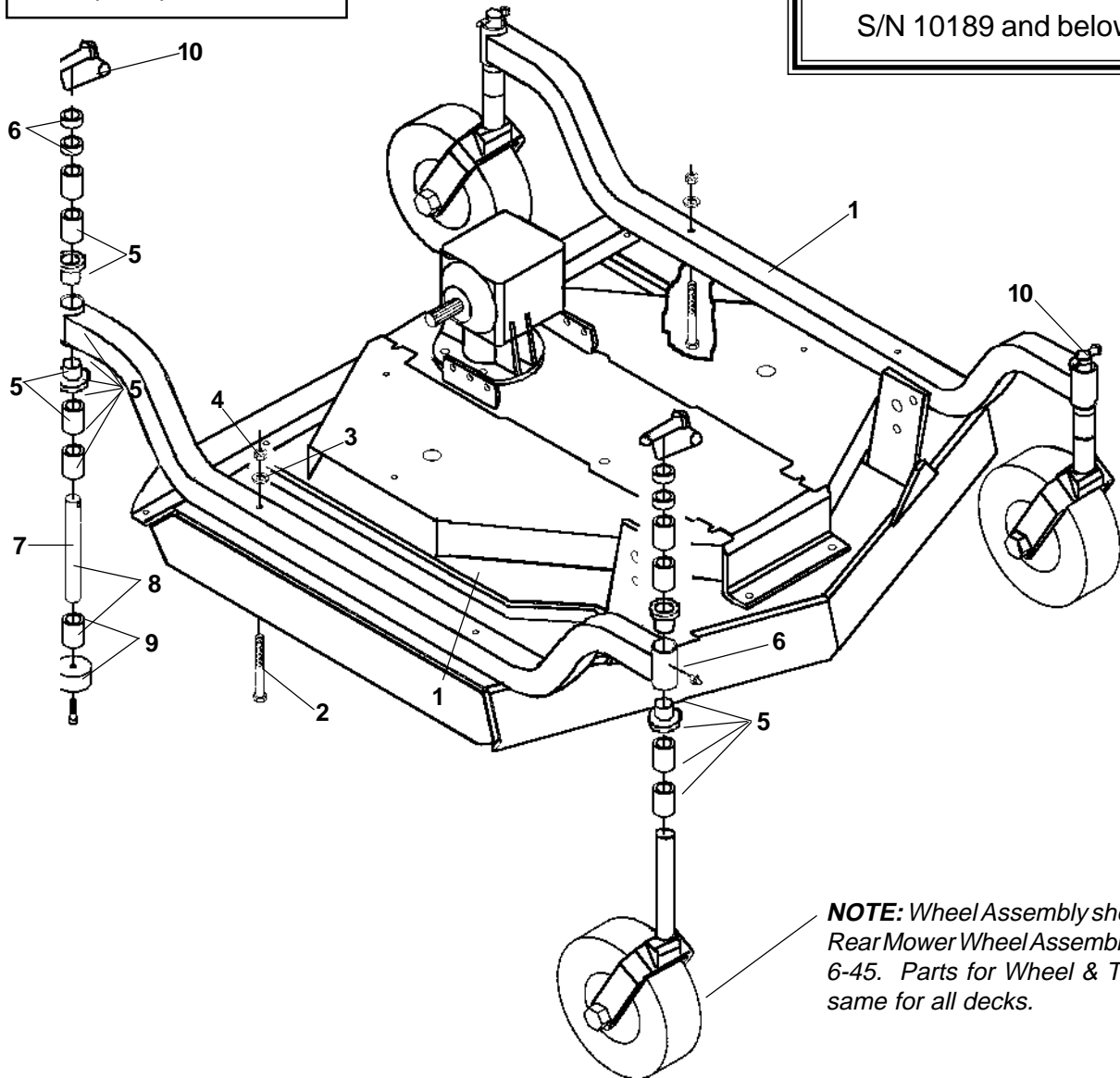


# WING AXLE ASSEMBLY

11' Model \*Wing Only\*  
2 Required per unit

**EFFECTIVE**

S/N 10189 and below



**NOTE:** Wheel Assembly shown on Rear Mower Wheel Assembly Page 6-45. Parts for Wheel & Tire are same for all decks.

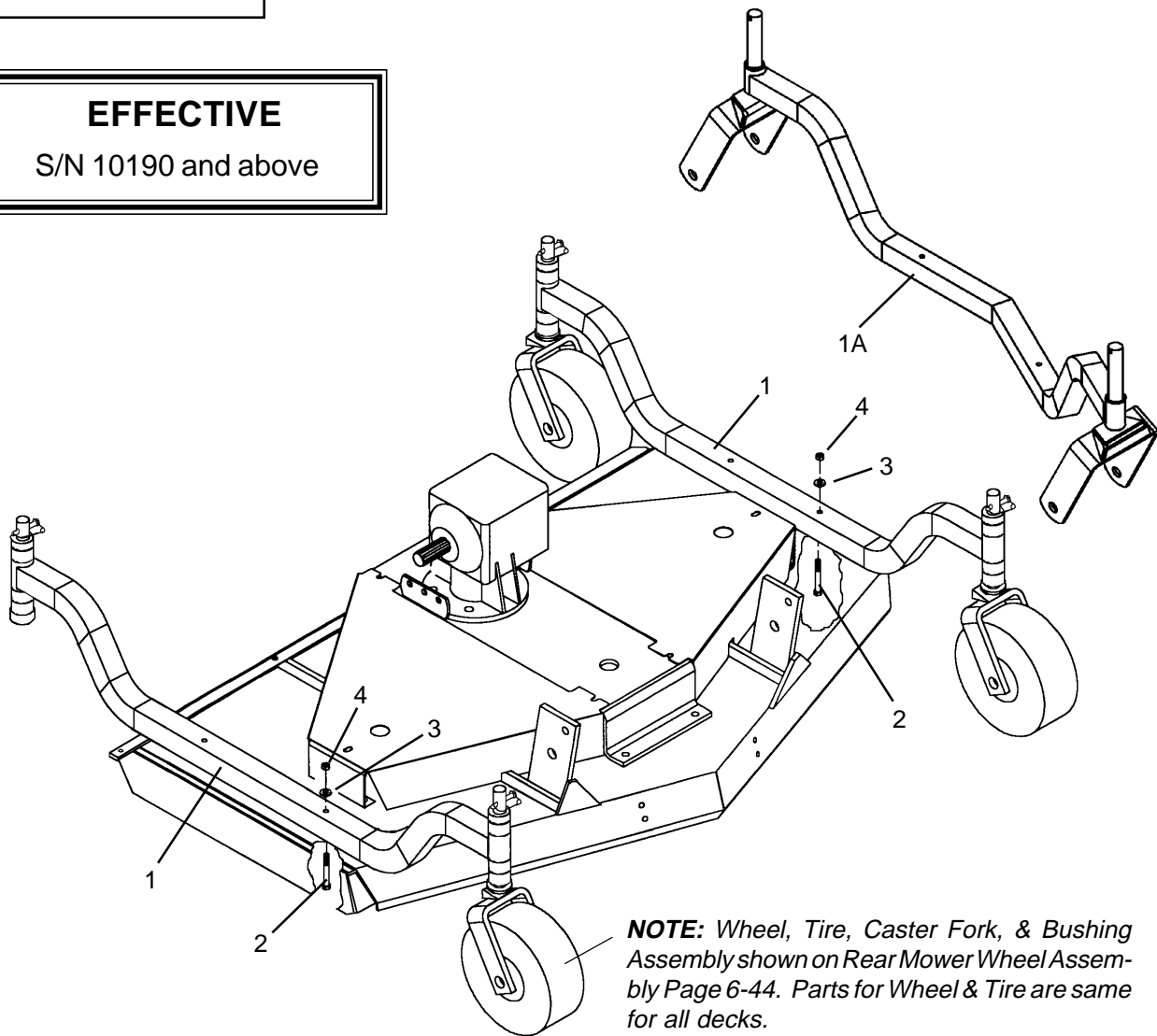
ITEM	PART NO	QTY	DESCRIPTION
1*	00765541	2	Weldment-Axle Arm
2	7A61624	4	Bolt
3	00761961	4	Washer
4	4528	4	Nut
5	00761504	16	Spacer
6	00761503	4	Spacer
7	00766406	1	Shaft Height Adustment
8	00766407	1	Spacer
9	4812	1	Bolt
10	4805	4	Pin-Snapper

\* NOTE: Two Axle per Wing Mower

# WING AXLE ASSEMBLY

13-1/2', 14-1/2', 15-1/2',  
16-1/2', Model

**EFFECTIVE**  
S/N 10190 and above



**NOTE:** Wheel, Tire, Caster Fork, & Bushing Assembly shown on Rear Mower Wheel Assembly Page 6-44. Parts for Wheel & Tire are same for all decks.

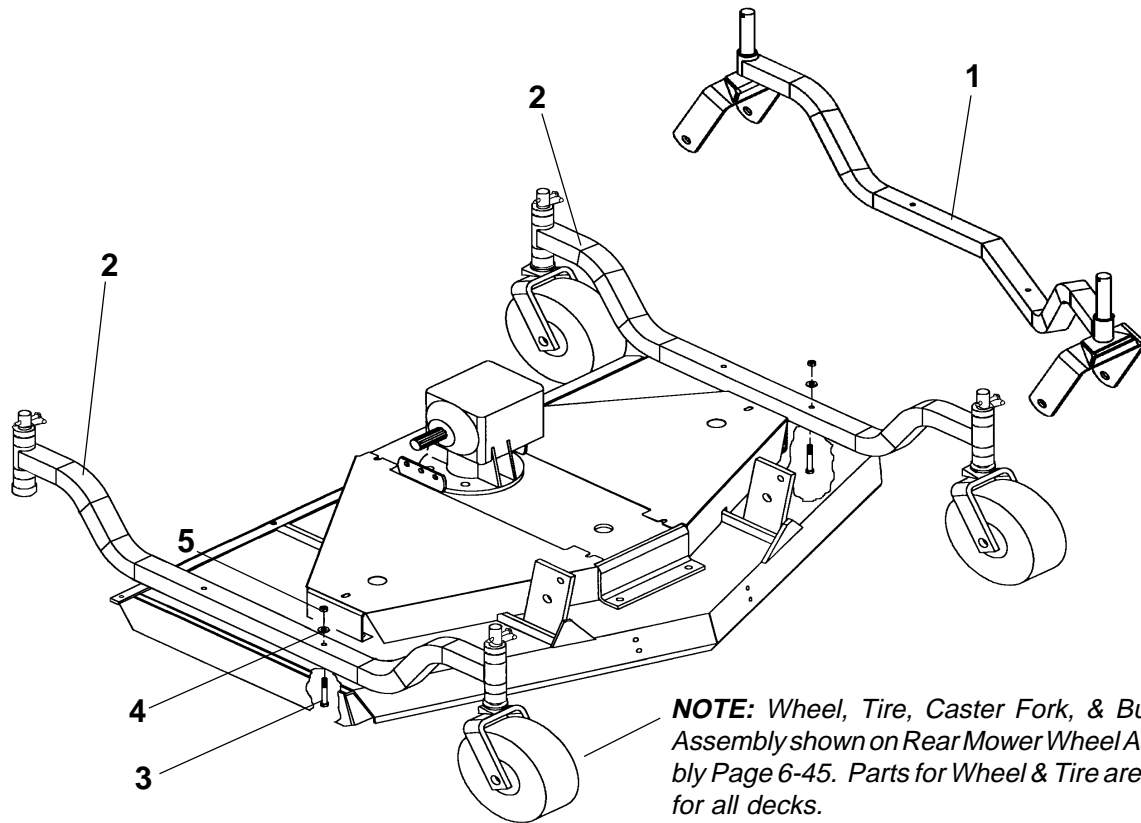
ITEM	PARTNO	QTY	DESCRIPTION
1	00770770	2	Wldmnt - Axle Arm (Includes Bushings)
1A	00770774	1	Wldmnt - 72" Axle Arm - Wing (Includes Bushings) (Optional)
2	7A61624	4	Bolt
3	00761961	4	Washer
4	4528	4	Nut

# WING AXLE ASSEMBLY

13-1/2', 14-1/2', 15-1/2',  
16-1/2', Model

**EFFECTIVE**

S/N 10189 and below



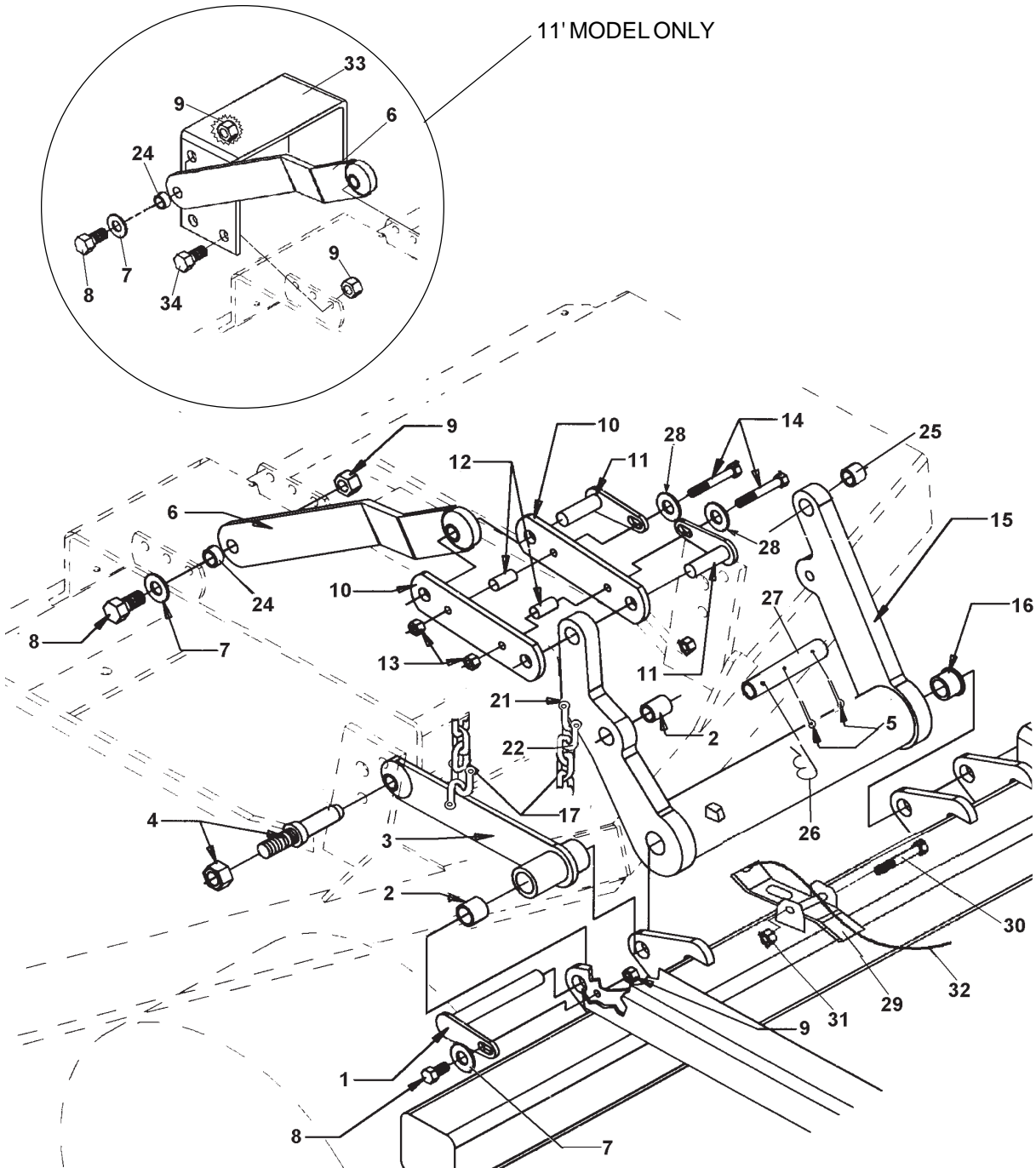
**NOTE:** Wheel, Tire, Caster Fork, & Bushing Assembly shown on Rear Mower Wheel Assembly Page 6-45. Parts for Wheel & Tire are same for all decks.

ITEM	PART NO	QTY	DESCRIPTION
1*	00763282	1	Weldment - Axle Arm (Includes Bushings)
2	00763610	1	Weldment - Axle Arm - Left Wing (Includes Bushings)
	00763611	1	Weldment - Axle Arm - Right Wing (Includes Bushing)
3	7A61624	4	Bolt
4	00761961	5	Washer
5	4528	4	Nut

\* NOTE: One Axle per Wing Mower

# REAR LIFT ASSEMBLY

**EFFECTIVE**  
S/N 10190 and above



# REAR LIFT ASSEMBLY

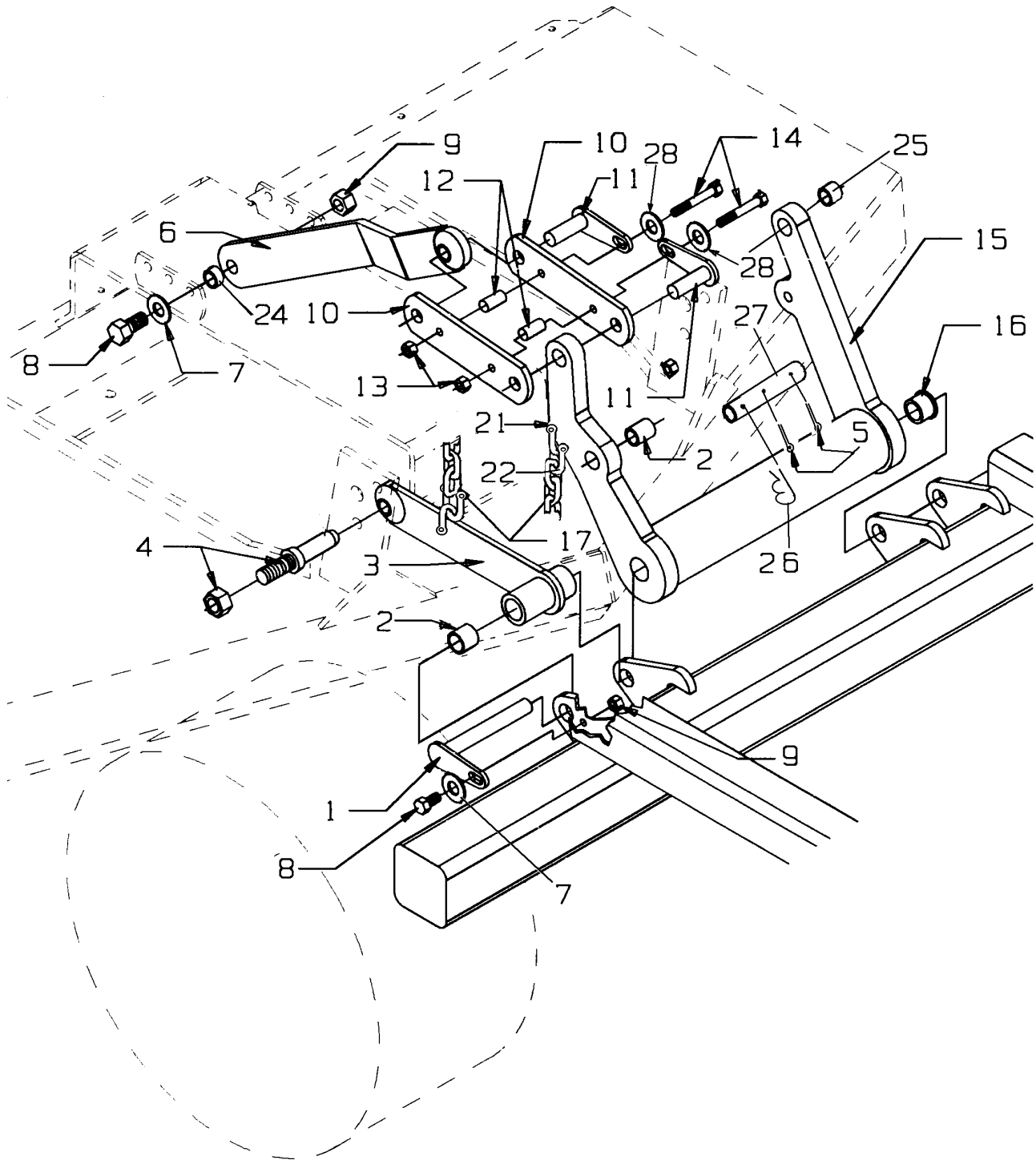
<b>EFFECTIVE</b> S/N 10190 and above
---

ITEM	PART NO	QTY	DESCRIPTION
1	00763352	2	Weldment - Pin - Chrome
2	02965214	5	Bearing
3	00763970	2	Assy. - Rear Mt.
4	00603500	2	Pin (Cat I)
5	00606000	2	Cotter Pin
6	00763304	2	Weldment - Brace
	00768944	2	Weldment - Brace (11' Only)
7	00002700	4	Washer
8	00748823	4	Bolt
9	00001800	8	Locknut TLM 1/2 NC PLC
10	00763312	4	Link
11	00763358	4	Weld. Pin - Toggle Link
12	00763313	4	Spacer
13	00015800	4	Nut
14	00059900	4	Bolt
15	00763316	1	Weldment Rear Lift Frame (Includes Brg.)
16	00761453	2	Bearing
17	00755090	2	Chain - 5 Link
	00751126	2	Chain - 6 Link (11' Only)
21	100761	2	Ring Complete
	02957941	2	Locknut
	00752340	2	Bolt
22	02703700	4	Shackle
23	02965214	1	Bearing
24	5150311	2	Bushing
25	02964349	2	Bushing
26	02276800	1	Clip Pin
27	00763978	1	Pin
28	00011100	2	Flatwasher
29	00770789	1	Wldmt- Latch Bar
30	02845800	1	Bolt
31	00762416	1	Nut
32	00770998	1	Lock Pull Rope
		1	Lock Pull Rope (11' Model Only)
33	00767464	1	Plate - Strap Adapter
34	02030700	4	Bolt - 1/2 x 1-1/4

# REAR LIFT ASSEMBLY

**EFFECTIVE**

S/N 10189 and below



# REAR LIFT ASSEMBLY

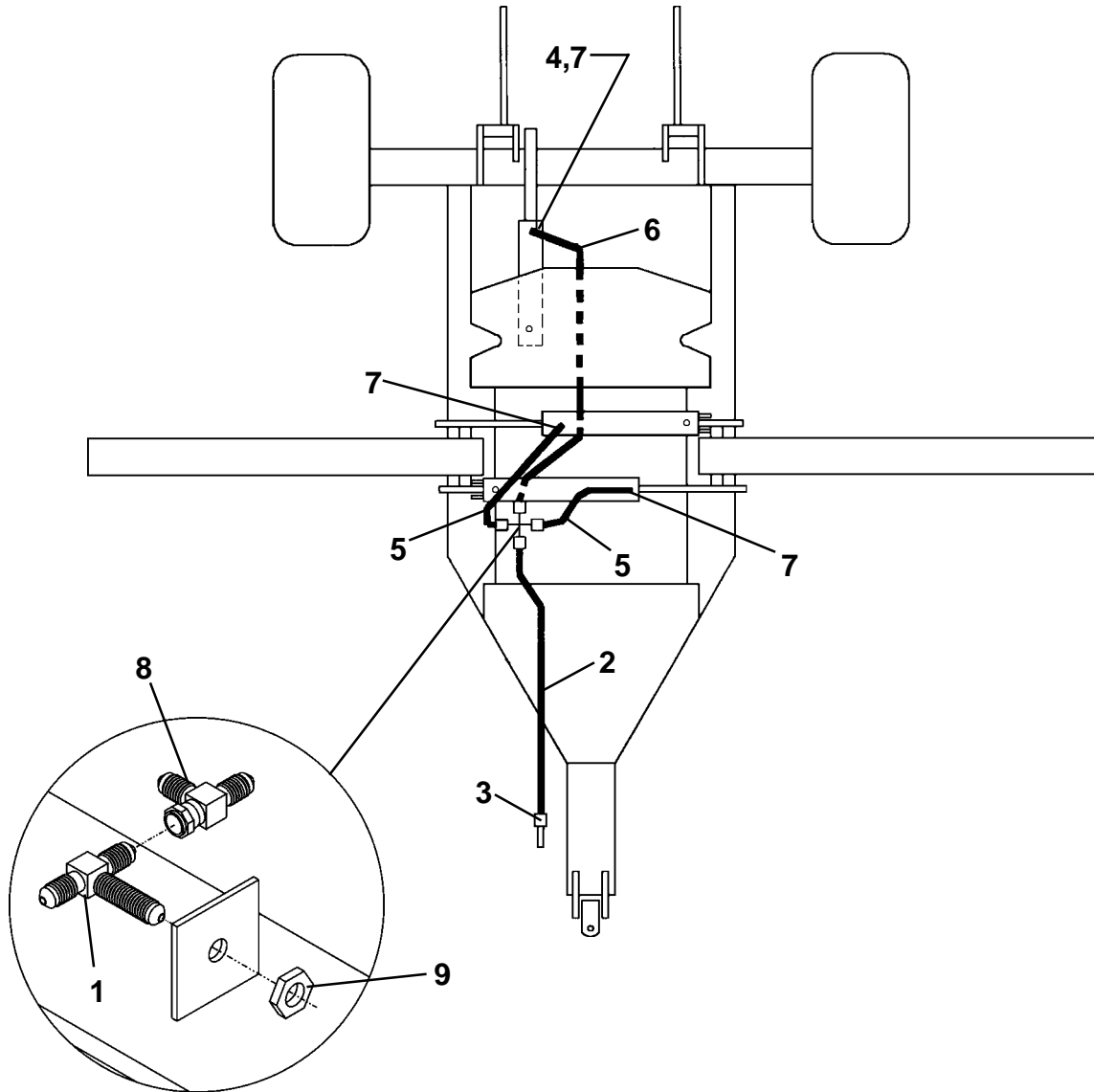
## EFFECTIVE

S/N 10189 and below

ITEM	PART NO	QTY	DESCRIPTION
1	00763352	2	Weldment - Pin - Chrome
2	02965214	5	Bearing
3	00763970	2	Assy. - Rear Mt.
4	00603500	2	Pin (Cat I)
5	00606000	2	Cotter Pin
6	00763304	2	Weldment - Brace
	00768944	2	Weldment - Brace (11' Only)
7	00002700	2	Washer
8	00748823	2	Bolt
9	00001800	2	Locknut TLM 1/2 NC PLC
10	00763312	4	Link
11	00763358	4	Weld. Pin - Toggle Link
12	00763313	4	Spacer
13	00015800	4	Nut
14	00059900	4	Bolt
15	00763316	1	Weldment Rear Lift Frame (Includes Brg.)
16	00761453	2	Bearing
17	00755090	2	Chain - 5 Link
	00751126	2	Chain - 6 Link (11' Only)
21	100761	2	Ring Complete
	02957941	2	Locknut
	00752340	2	Bolt
22	02703700	4	Shackle
24	5150311	2	Bushing
25	02964349	2	Bushing
26	02276800	1	Clip Pin
27	00763978	1	Pin
28	00011100	2	Flatwasher

# HYDRAULIC SCHEMATIC

**EFFECTIVE**  
S/N 10190 and above

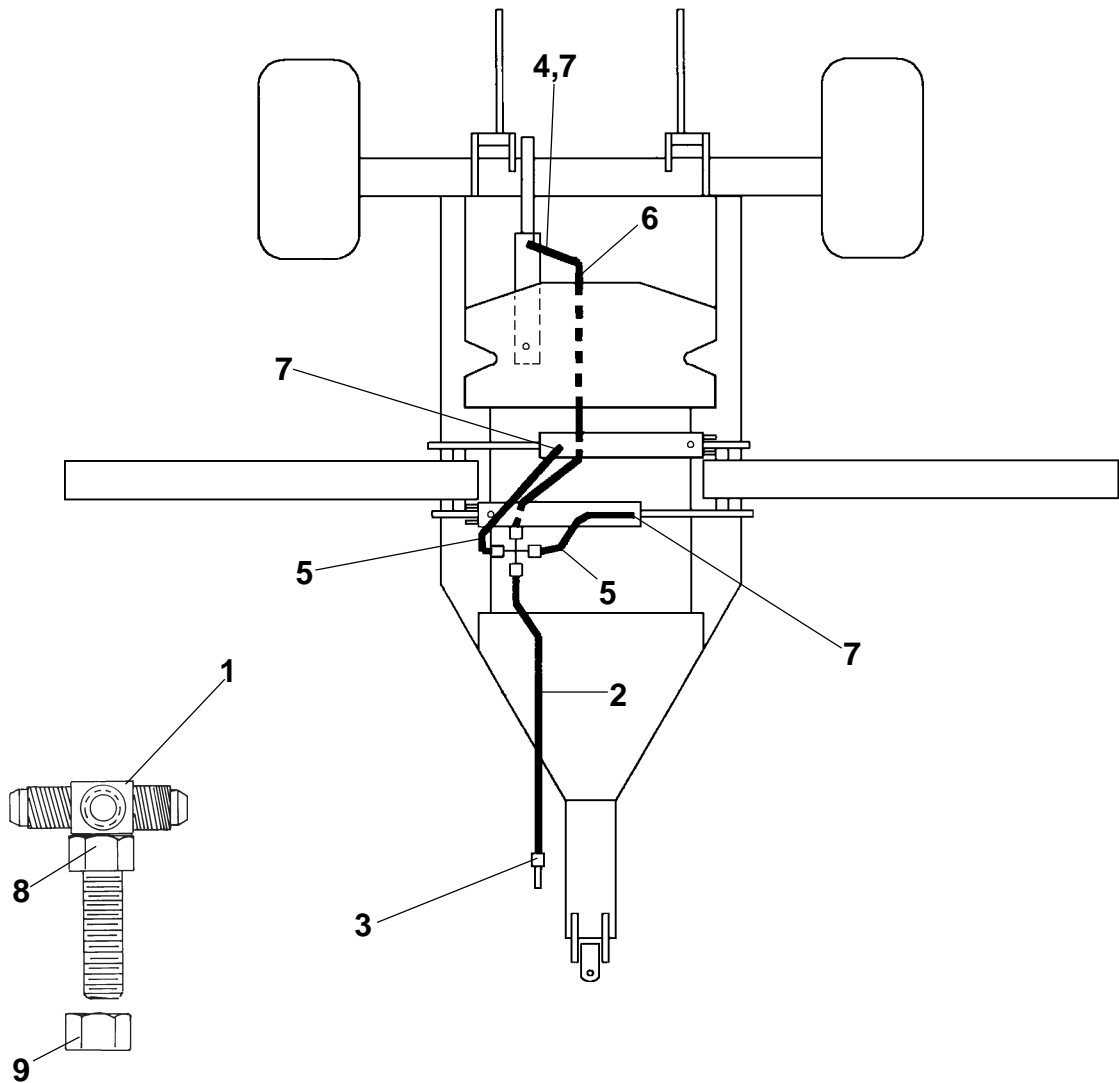


ITEM	PART NO	QTY	DESCRIPTION
1	00767168	1	Adapter, Bulkhead
2	00765738	1	Hose
3	02957691	1	Adapter
4	02811300	1	Restrictor
5	00763742	2	Hose
6	00762693	1	Hose
7	02822100	3	Adapter
8	00767169	1	Adapter, Swival
9	00767208	1	Nut



# HYDRAULIC SCHEMATIC

**EFFECTIVE**  
S/N 10189 and below

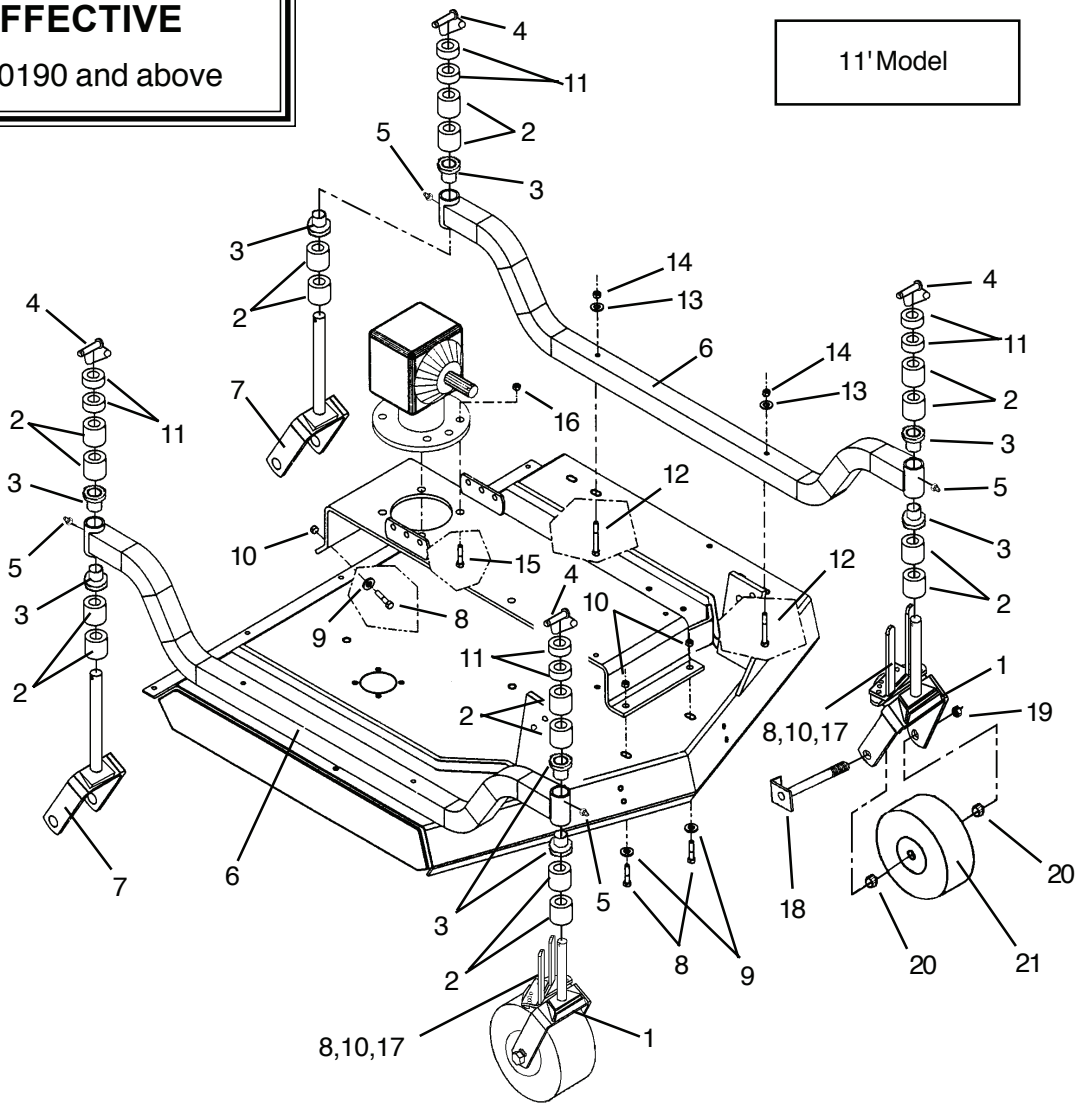


ITEM	PART NO	QTY	DESCRIPTION
1	00763679	1	Weldment - Hydraulic Adapter
2	001773	1	Hose
3	02957691	1	Adapter
4	02811300	1	Restrictor
5	00763742	2	Hose
6	00762693	1	Hose
7	02822100	3	Adapter
8	00751281	1	Jam Nut
9	00015800	1	Locknut

# REAR MOWER WHEEL ASSEMBLY

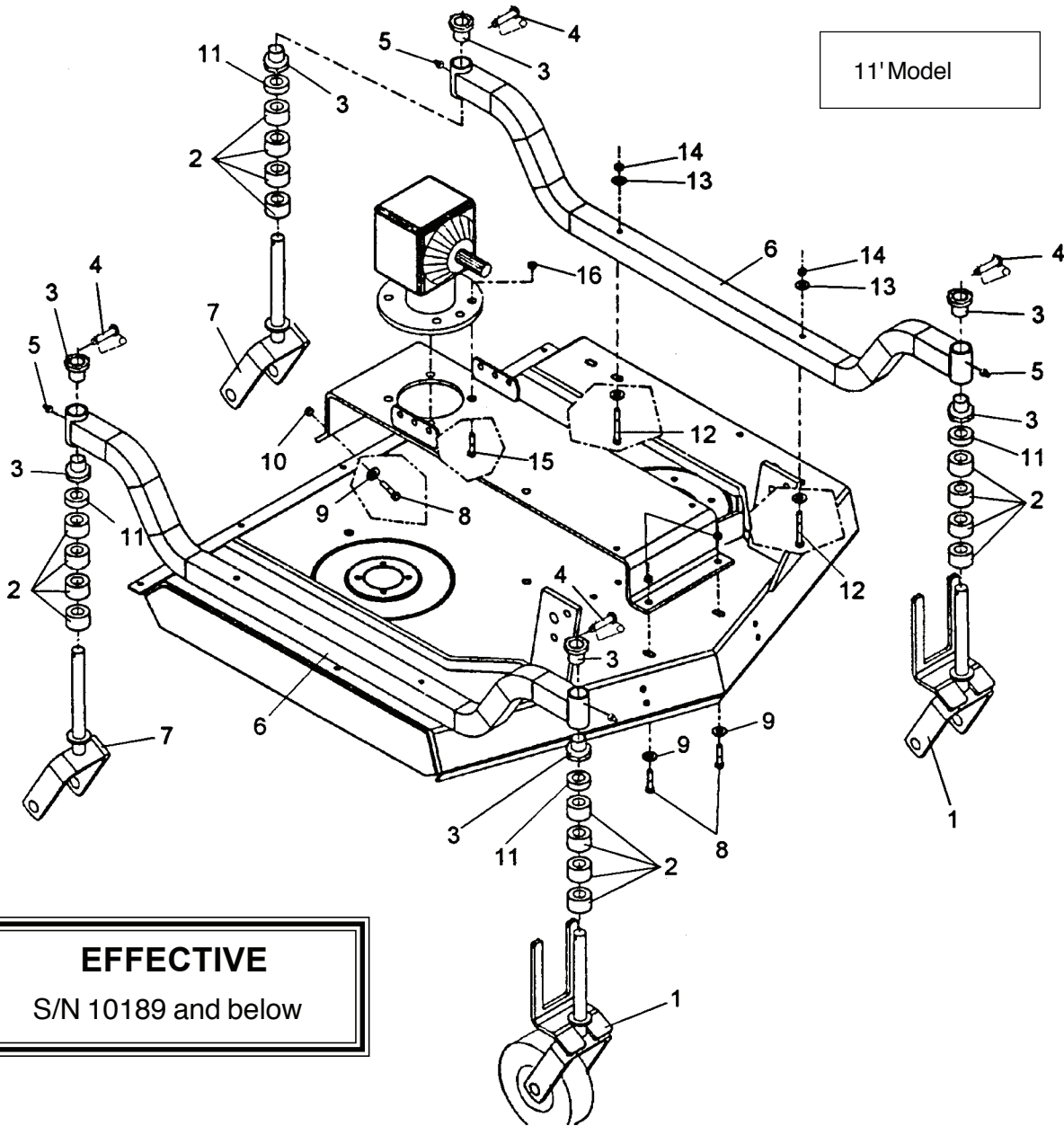
**EFFECTIVE**  
S/N 10190 and above

11' Model



ITEM	PART NO	QTY	DESCRIPTION
1	00770786	2	Wldmt- Fork w/Bolt On Stops
2	00769365	16	Spacer 1" Long
3	00769364	8	Bearing-Flange
4	4805	4	Pin - Snapper
5	4720	4	Grease Fitting
6	00770947	2	Wldmt- Axle Arm
7	00769376	2	Wldmt- Fork
8	02030700	8	Bolt
9	00002700	5	Washer
10	00001800	8	Locknut TLM 1/2 NC PLC
11	00769366	8	Spacer 1/4" Long
12	7A61624	4	Bolt
13	00761961	4	Washer
14	4528	4	Locknut
15	00008300	4	Bolt
16	00695100	4	Nut, Toplock 5/8 NC PLC
17	00770785	2	Plate, Fork Stop
18	00769569	4	Wldt-Gauge Wheel Spindle
19	5JRC16140	4	Nut
20	00769951	8	Seal Bearing
21	00769884	4	Tire & Wheel Comp. w/Brg.

# REAR MOWER WHEEL ASSEMBLY



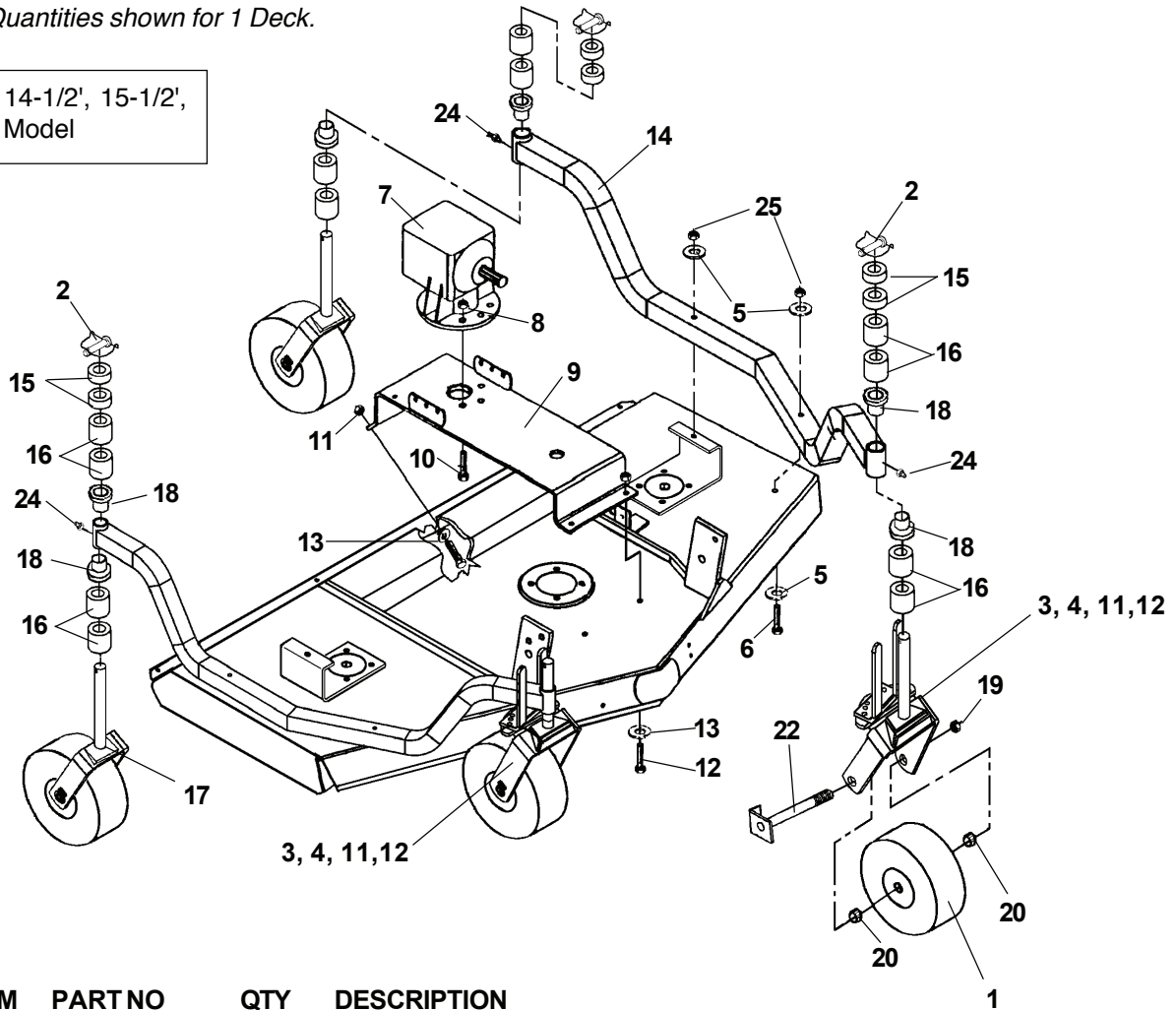
**EFFECTIVE**  
S/N 10189 and below

ITEM	PART NO	QTY	DESCRIPTION
1	00766483	2	Weldment - Fork
2	00761504	16	Spacer 1" Long
3	00761453	8	Bearing
4	4805	4	Pin - Snapper
5	4720	4	Grease Fitting
6	00765541	2	Weldment - Axle Arm
7	00766954	2	Weldment - Fork
8	02030700	5	Bolt
9	00002700	5	Washer
10	00001800	5	Locknut TLM 1/2 NC PLC
11	00765338	8	Spacer 1/4" Long
12	7A61624	4	Bolt
13	00761961	4	Washer
14	4528	4	Locknut
15	00008300	4	Bolt
16	00695100	4	Nut, Toplock 5/8 NC PLC

# REAR MOWER WHEEL ASSEMBLY

**NOTE:** Quantities shown for 1 Deck.

13-1/2', 14-1/2', 15-1/2',  
16-1/2', Model



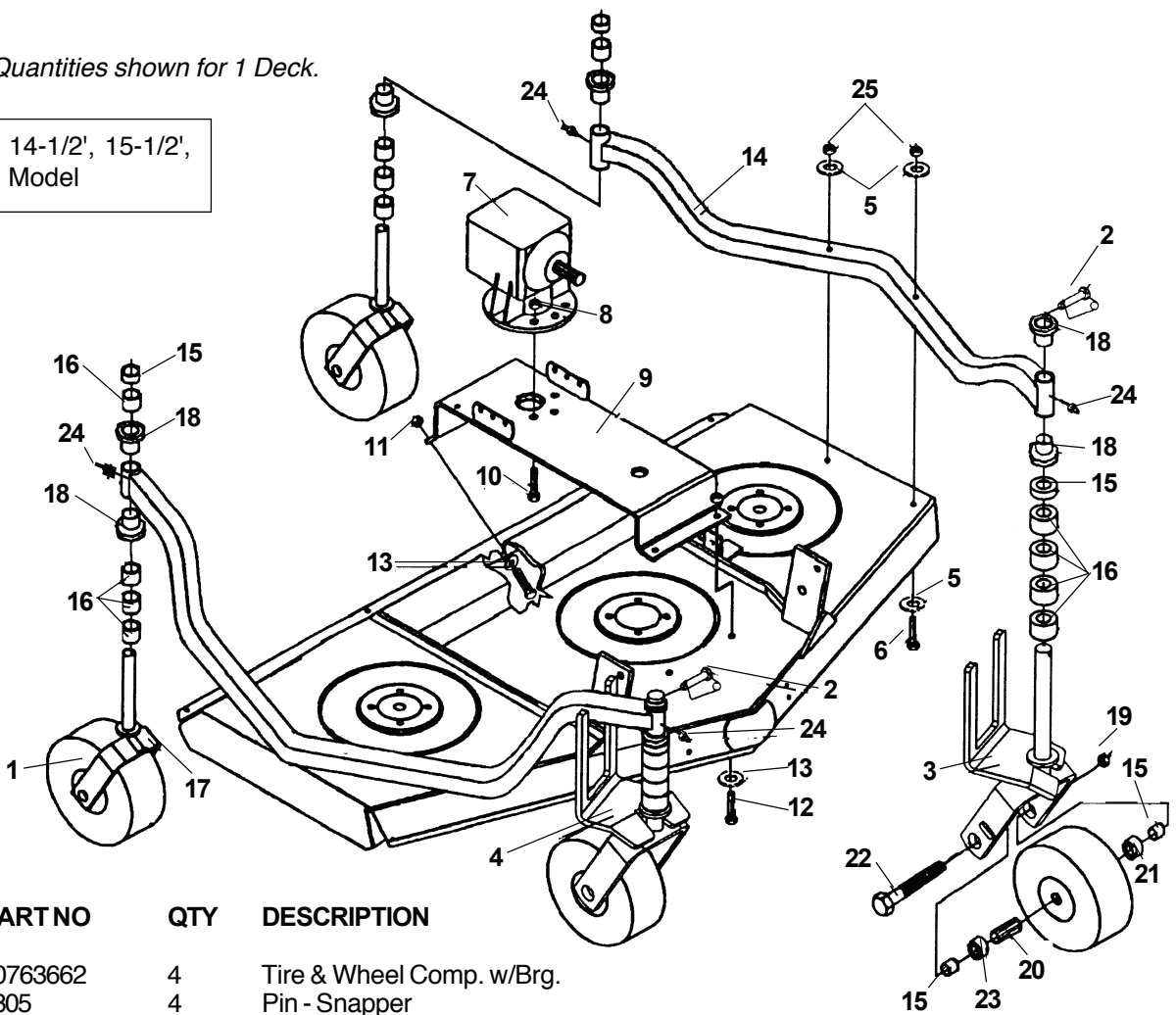
ITEM	PART NO	QTY	DESCRIPTION
1	00769884	4	Tire & Wheel Comp. w/Brg.
2	4805	4	Pin, Snapper
3	00770786	2	Weldment, Fork w/Bolt on Stops
4	00770785	2	Plate, Caster Lock
5	00761961	6	Washer
6	7A61624	6	Bolt
7	00763623B	1	Gearbox
8	00695100	4	Nut, Toplock 5/8 NC PLC
9	00763269	1	72" Weld. - Gearbox Mount
	00763908	1	60" Weld. - Gearbox Mount
10	00008300	4	Bolt
11	00001800	8	Locknut TLM 1/2 NC PLCv
12	00748823	8	Bolt
13	00002700	4	Flat washer
14	00766444	2	Weldment - Fork Beam
15	00769366	8	Spacer 1/4"
16	00769365	16	Spacer 1"
17	00769376	2	Weldment - Fork
18	00769364	8	Bearing Flange
19	5JRC16140	4	Nut
20	00769951	8	Seal Bearing
22	00769569	4	Wldt-Gauge Wheel Spindle
24	4720	4	Grease Fitting
25	4528	6	Nut

**EFFECTIVE**  
S/N 10190 and above

# REAR MOWER WHEEL ASSEMBLY

**NOTE:** Quantities shown for 1 Deck.

13-1/2', 14-1/2', 15-1/2',  
16-1/2', Model



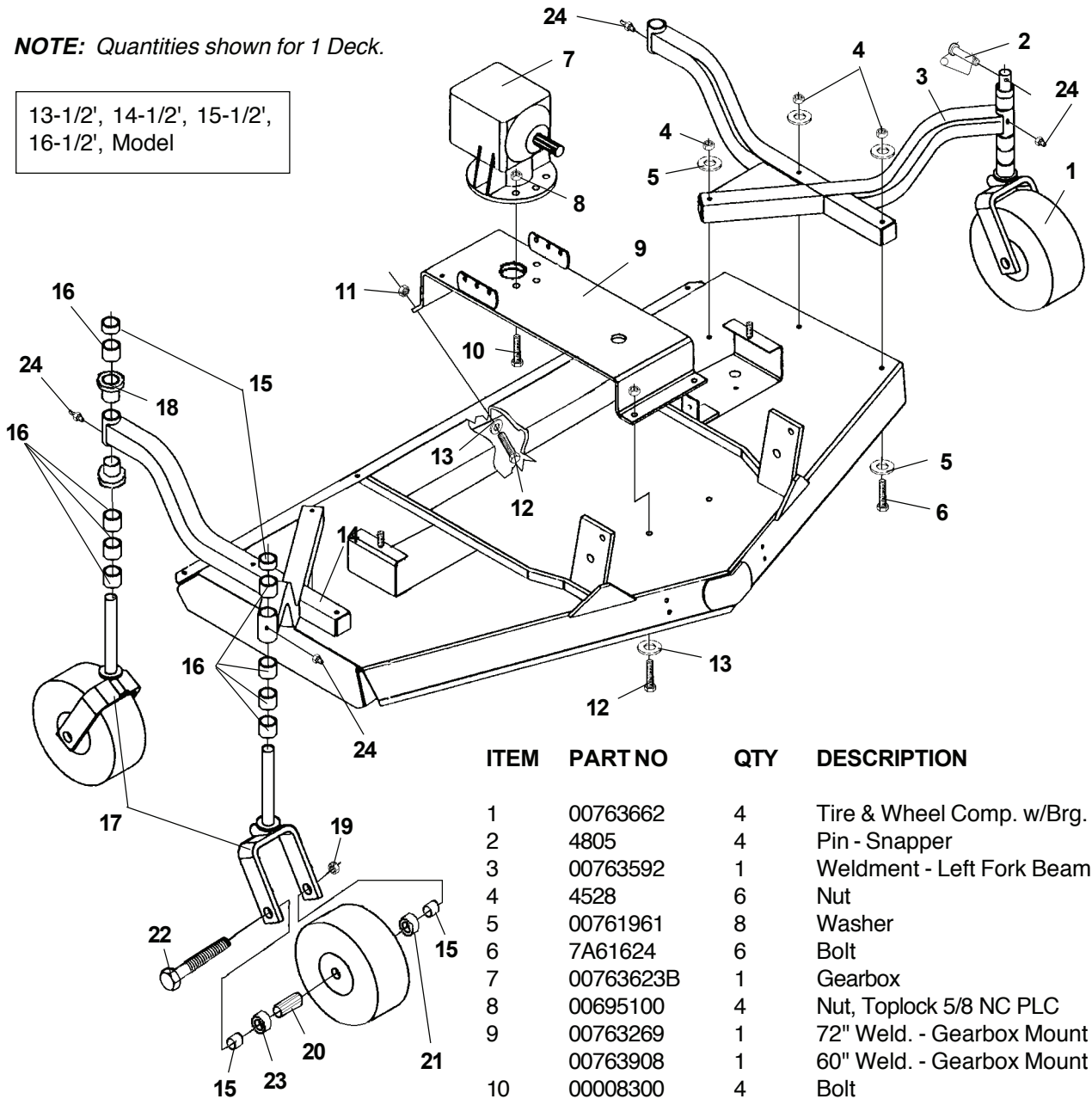
ITEM	PART NO	QTY	DESCRIPTION
1	00763662	4	Tire & Wheel Comp. w/Brg.
2	4805	4	Pin - Snapper
3	00768928	1	Weldment - Left Fork
4	00768927	1	Weldment - Right Fork
5	00761961	6	Washer
6	7A61624	6	Bolt
7	00763623B	1	Gearbox
8	00695100	4	Nut, Toplock 5/8 NC PLC
9	00763269	1	72" Weld. - Gearbox Mount
	00763908	1	60" Weld. - Gearbox Mount
10	00008300	4	Bolt
11	00001800	4	Locknut TLM 1/2 NC PLC
12	02030700	4	Bolt
13	00002700	4	Flat washer
14	00766444	2	Weldment - Fork Beam
15	00761503	8	Spacer
16	00761504	16	Spacer
17	00766954	2	Weldment - Fork
18	00761453	8	Bearing Flange
19	02030300	4	Nut
20	00763703	8	Roller Bearing
21	00763704	4	End Cap - Plain
22	00766447	4	Bolt
23	00763705	4	End Cap - Notched
24	4720	4	Grease Fitting
25	4528	6	Nut

**EFFECTIVE**  
S/N 10170 and above

# REAR MOWER WHEEL ASSEMBLY

**NOTE:** Quantities shown for 1 Deck.

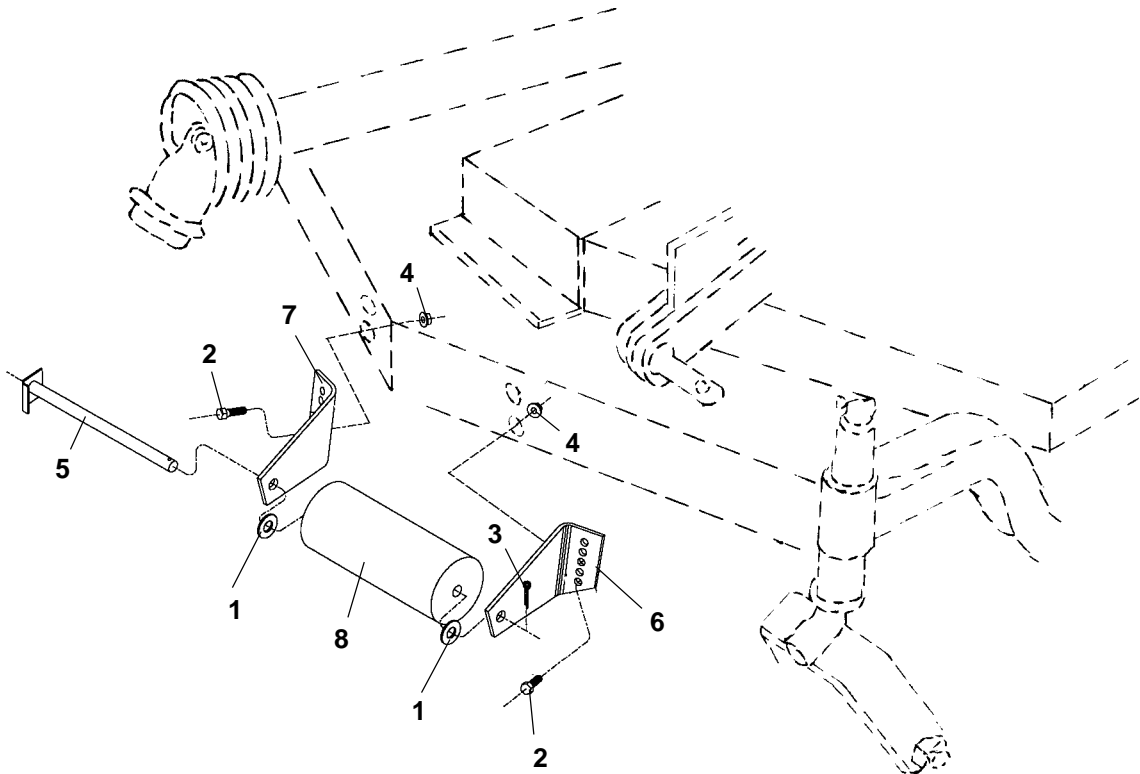
13-1/2', 14-1/2', 15-1/2',  
16-1/2', Model



**EFFECTIVE**  
S/N 10169 and below

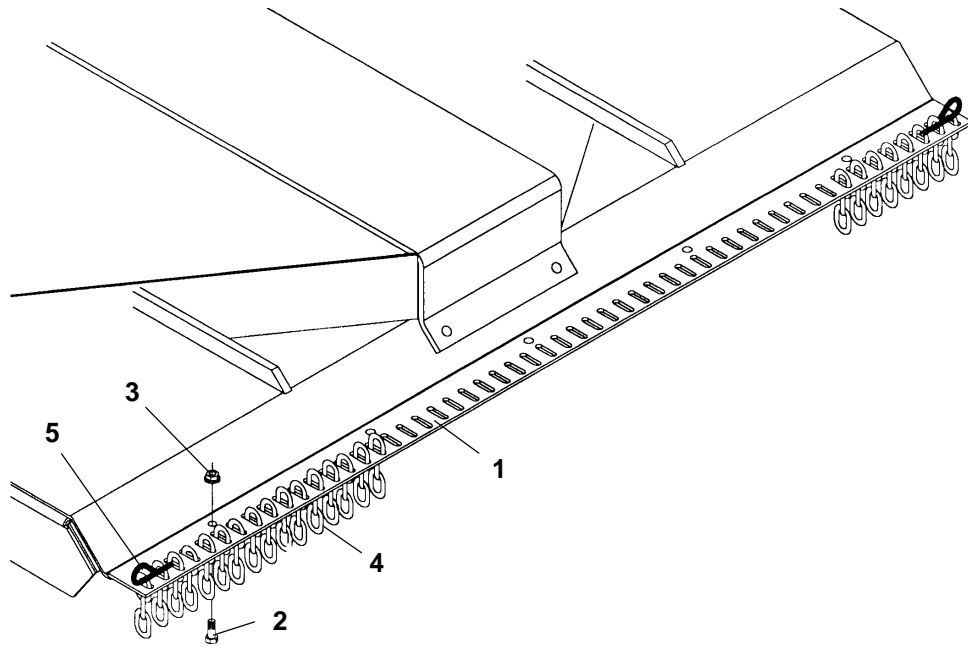
ITEM	PART NO	QTY	DESCRIPTION
1	00763662	4	Tire & Wheel Comp. w/Brg.
2	4805	4	Pin - Snapper
3	00763592	1	Weldment - Left Fork Beam
4	4528	6	Nut
5	00761961	8	Washer
6	7A61624	6	Bolt
7	00763623B	1	Gearbox
8	00695100	4	Nut, Toplock 5/8 NC PLC
9	00763269	1	72" Weld. - Gearbox Mount
	00763908	1	60" Weld. - Gearbox Mount
10	00008300	4	Bolt
11	00001800	4	Locknut TLM 1/2 NC PLC
12	02030700	4	Bolt
13	00002700	4	Flat washer
14	00763591	1	Weldment - Right Fork Beam
15	00765338	8	Spacer
16	00761504	16	Spacer
17	00761727	4	Weldment - Fork
18	00761453	8	Bearing Flange
19	02030300	4	Nut
20	00763703	8	Roller Bearing
21	00763704	4	End Cap - Plain
22	00766447	4	Bolt
23	00763705	4	End Cap - Notched
24	4720	4	Grease Fitting

# STANDARD FRONT ROLLER



ITEM	PART NO	QTY	DESCRIPTION
1	00001400	2	Flatwasher
2	00011400	4	Bolt
3	00755153	1	Pin - Cotter
4	4528	4	Locknut
5	4860	1	Axle Weldment
6	00764795	1	Bracket, LH Roller
7	00764794	1	Bracket, RH Roller
8	4909	1	Roller - Front

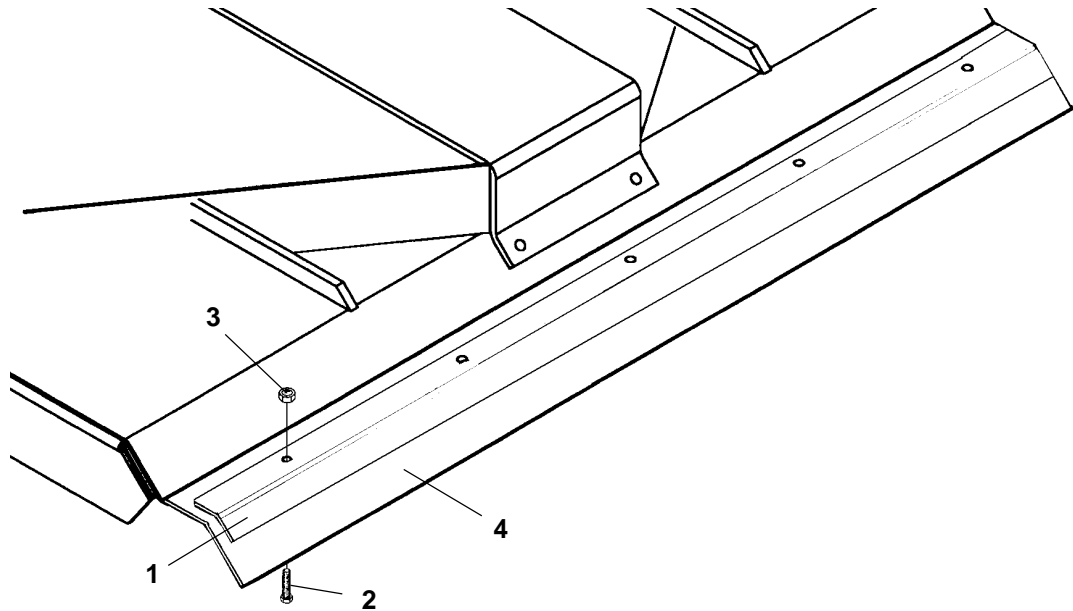
# CHAINGUARDS



ITEM	PART NO. 48" Mower	PART NO. 60" Mower	PART NO. 72" Mower	QTY	DESCRIPTION
1	00765524	00763906	00763926	1	Bracket
2	00011400	00011400	-----	5	Bolt
	-----	-----	00011400	7	Bolt
3	4528	4528	-----	5	Nut
	-----	-----	4528	7	Nut
4	0652130101	-----	-----	42	Chain
	-----	0652130101	-----	53	Chain
	-----	-----	0652130101	64	Chain
5	00765525	02962480	02962480	1	Rod

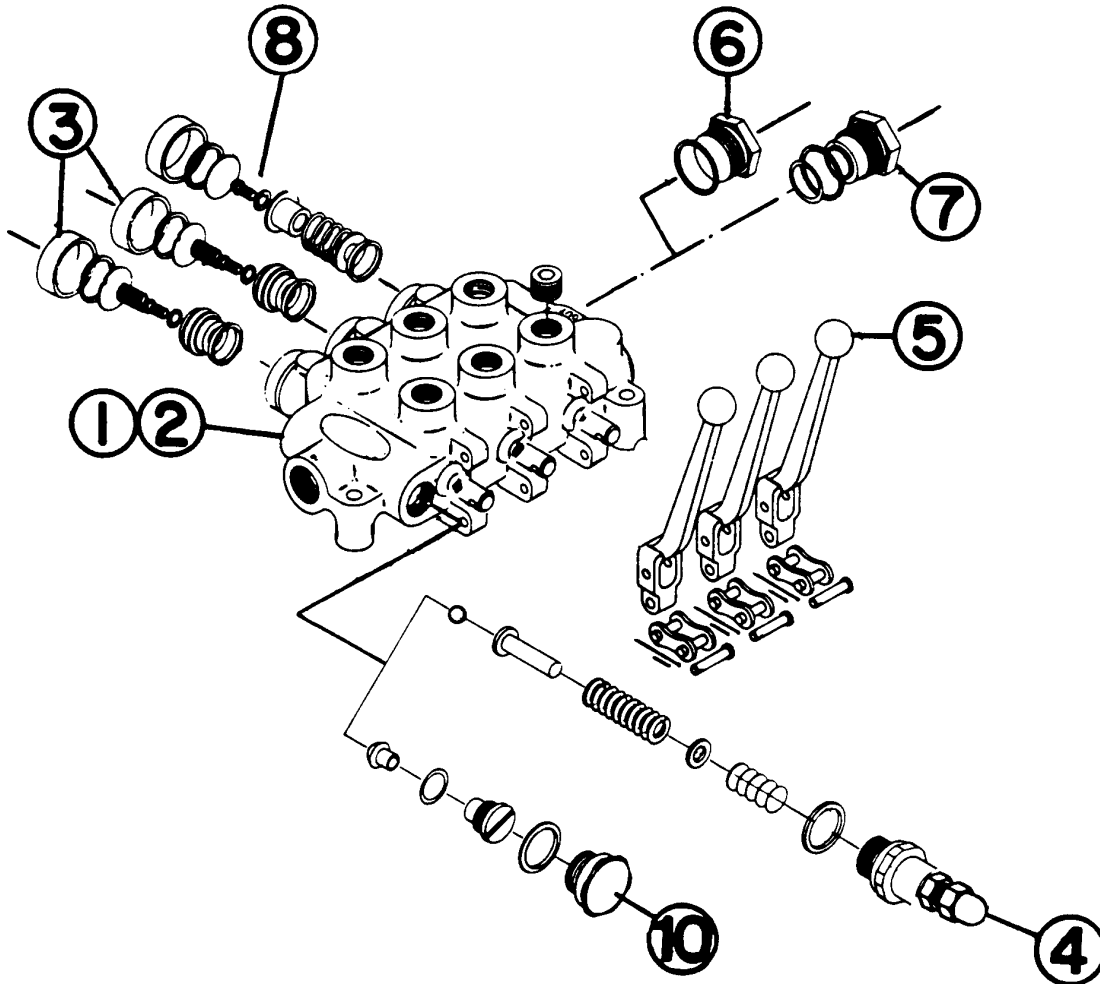


# DEFLECTORS



ITEM	PART NO. 48" Mower	PART NO. 60" Mower	PART NO. 72" Mower	QTY	DESCRIPTION
1	00765596	00764081	00763867	1	Bracket
2	00011400	00011400	-----	5	Bolt
	-----	-----	00011400	7	Bolt
3	4528	4528	-----	5	Nut
	-----	-----	4528	7	Nut
4	00765600	00764082	00763866	1	Shield

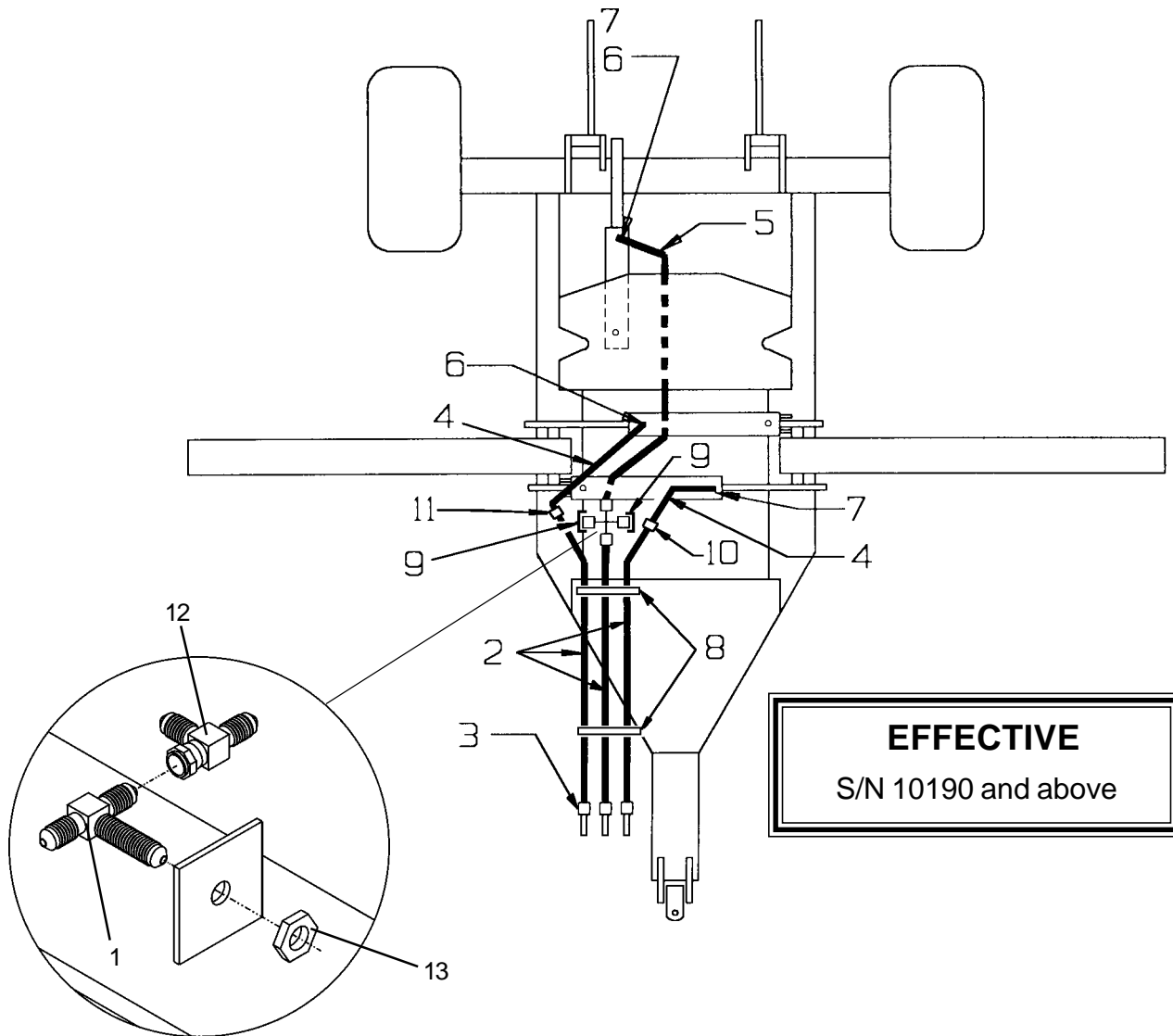
# 3 SPOOL HYDRAULIC CONTROL VALVE



**NOTE:** The Three Spool Control Valve must have "detented float positions" for the Two Wing Cylinder Spools. If such a valve is not used, excessive stress will be induced into the deck and Cylinder Rods.

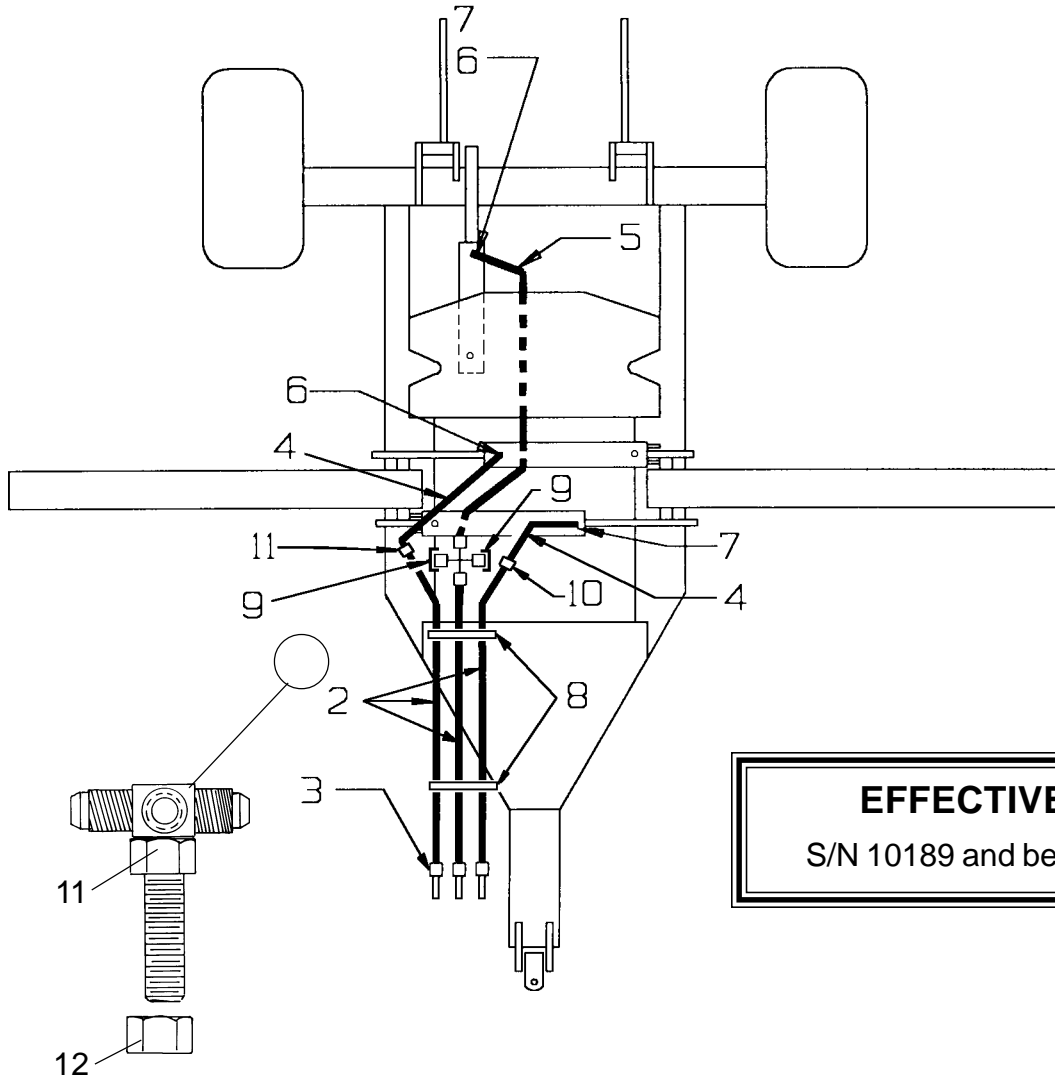
ITEM	PART NO.	CLOSED CENTER QTY	OPEN CENTER QTY	DESCRIPTION
1	00380200	-	1	Open Center Valve
2	00759833	1	-	Closed Center Valve
3	00751139	3	2	Detent Repair Kit
4	00751140	-	1	High Pressure Relief Valve Kit
5	00751142	3	3	Handle Assembly
6	00751141	-	1	Plug (open center)
7	00751002	1	-	Closed Center Plug
8	00751358	-	1	Repair Kit-Spring Return to Center
9	00751556	1	1	Spool Seal Kit for Item #1 or #2 (Not Shown)
10	00752057	1	-	Non-Relief Valve Plug (Closed Center)

# HYDRAULIC SCHEMATIC FOR 3 SPOOL VALVE (OPTION)



ITEM	PART NO	QTY	DESCRIPTION
1	00763679	1	Adapter, Bulkhead
2	00765738	3	Hose
3	02957691	3	Adapter
4	00763742	2	Hose
5	00763741	1	Hose
6	02822100	3	Adapter
7	02811300	1	Restrictor
8	63118700	2	Tie
9	02919600	2	Cap
10	00764575	2	Adapter
11	00751281	1	Jam Nut
12	00767169	1	Adapter, Swivel
13	00767208	1	Nut

# HYDRAULIC SCHEMATIC FOR 3 SPOOL VALVE



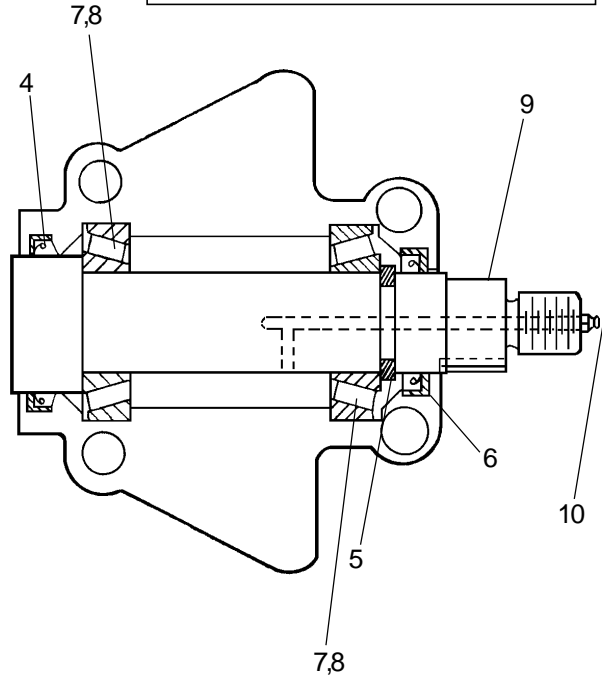
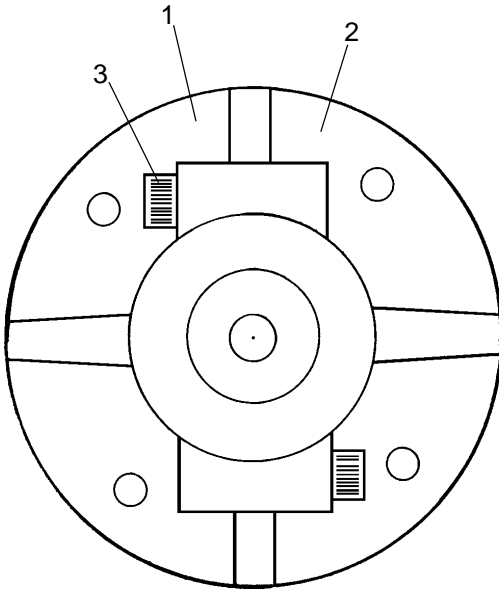
**EFFECTIVE**  
S/N 10189 and below

ITEM	PART NO	QTY	DESCRIPTION
1	00763679	1	Weldment - Hydraulic Adapter
2	001773	3	Hose
3	02957691	3	Adapter
4	00763742	2	Hose
5	00763741	1	Hose
6	02822100	3	Adapter
7	02811300	1	Restrictor
8	63118700	2	Tie
9	02919600	2	Cap
10	00764575	2	Adapter
11	00751281	1	Jam Nut
12	00015800	1	Locknut

# SPINDLE & HOUSING ASSEMBLY P/N 00759702

**EFFECTIVE**

S/N 10124 and below

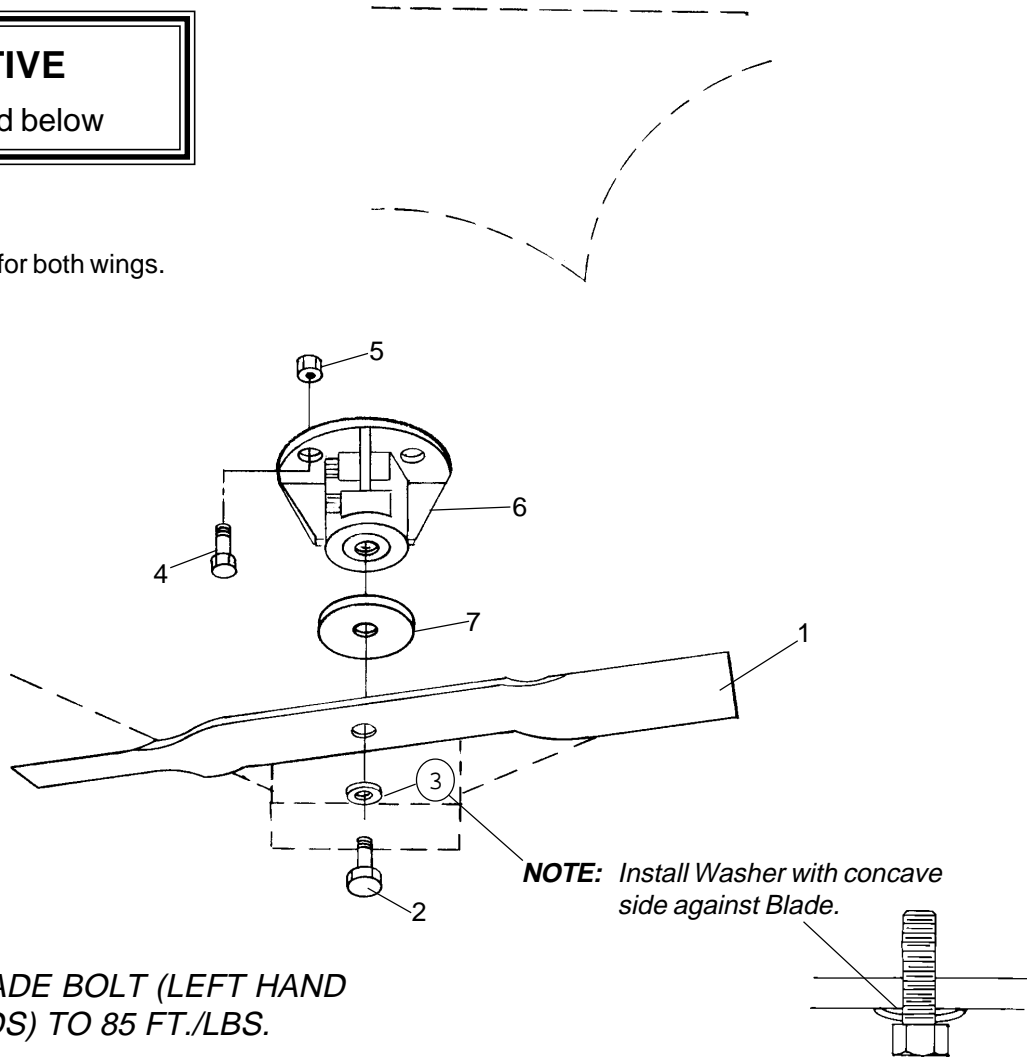


ITEM	PARTNO	QTY	DESCRIPTION
1	00760702	1	Casting Half (with Vent)
2	00760703	1	Casting Half (Standard) (Not Shown)
3	4812	4	Bolt
4	00760704	1	Seal
5	4814	2	Retaining Ring
6	5020	2	Seal
7	5019	2	Bearing Cup
8	00013701	2	Bearing Cone
9	00760701	1	Shaft
10	4351	1	Grease Fitting

# BLADE AND SPINDLE ASSEMBLY

**EFFECTIVE**  
S/N 10124 and below

**NOTE:**  
Quantities shown are for both wings.



**TORQUE BLADE BOLT (LEFT HAND THREADS) TO 85 FT./LBS.**

**DANGER**



Use only genuine **ALAMO BLADES**.  
Use of inferior Blades may cause serious injury or death.

## Quantities Shown Per Deck

ITEM	PART NO	QTY	DESCRIPTION
1	00761711	3	Blades - CCW - 72" Mower
	00761712	3	Blades - CCW - 60" Mower
2	00765310	3	Blade Bolt - LH Thread
3	4816	3	Washer
4	00753642	12	Bolt - Spindle Attachment
5	00015800	12	Nut - Spindle Attachment
6	00759702	3	Spindle & Housing Assembly
7	00759716	3	Seal Protector

# SHIELD ASSEMBLY

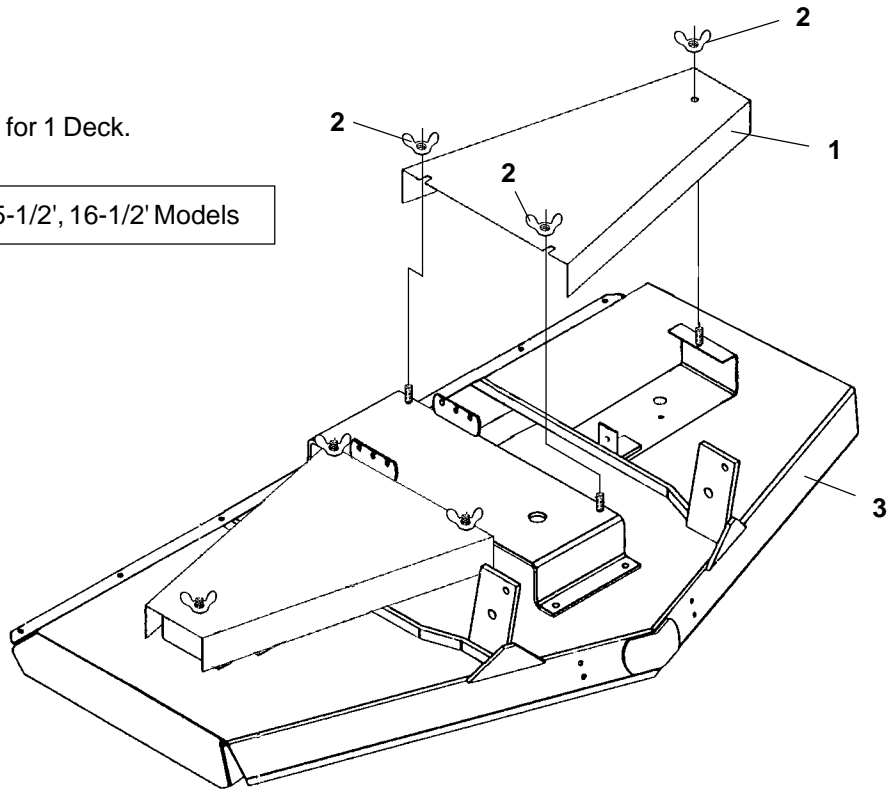
**EFFECTIVE**

S/N 10169 and Below

**NOTE:**

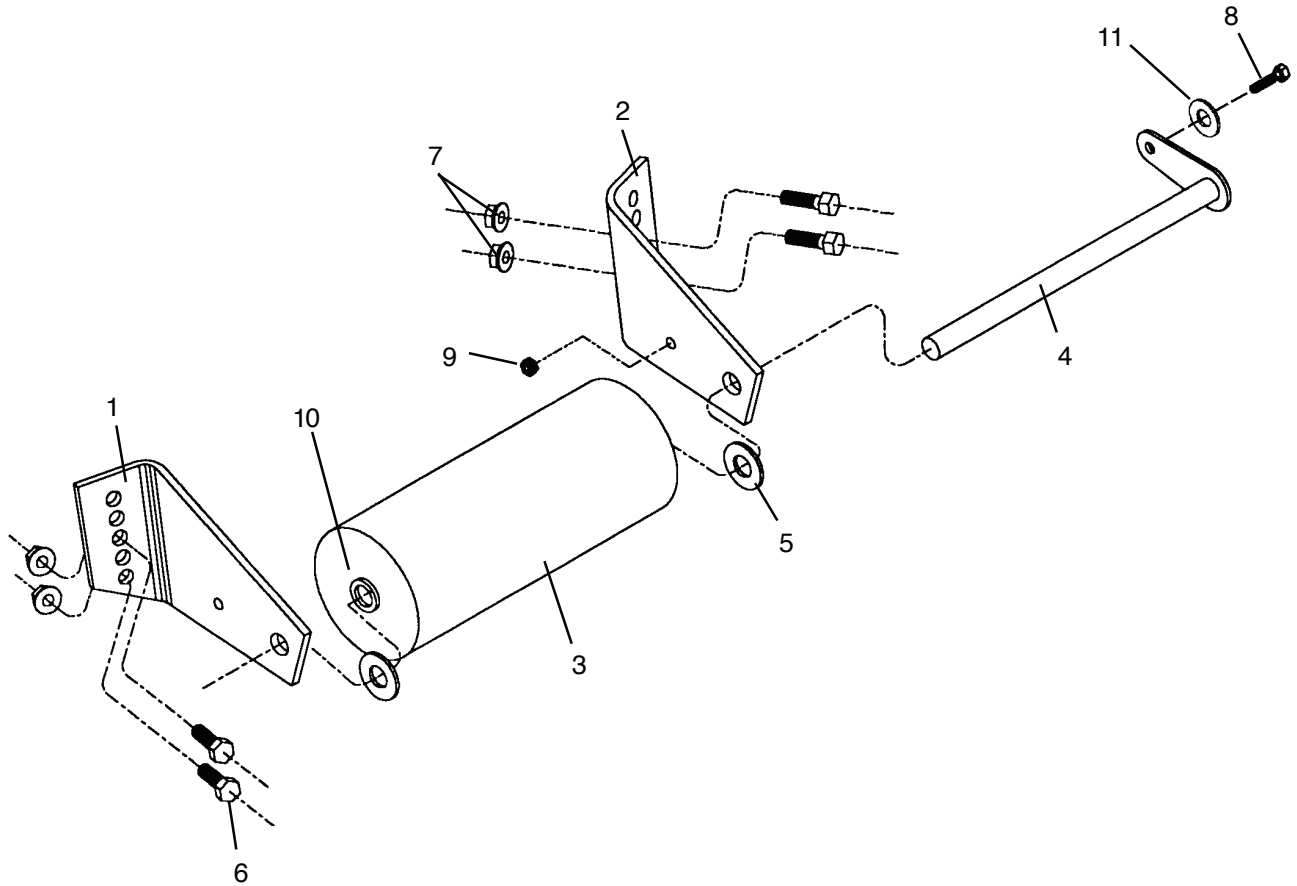
Quantities shown are for 1 Deck.

13-1/2', 14-1/2', 15-1/2', 16-1/2' Models



ITEM	PARTNO	QTY	DESCRIPTION
1	00763887	1	Shield LH - 60" Mower
	00763890	1	Shield RH - 60" Mower
	00763274	2	Shield - 72" Mower
2	5F6160	6	Wing Nut
3	00763363	1	Weldment - Deck - 72" Mower
	00763909	1	Weldment - Deck - 60" Mower

# HEAVY DUTY SOD ROLLER (OPTION)

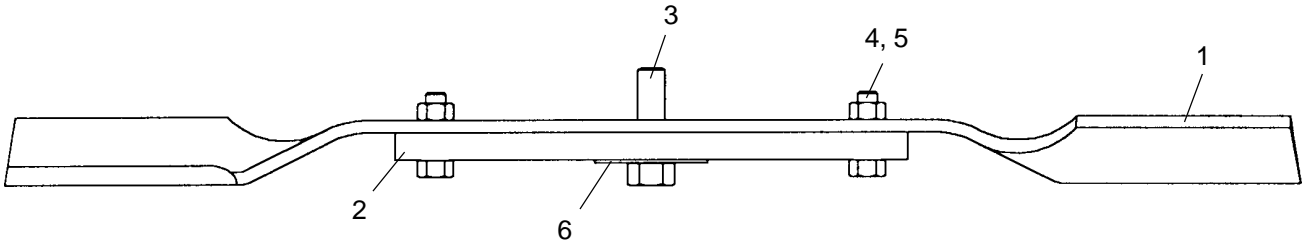
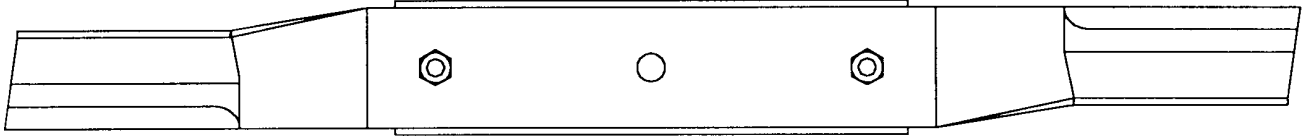


ITEM	PART NO	QTY	DESCRIPTION
1	00765316	1	Bracket - Right Hand
2	00765317	1	Bracket - Left Hand
3	00770448	1	Roller HD Wldmt
4	00770449	1	Wldmt- HD Pin
5	02822500	2	Flatwasher
6	00011400	4	Bolt
7	4528	4	Locknut
8	02030700	1	Bolt
9	00001800	1	Locknut TLM 1/2 NC PLC
10	14010060	2	Bearing
11	00002700	1	Flatwasher



# HEAVY DUTY SOD BLADE

**EFFECTIVE**  
S/N 10124 and below

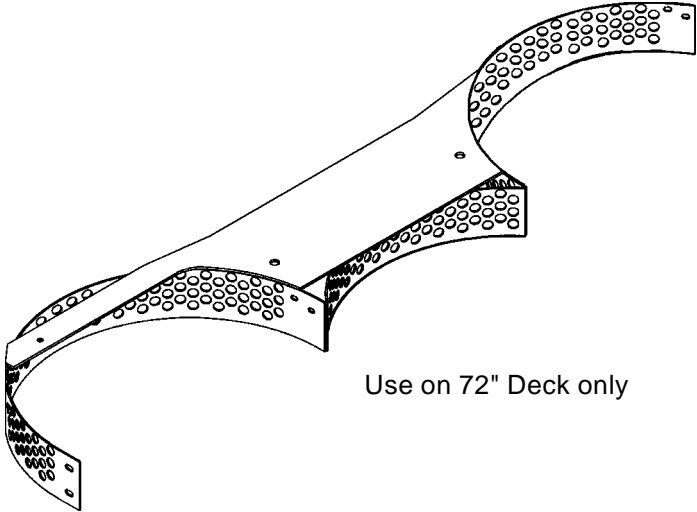
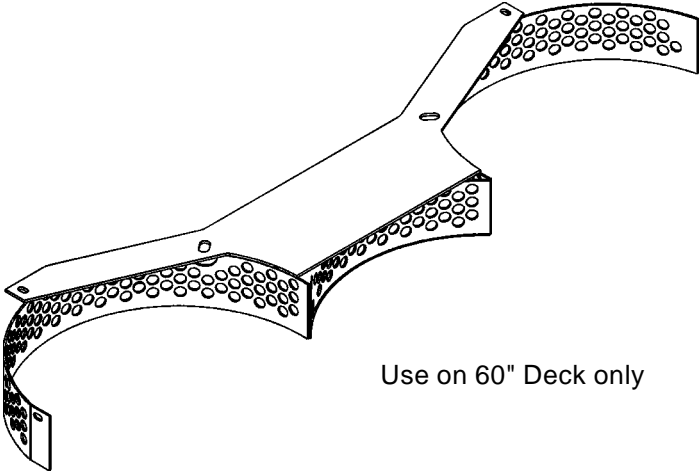
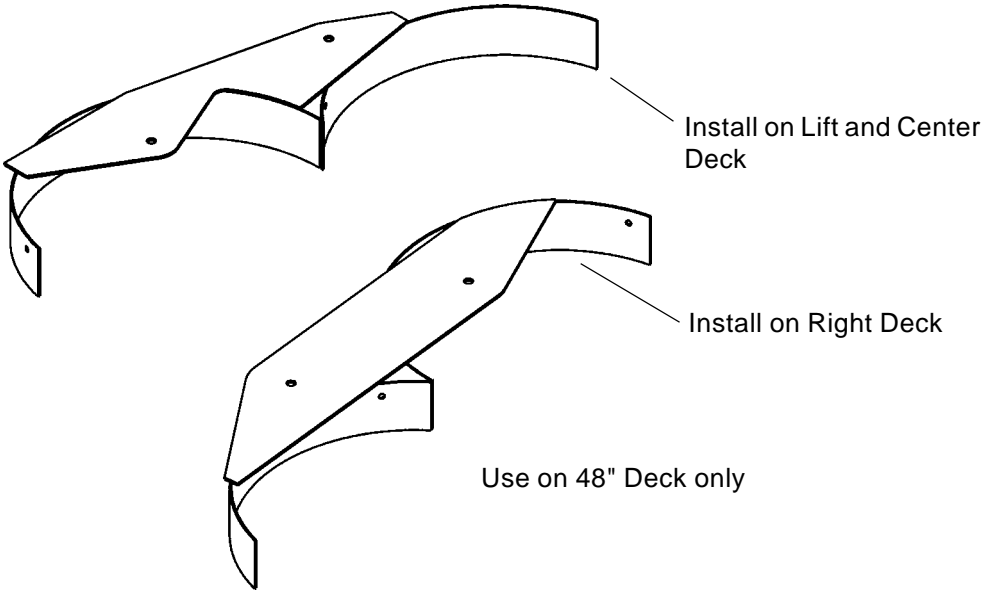


**60" DECK COMPLETE ASSEMBLY #00765361**  
**72" DECK COMPLETE ASSEMBLY #00765311**

ITEM	PART NO	QTY	DESCRIPTION
1	00765369	1	Blade - CCW - 60" Deck
	00765312	1	Blade - CCW - 72" Deck
2	00765313	1	Flat Blade Bar Support - 72" Deck
	00765364	1	Flat Blade Bar Support - 60" Deck
3	00765318	1	Bolt
4	00753642	2	Bolt
5	00015800	2	Locknut
6	4816	1	Belleville Washer

**NOTE:** These blades are only used on machines equipped with Spindel #00759702 (Alumimum Housing)

# LEAF MULCH (OPTION)



# ALAMO INDUSTRIAL

## LIMITED WARRANTY

### 1. LIMITED WARRANTIES

- 1.01. Alamo Industrial warrants for one year from the purchase date to the original non-commercial, governmental, or municipal purchaser ("Purchaser") and warrants for six months to the original commercial or industrial purchaser ("Purchaser") that the goods purchased are free from defects in material or workmanship.
- 1.02. Manufacturer will replace for the Purchaser any part or parts found, upon examination at one of its factories, to be defective under normal use and service due to defects in material or workmanship.
- 1.03. This limited warranty does not apply to any part of the goods which has been subjected to improper or abnormal use, negligence, alteration, modification, or accident, damaged due to lack of maintenance or use of wrong fuel, oil, or lubricants, or which has served its normal life. This limited warranty does not apply to any part of any internal combustion engine, or expendable items such as blades, shields, guards, or pneumatic tires except as specifically found in your Operator's Manual.
- 1.04. Except as provided herein, no employee, agent, Dealer, or other person is authorized to give any warranties of any nature on behalf of Manufacturer.

### 2. REMEDIES AND PROCEDURES.

- 2.01. This limited warranty is not effective unless the Purchaser returns the Registration and Warranty Form to Manufacturer within 30 days of purchase.
- 2.02. Purchaser claims must be made in writing to the Authorized Dealer ("Dealer") from whom Purchaser purchased the goods or an approved Authorized Dealer ("Dealer") within 30 days after Purchaser learns of the facts on which the claim is based.
- 2.03. Purchaser is responsible for returning the goods in question to the Dealer.
- 2.04. If after examining the goods and/or parts in question, Manufacturer finds them to be defective under normal use and service due to defects in material or workmanship, Manufacturer will:
  - (a) Repair or replace the defective goods or part(s) or
  - (b) Reimburse Purchaser for the cost of the part(s) and reasonable labor charges (as determined by Manufacturer) if Purchaser paid for the repair and/or replacement prior to the final determination of applicability of the warranty by Manufacturer.The choice of remedy shall belong to Manufacturer.
- 2.05. Purchaser is responsible for any labor charges exceeding a reasonable amount as determined by Manufacturer and for returning the goods to the Dealer, whether or not the claim is approved. Purchaser is responsible for the transportation cost for the goods or part(s) from the Dealer to the designated factory.

### 3. LIMITATION OF LIABILITY.

- 3.01. MANUFACTURER DISCLAIMS ANY EXPRESS (EXCEPT AS SET FORTH HEREIN) AND IMPLIED WARRANTIES WITH RESPECT TO THE GOODS INCLUDING, BUT NOT LIMITED TO, MERCHANTABILITY AND FITNESS FOR A PARTICULAR PURPOSE.
- 3.02. MANUFACTURER MAKES NO WARRANTY AS TO THE DESIGN, CAPABILITY, CAPACITY, OR SUITABILITY FOR USE OF THE GOODS.
- 3.03. EXCEPT AS PROVIDED HEREIN, MANUFACTURER SHALL HAVE NO LIABILITY OR RESPONSIBILITY TO PURCHASER OR ANY OTHER PERSON OR ENTITY WITH RESPECT TO ANY LIABILITY, LOSS, OR DAMAGE CAUSED OR ALLEGED TO BE CAUSED DIRECTLY OR INDIRECTLY BY THE GOODS INCLUDING, BUT NOT LIMITED TO, ANY INDIRECT, SPECIAL, CONSEQUENTIAL, OR INCIDENTAL DAMAGES RESULTING FROM THE USE OR OPERATION OF THE GOODS OR ANY BREACH OF THIS WARRANTY. NOTWITHSTANDING THE ABOVE LIMITATIONS AND WARRANTIES, MANUFACTURER'S LIABILITY HEREUNDER FOR DAMAGES INCURRED BY PURCHASER OR OTHERS SHALL NOT EXCEED THE PRICE OF THE GOODS.
- 3.04. NO ACTION ARISING OUT OF ANY CLAIMED BREACH OF THIS WARRANTY OR TRANSACTIONS UNDER THIS WARRANTY MAY BE BROUGHT MORE THAN TWO (2) YEARS AFTER THE CAUSE OF ACTION HAS OCCURRED.

### 4. MISCELLANEOUS.

- 4.01. Proper Venue for any lawsuits arising from or related to this limited warranty shall be only in Guadalupe County, Texas.
- 4.02. Manufacturer may waive compliance with any of the terms of this limited warranty, but no waiver of any terms shall be deemed to be a waiver of any other term.
- 4.03. If any provision of this limited warranty shall violate any applicable law and is held to be unenforceable, then the invalidity of such provision shall not invalidate any other provisions herein.
- 4.04. Applicable law may provide rights and benefits to purchaser in addition to those provided herein.

### KEEP FOR YOUR RECORDS

ATTENTION: Purchaser should fill in the blanks below for his reference when buying repair parts and/or for proper machine identification when applying for warranty.

Alamo Industrial Implement Model \_\_\_\_\_ Serial Number \_\_\_\_\_

Date Purchased \_\_\_\_\_ Dealer \_\_\_\_\_

ATTENTION:  
READ YOUR OPERATOR'S MANUAL

**ALAMO INDUSTRIAL**

An Alamo Group Company  
Post Office Drawer 549  
Seguin, Texas 78156  
830-379-1480





## TO THE OWNER/OPERATOR/DEALER

To keep your implement running efficiently and safely, read your manual thoroughly and follow these directions and the Safety Messages in this Manual. The Table of Contents clearly identifies each section where you can easily find the information you need.

The OCCUPATIONAL SAFETY AND HEALTH ACT (1928.51 Subpart C) makes these minimum safety requirements of tractor operators:

### REQUIRED OF THE OWNER:

1. Provide a Roll-Over-Protective Structure that meets the requirements of this Standard; and
2. Provide Seatbelts that meet the requirements of this paragraph of this Standard and SAE J4C; and
3. Ensure that each employee uses such Seatbelt while the tractor is moving; and
4. Ensure that each employee tightens the Seatbelt sufficiently to confine the employee to the protected area provided by the ROPS.

### REQUIRED OF THE OPERATOR

1. Securely fasten seatbelt if the tractor has a ROPS.
2. Where possible, avoid operating the tractor near ditches, embankments, and holes.
3. Reduce speed when turning, crossing slopes, and on rough, slick, or muddy surfaces.
4. Stay off slopes too steep for safe operation.
5. Watch where you are going - especially at row ends, on roads, and around trees.
6. Do not permit others to ride.
7. Operate the tractor smoothly - no jerky turns, starts, or stops.
8. Hitch only to the drawbar and hitch points recommended by the tractor manufacturer.
9. When the tractor is stopped, set brakes securely and use park lock, if available.

- 
- Keep children away from danger all day, every day...**
  - Equip tractors with rollover protection (ROPS) and keep all machinery guards in place...**
  - Please work, drive, play and live each day with care and concern for your safety and that of your family and fellow citizens.**

