



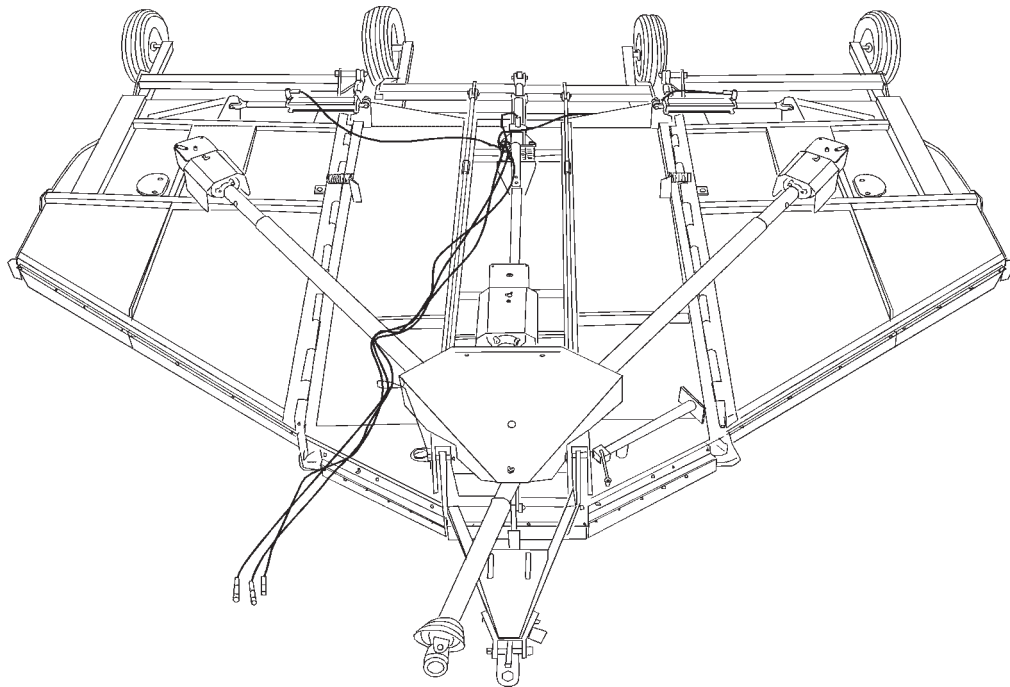
A20-IV A14-IV

FLEX-WING MECHANICAL LEVEL LIFT ROTARY CUTTER / SHREDDER

Rev 03-13

P/N 00766780P

PARTS MANUAL



ATENCIÓN!

LEA EL INSTRUCTIVO

Si No Lee Ingles, Pida Ayuda a Alguien
Que Si Lo Lea Para Que le Traduzca las
Medidas de Seguridad.



An Operator's Manual was shipped with the equipment in the Manual Canister. This Operator's Manual is an integral part of the safe operation of this machine and must be maintained with the unit at all times. **READ, UNDERSTAND, and FOLLOW** the Safety and Operation Instructions contained in this manual before operating the equipment. If the Operator's Manual is not with the equipment, contact your dealer or Alamo Industrial (830-379-1480) to obtain a Free copy before operating the equipment.

ALAMO INDUSTRIAL
1502 E. Walnut
Seguin, Texas 78155
830-372-9595




© 2013 Alamo Group Inc.

TO THE OWNER/OPERATOR/DEALER

All implements with moving parts are potentially hazardous. There is no substitute for a cautious, safe-minded operator who recognizes the potential hazards and follows reasonable safety practices. The manufacturer has designed this implement to be used with all its safety equipment properly attached to minimize the chance of accidents.





BEFORE YOU START!!

Read the safety messages on the implement and shown in your manual. Observe the rules of safety and common sense!



DANGER

FAILING TO FOLLOW SAFETY MESSAGES AND OPERATING INSTRUCTIONS CAN CAUSE SERIOUS BODILY INJURY OR EVEN DEATH TO OPERATOR AND OTHERS IN THE AREA.

<p>1.</p> 	<p>2. NO RIDERS. NO CHILDREN OPERATORS.</p> 	<p>3. USE SAFETY SHOES, HARD HAT, SAFETY GLASSES, SEAT BELTS, ROPS & OPS</p> 	<p>4. BLOCK UP SECURELY BEFORE WORKING UNDER.</p> 
---	---	---	---

1. Study and understand Operator's Manuals, Safety Decals, and Instructional Decals for tractor and implement to prevent misuse, abuse, and accidents. Practice before operating in a confined area or near passersby.

- Learn how to stop engine suddenly in an emergency. Be alert for passersby and especially children

2. Allow no children on or near folding mower or tractor. Allow no riders on tractor or implement. Falling off may cause serious injury or death from being run over by tractor or mower or contact with rotating blades.

3. Operate only with tractor having Roll-Over Protective Structure (ROPS) and with seat belt securely fastened to prevent injury and possible death from falling off or tractor overturn.

- Personal Protective Equipment such as Hard Hat, Safety Glasses, Safety Shoes, & Ear Plugs are recommended.

4. Block up or support raised machine and all lifted components securely before putting hands or feet under or working underneath any lifted component to prevent crushing injury or death from sudden dropping or inadvertent operation of controls. Make certain area is clear before lowering or folding

5. Before transporting, put Lift Lever in detent or full-lift position. Install Transport Safety Devices securely on folding mowers. Put Booms securely in Transport Rest.

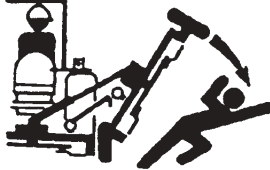
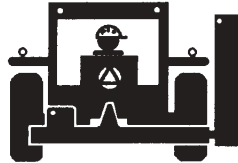


- Folding and Boom Mowers have raised center of gravity. Slow down when turning and on hillsides.

6. Make certain that SMV sign, warning lights, and reflectors are clearly visible. Follow local traffic codes.

7. Never operate with Cutting Head or Folding Section raised if passersby, bystanders, or traffic are in the area to reduce possibility of injury or death from objects thrown by Blades under Guards or mower structure.

8. Before dismounting, secure implement in transport position or lower to ground.

- Put tractor in park or set brake, disengage PTO, stop engine, remove key, and wait until noise of rotation has ceased to prevent crushing by entanglement in rotating parts which could cause injury or death.
- Never mount or dismount a moving vehicle. Crushing from runover may cause serious injury or death.

<p>5. TRANSPORT SAFELY, LOCK UP.</p> 	<p>6. USE SMV, LIGHTS, & REFLECTORS.</p> 	<p>7. DO NOT OPERATE WITH CUTTER OR WING RAISED.</p> 	<p>8. DO NOT MOUNT OR DISMOUNT WHILE MOVING.</p> 
--	--	---	--

02967827

WARRANTY INFORMATION:

Read and understand the complete Warranty Statement found in this Manual. Fill out the Warranty Registration Form in full and return it within 30 Days. Make certain the Serial Number of the Machine is recorded on the Warranty Card and on the Warranty Form that you retain. The use of "will-fit" parts will void your warranty and can cause catastrophic failure with possible injury or death.

PARTS SECTION

PARTS ORDERING GUIDE

The following instructions are offered to help eliminate needless delay and error in processing purchase orders for the equipment in this section.

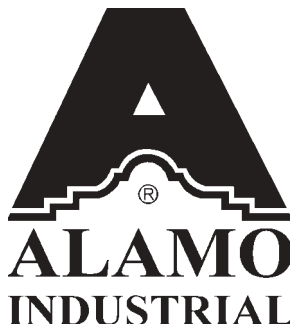
1. The Parts Section is prepared in logical sequence and grouping of parts that belong to the basic machine featured in this manual. Part Numbers and Descriptions are given to help locate the parts and quantities required.
2. The Purchase Order must include the name and address of the person or organization ordering the parts, who should be charged, and if possible, the serial number of the machine for which the parts are ordered.
3. The Purchase Order must clearly list the quantity of each part, the complete and correct part number, and the basic name of the part.
4. The Manufacturer reserves the right to substitute parts where applicable.
5. Some parts are unlisted items which are special production items not normally stocked and are subject to special handling. Request a quotation for such parts before sending a Purchase Order.
6. The Manufacturer reserves the right to change prices without prior notice.

NOTE: Please refer to The Safety Section in the front of this Manual for the proper Part Number when ordering Replacement Safety Decals.

NOTE: Please note that the appearance of some parts may vary from the art or photography shown in manuals.



For maximum safety and to guarantee optimum product reliability, always use genuine Alamo Parts. The use of inferior replacement parts may cause premature or catastrophic failure which could result in serious injury or death. Direct any questions regarding parts to:



Alamo Industrial
1502 E. Walnut
Seguin, Texas 78155
830-379-1480

PARTS TABLE OF CONTENTS

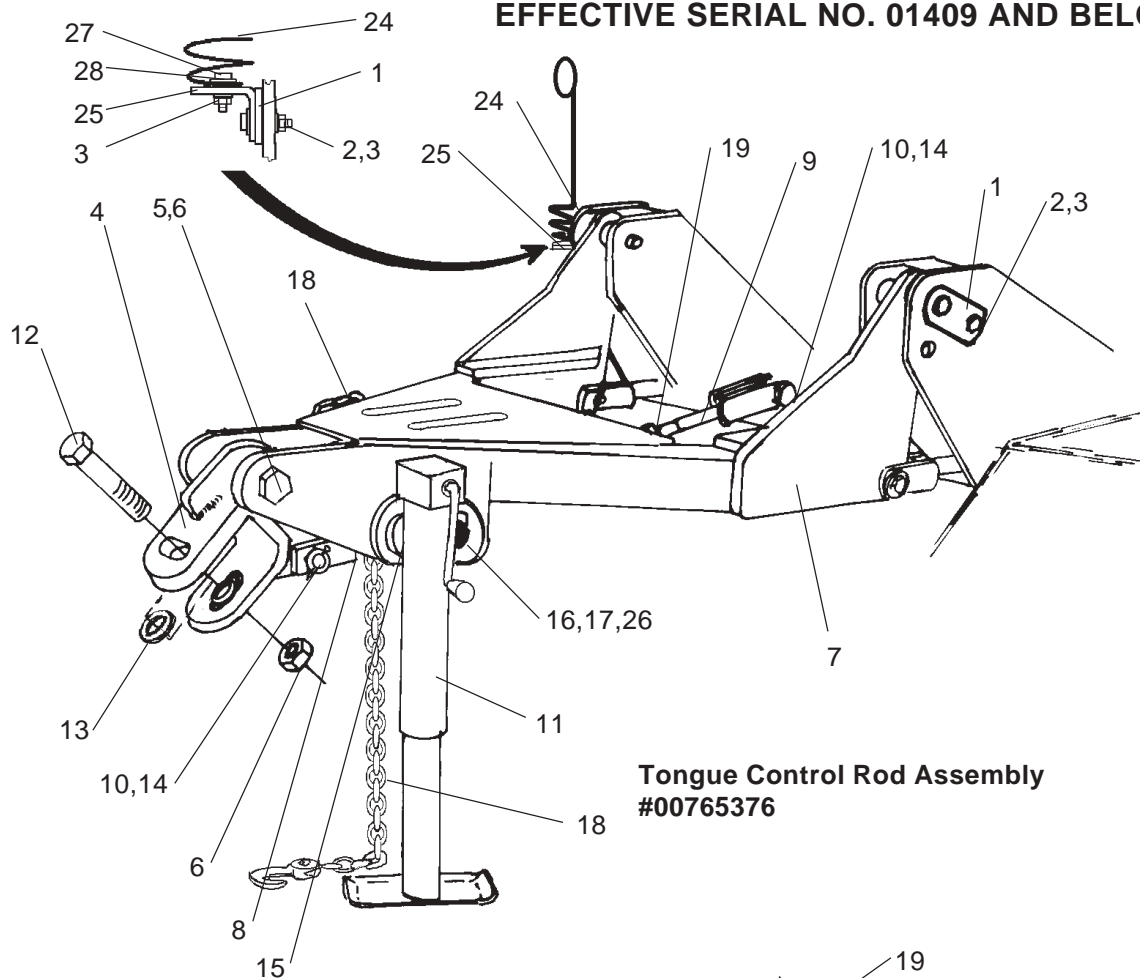
Axle Assembly (Level Lift)	6-8
Blade Pan Assembly	6-19
Center Section Assembly	6-14
Chainguard Assembly - Front (Option)	6-43
Chainguard Assembly - Rear (Option)	6-44
Control Valve, Hydraulic	6-39
Control Valve, Hydraulic w/ Mounting Kit	6-37,38
Counterweight Assembly	6-45
Cylinder, Hydraulic (Axle)	6-34
Cylinder, Hydraulic (Wing)	6-35
Deflectors - Front	6-41
Deflectors - Rear	6-42
Driveline - Intermediate	6-21
Driveline - Main CV	6-20
Driveline - Wing	6-24
Gearbox - 3 Way Divider	6-26,27
Gearbox Assembly - Center	6-28,29
Gearbox Assembly - Right Wing	6-30,31
Gearbox Assembly - Left Wing	6-32,33
General Assembly	6-4
Hitch (Pintle Hook Option)	6-46
Hitch (Ball Coupler Clevis Option)	6-47
Level Rod Assembly	6-6
Schematic - Hydraulic	6-36
Shield Attachment - Center & Wing Gearbox	6-18
Shield Attachment - Divider Gearbox	6-17
Slip Clutch Assembly	6-25
Tire and Wheel Assembly	6-40
Tongue Assembly	6-6
Wing Section Assembly	6-15
Wheel Hub Assembly	6-16

GENERAL ASSEMBLY

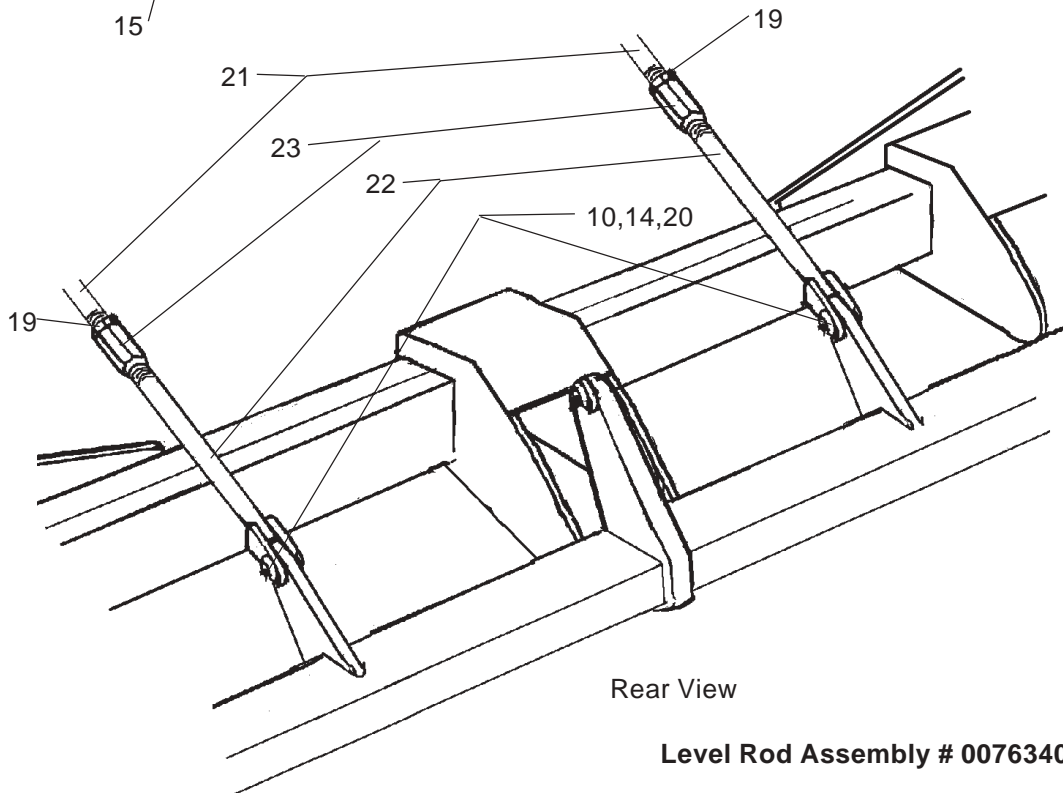
ITEM	DESCRIPTION	PAGE
1	Tongue Assembly	6-6,7
2	Level Rod Assembly	6-6,7
3	Center Section Assembly (less gearboxes)	6-14
4	Wing Section Assembly (less gearboxes)	6-15
5	Gearbox - Divider Assembly	6-17
6	Driveline Assembly	6-21
7	Driveline - Wing Assembly	6-24
8	Gearbox - Center Assembly	6-18
9	Gearbox - Wing Assembly	6-18
10	Cylinder, Axle Hydraulic Assembly	6-34
11	Cylinder, Wing Hydraulic Assembly	6-35
12	Control Valve, Hydraulic Assembly (not shown)	6-37
13	Axle Assembly (Level Lift)	6-8,9
14	Wheel Hub Assembly	6-16
15	Tires	6-40
16	Deflector Assembly - Front	6-41
17	Deflector Assembly - Rear	6-42
18	Chainguard Assembly - Front (not shown, option)	6-43
19	Chainguard Assembly - Rear (not shown, option)	6-44
20	Shield Attachment - Divider Gearbox	6-17
21	Shield Attachment - Gearbox	6-18

TONGUE AND LEVEL ROD ASSEMBLY

EFFECTIVE SERIAL NO. 01409 AND BELOW



Tongue Control Rod Assembly
#00765376



Rear View

Level Rod Assembly # 00763404

PARTS

TONGUE AND LEVEL ROD ASSEMBLY

EFFECTIVE S/N 01409 and Down

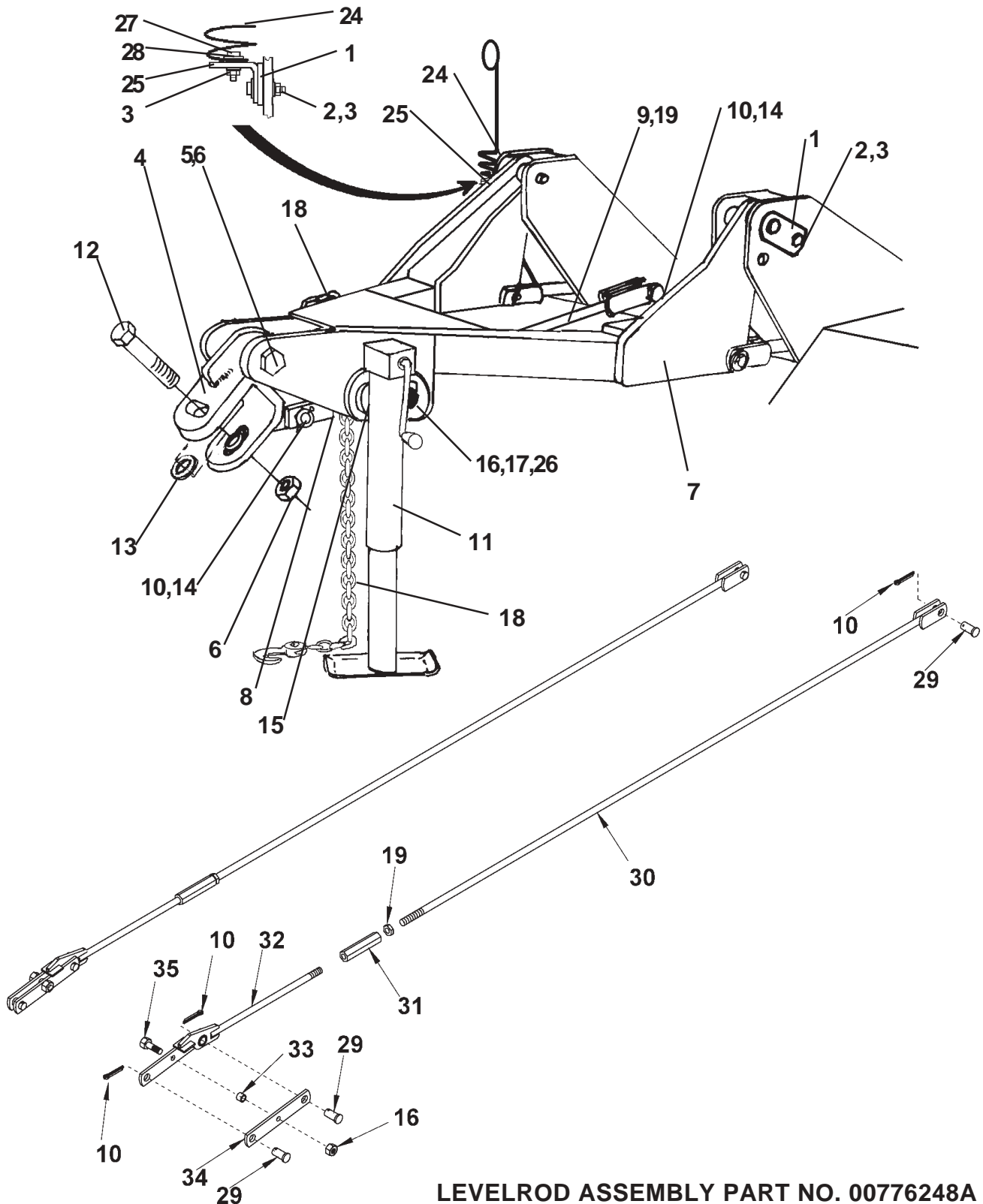
ITEM	PART NO.	QTY.	DESCRIPTION
	00763404	–	Level Rod Asy (set of 2 complete)
1	00760895	2	Pivot Pin Weldment Tongue
2	02030700	2	Bolt
3	00001800	3	Locknut TLM 1/2 NC PLC
4	00764540	1	Clevis Weldment
5	00755224	1	Bolt
6	02030300	2	Locknut
7	00764992	1	Tongue Weldment
8	00764536	1	Wldmt. Control Rod - Long
9	00766446	1	Wldmt. Control Rod - Short
10	00755153	6	Cotter Pin
11	00769068	1	Parking Jack Assembly
12	00755305	1	Bolt
13	00748547	1	Flatwasher
14	651102	6	Pin
15	00769069	1	Jack Mounting Weldment
16	00695100	2	Nut, Toplock 5/8 NC PLC
17	00756077	1	Washer - Hardened
18	00757908	1	Tow Chain Safety
19	5C1490 3	2	Jam Nut
20	15B1200	4	Washer
21	00763394	2	Wldmt. Control Rod, R.H. Thread
22	0811100010	2	Control Rod, L.H. Thread
23	421062	2	Adjusting nut
24	02965484	1	Spring Mount Hose Bracket
25	00769098	1	Mount, Hose Flat Bracket
26	00008300	2	Hex Bolt
27	00749130	1	Hex Bolt
28	00002700	1	Flatwasher

Parts Qty Shown is for 2 level rods, P/N 00763404 is 2 complete level rods.

PARTS

TONGUE AND LEVEL ROD ASSEMBLY

EFFECTIVE S/N 01410 through S/N 1440



PARTS

LEVELROD ASSEMBLY PART NO. 00776248A

TONGUE AND LEVEL ROD ASSEMBLY

EFFECTIVE S/N 01410 through S/N 01440

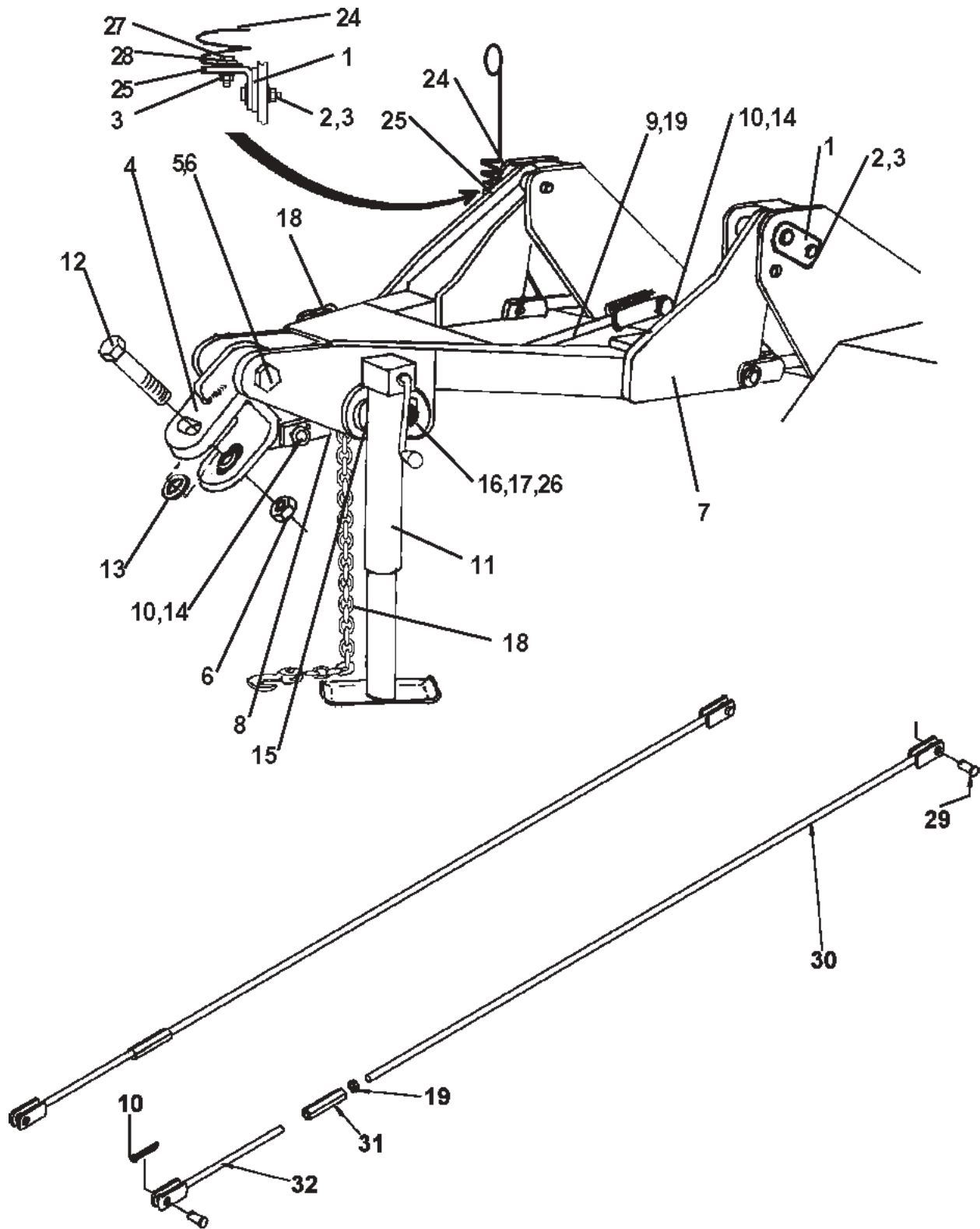
ITEM	PART NO.	QTY.	DESCRIPTION
	00776248A	–	Level Rod Asy (Set of 2 Complete)
1	00760895	2	Pivot Pin Weldment Tongue
2	02030700	2	Bolt
3	00001800	3	Locknut TLM 1/2 NC PLC
4	00764540A	1	Clevis Weldment
5	317918H5C	1	Bolt
6	02030300	2	Locknut
7	00776245	1	Tongue Weldment
8	00764536	1	Wldmt. Control Rod - Long
9	00766446	1	Wldmt. Control Rod - Short
10	00755153	8	Cotter Pin
11	00769068	1	Parking Jack Assembly
12	00755305	1	Bolt
13	00748547	1	Flatwasher
14	651102	2	Pin
15	00769069	1	Jack Mounting Weldment
16	00695100	4	Nut, Toplock 5/8 NC PLC
17	00756077	1	Washer - Hardened
18	00757908	1	Tow Chain Safety
19	5C1490	3	Jam Nut
20	15B1200	4	Washer
24	02965484	1	Spring Mount Hose Bracket
25	00769098	1	Mount, Hose Flat Bracket
26	00008300	2	Hex Bolt
27	00749130	1	Hex Bolt
28	00002700	1	Flatwasher
29	00776238	6	Pin
30	00776251	2	Levelrod Long
31	00770485A	2	Adjusting Nut
32	00776241	2	Levelrod Short
33	00776256	2	Spacer
34	00776244	4	Flat, Floating Toggle
35	00755082	2	Bolt

Parts Qty Shown Is For 2 Level Rods, P/N 00776248A is 2 complete Level Rods.

PARTS

TONGUE AND LEVEL ROD ASSEMBLY

EFFECTIVE S/N 01441 And Up



PARTS

LEVELROD ASSEMBLY PART NO. 00776248

TONGUE AND LEVEL ROD ASSEMBLY

EFFECTIVE S/N 01441 And Up

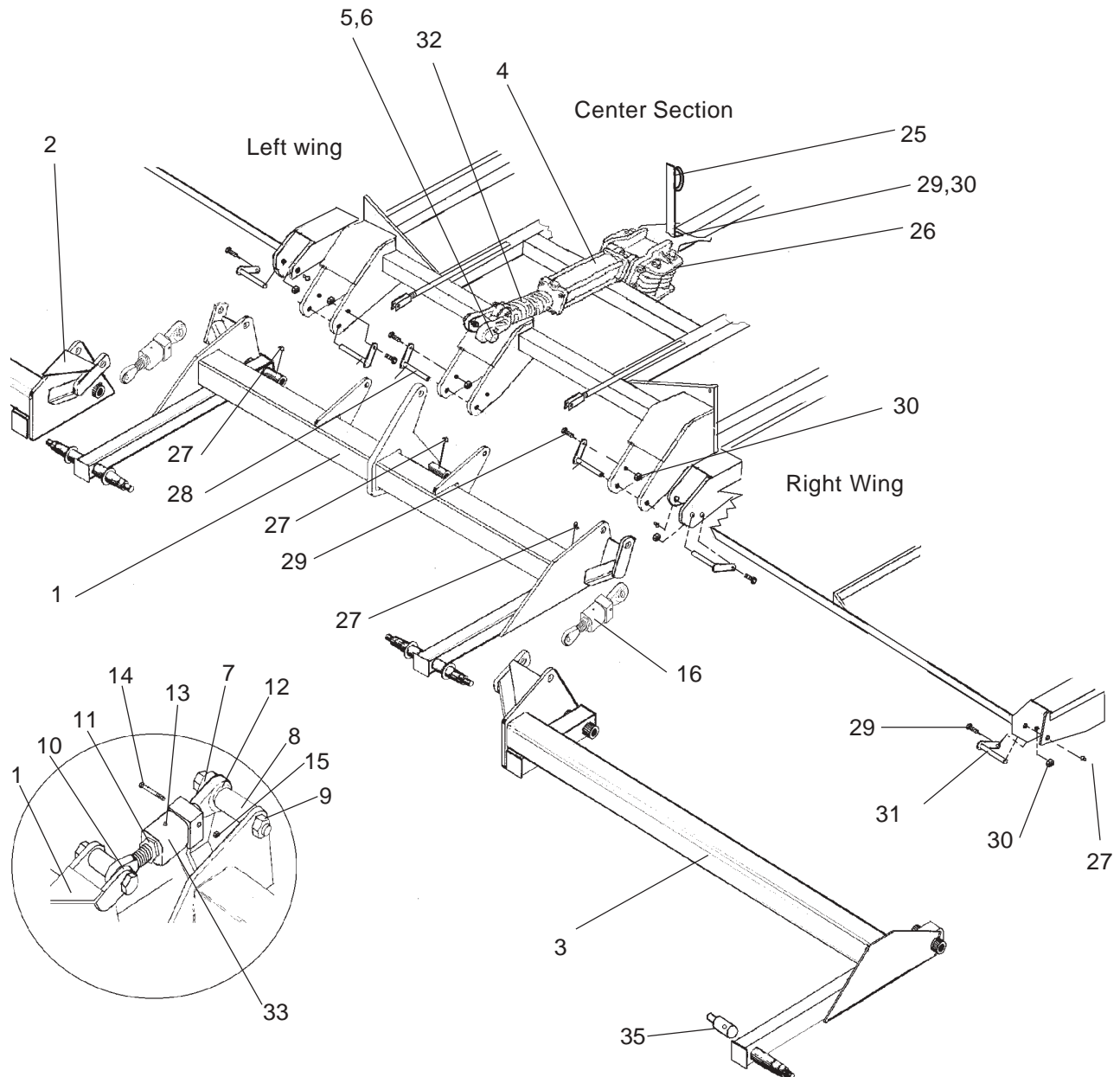
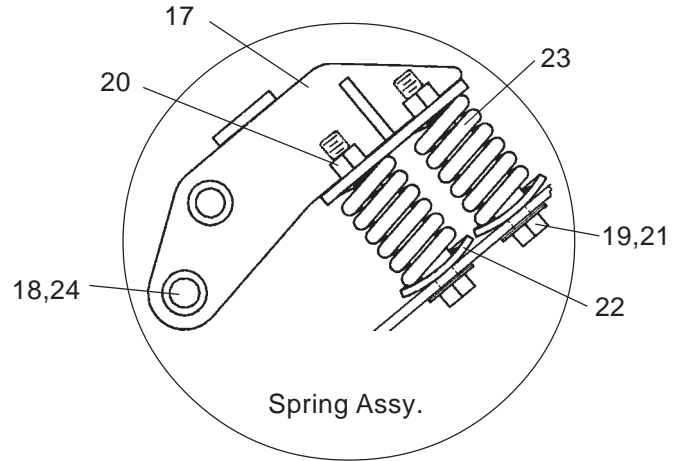
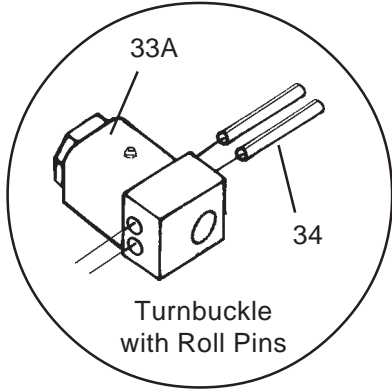
ITEM	PART NO.	QTY.	DESCRIPTION
	00776248	-	Level Rod Asy (Set of 2 Complete)
1	00760895	2	Pivot Pin Weldment Tongue
2	02030700	2	Bolt
3	00001800	3	Locknut TLM 1/2 NC PLC
4	00764540A	1	Clevis Weldment
5	317918H5C	1	Bolt
6	02030300	2	Locknut
7	00776245	1	Tongue Weldment
8	00764536	1	Wldmt. Control Rod - Long
9	00766446	1	Wldmt. Control Rod - Short
10	00755153	8	Cotter Pin
11	00769068	1	Parking Jack Assembly
12	00755305	1	Bolt
13	00748547	1	Flatwasher
14	651102	2	Pin
15	00769069	1	Jack Mounting Weldment
16	00695100	4	Nut, Toplock 5/8 NC PLC
17	00756077	1	Washer - Hardened
18	00757908	1	Tow Chain Safety
19	5C1490	3	Jam Nut
20	15B1200	4	Washer
24	02965484	1	Spring Mount Hose Bracket
25	00769098	1	Mount, Hose Flat Bracket
26	00008300	2	Hex Bolt
27	00749130	1	Hex Bolt
28	00002700	1	Flatwasher
29	00776238	6	Pin
30	00776251	2	LevelRod, Long
31	00770485A	2	Adjusting Nut
32	00778371	2	LevelRod, Short

Parts Qty Shown Is For 2 Level Rods P/N 00776248 is set of 2 Rods.

PARTS

AXLE ASSEMBLY (LEVEL LIFT)

EFFECTIVE SERIAL NO. 01409 AND BELOW



PARTS

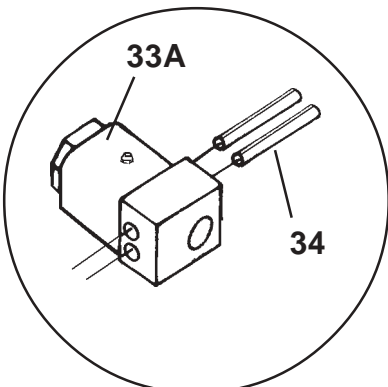
AXLE ASSEMBLY (LEVEL LIFT)

ITEM	PART NO,	QTY.	DESCRIPTION
	00763406	-	Center Axle Complete w/Hubs
	00763407	-	Left Axle Complete w/Hubs
	00765374	-	Right Axle Complete W/Hubs
1	00764922	1	Center Wldmt. AxleLevel Lift
2	00764901	1	Left Wldmt. Axle Level Lift
3	00764899	1	Right Axle Level Lift
4	00761802	1	Hydraulic Cylinder, Center axle
5	8354	1	Pin Hyd. Cylinder
6	00606000	1	Cotter Pin
7	00766447	4	Bolt Axle
8	00765379	4	Spacer Tube
9	02030300	4	Locknut
10	00763447	2	Top Link Threaded
11	02012200	2	Jam Nut
12	00763962	2	Top Link Weldment
13	00752670	2	Grease Fitting
14	02152800	2	Bolt
15	00750940	2	Locknut
16	00763449	2	Swivel Control Rod Assembly
17	00763244	1	Spring Support Top Wldmt.
18	37107B13	2	Pin, Hair Clip
19	00002701	6	Flat Washer
20	00037200	6	Locknut
21	02023800	6	Bolt 3/4" x 6-1/2"
22	65107A4	6	Spring Guide
23	371063A	6	Spring
24	0656460240	2	Pin Wldmt.
25	00763457	1	Wldmt. Hose Bracket
26	00763248	1	Center Spring Assy. (complete)
27	00003500	3	Grease Fitting
28	00763413	3	Pin wldmnt- Center
29	02030700	9	Bolt
30	00001800	9	Locknut TLM 1/2 NC PLC
31	00764990	4	Pin wldmnt- Wing
32	00755234	1	Control Spacer Kit
33	00763450	2	Turnbuckle
33A	00763450A		Turnbuuckle (With 2 Roll Pins)
34	03100773	2	Pin Spiral
35	00767753	1	Wldmt. Spindle

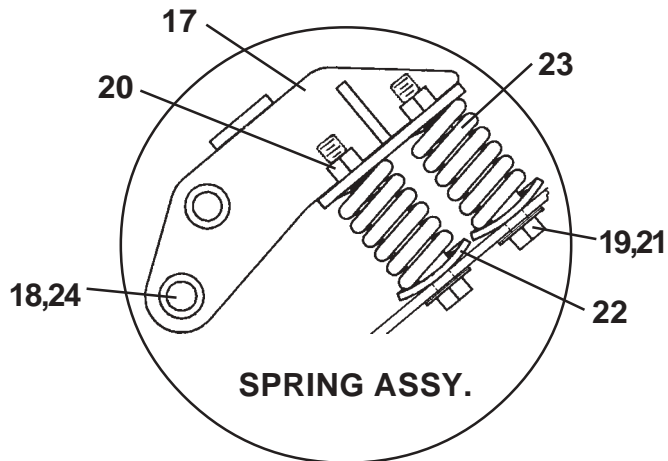
PARTS

AXLE ASSEMBLY (LEVEL LIFT)

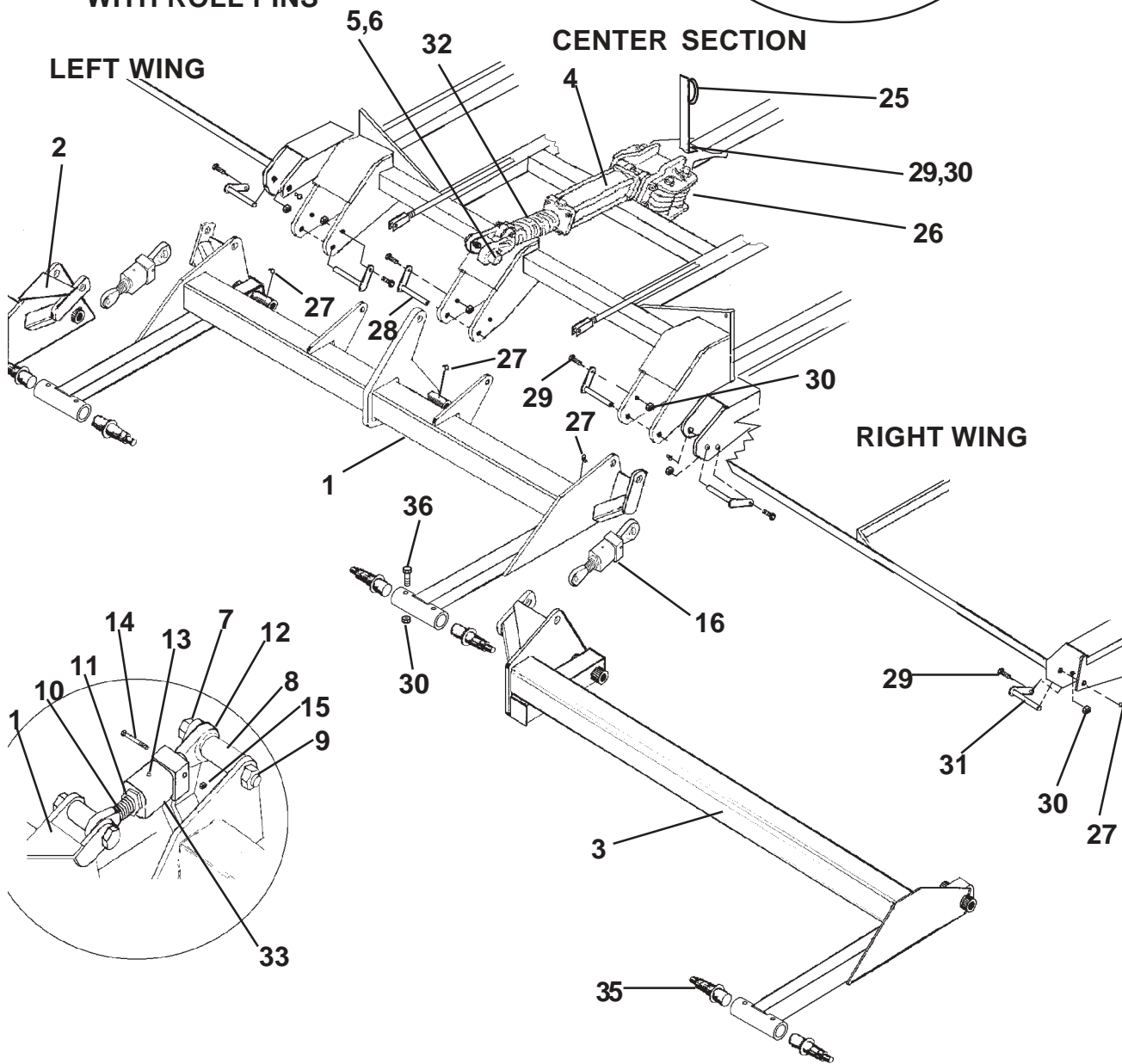
EFFECTIVE SERIAL NO. 01410 AND ABOVE



TURNBUCKLE WITH ROLL PINS



SPRING ASSY.



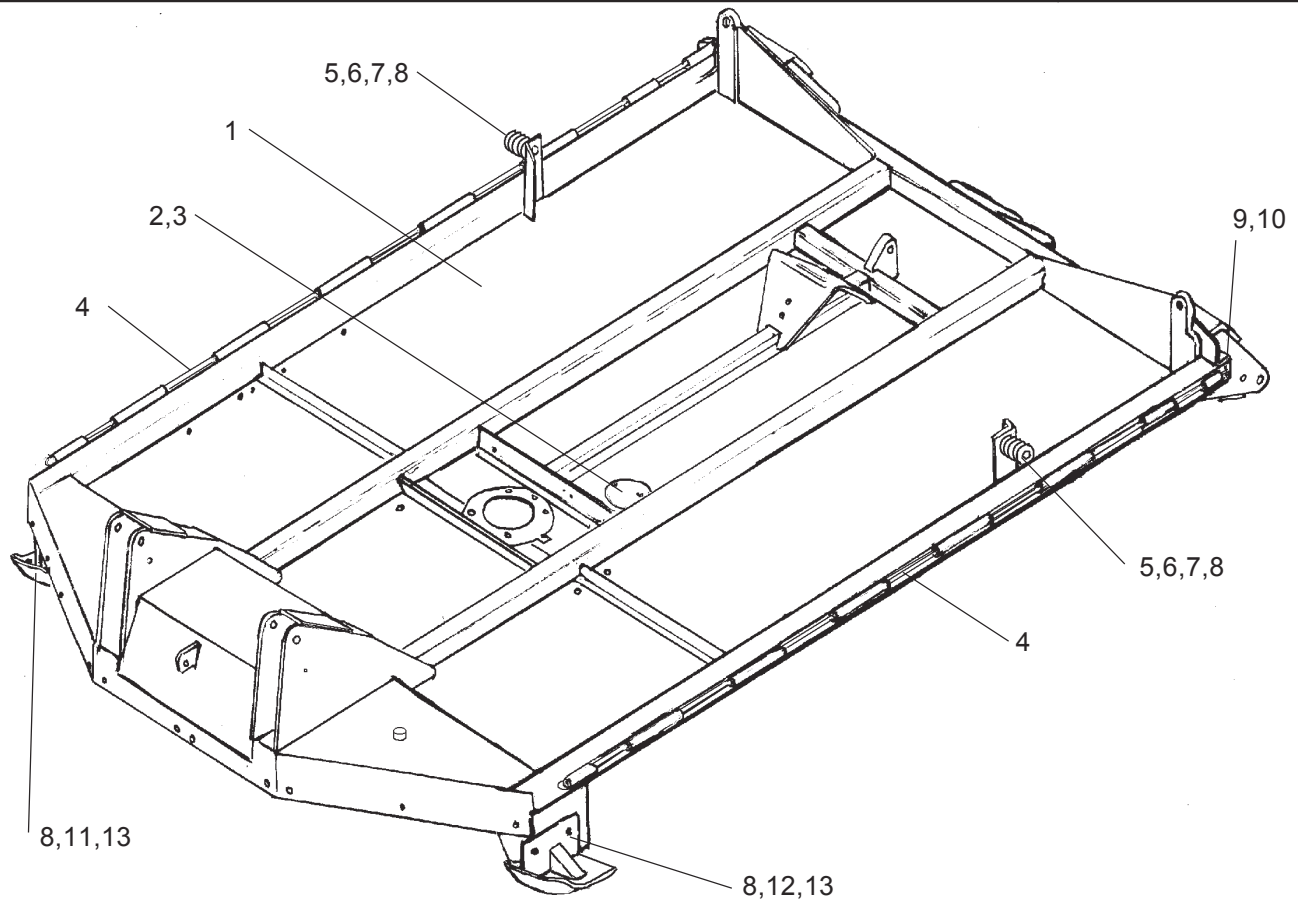
PARTS

AXLE ASSEMBLY (LEVEL LIFT)

EFFECTIVE SERIAL NO. 01410 AND ABOVE

ITEM	PART NO,	QTY.	DESCRIPTION
	00768706	-	Center Axle Complete w/Hubs
	00768708	-	Left Axle Complete w/Hubs
	00768709	-	Right Axle Complete W/Hubs
1	00776246	1	Center Wldmt. AxleLevel Lift
2	00776254	1	Left Wldmt. Axle Level Lift
3	00776253	1	Right Axle Level Lift
4	00761802	1	Hydraulic Cylinder, Center axle
5	8354	1	Pin Hyd. Cylinder
6	00606000	1	Cotter Pin
7	00766447	4	Bolt Axle
8	00765379	4	Spacer Tube
9	02030300	4	Locknut
10	00763447	2	Top Link Threaded
11	02012200	2	Jam Nut
12	00763962	2	Top Link Weldment
13	00752670	2	Grease Fitting
14	02152800	2	Bolt
15	00750940	2	Locknut
16	00763449	2	Swivel Control Rod Assembly
17	00763244	1	Spring Support Top Wldmt.
18	37107B13	2	Pin, Hair Clip
19	00002701	6	Flat Washer
20	00037200	6	Locknut
21	02023800	6	Bolt 3/4" x 6-1/2"
22	65107A4	6	Spring Guide
23	371063A	6	Spring
24	0656460240	2	Pin Wldmt.
25	00763457	1	Wldmt. Hose Bracket
26	00763248	1	Center Spring Assy. (complete)
27	00003500	3	Grease Fitting
28	00763413	3	Pin wldmnt- Center
29	02030700	9	Bolt
30	00001800	17	Locknut TLM 1/2 NC PLC
31	00764990	4	Pin wldmnt- Wing
32	00755234	1	Control Spacer Kit
33	00763450	2	Turnbuckle
33A	00763450A		Turnbuuckle (With 2 Roll Pins)
34	03100773	2	Pin Spiral
35	00768807	8	Wldmt. Spindle
36	00764375	8	Bolt

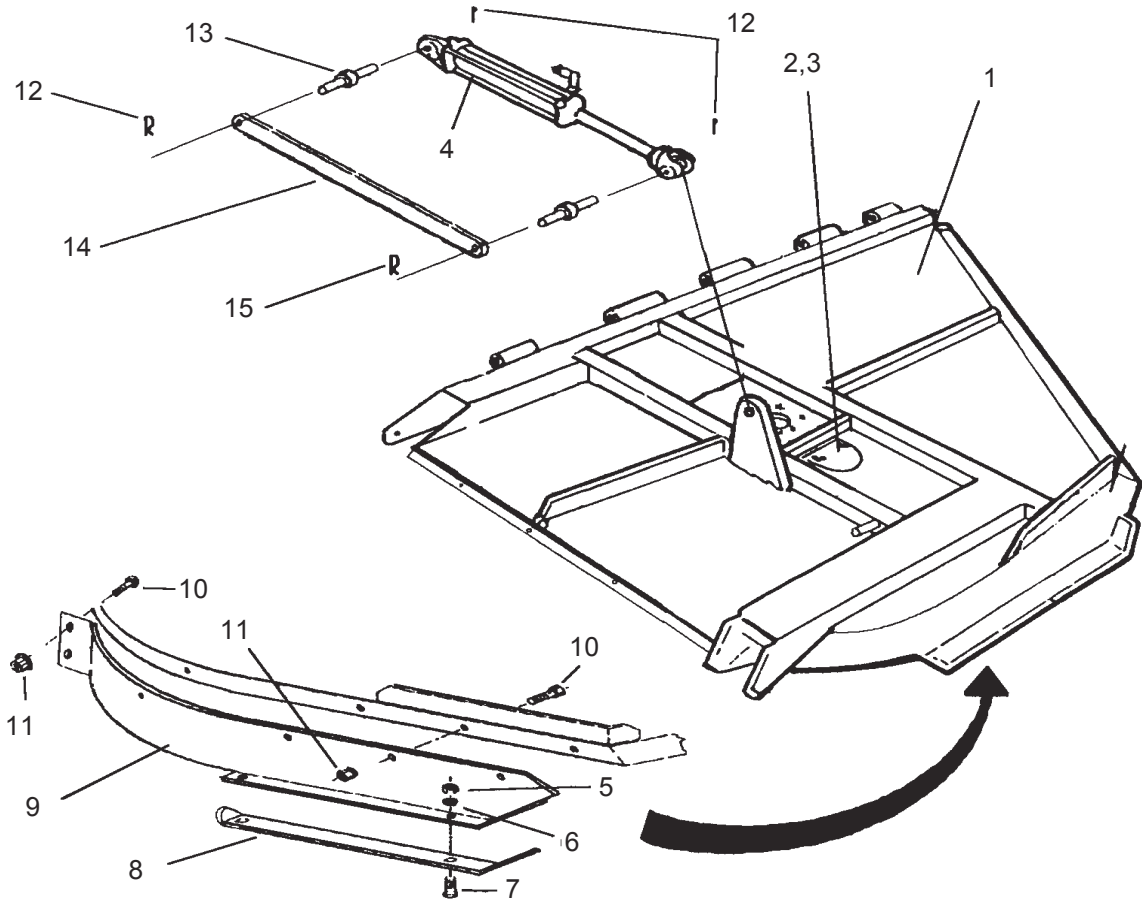
CENTER SECTION ASSEMBLY



ITEM	PART NO.	QTY.	DESCRIPTION
1	00763024	1	Center Section Weldment - S/N 10785 & Below
	00767544	1	Center Section Weldment - S/N 10786 & Above
2	5710121	1	Cover Plate
3	5F5180	2	Wing nut
4	00769036	2	Wldmt. Hinge Rod
5	02036400	2	Bolt
6	0811120000	2	Spring Retainer Disk
7	371063A	2	Spring
8	00001800	6	Locknut TLM 1/2 NC PLC
9	02766400	2	Hex Bolt
10	00750940	2	Lock Nut
11	00763996	1	Wldmt. Right Skid Shoe
12	00764020	1	Wldmt. Left Skid Shoe
13	00748823	4	Bolt

PARTS

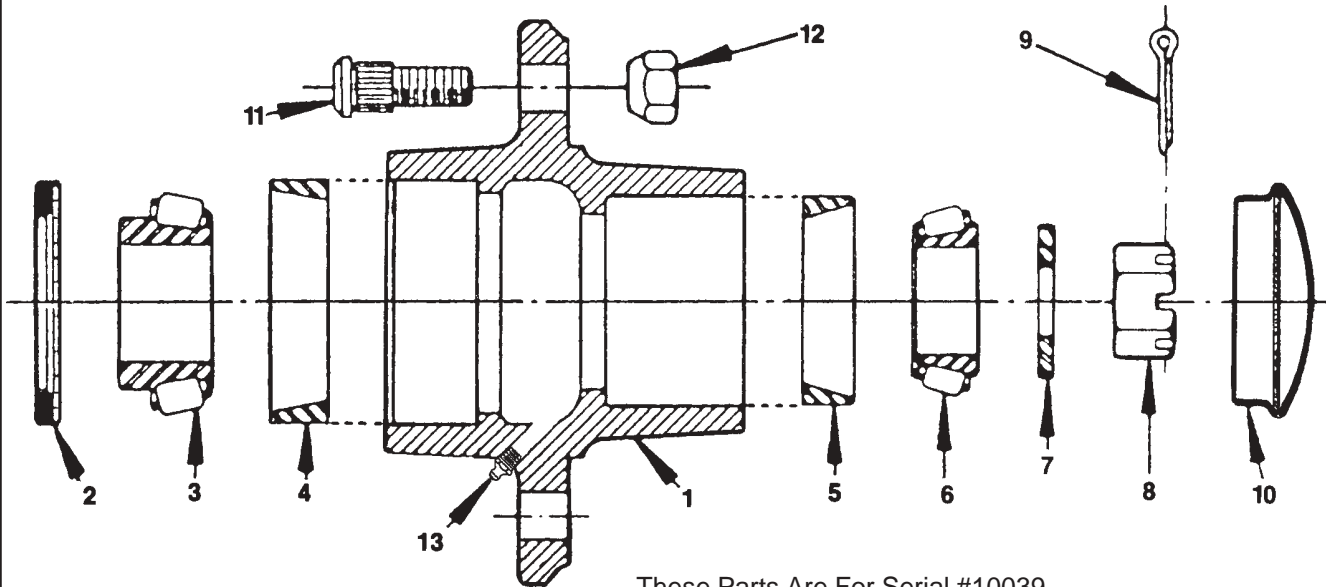
WING SECTION ASSEMBLY



ITEM	PART NO.	QTY.	DESCRIPTION
1	00767545	1	Left wing Wldmt - Deck(Not Shown) S/N 10786 & Above
	00767546	1	Right wing Wldmt-Deck S/N 10786 & Above
	00764985	1	Left wing Wldmt-Deck (Not Shown) S/N 10785 & Below
	00764984	1	Right wing Wldmt S/N 10785 & Below
2	5710121	1	Cover plate
3	5F5180	1	Wing nut
4	00759947	1	Wing lift Cylinder
5	00001800	4	Locknut TLM 1/2 NC PLC
6	15B800	4	Washer, Plain
7	2A381312	4	Plow Bolt
8	00763596	1	Flat Skid Shoe
9	00764982	1	Wldmt. Side Skirt Right Hand
	00764983	1	Wldmt. Side Skirt Left Hand (Not Shown)
10	02030700	10	Bolt
11	4526	10	Locknut
12	00606000	3	Cotter Pin
13	8352	2	Pin Assembly
14	8345	1	Transport Bar
15	37107B13	1	Clip Hair Pin

PARTS

WHEEL HUB ASSEMBLY ("H" HUB GROUP)



These Parts Are For Serial #10039
And Above

"H" HUB GROUP

ITEM	PART NO.	QTY.	DESCRIPTION
1	371247SA	1	*Hub Sub Assembly
2	371247F	1	Seal
3	371247E	1	Bearing Cone
4	371247D	1	Bearing Cup
5	00016900	1	Bearing Cup
6	02957149	1	Bearing Cone
7	15B1400	1	Washer
8	371247J	1	Nut Slot Std
9	00026200	1	Cotter Pin
10	371247G	1	Hub Cap
11	13198	5	Hub Bolt
12	00750614	5	Nut

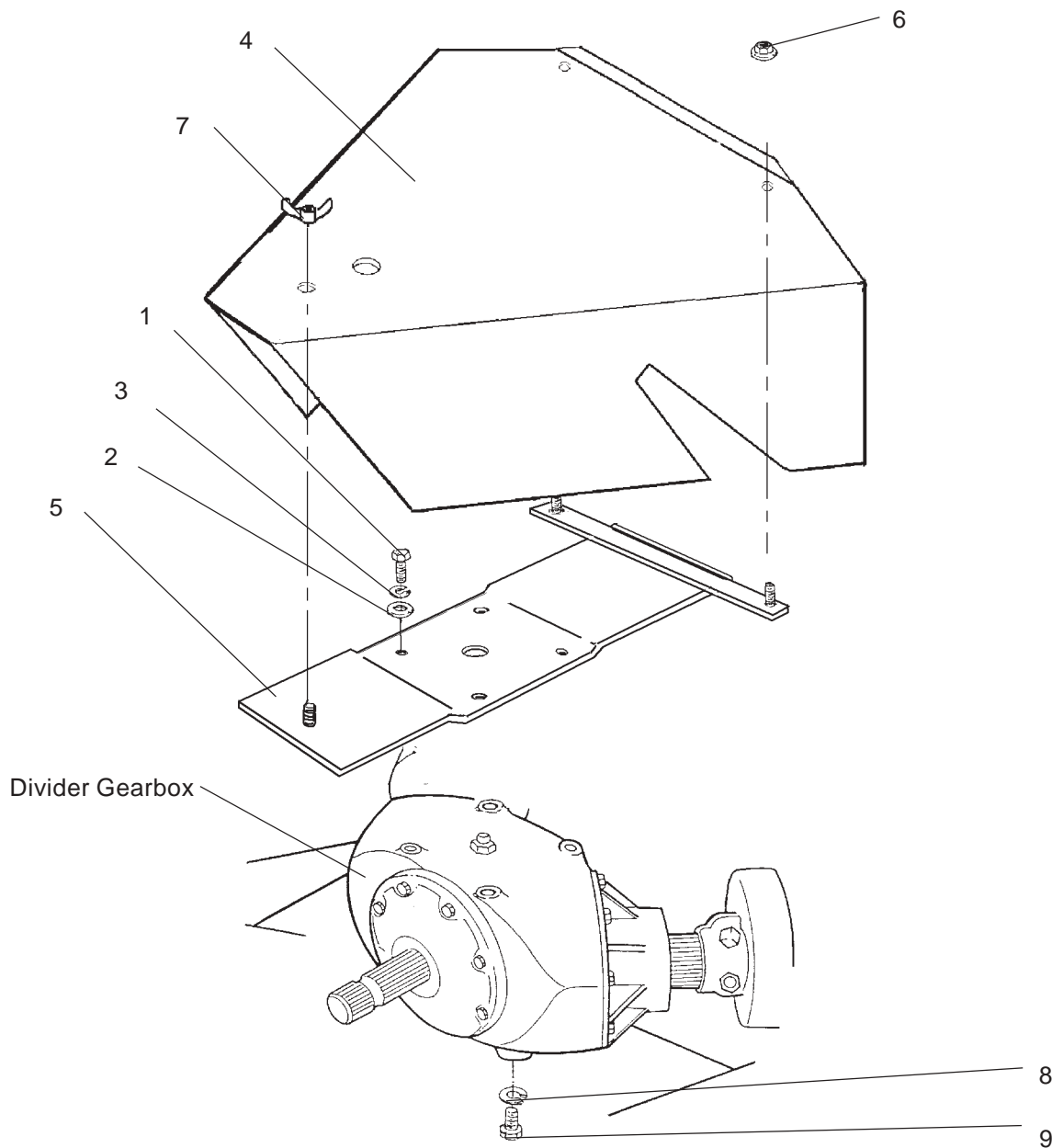
* Includes Hub and 1 Each # 371247D and #00016900 Bearing Cups Pressed in Place With 5 Each #13198 Hub Bolts and # 00750614 Hub Nuts.

NOTE: Hub Only is not Offered as a Seperate Repair Part. When Ordering Bearings, it is Recomended That Both Cup and Cone be Specified.

NOTE: TWO ASSEMBLIES REQUIRED PER UNIT

PARTS

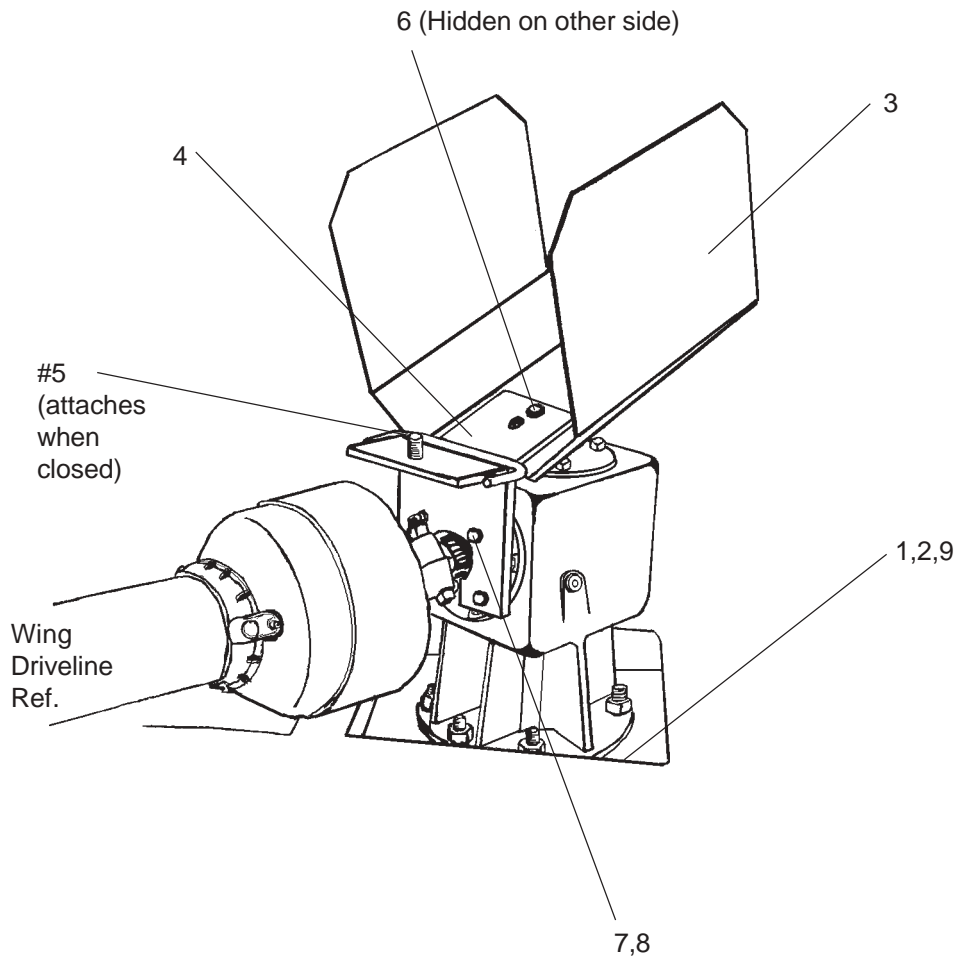
GEARBOX DIVIDER-SHIELD ATTACHMENT



ITEM	PART NO.	QTY.	DESCRIPTION
1	02030700	4	Bolt
2	00002700	4	Flatwasher
3	00001300	4	Lockwasher
4	00769085	1	Gear Box Shield
5	00769089	1	Wldmt. Shield Bracket
6	4528	2	Locknut
7	5F8130	1	Wing Nut
8	00010300	4	Lockwasher
9	02675800	4	Bolt

PARTS

GEARBOX-SHIELD ATTACHMENT



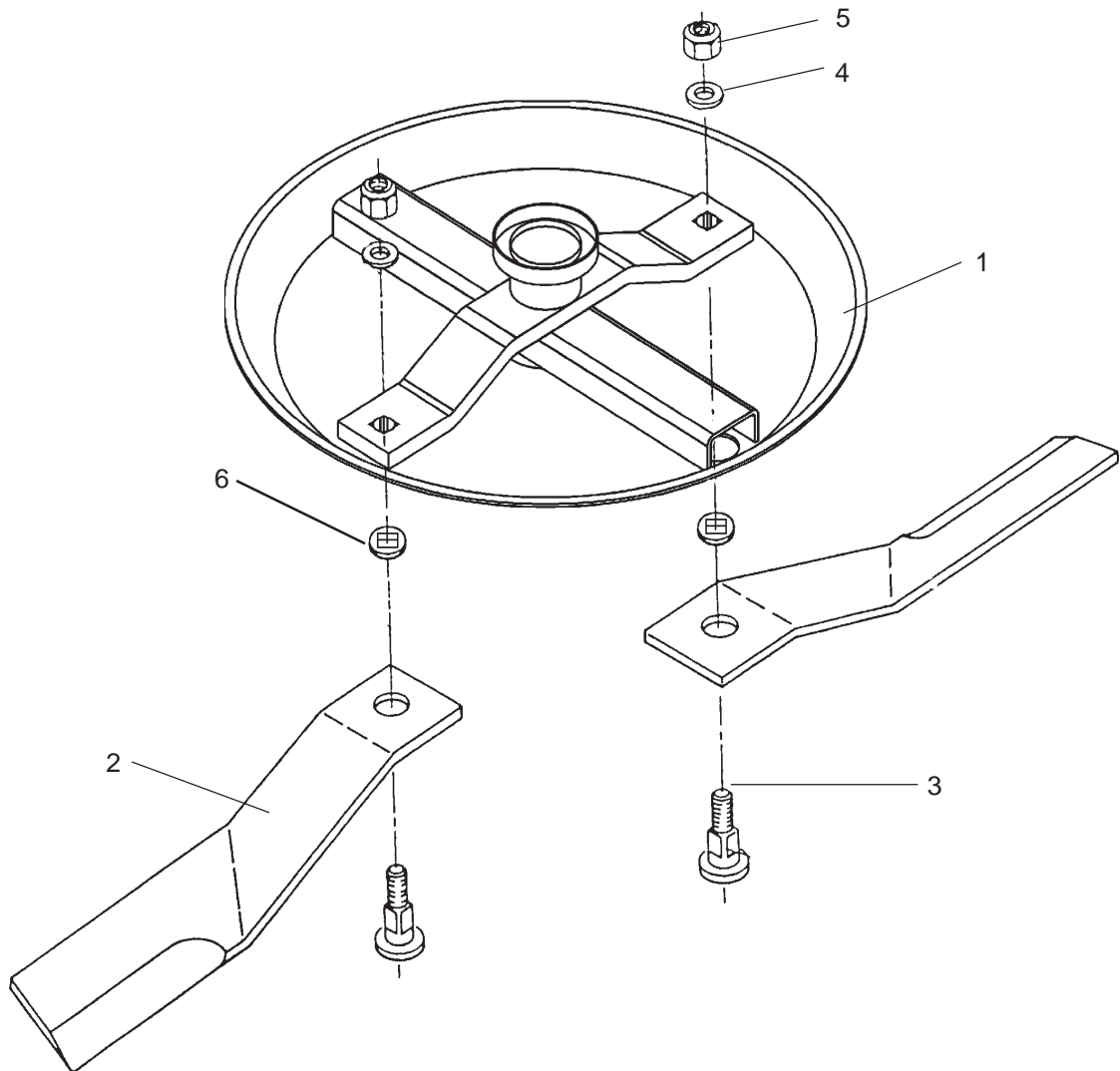
Note: Only Wing Gearbox Attachment is Shown, Center Gearbox has a different driveline

CENTER & WING GEARBOX ATTACHMENT

ITEM	PART NO.	QTY	DESCRIPTION
1	00749127	6	Bolt, Fine Thread
2	00749136	6	Locknut, Fine Thread
3	0651450301	1	Driveline Shield
4	00769101	1	Wldmt. Shield Bracket
5	5F8130	1	Wing nut (not shown)
6	4526	3	Nut, Whiz Flg.
7	00753723	12	Metric Bolt
8	00011700	12	Lockwasher
9	00756077	6	Washer (Under Bolt Head)

PARTS

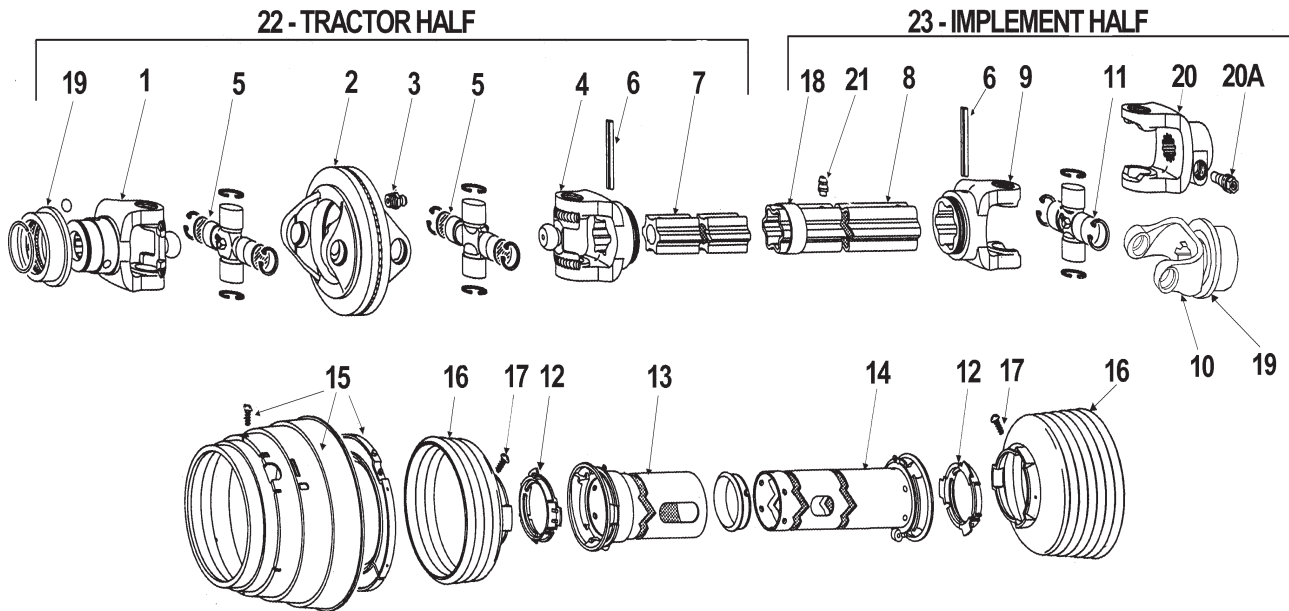
BLADE PAN ASSEMBLY



ITEM	PART NO.	QTY	DESCRIPTION
1	00767541	1	Wldmt. Dishpan w/2- 3/8" Hub - S/N 10786 & Above
	00768925	1	Wldmt. Pan w/2" Hub - S/N 10785 & Below
2	00752974	2	Blade Updraft CCW (LT & CTR)
	00753254	2	Blade Suction Updraft CW (Right)
3	8227	2	Blade Bolt
4	9216	2	Washer 1" Structural
5	5JRC16140	2	Locknut
6	00758579	2	Washer (Special Sq. Hole)

PARTS

DRIVELINE - MAIN CV



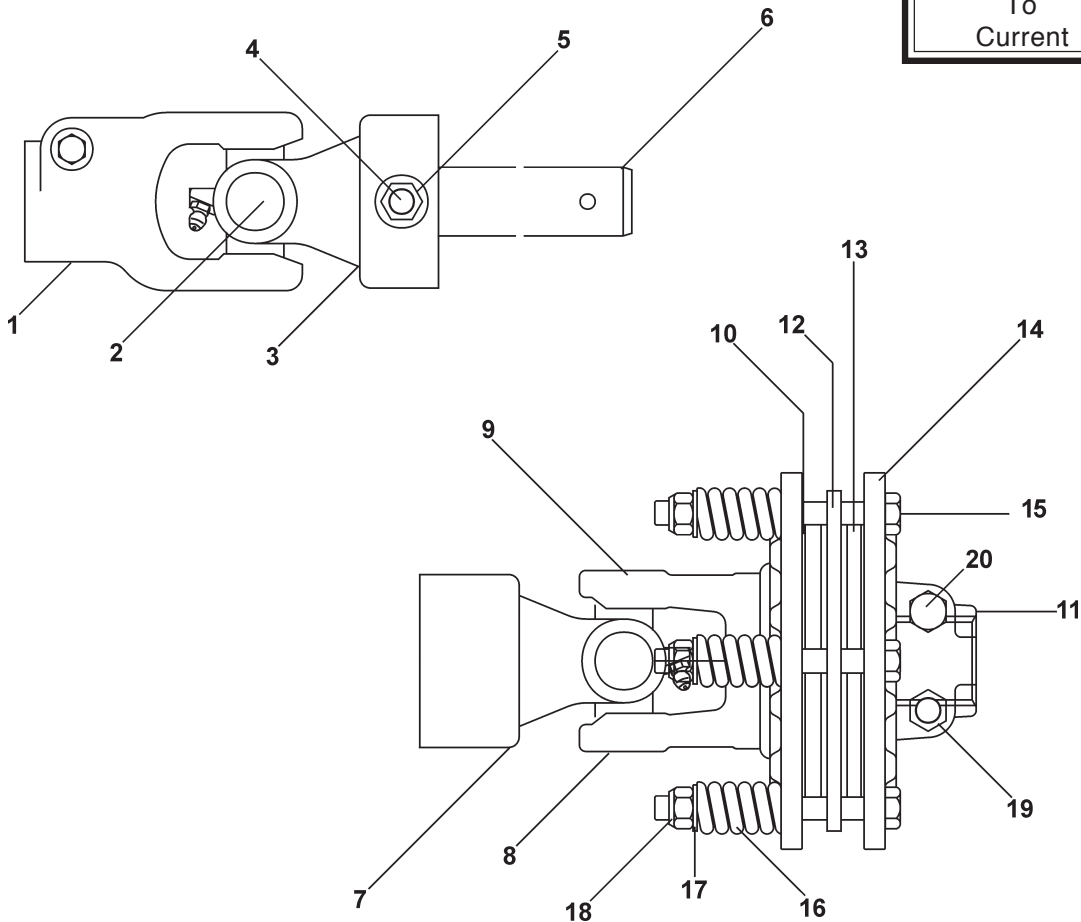
P/N 00760452 (540 RPM) - 1-3/8-6
P/N 00760453 (1000 RPM) - 1-3/8-21
P/N 00763554 (1000 RPM) - 1-3/4-20

ITEM	1000 RPM	540 & 1000 RPM	QTY	DESCRIPTION
	(1-3/4-20) PART NO.	(1-3/8-6) (1-3/8-21) PART NO.		
1	----- 8478	7431 -----	1 1	Yoke Slide Collar (540 RPM) Yoke Slide Collar (1000 RPM)
2	8482	8482	1	Double Yoke
3	8382	8382	1	Grease Fitting
4	7432	7432	1	Inboard Yoke
5	8484	8484	2	Cross & Bearing Kit
6	8384	8384	2	Spring Pin
7	00763557	00760632	1	Inner Tubing Profile
8	00763558	00760634	1	Outer Tubing and Sleeve
9	8489	8489	1	Inboard Yoke
10	00760636	00760636	1	Yoke w/ Slide Collar
11	8486	8486	1	Cross & Bearing Kit
12	8393	8393	2	Bearing Ring
13	00763560	00760640	1	Outer Tube Shield
14	00763559	00760641	1	Inner Tube Shield
15	7420	7420	1	Cone and Bearing Assy.
16	8949	8949	2	Shield
17	00759217	00759217	8	Screw
18	8974	8974	1	Support Bearing
19	8391	8391	1	Slide Collar Kit
20	00774207	00774207	1	Yoke w/ Locking Pin
20A	00774208	00774208	1	Locking Pin Kit
21	00752670	00752670	1	Grease fitting - Requires tube to be tapped to 1/4-28 straight thread
22	----- 00763555	00760668 00760665	1 1	Tractor Half (540 RPM) Tractor Half (1000 RPM)
23	----- 00763556	00760667 00760667	1 1	Implement Half (540 RPM) Implement Half (1000 RPM)

PARTS

DRIVELINE - INTERMEDIATE

AG20 serial # 01415
To
Current



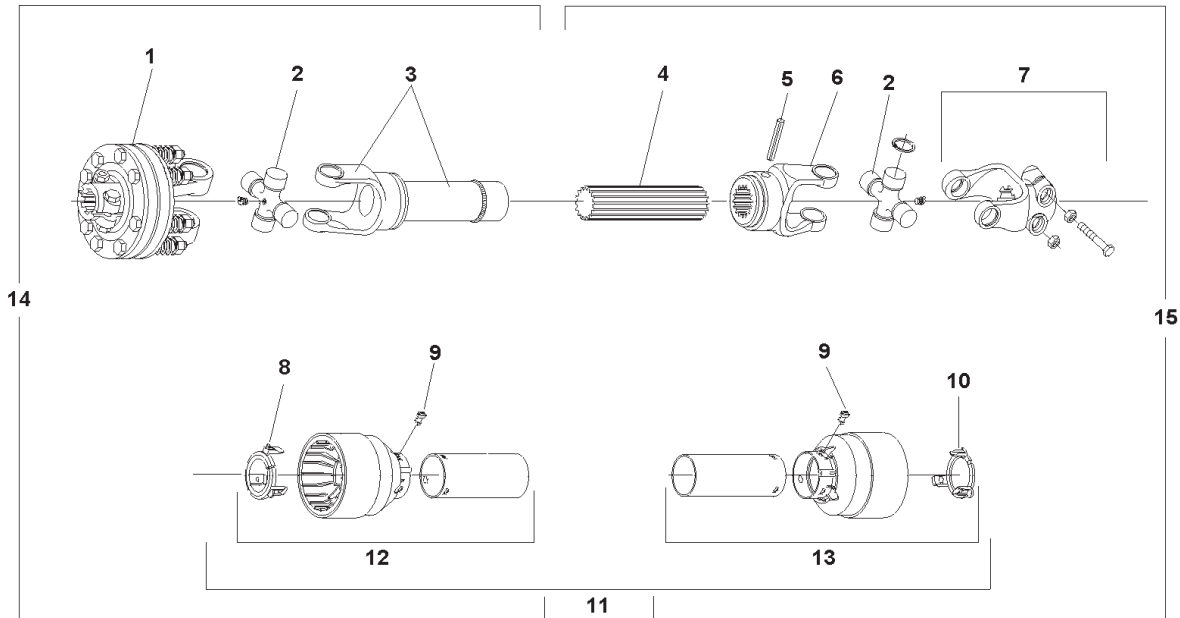
ITEM	PART NO.	QTY	DESCRIPTION
	00775811	-	Driveline-Intermediate
1	00775005	1	Yoke
2	W840	1	Cross & Bearing Kit
3	00761488	1	Inboard Yoke
4	00999422	1	Bolt
5	00001800	1	Locknut TLM 1/2 NC PLC
6	00775817	1	Bar
7	W823	1	Slip Yoke
8	00775382	1	Friction Clutch
9	00775383	1	Yoke Flange
10	8366	4	Friction Disk
11	00775334	1	Hub Spline
12	00775335	1	Drive Plate
13	00775336	1	Drive Plate
14	00775337	1	Thrust Plate
15	00775338	6	Bolt
16	00775339	6	Compression Spring
17	00754566	6	Lockwasher
18	00756164	6	Nut
19	0775327	2	Nut
20	0775328	2	Bolt

PARTS

DRIVELINE - INTERMEDIATE

Order replacement parts from this page if the telescoping member is a splined shaft.

AG20 serial # 01414
To
Below



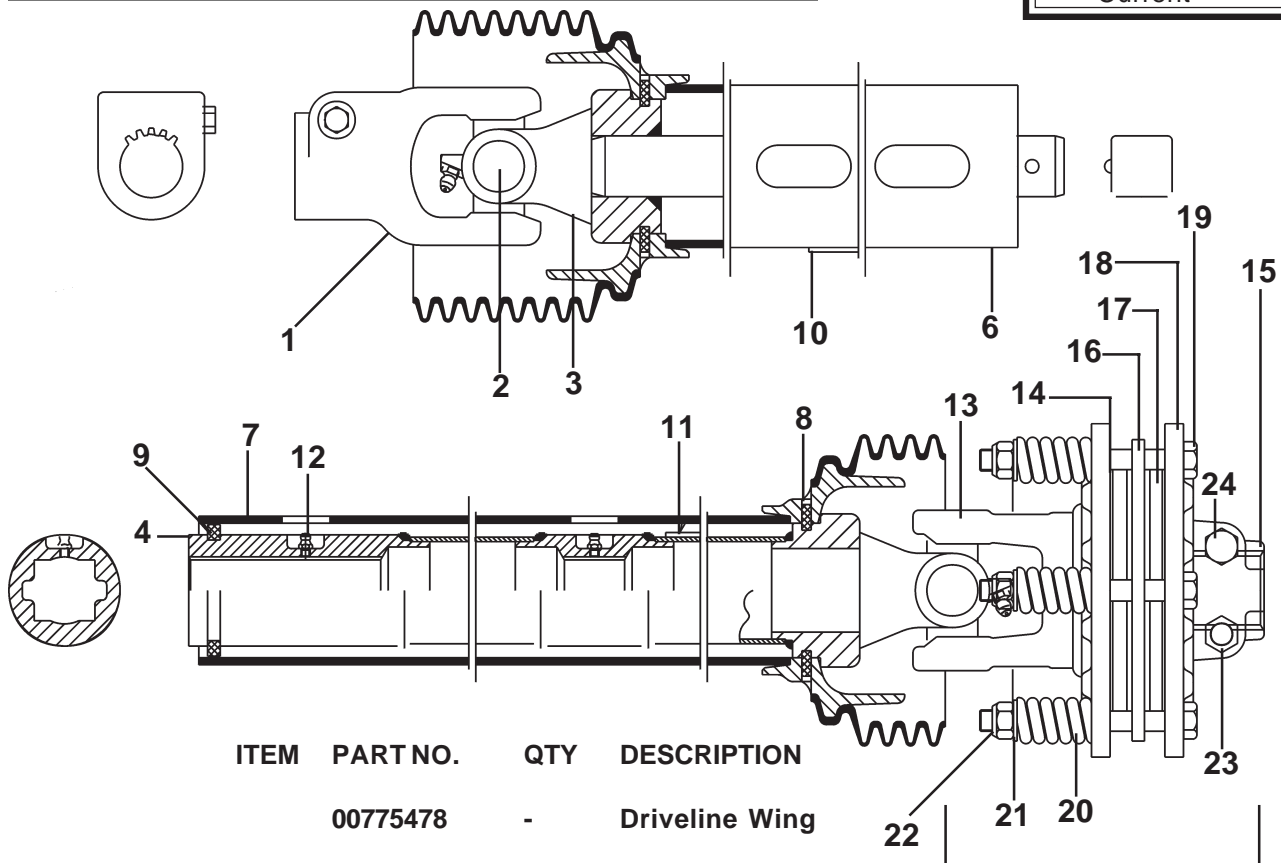
ITEM	PART NO.	QTY	DESCRIPTION
	00756634A	-	Driveline Intermediate
1	00756173	1	Slip Clutch
2	00753068	2	Cross Journal Set
3	00772269	1	Yoke With Sleeve Assembly
4	00756651	1	Splined Shaft
5	00758159	1	Roll Pin
6	00766585	1	Inner Yoke
7	00772743	1	Complete Interfering Clamp Bolt Yoke 165
8	00765420	1	Guard Retaining Collar For Outer Tube
9	00754330	6	Bolt
10	00765417	1	Retaing Collar For Inner Tube
11	00765463	1	Complete Guard w/ Instructional Manual
12	00765461	1	Half Female Guard
13	00765462	1	Half Male Guard
14	00765459	1	Half Female Shaft w/Guarding
15	00765460	1	Half Male Shaft w/Guarding

PARTS

DRIVELINE - WING

Order replacement parts from this page if the profile if your driveline is square shaped.

AG20 serial # 01410
To
Current



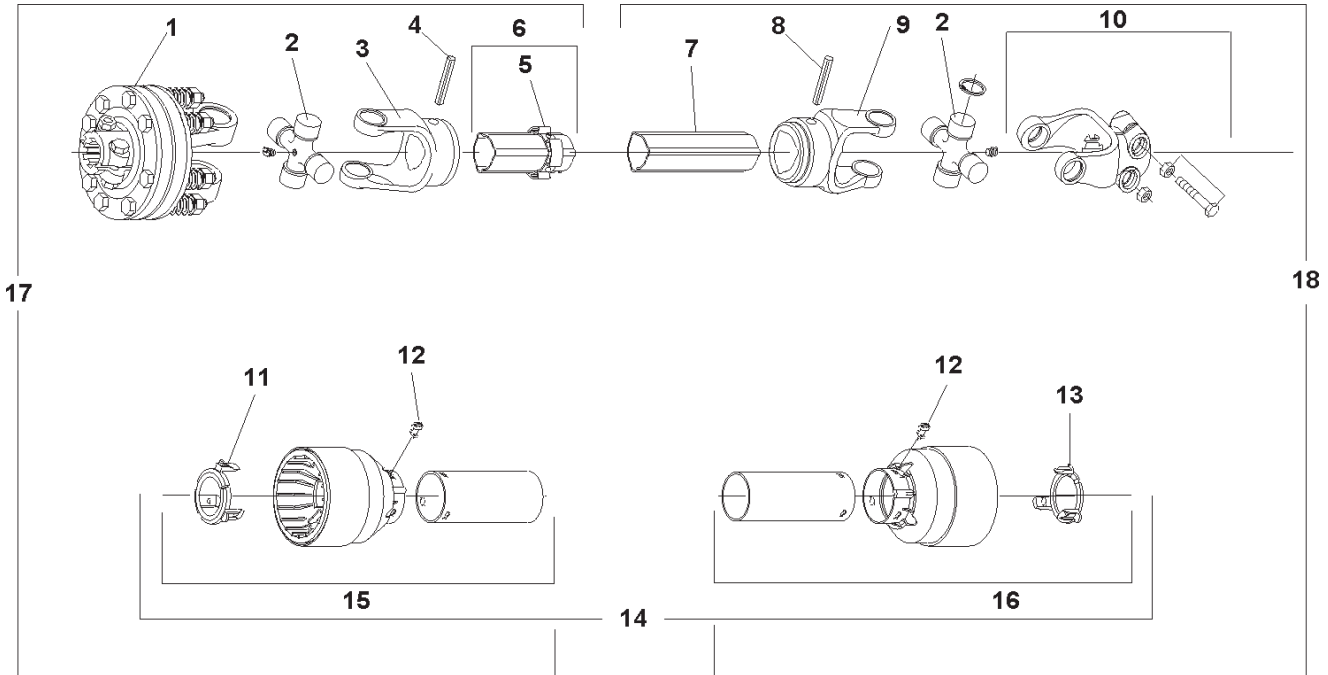
ITEM	PART NO.	QTY	DESCRIPTION
	00775478	-	Driveline Wing
1	00775005	1	Yoke
2	W840	2	Cross & Bearing Kit
3	00775826	1	Yoke Bar
4	00775500	1	Yoke Tube and Sleeve
5	00775382	1	Friction Clutch
6	00775827	1	Outer Shield Tube Assy.
7	00775801	1	Inner Shield Tube Assy.
8	00775347	4	Shield Bearing
9	00775348	1	Sleeve Bearing
10	7387	1	Outer Decal
11	7397	1	Inner Decal
12	752670	2	Zerk
13	00775383	1	Yoke Flange
14	8366	4	Friction Disk
15	00775334	1	Hub Spline
16	00775335	1	Drive Plate
17	00775336	1	Drive Plate
18	00775337	1	Thrust Plate
19	00775338	6	Bolt
20	00775339	6	Compression Spring
21	00754566	6	Lockwasher
22	00756164	6	Nut
23	00775327	2	Nut
24	00775328	2	Bolt

PARTS

DRIVELINE - WING

Order replacement parts from this page if the profile of your driveline is triangle shaped.

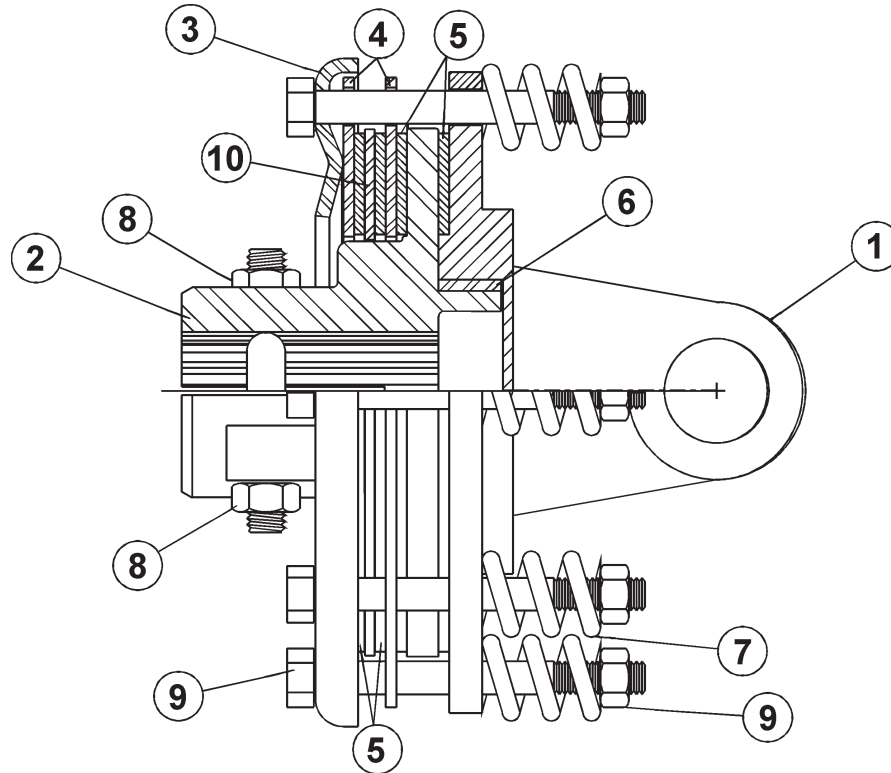
AG20 serial # 01409
To
Below



ITEM	PART NO.	QTY	DESCRIPTION
	00756633A	-	Driveline Wing
1	00756173	1	Slip Clutch (w/Spring)
2	00753068	2	Cross Journal Set
3	00765471	1	Outer Yoke
4	00766934	1	Roll Pin for Outer Tube
5	00772932	1	Bush w/Grease Nipple
6	00765466	1	Complete Outer Tube
7	00765465	1	Inner Tube
8	00756934	1	Roll Pin for Inner Tube
9	00765472	1	Inner Yoke
10	00757040	1	Complete Interfering Clamp Bolt Yoke 165
11	00765420	1	Guard Retaining Collar for Outer Tube
12	00754330	6	Bolt
13	00765417	1	Guard Retaining Collar for Inner Tube
14	00765448	1	Complete Guard w/ Instruction Manual
15	00765438	1	Half Female Guard
16	00765439	1	Half Male Guard
17	00765447	1	Half Female Shaft w/Guarding
18	00765446	1	Half Male Shaft w/Guarding

PARTS

SLIPCLUTCH - (1-3/4-20 SPLINE)



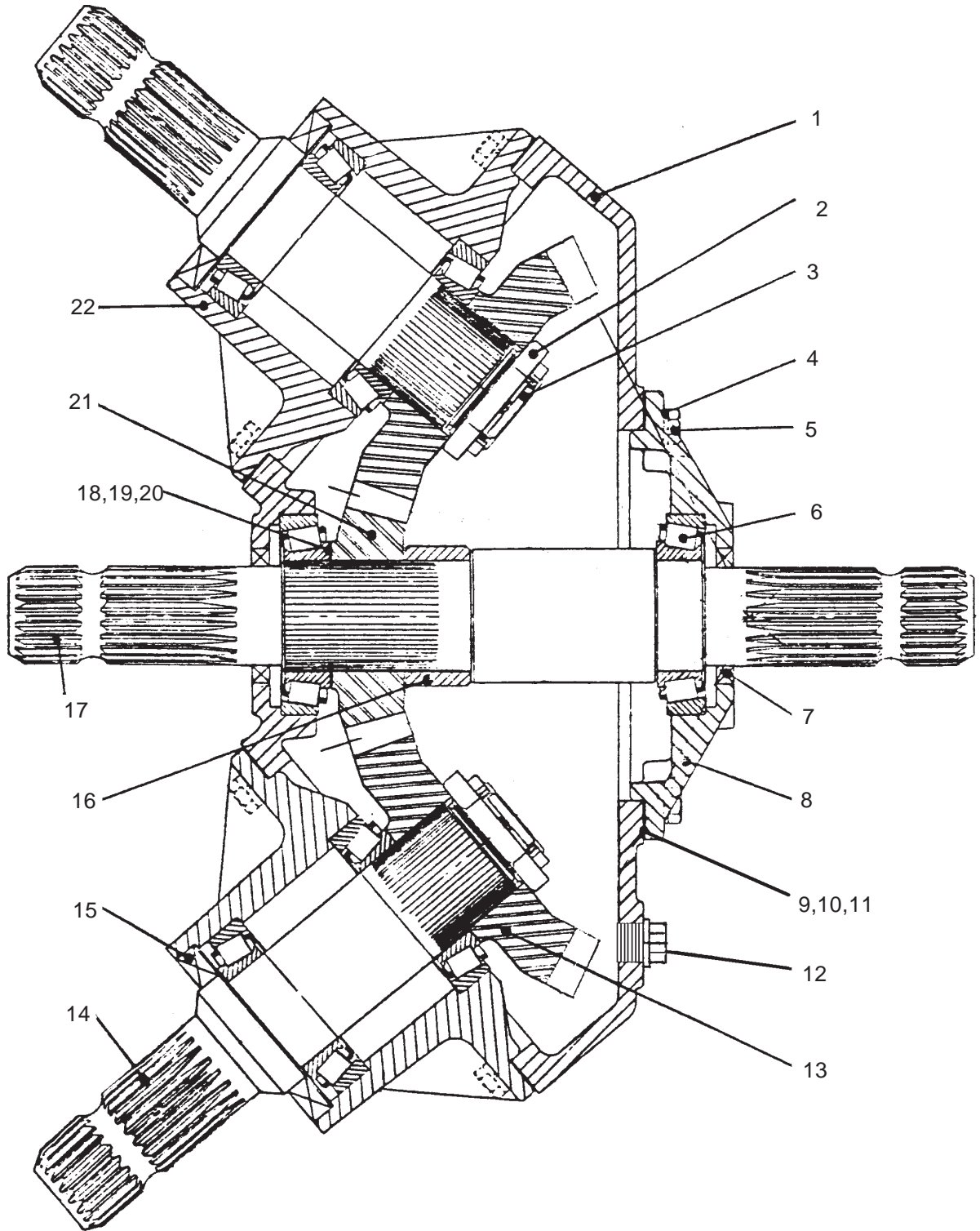
For Cat 5 Drivelines

ITEM	PART NO.	QTY	DESCRIPTION
	00756173	-	Slip Clutch Assembly
1	00754083	1	Yoke, Clutch Series 8
2	00755599	1	Clutch Support
3	00766810	1	Pressure Plate
4	00754314	2	Plate with Holes
5	00754202	4	Clutch Lining Ring
6	00754301	1	Bushing
7	00754303	8	Spring Clutch
8	00755600	2	Nut & Bolt
9	00754199	8	Nut & Bolt
		8	Nut & Bolt
10	00754201	1	Intermediate Plate

PARTS

GEARBOX ASSEMBLY - 3 WAY DIVIDER

P/N 00769115 (540 RPM)
P/N 00769116 (1000 RPM)



PARTS

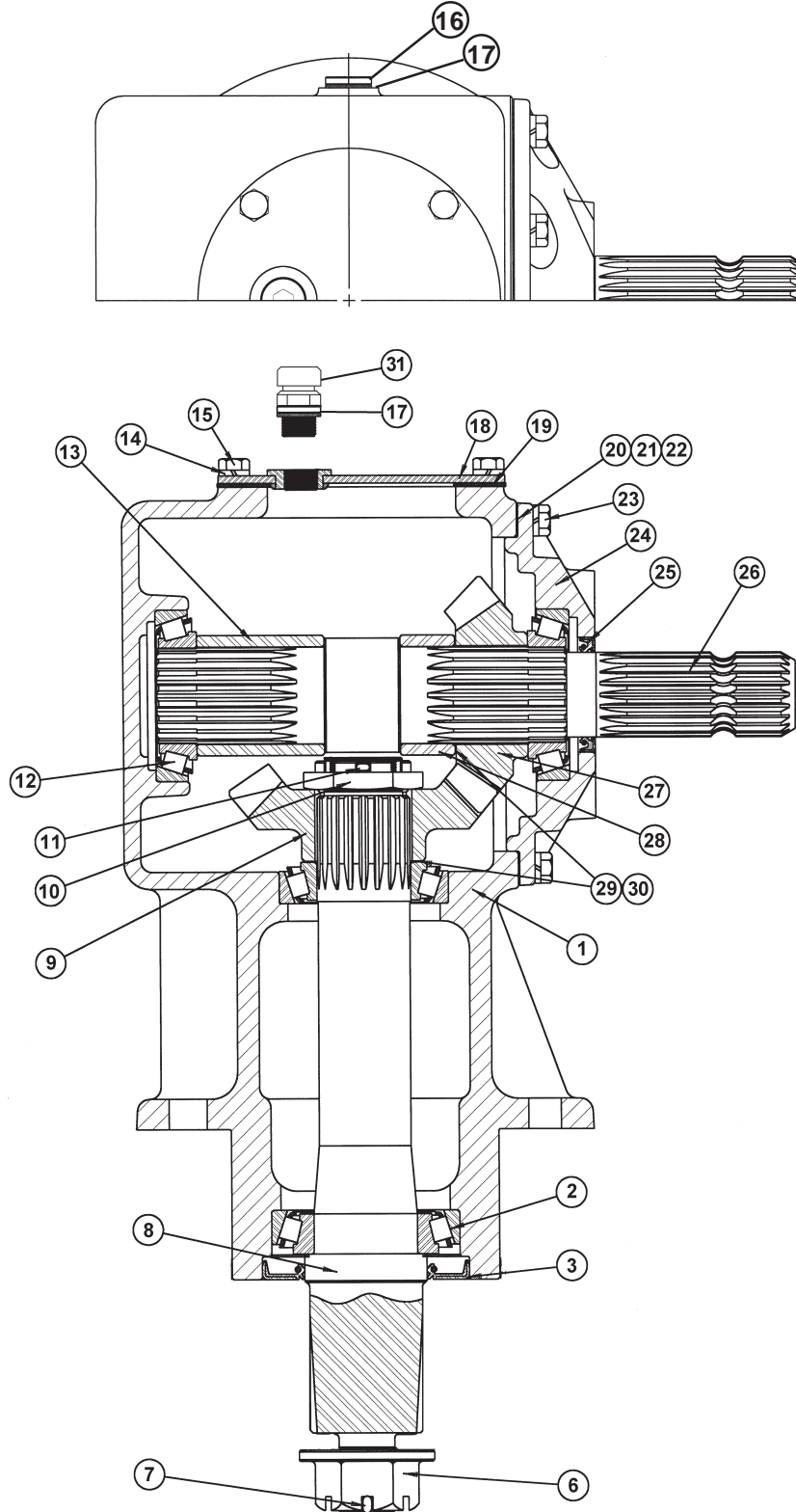
GEARBOX ASSEMBLY - 3 WAY DIVIDER

ITEM	PART NO		QTY	DESCRIPTION
	540 RPM	1000 RPM		
	00769115		-	Gearbox Assembly
		00769116	-	Gearbox Assembly
1	00769162	00769162	1	Housing Divider Gearbox
2	00762121	00762121	2	Nut Met Slot
3	00026200	00026200	2	Cotter Pin
4	00755954	00755954	24	Lockwasher
5	00758659	00758659	24	Bolt
6	00755628	00755628	6	Bearing
7	00758653	00758653	2	Seal
8	00762128	00762128	1	Input Cap
9	00758646	00758646	var	Shim Adjustment 0.1
10	00758647	00758647	var	Shim Adjustment 0.25
11	00758648	00758648	var	Shim Adjustment 0.5
12	00762123	00762123	1	Plug Level
13	00769160		2	Gear 20 Tooth
		00769159	2	Gear 26 Tooth
14	00762522	00762522	2	Side Input Shaft
15	00762521	00762521	2	Seal
16	00758657	00758657	1	Spacer, Input Shaft
17	00769163	00769163	1	Main Input Shaft
18	00758667	00758667	var	Shim Adjustment 0 .3
19	00758666	00758666	var	Shim Adjustment 0.4
20	00758668	00758668	var	Shim Adjustment 0.4
21	00769161		1	Gear 23 Tooth
		00769158	1	Gear 20 Tooth
22	00762520	00762520	2	Horz. Hub Cap
23	00762114	00762114	1	Pipe Plug Vented (not shown)

PARTS

GEARBOX ASSEMBLY - CENTER

00769912 (540 RPM)
00769930 (1000 RPM)
CW in - CCW out



PARTS

GEARBOX ASSEMBLY - CENTER

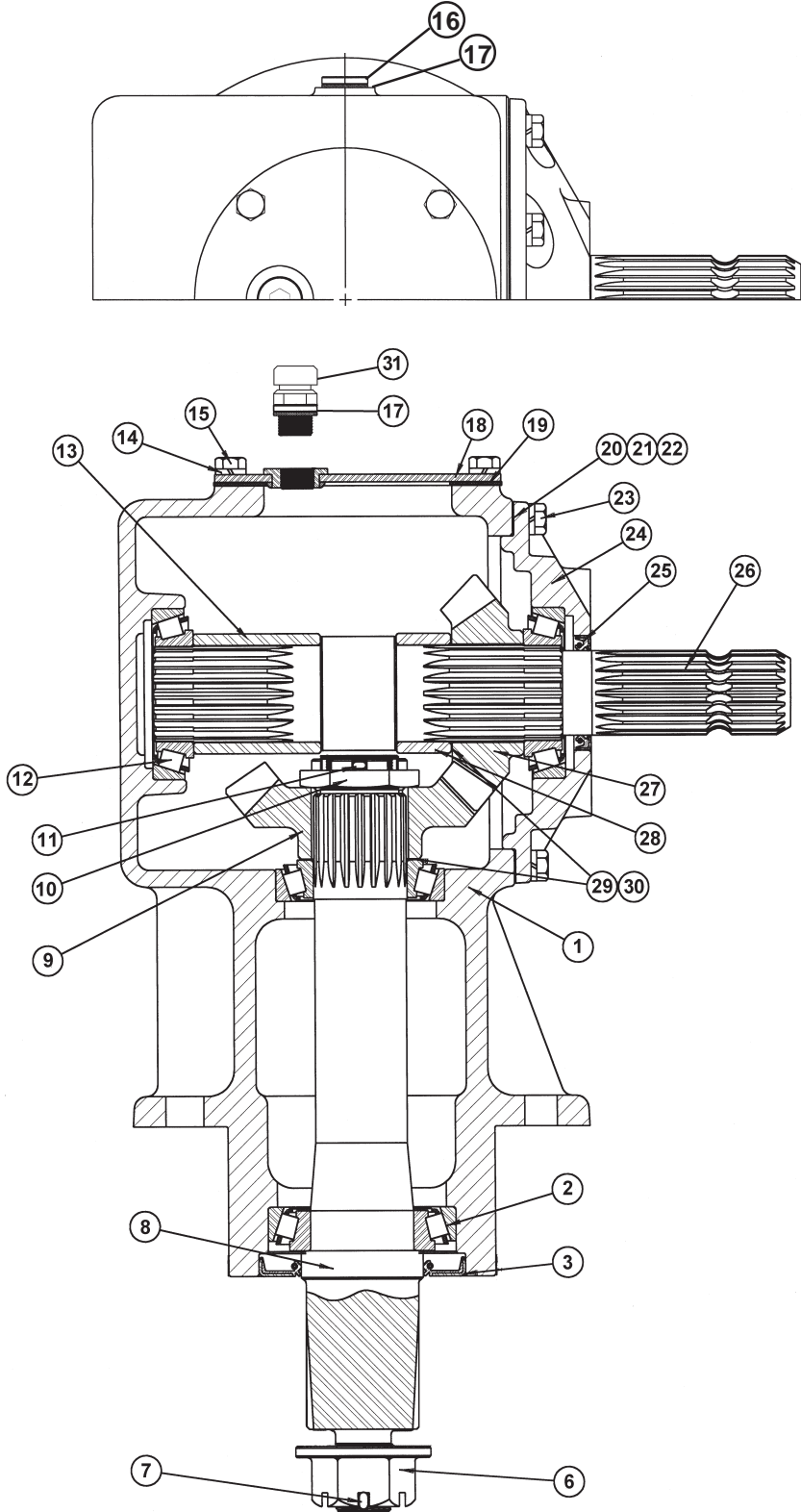
**Used on S/N 10786
thru Current**

ITEM	PART NO.	QTY	DESCRIPTION
	00769912	-	Gearbox Assembly (540 RPM) CW in - CCW out
	00769930	-	Gearbox Assembly (1000 RPM) CW in - CCW out
1	00770724	1	Housing
2	00770725	1	Bearing Assembly
3	00770726	1	Oil Seal
6	00771226	1	Flange Nut Slot
7	01422502	1	Cotter Pin
8	00770728	1	Vertical Output Shaft
9	00770736	1	13 Tooth Pinion (Gearbox 00769912)
	00770729	1	19 Tooth Gear (Gearbox 00769930)
10	00762121	1	Nut Met Slot
11	00606000	1	Cotter Pin
12	00755628	3	Bearing Assembly
13	00770731	1	Input Shaft Spacer Long
14	00766083	12	Lockwasher
15	00754338	4	Bolt
16	00762517	1	Plug, Socket Head
17	00769321	2	Sealing Washer
18	00770732	1	Inspection Cover
19	00770733	1	Inspection Cover Gasket
20	00758646	A/R	Shim Adjustment (0.10)
21	00758647	A/R	Shim Adjustment (0.25)
22	00758648	A/R	Shim Adjustment (0.50)
23	00765905	8	Bolt
24	00770734	1	Input Cap
25	00758653	1	Seal
26	00770735	1	Input Shaft
27	00770729	1	19 Tooth Gear (Gearbox 00769912)
	00770736	1	13 Tooth Pinion (Gearbox 00769930)
28	00758657	1	Input Shaft Spacer
29	00758667	A/R	Shim (0.30)
30	00758668	A/R	Shim (0.50)
31	00762114	1	Plug Vent

PARTS

GEARBOX ASSEMBLY - RIGHT WING

00769918 (540 RPM)
00769924 (1000 RPM)
CW in - CCW out



PARTS

GEARBOX ASSEMBLY - RIGHT WING

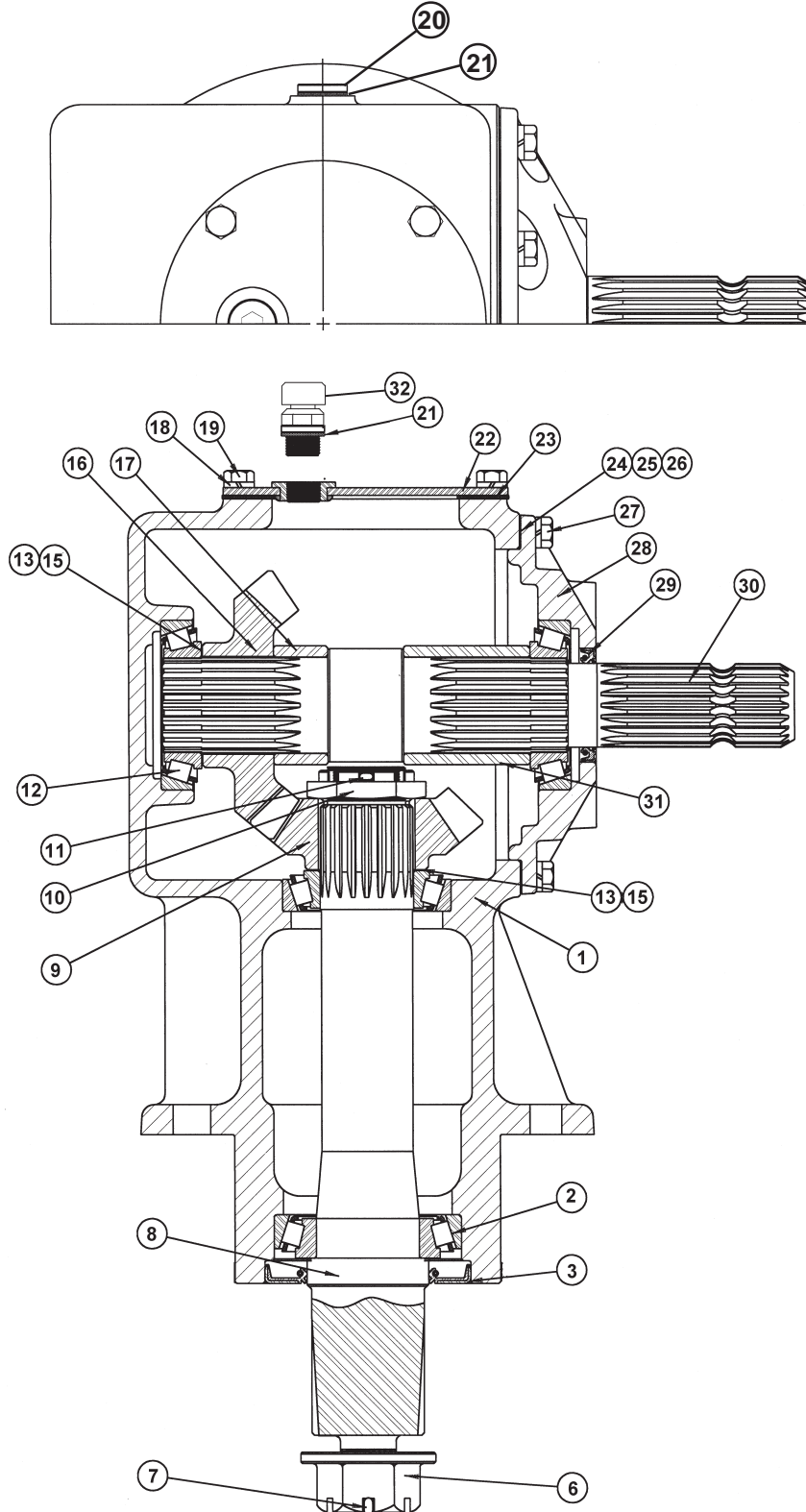
*Used on S/N 10786
thru Current*

ITEM	PART NO.	QTY	DESCRIPTION
	00769918	-	Gearbox (540 RPM) CW in - CCW out
	00769924	-	Gearbox (1000 RPM) CW in - CCW out
1	00770724	1	Housing
2	00770725	1	Bearing Assembly
3	00770726	1	Oil Seal
6	00771226	1	Flange Nut Slot
7	01422502	1	Cotter Pin
8	00770728	1	Vertical Output Shaft
9	00770738	1	14 Tooth Pinion (00769918 Gearbox)
	00770739	1	17 Tooth Gear (00769924 Gearbox)
10	00762121	1	Nut Met Slot
11	00606000	1	Cotter Pin
12	00755628	3	Bearing Assembly
13	00770731	1	Input Shaft Spacer Short
14	00766083	12	Lockwasher
15	00754338	4	Bolt
16	00762517	1	Plug Socket Head
17	00769321	2	Sealing Washer
18	00770732	1	Inspection Cover
19	00770733	1	Inspection Cover Gasket
20	00758646	A/R	Shim Adjustment (0.10)
21	00758647	A/R	Shim Adjustment (0.25)
22	00758648	A/R	Shim Adjustment (0.50)
23	00765905	8	Bolt
24	00770734	1	Input Cap
25	00758653	1	Seal
26	00770735	1	Input Shaft
27	00770739	1	17 Tooth Gear (00769918 Gearbox)
	00770738	1	14 Tooth Pinion (00769924 Gearbox)
28	00758657	1	Input Shaft Spacer Long
29	00758667	A/R	Shim (0.30)
31	00758668	A/R	Shim (0.50)
32	00762114	1	Plug Vent

PARTS

GEARBOX ASSEMBLY - LEFT WING

00769921 (540 RPM)
00769927 (1000 RPM)
CW in - CCW out



PARTS

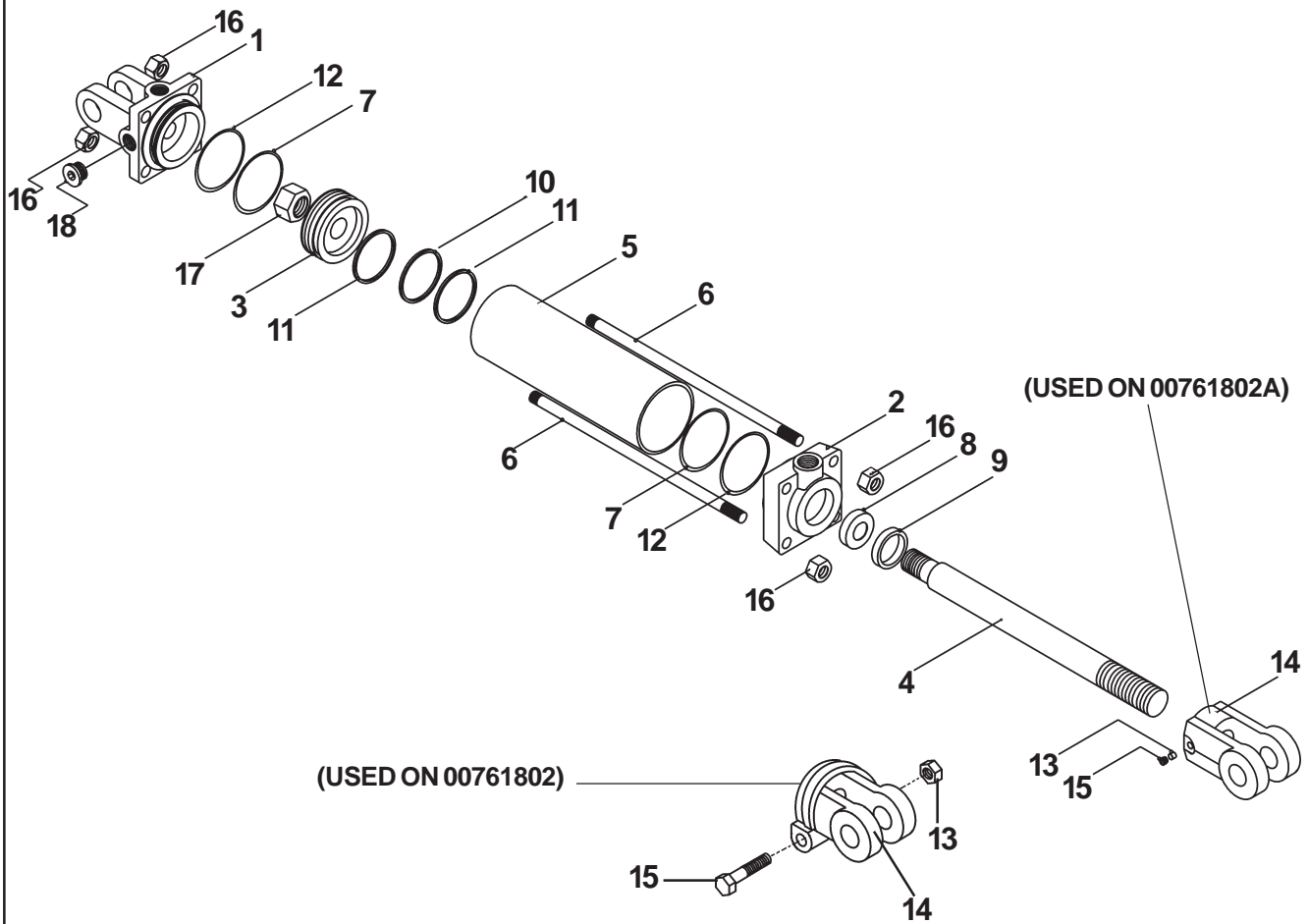
GEARBOX ASSEMBLY - LEFT WING

*Used on S/N 10786
thru Current*

ITEM	PART NO.	QTY	DESCRIPTION
	00769921	-	Gearbox (540 RPM) CW in - CCW out
	00769927	-	Gearbox (1000 RPM) CW in - CCW out
1	00770724	1	Housing
2	00770725	1	Bearing Assembly
3	00770726	1	Oil Seal
6	00771226	1	Flange Nut Slot
7	01422502	1	Cotter Pin
8	00770728	1	Vertical Output Shaft
9	00770738	1	14 Tooth Pinion (Gearbox 00769921)
	00770739	1	17 Tooth Gear (Gearbox 00769927)
10	00762121	1	Nut Met Slot
11	00606000	1	Cotter Pin
12	00755628	3	Bearing Assembly
13	00758667	A/R	Shim (0.30)
15	00758668	A/R	Shim (0.50)
16	00770739	1	17 Tooth Gear (Gearbox 00769921)
	00770738	1	14 Tooth Gear (Gearbox 00769927)
17	00758657	1	Input Shaft Spacer Long
18	00766083	12	Lockwasher
19	00754338	4	Bolt
20	00762517	1	Plug Socket Head
21	00769321	2	Sealing Washer
22	00770732	1	Inspection Cover
23	00770733	1	Inspection Cover Gasket
24	00758646	A/R	Shim Adjustment (0.10)
25	00758647	A/R	Shim Adjustment (0.25)
26	00758648	A/R	Shim Adjustment (0.50)
27	00765905	8	Bolt
28	00770734	1	Input Cap
29	00758653	1	Oil Seal
30	00770735	1	Input Shaft
31	00770731	1	Input Shaft Spacer Short
32	00762114	1	Plug Vent

PARTS

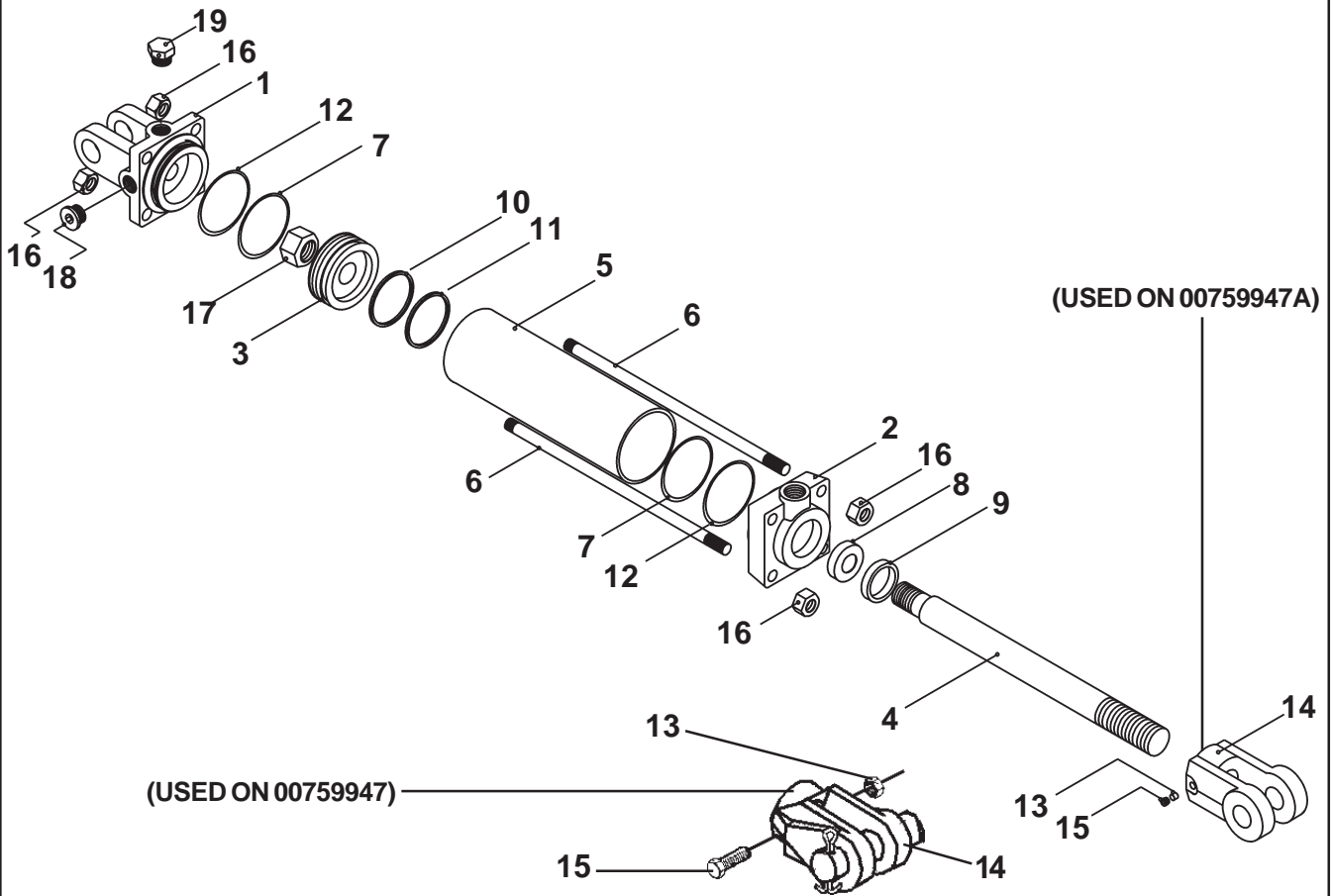
CYLINDER, HYDRAULIC (AXLE)



ITEM	PART NO.	QTY	DESCRIPTION	ITEM	PART NO.	QTY	DESCRIPTION
	00761802	1	Cylinder Assembly		00761802A	1	Cylinder Assembly
1	8772	1	Cap	1	00774728	1	Clevis Cap
2	00761896	1	Head	2	00774735	1	Rod Cap
3	00761892	1	Piston	3	00774733	1	Piston
4	00761894	1	Piston Rod	4	00774739	1	Rod
5	00761893	1	Tube	5	00774750	1	Tube
6	8773	4	Tie Rod	6	00774745	4	Tie Rod
13	00015800	1	Nut	7*	-----	2	O-Ring
14	00761895	1	Clevis	8*	-----	1	Rod Wiper Seal
15	00023100	1	Bolt	9*	-----	1	Rod Dust Seal
16	4689	8	Tie Rod Nut	10*	-----	1	Piston Seal
17	4705	1	Piston Nut	11*	-----	2	Piston Wear Ring
19	00761891	1	Seal Kit	12*	-----	2	Backup Washers
20	6511324	1	Breather (not shown)	13	3047117	1	Nylon Thread Protector
				14	1917140	1	Rod Clevis
				15	00774740	1	Set Screw
				16	33017H5C	8	Tie Rod Nut
				17	5JRC16140	1	Piston Nut
				18	1917132	1	Port Plug

* Consists of Seal Kit 00774759

CYLINDER, HYDRAULIC (WING)

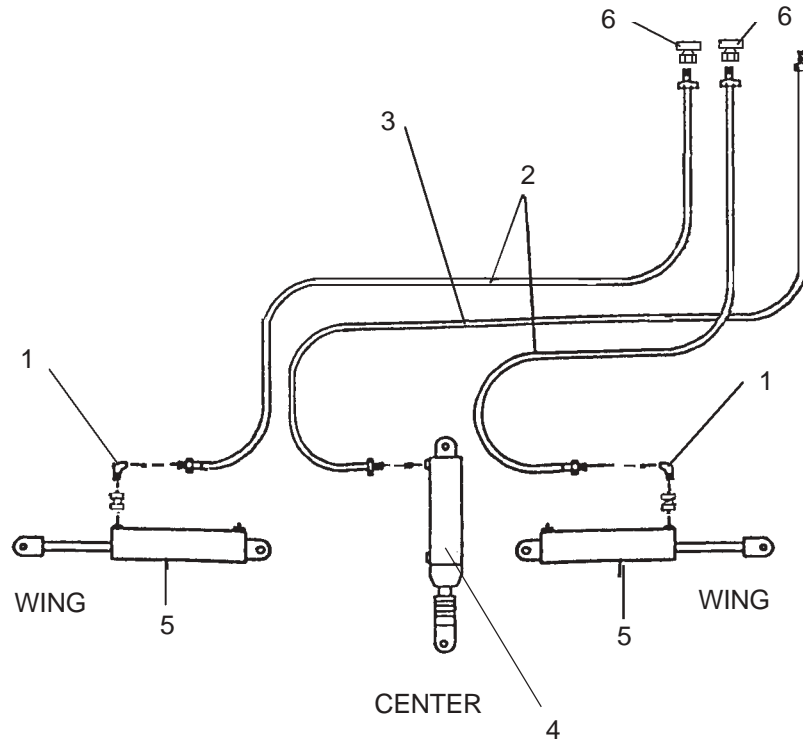


ITEM	PART NO.	QTY	DESCRIPTION	ITEM	PART NO.	QTY	DESCRIPTION
	00759947	1	Cylinder Assembly		00759947A	1	Cylinder Assembly
1	00760197	1	Cap	1	2417158	1	Clevis Cap
2	00760197	1	Head	2	2417157	1	Rod Cap
3	00760198	1	Piston	3	00774732	1	Piston
4	00760201	1	Piston Rod	4	00774738	1	Rod
5	00760195	1	Tube	5	00774749	1	Tube
6	00760203	4	Tie Rod	6	00774743	4	Tie Rod
13	4378	1	Hex Nut	7*	-----	2	O-Ring
14	8754	1	Outer Clevis	8*	-----	1	Rod Wiper Seal
15	4427	1	Bolt	9*	-----	1	Rod Dust Seal
16	4690	8	Tie Rod Nut	10*	-----	1	Piston Seal
17	4675	1	Piston Nut	11*	-----	1	Piston Wear Ring
19	6511324	1n/s	Breather Plug	12*	-----	2	Backup Washers
20	00760199	1	Seal Kit	13	3047117	1	Nylon Thread Protector
				14	1917140	1	Rod Clevis
				15	00774740	1	Set Screw
				16	33005H5C	8	Tie Rod Nut
				17	5JRC16140	1	Piston Nut
				18	1917132	1	Port Plug
				19	2417154	1	Breather

* Consists of Seal Kit 00774761

PARTS

HYDRAULIC SCHEMATIC



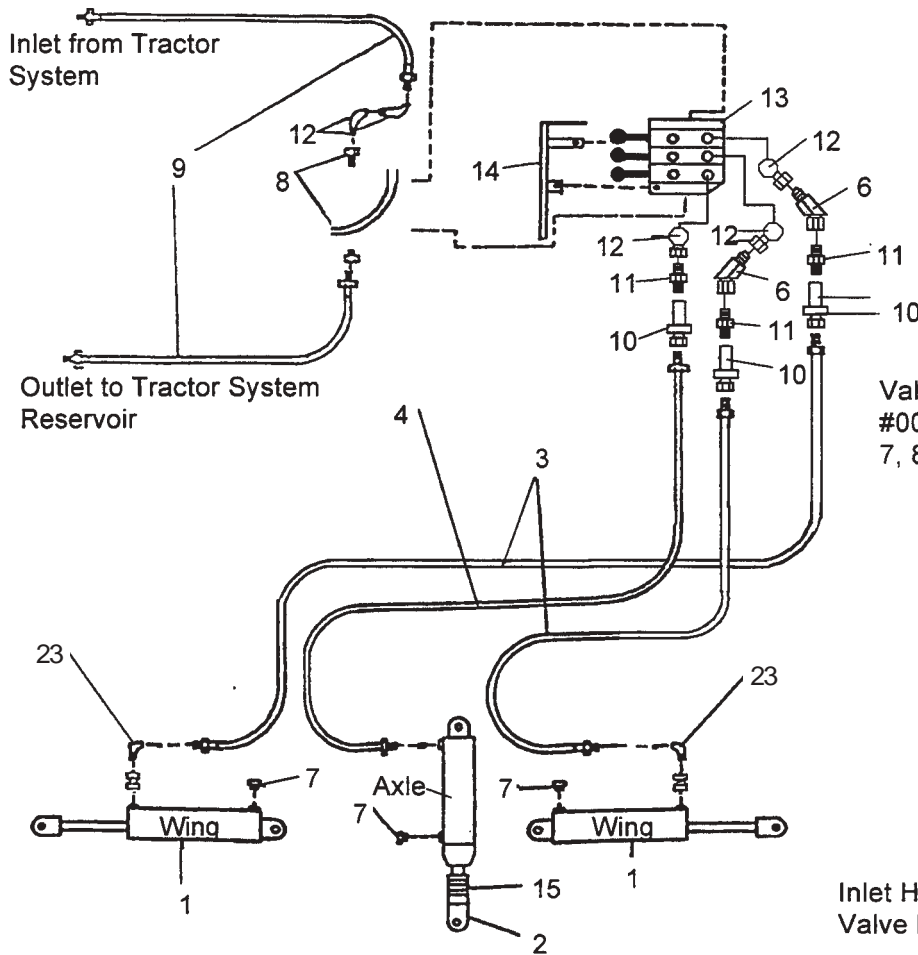
ITEM	PART NO.	QTY	DESCRIPTION
1	00774574	2	Restrictor Adapter, Elbow 90°
2	0811261100	2	Hydraulic Hose
3	0811251000	1	Hydraulic Hose
4	00761802	1	Hydraulic Cylinder 3-1/2" Dia.
5	00759947	2	Hydraulic Cylinder 1-1/4" Dia
6	94507	2	Pipe Reducer

PARTS

NOTES

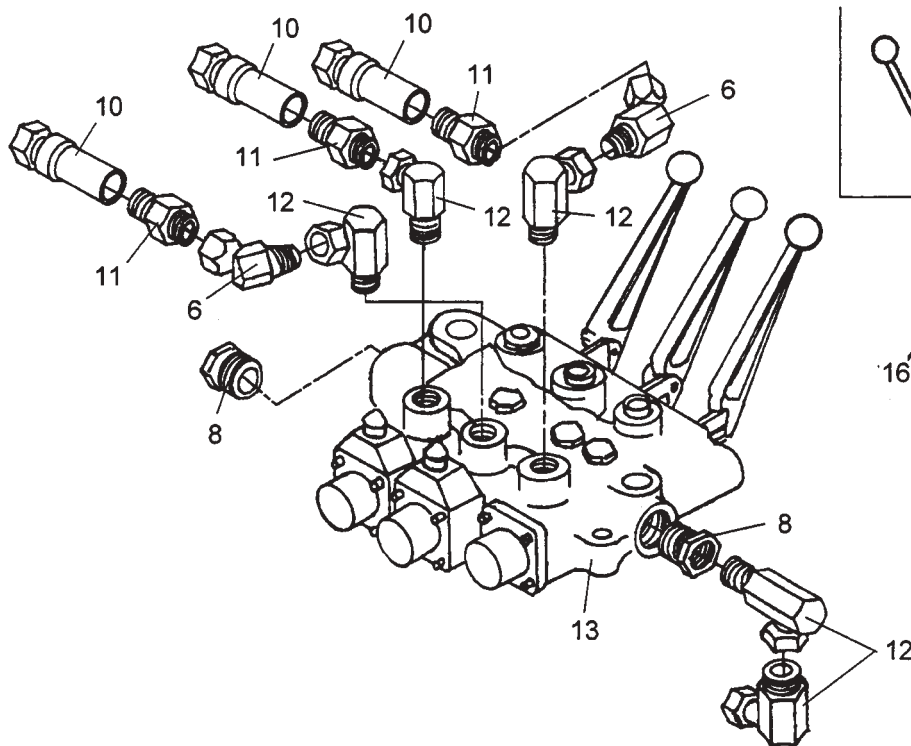
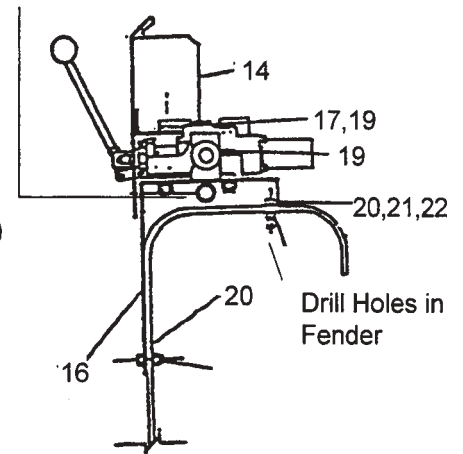
PARTS

CONTROL VALVE, HYDRAULIC W/MOUNTING KIT



Valve Mounting Kit #00759684 includes items 5, 7, 8, 9, 10, 11, 13, & 15.

Inlet Hose Route Under Valve Mounting Bracket



PARTS

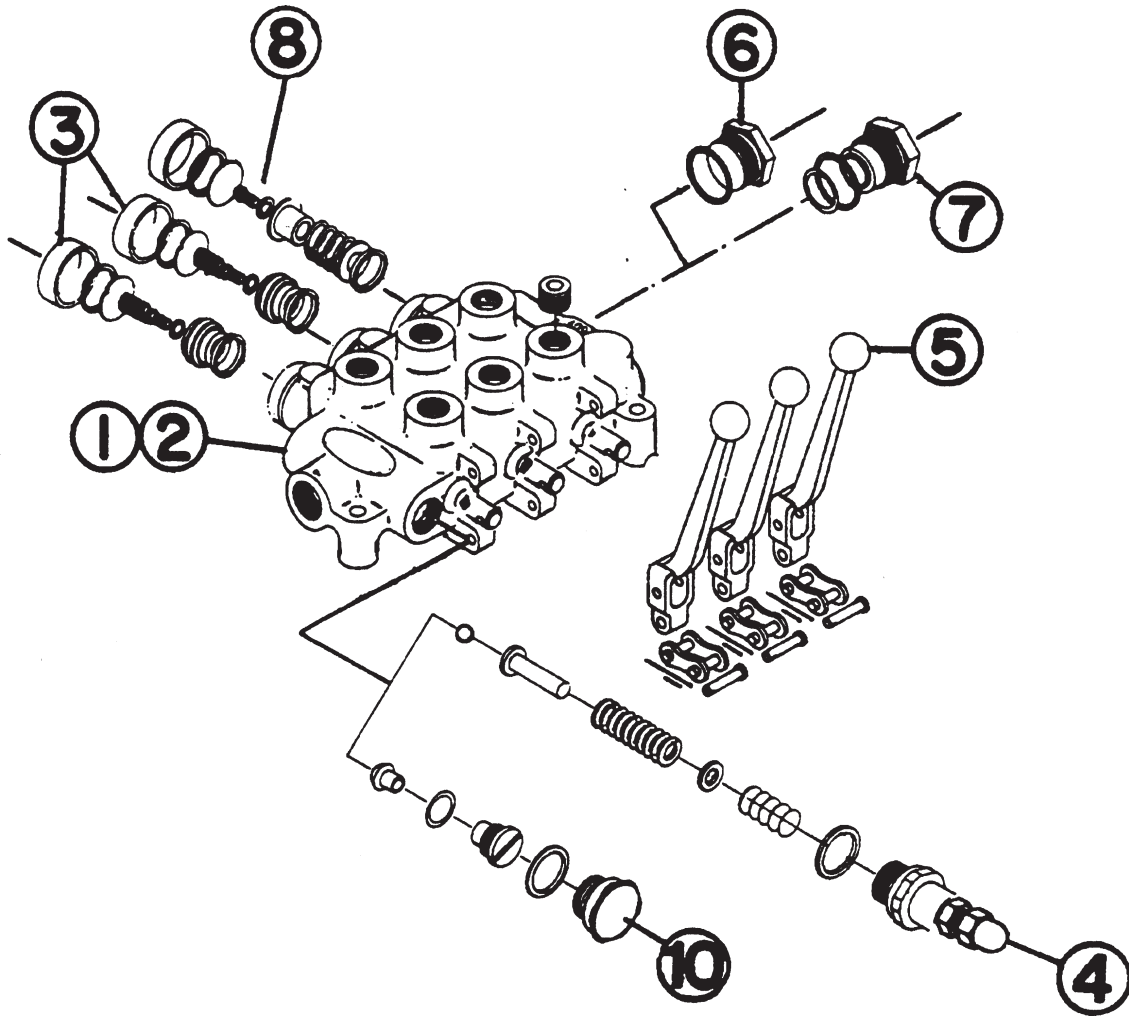
CONTROL VALVE, HYDRAULIC W/MOUNTING KIT

ITEM	PART NO.	QTY	DESCRIPTION
1	-----	2	Wing Lift Cylinder
2	-----	1	Axle Lift Cylinder
3	-----	2	Hydraulic Hose
4	-----	1	Hydraulic Hose
6	000999	2	Adp Pipe 45 Deg.
7	-----	3	Breather
8	7323	2	Bushing Reducer
9	1347	2	Hydraulic Coupler Hose
10	2107	3	Quick Disconnect Coupler
11	02960460	3	Straight Adapter
12	94514	5	Swivel Elbow 90 Deg.
13	00380200	1	3 Spool Open Valve Bank
	00759800	1	Plate-Buck PL LH
14	00759682	1	Control Valve Shield
15	-----	1	Stroke Control
16	8166	1	Fender Bracket
17	10204000	2	Bolt
18	7336	2	Spacer, Shield
19	00010600	1	Bolt
20	00011400	4	Bolt
21	03101646	7	Lockwasher
22	00013901	7	Nut
23	00774574	2	Restrictor Adapter, Elbow 90°

NOTE: Items listed above without part numbers are parts that are supplied with base machine

PARTS

CONTROL VALVE, HYDRAULIC



NOTE: The Three Spool Control Valve must have "detent float positions" for the Two Wing Cylinder Spools. If such a valve is not used, excessive stress will be induced into the deck and Cylinder Rods.

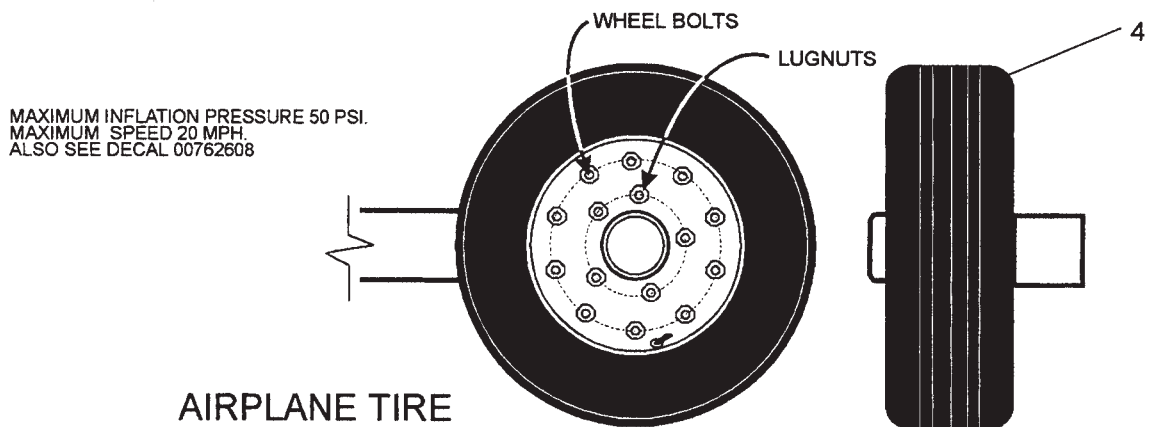
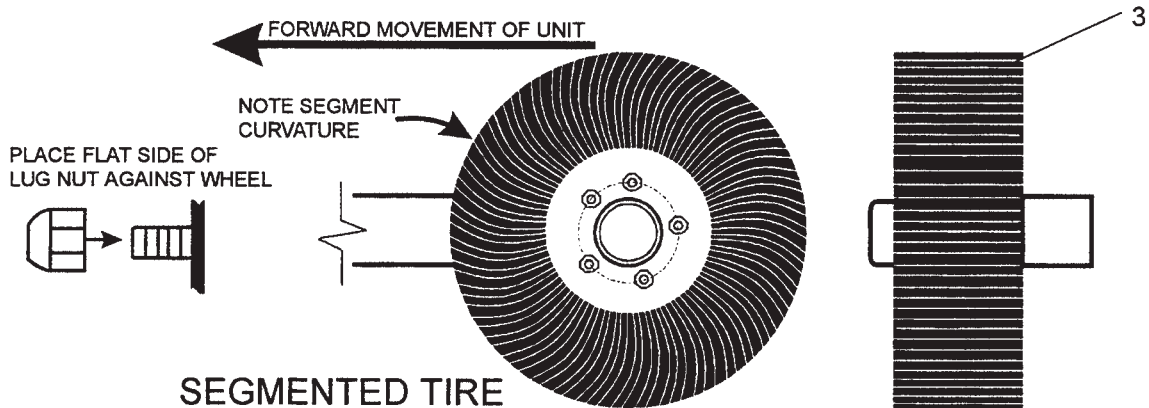
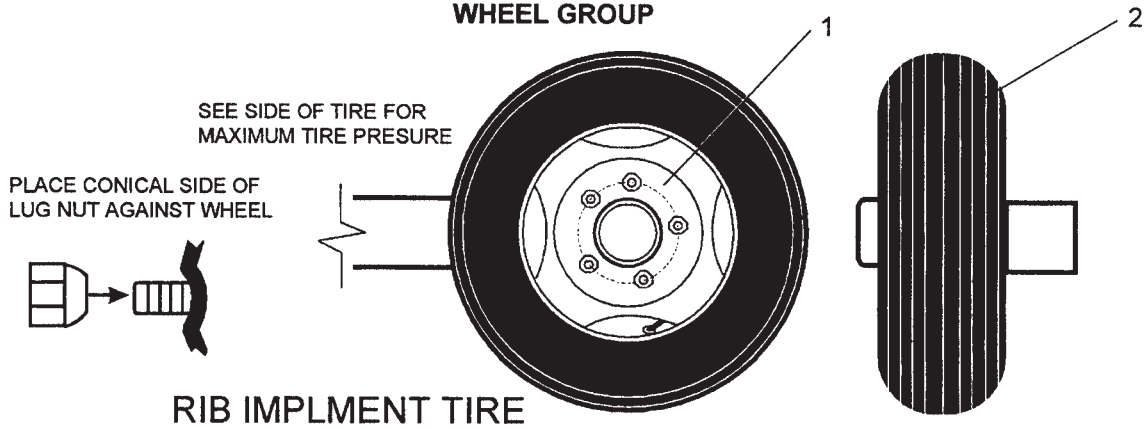
PARTS

ITEM	PART NO.	CLOSED CENTER QTY	OPEN CENTER QTY	DESCRIPTION
1	00380200	-	1	3 Spool Open Center Valve
2	00759833	1	-	3 Spool Closed Center Valve
3	00751139	3	2	Detent Kit
4	00751140	-	1	High Pressure Relief Valve Kit
5	00751142	3	3	Handle Assembly
6	00751141	-	1	Plug (Open Center)
7	00751002	1	-	Closed Center Plug Kit
8	00751358	-	1	Repair Kit-Spring Return To Center
9	00751556	1	1	Spool Seal Kit For Item #1 Or #2(Not Shown)
10	00752057	1	-	Non-Relief Valve Plug (Close Center)

TIRE AND WHEEL ASSEMBLY

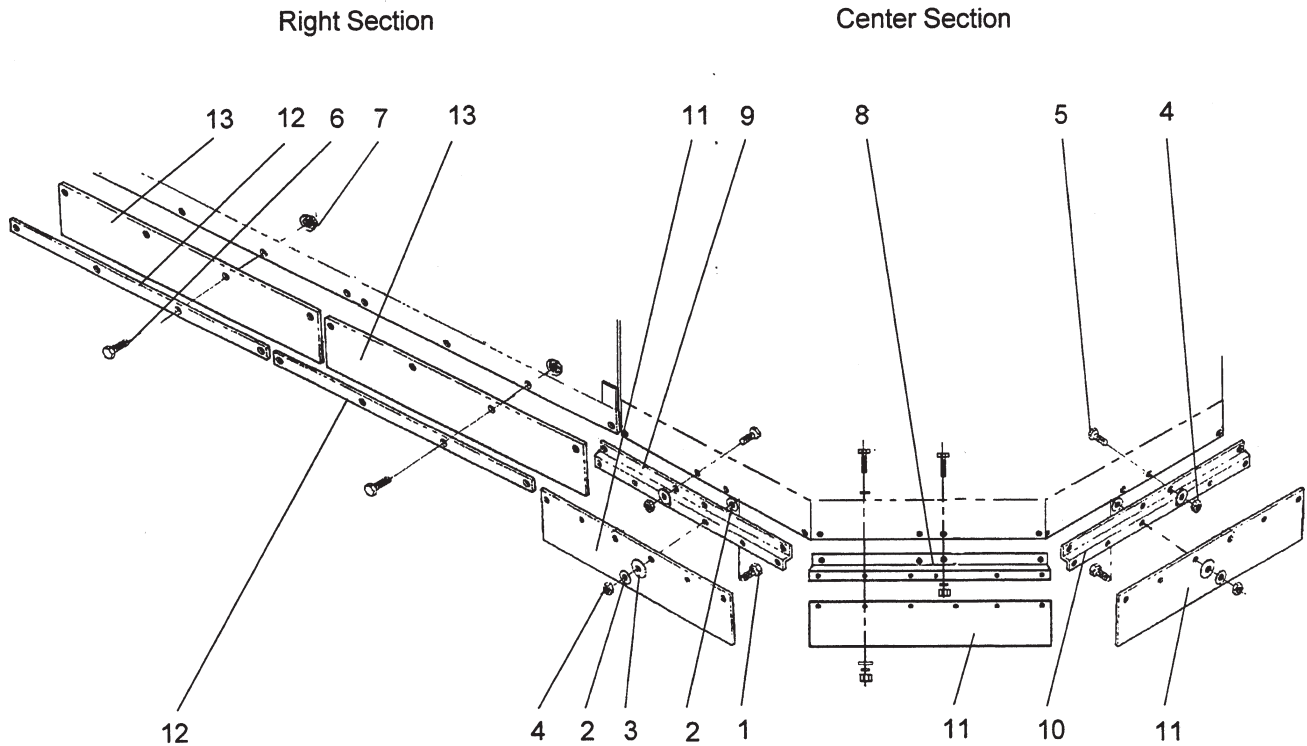
ITEM	PART NO.	QTY	DESCRIPTION
1	00008700	6	Wheel, 15x5.00 DC.(Rim Only)
2	00749698	6	Wheel Implement-Tire and Wheel Complete
3	0002520	6	Laminated Puncture-Proof Tire/Whl Asy (21" OD) 6.00 x 9
4	00788719	6	ASY,FOAM FILLED TIRE-25.5X8-14
5	00766911A	6	Used Airplane tire/whl foam filled (23"OD) S/N 01440 & Down
	00766911	6	Used Airplane tire/whl foam filled (21.5"OD) S/N 01441 & Up

WHEEL GROUP



PARTS

DEFLECTORS - FRONT

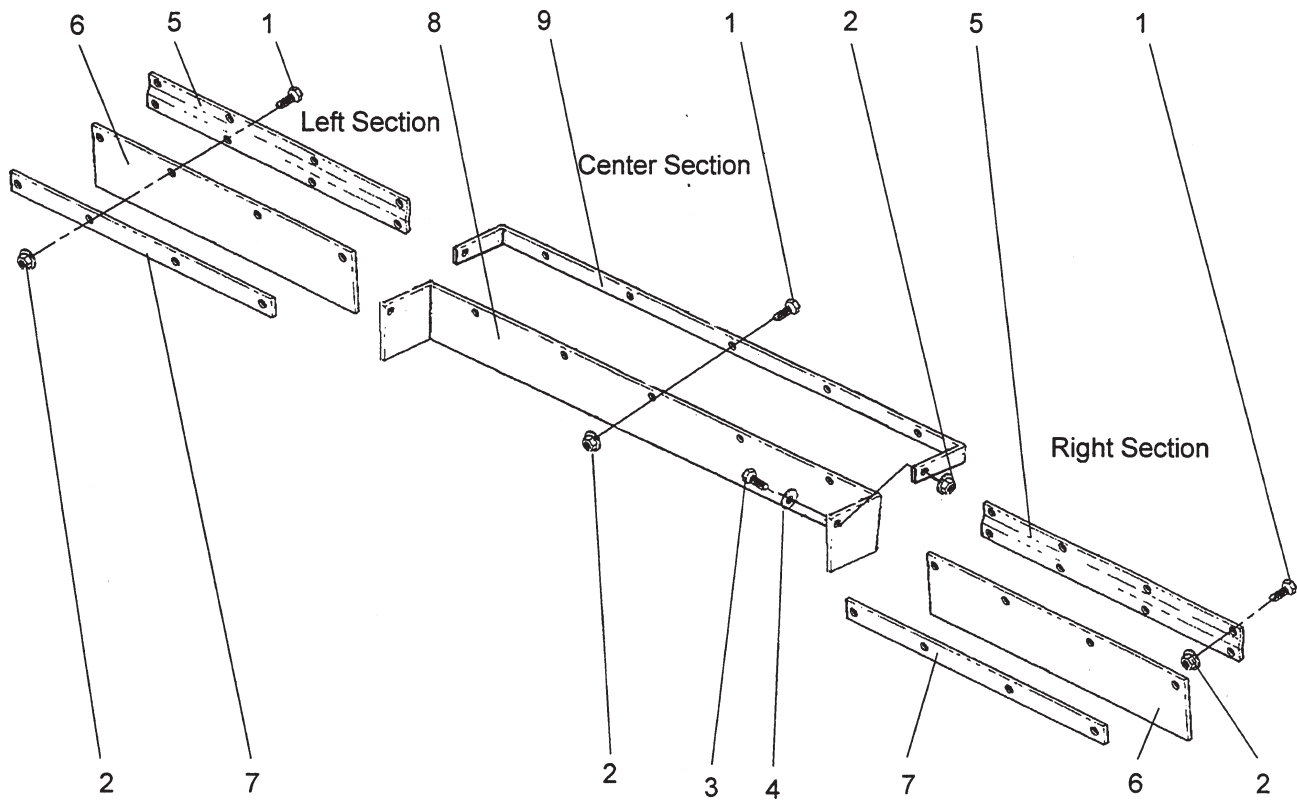


ITEM	PART NO.	QTY	DESCRIPTION
1	00011400	18	Bolt
2	00011100	36	Flatwasher
3	02035800	18	Woodwasher 1-1/2" OD
4	00015800	18	Locknut
5	02030700	10	Bolt
6	00999418	16	Bolt
7	4526	26	Whiz Nut Flg.
8	00758287	1	Center Front Bracket Rubber GD
9	00758288	1	Center Right Bracket Rubber GD
10	00758289	1	Center Left Bracket Rubber GD
11	00758294	3	Front Panel Rubber Deflector
12	00765385	4	Deflector Bar Flat
13	00765386	4	Front Wing Rubber Deflector

NOTE: Front Left Wing Rubber Deflectors Not Shown are reflected in parts list.

PARTS

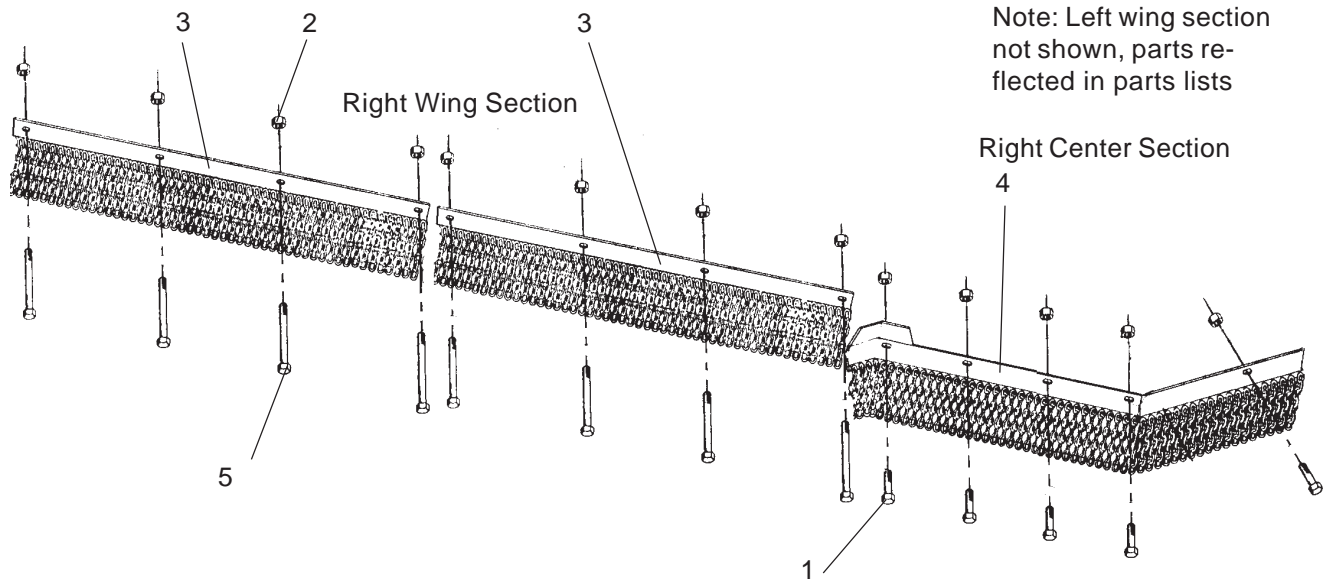
DEFLECTORS - REAR



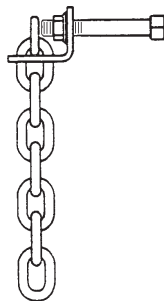
ITEM	PART NO	QTY	DESCRIPTION
1	02030700	21	Bolt
2	4526	23	Whiz Nut Flg.
3	00750959	2	Bolt
4	00002700	2	Flatwasher
5	00765383	2	Rear Wing Plate Deflector Bracket
6	00765381	2	Rear Wing Rubber Deflector
7	00765382	2	Rear Wing Deflector Bar
8	00765389	1	Rear Center Rubber Deflector
9	00765390	1	Rear Center Deflector Bar

PARTS

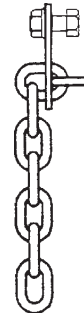
FRONT CHAINGUARD ASSEMBLY



Front Wing
Chain Guard Detail



Front Center
Chain Guard Detail



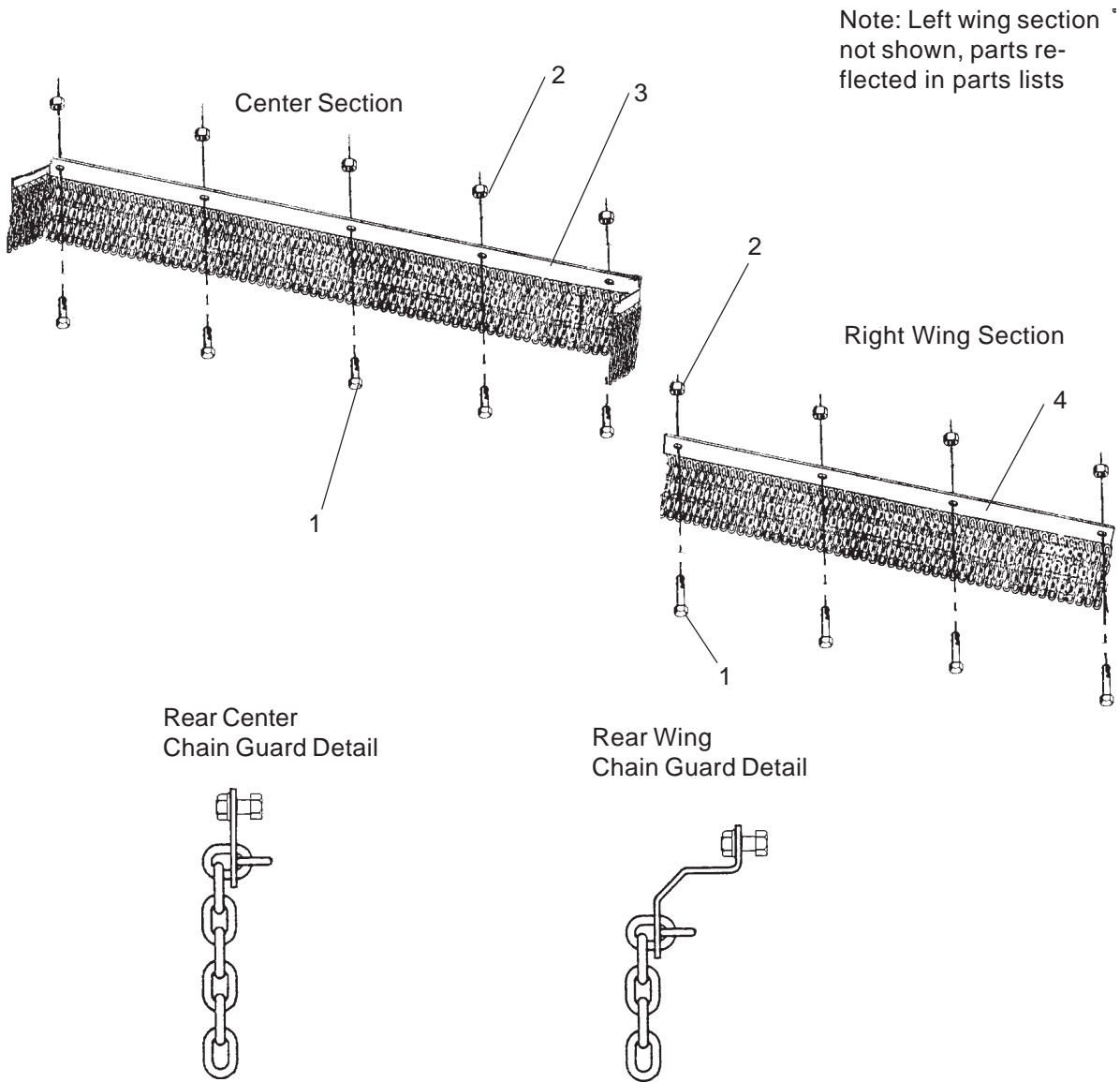
Front Chainguard Assembly Center Section P/N #00760767 comp.
Front Chainguard Assembly Wing Section P/N #00764930 comp

FRONT CHAINGUARD ASSEMBLY

ITEM	PART NO.	QTY	DESCRIPTION
1	00748823	10	Bolt
2	4528	28	Flange Lock Nut
3	00764930	4	Front, Chainguard Assy. Wing
4	0811301100	1	Assy. - RH Center Chainguard complete
	0811301200	1	Assy. - LH Center Chainguard complete
5	00999418	18	Bolt

PARTS

REAR CHAINGUARD ASSEMBLY



Note: Left wing section °
not shown, parts re-
flected in parts lists

Rear Center
Chain Guard Detail

Rear Wing
Chain Guard Detail

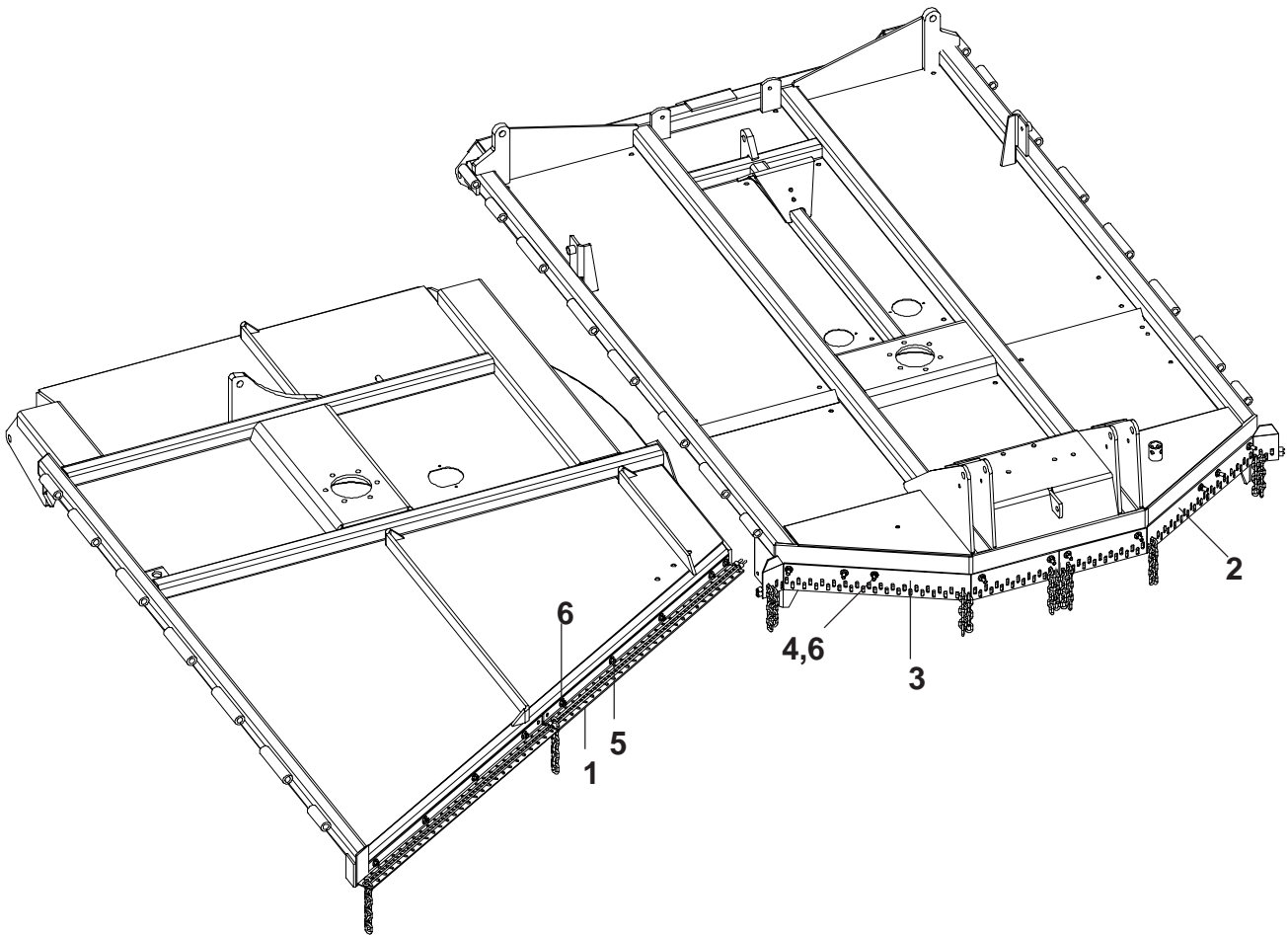
Rear Center Chainguard Assy P/N # 00765309 complete
Rear Wing Chainguard Assembly P/N #00764927 complete, two required

REAR CHAINGUARD ASSEMBLY

ITEM	PART NO.	QTY.	DESCRIPTION
1	00748823	13	Bolt 1-1/2"
2	4526	13	Flange Lock Nut
3	00765309	1	Rear, Chainguard Assy. Center
4	00764927	2	Rear, Wing Chainguard Assy.

PARTS

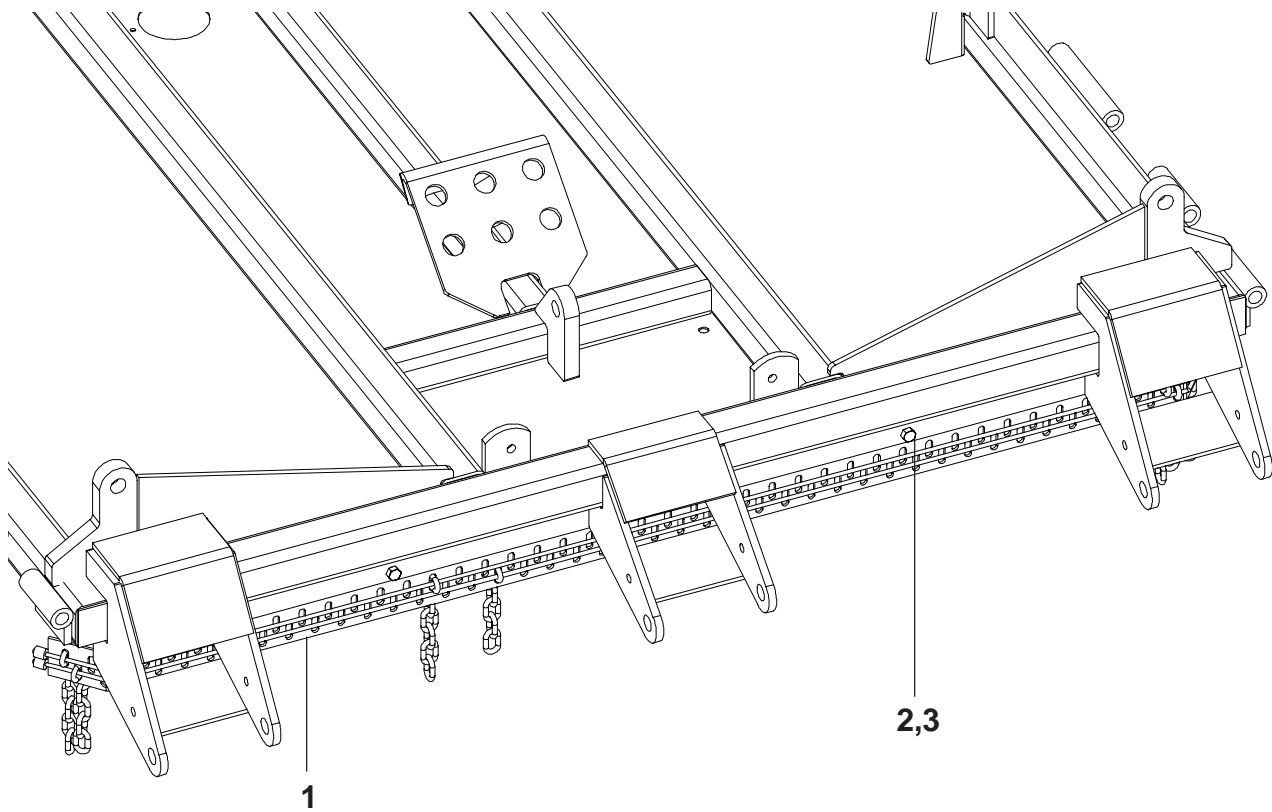
FRONT DOUBLE CHAIN GUARD



PARTS

ITEM	PART NO.	QTY	DESCRIPTION
1	00769758	2	Front Wing Double Chain Guard Assembly
2	00769757	1	Front Left Hand Center Double C.G. Assembly
3	00769793	1	Front Right Hand Center Double C.G. Assembly
4	00748823	10	Bolt
5	00999418	9	Bolt
6	4526	19	Flange Lock Nut

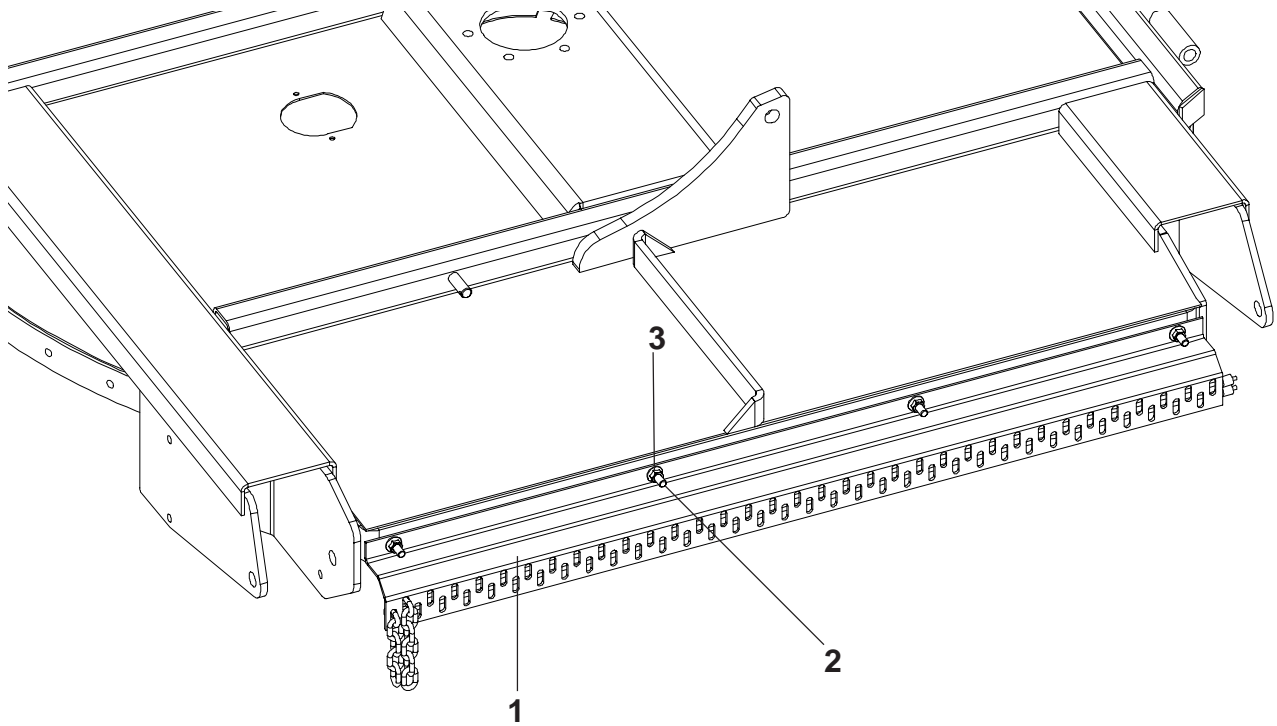
REAR DOUBLE CHAIN GUARD (CENTER)



ITEM	PART NO.	QTY	DESCRIPTION
1	00769760	1	Rear Center Double Chain Guard Assembly
2	00750959	5	Bolt
3	4526	5	Flange Lock Nut

PARTS

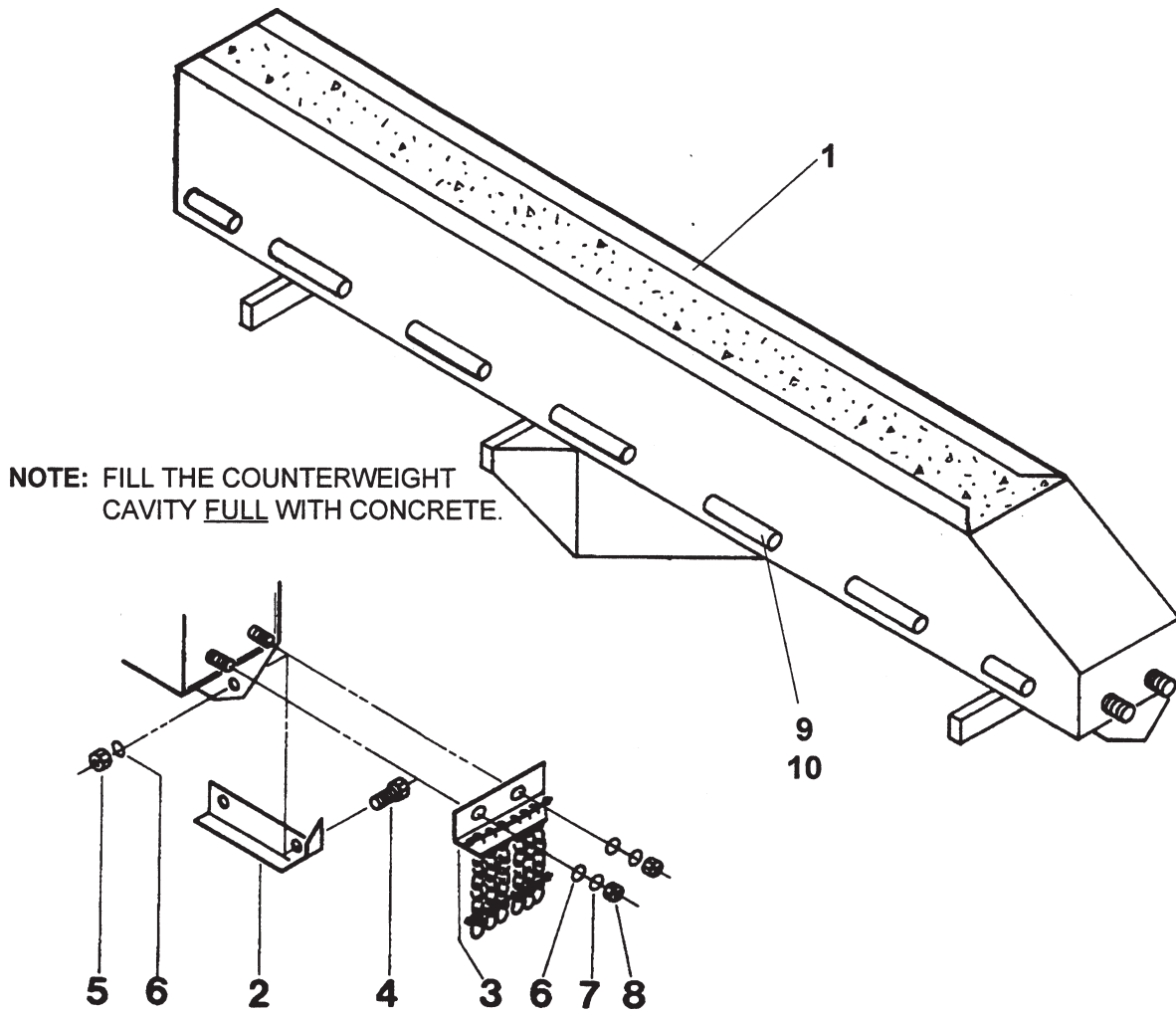
REAR DOUBLE CHAIN GUARD (WING)



PARTS

ITEM	PART NO.	QTY	DESCRIPTION
1	00769759	1	Rear Wing Double Chain Guard Assembly
2	00748823	4	Bolt
3	4526	4	Flange Lock Nut

COUNTERWEIGHT ASSEMBLY

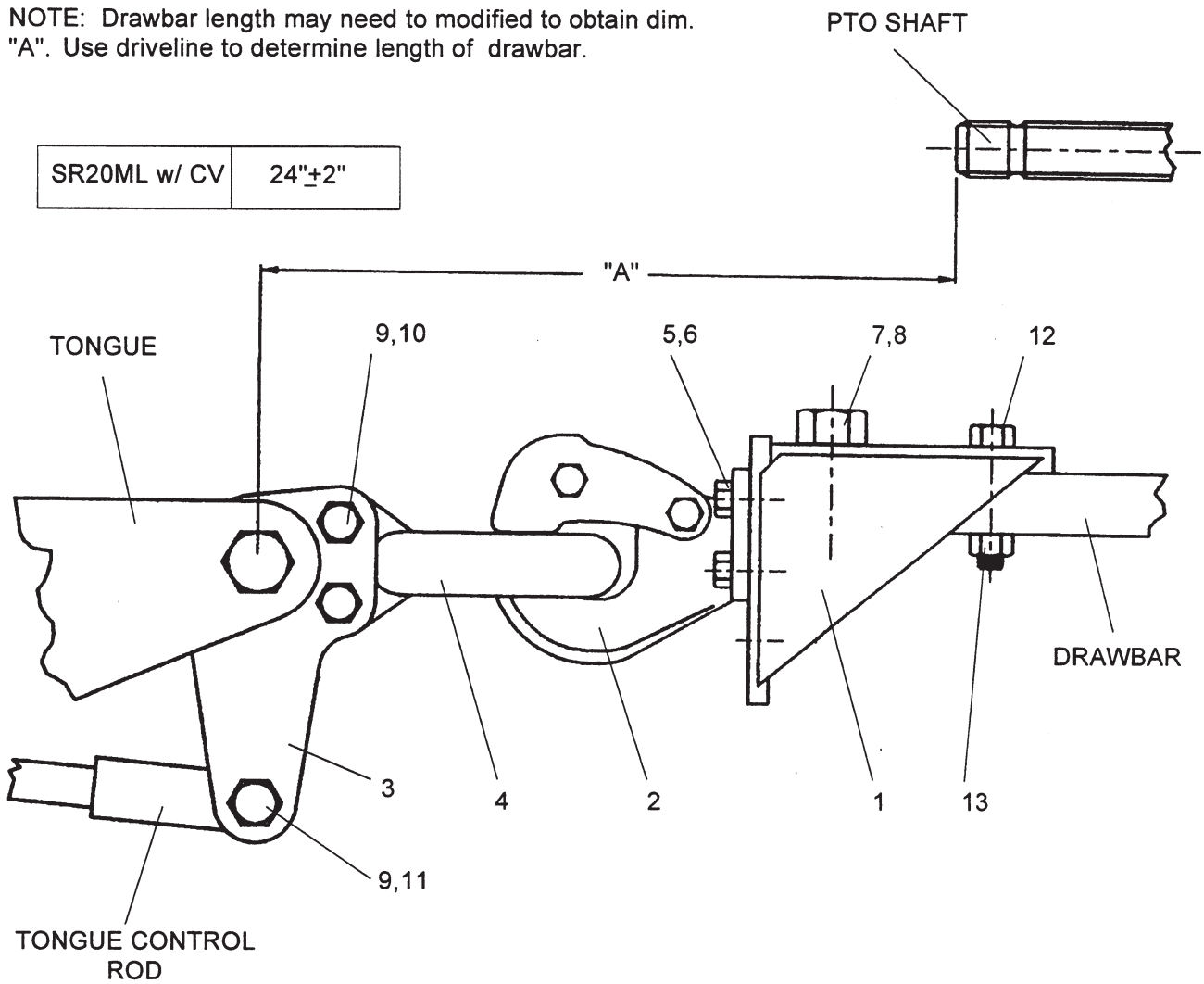


ITEM	PART NO.	QTY	DESCRIPTION
1	00750511	1	Left Hand Frt. Lip Angle Wing Weldment (Not Shown)
2	00750989	1	Left Hand Skid Shoe Weldment (Shown Above)
3	00751203	1	Left Hand Chainguard (Shown Above)
4	00749171	2	Bolt
5	02716500	2	Locknut
6	00002700	4	Flatwasher
7	00001300	2	Lockwasher
8	00001200	2	Hex Nut
9	00751042	Ref	Hinge Pin Short (Not Shown)
10	00751107	Ref	Retaining Roll Pin(Not Shown)

PARTS

HITCH (PINTLE HOOK OPTION)

NOTE: Drawbar length may need to be modified to obtain dim. "A". Use driveline to determine length of drawbar.

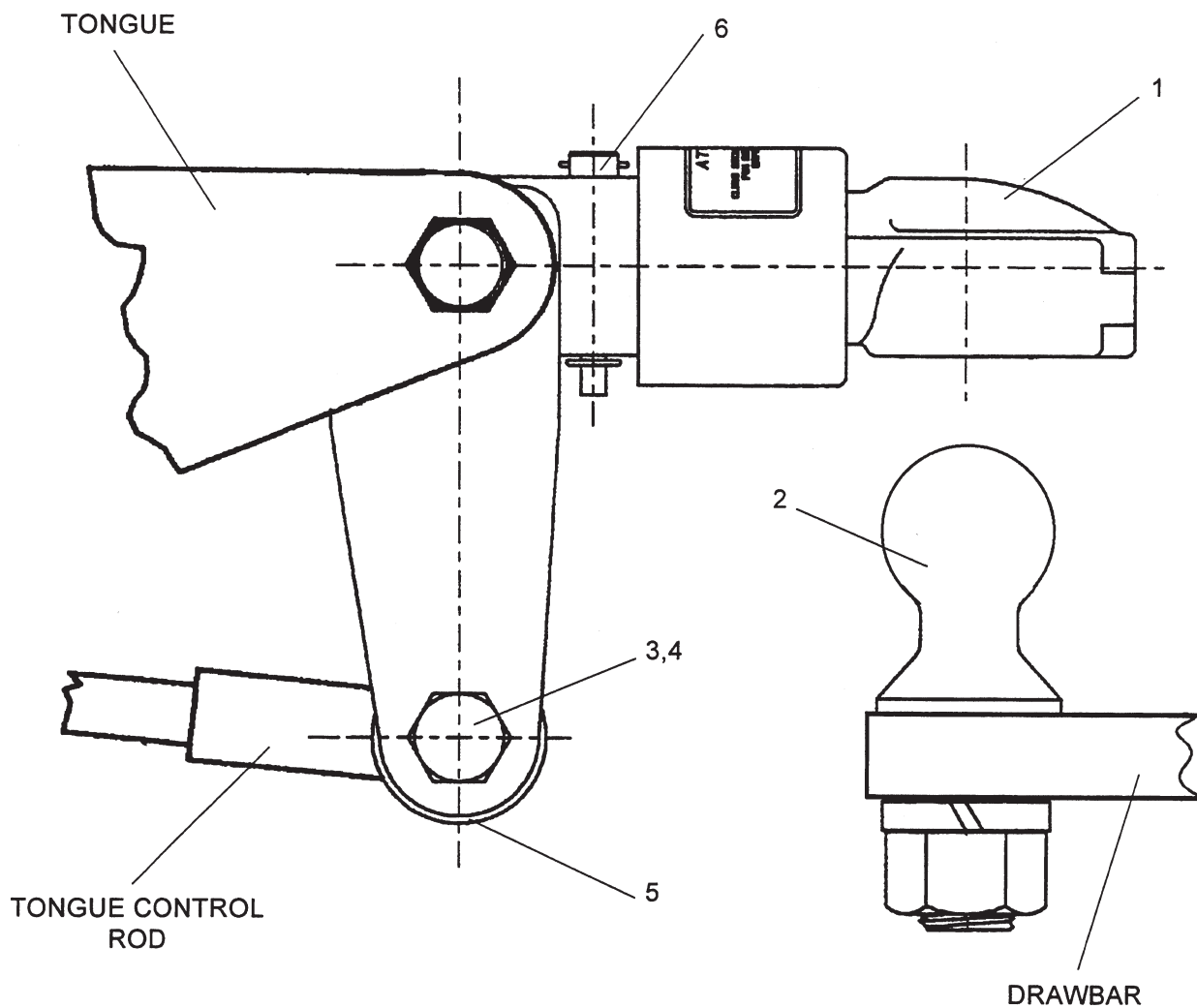


SR20ML w/ CV	24"±2"
--------------	--------

ITEM	PART NO.	QTY.	OPTION
	00769179	-	Pintle Hook Hitch Complete
1	00752283	1	Wldmt. Pintle Hook Mounting
2	00752279	1	Pintle Hook
3	00769328	1	Wldmt. Pintle Hook Clevis
4	00769335	1	Pintle Eye
5	00001800	4	Locknut TLM 1/2 NC PLC
6	02891800	4	Bolt
7	02030300	1	Nut, Toplock
8	02712500	1	Hex Bolt
9	02698100	3	Nut, Toplock
10	02845800	2	Hex Bolt
11	02845600	1	Hex Bolt
12	00003300	1	Hex Bolt
13	00037200	1	Locknut

PARTS

HITCH (BALL COUPLER CLEVIS OPTION)



ITEM	PART NO.	QTY	DESCRIPTION
	00769178	-	Ball Coupler Clevis Hitch Complete
1	00769331	1	Coupler Clevis Weldment
2	00758938	1	Hitch Ball
3	02960916	1	Bolt
4	00037200	1	Locknut
5	15B1200	2	Washer
6	00769398	1	Chain & Pin Assembly

PARTS

ALAMO INDUSTRIAL

LIMITED WARRANTY

1. LIMITED WARRANTIES

- 1.01. Alamo Industrial warrants for one year from the purchase date to the original non-commercial, governmental, or municipal purchaser ("Purchaser") and warrants for six months to the original commercial or industrial purchaser ("Purchaser") that the goods purchased are free from defects in material or workmanship.
- 1.02. Manufacturer will replace for the Purchaser any part or parts found, upon examination at one of its factories, to be defective under normal use and service due to defects in material or workmanship.
- 1.03. This limited warranty does not apply to any part of the goods which has been subjected to improper or abnormal use, negligence, alteration, modification, or accident, damaged due to lack of maintenance or use of wrong fuel, oil, or lubricants, or which has served its normal life. This limited warranty does not apply to any part of any internal combustion engine, or expendable items such as blades, shields, guards, or pneumatic tires except as specifically found in your Operator's Manual.
- 1.04. Except as provided herein, no employee, agent, Dealer, or other person is authorized to give any warranties of any nature on behalf of Manufacturer.

2. REMEDIES AND PROCEDURES.

- 2.01. This limited warranty is not effective unless the Purchaser returns the Registration and Warranty Form to Manufacturer within 30 days of purchase.
- 2.02. Purchaser claims must be made in writing to the Authorized Dealer ("Dealer") from whom Purchaser purchased the goods or an approved Authorized Dealer ("Dealer") within 30 days after Purchaser learns of the facts on which the claim is based.
- 2.03. Purchaser is responsible for returning the goods in question to the Dealer.
- 2.04. If after examining the goods and/or parts in question, Manufacturer finds them to be defective under normal use and service due to defects in material or workmanship, Manufacturer will:
 - (a) Repair or replace the defective goods or part(s) or
 - (b) Reimburse Purchaser for the cost of the part(s) and reasonable labor charges (as determined by Manufacturer) if Purchaser paid for the repair and/or replacement prior to the final determination of applicability of the warranty by Manufacturer.The choice of remedy shall belong to Manufacturer.
- 2.05. Purchaser is responsible for any labor charges exceeding a reasonable amount as determined by Manufacturer and for returning the goods to the Dealer, whether or not the claim is approved. Purchaser is responsible for the transportation cost for the goods or part(s) from the Dealer to the designated factory.

3. LIMITATION OF LIABILITY.

- 3.01. MANUFACTURER DISCLAIMS ANY EXPRESS (EXCEPT AS SET FORTH HEREIN) AND IMPLIED WARRANTIES WITH RESPECT TO THE GOODS INCLUDING, BUT NOT LIMITED TO, MERCHANTABILITY AND FITNESS FOR A PARTICULAR PURPOSE.
- 3.02. MANUFACTURER MAKES NO WARRANTY AS TO THE DESIGN, CAPABILITY, CAPACITY, OR SUITABILITY FOR USE OF THE GOODS.
- 3.03. EXCEPT AS PROVIDED HEREIN, MANUFACTURER SHALL HAVE NO LIABILITY OR RESPONSIBILITY TO PURCHASER OR ANY OTHER PERSON OR ENTITY WITH RESPECT TO ANY LIABILITY, LOSS, OR DAMAGE CAUSED OR ALLEGED TO BE CAUSED DIRECTLY OR INDIRECTLY BY THE GOODS INCLUDING, BUT NOT LIMITED TO, ANY INDIRECT, SPECIAL, CONSEQUENTIAL, OR INCIDENTAL DAMAGES RESULTING FROM THE USE OR OPERATION OF THE GOODS OR ANY BREACH OF THIS WARRANTY. NOT WITHSTANDING THE ABOVE LIMITATIONS AND WARRANTIES, MANUFACTURER'S LIABILITY HEREUNDER FOR DAMAGES INCURRED BY PURCHASER OR OTHERS SHALL NOT EXCEED THE PRICE OF THE GOODS.
- 3.04. NO ACTION ARISING OUT OF ANY CLAIMED BREACH OF THIS WARRANTY OR TRANSACTIONS UNDER THIS WARRANTY MAY BE BROUGHT MORE THAN TWO (2) YEARS AFTER THE CAUSE OF ACTION HAS OCCURRED.

4. MISCELLANEOUS.

- 4.01. Proper Venue for any lawsuits arising from or related to this limited warranty shall be only in Guadalupe County, Texas.
- 4.02. Manufacturer may waive compliance with any of the terms of this limited warranty, but no waiver of any terms shall be deemed to be a waiver of any other term.
- 4.03. If any provision of this limited warranty shall violate any applicable law and is held to be unenforceable, then the invalidity of such provision shall not invalidate any other provisions herein.
- 4.04. Applicable law may provide rights and benefits to purchaser in addition to those provided herein.

KEEP FOR YOUR RECORDS

ATTENTION: Purchaser should fill in the blanks below for his reference when buying repair parts and/or for proper machine identification when applying for warranty.

Alamo Industrial Implement Model _____ Serial Number _____

Date Purchased _____ Dealer _____

ATTENTION:
READ YOUR OPERATOR'S MANUAL

ALAMO INDUSTRIAL

An Alamo Group Company
Post Office Drawer 549
Seguin, Texas 78156
830-379-1480





TO THE OWNER/OPERATOR/DEALER

To keep your implement running efficiently and safely, read your manual thoroughly and follow these directions and the Safety Messages in this Manual. The Table of Contents clearly identifies each section where you can easily find the information you need.

The OCCUPATIONAL SAFETY AND HEALTH ACT (1928.51 Subpart C) makes these minimum safety requirements of tractor operators:

REQUIRED OF THE OWNER:

1. Provide a Roll-Over-Protective Structure that meets the requirements of this Standard; and
2. Provide Seatbelts that meet the requirements of this paragraph of this Standard and SAE J4C; and
3. Ensure that each employee uses such Seatbelt while the tractor is moving; and
4. Ensure that each employee tightens the Seatbelt sufficiently to confine the employee to the protected area provided by the ROPS.

REQUIRED OF THE OPERATOR

1. Securely fasten seatbelt if the tractor has a ROPS.
2. Where possible, avoid operating the tractor near ditches, embankments, and holes.
3. Reduce speed when turning, crossing slopes, and on rough, slick, or muddy surfaces.
4. Stay off slopes too steep for safe operation.
5. Watch where you are going - especially at row ends, on roads, and around trees.
6. Do not permit others to ride.
7. Operate the tractor smoothly - no jerky turns, starts, or stops.
8. Hitch only to the drawbar and hitch points recommended by the tractor manufacturer.
9. When the tractor is stopped, set brakes securely and use park lock, if available.

-
- Keep children away from danger all day, every day...**
 - Equip tractors with rollover protection (ROPS) and keep all machinery guards in place...**
 - Please work, drive, play and live each day with care and concern for your safety and that of your family and fellow citizens.**

