



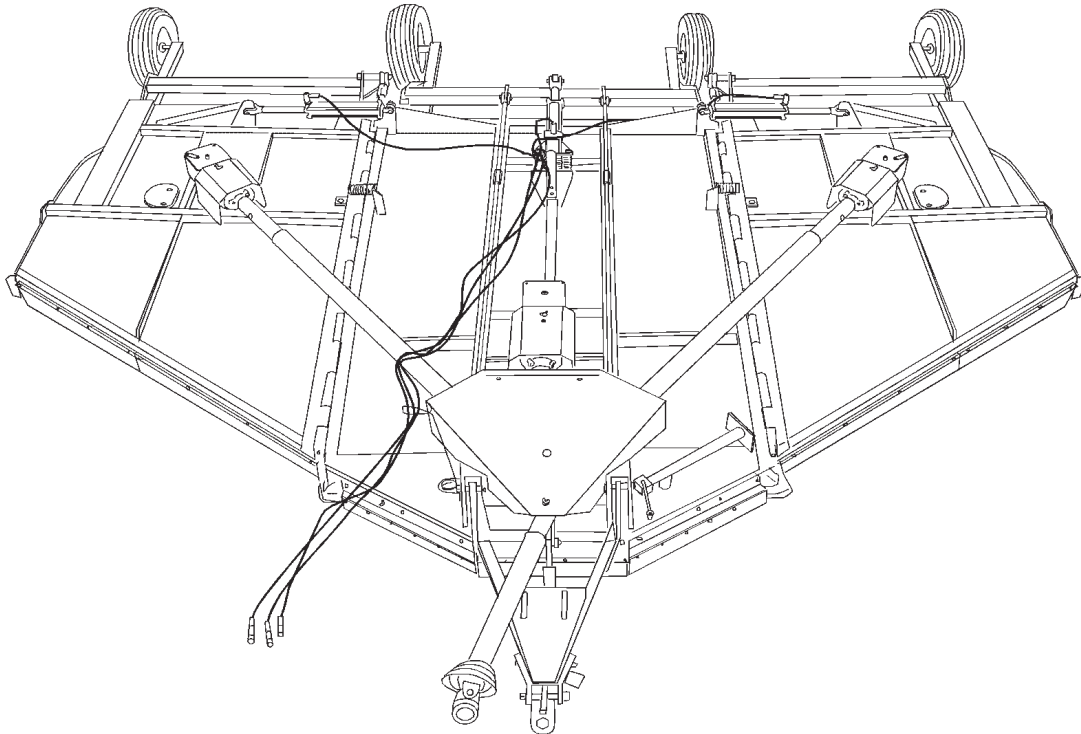
# A20-IV A14-IV

## Flex-Wing Mechanical Level Lift Rotary Cutter/Shredder

Rev 03-13

P/N 00766780P

# PARTS MANUAL



### ATENCIÓN!

LEA EL INSTRUCTIVO

Si No Lee Ingles, Pida Ayuda a Alguien  
Que Si Lo Lea Para Que le Traduzca las  
Medidas de Seguridad.



An Operator's Manual was shipped with the equipment in the Manual Canister. This Operator's Manual is an integral part of the safe operation of this machine and must be maintained with the unit at all times. **READ, UNDERSTAND, and FOLLOW** the Safety and Operation Instructions contained in this manual before operating the equipment. If the Operator's Manual is not with the equipment, contact your dealer or Alamo Industrial (830-379-1480) to obtain a Free copy before operating the equipment.

## ALAMO INDUSTRIAL

1502 E. Walnut  
Seguin, Texas 78155  
830-372-9595



**BUILT SHARPER®**

An Alamo Group Company

© 2013 Alamo Group Inc.




# TO THE OWNER/OPERATOR/DEALER

All implements with moving parts are potentially hazardous. There is no substitute for a cautious, safe-minded operator who recognizes the potential hazards and follows reasonable safety practices. The manufacturer has designed this implement to be used with all its safety equipment properly attached to minimize the chance of accidents.





## BEFORE YOU START!!

Read the safety messages on the implement and shown in your manual. Observe the rules of safety and common sense!



# DANGER

FAILING TO FOLLOW SAFETY MESSAGES AND OPERATING INSTRUCTIONS CAN CAUSE SERIOUS BODILY INJURY OR EVEN DEATH TO OPERATOR AND OTHERS IN THE AREA.

<p>1.</p> 	<p>2. NO RIDERS. NO CHILDREN OPERATORS.</p> 	<p>3. USE SAFETY SHOES, HARD HAT, SAFETY GLASSES, SEAT BELTS, ROPS &amp; OPS</p> 	<p>4. BLOCK UP SECURELY BEFORE WORKING UNDER.</p> 
---	---	---	---

1. Study and understand Operator's Manuals, Safety Decals, and Instructional Decals for tractor and implement to prevent misuse, abuse, and accidents. Practice before operating in a confined area or near passersby.

- Learn how to stop engine suddenly in an emergency. Be alert for passersby and especially children

2. Allow no children on or near folding mower or tractor. Allow no riders on tractor or implement. Falling off may cause serious injury or death from being run over by tractor or mower or contact with rotating blades.

3. Operate only with tractor having Roll-Over Protective Structure (ROPS) and with seat belt securely fastened to prevent injury and possible death from falling off or tractor overturn.

- Personal Protective Equipment such as Hard Hat, Safety Glasses, Safety Shoes, & Ear Plugs are recommended.

4. Block up or support raised machine and all lifted components securely before putting hands or feet under or working underneath any lifted component to prevent crushing injury or death from sudden dropping or inadvertent operation of controls. Make certain area is clear before lowering or folding

5. Before transporting, put Lift Lever in detent or full-lift position. Install Transport Safety Devices securely on folding mowers. Put Booms securely in Transport Rest.

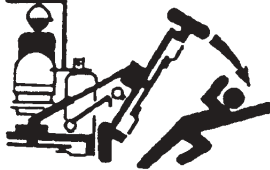
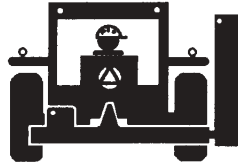


- Folding and Boom Mowers have raised center of gravity. Slow down when turning and on hillsides.

6. Make certain that SMV sign, warning lights, and reflectors are clearly visible. Follow local traffic codes.

7. Never operate with Cutting Head or Folding Section raised if passersby, bystanders, or traffic are in the area to reduce possibility of injury or death from objects thrown by Blades under Guards or mower structure.

8. Before dismounting, secure implement in transport position or lower to ground.

- Put tractor in park or set brake, disengage PTO, stop engine, remove key, and wait until noise of rotation has ceased to prevent crushing by entanglement in rotating parts which could cause injury or death.
- Never mount or dismount a moving vehicle. Crushing from runover may cause serious injury or death.

<p>5. TRANSPORT SAFELY, LOCK UP.</p> 	<p>6. USE SMV, LIGHTS, &amp; REFLECTORS.</p> 	<p>7. DO NOT OPERATE WITH CUTTER OR WING RAISED.</p> 	<p>8. DO NOT MOUNT OR DISMOUNT WHILE MOVING.</p> 
--	--	---	--

02967827

## WARRANTY INFORMATION:

Read and understand the complete Warranty Statement found in this Manual. Fill out the Warranty Registration Form in full and return it within 30 Days. Make certain the Serial Number of the Machine is recorded on the Warranty Card and on the Warranty Form that you retain. The use of "will-fit" parts will void your warranty and can cause catastrophic failure with possible injury or death.



# **PARTS SECTION**

## PARTS ORDERING GUIDE

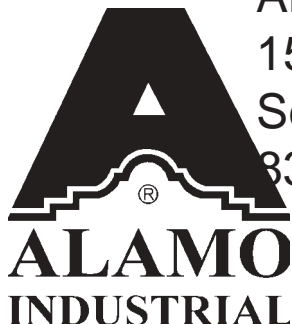
The following instructions are offered to help eliminate needless delay and error in processing purchase orders for the equipment in this section.

1. The Parts Section is prepared in logical sequence and grouping of parts that belong to the basic machine featured in this manual. Part Numbers and Descriptions are given to help locate the parts and quantities required.
2. The Purchase Order must include the name and address of the person or organization ordering the parts, who should be charged, and if possible, the serial number of the machine for which the parts are ordered.
3. The Purchase Order must clearly list the quantity of each part, the complete and correct part number, and the basic name of the part.
4. The Manufacturer reserves the right to substitute parts where applicable.
5. Some parts are unlisted items which are special production items not normally stocked and are subject to special handling. Request a quotation for such parts before sending a Purchase Order.
6. The Manufacturer reserves the right to change prices without prior notice.

**NOTE:** Please note that the appearance of some parts may vary from the art or photography shown in manuals.



For maximum safety and to guarantee optimum product reliability, always use genuine Alamo Parts. The use of inferior replacement parts may cause premature or catastrophic failure which could result in serious injury or death. Direct any questions regarding parts to

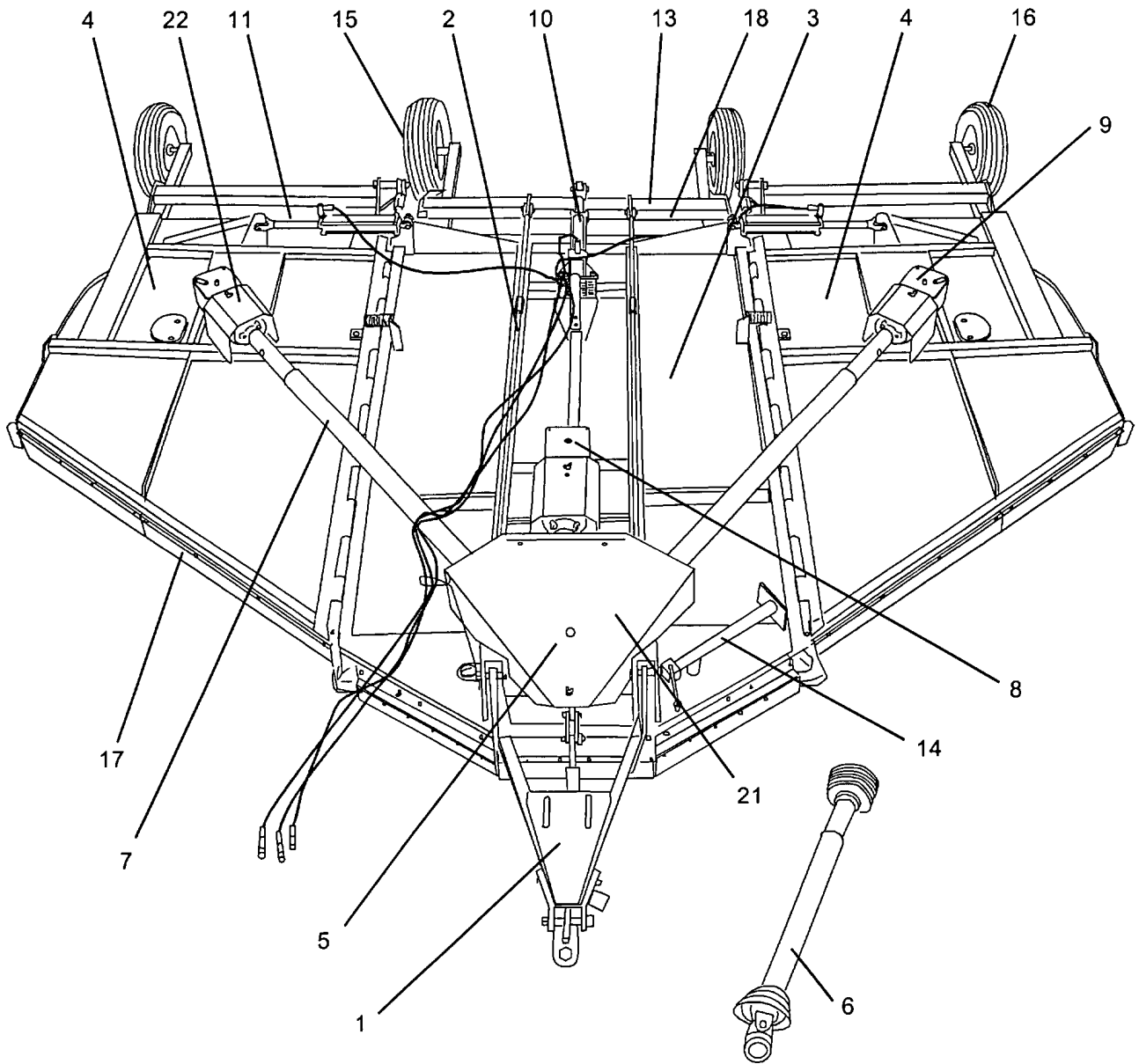


Alamo Industrial  
1502 E. Walnut  
Seguin, Texas 78155  
830-379-1480

# PART NAME INDEX

AXLE ASSEMBLY - LEVEL LIFT ( S/N 01409 & BELOW ) .....	14
AXLE ASSEMBLY - LEVEL LIFT ( S/N 01410 & ABOVE ) .....	8
BLADE PAN ASSEMBLY .....	25
CAPTIVE BALL HITCH ASSEMBLY - OPTIONAL .....	64
CENTER SECTION ASSEMBLY .....	16
CHAINGUARD ASSEMBLY - FRONT CTR & WING - DOUBLE .....	62
CHAINGUARD ASSEMBLY - FRONT CTR & WING - SINGLE .....	56
CHAINGUARD ASSEMBLY - REAR CENTER - DOUBLE .....	60
CHAINGUARD ASSEMBLY - REAR CTR & WING - SINGLE .....	54
CHAINGUARD ASSEMBLY - REAR WING - DOUBLE .....	58
CONTROL VALVE, HYDRAULIC .....	47
CONTROL VALVE, HYDRAULIC W/MOUNTING KIT .....	45
COUNTERWEIGHT ASSEMBLY .....	52
CYLINDER, HYDRAULIC ( AXLE ) P/N 00761802 .....	39
CYLINDER, HYDRAULIC ( AXLE ) P/N 00761802A .....	40
CYLINDER, HYDRAULIC ( WING ) P/N 00759947 .....	41
CYLINDER, HYDRAULIC ( WING ) P/N 00759947A .....	42
DEFLECTORS - FRONT .....	50
DEFLECTORS - REAR .....	51
DRIVELINE - INTERMEDIATE ( S/N 01410 TO CURRENT ) .....	28
DRIVELINE - INTERMEDIATE ( S/N 01415 TO CURRENT ) .....	26
DRIVELINE - MAIN CV .....	19
DRIVELINE - WING ( S/N 01409 & BELOW ) .....	31
DRIVELINE - WING ( S/N 01410 TO CURRENT ) .....	29
GEARBOX - SHIELD ATTACHMENT .....	24
GEARBOX ASSEMBLY - CENTER ( S/N 10786 TO CURRENT ) .....	33
GEARBOX ASSEMBLY - LEFT WING ( S/N 10786 TO CURRENT ) .....	37
GEARBOX ASSEMBLY - RIGHT WING ( S/N 10786 TO CURRENT ) .....	35
GEARBOX ASSEMBLY - 3 WAY DIVIDER .....	21
GEARBOX DIVIDER - SHIELD ATTACHMENT .....	23
GENERAL ASSEMBLY .....	4
HITCH ( PINTLE HOOK OPTION ) .....	53
HYDRAULIC SCHEMATIC .....	43
SLIPCLUTCH .....	32
TIRE AND WHEEL ASSEMBLY .....	48
TONGUE & LEVEL ROD ASY ( S/N 01409 & DOWN ) .....	10
TONGUE & LEVEL ROD ASY ( S/N 01410 TO 01440 ) .....	6
TONGUE & LEVEL ROD ASY ( S/N 01441 & UP ) .....	12
WHEEL HUB ASSEMBLY ( "H" HUB GROUP ) .....	18
WING SECTION ASSEMBLY .....	17

# GENERAL ASSEMBLY



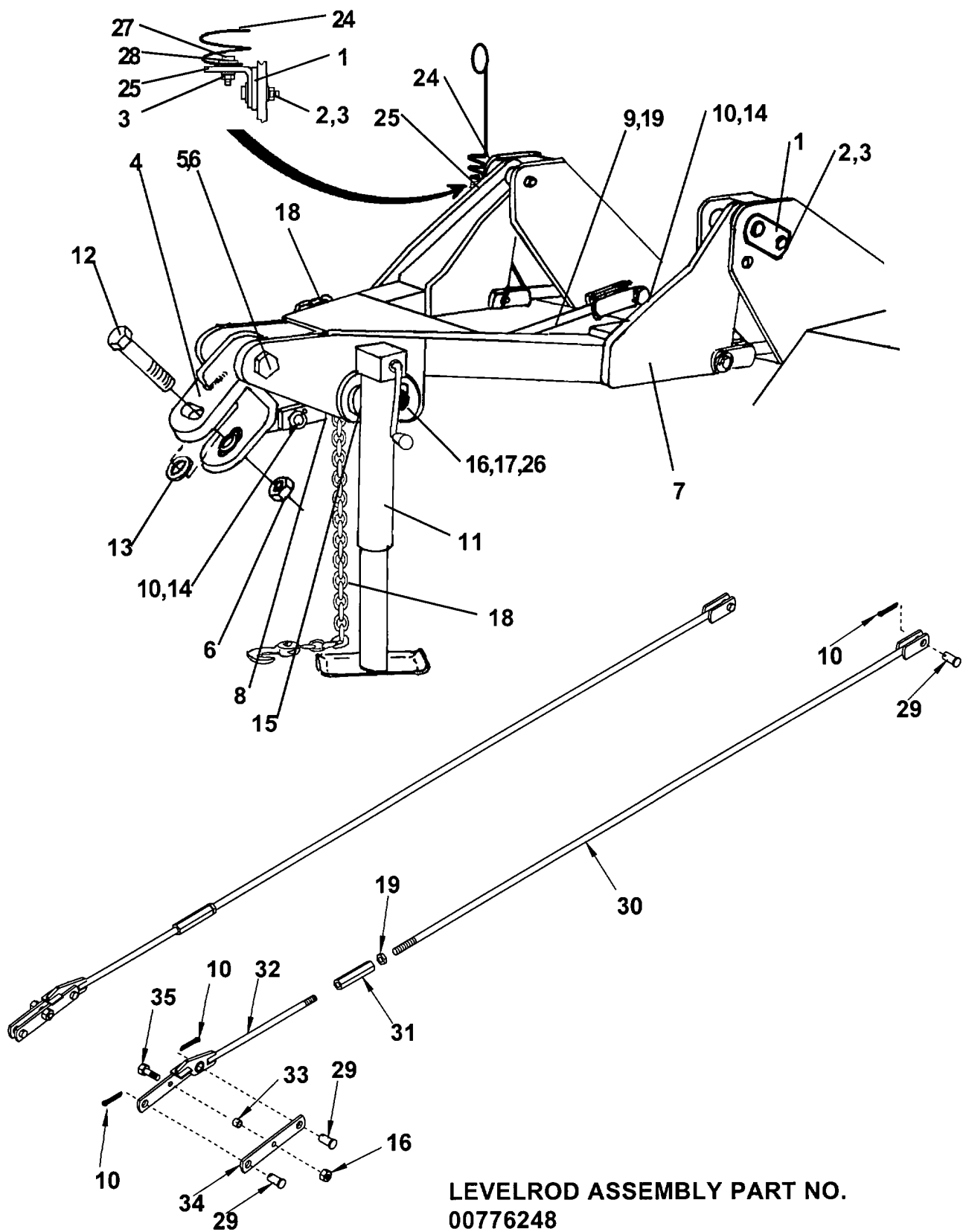


# GENERAL ASSEMBLY

ITEM	PART NO.	DESCRIPTION
1		TONGUE ASSEMBLY
2		LEVEL ROD ASSEMBLY
3		CENTER SECTION ASSEMBLY (LESS GEARBOXES)
4		WING SECTION ASSEMBLY (LESS GEARBOXES)
5		GEARBOX - DIVIDER ASSEMBLY
6		DRIVELINE ASSEMBLY
7		DRIVELINE - WING ASSEMBLY
8		GEARBOX - CENTER ASSEMBLY
9		GEARBOX - WING ASSEMBLY
10		CYLINDER, AXLE HYDRAULIC ASSEMBLY
11		CYLINDER, WING HYDRAULIC ASSEMBLY
12		CONTROL VALVE, HYDRAULIC ASSEMBLY (NOT SHOWN)
13		AXLE ASSEMBLY (LEVEL LIFT)
14		WHEEL HUB ASSEMBLY
15		TIRES
16		DEFLECTOR ASSEMBLY - FRONT
17		DEFLECTOR ASSEMBLY - REAR
18		CHAINGUARD ASSEMBLY - FRONT (NOT SHOWN, OPTION)
19		CHAINGUARD ASSEMBLY - REAR (NOT SHOWN, OPTION)
20		SHIELD ATTACHMENT - DIVIDER GEARBOX
21		SHIELD ATTACHMENT - GEARBOX

# TONGUE & LEVEL ROD ASY ( S/N 01410 TO 01440 )

EFFECTIVE SERIAL NO. 01410 AND ABOVE



**LEVELROD ASSEMBLY PART NO.  
00776248**

AG20-IV & AG14-IV (11-04)

©2006 Alamo Group Inc.

Parts Section - 6

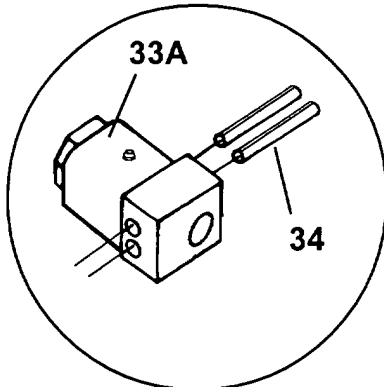
# TONGUE & LEVEL ROD ASY ( S/N 01410 TO 01440 )

ITEM	PART NO.	QTY.	DESCRIPTION
	<b>00776248A</b>	--	<b>LEVEL ROD ASY ( SET CONSIST OF 2 COMPLETE ASY'S )</b>
1	00760895	2	PIVOT PIN WLD'MT
2	02030700	2	BOLT
3	00001800	3	LOCKNUT TLM 1/2 NC PLC
4	00764540A	1	CLEVIS WLD'MT
5	317918H5C	1	BOLT
6	02030300	2	LOCKNUT
7	00776245	1	TONGUE WLD'MT
8	00764536	1	CONTROL ROD WLD'MT - LONG
9	00766446	1	CONTROL ROD WLD'MT - SHORT
10	00755153	8	COTTER PIN
11	00769068	1	PARKING JACK ASY
12	00755305	1	BOLT
13	00748547	1	FLATWASHER
14	651102	2	PIN
15	00769069	1	JACK MOUNT WLD'MT
16	00695100	4	NUT, TOPLOCK 5/8 NC PLC
17	00756077	1	WASHER - HARDENED
18	00757908	1	SAFETY TOW CHAIN
19	5C1490	3	JAM NUT
20	15B1200	4	WASHER
24	02965484	1	SPRING MOUNT HOSE BRACKET
25	00769098	1	FLAT MOUNT HOSE BRACKET
26	00008300	2	HEX BOLT
27	00749130	1	HEX BOLT
28	00002700	1	FLATWASHER
29	00776238	6	PIN
30	00776251	2	LEVEL ROD, LONG
31	00770485A	2	ADJUSTING NUT
32	00776241	2	LEVEL ROD, SHORT
33	00776256	2	SPACER
34	00776244	4	FLAT, FLOATING TOGGLE
35	00755082	2	BOLT

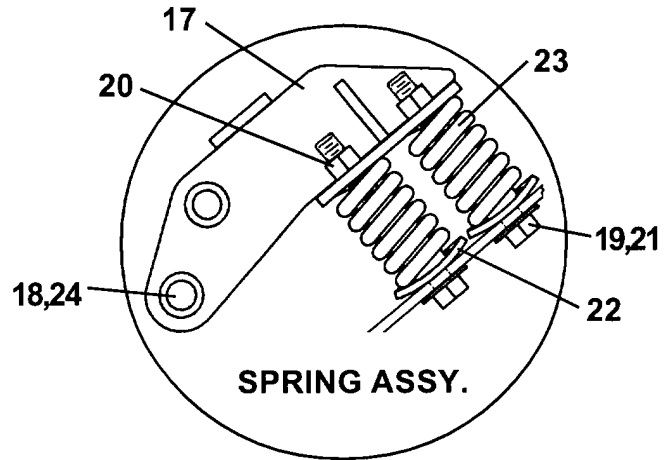
LEVELROD ASSEMBLY PART  
EFFECTIVE SERIAL NO.

# AXLE ASSEMBLY - LEVEL LIFT ( S/N 01410 & ABOVE )

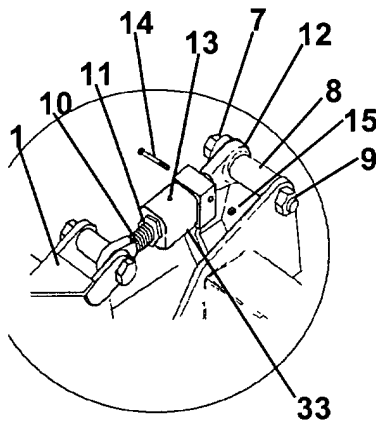
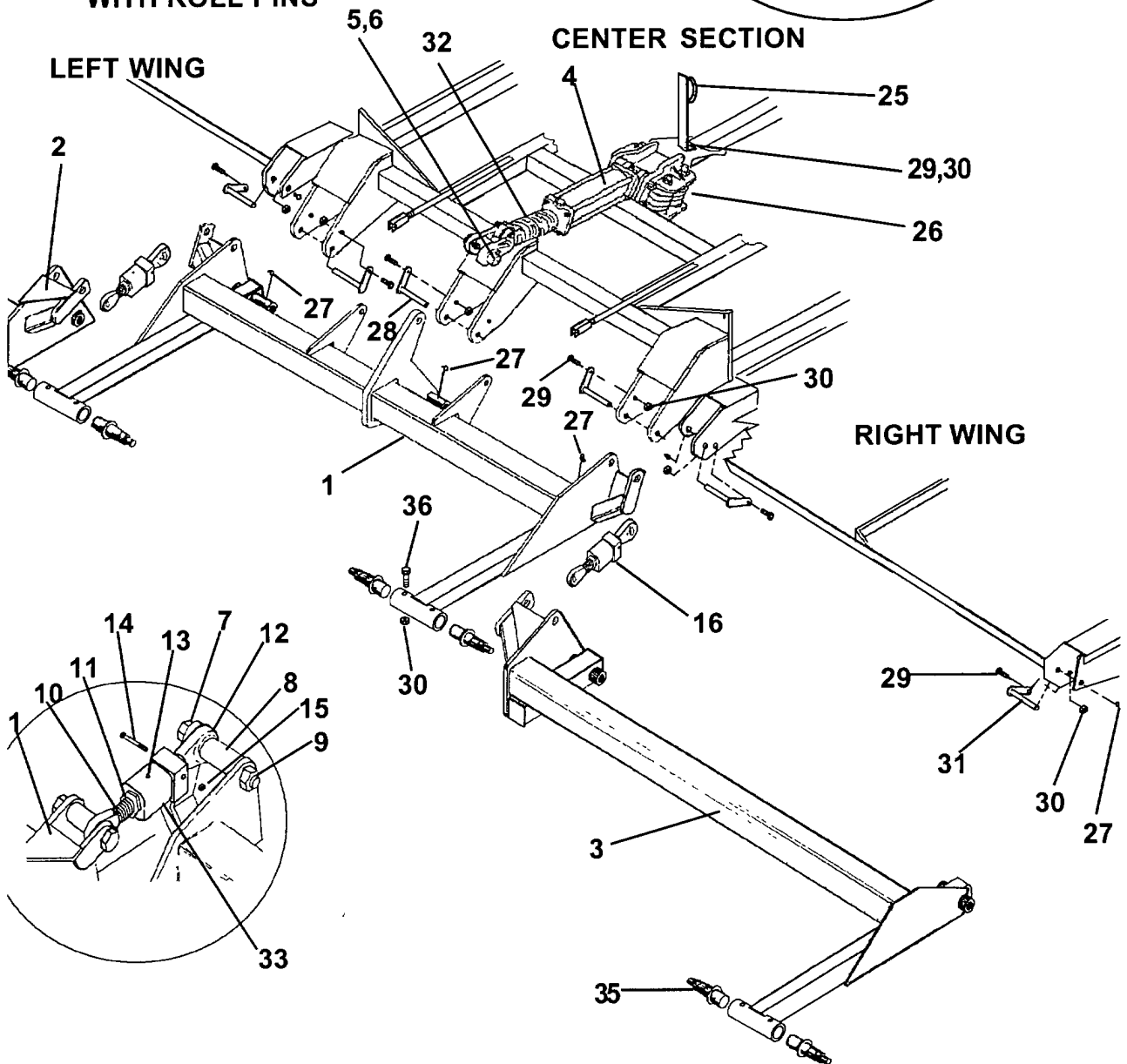
EFFECTIVE SERIAL NO. 01410 AND ABOVE



**TURNBUCKLE  
WITH ROLL PINS**



**SPRING ASSY.**

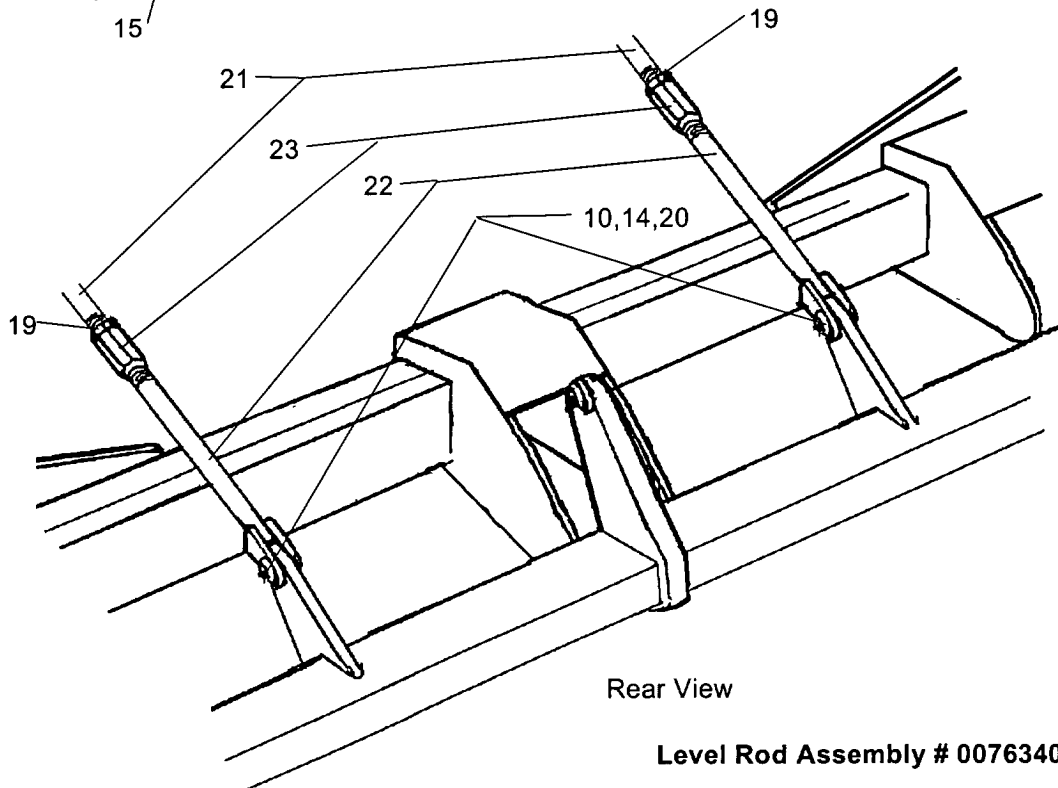
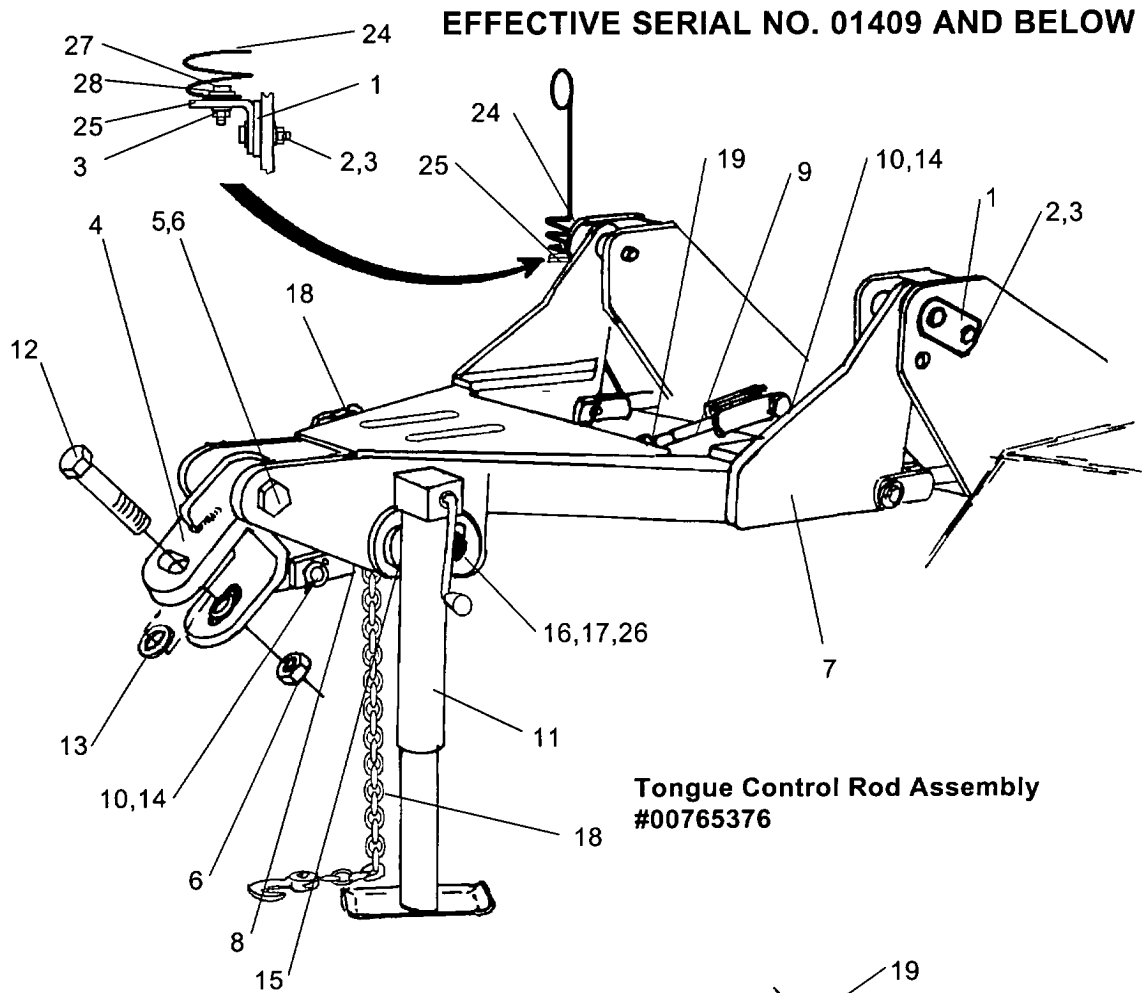


## AXLE ASSEMBLY - LEVEL LIFT ( S/N 01410 & ABOVE )

ITEM	PART NO.	QTY.	DESCRIPTION
	<b>00768706</b>	-	<b>CENTER AXLE ASY, W/HUBS</b>
	<b>00768708</b>	-	<b>LEFT AXLE ASY, W/HUBS</b>
	<b>00768709</b>	-	<b>RIGHT AXLE ASY, W/HUBS</b>
1	00776246	1	CENTER AXLE WLD'MT
2	00776254	1	LEFT AXLE WLD'MT
3	00776253	1	RIGHT AXLE WLD'MT
4	00761802	1	HYDRAULIC CYLINDER ASY
5	8354	1	PIN CYLINDER
6	00606000	1	COTTER PIN
7	00766447	4	AXLE PIN
8	00765379	4	SPACER TUBE
9	02030300	4	LOCKNUT
10	00763447	2	TOP LINK THREADED
11	02012200	2	JAM NUT
12	00763962	2	TOP LINK WLD'MT
13	00752670	2	GREASE FITTING
14	02152800	2	BOLT
15	00750940	2	LOCKNUT
16	00763449	2	SWIVEL CONTROL ROD ASY
17	00763244	1	SPRING SUPPORT TOP WLD'MT
18	37107B13	2	HAIR PIN CLIP
19	00002701	6	FLAT WASHER
20	00037200	6	LOCKNUT
21	02023800	6	BOLT 3/4" X 6-1/2"
22	65107A4	6	SPRING GUIDE
23	371063A	6	SPRING
24	0656460240	2	PIN WLD'MT
25	00763457	1	HOSE BRACKET WLD'MT
26	00763248	1	CENTER SPRING ASY
27	00003500	3	GREASE FITTING
28	00763413	3	CENTER PIN WLD'MT
29	02030700	9	BOLT
30	00001800	17	LOCKNUT TLM 1/2 NC PLC
31	00764990	4	WING PIN WLD'MT
32	00755234	1	CONTROL SPACER KIT
33	00763450	2	TURNBUCKLE
33A	00763450A		TURNBUCKLE ( WITH 2 ROLL PINS )
34	03100773	2	SPIRAL PIN
35	00768807	8	SPINDLE WLD'MT
36	00764375	8	BOLT

EFFECTIVE SERIAL NO.

# TONGUE & LEVEL ROD ASY ( S/N 01409 & DOWN )

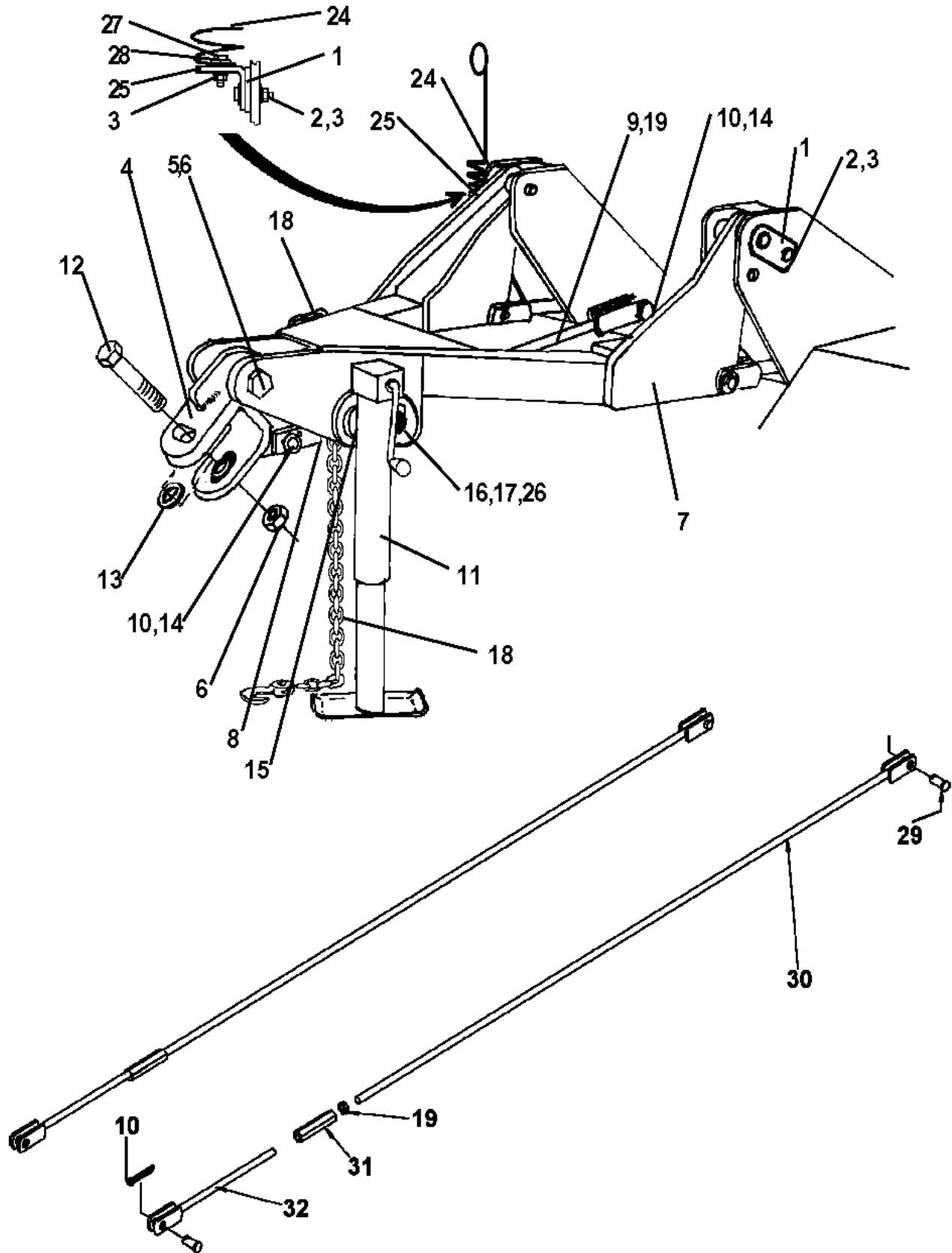


# TONGUE & LEVEL ROD ASY ( S/N 01409 & DOWN )

ITEM	PART NO.	QTY.	DESCRIPTION
	<b>00763404</b>	--	<b>LEVEL ROD ASY ( SET CONSIST OF 2 COMPLETE ASY'S )</b>
1	00760895	2	PIVOT PIN WLD'MT
2	02030700	2	BOLT
3	00001800	3	LOCKNUT
4	00764540	1	CLEVIS WLD'MT
5	00755224	1	BOLT
6	02030300	2	LOCKNUT
7	00764992	1	TONGUE WLD'MT
8	00764536	1	CONTROL ROD WLD'MT - LONG
9	00766446	1	CONTROL ROD WLD'MT - SHORT
10	00755153	6	COTTER PIN
11	00769068	1	PARKING JACK ASY
12	00755305	1	BOLT
13	00748547	1	FLATWASHER
14	651102	6	PIN
15	00769069	1	JACK MOUNT WLD'MT
16	00695100	2	NUT, TOPLOCK 5/8 NC PLC
17	00756077	1	WASHER - HARDENED
18	00757908	1	SAFETY TOW CHAIN
19	5C1490	3	JAM NUT
20	15B1200	4	WASHER
21	00763394	2	CONTROL ROD WLD'MT, R.H. THREAD
22	0811100010	2	CONTROL ROD WLD'MT, L.H. THREAD
23	421062	2	ADJUSTING NUT
24	02965484	1	SPRING MOUNT HOSE BRACKET
25	00769098	1	FLAT MOUNT HOSE BRACKET
26	00008300	2	HEX BOLT
27	00749130	1	HEX BOLT
28	00002700	1	FLATWASHER

Tongue Control Rod  
Level Rod Assembly

# TONGUE & LEVEL ROD ASY ( S/N 01441 & UP )



LEVELROD ASSEMBLY PART NO. 00776248



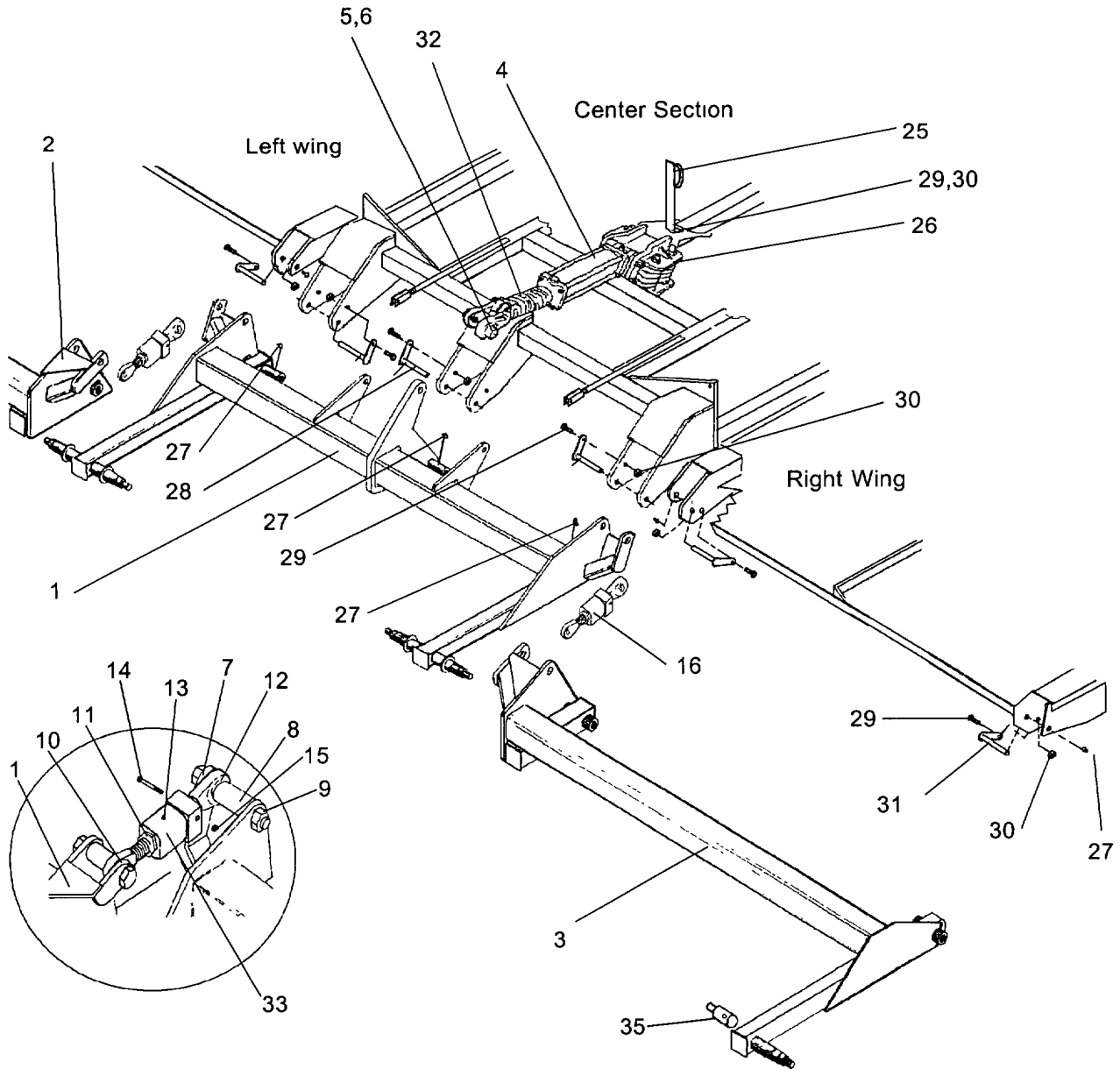
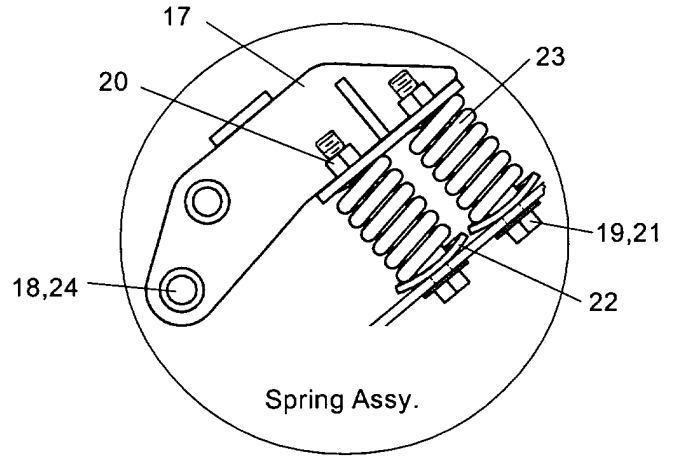
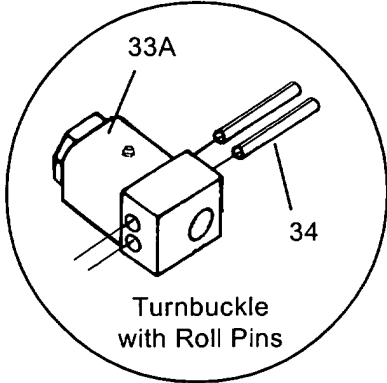
## TONGUE & LEVEL ROD ASY ( S/N 01441 & UP )

ITEM	PART NO.	QTY.	DESCRIPTION
	<b>00776248</b>	--	<b>LEVEL ROD ASY ( SET CONSIST OF 2 COMPLETE ASY'S )</b>
1	00760895	2	PIVOT PIN WLD'MT
2	02030700	2	BOLT
3	00001800	3	LOCKNUT TLM 1/2 NC PLC
4	00764540A	1	CLEVIS WLD'MT
5	317918H5C	1	BOLT
6	02030300	2	LOCKNUT
7	00776245	1	TONGUE WLD'MT
8	00764536	1	CONTROL ROD WLD'MT - LONG
9	00766446	1	CONTROL ROD WLD'MT - SHORT
10	00755153	6	COTTER PIN
11	00769068	1	PARKING JACK ASY
12	00755305	1	BOLT
13	00748547	1	FLATWASHER
14	651102	6	PIN
15	00769069	1	JACK MOUNT WLD'MT
16	00695100	2	NUT, TOPLOCK 5/8 NC PLC
17	00756077	1	WASHER - HARDENED
18	00757908	1	SAFETY TOW CHAIN
19	5C1490	3	JAM NUT
20	15B1200	4	WASHER
24	02965484	1	SPRING MOUNT HOSE BRACKET
25	00769098	1	FLAT MOUNT HOSE BRACKET
26	00008300	2	HEX BOLT
27	00749130	1	HEX BOLT
28	00002700	1	FLATWASHER
29	00776238	6	PIN
30	00776251	2	LEVEL ROD WLD'MT, LONG
31	00770485A	2	ADJUSTING NUT
32	00778371	2	LEVEL ROD WLD'MT, SHORT

Tongue Control Rod  
Level Rod Assembly

# AXLE ASSEMBLY - LEVEL LIFT ( S/N 01409 & BELOW )

EFFECTIVE SERIAL NO. 01409 AND BELOW



AG20-IV & AG14-IV (11-04)

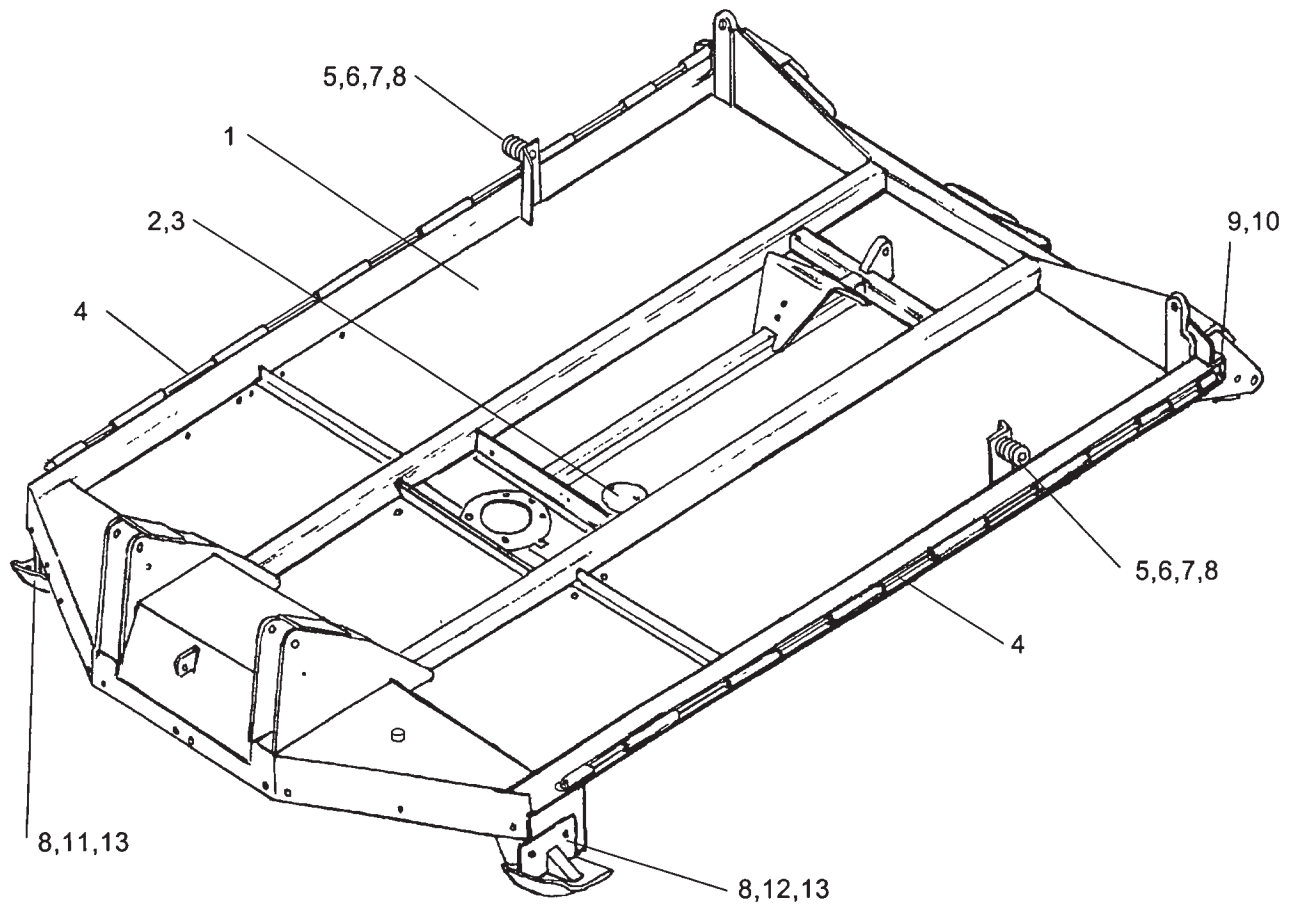
©2006 Alamo Group Inc.

Parts Section - 14

## AXLE ASSEMBLY - LEVEL LIFT ( S/N 01409 & BELOW )

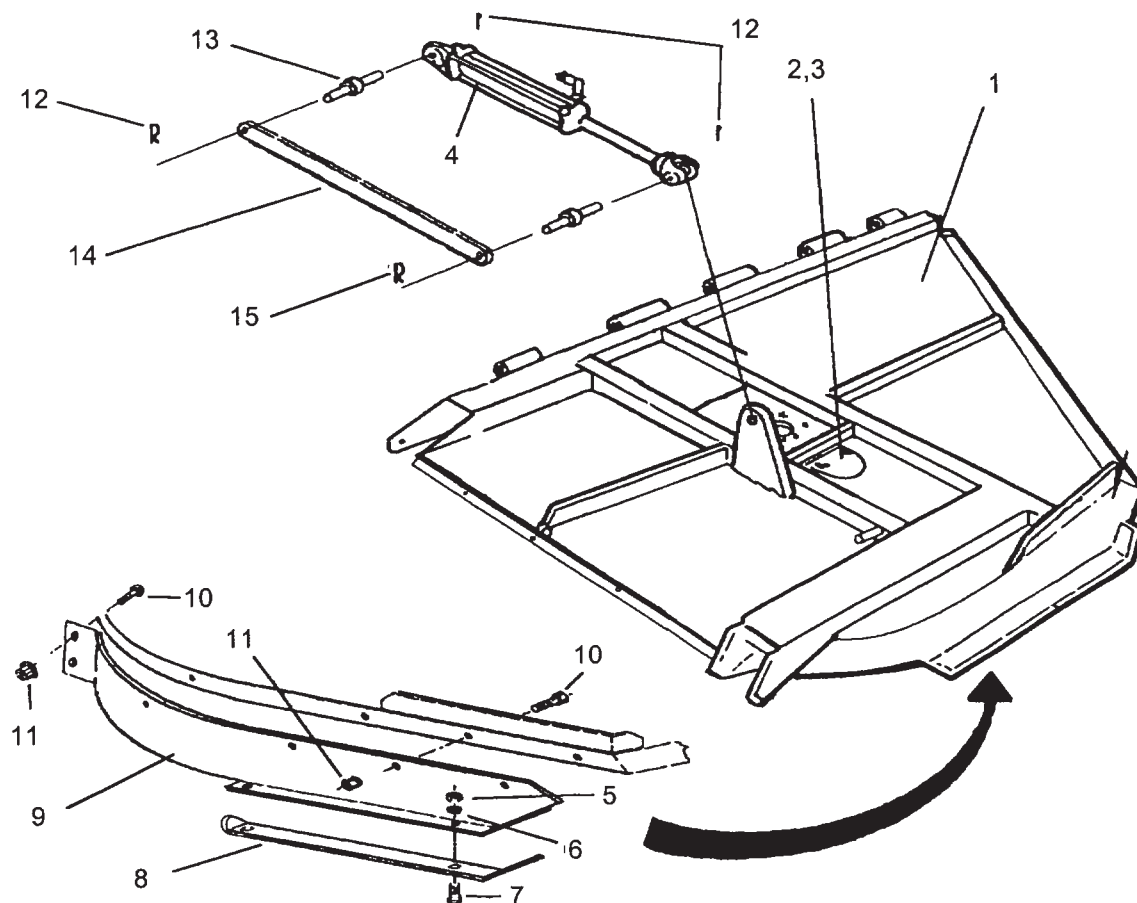
ITEM	PART NO.	QTY.	DESCRIPTION
	<b>00763406</b>	-	<b>CENTER AXLE ASY, W/ HUBS</b>
	<b>00763407</b>	-	<b>LEFT AXLE ASY, W/ HUBS</b>
	<b>00765374</b>	-	<b>RIGHT AXLE ASY, W/ HUBS</b>
1	00764922	1	CENTER AXLE WLD'MT
2	00764901	1	LEFT AXLE WLD'MT
3	00764899	1	RIGHT AXLE WLD'MT
4	00761802	1	HYDRAULIC CYLINDER ASY
5	8354	1	CYLINDER PIN
6	00606000	1	COTTER PIN
7	00766447	4	AXLE BOLT
8	00765379	4	SPACER TUBE
9	02030300	4	LOCKNUT
10	00763447	2	TOP LINK THREADED
11	02012200	2	JAM NUT
12	00763962	2	TOP LINK WLD'MT
13	00752670	2	GREASE FITTING
14	02152800	2	BOLT
15	00750940	2	LOCKNUT
16	00763449	2	SWIVEL CONTROL ROD ASY
17	00763244	1	SPRING SUPPORT TOP WLD'MT
18	37107B13	2	HAIR PIN, CLIP
19	00002701	6	FLAT WASHER
20	00037200	6	LOCKNUT
21	02023800	6	BOLT 3/4" X 6-1/2"
22	65107A4	6	SPRING GUIDE
23	371063A	6	SPRING
24	0656460240	2	PIN WLDMT.
25	00763457	1	HOSE BRACKET WLD'MT
26	00763248	1	CENTER SPRING ASY
27	00003500	3	GREASE FITTING
28	00763413	3	CENTER PIN WLD'MT
29	02030700	9	BOLT
30	00001800	9	LOCKNUT TLM 1/2 NC PLC
31	00764990	4	WING PIN WLD'MT
32	00755234	1	CONTROL SPACER KIT
33	00763450	2	TURNBUCKLE
33A	00763450A		TURNBUCKLE ( WITH 2 ROLL PINS )
34	03100773	2	SPIRAL PIN
35	00767753	1	SPINDLE WLD'MT

# CENTER SECTION ASSEMBLY



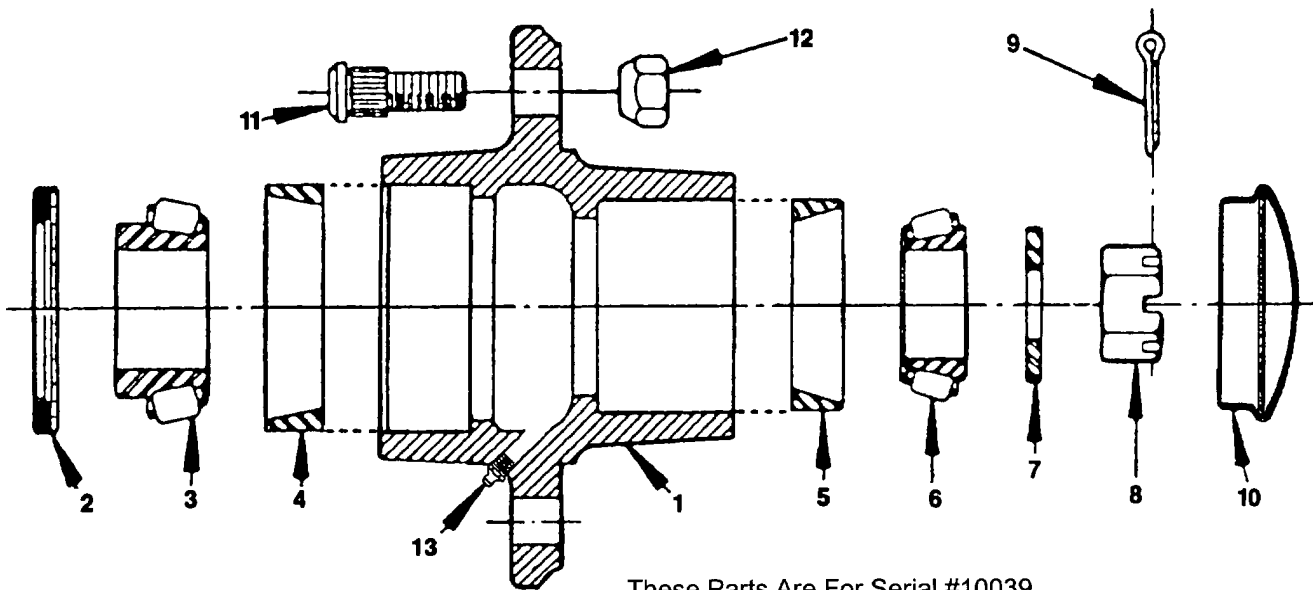
ITEM	PART NO.	QTY.	DESCRIPTION
1	00763024	1	CENTER SECTION WLD'MT - S/N 10785 & BELOW
	00767544	1	CENTER SECTION WLD'MT - S/N 10786 & ABOVE
2	5710121	1	COVER PLATE
3	5F5180	2	WING NUT
4	00769036	2	HINGE ROD WLD'MT
5	02036400	2	BOLT
6	0811120000	2	SPRING RETAINER DISK
7	371063A	2	SPRING
8	00001800	6	LOCKNUT TLM 1/2 NC PLC
9	02766400	2	HEX BOLT
10	00750940	2	LOCK NUT
11	00763996	1	SKID SHOE WLD'MT, RIGHT
12	00764020	1	SKID SHOE WLD'MT, LEFT
13	00748823	4	BOLT

# WING SECTION ASSEMBLY



ITEM	PART NO.	QTY.	DESCRIPTION
1	00767545	1	LEFT WING WLD'MT - NOT SHOWN ( S/N 10786 & ABOVE )
	00767546	1	RIGHT WING WLD'MT - ( S/N 10786 & ABOVE )
	00764985	1	LEFT WING WLD'MT - NOT SHOWN ( S/N 10785 & BELOW )
	00764984	1	RIGHT WING WLD'MT ( S/N 10785 & BELOW )
2	5710121	1	COVER PLATE
3	5F5180	1	WING NUT
4	00759947	1	WING LIFT CYLINDER
5	00001800	4	LOCKNUT TLM 1/2 NC PLC
6	15B800	4	WASHER
7	2A381312	4	PLOW BOLT
8	00763596	1	FLAT SKID SHOE
9	00764982	1	SIDE SKIRT WLD'MT, RIGHT HAND
	00764983	1	SIDE SKIRT WLD'MT, LEFT HAND (NOT SHOWN)
10	02030700	10	BOLT
11	4526	10	LOCKNUT
12	00606000	3	COTTER PIN
13	8352	2	PIN ASY
14	8345	1	TRANSPORT BAR
15	37107B13	1	HAIR PIN CLIP

# WHEEL HUB ASSEMBLY ( "H" HUB GROUP )



These Parts Are For Serial #10039  
And Above

## "H" HUB GROUP

ITEM	PART NO.	QTY.	DESCRIPTION
1	371247SA	1	* HUB SUB ASSEMBLY
2	371247F	1	SEAL
3	371247E	1	BEARING CONE
4	371247D	1	BEARING CUP
5	00016900	1	BEARING CUP
6	02957149	1	BEARING CONE
7	15B1400	1	WASHER
8	371247J	1	SLOTTED NUT
9	00026200	1	COTTER PIN
10	371247G	1	HUB CAP
11	13198	5	HUB BOLT
12	00750614	5	NUT

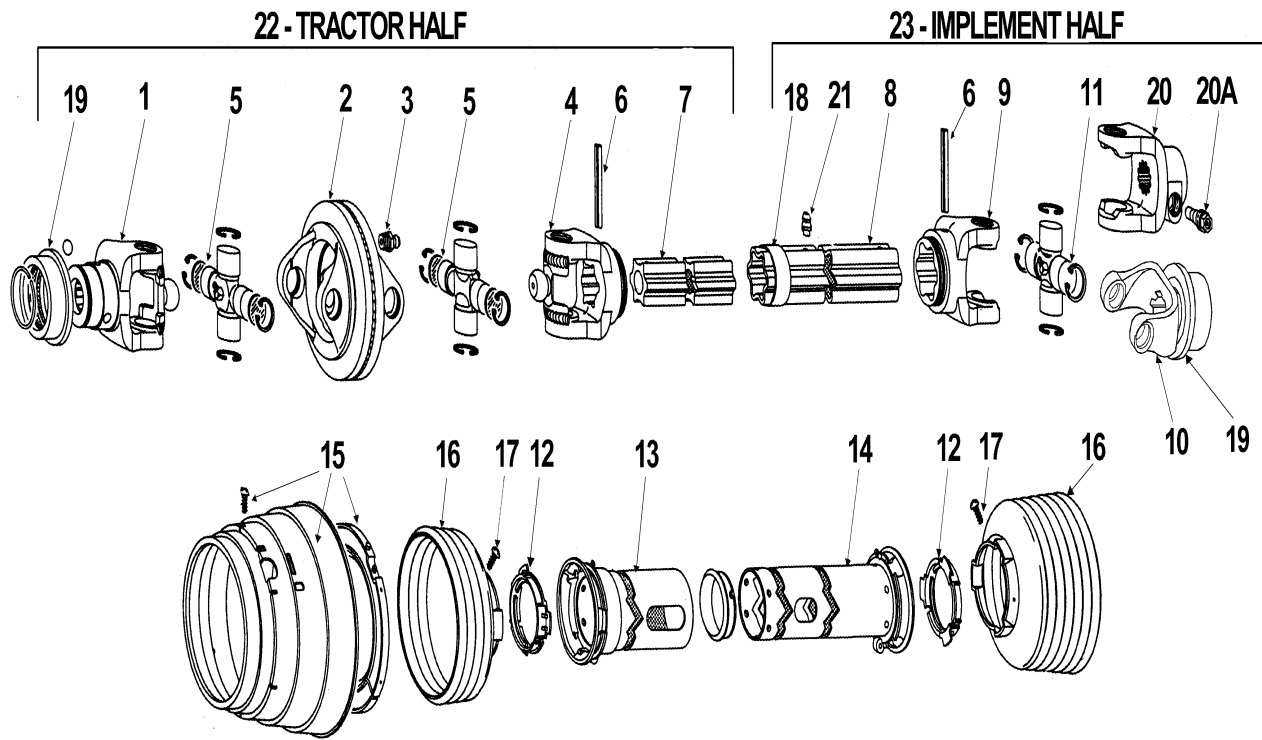
NOTE: TWO ASSEMBLIES

These Parts Are  
"H" HUB GROUP

NOTE: Hub Only



# DRIVELINE - MAIN CV

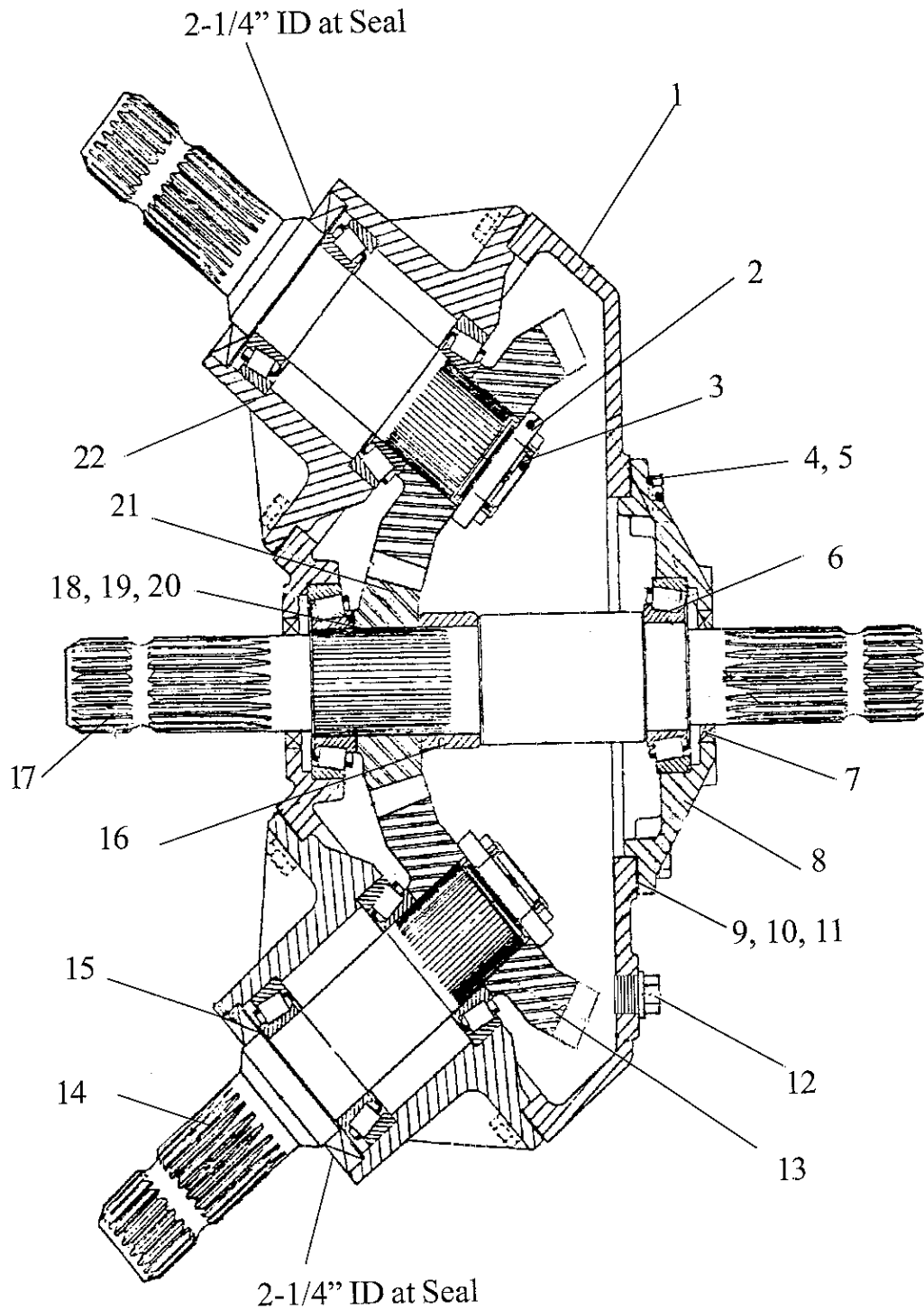




## DRIVELINE - MAIN CV

ITEM	PART NO.	QTY.	DESCRIPTION
	<b>00760452</b>	---	<b>DRIVELINE ASY - 540 CV (1-3/8-6 SPL)</b>
	<b>00760453</b>	---	<b>DRIVELINE ASY - 1000 CV (1-3/8-21 SPL)</b>
	<b>00763554</b>	---	<b>DRIVELINE ASY - 1000 CV (1-3/4-20 SPL)</b>
1	7431	1	YOKE & SLIDE COLLAR 540 (1-3/8 X 6 SPL)
	8478	1	YOKE & SLIDE COLLAR 1000 (1-3/8 X 21 SPL)
	00761434	1	YOKE & SLIDE COLLAR 1000 (1-3/4 X 20 SPL)
2	8482	1	DOUBLE YOKE (ALL)
3	8382	1	GREASE FITTING (ALL)
4	7432	2	INBOARD YOKE (ALL)
5	8484	2	CROSS & BEARING KIT (USE W/ PTO END ONLY)
6	8384	1	SPRING PIN (ALL)
7	00760362	1	INNER TUBING PROFILE ( USE W/ 00760452 & 00760453 ONLY)
	00763557	1	INNER TUBING PROFILE (USE W/ 00763554 ONLY)
8	00760634	1	OUTER TUBING & SLEEVE (USE W/ 00760452 & 00760453 ONLY)
	00763558	1	OUTER TUBING & SLEEVE (USE W/ 00763554 ONLY)
9	8489	1	INBOARD YOKE (ALL)
10	00760636	1	YOKE & SLIDE COLLAR (1-3/4 X 20 SPL) SEE ITEM 19 OLD STYLE SLIDE COLLARE YOKE, REPLACED BY ITEM 20
11	8486	1	CROSS & BEARING KIT (USE W/ IMPL END ONLY)
12	8393	2	BEARING RING (ALL)
13	00760640	1	TUBE - OUTER SHIELD (USE W/ 00760452 & 00760453 ONLY)
	00763560	1	TUBE - OUTER SHIELD (USE W/ 00763554 ONLY)
14	00760641	1	TUBE - INNER SHIELD (USE W/ 00760452 & 00760453 ONLY)
	00763559	1	TUBE - INNER SHIELD (USE W/ 00763554 ONLY)
15	7420	1	BEARING & CONE ASY (ALL)
16	8949	2	SHIELD CONE (ALL)
17	00759217	8	SCREW (ALL)
18	8974	1	SUPPORT BEARING (ALL)
19	00759556	1	SLIDE COLLAR KIT (USE W/ YOKE 00760636 ONLY)
20	00774207	1	YOKE 1-3/4-20 SPLINE (USE W/ IMPL END ONLY)
20A	00774208	1	LOCKING PIN KIT (USE W/ 00774208 ONLY)
21	00752670	1	GREASE FITTING (ALL)
22	00760668	1	DRIVELINE 1/2 ASY - PTO END 540 (1-3/8 X 6 SPL)
	00760665	1	DRIVELINE 1/2 ASY - PTO END 1000 (1-3/8 X 21 SPL)
	00763555	1	DRIVELINE 1/2 ASY - PTO END 1000 (1-3/4 X 20 SPL)
23	00760667	1	DRIVELINE 1/2 ASY - IMPL END (USE W/ 1-3/8 X 6 & 1-3/8 X 21 SPL)
	00763556	1	DRIVELINE 1/2 ASY - IMPL END (USE W/ 1-3/4 X 20 SPL)
24	0921000345	1	SAFETY CHAIN, NOT SHOWN (ALL)

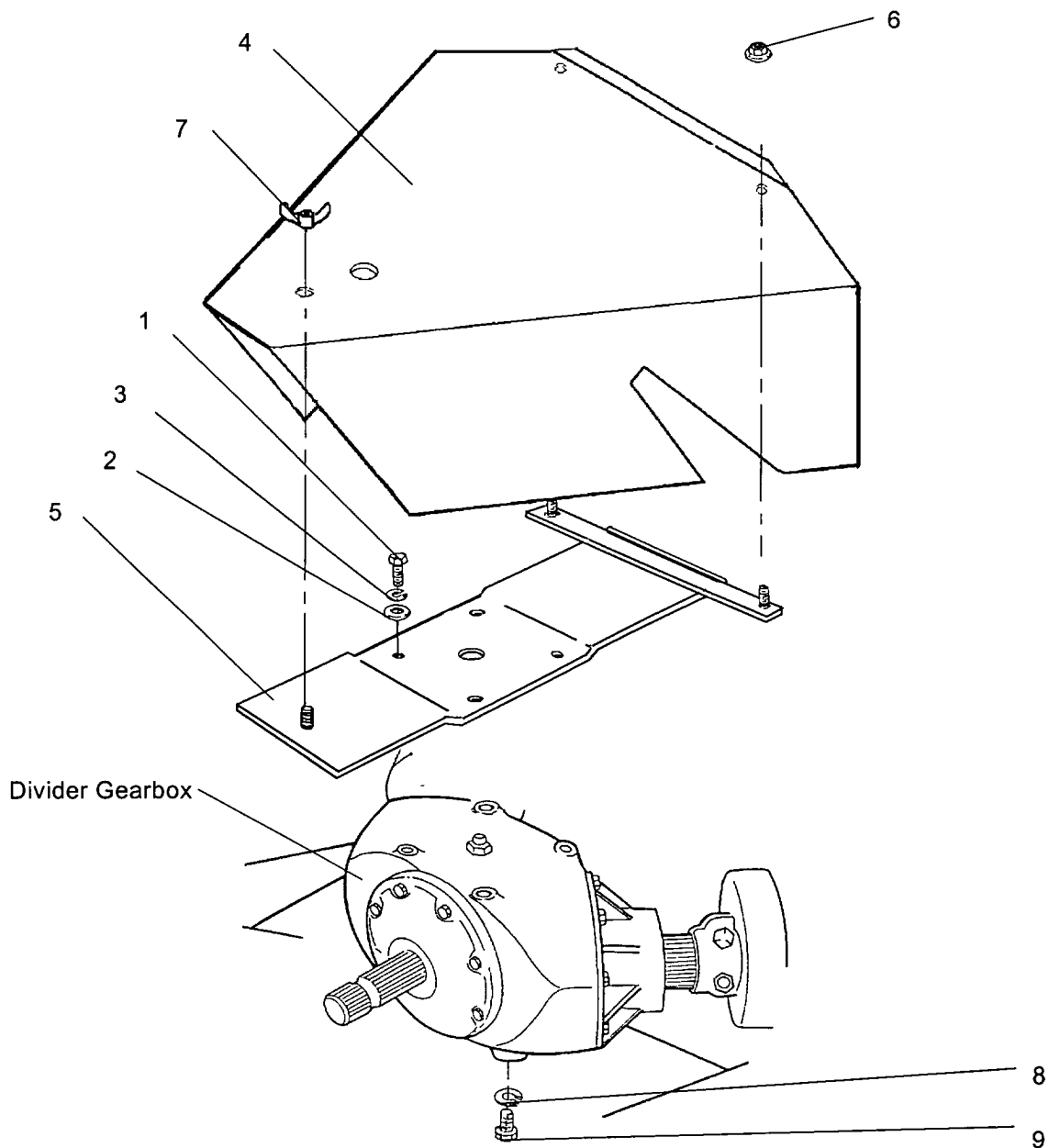
# GEARBOX ASSEMBLY - 3 WAY DIVIDER



## GEARBOX ASSEMBLY - 3 WAY DIVIDER

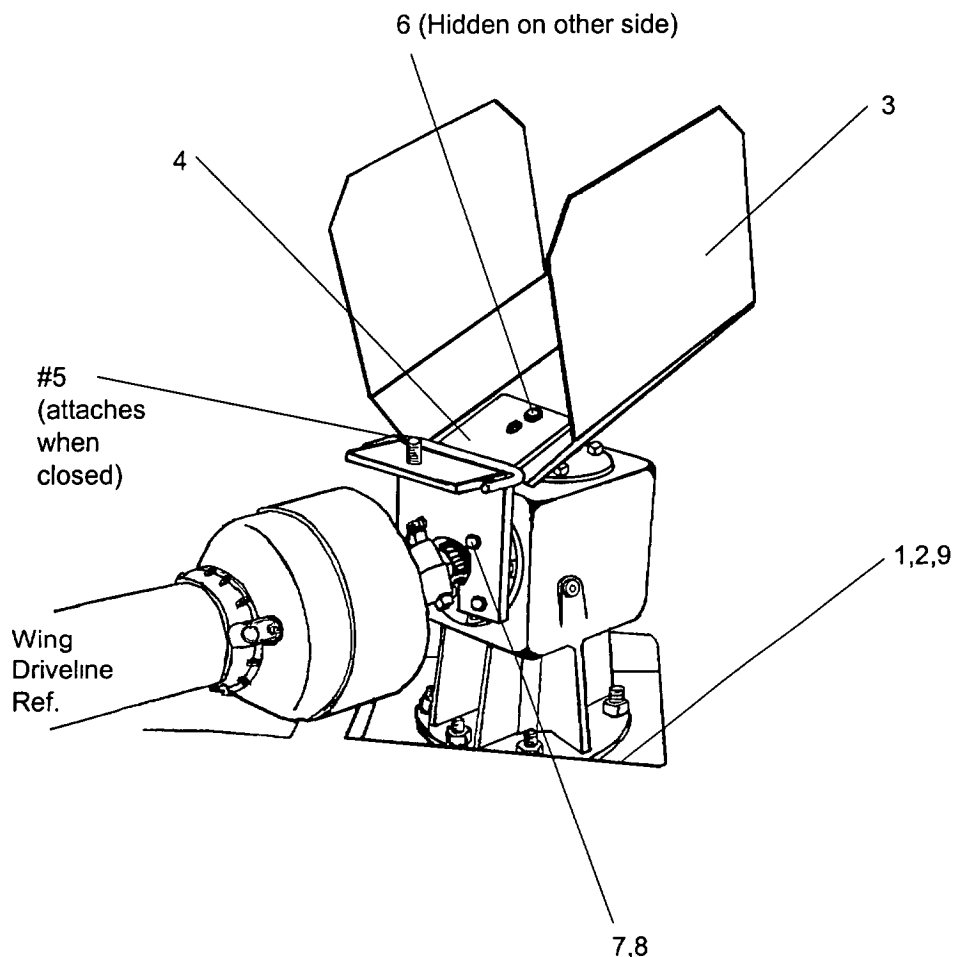
ITEM	PART NO.	QTY.	DESCRIPTION
	<b>00769115</b>	---	<b>GEARBOX ASY, 540 RPM</b>
	<b>00769116</b>	---	<b>GEARBOX ASY, 1000 RPM</b>
1	00769162	1	HOUSING, DIVIDER GEARBOX
2	00762121	2	NUT, HEX THIN SLOTTED
3	00026200	2	COTTER PIN
4	00755954	24	LOCKWASHER
5	00758659	24	BOLT
6	00755628	6	BEARING, USE 00769938
7	00758653	2	SEAL
8	00762128	1	INPUT CAP
9	00758646	A/R	SHIM, .004
10	00758647	A/R	SHIM, .010
11	00758648	A/R	SHIM, 0.5
12	00752123	1	OIL LEVEL PLUG
13	00769160	2	GEAR, 20 TOOTH (540 RPM)
	00769159	2	GEAR, 26 TOOTH (1000 RPM)
14	00762522	2	SIDE INPUT SHAFT
15	00762521	2	SEAL
16	00758657	1	SPACER, INPUT SHAFT
17	00769163	1	INPUT SHAFT
18	00758667	A/R	SHIM, .012
19	00758666	A/R	SHIM, .012 USE 00758667
20	00758668	A/R	SHIM, 0.020
21	00769161	1	GEAR, 23 TOOTH (540 RPM)
	00769158	1	GEAR, 20 TOOTH (1000 RPM)
22	00762520	2	INPUT, HUB CAP
23	00762114	1	PLUG, VENTED

# GEARBOX DIVIDER - SHIELD ATTACHMENT



ITEM	PART NO.	QTY.	DESCRIPTION
1	02030700	4	BOLT
2	00002700	4	FLATWASHER
3	00001300	4	LOCKWASHER
4	00769085	1	GEAR BOX SHIELD
5	00769089	1	SHIELD BRACKET WLD'MT
6	4528	2	LOCKNUT
7	5F8130	1	WING NUT
8	00010300	4	LOCKWASHER
9	02675800	4	BOLT

# GEARBOX - SHIELD ATTACHMENT



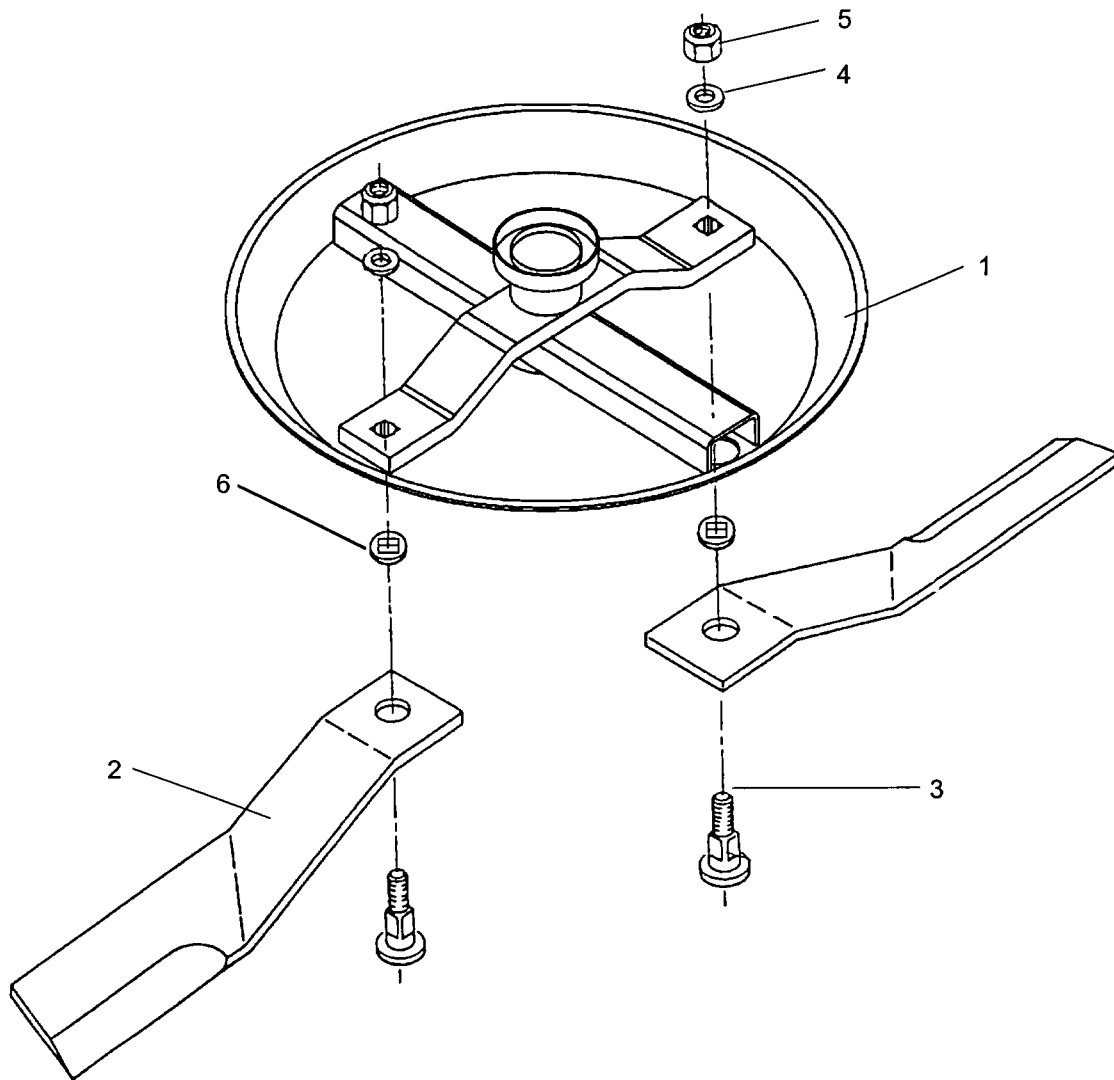
Note: Only Wing Gearbox Attachment is Shown, Center Gearbox has a different driveline

## CENTER & WING GEARBOX ATTACHMENT

ITEM	PART NO.	QTY.	DESCRIPTION
1	00749127	6	BOLT, FINE THREAD
2	00749136	6	LOCKNUT, FINE THREAD
3	0651450301	1	DRIVELINE SHIELD
4	00769101	1	SHIELD BRACKET WLD'MT
5	5F8130	1	WING NUT ( NOT SHOWN )
6	4526	3	LOCKNUT, WHIZ FLG.
7	00753723	12	METRIC BOLT
8	00011700	12	LOCKWASHER
9	00756077	6	WASHER ( UNDER BOLT HEAD )

Note: Only Wing  
CENTER & WING

# BLADE PAN ASSEMBLY

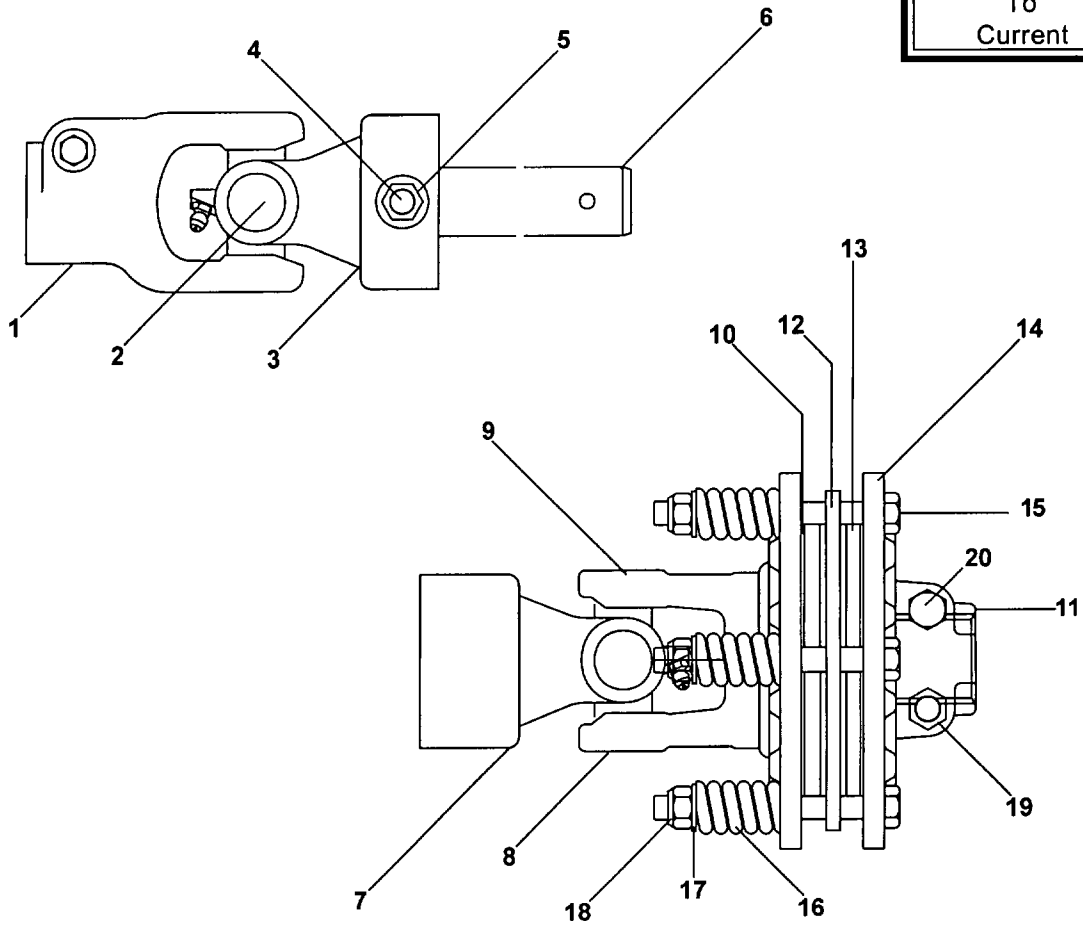


ITEM	PART NO.	QTY.	DESCRIPTION
1	00767541	1	DISHPAN WLD'MT, W/ 2- 3/8" HUB ( S/N 10786 & ABOVE )
	00768925	1	PAN WLD'MT, W/ 2" HUB ( S/N 10785 & BELOW )
2	00752974	2	BLADE UPDRAFT CCW ( LT & CTR )
	00753254	2	BLADE SUCTION UPDRAFT CW ( RIGHT )
3	8227	2	BLADE BOLT
4	9216	2	WASHER 1" STRUCTURAL
5	5JRC16140	2	LOCKNUT
6	00758579	2	WASHER ( SPECIAL SQ. HOLE )



# DRIVELINE - INTERMEDIATE ( S/N 01415 TO CURRENT )

AG20 serial # 01415  
To  
Current





## DRIVELINE - INTERMEDIATE ( S/N 01415 TO CURRENT )

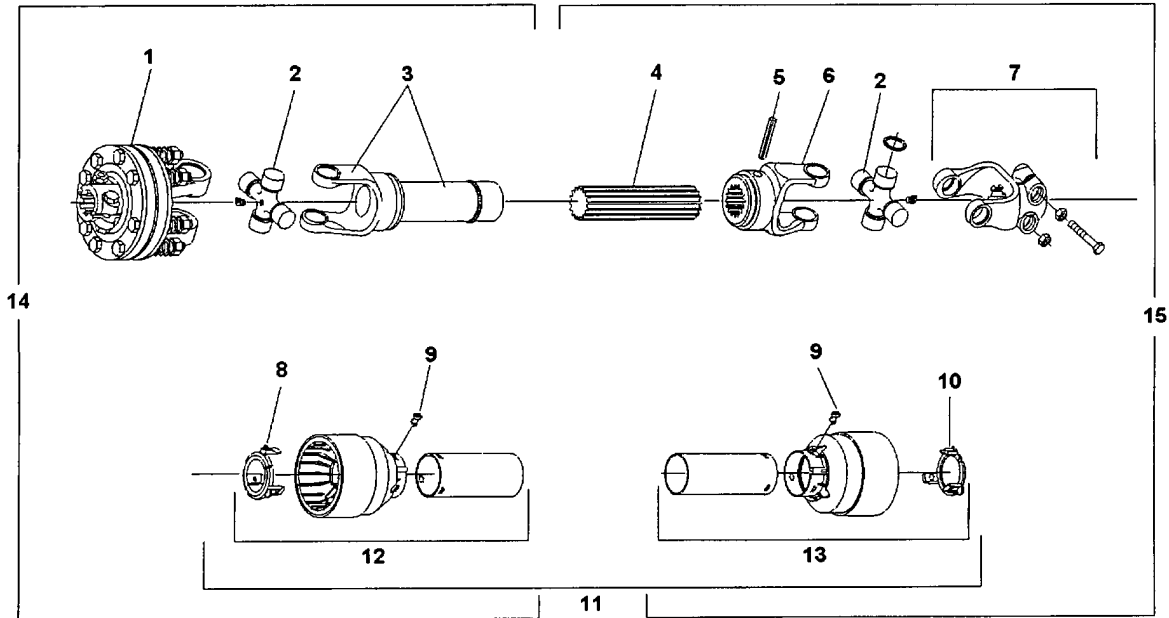
ITEM	PART NO.	QTY.	DESCRIPTION
	00775811	-	DRIVELINE ASY, INTERMEDIATE
1	00775005	1	YOKE
2	W840	1	CROSS & BEARING KIT
3	00761488	1	INBOARD YOKE
4	00999422	1	BOLT
5	00001800	1	LOCKNUT TLM 1/2 NC PLC
6	00775817	1	BAR
7	W823	1	SLIP YOKE
8	00775382	1	FRICITION CLUTCH
9	00775383	1	YOKE FLANGE
10	8366	4	FRICITION DISK
11	00775334	1	HUB SPLINE
12	00775335	1	DRIVE PLATE
13	00775336	1	DRIVE PLATE
14	00775337	1	THRUST PLATE
15	00775338	6	BOLT
16	00775339	6	COMPRESSION SPRING
17	00754566	6	LOCKWASHER
18	00756164	6	NUT
19	00775327	2	NUT
20	00775328	2	BOLT

AG20 serial #

# DRIVELINE - INTERMEDIATE ( S/N 01410 TO CURRENT )

Order replacement parts from this page if the telescoping member is a splined shaft.

AG20 serial # 01414  
To  
Below



ITEM	PART NO.	QTY.	DESCRIPTION
	<b>00756634A</b>		<b>DRIVELINE ASY, INTERMEDIATE</b>
1	00756173	1	SLIP CLUTCH & YOKE
2	00753068	2	CROSS & BEARING KIT
3	00772269	1	YOKE W/ SLEEVE WLD'MT
4	00756651	1	SPLINED SHAFT
5	00758159	1	ROLL PIN
6	00766585	1	INNER YOKE
7	00772743	1	YOKE CLAMP, W/ NUTS & BOLTS
8	00765420	1	RETAINING COLLAR FOR OUTER TUBE
9	00754330	6	NYLON BOLT
10	00765417	1	RETAINING COLLAR FOR INNER TUBE
11	00765463	1	COMPLETE SHIELD W/ INSTRUCTIONAL MANUAL
12	00765461	1	SHIELD, FEMALE HALF
13	00765462	1	SHIELD, MALE HALF
14	00765459	1	HALF FEMALE SHAFT, W/ SHIELD
15	00765460	1	HALF MALE SHAFT, W/ SHIELD

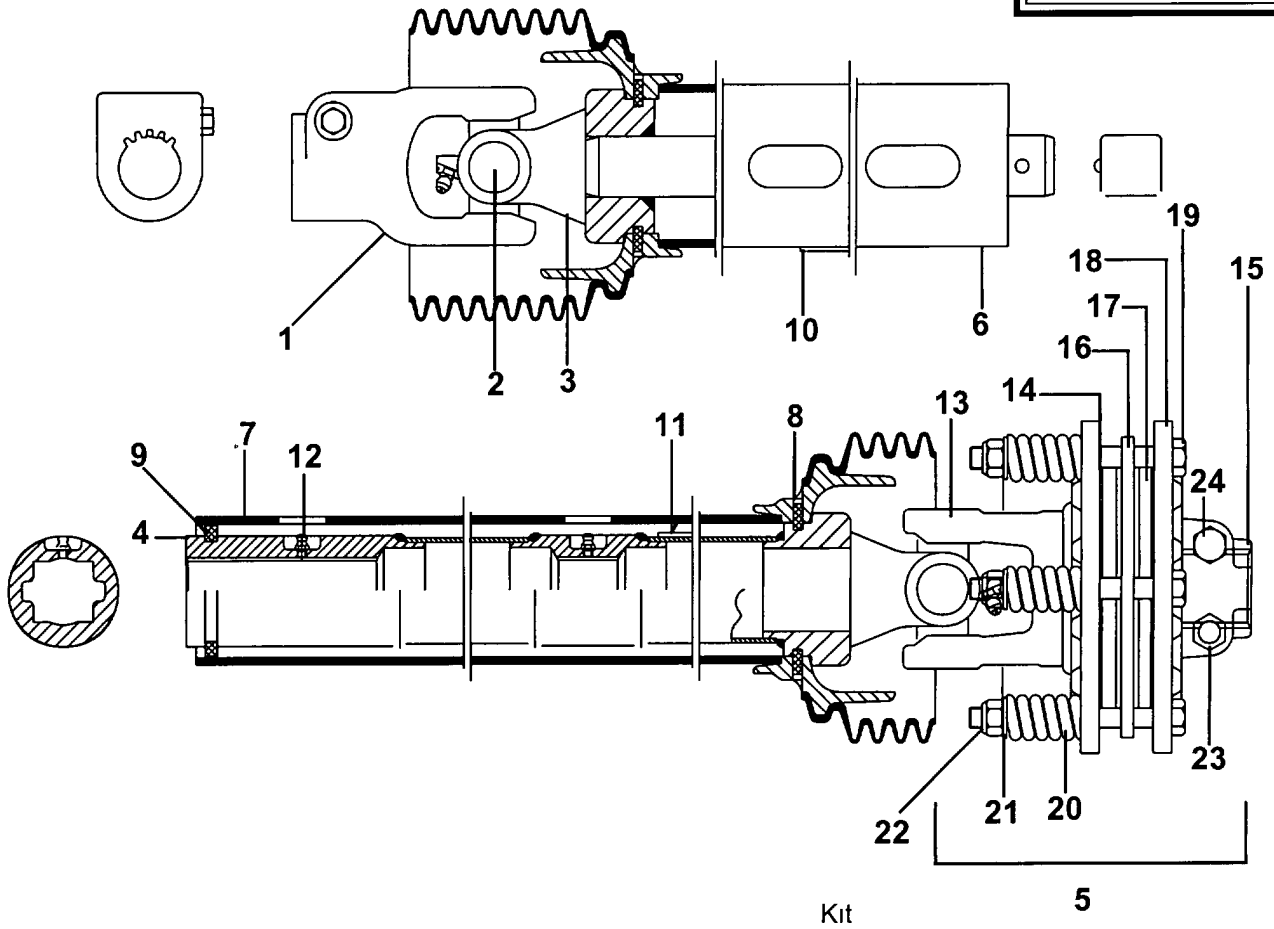
Order replacement parts  
AG20 serial #



# DRIVELINE - WING ( S/N 01410 TO CURRENT )

Order replacement parts from this page if the profile if your driveline is square shaped.

AG20 serial # 01410  
To  
Current



## DRIVELINE - WING ( S/N 01410 TO CURRENT )

ITEM	PART NO.	QTY.	DESCRIPTION
	<b>00775478</b>	-	<b>DRIVELINE ASY, WING</b>
1	00775005	1	YOKE
2	W840	2	CROSS & BEARING KIT
3	00775826	1	YOKE & BAR WLD'MT
4	00775500	1	YOKE TUBE AND SLEEVE WLD'MT
5	00775382	1	FRICTION CLUTCH
6	00775827	1	OUTER SHIELD TUBE ASY
7	00775801	1	INNER SHIELD TUBE ASY
8	00775347	4	SHIELD BEARING
9	00775348	1	SLEEVE BEARING
10	7387	1	OUTER DECAL
11	7397	1	INNER DECAL
12	752670	2	GREASE FITTING
13	00775383	1	YOKE FLANGE
14	8366	4	FRICTION DISK
15	00775334	1	HUB SPLINE
16	00775335	1	DRIVE PLATE
17	00775336	1	DRIVE PLATE
18	00775337	1	THRUST PLATE
19	00775338	6	BOLT
20	00775339	6	COMPRESSION SPRING
21	00754566	6	LOCKWASHER
22	00756164	6	NUT
23	00775327	2	NUT
24	00775328	2	BOLT

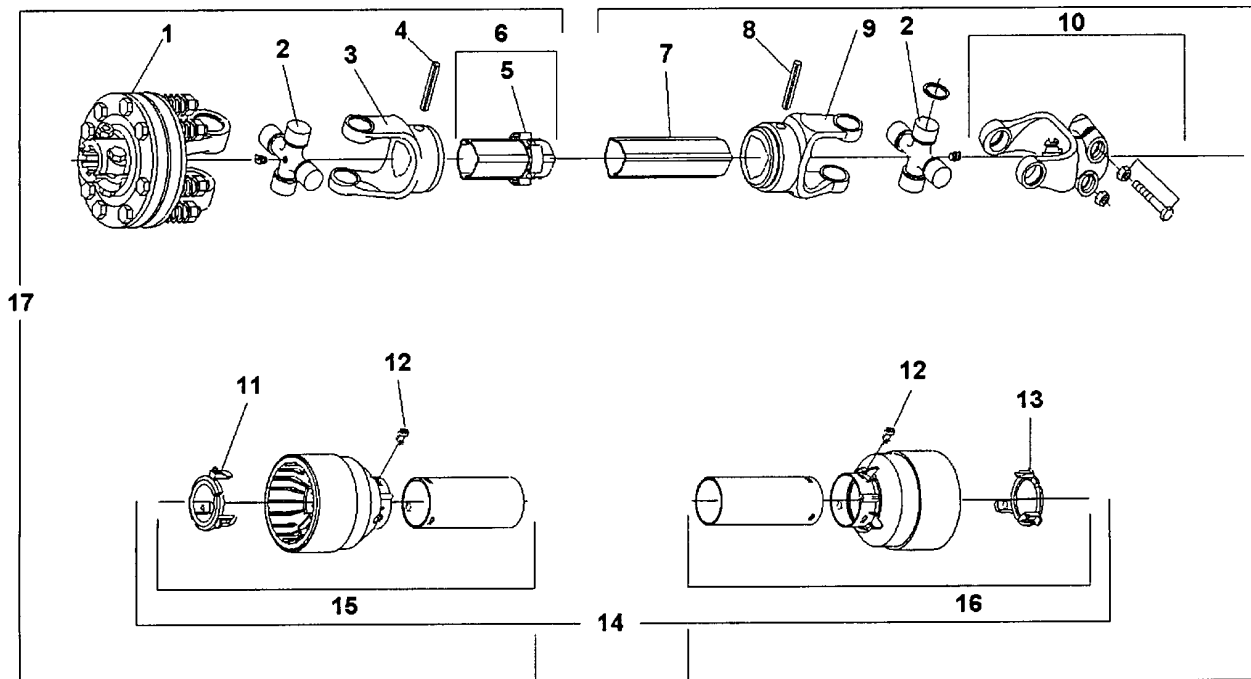
Order replacement parts

AG20 serial #

# DRIVELINE - WING ( S/N 01409 & BELOW )

Order replacement parts from this page if the profile of your driveline is triangle shaped.

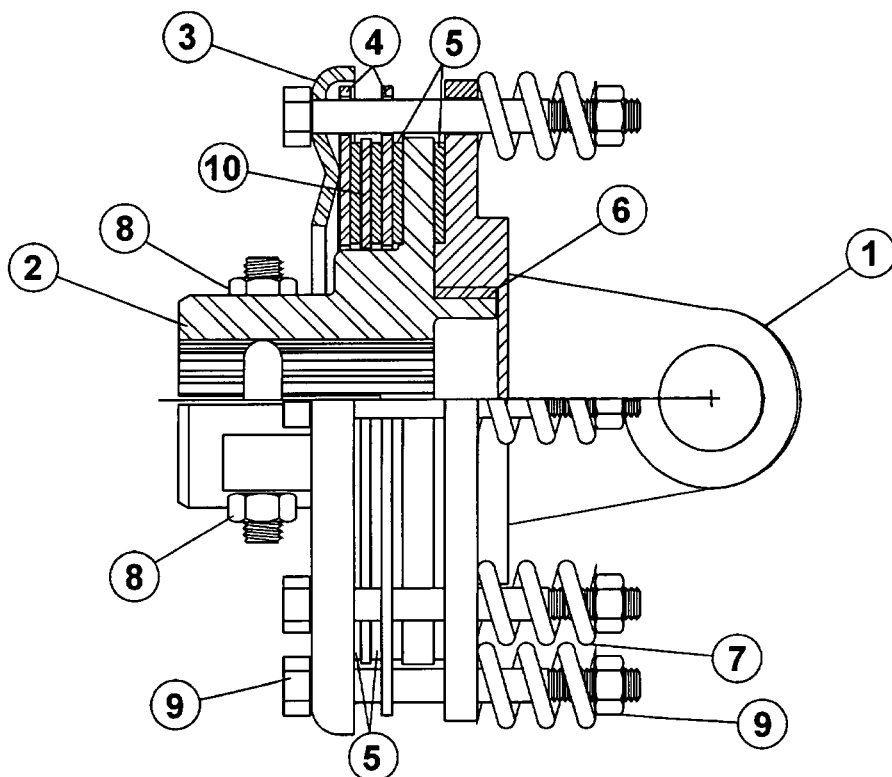
AG20 serial # 01409  
To  
Below



ITEM	PART NO.	QTY.	DESCRIPTION
	<b>00756633A</b>	-	<b>DRIVELINE ASY, WING</b>
1	00756173	1	SLIP CLUTCH & YOKE
2	00753068	2	CROSS & BEARING KIT
3	00765471	1	OUTER YOKE
4	00766934	1	ROLL PIN
5	00772932	1	BUSHING, W/ GREASE FITTING
6	00765466	1	OUTER TUBE
7	00765465	1	INNER TUBE
8	00756934	1	ROLL PIN
9	00765472	1	INNER YOKE
10	00757040	1	YOKE CLAMP, W/ NUTS & BOLTS
11	00765420	1	RETAINING COLLAR FOR OUTER TUBE
12	00754330	6	NYLON BOLT
13	00765417	1	RETAINING COLLAR FOR INNER TUBE
14	00765448	1	COMPLETE SHIELD, W/ INSTRUCTION MANUAL
15	00765438	1	SHIELD, FEMALE HALF
16	00765439	1	SHEILD, MALE HALF
17	00765447	1	HALF FEMALE SHAFT, W/ SHIELD
18	00765446	1	HALF MALE SHAFT, W/ SHIELD

Order replacement parts  
AG20 serial #

# SLIPCLUTCH



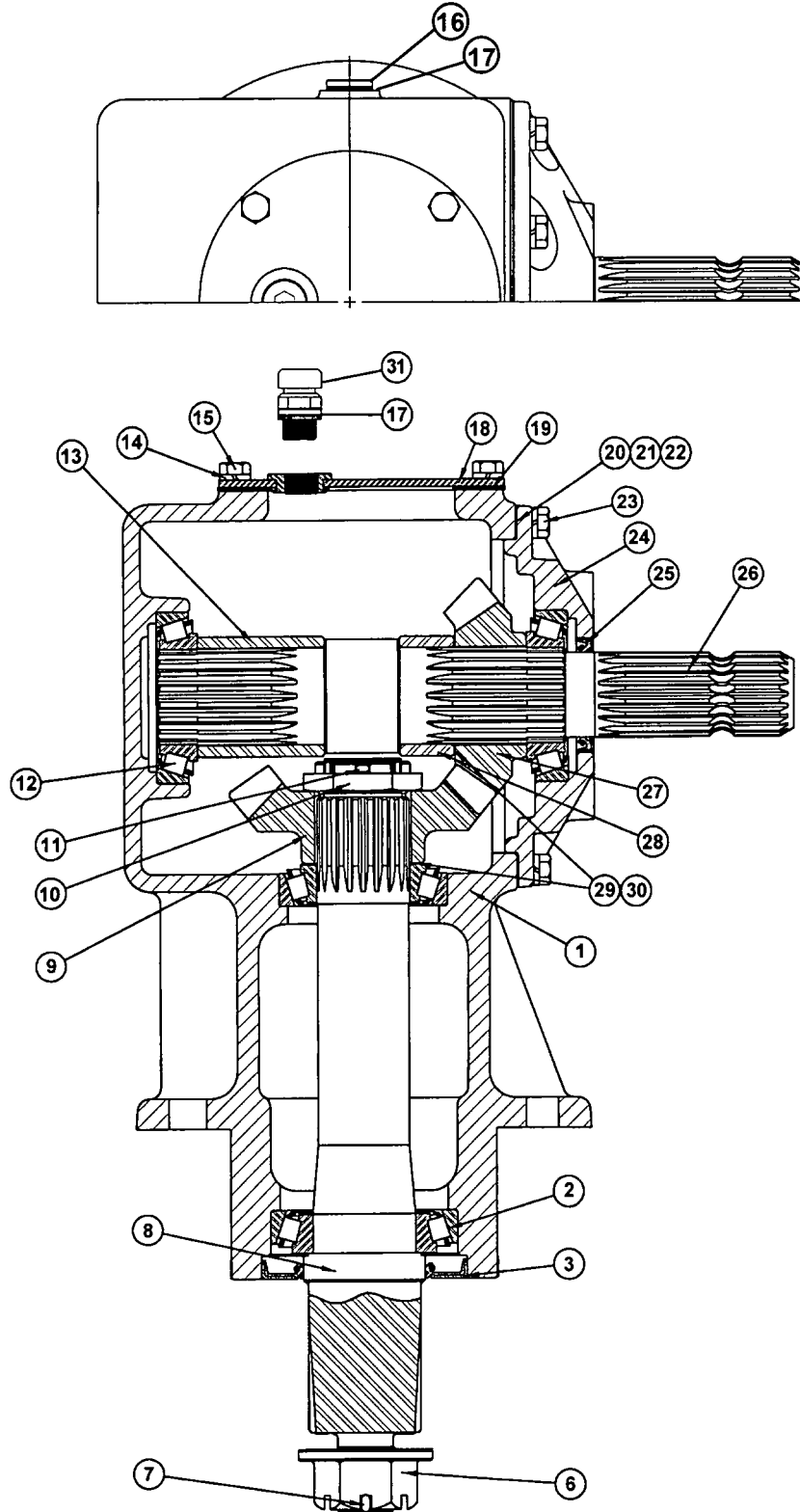
## For Cat 5 Drivelines

ITEM	PART NO.	QTY.	DESCRIPTION
	<b>00756173</b>	-	<b>SLIP CLUTCH ASY, 1-3/4"-20 SPLINE</b>
1	00754083	1	YOKE, CLUTCH SERIES 8
2	00755599	1	CLUTCH BODY
3	00766810	1	PRESSURE PLATE
4	00754314	2	PLATE WITH HOLES
5	00754202	4	CLUTCH LINING
6	00754301	1	BUSHING
7	00754303	8	SPRING CLUTCH
8	00755600	2	NUT & BOLT
9	00754199	8	NUT & BOLT
10	00754201	1	INTERMEDIATE PLATE

For Cat 5

# GEARBOX ASSEMBLY - CENTER ( S/N 10786 TO CURRENT )

00769912 (540 RPM)  
00769930 (1000 RPM)  
CW in - CCW out





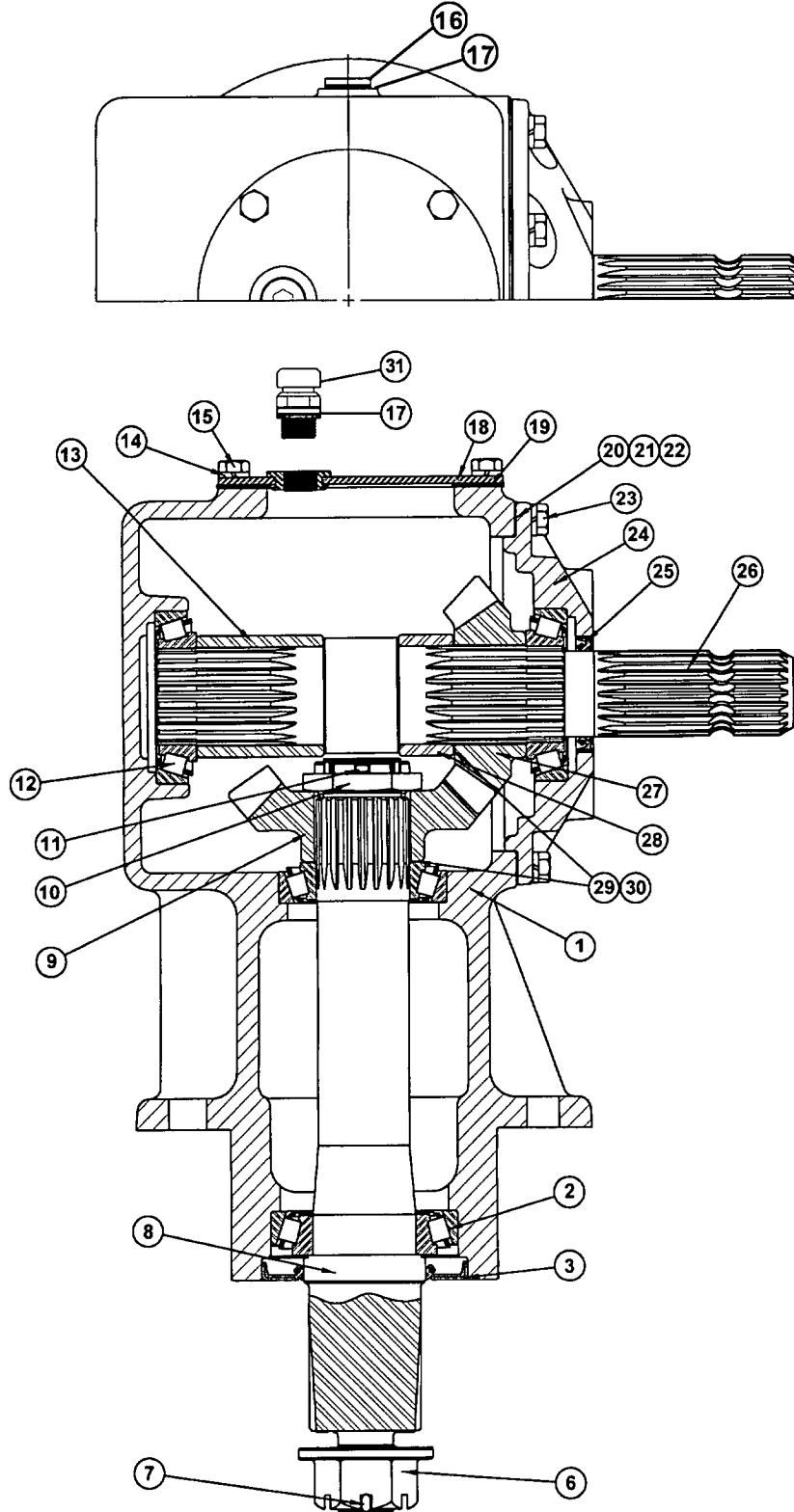
# GEARBOX ASSEMBLY - CENTER ( S/N 10786 TO CURRENT )

ITEM	PART NO.	QTY.	DESCRIPTION
	<b>00769912</b>	-	<b>GEARBOX ASSEMBLY ( 540 RPM ) CW IN - CCW OUT</b>
	<b>00769930</b>	-	<b>GEARBOX ASSEMBLY ( 1000 RPM ) CW IN - CCW OUT</b>
1	00770724	1	HOUSING
2	00770725	1	BEARING ASSEMBLY
3	00770726	1	OIL SEAL
6	00771226	1	FLANGE NUT SLOTTED
7	01422502	1	COTTER PIN
8	00770728	1	OUTPUT SHAFT
9	00770736	1	GEAR, 13 TOOTH ( 540 RPM )
	00770729	1	GEAR, 19 TOOTH ( 1000 RPM )
10	00762121	1	NUT, METRIC SLOTTED
11	00606000	1	COTTER PIN
12	00755628	3	BEARING ASSEMBLY
13	00770731	1	INPUT SHAFT SPACER, LONG
14	00766083	12	LOCKWASHER
15	00754338	4	BOLT
16	00762517	1	PLUG, SOCKET HEAD
17	00769321	2	SEALING WASHER
18	00770732	1	INSPECTION COVER
19	00770733	1	INSPECTION COVER GASKET
20	00758646	A/R	SHIM, 0.10
21	00758647	A/R	SHIM, 0.25
22	00758648	A/R	SHIM, 0.5
23	00765905	8	BOLT
24	00770734	1	INPUT CAP
25	00758653	1	SEAL
26	00770735	1	INPUT SHAFT
27	00770729	1	GEAR, 19 TOOTH ( 540 RPM )
	00770736	1	GEAR, 13 TOOTH ( 1000 RPM )
28	00758657	1	INPUT SHAFT SPACER, SHORT
29	00758667	A/R	SHIM, 0.30
30	00758668	A/R	SHIM, 0.020
31	00762114	1	PLUG, VENTED

Used on S/N

# GEARBOX ASSEMBLY - RIGHT WING ( S/N 10786 TO CURRENT )

00769918 (540 RPM)  
00769924 (1000 RPM)  
CW in - CCW out



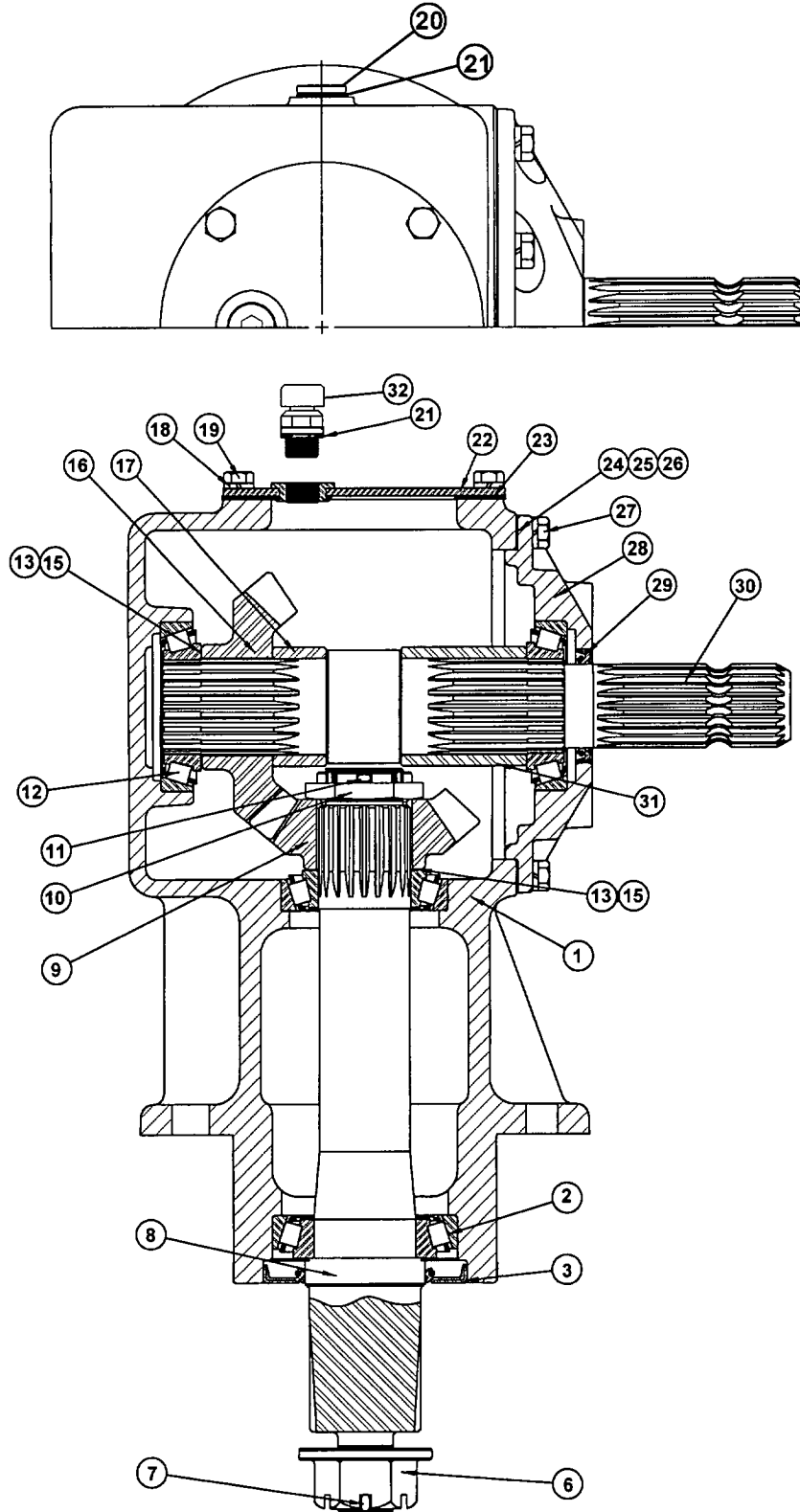
## GEARBOX ASSEMBLY - RIGHT WING ( S/N 10786 TO CURRENT )

ITEM	PART NO.	QTY.	DESCRIPTION
	<b>00769918</b>	-	<b>GEARBOX ASY ( 540 RPM ) CW IN - CCW OUT</b>
	<b>00769924</b>	-	<b>GEARBOX ASY ( 1000 RPM ) CW IN - CCW OUT</b>
1	00770724	1	HOUSING
2	00770725	1	BEARING ASSEMBLY
3	00770726	1	OIL SEAL
6	00771226	1	FLANGE NUT SLOTTED
7	01422502	1	COTTER PIN
8	00770728	1	OUTPUT SHAFT
9	00770738	1	GEAR, 14 TOOTH ( 540 RPM )
	00770739	1	GEAR, 17 TOOTH ( 1000 RPM )
10	00762121	1	NUT, METRIC SLOTTED
11	00606000	1	COTTER PIN
12	00755628	3	BEARING ASSEMBLY
13	00770731	1	INPUT SHAFT SPACER, LONG
14	00766083	12	LOCKWASHER
15	00754338	4	BOLT
16	00762517	1	PLUG, SOCKET HEAD
17	00769321	2	SEALING WASHER
18	00770732	1	INSPECTION COVER
19	00770733	1	INSPECTION COVER GASKET
20	00758646	A/R	SHIM, 0.10
21	00758647	A/R	SHIM, 0.25
22	00758648	A/R	SHIM, 0.5
23	00765905	8	BOLT
24	00770734	1	INPUT CAP
25	00758653	1	SEAL
26	00770735	1	INPUT SHAFT
27	00770739	1	GEAR, 17 TOOTH ( 540 RPM )
	00770738	1	GEAR, 14 TOOTH ( 1000 RPM )
28	00758657	1	INPUT SHAFT SPACER, SHORT
29	00758667	A/R	SHIM, 0.30
31	00758668	A/R	SHIM, 0.020
32	00762114	1	PLUG, VENTED

Used on S/N

# GEARBOX ASSEMBLY - LEFT WING ( S/N 10786 TO CURRENT )

00769921 (540 RPM)  
00769927 (1000 RPM)  
CW in - CCW out

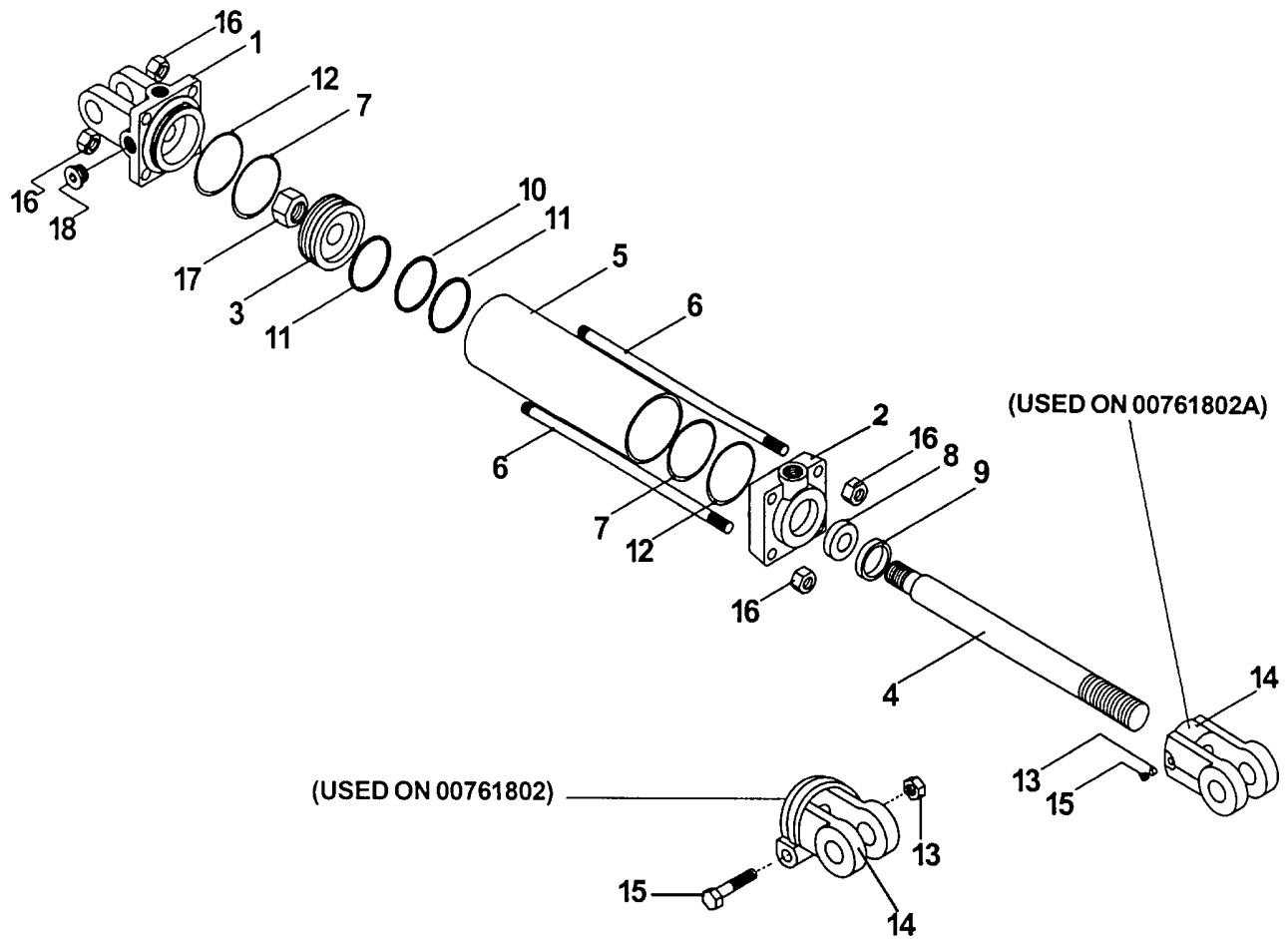


## GEARBOX ASSEMBLY - LEFT WING ( S/N 10786 TO CURRENT )

ITEM	PART NO.	QTY.	DESCRIPTION
	<b>00769921</b>	-	<b>GEARBOX ASY ( 540 RPM ) CW IN - CCW OUT</b>
	<b>00769927</b>	-	<b>GEARBOX ASY ( 1000 RPM ) CW IN - CCW OUT</b>
1	00770724	1	HOUSING
2	00770725	1	BEARING ASSEMBLY
3	00770726	1	OIL SEAL
6	00771226	1	FLANGE NUT SLOTTED
7	01422502	1	COTTER PIN
8	00770728	1	OUTPUT SHAFT
9	00770738	1	GEAR, 14 TOOTH ( 540 RPM )
	00770739	1	GEAR, 17 TOOTH ( 1000 RPM )
10	00762121	1	NUT METRIC SLOTTED
11	00606000	1	COTTER PIN
12	00755628	3	BEARING ASSEMBLY
13	00758667	A/R	SHIM, 0.30
15	00758668	A/R	SHIM, 0.020
16	00770739	1	GEAR, 17 TOOTH ( 540 RPM )
	00770738	1	GEAR, 14 TOOTH ( 1000 RPM )
17	00758657	1	INPUT SHAFT SPACER, SHORT
18	00766083	12	LOCKWASHER
19	00754338	4	BOLT
20	00762517	1	PLUG, SOCKET HEAD
21	00769321	2	SEALING WASHER
22	00770732	1	INSPECTION COVER
23	00770733	1	INSPECTION COVER GASKET
24	00758646	A/R	SHIM, 0.10
25	00758647	A/R	SHIM, 0.25
26	00758648	A/R	SHIM, 0.5
27	00765905	8	BOLT
28	00770734	1	INPUT CAP
29	00758653	1	OIL SEAL
30	00770735	1	INPUT SHAFT
31	00770731	1	INPUT SHAFT SPACER, LONG
32	00762114	1	PLUG, VENTED

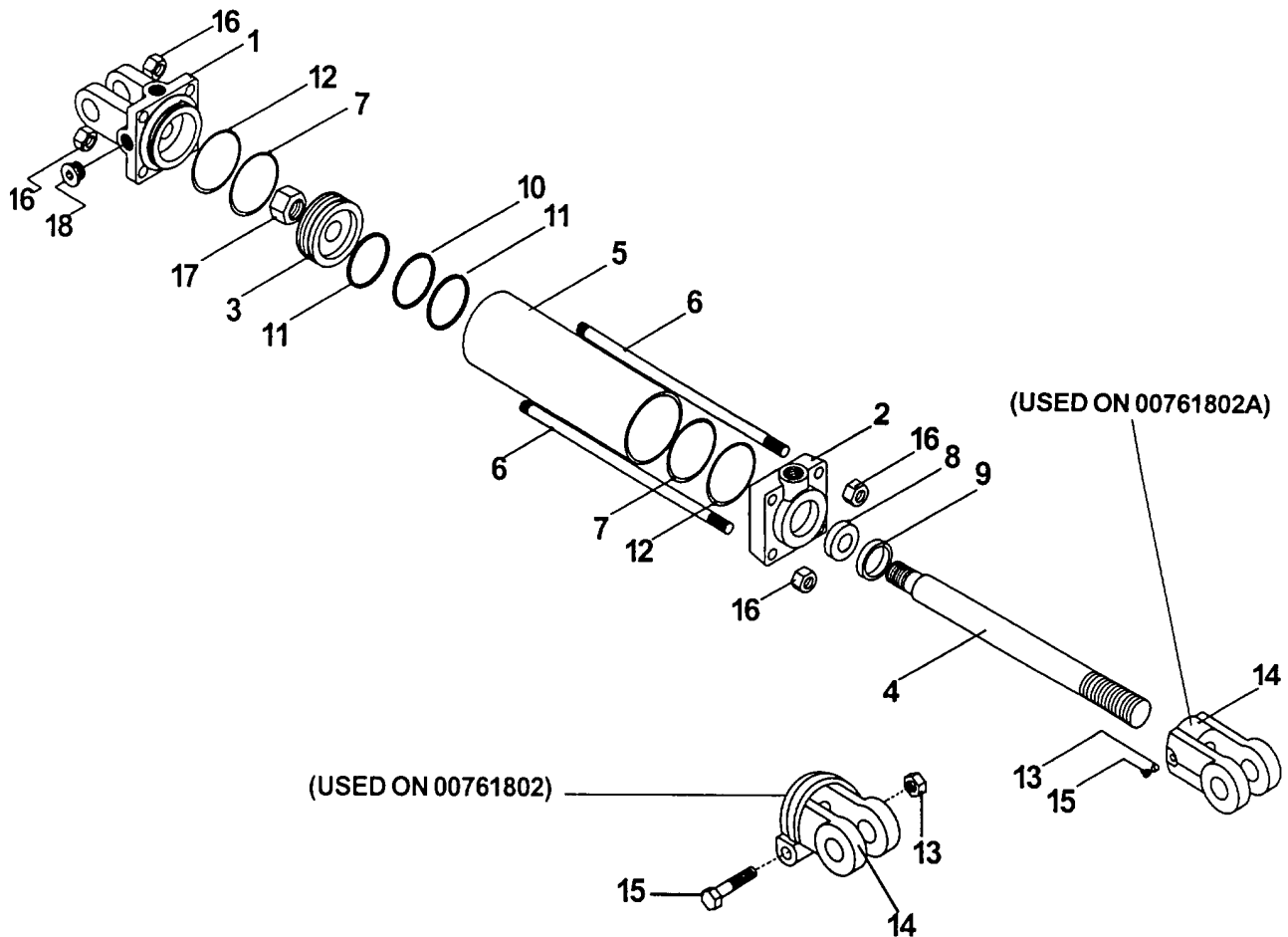
Used on S/N

# CYLINDER, HYDRAULIC ( AXLE ) P/N 00761802



ITEM	PART NO.	QTY.	DESCRIPTION
	<b>00761802</b>	<b>1</b>	<b>CYLINDER ASSEMBLY</b>
1	8772	1	CAP
2	00761896	1	HEAD
3	00761892	1	PISTON
4	00761894	1	PISTON ROD
5	00761893	1	TUBE
6	8773	4	TIE ROD
13	00015800	1	NUT
14	00761895	1	CLEVIS
15	00023100	1	BOLT
16	4689	8	TIE ROD NUT
17	4705	1	PISTON NUT
19	00761891	1	SEAL KIT
20	6511324	1	BREATHER (NOT SHOWN)

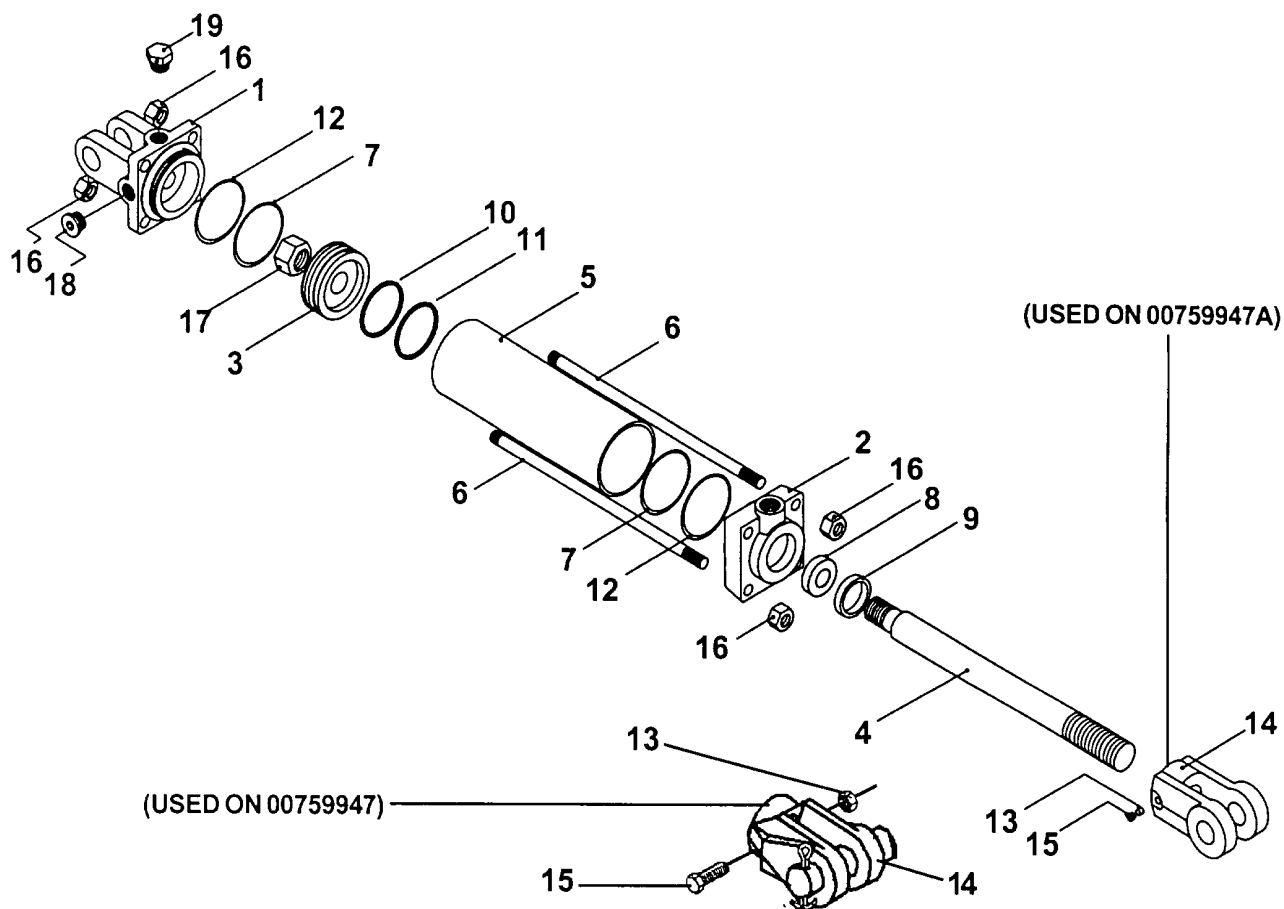
# CYLINDER, HYDRAULIC ( AXLE ) P/N 00761802A



ITEM	PART NO.	QTY.	DESCRIPTION
	<b>00761802A</b>	<b>1</b>	<b>CYLINDER ASSEMBLY</b>
1	00774728	1	CLEVIS CAP
2	00774735	1	ROD CAP
3	00774733	1	PISTON
4	00774739	1	ROD
5	00774750	1	TUBE
6	00774745	4	TIE ROD
7	-----	2	* O-RING
8	-----	1	* ROD WIPER SEAL
9	-----	1	* ROD DUST SEAL
10	-----	1	* PISTON SEAL
11	-----	2	* PISTON WEAR RING
12	-----	2	* BACKUP WASHERS
13	3047117	1	NYLON THREAD PROTECTOR
14	1917140	1	ROD CLEVIS
15	00774740	1	SET SCREW
16	33017H5C	8	TIE ROD NUT
17	5JRC16140	1	PISTON NUT
18	1917132	1	PORT PLUG

\* CONSISTS IN SEAL KIT # 00774759

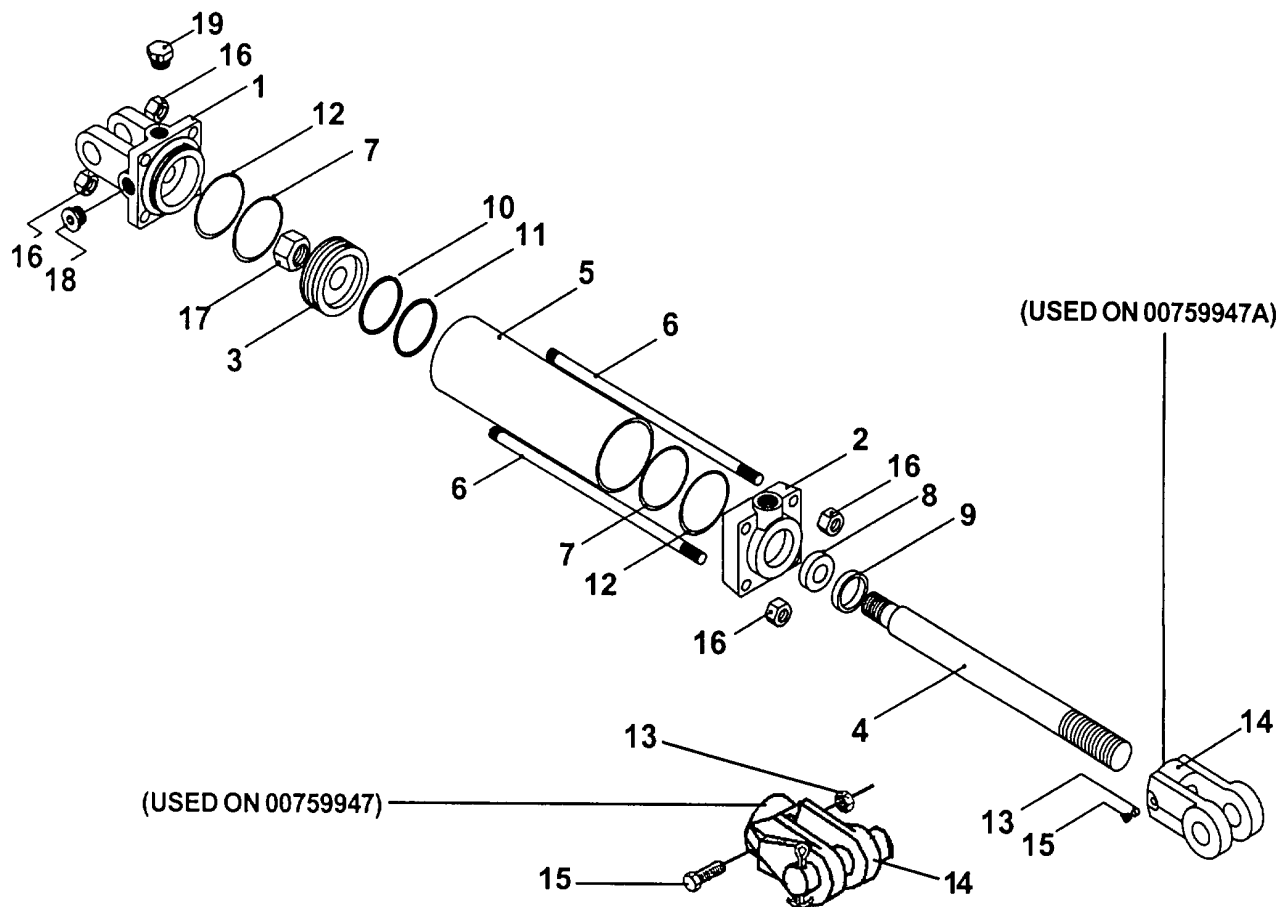
# CYLINDER, HYDRAULIC ( WING ) P/N 00759947



ITEM	PART NO.	QTY.	DESCRIPTION
	<b>00759947</b>	<b>1</b>	<b>CYLINDER ASSEMBLY</b>
1	00760197	1	CAP
2	00760197	1	HEAD
3	00760198	1	PISTON
4	00760201	1	PISTON ROD
5	00760195	1	TUBE
6	00760203	4	TIE ROD
13	4378	1	HEX NUT
14	8754	1	OUTER CLEVIS
15	4427	1	BOLT
16	4690	8	TIE ROD NUT
17	4675	1	PISTON NUT
19	6511324	1	BREATHER PLUG ( NOT SUPPLIED )
20	00760199	1	SEAL KIT



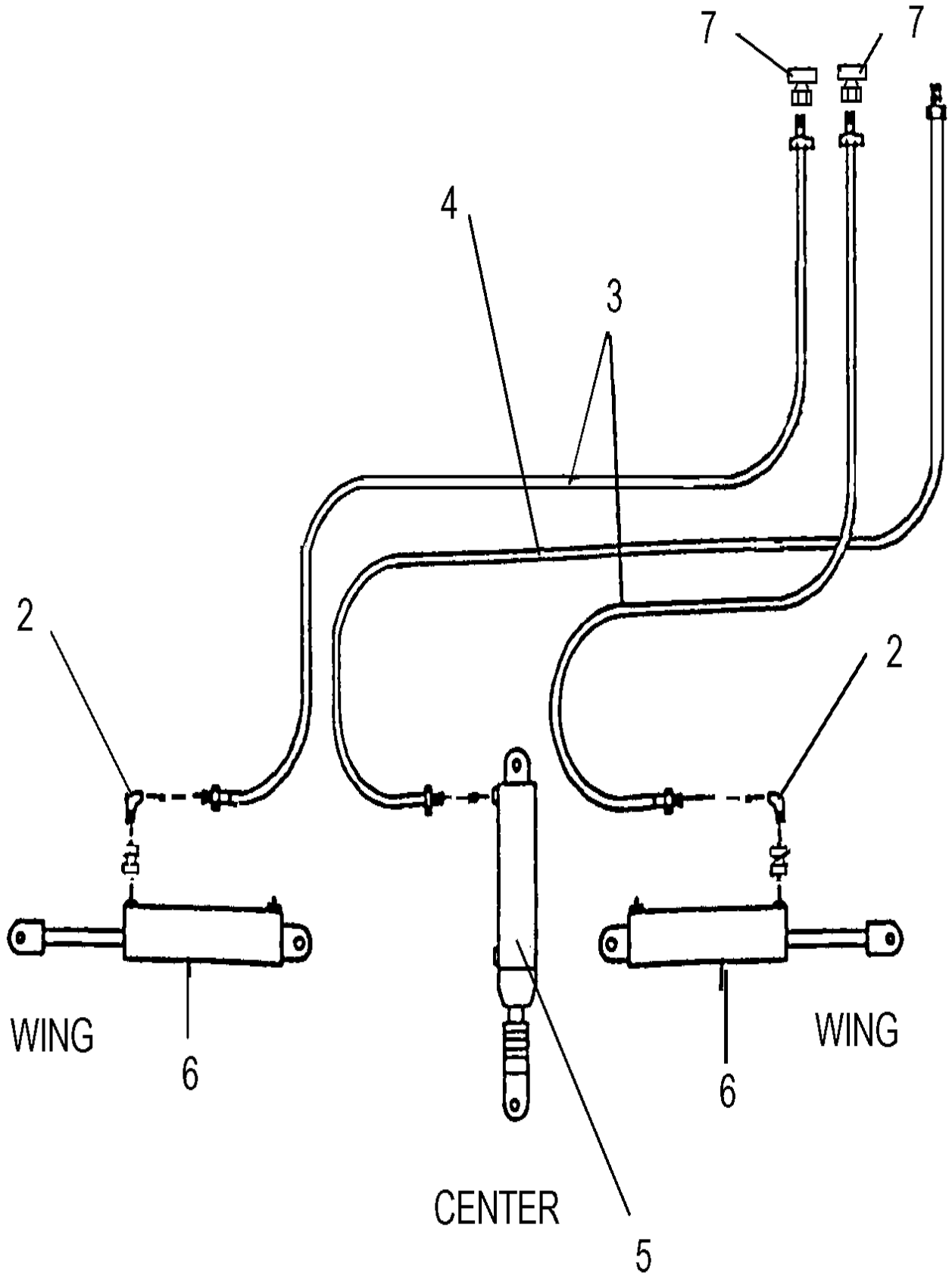
# CYLINDER, HYDRAULIC ( WING ) P/N 00759947A



ITEM	PART NO.	QTY.	DESCRIPTION
	<b>00759947A</b>	<b>1</b>	<b>CYLINDER ASSEMBLY</b>
1	2417158	1	CLEVIS CAP
2	2417157	1	ROD CAP
3	00774732	1	PISTON
4	00774738	1	ROD
5	00774749	1	TUBE
6	00774743	4	TIE ROD
7	-----	2	* O-RING
8	-----	1	* ROD WIPER SEAL
9	-----	1	* ROD DUST SEAL
10	-----	1	* PISTON SEAL
11	-----	1	* PISTON WEAR RING
12	-----	2	* BACKUP WASHERS
13	3047117	1	NYLON THREAD PROTECTOR
14	1917140	1	ROD CLEVIS
15	00774740	1	SET SCREW
16	33005H5C	8	TIE ROD NUT
17	5JRC16140	1	PISTON NUT
18	1917132	1	PORT PLUG
19	2417154	1	BREATHER

\* CONSISTS IN SEAL KIT # 00774761

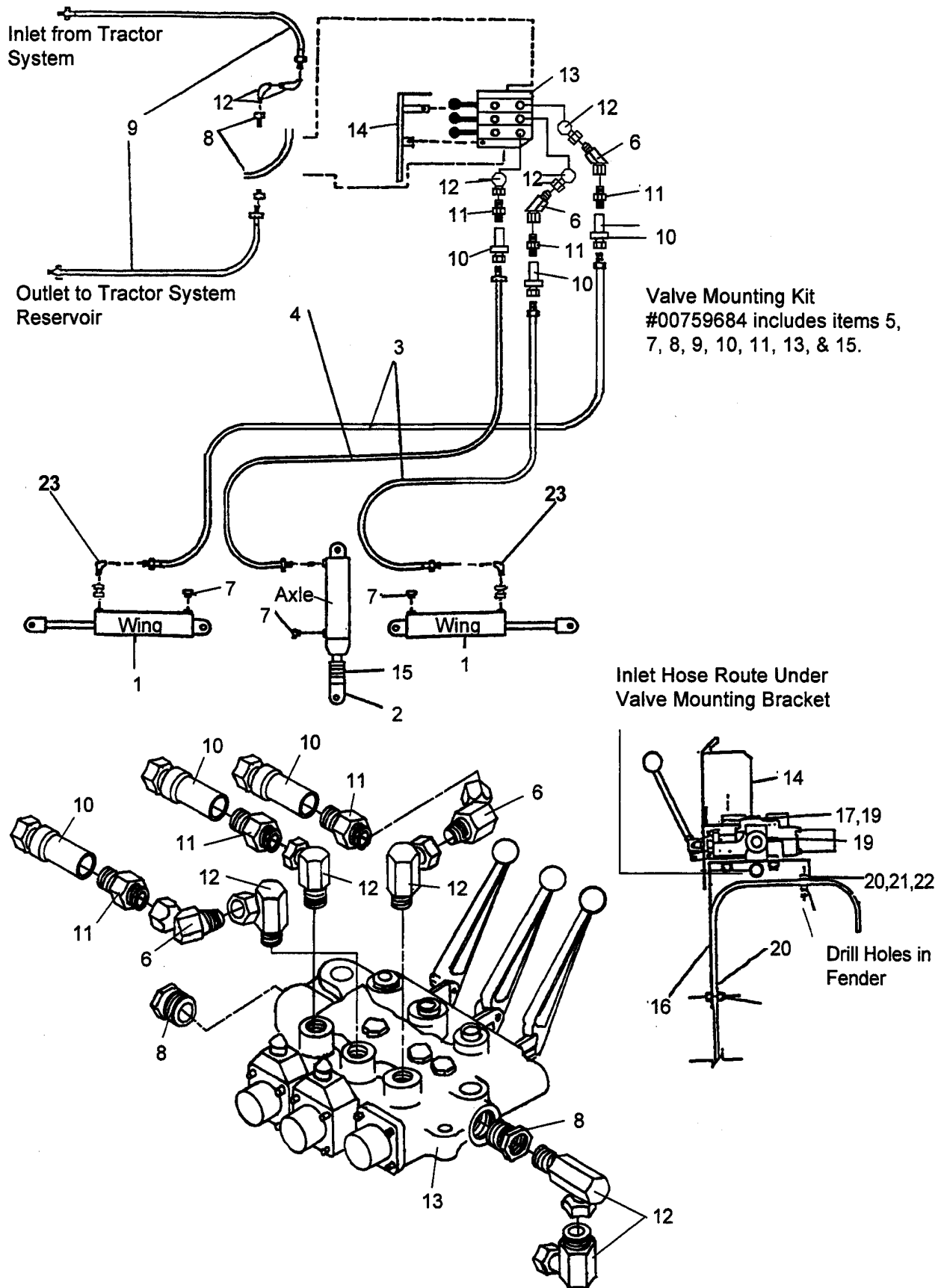
# HYDRAULIC SCHEMATIC



# HYDRAULIC SCHEMATIC

ITEM	PART NO.	QTY.	DESCRIPTION
1	7329	2	ADAPTER, RESTRICTOR ( NOT SHOWN )
2	94517	2	ELBOW HYDRAULIC ADAPTOR, 90 DEG.
3	0811261100	2	HYDRAULIC HOSE
4	0811251000	1	HYDRAULIC HOSE
5	00761802	1	HYDRAULIC CYLINDER, 3-1/2" DIA.
6	00759947	2	HYDRAULIC CYLINDER, 1-1/4" DIA.
7	94507	2	PIPE REDUCER

# CONTROL VALVE, HYDRAULIC W/MOUNTING KIT



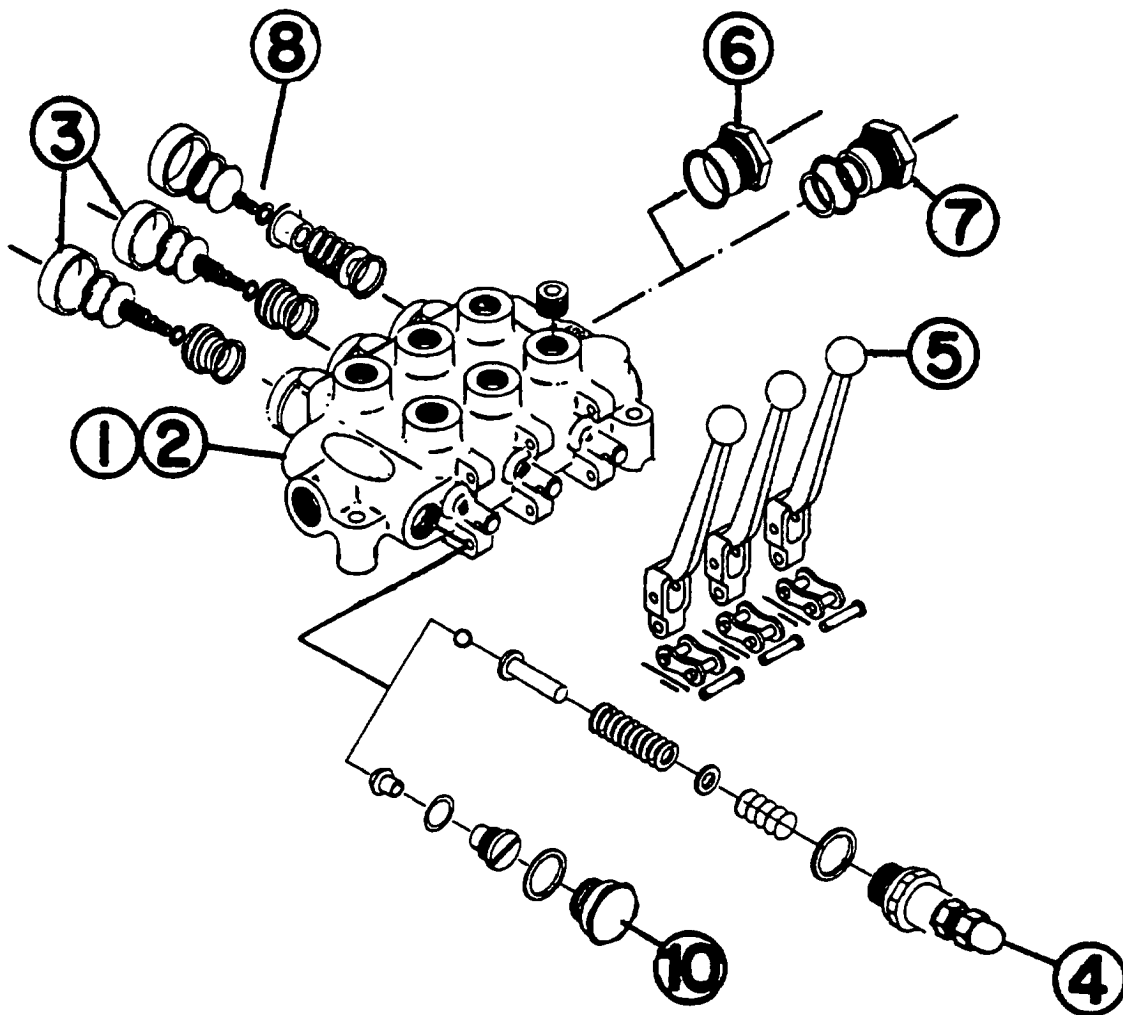
## CONTROL VALVE, HYDRAULIC W/MOUNTING KIT

ITEM	PART NO.	QTY.	DESCRIPTION
1	-----	2	WING LIFT CYLINDER
2	-----	1	AXLE LIFT CYLINDER
3	-----	2	HYDRAULIC HOSE
4	-----	1	HYDRAULIC HOSE
6	000999	2	ADAPTER PIPE 45 DEG.
7	-----	3	BREATHER
8	7323	2	BUSHING REDUCER
9	1347	2	HYDRAULIC COUPLER HOSE
10	2107	3	QUICK DISCONNECT COUPLER
11	02960460	3	STRAIGHT ADAPTER
12	94514	5	SWIVEL ELBOW 90 DEG.
13	00380200	1	3 SPOOL OPEN VALVE BANK
	00759800	1	PLATE, BUCK LH
14	00759682	1	CONTROL VALVE SHIELD
15	-----	1	STROKE CONTROL
16	8166	1	FENDER BRACKET
17	10204000	2	BOLT
18	7336	2	SPACER, SHIELD
19	00010600	1	BOLT
20	00011400	4	BOLT
21	03101646	7	LOCKWASHER
22	00013901	7	NUT
23	00774574	2	ELBOW 90 DEG. RESTRICTOR

Valve Mounting Kit

NOTE: ITEMS WITH NO PART NUMBER ARE SUPPLIED WITH BASE MACHINE

## CONTROL VALVE, HYDRAULIC



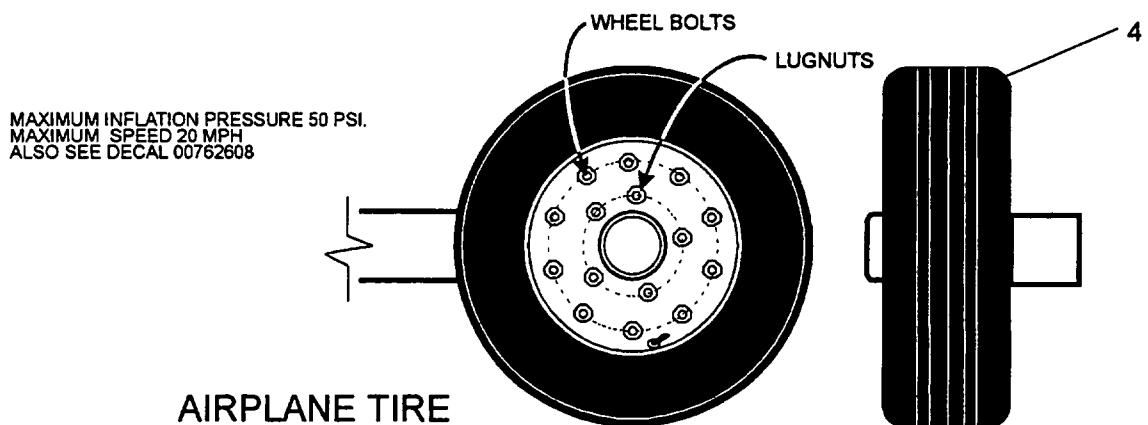
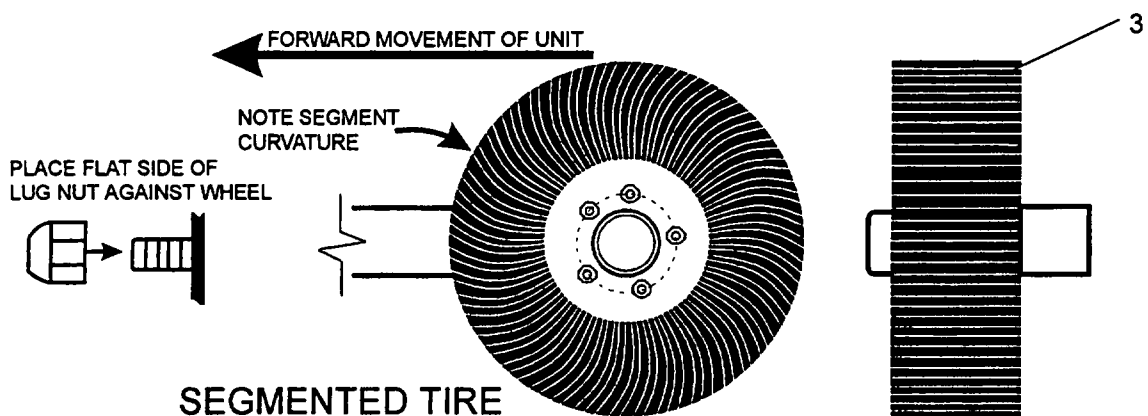
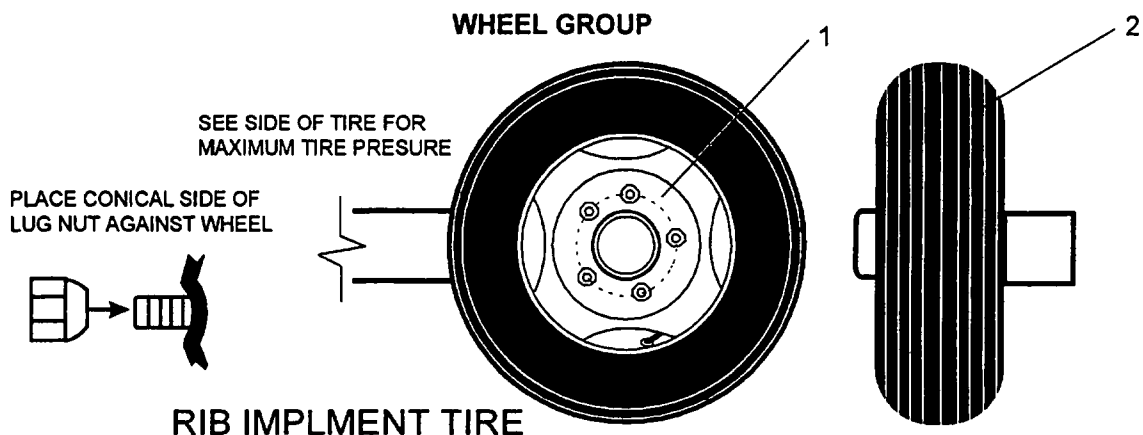
**NOTE:** The Three Spool Control Valve must have "detent float positions" for the Two Wing Cylinder Spools. If such a valve is not used, excessive stress will be induced into the deck and Cylinder Rods.

ITEM	PART NO.	CLOSED CENTER QTY	OPEN CENTER QTY	DESCRIPTION
1	00380200	-	1	3 SPOOL OPEN CENTER VALVE
2	00759833	1	-	3 SPOOL CLOSED CENTER VALVE
3	00751139	3	2	DETENT KIT
4	00751140	-	1	HIGH PRESSURE RELIEF VALVE KIT
5	00751142	3	3	HANDLE ASSEMBLY
6	00751141	-	1	PLUG KIT ( OPEN CENTER )
7	00751002	1	-	PLUG KIT ( CLOSED CENTER )
8	00751358	-	1	REPAIR KIT - SPRING RETURN TO CENTER
9	00751556	1	1	SPOOL SEAL KIT FOR ITEM # 1 OR # 2 ( NOT SHOWN )
10	00752057	1	-	NON-RELIEF VALVE PLUG ( CLOSED CENTER )

NOTE: The Three



# TIRE AND WHEEL ASSEMBLY

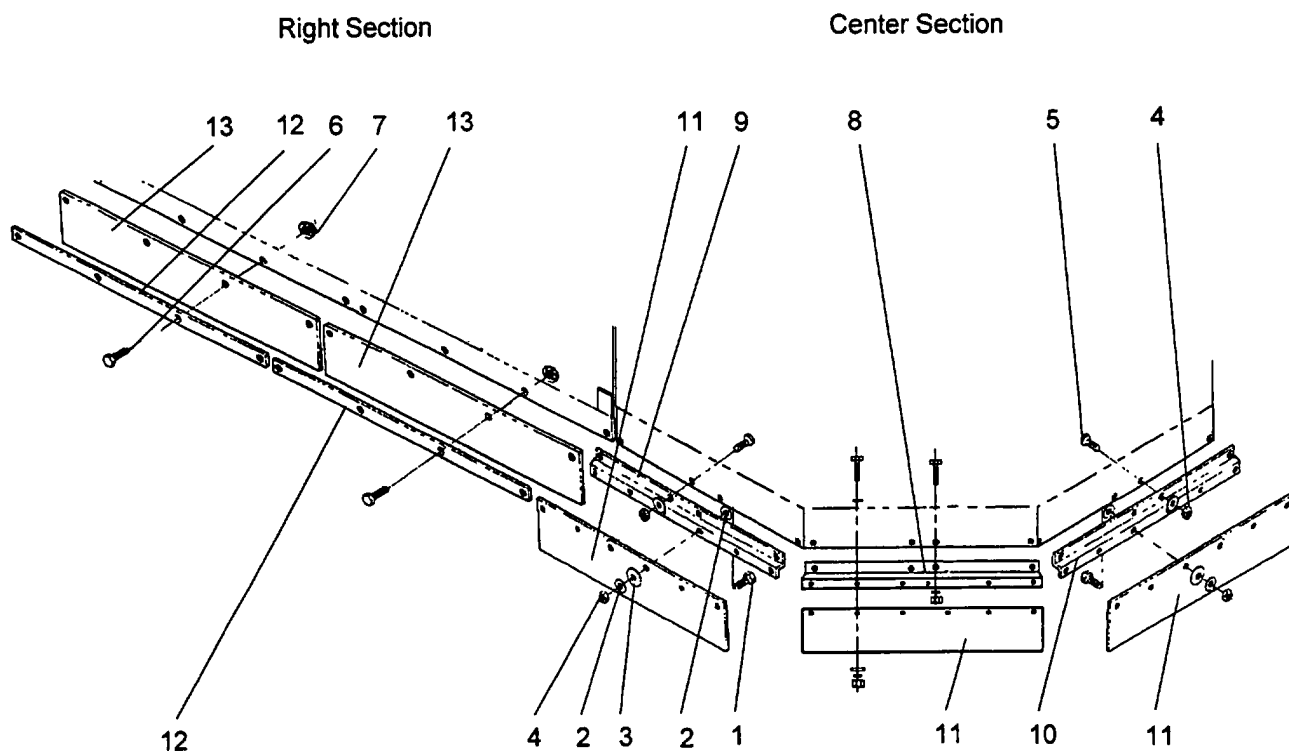




## TIRE AND WHEEL ASSEMBLY

ITEM	PART NO.	QTY.	DESCRIPTION
1	00008700	6	WHEEL, 15 X 5.00 DC.(RIM ONLY)
2	00749698	6	WHEEL IMPLEMENT-TIRE & WHEEL COMPLETE
3	00025200	6	LAMINATED PUNTURE-PROOF TIRE & WHEEL ASY (21" OD) 6.00 X 9
4	00749700	6	USED 14" AIRPLANE TIRE & WHEEL ASY
5	00766911A	6	USED AIRPLANE TIRE & WHEEL FOAM FILLED ( 23" OD ) S/N 01440 & DOWN
	00766911	6	USED AIRPLANE TIRE & WHEEL FOAM FILLED ( 21.5" OD ) S/N 01441 & UP

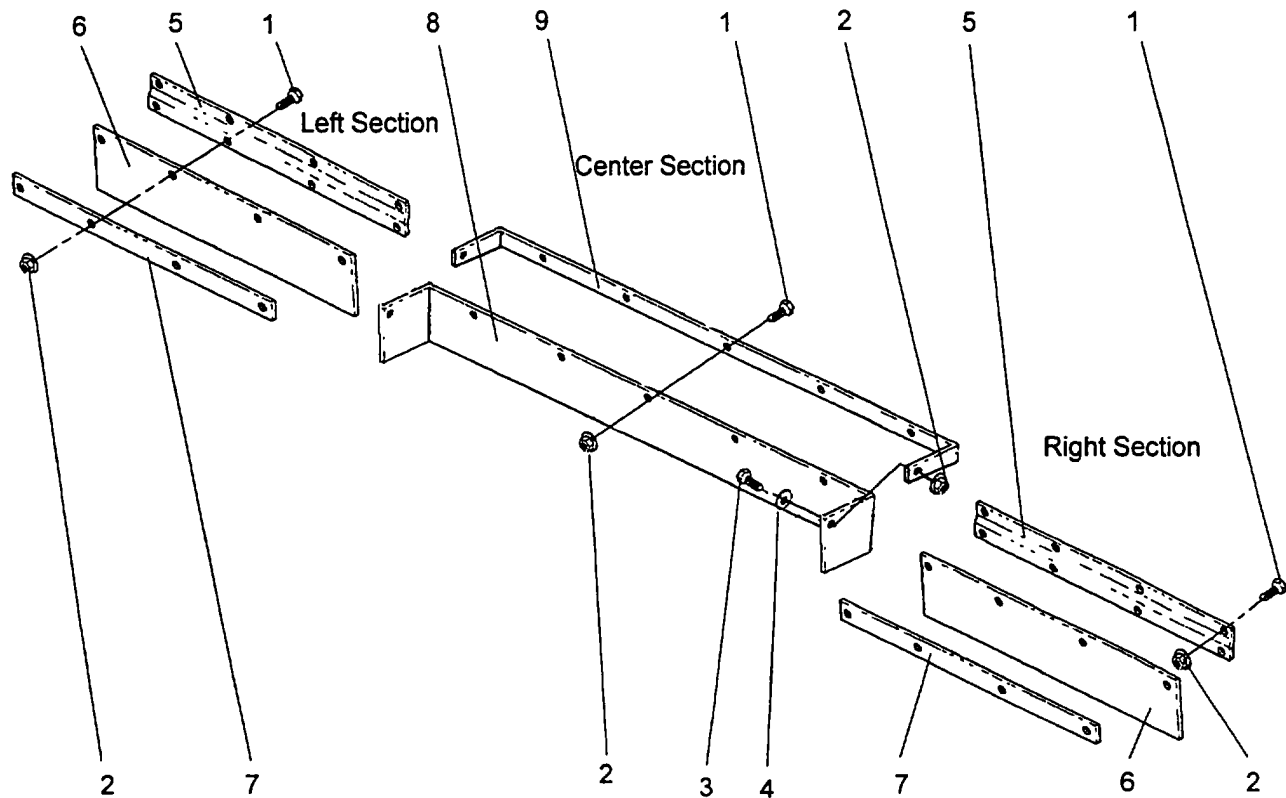
# DEFLECTORS - FRONT



ITEM	PART NO.	QTY.	DESCRIPTION
1	00011400	18	BOLT
2	00011100	36	FLATWASHER
3	02035800	18	WOODWASHER 1-1/2" OD
4	00015800	18	LOCKNUT
5	02030700	10	BOLT
6	00999418	16	BOLT
7	4526	26	WHIZ NUT FLG.
8	00758287	1	CENTER FRONT BRACKET, RUBBER GB
9	00758288	1	CENTER RIGHT BRACKET, RUBBER GD
10	00758289	1	CENTER LEFT BRACKET, RUBBER GD
11	00758294	3	FRONT PANEL, RUBBER DEFLECTOR
12	00765385	4	FLAT DEFLECTOR BAR
13	00765386	4	FRONT WING, RUBBER DEFLECTOR

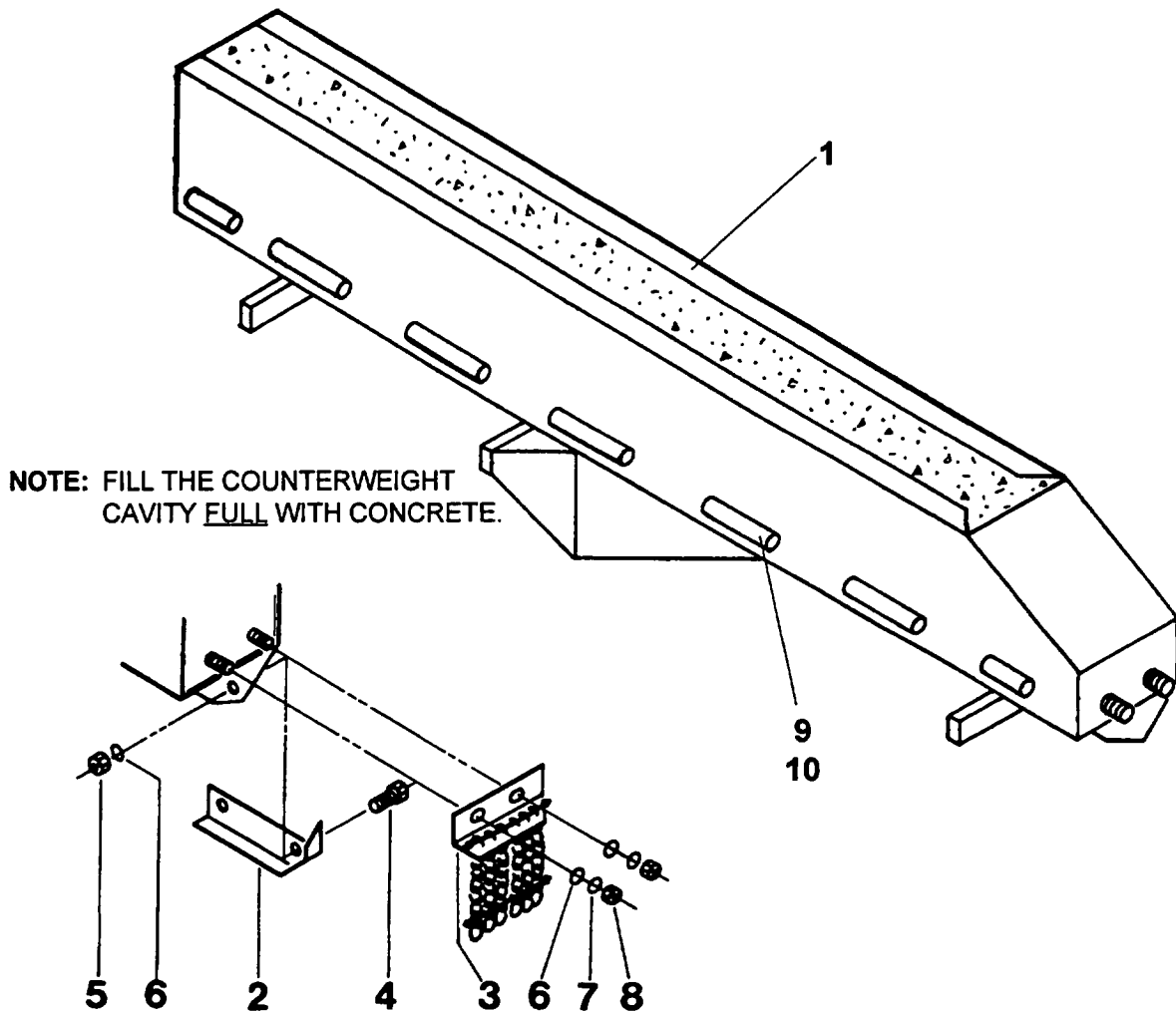
NOTE: Front Left

## DEFLECTORS - REAR



ITEM	PART NO.	QTY.	DESCRIPTION
1	02030700	21	BOLT
2	4526	23	WHIZ NUT FLG.
3	00750959	2	BOLT
4	00002700	2	FLATWASHER
5	00765383	2	REAR WING PLATE DEFLECTOR BRACKET
6	00765381	2	REAR WING RUBBER DEFLECTOR
7	00765382	2	REAR WING DEFLECTOR BAR
8	00765389	1	REAR CENTER RUBBER DEFLECTOR
9	00765390	1	REAR CENTER DEFLECTOR BAR

# COUNTERWEIGHT ASSEMBLY

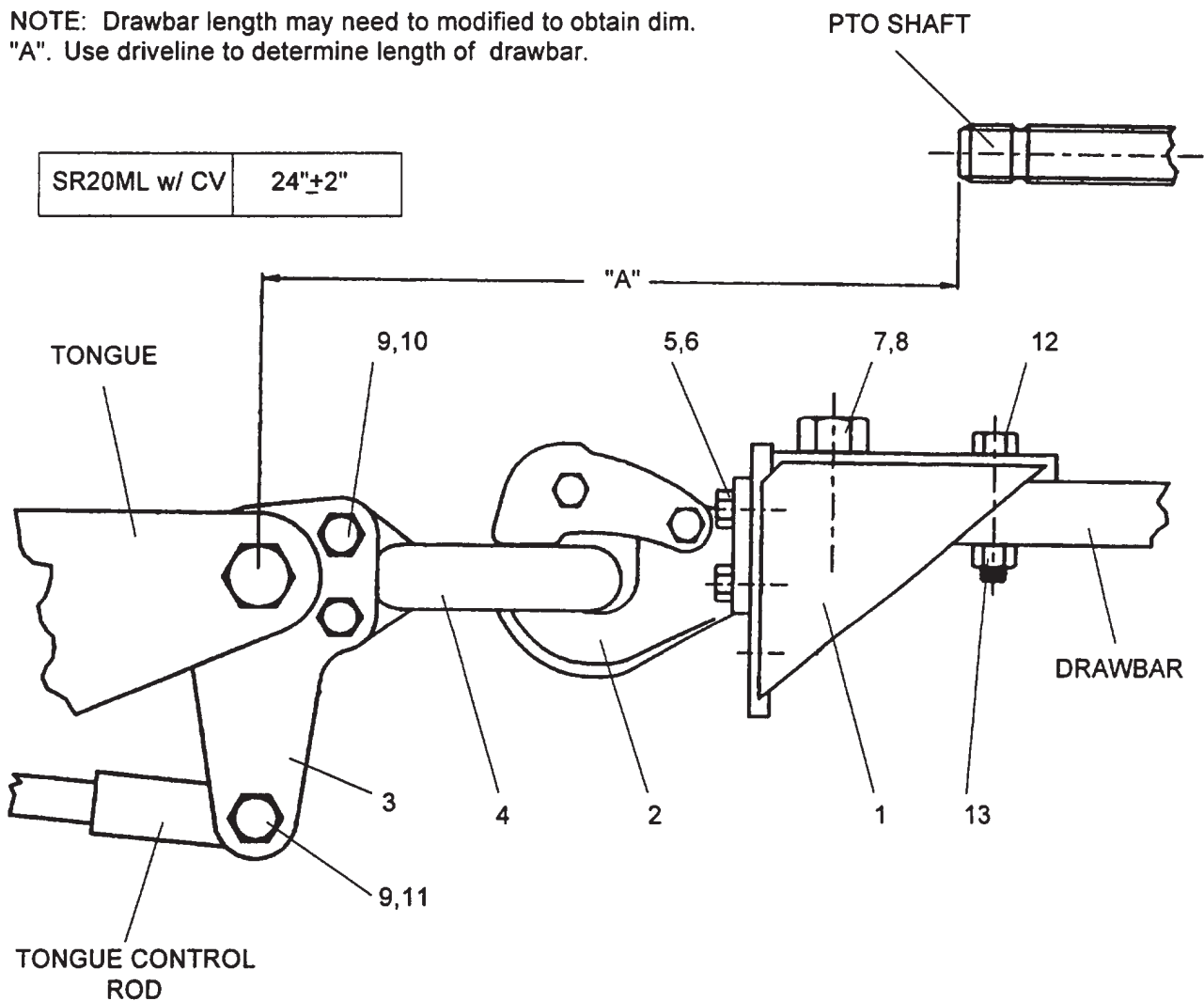


ITEM	PART NO.	QTY.	DESCRIPTION
1	00750511	1	LH FRONT LIP ANGLE WING WLD'MT ( NOT SHOWN )
2	00750989	1	LH SKID SHOE WLD'MT ( SHOWN ABOVE )
3	00751203	1	LH CHAINGUARD ( SHOWN ABOVE )
4	00749171	2	BOLT
5	02716500	2	LOCKNUT
6	00002700	4	FLATWASHER
7	00001300	2	LOCKWASHER
8	00001200	2	HEX NUT
9	00751042	Ref	HINGE PIN SHORT ( NOT SHOWN )
10	00751107	Ref	RETAINING ROLL PIN ( NOT SHOWN )

NOTE: FILL THE

# HITCH ( PINTLE HOOK OPTION )

NOTE: Drawbar length may need to be modified to obtain dim. "A". Use driveline to determine length of drawbar.

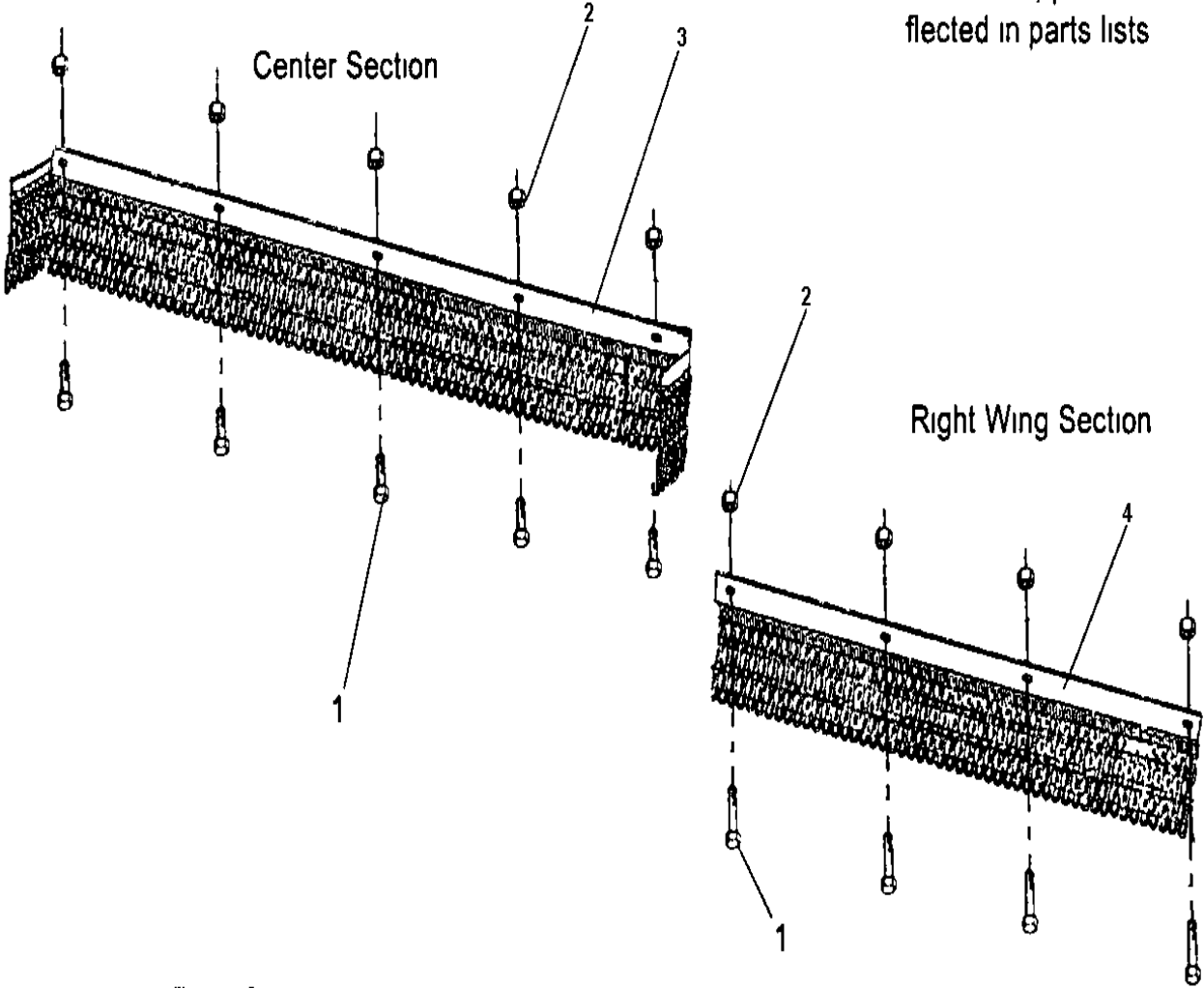


ITEM	PART NO.	QTY.	DESCRIPTION
	<b>00769179</b>	-	<b>PINTLE HOOK HITCH COMPLETE</b>
1	00752283	1	PINTLE HOOK MOUNT WLD'MT
2	00752279	1	PINTLE HOOK
3	00769328	1	PINTLE HOOK CLEVIS WLD'MT
4	00769335	1	PINTLE EYE
5	00001800	4	LOCKNUT TLM 1/2 NC PLC
6	02891800	4	BOLT
7	02030300	1	LOCKNUT
8	02712500	1	BOLT
9	02698100	3	LOCKNUT
10	02845800	2	BOLT
11	02845600	1	BOLT
12	00003300	1	BOLT
13	00037200	1	LOCKNUT

NOTE: Drawbar length

# CHAINGUARD ASSEMBLY - REAR CTR & WING - SINGLE

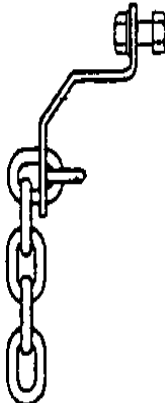
Note Left wing section not shown, parts reflected in parts lists



Rear Center Chain Guard Detail



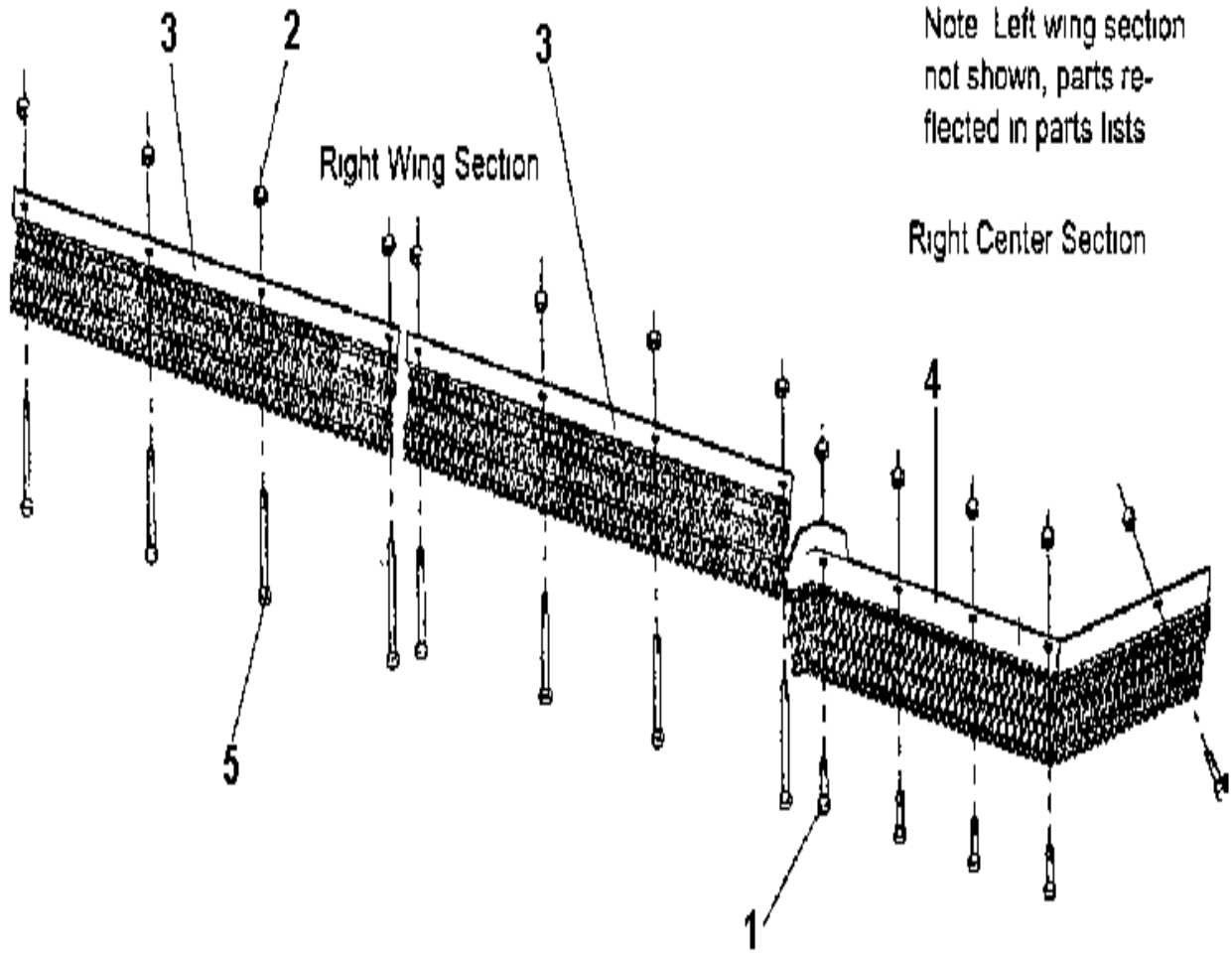
Rear Wing Chain Guard Detail



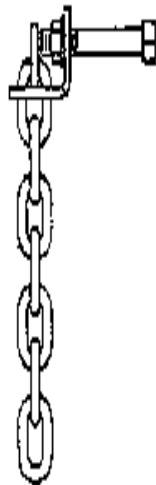
# CHAINGUARD ASSEMBLY - REAR CTR & WING - SINGLE

Item	Part No.	Qty	DESCRIPTION
	<del>00765309-</del>		REAR CTR CG ASY, SINGLE CURTAIN
	<del>00764927-</del>		REAR WING CG ASY, SINGLE CURTAIN
1	0074882313		BOLT
2	4526	13	NUT LOCK FLG WHIZ
3	007653091		REAR CTR CG ASY, SINGLE CURTAIN
4	007649272		REAR WING CG ASY, SINGLE CURTAIN

# CHAINGUARD ASSEMBLY - FRONT CTR & WING - SINGLE



Front Wing  
Chain Guard Detail



Front Center  
Chain Guard Detail

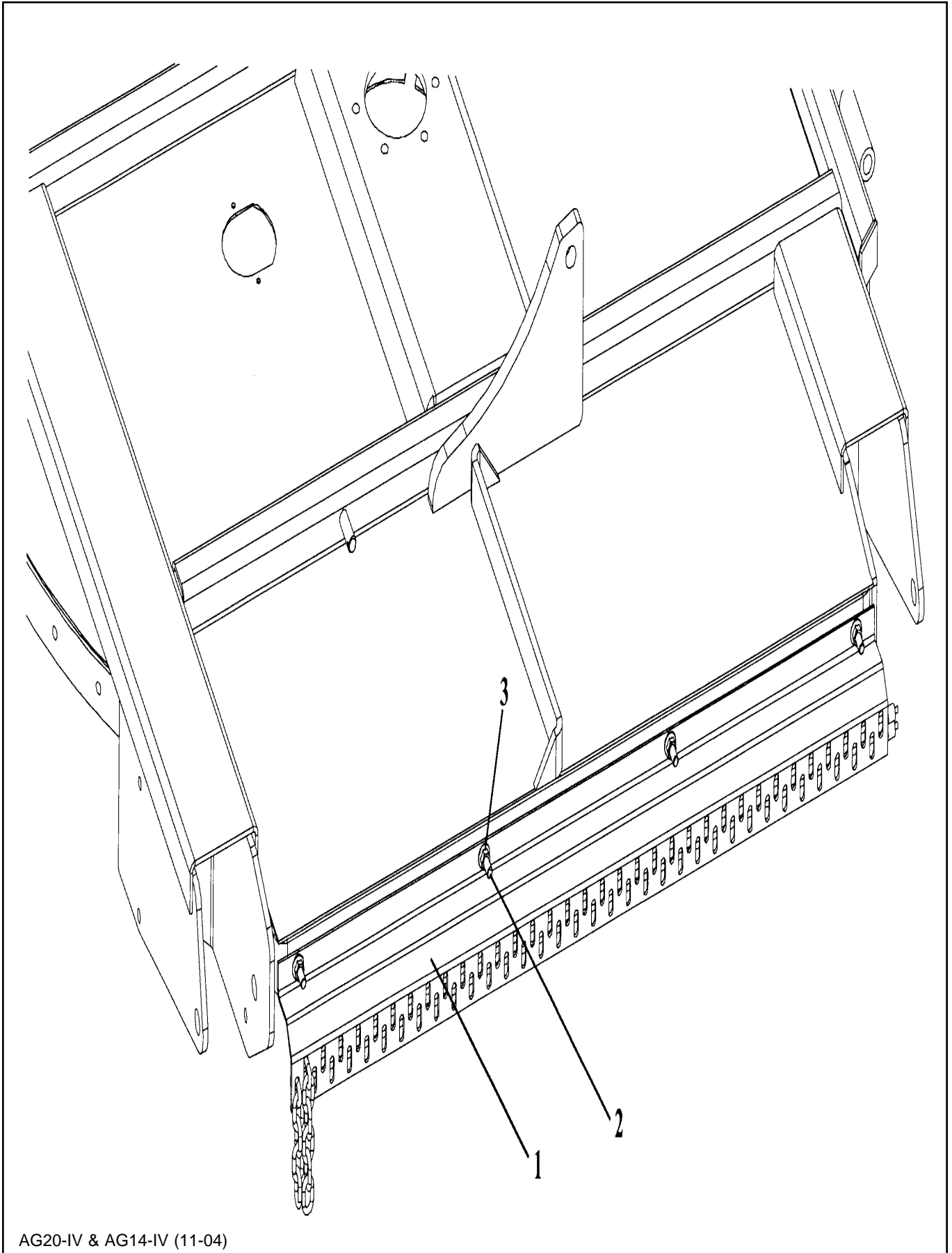




# CHAINGUARD ASSEMBLY - FRONT CTR & WING - SINGLE

Item	Part No.	Qty	DESCRIPTION
	<del>00760767-</del>		<b>FRONT CG ASY, CENTER SECTION - SINGLE CURTAIN</b>
	<del>00764930-</del>		<b>FRONT CG ASY, WING SECTION - SINGLE CURTAIN</b>
1	0074882310		BOLT
2	4526	28	NUT LOCK FLG WHIZ
3	007649304		FRONT WING CG ASY, SINGLE CURTAIN
4	0811301100		FRONT RH CTR CG ASY, SINGLE CURTAIN
	0811301200		FRONT LH CTR CG ASY, SINGLE CURTAIN
5	0099941818		BOLT

# CHAINGUARD ASSEMBLY - REAR WING - DOUBLE



AG20-IV & AG14-IV (11-04)

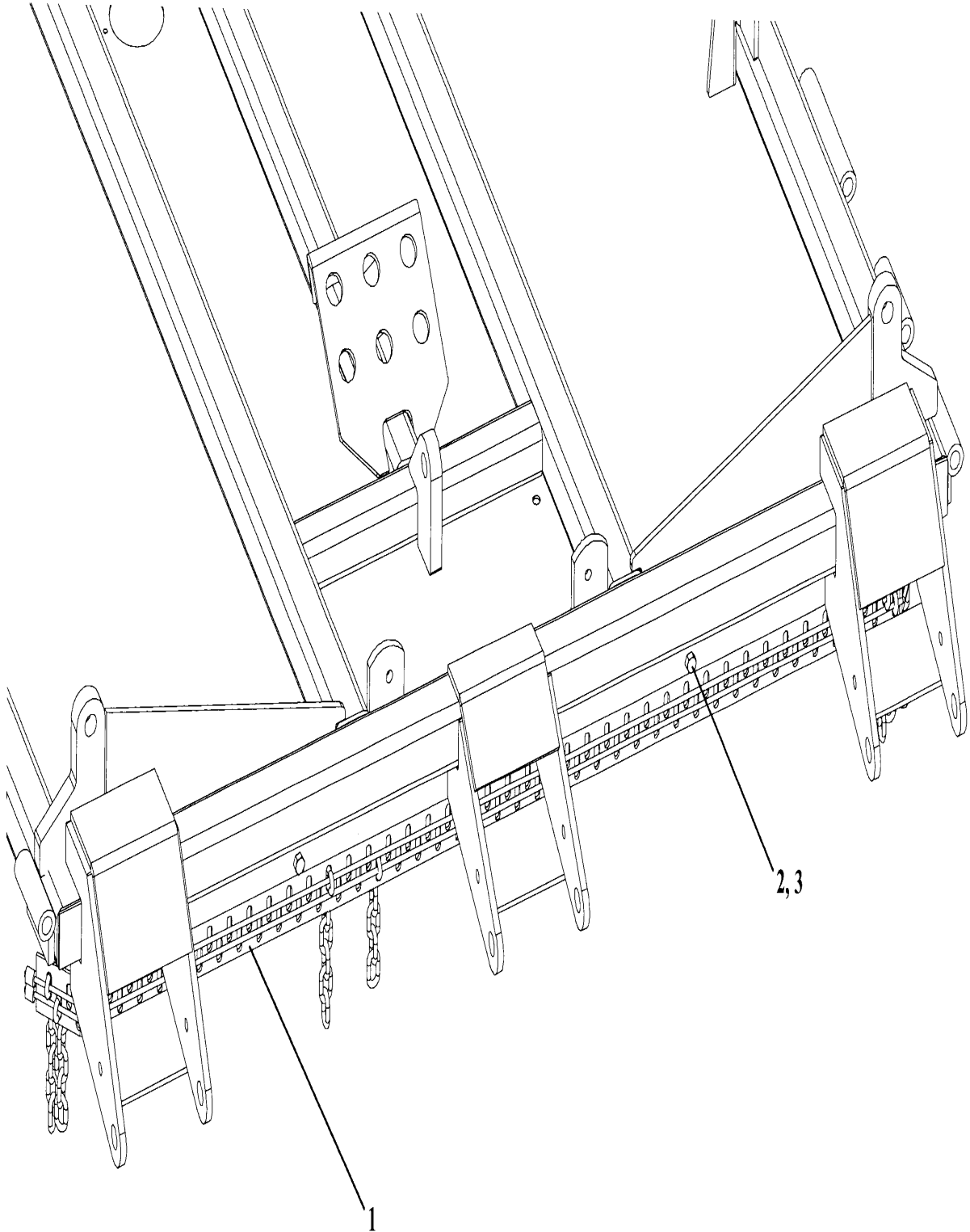
©2006 Alamo Group Inc.

Parts Section - 58

# CHAINGUARD ASSEMBLY - REAR WING - DOUBLE

Item	Part No.	Qty	DESCRIPTION
1	007697591		REAR WING CG ASY, DBL.CURTAIN
2	007488234		BOLT
3	4526	4	NUT LOCK FLG WHIZ

# CHAINGUARD ASSEMBLY - REAR CENTER - DOUBLE



AG20-IV & AG14-IV (11-04)

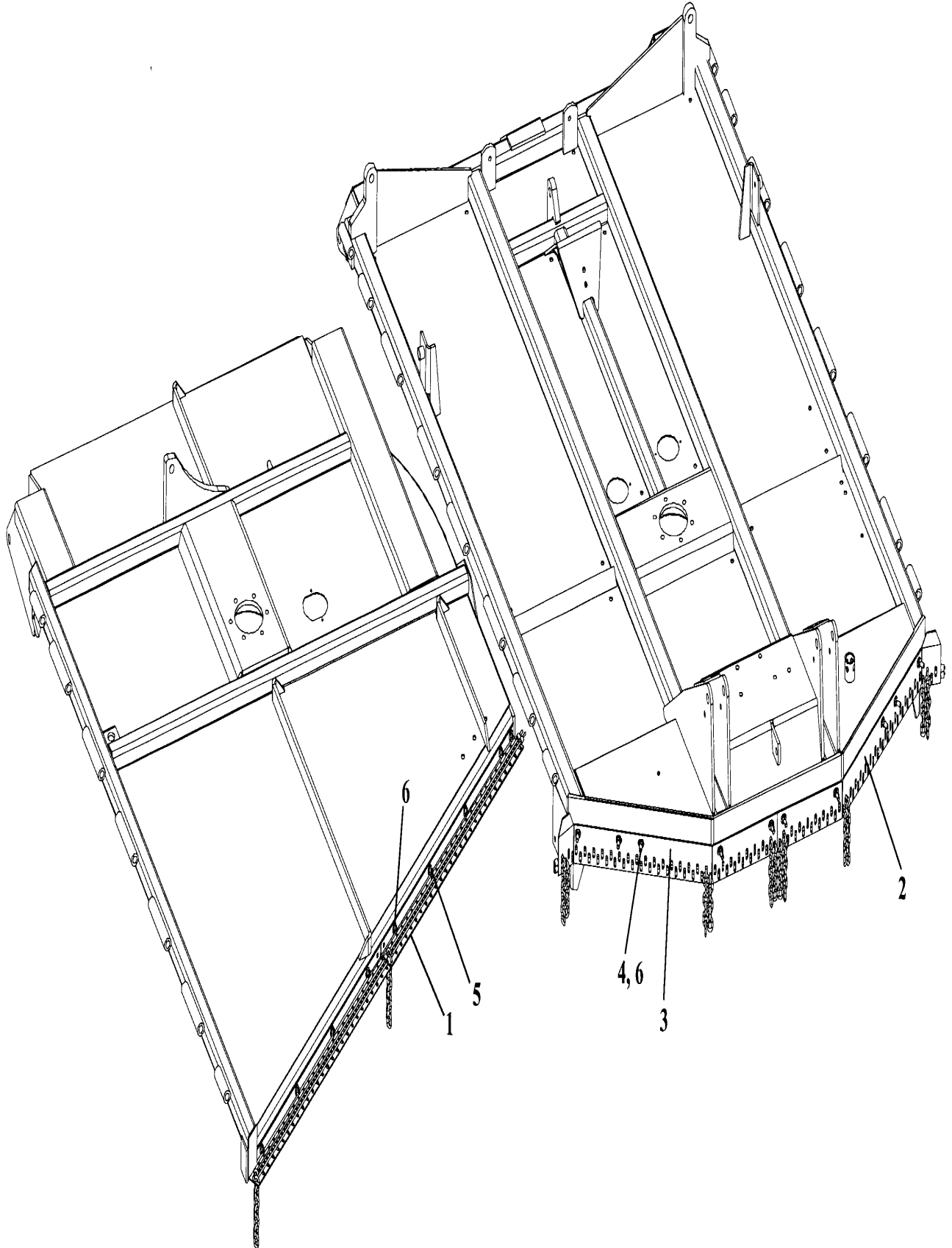
©2006 Alamo Group Inc.

Parts Section – 60

# CHAINGUARD ASSEMBLY - REAR CENTER - DOUBLE

Item	Part No.	Qty	DESCRIPTION
1	007697601		REAR CTR SEC CG ASY, DBL CURTAIN
2	007509595		BOLT
3	4526	5	NUT LOCK FLG WHIZ

# CHAINGUARD ASSEMBLY - FRONT CTR & WING - DOUBLE



AG20-IV & AG14-IV (11-04)

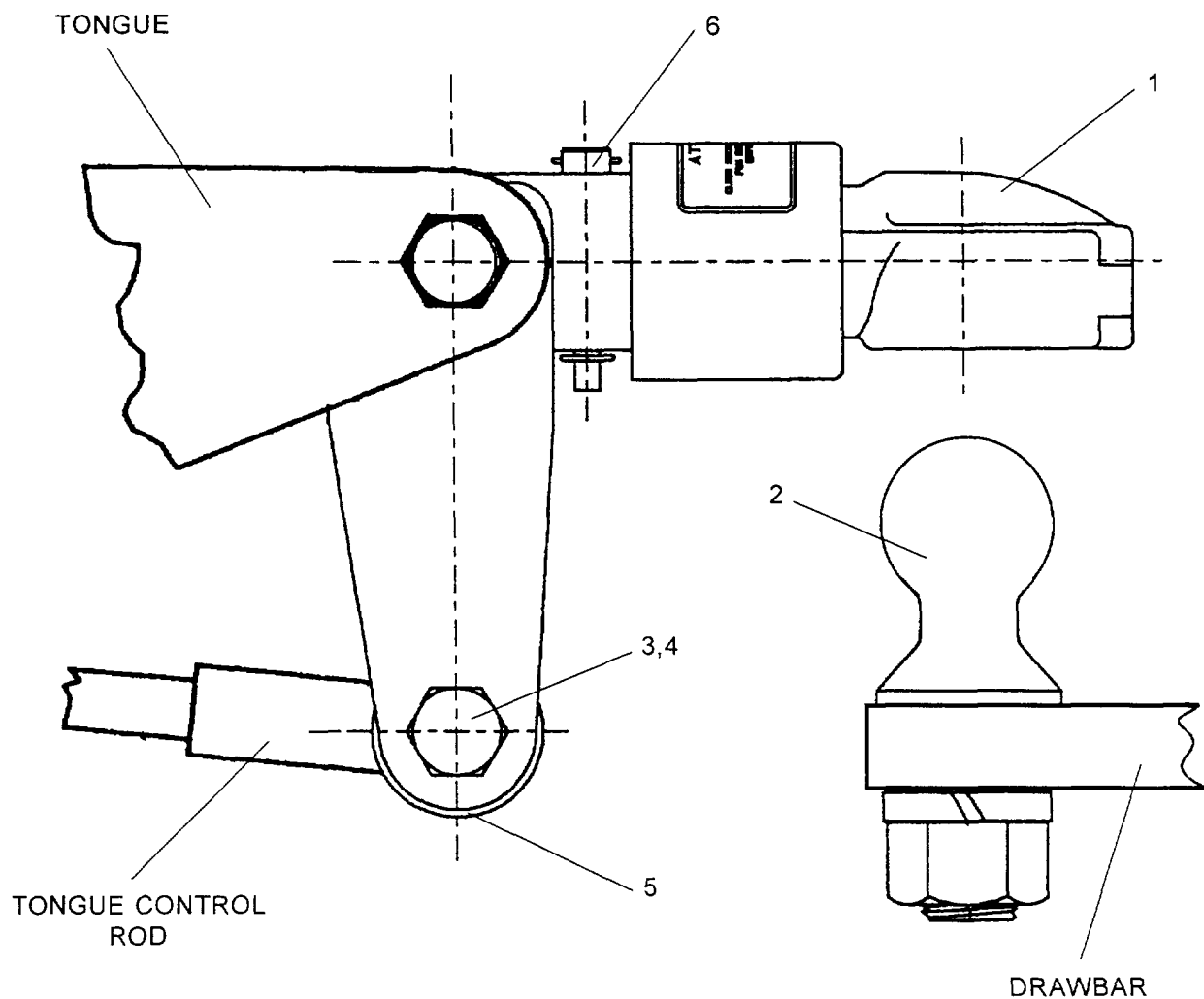
©2006 Alamo Group Inc.

Parts Section - 62

# CHAINGUARD ASSEMBLY - FRONT CTR & WING - DOUBLE

Item	Part No.	Qty	DESCRIPTION
1	007697582		FRONT WING CG ASY, DBL CURTAIN
2	007697571		FRONT LH CTR CG ASY, DBL CURTAIN
3	007697931		FRONT RH CTR CG ASY, DBL CURTAIN
4	0074882310		BOLT
5	009994189		BOLT
6	4526	19	NUT LOCK FLG WHIZ

# CAPTIVE BALL HITCH ASSEMBLY - OPTIONAL



Item	Part No.	Qty	DESCRIPTION
	<b>00769178--</b>		<b>CAPTIVE BALL HITCH ASY</b>
1	007593311		COUPLER CLEVIS WLD'MT
2	007589381		HITCH BALL
3	029609161		BOLT
4	000372001		LOCKNUT
5	15B1200 2		FLATWASHER
6	007693981		CHAIN & PIN ASY





# ALAMO INDUSTRIAL

## LIMITED WARRANTY

### 1. LIMITED WARRANTIES

- 1.01. Alamo Industrial warrants for one year from the purchase date to the original non-commercial, governmental, or municipal purchaser ("Purchaser") and warrants for six months to the original commercial or industrial purchaser ("Purchaser") that the goods purchased are free from defects in material or workmanship.
- 1.02. Manufacturer will replace for the Purchaser any part or parts found, upon examination at one of its factories, to be defective under normal use and service due to defects in material or workmanship.
- 1.03. This limited warranty does not apply to any part of the goods which has been subjected to improper or abnormal use, negligence, alteration, modification, or accident, damaged due to lack of maintenance or use of wrong fuel, oil, or lubricants, or which has served its normal life. This limited warranty does not apply to any part of any internal combustion engine, or expendable items such as blades, shields, guards, or pneumatic tires except as specifically found in your Operator's Manual.
- 1.04. Except as provided herein, no employee, agent, Dealer, or other person is authorized to give any warranties of any nature on behalf of Manufacturer.

### 2. REMEDIES AND PROCEDURES.

- 2.01. This limited warranty is not effective unless the Purchaser returns the Registration and Warranty Form to Manufacturer within 30 days of purchase.
- 2.02. Purchaser claims must be made in writing to the Authorized Dealer ("Dealer") from whom Purchaser purchased the goods or an approved Authorized Dealer ("Dealer") within 30 days after Purchaser learns of the facts on which the claim is based.
- 2.03. Purchaser is responsible for returning the goods in question to the Dealer.
- 2.04. If after examining the goods and/or parts in question, Manufacturer finds them to be defective under normal use and service due to defects in material or workmanship, Manufacturer will:
  - (a) Repair or replace the defective goods or part(s) or
  - (b) Reimburse Purchaser for the cost of the part(s) and reasonable labor charges (as determined by Manufacturer) if Purchaser paid for the repair and/or replacement prior to the final determination of applicability of the warranty by Manufacturer.The choice of remedy shall belong to Manufacturer.
- 2.05. Purchaser is responsible for any labor charges exceeding a reasonable amount as determined by Manufacturer and for returning the goods to the Dealer, whether or not the claim is approved. Purchaser is responsible for the transportation cost for the goods or part(s) from the Dealer to the designated factory.

### 3. LIMITATION OF LIABILITY.

- 3.01. MANUFACTURER DISCLAIMS ANY EXPRESS (EXCEPT AS SET FORTH HEREIN) AND IMPLIED WARRANTIES WITH RESPECT TO THE GOODS INCLUDING, BUT NOT LIMITED TO, MERCHANTABILITY AND FITNESS FOR A PARTICULAR PURPOSE.
- 3.02. MANUFACTURER MAKES NO WARRANTY AS TO THE DESIGN, CAPABILITY, CAPACITY, OR SUITABILITY FOR USE OF THE GOODS.
- 3.03. EXCEPT AS PROVIDED HEREIN, MANUFACTURER SHALL HAVE NO LIABILITY OR RESPONSIBILITY TO PURCHASER OR ANY OTHER PERSON OR ENTITY WITH RESPECT TO ANY LIABILITY, LOSS, OR DAMAGE CAUSED OR ALLEGED TO BE CAUSED DIRECTLY OR INDIRECTLY BY THE GOODS INCLUDING, BUT NOT LIMITED TO, ANY INDIRECT, SPECIAL, CONSEQUENTIAL, OR INCIDENTAL DAMAGES RESULTING FROM THE USE OR OPERATION OF THE GOODS OR ANY BREACH OF THIS WARRANTY. NOT WITHSTANDING THE ABOVE LIMITATIONS AND WARRANTIES, MANUFACTURER'S LIABILITY HEREUNDER FOR DAMAGES INCURRED BY PURCHASER OR OTHERS SHALL NOT EXCEED THE PRICE OF THE GOODS.
- 3.04. NO ACTION ARISING OUT OF ANY CLAIMED BREACH OF THIS WARRANTY OR TRANSACTIONS UNDER THIS WARRANTY MAY BE BROUGHT MORE THAN TWO (2) YEARS AFTER THE CAUSE OF ACTION HAS OCCURRED.

### 4. MISCELLANEOUS.

- 4.01. Proper Venue for any lawsuits arising from or related to this limited warranty shall be only in Guadalupe County, Texas.
- 4.02. Manufacturer may waive compliance with any of the terms of this limited warranty, but no waiver of any terms shall be deemed to be a waiver of any other term.
- 4.03. If any provision of this limited warranty shall violate any applicable law and is held to be unenforceable, then the invalidity of such provision shall not invalidate any other provisions herein.
- 4.04. Applicable law may provide rights and benefits to purchaser in addition to those provided herein.

### KEEP FOR YOUR RECORDS

ATTENTION: Purchaser should fill in the blanks below for his reference when buying repair parts and/or for proper machine identification when applying for warranty.

Alamo Industrial Implement Model \_\_\_\_\_ Serial Number \_\_\_\_\_

Date Purchased \_\_\_\_\_ Dealer \_\_\_\_\_

ATTENTION:  
READ YOUR OPERATOR'S MANUAL

**ALAMO INDUSTRIAL**

An Alamo Group Company  
Post Office Drawer 549  
Seguin, Texas 78156  
830-379-1480





## TO THE OWNER/OPERATOR/DEALER

To keep your implement running efficiently and safely, read your manual thoroughly and follow these directions and the Safety Messages in this Manual. The Table of Contents clearly identifies each section where you can easily find the information you need.

The OCCUPATIONAL SAFETY AND HEALTH ACT (1928.51 Subpart C) makes these minimum safety requirements of tractor operators:

### REQUIRED OF THE OWNER:

1. Provide a Roll-Over-Protective Structure that meets the requirements of this Standard; and
2. Provide Seatbelts that meet the requirements of this paragraph of this Standard and SAE J4C; and
3. Ensure that each employee uses such Seatbelt while the tractor is moving; and
4. Ensure that each employee tightens the Seatbelt sufficiently to confine the employee to the protected area provided by the ROPS.

### REQUIRED OF THE OPERATOR

1. Securely fasten seatbelt if the tractor has a ROPS.
2. Where possible, avoid operating the tractor near ditches, embankments, and holes.
3. Reduce speed when turning, crossing slopes, and on rough, slick, or muddy surfaces.
4. Stay off slopes too steep for safe operation.
5. Watch where you are going - especially at row ends, on roads, and around trees.
6. Do not permit others to ride.
7. Operate the tractor smoothly - no jerky turns, starts, or stops.
8. Hitch only to the drawbar and hitch points recommended by the tractor manufacturer.
9. When the tractor is stopped, set brakes securely and use park lock, if available.

- 
- Keep children away from danger all day, every day...**
  - Equip tractors with rollover protection (ROPS) and keep all machinery guards in place...**
  - Please work, drive, play and live each day with care and concern for your safety and that of your family and fellow citizens.**





