













**ALAMO INDUSTRIAL**

PO BOX 549  
SEGUIN TX 78156-9967

Please fold (do not tear), tape, and drop in any mailbox.

**PLEASE FILL OUT OWNER WARRANTY REGISTRATION INFORMATION  
SIGN, AND DROP LAST COPY IN ANY MAILBOX.**

**IMPORTANT!**  
**TO PLACE THIS WARRANTY IN EFFECT,  
THIS WARRANTY REGISTRATION MUST BE  
FILLED OUT, SIGNED, AND MAILED WITHIN 30  
DAYS OF DELIVERY DATE OF THIS MACHINE.  
DEALER AND PURCHASER MUST SIGN.**

**ATTENTION: ANY CLAIM SUBMITTED TO ALAMO INDUSTRIAL®  
WILL BE REFUSED UNTIL COMPLETED, SIGNED  
WARRANTY REGISTRATION CARD IS ON FILE.**

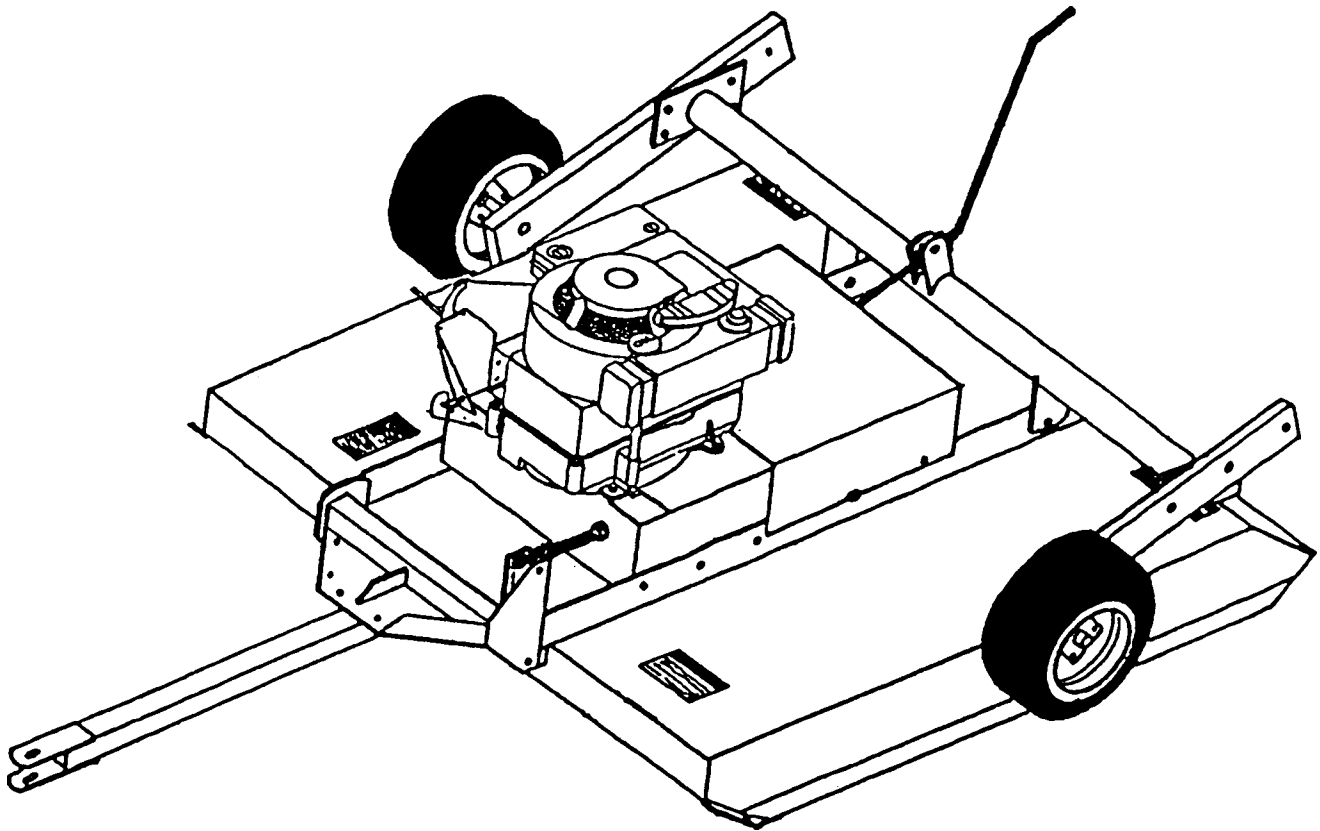


# APM4

## Self-Powered Rotary Mower

Rev 03-13

P/N 00767317



## OPERATOR'S MANUAL with PARTS LISTING

**ALAMO INDUSTRIAL**

1502 E. Walnut  
Seguin, Texas 78155  
830-372-9595



**BUILT SHARPER®**

An Alamo Group Company

© 2013 Alamo Group Inc.

# TO THE OWNER/OPERATOR/DEALER

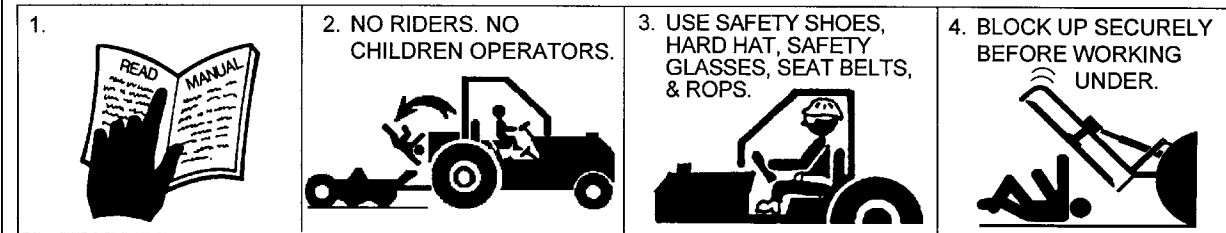
All implements with moving parts are potentially hazardous. There is no substitute for a cautious, safe-minded operator who recognizes the potential hazards and follows reasonable safety practices. The manufacturer has designed this implement to be used with all its safety equipment properly attached to minimize the chance of accidents.

## BEFORE YOU START!!

Read the safety messages on the implement and shown in your manual. Observe the rules of safety and common sense!



**FAILING TO FOLLOW SAFETY MESSAGES AND OPERATING INSTRUCTIONS CAN CAUSE SERIOUS BODILY INJURY OR EVEN DEATH TO OPERATOR AND OTHERS IN THE AREA.**



1. Study and understand Operator's Manuals, Safety Signs, and Instructional Decals for tractor and implement to prevent misuse, abuse, and accidents. Practice before operating in a confined area or near passersby.
  - Learn how to stop engine suddenly in an emergency. Be alert for passersby and especially children.
2. Allow no children on or near implement or tractor. Allow no riders on tractor or implement. Falling off may cause serious injury or death from being run over by tractor or cutter or contact with rotating blades.
3. Operate only with tractor having Roll-Over Protective Structure (ROPS) and with seatbelt fastened securely and snugly to prevent injury and possible death from falling off or tractor overturn. Personal Protective Equipment such as Hard Hat, Safety Glasses, Safety shoes, and Ear Plugs are recommended.
4. Block up or support raised machine and all lifted components securely before putting hands or feet under or working underneath any lifted components to prevent crushing injury or death from sudden dropping or inadvertent operation of controls. Make certain area is clear before lowering or folding.
5. Before transporting, put Lift Lever in detent or full-lift position. Install \*Cylinder Stops as Transport Blocks securely on pull-type and folding implements. Slow down when turning and on hillsides.
  - Attach \*\*Safety Chain to cutter and towing unit securely. See Operator's Manual.
6. Make certain that SMV sign, Warning Lights, and Reflectors are clearly visible. Follow local traffic codes.
7. Never operate with Cutting Head raised if passersby, bystanders, or traffic are in the area to reduce possibility of injury or death from objects thrown by Blades under Guards or cutter structure.
8. Before dismantling, secure implement in transport position or lower to ground.
  - Put tractor in park or set brake, disengage PTO, stop engine, and remove key, and wait until noise of rotation has ceased to prevent entanglement in rotating parts which can cause injury or death.
  - Never mount or dismount a moving vehicle. Crushing from runover may cause injury or death.



## WARRANTY INFORMATION:

Read and understand the complete Warranty Statement found in this Manual. Fill out the Warranty Registration Form in full and return it to within 30 Days. Make certain the Serial Number of the Machine is recorded on the Warranty Card and on the Warranty Form that you retain.



# TABLE OF CONTENTS

Safety .....	2-4
Decal Location .....	5
Decal Information .....	6
Assembly and Set-Up .....	7-8
Torque Chart .....	9
Height Adjustment .....	9-10
Starting and Stopping .....	10
Mowing Tips .....	11
Offset Adjustment .....	12
Lubrication .....	13
Blade Servicing .....	14
Blade Spindle Repair .....	15
General Maintenance .....	16
Trouble Shooting Guide .....	17-18
Parts Ordering Guide .....	19
Parts Listing	
General Assembly .....	20-21
Wheel and Axle Assembly .....	22
Blade Bar Assembly .....	23
Deflectors .....	24
Chainguards .....	25



# SAFETY

**DANGER!**



There are obvious and hidden potential hazards in the operation of this mower. **REMEMBER!** The Blades of this mower can throw objects for a great distance at very high speeds. Serious injury or even death may occur unless care is taken to insure the safety of the operator, bystanders, or passersby in the area.

## KEEP CLEAR!

Included here is a list of Safety Messages which should be followed. Serious injury or death may occur unless care is taken to follow these Safety Messages and use good common sense in avoiding hazards.

**DANGER!**



Rotary Mowers are capable under adverse conditions of throwing objects for great distances (100 yards or more) and causing serious injury or death. Follow safety messages carefully. **STOP MOWING IF PASSERSBY ARE WITHIN 100 YARDS UNLESS:**

- Front and Rear Deflectors, or Chain Guards are installed and in good, workable condition;
- Mower section is running close to and parallel to the ground without exposed Blades;
- Passersby are outside the existing thrown-object zone;
- All areas have been thoroughly inspected and all foreign material such as rocks, cans, glass, and general debris has been removed.

**NOTE:** Where there are grass and weeds high enough to hide debris that could be struck by the blades, the area should be inspected and large debris removed, mowed at an intermediate height, inspected closely with any remaining debris being removed, and mowed again at desired final height. (This will also reduce power required, reduce wear and tear on the Mower drivetrain, spread cut material better, eliminate streaking, and make the final cut more uniform.)

**DANGER!**



The Chain Guards, Deflectors, and Belt Shield should be used and maintained in good working condition. They should be inspected carefully, at least daily for missing or broken cable, chain links, shields, or guards. Missing, broken, or worn items must be replaced at once to reduce the possibility of injury from thrown objects or entanglement.

**WARNING!**



Extreme care should be taken when operating near loose objects, such as gravel, rocks, wire, and other debris. Foreign objects should be removed from the site or avoided to prevent machine damage and/or bodily injury or even death.

**DANGER!**



The rotating parts of this machine have been designed and tested for rugged use. However, they could fail upon impact with heavy, solid objects such as steel guard rails and concrete abutments. Such impact could cause the broken objects to be thrown outward at very high velocities. To reduce the possibility of property damage, serious injury, or even death, never allow the cutting blades to contact such obstacles.

**WARNING!**




The operator and all support personnel should wear "hard hats", "safety shoes", and "safety glasses" at all times for protection from injury by falling objects and items thrown by the machine.


**DANGER!**




Operate the mower only with a tractor equipped with an approved roll-over-protective system(ROPS). Always wear your seat belt. Serious injury or even death could result from falling off the tractor---particularly during a turnover when the operator could be pinned under the ROPS or the Tractor.

# SAFETY


**WARNING!**  Before leaving the tractor seat, always engage the brake and/or set the tractor transmission in parking gear. Stop the engine, remove the key, and wait for all moving parts to stop. Place the tractor shift lever into a low range or parking gear to prevent the tractor from rolling. Never mount or dismount a moving tractor. Operate the tractor controls from the tractor seat only.


**WARNING!**  Many varied objects, such as wire, cable, rope, or chains, can become entangled in the operating parts of the mower head. These items could then swing outside the housing at greater velocities than the blades. Such a situation is extremely hazardous. Inspect the cutting area for such objects before mowing. Remove any like object from the site. Never allow the cutting blades to contact such items.

**DANGER!**  Be particularly careful in transport. Turn curves or go up hills only at a low speed and at a gradual steering angle. Make certain that at least 20% of the tractor's weight is on the front wheels to maintain safe steering. Slow down on rough or uneven surfaces.

**WARNING!**  Make certain that the "Slow Moving Vehicle" (SMV) sign is installed in such a way as to be clearly visible and legible. Use flashing warning lights and follow all local traffic regulations.

**CAUTION!**  Do not exceed 20mph transport speed. Tires may over-heat and blow out.


**WARNING!**  Periodically inspect all moving parts for wear and replace with authorized service parts if an excessive amount of wear is present.

**WARNING!**  Look for loose fasteners, worn or broken parts, and leaky or loose fittings. Make sure all pins have cotter pins and washers. Serious injury may occur from not maintaining this machine in good working order.

**DANGER!**  Do not mount or dismount the tractor while the tractor is moving. Mount the tractor only when it is completely stopped.

**DANGER!**  Never allow riders on either tractor or mower. Falling off can kill.

**DANGER!**  Never clean or adjust mower while engine is running.

**DANGER!**  Do not fill gasoline tank while engine is running. Refuel only after engine has cooled down. If gasoline is spilled, move machine away from the area of the spill and avoid creating any source of ignition until the gasoline has evaporated.

# SAFETY

**DANGER!** Never allow children to operate or ride on the tractor or mower.



**DANGER!** Never work under the Mower Deck, the framework, or any lifted component unless the mower is securely supported or blocked up to prevent sudden or inadvertent falling which could cause serious injury or even death.



**WARNING!** Never operate the tractor and mower until you have read and completely understand this manual, the Tractor Operator's Manual, and each of the Safety Messages found on the tractor and mower.



**WARNING!** Always maintain the safety decals in good readable condition. If a decal becomes torn, painted over, or otherwise illegible, order replacement decals immediately.



**DANGER!** Never run the tractor engine or mower engine in a closed building without adequate ventilation. The exhaust fumes can be hazardous to your health. (Diesel fumes are not dangerous to the same degree.)



**CAUTION!** **PROLONGED EXPOSURE TO LOUD NOISE MAY CAUSE PERMANENT HEARING LOSS!**  
Tractors with or without Mowers attached can often be noisy enough to cause permanent, partial hearing loss. We recommend that you wear hearing protection on a full-time basis if the noise in the Operator's position exceeds 80db. Noise over 85db on a long-term basis can cause severe hearing loss. Noise over 90db adjacent to the Operator over a long-term basis may cause permanent, total hearing loss. Note: Hearing loss from loud noise [from tractors, chain saws, radios, and other such sources close to the ear] is cumulative over a lifetime without hope of natural recovery.

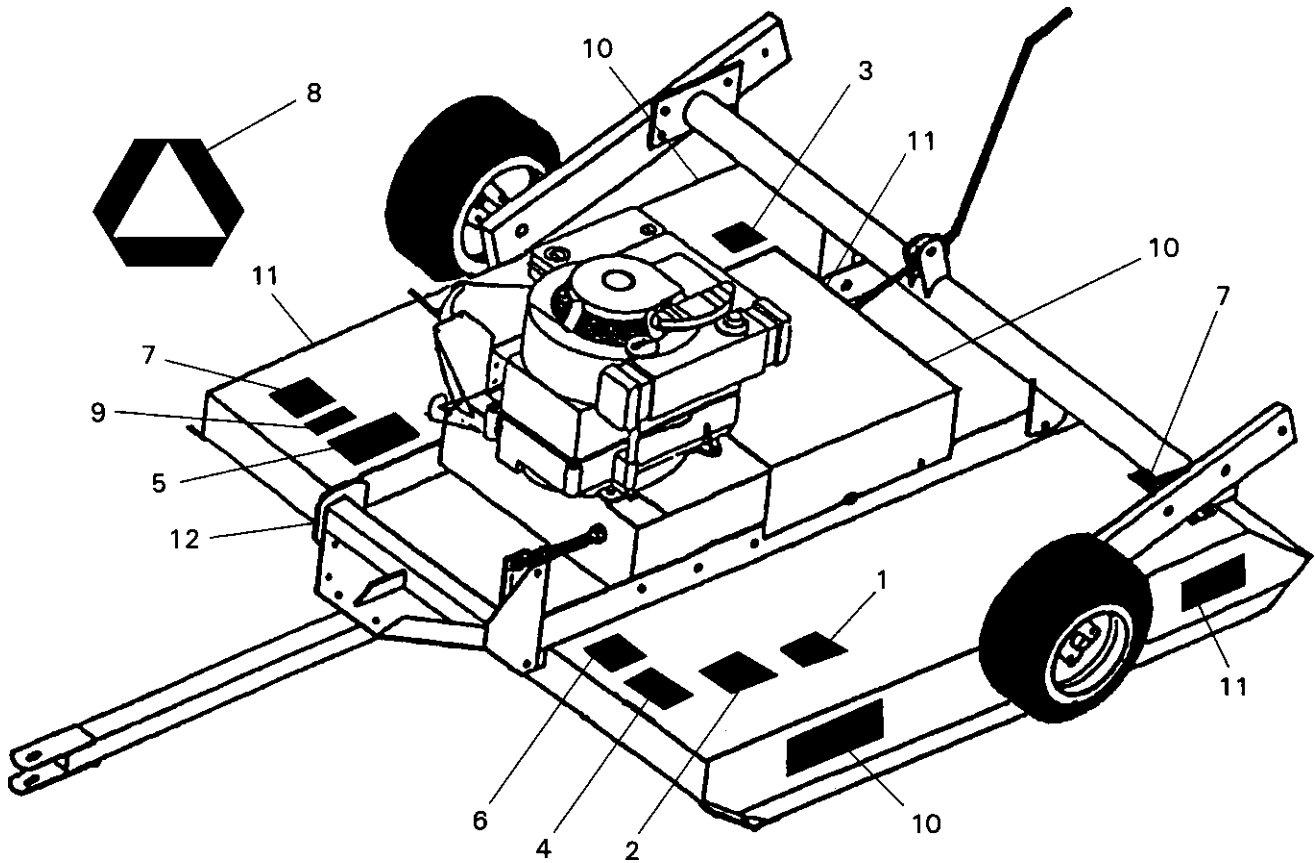


In addition to the design and configuration of this implement, including Safety Signs and Safety Equipment, hazard control and accident prevention are dependent upon the awareness, concern, prudence, and proper training of personnel involved in the operation, transport, maintenance, and storage of the machine. Refer also to Safety Messages and operation instruction in each of the appropriate sections of the Tractor and Mower Manuals. Pay close attention to the Safety Signs affixed to the Tractor and Mower.



WHEN THIS SYMBOL IS DISPLAYED,  
BE ALERT!  
PAY ATTENTION!  
SOMEONE'S LIFE IS AT STAKE!

# SAFETY DECAL LOCATION



ITEM	PART NO.	QTY	TYPE	DESCRIPTION
1	00725746	1	PELIGRO	Translate Safety Material
2	00749117	1	DANGER	Multi-Hazard
3	00758194	1	WARNING	V-Belt Pinch Point
4	00758362	1	DANGER	No Riders, Kill Switch, Stop
5	02925100	1	INSTRUCT	Genuine Parts, Alamo Rotary
6	00769736	1	WARNING	Use/Repair Shields & Guards
7	00769737	2	DANGER	Cutting Blades/Thrown Objects
8	03200347	*	REFLECT	SMV Emblem
9	00763977	1	INSTRUCT	Notice to Owner
10	00758206	3	LOGO	Alamo
11	00771343	3	NAME	A PM4
12	nfs	1	SER PLT	Serial Plate

# SAFETY DECALS

## ⚠ PELIGRO

Si No Lee Ingles, Pida Ayuda a Alguien Que Si Lo Lea Para Que le Traduzca las Medidas de Seguridad.

LEA EL INSTRUCTIVO



00725746

1 - 00725746

## IMPORTANT

For your safety and to guarantee optimum product reliability, always use Genuine ALAMO INDUSTRIAL replacement parts. The use of inferior "will-fit" parts will void Warranty of your ALAMO INDUSTRIAL implement and may cause premature or catastrophic failure which can result in serious injury or death. If you have any questions concerning the repair parts you are using, contact ALAMO INDUSTRIAL, 1502 E. Walnut Seguin, TX 78155 (830) 372-3551.



5 - 02925100

## ⚠ WARNING

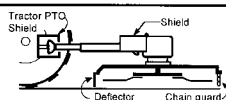
FAILURE TO USE AND MAINTAIN SHIELDS AND DEFLECTORS IN GOOD CONDITION MAY LEAD TO INJURY OR DEATH FROM ENTANGLEMENT WITH ROTATING PARTS, BEING HIT BY OBJECTS THROWN WITH GREAT FORCE BY BLADES, OR BY BLADE CONTACT.

• Always replace Guards which have been removed for maintenance. Never operate with Guards missing or broken.

• Chain Guards, Gearbox & Driveline Shields, Rubber-Fabric Deflectors, and Solid Band Enclosures are subject to wear and lost or broken parts and must be repaired or replaced as soon as damage is found.

• Safety Shielding must be installed and in good condition to reduce the possibility of thrown objects any time this machine is operated in any area where thrown objects could cause property damage or bodily injury.

ROTARY 00769735



6 - 00769736

## NOTICE TO OWNER

An OPERATOR'S MANUAL (with Repair Parts Listing) and a WARRANTY REGISTRATION CARD were attached to this implement during final inspection at the factory. If they were not attached at the time of purchase, please contact your selling dealer at once.

1. Read and understand Manual before operating the implement.
2. Complete, sign, and mail the Warranty Registration Card in today.

00763977

9 - 00763977

## DANGER

THROWN OBJECTS



CUTTING BLADES



KEEP AWAY - ROTATING BLADES

BEING HIT BY THROWN OBJECTS OR CONTACTING ROTATING BLADES CAN CAUSE INJURY OR DEATH.

- Stop mowing if passersby enter the area of thrown objects. (See Operator's Manual).
- Do not operate with Mower or Wing raised off the ground. (See Operator's Manual).
- Operate only if all Guards-Deflectors are in place and in good condition.

00769737

7 - 00769737

2 - 00749117 Multi-Hazard  
(Shown on front cover)



A Terrain King® Product

10 - 00771343

## A P M 4

11 - 00758206

## ⚠ DANGER



1. NO RIDERS ON TRACTOR OR MOWER. FALLING UNDER MOWER CAN CAUSE INJURY, MAIMING, OR EVEN DEATH.
2. ALWAYS ATTACH KILL SWITCH TETHER CORD TO TRACTOR WITHIN EASY REACH FOR QUICK STOPPING OF MOWER ENGINE. STOP BOTH TRACTOR AND MOWER ENGINES BEFORE DISMOUNTING TO PREVENT INJURY FROM BLADES OR OTHER MOVING PARTS.
3. STOP MOWING IF ANYONE COMES IN THE AREA. WATCH OUT FOR ANIMALS, STRUCTURES, AND PASSERSBY.

00758362

4 - 00758362

## ⚠ WARNING

DO NOT OPERATE WITH BELT SHIELD REMOVED. FINGER(S) MAY BE PINCHED OFF IF CAUGHT BETWEEN V-BELT AND PULLEY.



00758194

3 - 00758194

# OPERATION

## FUEL RECOMMENDATIONS

Engine will operate satisfactorily on any gasoline intended for automotive use. **DO NOT MIX OIL WITH GASOLINE.** Use clean gasoline with a minimum rating of 77 Octane. Do not fill fuel tank to the point of overfilling. Provide approximately 1/4" of tank space for fuel expansion.

## STARTING

Open fuel valve several turns. Figure 3. Choke engine by moving lever as shown in Figure 4. Open throttle control just enough to disengage the engine kill switch. To start engine, grasp starter grip and pull out cord rapidly to overcome compression and prevent kickback. Repeat if necessary with choke opened slightly. When engine starts, open choke gradually. Increase engine speed to full throttle or a governed speed of 3600 RPM.

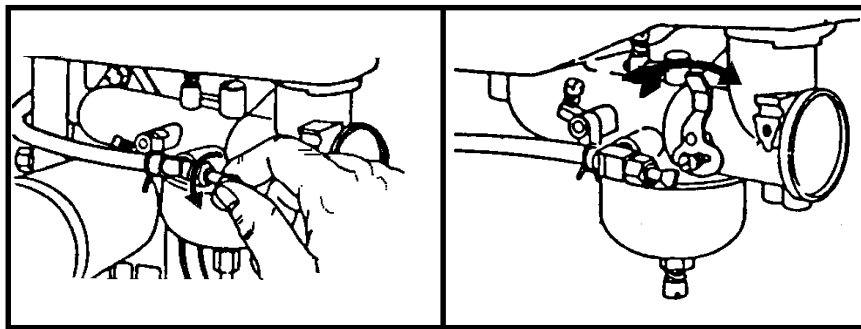


FIGURE 3

FIGURE 4

### DANGER!

Always keep hands and feet clear of mower blade.



### WARNING!

**DO NOT** tamper with governor springs, governor links, or other parts which may increase the governed speed.



## MOWING SPEED

Proper ground speed for mowing will depend upon the height, type, and density of material to be cut. Normally, ground speed will range from 2 to 5 mph. Tall dense material should be cut at a low speed, while thin medium height material can be cut at a faster ground speed.

## MOWING TIPS

Always operate engine at full throttle when mowing. This is necessary to maintain proper blade speed and to produce a clean cut. Under certain conditions, towing vehicle tires may roll some grasses down and prevent them from being cut at the same height as the surrounding area. When this occurs, reduce the ground speed, but maintain full throttle engine rpm. The lower speed will permit grasses to at least partially rebound and be cut. Taking a partial cut and/or reversing the direction of travel may also produce a cleaner cut.



# OPERATION

## MOWER OFFSET ADJUSTMENT

This mower may be offset either right or left of center approximately 24 inches. To offset, remove 3/8" bolts on either side of tongue and offset tongue in the desired direction until both holes in tongue bracket align with additional holes in upper bracket. Figure 6.

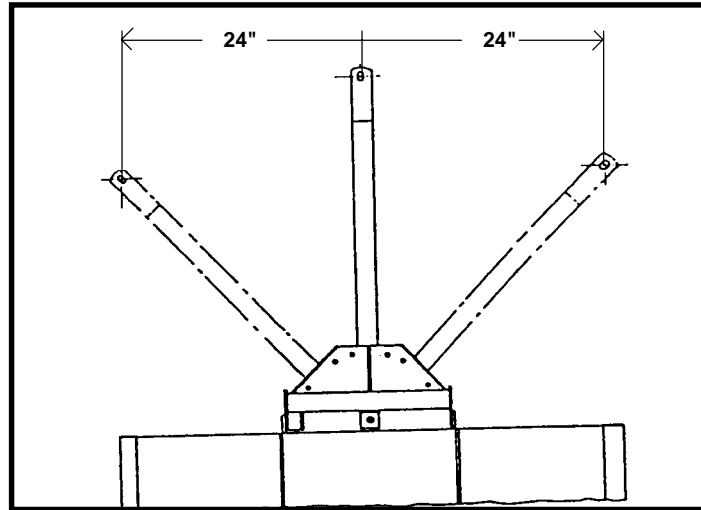


FIGURE 6

### WARNING!



Avoid personal injury. Pick up all rocks and other debris before mowing. Enter new areas carefully. Drive slowly and mow material higher the first time to allow mower to clear unseen objects. Never assume an area is clear. Always check for hidden hazards.

Extremely tall grass should be mowed twice. Raise mower and mow twice the desired height. Mow the second time at desired height at 90 degrees to the first pass. Remember, sharp blades produce cleaner cuts and use less power. Before mowing, analyze the area to determine the best mowing procedure. Consider the height and type of material and the terrain type: hilly, level, or rough.

## UNEVEN TERRAIN

### WARNING!



Avoid towing vehicle rollovers, be careful operating towing vehicle and mower on uneven ground.

Pass diagonally through sharp dips and avoid sharp drops to prevent "Hanging-up" the towing vehicle and mower. Avoid sudden stops and starts while traveling up or down hill. Always mow down slopes. NEVER across the face. Avoid operation on steep slopes. Slow down on sharp turns and slopes to prevent tipping or loss of control.

# MAINTENANCE

Before operating your Rotary Mower, make sure it is properly lubricated and thoroughly inspected. Only a minimum of time and effort is required to regularly lubricate and maintain this machine to provide long life and trouble free operation.

## WARNING!

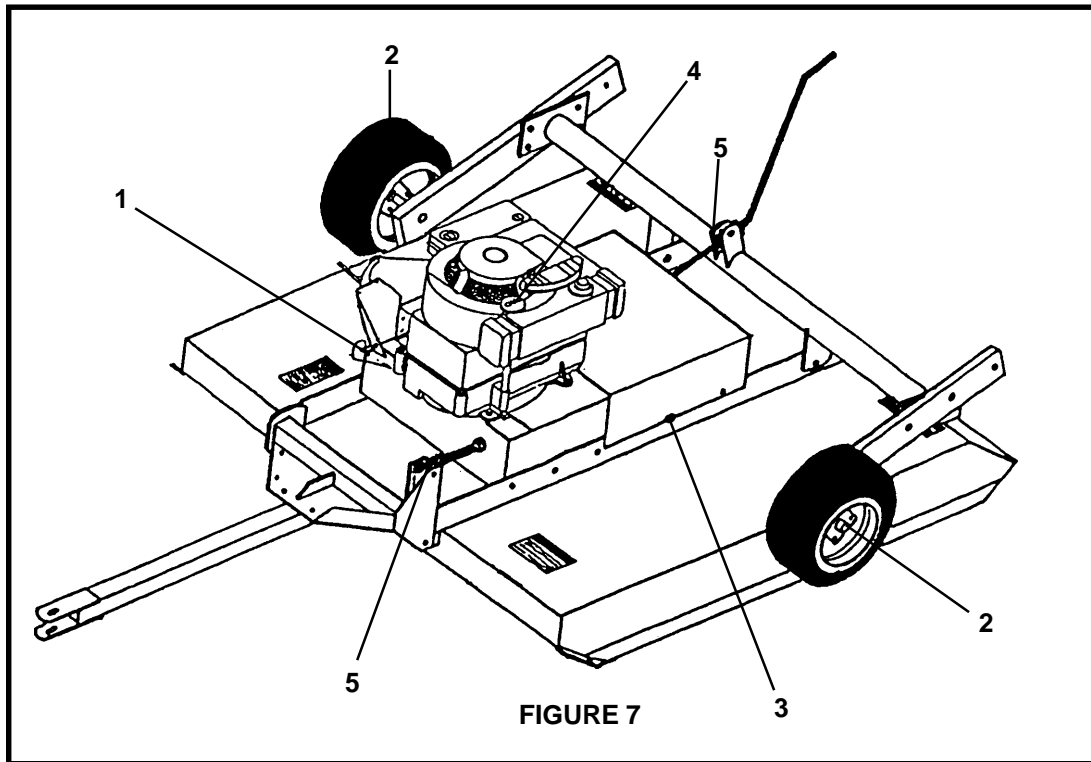


Always shut-off engine before raising the Rotary Mower for transporting or making adjustments.

## LUBRICATION INFORMATION

Do not let excess grease collect on or around parts, particularly when operating in sandy areas. The illustration below shows lubrication points. The chart gives the frequency of lubrication in hours, based on normal operating conditions. Severe or unusual conditions may require more frequent lubrication. **Figure 7**

Use an SAE multi-purpose, lithium-type grease for all grease fitting locations shown. Be sure to clean the fitting thoroughly before using grease gun.



ITEM	DESCRIPTION	FREQUENCY
1	Belt Idler Pivot	8 hours
2	Wheel Hubs	8 hours
3	Spindle Housing	20 hours
4	Engine Oil	Check Daily
5	Screw Threads	Oil Lightly as Required

# MAINTENANCE

## BLADE SERVICING

Inspect blades before each use to determine that they are properly installed and in good condition. Replace any blade that is bent, excessively nicked, worn, or has any other damage. Small nicks can be ground out when sharpening.

## BLADE REMOVAL

To remove blades for sharpening or replacement, raise or block mower high enough so bolts can be removed from underneath mower. Remove cotter pin from each bolt. Remove slotted nut. All parts should then be removed. Inspect bolts and bushings. Replace if worn more than 3/32" at any point. Reassemble all parts. Torque slotted nut to 175 ft-lbs. Install cotter pin to retain.

**IMPORTANT!** When sharpening blades, grind each blade the same amount to maintain balance. The difference in blade weights should not exceed 1 ounce. Unbalanced blades will cause excessive vibration which can damage the engine. Vibration may also cause structural cracks in mower housing.

### WARNING!



Use only original equipment blades on this mower. They are made of special heat-treated alloy steel. Substitute blades may not meet specifications and may fail in a hazardous manner that could cause injury.

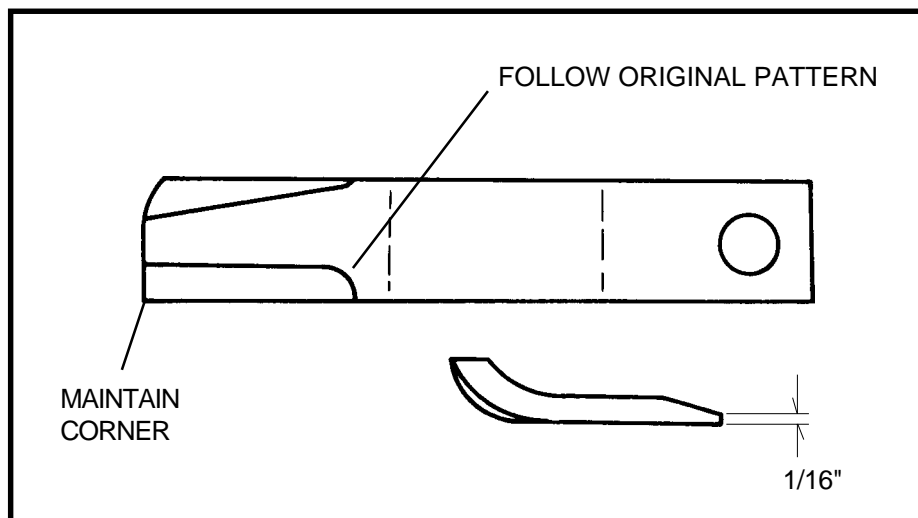
## BLADE SHARPENING

Always sharpen both blades at same time to maintain balance. Follow original sharpening pattern as shown in **Figure 8**. Always sharpen blades by grinding. **DO NOT** heat and pound out edge. Do not sharpen blade to a razor edge, but leave a 1/16" blunt edge. Do not sharpen back side of blade.

### WARNING!



Avoid personal injury. Always block the mower up to prevent it from falling when the blades and/or carrier are being serviced.



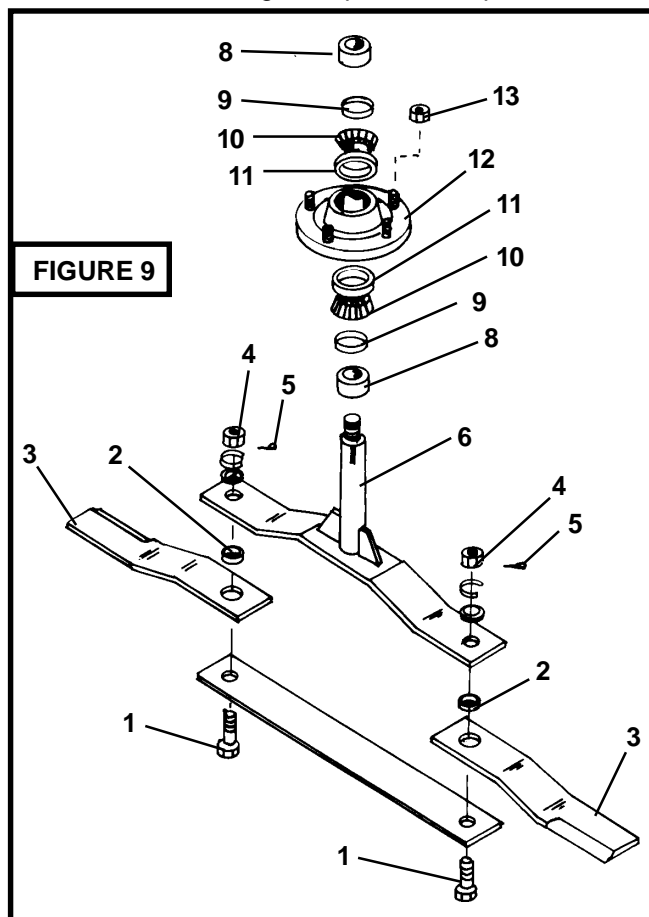
**FIGURE 8.** Blade Maintenance

# MAINTENANCE

## BLADE SPINDLE REPAIR (Refer to Figure 9)

### DISASSEMBLY

1. Remove shield over large belt sheave.
2. Remove cotter pin from shaft and slotted nut at center of belt sheave.
3. Loosen set screws in large sheave hub and remove sheave.
4. Remove grease tube extending beyond mounting side. Remove five spindle nuts (#13) and complete spindle will drop out of main frame.
5. Raise and block main frame so spindle assembly can be removed.
6. Support hub on flange and press rotor bar shaft through housing.
7. Clean and inspect all parts for wear or damage. Replace as required.



### ASSEMBLY

1. Press seal spacer (#8) onto rotor bar shaft (#6) until spacer contacts gusset flats welded to shaft.
2. Press bearing cups (#11) into housing (#12). Insert bottom bearing cone (#10) and install seal (#9).
3. Lubricate I.D. of seal in housing and install over rotor bar shaft. Press spindle housing down until bearing cone contacts seal spacer. Install top bearing cone (#10) and press top seal (#8) into spindle housing (#12). Lubricate I.D. of seal and press top seal spacer (#8) until it contacts top bearing cone (#10).
4. Install complete spindle assembly into main shield bearing. Be sure to align lube hole in flange with hole in side frame. Install spindle housing nuts and torque to 85 ft-lbs. Install grease tube through access hole in side flat.
5. Install large belt sheave on rotor bar shaft. Align key ways and insert square key. Install flatwasher and slotted nut until all free play is removed and there is a very light drag on bearings. Check by spinning sheave. It should turn freely. Be careful not to over-tighten bearings. Proper bearing adjustment is essential to good bearing life.

# MAINTENANCE

## OIL CHANGE

Change oil after first five hours of use. Thereafter, change every 25 hours of operation. Remove oil drain plug and drain oil. Replace drain plug. Remove dipstick and refill with new oil of proper grade.

## AIR CLEANER

Clean and re-oil foam element at three month intervals or every 25 hours, whichever occurs first. Note: Service more often under dusty conditions.

## CLEAN COOLING SYSTEM

Grass, chaff or dirt may clog the rotating screen and the air cooling system after prolonged service in cutting tall dry grasses or hay. Yearly or every 100 hours, whichever occurs first. Remove the blower housing and clean the are shown to avoid overspeeding, overheating, and engine damage. Clean more often if necessary.

## COMBUSTION DEPOSITS

Remove combustion deposits every 100-300 hours of operation. Remove cylinder head and cylinder head shield. Scrape and wire brush the combustion deposits from cylinder, cylinder head, top of piston and around valves. Use a soft brush to remove deposits. Re-assemble gaskets, cylinder head and cylinder head shield. Turn screws down finger tight with the three longer screws around the exhaust valve, if so equipped. Torque cylinder head screws in a staggered sequence to 165 inch pounds.

## STORAGE

Your rotary mower represents an investment from which you should get the greatest possible benefit. Therefore, when the season is over, the mower should be thoroughly checked and prepared for storage so that a minimum amount of work will be required to put it back into operation for the next season. The following are suggested storage procedures:

1. Thoroughly clean the mower.
2. Lubricate the mower as covered on page 13 of this manual.
3. Tighten all bolts and pins to the recommended torque.
4. Check the mower for worn or damaged parts. Make replacements immediately.
5. Store the mower in a clean, dry place with the mower housing resting on blocks.
6. Use spray touch-up enamel where necessary to prevent rust and maintain the appearance of the mower.

# TROUBLESHOOTING GUIDE

TROUBLE	POSSIBLE CAUSE	POSSIBLE REMEDY
Excessive Vibration	1. Check Spindle Hub bolts.	Tighten if loose.
	2. Check for loose nuts on bladeholder and blades.	Tighten if loose.
	3. Check for bent output shaft. If shaft is bent, oil will normally leak from bottom seal.	Replace shaft if bent.
	4. Check to see if blades are free swinging.	Free Blades so they swing.
	5. Check for even wear on each blade tip. Were both blades changed at the same time?	Weigh Blades. Weight should be within 1 oz. Always replace both blades.
	6. Blade broken.	Replace blades, in set.
	7. Blade carrier bent.	Replace carrier.
Clutch Slips Excessively	1. Not Operating engine at full throttle.	Operate Engine at Full Throttle Only.
	2. Too much load for clutch.	Reduce ground speed.
	3. Friction Facings glazed.	Clean with emery cloth.
Blade Wears Too Fast	1. Mowing in sandy conditions.	Increase Mowing height.
	2. Mowing in rocky conditions.	Increase Mowing height.
Streaking Conditions	1. Conditions too wet for Mowing. Blades unable to cut that part of grass pressed down by path of tractor tires.	Allow grass to dry before Mowing. Slow ground speed of towing vehicle but keep engine running at full rpm. Mowing lower may help.
	2. Dull blades.	Sharpen or replace blades.
	3. Height of mower lower at rear or front.	See Mowing Height Instructions.

# TROUBLESHOOTING GUIDE

TROUBLE	POSSIBLE CAUSE	POSSIBLE REMEDY
Not Mowing Clean	1. Blades dull.	Sharpen or replace blades.
	2. Carrier RPM too low.	Operate engine at full throttle
	3. Mower not level.	See Mowing Height Adjustment.
	4. Tractor tires mashing down grass.	Reverse direction of Mowing or offset mower to allow blade rotation to pick up and cut.
	5. Ground speed too fast.	Reduce ground speed by
	6. Blades locked back.	Free blades.
	7. Blades riding up due to blade bolt wear or loose bolts.	Replace blade bolts.
Material discharge from mower unevenly, bunches of material along swath.	1. Material too high and too much material.	Reduce ground speed but maintain full throttle engine speed, or make two passes over material. Raise rear of mower high enough to permit material to discharge.
	2. Grass wet.	Allow grass to dry before mowing. Slow ground speed of towing vehicle. Mowing lower will help.
	3. Rear of mower too low, trapping material under mower.	Adjust mower height
Belt Slippage	1. Mower overloading, material too tall or heavy	Reduce ground speed but maintain full engine RPM.
	2. Oil on belt from over lubrication	Be careful not to over lubricate. Clean lubricant from belt and pulleys with clean rag. Replace oil soaked belt.
	3. Belt hung up or binding.	Check belt for free travel in pulleys. Check under engine and around blade spindle shaft for wire rags, or other material. Clean all material from under engine.

# PARTS ORDERING GUIDE

The following instructions are offered to help eliminate needless delay and error in processing purchase orders for the equipment in this section.

1. The Parts Section is prepared in logical sequence and grouping of parts that belong to the basic machine featured in this manual. Part Numbers and Descriptions are given to help locate the parts and quantities required.
2. The Purchase Order must include the name and address of the person or organization ordering the parts, who should be charged, and if possible, the serial number of the machine for which the parts are ordered.
3. The Purchase Order must clearly list the quantity of each part, the complete and correct part number, and the basic name of the part.
4. The Manufacturer reserves the right to substitute parts where applicable.
5. Some parts are unlisted items which are special production items not normally stocked and are subject to special handling. Request a quotation for such parts before sending a Purchase Order.
6. The Manufacturer reserves the right to change prices without prior notice.

**NOTE:** Please refer to The Safety Section in the front of this Manual for the proper Part Number when ordering Replacement Safety Decals.



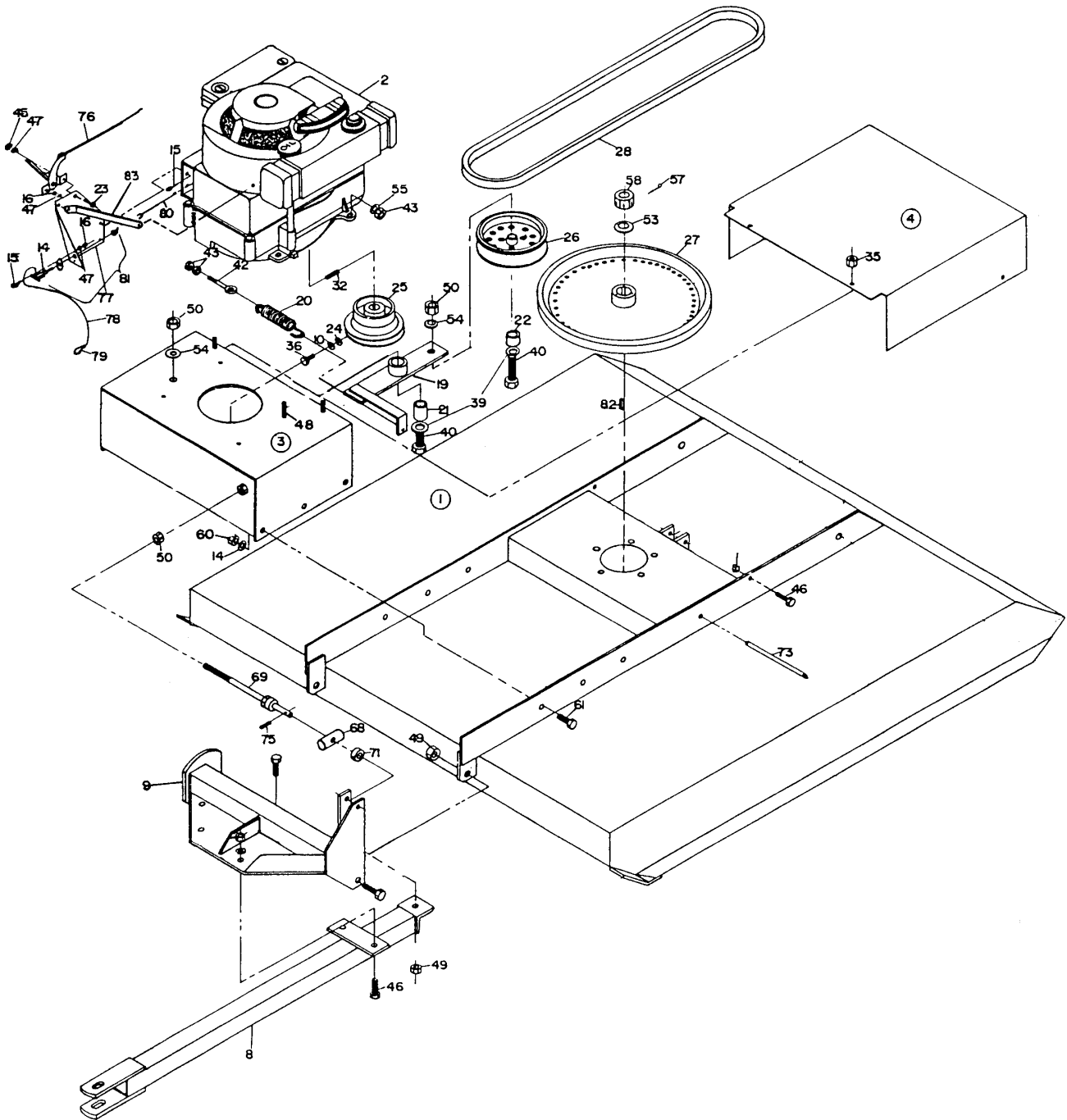
For maximum safety and to guarantee optimum product reliability, always use genuine Alamo Group Parts. The use of inferior replacement parts may cause premature or catastrophic failure which could result in serious injury or death. Direct any questions regarding parts to:



**ALAMO**  
**1502 E. Walnut**  
**Seguin, Texas 78155**  
**210-372-3551**



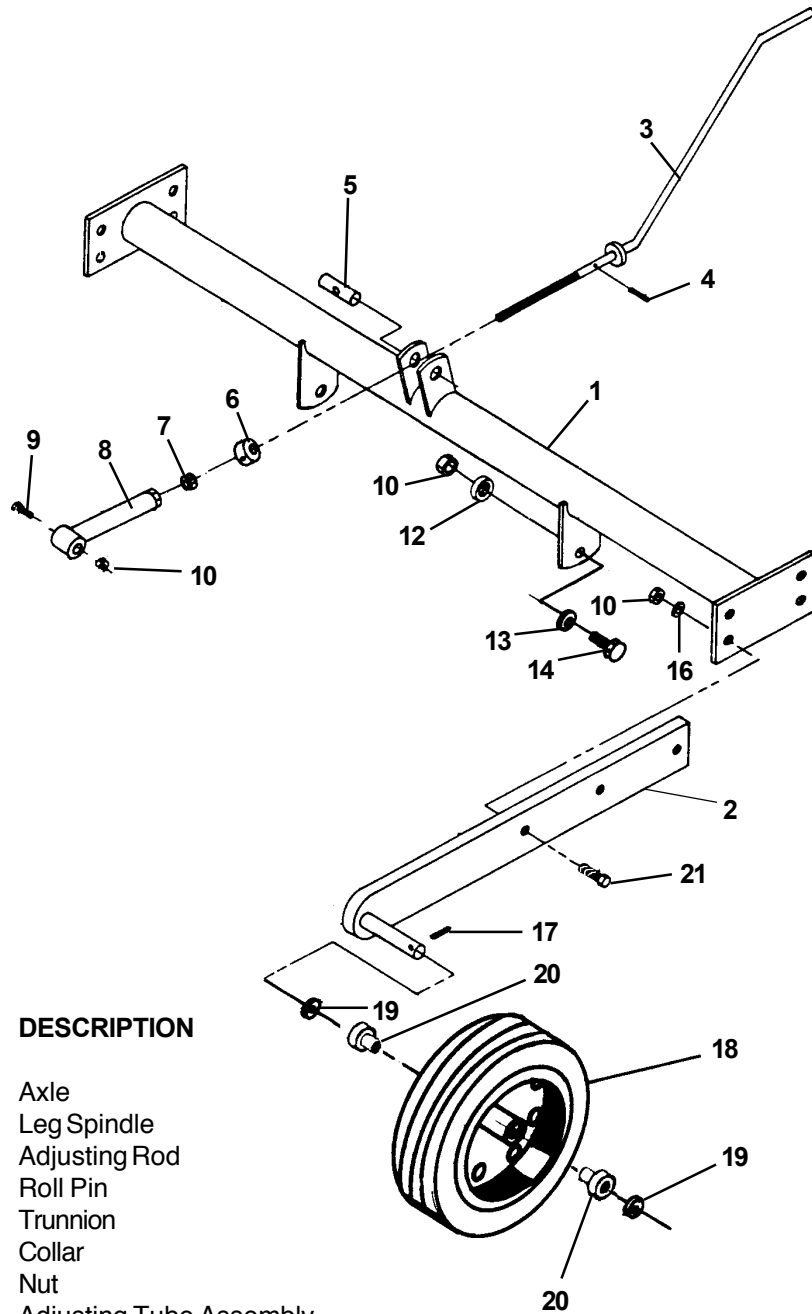
# PARTS LISTING



# PARTS LISTING

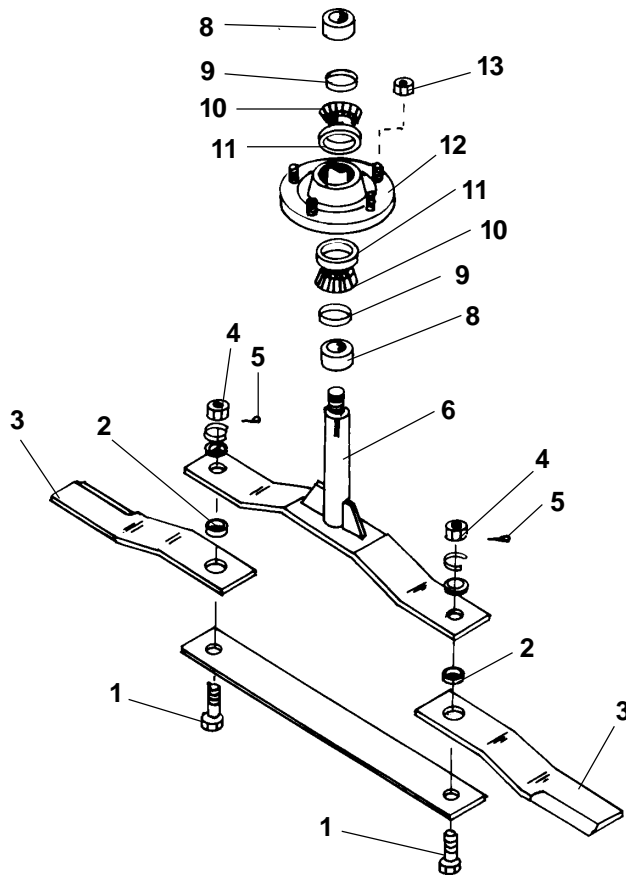
ITEM	PART NO.	QTY	DESCRIPTION
1	8567	1	Mainshield
2	1111	1	Engine
3	8574	1	Engine Mount
4	8576	1	Belt Shield
8	8573	1	Tongue
9	8569	1	Tongue Mount
10	00022200	1	Lockwasher
14	8696	2	Ignition Key
15	4665	4	Screw
16	4667	4	Nut
19	8575	1	Idler Arm
20	9085	1	Spring
21	8620	1	Bushing
22	8668	1	Spacer
23	4664	2	Machine Screw
24	00019700	1	Flatwasher
25	9096	1	Clutch
26	9079	1	Idler Pulley
27	9087	1	Drive Pulley
28	4065	1	V-Belt
32	9097	1	Key
35	4449	2	Flanged Locknut
36	10241500	1	Bolt
39	9082	2	Flatwasher
42	9086	1	Eye Bolt
43	00038700	6	Nut
45	4666	2	Nut
46	00011400	2	Bolt
47	30001000	6	Lockwasher
48	00021900	4	Bolt
49	00695100	3	Nut, Toplock 5/8 NC PLC
50	00010400	4	Nut
52	4528	2	Flanged Locknut
53	00002701	1	Flatwasher
54	00010300	4	Lockwasher
55	00011700	4	Lockwasher
57	00026200	1	Cotter Pin
58	5DR12160	1	Slotted Nut
60	00001300	6	Nut
61	00748823	6	Bolt
67	00001200	6	Lockwasher
68	8633	1	Trunnion
69	8634	1	Adjusting Rod
71	8636	1	Collar
73	8639	1	Grease Line Access
75	4654	1	Roll Pin
76	8684	1	Throttle Cable
77	8686	1	Throttle Cable Bracket
78	8698	1	Braided Rope
79	8697	1	Spring Steel Snap
80	8695	1	Ignition Ground Wire
81	2547	1	Engine Switch Kit
82	5128	1	Key
83	8749	1	Throttle Bracket Brace

# PARTS LISTING



ITEM	PART NO.	QTY	DESCRIPTION
1	8571	1	Axle
2	7552	2	Leg Spindle
3	8635	1	Adjusting Rod
4	4654	1	Roll Pin
5	8633	1	Trunnion
6	8636	1	Collar
7	00010400	1	Nut
8	8637	1	Adjusting Tube Assembly
9	00750952	1	Bolt, 5/8 x 2-1/2
10	00695100	7	Nut, Toplock 5/8 NC PLC
12	8638	2	Axle Bushing
13	00001400	2	Flatwasher
14	02675800	2	Bolt
16	00010300	4	Flatwasher
17	5427	2	Roll Pin
18	2554	2	Tire & Wheel Complete w/Hub
	5337	2	Tire Only
19	1169	4	Shim Washer
20	1046	4	Bushing
21	02895500	4	Bolt, 5/8 x 2

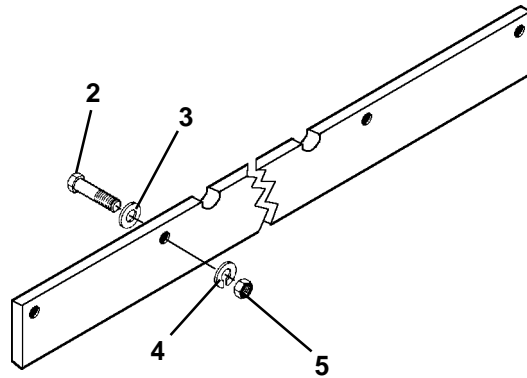
# PARTS LISTING



ITEM	PART NO.	QTY	DESCRIPTION
1	2353	2	Blade Bolt
2	8081	2	Blade Bushing
3	8494A	1Pr.	Blade
4	5DR12160	2	Slotted Nut
5	00026200	2	Cotter Pin
6	8570	1	Rotor Bar
7	8579	1	Tie Bar
8	8580	2	Spacer
9	8641	2	Seal
10	8061	2	Bearing Cone
11	8060	2	Bearing Cup
12	8619	1	Hub, Blade Spindle
13	8546	5	Stud Nut

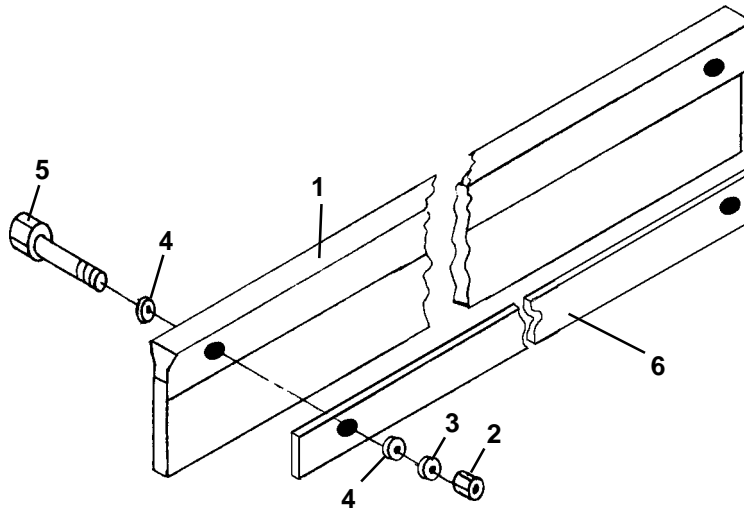
# FRONT & REAR DEFLECTORS

## Front Deflector Assembly P/N 00761760



ITEM	PART NO.	QTY	DESCRIPTION
1	00761761	1	Shield Barrier
2	00011400	7	Bolt
3	00011100	7	Flatwasher
4	02035800	7	Lockwasher
5	00015800	7	Nut

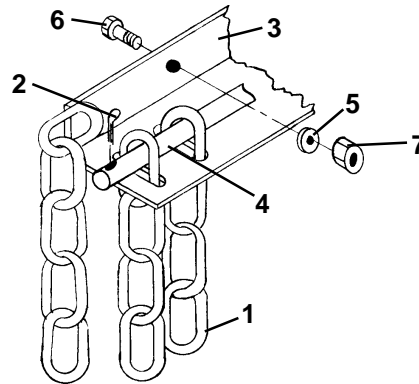
## Rear Deflectors Assembly P/N 00759434



ITEM	PART NO.	QTY	DESCRIPTION
1	8788	1	Barrier Shield
2	00999316	3	Nut
3	00022200	3	Lockwasher
4	00019700	6	Flatwasher
5	00999314	3	Bolt
6	00766118	1	Strap

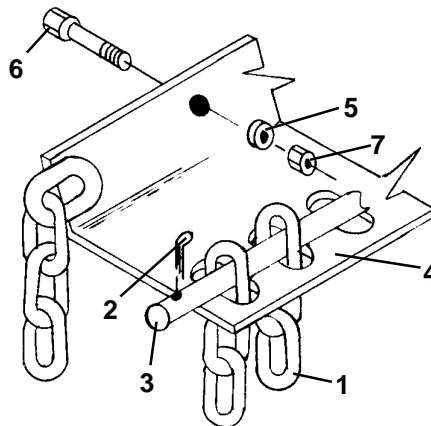
# FRONT & REAR CHAINGUARD ASSEMBLY

## Front Chainguard Assembly P/N 3486



ITEM	PART NO.	QTY	DESCRIPTION
1	2413	50	Chain (4-Links)
2	2545	2	Cotter Pin
3	4356	1	Bracket
4	4357	1	Rod
5	00022200	3	Lockwasher
6	00999314	3	Bolt
7	00999316	3	Nut

## Rear Chain Guard Assembly P/N 3487



ITEM	PART NO.	QTY	DESCRIPTION
1	1417	50	Chain (3-Links)
2	2545	2	Cotter Pin
3	4357	1	Rod
4	4359	1	Bracket
5	00022200	3	Lockwasher
6	00999314	3	Bolt
7	00999316	3	Nut

# ALAMO INDUSTRIAL

## LIMITED WARRANTY

### 1. LIMITED WARRANTIES

- 1.01. Alamo Industrial warrants for one year from the purchase date to the original non-commercial, governmental, or municipal purchaser ("Purchaser") and warrants for six months to the original commercial or industrial purchaser ("Purchaser") that the goods purchased are free from defects in material or workmanship.
- 1.02. Manufacturer will replace for the Purchaser any part or parts found, upon examination at one of its factories, to be defective under normal use and service due to defects in material or workmanship.
- 1.03. This limited warranty does not apply to any part of the goods which has been subjected to improper or abnormal use, negligence, alteration, modification, or accident, damaged due to lack of maintenance or use of wrong fuel, oil, or lubricants, or which has served its normal life. This limited warranty does not apply to any part of any internal combustion engine, or expendable items such as blades, shields, guards, or pneumatic tires except as specifically found in your Operator's Manual.
- 1.04. Except as provided herein, no employee, agent, Dealer, or other person is authorized to give any warranties of any nature on behalf of Manufacturer.

### 2. REMEDIES AND PROCEDURES.

- 2.01. This limited warranty is not effective unless the Purchaser returns the Registration and Warranty Form to Manufacturer within 30 days of purchase.
- 2.02. Purchaser claims must be made in writing to the Authorized Dealer ("Dealer") from whom Purchaser purchased the goods or an approved Authorized Dealer ("Dealer") within 30 days after Purchaser learns of the facts on which the claim is based.
- 2.03. Purchaser is responsible for returning the goods in question to the Dealer.
- 2.04. If after examining the goods and/or parts in question, Manufacturer finds them to be defective under normal use and service due to defects in material or workmanship, Manufacturer will:
  - (a) Repair or replace the defective goods or part(s) or
  - (b) Reimburse Purchaser for the cost of the part(s) and reasonable labor charges (as determined by Manufacturer) if Purchaser paid for the repair and/or replacement prior to the final determination of applicability of the warranty by Manufacturer.

The choice of remedy shall belong to Manufacturer.

- 2.05. Purchaser is responsible for any labor charges exceeding a reasonable amount as determined by Manufacturer and for returning the goods to the Dealer, whether or not the claim is approved. Purchaser is responsible for the transportation cost for the goods or part(s) from the Dealer to the designated factory.

### 3. LIMITATION OF LIABILITY.

- 3.01. MANUFACTURER DISCLAIMS ANY EXPRESS (EXCEPT AS SET FORTH HEREIN) AND IMPLIED WARRANTIES WITH RESPECT TO THE GOODS INCLUDING, BUT NOT LIMITED TO, MERCHANTABILITY AND FITNESS FOR A PARTICULAR PURPOSE.
- 3.02. MANUFACTURER MAKES NO WARRANTY AS TO THE DESIGN, CAPABILITY, CAPACITY, OR SUITABILITY FOR USE OF THE GOODS.
- 3.03. EXCEPT AS PROVIDED HEREIN, MANUFACTURER SHALL HAVE NO LIABILITY OR RESPONSIBILITY TO PURCHASER OR ANY OTHER PERSON OR ENTITY WITH RESPECT TO ANY LIABILITY, LOSS, OR DAMAGE CAUSED OR ALLEGED TO BE CAUSED DIRECTLY OR INDIRECTLY BY THE GOODS INCLUDING, BUT NOT LIMITED TO, ANY INDIRECT, SPECIAL, CONSEQUENTIAL, OR INCIDENTAL DAMAGES RESULTING FROM THE USE OR OPERATION OF THE GOODS OR ANY BREACH OF THIS WARRANTY. NOT WITHSTANDING THE ABOVE LIMITATIONS AND WARRANTIES, MANUFACTURER'S LIABILITY HEREUNDER FOR DAMAGES INCURRED BY PURCHASER OR OTHERS SHALL NOT EXCEED THE PRICE OF THE GOODS.
- 3.04. NO ACTION ARISING OUT OF ANY CLAIMED BREACH OF THIS WARRANTY OR TRANSACTIONS UNDER THIS WARRANTY MAY BE BROUGHT MORE THAN TWO (2) YEARS AFTER THE CAUSE OF ACTION HAS OCCURRED.

### 4. MISCELLANEOUS.

- 4.01. Proper Venue for any lawsuits arising from or related to this limited warranty shall be only in Guadalupe County, Texas.
- 4.02. Manufacturer may waive compliance with any of the terms of this limited warranty, but no waiver of any terms shall be deemed to be a waiver of any other term.
- 4.03. If any provision of this limited warranty shall violate any applicable law and is held to be unenforceable, then the invalidity of such provision shall not invalidate any other provisions herein.
- 4.04. Applicable law may provide rights and benefits to purchaser in addition to those provided herein.

### KEEP FOR YOUR RECORDS

ATTENTION: Purchaser should fill in the blanks below for his reference when buying repair parts and/or for proper machine identification when applying for warranty.

Alamo Industrial Implement Model \_\_\_\_\_ Serial Number \_\_\_\_\_

Date Purchased \_\_\_\_\_ Dealer \_\_\_\_\_

ATTENTION:  
READ YOUR OPERATOR'S MANUAL

**ALAMO INDUSTRIAL**

An Alamo Group Company  
Post Office Drawer 549  
Seguin, Texas 78156  
830-379-1480



# TO THE OWNER/OPERATOR/DEALER

To keep your implement running efficiently and safely, read your manual thoroughly and follow these directions and the Safety Messages in this Manual. The Table of Contents clearly identifies each section where you can easily find the information you need.

The OCCUPATIONAL SAFETY AND HEALTH ACT (1928.51 Subpart C) makes these minimum safety requirements of tractor operators:

## REQUIRED OF THE OWNER:

1. Provide a Roll-Over-Protective Structure that meets the requirements of this Standard; and
2. Provide Seatbelts that meet the requirements of this paragraph of this Standard and SAE J4C; and
3. Ensure that each employee uses such Seatbelt while the tractor is moving; and
4. Ensure that each employee tightens the Seatbelt sufficiently to confine the employee to the protected area provided by the ROPS.

## REQUIRED OF THE OPERATOR

1. Securely fasten seatbelt if the tractor has a ROPS.
2. Where possible, avoid operating the tractor near ditches, embankments, and holes.
3. Reduce speed when turning, crossing slopes, and on rough, slick, or muddy surfaces.
4. Stay off slopes too steep for safe operation.
5. Watch where you are going - especially at row ends, on roads, and around trees.
6. Do not permit others to ride.
7. Operate the tractor smoothly - no jerky turns, starts, or stops.
8. Hitch only to the drawbar and hitch points recommended by the tractor manufacturer.
9. When the tractor is stopped, set brakes securely and use park lock, if available.

- 
- Keep children away from danger all day, every day...**
  - Equip tractors with rollover protection (ROPS) and keep all machinery guards in place...**
  - Please work, drive, play and live each day with care and concern for your safety and that of your family and fellow citizens.**



