



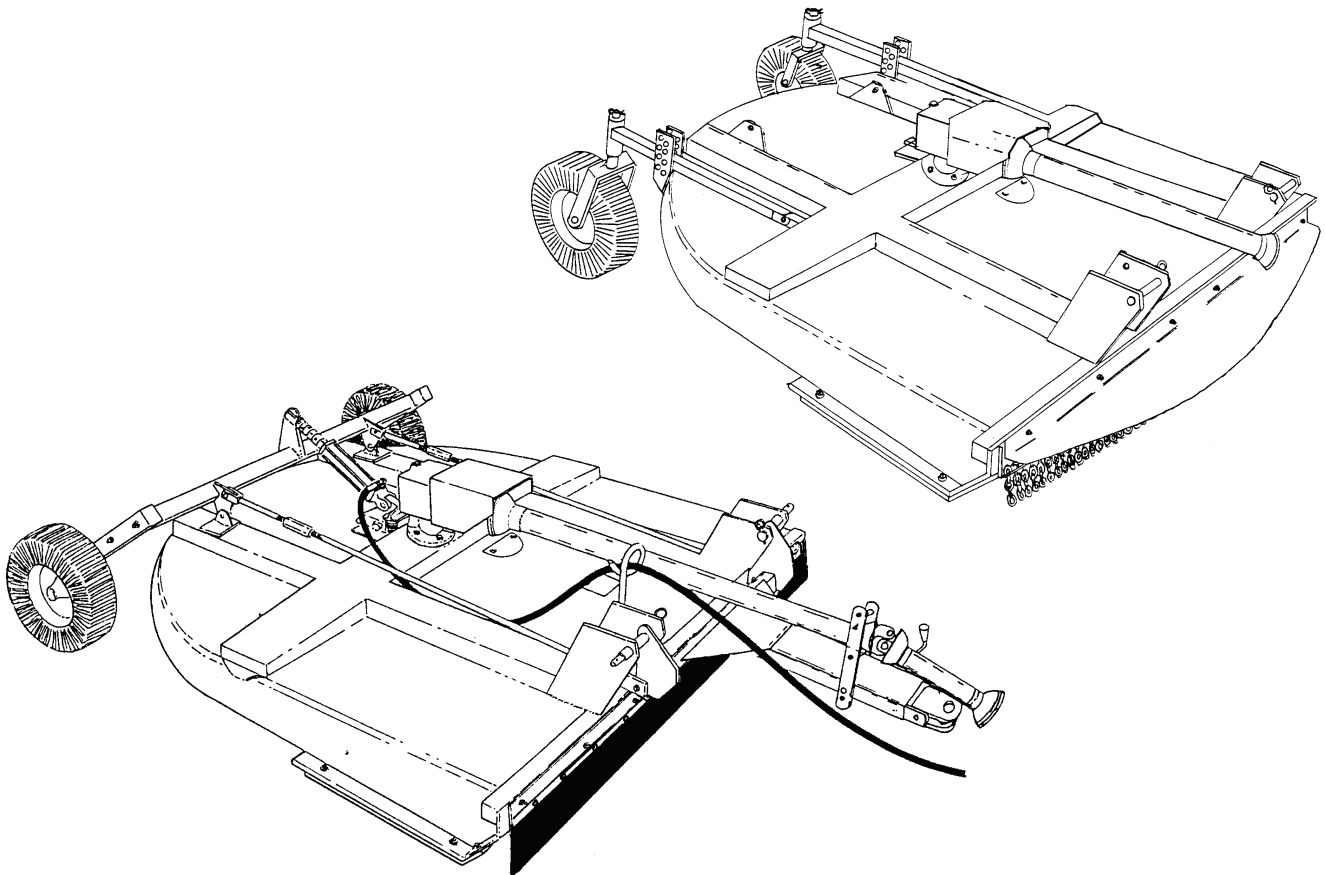
AG84-HD

Rotary Mower

Rev 03-13

P/N 00767493

Effective Serial No. 01001 through Current



OPERATOR'S MANUAL with PARTS LISTING

ALAMO INDUSTRIAL

1502 E. Walnut
Seguin, Texas 78155
830-372-9595



BUILT SHARPER®

An Alamo Group Company

© 2013 Alamo Group Inc.

TO THE OWNER/OPERATOR/DEALER

All implements with moving parts are potentially hazardous. There is no substitute for a cautious, safe-minded operator who recognizes the potential hazards and follows reasonable safety practices. The manufacturer has designed this implement to be used with all its safety equipment properly attached to minimize the chance of accidents.

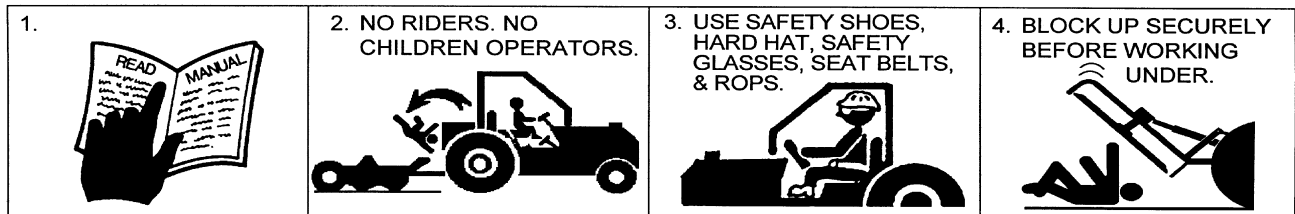
BEFORE YOU START!!

Read the safety messages on the implement and shown in your manual. Observe the rules of safety and common sense!

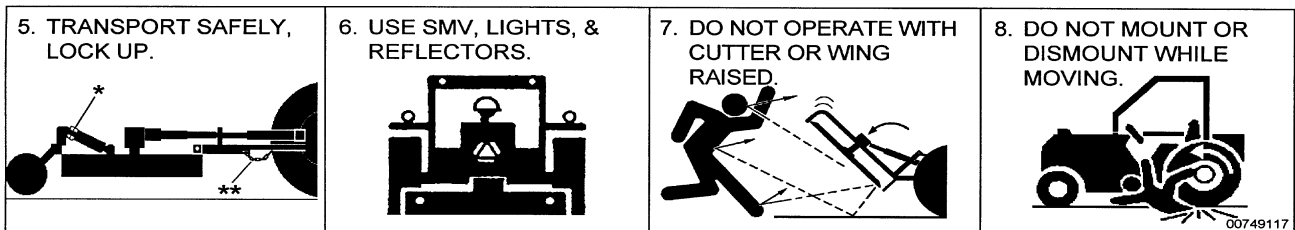


DANGER

FAILING TO FOLLOW SAFETY MESSAGES AND OPERATING INSTRUCTIONS CAN CAUSE SERIOUS BODILY INJURY OR EVEN DEATH TO OPERATOR AND OTHERS IN THE AREA.



1. Study and understand Operator's Manuals, Safety Signs, and Instructional Decals for tractor and implement to prevent misuse, abuse, and accidents. Practice before operating in a confined area or near passersby.
 - Learn how to stop engine suddenly in an emergency. Be alert for passersby and especially children.
2. Allow no children on or near implement or tractor. Allow no riders on tractor or implement. Falling off may cause serious injury or death from being run over by tractor or cutter or contact with rotating blades.
3. Operate only with tractor having Roll-Over Protective Structure (ROPS) and with seatbelt fastened securely and snugly to prevent injury and possible death from falling off or tractor overturn. Personal Protective Equipment such as Hard Hat, Safety Glasses, Safety shoes, and Ear Plugs are recommended.
4. Block up or support raised machine and all lifted components securely before putting hands or feet under or working underneath any lifted components to prevent crushing injury or death from sudden dropping or inadvertent operation of controls. Make certain area is clear before lowering or folding.
5. Before transporting, put Lift Lever in detent or full-lift position. Install *Cylinder Stops as Transport Blocks securely on pull-type and folding implements. Slow down when turning and on hillsides.
 - Attach **Safety Chain to cutter and towing unit securely. See Operator's Manual.
6. Make certain that SMV sign, Warning Lights, and Reflectors are clearly visible. Follow local traffic codes.
7. Never operate with Cutting Head raised if passersby, bystanders, or traffic are in the area to reduce possibility of injury or death from objects thrown by Blades under Guards or cutter structure.
8. Before dismounting, secure implement in transport position or lower to ground.
 - Put tractor in park or set brake, disengage PTO, stop engine, and remove key, and wait until noise of rotation has ceased to prevent entanglement in rotating parts which can cause injury or death.
 - Never mount or dismount a moving vehicle. Crushing from runover may cause injury or death.



WARRANTY INFORMATION:

Read and understand the complete Warranty Statement found in this Manual. Fill out the Warranty Registration Form in full and return it to within 30 Days. Make certain the Serial Number of the Machine is recorded on the Warranty Card and on the Warranty Form that you retain.

PARTS SECTION

PARTS ORDERING GUIDE

The following instructions are offered to help eliminate needless delay and error in processing purchase orders for the equipment in this section.

1. The Parts Section is prepared in logical sequence and grouping of parts that belong to the basic machine featured in this manual. Part Numbers and Descriptions are given to help locate the parts and quantities required.
2. The Purchase Order must include the name and address of the person or organization ordering the parts, who should be charged, and if possible, the serial number of the machine for which the parts are ordered.
3. The Purchase Order must clearly list the quantity of each part, the complete and correct part number, and the basic name of the part.
4. The Manufacturer reserves the right to substitute parts where applicable.
5. Some parts are unlisted items which are special production items not normally stocked and are subject to special handling. Request a quotation for such parts before sending a Purchase Order.
6. The Manufacturer reserves the right to change prices without prior notice.

NOTE: Please refer to The Safety Section in the front of this Manual for the proper Part Number when ordering Replacement Safety Decals.



For maximum safety and to guarantee optimum product reliability, always use genuine Alamo Group Parts. The use of inferior replacement parts may cause premature or catastrophic failure which could result in serious injury or death. Direct any questions regarding parts to:



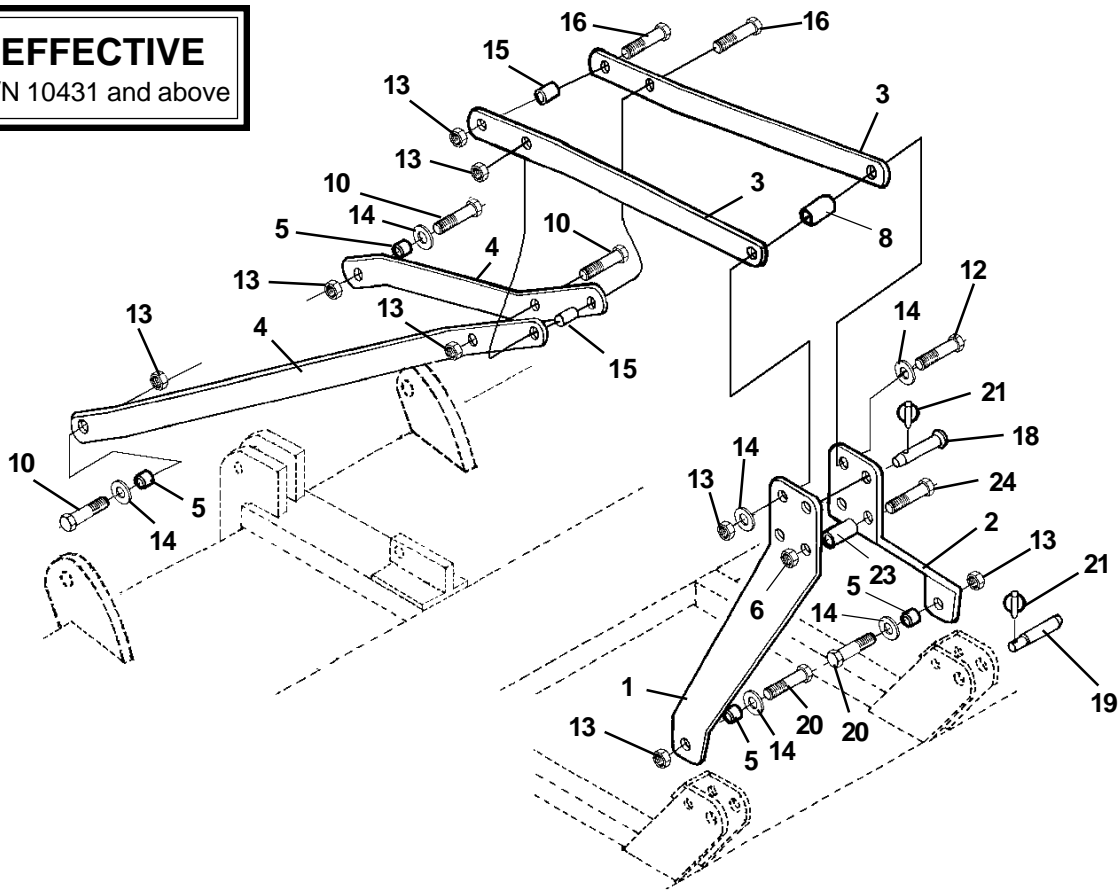
ALAMO INDUSTRIAL
1502 E. Walnut
Seguin, Texas 78155
830-372-3551

PARTS TABLE OF CONTENTS

A-Frame Assembly	6-4-5
Axle Assembly	6-8
Caster Assembly	6-13
Chainguard Assembly - Front	6-32
Chainguard Assembly - Rear	6-33
Control Rod Assembly	6-7
Deflector Assembly - Front	6-30
Deflector Assembly - Rear	6-31
Dish Pan Assembly	6-28
Driveline Lift Type	6-16-17
Driveline Pull Type	6-20
Gearbox Assembly	6-26-27
Hydraulic Cylinder (Option)	6-9
Jackshaft	6-18-19
Jackshaft - Support	6-24
Shield Slip Clutch	6-25
Skid Shoe Assembly	6-29
Slipclutch Assembly	6-21-22
Spring Shock Assembly	6-12
Tailwheel Assembly - Dual	6-15
Tailwheel Assembly - Single	6-14
Tongue Assembly (w/ Parking Jackstand)	6-6
Wheel Assembly	6-10
Wheel Hub	6-11
3-Point Lift Offset Adapter(Optional)	6-34

A-FRAME ASSEMBLY - CAT II & III

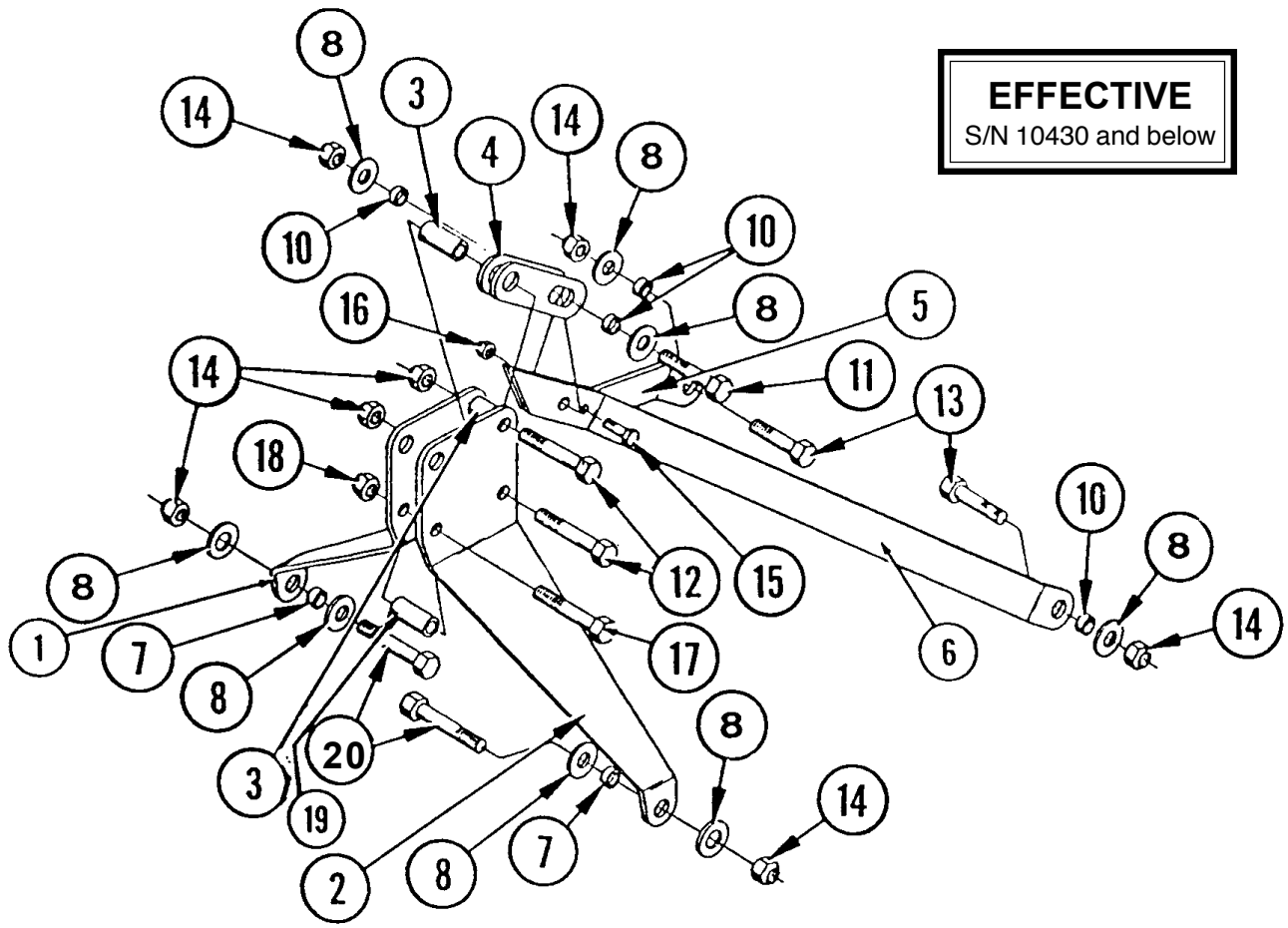
EFFECTIVE
S/N 10431 and above



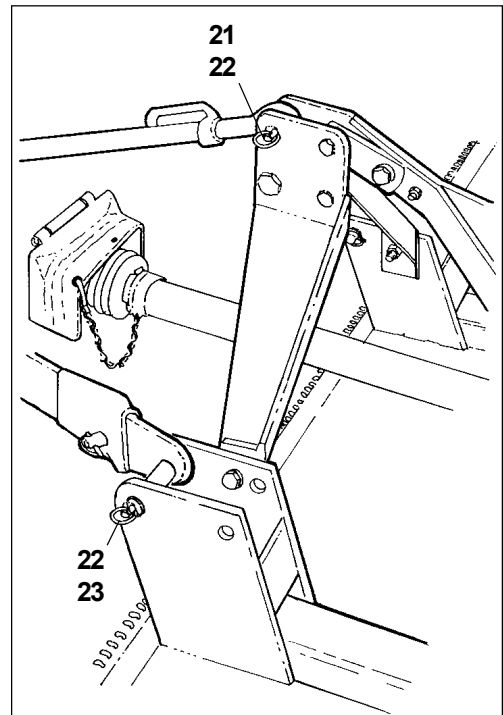
ITEM	PART NO.	QTY	DESCRIPTION
1	0758550010	1	A-Frame - (RH)
2	0758550020	1	A-Frame - (LH)
3	00766516	2	Brace
4	00767741	2	Rear Brace, 49-1/4"
	00767952	2	Rear Brace, 52-1/2"
5	0758550070	4	Bushing
6	5JRC16140	1	Nut
8	0758550030	2	Bushing
10	02931300	3	Bolt
11	02959391	1	Bolt
12	00748786	2	Bolt
13	00037200	9	Nut
14	5312316	6	Washer
15	00761267	2	Bushing
16	02881000	2	Bolt
18	3730110M	1	Pin
19	69141	2	Pin
20	00037100	2	Bolt
21	2196	3	Clip
23	0758550031	1	Bushing
24	7AH5161436	1	Bolt

A-FRAME ASSEMBLY - CAT II & III

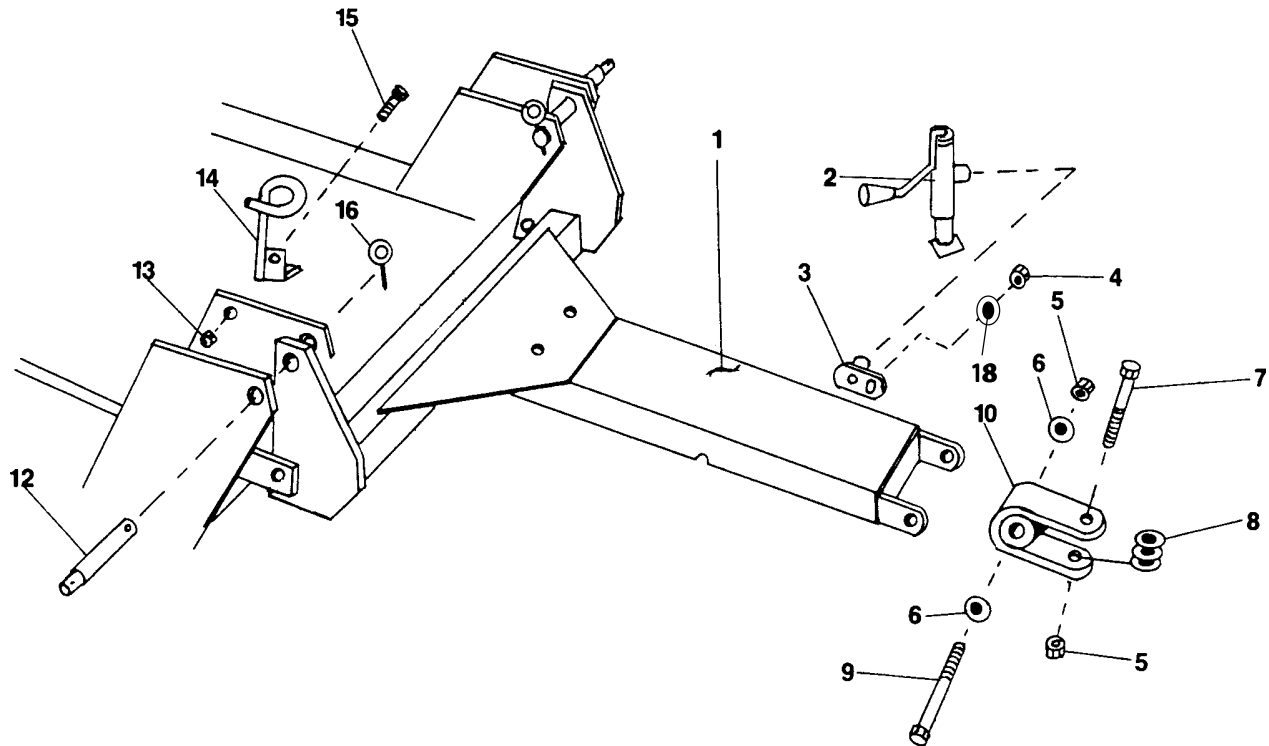
EFFECTIVE
S/N 10430 and below



ITEM	PART NO.	QTY	DESCRIPTION
1	0758550010	1	Leg, Right
2	0758550020	1	Leg, Left
3	0758550030	2	Spacer
4	0758551042	2	Strap Link Weldment
5	00760295	1	Lift Strap, Right
6	00760411	1	Lift Strap, Left
7	0758550070	2	Bushing
8	5312316	6	Washer, 3/4"
10	701023	4	Bushing
11	00007800	3	Bolt
12	00009500	2	Bolt
13	00003300	2	Bolt
14	1168	7	Locknut
15	02845500	1	Bolt
16	00695100	1	Nut, Toplock 5/8 NC PLC
17	7AH5161436	1	Bolt
18	5JRC16140	1	Nut
19	0758550031	1	Spacer
20	00037100	2	Bolt
21	3730110	1	Top Link Pin
22	2196	3	Clip Pin
23	69141	2	Lower Hitch Pin

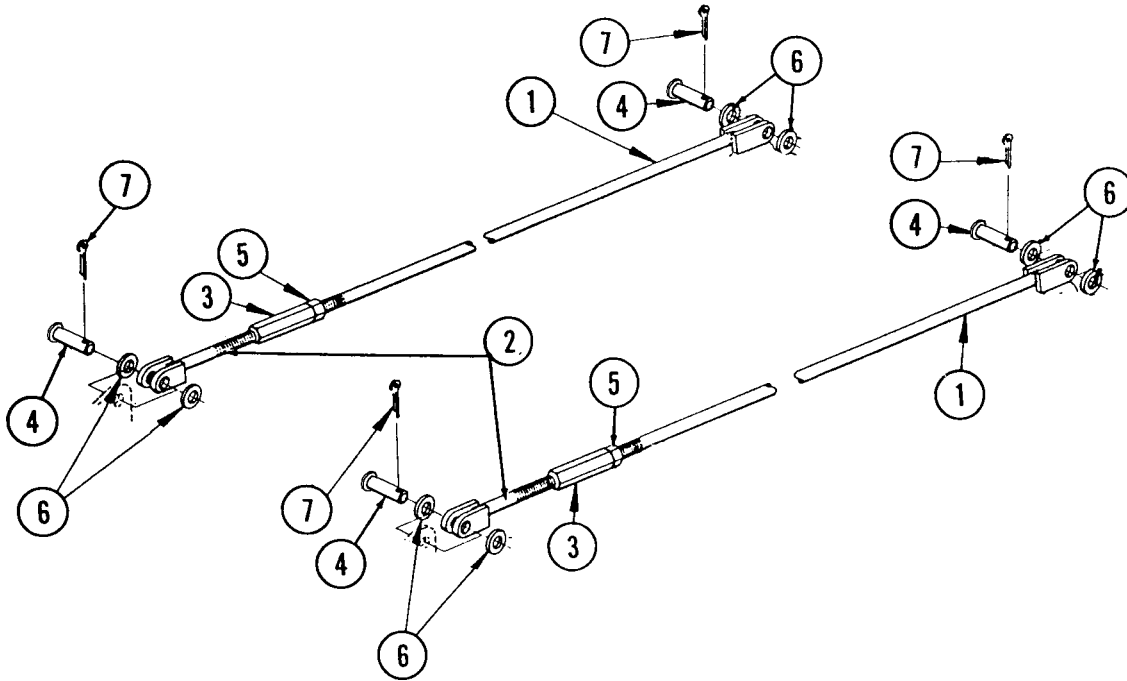


TONGUE ASSEMBLY



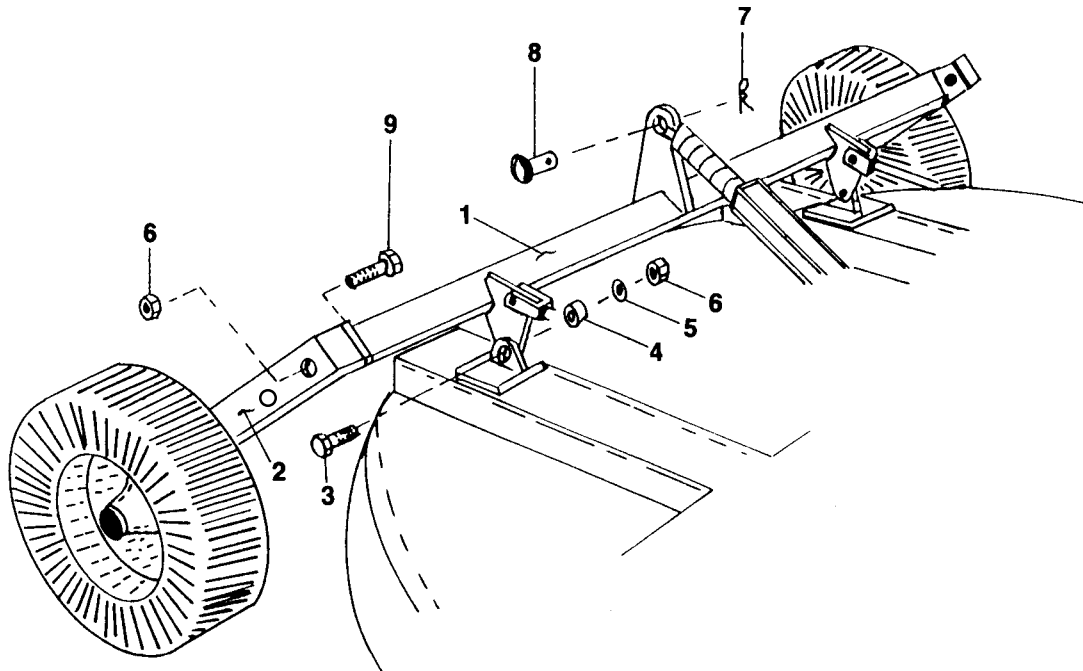
ITEM	PART NO	QTY	DESCRIPTION
1	00760285	1	Tongue Weldment
2	00772391	1	Jack
3	00760941	1	Jack Tube Mount
4	00695100	2	Nut, Toplock 5/8 NC PLC
5	02030300	2	Nut
6	00757478	2	Spring Washer
7	02712500	1	Bolt
8	00759275	3	Washer
9	00755305	1	Bolt
10	00748807	1	Tongue Clevis
12	00758146	2	Pin Tongue Pivot
13	00001800	1	Locknut TLM 1/2 NC PLC
14	8343	1	Hose Holder
15	00748823	1	Bolt
16	2196	2	Click Pin
18	00001400	1	Flatwasher

CONTROL ROD ASSEMBLY



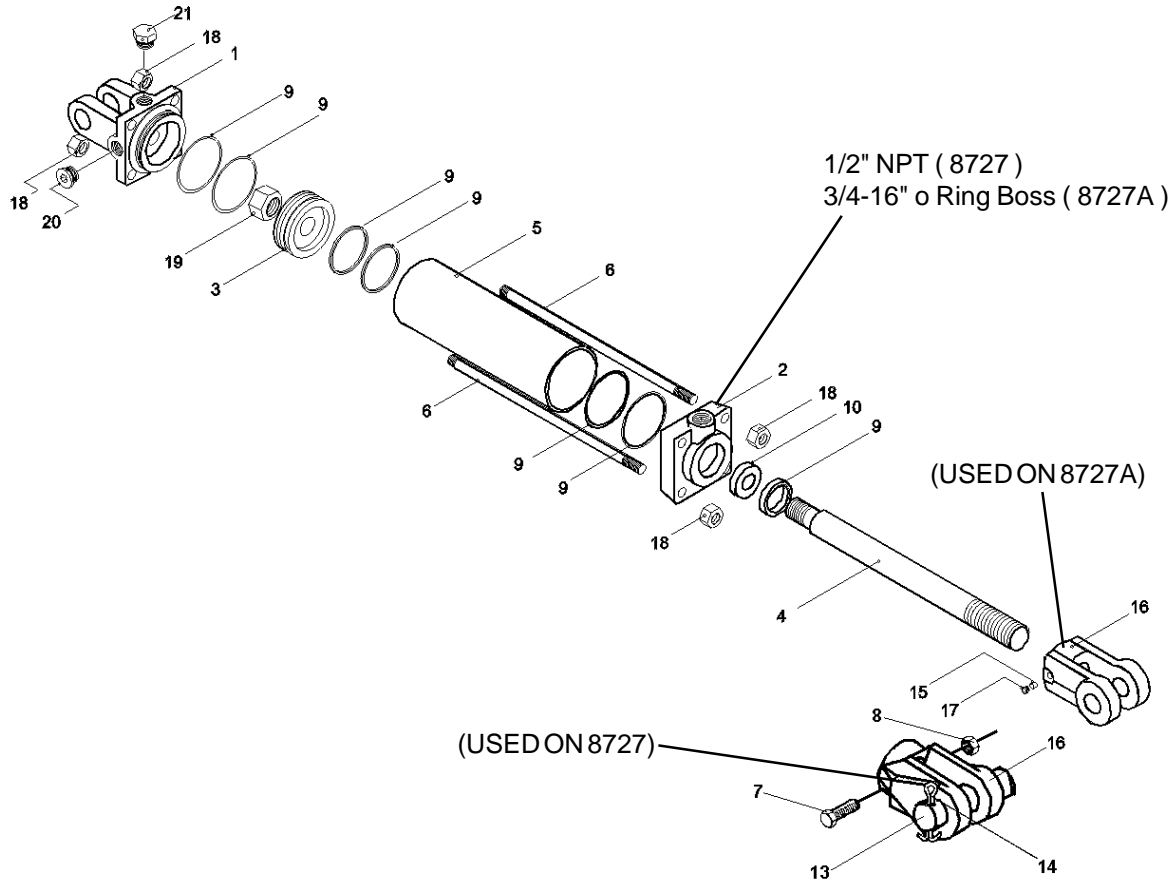
ITEM	PART NO.	QTY.	DESCRIPTION
	00760610	1	Control Rod Assembly
1	00760904	2	Control Rod, Wldt, L.H. Thds
2	584042	2	Control Rod, Wldt. R.H. Thds
3	421062	2	Nut, Adjusting
4	651102	4	Rod Pin, Control
5	5C1490	2	Nut, Jam
6	15B1200	8	Washer
7	163012	8	Pin, Cotter

AXLE ASSEMBLY



ITEM	PART NO.	QTY	DESCRIPTION
1	00760281	1	Axle Weldment
2	00759133	2	Spindle Weldment
3	02931300	2	Bolt
4	7483	2	Bushing
5	15B1200	2	Flatwasher
6	00037200	6	Locknut
7	00606000	1	Cotter Pin
8	8354	1	Cylinder Pin
9	00007800	4	Bolt

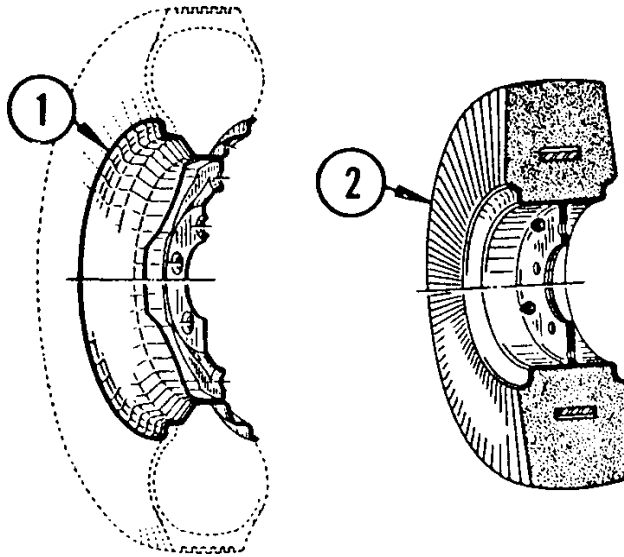
HYDRAULIC CYLINDER (OPTIONAL)



ITEM	PART NO.	QTY	DESCRIPTION	ITEM	PART NO.	QTY	DESCRIPTION
	8727		Complete Assembly		8727A		Complete Assembly
1	8755	1	Cap	1	00774729	1	Clevis Cap
2	8757	1	Head	2	00774734	1	Rod Cap
3	00760671	1	Piston	3	00774730	1	Piston
4	8753	1	Piston Rod	4	00774753	1	Rod
5	8752	1	Tube	5	3047111	1	Tube
6	8756	4	Tie Rod	6	3047112	4	Tie Rod
7	00023100	1	Bolt	15	3047117	1	Nylon Thread Protector
8	00013901	1	Hex Nut	16	1917140	1	Rod Clevis
9	8763	1	Seal Kit	17	00774740	1	Set Screw
13	8354	2 ref	Pivot Pin	18	33003H5C	8	Tie Rod Nut
14	00606000	2 ref	Cotter Pin	19	5JRC12160	1	Piston Nut
16	8754	1	Outer Clevis	20	1917132	1	Port Plug
18	02031800	8	Tie Rod Nut	21	2417154	1	Breather
19	4675	1	Piston Nut		* 00774700	1	Sealant (Not Shown)
21	7339	1	Breather Plug		* 651132	2 ref	Hose (Not Shown)
	651132	2 ref	Hydraulic Hose (Not Shown)		* 94514	2 ref	Elbow (Not Shown)
	94514	2 ref	Swivel Fitting 90 Degrees (Not Shown)		* 0652141311	2 ref	Adapter (Not Shown)
					* 8354	2 ref	Pin (Not Shown)
					* 00606000	2 ref	Cotter Pin (Not Shown)

* CONSISTS OF SEAL KIT 00774760

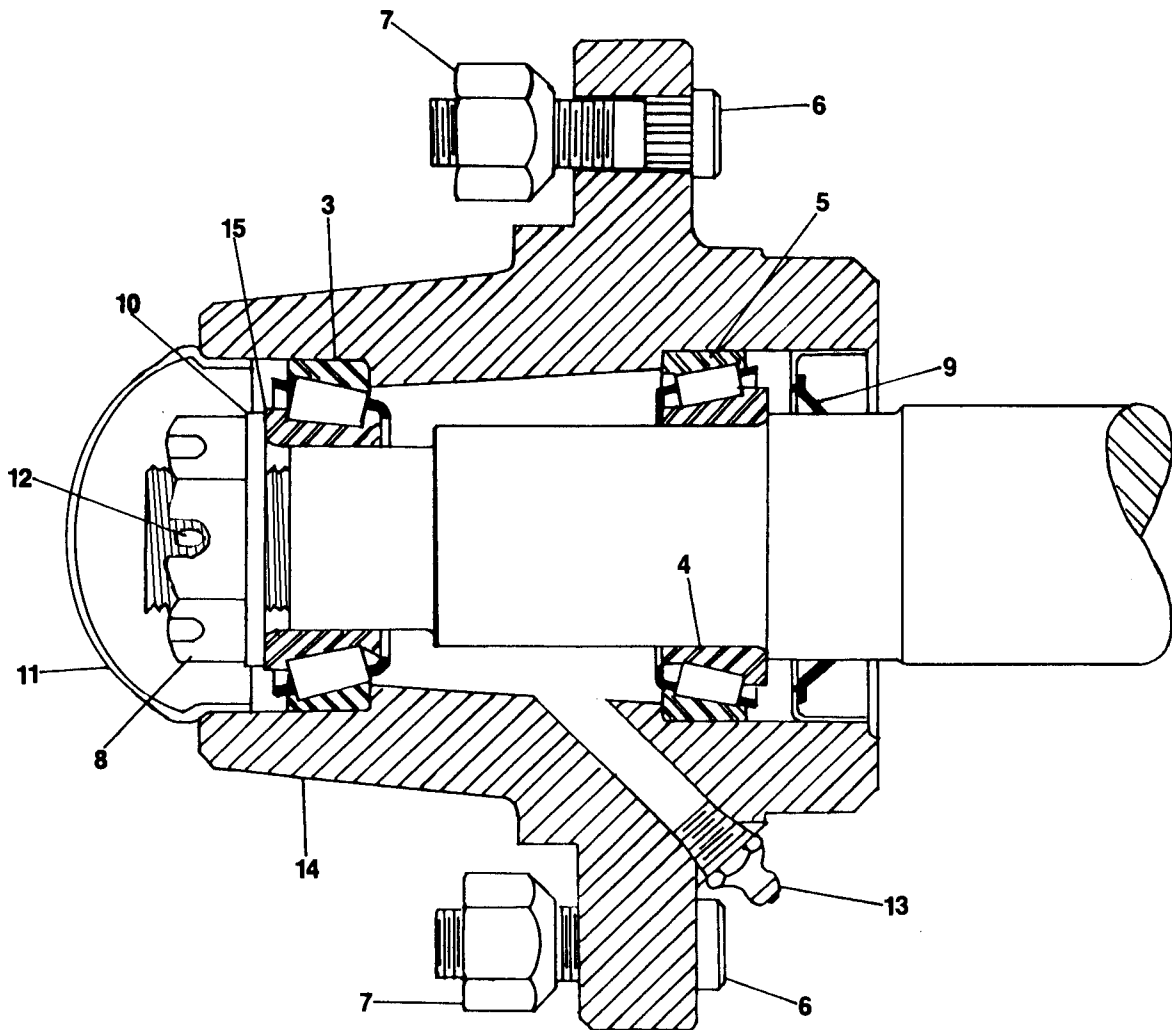
WHEEL ASSEMBLY



Wheel Group
(Quantities Shown for 1-Cutter, Complete)

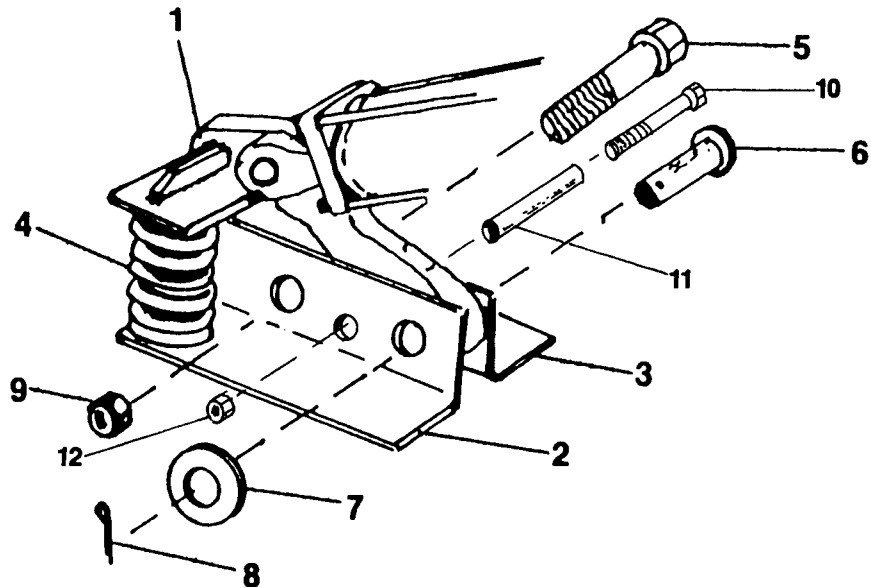
ITEM	PART NO.	QTY.	DESCRIPTION
1	00008700	2	Wheel
2	00025200	2	Laminated Puncture-Proof Tire & Wheel Assembly
	00756433	2	Used 15" Airplane Tire/Wheel (Not Shown)
	00749700	2	Used 14" Airplane Tire/Wheel (Not Shown)
	00749698	2	Implement Tire/Wheel (Not Shown)

WHEEL HUB ASSEMBLY



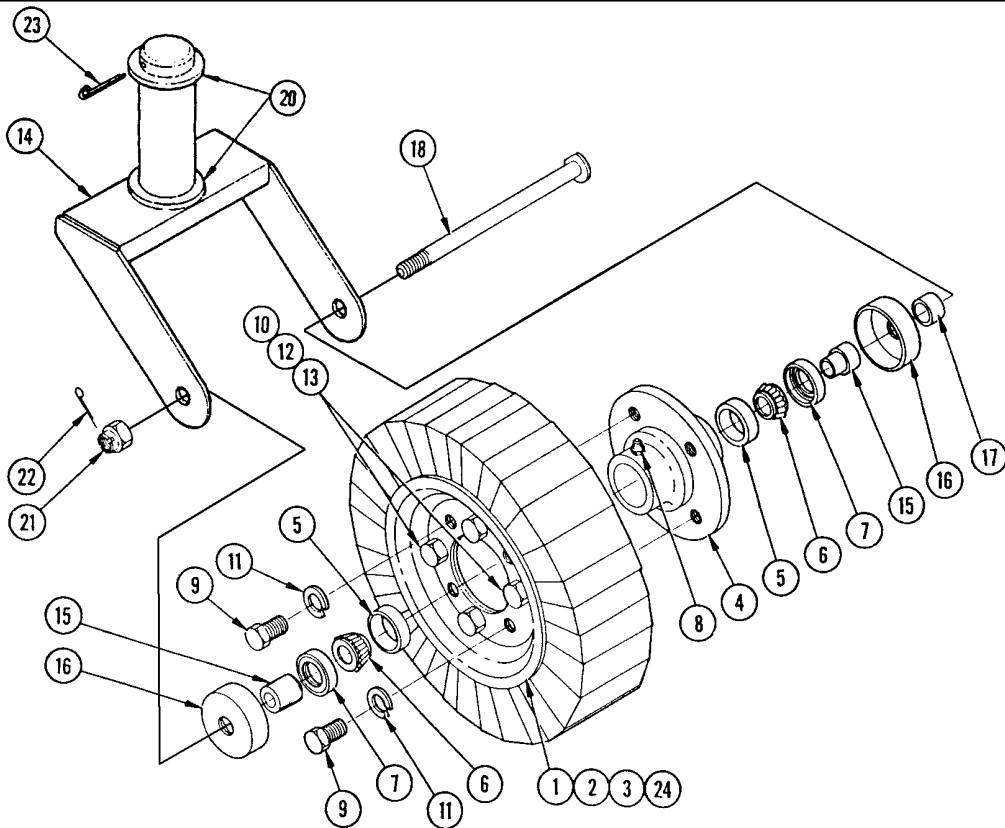
ITEM	PART NO.	QTY	DESCRIPTION
3	00756576	1	Bearing Cup(Outside)
4	00750434	1	Bearing Cone(Inside)
5	00756577	1	Bearing Cup(Inside)
6	00756488	5	Stud Bolt
7	00750614	5	Nut
8	00756490	1	Bearing Adjusting Nut
9	00756491	1	Seal
10	00756493	1	Washer
11	00756492	1	Dust Cap
12	00000400	1	Cotter Pin
13	00003500	1	Grease Fitting
14	00756000	1	Wheel Hub
15	0371242102	1	Bearing Cone(Outside)
16	00756001	ref	Spindle, Single Wheel
	00756489	ref	Hub(w/Cups & Studs)
	00756528	ref	Wheel Hub Accessory Kit

SPRING SHOCK ASSEMBLY



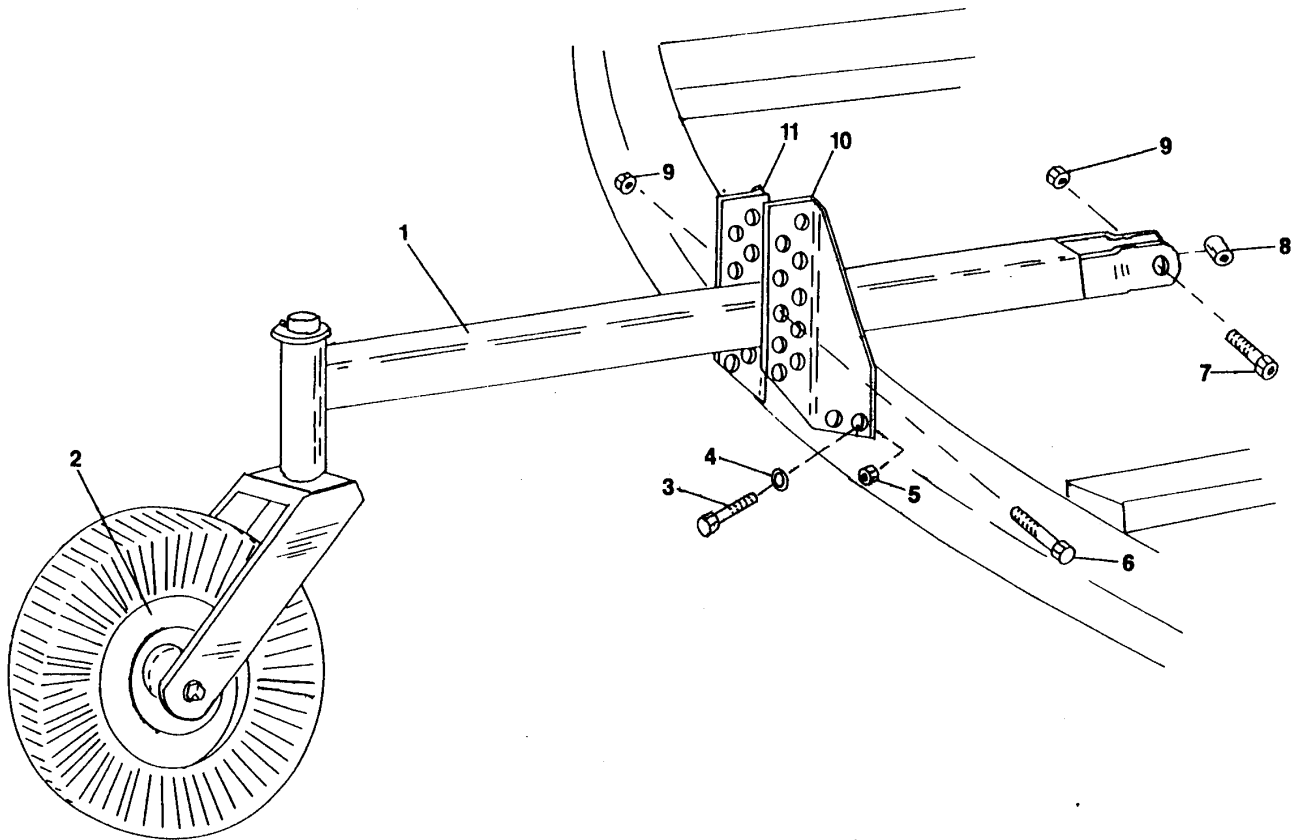
ITEM	PART NO.	QTY.	DESCRIPTION
	00759191	1	Spring Shock Assembly
1	00759190	1	Spring Shock Weldment
2	00759189	1	Angle Bracket Weldment LH
3	00759188	1	Angle Bracket Weldment RH
4	371063A	2	Spring
5	02782100	1	Bolt
6	8354	1	Pin
7	02822500	1	Washer
8	00606000	1	Cotter Pin
9	02030300	1	Locknut
10	00750952	1	Bolt
11	00761199	1	Spacer
12	00695100	1	Nut, Toplock 5/8 NC PLC

CASTER ASSEMBLY - LIFT TYPE



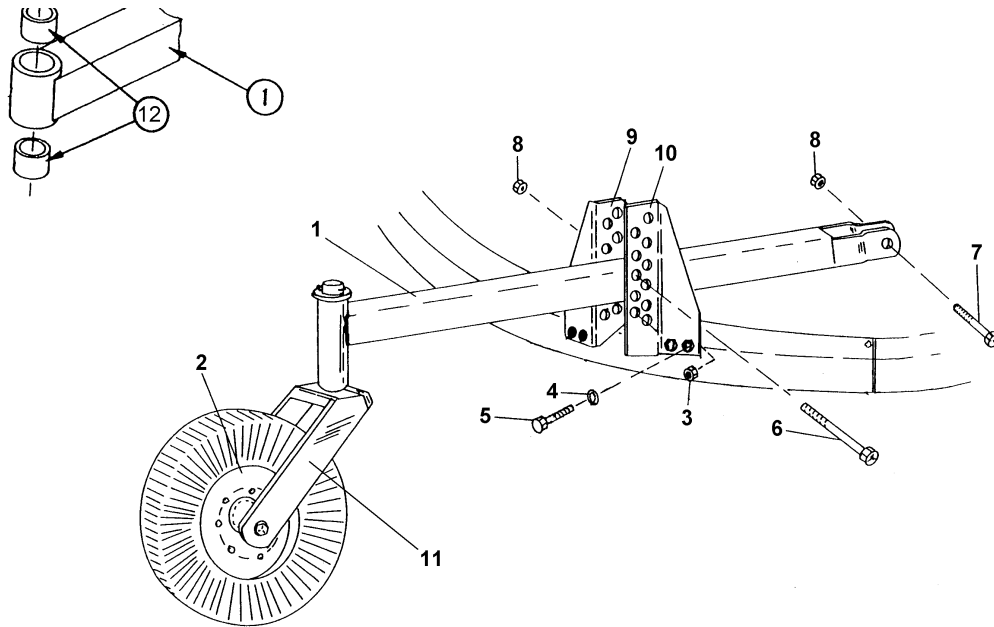
ITEM	PART NO.	QTY	DESCRIPTION
	0585020200	1	Caster Assy
1	373024	1	Wheel Assembly
2	373024A	1	Tire
3	373024B	1	8" Dia. Wheel (Bolted Assy)
4	373024D	1	Hub Assembly (with bearings and seals)
5	00750621	2	Bearing Cup
6	373024F	2	Bearing Cone
7	373024E	2	Grease Seal
8	00752670	1	Grease Fitting (Threaded)
	00600000	1	Grease Fitting (Drive in)
9	7A8208	4	Bolt
10	7A6166	4	Bolt
11	00001300	4	Lockwasher
12	00012101	4	Lockwasher
13	00013901	4	Nut
14	0585020210	1	Fork Weldment
15	37302C2C	2	Shoulder Sleeve
16	37302D2B	2	Dust Cap
17	511016	2	Spacer Bushing
18	37302D2A	1	Spindle Bolt
19	15B1200	1	Washer
20	15B2400	2	Washer
21	5DR12160	1	Castle Nut
22	162012	1	Cotter Pin
23	00758899	1	Cotter Pin
24	373024H	1(REF)	Tire and Wheel Assembly (Bolted Assy. only, less Hub)

TAILWHEEL ASSEMBLY - SINGLE



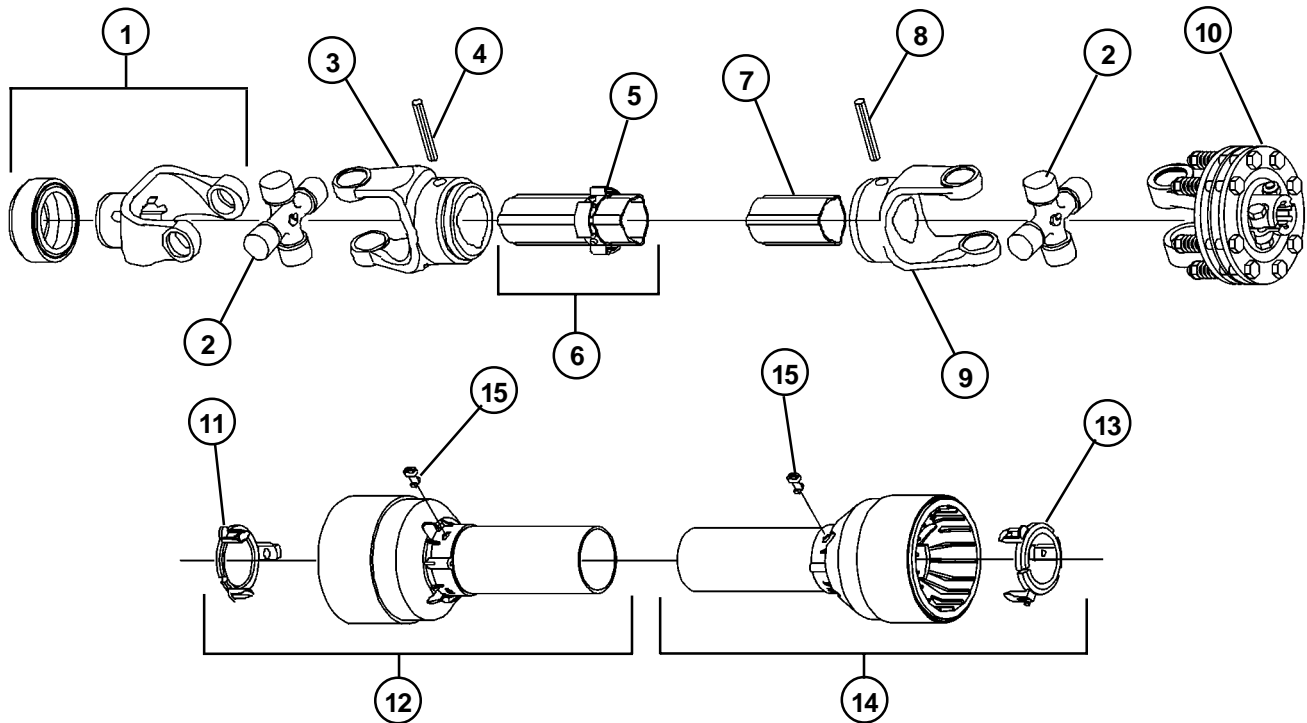
ITEM	PART NO.	QTY	DESCRIPTION
1	00760292	1	Tail Wheel Weldment
2	0585020200	1	Caster Fork & Wheel
3	00748823	4	Bolt
4	00002700	4	Flatwasher
5	00001800	4	Locknut TLM 1/2 NC PLC
6	02845600	2	Bolt
7	00750952	1	Bolt
8	00760412	1	Bushing
9	00695100	2	Nut, Toplock 5/8 NC PLC
10	00760602	1	Adjusting Bracket (LH)
11	00760603	1	Adjusting Bracket (RH)

TAILWHEEL ASSEMBLY - DUAL



ITEM	PART NO.	QTY	DESCRIPTION
1	00760292	2	Tailwheel Weldment
2	0585020200	2	Caster Fork & Wheel
3	00001800	8	Locknut TLM 1/2 NC PLC
4	00002700	8	Flatwasher
5	00748823	8	Bolt
6	02845600	4	Bolt
7	00750952	2	Bolt
8	00695100	6	Nut, Toplock 5/8 NC PLC
9	00760303	1	Adjustment Bracket (RH Inside)
10	00760301	1	Adjustment Bracket (RH Outside)
	00760304	1	Adjustment Bracket (not shown) (LH Inside)
	00760302	1	Adjustment Bracket (not shown) (LH Outside)

DRIVELINE LIFT TYPE - 540 & 1000 RPM



Order replacement parts from this page if the profile of your driveline is triangle shaped.

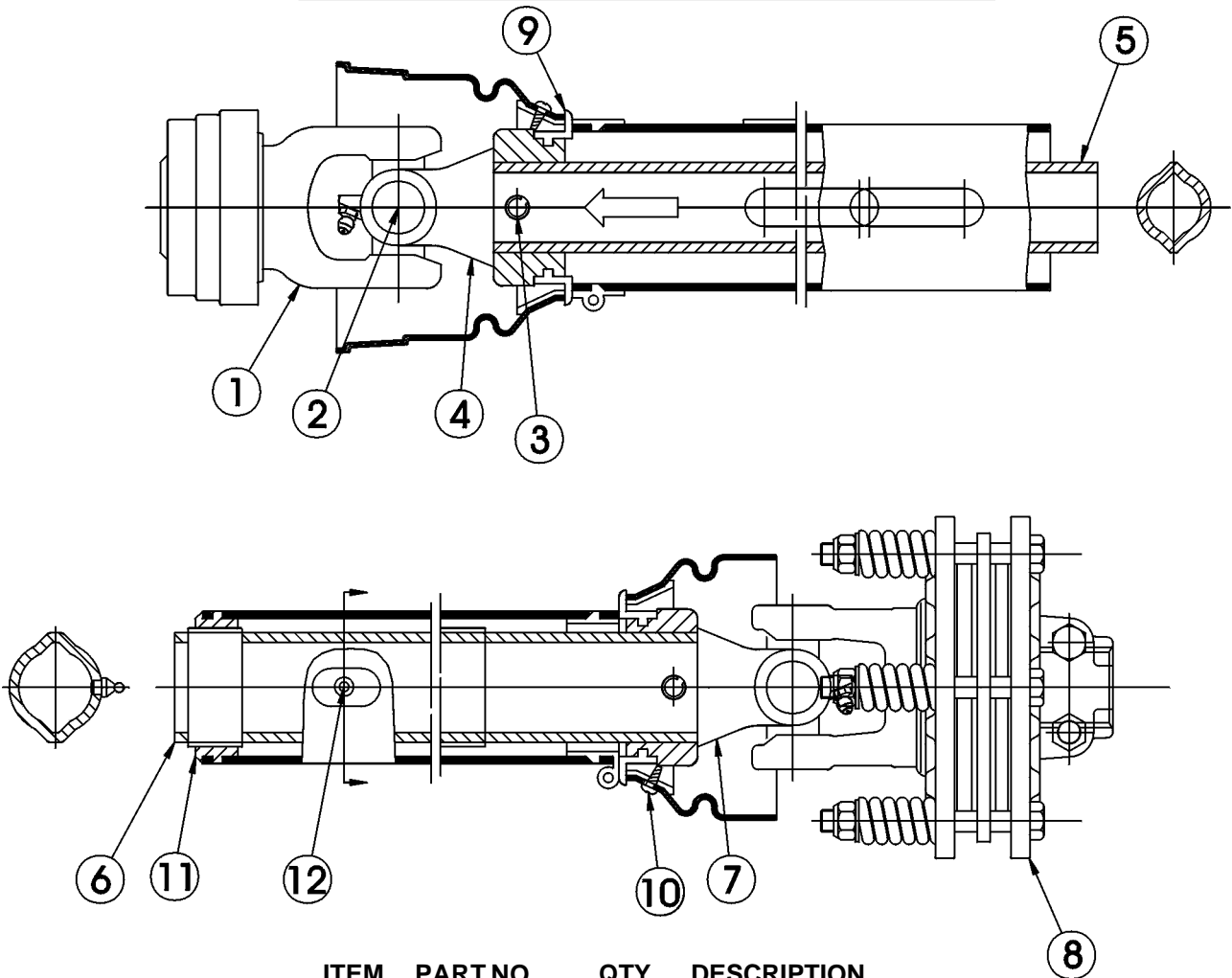
ITEM	540 RPM 00760900 PART NO.	1000 RPM 00760901 PART NO.	QTY	DESCRIPTION
1	00752883	00760002	1	Complete Collar Yoke
2	00752896	00752896	2	Cross Journal Set
3	00754154	00754154	1	Outer Yoke
4	00754167	00754167	1	Roll pin for outer tube
5	00772529	00772529	1	Bushing with Grease Fitting
6	00761211	00761211	1	Complete Outer Tube
7	00761212	00761212	1	Inner Tube
8	00754167	00754167	1	Roll Pin for Inner Tube
9	00754153	00754153	1	Inner Yoke
10	00756075	00756075	1	Complete Slip Clutch
11	00754332	00754332	1	Retaining Collar for Outer Tube
12	00761215	00761215	1	Outer Shield
13	00754331	00754331	1	Retianing Colalr for Inner Tube
14	00761216	00761216	1	Inner Shield
15	00764330	00754330	6	Bolt

***NOTE:**

Some of the drivelines shipped in 1997/98 were shipped with a springless slip clutch (P/N 00756075A) which is no longer available. Please refer to Slip Clutch Assembly page for replacement parts.

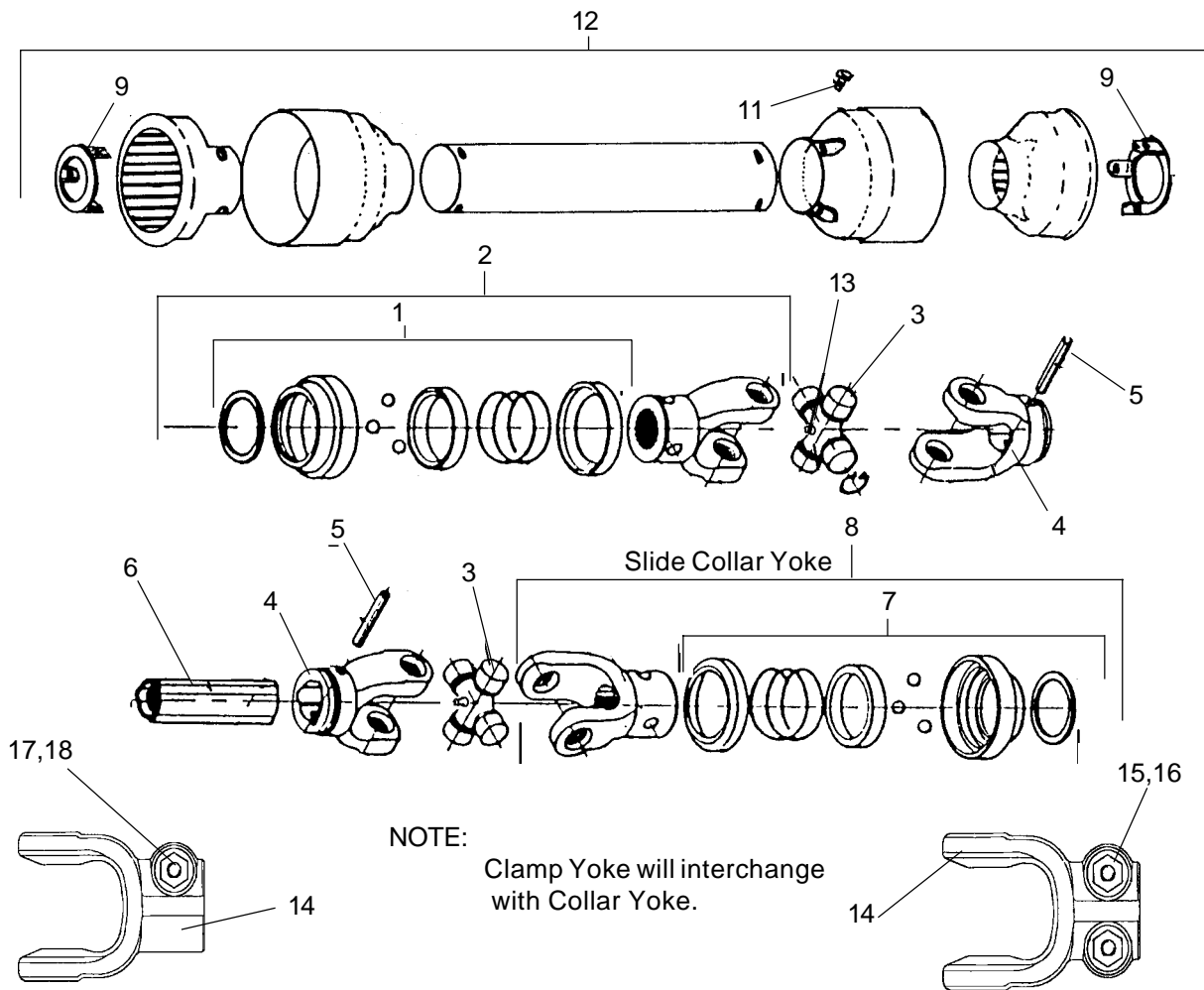
DRIVELINE LIFT TYPE - 540 RPM

Order replacement parts from this page if the profile of your driveline is lemon shaped.



ITEM	PART NO.	QTY.	DESCRIPTION
	00775369	-	Driveline Assembly
1	00775353	1	Yoke
2	W279R	2	Cross & Bearing Kit
3	8384	2	Spring Pin
4	00775317	1	Inboard Yoke
5	0921000332	1	Inner Profile
6	00775378	1	Profile & Sleeve
7	00775318	1	Inboard Yoke
8	00775331	1	Friction Clutch
9	8393	2	Bearing Ring
10	4797	2	Screw
11	8974	1	Support Bearing
12	1416601	1	Grease Fitting
	00775372	1	Outer Shield Half
	00775373	1	Inner Shield Half
	00767954	1	Yoke QD Kit

DRIVELINE - PULL TYPE 540 & 1000 RPM



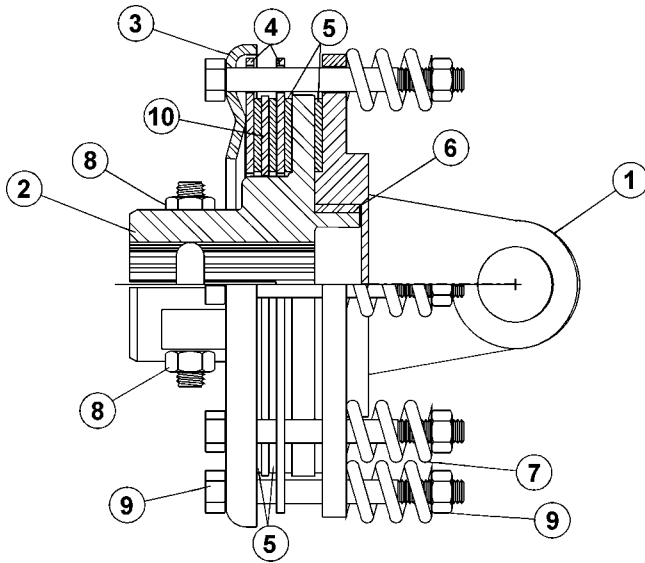
540 RPM
00760898

1000 RPM
00760902

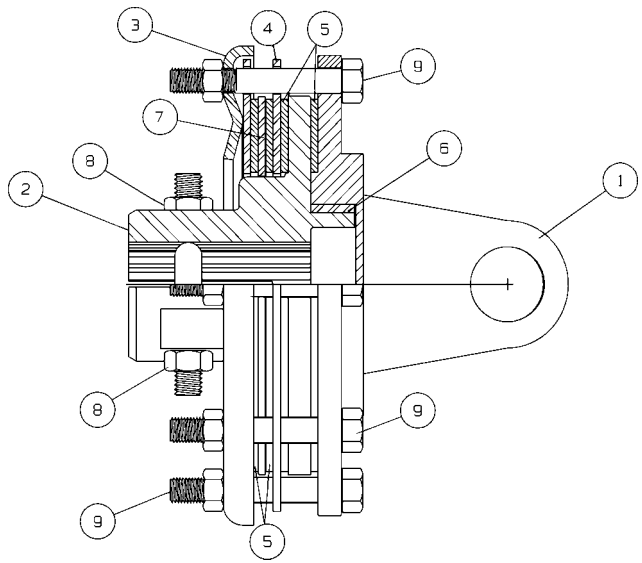
ITEM	PART NO.	PART NO.	QTY	DESCRIPTION
1	00757144	00757144	1	Collar Kit
2	00752883	00760002	1	Complete Collar Yoke
3	00752896	00752896	2	Cross Journal Set
4	00754154	00754154	2	Outer Yoke
5	00754166	00754166	2	Roll Pin
6	00761207	00761207	1	Tube
7	00757052	00757052	1	Collar Kit
8	00757051	00757051	1	Complete Collar Yoke
9	00754332	00754332	2	Retaining Collar
11	00754330	00754330	6	Bolt
12	00761208	00761208	1	Complete Shield
13	00755610	00755610	2	Grease Fitting
14	00771337	00771337	1	Complete Clamp Yoke
15	02964955	02964955	2	Clamp Bolt
16	00755881	00755881	2	Locknut
17	00767655	00767655	1	Tapered Pin
18	00770777	00770777	1	Locknut

Order replacement parts from this page if the profile of your driveline is triangle shaped.

SLIP CLUTCH ASSEMBLY



P/N 00756075



P/N 00756075A
(Obsolete)

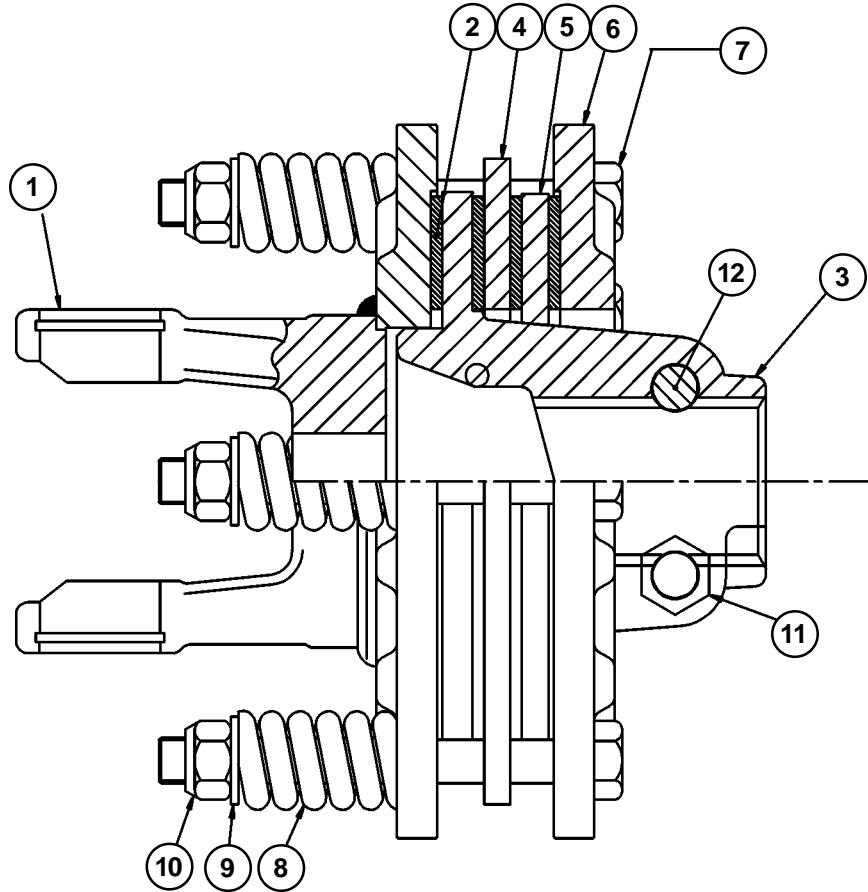
**USED ON DRIVELINE P/N 00760899,
00760900, & 00760901**

ITEM	00756075 PART NO.	(*Obsolete see note below) 00756075A PART NO.	QTY	DESCRIPTION
1	00754302		1	Flange Yoke
2	00755599		1	Clutch Support
3	00766810		1	Pressure Plate
4	00754314		2	Plate with Holes
5	00754202		4	Lining Ring
6	00754301		1	Bushing
7	00754303		8	Spring
8	00755600		2	Nut & Bolt
9	00754199		8	Nut & Bolt
			8	Nut & Bolt
10	00754201		1	Intermediate Plate

***NOTE:**

This slip clutch is no longer available. Order Spring Kit(P/N 00773222) as replacement part to convert to a spring clutch.

SLIP CLUTCH ASSEMBLY - INTERMEDIATE

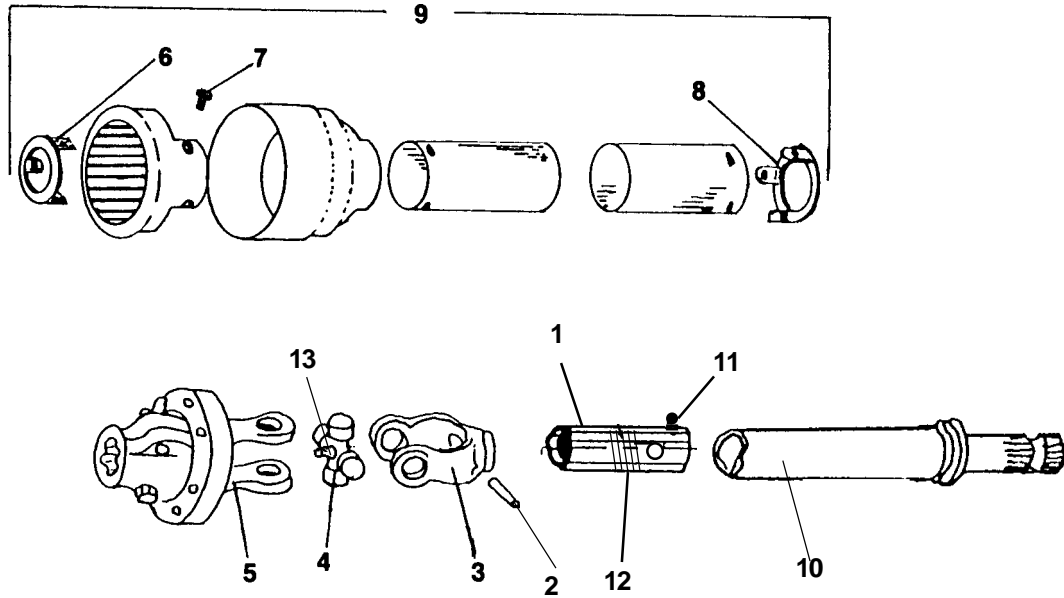


**USED ON DRIVELINE P/N 00775369
&
JACKSHAFT P/N 00775437**

ITEM	PART NO.	QTY	DESCRIPTION
	00775331	-	Slip Clutch
1	00775333	1	Flange Yoke
2	8366	4	Friction Disk
3	00775334	1	Hub
4	00775335	1	Drive Plate
5	00775336	1	Drive Plate
6	00775337	1	Thrust Plate
7	00775338	6	Bolt
8	00775339	6	Compression Spring
9	00754566	6	Lockwasher
10	00756164	6	Locknut
11	00775327	2	Locknut
12	00775328	2	Bolt

JACKSHAFT - PULL TYPE

Order replacement parts from this page if the profile of your driveline is triangle shaped.

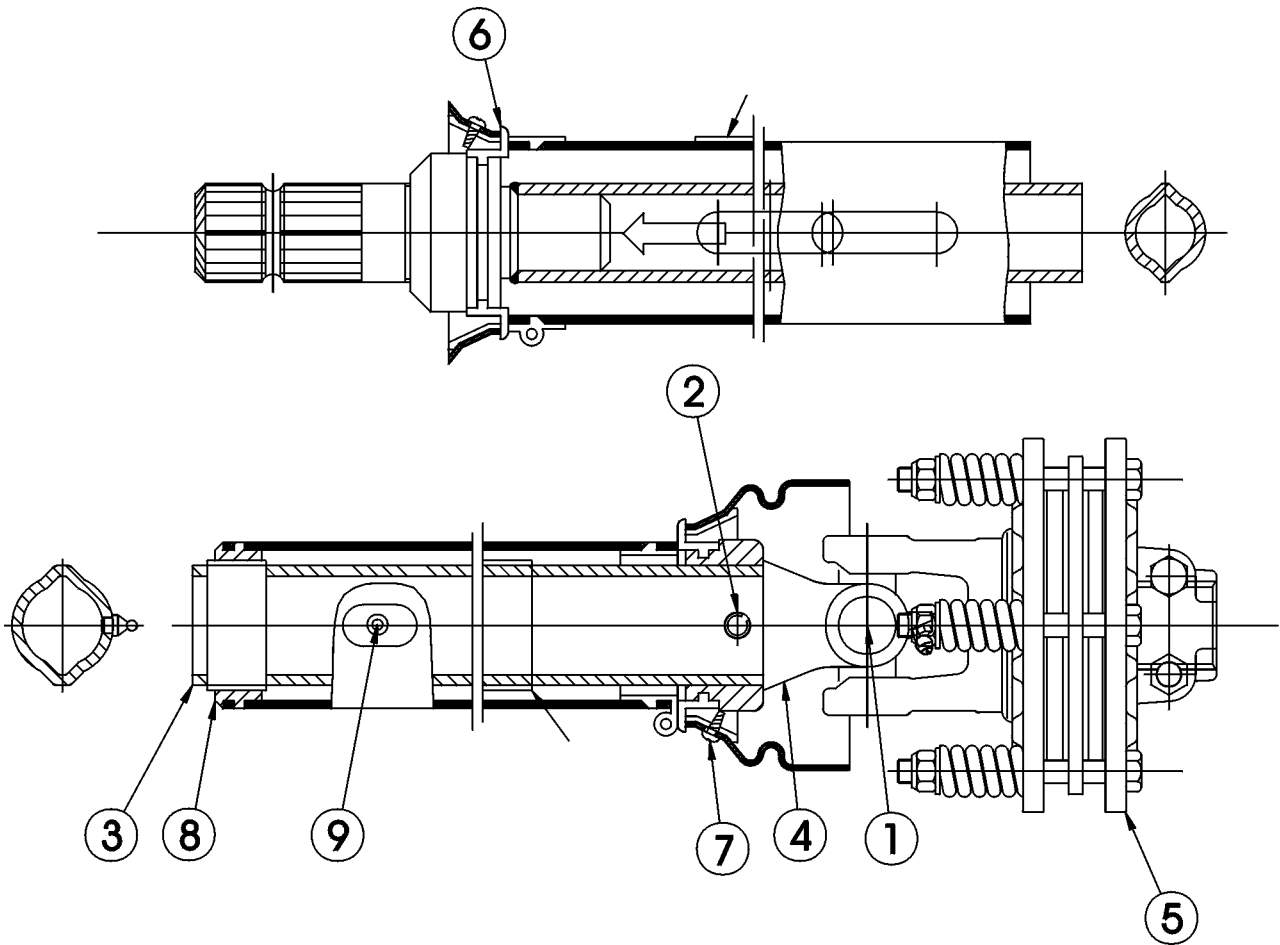


ITEM	PART NO.	QTY	DESCRIPTION
	00760899	1	Jackshaft Assy
1	00761259	1	Outer Tube
2	00754167	1	Roll Pin
3	00754154	1	Outer Yoke
4	00752896	1	Cross Journal Set
5	00756075	1	Slip Clutch (w/ Spring)
*Obsolete	00756075A	1	Slip Clutch (w/o Spring)
6	00754332	1	Collar (Outer Tube)
7	00754330	6	Bolt
8	00754331	1	Collar (Inner Tube)
9	00761210	1	Complete Shield
10	00761209	1	Inner Tube 1-3/4 - 20 Spline
11	00754335	1	Grease Fitting
12	00761075	1	Centering Spring
13	00755610	1	Grease Fitting

***NOTE:**

Some of the drivelines shipped in 1997/98 were shipped with a springless slip clutch (P/N 00756075A) which is no longer available. Please refer to Slip Clutch Assembly page for replacement parts.

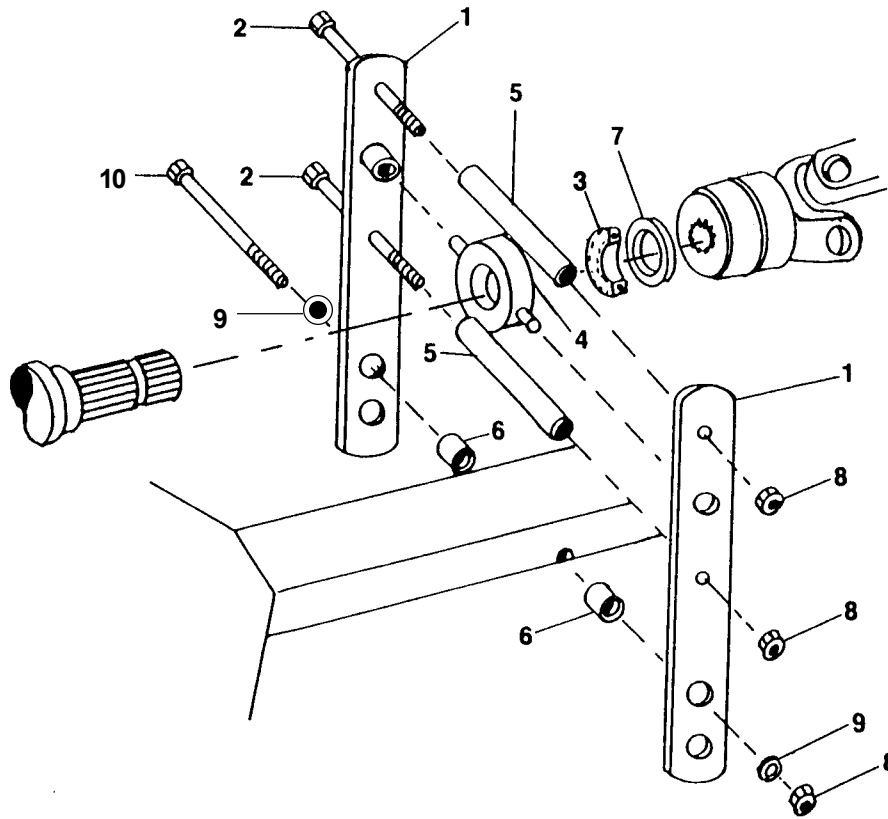
JACKSHAFT - PULL TYPE



Order replacement parts from this page if the profile of your driveline is lemon shaped.

ITEM	PART NO.	QTY.	DESCRIPTION
	00775437	-	Driveline Assembly
1	W279R	1	Cross & Bearing Kit
2	8384	1	Spring Pin
3	00775440	1	Profile & Sleeve
4	00775318	1	Inboard Yoke
5	00775331	1	Friction Clutch
6	8393	2	Bearing Ring
7	4797	2	Screw
8	8974	1	Support Bearing
9	1416601	1	Grease Fitting

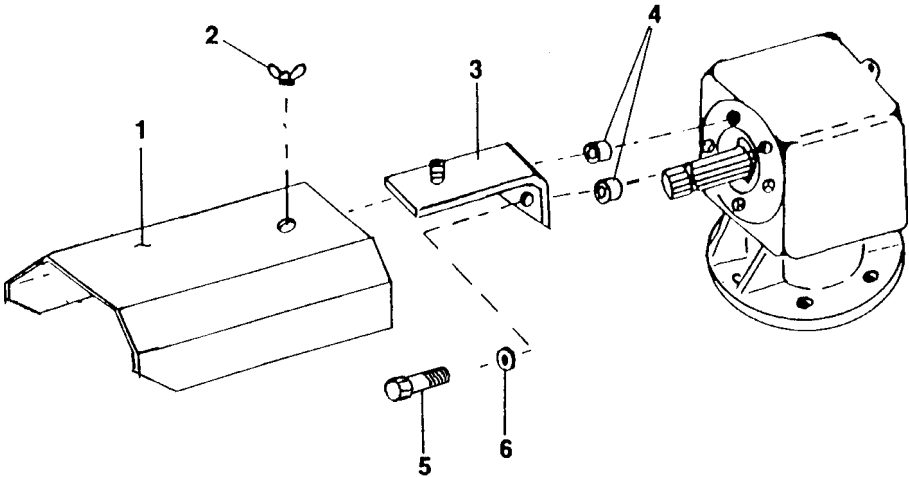
JACKSHAFT SUPPORT - PULL TYPE



ITEM	PART NO.	QTY.	DESCRIPTION
1	00760944	2	Support
2	02963243	2	Bolt
3	00759286	1	Bearing
4	00759099	1	Bearing Housing
5	00760943	2	Spacer
6	681112	2	Bushing
7	00759868	1	Spacer
8	00001800	3	Locknut TLM 1/2 NC PLC
9	00002700	2	Flatwasher
10	00751582	1	Bolt
	00759100	1	Bearing Assembly Includes #3 & #4

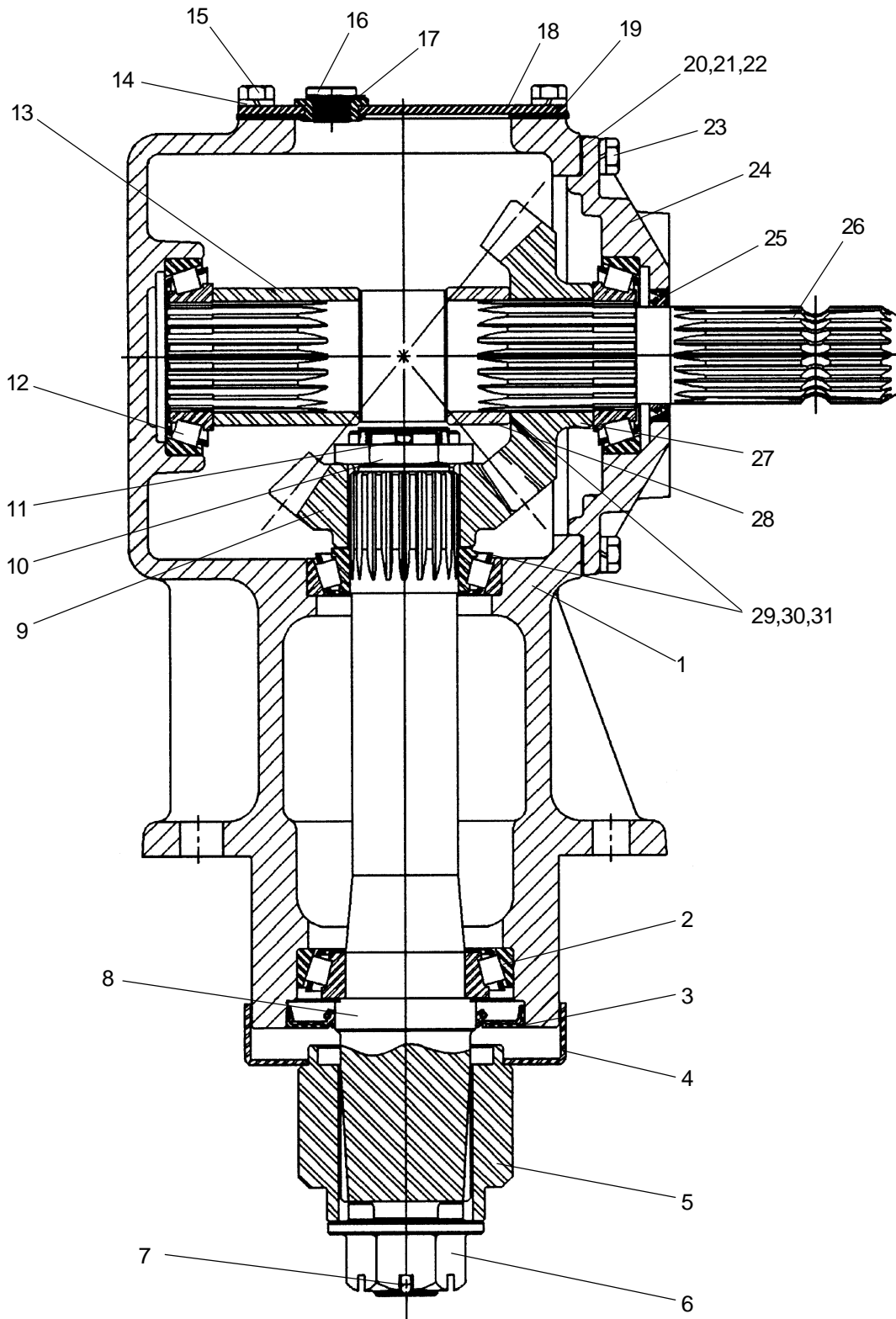
NOTES

SHIELD - SLIP CLUTCH



ITEM	PART NO.	QTY.	DESCRIPTION
1	00760910	1	Shield Weldment
2	5F8130	1	Wing Nut
3	00760907	1	Shield Mount Weldment
4	00759780	2	Spacer
5	00756328	2	Bolt
6	00011700	2	Lockwasher

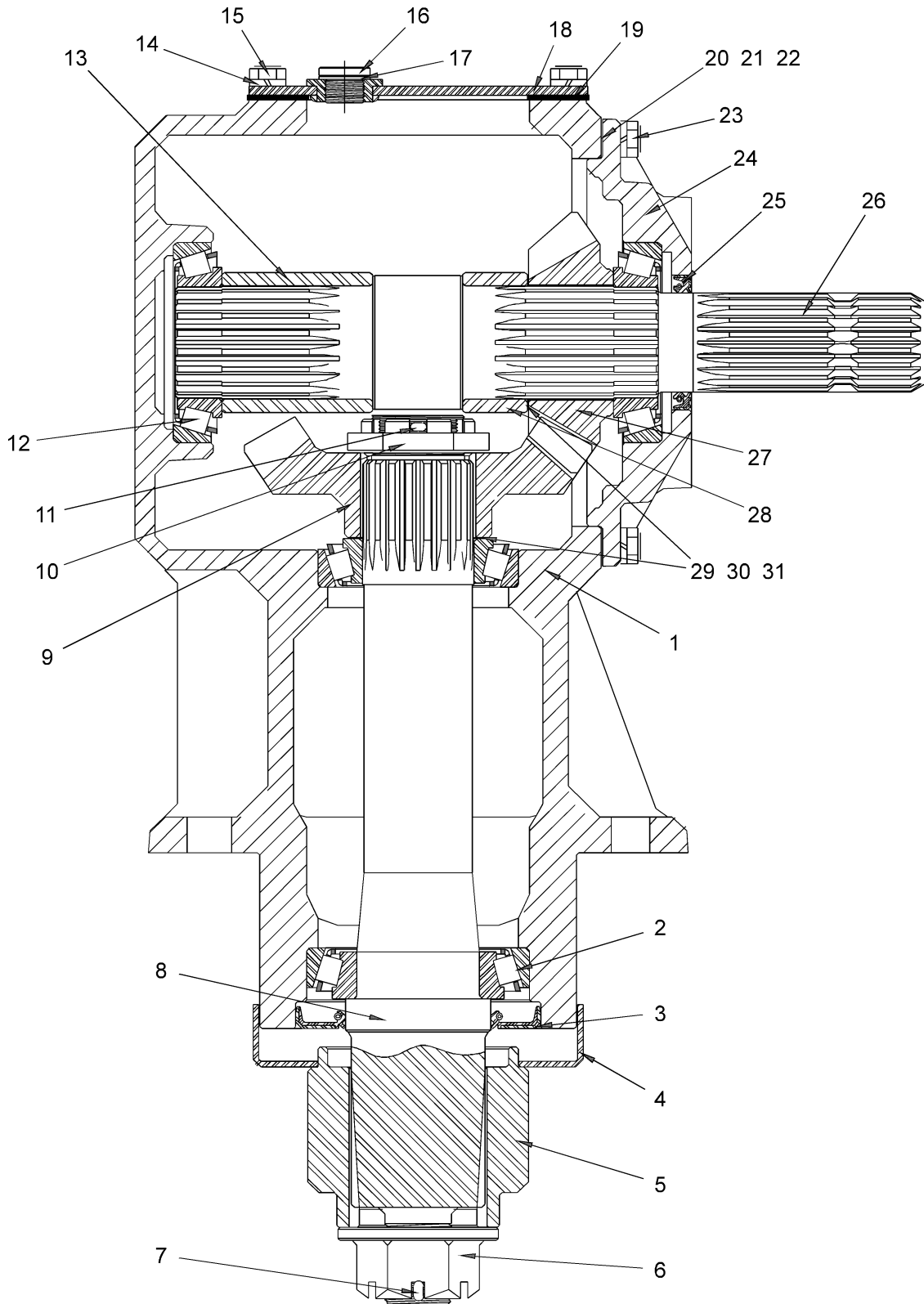
GEARBOX - 540 RPM



GEARBOX - 540 RPM

ITEM	PART NO.	QTY	DESCRIPTION
	00769918	1	Gearbox Assy
1	00770724	1	Housing
2	00770725	1	Bearing
3	00770726	1	Oil Seal
4	00770727	1	Seal Protector
5	00771227	1	Blade Hub
6	00771226	1	Nut
7	01422502	1	Cotter Pin
8	00770728	1	Shaft
9	00770738	1	Gear (14 Tooth)
10	00762121	1	Nut
11	00606000	1	Cotter Pin
12	00755628	3	Bearing
13	00770731	1	Spacer
14	00766083	10	Lockwasher
15	00754338	4	Cap Screw
16	00762517	2	Plug
17	00769321	3	Washer
18	00770732	1	Inspection Cover
19	00770733	1	Gasket
20	00758646	VAR	Gasket (0.10)
21	00758647	VAR	Gasket (0.25)
22	00758648	VAR	Gasket (0.50)
23	00765905	8	Cap Screw
24	00770734	1	Input Cap
25	00758653	1	Oil Seal
26	00770735	1	Shaft
27	00770739	1	Gear (17 Tooth)
28	00758657	1	Spacer
29	00758667	VAR	Shim (0.30)
30	-----	VAR	Shim (0.40)
31	00758668	VAR	Shim (0.50)
32	00762114	1	Relief Valve (not shown)
33	-----	2	I.D. Tag Rivet
34	-----	1	I.D. Tag

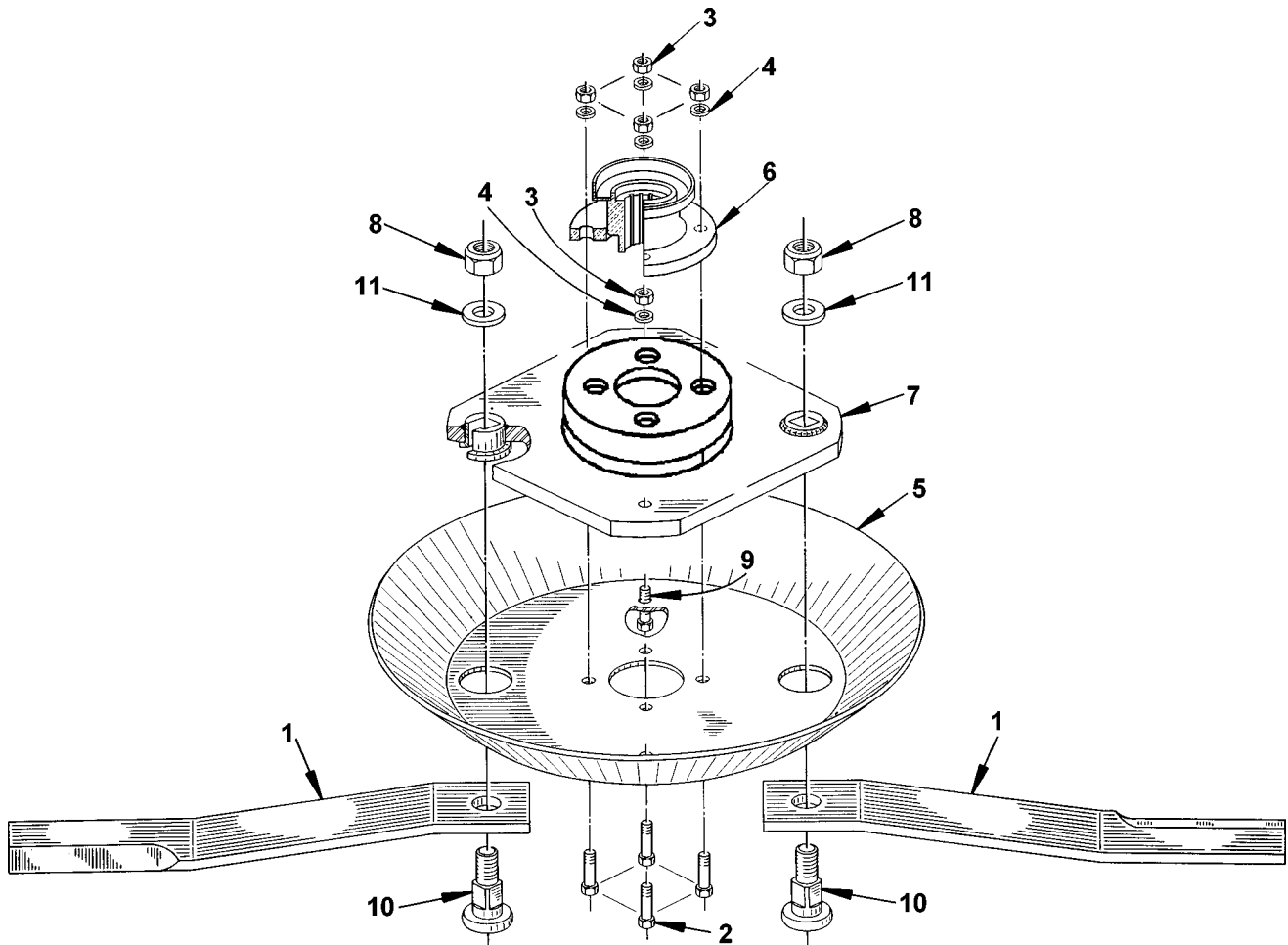
GEARBOX - 1000 RPM



GEARBOX - 1000 RPM

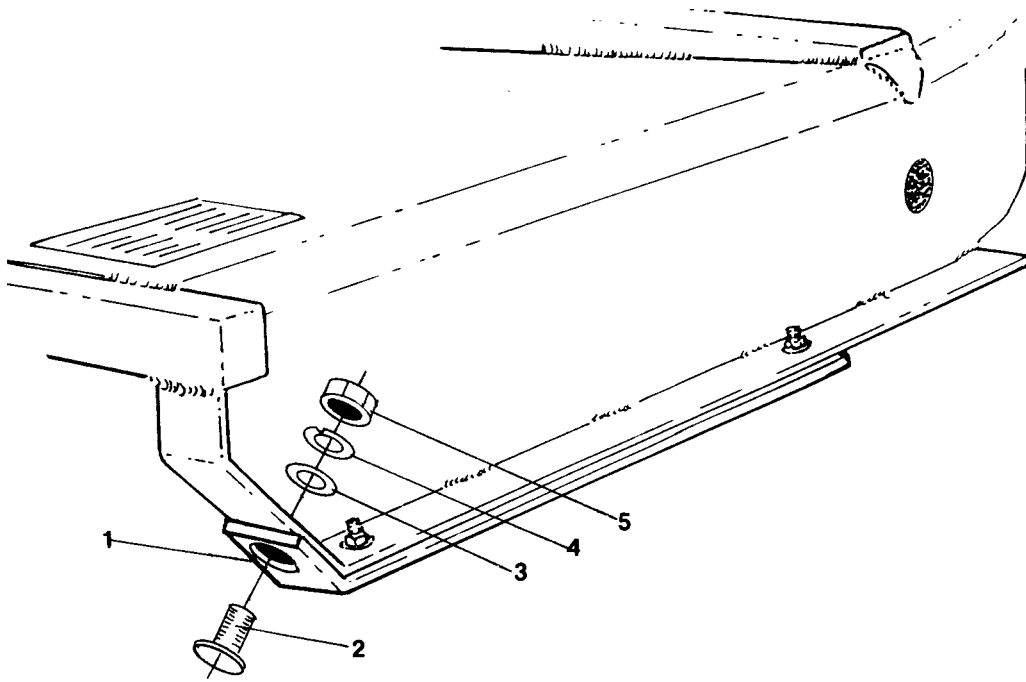
ITEM	PART NO.	QTY	DESCRIPTION
	00769930	1	Gearbox Assy
1	00770724	1	Housing
2	00770725	1	Bearing
3	00770726	1	Oil Seal
4	00770727	1	Seal Protector
5	00771227	1	Blade Hub
6	00771226	1	Nut
7	01422502	1	Cotter Pin
8	00770728	1	Shaft
9	00770729	1	Gear (19 Tooth)
10	00762121	1	Nut
11	00606000	1	Cotter Pin
12	00755628	3	Bearing
13	00770731	1	Spacer
14	00766083	10	Lockwasher
15	00754338	4	Cap Screw
16	00762517	2	Plug
17	00769321	3	Washer
18	00770732	1	Inspection Cover
19	00770733	1	Gasket
20	00758646	VAR	Gasket (0.10)
21	00758647	VAR	Gasket (0.25)
22	00758648	VAR	Gasket (0.50)
23	00765905	8	Cap Screw
24	00770734	1	Input Cap
25	00758653	1	Oil Seal
26	00770735	1	Shaft
27	00770736	1	Gear (13 Tooth)
28	00758657	1	Spacer
29	00758667	VAR	Shim (0.30)
30	-----	VAR	Shim (0.40)
31	00758668	VAR	Shim (0.50)
32	00762114	1	Relief Valve (not shown)
33	-----	2	I.D. Tag Rivet
34	-----	1	I.D. Tag

BLADE PAN CARRIER ASSEMBLY



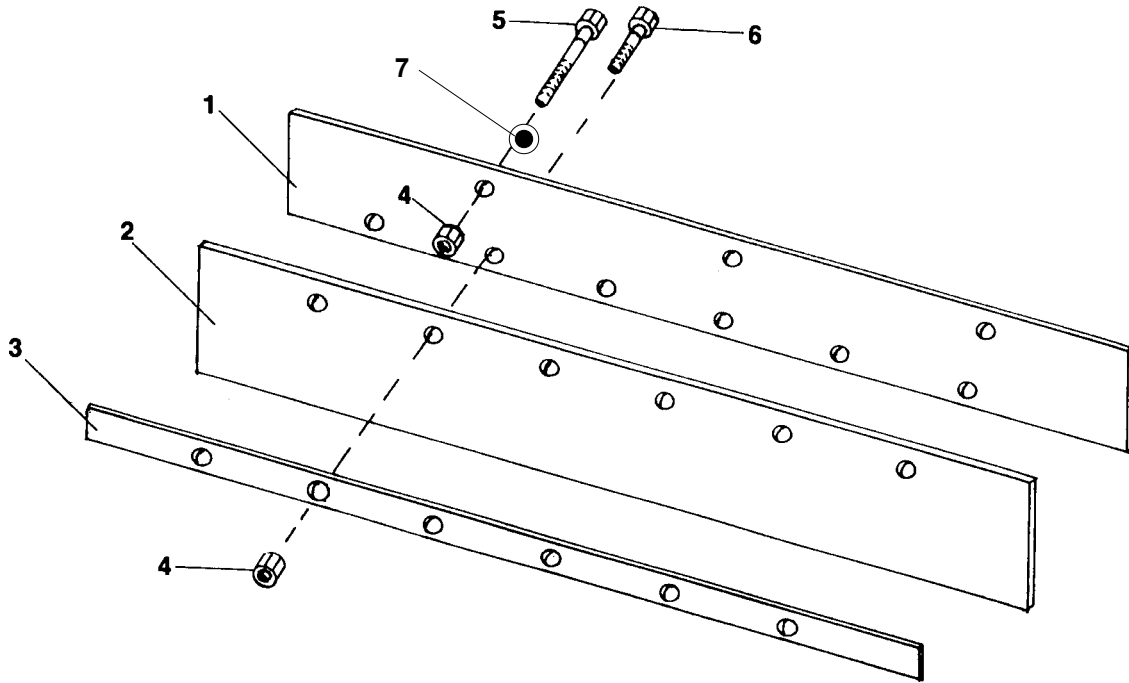
ITEM	PART NO.	QTY	DESCRIPTION
	00767519		BLADE PAN CARRIER ASS'Y
1	00748764	2	BLADES
2	00749127	4	BOLT
3	00749136	6	NUT TOPLOCK
4	00756077	6	WASHER
5	00771329	1	PLATE
6	00771687	1	BLADE HUB
7	00772029	1	BLADE CARRIER
8	5JRC16140	2	LOCKNUT
9	7AH5101816	2	BOLT
10	8227	2	BLADE BOLT
11	9216	2	WASHER

SKID SHOE ASSEMBLY



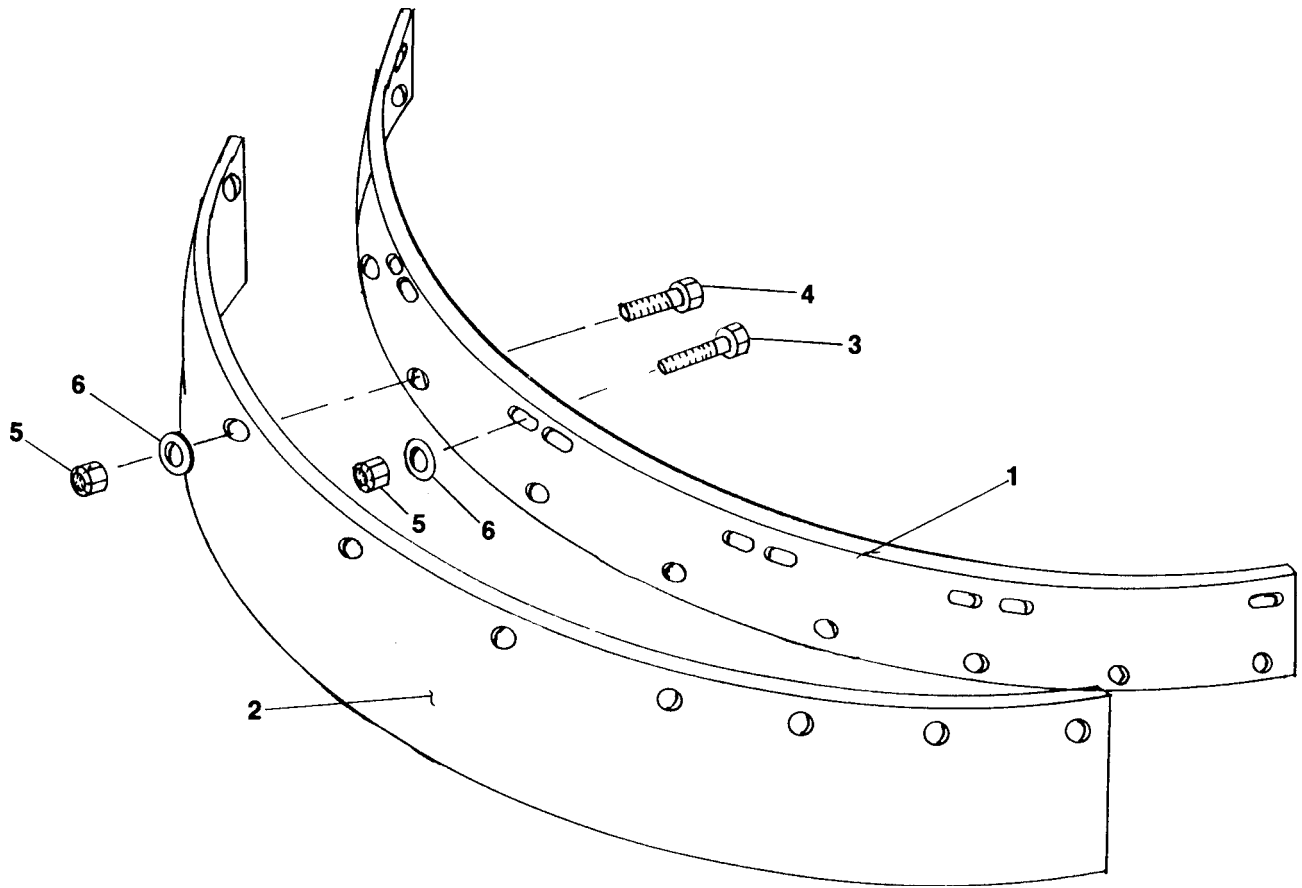
ITEM	PART NO.	QTY.	DESCRIPTION
1	0622000001	2	Skid Shoe
2	2A361612	6	Plow Bolt
3	00011100	6	Flatwasher
4	00012101	6	Lockwasher
5	00013901	6	Nut

DEFLECTOR ASSEMBLY - FRONT



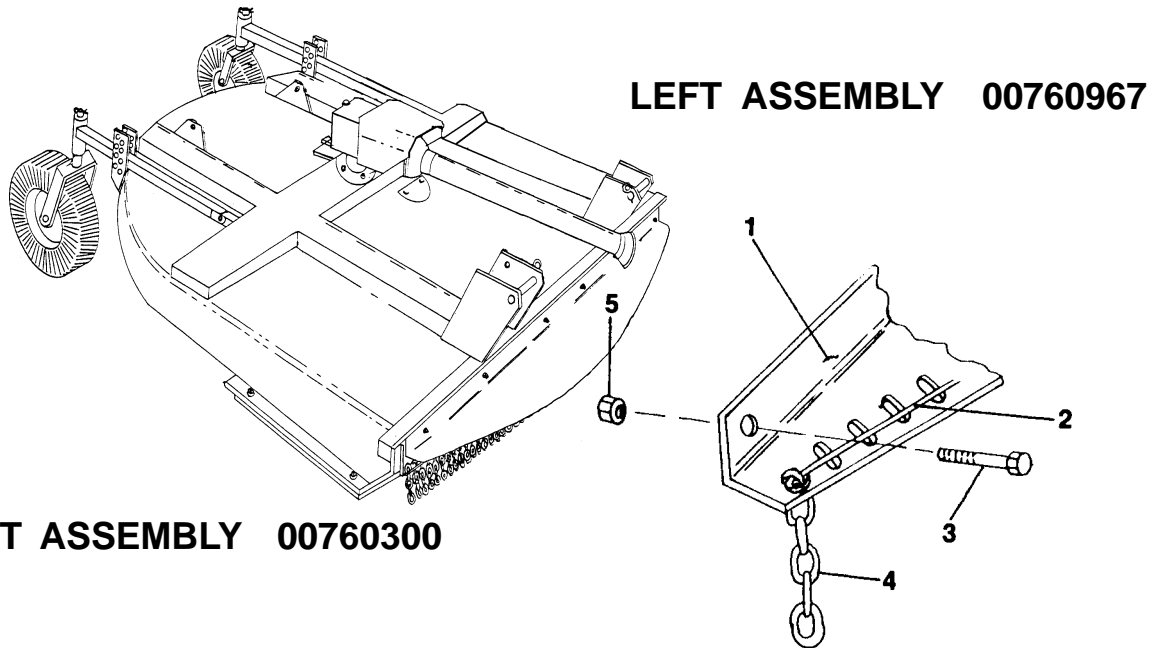
ITEM	PART NO.	QTY.	DESCRIPTION
1	00760996	2	Panel Mount
2	00760998	2	Deflector
3	00760997	2	Panel Strap
4	00001800	18	Locknut TLM 1/2 NC PLC
5	00999418	6	Bolt
6	02030700	12	Bolt
7	00002700	6	Flatwasher

DEFLECTOR ASSEMBLY - REAR



ITEM	PART NO.	QTY.	DESCRIPTION
1	00761007	1	Deflector Support
2	00761008	1	Deflector
3	00748823	14	Bolt
4	02030700	11	Bolt
5	00001800	25	Locknut TLM 1/2 NC PLC
6	00002700	39	Flatwasher

CHAIN GUARD ASSEMBLY - FRONT



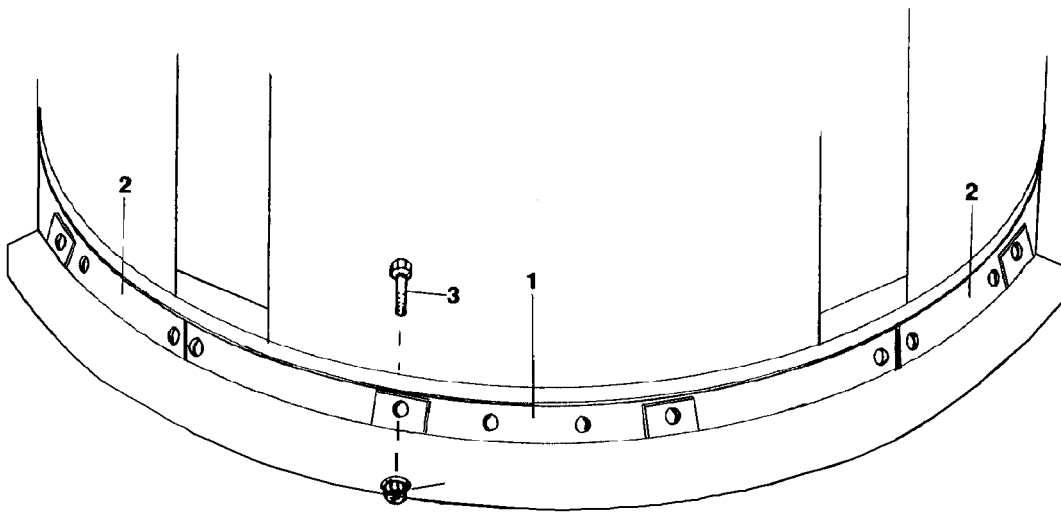
RIGHT ASSEMBLY 00760300

LEFT ASSEMBLY 00760967

ITEM	PART NO.	QTY.	DESCRIPTION
1	00760299	1	Chain Guard Plate (Right Shown)
	00760966	1	Chain Guard Plate (Left Not Shown)
2	0371200102	2	Rod
3	00999418	3*	Bolt
4	0758341005	39*	Chain - 7 links
5	4526	3*	Nut

* Per Side

CHAIN GUARD ASSEMBLY - REAR

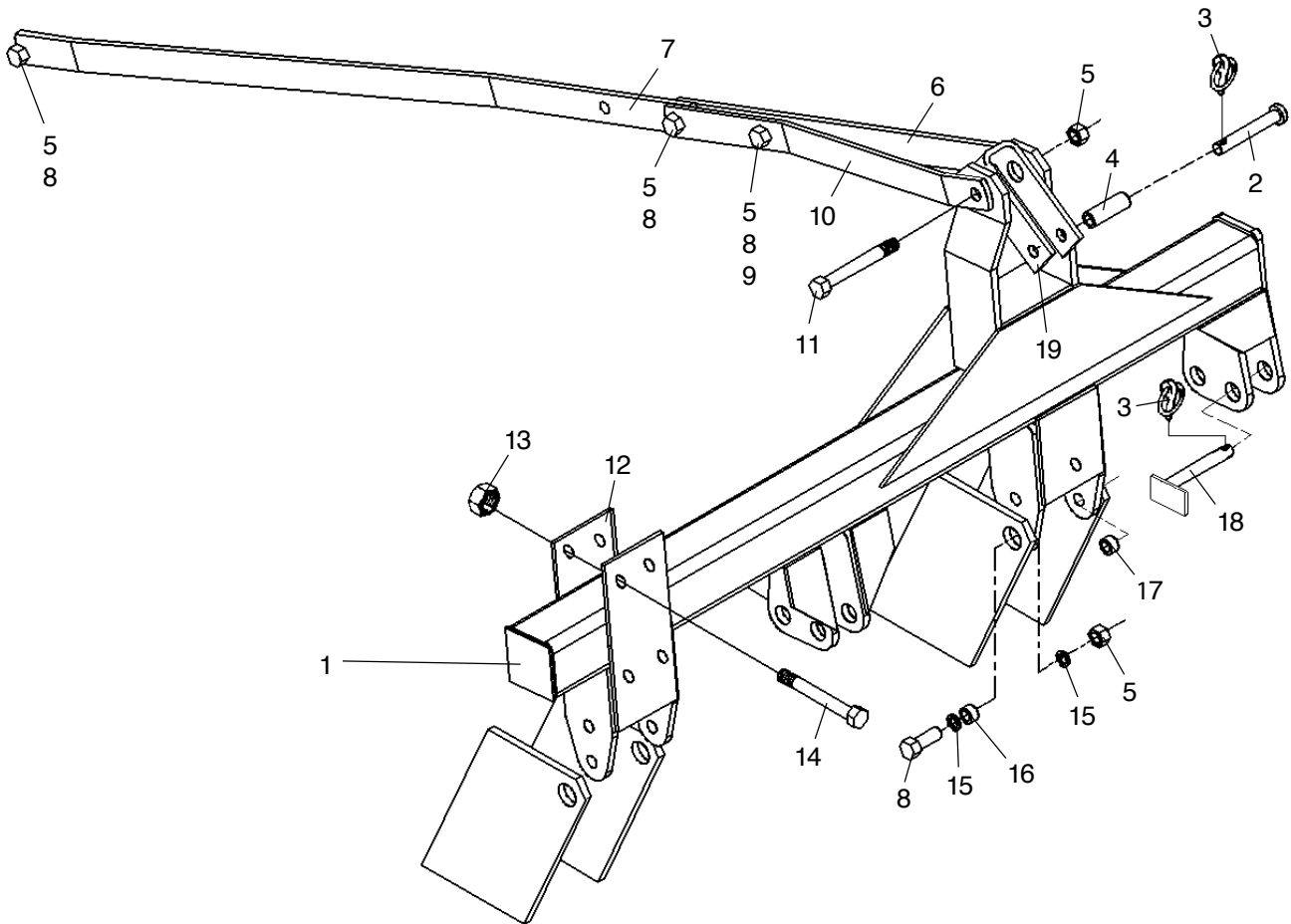


Rear Chain Guard
 Assembly Left Hand P/N 00760614 Rear Chain Guard
 Assembly Right Hand P/N 00760613

Rear Center Chain Guard
 Assembly P/N 00760298

ITEM	PART NO.	QTY.	DESCRIPTION
1	00760296	1	Chain Guard Bracket Rear Center
2	00760612 00761070	1 1	Chain Guard Bracket Outside (LH) Chain Guard Bracket Outside (RH)
3	9012	14	Bolt
4	4526	14	Whiz Nut
5	00755090	70	Chain 5 Link
6	0371200102	1	Rod
7	0911110220	2	Rod

OFFSET ADAPTER - THREE POINT LIFT (OPTIONAL)



ITEM	PART NO.	QTY	DESCRIPTION
1	00761610	1	Offset Adapter
2	3730110	1	Pin, Toplink
3	2196	3	Clip
4	00757953	1	Bushing
5	00037200	6	Locknut
6	00763430	1	Flat Brace (Straight)
7	00763392	1	Flat Brace (Straight)
8	02931300	1	Bolt
9	00762808	1	Tube Spacer
10	00763391	1	Flat Brace (Formed)
11	02959587	1	Bolt
12	00761621	1	Weldment - Hitch Lug
13	00695100	4	Nut, Toplock 5/8 NC PLC
14	7AH5101148	4	Blot
15	00002701	8	Flatwasher
16	00761624	2	Bushing
17	00761625	2	Bushing
18	0758440000	2	Wrist Pin
19	00760959	1	Top Link

ALAMO INDUSTRIAL

LIMITED WARRANTY

1. LIMITED WARRANTIES

- 1.01. Alamo Industrial warrants for one year from the purchase date to the original non-commercial, governmental, or municipal purchaser ("Purchaser") and warrants for six months to the original commercial or industrial purchaser ("Purchaser") that the goods purchased are free from defects in material or workmanship.
- 1.02. Manufacturer will replace for the Purchaser any part or parts found, upon examination at one of its factories, to be defective under normal use and service due to defects in material or workmanship.
- 1.03. This limited warranty does not apply to any part of the goods which has been subjected to improper or abnormal use, negligence, alteration, modification, or accident, damaged due to lack of maintenance or use of wrong fuel, oil, or lubricants, or which has served its normal life. This limited warranty does not apply to any part of any internal combustion engine, or expendable items such as blades, shields, guards, or pneumatic tires except as specifically found in your Operator's Manual.
- 1.04. Except as provided herein, no employee, agent, Dealer, or other person is authorized to give any warranties of any nature on behalf of Manufacturer.

2. REMEDIES AND PROCEDURES.

- 2.01. This limited warranty is not effective unless the Purchaser returns the Registration and Warranty Form to Manufacturer within 30 days of purchase.
- 2.02. Purchaser claims must be made in writing to the Authorized Dealer ("Dealer") from whom Purchaser purchased the goods or an approved Authorized Dealer ("Dealer") within 30 days after Purchaser learns of the facts on which the claim is based.
- 2.03. Purchaser is responsible for returning the goods in question to the Dealer.
- 2.04. If after examining the goods and/or parts in question, Manufacturer finds them to be defective under normal use and service due to defects in material or workmanship, Manufacturer will:
 - (a) Repair or replace the defective goods or part(s) or
 - (b) Reimburse Purchaser for the cost of the part(s) and reasonable labor charges (as determined by Manufacturer) if Purchaser paid for the repair and/or replacement prior to the final determination of applicability of the warranty by Manufacturer.The choice of remedy shall belong to Manufacturer.
- 2.05. Purchaser is responsible for any labor charges exceeding a reasonable amount as determined by Manufacturer and for returning the goods to the Dealer, whether or not the claim is approved. Purchaser is responsible for the transportation cost for the goods or part(s) from the Dealer to the designated factory.

3. LIMITATION OF LIABILITY.

- 3.01. MANUFACTURER DISCLAIMS ANY EXPRESS (EXCEPT AS SET FORTH HEREIN) AND IMPLIED WARRANTIES WITH RESPECT TO THE GOODS INCLUDING, BUT NOT LIMITED TO, MERCHANTABILITY AND FITNESS FOR A PARTICULAR PURPOSE.
- 3.02. MANUFACTURER MAKES NO WARRANTY AS TO THE DESIGN, CAPABILITY, CAPACITY, OR SUITABILITY FOR USE OF THE GOODS.
- 3.03. EXCEPT AS PROVIDED HEREIN, MANUFACTURER SHALL HAVE NO LIABILITY OR RESPONSIBILITY TO PURCHASER OR ANY OTHER PERSON OR ENTITY WITH RESPECT TO ANY LIABILITY, LOSS, OR DAMAGE CAUSED OR ALLEGED TO BE CAUSED DIRECTLY OR INDIRECTLY BY THE GOODS INCLUDING, BUT NOT LIMITED TO, ANY INDIRECT, SPECIAL, CONSEQUENTIAL, OR INCIDENTAL DAMAGES RESULTING FROM THE USE OR OPERATION OF THE GOODS OR ANY BREACH OF THIS WARRANTY. NOTWITHSTANDING THE ABOVE LIMITATIONS AND WARRANTIES, MANUFACTURER'S LIABILITY HEREUNDER FOR DAMAGES INCURRED BY PURCHASER OR OTHERS SHALL NOT EXCEED THE PRICE OF THE GOODS.
- 3.04. NO ACTION ARISING OUT OF ANY CLAIMED BREACH OF THIS WARRANTY OR TRANSACTIONS UNDER THIS WARRANTY MAY BE BROUGHT MORE THAN TWO (2) YEARS AFTER THE CAUSE OF ACTION HAS OCCURRED.

4. MISCELLANEOUS.

- 4.01. Proper Venue for any lawsuits arising from or related to this limited warranty shall be only in Guadalupe County, Texas.
- 4.02. Manufacturer may waive compliance with any of the terms of this limited warranty, but no waiver of any terms shall be deemed to be a waiver of any other term.
- 4.03. If any provision of this limited warranty shall violate any applicable law and is held to be unenforceable, then the invalidity of such provision shall not invalidate any other provisions herein.
- 4.04. Applicable law may provide rights and benefits to purchaser in addition to those provided herein.

KEEP FOR YOUR RECORDS

ATTENTION: Purchaser should fill in the blanks below for his reference when buying repair parts and/or for proper machine identification when applying for warranty.

Alamo Industrial Implement Model _____ Serial Number _____

Date Purchased _____ Dealer _____

ATTENTION:
READ YOUR OPERATOR'S MANUAL

ALAMO INDUSTRIAL

An Alamo Group Company
Post Office Drawer 549
Seguin, Texas 78156
830-379-1480





To keep your implement running efficiently and safely, read your manual thoroughly and follow these directions and the Safety Messages in this Manual. The Table of Contents clearly identifies each section where you can easily find the information you need.

The OCCUPATIONAL SAFETY AND HEALTH ACT (1928.51 Subpart C) makes these minimum safety requirements of tractor operators:

REQUIRED OF THE OWNER:

1. Provide a Roll-Over-Protective Structure that meets the requirements of this Standard; and
2. Provide Seatbelts that meet the requirements of this paragraph of this Standard and SAE J4C; and
3. Ensure that each employee uses such Seatbelt while the tractor is moving; and
4. Ensure that each employee tightens the Seatbelt sufficiently to confine the employee to the protected area provided by the ROPS.

REQUIRED OF THE OPERATOR

1. Securely fasten seatbelt if the tractor has a ROPS.
2. Where possible, avoid operating the tractor near ditches, embankments, and holes.
3. Reduce speed when turning, crossing slopes, and on rough, slick, or muddy surfaces.
4. Stay off slopes too steep for safe operation.
5. Watch where you are going - especially at row ends, on roads, and around trees.
6. Do not permit others to ride.
7. Operate the tractor smoothly - no jerky turns, starts, or stops.
8. Hitch only to the drawbar and hitch points recommended by the tractor manufacturer.
9. When the tractor is stopped, set brakes securely and use park lock, if available.

-
- Keep children away from danger all day, every day...**
 - Equip tractors with rollover protection (ROPS) and keep all machinery guards in place...**
 - Please work, drive, play and live each day with care and concern for your safety and that of your family and fellow citizens.**

