



AG20-IV AG14-IV

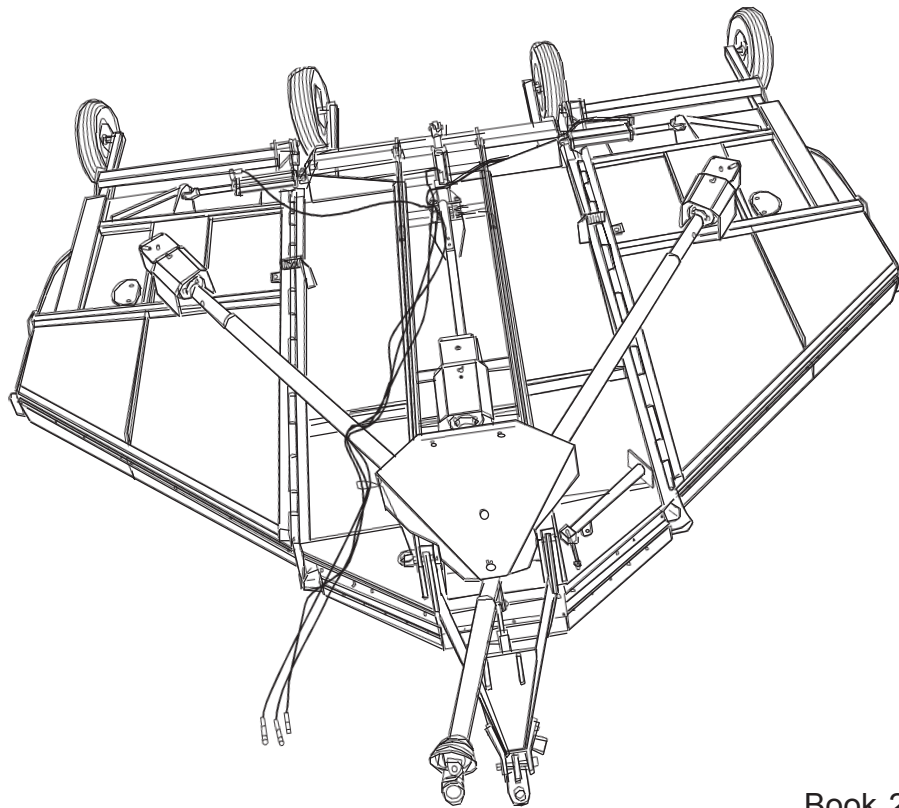
ROTARY FLEX WING MOWER

Rev 03-13

P/N 00769704

ARCHIVE BOOK 2 of 2

By Serial Number / Production



COMPLETE PARTS LISTING FOR BOOK 2

Book 2 Contains:
Date/SN
Apr 1994 SN AG20-01300 to Jun 2002 Current
Model

AG20-IV - 20 FT Flex Wing Rotary
AG14-IV - 14 FT Flex Wing Rotary

ALAMO INDUSTRIAL

1502 E. Walnut
Seguin, Texas 78155
830-372-9595



BUILT SHARPER
An Alamo Group Company

NOTES

INDEX - AG20-IV & AG14-IV (20' & 14' Flex Wing Rotary)

ITEM	PAGE NO.
INTRODUCTION	
Parts Section Introduction.....	1
AXLE	
Center & Wing Axle.....	20-21-22-23
Axle Adjusting Turnbuckle.....	24-25
Axle Spring Cusion Assembly.....	26-27
BLADES & CARRIER	
Pan Carriers.....	52-53
Bar Carriers.....	54-55
CHAINGUARDS	
Front & Rear.....	84-85-86-87
CLUTCHES	
Intermeadiate & Wing Drivelines.....	67-68
CONTROL RODS	
Leveling Front to Rear.....	17-18
Tongue Clevis Level.....	10-11-12-13
DECALS	
All.....	88 thru 92
DECK	
Center Section.....	2-3
Wing Section.....	4-5
Counter Weight (AG14 Only).....	6
Wing Spring Stop Assembly.....	7
Wing Hinge Pin.....	8
DEFLECTORS	
Front & Rear.....	80-81-82-83
DRIVELINES	
PTO	
540 RPM & 1000 RPM.....	56 thru 62
Intrmeadiate	
540 & 1000 RPM.....	63-64
Wing	
540 RPM & 1000 RPM.....	65-66

Continued Next Page

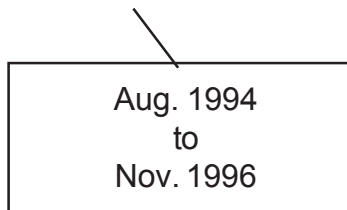
AG20-IV Rotary ARCHIVE BOOK

INTRODUCTION - VOLUME II

The AG20-IV Archive Book is a complete listing of Parts from the first Unit to the Present in two volumes, Volume I from Sep. 1989 (s/n AG20-01050 Start) to Jul. 1994 & Volume II from Aug. 1994 to Current. The Production Dates, Serial Numbers, Special Notes and Descriptions are furnished to help find Replacement Parts. Dimension (if listed) are for Identification of Parts and MAY NOT be to Manufacturing Specification, Your measurements may vary some from dimensions listed. Some Parts may be changed and be different than parts listed. Some Modification may be required when replacing older parts. Match S/N's listed in the rear of this Book with the Ship Dates listed at the top of each Parts Page. This is because of the wide range of Model sizes using these S/N's

PAGE EXAMPLE

Beginning Production Date

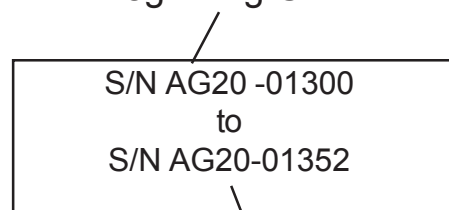


Ending Production Date

DECK COMPONENTS

Componets Listed This Page

Beginning S/N



Ending S/N

For ordering parts the following instructions are offered to help eliminate delay

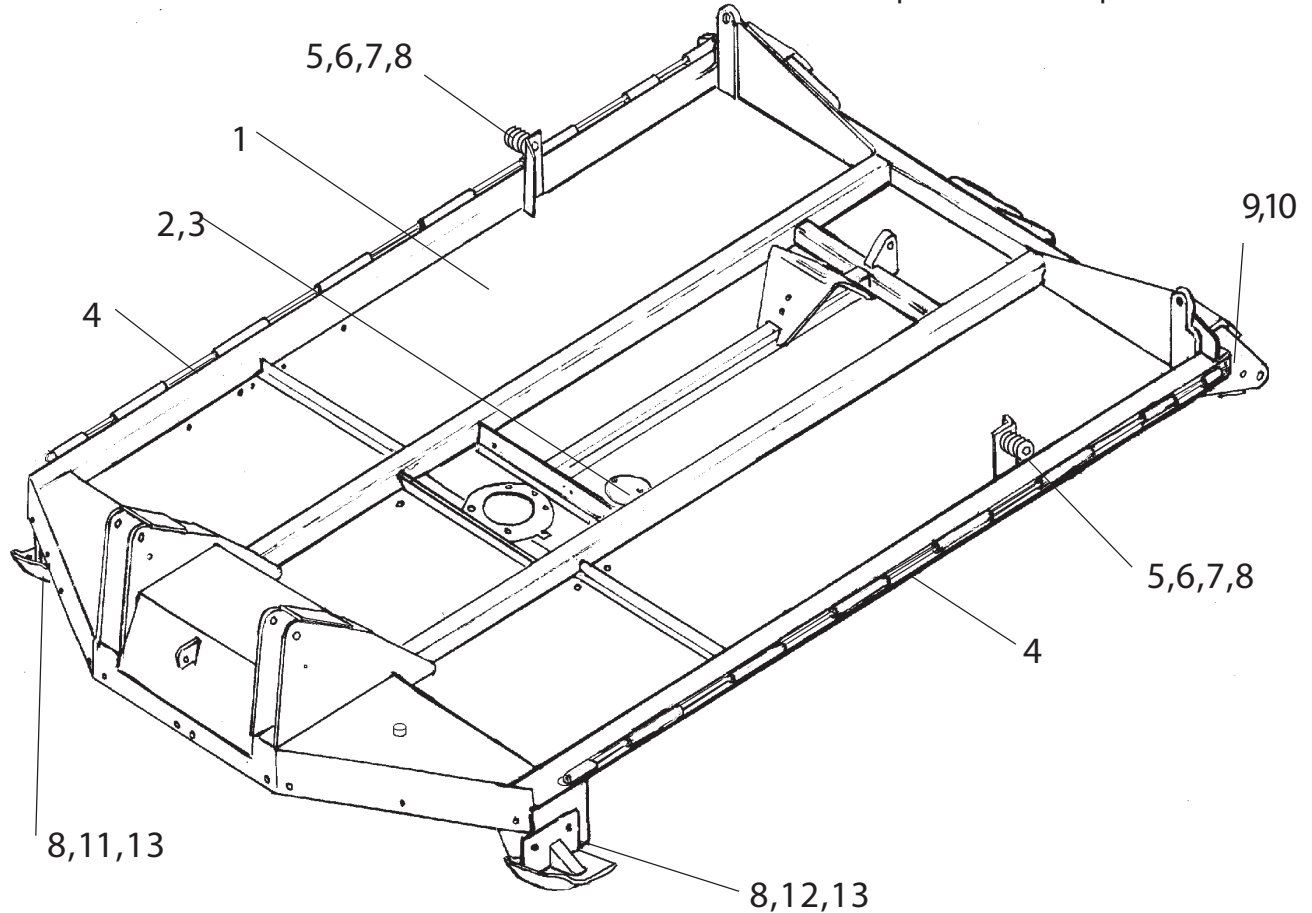
1. The purchase order must include the Name, Address (Ship to Street Address) of the Person / Organization ordering the parts. Who / How Parts should be Billed. Name and Phone Number of a Contact Person at your end.
2. The Purchase Order must list clearly the correct Part Number of Part. Quantity of each Part wanted, Complete and correct Description of each Part. All Parts will be shipped as requested depending on availability and/or reasonability of request carrier / method.
3. Alamo Industrial reserves the right to substitute parts where applicable and change prices Without prior notice. Alamo Industrial also reserves the right to Ship Parts the most Reasonable way as determined by Alamo Industrial.
4. Some Parts are unlisted items, which are special production items not normally stocked or built for a limited / special use, These parts may be subject to special handling or cannot be priced till ordered. Always Request a quotation for such Parts before sending a purchase order.

Aug. 1994
to
Nov. 1996

Deck Center Section

S/N AG20-01300
to
S/N AG20-01352

This Deck used Gearbox that had
a Square Bolt on Top Cover



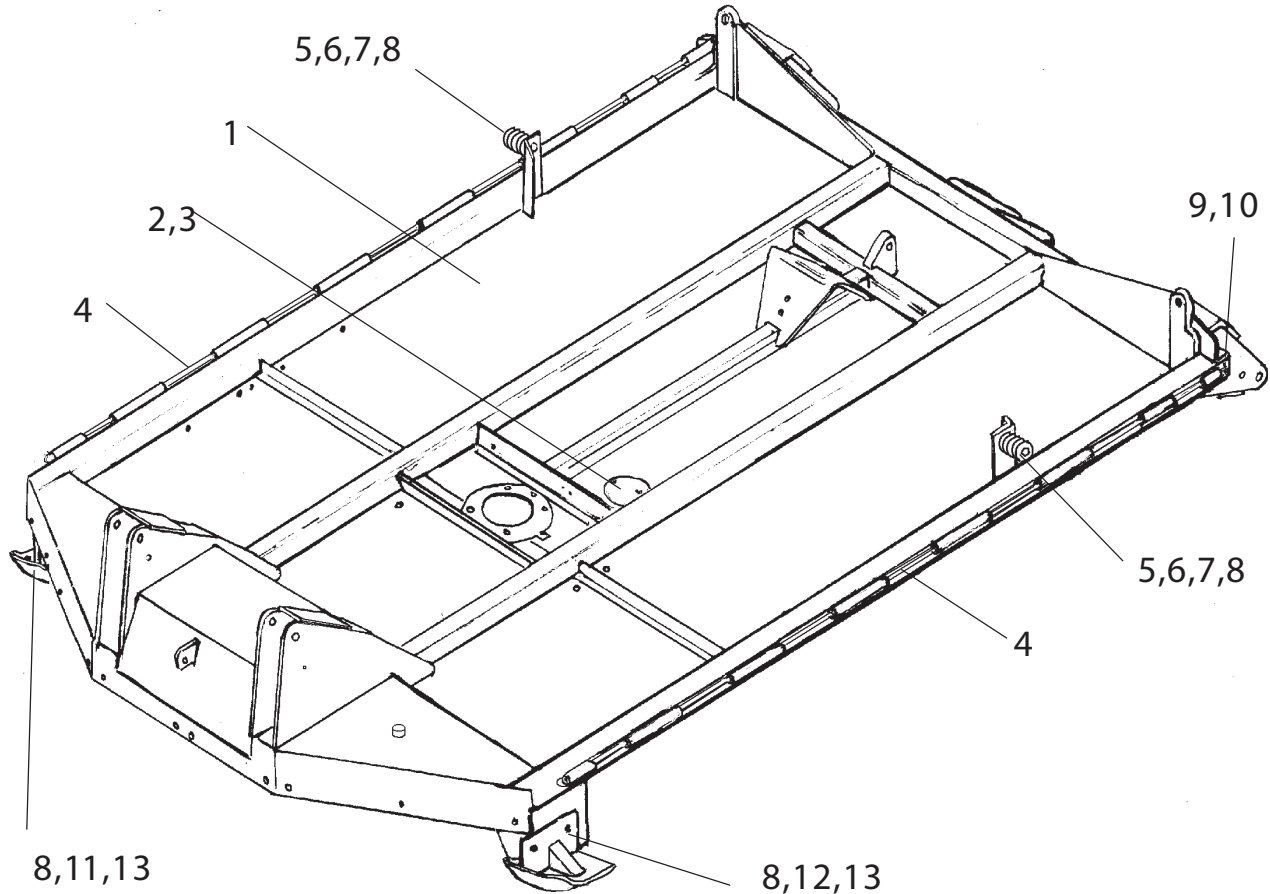
Item	Part No.	Qty	Description
1	00763024	1	Center Section Asy Weldment
2	5710121	1	Cover Plate
3	5F5180	2	Wing nut
4	00769036	2	Hinge Rod
5	02036400	2	Capscrew
6	0811120000	2	Spring Retainer Disk
7	371063A	2	Spring
8	00001800	6	Locknut TLM 1/2 NC PLC
9	02766400	2	Hex Bolt
10	00750940	2	Lock Nut
11	00763996	1	Right Skid Shoe Weldment
12	00764020	1	Left Skid Shoe Weldment
13	00768823	4	Bolt

Dec. 1996
to
Current

Deck Center Section

S/N AG20-01353
to
S/N AG20-Current

This Deck used Gearbox that had
a Round Bolt on Top Cover



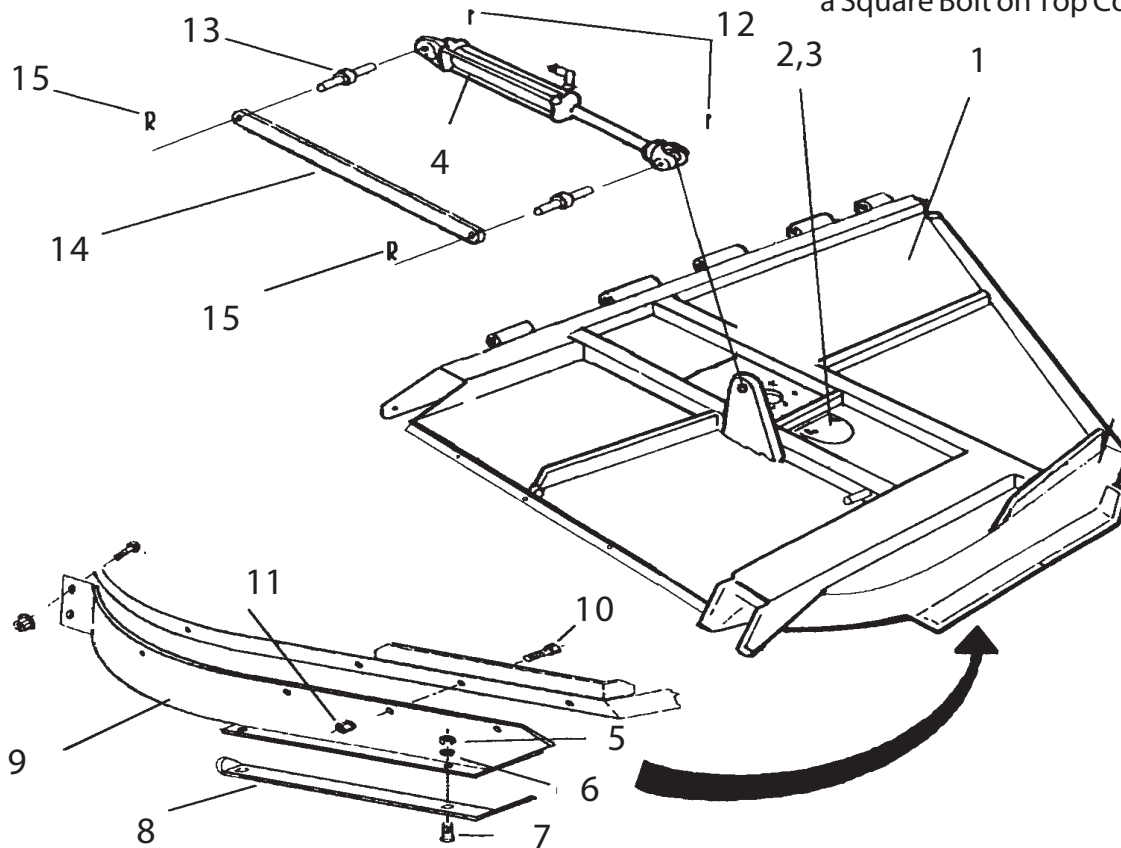
Item	Part No.	Qty	Description
1	00767544	1	Center Section Asy Weldment
2	5710121	1	Cover Plate
3	5F5180	2	Wing nut
4	00769036	2	Hinge Rod
5	02036400	2	Capscrew
6	0811120000	2	Spring Retainer Disk
7	371063A	2	Spring
8	00001800	6	Locknut TLM 1/2 NC PLC
9	02766400	2	Hex Bolt
10	00750940	2	Lock Nut
11	00763996	1	Right Skid Shoe Weldment
12	00764020	1	Left Skid Shoe Weldment
13	00768823	4	Bolt

Aug. 1994
to
Nov. 1996

Deck Wing Section

S/N AG20-01300
to
S/N AG20-01352

This Deck used Gearbox that had
a Square Bolt on Top Cover



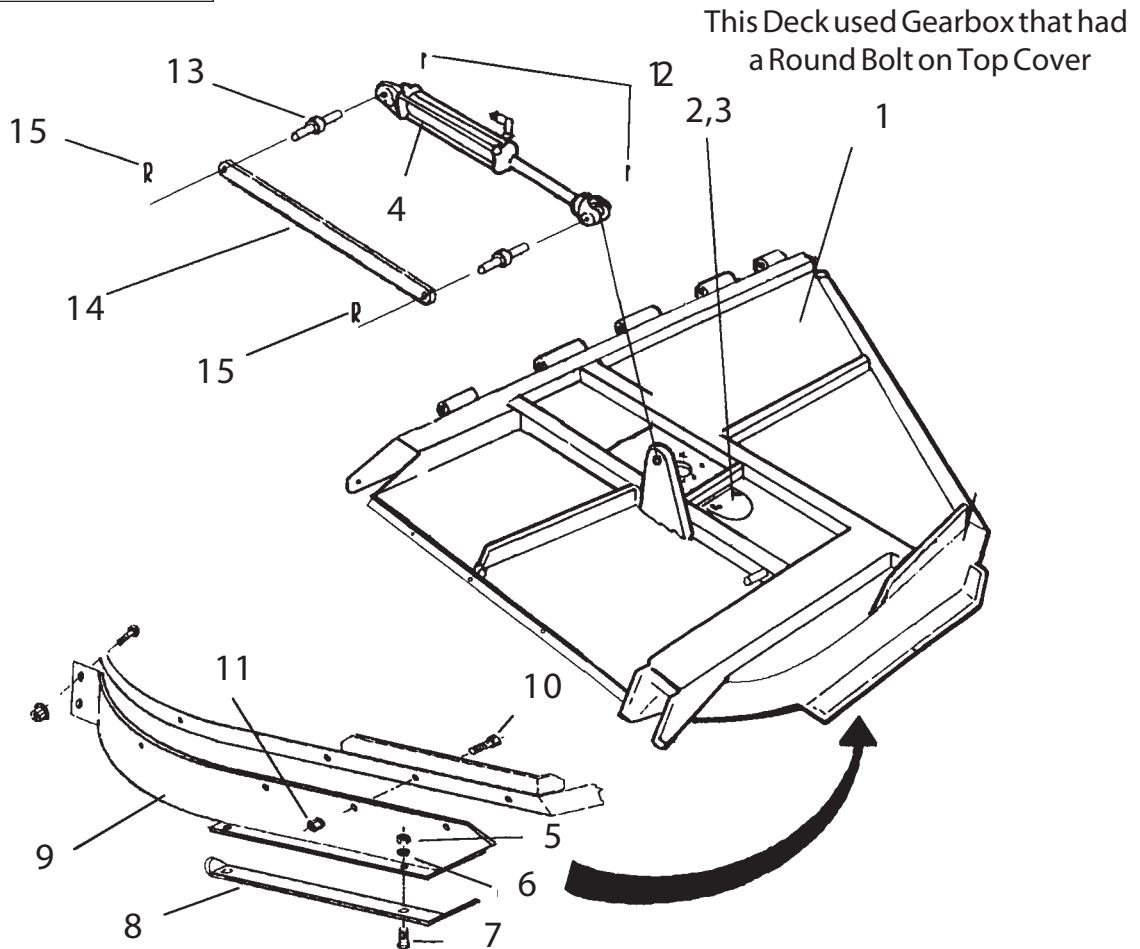
Item	Part No.	Qty.	Description
1	00764984	1	Wing Wldmt, RH (Shown)
	00764985	1	Wing Wldmt, LH (Not Shown)
2	5710121	1	Cover plate
3	5F5180	1	Wing nut
4	00759947	1	Cylinder, Wing Lift & Fold
5	00001800	4	Locknut TLM 1/2 NC PLC
6	15B800	4	Washer, Plain
7	2A381312	4	Plow Bolt
8	00763596	1	Skid Shoe, LH or RH Wing
9	00764982	1	Side Skirt RH (Shown)
	00764983	1	Side Skirt LH (Not Shown)
10	02030700	10	Bolt
11	4526	10	Locknut
12	00606000	3	Cotter Pin
13	8352	2	Pin Asy
14	8345	1	Transport Bar
15	37107B13	2	Clip Pin

Qty Shown for one Wing

Dec. 1996
to
Current

Deck Wing Section

S/N AG20-01353
to
S/N AG20-Current



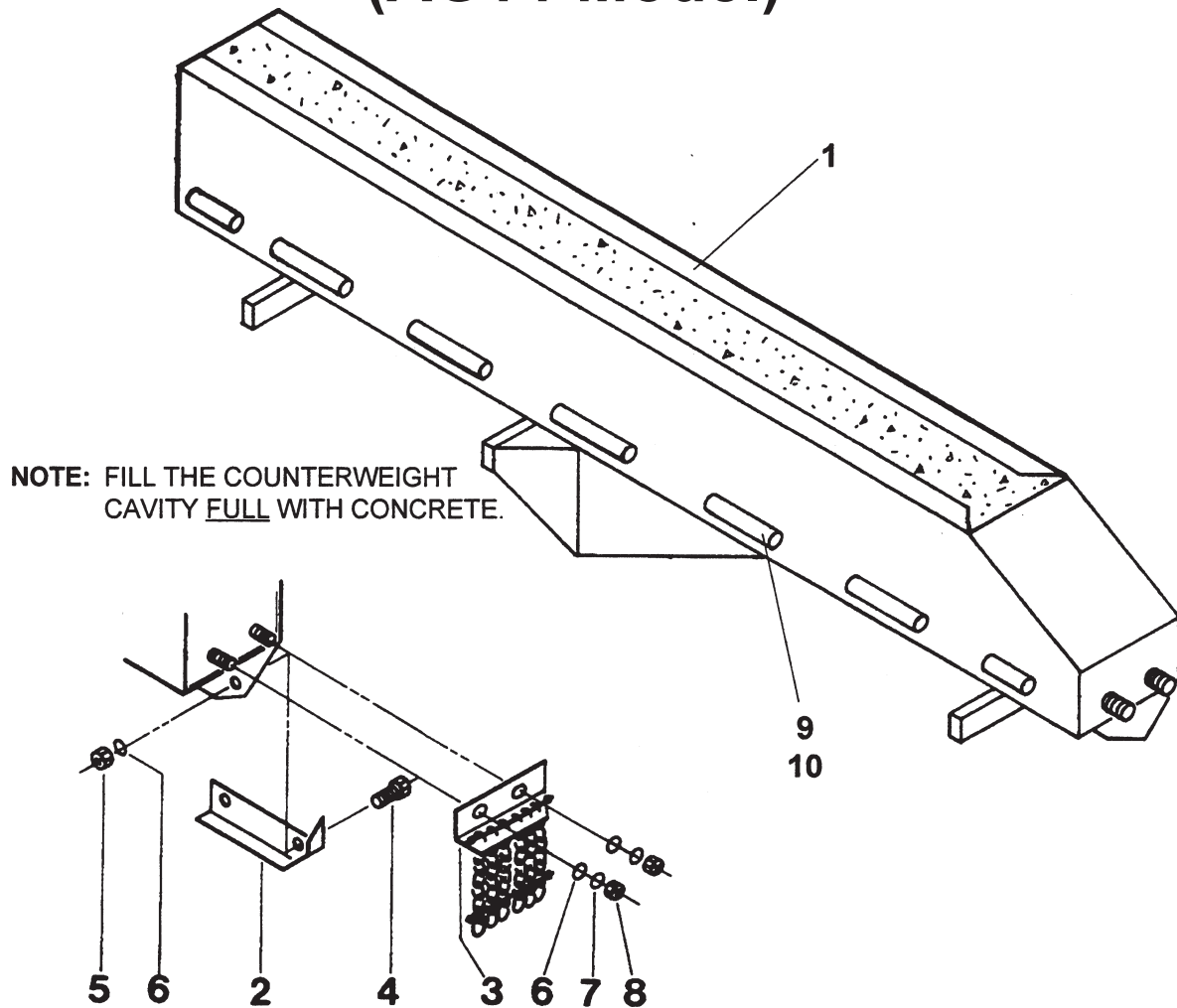
Item	Part No.	Qty.	Description
1	00767546	1	Wing Wldmt, RH (Shown)
	00767545	1	Wing Wldmt, LH (Not Shown)
2	5710121	1	Cover plate
3	5F5180	1	Wing nut
4	00759947	1	Cylinder, Wing Lift & Fold
5	00001800	4	Locknut TLM 1/2 NC PLC
6	15B800	4	Washer, Plain
7	2A381312	4	Plow Bolt
8	00763596	1	Skid Shoe, LH or RH Wing
9	00764982	1	Side Skirt RH (Shown)
	00764983	1	Side Skirt LH (Not Shown)
10	02030700	10	Bolt
11	4526	10	Locknut
12	00606000	3	Cotter Pin
13	8352	2	Pin Asy
14	8345	1	Transport Bar
15	37107B13	1	Pin, Top Link

Qty Shown for one Wing

Aug. 1994
to
Current

Counter Weight LH Section (AG14-Model)

S/N AG14-01001
to
S/N AG14-Current

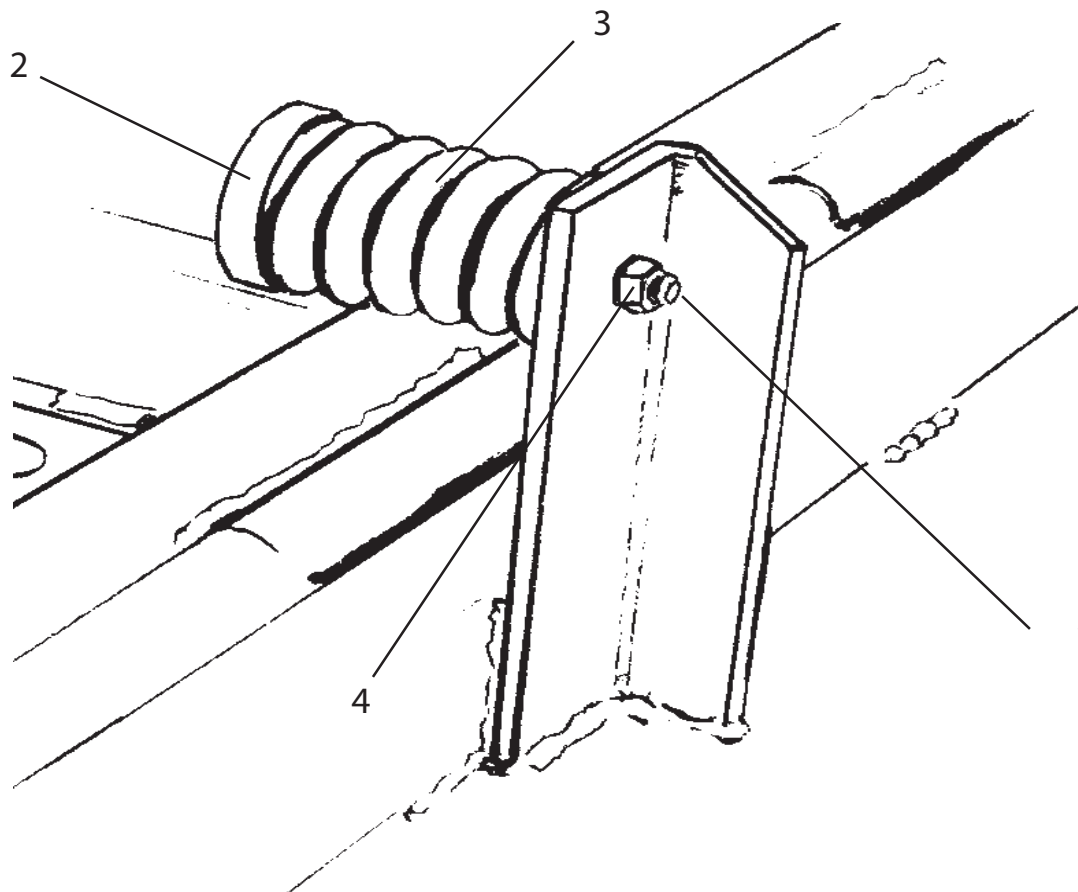


Item	Part No.	Qty	Description
1	00760511	1	Counter Weight Box Weldment LH.
2	00750989	1	Skid Shoe Weldment, LH (Shown Above)
3	00751203	1	Chainguard LH (Shown Above)
4	00749171	2	Bolt
5	02716500	2	Locknut
6	00002700	4	Flatwasher
7	00001300	2	Lockwasher
8	00001200	2	Hex Nut
9	00751042	Ref	Hinge Pin Short (Not Shown)
10	00751107	Ref	Retaining Roll Pin(Not Shown)

Aug. 1994
to
Current

Wing Spring Stop Assembly

S/N AG20-01300
to
S/N AG20-Current



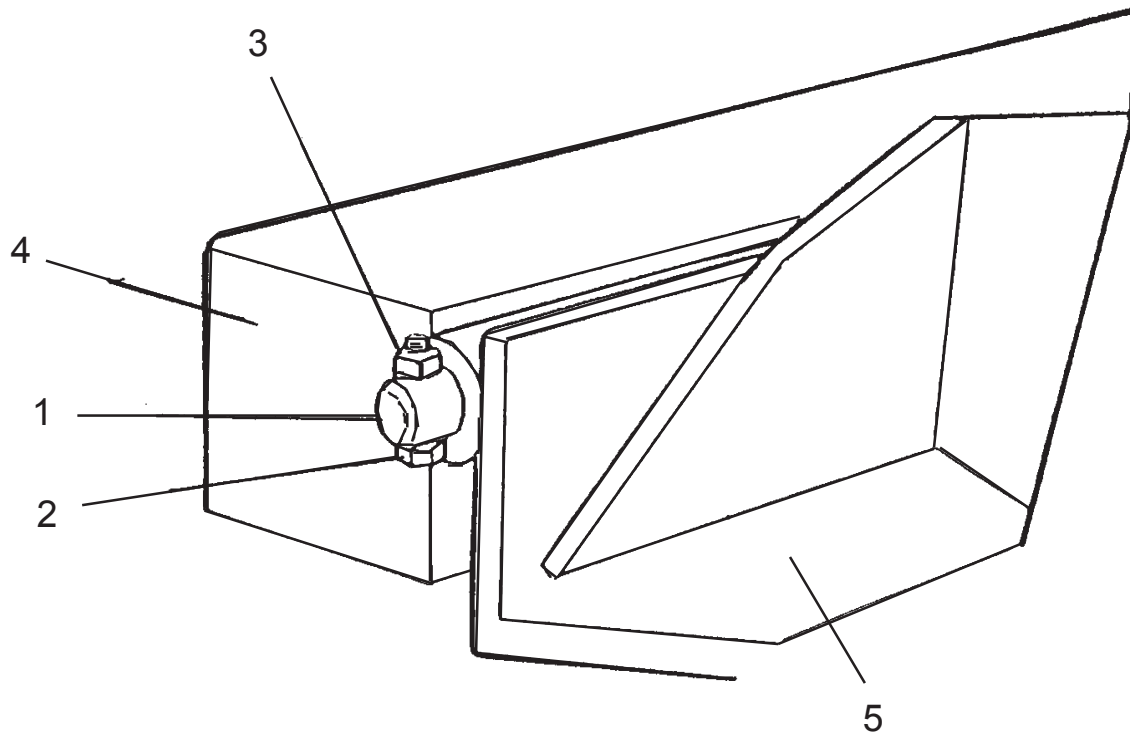
Item	Part No.	Qty	Description
1	02036400	2	Capscrew
2	0811120000	2	Spring Retainer Disk
3	371063A	2	Spring
4	00001800	6	Locknut TLM 1/2 NC PLC

Note: This is used on AG20 & AG14 and is welded to Center Deck Section, Qty
Shown is for LH & RH Side.

Aug. 1994
to
Current

Wing Hinge Rod & Retainer Bolt

S/N AG20-01300
to
S/N AG20-Current

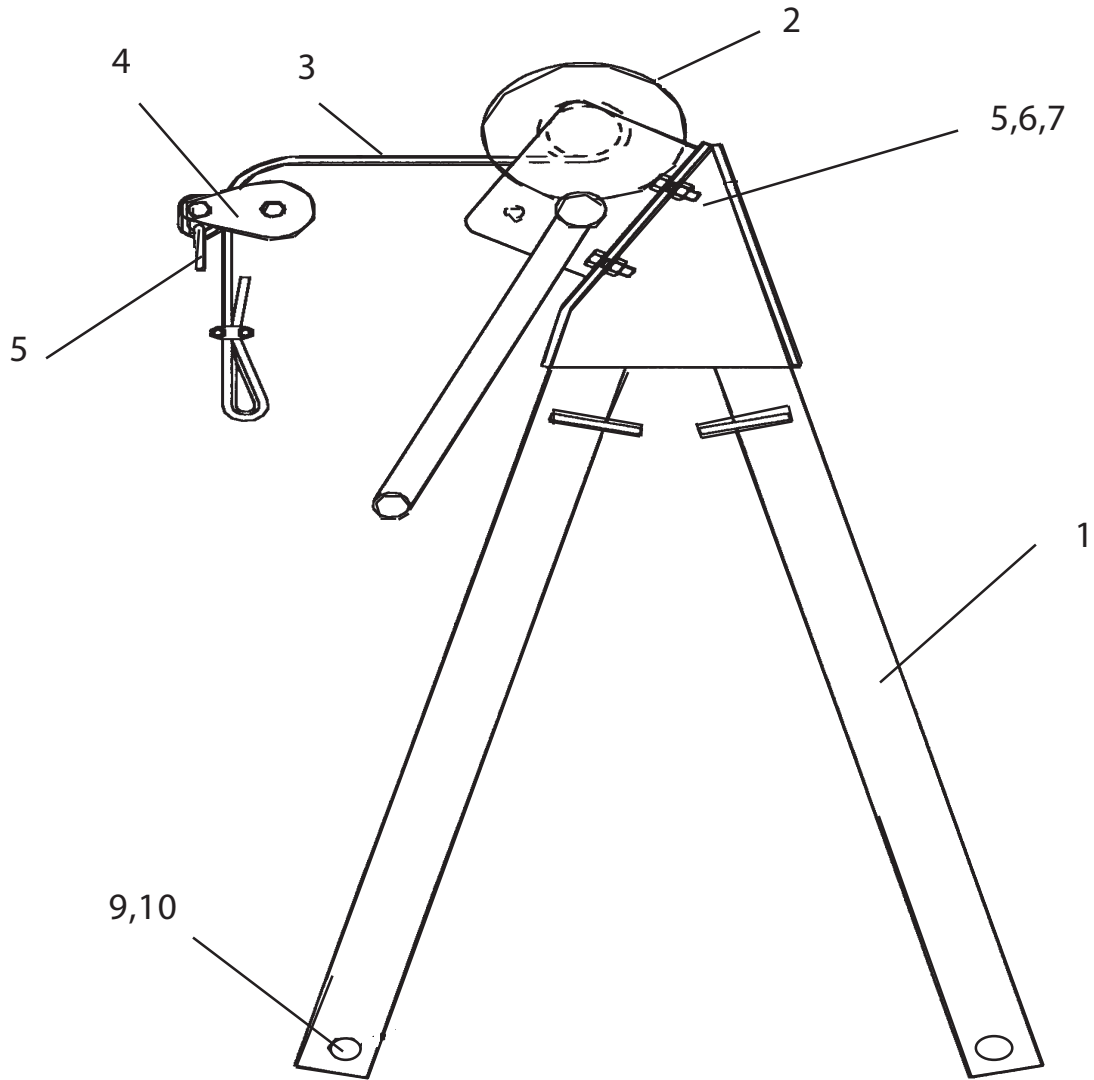


Item	Part No.	Qty	Description
1	00769036	2	Hinge Rod
2	02766400	2	Hex Bolt
3	00750940	2	Lock Nut
4	-----	1	Left Wing Deck
	-----	1	Right Wing Deck (Not Shown)
5	-----	1	Center Section Deck

Aug. 1994
to
Current

Winch & Stand Optional

S/N AG20-01300
to
S/N AG20-Current

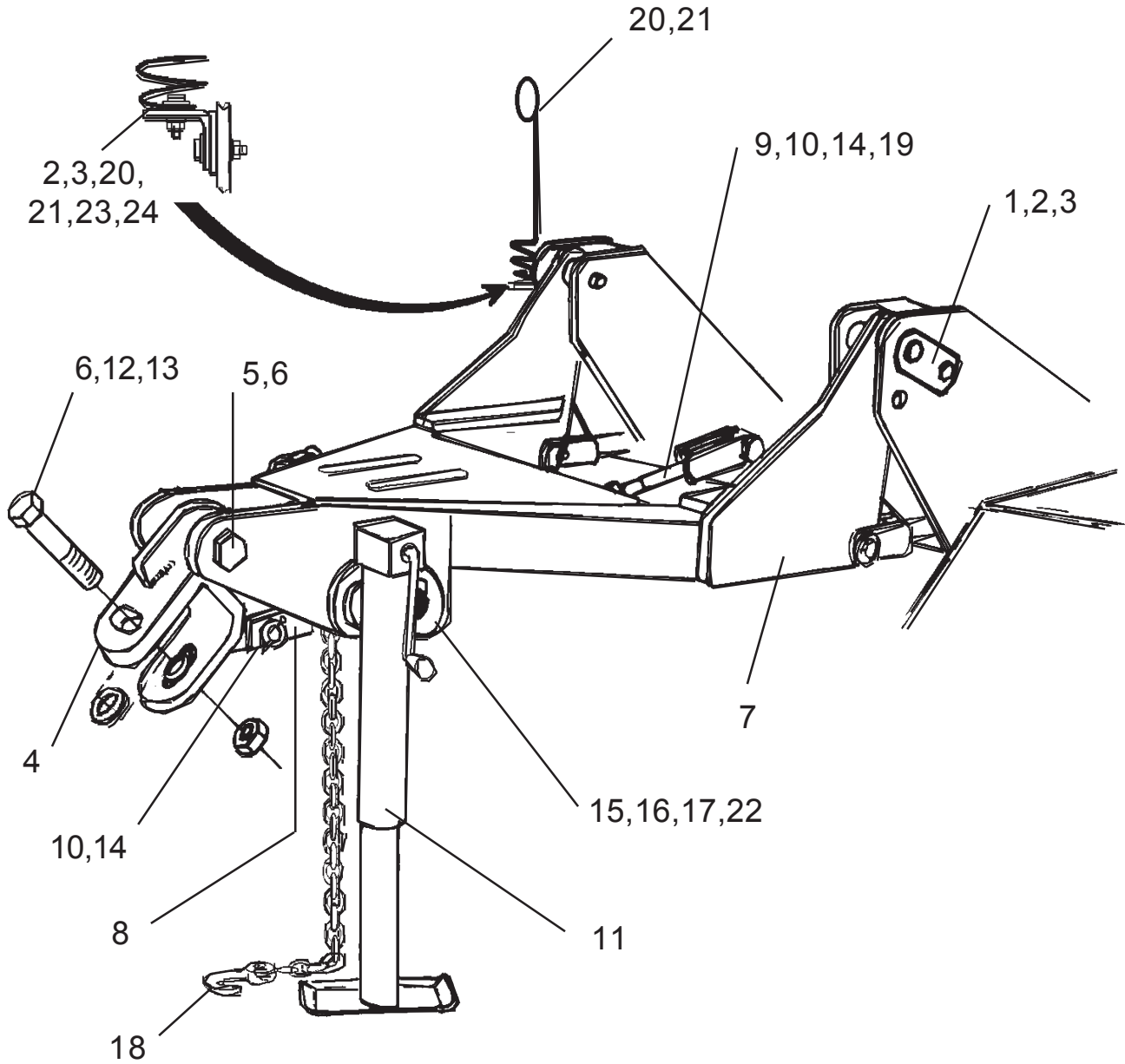


Item	Part No.	Qty	Description
	0811270500	--	Winch & Stand Asy w/Cable & Hardware
1	00761743	1	Winch Stand Weldment
2	00750936	1	Winch
3	0811280000	1	Cable
4	00753655	1	Pulley & Block
5	00753656	1	Chain
6	00011400	2	Bolt
7	00011100	2	Flatwasher
8	00015800	2	Locknut
9	00748823	2	Bolt
10	00001800	2	Locknut TLM 1/2 NC PLC

Aug. 1994
to
Apr. 2001

Tongue & Tongue Control Rod (Standard)

S/N AG20-01300
to
S/N AG20-01414



Aug. 1994
to
Apr. 2001

Tongue & Tongue Control Rod (Standard)

S/N AG20-01300
to
S/N AG20-01414

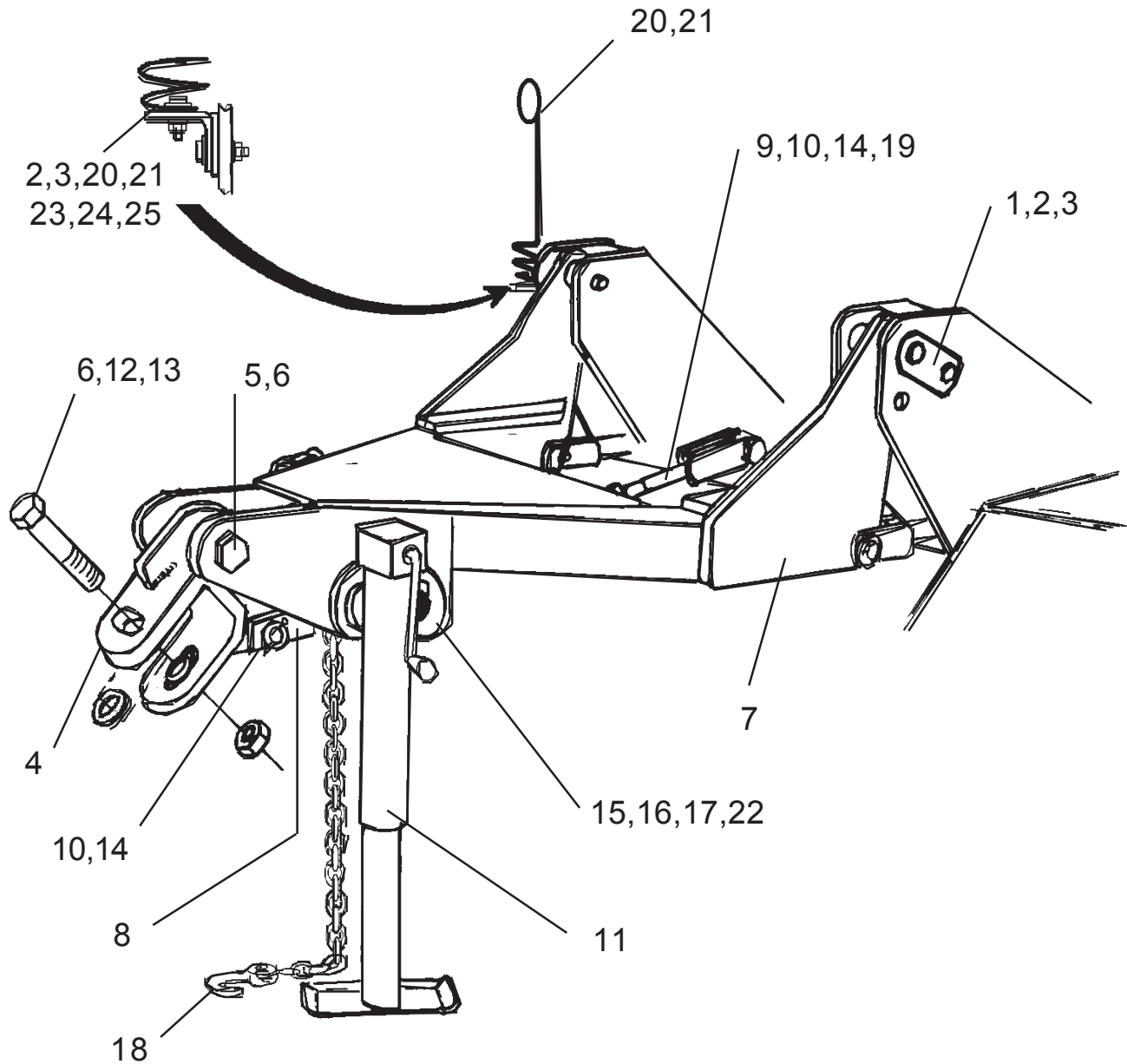
Item	Part No.	Qty	Description
1	00760895	2	Pivot Pin Weldment
2	02030700	2	Bolt
3	00001800	3	Locknut TLM 1/2 NC PLC
4	00764540	1	Hitch Clevis Weldment (use # 00764540A)
5	00755224	1	Bolt
6	02030300	2	Locknut
7	00764992	1	Tongue Weldment
8*	00764536	1	Control Rod - Long
9*	00766446	1	Control Rod - Short
10*	00755153	2	Cotter Pin
11	00769068	1	Jack Ass embly
12	00755305	1	Bolt
13	00748547	1	Flatwasher
14*	651102	2	Pin
15	00769069	1	Jack Mounting Weldment
16	00695100	2	Nut, Toplock 5/8 NC PLC
17	00756077	1	Washer - Hardened
18	00757908	1	Tow Chain
19*	5C1490	1	Jam Nut
20	02965484	1	Spring Hose Bracket
21	00769098	1	Mount, Hose Bracket
22	00008300	2	Hex Bolt
23	00749130	1	Hex Bolt
24	00002700	1	Flatwasher

*Tongue Clevis Level Control Rod Asy #00765376 includes Items # 8, 9, 10, 14 & 19.
To ID Which Tongue you have see Level Lift Control Rods, After Dec. 2000 the way they connect to the rear axle was changed to add Toggle Links.

May 2001
to
Current

Tongue & Tongue Control Rod (Standard)

S/N AG20-01415
to
S/N AG20-Current



May 2001
to
Current

Tongue & Tongue Control Rod (Standard)

S/N AG20-01415
to
S/N AG20-Current

Item	Part No.	Qty	Description
1	00760895	2	Pivot Pin Weldment Tongue
2	02030700	2	Bolt
3	00001800	3	Locknut TLM 1/2 NC PLC
4	00764540A	1	Hitch Clevis Weldment
5	00755224	1	Bolt
6	02030300	2	Locknut
7	00776245	1	Tongue Weldment
8*	00764536	1	Wldmt. Control Rod - Long
9*	00766446	1	Wldmt. Control Rod - Short
10*	00755153	2	Cotter Pin
11	00769068	1	Parking Jack Assembly
12	00755305	1	Bolt
13	00748547	1	Flatwasher
14*	651102	2	Pin
15	00769069	1	Jack Mounting Weldment
16	00695100	2	Nut, Toplock 5/8 NC PLC
17	00756077	1	Washer - Hardened
18	00757908	1	Tow Chain Safety
19*	5C1490	1	Jam Nut
20	15B1200	4	Washer
21	02965484	1	Spring Mount Hose Bracket
22	00769098	1	Mount, Hose Flat Bracket
23	00008300	2	Hex Bolt
24	00749130	1	Hex Bolt
25	00002700	1	Flatwasher

*Tongue Clevis Level Control Rod Asy #00765376 includes Items # 8, 9, 10, 14 & 19.
To ID Which Tongue you have see Level Lift Control Rods, After Dec. 2000 the way they
connect to the rear axle was changed to add Toggle Links.

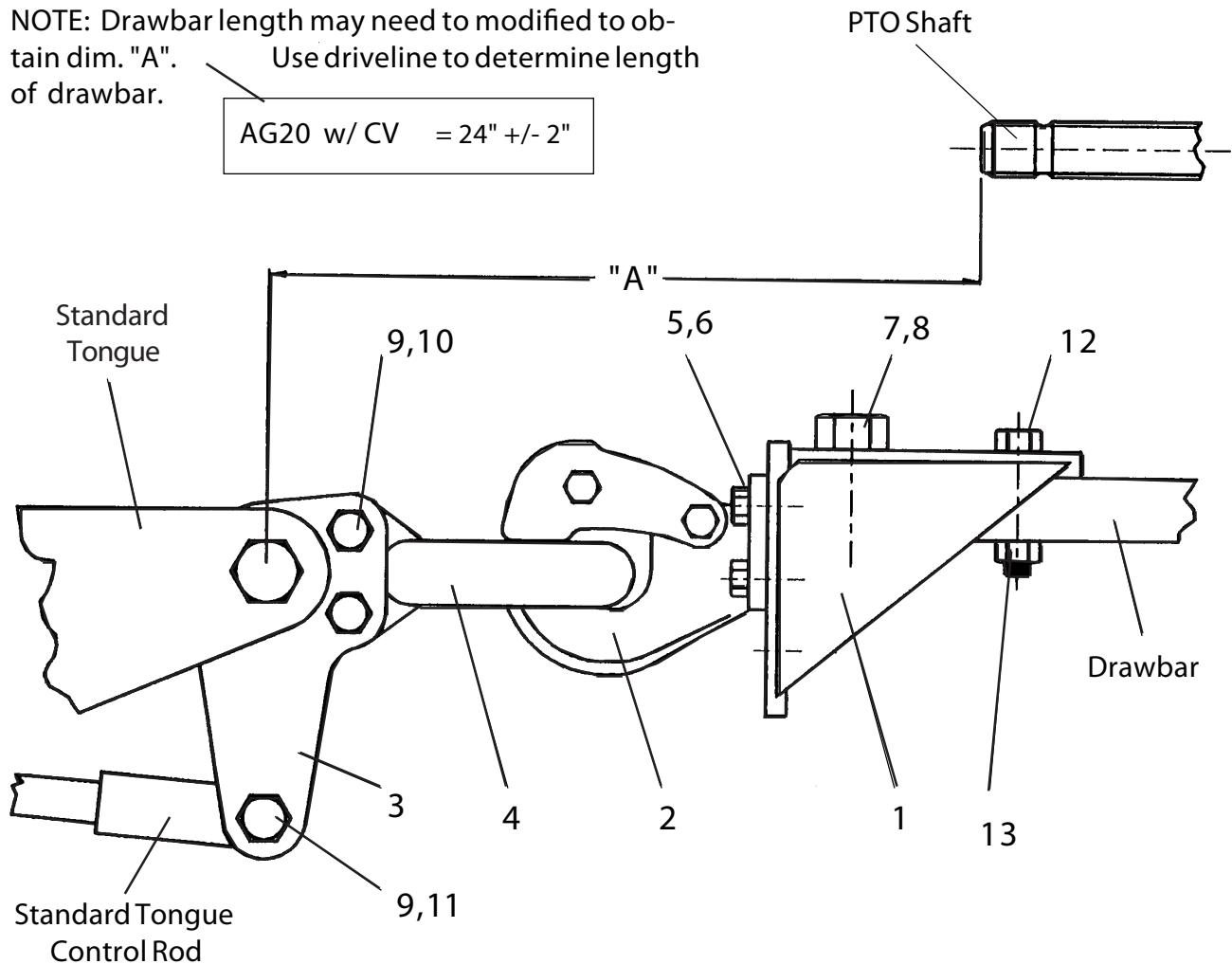
Aug. 1994
to
Apr. 1998

Pintle Hitch (Optional)

S/N AG20-01300
to
S/N AG20-01369

NOTE: Drawbar length may need to be modified to obtain dim. "A".
Use driveline to determine length of drawbar.

AG20 w/ CV = 24" +/- 2"



Item	Part No.	Qty	Description
	00769179	--	Pintle Hitch Asy (items 1 thru 14)
1	00752283	1	Pintle Hook Mounting
2	00752279	1	Pintle Hook
3	00769328	1	Pintle Hook Clevis
4	00769335	1	Pintle Eye
5	00001800	4	Locknut TLM 1/2 NC PLC
6	02891800	4	Bolt
7	02030300	1	Nut, Toplock
8	02712500	1	Bolt
9	00698100	3	Nut, Toplock
10	02845800	2	Hex Bolt
11	02845600	1	Hex Bolt
12	00003300	1	Hex Bolt
13	00037200	1	Hex Nut
14	00773870	a/r	Installation Drawing (Ship w.Asy)

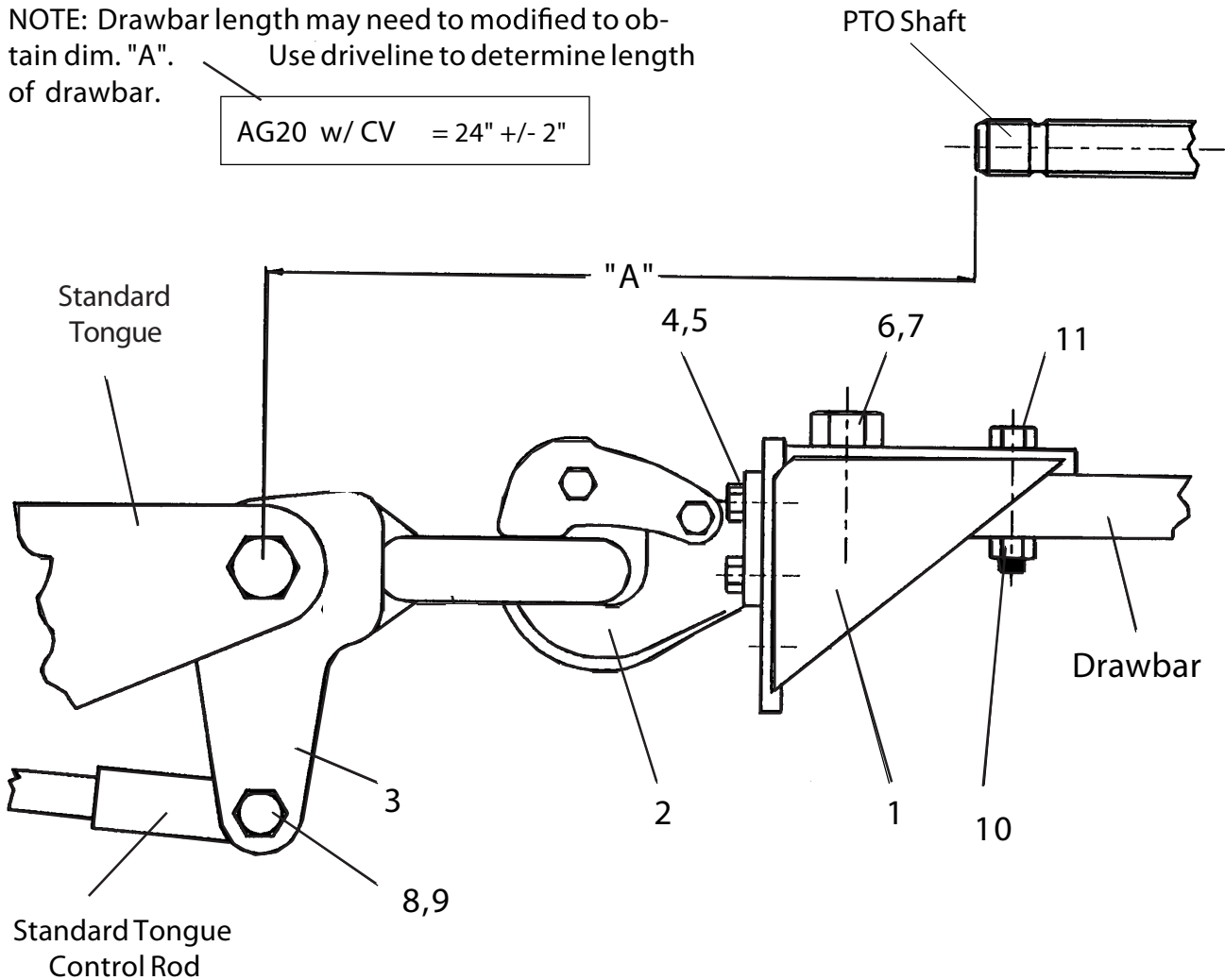
May 1998
to
Current

Pintle Hitch (Optional)

S/N AG20-01370
to
S/N AG20-Current

NOTE: Drawbar length may need to be modified to obtain dim. "A".
Use driveline to determine length of drawbar.

AG20 w/ CV = 24" +/- 2"



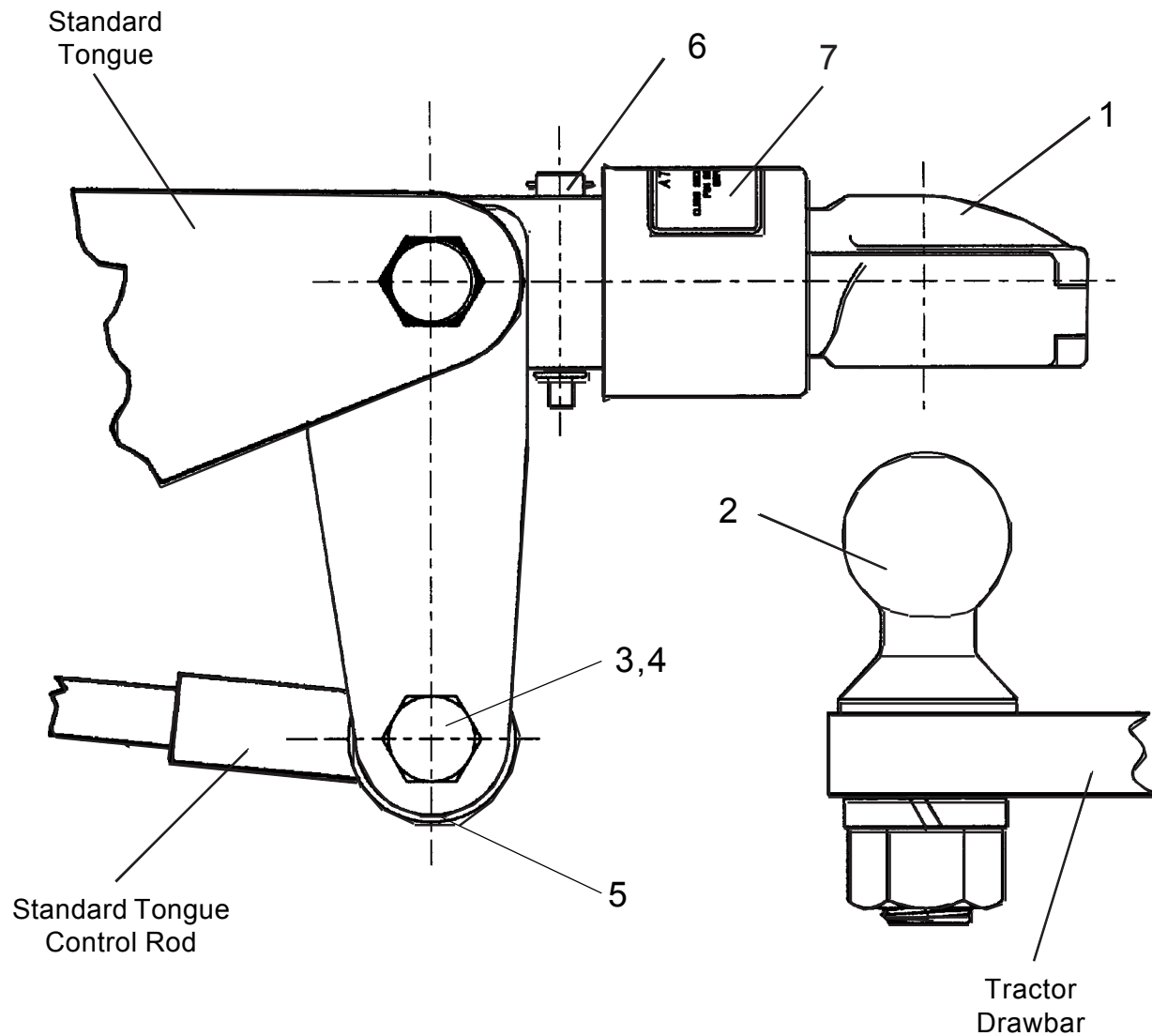
Item	Part No.	Qty	Description
	00773869	--	Pintle Hitch Asy (items 1 thru 12)
1	00752283	1	Pintle Hook Mounting
2	00752279	1	Pintle Hook
3	00773872	1	Pintle Hook Clevis Weldment
4	00001800	4	Locknut TLM 1/2 NC PLC
5	02891800	4	Bolt
6	02030300	1	Nut, Toplock
7	02712500	1	Bolt
8	00037200	1	Nut, Toplock
9	00003300	2	Hex Bolt
10	00695100	1	Nut, Toplock 5/8 NC PLC
11	02845600	1	Bolt
12	00773870	a/r	Installation Drawing (Ship w/ Asy)

Note: This Assembly will replace earlier assembly and parts will interchange but will mount different as Pintle Hook Clevis (Item # 3) is now a weldment instead of Bolt in Part.

Aug. 1994
to
Current

Ball Hitch (Optional)

S/N AG20-01300
to
S/N AG20-Current

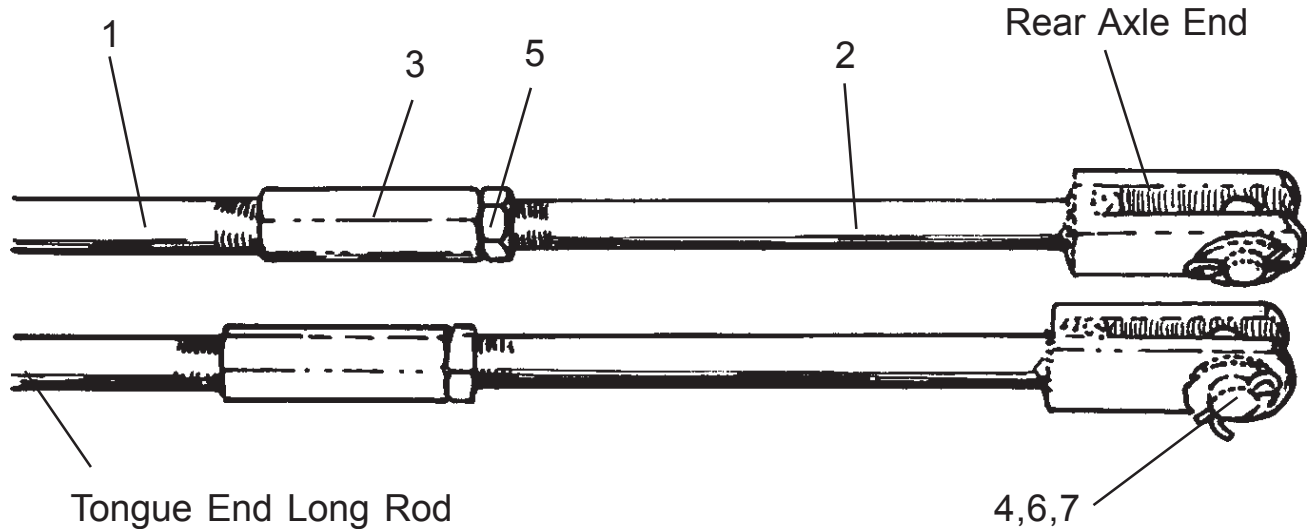


Item	Part No.	Qty	Description
	00769178	--	Captive Ball Hitch Assy (items 1 thru 6)
1	00759331	1	Coupler Clevis Weldment
2	00758938	1	Hitch Ball
3	02960916	1	Bolt
4	00037200	1	Locknut
5	15B1200	2	Flatwasher
6	00769398	1	Pin & Chain Assy
7	00769397	1	Decal, Ball Coupler

Aug. 1994
to
Apr. 2001

Level Lift Control Rod

S/N AG20-01300
to
S/N AG20-01414



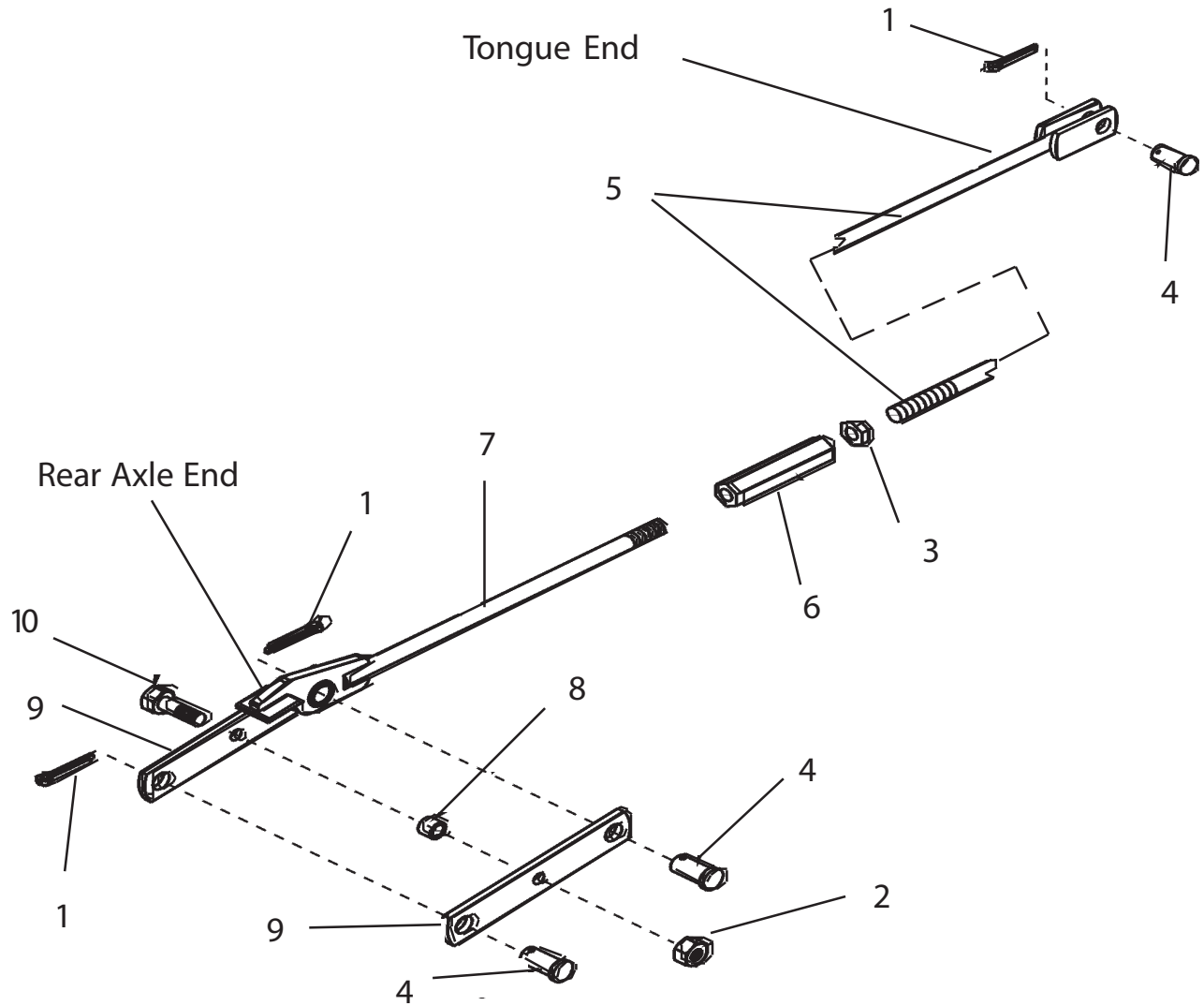
Item	Part No.	Qty.	Description
	00766782	1	Control Rod Set (2 Complete Asy's)
1	0811100010	2	Control Rod, Long, L.H. Thread
2	00763394	2	Control Rod, Short, R.H. Thread
3	421062	2	Adjusting Nut
4	651102	4	Control Rod Pin
5	5C1490	2	Nut, Jam
6	00755153	8	Pin, Cotter
7	15B1200	4	Washer, Plain SAE

NOTE *: Qty shown is for for Two Control Rod, Two Control Rod Asy required per Mower, The Tightening of these Control Rods are very Critical, they MUST tightened to equal tension, To check this with mower weight on Draw Bar Strike each Control Rod with a hammer and listen to the sound it makes, when the sound is the same for each control rod they are adjusted right, each time the tightness of one control rod is changed they both must be checked and re-adjusted. Shortening the length of the rods will raise the front of the mower, making them longer will lower the front of mower.

May.2001
to
Current

Level Lift Control Rod

S/N AG20-01415
to
S/N AG20-Current



Item	Part No.	Qty.	Description
	00768710	1	Control Rod Set (2 Complete Asy's)
1	00755153	6	Cotter Pin
2	00695100	2	Nut, Toplock 5/8 NC PLC
3	5C1490	2	Jam Nut
4	00776238	6	Pin
5	00776251	2	Control Rod, Long LH Thread
6	00770485A	2	Adjusting Nut
7	00776241	2	Control Rod, Short RH Thread
8	00776256	2	Spacer
9	00776244	4	Flat, Floating Toggle
10	00755082	2	Bolt

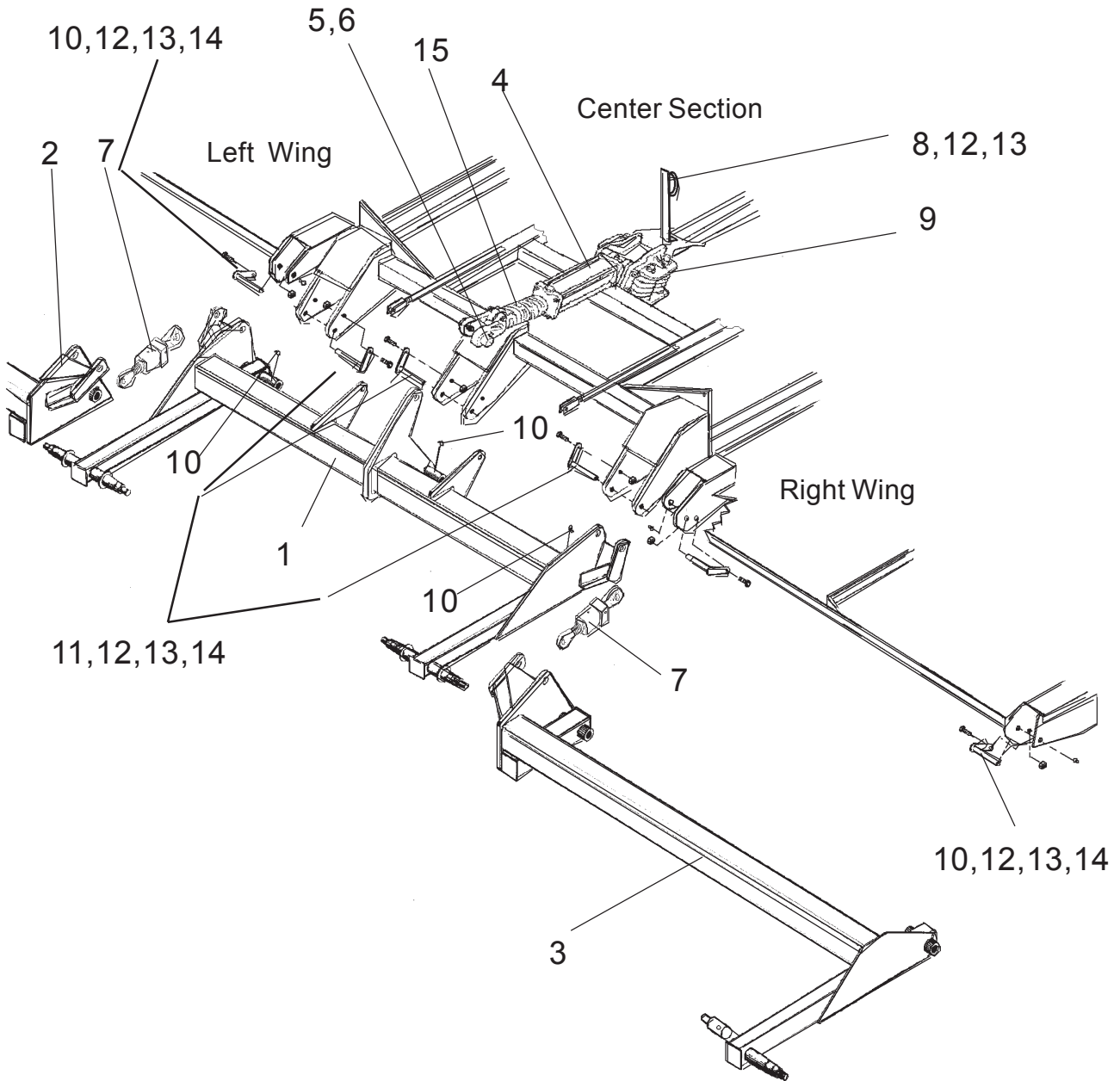
Note: Qty Shown for two Control Rods, The Adjustment of these control rods are the same as previous control Rods. See previous Page for instructions.

NOTES

Aug. 1994
to
Apr. 2001

Axles Center & Wings

S/N AG20-01300
to
S/N AG20-01414



Aug. 1994
to
Apr. 2001

Axles Center & Wings

S/N AG20-01300
to
S/N AG20-01414

00763406 Center Axle Complete w/ Hubs
00763507 Left Wing Axle Complete w/ Hubs
00765374 Right wing Axle Complete w/ Hubs

Item	Part No,	Qty.	Description
1	00764922	1	Center AxleLevel Lift
2	00764901	1	Left Axle Level Lift
3	00764899	1	Right Axle Level Lift
4*	-----	1-ref	Cylinder Asy, Center Axle
5	8354	1	Clevis Pin
6	00606000	1	Cotter Pin
7*	00753449	2	Swivel Control Rod Asy.
8	00763457	1	Hose Bracket
9*	00763248	1	Center Spring Asy. (complete)
10	00003500	3	Grease Fitting
11	00763413	3	Pin wldmnt- Center
12	02030700	9	Bolt
13	00001800	9	Locknut TLM 1/2 NC PLC
14	00764990	4	Pin wldmnt- Wing
15	00755234	1	Control Spacer Kit

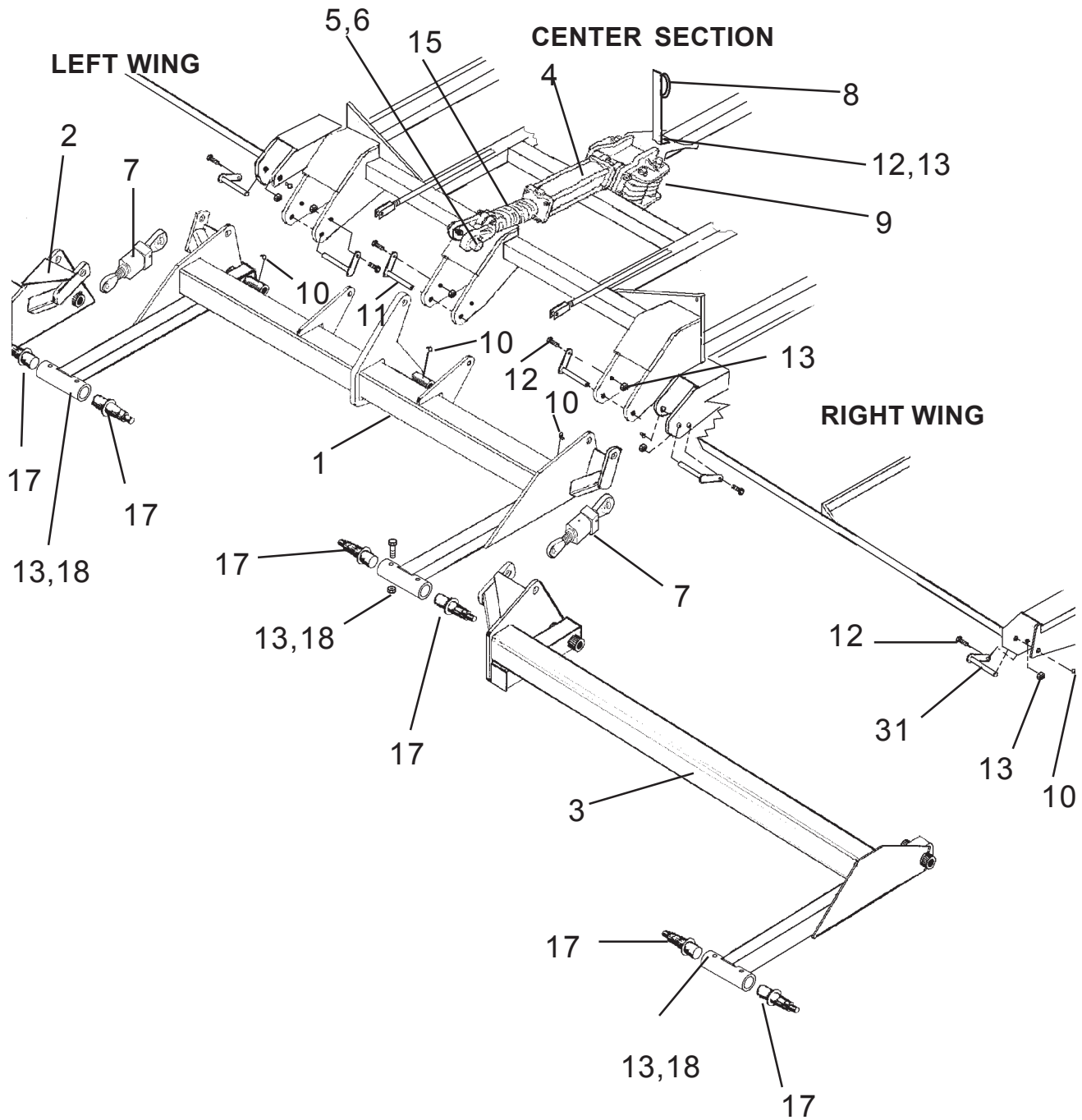
Note: * Assembly Listed Here as reference, For Parts Breakdown of
Items # 4, 7 & 9 see parts pages.

ID NOTE: The Axles Listed Here have welded in
Spindles, Later Axles will have Bolt in Spindles.

May 2001
to
Current

Axles Center & Wings

S/N AG20-01415
to
S/N AG20-Current



May 2001
to
Current

Axles Center & Wings

S/N AG20-01415
to
S/N AG20-Current

00768706 Center Axle Complete w/ Hubs
00768708 Left Wing Axle Complete w/ Hubs
00768709 Right wing Axle Complete w/ Hubs

Item	Part No,	Qty	Description
1	00776246	1	Center Wldmt. AxleLevel Lift
2	00776254	1	Left Wldmt. Axle Level Lift
3	00776253	1	Right Axle Level Lift
4*	-----	1-ref	Cylinder Asy, Center Axle
5	8354	1	Pin Hyd. Cylinder
6	00606000	1	Cotter Pin
7*	00763449	2	Swivel Control Rod Asy
8	00763457	1	Wldmt. Hose Bracket
9*	00763248	1	Center Spring Asy. (complete)
10	00003500	3	Grease Fitting
11	00763413	3	Pin wldmnt- Center
12	02030700	9	Bolt
13	00001800	17	Locknut TLM 1/2 NC PLC
14	00764990	4	Pin wldmnt- Wing
15	00755234	1	Control Spacer Kit
16	00763450	2	Turnbuckle
17	00768807	8	Wldmt. Spindle
18	00764375	8	Bolt

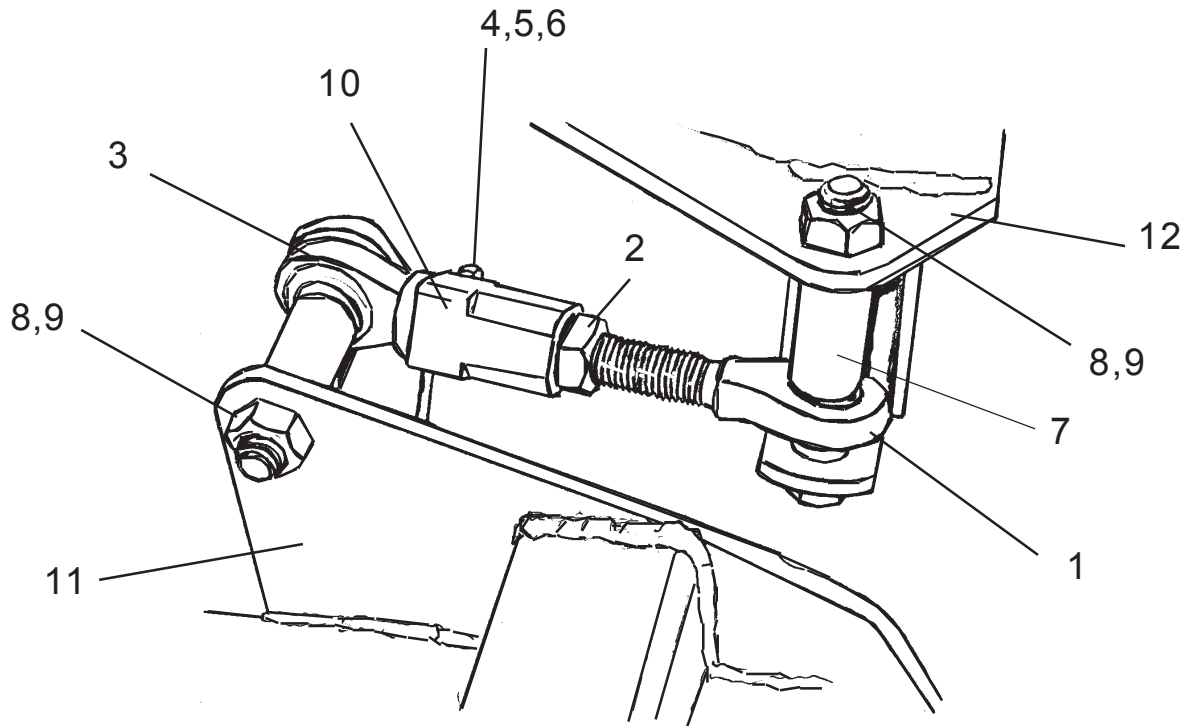
Note: * Assembly Listed Here as reference, For Parts Breakdown of
Items # 4, 7 & 9 see parts pages.

ID NOTE: The Axles Listed Here have Bolted in Spindles
(item # 17), Earlier Axles will have Welded in Spindles.

Aug. 1994
to
Apr. 1998

Turnbuckle Axle Adjust

S/N AG20-01300
to
S/N AG20-01369



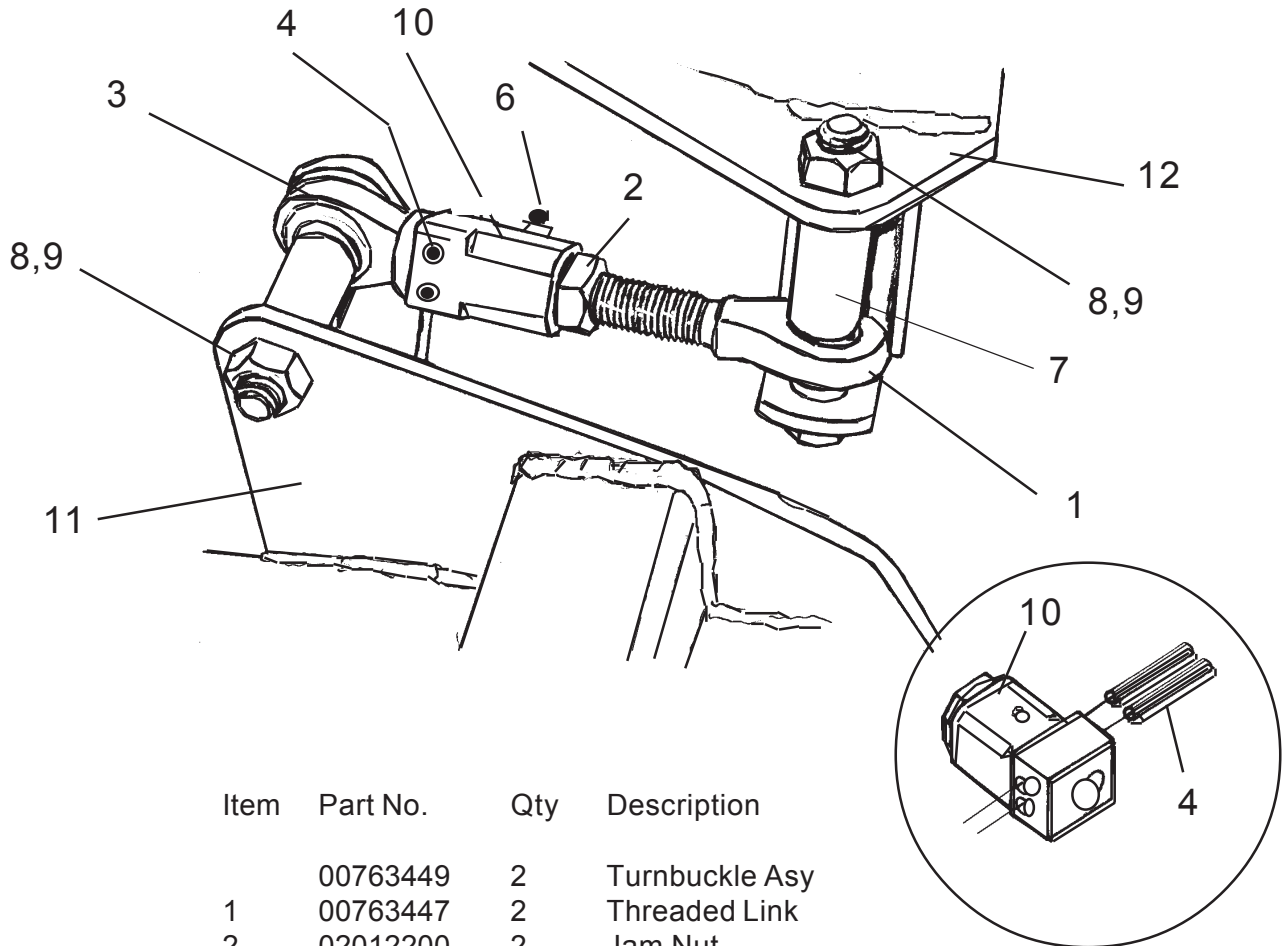
Item	Part No.	Qty	Description
	00763449	2	Turnbuckle Asy
1	00763447	2	Threaded Link
2	02012200	2	Jam Nut
3	00763962	2	Welded Link
4	02142800	2	Bolt
5	00750940	2	Locknut
6	00752670	2	Grease Fitting
7	00765379	2	Spacer Tube
8	00766447	4	Bolt
9	02030300	4	Locknut
10	00763450	2	Turnbuckle Body (use # 00763450A)
11	-----	ref	Center Axle Weldment
12	-----	ref	Wing Axle Weldment

ID Note: Item 10 was changed from a type that used a Bolt & Nut re-
tainer to dual set of roll pins for retainers

May 1998
to
Current

Turnbuckle Axle Adjust

S/N AG20-01370
to
S/N AG20-Current



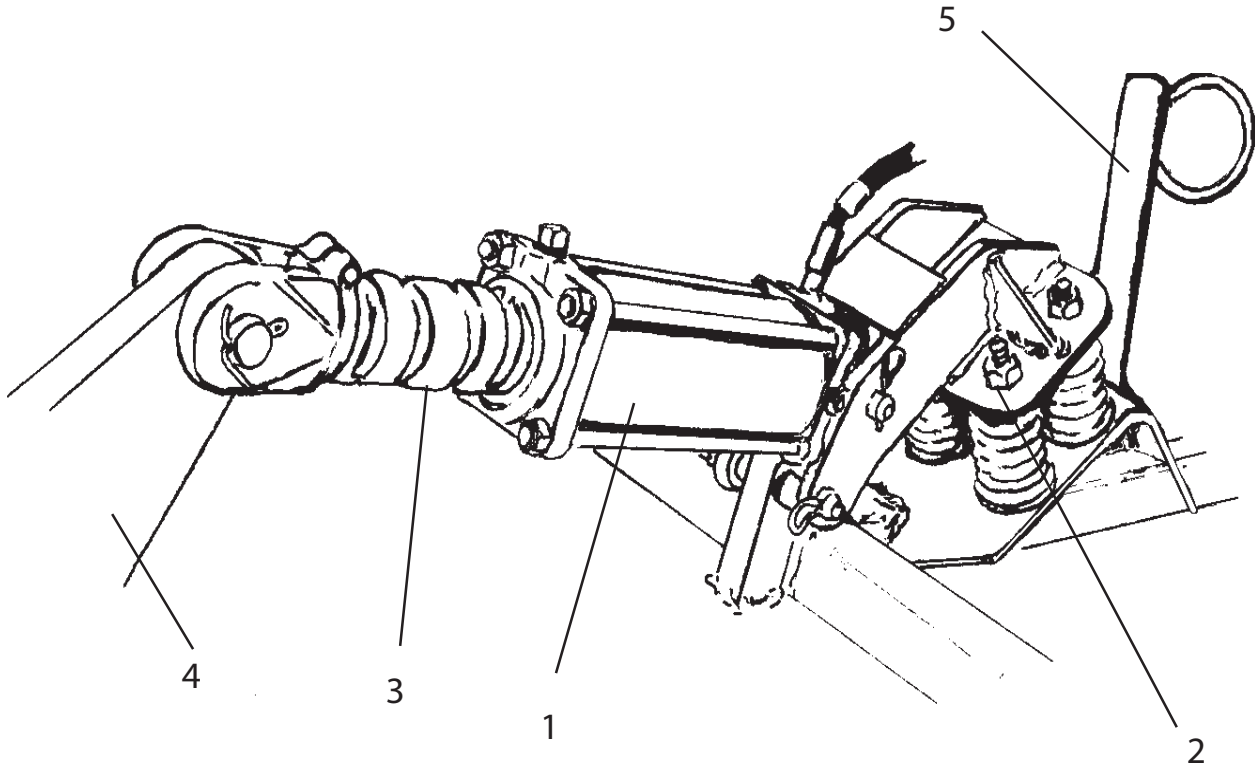
Item	Part No.	Qty	Description
	00763449	2	Turnbuckle Asy
1	00763447	2	Threaded Link
2	02012200	2	Jam Nut
3	00763962	2	Welded Link
4	03100773	4	Roll Pins
6	00752670	2	Grease Fitting
7	00765379	2	Spacer Tube
8	00766447	4	Bolt
9	02030300	4	Locknut
10	00763450A	2	Turnbuckle Body w/ 2 Holes for Roll Pins
11	-----	ref	Center Axle Weldment
12	-----	ref	Wing Axle Weldment

ID Note: Item 10 was changed from a type that used a Bolt & Nut re-
tainer to dual set of roll pins for retainers

Aug. 1994
to
Current

Axle Lift Components

S/N AG20-01300
to
S/N AG20-Current



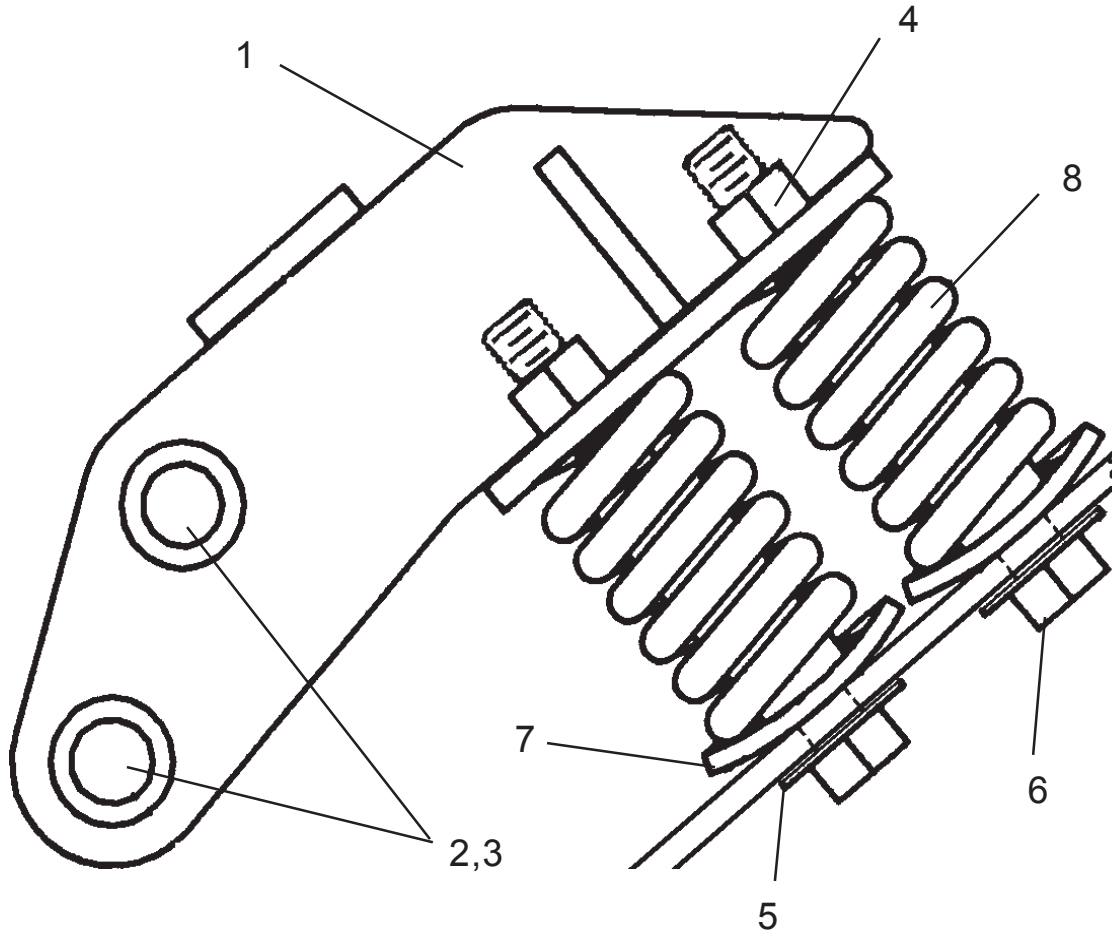
Item	Part No.	Qty	Description
1*	-----	1-ref	Cylinder, Axle Lift
2*	00763248	1	Axle Spring Asy Complete
3	00755234	1	Stroke Control Spacer Set
4*	-----	1-ref	Rear Center Axle
5	00763457	1	Hose Stand
	02030700	1	Bolt
	00001800	1	Locknut TLM 1/2 NC PLC

Note: * Assembly Listed Here as reference, For Parts Breakdown of
Items # 1, 2 & 4 see parts pages.

Aug. 1994
to
Current

Axle Spring Assembly

S/N AG20-01300
to
S/N AG20-Current



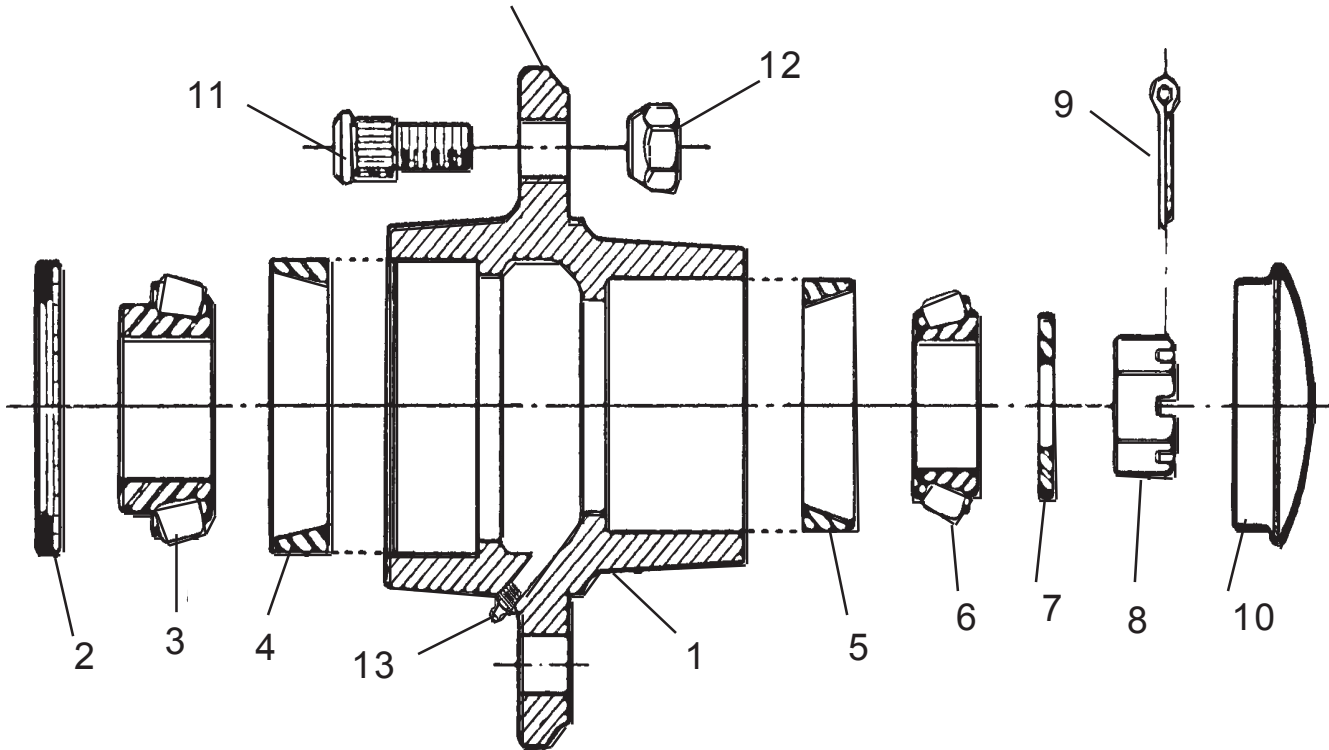
Item	Part No.	Qty	Description
	00763248	--	Axle Spring Asy Complete
1	00763244	1	Spring Support, Top Wldmnt
2	37107B13	2	Click Pin
3	0656460240	2	Pin Wldmnt
4	00037200	6	Locknut
5	00002701	6	Flatwasher
6	02023800	6	Bolt
7	65107A4	6	Spring Guide
8	371063A	6	Spring

Aug. 1994
to
Current

Wheel Hubs

S/N AG20-01300
to
S/N AG20-Current

This area is NOT machined. No marking on hub. Axle spindle WILL HAVE washer welded on behind seal.



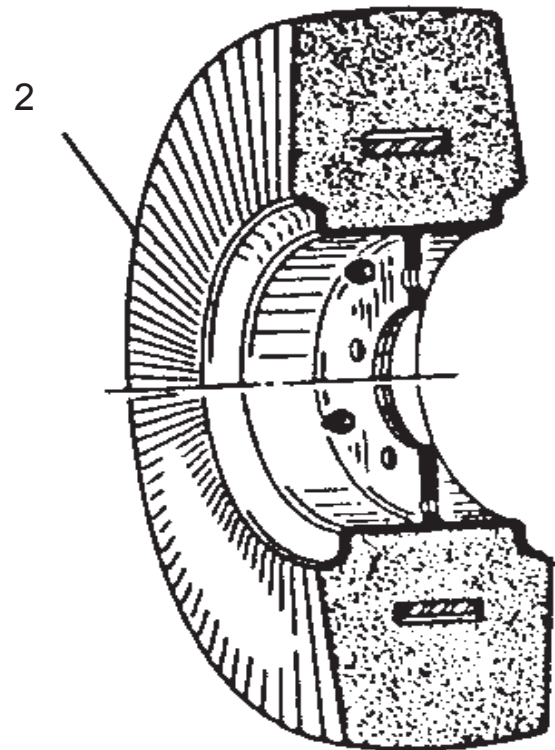
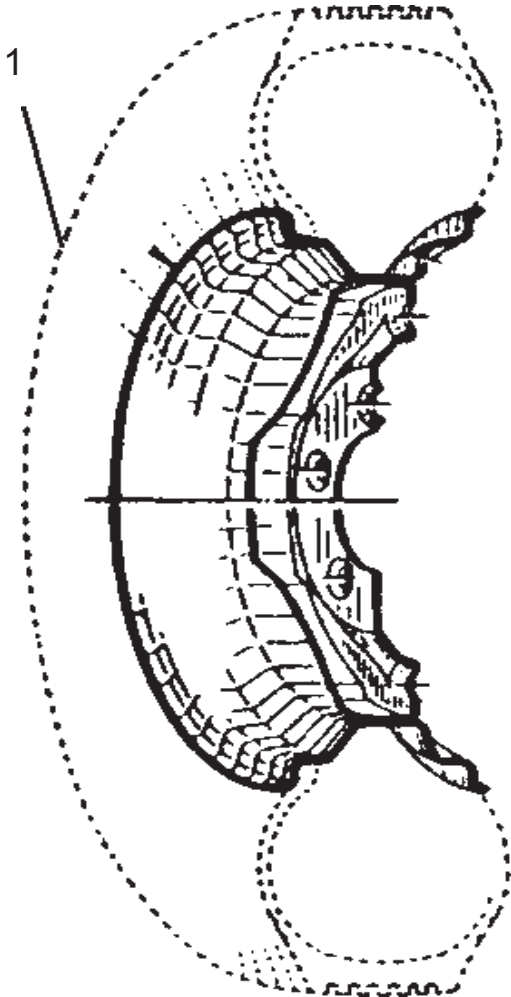
Item	Part No.	Qty.	Description
	37124	1	Hub Asy Complete (w/ items 1 thru 13)
1	371247SA	1	Hub Sub Asy (w/ items 4,5,11,12 & 13)
2	371247F	1	Grease Seal
3	371247E	1	Inner Bearing Cone
4	371247D	1	Inner Bearing Cup
5	00016900	1	Outer Bearing Cup
6	02957149	1	Outer Bearing Cone
7	15B1400	1	Spindle Washer
8	371247J	1	Spindle Nut
9	1621/2012	1	Cotter Pin
10	371247G	1	Hub Cap
11	13198	5	Hub Bolt
12	00750614	5	Hub Nut
13	00003500	1	Grease Fitting

NOTE: Hub Only is not Offered as a Separate Repair Part. When Ordering Bearings, it is Recommended That Both Cup and Cone be Specified. To ID this hub note Spindle bolt size, it is a 7/8" Nut, earlier Hub used a 1" Bolt. This Hub also used a Washer welded to Spindle as a Seal protector, The earlier Spindle DID NOT.

Aug. 1994
to
Current

Tire & Wheel

S/N AG20-01300
to
S/N AG20-Current



Wheel Group

(Quantities for 1-Cutter, 5 to 6 Wheels Complete)

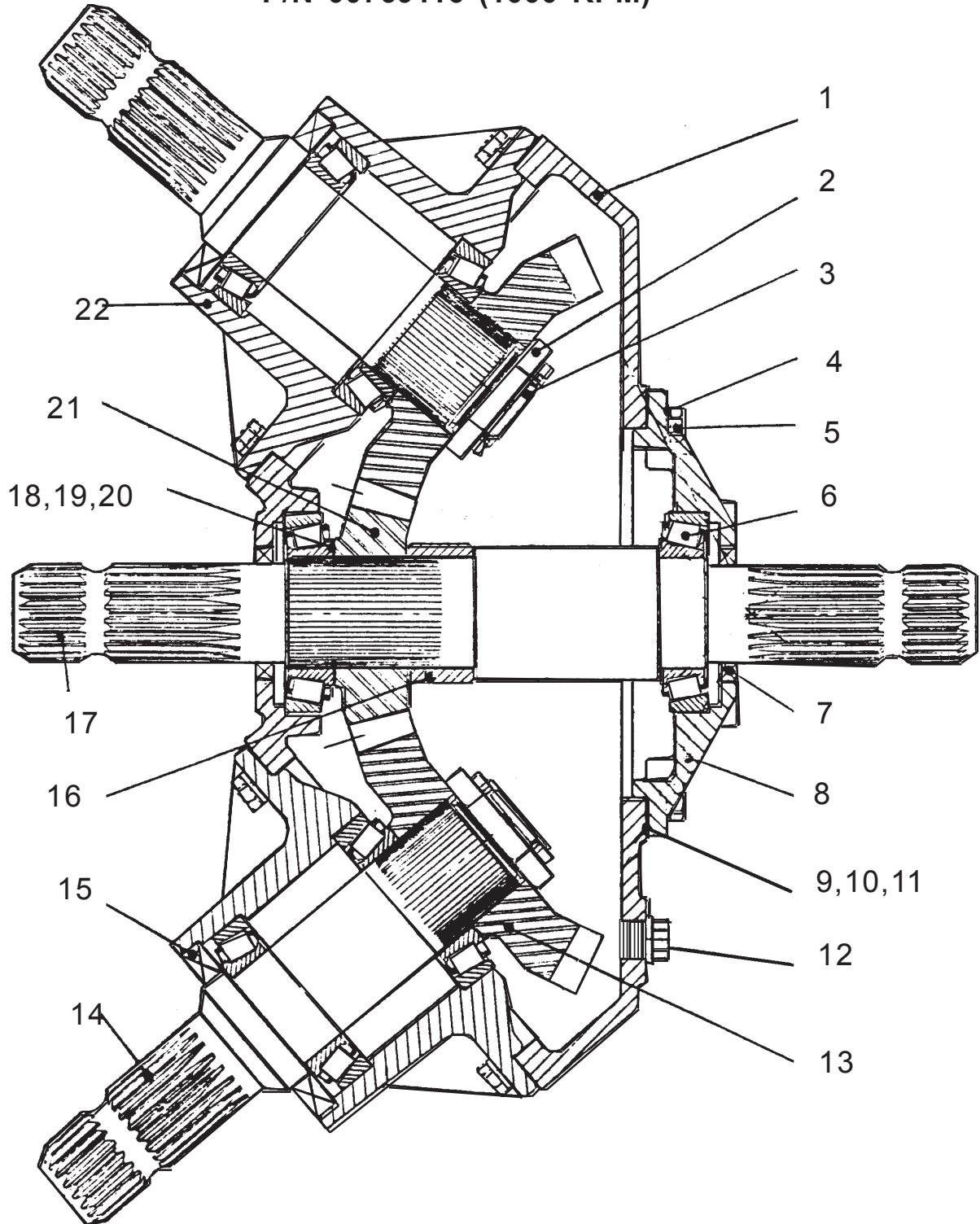
Item	Part No.	Qty	Description
1	00749698	--	Implement Tire & Wheel Asy 6:70 X 15 (Includes *)
	00008700	--	*15" Wheel Only
	00601700	--	* Implement Tire Only, 6:70 X 15 Tube Type
	00751994	--	* Tube F/ Implement Tire Only, 6:70 X 15
	00771461	--	Used 15" Airplane Tire & Wheel (Not Shown)
	00749700	--	Used 14" Airplane Tire & Wheel (Not Shown)
	00749698	--	Implement Tire & Wheel (Not Shown)
2	00025200	--	6 X 9 Laminated Tire & Wheel Asy
	00766911A	--	Used Aiplane Tire & Whl, 22 X 6.6, Foam Filled

Aug. 1994
to
Current

Gearbox Divider

S/N AG20-01300
to
S/N AG20-Current

P/N 00769115 (540 RPM)
P/N 00769116 (1000 RPM)



Aug. 1994
to
Current

Gearbox Divider

S/N AG20-01300
to
S/N AG20-Current

P/N 00769115 (540 RPM)
P/N 00769116 (1000 RPM)

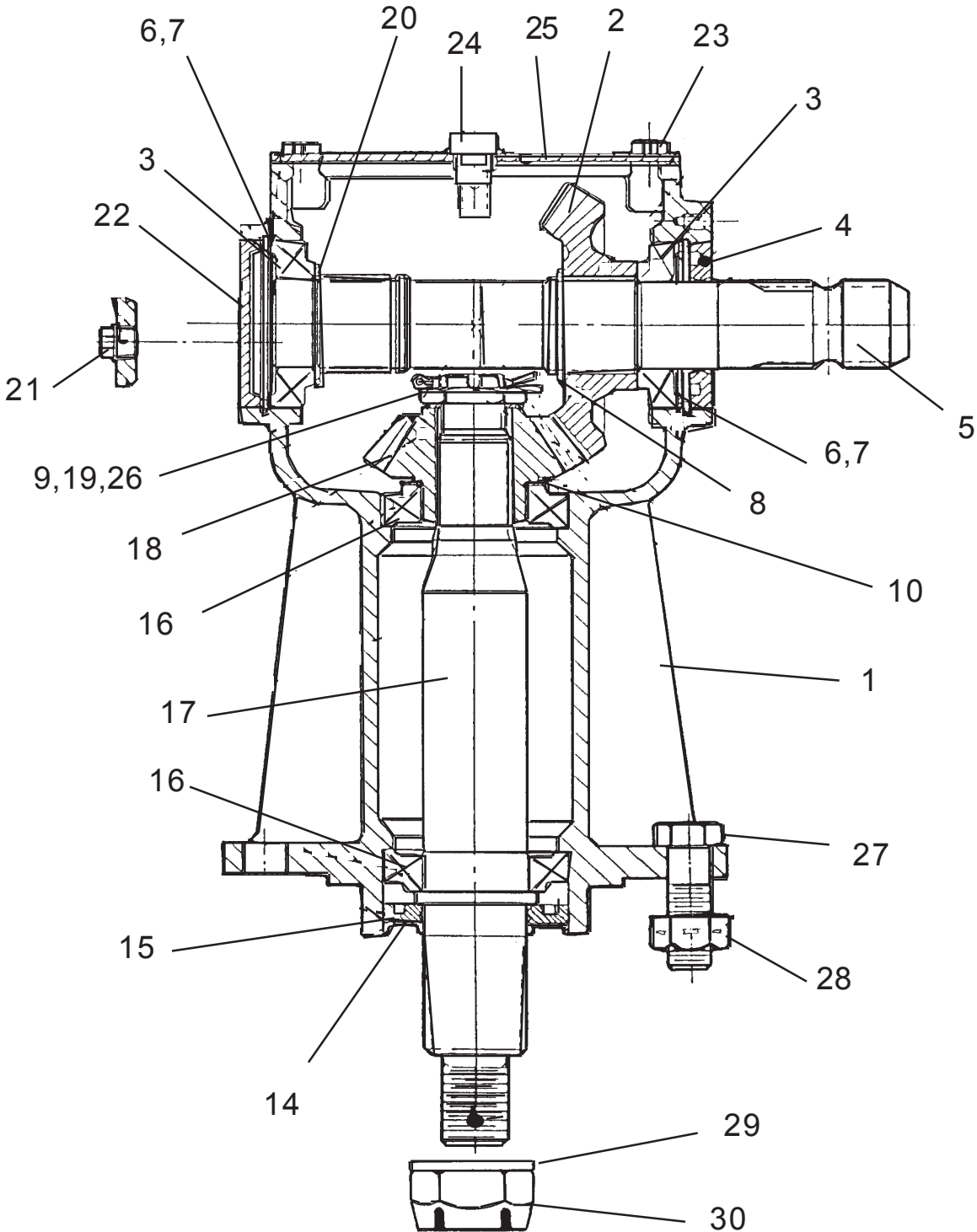
Item	Part No. 540 RPM	Part No. 1000 RPM	Qty	Description
	00769115	-----	--	Gearbox Asy, (540 RPM)
	-----	00769116	--	Gearbox Asy, (1000 RPM)
1	00769162	00769162	1	Housing
2	00762121	00762121	2	Bearing Adj. Nut
3	00026200	00026200	2	Cotter Pin
4	00755954	00755954	24	Lockwasher
5	00758659	00758659	24	Cap Screw
6	00755628	00755628	6	Bearing
7	00758653	00758653	2	Seal
8	00762128	00762128	1	Input Cap
9	00758646	00758646	var	Gasket 0.1
10	00758647	00758647	var	Gasket 0.25
11	00758648	00758648	var	Gasket 0.5
12	00762123	00762123	1	Plug
13	00769160	-----	2	Gear 20 Tooth (540 RPM)
	-----	00769159	2	Gear 26 Tooth (1000 RPM)
14	00762522	00762522	2	Horz. Output Shaft
15	00762521	00762521	2	Seal
16	00758657	00758657	1	Spacer
17	00769163	00769163	1	Input Shaft
18	00758667	00758667	var	Shim 0.3
19	00758666	00758666	var	Shim 0.4
20	00758668	00758668	var	Shim 0.4
21	00769161	-----	1	Gear 23 Tooth (540 RPM)
	-----	00769158	1	Gear 20 Tooth (1000 RPM)
22	00762520	00762520	2	Horz. Hub Cap
23	00762114	00762114	1	Pipe Plug Vented (not shown)
24*	00010300	00010300	4	Lockwasher (Not Shown)
25*	02675800	02975800	4	Bolt (Not Shown)

* These Bolts mount Gearbox to Deck and are located from under side of deck only, See Threaded Holes in bottom of Gearbox Housing.

Aug. 1994
to
Nov. 1996

Center Section Gearbox 540 RPM

S/N AG20-01300
to
S/N AG20-01352



Note: Blades Turn CCW

Aug. 1994
to
Nov. 1996

Center Section Gearbox 540 RPM

S/N AG20-01300
to
S/N AG20-01352

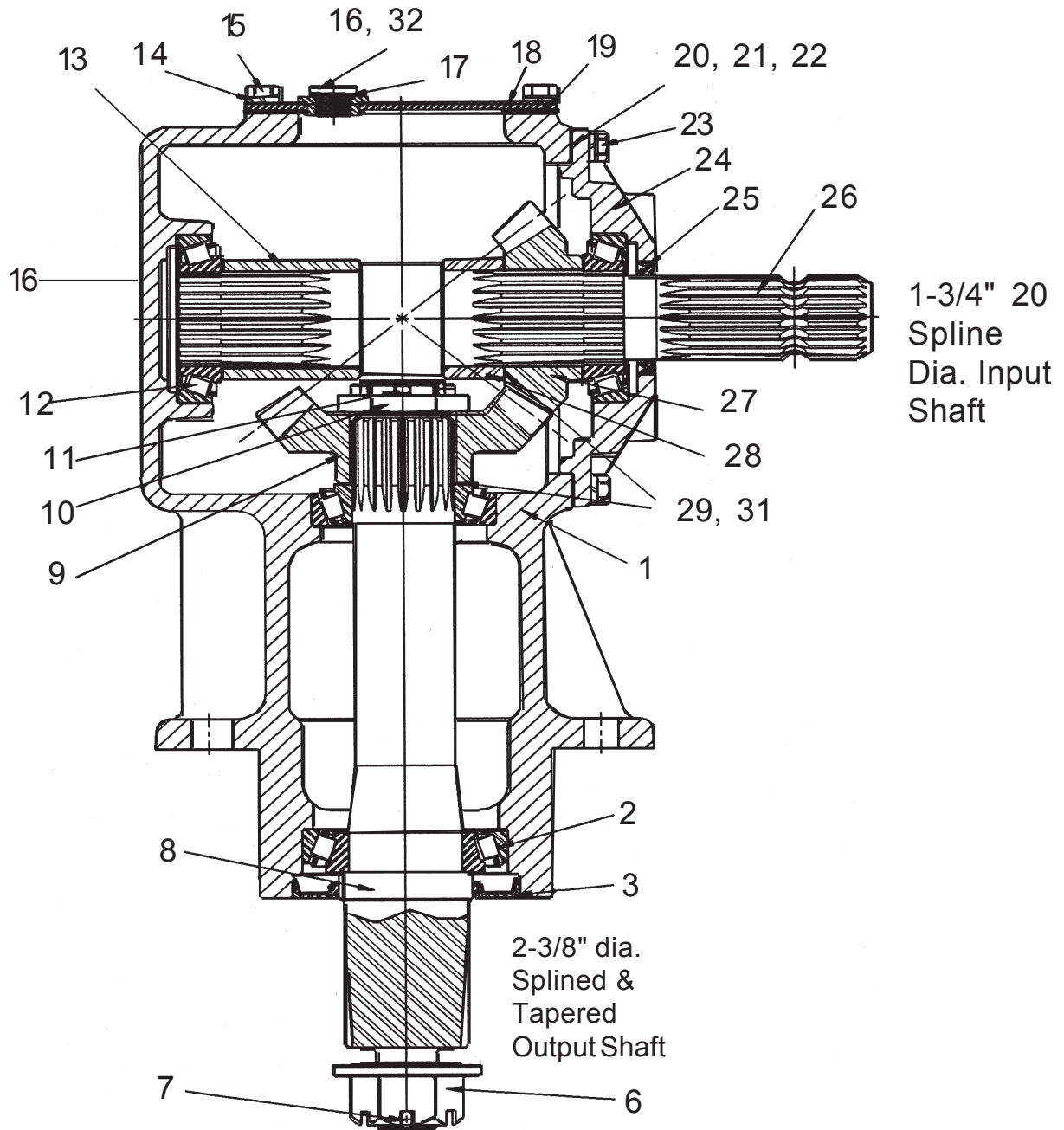
Item	Part No.	Qty.	Description
	00755598	--	Gearbox Asy
1	00755613	1	Casing
2	00755614	1	Gear (24 Teeth)
3	00755615	2	Bearing
4	00753238	1	Oil Seal
5	00755617	1	Shaft
6	00755618	2	Internal Circlip
7	00755619	2	Shim
8	00755620	1	External Circlip
9	00755621	1	Nut
10	00755622	1	Shim
14	00755626	1	Seal Protector Shield
15	00755627	1	Oil Seal
16	00755628	2	Bearing
17	00755629	1	Shaft
18	00755630	1	Gear (16 Teeth)
19	00026200	1	Cotter Pin
20	00755632	1	Shim
21	00755633	1	Plug
22	00755634	1	Cap
23	00755635	4	Hex Bolt
24	00758654	1	Vent Plug
25	00755637	1	Cover
26	00755638	1	Shim
27	02959391	6	Bolt
28	00037200	6	Nut, Top Lock
29	00755623	1	Washer
30	00755624	1	Nut, Castle
31	163016	1	Cotterpin, Blade Carrier

NOTE: This Gearbox has a Square Bolt on Top Cover & Input Gear is mounted in the front as shown in drawing

Dec. 1996
to
Current

GEARBOX ASY CENTER (540 RPM)

S/N AG20-01353
to
S/NAG20-Current



Dec. 1996
to
Current

GEARBOX ASY CENTER (540 RPM)

S/N AG20-01353
to
S/N AG20-Current

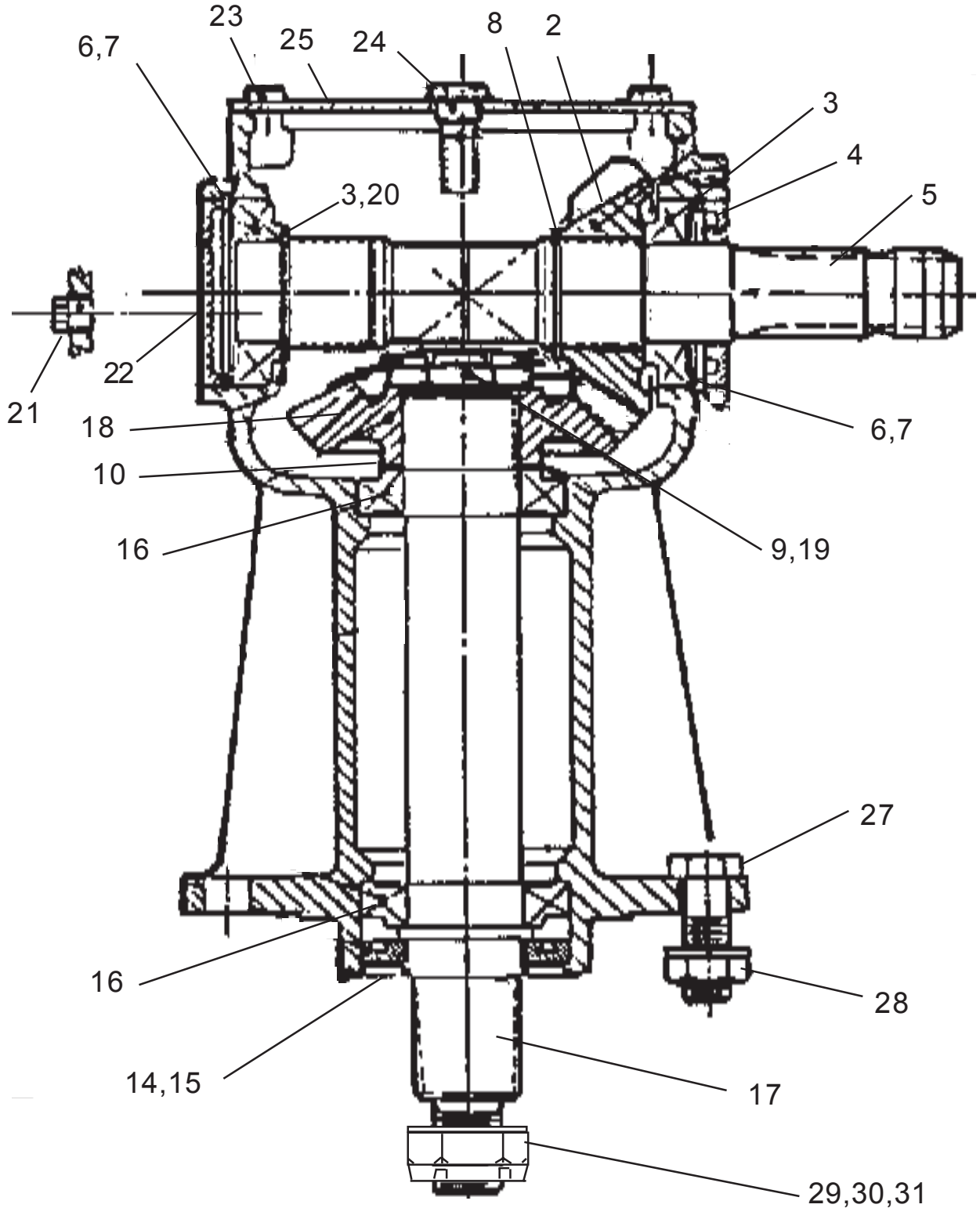
ITEM	PART NO.	QTY	DESCRIPTION
	00769912	--	Gearbox Asy, Center (540 RPM)
1	00770724	1	Housing
2	00770725	1	Bearing Assembly
3	00770726	1	Oil Seal
4	00770727	1	Seal Protector , Not Shown (Welded to Blade Carrier)
5	00771227	1	Hub , Not Shown (Welded to Blade Carrier)
6	00771226	1	Nut
7	01422502	1	Cotter Pin
8	00770728	1	Output Shaft
9	00770736	1	Gear , Output (13 Tooth) Center (540 RPM)
10	00770730	1	Bearing Adjusting Nut
11	00606000	1	Cotter Pin
12	00755628	3	Bearing Assembly
13	00770731	1	Shaft Spacer
14	00766083	12	Washer
15	00754338	4	Bolt
16	00762517	1	Plug, For Shipping (Install Item #32 before Operating)
16A	00762517	1	Plug, Oil level
17	00769321	3	Washer, Sealing
18	00770732	1	Inspection Cover
19	00770733	1	Inspection Cover Gasket
20	00758646	VAR	Shim Adjustment (0.10)
21	00758647	VAR	Shim Adjustment (0.25)
22	00758648	VAR	Shim Adjustment (0.50)
23	00765905	8	Bolt
24	00770734	1	Input Cap
25	00758653	1	Oil Seal
26	00770735	1	Input Shaft
27	00770729	1	Gear , Input (19 Tooth) Center (540 RPM)
28	00758657	1	Spacer
29	00758667	VAR	Shim (0.30)
31	00758668	VAR	Shim (0.50)
32	00762114	1	Pressure Plug Vent (To Be Installed before Operating)

NOTE: This Gearbox has a Round Bolt on Top Cover &
Input Gear is mounted in the front as shown in drawing

Aug. 1994
to
Nov. 1996

Center Section Gearbox 1000 RPM

S/N AG20-01300
to
S/N AG20-01352



Note: Blades Turn CCW

Aug. 1994
to
Nov. 1996

Center Section Gearbox 1000 RPM

S/N AG20-01300
to
S/N AG20-01352

P/N 00756744 CW IN - CCW OUT

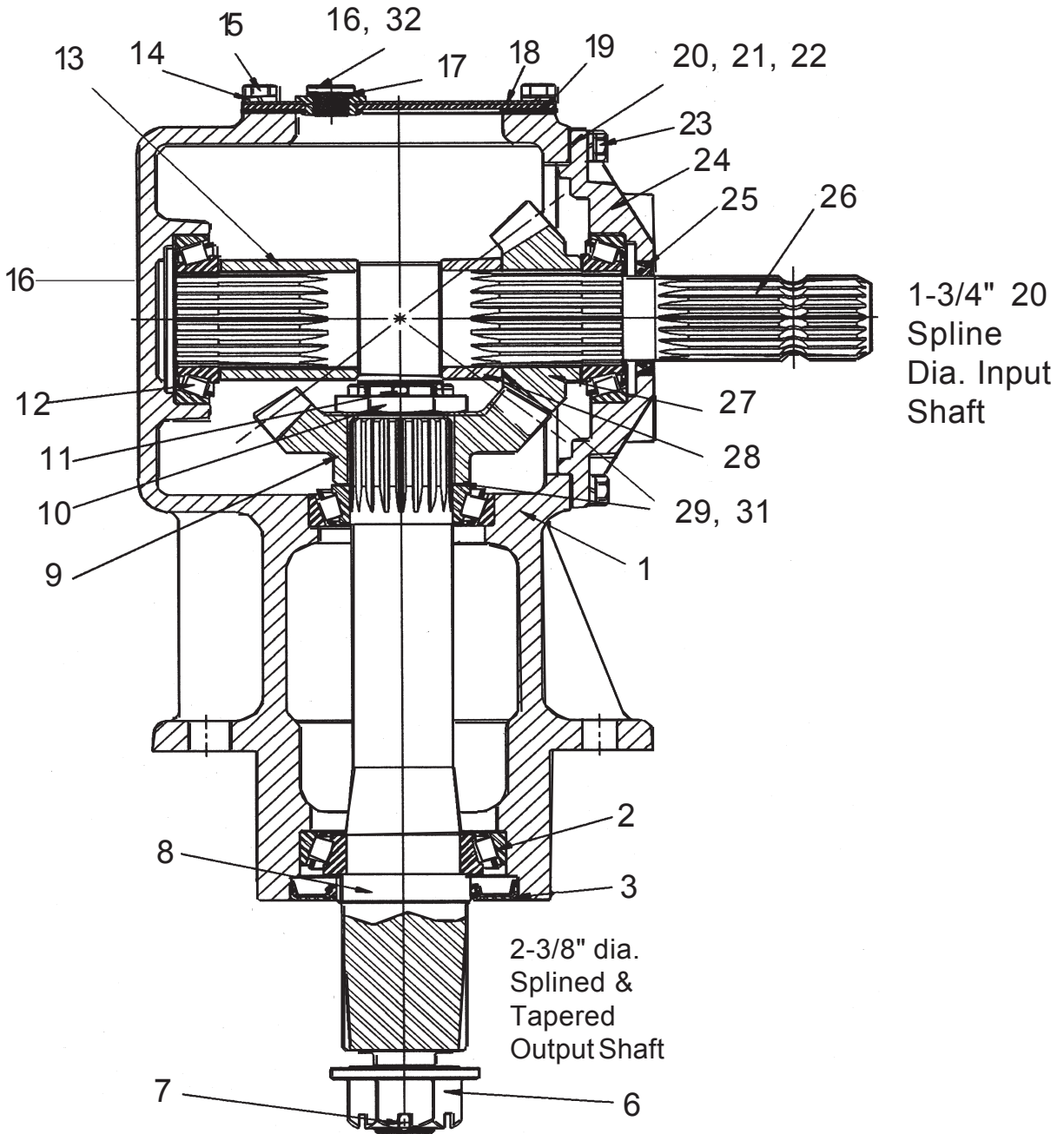
Item	Part No.	Qty	Description
	00756744	--	Gearbox Asy.
1	00755613	1	Gearbox Housing, Main
2	00756942	1	Gear, Input (15 Tooth)
3	00755615	2	Bearing
4	00753238	1	Seal
5	00755617	1	Shaft, Input
6	00755618	2	Circlip, Internal
7	00755619	2	Shim
8	00755620	1	Circlip, External
9	00756943	1	Nut, Slotted
10	00755622	1	Shim
14	00755626	1	Shield, Protective
15	00755627	1	Seal
16	00755628	2	Bearing
17	00756945	1	Shaft, Output
18	00756944	1	Gear, Output (24 Tooth)
19	00756946	1	Cotter Pin
20	00755632	1	Shim
21	00755633	1	Plug, Oil Level Check
22	00755634	1	Seal Cap, Rear
23	00755635	4	Bolt
24	00758654	1	Plug, Vent / Oil Fill
25	00755637	1	Cover, Top
27	02959391	6	Bolt
28	00037200	6	Locknut
29	00755624	1	Nut, Blade Carrier Retaining
30	00755623	1	Washer, Blade Carrier
31	163016	1	Cotterpin, Blade Carrier

NOTE: This Gearbox has a Square Bolt on Top Cover &
Input Gear is mounted in the front as shown in drawing

Dec. 1996
to
Current

GEARBOX ASY CENTER (1000 RPM)

S/N AG20-01353
to
S/NAG20-Current



Dec. 1996
to
Current

GEARBOX ASY CENTER (1000 RPM)

S/N AG20-01353
to
S/N AG20-Current

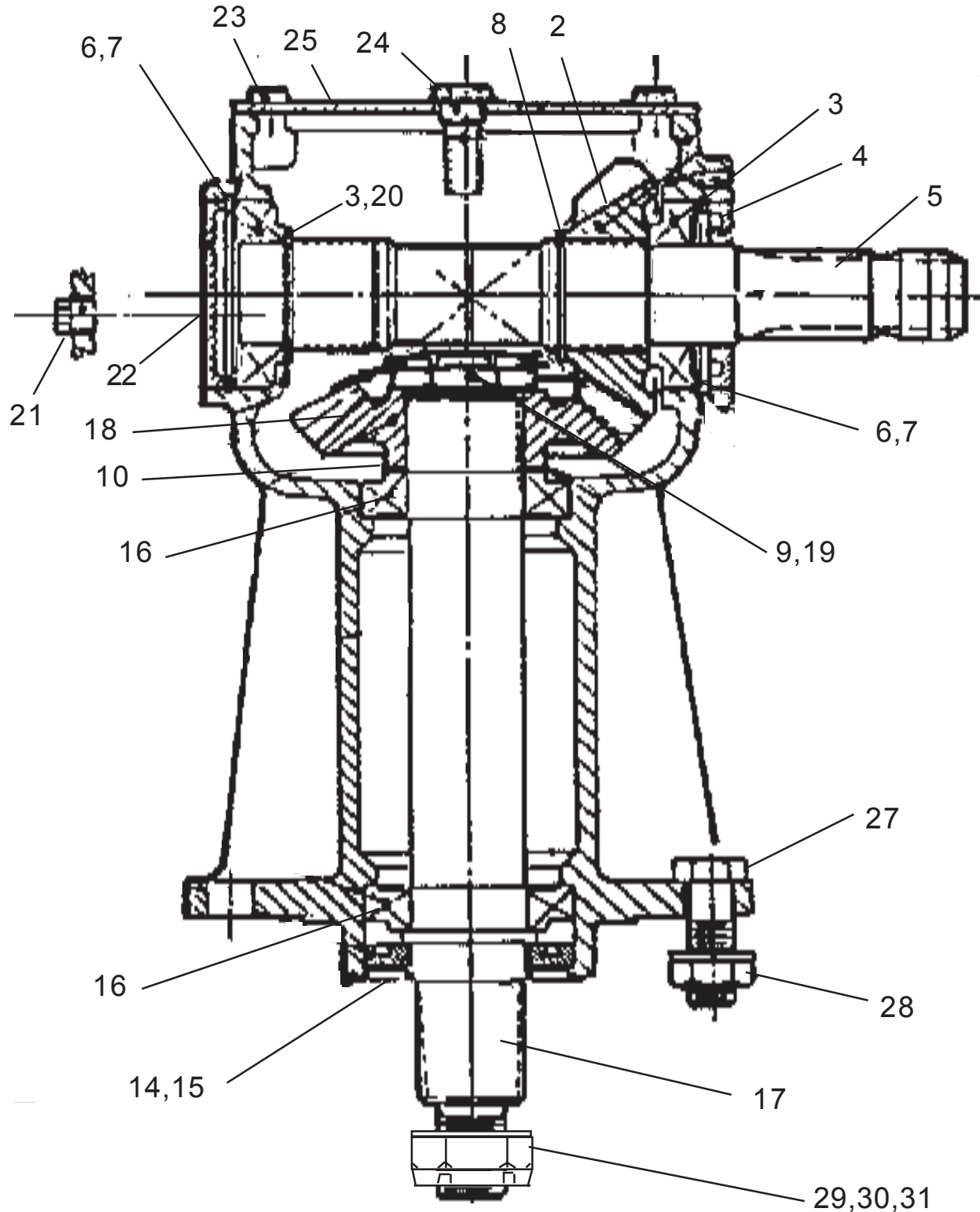
ITEM	PART NO.	QTY	DESCRIPTION
	00769930	--	Gearbox Asy, Center (1000 RPM)
1	00770724	1	Housing
2	00770725	1	Bearing Assembly
3	00770726	1	Oil Seal
4	00770727	1	Seal Protector , Not Shown (Welded to Blade Carrier)
5	00771227	1	Hub , Not Shown (Welded to Blade Carrier)
6	00771226	1	Nut
7	01422502	1	Cotter Pin
8	00770728	1	Output Shaft
9	00770729	1	Gear, Output (19 Tooth) Center (1000 RPM)
10	00770730	1	Bearing Adjusting Nut
11	00606000	1	Cotter Pin
12	00755628	3	Bearing Assembly
13	00770731	1	Shaft Spacer
14	00766083	12	Washer
15	00754338	4	Bolt
16	00762517	1	Plug, For Shipping (Install Item #32 before Operating)
16A	00762517	1	Plug, Oil level
17	00769321	3	Washer, Sealing
18	00770732	1	Inspection Cover
19	00770733	1	Inspection Cover Gasket
20	00758646	VAR	Shim Adjustment (0.10)
21	00758647	VAR	Shim Adjustment (0.25)
22	00758648	VAR	Shim Adjustment (0.50)
23	00765905	8	Bolt
24	00770734	1	Input Cap
25	00758653	1	Oil Seal
26	00770735	1	Input Shaft
27	00770736	1	Gear, Input (13 Tooth) Center (1000 RPM)
28	00758657	1	Spacer
29	00758667	VAR	Shim (0.30)
31	00758668	VAR	Shim (0.50)
32	00762114	1	Pressure Plug Vent (To Be Installed before Operating)

NOTE: This Gearbox has a Round Bolt on Top Cover &
Input Gear is mounted in the front as shown in drawing

Aug. 1994
to
Nov. 1996

RH Wing Section Gearbox 540 & 1000 RPM

S/N AG20-01300
to
S/N AG20-01352



Note: Blades Turn CCW

Aug. 1996
to
Nov. 1996

RH Wing Section Gearbox 540 & 1000 RPM

S/N AG20-01300
to
S/N AG20-01352

P/N 00756739 (540 RPM) CW IN - CCW OUT
P/N 00756622 (1000 RPM) CW IN - CCW OUT

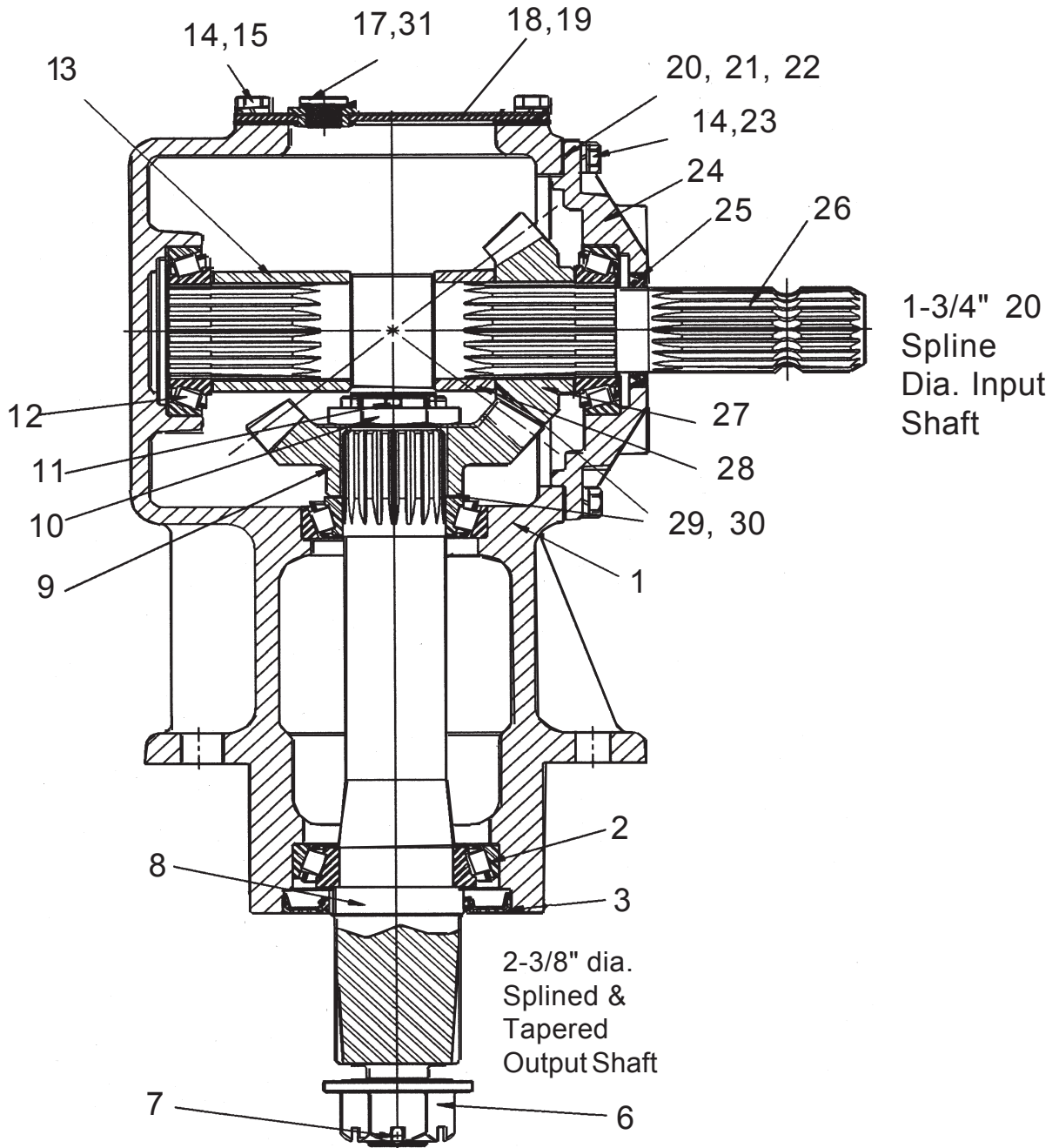
Item	Part No.	Qty	Description
	00756739	--	Gearbox Asy, (540 RPM)
	00756622	--	Gearbox Asy. (1000 RPM)
1	00755613	1	Gearbox Housing, Main
2	00756899	1	Gear, 540 RPM Input (24 Tooth)
	00756900	1	Gear, 1000 RPM Input (20 Tooth)
3	00755615	2	Bearing
4	00753238	1	Seal
5	00755617	1	Shaft, Input
6	00755618	2	Circlip, Internal
7	00755619	2	Shim
8	00755620	1	Circlip, External
9	00756943	1	Nut, Slotted
10	00755622	1	Shim
14	00755626	1	Shield, Protective
15	00755627	1	Seal
16	00755628	2	Bearing
17	00756945	1	Shaft, Output
18	00756900	1	Gear, 540 RPM Output (20 Tooth)
	00756899	1	Gear, 1000 RPM Output (24 Tooth)
19	00756946	1	Cotter Pin
20	00755632	1	Shim
21	00755633	1	Plug, Oil Level Check
22	00755634	1	Seal Cap, Rear
23	00755635	4	Bolt
24	00758654	1	Plug, Vent / Oil Fill
25	00755637	1	Cover, Top
27	02959391	6	Bolt
28	00037200	6	Locknut
29	00755624	1	Nut, Blade Carrier Retaining
30	00755623	1	Washer, Blade Carrier
31	163016	1	Cotterpin, Blade Carrier

NOTE: This Gearbox has a Square Bolt on Top Cover &
Input Gear is mounted in the front as shown in drawing

Dec. 1996
to
Current

RH Wing Section Gearbox 540 & 1000 RPM

S/N AG20-01353
to
S/N AG20-Current



Dec. 1996
to
Current

RH Wing Section Gearbox 540 & 1000 RPM

S/N AG20-01353
to
S/N AG20-Current

P/N 00769918 (540 RPM)

P/N 00769924 (100 RPM)

CW in - CCW out

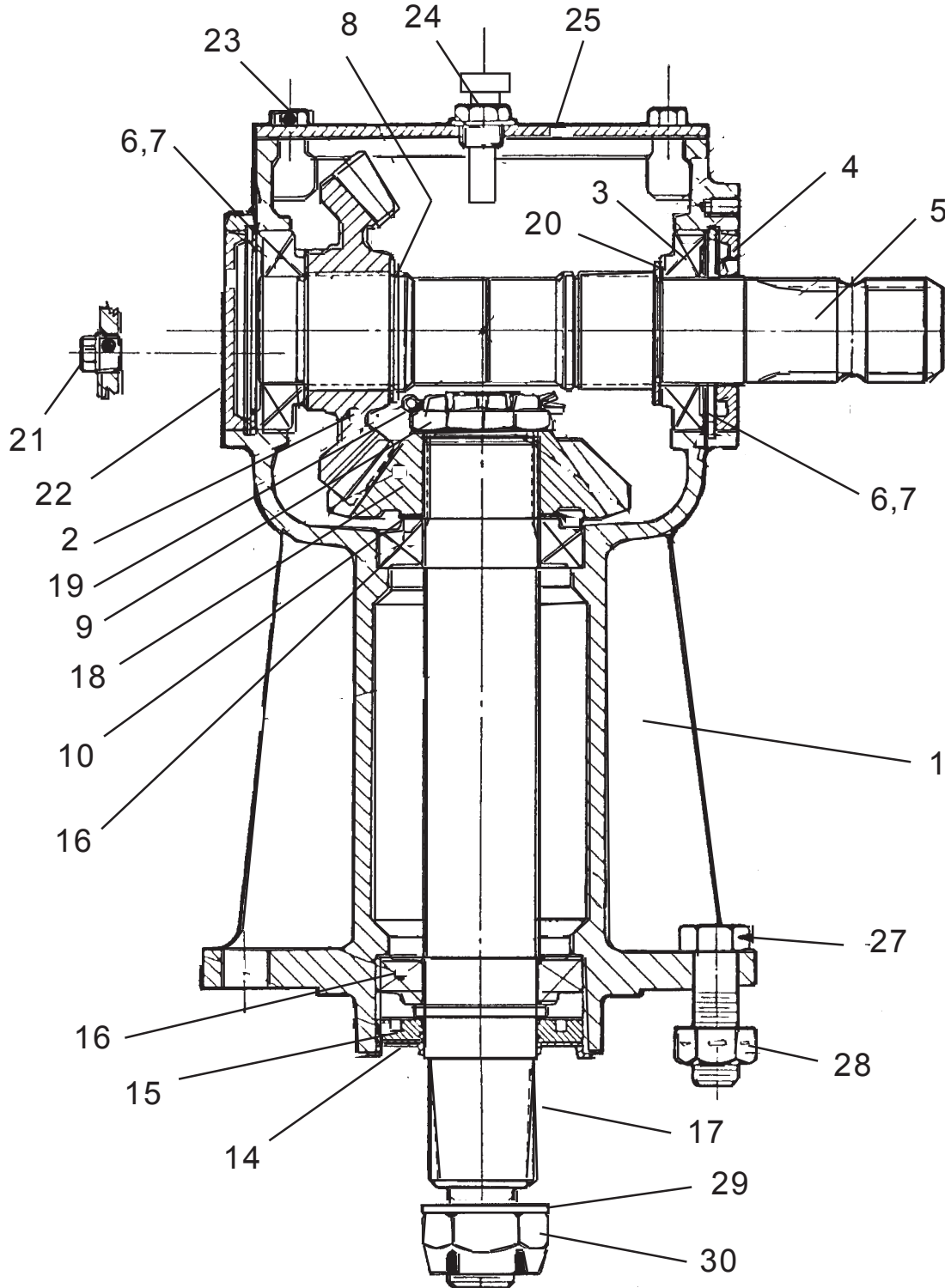
Item	Part No.	Qty	Description
	00769918	--	Gearbox Asy, (540 RPM)
	00769924	--	Gearbox Asy, (1000 RPM)
1	00770724	1	Housing
2	00770725	1	Bearing Asy
3	00770726	1	Oil Seal
4	00770727	1	Seal Protector
6	00771226	1	Flange Nut
7	01422502	1	Cotter Pin
8	00770728	1	Vertical Output Shaft
9	00770738	1	14 Tooth Gear (540 RPM)
	00770739	1	17 Tooth Gear (1000 RPM)
10	00762121	1	Bearing Adjusting Nut
11	00606000	1	Cotter Pin
12	00755628	3	Bearing Asy
13	00770731	1	Input Shaft Spacer
14	00766083	12	Lockwasher
15	00754338	4	Bolt
16	00762517	1	Plug, Oil Level Plug (Side of Housing Not Shown)
17	00769321	2	Sealing Washer
18	00770732	1	Inspection Cover
19	00770733	1	Inspection Cover Gasket
20	00758646	A/R	Gasket (0.10)
21	00758647	A/R	Gasket (0.25)
22	00758648	A/R	Gasket (0.50)
23	00765905	8	Bolt
24	00770734	1	Input Cap
25	00758653	1	Oil Seal
26	00770735	1	Input Shaft
27	00770739	1	17 Tooth Gear (540 RPM)
	00770738	1	14 Tooth Gear (1000 RPM)
28	00758657	1	Input Shaft Spacer
29	00758667	A/R	Shim (0.30)
30	00758668	A/R	Shim (0.50)
31	00762517	1	Plug, For Shipping (Remove before Operating)
	00762114	1	Pressure Relief Valve (Install Before Operating)

NOTE: This Gearbox has a Round Bolt on Top Cover &
Input Gear is mounted in the front as shown in drawing

Aug. 1994
to
Nov. 1996

LH Wing Section Gearbox 540 & 1000 RPM

S/N AG20-01300
to
S/N AG20-01352



CW IN - CW OUT

Aug. 1994
to
Nov. 1996

LH Wing Section Gearbox 540 & 1000 RPM

S/N AG20-01300
to
S/N AG20-01352

P/N 00756741 (540 RPM) CW IN - CW OUT
P/N 00756624 (1000 RPM) CW IN - CW OUT

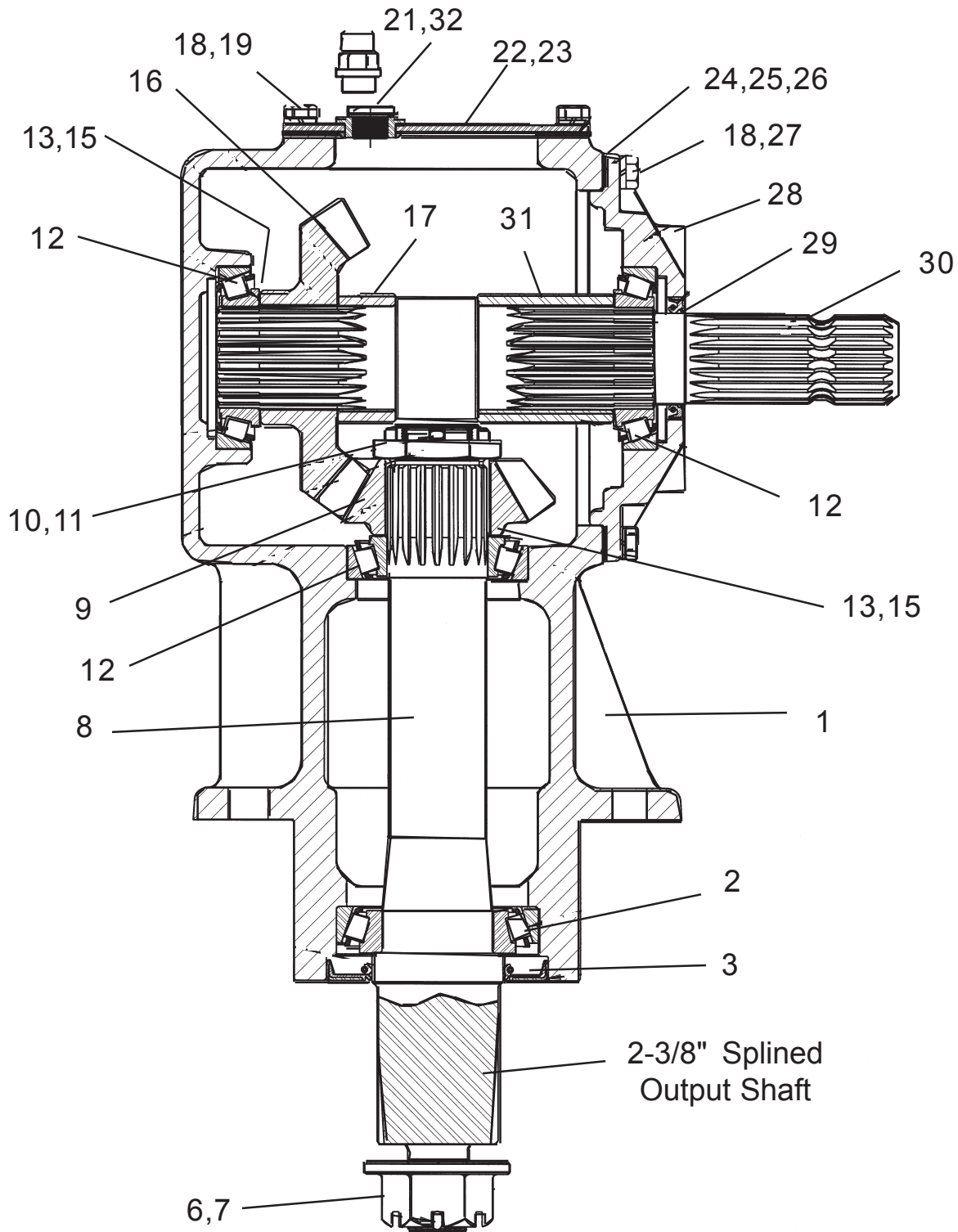
Item	Part No.	Qty.	Description
1	00755613	1	Casing
2	00756899	1	Gear (24 Teeth-540RPM)
	00756900	1	Gear (20 Teeth-1000RPM)
3	00755615	2	Bearing
4	00753238	1	Oil Seal
5	00755617	1	Shaft
6	00755618	2	Internal Circlip
7	00755619	2	Shim
8	00755620	1	External Circlip
9	00756943	1	Nut
10	00755622	1	Shim
14	00755626	1	Protective Shield
15	00755627	1	Oil Seal
16	00755628	2	Bearing
17	00756945	1	Shaft
18	00756900	1	Gear (20 Teeth-540 RPM)
	00756899	1	Gear (24 Teeth-100RPM)
19	00756946	1	Cotter Pin
20	00755632	1	Shim
21	00755633	1	Plug
22	00755634	1	Cap
23	00755635	4	Hex Bolt
24	00758654	1	Vent Plug
25	00755637	1	Cover
27	02959391	6	Bolt
28	00037200	6	Locknut
29	00755623	1	Washer
30	00755624	1	Nut, Castle
31	163016	1	Cotterpin, Blade Carrier

NOTE: This Gearbox has a Square Bolt on Top Cover & Input Gear is mounted in the Back as shown in drawing

Dec. 1996
to
Current

LH Wing Section Gearbox 540 & 1000 RPM

S/N AG20-01353
to
S/N AG20-Current



Dec. 1996
to
Current

LH Wing Section Gearbox 540 & 1000 RPM

S/N AG20-01353
to
S/N AG20-Current

P/N 00769921 (540 RPM)

P/N 00769927 (1000 RPM)

CW in - CCW out

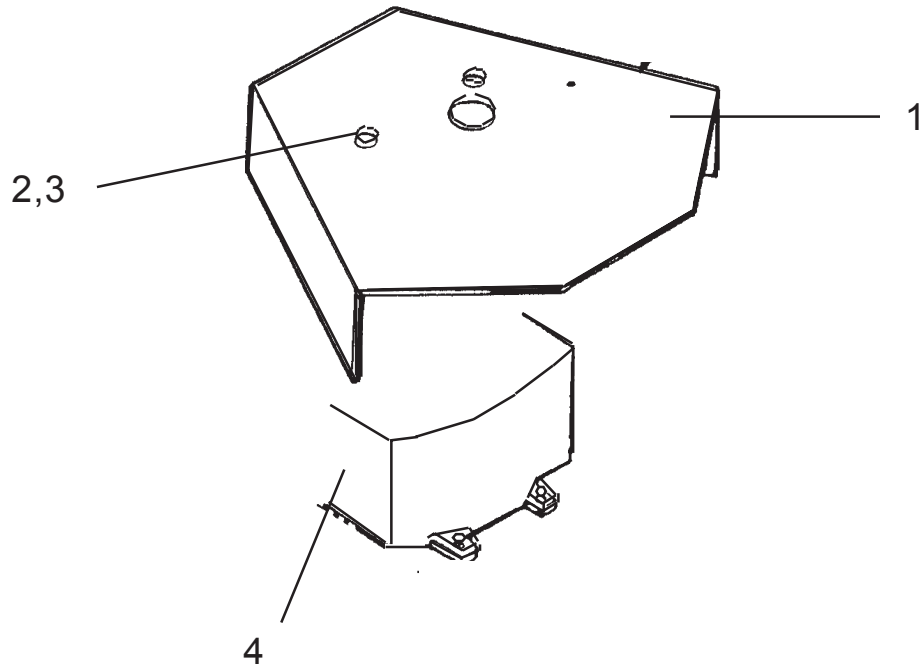
Item	Part No.	Qty	Description
	00769921	--	Gearbox Asy, (540 RPM)
	00769927	--	Gearbox Asy, (1000 RPM)
1	00770724	1	Housing
2	00770725	1	Bearing Asy
3	00770726	1	Oil Seal
5	00771227	1	Blade Hub, Weld on & Not Shown
6	00771226	1	Flange Nut
7	01422502	1	Cotter Pin
8	00770728	1	Vertical Output Shaft
9	00770738	1	14 Tooth Gear (540 RPM)
	00770739	1	17 Tooth Gear (1000 RPM)
10	00762121	1	Bearing Adjusting Nut
11	00606000	1	Cotter Pin
12	00755628	3	Bearing Asy
13	00758667	A/R	Shim (0.30)
15	00758668	A/R	Shim (0.50)
16	00770739	1	17 Tooth Gear (540 RPM)
	00770738	1	14 Tooth Gear (1000 RPM)
17	00758657	1	Input Shaft Spacer
18	00766083	12	Lockwasher
19	00754338	4	Bolt
20	00762517	1	Plug, Oil Level Plug (Side of Housing Not Shown)
21	00769321	2	Sealing Washer (i f/item 20 & 1 f/ item 32)
22	00770732	1	Inspection Cover
23	00770733	1	Inspection Cover Gasket
24	00758646	A/R	Gasket (0.10)
25	00758647	A/R	Gasket (0.25)
26	00758648	A/R	Gasket (0.50)
27	00765905	8	Bolt
28	00770734	1	Input Cap
29	00758653	1	Oil Seal
30	00770735	1	Input Shaft
31	00770731	1	Input Shaft Spacer
32	00762517	1	Plug, For Shipping (Remove before Operating)
	00762114	1	Pressure Relief Valve (Install Before Operating)

NOTE: This Gearbox has a Round Bolt on Top Cover & Input Gear is mounted in the Back as shown in drawing

Aug. 1994
to
Nov. 1996

Shields Divider Gearbox

S/N AG20-01300
to
S/N AG20-01352



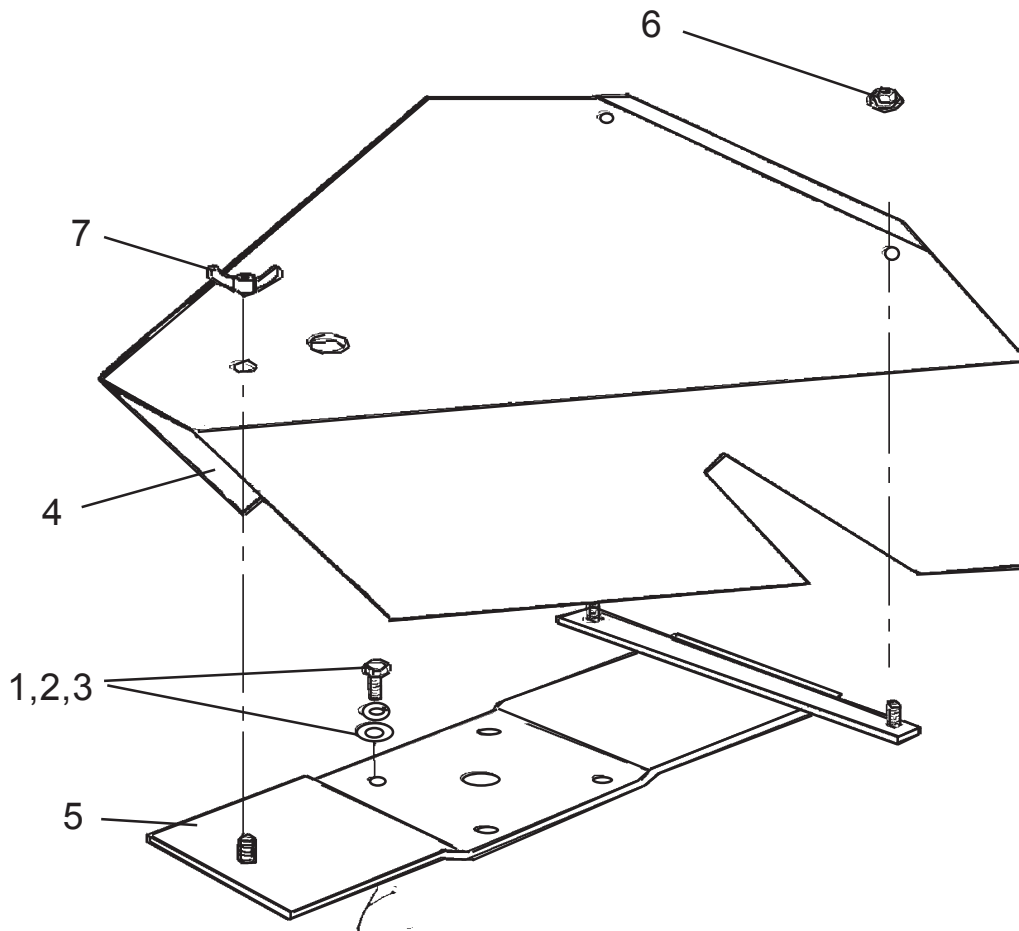
Item	Part No	Qty	Descriptin
1	0656130100	1	Safety Shield, Divider Gearbox
2	00753230	4	Bolt, F/ Mounting Shield to Gearbox
3	00753231	4	Lockwasher
4	-----	1-ref	Gearbox, Divider

Note: This Shield used with Gearbox that has a Bolt on Top Cover, After Nov 1996 the Gearbox had NO Bolt on Top Cover.

Dec. 1996
to
Current

Shields Divider Gearbox

S/N AG20-01353
to
S/N AG20-Current



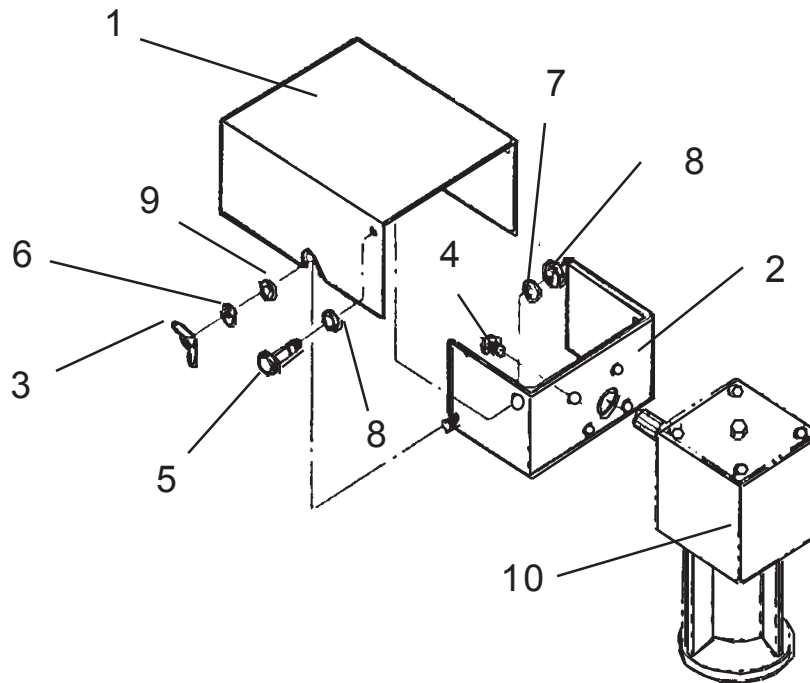
Item	Part No.	Qty.	Description
1	02030700	4	Bolt
2	00002700	4	Flatwasher
3	00001300	4	Lockwasher
4	00769085	1	Divider Gear Box Shield
5	00769089	1	Shield Bracket
6	4528	2	Nut
7	5F8130	1	Wing Nut
8	00010300	4	Lockwasher
9	02675800	4	Bolt

Note: This Shield used with Gearbox that has NO Bolt on Top Cover,
Prior to Nov 1996 the Gearbox had A Bolt on Top Cover.

Aug. 1994
to
Nov. 1996

Shields Center & Wing Gearbox

S/N AG20-01300
to
S/N AG20-01352



Item	Part No	Qty	Descriptin
1	00753016	1	Safety Shield, Center Blade Box
2	00756076	1	Rear Support
3	00004000	2	Wing Nut
4	00751693	4	Bolt
5	10182000	2	Bolt
6	00011700	4	Lockwasher
7	00011100	4	Flatwasher
8	00015800	2	Nut
9	00024100	2	Flatwasher
10	-----	1-ref	Gearbox, Center Sextion Blade

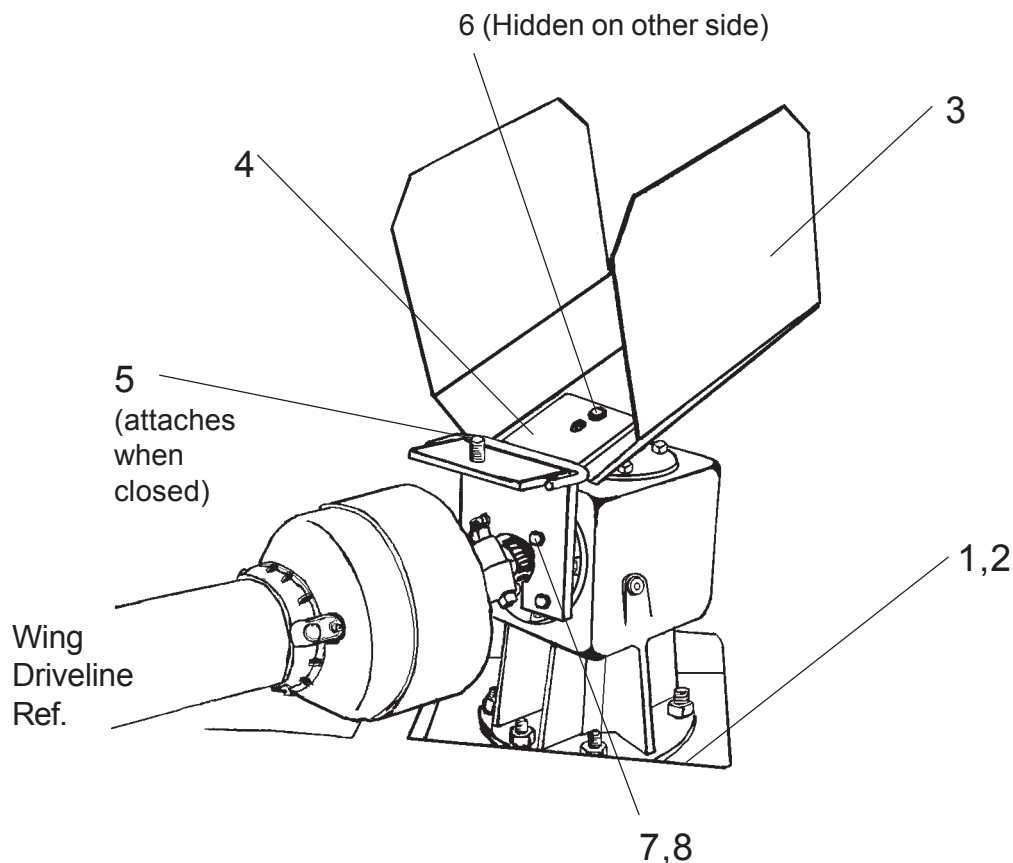
Note: Quantity shown for one gearbox, note three required for unit

Note: This Shield used with Gearbox that has a Square Bolt on Top Cover, After Nov 1996 the Gearbox had a Round Bolt on Top Cover.

Dec. 1996
to
Current

Shields Center & Wing Gearbox

S/N AG20-01353
to
S/N AG20-Current



Item	Part No.	Qty	Description
1	02959391	6	Bolt
2	00037200	6	Locknut
3	0651450301	1	Shield
4	00769101	1	Shield Bracket
5	5F8130	1	Wing nut (not shown)
6	4526	3	Nut, Whiz
7	00753723	6	Metric Bolt
8	00011700	6	Lockwasher

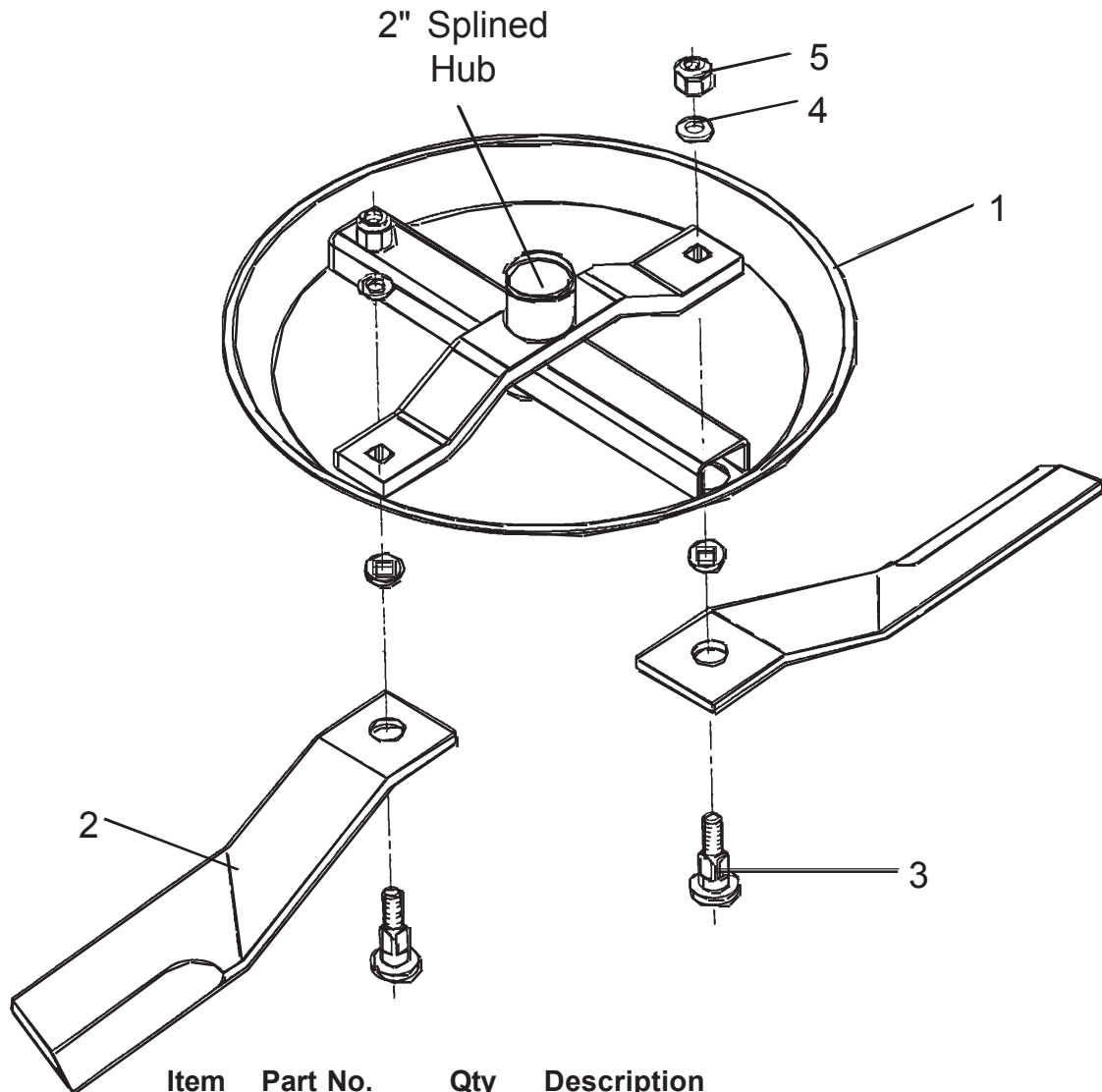
Note: Quantity shown for one gearbox, note three required for unit

Note: This Shield used with Gearbox that has a Round Bolt on Top Cover, Prior to Nov 1996 the Gearbox had a Square Bolt on Top Cover.

Aug. 1994
to
Nov. 1996

Blades & Blade Carriers

S/N AG20-01300
to
S/N AG20-01352



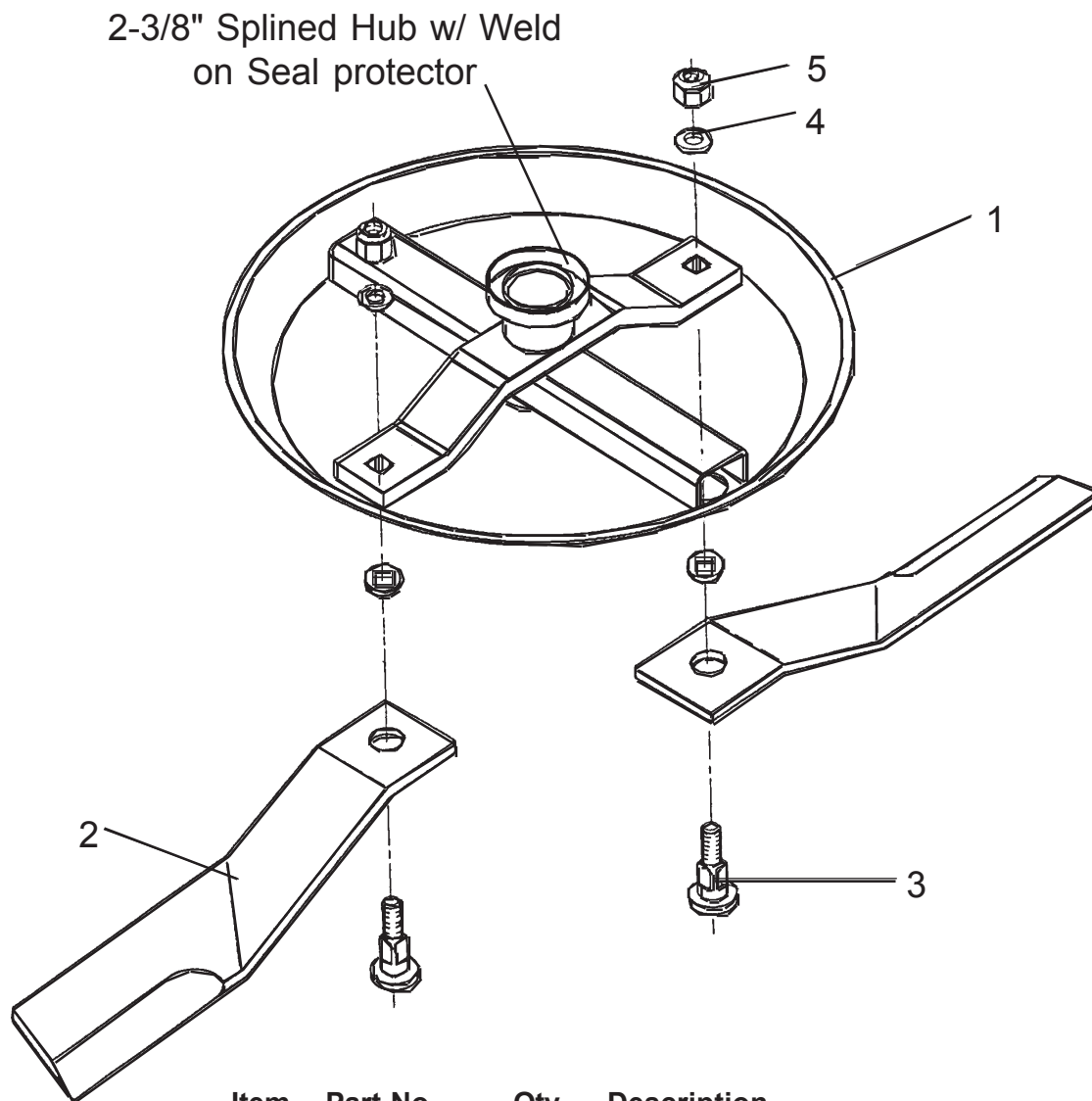
Item	Part No.	Qty	Description
1	00768925	1	Blade Pan Weldment
2	00752974	2	Blade Updraft CCW (LH Wing & CTR)
	00753254	2	Blade Updraft CW (RH Wing)
3	8227	2	Shoulder Bolt
4	9216	2	Washer
5	5JRC16140	2	Locknut

Note: This Blade Carrier has a 2" Splined Hub and the Seal protector drives into the bottom of the Gearbox Housing, The Gearbox used with these Carriers have a Square Bolt on Top Cover.

Dec. 1996
to
Current

Blades & Blade Carriers

S/N AG20-01353
to
S/N AG20-Current



Item	Part No.	Qty	Description
1	00767541	1	Blade Pan Weldment
2	00752974	2	Blade Updraft CCW (LH Wing & CTR)
	00753254	2	Blade Updraft CW (RH Wing)
3	8227	2	Shoulder Bolt
4	9216	2	Washer
5	5JRC16140	2	Locknut

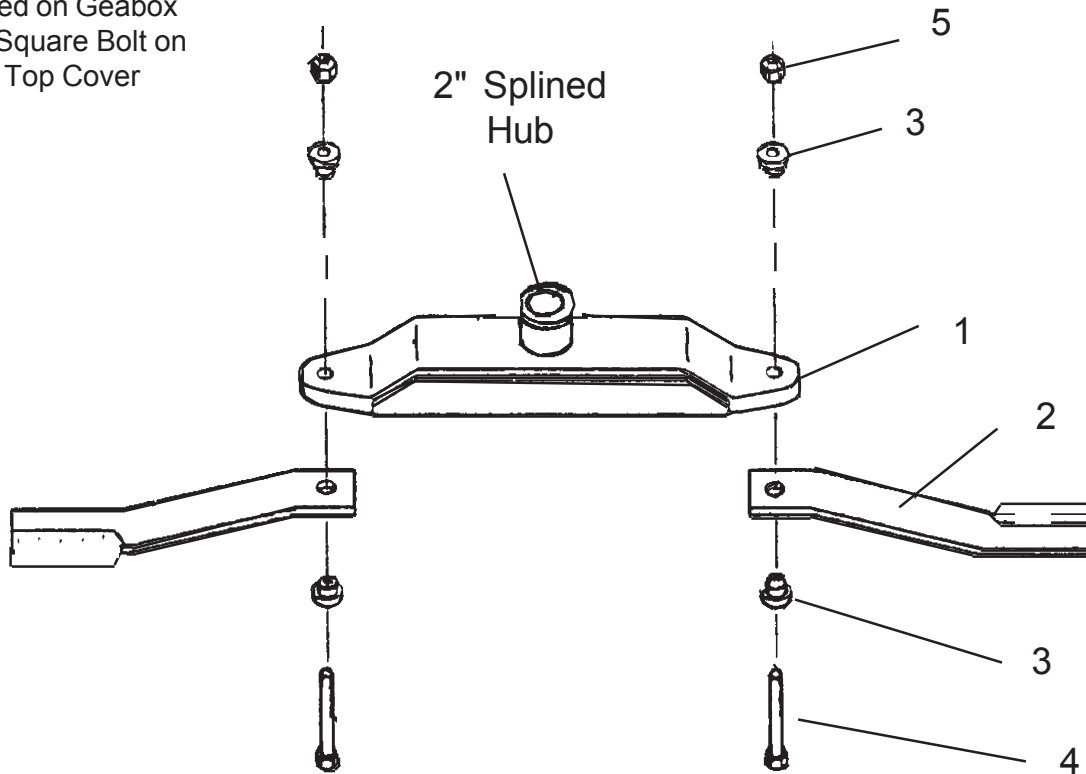
Note: This Blade Carrier has a 2-3/8" Splined Hub and the Seal protector Welds onto the top of the Splined Hub as shown above. The Gearbox used with these Carriers have a Round Bolt on Top Cover.

Aug. 1994
to
Nov. 1996

Blades & Carriers Bar Carrier Optional

S/N AG20-01300
to
S/N AG20-01352

This Blade Carrier
used on Geabox
w/ Square Bolt on
Top Cover



Qty Shown for 3 Carriers Center, Left & Right Wing

Item	Part No.	Qty	Description
	00767261	3	*Blade Bar Assy, CCW Flat Blades (Ctr, LH or RH Wing)
	00767262	2	*Blade Bar Assy, CCW Fan Blades (Ctr, LH Wing)
	00767263	1	*Blade Bar Assy, CW Fan Blades (RH Wing)
1	00758794	3	Blade Bar Weldment Only (Ctr, LH or RH Wing)
2	582013	6	Flat Blade, CCW & CW (Ctr, LH & RH)
	0582010330	4	Fan Blade, CCW (Center & LH Wing)
	0582010332	2	Fan Blade, CW (RH Wing)
3	0811230060	12	Blade Bushing
4	7AH8141436	6	Hex Head Bolt
5	5JRC14140	6	Locknut
6	0811230199	--	*Blade Set, Flat Blades (6 of 582013)
	0811230399	--	*Blade Set, Fan Blades (4 of 0582010330 & 2 of 0582010332)

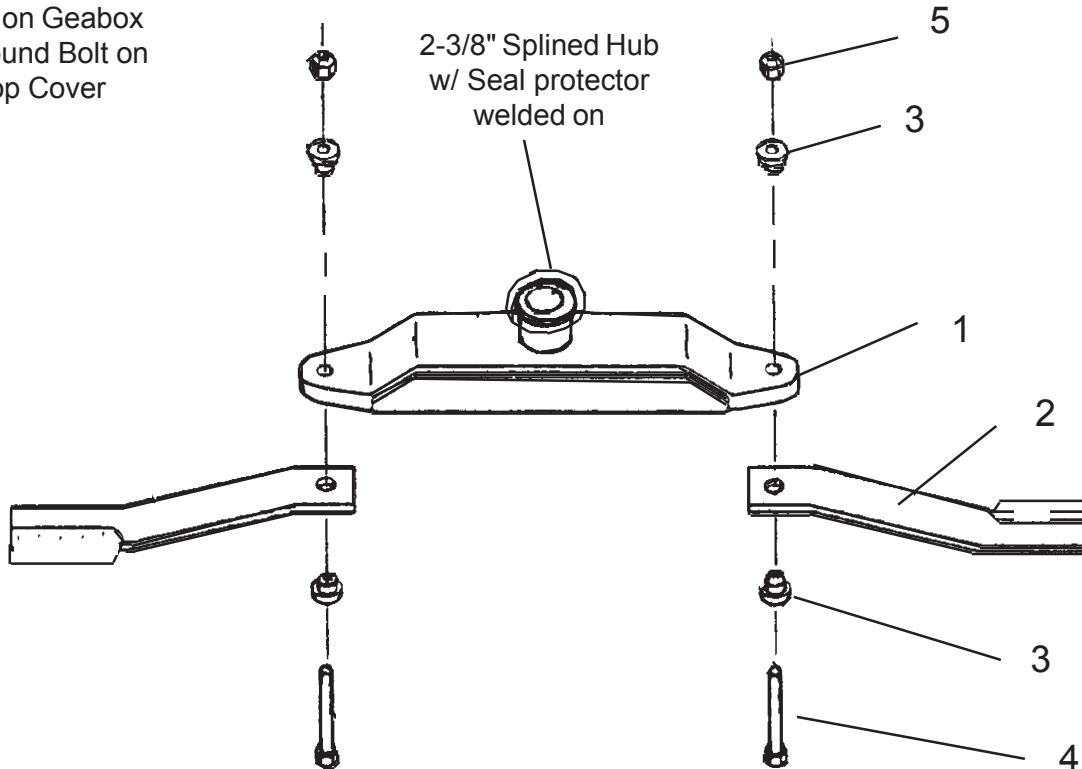
*Note: Blade Bar Assemblies include all Blades & Bolts, For Blade Sets order, #0811230199 = Set of 6 Flat Blade cw/ccw (6 of # 582013), #0811230399 = Set of 6 Fan Blades cw/ccw (2 cw/ # 0582010332 and 4 ccw/ # 0582010330) - 4 Blade Bushings Item #3 must be used per carrier.

Dec. 1996
to
Current

Blades & Carriers Bar Carrier Optional

S/N AG20-01353
to
S/N AG20-Current

This Blade Carrier
used on Geabox
w/ Round Bolt on
Top Cover



Qty Shown for 3 Carriers Center, Left & Right Wing

Item	Part No.	Qty	Description
	00767621	3	*Blade Bar Assy, CCW Flat Blades (Ctr, LH or RH Wing)
	00767622	2	*Blade Bar Assy, CCW Fan Blades (Ctr, LH Wing)
	00767623	1	*Blade Bar Assy, CW Fan Blades (RH Wing)
1	00767554	3	Blade Bar Weldment Only (Ctr, LH or RH Wing)
2	582013	6	Flat Blade, CCW & CW (Ctr, LH & RH)
	0582010330	4	Fan Blade, CCW (Center & LH Wing)
	0582010332	2	Fan Blade, CW (RH Wing)
3	0811230060	12	Blade Bushing
4	7AH8141436	6	Hex Head Bolt
5	5JRC14140	6	Locknut
6	0811230199	--	*Blade Set, Flat Blades (6 of 582013)
	0811230399	--	*Blade Set, Fan Blades (4 of 0582010330 & 2 of 0582010332)

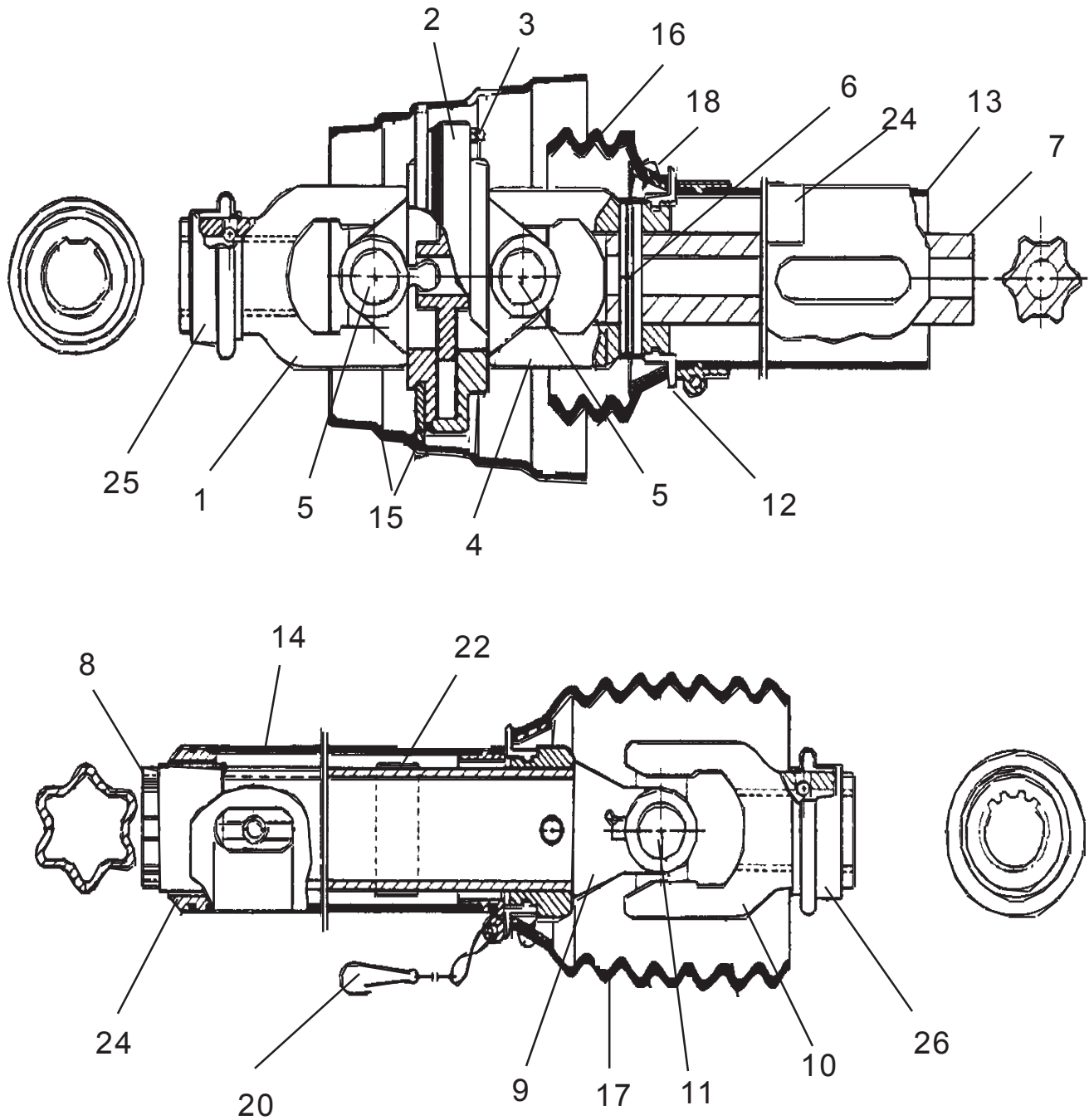
*Note: Blade Bar Assemblies include all Blades & Bolts, For Blade Sets order, #0811230199 = Set of 6 Flat Blade cw/ccw (6 of # 582013), #0811230399 = Set of 6 Fan Blades cw/ccw (2 cw/ # 0582010332 and 4 ccw/ # 0582010330) - 4 Blade Bushings Item #3 must be used per carrier.

Aug. 1994
to
Sep. 1998

Driveline PTO 540 & 1000 RPM Standard C/V

S/N AG20-01300
to
S/N AG20-01375

Note: Star Shape Shaft & Tube
Black Shields - Cat 5 Drivelines



Aug. 1994
to
Sep. 1998

Driveline PTO 540 & 1000 RPM Standard C/V

S/N AG20-01300
to
S/N AG20-01375

P/N 00760452 (540 RPM) - 1-3/8-6 Spline PTO
P/N 00760453 (1000 RPM) - 1-3/8-21 Spline PTO
P/N 00763554 (1000 RPM) - 1-3/4-20 Spline PTO

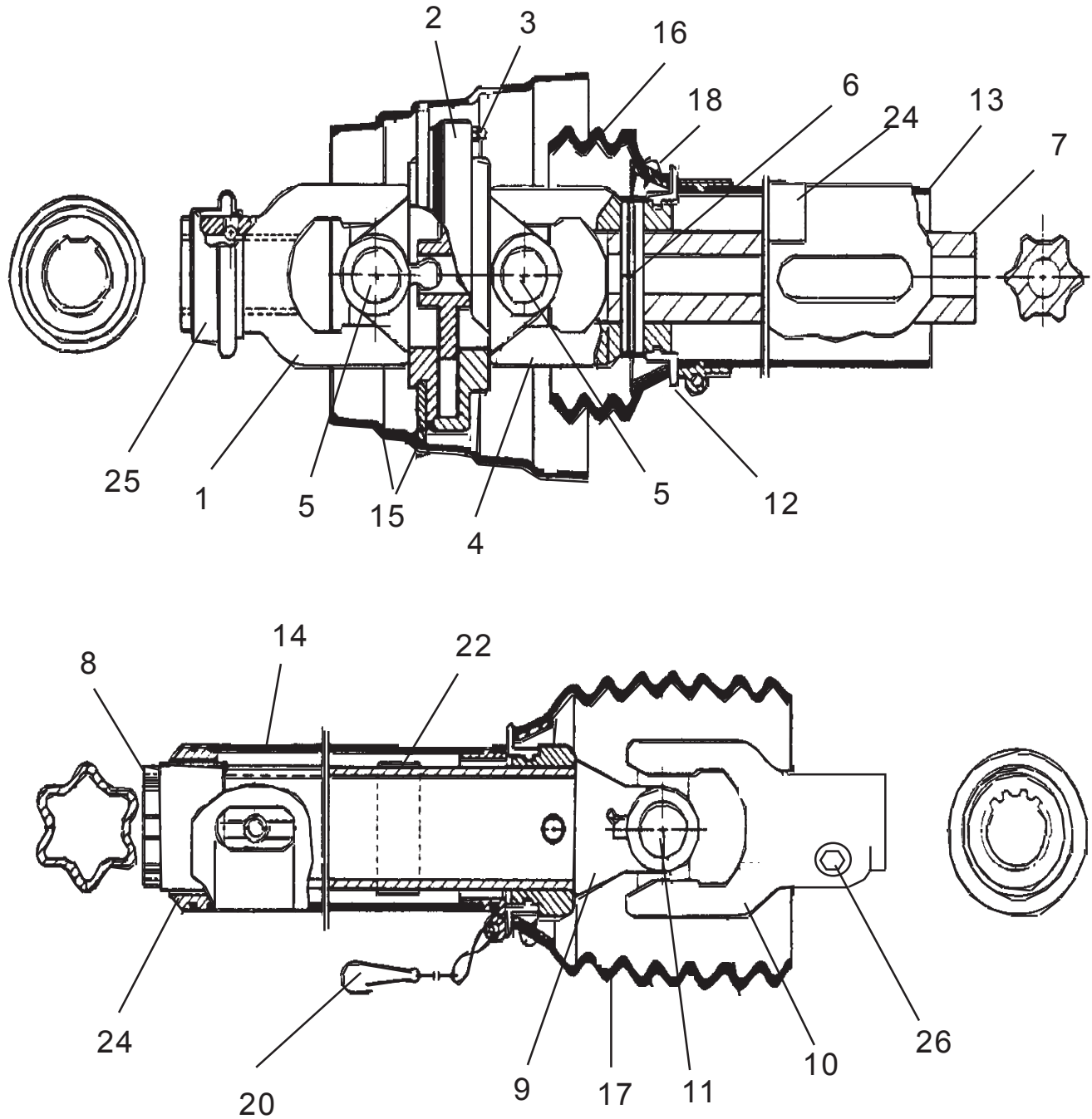
Item	540 RPM 1-3/8"-6 Part No.	1000 RPM 1-3/8"-21 Part No	1000 RPM 1-3/4"-20 Part No..	Qty	Description
	00760452	-----	-----	--	Driveline Asy Complete (540 RPM)
	-----	00760453	-----	--	Driveline Asy Complete (1000 RPM)
	-----	-----	00763554	--	Driveline Asy Complete (1000 RPM)
	00760662	00760665	00763555	1	Driveline Half Asy, Tractor End
	00760664	00760667	00763556	1	Driveline Half Asy, Impl End
1	7431	8478	00761434	1	Yoke, QD (PTO End)
2	8482	8482	8482	1	Double Yoke
3	8382	8382	8382	1	Grease Fitting
4	7432	7432	7432	1	Inboard Yoke
5	7433	7433	7433	2	Cross & Bearing Kit
6	8384	8384	8384	2	Spring Pin
7	00760632	00760632	00763557	1	Tube, Inner
8	00760634	00760634	00763558	1	Tube & Sleeve, Outer
9	8489	8489	8489	1	Inboard Yoke
10	00760636	00760636	00760636	1	Yoke, 1-3/4" QD, Impl End
11	8486	8486	8486	1	Cross & Bearing Kit
12	8393	8393	8393	2	Bearing Ring
13	00760640	00760640	00763560	1	Shield, Outer
14	00760641	00760641	00763561	1	Shield, Inner
15	7420	7420	7420	1	Cone & Bearing Asy.
16	8949	8949	8949	1	Shield, Tractor End
17	8949	8949	8949	1	Shield, Impl End
18	4797	4797	4797	8	Screw
20	0921000345	0921000345	0921000345	1	Safety Chain
21	00756005	00756005	00756005	1	Outer Decal
22	00756004	00756004	00756004	1	Inner Decal
24	8974	8974	8974	1	Support Bearing
25	8391	8391	00759556	1	Collar Kit, PTO End
26	00759556	00759556	00759556	1	Collar Kit, Impl End

Oct. 1998
to
Current

Driveline PTO 540 & 1000 RPM Standard C/V

S/N AG20-01376
to
S/N AG20-Current

Note: Star Shape Shaft & Tube
Black Shields - Cat 5 Drivelines



Oct. 1998
to
Current

Driveline PTO 540 & 1000 RPM Standard C/V

S/N AG20-01376
to
S/N AG20-Current

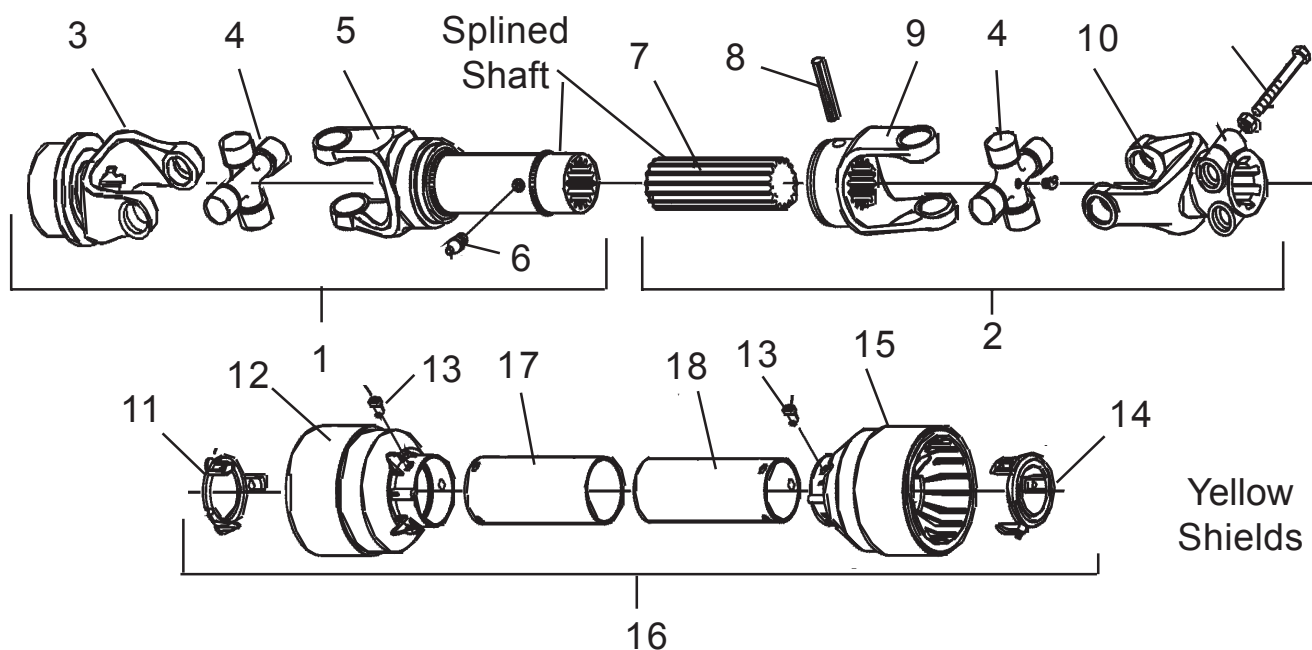
P/N 00760452 (540 RPM) - 1-3/8-6 Spline PTO
P/N 00760453 (1000 RPM) - 1-3/8-21 Spline PTO
P/N 00763554 (1000 RPM) - 1-3/4-20 Spline PTO

Item	540 RPM 1-3/8"-6 Part No.	1000 RPM 1-3/8"-21 Part No	1000 RPM 1-3/4"-20 Part No..	Qty	Description
	00760452	-----	-----	--	Driveline Asy Complete (540 RPM)
	-----	00760453	-----	--	Driveline Asy Complete (1000 RPM)
	-----	-----	00763554	--	Driveline Asy Complete (1000 RPM)
	00760662	00760665	00763555	1	Driveline Half Asy, Tractor End
	00760664	00760667	00763556	1	Driveline Half Asy, Impl End
1	7431	8478	00761434	1	Yoke, QD (PTO End)
2	8482	8482	8482	1	Double Yoke
3	8382	8382	8382	1	Grease Fitting
4	7432	7432	7432	1	Inboard Yoke
5	7433	7433	7433	2	Cross & Bearing Kit
6	8384	8384	8384	2	Spring Pin
7	00760632	00760632	00763557	1	Tube, Inner
8	00760634	00760634	00763558	1	Tube & Sleeve, Outer
9	8489	8489	8489	1	Inboard Yoke
10	00774207	00774207	00774207	1	Yoke, 1-3/4" Clamp Yoke, Impl End
11	8486	8486	8486	1	Cross & Bearing Kit
12	8393	8393	8393	2	Bearing Ring
13	00760640	00760640	00763560	1	Shield, Outer
14	00760641	00760641	00763561	1	Shield, Inner
15	7420	7420	7420	1	Cone & Bearing Asy.
16	8949	8949	8949	1	Shield, Tractor End
17	8949	8949	8949	1	Shield, Impl End
18	4797	4797	4797	8	Screw
20	0921000345	0921000345	0921000345	1	Safety Chain
21	00756005	00756005	00756005	1	Outer Decal
22	00756004	00756004	00756004	1	Inner Decal
24	8974	8974	8974	1	Support Bearing
25	8391	8391	00759556	1	Collar Kit, PTO End
26	00774208	00774208	00774208	1	Clamping Cone Asy, f/ Clamp Yoke

Aug. 1994
to
Mar. 2001

Driveline PTO 540 RPM Optional Non-C/V

S/N AG20-01300
to
S/N AG20-Current



Item	Part No.	Qty	Description
	00752793A	--	Driveline Asy, w/ Shields (540 PTO)
1	00755418	1	Driveline Half Asy w/ Shields, Outer Tube Half
2	00755419	1	Driveline Half Asy w/ Shields, Inner Shaft Half
3	00753067	1	Yoke Asy, 1-3/8" X 6 Spl w/ QD Slide Collar
	00757144	1	QD Slide Collar Kit Only
4	00753068	2	Cross & Bearing Kit
5	00766583	1	Yoke & Tube Weldment
6	00754335	1	Grease Fitting
7	00766584	1	Splined Shaft
8	00754167	1	Roll Pin
9	00766585	1	Yoke, F/ Splined Shaft
10	00772743	1	Clamp Yoke w/ Bolts & Nuts
	00772531	2	Bolt & Nut f/ Clamp Yoke
11	00765420	1	Outer Guard Retaining Collar
12	-----	1-ref	Cone f/ Outer Shield (See Shield Asy)
13	00754330	6	Nylon Bolt, Shield Retaining
14	00765417	1	Inner Guard Retaining Collar
15	-----	1-ref	Cone f/ Inner Shield (See Shield Asy)
16	00765423	1	Shield Asy, Inner & Outer Complete
17	00765421	1	Shield Half Asy, Outer Shield Tube
18	00752422	1	Shield Half Asy, Inner Shield Tube

Shield Tube Series 8

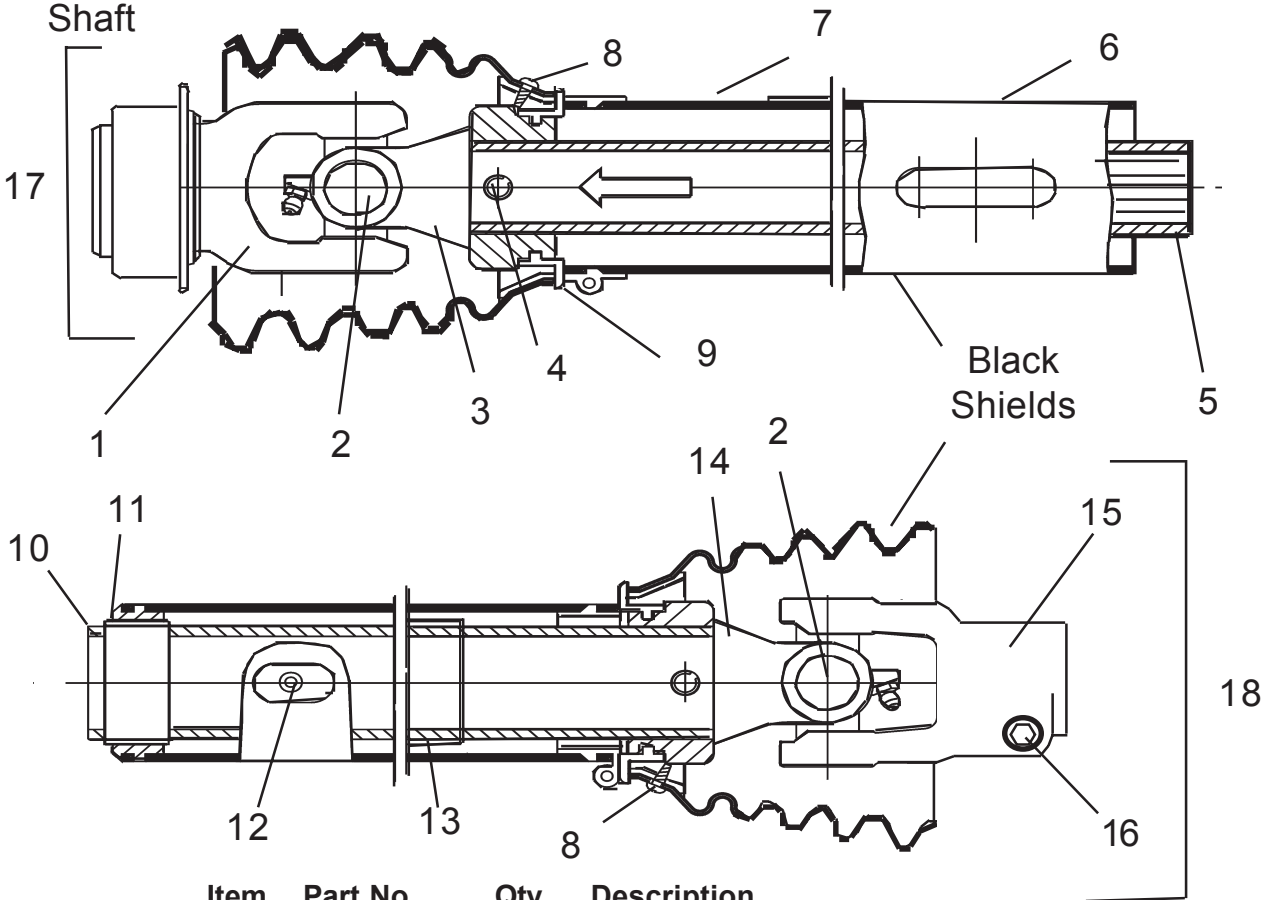
	<i>Dia.</i>	<i>Circumference</i>
Inner Shield Tube	3-9/16"	11-1/4
Outer Shield Tube	3-13/16"	12"

Aug. 1994
to
Current

Driveline PTO 540 RPM Optional Non-C/V

S/N AG20-01300
to
S/N AG20-Current

Star Shaped
Shaft

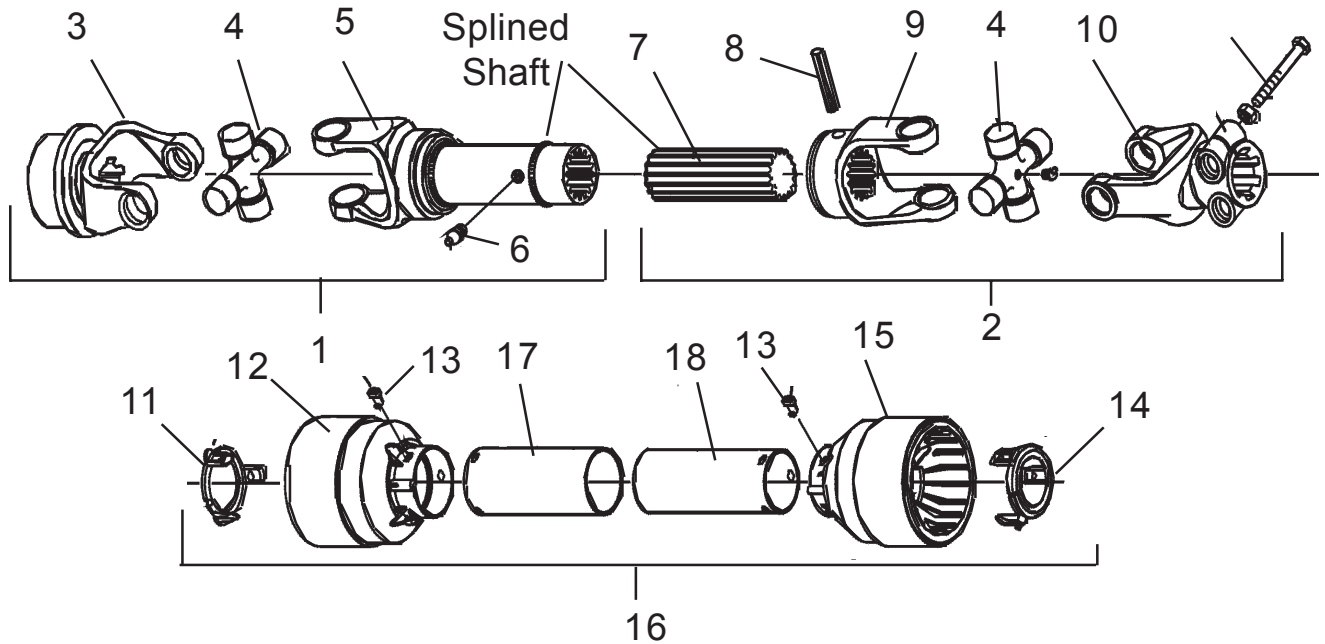


Item	Part No.	Qty	Description
-	00775450	-	Driveline Asy, w/ Shields
1	7455	1	Yoke, w/ QD Slide Collar (1-3/8" X 6 Spl)
	8391	1	Slide Collar Kit Only
2	8486	2	Cross & Bearing Kit
3	1416516	1	Yoke, f/ Inner Shaft
4	8384	2	Roll Pin
5	00775453	1	Shaft, Inner (6 Sided Star shape)
6	00775455	1	Shield Half Asy, Outer Half
7	00756005	1	Decal, Outer Shield
8	00759217	2	Screw, Retaining
9	8393	1	Shield Bearing Ring
10	00775454	1	Outer Tube & Sleeve
11	8974	1	Shield Support Bearing
12	1416601	1	Grease Fitting
13	00756004	1	Decal, Inner
14	8489	1	Yoke, f/ Outer Tube & Sleeve
15	00774207	1	Clamp Yoke w/ clamping Cone
16	00774208	1	Clamping Cone f/ Yoke
17	00775451	1	Driveline Half Asy, Tractor End
18	00775452	1	Driveline Half Asy, Impl. End

Aug. 1994
to
Mar. 2001

Driveline PTO 1000 RPM Optional Non-C/V

S/N AG20-01300
to
S/N AG20-



Item	Part No.	Qty	Description
	00760408A	--	Driveline Asy, w/ Shields (540 PTO)
1	00765416	1	Driveline Half Asy w/ Shields, Outer Tube Half
2	00765419	1	Driveline Half Asy w/ Shields, Inner Shaft Half
3	00760409	1	Yoke Asy, 1-3/8" X 21 Spl w/ QD Slide Collar
	00757144	1	QD Slide Collar Kit Only
4	00753068	2	Cross & Bearing Kit
5	00766583	1	Yoke & Tube Weldment
6	00754335	1	Grease Fitting
7	00766584	1	Splined Shaft
8	00754167	1	Roll Pin
9	00766585	1	Yoke, F/ Splined Shaft
10	00772743	1	Clamp Yoke w/ Bolts & Nuts
	00772531	2	Bolt & Nut f/ Clamp Yoke
11	00765420	1	Outer Guard Retaining Collar
12	-----	1	Cone f/ Outer Shield (See Shield Asy)
13	00754330	6	Nylon Bolt, Shield Retaining
14	00765417	1	Inner Guard Retaining Collar
15	-----	1	Cone f/ Inner Shield (See Shield Asy)
16	00765423	1	Shield Asy, Inner & Outer Complete
17	00765421	1	Shield Half Asy, Outer Shield Tube
18	00752422	1	Shield Half Asy, Inner Shield Tube

Shield Tube Series 8

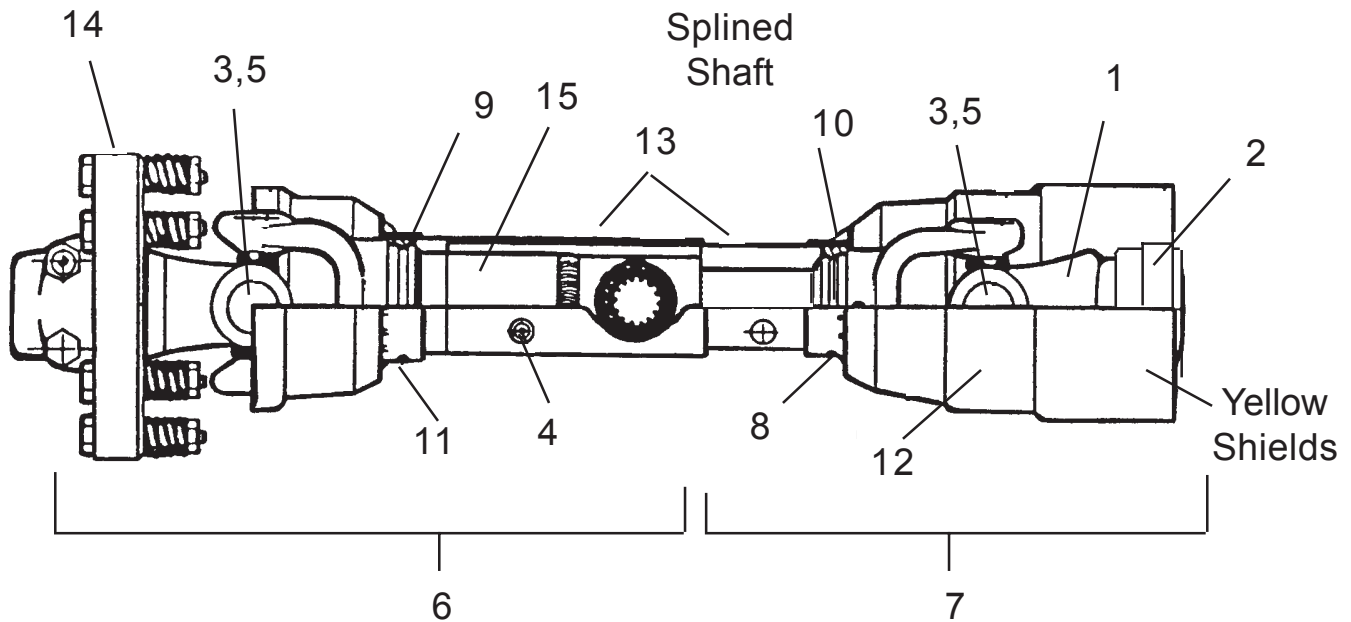
	<i>Dia.</i>	<i>Circumference</i>
Inner Shield Tube	3-9/16"	11-1/4
Outer Shield Tube	3-13/16"	12"

Aug. 1994
to
Sep. 2001

Driveline Intermediate

S/N AG20-01300
to
S/N AG20-01417

Note: Spline Shaft & Tube - Yellow Shields - Cat 5 Driveline. Series 8 Shielding
Use dimensions shown to identify Series 8 driveshafts before ordering parts.



Item	Part No.	Qty	Description
	00756634A	--	Driveline Asy w/ Shields
1	00753908	1	Outer Yoke
2	00757052	1	Slide Collar Repair Kit
3	00753068	2	Cross Journal Set
4	00754335	1	Grease Nipple for Tube
5	00754334	2	Grease Nipple
6	00765459	1	Mower Half Complete & Shielded
7	00765460	1	Tractor Half Complete & Shielded
8	00754330	6	Nylon Bolt
9	00765420	1	Locking Collar Outer
10	00765417	1	Locking Collar Inner
11	00765461	1	Shield Complete Outer
12	00765462	1	Shield Complete Inner
13	00765463	1	Shield Complete
14	00756173	1	Slip Clutch
15	00772269	1	Tube & Yoke Wldmnt

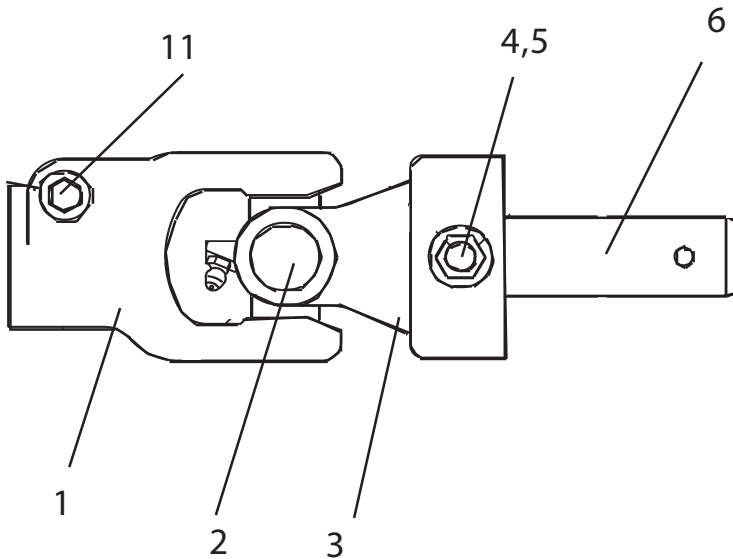
INNER SHIELD ID		
00756634A	3-9/16" Dia.	
Series 8	11-1/4" Circ.	

OUTER SHIELD ID		
00756634A	3-13/16" Dia.	
Series 8	12" Circ.	

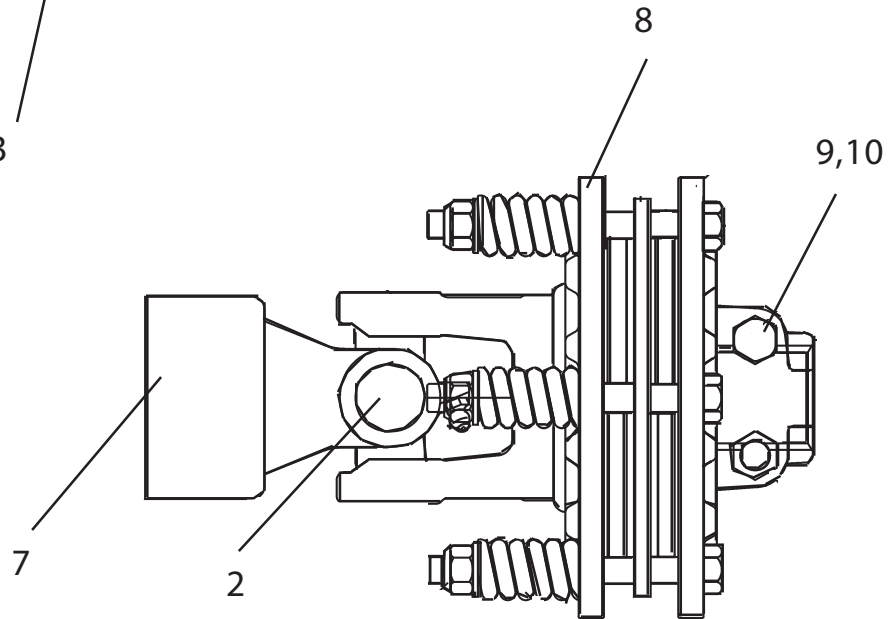
Oct.2001
to
Current

Driveline Intermediate

S/N AG20-01418
to
S/N AG20-Current



Note: Square Shaft & Square Holed Yokes - Cat 5 (44R) D/L. No Shielding on D/L it is shielded by the Gearbox Shields. Yokes Must be used as shown, 1 w/ bolt (item # 3) & 1 Slip Yoke (item # 7)



Item	Part No.	Qty	Description
	00775811	-	Driveline Asy
1	00775005	1	Clamping Yoke (includes item 11)
2	W840	2	Cross & Brg Kit
3	00761488	1	Square Hole Yoke w/Hole
4	00999422	1	Bolt
5	00001800	1	Locknut TLM 1/2 NC PLC
6	00775817	1	Square Shaft
7	W823	1	Square Hole Slip Yoke
8	00775382	1	Friction Clutch Asy
9	00775327	2	Locknut
10	00775328	2	Bolt
11	00774208	1	Clamping Cone Asy (included in Item # 1)

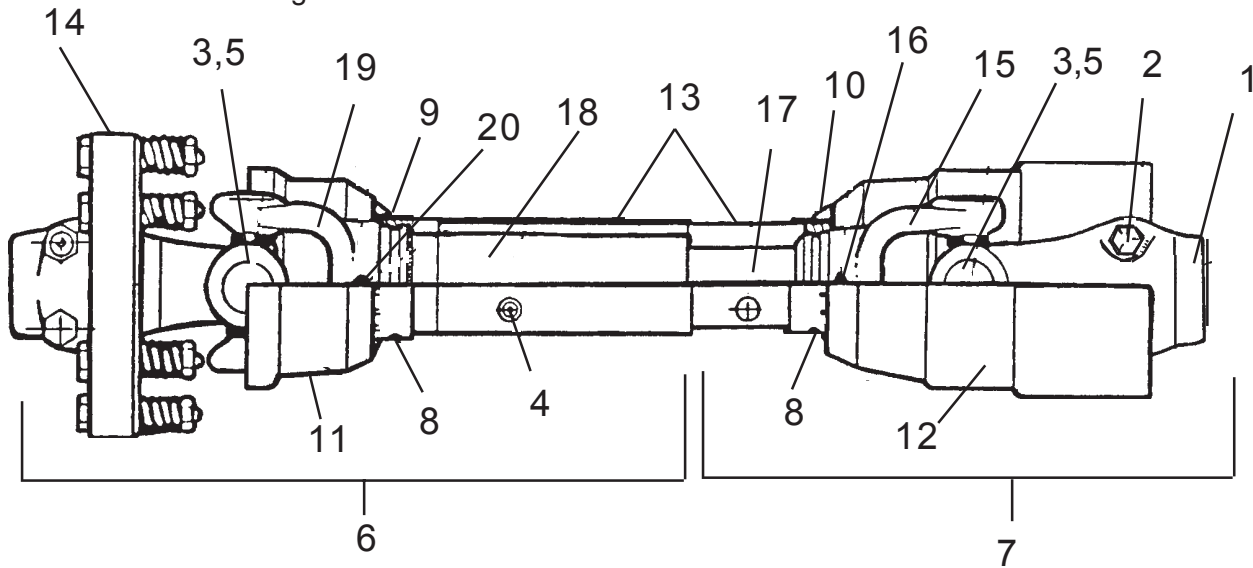
Note: This driveline Asy uses Gearbox Shield & will not have a Shield on Driveline. Item 11 is critical to install correctly, replace as an asy and torque to 50 ft lbs.

Aug. 1994
to
Sep. 2001

Driveline Wing

S/N AG20-01300
to
S/N AG20-01417

Note: Triangle Shaft & Tube w/ Yellow Shields - Cat 5 Driveline Series 8 Shields



Item	Part No.	Part No.	Qty	Description
	00756633A	--		Driveline Asy w/ Ser 8 Shields
1	00757040	1		Clamp Yoke, 1-3/4" X 20 Spline
2	00757729	2		Bolt
3	00753068	2		Cross Journal Set
4	00754335	1		Grease Fitting for Tube
5	00755610	2		Grease Fitting
6	00765447	1		Driveline Half Asy Outer, w/Shield & Clutch
7	00765446	1		Inner D/L Half Asy Inner w/Shield & Clamp Yoke
8	00754330	6		Nylon Bolt
9	00765420	1		Locking Collar Outer
10	00765417	1		Locking Collar Inner
11	00765438	1		Shield Complete Outer
12	00765439	1		Shield Complete Inner
13	00765448	1		Shield Complete
14	00756173	1		Slip Clutch
15	00765472	1		Inner Yoke
16	00756930	1		Roll Pin, Inner
17	00765465	1		Inner Tube
18	00765466	1		Outer Tube
19	00765471	1		Outer Yoke
20	00756934	1		Roll Pin, Outer

INNER SHIELD ID

00756633A	3-9/16" Dia.
Series 8	11-1/4" Circ.

OUTER SHIELD ID

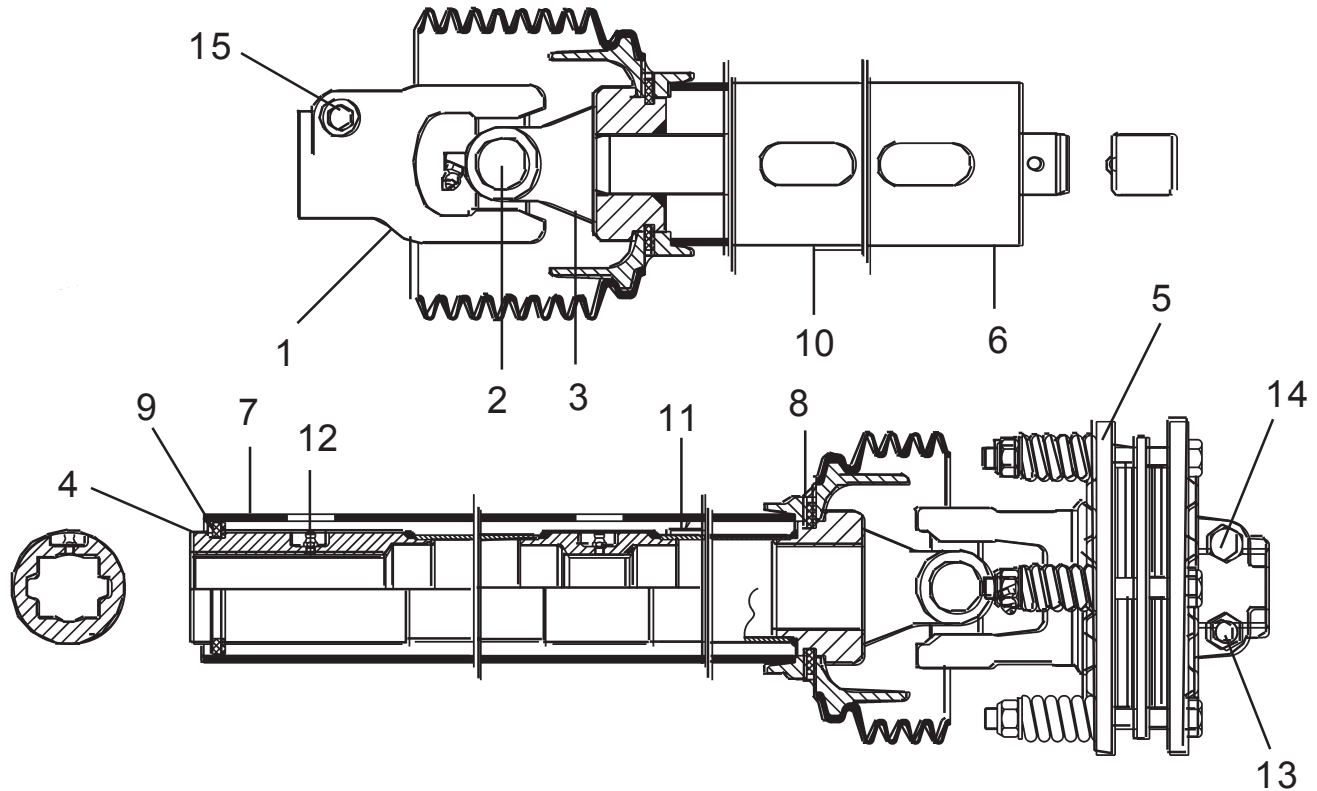
00756633A	3-13/16" Dia.
Series 8	12" Circ.

Oct. 2001
to
Current

Driveline Wing

S/N AG20-01418
to
S/N AG20-Current

Note: Square Shaft & Tube w/ welded Square Sleeve - Cat 5 (44R) Driveline



Item	Part No.	Qty	Description
	00775478	-	Driveline Asy w/ Shields, Wing
1	00775005	1	Clamp Yoke, 1-3/4" X 20 Spl (w/item 15)
2	W840	2	Cross & Bearing Kit
3	00775826	1	Yoke Bar
4	00775500	1	Yoke Tube and Sleeve Weldment
5	00775382	1	Friction Clutch
6	00775827	1	Outer Shield Tube Asy.
7	00775801	1	Inner Shield Tube Asy.
8	00775347	4	Shield Bearing
9	00775348	1	Sleeve Bearing
10	7387	1	Outer Decal
11	7397	1	Inner Decal
12	752670	2	Zerk
13	00775327	2	Nut
14	00775328	2	Bolt
15	00774208	1	Clamping Cone Asy (included in Item # 1)

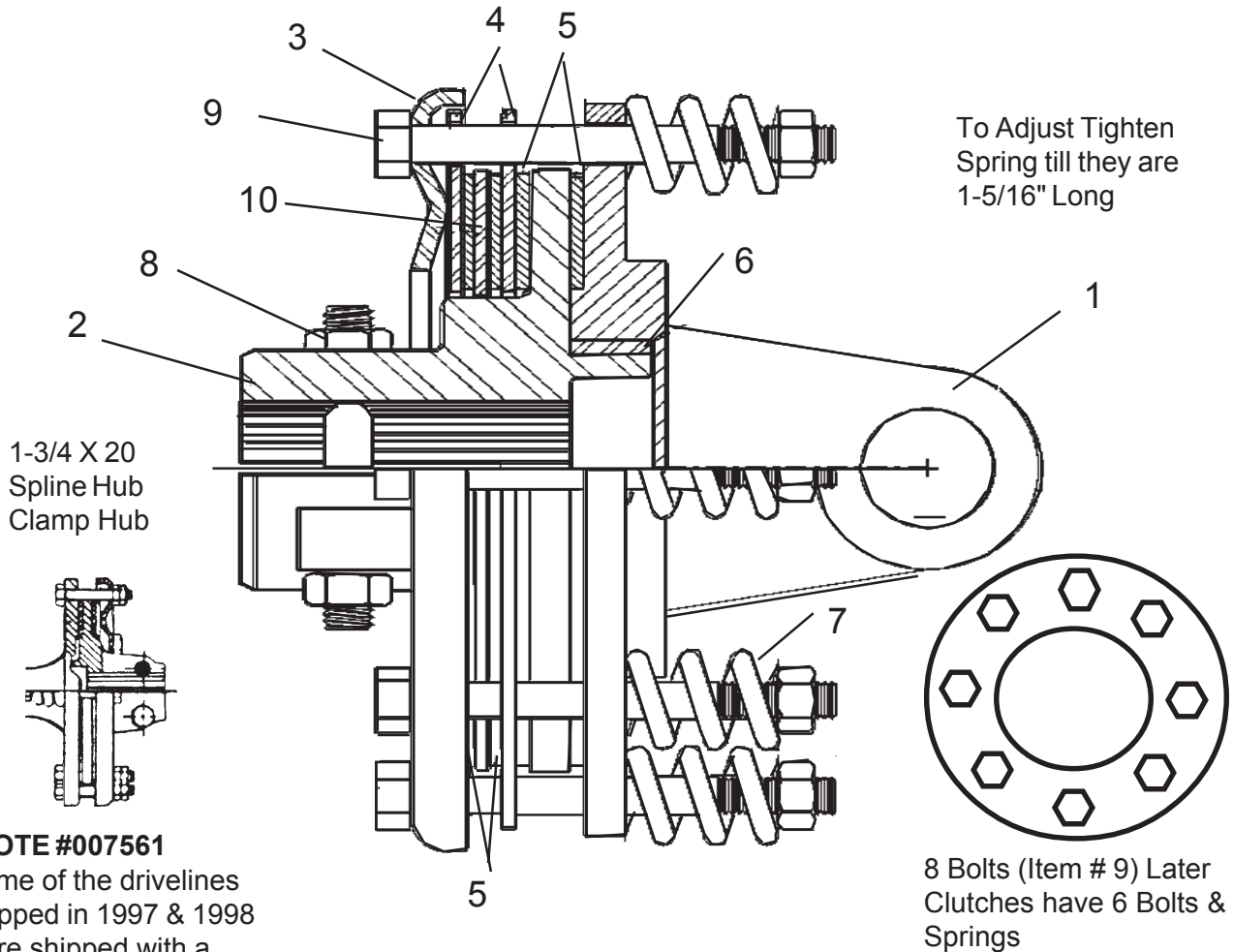
Note: This Driveline can be ID by the Square Shaft & Tube or the Ribbed Bells on Shields, Also this Clutch has only 6 spring the previous one used had 8 Springs. Item 15 is critical to install correctly, replace as an asy and torque to 50 ft lbs.

Aug. 1994
to
Sep. 2001

Slip Clutch

S/N AG20-01300
to
S/N AG20-01417

USED ON: Intermediate D/L w/ Spline Shaft & Tube.
USED ON: Wing D/L w/ Triangle Shaft & Tube



***NOTE #007561**

Some of the drivelines shipped in 1997 & 1998 were shipped with a springless slip clutch (P/N 00756173A) which is no longer available. There was a Kit # 00773224 to convert these to a Spring type, Kit includes Springs, Pressure Plate, Bolts & Nuts. Or replace as an assembly with # 00756173

Item	Part No.	Qty	Description
	00756173	--	Clutch Asy. Complete w/ Springs
	00756173	--	*Clutch Asy. Complete w/o Springs
1	00754083	1	Flange Yoke
2	00755599	1	Clutch Support
3	00766810	1	Pressure Plate, Formed Plate
4	00754314	2	Plate with Holes
5	00754202	4	Lining Ring
6	00754301	1	Bushing
7	00754303	8	Spring
8	00755600	2	Nut & Bolt
9	00754199	8	Nut & Bolt
10	00754201	1	Intermediate Plate

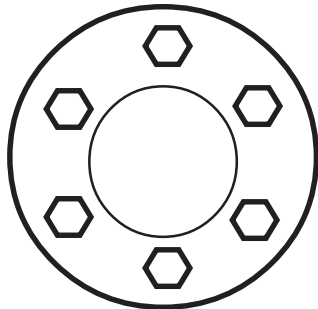
Oct 2001
to
Current

Slip Clutch

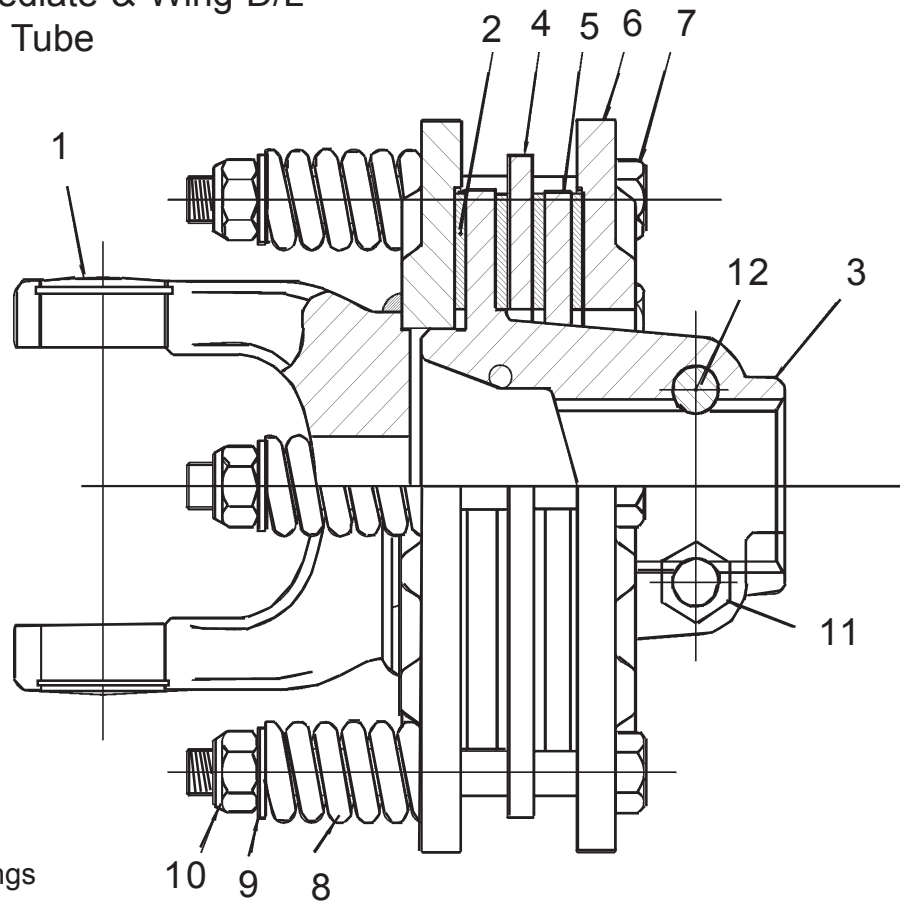
S/N AG20-01418
to
S/N AG20-Current

USED ON: Intermediate & Wing D/L
w/ Square Shaft & Tube

To Adjust Tighten
Spring till they are
1-9/16" Long



6 Bolts (item # 7) Earlier
Clutches had 8 Bolts & Springs



ITEM	PART NO.	QTY	DESCRIPTION
	00775382	-	Slip Clutch Asy (Cat V / 44R)
1	00775383	1	Flange Yoke
2	8366	4	Friction Disk
3	00775334	1	Hub
4	00775335	1	Drive Plate
5	00775336	1	Drive Plate
6	00775337	1	Thrust Plate
7	00775338	6	Bolt
8	00775339	6	Compression Spring
9	00754566	6	Lockwasher
10	00756164	6	Locknut
11	00775327	2	Locknut
12	00775328	2	Bolt

NOTE: To adjust this Clutch tighten Springs to a 1-9/16" compressed length (6 Spring Clutch)

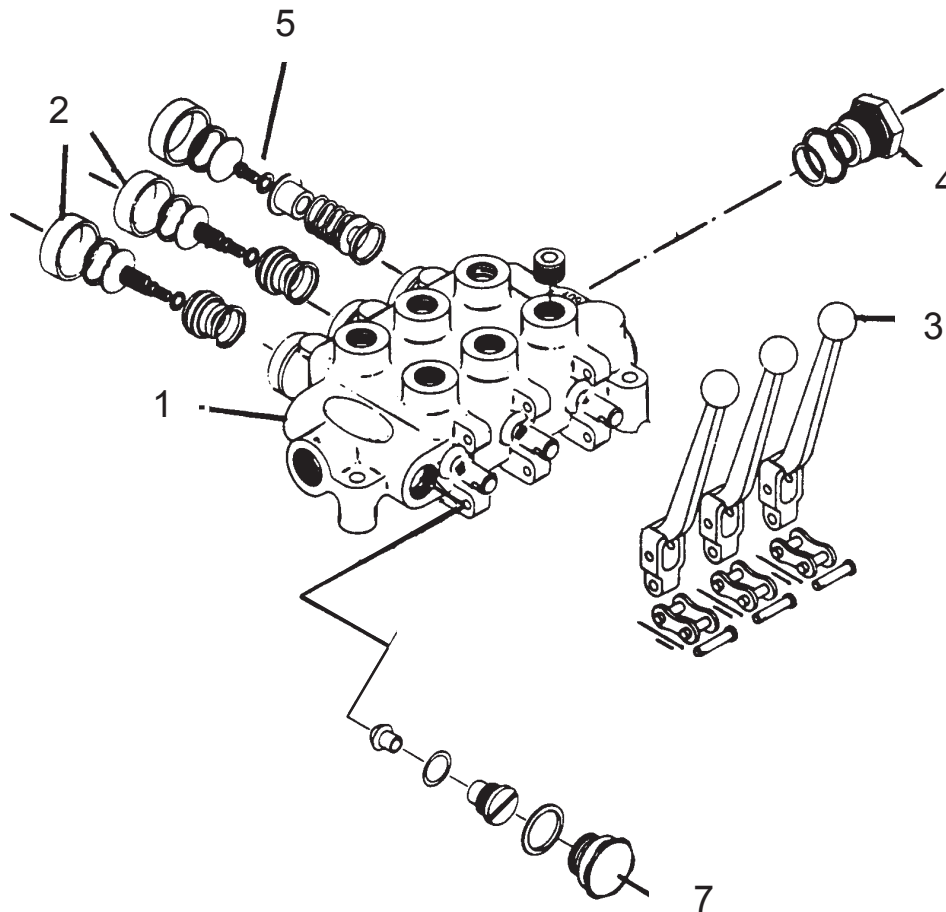
NOTES

Aug. 1994
to
Current

Hyd. Valve Closed Center (Optional)

S/N AG20-01300
to
S/N AG20-Current

Note: Optional Equipment



Item	Part No.	Qty	Description
1	00759833	1	Closed Center Valve
2	00751139	3	Detent Repair Kit
3	00751142	3	Handle Assembly
4	00751002	1	Closed Center Plug
5	00751358	-	Repair Kit-Spring Return to Center
6	00751556	1	Spool Seal Kit for Item #1 or #2 (Not Shown)
7	00752057	1	Non-Relief Valve Plug (Closed Center)

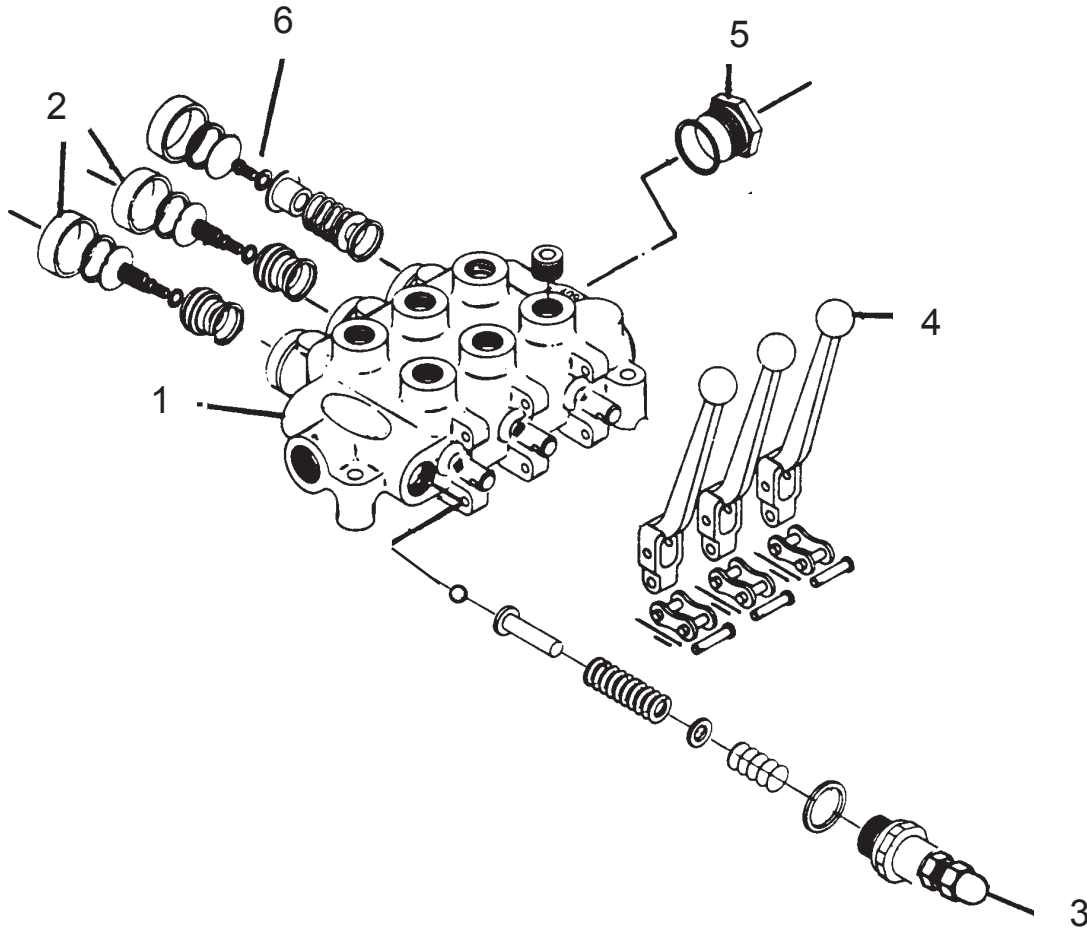
NOTE: The Three Spool Control valve must have detent float positions for the wing cylinders. This will allow decks to float to contour of ground and prevent stress in deck components.

Aug. 1994
to
Current

Hyd. Valve Open Center (Optional)

S/N AG20-01300
to
S/N AG20-Current

Note: Optional Equipment



Item	Part No.	Qty	Description
1	00380200	1	Open Center Valve
2	00751139	2	Detent Repair Kit
3	00751140	1	High Pressure Relief Valve Kit
4	00751142	3	Handle Assembly
5	00751142	1	Open Center Plug
6	00751358	-	Repair Kit-Spring Return to Center
7	00751556	1	Spool Seal Kit for Item #1 or #2 (Not Shown)

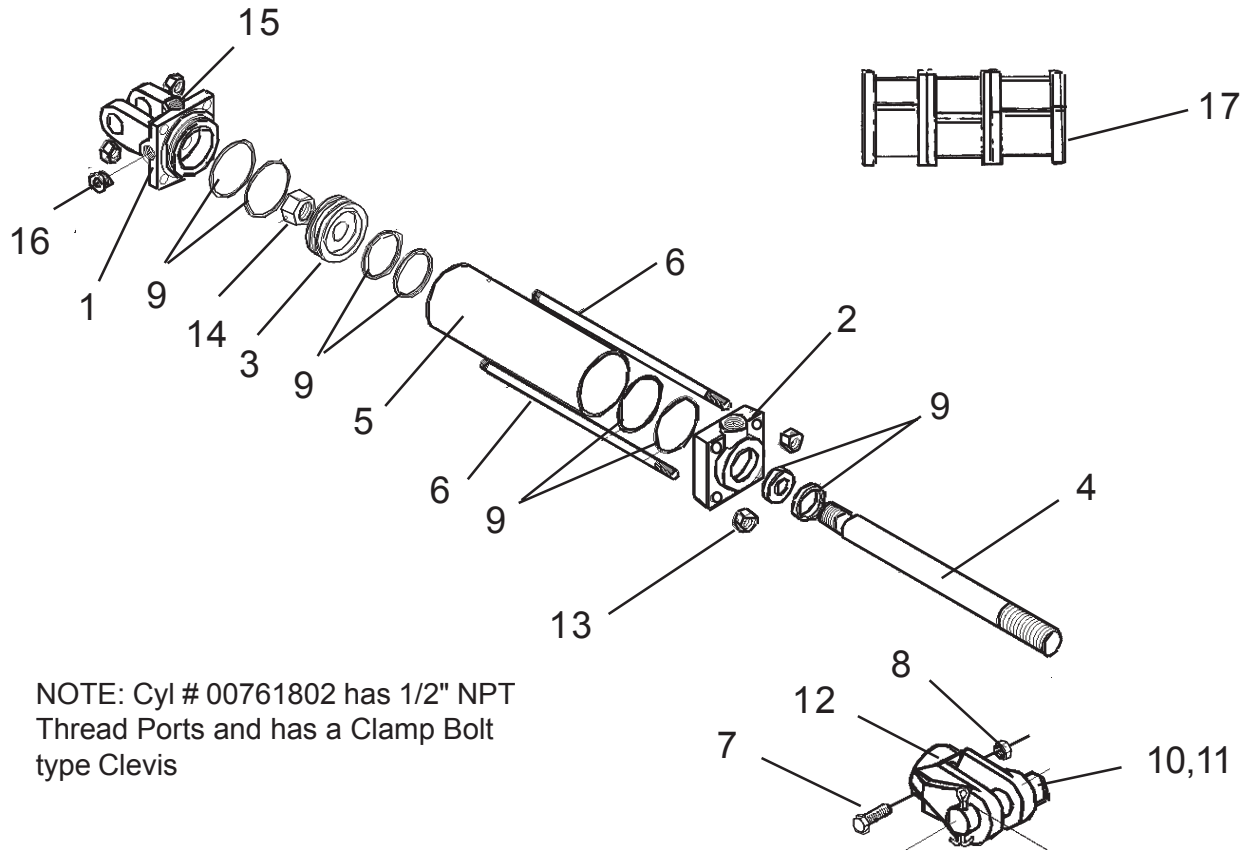
NOTE: The Three Spool Control valve must have detent float positions for the wing cylinders. This will allow decks to float to contour of ground and prevent stress in deck components.

Aug. 1994
to
Jul. 1999

Hyd. Cyl. Axle Lift

S/N AG20-01300
to
S/N AG20-01384

Note: Clip on stroke control item 17.



NOTE: Cyl # 00761802 has 1/2" NPT
Thread Ports and has a Clamp Bolt
type Clevis

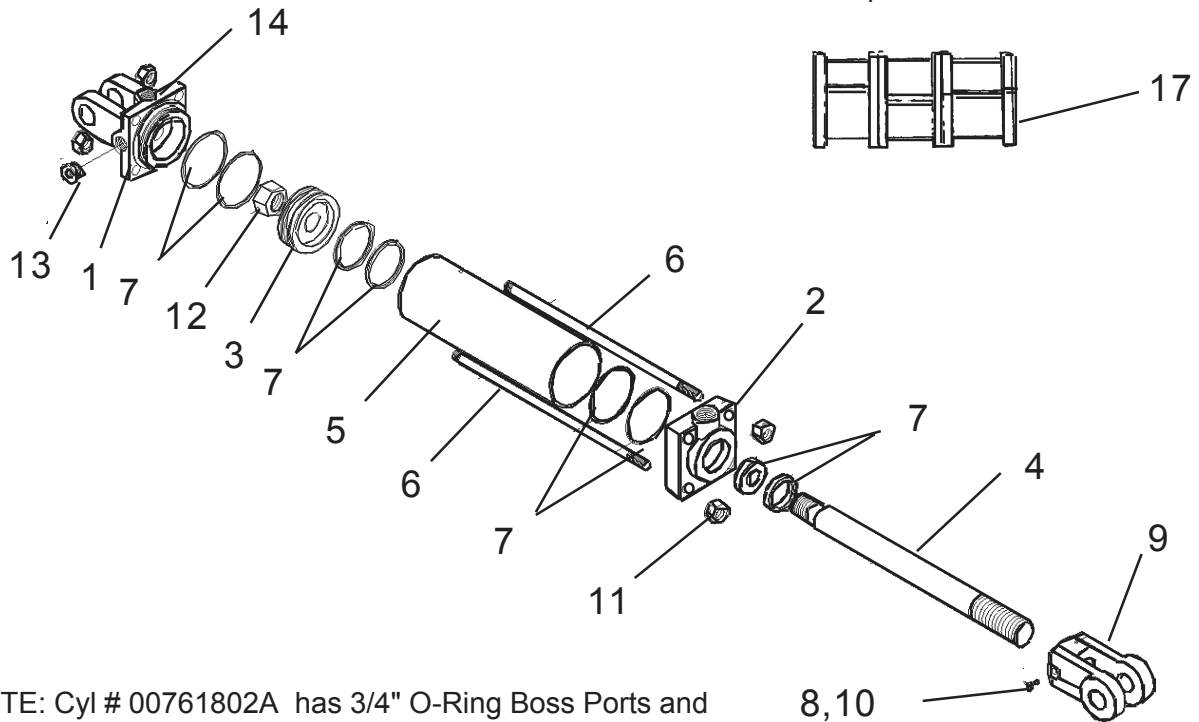
Item	Part No.	Qty	Description
	00761802	--	Cylinder Asy.
1	8772	1	Cap
2	00761896	1	Head
3	00761892	1	Piston
4	00761894	1	Piston Rod
5	00761893	1	Tube
6	8773	4	Tie Rod
7	00023100	1	Bolt
8	00015800	1	Hex Nut
9	00761891	1	Seal Kit
10	8354	2	Pivot Pin
11	00606000	4	Cotter Pin
12	00761895	1	Outer Clevis
13	4689	8	Tie Rod Nut
14	4705	1	Piston Nut
15	6511324	1	Breather Plug (Not Shown)
16	-----	1-ref	Pipe Plug (Furnished w/ Cyl Asy Only)
17	00755234	1	Control Spacer Kit (Not Part of Cyl Asy.)

Aug. 1999
to
Current

Hyd. Cyl. Axle Lift

S/N AG20-01385
to
S/N AG20-Current

Note: Clip on stroke control item 17.



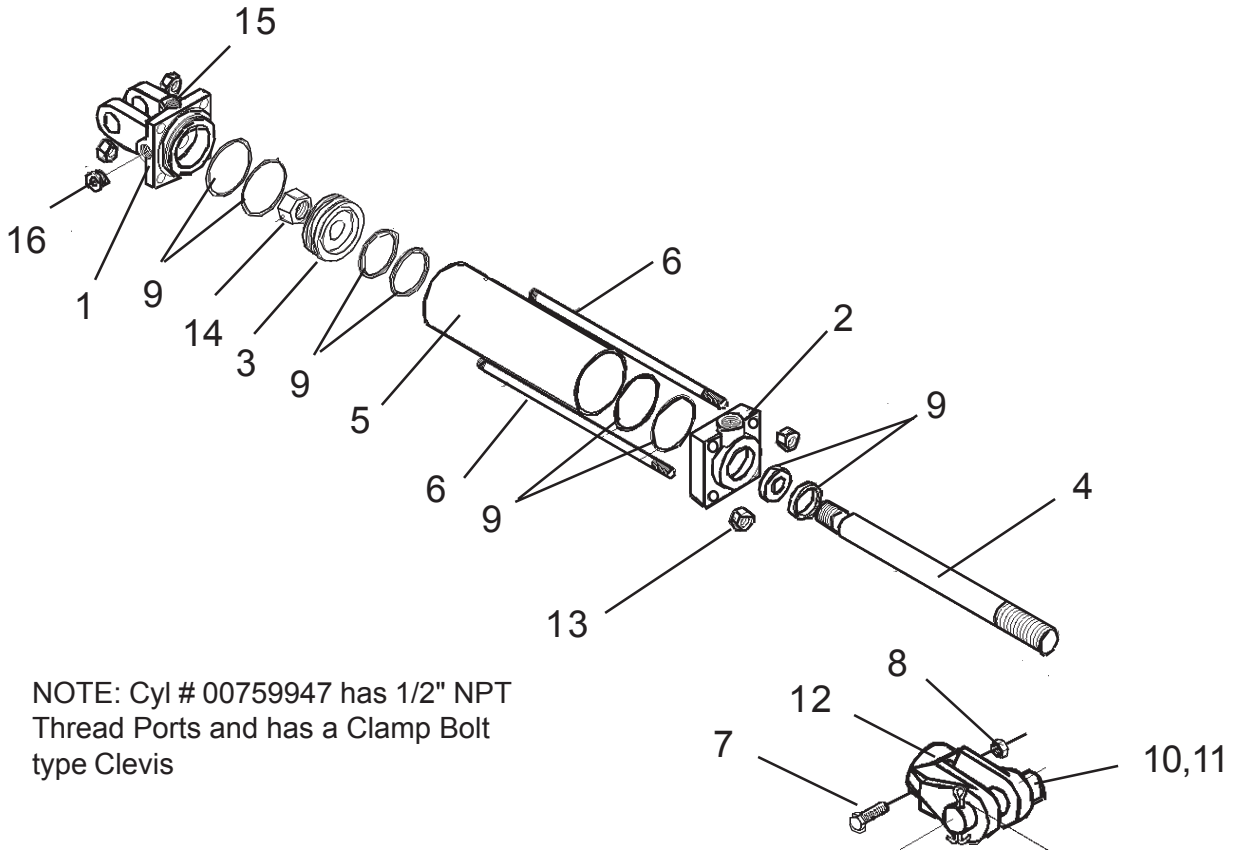
NOTE: Cyl # 00761802A has 3/4" O-Ring Boss Ports and has a Nylon Thread Protector & Set Screw type Clevis, Parts WILL NOT interchange with earlier Cylinders But Complete Cyl Assembly can be put on Earlier Units.

Item	Part No.	Qty	Description
	00761802A	--	Cylinder Asy.
1	00774728	1	Clevis Cap
2	00774735	1	Rod Cap
3	00774733	1	Piston
4	00774739	1	Rod
5	00774750	1	Tube
6	00774745	4	Tie Rod
7	02975531	1	Seal Kit (replaces #00774759)
8	3047117	1	Nylon Thread Protector
9	1917140	1	Rod Clevis
10	00774740	1	Set Screw
11	33003H5C	8	Tie Rod Nut
12	5JRC12140	1	Piston Nut
13	1917132	1	Port Plug
14	2417154	1	Breather
15	8354	2	Pivot Pin (Not Shown)
16	00606000	4	Cotter Pin (Not Shown)
17	00755234	1	Control Spacer Kit (Not Part of Cyl Asy)

Aug. 1994
to
Jul. 1999

Hyd. Cyl. Wing Lift & Fold

S/N AG20-01300
to
S/N AG20-01384



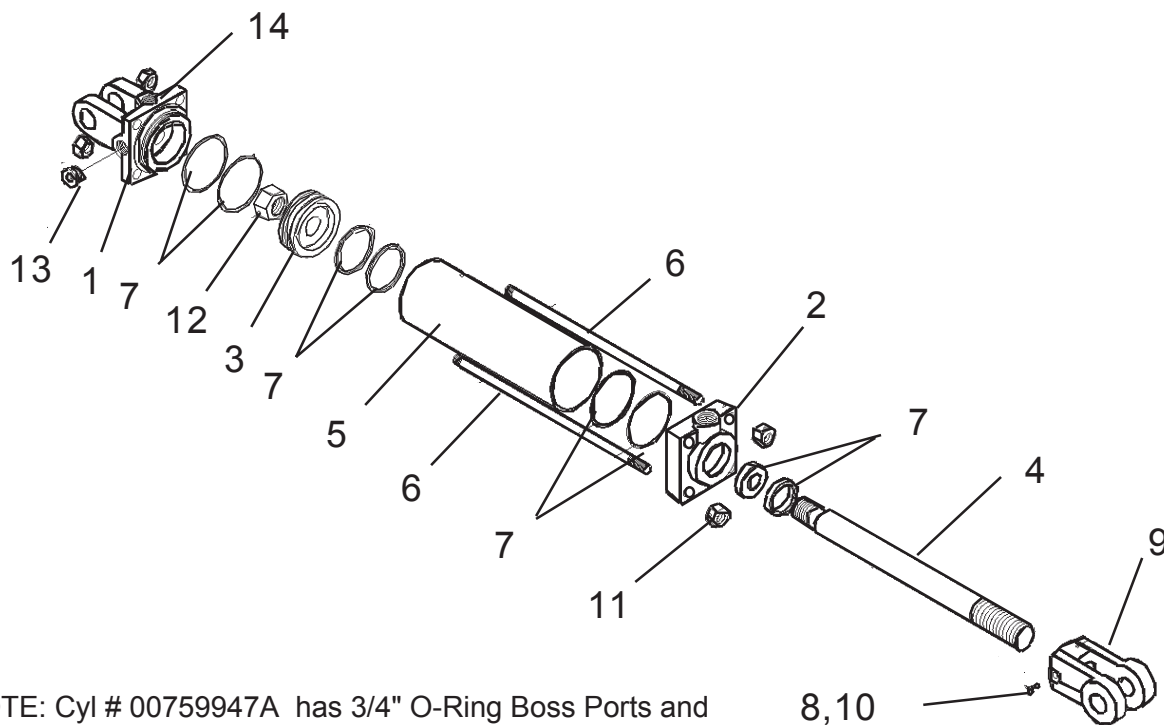
NOTE: Cyl # 00759947 has 1/2" NPT Thread Ports and has a Clamp Bolt type Clevis

Item	Part No.	Qty	Description
	00759947	--	Cylinder Asy.
1	00760196	1	Cap
2	00760197	1	Head
3	00760198	1	Piston
4	00760201	1	Piston Rod
5	00760195	1	Tube
6	00760203	4	Tie Rod
7	4427	1	Bolt
8	4378	1	Hex Nut
9	00760199	1	Seal Kit
10	8352	2	Pivot Pin
11	37107B13	2	Click Pin
12	8754	1	Outer Clevis
13	4690	8	Tie Rod Nut
14	4675	1	Piston Nut
15	6511324	1	Breather Plug (Not Shown)
16	-----	1-ref	Pipe Plug (Furnished w/ Cyl Asy Only)

Aug. 1999
to
Current

Hyd. Cyl. Wing Lift & Fold

S/N AG20-01385
to
S/N AG20-Current



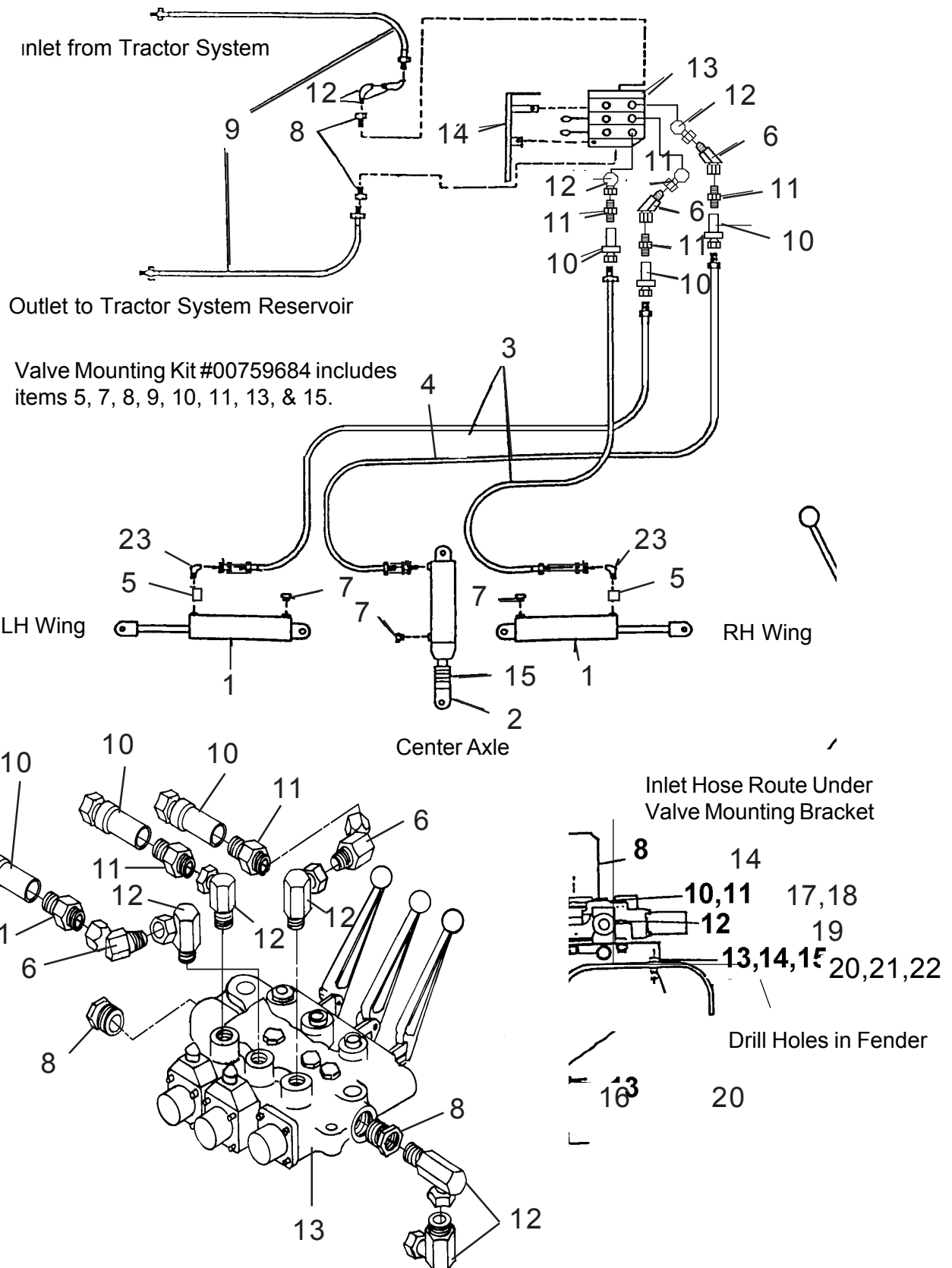
NOTE: Cyl # 00759947A has 3/4" O-Ring Boss Ports and has a Nylon Thread Protector & Set Screw type Clevis, Parts WILL NOT interchange with earlier Cylinders But Complete Cyl Assembly can be put on Earlier Units.

Item	Part No.	Qty	Description
	00759947A	--	Cylinder Asy.
1	2417158	1	Clevis Cap
2	2417157	1	Rod Cap
3	00774732	1	Piston
4	00774738	1	Rod
5	00774749	1	Tube
6	00774743	4	Tie Rod
7	00774761	1	Seal Kit
8	3047117	1	Nylon Thread Protector
9	1917140	1	Rod Clevis
10	00774740	1	Set Screw
11	33003H5C	8	Tie Rod Nut
12	5JRC12140	1	Piston Nut
13	1917132	1	Port Plug
14	2417154	1	Breather
15	8352	2	Pivot Pin (Not Shown)
16	37107B13	2	Click Pin (Not Shown)

Aug. 1994
to
Current

Hydraulic Schematic

S/N AG20-01300
to
S/N AG20-Current



Aug. 1994
to
Current

Hydraulic Schematic

S/N AG20-01300
to
S/N AG20-Current

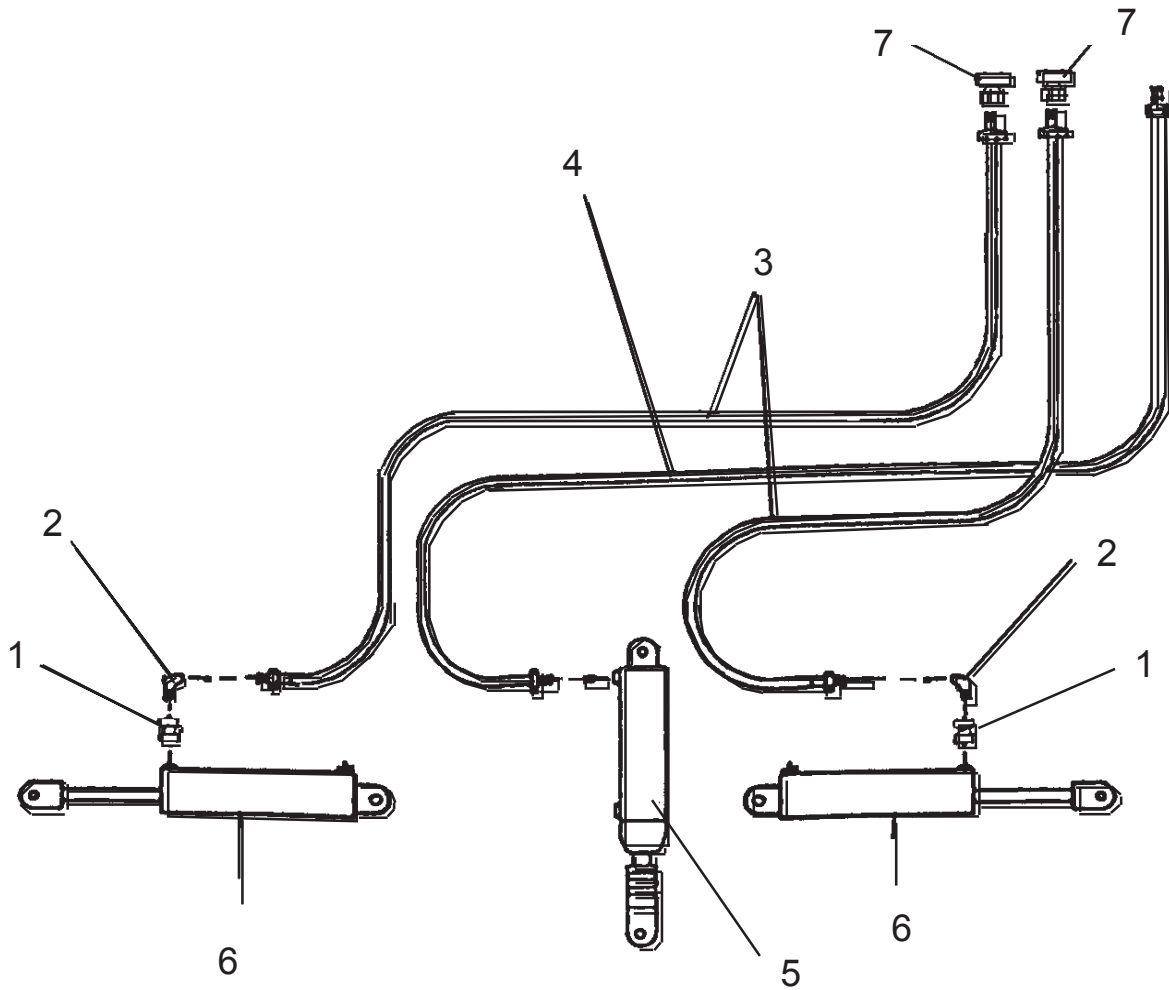
Item	Part No.	Qty	Description
1	-----	2-ref	Cylinder, Wing Lift & Fold
2	-----	1-ref	Cylinder, Axle Lift
3	-----	2-ref	Hose
4	-----	1-ref	Hose
5	-----	3-ref	Restrictor Fitting
6	000999	2	Elbow 45 Deg.
7	-----	3-ref	Breather
8	7323	2	Reducer
9	1347	2	Hydraulic Hose
10	2107	3	Quick Disconnect Coupler
11	02960460	3	Straight Adapter
12	94514	5	Elbow 90 Deg.
13	-----	1-ref	Open Valve Bank
	-----	1-ref	Closed Valve Bank
14	00759682	1	Shield
15	00755234	1	Stroke Control Kit
16	8166	1	Fender Bracket
17	10204000	2	Bolt
18	7336	2	Spacer
19	00010600	1	Bolt
20	00011400	4	Bolt
21	03101646	7	Lockwasher
22	00013901	7	Nut
23	-----	2	Elbow, 90 Deg.

NOTE: This is the Standard Hydraulic Lift and Fold Schematic, This also Shows some Optional equipment and mounts, This is for reference, See each section for more detailed parts breakdown.

Aug. 1994
to
Jul. 1999

Hose Schematic

S/N AG20-01300
to
S/N AG20-01384

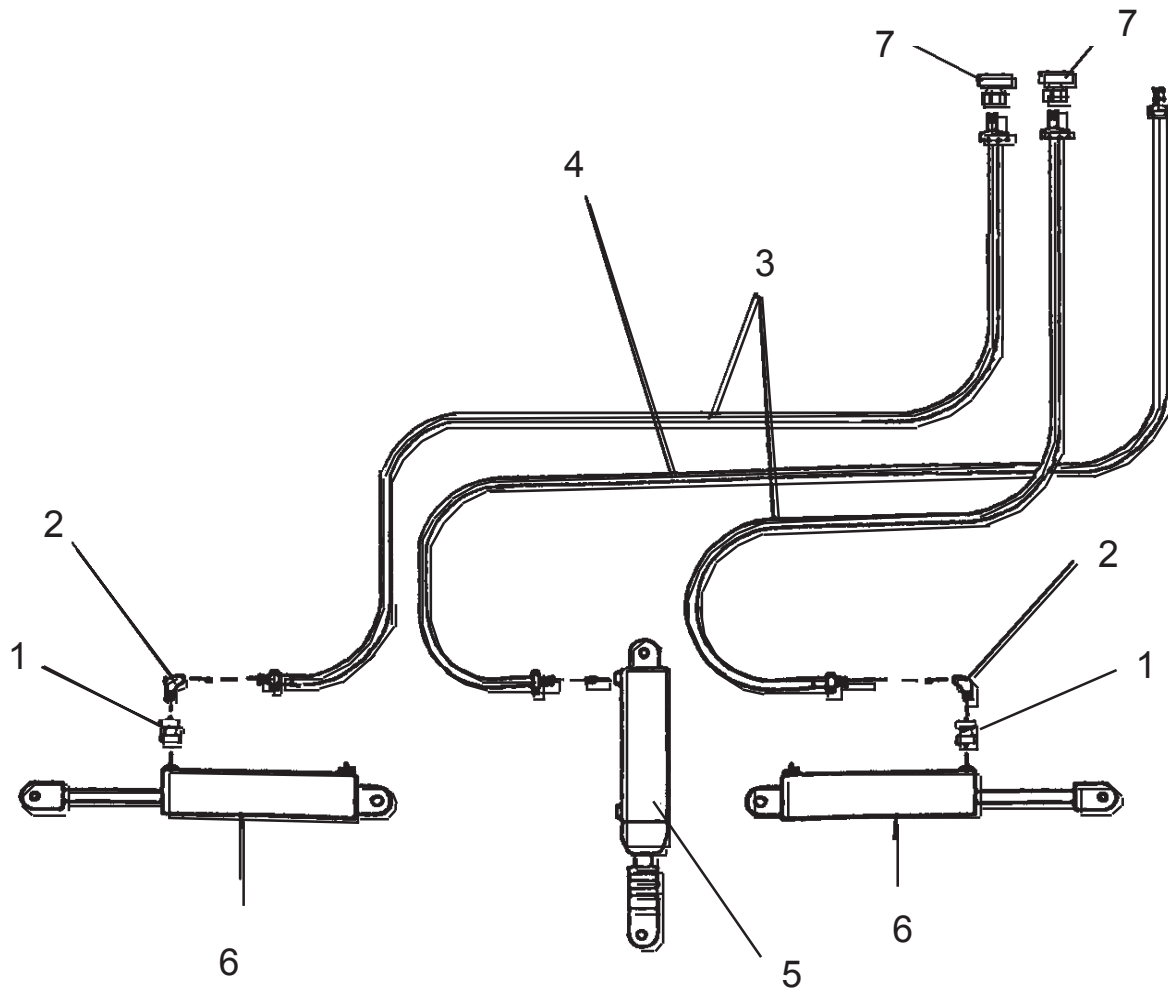


Item	Part No.	Qty	Description
1	7329	2	Adaptor - Restrictor
2	94517	2	Hydraulic Adaptor 90°
3	0811261100	2	Hydraulic Hose
4	0811251000	1	Hydraulic Hose
5	00761802	1	Hydraulic Cylinder 3-1/2" Bore w/ 1-1/2" Rod
6	00759947	2	Hydraulic Cylinder 3" Bore w/ 1-1/4" Rod
7	94507	2	Pipe Reducer

Aug. 1999
to
Current

Hose Schematic

S/N AG20-01385
to
S/N AG20-Current

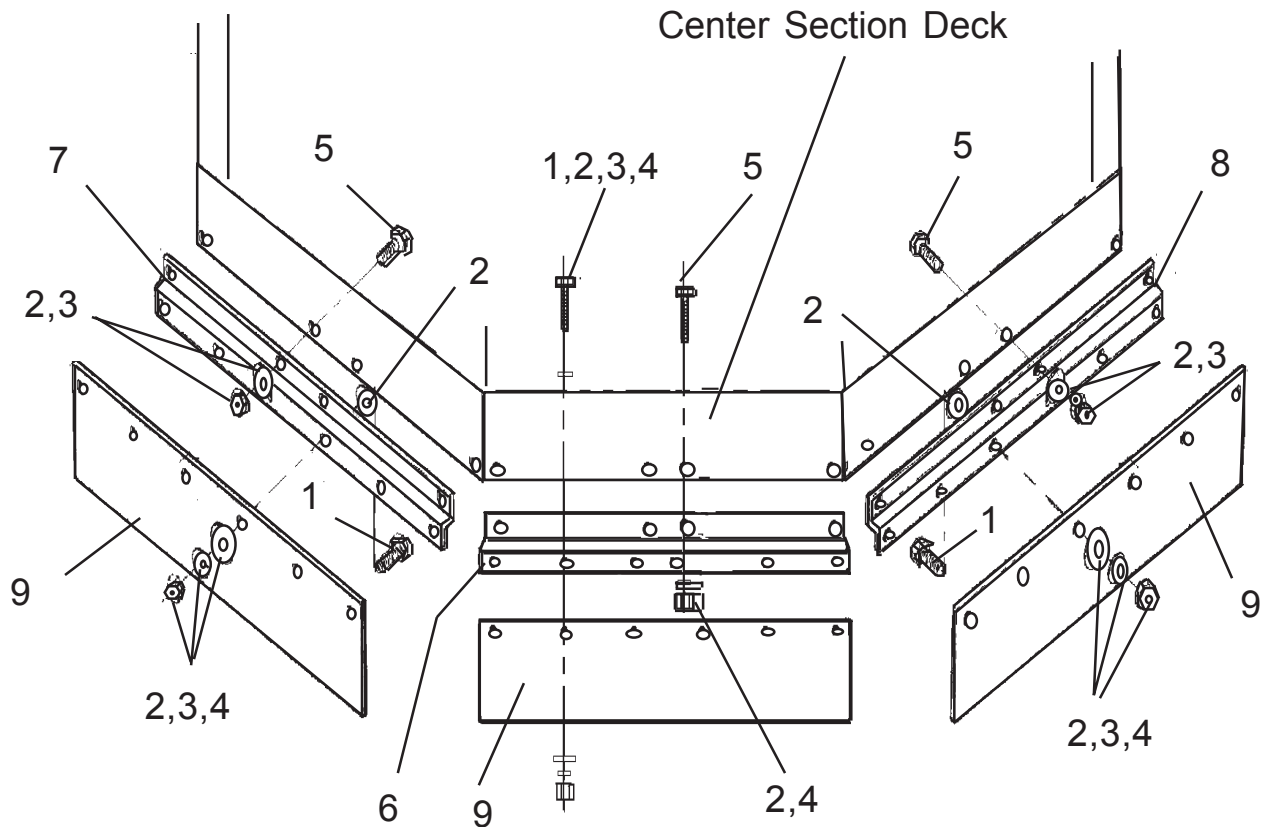


Item	Part No.	Qty	Description
1	00768343	2	Adaptor - Restrictor
2	94517	2	Hydraulic Adaptor 90°
3	0811261100	2	Hydraulic Hose
4	0811251000	1	Hydraulic Hose
5	00761802A	1	Hydraulic Cylinder 3-1/2" Bore w/ 1-1/2" Rod
6	00759947A	2	Hydraulic Cylinder 3" Bore w/ 1-1/4" Rod
7	94507	2	Pipe Reducer

Aug. 1994
to
Current

Deflectors Front Center Section

S/N AG20-01300
to
S/N AG20-Current



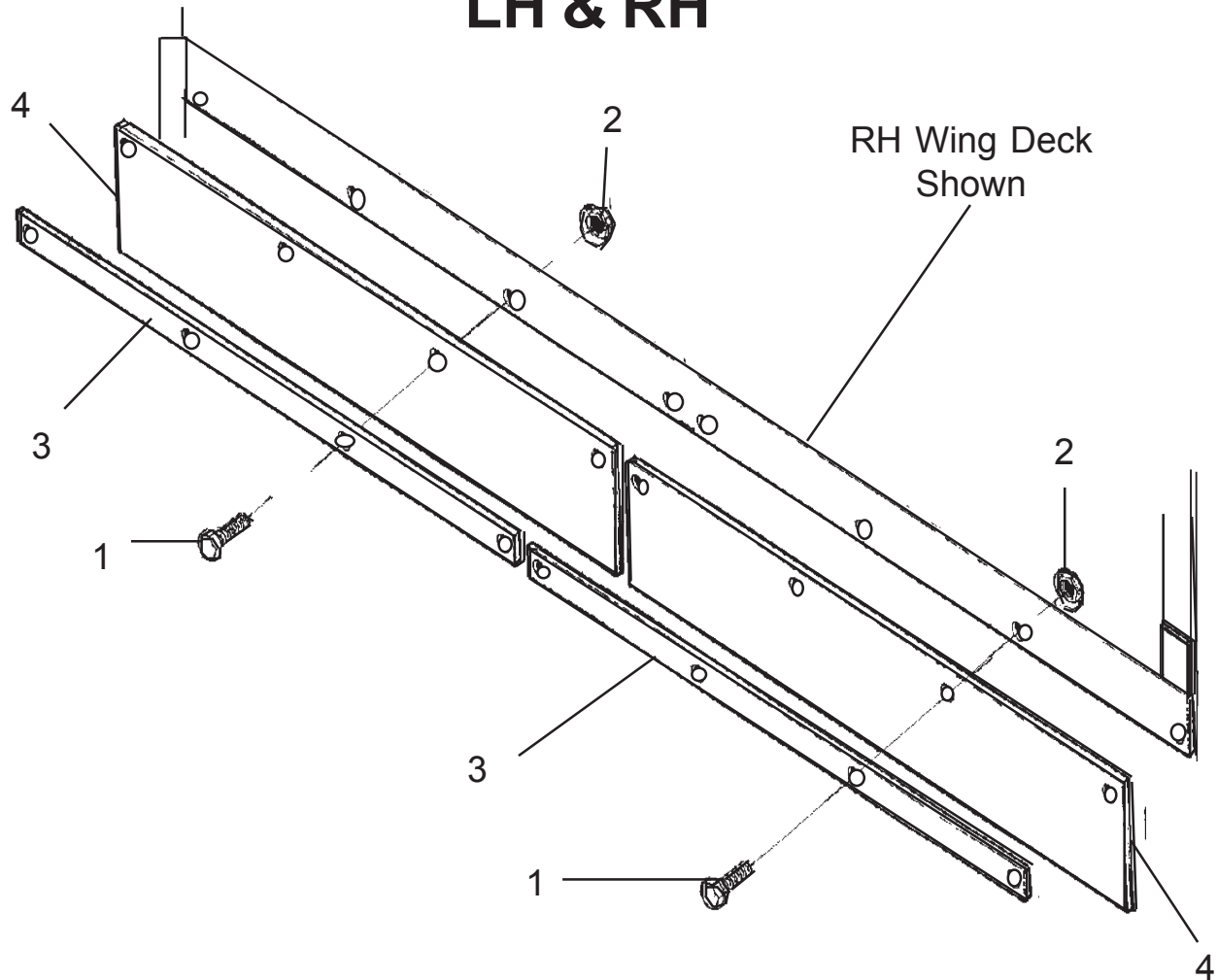
Item	Part No.	Qty	Description
1	00011400	18	Bolt
2	00011100	36	Flatwasher
3	02035800	18	Washer 1-1/2" OD
4	00015800	18	Locknut
5	02030700	12	Bolt
6	00758287	1	Center Front Bracket
7	00758288	1	Center Right Bracket
8	00758289	1	Center Left Bracket
9	00758294	3	Front Rubber Deflector

Available as Parts Only or as a Complete Set, Front & Rear - Center & Wings is in the complete Set # 00769845 (AG20) or 00769846 (AG14), Do NOT order set unless complete Set is wanted.

Aug. 1994
to
Current

Deflectors Front Wing Section LH & RH

S/N AG20-01300
to
S/N AG20-Current



Item	Part No.	Qty	Description
1	00999418	16	Bolt
2	4526	16	Whiz nut
3	00765386	4	Deflector Bar (2 ea. LH or RH Wing)
4	00765386	4	Rubber Deflector (2 ea. LH or RH Wing)

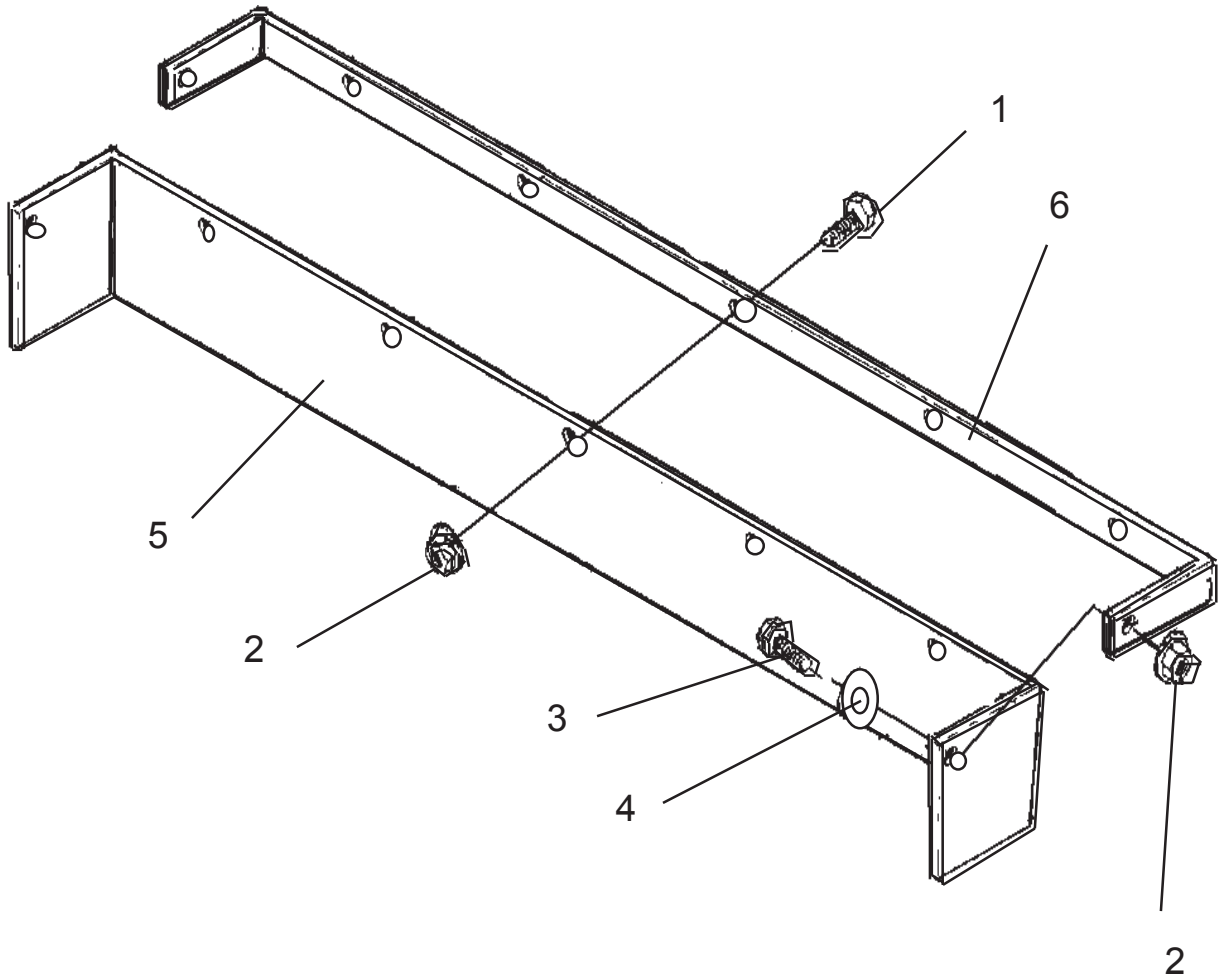
Note: Qty Shown is for LH & RH Wing, LH Wing Rubber Deflectors not shown but mount the same as the RH Wing Deflectors.

Available as Parts Only or as a Complete Set, Front & Rear - Center & Wings is in the complete Set # 00769845 (AG20) or 00769846 (AG14) , Do NOT order set unless complete Set is wanted.

Aug. 1994
to
Current

Deflectors Rear Center Section

S/N AG20-01300
to
S/N AG20-Current



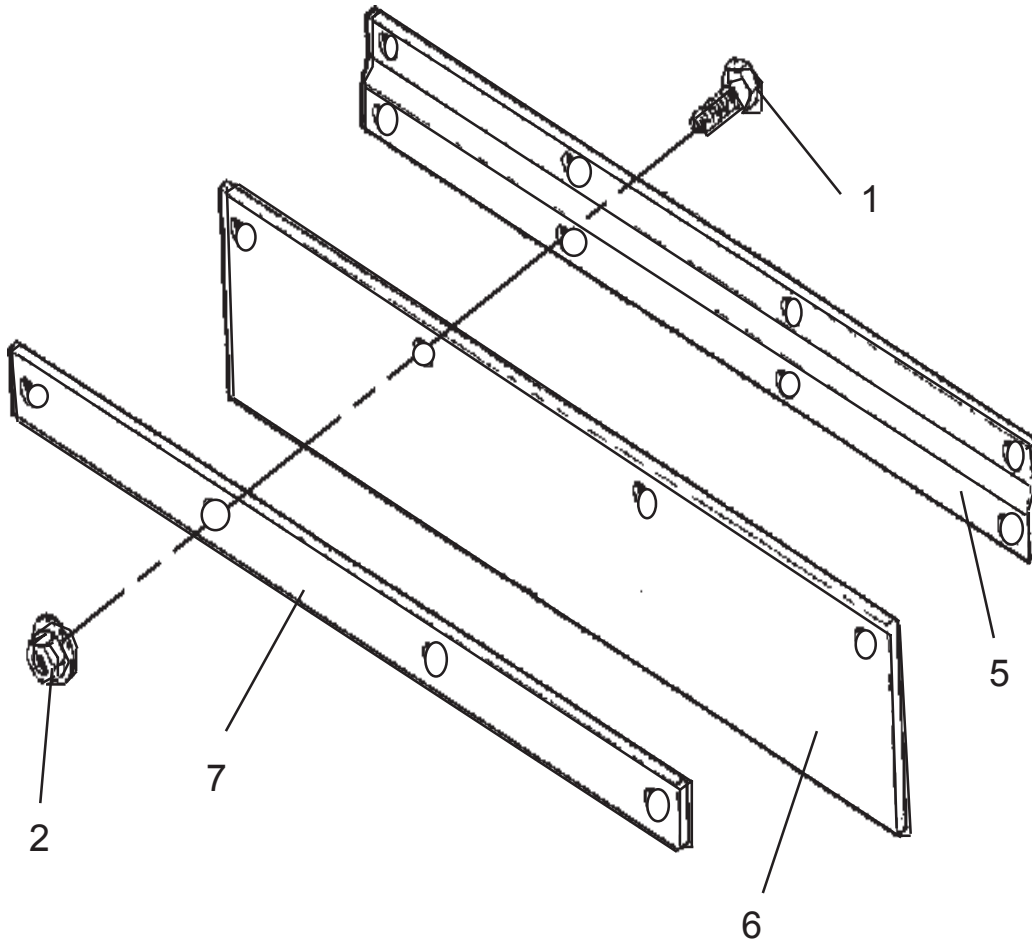
Item	Part No.	Qty	Description
1	02030700	6	Bolt
2	4526	8	Whiz Nut
3	00750959	2	Bolt
4	00002700	2	Flatwasher
5	00765389	1	Rear Center Rubber Deflector
6	00765390	1	Rear Center Deflector Bar

Available as Parts Only or as a Complete Set, Front & Rear - Center & Wings is in the complete Set # 00769845 (AG20) or 00769846 (AG14), Do NOT order set unless complete Set is wanted.

Aug. 1994
to
Current

Deflectors Rear Wing Section LH & RH

S/N AG20-01300
to
S/N AG20-Current



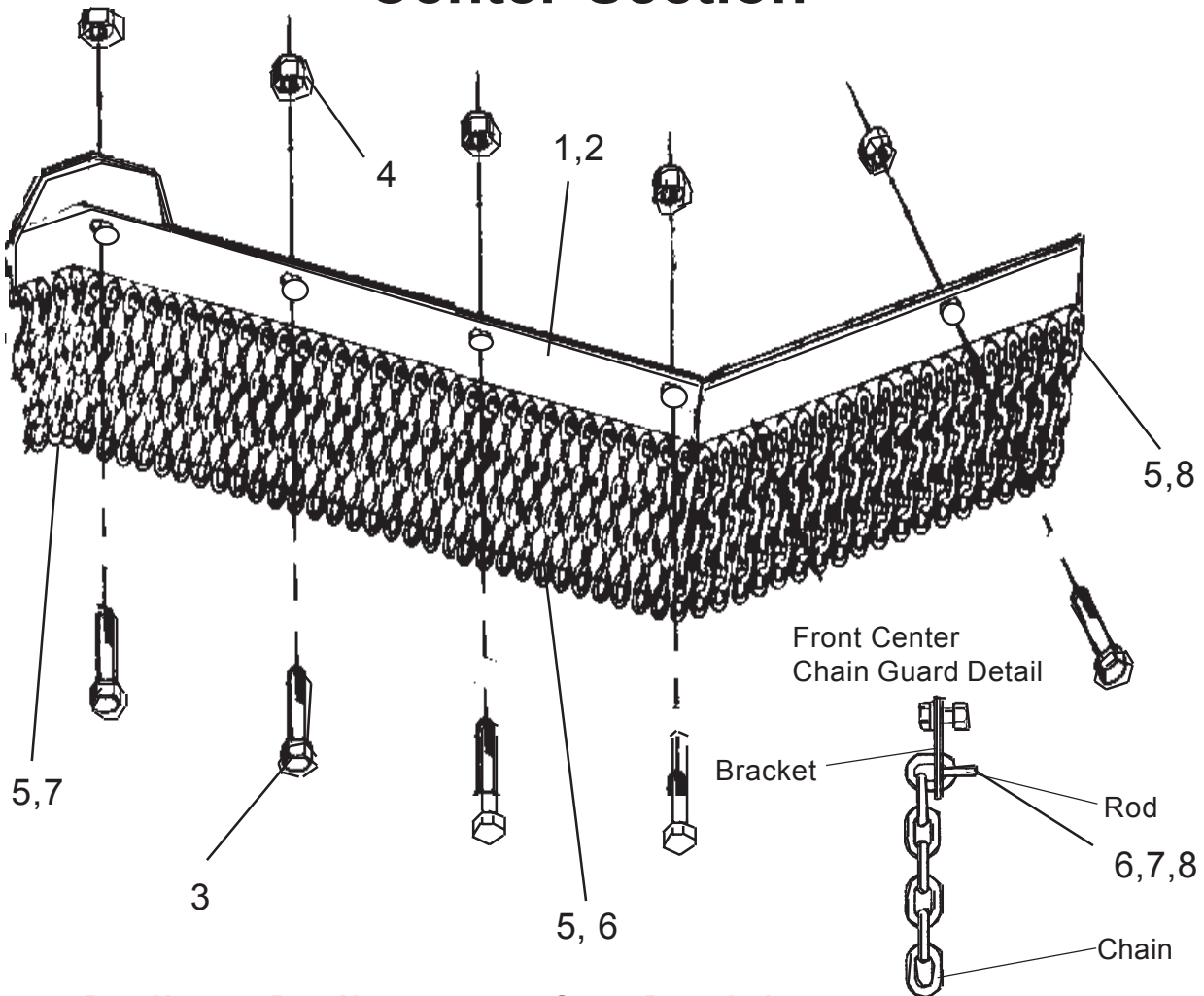
Item	Part No.	Qty	Description
1	02030700	6	Bolt
2	4526	8	Whiz Nut
5	00765383	2	Rear Wing Deflector Bracket
6	00765381	2	Rear Wing Rubber Deflector
7	00765382	2	Rear Wing Deflector Bar

Available as Parts Only or as a Complete Set, Front & Rear - Center & Wings is in the complete Set # 00769845 (AG20) or 00769846 (AG14) , Do NOT order set unless complete Set is wanted.

Aug. 1994
to
Current

Chain Guards Front Center Section

S/N AG20-01300
to
S/N AG20-Current



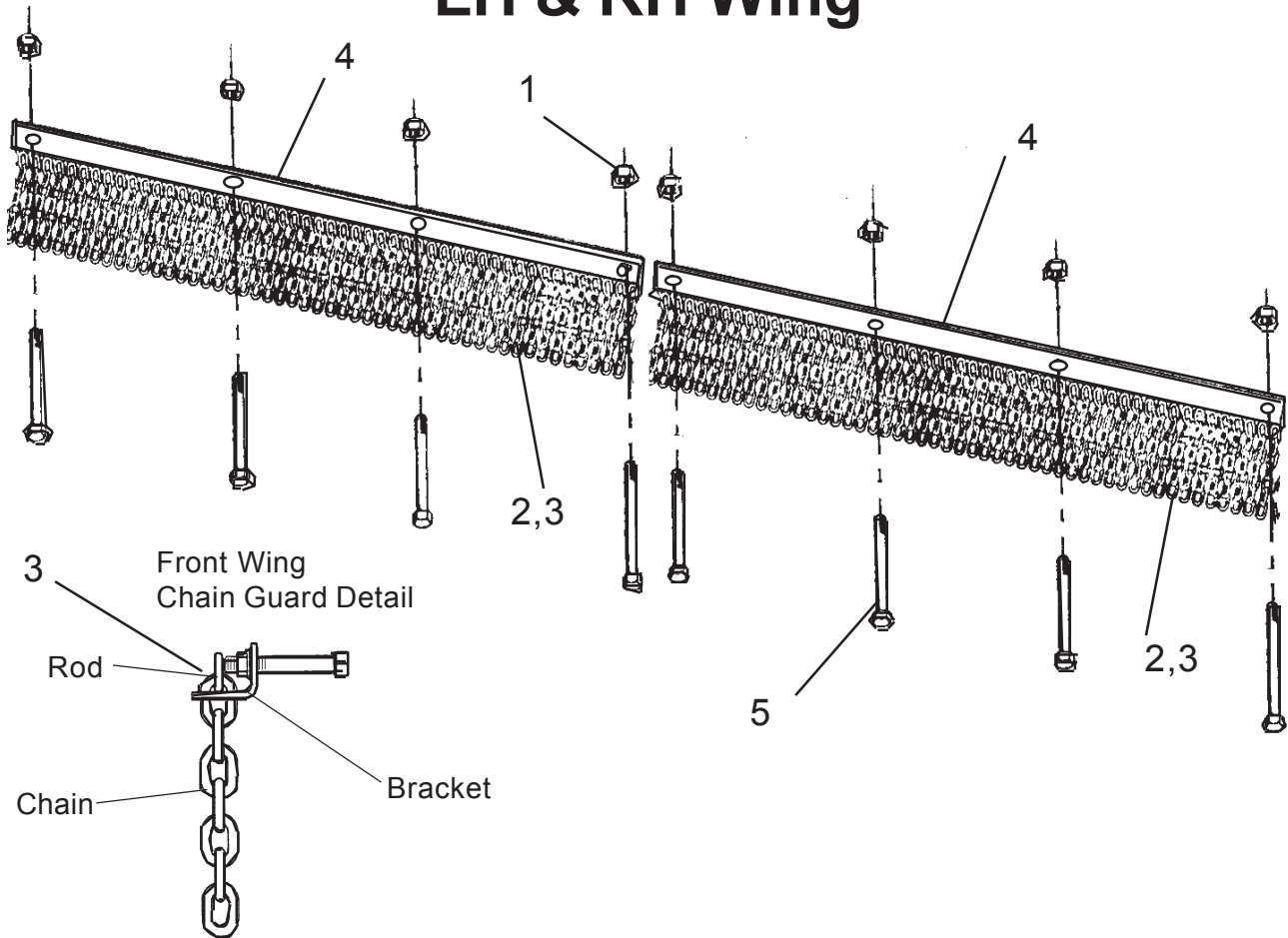
Item	Part No. Single	Part No. Double	Qty	Description
	00760767	-----	--	ChainGuard Set, Front Ctr Complete LH & RH
1	0811301100	00769793	1	Chain Guard Asy, RH Ctr w/Chains (Shown)
	0811301110	00769756	1	Chain Guard Brkt , RH Ctr w/o Chains (Shown)
2	0811301200	00769757	1	Chain Guard Asy, LH Ctr w/Chains (Not Shown)
	0811301210	00769755	1	Chain Guard Brkt, LH Ctr w/o Chains (Not Shown)
3	00748823	00748823	10	Bolt
4	4526	4526	10	Whiz Nuts
5	0758341005	-----	82	Chain, 7 Links
	-----	0758341005	52	Chain ,7 links
	-----	00751126	52	Chain, 6 Links
6	0652100102	0652100102	2	Rod, 31" Long
7	0652100105	0652100105	2	Rod, 7" Long
8	0811301101	0811301101	2	Rod, 17" Long

Qty Shown for 1 ea LH Front & RH Front Center, LH & RH Front Chainguard Assembly
Center Section (Single) P/N #00760767 complete

Aug. 1994
to
Current

Chain Guards Front LH & RH Wing

S/N AG20-01300
to
S/N AG20-Current



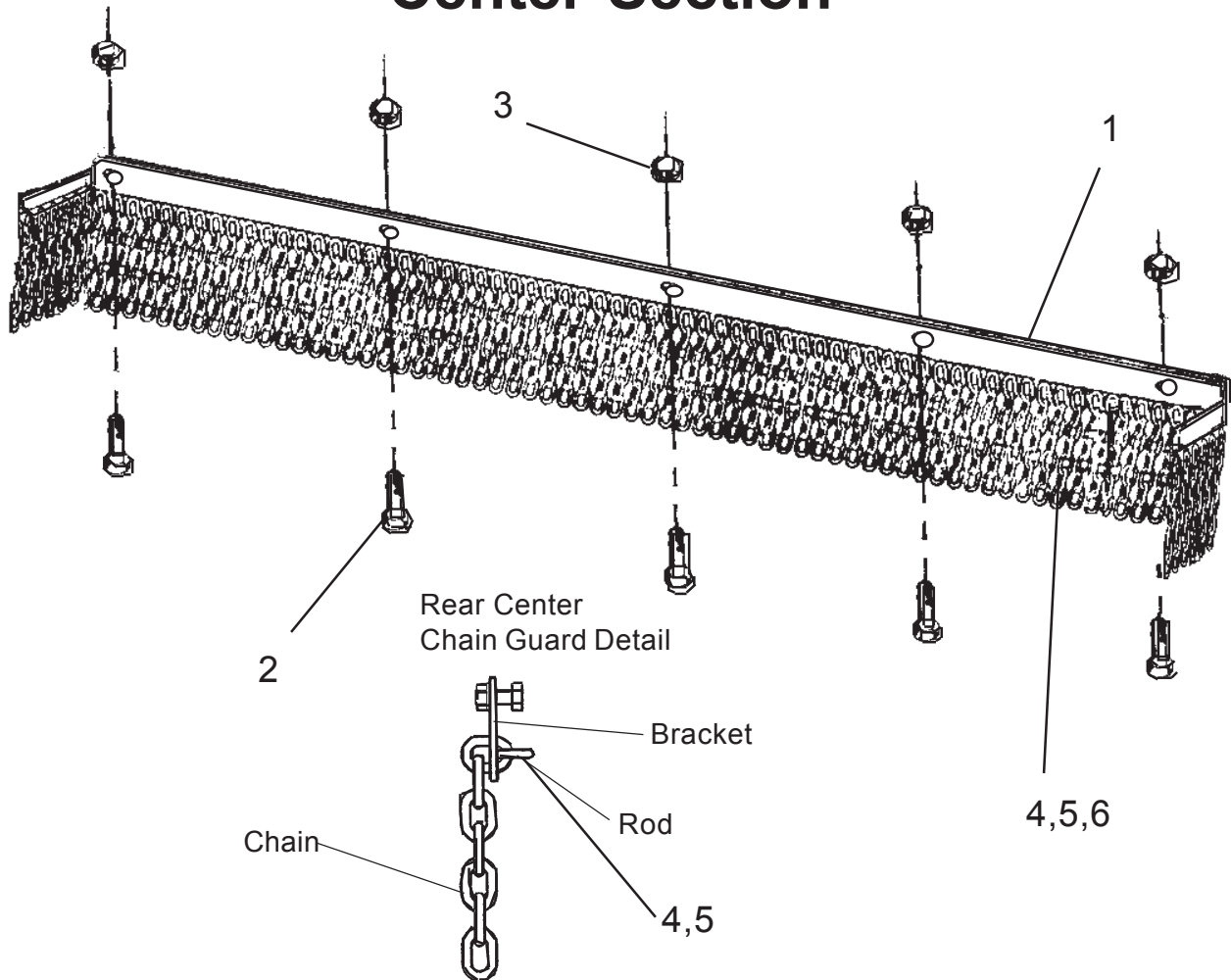
Item	Part No. Single	Part No. Double	Qty	Description
	00764930	00769758	--	Chain Guard Asy, (4 required / 2 Per Wing)
1	4526	4526	16	Whiz Nuts
2	0758341005	-----	164	Chain ,7 links (41 Per Section)
	-----	0758341005	212	Chain, 7 links (53 Per Section)
3	00765525	00765525	4	Rod 57" (1 Per Section)
4	00764931	00769747	4	Bracket, Chain Guard Wing (2 Per Wing)
5	00999418	00999418	16	Bolt

Qty Shown for one 20 ft mower both Wings, 1 Front Chain Guard Asy Wing Section (Single) P/N #00764930 or (Double) P/N 00769758 complete (2 req. Per Wing 4 req. Per 20 ft mower)

Aug. 1994
to
Current

Chain Guards Rear Center Section

S/N AG20-01300
to
S/N AG20-Current



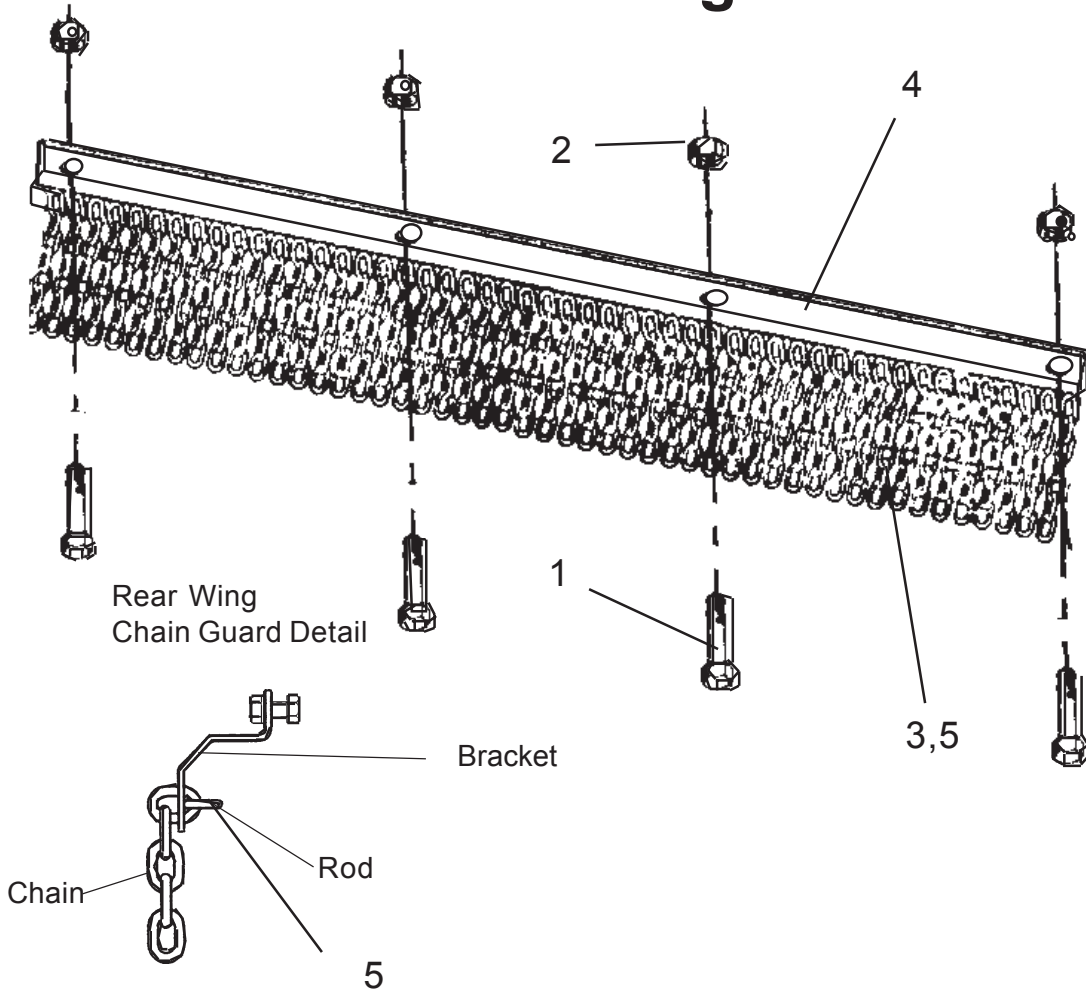
Item	Part No. Single	Part No. Double	Qty.	Description
	00765309	00769760	--	Chain Guard Asy. Center Rear
1	00765308	00769749	1	Chain Guard Bracket
2	00748823	00750959	5	Bolt 1-1/2"
3	4526	4526	5	Whiz nut
4	00761178	00761178	2	Rod
5	00761746	00761746	2	Rod 9"
6	0758341005	-----	70	Chain, 7 Link
	-----	00758341005	45	Chain, 7 Link
	-----	00751126	45	Chain, 6 Link

Qty Shown for 2 Wings, Rear Center Chainguard Asy (Single) P/N # 00765309
or (Double) P/N 00769759 complete

Aug. 1994
to
Current

Chain Guards Rear LH & RH Wing

S/N AG20-01300
to
S/N AG20-Current



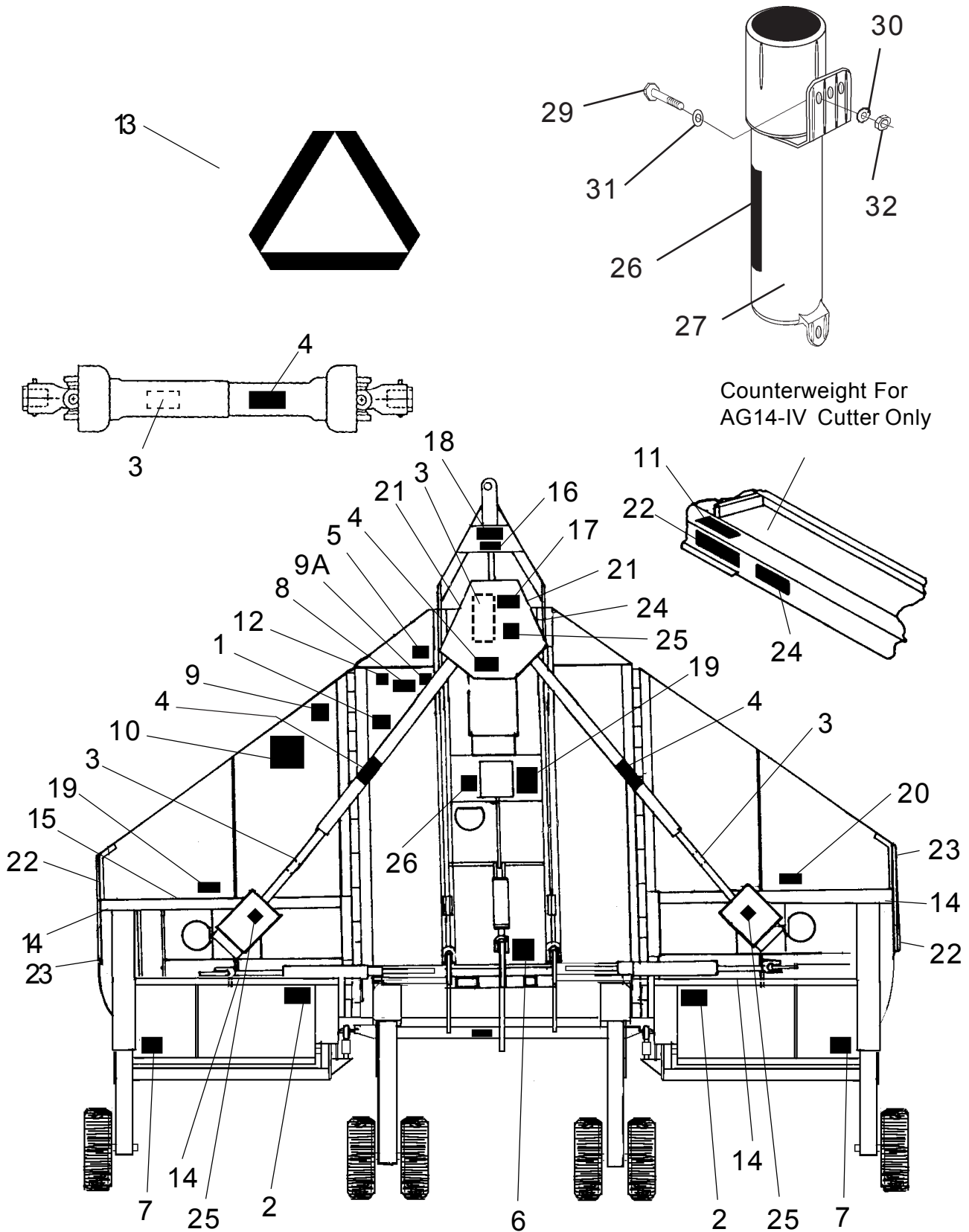
Item	Part No. Single	Part No. Double	Qty.	Description
	00764927	00769759	--	Chain Guard Assy (LH or RH Wing 1 req ea Wing)
1	00748823	00748823	8	Bolt 1-1/2"
2	4526	4526	8	Whiz nut
3	00755090	-----	106	Chain, 5 Link (53 ea Wing)
	-----	00755090	68	Chain, 5 Link (34 ea Wing)
	-----	00751126	68	Chain, 6 Link (34 ea Wing)
4	00764929	00769748	2	Bracket, Chainguard Wing Rear (LH & RH Wing)
5	0652110201	0652110201	2	Rod

Qty Show for 2 Wings, Rear Wing Chainguard Assembly (Single) P/N
#00764927 or (Double) P/N 00769759 complete, two required

Aug. 1994
to
Current

Decals

S/N AG20-01300
to
S/N AG20-Current



Counterweight For
AG14-IV Cutter Only

Aug. 1994
to
Current

Decals

S/N AG20-01300
to
S/N AG20-Current

Item	Part No.	Qty	Description
1	00725746	1	Peligro,Get Manual Translated
2	00753840	2(1)	Danger, Folding Wings
3	00756004	1((3))	Danger, Driveline Shield Missing; Do Not Operate
4	00756005	1((3))	Danger, Rotating Driveline, Entanglement
5	00769736	1	Warning, Use/Repair Shields & Guards, Rotary
6	00756059	1	Warning, Oil Leak Detection, Skin Penetration
7	00769737	2 (1)	Danger, Cutting Blades, Thrown Objects, Rotary
8	00756494	1	Danger, Driveline Hazards
9	02925100	1	Instruction, Alamo Repair Parts
9A	00773723	1	Peligro, Rotating Driveline Translation
10	02967827	1	Danger, Multiple Hazard, Folding Rotary
11	999403	0(1)	Danger, Overturn of Two-Section Flex
12	D103	[1]	Instruction, 540 RPM
	D114	[1]	Instruction, 1000 RPM
13	03200347	*	Reflector, SMV Emblem
14	1458392	2	Reflector, Red Reflector
15	1458393	1	Reflector, Amber Reflector
16	00763613	1	Instruction, Slip Clutch Adjustment
17	00763977	1	Instruction, Notice to Owner
18	D102	1	Instruction, PTO-to-Drawbar Hole Adjustment
19	D137	2	Instruction, CCW Blade Rotation
20	D138	1	Instruction, CW Blade Rotation
21	02960766	2	Logo, ALAMO 4-7/8 x 6-1/2
22	00757139	2	Name, ALAMO TYPE, 4-3/8 x 16-3/4
23	00769670	[2]	Name, A20-IV
	00769813	[2]	Name, A14-IV
24	00758407	1	Serial Number Plate, AG20 Serial Plate
25	00771285	4 (3)	Instruction, Gearbox Warranty
26	00776481	1	Instruction, Operators Manual Inside
27	00776031	1	Canister, Operators Manual
28	00766780C	1	Operators Manual (Current Production)
29	10058000	3	Bolt
30	00017000	3	Lockwasher
31	00024100	3	Flatwasher
32	02959924	3	Locknut

* Furnished by Tractor Manufacturer
() For Two-Section unit only
(()) Installed by Driveline Manufacturer
[] Use one or the other

Aug. 1994
to
Current

Decals

S/N AG20-01300
to
S/N AG20-Current

- 10 -- 02967827 SEE Drawing
- 14 -- 99203 RED REFLECTOR
- 15 -- 99204 YELLOW REFLECTOR
- 24 -- SERIAL PLATE

NOTICE TO OWNER

An OPERATOR'S MANUAL (with Repair Parts Listing) and a WARRANTY REGISTRATION CARD were attached to this implement during final inspection at the factory. If they were not attached at the time of purchase, please contact your selling dealer at once.

1. Read and understand Manual before operating the implement.
 2. Complete, sign, and mail the Warranty Registration Card in today.
- 00763977

17-- 00763977

IMPORTANT

For your safety and to guarantee optimum product reliability, always use Genuine ALAMO INDUSTRIAL replacement parts. The use of inferior "will-fit" parts will void Warranty of your ALAMO INDUSTRIAL implement and may cause premature or catastrophic failure which can result in serious injury or death. If you have any questions concerning the repair parts you are using, contact ALAMO INDUSTRIAL, 1502 E. Walnut Seguin, TX 78155 (830) 372-3551.



02925100

9- - 02925100

ATTENTION!

Do not operate PTO until ALL Slip Clutches are properly adjusted and checked to make certain that NONE ARE FROZEN and that ALL WILL SLIP under excessive load. See Operator's Manual for complete instructions.

00763613

16--00763613



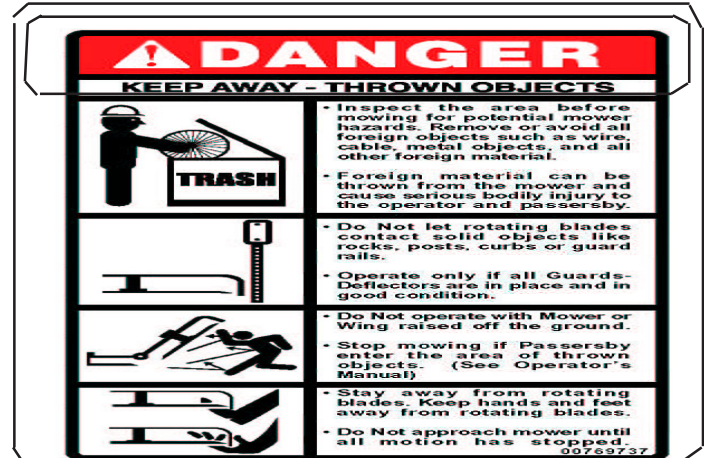
PELIGRO

Si No Lee Ingles, Pida Ayuda a Alguien Que Si Lo Lea Para Que le Traduzca las Medidas de Seguridad.

LEA EL INSTRUCTIVO



00725746



7-- 00769737

WARNING

OPERATE THIS MACHINE AT
1000 RPM
TRACTOR PTO SPEED ONLY

Overspeeding PTO may cause component failure with resulting injury.

D114

12- - D114

WARNING

OPERATE THIS MACHINE AT
540 RPM
TRACTOR PTO SPEED ONLY

Overspeeding PTO may cause component failure with resulting injury.

D103

12- - D103

Aug. 1994
to
Current

Decals

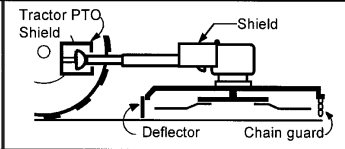

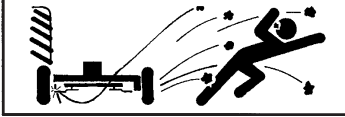
S/N AG20-01300
to
S/N AG20-Current

⚠ WARNING

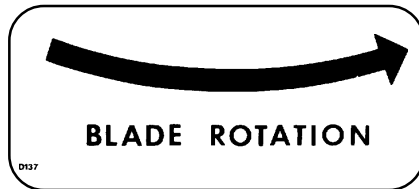
FAILURE TO USE AND MAINTAIN SHIELDS AND DEFLECTORS IN GOOD CONDITION MAY LEAD TO INJURY OR DEATH FROM ENTANGLEMENT WITH ROTATING PARTS, BEING HIT BY OBJECTS THROWN WITH GREAT FORCE BY BLADES, OR BY BLADE CONTACT.

- Always replace Guards which have been removed for maintenance. Never operate with Guards missing or broken.
- Chain Guards, Gearbox & Driveline Shields, Rubber-Fabric Deflectors, and Solid Band Enclosures are subject to wear and lost or broken parts and must be repaired or replaced as soon as damage is found.
- Safety Shielding must be installed and in good condition to reduce the possibility of thrown objects any time this machine is operated in any area where thrown objects could cause property damage or bodily injury.

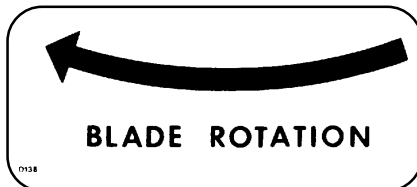
ROTARY 00769736

5- - 00769736




19 - D137



20 - D138

⚠ PELIGRO

Un manual de la seguridad de la línea de conducción n/p 00773776 está disponible en español. Llame el número enumerado para una copia gratis.



LÍNEA DE CONDUCCIÓN GIRATORIA- EL CONTACTO PUEDE CAUSAR LA MUERTE ¡MANTENERSE LEJOS! NO FUNCIONE SIN QUE-

- Todos los protectores de la línea de Conducción, alimentador y blindajes del Equipo estén en su lugar
- Las líneas de conducción estén conectadas con seguridad en ambos extremos
- Los protectores de la línea de conducción den vuelta libremente en la línea de Conducción

00773723

9A- -00773723


AG20-IV (Archive Book) 06/02

© 2002 Alamo Group Inc.


⚠ DANGER


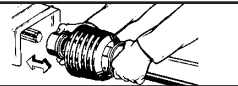
1. MAKE CERTAIN DRIVELINES ARE OF THE CORRECT LENGTH AND SECURELY ATTACHED. **DRIVELINE SEPARATION AND/OR PTO STUB SHAFT FAILURE CAN CAUSE INJURY OR DEATH.** (See Operator's Manual for procedure.)

* SEE MANUAL FOR MINIMUM OVERLAP & MINIMUM MAXIMUM LENGTHS



BOTTOMING OUT


2. MAKE CERTAIN THAT DRIVELINE SHIELDS ARE INSTALLED CORRECTLY AND **TURN FREELY** TO PREVENT INJURY OR DEATH FROM ENTANGLEMENT



3. MAKE CERTAIN THAT DRIVELINE IS INSTALLED CORRECTLY ON TRACTOR PTO SHAFT. MOVE YOKE BACK AND FORTH UNTIL LOCKING COLLAR CLICKS FORWARD AND LOCKS YOKE IN PLACE
4. **540 PTO RPM UNLESS SPECIFICALLY MARKED OTHERWISE.** 00756494

8- - 00756494

⚠ WARNING

USE PAPER OR CARDBOARD TO CHECK FOR LEAKS. **NEVER USE YOUR HAND.** IF OIL PENETRATES SKIN, GANGRENE OR OTHER SERIOUS INJURY COULD OCCUR. **GET IMMEDIATE MEDICAL ATTENTION.** See Operator's Manual. 00756059



6- - 00756059


Aug. 1994
to
Current

Decals

S/N AG20-01300
to
S/N AG20-Current

DANGER



- Stay clear when removing transport strap and lowering or raising wing. • Component failure or accidental operation of controls may allow wing to fall suddenly and cause bodily injury or death.
- Cylinders with  Restrictors installed must be filled with oil for wings to lower slowly & safely.
- Lock Wings up securely for transporting.



- Do not operate mower with wings raised with passersby in the area. • Contact with exposed rotating Blades and/or being hit by thrown objects may cause injury or death.

00753840

2- - 00753840

DANGER



ROTATING DRIVELINE-
CONTACT CAN CAUSE DEATH
KEEP AWAY!

DO NOT OPERATE WITHOUT-

- All driveline guards, tractor and equipment shields in place
- Drivelines securely attached at both ends
- Driveline guards that turn freely on driveline

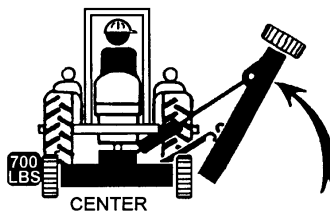
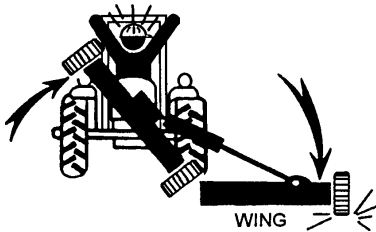
00756005

4- - 00756005

DANGER

WITHOUT WEIGHT, CENTER MAY LIFT UP

WITH WEIGHT, WING FOLDS



1. Keep everyone clear when lifting, folding, and working under raised components. Block securely before working under mower.

2. Install Weight Box and Weight (Minimum of 700# Total) before operating to prevent turning over the center section which can cause **SERIOUS BODILY INJURY** or **DEATH**. Without weight, Do not fold wing.

3. Attach transport strap securely to prevent inadvertent dropping from the transport position and possible **CRUSING INJURY** or **DEATH**.

999403

11- - 999403

 **ALAMO
INDUSTRIAL**
A Terrain King® Product

22 - - 00757139

DANGER



**GUARD MISSING
DO NOT OPERATE**

00756004

DANGER



**GUARD MISSING
DO NOT OPERATE**

00756004

DANGER

3- - 00756004

Aug. 1994
to
Current

Decals

S/N AG20-01300
to
S/N AG20-Current

A20-IV

23-- 02960766

A14-IV

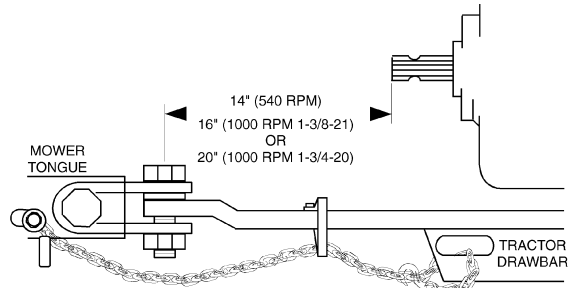
23-- 00769813



21- - 002960766

IMPORTANT

REQUIRED FOR JACKSHAFT UNIT
SUGGESTED FOR STANDARD SHAFT



Attach Safety Chain securely as per ASAE S338

D102

18- - D102

CAUTION

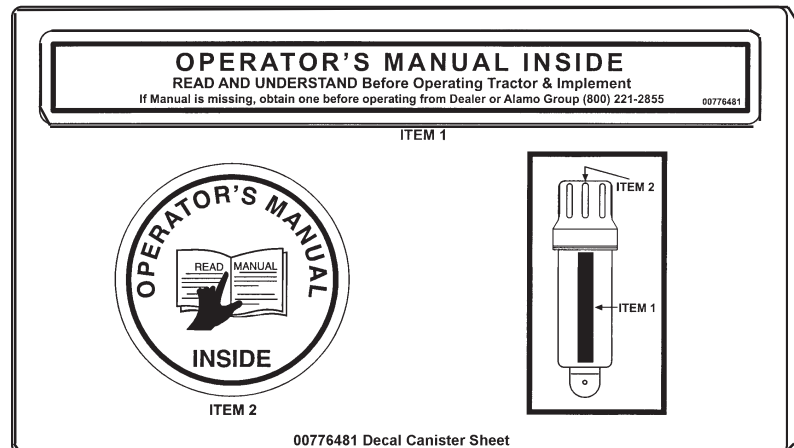
**FAILURE TO FOLLOW SAFETY MESSAGES MAY CAUSE BODILY INJURY
AND/OR TIRE AND WHEEL AND/OR EQUIPMENT DAMAGE. BE CAREFUL.**

1. MAXIMUM inflation pressure 50 PSI to help prevent tire blowouts. MINIMUM inflation pressure 20 PSI.
2. MAXIMUM transport speed 20 MPH to help prevent overheating and blowouts which may cause injuries.
3. Remove valve core to make certain there is no air pressure left in tube before separating wheel halves to dismount tire. DO NOT LOOSEN WHEEL CLAMP BOLTS BEFORE PRESSURE IS REMOVED FROM TUBE AND TIRE TO PREVENT EXPLOSIVE SEPARATION OF WHEEL HALVES WITH POSSIBLE SERIOUS BODILY INJURY.
4. Never mount any other tire (such as a truck tire) on this wheel supplied with a 22-ply aircraft tire. 00762608

FOR AIRPLANE TIRE --00762608



25 -- 00771285



00776481 Decal Canister Sheet

26--00776481

