



BRAHMA

SIDE MOUNT MOWER

Rev 03-13

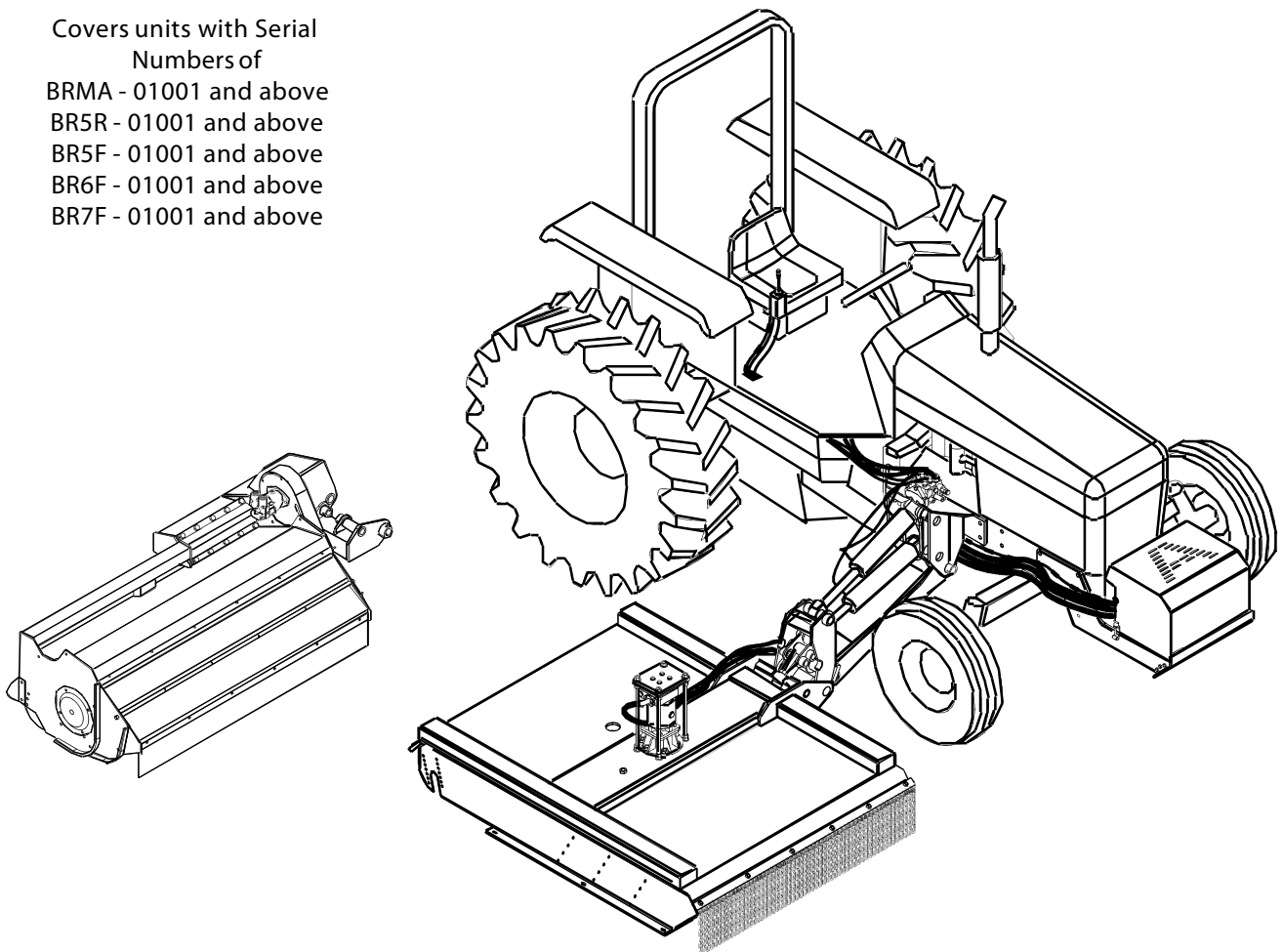
P/N 02970769

ARCHIVE BOOK

By Serial Number / Production

May 1995 to Jan. 2002

Covers units with Serial
Numbers of
BRMA - 01001 and above
BR5R - 01001 and above
BR5F - 01001 and above
BR6F - 01001 and above
BR7F - 01001 and above



COMPLETE PARTS LISTING

ALAMO INDUSTRIES

1502 E. Walnut
Seguin, Texas 78155
830-372-9595



BUILT SHARPER[®]

An Alamo Group Company

© 2013 Alamo Group, Inc.

INDEX - BRAHMA

ITEM	PAGE NO.
INTRODUCTION BRAHMA	
PARTS SECTION	1
COMMON PARTS	
S/N BRMA-01001 to BMRA-Current..(Oct 1995 to Current).....	4-5
CONTROL VALVE	
S/N BRMA-01001 to BMRA-Current..(Oct 1995 to Current).....	10-11
DECALS	
S/N BRMA-01001 to BMRA-Current..(Oct 1995 to Current).....	58-59
GENERAL ASSEMBLY	
S/N BRMA-01001 to BMRA-Current..(Oct 1995 to Current).....	2-3
HEAD, ROTARY	
MAIN DECK	
S/N BRMA-01001 to BMRA-Current..(Oct 1995 to Current).....	30-31
DECK SUB-ASY	
S/N BRMA-01001 to BRMA-01006..(Oct. 1995 to Jul. 1996).....	32-33
S/N BRMA-01007 to BMRA-Current..(Aug 1996 to Current).....	34-35
BLADE CARRIER (Bar or Pan Carrier)	
S/N BRMA-01001 to BMRA-Current..(Oct 1995 to Current).....	40-41
GAUGE WHEEL (Optional)	
S/N BRMA-01001 to BMRA-Current..(Oct 1995 to Current).....	42
MOTOR & SPINDLE ASSEMBLY	
S/N BRMA-01001 to BMRA-Current..(Oct 1995 to Current).....	36-39
MOTOR HOLD DOWN PLATE	
S/N BRMA-01007 to BMRA-Current..(Jul. 1996 to Current).....	44-45
REAR ROLLER (Optional)	
S/N BRMA-01001 to BMRA-Current..(Oct 1995 to Current).....	43
CHAINGUARD, FRONT (Optional)	
S/N BRMA-01001 to BMRA-Current..(Oct 1995 to Current).....	46
HEAD, FLAIL	
MAIN DECK	
S/N BRMA-01001 to BMRA-Current..(Oct 1995 to Current).....	48-49
DECK SUB-ASY	
S/N BRMA-01001 to BMRA-Current..(Oct 1995 to Current).....	50-51
PULLEY & BELT ASSEMBLY	
S/N BRMA-01001 to BMRA-Current..(Oct 1995 to Current).....	56-57
ROTAR SHAFT	
S/N BRMA-01001 to BMRA-Current..(Oct 1995 to Current).....	52
ROTAR SHAFT BEARINGS	
S/N BRMA-01001 to BMRA-Current..(Oct 1995 to Current).....	54-55
REAR ROLLER	
S/N BRMA-01001 to BMRA-Current..(Oct 1995 to Current).....	53

Continued Next Page

INDEX - BRAHMA

ITEM	PAGE NO.
HYDRAULIC CYLINDER	
LIFT CYL.	
S/N BRMA-01001 to BMRA-01067....(Oct. 1995 to Jan. 2000).....	20
S/N BMRA-01068 to BMRA-Current..(Feb 2000 to Current).....	21
TILT CYL.	
S/N BRMA-01001 to BMRA-01067....(Oct. 1995 to Jan. 2000).....	22
S/N BMRA-01068 to BMRA-Current..(Feb 2000 to Current).....	23
JOYSTICK	
S/N BRMA-01001 to BMRA-Current..(Oct 1995 to Current).....	12-13
MOUNTING ARM	
S/N BRMA-01001 to BMRA-Current..(Oct 1995 to Current).....	6-7
OIL RESERVOIR ASSEMBLY	
S/N BRMA-01001 to BMRA-01004...(Oct 1995 to Mar. 1996).....	14-15
S/N BRMA-01005 to BMRA-Current..(Apr. 1996 to Current).....	16-17
OIL RESERVOIR HYDRAULIC TANK	
S/N BRMA-01001 to BMRA-Current..(Apr. 1996 to Current).....	18-19
PUMP, FRONT MOUNTED	
S/N BRMA-01001 to BMRA-01004....(Oct. 1995 to Mar. 1996).....	24-29
S/N BMRA-01005 to BMRA-Current..(Apr. 1996 to Current).....	24-29
PUMP DRIVE SHAFT (By Tractor Model)	
S/N BRMA-01001 to BMRA-Current..(Oct 1995 to Current).....	60-61
SERIAL NUMBER REFERENCE	
S/N BRMA-01001 to BMRA-Current..(Oct 1995 to Current).....	62-65
SPECIFICATION SHEET	
S/N BRMA-01001 to BMRA-Current..(Oct 1995 to Current).....	66-68
UNDER BEAM	
S/N BRMA-01001 to BMRA-Current..(Oct 1995 to Current).....	8

BRAHMA SIDE MOUNT ARCHIVE BOOK INTRODUCTION

The Brahma Side Mount Archive Book is a complete listing of Parts from the first Unit to the Present. The Production Dates, Serial Numbers, Special Notes and Descriptions are furnished to help find Replacement Parts. Dimension (if listed) are for Identification of Parts and MAY NOT be to Manufacturing Specification, Your measurements may vary some from dimensions listed. Some Parts may be changed and be different than parts listed. Some Modification may be required when replacing older parts.

PAGE EXAMPLE

Beginning Production Date

Oct1995
to
May 1996

Ending Production Date

FRAME
ASSEMBLY

Componets Listed This Page

Beginning Serial Number

S/N BRMA-01001
to
S/NBRMA-Current

Ending Serial Number

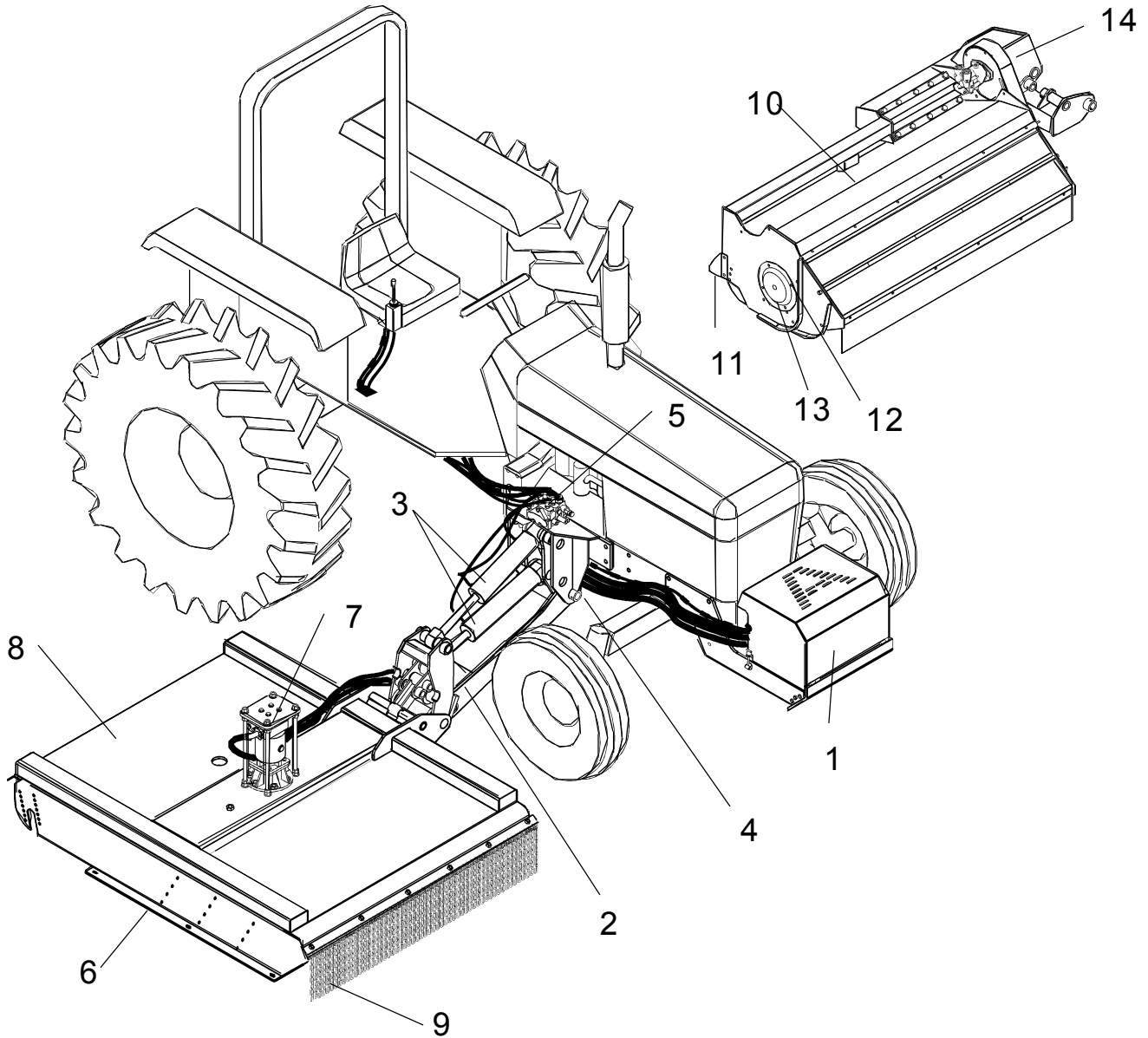
For ordering parts the following instructions are offered to help eliminate delay

1. The purchase order must include the Name, Address (Ship to Street Address) of the Person / Organization ordering the parts. Who / How Parts should be Billed. Name and Phone Number of a Contact Person at your end.
2. The Purchase Order must list clearly the correct Part Number of Part. Quantity of each Part wanted, Complete and correct Description of each Part. All Parts will be shipped as requested depending on availability and/or reasonability of request carrier / method.
3. Alamo Industrial reserves the right to substitute parts where applicable and change prices Without prior notice. Alamo Industrial also reserves the right to Ship Parts the most Reasonable way as determined by Alamo Industrial.
4. Some Parts are unlisted items, which are special production items not normally stocked or built for a limited / special use, These parts may be subject to special handling or cannot be priced till ordered. Always Request a quotation for such Parts before sending a purchase order.

Oct. 1995
to
Current

GENERAL ASSEMBLY

S/N BRMA-01001
to
S/N BRMA-Current



Oct. 1995
to
Current

GENERAL ASSEMBLY

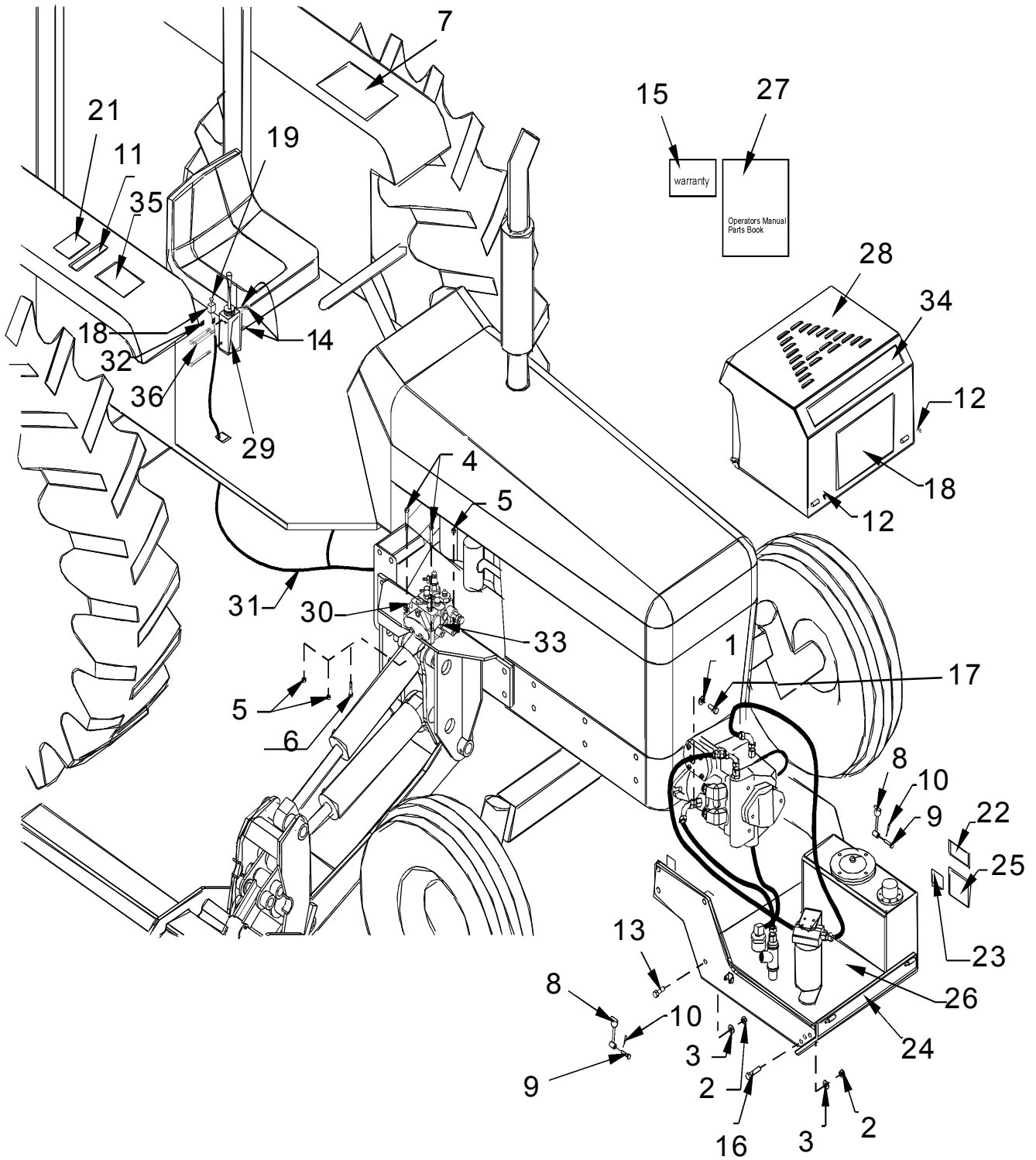
S/N BRMA-01001
to
S/NBRMA-Current

Item	Description
1	Tank Assembly
2	Mounting Arm
3	Lift and Tilt Cylinders
4	Underbeam
5	Control Valve
6	Blade Carriers
7	Motor and Spindle
8	Rotary Head Assembly
9	Front Chain Guard
10	Flail Head Assembly
11	Flail Head Roller Assembly
12	Flail Head Rotor Assembly
13	Flail Head Bearing Assemblies
14	Flail Head Pulley Assembly

Oct. 1995
to
Current

COMMON PARTS BOX COMPONTS

S/N BRMA-01001
to
S/N BRMA-Current



Oct. 1995
to
Current

COMMON PARTS BOX COMPONENTS

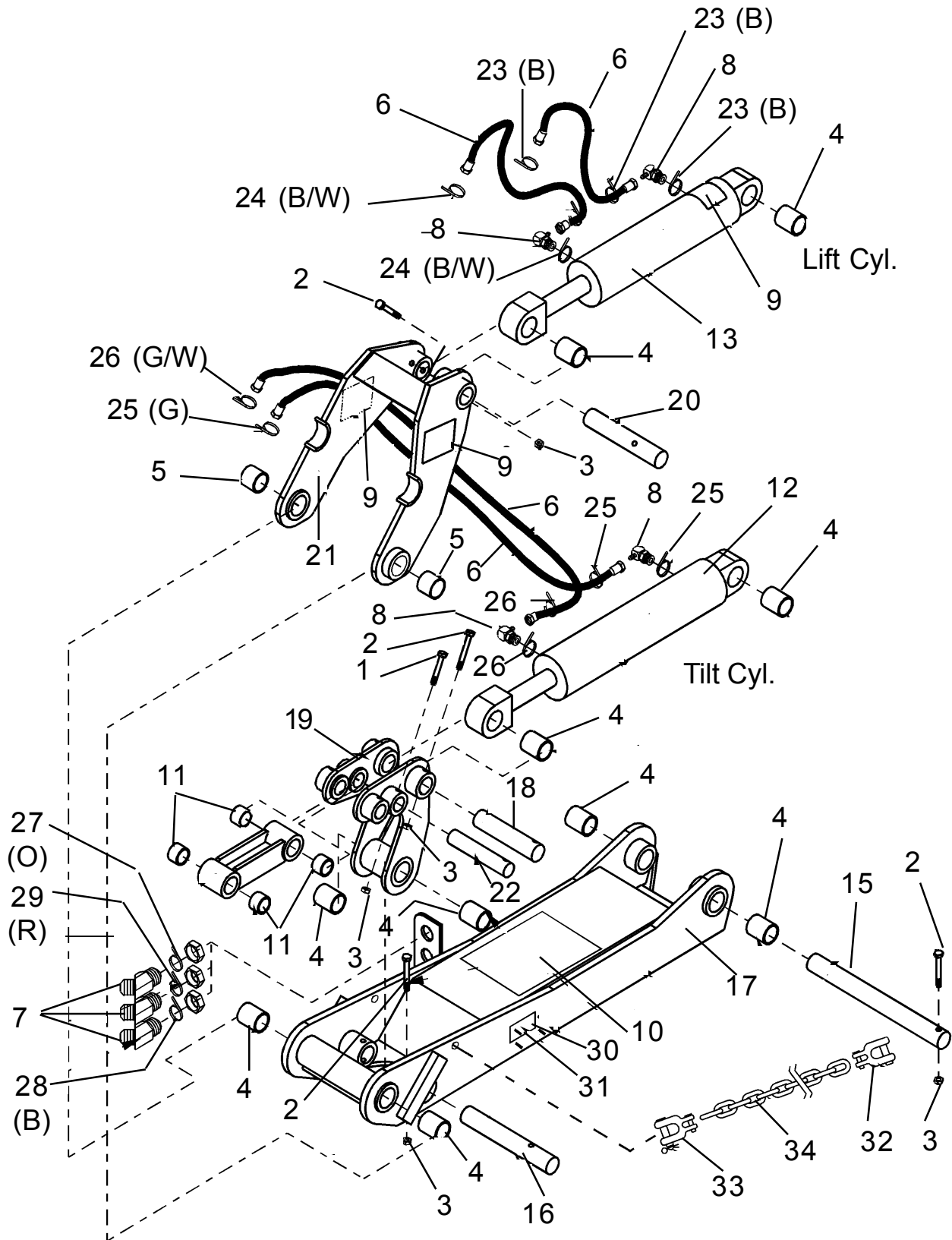
S/N BRMA-01001
to
S/N BRMA-Current

ITEM	PART NO.	QTY	DESCRIPTION
	02969093	1	Common Box
1	00001300	2	Lockwasher
2	00001800	8	Locknut TLM 1/2 NC PLC
3	00002700	8	Flatwasher
4	00007000	1	Bolt
5	00015800	3	Nut
6	00059900	2	Bolt
7	002369	1	Decal, Danger - Multi Hazard - Flail
	02967827	1	Decal, Danger - Multi Hazard - Rotary
8	00725336	2	Strap
9	00725337	2	Pin
10	00725338	2	Cotter Pin
11	00725746	1	Decal, Spanish Translation
12	00726119	2	Washer, Brass Special
13	00748823	2	Bolt
14	00750940	3	Locknut
15	00763504	1	Warranty Card, Alamo
16	02027400	6	Bolt
17	02776600	2	Bolt
18	02963201	1	Decal, AG Logo
19	02964028	1	Switch, Push Pull
20	02964063	1	Knob, Switch
21	02965093	1	Decal, Proper Engine RPM
22	02965262	1	Decal, Warning Hose Burst
23	02966305	1	Decal, Universal Tractor
24	02966634	1	Weldment, Bumper
25	03200437	1	Decal, Pressurized Tank
26	02968168	1	Oil Reservoir Asy.
27	02968822	1	Manual, Parts & Operators
28	02969032	1	Tank & Pump Cover Weldment
29	02969128	1	Joystick, Dual Axis
29A	02974119	1	Ball Joint Pivot , Plastic Ball (Not Shown)
29B	02974120	1	Ball Joint Pivot , Die Cast Metal (Not Shown)
30	02969129	2	Cable Connection Kit
31	02970204	1	Wire Harness, Pump Solenoid (Includes Item 32)
32	02969741	1-ref	Fuse
33	02969613	1	Control Valve Asy.
34	02969646	1	Decal, Name-Brahma
35	02969666	1	Decal, Instruction-Joystick
36	7AH551832	3	Bolt

Oct. 1995
to
Current

MOUNTING ARM ASSEMBLY

S/N BRMA-01001
to
S/N BRMA-Current



October 1995
through Cur-
rent

MOUNTING ARM

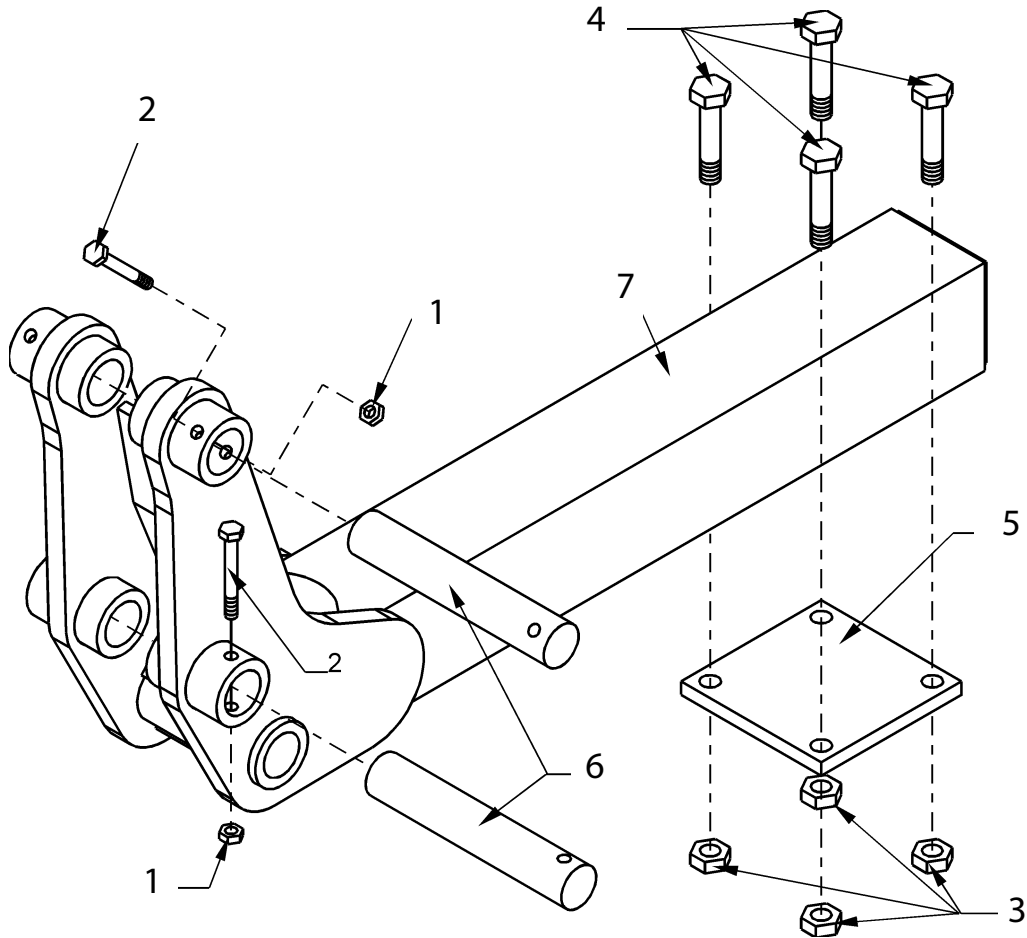
S/N BRMA-01001
through
Current

ITEM	PART NO.	QTY	DESCRIPTION
	02968977	1	Mounting Arm Asy. (includes:)
1	00013900	1	Bolt
2	00059900	4	Bolt
3	00015800	5	Locknut
4	02968803	10	Bearing, Teflon
5	00764656	2	Bearing, Teflon
6	02890900	4	Hose - 47" Lng
7	02919400	3	Bulkhead Fitting 45 Deg
8	02960018	4	Fitting , 90 Deg.
9	02962764	3	Decal, Pinch Points
10	02965262	1	Decal , Hose Burst
11	02966791	4	Bearing, Teflon Impreg
12	02968024	1	Cylinder- Asy, Tilt
13	02968023	1	Cylinder Asy, Lift
14	02968043	1	Cowl Link Weldment
15	02968101	1	Pin, Arm Base
16	02968103	1	Pin-Cyl. Link Base
17	02968126	1	Arm Weldment
18	02968134	1	Pin- Cyl. Rod
19	02968139	1	Cylinder Link Weldment
20	02968197	1	Pin, Cyl Rod
21	02968242	1	Cylinder Link Weldment
22	02968559	1	Pin, Cyl Base
23	02968830	3	Vinyl Tape Blue 1/2" Wide
24	02968831	3	Vinyl Tape Blue 1/4" Wide
25	02968832	3	Vinyl Tape Green 1/2" Wide
26	02968833	3	Vinyl Tape Green 1/4" Wide
27	02968896	1	Vinyl Tape Blue 1/2" Wide
28	02991249	1	Vinyl Tape Green 1/2" Wide
29	02968894	1	Vinyl Tape Red 1/2" Wide
30	3710151	4	Metal Tack
31	NFS	1	Serial No. Plate - Brahma Arm
32	02275800	2	Clevis, Double
33	00751685	1	Pin, Hairpin
34	02973792	1	Chain

Oct. 1995
to
Current

UNDERBEAM P/N 02968978

S/N BRMA-01001
to
S/NBRMA-Current



Item	Part No.	Qty	Description
	02968978	1	Underbeam Asy.
1	00015800	2	Nut, Toplock
2	00059900	2	Hex Bolt
3	00695100	4	Nut, Toplock 5/8 NC PLC
4	00059100	4	Hex Bolt
5	02967987	1	Plate- Clamp
6	02968079	2	Pin- Cylinder Base
7	02968095	1	Wldmt-Underbeam

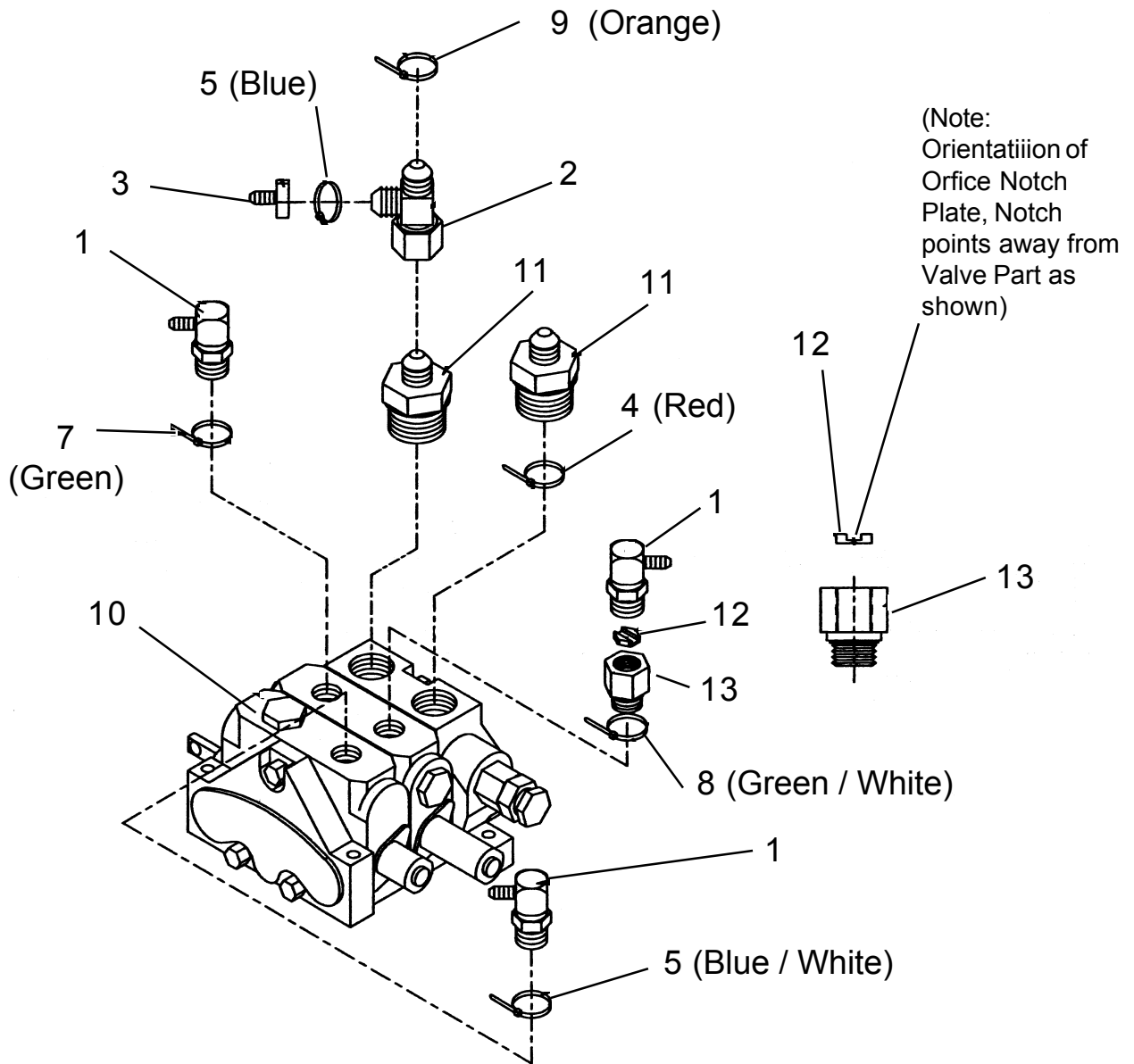
NOTES

Oct. 1995
to
Current

CONTROL VALVE

P/N 02969613

S/N BRMA-01001
to
S/N BRMA-Current



Oct. 1995
to
Current

CONTROL VALVE

P/N 02969613

S/N BRMA-01001
to
S/NBRMA-Current

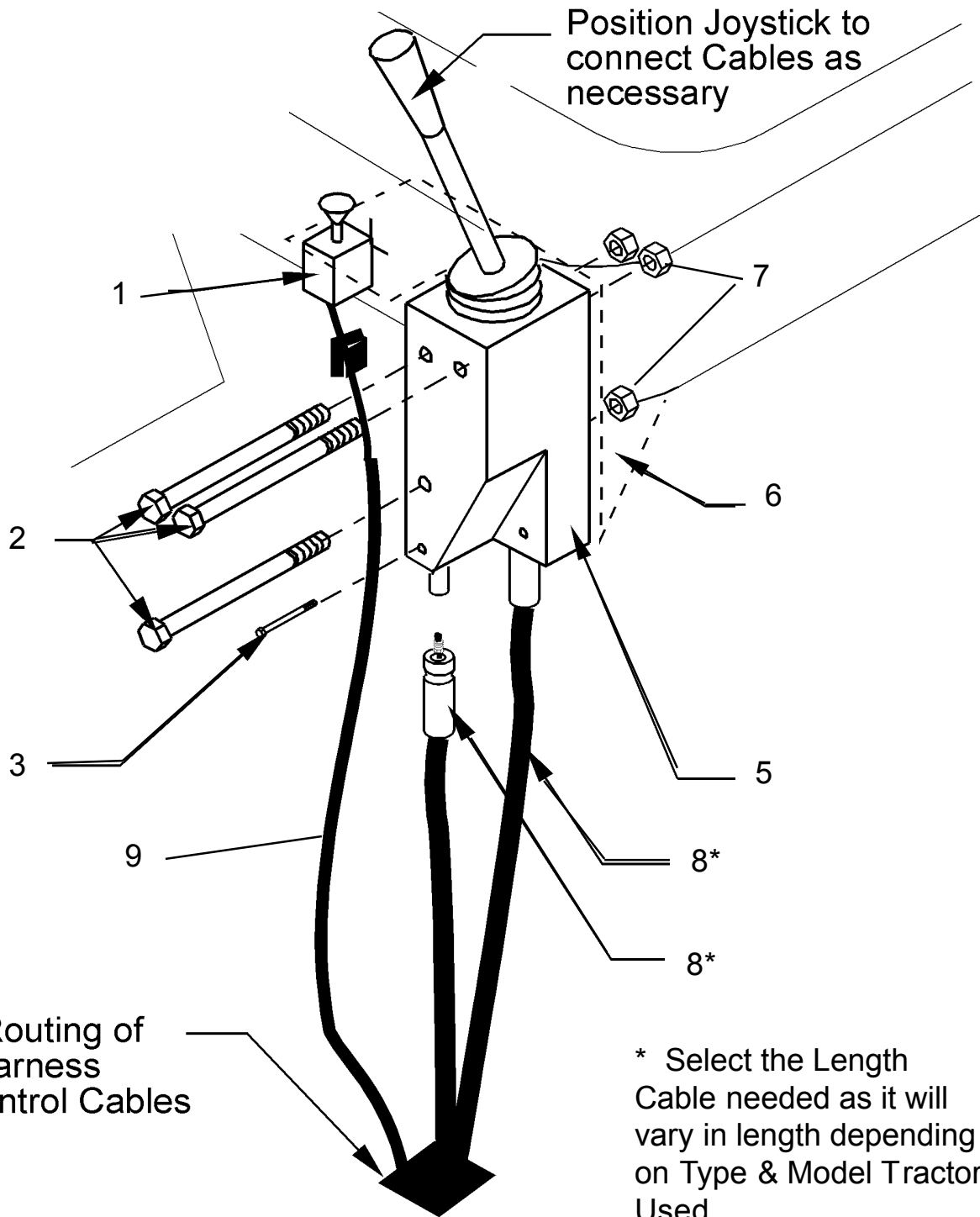
Item	Part No.	Qty	Description
	02969613	1	Control Valve Asy.
1	02962249	3	Adapter, Elbow
2	02967150	1	Adapter, Tee
3	02967151	1	Adapter, Straight
4	02968828	1	Vinyl Tape Red 1/2" Wide
5	02968830	1	Vinyl Tape Blue 1/2" Wide
6	02968831	1	Vinyl Tape Blue 1/4" Wide
7	02968832	1	Vinyl Tape Green 1/2" Wide
8	02968833	1	Vinyl Tape Green 1/4" Wide
9	02968834	1	Vinyl Tape Orange 1/2" Wide
10	02969131	1	Valve, Directional Control
11	63042700	2	Adapter, Straight
12	02969399	1	Orifice, One Way Restrictor
13	02972159	1	Adapter, Elbow

Oct. 1995
to
Current

JOYSTICK

P/N 02969128

S/N BRMA-01001
to
S/N BRMA-Current



Note: Routing of Wire Harness and Control Cables

* Select the Length Cable needed as it will vary in length depending on Type & Model Tractor Used.

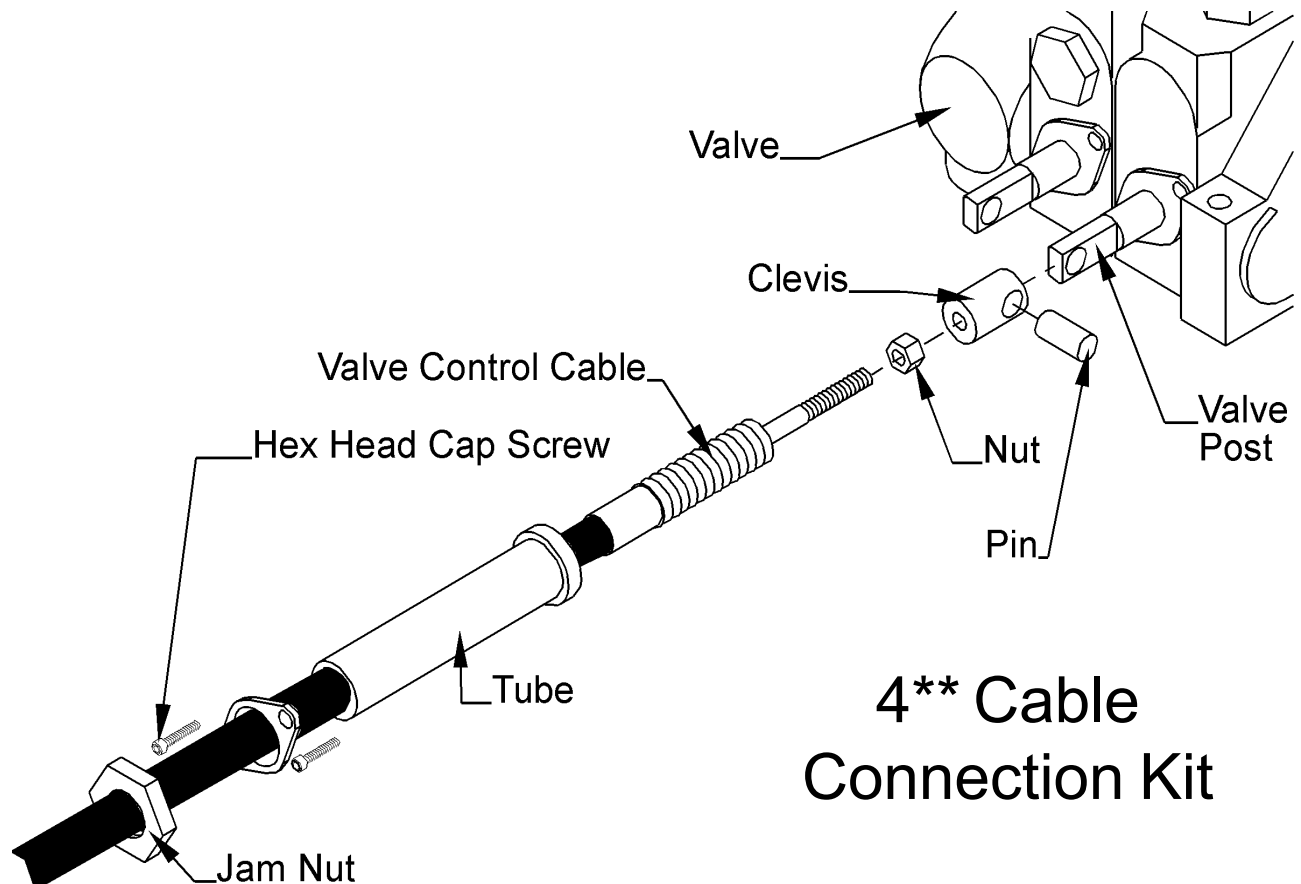
Oct. 1995
to
Current

JOYSTICK

P/N 02969128

S/N BRMA-01001
to
S/NBRMA-Current

ITEM	PART NO.	QTY	DESCRIPTION
1	02964028	1	Switch, Push Pull
	02964063	1	Knob, Switch
	02969741	1-ref	Fuse
2	7AH551832	3	Bolt
3	-----	1-ref	Bolt, Cable Retaining (in Item 5)
4**	02969129	2	Cable Connection Kit (Not Shown)
5	02969128	1	Joystick, Dual Axis
	02974119	1	Ball Joint Pivot , Plastic Ball (Not Shown)
	02974120	1	Ball Joint Pivot , Die Cast Metal (Not Shown)
6	-----	1-ref	Joystick Mounting Bracket (See Mount Kit for Tractor)
7	00750940	3	Locknut, Top Lock
8*	02971197	ref	Cable, Remote, 48" Long
	02971198	ref	Cable, Remote, 60" Long
	02969130	ref	Cable, Remote, 72" Long
	02971199	ref	Cable, Remote, 102" Long
9	02970204	1	Wire Harness, Pump Solenoid

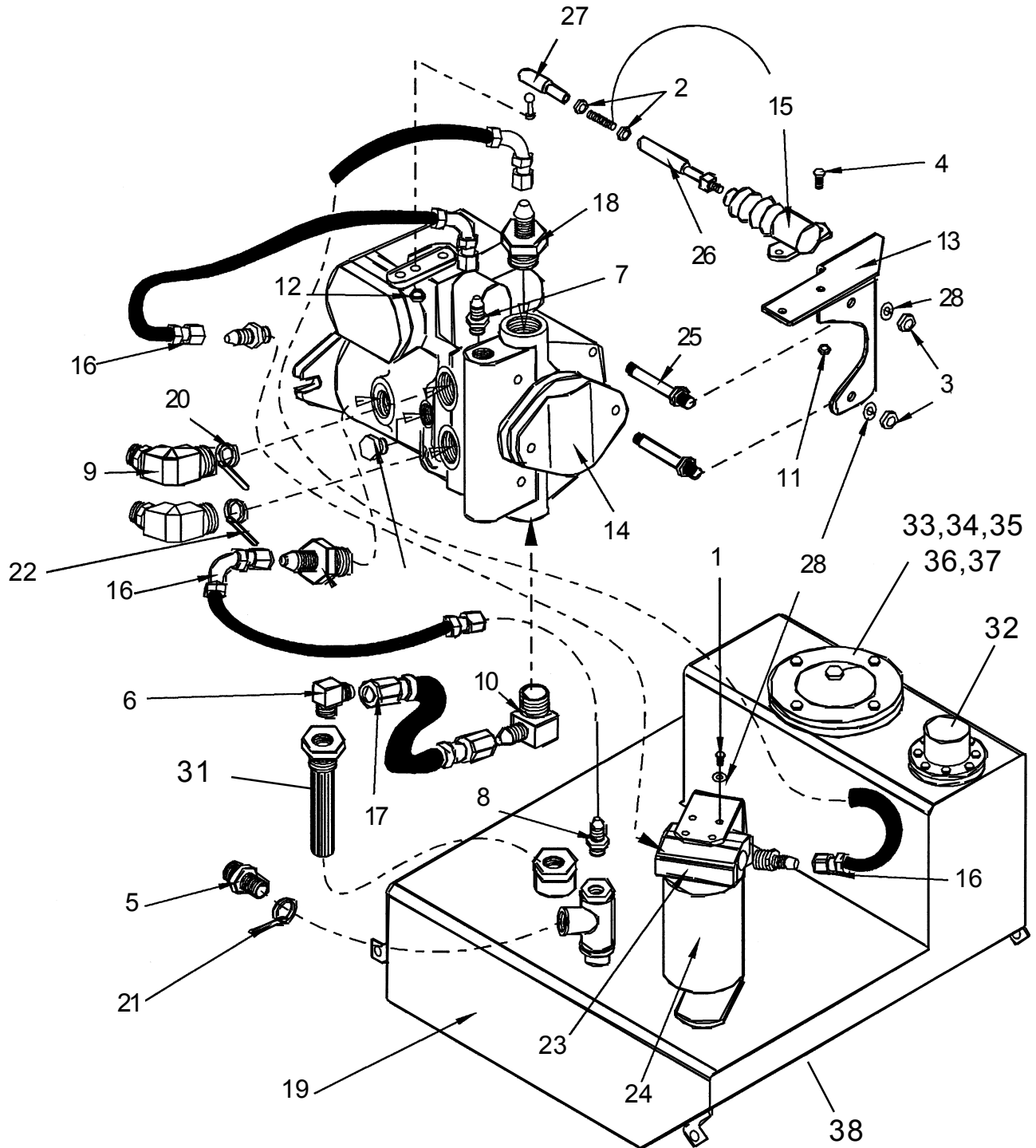


4 Cable
Connection Kit**

Oct. 1995
to
Mar. 1996

OIL RESERVOIR ASSEMBLY

S/N BRMA-01001
to
S/N BRMA-01004



Oct. 1995
to
Mar. 1996

OIL RESERVOIR ASSEMBLY

S/N BRMA-01001
to
S/N BRMA-01004

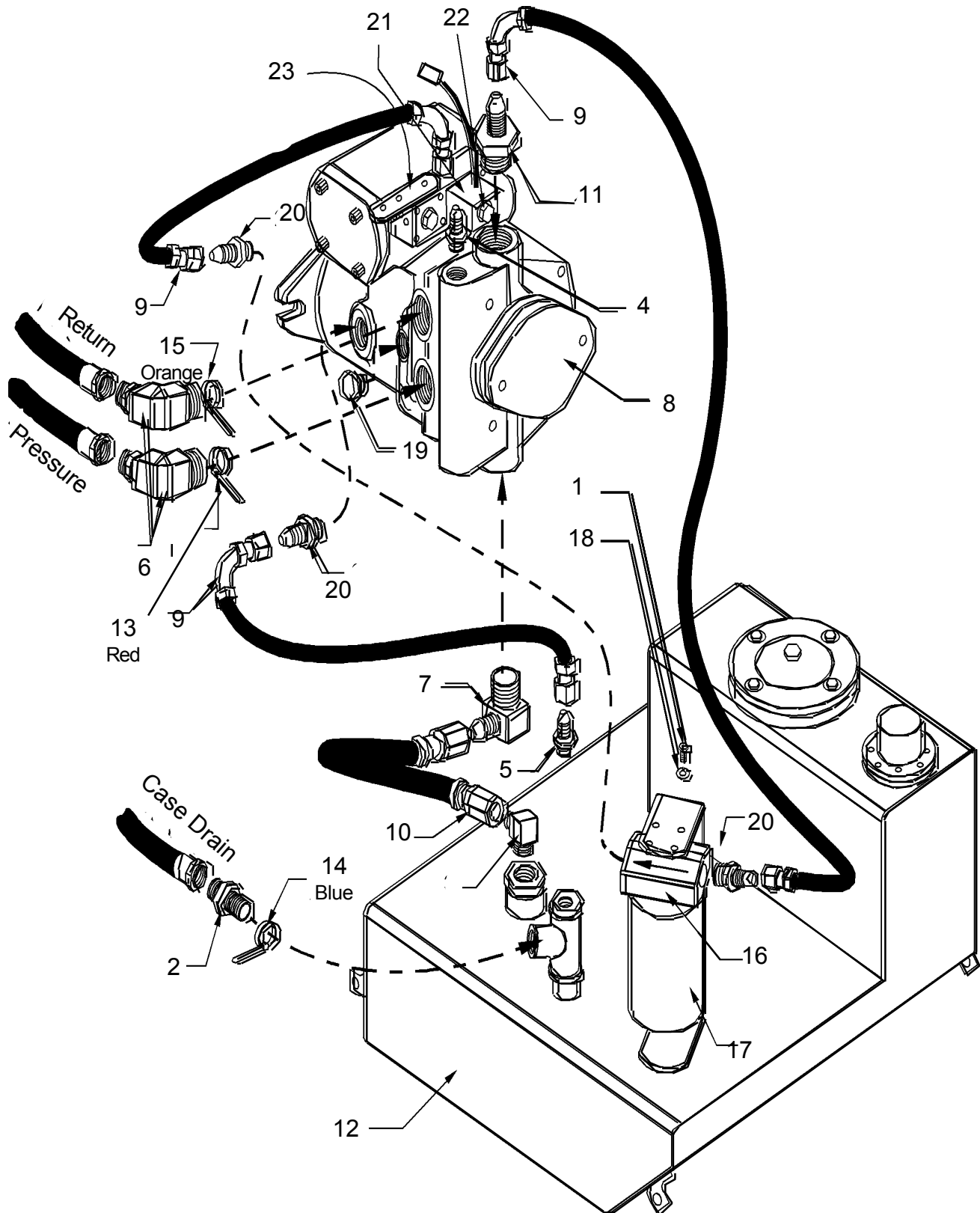
Item	Part No.	Qty	Description
	02968168	1	Assembly Oil Reservoir
1	00002000	4	Hexbolt
2	000035	2	NutHex
3	00013901	2	Nut
4	00021400	2	Hexbolt
5	00752067	1	St Adaptor
6	02041800	1	Elbow 90deg
7	02042300	1	Straight Adapter
8	02042400	1	St Adaptor
9	02043600	2	Adp Hyd 45deg
10	02822700	1	Elbow 90deg
11	02959924	2	Nut Toplock
12	02962363	1	Nut Toplock
13	02967191	1	Bracket,Solenoid Mount
14*	02967192	1	*Pump,Front-Servo
15	02967199	1	Solenoid,Three Wire
16	02968164	3	Hose
17	02968165	1	Hose
18	02968167	1	St.Adapter
19	02968169	1	Tank Sub-Assembly
20	02968896	1	Vinyl Tape Blue 1/2" Wide
21	02991249	1	Vinyl Tape Green 1/2" Wide
22	02968894	1	Vinyl Tape Red 1/2" Wide
23	02968922	1	Assembly,Pressure Filter Head
24	02968923	1	Assembly,Press Filter
25	02968959	2	Bolt,Bracket Mount
26	02968961	1	Ball Joint-Straight
27	02968962	1	Ball Joint 90deg
28	03101646	6	Lockwasher
29	03200587	1	Plug
30	63042700	3	Adapter
31	02968166	1	Strainer Screen, Suction Side
32	02968879	1	Filler / Breather Cap Asy.
33	W26A	1	C over
34	W155	1	Gasket (For Cover)
35	00011800	4	Bolt (For Cover)
36	00001300	4	Lockwasher (For Cover)
37	00001700	1	Plug,(For Cover)
38	02963659	1	Plug,Magnetic (Not Shown)

NOTE: *As an Assembly Item # 14 pump will be replaced by later style Pump #02969527A
there are no parts available for pump # 02967192.

Apr. 1996
to
Current

OIL RESERVOIR ASSEMBLY

S/N BRMA-01005
to
S/N BRMA-Current



Apr. 1996
to
Current

OIL RESERVOIR ASSEMBLY

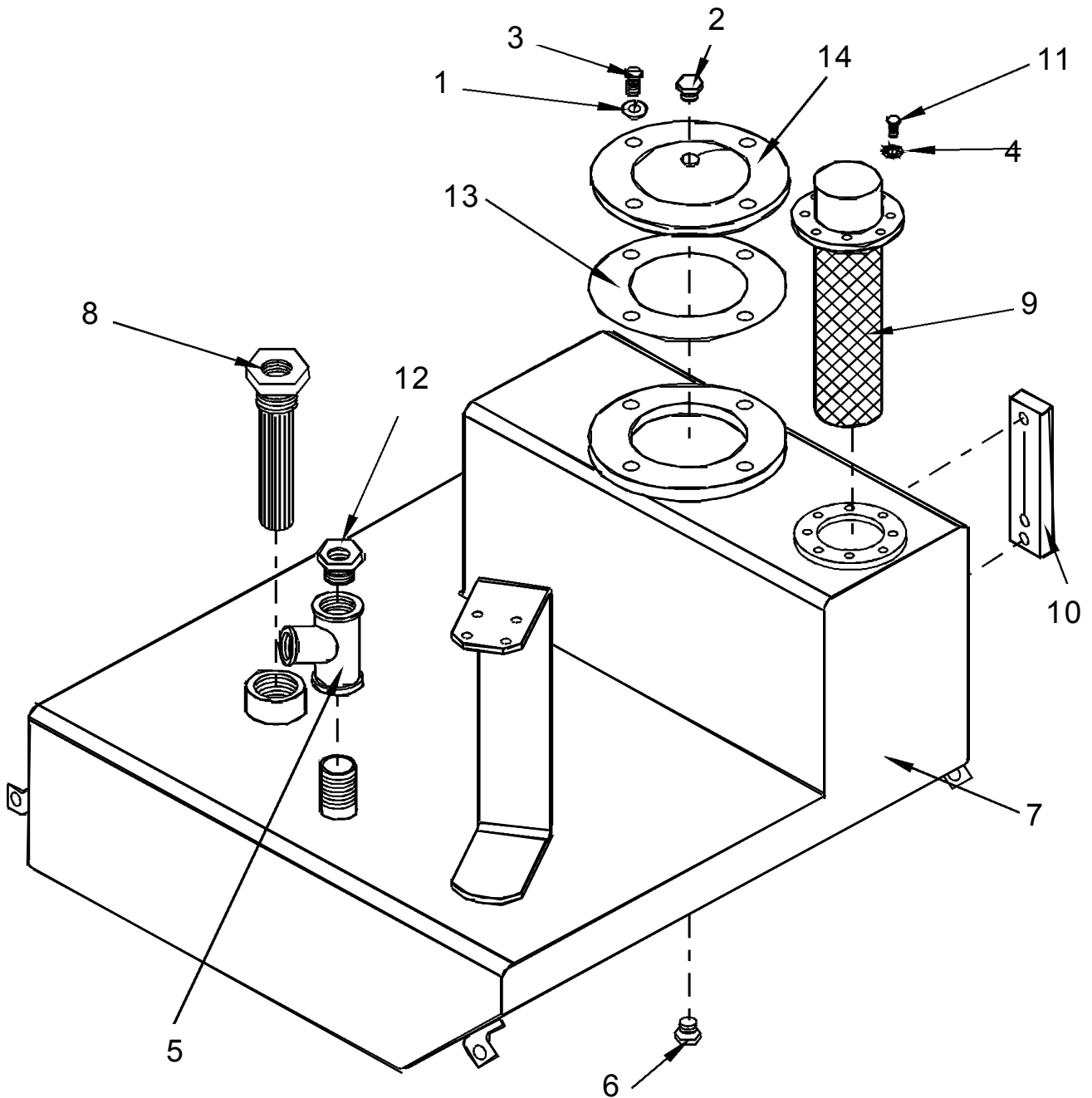
S/N BRMA-01005
to
S/NBRMA-Current

Item	Part No.	Qty	Description
	02968168	1	Oil Reservoir Asy
1	00002000	4	Hexbolt
2	00752067	1	St Adaptor
3	02041800	1	Elbow 90deg
4	02042300	1	Straight Adapter
5	02042400	1	St Adaptor
6	02043600	2	Adp Hyd 45deg
7	02822700	1	Elbow 90deg
8	02969527A	1	Pump,Front-Servo (W/ Item # 23)
	02969527RB	ref	Pump,Front-Servo Rebuilt
9	02968164	3	Hose
10	02968165	1	Hose
11	02968167	1	Adapter, Straight
12	02968169	1	TankSub-Assembly
13	02968896	1	Vinyl Tape Blue 1/2" Wide
14	02991249	1	Vinyl Tape Green 1/2" Wide
15	02968894	1	Vinyl Tape Red 1/2" Wide
16	02968922	1	Filter Head Asy, Pressure
17	02968923	1	Filter Asy, Pressure
18	03101646	4	Lockwasher
19	03200587	1	Plug
20	63042700	3	Adapter
21	02972836	1	Coil
22	02972835	1	Stem
23	02970206	1	Solenoid Servo Control Asy.

Oct. 1995
to
Current

OIL RESERVOIR HYDRAULIC TANK

S/N BRMA-01001
to
S/N BRMA-Current



Oct. 1995
to
Current

OIL RESERVOIR HYDRAULIC TANK

S/N BRMA-01001
to
S/N BRMA-Current

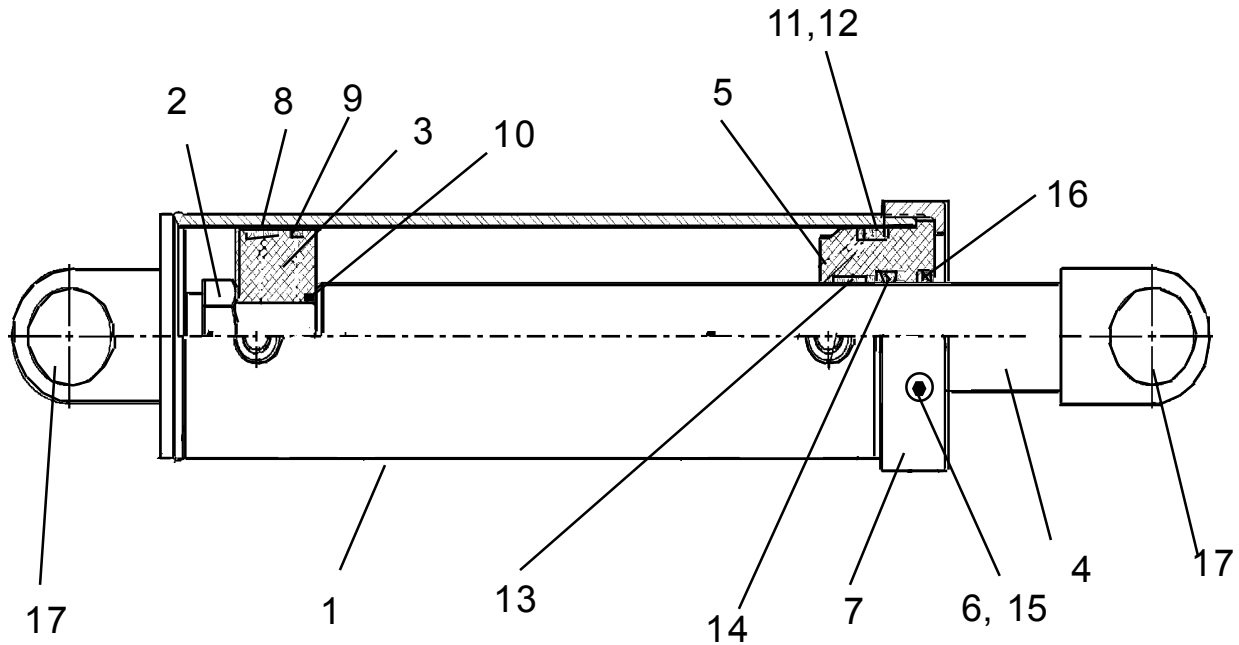
Item	Part No.	Qty	Description
	02968169	1	Oil Reservoir Sub-Asy.
1	00001300	4	Lockwasher
2	00001700	1	Pipe Plug
3	00011800	4	Hexbolt 3/4 Lg
4	00751984	6	Starwasher
5	02275700	1	Pipe Tee
6	02963659	1	Plug, Magnetic
7	02966633	1	Weldment-Tank
8	02968166	1	Strainer-Suction
9	02968879	1	Assembly, Filler/Breather Cap
10	02968880	1	Gauge, Sight/Temperature
11	02969377	6	Machine Screw, Slotted Hex
12	63081000	1	Reducer Bushing
13	W155	1	Gasket
14	W26A	1	Cover Gear Box

Oct. 1995
to
Jan. 2000

CYLINDER - LIFT

P/N 02968023

S/N BRMA-01001
to
S/N BRMA-01067



Item	Part No.	Qty	Description
	02968023	1	Cylinder Asy, Lift
1	02969701	1	Tube Weldment
2	02969703	1	Locknut
3	02969704	1	Piston
4	02969705	1	Rod Weldment
5	02969707	1	Head Gland
6	02969168	1	Set Screw
7	02969706	1	Head Gland Cap
8*	-----	1	Wearband
9*	-----	1	T - Seal
10*	-----	1	O-Ring
11*	-----	1	O-Ring
12*	-----	1	Back-up Ring
13*	-----	2	Wearband
14*	-----	1	Seal, U-Cup Double Lip
15*	-----	1	Locking Insert
16*	-----	1	Rod Wiper
17	02968803	2	Bushings
18	02969700	1	Seal Kit (items #8 thru #16)

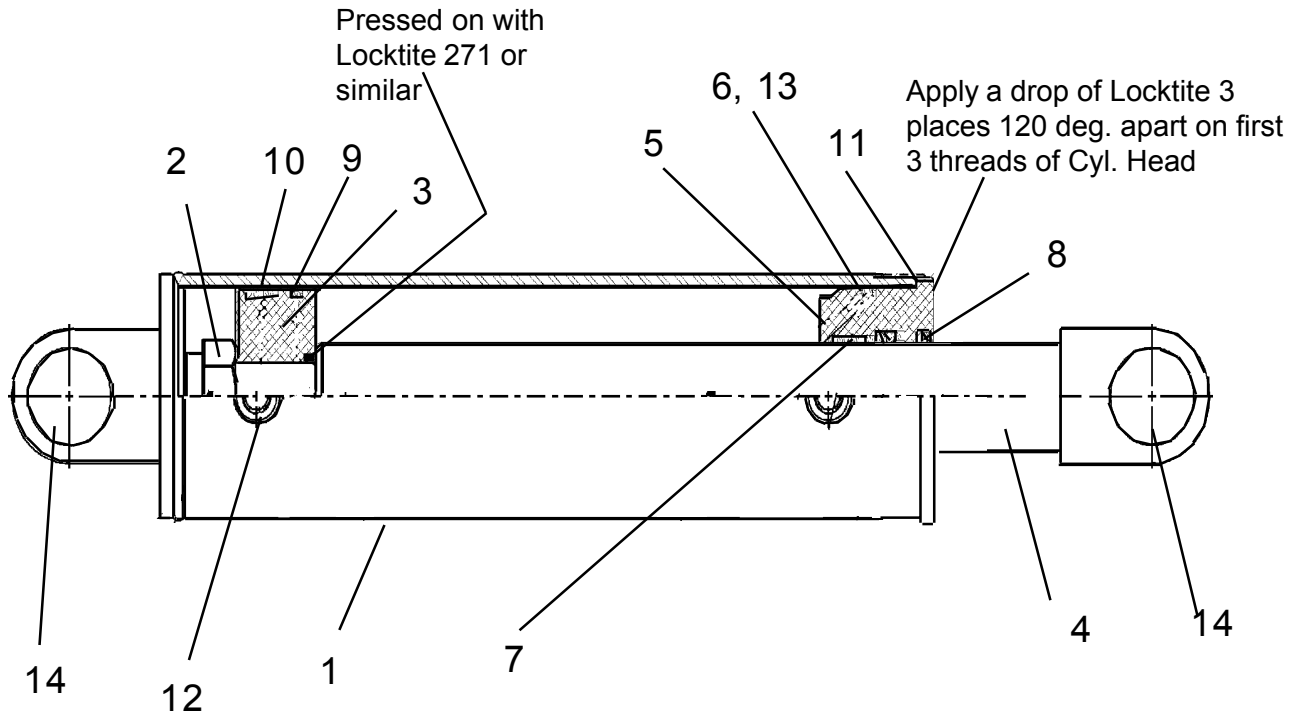
This Cyl. Gland (item # 5) is retained by Cap & Set Screw (Items # 6,7, &15)

Feb. 2000
to
Current

CYLINDER - LIFT

P/N 02968023A

S/N BRMA-01068
to
S/N BRMA-Current



Item	Part No.	Qty	Description
	02968023A	1	Cylinder Asy, Lift
1	02965464	1	Tube Weldment
2	1917155	1	Locknut
3	02975456	1	Piston
4	02975458	1	Rod Weldment
5	02975449	1	Head Gland
6*	-----	1	O-Ring
7*	-----	1	Wear Ring, Rod
8*	-----	1	Seal, Wiper Rod
9*	-----	1	Seal, Piston
10*	-----	1	Wear Ring, Piston
11*	-----	1	Seal
12*	-----	1	O-Ring
13*	-----	1	Seal
14	02968803	2	Bushings
15	02975531	1	Seal Kit (Items #6 thru #13)

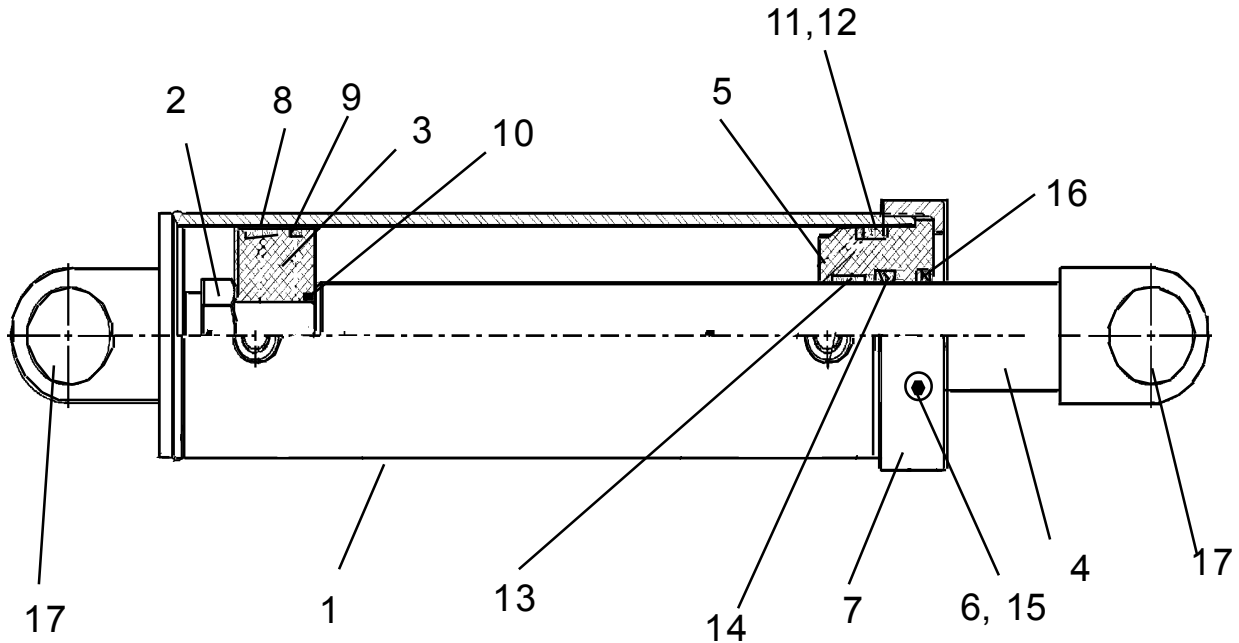
This Cyl. Gland (item # 5) is retained by being Screwed direct into Tube (Item # 1)

Oct. 1995
to
Jan. 2000

CYLINDER - TILT

P/N 02968024

S/N BRMA-01001
to
S/N BRMA-01067



Item	Part No.	Qty	Description
	02968024	1	Cylinder Asy, Tilt
1	02969702	1	Tube Weldment
2	02969703	1	Locknut
3	02969704	1	Piston
4	02969706	1	Rod Weldment
5	02969707	1	Head Gland
6	02969168	1	Set Screw
7	02969708	1	Head Gland Cap
8*	-----	1	Wearband
9*	-----	1	T - Seal
10*	-----	1	O-Ring
11*	-----	1	O-Ring
12*	-----	1	Back-up Ring
13*	-----	2	Wearband
14*	-----	1	Seal, U-Cup Double Lip
15*	-----	1	Locking Insert
16*	-----	1	Rod Wiper
17	02968803	2	Bushings
18	02969700	1	Seal Kit (items #8 thru #16)

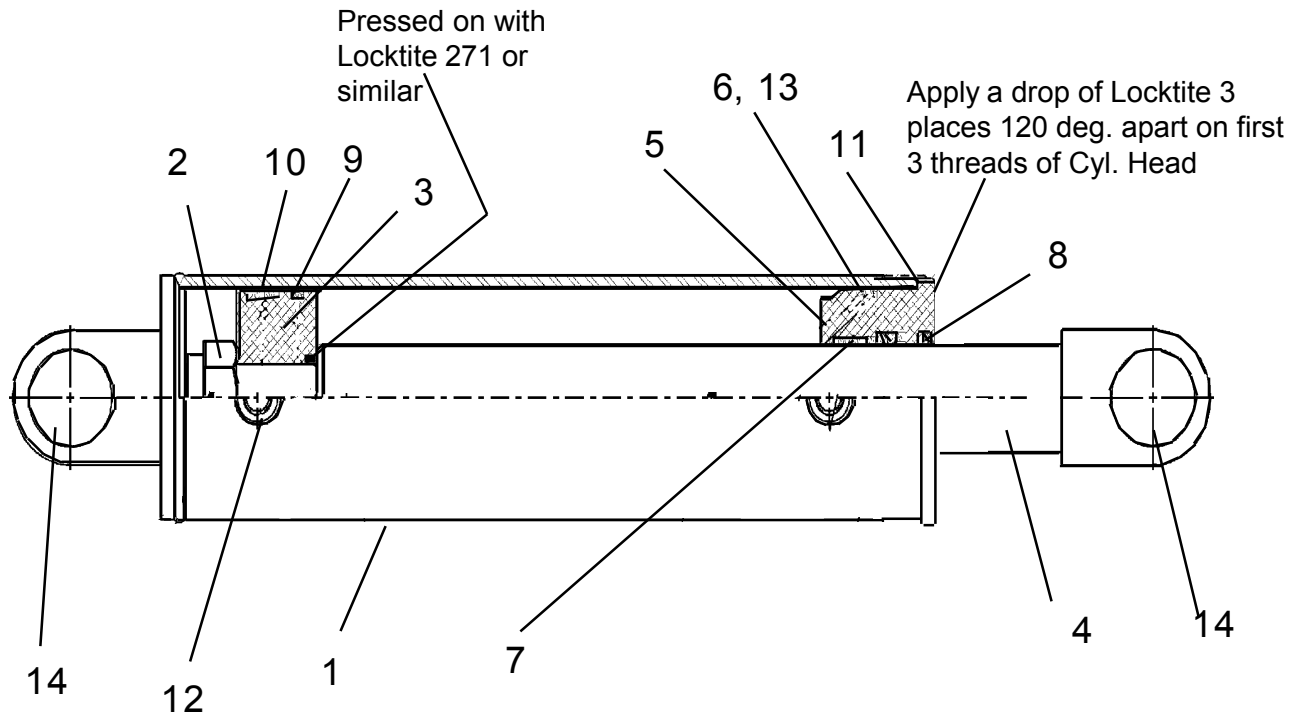
This Cyl. Gland (item # 5) is retained by Cap & Set Screw (Items # 6,7, &15)

Feb. 2000
to
Current

CYLINDER - TILT

P/N 02968024A

S/N BRMA-01068
to
S/N BRMA-Current



Item	Part No.	Qty	Description
	02968024A	1	Cylinder Asy, Tilt
1	02965550	1	Tube Weldment
2	1917155	1	Locknut
3	02975456	1	Piston
4	02975549	1	Rod Weldment
5	02975459	1	Head Gland
6*	-----	1	O-Ring
7*	-----	1	Wear Ring, Rod
8*	-----	1	Seal, Wiper Rod
9*	-----	1	Seal, Piston
10*	-----	1	Wear Ring, Piston
11*	-----	1	Seal
12*	-----	1	O-Ring
13*	-----	1	Seal
14	02968803	2	Bushings
15	02975531	1	Seal Kit (Items #6 thru #13)

This Cyl. Gland (item # 5) is retained by being Screwed direct
into Tube (Item # 1)

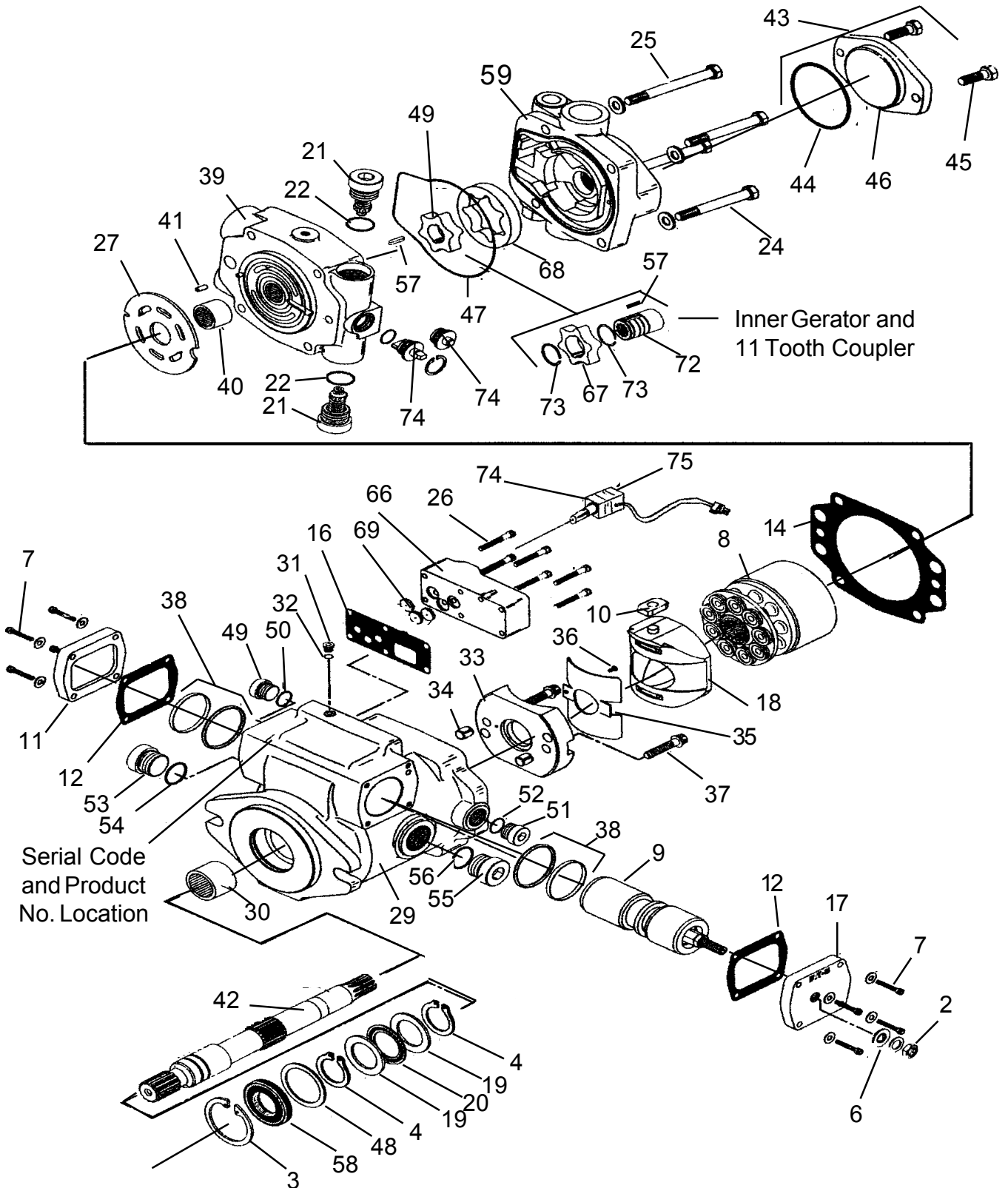
Apr. 1996
to
Current

PUMP ASSEMBLY

P/N 02969527A

S/N BRMA-01005
to
S/N BRMA-Current

Servo-Controlled Piston Pump



Apr. 1996
to
Current

PUMP ASSEMBLY

P/N 02969527A

S/N BRMA-01005
to
S/NBRMA-Current

Servo-Controlled Piston Pump

Item	Part No.	Qty	Description
1	02969527A	--	Pump Asy
2	02977418	1	Nut, Jam
3	02977419	1	Ring, Retaining
4	02977420	2	Ring, Retaining
6	02977421	1	Washer, Seal
7	02977422	8	Bolt
8	02977423	1	Rotating
9	02977424	1	Servo Piston Sub-Asy.
10	02977425	1	Follower, Servo Piston
11	02977426	1	Plate, Cover
12	02977427	2	Gasket, Cover Plate
14	02977428	1	Gasket, Housing
16	02970209	1	Gasket, Control Housing
17	02977430	1	Plate, Cover
18	02977431	1	Cam Plate Sub-Asy
19	02977432	2	Race, Thrust
20	02977433	1	Bearing, Thrust
21	02977434	2	Relief Valve Sub-Asy
22	02977525	2	O-Ring
23	02977434	1	Relief Valve Sub-Asy
24	02977436	2	Bolt
25	02977437	2	Bolt
26	02970208	6	Bolt
27	02977439	1	Plate, Valve
28	02977440	1	Housing Sub-Asy
29	02977526	1	Housing
30	02977527	1	Bearing
31	02977528	1	Plug Sub-Asy
32	02977529	1	O-Ring
33	02977530	1	Cradle, Sub-Asy
34	02977531	2	Dowel Bushing
35	02977532	1	Bushing
36	02977533	1	Bolt, Button Head
37	02977534	2	Bolt
38	02977535	2	Seal Sub-Asy
39	02977441	1	Back Plate Sub-Asy
40	02977536	1	Bearing, Press Fit

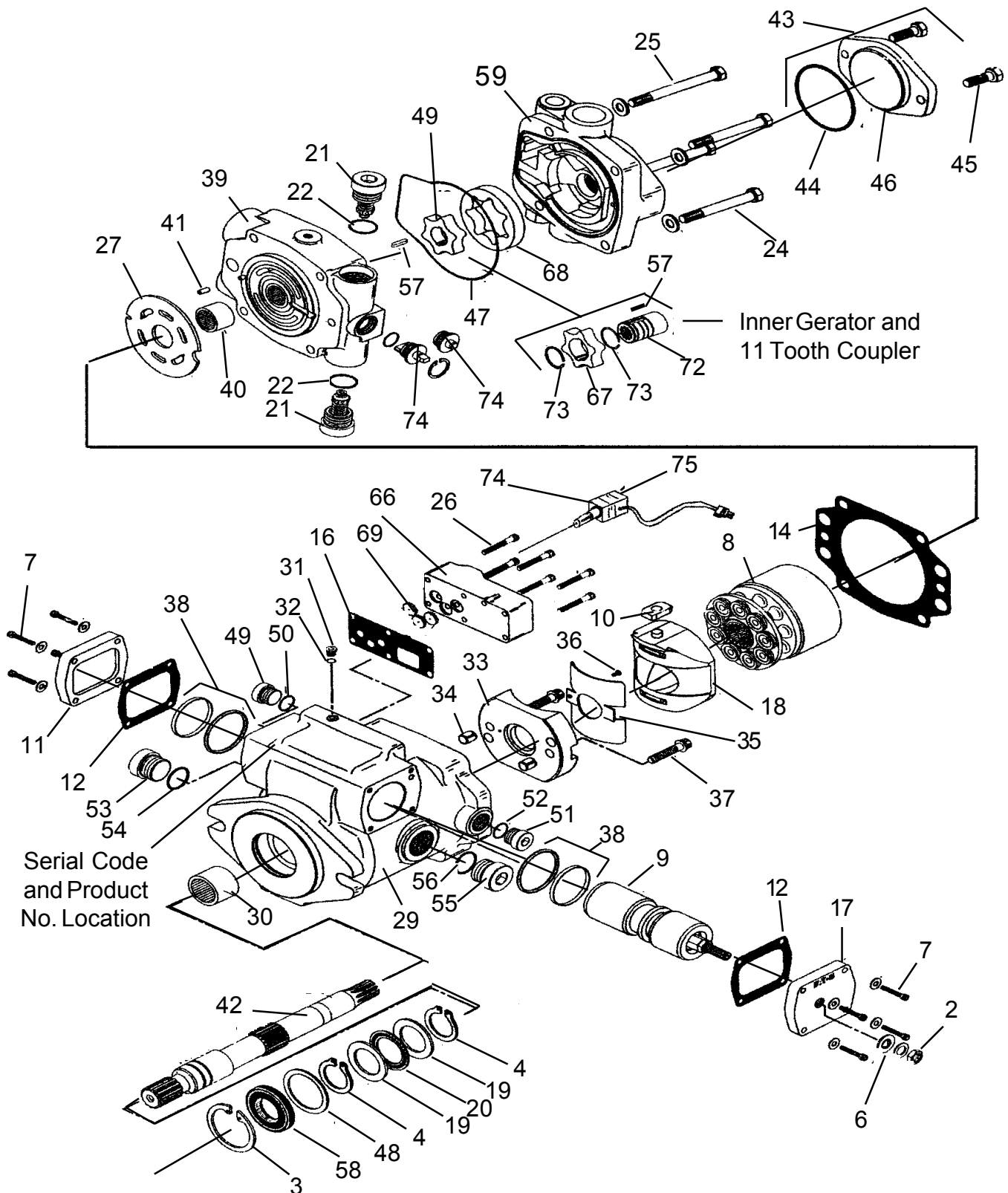
NOTE: As an Assembly this pump will replace previous Pump # 02967192 but parts WILL NOT interchange between them, There are no parts available for the earlier pump # 02967192.

Apr. 1996
to
Current

PUMP ASSEMBLY P/N 02969527A

S/N BRMA-01005
to
S/N BRMA-Current

Servo-Controlled Piston Pump



Apr. 1996
to
Current

PUMP ASSEMBLY

P/N 02969527A

S/N BRMA-01005
to
S/N BRMA-Current

Servo-Controlled Piston Pump

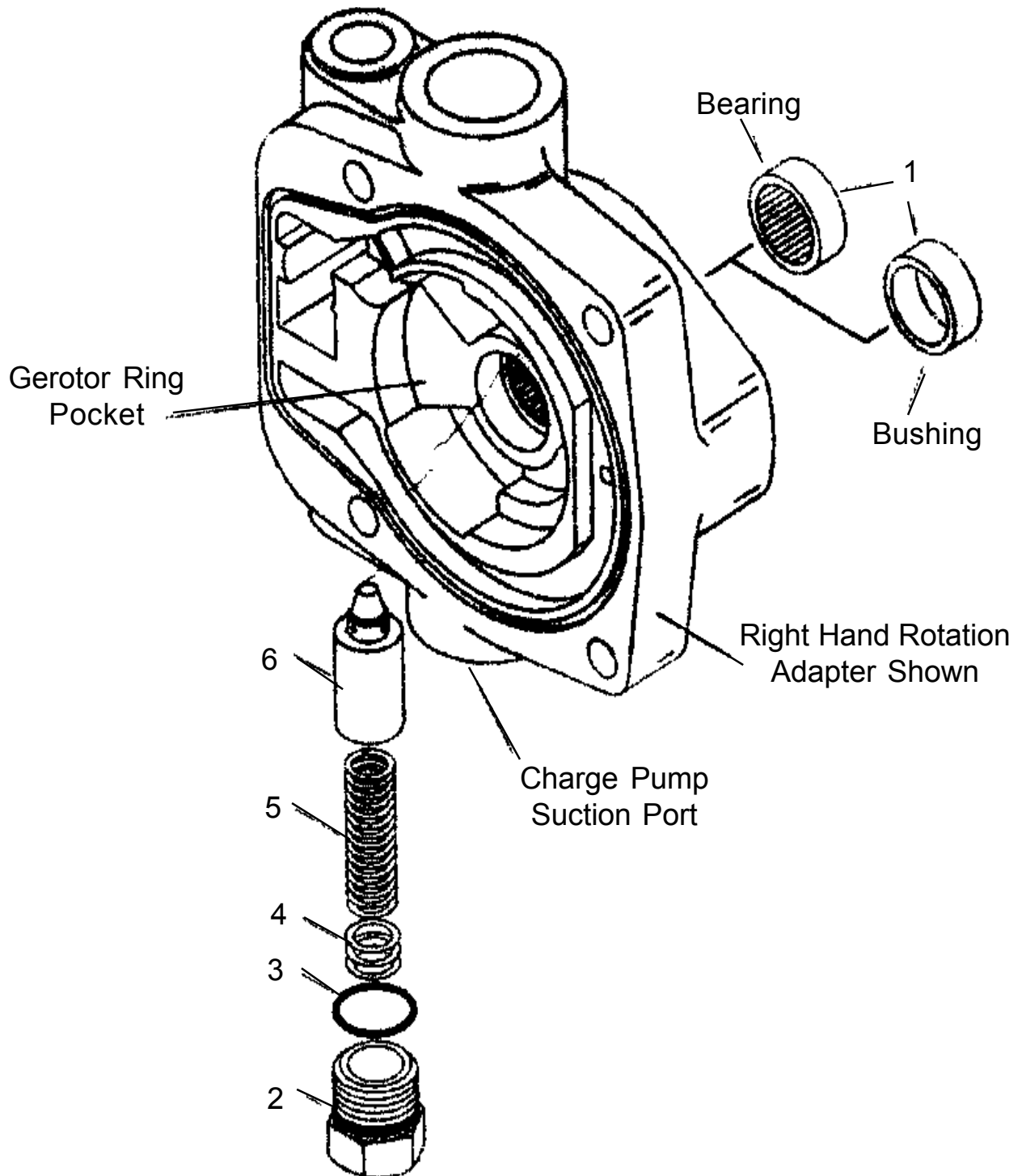
ITEM	PART NO.	QTY	DESCRIPTION
41	02977537	1	Roll Pin
42	02977325	1	Drive Shaft, Splined
43	02977551	1	Kit, A Flange Cover Plate
44	02977442	1	O-Ring
45	02977444	2	Bolt
46	02977449	1	Plate, Cover
47	02977443	1	O-Ring
48	02977445	1	Washer
49	02977446	1	Plug, Sub-Asy
50	02977538	1	O-Ring
51	02977540	1	Plug
52	02977541	1	O-Ring
53	02977447	2	Plug
54	02977539	2	O-Ring
57	02977448	1	Key
58	02977199	1	Seal, Sshaft
59	02977450	1	Charge Pump Adapter Sub-Asy
	02977543	1	Bushing, Press Fit w/ 11 Tooth Shaft
	02977544	1	Plug
	02977545	1	O-Ring
	02977546	1	Shims
	02977547	1	Spring
	02977548	1	Poppet
66	02970207	1	2 Position Servo Control Sub-Asy
67	02991556	1	Gerotor, Inner Ring
68	02991557	1	Gerotor, Outer Ring
69	02977453	3	Orifice, Control Valve
72	02977456	1	Coupler
73	02977457	2	Ring, Retaining
74	02977458	1	Plug, Sub-Asy.
75	02977459	1	Washer
76	02977460	8	Washer
77	02977461	4	Washer
78	02977462	1	Ring, Lock
79	02972835	1	Cartridge valve Asy. w/o Coil
80	02972836	1	Coil Asy.

NOTE: As an Assembly this pump will replace previous Pump # 02967192 but parts WILL NOT interchange between them, There are no parts available for the earlier pump # 02967192.

Apr 1996
to
Current

CHARGE PUMP Adapter Sub-Asy # 02977450

S/N BRMA-01005
to
S/N BRMA-Current



Apr. 1996
to
Current

CHARGE PUMP Adapter Sub-Asy # 02977450

S/N BRMA-01005
to
S/N BRMA-Current

ITEM PART NO. QTY DESCRIPTION

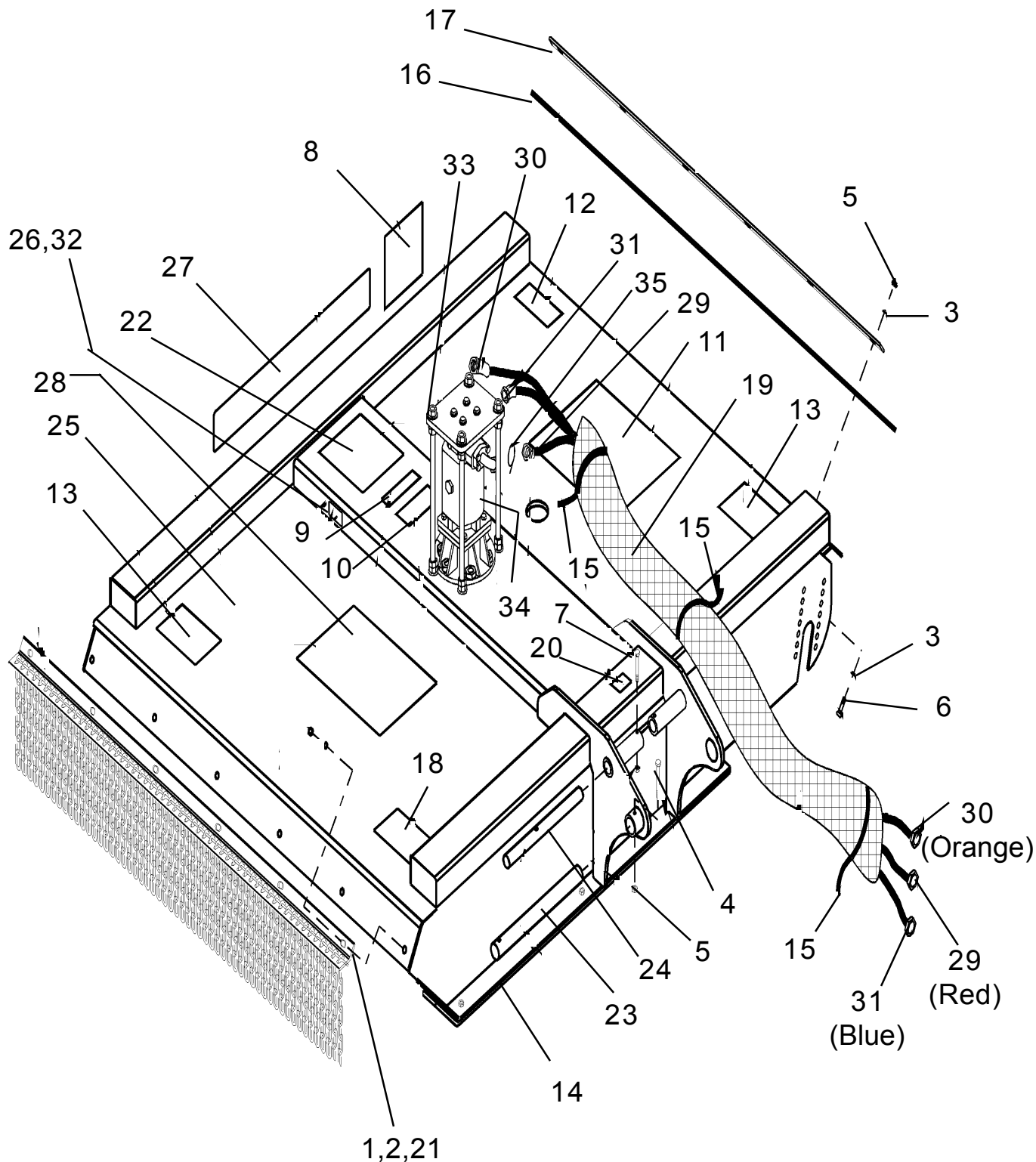
	02977450	1	Charge Pump Adapter Sub-Asy
1	02977543	1	Bushing, Press Fit, F/ 11 Tooth Shaft
2	02977544	1	Plug
3	02977545	1	O-Ring
4	02977546	1	Shims
5	02977547	1	Spring
6	02977548	1	Poppet

NOTE: For Pump that this part is used on see previous
Pump Assembly Pages.

Oct. 1995
to
Current

ROTARY HEAD ASSEMBLY

S/N BRMA-01001
to
S/NBRMA-Current



Oct. 1995
to
Current

ROTARY HEAD ASSEMBLY

S/N BRMA-01001
to
S/NBRMA-Current

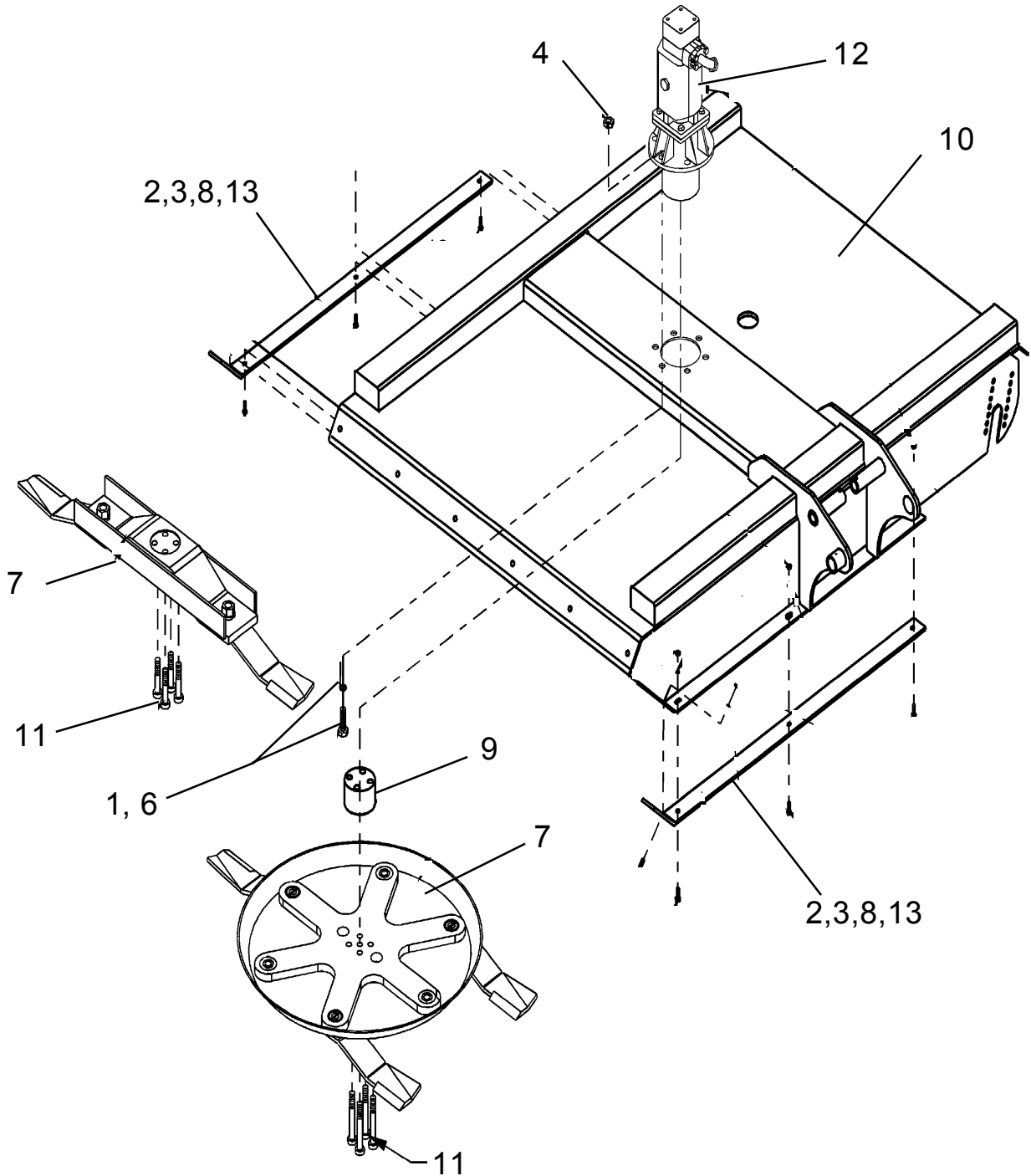
Item	Part No.	Qty	Description
	02969091	–	Head Asy, 60"Rotary/Pan
	02969090	–	Head Asy, 60" Rotary/Bar
1	00001800	6	Locknut TLM 1/2 NC PLC
2	00002700	6	Flatwasher
3	00011100	22	Flatwasher
4	00013900	1	Bolt, (3" Long)
5	00015800	13	Locknut
6	00023100	11	Bolt, (1" Long)
7	00059900	1	Bolt, (2-1/2" Long)
8	001650	1	Decal , Alamo Logo
9	00725746	1	Decal , Spanish
10	00756059	1	Decal , Danger Oil Leak
11	00757140	1	Decal - Alamo Logo
12	00769736	1	Decal , Use/Repair Guard
13	00769737	2	Decal - Blades Thrown Objects
14	02030700	6	Bolt, (1-1/4" Long)
15	02753400	3	Plastic Tie (No Special Color)
16	02885700	1	Rear Flap
17	02885800	1	Rear Clamp Bar
18	02925100	1	Decal, Replacement Parts
19	02961085	1	Cordova Sleeving
20	02962764	1	Decal , Pinch Point
21	02965797	1	Chainguard Asy, Front
22	02967827	1	Decal , Multi Hazard
23	02968274	1	Pin, Head Mount
24	02968275	1	Pin, Head Link
25	02969094	–	Deck, Sub-Asy, 60" Rotary w/Pan Carrier
	02969095	–	Deck, Sub-Asy, 60" Rotary w/Bar Carrier
26	-----	1-ref	Serial No. Plate Brahma (Not Furnished)
27	02969647	1	Decal, Brahma 30"
28	02969648	1	Decal, Brahma Picture
29	02969677	1	Hose, w/ Red Tape
30	02969678	1	Hose, w/ Orange Tape
31	02969679	1	Hose, w/ Blue Tape
32	3710151	4	Metal Tack
33	02968896	1	Vinyl Tape Blue 1/2" Wide
34	02991249	1	Vinyl Tape Green 1/2" Wide
35	02968994	1	Vinyl Tape Red 1/2" Wide

NOTE: The 60" (Rotary) used a S/N Plate with prefix BR5R, All Dates and S/N listed in Rotary Head Section are based on Main Frame S/N only.

Oct. 1995
to
Jul. 1996

ROTARY HEAD SUB-ASSEMBLY

S/N BRMA-01001
to
S/N BRMA-01006



Oct. 1995
to
Jul. 1996

ROTARY HEAD SUB-ASSEMBLY

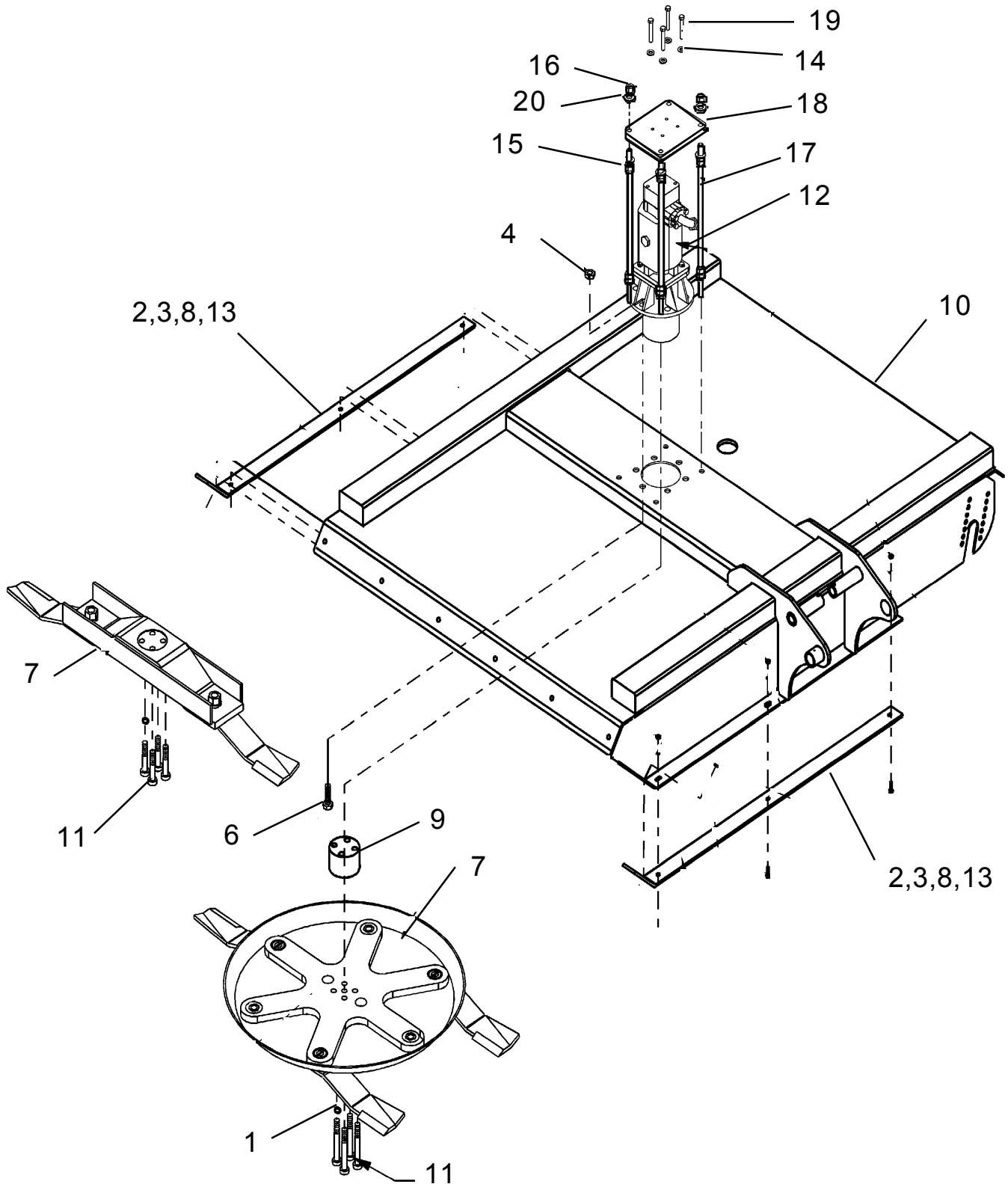
S/N BRMA-01001
to
S/N BRMA-01006

Item	Part No.	Qty	Description
	02969094	1	Deck Sub-Asy , 60" Rotary w/ Bar Carrier
	02969095	1	Sub-Assembly - 60" Rotary w/ Pan Carrier
1	00003901	4	Lockwasher
2	00011100	8	Flatwasher
3	00015800	8	Locknut
4	00037200	6	Locknut
5	00900265	ref	Paint, Yellow
6	02960521	6	Hex Bolt
7	02964456	1	Pan Asy
	02965737	1	Blade Bar Asy
8	02965751	2	Skid Shoe LH or RH
9	02965808	1	Spacer,for Pan Carrier Only
10	02966618	1	Wldmt.-Mower
11	02967089	4	Bolt, Socket Head, for Pan Carrier Only (Torque to 400 Ft Lbs)
	02708700	4	Bolt, Socket Head, for Bar Carrier Only (Torque to 400 Ft Lbs)
12	02969096	1	Motor and Spindle Asy.
13	2A361612	8	Plow Bolt

Aug. 1996
to
Current

ROTARY HEAD SUB-ASSEMBLY

S/N BRMA-01007
to
S/N BRMA-Current



Jul. 1996
to
Current

ROTARY HEAD SUB-ASSEMBLY

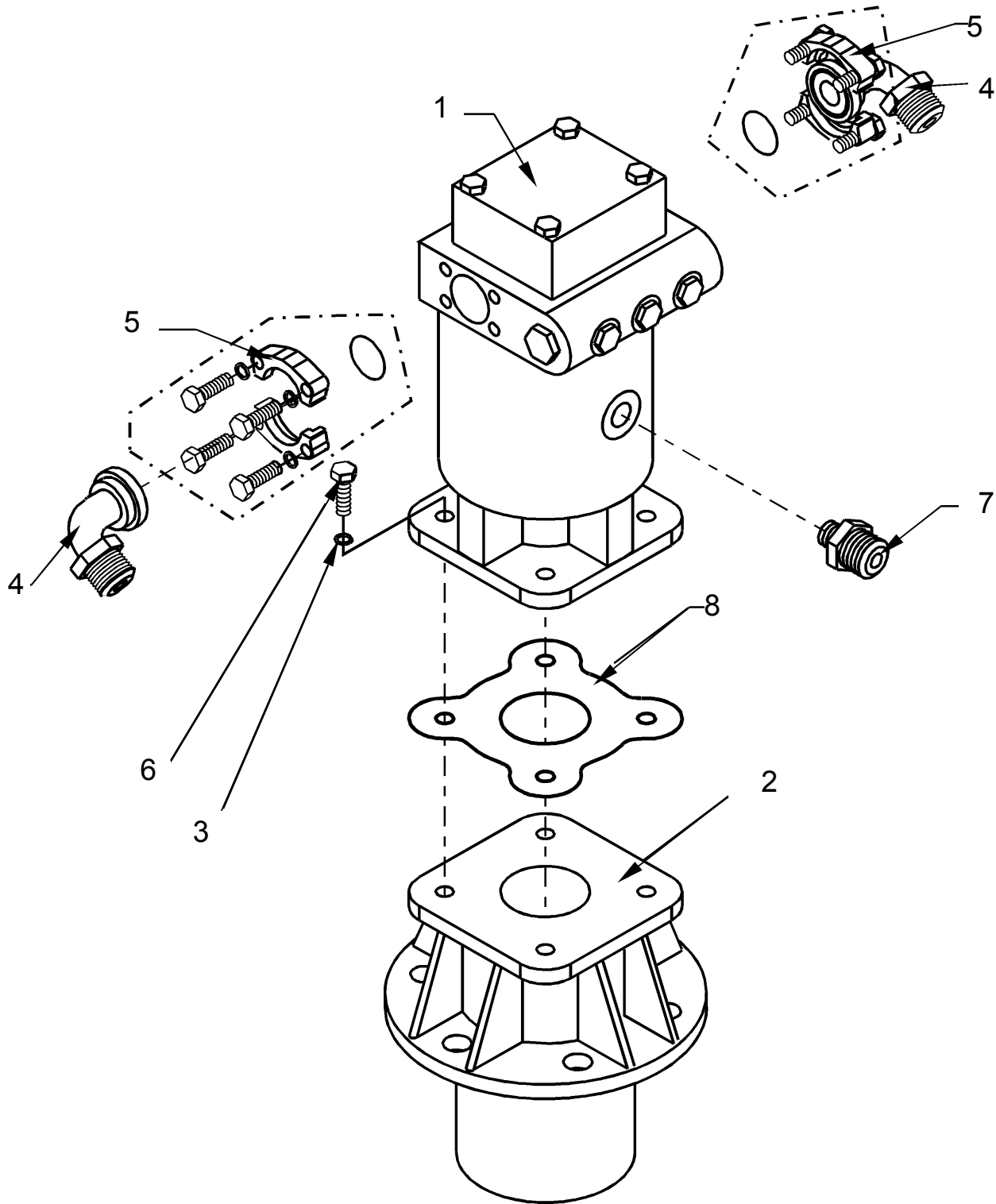
S/N BRMA-01007
to
S/N BRMA-Current

ITEM	PART NO.	QTY	DESCRIPTION
	02969094	1	Deck Sub-Asy, 60" Rotary w/ Bar
	02969095	1	Deck Sub-Asy , 60" Rotary w/ Pan
1	00003901	4	Lockwasher
2	00011100	8	Flatwasher
3	00015800	8	Nut, Toplock
4	00037200	6	Nut, Toplock
5	00900265	ref	Paint, Yellow
6	02960521	6	Hex Bolt
7	02964456	1	Pan Carrier Asy
	02965737	1	Bar Carrier Asy
8	02965751	2	Skid Shoe, LH or RH
9	02965808	1	Spacer, Blade Carrier for Pan Only
10	02966618	1	Wldmt.-Mower
11	02967089	4	Bolt, Socket Head, for Pan Only (Torque to 400 Ft Lbs)
	02708700	4	Bolt, Socket Head, for Bar Only* (Torque to 400 Ft Lbs)
12	02969096	1	Motor * Spindle Asy (see MOTOR AND SPINDLE)
13	2A361612	8	Plow Bolt
14	00012101	4	Lockwasher
15	00036300	16	Nut
16	00749136	8	Nut
17	02970752	4	Tie Rod
18	02970753	1	Motor Support Plate
19	02970755	4	Bolt
20	W67	16	Washer

Oct. 1995
to
Current

MOTOR & SPINDLE ASSEMBLY

S/N BRMA-01001
to
Current



Oct. 1995
to
Current

MOTOR & SPINDLE ASSEMBLY

S/N BRMA-01001
to
Current

Item	Part No.	Qty	Description
	02969096	1	Motor & Spindle Assembly
1	02967193	1	Motor Asy, New (use 02967193B)
	02967193RB	AR	Motor Asy, Rebuilt
2	02960553B	1	Spindle Asy.
3	00019600	4	Lockwasher
4	00750316	2	Adaptor Hydraulic Elbow
5	00750317	2	Split Flange Kit
6	02776600	4	Hex Bolt
7	02958782	1	Adaptor Hydraulic Straight
8	02961038	1	Gasket - Spindle / Motor
9*	00999612	ref	1 Qt. container, Grease NLGI "000" Fill as needed
10	02977905	--	Seal Kit for Piston Motor (Not Shown)

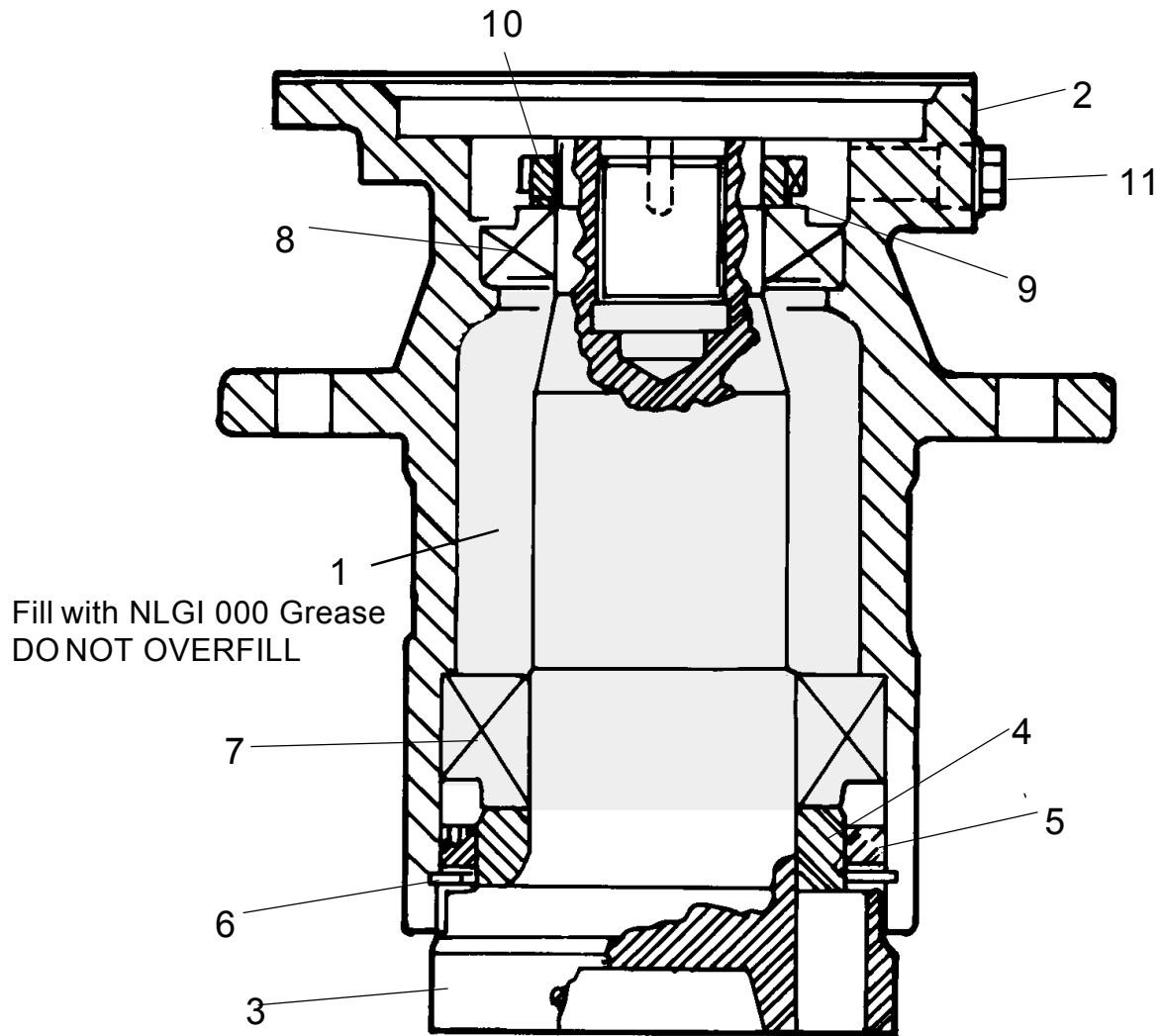
See Parts Breakdown for Spindle on Next Pages.

*NOTE: Fill with NLGI 000 Grease as needed, Part# 00999612 is a
1 QT measurement of oil NOT Oil requirements of spindle.

Oct. 1995
to
Current

MOTOR & SPINDLE ASSEMBLY

S/N BRMA-01001
to
Current



NOTE: For proper assembly, see Maintenance Section.

Oct. 1995
to
Current

MOTOR & SPINDLE ASSEMBLY

S/N BRMA-01001
to
Current

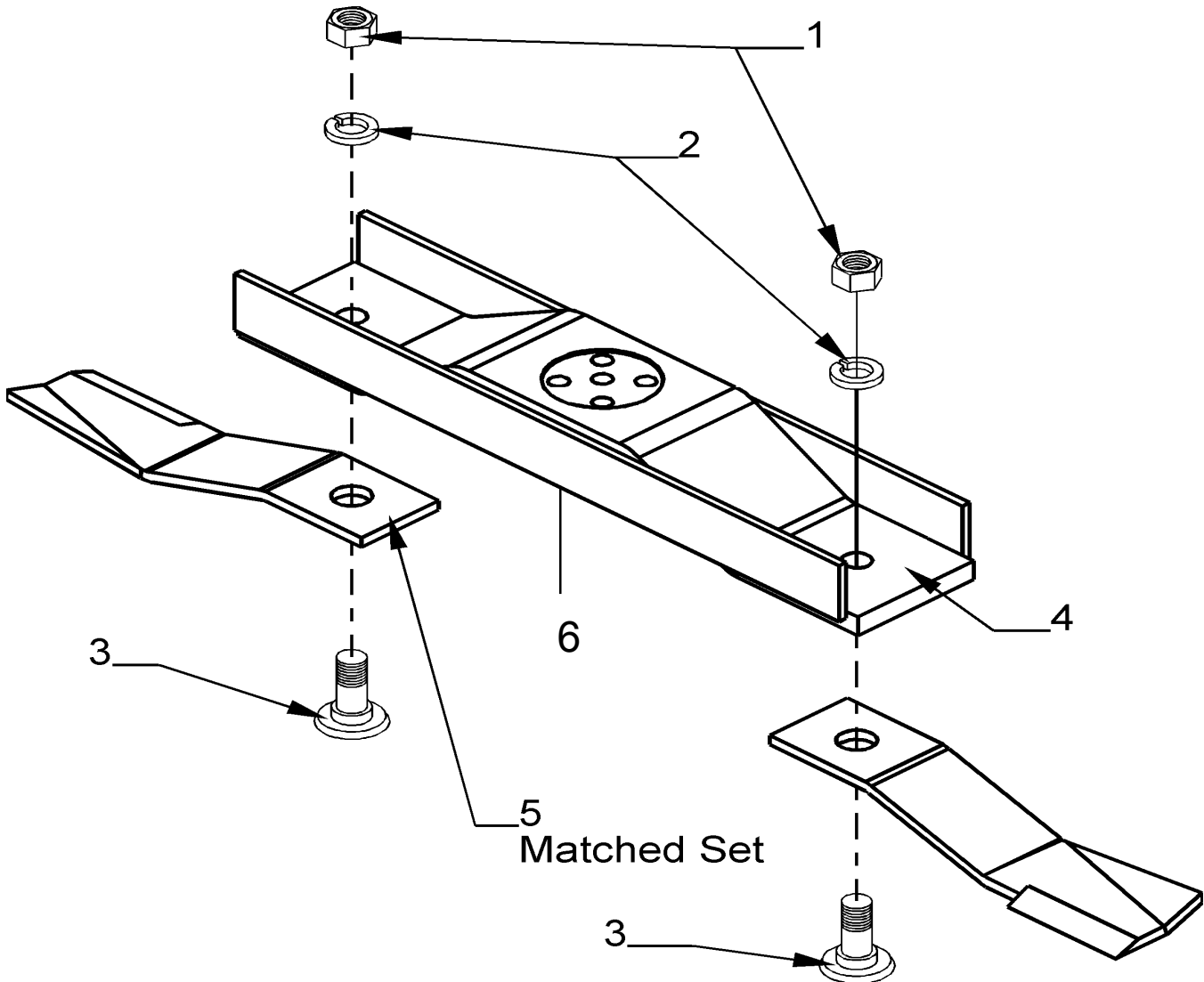
Item	Part No.	Qty	Description
	02960553B	1	Assembly, Spindle Housing
1*	00999612	-	Grease, NLGI 000, fill as needed.
2	02963815	1	Housing
3	02960561	1	Spindle
4	02960558	1	Bearing Ring
5	02960559	1	Seal
6	00754627	1	Snap Ring
7	02960557	1	Spindle Cup & Cone Assy.
8	00755628	1	Bearing
9	02964269	1	Lockwasher
10	02962030	1	Nut
11	02969018	1	Grease Relief Fitting

*NOTE: Fill with NLGI 000 Grease as needed, Part# 00999612 is a
1 QT measurement of oil NOT Oil requirements of spindle.

Oct. 1995
to
Current

BAR CARRIER ROTARY HEAD

S/N BRMA-01001
to
S/N BRMA-Current

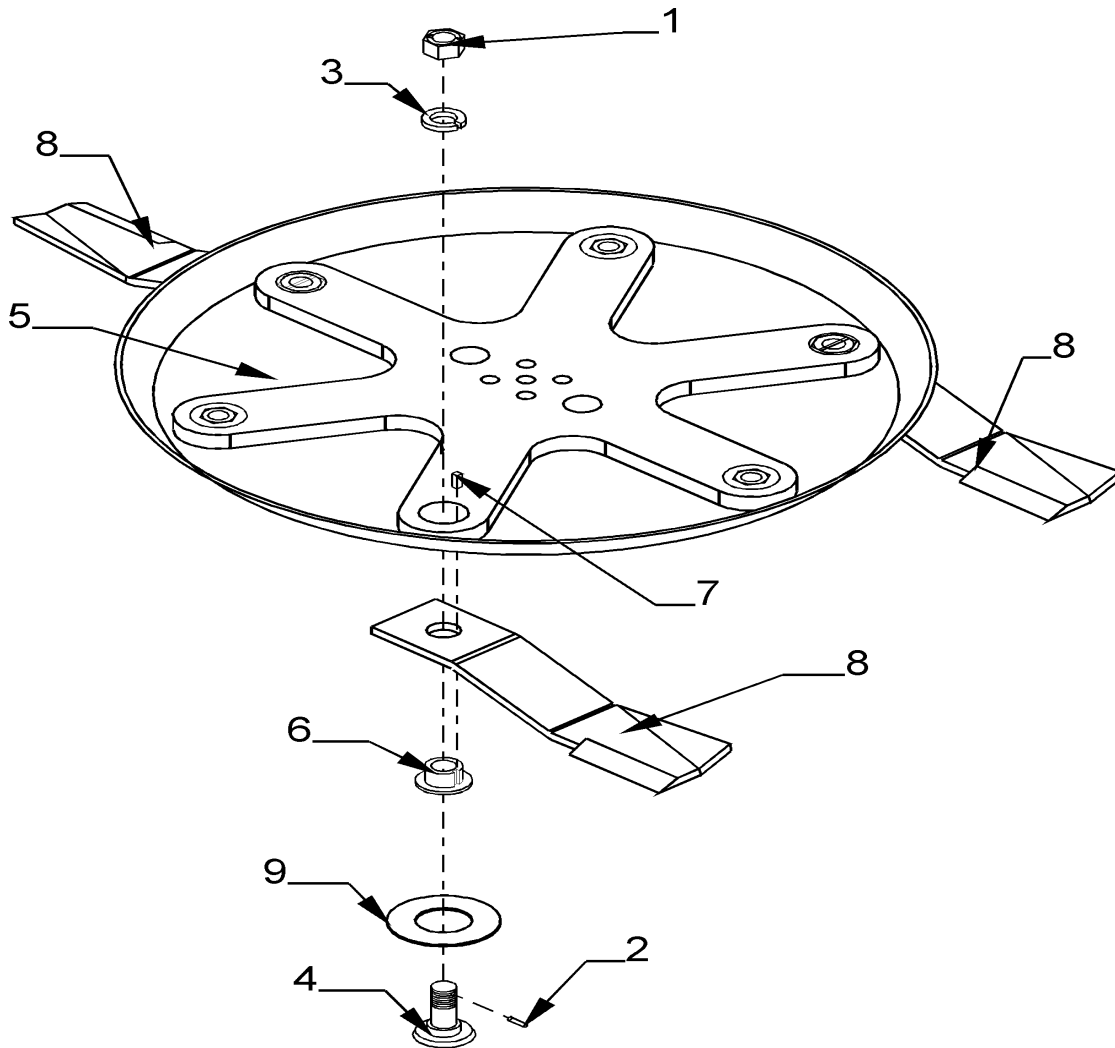


Item	Part No.	Qty	Description
	02965737	1	Bar Carrier Asy
1	00747900	2	Nut, Hex
2	00748000	2	Lockwasher, Heavy
3	00752827	2	Bolt, Blade (Torque to 600 Ft Lbs)
4	02965579	1	Weldment - Blade Bar
5	02966262	1	Blades, Matched Set of 2
6	02708700	4	Bolt, Socket Head, for Bar Only (Torque to 400 Ft Lbs)

Oct. 1995
to
Current

BAR CARRIER ROTARY HEAD

S/N BRMA-01001
to
S/N BRMA-Current

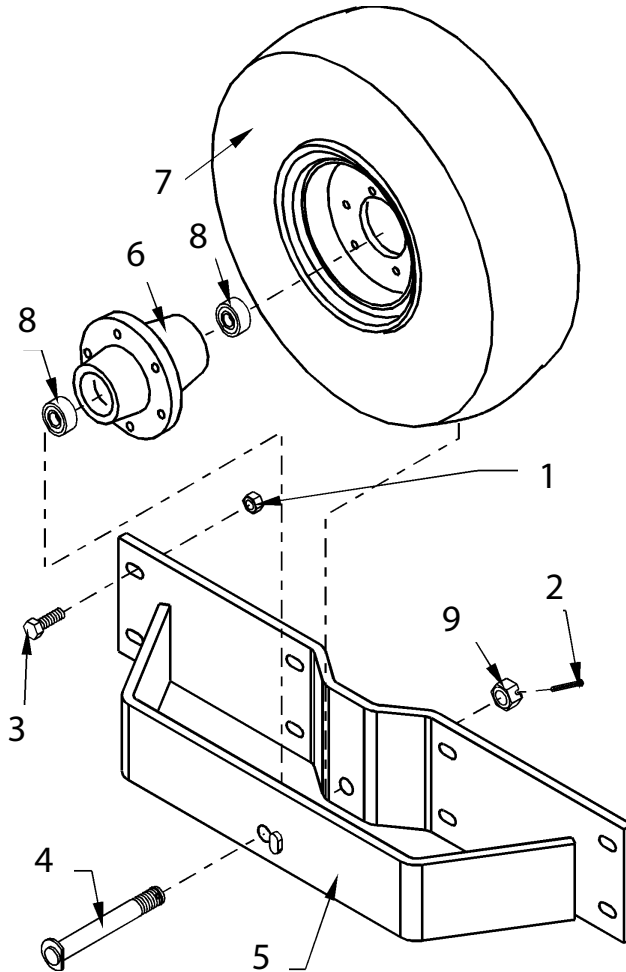


Item	Part No.	Qty	Description
	02964456	1	Pan Carrier Asy
1	00020900	3	Nut, Slotted
2	00023200	3	Pin, Roll
3	00755623	3	Washer
4	02964330	3	Blade Bolt, Keyed (Torque to 600 Ft Lbs)
5	02964804	1	Blade Pan Asy
6	02964815	3	Bushing, Blade Bolt
7	02964954	3	Key
8	02964960	1	Blades, Matched Set of 3
9	02965229	3	Washer, Wear
10	02967089	4	Bolt, Socket Head, for Pan Only (Torque to 400 Ft Lbs)
11	02965808	1	Spacer, Blade Carrier for Pan Only

Oct. 1995
to
Current

SIDE GAUGE WHEEL ROTARY HEAD OPTION

S/N BRMA-01001
to
S/N BRMA-Current

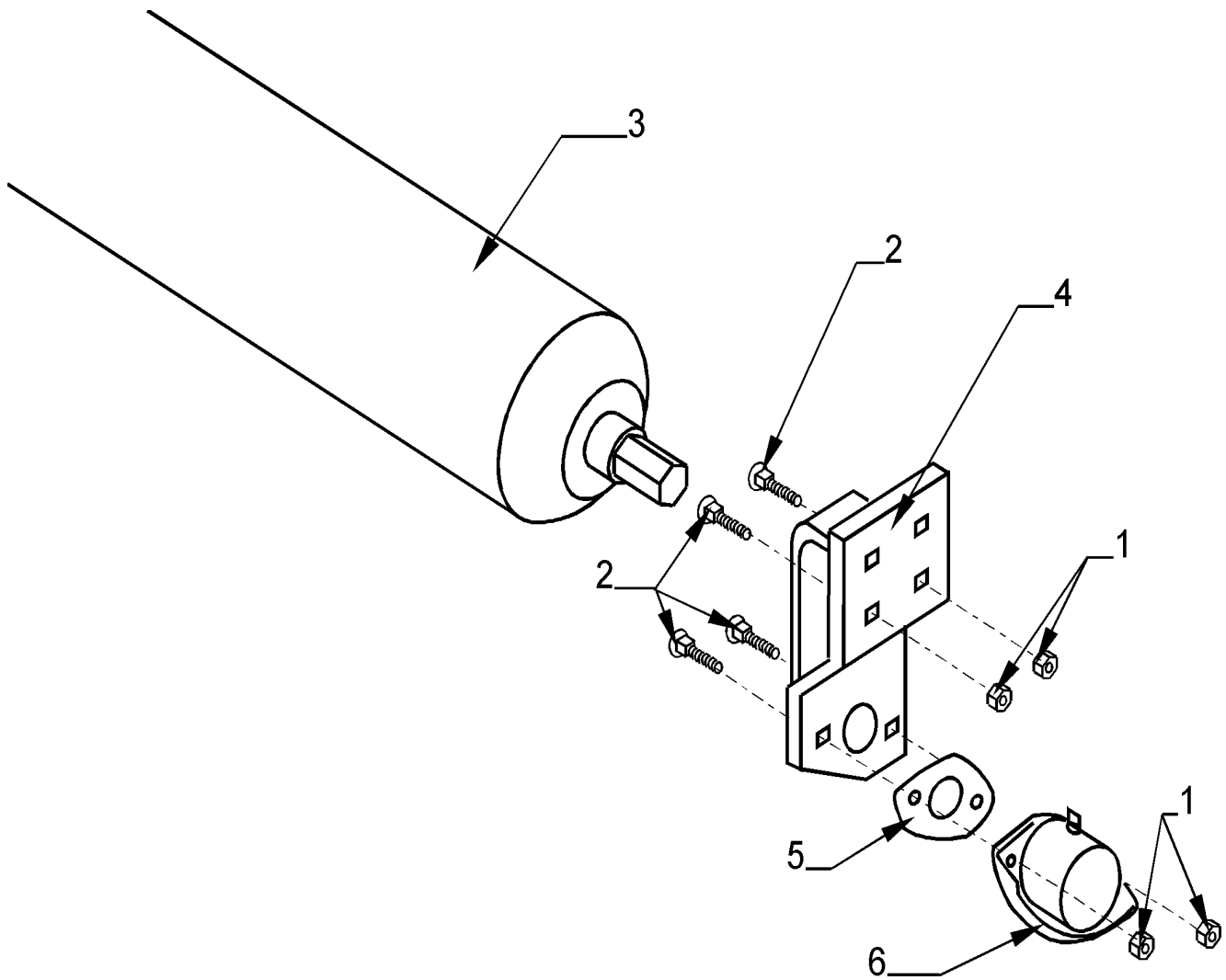


Item	Part No.	Qty	Description
	02966070	1	Gauge Wheel Assy, Deep Deck (Option)
1	00001800	8	Locknut TLM 1/2 NC PLC
2	00606000	1	Pin, Cotter
3	02892000	8	Bolt
4	02965675	1	Pin
5	02966238	1	Wheel Mounting Weldment
6	373024D	1	Hub Assembly
7	373024H	1	Tire and Wheel Assy
8	37302C2C	2	Bushing
9	5DR12160	1	Nut, Slotted

Oct. 1995
to
Current

ROLLERASY ROTARYHEAD OPTION

S/N BRMA-01001
to
S/NBRMA-Current



Item	Part No.	Qty	Description
	703262	1	Kit, Roller (Option)
1	00001800	8	Locknut TLM 1/2 NC PLC
2	000516	8	Bolt, Carriage
3	107784	1	Roller
4	107380	1	Weldment- Right Roller Mounting
	107182	1	Weldment- Left Roller Mounting
5	002037	2	Seal
6	703976	2	Bearing

Jul. 1996
to
Current

ROTARY HEAD Motor Plate

S/N BRMA-01007
to
S/N BRMA-Current

60" BRAHMA HEAD MOTOR PLATE ATTACHMENT

Before installing the rods run two nuts on each end of the rods down 2". Place a hardened Flatwasher on each end. (See FIGURE 26)

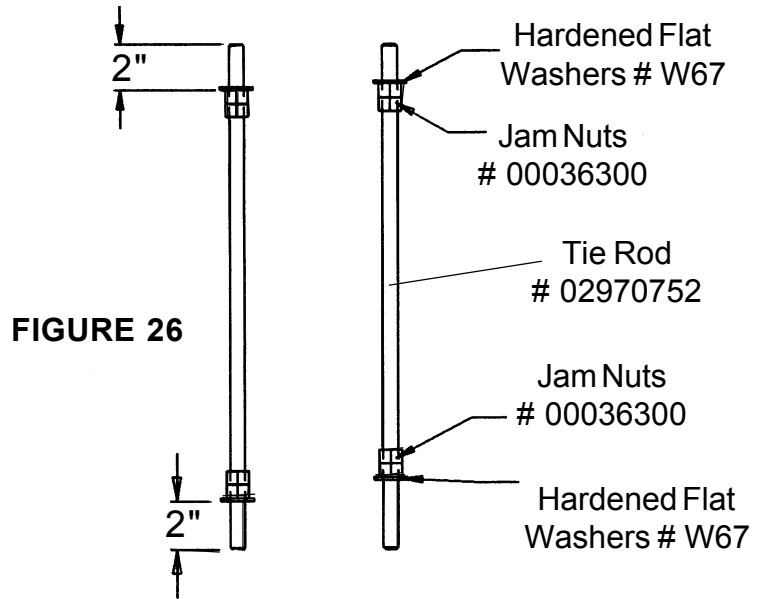
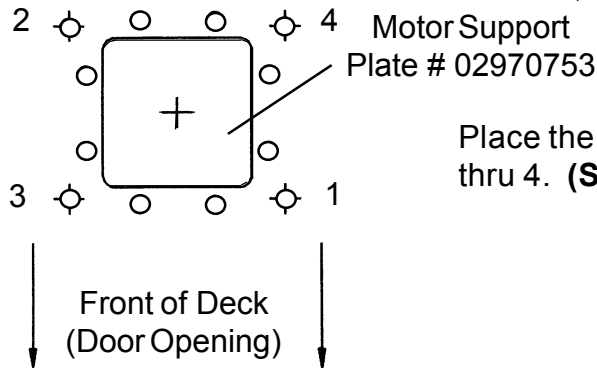


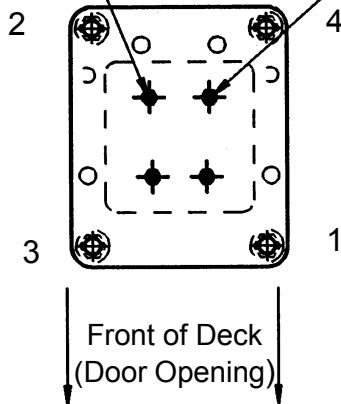
FIGURE 27



Place the straight rods in the holes marked 1 thru 4. (See FIGURE 27)

Bolt # 02970755 &
Lockwasher #
00012101

Torque to
35 ft. lbs.



Once the rods are in the holes through the Buck Plate remove the 4 Bolts from the top to the relief block and discard them, align the rods through the holes on the mount plate and place the mount plate on top of the relief block. Install the new bolts and lockwashers and torque to 35 Ft-Lbs. (See FIGURE 28)

NOTE: Prior to Jul .1996 S/N BRMA 01007 this Motor Hold Down Plate was not used, but could have been added at later date to earlier S/N's.

FIGURE 28

Jul. 1996
to
Current

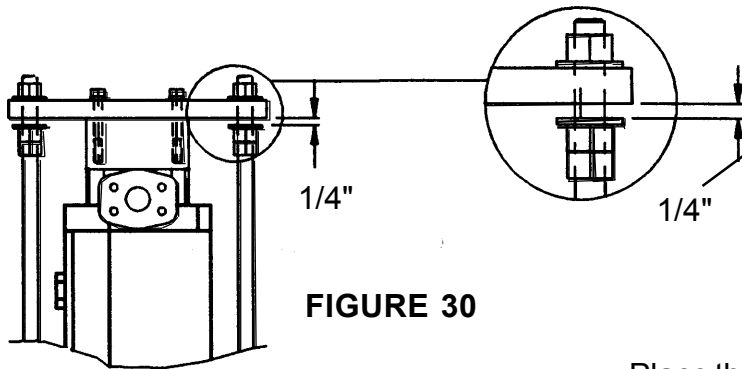
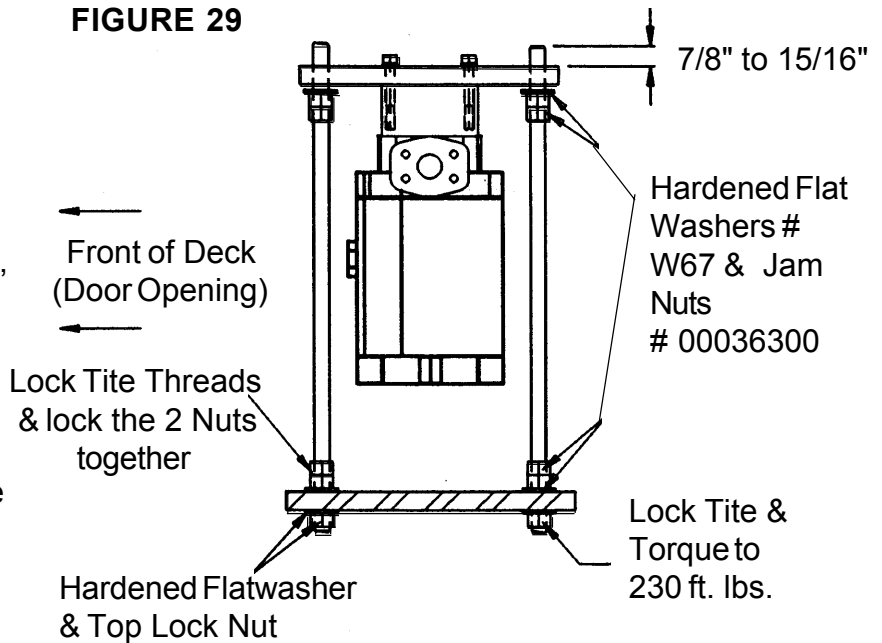
ROTARY HEAD Motor Plate

S/N BRMA-01007
to
S/N BRMA-Current

Place thread locking compound on the threads and install the hardened washers & Toplock Nuts on the Tie Rods extending through the bottom of the Deck. Torque these Rods to 230 ft lbs. (See Figure 29)

Measure the distance that the rods extend through the top mount plate, this needs to be 7/8" to 15/16". To get this height adjust the two jam nuts by the Buck Plate (Deck). Once the required distance is achieved place Thread Locking Compound on threads and lock the two nuts together. (See Figure 29)

FIGURE 29



Check to make sure the flatwasher is not contacting the bottom of the mount plate, there should be 1/4" gap between the flatwasher & the mount plate (See Figure 30)

FIGURE 30

Place thread locking compound on the threads, install the hardened washers & Top Lock Nuts. Torque these nuts to 100 ft lbs. in 3 increments following the staggered sequence 1 through 4 as shown. (See Figure 31)

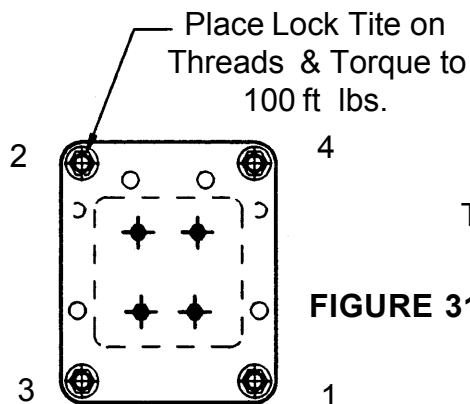


FIGURE 31

Place Lock Tite on Threads & Lock Jam Nuts together

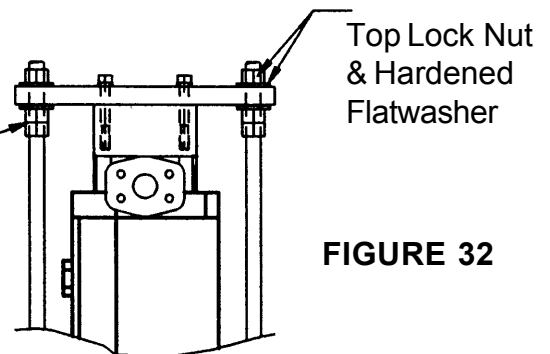


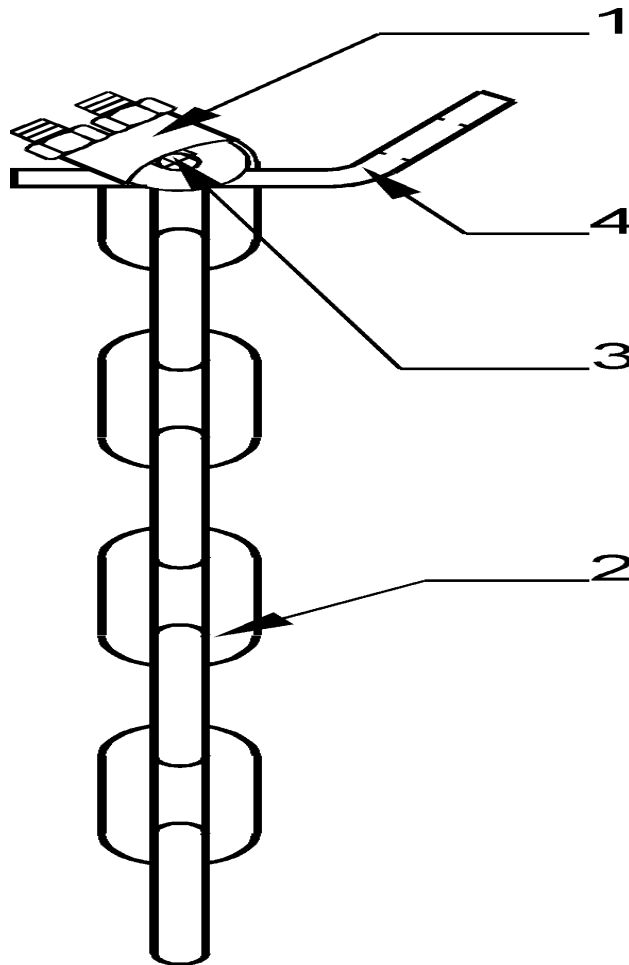
FIGURE 32

Place Thread Locking Compound on threads, Run the Hardened Flatwashers & Jam Nuts up tight against the bottom of the Mount Plate, Lock Jam Nuts together (See Figure 32)

Oct. 1995
to
Current

CHAINGUARD ASY FRONT ROTARY HEAD OPTION

S/N BRMA-01001
to
S/NBRMA-Current



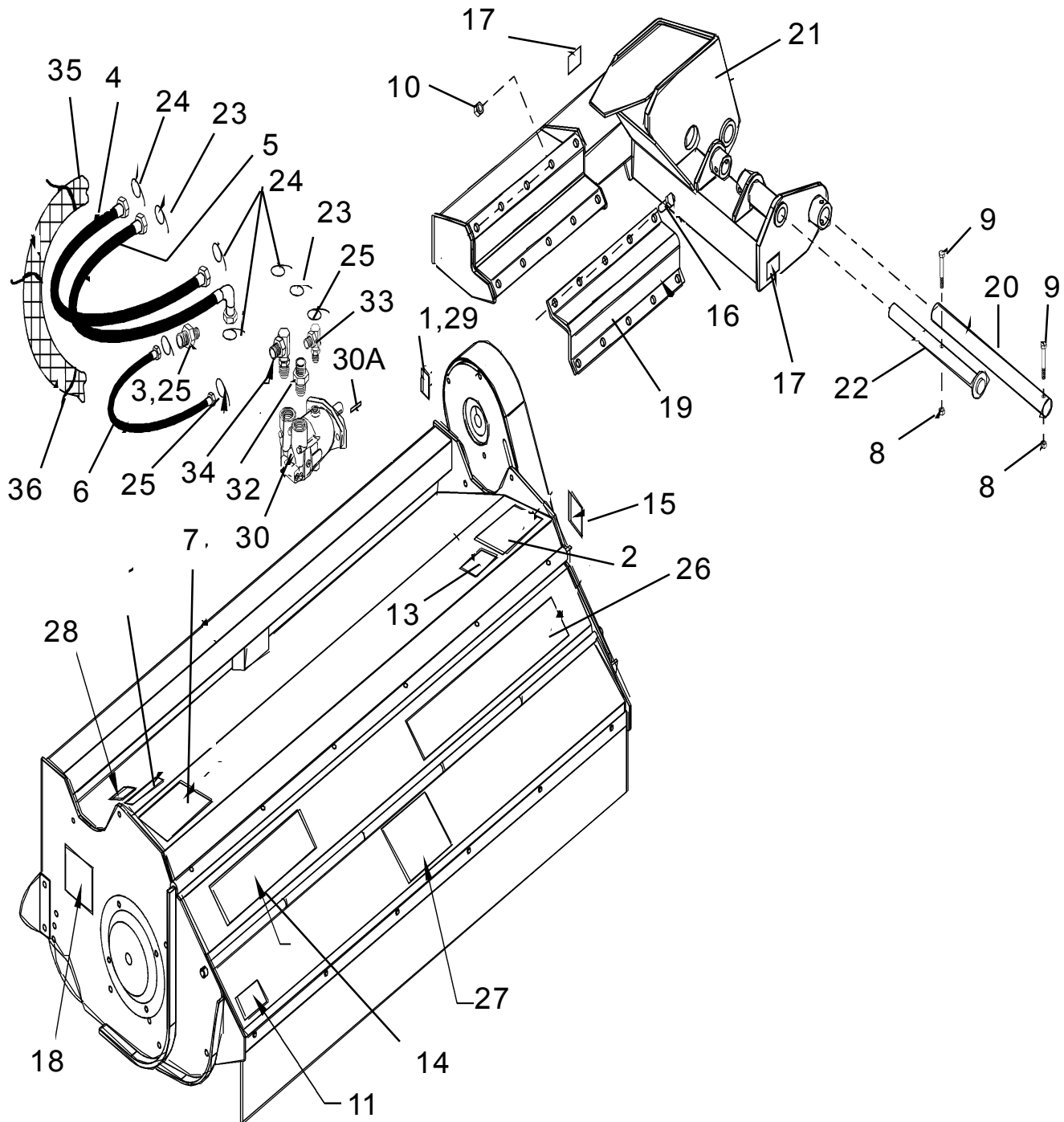
Item	Part No.	Qty	Description
	02965797	1	Front Chain Guard Asy, Deep Deck
1	00001000	2	Cable Clamp
2	00223900	56	Chain
3	00992000	1	Cable
4	02965587	1	Bracket, Front Chain Guard

NOTES

Oct. 1995
to
Current

FLAIL HEAD ASSEMBLY

S/N BRMA-01001
to
S/NBRMA-Current



Oct. 1995
to
Current

FLAIL HEAD ASSEMBLY

S/N BRMA-01001
to
S/NBRMA-Current

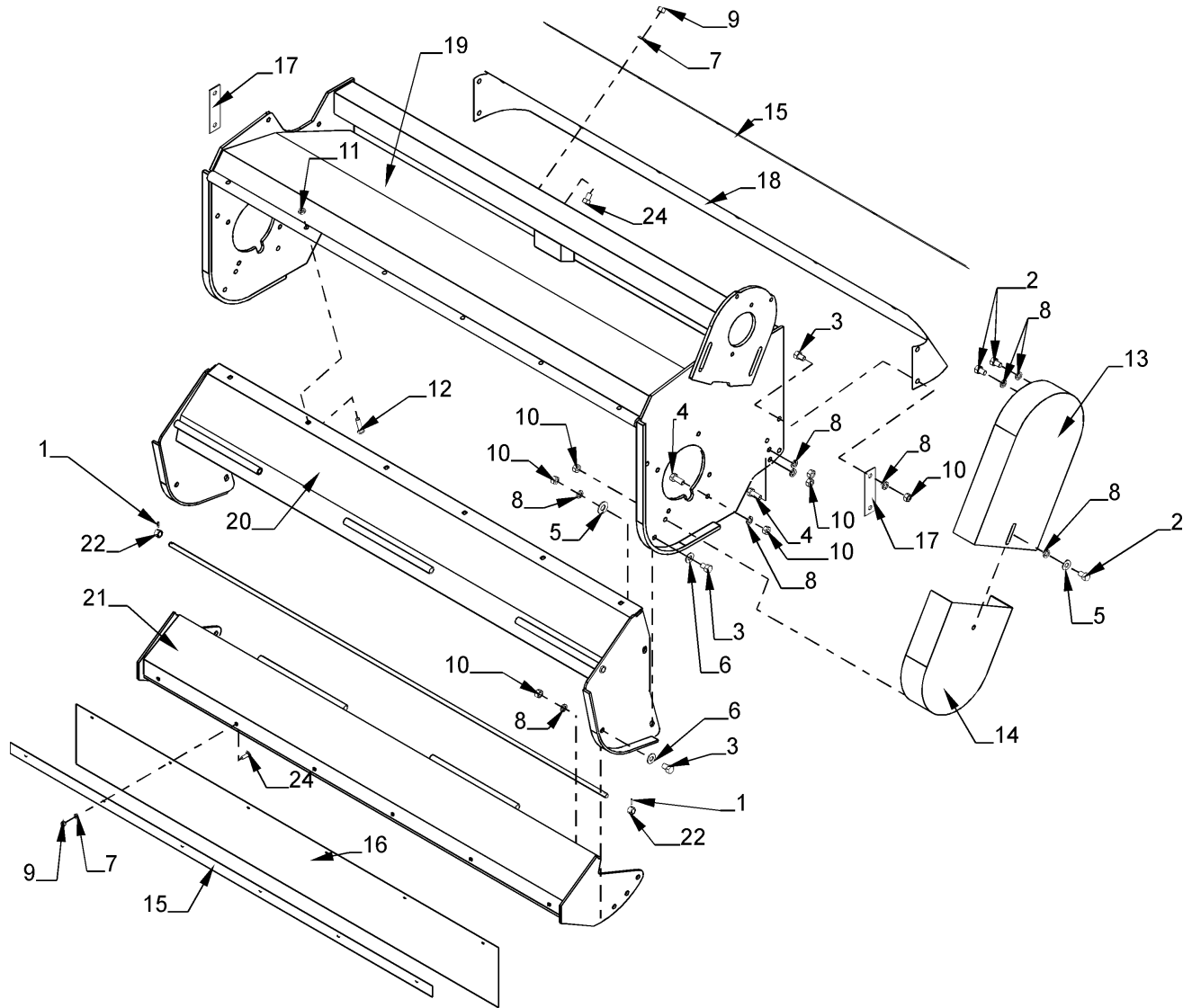
Item	Part No.	Qty	Description	Items	Part No.	Qty	Description
	02968984	1	Head Asy, 60"(1500 mm)	26	02969647	1	Decal, Brahma 30"
	02968985	1	Head Asy, 80"(2000 mm)	27	02969648	1	Decal, Brahma
1	Nfs		1 Serial Plate, Brahma	28	03200432	1	Decal, Use Genuine Parts
2	000108	1	Decal, Oper. Instruct.				
3	02969464	1	Adapter Reducer	29	3710151	4	Metal Tack
4	02969565	1	Hose (Pressure, red)	30	8301295	1	Motor, Piston w/30A
5	02970706	1	Hose (Return, orange) w/ 90 deg elbow	30A	02964954	1-ref	Key, Motor
6	02970705	1	Hose (Case drain, blue)	31	90.162.12	1	Flail head 1500 - W/ following:
7	002369	1	Decal , Multi-Hazard		72.736.01	--	Bearing Asy Hd
8	00015800	2	Nut, Toplock		72.740.02	--	Roller Asy 1500
9	00059900	2	Hex Head Cap Screw		72.753.01	--	Rotor Shaft 1500
10	00695100	10	Nut, Toplock 5/8 NC PLC		76.114.01	--	Cowl 1500 Asy
11	00725739	1	Decal , Use Repair Shields/Guards		76.154.01	--	Motor, Pulley & Belt Asy
12	00725746	1	Decal, Spanish, Translate Safety Material	31	90.282.12	1	Flail head 2000 - W/ following:
13	00756059	1	Decal, Danger Oil Leak		76.115.01	--	Motor, Pulley & Belt Asy
14	00757139	1	Decal, Alamo Group (5x19)				
15	00758194	1	Decal, Pinch Pint, V-Belt		76.117.01	--	Cowl Asy 2000
16	02845500	10	Hex Bolt		76.118.01	--	Bearing Asy
17	02962764	2	Decal, Pinch Point Scissors		76.119.01	--	Rotor Shaft Asy
					76.155.01	--	Roller Asy 2000
18	02967668	1	Decal, Cutting Blades/ Thrown Object	32	02957622	1	Adapter Straight
				33	02962213	1	Adapter Straight
19	02976663	1	Plate, Clamp	34	02090900	1	Adapter Elbow
20	02968274	1	Pin - Mower Head Mount	35	02961085	1	Cordov Sleeving
21	02976694	1	Head Mount Weldment	36	02775500	3	Plastic Tie
22	02968561	1	Head Link Pin Weldment				
23	02968896	3	Vinyl Tape Blue 1/2" Wide				
24	02968894	3	Vinyl Tape Red 1/2" Wide				
25	02991249	3	Vinyl Tape Green 1/2" Wide				

NOTE: The 60" (1500) Flail used a S/N Plate with prefix BR5F , The 80" (2000) used a S/N Plate with prefix BR6F & BR7F , The BR7F is a mistake but some were entered this way and are the 80" Flail. All Dates and S/N listed in Flail Head Section are based on Main Frame S/N only .

Oct. 1995
to
Current

DECK ASSEMBLY FLAIL HEAD

S/N BRMA-01001
to
S/N BRMA-Current



Oct. 1995
to
Current

DECK ASSEMBLY FLAIL HEAD

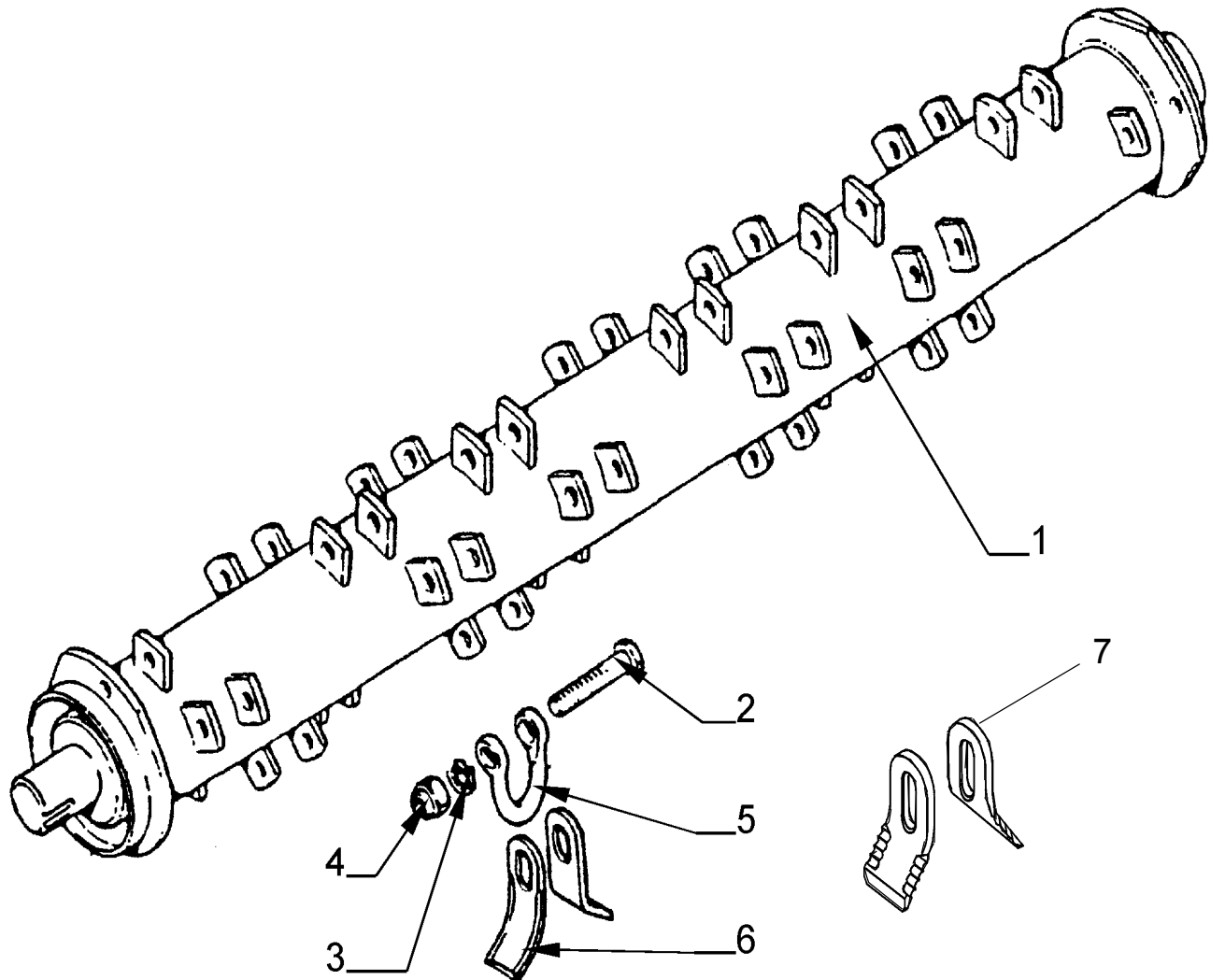
S/N BRMA-01001
to
S/N BRMA-Current

Item	Part No.	60" Qty	80" Qty	Description
	76.114.01	1	-	Deck, 60" Sub-Asy (1500 mm)
	76.117.01	-	1	Deck, 80" Sub-Asy (2000 mm)
1	05.201.17	2	2	Tension Pin
2	05.264.21	3	3	Setscrew
3	05.264.23	10	10	Setscrew
4	05.264.24	6	6	Setscrew
5	05.281.03	5	5	Flat Washer, Plated
6	05.281.04	6	8	Flat Washer, Plated
7	05.282.01	12	16	Spring Washer, Plated
8	05.282.03	20	20	Spring Washer, Plated
9	05.286.01	16	16	Nut, Plated
10	05.286.03	17	17	Nut, Plated
11	05.287.02	6	8	Nut, Self-Locking
12	05.839.24	6	8	Bolt, Cup Square
13	09.589.01	1	1	Guard, Top Drive
14	09.590.01	1	1	Guard, Bottom Drive
15	09.594.02	2	-	Backing Strip (60")
	41.237.01	-	2	Backing Strip (80")
16	09.595.02	1	-	Guard, Flexible (60")
	71.063.01	-	1	Guard, Flexible (80")
17	41418.01	2	2	Clamp, Guard
18	41424.01	1	-	Guard, Flexible (60")
	41452.01	-	1	Guard, Flexible (80")
19	41425.01	1	-	Cowl (60")
	41445.01	-	1	Cowl (80")
20	41429.01	1	-	Guard, Front Fixed (60")
	41453.01	-	1	Guard, Front Fixed (80")
21	41430.01	1	-	Guard, Front Adjust (60")
	41454.01	-	1	Guard, Front Adjust (80")
22	41436.01	2	2	Spacer, Pivot Front Guard
23	41438.01	1	-	Pin, Pivot Front Guard
	41444.01	-	1	Pin, Pivot Front Guard
24	9293054	12	16	Bolt Cup Square

Oct. 1995
to
Current

ROTOR SHAFT FLAIL HEAD

S/N BRMA-01001
to
S/NBRMA-Current

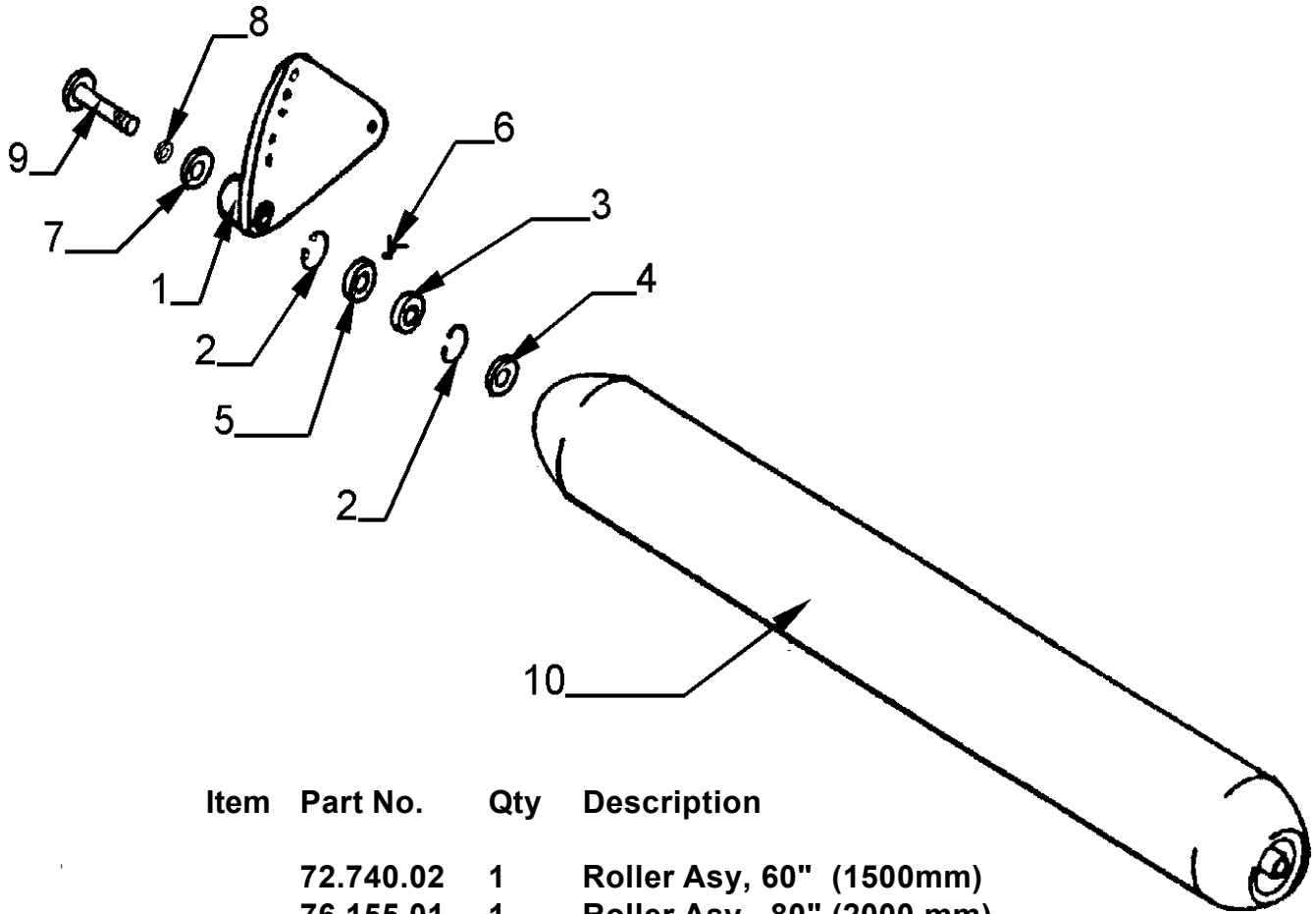


Item	Part No.	Qty	Qty	Description
	09.666.01	1	-	Rotor Shaft Asy, 60" (1500mm) w/Item 1 thru 6
	41458.01	-	1	Rotor Shaft Asy , 60" (2000mm) w/Item 1 thru 6
1	09.597.01	1	-	Rotor Shaft, 60" (1500mm) w/o Knives
	41.299.01	-	1	Rotor Shaft, 80" (2000mm) w/o Knives
2	05.775.10	40	54	Bolt
3	05.282.08	40	54	Washer
4	05.968.06	40	54	Nut
5	09.517.01	40	54	D-Ring Shackle
6	09.528.01	80	108	Flail Knife, (Standard)
7	02975613	80	108	Flail Knife, Serrated (Optional Part Only)

Oct. 1995
to
Current

ROLLER ASSEMBLY FLAIL HEAD

S/N BRMA-01001
to
S/N BRMA-Current

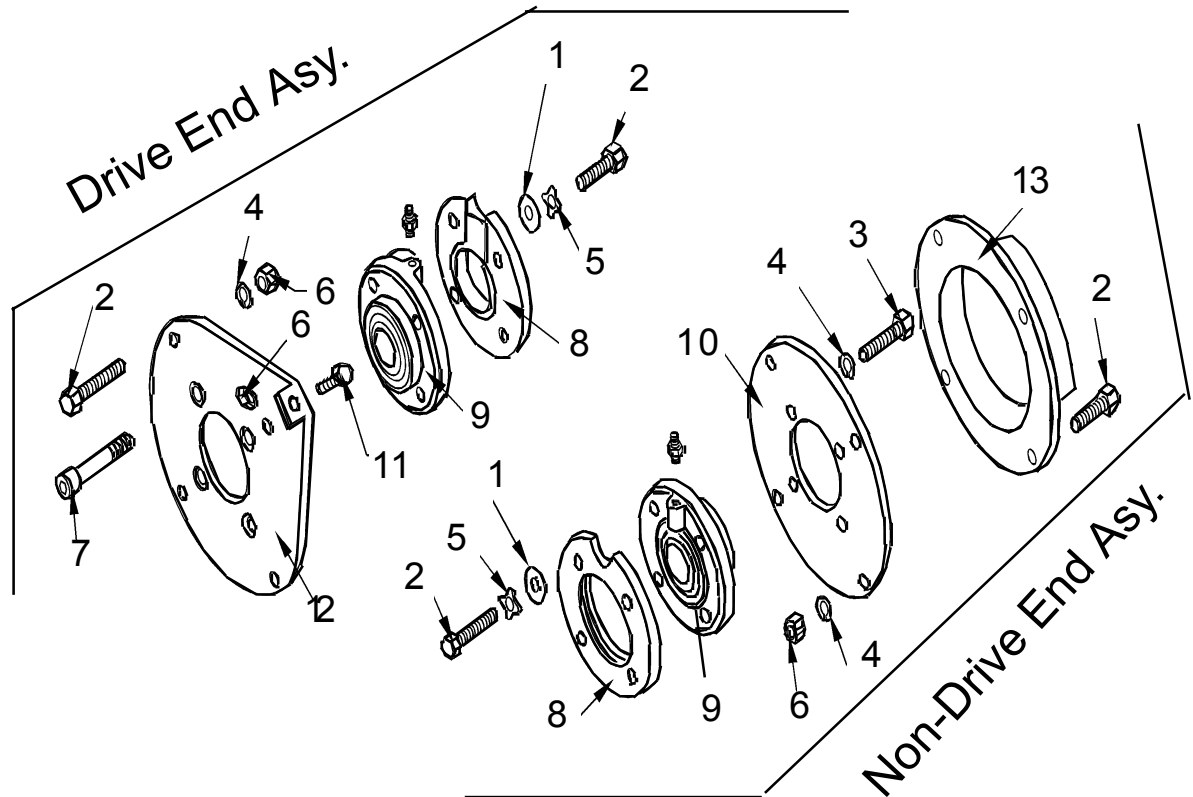


Item	Part No.	Qty	Description
	72.740.02	1	Roller Asy, 60" (1500mm)
	76.155.01	1	Roller Asy , 80" (2000 mm)
1	09.898.01	1	Bracket LH, (Not Shown)
	09.898.02	1	Bracket RH (Shown)
2	05.959.05	4	Circlip
3	03.007.02	2	Bearing
4	04.164.04	2	Seal
5	41851.01	2	Flange
6	05.953.01	4	Grease Nipple
7	05.234.01	2	Washer
8	05.625.10	2	Setscrew
9	05.282.03	2	Spring Washer
10	09.878.05	1	Roller , 60" (Dec. 1997 & Down)
	42955.05	1	Roller, 60" (Jan. 1998 & Up)
	09.878.07	1	Roller , 80" (Oct. 2000 & Down)
	42955.07	1	Roller, 80" (Nov. 2000 & Up)

Oct. 1995
to
Current

BEARING ASSEMBLY FLAIL HEAD 60" / 1500mm Head

S/N BRMA-01001
to
S/NBRMA-Current



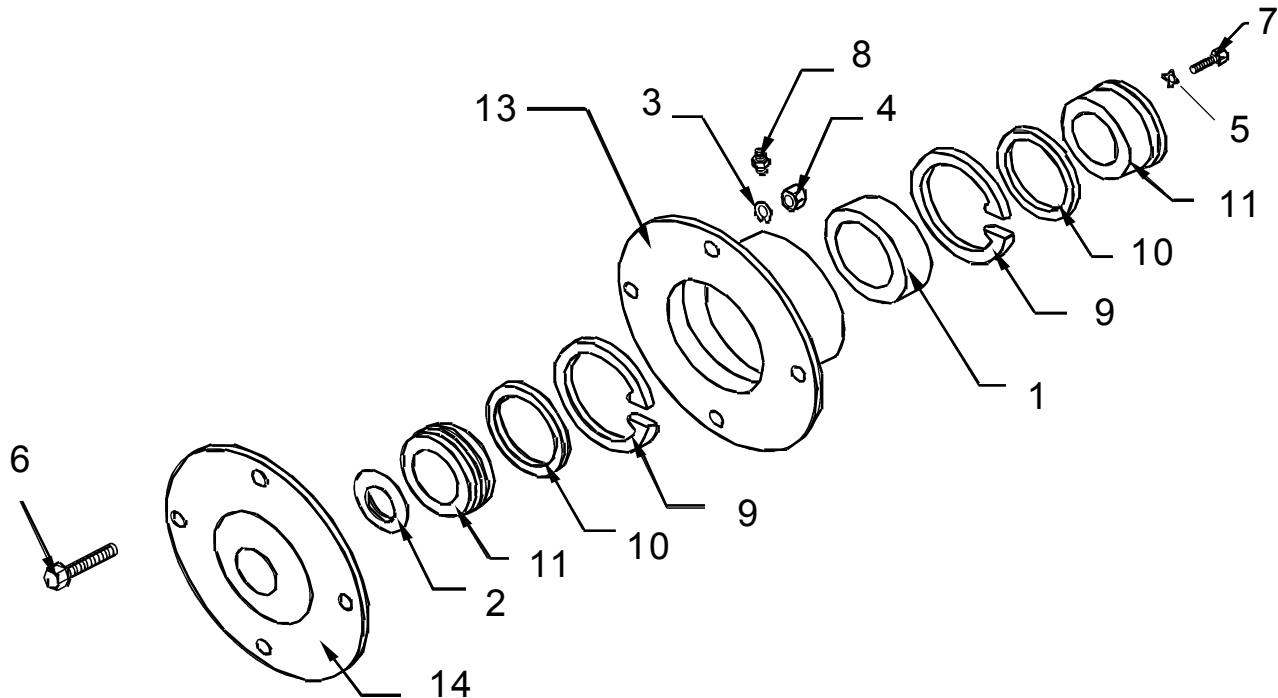
Item	Part No.	Qty Drv	Qty N-Drv	Description
	72.736.01	---1-set---		Rotor Bearing Asy's, Drive & Non Drive Ends Complete (Items # 1 Thru # 13)
1	02.824.01	1	1	Washer
2	05.264.23	4	8	Bolt
3	05.264.25	—	4	Bolt
4	05.282.03	4	8	Lockwasher
5	05.283.03	1	1	Washer, Shake Proof
6	05.286.03	4	8	Nut
7	05.345.05	4	0	Bolt, Socket Head
8	06.219.01	1	1	Disc Shield
9	06.221.01	1	1	Bearing Asy w/ Grease Fitting
10	09.584.01	—	1	Plate, Bearing Non Drive
11	09.585.01	1	—	Bolt , Adjusting
12	09.586.01	1	—	Plate , Bearing Drive End
13	09.588.01	—	1	Guard, Non Drive End

NOTE: 72.736.01 includes 1 Ea. Drive End Brg. Asy & 1 Ea. Non-Drive End Brg. Asy Complete as Shown. DO NOT order 2 sets to get both ends & DO NOT order 1 Set to get 1 end, A SET INCLUDES BOTH ENDS.

Oct. 1995
to
Current

BEARING ASSEMBLY FLAIL HEAD 80" / 2000mm Head

S/N BRMA-01001
to
S/N BRMA-Current



Item	Part No.	Qty Drv	Qty N-Drv	Description
	76.118.01	---1-set---		Rotor Bearing Asy's, Drive & Non Drive Ends Complete (Items # 1 Thru # 14)
1	04.163.04	1	1	Bearing
2	04.252.01	1	1	Washer
3	05.282.03	4	4	Lockwasher
4	05.286.03	5	5	Nut
5	05.283.04	1	1	Washer, Shake Proof
6	05.264.23	4	—	Bolt
	05.264.24	—	4	Bolt
7	05.264.33	1	1	Bolt
8	05.953.03	1	1	Grease Fitting
9	05.959.07	2	2	Circlip
10	06.909.01	2	2	Seal
11	06.910.01	2	2	Collar
12	09.585.01	1	—	Bolt - Adjusting, Drive End Only
13	41456.01	1	—	Housing, Drive End Only
	41457.01	—	1	Housing, Non-Drive End Only
14	41461.01	—	1	Guard, Non-Drive End Only

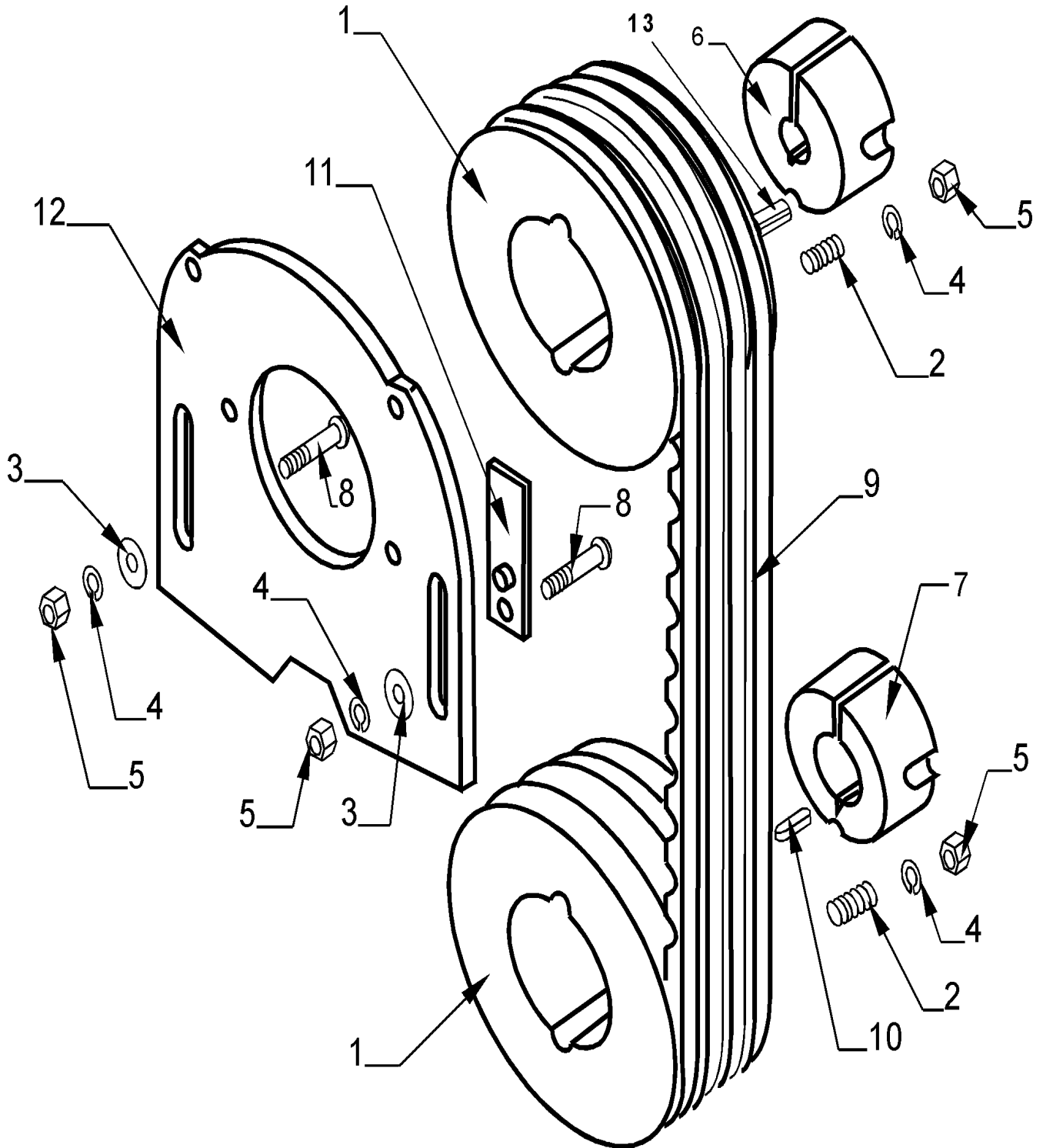
NOTE: 72.736.01 includes 1 Ea. Drive End Brg. Asy & 1 Ea. Non-Drive End Brg. Asy Complete as Shown. DO NOT order 2 sets to get both ends & DO NOT order 1 Set to get 1 end, A SET INCLUDES BOTH ENDS.

Oct. 1995
to
Current

PULLEY & BELT ASY FLAIL HEAD

S/N BRMA-01001
to
S/N BRMA-Current

60" (1500mm) or 80" (2000mm) Head



Oct. 1995
to
Current

PULLEY & BELT ASY FLAIL HEAD

S/N BRMA-01001
to
S/NBRMA-Current

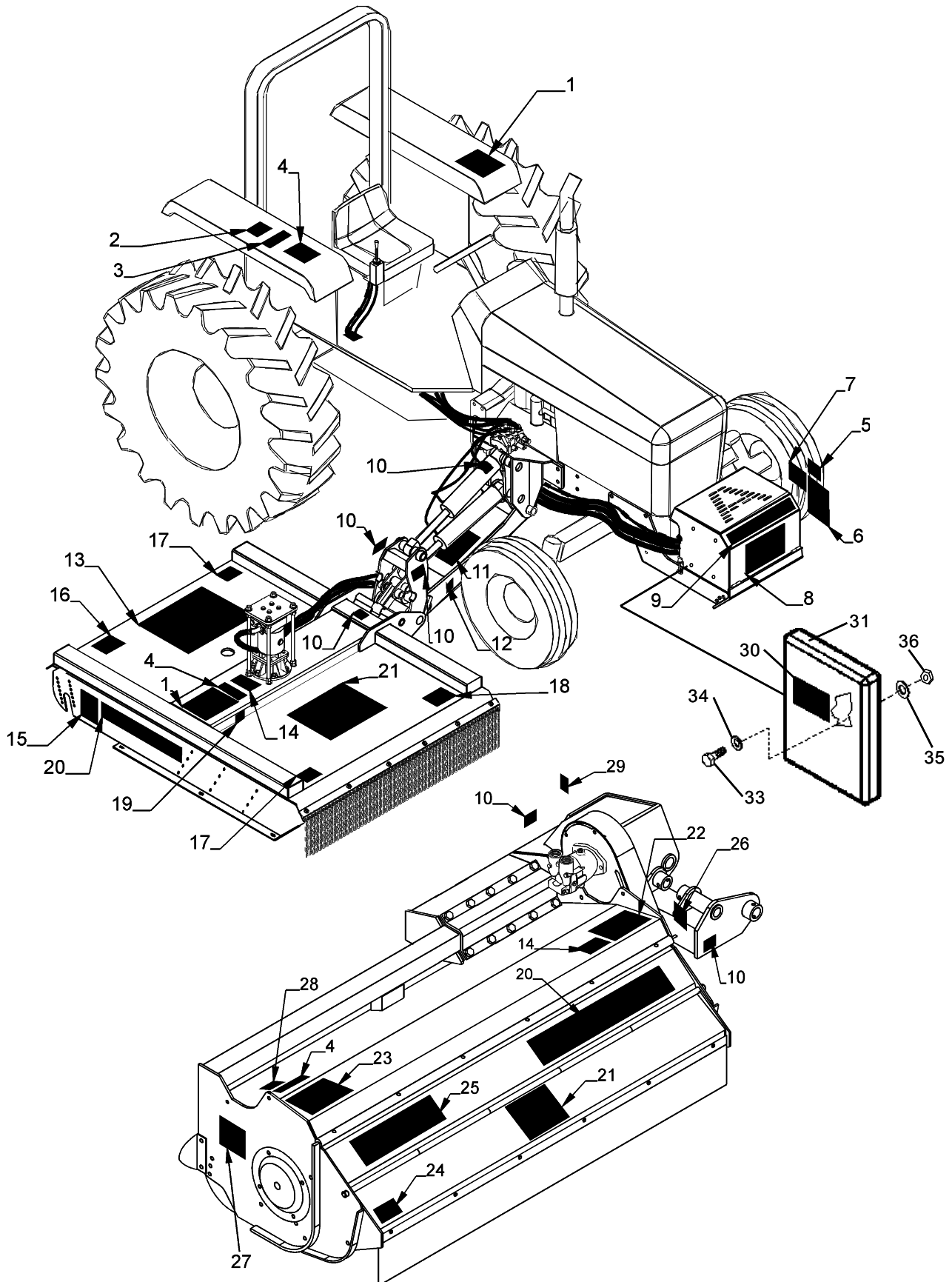
60" (1500mm) or 80" (2000mm) Head

Item	Part No.	Qty 60"	Qty 80"	Description
	76.154.01	1	--	Pulley Asy, 60" (1500mm)
	76.115.01	--	1	Pulley Asy , 80" (2000mm)
1	03.795.02	2	2	Pulley
2	04.282.17	2	2	Stud
3	05.281.03	2	2	Washer
4	05.282.03	4	4	Spring Washer
5	05.286.03	4	4	Nut
6	05.424.02	1	1	Taperlock
7	05.424.18	1	--	Taperlock, 60" (1500mm)
	05.424.17	--	1	Taperlock, 80" (2000mm)
8	05.625.12	2	2	Screw
9	05.299.53	3	3	Belt
10	05.960.16	1	1	Key
11	09.587.01	1	1	Plate - Cover
12	41342.01	1	1	Plate
13	02964954	1-ref	1-ref	Key, Motor

Oct. 1995
to
Current

DECALS

S/N BRMA-01001
to
S/NBRMA-Current



Oct. 1995
to
Current

DECALS

S/N BRMA-01001
to
S/NBRMA-Current

Location	Item	Part No.	Qty	Description
Tractor	1	02967827	{1}	Danger, Multiple Hazard, Rotary
Tractor	2	02965093	1	Instruction, Do Not Overspeed Engine
Tractor	3	02970202	1	Instruction, Joystick Oper. Decal, Tractor Starting
Tractor	4	00725746	1	Peligro, Translate Safety Material
Tank	5	02965262	1	Danger, Leak Detection, Hose Burst
Tank	6	02971123	1	Warning, Pressurized Tank
Tank	7	02966305	1	Instruction, Use Universal Hyd Oil
Tank	8	001651	1	Logo, Alamo Industrial (5 x 16)
Tank	9	02969646	1	Name, BRAHMA Name
Tank	30	02977417	1	Instruction, Operators Manual Inside (Decal)
Tank	31	02977385	1	Canister, Operators Manual
Tank	32	02968822C	1	Safety Operators Manual
Tank	33	10058000	4	Bolt
Tank	34	00024100	4	Flatwasher
Tank	35	00017000	4	Lockwasher
Tank	36	02959924	4	Nut, Toplock
Arm	10	02962764	3	Danger, Pinch Point
Arm	11	02965262	1	Danger, Leak Detection, Hose Burst
Arm	12	nfs	1	BRAHMA Serial Plate
Rotary	13	00757140	1	Logo, Alamo Industrial (19 x 19)
Rotary	4	00725746	1	Peligro. Spanish
Rotary	14	00756059	1	Danger, Oil Leak
Rotary	15	001650	1	Logo, Alamo Industrial (7 x 7)
Rotary	16	00769736	1	Warning, Use/Repair Guard
Rotary	17	00769737	2	Danger, Blades Thrown Objects
Rotary	18	02925100	1	Instruction, Replacement Parts
Rotary	10	02962764	1	Danger, Pinch Point
Rotary	1	02967827	1	Danger, Multi Hazard
Rotary	19	nfs	1	BRAHMA Rotary Head Serial Number Plate
Rotary	20	02969647	1	Name, Brahma 30"
Rotary	21	02969648	1	Logo, Brahma Picture
Flail	22	000108	1	Instructions, Operating Flail
Flail	23	002369	1	Danger, Multi-Hazard, Flail
Flail	24	00725739	1	Warning, Use Repair Shields/Guards
Flail	4	00725746	1	Peligro, Spanish, Translate Safety Material
Flail	14	00756059	1	Danger, Oil Leak
Flail	25	00757139	1	Logo, Alamo Group (5X19)
Flail	26	00758194	1	Warning, Pinch Pint, V-Belt
Flail	10	02962764	2	Danger, Pinch Point Scissors
Flail	27	02967668	1	Danger, Cutting Blades/Thrown Object
Flail	20	02969647	1	Name, Brahma 30"
Flail	21	02969648	1	Logo, Brahma Picture
Flail	28	03200432	1	Instruction, Use Genuine Parts, Flail
Flail	29	nfs	1	Brahma Flail Head Serial Number Plate
	(())	Provided by Tractor Manufacturer		
	{ }	Use One or the Other, whichever is appropriate		

Oct. 1995
to
Current

Front Pump Drive Shafts BRAHMA

S/N BRMA-01001
to
S/N BRMA-Current

CASE - IH

Model / Series	Shaft #	Coupler#	Pulley Adapter#	Mount Kit (ref #)
4210 -- 2 wd,Rops,Utility Bolster-----	02973455	106514	02958391	02973454
4230 -- 2 wd,Rops,Utility Bolster-----	02973455	106514	02958391	02973454
4240 -- 2 wd,Rops,Utility Bolster-----	02973455	106514	02958391	02973454
CX70 -- 4 wd,Cab,Utility Bolster-----	02974858	106514	02963995	02974820
CX80 -- 4 wd,Cab,Utility Bolster-----	02974858	106514	02963995	02974820
CX90 -- 4 wd,Cab,Utility Bolster-----	02974858	106514	02963995	02974820
MX90C-- 2/4 wd,Cab,-----	02973714	106514	02977206	02977277
MX100C-2/4 wd,Cab,-----	02973714	106514	02977206	02977277

FORD / NEW HOLLAND

Model / Series	Shaft #	Coupler #	Pulley Adapter #	Spacer #	Mount Kit (ref #)
F-5610-S---2 wd,Rops,-----	02972118	106514	02964616	02966404	02972336
F-5640-----4 wd,Rops,-----	02969443	106514	02964616	-----	02972093
F-5640-S---2 wd,Rops,-----	02969443	106514	02964616	-----	02968986
F-5640-SL---2 wd,Cab,-----	02969443	106514	02964616	02966404	02968964
F-5640-SL---4 wd,Cab,-----	02969443	106514	02964616	-----	02972646
F-5640-SLE--2 wd,Cab,-----	02969443	106514	02964616	02966404	02968964
F-5640-SLE--4 wd,Cab,-----	02969443	106514	02964616	-----	02972646
F-6610-S---2 wd,Rops,-----	02972118	106514	02964616	02966404	02972336
F-6640-----4 wd,Rops,-----	02969443	106514	02964616	-----	02972093
F-6640-S---2 wd,Rops,-----	02969443	106514	02964616	-----	02968986
F-6640-SL---2 wd,Cab,-----	02969443	106514	02964616	02966404	02968964
F-6640-SL---4 wd,Cab,-----	02969443	106514	02964616	-----	02972646
F-6640-SLE--2 wd,Cab,-----	02969443	106514	02964616	02966404	02968964
F-6640-SLE--4 wd,Cab,-----	02969443	106514	02964616	-----	02972646
F-7610-S---2 wd,Rops,-----	02972118	106514	02964616	02966404	02972336
F-7740-----4 wd,Rops,-----	02969443	106514	02964616	-----	02972093
F-7740-S---2 wd,Rops,-----	02969443	106514	02964616	-----	02968986
F-7740-SL---2 wd,Cab,-----	02969443	106514	02964616	02966404	02968964
F-7740-SL---4 wd,Cab,-----	02969443	106514	02964616	-----	02972646
F-7740-SLE--2 wd,Cab,-----	02969443	106514	02964616	02966404	02968964
F-5640-SLE--4 wd,Cab,-----	02969443	106514	02964616	-----	02972646
TS-90-----2/4 wd,Cab, Rear Tire 18.4-34	02973714	106514	02964616	-----	02977947
TS-90-----2/4 wd,Cab, Rear Tire 16.9-30	02973714	106514	02964616	-----	02975205
TS-90-----4 wd,Rops, Rear Tire 16.9-30	02973714	106514	02964616	02966404	02976421
TS-90-----2 wd,Rops, 16.9-30 or 18.4-34	02973714	106514	02964616	02966404	02976421
TS-100-----2/4 wd,Cab, Rear Tire 18.4-34	02973714	106514	02964616	-----	02977947
TS-100-----2/4 wd,Cab, Rear Tire 16.9-30	02973714	106514	02964616	-----	02975205
TS-100-----4 wd,Rops, Rear Tire 16.9-30	02973714	106514	02964616	02966404	02976421
TS-100-----2 wd,Rops, 16.9-30 or 18.4-34	02973714	106514	02964616	02966404	02976421

Continued Next Page

**Mount Kit Numbers are Listed as REFERENCE ONLY, NOT
as REPLACEMENT PARTS. DO NOT ORDER MOUNT KITS**

BRAHMA (Archive Book) 01/02

Oct 1995
to
Current

Front Pump Drive Shafts BRAHMA

S/N BRMA-01001
to
S/N BRMA-Current

FORD / NEW HOLLAND

Model / Series	Shaft #	Coupler #	Pulley Adapter #	Spacer #	Mount Kit (ref #)
TS-110-----2/4 wd,Cab, Rear Tire 18.4-34	02973714	106514	02964616	-----	02977947
TS-110-----2/4 wd,Cab, Rear Tire 16.9-30	02973714	106514	02964616	-----	02975205
TS-110-----4 wd,Rops, Rear Tire 16.9-30	02973714	106514	02964616	02966404	02976421
TS-110-----2 wd,Rops, 16.9-30 or 18.4-34	02973714	106514	02964616	02966404	02976421

JOHN DEERE

Model / Series	*Shaft # **D/L Asy#	*Coupler #	*Hub # **Pulley Adptr ***Pulley	Mount Kit (ref #)
JD-2355---- 2 wd,Rops,23 gpm pump---	02977142*	-----	-----	02977126
JD-2555---- 2 wd,Rops,23 gpm pump---	02977142*	-----	-----	02977126
JD-2755---- 2 wd,Rops,23 gpm pump---	02977142*	-----	-----	02977126
JD-5310---- 2 wd,Rops-----	02973455*	106514*	02702900*	02975064
JD-5410---- 2 wd,Rops-----	02976198*	106514*	02964616**	02977666
JD-5510---- 2 wd,Rops-----	02976198*	106514*	02964616**	02977666
JD-5500---- 4 wd,Cab-----	02973406*	106514*	02972780**	02973345
JD-6200---- 2 wd,Cab-----	02975257A **	-----	02966110***	02976412
JD-6210---- 2 wd,Cab-----	02975257A **	-----	-----	02976347
JD-6210---- 2 wd,Rops-----	02975257A **	-----	-----	02976400
JD-6300---- 2 wd,Cab-----	02975257A **	-----	02966110***	02976412
JD-6310---- 2 wd,Cab-----	02975257A **	-----	-----	02976347
JD-6310---- 2 wd,Rops-----	02975257A **	-----	-----	02976400
JD-6400---- 2 wd,Cab-----	02975257A **	-----	02966110***	02976412
JD-6405---- 4 wd,Cab-----	02975257A **	-----	02973992**	02977927
JD-6410---- 2 wd,Cab-----	02975257A **	-----	-----	02976347
JD-6410---- 2 wd,Rops-----	02975257A **	-----	-----	02976400

MASSEY FERGUSON

Model / Series	Shaft #	Coupler#	Pulley Adapter#	Mount Kit (ref #)
MF-383-----2 wd,Rops-----	02970679	106514	02971025	02973468
MF-383-----2 wd,Cab-----	02970679	106514	02971025	02973468
MF-4243-----2 wd,Cab-----	02974125	106514	02974125	02974101
MF-4243-----4 wd,Cab-----	02974125	106514	02974786	02974783
MF-4245-----2 wd,Cab-----	02974125	106514	02974125	02974101
MF-4245-----4 wd,Cab-----	02974125	106514	02974786	02974783

Mount Kit Numbers are Listed as REFERENCE ONLY, NOT as REPLACEMENT PARTS. DO NOT ORDER MOUNT KITS

Oct. 1995
to
Current

S/N PRODUCTION DATES BRAHMA

S/N BRMA-01001
to
S/N BRMA-Current

BRAHMA

S/N SHIPPED	DATE
BR5R-0000	12/97
BRMA-01001	11/95
BR5R-01001	11/95
BR5R-01001D	11/95
BRMA-01002	09/95
BR5R-01002	09/95
BR5F-01002	12/97
BR6F-01002	01/97
BRMA-01003	10/95
BR5R-01003	11/95
BRMA-01004	03/96
BR5R-01004	03/96
BRMA-01005	03/96
BR5R-01005	03/96
BRMA-01006	03/97
BR5R-01006	05/96
BRMA-01007	01/97
BRMA-01008	02/97
BR5R-01008	02/97
BRMA-01009	02/97
BR5R-01009	02/97
BRMA-01010	02/97
BRMA-01011	03/97
BR5R-01011	03/97
BRMA-01012	03/97
BRMA-01013	03/97
BRMA-01014	04/97
BRMA-01015	04/97
BRMA-01015D	02/98
BRMA-01016	07/97
BRMA-01017	09/97
BRMA-01018	12/97
BRMA-01019	12/97
BRMA-01020	01/98
BRMA-01021	05/98
BRMA-01022	08/98
BRMA-01023	07/98
BRMA-01024	03/98
BRMA-01025	03/98
BRMA-01026	03/98

BRAHMA

S/N SHIPPED	DATE
BRMA-01027	03/98
BRMA-01028	03/98
BRMA-01029	03/98
BRMA-01030	03/98
BRMA-01031	03/98
BRMA-01032	05/98
BRMA-01033	08/98
BRMA-01034	09/98
BRMA-01035	09/98
BRMA-01036	09/98
BR5R-01036	09/98
BRMA-01037	09/98
BRMA-01038	02/99
BR5R-01038	06/99
BRMA-01039	06/99
BR5R-01039	06/99
BRMA-01040	12/98
BR5F-01040	07/99
BRMA-01041	08/99
BR5F-01041	08/99
BR5R-01041	09/99
BRMA-01042	08/99
BR5R-01042	09/99
BRMA-01043	03/99
BR5R-01043	12/99
BRMA-01044	07/99
BR5R-01044	01/00
BRMA-01045	06/99
BR5R-01045	03/00
BRMA-01046	06/99
BRMA-01047	07/99
BR5R-01047	06/00
BRMA-01048	08/00
BR5R-01048	08/00
BRMA-01049	06/99
BR5R-01049	07/00
BRMA-01050	05/99
BR5R-01050	08/00
BRMA-01051	05/99
BR5R-01051	02/01

BRAHMA

S/N SHIPPED	DATE
BRMA-01052	06/99
BR5R-01052	02/01
BRMA-01053	06/99
BR5R-01053	02/01
BRMA-01054	05/99
BR5R-01054	02/01
BRMA-01055	06/99
BR5R-01055	02/01
BRMA-01056	07/99
BR5R-01056	01/01
BRMA-01057	06/99
BR5R-01057	02/01
BRMA-01058	07/99
BR5R-01058	03/01
BRMA-01059	09/99
BR5R-01059	03/01
BRMA-01060	12/99
BR5R-01060	03/01
BRMA-01061	07/99
BRMA-01062	07/99
BRMA-01063	07/99
BRMA-01064	09/99
BR5R-01064	07/01
BRMA-01065	10/99
BR5R-01065	09/01
BRMA-01066	10/99
BR5R-01066	09/01
BRMA-01067	02/00
BR5R-01067	09/01
BRMA-01068	12/99
BR5R-01068	09/01
BRMA-01069	12/99
BR5R-01069	09/01
BRMA-01070	12/98
BR5R-01070	10/01
BRMA-01071	02/00
BR5R-01071	12/01
BRMA-01072	01/00
BR5R-01072	12/01
BRMA-01073	02/00

NOTE: Dates above are to determine approximate ship dates and serial number assignment dates.

* Some months there may not have been production or shipment of these Models. S/N's followed by "D" are duplicated S/N's. All S/N's begin with prefix BRMA (Main Frame, BR5R (Rotary Head) or BR5F (Flail Head). This is important to ID Model and/or component Head. Always USE MAIN FRAME S/N when searching for parts because Main Frame & Head S/N ARE NOT always the same and this Parts Book is Sorted by Main Frame Dates. Match above listed Ship Dates to Parts Dates in Parts Book if in doubt about S/N's.

Oct. 1995
to
Current

S/N PRODUCTION DATES BRAHMA

S/N BRMA--01001
to
S/N BRMA-Current

BRAHMA

S/N SHIPPED	DATE
BR5R-01073	12/01
BRMA-01074	02/00
BR5R-01074	12/01
BRMA-01075	02/00
BR5R-01075	12/01
BRMA-01076	02/00
BR5R-01076	12/01
BRMA-01077	03/00
BRMA-01078	04/00
BRMA-01079	04/00
BRMA-01080	07/00
BRMA-01081	03/00
BRMA-01082	07/00
BRMA-01083	05/00
BRMA-01084	05/00
BRMA-01085	06/00
BRMA-01086	06/00
BRMA-01087	07/00
BRMA-01088	07/00
BRMA-01089	08/00
BRMA-01090	08/00
BRMA-01091	11/00
BRMA-01092	11/00
BRMA-01093	02/01
BRMA-01094	02/01
BRMA-01095	01/01
BRMA-01096	01/01
BRMA-01097	01/01
BRMA-01098	02/01
BRMA-01099	02/01
BRMA-01100	02/01
BRMA-01101	02/01
BR5R-01101	12/97
BRMA-01102	02/01
BRMA-01103	02/01
BRMA-01104	03/01
BRMA-01105	03/01
BRMA-01106	03/01
BRMA-01107	04/01
BRMA-01108	03/01

BRAHMA

S/N SHIPPED	DATE
BRMA-01109	04/01
BRMA-01110	04/01
BRMA-01111	05/01
BRMA-01112	05/01
BRMA-01113	04/01
BRMA-01114	04/01
BRMA-01115	04/01
BRMA-01116	07/01
BRMA-01117	06/01
BRMA-01118	06/01
BRMA-01119	06/01
BRMA-01120	06/01
BRMA-01121	06/01
BRMA-01122	08/01
BRMA-01123	09/01
BRMA-01124	09/01
BRMA-01125	09/01
BRMA-01126	08/01
BRMA-01127	08/01
BRMA-01128	09/01
BRMA-01129	09/01
BRMA-01130	09/01
BRMA-01131	10/01
BRMA-01132	10/01
BRMA-01133	11/01
BRMA-01134	11/01
BRMA-01135	11/01
BRMA-01136	12/01
BRMA-01137	12/01
BRMA-01138	12/01
BRMA-01139	12/01
BRMA-01140	12/01
BRMA-01141	12/01
BRMA-02735	05/98
BR5F-1248	04/01
BR5F-1249MA01	07/01
BR5F-1251MA01	08/01
BR5F-1254MA01	08/01
BR5F-1255MA01	06/01
BR7F-1265MA	06/01

BRAHMA

S/N SHIPPED	DATE
BR7F-1267	04/01
BR7F-1268MA01	09/01
BR6F-1343KA99	05/99
BR5F-1344HA/97	03/97
BR6F-1344KA99	06/99
BRMA-1345HA/97	05/97
BR5F-1345HA/97	02/98
BR5F-1346HA/97	04/97
BR5F-1346KA/99	06/99
BR5F-1347HA/97	04/97
BR7F-P1349FA	05/99
BR5F-1432	04/01
BR5F-1435 MA01	05/01
BR7F-1435	04/01
BR7F-1436MA01	07/01
BR5F-1479	04/01
BR7F-1731/KA99	10/99
BR7F-1734KA99	07/99
BR7F-1735KA99	08/99
BR7F-1736KA99	07/99
BR5F-1939KA/99	03/00
BR5F-1939KA99	03/00
BR5F-1940KA99	07/99
BR5F-1941KA99	07/99
BR7F-1944KA/99	07/00
BR7F-1944KA99	06/00
BR5F-1965/HA97	09/97
BR5F-2033JA/98	08/98
BR7F-2335KA99	12/99
BR7F-2336/KA99	10/99
BR7F-2338KA/99	02/01
BR5F-2339KA99	12/99
BR7F-2340KA/99	07/00
BR7F-2340KA99	07/00
BR7F-2342KA/99	04/00
BR7F-2342KA99	04/00
BR7F-2344KA/99	11/00
BR7F-2346KA/99	04/00
BR7F-2346KA99	04/00
BR5F-2494JA/98	03/99

NOTE: Dates above are to determine approximate ship dates and serial number assignment dates.
* Some months there may not have been production or shipment of these Models. S/N's followed by "D" are duplicated S/N's. All S/N's begin with prefix BRMA (Main Frame, BR5R (Rotary Head) or BR5F, BR6F, BR7F (Flail Heads). This is important to ID Model and/or component Head. Always USE MAIN FRAME S/N when searching for parts because Main Frame & Head S/N ARE NOT always the same and this Parts Book is Sorted by Main Frame Dates. Match above listed Ship Dates to Parts Dates in Parts Book if in doubt about S/N's.

Oct. 1995
to
Current

S/N PRODUCTION DATES BRAHMA

S/N BRMA--01001
to
S/N BRMA-Current

BRAHMA

S/N SHIPPED	DATE
BR5F-2494JA198	03/99
BRMA-2574JA/98	02/99
BRMA-2577JA/98	02/99
BR5F-2758/KA99	07/00
BRMA-3001HA-97	03/98
BR5F-3002HA97	03/98
BR5F-3516LA/01	08/01
BR7F-3520LA/00	10/01
BR6F-3605FA/95	05/98
BRMA-3607FA95	02/99
BR7F-3606FA95	06/99
BRMA-3609FA95	03/98
BR5F-3615GA/96	03/97
BR7F-362FA95	06/99
BR6F-3622FA95	07/98
BRMA-3625FA95	03/98
BRMA-3626FA95	07/97

**Due To Lack Of. S/N
Order, S/N Entry Order &
S/N Selection The above
BRAHMA S/N's are listed
by Actual Ship Date & as
entered into system.**

NOTE: Dates above are to determine approximate ship dates and serial number assignment dates.
* Some months there may not have been production or shipment of these Models. S/N's followed by "D" are duplicated S/N's. All S/N's begin with prefix BRMA (Main Frame, BR5R (Rotary Head) or BR5F, BR6F, BR7F (Flail Heads). This is important to ID Model and/or component Head. Always USE MAIN FRAME S/N when searching for parts because Main Frame & Head S/N ARE NOT always the same and this Parts Book is Sorted by Main Frame Dates. Match above listed Ship Dates to Parts Dates in Parts Book if in doubt about S/N's.

NOTES

Oct. 1995
to
Current

SPECIFICATION BRAHMA

S/N BRMA-01001
to
S/N BRMA-Current

FILTRATION

Control Functions: Control functions include All Hydraulic Cylinders, These are powered by the Tractor Hydraulic System and are protected by the Tractors Filtration system. Maintance and specifikation of this should be per Tractor Manufacturer instructions.

Mower Head Functions: Mower Head Functions are operated by Pump which is mounted to the front of the Tractor Engine. This will have a inline Filter installed into hydraulic circuit, This filter should be changed on a regular maintance schedule. Filter are rated by Micron size (10 Micron), Filter replacement should be with the same Micron rated Filter.

HYDRAULIC PUMP CIRCUIT

Pump Type.....	Piston Type
Pump Speed (Front Engine Mounted).....	1950 RPM
Relief Setting at the Pump.....	4500 PSI
Pump Flow (Front Engine Mounted @ 1950 RPM).....	23.5 GPM
Oil Operating Temperature.....	90 deg. (F) above Abient Temp
Filter, Discharge from Charge Pump.....	10 Micron
Hydraulic Tank Capacity.....	17 Gallons
Hydraulic Oil Type (Pump & Motor Circuit).....	Universal Hyd. Oil
Motor Start / Stop Time (Approximate).....	6 Seconds

HYDRAULIC CYLINDERS SPECIFICATIONS

Hydraulic Cylinder Drift Rates:

Cylinder Function	Travel	Time
Lift.....	1" Travel.....	8.0 minutes
Tilt (w/hyd. lock closed).....	1" Travel.....	No Drift
Tilt (w/hyd. lock open).....	1" Travel.....	5.8 minutes

Measured Cylinder Drift Rates are measured as the amount of time required for the rod to move 1", The times shown represent the nominal times for a new machine. The times should be expected to decrease somewhat over time. Drift rates exceeding the times given (meaning that it takes LESS time for the Rod to move 1") may indicate a leakage problem in the Cylinder, Lines or Valving.

Hydraulic Cylinder Repair Specs:

Cylinder Part No.	Cylinder Function	Piston Nut Torque ft. lbs.	Gland Torque ft. lbs	Seal Kit Part No.
02968023	Lift	400-500	135-149 (Cap)	02969700
02968023A	Lift	400-500	80-120 (Head)	02975531
02968024	Tilt	400-500	135-149 (Cap)	02969700
02968024A	Tilt	400-500	80-120 (Head)	02975531

Oct. 1995
to
Current

SPECIFICATION BRAHMA

S/N MB21-01001
to
S/NMB21-Current

HYDRAULIC HOSE CODES

Hydraulic Hose Band Mark Color Codes :

Hose's and/or fittings are marked with a Color Coded Plastic Band around it. Some Bands are a solid Color and Some have a Colored Stripe. DO NOT remove these bands unless you replace them. All Solid Color connect to Rod End of Cylinder & All Bands with Stripe connects to Butt End of Hydraulic Cylinder or the Connections supporting them. **Always Check Hose Size & Color Code**

Color Tie	Color Tie Abbreviation	Size Hose	Hydraulic Connection
Red	R	Large	Pressure Flow
Orange	OR	Large	Return Flow
Blue	B	Medium	Case Drain
Green	G	Medium	Tilt Cylinder, (Dead End)
Green / White Stripe	G / W	Medium	Tilt Cylinder, (Rod End)
Blue	B	Medium	Lift Cylinder, (Dead End)
Blue / White Stripe	B / W	Medium	Lift Cylinder, (Rod End)

HOSE END FITTING TORQUE SPECS: Hose End Type:37 Degree Angle End Steel Hose End Fittings*

Dash Size	Nominal Size (in.)	Torque in. lbs.	Torque ft .lbs.
-4	1/4"	140	12
-6	3/8"	230	19
-8	1/2"	450	38
-10	5/8"	650	54
-12	3/4"	900	75
-16	1"	1200	100
-20	1-1/4"	1600	133
-24	1-1/2"	2000	167
-32	2"	2800	233

* Straight Threads do not always seal better when higher torques are used. Too much torque causes distortion and may lead to leakage. DO NOT over torque fittings and DO NOT allow any contaminations to enter system through fittings when installing them.

Oct 1995
to
Current




SPECIFICATION BRAHMA

S/N MB21-01001
to
S/NMB21-Current

TORQUE VALUES - BOLTS: Recommended Torque, Ft lbs & (Nm)

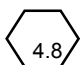
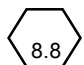
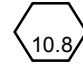
IMPORTANT ! Listed below IS BOLT TORQUE and NOT APPLICATION TORQUE, Component Application Torque will vary depending on what is bolted down and the type material (Metal) that is being bolted together. Thread condition and lubrication will make Torque vary.

Inche Sizes

Bolt Dia. inch	2 (B)  Plain Head	5 (D)  3 Dashes	8 (F)  6 Dashes
1/4	Not Used	10 (14)	14 (19)
5/16	Not Used	20 (27)	30 (41)
3/8	Not Used	35 (47)	50 (68)
7/16	35 (47)	55 (75)	80 (108)
1/2	55 (75)	85 (115)	120 (163)
9/16	75 (102)	130 (176)	175 (230)
5/8	105 (142)	170 (230)	240 (325)
3/4	185 (251)	300 (407)	425 (576)
7/8	160 (217)	445 (603)	685 (929)
1	250 (339)	670 (908)	1030 (1396)
1-1/8	330 (447)	910 (1234)	1460 (1979)
1-1/4	480 (651)	1250 (1695)	2060 (2793)

**ALWAYS
CHECK
MARKINGS
ON
TOP
OF
BOLT
HEAD
OR
OTHER
BOLT
DESCRIPTIONS**

Metric Sizes

Bolt Dia. mm	 4.8	 8.8	 10.8
6	5	7	12
8	11	20	25
10	20	40	58
12	37	70	105
14	60	100	140
16	92	155	200
18	118	216	280
20	160	270	355
22	215	330	430
24	285	500	700
27	450	875	1000
30	600	1200	1700
33	800	1600	2300
36	900	2100	3000

