



VERSA MOWER

60" & 72"

Side Mount Rotary

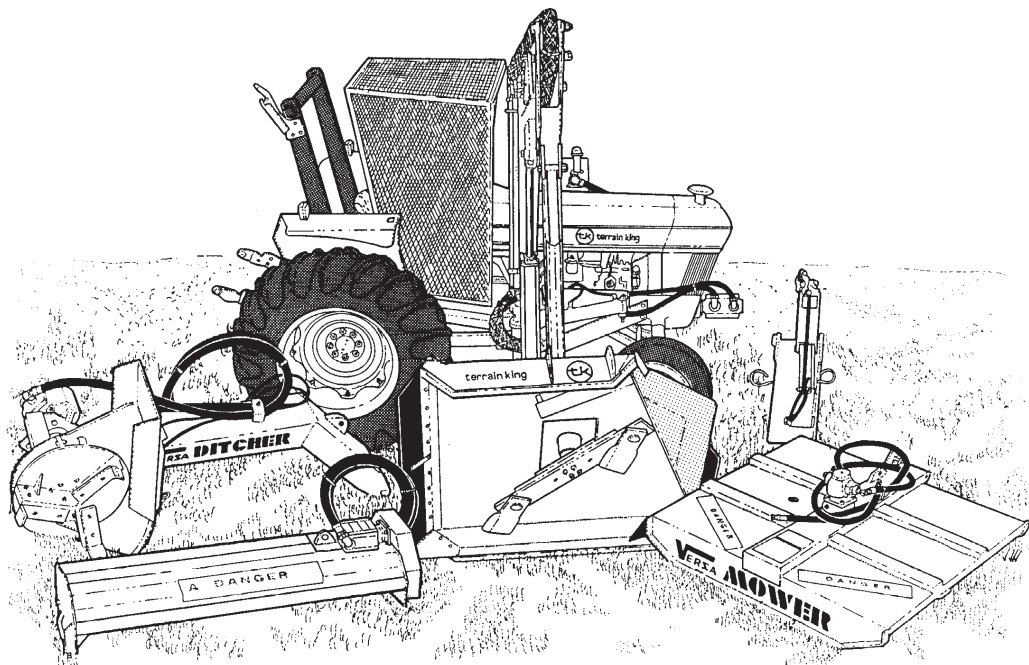
Rev 03-13

P/N 02978153

ARCHIVE BOOK

By Serial Number / Production

February 1982 to October 2001



COMPLETE PARTS LISTING

Alamo Industrial
P. O. Drawer 549
Seguin, Texas 78156
830-372-3551

VERSA - 4 BOOK SERIES
Versa Boom..... 02978152
Versa Mower 02978153
Vers Flail..... 02978154
Versa Ditcher..... 02978155

An **Alamo Group** Company

© 2013 Alamo Group Inc.

INDEX - VERSA MOWER

ITEM	PAGE NO.
INTRODUCTION VERSA MOWER	
PARTS SECTION	1
BLADE CARRIERS	
BAR CARRIER	
60 INCH	
S/N VS-39383 to VS-41790..(Feb. 1982 to May 1984).....	46
S/N VS-41791 to VS-45398..(Jun. 1984 to Aug. 1986).....	47
S/N VS-45399 to VS-Current..(Sep. 1986 to Current).....	48
72 INCH	
S/N VS-41791 to VS-45398..(Jun. 1984 to Aug. 1986).....	47
S/N VS-45399 to VS-Current..(Sep. 1986 to Current).....	48
PAN CARRIER	
60 INCH	
S/N VS-40754 to VS-41790..(Aug. 1983 to May 1984).....	49
S/N VS-41791 to VS-02301..(Jun. 1984 to Oct. 1991).....	50
S/N VS-02302 to VS-Current..(Nov. 1991 to Current).....	51
72 INCH	
S/N VS-40754 to VS-41790..(Aug. 1983 to May 1984).....	49
S/N VS-41791 to VS-02301..(Jun. 1984 to Oct. 1991).....	50
S/N VS-02302 to VS-Current..(Nov. 1991 to Current).....	52
CHAIN GUARDS (Front & Rear - Single & Double Row)	
SINGLE ROW	
S/N VS-39383 to VS-02283..(Feb. 1982 to Sep. 1991).....	164
S/N VS-02284 to VS-Current..(Oct. 1991 to Current).....	165
DOUBLE ROW	
S/N VS-04469 to VS-Current..(Jul. 1997 to Current).....	166
CONTROL VALVE (2 Spool, Lift & Fold)	
S/N VS-39383 to VS-03178..(Feb. 1982 to Mar. 1994).....	132-133
S/N VS-03179 to VS-04596..(Apr. 1994 to May 1998).....	134-135
	136-137
S/N VS-04597 to VS-Current..(Jun. 1998 to Current).....	138-139
CONTROL VALVE MOUNT	
S/N VS-39383 to VS-43475..(Feb. 1982 to Aug. 1985).....	140
S/N VS-43476 to VS-03220..(Sep. 1985 to Apr. 1994).....	141
S/N VS-03221 to VS-Current..(May 1994 to Current).....	142
CUTTER VALVE (Motor On/Off Control)	
S/N VS-39383 to VS-43475..(Feb. 1982 to Aug. 1985).....	144-145
S/N VS-43476 to VS-44986..(Sep. 1985 to May 1986).....	146-147
S/N VS-44987 to VS-01034..(Jun. 1986 to Oct. 1987).....	148-149
S/N VS-01035 to VS-02490..(Nov. 1987 to Jul. 1992).....	150-151
S/N VS-02491 to VS-Current..(Aug. 1992 to Current).....	152-153
CUTTER VALVE (Motor Reversing Option)	
S/N VS-39383 to VS-Current..(Feb. 1982 to Current).....	154-155

INDEX - VERSA MOWER

ITEM	PAGE NO.
DECK ASSEMBLY	
60 INCH DECK	
S/N VS-39383 to VS-40753..(Feb. 1982 to Jul. 1983).....	26-27
S/N VS-40754 to VS-41790..(Aug. 1983 to May 1984).....	28-29
S/N VS-41791 to VS-01034..(Jun. 1984 to Oct. 1987).....	30-31
S/N VS-01035 to VS-01244..(Nov. 1987 to May 1988).....	32-33
S/N VS-01245 to VS-01484..(Jan. 1988 to Jan. 1989).....	34-35
S/N VS-01485 to VS-02171..(Feb. 1989 to Apr. 1991).....	36-37
S/N VS-02172 to VS-02440..(May 1991 to Jun. 1992).....	38-39
S/N VS-02441 to VS-03133..(Jul. 1992 to Feb. 1994).....	40-41
S/N VS-03134 to VS-03886..(Mar. 1994 to Jan. 1996).....	42-43
S/N VS-03887 to VS-Current..(Feb. 1996 to Current).....	44-45
72 INCH DECK	
S/N VS-41791 to VS-01034..(Jun. 1984 to Oct. 1987).....	30-31
S/N VS-01035 to VS-01244..(Nov. 1987 to May 1988).....	32-33
S/N VS-01245 to VS-01484..(Jan. 1988 to Jan. 1989).....	34-35
S/N VS-01485 to VS-02171..(Feb. 1989 to Apr. 1991).....	36-37
S/N VS-02172 to VS-02440..(May 1991 to Jun. 1992).....	38-39
S/N VS-02441 to VS-03133..(Jul. 1992 to Feb. 1994).....	40-41
S/N VS-03134 to VS-03886..(Mar. 1994 to Jan. 1996).....	42-43
S/N VS-03887 to VS-Current..(Feb. 1996 to Current).....	44-45
DRIVE SHAFT (Front Mounted Pump)	
CASE - IH	
S/N VS-39383 to VS-Current..(Feb. 1982 to Current).....	168-169
FORD / NEW HOLLAND	
S/N VS-39383 to VS-Current..(Feb. 1982 to Current).....	169-170
JOHN DEERE	
S/N VS-39383 to VS-Current..(Feb. 1982 to Current).....	171-172
MASSEY FERGUSON	
S/N VS-39383 to VS-Current..(Feb. 1982 to Current).....	172-173
HESSTON	
S/N VS-39383 to VS-Current..(Feb. 1982 to Current).....	173
KABOTA	
S/N VS-39383 to VS-Current..(Feb. 1982 to Current).....	173
EXTENSION ARMS	
STANDARD ARM	
S/N VS-39383 to VS-41900..(Feb. 1982 to Jun. 1984).....	2-3
S/N VS-41901 to VS-01268..(Jul. 1984 to Jun. 1988).....	4-5
S/N VS-01269 to VS-03886..(Jul. 1988 to Jan. 1996).....	6-7
S/N VS-03887 to VS-04123..(Feb. 1996 to Aug. 1996).....	8-9
S/N VS-04124 to VS-Current..(Sep. 1996 to Current).....	10-11
HEAVY DUTY ARM OPTION	
S/N VS-02172 to VS-03886..(May 1991 to Jan. 1996).....	12-13
S/N VS-03887 to VS-Current..(Feb. 1996 to Current).....	10-11
SHORT ARM OPTION	
S/N VS-02172 to VS-04123..(May 1991 to Aug. 1996).....	14-15
S/N VS-04124 to VS-Current..(Sep. 1996 to Current).....	16-17
BREAKAWAY ARM OPTION	
S/N VS-01155 to VS-Current..(Apr. 1988 to Current).....	18-19

INDEX - VERSA MOWER

ITEM	PAGE NO.
FILTERS	
S/N VS-39383 to VS-41900..(Feb. 1982 to Jun. 1984).....	20-21
S/N VS-41901 to VS-01034..(Jul. 1984 to Oct. 1987).....	22-23
S/N VS-01035 to VS-Current..(Nov. 1987 to Current).....	24-25
HOSE DIAGRAM	
S/N VS-39383 to VS-40185..(Feb. 1982 to Jan. 1983).....	122-123
S/N VS-40186 to VS-41900..(Feb. 1983 to Jun. 1984).....	124-125
S/N VS-41901 to VS-46319..(Jul. 1984 to Jun. 1987).....	126-127
S/N VS-46320 to VS-01842..(Jul. 1987 to Mar. 1990).....	128-129
S/N VS-01843 to VS-Current..(Apr. 1990 to Current).....	130-131
HYDRAULIC CYLINDER (Lift & Tilt)	
LIFT CYLINDER	
S/N VS-39383 to VS-01244..(Feb. 1982 to May 1988).....	156
S/N VS-01245 to VS-Current..(Jun. 1988 to Current).....	157
TILT CYLINDER	
S/N VS-39383 to VS-01244..(Feb. 1982 to May 1988).....	158
S/N VS-01245 to VS-Current..(Jun. 1988 to Current).....	159
HYDRAULIC TANK	
S/N VS-39383 to VS-41900..(Feb. 1982 to Jun. 1984).....	20-21
S/N VS-41901 to VS-01034..(Jul. 1984 to Oct. 1987).....	22-23
S/N VS-01035 to VS-Current..(Nov. 1987 to Current).....	24-25
MOTOR	
60 INCH DECK	
S/N VS-39383 to VS-41790..(Feb. 1982 to May 1984).....	62-63
S/N VS-41791 to VS-47000..(Jun. 1984 to Aug. 1987).....	64-65
S/N VS-01001 to VS-01244..(Nov. 1987 to May 1988).....	66-67
S/N VS-01245 to VS-03886..(Jun. 1988 to Jan. 1996).....	68-69
S/N VS-03887 to VS-Current..(Feb. 1996 to Current).....	70-71
72 INCH DECK	
S/N VS-41791 to VS-43475..(Jun. 1984 to Aug. 1985).....	72-73
S/N VS-43476 to VS-01007..(Sep. 1985 to Sep. 1987).....	74-75
S/N VS-01008 to VS-01244..(Oct. 1987 to May 1988).....	76-77
S/N VS-01245 to VS-04102..(Jun. 1988 to Jan. 1996).....	78-79
S/N VS-04103 to VS-Current..(Feb. 1996 to Current).....	80-81
OPERATOR CAGE	
S/N VS-39383 to VS-Current..(Feb. 1982 to Current).....	167

INDEX - VERSA MOWER

ITEM	PAGE NO.
PUMP (Front and Rear Mounted)	
FRONT MOUNTED PUMP (Engine Driven)	
Double Section Pump (Standard)	
S/N VS-39383 to VS-41790..(Feb. 1982 to May 1984).....	82-83
S/N VS-41791 to VS-01007..(Jun. 1984 to Sep. 1987).....	84-85
S/N VS-01008 to VS-01154..(Oct. 1987 to Mar. 1988).....	86-87
S/N VS-01155 to VS-01244..(Apr. 1988 to May 1988).....	88-89
S/N VS-01245 to VS-01547..(Jun. 1988 to Mar. 1989).....	90-91
S/N VS-01548 to VS-Current..(Apr. 1989 to Current).....	92-93
Single Section Pump (Optional)	
S/N VS-01245 to VS-Current..(Jun. 1988 to Current).....	94-95
REAR MOUNTED PUMP (PTO Driven w/Speed Changer)	
Double Section Pump (Standard)	
S/N VS-39383 to VS-40753..(Feb. 1982 to Jul. 1983).....	96-97
S/N VS-40754 to VS-41790..(Aug. 1983 to May 1984).....	98-99
S/N VS-41791 to VS-01007..(Jun. 1984 to Sep. 1987).....	100-101
S/N VS-01008 to VS-01244..(Oct. 1987 to May 1988).....	102-103
S/N VS-01245 to VS-02301..(Jun. 1988 to Oct. 1991).....	104-105
S/N VS-02302 to VS-Current..(Nov. 1991 to Current).....	106-107
Single Section Pump (Optional)	
S/N VS-01245 to VS-02301..(Jun. 1988 to Oct. 1991).....	108-109
S/N VS-02302 to VS-Current..(Nov. 1991 to Current).....	110-111
 SPEED CHANGER (PTO DRIVEN)	
S/N VS-39383 to VS-39568..(Feb. 1982 to Apr. 1982).....	112-113
S/N VS-39569 to VS-01099..(May 1982 to Jan. 1988).....	114-115
S/N VS-01100 to VS-01547..(Feb. 1988 to Mar. 1989).....	116-117
S/N VS-01548 to VS-03052..(Apr. 1989 to Nov. 1993).....	118-119
S/N VS-03053 to VS-Current..(Dec. 1993 to Current).....	120-121
 SPINDLE	
60 INCH DECK	
S/N VS-39383 to VS-41790..(Feb. 1982 to May 1984).....	53
S/N VS-41791 to VS-01034..(Jun. 1984 to Oct. 1987).....	54
S/N VS-01035 to VS-01244..(Nov. 1987 to May 1988).....	55
S/N VS-01245 to VS-02352..(Jun. 1988 to Feb. 1992).....	56
S/N VS-02353 to VS-Current..(Mar. 1992 to Current).....	57
72 INCH DECK	
S/N VS-41791 to VS-01244..(Jun. 1984 to May 1988).....	58
S/N VS-01245 to VS-02352..(Jun. 1988 to Feb. 1992).....	59
S/N VS-02353 to VS-Current..(Mar. 1992 to Current).....	60
 SERIAL NUMBER / PRODUCTION DATES	
S/N VS-39383 to VS-Current..(Feb. 1982 to Current).....	174-175
 TAIL WHEEL	
S/N VS-43001 to VS-02352..(Jul. 1985 to Feb. 1992).....	160-161
S/N VS-02353 to VS-Current..(Mar. 1992 to Current).....	162-163

VERSA MOWER ARCHIVE BOOK INTRODUCTION

The VERSA Archive Book is a complete listing of Parts from the first Unit to the Present. The Production Dates, Serial Numbers, Special Notes and Descriptions are furnished to help find Replacement Parts. Dimension (if listed) are for Identification of Parts and MAY NOT be to Manufacturing Specification, Your measurements may vary some from dimensions listed. Some Parts may be changed and be different than parts listed. Some Modification may be required when replacing older parts. The Versa Series consist of Versa Mower, Versa Flail, Versa Boom and Versa Ditcher (4 Book Series)

PAGE EXAMPLE



For ordering parts the following instructions are offered to help eliminate delay

1. The purchase order must include the Name, Address (Ship to Street Address) of the Person / Organization ordering the parts. Who / How Parts should be Billed. Name and Phone Number of a Contact Person at your end.
2. The Purchase Order must list clearly the correct Part Number of Part. Quantity of each Part wanted, Complete and correct Description of each Part. All Parts will be shipped as requested depending on availability and/or reasonability of request carrier / method.
3. Alamo Industrial reserves the right to substitute parts where applicable and change prices Without prior notice. Alamo Industrial also reserves the right to Ship Parts the most Reasonable way as determined by Alamo Industrial.
4. Some Parts are unlisted items, which are special production items not normally stocked or built for a limited / special use, These parts may be subject to special handling or cannot be priced till ordered. Always Request a quotation for such Parts before sending a purchase order.

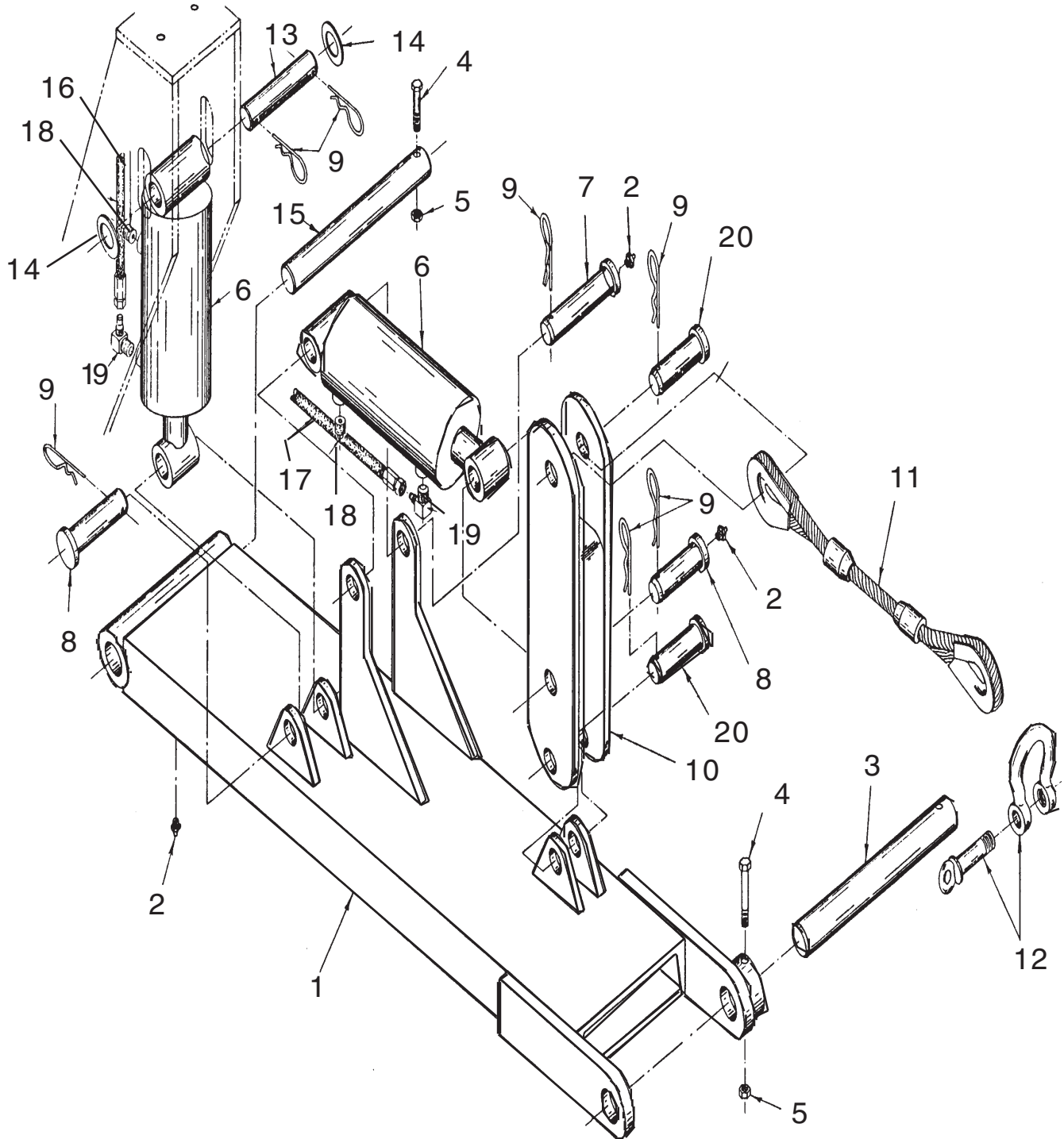
VERSA MOWER (Archive Book) 10/01

Parts Section - 1

Feb. 1982
to
Jun. 1984

EXTENSION ARM VERSA MOWER (Standard)

S/N VS-39383
to
S/N VS-41900



Feb. 1982
to
Jun.1984

EXTENSION ARM VERSA MOWER (Standard)

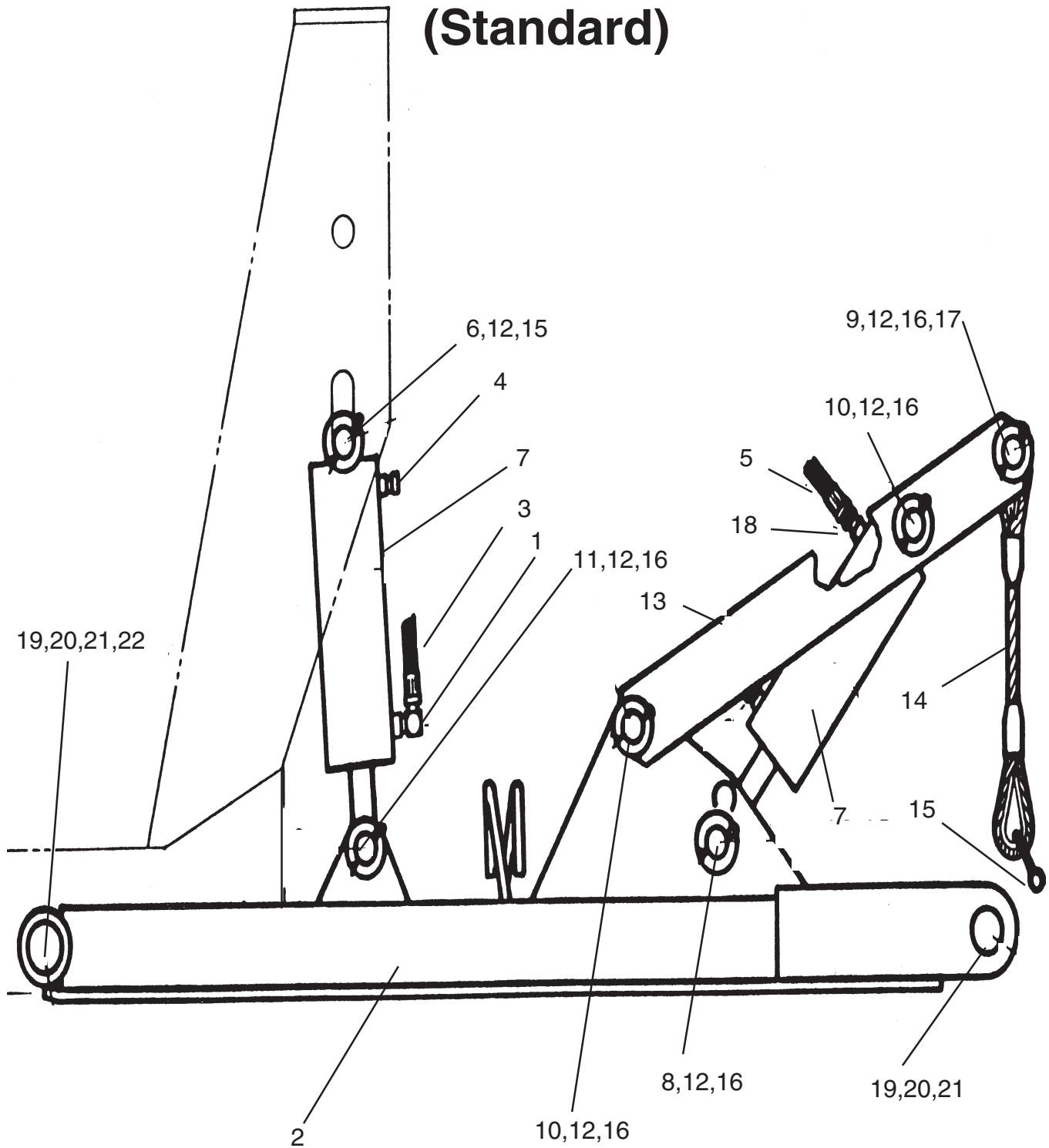
S/N VS-39383
to
S/N VS-41900

Item	Part No.	Qty	Description
1	02876900	1	Extension Arm (Except Flail)
2	00003500	4	Grease Fitting
3	02879900	1	Pin, Attachment
4	00002200	2	Bolt
5	00001200	2	Nut
6	02810900	2	Cylinder
7	02817700	1	Pin, "E"
8	02817600	2	Pin, "D"
9	45000000	7	Pin, Hair Pin
10	02879600	1	Linkage
11	02880100	1	Lift Cable Asy
12	02880200	1	Shackle, W/Screw Pin
13	02880800	1	Pin, Cylinder Dead End
14	02822500	2	Washer
15	02880700	1	Pin, Extension Arm
16	02890900	1	Hose
17	02839000	1	Hose
18	00750208	2	Plug, Breather
19	02822100	2	Elbow
20	02926700	2	Pin

Jul. 1984
to
Jun. 1988

EXTENSION ARM VERSA MOWER P/N 02957499 (Standard)

S/N VS-41901
to
S/N VS-01268



Jul. 1984
to
Jun. 1988

EXTENSION ARM
VERSA MOWER
P/N 02957499
(Standard)

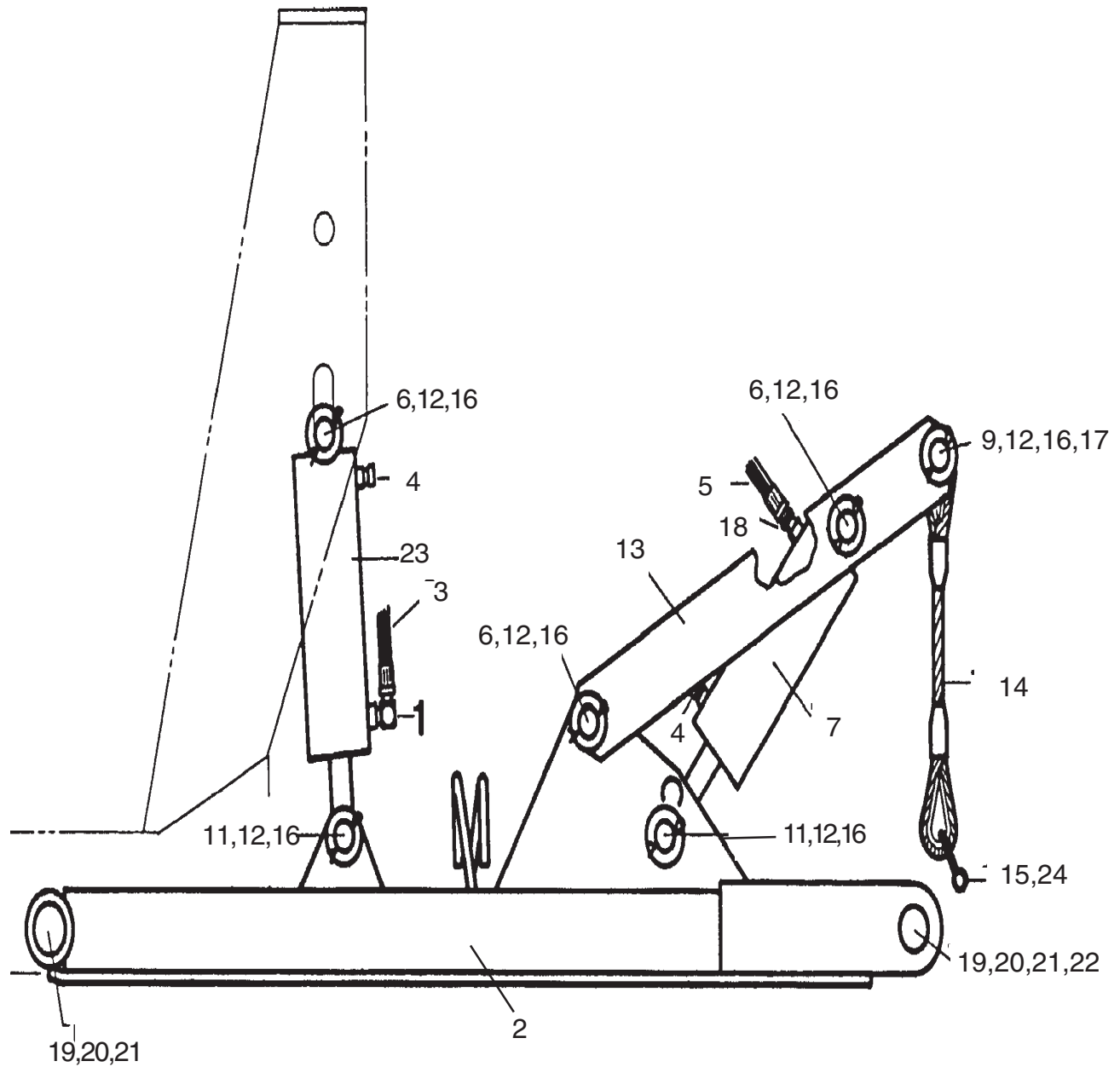
S/N VS-41901
to
S/N VS-01268

Item	Part No.	Qty	Description
1	02822100	1	Elbow
2	02957495	1	Extension Arm Weldment
3	02890900	1	Hose
4	00750208	2	Plug, Breather
5	02839000	1	Hose
6	02880800	1	Pin
7	02810900	2	Cylinder
8	02930200	1	Pin, Cylinder
9	02957335	1	Pin
10	02957536	2	Pin
11	02930200	1	Pin
12	00606000	12	Cotter Pin
13	02957497	1	Linkage Arm Weldment
14	02880100	1	Cable Asy
15	02880200	1	Shackle W/ Screw Pin
16	02822500	12	Flatwasher
17	00750731	1	Bushing
18	02957691	1	Adapter, Straight
19	02880700	2-ref	Pin, Attaching (Versa Mower)
20	10318000	2-ref	Bolt
21	00001800	2-ref	Locknut TLM 1/2 NC PLC

Jul. 1988
to
Jan. 1996

EXTENSION ARM VERSA MOWER P/N 02961799 (Standard)

S/N VS-01269
to
S/N VS-03886



Jul. 1988
to
Jan. 1996

EXTENSION ARM VERSA MOWER P/N 02961799 (Standard)

S/N VS-01269
to
S/N VS-03886

Item	Part No.	Qty	Description
	02961799	--	Extension Arm Asy
1	02960018*	1	Elbow
2	02957495*	1	Extension Arm Weldment
3	02890900	1	Hose
4	02960054*	2	Breather Plug
5	02839000	1	Hose
6	02880800*	3	Pin
7	02961483*	1	Cylinder
9	02957535*	1	Pin
11	02930200*	1	Pin
12	00606000*	12	Cotter Pin
13	02957497*	1	Linkage Arm Weldment
14	02880100*	1	Cable Asy
15	02880200*	1	Shackle with Screw Pin
16	02822500*	12	Flatwasher
17	02959180*	1	Bushing
18	02962181*	1	Straight Adapter
19	02880700*	2	Lug Bushing
20	00753013	2-ref	Bolt
21	00001800	2-ref	Locknut TLM 1/2 NC PLC
22	02965640	1-ref	Pin, Attach. (Versa Mower)
23	02961484*	1	Cylinder
24	02962919	1	Bushing

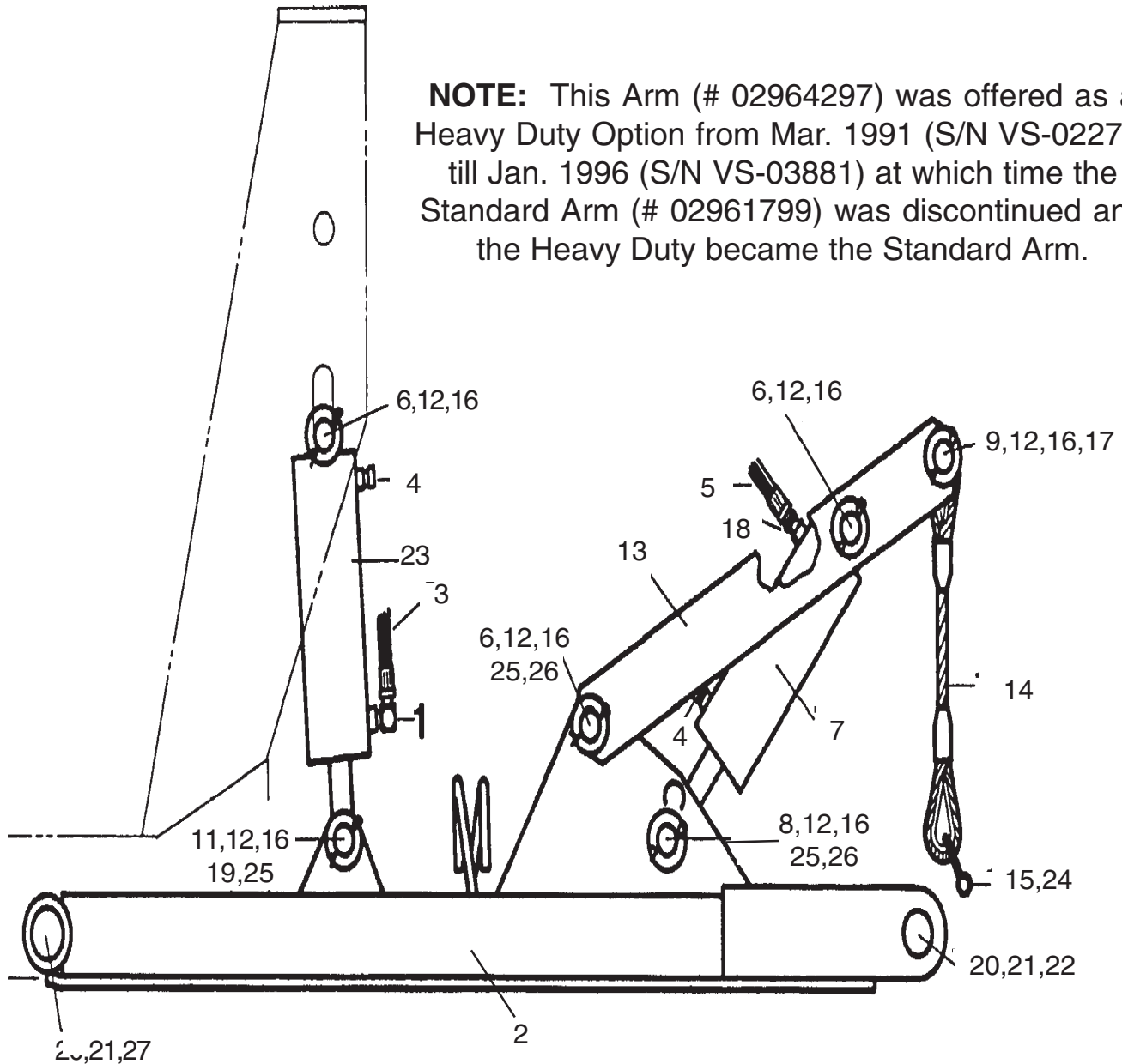
* These parts are included in Extension Arm Asy p/n 02961799

Feb. 1996
to
Aug 1996

EXTENSION ARM VERSA MOWER P/N 02964297 (Standard)

S/N VS-03887
to
S/N VS-04123

NOTE: This Arm (# 02964297) was offered as a Heavy Duty Option from Mar. 1991 (S/N VS-02271) till Jan. 1996 (S/N VS-03881) at which time the Standard Arm (# 02961799) was discontinued and the Heavy Duty became the Standard Arm.



Feb. 1986
to
Aug. 1996

EXTENSION ARM VERSA MOWER P/N 02964297 (Standard)

S/N VS-03887
to
S/N VS-04123

Item	Part No.	Qty	Description
	02964297	–	Extension Arm Asy
1	02960018*	1	Elbow
2	02964296*	1	Extension Arm Weldment
3	02890900	1	Hose
4	02960054*	2	Breather Plug
5	02839000	1	Hose
6	02880800*	3	Pin
7	02961483*	1	Cylinder
8	02963505*	1	Pin, Cylinder (Greaseable)
9	02957535*	1	Pin
11	02930200*	1	Pin
12	00606000*	12	Cotter Pin
13	02957497*	1	Linkage Arm Weldment
14	02880100*	1	Cable Asy
15	02880200*	1	Shackle with Screw Pin
16	02822500*	12	Flatwasher
17	00750731*	1	Bushing
18	02962181*	1	Straight Adapter
19	02959925*	2	Lug Bushing
20	10318000	2-ref	Bolt
21	00001800	2-ref	Locknut TLM 1/2 NC PLC
22	02965640	1-ref	Pin, Attach. (Versa Mower)
23	02961484*	1	Cylinder
24	02959891	1	Bushing
25	00752670*	6	Grease Fitting
26	02963467*	6	Lug Bushing
27	02880700	1	Pin

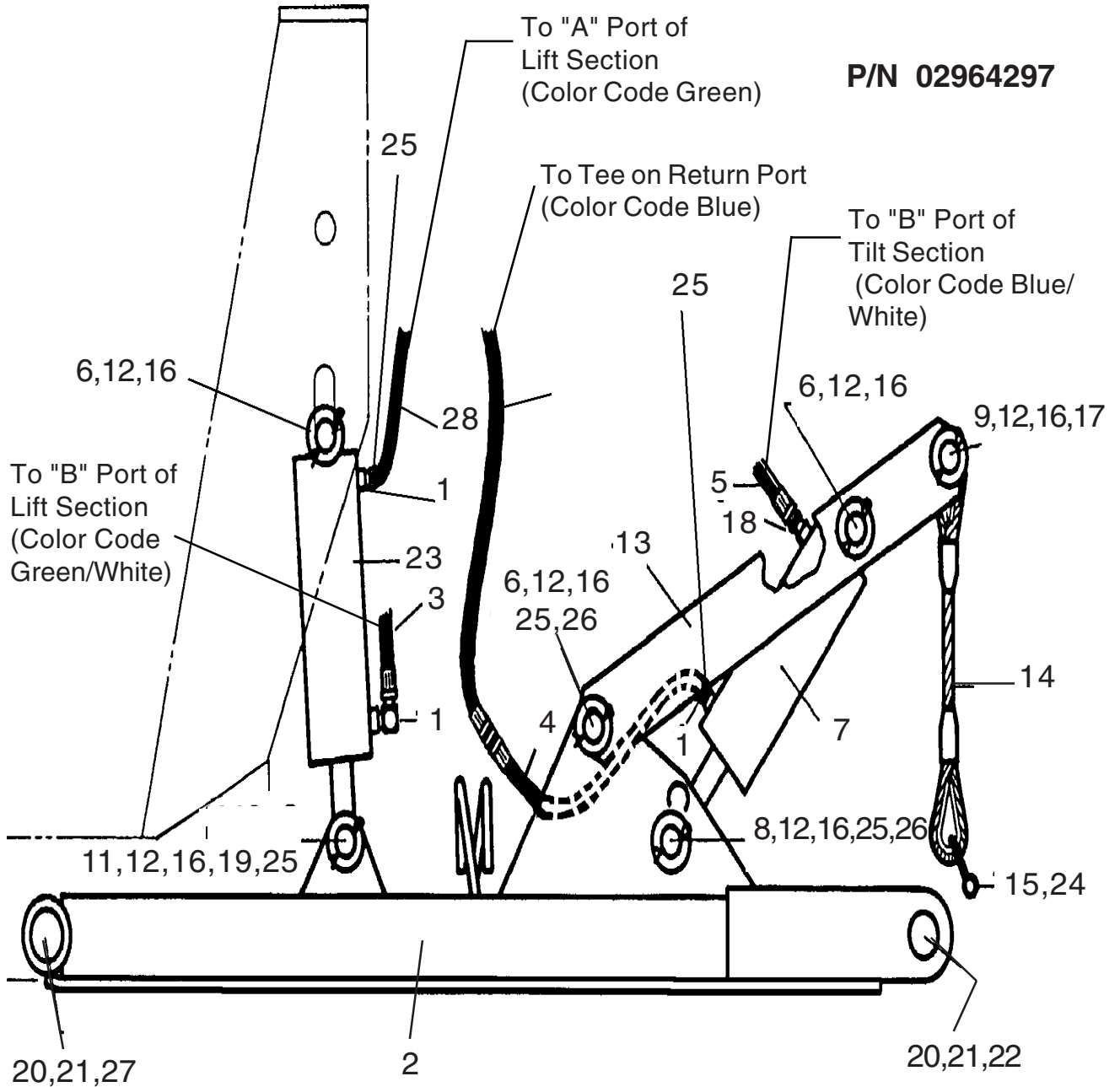
* These parts are included in Extension Arm Asy p/n 02964297

NOTE: This Arm (# 02964297) offered as a Heavy Duty Option from Mar. 1991 (S/N VS-02271) till Jan. 1996 (S/N VS-03881) at which time the Standard Arm (# 02961799) was discontinued and the Heavy Duty became the Standard Arm.

Sep. 1996
to
Current

EXTENSION ARM VERSA MOWER P/N 02964297 (Standard)

S/N VS-04124
to
S/N VS-



Sep. 1996
to
Current

EXTENSION ARM VERSA MOWER P/N 02964297 (Standard)

S/N VS-04124
to
S/N VS-

Item	Part No.	Qty	Description
1	02960018*	3	Elbow
2	02964296*	1	Extension Arm Weldment (Heavy Duty)
3	02839000	1	Hose, ROPS Units, (Color Code Green/White)
	02823600	1	Hose, Cab Units, (Color Code Green/White)
4	02957485*	1	Hose With #4MJ
5	001774	1	Hose, ROPS Units, (Color Code Blue/White)
	02839000	1	Hose, Cab Units, (Color Code Blue/White)
6	02880800*	3	Pin
7	02961483*	1	Cylinder
8	02963505*	1	Cylinder, Pin (Greaseable)
9	02957535*	1	Pin
11	02930200*	1	Pin
12	00606000*	12	Cotter Pin
13	02957497*	1	Linkage Arm Weldment
14	02880100*	1	Cable Asy
15	02880200*	1	Shackle with Screw Pin
16	02822500*	12	Flatwasher
17	00750731*	1	Bushing
18	02962181*	1	Straight Adapter
19	02959925*	2	Lug Bushing
20	10318000	2-ref	Bolt
21	00001800	2-ref	Locknut TLM 1/2 NC PLC
22	02880700	1-ref	Pin, Attach. (Versa Mower)
23	02961484*	1	Cylinder
24	02959891	1	Bushing
25	00752670*	8	Grease Fitting
26	02963467*	6	Lug Bushing
27	02880700	1	Pin
28	02890900	1	Hose , ROPS Units, (Color Code Green)
	02965475	1	Hose, Cabs Units, (Color Code Green)
29	0019800	1	Hose, ROPS Units, (Color Code Blue)
	001849	1	Hose, Cabs Units, (Color Code Blue)

* These parts are included in Extension Arm Asy p/n 02964297

May 1991
to
Jan. 1996

**EXTENSION ARM
VERSA MOWER
P/N 02964297
(Heavy Duty Option)**

S/N VS-02172
to
S/N VS-03886

Item	Part No.	Qty	Description
	02964297	—	Extension Arm Asy
1	02960018*	1	Elbow
2	02964296*	1	Extension Arm Weldment
3	02890900	1	Hose
4	02960054*	2	Breather Plug
5	02839000	1	Hose
6	02880800*	3	Pin
7	02961483*	1	Cylinder
8	02963505*	1	Pin, Cylinder (Greaseable)
9	02957535*	1	Pin
11	02930200*	1	Pin
12	00606000*	12	Cotter Pin
13	02957497*	1	Linkage Arm Weldment
14	02880100*	1	Cable Asy
15	02880200*	1	Shackle with Screw Pin
16	02822500*	12	Flatwasher
17	00750731*	1	Bushing
18	02962181*	1	Straight Adapter
19	02959925*	2	Lug Bushing
20	10318000	2-ref	Bolt
21	00001800	2-ref	Locknut TLM 1/2 NC PLC
22	02965640	1-ref	Pin, Attach. (Versa Mower)
23	02961484*	1	Cylinder
24	02959891	1	Bushing
25	00752670*	6	Grease Fitting
26	02963467*	6	Lug Bushing
27	02880700	1	Pin

* These parts are included in Extension Arm Asy p/n 02964297

NOTE: This Arm (# 02964297) was offered as a Heavy Duty Option Only from Mar. 1991 (S/N VS-02271) till Feb. 1996 (S/N VS-03881) at which time the Standard Arm (# 02961799) was discontinued and the Heavy Duty became the Standard Arm used on all Units. So for All Units Feb. 1996 and after see the Standard Extension Arm Section.

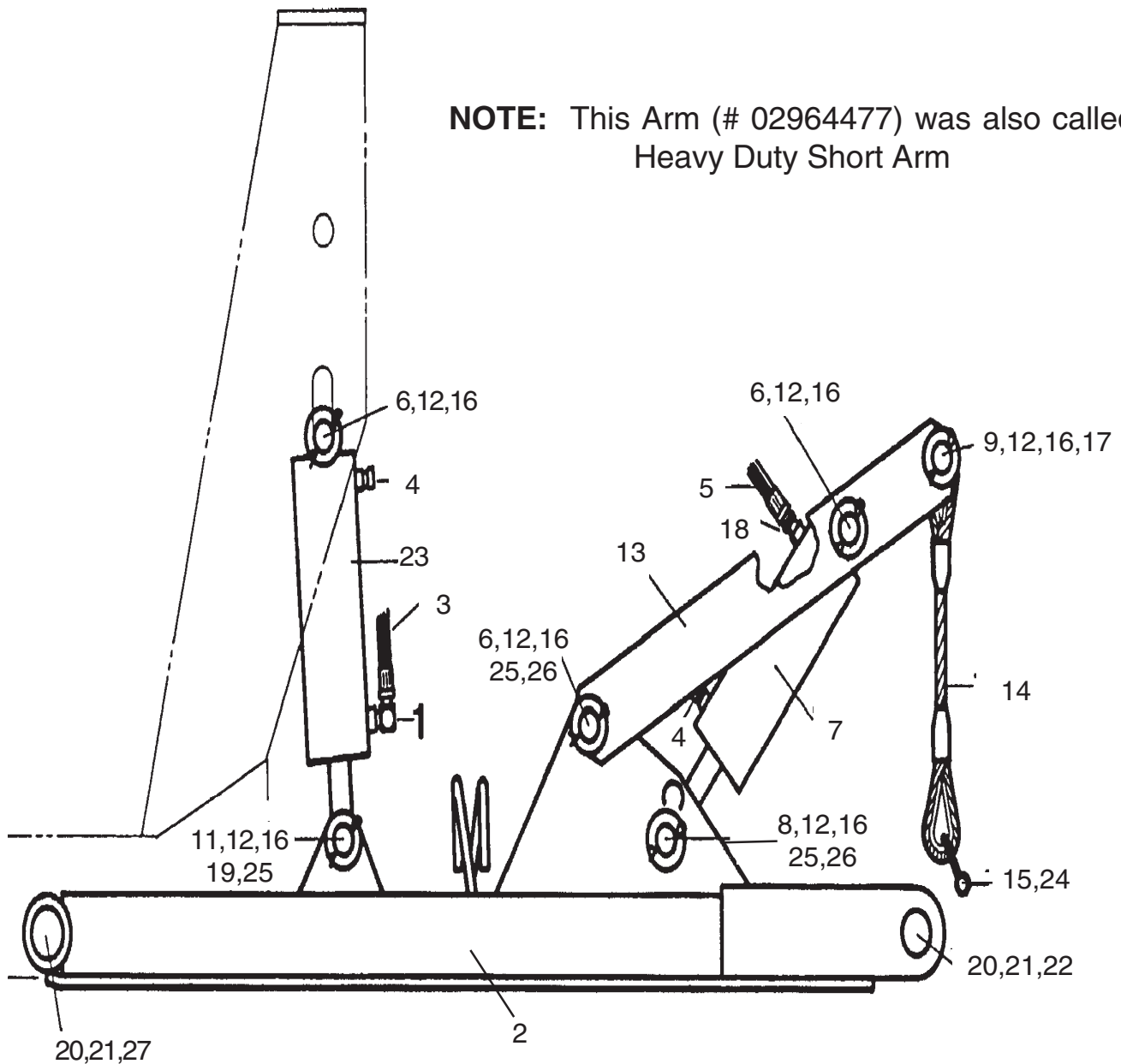
May 1991
to
Aug. 1996

EXTENSION ARM VERSA MOWER P/N 02964477 (Short Option)

S/N VS-02172
to
S/N VS-04123

6" Shorter Than Standard

NOTE: This Arm (# 02964477) was also called
Heavy Duty Short Arm



May 1991
to
Aug. 1996

EXTENSION ARM VERSA MOWER P/N 02964477 (Short Option)

S/N VS-02172
to
S/N VS-04123

6" Shorter Than Standard

Item	Part No.	Qty	Description
	02964477	—	Extension Arm Asy, Short
1	02960018*	1	Elbow
2	02964479*	1	Extension Arm Weldment
3	02890900	1	Hose
4	02960054*	2	Breather Plug
5	02839000	1	Hose
6	02880800*	3	Pin
7	02961483*	1	Cylinder
8	02963505*	1	Pin, Cylinder (Greaseable)
9	02957535*	1	Pin
11	02930200*	1	Pin
12	00606000*	12	Cotter Pin
13	02957497*	1	Linkage Arm Weldment
14	02880100*	1	Cable Asy
15	02880200*	1	Shackle with Screw Pin
16	02822500*	12	Flatwasher
17	00750731*	1	Bushing
18	02962181*	1	Straight Adapter
19	02959925*	2	Lug Bushing
20	10318000	2-ref	Bolt
21	00001800	2-ref	Locknut TLM 1/2 NC PLC
22	02965640	1-ref	Pin, Attach. (Versa Mower)
23	02961484*	1	Cylinder
24	02959891	1	Bushing
25	00752670*	6	Grease Fitting
26	02963467*	6	Lug Bushing
27	02880700	1	Pin

* These parts are included in Extension Arm Asy p/n 02964477

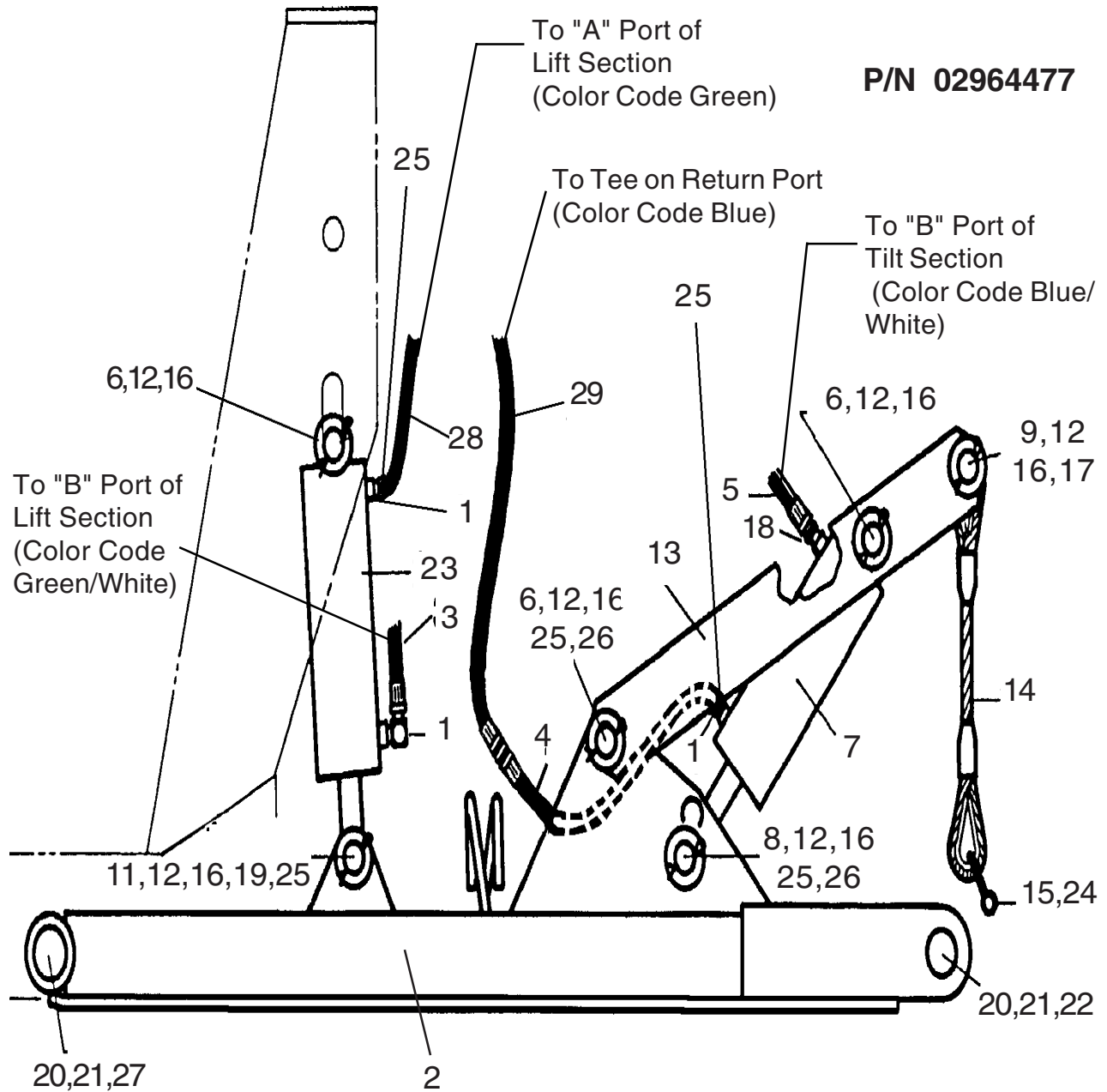
NOTE: This Arm (# 02964477) was also called
Heavy Duty Short Arm

Sep. 1996
to
Current

EXTENSION ARM VERSA MOWER P/N 02964477 (Short Option)

S/N VS-04124
to
S/N VS-Current

6" Shorter Than Standard



Sep. 1996
to
Current

EXTENSION ARM VERSA MOWER P/N 02964477 (Short Option)

S/N VS-04124
to
S/N VS-Current

6" Shorter Than Standard

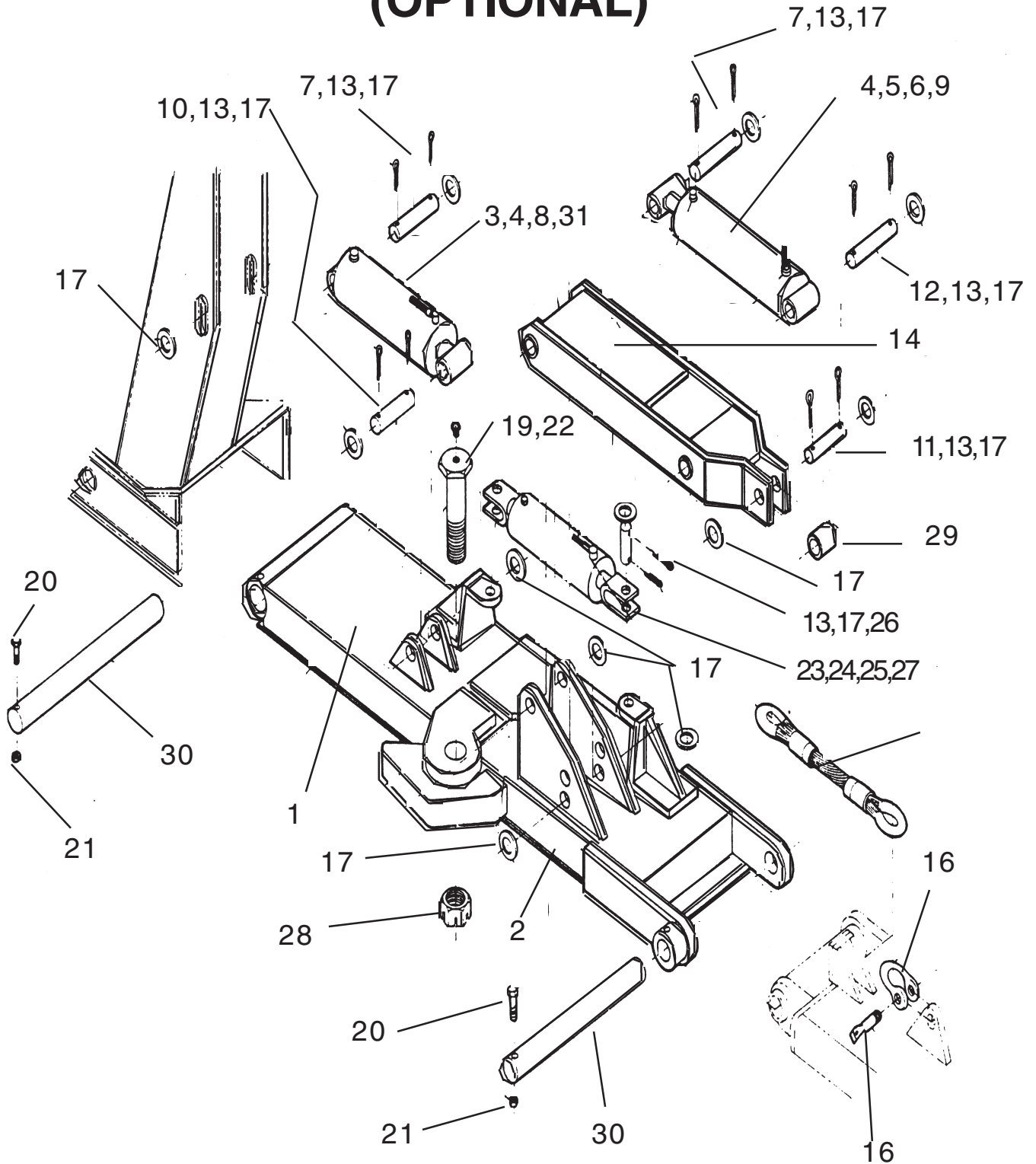
Item	Part No.	Qty	Description
1	02960018*	3	Elbow
2	02964479*	1	Extension Arm Weldment (Heavy Duty)
3	02839000	1	Hose, ROPS Units, (Color Code Green/White)
	02823600	1	Hose, Cab Units, (Color Code Green/White)
4	02957485*	1	Hose With #4MJ
5	001774	1	Hose, ROPS Units, (Color Code Blue/White)
	02839000	1	Hose, Cab Units, (Color Code Blue/White)
6	02880800*	3	Pin
7	02961483*	1	Cylinder
8	02963505*	1	Cylinder, Pin (Greaseable)
9	02957535*	1	Pin
11	02930200*	1	Pin
12	00606000*	12	Cotter Pin
13	02957497*	1	Linkage Arm Weldment
14	02880100*	1	Cable Asy
15	02880200*	1	Shackle with Screw Pin
16	02822500*	12	Flatwasher
17	00750731*	1	Bushing
18	02962181*	1	Straight Adapter
19	02959925*	2	Lug Bushing
20	10318000	2-ref	Bolt
21	00001800	2-ref	Locknut TLM 1/2 NC PLC
22	02955640	1-ref	Pin, Attach. (Versa Mower)
23	02961484*	1	Cylinder
24	02959891	1	Bushing
25	00752670*	8	Grease Fitting
26	02963467*	6	Lug Bushing
27	02880700	1	Pin
28	02890900	1	Hose , ROPS Units, (Color Code Green)
	02965475	1	Hose, Cabs Units, (Color Code Green)
29	0019800	1	Hose, ROPS Units, (Color Code Blue)
	001849	1	Hose, Cabs Units, (Color Code Blue)

* These parts are included in Extension Arm Asy p/n 02964477

Apr. 1988
to
Current

EXTENSION ARM VERSA MOWER BREAKAWAY (OPTIONAL)

S/N VS-01155
to
S/NVS-Current



Apr. 1988
to
Current

EXTENSION ARM VERSA MOWER BREAKAWAY (OPTIONAL)

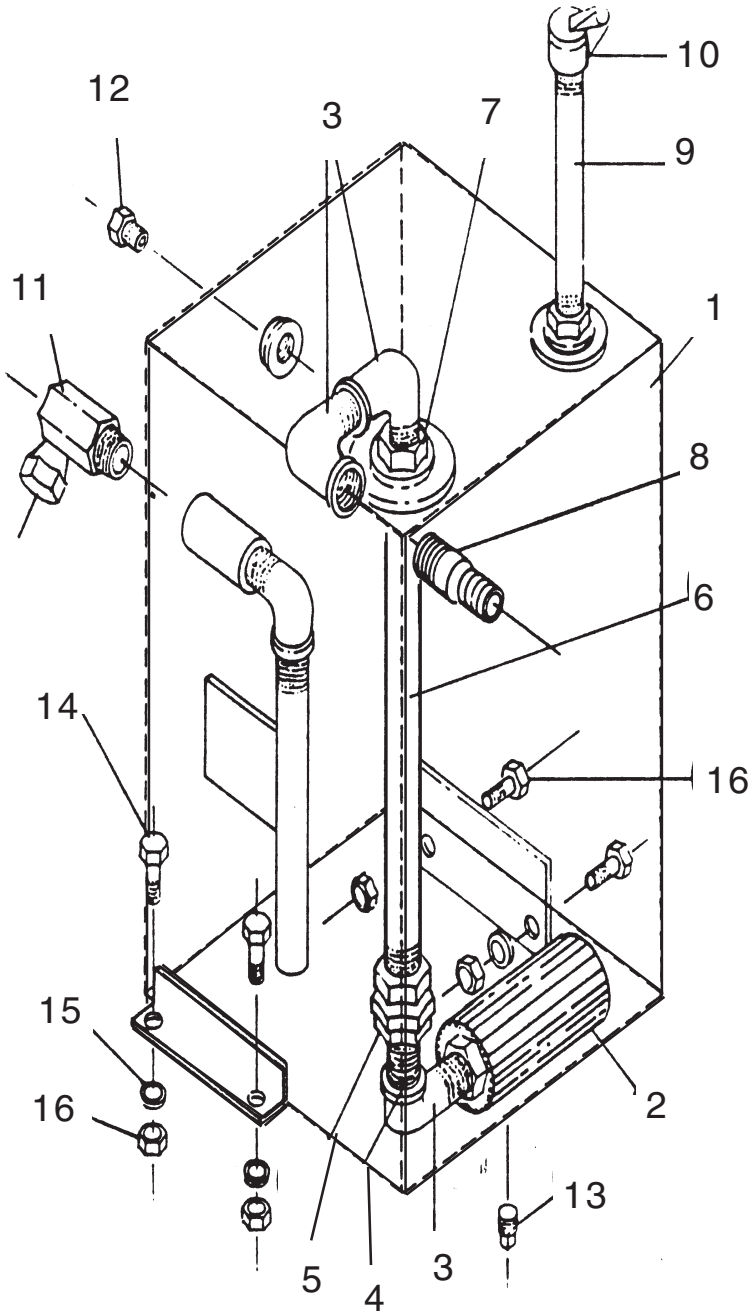
S/N VS-01155
to
S/N VS-Current

Item	Part No.	Qty	Description
1	02959418	1	Section, Basic Mount Attachment
2	02959428	1	Section, Mower Half
3	02822100	1	Elbow
4	00750208	2	Plug, Breather
5	02839000	1	Hose
6	02957691	1	Adapter, Straight
7	02880800	3	Pin, Cylinder Dead End
8	02890900	1	Hose
9	02810900	2	Cylinder, Hydraulic
10	02930200	2	Linkage Pin
11	02957535	1	Linkage Pin
13	00606000	15	Cotter Pin
14	02957497	1	Linkage Arm Weldment
15	02880100	1	Cable Asy
16	02880200	1	Shackle, W/ Screw Pin
17	02822500	14	Flatwasher
19	02959437	1	Pin Weldment
20	10318000	1	Bolt
21	00001800	1	Locknut TLM 1/2 NC PLC
22	00600000	1	Grease Fitting
23	02964953	1	Cylinder, Breakaway Hydraulic
24	00034900	1	Plug, Pipe
25	02045200	1	Elbow
26	02020800	2	Clevis Pin
27	02823600	1	Hose
28	00036800	1	Nut
29	02957501	2	Bushing
30	02880700	2	Pin, Attaching

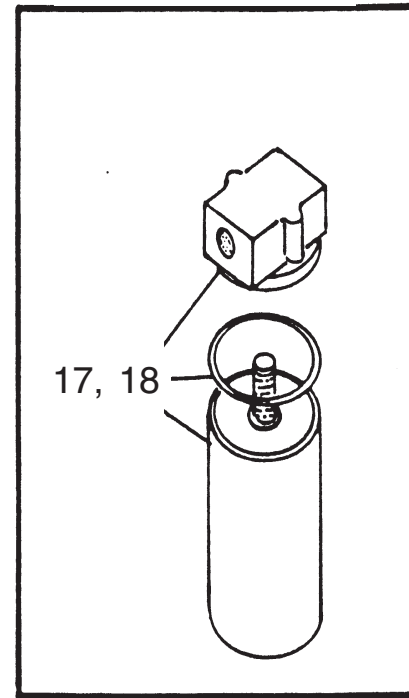
Feb. 1982
to
Jun. 1984

OIL TANK VERSA MOWER

S/N VS-39383
to
S/N VS-41900



RETURN FILTER ASSEMBLY



USE 20 W 40 MOTOR OIL
"This has Been Changed to Use"
Universal Hydraulic Oil

Feb. 1982
to
Jun. 1984

OIL TANK VERSA MOWER

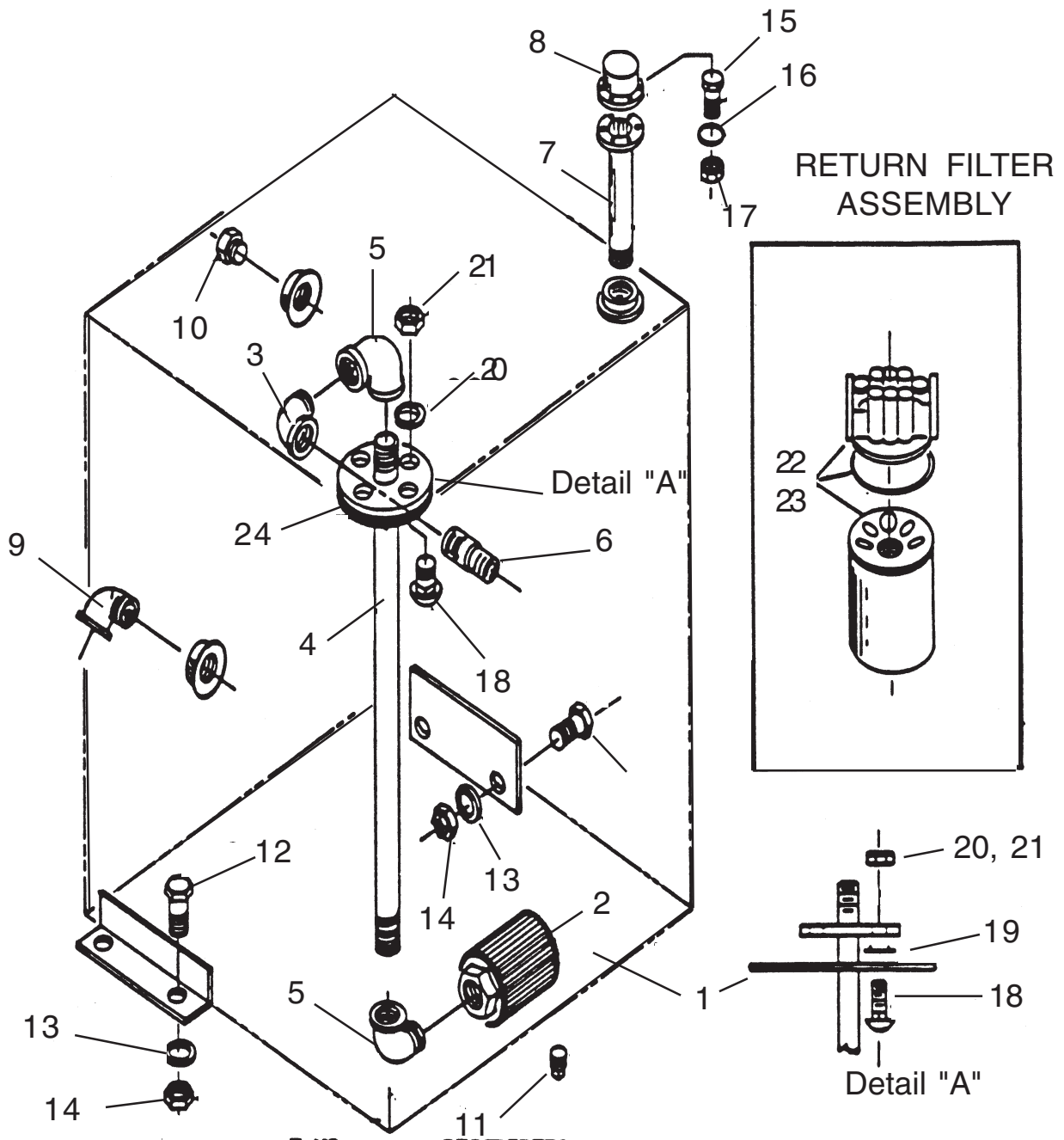
S/N VS-39383
to
S/N VS-41900

Item	Part No.	Qty	Description
1	02876200	1	Reservoir (Oil Tank)
2	02047400	1	Suction Filter
3	02047200	3	Elbow
4	02047300	1	Close Nipple
5	02047100	1	Slip Union
6	02822000	1	Nipple, 26" Long
7	02046900	1	Adapter, Bushing
8	02888400	1	Adapter, Straight
9	02410300	1	Nipple, 12" long
10	02040800	1	Filler Cap
11	02889300	1	Filler Cap
12	02049700	1	Sight Gage
13	02016100	1	Pipe Plug
14	00012000	4	Bolt
15	00001300	4	Lockwasher
16	00001200	4	Nut
17	00751469	1	Filter Asy as Shown
18	00751529	1	Filter Element Only

Jul. 1984
to
Oct. 1987

OIL TANK VERSA MOWER

S/N VS-41901
to
S/N VS-01034



USE 20 W 40 MOTOR OIL
"This has Been Changed to Use"
Universal Hydraulic Oil

Jul. 1984
to
Oct. 1987

OIL TANK VERSA MOWER

S/N VS-41901
to
S/N VS-01034

Item	Part No.	Qty	Description
1	02876200	1	Oil Tank
2	02047400	1	Suction Filter
3	02047200	2	Elbow
4	02957223	1	Suction Pipe Weldment
5	02208400	1	Elbow
6	02411000	1	Hose Bib
7	02209400	1	Filler Cap Weldment
8	02209600	1	Filler Cap
9	00751457	1	Elbow
10	02049700	1	Sight Gauge
11	02016100	1	Pipe Plug
12	00012000	4	Bolt
13	00001300	4	Lockwasher
14	00001200	4	Nut
15	63067100	6	Bolt
16	63121800	6	Lockwasher
17	63121700	6	Nut
18	02208800	4	Bolt
19	63161900	4	Spring Nut
20	00002700	4	Flatwasher
21	00749137	4	Nut
22	00751469	1	Filter Asy.
23	00751529	1	Filter Element
24	02958079	1	Gasket, Suction Plate

Nov. 1987
to
Current

OIL TANK VERSA MOWER

S/N VS-01035
to
S/N VS-Current

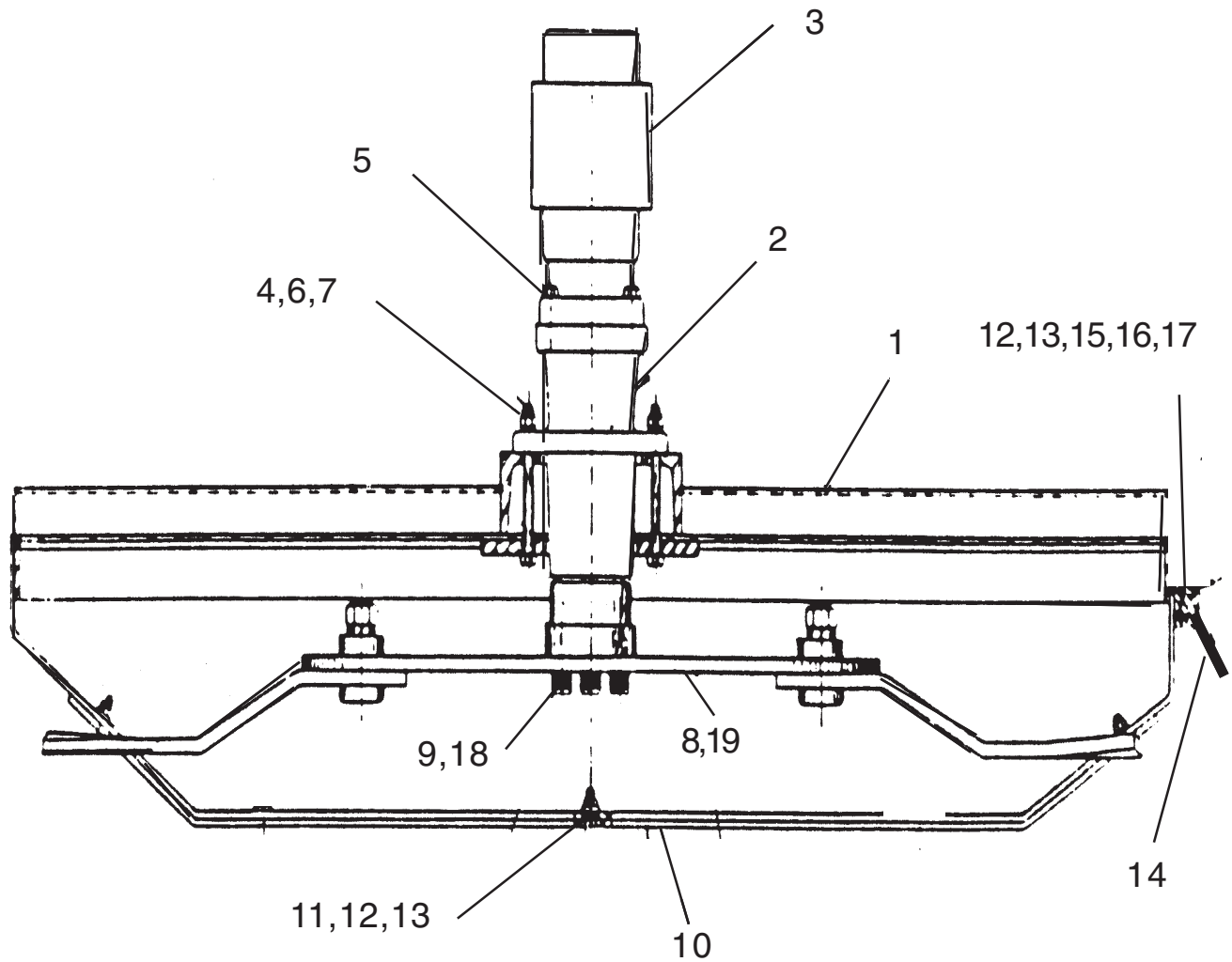
Item	Part No.	Qty	Description
1	02961046	1	Oil Tank Weldment
2	02047400	2	Suction Filter
3	02208800	4	Bolt
4	02047200	1	Elbow
5	63161900	4	Spring Nut
6	02957223	1	Suction Pipe Weldment
7	02208400	1	Elbow
8	02411000	1	Hose Bib
9	02957390	1	Filler Cap Weldment
10	02209600	1	Filler Cap
11	02962963	1	Sight Gauge
12	02963659	1	Magnetic Plug
13	02958079	1	Gasket-Rubber
	02963661	1	Gasket-Cork
14	00749137	4	Nut
15	02961000	1	Filter Assembly
	02961001	1	Filter Element
	02961452	1	O-Ring
16	02961052	1	Gasket, Rubber
	02963662	1	Gasket, Cork
17	02960809	1	Adapter
18	00002700	4	Flatwasher
19	63067100	6	Bolt
20	63121700	6	Nut
21	63121800	6	Lockwasher
22	02026200	1	Hose Clamp
23	02961681	1	Tube, Filter Return
26	00752036	4	Nut
27	12621000	4	Bolt
28	02961255	4	Pushnut
29	02960871	1	Tube Clamp
30	02967127	1	O-Ring
31	02962963	1	Dial Indicator

Feb. 1982
to
Jul. 1983

Rotary Mower 60" & 72" Versa Mower (Only 60" Model Used)

S/N VS-39383
to
S/N VS-40753

Torque Items # 4 & # 5 to 100 ft lbs.



Torque Items # 9 to 400 ft lbs.

Feb. 1982
to
Jul. 1983

Rotary Mower 60" & 72" Versa Mower (Only 60" Model Used)

S/N VS-39383
to
S/N VS-40753

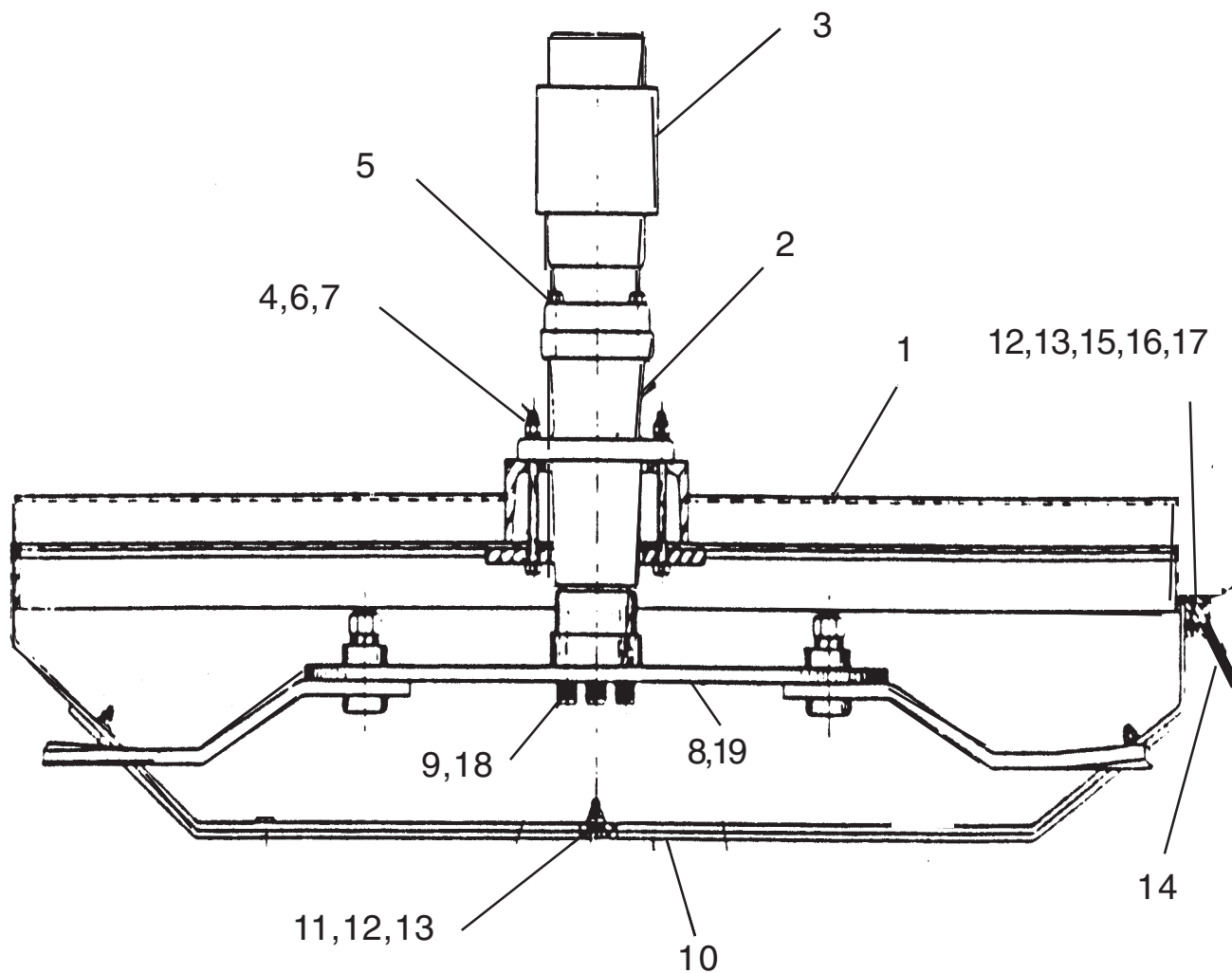
Item	Part No. 60" Deck	Qty	Description
1	02884100	1	Deck Weldment
2	00751759	1	Spindle Assembly
3	02886400	1	Motor Assembly
4	02891900	6	Bolt
5	02892000	4	Bolt
6	00001300	6	Lockwasher
7	02716500	10	Nut
8	02886300	1	Blade Bar Asy. (NLF) See Item # 19
	02885200	1	Blade Bar (NLF)
	02886200	2	Blade
	00735900	2	Blade Bolt (Use # 00752827)
	00747900	2	Nut, F/ Blade Bolt
	00748000	2	Lockwasher, F/ Blade Bolt
9	02886600	2	Bolt
10	02885600	2	Skid Shoe, LH or RH
11	00059700	10	Bolt
12	63065400	21	Flatwasher
13	00013901	21	Nut
14	02885700	1	Rear Flap
15	02885800	1	Rear Clamp Bar
16	63066100	11	Bolt
17	00012101	11	Lockwasher
18	00003901	4	Lockwasher
19	02964456	1	Blade Carrier Pan Asy (Replacement f/ Item # 8)
	02964804	1	Blade Pan Asy, Pan & Spyder
	00020900	3	Nut, Slotted Heavy
	00023200	3	Roll Pin
	00755623	3	Washer
	02964330	3	Blade Bolt
	02964815	3	Bushing, Blade Bolt
	02964954	3	Key
	02965229	3	Washer
	02964960	1	Blade Set (3 Blades)
20	00003901	4	Lockwasher, (Use w/ Item # 19)
21	02886600	4	Bolt, (Use w/ Item # 19)

Aug. 1983
to
May 1984

Rotary Mower 60" & 72" Versa Mower (Only 60" Model Used)

S/N VS-40754
to
S/N VS-41790

Torque Items # 4 & # 5 to 100 ft lbs.



Torque Items # 9 to 400 ft lbs.

Aug. 1983
to
May 1984

Rotary Mower 60" & 72" Versa Mower (Only 60" Model Used)

S/N VS-40754
to
S/N VS-41790

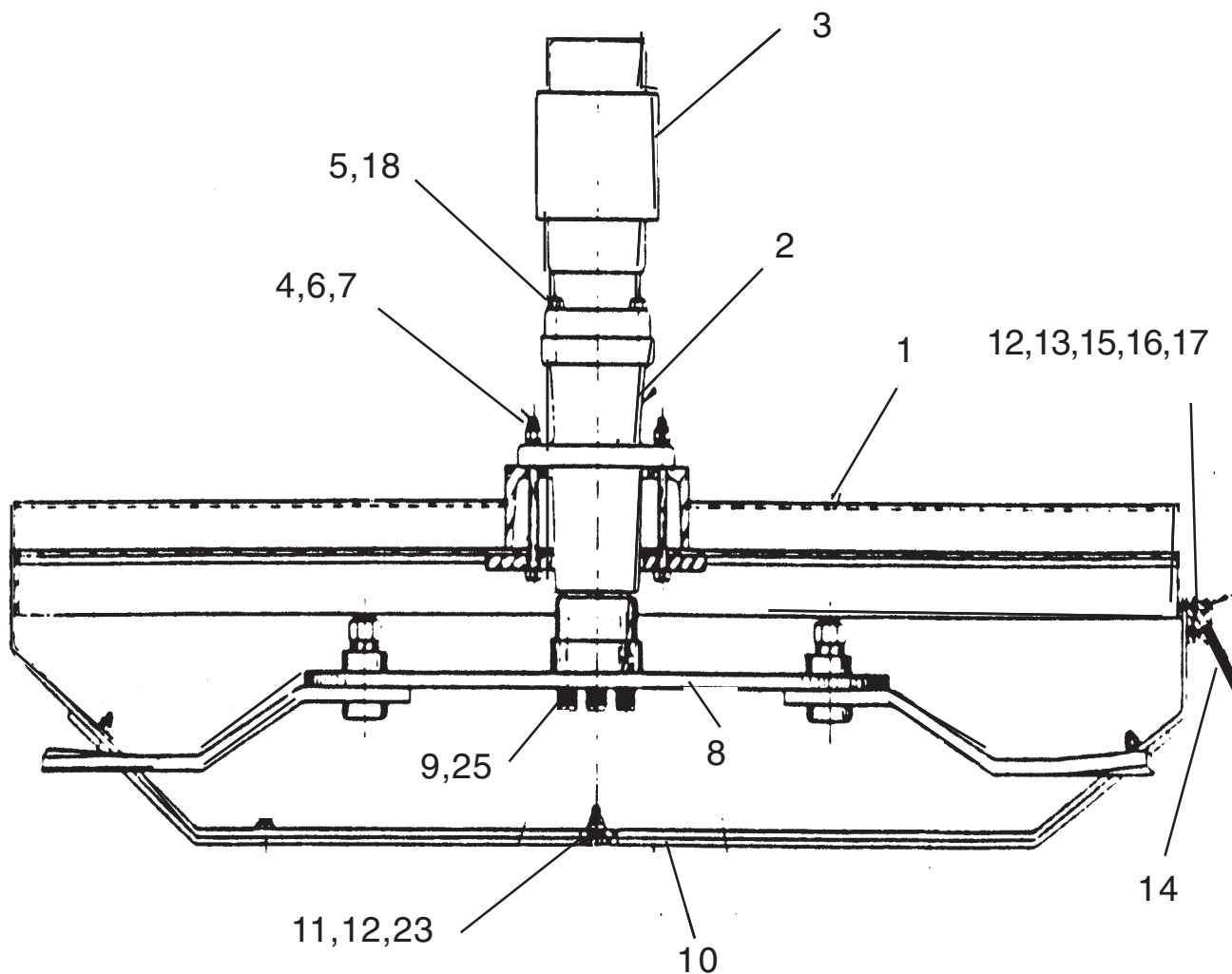
Item	Part No. 60" Deck	Qty	Description
1	02884100	1	Deck Weldment
2	00751759	1	Spindle Assembly
3	02886400	1	Motor Assembly
4	02891900	6	Bolt
5	02892000	4	Bolt
6	00001300	6	Lockwasher
7	02208000	6	Nut
8	02957075	1	Bar Asy. W/ Stump Pan (NLF) See Item # 19
	02957126	1	Blade Pan Weldment (NLF)
	02886200	2	Blade
	00735900	2	Blade Bolt (Use # 00752827)
	00747900	2	Nut, F/ Blade Bolt
	00748000	2	Lockwasher, F/ Blade Bolt
9	02886600	2	Bolt, 2-1/2" Long (Use With Item # 8)
10	02885600	2	Skid Shoe, LH or RH
11	00059700	10	Bolt
12	63065400	21	Flatwasher
13	00013901	21	Nut
14	02885700	1	Rear Flap
15	02885800	1	Rear Clamp Bar
16	63066100	11	Bolt
17	00012101	11	Lockwasher
18	00003901	4	Lockwasher
19	00751439	1	Blade Carrier Bar Asy (Replacement f/ Item # 8)
	02886200	2	Blade
	00747900	2	Nut
	00747800	2	Lockwasher
	00752827	2	Blade Bolt
20	00003901	4	Lockwasher, (Use w/ Item # 19)
21	02708700	4	Bolt, 2" Long (Use w/ Item # 19)

Jun. 1984
to
Oct. 1987

Rotary Mower 60" & 72"
Versa Mower
60" - P/N 02884001
72" - P/N 02958263

S/N VS-41791
to
S/N VS-01034

Torque Items # 4 & # 5 to 100 ft lbs.



Torque Items # 9 to 400 ft lbs.

Jun. 1984
to
Oct. 1987

Rotary Mower 60" & 72"
Versa Mower
60" - P/N 02884001
72" - P/N 02958263

S/N VS-41791
to
S/N VS-01034

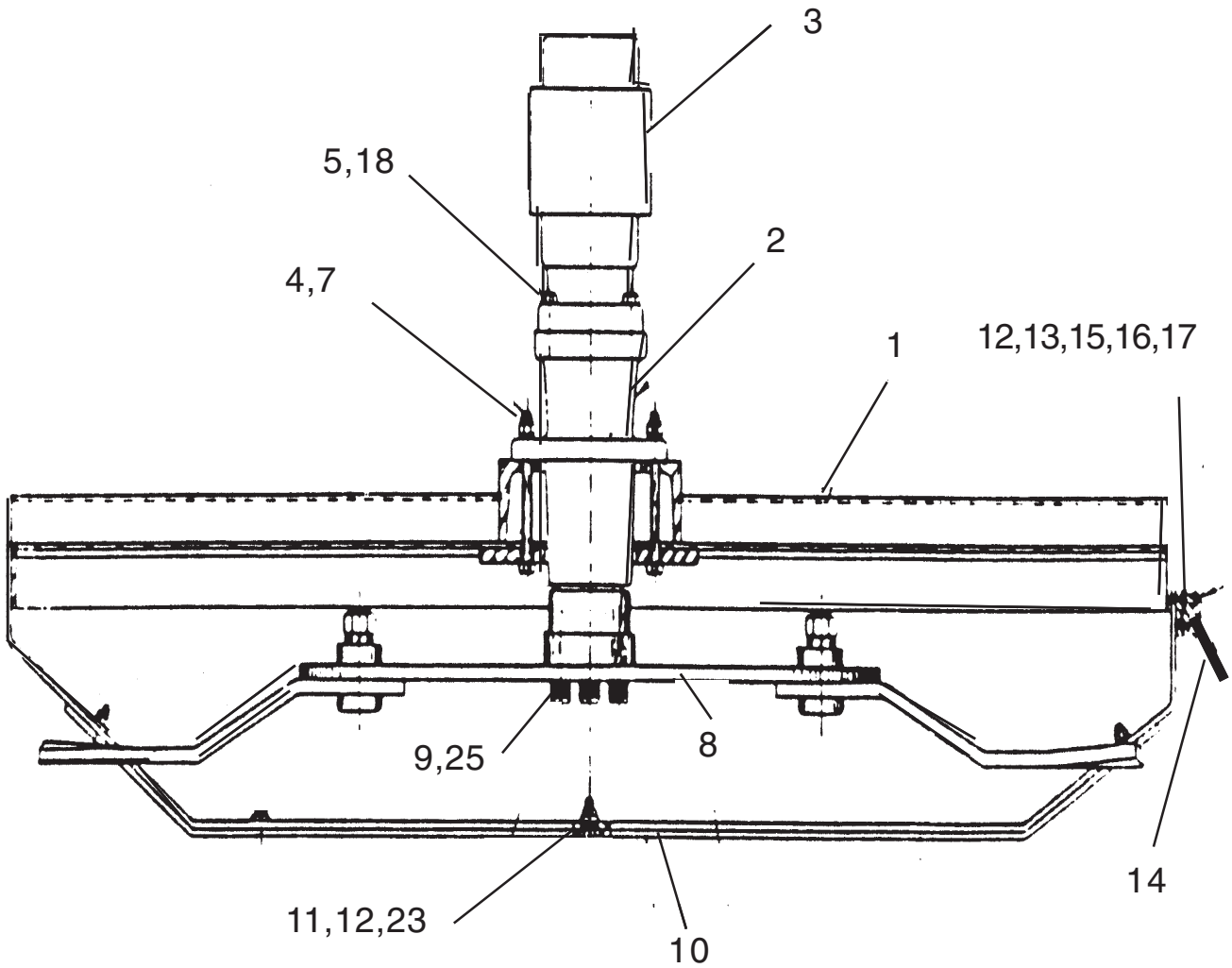
Item	Part No. 60" Deck	Part No. 72" Deck	Qty	Description
	02884001	02958263	1	Rotary Deck Assembly
1	02884100	02958262	1	Deck Weldment
2	02957146	02957146	1	Spindle Assembly
3	02957860	02886400	1	Motor Assembly
4	02891900	02891900	6	Bolt
5	02776600	02776600	4	Bolt
6	63000500	63000500	6	Lockwasher
7	02208000	02208000	6	Nut
8	02954200	02958575	1	Blade Bar Asy. (* Includes)
	00754093	02958577	1	*Blade Bar
	02977557	02977557	1	*Blade Set, (2 Blades)
	00752827	00752827	2	*Blade Bolt
	00747900	00747900	2	*Nut, F/ Blade Bolt
	00748000	00748000	2	*Lockwasher, F/ Blade Bolt
9	02886600	02886600	2	Bolt
10	02885600	02958663	2	Skid Shoe, LH or RH
11	00059700	00059700	10	Bolt
12	63065400	63065400	21	Flatwasher
13	00013901	00013901	21	Nut
14	02885700	02958260	1	Rear Flap
15	02885800	02958255	1	Rear Clamp Bar
16	63066100	63066100	11	Bolt
17	00012101	00012101	11	Lockwasher
18	63000500	63000500	4	Washer
19	02958089	02958089	1	Rubber Bumper (Not Shown)
20	02958114	02958114	1	Bolt, Bumper Attach. (Not Shown)
21	02958266	02958266	1	Hose, (Not Shown)
22	02958329	02958329	1	Hose, (Not Shown)
23	00015800	00015800	12	Nut
24	00003500	00003500	1	Grease Fitting
25	00003901	00003901	4	Lockwasher

Nov. 1987
to
May. 1988

Rotary Mower 60" & 72"
Versa Mower
60" - P/N 02884001A
72" - P/N 02958263A

S/N VS-01035
to
S/N VS-01244

Torque Items # 4 & # 5 to 100 ft lbs.



Torque Items # 9 to 400 ft lbs.

Nov. 1987
to
May. 1988

Rotary Mower 60" & 72"
Versa Mower
60" - P/N 02884001A
72" - P/N 02958263A

S/N VS-01035
to
S/N VS-01244

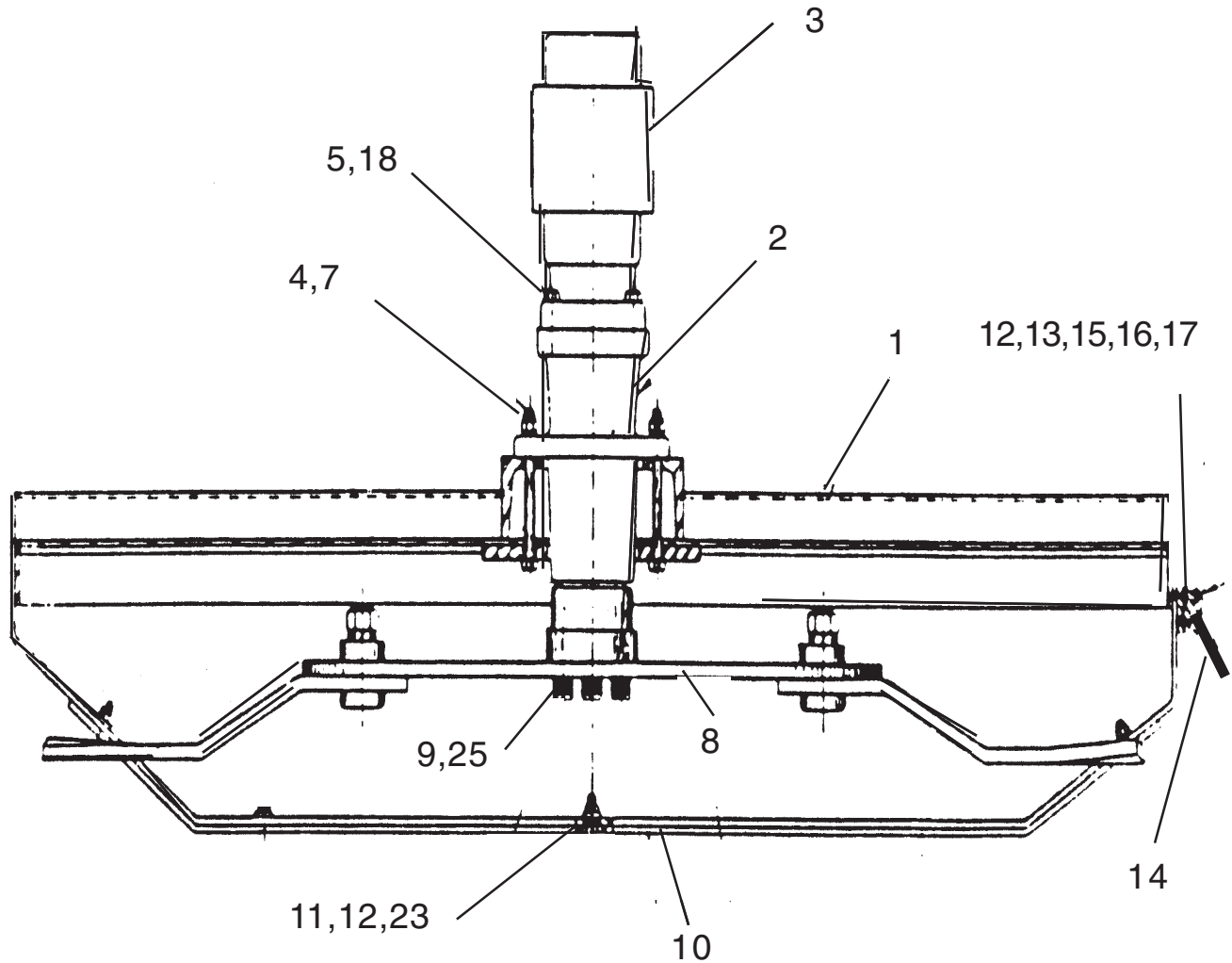
Item	Part No. 60" Deck	Part No. 72" Deck	Qty	Description
	02884001A	02958263A	1	Rotary Deck Assembly
1	02884100	02958262	1	Deck Weldment
2	02960919	02960553	1	Spindle Assembly
3	02961304	02961305	1	Motor Assembly
4	02960916	02960916	6	Bolt
5	02776600	02776600	4	Bolt
7	5JRC12100	5JRC12100	6	Locknut
8	02954200	02958575	1	Blade Bar Asy. (* Includes)
	00754093	02958577	1	*Blade Bar
	02977557	02977557	1	*Blade Set, (2 Blades)
	00752827	00752827	2	*Blade Bolt
	00747900	00747900	2	*Nut, F/ Blade Bolt
	00748000	00748000	2	*Lockwasher, F/ Blade Bolt
9	02886600	02886600	2	Bolt
10	02885600	02958663	2	Skid Shoe, LH or RH
11	00059700	00059700	10	Bolt
12	63065400	63065400	21	Flatwasher
13	00013901	00013901	21	Nut
14	02885700	02958260	1	Rear Flap
15	02885800	02958255	1	Rear Clamp Bar
16	63066100	63066100	11	Bolt
17	00012101	00012101	11	Lockwasher
18	63000500	63000500	4	Washer
19	02958089	02958089	1	Rubber Bumper (Not Shown)
20	02958114	02958114	1	Bolt, Bumper Attach. (Not Shown)
21	02958266	02958266	1	Hose, (Not Shown)
22	02958329	02958329	1	Hose, (Not Shown)
23	00015800	00015800	12	Nut
24	00003500	00003500	1	Grease Fitting
25	00003901	00003901	4	Lockwasher

Jun. 1988
to
Jan. 1989

Rotary Mower 60" & 72"
Versa Mower
60" - P/N 02961814
72" - P/N 02961822

S/N VS-01245
to
S/N VS-01484

Torque Items # 4 & # 5 to 100 ft lbs.



Torque Items # 9 to 400 ft lbs.

Jun. 1988
to
Jan. 1989

Rotary Mower 60" & 72"
Versa Mower
60" - P/N 02961814
72" - P/N 02961822

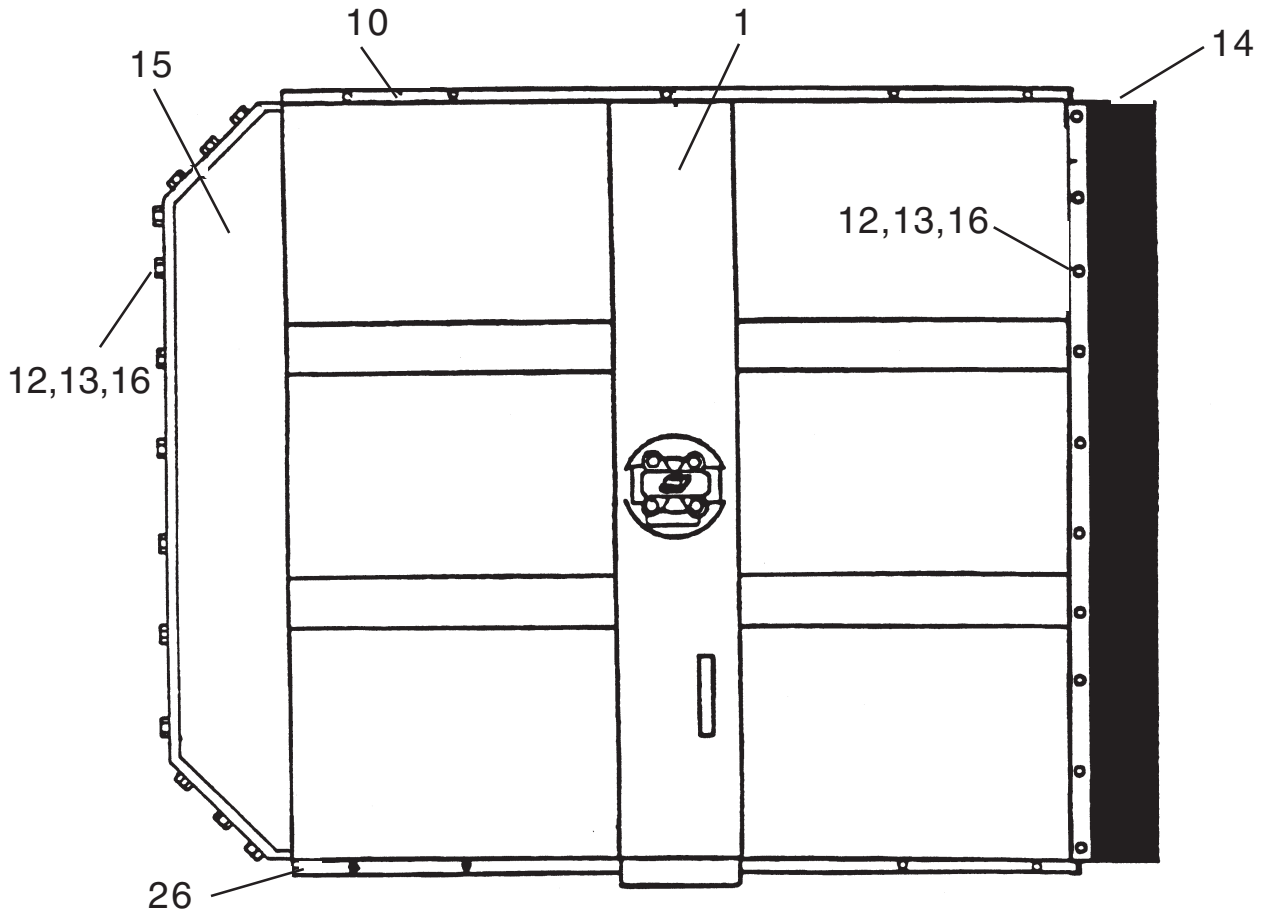
S/N VS-01245
to
S/N VS-01484

Item	Part No. 60" Deck	Part No. 72" Deck	Qty	Description
	02961814	02961822	1	Rotary Deck Assembly
1	02884100	02958262	1	Deck Weldment
2	02960553	02960553	1	Spindle Assembly
3	02961732	02961747	1	Motor Assembly
4	02960916	02960916	6	Bolt
5	02776600	02776600	2	Bolt
7	5JRC12100	5JRC12100	6	Locknut
8	02954200	02958575	1	Blade Bar Asy. (* Includes)
	00754093	02958577	1	*Blade Bar
	02977557	02977557	1	*Blade Set, (2 Blades)
	00752827	00752827	2	*Blade Bolt
	00747900	00747900	2	*Nut, F/ Blade Bolt
	00748000	00748000	2	*Lockwasher, F/ Blade Bolt
9	02886600	02886600	4	Bolt
10	02885600	02958663	2	Skid Shoe, LH or RH
11	00059700	00059700	10	Bolt
12	63065400	63065400	21	Flatwasher
13	00013901	00013901	21	Nut
14	02885700	02958260	1	Rear Flap
15	02885800	02958255	1	Rear Clamp Bar
16	63066100	63066100	11	Bolt
17	00012101	00012101	11	Lockwasher
18	63000500	63000500	4	Lockwasher
19	02958089	02958089	1	Rubber Bumper (Not Shown)
20	02958114	02958114	1	Bolt, Bumper Attach. (Not Shown)
21	02958266	02958266	1	Hose, (Not Shown)
22	02958329	02958329	1	Hose, (Not Shown)
23	00015800	00015800	12	Nut
24	00003500	00003500	1	Grease Fitting (Not Shown)
25	00003901	00003901	4	Lockwasher

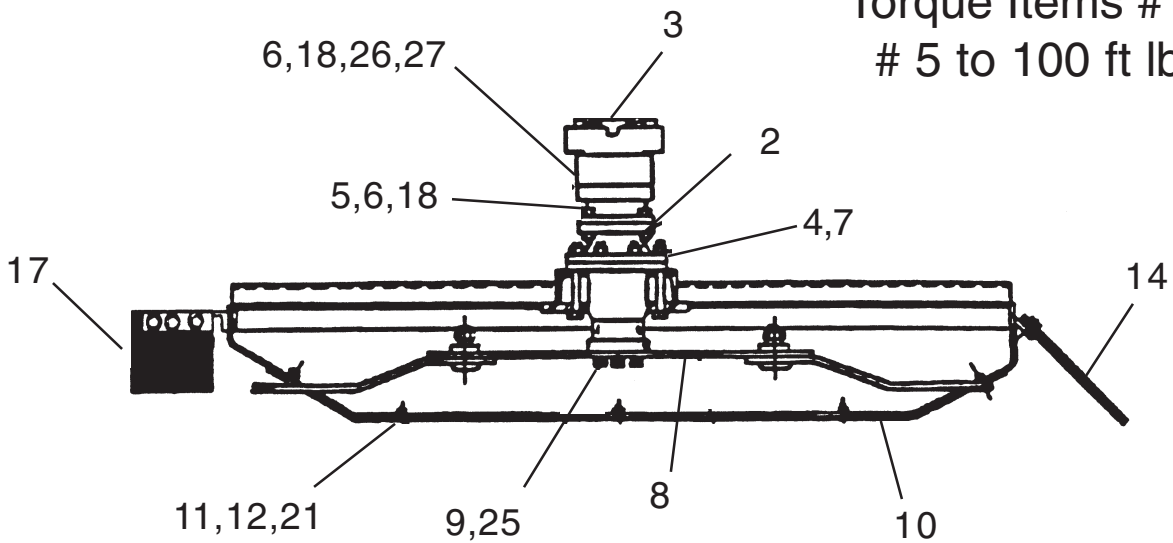
Feb. 1989
to
Apr.. 1991

Rotary Mower 60" & 72" Versa Mower 60" - P/N 02961814 72" - P/N 02961822

S/N VS-01485
to
S/N VS-02171



Torque Items # 4 &
5 to 100 ft lbs.



Torque Item # 9 to 400 ft lbs.

Feb. 1989
to
Apr. 1991

Rotary Mower 60" & 72"
Versa Mower
60" - P/N 02961814
72" - P/N 02961822

S/N VS-01485
to
S/N VS-02171

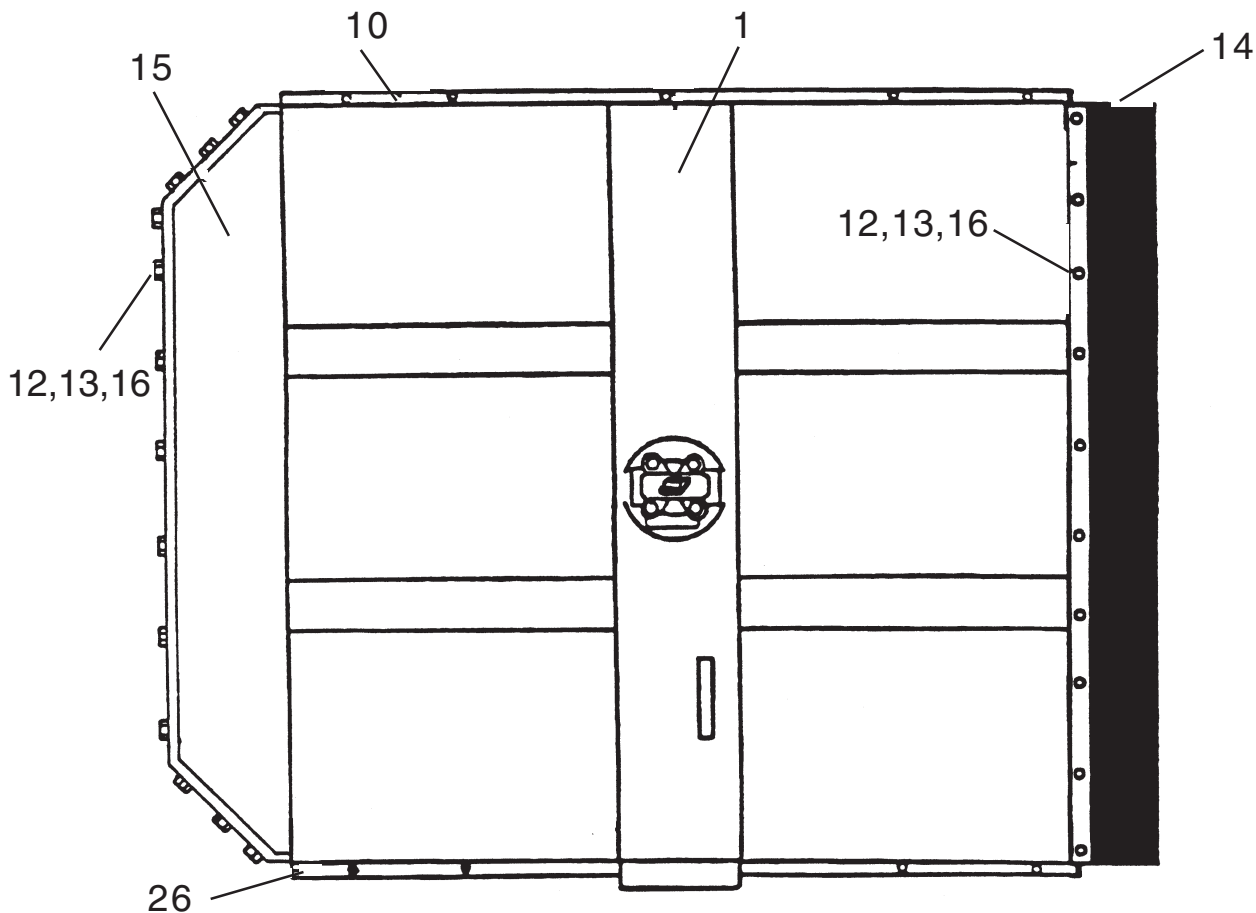
Item	Part No. 60" Deck	Part No. 72" Deck	Qty	Description
	02961814	02961822	1	Rotary Deck Assembly
1	02884100	02958262	1	Deck Weldment
2	02960553	02960553	1	Spindle Assembly
3	02962014	02962015	1	Motor & Spindle Asy
4	02960916	02960916	6	Bolt
5	02027400	02027400	2	Bolt
6	00001800	00001800	4	Locknut TLM 1/2 NC PLC
7	5JRC12100	5JRC12100	6	Nut
8	02954200	02958575	1	Blade Bar Asy. (* Included)
	00754093	02958577	1	*Blade Bar
	02977557	02977557	1	*Blade Set, (2 Blades)
	00752827	00752827	2	*Blade Bolt
	00747900	00747900	2	*Nut, F/ Blade Bolt
	00748000	00748000	2	*Lockwasher, F/ Blade Bolt
9	02886600	02886600	4	Bolt
10	02885600	02958663	2	Skid Shoe, LH or RH
11	00059700	00059700	10	Bolt
12	63065400	-----	23	Flatwasher
	-----	63065400	25	Flatwasher
13	00013901	-----	11	Nut
	-----	00013901	13	Nut
14	02885700	02958260	1	Rear Flap
15	02885800	02958259	1	Rear Clamp Bar
16	63066100	-----	11	Bolt
	-----	63066100	13	Bolt
17	00012101	00012101	11	Lockwasher
18	00001300	00001300	4	Lockwasher
19	02958089	02958089	1	Rubber Bumper (Not Shown)
20	02958114	02958114	1	Bolt, Bumper Attach. (Not Shown)
21	02961287	02961301	1	Hose, (Not Shown)
22	02961288	02961302	1	Hose, (Not Shown)
23	00015800	00015800	12	Nut
24	00003500	00003500	1	Grease Fitting (Not Shown)
25	00003901	00003901	4	Lockwasher
26	02960951	02960951	2	Stud
27	00001200	00001200	2	Nut

May 1991
to
Jun. 1992

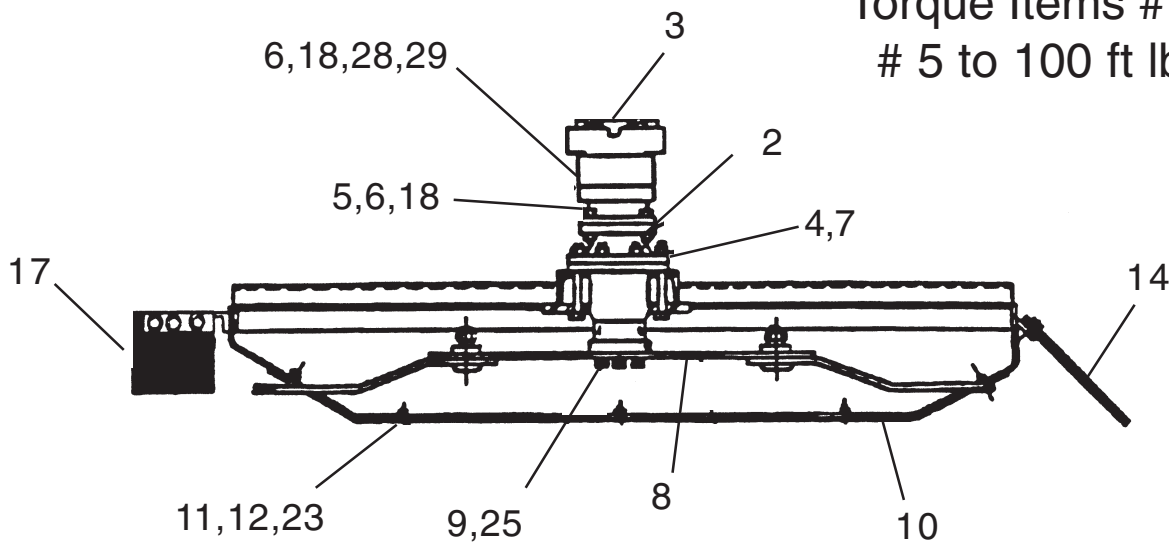
Rotary Mower 60" & 72" Versa Mower

60" - P/N 02961814
72" - P/N 02961822

S/N VS-02172
to
S/N VS-02440



Torque Items # 4 &
5 to 100 ft lbs.



Torque Item # 9 to 400 ft lbs.

May 1991
to
Jun. 1992

Rotary Mower 60" & 72"
Versa Mower
60" - P/N 02961814
72" - P/N 02961822

S/N VS-02172
to
S/N VS-02440

Item	Part No. 60" Deck	Part No. 72" Deck	Qty	Description
	02961814	02961822	1	Rotary Deck Assembly
1	02884100	02958262	1	Deck Weldment
2	02960553	02960553	1	Spindle Assembly
3	02962014	02962015	1	Motor & Spindle Asy
4	02960916	02960916	6	Bolt
5	02027400	02027400	2	Bolt
6	00001800	00001800	4	Locknut TLM 1/2 NC PLC
7	5JRC12100	5JRC12100	6	Nut
8	02954200	02958575	1	Blade Bar Asy. (* Included)
	00754093	02958577	1	*Blade Bar
	02977557	02977557	1	*Blade Set, (2 Blades)
	00752827	00752827	2	*Blade Bolt
	00747900	00747900	2	*Nut, F/ Blade Bolt
	00748000	00748000	2	*Lockwasher, F/ Blade Bolt
9	02886600	02886600	4	Bolt
10	02885600	02958663	2	Skid Shoe, LH or RH
11	00059700	00059700	10	Bolt
12	00011100	-----	56	Flatwasher
	-----	00011100	65	Flatwasher
13	00015800	-----	31	Nut
	-----	00015800	36	Nut
14	02885700	02958260	1	Rear Flap
15	02964189	02964184	1	Front Flap bracket
16	63066100	-----	31	Bolt
	-----	63066100	36	Bolt
17	02964192	02964187	1	Front Flap
18	00001300	00001300	4	Lockwasher
19	02958089	02958089	1	Rubber Bumper (Not Shown)
20	02958114	02958114	1	Bolt, Bumper Attach. (Not Shown)
21	02961287	02961301	1	Hose, (Not Shown)
22	02961288	02961302	1	Hose, (Not Shown)
23	00015800	00015800	12	Nut
24	00003500	00003500	1	Grease Fitting (Not Shown)
25	00003901	00003901	4	Lockwasher
26	02960951	02960951	2	Stud
27	00001200	00001200	2	Nut

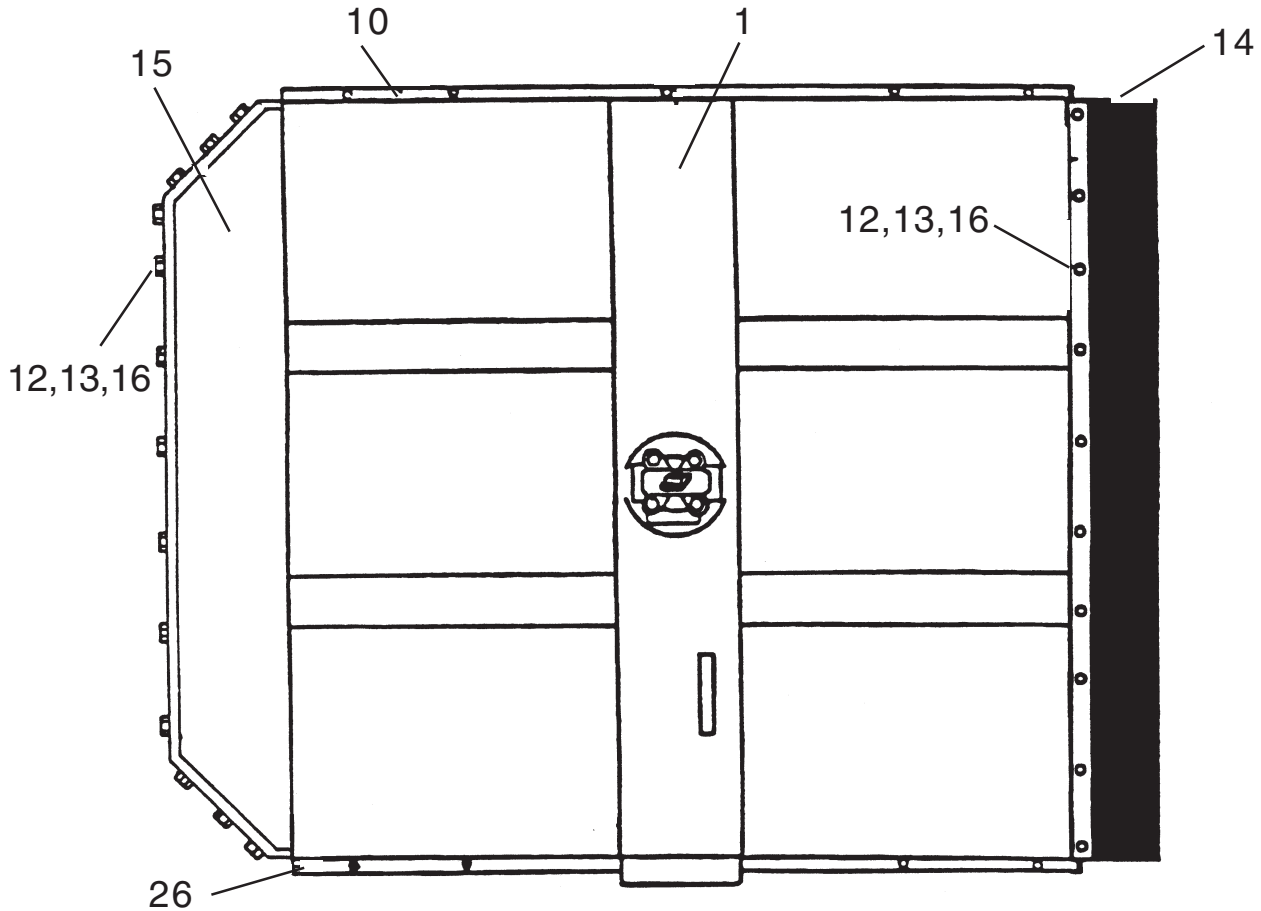
VERSA MOWER (Archive Book) 10/01

Jul. 1992
to
Feb. 1994

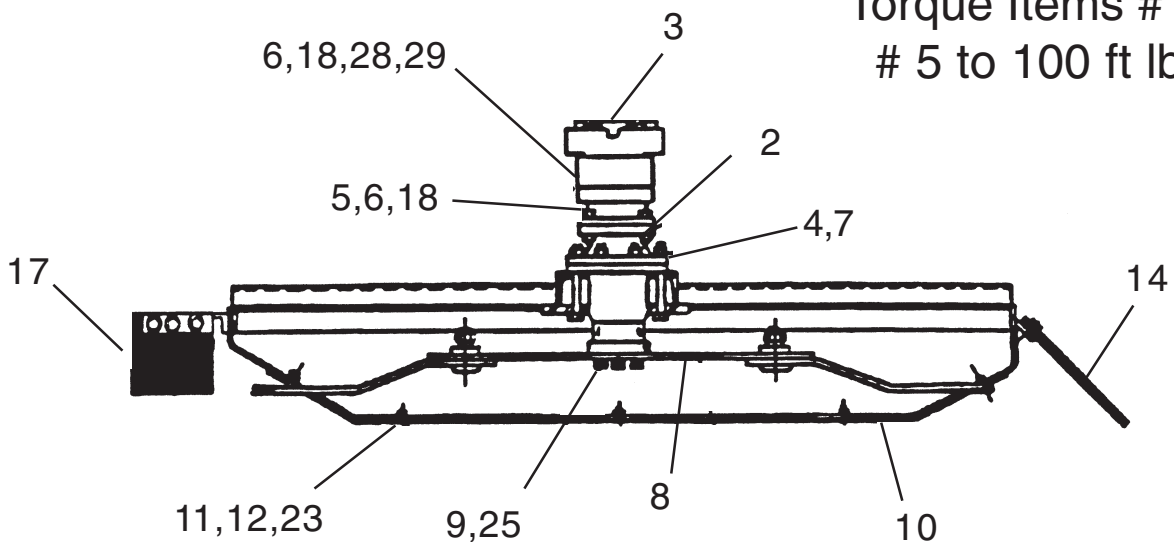
Rotary Mower 60" & 72" Versa Mower

60" - P/N 02961814
72" - P/N 02961822

S/N VS-02441
to
S/N VS-03133



Torque Items # 4 &
5 to 100 ft lbs.



Torque Item # 9 to 400 ft lbs.

Jul. 1992
to
Feb. 1994

Rotary Mower 60" & 72" Versa Mower

S/N VS-02441
to
S/N VS-03133

60" - P/N 02961814 72" - P/N 02961822

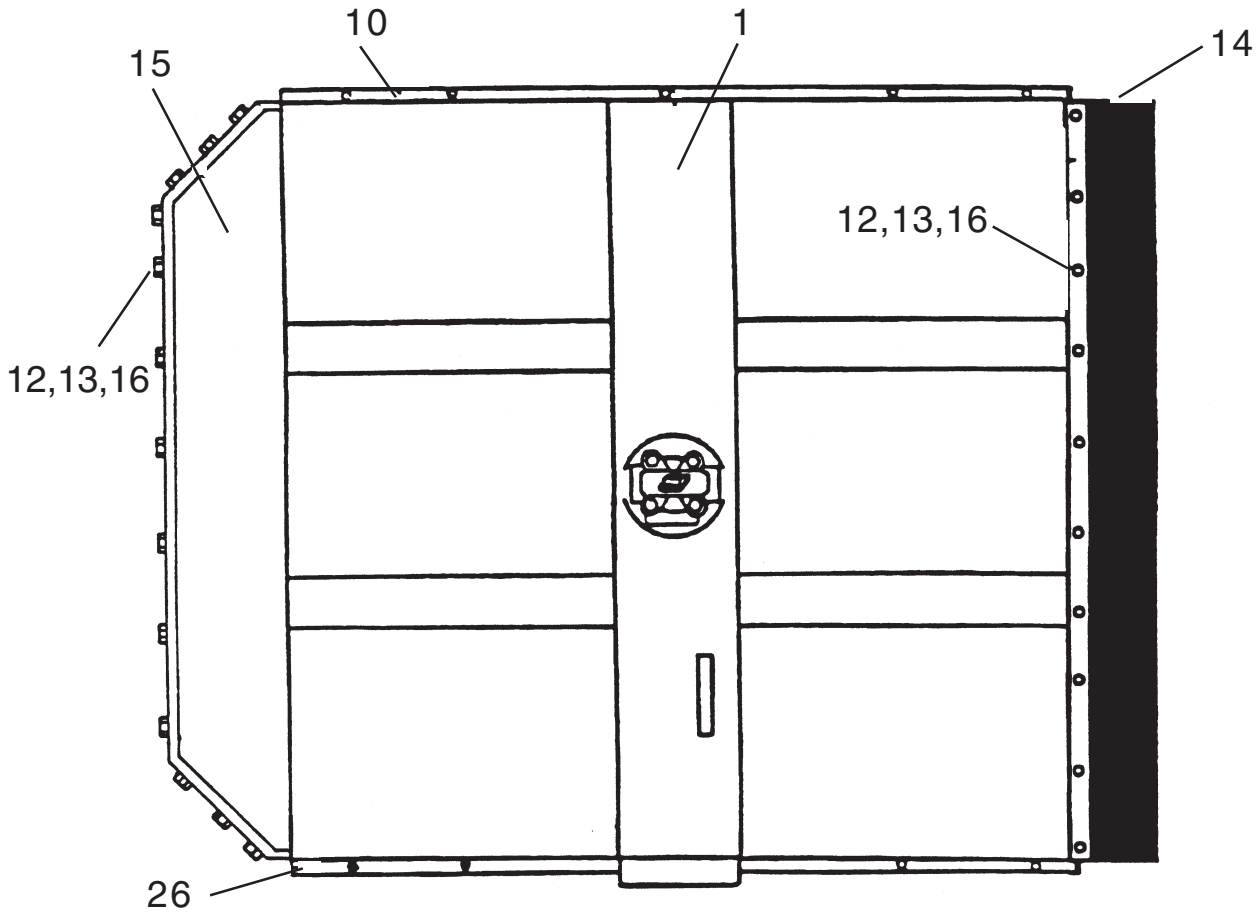
Item	Part No.	Qty	Description	Item	Part No.	Qty	Description
	02961814	1	Rotary Deck Asy, 60"	13	00015800	31	Nut, 60"
	02961822	1	Rotary Deck Asy, 72"		00015800	36	Nut, 72"
1	02884100	1	Deck Weldment, 60"	14	02885700	1	Rear Flap, 60"
	02958262	1	Deck Weldment, 72"		02958260	1	Rear Flap, 72"
2	02960553C	1	Spindle Asy, 60-72"	15	02964189	1	Front Flap bracket, 60"
3	02962014	1	Motor & Spindle Asy, 60"		02964184	1	Front Flap bracket, 72"
	02962015	1	Motor & Spindle Asy, 72"	16	63066100	56	Bolt, 60"
4	02960916	6	Bolt, 60-72"		63066100	65	Bolt, 72"
5	02027400	2	Bolt, 60-72"	17	02964192	1	Front Flap, 60"
6	00001800	4	Locknut TLM 1/2 NC PLC, 60-72"		02964187	1	Front Flap, 72"
7	5JRC12100	6	Nut, 60-72"	18	00001300	4	Lockwasher, 60-72"
8	02954200	1	Blade Bar Asy. Std. 60" (* Included)	19	02958089	1	Rubber Bumper 60-72" (Not Shown)
	02958575	1	Blade Bar Asy. Std. 72" (* Included)	20	02958114	1	Bolt, Bumper Attach. 60 -72"(Not Shown)
	00754093	1	* Blade Bar, 60"	21	02961287	1	Hose, (Not Shown), 60"
	02958577	1	* Blade Bar, 72"		02961301	1	Hose, (Not Shown), 72"
	02977557	1	* Blade Set, (2 Blades) 60-72"	22	02961288	1	Hose, (Not Shown), 60"
	00752827	2	* Blade Bolt, 60-72"		02961302	1	Hose, (Not Shown), 72"
	00747900	2	* Nut, F/ Blade Bolt, 60-72"	23	00015800	12	Nut, 60-72"
	00748000	2	* Lockwasher, F/ Blade Bolt, 60-72"	24	00003500	1	Grease Fitting, 60-72" (Not Shown)
	02957075	1	Blade Pan Asy. Opt. 60" (** Included)	25	00003901	4	Lockwasher, 60-72"
	02963382	1	Blade Pan Asy. Opt. 72" (** Included)	26	02960951	2	Stud, 60-72"
	02960769	1	** Blade Pan Weldment, 60"	27	00001200	2	Nut, 60-72"
	02960612	1	** Blade Pan Weldment, 72"				
	02886200	2	** Blade, 60"				
	00750787	2	** Blade, 72"				
	00752827	2	** Blade Bolt, 60-72"				
	00747900	2	** Nut, F/ Blade Bolt, 60-72"				
	00748000	2	** Lockwasher, F/ Blade Bolt, 60-72"				
	02964456	1	Blade Spyder Pan Asy. Opt, 60" (***) Included)				
	02964826	1	*** Pan, Stump Jumper, 60"				
	02964330	3	*** Blade Bolt, 60"				
	00755623	3	*** Washer, Heat Treated, 60"				
	00023200	3	*** Roll Pin, 60"				
	00020900	3	*** Nut, 60"				
	5JRC16180	3	*** Locknut, 60"				
	02822500	6	*** Washer, 60"				
	02964162	3	*** Spacer, Pan to Spyder 60"				
	7A16824	3	*** Bolt, 60"				
	02964828	1	*** Spider Only, 60"				
	02964954	1	*** Key, 60"				
	02964815	3	*** Bushing, 60"				
	02965229	3	*** Spacer, Blade Bolt 60"				
9	02886600	4	Bolt, 60-72"				
10	02885600	2	Skid Shoe, LH or RH, 60"				
	02958663	2	Skid Shoe, LH or RH, 72"				
11	00059700	10	Bolt, 60-72"				
12	00011100	56	Flatwasher, 60"				
	00011100	65	Flatwasher, 72"				

NOTE: Optional blade carriers were offered as an Option, See Blade Carrier Section for Versa Mower, When using these Optional carriers make sure Bolts (Item # 9) that retain Blade carrier are the correct length is a MUST

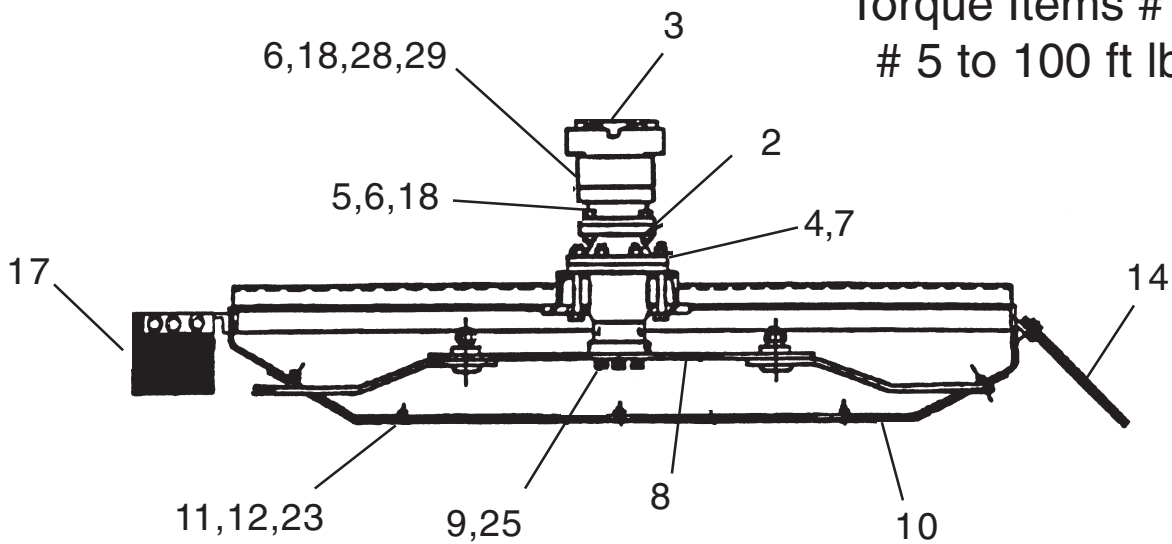
Mar. 1994
to
Jan. 1996

Rotary Mower 60" & 72" Versa Mower 60" - P/N 02961814 72" - P/N 02961822

S/N VS-03134
to
S/N VS-03886



Torque Items # 4 &
5 to 100 ft lbs.



Torque Item # 9 to 400 ft lbs.

Mar. 1994
to
Jan. 1996

Rotary Mower 60" & 72"
Versa Mower
60" - P/N 02961814
72" - P/N 02961822

S/N VS-03134
to
S/N VS-03886

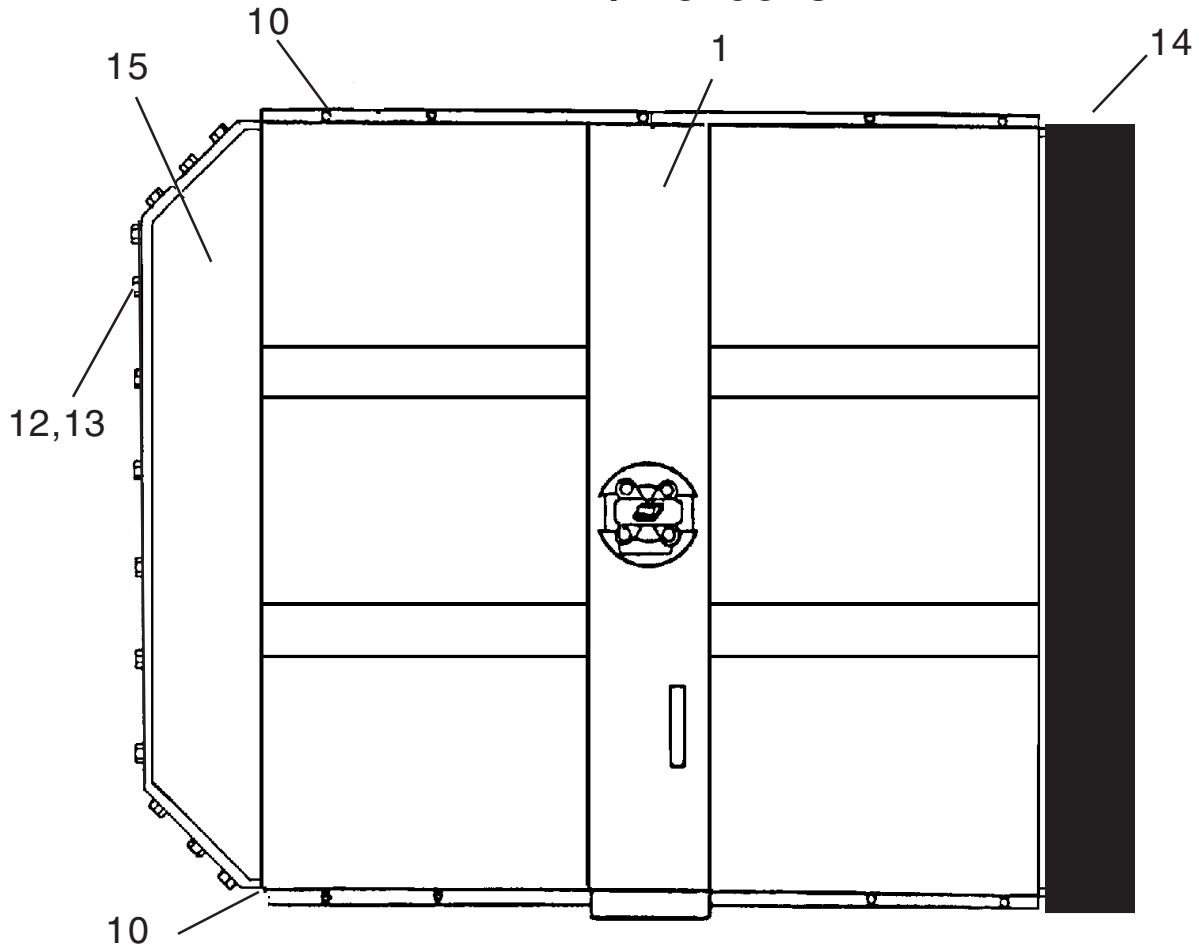
Item	Part No. 60" Deck	Part No. 72" Deck	Qty	Description
	02961814	02961822	1	Rotary Deck Asy
1	02884100	02958262	1	Deck Weldment
2	02960553C	02960553C	1	Spindle Asy
3	02962014	02962015	1	Motor & Spindle Asy
4	02960916	02960916	6	Bolt
5	02788400	02788400	2	Bolt
6	00001800	00001800	4	Locknut TLM 1/2 NC PLC
7	5JRC12100	5JRC12100	6	Locknut
8	02954200	02958575	1	Blade Bar Asy. (* Includes)
	00754093	02958577	1	*Blade Bar
	02977557	02977557	1	*Blade Set, (2 Blades)
	00752727	00752827	2	*Blade Bolt
	00747900	00747900	2	*Nut, F/ Blade Bolt
	00748000	00748000	2	*Lockwasher, F/ Blade Bolt
9	02886600	02886600	4	Bolt
10	02885600	02958663	2	Skid Shoe, LH or RH
11	00059700	00059700	12	Bolt
12	00011100	-----	56	Flatwasher
	-----	00011100	65	Flatwasher
13	00015800	-----	36	Locknut
	-----	00015800	31	Locknut
14	02885700	02958260	1	Rear Flap
15	02964189	02964184	1	Front Flap Bracket
16	00023100	-----	31	Bolt
	-----	00023100	36	bolt
17	02964192	02964187	1	Front Flap
	02964570	02959045	1	Front Chain Guard Asy.
18	00001300	00001300	4	Lockwasher
19	02961287	02961301	1	Hose, (Not Shown)
20	02961288	02961302	1	Hose, (Not Shown)
23	00015800	00015800	10	Nut
24	00003500	00003500	1	Grease Fitting (Not Shown)
23	00003901	00003901	4	Lockwasher
24	02960951	02960951	2	Stud
25	00001200	00001200	2	Nut

Feb. 1996
to
Current

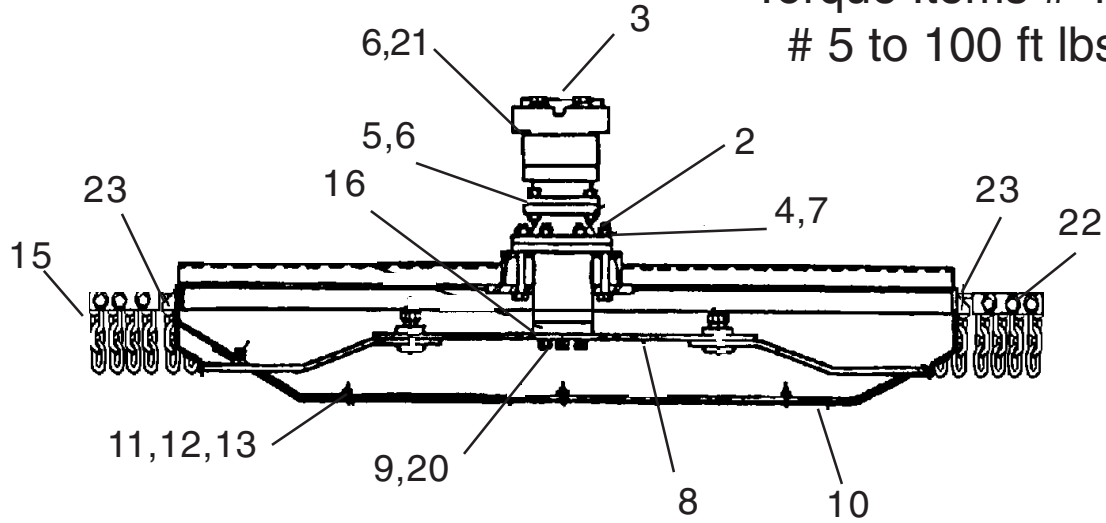
Rotary Mower 60" & 72" Versa Mower

60" - P/N 02961814
72" - P/N 02961822

S/N VS-03887
to
S/NVS-Current



Torque Items # 4 &
5 to 100 ft lbs



Torque Items # 9 to 400 ft lbs

Feb. 1996
to
Current

Rotary Mower 60" & 72"
Versa Mower
60" - P/N 02961814
72" - P/N 02961822

S/N VS-03887
to
S/N VS-Current

Item	Part No. 60" Deck	Part No. 72" Deck	Qty	Description
	02961814	02961822	1	Rotary Deck Asy
1	02884100	02958262	1	Deck Weldment
2	02960553C	02960553C	1	Spindle Asy
3	02969860	02969861	1	Motor & Spindle Asy
4	02892100	02892100	6	Bolt
5	02788400	02788400	2	Bolt
6	00001800	00001800	4	Locknut TLM 1/2 NC PLC
7	00037200	00037200	6	Locknut
8	02954200	02958575	1	Blade Bar Asy. (* Includes)
	00754093	02958577	1	*Blade Bar
	02977557	02977557	1	*Blade Set, (2 Blades)
	00752727	00752827	2	*Blade Bolt
	00747900	00747900	2	*Nut, F/ Blade Bolt
	00748000	00748000	2	*Lockwasher, F/ Blade Bolt
9	02782000	02782000	4	Bolt
10	02885600	02958663	2	Skid Shoe, LH or RH
11	00059700	00059700	12	Bolt
12	00011100	-----	56	Flatwasher
	-----	00011100	65	Flatwasher
13	00015800	-----	36	Locknut
	-----	00015800	31	Locknut
14	02885700	02958260	1	Rear Flap
15	02964570	02959045	1	Front Chain Guard Asy.
16	02959401	02959401	1	Spacer, Blade Bar
17	02961287	02961301	1	Hose, (Not Shown)
18	02961288	02961302	1	Hose, (Not Shown)
19	00003500	00003500	1	Grease Fitting (Not Shown)
20	00003901	00003901	4	Lockwasher
21	02960951	02960951	2	Stud
22	02938400	02959046	1	Rear Chain Guard Asy.
23	02964697	02964697	3	Corner Chain Guard

Feb. 1982
to
May 1984

Blade Carrier - Bar Versa Mower 60" & 72" (Only 60" Model Used)

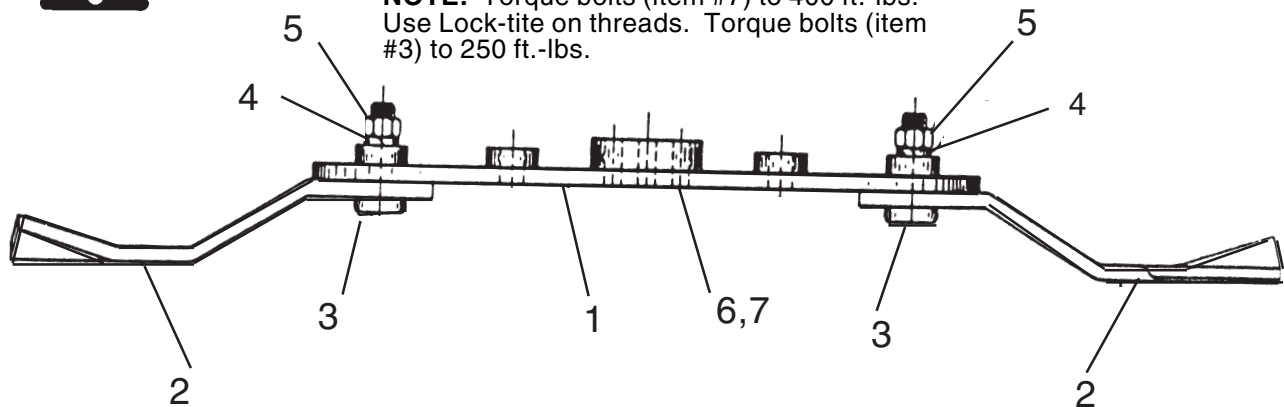
S/N VS-39383
to
S/N VS-41790

DANGER:



Blades should always be replaced in sets. Blades of different weights can cause serious imbalance and damage to the machine and personnel. When replacing blades, **BLADE BOLTS, BUSHINGS, NUTS, AND WASHERS MUST BE CHANGED.**

NOTE: Torque bolts (item #7) to 400 ft.-lbs.
Use Lock-tite on threads. Torque bolts (item #3) to 250 ft.-lbs.



Item	Part No.	Qty	Description
	02886300	—	Blade Carrier Asy, 60" (NLF) (*Use # 02964456 Replacement Asy)
1	02885200	1	Blade Mounting Plate (NLF)
2	02886200	2	Blade, 60" (NLF)
	02977557	1	Blade Set, 60" (Replaces #02886200)
3	00735900	2	Blade Bolt (Use # 00752827)
4	00748000	2	Lockwasher (F/ Blade Bolt)
5	00747900	2	Nut (F/ Blade Bolt)
6	00003901	4-ref	Lockwasher
7	02886600	4-ref	Bolt
8	02964456*	1-ref	Blade Pan Carrier Asy, (Replacement Asy)
	02964804*	1	Blade Pan & Spyder Carrier
	00020900*	3	Nut, Slotted Heavy
	00023200*	3	Roll Pin
	00755623*	3	Washer
	02964330*	3	Blade Bolt
	02964815*	3	Bushing, Blade Bolt
	02964954*	3	Key
	02965229*	3	Washer

* **NOTE:** Item # 8 is a replacement assembly and was NOT used on production units during these S/N's, Check Prices & Availability before ordering, Some Parts WILL NOT interchange between two carriers, Check Numbers before ordering

Jun. 1984
to
Aug. 1986

Blade Carrier - Bar Versa Mower 60" & 72"

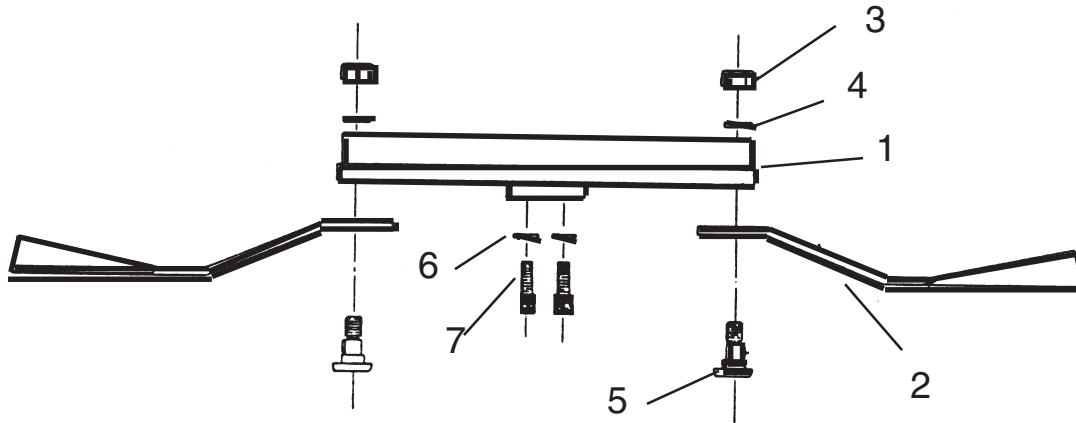
S/N VS-41791
to
S/N VS-45398

DANGER:



Blades should always be replaced in sets. Blades of different weights can cause serious imbalance and damage to the machine and personnel. When replacing blades, **BLADE BOLTS, BUSHINGS, NUTS, AND WASHERS MUST BE CHANGED.**

NOTE: Torque bolts (item #7) to 400 ft.-lbs. Use Lock-tite on threads.
Torque bolts (item #3) to 250 ft.-lbs.



Item	Part No.	Qty	Description
	02954200	–	Blade Carrier Asy, 60"
	02958575	–	Blade Carrier Asy, 72"
1	00754093	1	Blade Bar Weldment, 60"
	02958577	1	Blade Bar Weldment, 72"
2	02977557	1	Blade Set, 60" or 72"
3	00752827	2	Blade Bolt, 60" or 72"
4	00748000	2	Lockwasher, 60" or 72"
5	00747900	2	Nut, 60" or 72"
6	00003901	4-ref	Lockwasher
7	02886600	4-ref	Bolt (DO NOT use if Spacer is Used, See next S/N Up.

NOTE: S/N Change Aug. 1987 S/N's ended with # 47000
and Sep. 1987 started a new series with # 01001

Sep. 1986
to
Current

Blade Carrier - Bar Versa Mower 60" & 72"

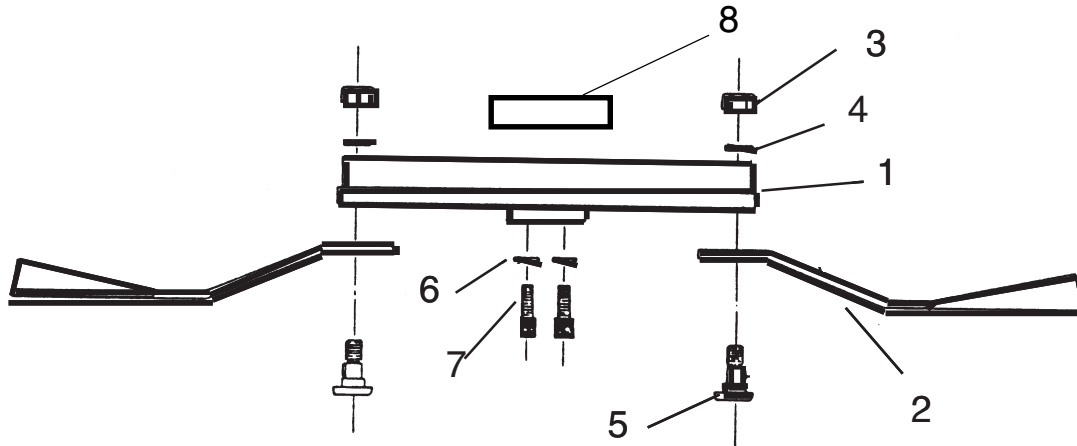
S/N VS-45399
to
S/NVS-Current

DANGER:



Blades should always be replaced in sets. Blades of different weights can cause serious imbalance and damage to the machine and personnel. When replacing blades, **BLADE BOLTS, BUSHINGS, NUTS, AND WASHERS MUST BE CHANGED.**

NOTE: Torque bolts (item #7) to 400 ft.-lbs. Use Lock-tite on threads.
Torque bolts (item #3) to 250 ft.-lbs.



Item	Part No.	Qty	Description
	02954200	–	Blade Carrier Asy, 60"
	02958575	–	Blade Carrier Asy, 72"
1	00754093	1	Blade Bar Weldment, 60"
	02958577	1	Blade Bar Weldment, 72"
2	02977557	1	Blade Set, 60"or 72"
3	00752827	2	Blade Bolt, 60" or 72"
4	00748000	2	Lockwasher, 60" or 72"
5	00747900	2	Nut, 60" or 72"
6	00003901	4-ref	Lockwasher
7	02782000	4-ref	Bolt (used w/ Item 8 Spacer Only)
8	02959401*	1	Spacer, Between Carrier & Spindle

*NOTE: Item 8 Spacer was added and Item # 7 Bolts were made longer to go through spacer, DO NOT use longer bolts without Spacer and DO NOT use shorter bolts from previous S/N with this Spacer.

Aug.1983
to
May 1984

Blade Carrier - Pan Versa Mower 60" & 72" (Only 60" Model Used)

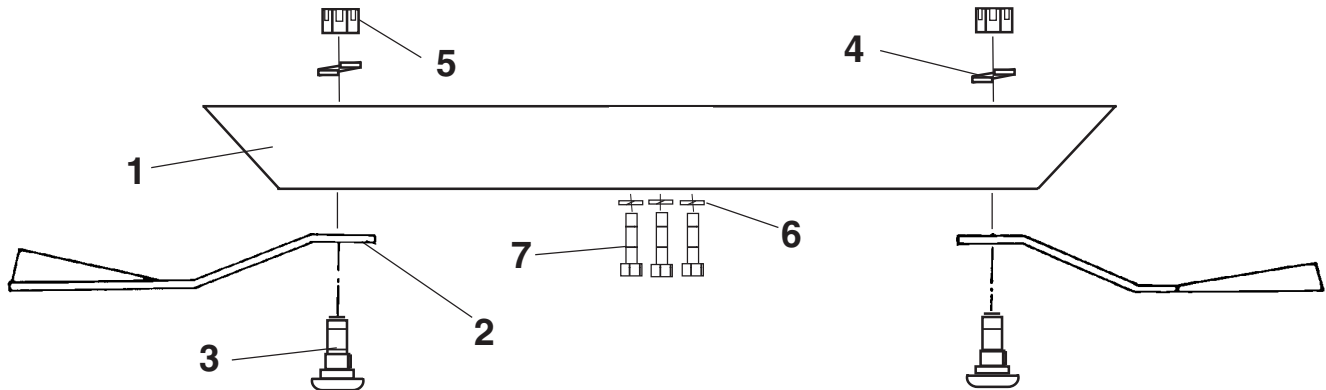
S/N VS-40754
to
S/N VS-41790

DANGER:



Blades should always be replaced in sets. Blades of different weights can cause serious imbalance and damage to the machine and personnel. When replacing blades, **BLADE BOLTS, BUSHINGS, NUTS, AND WASHERS MUST BE CHANGED.**

NOTE: Torque bolts (item #7) to 400 ft.-lbs.
Use Lock-tite on threads. Torque bolts (item #3) to 250 ft.-lbs.



Note: This pan can be identified by it's welded supports.

Item	Part No.	Qty	Description
	02957075	–	Blade Carrier Asy. 60" (NLF) (*Use # 02964456 Replacement Asy)
1	02957126	1	Pan Weldment , 60" (NLF)
2	02977557	1	Blade Set, Matched - 60"
3	00752827	2	Blade Bolt
4	00748000	2	Lockwasher
5	00747900	2	Nut
6	00003901	4 ref	Lockwasher
7	02886600	4 ref	Bolt
8	02964456*	1-ref	Blade Pan Carrier Asy, (Replacement Asy)
	02964804*	1	Blade Pan & Spyder Carrier
	00020900*	3	Nut, Slotted Heavy
	00023200*	3	Roll Pin
	00755623*	3	Washer
	02964330*	3	Blade Bolt
	02964815*	3	Bushing, Blade Bolt
	02964954*	3	Key
	02965229*	3	Washer

*** NOTE:** Item # 8 is a replacement assembly and was NOT used on production units during these S/N's, Check Prices & Availability before ordering, Some Parts WILL NOT interchange between two carriers, Check Numbers before ordering

Jun. 1984
to
Oct. 1991

Blade Carrier - Pan Versa Mower 60" & 72"

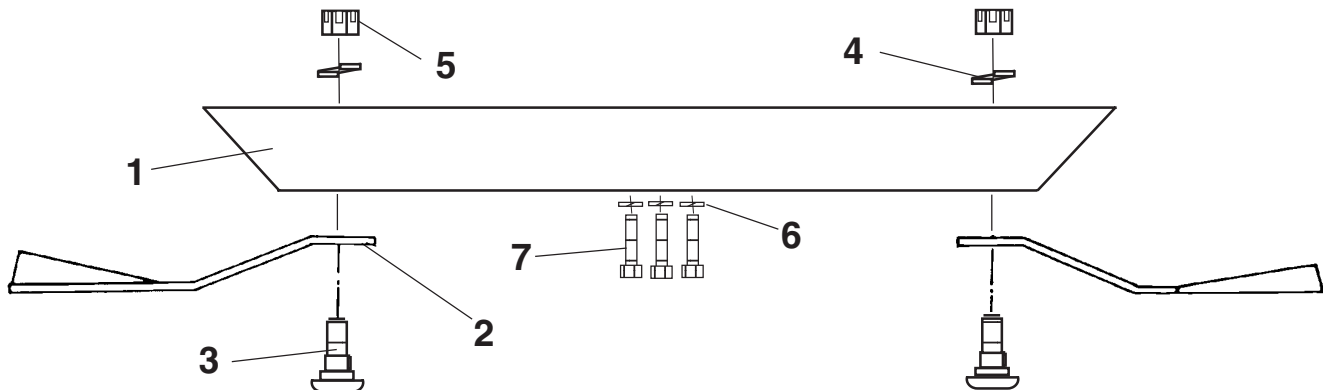
S/N VS-41791
to
S/N VS-02301

DANGER:



Blades should always be replaced in sets. Blades of different weights can cause serious imbalance and damage to the machine and personnel. When replacing blades, **BLADE BOLTS, BUSHINGS, NUTS, AND WASHERS MUST BE CHANGED.**

NOTE: Torque bolts (item #7) to 400 ft.-lbs.
Use Lock-tite on threads. Torque bolts (item #3) to 250 ft.-lbs.



Note: This pan can be identified by it's welded supports.

Item	Part No.	Qty	Description
	02957075*	1	Blade Carrier Asy, 60" (Use Item #8)
	02963382	-	Blade Carrier Asy, 72"
1	02960769	1	Pan Weldment , 60"
	02960612	1	Pan Weldment , 72"
2	02977557	2	Blades-Matched - 60"
	00750787	2	Blades-Matched - 72"
3	00752827	2	Blade Bolt
4	00748000	2	Lockwasher
5	00747900	2	Nut
6	00003901	4 ref	Lockwasher
7	02886600	4 ref	Bolt
8	02964456*	1-ref	Blade Pan Carrier Asy, (Replacement Asy)
	02964804*	1	Blade Pan & Spyder Carrier
	00020900*	3	Nut, Slotted Heavy
	00023200*	3	Roll Pin
	00755623*	3	Washer
	02964330*	3	Blade Bolt
	02964815*	3	Bushing, Blade Bolt
	02964954*	3	Key
	02965229*	3	Washer

Nov. 1991
to
Current

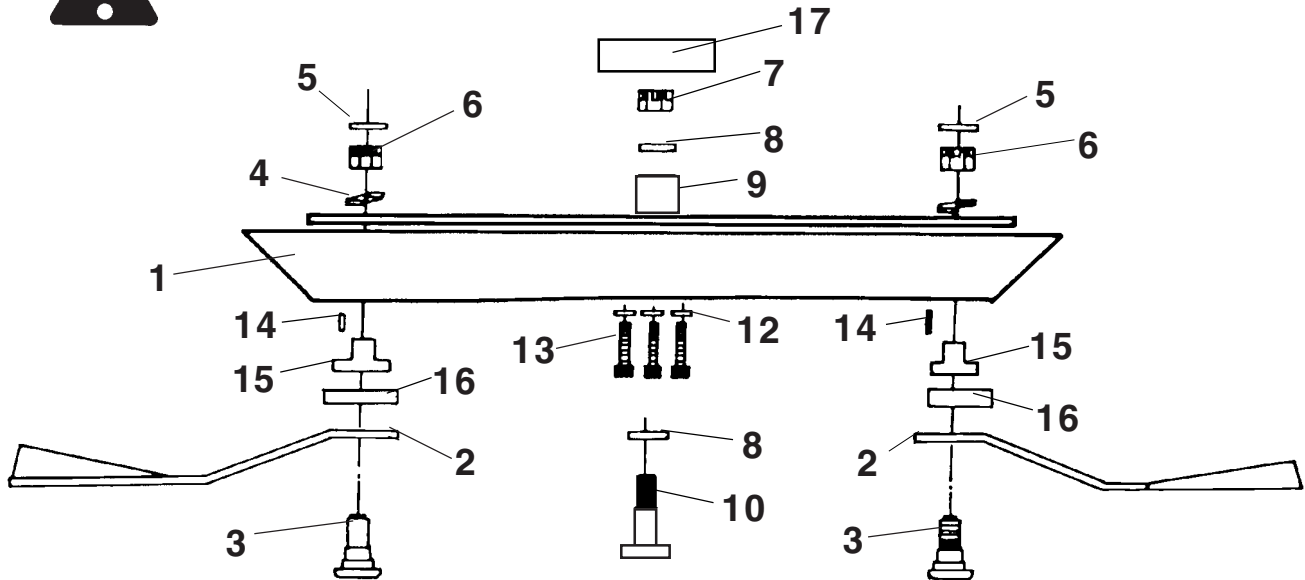
Blade Carrier - Pan Versa Mower 60" Only

S/N VS-02302
to
S/NVS-Current

DANGER:



Blades should always be replaced in sets. Blades of different weights can cause serious imbalance and damage to the machine and personnel. When replacing blades, **BLADE BOLTS, BUSHINGS, NUTS, AND WASHERS MUST BE CHANGED.** Roll pin #5 must be installed to prevent nut from becoming loose and blade from being thrown from the machine.



NOTE: This pan can be identified as having bolt in bushings and no welding anywhere on the pan. Torque bolts (item #13) to 400 ft.-lbs. Use Lock-tite on threads. Torque bolts (item #6) to 250 ft.-lbs.

ITEM	PART NO.	QTY	DESCRIPTION
	02964456	–	Blade Carrier Asy, 60" Only
1	02964804**	1	Stump Jumper Pan, 60" Only
2	02964960	1	Blades-Matched Set of 3
3	02964330	3	Blade Bolt
4	00755623	3	Heat Treated Washer
5	00023200	3	Spiral Roll Pin
6	00020900	3	Nut
7	02030300	3	Locknut
8	00748547	6	Washer
9	02964162	3	Spacer
10	7A16824	3	Bolt
12	00003901	4 ref	Lockwasher
13	02886600	4 ref	Bolt (Used without spacer #02959401)
	02782000	4 ref	Bolt (Use with spacer # 02959401)
14	02964954	3	Key
15	02964815	3	Bushing
16	02965229	3	Spacer
17	02959401	1	Spacer

* Includes Items 1-6 and 14-16

** Includes items 7,8,9, & 10

Nov. 1991
to
Current

Blade Carrier - Pan Versa Mower 72" Only

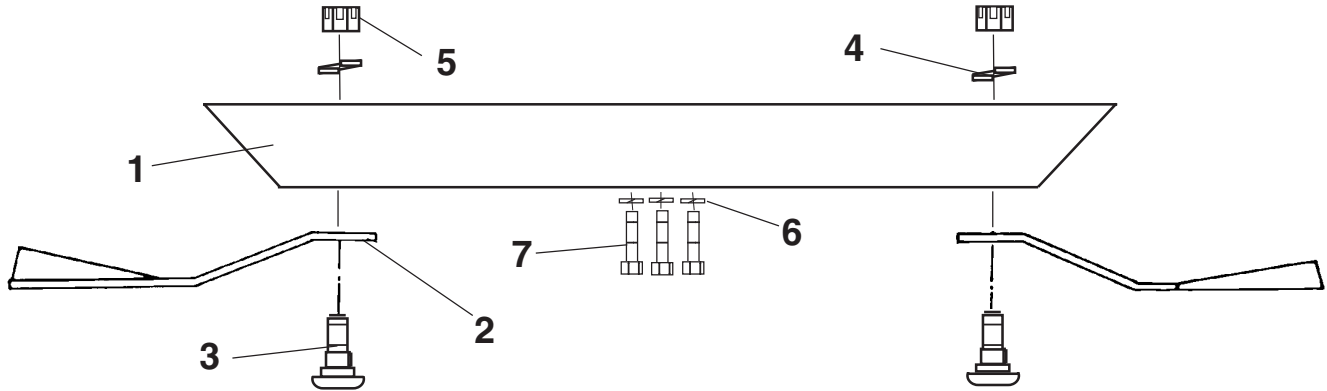
S/N VS-02302
to
S/NVS-Current

DANGER:

Blades should always be replaced in sets. Blades of different weights can cause serious imbalance and damage to the machine and personnel. When replacing blades, **BLADE BOLTS, BUSHINGS, NUTS, AND WASHERS MUST BE CHANGED.**



NOTE: Torque bolts (item #7) to 400 ft.-lbs.
Use Lock-tite on threads. Torque bolts (item #3) to 250 ft.-lbs.



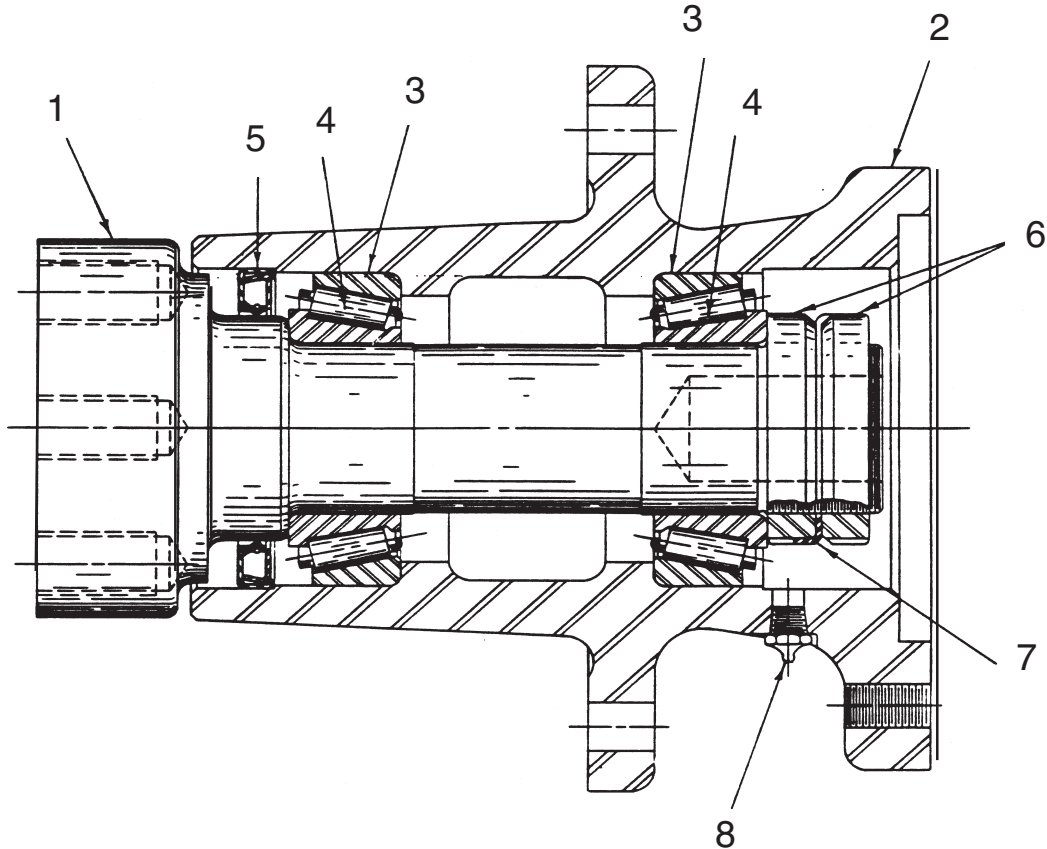
Note: This pan can be identified by it's welded supports.

Item	Part No.	Qty	Description
	02963382	–	Blade Carrier Asy, 72"
1	02960612	1	Pan Weldment , 72"
2	00750787	2	Blades-Matched - 72"
3	00752827	2	Blade Bolt
4	00748000	2	Lockwasher
5	00747900	2	Nut
6	00003901	4 ref	Lockwasher
7	02886600	4 ref	Bolt

Feb. 1982
to
May 1984

SPINDLE - VERSA MOWER
60" Model
P/N 00751759
With keyed Motor Shaft

S/N VS-39383
to
S/N VS-41790



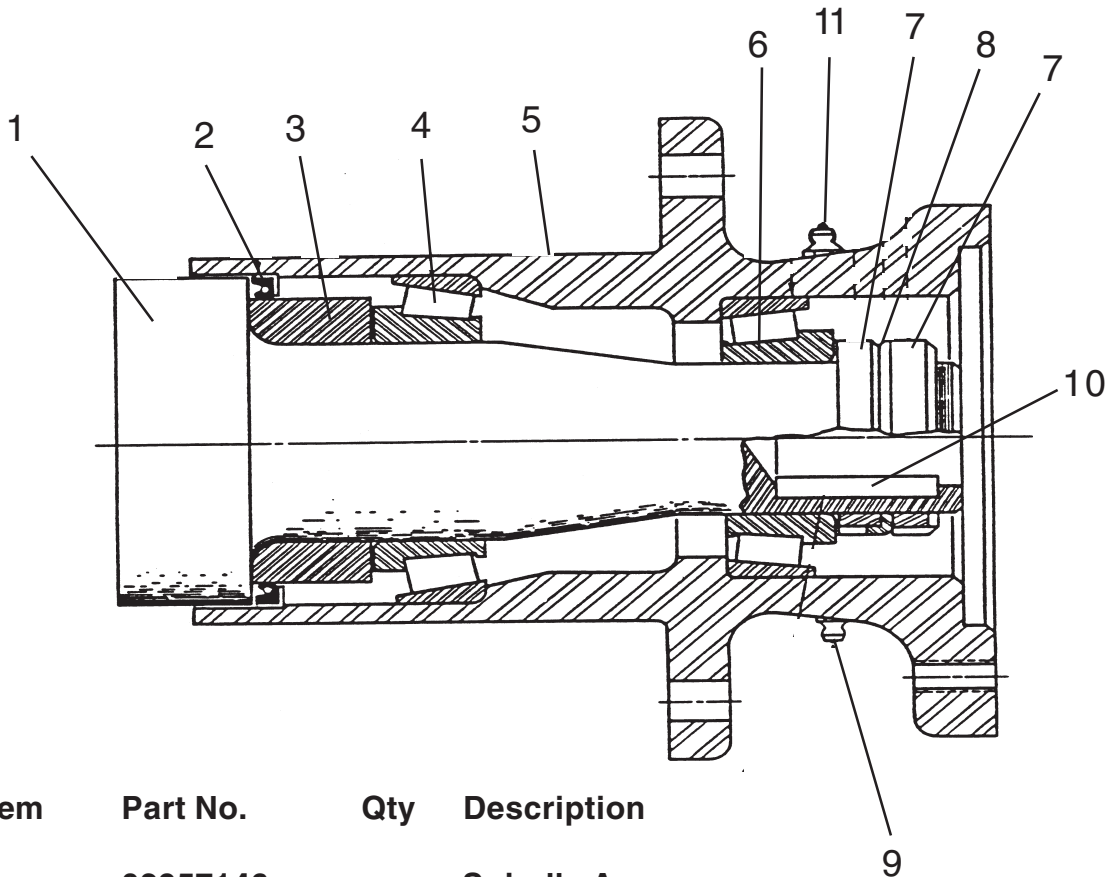
Item	Part No.	Qty	Description
	00751759	—	Spindle Asy
1	02781100	1	Spindle Shaft
2	02710700	1	Spindle Housing, w/Brg Cups & Grease Fitting
3	02708100	2	Bearing Cup Only
	02778200	—	Bearing Asy, (Item #3 & #4)
4	02708100	2	Bearing Cone Only
	02778200	—	Bearing Asy, (Item #3 & #4)
5	02707600	1	Seal, Lower
6	02707800	2	Bearing Adjusting Nut
7	02707900	1	Locking Washer
8	00003500	1	Grease Fitting

Note: Prior to Jun. 1984 only 60" Model was offered.

Jun. 1984
to
Oct. 1987

SPINDLE - VERSA MOWER
60" Model
P/N 02957146
With keyed Motor Shaft

S/N VS-41791
to
S/N VS-01034

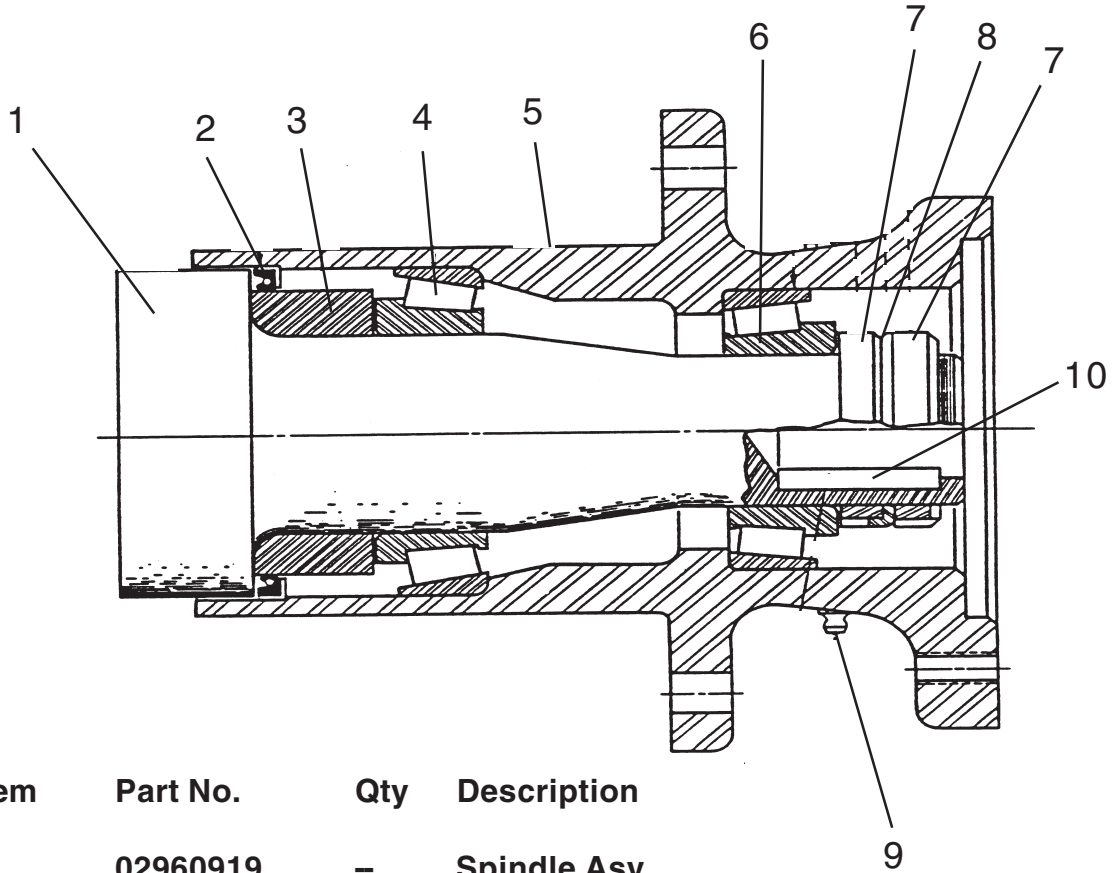


Item	Part No.	Qty	Description
	02957146	--	Spindle Asy
1	02957135	1	Spindle Shaft
2	02957140	1	Seal
3	02957133	1	Bearing Ring
4	02957668	1	Bearing Asy Lower, Cup & Cone
	02957139	--	Bearing Cup Only
	02957138	--	Bearing Cone Only
5	02957145	1	Spindle Housing, w/Brg Cups & Grease Fitting Item # 11
6	02957669	1	Bearing Asy Upper, Cup & Cone
	02708100	--	Bearing Cup Only
	02707700	--	Bearing Cone Only
7	02707800	2	Bearing Adjusting Nut
8	02707900	1	Locking Washer
9	00003500	1	Grease Fitting
10	02959013	1	Key
11	02959018	1	Grease Fitting Relief

Nov. 1987
to
May 1988

SPINDLE - VERSA MOWER
60" Model
P/N 02960919
With keyed Motor Shaft

S/N VS-01035
to
S/N VS-01244

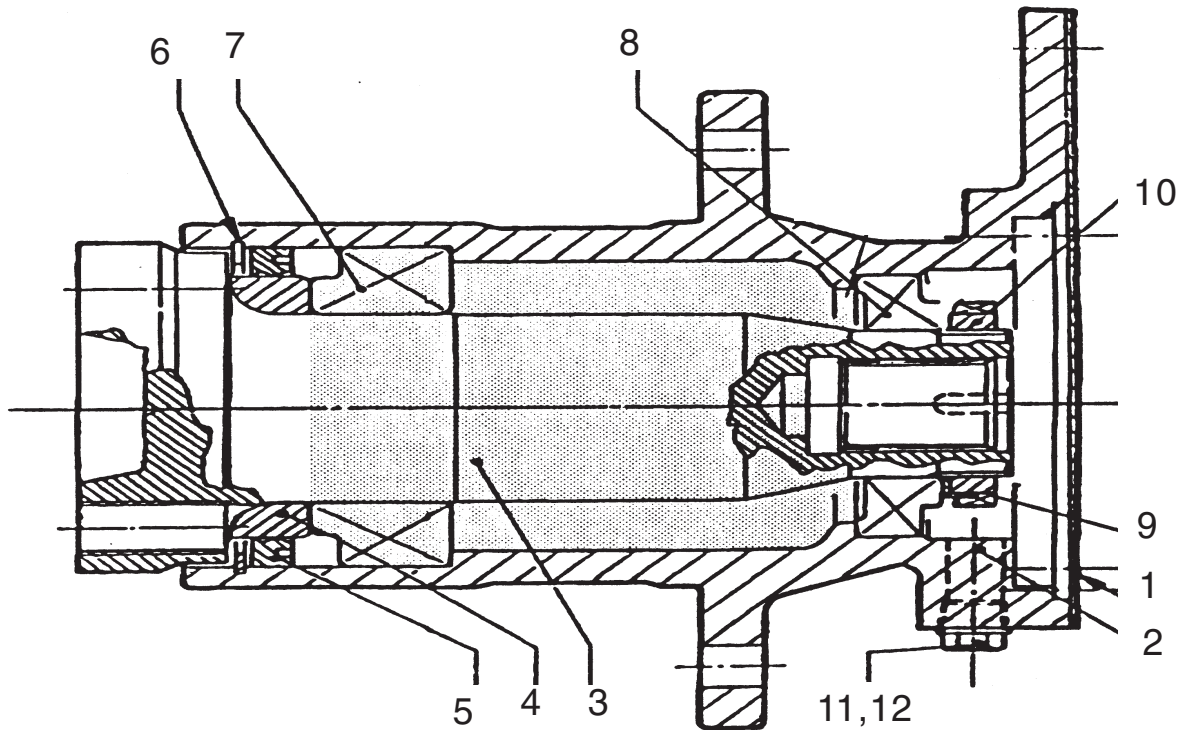


Item	Part No.	Qty	Description
	02960919	—	Spindle Asy
1	02957135	1	Spindle Shaft
2	02957140	1	Seal
3	02957133	1	Bearing Ring
4	02957668	1	Bearing Asy Lower, Cup & Cone
	02957139	--	Bearing Cup Only
	02957138	--	Bearing Cone Only
5	02960923	1	Spindle Housing, w/Brg Cups & Grease Fitting Item # 11
6	02957669	1	Bearing Asy Upper, Cup & Cone
	02708100	--	Bearing Cup Only
	02707700	--	Bearing Cone Only
7	02707800	2	Bearing Adjusting Nut
8	02707900	1	Locking Washer
9	00003500	1	Grease Fitting
10	W153	1	Key

Jun. 1988
to
Feb. 1992

SPINDLE - VERSA MOWER
60" Model
P/N 02960553
With Splined Motor Shaft

S/N VS-01245
to
S/N VS-02352

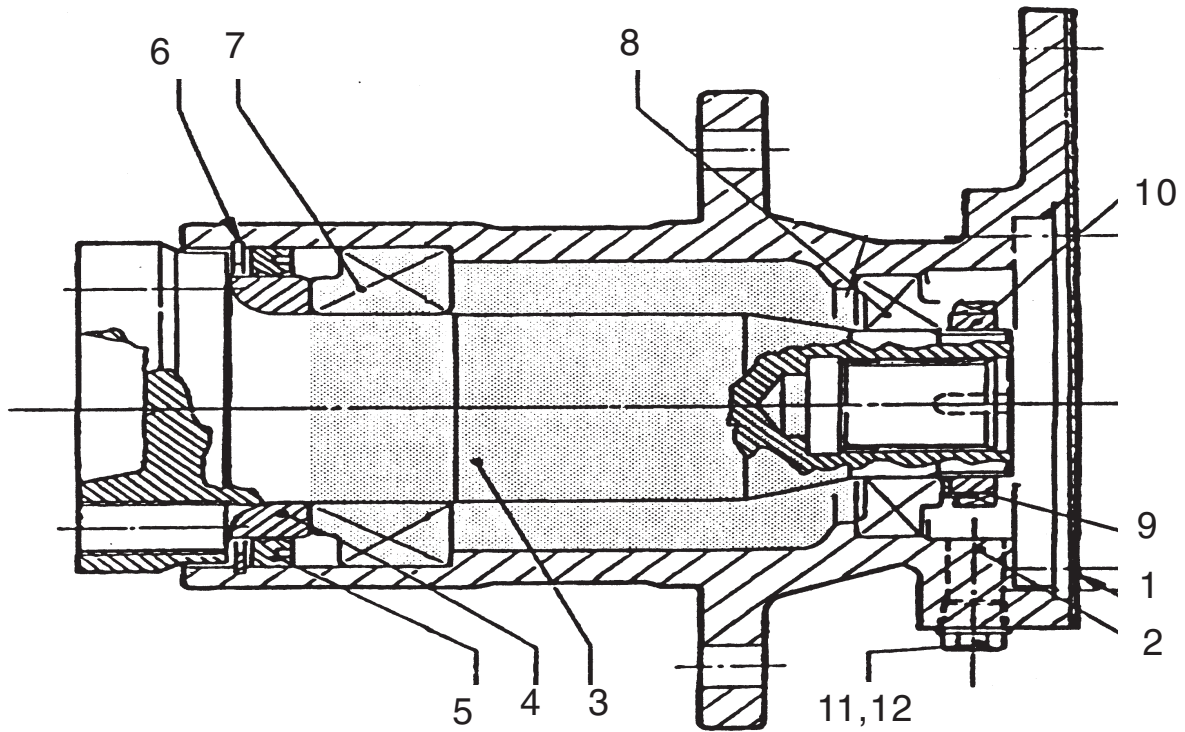


Item	Part No.	Qty	Description
	02960553	—	Spindle Assembly
1	02961038	1	Gasket
2	02960562	1	Housing
3	02960561	1	Spindle Shaft
4	02960558	1	Bearing Ring
5	02960559	1	Seal, Lower
6	00754627	1	Snap Ring
7	02960557	1	Bearing Asy Lower, Cup & Cone
8	00754630	1	Bearing Asy Upper, Cup & Cone (Use # 00769938 Brg Asy)
9	02964269	1	Lockwasher, Bearing Adj. Nut
10	02962030	1	Bearing Adj. Nut
11	00754634	1	Plug
12	02959860	1	Plug, Pressure Relief

Mar. 1992
to
Current

SPINDLE - VERSA MOWER
60" Model
P/N 02960553C
With Splined Motor Shaft

S/N VS-02353
to
S/N VS-Current

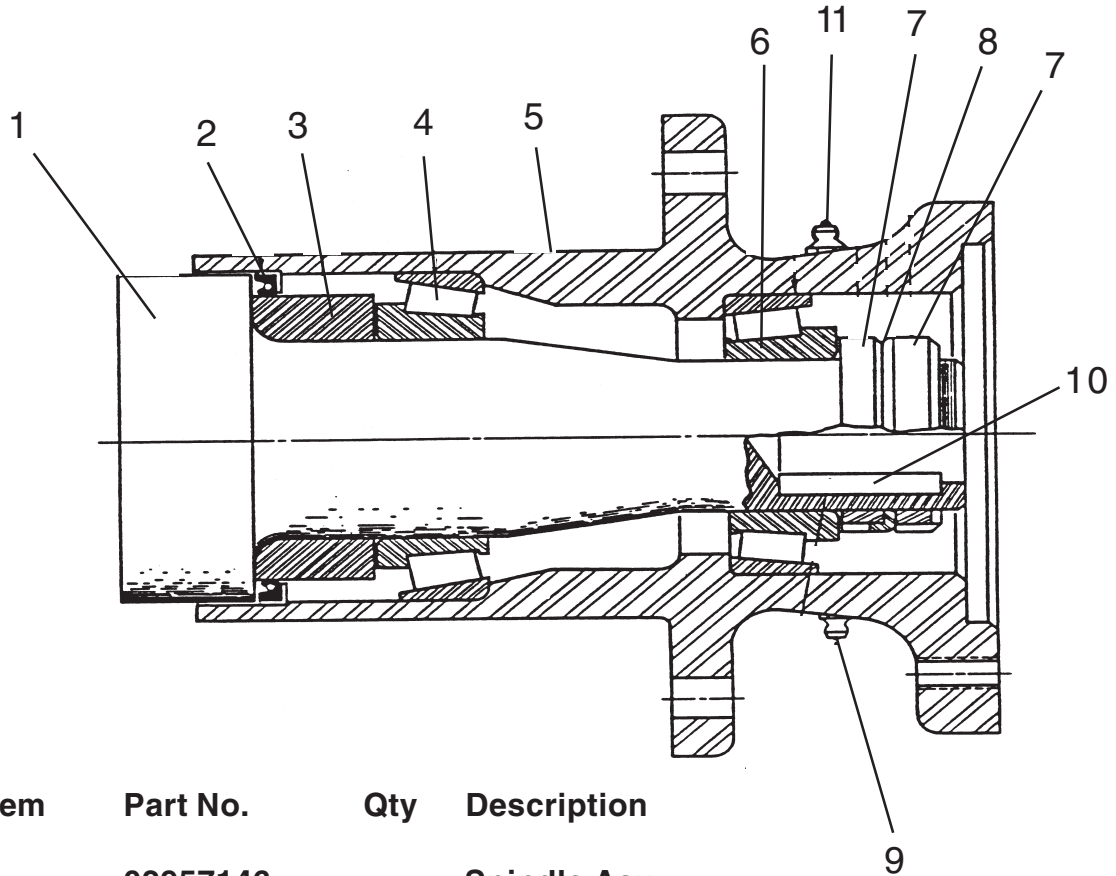


Item	Part No.	Qty	Description
	02960553C	—	Spindle Asy
1	02961038	1	Gasket
2	02960562C	1	Housing
3	02960561	1	Spindle Shaft
4	02960558	1	Bearing Ring
5	02960559	1	Seal, Lower
6	00754627	1	Snap Ring
7	02960557	1	Bearing Asy Lower, Cup & Cone
8	00755628	1	Bearing Asy Upper, Cup & Cone (Use # 00769938 Brg Asy)
9	02964269	1	Lockwasher, Bearing Adj. Nut
10	02962030	1	Bearing Adj. Nut
11	00754634	1	Plug
12	02959860	1	Plug, Pressure Relief

Jun. 1984
to
May 1988

SPINDLE - VERSA MOWER
72" Model
P/N 02957146
With Keyed Motor Shaft

S/N VS-41791
to
S/N VS-01244

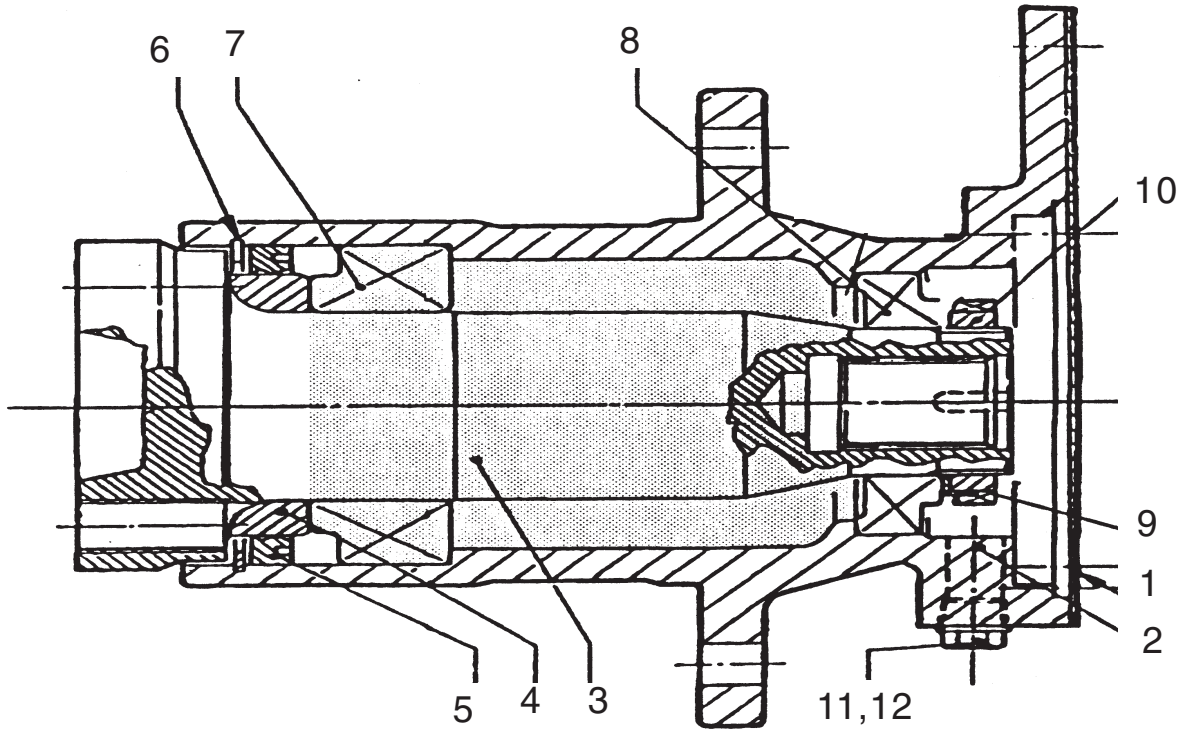


Item	Part No.	Qty	Description
	02957146	--	Spindle Asy
1	02957135	1	Spindle Shaft
2	02957140	1	Seal
3	02957133	1	Bearing Ring
4	02957668	1	Bearing Asy Lower, Cup & Cone
	02957139	--	Bearing Cup Only
	02957138	--	Bearing Cone Only
5	02957145	1	Spindle Housing, w/Brg Cups & Grease Fitting Item # 11
6	02957669	1	Bearing Asy Upper, Cup & Cone
	02708100	--	Bearing Cup Only
	02707700	--	Bearing Cone Only
7	02707800	2	Bearing Adjusting Nut
8	02707900	1	Locking Washer
9	00003500	1	Grease Fitting
10	02959013	1	Key
11	02959018	1	Grease Fitting Relief

Jun. 1988
to
Feb. 1992

SPINDLE - VERSA MOWER
72" Model
P/N 02960553
With Splined Motor Shaft

S/N VS-01245
to
S/N VS-02352

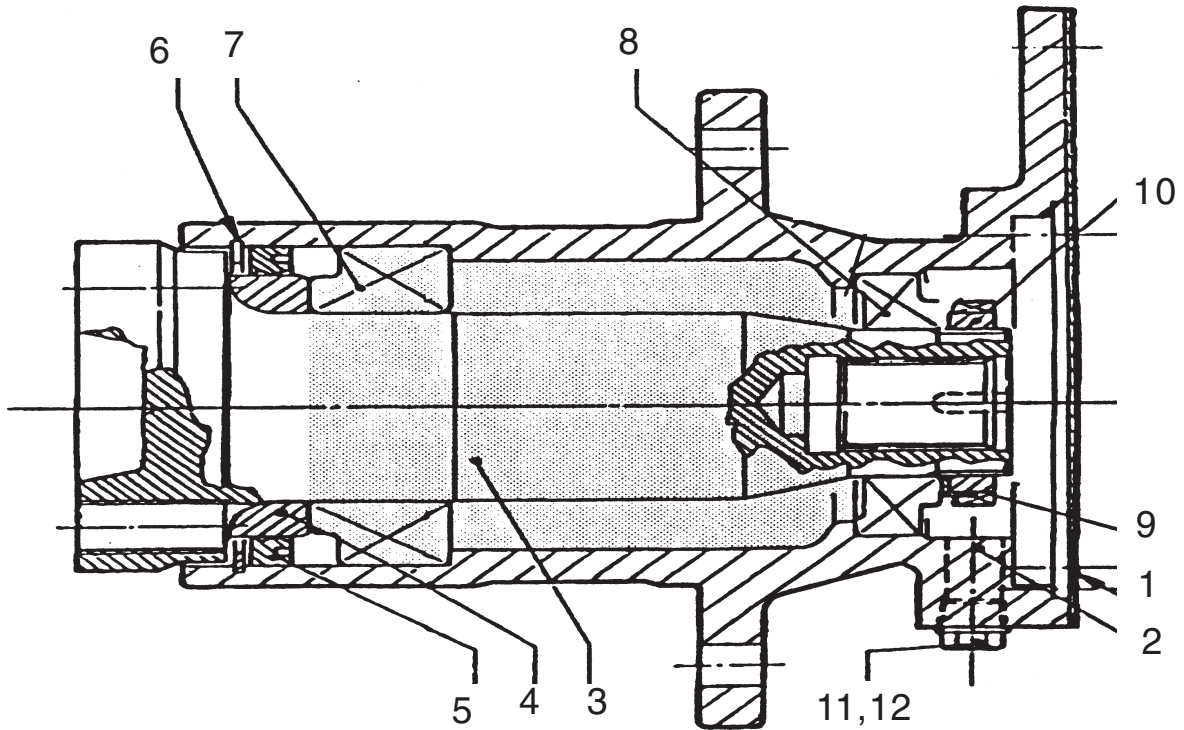


Item	Part No.	Qty	Description
	02960553	—	Spindle Asy
1	02961038	1	Gasket
2	02960562C	1	Housing
3	02960561	1	Spindle Shaft
4	02960558	1	Bearing Ring
5	02960559	1	Seal, Lower
6	00754627	1	Snap Ring
7	02960557	1	Bearing Asy Lower, Cup & Cone
8	00754630	1	Bearing Asy Upper, Cup & Cone (Use # 00769938 Brg Asy)
9	02964269	1	Lockwasher, Bearing Adj. Nut
10	02962030	1	Bearing Adj. Nut
11	00754634	1	Plug
12	02959860	1	Plug, Pressure Relief

Mar. 1992
to
Current

SPINDLE - VERSA MOWER
72" Model
P/N 02960553C
With Splined Motor Shaft

S/N VS-02353
to
S/NVS-Current



Item	Part No.	Qty	Description
	02960553C	—	Spindle Asy
1	02961038	1	Gasket
2	02960562C	1	Housing
3	02960561	1	Spindle Shaft
4	02960558	1	Bearing Ring
5	02960559	1	Seal, Lower
6	00754627	1	Snap Ring
7	02960557	1	Bearing Asy Lower, Cup & Cone
8	00755628	1	Bearing Asy Upper, Cup & Cone (Use # 00769938 Brg Asy)
9	02964269	1	Lockwasher, Bearing Adj. Nut
10	02962030	1	Bearing Adj. Nut
11	00754634	1	Plug
12	02959860	1	Plug, Pressure Relief

NOTES

Feb. 1982
to
May 1984

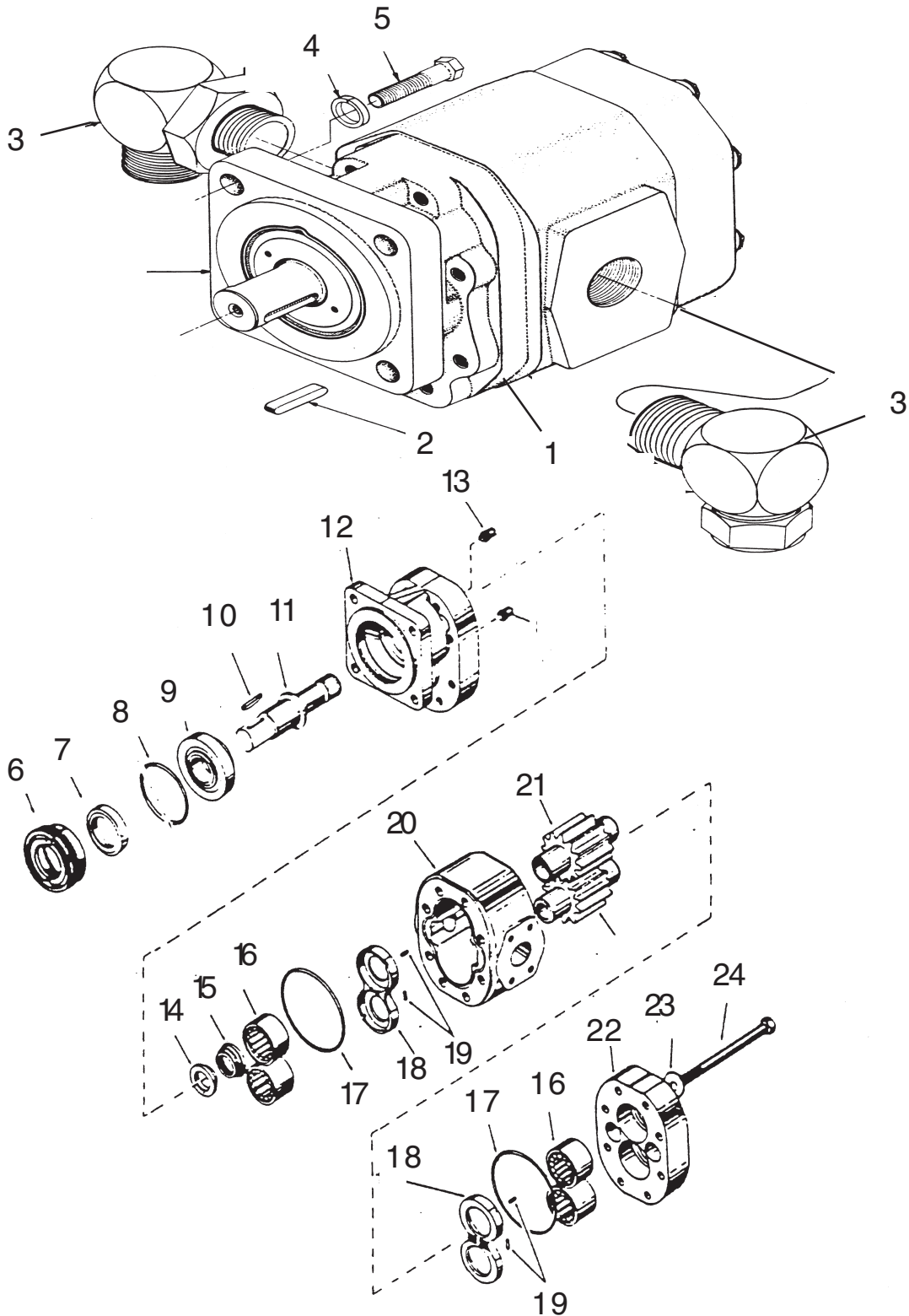
MOTOR - VERSA MOWER

60" Model

P/N 02886400

With Keyed Shafts

S/N VS-39383
to
S/N VS-41790



Feb. 1982
to
May 1984

MOTOR - VERSA MOWER
60" Model
P/N 02886400
With Keyed Shafts

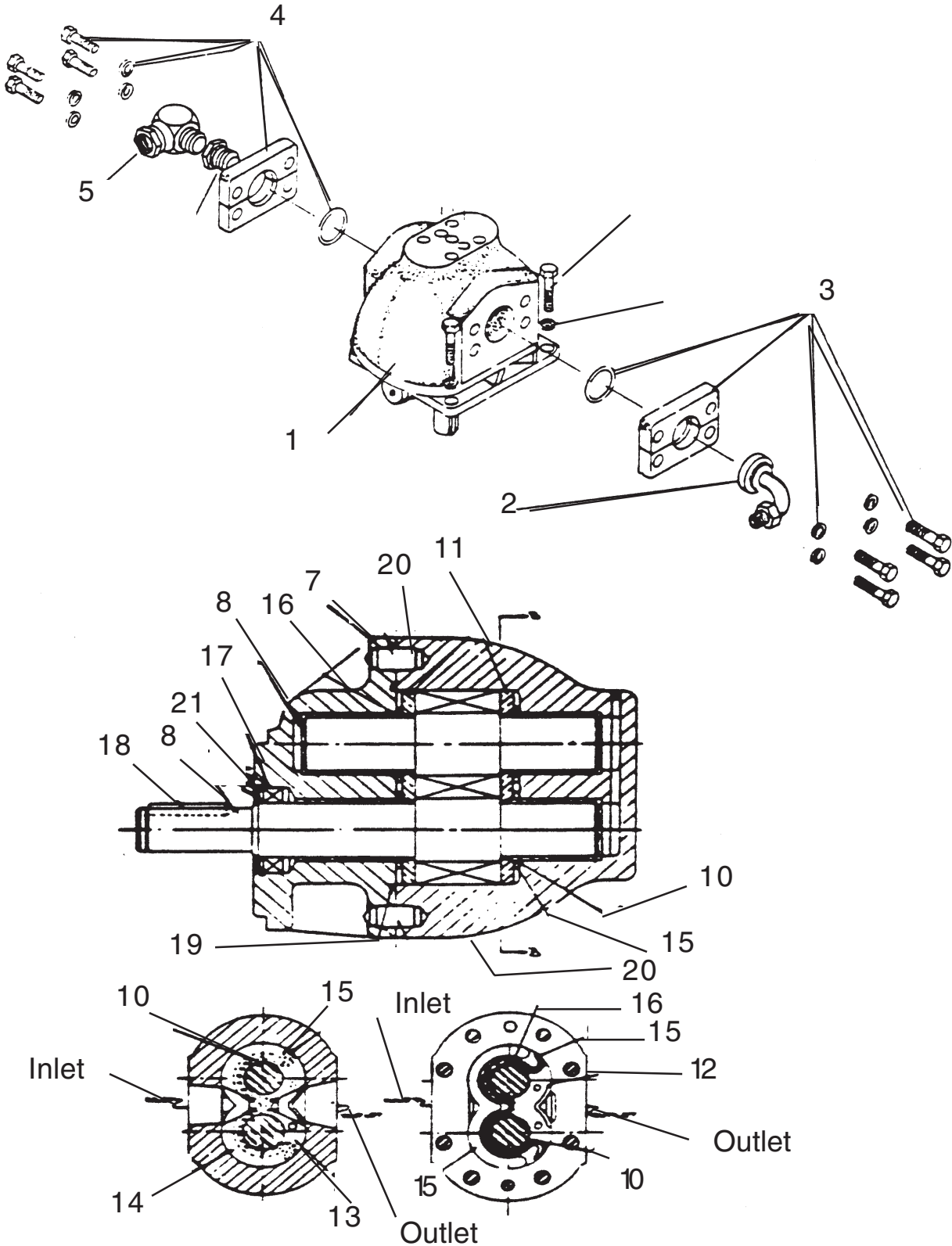
S/N VS-39383
to
S/N VS-41790

Item	Part No.	Qty	Description
	02886400	-	Motor Asy W/ Fittings
1	02870600	1	Motor Only
2	02895900	1	Key
3	02889300	2	Elbow
4	00001300	4	Lockwasher
5	02892000	4	Bolt
6	02895500	1	Seal Retainer
7	02895600	1	Seal, High Pressure
8	02895700	1	O-ring
9	02895800	1	Bearing, Tapered Roller
10	02895900	1	Key
11	02896000	1	Drive Shaft (Old # 01896000)
12	02896100	1	Shaft End Cover
13	02896200	2	Check Asy.or Set Screw
14	02896300	1	Bushing, Bronze
15	02896400	1	Spring, Conical
16	02896500	4	Bearing
17	02896600	2	Gsaket Seal
18	02896700	2	Trust Plate
19	02896800	12	Pocket Seals
20	02896900	1	Gear Housing
21	02899700	1	Gears, Matched
22	02897100	1	Port End Cover
23	00001300	8	Washer
24	02898200	8	Bolt
25	02926800	1	Seal Kit

Jun. 1984
to
Aug. 1987

MOTOR - VERSA MOWER 60" Model P/N 02957860 With Keyed Shafts

S/N VS-41791
to
S/N VS-47000



Jun. 1984
to
Aug. 1987

MOTOR - VERSA MOWER
60" Model
P/N 02957860
With Keyed Shafts

S/N VS-41791
to
S/N VS-47000

Item	Part No.	Qty	Description
	02957860	--	Motor Asy W/ Fittings
1	02708500	1	Motor Only
2	00751842	1	Elbow, 90 Deg.
3	00749101	1	Split Flange Kit
4	02827700	1	Flange Kit
5	02156700	1	Reducer
6	02957228	1	Elbow, 90 Deg.
7	02721000	1	Flange
8	02721100	1	Gear Set, Drive & Idler
10	-----*	4	Back Up Ring
11	02721300	2	Pressure Plate
12	02721400	2	Top Isolation Plate
13	02721500	2	Bottom Isolation Plate
14	-----*	2	Retainer Ring
15	-----*	2	O-Ring
16	02721600	4	Steel Ring
17	-----*	1	Seal
18	02721700	1	Key
19	-----*	1	O-Ring, Body
20	02721800	2	Dowel Pin
21	02721800	1	Snap Ring
25	02720000	1	Seal Kit

*Seal Kit Consist of:

4 - Backup Rings

1 - O-Ring

1 - O-Ring, Body

2 - Retainer Rings

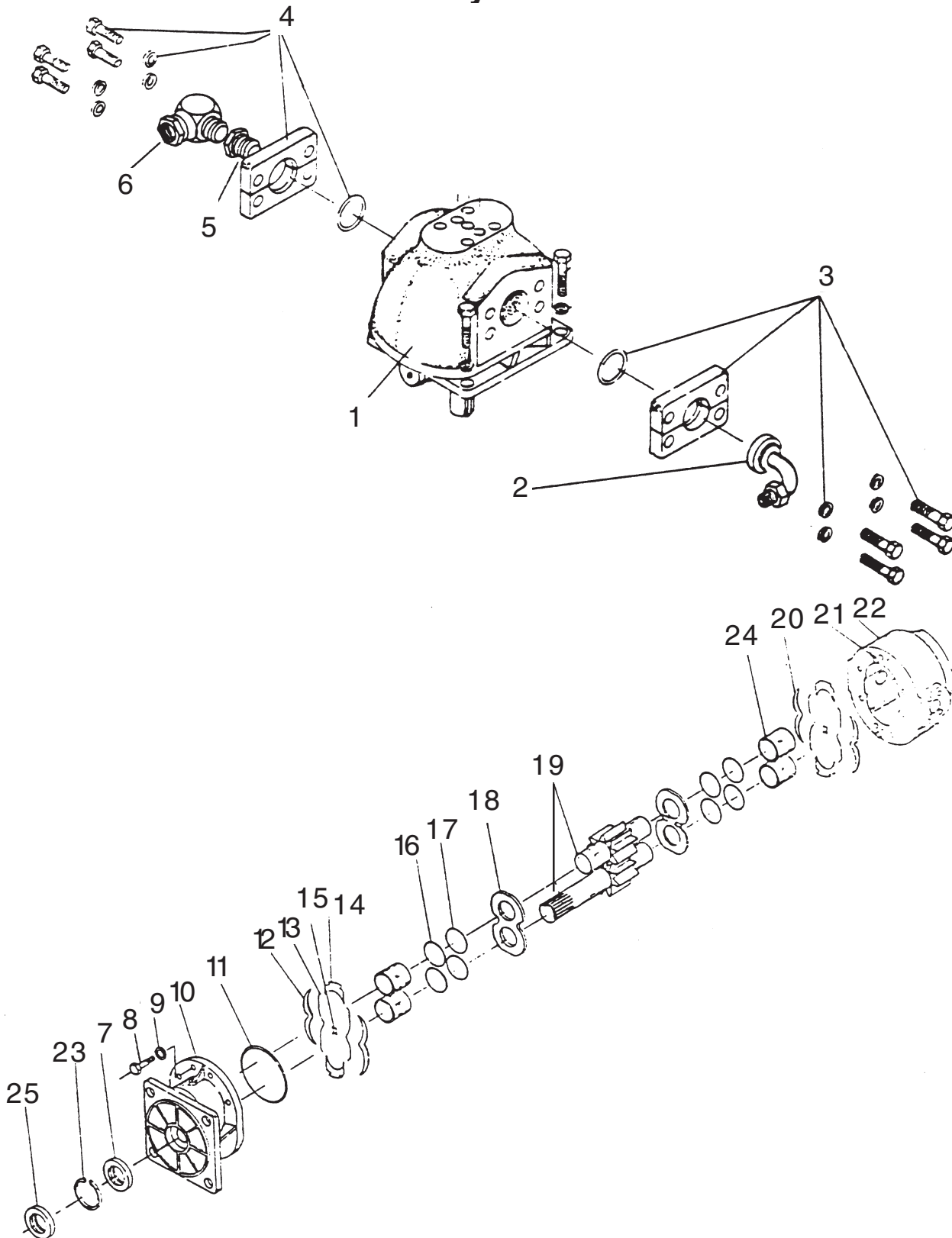
1 - Seal

NOTE: S/N Change Aug. 1987 S/N's ended with # 47000
and Sep. 1987 started a new series with # 01001

Sep. 1987
to
May 1988

MOTOR - VERSA MOWER 60" Model P/N 02961304 With Keyed Shafts

S/N VS-01001
to
S/N VS-01244



Sep. 1987
to
May 1988

MOTOR - VERSA MOWER
60" Model
P/N 02961304
With Keyed Shafts

S/N VS-01001
to
S/N VS-01244

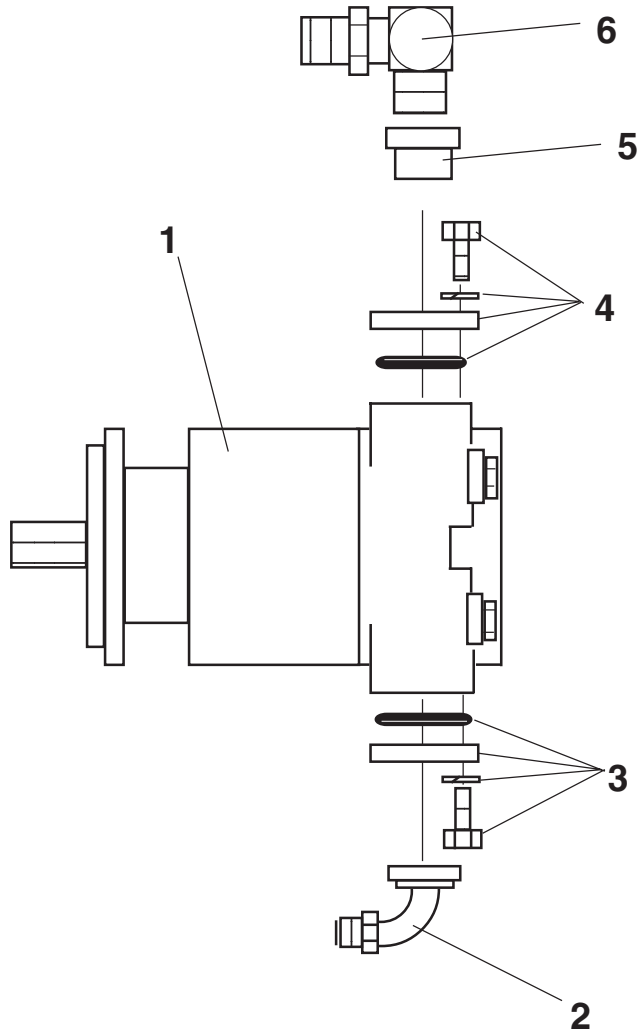
Item	Part No.	Qty	Description
	02960911	-	Motor Asy W/ Fittings
1	02960564	1	Motor Only
2	02961028	1	Elbow, 90 Deg.
3	00749101	1	Split Flange Kit
4	02827700	1	Flange Kit
5	02156700	1	Reducer
6	02957228	1	Elbow, 90 Deg.
7	-----*	1	Seal
8	-----	8-ref	Bolt
9	-----*	8-ref	Flatwasher
10	02721000	1	Flange
11	-----*	1	O-Ring
12	02721500	2	Bottom Isolation Plate
13	-----*	4	Sealing Strip
14	-----*	4	End Separator
15	-----*	2	Center Separator
16	-----*	4	O-Ring
17	-----*	4	Backup Ring
18	02721300	2	Pressure Plate
19	02961049	1	Gear Set, Drive & Idler
20	02721400	2	Top Isolation Plate
21	02721700	2	Dowel Pin
22	-----	1-ref	Body (Non-Saleable Part)
23	02721800	1	Snap Ring
24	02721600	4	Steel Ring
25	-----*	1	Seal
26	02720000	1	Seal Kit, Item 7,8,9,11,13,14,15,16,17,25

NOTE: S/N Change Aug. 1987 S/N's ended with # 47000
and Sep. 1987 started a new series with # 01001

Jun. 1988
to
Jan. 1996

MOTOR - VERSA MOWER
60" Model
P/N 02961732
With Splined Shafts

S/N VS-01245
to
S/N VS-03886

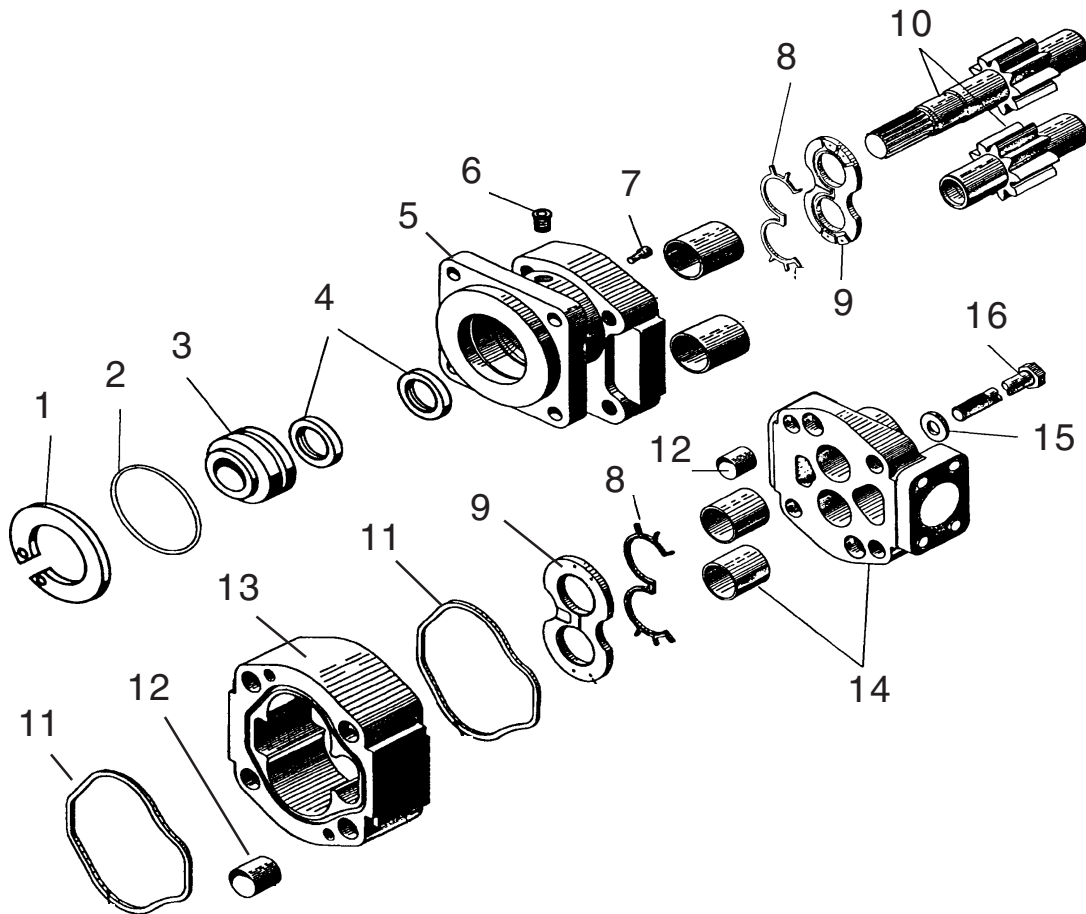


Item	Part No.	Qty	Description
1	02961732	1	Hydraulic Motor
2	02961028	1	90 Deg. Elbow
3	00749101	1	Split Flange Kit
4	02827700	1	Flange Kit
5	02961008	1	Reducer
6	02889300	1	90 Deg. Elbow

Jun. 1988
to
Jan. 1996

MOTOR - VERSA MOWER
60" Model
P/N 02961732
With Splined Shafts

S/N VS-01245
to
S/N VS-03886



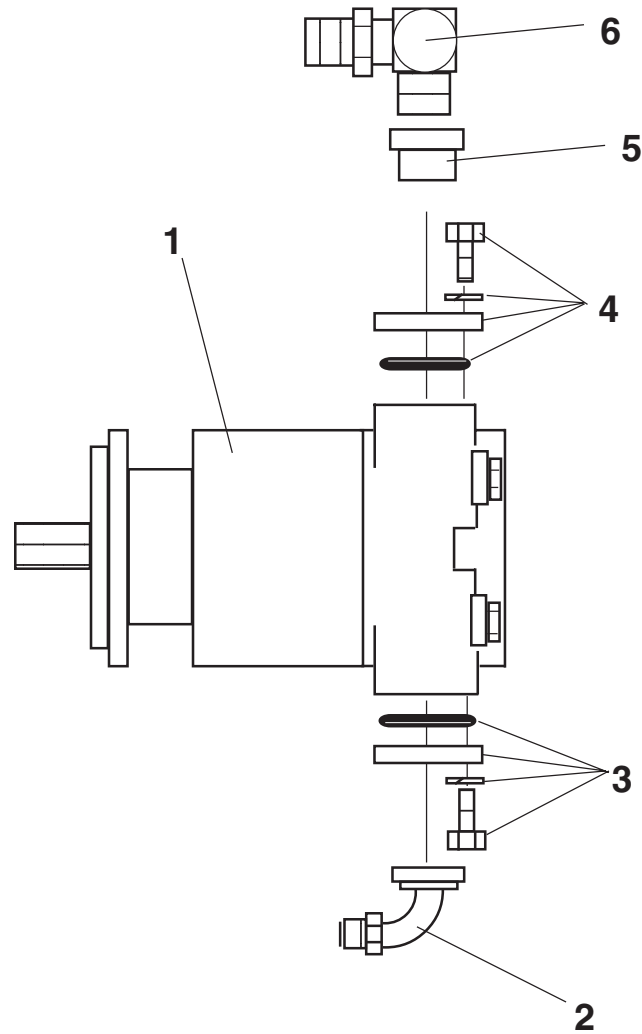
Item	Part No.	Qty	Description	Item	Part No.	Qty	Description
1	02961933	1	Snap Ring	13	02961928	1	Gear Housing
2	-----*	1	"O" Ring	14	02961927	1	Porting Flange w/Bushing
3	02961932	1	Seal Retainer	15	02961917	4	Washer
4	-----*	2	Seal	16	02961918	4	Bolt
5	02961926	1	Mounting Flange w/Bushings	17	-----*	4	Side Seal (not shown)
6	02961940	1	Plug	18	02961939	1	Seal Kit
7	02961931	2	Check Assembly				
8	-----*	4	Seal End				
9	-----*	2	Thrust Plate				
10	02961929	1	Gear Set				
11	-----*	2	Square Seal				
12	02961924	4	Dowel Pin				

* included in seal kit p/n 02961939

Feb. 1996
to
Current

MOTOR - VERSA MOWER
60" Model
P/N 02961747
With Splined Shafts

S/N VS-03887
to
S/NVS-Current



Item	Part No.	Qty	Description
1	02961747	1	Hydraulic Motor
2	02961028	1	90 Deg. Elbow
3	00749101	1	Split Flange Kit
4	02827700	1	Flange Kit
5	02961008	1	Reducer
6	02889300	1	90 Deg. Elbow

Feb. 1996
to
Current

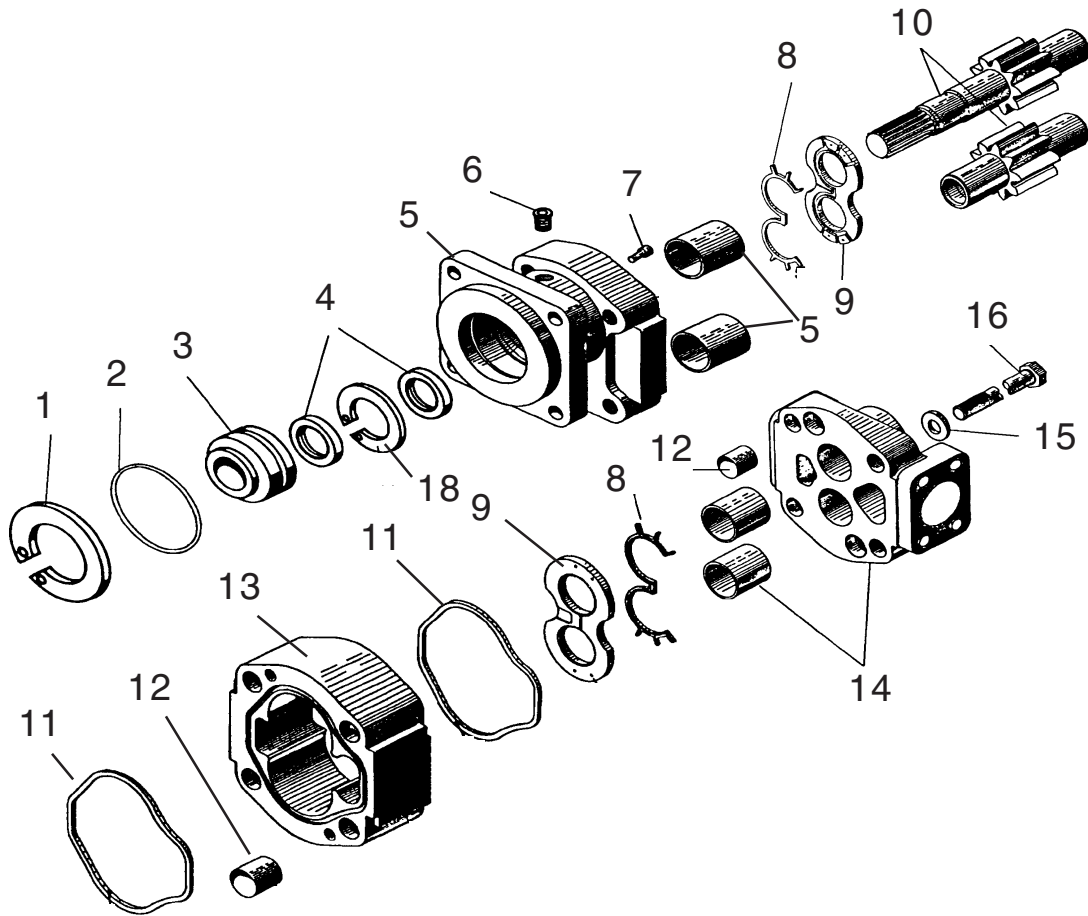
MOTOR - VERSA MOWER

60" Model

P/N 02961747

With Splined Shafts

S/N VS-03887
to
S/NVS-Current



Item	Part No.	Qty	Description	Item	Part No.	Qty	Description
1	02962200	1	Snap Ring	13	02962194	1	Gear Housing
2	-----*	1	"O" Ring	14	02962193	1	Porting Flange w/Bushing
3	02962199	1	Seal Retainer	15	02962196	4	Washer
4	-----*	2	Seal	16	02962197	4	Bolt
5	02962192	1	Mounting Flange w/Bushings	17	-----*	4	Side Seal (not shown)
6	02961940	1	Plug	18	02962199	1	Seal Retainer
7	02961931	2	Check Assembly	19	02962540	1	Seal Kit, Minor
8	-----*	4	Seal End		02962202	1	Seal Kit, Major
9	-----**	2	Thrust Plate				
10	02962195	1	Gear Set				
11	-----*	2	Square Seal				
12	02962201	4	Dowel Pin				

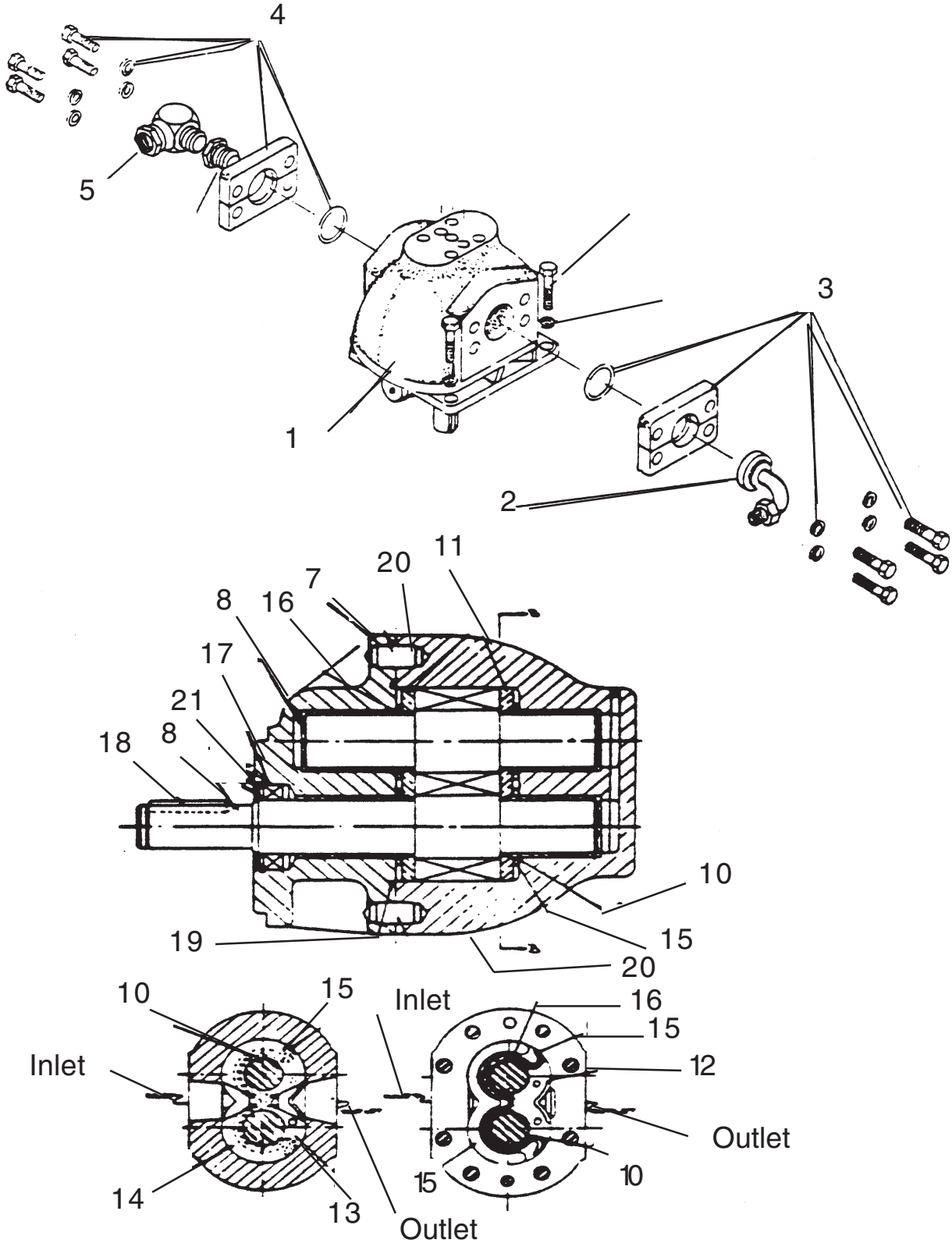
* included in seal kit p/n 02962540

* & ** included in Seal Kit p/n 02962202

Jun. 1984
to
Aug. 1985

MOTOR - VERSA MOWER 72" Model P/N 02957860 With Keyed Shafts

S/N VS-41791
to
S/N VS-43475



Jun. 1984
to
Aug. 1985

MOTOR - VERSA MOWER
72" Model
P/N 02957860
With Keyed Shafts

S/N VS-41791
to
S/N VS-43475

Item	Part No.	Qty	Description
	02957860	--	Motor Asy W/ Fittings
1	02708500	1	Motor Only
2	00751842	1	Elbow, 90 Deg.
3	00749101	1	Split Flange Kit
4	02827700	1	Flange Kit
5	02156700	1	Reducer
6	02957228	1	Elbow, 90 Deg.
7	02721000	1	Flange
8	02721100	1	Gear Set, Drive & Idler
10	-----*	4	Back Up Ring
11	02721300	2	Pressure Plate
12	02721400	2	Top Isolation Plate
13	02721500	2	Bottom Isolation Plate
14	-----*	2	Retainer Ring
15	-----*	2	O-Ring
16	02721600	4	Steel Ring
17	-----*	1	Seal
18	02721700	1	Key
19	-----*	1	O-Ring, Body
20	02721800	2	Dowel Pin
21	02721800	1	Snap Ring
25	02720000	1	Seal Kit

*Seal Kit Consist of:

4 - Backup Rings

1 - O-Ring

1 - O-Ring, Body

2 - Retainer Rings

1 - Seal

Sep. 1985
to
Sep. 1987

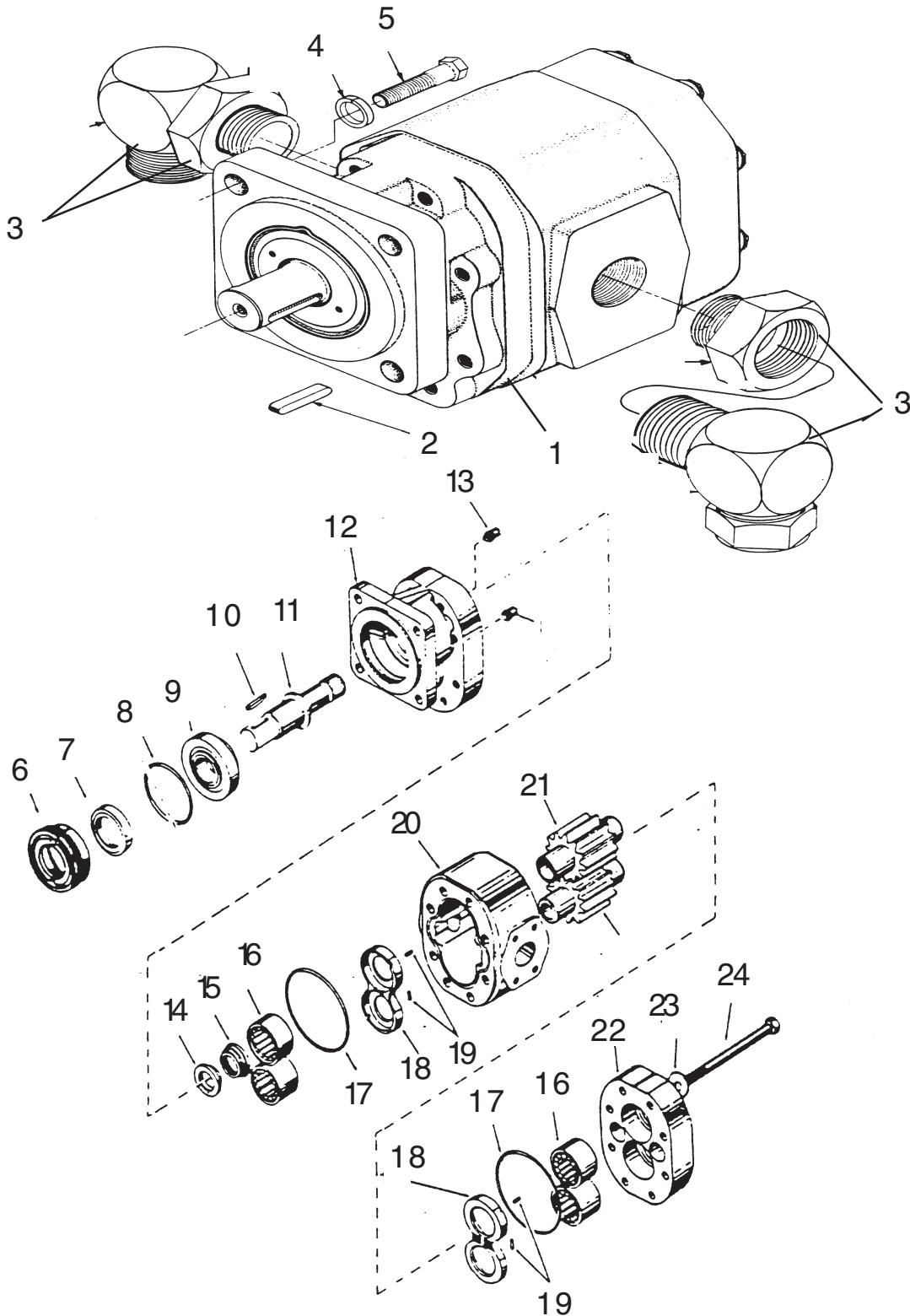
MOTOR - VERSA MOWER

72" Model

P/N 02886400

With Keyed Shafts

S/N VS-43476
to
S/N VS-01007



Sep. 1985
to
Sep. 1987

MOTOR - VERSA MOWER
72" Model
P/N 02886400
With Keyed Shafts

S/N VS-43476
to
S/N VS-01007

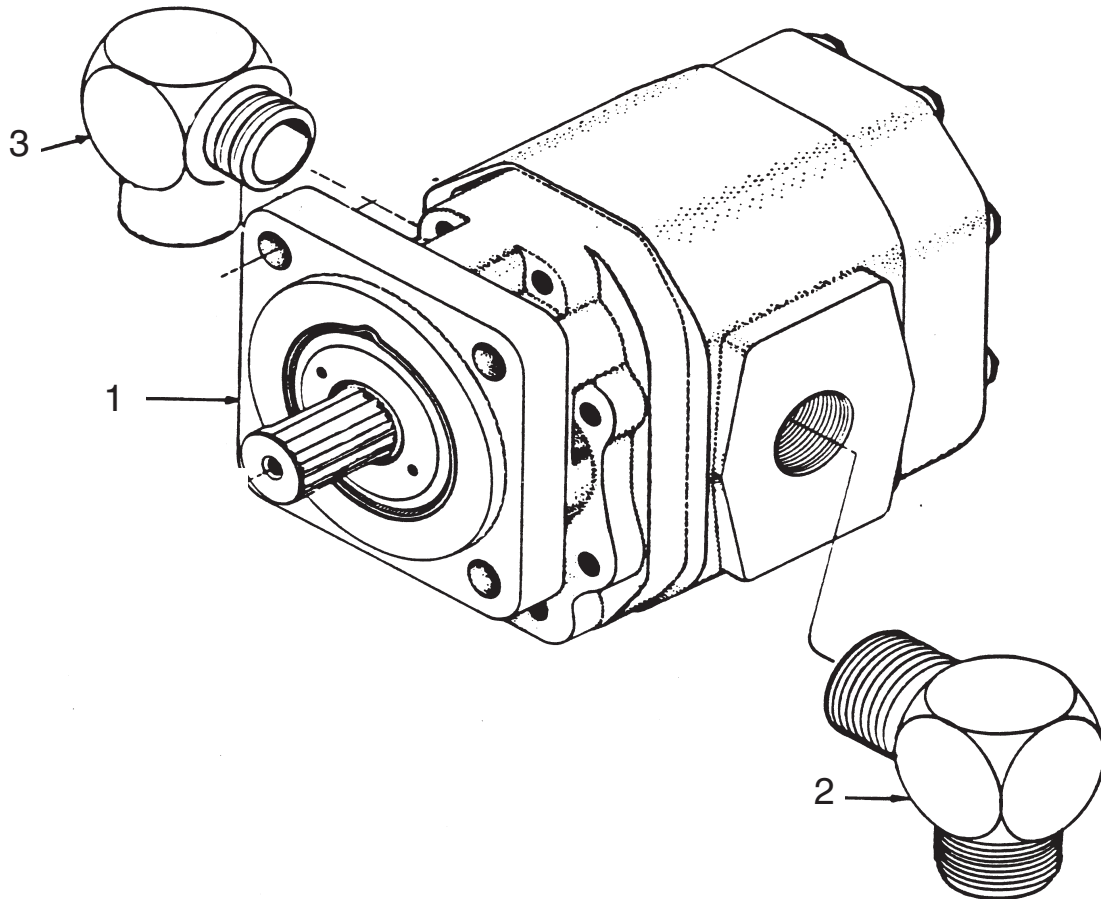
Item	Part No.	Qty	Description
	02886400	—	Motor Assembly W/ Fittings
1	02870600	1	Motor Only
2	02895900	1	Key
3	02042600	2	Elbow
	00751471	2	Reducer
4	63000500	4	Lockwasher
5	02776600	4	Bolt
6	02895500	1	Seal Retainer
7	02895600	1	Seal, High Pressure
8	02895700	1	O-ring
9	02895800	1	Bearing, Tapered Roller
10	02895900	1	Key
11	02896000	1	Drive Shaft (Old # 01896000)
12	02896100	1	Shaft End Cover
13	02896200	2	Check Asy.or Set Screw
14	02896300	1	Bushing, Bronze
15	02896400	1	Spring, Conical
16	02896500	4	Bearing
17	02896600	2	Gsaket Seal
18	02896700	2	Trust Plate
19	02896800	12	Pocket Seals
20	02896900	1	Gear Housing
21	02899700	1	Gears, Matched
22	02897100	1	Port End Cover
23	00001300	8	Washer
24	02898200	8	Bolt
25	02926800	1	Seal Kit

NOTE: S/N Change Aug. 1987 S/N's ended with # 47000
and Sep. 1987 started a new series with # 01001

Oct. 1987
to
May 1988

MOTOR - VERSA MOWER
72" Model
P/N 02961305
With Keyed Shafts

S/N VS-01008
to
S/N VS-01244



Item	Part No.	Qty	Description
	02961302	--	Motor Assembly
1	02960993	1	Motor
2	02889300	1	Elbow, 90 Deg.
3	02958920	1	Elbow, 90 Deg.

Oct. 1987
to
May 1988

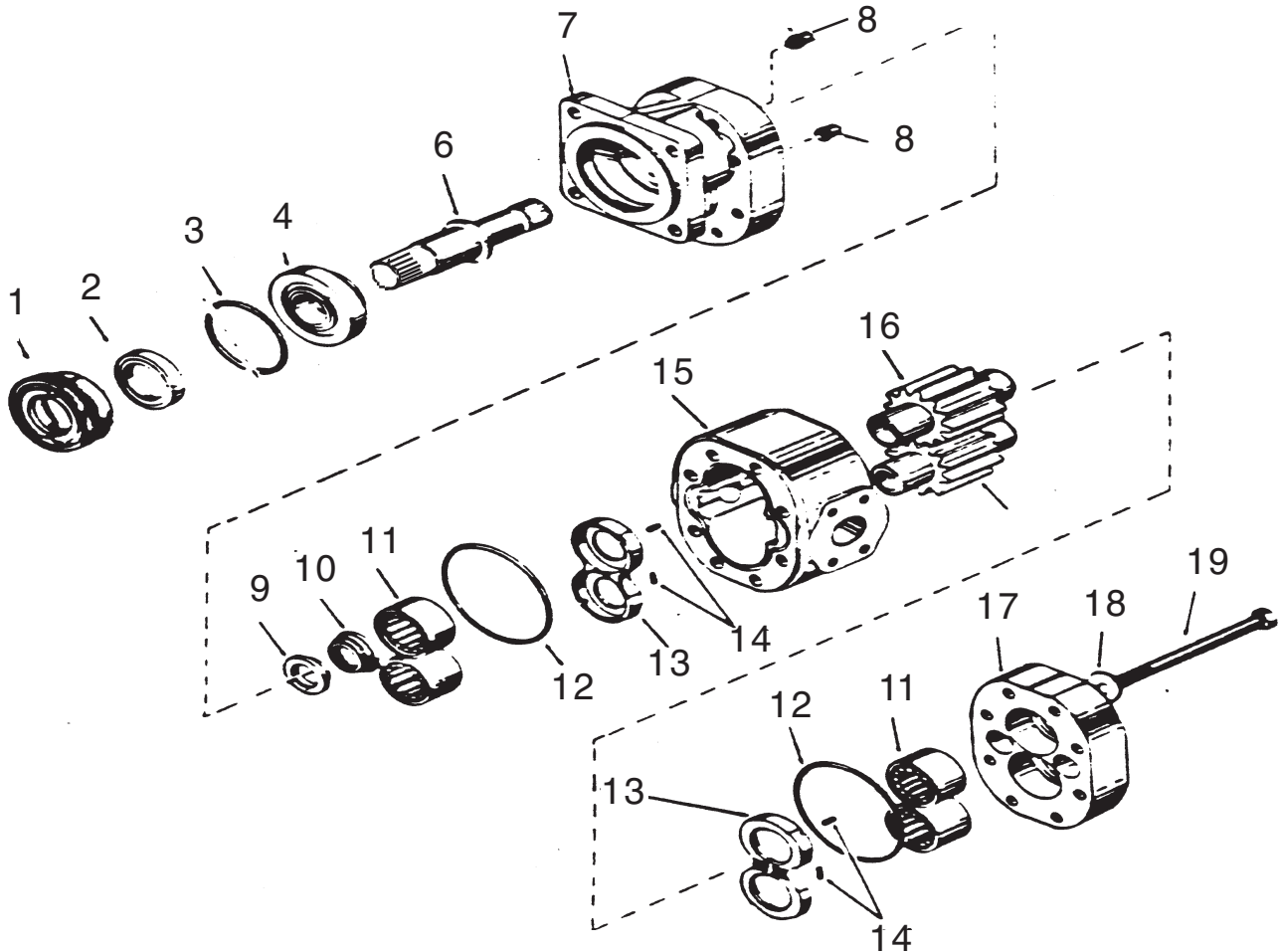
MOTOR - VERSA MOWER

72" Model

P/N 02961305

With Keyed Shafts

S/N VS-01008
to
S/N VS-01244

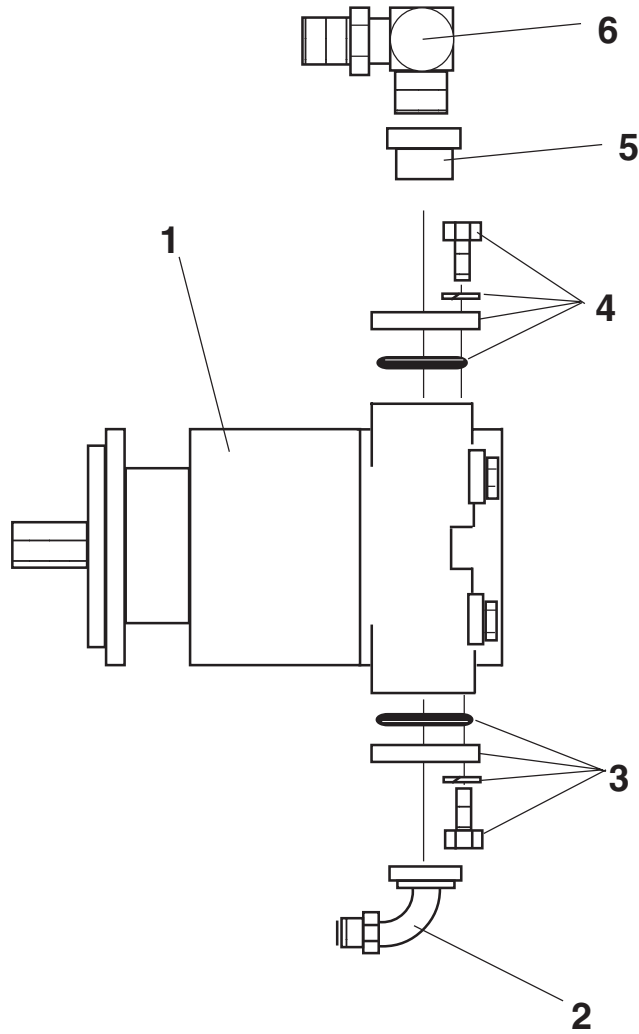


Item	Part No.	Qty	Description	Item	Part No.	Qty	Description
1	02895500	1	Seal Retainer	13	02896700	2	Pocket Seals
2	02895600	1	Seal, Hi-Pressure	14	02896800	12	Pocket Seals
3	02895700	1	O-Ring	15	02896900	1	Gear Housing
4	02895800	1	Bearing, Roller	16	02897000	1	Gear Set
6	02962457	1	Drive Shaft, Splined	17	02897100	1	Port end Cover
7	02896100	1	Shaft End Cover	18	00001300	8	Washer
8	02896200	2	Check Assy.	19	02898200	8	Bolt
9	02896300	1	Bushing, Bronze	20	02926800	1	Seal Kit
10	02896400	1	Spring, Conical				
11	02896500	4	Bearing				
12	02896600	2	Gasket Seal				

Jun. 1988
to
Jan. 1996

MOTOR - VERSA MOWER
72" Model
P/N 02961747
With Splined Shafts

S/N VS-01245
to
S/N VS-04102

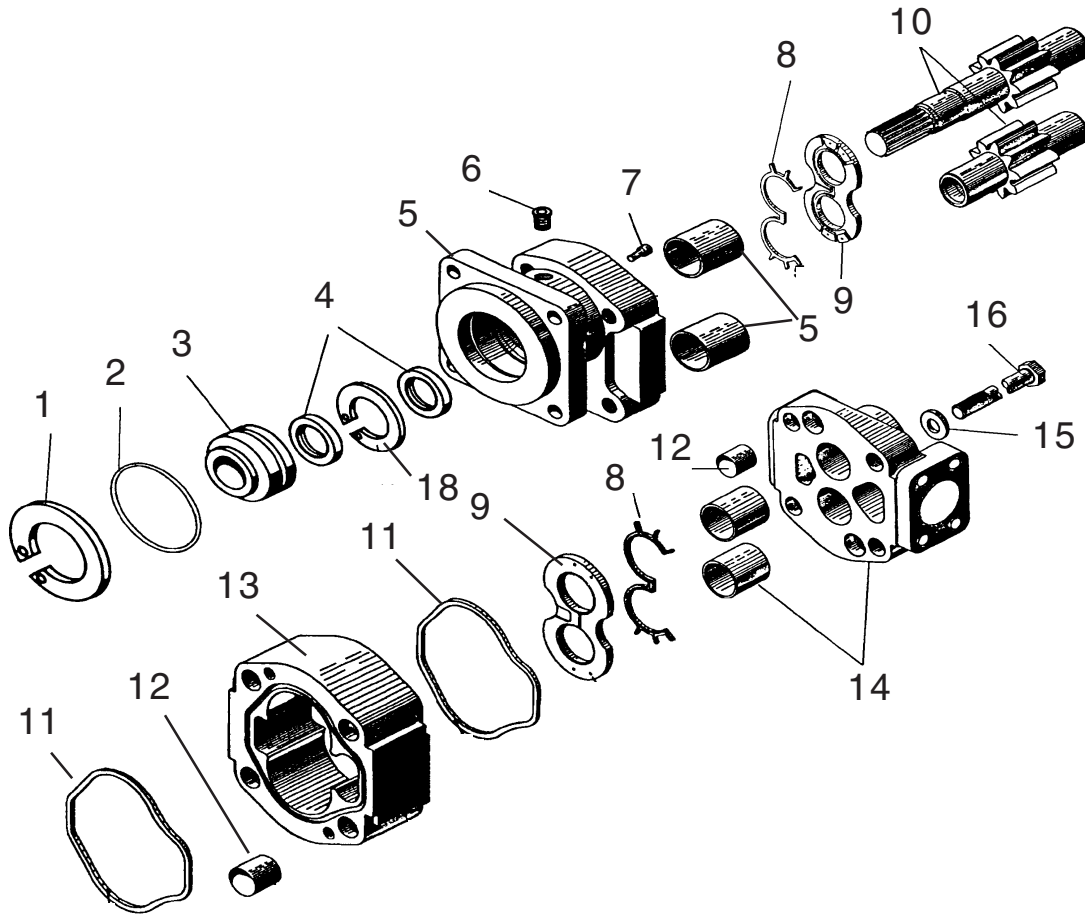


Item	Part No.	Qty	Description
1	02961747	1	Hydraulic Motor
2	02961028	1	90 Deg. Elbow
3	00749101	1	Split Flange Kit
4	02827700	1	Flange Kit
5	02961008	1	Reducer
6	02889300	1	90 Deg. Elbow

Jun. 1988
to
Jan. 1996

MOTOR - VERSA MOWER 72" Model P/N 02961747 With Splined Shafts

S/N VS-01245
to
S/N VS-04102



Item	Part No.	Qty	Description	Item	Part No.	Qty	Description
1	02962200	1	Snap Ring	13	02962194	1	Gear Housing
2	-----*	1	"O" Ring	14	02962193	1	Porting Flange w/Bushing
3	02962199	1	Seal Retainer	15	02962196	4	Washer
4	-----*	2	Seal	16	02962197	4	Bolt
5	02962192	1	Mounting Flange w/Bushings	17	-----*	4	Side Seal (not shown)
6	02961940	1	Plug	18	02962199	1	Seal Retainer
7	02961931	2	Check Assembly	19	02962540	1	Seal Kit, Minor
8	-----*	4	Seal End		02962202	1	Seal Kit, Major
9	-----**	2	Thrust Plate				
10	02962195	1	Gear Set				
11	-----*	2	Square Seal				
12	02962201	4	Dowel Pin				

* included in seal kit p/n 02962540

* & ** included in Seal Kit p/n 02962202

Feb. 1996
to
Current

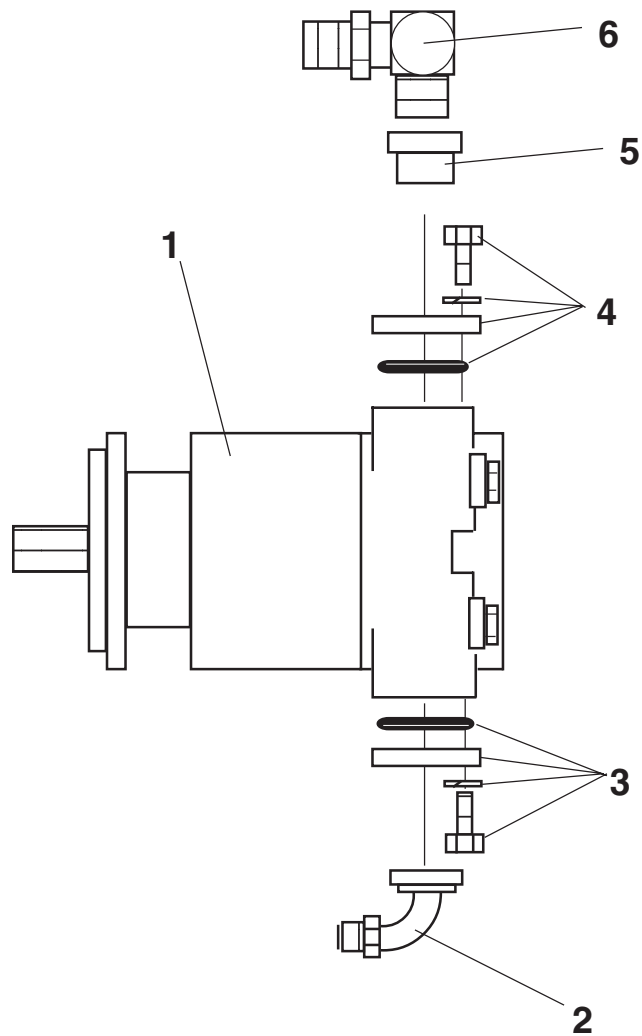
MOTOR - VERSA MOWER

72" Model

P/N 02966725

With Splined Shafts

S/N VS-04103
to
S/NVS-Current

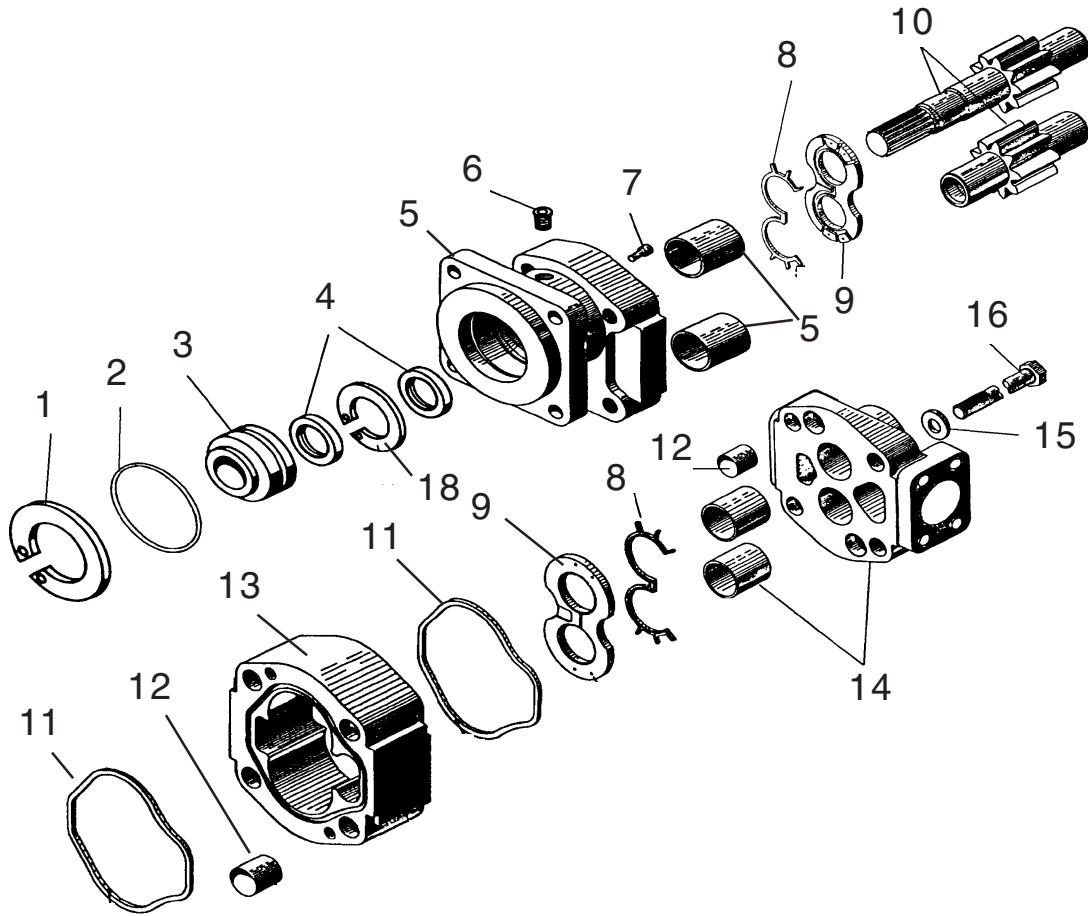


Item	Part No.	Qty	Description
1	02961747	1	Hydraulic Motor
2	02961028	1	90 Deg. Elbow
3	00749101	1	Split Flange Kit
4	02827700	1	Flange Kit
5	02961008	1	Reducer
6	02889300	1	90 Deg. Elbow

Feb. 1996
to
Current

MOTOR - VERSA MOWER
72" Model
P/N 02966725
With Splined Shafts

S/N VS-04103
to
S/NVS-Current



Item	Part No.	Qty	Description	Item	Part No.	Qty	Description
1	02962200	1	Snap Ring	13	02969862	1	Gear Housing
2	-----*	1	"O" Ring	14	02962193	1	Porting Flange w/Bushing
3	02962199	1	Seal Retainer	15	02962196	4	Washer
4	-----*	2	Seal	16	02969864	4	Bolt
5	02962192	1	Mounting Flange w/Bushings	17	-----*	4	Side Seal (not shown)
6	02961940	1	Plug	18	02962199	1	Seal Retainer
7	02961931	2	Check Assembly	19	02962540	1	Seal Kit, Minor
8	-----*	4	Seal End		02962202	1	Seal Kit, Major
9	-----**	2	Thrust Plate				
10	02969863	1	Gear Set				
11	-----*	2	Square Seal				
12	02962201	4	Dowel Pin				

* included in seal kit p/n 02962540

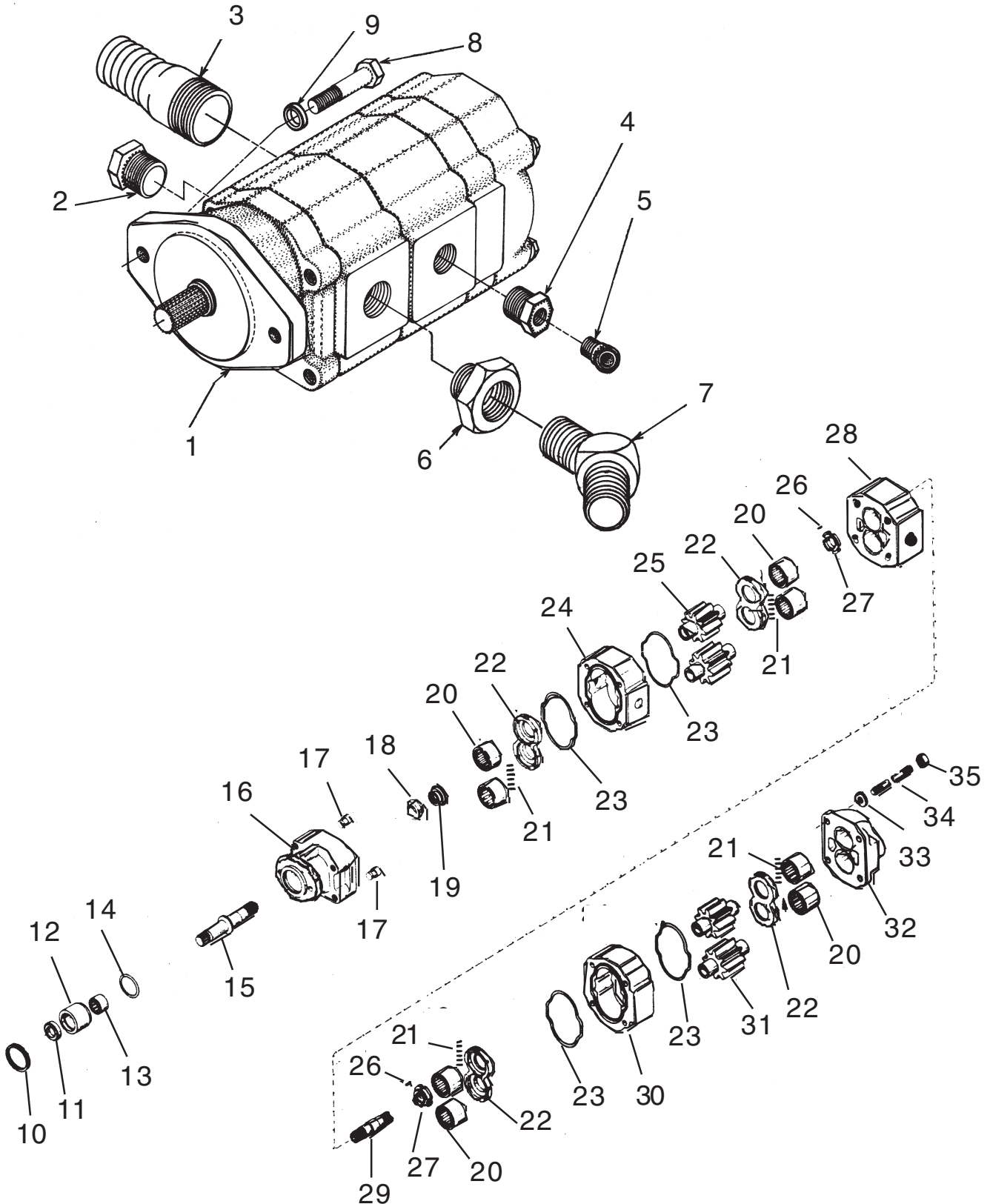
* & ** included in Seal Kit p/n 02962202

Feb. 1982
to
May 1984

FRONT PUMP VERSA MOWER

S/N VS-39383
to
S/N VS-41790

Double Section P/N 02886800



VERSA MOWER (Archive Book) 10/01

Feb. 1982
to
May 1984

FRONT PUMP VERSA MOWER

S/N VS-39383
to
S/N VS-41790

Double Section P/N 02886800

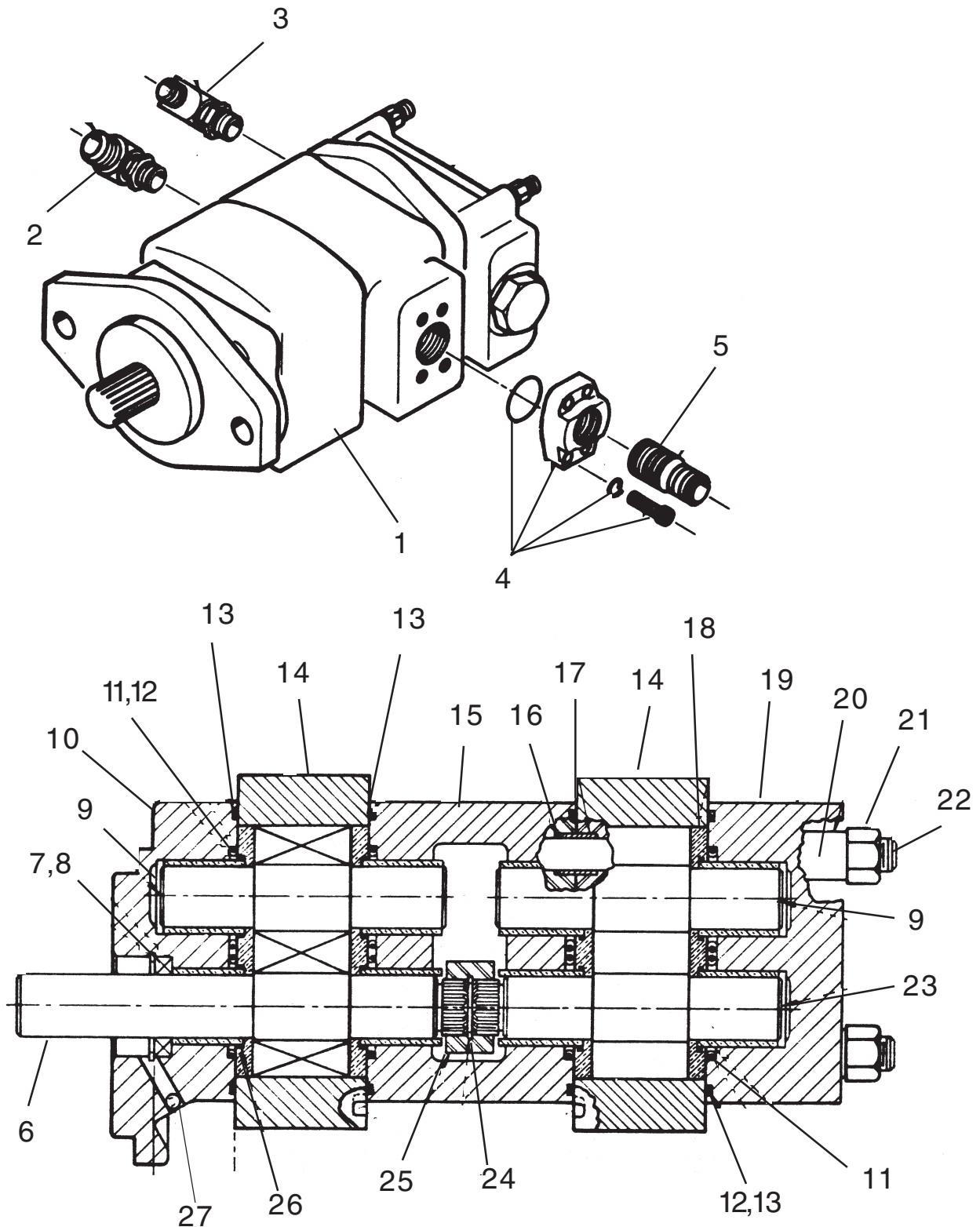
Item	Part No.	Qty	Description
	02886800	—	Pump Asy W/ Fittings
1	02870000	1	PumpOnly
2	75018000	1	Plug
3	02411000	1	Hose Bib
4	63081000	1	Bushing
5	00750823	1	Elbow, 45 Deg.
6	00751471	1	Reducer
7	02889000	1	Elbow, 45 Deg.
8	00748823	2	Bolt
9	00001300	2	Lockwasher
10	02892400	1	Retainer Ring
11	02892500	1	Seal, Double Lip
12	02892600	1	Seal Retainer
13	02892700	1	Bearing, Tapered Roller
14	02892800	1	O-Ring
15	02893100	1	Drive Shaft
16	02893300	1	Shaft End Cover
17	02893400	2	Plug
18	02893500	1	Bronze Shaft Bushing
19	02893600	1	Spring
20	02893700	8	Bearing, Roller
21	02893800	24	Pocket Seal
22	02893900	1	Thrust Plate
23	02894000	2	O-Ring Gasket
24	02894100	1	Gear Housing
25	02894200	1	Gear Set
26	02894400	2	Roll Pin
27	02894500	2	Shaft Bushing
28	02894600	1	Bearing Carrier
29	02895000	1	Connecting Shaft
30	02895200	1	Gear Housing
31	02895300	1	Gear Set, Matched
32	02895400	1	Port end Cover
33	00010300	4	Washer
34	02864600	4	Stud
35	00032700	4	Nut
36	02927000	1	Seal kit

Jun. 1984
to
Sep. 1987

FRONT PUMP VERSA MOWER

S/N VS-41791
to
S/N VS-01007

Double Section P/N 02957419



Jun. 1984
to
Sep. 1987

FRONT PUMP VERSA MOWER

S/N VS-41791
to
S/N VS-01007

Double Section P/N 02957419

Item	Part No.	Qty	Description
	02957419	—	Pump Asy W/ Fittings
1	02957373	1	PumpOnly
2	02949100	1	Elbow
3	02161400	1	Elbow
4	02827700	1	Flange Kit
5	02411000	1	Hose Bib
6	02957993	1	Gear, Front Drive
7	02957972	1	Snap Ring
8	02957973	1	Seal
9	02957994	1	Gear, Idler
10	02959289	1	Flange
11	02957976	4	Back-Up Ring
12	02957977	4	O-Ring
13	02957978	4	O-Ring
14	02957995	1	Gear Plate
15	02957996	1	Connecting Plate
16	02957981	4	O-ring
17	02957982	16	Dowel Pin
18	02957983	4	Pressure Plates
19	02957977	1	Cover Plate
20	02957985	4	Spacer Sleeve
21	02957986	4	Nuts
22	02957998	4	Studs
23	02957999	1	Rear Drive
24	02957989	1	Snap Ring
25	02957990	1	Splined Coupling
26	02957991	8	O-Ring
27	02957992	1	Ball

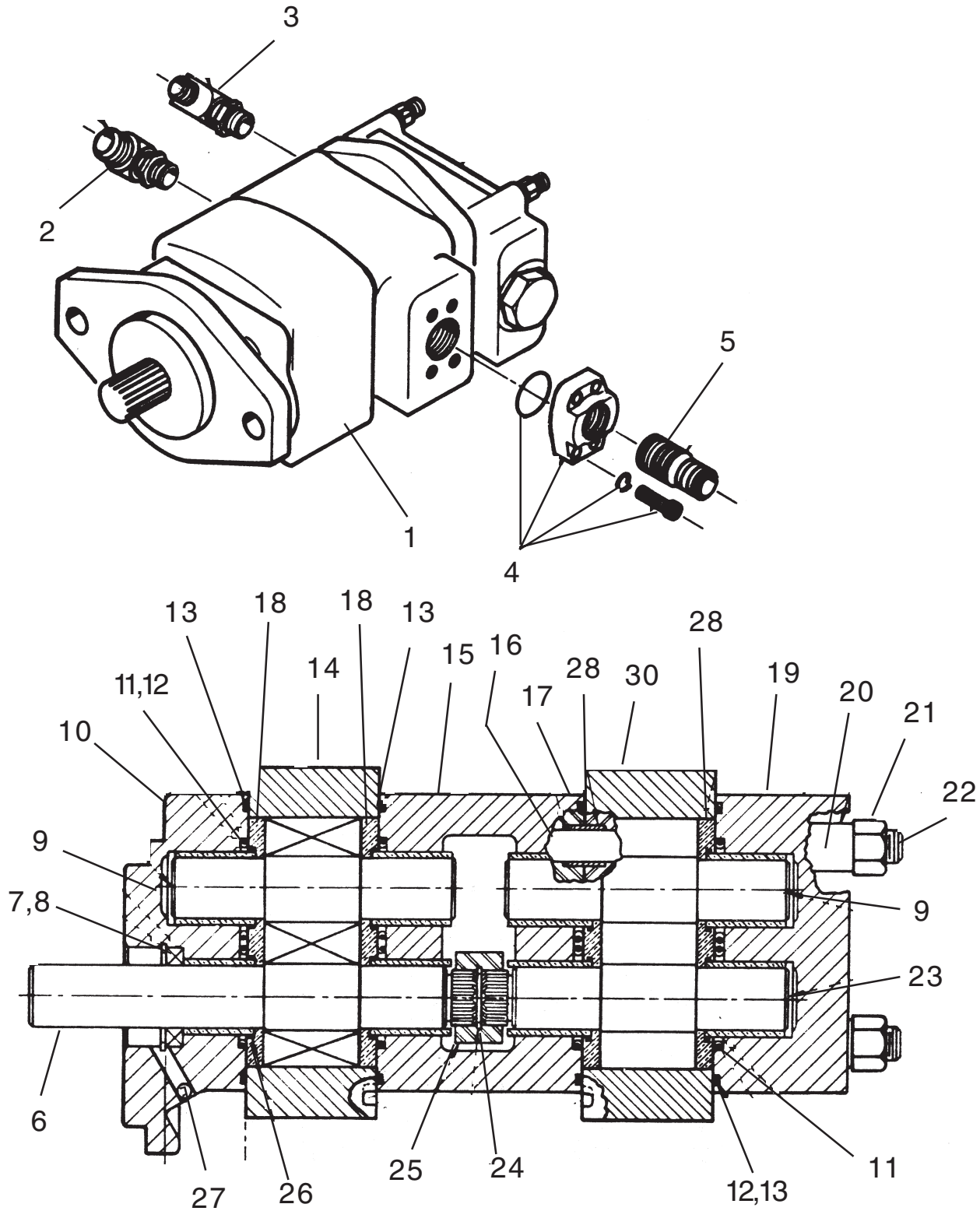
NOTE: S/N Change Aug. 1987 S/N's ended with # 47000
and Sep. 1987 started a new series with # 01001

Oct. 1987
to
Mar. 1988

FRONT PUMP VERSA MOWER

S/N VS-01008
to
S/N VS-01154

Double Section P/N 02961119



Oct. 1987
to
Mar. 1988

FRONT PUMP VERSA MOWER

S/N VS-01008
to
S/N VS-01154

Double Section P/N 02961119

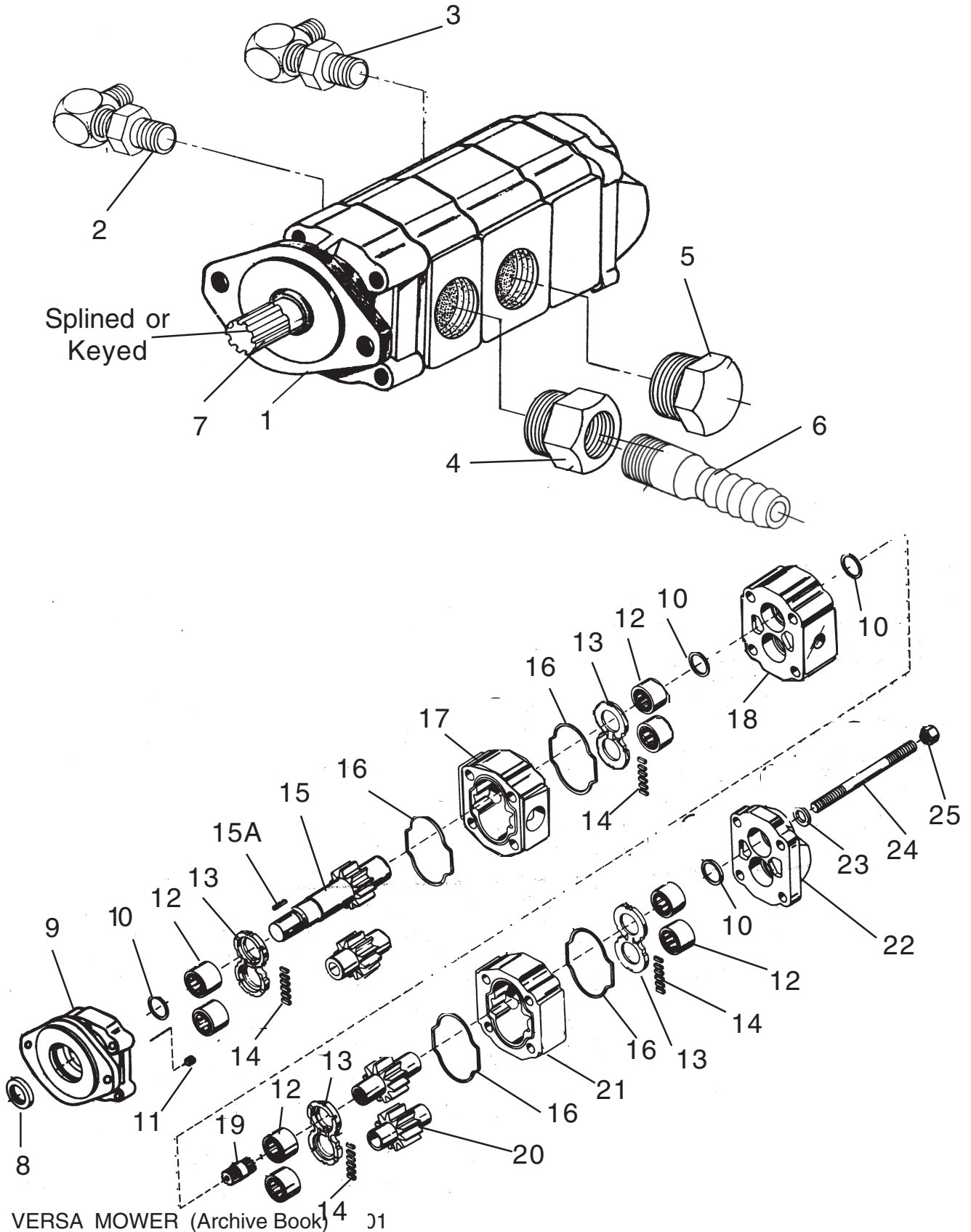
Item	Part No.	Qty	Description
	02961119	—	Pump Asy W/ Fittings
1	02957373	1	PumpOnly
2	02960812	1	Elbow
3	02161400	1	Elbow
4	02827700	1	Flange Kit
5	02411000	1	Hose Bib
6	02957993	1	Gear, Front Drive
7	02957972	1	Snap Ring
8	02957973	1	Seal
9	02957994	1	Gear, Idler
10	02959289	1	Flange
11	02957976	4	Back-Up Ring
12	02957977	4	O-Ring
13	02957978	4	O-Ring
14	02957995	1	Gear Plate
15	02957996	1	Connecting Plate
16	02957981	4	O-ring
17	02957982	16	Dowel Pin
18	02957983	2	Pressure Plates
19	02957999	1	Cover Plate
20	02957985	4	Spacer Sleeve
21	02957986	4	Nuts
22	02957998	4	Studs
23	02957988	1	Rear Drive
24	02957989	1	Snap Ring
25	02957990	1	Splined Coupling
26	02957991	8	O-Ring
27	02957992	1	Ball
28	02960437	2	Pressure Plate
29	02960582	1	Gear, Idler
30	02960583	1	Gear Plate
31	02960601	1	O-Ring
32	02958014	AR	Shaft Seal Kit
33	02958015	AR	Soft Goods Service Kit

Apr. 1988
to
May 1988

FRONT PUMP VERSA MOWER

S/N VS-01155
to
S/N VS-01244

Double Section P/N 02961095



VERSA MOWER (Archive Book) 31

Apr. 1988
to
May. 1988

FRONT PUMP VERSA MOWER

S/N VS-01155
to
S/N VS-01244

Double Section P/N 02961095

Item	Part No.	Qty	Description
	02961095	-	Pump Asy W/ Fittings
1	02050000	AR	PumpOnly, W/Keyed Shaft
	02050200	AR	Pump Only, W/Splined Shaft
2	02960812	1	Elbow
3	02161400	1	Elbow
4	02589000	1	Adapter, Straight
5	02589200	1	Plug
6	02411000	1	Hose Bib
7	02513100	1	Key, Keyed Pump Only
8	02677000	1	Seal, Double Lip
9	02677100	1	Shaft end Cover
10	02677200	4	High Pressure Ring Seal
11	02677300	1	Plug
12	02677400	8	Bearing, Roller
13	02677500	4	Thrust Plate
14	02677600	2	Pocket Seal Strip
15	02677700	1-AR	Shaft & Gear Set, Keyed
	02670800	1-AR	Shaft & Gear Set, Splined
15A	02512700	1-AR	Key, Use w/ Keyed Pump & Shaft
16	02677900	4	Gasket
17	02678000	1	Gear Housing
18	02678100	1	Bearing Carrier
19	02678200	1	Connecting Shaft
20	02678300	1	Gear Set, Matched
21	02678400	1	Gear Housing
22	02678500	1	Port End Cover
23	02678600	4	Washer
24	02678700	4	Fastener
25	02678800	4	Nut

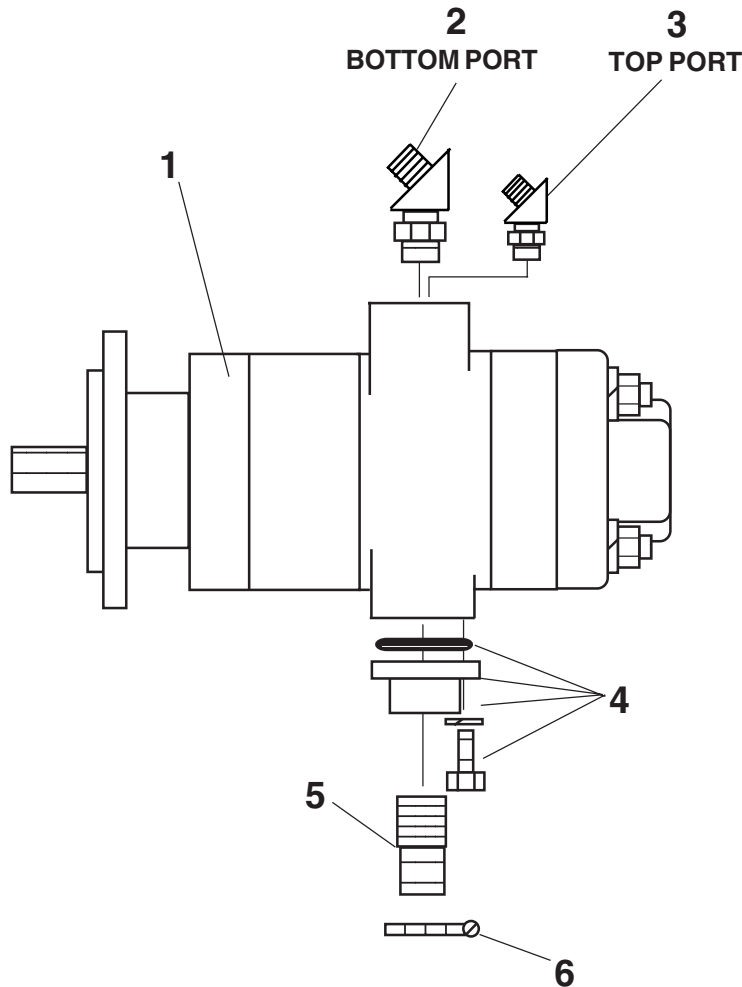
NOTE: There were two Pumps offered during these S/N's, A Splined Shaft or a Keyed Shaft, Check which you have before ordering Parts.

Jun. 1988
to
Mar. 1989

FRONT PUMP VERSA MOWER

S/N VS-01245
to
S/N VS-01547

Double Section P/N 02961826



Item	Part No.	Qty	Description
	02961826	--	Pump Asy W/ Fittings
1	02961735	1	Pump Asy W/O Fittings
2	02961825	1	Elbow, 45 Deg.
3	02962214	1	Elbow, 45 Deg.
4	02827700	1	Flange Kit
5	02411000	1	Hose Bib
6	02026200	1	Hose Clamp

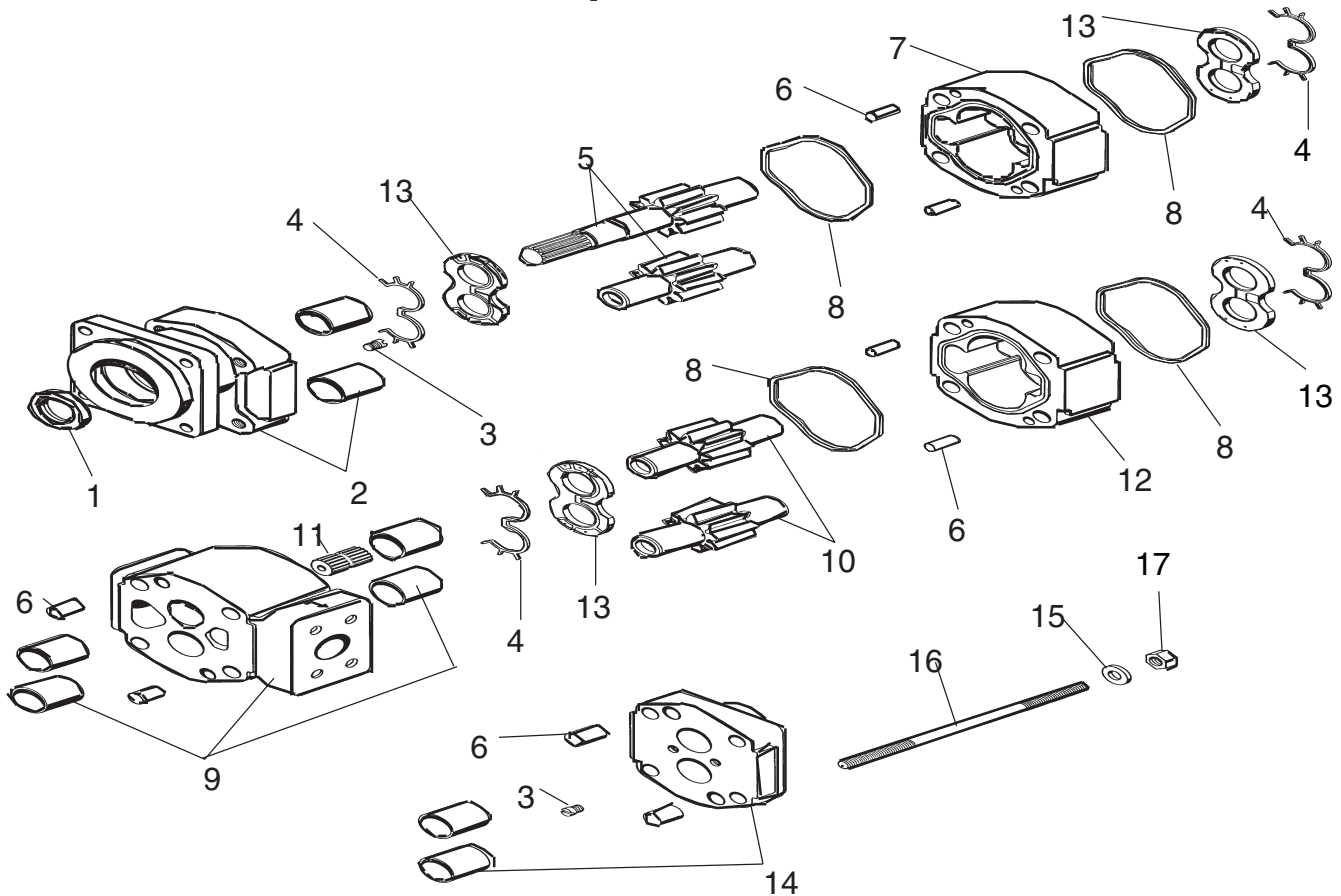
NOTE: Double Section Pump Supplies Hyd Pressure for all Functions, Boom Movements & Head Operation. A Single Section Pump ONLY Supplies Hyd Pressure for Cutter Head, the Boom Movements are Operated using the Tractor Hyd. Supply. Check Type Pump Used BEFORE ORDERING parts. Single Section Pumps were offered as an Option after Jun. 1988 Prior only Double Section Pumps were used.

Jun. 1988
to
Mar. 1989

FRONT PUMP VERSA MOWER

S/N VS-01245
to
S/N VS-01547

Double Section P/N 02961826 Repair Parts



Item	Part No.	Qty	Description	Item	Part No.	Qty	Description
	02961735	–	Pump Asy, W/O Fittings	11	02962216	1	Connector Shaft
1*	-----	1	Seal	12	02962186	1	Gear Housing
2	02961913	1	Mounting Flange w/Bushings	13*	-----	4	Thrust Plate
3	02961920	2	Plug	14	02962184	1	End Flange w/Bushing
4*	-----	4	Seal End	15	02961917	4	Washer
5	02962187	1	Gear Set	16	02962189	4	Studs
6	02961924	8	Dowel Pin	17	02962190	4	Nuts
7	02961915	1	Gear Housing	18	02962191	--	Seal Kit, Major
8*	-----	4	Square Seal		02962539	--	Seal Kit, Minor
9	02962185	1	Bearing Carrier Housing w/Bushings				
10	02962188	1	Gear Set				

* included in major rebuild seal kit part no.02962191

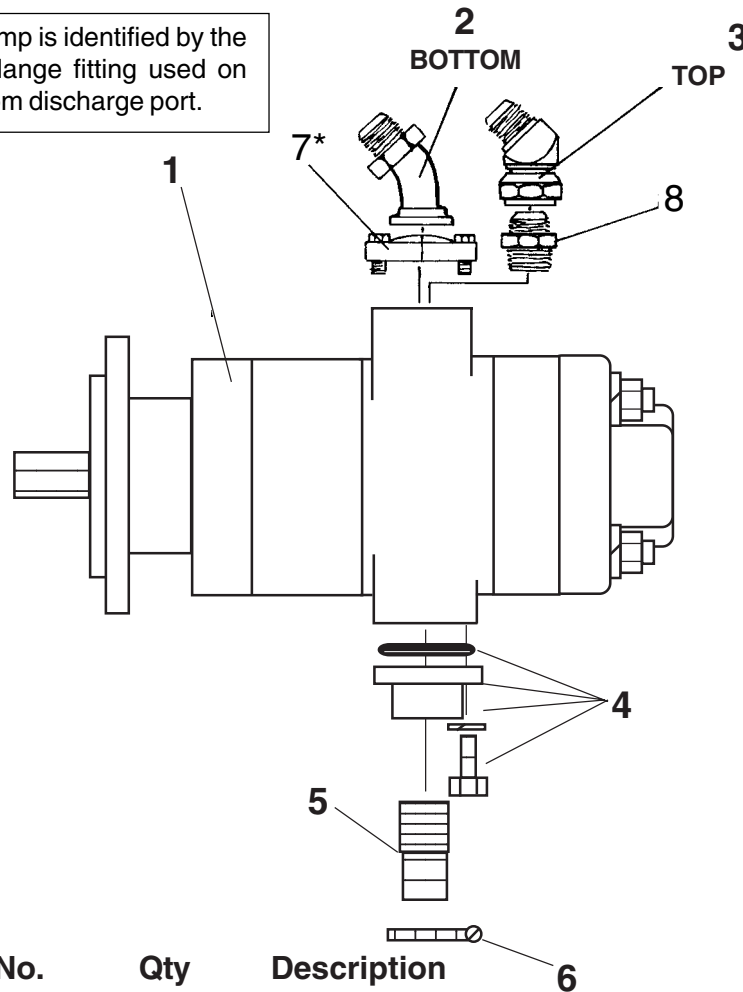
Apr. 1989
to
Current

FRONT PUMP VERSA MOWER

S/N VS-01548
to
S/NVS-Current

Double Section P/N 02962441

*This pump is identified by the 1-1/4" Flange fitting used on the bottom discharge port.



Item	Part No.	Qty	Description
	02962441	--	Pump Asy W/ Fittings
1	02962440	1	Pump Asy W/O Fittings
2	02961317	1	Elbow, 45 Deg.
3	02962749	1	Elbow, 45 Deg.
4	02827700	1	Flange Kit
5	02411000	1	Hose Bib
6	02026200	1	Hose Clamp
7	00749103	1	Flange Kit
8	63042700	1	Adapter, Straight

NOTE: Double Section Pump Supplies Hyd Pressure for all Functions, Boom Movements & Head Operation. A Single Section Pump ONLY Supplies Hyd Pressure for Cutter Head, the Boom Movements are Operated using the Tractor Hyd. Supply. Check Type Pump Used BEFORE ORDERING parts. Single Section Pumps were offered as an Option after Jun. 1988 Prior only Double Section Pumps were used.

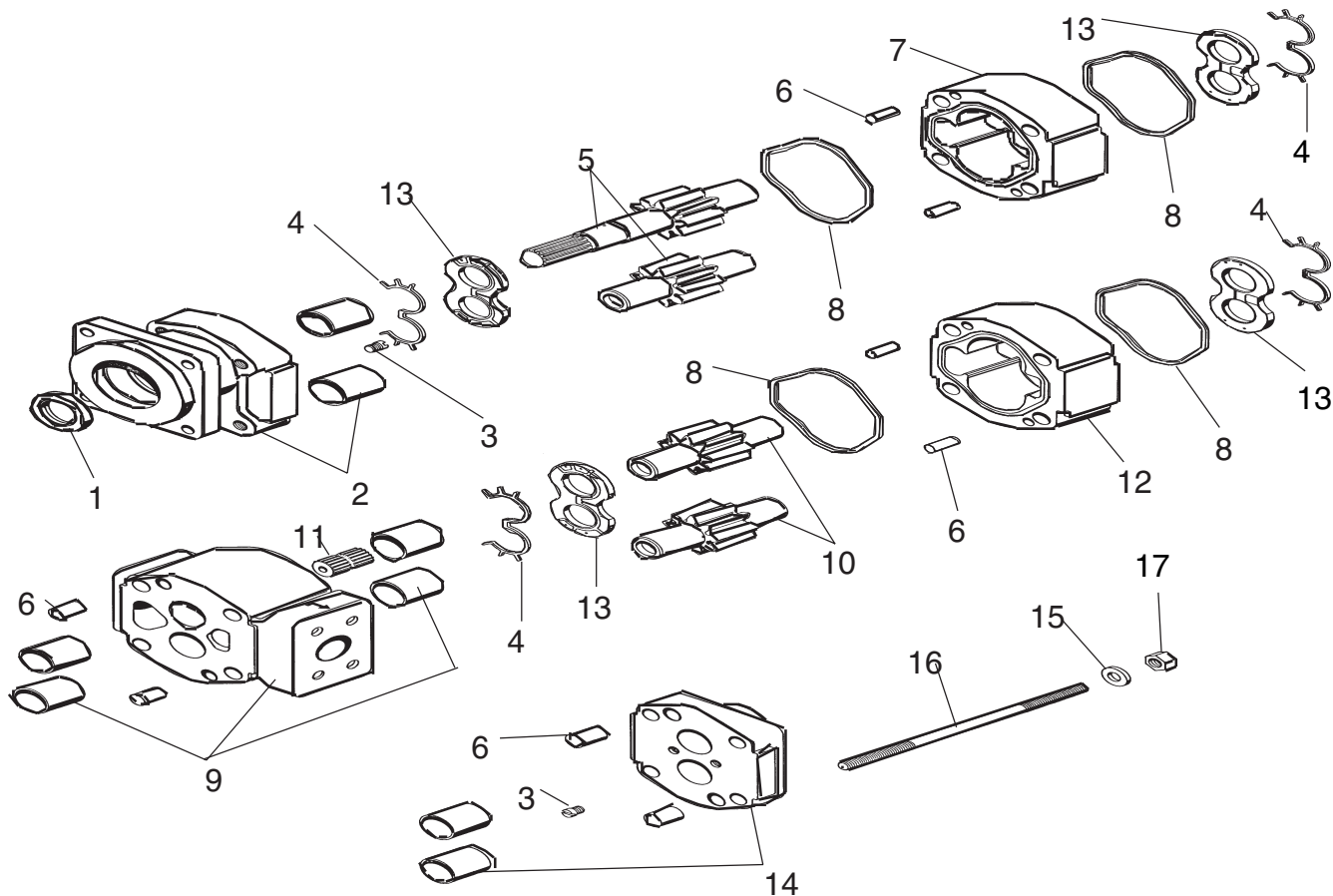
VERSA MOWER (Archive Book) 10/01

Apr. 1989
to
Current

FRONT PUMP VERSA MOWER

S/N VS-01548
to
S/N VS-Current

Double Section P/N 02962441 Repair Parts



Item	Part No.	Qty	Description	Item	Part No.	Qty	Description
	02962440	--	Pump Asy, W/O Fittings	11	02962624	1	Connector Shaft
1*	-----	1	Seal	12	02962625	1	Gear Housing
2	02962619	1	Mounting Flange w/Bushings	13*	-----	4	Thrust Plate
3	02961920	2	Plug	14	02962626	1	End Flange w/Bushing
4*	-----	4	Seal End	15	02961917	4	Washer
5	02962620	1	Gear Set	16	02962189	4	Studs
6	02961924	8	Dowel Pin	17	02962190	4	Nuts
7	02962621	1	Gear Housing	18	02962550	--	Seal Kit, Major
8*	-----	4	Square Seal		02962551	--	Seal Kit, Minor
9	02962622	1	Bearing Carrier Housing w/Bushings				
10	02962623	1	Gear Set				

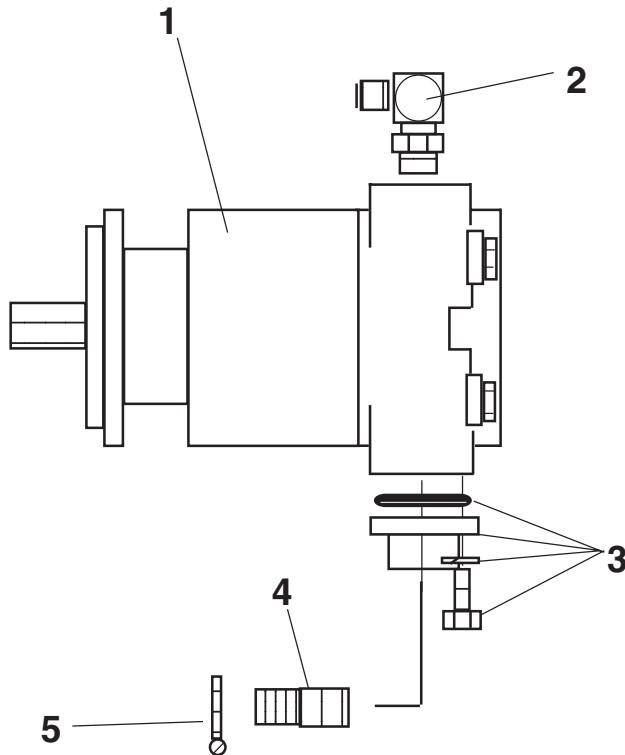
* Item # 13 Thrust Plates are included in Major rebuild Kit # 02962550 Only

Jun. 1988
to
Current

FRONT PUMP VERSA MOWER

S/N VS-01245
to
S/N VS-Current

Single Section P/N 02961827



Item	Part No.	Qty	Description
1	02961474	1	Hydraulic Pump
2	02961825	1	Elbow, 90 Deg.
3	02827700	1	Flange Kit
4	02411000	1	Hose Bib
5	02026200	1	Hose Clamp

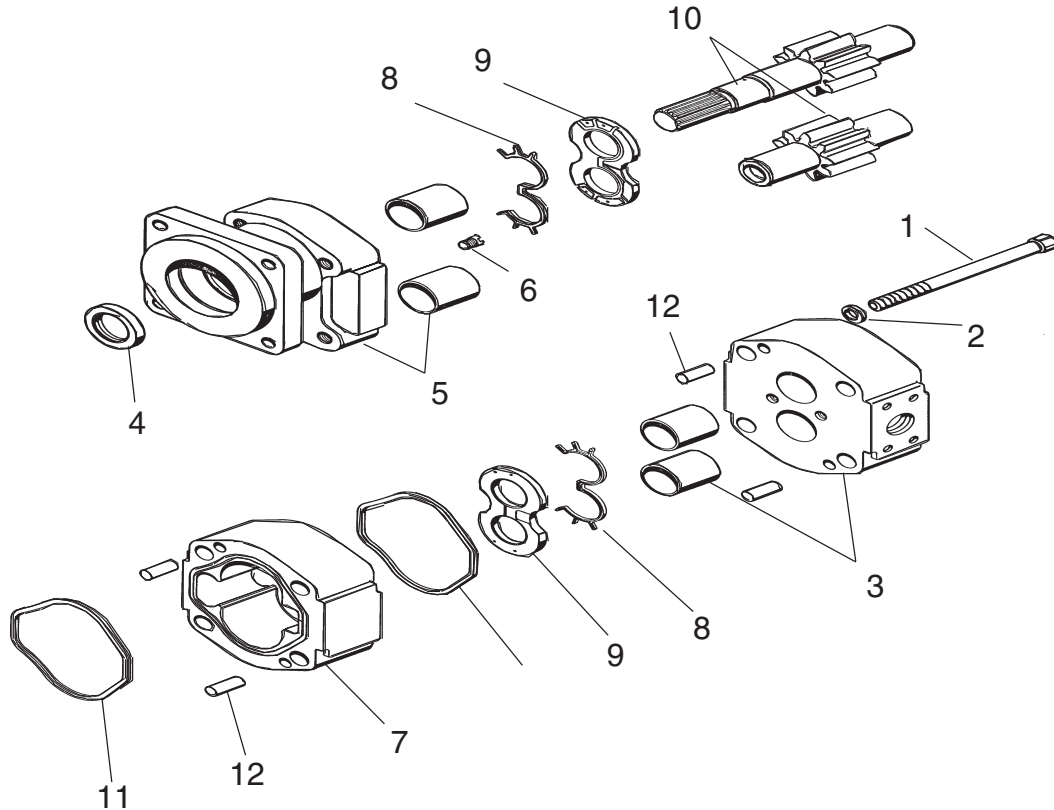
NOTE: Double Section Pump Supplies Hyd Pressure for all Functions, Boom Movements & Head Operation. A Single Section Pump ONLY Supplies Hyd Pressure for Cutter Head, the Boom Movements are Operated using the Tractor Hyd. Supply. Check Type Pump Used BEFORE ORDERING parts. Single Section Pumps were offered as an Option after Jun. 1988 Prior only Double Section Pumps were used.

Jun. 1988
to
Current

S/N VS-01245
to
S/NVS-Current

FRONT PUMP VERSA MOWER

Single Section P/N 02961827 Repair Parts



Item	Part No.	Qty	Description
	02961474	--	Pump Asy W/O Fittings
1	02961918	4	Bolt
2	02961917	4	Washer
3	02961914	1	Porting Flange w/Bushing
4*	-----	2	Seal
5	02961913	1	Mounting Flange w/Bushings
6	02961920	1	Plug
7	02961915	1	Gear Housing
8*	-----	4	Seal End
9*	-----	2	Thrust Plate
10	02961916	1	Gear Set
11*	-----	2	Square Seal
12	02961924	4	Dowel Pin
13	02961925	--	Seal Kit, Major Kit
	02962548	--	Seal Kit, Minor Kit

* included in seal kit part number 02961925, Minor Kit WILL NOT include item 9

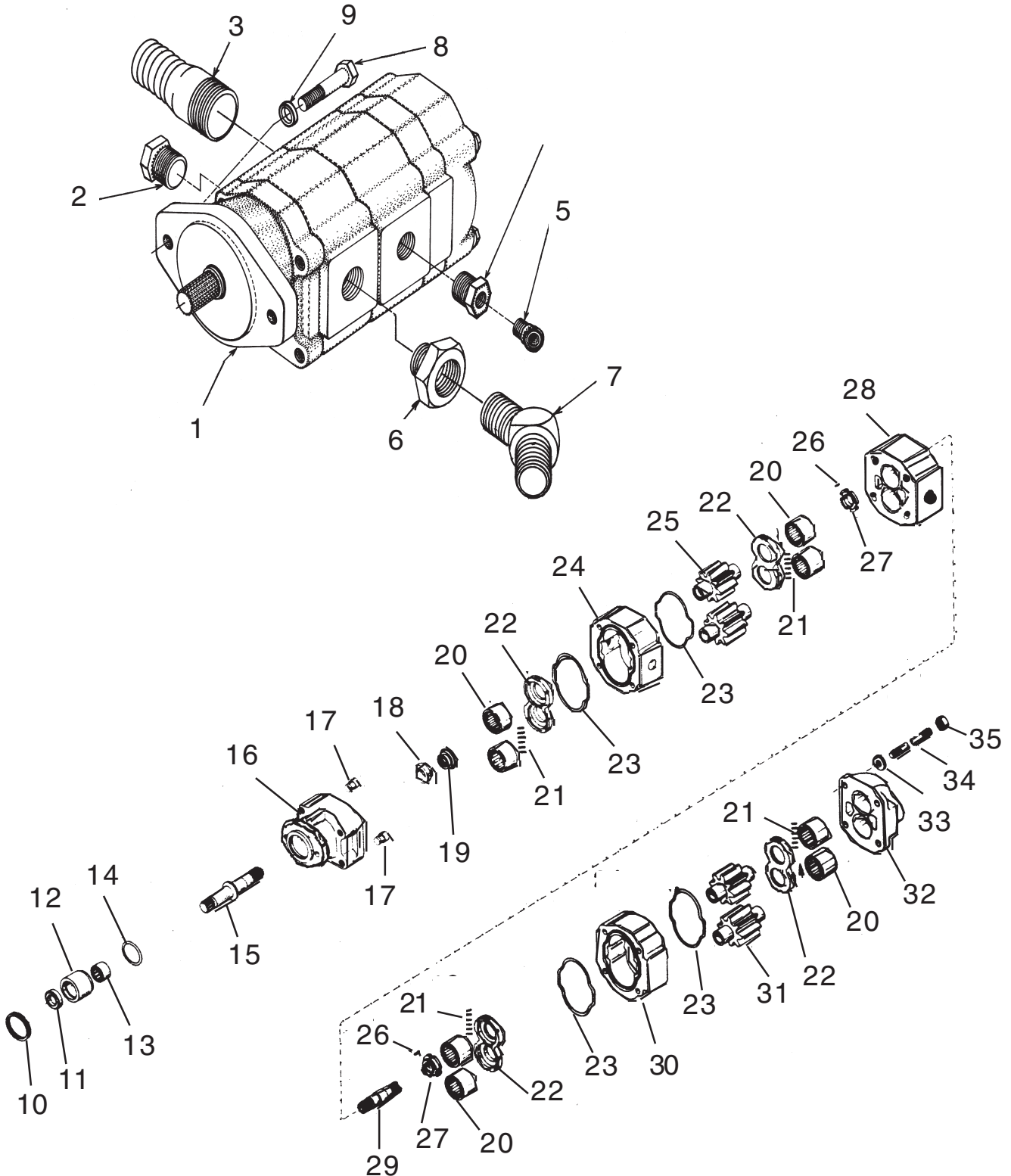
VERSA MOWER (Archive Book) 10/01

Feb. 1982
to
Jul. 1983

REAR PUMP VERSA MOWER

Double Section P/N 02886800 540 PTO

S/N VS-39383
to
S/N VS-40753



Feb. 1982
to
Jul. 1983

REAR PUMP VERSA MOWER

S/N VS-39383
to
S/N VS-40753

Double Section P/N 02886800 540 PTO

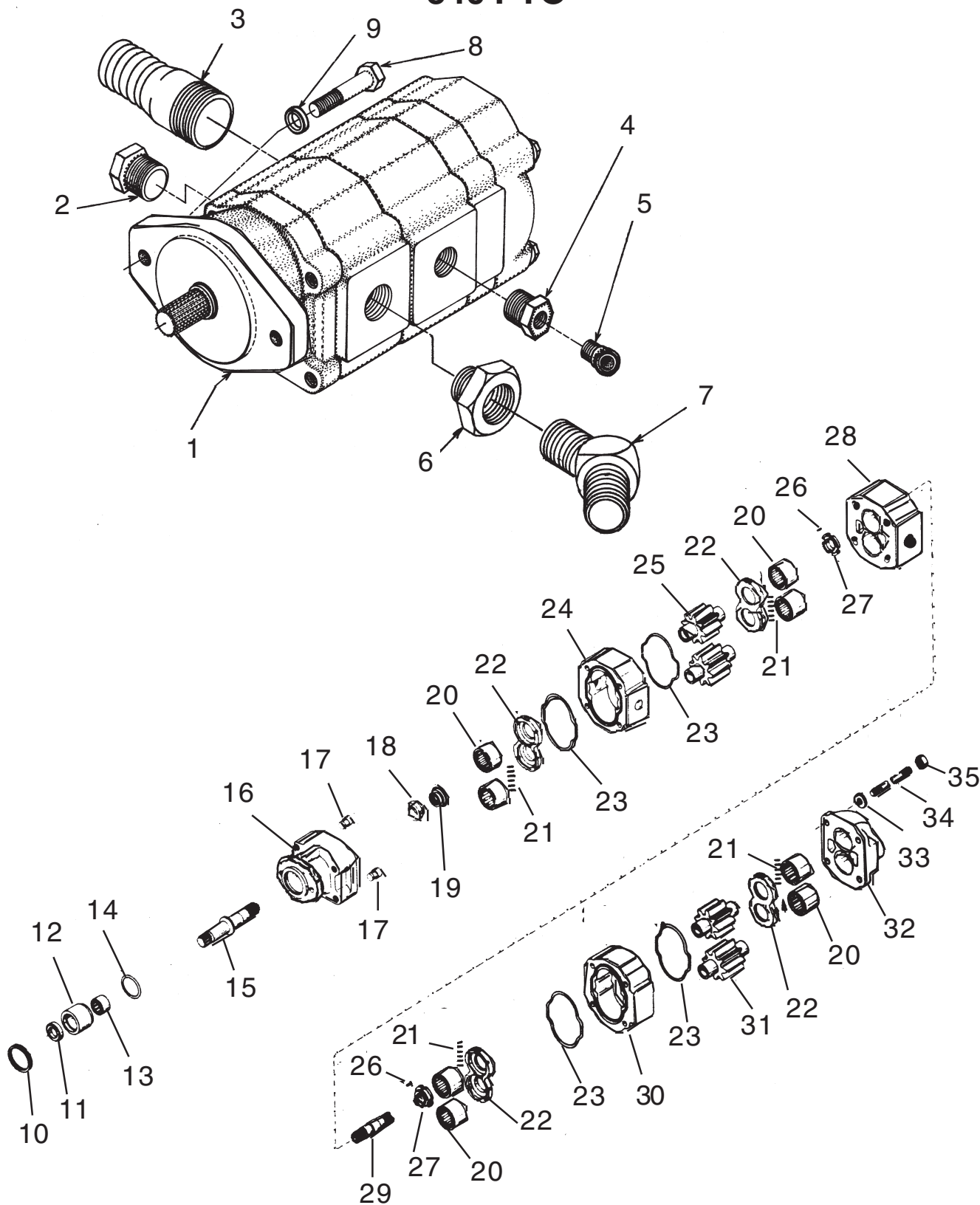
Item	Part No.	Qty	Description
	02886800	—	Pump Asy W/ Fittings
1	02870000	1	PumpOnly, w/ Splined shaft
2	75018000	1	Plug
3	02888500	1	Elbow, 45 Deg (Feb 1982 to Feb 1983)
	02411000	1	Hose Bib (Mar. 1983 to
4	63081000	1	Bushing
5	00750823	1	Elbow, 45 Deg.
6	00751471	1	Reducer
7	02889000	1	Elbow, 45 Deg.
8	00748823	2	Bolt
9	00001300	2	Lockwasher
10	02892400	1	Retainer Ring
11	02892500	1	Seal, Double Lip
12	02892600	1	Seal Retainer
13	02892700	1	Bearing, Tapered Roller
14	02892800	1	O-Ring
15	02893100	1	Drive Shaft
16	02893300	1	Shaft End Cover
17	02893400	2	Plug
18	02893500	1	Bronze Shaft Bushing
19	02893600	1	Spring
20	02893700	8	Bearing, Roller
21	02893800	24	Pocket Seal
22	02893900	1	Thrust Plate
23	02894000	2	O-Ring Gasket
24	02894100	1	Gear Housing
25	02894200	1	Gear Set
26	02894400	2	Roll Pin
27	02894500	2	Shaft Bushing
28	02894600	1	Bearing Carrier
29	02895000	1	Connecting Shaft
30	02895200	1	Gear Housing
31	02895300	1	Gear Set, Matched
32	02895400	1	Port end Cover
33	00010300	4	Washer
34	02864600	4	Stud
35	00032700	4	Nut
36	02927000	1	Seal kit

Aug. 1983
to
May 1984

REAR PUMP VERSA MOWER

S/N VS-40754
to
S/N VS-41790

Double Section P/N 02923200 540 PTO



Aug. 1983
to
May 1984

REAR PUMP VERSA MOWER

S/N VS-40754
to
S/N VS-41790

Double Section P/N 02923200 540 PTO

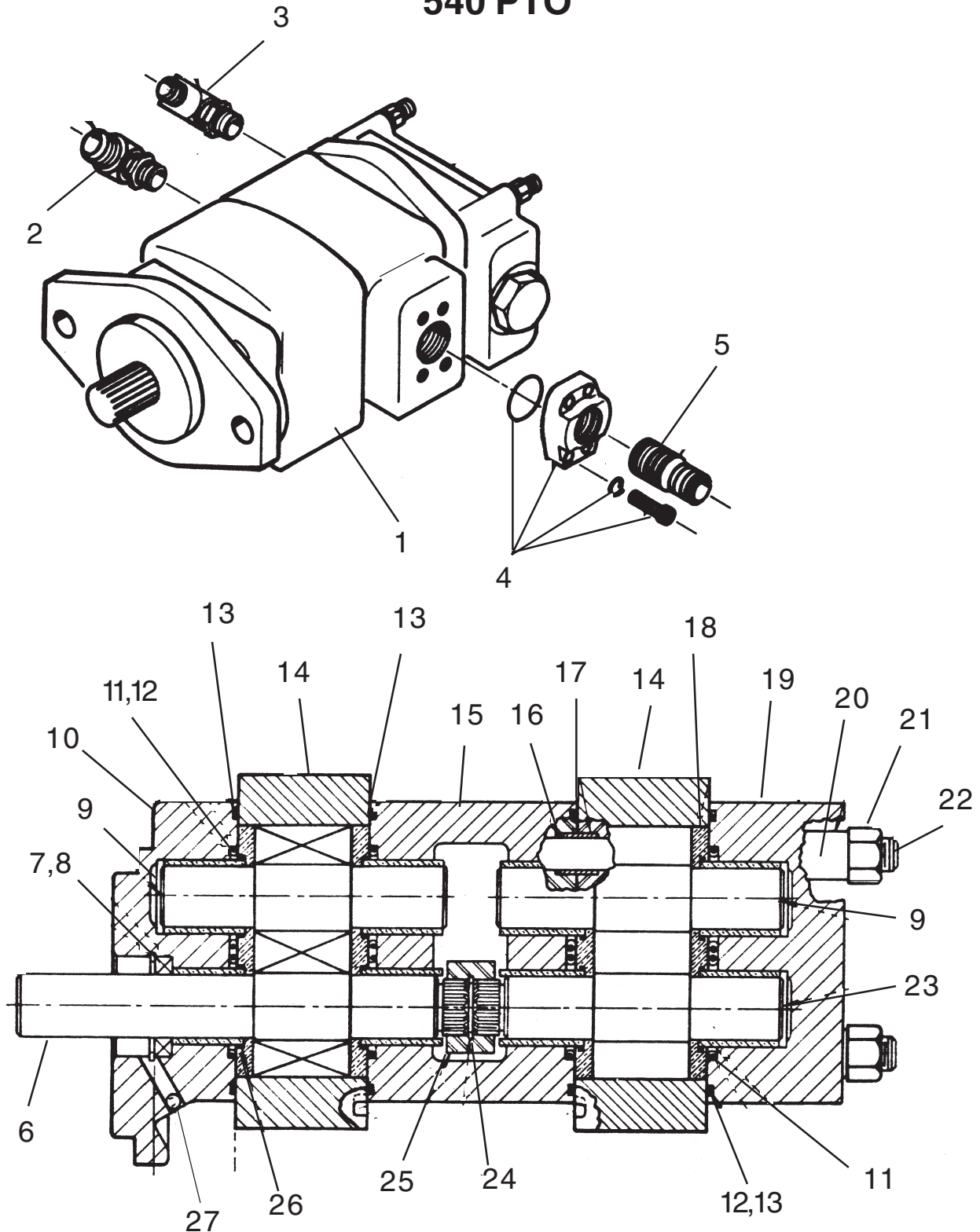
Item	Part No.	Qty	Description
	02923200	–	Pump Asy W/ Fittings
1	02870000	1	PumpOnly, w/ Splined Shaft
2	75018000	1	Plug
3	02411000	1	Hose Bib
4	63081000	1	Bushing
5	00750823	1	Elbow, 45 Deg.
6	63067300	1	Reducer
7	02041800	1	Elbow, 45 Deg.
8	00748823	2	Bolt
9	00001300	2	Lockwasher
10	02892400	1	Retainer Ring
11	02892500	1	Seal, Double Lip
12	02892600	1	Seal Retainer
13	02892700	1	Bearing, Tapered Roller
14	02892800	1	O-Ring
15	02893100	1	Drive Shaft
16	02893300	1	Shaft End Cover
17	02893400	2	Plug
18	02893500	1	Bronze Shaft Bushing
19	02893600	1	Spring
20	02893700	8	Bearing, Roller
21	02893800	24	Pocket Seal
22	02893900	1	Thrust Plate
23	02894000	2	O-Ring Gasket
24	02894100	1	Gear Housing
25	02894200	1	Gear Set
26	02894400	2	Roll Pin
27	02894500	2	Shaft Bushing
28	02894600	1	Bearing Carrier
29	02895000	1	Connecting Shaft
30	02895200	1	Gear Housing
31	02895300	1	Gear Set, Matched
32	02895400	1	Port end Cover
33	00010300	4	Washer
34	02864600	4	Stud
35	00032700	4	Nut
36	02927000	1	Seal kit

Jun. 1984
to
Sep. 1987

REAR PUMP VERSA MOWER

S/N VS-41791
to
S/N VS-01007

Double Section P/N 02957421 540 PTO



Jun. 1984
to
Sep. 1987

REAR PUMP VERSA MOWER

S/N VS-41791
to
S/N VS-01007

Double Section P/N 02957421 540 PTO

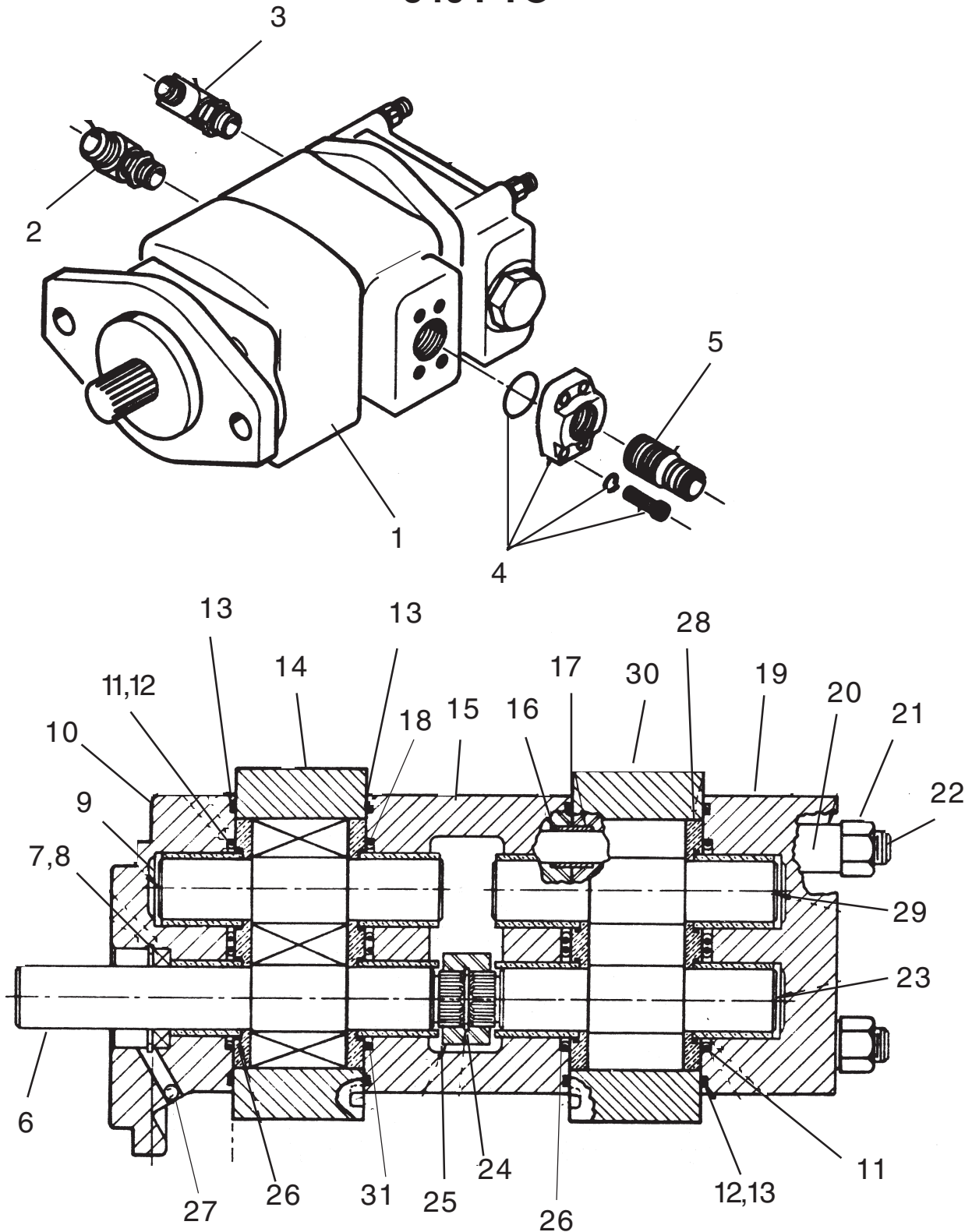
Item	Part No.	Qty	Description
	02957421	—	Pump Asy W/ Fittings
1	02957420	1	PumpOnly
2	02949100	1	Elbow
3	02161400	1	Elbow
4	02827700	1	Flange Kit
5	02411000	1	Hose Bib
	02047200	1	Elbow (Not Shown)
6	02957971	1	Gear, Front Drive
7	02957972	1	Snap Ring
8	02957973	1	Seal
9	02957974	1	Gear, Idler
10	02957975	1	Flange
11	02957976	4	Back-Up Ring
12	02957977	4	O-Ring
13	02957978	4	O-Ring
14	02957979	1	Gear Plate
15	02957980	1	Connecting Plate
16	02957981	4	O-ring
17	02957982	16	Dowel Pin
18	02957983	4	Pressure Plates
19	02957984	1	Cover Plate
20	02957985	4	Spacer Sleeve
21	02957986	4	Nuts
22	02957987	4	Studs
23	02957988	1	Rear Drive
24	02957989	1	Snap Ring
25	02957990	1	Splined Coupling
26	02957991	8	O-Ring
27	02957992	1	Ball
28	02958014	1	Shaft Seal Kit
29	02958015	1	Soft Goods Seal Kit

Oct. 1987
to
May 1988

FRONT PUMP VERSA MOWER

S/N VS-01008
to
S/N VS-01244

Double Section P/N 02961121 540 PTO



Oct. 1987
to
May 1988

S/N VS-01008
to
S/N VS-01244

**FRONT PUMP
VERSA MOWER
Double Section P/N 02961121
540 PTO**

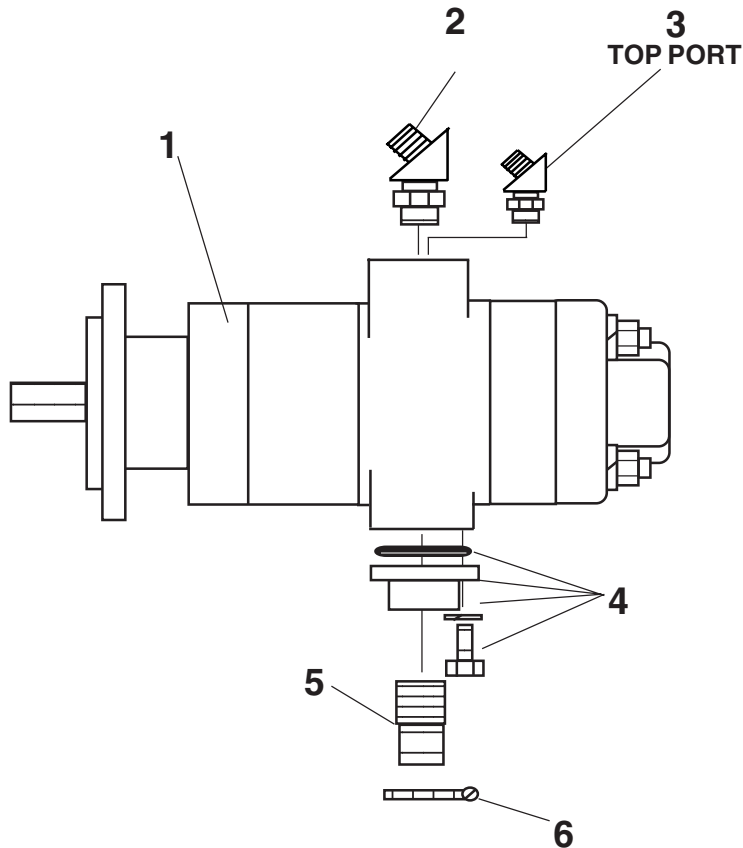
Item	Part No.	Qty	Description
	02961121	—	Pump Asy W/ Fittings
1	02957420	1	PumpOnly
2	02960812	1	Elbow
3	02161400	1	Elbow
4	02827700	1	Flange Kit
5	02411000	1	Hose Bib
	02047200	1	Elbow (Not Shown)
6	02957971	1	Gear, Front Drive
7	02957972	1	Snap Ring
8	02957973	1	Seal
9	02957974	1	Gear, Idler
10	02957975	1	Flange
11	02957976	4	Back-Up Ring
12	02957977	4	O-Ring
13	02957978	4	O-Ring
14	02957979	1	Gear Plate
15	02957980	1	Connecting Plate
16	02957981	4	O-ring
17	02957982	16	Dowel Pin
18	02957983	2	Pressure Plates, Front Plates
19	02957984	1	Cover Plate
20	02957985	4	Spacer Sleeve
21	02957986	4	Nuts
22	02957987	4	Studs
23	02957988	1	Rear Drive
24	02957989	1	Snap Ring
25	02957990	1	Splined Coupling
26	02957991	8	O-Ring
27	02957992	1	Ball Plug
28	02960437	2	Pressure Plate, Rear Plates
29	02960582	1	Gear Idler
30	02960583	1	Gear Plate
31	02960601	4	O-Ring
32	02958014	1	Shaft Seal Kit
33	02958015	1	Soft Goods Seal Kit

Jun. 1988
to
Oct. 1991

REAR PUMP VERSA MOWER

S/N VS-01245
to
S/N VS-02301

Double Section P/N 02962097 540 PTO



Item	Part No.	Qty	Description
	02962097	--	Pump Asy W/ Fittings
1	02961736	1	Pump Asy W/O Fittings
2	02962213	1	Elbow, 90 Deg.
3	02961098	1	Elbow, 90 Deg.
4	02827700	1	Flange Kit
5	02411000	1	Hose Bib
	02047200	1	Elbow, 90 Deg. (Not Shown)
6	02026200	1	Hose Clamp

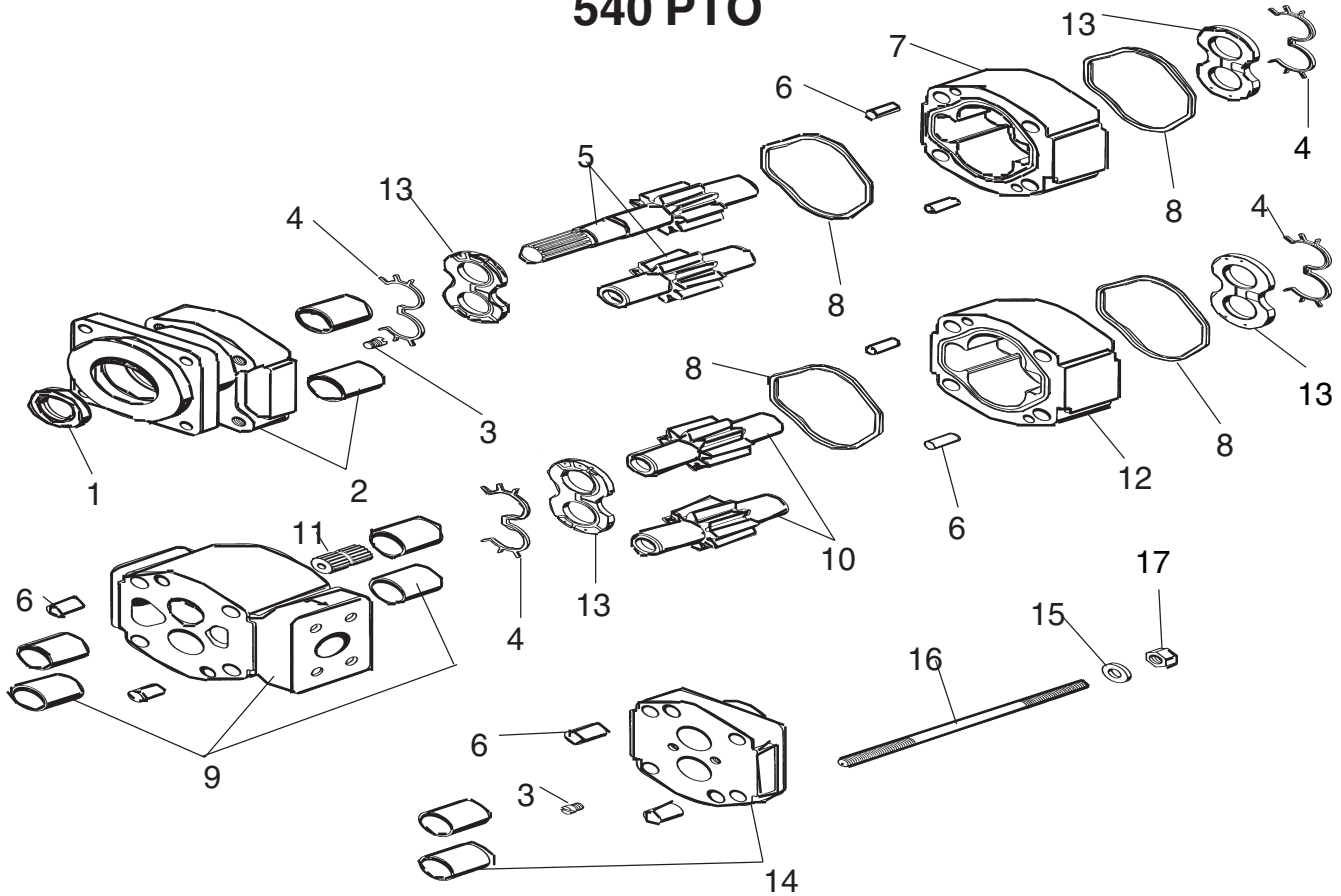
NOTE: Double Section Pump Supplies Hyd Pressure for all Functions, Boom Movements & Head Operation. A Single Section Pump ONLY Supplies Hyd Pressure for Cutter Head, the Boom Movements are Operated using the Tractor Hyd. Supply. Check Type Pump Used BEFORE ORDERING parts. Single Section Pumps were offered as an Option after Jun. 1988 Prior only Double Section Pumps were used.

Jun. 1988
to
Oct. 1991

REAR PUMP VERSA MOWER

S/N VS-01245
to
S/N VS-02301

Double Section P/N 02962097 Repair Parts 540 PTO



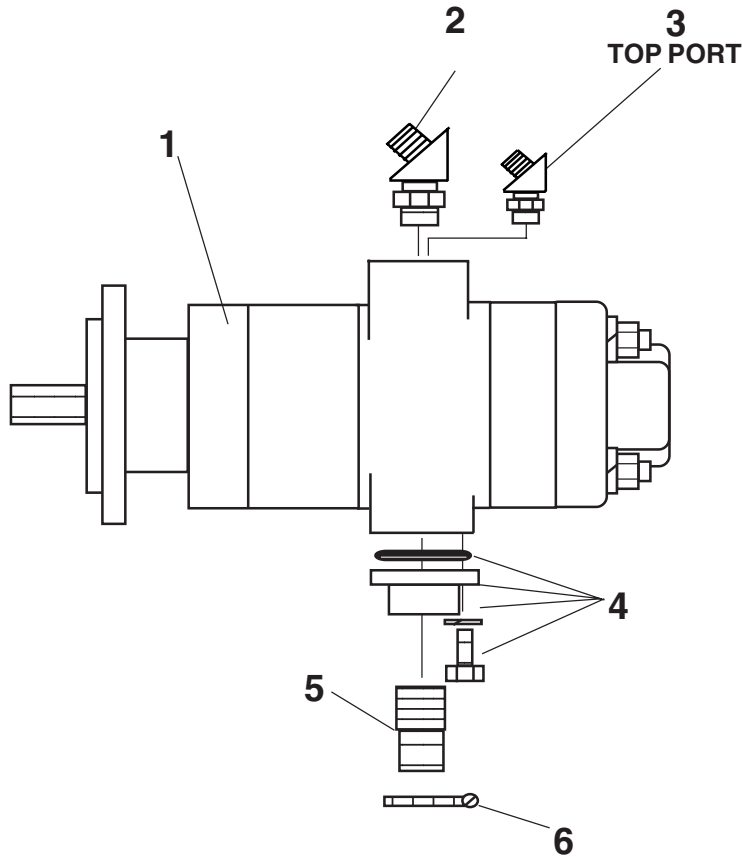
Item	Part No.	Qty	Description	Item	Part No.	Qty	Description
	02961736	–	Pump Asy, w/O Fittings	11	02962216	1	Connector Shaft
1*	-----	1	Seal	12	02962186	1	Gear Housing
2	02961913	1	Mounting Flange w/Bushings	13*	-----	4	Thrust Plate
3	02961920	2	Plug	14	02961927	1	End Flange w/Bushing
4*	-----	4	Seal End	15	02961917	4	Washer
5	02962187	1	Gear Set	16	02962189	4	Studs
6	02961924	8	Dowel Pin	17	02962190	4	Nuts
7	02961915	1	Gear Housing	18	02962191	--	Seal Kit, Major
8*	-----	4	Square Seal		02962539	--	Seal Kit, Minor
9	02962185	1	Bearing Carrier Housing w/Bushings				* included in major rebuild seal kit part # .02962191
10	02962188	1	Gear Set				

Nov. 1991
to
Current

REAR PUMP VERSA MOWER

S/N VS-02302
to
S/N VS-Current

Double Section P/N 02962097 540 PTO



Item	Part No.	Qty	Description
	02962097	--	Pump Asy W/ Fittings
1	02964948	1	Pump Asy W/O Fittings
2	02962213	1	Elbow, 90 Deg.
3	02961098	1	Elbow, 90 Deg.
4	02827700	1	Flange Kit
5	02411000	1	Hose Bib
	02047200	1	Elbow, 90 Deg. (Not Shown)
6	02026200	1	Hose Clamp

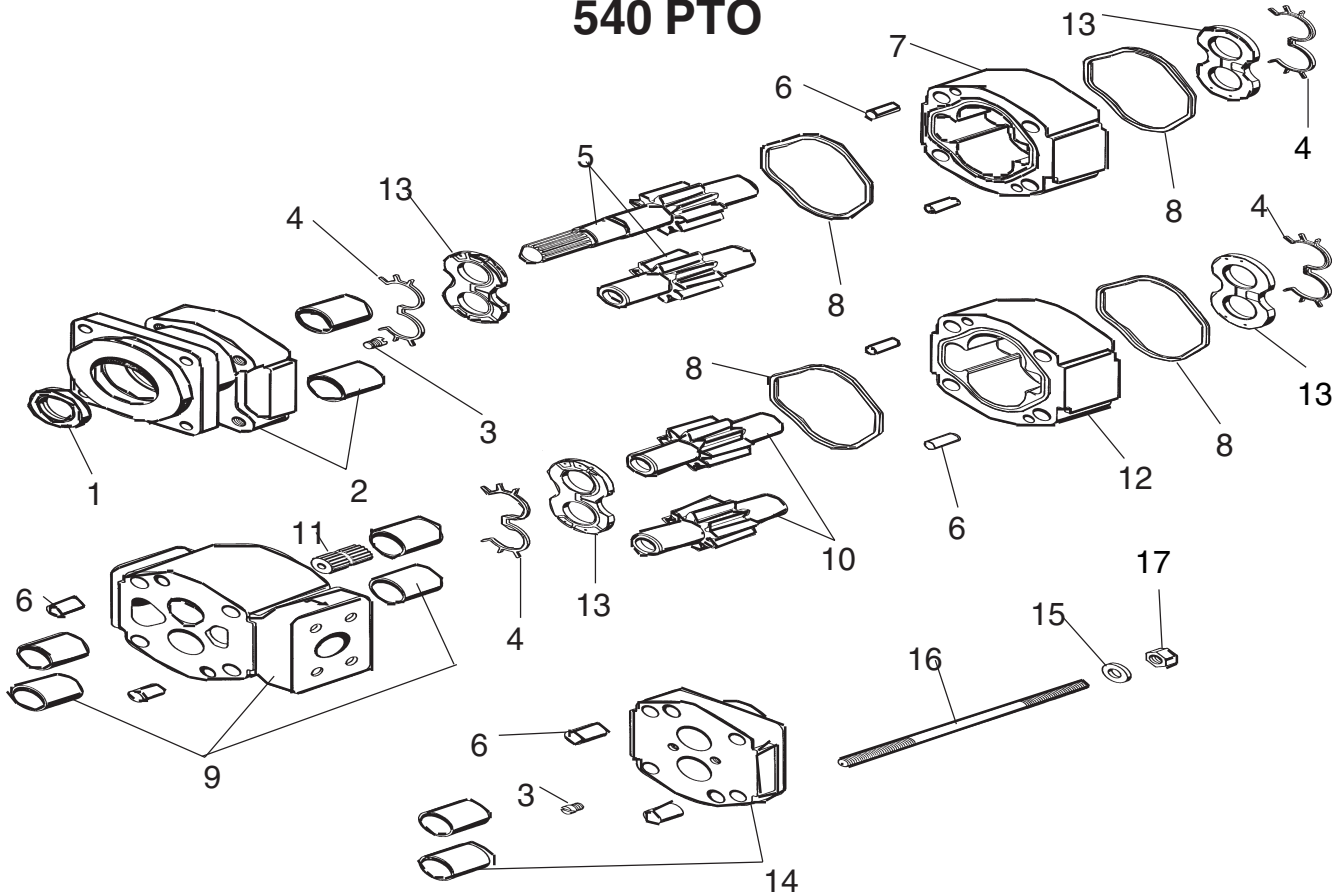
NOTE: Double Section Pump Supplies Hyd Pressure for all Functions, Boom Movements & Head Operation. A Single Section Pump ONLY Supplies Hyd Pressure for Cutter Head, the Boom Movements are Operated using the Tractor Hyd. Supply. Check Type Pump Used BEFORE ORDERING parts. Single Section Pumps were offered as an Option after Jun. 1988 Prior only Double Section Pumps were used.

Nov. 1991
to
Current

REAR PUMP VERSA MOWER

S/N VS-02302
to
S/NVS-Current

Double Section P/N 02962097 Repair Parts 540 PTO



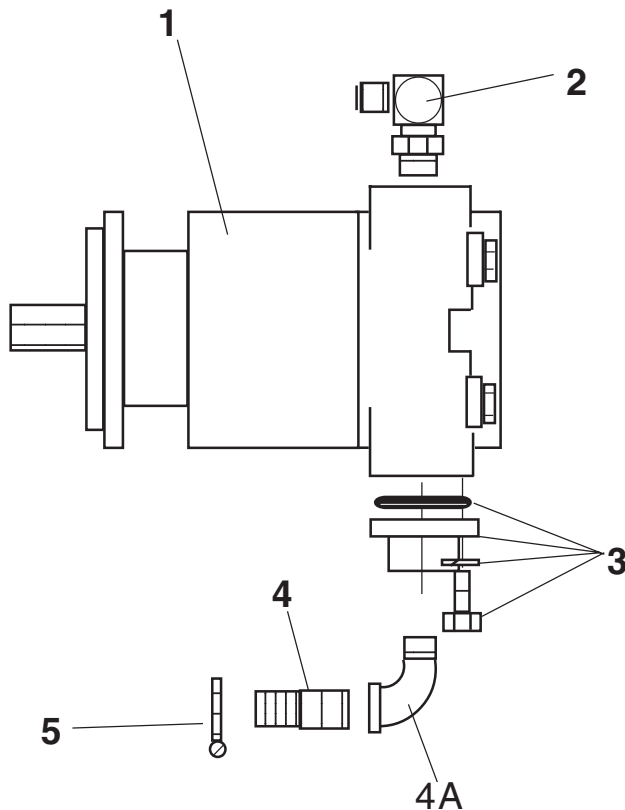
Item	Part No.	Qty	Description	Item	Part No.	Qty	Description
	02964948	--	Pump Asy, W/O Fittings	11	02962216	1	Connector Shaft
1*	-----	1	Seal	12	02962186	1	Gear Housing
2	02961913	1	Mounting Flange w/Bushings	13*	-----	4	Thrust Plate
3	02961920	2	Plug	14	02962184	1	End Flange w/Bushing
4*	-----	4	Seal End	15	02961917	4	Washer
5	02965091	1	Gear Set	16	02962189	4	Studs
6	02961924	8	Dowel Pin	17	02962190	4	Nuts
7	02965092	1	Gear Housing	18	02962191	--	Seal Kit, Major
8*	-----	4	Square Seal		02962539	--	Seal Kit, Minor
9	02962185	1	Bearing Carrier Housing w/Bushings				* included in major rebuild seal kit part # .02962191
10	02962188	1	Gear Set				

Jun. 1988
to
Oct. 1991

REAR PUMP VERSA MOWER

Single Section P/N 02962096 540 / 1000 PTO

S/N VS-01245
to
S/N VS-02301



Item	Part No.	Qty	Description
1	02961486	1	Hydraulic Pump
2	02961098	1	Elbow, 90 Deg.
3	02827700	1	Flange Kit
4	02411000	1	Hose Bib
4A	02047200	1	Elbow, 90 Deg.
5	02026200	1	Hose Clamp

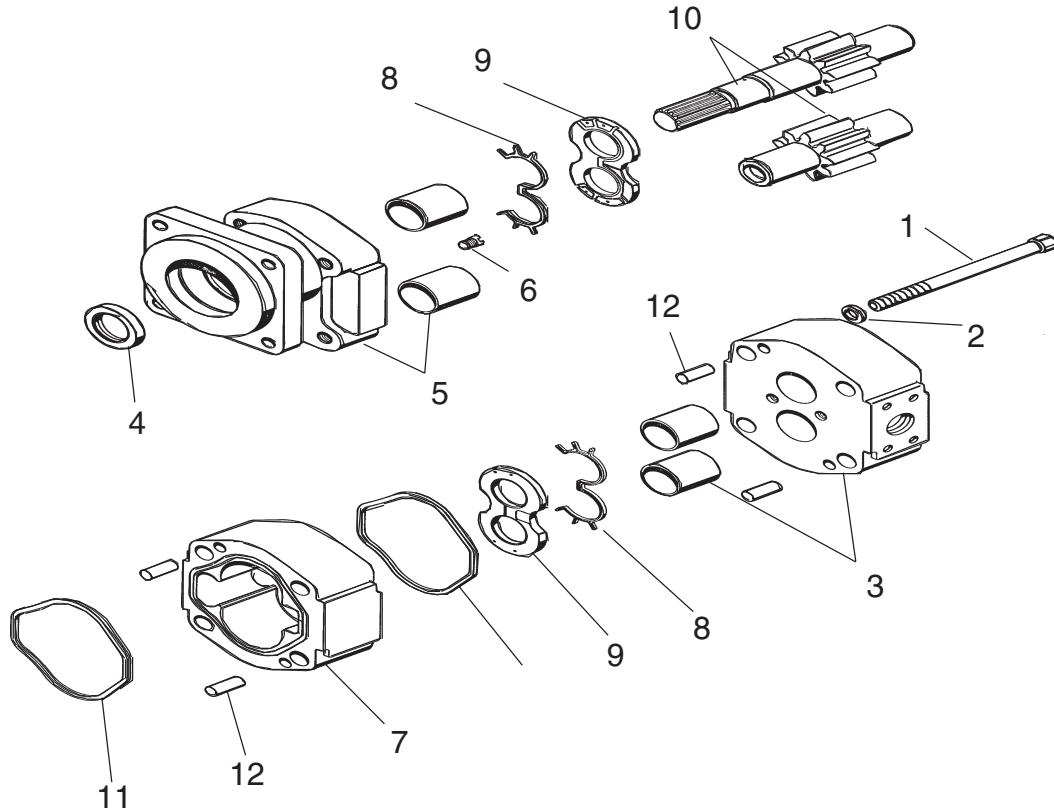
NOTE: Double Section Pump Supplies Hyd Pressure for all Functions, Boom Movements & Head Operation. A Single Section Pump ONLY Supplies Hyd Pressure for Cutter Head, the Boom Movements are Operated using the Tractor Hyd. Supply. Check Type Pump Used BEFORE ORDERING parts. Single Section Pumps were offered as an Option after Jun. 1988 Prior only Double Section Pumps were used.

Jun. 1988
to
Oct. 1991

REAR PUMP VERSA MOWER

S/N VS-01245
to
S/N VS-02301

Single Section P/N 02962096 Repair Parts 540 / 1000 PTO



Item	Part No.	Qty	Description
	02961486	--	Pump Asy W/O Fittings
1	02961918	4	Bolt
2	02961917	4	Washer
3	02961927	1	Porting Flange w/Bushing
4*	-----	2	Seal
5	02961913	1	Mounting Flange w/Bushings
6	02961920	1	Plug
7	02961915	1	Gear Housing
8*	-----	4	Seal End
9*	-----	2	Thrust Plate
10	02961916	1	Gear Set
11*	-----	2	Square Seal
12	02961924	4	Dowel Pin
13	02961925	--	Seal Kit, Major Kit
	02962548	--	Seal Kit, Minor Kit

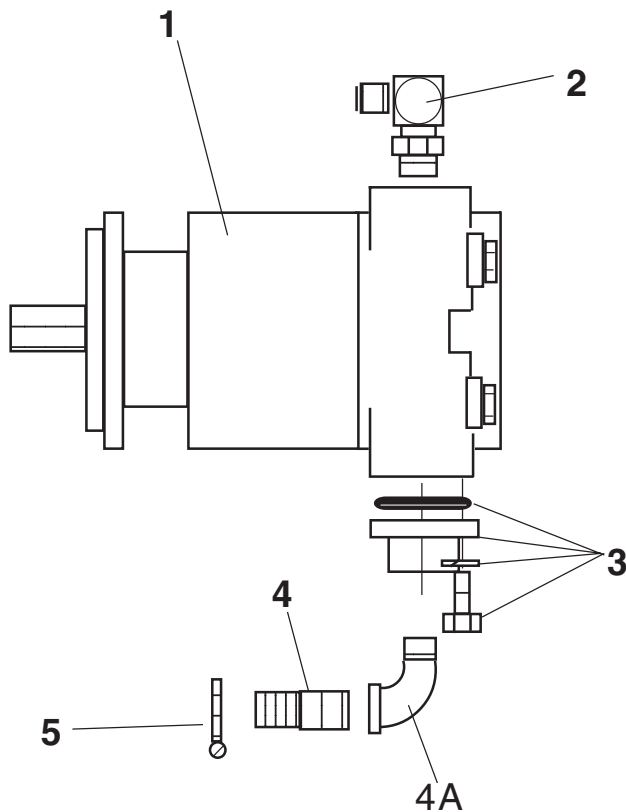
* included in seal kit part number 02961925, Minor Kit WILL NOT include item 9

Nov. 1991
to
Current

REAR PUMP VERSA MOWER

Single Section P/N 02962096
540 / 1000 PTO

S/N VS-02302
to
S/NVS-Current



Item	Part No.	Qty	Description
1	02964947	1	Hydraulic Pump
2	02961098	1	Elbow, 90 Deg.
3	02827700	1	Flange Kit
4	02411000	1	Hose Bib
4A	02047200	1	Elbow, 90 Deg.
5	02026200	1	Hose Clamp

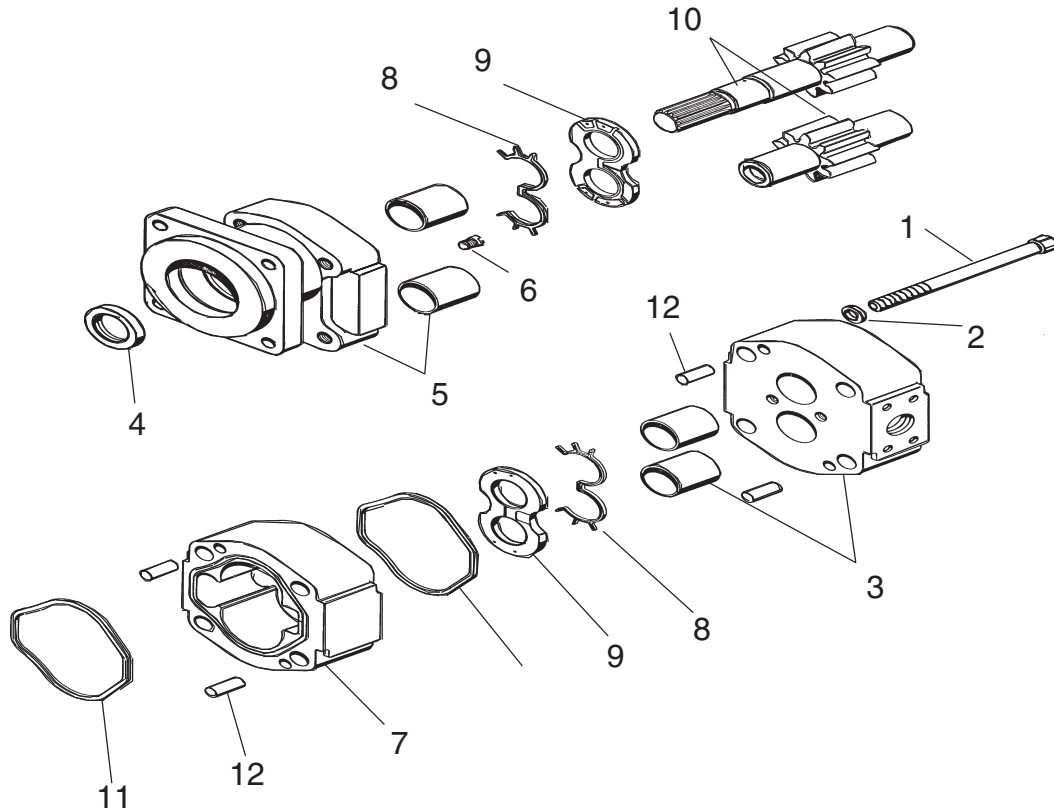
NOTE: Double Section Pump Supplies Hyd Pressure for all Functions, Boom Movements & Head Operation. A Single Section Pump ONLY Supplies Hyd Pressure for Cutter Head, the Boom Movements are Operated using the Tractor Hyd. Supply. Check Type Pump Used BEFORE ORDERING parts. Single Section Pumps were offered as an Option after Jun. 1988 Prior only Double Section Pumps were used.

Nov. 1991
to
Current

REAR PUMP VERSA MOWER

S/N VS-02302
to
S/NVS-Current

Single Section P/N 02962096 Repair Parts 540 / 1000 PTO



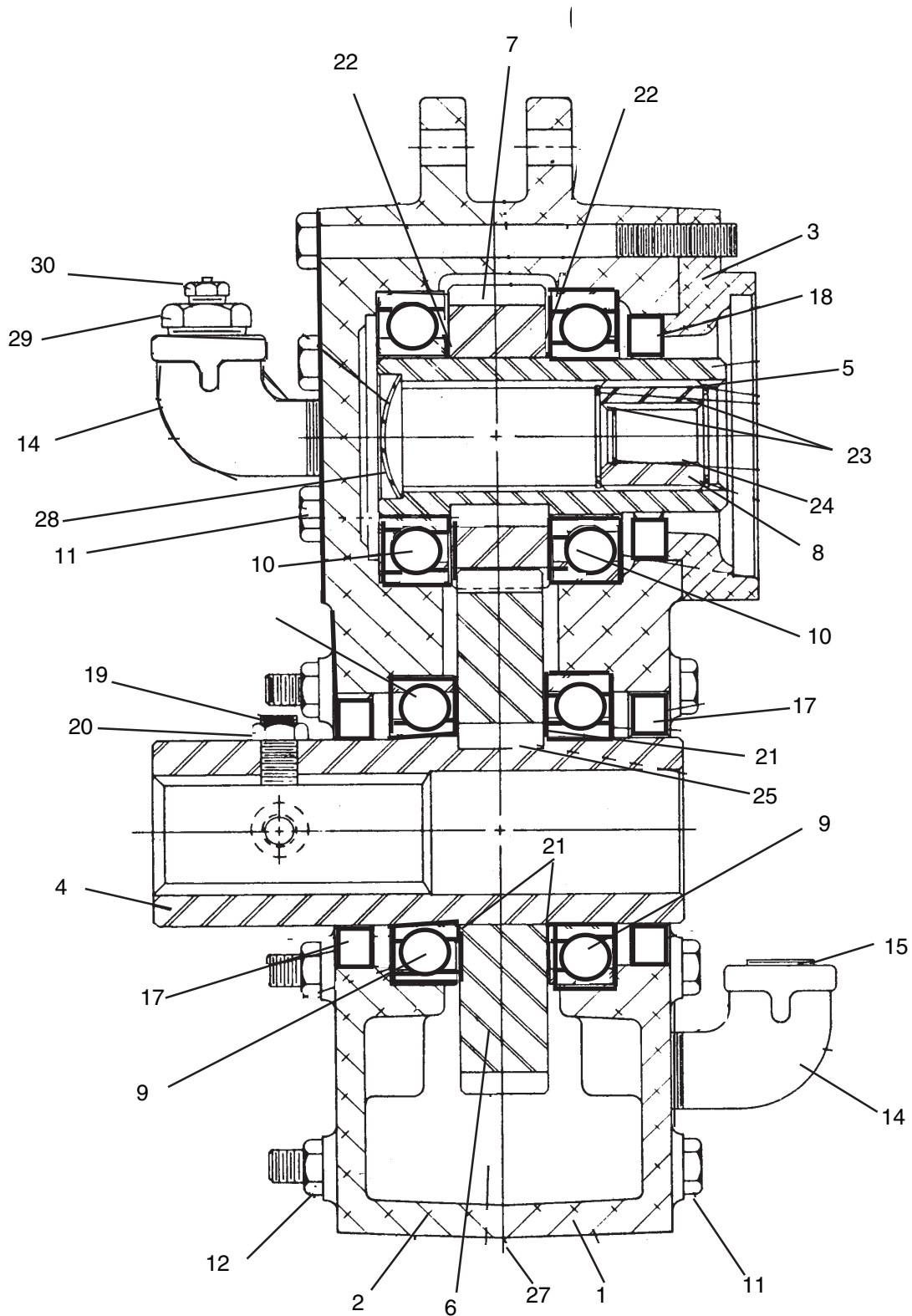
Item	Part No.	Qty	Description
	02964947	--	Pump Asy W/O Fittings
1	02961918	4	Bolt
2	02961917	4	Washer
3	02961927	1	Porting Flange w/Bushing
4*	-----	2	Seal
5	02961913	1	Mounting Flange w/Bushings
6	02961920	1	Plug
7	02965092	1	Gear Housing
8*	-----	4	Seal End
9*	-----	2	Thrust Plate
10	02965091	1	Gear Set
11*	-----	2	Square Seal
12	02961924	4	Dowel Pin
13	02961925	--	Seal Kit, Major Kit
	02962548	--	Seal Kit, Minor Kit

* included in seal kit part number 02961925, Minor Kit WILL NOT include item 9

Feb. 1982
to
Apr. 1982

SPEED CHANGER VERSA FLAIL P/N 02753800

S/N VS-39383
to
S/N VS-39568



Feb. 1982
to
Apr. 1982

**SPEED CHANGER
VERSA FLAIL
P/N 02753800**

S/N VS-39383
to
S/N VS-39568

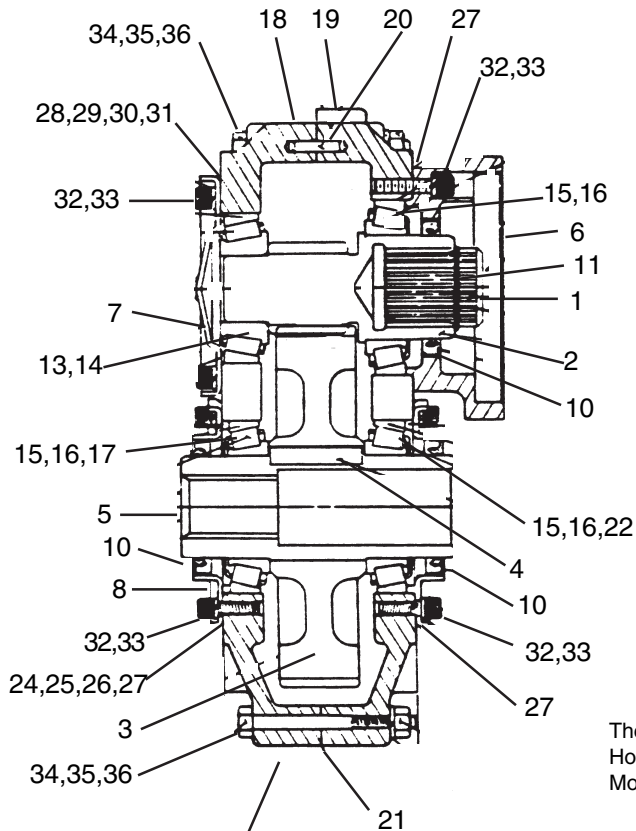
ITEM	PART NO	QTY	DESCRIPTION
	02753800	--	Speed Changer Assembly
1	-----	1	Housing Half
2	-----	1	Housing Half
3	-----	1	Flange
4	02763300	1	Sleeve, Input
5	-----	1	Sleeve, Output (See item 7)
6	02763500	1	Gear, RH Input, 54 Tooth
7	02763600	1	Gear & Sleeve, 16 Tooth
8	02763700	1	Bushing, Output
9	02763800	2	Bearing, Ball Bearing
10	02763900	2	Bearing, Ball Bearing
11	-----	11	Bolt
12	-----	6	Nut
13	02764000	2	Dowel Pin (Not Shown)
14	02764100	2	Elbow
15	02764200	1	Plug, Pipe
17	-----	2	Seal, Input
18	-----	1	Seal, Output
19	-----	2	Setscrew
20	-----	2	Nut
21	-----	ref	Shim
22	-----	ref	Shim
23	-----	2	Retaining Ring
24	-----	1	Lock Ring
25	-----	1	Key
27	-----	1	Gasket
28	-----	1	Plug, Expansion
29	-----	1	Bushing
30	-----	1	Plug, Vented
31	02764300	AR	Repair Kit, Includes Items #17 thru #30

NOTE: Some Parts are ONLY AVAILABLE in Repair Kit and some are NOT AVAILABLE at all. This Speed increaser had Ball Bearings, A 16 Tooth & 54 Tooth Gear. This Speed Increaser is Rare on this model, Only a few were used on the first Units Built, If Unit is in these Serial Number ranges check Speed Increaser before ordering Parts.

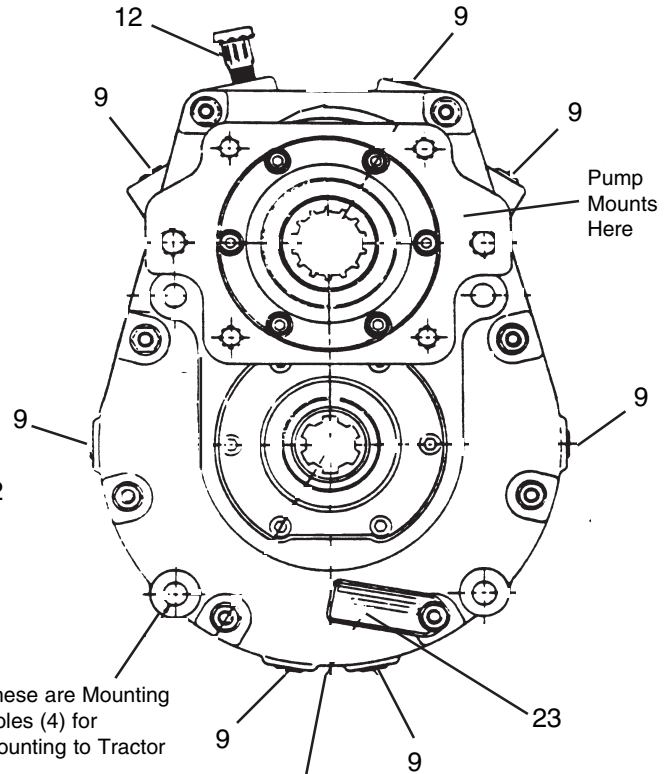
May 1982
to
Jan. 1988

SPEED CHANGER VERSA FLAIL P/N 02897900

S/N VS-39569
to
S/N VS-01099



This View is looking from
Left Side of Tractor



Pump
Mounts
Here

These are Mounting
Holes (4) for
Mounting to Tractor

This View is looking
from behind Tractor

NOTE: This Speed Changer has a Cast Steel Housing, It has a 4:1 gear ratio, (540 RPM) and 1:2 gear ratio (1000 RPM) a 72 tooth gear Input (item # 3) and a 18 tooth output (item # 2)

NOTE: When ordering an Assembly This Speed Increaser will be replaced as an Assembly by # 02960663 (540 RPM), Most Parts will interchange.

1000 RPM was an in-house conversion of 540 RPM Speed Changer, See Later Model Part # 00753991 for parts required to change this to 1000 RPM Also Check Item # 6 Pump Flange for size is a MUST. On some early models with 1000 PTO Pumps were mounted direct to Tractor PTO shaft with a coupler, These used High Volume Pumps, (50 GPM)

Mary 1982
to
Jan. 1988

**SPEED CHANGER
VERSA FLAIL
P/N 02897900**

S/N VS-39569
to
S/N VS-01099

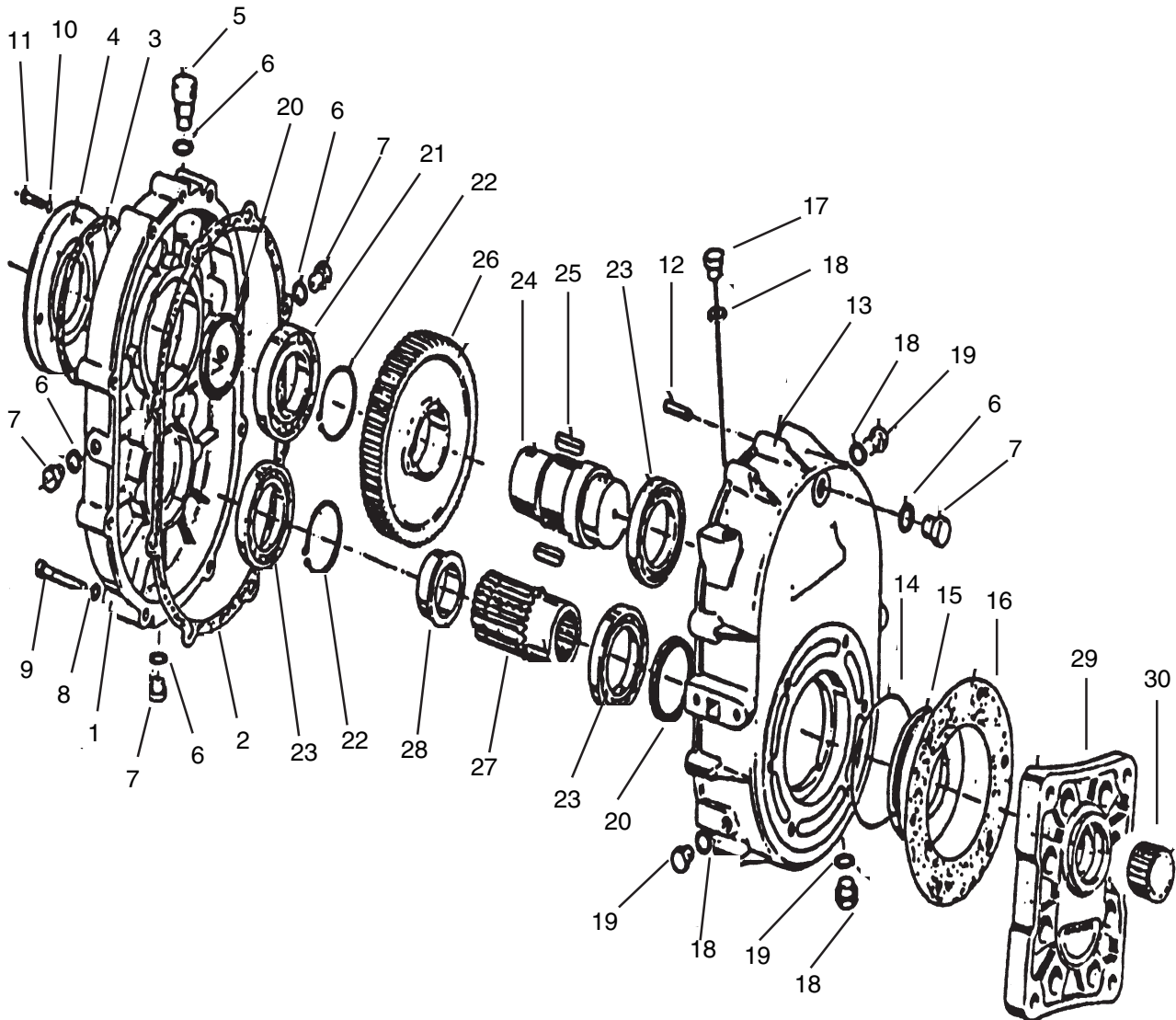
ITEM	PART NO	QTY	DESCRIPTION
	02897900	--	Speed Changer Assembly
1	02922700	1	Adaptor Shaft, 13 Spline
2	00751531	1	Pinion, 18 Tooth
3	00751532	1	Gear, 72 Tooth
4	00751947	1	Key (use # 00752179)
5	00751599	1	Shaft, Low Speed
6	02922600	1	Pump Flange
7	00751949	1	Cover, Closed
8	00751950	2	Cover, Open
9	00751970	8	Pipe Plug
10	00751535	3	Seal
11	00751954	1	Retainig Ring
12	00751942	1	Breather
13	00751951	1	Bearing Cup
14	00751533	1	Bearing Cone
15	00751952	3	Bearing Cup
16	00751534	3	Bearing Cone
17	00751953	1	Spacer Ring
18	00751955	1	Housing
19	00751956	1	Housing
20	00751957	2	Dowel
21	00751958	1	Gasket .015
22	00751971	2	Spacer Ring
23	-----	ref	Name Tag
24	00751959	AR	Shim.005 Alum.
25	00751960	AR	Shim.007 Alum.
26	00751961	AR	Shim.020 Alum.
27	00751962	3	Shim.005 Fibre.
28	00751963	AR	Shim.005 Alum.
29	00751964	1	Shim.005 Fibre.
30	00751965	AR	Shim.007 Alum.
31	00751966	AR	Shim.020 Alum.
32	00751967	24	Screw
33	00751968	24	Lockwasher
34	00751969	8	Screw
35	00013901	8	Nut
36	00012101	8	Lockwasher

**NOTE: S/N Change Aug. 1987 S/N's ended with # 47000
and Sep. 1987 started a new series with # 01001**

Feb. 1988
to
Mar. 1989

SPEED CHANGER VERSA FLAIL P/N 02959480

S/N VS-01100
to
S/N VS-01547



NOTE: This Speed Changers has a Cast Aluminum Housing,

Feb. 1988
to
Mar. 1989

**SPEED CHANGER
VERSA FLAIL
P/N 02959480**

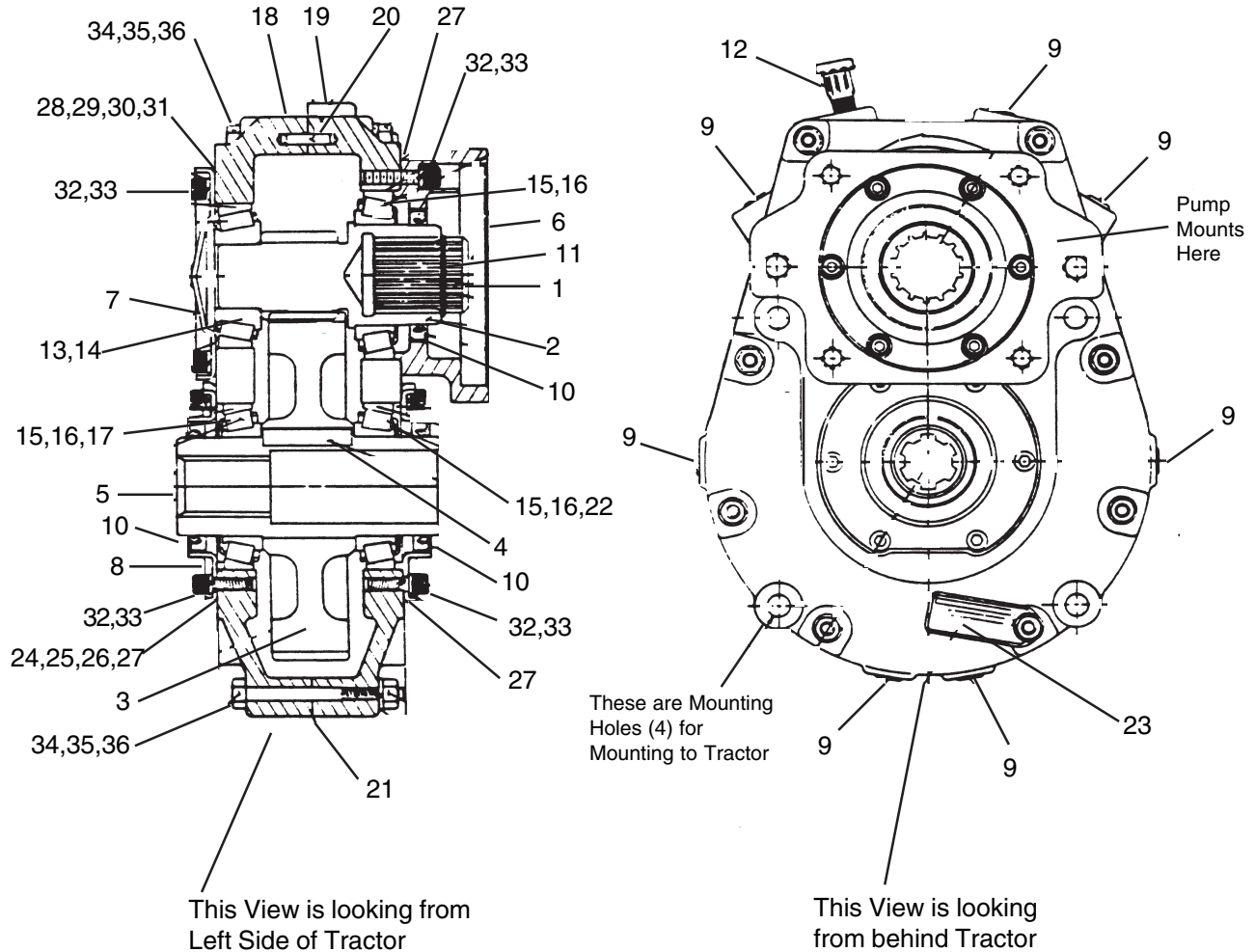
S/N VS-01100
to
S/N VS-01547

ITEM	PART NO.	QTY	DESCRIPTION
	00754110	--	Speed Changer Assembly
1	00754519	1	Housing
2	00754520	1	Gasket
3	00754521	1	Gasket
4	00754522	1	Flange
5	00754523	1	Plug
6	00754524	4	Gasket
7	00754525	3	Plug
8	00754526	8	Lockwasher
9	00754527	8	Bolt
10	00754528	4	Lockwasher
11	00754529	4	Bolt
12	00754530	2	Dowel
13	00754531	1	Housing
14	00754532	1	Gasket
15	00754533	1	Flange
16	00754534	1	Gasket
17	00754535	1	Breather
18	00754536	5	Gasket
19	00754537	4	Plug
20	00754538	1	O-Ring
21	00754539	1	Bearing
22	00754540	1	Retaining Ring
23	00754541	3	Bearing
24	00754542	1	Shaft
25	00754543	2	Key
26	00754544	A/R	Gear Shaft (540 RPM)
27	00754545	A/R	Pinion Gear (540 RPM)
28	00754546	1	Spacer
29	00754950	1	Pump Flange
30	00754951	1	Splined Pump Adapter

Apr. 1989
to
Nov. 1993

SPEED CHANGER VERSA FLAIL P/N 02897900

S/N VS-01548
to
S/N VS-03052



NOTE: This Speed Changer has a Cast Steel Housing, It has a 4:1 gear ratio, (540 RPM) and 1:2 gear ratio (1000 RPM) a 72 tooth gear Input (item # 3) and a 18 tooth output (item # 2)

NOTE: When ordering an Assembly This Speed Increaser will be replaced as an Assembly by # 02960663 (540 RPM), Most Parts will interchange.

1000 RPM was an in-house conversion of 540 RPM Speed Changer, See Later Model Part # 00753991 for parts required to change this to 1000 RPM Also Check Item # 6 Pump Flange for size is a MUST.

Apr. 1989
to
Nov.. 1993

**SPEED CHANGER
VERSA FLAIL
P/N 02897900**

S/N VS-01548
to
S/N VS-03052

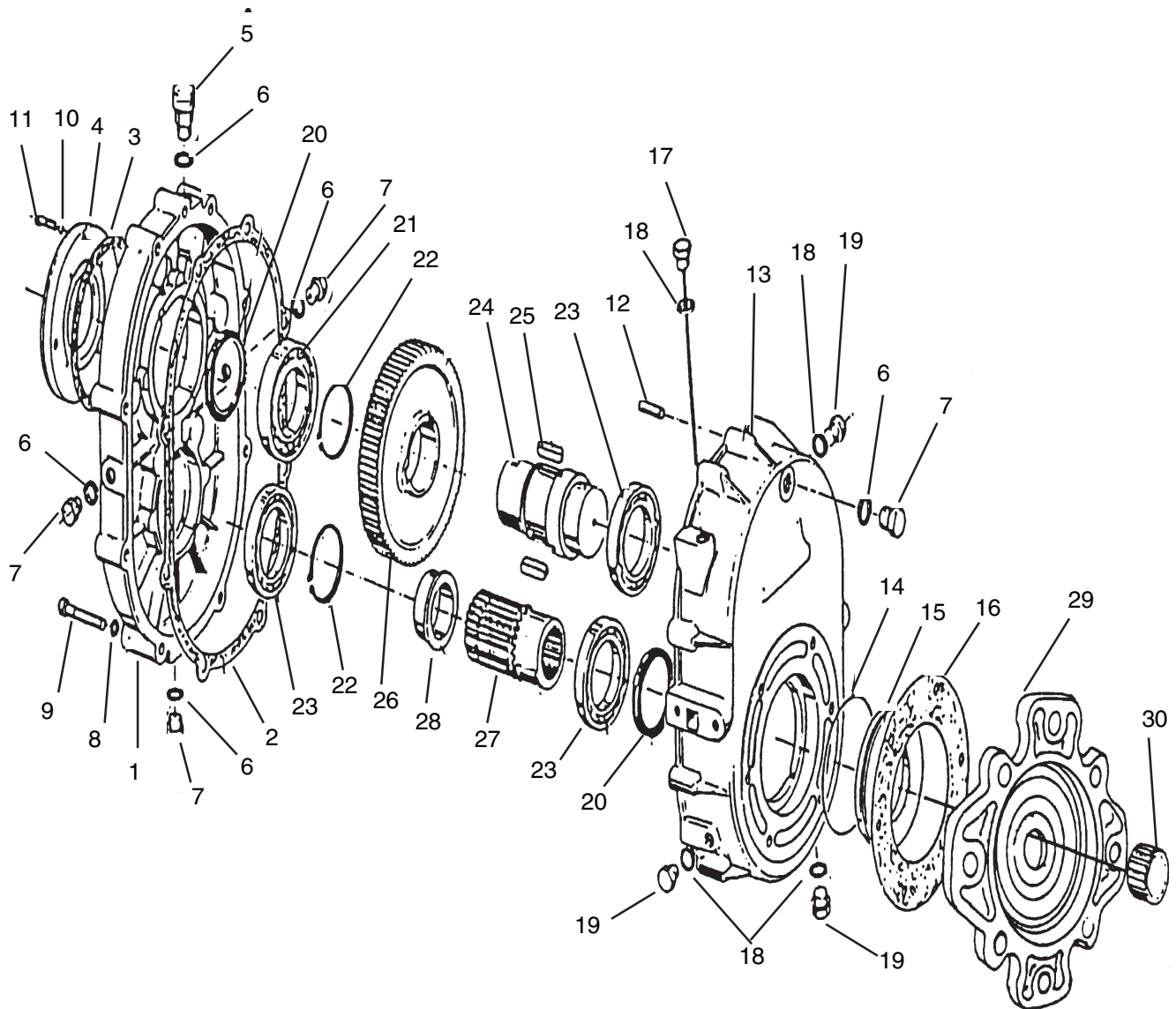
ITEM	PART NO	QTY	DESCRIPTION
	02897900	--	Speed Changer Assembly
1	02922700	1	Adaptor Shaft, 13 Spline
2	00751531	1	Pinion, 18 Tooth
3	00751532	1	Gear, 72 Tooth
4	00751947	1	Key (use # 00752179)
5	00751599	1	Shaft, Low Speed
6	02922600	1	Pump Flange
7	00751949	1	Cover, Closed
8	00751950	2	Cover, Open
9	00751970	8	Pipe Plug
10	00751535	3	Seal
11	00751954	1	Retainig Ring
12	00751942	1	Breather
13	00751951	1	Bearing Cup
14	00751533	1	Bearing Cone
15	00751952	3	Bearing Cup
16	00751534	3	Bearing Cone
17	00751953	1	Spacer Ring
18	00751955	1	Housing
19	00751956	1	Housing
20	00751957	2	Dowel
21	00751958	1	Gasket .015
22	00751971	2	Spacer Ring
23	-----	ref	Name Tag
24	00751959	AR	Shim.005 Alum.
25	00751960	AR	Shim.007 Alum.
26	00751961	AR	Shim.020 Alum.
27	00751962	3	Shim.005 Fibre.
28	00751963	AR	Shim.005 Alum.
29	00751964	1	Shim.005 Fibre.
30	00751965	AR	Shim.007 Alum.
31	00751966	AR	Shim.020 Alum.
32	00751967	24	Screw
33	00751968	24	Lockwasher
34	00751969	8	Screw
35	00013901	8	Nut
36	00012101	8	Lockwasher

Dec. 1993
to
Current

SPEED CHANGER VERSA FLAIL

S/N VS-03053
to
S/N VS-Current

00768991 (540 RPM) 1-3/8" 6 Spline
00759815 (1000 RPM) 1-3/8" 21 Spline)



NOTE: These Speed Changers have a Cast Aluminum Housing, The 540 RPM has a 1:4 gear ratio and 1000 RPM has 1:2 gear ratio.

00758991 ----- 1-3/8" 6 spline (item # 24) to PTO, 1:4 Gear Ratio

00759815----- 1-3/8" 21 spline (item # 24) to PTO, 1: 2 Gear Ratio

Dec. 1993
to
Current

SPEED CHANGER VERSA FLAIL

S/N VS-03053
to
S/N VS-Current

00768991 (540 RPM) 1-3/8" 6 Spline 00759815 (1000 RPM) 1-3/8" 21 Spline)

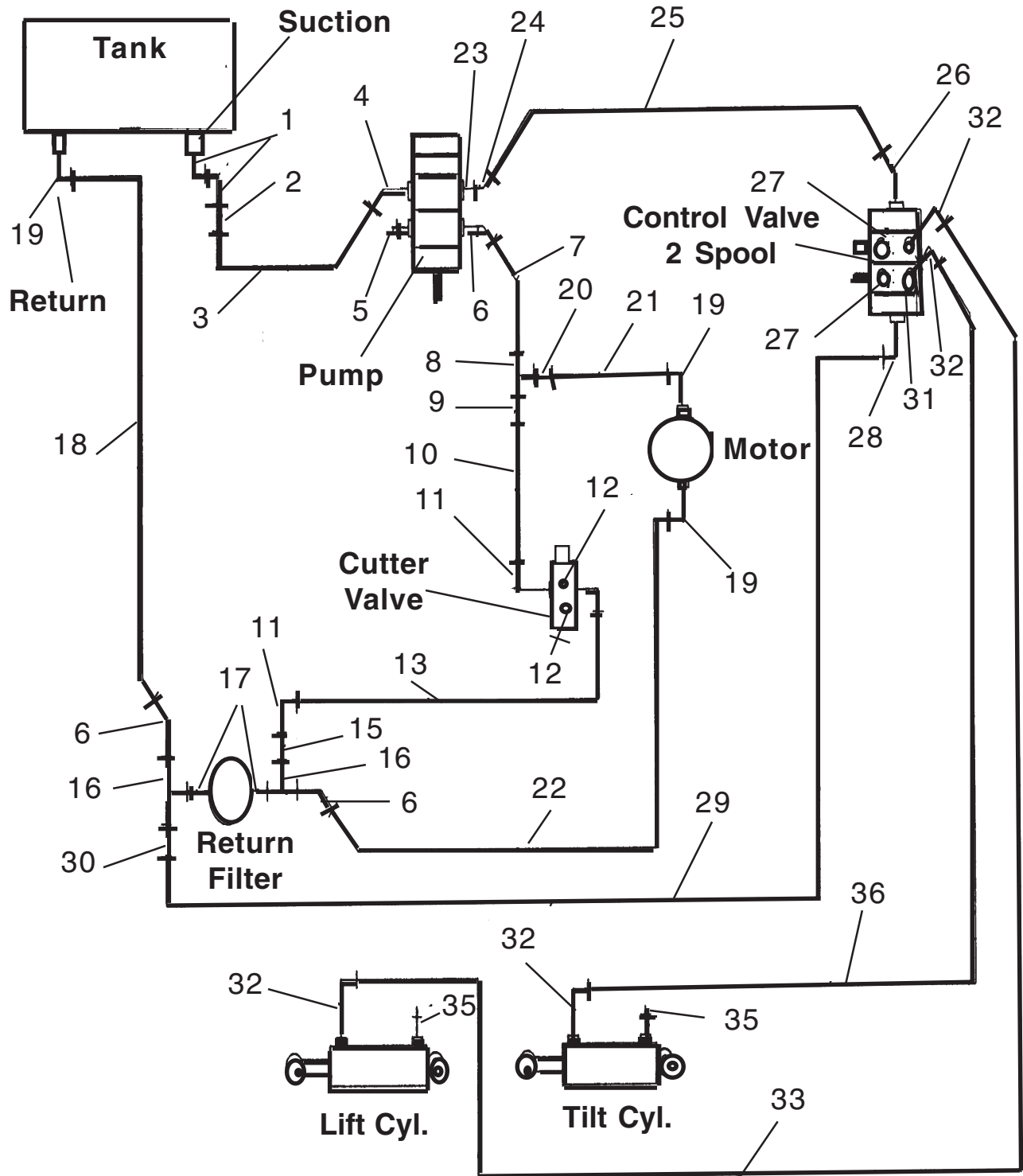
ITEM	PART NO	PART NO	QTY	DESCRIPTION
	00768991	-----	--	Speed Increaser Assembly (540 RPM)
	-----	00759815	--	Speed Changer Assembly (1000 RPM)
1	00754519	00754519	1	Housing
2	00754520	00754520	1	Gasket
3	00754521	00754521	1	Gasket
4	00754522	00754522	1	Flange
5	00754523	00754523	1	Plug
6	00754524	00754524	4	Gasket
7	00754525	00754525	3	Plug
8	00754526	00754526	8	Lockwasher
9	00754527	00754527	8	Bolt
10	00754528	00754528	4	Lockwasher
11	00754529	00754529	4	Bolt
12	00754530	00754530	2	Dowel
13	00754531	00754531	1	Housing
14	00754532	00754532	1	Gasket
15	00754533	00754533	1	Flange
16	00754534	00754534	1	Gasket
17	00754535	00754535	1	Breather
18	00754536	00754536	5	Gasket
19	00754537	00754537	4	Plug
20	00754538	00754538	1	O-Ring
21	00754539	00754539	1	Bearing
22	00754540	00754540	1	Retaining Ring
23	00754541	00754541	3	Bearing
24	00754542	-----	1	Shaft (540 RPM)
	-----	00753164	1	Shaft (1000 RPM)
	02048500	02048500	1	O-Ring
25	00754543	00754543	2	Key
26	00754544	-----	1	Gear(540RPM)
	-----	00756532	1	Gear(1000RPM)
27	00754545	-----	1	Pinion(540RPM)
	-----	00756531	1	Pinion(1000RPM)
28	00754546	-----	1	Gear Spacer
29	00754950	00754950	1	Pump Flange
30	02966731	02966731	1	Splined Pump Adapter

NOTE: To convert 540 to 1000 or vice versa it would be required to replace Gears Item # 25 & # 26, Item # 24 Shaft should be replaced But could be left and used if a Splined PTO Adapter (Furnished by User or Dealer) was used, Note to use PTO Adapter would require modification to Speed Changer Mount.

Feb. 1982
to
Jan. 1983

Hose Diagram Versa Mower 60" & 72" Models

S/N VS-39383
to
S/N VS-40185



Feb. 1982
to
Jan. 1983

Hose Diagram Versa Mower 60" & 72" Models

S/N VS-39383
to
S/N VS-40185

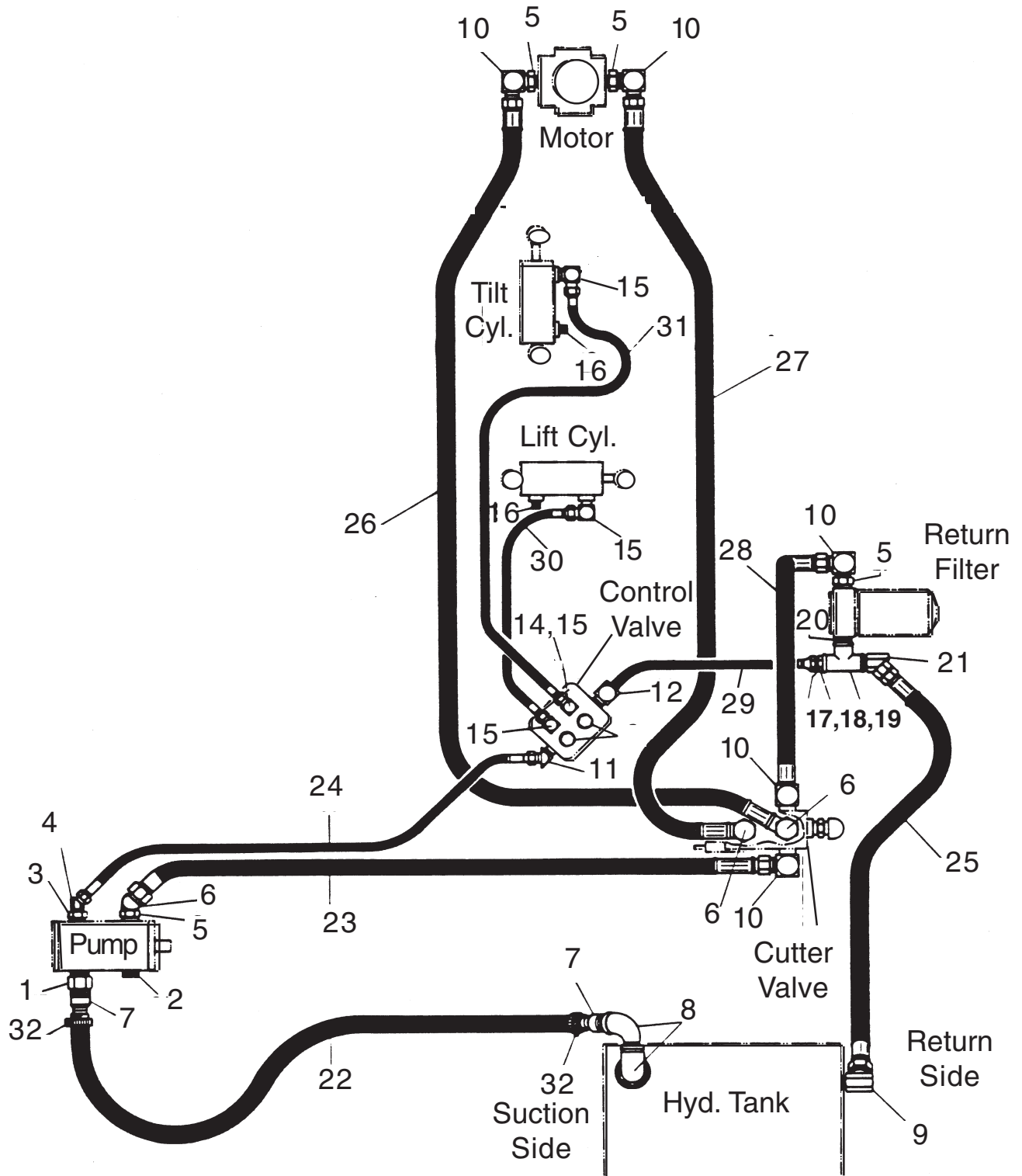
Item	Part No.	Qty	Description
1	02047200	2	Elbow, 90 Deg
2*	02888400	1-ref	*Adapter, Swivel (Straight)
3*	02890000	1-ref	*Hose, Tank to Pump
4*	02888500	1-ref	*Adapter, Swivel (45 Deg.)
5*	75018000	1-ref	*Plug
6*	02888700	3-ref	*Adapter, Swivel (45 Deg.)
7*	02890100	1-ref	*Hose, Pump to Tee
8	02888800	1	Tee
9	02888900	1	Adapter, Straight
10	02742800	1	Hose, Tee to Cutter Valve
11	02042600	3	Elbow, 90 Deg.
12	02016100	1	Plug
13	02890300	1	Hose, Cutter Valve to Return Filter
15	00751471	2	Reducer
16	00751468	2	Tee
17	72414000	2	Nipple, Close
18	02890600	1	Hose, Return Filter to Tank
19	02889300	3	Adapter, Swivel (90 Deg.)
20	02889200	1	Adapter, Swivel (Straight)
21	02890400	1	Hose, Tee to Motor
22	02890500	1	Hose, Motor to Return Filter
23*	63081000	1-ref	*Reducer
24*	00750823	1-ref	*Elbow, 45 Deg.
25*	02890700	1-ref	*Hose, Pump to Control Valve
26	02889500	1	Elbow, 45 Deg.
27	00749508	2	Plug
28	02049100	1	Elbow, 90 Deg.
29	02890800	1	Hose, Control Valve to Return Filter
30	63067300	1	Reducer
31	02811300	1	Check Valve
32	02822100	4	Elbow, 90 Deg.
33	02890900	1	Hose, Control Valve to Lift Cyl, (Rod End)
35	00750208	2	Plug, Breather
36	02839000	1	Hose, Control Valve to Tilt Cyl, (Rod End)

* These Parts are Standard Parts on Ford 6600 & 6610 MAY NOT fit your application, They are listed for reference, Part No. & Size may vary with Tractor Type & Model, Check Installation drawings for Model & Size Tractor.

Feb. 1983
to
Jun. 1984

Hose Diagram Versa Mower 60" & 72" Models

S/N VS-40186
to
S/N VS-41900



Feb. 1983
to
Jun. 1984

Hose Diagram Versa Mower 60" & 72" Models

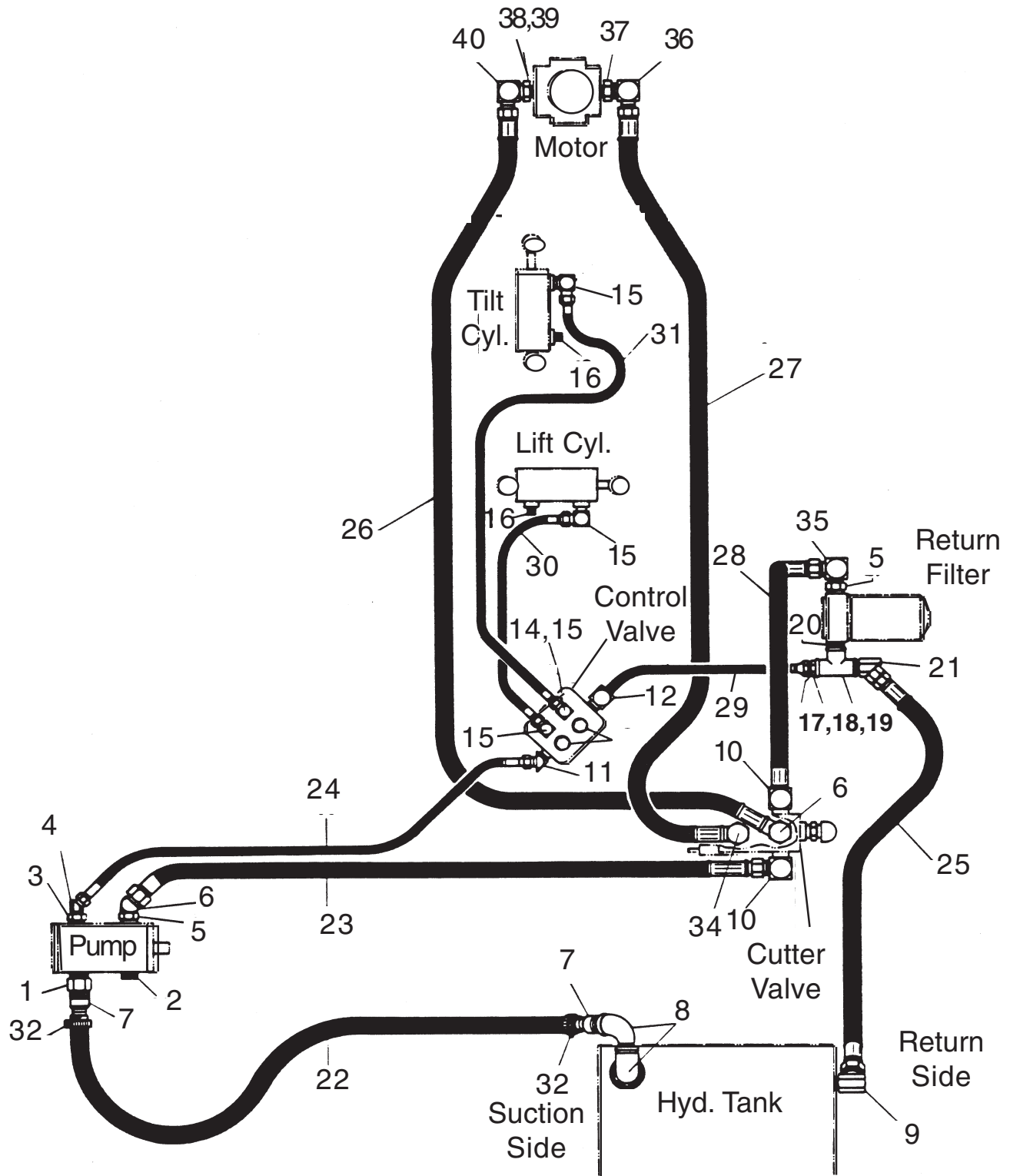
S/N VS-40186
to
S/N VS-41900

Item	Part No.	Qty	Description
1	02589000	1	Adapter, Straight
2	75018000	1	Plug
3	63081000	1	Reducer Bushing
4	00750823	1	Elbow, 45 Deg.
5	00751471	4	Reducer
6	02889000	3	Adapter, 45 Deg.
7	02411000	2	Hose Bib
8	02047200	2	Elbow, 90 Deg.
9	02889300	1	Swivel Adapter, 90 Deg.
10	02042600	5	Elbow, 90 Deg.
11	02889500	1	Adapter, 45 Deg.
12	02049100	1	Elbow, 90 Deg.
13	00749508	2	Plug
14	02811300	1	Check Valve
15	02822100	4	Elbow, 90 Deg.
16	00750208	2	Plug, Breather
17	02154700	1	Adapter, Straight
18	63067300	1	Reducer Bushing
19	00751468	1	Pipe Tee
20	72414000	1	Pipe Nipple
21	02888700	1	Swivel Adapter, 45 deg.
22	02512800	1	Hose, Tank to Pump
23	02948800	1	Hose, Pump to Cutter Valve
24	02890700	1	Hose, Pump to Control Valve
25	02890600	1	Hose, Return Filter to Tank
26	00751840	1	Hose, Cutter Valve to Motor
27	02949000	1	Hose, Motor to Cutter Valve
28	02890300	1	Hose, Cutter Valve to Return Filter
29	02890800	1	Hose, Control Valve to Return Filter
30	02839000	1	Hose, Control Valve to Tilt Cylinder
31	02890900	1	Hose, Control Valve to Lift Cylinder
32	02026200	2	Clamp, Hose

Jul. 1984
to
Jun. 1987

Hose Diagram Versa Mower 60" & 72" Models

S/N VS-41901
to
S/N VS-46319



Jul. 1984
to
Jun. 1987

Hose Diagram Versa Mower 60" & 72" Models

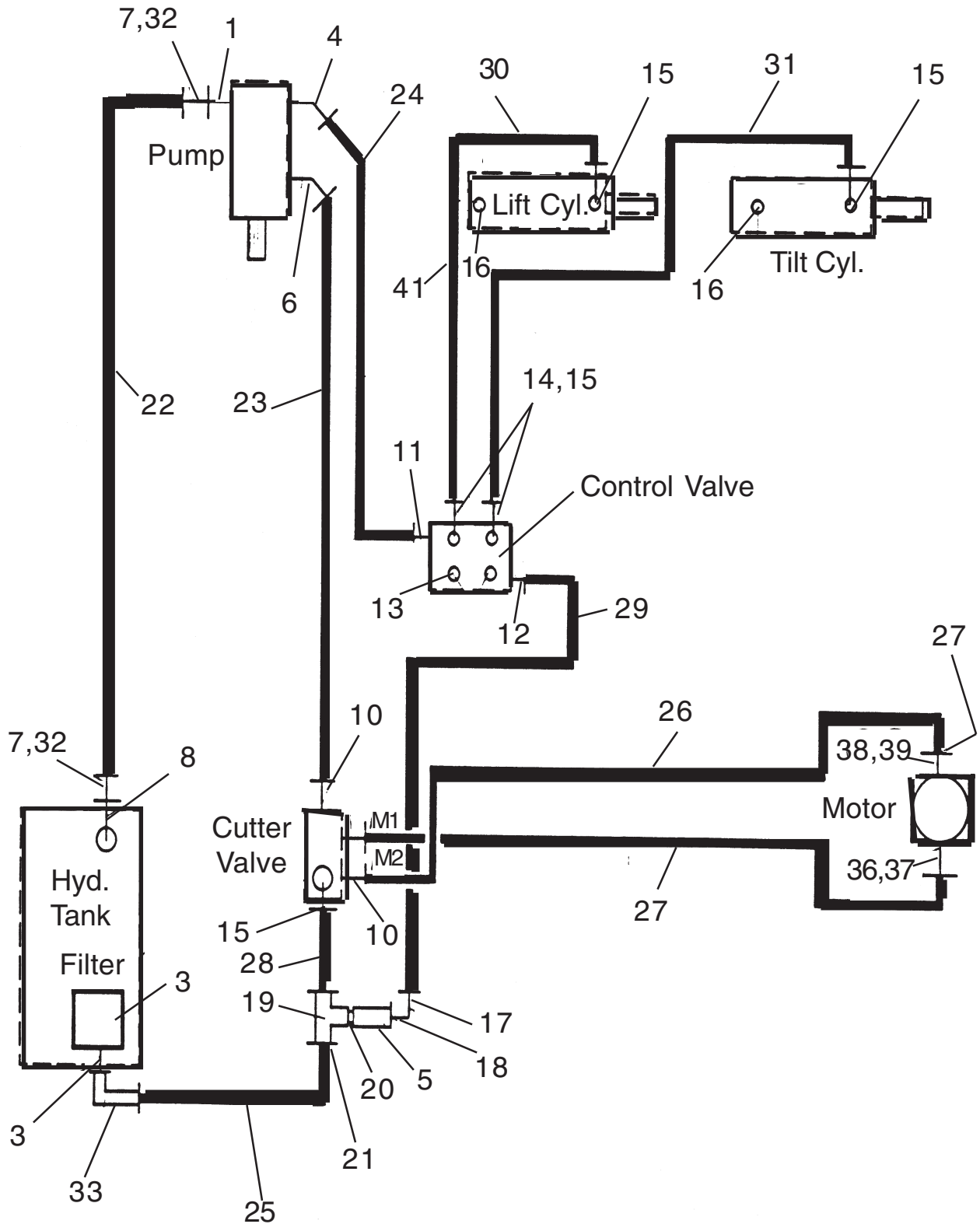
S/N VS-41901
to
S/N VS-46319

Item	Part No.	Qty	Description
1	02589000	1	Adapter, Straight
2	75018000	1	Plug
3	63081000	1	Reducer Bushing
4	00750823	1	Elbow, 45 Deg.
5	00751471	4	Reducer
6	02889000	3	Adapter, 45 Deg.
7	02411000	2	Hose Bib
8	02047200	2	Elbow, 90 Deg.
9	00751457	1	Elbow, 90 Deg.
10	02042600	5	Elbow, 90 Deg.
11	02889500	1	Adapter, 45 Deg.
12	02049100	1	Elbow, 90 Deg.
13	00749508	2	Plug
14	02811300	1	Check Valve
15	02822100	4	Elbow, 90 Deg.
16	00750208	2	Plug, Breather
17	02154700	1	Adapter, Straight
18	63067300	1	Reducer Bushing
19	00751468	1	Pipe Tee
20	72414000	1	Pipe Nipple
21	02888700	1	Swivel Adapter, 45 deg.
22	02512800	1	Hose, Tank to Pump
23	02948800	1	Hose, Pump to Cutter Valve
24	02890700	1	Hose, Pump to Control Valve
25	02890600	1	Hose, Return Filter to Tank
26	00751840	1	Hose, Cutter Valve to Motor
27	02949000	1	Hose, Motor to Cutter Valve
28	02957258	1	Hose, Cutter Valve to Return Filter
29	02949500	1	Hose, Control Valve to Return Filter
30	02839000	1	Hose, Control Valve to Tilt Cylinder
31	02890900	1	Hose, Control Valve to Lift Cylinder
32	02026200	2	Clamp, Hose
33	02208400	1	Elbow, 90 Deg.
34	02937300	1	Elbow, 90 Deg.
35	02957225	2	Elbow, 90 Deg.
36	00751842	1	Elbow, 90 Deg.
37	00749101	1	Flange Kit, Split
38	02827700	1	Flange Kit
39	02156700	1	Reducer
40	02957228	1	Elbow, 90 Deg.

Jul. 1987
to
Mar. 1990

Hose Diagram Versa Mower 60" & 72" Models

S/N VS-46320
to
S/N VS-01842



Jul. 1987
to
Mar. 1990

Hose Diagram Versa Mower 60" & 72" Models

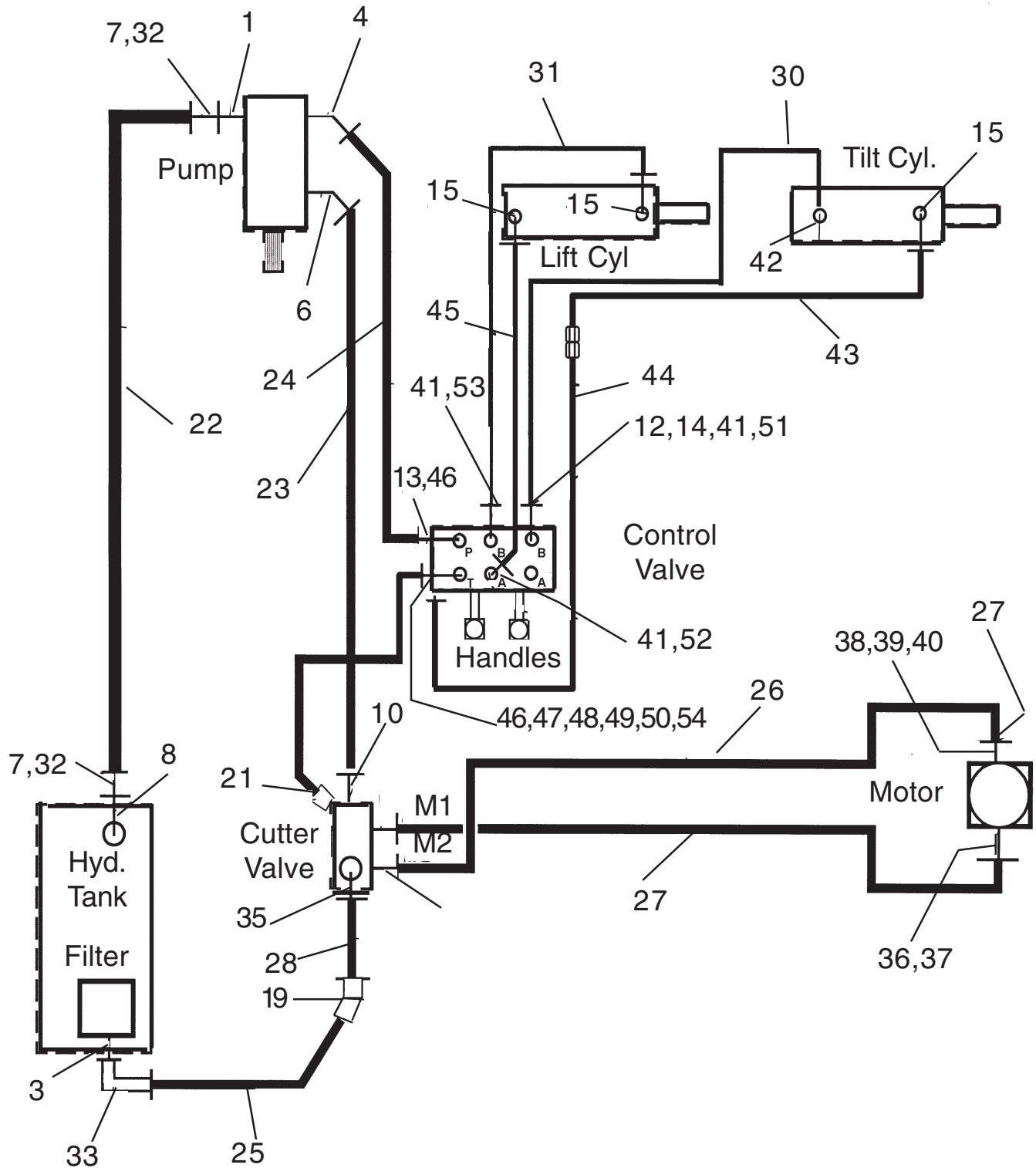
S/N VS-64320
to
S/N VS-01482

Item	Part No.	Qty	Description
1	02827700	1	Flange Kit
2	02961000	1	Filter, In Tank
	02961001	1	Filter Element Only
3	02960809	1	Adapter
4	02161400	1	Elbow
5	00751456	1	Coupling
6	02960812	2	Adapter
7	02411000	2	Hose Bib
8	02047200	1	Elbow
10	02957622	3	Adapter
11	02889500	1	Adapter
12	02049100	1	Elbow
13	00749508	2	Plug
14	02811300	1	Check Plug
15	02822100	4	Elbow
16	00750208	2	Plug, Breather
17	02049100	1	Elbow
18	63067300	1	Bushing, Reducer
19	00751468	1	Pipe Tee
20	72414000	1	Pipe Nipple
21	02888700	1	Adapter
22	02512800	1	Hose, Tank to Pump
23	02961094	1	Hose, Pump to Cutter Valve
24	02513000	1	Hose, Pump to Control Valve
25	02962239	1	Hose, Filter to Tube Tee
26	02961288	1	Hose, Cutter Valve to Motor, 60"
	02961302	1	Hose, Cutter Valve to Motor, 72"
27	02961287	1	Hose, Motor to Cutter Valve, 60"
	02961301	1	Hose, Motor to Cutter Valve, 72"
28	02961148	1	Hose, Cutter Valve to Tee
29	02949500	1	Hose, Control valve to Tee
30	02839000	1	Hose, Control Valve to Lift Cyl.
31	02890900	1	Hose, Control Valve to Tilt Cyl.
32	02026200	2	Clamp, Hose
33	02961681	1	Filter Return Tube
35	02961003	2	Adapter
36	02961028	1	Elbow
37	00749101	1	Flange Kit, Split
38	02827700	1	Flange Kit
39	02961008	1	Reducer
40	02889300	1	Elbow

Apr. 1990
to
Current

Hose Diagram Versa Mower 60" & 72" Models

S/N VS-01843
to
S/NVS-Current



Apr. 1990
to
Current

Hose Diagram Versa Mower 60" & 72" Models

S/N VS-01843
to
S/N VS-Current

ITEM	PART NO.	QTY	DESCRIPTION
1	02827700	1	Flange Kit
2	02961000	1	In Tank Filter
	02961001	1	Filter Element
3	02960809	1	Adapter
4	02962214	1	Elbow
6	02961825	2	Adapter
7	02411000	2	Hose Bib
8	02047200	1	Elbow
10	02960807	3	Adapter
11	02889500	1	Adapter
12	02969399	1	Orifice Plate
13	02968828	1	Vinyl Tape Red 1/2" Wide
14	02972159	1	Straight Adapter
15	02960018	3	Elbow
19	02889700	1	Elbow - 45 deg.
21	63042700	1	Adapter
22	02512800	1	Hose-Tank to Pump
23*	-----	1	Hose-Pump to Cutter Valve
24*	-----	1	Hose-Pump to Control Valve
25	02961148	1	Hose-Filter Tube to Tee
26	02961288	1	Hose-Cutter Valve to Motor, 60" Versa Rotary
	02961302	1	Hose-Cutter Valve to Motor, 72" Versa Rotary
27	02961287	1	Hose-Motor to Cutter Valve, 60" Versa Rotary
	02961301	1	Hose-Motor to Cutter Valve, 72" Versa Rotary
28	02961148	1	Hose-Cutter Valve to Tee
29	02963468	1	Hose-Control Valve to Cutter Valve (ROPS Units)
	61026400	1	Hose-Control Valve to Cutter Valve (Cab Units)
30	02839000	1	Hose-Control Valve to Tilt Cylinder (Cab Units)
	001774	1	Hose-Control Valve to Tilt Cylinder (ROPS Units)
31	02890900	1	Hose-Control Valve to Lift Cylinder (ROPS Units)
	02823600	1	Hose-Control Valve to Lift Cylinder (Cab Units)
32	02026200	2	Hose Clamp
33	02961681	1	Filter Return Tube
35	02961003	2	Adapter
36	02961028	1	Elbow
37	00749101	1	Split Flange Kit
38	02827700	1	Flange Kit
39	02961008	1	Reducer
40	02889300	1	Elbow
41	02962249	1	Elbow
42	02962181	1	Adapter
43	02957485	1	Hose with #4MJ
44	0019800	1	Hose (ROPS Units)
	001849	1	Hose (Cab Units)
45	02890900	1	Hose (ROPS Units)
	02965475	1	Hose (Cab Units)
46	63042700	1	Straight Adapter
47	02761100	1	Elbow
48	02967150	1	Tee
49	02967151	1	Straight Adapter
50	02968830	1	Vinyl Tape Blue 1/2" Wide
51	02968831	1	Vinyl Tape Blue 1/4" Wide
52	02968832	1	Vinyl Tape Green 1/2" Wide
53	02968833	1	Vinyl Tape Green 1/4" Wide
54	02968834	1	Vinyl Tape Orange 1/2" Wide

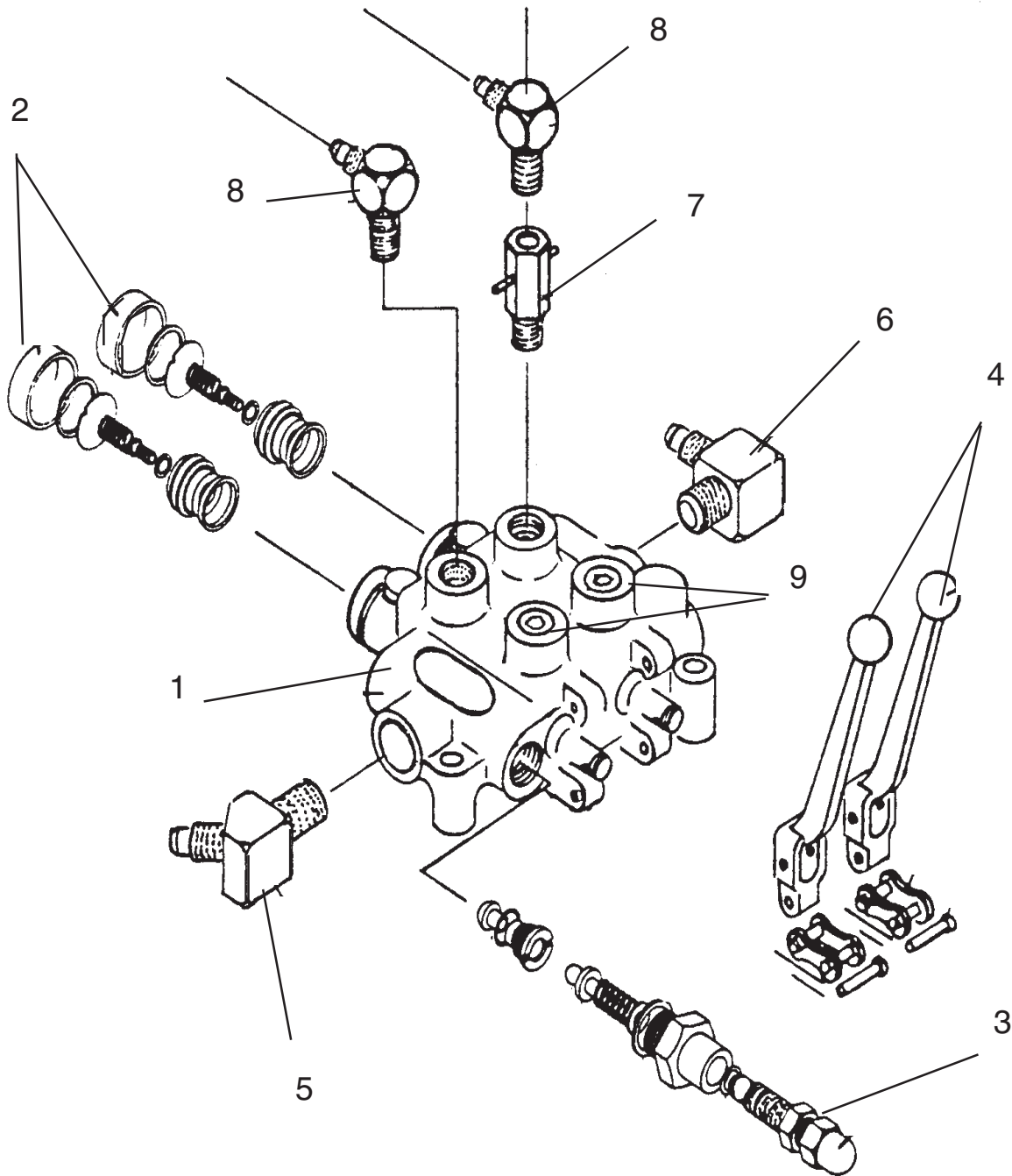
* Varies per Tractor Mount; See Specific Tractor Mount Installation Drawing

VERSA MOWER (Archive Book) 10/01

Feb. 1982
to
Mar. 1994

Control Valve, 2 Spool Versa Mower 60" & 72" Models P/N 02888200

S/N VS-39383
to
S/N VS-03178



Feb. 1982
to
Mar. 1994

Control Valve, 2 Spool
Versa Mower
60" & 72" Models
P/N 02888200

S/N VS-39383
to
S/N VS-03178

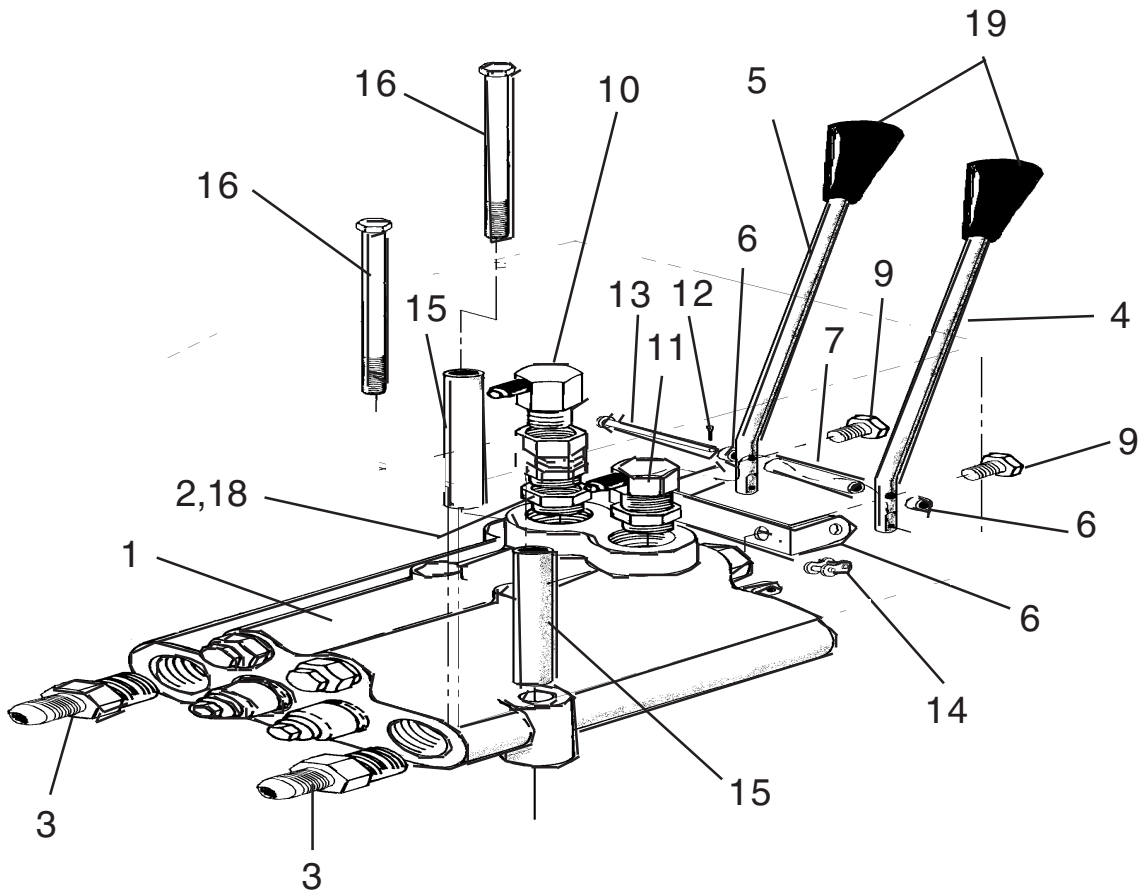
Item	Part No.	Qty	Description
	02888200	--	Control Valve Asy, W/Fittings
1	02993602	1	Hyd Control Valve, 2 Spool
2	00751974	2-ref	Detent Kit
3	00751140	1-ref	Relief Valve Kit, HP
4	00751142	2-ref	Handle Asy Kit
5	02889500	1	Elbow, 45 Deg.
6	02049100	1	Elbow, 90 Deg.
7	02811300	1	Check Valve
8	02822100	2	Elbow
9	00749508	2	Plug
10	0221900	1	Plug, Hex SKT 3/4 NPT

NOTE: S/N Change Aug. 1987 S/N's ended with # 47000
and Sep. 1987 started a new series with # 01001

Apr. 1994
to
May 1998

Control Valve, 2 Spool Versa Mower 60" & 72" Models P/N 02955871

S/N VS-03179
to
S/N VS-04596



Apr. 1994
to
May 1998

**Control Valve, 2 Spool
Versa Mower
60" & 72" Models
P/N 02955871**

S/N VS-03179
to
S/N VS-04596

Item	Part No.	Qty	Description
	02965871	--	Control Valve As
1*	02965872	1	Control Valve
2*	00751521	1	Adapter, Straight
3*	00696800	2	Adapter, Straight
4	02966398	1	Handle, LH
5	02966399	1	Handle, RH
6	02966397	2	Short Spacer
7	02966396	1	Long Spacer
8	02966395	1	Handle Bracket
9	00752645	2	Bolt
10*	02823100	1	Elbow, 90 Deg
11*	03200762	1	Elbow, 90 Deg.
12	02968698	1	Cotter Pin
13	02966871	1	Clevis Pin
14	02966870	2	Master Link
15	02966401	2	Cover, Not shown
16	02967062	2	Cover Bolt
17	02966400	1	Cover
18*	00765373	1	Restrictor
19	02966746	2	Tapered Knob

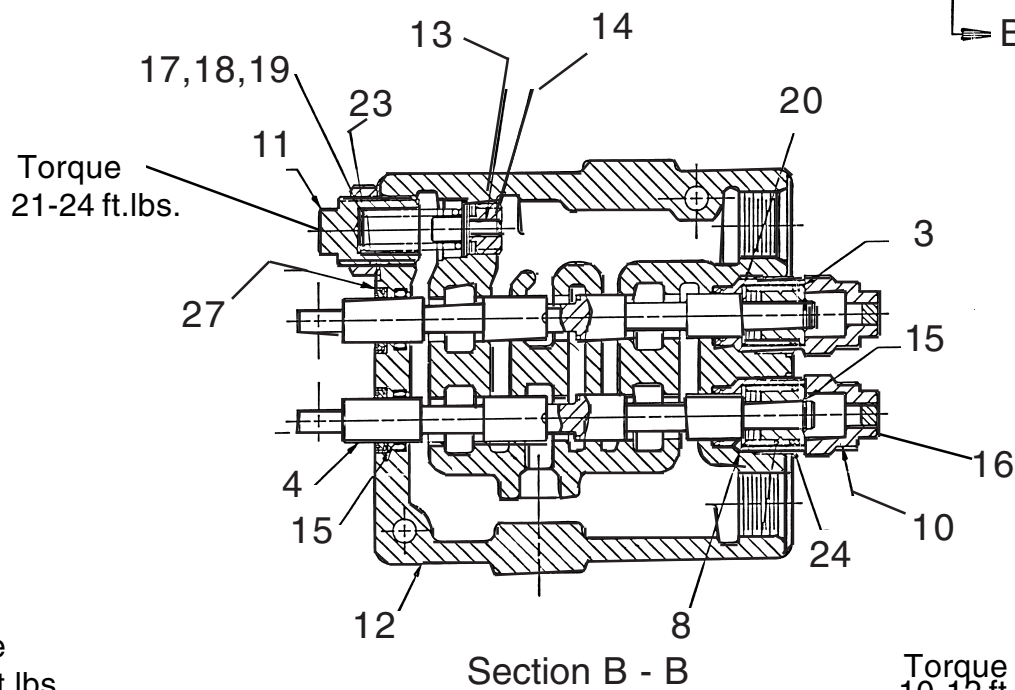
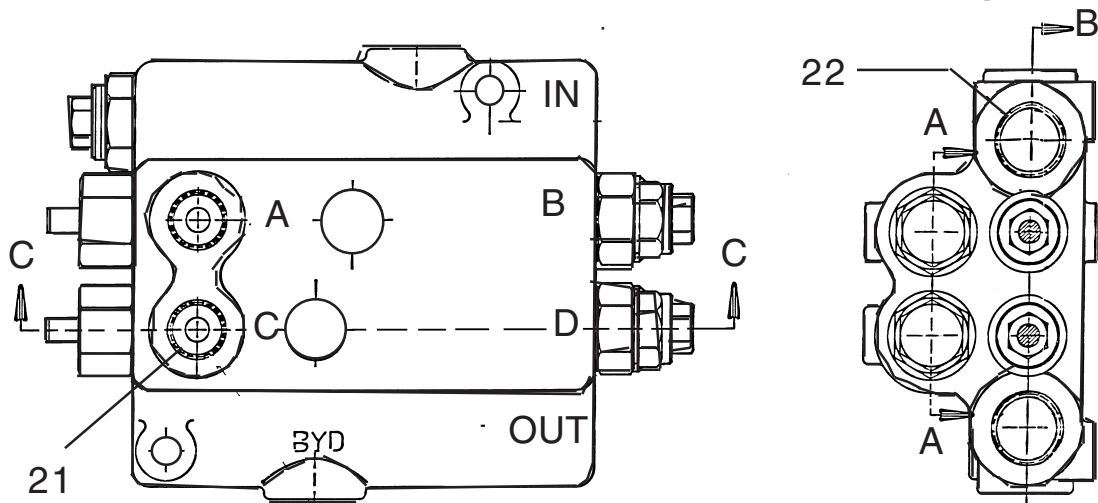
* Included in Control Valve Assembly P/N 02965871

**FOR ADDITIONAL REPAIR
PARTS FOR THIS VALVE SEE
NEXT 2 PAGES**

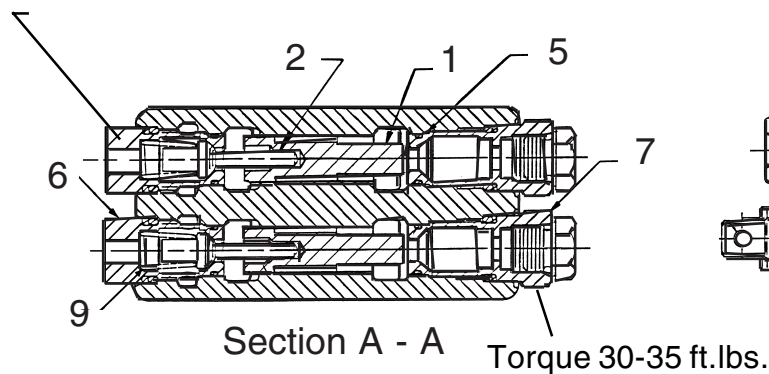
Apr. 1994
to
May 1998

Control Valve, 2 Spool Versa Mower 60" & 72" Models P/N 02955871 Repair Parts Only

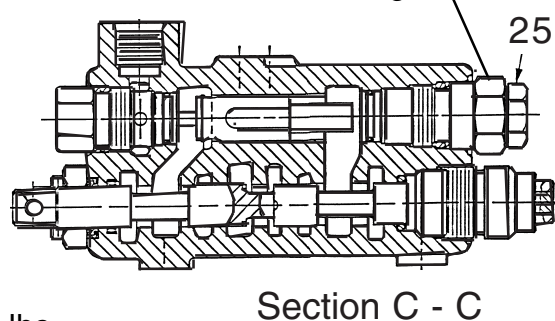
S/N VS-03179
to
S/N VS-04596



Torque
30-35 ft.lbs.



Torque
10-12 ft.lbs.
2 Plugs



Apr. 1994
to
May 1998

Control Valve, 2 Spool
Versa Mower
60" & 72" Models
P/N 02955871

S/N VS-03179
to
S/N VS-04596

Item	Part No.	Qty	Description
	02984068	–	Control Valve Assy, CAB
	02984069		Control Valve Assy, ROPS
1*	02965872	1	Control Valve
2*	00751521	1	Adapter, Straight
3*	00696800	2	Adapter, Straight
4	02966398	1	Handle, LH
5	02966399	1	Handle, RH
6	02966397	2	Short Spacer
7	02966396	1	Long Spacer
8	02966395	1	Handle Bracket
9	00752645	2	Bolt
10*	02823100	1	Elbow, 90 Deg
11*	03200762	1	Elbow, 90 Deg.
12	02968698	1	Cotter Pin
13	02966871	1	Clevis Pin
14	02966870	2	Master Link
15	02966401	2	Cover, Not shown
16	02967062	2	Cover Bolt
17	02966400	1	Cover
18*	00765373	1	Restrictor
19	02966746	2	Tapered Knob

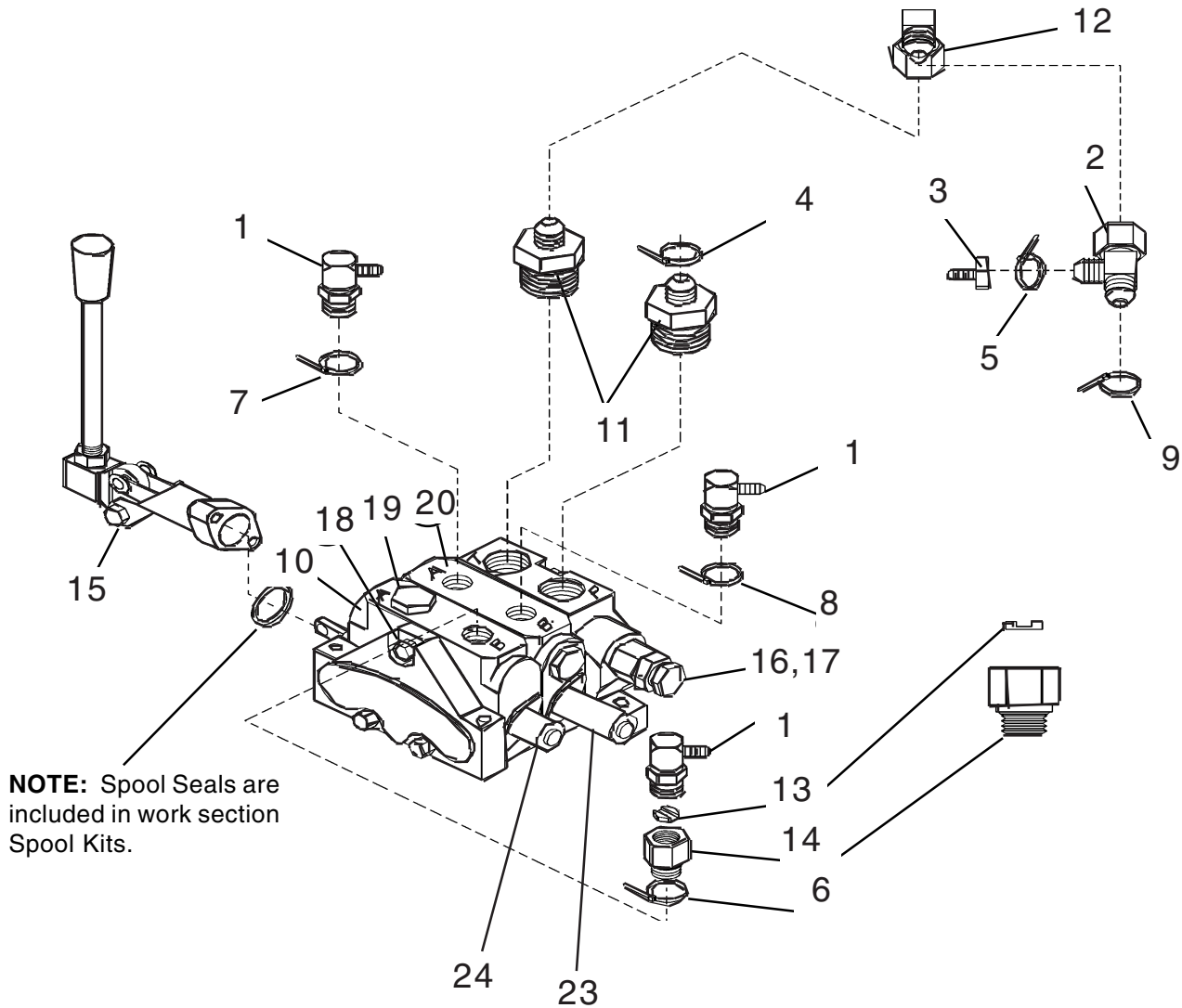
* Included in Control Valve Assembly P/N 02965871

FOR ADDITIONAL REP AIR
PARTS FOR THIS VALVE SEE
NEXT 2 PAGES

Jun. 1998
to
Current

Control Valve, 2 Spool Versa Mower 60" & 72" Models P/N 02971283

S/N VS-04597
to
S/N VS-Current



Jun. 1998
to
Current

Control Valve, 2 Spool
Versa Mower
60" & 72" Models
P/N 02971283

S/N VS-04597
to
S/N VS-Current

Item	Part No.	Qty	Description
	02971283	–	Control Valve Asy
*	02969131	–	Valve Only
1*	02962249	3	Adapter Hyd. Elbow
2*	02967150	1	Adapter Hyd. Tee
3*	02967151	1	Adapter Hyd. Straight
4*	02968828	1	Vinyl Tape Red 1/2" Wide
5*	02968830	1	Vinyl Tape Blue 1/2" Wide
6*	02968831	1	Vinyl Tape Blue 1/4" Wide
7*	02968832	1	Vinyl Tape Green 1/2" Wide
8*	02968833	1	Vinyl Tape Green 1/4" Wide
9*	02968834	1	Vinyl Tape Orange 1/2" Wide
10 *	02969131	1	Directional Control Valve
11*	63042700	2	Adapter Hyd. Straight
12*	02761100	1	Adapter Hyd. Elbow
13*	02969399	1	Orifice Plate
14*	02972159	1	Adapter Hyd. Straight
15	02971207	2-ref	Kit, Valve Handle
16	02973223	1	Main Relief
17	02972795	1	Seal Kit, Main Relief
18	02972792	1	Seal Kit, Outlet Sect.
19	02972794	1	Seal Kit, GC Work Sect.
20	02972793	1	Seal Kit, Work Sect.
21	02975195	1	Detent Kit
22	02975212	1	Retainer Spool Seal
23	02976959	1	Cap, Detent, Long
24	02976960	1	Cap, Detent, Short
25	02975140	1	Shoulder Bolt to Return Spring (Not Shown)

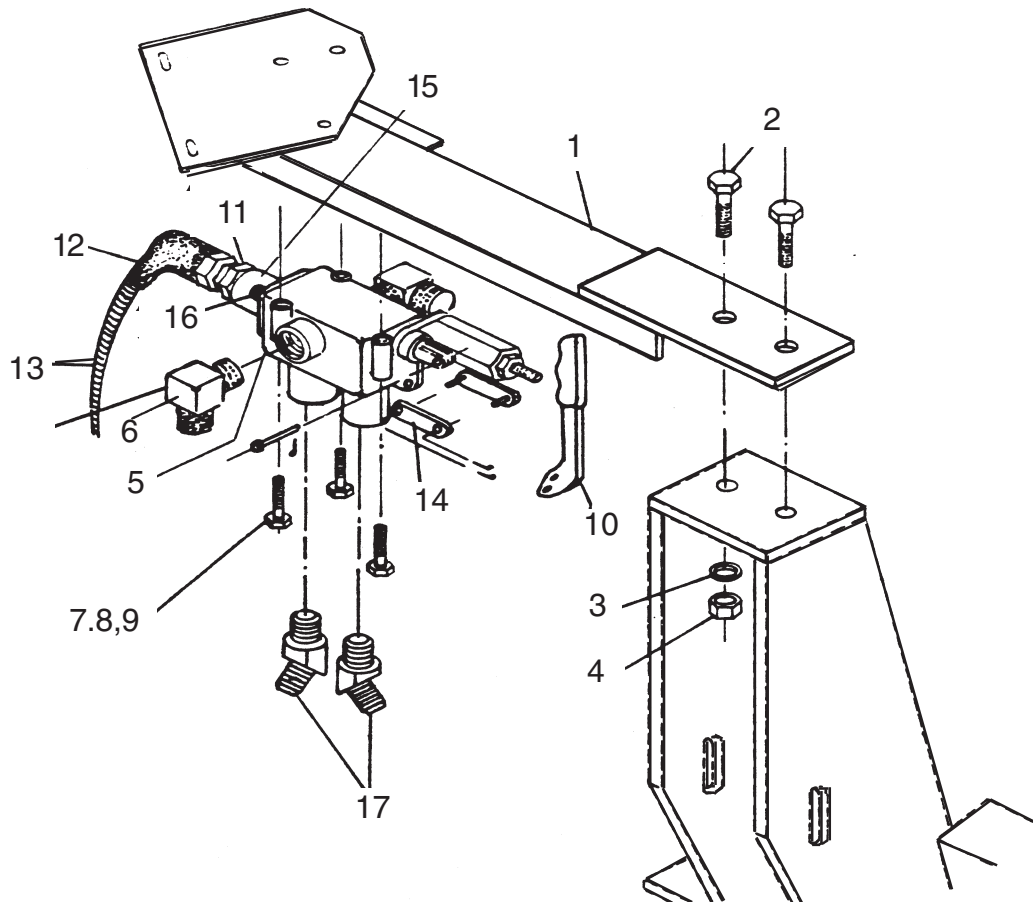
02971283 includes Items 1 thru 14 & Items 16 thru 25

02969131 includes Items 16 thru 25

Feb. 1982
to
Aug. 1985

CONTROL VALVE MOUNT VERSA MOWER

S/N VS-39383
to
S/N VS-43475

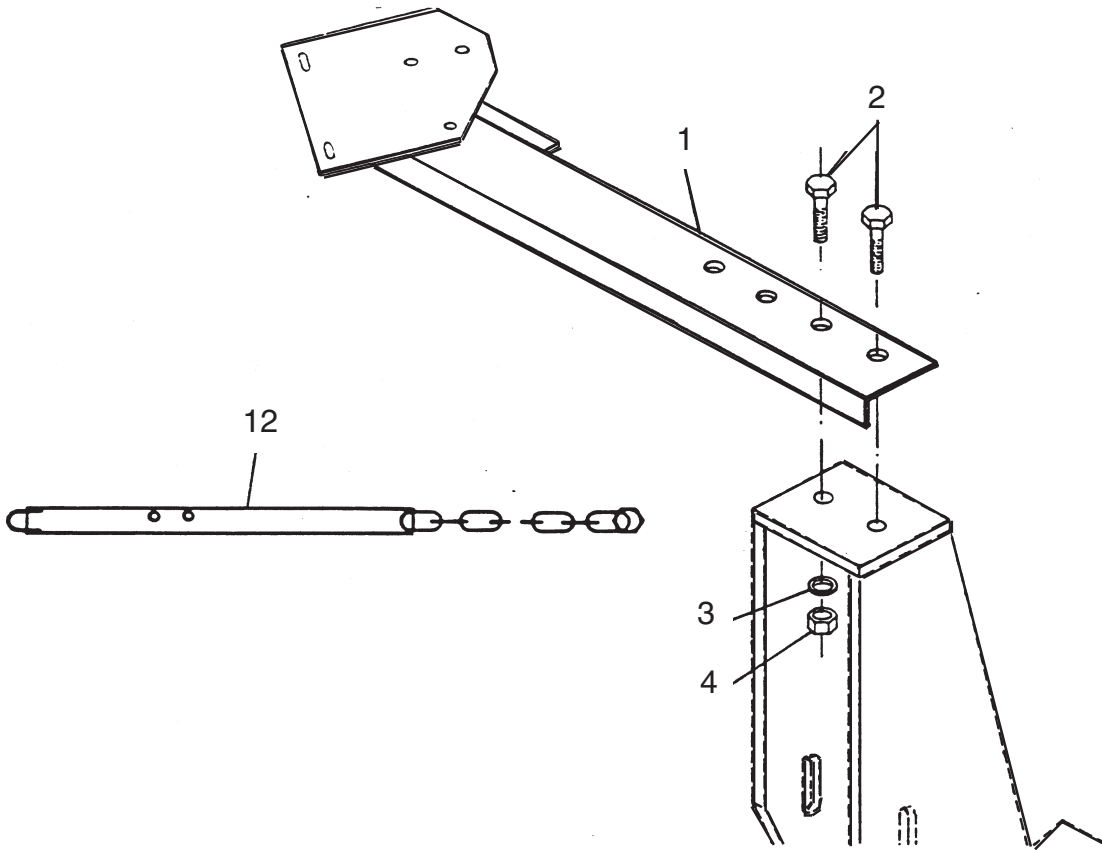


Item	Part No.	Qty	Description
1	02881200	1	Valve Mount Weldment
2	00008300	2	Bolt
3	00010300	2	Lockwasher
4	00010400	2	Nut
5	02881900	1	Cutter Valve Assembly
6	02042600	2	Elbow
7	00016200	3	Bolt
8	00011700	3	Lockwasher
9	00021800	3	Nut
10	02882100	1	Handle Assembly
11	02775000	1	Switch
12	02775100	1	Boot
13	02775200	1	Wire Harness
14	02775600	1	Linkage Assembly, Handle
15	02050200	1	Detent Cap
16	02657900	2	Bolt, Allen Head
17	02889000	2	Elbow, Adapter

Sep. 1985
to
Apr. 1994

CONTROL VALVE MOUNT VERSA MOWER

S/N VS-43476
to
S/N VS-03220



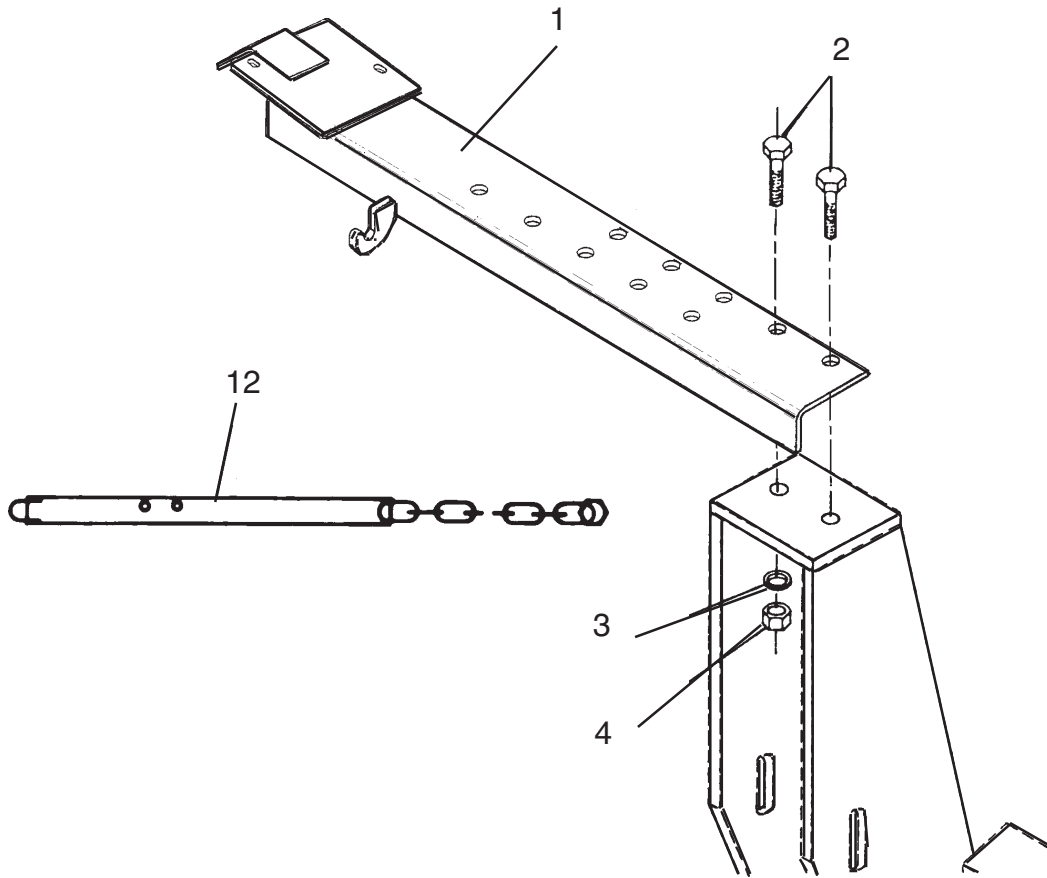
Item	Part No.	Qty	Description
	02881100	--	Control Valve Console Assembly
1	02958270	1	Support Arm Valve Mt. Weldment
2	00008300	2	Bolt
3	00010300	2	Lockwasher
4	00010400	2	Nut
5*	00012101	2	Lockwasher
6*	00013901	2	Nut
7*	02958328	1	Solenoid Cutter Valve Assembly
8*	02957625	1	Push Pull Switch
9*	02957626	1	Contact Block
10*	02957009	2	Bolt
11*	02958203	1	Wire Harness
12	02957364	1	Head Retainer Assembly (Consist of Items Below)
	02957363	1	Head Retainer Weldment
	00010300	1	Lockwasher
	00010400	1	Nut

* These Parts are not shown, but are part of assembly p/n 02881100

May 1994
to
Current

CONTROL VALVE MOUNT VERSA MOWER

S/N VS-03221
to
S/N VS-Current



ITEM	PART NO.	QTY	DESCRIPTION
1	02958270	1	Support Arm Valve Mt. Weldment (For 02888200 Valve)
	02966494	1	Support Arm Valve Mt. Weldment (For 02965872 Valve)
2	00008300	2	Bolt
3	00010300	2	Lockwasher
4	00010400	2	Nut
*	00011100	2	Flat Washer
*	00015800	2	Locknut
*	02961090	1	Solenoid Cutter Valve Assembly
*	02964028	1	Push Pull Switch
*	02964063	1	Knob, Switch
*	02957009	2	Bolt
*	02958203	1	Wire Harness
12	02957364	1	Head Retainer Assembly
	02957363	1	Head Retainer Weldment
	00010300	1	Lockwasher
	00010400	1	Nut

* These Parts are not shown, but are part of assembly p/n 02961145

VERSA MOWER (Archive Book) 09/01

© 2001 Alamo Group Inc.

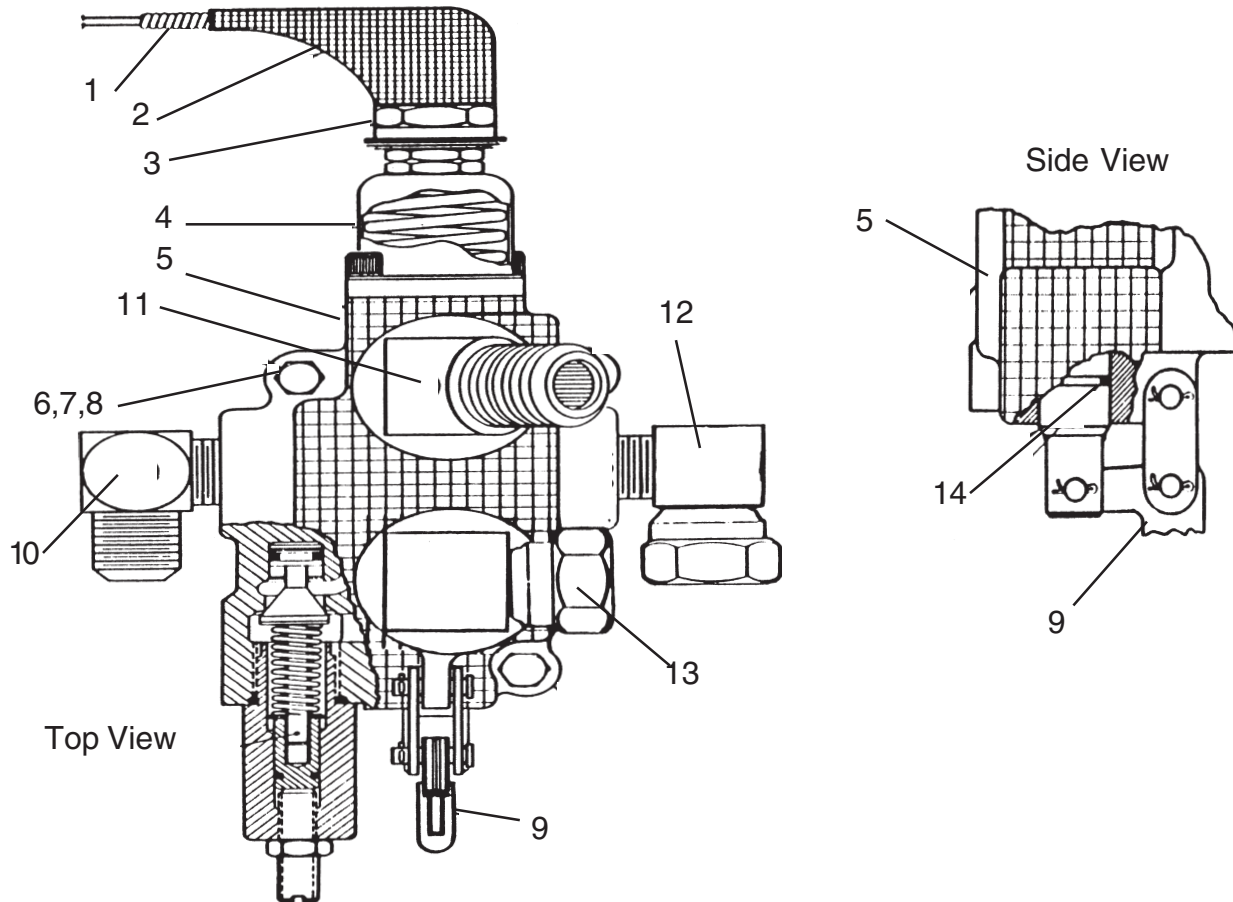
Parts Section - 142

NOTES

Feb. 1982
to
Aug. 1985

CUTTER VALVE VERSA MOWER MECHANICAL VALVE P/N 02881900

S/N VS-39383
to
S/N VS-43475



Item	Part No.	Qty	Description
	02881900	--	Cutter Valve Asy
1	02775200	1	Wiring Harness
2	02775100	1	Boot
3	02775000	1	Safety Switch
4	02051200	1	Detent cap
5	02040600	1	Valve w/ Safety Switch
6	00016200	3	Bolt
7	00011700	3	Lockwasher
8	00021800	3	Nut
9	02882100	1	Handle Assembly
10	02042600	1	Elbow, 90 Deg.
11	02889000	1	Elbow Adapter, 45 Deg.
12	02937300	1	Elbow
13	02957228	1	Elbow
14	02657400	1	Quad Ring & O-Ring Kit

Feb. 1982
to
Aug. 1985

CUTTER VALVE VERSA MOWER MECHANICAL VALVE REPAIR PARTS P/N 02881900

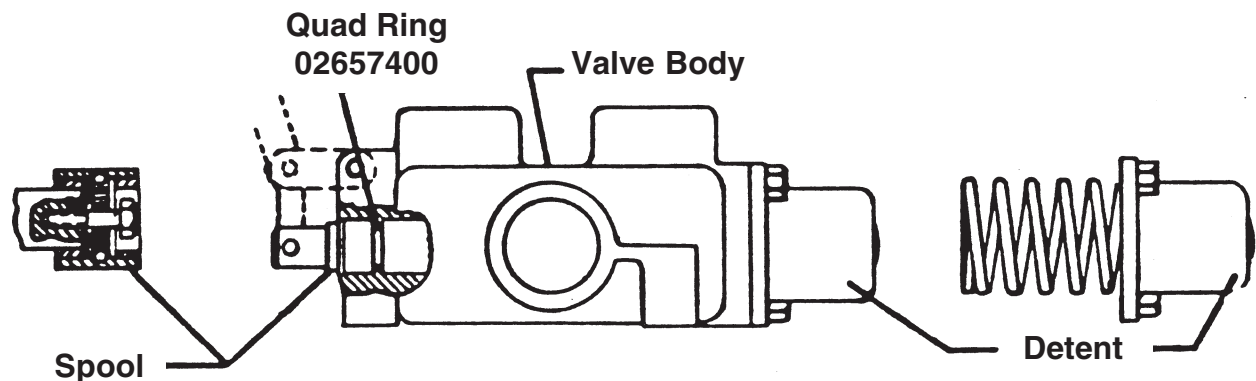
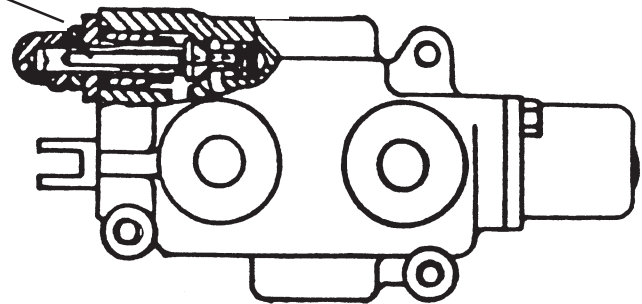
S/N VS-39383
to
S/N VS-43475

Relief Valve Repair Kit

02719000

Consist Of

- 1 - Washer (Large)
- 1 - Adj. Screw
- 1 - Jam Nut
- 1 - O-Ring (Large)
- 1 - O-Ring (Small)
- 1 - Spring
- 1 - Poppet relief



Spool Detent Repair Kit

02719100

Consist Of

- 1 - Bushing
- 1 - Holder Ball
- 2 - Balls
- 2 - Springs
- 1 - Lockwasher
- 1 - Screw Relief Valve
- 1 - Poppet relief

Detent Repair Kit

02771400

Consist Of

- 1 - O-Ring
- 1 - Washer
- 1 - End Plug
- 1 - Plug
- 2 - Screws

Valve Safety Switch Kit

02051100

Consist Of

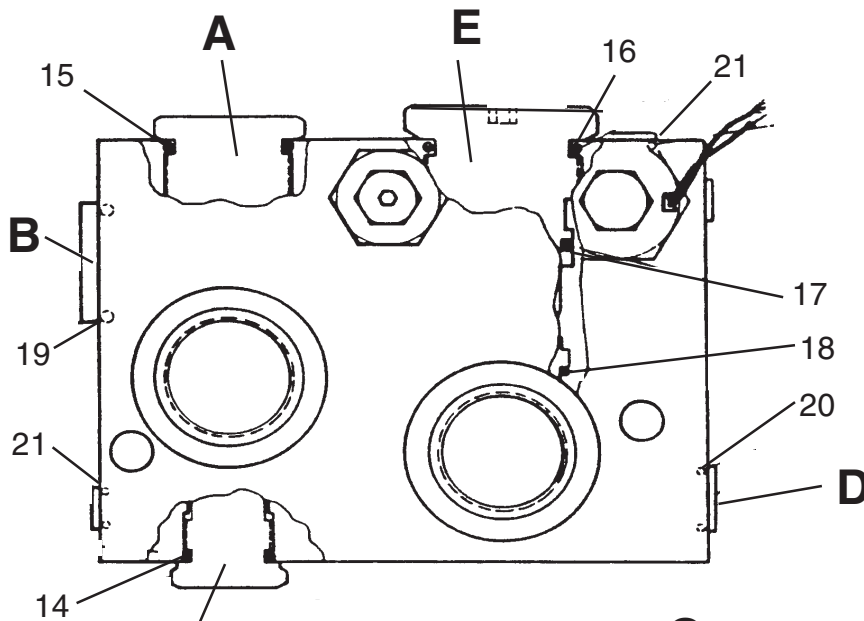
- 1 - Detent Cap
- 1 - Safety Switch
- 1 - Rubber Boot
- 2 - Wire Splice
- 1 - O-Ring (Small)
- 2 - Wire, (7 ft of 12 ga.)

Sep. 1985
to
May 1986

CUTTER VALVE VERSA MOWER ELECTRICAL VALVE

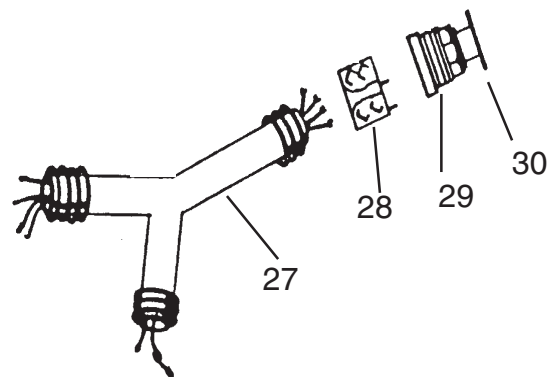
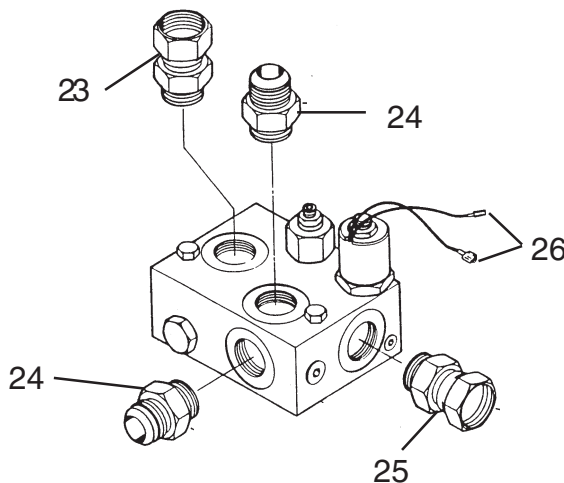
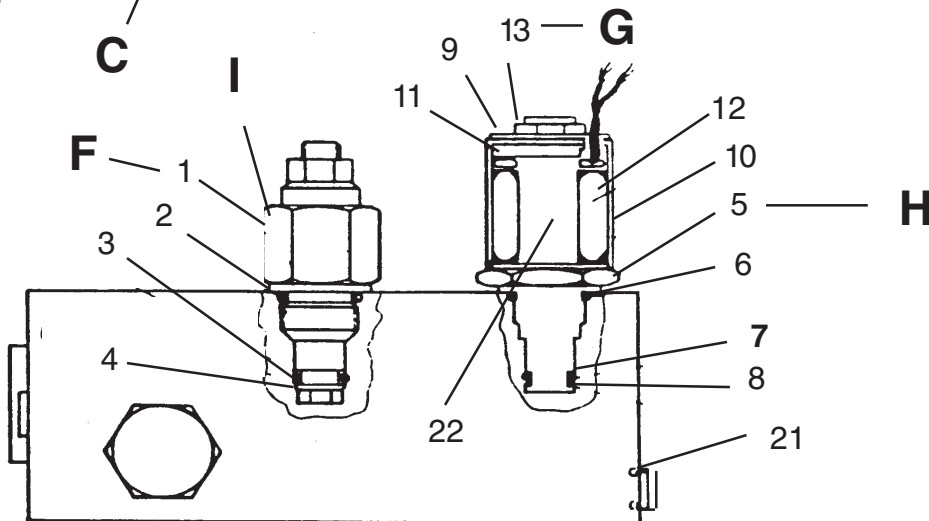
S/N VS-43476
to
S/N VS-44986

P/N 02958328 (with Fittings) & 02958036 (w/o fittings)



Torque Settings

- A = 40 - 50 ft lbs
- B = 20 - 25 ft lbs
- C = 16 - 20 ft lbs
- D = 8 - 10 ft lbs
- E = 80 - 90 ft lbs.
- F = 16 - 20 ft lbs
- G = 4 - 5 ft lbs
- H = 20 - 25 ft lbs
- I = 16 - 20 ft lbs



VERSA MOWER (Archive Book) 10/01

Sep. 1985
to
May 1986

CUTTER VALVE VERSA MOWER ELECTRICAL VALVE

S/N VS-43476
to
S/N VS-44986

P/N 02958328 (with Fittings) & 02958036 (w/o fittings)

Item	Part No.	Qty	Description
1	02958281	1	Relief Cartridge W/ Seals
2	02958282	1	O-Ring
3	02958283	1	Back-Up Ring
4	02958284	1	O-Ring
5*	02958285	1	Solenoid W/ Seals & Less Coil Item #12
6	02958286	1	O-Ring
7	02958287	1	O-Ring
8	02958288	1	Back-Up Ring, Teflon
9	02958289	1	ID Plate, Blank
10	02958290	1	Shell (Not Shown)
11	02958291	1	Plate
12	02958292	1	Coil Asy
13	02958293	1	Nut
14	02958295	1	O-Ring
15	02958296	1	O-Ring
16	02958297	1	O-Ring
17	02958298	1	O-Ring
18	02958299	1	O-Ring
19	02958300	1	O-Ring
20	02958301	1	O-Ring
21	02958302	3	O-Ring
22	02958294	1	Solenoid Asy W/ Slide Terminal (Includes Items # 5 Thru 13 & Item # 26)
23	02958313	1	Adapter, Straight
24	02957622	2	Adapter, Straight
25	02957624	1	Adapter, Straight
26	01162800	2	Slide Terminal
27	02958203	1	Wire Harness
28	02957626	1	Contact Block
29	02957625	1	Switch, Push Pull
30	02959384	1	Knob, Red (for Item # 29)

* Part Number 02958285 (Item # 5 does NOT include Coil Asy item # 12)

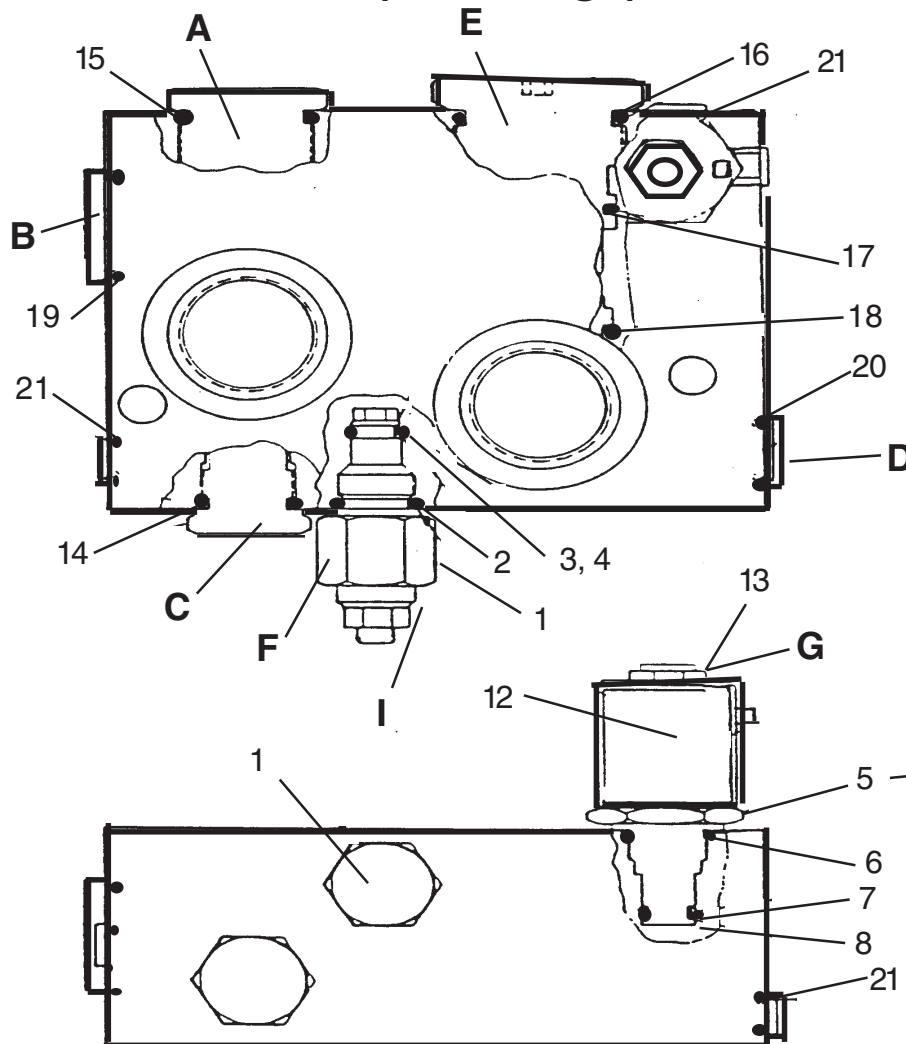
NOTE: All Torque Settings Listed in Drawing are Critical and should not be Exceeded. DO NOT make repairs to this component when Hot or While Unit is running, If replacing this Assembly Complete a later Type Valve will be shipped and may vary in design, Some modifications may be required, Look at all drawing and/or instructions shipped with replacement Parts is important.

Jun. 1986
to
Oct. 1987

CUTTER VALVE VERSA MOWER ELECTRICAL VALVE

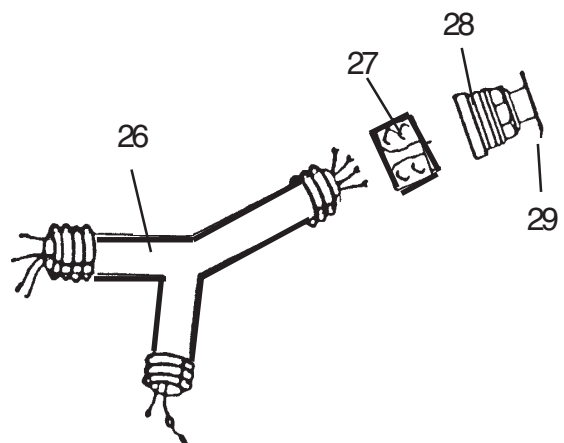
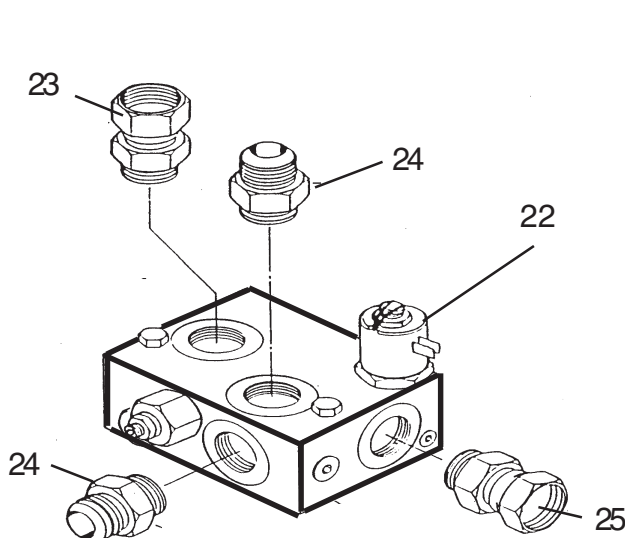
S/N VS-44987
to
S/N VS-01034

P/N 02959453 (w/ Fittings) & 02959468 (w/o Fittings)



Torque Settings

- A = 40 - 50 ft lbs
- B = 20 - 25 ft lbs
- C = 16 - 20 ft lbs
- D = 8 - 10 ft lbs
- E = 80 - 90 ft lbs.
- F = 16 - 20 ft lbs
- G = 4 - 5 ft lbs
- H = 20 - 25 ft lbs
- I = 16 - 20 ft lbs



SPECIAL NOTE:

Aug 1987 S/N ended with S/N 47000 & started in Sep. 1987 with S/N 01001

Jun. 1986
to
Oct 1987

CUTTER VALVE VERSA MOWER ELECTRICAL VALVE

S/N VS-44987
to
S/N VS-01034

P/N 02959453 (w/ Fittings) & 02959468 (w/o Fittings)

Item	Part No.	Qty	Description
1	02959459	1	Relief Cartridge W/ Seals
2	02959460	1	O-Ring
3	02959461	1	Back-Up Ring, Teflon
4	02959462	1	O-Ring
5*	02958285	1	Solenoid W/ Seals & Less Coil Item #12
6	02958286	1	O-Ring
7	02958287	1	O-Ring
8	02958288	1	Back-Up Ring, Teflon
9	02958289	1	ID Plate, Blank (Not Shown)
10	02958290	1	Shell (Not Shown)
11	02958291	1	Plate (Not Shown)
12	02958292	1	Coil Assembly
13	02958293	1	Nut
14	02958295	1	O-Ring
15	02958296	1	O-Ring
16	02958297	1	O-Ring
17	02958298	1	O-Ring
18	02958299	1	O-Ring
19	02958300	1	O-Ring
20	02958301	1	O-Ring
21	02958302	3	O-Ring
22	02958294	1	Solenoid Asy W/ Slide Terminal (Includes Items # 5 Thru 12)
23	02958313	1	Adapter, Straight
24	02957622	2	Adapter, Straight
25	02957624	1	Adapter, Straight
26	02958203	1	Wire Harness
27	02957626	1	Contact Block
28	02957625	1	Switch, Push Pull
29	02959384	1	Knob, Red (for Item # 29)
30	02959465	--	Seal Kit (Includes Items 2,3,4,6,7,8,14,15,16,17,18)

* Part Number 02958285 (Item # 5 does NOT include Coil Asy item # 12)

NOTE: All Torque Settings Listed in Drawing are Critical and should not be Exceeded. DO NOT make repairs to this component when Hot or While Unit is running, If replacing this Assembly Complete a later Type Valve will be shipped and may vary in design, Some modifications may be required, Look at all drawing and/or instructions shipped with replacement Parts is important.

NOTE: S/N Change Aug. 1987 S/N's ended with # 47000 and Sep. 1987 started a new series with # 01001

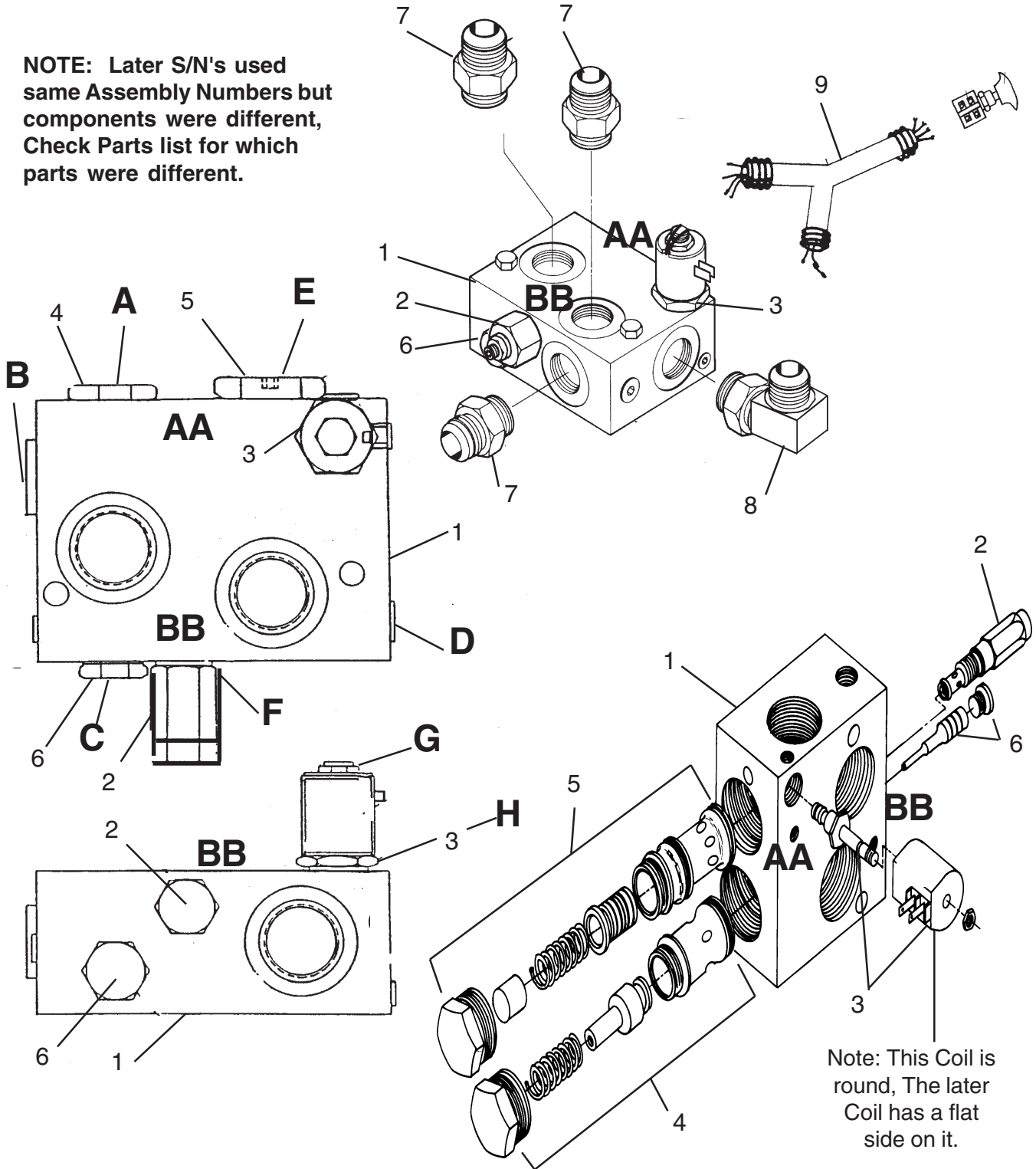
Nov. 1987
to
Jul. 1992

CUTTER VALVE VERSA MOWER ELECTRICAL VALVE

S/N VS-01035
to
S/N VS-02490

P/N 02961090 (w/ Fittings) & 02960565 (w/o Fittings)

NOTE: Later S/N's used same Assembly Numbers but components were different, Check Parts list for which parts were different.



Nov. 1987
to
Jul. 1992

CUTTER VALVE VERSA MOWER ELECTRICAL VALVE

S/N VS-01035
to
S/N VS-02490

P/N 02961090 (w/ Fittings) & 02960565 (w/o Fittings)

Item	Part No.	Qty	Description
1	02960565	--	Cutter Valve Asy
2	02961261	1	Relief Cartridge W/ Seals
	02961262	--	Relief Valve Seal Kit
3	02961265	1	Solenoid Valve w/ Seals, Complete
	02961264	--	Solenoid Valve Cartridge
	02961263	--	Solenoid Coil Only
	02961266	--	Solenoid Valve Seal kit
4	02961269	1	Check Valve
	02961270	--	Seal Kit, Check valve
5	02961267	1	Logic valve
	02961268	--	Seal kit, Logic Valve
6	02961271	1	Pilot Piston w/Seals
	02972768	1	Plug
7	02960807	3	Adapter, Straight
8	02961003	1	Adapter, Straight
9	02958203	1	Wire Harness
10	02964028	1	Switch, Push Pull
11	02964063	1	knob

Torque Settings

A = 40 - 50 ft lbs

B = 20 - 25 ft lbs

C = 16 - 20 ft lbs

D = 8 - 10 ft lbs

E = 80 - 90 ft lbs.

F = 16 - 20 ft lbs

G = 4 - 5 ft lbs

H = 20 - 25 ft lbs

NOTE: All Torque Settings Listed in Drawing are Critical and should not be Exceeded. DO NOT make repairs to this component when Hot or While Unit is running, If replacing this Assembly Complete a , Look at all drawing and/or instructions shipped with replacement Parts is important.

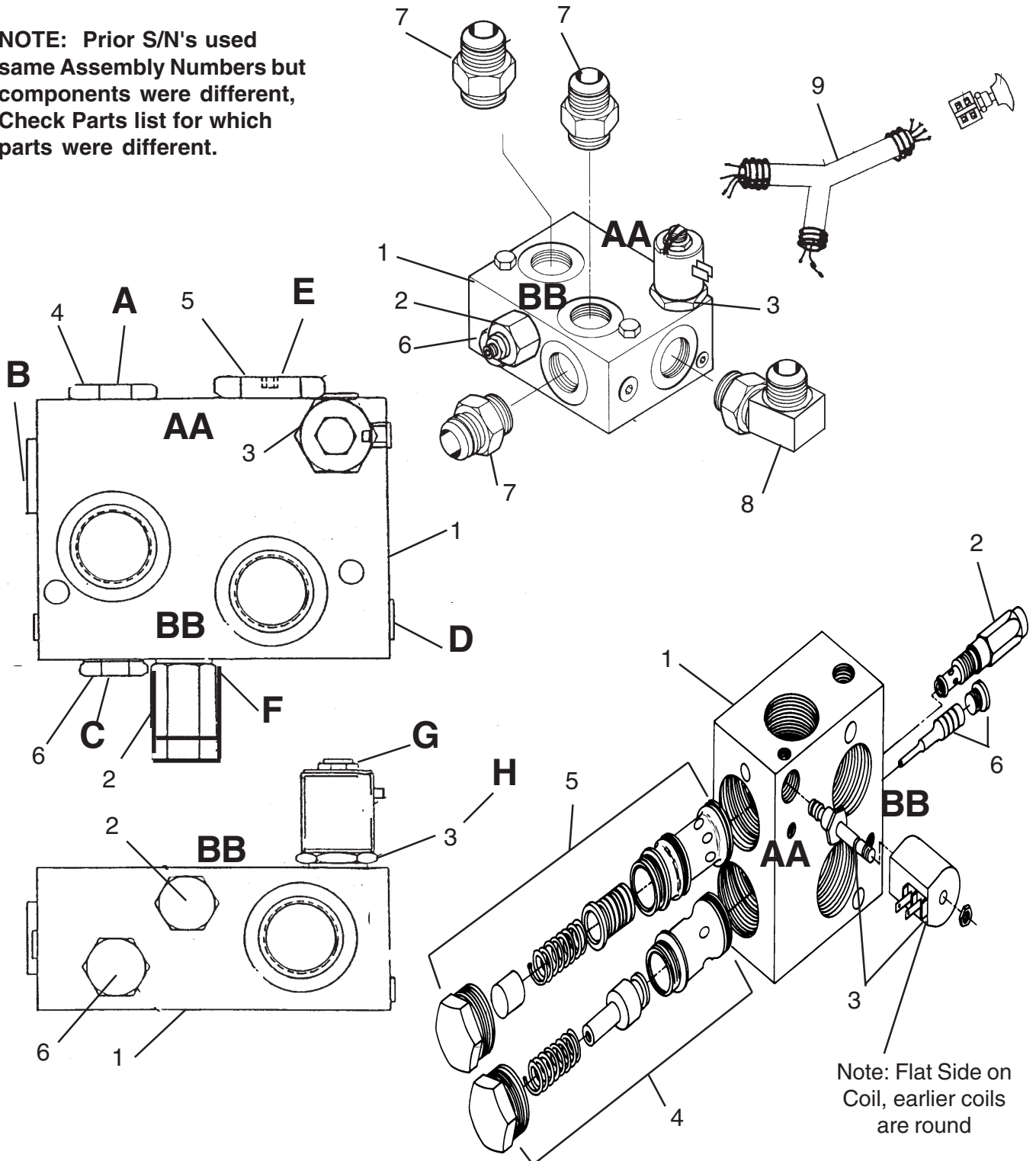
Aug. 1992
to
Current

CUTTER VALVE VERSA MOWER ELECTRICAL VALVE

S/N VS-02491
to
S/NVS-Current

P/N 02961090 (w/ Fittings) & 02960565 (w/o Fittings)

NOTE: Prior S/N's used same Assembly Numbers but components were different, Check Parts list for which parts were different.



Aug. 1992
to
Current

CUTTER VALVE VERSA MOWER ELECTRICAL VALVE

S/N VS-02491
to
S/N VS-Current

P/N 02961090 (w/ Fittings) & 02960565 (w/o Fittings)

Item	Part No.	Qty	Description
1	02960565	--	Cutter Valve Asy
2	02961261	1	Relief Cartridge With Seals
	02961262	--	Relief Valve Seal Kit
3	02965223	1	Solenoid Valve w/ Seals, Complete
	02965221	--	Solenoid Valve Cartridge
	02965222	--	Solenoid Coil Only
	02961266	--	Solenoid Valve Seal kit
4	02961269	1	Check Valve
	02961270	--	Seal Kit, Check valve
5	02961267	1	Logic valve
	02961268	--	Seal kit, Logic Valve
6	02961271	1	Pilot Piston w/Seals
	02972768	1	Plug
7	02960807	3	Adapter, Straight
8	02961003	1	Adapter, Straight
9	02958203	1	Wire Harness
10	02964028	1	Switch, Push Pull
11	02964063	1	knob

Torque Settings

A = 40 - 50 ft lbs

B = 20 - 25 ft lbs

C = 16 - 20 ft lbs

D = 8 - 10 ft lbs

E = 80 - 90 ft lbs.

F = 16 - 20 ft lbs

G = 4 - 5 ft lbs

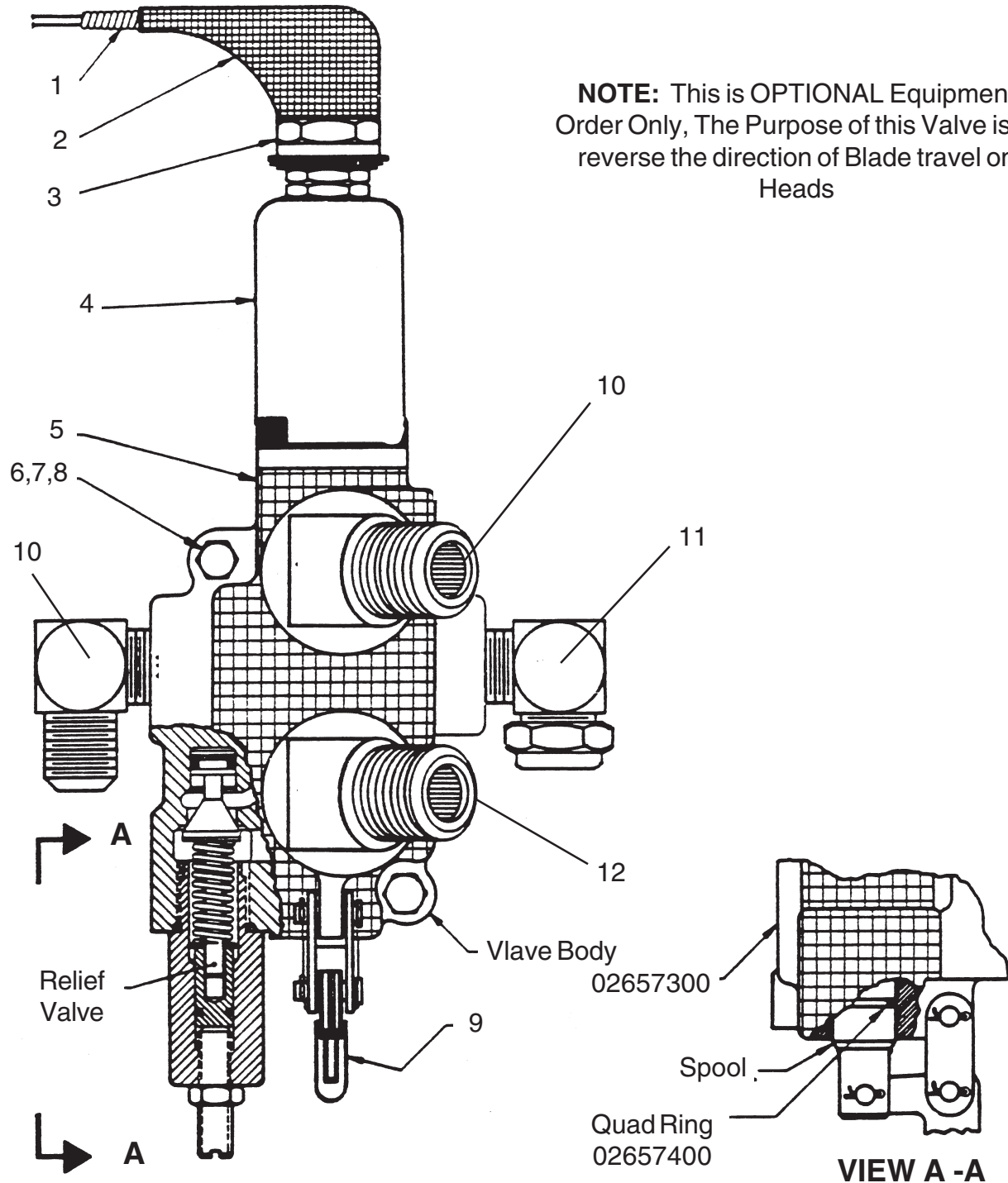
H = 20 - 25 ft lbs

NOTE: All Torgue Settings Listed in Drawing are Critical and should not be Exceeded. DO NOT make repairs to this component when Hot or While Unit is running, If replacing this Assembly Complete a , Look at all drawing and/or instructions shipped with replacement Parts is important.

Feb. 1982
to
Current

S/N VS-39383
to
S/N VS-Current

CUTTER VALVE VERSA MOWER Mechanical Valve Reversing Valve P/N 02957254 OPTIONAL



VERSA MOWER (Archive Book) 10/01

Feb. 1982
to
Current

**CUTTER VALVE
VERSA MOWER
Mechanical Valve
Reversing Valve P/N 02957254
OPTIONAL**

S/N VS-39383
to
S/N VS-Current

Item	Part No.	Qty	Description
1	02775200	1	Wiring Harness
2	02775100	1	Boot
3	02956996	1	Safety Switch
4	02957002	1	Detent Kit Assembly
5	02040600	1	Valve, W/ Safety Switch
6	02957043	3	Bolt
7	00011700	3	Lockwasher
8	00021800	3	Nut
9	02882100	1	Handle Assembly
10	02042600	2	Elbow
11	02937300	1	Elbow
12	02957228	1	Elbow

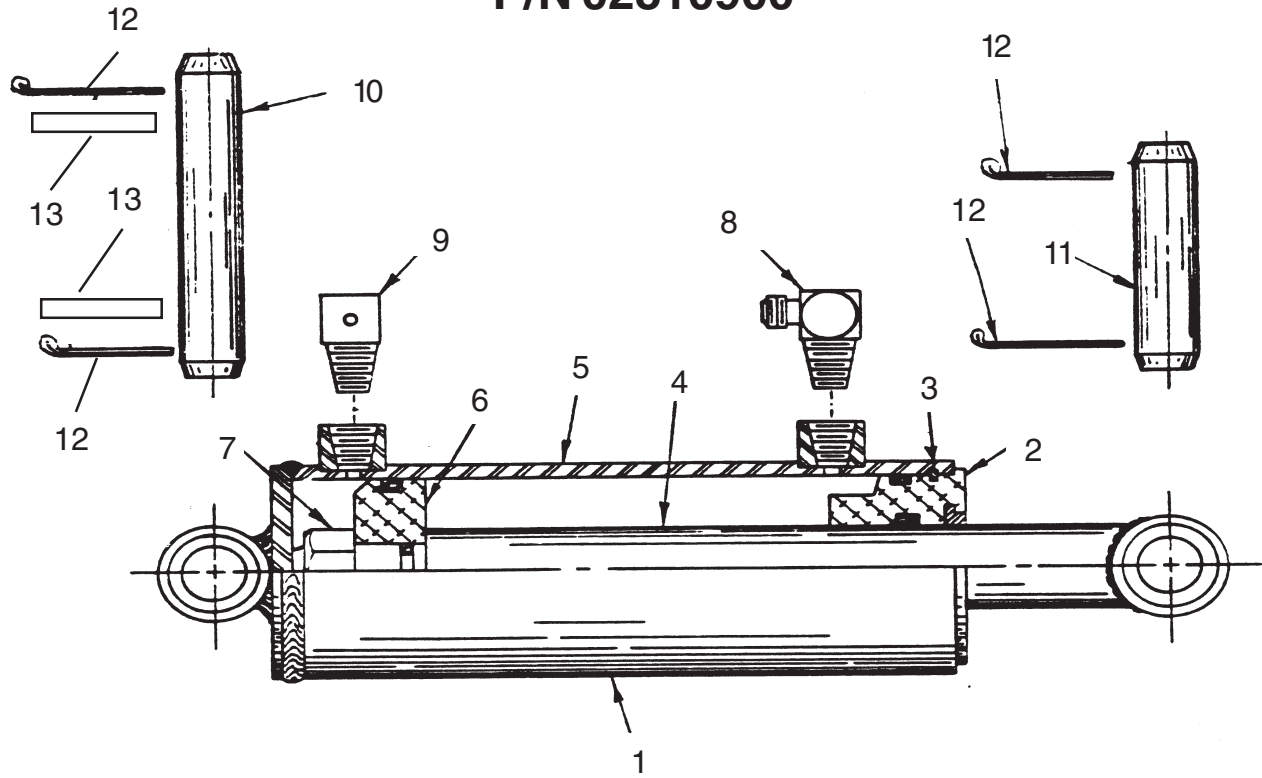
**Relief Valve Repair Kit
P/N 02719000 Consist of:**

- 1 - Washer, Large
- 1 - Washer, Small
- 1 - Adj. Screw
- 1 - Jam Nut
- 1 - Plug End
- 1 - O-Ring, Large
- 1 - O-Ring, Small
- 1 - Spring
- 1- Poppet Relief

Feb. 1982
to
May 1988

LIFT CYLINDER VERSA MOWER P/N 02810900

S/N VS-39383
to
S/N VS-01244



Item	Part No.	Qty	Description
1	02810900	1	Cylinder Only
2	02840100	1	Gland (See 02841300)
3	-----	1	Lockwire (See Seal Kit)
4	02840200	1	Rod Asy
5	02840300	1	Barrel Asy
6	02840400	1	Piston
7	02840500	1	Locknut
8	02822100	1	Elbow
9	00750208	1	Plug, Breather
10	02880800	1	Pin (Dead End)
11	02930200	1	Pin (Rod End)
12	00606000	4	Cotter Pin (Select Type Used)
	45000000	AR	Hair Pin (Not SHown)
13	02822500	2	Washer
14	02840000	1	Seal Kit

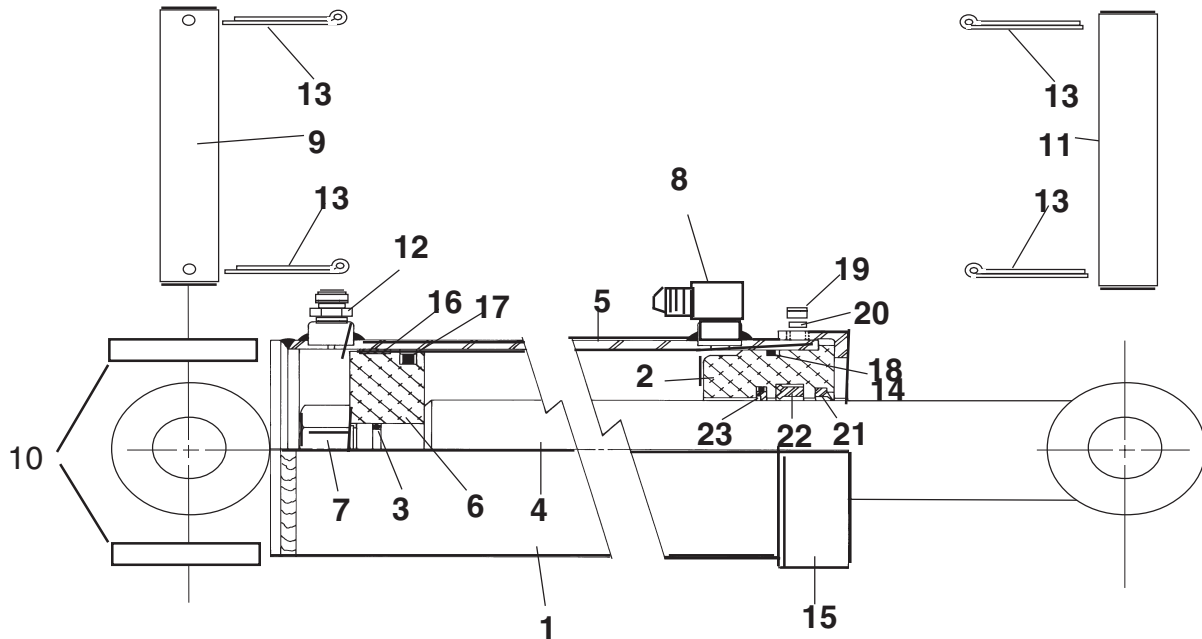
SEAL KIT Consist of

1 - Gland Static Seal	1 - Rod Seal	1 - Piston Seal
2 - Buack-up Rings	1 - Rod Wiper	1 - Rod Static Seal
1 - Rod Back-up Seal	1 - Lockwire	

Jun. 1988
to
Current

LIFT CYLINDER VERSA MOWER P/N 02961484

S/N VS-01245
to
S/N VS-Current

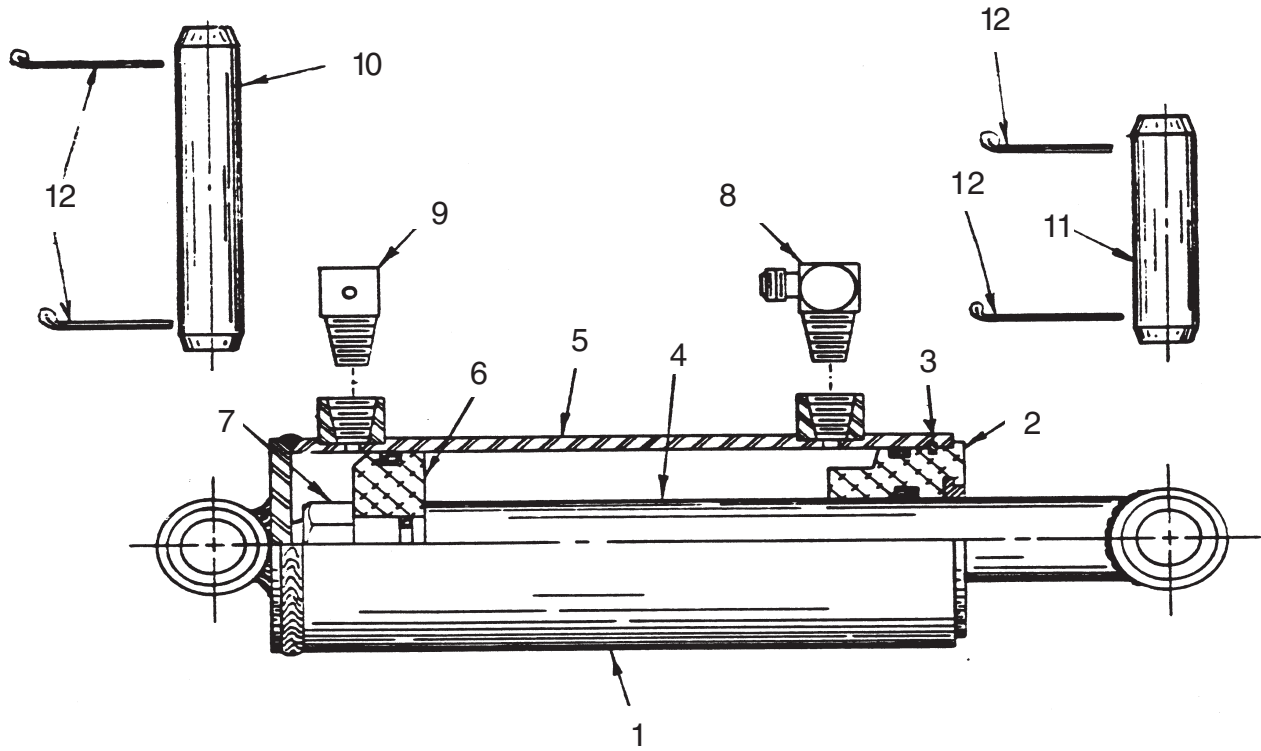


Item	Part No.	Qty	Description
1	02961484	1	Hydraulic Cylinder
2	02962134	1	Gland
3*	-----	1	"O" Ring
4	02962133	1	Rod Asy
5	02962132	1	Barrel Asy
6	02962131	1	Piston
7	02840500	1	Locknut
8	02960018	1	Elbow
9	02880800	1	Pin "E"
10	02822500	2	Washer
11	02930200	1	Pin "D"
12	02960054	1	Breather Plug
13	00606000	3	Cotter Pin
14*	-----	1	Back-Up Ring
15	02962129	1	Collar
16*	-----	1	Wear Ring
17*	-----	1	Piston Seal
18*	-----	1	"O" Ring
19	02962169	1	Set Screw
20	02962170	1	Nylon Insert
21*	-----	1	Rod Wiper
22*	-----	1	Rod Seal
23*	02962135	1	Seal Kit (Items 3,10,14,16,17, 18,21,22 & 23)

Feb. 1982
to
May 1988

TILT CYLINDER VERSA MOWER P/N 02810900

S/N VS-39383
to
S/N VS-01244



Item	Part No.	Qty	Description
1	02810900	1	Cylinder Only
2	02840100	1	Gland (See 02841300)
3	-----	1	Lockwire (See Seal Kit)
4	02840200	1	Rod Asy
5	02840300	1	Barrel Asy
6	02840400	1	Piston
7	02840500	1	Locknut
8	02822100	1	Elbow
9	00750208	1	Plug, Breather
10	02930100	1	Pin "E"
11	02930200	1	Pin "D"
12	00606000	4	Cotter Pin (Select Type Used)
	45000000	AR	Hair Pin (Not SHown)
13	02840000	1	Seal Kit

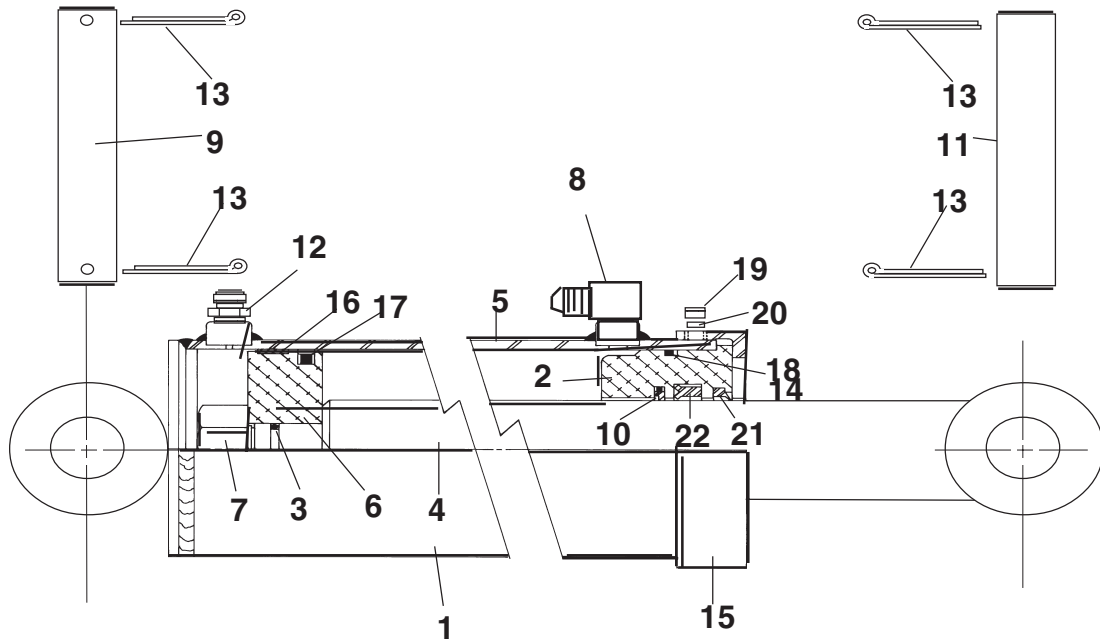
SEAL KIT Consist of

1 - Gland Static Seal	1 - Rod Seal	1 - Piston Seal
2 - Buack-up Rings	1 - Rod Wiper	1 - Rod Static Seal
1 - Rod Back-up Seal	1 - Lockwire	

Jun. 1988
to
Current

TILT CYLINDER VERSA MOWER P/N 02961483

S/N VS-01245
to
S/N VS-Current

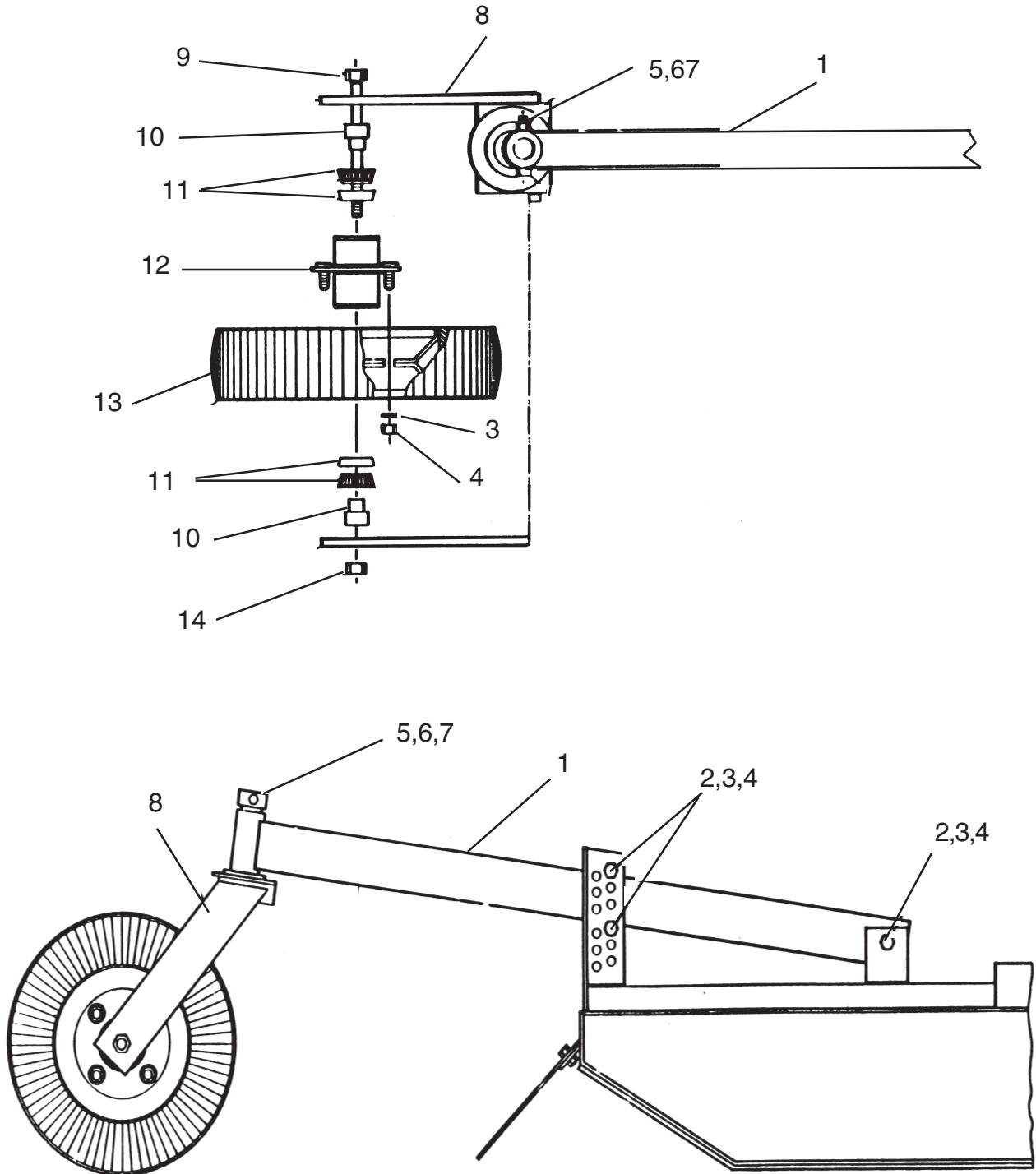


Item	Part No.	Qty	Description
1	02961483	1	Hydraulic Cylinder
2	02962134	1	Gland
3*	-----	1	"O" Ring
4	02962137	1	Rod Asy
5	02962136	1	Barrel Asy
6	02962131	1	Piston
7	02840500	1	Locknut
8	02962181	1	Elbow
9	02957536	1	Pin "E"
10*	-----	1	Buffer Seal
11	02930200	1	Pin "D"
12	02960054	1	Breather Plug
13	00606000	3	Cotter Pin
14*	-----	1	Back-Up Ring
15	02962158	1	Collar
16*	-----	1	Wear Ring
17*	-----	1	Piston Seal
18*	-----	1	"O" Ring
19	02962169	1	Set Screw
20	02962170	1	Nylon Insert
21*	-----	1	Rod Wiper
22*	-----	1	Rod Seal
23*	02962135	1	Seal Kit (Items 3,10,14,16,17, 18,21,22 & 23)

Jul. 1985
to
Feb. 1992

TAIL WHEEL VERSA MOWER

S/N VS-43001
to
S/N VS-02352



Jul. 1985
to
Feb. 1992

TAIL WHEEL VERSA MOWER

S/N VS-43001
to
S/N VS-02352

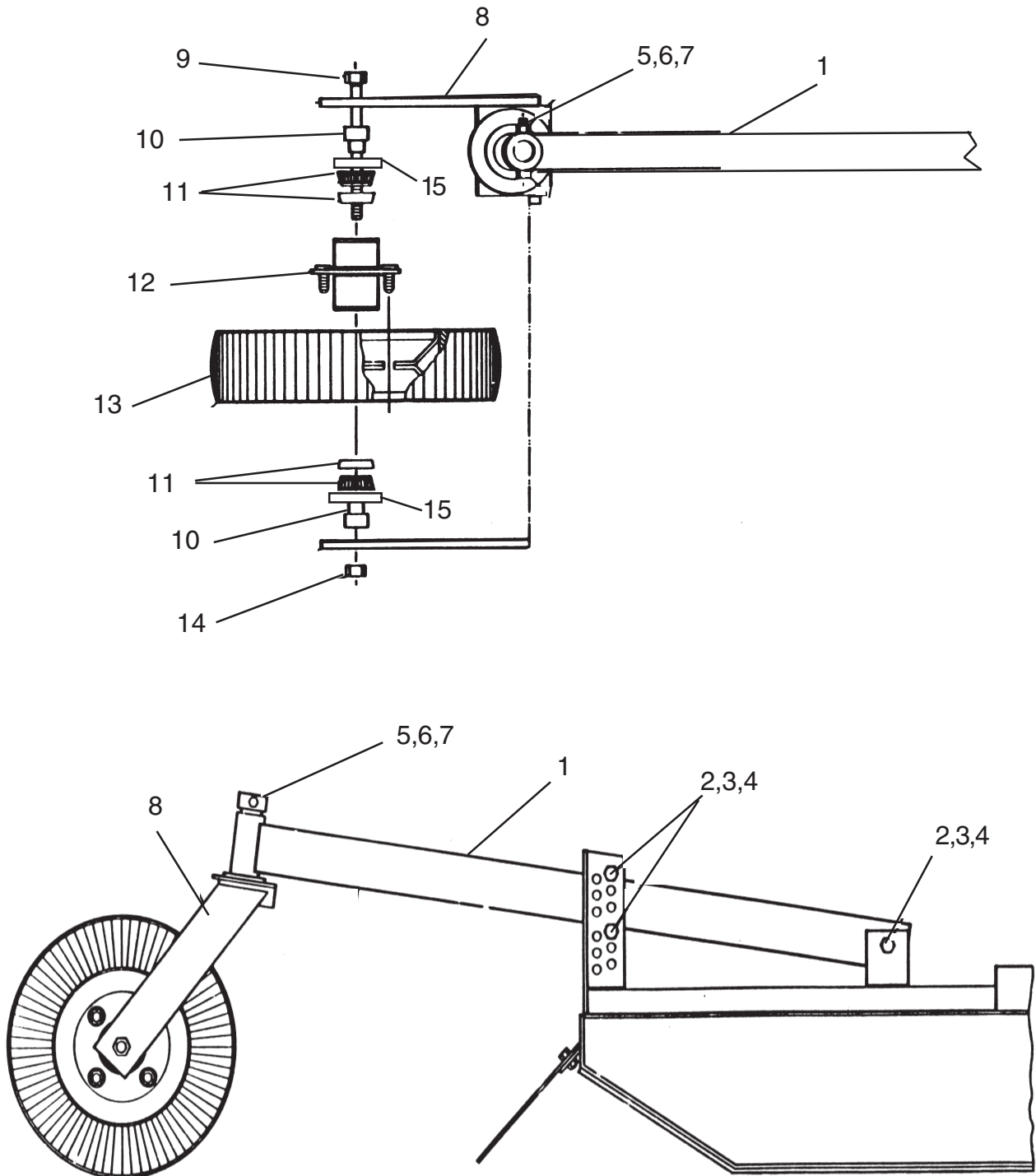
Item	Part No.	Qty	Description
1	00748670	1	Tail Wheel Beam Weldment
2	02711800	3	Bolt
3	00001300	7	Lockwasher
4	02816800	7	Nut
5	00749264	1	Collar
6	02152800	1	Bolt
7	00021800	1	Nut
8	00749271	1	Caster Fork Weldment
9	00156503	1	Spindle Bolt
10	00752272	1	Bushing Sleeve, Axle hub
11	02817100	2	Bearing Asy, Cup & Cone
	00013701	--	Bearing Cup Only
	00750621	--	Bearing Cone Only
12	02814800	1	Hub
13	02814900	1	Tire & Wheel Asy
14	00695100	1	Nut, Toplock 5/8 NC PLC

Note: Tail Wheel Not listed prior to Jul. 1985

Mar. 1992
to
Current

TAIL WHEEL VERSA MOWER

S/N VS-02353
to
S/N VS-Current



Mar. 1992
to
Current

TAIL WHEEL VERSA MOWER

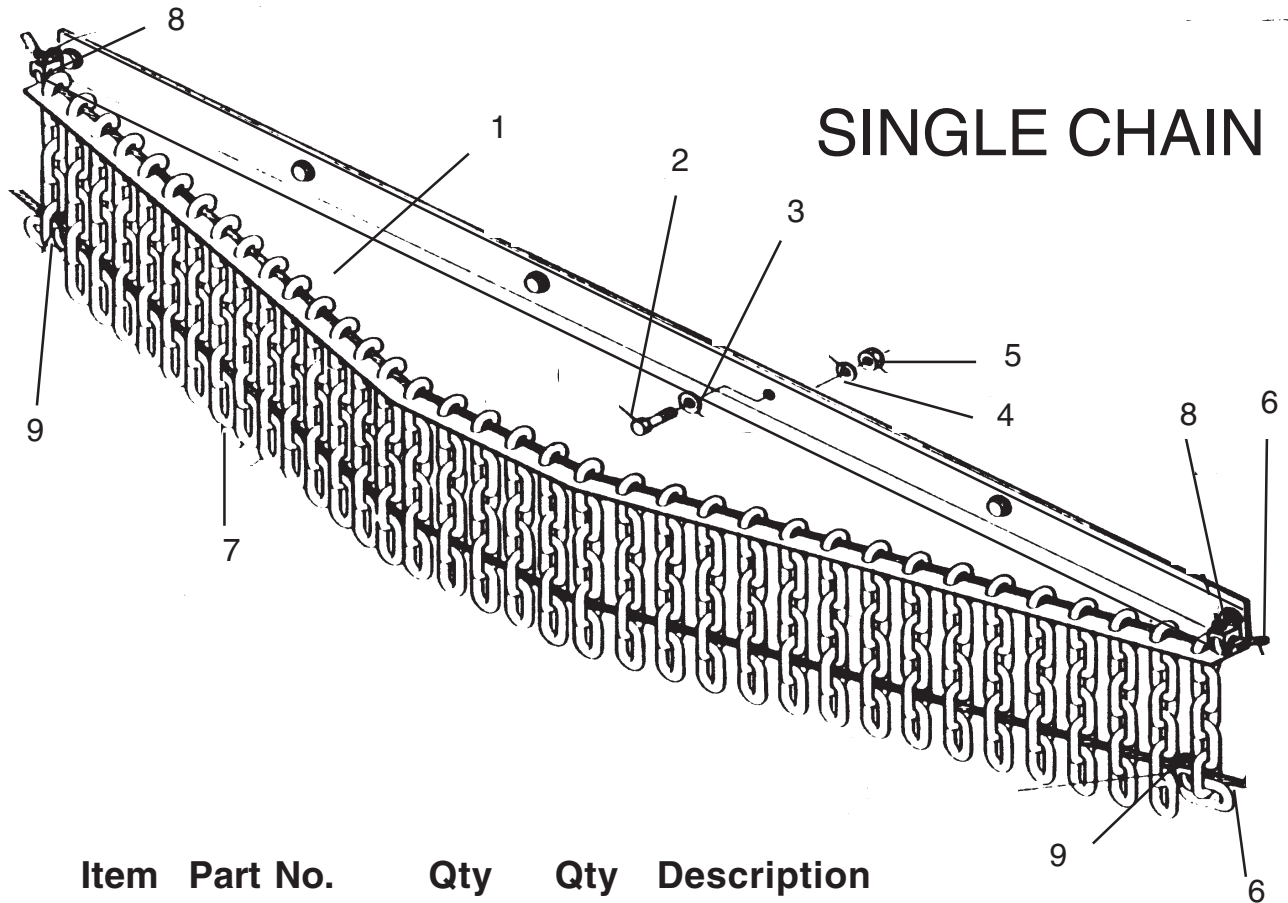
S/N VS-02353
to
S/N VS-Current

Item	Part No.	Qty	Description
1	00748670	1	Tail Wheel Beam Weldment
2	02711800	3	Bolt
3	00001300	4	Lockwasher
4	02816800	4	Nut
5	00749264	1	Collar
6	00749413	1	Bolt
7	00749017	1	Nut
8	00749271	1	Caster Fork Weldment
9	00156503	1	Spindle Bolt
10	00752272	1	Bushing Sleeve, Axle hub
11	02817100	2	Bearing Asy, Cup & Cone
	00013701	--	Bearing Cup Only
	00750621	--	Bearing Cone Only
12	-----	1	Hub, (Built into Wheel)
13	00130010	1	Tire & Wheel Asy W/ Brgs & Seals
	00756750	1	Tire & Wheel Asy w/Brg Cups
14	00695100	1	Nut, Toplock 5/8 NC PLC
15	00013600	2	Seal

Feb 1982
to
Sep. 1991

CHAIN GUARD VERSA MOWER 60" & 72" Front & Rear

S/N VS-39383
to
S/N VS-02283



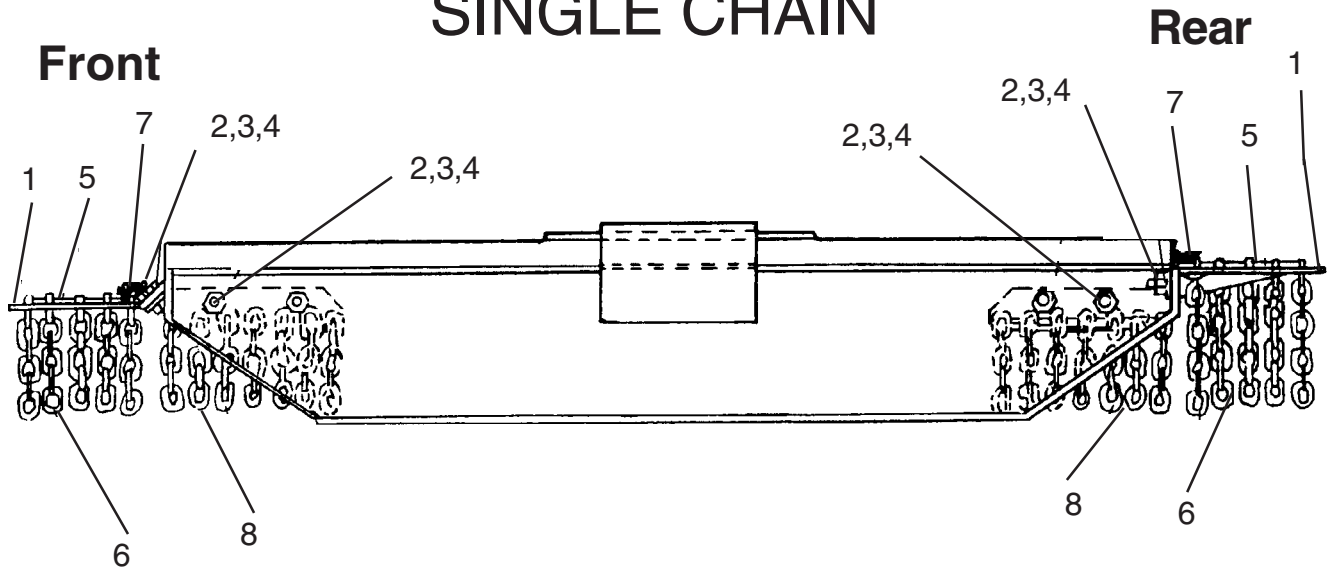
Item	Part No.	Qty 60"	Qty 72"	Description
	02938300	1	--	Chain Guard Assy, Front 60"
	02938400	1	--	Chain Guard Assy, Rear 60"
	02959047	--	1	Chain Guard Assy, Front 72"
	02959048	--	1	Chain Guard Assy, Rear 72"
1	02939600	1	--	Chain Guard Bracket, Front 60"
	02939700	1	--	Chain Guard Bracket, Rear 60"
	02959043	--	1	Chain Guard Bracket, Front 72"
	02959044	--	1	Chain Guard Bracket, Rear 72"
2	63066100	6	7	Bolt, (Front or Rear)
3	00011100	6	7	Flatwasher, (Front or Rear)
4	00012101	6	7	Lockwasher, (Front or Rear)
5	00013901	6	7	Nut, (Front or Rear)
6	00750203	2	2	Cable, (Front or Rear)
7	00750900	36	43	Chain (6 Link), (Front or Rear)
8	00001000	2	2	Clamp, Cable 3/16", (Front or Rear)
9	00326700	2	2	Clamp, Cable 5/16", (Front or Rear)

Oct. 1991
to
Current

CHAIN GUARD - FRONT VERSA MOWER 60" & 72" Front & Rear

S/N VS-02284
to
S/NVS-Current

SINGLE CHAIN



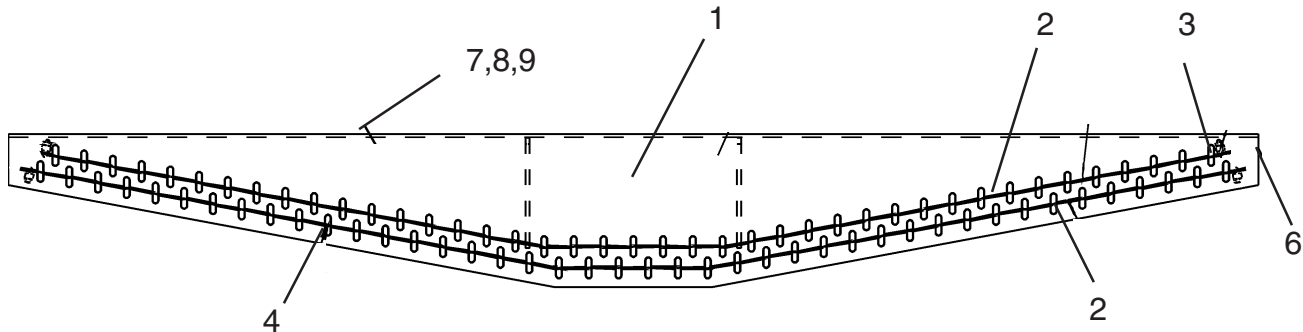
Item	Part No.	Qty 60"	Qty 72"	Description
	02964570	1	--	Chain Guard Asy, Front 60"
	02938400	1	--	Chain Guard Asy, Rear 60"
	02959045	--	1	Chain Guard Asy, Front 72"
	02959046	--	1	Chain Guard Asy, Rear 72"
1	02964571	1	--	Chain Guard Bracket, Front 60"
	02939700	1	--	Chain Guard Bracket, Rear 60"
	02964839	--	1	Chain Guard Bracket, Front 72"
	02959044	--	1	Chain Guard Bracket, Rear 72"
2	00023100	10	11	Bolt, (Front or Rear)
3	00011100	10	11	Flatwasher, (Front or Rear)
4	00015800	10	11	Nut, (Front or Rear)
5	02964571	1	1	Cable, (Front or Rear)
6	00223900	36	43	Chain (6 Link), (Front or Rear)
7	00001000	2	2	Clamp, Cable 3/16", (Front or Rear)
8	02964697	2	2	Corner Chain Guard Weldment

Jul. 1997
to
Current

CHAIN GUARD VERSA MOWER 60" & 72" Front & Rear (Optional Equipment)

S/N VS-04469
to
S/N VS-Current

DUAL CHAIN



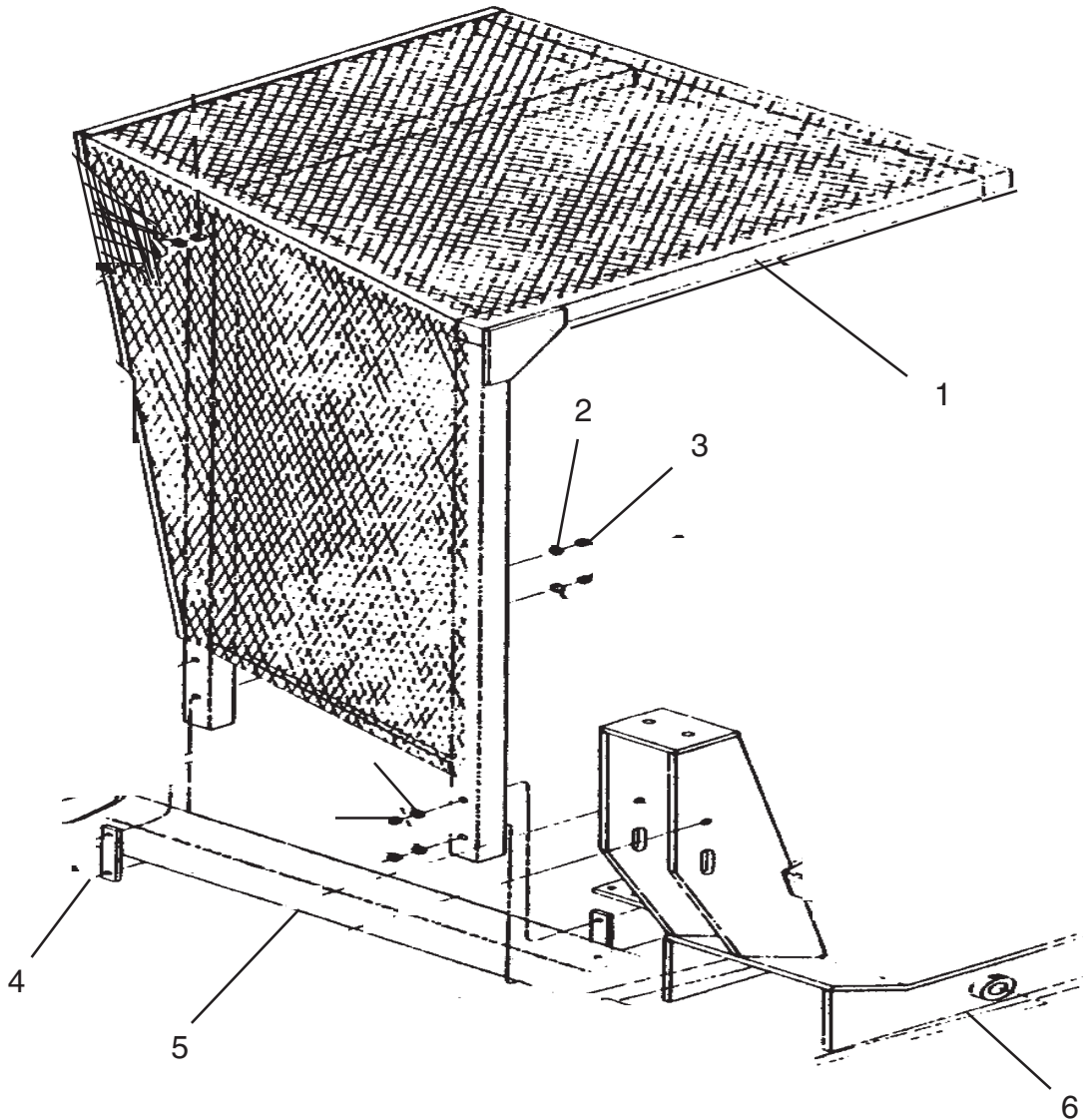
Item	Part No.	Qty 60"	Qty 72"	Description
	02962309	1	--	Chain Guard Asy, Front 60"
	02962310	1	--	Chain Guard Asy, Rear 60"
	02952437	--	1	Chain Guard Asy, Front 72"
	02972428	--	1	Chain Guard Asy, Rear 72"
1	02962307	1	--	Chain Guard Bracket, Front 60"
	02962307	1	--	Chain Guard Bracket, Rear 60"
	02962429	--	1	Chain Guard Bracket, Front 72"
	02962431	--	1	Chain Guard Bracket, Rear 72"
2	00750203	2	2	Cable, (Front or Rear)
3	00001000	2	2	Clamp, Cable 3/16", (Front or Rear)
4	00223900	71	83	Chain (6 Link), (Front or Rear)
5	00326700	4	4	Clip, (Not Shown)
6	02964697	2	2	Corner Chain Guard Weldment
7	00023100	10	11	Bolt, (Front or Rear)
8	00011100	10	11	Flatwasher, (Front or Rear)
9	00015800	10	11	Nut, (Front or Rear)

NOTE: S/N Change Aug. 1987 S/N's ended with # 47000
and Sep. 1987 started a new series with # 01001

Feb. 1982
to
Current

OPERATOR CAGE VERSA MOWER

S/N VS-39383
to
S/N VS-Current



Item	Part No.	Qty	Description
1	02915500	1	Versa Cage Asy
2	00001300	4	Lockwasher
3	00001200	4	Nut
4	00751582	4	Bolt (Not Shown)
5	-----	ref	Frame Rail
6	-----	ref	Sub frame

Mar. 1982
to
Current

Front Pump Drive Shafts VERSA MOWER

S/N VS-39383
to
S/N VS-Current

CASE - IH

Model Series	Shaft #	Coupler#	Pulley Adapter#	Pulley Hub#
1390-- Mounted w/ Rear Pumps ONLY	-----	-----	-----	-----
1394-- Mounted w/ Rear Pumps ONLY	-----	-----	-----	-----
1490-- Mounted w/ Rear Pumps ONLY	-----	-----	-----	-----
1494-- Mounted w/ Rear Pumps ONLY	-----	-----	-----	-----
1594-- Mounted w/ Rear Pumps ONLY	-----	-----	-----	-----
4210-- Utility Bolster (W/O Cab)-----	02962767	02957635	02968116	-----
4210-- Utility Bolster (W/ Cab)-----	02962767	106277	02963995	-----
4210-- Row Crop Bolster-----	02962767	106577	02968116	-----
4220-- Utility Bolster (W/O Cab)-----	02962767	02957635	02968116	-----
4220-- Utility Bolster (W/ Cab)-----	02962767	106277	02963995	-----
4220-- Row Crop Bolster-----	02962767	106577	02968116	-----
4230-- Utility Bolster (W/O Cab)-----	02962767	02957635	02968116	-----
4230-- Utility Bolster (W/ Cab)-----	02962767	106277	02963995	-----
4230-- Row Crop Bolster-----	02962767	106577	02968116	-----
4240-- Utility Bolster (W/O Cab)-----	02962767	02957635	02968116	-----
4240-- Utility Bolster (W/ Cab)-----	02962767	106277	02963995	-----
4240-- Row Crop Bolster-----	02962767	106577	02968116	-----
5120-- --(*used Chain Coupler & Sprockets)-	02963668	*02873800(Chain)	02963665	*02960002/02963667
5220-- -----	02960517	02957635	02963665	-----
5230-- -----	02960517	02957635	02963665	-----
5240-- -----	02960517	02957635	02963665	-----
5250-- -----	02960517	02957635	02963665	-----
584-- Row Crop Bolster-----	02958947	02957635	02958391	02702900
584-- Utility Bolster-----	02962767	02957635	02963995	02702900
584-- Manf'd Bolster (*Chain Coupler)---	02958631	*02873800(chain)	02858391	*02960002
585-- Row Crop Bolster-----	02958947	02957635	02958391	02702900
585-- Utility Bolster -----	02962767	02957635	02963995	02702900
585-- Manf'd Bolster (*Chain Coupler)---	02958631	*02873800(chain)	02858391	*02960002
595-- Row Crop Bolster-----	02958947	02957635	02958391	02702900
595-- Utility Bolster-----	02952767	02957635	02963995	02702900
595-- Manf'd Bolster (*Chain Coupler)---	02958631	*02873800(chain)	02858391	*02960002
684-- Row Crop Bolster-----	02953767	02957635	02958391	02702900
684-- Utility Bolster-----	02952767	02957635	02958391	02702900
684-- Manf'd Bolster (*Chain Coupler)---	02958631	*02873800(chain)	02858391	*02960002
685-- Row Crop Bolster-----	02958947	02957635	02958391	02702900
685-- Utility Bolster(all except 1989 Mod)	02952767	02957635	02963995	02702900
685-- Utility Bolster(1989 Mod Only)-----	02952767	02957635	02958391	02702900
685-- Manf'd Bolster (*Chain Coupler)---	02958631	*02873800(chain)	02858391	*02960002
695-- Row Crop Bolster-----	02958947	02957635	02958391	02702900
695-- Utility Bolster-----	02952767	02957635	02958391	02702900
695-- Manf'd Bolster (*Chain Coupler)---	02958631	*02873800(chain)	02858391	*02960002
784-- Row Crop Bolster-----	02958947	02957635	02958391	02702900
784-- Utility Bolster-----	02952767	02957635	02958391	02702900
784-- Manf'd Bolster (*Chain Coupler)---	02958631	*02873800(chain)	02858391	*02960002

Mar. 1982
to
Current

Front Pump Drive Shafts VERSA MOWER

S/N VS-39383
to
S/N VS-Current

CASE - IH

Model Series	Shaft #	Coupler#	Pulley Adapter#	Pulley Hub#
785-- RowCropBolster-----	02958947	02957635	02958391	02702900
785-- UtilityBolster-----	02952767	02957635	02958391	02702900
785-- Manf'd Bolster (*Chain Coupler)---	02958631	*02873800(chain)	02858391	*02960002
884-- RowCropBolster-----	02958947	02957635	02958391	02702900
884-- UtilityBolster-----	02952767	02957635	02958391	02702900
884-- Manf'd Bolster (*Chain Coupler)---	02958631	*02873800(chain)	02858391	*02960002
85 HYD RowCropBolster-----	02961376	02957635	02958391	02702900
885-- RowCropBolster-----	02951376	02957635	02958391	02702900
885-- Utility Bolster(All except 1989 Mod)	02952767	02957635	02963995	02702900
885-- Utility Bolster (1989 Mod Only)---	02952767	02957635	02958391	02702900
885-- Manf'd Bolster (*Chain Coupler)---	02958631	*02873800(chain)	02858391	*02960002
895-- RowCropBolster-----	02958947	02957635	02958391	02702900
895-- UtilityBolster-----	02952767	02957635	02958391	02702900
895-- Manf'd Bolster (*Chain Coupler)---	02958631	*02873800(chain)	02858391	*02960002
990-- Mounted w/ Rear Pumps ONLY	-----	-----	-----	-----
995-- RowCropBolster-----	02958947	02957635	02958391	02702900
995-- UtilityBolster-----	02952767	02957635	02958391	02702900
995-- Manf'd Bolster (*Chain Coupler)---	02958631	*02873800(chain)	02858391	*02960002

Case - IH : BOLSTERS TYPES

- Manufactured.. = Welded Metal Assembly; Completely Fabricated by Welding.
 Row Crop..... = Cast Metal Assembly; with Drive Shaft runs through Axle Pivot Pin.
 Utility..... = Cast Metal Assembly; with Drive Shaft running above Axle Pivot Pin

FORD / NEW HOLLAND

Model Series	Shaft #	Coupler#	Hub Adapter#	*Shaft & Hub Kit #
F-4600	02702800	02957635	02702900	02961953
F-4610	02702800	02957635	02702900	02961953
F-4630	02702800	02957635	02702900	02961953
F-5030 W/Cab-----	02702800	106577	02702900	-----
F-5030 W/O Cab-----	02702800	02957635	02702900	02961953
F-545	02702800	02957635	02702900	02961953
F-5600	02702800	02957635	02702900	02961953
F-5610 W/O Series II Cab-----	02702800	02957635	02702900	02961953
F-5610 W/ Series II Cab-----	02702800	106557	02702900	-----
F-5610-S	02967252	02957635	02702900	-----
F-5640-S	02965016	02957635	02702900	-----
F-5640-SL	02965016	02957635	02702900	-----
F-5640-SLE	02965016	02957635	02702900	-----

Mar. 1982
to
Current

Front Pump Drive Shafts VERSA MOWER

S/N VS-39383
to
S/NVS-Current

FORD / NEW HOLLAND (Continued)

Model Series	Shaft #	Coupler#	Hub Adapter#	*Shaft & Hub Kit #
F-5900	02702800	02957635	02702900	02961953
F-6600	02702800	02957635	02702900	02961953
F-6610	02702800	02957635	02702900	02961953
F-6610-S	02967252	02957635	02702900	-----
F-6640-S	02965016	02956535	02702900	-----
F-6640-SL	02965016	02957635	02702900	-----
F-6640-SLE	02965016	02957635	02702900	-----
F-6710	02964027	02957635	02702900	-----
F-7610 W/O Series II Cab	02702800	02957635	02702900	02961953
F-7610 W/ Series II Cab	02702800	106557	02702900	-----
F-7610-S	02967252	02957635	02702900	-----
F-7710	02964027	02957635	02702900	-----
F-7740-S	02955016	02957635	02702900	-----
F-7740-SL	02965016	02957635	02702900	-----
F-7740-SLE	02965016	02957635	02702900	-----
F-7840	02965016	02957635	02702900	-----
F-7840-S	02965016	02957635	02702900	-----
F-7840-SL	02965016	02957635	02702900	-----
F-7840-SLE	02965016	02957635	02702900	-----
F-8160	02965016	02957635	02702900	02964918
F-8210	02960517	02957635	02702900	-----
F-8240	02965016	02957635	02702900	-----
F-8240-S	02965016	02957635	02702900	-----
F-8240-SL	02965016	02957635	02702900	-----
F-8240-SLE	02965016	02957635	02702900	-----
F-8260	02965016	02957635	02702900	02964918
F-8340	02965016	02957635	02702900	-----
F-8340-S	02965016	02957635	02702900	-----
F-8340-SL	02965016	02957635	02702900	-----
F-8340-SLE	02965016	02957635	02702900	-----
F-8360	02965016	02957635	02702900	02964918
F-8560	02965016	02957635	02702900	02964918
TN-55 W/ Cab, 2 & 4 WD	107232	02957635	02975110	-----
TN-65 W/ Cab, 2 & 4 WD	107232	02957635	02975110	-----
TN-75 W/ Cab, 2 & 4 WD	107232	02957635	02975110	-----
TS-90 (* Lock Collar Kit)	02973713	02957635	02702900	*02966957
TS-100 (* Lock Collar Kit)	02973713	02957635	02702900	*02966957
TS-110 (* Lock Collar Kit)	02973713	02957635	02702900	*02966957

Ford / New Holland: Shaft & Hub Kit.

* Shaft & Hub Kit includes Shaft & Hub Only, Coupler IS NOT included in Kit. Hub Adapter (# 02702900)
Use 4 each of #02965355 Bolt & #00022200 Lockwasher for mounting. Also Set Screw # 03100453. Note:
On Models listed above part will fit All Types (2WD, 4WD, Cab, ROPS etc.) unless other wise listed.

Mar. 1982
to
Current

Front Pump Drive Shafts VERSA MOWER

S/N VS-39383
to
S/N VS-Current

JOHN DEERE

Model Series		Shaft #	Coupler	Sprocket Eng. Side	Sprocket Pump Side	Coupling	D/L Kit Chain
JD-2350	Small Pump	02959954	-----	02959980	02960002	02873800	02961969
JD-2350	Large Pump	02961105	-----	02959980	02960002	02873800	02961971
JD-2355	Small Pump	02959954	-----	02959980	02960002	02873800	02961969
JD-2355	Large Pump	02961105	-----	02959980	02960002	02873800	02961971
JD-2550	Small Pump	02959954	-----	02959980	02960002	02873800	02961969
JD-2550	Large Pump	02961105	-----	02959980	02960002	02873800	02961971
JD-2555	Small Pump	02959954	-----	02959980	02960002	02873800	02961969
JD-2555	Large Pump	02961105	-----	02959980	02960002	02873800	02961971
JD-2640	Rear Pump Only	-----	-----	-----	-----	-----	-----
JD-2750	Small Pump	02959954	-----	02959980	02960002	02873800	02961969
JD-2750	Large Pump	02961105	-----	02959980	02960002	02873800	02961971
JD-2755	Small Pump	02959954	-----	02959980	02960002	02873800	02961969
JD-2755	Large Pump	02961105	-----	02959980	02960002	02873800	02961971
JD-2950	Large Pump	02961831	02961107	02959980	02960002	02873800	02961972
JD-2955	Large Pump	02961831	02961107	02959980	02960002	02873800	02961972
JD-301A	Rear Pump Only	-----	-----	-----	-----	-----	-----
JD-302A	Rear Pump Only	-----	-----	-----	-----	-----	-----
JD-401B	Rear Pump Only	-----	-----	-----	-----	-----	-----
JD-4020	Rear Pump Only	-----	-----	-----	-----	-----	-----
JD-5200	-----	02960876	02957635	02971356=(*Pulley Adapter)	-----	-----	-----
JD-5300	-----	02960876	02957635	02971356=(*Pulley Adapter)	-----	-----	-----
JD-5400	-----	02960876	02957635	02971356=(*Pulley Adapter)	-----	-----	-----
JD-5410	-----	106843	02957635	02973992=(*Pulley Adapter)	-----	-----	-----
JD-5500	-----	02958631	106577	02971356=(*Pulley Adapter)	-----	-----	-----
JD-5510	-----	106843	02957635	02973992=(*Pulley Adapter)	-----	-----	-----
JD-6200	-----(All)-----	02973712A=(*D/L Asy.)	-----	02966110=(*Pulley, Modified)	-----	-----	02966141
JD-6300	-----(All)-----	02973712A=(*D/L Asy.)	-----	02966110 (*Pulley, Modified)	-----	-----	02966141
JD-6400	-----(All)-----	02973712A=(*D/L Asy.)	-----	02966110=(*Pulley, Modified)	-----	-----	02966141
JD-6210	-----(All)-----	02973712A=(*D/L Asy.)	-----	02973992 & 02973891=(*Pulley Adapters)	-----	-----	-----
JD-6310	-----(All)-----	02973712A=(*D/L Asy.)	-----	02973992 & 02973891=(*Pulley Adapters)	-----	-----	-----
JD-6410	-----(All)-----	02973712A=(*D/L Asy.)	-----	02973992 & 02973891=(*Pulley Adapters)	-----	-----	-----
JD-7200	Cab-2&4 WD	02973712A=(*D/L Asy.)	-----	02973992=(*Pulley Adapter)	-----	-----	-----
JD-7210	Rops-2&4 WD	02973712A=(*D/L Asy.)	-----	02966110=(*Pulley, Modified)	-----	-----	02966141
JD-7210	Cab-2&4 WD	02973712A=(*D/L Asy.)	-----	02973992=(*Pulley Adapter)	-----	-----	-----

Continued next Page

Note: On JD Models listed above & Next Page parts will fit All Types (2WD, 4WD, Cab, ROPS etc.) unless otherwise listed. Driveline Assembly # 02973712A Replaces Old # 02965790, But parts may Not be interchangeable. ALL Drive Components ARE Not of the Same Style. Pulleys / Pulley Adapters are added or changed completely as required

Versa Mower (Archive Book) 10/01

Mar. 1982
to
Current

Front Pump Drive Shafts VERSA MOWER

S/N VS-39383
to
S/N VS-Current

JOHN DEERE (Continued From Previous Page)

Model Series	Shaft #	Coupler	Sprocket Eng. Side	Sprocket Pump Side	Coupling	D/L Kit Chain
JD-7400 Cab-2&4 WD	02973712A>(*D/L Asy.)		02973992>(*Pulley Adapter)		-----	-----
JD-7410 Rops-2&4 WD	02973712A>(*D/L Asy.)		02966110>(*Pulley, Modified)		-----	02966141
JD-7410 Cab-2&4 WD	02973712A>(*D/L Asy.)		02973992>(*Pulley Adapter)		-----	-----
JD-7610 Cab-4 WD	02971814=(Shaft)		02972703>(*Rubber Element)		02972779>(*U-Joint Kit)	
JD-7810 Cab-4 WD	02971814=(Shaft)		02972703>(*Rubber Element)		02972779>(*U-Joint Kit)	

MASSEY FERGUSON

Model Series Kit#	Shaft #	Coupler#	Pulley Adapter#	Hub Adapter#	Shaft & Hub
MF-255	-----	02761000*	02636300	-----	-----
MF-265	-----	02761000*	02636300	-----	-----
MF-270	-----	02702800	02957635	02957693	02702900 ****02961953
MF-275	-----	02761000*	02636300	-----	-----
MF-282	-----	02702800	02957635	02957693	02702900 ****02961953
MF-283	-----	02702800	02957635	02957693	02702900 ****02961953
MF-285	-----	02702800	02957635	02957693	02702900 ****02961953
MF-290	-----	02702800	02957635	02957693	02702900 ****02961953
MF-298	-----	02702800**	02957635/106577	02959831	-----
MF-375 w/&w/o Crpr Gear	02962767	106577	02970426	-----	-----
MF-375 Rops, 4 WD	02960876	106577	02960878	-----	-----
MF-375 Cab	02960876***	02957635	02960878	s/n 49188 down	
MF-375 Cab	02962767***	106577	02970426	s/n 49189 up	
MF-383 w/&w/o Crpr Gear	02962767	106577	02970426	-----	-----
MF-383 Rops, 4 WD	02960876	106577	02960878	-----	-----
MF-383 Cab	02960876***	02957635	02960878	s/n 49188 down	
MF-383 Cab	02962767***	106577	02970426	s/n 49189 up	
MF-390 w/&w/o Crpr Gear	02962767	106577	02970426	-----	-----
MF-390 Rops, 4 WD	02960876	106577	02960878	-----	-----
MF-390 Cab	02960876***	02957635	02960878	s/n 49188 down	
MF-390 Cab	02962767***	106577	02970426	s/n 49189 up	
MF-40B	-----	02761000*	-----	-----	-----
MF-4233 Cab, 2/4 WD	106954	02957635	02974786	& Std Hood	
MF-4233 Rops, 2/4 WD	02965016	02957635	02974786	& Std Hood	
MF-4235 Cab, 2/4 WD	106954	02957635	02974786	& Std Hood	
MF-4235 Rops, 2/4 WD	02965016	02957635	02974786	& Std Hood	

Continued

Next page

* 02761000 is a Welded Assembly with Coupler Weld on it, Coupler can only be replaced as Shaft is replaced.

** This Used a Modified Hub Part # 02968128 Weldment.

*** See Tractor Serial Number for Break, NOT Versa Serial Number Break.

**** Includes Shaft & Hub, Some components may not be furnished, Check Component List at time of Order.

Versa Mower (Archive Book) 10/01

Mar. 1982
to
Current

Front Pump Drive Shafts VERSA MOWER

S/N VS-39383
to
S/N VS-Current

MASSEY FERGUSON (Continued From Previous Page)

Model Series		Shaft #	Coupler#	Hub Adapter#	Shaft & Hub Kit #
MF-4243	Rops, 2/4 WD, Std Hood	02965016	02957635	02974786	-----
MF-4245	Cab, 2/4 WD, Std Hood	106954	02957635	02974786	-----
MF-4245	Rops, 2/4 WD, Std Hood	02965016	02957635	02974786	-----
MF-4253	Cab, 2/4 WD, Std Hood	106954	02957635	02974786	-----
MF-4253	Rops, 2/4 WD, Std Hood	02965016	02957635	02974786	-----
MF-4255	Cab, 2/4 WD, Std Hood	106954	02957635	02974786	-----
MF-4255	Rops, 2/4 WD, Std Hood	02965016	02957635	02974786	-----
MF-4263	Cab/Rops, 2/4 WD	107496	02957635	108424	-----
MF-4270	Cab/Rops, 2/4 WD	107496	02957635	108424	-----
MF-50C	-----	02761000*	-----	-----	-----

* 02761000 is a Welded Assembly with Coupler Weld on it, Coupler can only be replaced as Shaft is replaced.

** This Used a Modified Hub Part # 02968128 Weldment.

*** See Tractor Serial Number for Break, NOT A-Boom Serial Number Break.

**** Includes Shaft & Hub, Some components may not be furnished, Check Component List at time of Order.

HESSTON

Model		Shaft #	Pulley Adapter#	Hub#	Coupling Chain #	Sprocket Weldment#
666	-----	02959341	02968630	02702900	00751158	02959038 (2)
7066	-----	02959341	02968630	02702900	00751158	02959038 (2)
766	-----	02959341	02968630	02702900	00751158	02959038 (2)
80	-----	02959341	02968630	02702900	00751158	02959038 (2)
8066	-----	02959341	02968630	02702900	00751158	02959038 (2)
90	-----	02959341	02968630	02702900	00751158	02959038 (2)

KUBOTA

Model Series		Shaft #	Pulley Asy.	Sprocket Eng. Side	Sprocket Pump Side	Coupling Chain	D/L Kit
M6950	Cab 4 WD	02958631	02958833	02959038	02958398	00751158	02958828
M7500	-----	02959136	02959138	-----	-----	02957517	02959135(Chain)
M7950	Cab 4 WD	02958631	02958833	02959038	02958398	00751158	02958828

Versa Mower (Archive Book) 10/01

Feb. 1982
to
Current

SERIAL NUMBER PRODUCTION DATES

S/N VS-39400
to
S/N VS-Current

START - END	DATE	START - END	DATE	START - END	DATE
39383 - 39400	Feb. 1982	44406 - 44501	Feb. 1986	01786 - 01792	Feb. 1990
39441 - 39468	Mar. 1982	44502 - 44615	Mar. 1986	01793 - 01842	Mar. 1990
39469 - 39568	Apr. 1982	44616 - 44814	Apr. 1986	01843 - 01870	Apr. 1990
39569 - 39620	May 1982	44815 - 44986	May 1986	01871 - 01922	May 1990
39621 - 39777	Jun. 1982	44987 - 45145	Jun. 1986	01923 - 01955	Jun. 1990
39778 - 39813	Jul. 1982	45146 - 45280	Jul. 1986	01956 - 01987	Jul. 1990
39814 - 39915	Aug. 1982	45281 - 45398	Aug. 1986	01988 - 02007	Aug. 1990
39916 - 39979	Sep. 1982	45399 - 45479	Sep. 1986	02008 - 02037	Sep. 1990
39980 - 40029	Oct. 1982	45480 - 45569	Oct. 1986	02038 - 02049	Oct. 1990
40030 - 40066	Nov. 1982	45570 - 45630	Nov. 1986	02050 - 02057	Nov. 1990
40067 - 40120	Dec. 1982	45631 - 45685	Dec. 1986	02058 - 02070	Dec. 1990
40121 - 40185	Jan. 1983	45686 - 45788	Jan. 1987	02071 - 02087	Jan. 1991
40186 - 40298	Feb. 1983	45789 - 45823	Feb. 1987	02088 - 02097	Feb. 1991
40299 - 40384	Mar. 1983	45824 - 45985	Mar. 1987	02098 - 02111	Mar. 1991
40385 - 40474	Apr. 1983	45986 - 46030	Apr. 1987	02112 - 02171	Apr. 1991
40475 - 40591	May 1983	46031 - 46045	May 1987	02172 - 02214	May 1991
40592 - 40671	Jun. 1983	46046 - 46319	Jun. 1987	02215 - 02244	Jun. 1991
40672 - 40753	Jul. 1983	46320 - 46565	Jul. 1987	02245 - 02263	Jul. 1991
40754 - 40855	Aug. 1983	46566 - 47000	Aug. 1987	02264 - 02273	Aug. 1991
40856 - 40906	Sep. 1983	01000 - 01007	Sep. 1987	02274 - 02283	Sep. 1991
40907 - 40965	Oct. 1983	01008 - 01034	Oct. 1987	02284 - 02301	Oct. 1991
40966 - 41003	Nov. 1983	01035 - 01059	Nov. 1987	02302 - 02308	Nov. 1991
41004 - 41103	Dec. 1983	01060 - 01066	Dec. 1987	02309 - 02309*	Dec. 1991
41104 - 41141	Jan. 1984	01067 - 01099	Jan. 1988	02310 - 02329	Jan. 1992
41142 - 41238	Feb. 1984	01100 - 01116	Feb. 1988	02330 - 02352	Feb. 1992
41239 - 41465	Mar. 1984	01117 - 01154	Mar. 1988	02353 - 02381	Mar. 1992
41466 - 41623	Apr. 1984	01155 - 01191	Apr. 1988	02382 - 02395	Apr. 1992
41624 - 41790	May 1984	01192 - 01244	May 1988	02396 - 02411	May 1992
41791 - 41900	Jun. 1984	01245 - 01268	Jun. 1988	02412 - 02440	Jun. 1992
41901 - 42249	Jul. 1984	01269 - 01296	Jul. 1988	02441 - 02490	Jul. 1992
42250 - 42350	Aug. 1984	01297 - 01345	Aug. 1988	02491 - 02520	Aug. 1992
42351 - 42468	Sep. 1984	01346 - 01391	Sep. 1988	02521 - 02550	Sep. 1992
42469 - 42530	Oct. 1984	01392 - 01412	Oct. 1988	02551 - 02557	Oct. 1992
42581 - 42605	Nov. 1984	01413 - 01434	Nov. 1988	02557 - 02557*	Nov. 1992
42606 - 42658	Dec. 1984	01435 - 01455	Dec. 1988	02558 - 02671	Dec. 1992
42659 - 42831	Jan. 1985	01456 - 01484	Jan. 1989	02672 - 02687	Jan. 1993
42832 - 42839	Feb. 1985	01485 - 01525	Feb. 1989	02688 - 02738	Feb. 1993
42840 - 42859	Mar. 1985	01526 - 01547	Mar. 1989	02739 - 02771	Mar. 1993
42860 - 42923	Apr. 1985	01548 - 01572	Apr. 1989	02772 - 02810	Apr. 1993
42924 - 42990	May 1985	01573 - 01602	May 1989	02811 - 02863	May 1993
42991 - 43000	Jun. 1985	01603 - 01642	Jun. 1989	02864 - 02896	Jun. 1993
43001 - 43389	Jul. 1985	01643 - 01668	Jul. 1989	02897 - 02955	Jul. 1993
43390 - 43475	Aug. 1985	01669 - 01684	Aug. 1989	02956 - 02995	Aug. 1993
43476 - 43503	Sep. 1985	01685 - 01691	Sep. 1989	02996 - 03028	Sep. 1993
43504 - 43708	Oct. 1985	01692 - 01694	Oct. 1989	03029 - 03047	Oct. 1993
43709 - 44065	Nov. 1985	01695 - 01760	Nov. 1989	03048 - 03052	Nov. 1993
44066 - 44280	Dec. 1985	01761 - 01777	Dec. 1989	03053 - 03109	Dec. 1993
44281 - 44405	Jan. 1986	01778 - 01785	Jan. 1990	03110 - 03113	Jan. 1994

NOTE: Dates above are to determine approximate ship dates and serial number assignment dates

* Some months there may not have been production or shipment of these Models

Versa Mower (Archive Book) 10/01

Feb. 1982
to
Current

SERIAL NUMBER PRODUCTION DATES

S/N VS-39400
to
S/NVS-Current

START - END	DATE	START - END	DATE
03114 - 03133	Feb. 1994	04573 - 04573*	Feb. 1998
03134 - 03178	Mar. 1994	04574 - 04581	Mar. 1998
03179 - 03220	Apr. 1994	04582 - 04592	Apr. 1998
03221 - 03256	May 1994	04593 - 04596	May 1998
03257 - 03375	Jun. 1994	04597 - 04601	Jun. 1998
03376 - 03416	Jul. 1994	04602 - 04602*	Jul. 1998
03417 - 03417*	Aug. 1994	04603 - 04619	Aug. 1998
03418 - 03443	Sep. 1994	04620 - 04624	Sep. 1998
03444 - 03462	Oct. 1994	04625 - 04633	Oct. 1998
03463 - 03474	Nov. 1994	04634 - 04642	Nov. 1998
03475 - 03481	Dec. 1994	04643 - 04643*	Dec. 1998
03482 - 03498	Jan. 1995	04643 - 04643	Jan. 1999
03499 - 03537	Feb. 1995	04644 - 04684	Feb. 1999
03538 - 03576	Mar. 1995	04685 - 04693	Mar. 1999
03577 - 03590	Apr. 1995	04694 - 04706	Apr. 1999
03591 - 03619	May 1995	04707 - 04715	May 1999
03620 - 03748	Jun. 1995	04716 - 04727	Jun. 1999
03749 - 03756	Jul. 1995	04728 - 04728*	Jul. 1999
03757 - 03757*	Aug. 1995	04729 - 04738	Aug. 1999
03757 - 03757*	Sep. 1995	04739 - 04747	Sep. 1999
03758 - 03817	Oct. 1995	04748 - 04757	Oct. 1999
03817 - 03817*	Nov. 1995	04758 - 04758*	Nov. 1999
03818 - 03861	Dec. 1995	04759 - 04766	Dec. 1999
03862 - 03886	Jan. 1996	04767 - 04789	Jan. 2000
03887 - 03928	Feb. 1996	04790 - 04792	Feb. 2000
03928 - 03928*	Mar. 1996	04793 - 04793*	Mar. 2000
03929 - 04022	Apr. 1996	04793 - 04793*	Apr. 2000
04023 - 04031	May 1996	04794 - 04794*	May 2000
04032 - 04102	Jun. 1996	04795 - 04798	Jun. 2000
04103 - 04107	Jul. 1996	04799 - 04802	Jul. 2000
04108 - 04123	Aug. 1996	04803 - 04803*	Aug. 2000
04124 - 04166	Sep. 1996	04804 - 04808	Sep. 2000
04167 - 04192	Oct. 1996	04809 - 04812	Oct. 2000
04193 - 04200	Nov. 1996	04813 - 04822	Nov. 2000
04201 - 04231	Dec. 1996	04823 - 04838	Dec. 2000
04232 - 04297	Jan. 1997	04839 - 04847	Jan. 2001
04298 - 04326	Feb. 1997	04848 - 04856	Feb. 2001
04327 - 04429	Mar. 1997	04857 - 04861	Mar. 2001
04430 - 04444	Apr. 1997	04862 - 04862*	Apr. 2001
04445 - 04457	May 1997	04863 - 04890	May 2001
04458 - 04468	Jun. 1997	04891 - 04900	Jun. 2001
04469 - 04483	Jul. 1997	04901 - 04919	Jul. 2001
04484 - 04498	Aug. 1997	04920 - 04932	Aug. 2001
04499 - 04512	Sep. 1997	04933 - 04952	Sep. 2001
04513 - 04518	Oct. 1997	04953 - -----	Oct. 2001
04519 - 04520	Nov. 1997		
04521 - 04521	Dec. 1997		
04522 - 04572	Jan. 1998		

NOTE: Dates above are to determine approximate ship dates and serial number assignment dates

* Some months there may not have been production or shipment of these Models

Versa Mower (Archive Book) 10/01

NOTES



VERSA MOWER ARCHIVE BOOK