



VERSA FLAIL

62" & 74" Side Mount Flail

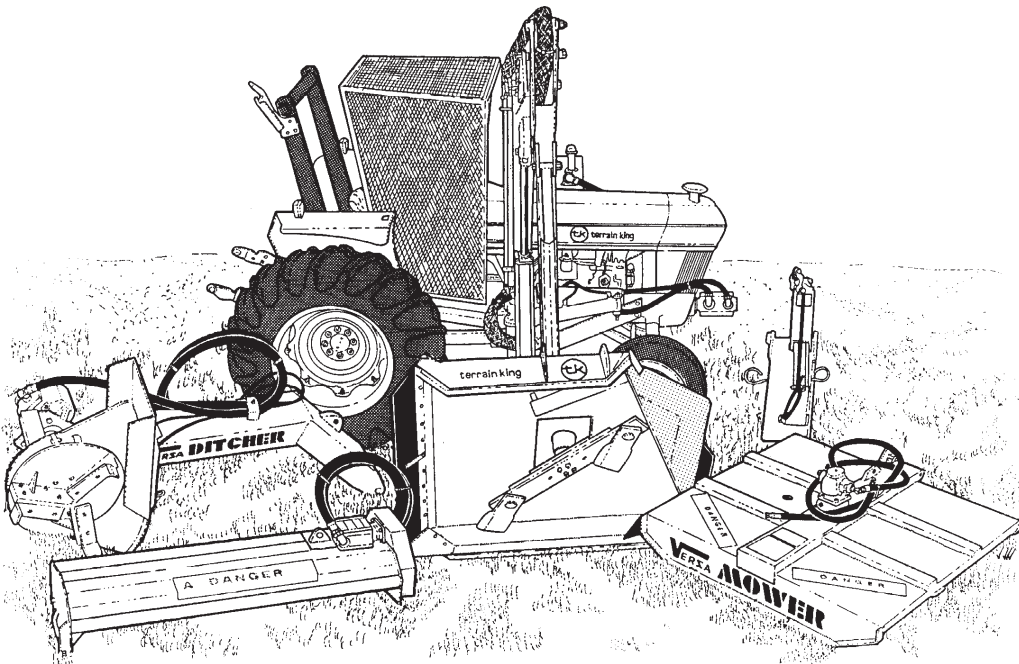
Rev 03-13

P/N 02978154

ARCHIVE BOOK

By Serial Number / Production

June 1984 to October 2001



COMPLETE PARTS LISTING

VERSA - 4 BOOK SERIES

Versa Boom..... 02978152

Versa Mower 02978153

Vers Flail.....02978154

Versa Ditcher..... 02978155

ALAMO INDUSTRIAL

1502 E. Walnut
Seguin, Texas 78155
830-372-9595



BUILT SHARPER®

An Alamo Group Company

© 2013 Alamo Group, Inc.

INDEX - VERSA FLAIL

| ITEM | PAGE NO. |
|---|----------|
| INTRODUCTION VERSA MOWER | |
| PARTS SECTION | 1 |
| CONTROL VALVE (2 Spool, Lift & Fold) | |
| S/N VS-41791 to VS-03178..(Jun. 1984 to Mar. 1994)..... | 92-93 |
| S/N VS-03179 to VS-04596..(Apr. 1994 to May 1998)..... | 94-95 |
| | 96-97 |
| S/N VS-04597 to VS-Current..(Jun. 1998 to Current)..... | 98-99 |
| CONTROL VALVE MOUNT | |
| S/N VS-41791 to VS-43475..(jun. 1984 to Aug. 1985)..... | 100 |
| S/N VS-43476 to VS-03220..(Sep. 1985 to Apr. 1994)..... | 101 |
| S/N VS-03221 to VS-Current..(May 1994 to Current)..... | 102 |
| CUTTER VALVE (Motor On/Off Control) | |
| S/N VS-41791 to VS-43475..(Jun. 1984 to Aug. 1985)..... | 104-105 |
| S/N VS-43476 to VS-44986..(Sep. 1985 to May 1986)..... | 106-107 |
| S/N VS-44987 to VS-01034..(Jun. 1986 to Oct. 1987)..... | 108-109 |
| S/N VS-01035 to VS-02490..(Nov. 1987 to Jul. 1992)..... | 110-111 |
| S/N VS-02491 to VS-Current..(Aug. 1992 to Current)..... | 112-113 |
| CUTTER VALVE (Motor Reversing Option) | |
| S/N VS-39383 to VS-Current..(Feb. 1982 to Current)..... | 114-115 |
| DECK ASSEMBLY | |
| 60 INCH DECK | |
| S/N VS-01008 to VS-01484..(Oct. 1987 to Jan. 1989)..... | 26-27 |
| S/N VS-01485 to VS-02049..(Feb. 1984 to Oct. 1991)..... | 28-29 |
| S/N VS-02050 to VS-03375..(Nov. 1991 to Jun. 1994)..... | 30-31 |
| S/N VS-03376 to VS-Current..(Jul. 1994 to Current)..... | 32-33 |
| 74 INCH DECK | |
| S/N VS-41791 to VS-01007..(Jun. 1984 to Sep. 1987)..... | 34-35 |
| S/N VS-01008 to VS-01268..(Oct. 1987 to Jun. 1988)..... | 36-37 |
| S/N VS-01269 to VS-01484..(Jul. 1988 to Jan. 1989)..... | 38-39 |
| S/N VS-01485 to VS-02070..(Feb. 1989 to Dec. 1990)..... | 40-41 |
| S/N VS-02071 to VS-03047..(Jan. 1991 to Oct. 1993)..... | 42-43 |
| S/N VS-03048 to VS-Current..(Nov. 1993 to Current)..... | 44-45 |
| DRIVE SHAFT (Front Mounted Pump) | |
| CASE - IH | |
| S/N VS-39383 to VS-Current..(Jun. 1984 to Current)..... | 122-123 |
| FORD / NEW HOLLAND | |
| S/N VS-39383 to VS-Current..(Jun. 1984 to Current)..... | 123-124 |
| JOHN DEERE | |
| S/N VS-39383 to VS-Current..(Jun. 1984 to Current)..... | 125-126 |
| MASSEY FERGUSON | |
| S/N VS-39383 to VS-Current..(Jun. 1984 to Current)..... | 126-127 |
| HESSTON | |
| S/N VS-39383 to VS-Current..(Jun. 1984 to Current)..... | 127 |
| KABOTA | |
| S/N VS-39383 to VS-Current..(Jun. 1984 to Current)..... | 127 |

INDEX - VERSA FLAIL

| ITEM | PAGE NO. |
|---|----------|
| EXTENSION ARMS | |
| STANDARD ARM | |
| S/N VS-41791 to VS-01007..(Jun. 1984 to Sep. 1987)..... | 2-3 |
| S/N VS-01008 to VS-01268..(Oct. 1987 to Jun. 1988)..... | 4-5 |
| S/N VS-01269 to VS-03886..(Jul. 1988 to Jan. 1996)..... | 6-7 |
| S/N VS-03887 to VS-04123..(Feb. 1996 to Aug. 1996)..... | 8-9 |
| S/N VS-04124 to VS-Current..(Sep. 1996 to Current)..... | 10-11 |
| HEAVY DUTY ARM OPTION | |
| S/N VS-02172 to VS-03886..(May 1991 to Jan. 1996)..... | 12-13 |
| S/N VS-03887 to VS-Current..(Feb. 1996 to Current)..... | 10-11 |
| SHORT ARM OPTION | |
| S/N VS-02172 to VS-04123..(May 1991 to Aug. 1996)..... | 14-15 |
| S/N VS-04124 to VS-Current..(Sep. 1996 to Current)..... | 16-17 |
| BREAKAWAY ARM OPTION | |
| S/N VS-01155 to VS-Current..(Apr. 1988 to Current)..... | 18-19 |
| FILTERS | |
| S/N VS-41791 to VS-42249..(Jun. 1984 to Jul. 1984)..... | 20-21 |
| S/N VS-42250 to VS-01034..(Aug. 1984 to Oct. 1987)..... | 22-23 |
| S/N VS-01035 to VS-Current..(Nov. 1987 to Current)..... | 24-25 |
| HOSE DIAGRAM | |
| S/N VS-41791 to VS-46319..(Jun. 1984 to Jun. 1987)..... | 86-87 |
| S/N VS-46320 to VS-01842..(Jul. 1987 to Mar. 1990)..... | 88-89 |
| S/N VS-01843 to VS-Current..(Apr. 1990 to Current)..... | 90-91 |
| HYDRAULIC CYLINDER (Lift & Tilt) | |
| LIFT CYLINDER | |
| S/N VS-41791 to VS-01244..(Jun. 1984 to May 1988)..... | 116 |
| S/N VS-01245 to VS-Current..(Jun. 1988 to Current)..... | 117 |
| TILT CYLINDER | |
| S/N VS-39383 to VS-01244..(Feb. 1982 to May 1988)..... | 118 |
| S/N VS-01245 to VS-Current..(Jun. 1988 to Current)..... | 119 |
| HYDRAULIC TANK | |
| S/N VS-41791 to VS-42249..(Jun. 1984 to Jul. 1984)..... | 20-21 |
| S/N VS-42250 to VS-01034..(Aug. 1984 to Oct. 1987)..... | 22-23 |
| S/N VS-01035 to VS-Current..(Nov. 1987 to Current)..... | 24-25 |
| MOTOR | |
| 60 INCH DECK | |
| S/N VS-01008 to VS-01244..(Oct. 1987 to May 1988)..... | 46-47 |
| S/N VS-01245 to VS-Current..(Jun. 1988 to Current)..... | 48-49 |
| 74 INCH DECK | |
| S/N VS-41791 to VS-01244..(Jun. 1984 to May 1988)..... | 50-51 |
| S/N VS-01245 to VS-Current..(Jun. 1988 to Current)..... | 52-53 |
| OPERATOR CAGE | |
| S/N VS-39383 to VS-Current..(Feb. 1982 to Current)..... | 120 |

INDEX - VERSA FLAIL

| ITEM | PAGE NO. |
|---|----------|
| PUMP (Front and Rear Mounted) | |
| FRONT MOUNTED PUMP (Engine Driven) | |
| Double Section Pump (Standard) | |
| S/N VS-41791 to VS-01007..(Jun. 1984 to Sep. 1987)..... | 54-55 |
| S/N VS-01008 to VS-01154..(Oct. 1987 to Mar. 1988)..... | 56-57 |
| S/N VS-01155 to VS-01244..(Apr. 1988 to May 1988)..... | 58-59 |
| S/N VS-01245 to VS-01547..(Jun. 1988 to Mar. 1989)..... | 60-61 |
| S/N VS-01548 to VS-Current..(Apr. 1989 to Current)..... | 62-63 |
| Single Section Pump (Optional) | |
| S/N VS-01245 to VS-Current..(Jun. 1988 to Current)..... | 64-65 |
| REAR MOUNTED PUMP (PTO Driven w/Speed Changer) | |
| Double Section Pump (Standard) | |
| S/N VS-41791 to VS-01007..(Jun. 1984 to Sep. 1987)..... | 66-67 |
| S/N VS-01008 to VS-01244..(Oct. 1987 to May 1988)..... | 68-69 |
| S/N VS-01245 to VS-02301..(Jun. 1988 to Oct. 1991)..... | 70-71 |
| S/N VS-02302 to VS-Current..(Nov. 1991 to Current)..... | 72-73 |
| Single Section Pump (Optional) | |
| S/N VS-01245 to VS-02301..(Jun. 1988 to Oct. 1991)..... | 74-75 |
| S/N VS-02302 to VS-Current..(Nov. 1991 to Current)..... | 76-77 |
| SPEED CHANGER (PTO DRIVEN) | |
| S/N VS-41791 to VS-01099..(Jun. 1984 to Jan. 1988)..... | 78-79 |
| S/N VS-01100 to VS-01547..(Feb. 1988 to Mar. 1989)..... | 80-81 |
| S/N VS-01548 to VS-03052..(Apr. 1989 to Nov. 1993)..... | 82-83 |
| S/N VS-03053 to VS-Current..(Dec. 1993 to Current)..... | 84-85 |
| SERIAL NUMBER / PRODUCTION DATES | |
| S/N VS-39383 to VS-Current..(Feb. 1982 to Current)..... | 128-129 |

NOTES

VERSA FLAIL ARCHIVE BOOK INTRODUCTION

The VERSA Archive Book is a complete listing of Parts from the first Unit to the Present. The Production Dates, Serial Numbers, Special Notes and Descriptions are furnished to help find Replacement Parts. Dimension (if listed) are for Identification of Parts and MAY NOT be to Manufacturing Specification, Your measurements may vary some from dimensions listed. Some Parts may be changed and be different than parts listed. Some Modification may be required when replacing older parts. The Versa Series consist of Versa Mower, Versa Flail, Versa Boom and Versa Ditcher (4 Book Series)

PAGE EXAMPLE



For ordering parts the following instructions are offered to help eliminate delay

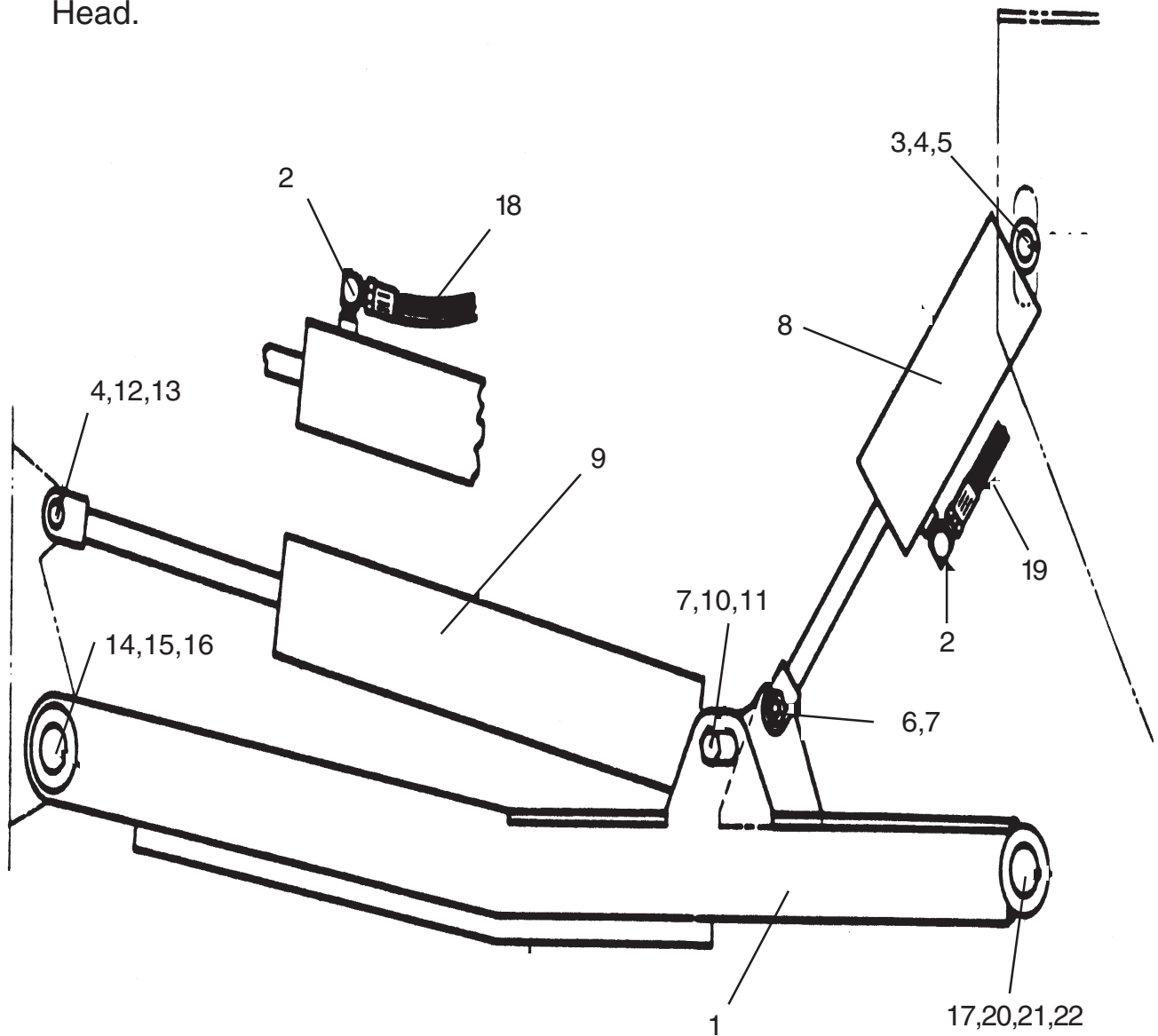
1. The purchase order must include the Name, Address (Ship to Street Address) of the Person / Organization ordering the parts. Who / How Parts should be Billed. Name and Phone Number of a Contact Person at your end.
2. The Purchase Order must list clearly the correct Part Number of Part. Quantity of each Part wanted, Complete and correct Description of each Part. All Parts will be shipped as requested depending on availability and/or reasonability of request carrier / method.
3. Alamo Industrial reserves the right to substitute parts where applicable and change prices Without prior notice. Alamo Industrial also reserves the right to Ship Parts the most Reasonable way as determined by Alamo Industrial.
4. Some Parts are unlisted items, which are special production items not normally stocked or built for a limited / special use, These parts may be subject to special handling or cannot be priced till ordered. Always Request a quotation for such Parts before sending a purchase order.

Jun. 1984
to
Sep. 1987

EXTENSION ARM VERSA FLAIL (Standard Flail Only)

S/N VF-41791
to
S/N VF-01007

NOTE: This Arm WILL FIT FLAIL ONLY, Sep. 1987 & Down, Flail used different Arm, Oct. 1987 & Up Flail Head mounting was changed to use same Arm as Rotary Head.



Jun. 1984
to
Sep. 1987

EXTENSION ARM VERSA FLAIL (Standard Flail Only)

S/N VF-41791
to
S/N VF-01007

| Item | Part No. | Qty | Description |
|------|----------|-----|-------------------------------------|
| 1 | 02957323 | 1 | Extension Arm Weldment (Flail Only) |
| 2 | 02822100 | 2 | Elbow |
| 3 | 02880800 | 1 | Pin |
| 4 | 00606000 | 3 | Cotter Pin |
| 5 | 02822500 | 2 | Flatwasher |
| 6 | 00752278 | 1 | Bolt |
| 7 | 02030300 | 2 | Nut |
| 8 | 02810900 | 1 | Cylinder |
| 9 | 02811100 | 1 | Cylinder |
| 10 | 02956972 | 1 | Bolt |
| 11 | 02957534 | 1 | Spacer |
| 12 | 00749946 | 3 | Washer |
| 13 | 02020800 | 1 | Pin |
| 14 | 00002200 | ref | Bolt |
| 15 | 00001800 | ref | Locknut TLM 1/2 NC PLC |
| 16 | 02957438 | ref | Pin |
| 17 | 00003500 | 1 | Grease Fitting |
| 18 | 02823800 | 1 | Hose |
| 19 | 02890900 | 1 | Hose |
| 20 | 02880700 | ref | Pin |
| 21 | 00002200 | ref | Bolt |
| 22 | 00001200 | ref | Nut |
| 23 | 00750208 | 2 | Plug, breather (Not Shown) |

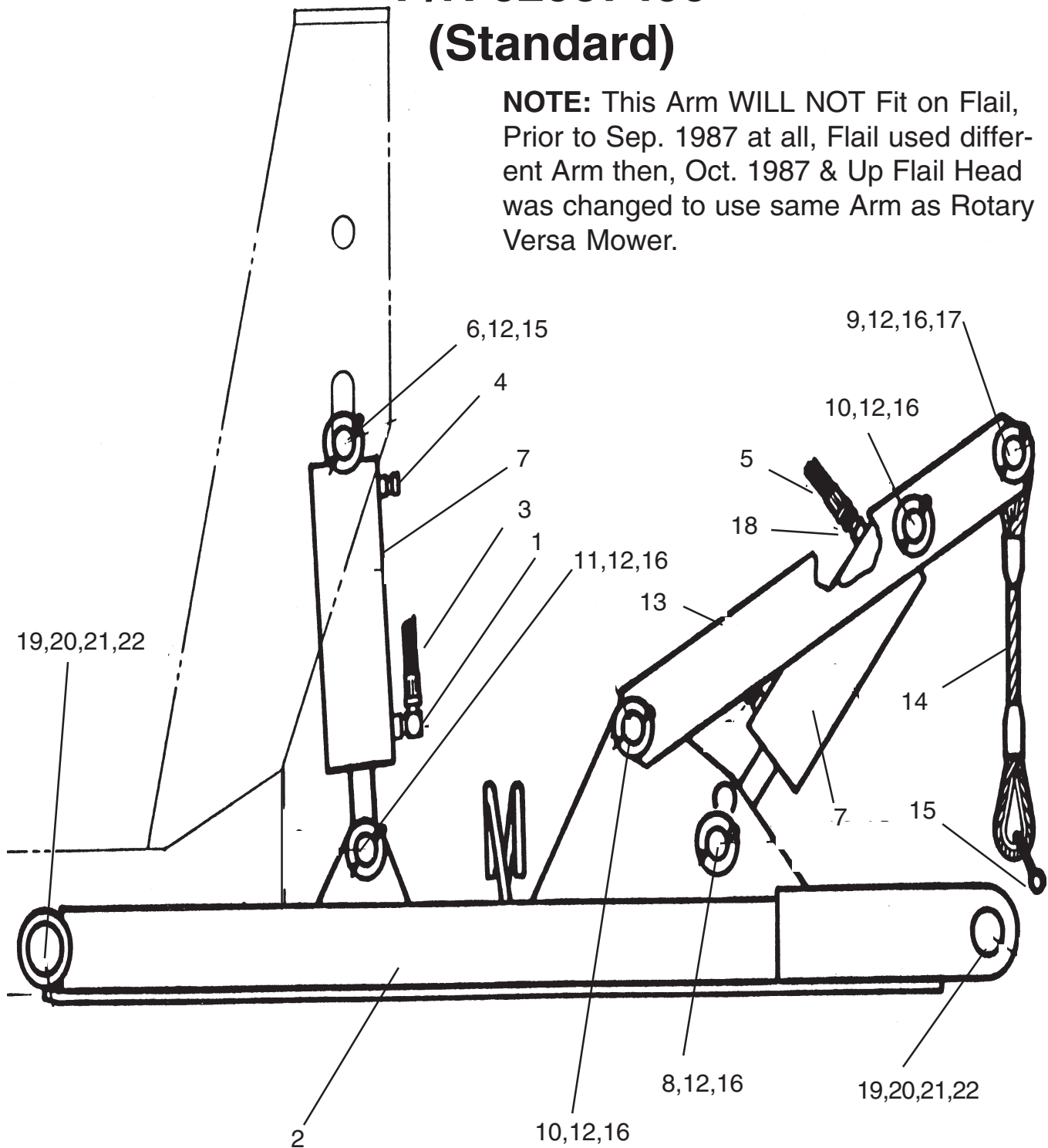
NOTE: This Arm WILL FIT FLAIL ONLY, Sep. 1987 & Down, Flail used different Arm, Oct. 1987 & Up Flail Head mounting was changed to use same Arm as Rotary Head

Oct. 1987
to
Jun. 1988

EXTENSION ARM VERSA FLAIL P/N 02957499 (Standard)

S/N VF-01008
to
S/N VF-01268

NOTE: This Arm WILL NOT Fit on Flail, Prior to Sep. 1987 at all, Flail used different Arm then, Oct. 1987 & Up Flail Head was changed to use same Arm as Rotary Versa Mower.



Oct. 1987
to
Jun. 1988

EXTENSION ARM VERSA FLAIL P/N 02957499 (Standard)

S/N VF-01008
to
S/N VF-01268

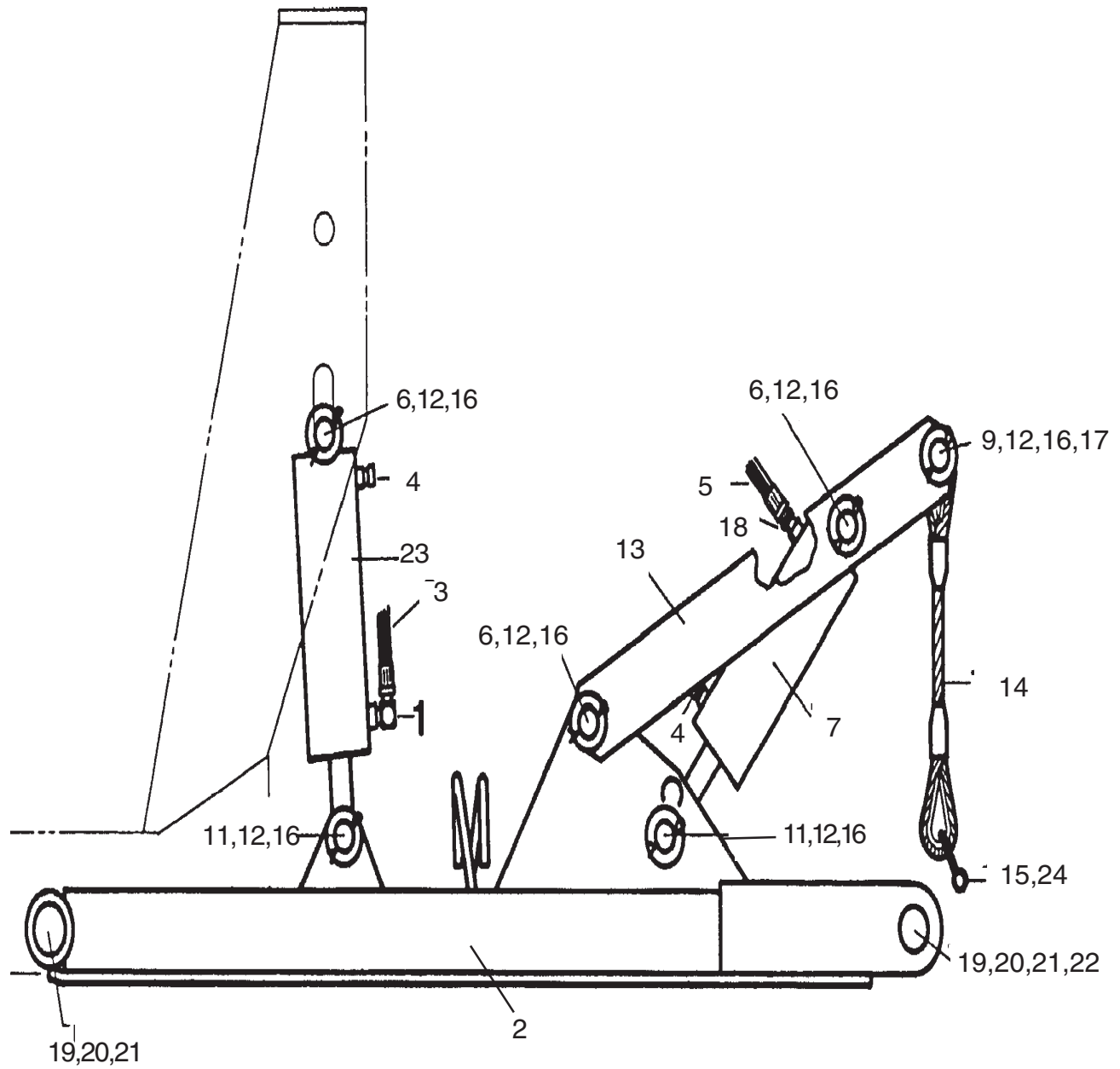
| Item | Part No. | Qty | Description |
|------|----------|-------|-------------------------------------|
| 1 | 02822100 | 1 | Elbow |
| 2 | 02957495 | 1 | Extension Arm Weldment |
| 3 | 02890900 | 1 | Hose |
| 4 | 00750208 | 2 | Plug, Breather |
| 5 | 02839000 | 1 | Hose |
| 6 | 02880800 | 1 | Pin |
| 7 | 02810900 | 2 | Cylinder |
| 8 | 02930200 | 1 | Pin, Cylinder |
| 9 | 02957335 | 1 | Pin |
| 10 | 02957536 | 2 | Pin |
| 11 | 02930200 | 1 | Pin |
| 12 | 00606000 | 12 | Cotter Pin |
| 13 | 02957497 | 1 | Linkage Arm Weldment |
| 14 | 02880100 | 1 | Cable Assembly |
| 15 | 02880200 | 1 | Shackle W/ Screw Pin |
| 16 | 02822500 | 12 | Flatwasher |
| 17 | 00750731 | 1 | Bushing |
| 18 | 02957691 | 1 | Adapter, Straight |
| 19 | 02880700 | 2-ref | Pin, Attaching (Except Versa Flail) |
| 20 | 10318000 | 2-ref | Bolt |
| 21 | 00001800 | 2-ref | Locknut TLM 1/2 NC PLC |
| 22 | 02959438 | 1 | Pin, Attaching, (Versa Flail Only) |

NOTE: This Arm WILL NOT Fit on Flail, Prior to Sep. 1987 at all, Flail used different Arm then, Oct. 1987 & Up Flail Head was changed to use same Arm as Rotary Versa Mower.

Jul. 1988
to
Jan. 1996

EXTENSION ARM VERSA FLAIL P/N 02961799 (Standard)

S/N VF-01269
to
S/N VF-03884



Jul. 1988
to
Jan. 1996

EXTENSION ARM VERSA FLAIL P/N 02961799 (Standard)

S/N VF-01269
to
S/N VF-03884

| Item | Part No. | Qty | Description |
|------|-----------|-------|--|
| | 02961799 | – | Extension Arm Assembly |
| 1 | 02960018* | 1 | Elbow |
| 2 | 02957495* | 1 | Extension Arm Weldment |
| 3 | 02890900 | 1 | Hose |
| 4 | 02960054* | 2 | Breather Plug |
| 5 | 02839000 | 1 | Hose |
| 6 | 02880800* | 3 | Pin |
| 7 | 02961483* | 1 | Cylinder |
| 9 | 02957535* | 1 | Pin |
| 11 | 02930200* | 1 | Pin |
| 12 | 00606000* | 12 | Cotter Pin |
| 13 | 02957497* | 1 | Linkage Arm Weldment |
| 14 | 02880100* | 1 | Cable Assembly |
| 15 | 02880200* | 1 | Shackle with Screw Pin |
| 16 | 02822500* | 12 | Flatwasher |
| 17 | 02959180* | 1 | Bushing |
| 18 | 02962181* | 1 | Straight Adapter |
| 19 | 02880700* | 2 | Lug Bushing |
| 20 | 00753013 | 2-ref | Bolt |
| 21 | 00001800 | 2-ref | Locknut TLM 1/2 NC PLC |
| 22 | 02959438 | 1-ref | Pin, Attach. (Special for Flail Head Only) |
| | 02965640 | 1-ref | Pin, Attach. (For Rotary Head Only) |
| 23 | 02961484* | 1 | Cylinder |
| 24 | 02962919 | 1 | Bushing |

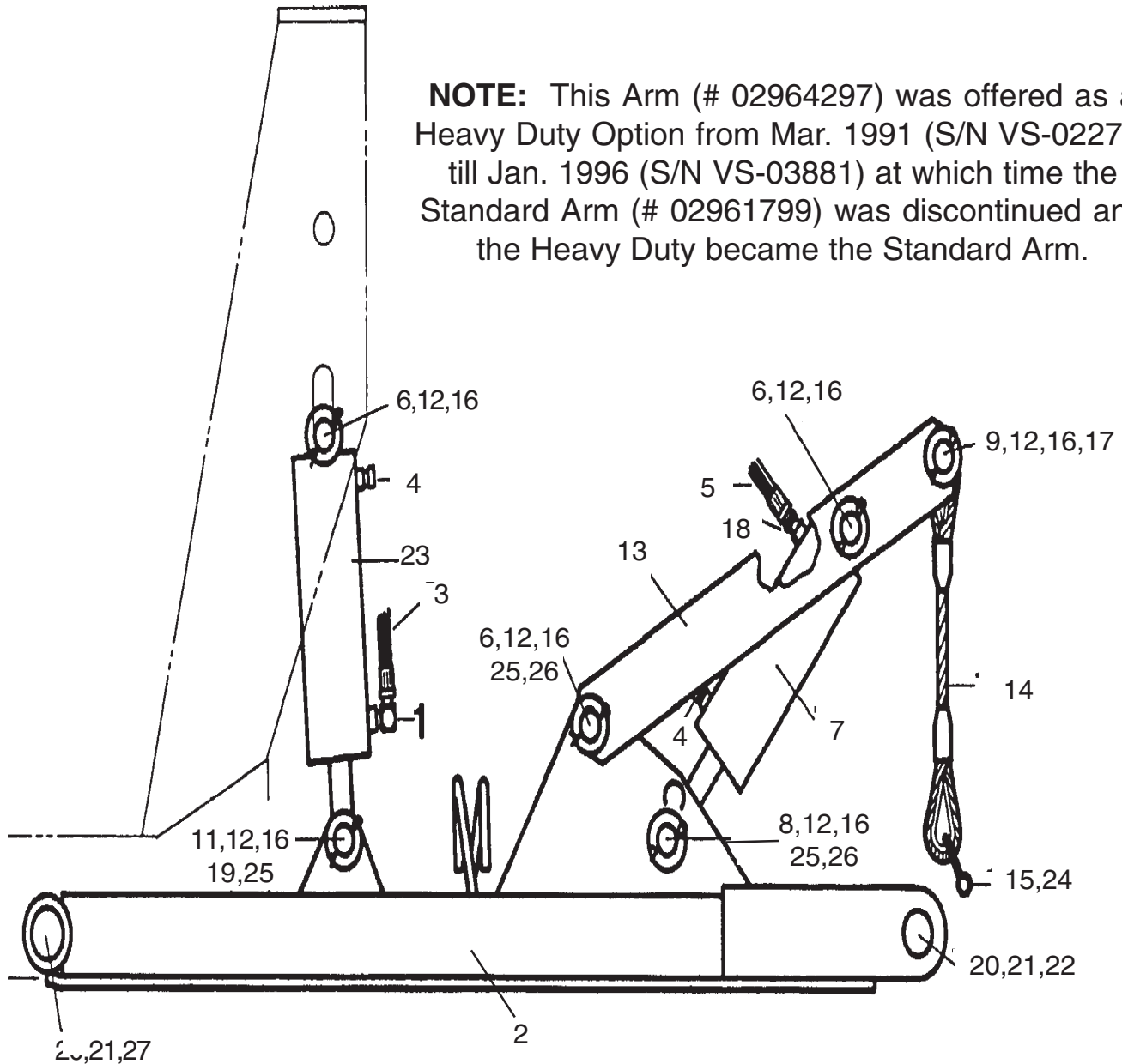
* These parts are included in Extension Arm Assembly p/n 02961799

Feb. 1996
to
Aug 1996

EXTENSION ARM VERSA FLAIL P/N 02964297 (Standard)

S/N VF-03885
to
S/N VF-04144

NOTE: This Arm (# 02964297) was offered as a Heavy Duty Option from Mar. 1991 (S/N VS-02271) till Jan. 1996 (S/N VS-03881) at which time the Standard Arm (# 02961799) was discontinued and the Heavy Duty became the Standard Arm.



Feb. 1986
to
Aug. 1996

EXTENSION ARM VERSA FLAIL P/N 02964297 (Standard)

S/N VF-03885
to
S/N VF-04144

| Item | Part No. | Qty | Description |
|------|-----------|-------|--|
| | 02964297 | – | Extension Arm Assembly |
| 1 | 02960018* | 1 | Elbow |
| 2 | 02964296* | 1 | Extension Arm Weldment |
| 3 | 02890900 | 1 | Hose |
| 4 | 02960054* | 2 | Breather Plug |
| 5 | 02839000 | 1 | Hose |
| 6 | 02880800* | 3 | Pin |
| 7 | 02961483* | 1 | Cylinder |
| 8 | 02963505* | 1 | Pin, Cylinder (Greaseable) |
| 9 | 02957535* | 1 | Pin |
| 11 | 02930200* | 1 | Pin |
| 12 | 00606000* | 12 | Cotter Pin |
| 13 | 02957497* | 1 | Linkage Arm Weldment |
| 14 | 02880100* | 1 | Cable Assembly |
| 15 | 02880200* | 1 | Shackle with Screw Pin |
| 16 | 02822500* | 12 | Flatwasher |
| 17 | 00750731* | 1 | Bushing |
| 18 | 02962181* | 1 | Straight Adapter |
| 19 | 02959925* | 2 | Lug Bushing |
| 20 | 10318000 | 2-ref | Bolt |
| 21 | 00001800 | 2-ref | Locknut TLM 1/2 NC PLC |
| 22 | 02959438 | 1-ref | Pin, Attach. (Special for Flail Head Only) |
| | 02965640 | 1-ref | Pin, Attach. (For Rotary Head Only) |
| 23 | 02961484* | 1 | Cylinder |
| 24 | 02959891 | 1 | Bushing |
| 25 | 00752670* | 6 | Grease Fitting |
| 26 | 02963467* | 6 | Lug Bushing |
| 27 | 02880700 | 1 | Pin |

* These parts are included in Extension Arm Assembly p/n 02964297

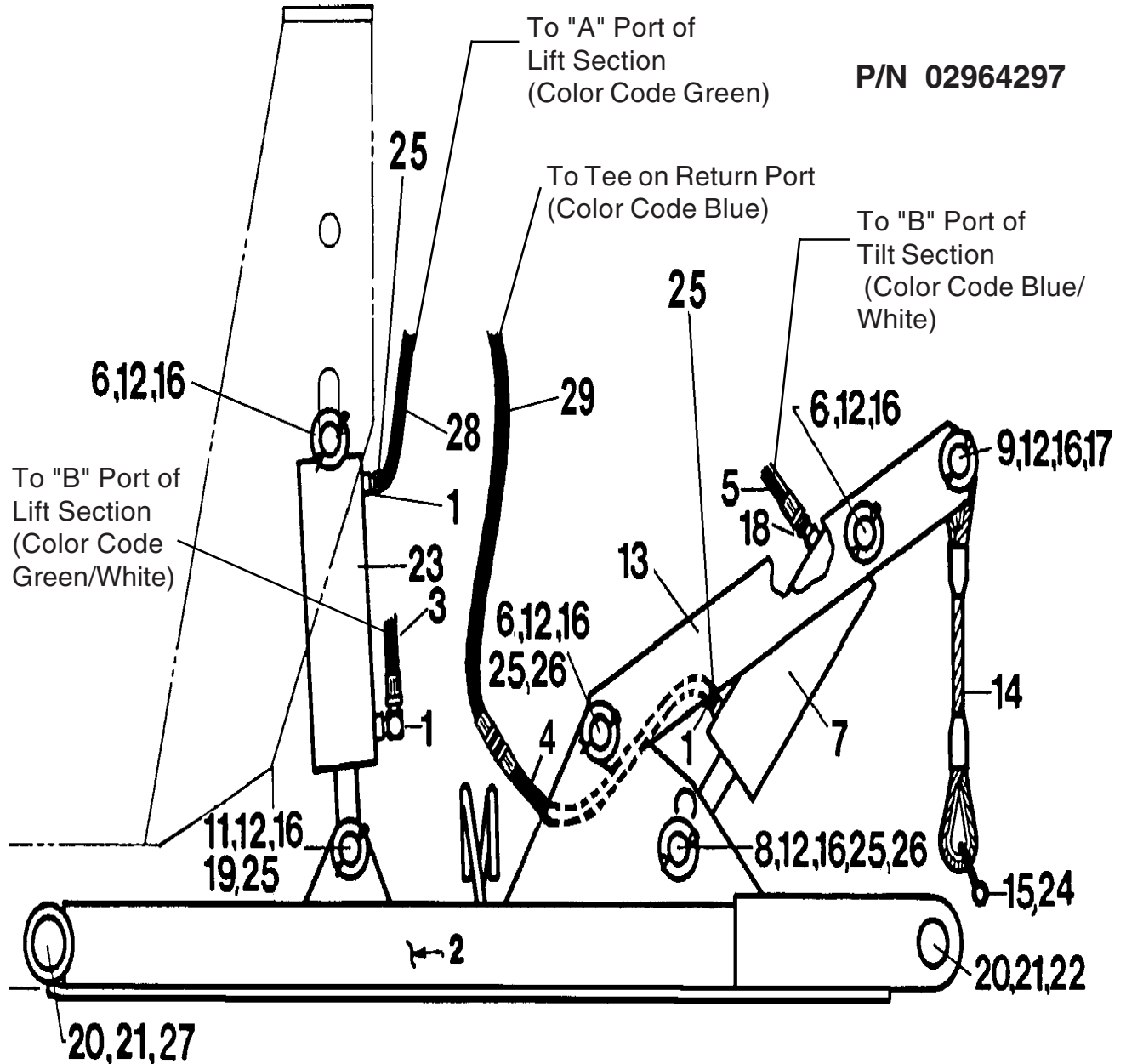
NOTE: This Arm (# 02964297) was offered as a Heavy Duty Option from Mar. 1991 (S/N VS-02271) till Jan. 1996 (S/N VS-03881) at which time the Standard Arm (# 02961799) was discontinued and the Heavy Duty became the Standard Arm.

VERSA FLAIL (Archive Book) 10/01

Sep. 1996
to
Current

EXTENSION ARM VERSA FLAIL P/N 02964297 (Standard)

S/N VF-04145
to
S/NVF-Current



Sep. 1996
to
Current

EXTENSION ARM VERSA FLAIL P/N 02964297 (Standard)

S/N VF-04145
to
S/N VF-Current

| Item | Part No. | Qty | Description |
|------|-----------|-------|--|
| 1 | 02960018* | 3 | Elbow |
| 2 | 02964296* | 1 | Extension Arm Weldment (Heavy Duty) |
| 3 | 02839000 | 1 | Hose, ROPS Units, (Color Code Green/White) |
| | 02823600 | 1 | Hose, Cab Units, (Color Code Green/White) |
| 4 | 02957485* | 1 | Hose With #4MJ |
| 5 | 001774 | 1 | Hose, ROPS Units, (Color Code Blue/White) |
| | 02839000 | 1 | Hose, Cab Units, (Color Code Blue/White) |
| 6 | 02880800* | 3 | Pin |
| 7 | 02961483* | 1 | Cylinder |
| 8 | 02963505* | 1 | Cylinder, Pin (Greaseable) |
| 9 | 02957535* | 1 | Pin |
| 11 | 02930200* | 1 | Pin |
| 12 | 00606000* | 12 | Cotter Pin |
| 13 | 02957497* | 1 | Linkage Arm Weldment |
| 14 | 02880100* | 1 | Cable Assembly |
| 15 | 02880200* | 1 | Shackle with Screw Pin |
| 16 | 02822500* | 12 | Flatwasher |
| 17 | 00750731* | 1 | Bushing |
| 18 | 02962181* | 1 | Straight Adapter |
| 19 | 02959925* | 2 | Lug Bushing |
| 20 | 10318000 | 2-ref | Bolt |
| 21 | 00001800 | 2-ref | Locknut TLM 1/2 NC PLC |
| 22 | 02959438 | 1-ref | Pin, Attach. (Special for Flail Head Only) |
| | 02880700 | 1-ref | Pin, Attach. (For Rotary Head) |
| 23 | 02961484* | 1 | Cylinder |
| 24 | 02959891 | 1 | Bushing |
| 25 | 00752670* | 8 | Grease Fitting |
| 26 | 02963467* | 6 | Lug Bushing |
| 27 | 02880700 | 1 | Pin |
| 28 | 02890900 | 1 | Hose , ROPS Units, (Color Code Green) |
| | 02965475 | 1 | Hose, Cabs Units, (Color Code Green) |
| 29 | 0019800 | 1 | Hose, ROPS Units, (Color Code Blue) |
| | 001849 | 1 | Hose, Cabs Units, (Color Code Blue) |

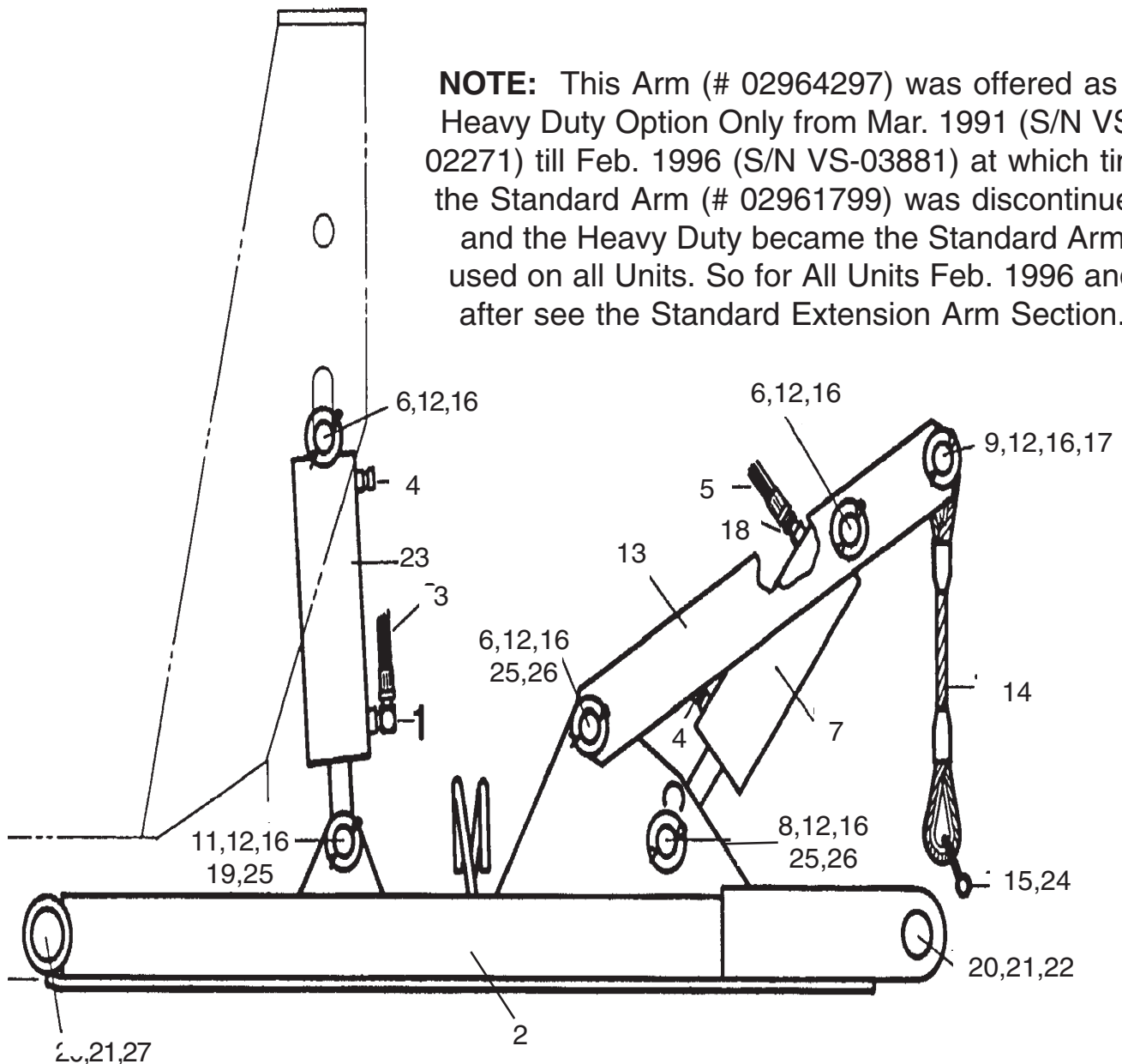
* These parts are included in Extension Arm Assembly p/n 02964297

May 1991
to
Jan. 1996

S/N VF-02172
to
S/N VF-03884

EXTENSION ARM VERSA FLAIL P/N 02964297 (Heavy Duty Option)

NOTE: This Arm (# 02964297) was offered as a Heavy Duty Option Only from Mar. 1991 (S/N VS-02271) till Feb. 1996 (S/N VS-03881) at which time the Standard Arm (# 02961799) was discontinued and the Heavy Duty became the Standard Arm used on all Units. So for All Units Feb. 1996 and after see the Standard Extension Arm Section.



May 1991
to
Jan. 1996

**EXTENSION ARM
VERSA FLAIL
P/N 02964297
(Heavy Duty Option)**

S/N VF-02172
to
S/N VF-03884

| Item | Part No. | Qty | Description |
|------|-----------|-------|--|
| | 02964297 | – | Extension Arm Assembly |
| 1 | 02960018* | 1 | Elbow |
| 2 | 02964296* | 1 | Extension Arm Weldment |
| 3 | 02890900 | 1 | Hose |
| 4 | 02960054* | 2 | Breather Plug |
| 5 | 02839000 | 1 | Hose |
| 6 | 02880800* | 3 | Pin |
| 7 | 02961483* | 1 | Cylinder |
| 8 | 02963505* | 1 | Pin, Cylinder (Greaseable) |
| 9 | 02957535* | 1 | Pin |
| 11 | 02930200* | 1 | Pin |
| 12 | 00606000* | 12 | Cotter Pin |
| 13 | 02957497* | 1 | Linkage Arm Weldment |
| 14 | 02880100* | 1 | Cable Assembly |
| 15 | 02880200* | 1 | Shackle with Screw Pin |
| 16 | 02822500* | 12 | Flatwasher |
| 17 | 00750731* | 1 | Bushing |
| 18 | 02962181* | 1 | Straight Adapter |
| 19 | 02959925* | 2 | Lug Bushing |
| 20 | 10318000 | 2-ref | Bolt |
| 21 | 00001800 | 2-ref | Locknut TLM 1/2 NC PLC |
| 22 | 02959438 | 1-ref | Pin, Attach. (Special for Flail Head Only) |
| | 02965640 | 1-ref | Pin, Attach. (For Rotary Head Only) |
| 23 | 02961484* | 1 | Cylinder |
| 24 | 02959891 | 1 | Bushing |
| 25 | 00752670* | 6 | Grease Fitting |
| 26 | 02963467* | 6 | Lug Bushing |
| 27 | 02880700 | 1 | Pin |

* These parts are included in Extension Arm Assembly p/n 02964297

NOTE: This Arm (# 02964297) was offered as a Heavy Duty Option Only from Mar. 1991 (S/N VS-02271) till Feb. 1996 (S/N VS-03881) at which time the Standard Arm (# 02961799) was discontinued and the Heavy Duty became the Standard Arm used on all Units. So for All Units Feb. 1996 and after see the Standard Extension Arm Section.

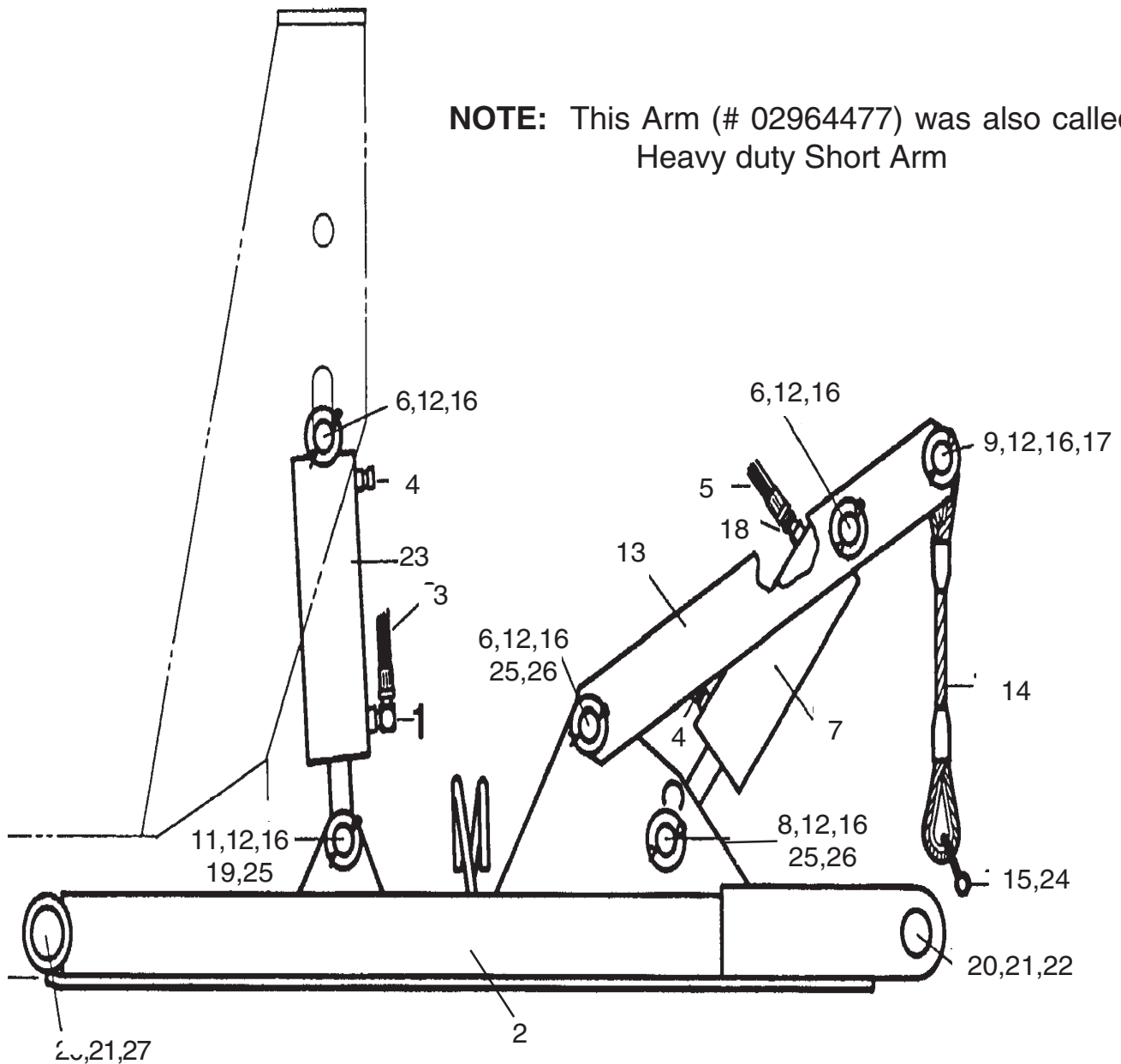
May 1991
to
Aug. 1996

EXTENSION ARM VERSA FLAIL P/N 02964477 (Short Option)

S/N VF-02172
to
S/N VF-04144

6" Shorter Than Standard

NOTE: This Arm (# 02964477) was also called
Heavy duty Short Arm



Feb. 1986
to
Aug. 1996

EXTENSION ARM VERSA FLAIL P/N 02964477 (Short Option)

S/N VF-02172
to
S/N VF-04144

6" Shorter Than Standard

| Item | Part No. | Qty | Description |
|------|-----------|-------|--|
| | 02964477 | — | Extension Arm Assembly, Short |
| 1 | 02960018* | 1 | Elbow |
| 2 | 02964479* | 1 | Extension Arm Weldment |
| 3 | 02890900 | 1 | Hose |
| 4 | 02960054* | 2 | Breather Plug |
| 5 | 02839000 | 1 | Hose |
| 6 | 02880800* | 3 | Pin |
| 7 | 02961483* | 1 | Cylinder |
| 8 | 02963505* | 1 | Pin, Cylinder (Greaseable) |
| 9 | 02957535* | 1 | Pin |
| 11 | 02930200* | 1 | Pin |
| 12 | 00606000* | 12 | Cotter Pin |
| 13 | 02957497* | 1 | Linkage Arm Weldment |
| 14 | 02880100* | 1 | Cable Assembly |
| 15 | 02880200* | 1 | Shackle with Screw Pin |
| 16 | 02822500* | 12 | Flatwasher |
| 17 | 00750731* | 1 | Bushing |
| 18 | 02962181* | 1 | Straight Adapter |
| 19 | 02959925* | 2 | Lug Bushing |
| 20 | 10318000 | 2-ref | Bolt |
| 21 | 00001800 | 2-ref | Locknut TLM 1/2 NC PLC |
| 22 | 02959438 | 1-ref | Pin, Attach. (Special for Flail Head Only) |
| | 02965640 | 1-ref | Pin, Attach. (For Rotary Head Only) |
| 23 | 02961484* | 1 | Cylinder |
| 24 | 02959891 | 1 | Bushing |
| 25 | 00752670* | 6 | Grease Fitting |
| 26 | 02963467* | 6 | Lug Bushing |
| 27 | 02880700 | 1 | Pin |

* These parts are included in Extension Arm Assembly p/n 02964477

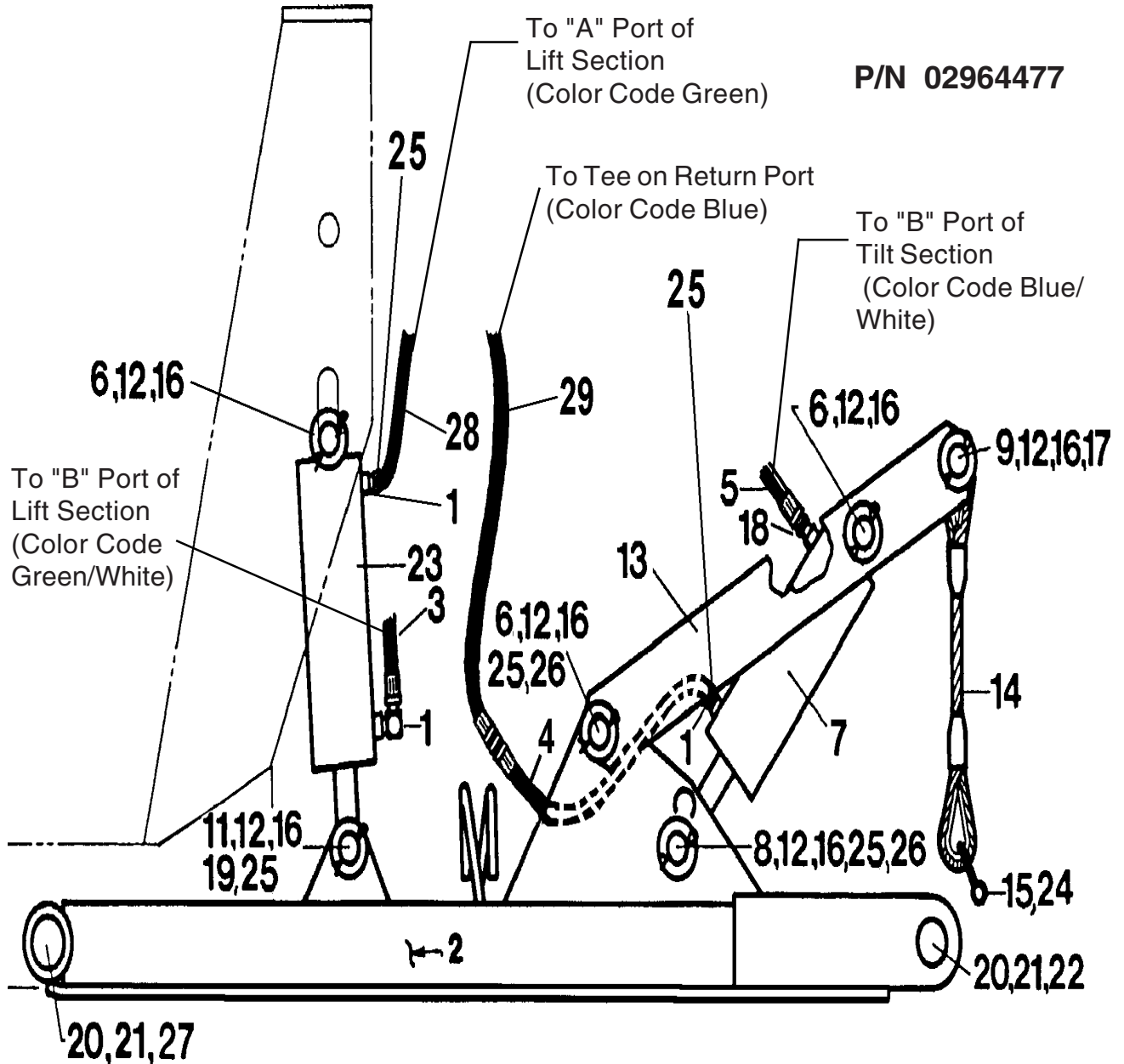
NOTE: This Arm (# 02964477) was also called
Heavy duty Short Arm

Sep. 1996
to
Current

EXTENSION ARM VERSA FLAIL P/N 02964477 (Short Option)

S/N VF-04145
to
S/N VF-Current

6" Shorter Than Standard



Sep. 1996
to
Current

EXTENSION ARM VERSA FLAIL P/N 02964477 (Short Option)

S/N VF-04145
to
S/N VF-Current

6" Shorter Than Standard

| Item | Part No. | Qty | Description |
|------|-----------|-------|--|
| 1 | 02960018* | 3 | Elbow |
| 2 | 02964479* | 1 | Extension Arm Weldment (Heavy Duty) |
| 3 | 02839000 | 1 | Hose, ROPS Units, (Color Code Green/White) |
| | 02823600 | 1 | Hose, Cab Units, (Color Code Green/White) |
| 4 | 02957485* | 1 | Hose With #4MJ |
| 5 | 001774 | 1 | Hose, ROPS Units, (Color Code Blue/White) |
| | 02839000 | 1 | Hose, Cab Units, (Color Code Blue/White) |
| 6 | 02880800* | 3 | Pin |
| 7 | 02961483* | 1 | Cylinder |
| 8 | 02963505* | 1 | Cylinder, Pin (Greaseable) |
| 9 | 02957535* | 1 | Pin |
| 11 | 02930200* | 1 | Pin |
| 12 | 00606000* | 12 | Cotter Pin |
| 13 | 02957497* | 1 | Linkage Arm Weldment |
| 14 | 02880100* | 1 | Cable Assembly |
| 15 | 02880200* | 1 | Shackle with Screw Pin |
| 16 | 02822500* | 12 | Flatwasher |
| 17 | 00750731* | 1 | Bushing |
| 18 | 02962181* | 1 | Straight Adapter |
| 19 | 02959925* | 2 | Lug Bushing |
| 20 | 10318000 | 2-ref | Bolt |
| 21 | 00001800 | 2-ref | Locknut TLM 1/2 NC PLC |
| 22 | 02959438 | 1-ref | Pin, Attach. (Special for Flail Head Only) |
| | 02955640 | 1-ref | Pin, Attach. (For Rotary Head) |
| 23 | 02961484* | 1 | Cylinder |
| 24 | 02959891 | 1 | Bushing |
| 25 | 00752670* | 8 | Grease Fitting |
| 26 | 02963467* | 6 | Lug Bushing |
| 27 | 02880700 | 1 | Pin |
| 28 | 02890900 | 1 | Hose , ROPS Units, (Color Code Green) |
| | 02965475 | 1 | Hose, Cabs Units, (Color Code Green) |
| 29 | 0019800 | 1 | Hose, ROPS Units, (Color Code Blue) |
| | 001849 | 1 | Hose, Cabs Units, (Color Code Blue) |

* These parts are included in Extension Arm Assembly p/n 02964477

Apr. 1988
to
Current

EXTENSION ARM VERSA FLAIL BREAKAWAY (OPTIONAL)

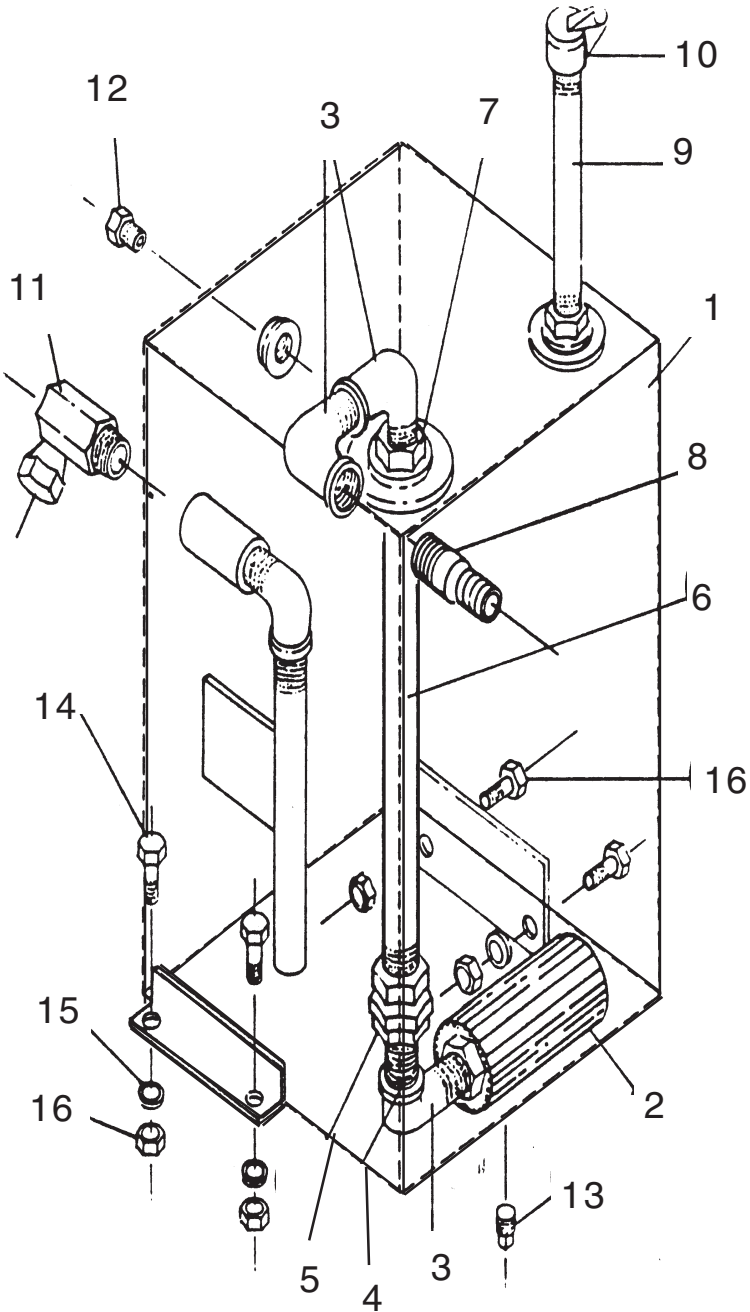
S/N VF-01155
to
S/N VF-Current

| Item | Part No. | Qty | Description |
|------|----------|-----|---------------------------------|
| 1 | 02959418 | 1 | Section, Basic Mount Attachment |
| 2 | 02959428 | 1 | Section, Mower Half |
| 3 | 02822100 | 1 | Elbow |
| 4 | 00750208 | 2 | Plug, Breather |
| 5 | 02839000 | 1 | Hose |
| 6 | 02957691 | 1 | Adapter, Straight |
| 7 | 02880800 | 3 | Pin, Cylinder Dead End |
| 8 | 02890900 | 1 | Hose |
| 9 | 02810900 | 2 | Cylinder, Hydraulic |
| 10 | 02930200 | 2 | Linkage Pin |
| 11 | 02957535 | 1 | Linkage Pin |
| 13 | 00606000 | 15 | Cotter Pin |
| 14 | 02957497 | 1 | Linkage Arm Weldment |
| 15 | 02880100 | 1 | Cable Assembly |
| 16 | 02880200 | 1 | Shackle, W/ Screw Pin |
| 17 | 02822500 | 14 | Flatwasher |
| 19 | 02959437 | 1 | Pin Weldment |
| 20 | 10318000 | 1 | Bolt |
| 21 | 00001800 | 1 | Locknut TLM 1/2 NC PLC |
| 22 | 00600000 | 1 | Grease Fitting |
| 23 | 02964953 | 1 | Cylinder, Breakaway Hydraulic |
| 24 | 00034900 | 1 | Plug, Pipe |
| 25 | 02045200 | 1 | Elbow |
| 26 | 02020800 | 2 | Clevis Pin |
| 27 | 02823600 | 1 | Hose |
| 28 | 00036800 | 1 | Nut |
| 29 | 02957501 | 2 | Bushing |
| 30 | 02880700 | 2 | Pin, Attachment |

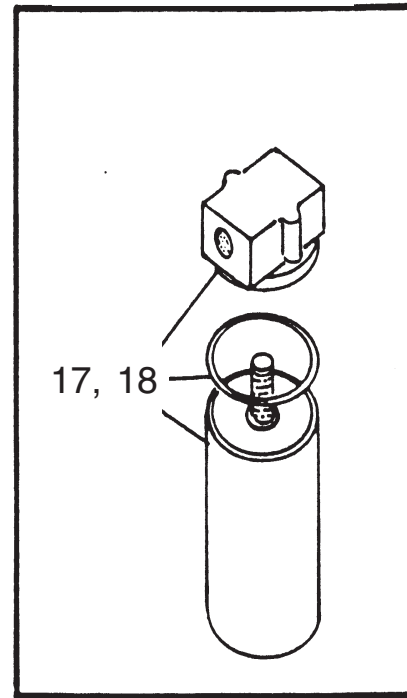
Jun. 1984
to
Jul. 1984

OIL TANK VERSA FLAIL

S/N VF-41791
to
S/N VF-42249



RETURN FILTER ASSEMBLY



USE 20 W 40 MOTOR OIL
"This has Been Changed to Use"
Universal Hydraulic Oil

Jun. 1984
to
Jul. 1984

OIL TANK VERSA FLAIL

S/N VF-41791
to
S/N VF-42249

| Item | Part No. | Qty | Description |
|------|----------|-----|----------------------|
| 1 | 02876200 | 1 | Reservoir (Oil Tank) |
| 2 | 02047400 | 1 | Suction Filter |
| 3 | 02047200 | 3 | Elbow |
| 4 | 02047300 | 1 | Close Nipple |
| 5 | 02047100 | 1 | Slip Union |
| 6 | 02822000 | 1 | Nipple, 26" Long |
| 7 | 02046900 | 1 | Adapter, Bushing |
| 8 | 02888400 | 1 | Adapter, Straight |
| 9 | 02410300 | 1 | Nipple, 12" long |
| 10 | 02040800 | 1 | Filler Cap |
| 11 | 02889300 | 1 | Filler Cap |
| 12 | 02049700 | 1 | Sight Gage |
| 13 | 02016100 | 1 | Pipe Plug |
| 14 | 00012000 | 4 | Bolt |
| 15 | 00001300 | 4 | Lockwasher |
| 16 | 00001200 | 4 | Nut |
| 17 | 00751469 | 1 | Filter Asy as Shown |
| 18 | 00751529 | 1 | Filter Element Only |

Aug. 1984
to
Oct. 1987

OIL TANK VERSA FLAIL

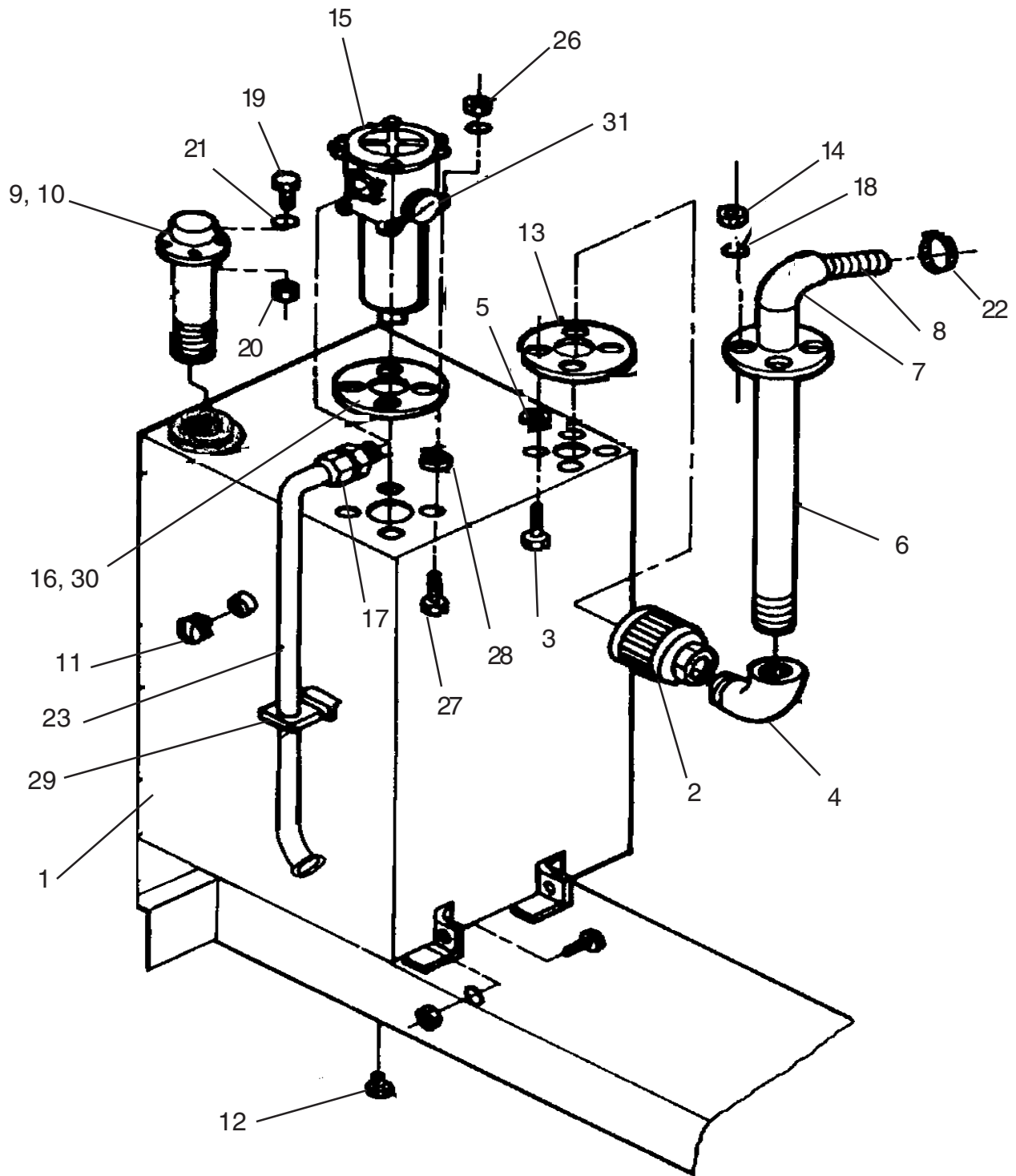
S/N VF-42250
to
S/N VF-01034

| Item | Part No. | Qty | Description |
|------|----------|-----|-----------------------|
| 1 | 02876200 | 1 | Oil Tank |
| 2 | 02047400 | 1 | Suction Filter |
| 3 | 02047200 | 2 | Elbow |
| 4 | 02957223 | 1 | Suction Pipe Weldment |
| 5 | 02208400 | 1 | Elbow |
| 6 | 02411000 | 1 | Hose Bib |
| 7 | 02209400 | 1 | Filler Cap Weldment |
| 8 | 02209600 | 1 | Filler Cap |
| 9 | 00751457 | 1 | Elbow |
| 10 | 02049700 | 1 | Sight Gauge |
| 11 | 02016100 | 1 | Pipe Plug |
| 12 | 00012000 | 4 | Bolt |
| 13 | 00001300 | 4 | Lockwasher |
| 14 | 00001200 | 4 | Nut |
| 15 | 63067100 | 6 | Bolt |
| 16 | 63121800 | 6 | Lockwasher |
| 17 | 63121700 | 6 | Nut |
| 18 | 02208800 | 4 | Bolt |
| 19 | 63161900 | 4 | Spring Nut |
| 20 | 00002700 | 4 | Flatwasher |
| 21 | 00749137 | 4 | Nut |
| 22 | 00751469 | 1 | Filter Asy. |
| 23 | 00751529 | 1 | Filter Element |
| 24 | 02958079 | 1 | Gasket, Suction Plate |

Nov. 1987
to
Current

OIL TANK VERSA FLAIL

S/N VF-01035
to
S/N VF-Current



USE UNIVERSAL HYDRAULIC OIL
"This has Been Changed From" USE
20W40 MOTOR OIL

Nov. 1987
to
Current

OIL TANK VERSA FLAIL

S/N VF-01035
to
S/N VF-Current

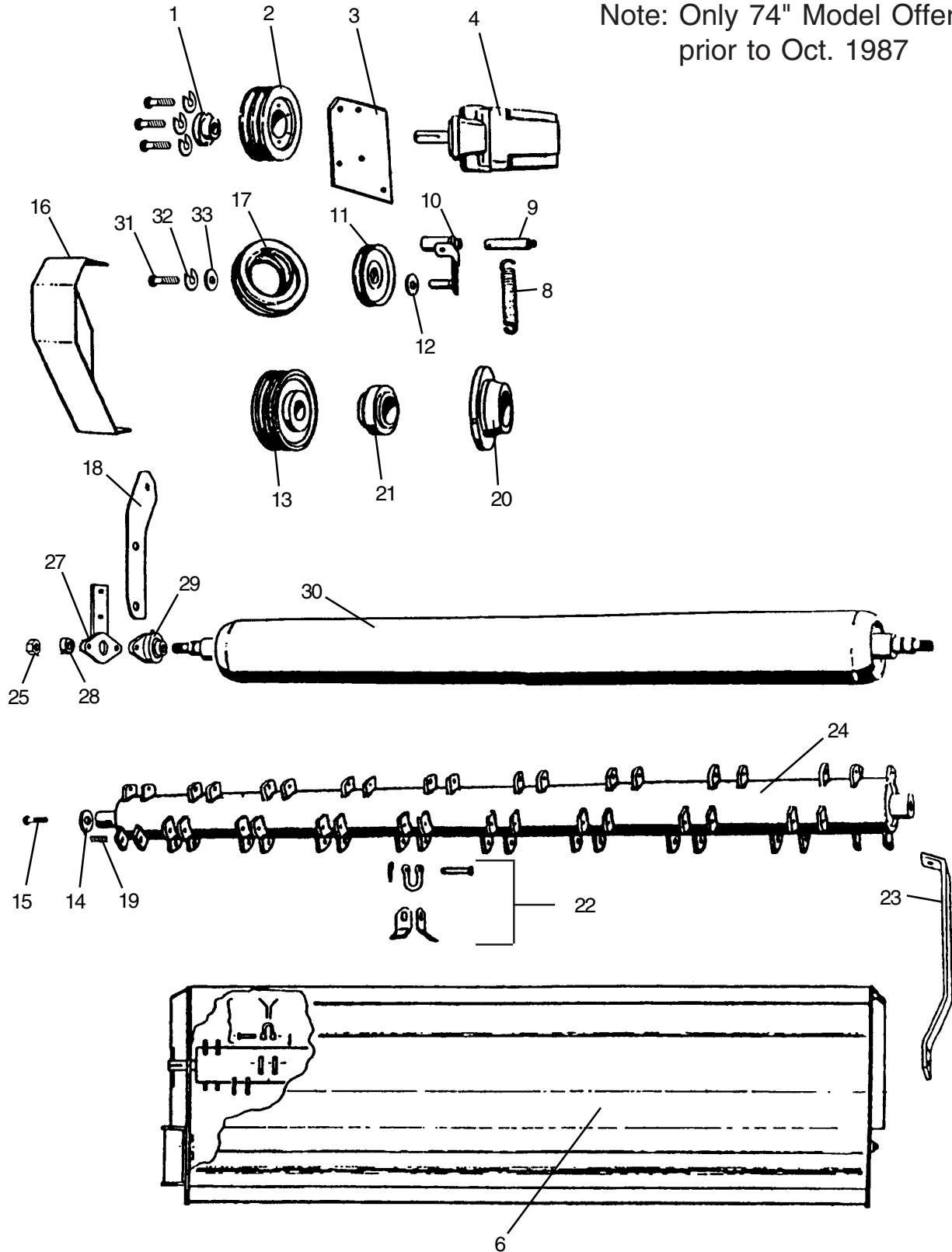
| Item | Part No. | Qty | Description |
|------|----------|-----|-----------------------|
| 1 | 02961046 | 1 | Oil Tank Weldment |
| 2 | 02047400 | 2 | Suction Filter |
| 3 | 02208800 | 4 | Bolt |
| 4 | 02047200 | 1 | Elbow |
| 5 | 63161900 | 4 | Spring Nut |
| 6 | 02957223 | 1 | Suction Pipe Weldment |
| 7 | 02208400 | 1 | Elbow |
| 8 | 02411000 | 1 | Hose Bib |
| 9 | 02957390 | 1 | Filler Cap Weldment |
| 10 | 02209600 | 1 | Filler Cap |
| 11 | 02962963 | 1 | Sight Gauge |
| 12 | 02963659 | 1 | Magnetic Plug |
| 13 | 02958079 | 1 | Gasket-Rubber |
| | 02963661 | 1 | Gasket-Cork |
| 14 | 00749137 | 4 | Nut |
| 15 | 02961000 | 1 | Filter Assembly |
| | 02961001 | 1 | Filter Element |
| | 02961452 | 1 | O-Ring |
| 16 | 02961052 | 1 | Gasket, Rubber |
| | 02963662 | 1 | Gasket, Cork |
| 17 | 02960809 | 1 | Adapter |
| 18 | 00002700 | 4 | Flatwasher |
| 19 | 63067100 | 6 | Bolt |
| 20 | 63121700 | 6 | Nut |
| 21 | 63121800 | 6 | Lockwasher |
| 22 | 02026200 | 1 | Hose Clamp |
| 23 | 02961681 | 1 | Tube, Filter Return |
| 26 | 00752036 | 4 | Nut |
| 27 | 12621000 | 4 | Bolt |
| 28 | 02961255 | 4 | Pushnut |
| 29 | 02960871 | 1 | Tube Clamp |
| 30 | 02967127 | 1 | O-Ring |
| 31 | 02962963 | 1 | Dial Indicator |

Oct. 1987
to
Jan. 1989

Flail Deck Assembly Versa Flail 60" Belt Drive

S/N VF-01008
to
S/N VF-01484

Note: Only 74" Model Offered
prior to Oct. 1987



Oct. 1987
to
Jan. 1989

Flail Deck Assembly Versa Flail 60" Belt Drive

S/N VF-01008
to
S/N VF-01484

| ItemPart No. | Qty | Description | ItemPart No. | Qty | Description | |
|--------------|----------|-----------------------------------|--------------|----------|---|---|
| | | 02960430 -- Flail Asy, 60" | 20 | 02957714 | 1 Housing, Inside (Use #702403 Asy.) | |
| 1 | 000672 | 1 Hub, QD | | 02957715 | 1 Housing, Outside (Use # 702404 Asy.) | |
| | 10119000 | 3 Bolt - F/ QD Hub | | 21 | 02957713 | 1 Bearing, Both Sides (Use Item# 20) |
| 2 | 000673 | 1 Pulley | | 22* | 02957644 | 1 *Knife Package, 2 Way (Use # 700616) |
| 3 | 02959439 | 1 Motor Plate | | | 702255 | 1 *Knife Package, 2 Way Heavy Duty |
| | 63066100 | 2 Bolt, Motor | 23 | 02957717 | 2 Fender (Use # 103064) | |
| | 00012101 | 2 Lockwasher, Motor | 24 | 702515 | 1 Cutter Shaft, 60" | |
| | 00015800 | 2 Nut, Motor | 25 | 001096 | 2 Nut | |
| 4 | 02957542 | 1 Motor Asy. | 27 | 105697 | 2 Bracket Asy. | |
| | 02959445 | 1 Hose, Pressure Side | 28 | 105699 | 2 Spacer | |
| | 02957465 | 1 Hose, Return Side | 29 | 702485 | 2 Bearing & Housing Asy. W/Gauge Fitting | |
| | 02956475 | 1 Hose Sleeving | | 000142 | 4 Bolt, Brg & Hsg Attach. | |
| 5 | 700524 | 1 Trash Deflector & Hardware | | 000520 | 4 Lockwasher, Brg & Hsg Attaching | |
| 6 | 02960431 | 1 Flail Deck, 60" | | 000170 | 4 Nut, Brg & Hsg Attach. | |
| 7 | 02958089 | 1 Rubber Bumper | 30 | 105701 | 1 Roller Asy. 60" | |
| | 02958114 | 1 Bolt | 31 | 000001 | 1 Bolt | |
| | 00012101 | 1 Lockwasher | 32 | 00011700 | 1 Lockwasher | |
| | 00015800 | 1 Nut | 33 | 00023500 | 1 Flatwasher | |
| 8 | 000539 | 1 Spring | | | | |
| | 00752738 | 1 Bolt | | | | |
| | 02031800 | 1 Nut | | | | |
| 9 | 103041 | 1 Idler Pivot Pin | | | | |
| | 00001400 | 1 Flatwasher, F/ Idler | | | | |
| | 00000400 | 1 Cotter Pin, F/ Idler | | | | |
| 10 | 700948 | 1 Idler Arm, RH | | | | |
| | 00035900 | 1 Bolt, F/ Idler Arm | | | | |
| 11 | 103105 | 1 Pulley, Idler | | | | |
| | 00752645 | 1 Bolt, Idler Pulley | | | | |
| 12 | 63065400 | 1 Flatwasher, Idler Pulley | | | | |
| 13 | 02959586 | 1 Pulley, Cuttershaft | | | | |
| | 02959014 | 1 Set Screw, Cutter Shaft Pulley | | | | |
| 14 | 100720 | 1 Washer, Cutter Shaft Pulley | | | | |
| 15 | 000407 | 1 Bolt, Cutter Shaft Pulley | | | | |
| 16 | 02959463 | 1 Belt Cover Weldment | | | | |
| | 00751240 | 1 Bolt 5/16", Cover Attach. | | | | |
| | 00749017 | 1 Nut 5/16", Cover Attach. | | | | |
| | 00023500 | 2 Flatwasher 5/16", Cover Attach. | | | | |
| | 00002100 | 2 Bolt 1/4", Cover Attach. | | | | |
| | 00024100 | 2 Flatwasher 1/4", Cover Attach. | | | | |
| 17 | 000702 | 1 V-Belt, Matched Pair | | | | |
| 18 | 701914 | 1 Shoe Ware Plate Asy. | | | | |
| 19 | 02959282 | 1 Key - F/ Motor | | | | |

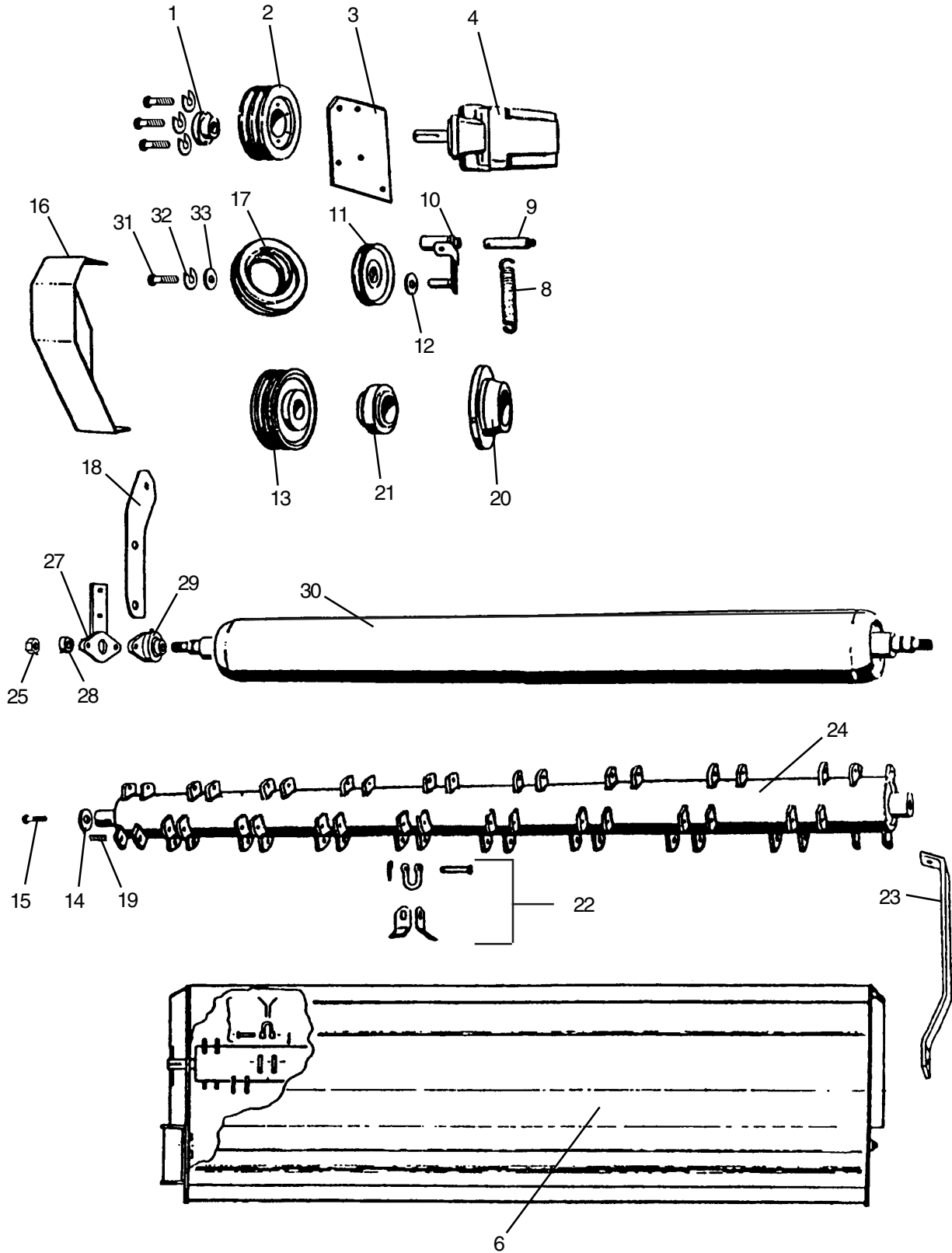
*** Knife Packages Item # 22**

| | | |
|---------------|----|-------------------------------|
| 700616 | - | 60" Model (Old # 02957644) |
| 100759 | 76 | Knife, Std. |
| 100761 | 38 | D-Ring |
| 000026 | 38 | Cotter Pin |
| 102670 | 38 | Pin, Hardened |
| 702255 | - | 60" Model |
| 105319M | 76 | Knife, HD |
| 100761 | 38 | D-Ring |
| 000026 | 38 | Cotter Pin |
| 102670 | 38 | Pin, Hardened |

Feb. 1989
to
Oct. 1991

Flail Deck Assembly Versa Flail 60" Belt Drive

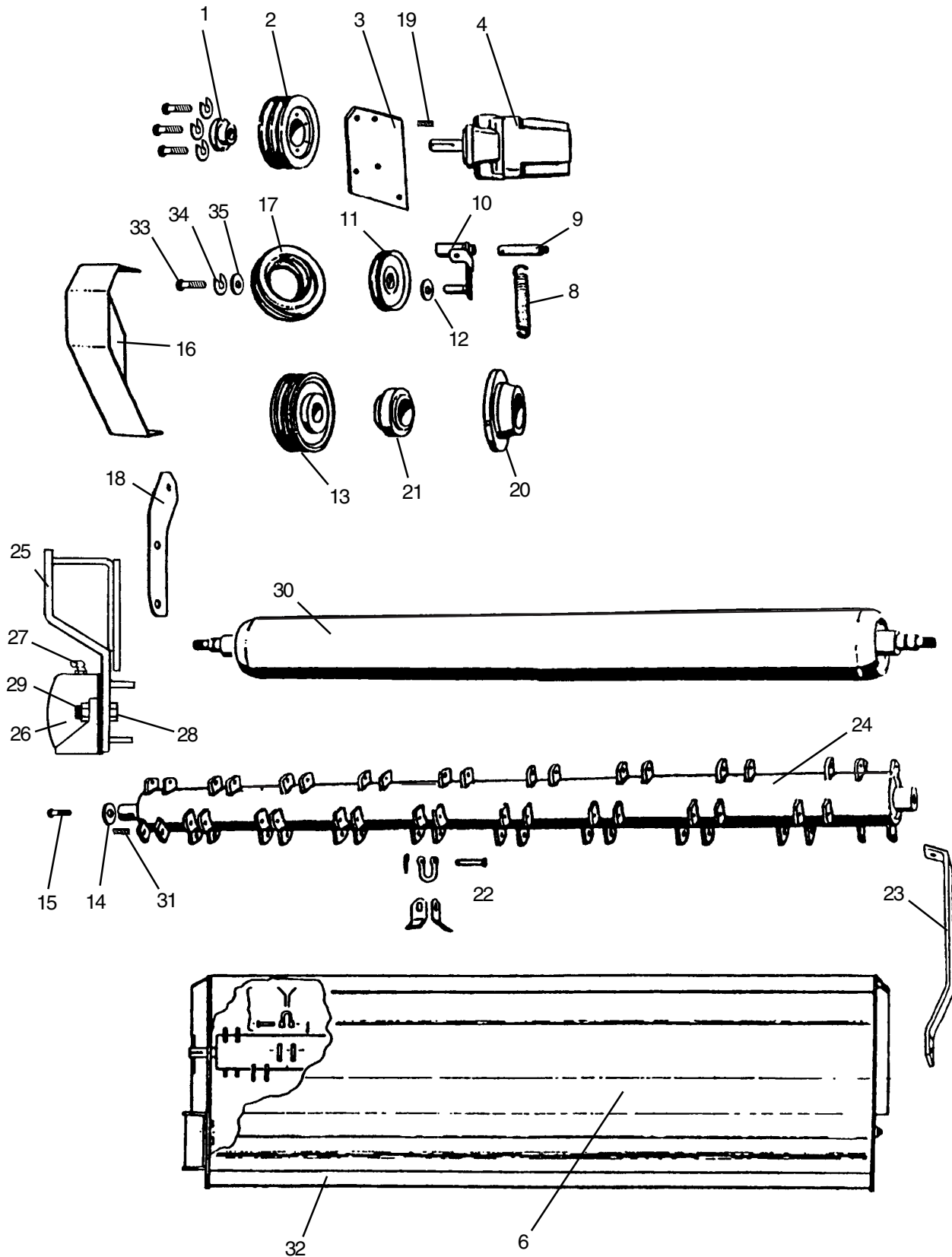
S/N VF-01485
to
S/N VF-02301



Nov. 1991
to
Jun. 1994

Flail Deck Assembly Versa Flail 60" Belt Drive

S/N VF-02302
to
S/N VF-03358



Nov. 1991
to
Jun. 1994

Flail Deck Assembly Versa Flail 60" Belt Drive

S/N VF-02302
to
S/N VF-03358

| Item | Part No. | Qty | Description | Item | Part No. | Qty | Description |
|------|----------|-----|---------------------------------|------|----------|-----|-------------------------|
| | 02963836 | -- | Flail Asy, 60" | 20 | 702403 | 1 | Bearing & Hsg Asy. |
| 1 | 000672 | 1 | Hub, QD | | | | Inside |
| | 10119000 | 3 | Bolt - F/ QD Hub | | 702404 | 1 | Bearing & Hsg Asy. |
| 2 | 000673 | 1 | Pulley | | | | Outside |
| 3 | 02959439 | 1 | Motor Plate | 21 | 001984 | 1 | Bearing, Both Sides |
| | 63066100 | 2 | Bolt, Motor | 22* | 700616 | 1 | *Knife Pkg, 2 Way Std. |
| | 00012101 | 2 | Lockwasher, Motor | | 702255 | 1 | *Knife Pkg, 2 Way HD |
| | 00015800 | 2 | Nut, Motor | 23 | 02957717 | 2 | Fender |
| 4 | 02962020 | 1 | Motor Asy. | 24 | 105760 | 1 | Cutter Shaft, 60" |
| | 02959945 | 1 | Hose, Pressure Side | 25 | 107182 | 1 | Bracket, LH |
| | 02957465 | 1 | Hose, Return Side | | 107380 | 1 | Bracket, RH |
| | 02956475 | 1 | Hose Sleevng | 26 | 703575 | 2 | Brg & Hsg Asy. (Keyed) |
| 5 | 700524 | 1 | Trash Deflector & Hardware | | 703574 | 2 | Bearing, (Keyed) |
| 6 | 107441 | 1 | Flail Deck, 60" | | 002037 | 2 | Seal (Keyed) |
| 7 | 02958089 | 1 | Rubber Bumper | 27 | 002039 | 2 | Grease Fitting F/ # 26 |
| | 02958114 | 1 | Bolt | 28 | 00516 | 4 | Bolt |
| | 00012101 | 1 | Lockwasher | 29 | 00001800 | 4 | Locknut TLM 1/2 NC PLC |
| | 00015800 | 1 | Nut | 30 | 107176 | 1 | Roller Asy. 60" (Keyed) |
| 8 | 000539 | 1 | Spring | | | | |
| | 00752738 | 1 | Bolt | | | | |
| | 02031800 | 1 | Nut | | | | |
| 9 | 702749 | 1 | Idler Pivot Pin | | | | |
| | 00001400 | 1 | Flatwasher, F/ Idler | | | | |
| | 00000400 | 1 | Cotter Pin, F/ Idler | | | | |
| 10 | 106529 | 1 | Idler Arm, RH | | | | |
| | 00035900 | 1 | Bolt, F/ Idler Arm | | | | |
| 11 | 103105 | 1 | Pulley, Idler | | | | |
| | 00752645 | 1 | Bolt, Idler Pulley | | | | |
| 12 | 63065400 | 1 | Flatwasher, Idler Pulley | | | | |
| 13 | 02959586 | 1 | Pulley, Cuttershaft | | | | |
| | 02959014 | 1 | Set Screw, Cutter Shaft Pulley | | | | |
| 14 | 100720 | 1 | Washer, Cutter Shaft Pulley | | | | |
| 15 | 000407 | 1 | Bolt, Cutter Shaft Pulley | | | | |
| 16 | 02959463 | 1 | Belt Cover Weldment | | | | |
| | 00751240 | 1 | Bolt 5/16", Cover Attach. | | | | |
| | 00749017 | 1 | Nut 5/16", Cover Attach. | | | | |
| | 00023500 | 2 | Flatwasher 5/16", Cover Attach. | | | | |
| | 00002100 | 2 | Bolt 1/4", Cover Attach. | | | | |
| | 00024100 | 2 | Flatwasher 1/4", Cover Attach. | | | | |
| 17 | 000702 | 1 | V-Belt, Matched Pair | | | | |
| 18 | 701914 | 1 | Shoe Ware Plate Asy. | | | | |
| 19 | 02959282 | 1 | Key - F/ Motor | | | | |

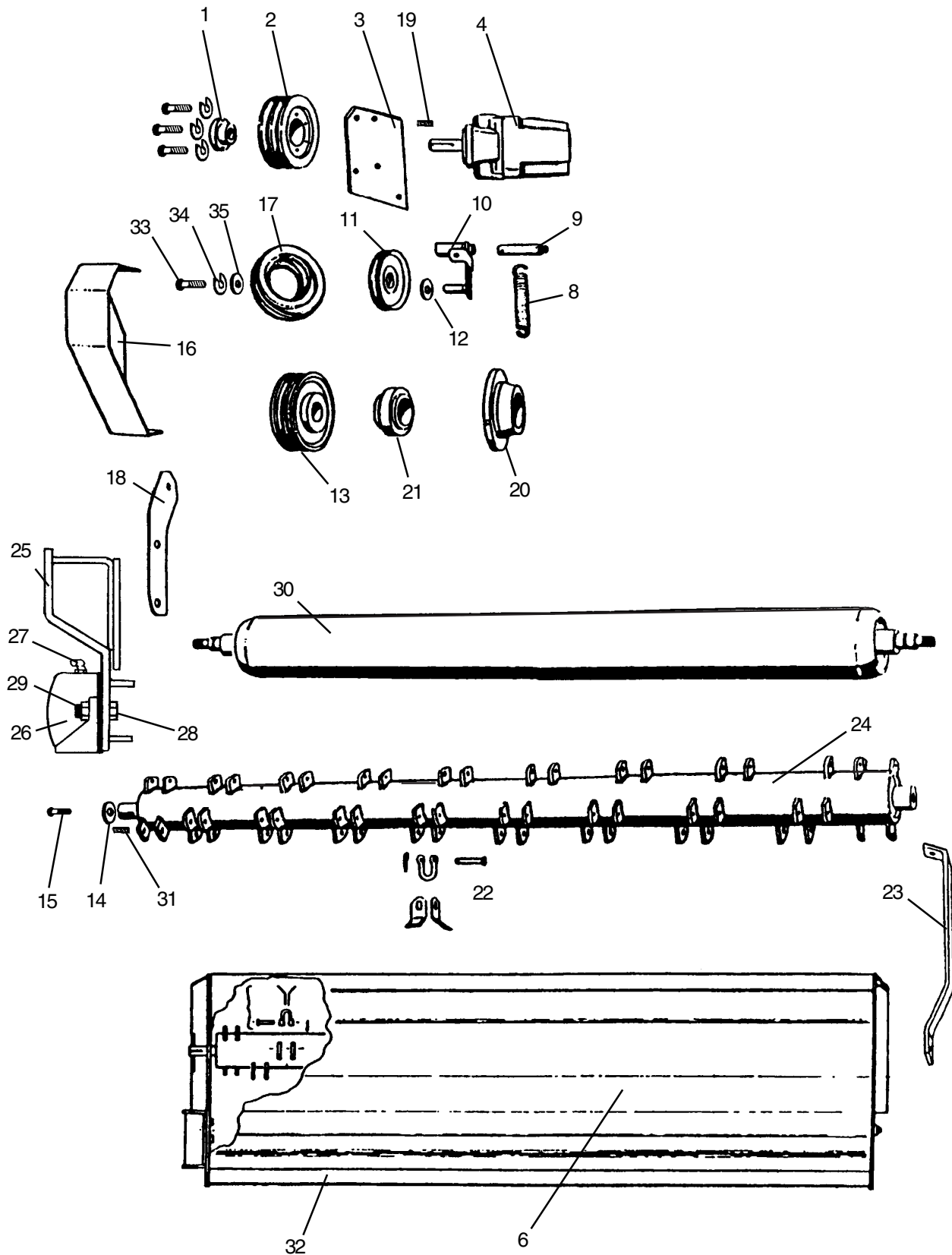
*** Knife Packages Item # 22**

| | | |
|---------|----|---------------|
| 700616 | -- | 60" Model |
| 100759 | 76 | Knife, Std. |
| 100761 | 38 | D-Ring |
| 000026 | 38 | Cotter Pin |
| 102670 | 38 | Pin, Hardened |
| 702255 | -- | 60" Model |
| 105319M | 76 | Knife, HD |
| 100761 | 38 | D-Ring |
| 000026 | 38 | Cotter Pin |
| 102670 | 38 | Pin, Hardened |

Jul. 1994
to
Current

Flail Deck Assembly Versa Flail 60" Belt Drive

S/N VF-03359
to
S/NVF-Current



Jul. 1994
to
Current

Flail Deck Assembly Versa Flail 60" Belt Drive

S/N VF-03359
to
S/N VF-Current

| ItemPart No. | Qty | Description | ItemPart No. | Qty | Description | | |
|--------------|----------|-------------|---------------------------------|-----|-------------|---|-------------------------------|
| | 02963836 | -- | Flail Asy, 60" | 20 | 702403 | 1 | Bearing & Hsg Asy. Inside |
| 1 | 000672 | 1 | Hub, QD | | | | |
| | 10119000 | 3 | Bolt - F/ QD Hub | | 702404 | 1 | Bearing & Hsg Asy. Outside |
| 2 | 000673 | 1 | Pulley | | | | |
| 3 | 02959439 | 1 | Motor Plate | 21 | 002315 | 1 | Bearing, Both Sides |
| | 63066100 | 2 | Bolt, Motor | 22* | 700616 | 1 | *Knife Pkg, 2 Way Std. |
| | 00012101 | 2 | Lockwasher, Motor | | 702255 | 1 | *Knife Pkg, 2 Way HD |
| | 00015800 | 2 | Nut, Motor | 23 | 103064 | 2 | Fender |
| 4 | 02962020 | 1 | Motor Asy. | 24 | 105760 | 1 | Cutter Shaft, 60" |
| | 02961282 | 1 | Hose, Pressure Side | 25 | 107182 | 1 | Bracket, LH |
| | 02961283 | 1 | Hose, Return Side | | 107380 | 1 | Bracket, RH |
| | 02961306 | 1 | Hose Sleaving | 26 | 703976 | 2 | Brg & Hsg Asy. (Hex) |
| 5 | 701650 | 1 | Trash Deflector & Hardware | | 002486 | 2 | Bearing, (Hex) |
| 6 | 107441 | 1 | Flail Deck, 60" | | 002037 | 2 | Seal (Hex) |
| 7 | 02932439 | 1 | Rubber Bumper | 27 | 002039 | 2 | Grease Fitting F/ # 26 |
| | 02958114 | 1 | Bolt | 28 | 00516 | 4 | Bolt |
| | 00012101 | 1 | Lockwasher | 29 | 00001800 | 4 | Locknut TLM 1/2 NC PLC |
| | 00015800 | 1 | Nut | 30 | 107784 | 1 | Roller Asy. 60" (Hex) |
| 8 | 000539 | 1 | Spring | 31 | 02959298 | 1 | Key, f/Cuttershaft Pulley |
| | 00752738 | 1 | Bolt | 32 | 107254 | 1 | Foot Guard |
| | 02031800 | 1 | Nut | | | | |
| 9 | 702749 | 1 | Idler Pivot Pin | | | | |
| | 00001400 | 1 | Flatwasher, F/ Idler | | | | |
| | 00000400 | 1 | Cotter Pin, F/ Idler | | | | |
| 10 | 106529 | 1 | Idler Arm, RH | | | | |
| | 00035900 | 1 | Bolt, F/ Idler Arm | | | | |
| 11 | 103105 | 1 | Pulley, Idler | | | | |
| | 00752645 | 1 | Bolt, Idler Pulley | | | | |
| 12 | 00011100 | 1 | Flatwasher, Idler Pulley | | | | |
| 13 | 02959586 | 1 | Pulley, Cuttershaft | | | | |
| | 02959014 | 1 | Set Screw, Cutter Shaft Pulley | | | | |
| 14 | 100720 | 1 | Washer, Cutter Shaft Pulley | | | | |
| 15 | 000407 | 1 | Bolt, Cutter Shaft Pulley | | | | |
| 16 | 02959463 | 1 | Belt Cover Weldment | | | | |
| | 00751240 | 1 | Bolt 5/16", Cover Attach. | | | | |
| | 00749017 | 1 | Nut 5/16", Cover Attach. | | | | |
| | 00023500 | 2 | Flatwasher 5/16", Cover Attach. | | | | |
| | 00086000 | 2 | Bolt 1/4", Cover Attach. | | | | |
| | 00024100 | 2 | Flatwasher 1/4", Cover Attach. | | | | |
| 17 | 000702 | 1 | V-Belt, Matched Pair | | | | |
| 18 | 700886 | 1 | Shoe Ware Plate Asy. | | | | |
| 19 | 02962207 | 1 | Key - F/ Motor | | | | |

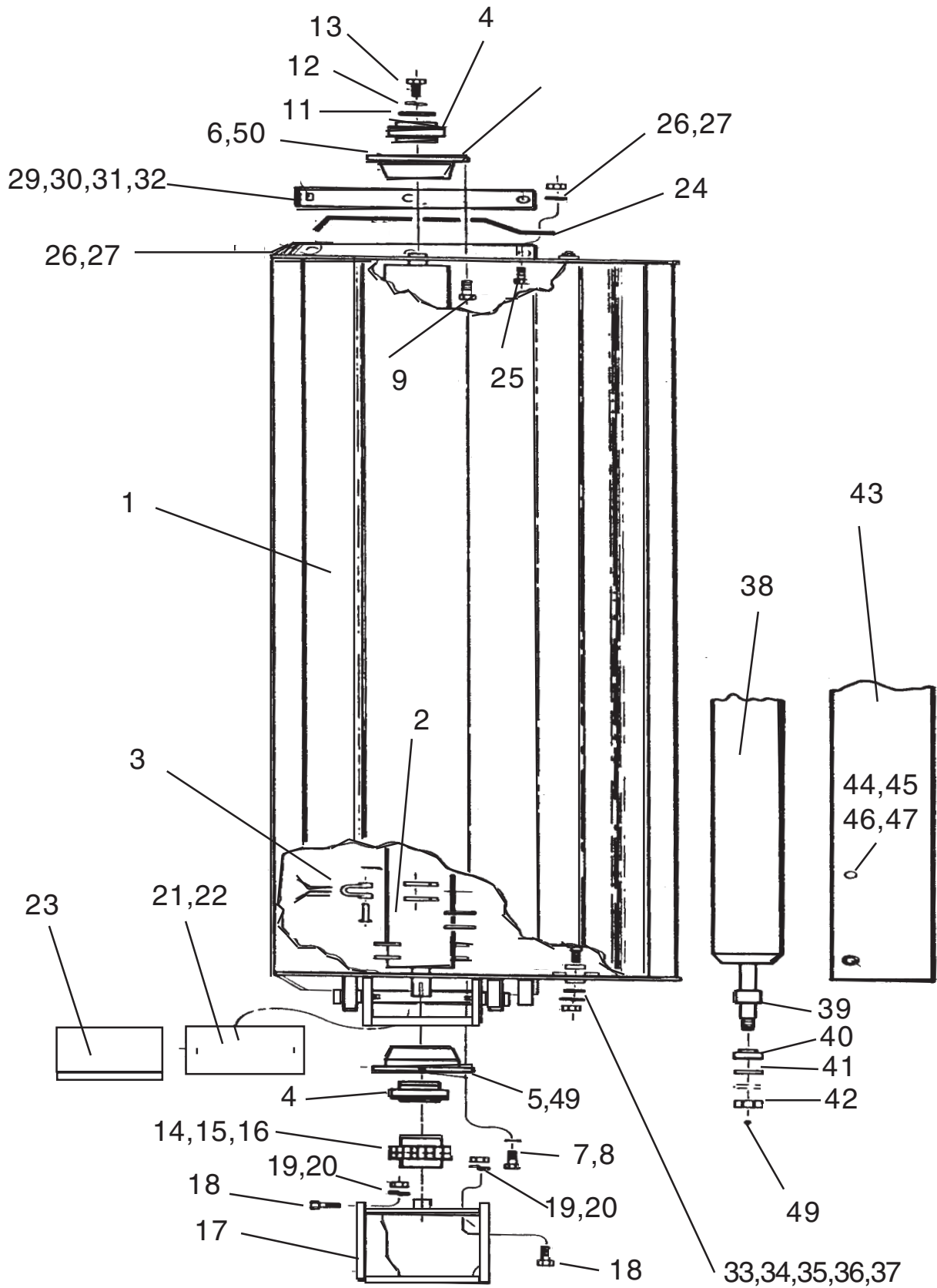
* Knife Packages Item # 22

| | | |
|---------|----|------------------------------|
| 700616 | - | 60" Model (Old #02957644) |
| 100759 | 76 | Knife, Std. |
| 100761 | 38 | D-Ring |
| 000026 | 38 | Cotter Pin |
| 102670 | 38 | Pin, Hardened |
| 702255 | - | 60" Model |
| 105319M | 76 | Knife, HD |
| 100761 | 38 | D-Ring |
| 000026 | 38 | Cotter Pin |
| 102670 | 38 | Pin, Hardened |

Jun.1984
to
Sep. 1987

Flail Deck Assembly Versa Flail 74" Direct Drive

S/N VF-40592
to
S/N VF-01007



Jun.1984
to
Sep. 1987

Flail Deck Assembly Versa Flail 74" Direct Drive

S/N VF-40592
to
S/N VF-01007

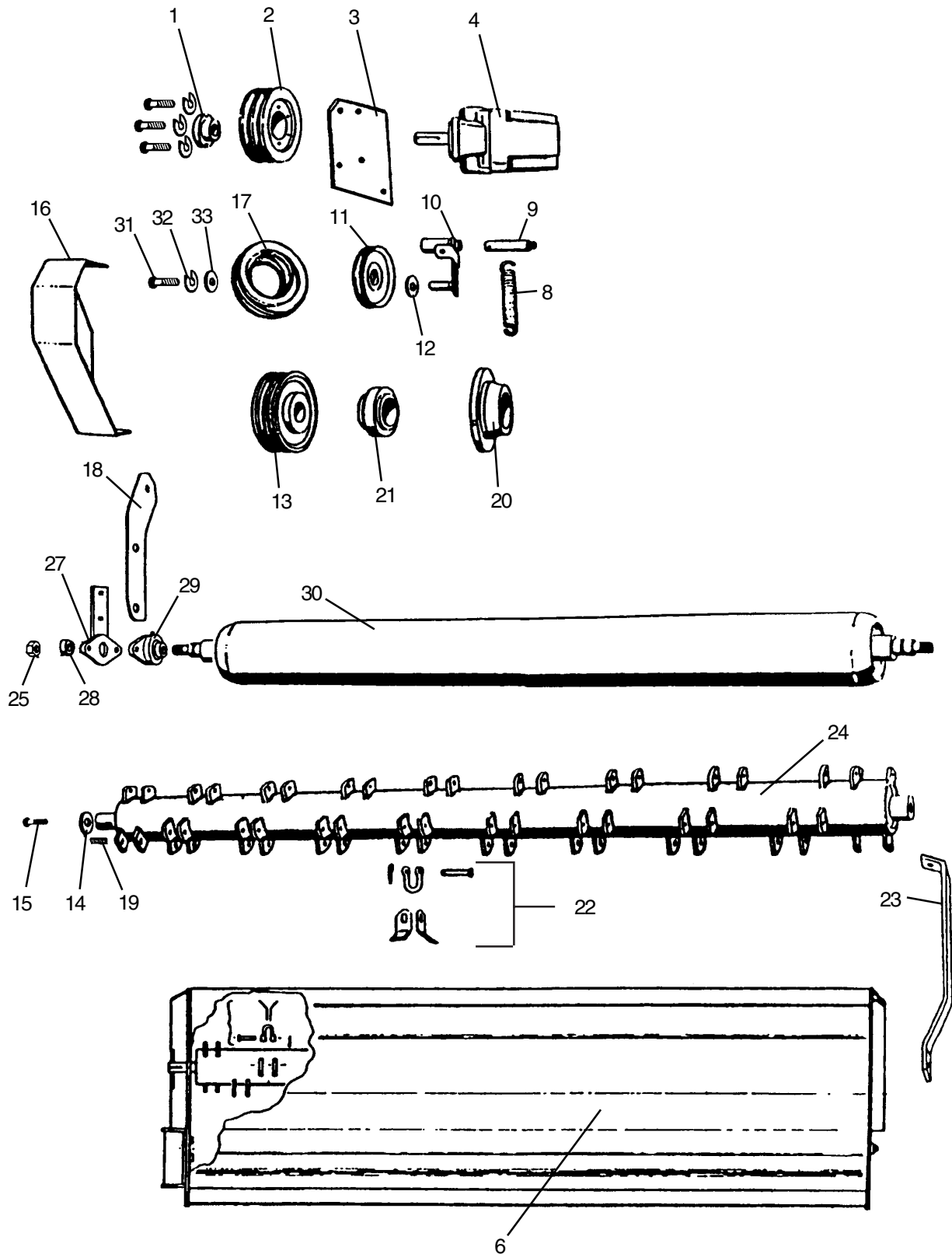
| Item | Part No. | Qty | Description | Item | Part No. | Qty | Description |
|------|----------|-----|---|------|----------|-----|--------------------------|
| 1 | 02957345 | 1 | Versa Flail Deck Weldment | 26 | 00001300 | 2 | Lockwasher |
| 2 | 02957712 | 1 | Cutter Shaft | 27 | 00001200 | 2 | Nut |
| 3 | 02957644 | 1 | Blade Package, 2 Way Knife (#02957644 Replaced by #700616) | 28 | 02957718 | 2 | Skid Shoe |
| | 100759 | 76* | Blade Only, Knife | 29 | 02208800 | 2 | Bolt |
| | 100761 | 38* | D-Ring Only | 30 | 00001300 | 6 | Lockwasher |
| | 700617 | 1* | Cotter Pin & Pin Bag (Set) | 31 | 00001200 | 6 | Nut |
| | 000026 | 40* | Cotter Pins Only | 32 | 02957719 | 4 | Bolt |
| | 102670 | 40* | Pins (Hardened) Only | 33 | 02957720 | 2 | Bracket, Roller |
| 4 | 02957713 | 2 | Bearings, Inside & Outside | 34 | 12713000 | 2 | Bolt |
| 5 | 02957714 | 1 | Housing, Inside | 35 | 00002700 | 2 | Washer |
| 6 | 02957715 | 1 | Housong, Outside | 36 | 00001300 | 2 | Lockwasher |
| 7 | 10180500 | 6 | Bolt | 37 | 00001200 | 2 | Nut |
| 8 | 02161100 | 6 | Washer | 38 | 02957721 | 1 | Roller |
| 9 | 10182000 | 6 | Bolt | 39 | 02957722 | 1 | Tie Rod |
| 10 | 00752036 | 6 | Nut | 40 | 02957723 | 2 | Roller Bearing |
| 11 | 02957716 | 1 | Washer | 41 | 02957724 | 2 | Bearing Shield Washer |
| 12 | 00010300 | 1 | Lockwasher | 42 | 02957725 | 2 | Nut |
| 13 | 00603300 | 1 | Bolt | 43 | 02957726 | 1 | Rear Flap |
| 14 | 02957072 | 1 | Coupling | 44 | 10058000 | 11 | Bolt |
| 15 | 00016100 | 1 | Setscrew | 45 | 00024100 | 11 | Washer |
| 16 | 02957080 | 1 | Setscrew | 46 | 00017000 | 11 | Lockwasher |
| 17 | 02957384 | 1 | Motor Guard Weldment | 47 | 00024000 | 11 | Nut |
| 18 | 02845500 | 4 | Bolt | 48 | 02669600 | 2 | Key, (Not Shown) |
| 19 | 00010300 | 4 | Lockwasher | 49 | 55005000 | 3 | Grease Fitting |
| 20 | 00010400 | 4 | Nut | 50 | 00600000 | 1 | Grease Fitting |
| 21 | 02957346 | 1 | Coupling Cover, Top | 51 | 02957542 | 1 | Motor Assembly |
| 22 | 00751588 | 2 | Screw | | | | |
| 23 | 02957370 | 1 | Coupling Cover, Bottom | | | | |
| 24 | 02957717 | 1 | Fender | | | | |
| 25 | 02044000 | 2 | Bolt | | | | |

* Note; # 100759, 100761 &
700617 are included in Item # 3
(02957644) and #000026 &
102670 are included in
#700617

Oct. 1987
to
Jun. 1988

Flail Deck Assembly Versa Flail 74" (72") Belt Drive

S/N VF-01008
to
S/N VF-01268



Oct. 1987
to
Jun. 1988

Flail Deck Assembly Versa Flail 74" (72") Belt Drive

S/N VF-01008
to
S/N VF-01268

| ItemPart No. | Qty | Description | ItemPart No. | Qty | Description |
|--------------|----------|------------------------------------|--------------|-----------------|---|
| | | 02959441A -- Flail Asy, 72" | | | |
| 1 | 000672 | 1 Hub, QD | 20 | 02957714 | 1 Housing, Inside (Use #702403 Asy.) |
| | 10119000 | 3 Bolt - F/ QD Hub | | 02957715 | 1 Housing, Outside (Use # 702404 Asy.) |
| 2 | 000673 | 1 Pulley | | | |
| 3 | 02959439 | 1 Motor Plate | 21 | 02957713 | 1 Bearing, Both Sides (Use Item# 20) |
| | 63066100 | 2 Bolt, Motor | | | |
| | 00012101 | 2 Lockwasher, Motor | 22* | 02957644 | 1 *Knife Package, 2 Way (Use # 700616) |
| | 00015800 | 2 Nut, Motor | | 702255 | 1 *Knife Package, 2 Way Heavy Duty |
| 4 | 02957542 | 1 Motor Asy. | | | |
| | 02959445 | 1 Hose, Pressure Side | 23 | 02957717 | 2 Fender (Use # 103064) |
| | 02957465 | 1 Hose, Return Side | 24 | 702514 | 1 Cutter Shaft, 72" Model |
| | 02956475 | 1 Hose Sleeving | 25 | 001096 | 2 Nut |
| 5 | 700524 | 1 Trash Deflector & Hardware | 27 | 105697 | 2 Bracket Asy. |
| 6 | 02959436 | 1 Flail Deck , 72" | 28 | 105699 | 2 Spacer |
| 7 | 02958089 | 1 Rubber Bumper | 29 | 702485 | 2 Bearing & Housing Asy. W/Gauge Fitting |
| | 02958114 | 1 Bolt | | 000142 | 4 Bolt, Brg & Hsg Attach. |
| | 00012101 | 1 Lockwasher | | 000520 | 4 Lockwasher, Brg & Hsg Attaching |
| | 00015800 | 1 Nut | | 000170 | 4 Nut, Brg & Hsg Attach. |
| 8 | 000539 | 1 Spring | 30 | 105702 | 1 Roller Asy. 72" |
| | 00752738 | 1 Bolt | 31 | 000001 | 1 Bolt |
| | 02031800 | 1 Nut | 32 | 00011700 | 1 Lockwasher |
| 9 | 103041 | 1 Idler Pivot Pin | 33 | 00023500 | 1 Flatwasher |
| | 00001400 | 1 Flatwasher, F/ Idler | | | |
| | 00000400 | 1 Cotter Pin, F/ Idler | | | |
| 10 | 700948 | 1 Idler Arm, RH | | | |
| | 00035900 | 1 Bolt, F/ Idler Arm | | | |
| 11 | 103105 | 1 Pulley, Idler | | | |
| | 00752645 | 1 Bolt, Idler Pulley | | | |
| 12 | 63065400 | 1 Flatwasher, Idler Pulley | | | |
| 13 | 02959586 | 1 Pulley, Cuttershaft | | | |
| | 02959014 | 1 Set Screw, Cutter Shaft Pulley | | | |
| 14 | 100720 | 1 Washer, Cutter Shaft Pulley | | | |
| 15 | 000407 | 1 Bolt, Cutter Shaft Pulley | | | |
| 16 | 02959463 | 1 Belt Cover Weldment | | | |
| | 00751240 | 1 Bolt 5/16", Cover Attach. | | | |
| | 00749017 | 1 Nut 5/16", Cover Attach. | | | |
| | 00023500 | 2 Flatwasher 5/16", Cover Attach. | | | |
| | 00002100 | 2 Bolt 1/4", Cover Attach. | | | |
| | 00024100 | 2 Flatwasher 1/4", Cover Attach. | | | |
| 17 | 000702 | 1 V-Belt, Matched Pair | | | |
| 18 | 701914 | 1 Shoe Ware Plate Asy. | | | |
| 19 | 02959282 | 1 Key - F/ Motor | | | |

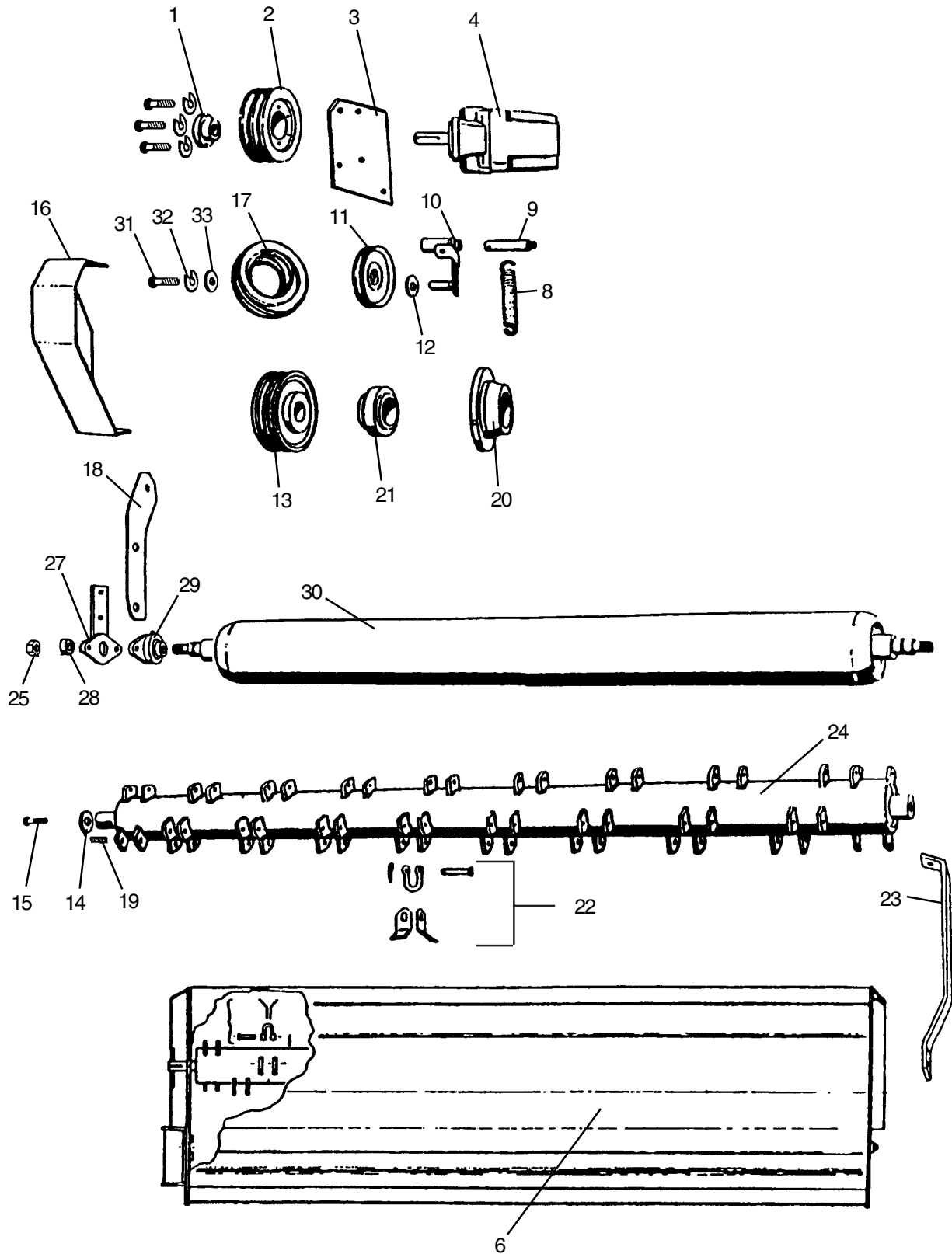
* Knife Packages Item # 22

| | | |
|---------------|----|-----------------------------|
| 700616 | -- | 72" Model (Old#02957644) |
| 100759 | 76 | Knife, Std. |
| 100761 | 38 | D-Ring |
| 000026 | 38 | Cotter Pin |
| 102670 | 38 | Pin, Hardened |
| 702255 | -- | 72" Model |
| 105319M | 76 | Knife, HD |
| 100761 | 38 | D-Ring |
| 000026 | 38 | Cotter Pin |
| 102670 | 38 | Pin, Hardened |

Jul. 1988
to
Jan. 1989

Flail Deck Assembly Versa Flail 74" (72") Belt Drive

S/N VF-01269
to
S/N VF-01484



Jul. 1988
to
Jan. 1989

Flail Deck Assembly Versa Flail 74" (72") Belt Drive

S/N VF-01269
to
S/N VF-01484

| ItemPart No. | Qty | Description | ItemPart No. | Qty | Description |
|--------------|----------|------------------------------------|--------------|-----------------|---|
| | | 02959441A -- Flail Asy, 72" | 20 | 02957714 | 1 Housing, Inside (Use #702403 Asy.) |
| 1 | 000672 | 1 Hub, QD | | 02957715 | 1 Housing, Outside (Use # 702404 Asy.) |
| | 10119000 | 3 Bolt - F/ QD Hub | | | |
| 2 | 000673 | 1 Pulley | 21 | 02957713 | 1 Bearing, Both Sides (Use Item# 20) |
| 3 | 02959439 | 1 Motor Plate | 22* | 02957644 | 1 *Knife Package, 2 Way (Use # 700616) |
| | 63066100 | 2 Bolt, Motor | | 702255 | 1 *Knife Package, 2 Way Heavy Duty |
| | 00012101 | 2 Lockwasher, Motor | 23 | 02957717 | 2 Fender (Use # 103064) |
| | 00015800 | 2 Nut, Motor | 24 | 105761 | 1 Cutter Shaft, 72" Model |
| 4 | 02962020 | 1 Motor Asy. | 25 | 001096 | 2 Nut |
| | 02959445 | 1 Hose, Pressure Side | 27 | 105697 | 2 Bracket Asy. |
| | 02957465 | 1 Hose, Return Side | 28 | 105699 | 2 Spacer |
| | 02956475 | 1 Hose Sleeving | 29 | 702485 | 2 Bearing & Housing Asy. W/Gauge Fitting |
| 5 | 700524 | 1 Trash Deflector & Hardware | | 000142 | 4 Bolt, Brg & Hsg Attach. |
| 6 | 02959436 | 1 Flail Deck , 72" | | 000520 | 4 Lockwasher, Brg & Hsg Attaching |
| 7 | 02958089 | 1 Rubber Bumper | | 000170 | 4 Nut, Brg & Hsg Attach. |
| | 02958114 | 1 Bolt | 30 | 105702 | 1 Roller Asy. 72" |
| | 00012101 | 1 Lockwasher | 31 | 000001 | 1 Bolt |
| | 00015800 | 1 Nut | 32 | 00011700 | 1 Lockwasher |
| 8 | 000539 | 1 Spring | 33 | 00023500 | 1 Flatwasher |
| | 00752738 | 1 Bolt | | | |
| | 02031800 | 1 Nut | | | |
| 9 | 103041 | 1 Idler Pivot Pin | | | |
| | 00001400 | 1 Flatwasher, F/ Idler | | | |
| | 00000400 | 1 Cotter Pin, F/ Idler | | | |
| 10 | 700948 | 1 Idler Arm, RH | | | |
| | 00035900 | 1 Bolt, F/ Idler Arm | | | |
| 11 | 103105 | 1 Pulley, Idler | | | |
| | 00752645 | 1 Bolt, Idler Pulley | | | |
| 12 | 63065400 | 1 Flatwasher, Idler Pulley | | | |
| 13 | 02959586 | 1 Pulley, Cuttershaft | | | |
| | 02959014 | 1 Set Screw, Cutter Shaft Pulley | | | |
| 14 | 100720 | 1 Washer, Cutter Shaft Pulley | | | |
| 15 | 000407 | 1 Bolt, Cutter Shaft Pulley | | | |
| 16 | 02959463 | 1 Belt Cover Weldment | | | |
| | 00751240 | 1 Bolt 5/16", Cover Attach. | | | |
| | 00749017 | 1 Nut 5/16", Cover Attach. | | | |
| | 00023500 | 2 Flatwasher 5/16", Cover Attach. | | | |
| | 00002100 | 2 Bolt 1/4", Cover Attach. | | | |
| | 00024100 | 2 Flatwasher 1/4", Cover Attach. | | | |
| 17 | 000702 | 1 V-Belt, Matched Pair | | | |
| 18 | 701914 | 1 Shoe Ware Plate Asy. | | | |
| 19 | 02959282 | 1 Key - F/ Motor | | | |

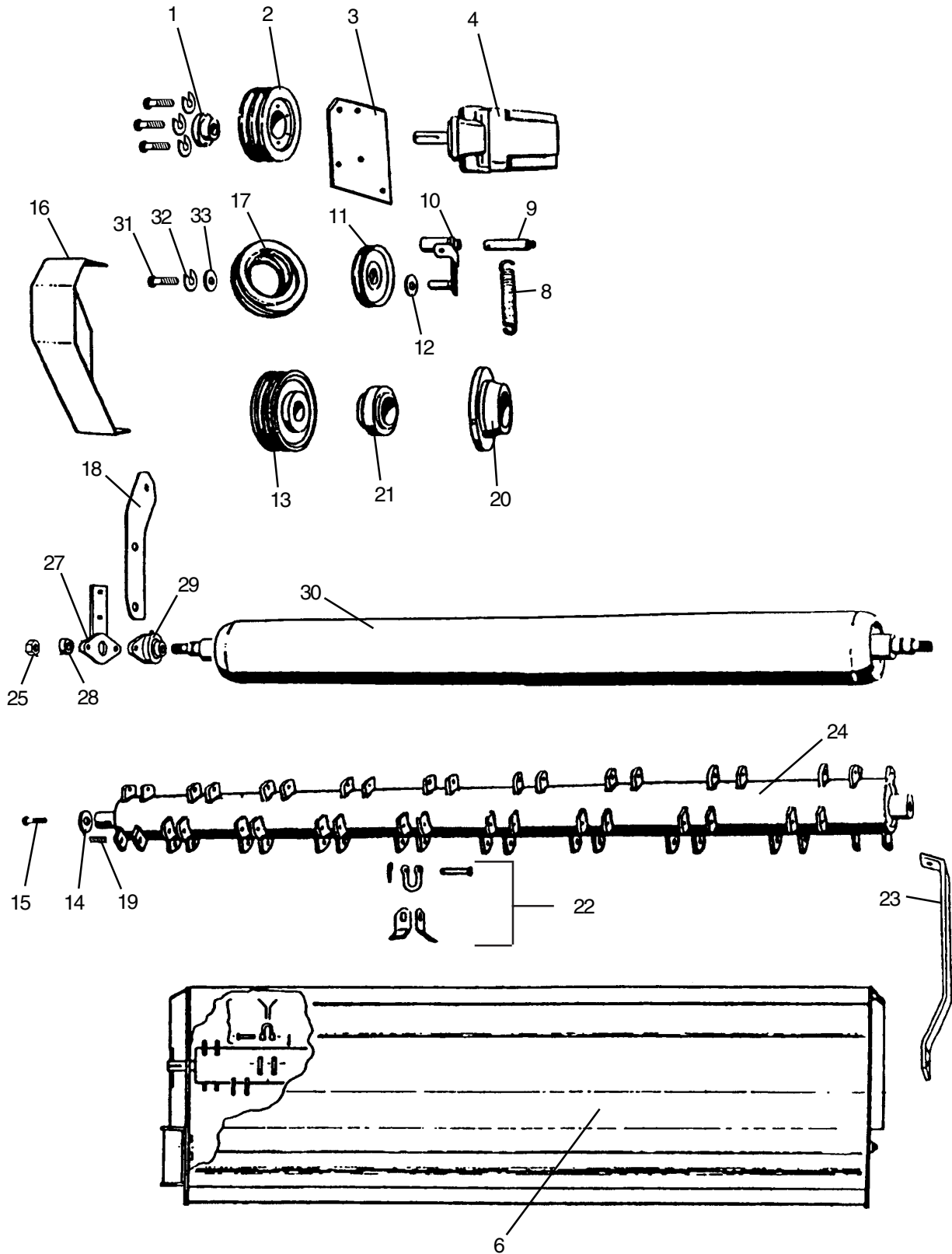
*** Knife Packages Item # 22**

| | | |
|---------------|----|-----------------------------|
| 700616 | -- | 72" Model (Old#02957644) |
| 100759 | 76 | Knife, Std. |
| 100761 | 38 | D-Ring |
| 000026 | 38 | Cotter Pin |
| 102670 | 38 | Pin, Hardened |
| 702255 | -- | 72" Model |
| 105319M | 76 | Knife, HD |
| 100761 | 38 | D-Ring |
| 000026 | 38 | Cotter Pin |
| 102670 | 38 | Pin, Hardened |

Feb. 1989
to
Dec. 1990

Flail Deck Assembly Versa Flail 74" (72") Belt Drive

S/N VF-01485
to
S/N VF-02070



Feb. 1989
to
Dec. 1990

Flail Deck Assembly Versa Flail 74" (72") Belt Drive

S/N VF-01485
to
S/N VF-02070

| ItemPart No. | Qty | Description | ItemPart No. | Qty | Description |
|--------------|----------|-----------------------------------|--------------|-----------------|---|
| | | 02962019 -- Flail Asy, 72" | | | |
| 1 | 000672 | 1 Hub, QD | 20 | 02957714 | 1 Housing, Inside (Use #702403 Asy.) |
| | 10119000 | 3 Bolt - F/ QD Hub | | 02957715 | 1 Housing, Outside (Use # 702404 Asy.) |
| 2 | 000673 | 1 Pulley | 21 | 02957713 | 1 Bearing, Both Sides (Use Item# 20) |
| 3 | 02959439 | 1 Motor Plate | 22* | 02957644 | 1 *Knife Package, 2 Way (Use # 700616) |
| | 63066100 | 2 Bolt, Motor | | 702255 | 1 *Knife Package, 2 Way Heavy Duty |
| | 00012101 | 2 Lockwasher, Motor | 23 | 02957717 | 2 Fender (Use # 103064) |
| | 00015800 | 2 Nut, Motor | 24 | 105761 | 1 Cutter Shaft, 72" Model |
| 4 | 02962020 | 1 Motor Asy. | 25 | 001096 | 2 Nut |
| | 02959445 | 1 Hose, Pressure Side | 27 | 105697 | 2 Bracket Asy. |
| | 02957465 | 1 Hose, Return Side | 28 | 105699 | 2 Spacer |
| | 02956475 | 1 Hose Sleeving | 29 | 702485 | 2 Bearing & Housing Asy. W/Gauge Fitting |
| 5 | 700524 | 1 Trash Deflector & Hardware | | 000142 | 4 Bolt, Brg & Hsg Attach. |
| 6 | 701913 | 1 Flail Deck , 72" | | 000520 | 4 Lockwasher, Brg & Hsg Attaching |
| 7 | 02958089 | 1 Rubber Bumper | | 000170 | 4 Nut, Brg & Hsg Attach. |
| | 02958114 | 1 Bolt | 30 | 105702 | 1 Roller Asy. 72" |
| | 00012101 | 1 Lockwasher | 31 | 000001 | 1 Bolt |
| | 00015800 | 1 Nut | 32 | 00011700 | 1 Lockwasher |
| 8 | 000539 | 1 Spring | 33 | 00023500 | 1 Flatwasher |
| | 00752738 | 1 Bolt | | | |
| | 02031800 | 1 Nut | | | |
| 9 | 103041 | 1 Idler Pivot Pin | | | |
| | 00001400 | 1 Flatwasher, F/ Idler | | | |
| | 00000400 | 1 Cotter Pin, F/ Idler | | | |
| 10 | 700948 | 1 Idler Arm, RH | | | |
| | 00035900 | 1 Bolt, F/ Idler Arm | | | |
| 11 | 103105 | 1 Pulley, Idler | | | |
| | 00752645 | 1 Bolt, Idler Pulley | | | |
| 12 | 63065400 | 1 Flatwasher, Idler Pulley | | | |
| 13 | 500031 | 1 Pulley, Cuttershaft | | | |
| | 02959014 | 1 Set Screw, Cutter Shaft Pulley | | | |
| 14 | 100720 | 1 Washer, Cutter Shaft Pulley | | | |
| 15 | 000407 | 1 Bolt, Cutter Shaft Pulley | | | |
| 16 | 02959463 | 1 Belt Cover Weldment | | | |
| | 00751240 | 1 Bolt 5/16", Cover Attach. | | | |
| | 00749017 | 1 Nut 5/16", Cover Attach. | | | |
| | 00023500 | 2 Flatwasher 5/16", Cover Attach. | | | |
| | 00002100 | 2 Bolt 1/4", Cover Attach. | | | |
| | 00024100 | 2 Flatwasher 1/4", Cover Attach. | | | |
| 17 | 000702 | 1 V-Belt, Matched Pair | | | |
| 18 | 701914 | 1 Shoe Ware Plate Asy. | | | |
| 19 | 02959282 | 1 Key - F/ Motor | | | |

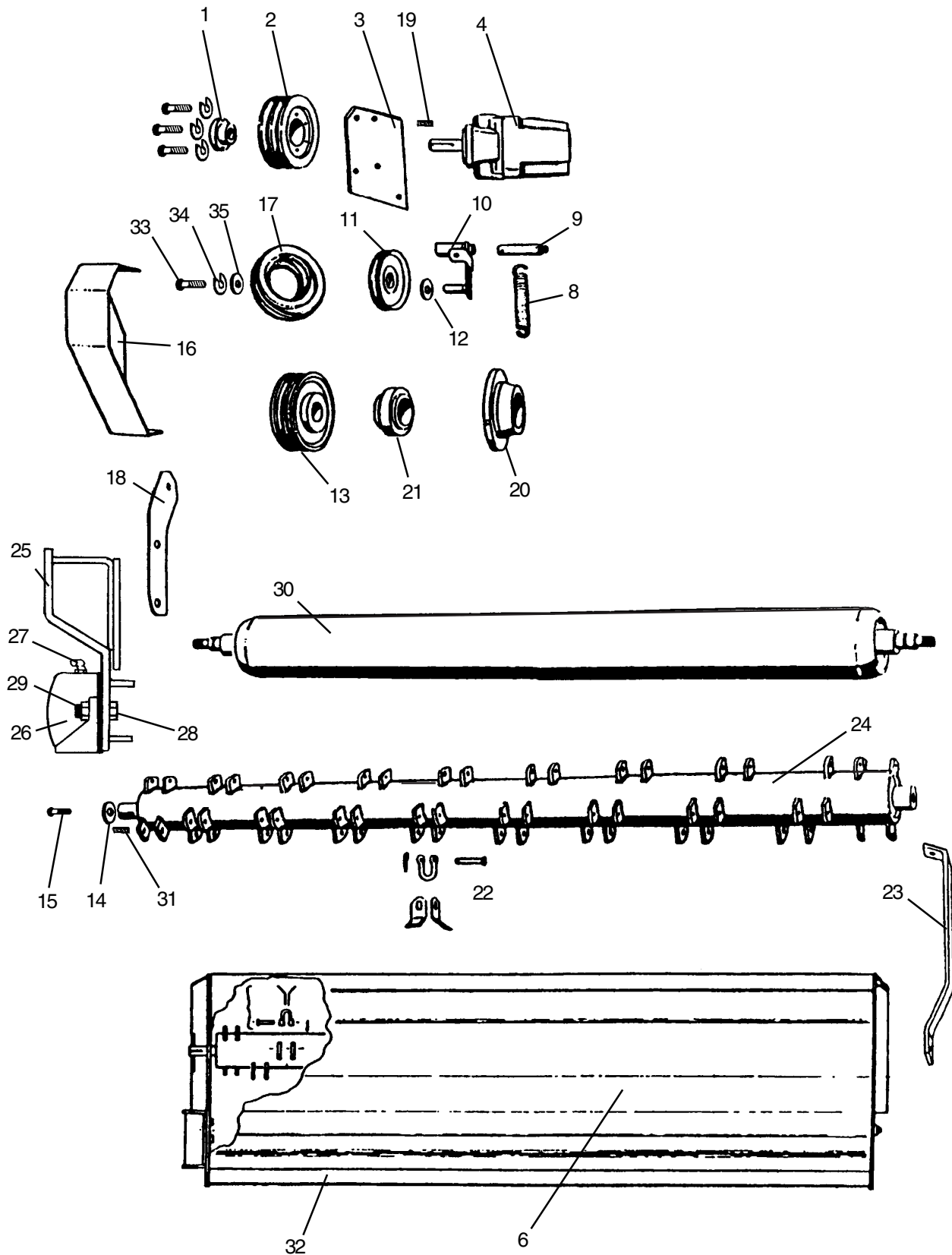
* Knife Packages Item # 22

| | | |
|---------------|----|------------------------------|
| 700616 | -- | 72" Model (Old #02957644) |
| 100759 | 76 | Knife, Std. |
| 100761 | 38 | D-Ring |
| 000026 | 38 | Cotter Pin |
| 102670 | 38 | Pin, Hardened |
| 702255 | -- | 72" Model |
| 105319M | 76 | Knife, HD |
| 100761 | 38 | D-Ring |
| 000026 | 38 | Cotter Pin |
| 102670 | 38 | Pin, Hardened |

Jan. 1991
to
Oct. 1993

Flail Deck Assembly Versa Flail 74" (72") Belt Drive

S/N VF-02071
to
S/N VF-03047



Jan. 1991
to
Oct. 1993

Flail Deck Assembly Versa Flail 74" (72") Belt Drive

S/N VF-02071
to
S/N VF-03047

| ItemPart No. | Qty | Description | ItemPart No. | Qty | Description |
|--------------|----------|-----------------------------------|--------------|----------|-----------------------------|
| | | 02963837 -- Flail Asy, 72" | 20 | 702403 | 1 Bearing & Hsg Asy. |
| 1 | 000672 | 1 Hub, QD | | | Inside |
| | 10119000 | 3 Bolt - F/ QD Hub | | 702404 | 1 Bearing & Hsg Asy. |
| 2 | 000673 | 1 Pulley | | | Outside |
| 3 | 02959439 | 1 Motor Plate | 21 | 001984 | 1 Bearing, Both Sides |
| | 63066100 | 2 Bolt, Motor | 22* | 700616 | 1 *Knife Pkg, 2 Way Std. |
| | 00012101 | 2 Lockwasher, Motor | | 702255 | 1 *Knife Pkg, 2 Way HD |
| | 00015800 | 2 Nut, Motor | 23 | 02957717 | 2 Fender |
| 4 | 02962020 | 1 Motor Asy. | 24 | 105761 | 1 Cutter Shaft, 72" |
| | 02959945 | 1 Hose, Pressure Side | 25 | 107182 | 1 Bracket, LH |
| | 02957465 | 1 Hose, Return Side | | 107380 | 1 Bracket, RH |
| | 02956475 | 1 Hose Sleaving | 26 | 703575 | 2 Brg & Hsg Asy. (Keyed) |
| 5 | 700524 | 1 Trash Deflector & Hardware | | 703574 | 2 Bearing, (Keyed) |
| 6 | 107442 | 1 Flail Deck, 60" | | 002037 | 2 Seal (Keyed) |
| 7 | 02958089 | 1 Rubber Bumper | 27 | 002039 | 2 Grease Fitting F/ # 26 |
| | 02958114 | 1 Bolt | 28 | 00516 | 4 Bolt |
| | 00012101 | 1 Lockwasher | 29 | 00001800 | 4 Locknut TLM 1/2 NC PLC |
| | 00015800 | 1 Nut | 30 | 107177 | 1 Roller Asy. 72" (Keyed) |
| 8 | 000539 | 1 Spring | 31 | 02959298 | 1 Key, F/Cuttershaft Pulley |
| | 00752738 | 1 Bolt | 32 | 107256 | 1 Foot Guard, 72" |
| | 02031800 | 1 Nut | | | |
| 9 | 702749 | 1 Idler Pivot Pin | | | |
| | 00001400 | 1 Flatwasher, F/ Idler | | | |
| | 00000400 | 1 Cotter Pin, F/ Idler | | | |
| 10 | 106529 | 1 Idler Arm, RH | | | |
| | 00035900 | 1 Bolt, F/ Idler Arm | | | |
| 11 | 103105 | 1 Pulley, Idler | | | |
| | 00752645 | 1 Bolt, Idler Pulley | | | |
| 12 | 63065400 | 1 Flatwasher, Idler Pulley | | | |
| 13 | 500031 | 1 Pulley, Cuttershaft | | | |
| | 02959014 | 1 Set Screw, Cutter Shaft Pulley | | | |
| 14 | 100720 | 1 Washer, Cutter Shaft Pulley | | | |
| 15 | 000407 | 1 Bolt, Cutter Shaft Pulley | | | |
| 16 | 02959463 | 1 Belt Cover Weldment | | | |
| | 00751240 | 1 Bolt 5/16", Cover Attach. | | | |
| | 00749017 | 1 Nut 5/16", Cover Attach. | | | |
| | 00023500 | 2 Flatwasher 5/16", Cover Attach. | | | |
| | 00002100 | 2 Bolt 1/4", Cover Attach. | | | |
| | 00024100 | 2 Flatwasher 1/4", Cover Attach. | | | |
| 17 | 000702 | 1 V-Belt, Matched Pair | | | |
| 18 | 701914 | 1 Shoe Ware Plate Asy. | | | |
| 19 | 02959282 | 1 Key - F/ Motor | | | |

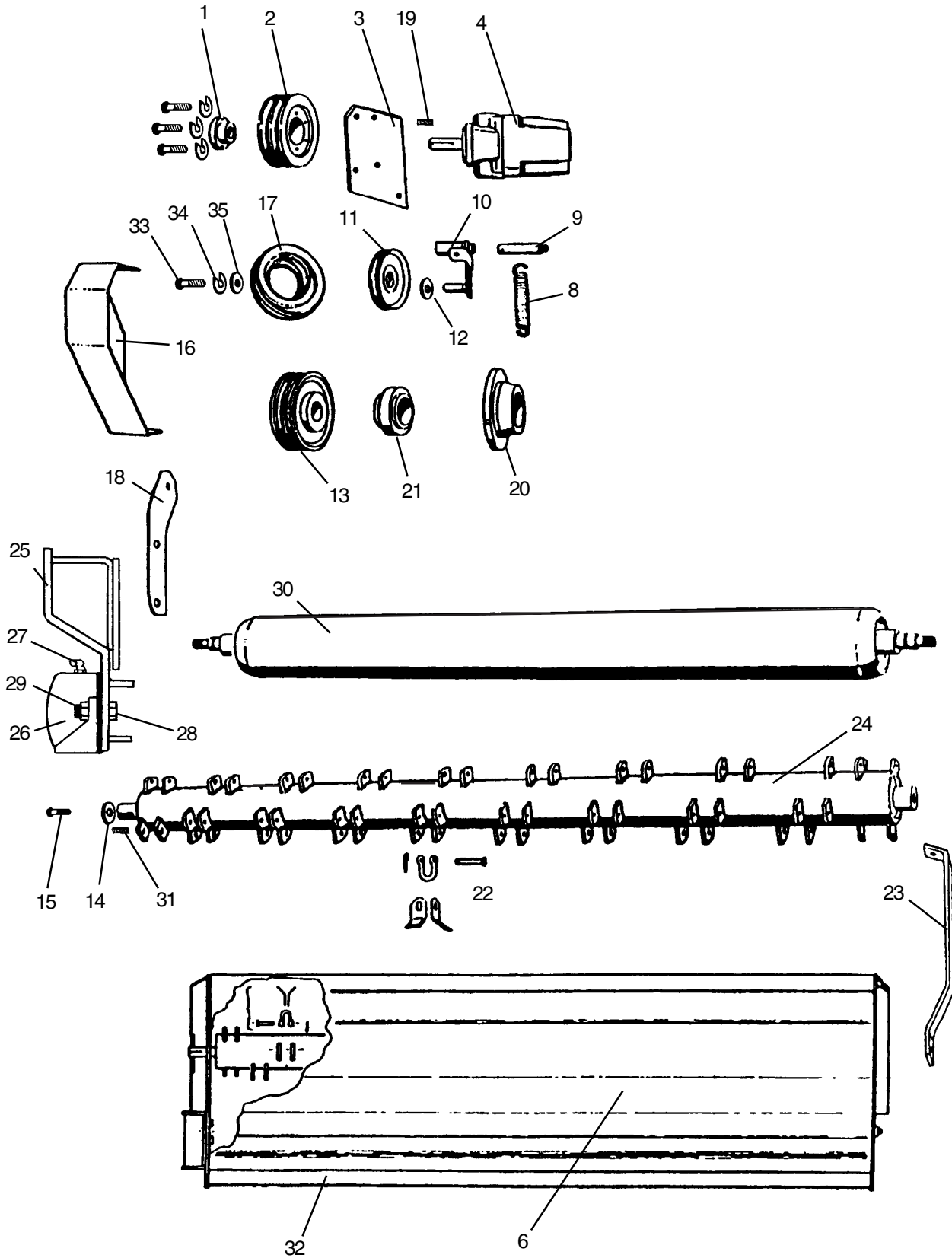
*** Knife Packages Item # 22**

| | | |
|---------|----|---------------|
| 700616 | -- | 72" Model |
| 100759 | 76 | Knife, Std. |
| 100761 | 38 | D-Ring |
| 000026 | 38 | Cotter Pin |
| 102670 | 38 | Pin, Hardened |
| 702255 | -- | 72" Model |
| 105319M | 76 | Knife, HD |
| 100761 | 38 | D-Ring |
| 000026 | 38 | Cotter Pin |
| 102670 | 38 | Pin, Hardened |

Nov. 1993
to
Current

Flail Deck Assembly Versa Flail 74" (72") Belt Drive

S/N VF-03048
to
S/N VF-Current



Nov. 1993
to
Current

Flail Deck Assembly Versa Flail 74" (72") Belt Drive

S/N VF-03048
to
S/N VF-Current

| Item | Part No. | Qty | Description | Item | Part No. | Qty | Description |
|------|----------|-----|---------------------------------|------|----------|-----|-------------------------------|
| | 02963837 | -- | Flail Asy, 74" | 20 | 702403 | 1 | Bearing & Hsg Asy. Inside |
| 1 | 000672 | 1 | Hub, QD | | | | |
| | 10119000 | 3 | Bolt - F/ QD Hub | | 702404 | 1 | Bearing & Hsg Asy. Outside |
| 2 | 000673 | 1 | Pulley | | | | |
| 3 | 02959439 | 1 | Motor Plate | 21 | 001984 | 2 | Bearing, Both Sides |
| | 63066100 | 2 | Bolt, Motor | 22* | 700616 | 1 | *Knife Pkg, 2 Way Std. |
| | 00012101 | 2 | Lockwasher, Motor | | 702255 | 1 | *Knife Pkg, 2 Way HD |
| | 00015800 | 2 | Nut, Motor | 23 | 103064 | 2 | Fender |
| 4 | 02962020 | 1 | Motor Asy. | 24 | 105761 | 1 | Cutter Shaft, 72" |
| | 02961282 | 1 | Hose, Pressure Side | 25 | 107182 | 1 | Bracket, LH |
| | 02961283 | 1 | Hose, Return Side | | 107380 | 1 | Bracket, RH |
| | 02961306 | 1 | Hose Sleevng | 26 | 703976 | 2 | Brg & Hsg Asy, (Hex) |
| 5 | 700524 | 1 | Trash Deflector & Hardware | | 107340 | 2 | Housing, (Hex) |
| 6 | 107442 | 1 | Flail Deck , 72" | | 002486 | 2 | Bearing (Hex) |
| 7 | 02958089 | 1 | Rubber Bumper | | 002037 | 2 | Seal (Hex) |
| | 02958114 | 1 | Bolt | 27 | 002039 | 2 | Grease Fitting F/ # 26 |
| | 00012101 | 1 | Lockwasher | 28 | 00516 | 4 | Bolt |
| | 00015800 | 1 | Nut | 29 | 00001800 | 4 | Locknut TLM 1/2 NC PLC |
| 8 | 000539 | 1 | Spring | 30 | 107785 | 1 | Roller Asy. 74" (Hex) |
| | 00752738 | 1 | Bolt | 31 | 02959298 | 1 | Key, F/Cuttershaft Pulley |
| | 02031800 | 1 | Nut | 32 | 107256 | 1 | Foot Guard, 74" |
| 9 | 702749 | 1 | Idler Pivot Pin | 33 | 000001 | 1 | Bolt |
| | 00001400 | 1 | Flatwasher, F/ Idler | 34 | 00011700 | 1 | Lockwasher |
| | 00000400 | 1 | Cotter Pin, F/ Idler | 35 | 0023500 | 1 | Flatwasher |
| 10 | 106529 | 1 | Idler Arm, RH | | | | |
| | 00035900 | 1 | Bolt, F/ Idler Arm | | | | |
| 11 | 103105 | 1 | Pulley, Idler | | | | |
| | 00752645 | 1 | Bolt, Idler Pulley | | | | |
| 12 | 00011100 | 1 | Flatwasher, Idler Pulley | | | | |
| 13 | 500031 | 1 | Pulley, Cuttershaft | | | | |
| | 02959014 | 1 | Set Screw, Cutter Shaft Pulley | | | | |
| 14 | 100720 | 1 | Washer, Cutter Shaft Pulley | | | | |
| 15 | 000407 | 1 | Bolt, Cutter Shaft Pulley | | | | |
| 16 | 02959463 | 1 | Belt Cover Weldment | | | | |
| | 00751240 | 1 | Bolt 5/16", Cover Attach. | | | | |
| | 00749017 | 1 | Nut 5/16", Cover Attach. | | | | |
| | 00023500 | 2 | Flatwasher 5/16", Cover Attach. | | | | |
| | 00002100 | 2 | Bolt 1/4", Cover Attach. | | | | |
| | 00024100 | 2 | Flatwasher 1/4", Cover Attach. | | | | |
| 17 | 000702 | 1 | V-Belt, Matched Pair | | | | |
| 18 | 701914 | 1 | Shoe Ware Plate Asy. | | | | |
| 19 | 02959282 | 1 | Key - F/ Motor | | | | |

* Knife Packages Item # 22

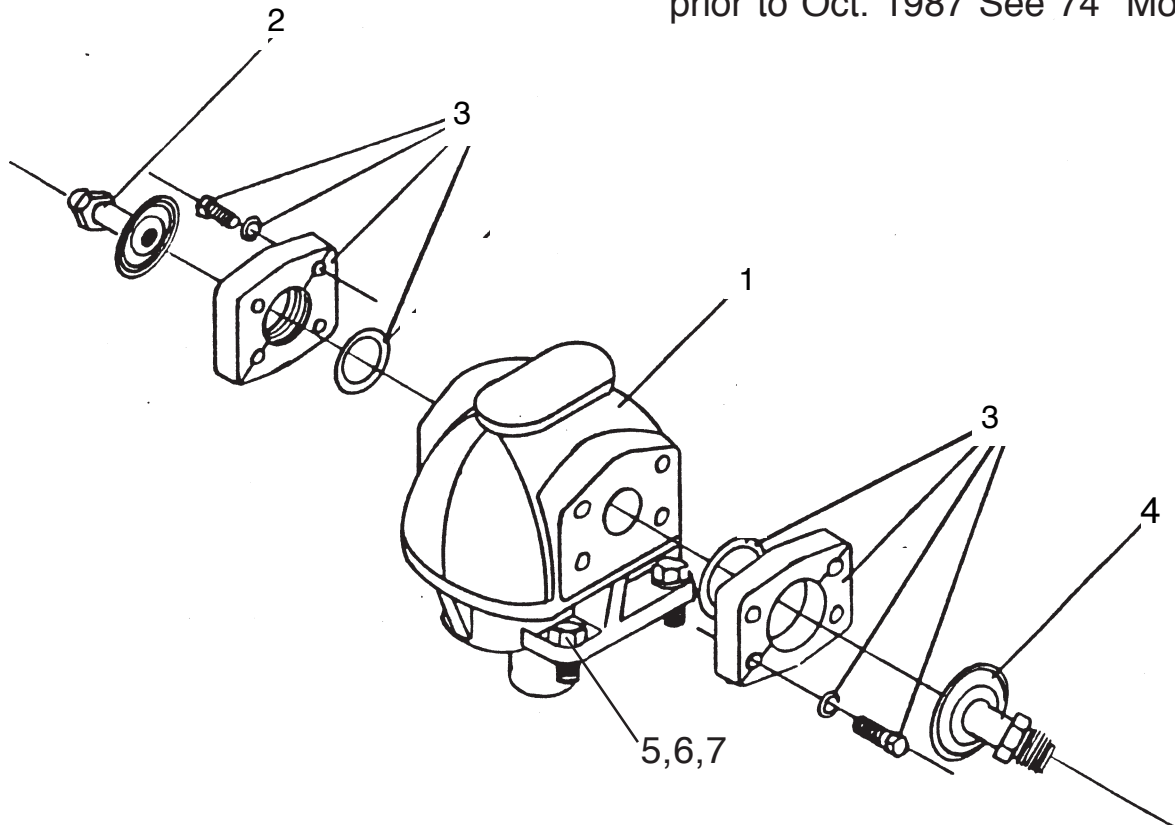
| | | |
|---------|----|-----------------------------|
| 700616 | -- | 72" Model (Old#02957644) |
| 100759 | 76 | Knife, Std. |
| 100761 | 38 | D-Ring |
| 000026 | 38 | Cotter Pin |
| 102670 | 38 | Pin, Hardened |
| 702255 | -- | 72" Model |
| 105319M | 76 | Knife, HD |
| 100761 | 38 | D-Ring |
| 000026 | 38 | Cotter Pin |
| 102670 | 38 | Pin, Hardened |

Oct. 1987
to
May 1988

Motor Assembly
Versa Flail 60"
P/N 02957542

S/N VF-01008
to
S/N VF-01244

Note: Only 74" Model Offered
prior to Oct. 1987 See 74" Model



| Item | Part No. | Qty | Description |
|------|----------|-----|-------------------------|
| | 02957542 | -- | Motor Asy. w/ Fittings |
| 1 | 02957328 | 1 | Motor |
| 2 | 02958000 | 1 | Flange Adapter Assembly |
| 3 | 00750317 | 1 | Split Flange Kit |
| 4 | 02957541 | 2 | Elbow |
| 5 | 00749130 | 4 | Bolt |
| 6 | 00001800 | 4 | Locknut TLM 1/2 NC PLC |
| 7 | 63000500 | 4 | Washer |

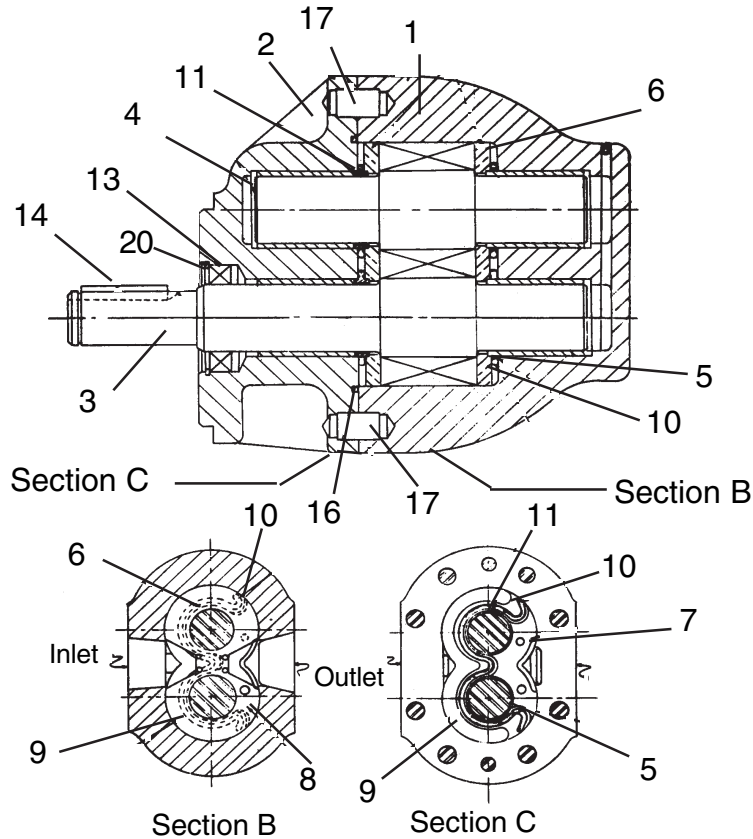
Item # 3 (Split Flange Set) Consist of:
1 - Set of Split Flange Halves
1 - O-Ring
4 - Bolts
4 - Lockwashers

Seal Kit # 02720000 Consist of:
4 - Back-Up Rings
2 - Retainer Rings
1 - O-Ring
1 - Seal
1 - Body O-Ring
1 - Secondary Seal

Oct. 1987
to
May 1988

Motor Repair Parts Versa Flail 60" P/N 02957542

S/N VF-01008
to
S/N VF-01244

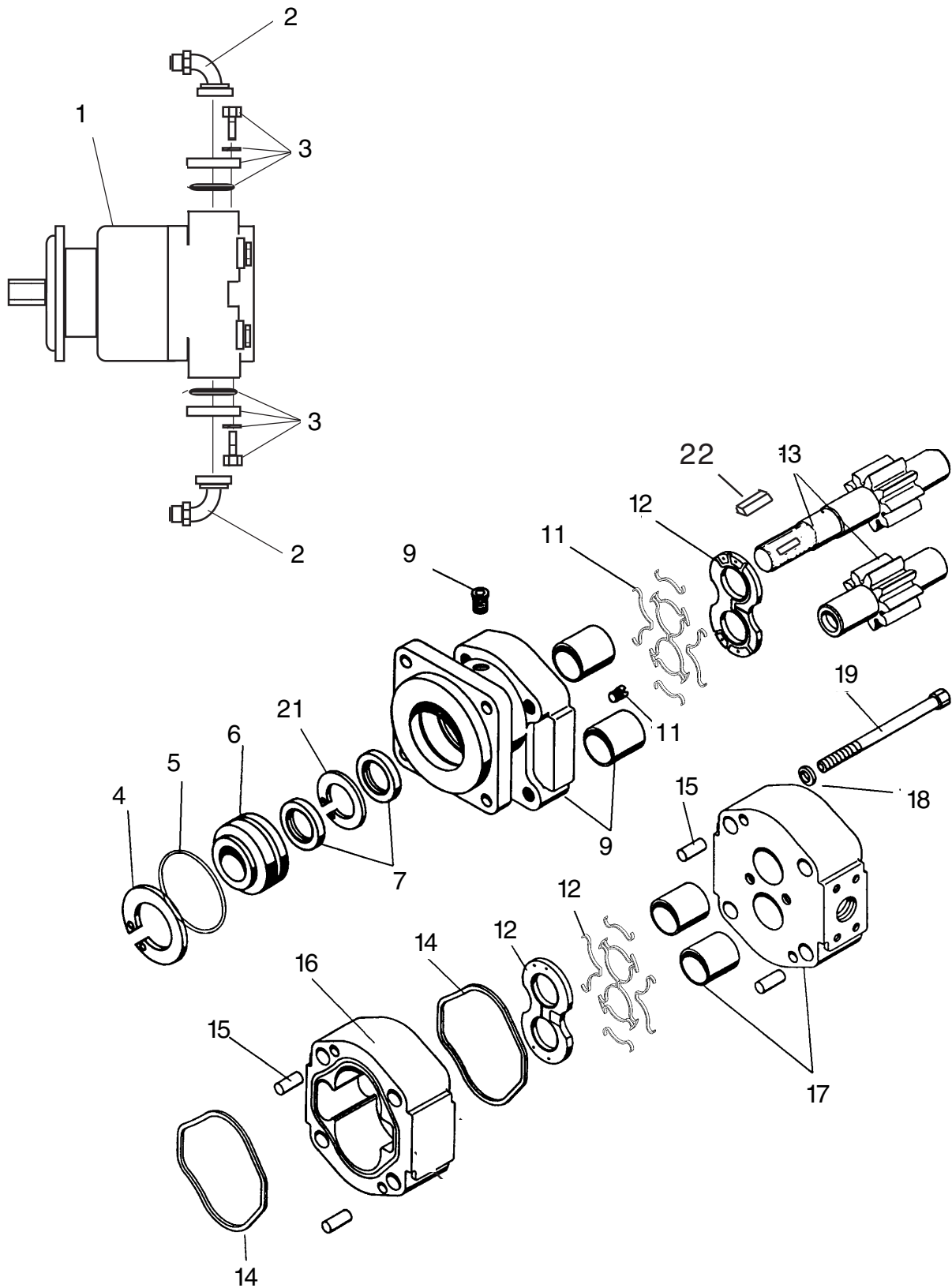


| Item | Part No. | Qty | Description |
|------|----------|-----|-------------------------------------|
| | 02957077 | -- | Motor Asy. w/ Fittings |
| | 02957328 | 1 | Motor Asy |
| 1 | 02682600 | 1 | Body |
| 2 | 02682500 | 1 | Flange |
| 3 | 02957727 | 1 | Gear Set, Drive & Idler |
| 5* | ----- | 4 | Back-Up Ring |
| 6 | 02655400 | 2 | Pressure Plate |
| 7 | 02721400 | 2 | Top Isolation Plate |
| 8 | 02721500 | 2 | Bottom Isolation Plate |
| 9* | ----- | 2 | retainer Ring |
| 10* | ----- | 1 | O-Ring |
| 11 | 02655700 | 4 | Steel Ring |
| 13* | ----- | 1 | Seal |
| 14 | 02656400 | 1 | Key |
| 16* | ----- | 1 | O-Ring, Body |
| 17 | 02655800 | 2 | Dowel Pin |
| 20 | 02681400 | 1 | Snap Ring |
| 21 | 02720000 | 1 | Seal Kit (Items # 5, 9, 10, 13, 16) |

Jun. 1988
to
Current

Motor Assembly Versa Flail 60" P/N 02962020

S/N VF-01245
to
S/N VF--Current



VERSA FLAIL (Archive Book) 10/01

© 2001 Alamo Group Inc.

Parts Section -48

Jun. 1988
to
Current

Motor Assembly Versa Flail 60" P/N 02962020

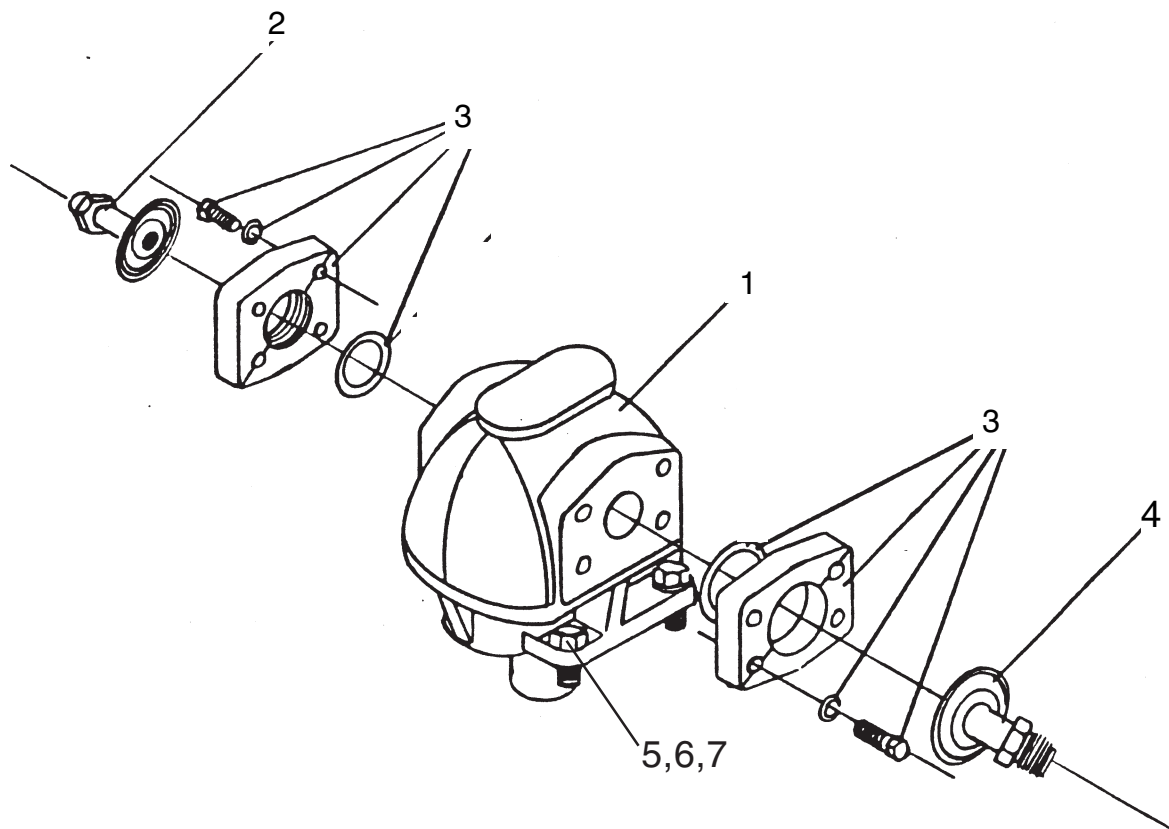
S/N VF-01245
to
S/N VF-Current

| Item | Part No. | Qty | Description |
|------|----------|-----|-------------------------------------|
| 1 | 02961678 | 1 | Hydraulic Motor |
| 2 | 02961280 | 2 | Elbow |
| 3 | 00749103 | 2 | Split Flange Kit |
| 4 | 02962210 | 1 | Snap Ring |
| 5* | ----- | 1 | O-Ring |
| 6 | 02962209 | 1 | Seal Retainer |
| 7* | ----- | 2 | Seal |
| 8 | 02962203 | 1 | Mounting Flange W/Bushing |
| 9 | 02961940 | 1 | Plug |
| 10 | 02961931 | 2 | Check Assembly |
| 11* | ----- | 4 | Seal End |
| 12* | ----- | 2 | Thrust Plate |
| 13 | 02962206 | 1 | Gear Set |
| 14* | ----- | 2 | Square Seal |
| 15 | 02961924 | 4 | Dowel Pin |
| 16 | 02962205 | 1 | Gear Housing |
| 17 | 02962204 | 1 | Porting Flange w/ Bushings |
| 18 | 02961917 | 4 | Washer |
| 19 | 02962208 | 4 | Bolt |
| 20* | ----- | 4 | Side Seal, Not Shown |
| 21 | 02972292 | 1 | Seal retainer |
| 22 | 02972207 | 1 | Key |
| 23* | 02962211 | 1 | **Seal Kit, Major Kit (w/ Item # 9) |

Jun. 1984
to
May 1988

Motor Assembly Versa Flail 74" (P/N 02957542

S/N VF-41791
to
S/N VF-01244



| Item | Part No. | Qty | Description |
|------|----------|-----|------------------------|
| | 02957542 | -- | Motor Asy. w/ Fittings |
| 1 | 02957328 | 1 | Motor |
| 2 | 00750316 | 1 | Elbow |
| 3 | 00750317 | 2 | Split Flange Kit |
| 4 | 02957541 | 1 | Elbow |
| 5 | 00749130 | 4 | Bolt |
| 6 | 00001200 | 4 | Nut |
| 7 | 00001300 | 4 | Washer |

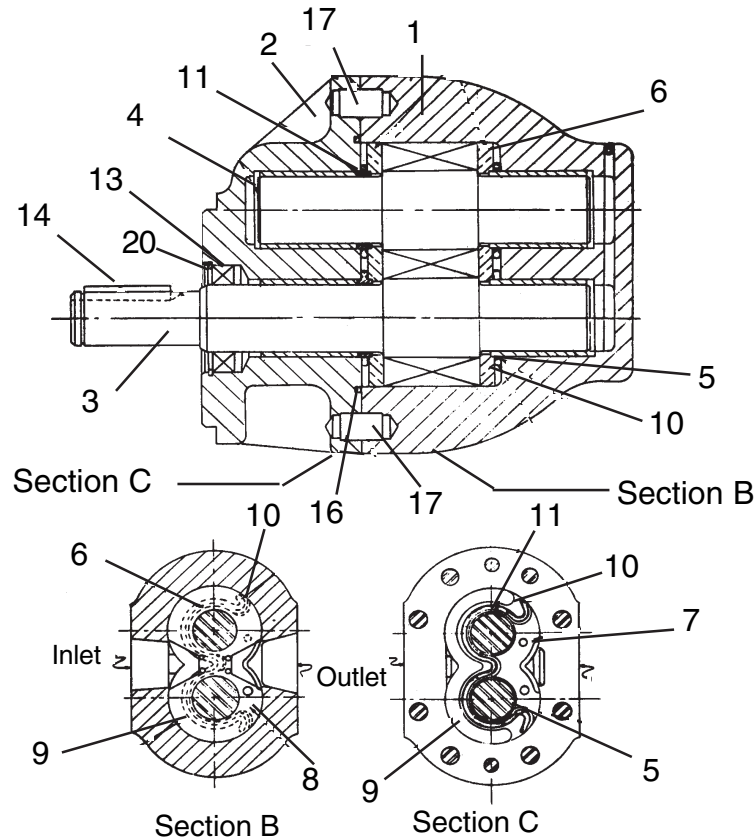
Item # 3 (Split Flange Set) Consist of:
1 - Set of Split Flange Halves
1 - O-Ring
4 - Bolts
4 - Lockwashers

Seal Kit # 02720000 Consist of:
4 - Back-Up Rings
2 - Retainer Rings
1 - O-Ring
1 - Seal
1 - Body O-Ring
1 - Secondary Seal

Jun. 1984
to
May 1988

Motor Repair Parts Versa Flail 74" P/N 02957542

S/N VF-41791
to
S/N VF-01244



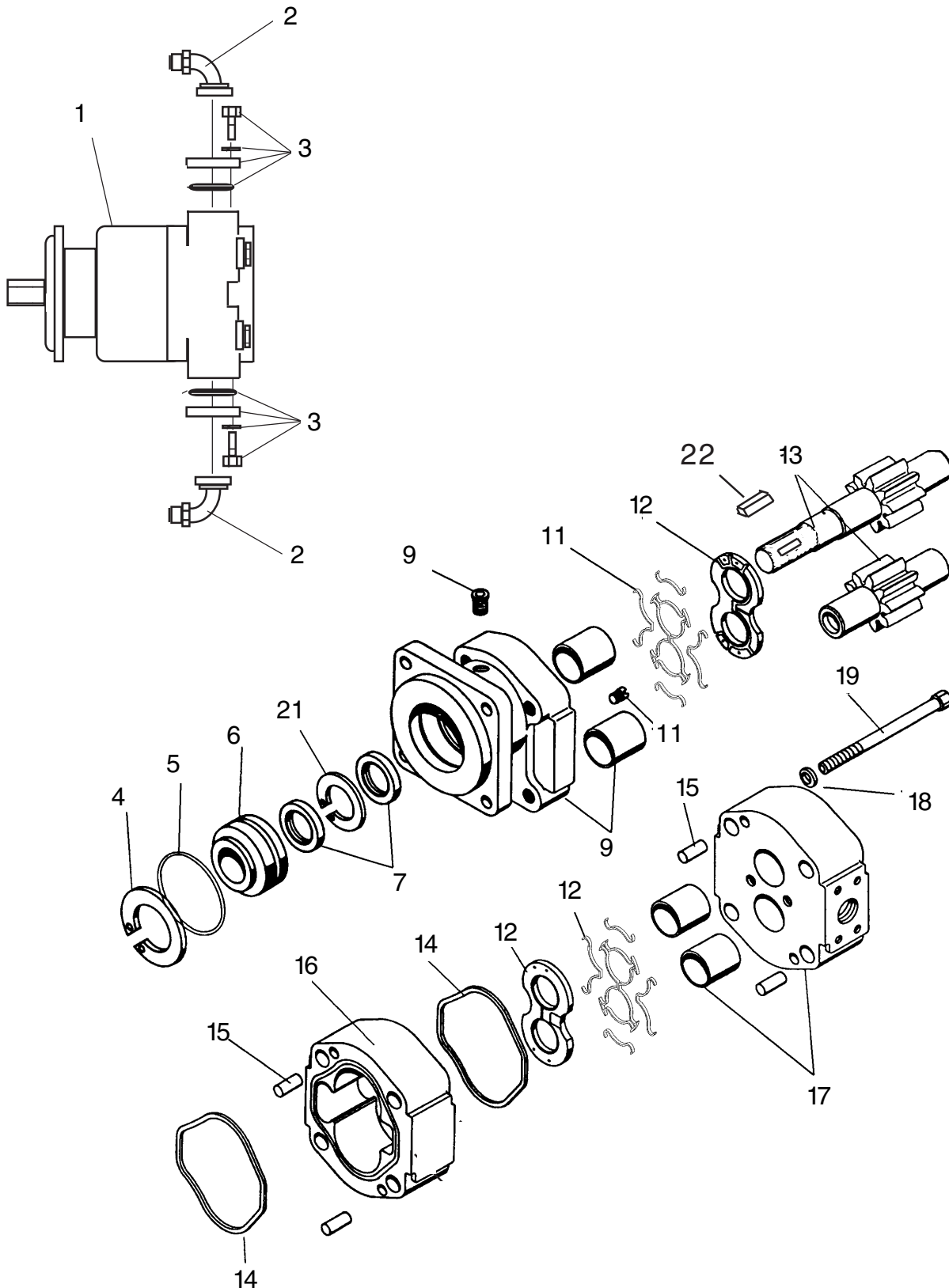
| Item | Part No. | Qty | Description |
|------|----------|-----|-------------------------------------|
| | 02957077 | -- | Motor Asy. w/ Fittings |
| | 02957328 | 1 | Motor Asy |
| 1 | 02682600 | 1 | Body |
| 2 | 02682500 | 1 | Flange |
| 3 | 02957727 | 1 | Gear Set, Drive & Idler |
| 5* | ----- | 4 | Back-Up Ring |
| 6 | 02655400 | 2 | Pressure Plate |
| 7 | 02721400 | 2 | Top Isolation Plate |
| 8 | 02721500 | 2 | Bottom Isolation Plate |
| 9* | ----- | 2 | retainer Ring |
| 10* | ----- | 1 | O-Ring |
| 11 | 02655700 | 4 | Steel Ring |
| 13* | ----- | 1 | Seal |
| 14 | 02656400 | 1 | Key |
| 16* | ----- | 1 | O-Ring, Body |
| 17 | 02655800 | 2 | Dowel Pin |
| 20 | 02681400 | 1 | Snap Ring |
| 21 | 02720000 | 1 | Seal Kit (Items # 5, 9, 10, 13, 16) |

VERSA FLAIL (Archive Book) 10/01

Jun. 1988
to
Current

Motor Assembly Versa Flail 74" P/N 02962020

S/N VF-01245
to
S/N VF--Current



Jun. 1988
to
Current

Motor Assembly Versa Flail 74" P/N 02962020

S/N VF-01245
to
S/N VF-Current

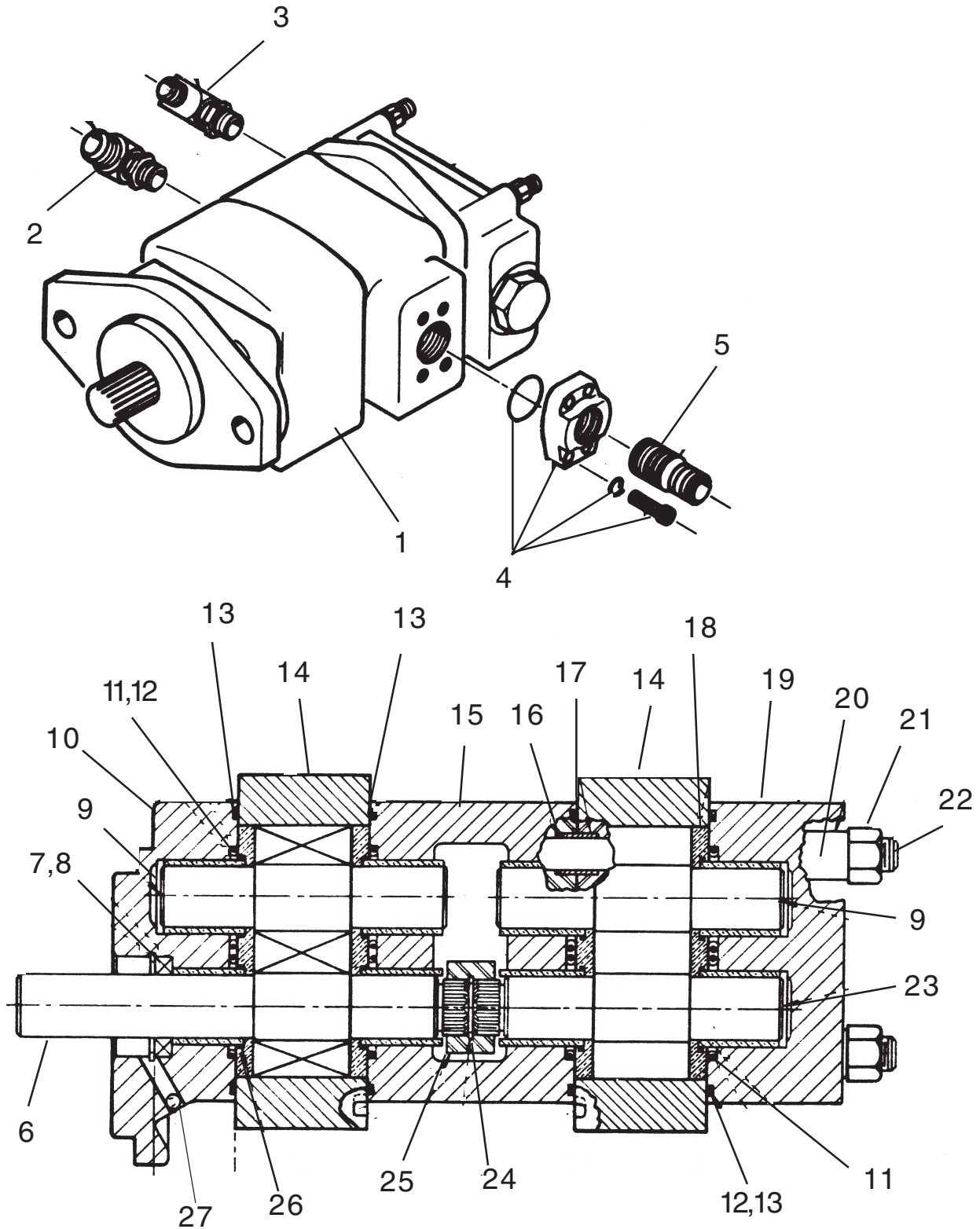
| Item | Part No. | Qty | Description |
|------|----------|-----|-------------------------------------|
| 1 | 02961678 | 1 | Hydraulic Motor |
| 2 | 02961280 | 2 | Elbow |
| 3 | 00749103 | 2 | Split Flange Kit |
| 4 | 02962210 | 1 | Snap Ring |
| 5* | ----- | 1 | O-Ring |
| 6 | 02962209 | 1 | Seal Retainer |
| 7* | ----- | 2 | Seal |
| 8 | 02962203 | 1 | Mounting Flange W/Bushing |
| 9 | 02961940 | 1 | Plug |
| 10 | 02961931 | 2 | Check Assembly |
| 11* | ----- | 4 | Seal End |
| 12* | ----- | 2 | Thrust Plate |
| 13 | 02962206 | 1 | Gear Set |
| 14* | ----- | 2 | Square Seal |
| 15 | 02961924 | 4 | Dowel Pin |
| 16 | 02962205 | 1 | Gear Housing |
| 17 | 02962204 | 1 | Porting Flange w/ Bushings |
| 18 | 02961917 | 4 | Washer |
| 19 | 02962208 | 4 | Bolt |
| 20* | ----- | 4 | Side Seal, Not Shown |
| 21 | 02972292 | 1 | Seal retainer |
| 22 | 02972207 | 1 | Key |
| 23* | 02962211 | 1 | **Seal Kit, Major Kit (w/ Item # 9) |

Jun. 1984
to
Sep. 1987

FRONT PUMP VERSA FLAIL

S/N VF-41791
to
S/N VF-01007

Double Section P/N 02957419



VERSA FLAIL (Archive Book) 10/01

Jun. 1984
to
Sep. 1987

FRONT PUMP VERSA FLAIL

S/N VF-41791
to
S/N VF-01007

Double Section P/N 02957419

| Item | Part No. | Qty | Description |
|------|-----------------|-----|-----------------------------|
| | 02957419 | — | Pump Asy W/ Fittings |
| 1 | 02957373 | 1 | PumpOnly |
| 2 | 02949100 | 1 | Elbow |
| 3 | 02161400 | 1 | Elbow |
| 4 | 02827700 | 1 | Flange Kit |
| 5 | 02411000 | 1 | Hose Bib |
| 6 | 02957993 | 1 | Gear, Front Drive |
| 7 | 02957972 | 1 | Snap Ring |
| 8 | 02957973 | 1 | Seal |
| 9 | 02957994 | 1 | Gear, Idler |
| 10 | 02959289 | 1 | Flange |
| 11 | 02957976 | 4 | Back-Up Ring |
| 12 | 02957977 | 4 | O-Ring |
| 13 | 02957978 | 4 | O-Ring |
| 14 | 02957995 | 1 | Gear Plate |
| 15 | 02957996 | 1 | Connecting Plate |
| 16 | 02957981 | 4 | O-ring |
| 17 | 02957982 | 16 | Dowel Pin |
| 18 | 02957983 | 4 | Pressure Plates |
| 19 | 02957977 | 1 | Cover Plate |
| 20 | 02957985 | 4 | Spacer Sleeve |
| 21 | 02957986 | 4 | Nuts |
| 22 | 02957998 | 4 | Studs |
| 23 | 02957999 | 1 | Rear Drive |
| 24 | 02957989 | 1 | Snap Ring |
| 25 | 02957990 | 1 | Splined Coupling |
| 26 | 02957991 | 8 | O-Ring |
| 27 | 02957992 | 1 | Ball |

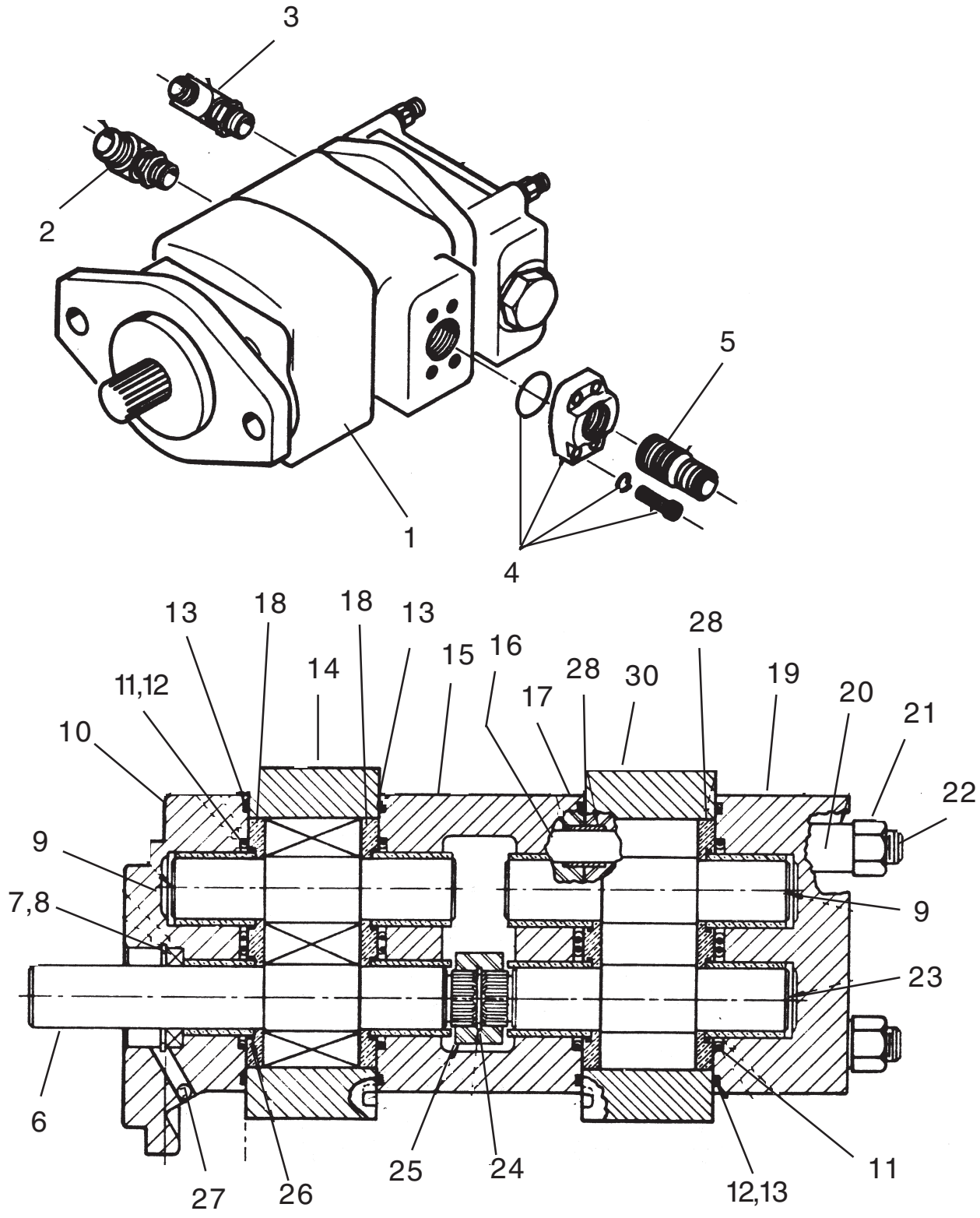
NOTE: S/N Change Aug. 1987 S/N's ended with # 47000
and Sep. 1987 started a new series with # 01001

Oct. 1987
to
Mar. 1988

FRONT PUMP VERSA FLAIL

S/N VF-01008
to
S/N VF-01154

Double Section P/N 02961119



Oct. 1987
to
Mar. 1988

FRONT PUMP VERSA FLAIL

S/N VF-01008
to
S/N VF-01154

Double Section P/N 02961119

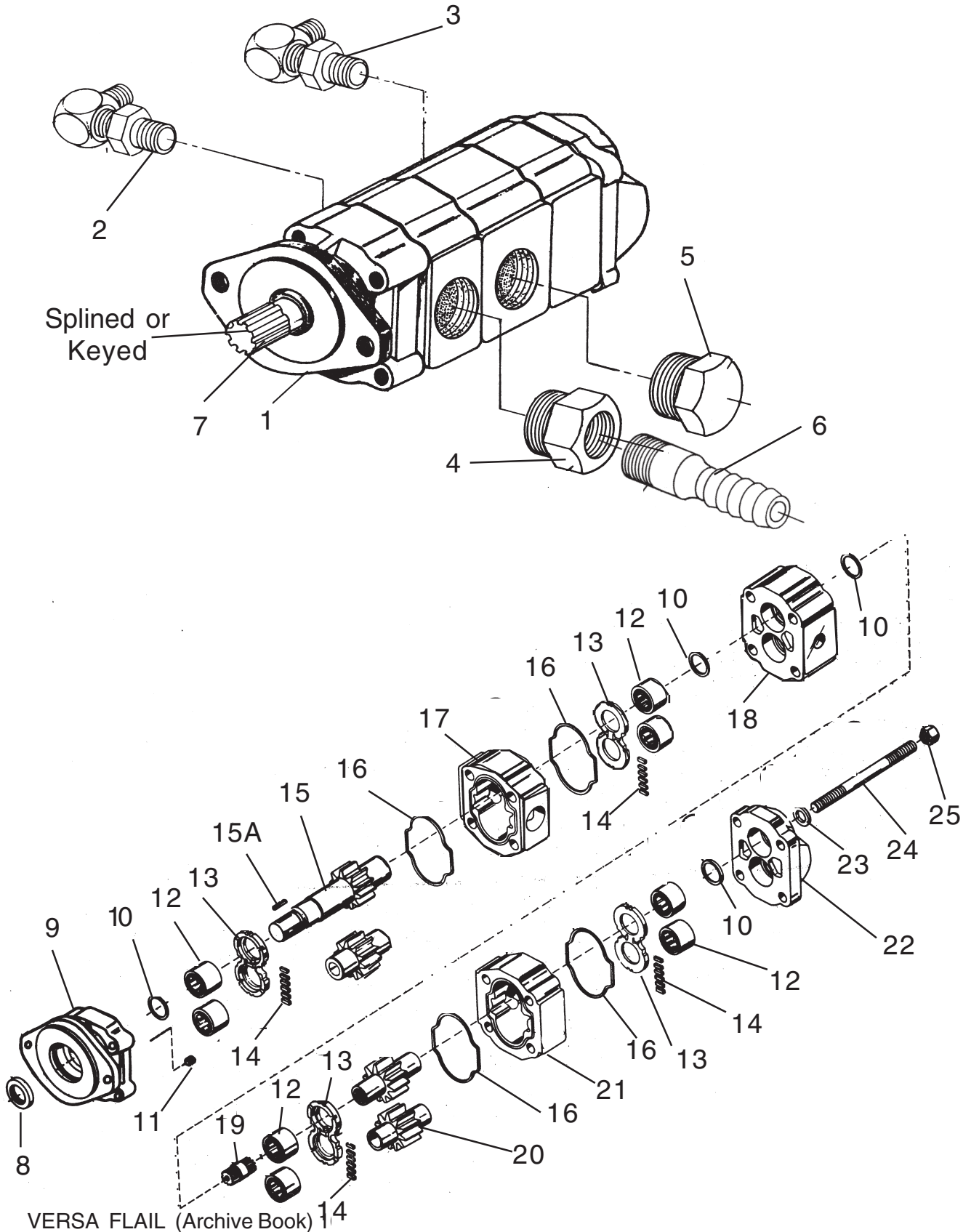
| Item | Part No. | Qty | Description |
|------|-----------------|-----|-----------------------------|
| | 02961119 | — | Pump Asy W/ Fittings |
| 1 | 02957373 | 1 | PumpOnly |
| 2 | 02960812 | 1 | Elbow |
| 3 | 02161400 | 1 | Elbow |
| 4 | 02827700 | 1 | Flange Kit |
| 5 | 02411000 | 1 | Hose Bib |
| 6 | 02957993 | 1 | Gear, Front Drive |
| 7 | 02957972 | 1 | Snap Ring |
| 8 | 02957973 | 1 | Seal |
| 9 | 02957994 | 1 | Gear, Idler |
| 10 | 02959289 | 1 | Flange |
| 11 | 02957976 | 4 | Back-Up Ring |
| 12 | 02957977 | 4 | O-Ring |
| 13 | 02957978 | 4 | O-Ring |
| 14 | 02957995 | 1 | Gear Plate |
| 15 | 02957996 | 1 | Connecting Plate |
| 16 | 02957981 | 4 | O-ring |
| 17 | 02957982 | 16 | Dowel Pin |
| 18 | 02957983 | 2 | Pressure Plates |
| 19 | 02957999 | 1 | Cover Plate |
| 20 | 02957985 | 4 | Spacer Sleeve |
| 21 | 02957986 | 4 | Nuts |
| 22 | 02957998 | 4 | Studs |
| 23 | 02957988 | 1 | Rear Drive |
| 24 | 02957989 | 1 | Snap Ring |
| 25 | 02957990 | 1 | Splined Coupling |
| 26 | 02957991 | 8 | O-Ring |
| 27 | 02957992 | 1 | Ball |
| 28 | 02960437 | 2 | Pressure Plate |
| 29 | 02960582 | 1 | Gear, Idler |
| 30 | 02960583 | 1 | Gear Plate |
| 31 | 02960601 | 1 | O-Ring |
| 32 | 02958014 | AR | Shaft Seal Kit |
| 33 | 02958015 | AR | Soft Goods Service Kit |

Apr. 1988
to
May 1988

FRONT PUMP VERSA FLAIL

S/N VF-01155
to
S/N VF-01244

Double Section P/N 02961095



Apr. 1988
to
May. 1988

FRONT PUMP VERSA FLAIL

S/N VF-01155
to
S/N VF-01244

Double Section P/N 02961095

| Item | Part No. | Qty | Description |
|------|-----------------|----------|--------------------------------|
| | 02961095 | - | Pump Asy W/ Fittings |
| 1 | 02050000 | AR | PumpOnly, W/Keyed Shaft |
| | 02050200 | AR | Pump Only, W/Splined Shaft |
| 2 | 02960812 | 1 | Elbow |
| 3 | 02161400 | 1 | Elbow |
| 4 | 02589000 | 1 | Adapter, Straight |
| 5 | 02589200 | 1 | Plug |
| 6 | 02411000 | 1 | Hose Bib |
| 7 | 02513100 | 1 | Key, Keyed Pump Only |
| 8 | 02677000 | 1 | Seal, Double Lip |
| 9 | 02677100 | 1 | Shaft end Cover |
| 10 | 02677200 | 4 | High Pressure Ring Seal |
| 11 | 02677300 | 1 | Plug |
| 12 | 02677400 | 8 | Bearing, Roller |
| 13 | 02677500 | 4 | Thrust Plate |
| 14 | 02677600 | 2 | Pocket Seal Strip |
| 15 | 02677700 | 1-AR | Shaft & Gear Set, Keyed |
| | 02670800 | 1-AR | Shaft & Gear Set, Splined |
| 15A | 02512700 | 1-AR | Key, Use w/ Keyed Pump & Shaft |
| 16 | 02677900 | 4 | Gasket |
| 17 | 02678000 | 1 | Gear Housing |
| 18 | 02678100 | 1 | Bearing Carrier |
| 19 | 02678200 | 1 | Connecting Shaft |
| 20 | 02678300 | 1 | Gear Set, Matched |
| 21 | 02678400 | 1 | Gear Housing |
| 22 | 02678500 | 1 | Port End Cover |
| 23 | 02678600 | 4 | Washer |
| 24 | 02678700 | 4 | Fastener |
| 25 | 02678800 | 4 | Nut |

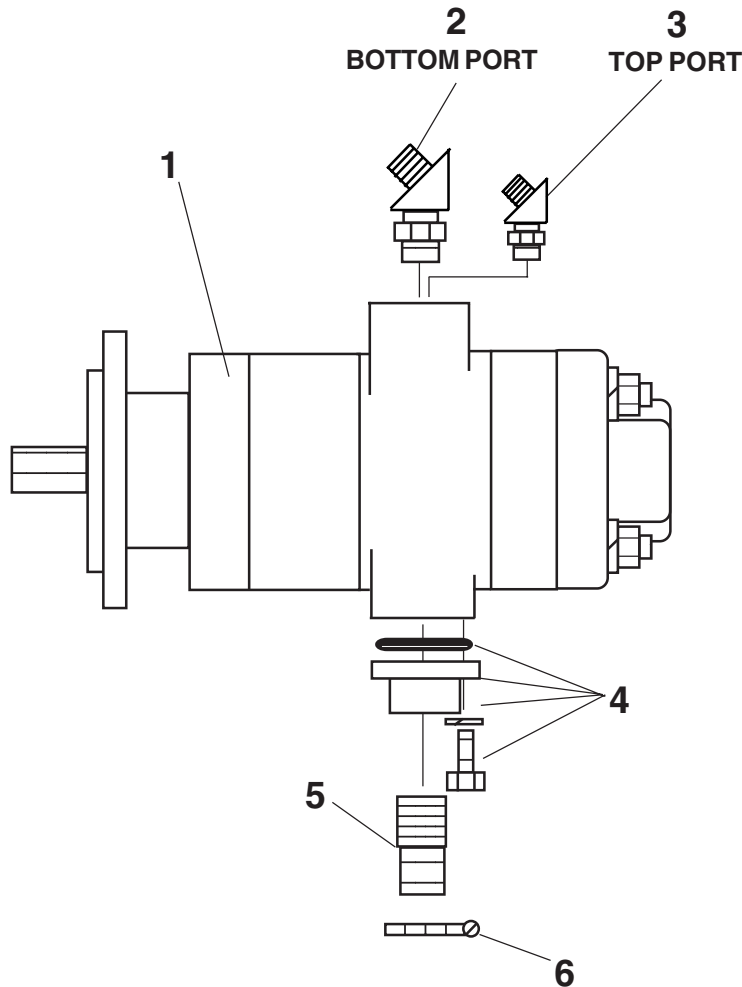
NOTE: There were two Pumps offered during these S/N's, A Splined Shaft or a Keyed Shaft, Check which you have before ordering Parts.

Jun. 1988
to
Mar. 1989

FRONT PUMP VERSA FLAIL

S/N VF-01245
to
S/N VF-01547

Double Section P/N 02961826



| Item | Part No. | Qty | Description |
|------|----------|-----|-----------------------|
| | 02961826 | -- | Pump Asy W/ Fittings |
| 1 | 02961735 | 1 | Pump Asy W/O Fittings |
| 2 | 02961825 | 1 | Elbow, 45 Deg. |
| 3 | 02962214 | 1 | Elbow, 45 Deg. |
| 4 | 02827700 | 1 | Flange Kit |
| 5 | 02411000 | 1 | Hose Bib |
| 6 | 02026200 | 1 | Hose Clamp |

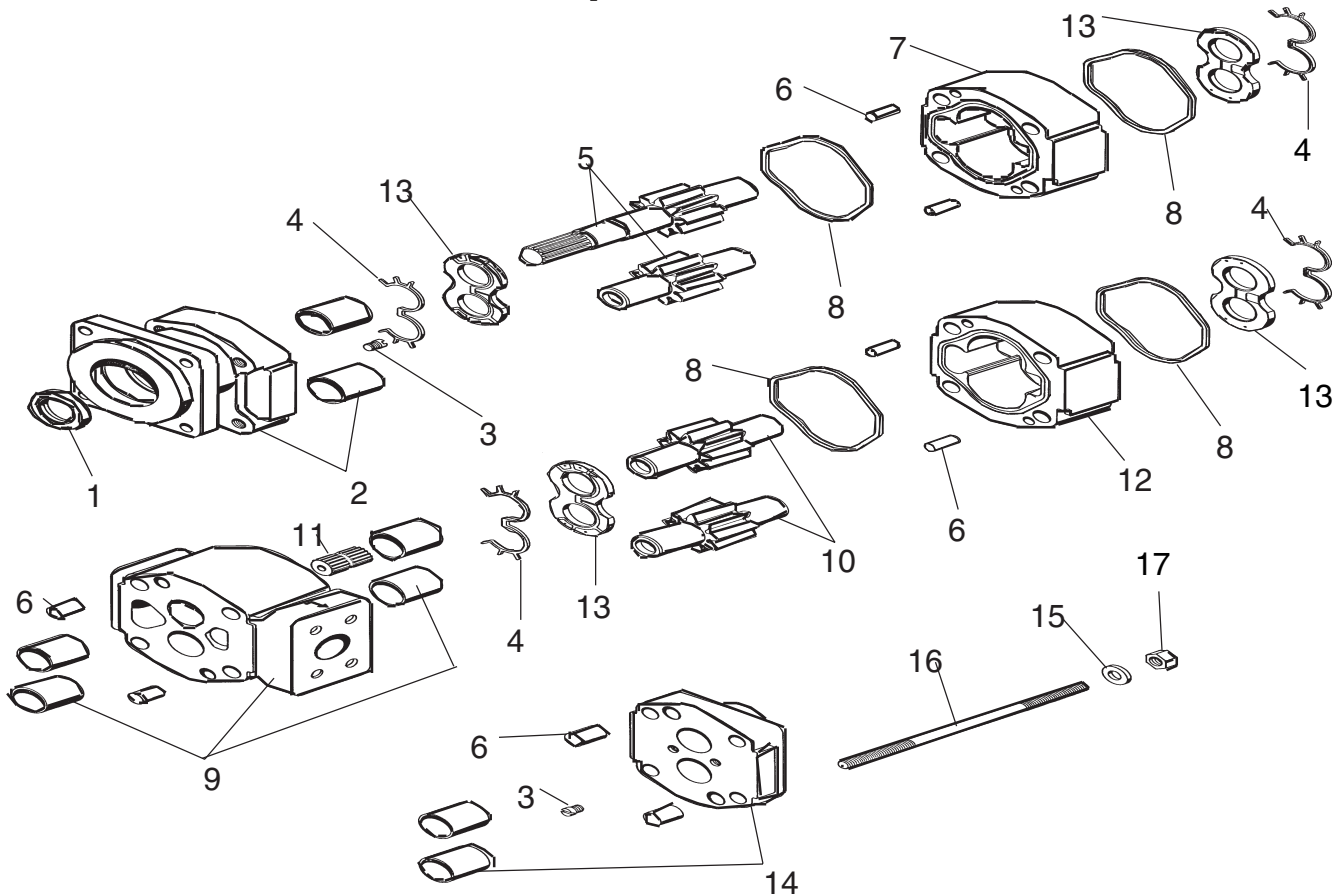
NOTE: Double Section Pump Supplies Hyd Pressure for all Functions, Boom Movements & Head Operation. A Single Section Pump ONLY Supplies Hyd Pressure for Cutter Head, the Boom Movements are Operated using the Tractor Hyd. Supply. Check Type Pump Used BEFORE ORDERING parts. Single Section Pumps were offered as an Option after Jun. 1988 Prior only Double Section Pumps were used.

Jun. 1988
to
Mar. 1989

FRONT PUMP VERSA FLAIL

S/N VF-01245
to
S/N VF-01547

Double Section P/N 02961826 Repair Parts



| Item | Part No. | Qty | Description | Item | Part No. | Qty | Description |
|------|-----------------|-----|------------------------------------|------|----------|-----|----------------------|
| | 02961735 | – | Pump Asy, W/O Fittings | 11 | 02962216 | 1 | Connector Shaft |
| 1* | ----- | 1 | Seal | 12 | 02962186 | 1 | Gear Housing |
| 2 | 02961913 | 1 | Mounting Flange w/Bushings | 13* | ----- | 4 | Thrust Plate |
| 3 | 02961920 | 2 | Plug | 14 | 02962184 | 1 | End Flange w/Bushing |
| 4* | ----- | 4 | Seal End | 15 | 02961917 | 4 | Washer |
| 5 | 02962187 | 1 | Gear Set | 16 | 02962189 | 4 | Studs |
| 6 | 02961924 | 8 | Dowel Pin | 17 | 02962190 | 4 | Nuts |
| 7 | 02961915 | 1 | Gear Housing | 18 | 02962191 | -- | Seal Kit, Major |
| 8* | ----- | 4 | Square Seal | | 02962539 | -- | Seal Kit, Minor |
| 9 | 02962185 | 1 | Bearing Carrier Housing w/Bushings | | | | |
| 10 | 02962188 | 1 | Gear Set | | | | |

* included in major rebuild seal kit part no.02962191

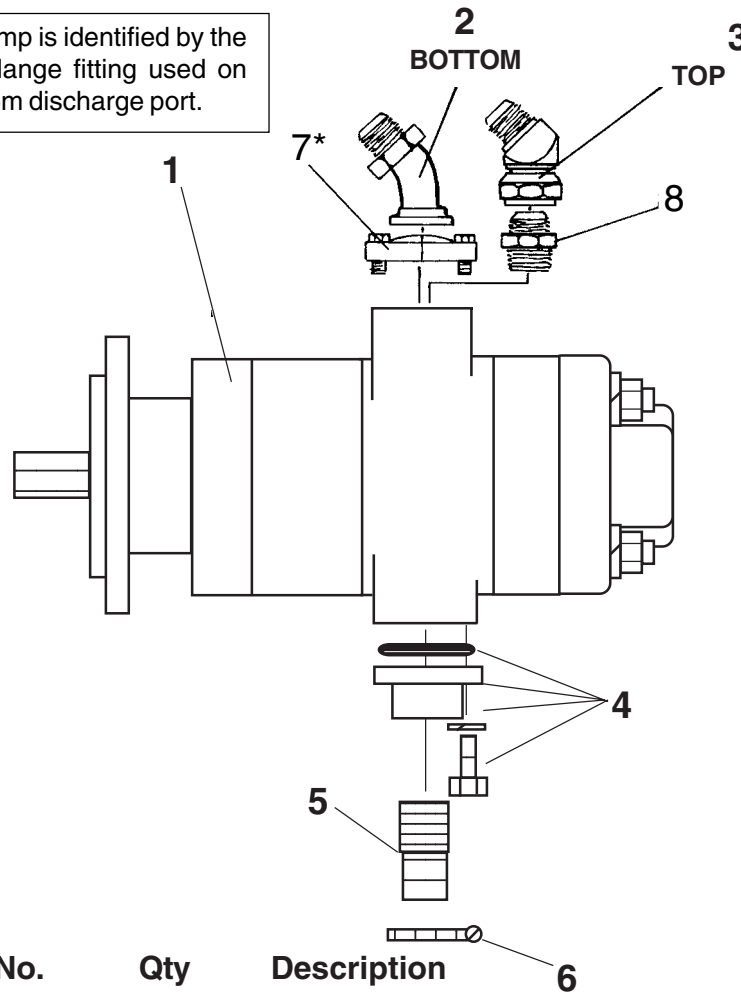
Apr. 1989
to
Current

FRONT PUMP VERSA FLAIL

S/N VF-01548
to
S/N VF-Current

Double Section P/N 02962441

*This pump is identified by the 1-1/4" Flange fitting used on the bottom discharge port.



| Item | Part No. | Qty | Description |
|------|----------|-----|-----------------------|
| | 02962441 | -- | Pump Asy W/ Fittings |
| 1 | 02962440 | 1 | Pump Asy W/O Fittings |
| 2 | 02961317 | 1 | Elbow, 45 Deg. |
| 3 | 02962749 | 1 | Elbow, 45 Deg. |
| 4 | 02827700 | 1 | Flange Kit |
| 5 | 02411000 | 1 | Hose Bib |
| 6 | 02026200 | 1 | Hose Clamp |
| 7 | 00749103 | 1 | Flange Kit |
| 8 | 63042700 | 1 | Adapter, Straight |

NOTE: Double Section Pump Supplies Hyd Pressure for all Functions, Boom Movements & Head Operation. A Single Section Pump ONLY Supplies Hyd Pressure for Cutter Head, the Boom Movements are Operated using the Tractor Hyd. Supply. Check Type Pump Used BEFORE ORDERING parts. Single Section Pumps were offered as an Option after Jun. 1988 Prior only Double Section Pumps were used.

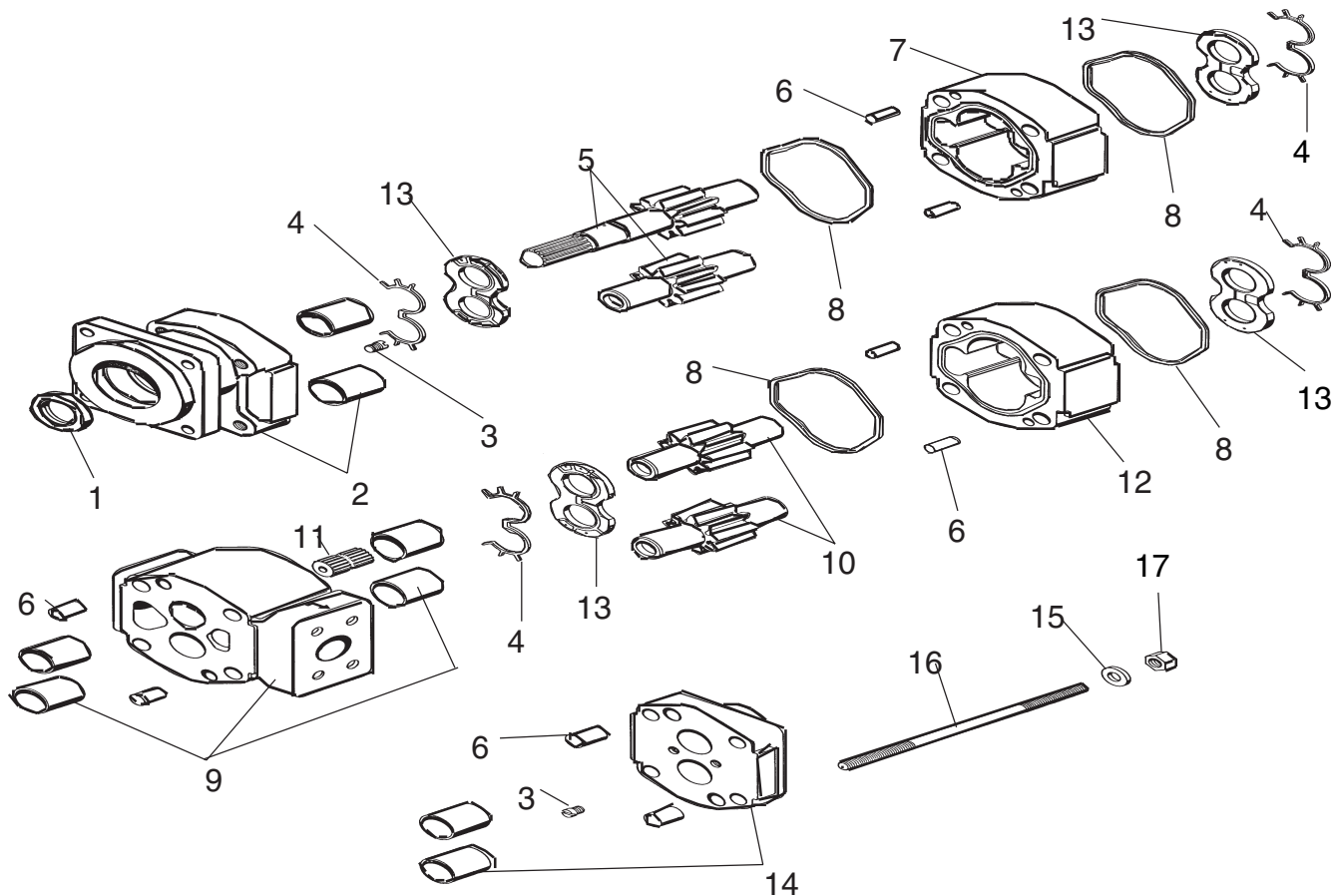
VERSA FLAIL (Archive Book) 10/01

Apr. 1989
to
Current

FRONT PUMP VERSA FLAIL

S/N VF-01548
to
S/N VF-Current

Double Section P/N 02962441 Repair Parts



| Item | Part No. | Qty | Description | Item | Part No. | Qty | Description |
|------|-----------------|-----------|------------------------------------|------|----------|-----|----------------------|
| | 02962440 | -- | Pump Asy, W/O Fittings | 11 | 02962624 | 1 | Connector Shaft |
| 1* | ----- | 1 | Seal | 12 | 02962625 | 1 | Gear Housing |
| 2 | 02962619 | 1 | Mounting Flange w/Bushings | 13* | ----- | 4 | Thrust Plate |
| 3 | 02961920 | 2 | Plug | 14 | 02962626 | 1 | End Flange w/Bushing |
| 4* | ----- | 4 | Seal End | 15 | 02961917 | 4 | Washer |
| 5 | 02962620 | 1 | Gear Set | 16 | 02962189 | 4 | Studs |
| 6 | 02961924 | 8 | Dowel Pin | 17 | 02962190 | 4 | Nuts |
| 7 | 02962621 | 1 | Gear Housing | 18 | 02962550 | -- | Seal Kit, Major |
| 8* | ----- | 4 | Square Seal | | 02962551 | -- | Seal Kit, Minor |
| 9 | 02962622 | 1 | Bearing Carrier Housing w/Bushings | | | | |
| 10 | 02962623 | 1 | Gear Set | | | | |

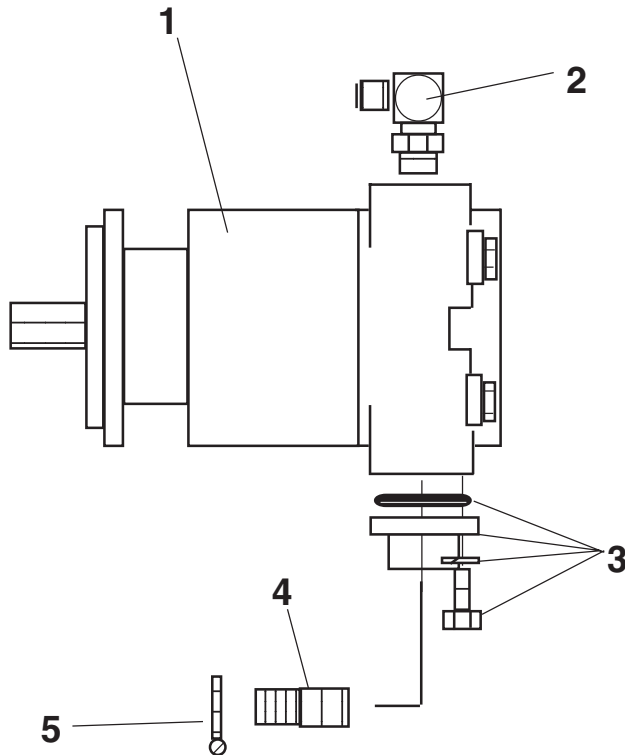
* Item # 13 Thrust Plates are included in Major rebuild Kit # 02962550 Only

Jun. 1988
to
Current

FRONT PUMP VERSA FLAIL

S/N VF-01245
to
S/N VF-Current

Single Section P/N 02961827



| Item | Part No. | Qty | Description |
|------|----------|-----|----------------|
| 1 | 02961474 | 1 | Hydraulic Pump |
| 2 | 02961825 | 1 | Elbow, 90 Deg. |
| 3 | 02827700 | 1 | Flange Kit |
| 4 | 02411000 | 1 | Hose Bib |
| 5 | 02026200 | 1 | Hose Clamp |

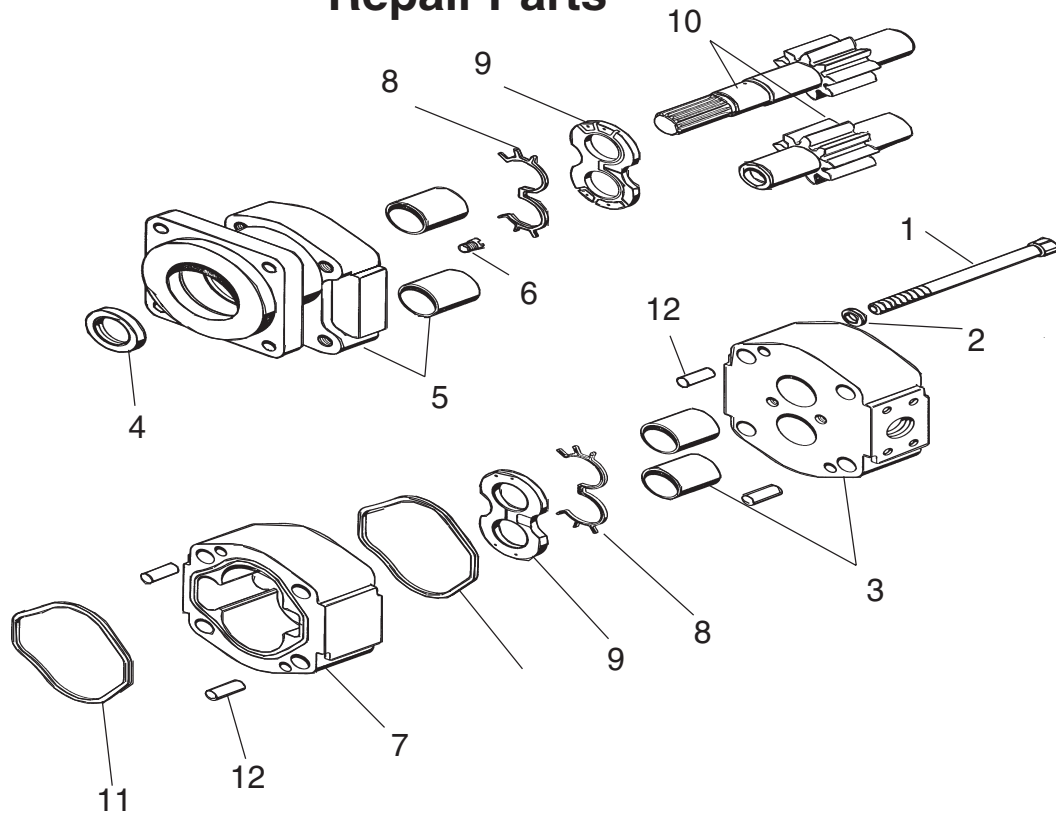
NOTE: Double Section Pump Supplies Hyd Pressure for all Functions, Boom Movements & Head Operation. A Single Section Pump ONLY Supplies Hyd Pressure for Cutter Head, the Boom Movements are Operated using the Tractor Hyd. Supply. Check Type Pump Used BEFORE ORDERING parts. Single Section Pumps were offered as an Option after Jun. 1988 Prior only Double Section Pumps were used.

Jun. 1988
to
Current

FRONT PUMP VERSA FLAIL

S/N VF-01245
to
S/N VF-Current

Single Section P/N 02961827 Repair Parts



| Item | Part No. | Qty | Description |
|------|----------|-----|----------------------------|
| | 02961474 | -- | Pump Asy W/O Fittings |
| 1 | 02961918 | 4 | Bolt |
| 2 | 02961917 | 4 | Washer |
| 3 | 02961914 | 1 | Porting Flange w/Bushing |
| 4* | ----- | 2 | Seal |
| 5 | 02961913 | 1 | Mounting Flange w/Bushings |
| 6 | 02961920 | 1 | Plug |
| 7 | 02961915 | 1 | Gear Housing |
| 8* | ----- | 4 | Seal End |
| 9* | ----- | 2 | Thrust Plate |
| 10 | 02961916 | 1 | Gear Set |
| 11* | ----- | 2 | Square Seal |
| 12 | 02961924 | 4 | Dowel Pin |
| 13 | 02961925 | -- | Seal Kit, Major Kit |
| | 02962548 | -- | Seal Kit, Minor Kit |

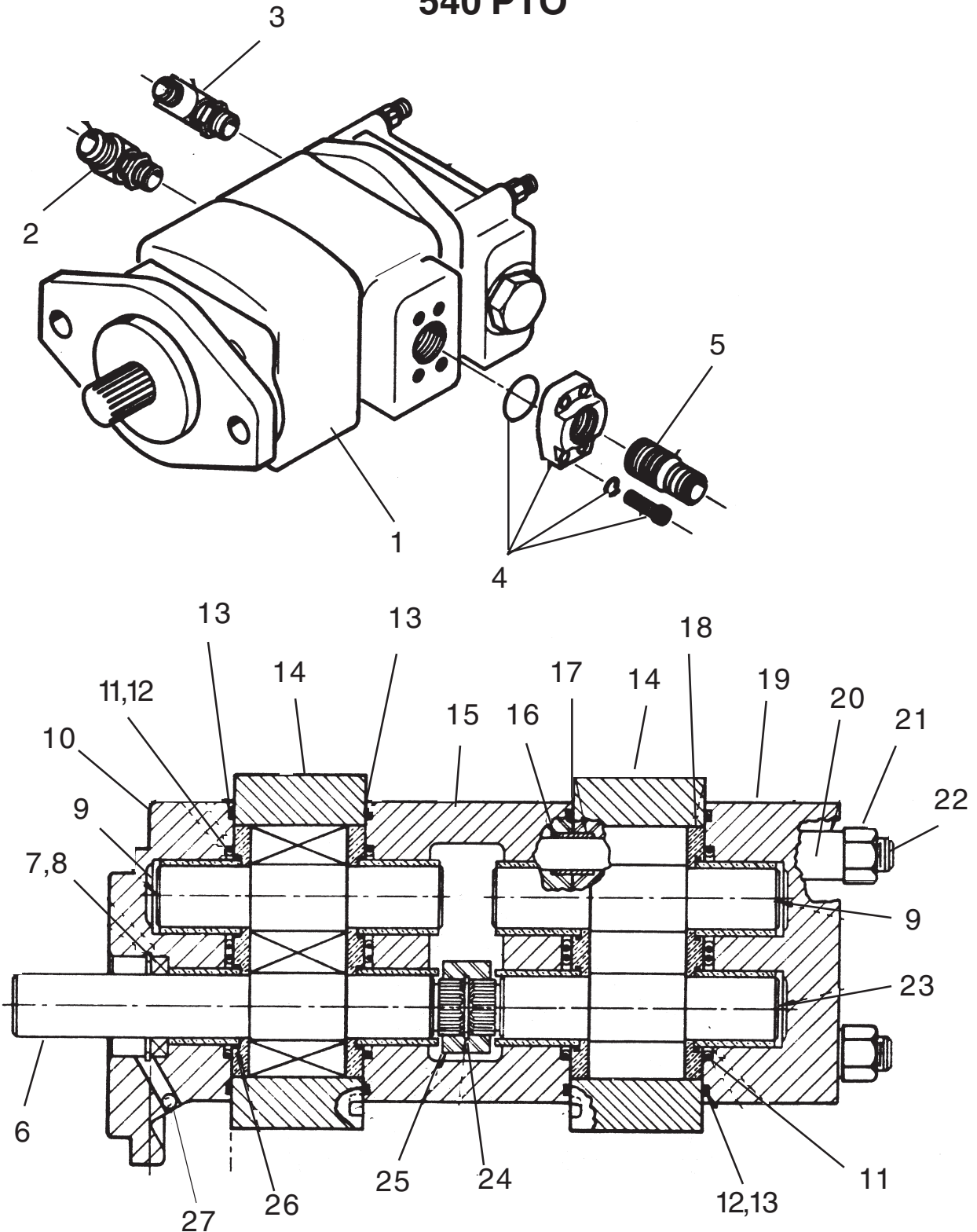
* included in seal kit part number 02961925, Minor Kit WILL NOT include item 9

Jun. 1984
to
Sep. 1987

REAR PUMP VERSA FLAIL

S/N VF-41791
to
S/N VF-01007

Double Section P/N 02957421 540 PTO



Jun. 1984
to
Sep. 1987

REAR PUMP VERSA FLAIL

S/N VF-41791
to
S/N VF-01007

Double Section P/N 02957421 540 PTO

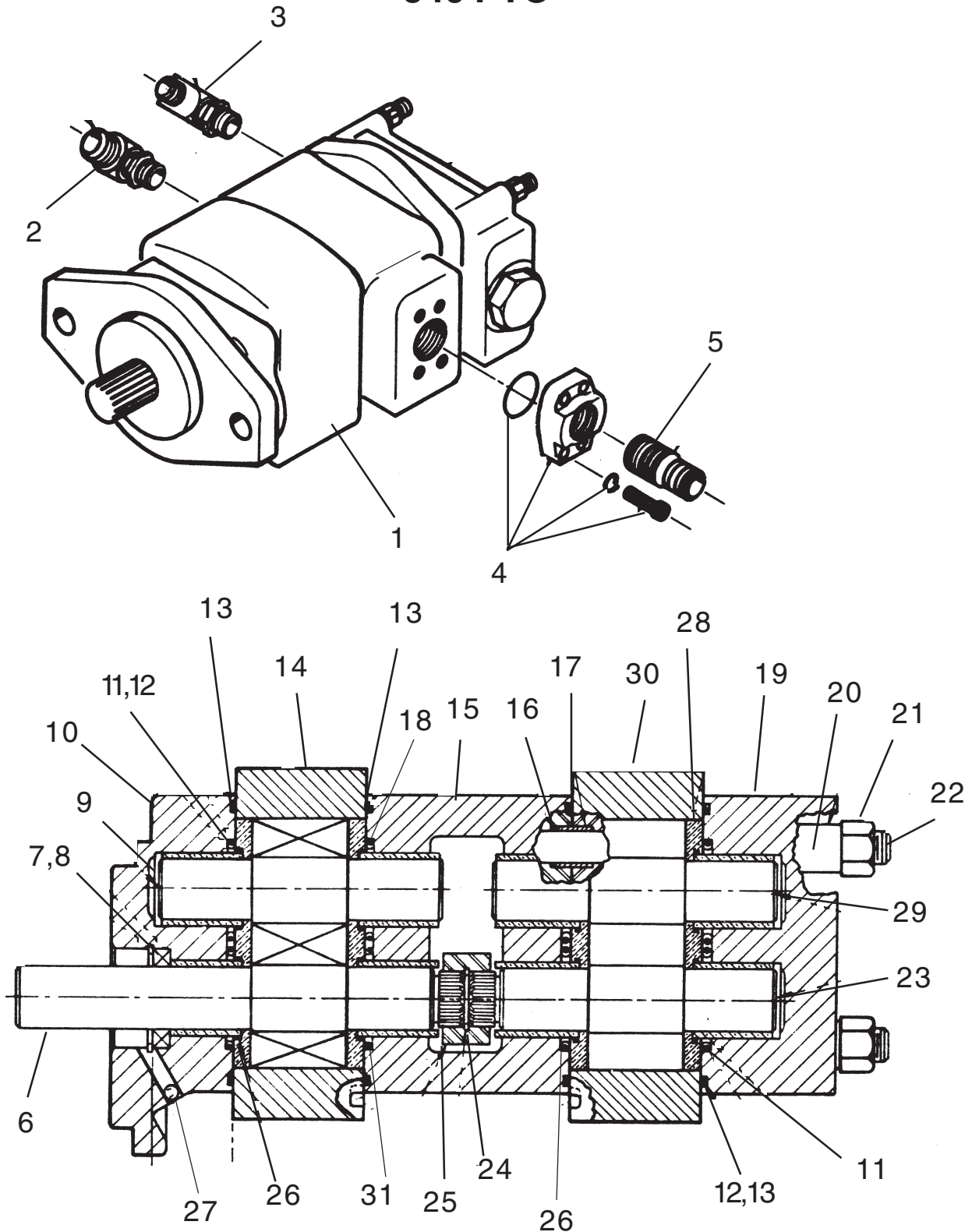
| Item | Part No. | Qty | Description |
|------|-----------------|-----|-----------------------------|
| | 02957421 | — | Pump Asy W/ Fittings |
| 1 | 02957420 | 1 | PumpOnly |
| 2 | 02949100 | 1 | Elbow |
| 3 | 02161400 | 1 | Elbow |
| 4 | 02827700 | 1 | Flange Kit |
| 5 | 02411000 | 1 | Hose Bib |
| | 02047200 | 1 | Elbow (Not Shown) |
| 6 | 02957971 | 1 | Gear, Front Drive |
| 7 | 02957972 | 1 | Snap Ring |
| 8 | 02957973 | 1 | Seal |
| 9 | 02957974 | 1 | Gear, Idler |
| 10 | 02957975 | 1 | Flange |
| 11 | 02957976 | 4 | Back-Up Ring |
| 12 | 02957977 | 4 | O-Ring |
| 13 | 02957978 | 4 | O-Ring |
| 14 | 02957979 | 1 | Gear Plate |
| 15 | 02957980 | 1 | Connecting Plate |
| 16 | 02957981 | 4 | O-ring |
| 17 | 02957982 | 16 | Dowel Pin |
| 18 | 02957983 | 4 | Pressure Plates |
| 19 | 02957984 | 1 | Cover Plate |
| 20 | 02957985 | 4 | Spacer Sleeve |
| 21 | 02957986 | 4 | Nuts |
| 22 | 02957987 | 4 | Studs |
| 23 | 02957988 | 1 | Rear Drive |
| 24 | 02957989 | 1 | Snap Ring |
| 25 | 02957990 | 1 | Splined Coupling |
| 26 | 02957991 | 8 | O-Ring |
| 27 | 02957992 | 1 | Ball |
| 28 | 02958014 | 1 | Shaft Seal Kit |
| 29 | 02958015 | 1 | Soft Goods Seal Kit |

Oct. 1987
to
May 1988

FRONT PUMP VERSA FLAIL

S/N VF-01008
to
S/N VF-01244

Double Section P/N 02961121 540 PTO



Oct. 1987
to
May 1988

FRONT PUMP VERSA FLAIL

S/N VF-01008
to
S/N VF-01244

Double Section P/N 02961121 540 PTO

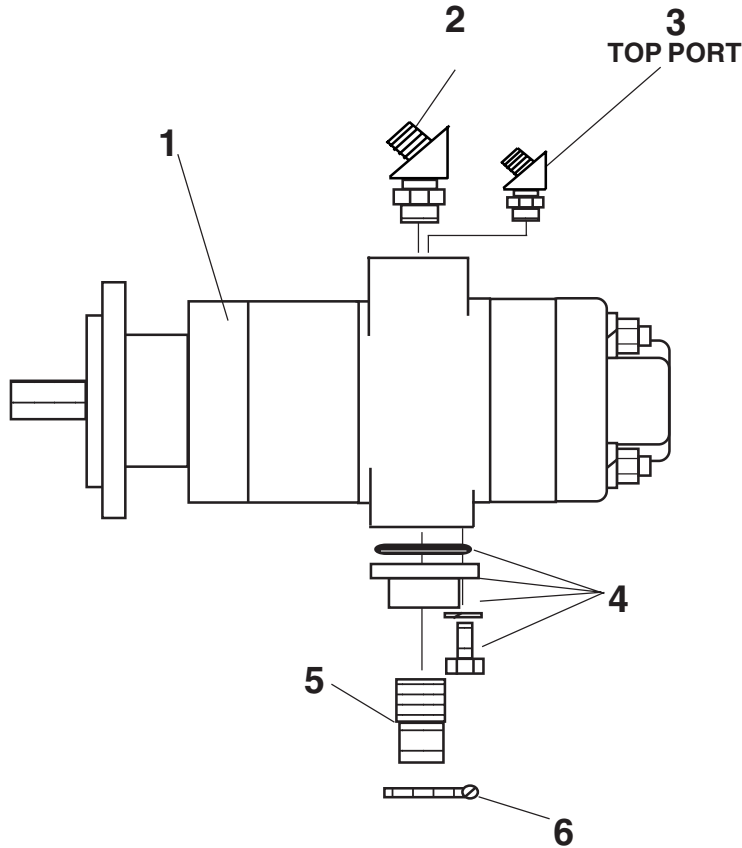
| Item | Part No. | Qty | Description |
|------|-----------------|-----|-------------------------------|
| | 02961121 | — | Pump Asy W/ Fittings |
| 1 | 02957420 | 1 | PumpOnly |
| 2 | 02960812 | 1 | Elbow |
| 3 | 02161400 | 1 | Elbow |
| 4 | 02827700 | 1 | Flange Kit |
| 5 | 02411000 | 1 | Hose Bib |
| | 02047200 | 1 | Elbow (Not Shown) |
| 6 | 02957971 | 1 | Gear, Front Drive |
| 7 | 02957972 | 1 | Snap Ring |
| 8 | 02957973 | 1 | Seal |
| 9 | 02957974 | 1 | Gear, Idler |
| 10 | 02957975 | 1 | Flange |
| 11 | 02957976 | 4 | Back-Up Ring |
| 12 | 02957977 | 4 | O-Ring |
| 13 | 02957978 | 4 | O-Ring |
| 14 | 02957979 | 1 | Gear Plate |
| 15 | 02957980 | 1 | Connecting Plate |
| 16 | 02957981 | 4 | O-ring |
| 17 | 02957982 | 16 | Dowel Pin |
| 18 | 02957983 | 2 | Pressure Plates, Front Plates |
| 19 | 02957984 | 1 | Cover Plate |
| 20 | 02957985 | 4 | Spacer Sleeve |
| 21 | 02957986 | 4 | Nuts |
| 22 | 02957987 | 4 | Studs |
| 23 | 02957988 | 1 | Rear Drive |
| 24 | 02957989 | 1 | Snap Ring |
| 25 | 02957990 | 1 | Splined Coupling |
| 26 | 02957991 | 8 | O-Ring |
| 27 | 02957992 | 1 | Ball Plug |
| 28 | 02960437 | 2 | Pressure Plate, Rear Plates |
| 29 | 02960582 | 1 | Gear Idler |
| 30 | 02960583 | 1 | Gear Plate |
| 31 | 02960601 | 4 | O-Ring |
| 32 | 02958014 | 1 | Shaft Seal Kit |
| 33 | 02958015 | 1 | Soft Goods Seal Kit |

Jun. 1988
to
Oct. 1991

REAR PUMP VERSA FLAIL

S/N VF-01245
to
S/N VF-02301

Double Section P/N 02962097 540 PTO



| Item | Part No. | Qty | Description |
|------|----------|-----|----------------------------|
| | 02962097 | -- | Pump Asy W/ Fittings |
| 1 | 02961736 | 1 | Pump Asy W/O Fittings |
| 2 | 02962213 | 1 | Elbow, 90 Deg. |
| 3 | 02961098 | 1 | Elbow, 90 Deg. |
| 4 | 02827700 | 1 | Flange Kit |
| 5 | 02411000 | 1 | Hose Bib |
| | 02047200 | 1 | Elbow, 90 Deg. (Not Shown) |
| 6 | 02026200 | 1 | Hose Clamp |

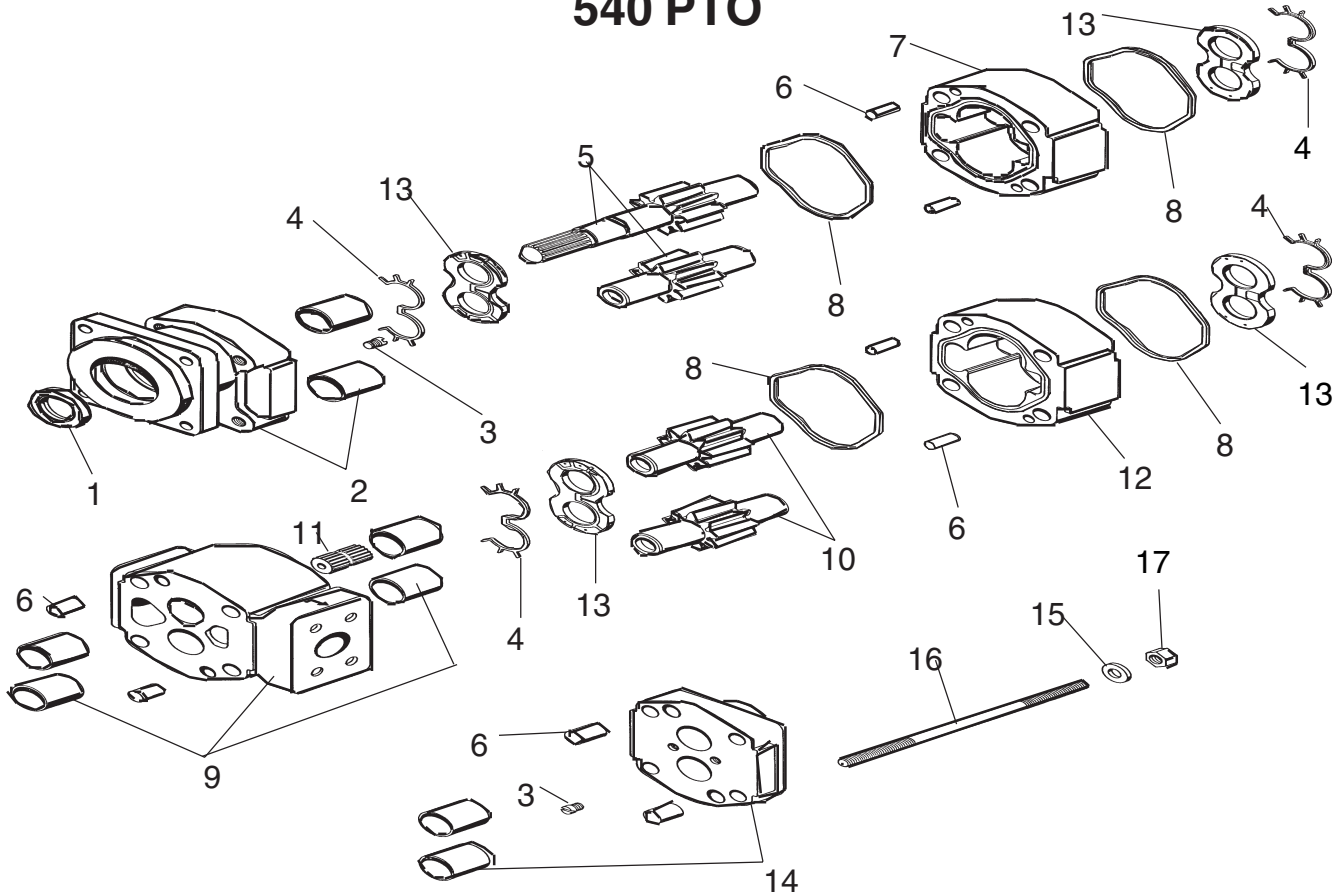
NOTE: Double Section Pump Supplies Hyd Pressure for all Functions, Boom Movements & Head Operation. A Single Section Pump ONLY Supplies Hyd Pressure for Cutter Head, the Boom Movements are Operated using the Tractor Hyd. Supply. Check Type Pump Used BEFORE ORDERING parts. Single Section Pumps were offered as an Option after Jun. 1988 Prior only Double Section Pumps were used.

Jun. 1988
to
Oct. 1991

REAR PUMP VERSA FLAIL

S/N VF-01245
to
S/N VF-02301

Double Section P/N 02962097 Repair Parts 540 PTO



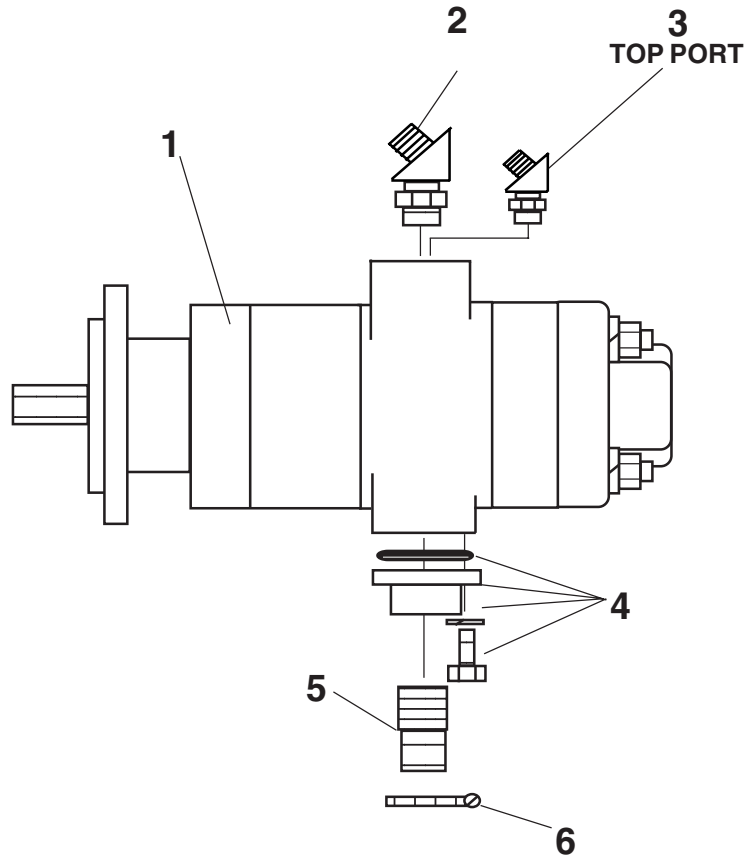
| Item | Part No. | Qty | Description | Item | Part No. | Qty | Description |
|------|-----------------|-----|------------------------------------|------|----------|-----|---|
| | 02961736 | – | Pump Asy, W/O Fittings | 11 | 02962216 | 1 | Connector Shaft |
| 1* | ----- | 1 | Seal | 12 | 02962186 | 1 | Gear Housing |
| 2 | 02961913 | 1 | Mounting Flange w/Bushings | 13* | ----- | 4 | Thrust Plate |
| 3 | 02961920 | 2 | Plug | 14 | 02961927 | 1 | End Flange w/Bushing |
| 4* | ----- | 4 | Seal End | 15 | 02961917 | 4 | Washer |
| 5 | 02962187 | 1 | Gear Set | 16 | 02962189 | 4 | Studs |
| 6 | 02961924 | 8 | Dowel Pin | 17 | 02962190 | 4 | Nuts |
| 7 | 02961915 | 1 | Gear Housing | 18 | 02962191 | -- | Seal Kit, Major |
| 8* | ----- | 4 | Square Seal | | 02962539 | -- | Seal Kit, Minor |
| 9 | 02962185 | 1 | Bearing Carrier Housing w/Bushings | | | | * included in major rebuild seal kit part # .02962191 |
| 10 | 02962188 | 1 | Gear Set | | | | |

Nov. 1991
to
Current

REAR PUMP VERSA FLAIL

S/N VF-02302
to
S/N VF-Current

Double Section P/N 02962097 540 PTO



| Item | Part No. | Qty | Description |
|------|----------|-----|----------------------------|
| | 02962097 | -- | Pump Asy W/ Fittings |
| 1 | 02964948 | 1 | Pump Asy W/O Fittings |
| 2 | 02962213 | 1 | Elbow, 90 Deg. |
| 3 | 02961098 | 1 | Elbow, 90 Deg. |
| 4 | 02827700 | 1 | Flange Kit |
| 5 | 02411000 | 1 | Hose Bib |
| | 02047200 | 1 | Elbow, 90 Deg. (Not Shown) |
| 6 | 02026200 | 1 | Hose Clamp |

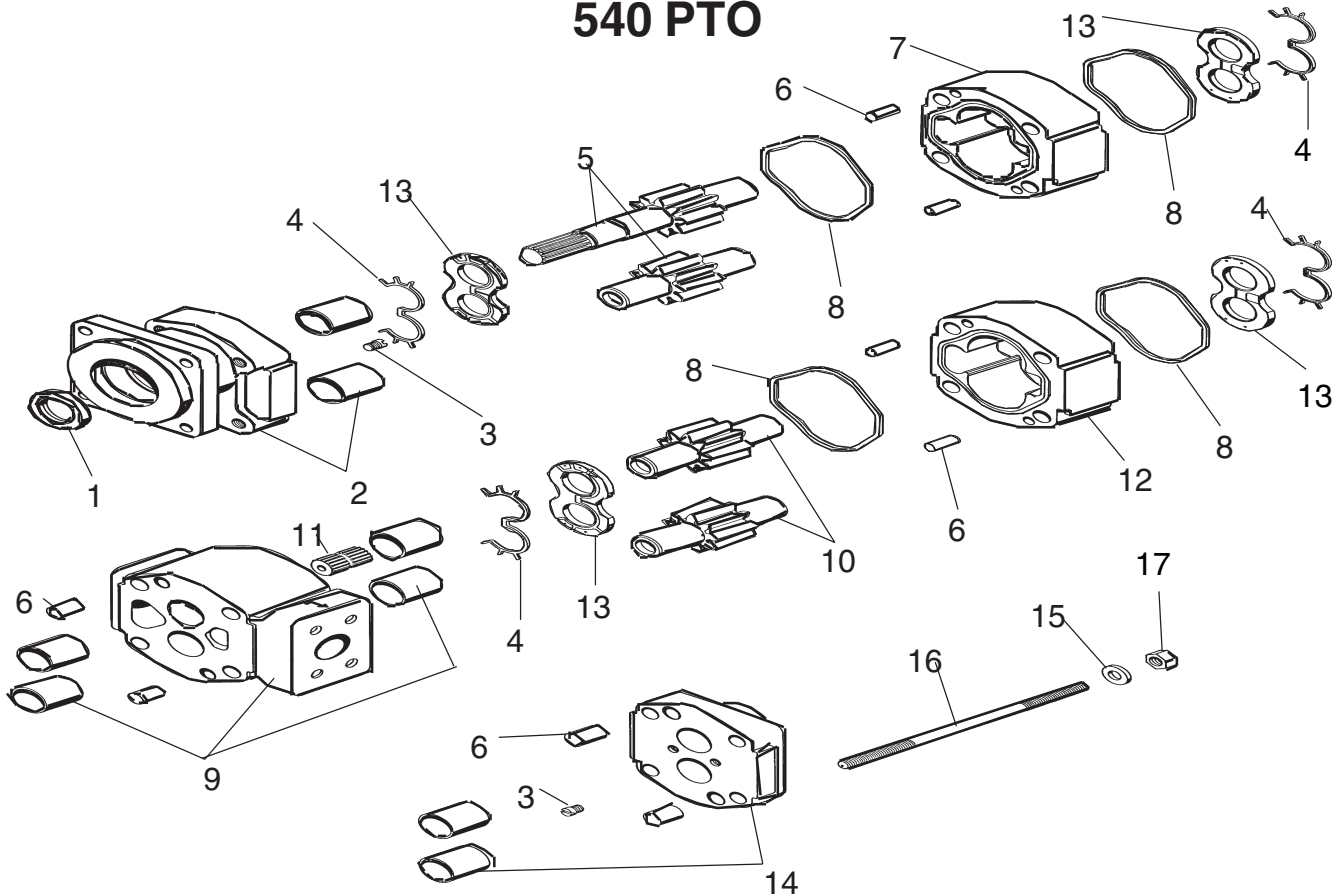
NOTE: Double Section Pump Supplies Hyd Pressure for all Functions, Boom Movements & Head Operation. A Single Section Pump ONLY Supplies Hyd Pressure for Cutter Head, the Boom Movements are Operated using the Tractor Hyd. Supply. Check Type Pump Used BEFORE ORDERING parts. Single Section Pumps were offered as an Option after Jun. 1988 Prior only Double Section Pumps were used.

Nov. 1991
to
Current

REAR PUMP VERSA FLAIL

S/N VF-02302
to
S/NVF-Current

Double Section P/N 02962097 Repair Parts 540 PTO



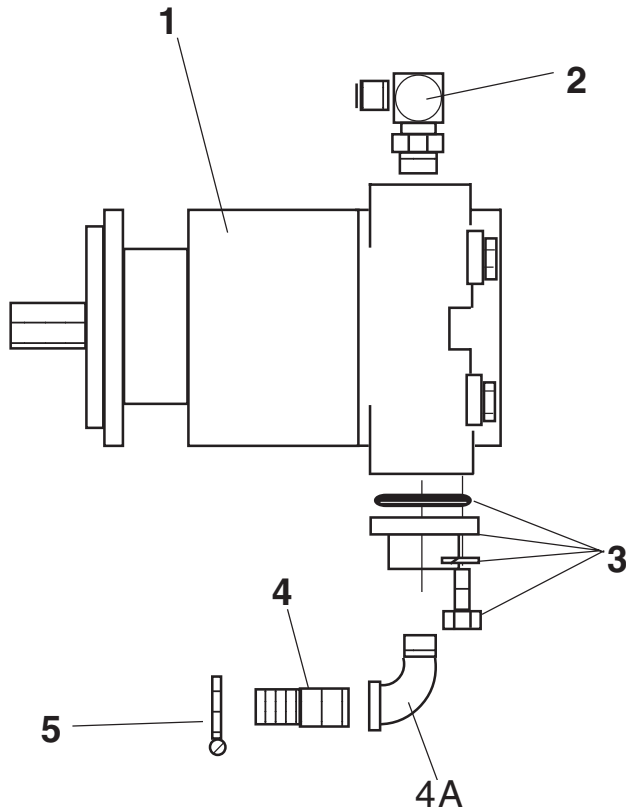
| Item | Part No. | Qty | Description | Item | Part No. | Qty | Description |
|------|-----------------|-----------|------------------------------------|------|----------|-----|---|
| | 02964948 | -- | Pump Asy, W/O Fittings | 11 | 02962216 | 1 | Connector Shaft |
| 1* | ----- | 1 | Seal | 12 | 02962186 | 1 | Gear Housing |
| 2 | 02961913 | 1 | Mounting Flange w/Bushings | 13* | ----- | 4 | Thrust Plate |
| 3 | 02961920 | 2 | Plug | 14 | 02962184 | 1 | End Flange w/Bushing |
| 4* | ----- | 4 | Seal End | 15 | 02961917 | 4 | Washer |
| 5 | 02965091 | 1 | Gear Set | 16 | 02962189 | 4 | Studs |
| 6 | 02961924 | 8 | Dowel Pin | 17 | 02962190 | 4 | Nuts |
| 7 | 02965092 | 1 | Gear Housing | 18 | 02962191 | -- | Seal Kit, Major |
| 8* | ----- | 4 | Square Seal | | 02962539 | -- | Seal Kit, Minor |
| 9 | 02962185 | 1 | Bearing Carrier Housing w/Bushings | | | | |
| 10 | 02962188 | 1 | Gear Set | | | | * included in major rebuild seal kit part # .02962191 |

Jun. 1988
to
Oct. 1991

REAR PUMP VERSA FLAIL

Single Section P/N 02962096 540 / 1000 PTO

S/N VF-01245
to
S/N VF-02301



| Item | Part No. | Qty | Description |
|------|----------|-----|----------------|
| 1 | 02961486 | 1 | Hydraulic Pump |
| 2 | 02961098 | 1 | Elbow, 90 Deg. |
| 3 | 02827700 | 1 | Flange Kit |
| 4 | 02411000 | 1 | Hose Bib |
| 4A | 02047200 | 1 | Elbow, 90 Deg. |
| 5 | 02026200 | 1 | Hose Clamp |

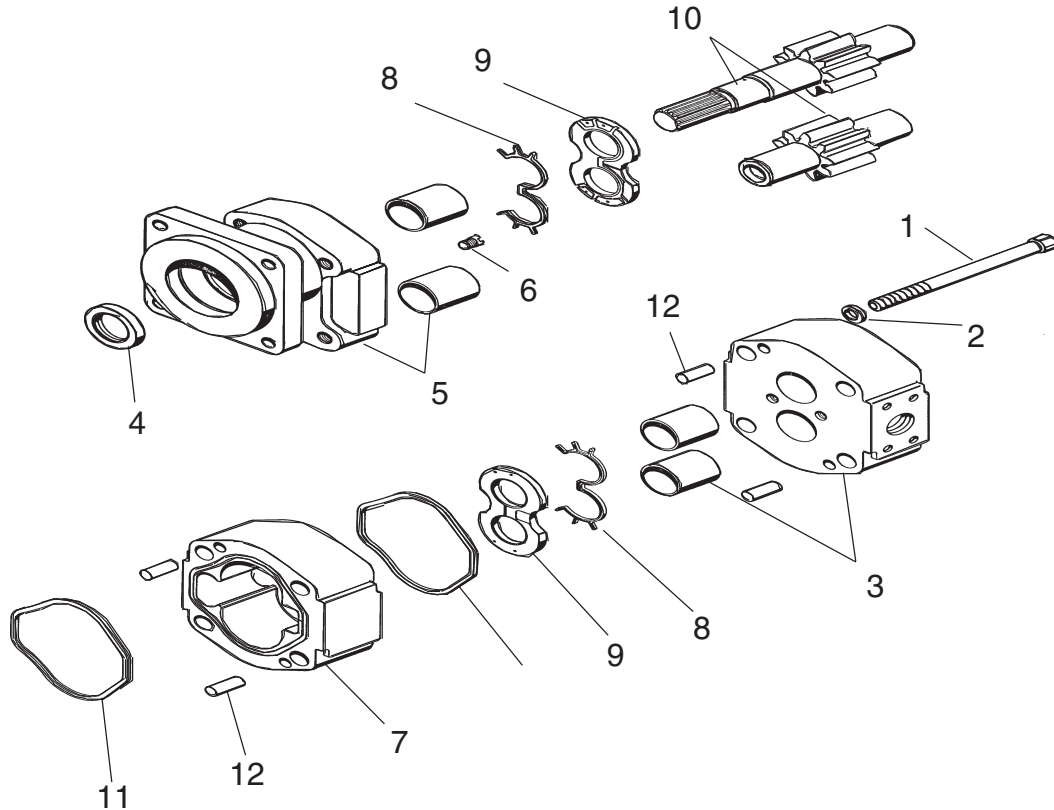
NOTE: Double Section Pump Supplies Hyd Pressure for all Functions, Boom Move-ments & Head Operation. A Single Section Pump ONLY Supplies Hyd Pressure for Cutter Head, the Boom Movements are Operated using the Tractor Hyd. Supply. Check Type Pump Used BEFORE ORDERING parts. Single Section Pumps were offered as an Option after Jun. 1988 Prior only Double Section Pumps were used.

Jun. 1988
to
Oct. 1991

REAR PUMP VERSA FLAIL

S/N VF-01245
to
S/N VF-02301

Single Section P/N 02962096 Repair Parts 540 / 1000 PTO



| Item | Part No. | Qty | Description |
|------|----------|-----|----------------------------|
| | 02961486 | -- | Pump Asy W/O Fittings |
| 1 | 02961918 | 4 | Bolt |
| 2 | 02961917 | 4 | Washer |
| 3 | 02961927 | 1 | Porting Flange w/Bushing |
| 4* | ----- | 2 | Seal |
| 5 | 02961913 | 1 | Mounting Flange w/Bushings |
| 6 | 02961920 | 1 | Plug |
| 7 | 02961915 | 1 | Gear Housing |
| 8* | ----- | 4 | Seal End |
| 9* | ----- | 2 | Thrust Plate |
| 10 | 02961916 | 1 | Gear Set |
| 11* | ----- | 2 | Square Seal |
| 12 | 02961924 | 4 | Dowel Pin |
| 13 | 02961925 | -- | Seal Kit, Major Kit |
| | 02962548 | -- | Seal Kit, Minor Kit |

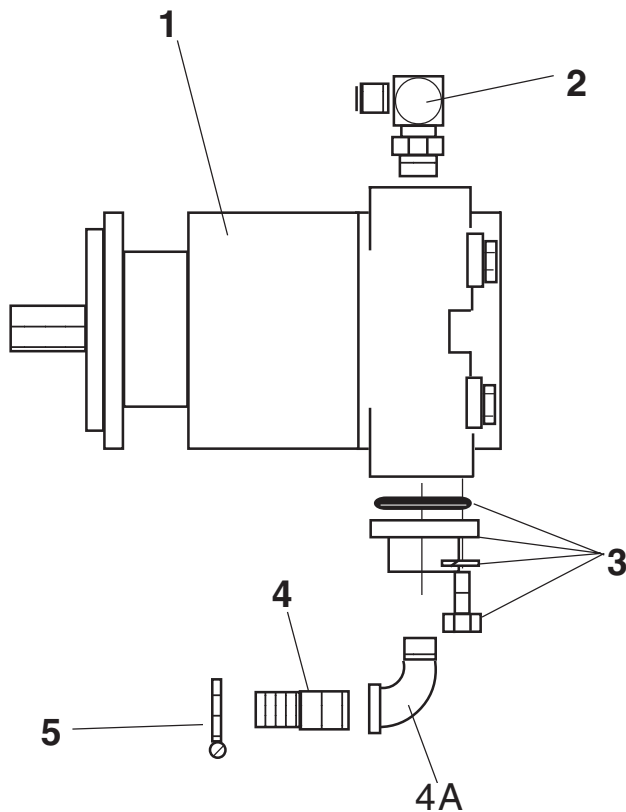
* included in seal kit part number 02961925, Minor Kit WILL NOT include item 9

Nov. 1991
to
Current

REAR PUMP VERSA FLAIL

S/N VF-02302
to
S/NVF-Current

Single Section P/N 02962096
540 / 1000 PTO



| Item | Part No. | Qty | Description |
|------|----------|-----|----------------|
| 1 | 02964947 | 1 | Hydraulic Pump |
| 2 | 02961098 | 1 | Elbow, 90 Deg. |
| 3 | 02827700 | 1 | Flange Kit |
| 4 | 02411000 | 1 | Hose Bib |
| 4A | 02047200 | 1 | Elbow, 90 Deg. |
| 5 | 02026200 | 1 | Hose Clamp |

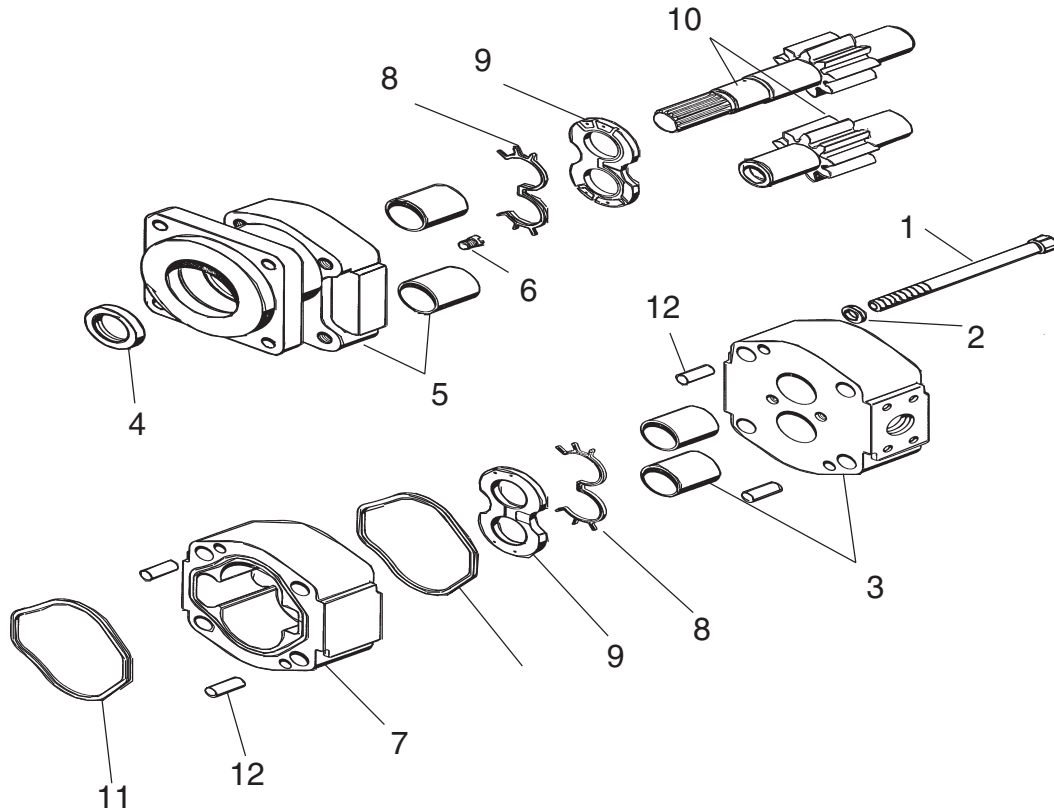
NOTE: Double Section Pump Supplies Hyd Pressure for all Functions, Boom Move-ments & Head Operation. A Single Section Pump ONLY Supplies Hyd Pressure for Cutter Head, the Boom Movements are Operated using the Tractor Hyd. Supply. Check Type Pump Used BEFORE ORDERING parts. Single Section Pumps were offered as an Option after Jun. 1988 Prior only Double Section Pumps were used.

Nov. 1991
to
Current

REAR PUMP VERSA FLAIL

S/N VF-02302
to
S/NVS-Current

Single Section P/N 02962096 Repair Parts 540 / 1000 PTO



| Item | Part No. | Qty | Description |
|------|----------|-----|----------------------------|
| | 02964947 | -- | Pump Asy W/O Fittings |
| 1 | 02961918 | 4 | Bolt |
| 2 | 02961917 | 4 | Washer |
| 3 | 02961927 | 1 | Porting Flange w/Bushing |
| 4* | ----- | 2 | Seal |
| 5 | 02961913 | 1 | Mounting Flange w/Bushings |
| 6 | 02961920 | 1 | Plug |
| 7 | 02965092 | 1 | Gear Housing |
| 8* | ----- | 4 | Seal End |
| 9* | ----- | 2 | Thrust Plate |
| 10 | 02965091 | 1 | Gear Set |
| 11* | ----- | 2 | Square Seal |
| 12 | 02961924 | 4 | Dowel Pin |
| 13 | 02961925 | -- | Seal Kit, Major Kit |
| | 02962548 | -- | Seal Kit, Minor Kit |

* included in seal kit part number 02961925, Minor Kit WILL NOT include item 9

Jun. 1984
to
Jan. 1988

**SPEED CHANGER
VERSA FLAIL
P/N 02897900**

S/N VF-41791
to
S/N VF-01099

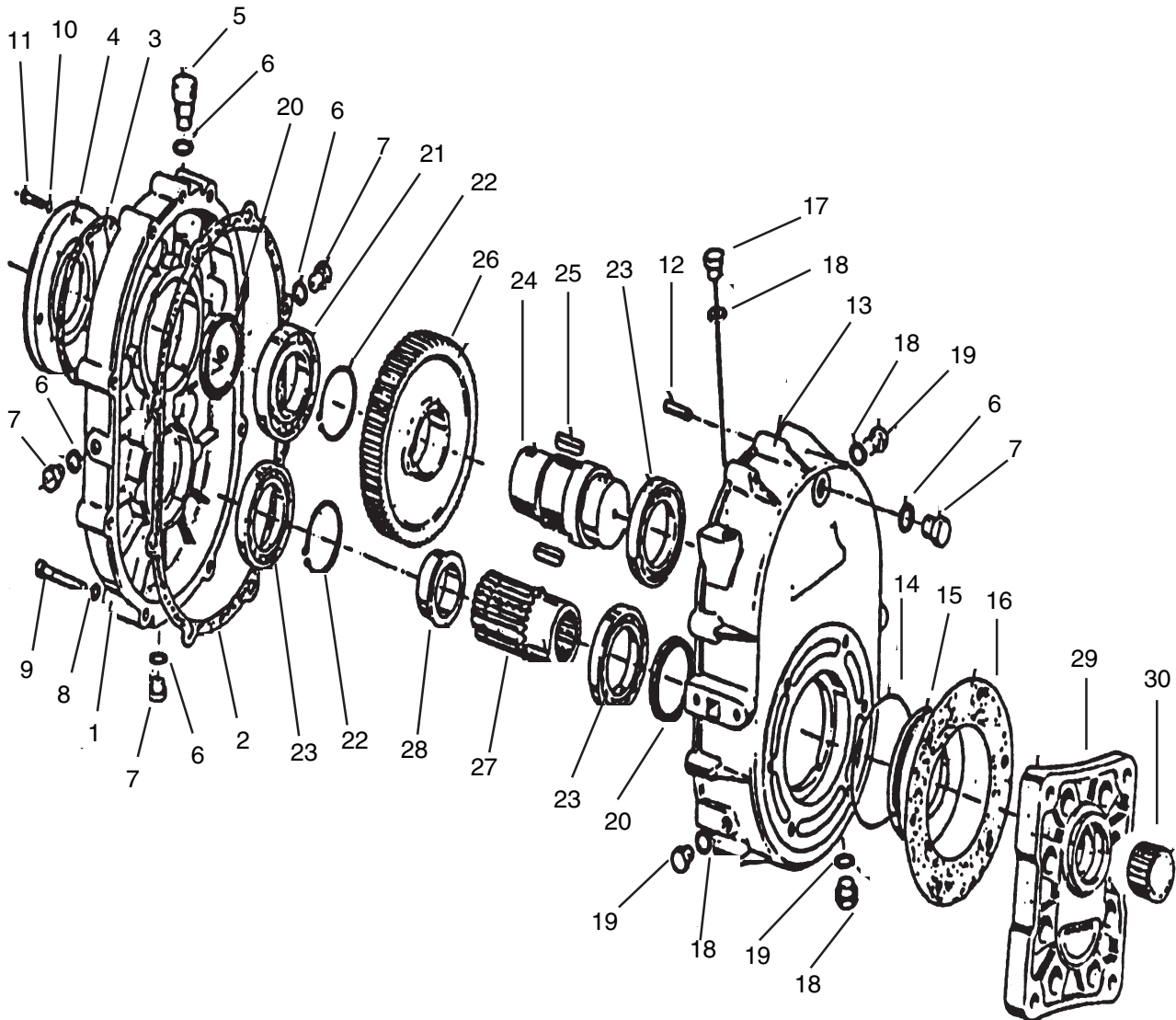
| ITEM | PART NO | QTY | DESCRIPTION |
|------|-----------------|-----|-------------------------------|
| | 02897900 | -- | Speed Changer Assembly |
| 1 | 02922700 | 1 | Adaptor Shaft, 13 Spline |
| 2 | 00751531 | 1 | Pinion, 18 Tooth |
| 3 | 00751532 | 1 | Gear, 72 Tooth |
| 4 | 00751947 | 1 | Key (use # 00752179) |
| 5 | 00751599 | 1 | Shaft, Low Speed |
| 6 | 02922600 | 1 | Pump Flange |
| 7 | 00751949 | 1 | Cover, Closed |
| 8 | 00751950 | 2 | Cover, Open |
| 9 | 00751970 | 8 | Pipe Plug |
| 10 | 00751535 | 3 | Seal |
| 11 | 00751954 | 1 | Retainig Ring |
| 12 | 00751942 | 1 | Breather |
| 13 | 00751951 | 1 | Bearing Cup |
| 14 | 00751533 | 1 | Bearing Cone |
| 15 | 00751952 | 3 | Bearing Cup |
| 16 | 00751534 | 3 | Bearing Cone |
| 17 | 00751953 | 1 | Spacer Ring |
| 18 | 00751955 | 1 | Housing |
| 19 | 00751956 | 1 | Housing |
| 20 | 00751957 | 2 | Dowel |
| 21 | 00751958 | 1 | Gasket .015 |
| 22 | 00751971 | 2 | Spacer Ring |
| 23 | ----- | ref | Name Tag |
| 24 | 00751959 | AR | Shim.005 Alum. |
| 25 | 00751960 | AR | Shim.007 Alum. |
| 26 | 00751961 | AR | Shim.020 Alum. |
| 27 | 00751962 | 3 | Shim.005 Fibre. |
| 28 | 00751963 | AR | Shim.005 Alum. |
| 29 | 00751964 | 1 | Shim.005 Fibre. |
| 30 | 00751965 | AR | Shim.007 Alum. |
| 31 | 00751966 | AR | Shim.020 Alum. |
| 32 | 00751967 | 24 | Screw |
| 33 | 00751968 | 24 | Lockwasher |
| 34 | 00751969 | 8 | Screw |
| 35 | 00013901 | 8 | Nut |
| 36 | 00012101 | 8 | Lockwasher |

**NOTE: S/N Change Aug. 1987 S/N's ended with # 47000
and Sep. 1987 started a new series with # 01001**

Feb. 1988
to
Mar. 1989

SPEED CHANGER VERSA FLAIL P/N 02959480

S/N VF-01100
to
S/N VF-01547



NOTE: This Speed Changers has a Cast Aluminum Housing,

Feb. 1988
to
Mar. 1989

**SPEED CHANGER
VERSA FLAIL
P/N 02959480**

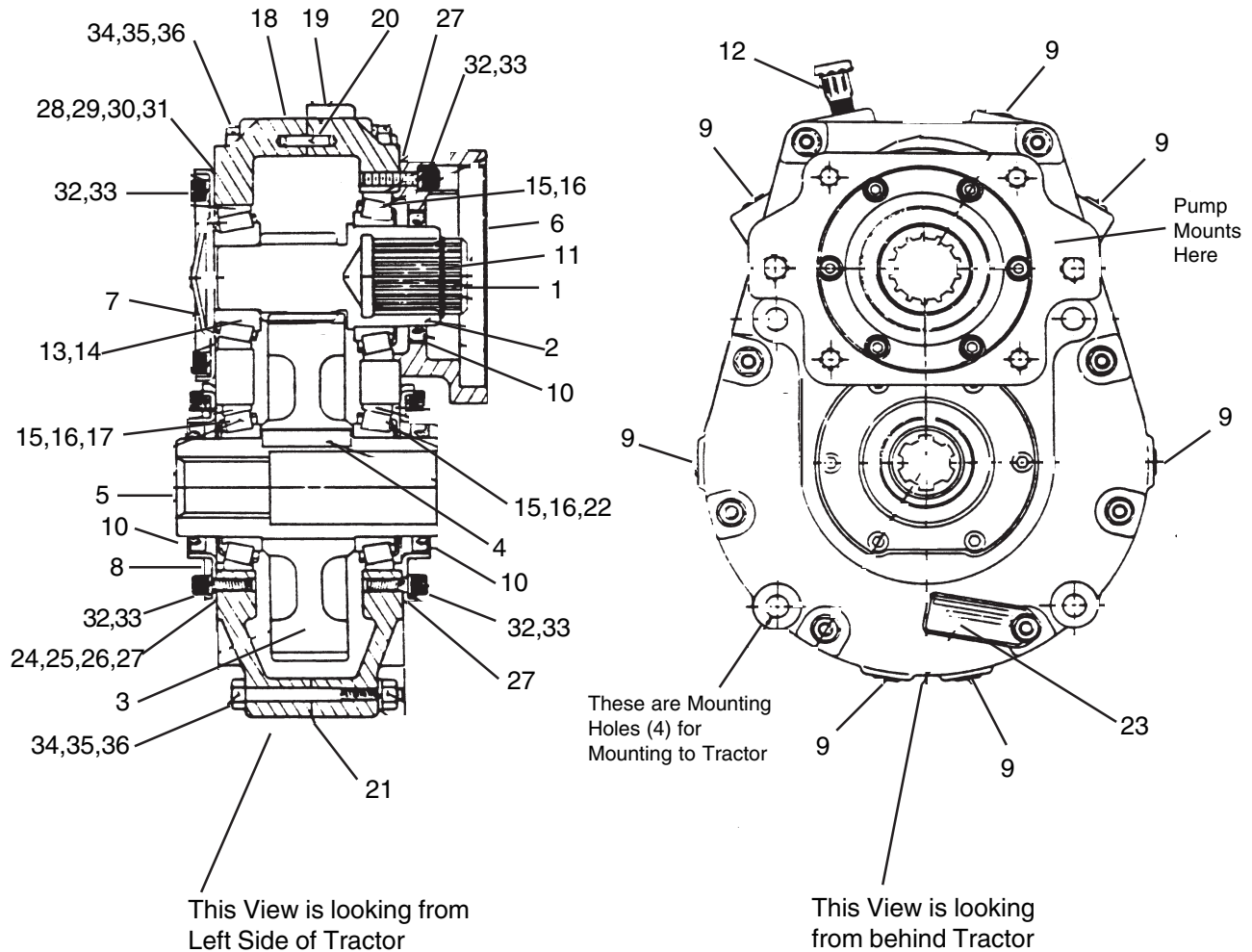
S/N VF-01100
to
S/N VF-01547

| ITEM | PART NO. | QTY | DESCRIPTION |
|------|-----------------|-----|-------------------------------|
| | 00754110 | -- | Speed Changer Assembly |
| 1 | 00754519 | 1 | Housing |
| 2 | 00754520 | 1 | Gasket |
| 3 | 00754521 | 1 | Gasket |
| 4 | 00754522 | 1 | Flange |
| 5 | 00754523 | 1 | Plug |
| 6 | 00754524 | 4 | Gasket |
| 7 | 00754525 | 3 | Plug |
| 8 | 00754526 | 8 | Lockwasher |
| 9 | 00754527 | 8 | Bolt |
| 10 | 00754528 | 4 | Lockwasher |
| 11 | 00754529 | 4 | Bolt |
| 12 | 00754530 | 2 | Dowel |
| 13 | 00754531 | 1 | Housing |
| 14 | 00754532 | 1 | Gasket |
| 15 | 00754533 | 1 | Flange |
| 16 | 00754534 | 1 | Gasket |
| 17 | 00754535 | 1 | Breather |
| 18 | 00754536 | 5 | Gasket |
| 19 | 00754537 | 4 | Plug |
| 20 | 00754538 | 1 | O-Ring |
| 21 | 00754539 | 1 | Bearing |
| 22 | 00754540 | 1 | Retaining Ring |
| 23 | 00754541 | 3 | Bearing |
| 24 | 00754542 | 1 | Shaft |
| 25 | 00754543 | 2 | Key |
| 26 | 00754544 | A/R | Gear Shaft (540 RPM) |
| 27 | 00754545 | A/R | Pinion Gear (540 RPM) |
| 28 | 00754546 | 1 | Spacer |
| 29 | 00754950 | 1 | Pump Flange |
| 30 | 00754951 | 1 | Splined Pump Adapter |

Apr. 1989
to
Nov. 1993

SPEED CHANGER VERSA FLAIL P/N 02897900

S/N VF-01548
to
S/N VF-03052



NOTE: This Speed Changer has a Cast Steel Housing, It has a 4:1 gear ratio, (540 RPM) and 1:2 gear ratio (1000 RPM) a 72 tooth gear Input (item # 3) and a 18 tooth output (item # 2)

NOTE: When ordering an Assembly This Speed Increaser will be replaced as an Assembly by # 02960663 (540 RPM), Most Parts will interchange.

1000 RPM was an in-house conversion of 540 RPM Speed Changer, See Later Model Part # 00753991 for parts required to change this to 1000 RPM Also Check Item # 6 Pump Flange for size is a MUST.

Apr. 1989
to
Nov.. 1993

**SPEED CHANGER
VERSA FLAIL
P/N 02897900**

S/N VF-01548
to
S/N VF-03052

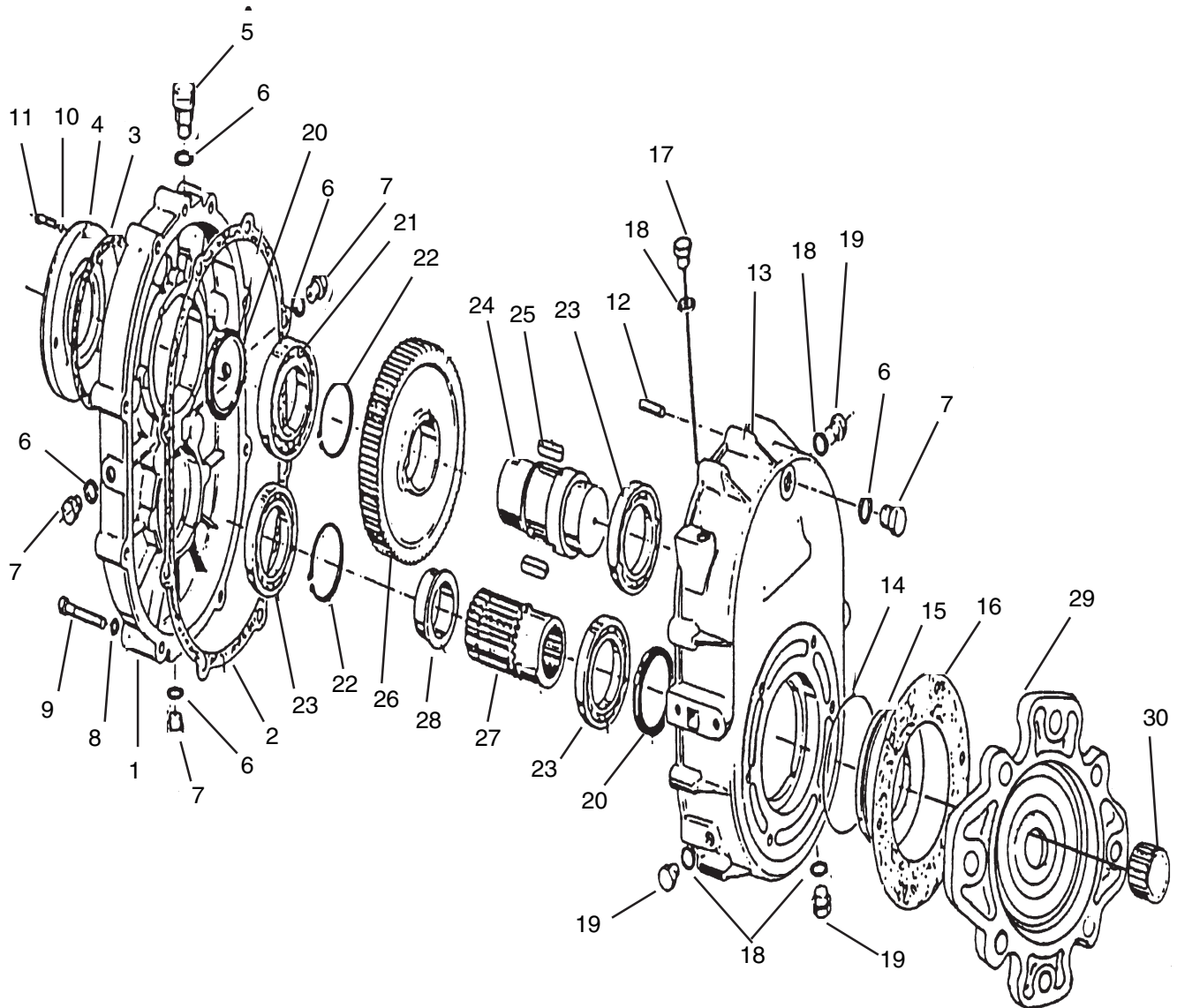
| ITEM | PART NO | QTY | DESCRIPTION |
|------|-----------------|-----|-------------------------------|
| | 02897900 | -- | Speed Changer Assembly |
| 1 | 02922700 | 1 | Adaptor Shaft, 13 Spline |
| 2 | 00751531 | 1 | Pinion, 18 Tooth |
| 3 | 00751532 | 1 | Gear, 72 Tooth |
| 4 | 00751947 | 1 | Key (use # 00752179) |
| 5 | 00751599 | 1 | Shaft, Low Speed |
| 6 | 02922600 | 1 | Pump Flange |
| 7 | 00751949 | 1 | Cover, Closed |
| 8 | 00751950 | 2 | Cover, Open |
| 9 | 00751970 | 8 | Pipe Plug |
| 10 | 00751535 | 3 | Seal |
| 11 | 00751954 | 1 | Retainig Ring |
| 12 | 00751942 | 1 | Breather |
| 13 | 00751951 | 1 | Bearing Cup |
| 14 | 00751533 | 1 | Bearing Cone |
| 15 | 00751952 | 3 | Bearing Cup |
| 16 | 00751534 | 3 | Bearing Cone |
| 17 | 00751953 | 1 | Spacer Ring |
| 18 | 00751955 | 1 | Housing |
| 19 | 00751956 | 1 | Housing |
| 20 | 00751957 | 2 | Dowel |
| 21 | 00751958 | 1 | Gasket .015 |
| 22 | 00751971 | 2 | Spacer Ring |
| 23 | ----- | ref | Name Tag |
| 24 | 00751959 | AR | Shim.005 Alum. |
| 25 | 00751960 | AR | Shim.007 Alum. |
| 26 | 00751961 | AR | Shim.020 Alum. |
| 27 | 00751962 | 3 | Shim.005 Fibre. |
| 28 | 00751963 | AR | Shim.005 Alum. |
| 29 | 00751964 | 1 | Shim.005 Fibre. |
| 30 | 00751965 | AR | Shim.007 Alum. |
| 31 | 00751966 | AR | Shim.020 Alum. |
| 32 | 00751967 | 24 | Screw |
| 33 | 00751968 | 24 | Lockwasher |
| 34 | 00751969 | 8 | Screw |
| 35 | 00013901 | 8 | Nut |
| 36 | 00012101 | 8 | Lockwasher |

Dec. 1993
to
Current

SPEED CHANGER VERSA FLAIL

S/N VF-03053
to
S/N VF-Current

00768991 (540 RPM) 1-3/8" 6 Spline
00759815 (1000 RPM) 1-3/8" 21 Spline)



NOTE: These Speed Changers have a Cast Aluminum Housing, The 540 RPM has a 1:4 gear ratio and 1000 RPM has 1:2 gear ratio.

00758991 ----- 1-3/8" 6 spline (item # 24) to PTO, 1:4 Gear Ratio

00759815----- 1-3/8" 21 spline (item # 24) to PTO, 1: 2 Gear Ratio

Dec. 1993
to
Current

SPEED CHANGER VERSA FLAIL

S/N VF-03053
to
S/N VF-Current

00768991 (540 RPM) 1-3/8" 6 Spline 00759815 (1000 RPM) 1-3/8" 21 Spline)

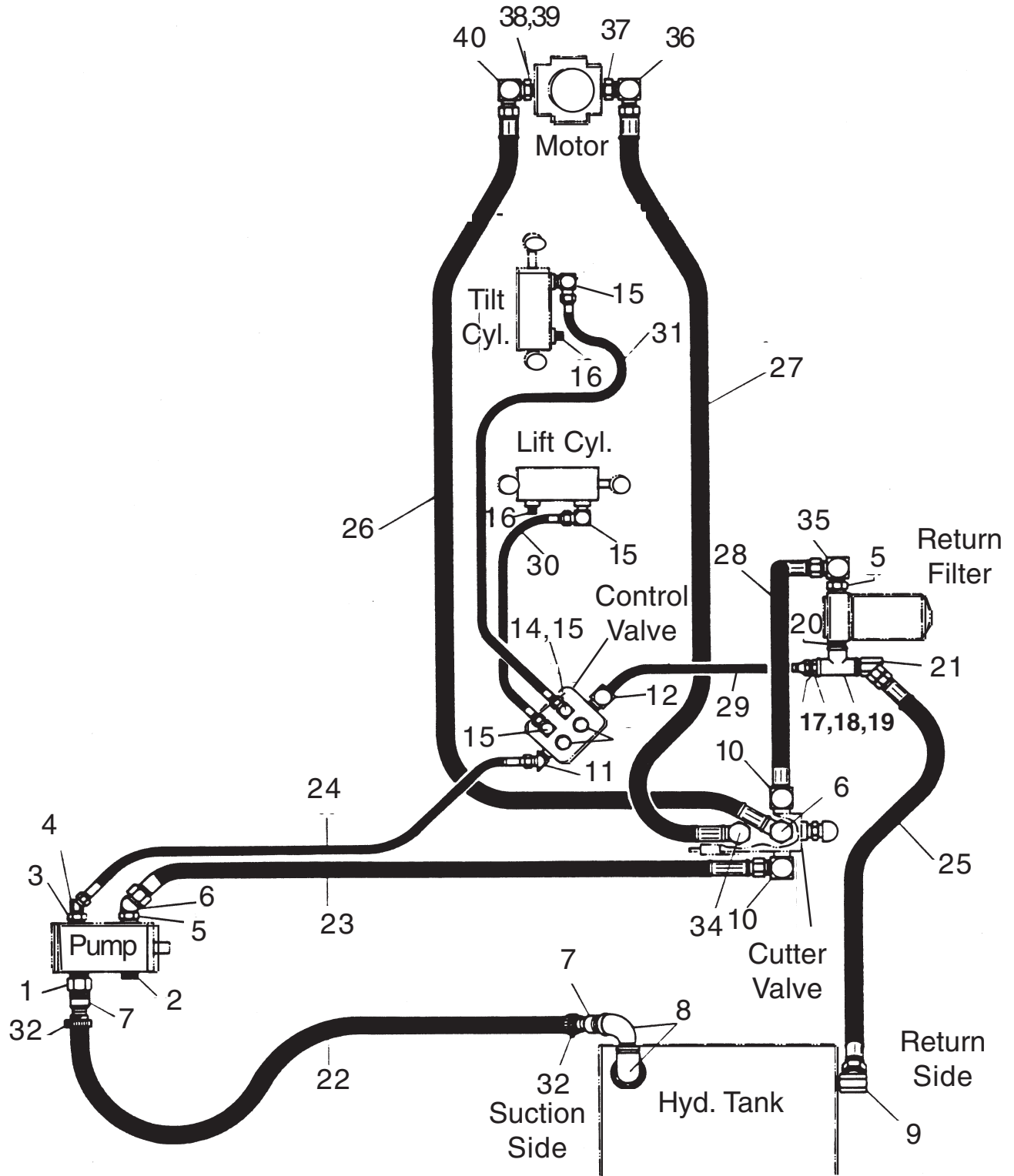
| ITEM | PART NO | PART NO | QTY | DESCRIPTION |
|------|-----------------|-----------------|-----|---|
| | 00768991 | ----- | -- | Speed Increaser Assembly (540 RPM) |
| | ----- | 00759815 | -- | Speed Changer Assembly (1000 RPM) |
| 1 | 00754519 | 00754519 | 1 | Housing |
| 2 | 00754520 | 00754520 | 1 | Gasket |
| 3 | 00754521 | 00754521 | 1 | Gasket |
| 4 | 00754522 | 00754522 | 1 | Flange |
| 5 | 00754523 | 00754523 | 1 | Plug |
| 6 | 00754524 | 00754524 | 4 | Gasket |
| 7 | 00754525 | 00754525 | 3 | Plug |
| 8 | 00754526 | 00754526 | 8 | Lockwasher |
| 9 | 00754527 | 00754527 | 8 | Bolt |
| 10 | 00754528 | 00754528 | 4 | Lockwasher |
| 11 | 00754529 | 00754529 | 4 | Bolt |
| 12 | 00754530 | 00754530 | 2 | Dowel |
| 13 | 00754531 | 00754531 | 1 | Housing |
| 14 | 00754532 | 00754532 | 1 | Gasket |
| 15 | 00754533 | 00754533 | 1 | Flange |
| 16 | 00754534 | 00754534 | 1 | Gasket |
| 17 | 00754535 | 00754535 | 1 | Breather |
| 18 | 00754536 | 00754536 | 5 | Gasket |
| 19 | 00754537 | 00754537 | 4 | Plug |
| 20 | 00754538 | 00754538 | 1 | O-Ring |
| 21 | 00754539 | 00754539 | 1 | Bearing |
| 22 | 00754540 | 00754540 | 1 | Retaining Ring |
| 23 | 00754541 | 00754541 | 3 | Bearing |
| 24 | 00754542 | ----- | 1 | Shaft (540 RPM) |
| | ----- | 00753164 | 1 | Shaft (1000 RPM) |
| | 02048500 | 02048500 | 1 | O-Ring |
| 25 | 00754543 | 00754543 | 2 | Key |
| 26 | 00754544 | ----- | 1 | Gear(540RPM) |
| | ----- | 00756532 | 1 | Gear(1000RPM) |
| 27 | 00754545 | ----- | 1 | Pinion(540RPM) |
| | ----- | 00756531 | 1 | Pinion(1000RPM) |
| 28 | 00754546 | ----- | 1 | Gear Spacer |
| 29 | 00754950 | 00754950 | 1 | Pump Flange |
| 30 | 02966731 | 02966731 | 1 | Splined Pump Adapter |

NOTE: To convert 540 to 1000 or vice versa it would be required to replace Gears Item # 25 & # 26, Item # 24 Shaft should be replaced But could be left and used if a Splined PTO Adapter (Furnished by User or Dealer) was used, Note to use PTO Adapter would require modification to Speed Changer Mount.

Jun. 1984
to
Jun. 1987

Hose Diagram Versa Flail 60" & 74" Models

S/N VF-41791
to
S/N VF-46319



Jun. 1984
to
Jun. 1987

Hose Diagram Versa Flail 60" & 74" Models

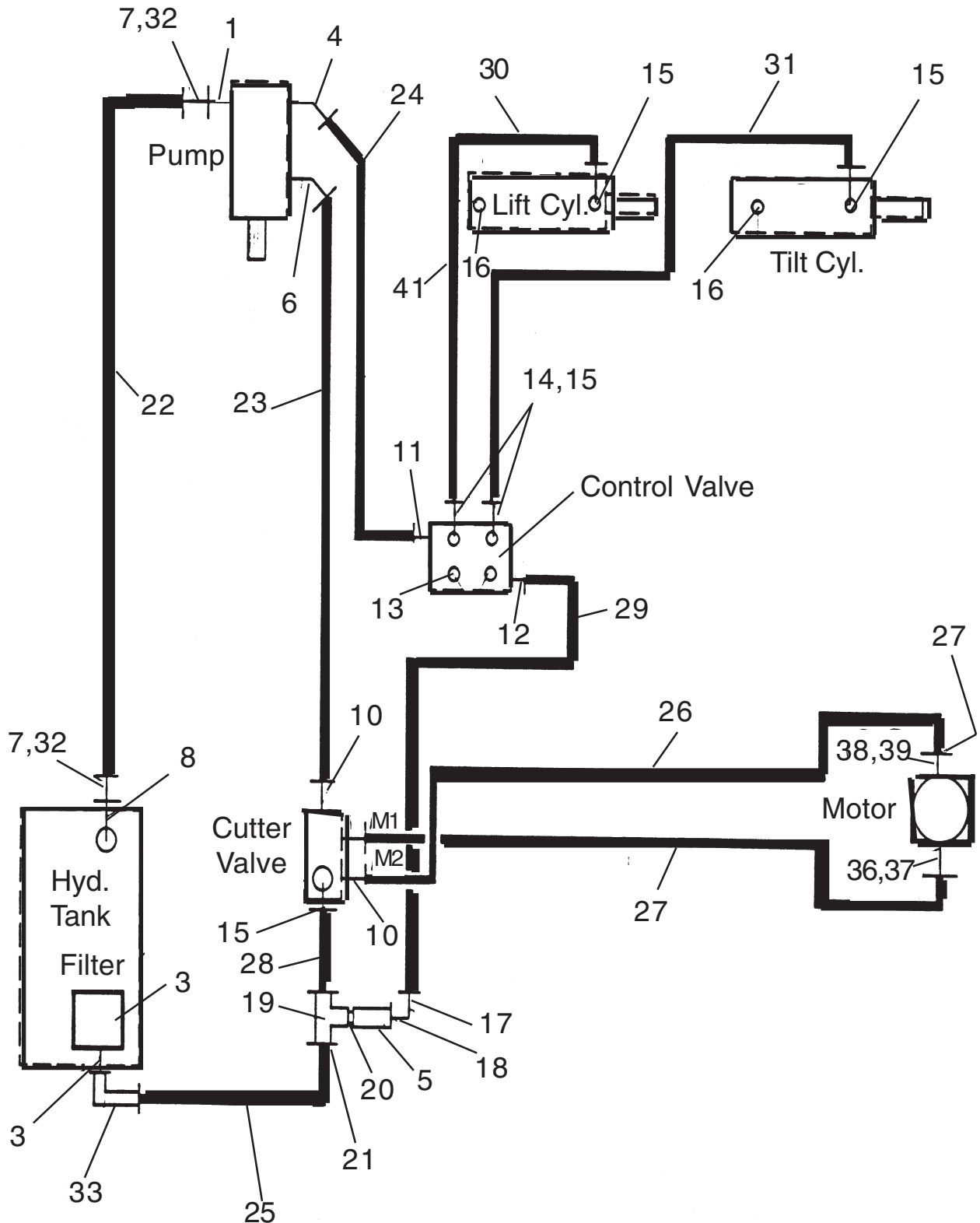
S/N VF-41791
to
S/N VF-46319

| Item | Part No. | Qty | Description |
|------|----------|-----|--------------------------------------|
| 1 | 02589000 | 1 | Adapter, Straight |
| 2 | 75018000 | 1 | Plug |
| 3 | 63081000 | 1 | Reducer Bushing |
| 4 | 00750823 | 1 | Elbow, 45 Deg. |
| 5 | 00751471 | 4 | Reducer |
| 6 | 02889000 | 3 | Adapter, 45 Deg. |
| 7 | 02411000 | 2 | Hose Bib |
| 8 | 02047200 | 2 | Elbow, 90 Deg. |
| 9 | 00751457 | 1 | Elbow, 90 Deg. |
| 10 | 02042600 | 5 | Elbow, 90 Deg. |
| 11 | 02889500 | 1 | Adapter, 45 Deg. |
| 12 | 02049100 | 1 | Elbow, 90 Deg. |
| 13 | 00749508 | 2 | Plug |
| 14 | 02811300 | 1 | Check Valve |
| 15 | 02822100 | 4 | Elbow, 90 Deg. |
| 16 | 00750208 | 2 | Plug, Breather |
| 17 | 02154700 | 1 | Adapter, Straight |
| 18 | 63067300 | 1 | Reducer Bushing |
| 19 | 00751468 | 1 | Pipe Tee |
| 20 | 72414000 | 1 | Pipe Nipple |
| 21 | 02888700 | 1 | Swivel Adapter, 45 deg. |
| 22 | 02512800 | 1 | Hose, Tank to Pump |
| 23 | 02948800 | 1 | Hose, Pump to Cutter Valve |
| 24 | 02890700 | 1 | Hose, Pump to Control Valve |
| 25 | 02890600 | 1 | Hose, Return Filter to Tank |
| 26 | 00751840 | 1 | Hose, Cutter Valve to Motor |
| 27 | 02949000 | 1 | Hose, Motor to Cutter Valve |
| 28 | 02957258 | 1 | Hose, Cutter Valve to Return Filter |
| 29 | 02949500 | 1 | Hose, Control Valve to Return Filter |
| 30 | 02839000 | 1 | Hose, Control Valve to Tilt Cylinder |
| 31 | 02890900 | 1 | Hose, Control Valve to Lift Cylinder |
| 32 | 02026200 | 2 | Clamp, Hose |
| 33 | 02208400 | 1 | Elbow, 90 Deg. |
| 34 | 02937300 | 1 | Elbow, 90 Deg. |
| 35 | 02957225 | 2 | Elbow, 90 Deg. |
| 36 | 00751842 | 1 | Elbow, 90 Deg. |
| 37 | 00749101 | 1 | Flange Kit, Split |
| 38 | 02827700 | 1 | Flange Kit |
| 39 | 02156700 | 1 | Reducer |
| 40 | 02957228 | 1 | Elbow, 90 Deg. |

Jul. 1987
to
Mar. 1990

Hose Diagram Versa Flail 60" & 74" Models

S/N VF-46320
to
S/N VF-01842



Jul. 1987
to
Mar. 1990

Hose Diagram Versa Flail 60" & 74" Models

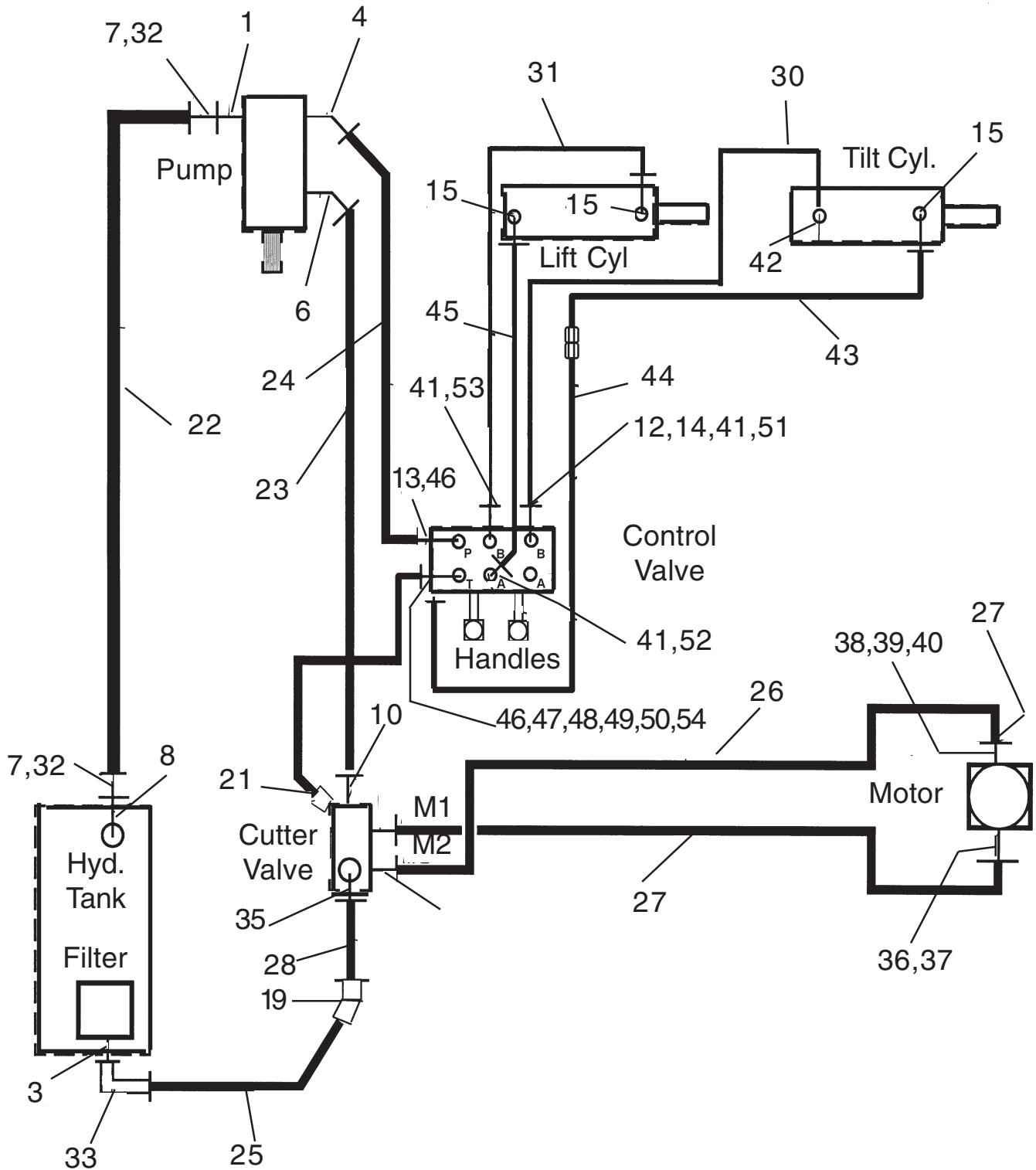
S/N VF-46320
to
S/N VF-01842

| Item | Part No. | Qty | Description |
|------|----------|-----|----------------------------------|
| 1 | 02827700 | 1 | Flange Kit |
| 2 | 02961000 | 1 | Filter, In Tank |
| | 02961001 | 1 | Filter Element Only |
| 3 | 02960809 | 1 | Adapter |
| 4 | 02161400 | 1 | Elbow |
| 5 | 00751456 | 1 | Coupling |
| 6 | 02960812 | 2 | Adapter |
| 7 | 02411000 | 2 | Hose Bib |
| 8 | 02047200 | 1 | Elbow |
| 10 | 02957622 | 3 | Adapter |
| 11 | 02889500 | 1 | Adapter |
| 12 | 02049100 | 1 | Elbow |
| 13 | 00749508 | 2 | Plug |
| 14 | 02811300 | 1 | Check Plug |
| 15 | 02822100 | 4 | Elbow |
| 16 | 00750208 | 2 | Plug, Breather |
| 17 | 02049100 | 1 | Elbow |
| 18 | 63067300 | 1 | Bushing, Reducer |
| 19 | 00751468 | 1 | Pipe Tee |
| 20 | 72414000 | 1 | Pipe Nipple |
| 21 | 02888700 | 1 | Adapter |
| 22 | 02512800 | 1 | Hose, Tank to Pump |
| 23 | 02961094 | 1 | Hose, Pump to Cutter Valve |
| 24 | 02513000 | 1 | Hose, Pump to Control Valve |
| 25 | 02962239 | 1 | Hose, Filter to Tube Tee |
| 26 | 02961288 | 1 | Hose, Cutter Valve to Motor, 60" |
| | 02961302 | 1 | Hose, Cutter Valve to Motor, 72" |
| 27 | 02961287 | 1 | Hose, Motor to Cutter Valve, 60" |
| | 02961301 | 1 | Hose, Motor to Cutter Valve, 72" |
| 28 | 02961148 | 1 | Hose, Cutter Valve to Tee |
| 29 | 02949500 | 1 | Hose, Control valve to Tee |
| 30 | 02839000 | 1 | Hose, Control Valve to Lift Cyl. |
| 31 | 02890900 | 1 | Hose, Control Valve to Tilt Cyl. |
| 32 | 02026200 | 2 | Clamp, Hose |
| 33 | 02961681 | 1 | Filter Return Tube |
| 35 | 02961003 | 2 | Adapter |
| 36 | 02961028 | 1 | Elbow |
| 37 | 00749101 | 1 | Flange Kit, Split |
| 38 | 02827700 | 1 | Flange Kit |
| 39 | 02961008 | 1 | Reducer |
| 40 | 02889300 | 1 | Elbow |

Apr. 1990
to
Current

Hose Diagram Versa Flail 60" & 74" Models

S/N VF-01843
to
S/NVF-Current



Apr. 1990
to
Current

Hose Diagram Versa Flail 60" & 74" Models

S/N VF-01843
to
S/N VF-Current

| ITEM | PART NO. | QTY | DESCRIPTION |
|------|----------|-----|--|
| 1 | 02827700 | 1 | Flange Kit |
| 2 | 02961000 | 1 | In Tank Filter |
| | 02961001 | 1 | Filter Element |
| 3 | 02960809 | 1 | Adapter |
| 4 | 02962214 | 1 | Elbow |
| 6 | 02961825 | 2 | Adapter |
| 7 | 02411000 | 2 | Hose Bib |
| 8 | 02047200 | 1 | Elbow |
| 10 | 02960807 | 3 | Adapter |
| 11 | 02889500 | 1 | Adapter |
| 12 | 02969399 | 1 | Orifice Plate |
| 13 | 02968828 | 1 | VINYL TAPE RED 1/2" WIDE |
| 14 | 02972159 | 1 | Straight Adapter |
| 15 | 02960018 | 3 | Elbow |
| 19 | 02889700 | 1 | Elbow - 45 deg. |
| 21 | 63042700 | 1 | Adapter |
| 22 | 02512800 | 1 | Hose-Tank to Pump |
| 23* | ----- | 1 | Hose-Pump to Cutter Valve |
| 24* | ----- | 1 | Hose-Pump to Control Valve |
| 25 | 02961148 | 1 | Hose-Filter Tube to Tee |
| 26 | 02961288 | 1 | Hose-Cutter Valve to Motor, 60" Versa Rotary |
| | 02961302 | 1 | Hose-Cutter Valve to Motor, 72" Versa Rotary |
| 27 | 02961287 | 1 | Hose-Motor to Cutter Valve, 60" Versa Rotary |
| | 02961301 | 1 | Hose-Motor to Cutter Valve, 72" Versa Rotary |
| 28 | 02961148 | 1 | Hose-Cutter Valve to Tee |
| 29 | 02963468 | 1 | Hose-Control Valve to Cutter Valve (ROPS Units) |
| | 61026400 | 1 | Hose-Control Valve to Cutter Valve (Cab Units) |
| 30 | 02839000 | 1 | Hose-Control Valve to Tilt Cylinder (Cab Units) |
| | 001774 | 1 | Hose-Control Valve to Tilt Cylinder (ROPS Units) |
| 31 | 02890900 | 1 | Hose-Control Valve to Lift Cylinder (ROPS Units) |
| | 02823600 | 1 | Hose-Control Valve to Lift Cylinder (Cab Units) |
| 32 | 02026200 | 2 | Hose Clamp |
| 33 | 02961681 | 1 | Filter Return Tube |
| 35 | 02961003 | 2 | Adapter |
| 36 | 02961028 | 1 | Elbow |
| 37 | 00749101 | 1 | Split Flange Kit |
| 38 | 02827700 | 1 | Flange Kit |
| 39 | 02961008 | 1 | Reducer |
| 40 | 02889300 | 1 | Elbow |
| 41 | 02962249 | 1 | Elbow |
| 42 | 02962181 | 1 | Adapter |
| 43 | 02957485 | 1 | Hose with #4MJ |
| 44 | 0019800 | 1 | Hose (ROPS Units) |
| | 001849 | 1 | Hose (Cab Units) |
| 45 | 02890900 | 1 | Hose (ROPS Units) |
| | 02965475 | 1 | Hose (Cab Units) |
| 46 | 63042700 | 1 | Straight Adapter |
| 47 | 02761100 | 1 | Elbow |
| 48 | 02967150 | 1 | Tee |
| 49 | 02967151 | 1 | Straight Adapter |
| 50 | 02968830 | 1 | VINYL TAPE BLUE 1/2" WIDE |
| 51 | 02968831 | 1 | VINYL TAPE BLUE 1/4" WIDE |
| 52 | 02968832 | 1 | VINYL TAPE GREEN 1/2" WIDE |
| 53 | 02968833 | 1 | VINYL TAPE GREEN 1/4" WIDE |
| 54 | 02968834 | 1 | VINYL TAPE ORANGE 1/2" WIDE |

* Varies per Tractor Mount; See Specific Tractor Mount Installation Drawing

VERSA FLAIL (Archive Book) 10/01

Jun. 1984
to
Mar. 1994

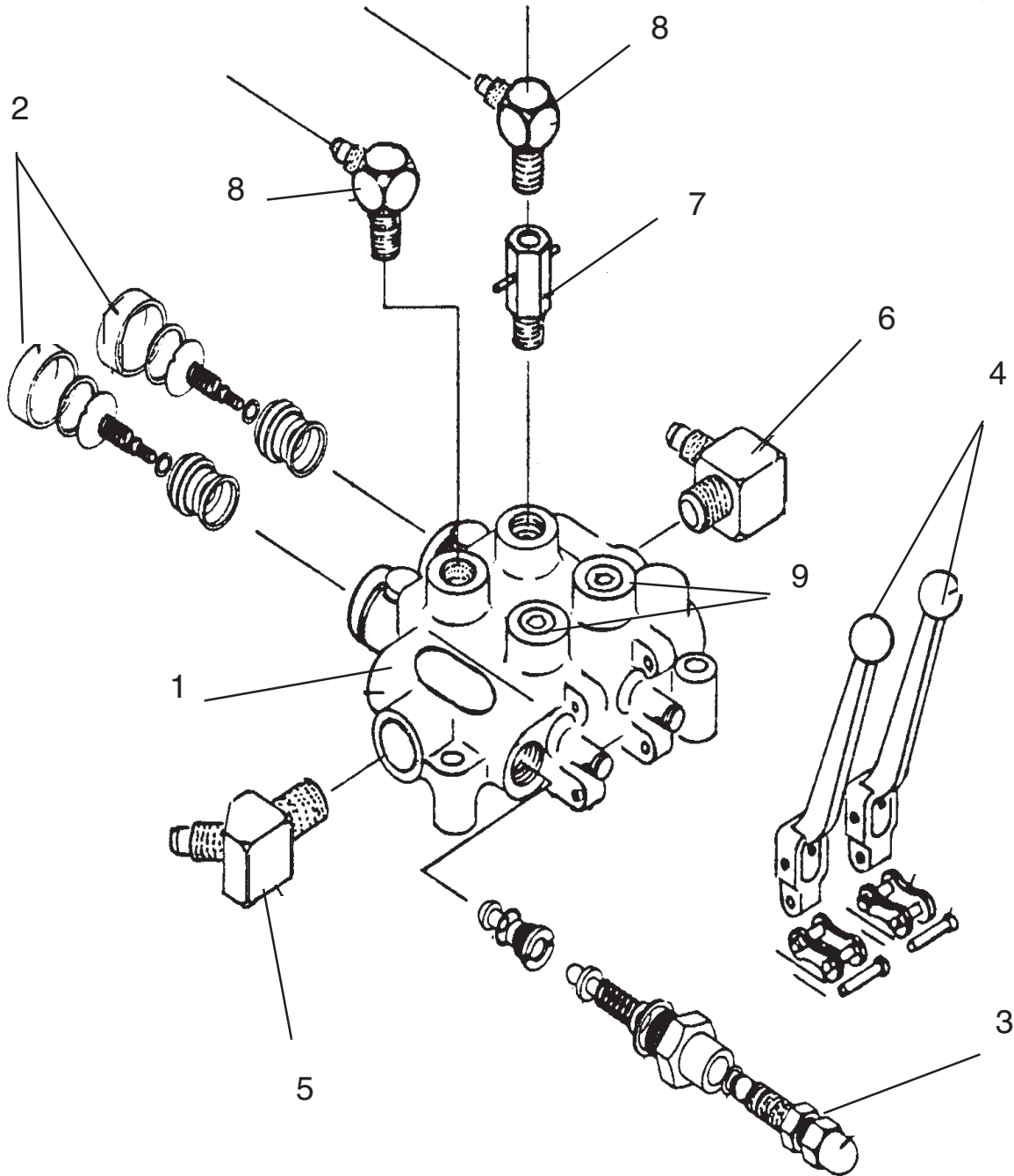
Control Valve, 2 Spool

VERSA FLAIL

60" & 74" Models

P/N 02888200

S/N VF-41791
to
S/N VF-03212



Jun, 1984
to
Mar. 1994

Control Valve, 2 Spool
VERSA FLAIL
60" & 74" Models
P/N 02888200

S/N VF-41791
to
S/N VF-03212

| Item | Part No. | Qty | Description |
|------|----------|-------|-------------------------------|
| | 02888200 | -- | Control Valve Asy, W/Fittings |
| 1 | 02993602 | 1 | Hyd Control Valve, 2 Spool |
| 2 | 00751974 | 2-ref | Detent Kit |
| 3 | 00751140 | 1-ref | Relief Valve Kit, HP |
| 4 | 00751142 | 2-ref | Handle Asy Kit |
| 5 | 02889500 | 1 | Elbow, 45 Deg. |
| 6 | 02049100 | 1 | Elbow, 90 Deg. |
| 7 | 02811300 | 1 | Check Valve |
| 8 | 02822100 | 2 | Elbow |
| 9 | 00749508 | 2 | Plug |
| 10 | 0221900 | 1 | Plug, Hex SKT 3/4 NPT |

NOTE: S/N Change Aug. 1987 S/N's ended with # 47000
and Sep. 1987 started a new series with # 01001

Apr. 1994
to
May 1998

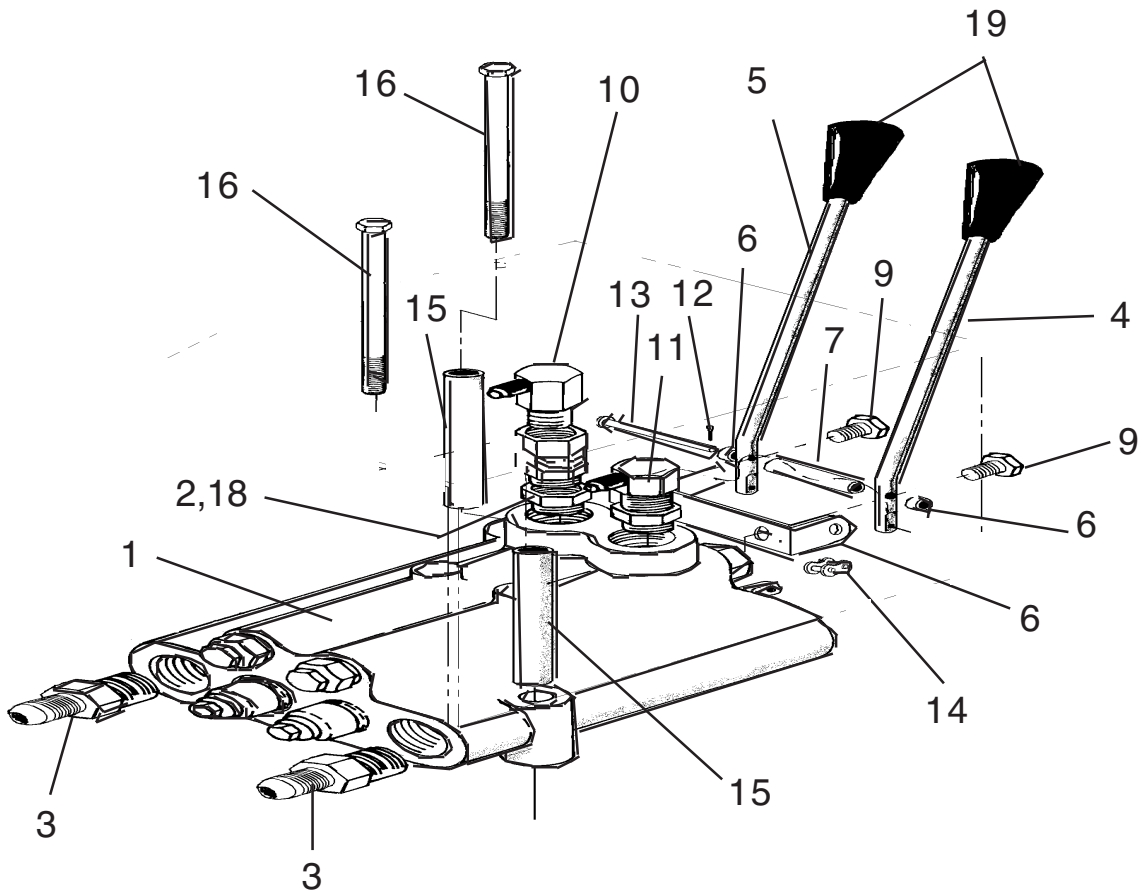
Control Valve, 2 Spool

VERSA FLAIL

60" & 74" Models

P/N 02955871

S/N VF-03213
to
S/N VF-04530



Apr. 1994
to
May 1998

**Control Valve, 2 Spool
VERSA FLAIL
60" & 74" Models
P/N 02955871**

S/N VF-03213
to
S/N VF-04530

| Item | Part No. | Qty | Description |
|------|----------|-----|-------------------|
| | 02965871 | -- | Control Valve As |
| 1* | 02965872 | 1 | Control Valve |
| 2* | 00751521 | 1 | Adapter, Straight |
| 3* | 00696800 | 2 | Adapter, Straight |
| 4 | 02966398 | 1 | Handle, LH |
| 5 | 02966399 | 1 | Handle, RH |
| 6 | 02966397 | 2 | Short Spacer |
| 7 | 02966396 | 1 | Long Spacer |
| 8 | 02966395 | 1 | Handle Bracket |
| 9 | 00752645 | 2 | Bolt |
| 10* | 02823100 | 1 | Elbow, 90 Deg |
| 11* | 03200762 | 1 | Elbow, 90 Deg. |
| 12 | 02968698 | 1 | Cotter Pin |
| 13 | 02966871 | 1 | Clevis Pin |
| 14 | 02966870 | 2 | Master Link |
| 15 | 02966401 | 2 | Cover, Not shown |
| 16 | 02967062 | 2 | Cover Bolt |
| 17 | 02966400 | 1 | Cover |
| 18* | 00765373 | 1 | Restrictor |
| 19 | 02966746 | 2 | Tapered Knob |

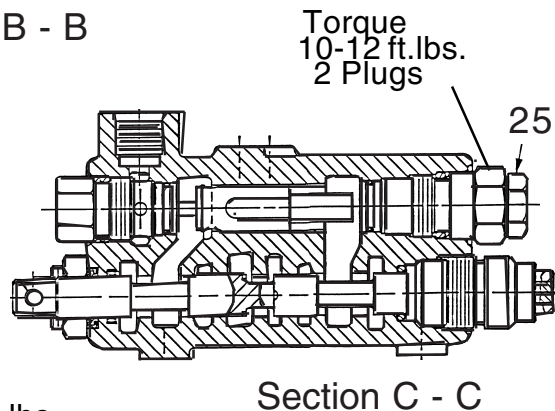
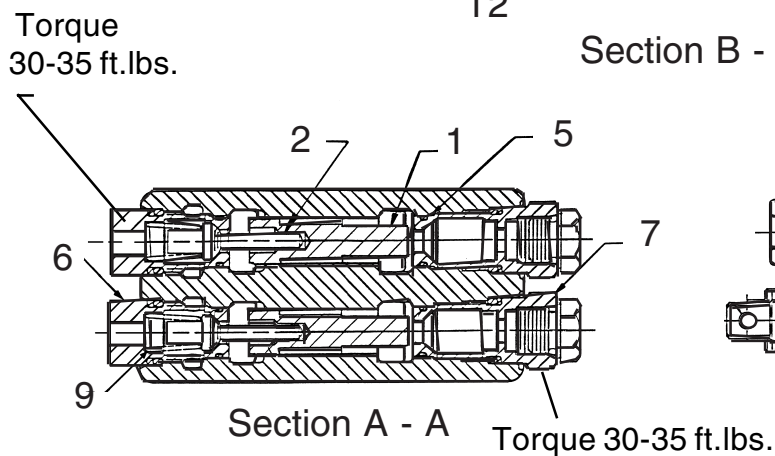
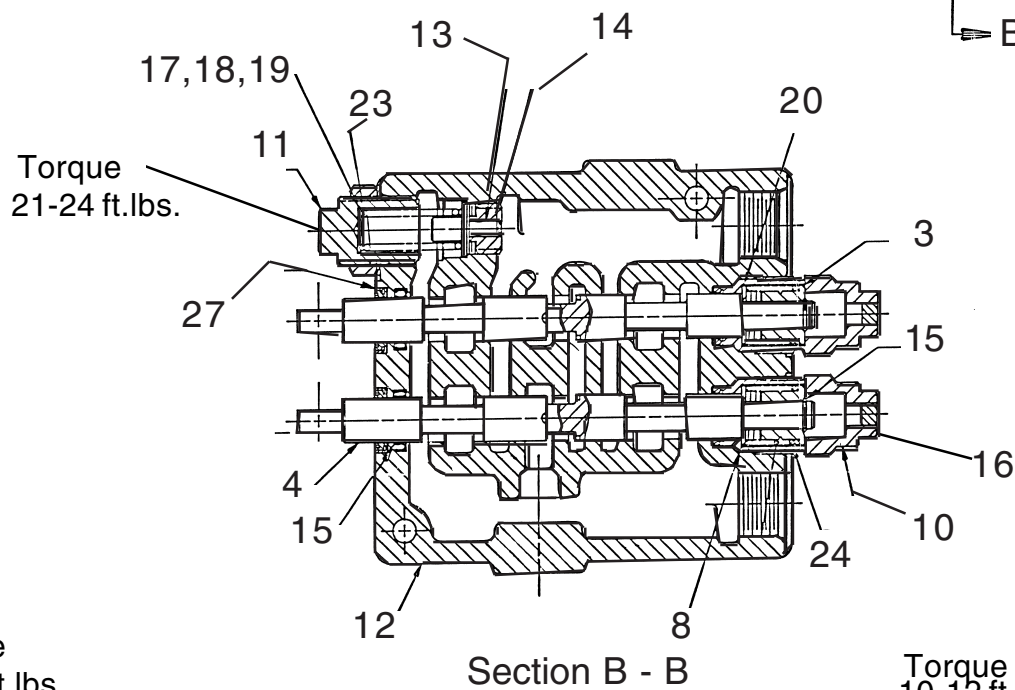
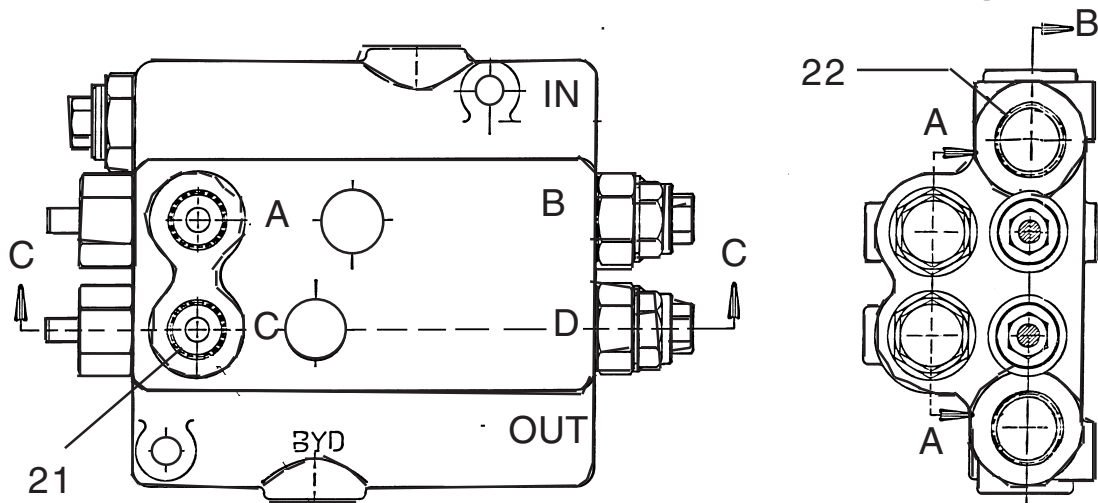
* Included in Control Valve Assembly P/N 02965871

**FOR ADDITIONAL REPAIR
PARTS FOR THIS VALVE SEE
NEXT 2 PAGES**

Apr. 1994
to
May 1998

Control Valve, 2 Spool VERSA FLAIL 60" & 74" Models P/N 02955871 Repair Parts Only

S/N VF-03213
to
S/N VF-04530



Apr. 1994
to
May 1998

**Control Valve, 2 Spool
VERSA FLAIL
60" & 74" Models**

S/N VF-03213
to
S/N VF-04530

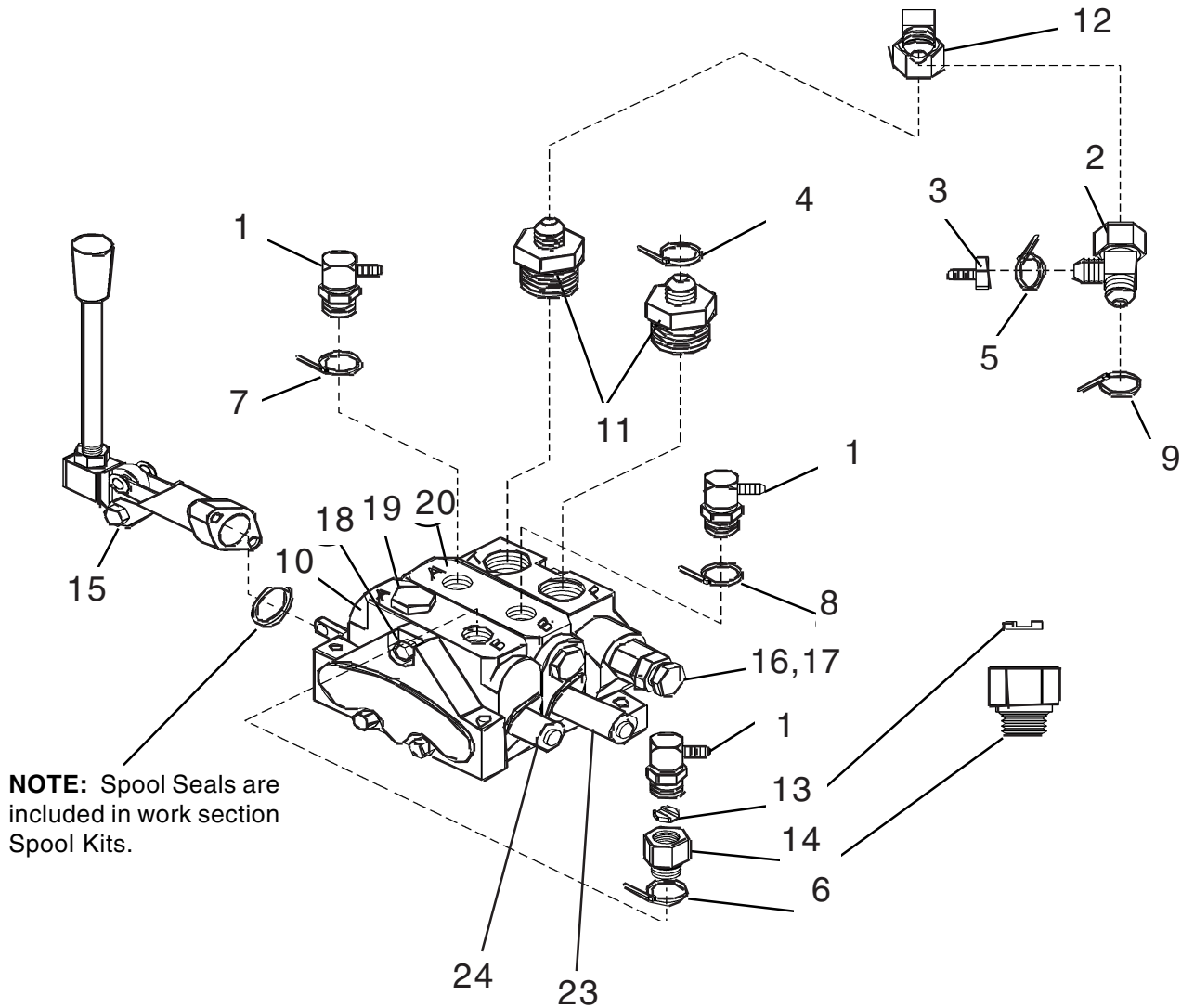
P/N 02955871 Repair Parts Only

| Item | Part No. | Qty | Description |
|-------------|-----------------|------------|--------------------------|
| | 02965871 | - | Control Valve Asy |
| | 02965872 | 1 | Control Valve |
| 1 | ----- | 2 | Lockout Plunger |
| 2 | 02966645 | 2 | Poppet Asy. |
| 3 | 02966646 | 2 | Spacer |
| 4 | 02966647 | 2 | D.A. Standard Spool |
| 5 | 02966648 | 2 | Seat Asy |
| 6 | 02966649 | 2 | Plug Asy. |
| 7 | 02966650 | 2 | Port Adapter Plug Asy. |
| 8 | 02966651 | 2 | Bushing |
| 9 | 02966652 | 2 | Lockout Spring |
| 10 | 02966653 | 2 | Cap Asy |
| 11 | 02966654 | 1 | Plug Asy. |
| 12 | ----- | 1 | Body |
| 13 | 02966655 | 1 | Poppet |
| 14 | 02966656 | 1 | Seat |
| 15 | 02966657 | 4 | O-Ring |
| 16 | 02966658 | 2 | Retaining Ring |
| 17 | 02966659 | 1 | Washer |
| 18 | 02966660 | 1 | Washer |
| 19 | 02966661 | 1 | Washer |
| 20 | 02966662 | 2 | Washer |
| 21 | ----- | 1 | Shipping Plug |
| 22 | ----- | 1 | Shipping Plug |
| 23 | 02966663 | 1 | Spring |
| 24 | 02966669 | 2 | Spring |
| 25 | 02966670 | 2 | Plug Asy. |
| 27 | 02966671 | 2 | Wiper Seal |
| 28 | 02970427 | 1 | Seal Kit (Not Shown) |

Jun. 1998
to
Current

Control Valve, 2 Spool VERSA FLAIL 60" & 74" Models P/N 02971283

S/N VF-04531
to
S/N VF-Current



Jun. 1998
to
Current

Control Valve, 2 Spool
VERSA FLAIL
60" & 74" Models
P/N 02971283

S/N VF-04531
to
S/N VF-Current

| Item | Part No. | Qty | Description |
|------|----------|-------|---|
| | 02971283 | – | Control Valve Asy |
| * | 02969131 | – | Valve Only |
| 1* | 02962249 | 3 | Adapter Hyd. Elbow |
| 2* | 02967150 | 1 | Adapter Hyd. Tee |
| 3* | 02967151 | 1 | Adapter Hyd. Straight |
| 4* | 02968828 | 1 | VINYL TAPE RED 1/2" WIDE |
| 5* | 02968830 | 1 | VINYL TAPE BLUE 1/2" WIDE |
| 6* | 02968831 | 1 | VINYL TAPE BLUE 1/4" WIDE |
| 7* | 02968832 | 1 | VINYL TAPE GREEN 1/2" WIDE |
| 8* | 02968833 | 1 | VINYL TAPE GREEN 1/4" WIDE |
| 9* | 02968834 | 1 | VINYL TAPE ORANGE 1/2" WIDE |
| 10 * | 02969131 | 1 | Directional Control Valve |
| 11* | 63042700 | 2 | Adapter Hyd. Straight |
| 12* | 02761100 | 1 | Adapter Hyd. Elbow |
| 13* | 02969399 | 1 | Orifice Plate |
| 14* | 02972159 | 1 | Adapter Hyd. Straight |
| 15 | 02971207 | 2-ref | Kit, Valve Handle |
| 16 | 02973223 | 1 | Main Relief |
| 17 | 02972795 | 1 | Seal Kit, Main Relief |
| 18 | 02972792 | 1 | Seal Kit, Outlet Sect. |
| 19 | 02972794 | 1 | Seal Kit, GC Work Sect. |
| 20 | 02972793 | 1 | Seal Kit, Work Sect. |
| 21 | 02975195 | 1 | Detent Kit |
| 22 | 02975212 | 1 | Retainer Spool Seal |
| 23 | 02976959 | 1 | Cap, Detent, Long |
| 24 | 02976960 | 1 | Cap, Detent, Short |
| 25 | 02975140 | 1 | Shoulder Bolt to Return Spring (Not Shown) |

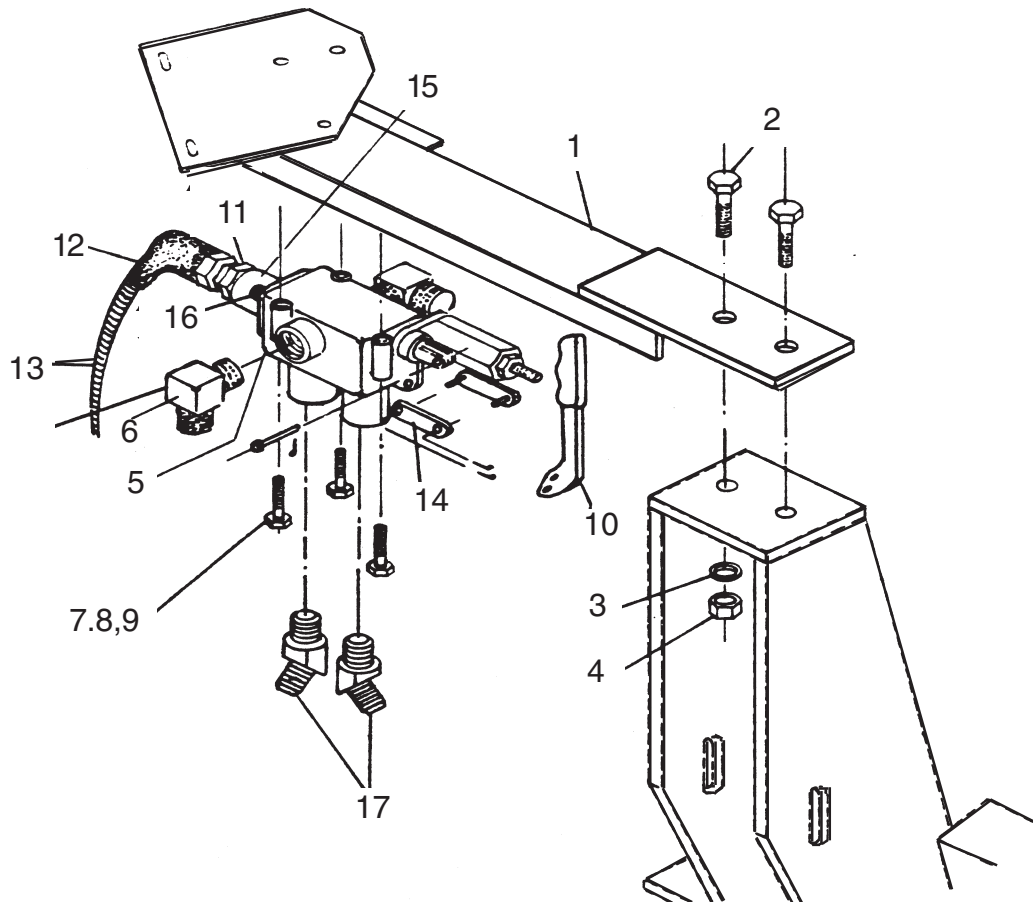
02971283 includes Items 1 thru 14 & Items 16 thru 25

02969131 includes Items 16 thru 25

Jun. 1984
to
Aug. 1985

CONTROL VALVE MOUNT VERSA FLAIL

S/N VF-41791
to
S/N VF-43475

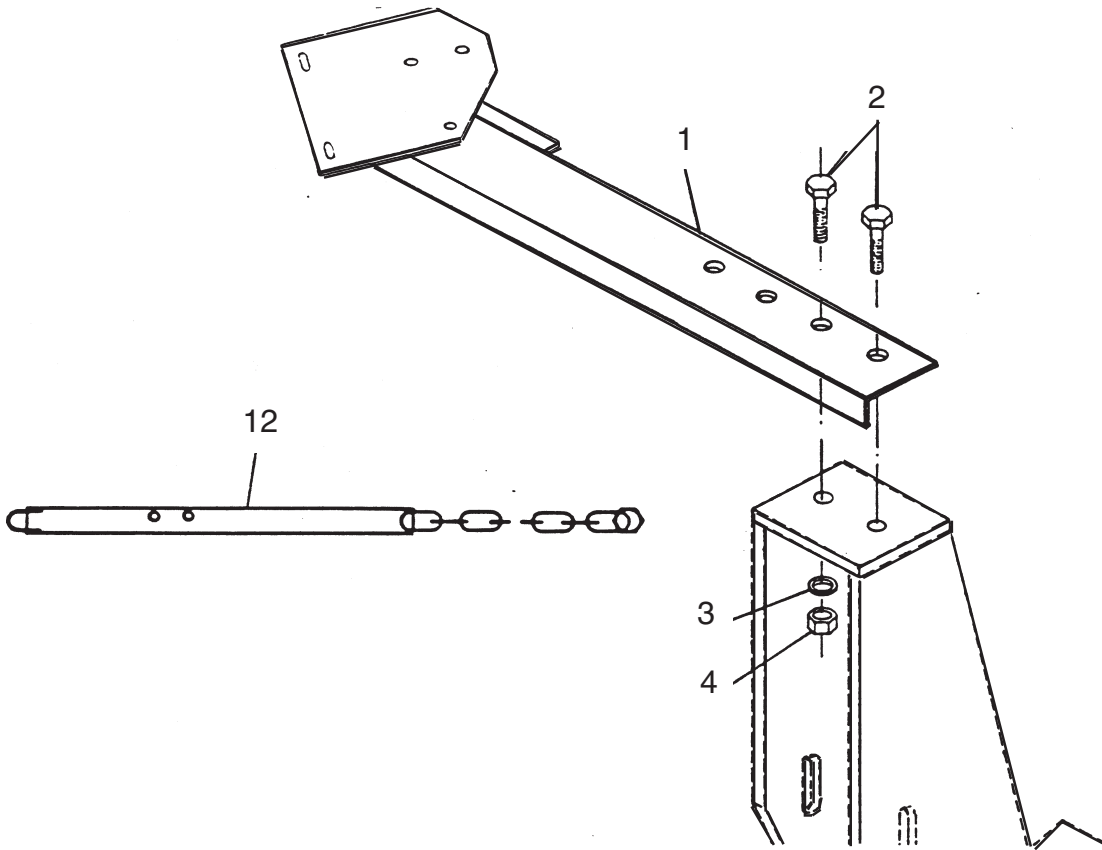


| Item | Part No. | Qty | Description |
|------|----------|-----|--------------------------|
| 1 | 02881200 | 1 | Valve Mount Weldment |
| 2 | 00008300 | 2 | Bolt |
| 3 | 00010300 | 2 | Lockwasher |
| 4 | 00010400 | 2 | Nut |
| 5 | 02881900 | 1 | Cutter Valve Assembly |
| 6 | 02042600 | 2 | Elbow |
| 7 | 00016200 | 3 | Bolt |
| 8 | 00011700 | 3 | Lockwasher |
| 9 | 00021800 | 3 | Nut |
| 10 | 02882100 | 1 | Handle Assembly |
| 11 | 02775000 | 1 | Switch |
| 12 | 02775100 | 1 | Boot |
| 13 | 02775200 | 1 | Wire Harness |
| 14 | 02775600 | 1 | Linkage Assembly, Handle |
| 15 | 02050200 | 1 | Detent Cap |
| 16 | 02657900 | 2 | Bolt, Allen Head |
| 17 | 02889000 | 2 | Elbow, Adapter |

Sep. 1985
to
Apr. 1994

CONTROL VALVE MOUNT VERSA FLAIL

S/N VF-43476
to
S/N VF-03233



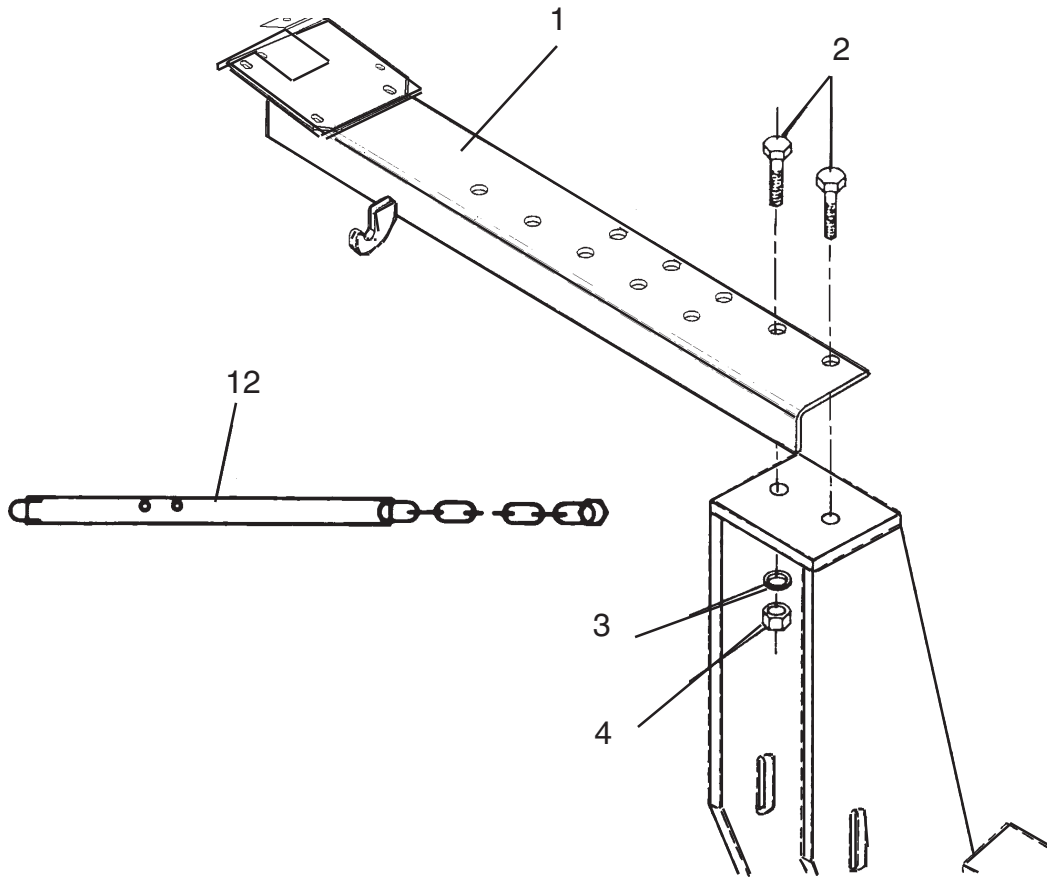
| Item | Part No. | Qty | Description |
|------|----------|-----|---|
| | 02881100 | -- | Control Valve Console Assembly |
| 1 | 02958270 | 1 | Support Arm Valve Mt. Weldment |
| 2 | 00008300 | 2 | Bolt |
| 3 | 00010300 | 2 | Lockwasher |
| 4 | 00010400 | 2 | Nut |
| 5* | 00012101 | 2 | Lockwasher |
| 6* | 00013901 | 2 | Nut |
| 7* | 02958328 | 1 | Solenoid Cutter Valve Assembly |
| 8* | 02957625 | 1 | Push Pull Switch |
| 9* | 02957626 | 1 | Contact Block |
| 10* | 02957009 | 2 | Bolt |
| 11* | 02958203 | 1 | Wire Harness |
| 12 | 02957364 | 1 | Head Retainer Assembly (Consist of Items Below) |
| | 02957363 | 1 | Head Retainer Weldment |
| | 00010300 | 1 | Lockwasher |
| | 00010400 | 1 | Nut |

* These Parts are not shown, but are part of assembly p/n 02881100

May 1994
to
Current

CONTROL VALVE MOUNT VERSA FLAIL

S/N VF-03234
to
S/N VF-Current



| ITEM | PART NO. | QTY | DESCRIPTION |
|------|----------|-----|--|
| 1 | 02958270 | 1 | Support Arm Valve Mt. Weldment (For 02888200 Valve) |
| | 02966494 | 1 | Support Arm Valve Mt. Weldment (For 02965872 Valve) |
| 2 | 00008300 | 2 | Bolt |
| 3 | 00010300 | 2 | Lockwasher |
| 4 | 00010400 | 2 | Nut |
| * | 00011100 | 2 | Flat Washer |
| * | 00015800 | 2 | Locknut |
| * | 02961090 | 1 | Solenoid Cutter Valve Assembly |
| * | 02964028 | 1 | Push Pull Switch |
| * | 02964063 | 1 | Knob, Switch |
| * | 02957009 | 2 | Bolt |
| * | 02958203 | 1 | Wire Harness |
| 12 | 02957364 | 1 | Head Retainer Assembly |
| | 02957363 | 1 | Head Retainer Weldment |
| | 00010300 | 1 | Lockwasher |
| | 00010400 | 1 | Nut |

* These Parts are not shown, but are part of assembly p/n 02961145

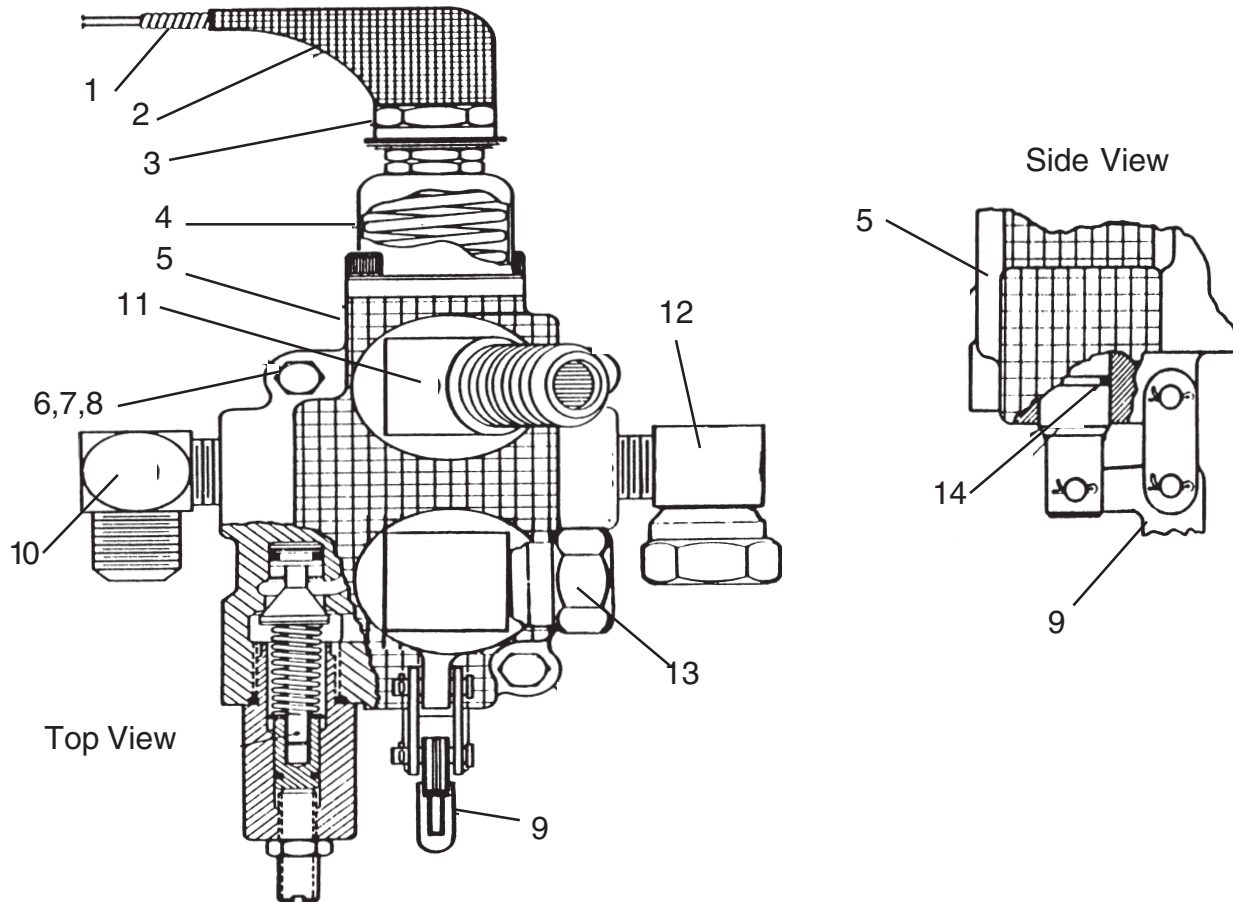
VERSA FLAIL (Archive Book) 09/01

NOTES

Jun. 1984
to
Aug. 1985

CUTTER VALVE VERSA FLAIL MECHANICAL VALVE P/N 02881900

S/N VF-41791
to
S/N VF-43475



| Item | Part No. | Qty | Description |
|------|----------|-----|------------------------|
| | 02881900 | -- | Cutter Valve Asy |
| 1 | 02775200 | 1 | Wiring Harness |
| 2 | 02775100 | 1 | Boot |
| 3 | 02775000 | 1 | Safety Switch |
| 4 | 02051200 | 1 | Detent cap |
| 5 | 02040600 | 1 | Valve w/ Safety Switch |
| 6 | 00016200 | 3 | Bolt |
| 7 | 00011700 | 3 | Lockwasher |
| 8 | 00021800 | 3 | Nut |
| 9 | 02882100 | 1 | Handle Assembly |
| 10 | 02042600 | 1 | Elbow, 90 Deg. |
| 11 | 02889000 | 1 | Elbow Adapter, 45 Deg. |
| 12 | 02937300 | 1 | Elbow |
| 13 | 02957228 | 1 | Elbow |
| 14 | 02657400 | 1 | Quad Ring & O-Ring Kit |

Feb. 1982
to
Aug. 1985

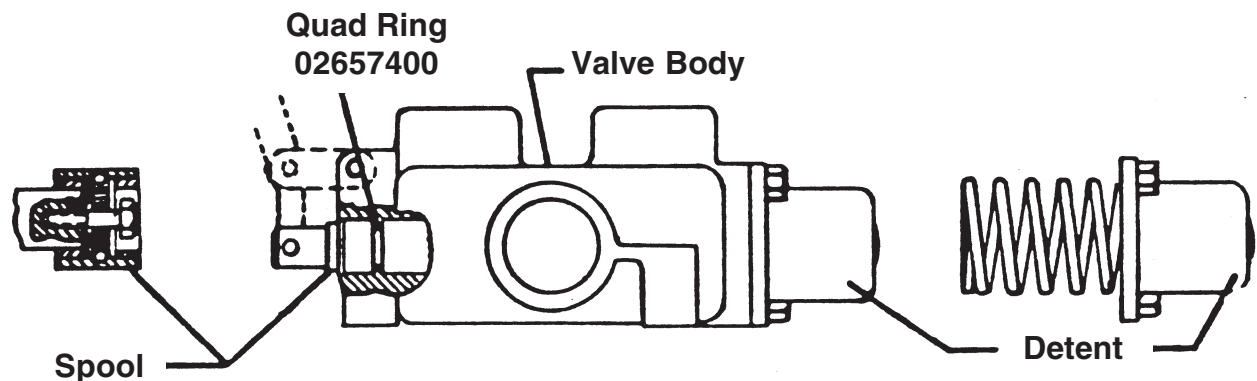
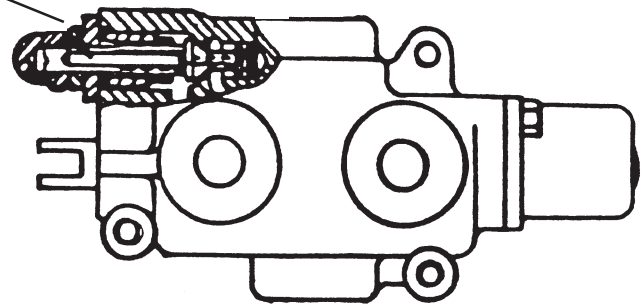
CUTTER VALVE VERSA FLAIL MECHANICAL VALVE REPAIR PARTS P/N 02881900

S/N VF-39383
to
S/N VF-43475

Relief Valve Repair Kit 02719000

Consist Of

- 1 - Washer (Large)
- 1 - Adj. Screw
- 1 - Jam Nut
- 1 - O-Ring (Large)
- 1 - O-Ring (Small)
- 1 - Spring
- 1 - Poppet relief



Spool Detent Repair Kit 02719100

Consist Of

- 1 - Bushing
- 1 - Holder Ball
- 2 - Balls
- 2 - Springs
- 1 - Lockwasher
- 1 - Screw Relief Valve
- 1 - Poppet relief

Detent Repair Kit 02771400

Consist Of

- 1 - O-Ring
- 1 - Washer
- 1 - End Plug
- 1 - Plug
- 2 - Screws

Valve Safety Switch Kit 02051100

Consist Of

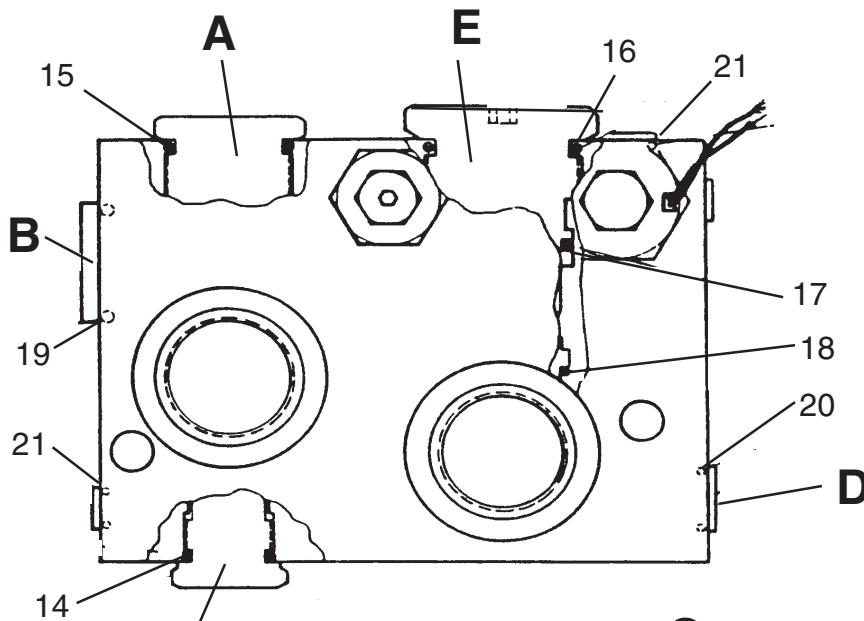
- 1 - Detent Cap
- 1 - Safety Switch
- 1 - Rubber Boot
- 2 - Wire Splice
- 1 - O-Ring (Small)
- 2 - Wire, (7 ft of 12 ga.)

Sep. 1985
to
May 1986

CUTTER VALVE VERSA FLAIL ELECTRICAL VALVE

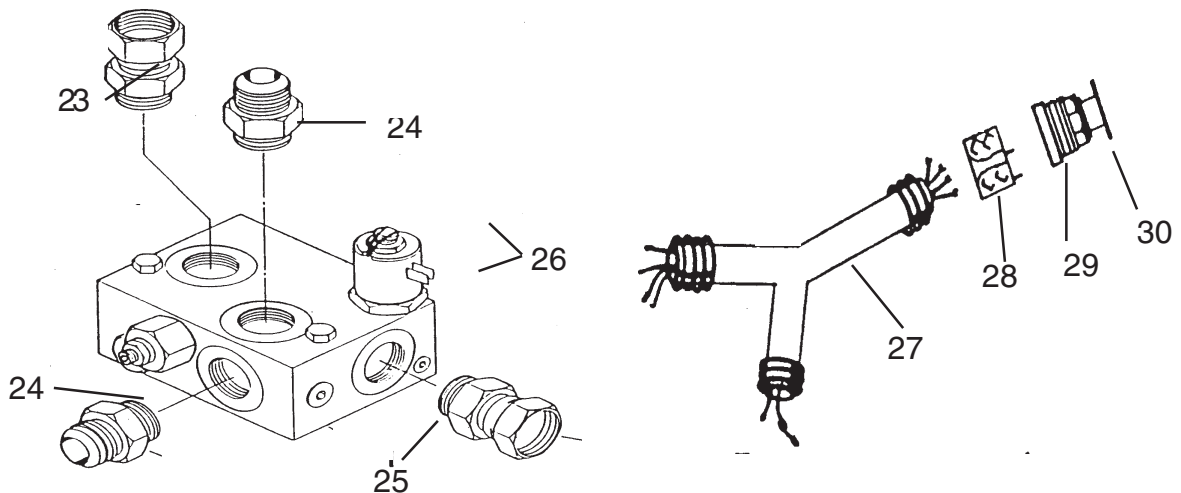
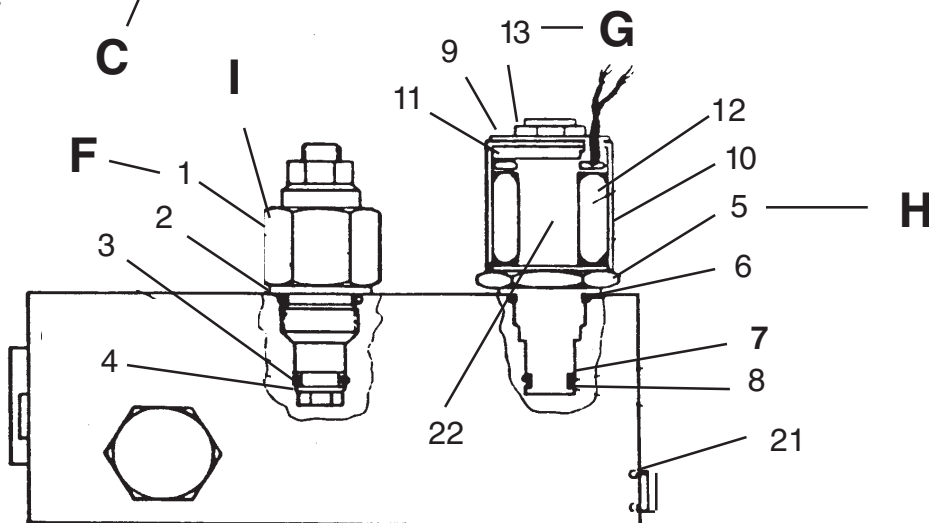
S/N VF-43476
to
S/N VF-44986

P/N 02958328 (with Fittings) & 02958036 (w/o fittings)



Torque Settings

- A = 40 - 50 ft lbs
- B = 20 - 25 ft lbs
- C = 16 - 20 ft lbs
- D = 8 - 10 ft lbs
- E = 80 - 90 ft lbs.
- F = 16 - 20 ft lbs
- G = 4 - 5 ft lbs
- H = 20 - 25 ft lbs
- I = 16 - 20 ft lbs



VERSA FLAIL (Archive Book) 10/01

Sep. 1985
to
May 1986

CUTTER VALVE VERSA FLAIL ELECTRICAL VALVE

S/N VF-43476
to
S/N VF-44986

P/N 02958328 (with Fittings) & 02958036 (w/o fittings)

| Item | Part No. | Qty | Description |
|------|----------|-----|--|
| 1 | 02958281 | 1 | Relief Cartridge W/ Seals |
| 2 | 02958282 | 1 | O-Ring |
| 3 | 02958283 | 1 | Back-Up Ring |
| 4 | 02958284 | 1 | O-Ring |
| 5* | 02958285 | 1 | Solenoid W/ Seals & Less Coil Item #12 |
| 6 | 02958286 | 1 | O-Ring |
| 7 | 02958287 | 1 | O-Ring |
| 8 | 02958288 | 1 | Back-Up Ring, Teflon |
| 9 | 02958289 | 1 | ID Plate, Blank |
| 10 | 02958290 | 1 | Shell (Not Shown) |
| 11 | 02958291 | 1 | Plate |
| 12 | 02958292 | 1 | Coil Asy |
| 13 | 02958293 | 1 | Nut |
| 14 | 02958295 | 1 | O-Ring |
| 15 | 02958296 | 1 | O-Ring |
| 16 | 02958297 | 1 | O-Ring |
| 17 | 02958298 | 1 | O-Ring |
| 18 | 02958299 | 1 | O-Ring |
| 19 | 02958300 | 1 | O-Ring |
| 20 | 02958301 | 1 | O-Ring |
| 21 | 02958302 | 3 | O-Ring |
| 22 | 02958294 | 1 | Solenoid Asy W/ Slide Terminal (Includes Items # 5 Thru 13 & Item # 26) |
| 23 | 02958313 | 1 | Adapter, Straight |
| 24 | 02957622 | 2 | Adapter, Straight |
| 25 | 02957624 | 1 | Adapter, Straight |
| 26 | 01162800 | 2 | Slide Terminal |
| 27 | 02958203 | 1 | Wire Harness |
| 28 | 02957626 | 1 | Contact Block |
| 29 | 02957625 | 1 | Switch, Push Pull |
| 30 | 02959384 | 1 | Knob, Red (for Item # 29) |

* Part Number 02958285 (Item # 5 does NOT include Coil Asy item # 12)

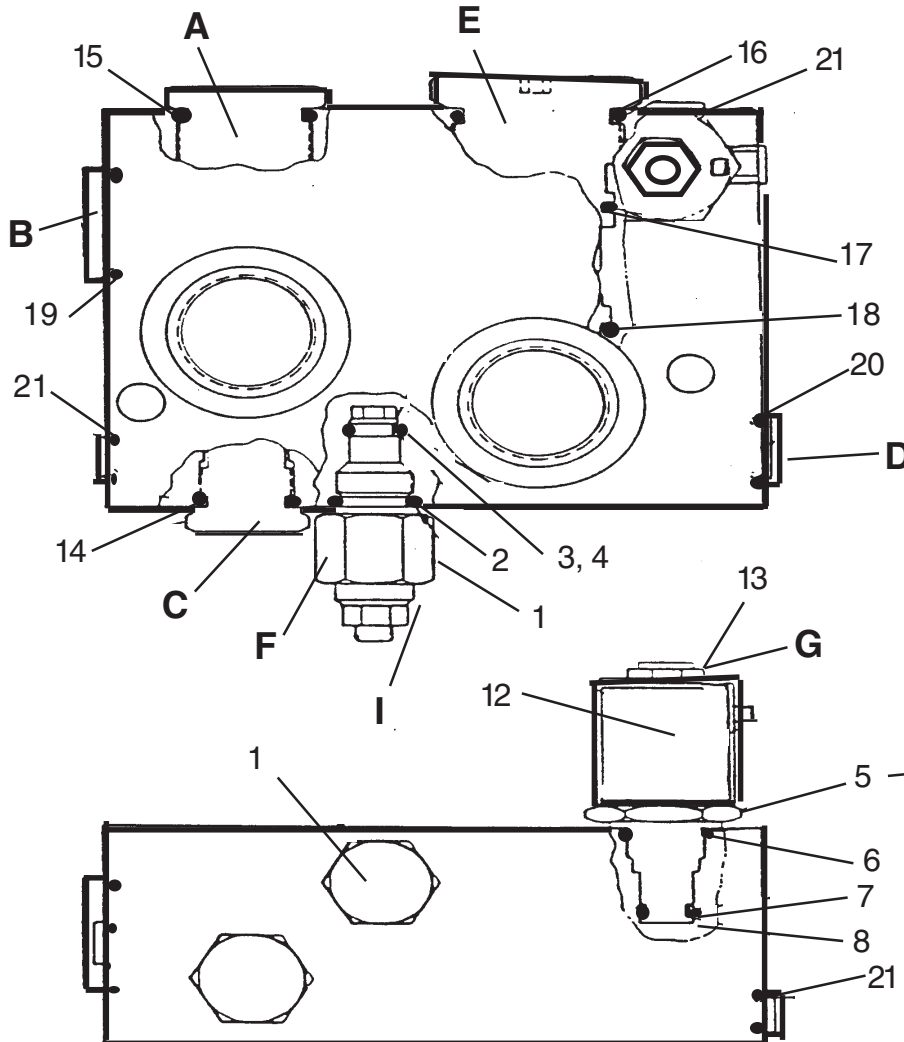
NOTE: All Torque Settings Listed in Drawing are Critical and should not be Exceeded. DO NOT make repairs to this component when Hot or While Unit is running, If replacing this Assembly Complete a later Type Valve will be shipped and may vary in design, Some modifications may be required, Look at all drawing and/or instructions shipped with replacement Parts is important.

Jun. 1986
to
Oct. 1987

CUTTER VALVE VERSA FLAIL ELECTRICAL VALVE

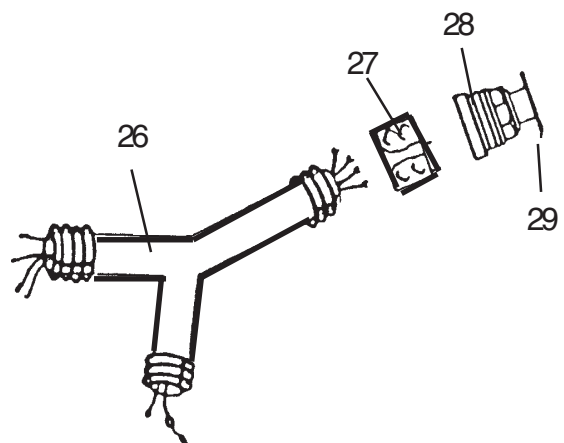
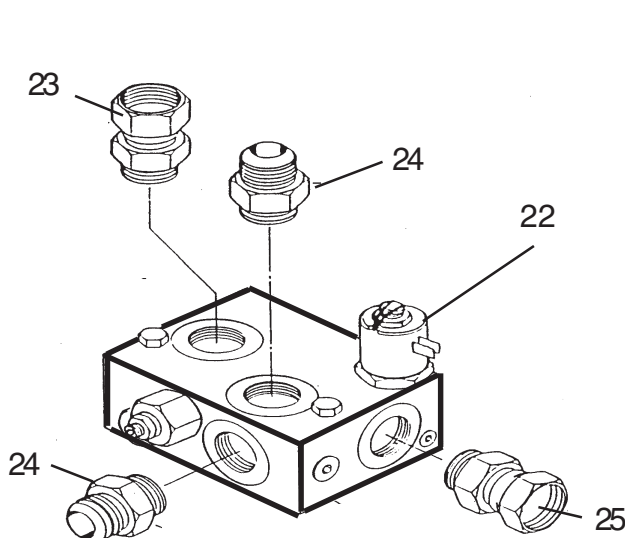
S/N VF-44987
to
S/N VF-01034

P/N 02959453 (w/ Fittings) & 02959468 (w/o Fittings)



Torque Settings

- A = 40 - 50 ft lbs
- B = 20 - 25 ft lbs
- C = 16 - 20 ft lbs
- D = 8 - 10 ft lbs
- E = 80 - 90 ft lbs.
- F = 16 - 20 ft lbs
- G = 4 - 5 ft lbs
- H = 20 - 25 ft lbs
- I = 16 - 20 ft lbs



SPECIAL NOTE:

Aug 1987 S/N ended with S/N 47000 & started in Sep. 1987 with S/N 01001

VERSA FLAIL (Archive Book) 10/01

Jun. 1986
to
Oct 1987

CUTTER VALVE VERSA FLAIL ELECTRICAL VALVE

S/N VF-44987
to
S/N VF-01034

P/N 02959453 (w/ Fittings) & 02959468 (w/o Fittings)

| Item | Part No. | Qty | Description |
|------|----------|-----|--|
| 1 | 02959459 | 1 | Relief Cartridge W/ Seals |
| 2 | 02959460 | 1 | O-Ring |
| 3 | 02959461 | 1 | Back-Up Ring, Teflon |
| 4 | 02959462 | 1 | O-Ring |
| 5* | 02958285 | 1 | Solenoid W/ Seals & Less Coil Item #12 |
| 6 | 02958286 | 1 | O-Ring |
| 7 | 02958287 | 1 | O-Ring |
| 8 | 02958288 | 1 | Back-Up Ring, Teflon |
| 9 | 02958289 | 1 | ID Plate, Blank (Not Shown) |
| 10 | 02958290 | 1 | Shell (Not Shown) |
| 11 | 02958291 | 1 | Plate (Not Shown) |
| 12 | 02958292 | 1 | Coil Assembly |
| 13 | 02958293 | 1 | Nut |
| 14 | 02958295 | 1 | O-Ring |
| 15 | 02958296 | 1 | O-Ring |
| 16 | 02958297 | 1 | O-Ring |
| 17 | 02958298 | 1 | O-Ring |
| 18 | 02958299 | 1 | O-Ring |
| 19 | 02958300 | 1 | O-Ring |
| 20 | 02958301 | 1 | O-Ring |
| 21 | 02958302 | 3 | O-Ring |
| 22 | 02958294 | 1 | Solenoid Asy W/ Slide Terminal (Includes Items # 5 Thru 12) |
| 23 | 02958313 | 1 | Adapter, Straight |
| 24 | 02957622 | 2 | Adapter, Straight |
| 25 | 02957624 | 1 | Adapter, Straight |
| 26 | 02958203 | 1 | Wire Harness |
| 27 | 02957626 | 1 | Contact Block |
| 28 | 02957625 | 1 | Switch, Push Pull |
| 29 | 02959384 | 1 | Knob, Red (for Item # 29) |
| 30 | 02959465 | -- | Seal Kit (Includes Items 2,3,4,6,7,8,14,15,16,17,18) |

* Part Number 02958285 (Item # 5 does NOT include Coil Asy item # 12)

NOTE: All Torque Settings Listed in Drawing are Critical and should not be Exceeded. DO NOT make repairs to this component when Hot or While Unit is running, If replacing this Assembly Complete a later Type Valve will be shipped and may vary in design, Some modifications may be required, Look at all drawing and/or instructions shipped with replacement Parts is important.

NOTE: S/N Change Aug. 1987 S/N's ended with # 47000 and Sep. 1987 started a new series with # 01001

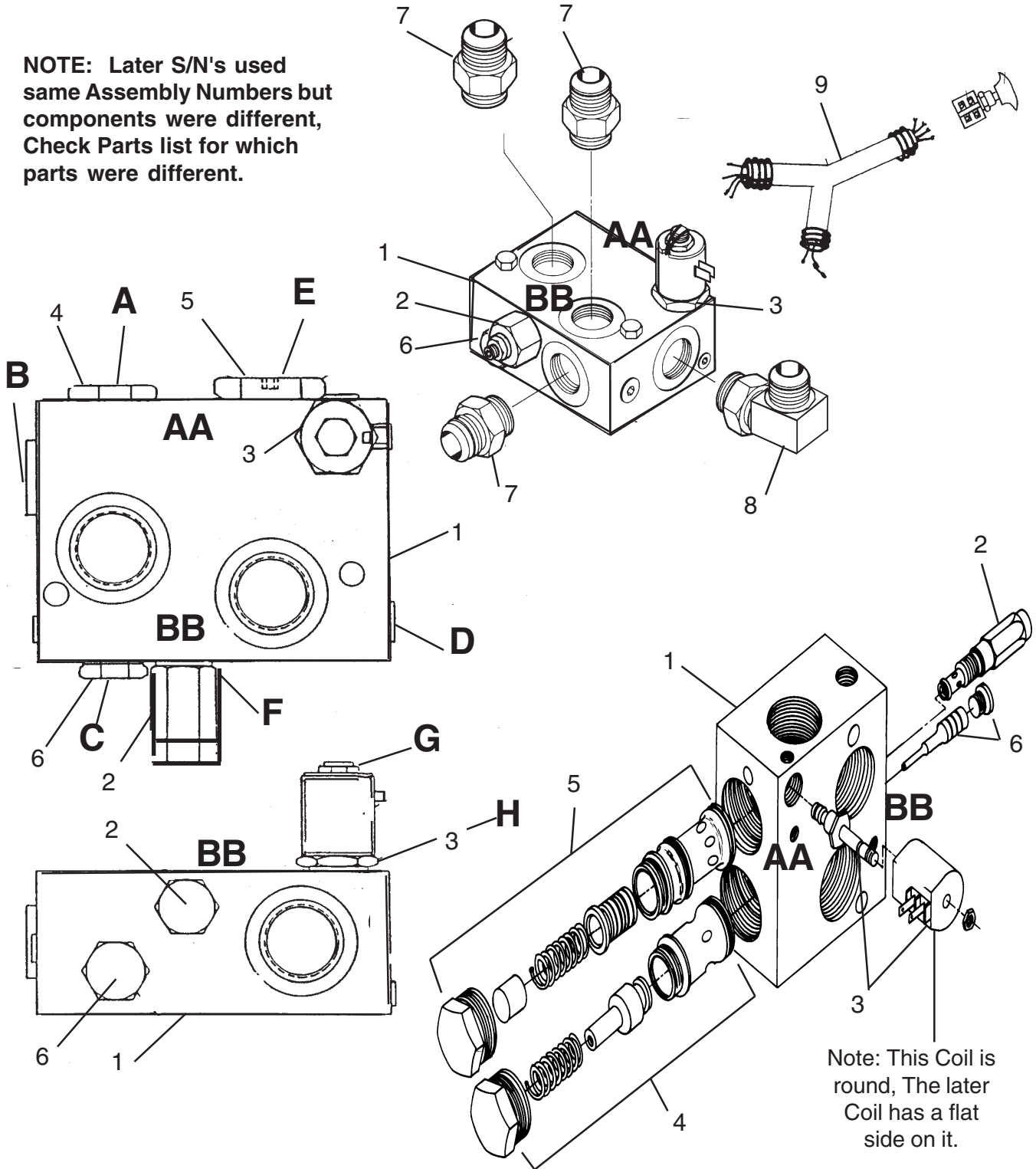
Nov. 1987
to
Jul. 1992

CUTTER VALVE VERSA FLAIL ELECTRICAL VALVE

S/N VF-01035
to
S/N VF-02511

P/N 02961090 (w/ Fittings) & 02960565 (w/o Fittings)

NOTE: Later S/N's used same Assembly Numbers but components were different, Check Parts list for which parts were different.



Nov. 1987
to
Jul. 1992

CUTTER VALVE VERSA FLAIL ELECTRICAL VALVE

S/N VF-01035
to
S/N VF-02511

P/N 02961090 (w/ Fittings) & 02960565 (w/o Fittings)

| Item | Part No. | Qty | Description |
|------|----------|-----|-----------------------------------|
| 1 | 02960565 | -- | Cutter Valve Asy |
| 2 | 02961261 | 1 | Relief Cartridge W/ Seals |
| | 02961262 | -- | Relief Valve Seal Kit |
| 3 | 02961265 | 1 | Solenoid Valve w/ Seals, Complete |
| | 02961264 | -- | Solenoid Valve Cartridge |
| | 02961263 | -- | Solenoid Coil Only |
| | 02961266 | -- | Solenoid Valve Seal kit |
| 4 | 02961269 | 1 | Check Valve |
| | 02961270 | -- | Seal Kit, Check valve |
| 5 | 02961267 | 1 | Logic valve |
| | 02961268 | -- | Seal kit, Logic Valve |
| 6 | 02961271 | 1 | Pilot Piston w/Seals |
| | 02972768 | 1 | Plug |
| 7 | 02960807 | 3 | Adapter, Straight |
| 8 | 02961003 | 1 | Adapter, Straight |
| 9 | 02958203 | 1 | Wire Harness |
| 10 | 02964028 | 1 | Switch, Push Pull |
| 11 | 02964063 | 1 | knob |

Torque Settings

A = 40 - 50 ft lbs

B = 20 - 25 ft lbs

C = 16 - 20 ft lbs

D = 8 - 10 ft lbs

E = 80 - 90 ft lbs.

F = 16 - 20 ft lbs

G = 4 - 5 ft lbs

H = 20 - 25 ft lbs

NOTE: All Torque Settings Listed in Drawing are Critical and should not be Exceeded. DO NOT make repairs to this component when Hot or While Unit is running, If replacing this Assembly Complete a , Look at all drawing and/or instructions shipped with replacement Parts is important.

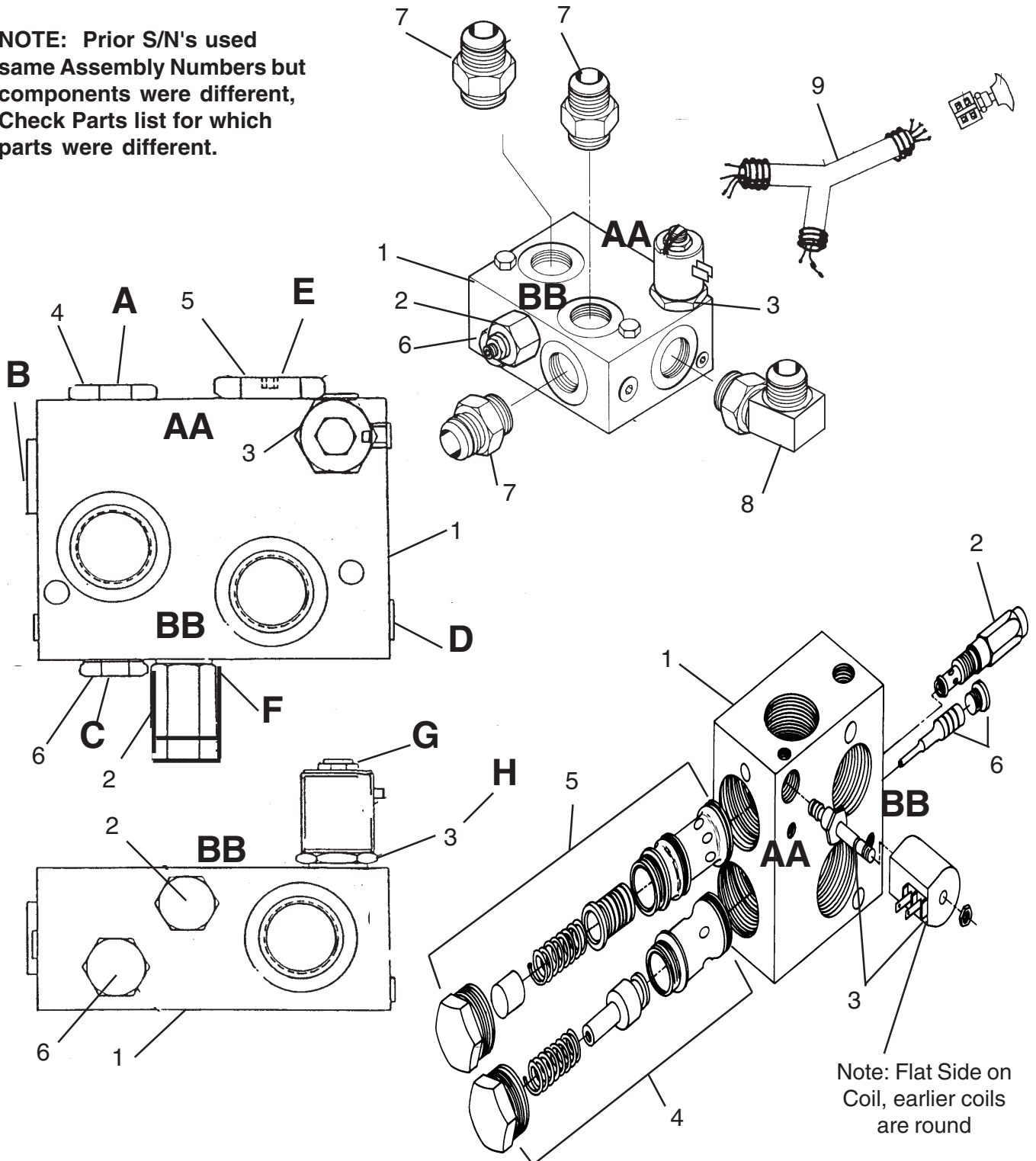
Aug. 1992
to
Current

CUTTER VALVE VERSA FLAIL ELECTRICAL VALVE

S/N VF-02512
to
S/NVF-Current

P/N 02961090 (w/ Fittings) & 02960565 (w/o Fittings)

NOTE: Prior S/N's used same Assembly Numbers but components were different, Check Parts list for which parts were different.



Aug. 1992
to
Current

CUTTER VALVE VERSA FLAIL ELECTRICAL VALVE

S/N VF-02512
to
S/N VF-Current

P/N 02961090 (w/ Fittings) & 02960565 (w/o Fittings)

| Item | Part No. | Qty | Description |
|------|----------|-----|-----------------------------------|
| 1 | 02960565 | -- | Cutter Valve Asy |
| 2 | 02961261 | 1 | Relief Cartridge With Seals |
| | 02961262 | -- | Relief Valve Seal Kit |
| 3 | 02965223 | 1 | Solenoid Valve w/ Seals, Complete |
| | 02965221 | -- | Solenoid Valve Cartridge |
| | 02965222 | -- | Solenoid Coil Only |
| | 02961266 | -- | Solenoid Valve Seal kit |
| 4 | 02961269 | 1 | Check Valve |
| | 02961270 | -- | Seal Kit, Check valve |
| 5 | 02961267 | 1 | Logic valve |
| | 02961268 | -- | Seal kit, Logic Valve |
| 6 | 02961271 | 1 | Pilot Piston w/Seals |
| | 02972768 | 1 | Plug |
| 7 | 02960807 | 3 | Adapter, Straight |
| 8 | 02961003 | 1 | Adapter, Straight |
| 9 | 02958203 | 1 | Wire Harness |
| 10 | 02964028 | 1 | Switch, Push Pull |
| 11 | 02964063 | 1 | knob |

Torque Settings

A = 40 - 50 ft lbs

B = 20 - 25 ft lbs

C = 16 - 20 ft lbs

D = 8 - 10 ft lbs

E = 80 - 90 ft lbs.

F = 16 - 20 ft lbs

G = 4 - 5 ft lbs

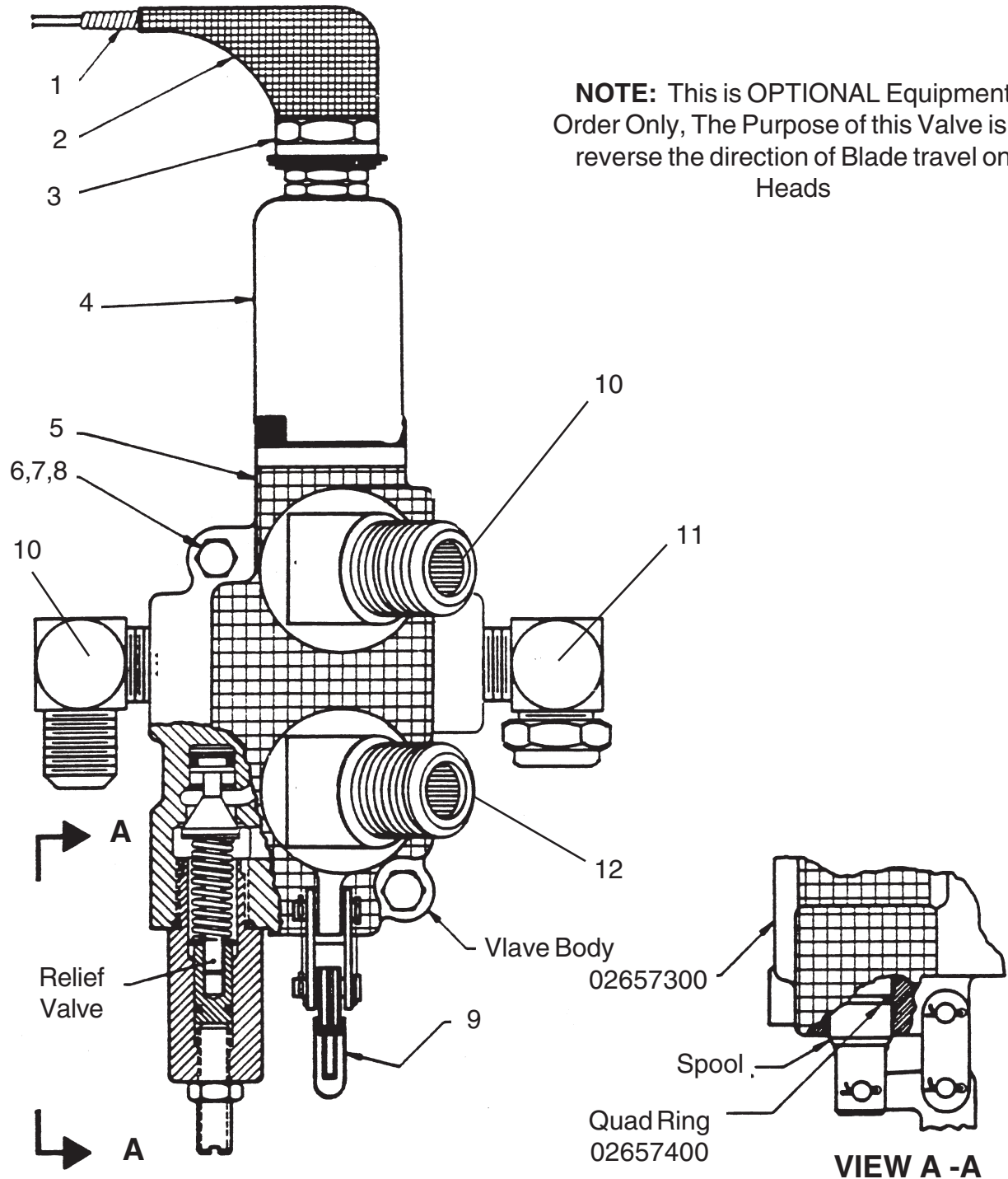
H = 20 - 25 ft lbs

NOTE: All Torgue Settings Listed in Drawing are Critical and should not be Exceeded. DO NOT make repairs to this component when Hot or While Unit is running, If replacing this Assembly Complete a , Look at all drawing and/or instructions shipped with replacement Parts is important.

Feb. 1982
to
Current

S/N VF-39383
to
S/N VF-Current

CUTTER VALVE VERSA FLAIL Mechanical Valve Reversing Valve P/N 02957254 OPTIONAL



VERSA FLAIL (Archive Book) 10/01

Feb. 1982
to
Current

**CUTTER VALVE
VERSA FLAIL
Mechanical Valve
Reversing Valve P/N 02957254
OPTIONAL**

S/N VF-39383
to
S/N VF-Current

| Item | Part No. | Qty | Description |
|------|----------|-----|-------------------------|
| 1 | 02775200 | 1 | Wiring Harness |
| 2 | 02775100 | 1 | Boot |
| 3 | 02956996 | 1 | Safety Switch |
| 4 | 02957002 | 1 | Detent Kit Assembly |
| 5 | 02040600 | 1 | Valve, W/ Safety Switch |
| 6 | 02957043 | 3 | Bolt |
| 7 | 00011700 | 3 | Lockwasher |
| 8 | 00021800 | 3 | Nut |
| 9 | 02882100 | 1 | Handle Assembly |
| 10 | 02042600 | 2 | Elbow |
| 11 | 02937300 | 1 | Elbow |
| 12 | 02957228 | 1 | Elbow |

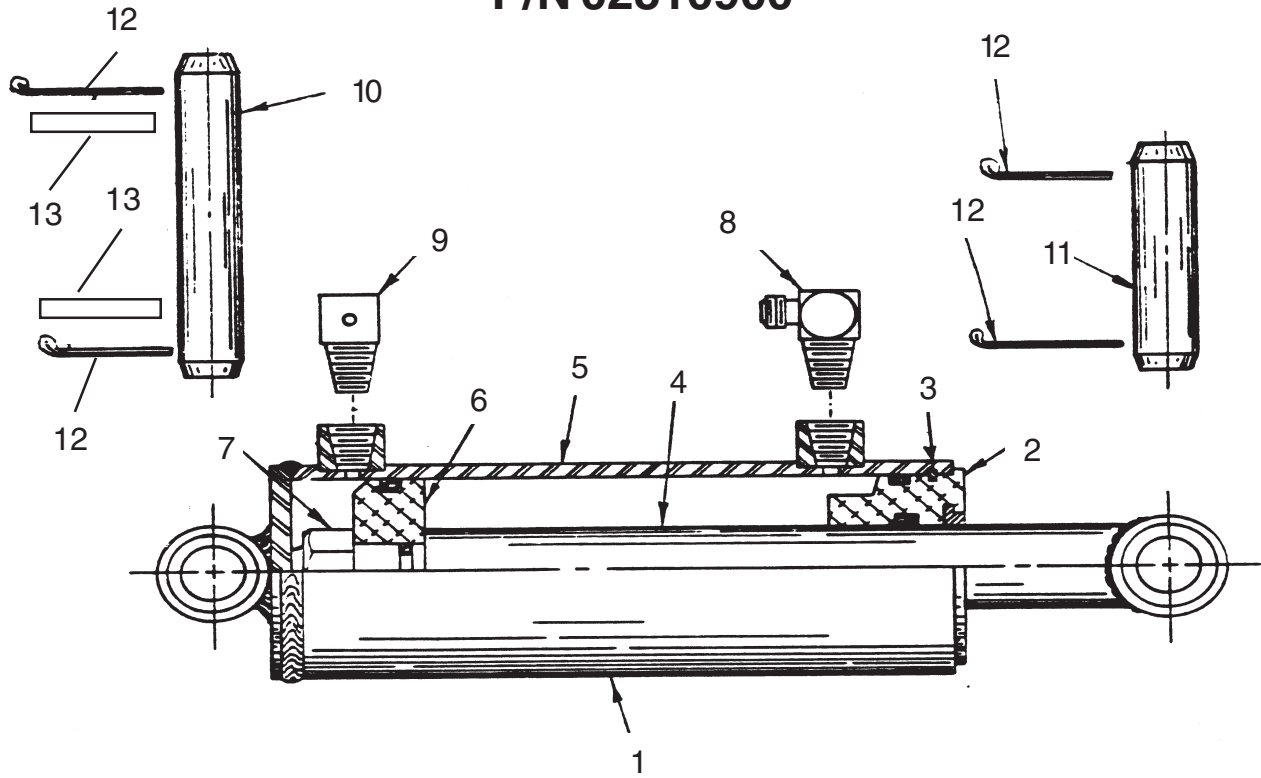
**Relief Valve Repair Kit
P/N 02719000 Consist of:**

- 1 - Washer, Large
- 1 - Washer, Small
- 1 - Adj. Screw
- 1 - Jam Nut
- 1 - Plug End
- 1 - O-Ring, Large
- 1 - O-Ring, Small
- 1 - Spring
- 1- Poppet Relief

Jun. 1984
to
May 1988

LIFT CYLINDER VERSA FLAIL P/N 02810900

S/N VF-41791
to
S/N VF-01244



| Item | Part No. | Qty | Description |
|------|----------|-----|-------------------------------|
| 1 | 02810900 | 1 | Cylinder Only |
| 2 | 02840100 | 1 | Gland (See 02841300) |
| 3 | ----- | 1 | Lockwire (See Seal Kit) |
| 4 | 02840200 | 1 | Rod Asy |
| 5 | 02840300 | 1 | Barrel Asy |
| 6 | 02840400 | 1 | Piston |
| 7 | 02840500 | 1 | Locknut |
| 8 | 02822100 | 1 | Elbow |
| 9 | 00750208 | 1 | Plug, Breather |
| 10 | 02880800 | 1 | Pin (Dead End) |
| 11 | 02930200 | 1 | Pin (Rod End) |
| 12 | 00606000 | 4 | Cotter Pin (Select Type Used) |
| | 45000000 | AR | Hair Pin (Not SHown) |
| 13 | 02822500 | 2 | Washer |
| 14 | 02840000 | 1 | Seal Kit |

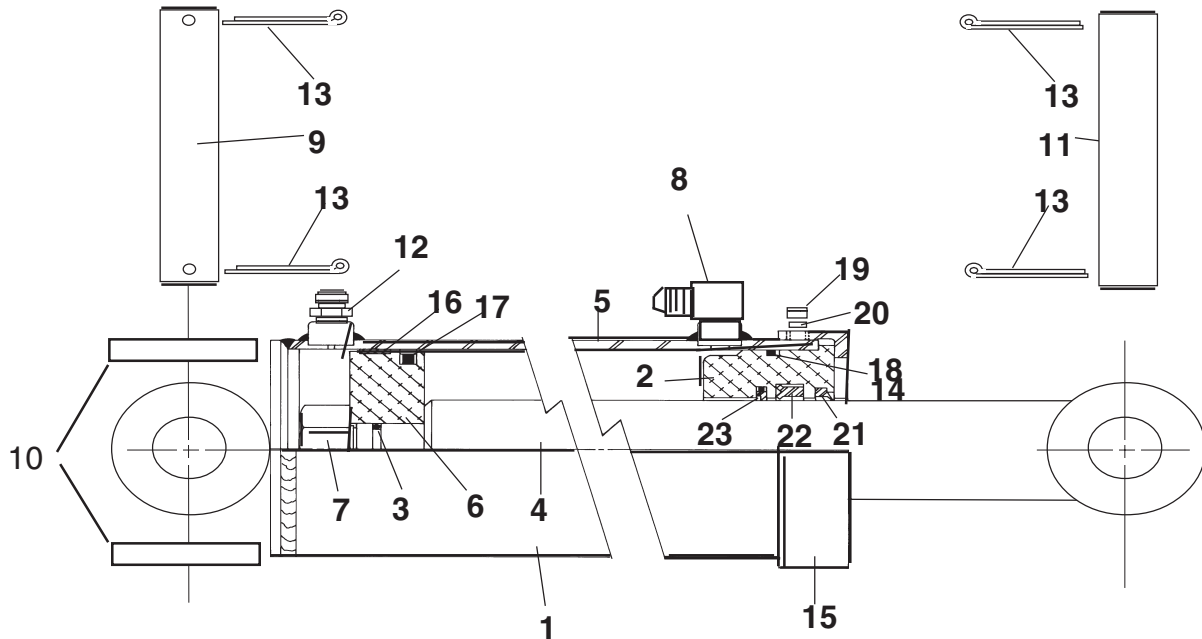
SEAL KIT Consist of

| | | |
|-----------------------|---------------|---------------------|
| 1 - Gland Static Seal | 1 - Rod Seal | 1 - Piston Seal |
| 2 - Buack-up Rings | 1 - Rod Wiper | 1 - Rod Static Seal |
| 1 - Rod Back-up Seal | 1 - Lockwire | |

Jun. 1988
to
Current

LIFT CYLINDER VERSA FLAIL P/N 02961484

S/N VF-01245
to
S/N VF-Current

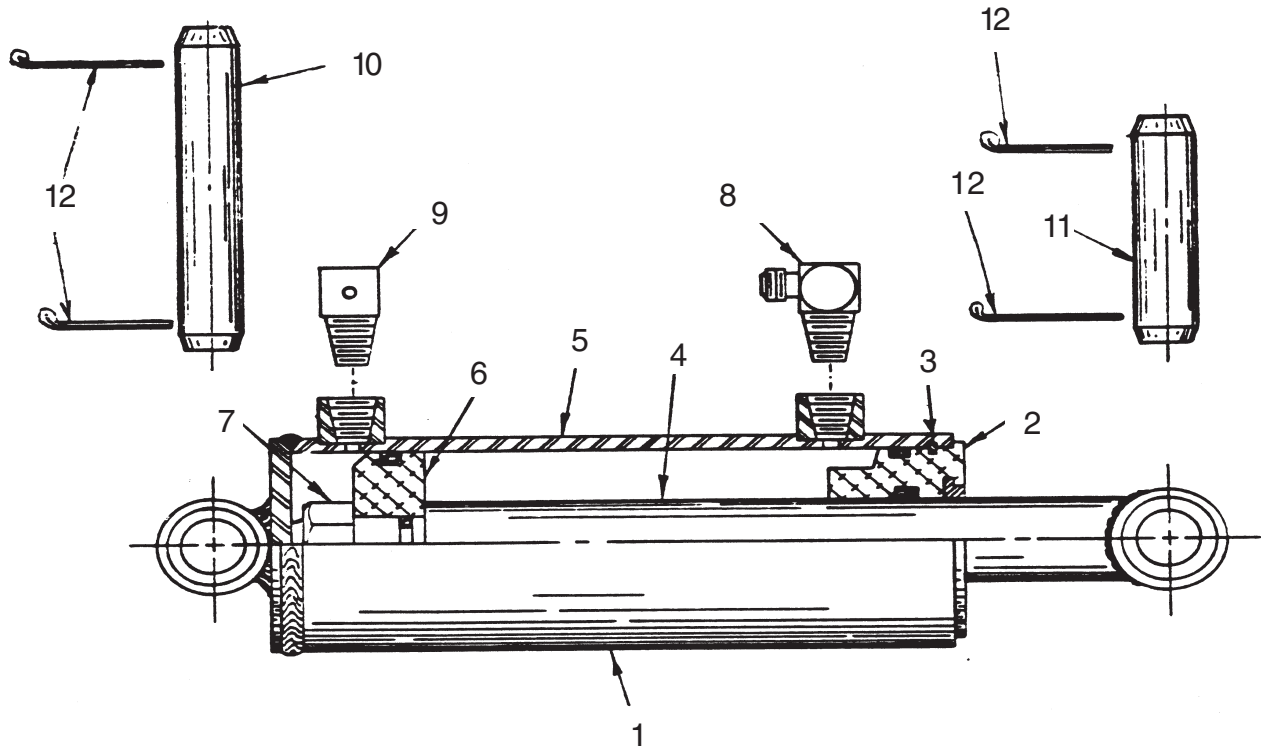


| Item | Part No. | Qty | Description |
|------|----------|-----|--|
| 1 | 02961484 | 1 | Hydraulic Cylinder |
| 2 | 02962134 | 1 | Gland |
| 3* | ----- | 1 | "O" Ring |
| 4 | 02962133 | 1 | Rod Asy |
| 5 | 02962132 | 1 | Barrel Asy |
| 6 | 02962131 | 1 | Piston |
| 7 | 02840500 | 1 | Locknut |
| 8 | 02960018 | 1 | Elbow |
| 9 | 02880800 | 1 | Pin "E" |
| 10 | 02822500 | 2 | Washer |
| 11 | 02930200 | 1 | Pin "D" |
| 12 | 02960054 | 1 | Breather Plug |
| 13 | 00606000 | 3 | Cotter Pin |
| 14* | ----- | 1 | Back-Up Ring |
| 15 | 02962129 | 1 | Collar |
| 16* | ----- | 1 | Wear Ring |
| 17* | ----- | 1 | Piston Seal |
| 18* | ----- | 1 | "O" Ring |
| 19 | 02962169 | 1 | Set Screw |
| 20 | 02962170 | 1 | Nylon Insert |
| 21* | ----- | 1 | Rod Wiper |
| 22* | ----- | 1 | Rod Seal |
| 23* | 02962135 | 1 | Seal Kit (Items 3,10,14,16,17, 18,21,22 & 23) |

Jun. 1984
to
May 1988

TILT CYLINDER VERSA FLAIL P/N 02810900

S/N VF-41791
to
S/N VF-01244



| Item | Part No. | Qty | Description |
|------|----------|-----|-------------------------------|
| 1 | 02810900 | 1 | Cylinder Only |
| 2 | 02840100 | 1 | Gland (See 02841300) |
| 3 | ----- | 1 | Lockwire (See Seal Kit) |
| 4 | 02840200 | 1 | Rod Asy |
| 5 | 02840300 | 1 | Barrel Asy |
| 6 | 02840400 | 1 | Piston |
| 7 | 02840500 | 1 | Locknut |
| 8 | 02822100 | 1 | Elbow |
| 9 | 00750208 | 1 | Plug, Breather |
| 10 | 02930100 | 1 | Pin "E" |
| 11 | 02930200 | 1 | Pin "D" |
| 12 | 00606000 | 4 | Cotter Pin (Select Type Used) |
| | 45000000 | AR | Hair Pin (Not SHown) |
| 13 | 02840000 | 1 | Seal Kit |

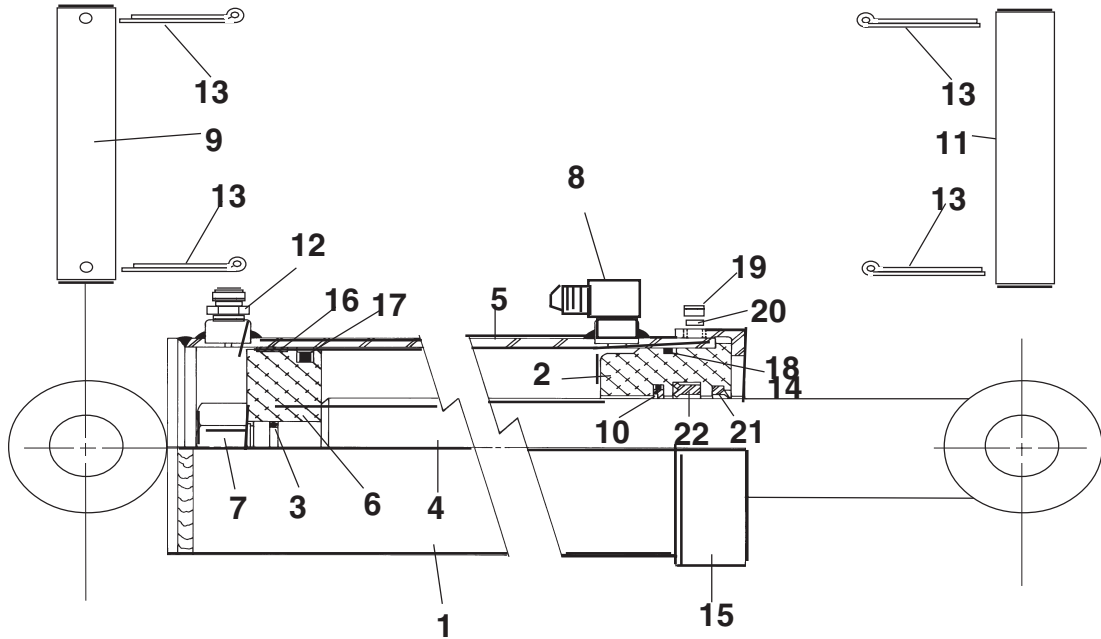
SEAL KIT Consist of

| | | |
|-----------------------|---------------|---------------------|
| 1 - Gland Static Seal | 1 - Rod Seal | 1 - Piston Seal |
| 2 - Buack-up Rings | 1 - Rod Wiper | 1 - Rod Static Seal |
| 1 - Rod Back-up Seal | 1 - Lockwire | |

Jun. 1988
to
Current

TILT CYLINDER VERSA FLAIL P/N 02961483

S/N VF-01245
to
S/N VF-Current

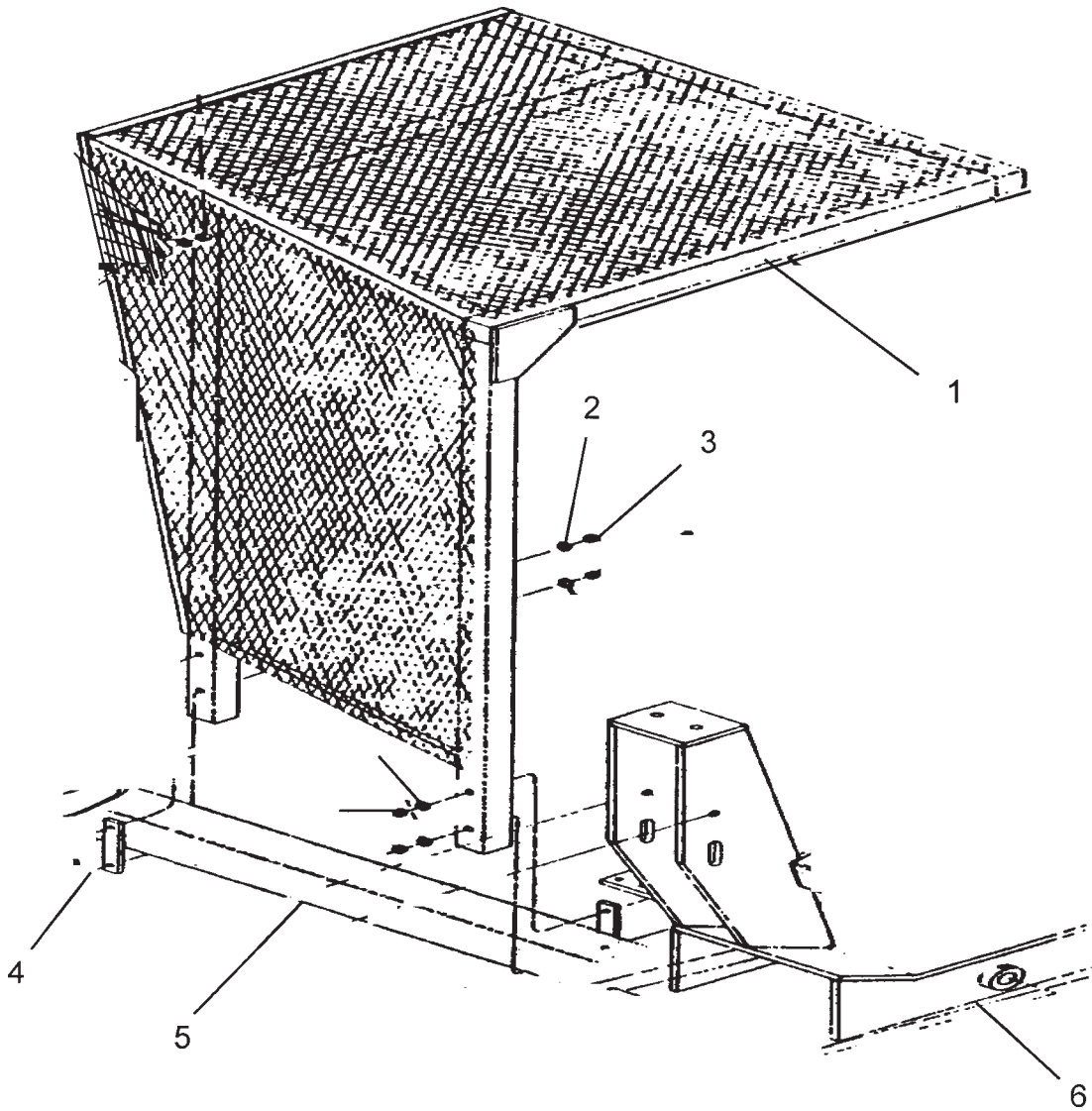


| Item | Part No. | Qty | Description |
|------|----------|-----|--|
| 1 | 02961483 | 1 | Hydraulic Cylinder |
| 2 | 02962134 | 1 | Gland |
| 3* | ----- | 1 | "O" Ring |
| 4 | 02962137 | 1 | Rod Asy |
| 5 | 02962136 | 1 | Barrel Asy |
| 6 | 02962131 | 1 | Piston |
| 7 | 02840500 | 1 | Locknut |
| 8 | 02962181 | 1 | Elbow |
| 9 | 02957536 | 1 | Pin "E" |
| 10* | ----- | 1 | Buffer Seal |
| 11 | 02930200 | 1 | Pin "D" |
| 12 | 02960054 | 1 | Breather Plug |
| 13 | 00606000 | 3 | Cotter Pin |
| 14* | ----- | 1 | Back-Up Ring |
| 15 | 02962158 | 1 | Collar |
| 16* | ----- | 1 | Wear Ring |
| 17* | ----- | 1 | Piston Seal |
| 18* | ----- | 1 | "O" Ring |
| 19 | 02962169 | 1 | Set Screw |
| 20 | 02962170 | 1 | Nylon Insert |
| 21* | ----- | 1 | Rod Wiper |
| 22* | ----- | 1 | Rod Seal |
| 23* | 02962135 | 1 | Seal Kit (Items 3,10,14,16,17, 18,21,22 & 23) |

Jun. 1984
to
Current

OPERATOR CAGE VERSA FLAIL

S/N VF-41791
to
S/N VF-Current



| Item | Part No. | Qty | Description |
|------|----------|-----|------------------|
| 1 | 02915500 | 1 | Versa Cage Asy |
| 2 | 00001300 | 4 | Lockwasher |
| 3 | 00001200 | 4 | Nut |
| 4 | 00751582 | 4 | Bolt (Not Shown) |
| 5 | ----- | ref | Frame Rail |
| 6 | ----- | ref | Sub frame |

NOTES

Jun. 1984
to
Current

Front Pump Drive Shafts VERSA FLAIL

S/N VF-41791
to
S/N VF-Current

CASE - IH

| Model Series | Shaft # | Coupler# | Pulley Adapter# | Pulley Hub# |
|---|----------|------------------|-----------------|--------------------|
| 1390-- Mounted w/ Rear Pumps ONLY | ----- | ----- | ----- | ----- |
| 1394-- Mounted w/ Rear Pumps ONLY | ----- | ----- | ----- | ----- |
| 1490-- Mounted w/ Rear Pumps ONLY | ----- | ----- | ----- | ----- |
| 1494-- Mounted w/ Rear Pumps ONLY | ----- | ----- | ----- | ----- |
| 1594-- Mounted w/ Rear Pumps ONLY | ----- | ----- | ----- | ----- |
| 4210-- Utility Bolster (W/O Cab)----- | 02962767 | 02957635 | 02968116 | ----- |
| 4210-- Utility Bolster (W/ Cab)----- | 02962767 | 106277 | 02963995 | ----- |
| 4210-- Row Crop Bolster----- | 02962767 | 106577 | 02968116 | ----- |
| 4220-- Utility Bolster (W/O Cab)----- | 02962767 | 02957635 | 02968116 | ----- |
| 4220-- Utility Bolster (W/ Cab)----- | 02962767 | 106277 | 02963995 | ----- |
| 4220-- Row Crop Bolster----- | 02962767 | 106577 | 02968116 | ----- |
| 4230-- Utility Bolster (W/O Cab)----- | 02962767 | 02957635 | 02968116 | ----- |
| 4230-- Utility Bolster (W/ Cab)----- | 02962767 | 106277 | 02963995 | ----- |
| 4230-- Row Crop Bolster----- | 02962767 | 106577 | 02968116 | ----- |
| 4240-- Utility Bolster (W/O Cab)----- | 02962767 | 02957635 | 02968116 | ----- |
| 4240-- Utility Bolster (W/ Cab)----- | 02962767 | 106277 | 02963995 | ----- |
| 4240-- Row Crop Bolster----- | 02962767 | 106577 | 02968116 | ----- |
| 5120-- --(*used Chain Coupler & Sprockets)- | 02963668 | *02873800(Chain) | 02963665 | *02960002/02963667 |
| 5220-- ----- | 02960517 | 02957635 | 02963665 | ----- |
| 5230-- ----- | 02960517 | 02957635 | 02963665 | ----- |
| 5240-- ----- | 02960517 | 02957635 | 02963665 | ----- |
| 5250-- ----- | 02960517 | 02957635 | 02963665 | ----- |
| 584-- Row Crop Bolster----- | 02958947 | 02957635 | 02958391 | 02702900 |
| 584-- Utility Bolster----- | 02962767 | 02957635 | 02963995 | 02702900 |
| 584-- Manf'd Bolster (*Chain Coupler)--- | 02958631 | *02873800(chain) | 02858391 | *02960002 |
| 585-- Row Crop Bolster----- | 02958947 | 02957635 | 02958391 | 02702900 |
| 585-- Utility Bolster ----- | 02962767 | 02957635 | 02963995 | 02702900 |
| 585-- Manf'd Bolster (*Chain Coupler)--- | 02958631 | *02873800(chain) | 02858391 | *02960002 |
| 595-- Row Crop Bolster----- | 02958947 | 02957635 | 02958391 | 02702900 |
| 595-- Utility Bolster----- | 02952767 | 02957635 | 02963995 | 02702900 |
| 595-- Manf'd Bolster (*Chain Coupler)--- | 02958631 | *02873800(chain) | 02858391 | *02960002 |
| 684-- Row Crop Bolster----- | 02953767 | 02957635 | 02958391 | 02702900 |
| 684-- Utility Bolster----- | 02952767 | 02957635 | 02958391 | 02702900 |
| 684-- Manf'd Bolster (*Chain Coupler)--- | 02958631 | *02873800(chain) | 02858391 | *02960002 |
| 685-- Row Crop Bolster----- | 02958947 | 02957635 | 02958391 | 02702900 |
| 685-- Utility Bolster(all except 1989 Mod) | 02952767 | 02957635 | 02963995 | 02702900 |
| 685-- Utility Bolster(1989 Mod Only)----- | 02952767 | 02957635 | 02958391 | 02702900 |
| 685-- Manf'd Bolster (*Chain Coupler)--- | 02958631 | *02873800(chain) | 02858391 | *02960002 |
| 695-- Row Crop Bolster----- | 02958947 | 02957635 | 02958391 | 02702900 |
| 695-- Utility Bolster----- | 02952767 | 02957635 | 02958391 | 02702900 |
| 695-- Manf'd Bolster (*Chain Coupler)--- | 02958631 | *02873800(chain) | 02858391 | *02960002 |
| 784-- Row Crop Bolster----- | 02958947 | 02957635 | 02958391 | 02702900 |
| 784-- Utility Bolster----- | 02952767 | 02957635 | 02958391 | 02702900 |
| 784-- Manf'd Bolster (*Chain Coupler)--- | 02958631 | *02873800(chain) | 02858391 | *02960002 |

Jun. 1984
to
Current

Front Pump Drive Shafts VERSA FLAIL

S/N VF-41791
to
S/N VF-Current

CASE - IH

| Model Series | Shaft # | Coupler# | Pulley Adapter# | Pulley Hub# |
|--|----------|------------------|-----------------|-------------|
| 785-- Row Crop Bolster----- | 02958947 | 02957635 | 02958391 | 02702900 |
| 785-- Utility Bolster----- | 02952767 | 02957635 | 02958391 | 02702900 |
| 785-- Manf'd Bolster (*Chain Coupler)--- | 02958631 | *02873800(chain) | 02858391 | *02960002 |
| 884-- Row Crop Bolster----- | 02958947 | 02957635 | 02958391 | 02702900 |
| 884-- Utility Bolster----- | 02952767 | 02957635 | 02958391 | 02702900 |
| 884-- Manf'd Bolster (*Chain Coupler)--- | 02958631 | *02873800(chain) | 02858391 | *02960002 |
| 85 HYD Row Crop Bolster----- | 02961376 | 02957635 | 02958391 | 02702900 |
| 885-- Row Crop Bolster----- | 02951376 | 02957635 | 02958391 | 02702900 |
| 885-- Utility Bolster(All except 1989 Mod) | 02952767 | 02957635 | 02963995 | 02702900 |
| 885-- Utility Bolster (1989 Mod Only)--- | 02952767 | 02957635 | 02958391 | 02702900 |
| 885-- Manf'd Bolster (*Chain Coupler)--- | 02958631 | *02873800(chain) | 02858391 | *02960002 |
| 895-- Row Crop Bolster----- | 02958947 | 02957635 | 02958391 | 02702900 |
| 895-- Utility Bolster----- | 02952767 | 02957635 | 02958391 | 02702900 |
| 895-- Manf'd Bolster (*Chain Coupler)--- | 02958631 | *02873800(chain) | 02858391 | *02960002 |
| 990-- Mounted w/ Rear Pumps ONLY | ----- | ----- | ----- | ----- |
| 995-- Row Crop Bolster----- | 02958947 | 02957635 | 02958391 | 02702900 |
| 995-- Utility Bolster----- | 02952767 | 02957635 | 02958391 | 02702900 |
| 995-- Manf'd Bolster (*Chain Coupler)--- | 02958631 | *02873800(chain) | 02858391 | *02960002 |

Case - IH : BOLSTERS TYPES

- Manufactured.. = Welded Metal Assembly; Completely Fabricated by Welding.
 Row Crop..... = Cast Metal Assembly; with Drive Shaft runs through Axle Pivot Pin.
 Utility..... = Cast Metal Assembly; with Drive Shaft running above Axle Pivot Pin

FORD / NEW HOLLAND

| Model Series | Shaft # | Coupler# | Hub Adapter# | *Shaft & Hub Kit # |
|-------------------------------|----------|----------|--------------|--------------------|
| F-4600 | 02702800 | 02957635 | 02702900 | 02961953 |
| F-4610 | 02702800 | 02957635 | 02702900 | 02961953 |
| F-4630 | 02702800 | 02957635 | 02702900 | 02961953 |
| F-5030 W/Cab----- | 02702800 | 106577 | 02702900 | ----- |
| F-5030 W/O Cab----- | 02702800 | 02957635 | 02702900 | 02961953 |
| F-545 | 02702800 | 02957635 | 02702900 | 02961953 |
| F-5600 | 02702800 | 02957635 | 02702900 | 02961953 |
| F-5610 W/O Series II Cab----- | 02702800 | 02957635 | 02702900 | 02961953 |
| F-5610 W/ Series II Cab----- | 02702800 | 106557 | 02702900 | ----- |
| F-5610-S | 02967252 | 02957635 | 02702900 | ----- |
| F-5640-S | 02965016 | 02957635 | 02702900 | ----- |
| F-5640-SL | 02965016 | 02957635 | 02702900 | ----- |
| F-5640-SLE | 02965016 | 02957635 | 02702900 | ----- |

Jun. 1984
to
Current

Front Pump Drive Shafts VERSA FLAIL

S/N VF-41791
to
S/NVF-Current

FORD / NEW HOLLAND (Continued)

| Model Series | Shaft # | Coupler# | Hub Adapter# | *Shaft & Hub Kit # |
|--------------|--------------------------|----------|--------------|--------------------|
| F-5900 | 02702800 | 02957635 | 02702900 | 02961953 |
| F-6600 | 02702800 | 02957635 | 02702900 | 02961953 |
| F-6610 | 02702800 | 02957635 | 02702900 | 02961953 |
| F-6610-S | 02967252 | 02957635 | 02702900 | ----- |
| F-6640-S | 02965016 | 02956535 | 02702900 | ----- |
| F-6640-SL | 02965016 | 02957635 | 02702900 | ----- |
| F-6640-SLE | 02965016 | 02957635 | 02702900 | ----- |
| F-6710 | 02964027 | 02957635 | 02702900 | ----- |
| F-7610 | W/O Series II Cab----- | 02702800 | 02957635 | 02961953 |
| F-7610 | W/ Series II Cab----- | 02702800 | 106557 | ----- |
| F-7610-S | 02967252 | 02957635 | 02702900 | ----- |
| F-7710 | 02964027 | 02957635 | 02702900 | ----- |
| F-7740-S | 02955016 | 02957635 | 02702900 | ----- |
| F-7740-SL | 02965016 | 02957635 | 02702900 | ----- |
| F-7740-SLE | 02965016 | 02957635 | 02702900 | ----- |
| F-7840 | 02965016 | 02957635 | 02702900 | ----- |
| F-7840-S | 02965016 | 02957635 | 02702900 | ----- |
| F-7840-SL | 02965016 | 02957635 | 02702900 | ----- |
| F-7840-SLE | 02965016 | 02957635 | 02702900 | ----- |
| F-8160 | 02965016 | 02957635 | 02702900 | 02964918 |
| F-8210 | 02960517 | 02957635 | 02702900 | ----- |
| F-8240 | 02965016 | 02957635 | 02702900 | ----- |
| F-8240-S | 02965016 | 02957635 | 02702900 | ----- |
| F-8240-SL | 02965016 | 02957635 | 02702900 | ----- |
| F-8240-SLE | 02965016 | 02957635 | 02702900 | ----- |
| F-8260 | 02965016 | 02957635 | 02702900 | 02964918 |
| F-8340 | 02965016 | 02957635 | 02702900 | ----- |
| F-8340-S | 02965016 | 02957635 | 02702900 | ----- |
| F-8340-SL | 02965016 | 02957635 | 02702900 | ----- |
| F-8340-SLE | 02965016 | 02957635 | 02702900 | ----- |
| F-8360 | 02965016 | 02957635 | 02702900 | 02964918 |
| F-8560 | 02965016 | 02957635 | 02702900 | 02964918 |
| TN-55 | W/ Cab, 2 & 4 WD----- | 107232 | 02957635 | 02975110 |
| TN-65 | W/ Cab, 2 & 4 WD----- | 107232 | 02957635 | 02975110 |
| TN-75 | W/ Cab, 2 & 4 WD----- | 107232 | 02957635 | 02975110 |
| TS-90 | (* Lock Collar Kit)----- | 02973713 | 02957635 | 02702900 |
| TS-100 | (* Lock Collar Kit)----- | 02973713 | 02957635 | 02702900 |
| TS-110 | (* Lock Collar Kit)----- | 02973713 | 02957635 | 02702900 |

Ford / New Holland: Shaft & Hub Kit.

* Shaft & Hub Kit includes Shaft & Hub Only, Coupler IS NOT included in Kit. Hub Adapter (# 02702900)
Use 4 each of #02965355 Bolt & #00022200 Lockwasher for mounting. Also Set Screw # 03100453. Note:
On Models listed above part will fit All Types (2WD, 4WD, Cab, ROPS etc.) unless other wise listed.

Jun. 1984
to
Current

Front Pump Drive Shafts VERSA FLAIL

S/N VF-41791
to
S/N VF-Current

JOHN DEERE

| Model Series | | Shaft # | Coupler | Sprocket Eng. Side | Sprocket Pump Side | Coupling | D/L Kit Chain |
|----------------|-----------------|-----------------------|----------|--|--------------------|----------|---------------|
| JD-2350 | Small Pump | 02959954 | ----- | 02959980 | 02960002 | 02873800 | 02961969 |
| JD-2350 | Large Pump | 02961105 | ----- | 02959980 | 02960002 | 02873800 | 02961971 |
| JD-2355 | Small Pump | 02959954 | ----- | 02959980 | 02960002 | 02873800 | 02961969 |
| JD-2355 | Large Pump | 02961105 | ----- | 02959980 | 02960002 | 02873800 | 02961971 |
| JD-2550 | Small Pump | 02959954 | ----- | 02959980 | 02960002 | 02873800 | 02961969 |
| JD-2550 | Large Pump | 02961105 | ----- | 02959980 | 02960002 | 02873800 | 02961971 |
| JD-2555 | Small Pump | 02959954 | ----- | 02959980 | 02960002 | 02873800 | 02961969 |
| JD-2555 | Large Pump | 02961105 | ----- | 02959980 | 02960002 | 02873800 | 02961971 |
| JD-2640 | Rear Pump Only | ----- | ----- | ----- | ----- | ----- | ----- |
| JD-2750 | Small Pump | 02959954 | ----- | 02959980 | 02960002 | 02873800 | 02961969 |
| JD-2750 | Large Pump | 02961105 | ----- | 02959980 | 02960002 | 02873800 | 02961971 |
| JD-2755 | Small Pump | 02959954 | ----- | 02959980 | 02960002 | 02873800 | 02961969 |
| JD-2755 | Large Pump | 02961105 | ----- | 02959980 | 02960002 | 02873800 | 02961971 |
| JD-2950 | Large Pump | 02961831 | 02961107 | 02959980 | 02960002 | 02873800 | 02961972 |
| JD-2955 | Large Pump | 02961831 | 02961107 | 02959980 | 02960002 | 02873800 | 02961972 |
| JD-301A | Rear Pump Only | ----- | ----- | ----- | ----- | ----- | ----- |
| JD-302A | Rear Pump Only | ----- | ----- | ----- | ----- | ----- | ----- |
| JD-401B | Rear Pump Only | ----- | ----- | ----- | ----- | ----- | ----- |
| JD-4020 | Rear Pump Only | ----- | ----- | ----- | ----- | ----- | ----- |
| JD-5200 | ----- | 02960876 | 02957635 | 02971356=(*Pulley Adapter) | ----- | ----- | ----- |
| JD-5300 | ----- | 02960876 | 02957635 | 02971356=(*Pulley Adapter) | ----- | ----- | ----- |
| JD-5400 | ----- | 02960876 | 02957635 | 02971356=(*Pulley Adapter) | ----- | ----- | ----- |
| JD-5410 | ----- | 106843 | 02957635 | 02973992=(*Pulley Adapter) | ----- | ----- | ----- |
| JD-5500 | ----- | 02958631 | 106577 | 02971356=(*Pulley Adapter) | ----- | ----- | ----- |
| JD-5510 | ----- | 106843 | 02957635 | 02973992=(*Pulley Adapter) | ----- | ----- | ----- |
| JD-6200 | -----(All)----- | 02973712A=(*D/L Asy.) | ----- | 02966110=(*Pulley, Modified) | ----- | ----- | 02966141 |
| JD-6300 | -----(All)----- | 02973712A=(*D/L Asy.) | ----- | 02966110 (*Pulley, Modified) | ----- | ----- | 02966141 |
| JD-6400 | -----(All)----- | 02973712A=(*D/L Asy.) | ----- | 02966110=(*Pulley, Modified) | ----- | ----- | 02966141 |
| JD-6210 | -----(All)----- | 02973712A=(*D/L Asy.) | ----- | 02973992 & 02973891=(*Pulley Adapters) | ----- | ----- | ----- |
| JD-6310 | -----(All)----- | 02973712A=(*D/L Asy.) | ----- | 02973992 & 02973891=(*Pulley Adapters) | ----- | ----- | ----- |
| JD-6410 | -----(All)----- | 02973712A=(*D/L Asy.) | ----- | 02973992 & 02973891=(*Pulley Adapters) | ----- | ----- | ----- |
| JD-7200 | Cab-2&4 WD | 02973712A=(*D/L Asy.) | ----- | 02973992=(*Pulley Adapter) | ----- | ----- | ----- |
| JD-7210 | Rops-2&4 WD | 02973712A=(*D/L Asy.) | ----- | 02966110=(*Pulley, Modified) | ----- | ----- | 02966141 |
| JD-7210 | Cab-2&4 WD | 02973712A=(*D/L Asy.) | ----- | 02973992=(*Pulley Adapter) | ----- | ----- | ----- |

Continued next Page

Note: On JD Models listed above & Next Page parts will fit All Types (2WD, 4WD, Cab, ROPS etc.) unless otherwise listed. Driveline Assembly # 02973712A Replaces Old # 02965790, But parts may Not be interchangeable. ALL Drive Components ARE Not of the Same Style. Pulleys / Pulley Adapters are added or changed completely as required

VERSA FLAIL (Archive Book) 10/01

Jun. 1984
to
Current

Front Pump Drive Shafts VERSA FLAIL

S/N VF-41791
to
S/N VF-Current

JOHN DEERE (Continued From Previous Page)

| Model Series | Shaft # | Coupler | Sprocket Eng. Side | Sprocket Pump Side | Coupling | D/L Kit Chain |
|----------------------------|-----------------------|---------|------------------------------|--------------------|-------------------------|---------------|
| JD-7400 Cab-2&4 WD | 02973712A>(*D/L Asy.) | | 02973992>(*Pulley Adapter) | | ----- | ----- |
| JD-7410 Rops-2&4 WD | 02973712A>(*D/L Asy.) | | 02966110>(*Pulley, Modified) | | ----- | 02966141 |
| JD-7410 Cab-2&4 WD | 02973712A>(*D/L Asy.) | | 02973992>(*Pulley Adapter) | | ----- | ----- |
| JD-7610 Cab-4 WD | 02971814=(Shaft) | | 02972703>(*Rubber Element) | | 02972779>(*U-Joint Kit) | |
| JD-7810 Cab-4 WD | 02971814=(Shaft) | | 02972703>(*Rubber Element) | | 02972779>(*U-Joint Kit) | |

MASSEY FERGUSON

| Model Series Kit# | Shaft # | Coupler# | Pulley Adapter# | Hub Adapter# | Shaft & Hub |
|-------------------|------------------|-------------|-----------------|--------------|-----------------------|
| MF-255 | ----- | 02761000* | 02636300 | ----- | ----- |
| MF-265 | ----- | 02761000* | 02636300 | ----- | ----- |
| MF-270 | ----- | 02702800 | 02957635 | 02957693 | 02702900 ****02961953 |
| MF-275 | ----- | 02761000* | 02636300 | ----- | ----- |
| MF-282 | ----- | 02702800 | 02957635 | 02957693 | 02702900 ****02961953 |
| MF-283 | ----- | 02702800 | 02957635 | 02957693 | 02702900 ****02961953 |
| MF-285 | ----- | 02702800 | 02957635 | 02957693 | 02702900 ****02961953 |
| MF-290 | ----- | 02702800 | 02957635 | 02957693 | 02702900 ****02961953 |
| MF-298 | ----- | 02702800** | 02957635/106577 | 02959831 | ----- |
| MF-375 | w/&w/o Crpr Gear | 02962767 | 106577 | 02970426 | ----- |
| MF-375 | Rops, 4 WD | 02960876 | 106577 | 02960878 | ----- |
| MF-375 | Cab | 02960876*** | 02957635 | 02960878 | s/n 49188 down |
| MF-375 | Cab | 02962767*** | 106577 | 02970426 | s/n 49189 up |
| MF-383 | w/&w/o Crpr Gear | 02962767 | 106577 | 02970426 | ----- |
| MF-383 | Rops, 4 WD | 02960876 | 106577 | 02960878 | ----- |
| MF-383 | Cab | 02960876*** | 02957635 | 02960878 | s/n 49188 down |
| MF-383 | Cab | 02962767*** | 106577 | 02970426 | s/n 49189 up |
| MF-390 | w/&w/o Crpr Gear | 02962767 | 106577 | 02970426 | ----- |
| MF-390 | Rops, 4 WD | 02960876 | 106577 | 02960878 | ----- |
| MF-390 | Cab | 02960876*** | 02957635 | 02960878 | s/n 49188 down |
| MF-390 | Cab | 02962767*** | 106577 | 02970426 | s/n 49189 up |
| MF-40B | ----- | 02761000* | ----- | ----- | ----- |
| MF-4233 | Cab, 2/4 WD | 106954 | 02957635 | 02974786 | & Std Hood |
| MF-4233 | Rops, 2/4 WD | 02965016 | 02957635 | 02974786 | & Std Hood |
| MF-4235 | Cab, 2/4 WD | 106954 | 02957635 | 02974786 | & Std Hood |
| MF-4235 | Rops, 2/4 WD | 02965016 | 02957635 | 02974786 | & Std Hood |

Continued

Next page

* 02761000 is a Welded Assembly with Coupler Weld on it, Coupler can only be replaced as Shaft is replaced.

** This Used a Modified Hub Part # 02968128 Weldment.

*** See Tractor Serial Number for Break, NOT Versa Serial Number Break.

**** Includes Shaft & Hub, Some components may not be furnished, Check Component List at time of Order.

VERSA FLAIL (Archive Book) 10/01

Jun. 1984
to
Current

Front Pump Drive Shafts VERSA FLAIL

S/N VF-41791
to
S/N VF-Current

MASSEY FERGUSON (Continued From Previous Page)

| Model Series | | Shaft # | Coupler# | Hub Adapter# | Shaft & Hub Kit # |
|--------------|------------------------|-----------|----------|--------------|-------------------|
| MF-4243 | Rops, 2/4 WD, Std Hood | 02965016 | 02957635 | 02974786 | ----- |
| MF-4245 | Cab, 2/4 WD, Std Hood | 106954 | 02957635 | 02974786 | ----- |
| MF-4245 | Rops, 2/4 WD, Std Hood | 02965016 | 02957635 | 02974786 | ----- |
| MF-4253 | Cab, 2/4 WD, Std Hood | 106954 | 02957635 | 02974786 | ----- |
| MF-4253 | Rops, 2/4 WD, Std Hood | 02965016 | 02957635 | 02974786 | ----- |
| MF-4255 | Cab, 2/4 WD, Std Hood | 106954 | 02957635 | 02974786 | ----- |
| MF-4255 | Rops, 2/4 WD, Std Hood | 02965016 | 02957635 | 02974786 | ----- |
| MF-4263 | Cab/Rops, 2/4 WD | 107496 | 02957635 | 108424 | ----- |
| MF-4270 | Cab/Rops, 2/4 WD | 107496 | 02957635 | 108424 | ----- |
| MF-50C | ----- | 02761000* | ----- | ----- | ----- |

* 02761000 is a Welded Assembly with Coupler Weld on it, Coupler can only be replaced as Shaft is replaced.

** This Used a Modified Hub Part # 02968128 Weldment.

*** See Tractor Serial Number for Break, NOT A-Boom Serial Number Break.

**** Includes Shaft & Hub, Some components may not be furnished, Check Component List at time of Order.

HESSTON

| Model | | Shaft # | Pulley Adapter# | Hub# | Coupling Chain # | Sprocket Weldment# |
|-------|-------|----------|-----------------|----------|------------------|--------------------|
| 666 | ----- | 02959341 | 02968630 | 02702900 | 00751158 | 02959038 (2) |
| 7066 | ----- | 02959341 | 02968630 | 02702900 | 00751158 | 02959038 (2) |
| 766 | ----- | 02959341 | 02968630 | 02702900 | 00751158 | 02959038 (2) |
| 80 | ----- | 02959341 | 02968630 | 02702900 | 00751158 | 02959038 (2) |
| 8066 | ----- | 02959341 | 02968630 | 02702900 | 00751158 | 02959038 (2) |
| 90 | ----- | 02959341 | 02968630 | 02702900 | 00751158 | 02959038 (2) |

KUBOTA

| Model Series | | Shaft # | Pulley Asy. | Sprocket Eng. Side | Sprocket Pump Side | Coupling Chain | D/L Kit |
|--------------|----------|----------|-------------|--------------------|--------------------|----------------|-----------------|
| M6950 | Cab 4 WD | 02958631 | 02958833 | 02959038 | 02958398 | 00751158 | 02958828 |
| M7500 | ----- | 02959136 | 02959138 | ----- | ----- | 02957517 | 02959135(Chain) |
| M7950 | Cab 4 WD | 02958631 | 02958833 | 02959038 | 02958398 | 00751158 | 02958828 |

VERSA FLAIL (Archive Book) 10/01

Jun. 1984
to
Current

S/N PRODUCTION DATES VERSA FLAIL

S/N VF-41791
to
S/N VF-Current

| START - END | DATE | START - END | DATE | START - END | DATE |
|---------------|-----------|----------------|-----------|----------------|-----------|
| 41791 - 41900 | Jun. 1984 | 01192 - 01244 | May 1988 | 02382 - 02395 | Apr. 1992 |
| 41901 - 42249 | Jul. 1984 | 01245 - 01268 | Jun. 1988 | 02396 - 02428 | May 1992 |
| 42250 - 42350 | Aug. 1984 | 01269 - 01296 | Jul. 1988 | 02429 - 02429* | Jun. 1992 |
| 42351 - 42468 | Sep. 1984 | 01297 - 01345 | Aug. 1988 | 02430 - 02511 | Jul. 1992 |
| 42469 - 42530 | Oct. 1984 | 01346 - 01391 | Sep. 1988 | 02512 - 02512* | Aug. 1992 |
| 42581 - 42605 | Nov. 1984 | 01392 - 01412 | Oct. 1988 | 02513 - 02543 | Sep. 1992 |
| 42606 - 42658 | Dec. 1984 | 01413 - 01434 | Nov. 1988 | 02544 - 02544* | Oct. 1992 |
| 42659 - 42831 | Jan. 1985 | 01435 - 01455 | Dec. 1988 | 02545 - 02652 | Nov. 1992 |
| 42832 - 42839 | Feb. 1985 | 01456 - 01484 | Jan. 1989 | 02553 - 02672 | Dec. 1992 |
| 42840 - 42859 | Mar. 1985 | 01485 - 01525 | Feb. 1989 | 02673 - 02688 | Jan. 1993 |
| 42860 - 42923 | Apr. 1985 | 01526 - 01547 | Mar. 1989 | 02689 - 02708 | Feb. 1993 |
| 42924 - 42990 | May 1985 | 01548 - 01572 | Apr. 1989 | 02709 - 02769 | Mar. 1993 |
| 42991 - 43000 | Jun. 1985 | 01573 - 01602 | May 1989 | 02770 - 02779 | Apr. 1993 |
| 43001 - 43389 | Jul. 1985 | 01603 - 01642 | Jun. 1989 | 02780 - 02861 | May 1993 |
| 43390 - 43475 | Aug. 1985 | 01643 - 01668 | Jul. 1989 | 02862 - 02892 | Jun. 1993 |
| 43476 - 43503 | Sep. 1985 | 01669 - 01684 | Aug. 1989 | 02893 - 02954 | Jul. 1993 |
| 43504 - 43708 | Oct. 1985 | 01685 - 01691 | Sep. 1989 | 02955 - 02967 | Aug. 1993 |
| 43709 - 44065 | Nov. 1985 | 01692 - 01694 | Oct. 1989 | 02968 - 03009 | Sep. 1993 |
| 44066 - 44280 | Dec. 1985 | 01695 - 01760 | Nov. 1989 | 03010 - 03047 | Oct. 1993 |
| 44281 - 44405 | Jan. 1986 | 01761 - 01777 | Dec. 1989 | 03048 - 03052 | Nov. 1993 |
| 44406 - 44501 | Feb. 1986 | 01778 - 01785 | Jan. 1990 | 03053 - 03109 | Dec. 1993 |
| 44502 - 44615 | Mar. 1986 | 01786 - 01792 | Feb. 1990 | 03110 - 03127 | Jan. 1994 |
| 44616 - 44814 | Apr. 1986 | 01793 - 01842 | Mar. 1990 | 03128 - 03158 | Feb. 1994 |
| 44815 - 44986 | May 1986 | 01843 - 01870 | Apr. 1990 | 03159 - 03212 | Mar. 1994 |
| 44987 - 45145 | Jun. 1986 | 01871 - 01922 | May 1990 | 03213 - 03233 | Apr. 1994 |
| 45146 - 45280 | Jul. 1986 | 01923 - 01955 | Jun. 1990 | 03234 - 03245 | May 1994 |
| 45281 - 45398 | Aug. 1986 | 01956 - 01987 | Jul. 1990 | 03246 - 03358 | Jun. 1994 |
| 45399 - 45479 | Sep. 1986 | 01988 - 02007 | Aug. 1990 | 03359 - 03373 | Jul. 1994 |
| 45480 - 45569 | Oct. 1986 | 02008 - 02037 | Sep. 1990 | 03374 - 03417 | Aug. 1994 |
| 45570 - 45630 | Nov. 1986 | 02038 - 02049 | Oct. 1990 | 03418 - 03430 | Sep. 1994 |
| 45631 - 45685 | Dec. 1986 | 02050 - 02057 | Nov. 1990 | 03431 - 03439 | Oct. 1994 |
| 45686 - 45788 | Jan. 1987 | 02058 - 02070 | Dec. 1990 | 03440 - 03466 | Nov. 1994 |
| 45789 - 45823 | Feb. 1987 | 02071 - 02087 | Jan. 1991 | 03467 - 03492 | Dec. 1994 |
| 45824 - 45985 | Mar. 1987 | 02088 - 02097 | Feb. 1991 | 03493 - 03493* | Jan. 1995 |
| 45986 - 46030 | Apr. 1987 | 02098 - 02111 | Mar. 1991 | 03494 - 03541 | Feb. 1995 |
| 46031 - 46045 | May 1987 | 02112 - 02171 | Apr. 1991 | 03546 - 03564 | Mar. 1995 |
| 46046 - 46319 | Jun. 1987 | 02172 - 02214 | May 1991 | 03565 - 03643 | Apr. 1995 |
| 46320 - 46565 | Jul. 1987 | 02215 - 02244 | Jun. 1991 | 03644 - 03647 | May 1995 |
| 46566 - 47000 | Aug. 1987 | 02245 - 02263 | Jul. 1991 | 03648 - 03741 | Jun. 1995 |
| 01000 - 01007 | Sep. 1987 | 02264 - 02273 | Aug. 1991 | 03742 - 03778 | Jul. 1995 |
| 01008 - 01034 | Oct. 1987 | 02274 - 02283 | Sep. 1991 | 03779 - 03783 | Aug. 1995 |
| 01035 - 01059 | Nov. 1987 | 02284 - 02301 | Oct. 1991 | 03784 - 03808 | Sep. 1995 |
| 01060 - 01066 | Dec. 1987 | 02302 - 02308 | Nov. 1991 | 03809 - 03815 | Oct. 1995 |
| 01067 - 01099 | Jan. 1988 | 02309 - 02309* | Dec. 1991 | 03816 - 03816* | Nov. 1995 |
| 01100 - 01116 | Feb. 1988 | 02310 - 02329 | Jan. 1992 | 03817 - 03875 | Dec. 1995 |
| 01117 - 01154 | Mar. 1988 | 02330 - 02352 | Feb. 1992 | 03876 - 03884 | Jan. 1996 |
| 01155 - 01191 | Apr. 1988 | 02353 - 02381 | Mar. 1992 | 03885 - 03926 | Feb. 1996 |

NOTE: Dates above are to determine approximate ship dates and serial number assignment dates

* Some months there may not have been production or shipment of these Models

Jun. 1984
to
Current

S/N PRODUCTION DATES VERSA FLAIL

S/N VF-41791
to
S/NVF-Current

| START - END | DATE | START - END | DATE |
|----------------|-----------|----------------|-----------|
| 03927 - 03999 | Mar. 1996 | 04723 - 04723* | Feb. 2000 |
| 04000 - 04040 | Apr. 1996 | 04724 - 04754 | Mar. 2000 |
| 04041 - 04073 | May 1996 | 04755 - 04762 | Apr. 2000 |
| 04074 - 04097 | Jun. 1996 | 04763 - 04797 | May 2000 |
| 04098 - 04117 | Jul. 1996 | 04798 - 04805 | Jun. 2000 |
| 04118 - 04144 | Aug. 1996 | 04806 - 04806* | Jul. 2000 |
| 04145 - 04149 | Sep. 1996 | 04807 - 04807* | Aug. 2000 |
| 04150 - 04150* | Oct. 1996 | 04808 - 04808* | Sep. 2000 |
| 04150 - 04150* | Nov. 1996 | 04809 - 04820 | Oct. 2000 |
| 04151 - 04247 | Dec. 1996 | 04821 - 04821* | Nov. 2000 |
| 04248 - 04399 | Jan. 1997 | 04822 - 04848 | Dec. 2000 |
| 04400 - 04402 | Feb. 1997 | 04849 - 04850 | Jan. 2001 |
| 04403 - 04429 | Mar. 1997 | 04851 - 04869 | Feb. 2001 |
| 04430 - 04441 | Apr. 1997 | 04870 - 04870* | Mar. 2001 |
| 04442 - 04443 | May 1997 | 04871 - 04878 | Apr. 2001 |
| 04444 - 04445 | Jun. 1997 | 04879 - 04886 | May 2001 |
| 04446 - 04447 | Jul. 1997 | 04887 - 04887* | Jun. 2001 |
| 04448 - 04449 | Aug. 1997 | 04888 - 04900 | Jul. 2001 |
| 04450 - 04455 | Sep. 1997 | 04901 - 04909 | Aug. 2001 |
| 04455 - 04455* | Oct. 1997 | 04910 - 04952 | Sep. 2001 |
| 04460 - 04465 | Nov. 1997 | 04953 - ----- | Oct. 2001 |
| 04470 - 04475 | Dec. 1997 | | |
| 04480 - 04485 | Jan. 1998 | | |
| 04486 - 04496 | Feb. 1998 | | |
| 04497 - 04511 | Mar. 1998 | | |
| 04512 - 04528 | Apr. 1998 | | |
| 04529 - 04530 | May 1998 | | |
| 04531 - 04557 | Jun. 1998 | | |
| 04558 - 04558* | Jul. 1998 | | |
| 04559 - 04565 | Aug. 1998 | | |
| 04566 - 04569 | Sep. 1998 | | |
| 04570 - 04574 | Oct. 1998 | | |
| 04575 - 04577 | Nov. 1998 | | |
| 04578 - 04578* | Dec. 1998 | | |
| 04579 - 04590 | Jan. 1999 | | |
| 04591 - 04604 | Feb. 1999 | | |
| 04605 - 04660 | Mar. 1999 | | |
| 04661 - 04686 | Apr. 1999 | | |
| 04687 - 04687* | May 1999 | | |
| 04688 - 04690 | Jun. 1999 | | |
| 04691 - 04691* | Jul. 1999 | | |
| 04692 - 04698 | Aug. 1999 | | |
| 04699 - 04699* | Sep. 1999 | | |
| 04700 - 04701 | Oct. 1999 | | |
| 04702 - 04710 | Nov. 1999 | | |
| 04711 - 04711* | Dec. 1999 | | |
| 04712 - 04722 | Jan. 2000 | | |

NOTE: Dates above are to determine approximate ship dates and serial number assignment dates

* Some months there may not have been production or shipment of these Models

Versa FLAIL (Archive Book) 10/01

NOTES



VERSA FLAIL ARCHIVE BOOK