



# VERSA DITCHER

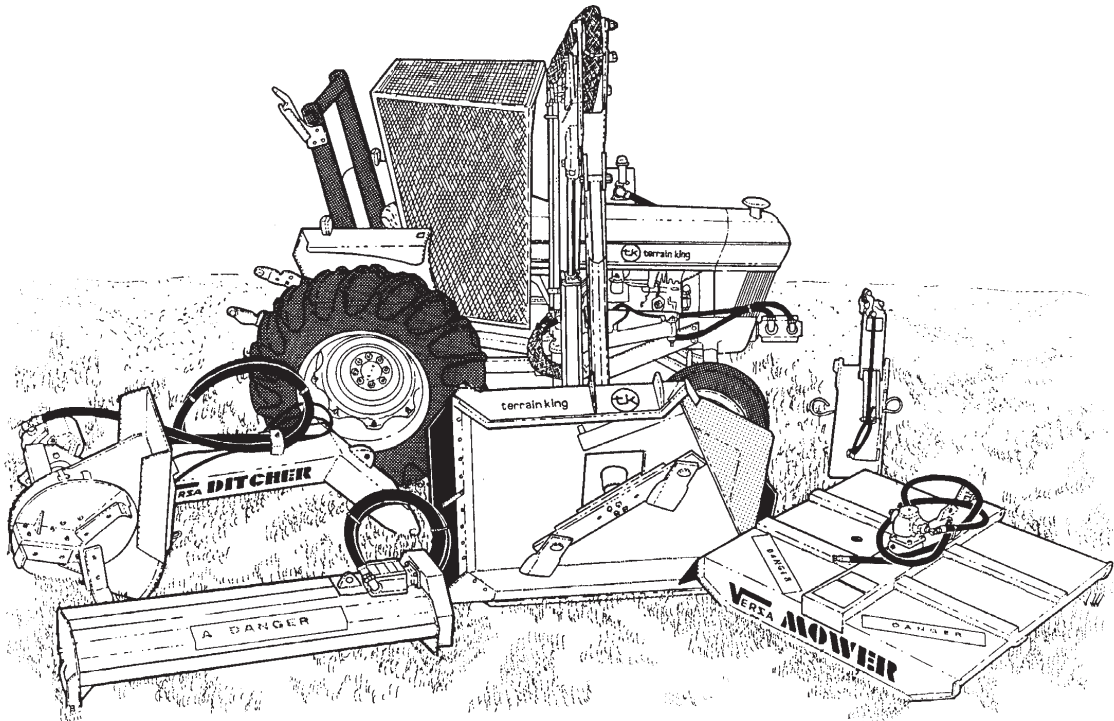
Rev 03-13

P/N 02978155

## ARCHIVE BOOK

By Serial Number / Production

February 1982 to October 2001



### COMPLETE PARTS LISTING

#### ALAMO INDUSTRIES

1502 E. Walnut  
Seguin, Texas 78155  
830-372-9595



#### VERSA - 4 BOOK SERIES

VERSA Boom	02978152
Versa Mower	02978153
Versa Flail	02978154
Versa Ditcher	02978155

**BUILT SHARPER**<sup>®</sup>

An Alamo Group Company



# INDEX - VERSA-DITCHER

ITEM	PAGE NO.
<b>INTRODUCTION VERSA-DITCHER</b>	
<b>PARTS SECTION</b> .....	1
<b>BLADE HEAD &amp; BLADES</b>	
<b>FORWARD ROTATION (STANDARD)</b>	
S/N VS-39383 to VS-Current..(Feb. 1982 to Current).....	32
<b>REVERSE ROTATION (OPTIONAL)</b>	
S/N VS-39383 to VS-Current..(Feb. 1982 to Current).....	33
<b>BLADE HOUSING</b>	
<b>FORWARD ROTATION (STANDARD)</b>	
S/N VS-39383 to VS-Current..(Feb. 1982 to Current).....	30
<b>REVERSE ROTATION (OPTIONAL)</b>	
S/N VS-39383 to VS-Current..(Feb. 1982 to Current).....	31
<b>CAGE (Unversal Mount)</b>	
S/N VS-39383 to VS-Current..(Feb. 1982 to Current).....	119
<b>CONTROL VALVE (2 Spool, Lift &amp; Fold )</b>	
S/N VS-39383 to VS-03178..(Feb. 1982 to Mar. 1994).....	100-101
S/N VS-03179 to VS-04596..(Apr. 1994 to May 1998).....	102-103
	104-105
S/N VS-04597 to VS-Current..(Jun. 1998 to Current).....	106-107
<b>CONTROL VALVE MOUNT</b>	
S/N VS-39383 to VS-43475..(Feb. 1982 to Aug. 1985).....	108
S/N VS-43476 to VS-03220..(Sep. 1985 to Apr. 1994).....	109
S/N VS-03221 to VS-Current..(May 1994 to Current).....	110
<b>CUTTER VALVE (Motor On/Off Control)</b>	
S/N VS-39383 to VS-43475..(Feb. 1982 to Aug. 1985).....	88-89
S/N VS-43476 to VS-44986..(Sep. 1985 to May 1986).....	90-91
S/N VS-44987 to VS-01034..(Jun. 1986 to Oct. 1987).....	92-93
S/N VS-01035 to VS-02490..(Nov. 1987 to Jul. 1992).....	94-95
S/N VS-02491 to VS-Current..(Aug. 1992 to Current).....	96-97
<b>COUNTER WEIGHT (Tank Mounting)</b>	
S/N VS-39383 to VS-Current..(Feb. 1982 to Current).....	118
<b>CUTTER VALVE (Motor Reversing Option)</b>	
S/N VS-39383 to VS-Current..(Feb. 1982 to Current).....	98-99
<b>CYLINDER</b>	
<b>DEFLECTOR CYLINDER</b>	
S/N VS-39383 to VS-Current..(Feb. 1982 to Current).....	42
<b>LIFT CYLINDER</b>	
S/N VS-39383 to VS-01244..(Feb. 1982 to May 1988).....	43
S/N VS-01245 to VS-Current..(Jun. 1988 to Current).....	44
<b>TILT CYLINDER</b>	
S/N VS-39383 to VS-01244..(Feb. 1982 to May 1988).....	45
S/N VS-01245 to VS-Current..(Jun. 1988 to Current).....	46

# INDEX - VERSA-DITCHER

ITEM	PAGE NO.
<b>DITCHER ASY (LIFT ARM)</b>	
S/N VS-39383 to VS-40185..(Feb. 1982 to Jan. 1983).....	20-21
S/N VS-40186 to VS-40753..(Feb. 1983 to Jul. 1983).....	22-23
S/N VS-40754 to VS-43475..(Aug. 1983 to Aug. 1985).....	24-25
S/N VS-43476 to VS-01116..(Sep. 1985 to Feb. 1988).....	26-27
S/N VS-01117 to VS-Current..(Mar. 1988 to Current).....	28-29
<b>DRIVE SHAFT &amp; COMPONENTS ( for Front Mounted Pump)</b>	
S/N VS-39383 to VS-Current..(Feb. 1982 to Current)	
<b>CASE - IH</b> .....	138-139
<b>FORD / NEW HOLLAND</b> .....	139-140
<b>JOHN DEERE</b> .....	141-142
<b>MASSEY FERGUSON</b> .....	142-143
<b>HESSTON</b> .....	143
<b>KABOTA</b> .....	143
<b>EXTENSION ARMS</b>	
<b>STANDARD ARM</b>	
S/N VS-39383 to VS-41900..(Feb. 1982 to Jun. 1984).....	2-3
S/N VS-41901 to VS-01268..(Jul. 1984 to Jun. 1988).....	4-5
S/N VS-01269 to VS-03886..(Jul. 1988 to Jan. 1996).....	6-7
S/N VS-03887 to VS-04123..(Feb. 1996 to Aug. 1996).....	8-9
S/N VS-04124 to VS-Current..(Sep. 1996 to Current).....	10-11
<b>HEAVY DUTY ARM OPTION</b>	
S/N VS-02172 to VS-03886..(May 1991 to Jan. 1996).....	12-13
S/N VS-03887 to VS-Current..(Feb. 1996 to Current).....	10-11
<b>SHORT ARM OPTION</b>	
S/N VS-02172 to VS-04123..(May 1991 to Aug. 1996).....	14-15
S/N VS-04124 to VS-Current..(Sep. 1996 to Current).....	16-17
<b>BREAKAWAY ARM OPTION</b>	
S/N VS-01155 to VS-Current..(Apr. 1988 to Current).....	18-19
<b>HYDRAULIC TANK (Reservoir)</b>	
S/N VS-39383 to VS-41900..(Feb. 1982 to Jun. 1984).....	112-113
S/N VS-41901 to VS-01034..(Jul. 1984 to Oct. 1987).....	114-115
S/N VS-01035 to VS-Current..(Nov. 1987 to Current).....	116-117
<b>HYDRAULIC HOSE DIAGRAM (Schematic)</b>	
S/N VS-39383 to VS-40298..(Feb. 1982 to Feb. 1983).....	120-121
S/N VS-40299 to VS-41790..(Mar. 1983 to May 1984).....	122-123
S/N VS-41791 to VS-44814..(Jun. 1984 to Apr. 1986).....	124-125
S/N VS-44815 to VS-01007..(May 1986 to Sep. 1987).....	126-127
S/N VS-01008 to VS-02171..(Oct. 1988 to Apr. 1991).....	128-129
S/N VS-02172 to VS-03220..(May 1991 to Apr. 1994).....	130-131
S/N VS-03221 to VS-03928..(May 1994 to Feb. 1996).....	132-133
S/N VS-03929 to VS-04200..(Mar. 1996 to Nov. 1996).....	134-135
S/N VS-04201 to VS-Current..(Dec. 1996 to Current).....	136-137

# INDEX - VERSA-DITCHER

ITEM	PAGE NO.
<b>MOTOR ASSEMBLY ( With Repair Parts)</b>	
S/N VS-39383 to VS-40185..(Feb. 1982 to Jan. 1983).....	34-35
S/N VS-40186 to VS-Current..(Feb. 1983 to Current).....	36-37
<b>PUMP Assembly ( With Repair Parts)</b>	
<b>FRONT PUMPS</b>	
<b>Double Section (Front Pumps)</b>	
S/N VS-39383 to VS-41790..(Feb. 1982 to May 1984).....	48-49
S/N VS-41791 to VS-01007..(Jun. 1984 to Sep. 1987).....	50-51
S/N VS-01008 to VS-01154..(Oct. 1987 to Mar. 1988).....	52-53
S/N VS-01155 to VS-01244..(Apr. 1988 to May 1988).....	54-55
S/N VS-01245 to VS-01547..(Jun. 1988 to Mar. 1989).....	56-57
S/N VS-01548 to VS-Current..(Apr. 1989 to Current).....	58-59
<b>Single Section (Front Pumps)</b>	
S/N VS-01245 to VS-Current..(Jun. 1988 to Current).....	60-61
<b>REAR PUMPS</b>	
<b>Double Section (Rear Pumps)</b>	
S/N VS-39383 to VS-40753..(Feb. 1982 to Jul 1983).....	62-63
S/N VS-40754 to VS-41790..(Aug. 1983 to May 1984).....	64-65
S/N VS-41790 to VS-01007..(Jun. 1984 to Sep. 1987).....	66-67
S/N VS-01008 to VS-01244..(Oct. 1987 to May 1988).....	68-69
S/N VS-01245 to VS-02301..(Jun. 1988 to Oct. 1991).....	70-71
S/N VS-02302 to VS-Current..(Nov. 1991 to Current).....	72-73
<b>Single Section (Rear Pumps)</b>	
S/N VS-01245 to VS-02301..(Jun. 1988 to Oct. 1991).....	74-75
S/N VS-02302 to VS-Current..(Nov. 1991 to Current).....	76-77
<b>SERIAL NO. &amp; PRODUCTION DATES</b>	
S/N VS-39383 to VS-Current..(Feb. 1982 to Current).....	144-145
<b>SPINDLE ASSEMBLY</b>	
S/N VS-39383 to VS-43000..(Feb. 1982 to Jun. 1985).....	38-39
S/N VS-43001 to VS-Current..(Jul. 1985 to Current).....	40-41
<b>SPEED CHANGER ASSEMBLY</b>	
S/N VS-39383 to VS-39568..(Feb. 1982 to Apr. 1982).....	78-79
S/N VS-39569 to VS-01099..(May 1982 to Jan. 1988).....	80-81
S/N VS-01100 to VS-01547..(Feb. 1988 to Mar. 1989).....	82-83
S/N VS-01548 to VS-03052..(Apr. 1989 to Nov. 1993).....	84-85
S/N VS-03053 to VS-Current..(Dec. 1993 to Current).....	86-87

# VERSA DITCHER ARCHIVE BOOK INTRODUCTION

The VERSA Archive Book is a complete listing of Parts from the first Unit to the Present. The Production Dates, Serial Numbers, Special Notes and Descriptions are furnished to help find Replacement Parts. Dimension (if listed) are for Identification of Parts and MAY NOT be to Manufacturing Specification, Your measurements may vary some from dimensions listed. Some Parts may be changed and be different than parts listed. Some Modification may be required when replacing older parts. The Versa Series consist of Versa Mower, Versa Flail, Versa Boom and Versa Ditcher ( 4 Book Series)

## PAGE EXAMPLE



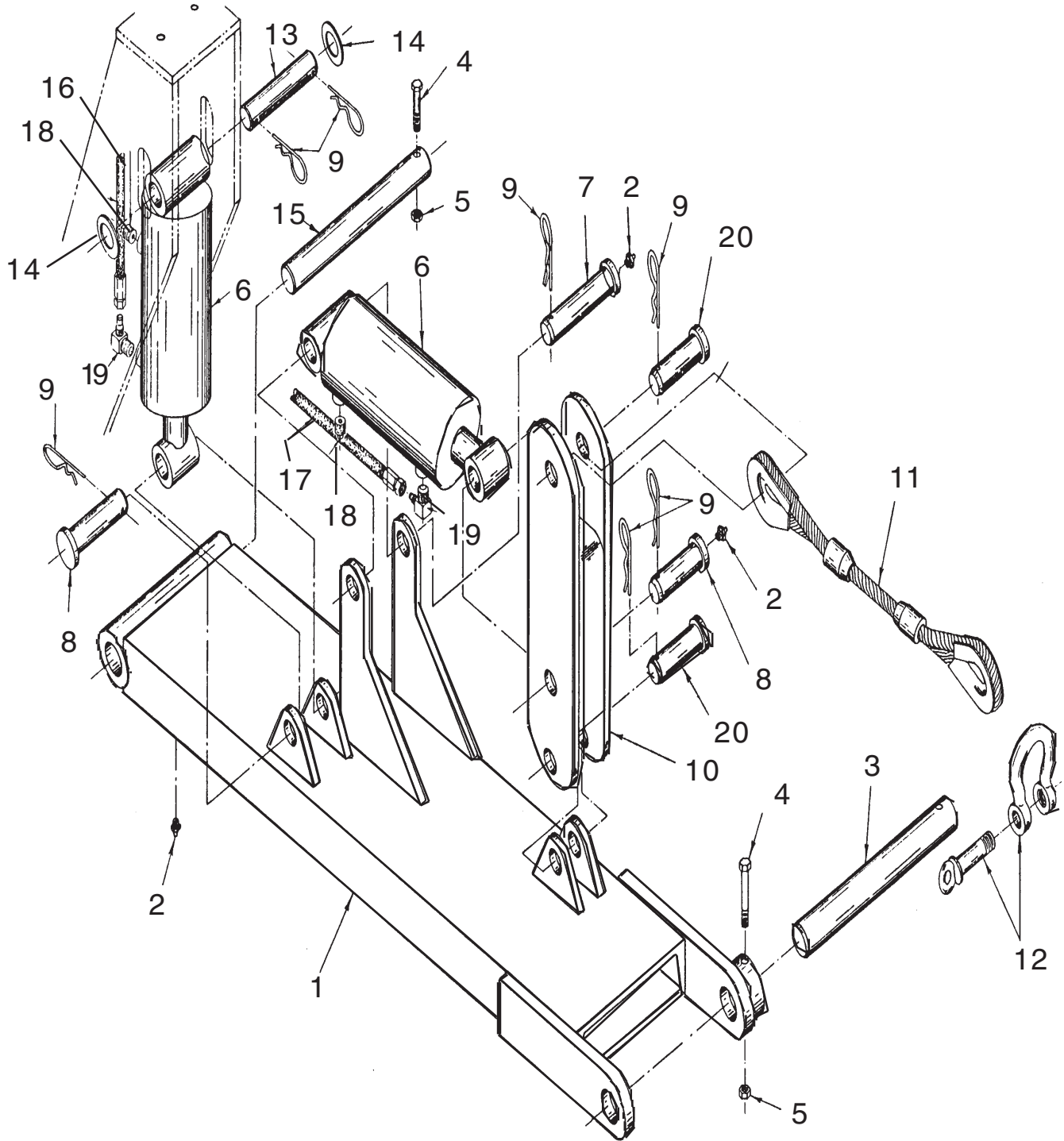
For ordering parts the following instructions are offered to help eliminate delay

1. The purchase order must include the Name, Address (Ship to Street Address) of the Person / Organization ordering the parts. Who / How Parts should be Billed. Name and Phone Number of a Contact Person at your end.
2. The Purchase Order must list clearly the correct Part Number of Part. Quantity of each Part wanted, Complete and correct Description of each Part. All Parts will be shipped as requested depending on availability and/or reasonability of request carrier / method.
3. Alamo Industrial reserves the right to substitute parts where applicable and change prices Without prior notice. Alamo Industrial also reserves the right to Ship Parts the most Reasonable way as determined by Alamo Industrial.
4. Some Parts are unlisted items, which are special production items not normally stocked or built for a limited / special use, These parts may be subject to special handling or cannot be priced till ordered. Always Request a quotation for such Parts before sending a purchase order.

Feb. 1982  
to  
Jun. 1984

# EXTENSION ARM VERSA-DITCHER (Standard)

S/N VS-39383  
to  
S/N VS-41900



Feb. 1982  
to  
Jun.1984

# EXTENSION ARM VERSA-DITCHER (Standard)

S/N VS-39383  
to  
S/N VS-41900

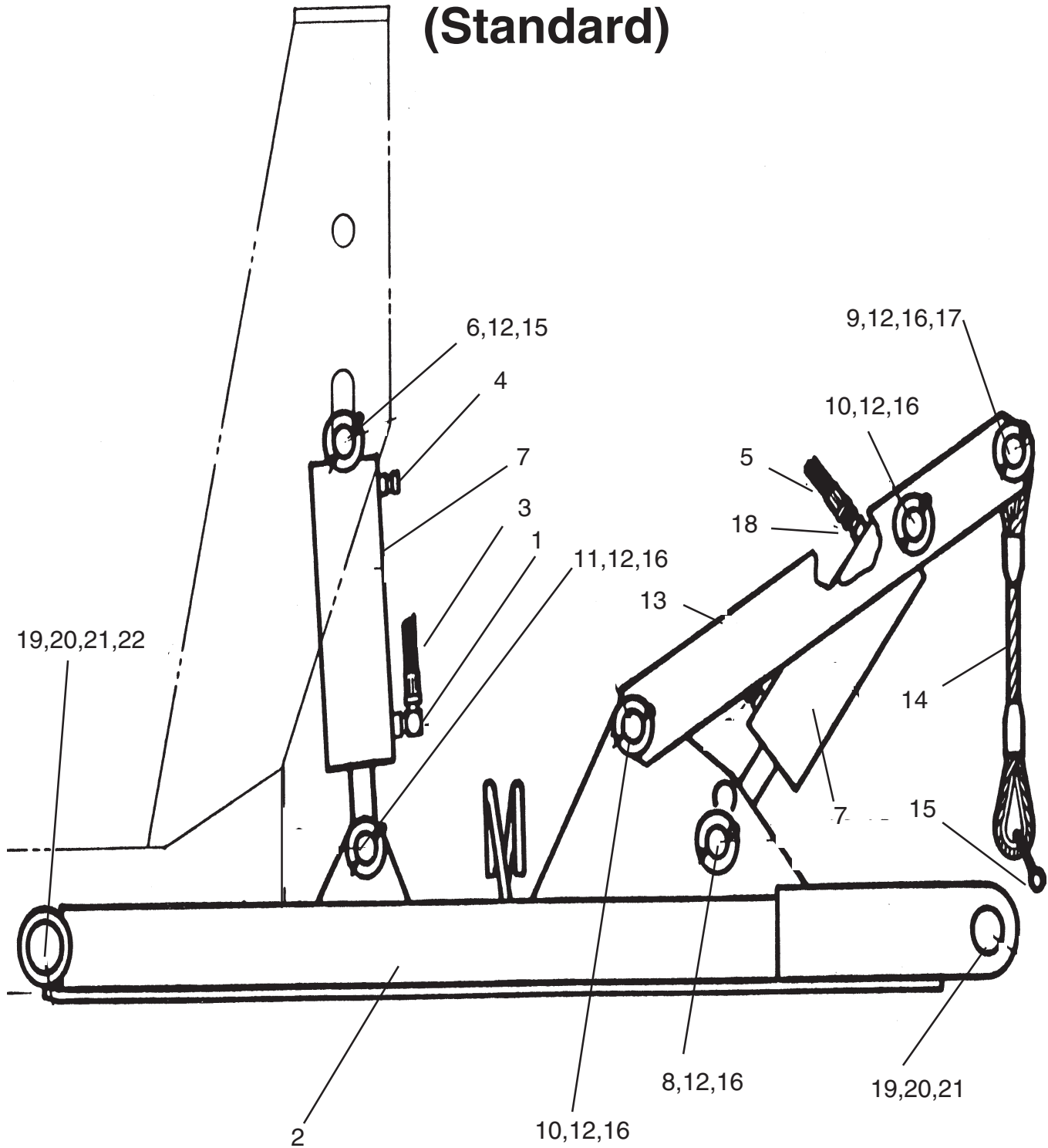
Item	Part No.	Qty	Description
1	02876900	1	Extension Arm (Except Flail)
2	00003500	4	Grease Fitting
3	02879900	1	Pin, Attachment
4	00002200	2	Bolt
5	00001200	2	Nut
6	02810900	2	Cylinder
7	02817700	1	Pin, "E"
8	02817600	2	Pin, "D"
9	45000000	7	Pin, Hair Pin
10	02879600	1	Linkage
11	02880100	1	Lift Cable Asy
12	02880200	1	Shackle, W/Screw Pin
13	02880800	1	Pin, Cylinder Dead End
14	02822500	2	Washer
15	02880700	1	Pin, Extension Arm
16	02890900	1	Hose
17	02839000	1	Hose
18	00750208	2	Plug, Breather
19	02822100	2	Elbow
20	02926700	2	Pin



Jul. 1984  
to  
Jun. 1988

# EXTENSION ARM VERSA-DITCHER P/N 02957499 (Standard)

S/N VS-41901  
to  
S/N VS-01268



Jul. 1984  
to  
Jun. 1988

EXTENSION ARM  
VERSA-DITCHER  
P/N 02957499  
(Standard)

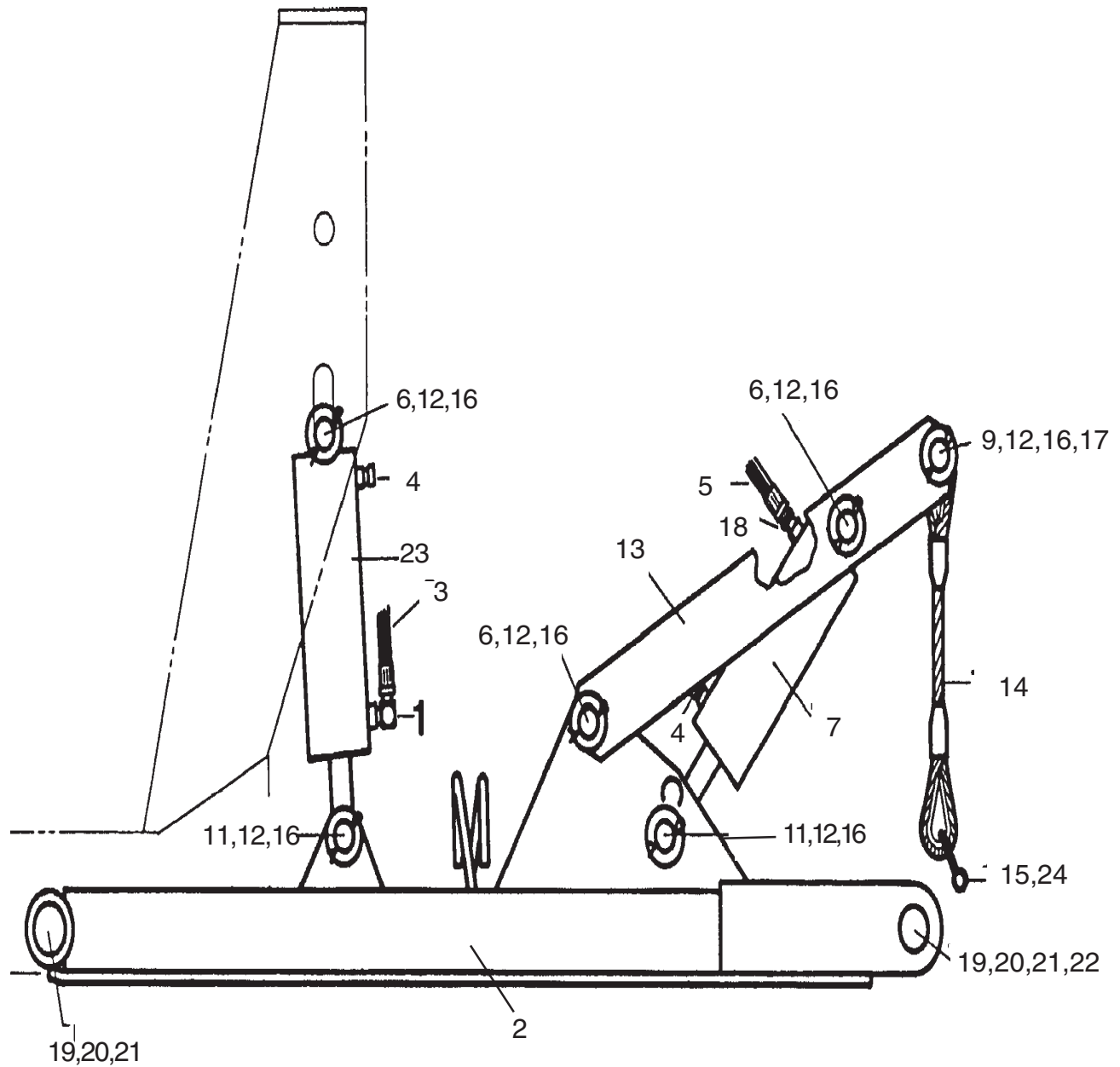
S/N VS-41901  
to  
S/N VS-01268

Item	Part No.	Qty	Description
1	02822100	1	Elbow
2	02957495	1	Extension Arm Weldment
3	02890900	1	Hose
4	00750208	2	Plug, Breather
5	02839000	1	Hose
6	02880800	1	Pin
7	02810900	2	Cylinder
8	02930200	1	Pin, Cylinder
9	02957335	1	Pin
10	02957536	2	Pin
11	02930200	1	Pin
12	00606000	12	Cotter Pin
13	02957497	1	Linkage Arm Weldment
14	02880100	1	Cable Asy
15	02880200	1	Shackle W/ Screw Pin
16	02822500	12	Flatwasher
17	00750731	1	Bushing
18	02957691	1	Adapter, Straight
19	02880700	2-ref	Pin, Attaching (Versa Mower)
20	10318000	2-ref	Bolt
21	00001800	2-ref	Locknut TLM 1/2 NC PLC

Jul. 1988  
to  
Jan. 1996

# EXTENSION ARM VERSA-DITCHER P/N 02961799 (Standard)

S/N VS-01269  
to  
S/N VS-03886



Jul. 1988  
to  
Jan. 1996

# EXTENSION ARM VERSA-DITCHER P/N 02961799 (Standard)

S/N VS-01269  
to  
S/N VS-03886

Item	Part No.	Qty	Description
	02961799	--	Extension Arm Asy
1	02960018*	1	Elbow
2	02957495*	1	Extension Arm Weldment
3	02890900	1	Hose
4	02960054*	2	Breather Plug
5	02839000	1	Hose
6	02880800*	3	Pin
7	02961483*	1	Cylinder
9	02957535*	1	Pin
11	02930200*	1	Pin
12	00606000*	12	Cotter Pin
13	02957497*	1	Linkage Arm Weldment
14	02880100*	1	Cable Asy
15	02880200*	1	Shackle with Screw Pin
16	02822500*	12	Flatwasher
17	02959180*	1	Bushing
18	02962181*	1	Straight Adapter
19	02880700*	2	Lug Bushing
20	00753013	2-ref	Bolt
21	00001800	2-ref	Locknut TLM 1/2 NC PLC
22	02965640	1-ref	Pin, Attach. (Versa Mower)
23	02961484*	1	Cylinder
24	02962919	1	Bushing

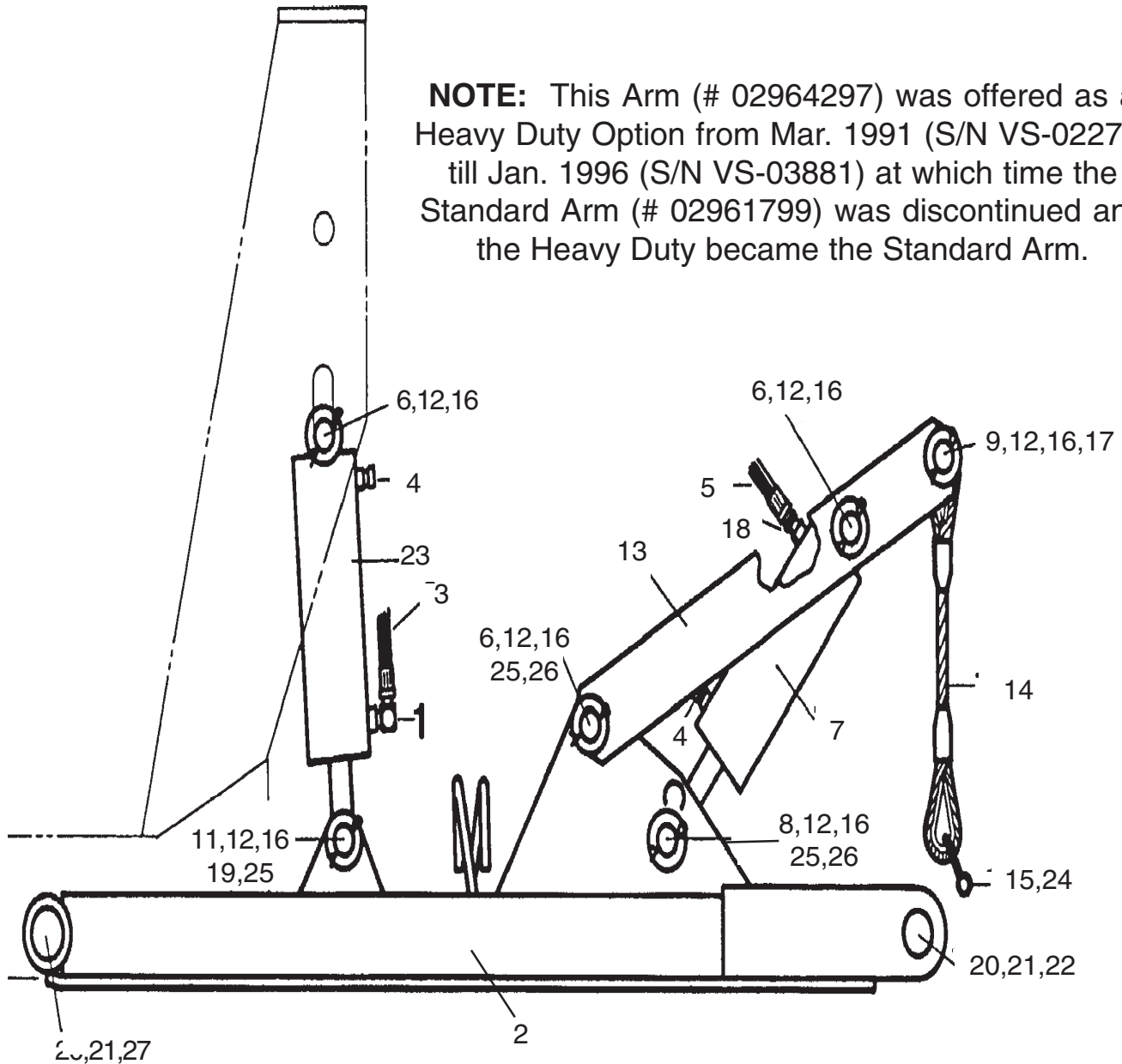
\* These parts are included in Extension Arm Asy p/n 02961799

Feb. 1996  
to  
Aug 1996

# EXTENSION ARM VERSA-DITCHER P/N 02964297 (Standard)

S/N VS-03887  
to  
S/N VS-04123

**NOTE:** This Arm (# 02964297) was offered as a Heavy Duty Option from Mar. 1991 (S/N VS-02271) till Jan. 1996 (S/N VS-03881) at which time the Standard Arm (# 02961799) was discontinued and the Heavy Duty became the Standard Arm.



Feb. 1986  
to  
Aug. 1996

# EXTENSION ARM VERSA-DITCHER P/N 02964297 (Standard)

S/N VS-03887  
to  
S/N VS-04123

Item	Part No.	Qty	Description
	02964297	—	Extension Arm Asy
1	02960018*	1	Elbow
2	02964296*	1	Extension Arm Weldment
3	02890900	1	Hose
4	02960054*	2	Breather Plug
5	02839000	1	Hose
6	02880800*	3	Pin
7	02961483*	1	Cylinder
8	02963505*	1	Pin, Cylinder (Greaseable)
9	02957535*	1	Pin
11	02930200*	1	Pin
12	00606000*	12	Cotter Pin
13	02957497*	1	Linkage Arm Weldment
14	02880100*	1	Cable Asy
15	02880200*	1	Shackle with Screw Pin
16	02822500*	12	Flatwasher
17	00750731*	1	Bushing
18	02962181*	1	Straight Adapter
19	02959925*	2	Lug Bushing
20	10318000	2-ref	Bolt
21	00001800	2-ref	Locknut TLM 1/2 NC PLC
22	02965640	1-ref	Pin, Attach. (Versa Mower)
23	02961484*	1	Cylinder
24	02959891	1	Bushing
25	00752670*	6	Grease Fitting
26	02963467*	6	Lug Bushing
27	02880700	1	Pin

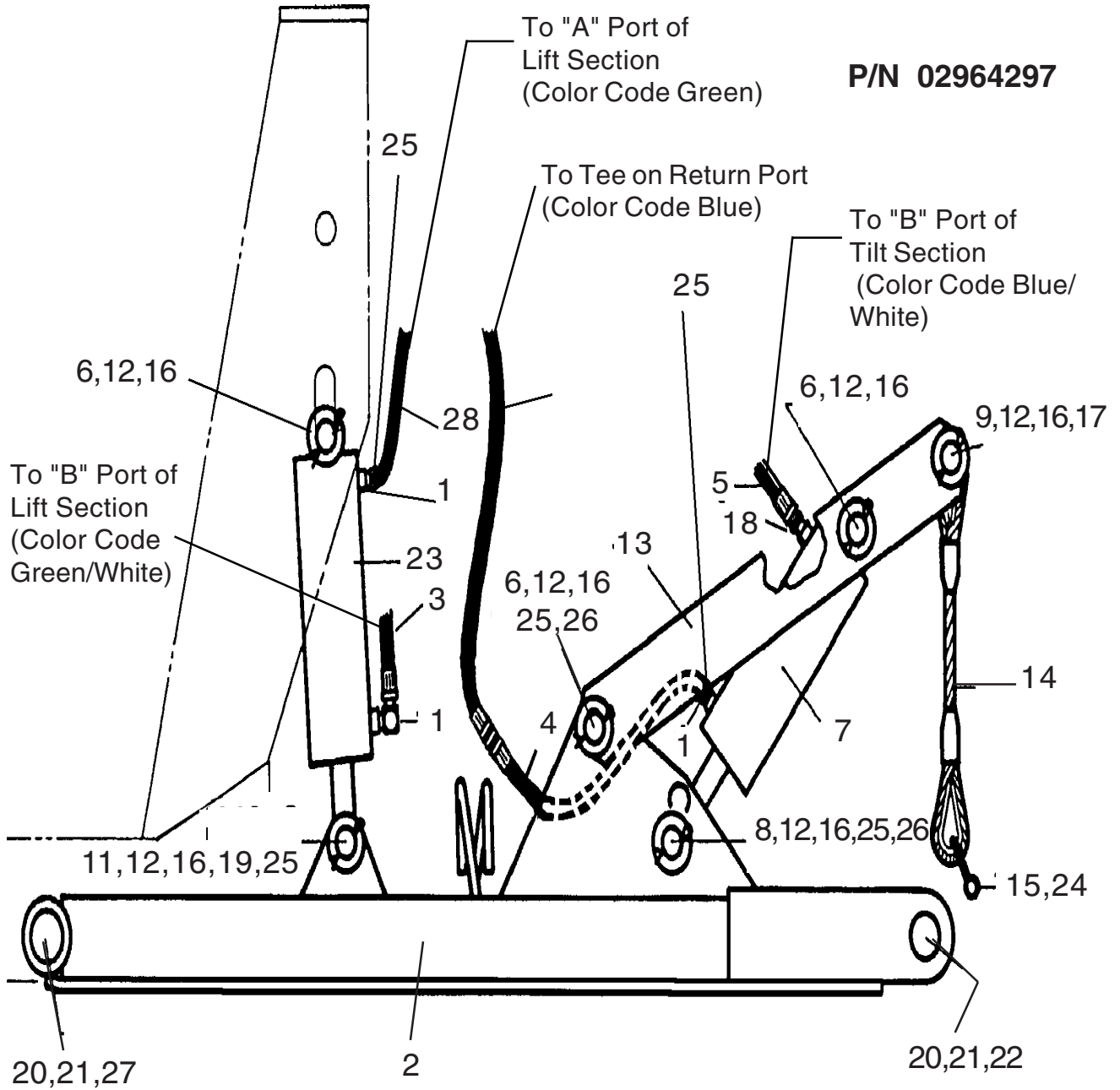
\* These parts are included in Extension Arm Asy p/n 02964297

NOTE: This Arm (# 02964297) offered as a Heavy Duty Option from Mar. 1991 (S/N VS-02271) till Jan. 1996 (S/N VS-03881) at which time the Standard Arm (# 02961799) was discontinued and the Heavy Duty became the Standard Arm.

Sep. 1996  
to  
Current

# EXTENSION ARM VERSA-DITCHER P/N 02964297 (Standard)

S/N VS-04124  
to  
S/NVS-Current



Sep. 1996  
to  
Current

# EXTENSION ARM VERSA-DITCHER P/N 02964297 (Standard)

S/N VS-04124  
to  
S/N VS-Current

Item	Part No.	Qty	Description
1	02960018*	3	Elbow
2	02964296*	1	Extension Arm Weldment (Heavy Duty)
3	02839000	1	Hose, ROPS Units, (Color Code Green/White)
	02823600	1	Hose, Cab Units, (Color Code Green/White)
4	02957485*	1	Hose With #4MJ
5	001774	1	Hose, ROPS Units, (Color Code Blue/White)
	02839000	1	Hose, Cab Units, (Color Code Blue/White)
6	02880800*	3	Pin
7	02961483*	1	Cylinder
8	02963505*	1	Cylinder, Pin (Greaseable)
9	02957535*	1	Pin
11	02930200*	1	Pin
12	00606000*	12	Cotter Pin
13	02957497*	1	Linkage Arm Weldment
14	02880100*	1	Cable Asy
15	02880200*	1	Shackle with Screw Pin
16	02822500*	12	Flatwasher
17	00750731*	1	Bushing
18	02962181*	1	Straight Adapter
19	02959925*	2	Lug Bushing
20	10318000	2-ref	Bolt
21	00001800	2-ref	Locknut TLM 1/2 NC PLC
22	02880700	1-ref	Pin, Attach. (Versa Mower)
23	02961484*	1	Cylinder
24	02959891	1	Bushing
25	00752670*	8	Grease Fitting
26	02963467*	6	Lug Bushing
27	02880700	1	Pin
28	02890900	1	Hose , ROPS Units, (Color Code Green)
	02965475	1	Hose, Cabs Units, (Color Code Green)
29	0019800	1	Hose, ROPS Units, (Color Code Blue)
	001849	1	Hose, Cabs Units, (Color Code Blue)

\* These parts are included in Extension Arm Asy p/n 02964297

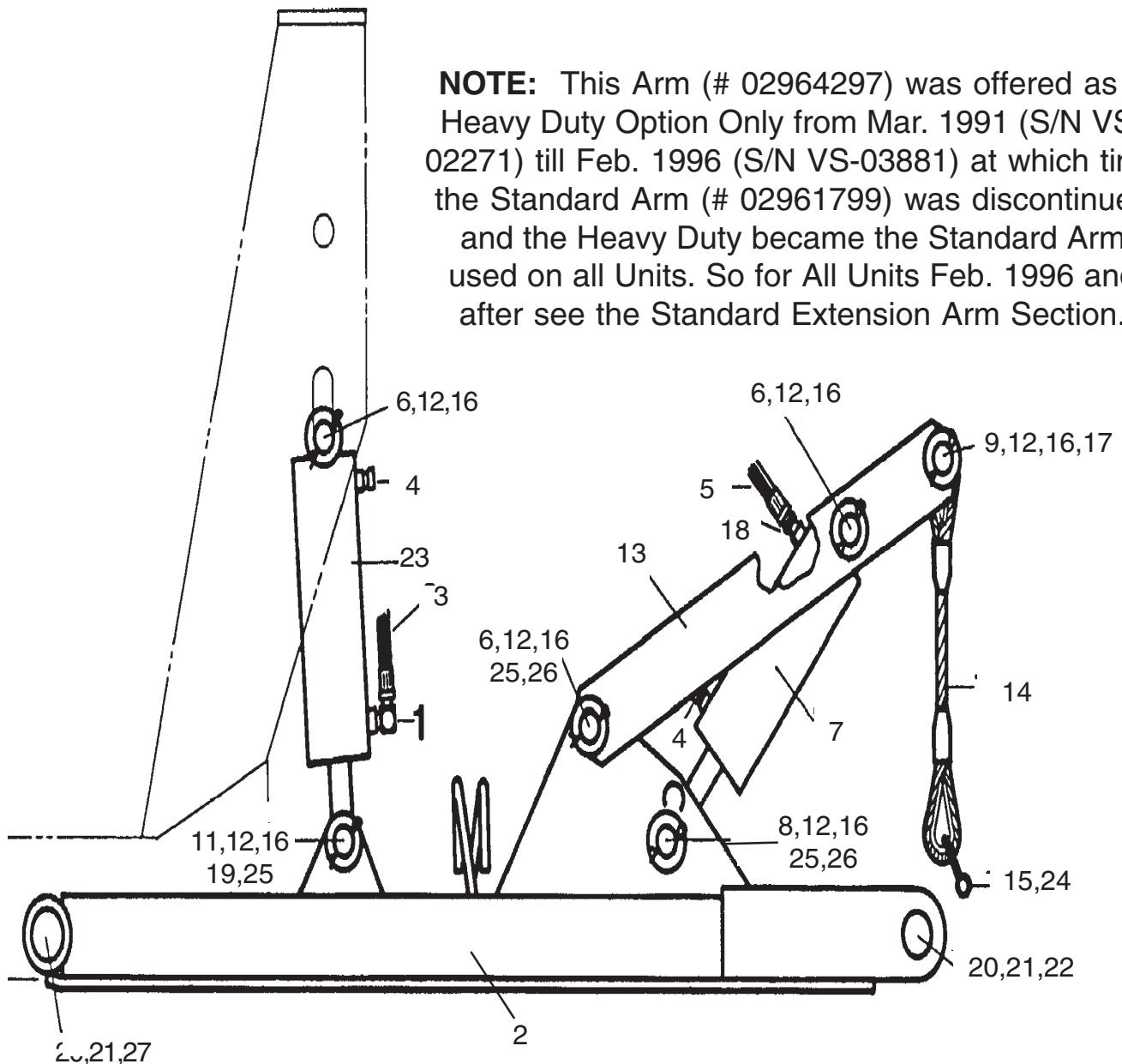


May 1991  
to  
Jan. 1996

S/N VS-02172  
to  
S/N VS-03886

# EXTENSION ARM VERSA-DITCHER P/N 02964297 (Heavy Duty Option)

**NOTE:** This Arm (# 02964297) was offered as a Heavy Duty Option Only from Mar. 1991 (S/N VS-02271) till Feb. 1996 (S/N VS-03881) at which time the Standard Arm (# 02961799) was discontinued and the Heavy Duty became the Standard Arm used on all Units. So for All Units Feb. 1996 and after see the Standard Extension Arm Section.



May 1991  
to  
Jan. 1996

# EXTENSION ARM VERSA-DITCHER P/N 02964297 (Heavy Duty Option)

S/N VS-02172  
to  
S/N VS-03886

Item	Part No.	Qty	Description
	02964297	–	Extension Arm Asy
1	02960018*	1	Elbow
2	02964296*	1	Extension Arm Weldment
3	02890900	1	Hose
4	02960054*	2	Breather Plug
5	02839000	1	Hose
6	02880800*	3	Pin
7	02961483*	1	Cylinder
8	02963505*	1	Pin, Cylinder (Greaseable)
9	02957535*	1	Pin
11	02930200*	1	Pin
12	00606000*	12	Cotter Pin
13	02957497*	1	Linkage Arm Weldment
14	02880100*	1	Cable Asy
15	02880200*	1	Shackle with Screw Pin
16	02822500*	12	Flatwasher
17	00750731*	1	Bushing
18	02962181*	1	Straight Adapter
19	02959925*	2	Lug Bushing
20	10318000	2-ref	Bolt
21	00001800	2-ref	Locknut TLM 1/2 NC PLC
22	02965640	1-ref	Pin, Attach. (Versa Mower)
23	02961484*	1	Cylinder
24	02959891	1	Bushing
25	00752670*	6	Grease Fitting
26	02963467*	6	Lug Bushing
27	02880700	1	Pin

\* These parts are included in Extension Arm Asy p/n 02964297

NOTE: This Arm (# 02964297) was offered as a Heavy Duty Option Only from Mar. 1991 (S/N VS-02271) till Feb. 1996 (S/N VS-03881) at which time the Standard Arm (# 02961799) was discontinued and the Heavy Duty became the Standard Arm used on all Units. So for All Units Feb. 1996 and after see the Standard Extension Arm Section.

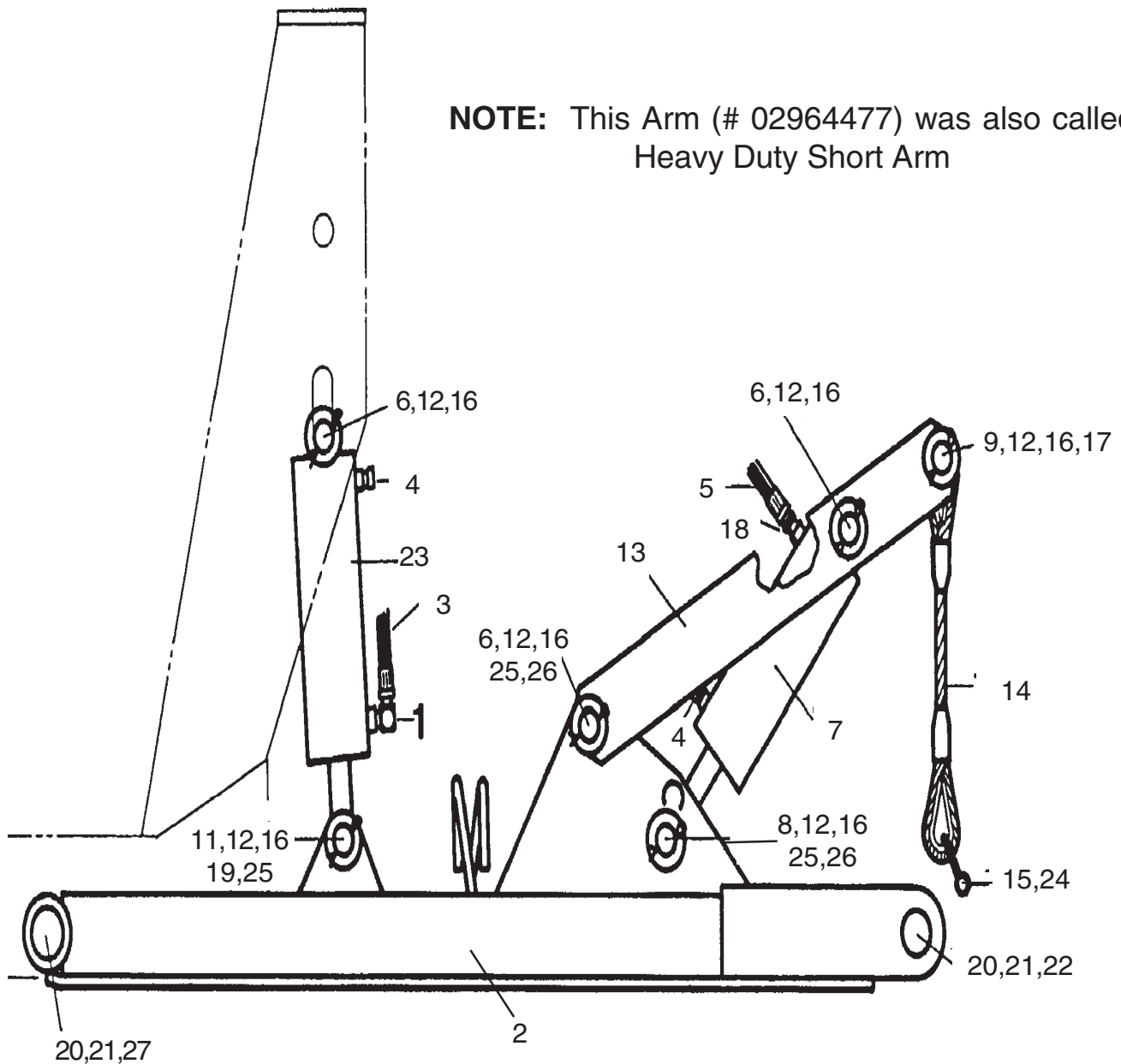
May 1991  
to  
Aug. 1996

# EXTENSION ARM VERSA-DITCHER P/N 02964477 (Short Option)

S/N VS-02172  
to  
S/N VS-04123

6" Shorter Than Standard

**NOTE:** This Arm (# 02964477) was also called  
Heavy Duty Short Arm



May 1991  
to  
Aug. 1996

# EXTENSION ARM VERSA-DITCHER P/N 02964477 (Short Option)

S/N VS-02172  
to  
S/N VS-04123

6" Shorter Than Standard

Item	Part No.	Qty	Description
	02964477	—	Extension Arm Asy, Short
1	02960018*	1	Elbow
2	02964479*	1	Extension Arm Weldment
3	02890900	1	Hose
4	02960054*	2	Breather Plug
5	02839000	1	Hose
6	02880800*	3	Pin
7	02961483*	1	Cylinder
8	02963505*	1	Pin, Cylinder (Greaseable)
9	02957535*	1	Pin
11	02930200*	1	Pin
12	00606000*	12	Cotter Pin
13	02957497*	1	Linkage Arm Weldment
14	02880100*	1	Cable Asy
15	02880200*	1	Shackle with Screw Pin
16	02822500*	12	Flatwasher
17	00750731*	1	Bushing
18	02962181*	1	Straight Adapter
19	02959925*	2	Lug Bushing
20	10318000	2-ref	Bolt
21	00001800	2-ref	Locknut TLM 1/2 NC PLC
22	02965640	1-ref	Pin, Attach. (Versa Mower)
23	02961484*	1	Cylinder
24	02959891	1	Bushing
25	00752670*	6	Grease Fitting
26	02963467*	6	Lug Bushing
27	02880700	1	Pin

\* These parts are included in Extension Arm Asy p/n 02964477

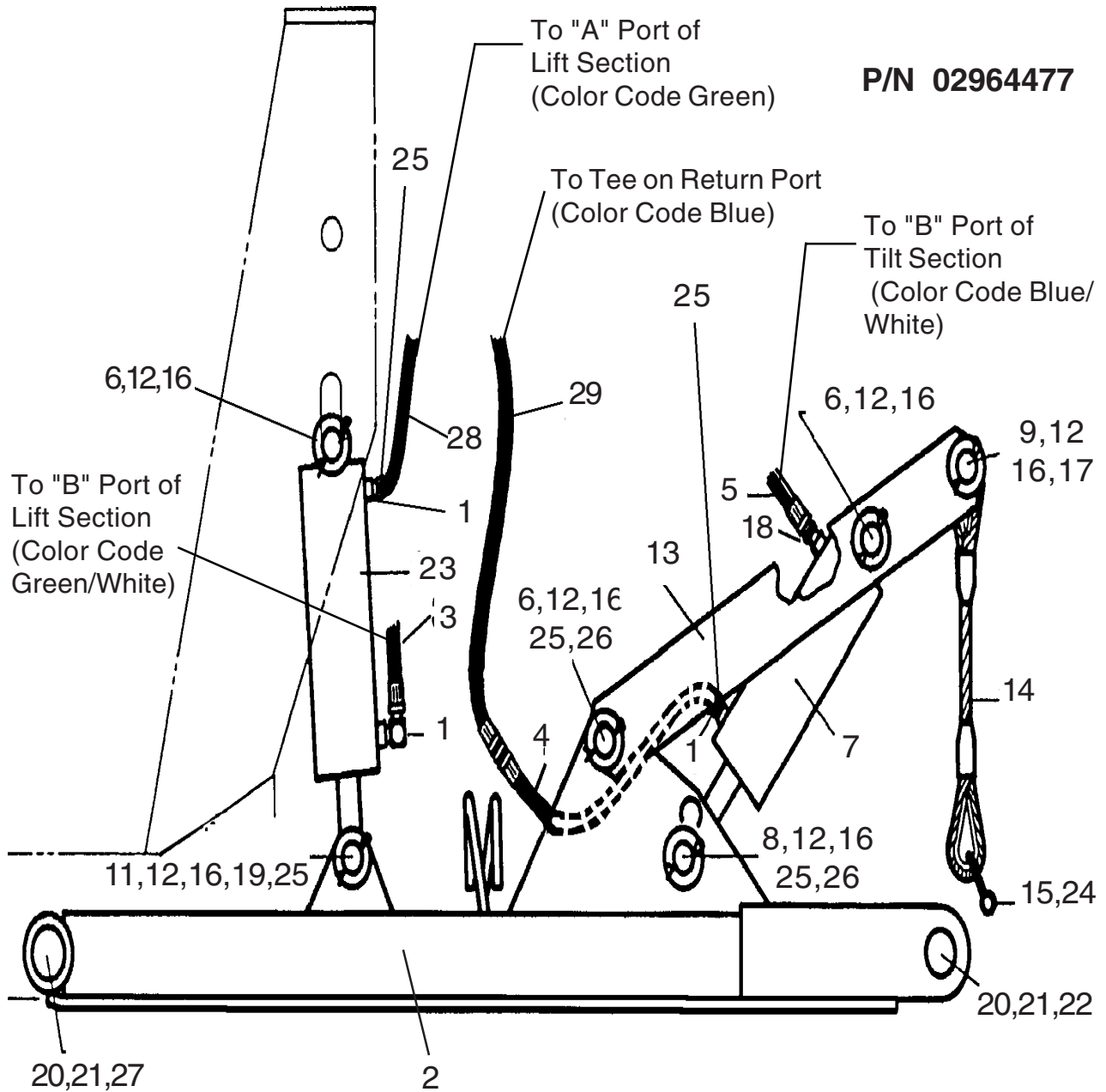
NOTE: This Arm (# 02964477) was also called  
Heavy Duty Short Arm

Sep. 1996  
to  
Current

# EXTENSION ARM VERSA-DITCHER P/N 02964477 (Short Option)

S/N VS-04124  
to  
S/N VS-Current

6" Shorter Than Standard



Sep. 1996  
to  
Current

# EXTENSION ARM VERSA-DITCHER P/N 02964477 (Short Option)

S/N VS-04124  
to  
S/N VS-Current

6" Shorter Than Standard

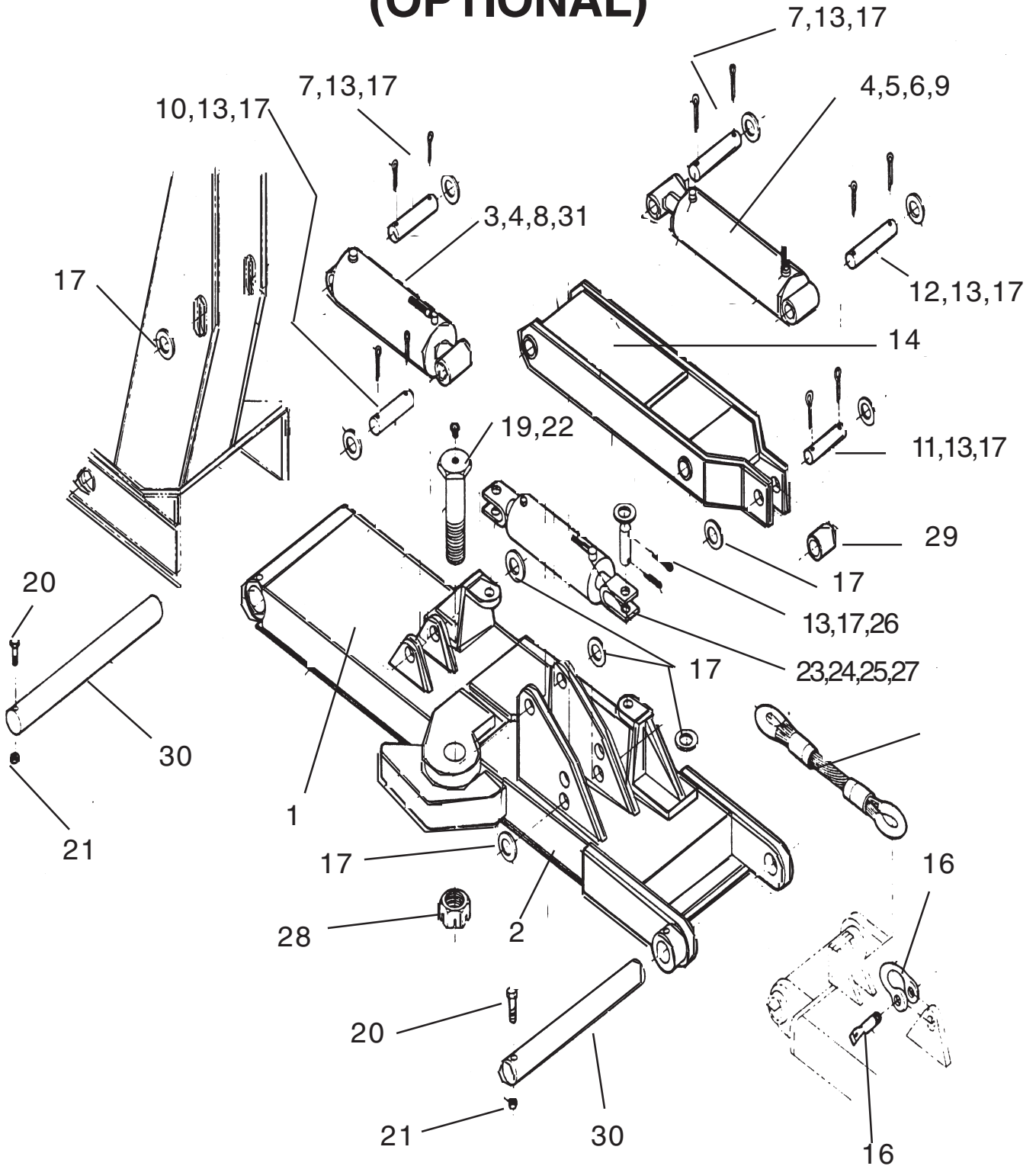
Item	Part No.	Qty	Description
1	02960018*	3	Elbow
2	02964479*	1	Extension Arm Weldment (Heavy Duty)
3	02839000	1	Hose, ROPS Units, (Color Code Green/White)
	02823600	1	Hose, Cab Units, (Color Code Green/White)
4	02957485*	1	Hose With #4MJ
5	001774	1	Hose, ROPS Units, (Color Code Blue/White)
	02839000	1	Hose, Cab Units, (Color Code Blue/White)
6	02880800*	3	Pin
7	02961483*	1	Cylinder
8	02963505*	1	Cylinder, Pin (Greaseable)
9	02957535*	1	Pin
11	02930200*	1	Pin
12	00606000*	12	Cotter Pin
13	02957497*	1	Linkage Arm Weldment
14	02880100*	1	Cable Asy
15	02880200*	1	Shackle with Screw Pin
16	02822500*	12	Flatwasher
17	00750731*	1	Bushing
18	02962181*	1	Straight Adapter
19	02959925*	2	Lug Bushing
20	10318000	2-ref	Bolt
21	00001800	2-ref	Locknut TLM 1/2 NC PLC
22	02955640	1-ref	Pin, Attach. (Versa Mower)
23	02961484*	1	Cylinder
24	02959891	1	Bushing
25	00752670*	8	Grease Fitting
26	02963467*	6	Lug Bushing
27	02880700	1	Pin
28	02890900	1	Hose , ROPS Units, (Color Code Green)
	02965475	1	Hose, Cabs Units, (Color Code Green)
29	0019800	1	Hose, ROPS Units, (Color Code Blue)
	001849	1	Hose, Cabs Units, (Color Code Blue)

\* These parts are included in Extension Arm Asy p/n 02964477

Apr. 1988  
to  
Current

# EXTENSION ARM VERSA-DITCHER BREAKAWAY (OPTIONAL)

S/N VS-01155  
to  
S/NVS-Current



Apr. 1988  
to  
Current

# EXTENSION ARM VERSA-DITCHER BREAKAWAY (OPTIONAL)

S/N VS-01155  
to  
S/N VS-Current

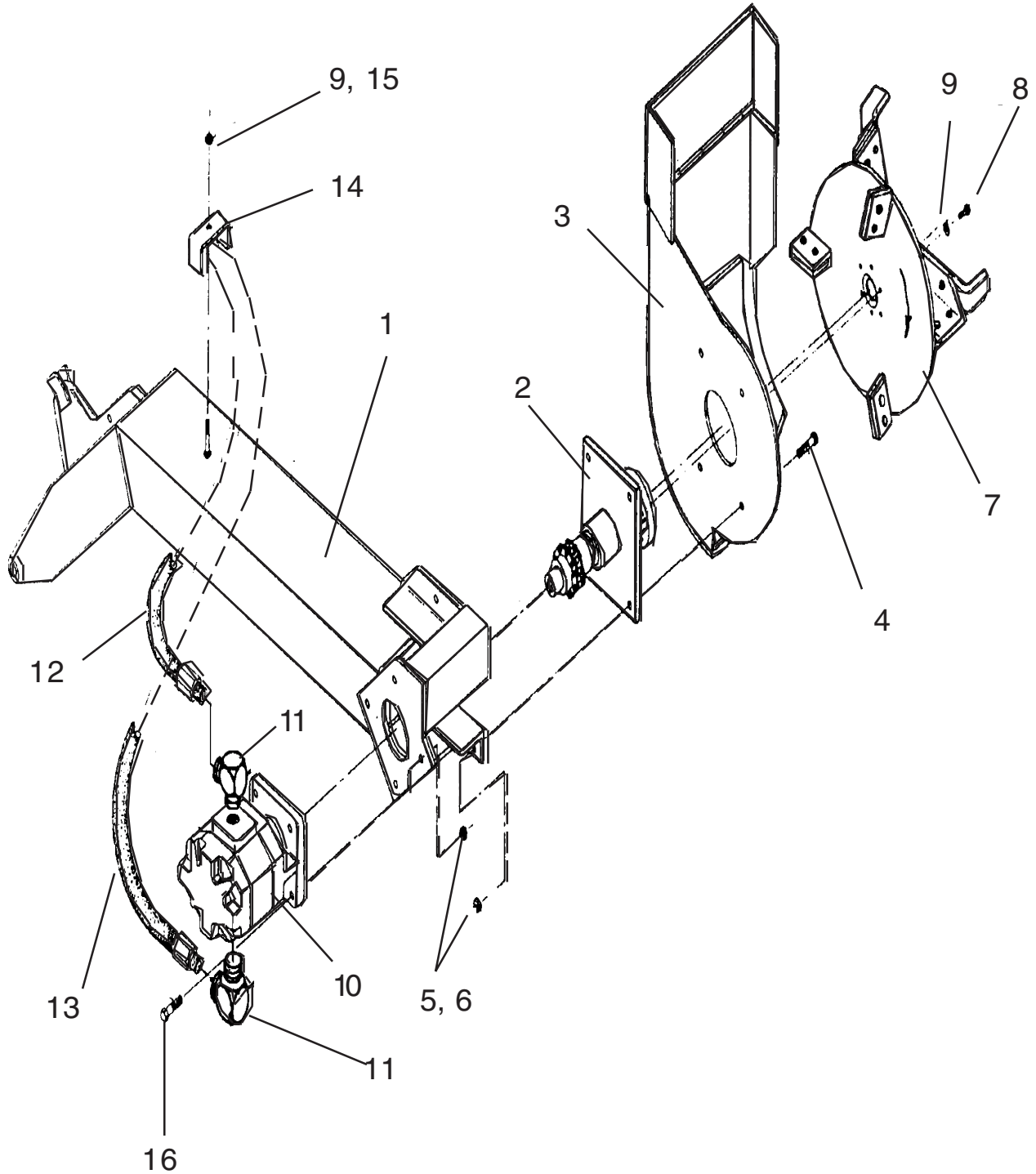
Item	Part No.	Qty	Description
1	02959418	1	Section, Basic Mount Attachment
2	02959428	1	Section, Mower Half
3	02822100	1	Elbow
4	00750208	2	Plug, Breather
5	02839000	1	Hose
6	02957691	1	Adapter, Straight
7	02880800	3	Pin, Cylinder Dead End
8	02890900	1	Hose
9	02810900	2	Cylinder, Hydraulic
10	02930200	2	Linkage Pin
11	02957535	1	Linkage Pin
13	00606000	15	Cotter Pin
14	02957497	1	Linkage Arm Weldment
15	02880100	1	Cable Asy
16	02880200	1	Shackle, W/ Screw Pin
17	02822500	14	Flatwasher
19	02959437	1	Pin Weldment
20	10318000	1	Bolt
21	00001800	1	Locknut TLM 1/2 NC PLC
22	00600000	1	Grease Fitting
23	02964953	1	Cylinder, Breakaway Hydraulic
24	00034900	1	Plug, Pipe
25	02045200	1	Elbow
26	02020800	2	Clevis Pin
27	02823600	1	Hose
28	00036800	1	Nut
29	02957501	2	Bushing
30	02880700	2	Pin, Attaching



Feb. 1982  
to  
Jan. 1983

# VERSA DITCHER ASSEMBLY

S/N VS-39383  
to  
S/N VS-40185



Feb. 1982  
to  
Jan. 1983

## VERSA DITCHER ASSEMBLY

S/N VS-39383  
to  
S/N VS-40185

ITEM	PART NO.	QTY	DESCRIPTION
1	02871100	1	Arm
2	02872300	1	Spindle Assembly
3	02873900	1	Blade Housing Assembly
4	02880900	4	Bolt
5	00003901	8	Lockwasher
6	00000200	8	Nut
7	02875300	1	Blade Head Asy, Forward Rotation (Use 02875301)
	02898501	1	Blade Head Asy, Reverse Rotation
8	02891800	6	Bolt
9	00001300	7	Lockwasher
10	02879500	1	Motor Asy
11	02889300	1	Adapter
12	02891600	1	Hose
13	02891700	1	Hose
14	02883800	1	Hose Clamp
15	00001200	1	Nut
16	02881000	4	Bolt

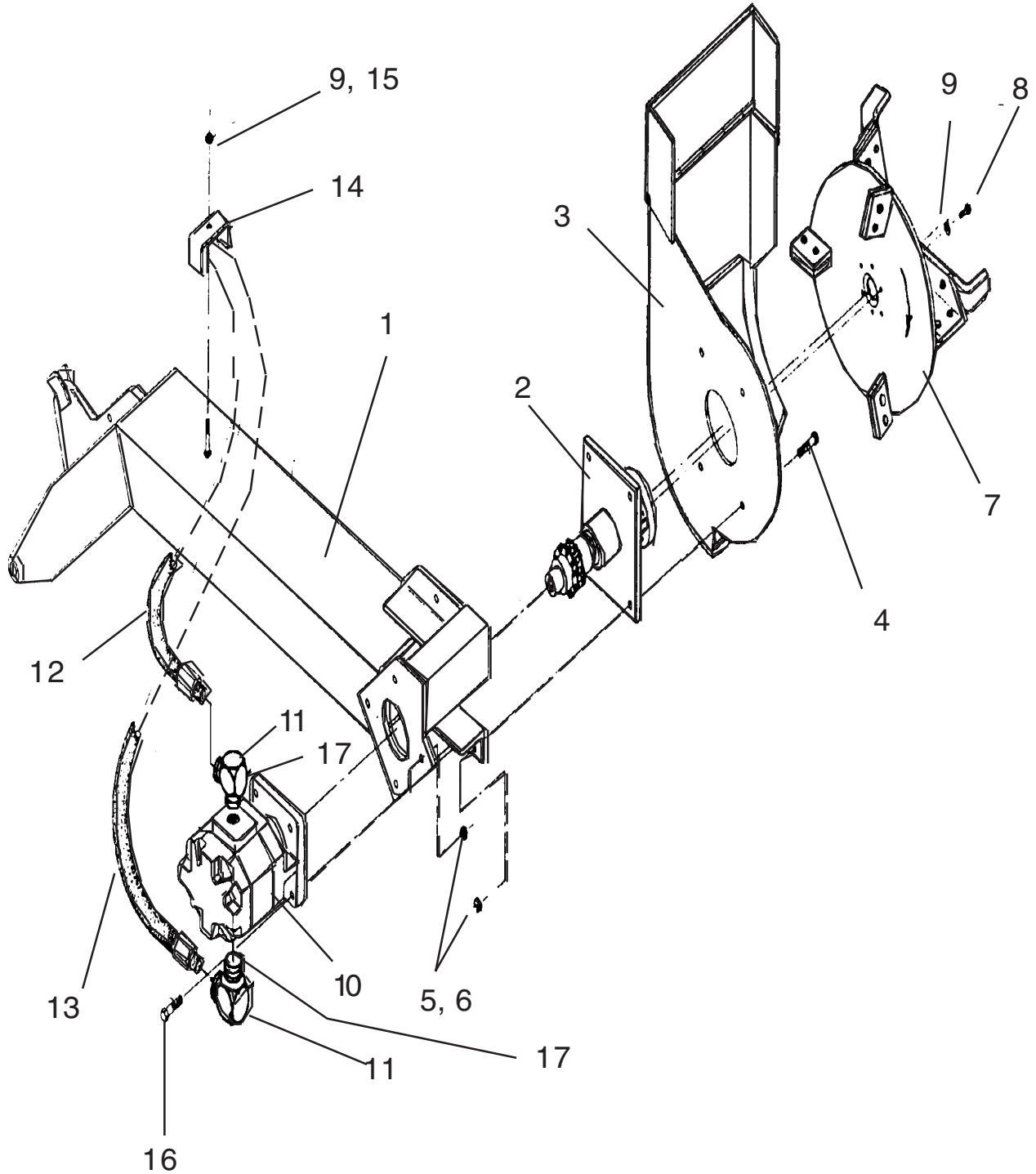
Torque item #8 to 100 ft.-lbs. and Torque item #4 to 300 ft.-lbs.

FORWARD ROTATION SHOWN  
REVERSE ROTATION OPTIONAL

Feb. 1983  
to  
Jul. 1983

# VERSA DITCHER ASSEMBLY

S/N VS-40186  
to  
S/N VS-40753



Feb. 1983  
to  
Jul. 1983

## VERSA DITCHER ASSEMBLY

S/N VS-40186  
to  
S/N VS- 40753

ITEM	PART NO.	QTY	DESCRIPTION
1	02871100	1	Arm
2	02872300	1	Spindle Assembly
3	02873900	1	Blade Housing Assembly
4	02880900	4	Bolt
5	00003901	8	Lockwasher
6	00000200	8	Nut
7	02875300	1	Blade Head Asy Forward Rotation (Use 02875301)
	02898501	1	Blade Head Asy Reverse Rotation
8	02891800	6	Bolt
9	00001300	7	Lockwasher
10	02879500	1	Motor Asy
11	02042600	1	Elbow, 90 Deg.
12	02891600	1	Hose
13	02891700	1	Hose
14	02883800	1	Hose Clamp
15	00001200	1	Nut
16	02881000	4	Bolt
17	00751471	2	Reducer

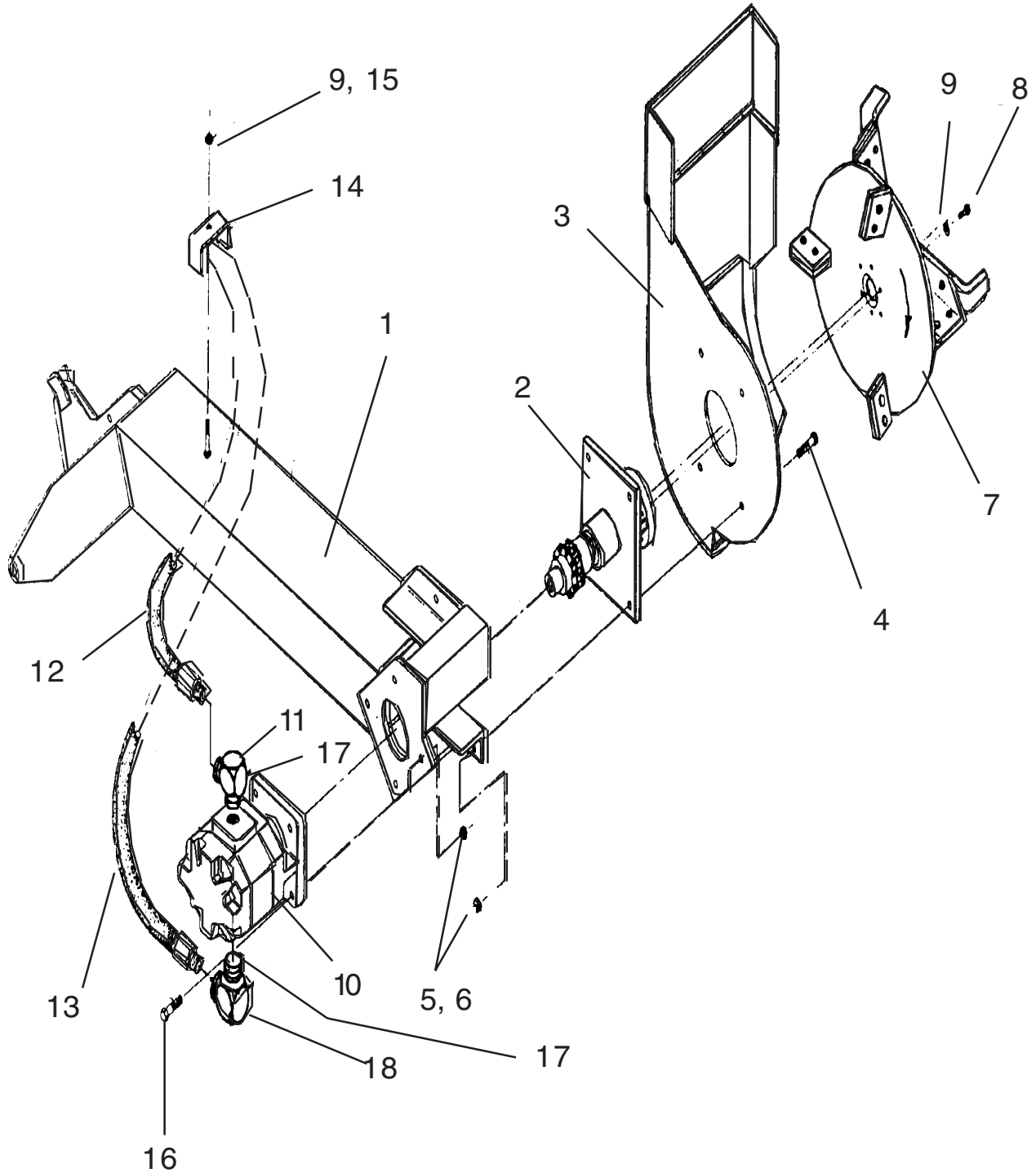
Torque item #8 to 100 ft.-lbs. and Torque item #4 to 300 ft.-lbs.

FORWARD ROTATION SHOWN  
REVERSE ROTATION OPTIONAL

Aug. 1983  
to  
Aug. 1985

# VERSA DITCHER ASSEMBLY

S/N VS-40754  
to  
S/N VS-43475



Aug. 1983  
to  
Aug. 1985

## VERSA DITCHER ASSEMBLY

S/N VS-40754  
to  
S/N VS-43475

ITEM	PART NO.	QTY	DESCRIPTION
1	02871100	1	Arm
2	02872300	1	Spindle Assembly
3	02873900	1	Blade Housing Assembly
4	02880900	4	Bolt
5	00003901	8	Lockwasher
6	00000200	8	Nut
7	02875300	1	Blade Head Asy Forward Rotation (Use 02875301)
	02898501	1	Blade Head Asy Reverse Rotation
8	02891800	6	Bolt
9	00001300	7	Lockwasher
10	02879500	1	Motor Asy
11	02042600	1	Elbow, 90 Deg.
12	02891600	1	Hose
13	02891700	1	Hose
14	02883800	1	Hose Clamp
15	00001200	1	Nut
16	02881000	4	Bolt
17	00751471	2	Reducer (Not Shown)
18	02937300	1	Elbow

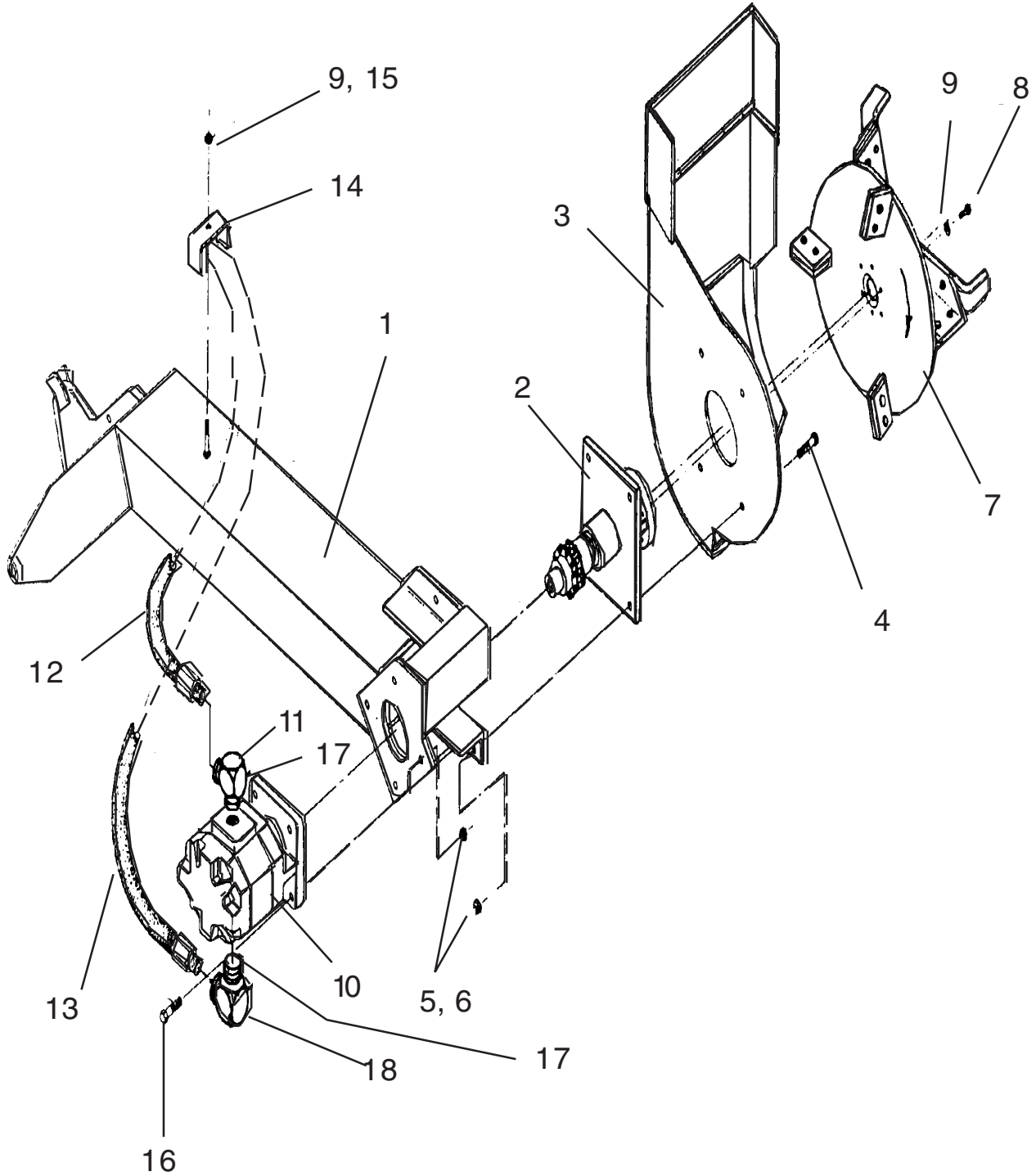
Torque item #8 to 100 ft.-lbs. and Torque item #4 to 300 ft.-lbs.

FORWARD ROTATION SHOWN  
REVERSE ROTATION OPTIONAL

Sep. 1985  
to  
Feb. 1988

# VERSA DITCHER ASSEMBLY

S/N VS-43476  
to  
S/N VS-01116



Sep. 1985  
to  
Feb. 1988

## VERSA DITCHER ASSEMBLY

S/N VS-43476  
to  
S/N VS-01116

ITEM	PART NO.	QTY	DESCRIPTION
1	02871100	1	Arm
2	02872300	1	Spindle Assembly
3	02873900	1	Blade Housing Assembly
4	02880900	4	Bolt
5	00003901	8	Lockwasher
6	00000200	8	Nut
7	02875301	1	Blade Head Asy Forward Rotaion
	02898501	1	Blade Head Asy Reverse Rotation
8	02891800	6	Bolt
9	00001300	7	Lockwasher
10	02879500	1	Motor Asy
11	02042600	1	Elbow, 90 Deg.
12	02957464	1	Hose
13	02957259	1	Hose
14	02883800	1	Hose Clamp
15	00001200	1	Nut
16	02881000	4	Bolt
17	00751471	2	Reducer (Not Shown)
18	02937300	1	Elbow

Torque item #8 to 100 ft.-lbs. and Torque item #4 to 300 ft.-lbs.

FORWARD ROTATION SHOWN  
REVERSE ROTATION OPTIONAL

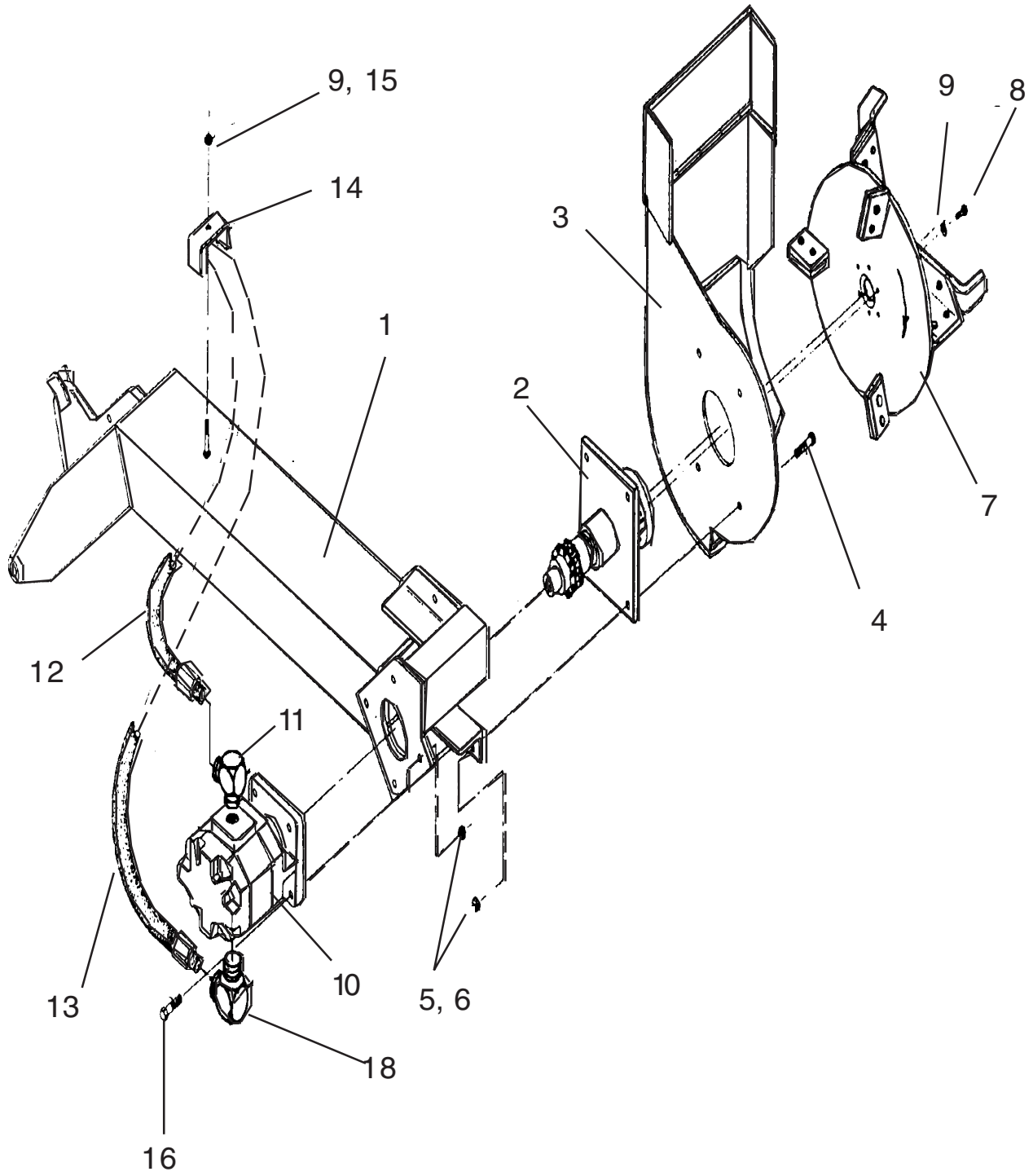
**NOTE:** S/N Change Aug. 1987 S/N's ended with # 47000  
and Sep. 1987 started a new series with # 01001



Mar. 1988  
to  
Current

# VERSA DITCHER ASSEMBLY

S/N VS-01117  
to  
S/NVS-Current



Mar. 1988  
to  
Current

## VERSA DITCHER ASSEMBLY

S/N VS-01117  
to  
S/N VS- Current

ITEM	PART NO.	QTY	DESCRIPTION
1	02871100	1	Arm
2	02872300	1	Spindle Asy
3	02873900	1	Blade Housing Asy
4	02880900	4	Bolt
5	00003901	8	Lockwasher
6	00000200	8	Nut
7	02875301	1	Blade Head Asy Forward Rotation
	02898501	1	Blade Head Asy Reverse Rotation
8	02891800	6	Bolt
9	00001300	7	Lockwasher
10	02870100	1	Motor
11	02958920	1	Elbow, 90 Deg.
12	02961099	1	Hose
13	02961356	1	Hose
14	02883800	1	Hose Clamp
15	00001200	1	Nut
16	02881000	4	Bolt
18	02889300	1	Elbow ( To Sep. 1998 down)
	02958920	1	Elbow, (Oct 1989 & Up)

Torque item #8 to 100 ft.-lbs. and Torque item #4 to 300 ft.-lbs.

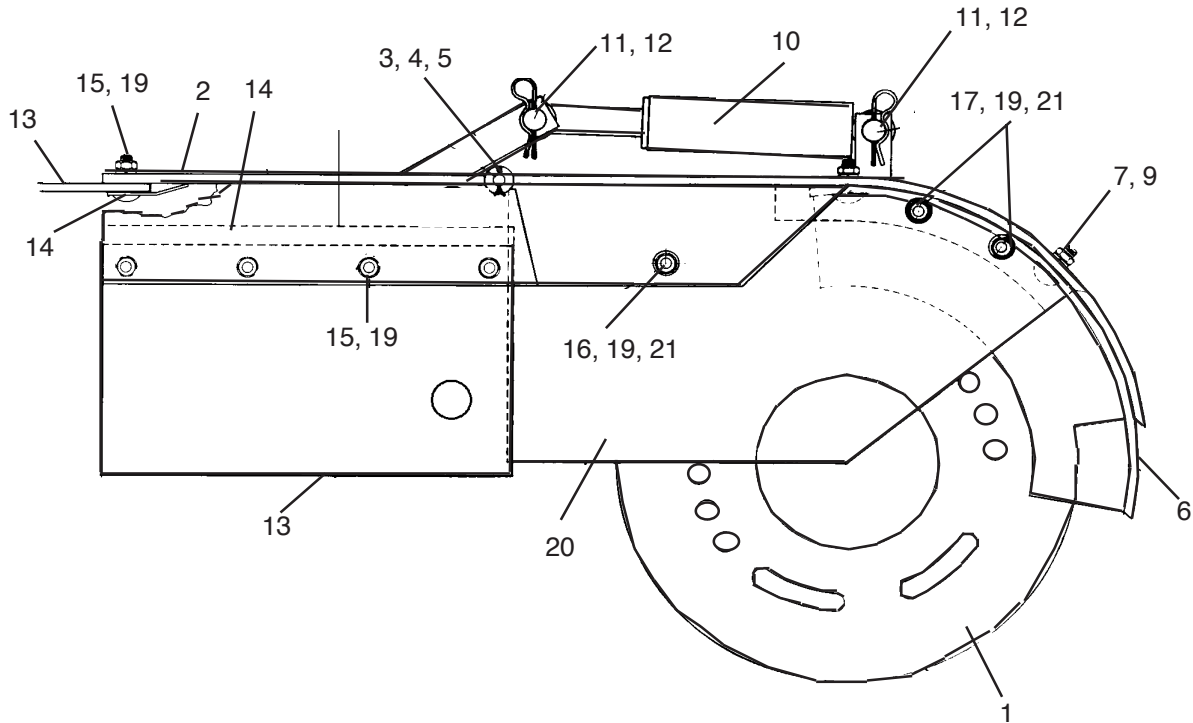
FORWARD ROTATION SHOWN  
REVERSE ROTATION OPTIONAL

Feb 1982  
to  
Current

BLADE HOUSING  
VERSA DITCHER  
P/N 02873900

S/N VS-39383  
to  
S/N VS-Current

FORWARD ROTATION (Standard)



Item	Part No.	Qty	Description
1	02874000	1	Housing Weldment
2	02874601	1	Deflector Weldment
3	02875001	1	Hinge Pin
4	00002700	2	Flatwasher
5	00026200	2	Cotter Pin
6	02875101	1	Back-Up Plate Weldment
7	02886900	4	Bolt
9	00001800	4	Locknut TLM 1/2 NC PLC
10	02811000	1	Cylinder
11	02276700	2	Pin, Cylinder
12	37107B13	4	Hair Pin Clip
13	02959086	3	Rubber Flap Deflector
14	02959087	3	Clamp Bar Flap Deflector
15	02961677	11	Bolt
16	00023100	1	Bolt
17	00059700	2	Flat Socket Cap Screw
19	00015800	14	Nut
20	02959089	1	Weldment Cover Housing
21	00011100	3	Flatwasher

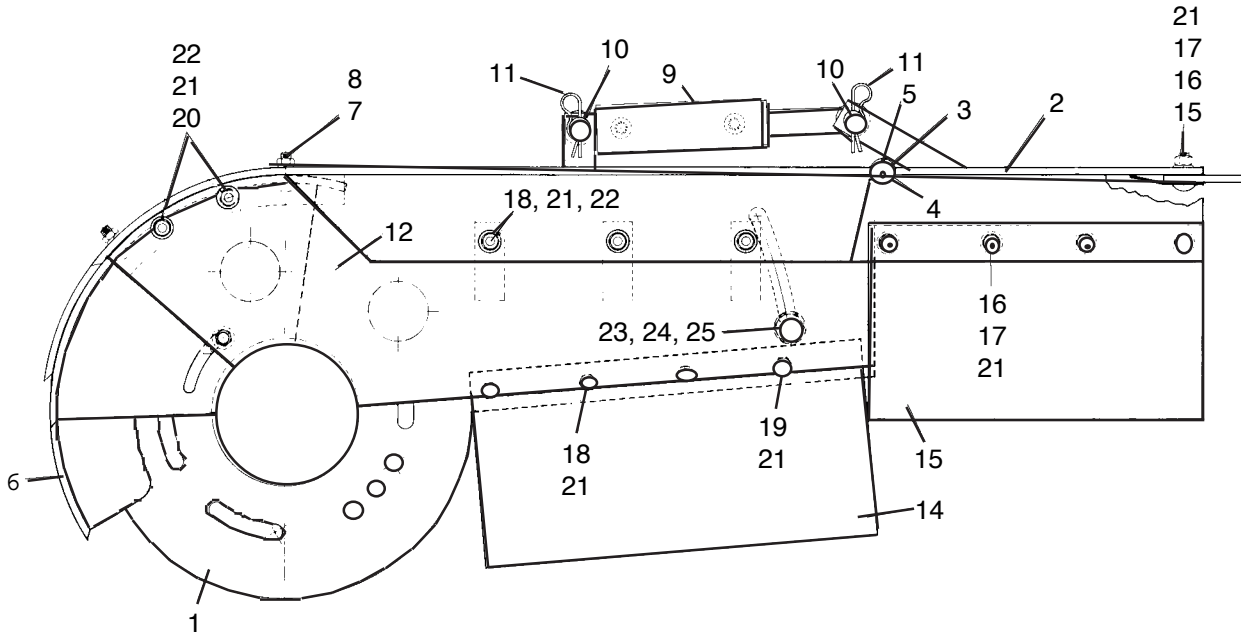
NOTE; Complete Assembly Numbers DID NOT CHANGE, on later S/N units some of the Parts Numbers did, Parts on Above Assembly WILL FIT earlier units

Feb, 1982  
to  
Current

BLADE HOUSING  
VERSA DITCHER  
P/N 02898600

S/N VS-039383  
to  
S/N VS-Current

REVERSE ROTATION (Optional)



Item	Part No.	Qty	Description
1	02899000	1	Blade Housing Weldment (Reverse)
2	02874601	1	Deflector Weldment
3	02875001	1	Hinge Pin
4	00002700	2	Flatwasher
5	00026200	2	Cotter Pin
6	02898801	1	Back-up Plate Weldment (Reverse)
7	02886900	5	Bolt
8	00001800	5	Locknut TLM 1/2 NC PLC
9	02811000	ref	Cylinder
10	02276700	ref	Cylinder Pin
11	37107B13	ref	Hair Pin Clip
12	02959076	1	Weldment, Cover Housing - Front (Reverse)
14	02959079	1	Rubber Flap
15	02959086	3	Rubber Flap
16	02959087	3	Clamp Bar Flap Deflector
17	02961677	11	Bolt
18	00023100	7	Bolt
19	00010600	1	Bolt
20	00059700	2	Flat Socket Cap Screw
21	00015800	20	Locknut
22	00011100	5	Flatwasher
23	02880900	1	Bolt
24	00002701	1	Flatwasher
25	00037200	1	Locknut

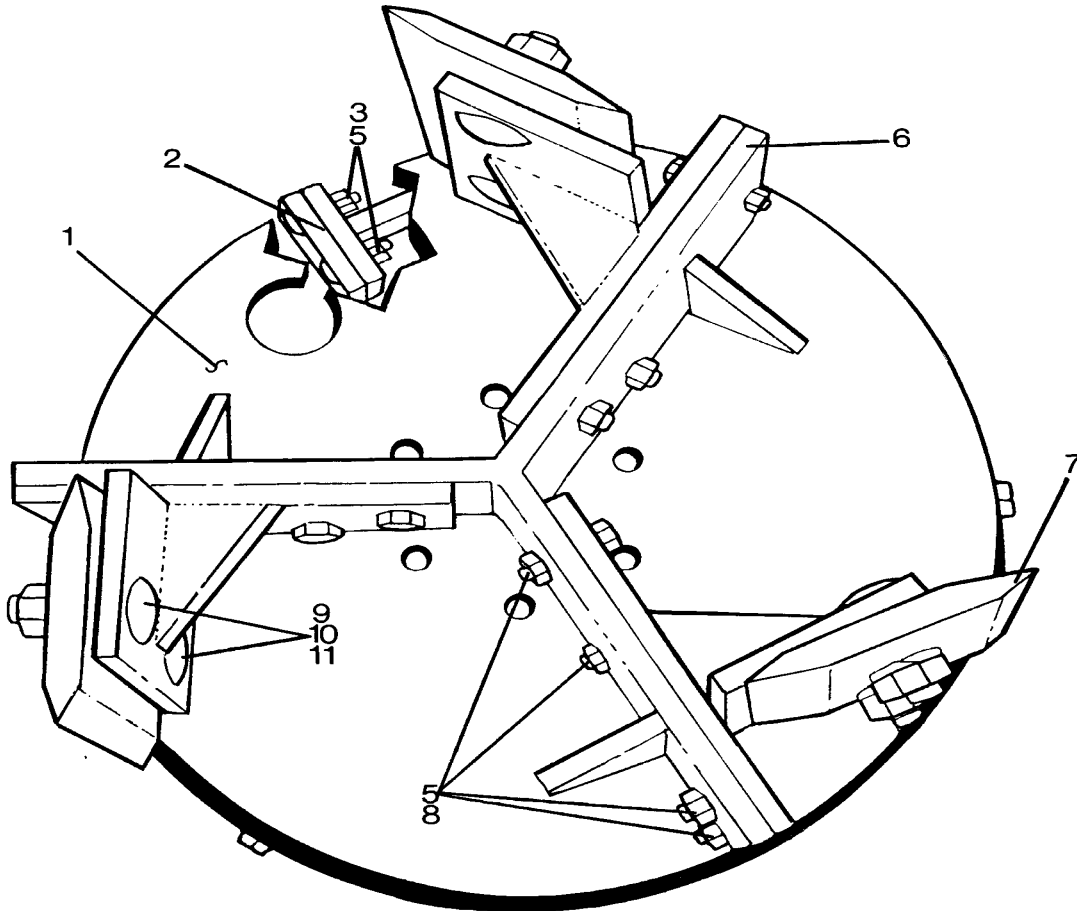
NOTE; Complete Assembly Numbers DID NOT CHANGE, on later S/N units some of the Parts Numbers did, Parts on Above Assembly WILL FIT earlier units

Feb. 1982  
to  
Current

BLADE HEAD  
VERSA-DITCHER  
P/N 02875301

S/N VS-39383  
to  
S/N VS-Current

FORWARD ROTATION (Standard)  
Replaces Asy. # 02875300



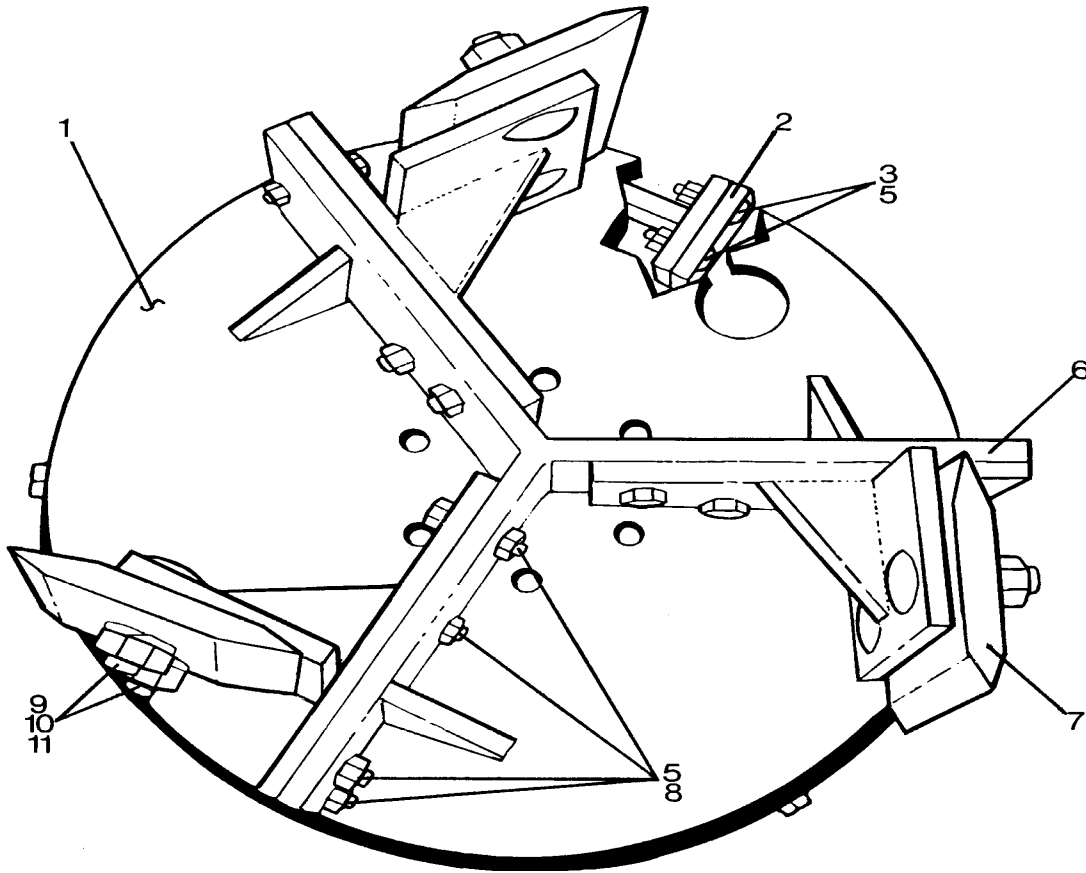
ITEM	PART NO.	QTY	DESCRIPTION
1	02875400	1	Blade Head Weldment (Forward Rotation)
2	02875900	3	Wear Plate
3	02886900	6	Bolt
5	00001800	18	Locknut TLM 1/2 NC PLC
6	02958680	3	Mount Bracket
7	02958675	3	Blade - Rough Cut
	02958685	-	Shim Kit for Rough Cut Blades
8	02891800	12	Bolt
9	02958684	6	Bolt
10	00003901	6	Lockwasher
11	00037200	6	Nut

Feb. 1982  
to  
Current

BLADE HEAD  
VERSA-DITCHER  
P/N 02898501

S/N VS-39383  
to  
S/N VS-Current

REVERSE ROTATION (Optional)

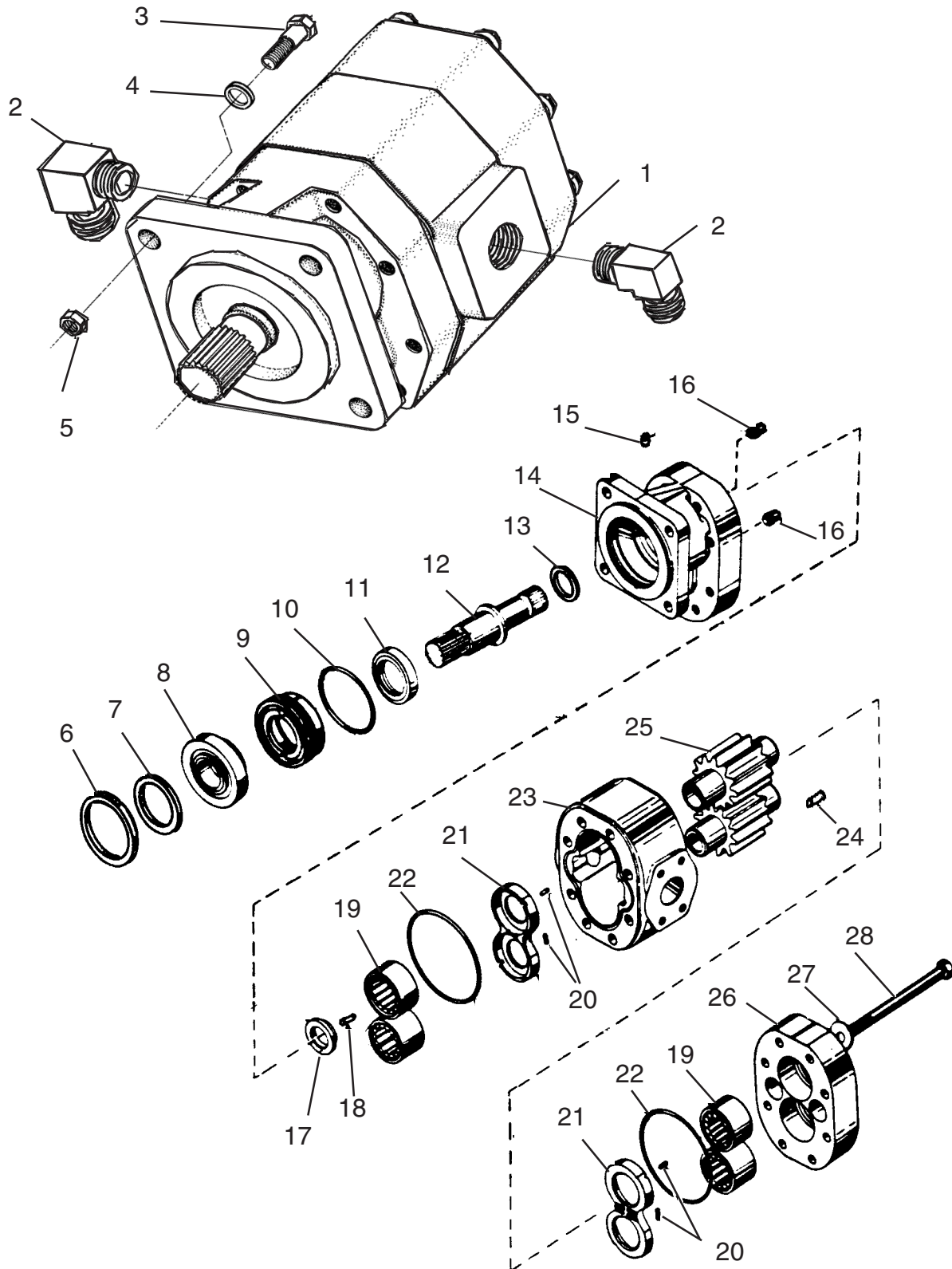


ITEM	PART NO.	QTY	DESCRIPTION
1	02898400	1	Blade Head Weldment (Reverse Rotation)
2	02875900	3	Wear Plate
3	02886900	6	Bolt
5	00001800	18	Locknut TLM 1/2 NC PLC
6	02958681	3	Mount Bracket
7	02958675	3	Blade - Rough Cut
	02958685	-	Shim Kit for Rough Cut Blades
8	02891800	12	Bolt
9	02958684	6	Bolt
10	00003901	6	Lockwasher
11	00037200	6	Nut

Feb. 1982  
to  
Jan. 1983

# MOTOR VERSA-DITCHER P/N 02879500

S/N VS-39383  
to  
S/N VS-40185



Feb. 1982  
to  
Jan. 1983

**MOTOR**  
**VERSA DITCHER**  
**P/N 02879500**

S/N VS-39383  
to  
S/N VS-40185

<b>Item</b>	<b>Part No.</b>	<b>Qty</b>	<b>Description</b>
	02879500	--	Motor Asy w/Fittings
1	02870100	1	Motor Only
2	02889300	2	Elbow, 90 Deg.
3	02897200	4-	Bolt
4	00003901	4	Lockwasher
5	00000200	4	Nut
6	02864700	1	Retaining Ring
7	02864800	1	Spacer
8	02864900	1	Ball Bearing
9	02865000	1	Seal Retainer
10*	02865100	1	O-Ring
11*	02865200	1	Lip Seal
12	02865300	1	Drive Shaft
13	02865400	1	Retaining Ring
14	02865500	1	Shaft End Cover
15	02865600	1	Plug
16	02896200	2	Check Assembly
17	02865800	2	Shaft Seal
18	02865900	2	Roll Pin
19	02866000	4	Bearing
20*	02866100	12	Pocket Seals
21	02866200	2	Thrust Plate
22*	02866300	2	Gasket Seal
23	02866400	1	Gear Housing
24	02866500	4	Dowel Pin
25	02866600	1	Matched Gear Set
26	02866700	1	Port End Cover
27	00001400	8	Washer
28	02866800	8	Bolt
29	02926900	1-ref	Seal Kit

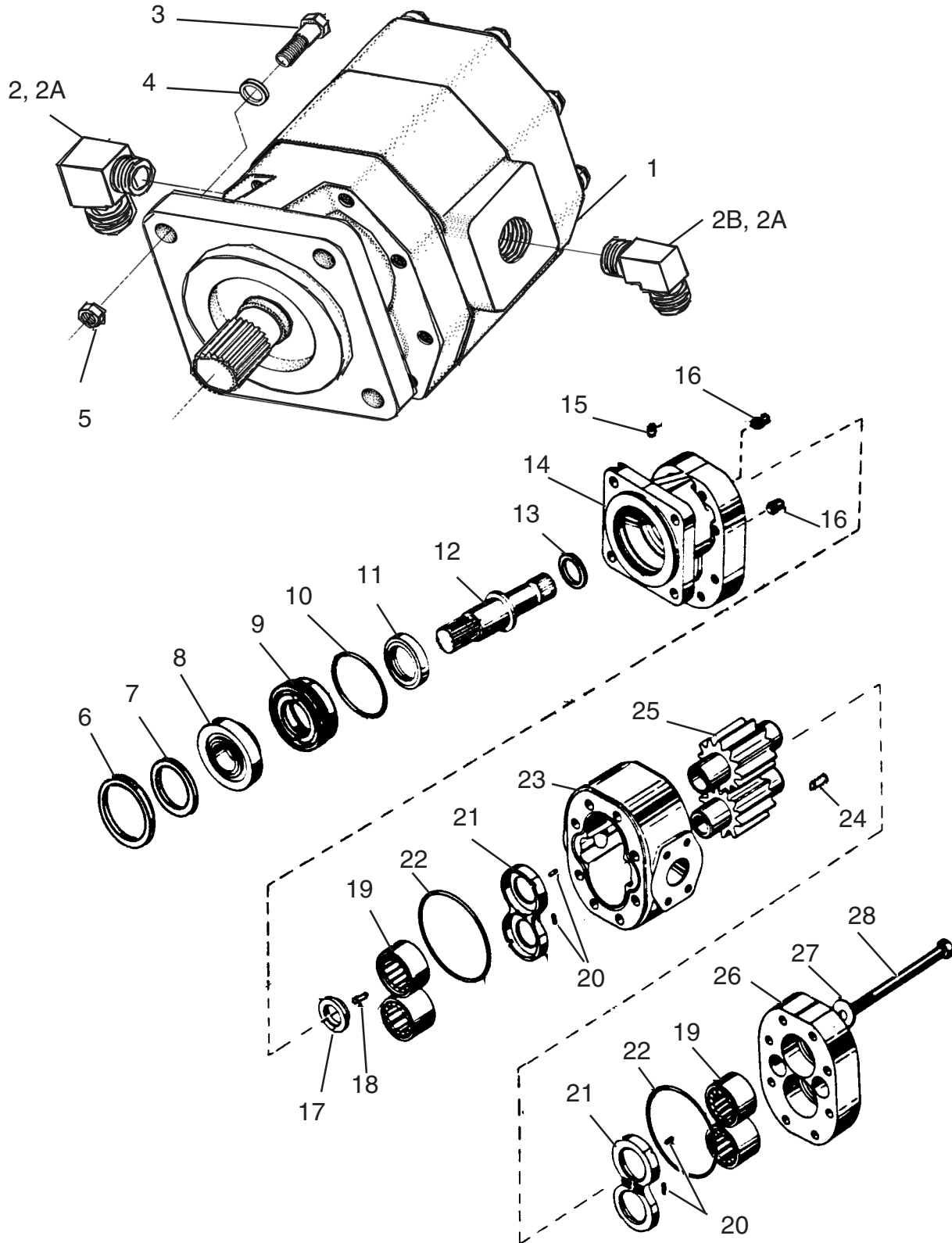
\* Included in Seal Kit # 02926900



Feb. 1983  
to  
Current

# MOTOR VERSA-DITCHER P/N 02879500

S/N VS-40186  
to  
S/NVS-Current



Feb. 1983  
to  
Current

**MOTOR  
VERSA DITCHER  
P/N 02879500**

S/N VS-40186  
to  
S/N VS-Current

Item	Part No.	Qty	Description
	02879500	--	Motor Asy w/Fittings
1	02870100	1	Motor Only
2	02042600	1	Elbow, 90 Deg (Use w/o Item # 2A)
	02958920	1	Elbow, 90 Deg. (Use w/ Item # 2A)
2A	00751471	2	Reducer (Not Shown) Not used with all Elbows
2B	02957228	1	Elbow, 90 Deg.(Used w/o Item # 2A)
	02889300	1	Elbow, 90 Deg.(Used w/ Item # 2A)
3	02881000	4-	Bolt
4	00003901	4	Lockwasher
5	00000200	4	Nut
6	02864700	1	Retaining Ring
7	02864800	1	Spacer
8	02864900	1	Ball Bearing
9	02865000	1	Seal Retainer
10*	02865100	1	O-Ring
11*	02865200	1	Lip Seal
12	02865300	1	Drive Shaft
13	02865400	1	Retaining Ring
14	02865500	1	Shaft End Cover
15	02865600	1	Plug
16	02896200	2	Check Assembly
17	02865800	2	Shaft Seal
18	02865900	2	Roll Pin
19	02866000	4	Bearing
20*	02866100	12	Pocket Seals
21	02866200	2	Thrust Plate
22*	02866300	2	Gasket Seal
23	02866400	1	Gear Housing
24	02866500	4	Dowel Pin
25	02866600	1	Matched Gear Set
26	02866700	1	Port End Cover
27	00001400	8	Washer
28	02866800	8	Bolt
29	02926900	1-ref	Seal Kit

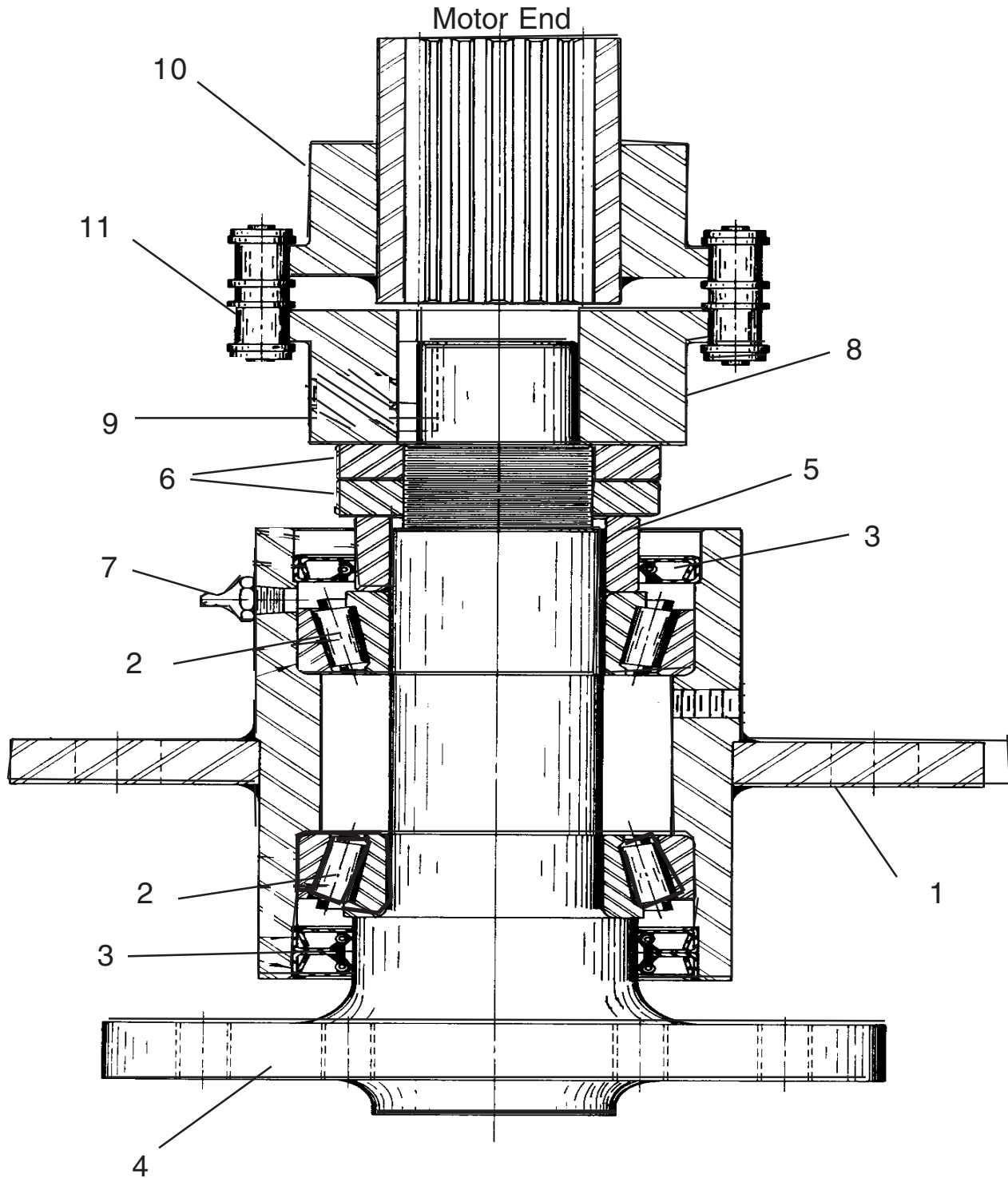
\* Included in Seal Kit # 02926900

**NOTE:** S/N Change Aug. 1987 S/N's ended with # 47000  
and Sep. 1987 started a new series with # 01001

Feb. 1982  
to  
Jun. 1985

# SPINDLE ASSEMBLY VERSA-DITCHER P/N 02872300

S/N VS-39383  
to  
S/N VS-43000



Feb. 1982  
to  
Jun. 1985

**SPINDLE ASSEMBLY  
VERSA-DITCHER  
P/N 02872300**

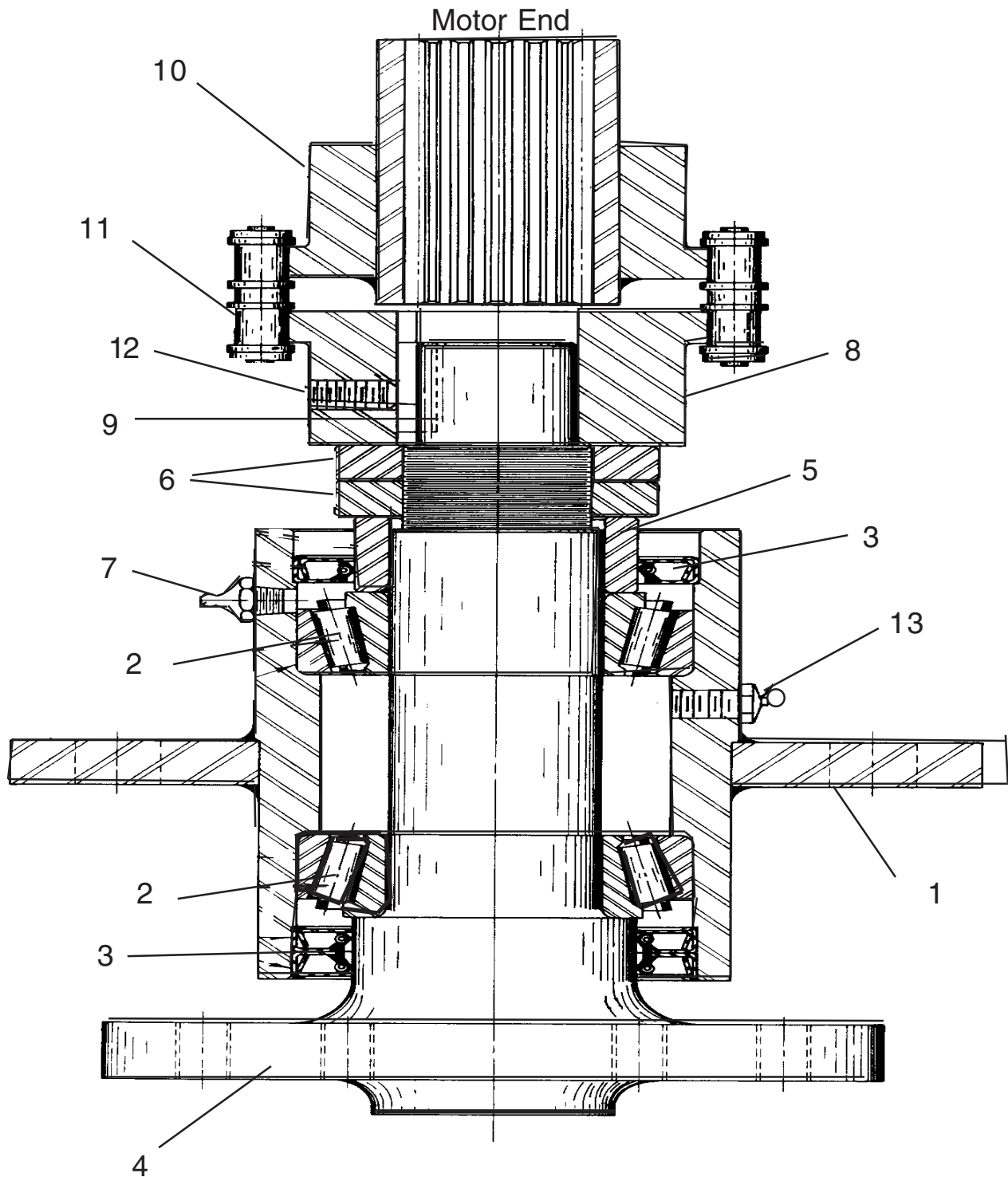
S/N VS-39383  
to  
S/N VS-43000

ITEM	PART NO.	QTY	DESCRIPTION
	02872300	--	Spindle Asy. (items 1 thru 14)
1	02883700	1	Spindle Housing w/Bearing Cups & Grease Fitting
2	02778200	2	Bearing Asy, Cup & Cone
	02708100	2	Bearing Cup Only
	02707700	2	Bearing Cone Only
3	02707600	3	Seal
4	02872700	1	Spindle (Use # 02872701)
5	02873200	1	Spacer
6	02870900	2	Nut
7	00003500	1	Grease Fitting
8	02873301	1	Coupling Half, Spindle
9	02959017	1	Key
10	02873500	1	Coupling Half, Motor
11	02873800	1	Chain, Coupling

Jul. 1985  
to  
Current

# SPINDLE ASSEMBLY VERSA-DITCHER P/N 02872300

S/N VS-43001  
to  
S/N VS- Current



Jun. 1985  
to  
Current

**SPINDLE ASSEMBLY  
VERSA-DITCHER  
P/N 02872300**

S/N VS-43001  
to  
S/N VS- Current

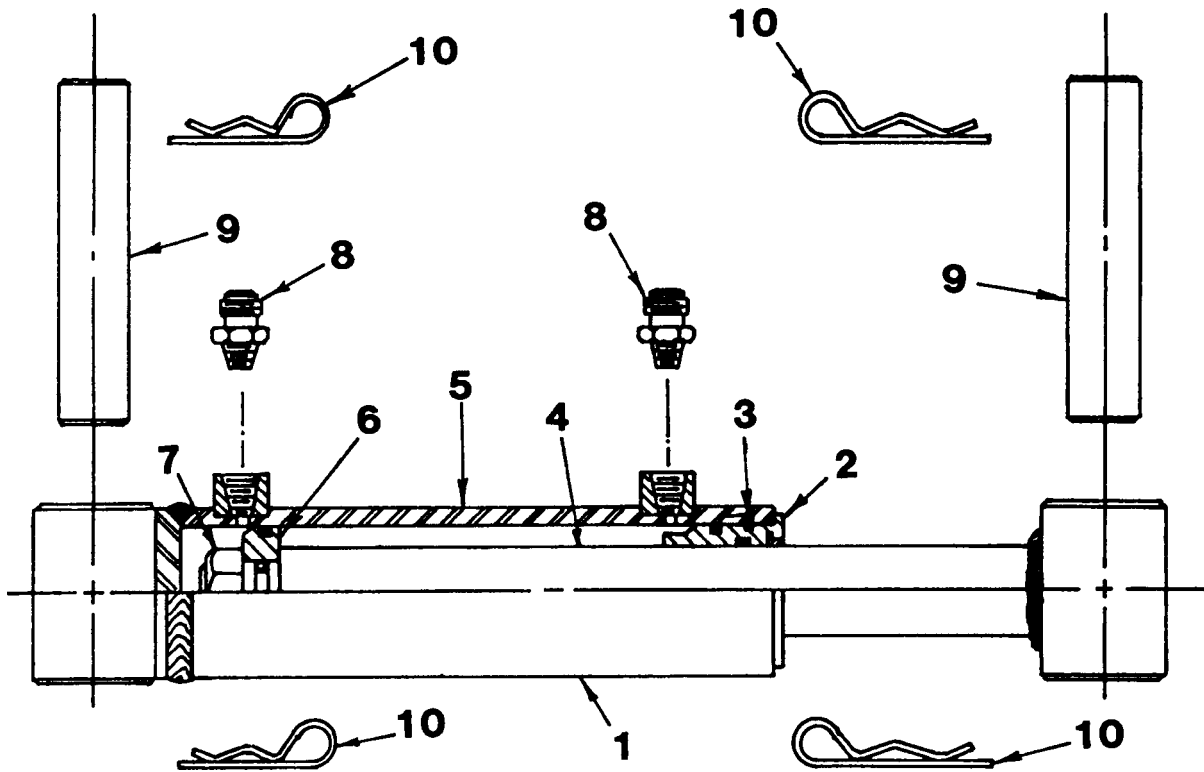
ITEM	PART NO.	QTY	DESCRIPTION
	02872300	--	Spindle Asy. (items 1 thru 14)
1	02883700	1	Spindle Housing w/Bearing Cups & Grease Fitting
2	02778200	2	Bearing Asy, Cup & Cone
	02708100	2	Bearing Cup Only
	02707700	2	Bearing Cone Only
3	02707600	3	Seal
4	02872701	1	Spindle
5	02873200	1	Spacer
6	02870900	2	Nut
7	00003500	1	Grease Fitting
8	02873301	1	Coupling Half, Spindle
9	02959017	1	Key
10	02873500	1	Coupling Half, Motor
11	02873800	1	Chain, Coupling
12	02959014	1	Set Screw
13	02959018	1	Relief Fitting

**NOTE:** S/N Change Aug. 1987 S/N's ended with # 47000  
and Sep. 1987 started a new series with # 01001

Feb. 1982  
to  
Current

# DEFLECTOR CYLINDER VERSA-DITCHER P/N 02956704

S/N VS-39383  
to  
S/N VS-Current



Item	Part No.	Qty	Description
	02956704	--	Cylinder Asy, (Items 1 thru 8)
1	02811000	1	Hydraulic Cylinder
2	02840700	1	Gland
3	-----	1	Lockwire (See Seal Kit)
4	02840800	1	Rod Assembly
5	02840900	1	Barrel Assembly
6	02841000	1	Piston
7	02841100	1	Locknut
8	02042500	2	Straight Adapter
9	02276700	2	Cylinder Pin
10	45000000	4	Hair Pin
11	02840600	--	Seal Kit

### SEAL REPAIR KIT P/N 02840600 CONSISTS OF:

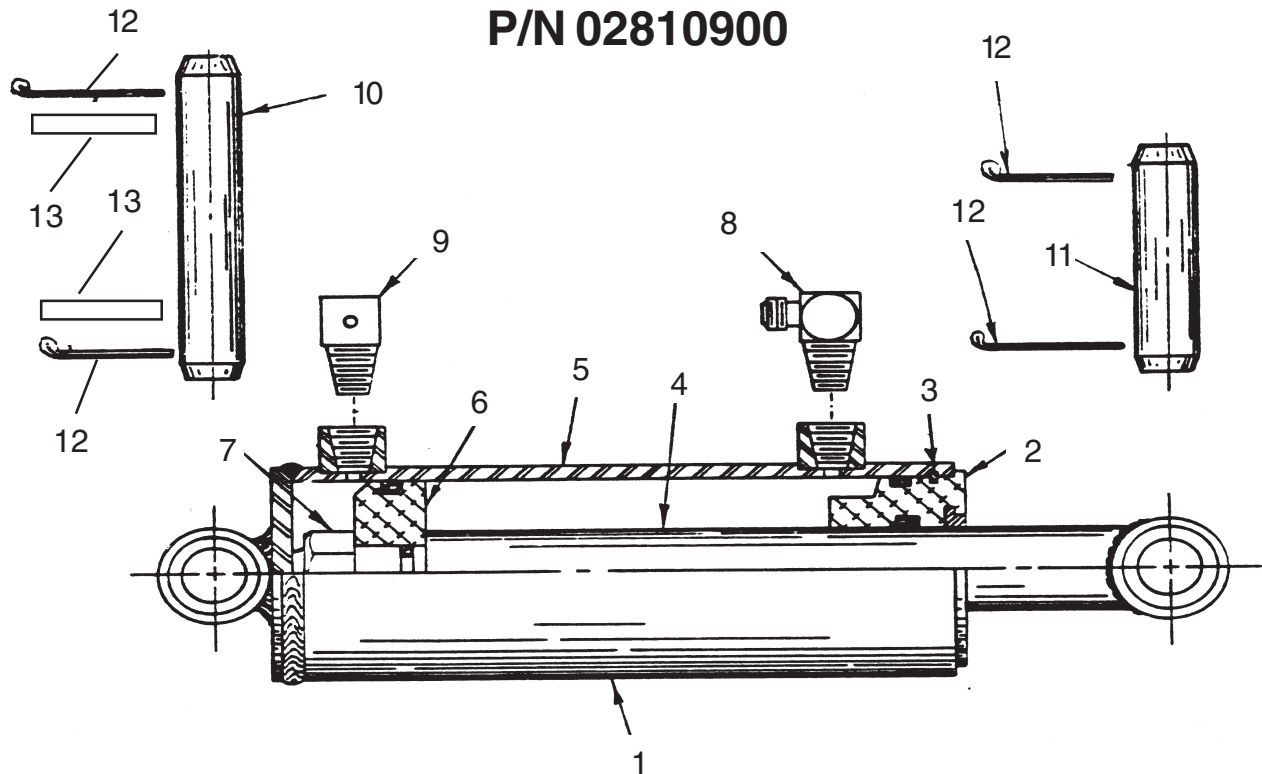
1 - Gland Static Seal	1 - Rod Seal	1 - Piston Seal	2 - Back up Rings
1 - Rod Wiper	1 - Rod Static Seal	1 - Back-up Rod	1 - Lockwire

**NOTE:** S/N Change Aug. 1987 S/N's ended with # 47000  
and Sep. 1987 started a new series with # 01001

Feb. 1982  
to  
May 1988

# LIFT CYLINDER VERSA-DITCHER P/N 02810900

S/N VS-39383  
to  
S/N VS-01244



Item	Part No.	Qty	Description
1	02810900	1	Cylinder Only
2	02840100	1	Gland (See 02841300)
3	-----	1	Lockwire (See Seal Kit)
4	02840200	1	Rod Asy
5	02840300	1	Barrel Asy
6	02840400	1	Piston
7	02840500	1	Locknut
8	02822100	1	Elbow
9	00750208	1	Plug, Breather
10	02880800	1	Pin (Dead End)
11	02930200	1	Pin (Rod End)
12	00606000	4	Cotter Pin (Select Type Used)
	45000000	AR	Hair Pin (Not SHown)
13	02822500	2	Washer
14	02840000	1	Seal Kit

**SEAL KIT Consist of**

1 - Gland Static Seal	1 - Rod Seal	1 - Piston Seal
2 - Buack-up Rings	1 - Rod Wiper	1 - Rod Static Seal
1 - Rod Back-up Seal	1 - Lockwire	

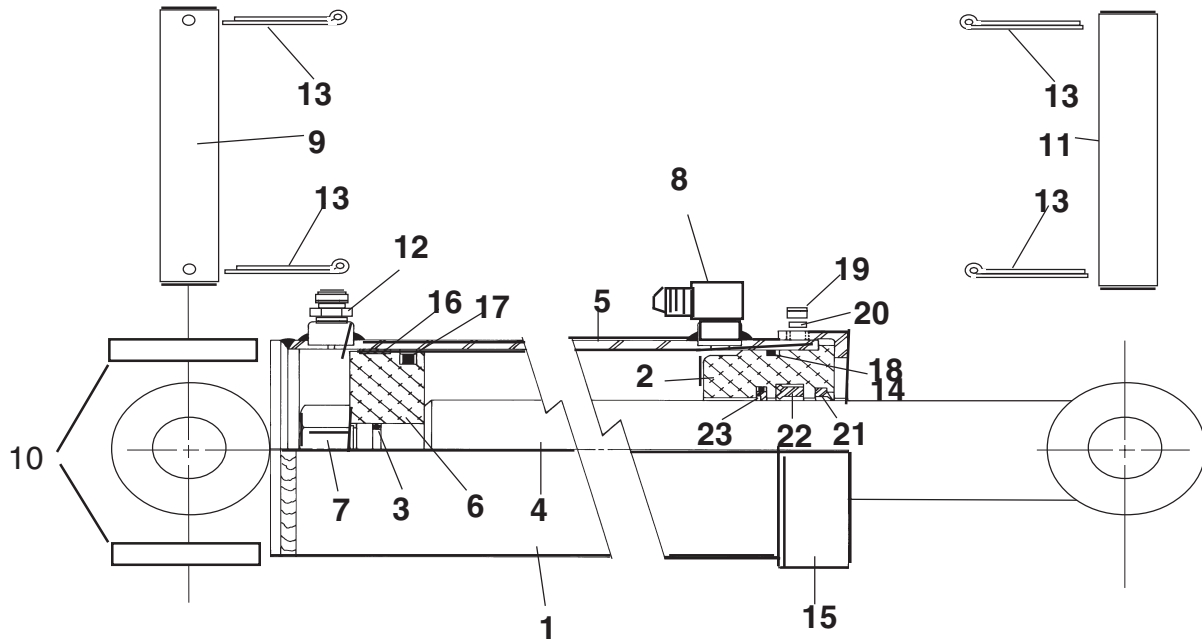
**NOTE:** S/N Change Aug. 1987 S/N's ended with # 47000  
and Sep. 1987 started a new series with # 01001



Jun. 1988  
to  
Current

# LIFT CYLINDER VERSA-DITCHER P/N 02961484

S/N VS-01245  
to  
S/N VS-Current

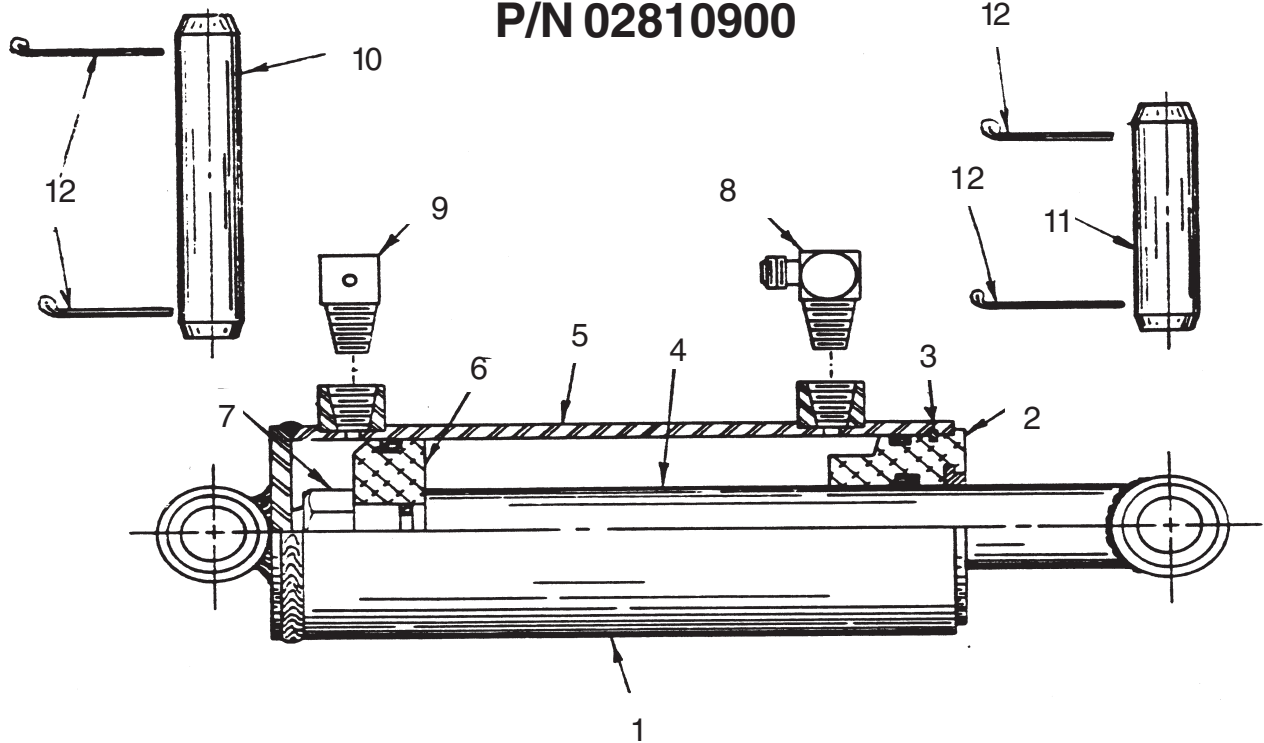


Item	Part No.	Qty	Description
1	02961484	1	Hydraulic Cylinder
2	02962134	1	Gland
3*	-----	1	"O" Ring
4	02962133	1	Rod Asy
5	02962132	1	Barrel Asy
6	02962131	1	Piston
7	02840500	1	Locknut
8	02960018	1	Elbow
9	02880800	1	Pin "E"
10	02822500	2	Washer
11	02930200	1	Pin "D"
12	02960054	1	Breather Plug
13	00606000	3	Cotter Pin
14*	-----	1	Back-Up Ring
15	02962129	1	Collar
16*	-----	1	Wear Ring
17*	-----	1	Piston Seal
18*	-----	1	"O" Ring
19	02962169	1	Set Screw
20	02962170	1	Nylon Insert
21*	-----	1	Rod Wiper
22*	-----	1	Rod Seal
23*	02962135	1	Seal Kit (Items 3,10,14,16,17, 18,21,22 & 23)

Feb. 1982  
to  
May 1988

# TILT CYLINDER VERSA-DITCHER P/N 02810900

S/N VS-39383  
to  
S/N VS-01244



Item	Part No.	Qty	Description
1	02810900	1	Cylinder Only
2	02840100	1	Gland (See 02841300)
3	-----	1	Lockwire (See Seal Kit)
4	02840200	1	Rod Asy
5	02840300	1	Barrel Asy
6	02840400	1	Piston
7	02840500	1	Locknut
8	02822100	1	Elbow
9	00750208	1	Plug, Breather
10	02930100	1	Pin "E"
11	02930200	1	Pin "D"
12	00606000	4	Cotter Pin (Select Type Used)
	45000000	AR	Hair Pin (Not SHown)
13	02840000	1	Seal Kit

### SEAL KIT Consist of

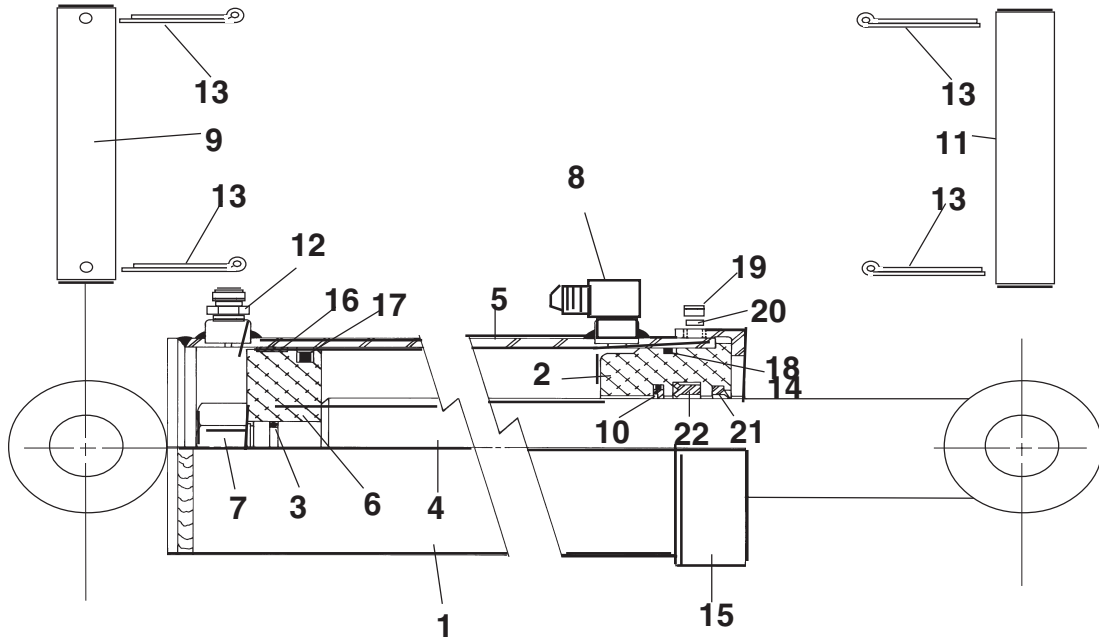
1 - Gland Static Seal	1 - Rod Seal	1 - Piston Seal
2 - Buack-up Rings	1 - Rod Wiper	1 - Rod Static Seal
1 - Rod Back-up Seal	1 - Lockwire	

**NOTE:** S/N Change Aug. 1987 S/N's ended with # 47000  
and Sep. 1987 started a new series with # 01001

Jun. 1988  
to  
Current

# TILT CYLINDER VERSA-DITCHER P/N 02961483

S/N VS-01245  
to  
S/N VS-Current



Item	Part No.	Qty	Description
1	02961483	1	Hydraulic Cylinder
2	02962134	1	Gland
3*	-----	1	"O" Ring
4	02962137	1	Rod Asy
5	02962136	1	Barrel Asy
6	02962131	1	Piston
7	02840500	1	Locknut
8	02962181	1	Elbow
9	02957536	1	Pin "E"
10*	-----	1	Buffer Seal
11	02930200	1	Pin "D"
12	02960054	1	Breather Plug
13	00606000	3	Cotter Pin
14*	-----	1	Back-Up Ring
15	02962158	1	Collar
16*	-----	1	Wear Ring
17*	-----	1	Piston Seal
18*	-----	1	"O" Ring
19	02962169	1	Set Screw
20	02962170	1	Nylon Insert
21*	-----	1	Rod Wiper
22*	-----	1	Rod Seal
23*	02962135	1	Seal Kit (Items 3,10,14,16,17, 18,21,22 & 23)

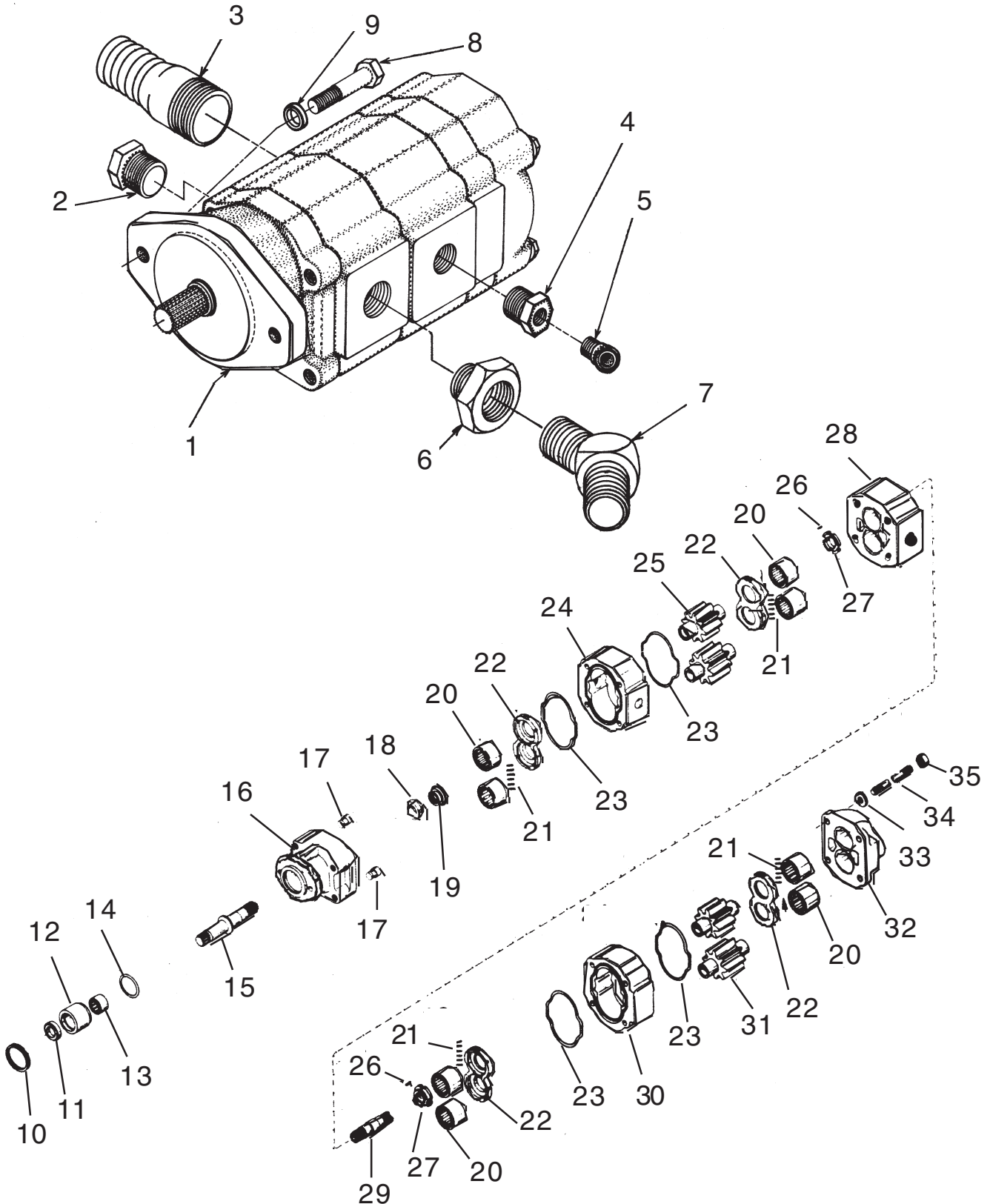
# NOTES

Feb. 1982  
to  
May 1984

# FRONT PUMP VERSA-DITCHER

S/N VS-39383  
to  
S/N VS-41790

## Double Section P/N 02886800



Feb. 1982  
to  
May 1984

# FRONT PUMP VERSA-DITCHER

S/N VS-39383  
to  
S/N VS-41790

## Double Section P/N 02886800

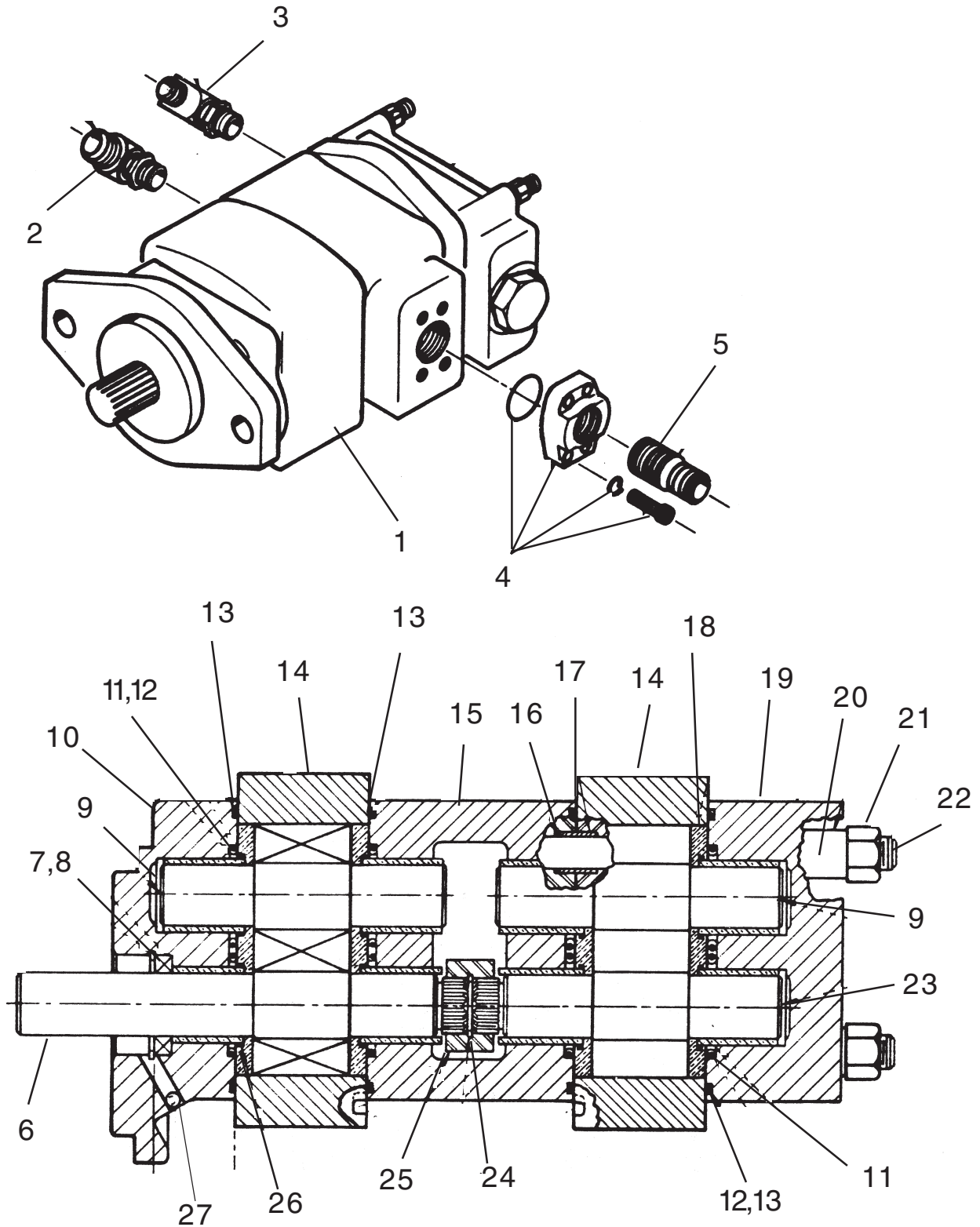
Item	Part No.	Qty	Description
	<b>02886800</b>	—	<b>Pump Asy W/ Fittings</b>
1	02870000	1	PumpOnly
2	75018000	1	Plug
3	02411000	1	Hose Bib
4	63081000	1	Bushing
5	00750823	1	Elbow, 45 Deg.
6	00751471	1	Reducer
7	02889000	1	Elbow, 45 Deg.
8	00748823	2	Bolt
9	00001300	2	Lockwasher
10	02892400	1	Retainer Ring
11	02892500	1	Seal, Double Lip
12	02892600	1	Seal Retainer
13	02892700	1	Bearing, Tapered Roller
14	02892800	1	O-Ring
15	02893100	1	Drive Shaft
16	02893300	1	Shaft End Cover
17	02893400	2	Plug
18	02893500	1	Bronze Shaft Bushing
19	02893600	1	Spring
20	02893700	8	Bearing, Roller
21	02893800	24	Pocket Seal
22	02893900	1	Thrust Plate
23	02894000	2	O-Ring Gasket
24	02894100	1	Gear Housing
25	02894200	1	Gear Set
26	02894400	2	Roll Pin
27	02894500	2	Shaft Bushing
28	02894600	1	Bearing Carrier
29	02895000	1	Connecting Shaft
30	02895200	1	Gear Housing
31	02895300	1	Gear Set, Matched
32	02895400	1	Port end Cover
33	00010300	4	Washer
34	02864600	4	Stud
35	00032700	4	Nut
36	02927000	1	Seal kit

Jun. 1984  
to  
Sep. 1987

# FRONT PUMP VERSA-DITCHER

S/N VS-41791  
to  
S/N VS-01007

## Double Section P/N 02957419



Jun. 1984  
to  
Sep. 1987

## FRONT PUMP VERSA-DITCHER

S/N VS-41791  
to  
S/N VS-01007

### Double Section P/N 02957419

Item	Part No.	Qty	Description
	<b>02957419</b>	—	<b>Pump Asy W/ Fittings</b>
1	02957373	1	PumpOnly
2	02949100	1	Elbow
3	02161400	1	Elbow
4	02827700	1	Flange Kit
5	02411000	1	Hose Bib
6	02957993	1	Gear, Front Drive
7	02957972	1	Snap Ring
8	02957973	1	Seal
9	02957994	1	Gear, Idler
10	02959289	1	Flange
11	02957976	4	Back-Up Ring
12	02957977	4	O-Ring
13	02957978	4	O-Ring
14	02957995	1	Gear Plate
15	02957996	1	Connecting Plate
16	02957981	4	O-ring
17	02957982	16	Dowel Pin
18	02957983	4	Pressure Plates
19	02957977	1	Cover Plate
20	02957985	4	Spacer Sleeve
21	02957986	4	Nuts
22	02957998	4	Studs
23	02957999	1	Rear Drive
24	02957989	1	Snap Ring
25	02957990	1	Splined Coupling
26	02957991	8	O-Ring
27	02957992	1	Ball

**NOTE:** S/N Change Aug. 1987 S/N's ended with # 47000  
and Sep. 1987 started a new series with # 01001

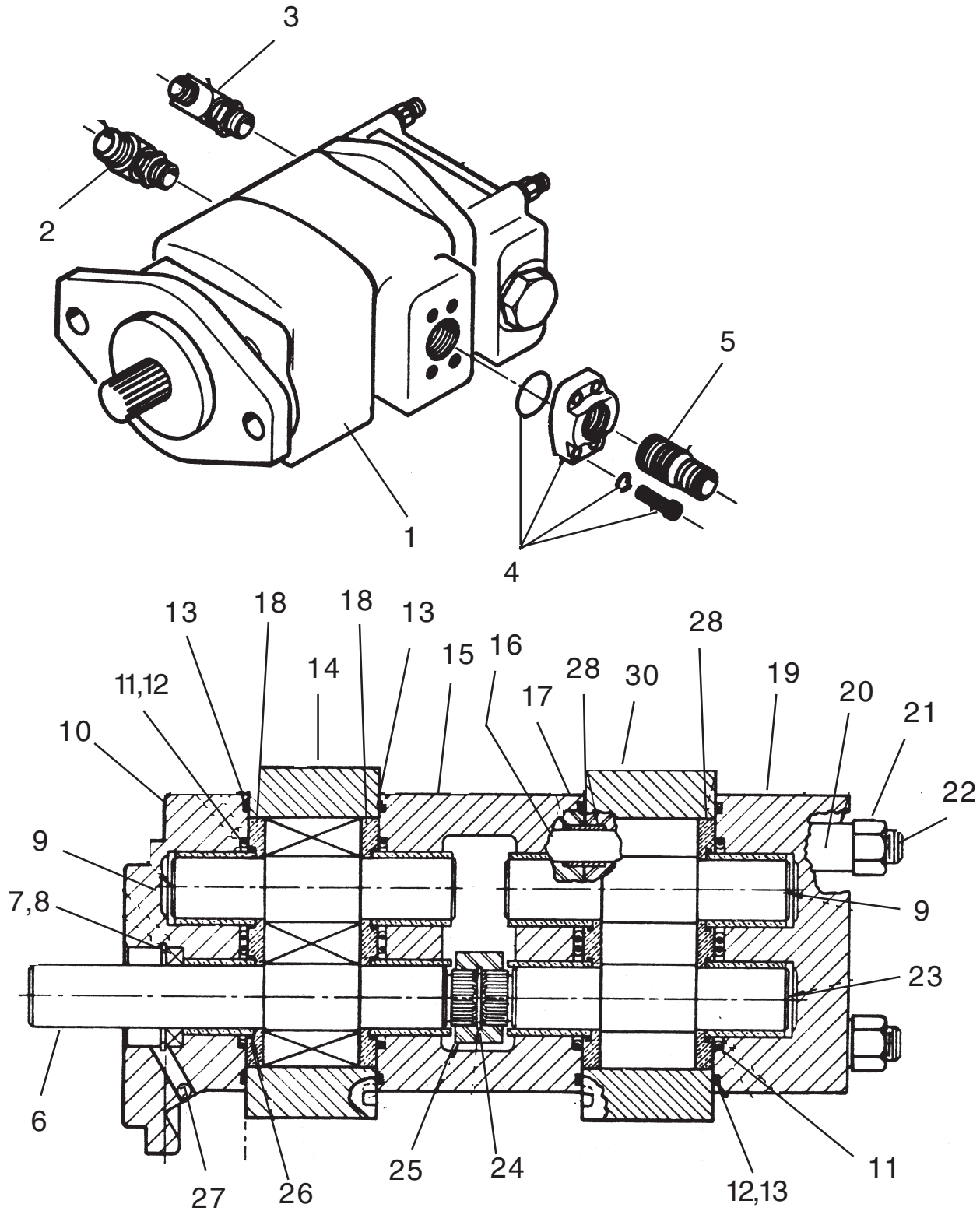


Oct. 1987  
to  
Mar. 1988

# FRONT PUMP VERSA-DITCHER

S/N VS-01008  
to  
S/N VS-01154

## Double Section P/N 02961119



Oct. 1987  
to  
Mar. 1988

# FRONT PUMP VERSA-DITCHER

S/N VS-01008  
to  
S/N VS-01154

## Double Section P/N 02961119

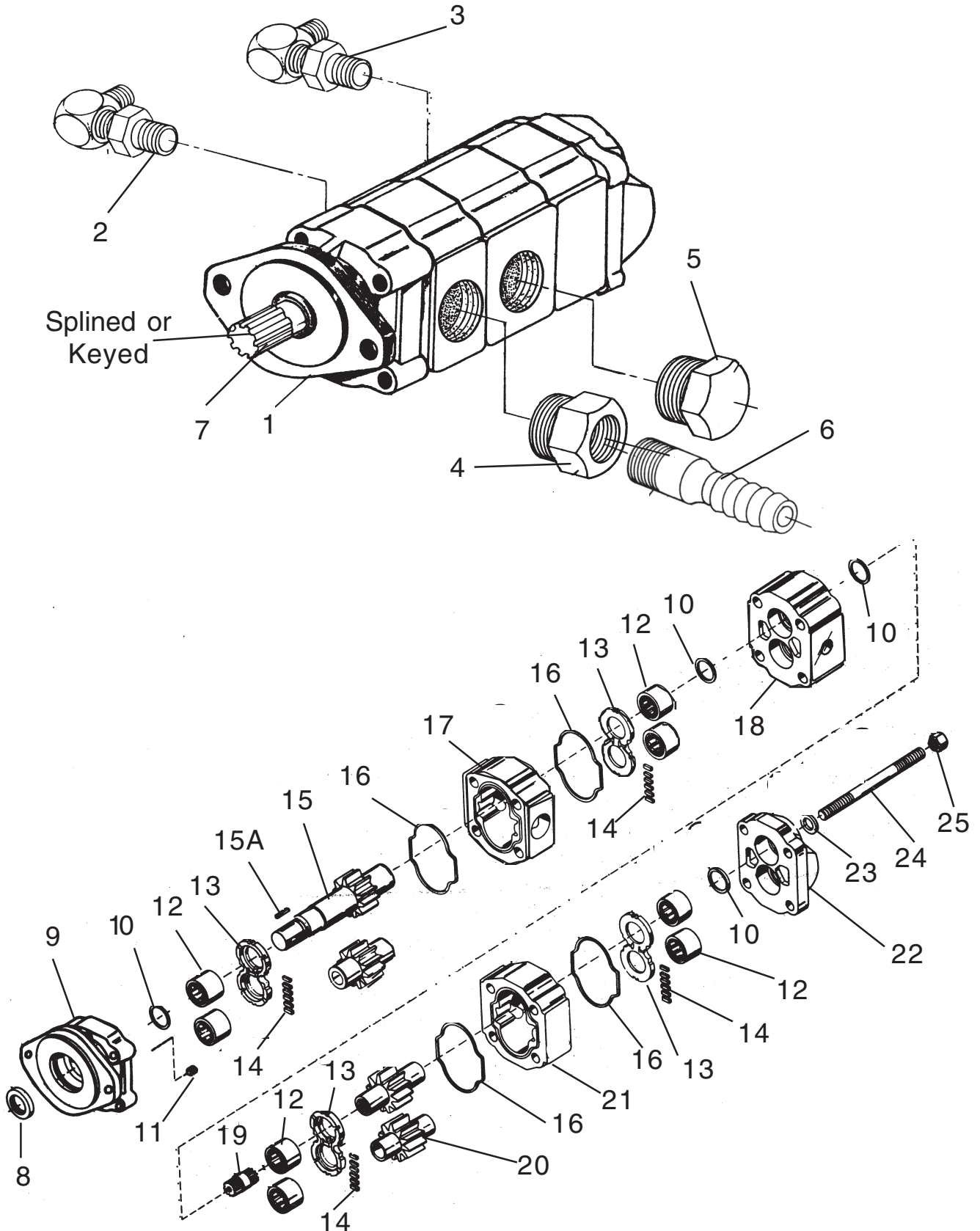
Item	Part No.	Qty	Description
	<b>02961119</b>	—	<b>Pump Asy W/ Fittings</b>
1	02957373	1	PumpOnly
2	02960812	1	Elbow
3	02161400	1	Elbow
4	02827700	1	Flange Kit
5	02411000	1	Hose Bib
6	02957993	1	Gear, Front Drive
7	02957972	1	Snap Ring
8	02957973	1	Seal
9	02957994	1	Gear, Idler
10	02959289	1	Flange
11	02957976	4	Back-Up Ring
12	02957977	4	O-Ring
13	02957978	4	O-Ring
14	02957995	1	Gear Plate
15	02957996	1	Connecting Plate
16	02957981	4	O-ring
17	02957982	16	Dowel Pin
18	02957983	2	Pressure Plates
19	02957999	1	Cover Plate
20	02957985	4	Spacer Sleeve
21	02957986	4	Nuts
22	02957998	4	Studs
23	02957988	1	Rear Drive
24	02957989	1	Snap Ring
25	02957990	1	Splined Coupling
26	02957991	8	O-Ring
27	02957992	1	Ball
28	02960437	2	Pressure Plate
29	02960582	1	Gear, Idler
30	02960583	1	Gear Plate
31	02960601	1	O-Ring
32	02958014	AR	Shaft Seal Kit
33	02958015	AR	Soft Goods Service Kit

Apr. 1988  
to  
May 1988

# FRONT PUMP VERSA-DITCHER

S/N VS-01155  
to  
S/N VS-01244

## Double Section P/N 02961095



VERSA -DITCHER (Archive Book) 1001

© 2001 Alamo Group Inc.

Parts Section - 54

Apr. 1988  
to  
May. 1988

## FRONT PUMP VERSA-DITCHER

S/N VS-01155  
to  
S/N VS-01244

### Double Section P/N 02961095

Item	Part No.	Qty	Description
	<b>02961095</b>	<b>-</b>	<b>Pump Asy W/ Fittings</b>
1	02050000	AR	PumpOnly, W/Keyed Shaft
	02050200	AR	Pump Only, W/Splined Shaft
2	02960812	1	Elbow
3	02161400	1	Elbow
4	02589000	1	Adapter, Straight
5	02589200	1	Plug
6	02411000	1	Hose Bib
7	02513100	1	Key, Keyed Pump Only
8	02677000	1	Seal, Double Lip
9	02677100	1	Shaft end Cover
10	02677200	4	High Pressure Ring Seal
11	02677300	1	Plug
12	02677400	8	Bearing, Roller
13	02677500	4	Thrust Plate
14	02677600	2	Pocket Seal Strip
15	02677700	1-AR	Shaft & Gear Set, Keyed
	02670800	1-AR	Shaft & Gear Set, Splined
15A	02512700	1-AR	Key, Use w/ Keyed Pump & Shaft
16	02677900	4	Gasket
17	02678000	1	Gear Housing
18	02678100	1	Bearing Carrier
19	02678200	1	Connecting Shaft
20	02678300	1	Gear Set, Matched
21	02678400	1	Gear Housing
22	02678500	1	Port End Cover
23	02678600	4	Washer
24	02678700	4	Fastener
25	02678800	4	Nut

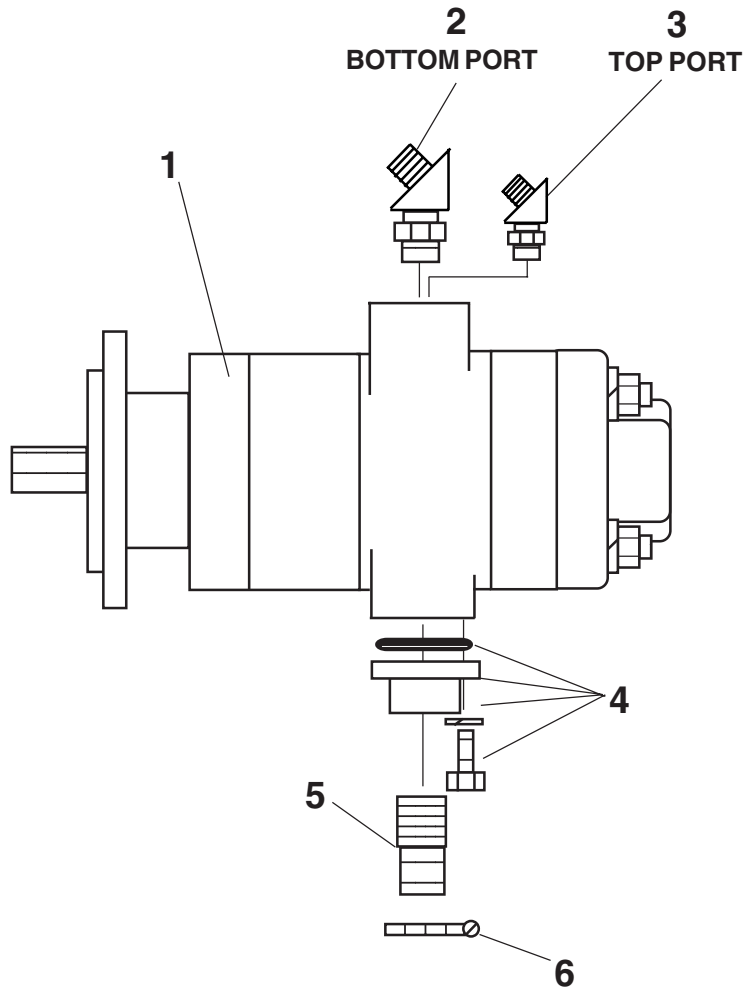
NOTE: There were two Pumps offered during these S/N's, A Splined Shaft or a Keyed Shaft, Check which you have before ordering Parts.

Jun. 1988  
to  
Mar. 1989

# FRONT PUMP VERSA-DITCHER

S/N VS-01245  
to  
S/N VS-01547

## Double Section P/N 02961826



Item	Part No.	Qty	Description
	02961826	--	Pump Asy W/ Fittings
1	02961735	1	Pump Asy W/O Fittings
2	02961825	1	Elbow, 45 Deg.
3	02962214	1	Elbow, 45 Deg.
4	02827700	1	Flange Kit
5	02411000	1	Hose Bib
6	02026200	1	Hose Clamp

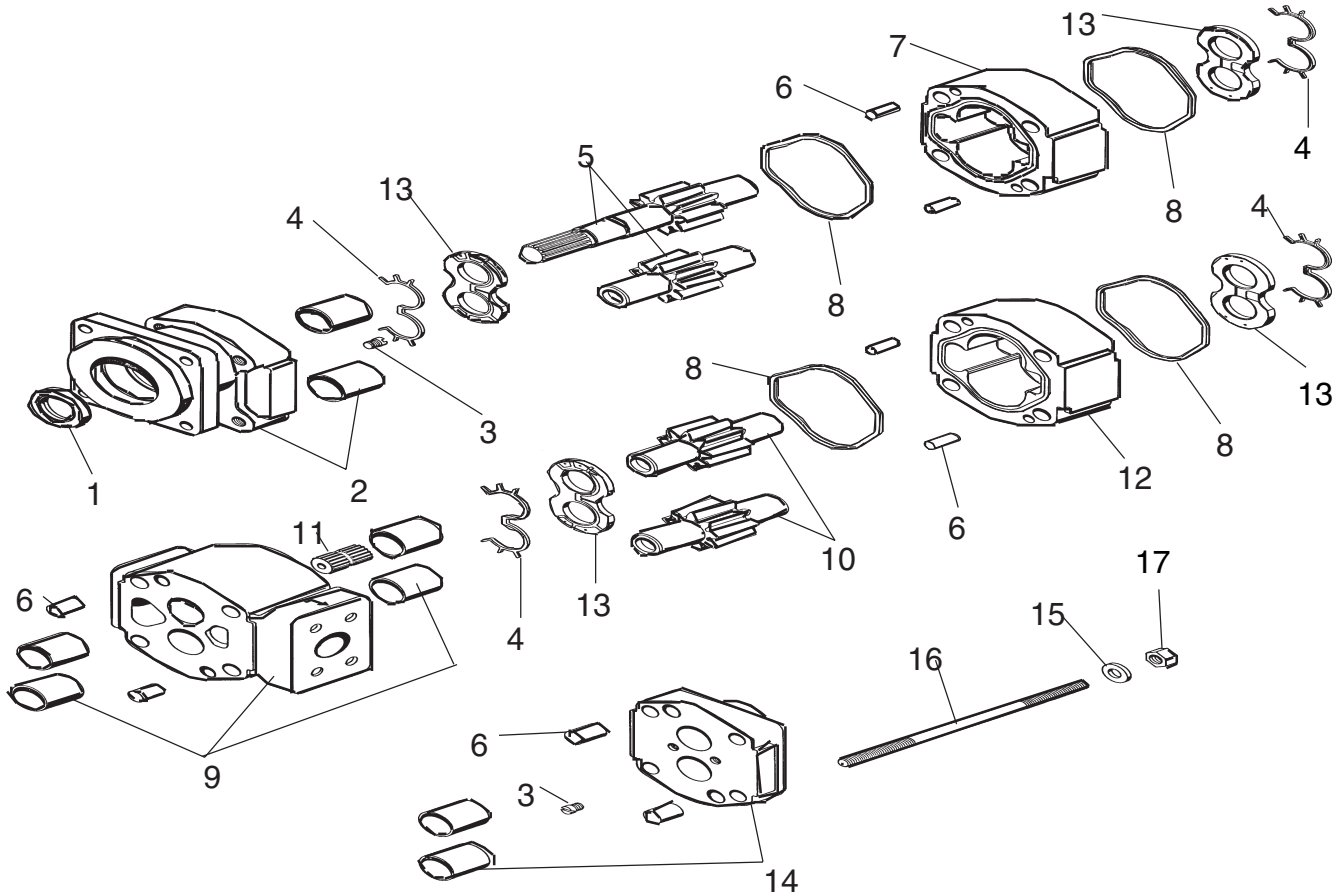
**NOTE:** Double Section Pump Supplies Hyd Pressure for all Functions, Boom Movements & Head Operation. A Single Section Pump ONLY Supplies Hyd Pressure for Cutter Head, the Boom Movements are Operated using the Tractor Hyd. Supply. Check Type Pump Used BEFORE ORDERING parts. Single Section Pumps were offered as an Option after Jun. 1988 Prior only Double Section Pumps were used.

Jun. 1988  
to  
Mar. 1989

# FRONT PUMP VERSA-DITCHER

S/N VS-01245  
to  
S/N VS-01547

## Double Section P/N 02961826 Repair Parts



Item	Part No.	Qty	Description	Item	Part No.	Qty	Description
	<b>02961735</b>	–	<b>Pump Asy, W/O Fittings</b>	11	02962216	1	Connector Shaft
1*	-----	1	Seal	12	02962186	1	Gear Housing
2	02961913	1	Mounting Flange w/Bushings	13*	-----	4	Thrust Plate
3	02961920	2	Plug	14	02962184	1	End Flange w/Bushing
4*	-----	4	Seal End	15	02961917	4	Washer
5	02962187	1	Gear Set	16	02962189	4	Studs
6	02961924	8	Dowel Pin	17	02962190	4	Nuts
7	02961915	1	Gear Housing	18	02962191	--	Seal Kit, Major
8*	-----	4	Square Seal		02962539	--	Seal Kit, Minor
9	02962185	1	Bearing Carrier Housing w/Bushings				
10	02962188	1	Gear Set				

\* included in major rebuild seal kit part no.02962191

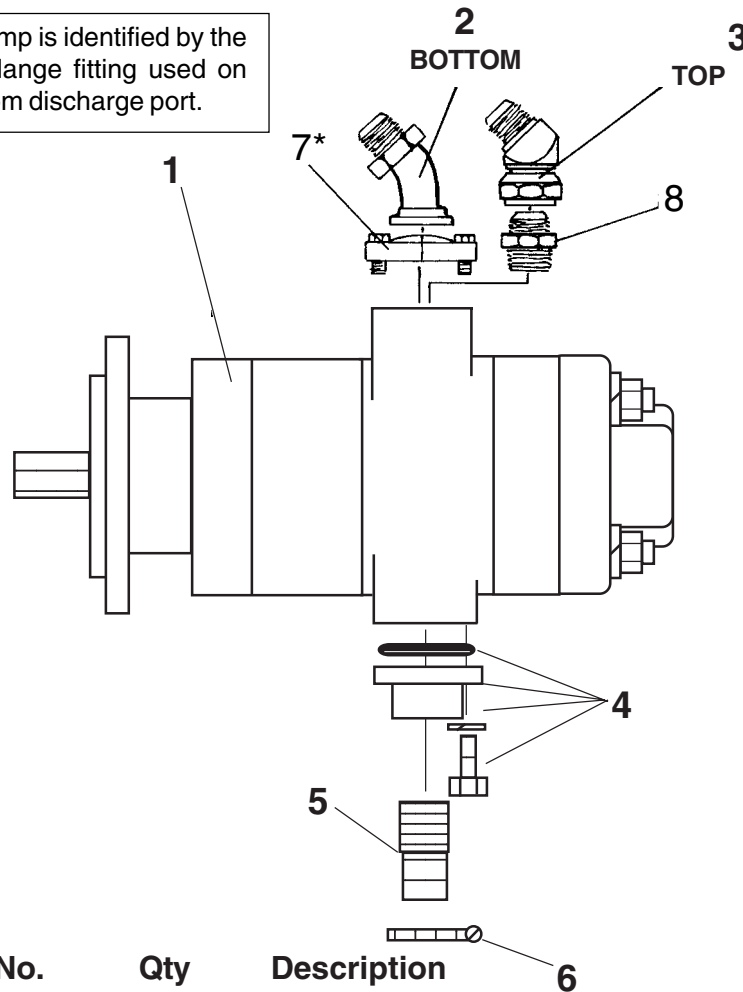
Apr. 1989  
to  
Current

# FRONT PUMP VERSA-DITCHER

S/N VS-01548  
to  
S/N VS-Current

## Double Section P/N 02962441

\*This pump is identified by the 1-1/4" Flange fitting used on the bottom discharge port.



Item	Part No.	Qty	Description
	02962441	--	Pump Asy W/ Fittings
1	02962440	1	Pump Asy W/O Fittings
2	02961317	1	Elbow, 45 Deg.
3	02962749	1	Elbow, 45 Deg.
4	02827700	1	Flange Kit
5	02411000	1	Hose Bib
6	02026200	1	Hose Clamp
7	00749103	1	Flange Kit
8	63042700	1	Adapter, Straight

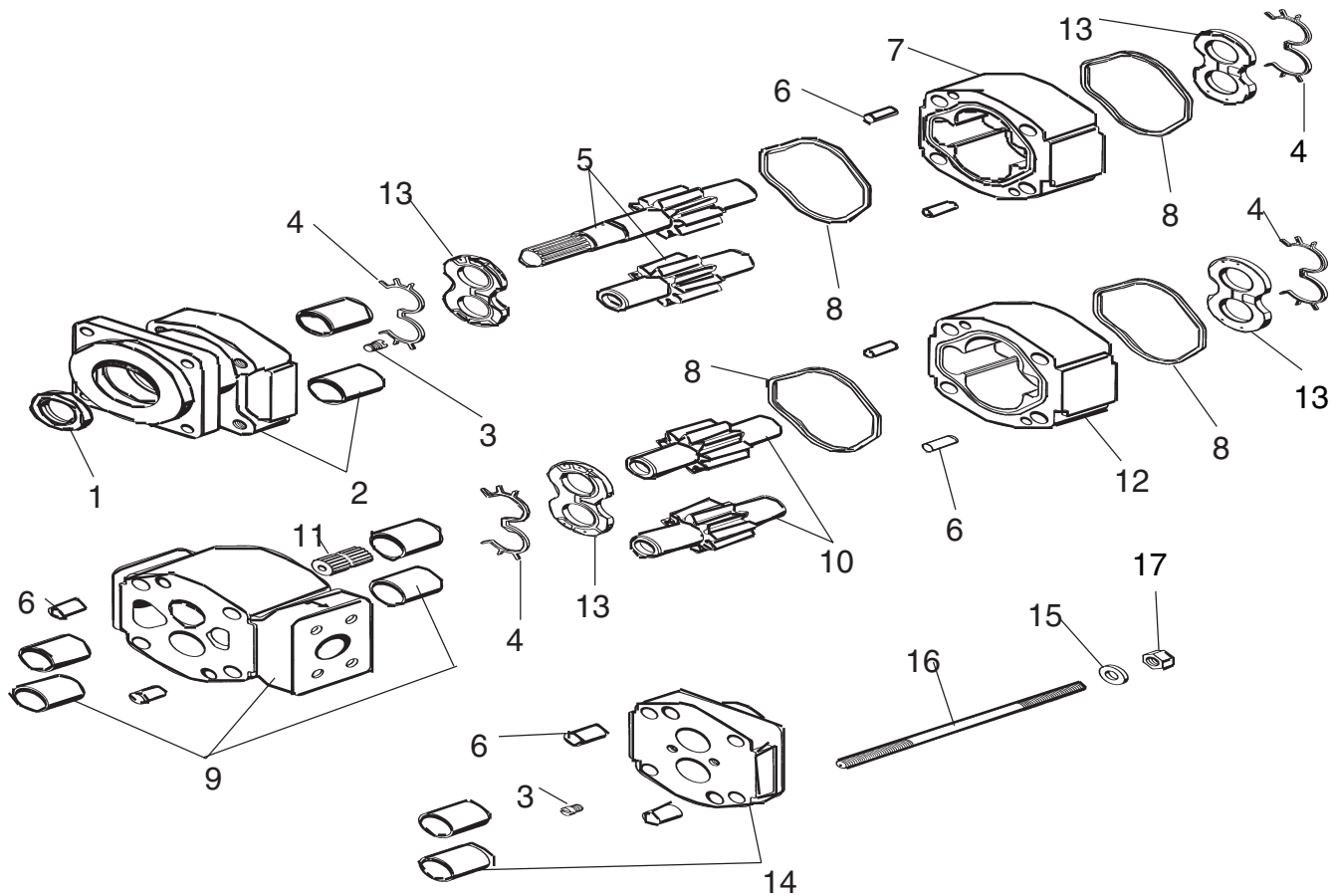
**NOTE:** Double Section Pump Supplies Hyd Pressure for all Functions, Boom Movements & Head Operation. A Single Section Pump ONLY Supplies Hyd Pressure for Cutter Head, the Boom Movements are Operated using the Tractor Hyd. Supply. Check Type Pump Used BEFORE ORDERING parts. Single Section Pumps were offered as an Option after Jun. 1988 Prior only Double Section Pumps were used.

Apr. 1989  
to  
Current

# FRONT PUMP VERSA-DITCHER

S/N VS-01548  
to  
S/N VS-Current

## Double Section P/N 02962441 Repair Parts



Item	Part No.	Qty	Description	Item	Part No.	Qty	Description
	<b>02962440</b>	–	<b>Pump Asy, W/O Fittings</b>	11	02962624	1	Connector Shaft
1*	-----	1	Seal	12	02962625	1	Gear Housing
2	02962619	1	Mounting Flange w/Bushings	13*	-----	4	Thrust Plate
3	02961920	2	Plug	14	02962626	1	End Flange w/Bushing
4*	-----	4	Seal End	15	02961917	4	Washer
5	02962620	1	Gear Set	16	02962189	4	Studs
6	02961924	8	Dowel Pin	17	02962190	4	Nuts
7	02962621	1	Gear Housing	18	02962550	–	Seal Kit, Major
8*	-----	4	Square Seal		02962551	–	Seal Kit, Minor
9	02962622	1	Bearing Carrier Housing w/Bushings				
10	02962623	1	Gear Set				

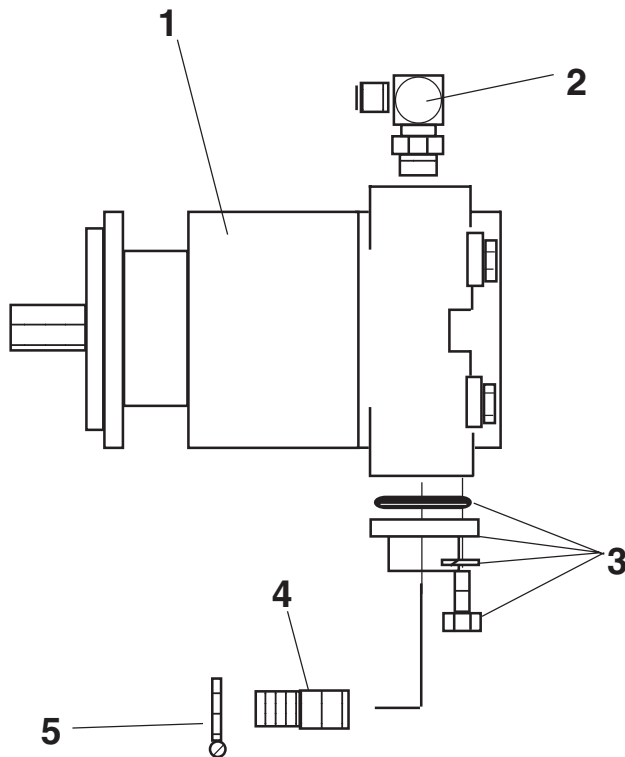
\* Item # 13 Thrust Plates are included in Major rebuild Kit # 02962550 Only



Jun. 1988  
to  
Current

# FRONT PUMP VERSA-DITCHER Single Section P/N 02961827

S/N VS-01245  
to  
S/N VS-Current



Item	Part No.	Qty	Description
1	02961474	1	Hydraulic Pump
2	02961825	1	Elbow, 90 Deg.
3	02827700	1	Flange Kit
4	02411000	1	Hose Bib
5	02026200	1	Hose Clamp

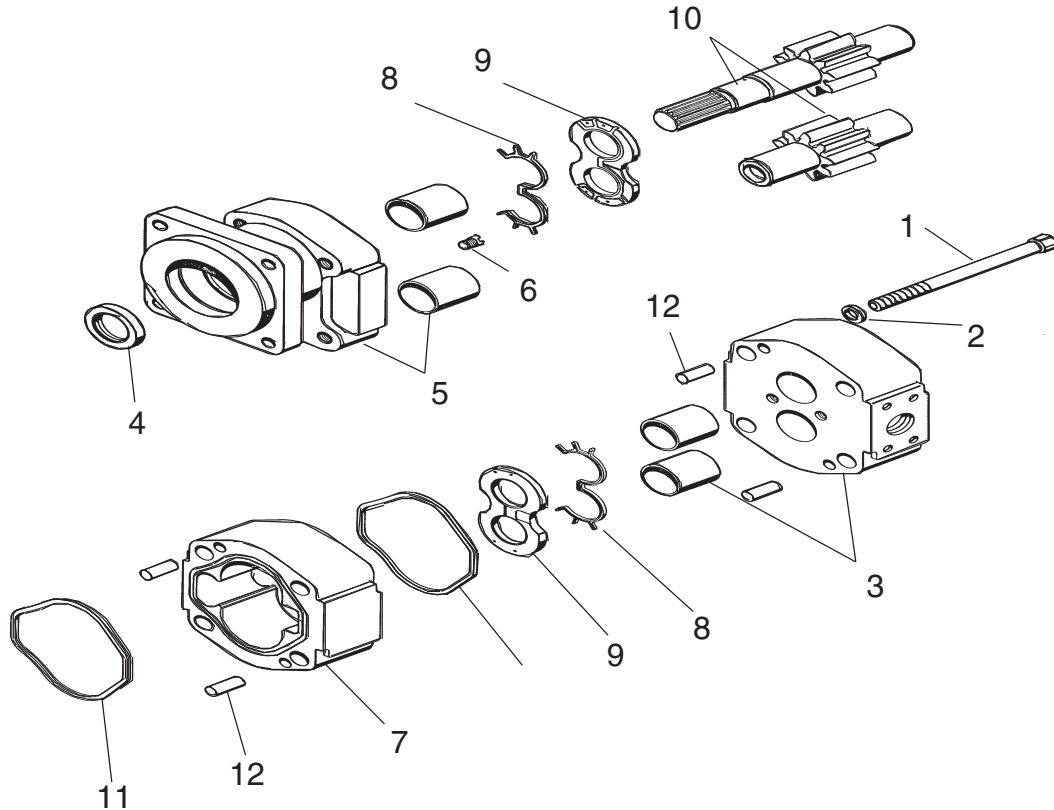
**NOTE:** Double Section Pump Supplies Hyd Pressure for all Functions, Boom Movements & Head Operation. A Single Section Pump ONLY Supplies Hyd Pressure for Cutter Head, the Boom Movements are Operated using the Tractor Hyd. Supply. Check Type Pump Used BEFORE ORDERING parts. Single Section Pumps were offered as an Option after Jun. 1988 Prior only Double Section Pumps were used.

Jun. 1988  
to  
Current

# FRONT PUMP VERSA-DITCHER

S/N VS-01245  
to  
S/NVS-Current

## Single Section P/N 02961827 Repair Parts



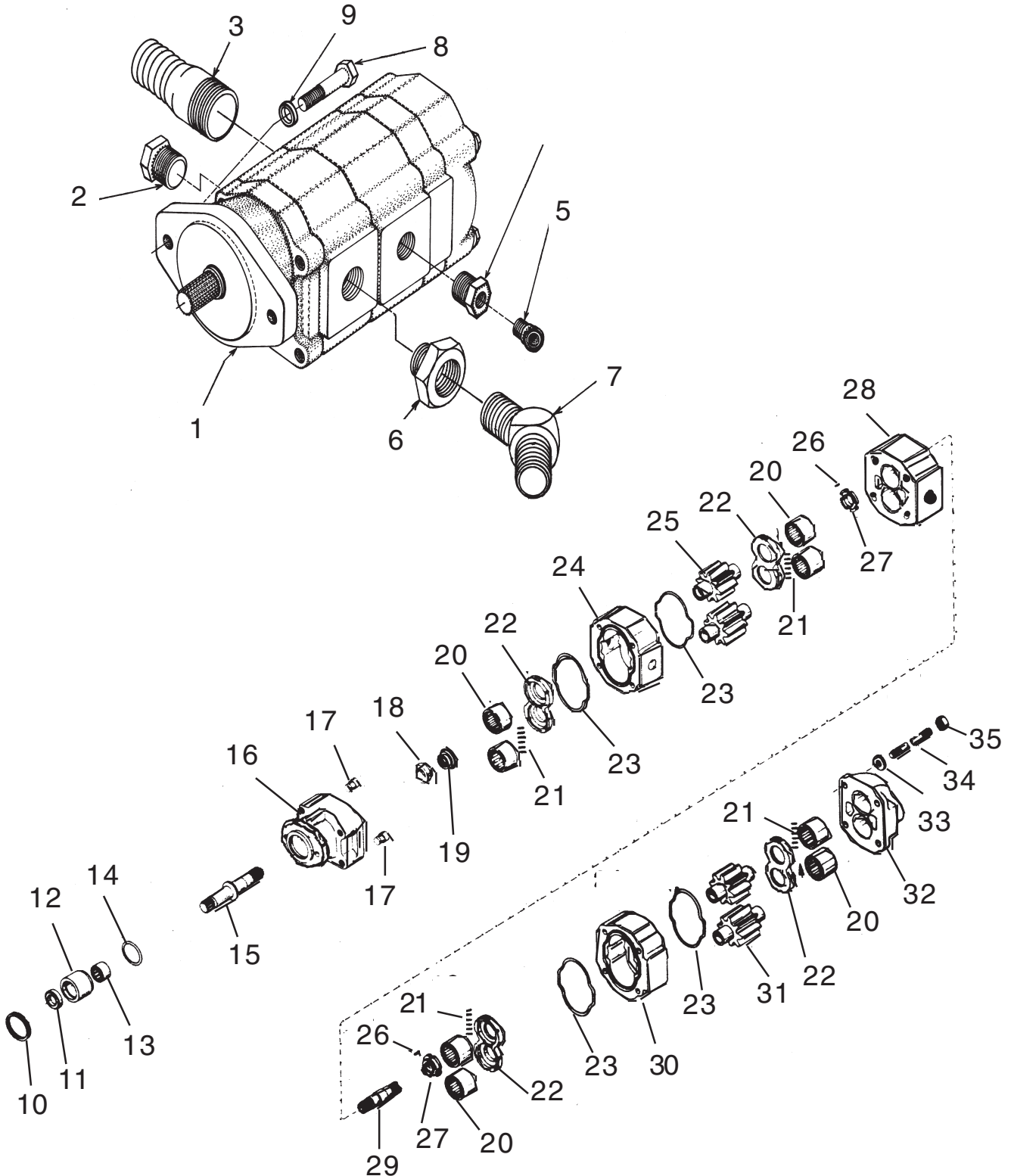
Item	Part No.	Qty	Description
	02961474	--	Pump Asy W/O Fittings
1	02961918	4	Bolt
2	02961917	4	Washer
3	02961914	1	Porting Flange w/Bushing
4*	-----	2	Seal
5	02961913	1	Mounting Flange w/Bushings
6	02961920	1	Plug
7	02961915	1	Gear Housing
8*	-----	4	Seal End
9*	-----	2	Thrust Plate
10	02961916	1	Gear Set
11*	-----	2	Square Seal
12	02961924	4	Dowel Pin
13	02961925	--	Seal Kit, Major Kit
	02962548	--	Seal Kit, Minor Kit

\* included in seal kit part number 02961925, Minor Kit WILL NOT include item 9

Feb. 1982  
to  
Jul. 1983

# REAR PUMP VERSA-DITCHER Double Section P/N 02886800 540 PTO

S/N VS-39383  
to  
S/N VS-40753



Feb. 1982  
to  
Jul. 1983

## REAR PUMP VERSA-DITCHER

S/N VS-39383  
to  
S/N VS-40753

### Double Section P/N 02886800 540 PTO

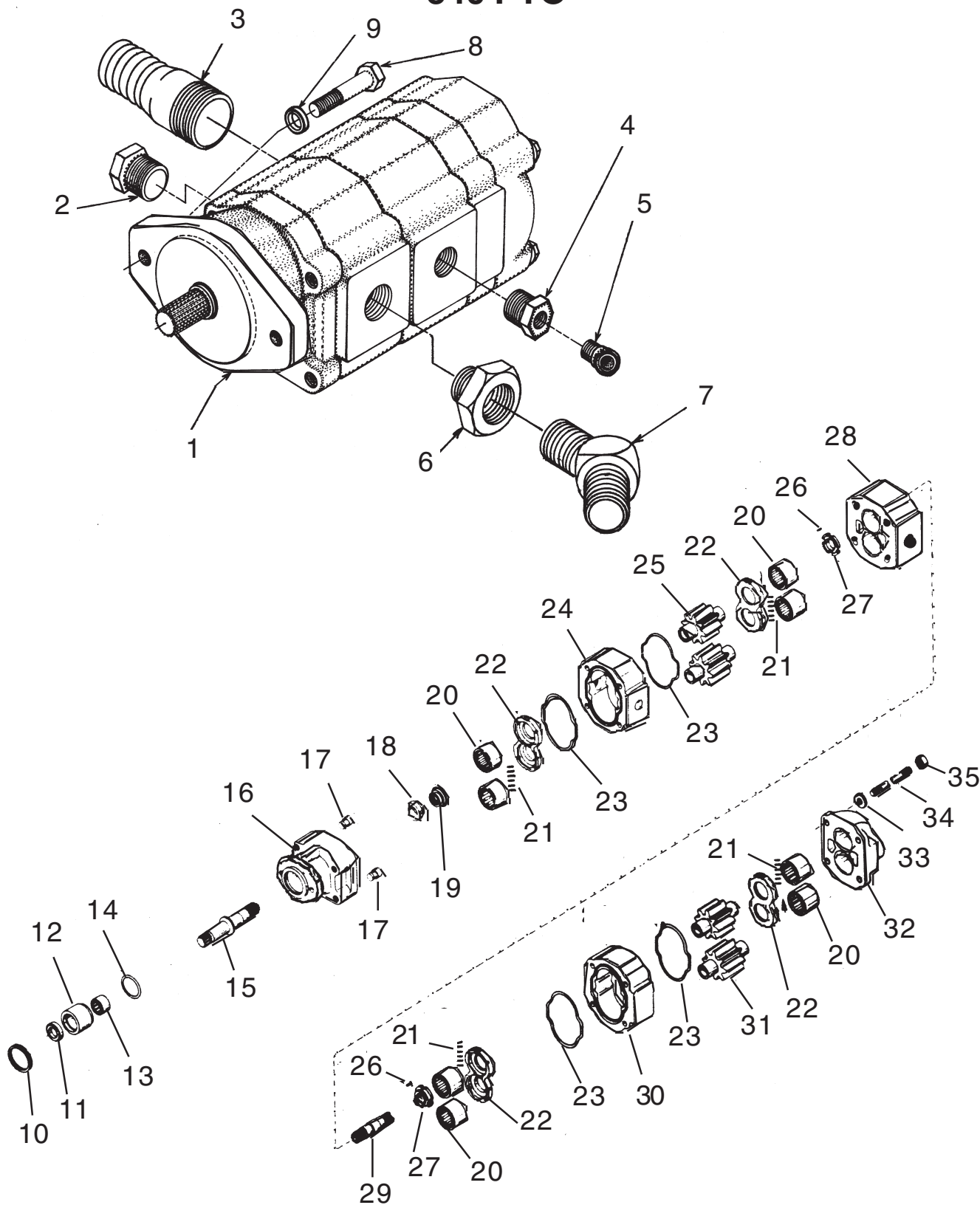
Item	Part No.	Qty	Description
	<b>02886800</b>	—	<b>Pump Asy W/ Fittings</b>
1	02870000	1	PumpOnly, w/ Splined shaft
2	75018000	1	Plug
3	02888500	1	Elbow, 45 Deg (Feb 1982 to Feb 1983)
	02411000	1	Hose Bib (Mar. 1983 to
4	63081000	1	Bushing
5	00750823	1	Elbow, 45 Deg.
6	00751471	1	Reducer
7	02889000	1	Elbow, 45 Deg.
8	00748823	2	Bolt
9	00001300	2	Lockwasher
10	02892400	1	Retainer Ring
11	02892500	1	Seal, Double Lip
12	02892600	1	Seal Retainer
13	02892700	1	Bearing, Tapered Roller
14	02892800	1	O-Ring
15	02893100	1	Drive Shaft
16	02893300	1	Shaft End Cover
17	02893400	2	Plug
18	02893500	1	Bronze Shaft Bushing
19	02893600	1	Spring
20	02893700	8	Bearing, Roller
21	02893800	24	Pocket Seal
22	02893900	1	Thrust Plate
23	02894000	2	O-Ring Gasket
24	02894100	1	Gear Housing
25	02894200	1	Gear Set
26	02894400	2	Roll Pin
27	02894500	2	Shaft Bushing
28	02894600	1	Bearing Carrier
29	02895000	1	Connecting Shaft
30	02895200	1	Gear Housing
31	02895300	1	Gear Set, Matched
32	02895400	1	Port end Cover
33	00010300	4	Washer
34	02864600	4	Stud
35	00032700	4	Nut
36	02927000	1	Seal kit

Aug. 1983  
to  
May 1984

# REAR PUMP VERSA-DITCHER

S/N VS-40754  
to  
S/N VS-41790

## Double Section P/N 02923200 540 PTO



Aug. 1983  
to  
May 1984

## REAR PUMP VERSA-DITCHER

S/N VS-40754  
to  
S/N VS-41790

### Double Section P/N 02923200 540 PTO

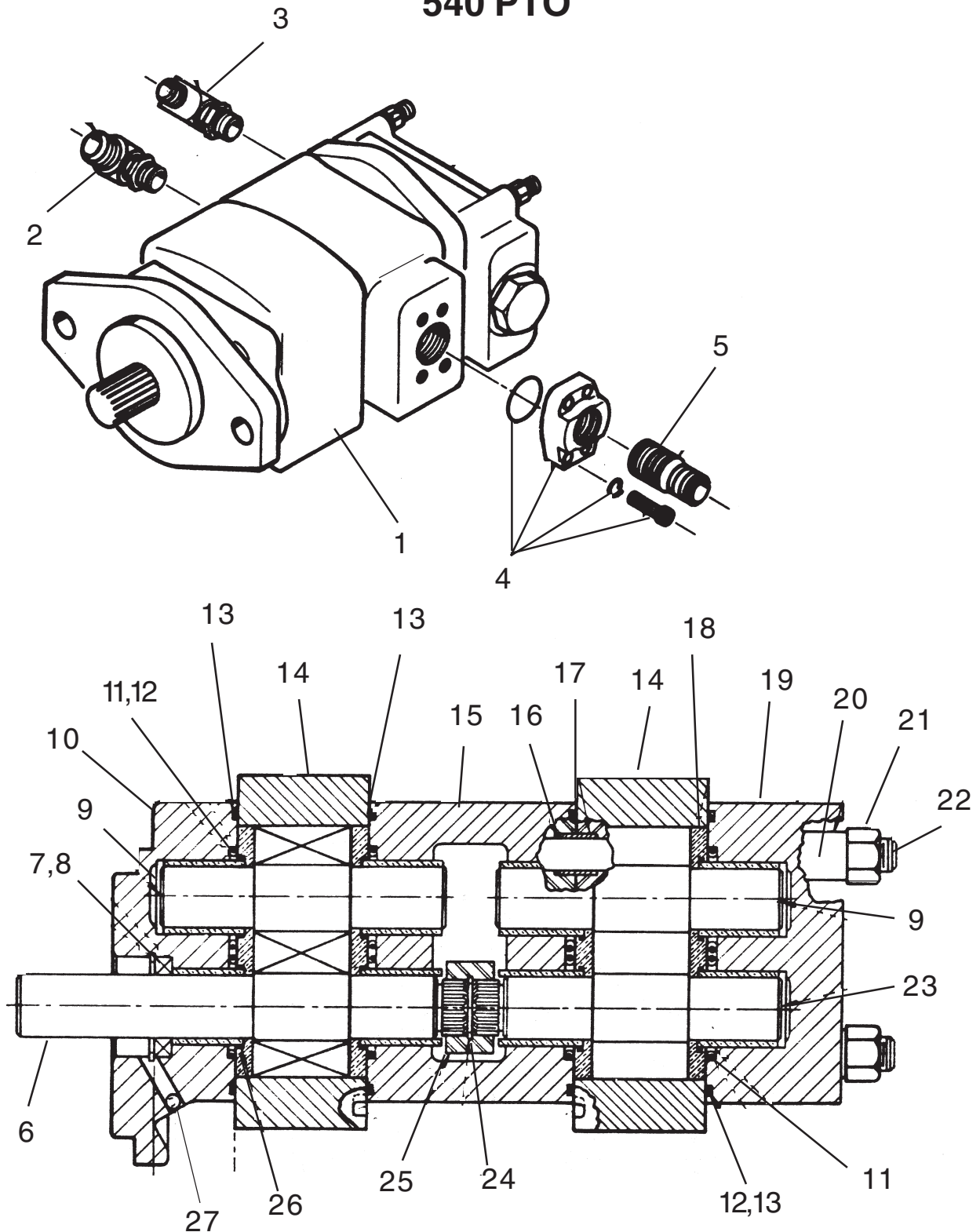
Item	Part No.	Qty	Description
	<b>02923200</b>	–	<b>Pump Asy W/ Fittings</b>
1	02870000	1	PumpOnly, w/ Splined Shaft
2	75018000	1	Plug
3	02411000	1	Hose Bib
4	63081000	1	Bushing
5	00750823	1	Elbow, 45 Deg.
6	63067300	1	Reducer
7	02041800	1	Elbow, 45 Deg.
8	00748823	2	Bolt
9	00001300	2	Lockwasher
10	02892400	1	Retainer Ring
11	02892500	1	Seal, Double Lip
12	02892600	1	Seal Retainer
13	02892700	1	Bearing, Tapered Roller
14	02892800	1	O-Ring
15	02893100	1	Drive Shaft
16	02893300	1	Shaft End Cover
17	02893400	2	Plug
18	02893500	1	Bronze Shaft Bushing
19	02893600	1	Spring
20	02893700	8	Bearing, Roller
21	02893800	24	Pocket Seal
22	02893900	1	Thrust Plate
23	02894000	2	O-Ring Gasket
24	02894100	1	Gear Housing
25	02894200	1	Gear Set
26	02894400	2	Roll Pin
27	02894500	2	Shaft Bushing
28	02894600	1	Bearing Carrier
29	02895000	1	Connecting Shaft
30	02895200	1	Gear Housing
31	02895300	1	Gear Set, Matched
32	02895400	1	Port end Cover
33	00010300	4	Washer
34	02864600	4	Stud
35	00032700	4	Nut
36	02927000	1	Seal kit

Jun. 1984  
to  
Sep. 1987

# REAR PUMP VERSA-DITCHER

S/N VS-41791  
to  
S/N VS-01007

## Double Section P/N 02957421 540 PTO



Jun. 1984  
to  
Sep. 1987

## REAR PUMP VERSA-DITCHER

S/N VS-41791  
to  
S/N VS-01007

### Double Section P/N 02957421 540 PTO

Item	Part No.	Qty	Description
	<b>02957421</b>	—	<b>Pump Asy W/ Fittings</b>
1	02957420	1	PumpOnly
2	02949100	1	Elbow
3	02161400	1	Elbow
4	02827700	1	Flange Kit
5	02411000	1	Hose Bib
	02047200	1	Elbow (Not Shown)
6	02957971	1	Gear, Front Drive
7	02957972	1	Snap Ring
8	02957973	1	Seal
9	02957974	1	Gear, Idler
10	02957975	1	Flange
11	02957976	4	Back-Up Ring
12	02957977	4	O-Ring
13	02957978	4	O-Ring
14	02957979	1	Gear Plate
15	02957980	1	Connecting Plate
16	02957981	4	O-ring
17	02957982	16	Dowel Pin
18	02957983	4	Pressure Plates
19	02957984	1	Cover Plate
20	02957985	4	Spacer Sleeve
21	02957986	4	Nuts
22	02957987	4	Studs
23	02957988	1	Rear Drive
24	02957989	1	Snap Ring
25	02957990	1	Splined Coupling
26	02957991	8	O-Ring
27	02957992	1	Ball
28	02958014	1	Shaft Seal Kit
29	02958015	1	Soft Goods Seal Kit

**NOTE:** S/N Change Aug. 1987 S/N's ended with # 47000  
and Sep. 1987 started a new series with # 01001

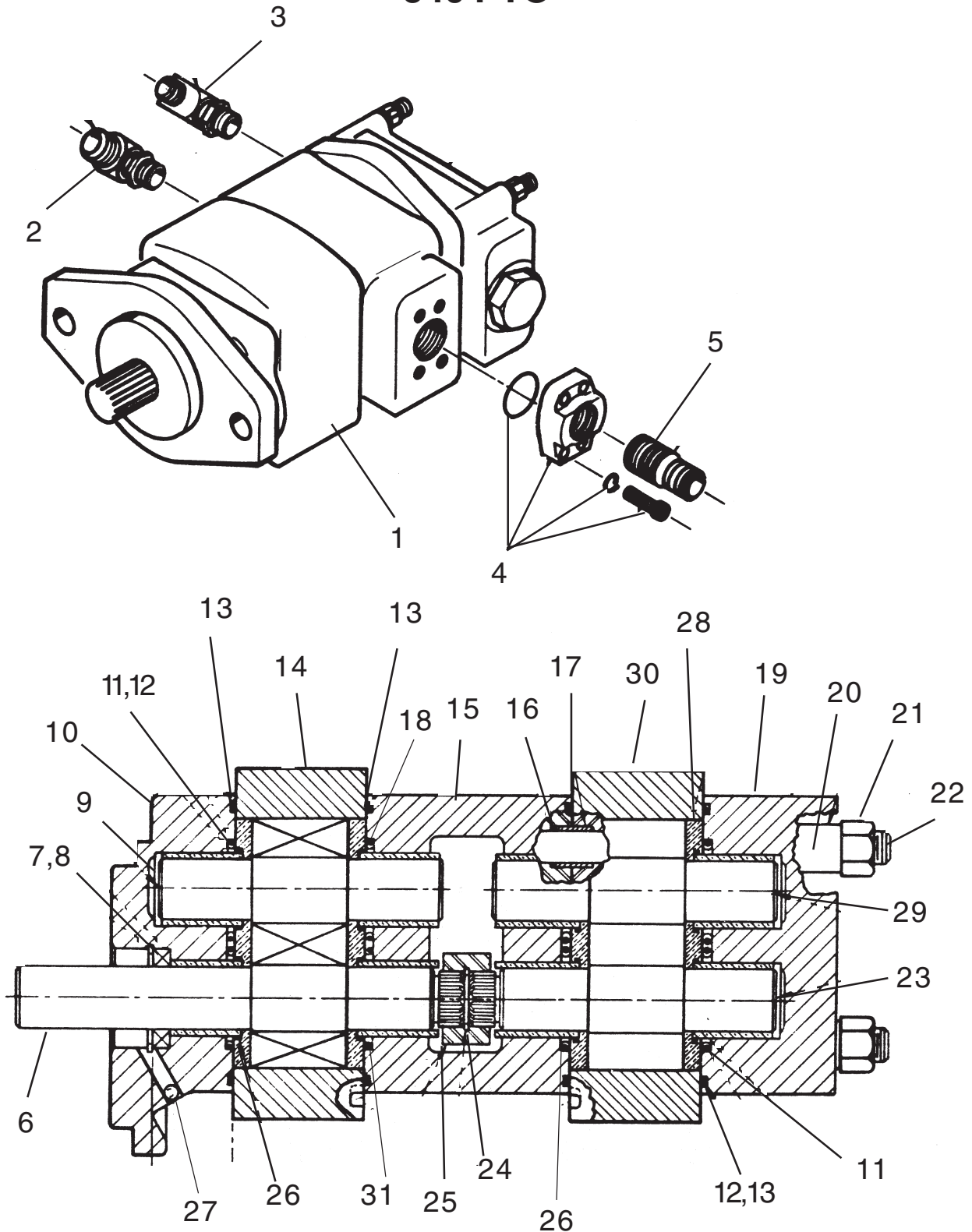


Oct. 1987  
to  
May 1988

# FRONT PUMP VERSA-DITCHER

S/N VS-01008  
to  
S/N VS-01244

## Double Section P/N 02961121 540 PTO



Oct. 1987  
to  
May 1988

S/N VS-01008  
to  
S/N VS-01244

**FRONT PUMP  
VERSA-DITCHER  
Double Section P/N 02961121  
540 PTO**

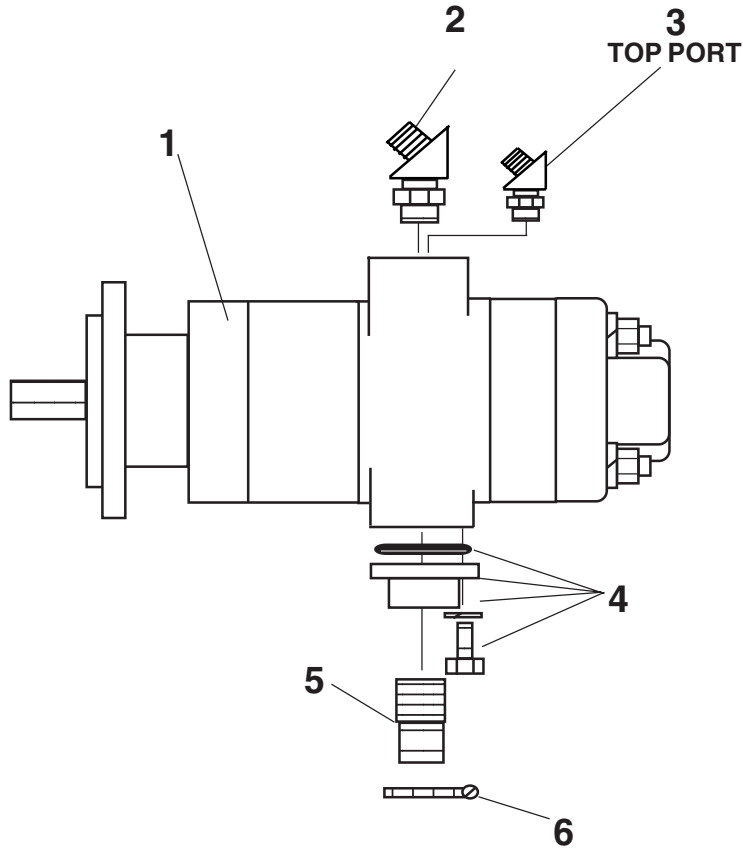
Item	Part No.	Qty	Description
	<b>02961121</b>	<b>—</b>	<b>Pump Asy W/ Fittings</b>
1	02957420	1	PumpOnly
2	02960812	1	Elbow
3	02161400	1	Elbow
4	02827700	1	Flange Kit
5	02411000	1	Hose Bib
	02047200	1	Elbow (Not Shown)
6	02957971	1	Gear, Front Drive
7	02957972	1	Snap Ring
8	02957973	1	Seal
9	02957974	1	Gear, Idler
10	02957975	1	Flange
11	02957976	4	Back-Up Ring
12	02957977	4	O-Ring
13	02957978	4	O-Ring
14	02957979	1	Gear Plate
15	02957980	1	Connecting Plate
16	02957981	4	O-ring
17	02957982	16	Dowel Pin
18	02957983	2	Pressure Plates, Front Plates
19	02957984	1	Cover Plate
20	02957985	4	Spacer Sleeve
21	02957986	4	Nuts
22	02957987	4	Studs
23	02957988	1	Rear Drive
24	02957989	1	Snap Ring
25	02957990	1	Splined Coupling
26	02957991	8	O-Ring
27	02957992	1	Ball Plug
28	02960437	2	Pressure Plate, Rear Plates
29	02960582	1	Gear Idler
30	02960583	1	Gear Plate
31	02960601	4	O-Ring
32	02958014	1	Shaft Seal Kit
33	02958015	1	Soft Goods Seal Kit

Jun. 1988  
to  
Oct. 1991

# REAR PUMP VERSA-DITCHER

S/N VS-01245  
to  
S/N VS-02301

## Double Section P/N 02962097 540 PTO



Item	Part No.	Qty	Description
	02962097	--	Pump Asy W/ Fittings
1	02961736	1	Pump Asy W/O Fittings
2	02962213	1	Elbow, 90 Deg.
3	02961098	1	Elbow, 90 Deg.
4	02827700	1	Flange Kit
5	02411000	1	Hose Bib
	02047200	1	Elbow, 90 Deg. (Not Shown)
6	02026200	1	Hose Clamp

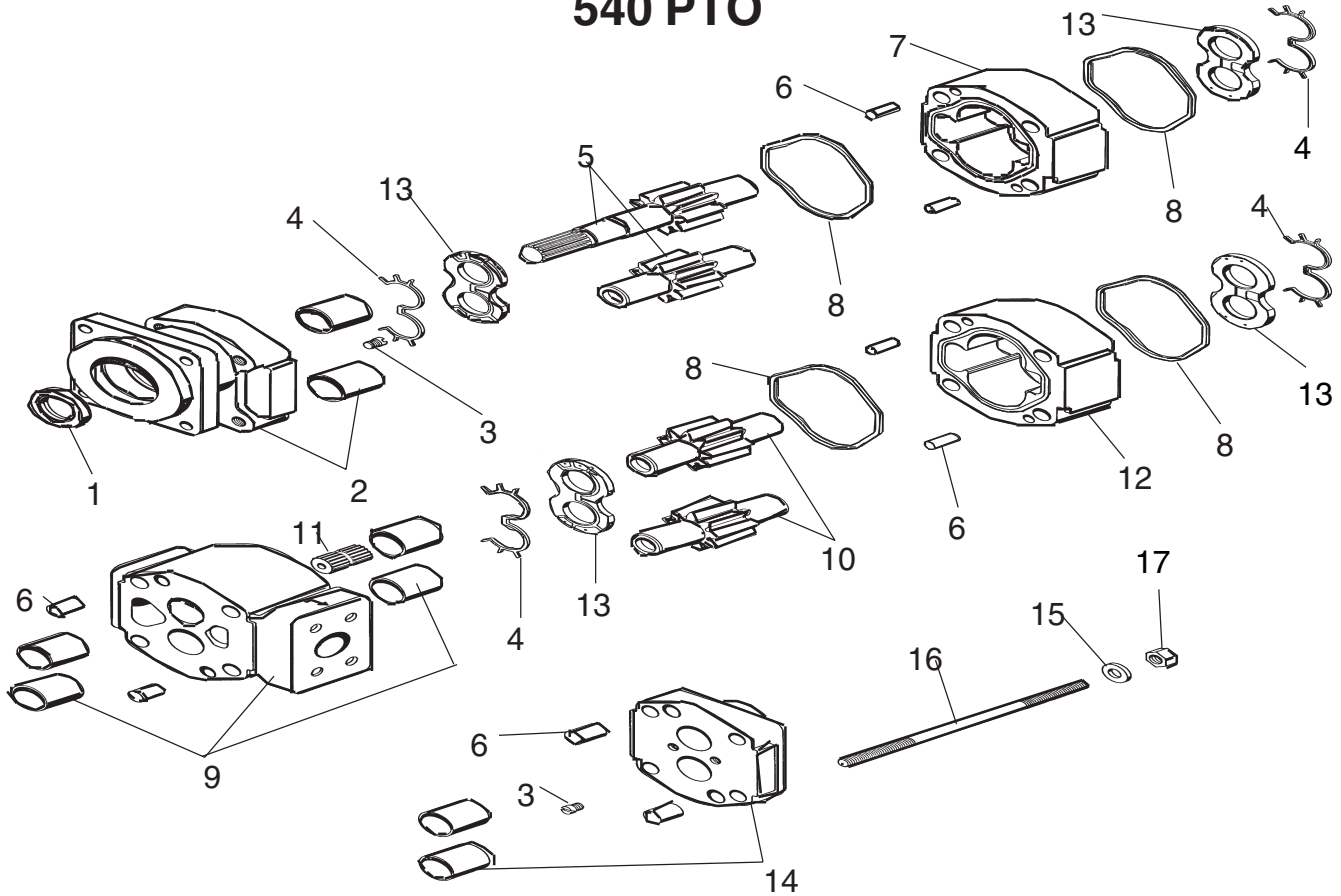
**NOTE:** Double Section Pump Supplies Hyd Pressure for all Functions, Boom Movements & Head Operation. A Single Section Pump ONLY Supplies Hyd Pressure for Cutter Head, the Boom Movements are Operated using the Tractor Hyd. Supply. Check Type Pump Used BEFORE ORDERING parts. Single Section Pumps were offered as an Option after Jun. 1988 Prior only Double Section Pumps were used.

Jun. 1988  
to  
Oct. 1991

# REAR PUMP VERSA-DITCHER

S/N VS-01245  
to  
S/N VS-02301

## Double Section P/N 02962097 Repair Parts 540 PTO



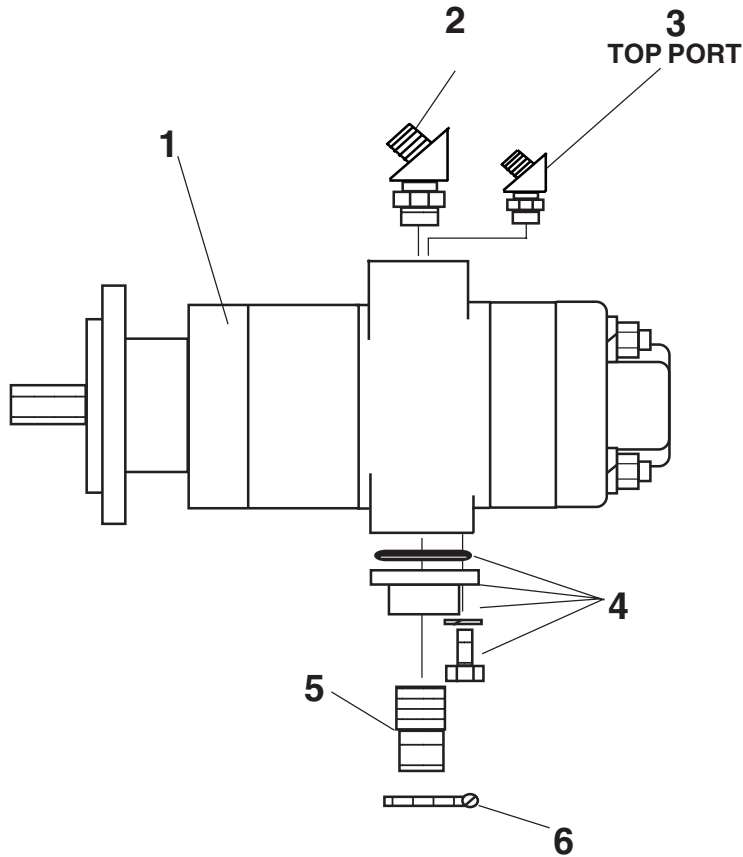
Item	Part No.	Qty	Description	Item	Part No.	Qty	Description
	<b>02961736</b>	–	<b>Pump Asy, W/O Fittings</b>	11	02962216	1	Connector Shaft
1*	-----	1	Seal	12	02962186	1	Gear Housing
2	02961913	1	Mounting Flange w/Bushings	13*	-----	4	Thrust Plate
3	02961920	2	Plug	14	02961927	1	End Flange w/Bushing
4*	-----	4	Seal End	15	02961917	4	Washer
5	02962187	1	Gear Set	16	02962189	4	Studs
6	02961924	8	Dowel Pin	17	02962190	4	Nuts
7	02961915	1	Gear Housing	18	02962191	--	Seal Kit, Major
8*	-----	4	Square Seal		02962539	--	Seal Kit, Minor
9	02962185	1	Bearing Carrier Housing w/Bushings				* included in major rebuild seal kit part # .02962191
10	02962188	1	Gear Set				

Nov. 1991  
to  
Current

# REAR PUMP VERSA-DITCHER

S/N VS-02302  
to  
S/N VS-Current

## Double Section P/N 02962097 540 PTO



Item	Part No.	Qty	Description
	02962097	--	Pump Asy W/ Fittings
1	02964948	1	Pump Asy W/O Fittings
2	02962213	1	Elbow, 90 Deg.
3	02961098	1	Elbow, 90 Deg.
4	02827700	1	Flange Kit
5	02411000	1	Hose Bib
	02047200	1	Elbow, 90 Deg. (Not Shown)
6	02026200	1	Hose Clamp

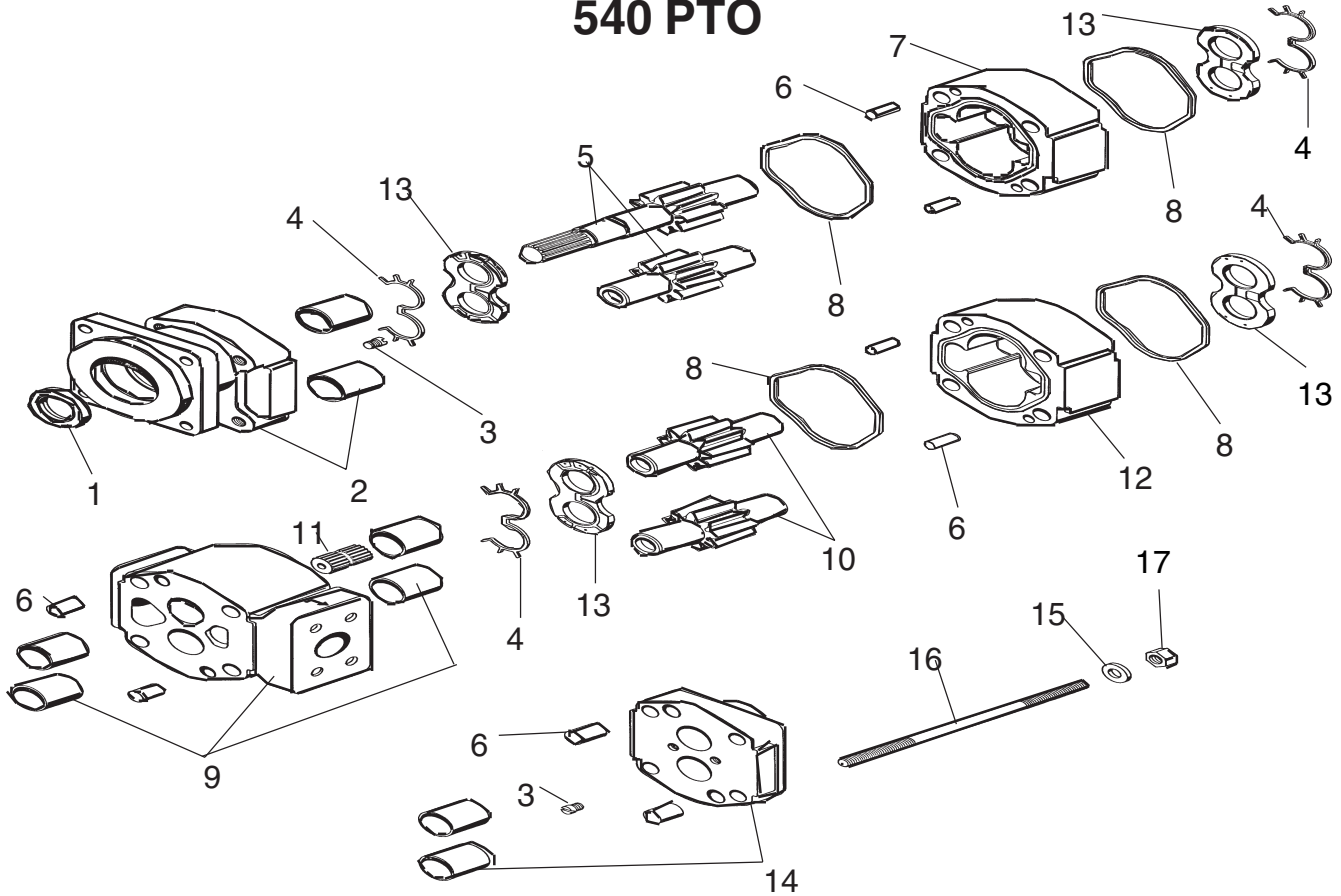
**NOTE:** Double Section Pump Supplies Hyd Pressure for all Functions, Boom Movements & Head Operation. A Single Section Pump ONLY Supplies Hyd Pressure for Cutter Head, the Boom Movements are Operated using the Tractor Hyd. Supply. Check Type Pump Used BEFORE ORDERING parts. Single Section Pumps were offered as an Option after Jun. 1988 Prior only Double Section Pumps were used.

Nov. 1991  
to  
Current

# REAR PUMP VERSA-DITCHER

S/N VS-02302  
to  
S/N VS-Current

## Double Section P/N 02962097 Repair Parts 540 PTO



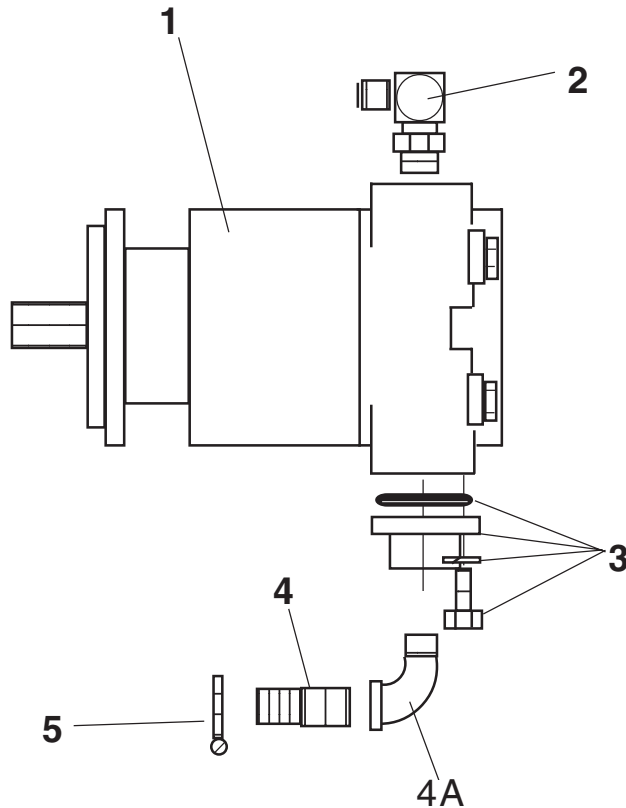
Item	Part No.	Qty	Description	Item	Part No.	Qty	Description
	<b>02964948</b>	<b>--</b>	<b>Pump Asy, W/O Fittings</b>	11	02962216	1	Connector Shaft
1*	-----	1	Seal	12	02962186	1	Gear Housing
2	02961913	1	Mounting Flange w/Bushings	13*	-----	4	Thrust Plate
3	02961920	2	Plug	14	02962184	1	End Flange w/Bushing
4*	-----	4	Seal End	15	02961917	4	Washer
5	02965091	1	Gear Set	16	02962189	4	Studs
6	02961924	8	Dowel Pin	17	02962190	4	Nuts
7	02965092	1	Gear Housing	18	02962191	--	Seal Kit, Major
8*	-----	4	Square Seal		02962539	--	Seal Kit, Minor
9	02962185	1	Bearing Carrier Housing w/Bushings				* included in major rebuild seal kit part # .02962191
10	02962188	1	Gear Set				

Jun. 1988  
to  
Oct. 1991

# REAR PUMP VERSA-DITCHER

## Single Section P/N 02962096 540 / 1000 PTO

S/N VS-01245  
to  
S/N VS-02301



Item	Part No.	Qty	Description
1	02961486	1	Hydraulic Pump
2	02961098	1	Elbow, 90 Deg.
3	02827700	1	Flange Kit
4	02411000	1	Hose Bib
4A	02047200	1	Elbow, 90 Deg.
5	02026200	1	Hose Clamp

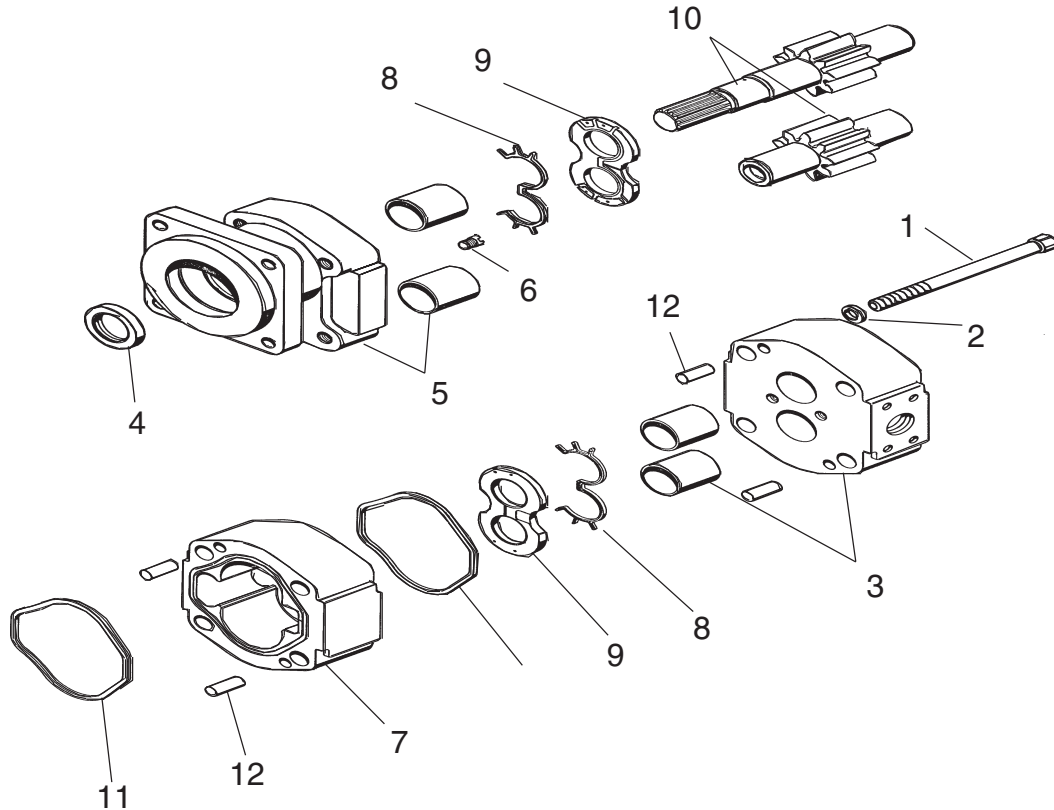
**NOTE:** Double Section Pump Supplies Hyd Pressure for all Functions, Boom Movements & Head Operation. A Single Section Pump ONLY Supplies Hyd Pressure for Cutter Head, the Boom Movements are Operated using the Tractor Hyd. Supply. Check Type Pump Used BEFORE ORDERING parts. Single Section Pumps were offered as an Option after Jun. 1988 Prior only Double Section Pumps were used.

Jun. 1988  
to  
Oct. 1991

# REAR PUMP VERSA-DITCHER

S/N VS-01245  
to  
S/N VS-02301

## Single Section P/N 02962096 Repair Parts 540 / 1000 PTO



Item	Part No.	Qty	Description
	02961486	--	Pump Asy W/O Fittings
1	02961918	4	Bolt
2	02961917	4	Washer
3	02961927	1	Porting Flange w/Bushing
4*	-----	2	Seal
5	02961913	1	Mounting Flange w/Bushings
6	02961920	1	Plug
7	02961915	1	Gear Housing
8*	-----	4	Seal End
9*	-----	2	Thrust Plate
10	02961916	1	Gear Set
11*	-----	2	Square Seal
12	02961924	4	Dowel Pin
13	02961925	--	Seal Kit, Major Kit
	02962548	--	Seal Kit, Minor Kit

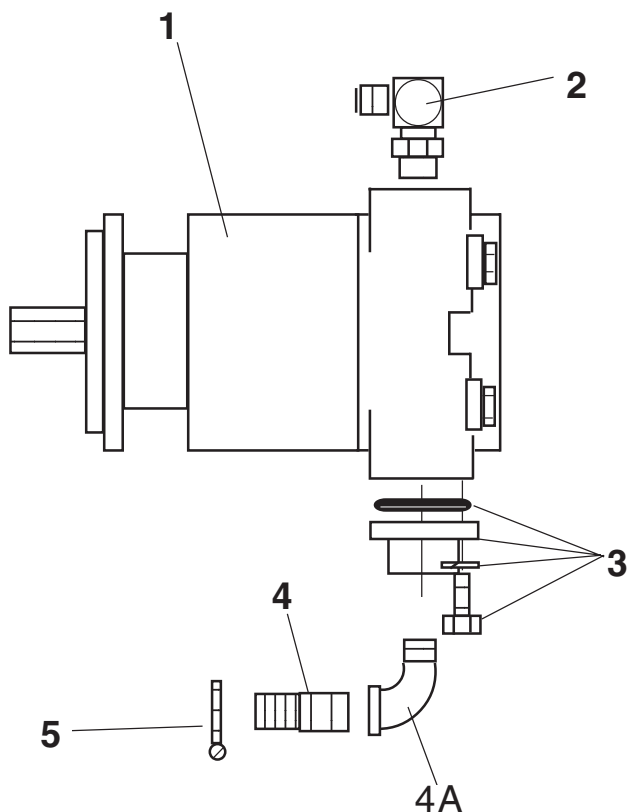
\* included in seal kit part number 02961925, Minor Kit WILL NOT include item 9



Nov. 1991  
to  
Current

**REAR PUMP**  
**VERSA-DITCHER**  
**Single Section P/N 02962096**  
**540 / 1000 PTO**

S/N VS-02302  
to  
S/NVS-Current



Item	Part No.	Qty	Description
1	02964947	1	Hydraulic Pump
2	02961098	1	Elbow, 90 Deg.
3	02827700	1	Flange Kit
4	02411000	1	Hose Bib
4A	02047200	1	Elbow, 90 Deg.
5	02026200	1	Hose Clamp

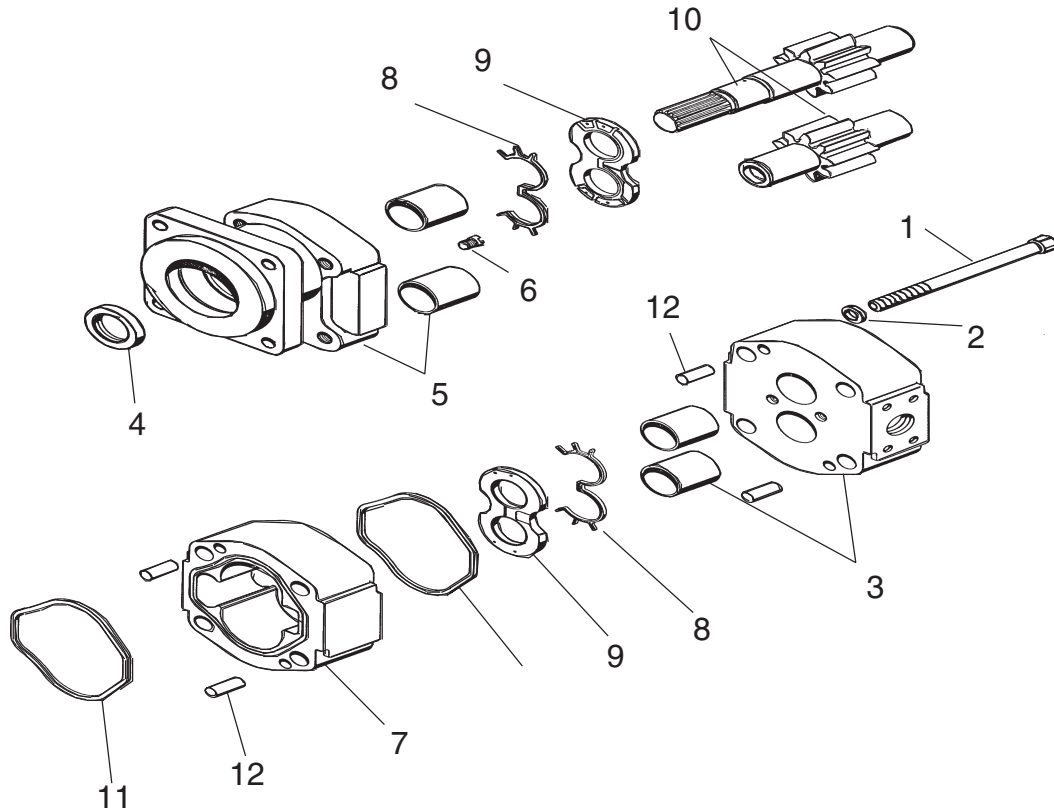
**NOTE:** Double Section Pump Supplies Hyd Pressure for all Functions, Boom Movements & Head Operation. A Single Section Pump ONLY Supplies Hyd Pressure for Cutter Head, the Boom Movements are Operated using the Tractor Hyd. Supply. Check Type Pump Used BEFORE ORDERING parts. Single Section Pumps were offered as an Option after Jun. 1988 Prior only Double Section Pumps were used.

Nov. 1991  
to  
Current

# REAR PUMP VERSA-DITCHER

S/N VS-02302  
to  
S/NVS-Current

## Single Section P/N 02962096 Repair Parts 540 / 1000 PTO



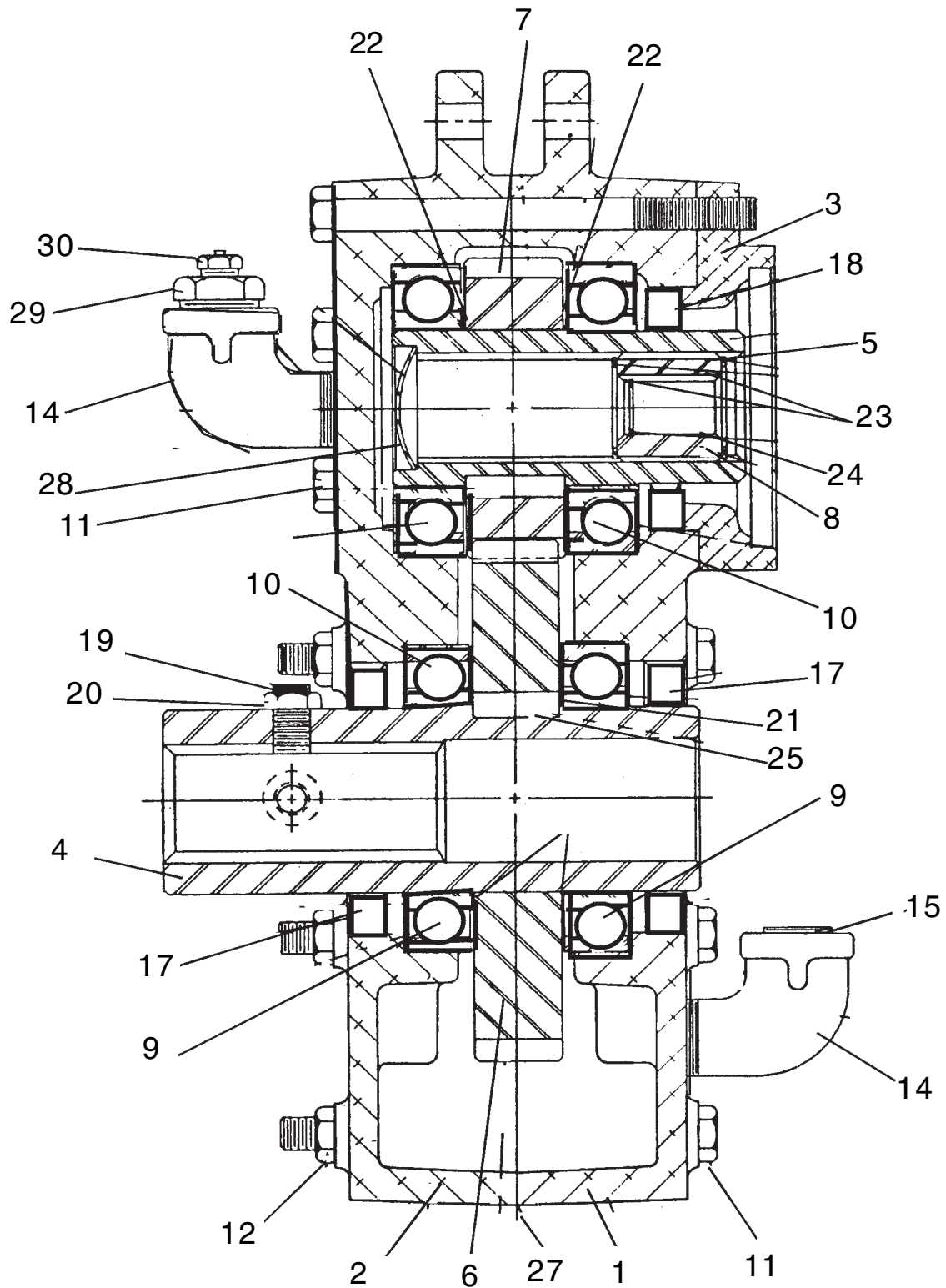
Item	Part No.	Qty	Description
	02964947	--	Pump Asy W/O Fittings
1	02961918	4	Bolt
2	02961917	4	Washer
3	02961927	1	Porting Flange w/Bushing
4*	-----	2	Seal
5	02961913	1	Mounting Flange w/Bushings
6	02961920	1	Plug
7	02965092	1	Gear Housing
8*	-----	4	Seal End
9*	-----	2	Thrust Plate
10	02965091	1	Gear Set
11*	-----	2	Square Seal
12	02961924	4	Dowel Pin
13	02961925	--	Seal Kit, Major Kit
	02962548	--	Seal Kit, Minor Kit

\* included in seal kit part number 02961925, Minor Kit WILL NOT include item 9

Feb. 1982  
to  
Apr. 1982

# SPEED CHANGER VERSA-DITCHER P/N 02753800

S/N VS-39383  
to  
S/N VS-39568



Feb. 1982  
to  
Apr. 1982

**SPEED CHANGER  
VERSA-DITCHER  
P/N 02753800**

S/N VS-39383  
to  
S/N VS-39568

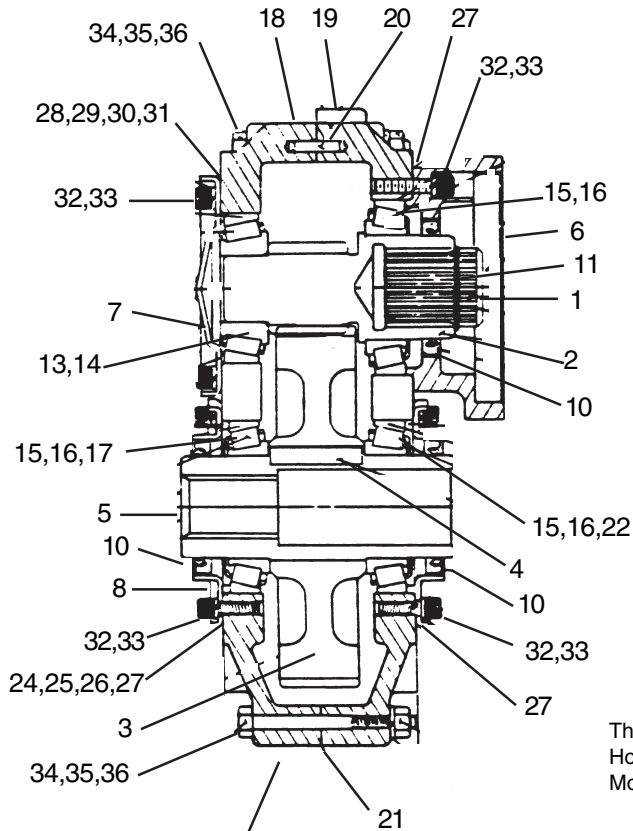
ITEM	PART NO	QTY	DESCRIPTION
	<b>02753800</b>	--	<b>Speed Changer Assembly</b>
1	-----	1	Housing Half
2	-----	1	Housing Half
3	-----	1	Flange
4	02763300	1	Sleeve, Input
5	-----	1	Sleeve, Output (See item 7)
6	02763500	1	Gear, RH Input, 54 Tooth
7	02763600	1	Gear & Sleeve, 16 Tooth
8	02763700	1	Bushing, Output
9	02763800	2	Bearing, Ball Bearing
10	02763900	2	Bearing, Ball Bearing
11	-----	11	Bolt
12	-----	6	Nut
13	02764000	2	Dowel Pin (Not Shown)
14	02764100	2	Elbow
15	02764200	1	Plug, Pipe
17	-----	2	Seal, Input
18	-----	1	Seal, Output
19	-----	2	Setscrew
20	-----	2	Nut
21	-----	ref	Shim
22	-----	ref	Shim
23	-----	2	Retaining Ring
24	-----	1	Lock Ring
25	-----	1	Key
27	-----	1	Gasket
28	-----	1	Plug, Expansion
29	-----	1	Bushing
30	-----	1	Plug, Vented
31	02764300	AR	Repair Kit, Includes Items #17 thru #30

NOTE: Some Parts are ONLY AVAILABLE in Repair Kit and some are NOT AVAILABLE at all. This Speed increaser had Ball Bearings, A 16 Tooth & 54 Tooth Gear. This Speed Increaser is Rare on this model, Only a few were used on the first Units Built, If Unit is in these Serial Number ranges check Speed Increaser before ordering Parts.

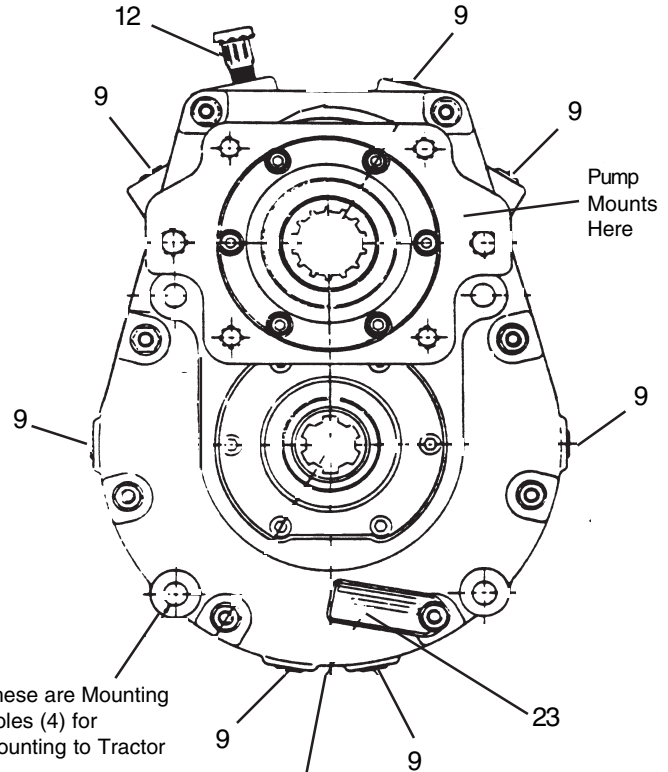
May 1982  
to  
Jan. 1988

# SPEED CHANGER VERSA-DITCHER P/N 02897900

S/N VS-39569  
to  
S/N VS-01099



This View is looking from  
Left Side of Tractor



This View is looking  
from behind Tractor

**NOTE:** This Speed Changer has a Cast Steel Housing, It has a 4:1 gear ratio, (540 RPM) and 1:2 gear ratio (1000 RPM) a 72 tooth gear Input (item # 3) and a 18 tooth output (item # 2)

NOTE: When ordering an Assembly This Speed In increaser will be replaced as an Assembly by # 02960663 (540 RPM), Most Parts will interchange. 1000 RPM was an in-house conversion of 540 RPM Speed Changer, See Later Model Part # 00753991 for parts required to change this to 1000 RPM Also Check Item # 6 Pump Flange for size is a MUST. On some early models with 1000 PTO Pumps were mounted direct to Tractor PTO shaft with a coupler, These used High Volume Pumps, (50 GPM)

Mary 1982  
to  
Jan. 1988

**SPEED CHANGER  
VERSA-DITCHER  
P/N 02897900**

S/N VS-39569  
to  
S/N VS-01099

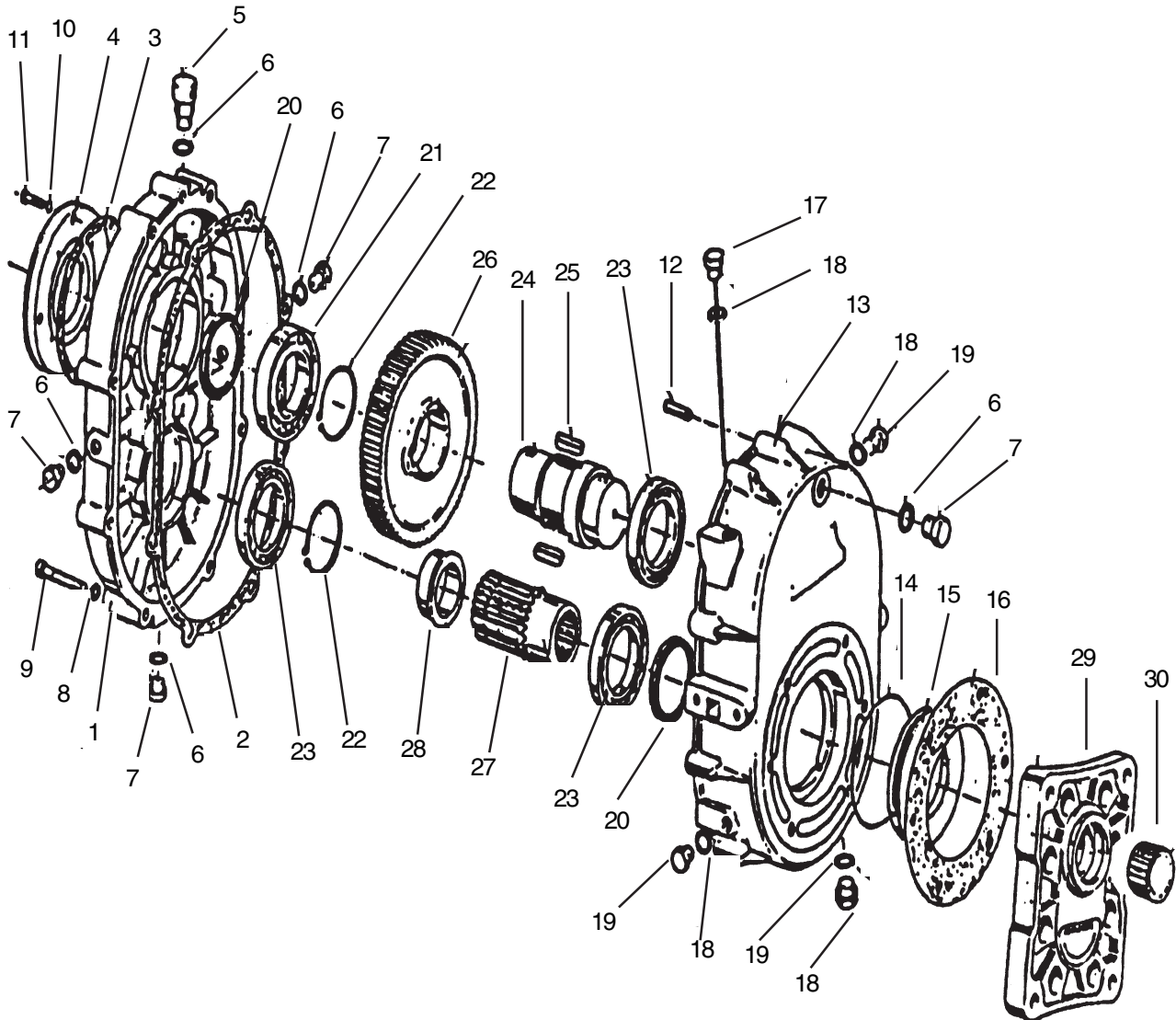
ITEM	PART NO	QTY	DESCRIPTION
	<b>02897900</b>	--	<b>Speed Changer Assembly</b>
1	02922700	1	Adaptor Shaft, 13 Spline
2	00751531	1	Pinion, 18 Tooth
3	00751532	1	Gear, 72 Tooth
4	00751947	1	Key (use # 00752179)
5	00751599	1	Shaft, Low Speed
6	02922600	1	Pump Flange
7	00751949	1	Cover, Closed
8	00751950	2	Cover, Open
9	00751970	8	Pipe Plug
10	00751535	3	Seal
11	00751954	1	Retainig Ring
12	00751942	1	Breather
13	00751951	1	Bearing Cup
14	00751533	1	Bearing Cone
15	00751952	3	Bearing Cup
16	00751534	3	Bearing Cone
17	00751953	1	Spacer Ring
18	00751955	1	Housing
19	00751956	1	Housing
20	00751957	2	Dowel
21	00751958	1	Gasket .015
22	00751971	2	Spacer Ring
23	-----	ref	Name Tag
24	00751959	AR	Shim.005 Alum.
25	00751960	AR	Shim.007 Alum.
26	00751961	AR	Shim.020 Alum.
27	00751962	3	Shim.005 Fibre.
28	00751963	AR	Shim.005 Alum.
29	00751964	1	Shim.005 Fibre.
30	00751965	AR	Shim.007 Alum.
31	00751966	AR	Shim.020 Alum.
32	00751967	24	Screw
33	00751968	24	Lockwasher
34	00751969	8	Screw
35	00013901	8	Nut
36	00012101	8	Lockwasher

**NOTE: S/N Change Aug. 1987 S/N's ended with # 47000  
and Sep. 1987 started a new series with # 01001**

Feb. 1988  
to  
Mar. 1989

# SPEED CHANGER VERSA-DITCHER P/N 02959480

S/N VS-01100  
to  
S/N VS-01547



**NOTE:** This Speed Changers has a Cast Aluminum Housing,

Feb. 1988  
to  
Mar. 1989

**SPEED CHANGER  
VERSA-DITCHER  
P/N 02959480**

S/N VS-01100  
to  
S/N VS-01547

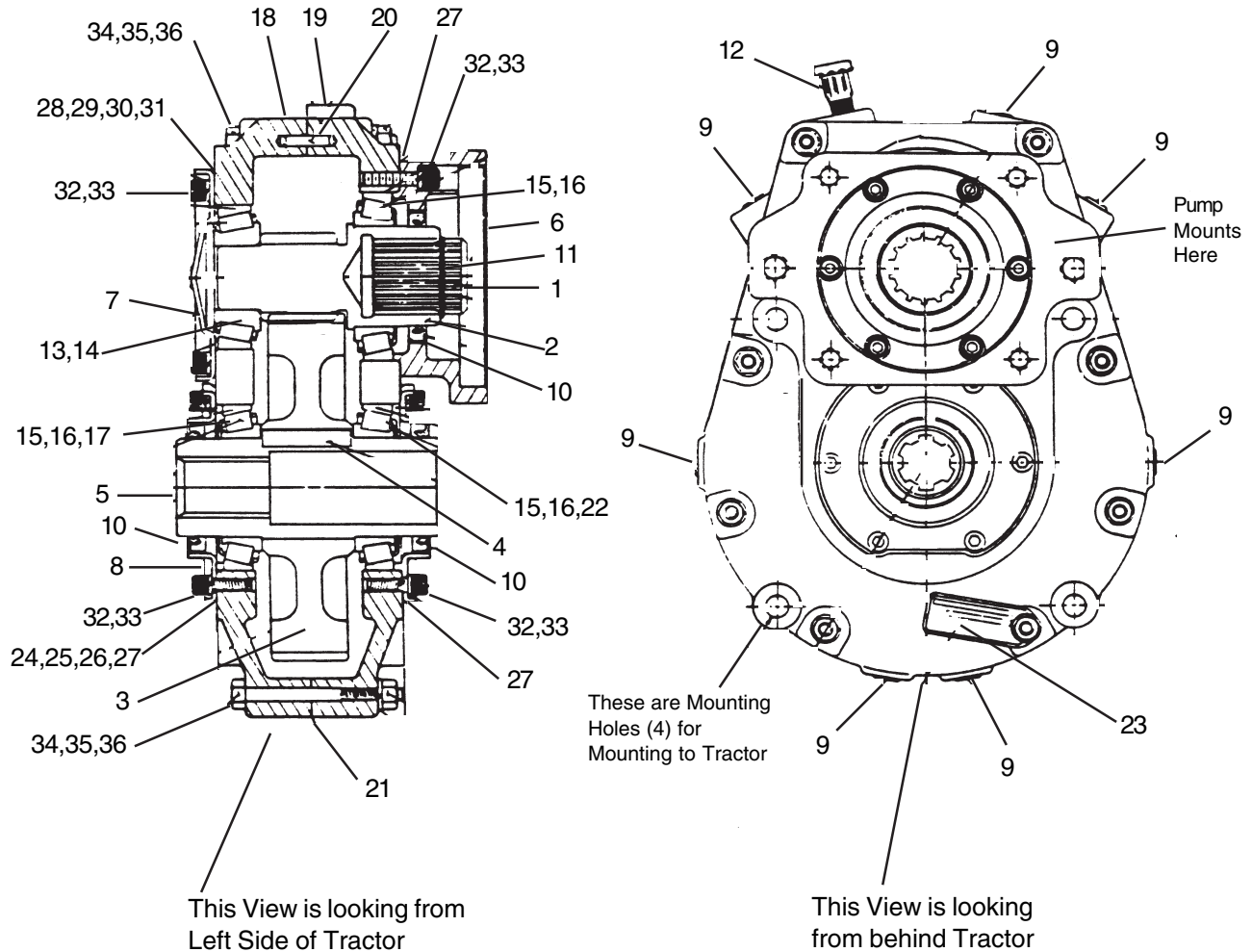
ITEM	PART NO.	QTY	DESCRIPTION
	<b>00754110</b>	--	<b>Speed Changer Assembly</b>
1	00754519	1	Housing
2	00754520	1	Gasket
3	00754521	1	Gasket
4	00754522	1	Flange
5	00754523	1	Plug
6	00754524	4	Gasket
7	00754525	3	Plug
8	00754526	8	Lockwasher
9	00754527	8	Bolt
10	00754528	4	Lockwasher
11	00754529	4	Bolt
12	00754530	2	Dowel
13	00754531	1	Housing
14	00754532	1	Gasket
15	00754533	1	Flange
16	00754534	1	Gasket
17	00754535	1	Breather
18	00754536	5	Gasket
19	00754537	4	Plug
20	00754538	1	O-Ring
21	00754539	1	Bearing
22	00754540	1	Retaining Ring
23	00754541	3	Bearing
24	00754542	1	Shaft
25	00754543	2	Key
26	00754544	A/R	Gear Shaft (540 RPM)
27	00754545	A/R	Pinion Gear (540 RPM)
28	00754546	1	Spacer
29	00754950	1	Pump Flange
30	00754951	1	Splined Pump Adapter



Apr. 1989  
to  
Nov. 1993

# SPEED CHANGER VERSA-DITCHER P/N 02897900

S/N VS-01548  
to  
S/N VS-03052



**NOTE:** This Speed Changer has a Cast Steel Housing, It has a 4:1 gear ratio, (540 RPM) and 1:2 gear ratio (1000 RPM) a 72 tooth gear Input (item # 3) and a 18 tooth output (item # 2)

**NOTE:** When ordering an Assembly This Speed Inceaser will be replaced as an Assembly by # 02960663 (540 RPM), Most Parts will interchange. 1000 RPM was an in-house conversion of 540 RPM Speed Changer, See Later Model Part # 00753991 for parts required to change this to 1000 RPM Also Check Item # 6 Pump Flange for size is a MUST.

Apr. 1989  
to  
Nov.. 1993

**SPEED CHANGER  
VERSA-DITCHER  
P/N 02897900**

S/N VS-01548  
to  
S/N VS-03052

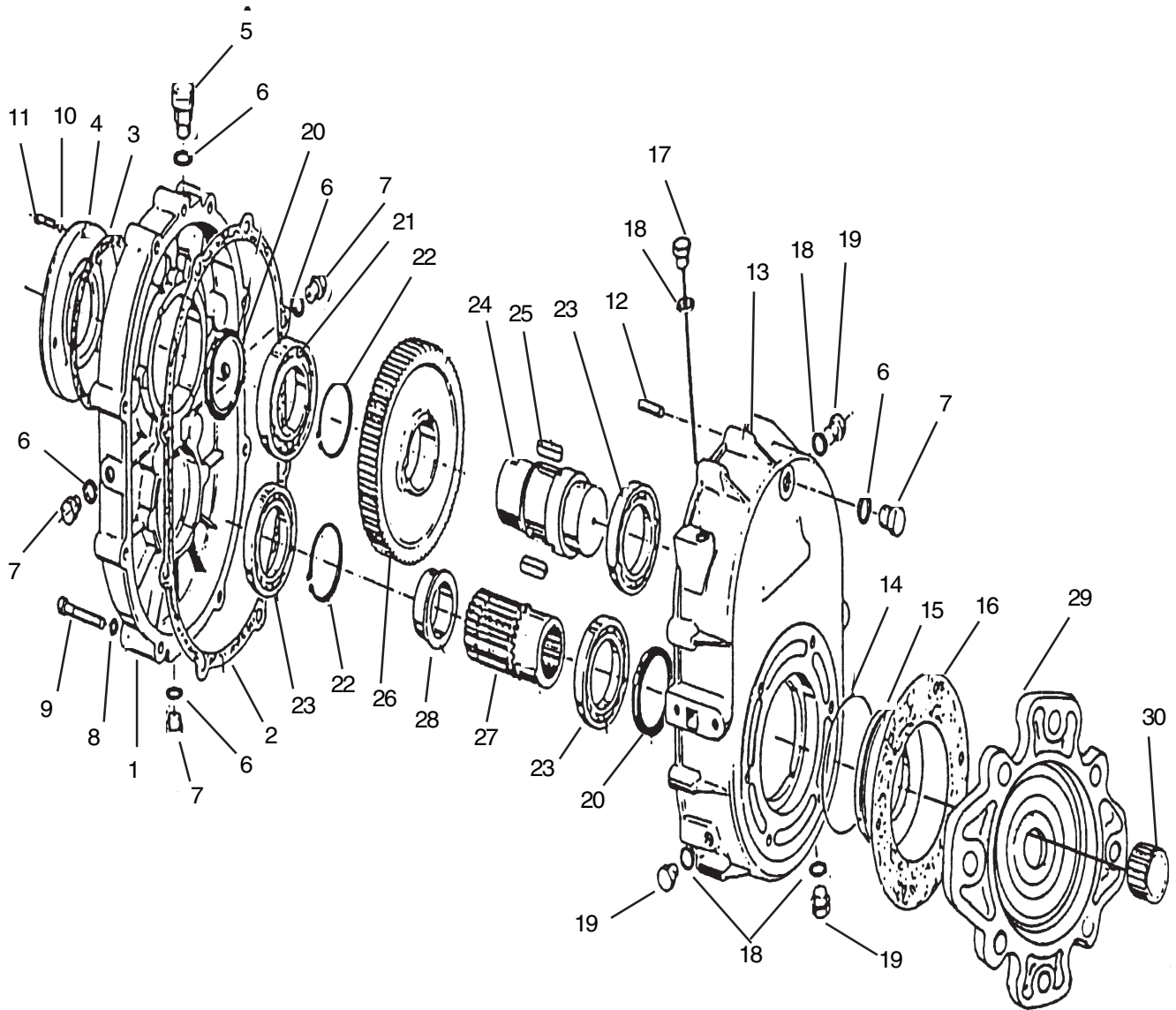
ITEM	PART NO	QTY	DESCRIPTION
	<b>02897900</b>	--	<b>Speed Changer Assembly</b>
1	02922700	1	Adaptor Shaft, 13 Spline
2	00751531	1	Pinion, 18 Tooth
3	00751532	1	Gear, 72 Tooth
4	00751947	1	Key (use # 00752179)
5	00751599	1	Shaft, Low Speed
6	02922600	1	Pump Flange
7	00751949	1	Cover, Closed
8	00751950	2	Cover, Open
9	00751970	8	Pipe Plug
10	00751535	3	Seal
11	00751954	1	Retainig Ring
12	00751942	1	Breather
13	00751951	1	Bearing Cup
14	00751533	1	Bearing Cone
15	00751952	3	Bearing Cup
16	00751534	3	Bearing Cone
17	00751953	1	Spacer Ring
18	00751955	1	Housing
19	00751956	1	Housing
20	00751957	2	Dowel
21	00751958	1	Gasket .015
22	00751971	2	Spacer Ring
23	-----	ref	Name Tag
24	00751959	AR	Shim.005 Alum.
25	00751960	AR	Shim.007 Alum.
26	00751961	AR	Shim.020 Alum.
27	00751962	3	Shim.005 Fibre.
28	00751963	AR	Shim.005 Alum.
29	00751964	1	Shim.005 Fibre.
30	00751965	AR	Shim.007 Alum.
31	00751966	AR	Shim.020 Alum.
32	00751967	24	Screw
33	00751968	24	Lockwasher
34	00751969	8	Screw
35	00013901	8	Nut
36	00012101	8	Lockwasher

Dec. 1993  
to  
Current

## SPEED CHANGER VERSA-DITCHER

S/N VS-03053  
to  
S/N VS-Current

**00768991 (540 RPM) 1-3/8" 6 Spline**  
**00759815 (1000 RPM) 1-3/8" 21 Spline)**



**NOTE:** These Speed Changers have a Cast Aluminum Housing, The 540 RPM has a 1:4 gear ratio and 1000 RPM has 1:2 gear ratio.

00758991 ----- 1-3/8" 6 spline (item # 24) to PTO, 1:4 Gear Ratio

00759815----- 1-3/8" 21 spline (item # 24) to PTO, 1: 2 Gear Ratio

Dec. 1993  
to  
Current

## SPEED CHANGER VERSA-DITCHER

S/N VS-03053  
to  
S/N VS-Current

### 00768991 (540 RPM) 1-3/8" 6 Spline 00759815 (1000 RPM) 1-3/8" 21 Spline)

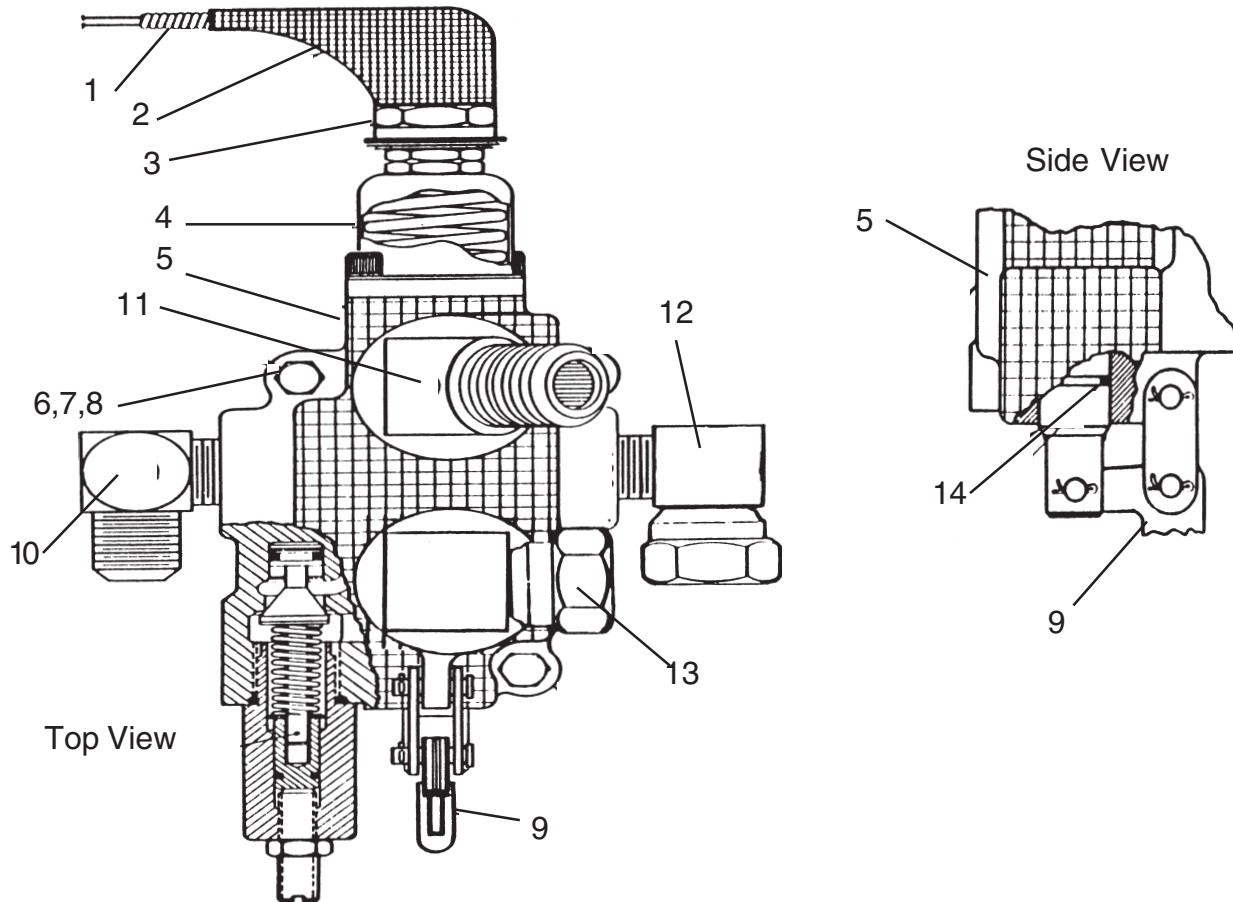
ITEM	PART NO	PART NO	QTY	DESCRIPTION
	<b>00768991</b>	-----	--	<b>Speed Increaser Assembly (540 RPM)</b>
	-----	<b>00759815</b>	--	<b>Speed Changer Assembly (1000 RPM)</b>
1	00754519	00754519	1	Housing
2	00754520	00754520	1	Gasket
3	00754521	00754521	1	Gasket
4	00754522	00754522	1	Flange
5	00754523	00754523	1	Plug
6	00754524	00754524	4	Gasket
7	00754525	00754525	3	Plug
8	00754526	00754526	8	Lockwasher
9	00754527	00754527	8	Bolt
10	00754528	00754528	4	Lockwasher
11	00754529	00754529	4	Bolt
12	00754530	00754530	2	Dowel
13	00754531	00754531	1	Housing
14	00754532	00754532	1	Gasket
15	00754533	00754533	1	Flange
16	00754534	00754534	1	Gasket
17	00754535	00754535	1	Breather
18	00754536	00754536	5	Gasket
19	00754537	00754537	4	Plug
20	00754538	00754538	1	O-Ring
21	00754539	00754539	1	Bearing
22	00754540	00754540	1	Retaining Ring
23	00754541	00754541	3	Bearing
24	00754542	-----	1	Shaft (540 RPM)
	-----	00753164	1	Shaft (1000 RPM)
	02048500	02048500	1	O-Ring
25	00754543	00754543	2	Key
26	00754544	-----	1	Gear(540RPM)
	-----	00756532	1	Gear(1000RPM)
27	00754545	-----	1	Pinion(540RPM)
	-----	00756531	1	Pinion(1000RPM)
28	00754546	-----	1	Gear Spacer
29	00754950	00754950	1	Pump Flange
30	02966731	02966731	1	Splined Pump Adapter

NOTE: To convert 540 to 1000 or vice versa it would be required to replace Gears Item # 25 & # 26, Item # 24 Shaft should be replaced But could be left and used if a Splined PTO Adapter (Furnished by User or Dealer) was used, Note to use PTO Adapter would require modification to Speed Changer Mount.

Feb. 1982  
to  
Aug. 1985

# CUTTER VALVE VERSA-DITCHER MECHANICAL VALVE P/N 02881900

S/N VS-39383  
to  
S/N VS-43475



Item	Part No.	Qty	Description
	02881900	--	Cutter Valve Asy
1	02775200	1	Wiring Harness
2	02775100	1	Boot
3	02775000	1	Safety Switch
4	02051200	1	Detent cap
5	02040600	1	Valve w/ Safety Switch
6	00016200	3	Bolt
7	00011700	3	Lockwasher
8	00021800	3	Nut
9	02882100	1	Handle Assembly
10	02042600	1	Elbow, 90 Deg.
11	02889000	1	Elbow Adapter, 45 Deg.
12	02937300	1	Elbow
13	02957228	1	Elbow
14	02657400	1	Quad Ring & O-Ring Kit

Feb. 1982  
to  
Aug. 1985

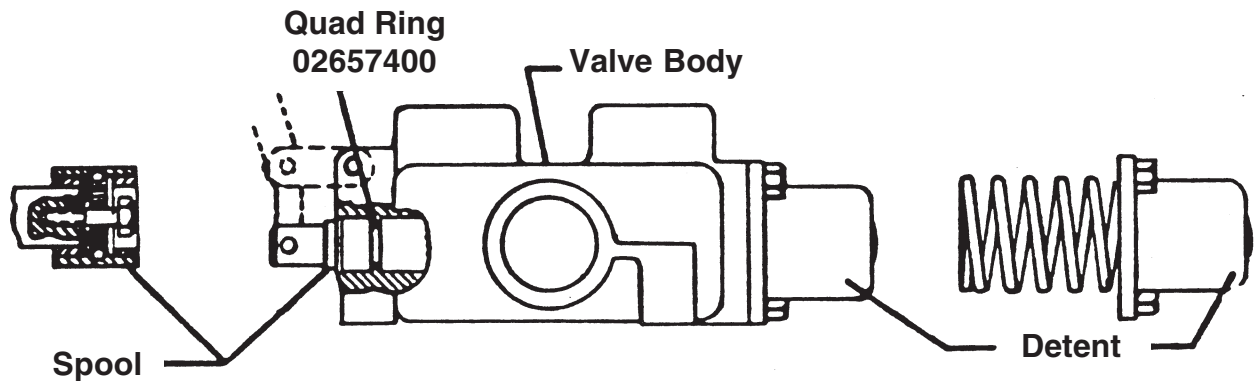
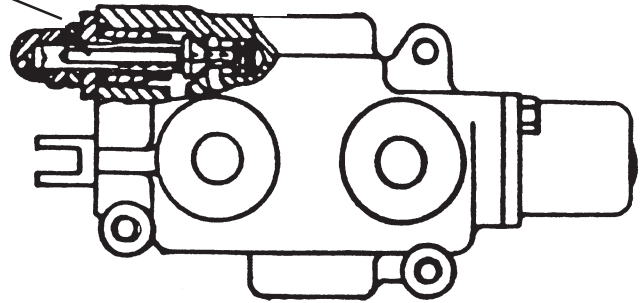
# CUTTER VALVE VERSA-DITCHER MECHANICAL VALVE REPAIR PARTS P/N 02881900

S/N VS-39383  
to  
S/N VS-43475

## Relief Valve Repair Kit 02719000

Consist Of

- 1 - Washer (Large)
- 1 - Adj. Screw
- 1 - Jam Nut
- 1 - O-Ring (Large)
- 1 - O-Ring (Small)
- 1 - Spring
- 1 - Poppet relief



## Spool Detent Repair Kit 02719100 Consist Of

- 1 - Bushing
- 1 - Holder Ball
- 2 - Balls
- 2 - Springs
- 1 - Lockwasher
- 1 - Screw Relief Valve
- 1 - Poppet relief

## Detent Repair Kit 02771400 Consist Of

- 1 - O-Ring
- 1 - Washer
- 1 - End Plug
- 1 - Plug
- 2 - Screws

## Valve Safety Switch Kit 02051100 Consist Of

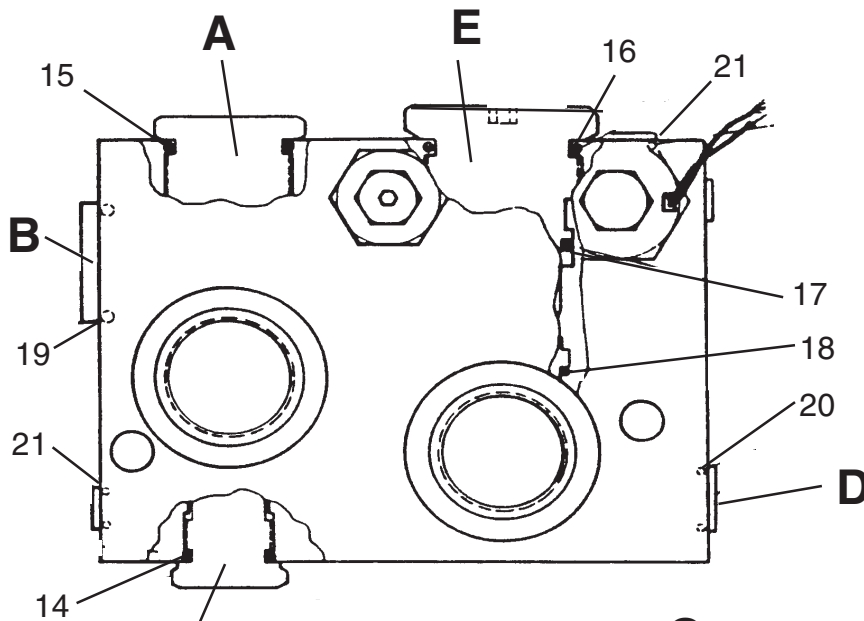
- 1 - Detent Cap
- 1 - Safety Switch
- 1 - Rubber Boot
- 2 - Wire Splice
- 1 - O-Ring (Small)
- 2 - Wire, (7 ft of 12 ga.)

Sep. 1985  
to  
May 1986

# CUTTER VALVE VERSA-DITCHER ELECTRICAL VALVE

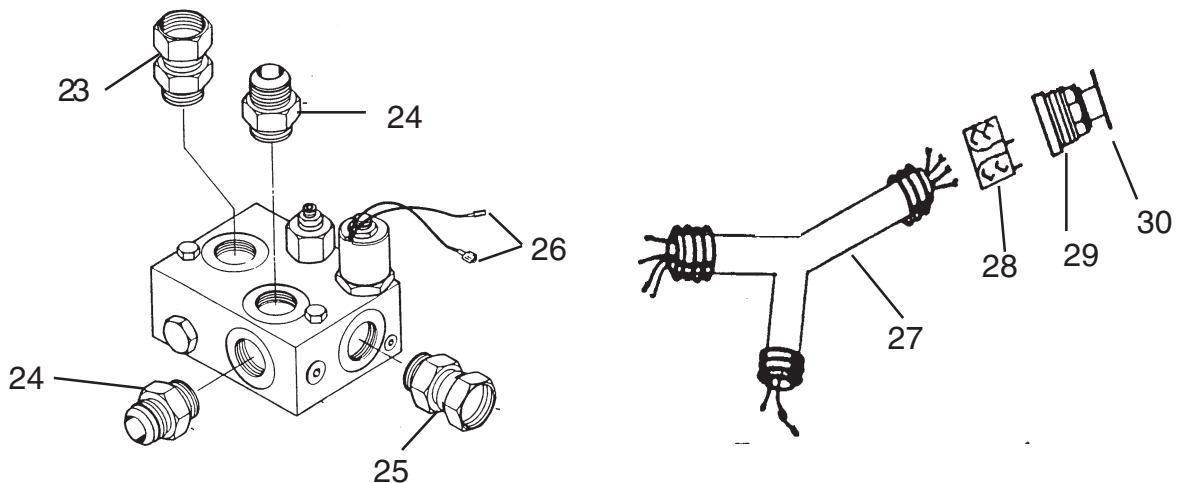
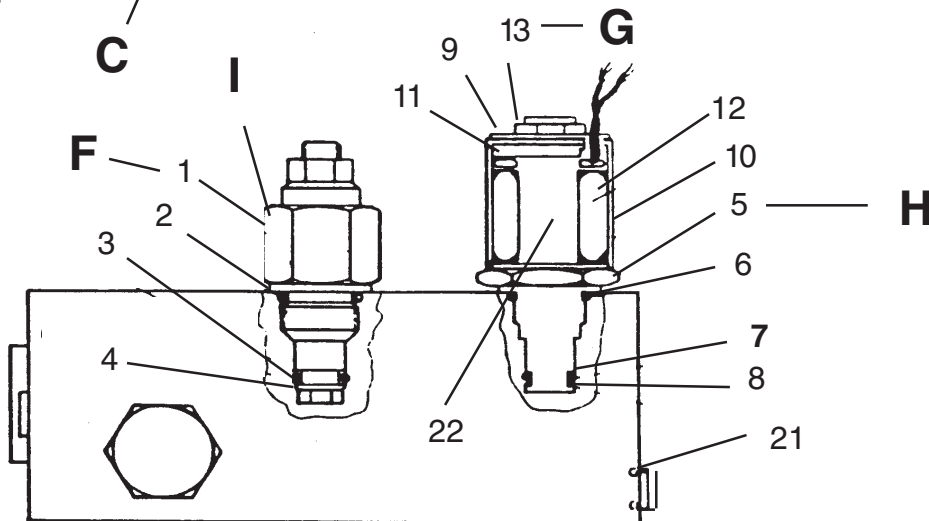
S/N VS-43476  
to  
S/N VS-44986

P/N 02958328 (with Fittings) & 02958036 (w/o fittings)



## Torque Settings

- A = 40 - 50 ft lbs
- B = 20 - 25 ft lbs
- C = 16 - 20 ft lbs
- D = 8 - 10 ft lbs
- E = 80 - 90 ft lbs.
- F = 16 - 20 ft lbs
- G = 4 - 5 ft lbs
- H = 20 - 25 ft lbs
- I = 16 - 20 ft lbs



Sep. 1985  
to  
May 1986

# CUTTER VALVE VERSA-DITCHER ELECTRICAL VALVE

S/N VS-43476  
to  
S/N VS-44986

## P/N 02958328 (with Fittings) & 02958036 (w/o fittings)

Item	Part No.	Qty	Description
1	02958281	1	Relief Cartridge W/ Seals
2	02958282	1	O-Ring
3	02958283	1	Back-Up Ring
4	02958284	1	O-Ring
5*	02958285	1	Solenoid W/ Seals & Less Coil Item #12
6	02958286	1	O-Ring
7	02958287	1	O-Ring
8	02958288	1	Back-Up Ring, Teflon
9	02958289	1	ID Plate, Blank
10	02958290	1	Shell (Not Shown)
11	02958291	1	Plate
12	02958292	1	Coil Asy
13	02958293	1	Nut
14	02958295	1	O-Ring
15	02958296	1	O-Ring
16	02958297	1	O-Ring
17	02958298	1	O-Ring
18	02958299	1	O-Ring
19	02958300	1	O-Ring
20	02958301	1	O-Ring
21	02958302	3	O-Ring
22	02958294	1	Solenoid Asy W/ Slide Terminal (Includes Items # 5 Thru 13 & Item # 26)
23	02958313	1	Adapter, Straight
24	02957622	2	Adapter, Straight
25	02957624	1	Adapter, Straight
26	01162800	2	Slide Terminal
27	02958203	1	Wire Harness
28	02957626	1	Contact Block
29	02957625	1	Switch, Push Pull
30	02959384	1	Knob, Red (for Item # 29)

\* Part Number 02958285 (Item # 5 does NOT include Coil Asy item # 12)

**NOTE:** All Torque Settings Listed in Drawing are Critical and should not be Exceeded. DO NOT make repairs to this component when Hot or While Unit is running, If replacing this Assembly Complete a later Type Valve will be shipped and may vary in design, Some modifications may be required, Look at all drawing and/or instructions shipped with replacement Parts is important.

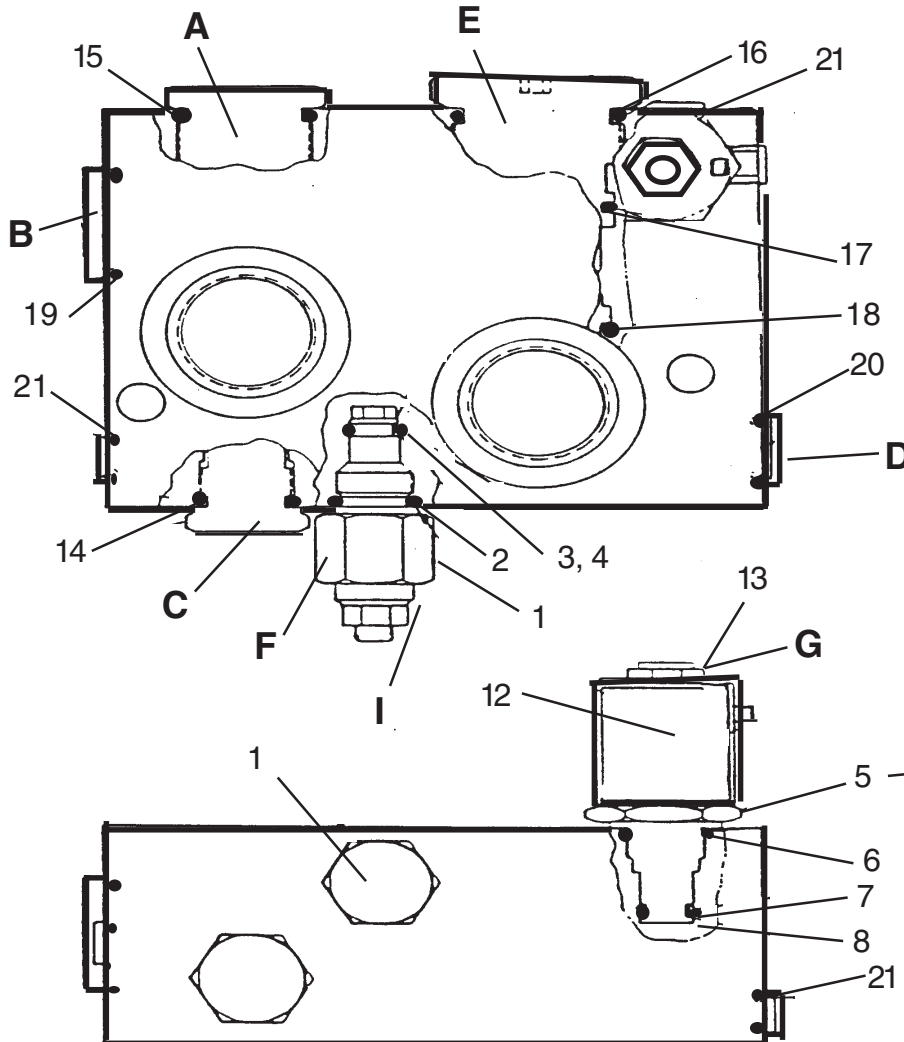


Jun. 1986  
to  
Oct. 1987

# CUTTER VALVE VERSA-DITCHER ELECTRICAL VALVE

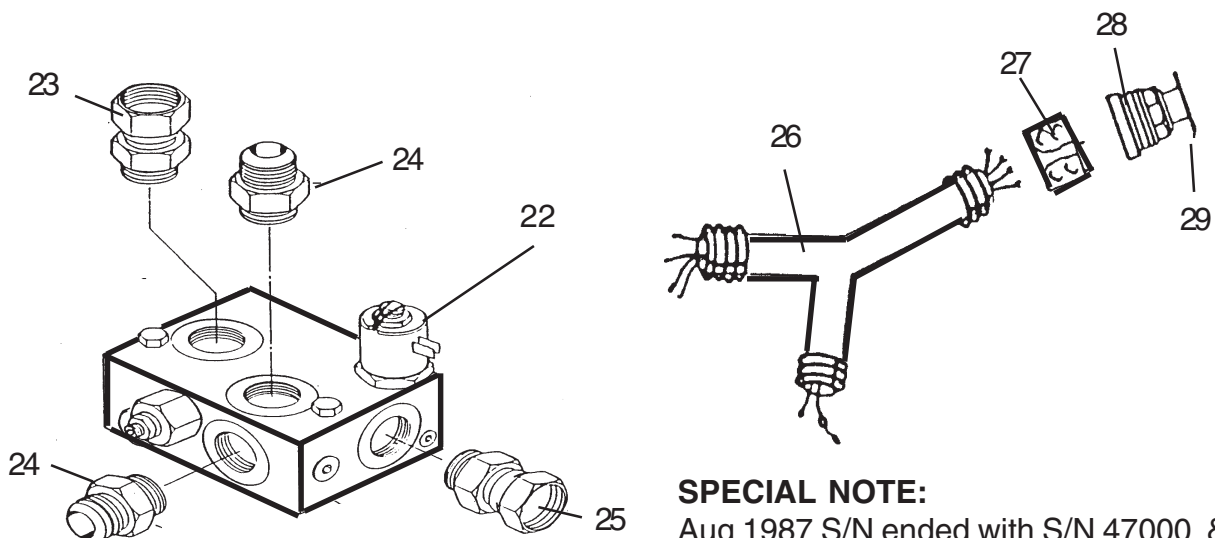
S/N VS-44987  
to  
S/N VS-01034

P/N 02959453 (w/ Fittings) & 02959468 (w/o Fittings)



## Torque Settings

- A = 40 - 50 ft lbs
- B = 20 - 25 ft lbs
- C = 16 - 20 ft lbs
- D = 8 - 10 ft lbs
- E = 80 - 90 ft lbs.
- F = 16 - 20 ft lbs
- G = 4 - 5 ft lbs
- H = 20 - 25 ft lbs
- I = 16 - 20 ft lbs



### SPECIAL NOTE:

Aug 1987 S/N ended with S/N 47000 & started in Sep. 1987 with S/N 01001

Jun. 1986  
to  
Oct 1987

# CUTTER VALVE VERSA-DITCHER ELECTRICAL VALVE

S/N VS-44987  
to  
S/N VS-01034

## P/N 02959453 (w/ Fittings) & 02959468 (w/o Fittings)

Item	Part No.	Qty	Description
1	02959459	1	Relief Cartridge W/ Seals
2	02959460	1	O-Ring
3	02959461	1	Back-Up Ring, Teflon
4	02959462	1	O-Ring
5*	02958285	1	Solenoid W/ Seals & Less Coil Item #12
6	02958286	1	O-Ring
7	02958287	1	O-Ring
8	02958288	1	Back-Up Ring, Teflon
9	02958289	1	ID Plate, Blank (Not Shown)
10	02958290	1	Shell (Not Shown)
11	02958291	1	Plate (Not Shown)
12	02958292	1	Coil Assembly
13	02958293	1	Nut
14	02958295	1	O-Ring
15	02958296	1	O-Ring
16	02958297	1	O-Ring
17	02958298	1	O-Ring
18	02958299	1	O-Ring
19	02958300	1	O-Ring
20	02958301	1	O-Ring
21	02958302	3	O-Ring
22	02958294	1	Solenoid Asy W/ Slide Terminal (Includes Items # 5 Thru 12)
23	02958313	1	Adapter, Straight
24	02957622	2	Adapter, Straight
25	02957624	1	Adapter, Straight
26	02958203	1	Wire Harness
27	02957626	1	Contact Block
28	02957625	1	Switch, Push Pull
29	02959384	1	Knob, Red (for Item # 29)
30	02959465	--	Seal Kit (Includes Items 2,3,4,6,7,8,14,15,16,17,18)

\* Part Number 02958285 (Item # 5 does NOT include Coil Asy item # 12)

**NOTE:** All Torque Settings Listed in Drawing are Critical and should not be Exceeded. DO NOT make repairs to this component when Hot or While Unit is running, If replacing this Assembly Complete a later Type Valve will be shipped and may vary in design, Some modifications may be required, Look at all drawing and/or instructions shipped with replacement Parts is important.

**NOTE:** S/N Change Aug. 1987 S/N's ended with # 47000 and Sep. 1987 started a new series with # 01001

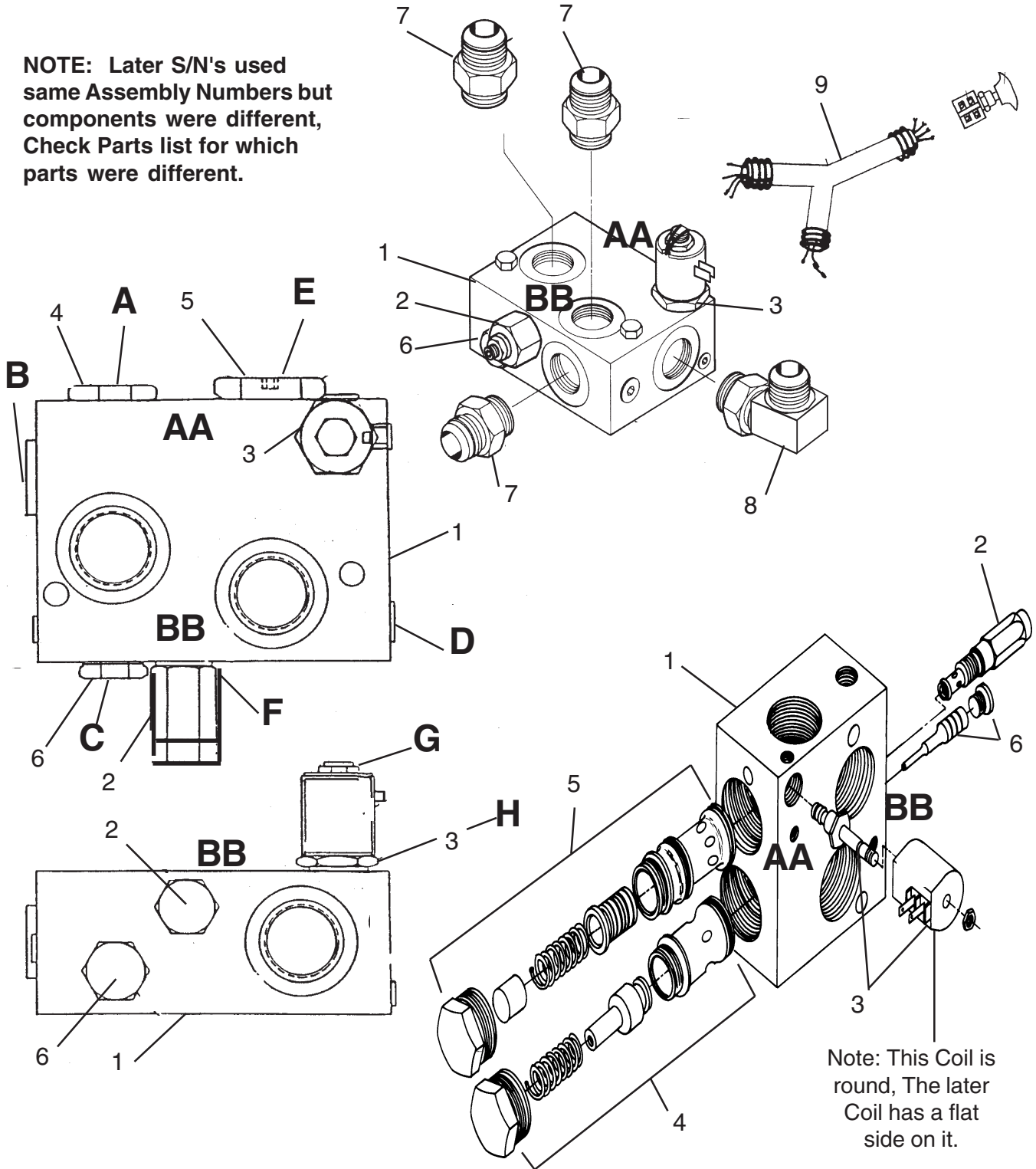
Nov. 1987  
to  
Jul. 1992

# CUTTER VALVE VERSA-DITCHER ELECTRICAL VALVE

S/N VS-01035  
to  
S/N VS-02490

**P/N 02961090 (w/ Fittings) & 02960565 (w/o Fittings)**

**NOTE:** Later S/N's used same Assembly Numbers but components were different, Check Parts list for which parts were different.



Nov. 1987  
to  
Jul. 1992

# CUTTER VALVE VERSA-DITCHER ELECTRICAL VALVE

S/N VS-01035  
to  
S/N VS-02490

**P/N 02961090 (w/ Fittings) & 02960565 (w/o Fittings)**

Item	Part No.	Qty	Description
1	02960565	--	Cutter Valve Asy
2	02961261	1	Relief Cartridge W/ Seals
	02961262	--	Relief Valve Seal Kit
3	02961265	1	Solenoid Valve w/ Seals, Complete
	02961264	--	Solenoid Valve Cartridge
	02961263	--	Solenoid Coil Only
	02961266	--	Solenoid Valve Seal kit
4	02961269	1	Check Valve
	02961270	--	Seal Kit, Check valve
5	02961267	1	Logic valve
	02961268	--	Seal kit, Logic Valve
6	02961271	1	Pilot Piston w/Seals
	02972768	1	Plug
7	02960807	3	Adapter, Straight
8	02961003	1	Adapter, Straight
9	02958203	1	Wire Harness
10	02964028	1	Switch, Push Pull
11	02964063	1	knob

## Torque Settings

A = 40 - 50 ft lbs  
B = 20 - 25 ft lbs  
C = 16 - 20 ft lbs  
D = 8 - 10 ft lbs  
E = 80 - 90 ft lbs.  
F = 16 - 20 ft lbs  
G = 4 - 5 ft lbs  
H = 20 - 25 ft lbs

**NOTE:** All Torque Settings Listed in Drawing are Critical and should not be Exceeded. DO NOT make repairs to this component when Hot or While Unit is running, If replacing this Assembly Complete a , Look at all drawing and/or instructions shipped with replacement Parts is important.

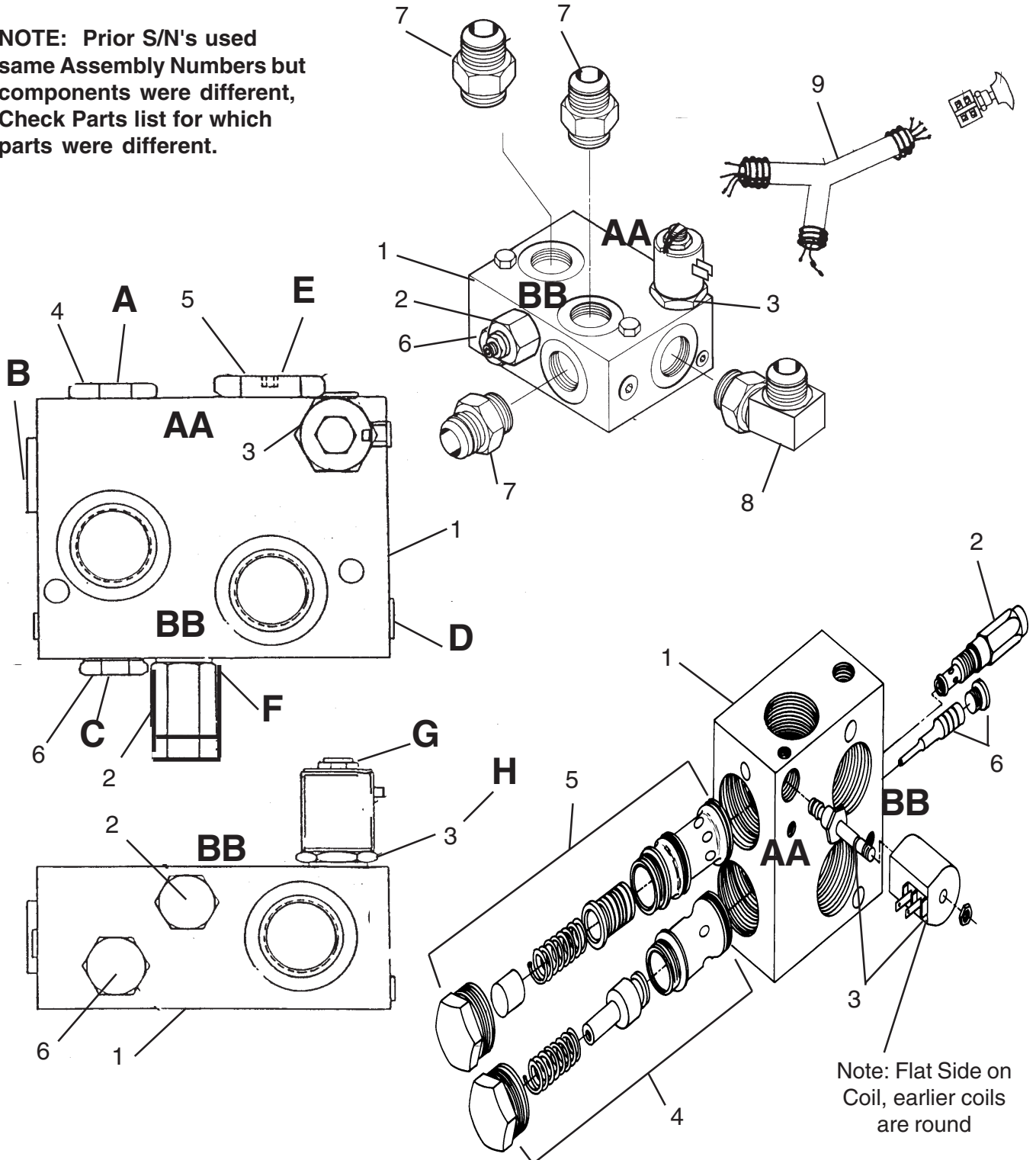
Aug. 1992  
to  
Current

# CUTTER VALVE VERSA-DITCHER ELECTRICAL VALVE

S/N VS-02491  
to  
S/NVS-Current

P/N 02961090 (w/ Fittings) & 02960565 (w/o Fittings)

**NOTE:** Prior S/N's used same Assembly Numbers but components were different, Check Parts list for which parts were different.



Aug. 1992  
to  
Current

# CUTTER VALVE VERSA-DITCHER ELECTRICAL VALVE

S/N VS-02491  
to  
S/N VS-Current

**P/N 02961090 (w/ Fittings) & 02960565 (w/o Fittings)**

Item	Part No.	Qty	Description
1	02960565	--	Cutter Valve Asy
2	02961261	1	Relief Cartridge With Seals
	02961262	--	Relief Valve Seal Kit
3	02965223	1	Solenoid Valve w/ Seals, Complete
	02965221	--	Solenoid Valve Cartridge
	02965222	--	Solenoid Coil Only
	02961266	--	Solenoid Valve Seal kit
4	02961269	1	Check Valve
	02961270	--	Seal Kit, Check valve
5	02961267	1	Logic valve
	02961268	--	Seal kit, Logic Valve
6	02961271	1	Pilot Piston w/Seals
	02972768	1	Plug
7	02960807	3	Adapter, Straight
8	02961003	1	Adapter, Straight
9	02958203	1	Wire Harness
10	02964028	1	Switch, Push Pull
11	02964063	1	knob

## Torque Settings

A = 40 - 50 ft lbs

B = 20 - 25 ft lbs

C = 16 - 20 ft lbs

D = 8 - 10 ft lbs

E = 80 - 90 ft lbs.

F = 16 - 20 ft lbs

G = 4 - 5 ft lbs

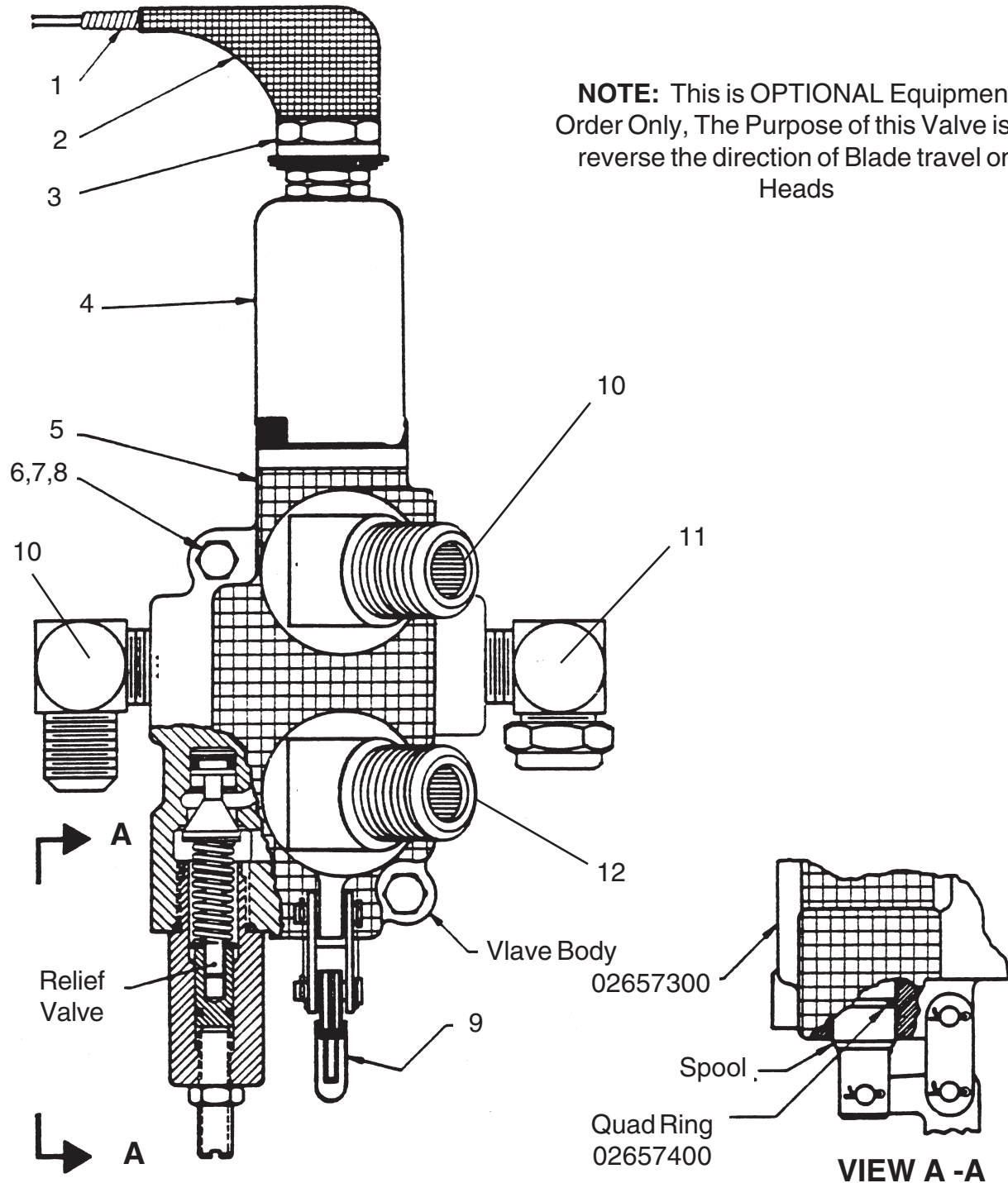
H = 20 - 25 ft lbs

**NOTE:** All Torque Settings Listed in Drawing are Critical and should not be Exceeded. DO NOT make repairs to this component when Hot or While Unit is running, If replacing this Assembly Complete a , Look at all drawing and/or instructions shipped with replacement Parts is important.

Feb. 1982  
to  
Current

# CUTTER VALVE VERSA-DITCHER Mechanical Valve Reversing Valve P/N 02957254 OPTIONAL

S/N VS-39383  
to  
S/N VS-Current



Feb. 1982  
to  
Current

**CUTTER VALVE  
VERSA-DITCHER  
Mechanical Valve**

S/N VS-39383  
to  
S/N VS-Current

**Reversing Valve P/N 02957254  
OPTIONAL**

<b>Item</b>	<b>Part No.</b>	<b>Qty</b>	<b>Description</b>
1	02775200	1	Wiring Harness
2	02775100	1	Boot
3	02956996	1	Safety Switch
4	02957002	1	Detent Kit Assembly
5	02040600	1	Valve, W/ Safety Switch
6	02957043	3	Bolt
7	00011700	3	Lockwasher
8	00021800	3	Nut
9	02882100	1	Handle Assembly
10	02042600	2	Elbow
11	02937300	1	Elbow
12	02957228	1	Elbow

**Relief Valve Repair Kit  
P/N 02719000 Consist of:**

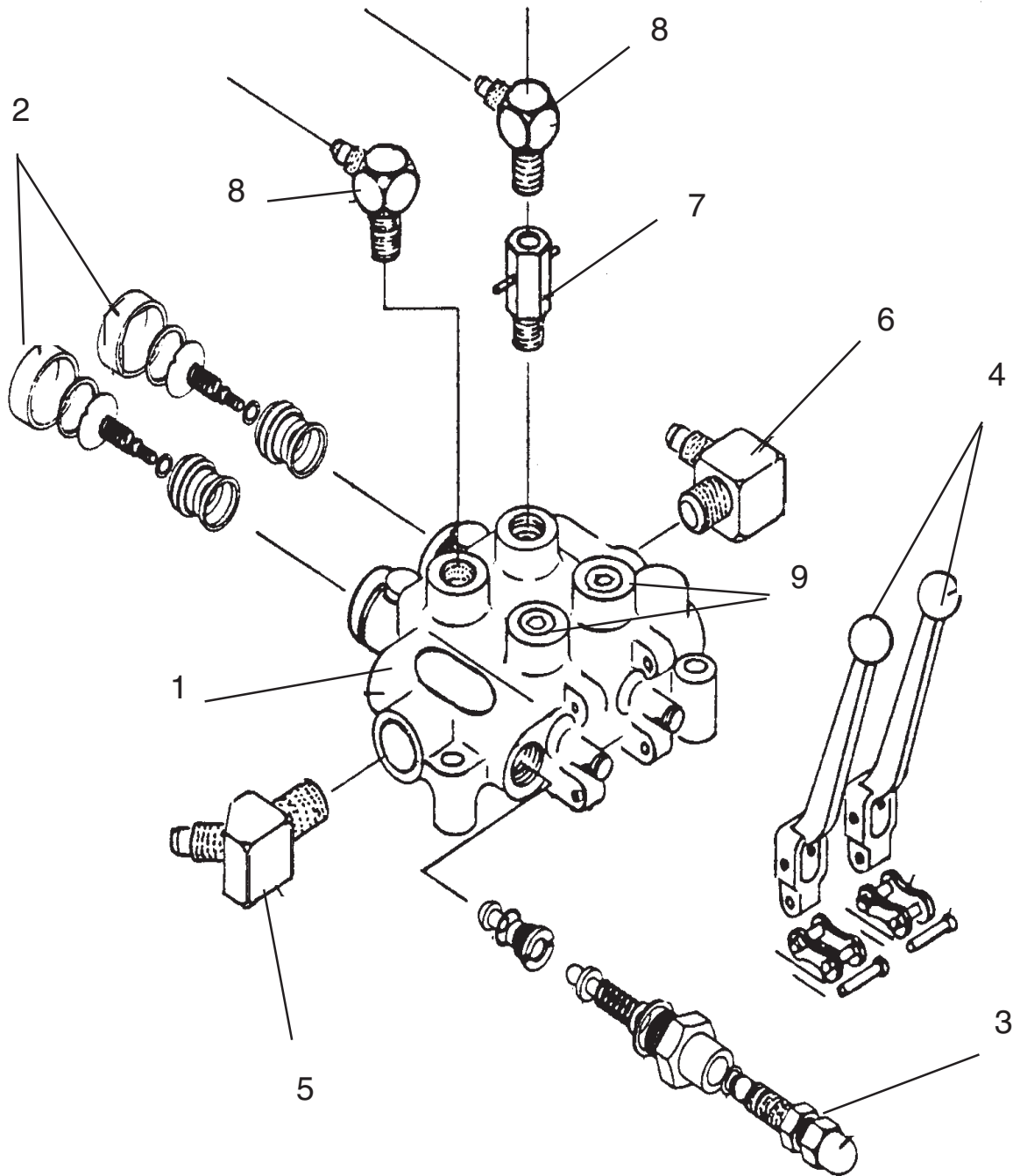
- 1 - Washer, Large
- 1 - Washer, Small
- 1 - Adj. Screw
- 1 - Jam Nut
- 1 - Plug End
- 1 - O-Ring, Large
- 1 - O-Ring, Small
- 1 - Spring
- 1- Poppet Relief



Feb. 1982  
to  
Mar. 1994

# Control Valve, 2 Spool VERSA-DITCHER 60" & 72" Models P/N 02888200

S/N VS-39383  
to  
S/N VS-03178



Feb. 1982  
to  
Mar. 1994

Control Valve, 2 Spool  
VERSA-DITCHER  
60" & 72" Models  
P/N 02888200

S/N VS-39383  
to  
S/N VS-03178

Item	Part No.	Qty	Description
	02888200	--	Control Valve Asy, W/Fittings
1	02993602	1	Control Valve, 2 Spool
2	00751974	2-ref	Detent Kit
3	00751140	1-ref	Relief Valve Kit, HP
4	00751142	2-ref	Handle Asy Kit
5	02889500	1	Elbow, 45 Deg.
6	02049100	1	Elbow, 90 Deg.
7	02811300	1	Check Valve
8	02822100	2	Elbow
9	00749508	2	Plug
10	0221900	1	Plug, Hex SKT 3/4 NPT

NOTE: S/N Change Aug. 1987 S/N's ended with # 47000  
and Sep. 1987 started a new series with # 01001

Apr. 1994  
to  
May 1998

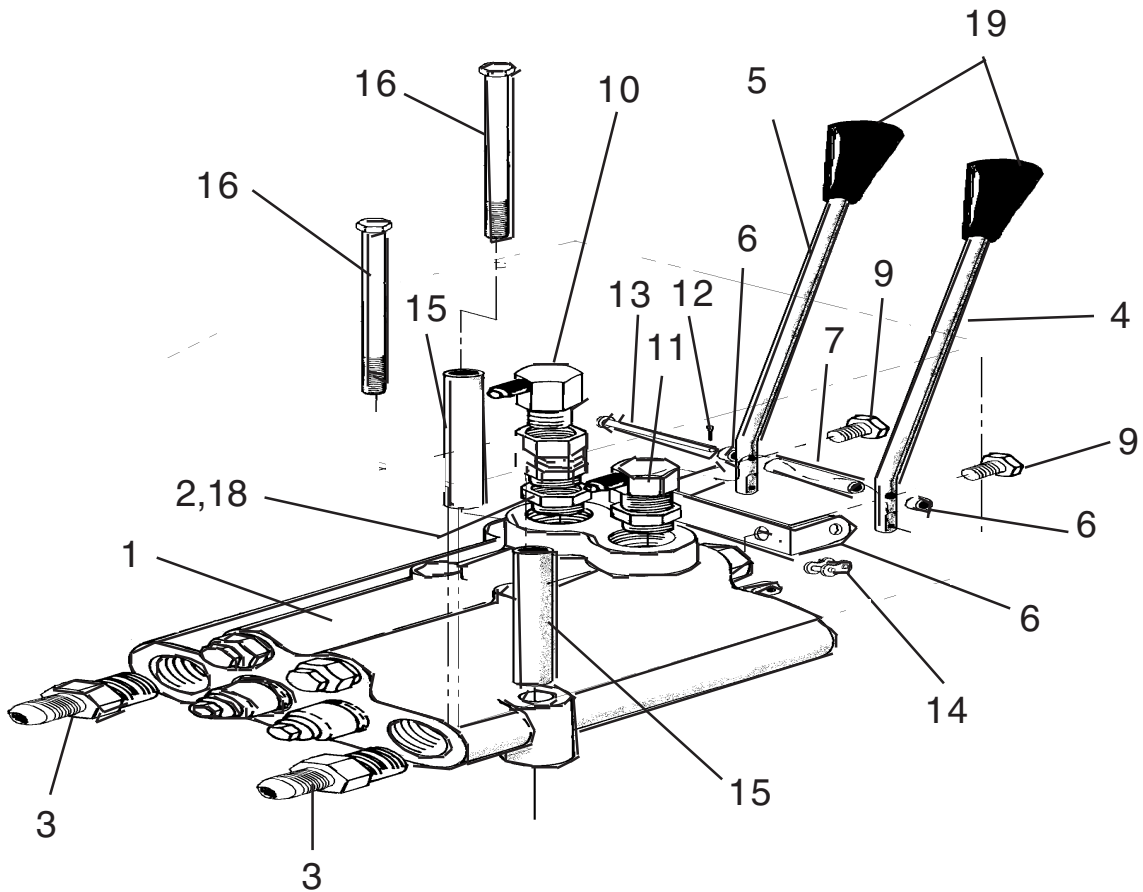
# Control Valve, 2 Spool

## VERSA-DITCHER

### 60" & 72" Models

### P/N 02955871

S/N VS-03179  
to  
S/N VS-04596



Apr. 1994  
to  
May 1998

**Control Valve, 2 Spool  
VERSA-DITCHER  
60" & 72" Models  
P/N 02955871**

S/N VS-03179  
to  
S/N VS-04596

Item	Part No.	Qty	Description
	02965871	--	Control Valve As
1*	02965872	1	Control Valve
2*	00751521	1	Adapter, Straight
3*	00696800	2	Adapter, Straight
4	02966398	1	Handle, LH
5	02966399	1	Handle, RH
6	02966397	2	Short Spacer
7	02966396	1	Long Spacer
8	02966395	1	Handle Bracket
9	00752645	2	Bolt
10*	02823100	1	Elbow, 90 Deg
11*	03200762	1	Elbow, 90 Deg.
12	02968698	1	Cotter Pin
13	02966871	1	Clevis Pin
14	02966870	2	Master Link
15	02966401	2	Cover, Not shown
16	02967062	2	Cover Bolt
17	02966400	1	Cover
18*	00765373	1	Restrictor
19	02966746	2	Tapered Knob

\* Included in Control Valve Assembly P/N 02965871

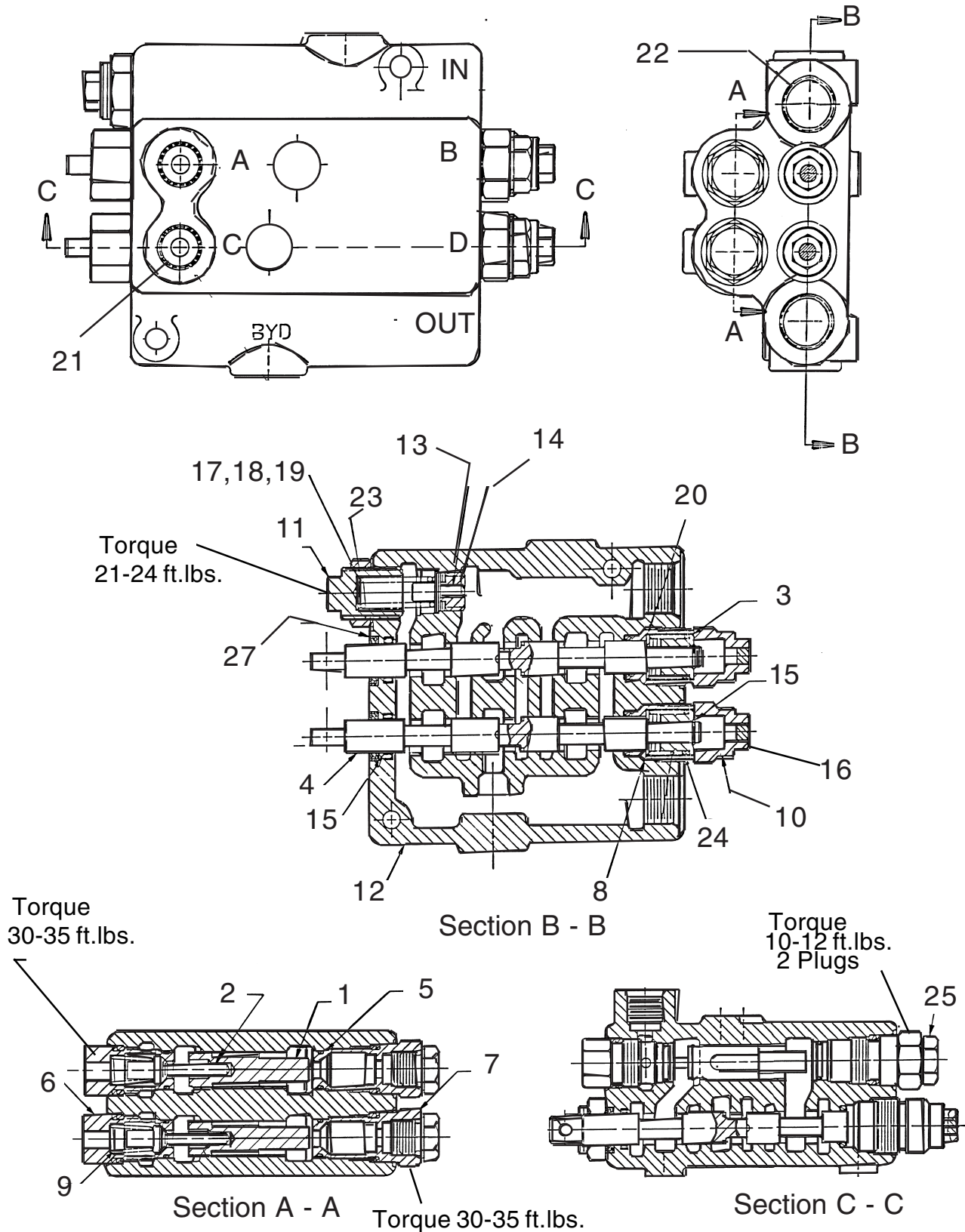
**FOR ADDITIONAL REPAIR  
PARTS FOR THIS VALVE SEE  
NEXT 2 PAGES**

Apr. 1994  
to  
May 1998

# Control Valve, 2 Spool VERSA-DITCHER 60" & 72" Models

S/N VS-03179  
to  
S/N VS-04596

## P/N 02955871 Repair Parts Only



Apr. 1994  
to  
May 1998

**Control Valve, 2 Spool  
VERSA-DITCHER  
60" & 72" Models**

S/N VS-03179  
to  
S/N VS-04596

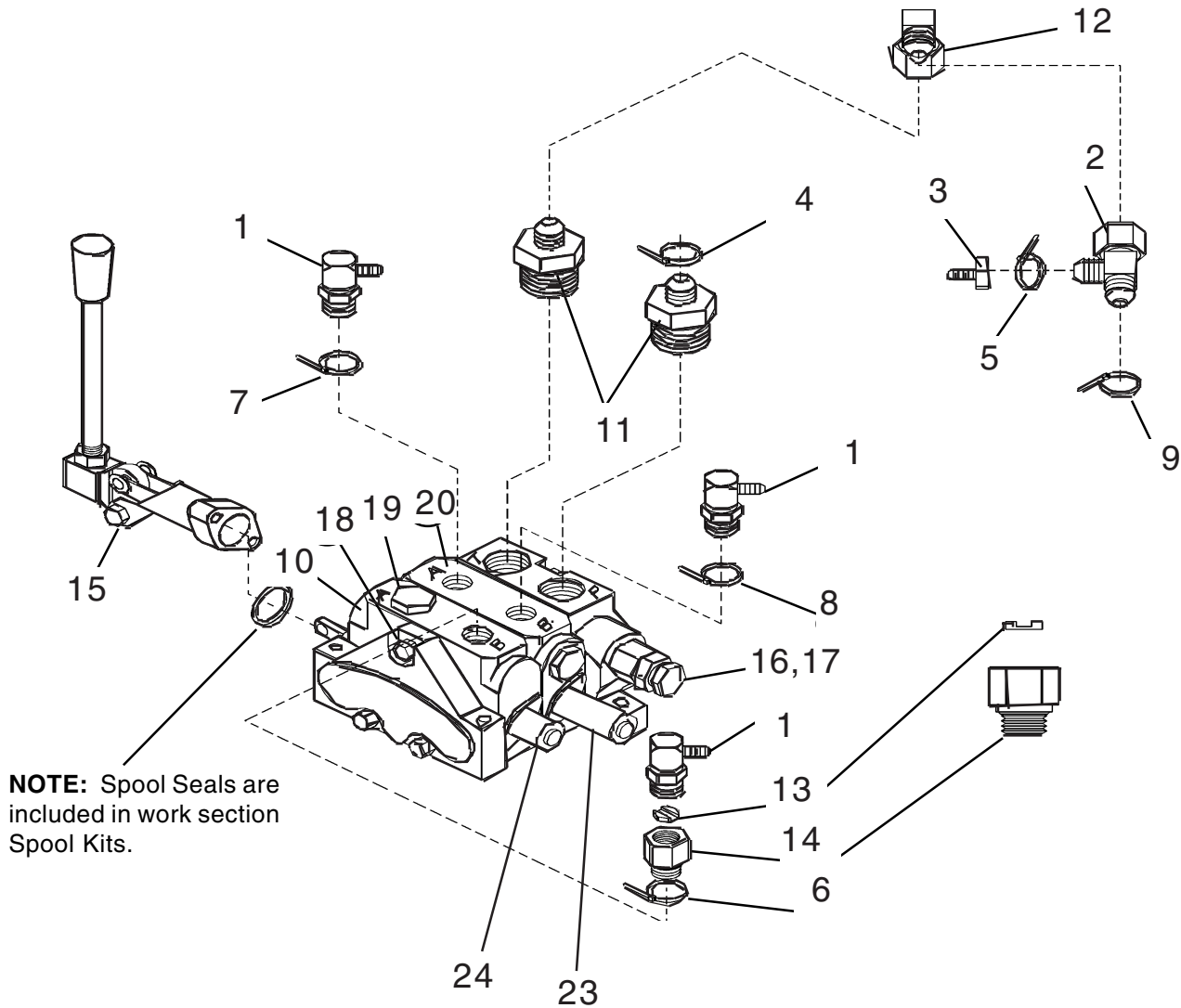
**P/N 02955871 Repair Parts Only**

<b>Item</b>	<b>Part No.</b>	<b>Qty</b>	<b>Description</b>
	<b>02965871</b>	-	<b>Control Valve Asy</b>
	02965872	1	Control Valve
1	-----	2	Lockout Plunger
2	02966645	2	Poppet Asy.
3	02966646	2	Spacer
4	02966647	2	D.A. Standard Spool
5	02966648	2	Seat Asy
6	02966649	2	Plug Asy.
7	02966650	2	Port Adapter Plug Asy.
8	02966651	2	Bushing
9	02966652	2	Lockout Spring
10	02966653	2	Cap Asy
11	02966654	1	Plug Asy.
12	-----	1	Body
13	02966655	1	Poppet
14	02966656	1	Seat
15	02966657	4	O-Ring
16	02966658	2	Retaining Ring
17	02966659	1	Washer
18	02966660	1	Washer
19	02966661	1	Washer
20	02966662	2	Washer
21	-----	1	Shipping Plug
22	-----	1	Shipping Plug
23	02966663	1	Spring
24	02966669	2	Spring
25	02966670	2	Plug Asy.
27	02966671	2	Wiper Seal
28	02970427	1	Seal Kit (Not Shown)

Jun. 1998  
to  
Current

# Control Valve, 2 Spool VERSA-DITCHER 60" & 72" Models P/N 02971283

S/N VS-04597  
to  
S/N VS-Current



Jun. 1998  
to  
Current

Control Valve, 2 Spool  
VERSA-DITCHER  
60" & 72" Models  
P/N 02971283

S/N VS-04597  
to  
S/N VS-Current

Item	Part No.	Qty	Description
	02971283	–	Control Valve Asy
*	02969131	–	Valve Only
1*	02962249	3	Adapter Hyd. Elbow
2*	02967150	1	Adapter Hyd. Tee
3*	02967151	1	Adapter Hyd. Straight
4*	02968828	1	Vinyl Tape Red 1/2" Wide
5*	02968830	1	Vinyl Tape Blue 1/2" Wide
6*	02968831	1	Vinyl Tape Blue 1/4" Wide
7*	02968832	1	Vinyl Tape Green 1/2" Wide
8*	02968833	1	Vinyl Tape Green 1/4" Wide
9*	02968834	1	Vinyl Tape Orange 1/2" Wide
10 *	02969131	1	Directional Control Valve
11*	63042700	2	Adapter Hyd. Straight
12*	02761100	1	Adapter Hyd. Elbow
13*	02969399	1	Orifice Plate
14*	02972159	1	Adapter Hyd. Straight
15	02971207	2-ref	Kit, Valve Handle
16	02973223	1	Main Relief
17	02972795	1	Seal Kit, Main Relief
18	02972792	1	Seal Kit, Outlet Sect.
19	02972794	1	Seal Kit, GC Work Sect.
20	02972793	1	Seal Kit, Work Sect.
21	02975195	1	Detent Kit
22	02975212	1	Retainer Spool Seal
23	02976959	1	Cap, Detent, Long
24	02976960	1	Cap, Detent, Short
25	02975140	1	Shoulder Bolt to Return Spring (Not Shown)

# 02971283 includes Items 1 thru 14 & Items 16 thru 25

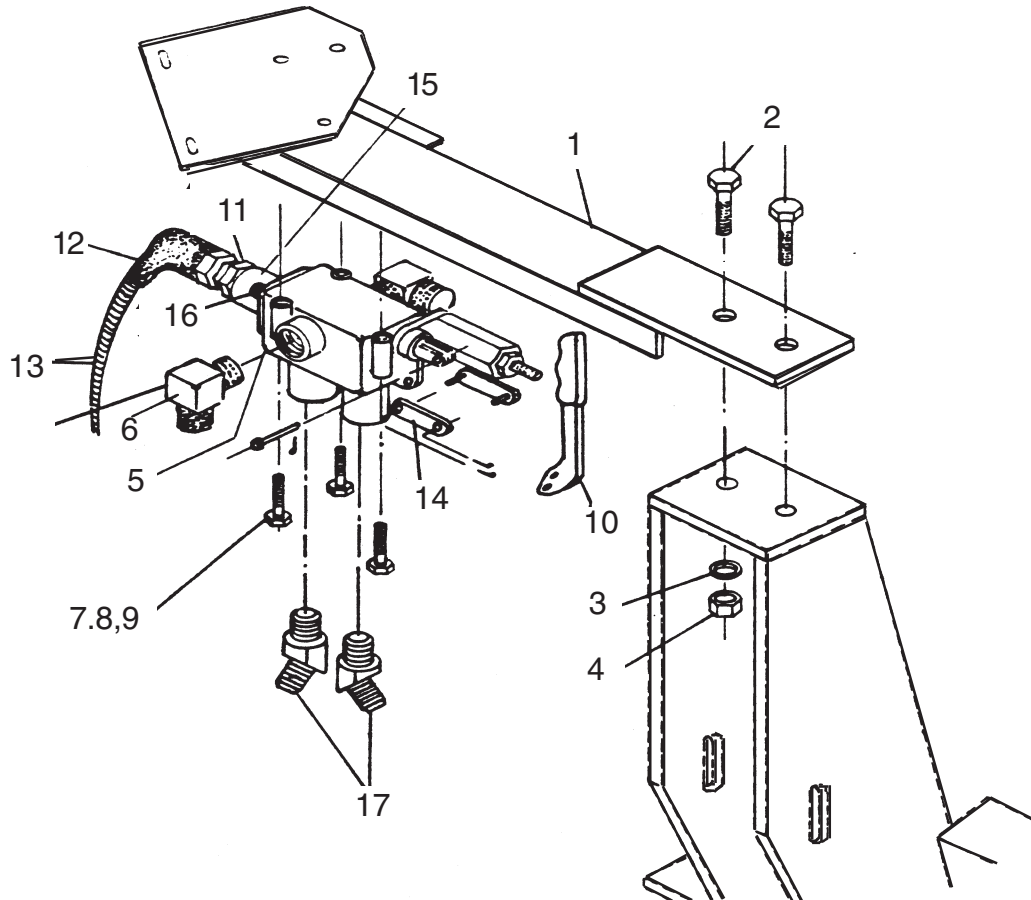
# 02969131 includes Items 16 thru 25



Feb. 1982  
to  
Aug. 1985

## CONTROL VALVE MOUNT VERSA-DITCHER

S/N VS-39383  
to  
S/N VS-43475



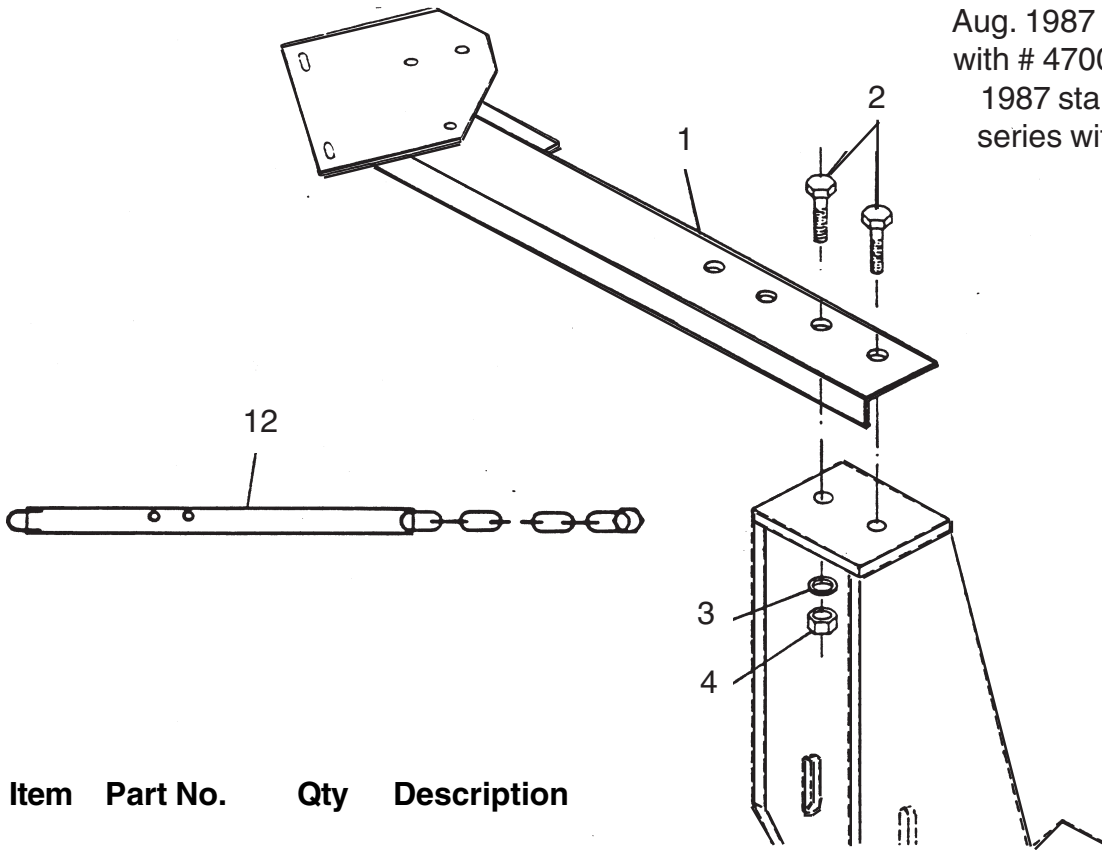
Item	Part No.	Qty	Description
1	02881200	1	Valve Mount Weldment
2	00008300	2	Bolt
3	00010300	2	Lockwasher
4	00010400	2	Nut
5	02881900	1	Cutter Valve Assembly
6	02042600	2	Elbow
7	00016200	3	Bolt
8	00011700	3	Lockwasher
9	00021800	3	Nut
10	02882100	1	Handle Assembly
11	02775000	1	Switch
12	02775100	1	Boot
13	02775200	1	Wire Harness
14	02775600	1	Linkage Assembly, Handle
15	02050200	1	Detent Cap
16	02657900	2	Bolt, Allen Head
17	02889000	2	Elbow, Adapter

Sep. 1985  
to  
Apr. 1994

## CONTROL VALVE MOUNT VERSA-DITCHER

S/N VS-43476  
to  
S/N VS-03220

**NOTE:** S/N Change  
Aug. 1987 S/N's ended  
with # 47000 and Sep.  
1987 started a new  
series with # 01001



Item	Part No.	Qty	Description
	02881100	–	Control Valve Console Asy
1	02958270	1	Support Arm Valve Mt. Weldment
2	00008300	2	Bolt
3	00010300	2	Lockwasher
4	00010400	2	Nut
5*	00012101	2	Lockwasher
6*	00013901	2	Nut
7*	02958328	1	Solenoid Cutter Valve Asy
8*	02957625	1	Push Pull Switch
9*	02957626	1	Contact Block
10*	02957009	2	Bolt
11*	02958203	1	Wire Harness
12	02957364	1	Head Retainer Asy (Consist of Items Below)
	02957363	1	Head Retainer Weldment
	00010300	1	Lockwasher
	00010400	1	Nut

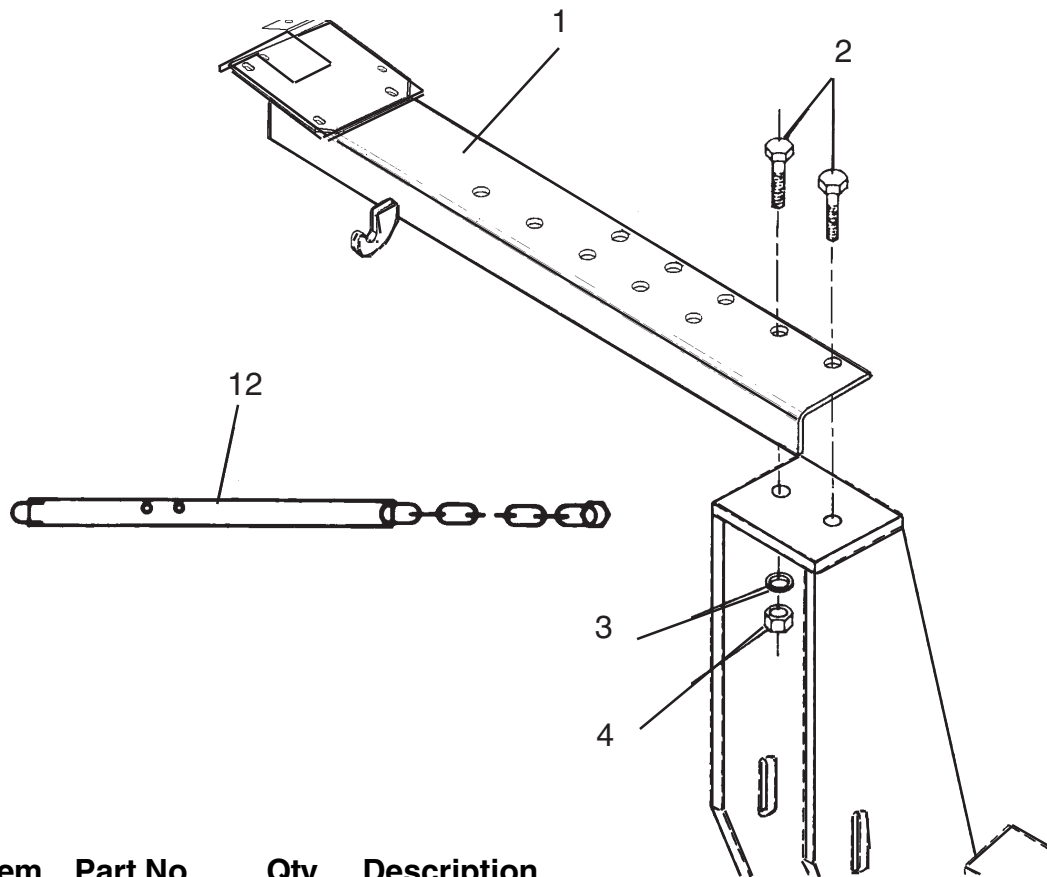
\* These Parts are not shown, but are part of assembly p/n 02881100

**NOTE:** S/N Change Aug. 1987 S/N's ended with # 47000  
and Sep. 1987 started a new series with # 01001

May 1994  
to  
Current

# CONTROL VALVE MOUNT VERSA-DITCHER

S/N VS-03221  
to  
S/N VS-Current



Item	Part No.	Qty	Description
1	02958270	1	Support Arm Valve Mt. Weldment(For 02888200 Valve)
	02966494	1	Support Arm Valve Mt. Weldment (For 02965872 Valve)
2	00008300	2	Bolt
3	00010300	2	Lockwasher
4	00010400	2	Nut
*	00011100	2	Flat Washer
*	00015800	2	Locknut
*	02961090	1	Solenoid Cutter Valve Assembly
*	02964028	1	Push Pull Switch
*	02964063	1	Knob, Switch
*	02957009	2	Bolt
*	02958203	1	Wire Harness
12	02957364	1	Head Retainer Assembly
	02957363	1	Head Retainer Weldment
	00010300	1	Lockwasher
	00010400	1	Nut

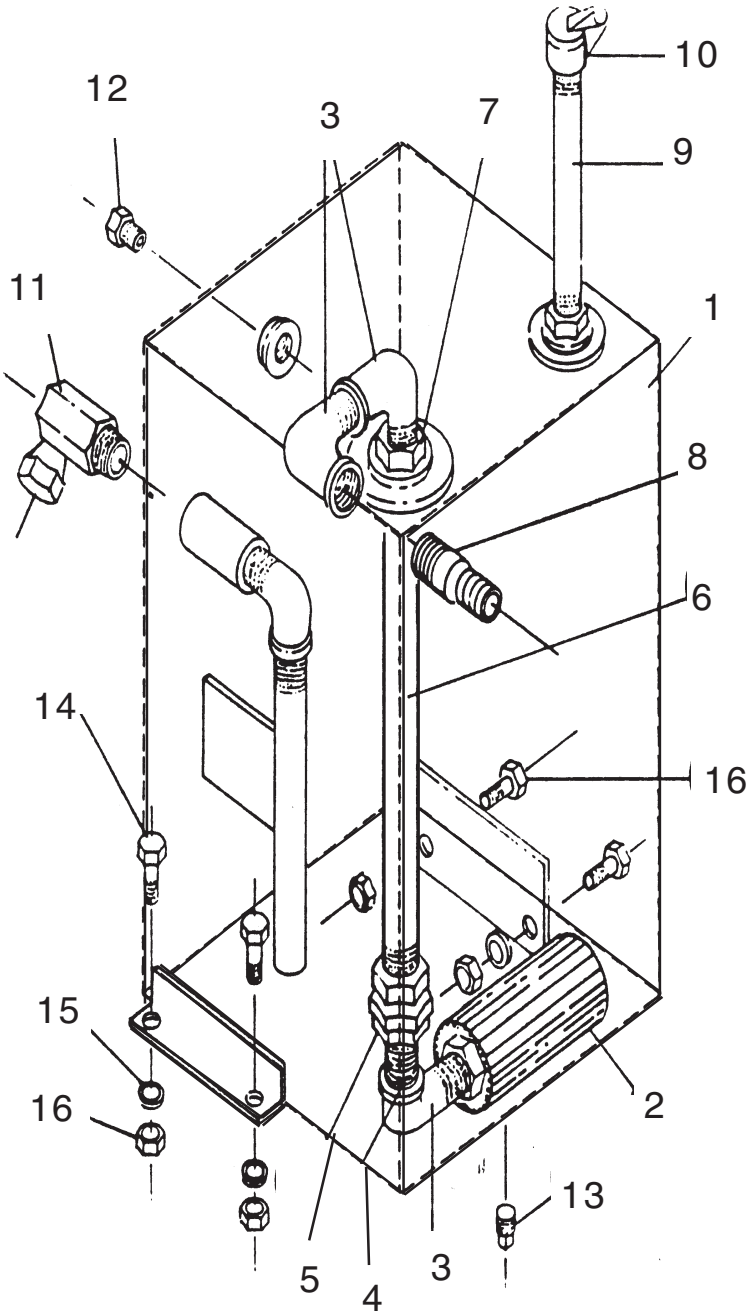
\* These Parts are not shown, but are part of assembly p/n 02961145

# NOTES

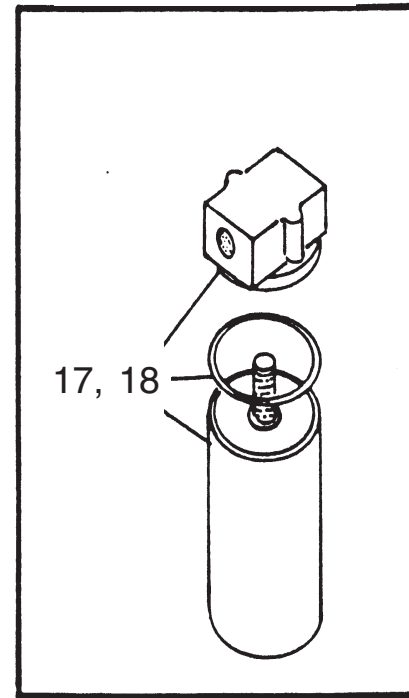
Feb. 1982  
to  
Jun. 1984

# OIL TANK VERSA MOWER

S/N VS-39383  
to  
S/N VS-41900



## RETURN FILTER ASSEMBLY



USE 20 W 40 MOTOR OIL  
"This has Been Changed to Use"  
Universal Hydraulic Oil

Feb. 1982  
to  
Jun. 1984

## OIL TANK VERSA MOWER

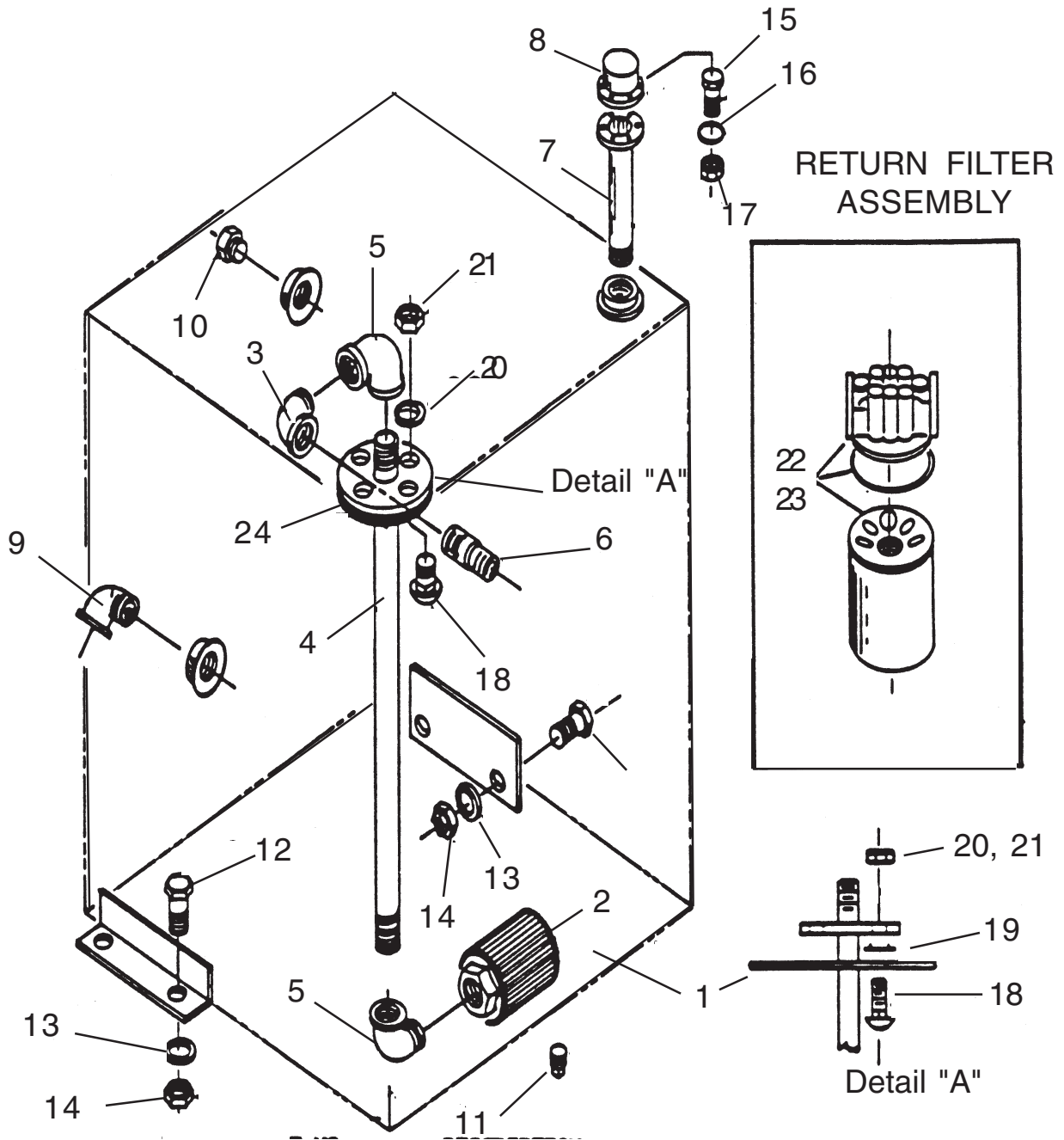
S/N VS-39383  
to  
S/N VS-41900

Item	Part No.	Qty	Description
1	02876200	1	Reservoir (Oil Tank)
2	02047400	1	Suction Filter
3	02047200	3	Elbow
4	02047300	1	Close Nipple
5	02047100	1	Slip Union
6	02822000	1	Nipple, 26" Long
7	02046900	1	Adapter, Bushing
8	02888400	1	Adapter, Straight
9	02410300	1	Nipple, 12" long
10	02040800	1	Filler Cap
11	02889300	1	Filler Cap
12	02049700	1	Sight Gage
13	02016100	1	Pipe Plug
14	00012000	4	Bolt
15	00001300	4	Lockwasher
16	00001200	4	Nut
17	00751469	1	Filter Asy as Shown
18	00751529	1	Filter Element Only

Jul. 1984  
to  
Oct. 1987

# OIL TANK VERSA MOWER

S/N VS-41901  
to  
S/N VS-01034



USE 20 W 40 MOTOR OIL  
"This has Been Changed to Use"  
Universal Hydraulic Oil

Jul. 1984  
to  
Oct. 1987

## OIL TANK VERSA MOWER

S/N VS-41901  
to  
S/N VS-01034

Item	Part No.	Qty	Description
1	02876200	1	Oil Tank
2	02047400	1	Suction Filter
3	02047200	2	Elbow
4	02957223	1	Suction Pipe Weldment
5	02208400	1	Elbow
6	02411000	1	Hose Bib
7	02209400	1	Filler Cap Weldment
8	02209600	1	Filler Cap
9	00751457	1	Elbow
10	02049700	1	Sight Gauge
11	02016100	1	Pipe Plug
12	00012000	4	Bolt
13	00001300	4	Lockwasher
14	00001200	4	Nut
15	63067100	6	Bolt
16	63121800	6	Lockwasher
17	63121700	6	Nut
18	02208800	4	Bolt
19	63161900	4	Spring Nut
20	00002700	4	Flatwasher
21	00749137	4	Nut
22	00751469	1	Filter Asy.
23	00751529	1	Filter Element
24	02958079	1	Gasket, Suction Plate

**NOTE:** S/N Change  
Aug. 1987 S/N's ended  
with # 47000 and Sep.  
1987 started a new  
series with # 01001

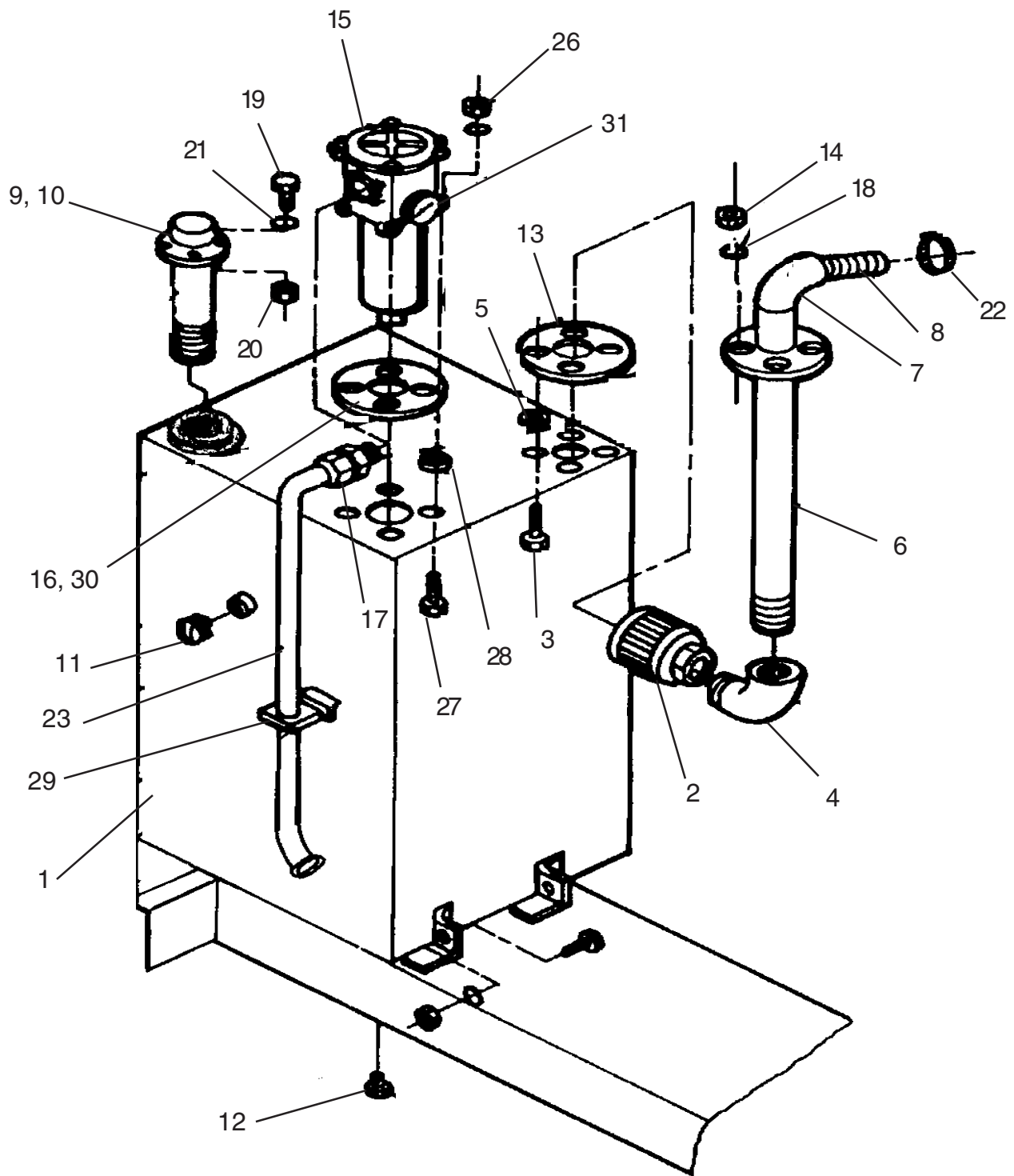
**NOTE:** S/N Change Aug. 1987 S/N's ended with # 47000  
and Sep. 1987 started a new series with # 01001



Nov. 1987  
to  
Current

# OIL TANK VERSA MOWER

S/N VS-01035  
to  
S/NVS-Current



USE UNIVERSAL HYDRAULIC OIL  
"This has Been Changed From" USE  
20W40 MOTOR OIL

Nov. 1987  
to  
Current

## OIL TANK VERSA MOWER

S/N VS-01035  
to  
S/N VS-Current

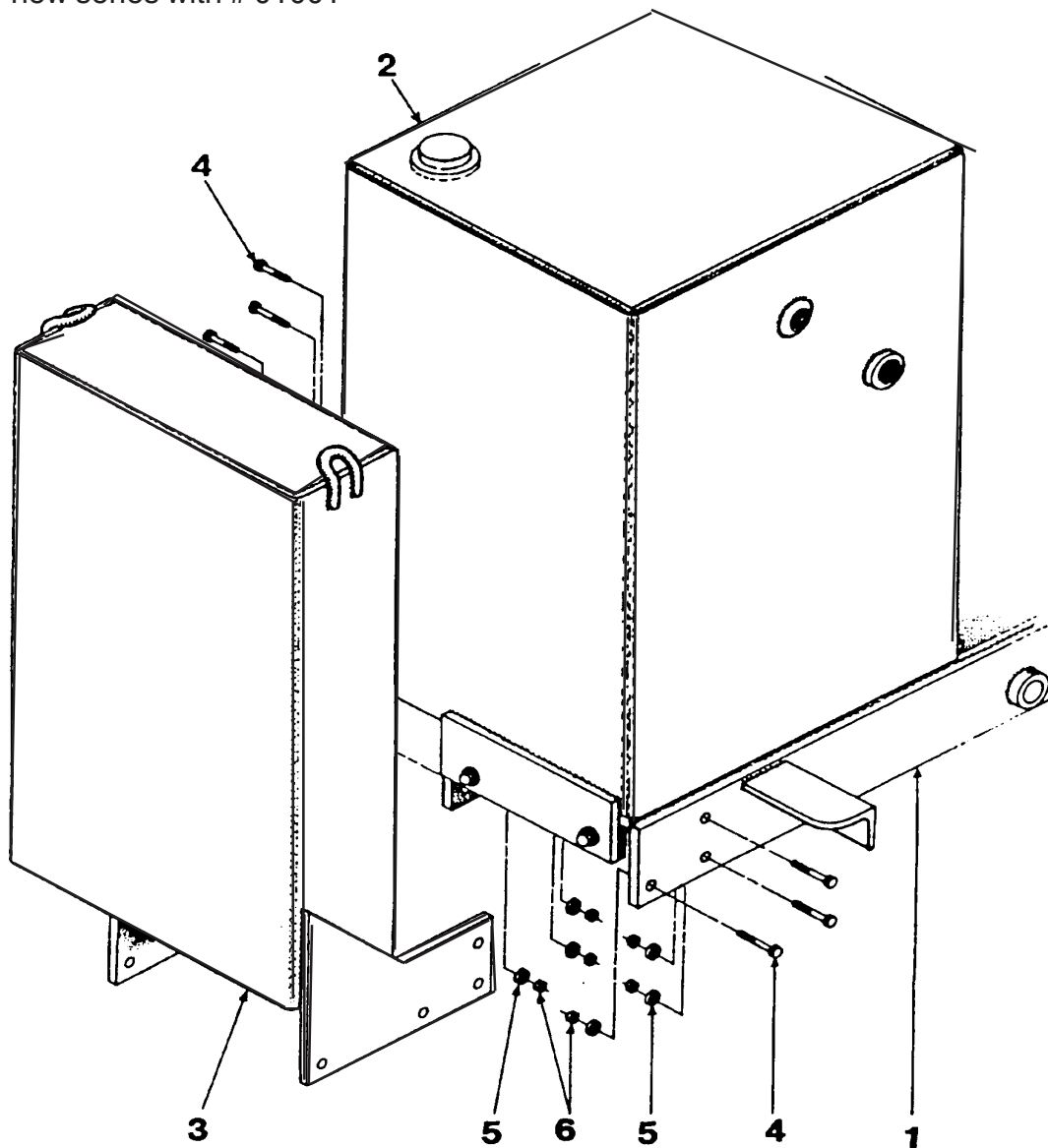
Item	Part No.	Qty	Description
1	02961046	1	Oil Tank Weldment
2	02047400	2	Suction Filter
3	02208800	4	Bolt
4	02047200	1	Elbow
5	63161900	4	Spring Nut
6	02957223	1	Suction Pipe Weldment
7	02208400	1	Elbow
8	02411000	1	Hose Bib
9	02957390	1	Filler Cap Weldment
10	02209600	1	Filler Cap
11	02962963	1	Sight Gauge
12	02963659	1	Magnetic Plug
13	02958079	1	Gasket-Rubber
	02963661	1	Gasket-Cork
14	00749137	4	Nut
15	02961000	1	Filter Assembly
	02961001	1	Filter Element
	02961452	1	O-Ring
16	02961052	1	Gasket, Rubber
	02963662	1	Gasket, Cork
17	02960809	1	Adapter
18	00002700	4	Flatwasher
19	63067100	6	Bolt
20	63121700	6	Nut
21	63121800	6	Lockwasher
22	02026200	1	Hose Clamp
23	02961681	1	Tube, Filter Return
26	00752036	4	Nut
27	12621000	4	Bolt
28	02961255	4	Pushnut
29	02960871	1	Tube Clamp
30	02967127	1	O-Ring
31	02962963	1	Dial Indicator

Feb. 1982  
to  
Current

# COUNTERWEIGHT VERSA DITCHER

S/N VS-39383  
to  
S/N VS-Current

**NOTE:** S/N Change Aug. 1987 S/N's ended with # 47000 and Sep. 1987 started a new series with # 01001



Item	Part No.	Qty	Description
1*	-----	ref	Mount
2*	-----	ref	Oil Reservoir Asy.
3*	-----	1	Counterweight
4	00037100	6	Bolt
5	00003901	6	Lockwasher
6	00000200	6	Nut

\* Varies with tractor make and model.

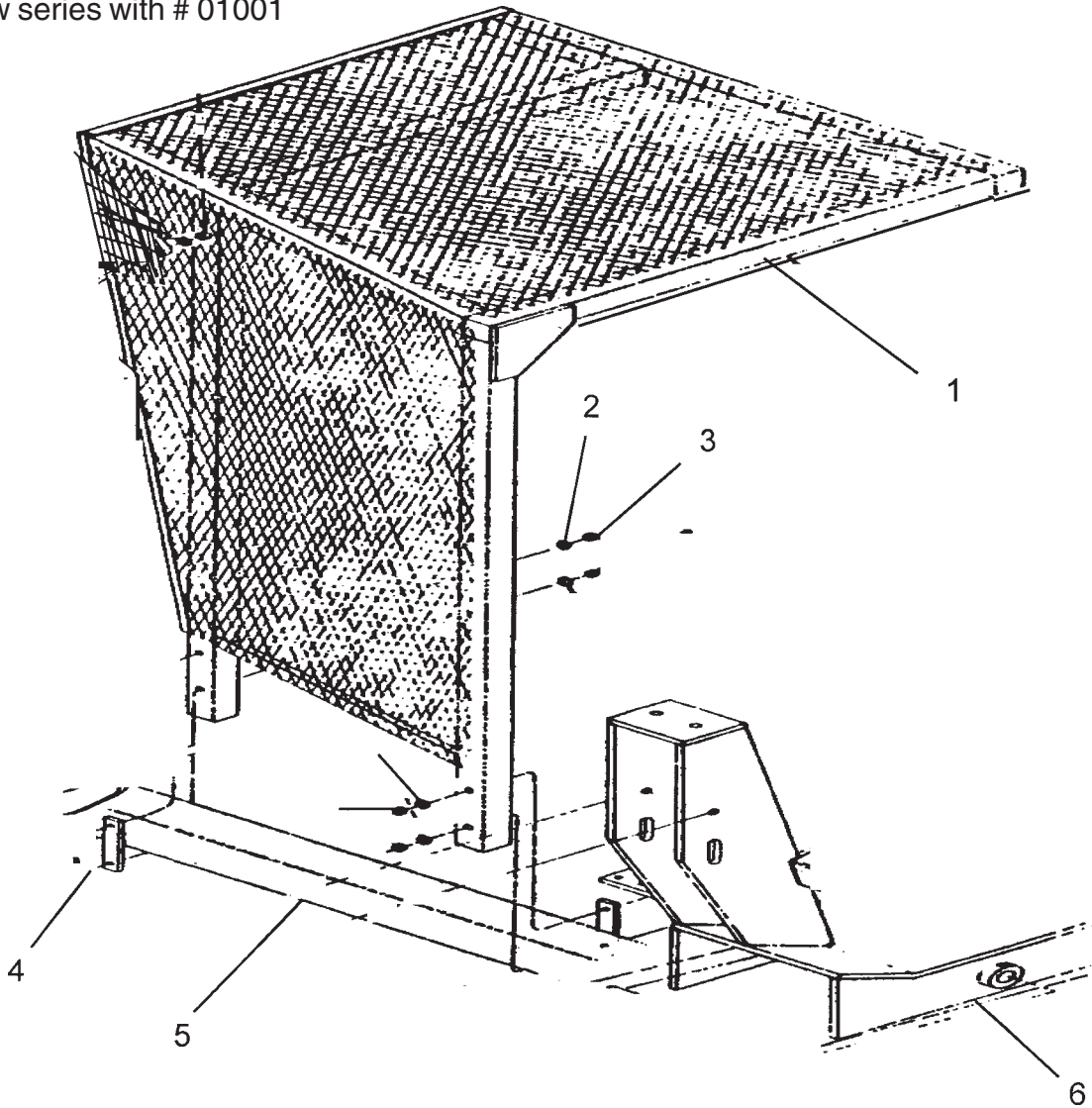
See your mounting instructions for correct part numbers.

Feb. 1982  
to  
Current

# OPERATOR CAGE VERSA DITCHER

S/N VS-39383  
to  
S/N VS-Current

**NOTE:** S/N Change Aug. 1987 S/N's ended with # 47000 and Sep. 1987 started a new series with # 01001



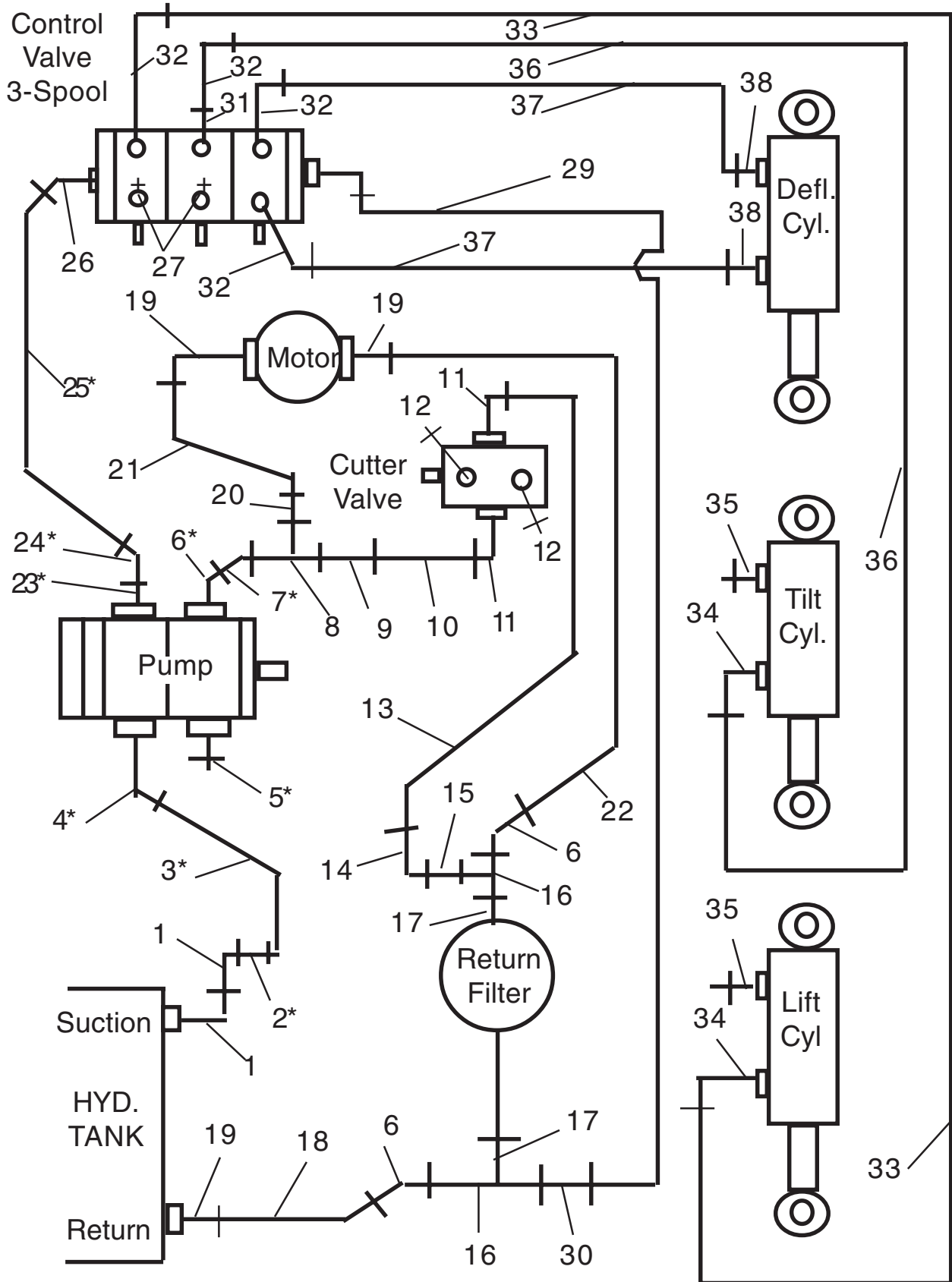
Item	Part No.	Qty	Description
1	02915500	1	Versa Cage Assembly
2	00001300	4	Lockwasher
3	00001200	4	Nut
4	00751582	4	Bolt (Not Shown)
5	-----	ref	Frame Rail
6	-----	ref	Sub frame

NOTE: Modification may be required to mount Cage depending on Tractor, Modification will vary from tractor to Tractor, Cage used only on non-Cab Tractors.

Feb. 1982  
to  
Feb. 1983

# HOSE DIAGRAM VERSA-DITCHER

S/N VS-39383  
to  
S/N VS-40298



Feb. 1982  
to  
Feb. 1983

## HOSE DIAGRAM VERSA-DITCHER

S/N VS-39383  
to  
S/N VS-40298

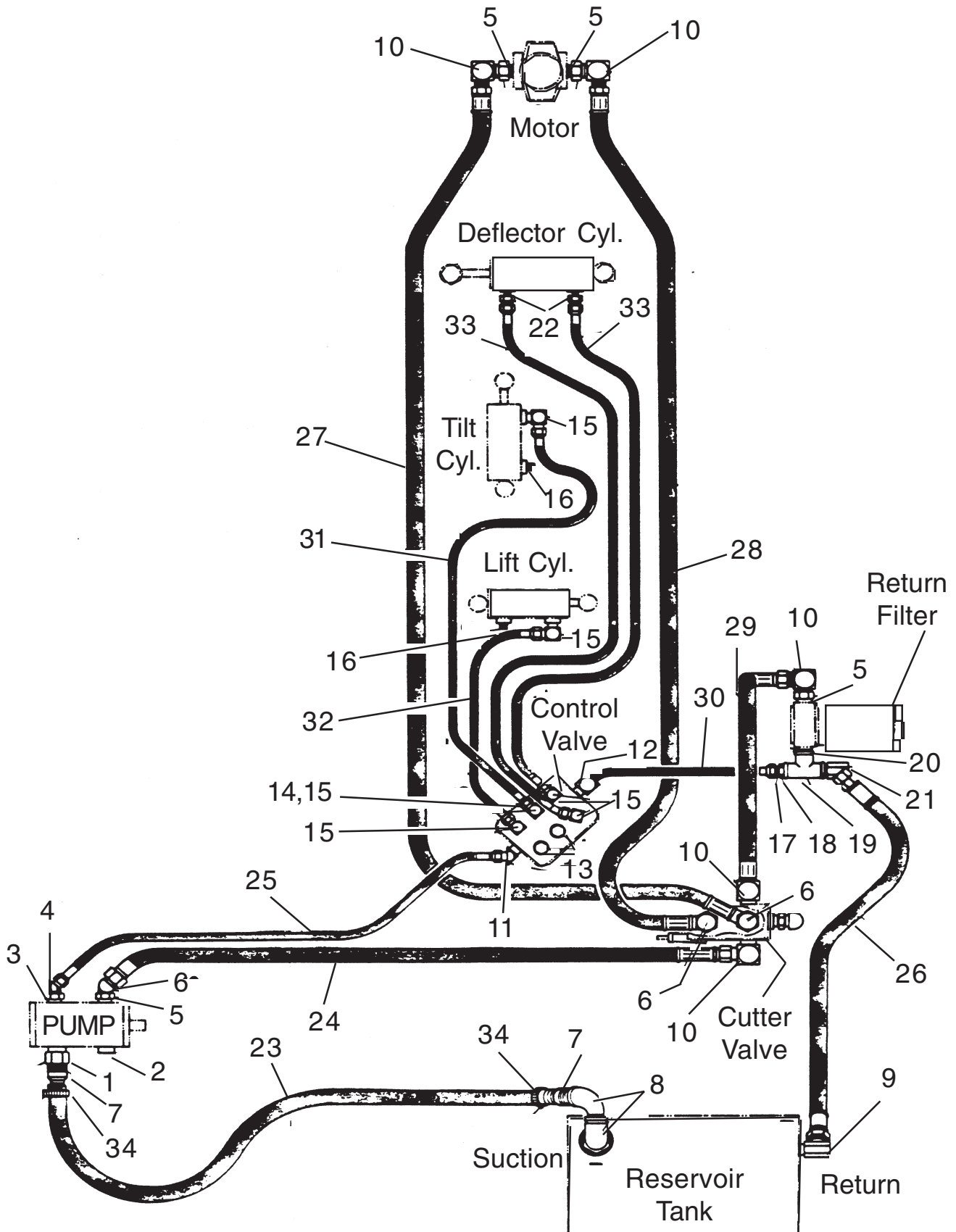
Item	Part No.	Qty	Description
1	02047200	2	Elbow, 90 Deg.
2*	02888400	1	Adapter, Swivel, Straight
3*	02890000	1	Hose, Suction Tank to Pump
4*	02888500	1	Adapter, Swivel, 45 Deg.
5*	75018000	1	Plug
6*	02888700	3	Adapter, Swivel, 45 Deg.
7*	02890100	1	Hose, Pump to Tee (Motor / Cutter Valve)
8	02888800	1	Tee
9	02888900	1	Adapter, Straight
10	02742800	1	Hose, Tee (Pump) to Cutter Valve
11	02042600	2	Elbow, 90 Deg.
12	02016100	2	Plug
13	02890300	1	Hose, Cutter Valve to Return Filter Tee
14	02042600	1	Elbow, 90 Deg.
15	00751471	1	Reducer
16	00751468	2	Tee
17	72414000	2	Close Nipple
18	02890600	1	Hose, Return Filter to Tank
19	02889300	3	Adapter, Swivel, 90 Deg.
20	02889200	1	Adapter, Swivel, Straight
21	02891700	1	Hose, Tee (Pump) to Motor
22	02891600	1	Hose, Motor to Return Filter
23*	63081000	1	Reducer
24*	00750823	1	Elbow, 45 Deg.
25*	02890700	1	Hose, Pump to Control Valve
26	02889500	1	Elbow, 45 Deg.
27	00749508	2	Plug
28	02049100	1	Elbow, 90 Deg.
29	02890800	1	Hose, Control Valve to Return Filter
30	63067300	1	Reducer
31	02811300	1	Check Valve
32	02822100	4	Elbow, 90 Deg.
33	02890900	1	Hose, Control Valve to Lift Cyl. (Rod End)
34	02822100	2	Elbow, 90 Deg.
35	00750208	2	Plug, Breather
36	02839000	1	Hose, Control Valve to Tilt Cyl. (Rod End)
37	02891100	2	Hose, Control Valve to Deflector Cyl (Both Ends)
38	02042500	2	Adapter, Straight

\* These Parts are Standard on Ford 6600 & 6610 & may vary on other Tractors

Mar. 1983  
to  
May 1984

# HOSE DIAGRAM VERSA-DITCHER

S/N VS-40299  
to  
S/N VS-41790



Mar. 1983  
to  
May 1984

## HOSE DIAGRAM VERSA-DITCHER

S/N VS-40299  
to  
S/N VS-41790

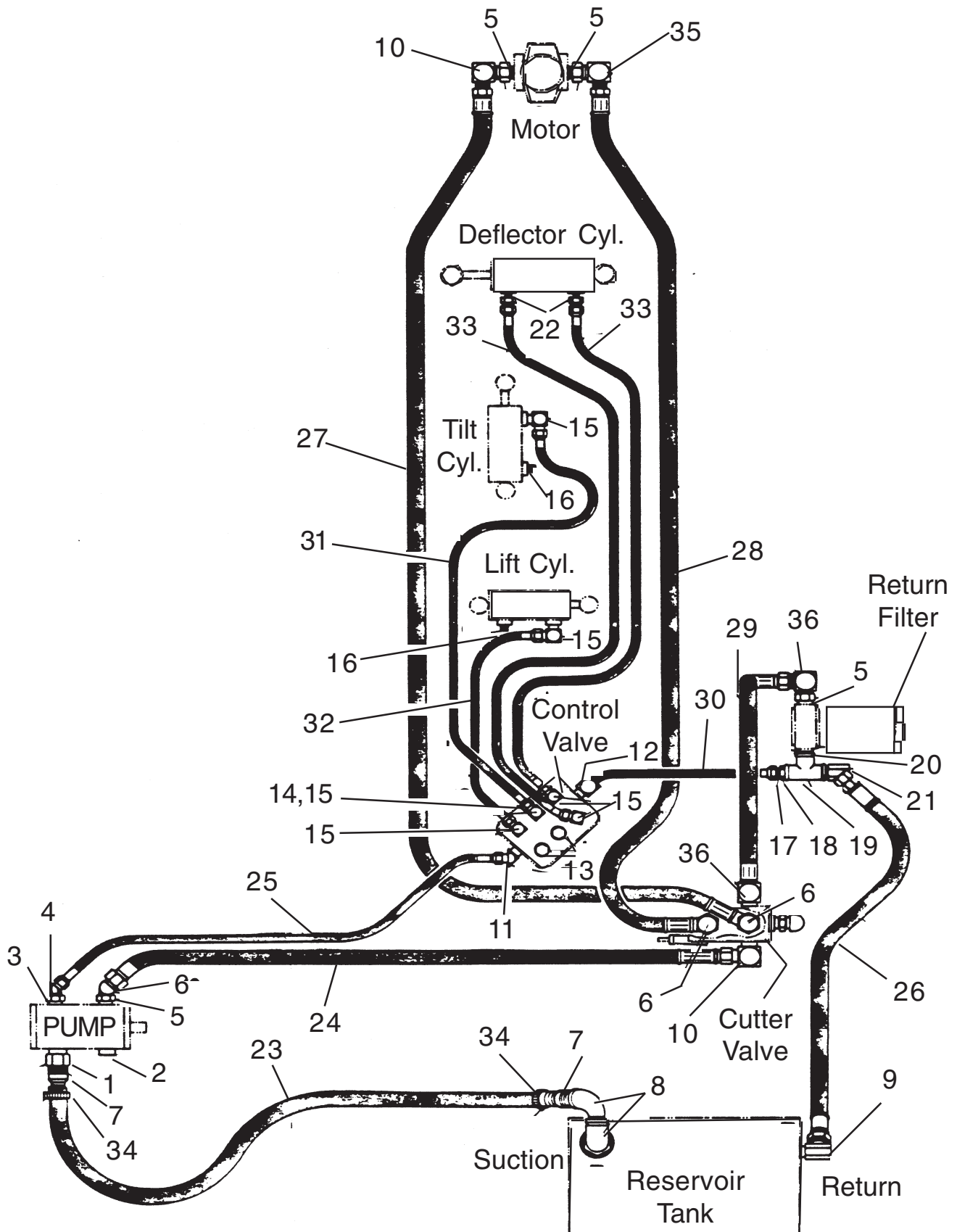
Item	Part No.	Qty	Description
1	02589000	1	Adpter, Straight
2	75018000	1	Plug, Pipe
3	63081000	1	Bushing, Reducer
4	00750823	1	Elbow, 45 Deg.
5	00751471	1	Reducer
6	02889000	1	Adapter, 45 Deg.
7	02411000	2	Hose Bib
8	02047200	2	Elbow, 90
9	02889300	1	Adapter, 90 Deg (Swivel)
10	02042600	5	Elbow, 90 Deg.
11	02889500	1	Adapter, 45 Deg.
12	02049100	1	Elbow, 90 Deg.
13	00749508	2	Plug
14	02811300	1	Check Valve
15	02822100	6	Elbow, 90 Deg
16	00750208	2	Plug, Breather
17	02154700	1	Adapter, Straight
18	63067300	1	Adapter, Straight
19	00751468	1	Tee, Pipe
20	72414000	1	Nipple, Pipe
21	02888700	1	Adapter, 45 Deg.
22	02042500	2	Adapter, Straight
23	02512800	1	Hose, Tank to Pump
24	02948800	1	Hose, Pump to Cutter Valve
25	02890700	1	Hose, Pump to Control Valve
26	02890600	1	Hose, Return Filter to Tank
27	02890900	1	Hose, Cutter Valve to Motor
28	02949700	1	Hose, Motor to Cutter Valve
29	02890300	1	Hose, Cutter Valve to Return Filter
30	02890800	1	Hose, Control Valve to Return Filter
31	02839000	1	Hose, Control Valve to Tilt Cyl.
32	02890900	1	Hose, Control Valve to Lift Cyl.
33	02891100	2	Hose, Control Valve to Deflector Cyl.
34	02026200	2	Clamp, Hose



Jun. 1984  
to  
Apr. 1986

# HOSE DIAGRAM VERSA-DITCHER

S/N VS-41791  
to  
S/N VS-44814



Jun. 1984  
to  
Apr. 1986

## HOSE DIAGRAM VERSA-DITCHER

S/N VS-41791  
to  
S/N VS-44814

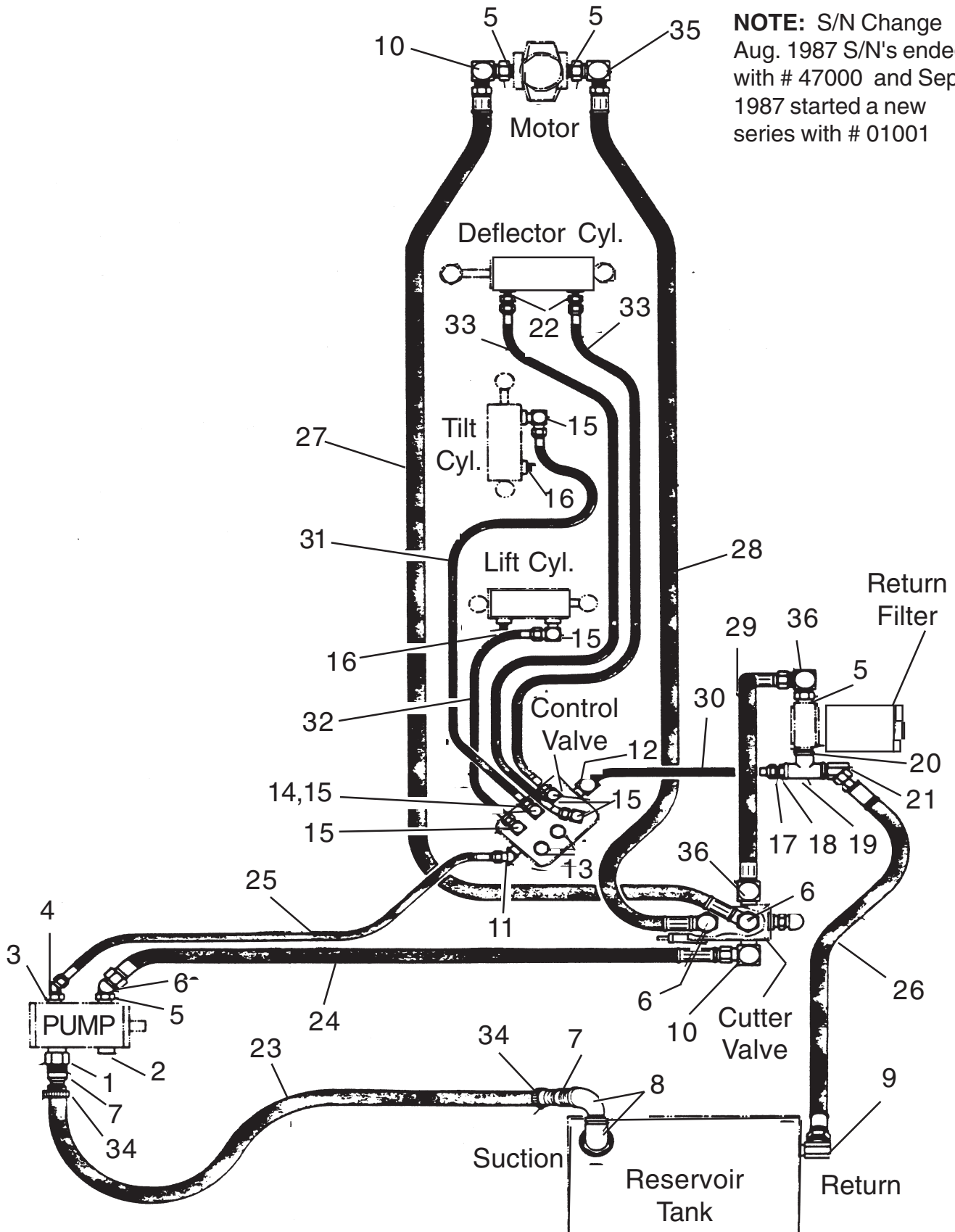
Item	Part No.	Qty	Description
1	02589000	1	Adpter, Straight
2	75018000	1	Plug, Pipe
3	63081000	1	Bushing, Reducer
4	00750823	1	Elbow, 45 Deg.
5	00751471	1	Reducer
6	02889000	1	Adapter, 45 Deg.
7	02411000	2	Hose Bib
8	02047200	2	Elbow, 90
9	02889300	1	Adapter, 90 Deg (Swivel)
10	02042600	2	Elbow, 90 Deg.
11	02889500	1	Adapter, 45 Deg.
12	02049100	1	Elbow, 90 Deg.
13	00749508	2	Plug
14	02811300	1	Check Valve
15	02822100	6	Elbow, 90 Deg
16	00750208	2	Plug, Breather
17	02154700	1	Adapter, Straight
18	63067300	1	Adapter, Straight
19	00751468	1	Tee, Pipe
20	72414000	1	Nipple, Pipe
21	02888700	1	Adapter, 45 Deg.
22	02042500	2	Adapter, Straight
23	02512800	1	Hose, Tank to Pump
24	02948800	1	Hose, Pump to Cutter Valve
25	02890700	1	Hose, Pump to Control Valve
26	02890600	1	Hose, Return Filter to Tank
27	02890900	1	Hose, Cutter Valve to Motor
28	02957259	1	Hose, Motor to Cutter Valve
29	02957258	1	Hose, Cutter Valve to Return Filter
30	02890800	1	Hose, Control Valve to Return Filter
31	02839000	1	Hose, Control Valve to Tilt Cyl.
32	02890900	1	Hose, Control Valve to Lift Cyl.
33	02891100	2	Hose, Control Valve to Deflector Cyl.
34	02026200	2	Clamp, Hose
35	02957228	1	Elbow, 90 Deg.
36	02937300	2	Elbow, 90 Deg.

May. 1986  
to  
Sep. 1987

# HOSE DIAGRAM VERSA-DITCHER

S/N VS-44815  
to  
S/N VS-01007

**NOTE:** S/N Change  
Aug. 1987 S/N's ended  
with # 47000 and Sep.  
1987 started a new  
series with # 01001



May. 1986  
to  
Sep. 1987

## HOSE DIAGRAM VERSA-DITCHER

S/N VS-44815  
to  
S/N VS-01007

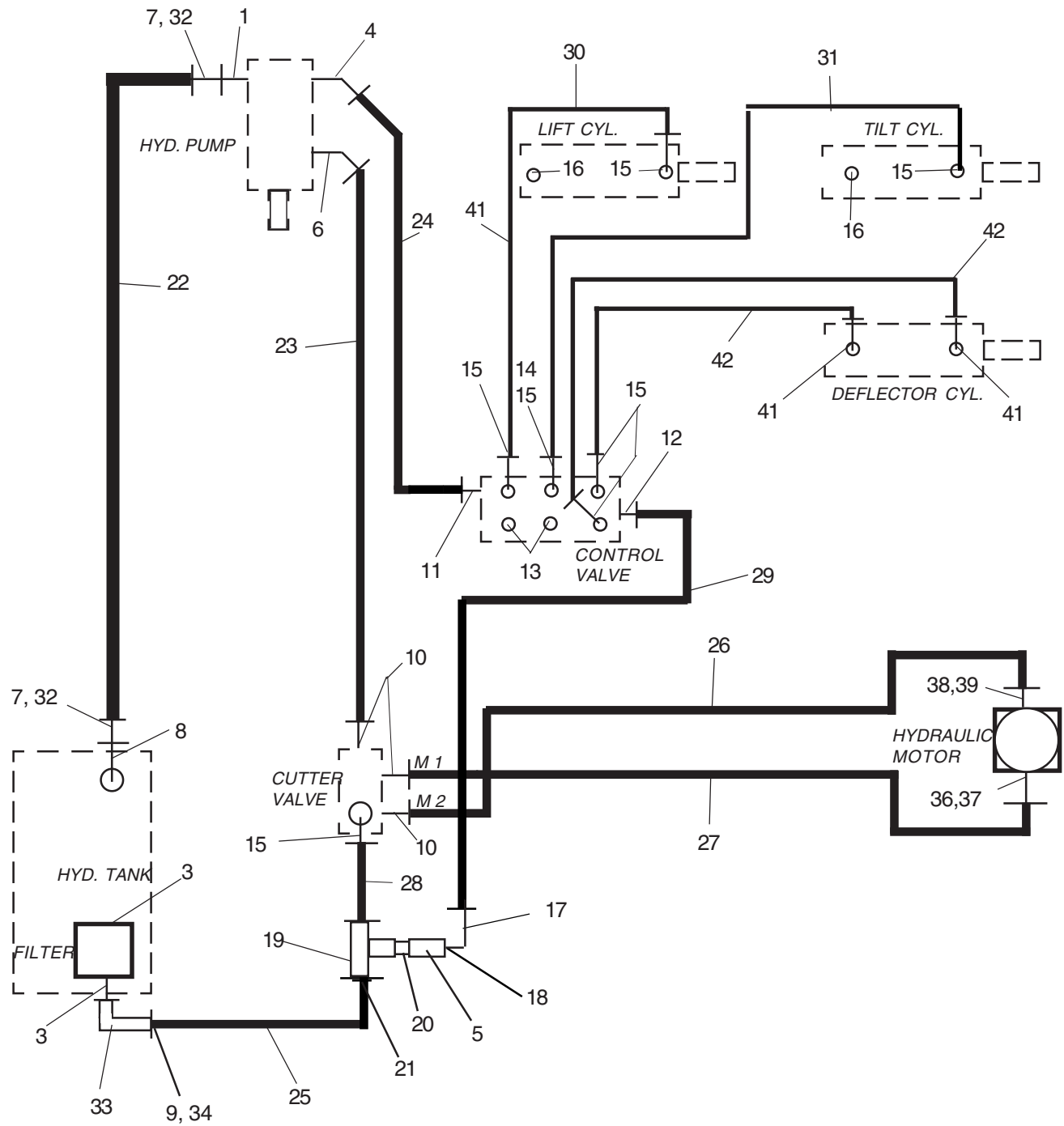
**NOTE:** S/N Change Aug.  
1987 S/N's ended with #  
47000 and Sep. 1987  
started a new series with #  
01001

Item	Part No.	Qty	Description
1	02589000	1	Adpter, Straight
2	75018000	1	Plug, Pipe
3	63081000	1	Bushing, Reducer
4	00750823	1	Elbow, 45 Deg.
5	00751471	1	Reducer
6	02889000	1	Adapter, 45 Deg.
7	02411000	2	Hose Bib
8	02047200	2	Elbow, 90
9	02889300	1	Adapter, 90 Deg (Swivel)
10	02042600	2	Elbow, 90 Deg.
11	02889500	1	Adapter, 45 Deg.
12	02049100	1	Elbow, 90 Deg.
13	00749508	2	Plug
14	02811300	1	Check Valve
15	02822100	6	Elbow, 90 Deg
16	00750208	2	Plug, Breather
17	02154700	1	Adapter, Straight
18	63067300	1	Adapter, Straight
19	00751468	1	Tee, Pipe
20	72414000	1	Nipple, Pipe
21	02888700	1	Adapter, 45 Deg.
22	02042500	2	Adapter, Straight
23	02512800	1	Hose, Tank to Pump
24	02948800	1	Hose, Pump to Cutter Valve
25	02890700	1	Hose, Pump to Control Valve
26	02890600	1	Hose, Return Filter to Tank
27	02957464	1	Hose, Cutter Valve to Motor
28	02957259	1	Hose, Motor to Cutter Valve
29	02957237	1	Hose, Cutter Valve to Return Filter
30	02949500	1	Hose, Control Valve to Return Filter
31	02839000	1	Hose, Control Valve to Tilt Cyl.
32	02890900	1	Hose, Control Valve to Lift Cyl.
33	02891100	2	Hose, Control Valve to Deflector Cyl.
34	02026200	2	Clamp, Hose
35	02957228	1	Elbow, 90 Deg.
36	02937300	2	Elbow, 90 Deg.

Oct.. 1987  
to  
Apr. 1991

# HOSE DIAGRAM VERSA-DITCHER

S/N VS-01008  
to  
S/N VS-02171



Oct.. 1987  
to  
Apr. 1991

## HOSE DIAGRAM VERSA-DITCHER

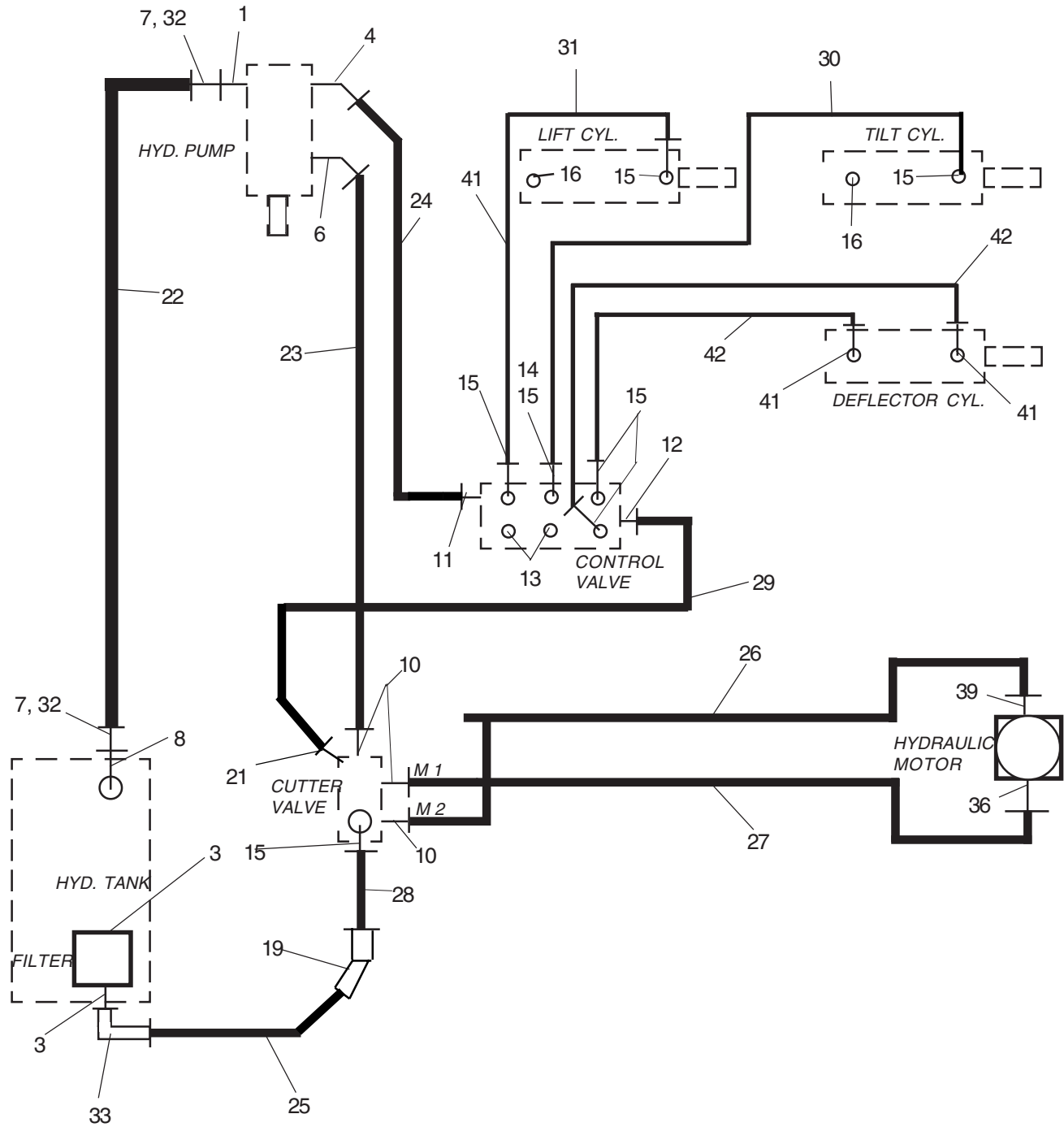
S/N VS-01008  
to  
S/N VS-02171

Item	Part No.	Qty	Description
1	02827700	1	Flange Kit
2	02961000	1	In Tank Filter
	02961001	1	Filter Element
3	02960809	1	Adapter
4	02161400	1	Elbow
5	00751456	1	Coupling
6	02960812	2	Adapter
7	02411000	2	Hose Bib
8	02047200	1	Elbow
9	02961115	1	Elbow
10	02957622	3	Adapter
11	02889500	1	Adapter
12	02049100	1	Elbow
13	00749508	2	Plug
14	02811300	1	Check Plug
15	02822100	4	Elbow
16	00750208	2	Plug, Breather
19	00751468	1	Pipe Tee
20	72414000	1	Pipe Nipple
21	02888700	1	Adapter
22	02512800	1	Hose-Tank to Pump
23	02961094	1	Hose-Pump to Cutter Valve
24	02513000	1	Hose-Pump to Control Valve
25	02209100	1	Hose-Filter Tube to Tee
26	02961356	1	Hose-Cutter Valve to Motor, Return
27	02961099	1	Hose-Motor to Cutter Valve, Pressure
28	02961148	1	Hose-Cutter Valve to Tee
29	02949500	1	Hose-Control Valve to Tee
30	02839000	1	Hose-Control Valve to Lift Cyl.
31	02890900	1	Hose-Control Valve to TitlCyl.
32	02026200	2	Hose Clamp
33	02960953	1	Filter Return Tube
34	02961004	1	Adapter
35	02961003	2	Adapter
36	02961028	1	Elbow
37	00749101	1	Split Flange Kit (? if used)
38	02827700	1	Flange Kit (? if used)
39	02961008	1	Reducer
40	02889300	1	Elbow
41	02042500	2	Adapter, Straight
42	02891100	2	Hose-Control Valve to Deflector Cyl.

May 1991  
to  
Apr. 1994

# HOSE DIAGRAM VERSA-DITCHER

S/N VS-02172  
to  
S/N VS-03220



May 1991  
to  
Apr. 1994

## HOSE DIAGRAM VERSA-DITCHER

S/N VS-02172  
to  
S/N VS-03220

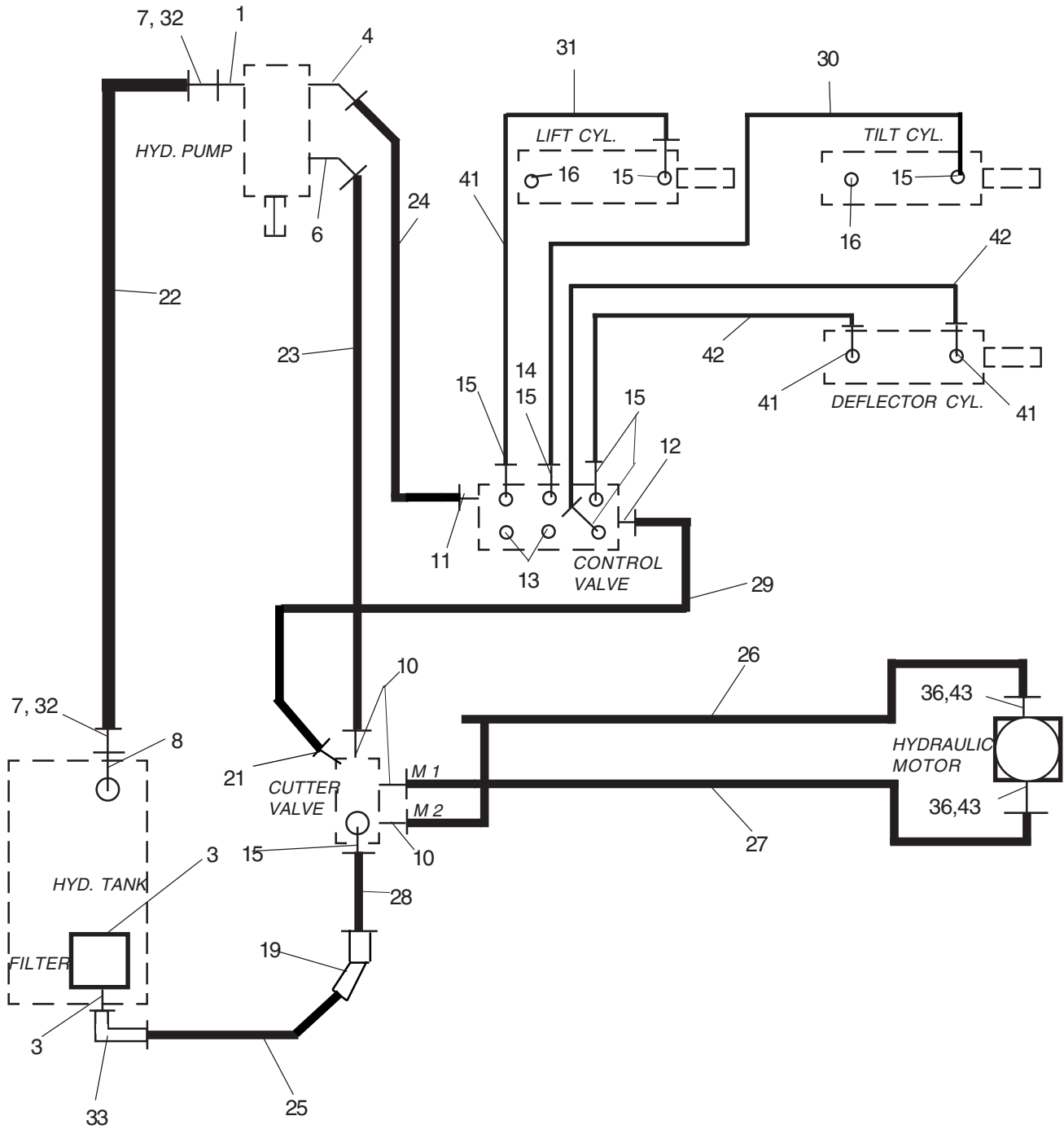
ITEM	PART NO.	QTY	DESCRIPTION
1	02827700	1	Flange Kit
2	02961000	1	In Tank Filter
	02961001	1	Filter Element
3	02960809	1	Adapter
4	02161400	1	Elbow
6	02960812	2	Adapter
7	02411000	2	Hose Bib
8	02047200	1	Elbow
10	02957622	3	Adapter
11	02889500	1	Adapter
12	02049100	1	Elbow
13	00749508	2	Plug
14	02811300	1	Check Plug
15	02822100	4	Elbow
16	00750208	2	Plug, Breather
19	00751468	1	Pipe Tee
21	63042700	1	Adapter
22	02512800	1	Hose-Tank to Pump
23	02961094	1	Hose-Pump to Cutter Valve
24	02513000	1	Hose-Pump to Control Valve
25	02962239	1	Hose-Filter Tube to Tee
26	02961356	1	Hose-Cutter Valve to Motor, Return
27	02961099	1	Hose-Motor to Cutter Valve, Pressure
28	02961148	1	Hose-Cutter Valve to Tee
29	02949500	1	Hose-Control Valve to Tee
30	02839000	1	Hose-Control Valve to Lift Cyl.
31	02823900	1	Hose-Control Valve to Tilt Cyl.
32	02026200	2	Hose Clamp
33	02961681	1	Filter Return Tube
35	02961003	2	Adapter
36	02889300	1	Elbow
39	02958920	1	Elbow
40	02889300	1	Elbow
41	02042500	2	Adapter, Straight
42	02891100	2	Hose-Control Valve to Deflector Cyl.



May 1994  
to  
Feb. 1996

# HOSE DIAGRAM VERSA-DITCHER

S/N VS-03221  
to  
S/N VS-03928



May 1994  
to  
Feb. 1996

## HOSE DIAGRAM VERSA-DITCHER

S/N VS-03221  
to  
S/N VS-03928

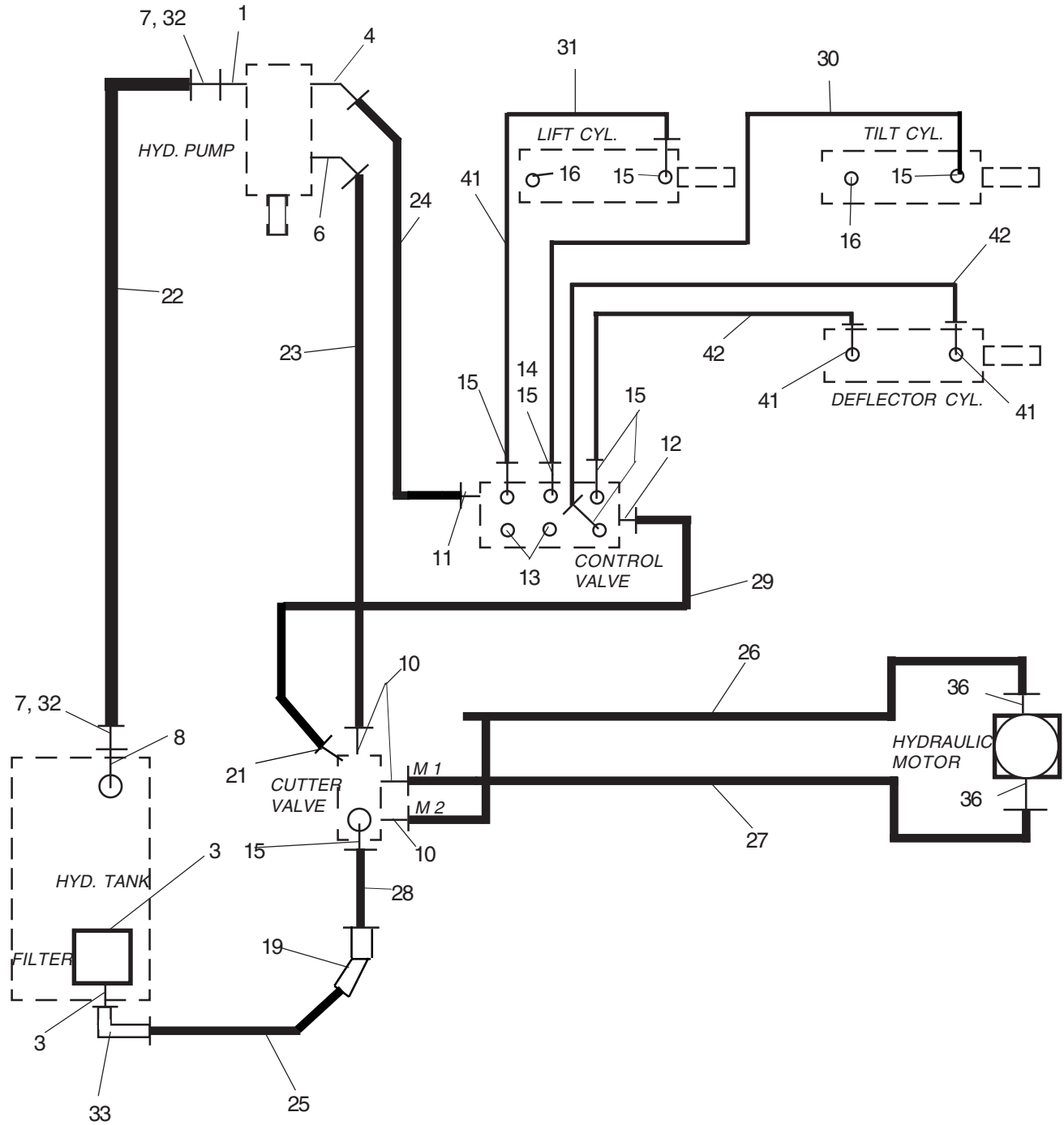
Item	Part No.	Qty	Description
1	02827700	1	Flange Kit
2	02961000	1	In Tank Filter
	02961001	1	Filter Element
3	02960809	1	Adapter
4	02161400	1	Elbow
6	02960812	2	Adapter
7	02411000	2	Hose Bib
8	02047200	1	Elbow
10	02957622	3	Adapter
11	02889500	1	Adapter
12	02049100	1	Elbow
13	00749508	2	Plug
14	02811300	1	Check Plug
15	02822100	4	Elbow
16	00750208	2	Plug, Breather
19	00751468	1	Pipe Tee
21	63042700	1	Adapter
22	02512800	1	Hose-Tank to Pump
23*	-----	1	Hose-Pump to Cutter Valve
24*	-----	1	Hose-Pump to Control Valve
25	02962239	1	Hose-Filter Tube to Tee
26	02961356	1	Hose-Cutter Valve to Motor, Return
27	02961099	1	Hose-Motor to Cutter Valve, Pressure
28	02961148	1	Hose-Cutter Valve to Tee
29	02949500	1	Hose-Control Valve to Tee
30	02839000	1	Hose-Control Valve to Lift Cyl.
31	02823900	1	Hose-Control Valve to Tilt Cyl.
32	02026200	2	Hose Clamp
33	02961681	1	Filter Return Tube
35	02961003	2	Adapter
36	02889300	1	Elbow
40	02889300	1	Elbow
41	02042500	2	Adapter, Straight
42	02891100	2	Hose-Control Valve to Deflector Cyl.
43	00751471	2	Adapter, Straight

\* Varies with Tractor Model, Refer to Installation Drawing for Tractor Model

Mar. 1996  
to  
Nov. 1996

# HOSE DIAGRAM VERSA-DITCHER

S/N VS-03929  
to  
S/N VS-04200



Mar 1996  
to  
Nov. 1996

## HOSE DIAGRAM VERSA-DITCHER

S/N VS-03929  
to  
S/N VS-04200

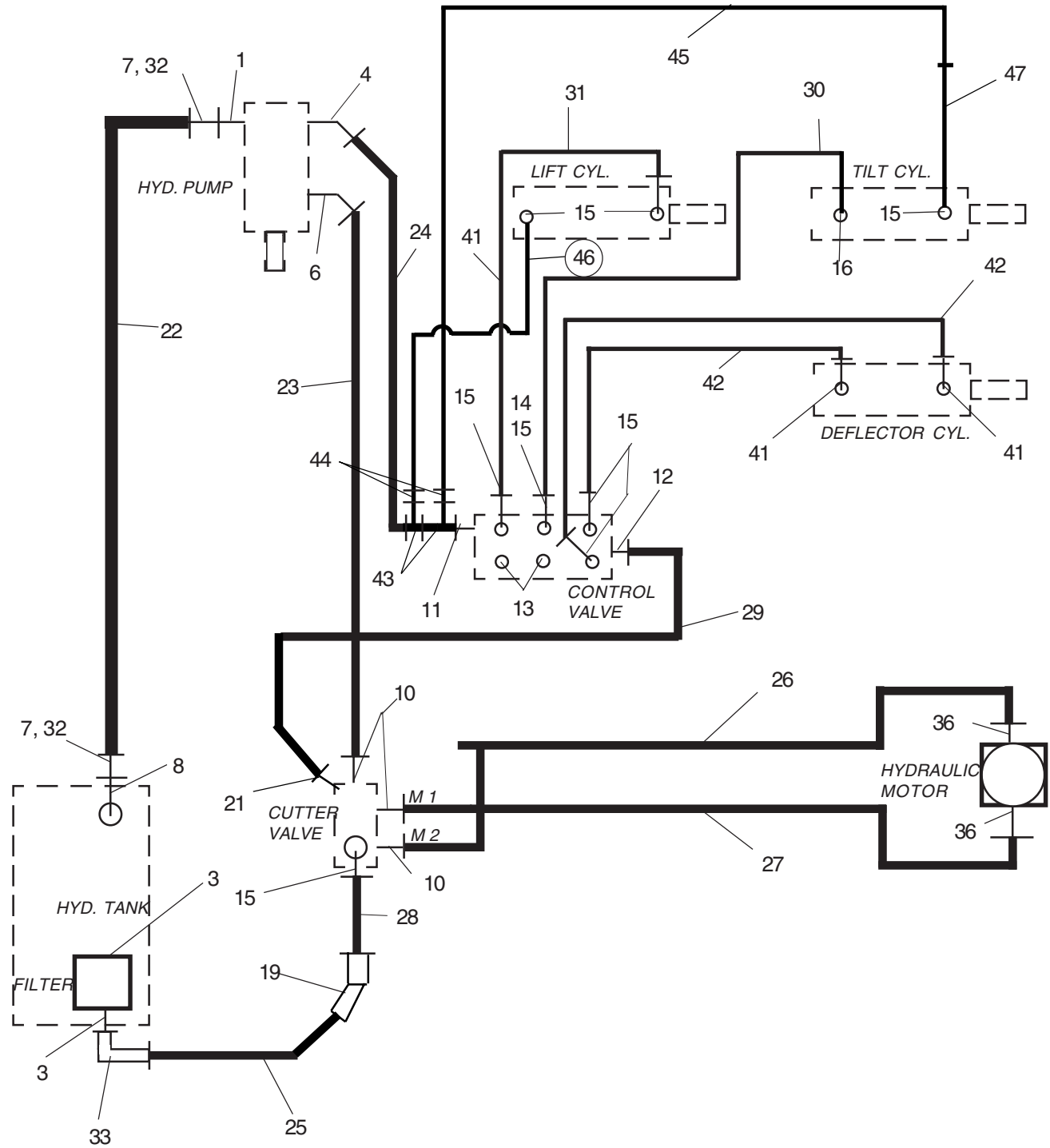
Item	Part No.	Qty	Description
1	02827700	1	Flange Kit
2	02961000	1	In Tank Filter
	02961001	1	Filter Element
3	02960809	1	Adapter
4	02962214	1	Elbow
6	02961825	2	Adapter
7	02411000	2	Hose Bib
8	02047200	1	Elbow
10	02960807	3	Adapter
11	02154700	1	Adapter
12	02049100	1	Elbow
13	00749508	2	Plug
14	02811300	1	Check Plug
15	02960018	4	Elbow
16	02960054	2	Plug, Breather
19	02889700	1	Pipe Tee
21	63042700	1	Adapter
22	02512800	1	Hose-Tank to Pump
23*	-----	1	Hose-Pump to Cutter Valve
24*	-----	1	Hose-Pump to Control Valve
25	02961148	1	Hose-Filter Tube to Tee
26	02961356	1	Hose-Cutter Valve to Motor, Return
27	02961099	1	Hose-Motor to Cutter Valve, Pressure
28	02961148	1	Hose-Cutter Valve to Tee
29	02949500	1	Hose-Control Valve to Tee
30	02839000	1	Hose-Control Valve to Lift Cyl.
31	02823900	1	Hose-Control Valve to Tilt Cyl.
32	02026200	2	Hose Clamp
33	02961681	1	Filter Return Tube
35	02961003	2	Adapter
36	02958920	2	Elbow
41	02042500	2	Adapter, Straight
42	02891100	2	Hose-Control Valve to Deflector Cyl.

\* Varies with Tractor Model, Refer to Installation Drawing for Tractor Model

Dec 1996  
to  
Current

# HOSE DIAGRAM VERSA-DITCHER

S/N VS-04201  
to  
S/NVS-Current



Dec 1996  
to  
Current

## HOSE DIAGRAM VERSA-DITCHER

S/N VS-04201  
to  
S/N VS-Current

Item	Part No.	Qty	Description
1	02827700	1	Flange Kit
2	02961000	1	In Tank Filter
	02961001	1	Filter Element
3	02960809	1	Adapter
4	02962214	1	Elbow
6	02961825	2	Adapter
7	02411000	2	Hose Bib
8	02047200	1	Elbow
10	02960807	3	Adapter
11	02154700	1	Adapter
12	02049100	1	Elbow
13	00749508	2	Plug
14	02811300	1	Check Plug
15	02960018	5	Elbow
16	02962181	1	St. Adapter
19	02889700	1	Pipe Tee
21	63042700	1	Adapter
22	02512800	1	Hose-Tank to Pump
23*	-----	1	Hose-Pump to Cutter Valve
24*	-----	1	Hose-Pump to Control Valve
25	02961148	1	Hose-Filter Tube to Tee
26	02961356	1	Hose-Cutter Valve to Motor, Return
27	02961099	1	Hose-Motor to Cutter Valve, Pressure
28	02961148	1	Hose-Cutter Valve to Tee
29	02949500	1	Hose-Control Valve to Tee
30	001774	1	Hose-Control Valve to Tilt Cyl. (ROPS Units)
	02823900	1	Hose-Control Valve to Tilt Cyl. (Cab Units)
31	02839000	1	Hose-Control Valve to Lift Cyl. (ROPS Units)
	02823600	1	Hose-Control Valve to Lift Cyl. (Cabs Units)
32	02026200	2	Hose Clamp
33	02961681	1	Filter Return Tube
35	02961003	2	Adapter
36	02958920	2	Elbow
41	02042500	2	Straight Adapter
42	02891100	2	Hose-Control Valve to Deflector Cyl.
43	02967150	2	Tee
44	02967151	2	St Adapter
45	032002879	1	Hose (ROPS Units)
	001849	1	Hose (Cab Units)
46	02890900	1	Hose (ROPS Units)
	02965745	1	Hose (Cab Units)
47	02957485	1	Hose with #4 MJ

\* Varies with tractor. Refer to your installation drawing.

Feb. 1982  
to  
Current

# Front Pump Drive Shafts VERSA-DITCHER

S/N VS-39383  
to  
S/N VS-Current

## CASE - IH

Model Series	Shaft #	Coupler#	Pulley Adapter#	Pulley Hub#
1390-- Mounted w/ Rear Pumps ONLY	-----	-----	-----	-----
1394-- Mounted w/ Rear Pumps ONLY	-----	-----	-----	-----
1490-- Mounted w/ Rear Pumps ONLY	-----	-----	-----	-----
1494-- Mounted w/ Rear Pumps ONLY	-----	-----	-----	-----
1594-- Mounted w/ Rear Pumps ONLY	-----	-----	-----	-----
4210-- Utility Bolster (W/O Cab)-----	02962767	02957635	02968116	-----
4210-- Utility Bolster (W/ Cab)-----	02962767	106277	02963995	-----
4210-- Row Crop Bolster-----	02962767	106577	02968116	-----
4220-- Utility Bolster (W/O Cab)-----	02962767	02957635	02968116	-----
4220-- Utility Bolster (W/ Cab)-----	02962767	106277	02963995	-----
4220-- Row Crop Bolster-----	02962767	106577	02968116	-----
4230-- Utility Bolster (W/O Cab)-----	02962767	02957635	02968116	-----
4230-- Utility Bolster (W/ Cab)-----	02962767	106277	02963995	-----
4230-- Row Crop Bolster-----	02962767	106577	02968116	-----
4240-- Utility Bolster (W/O Cab)-----	02962767	02957635	02968116	-----
4240-- Utility Bolster (W/ Cab)-----	02962767	106277	02963995	-----
4240-- Row Crop Bolster-----	02962767	106577	02968116	-----
5120-- --(*used Chain Coupler & Sprockets)-	02963668	*02873800(chain)	02963665	*02960002/02963667
5220-- -----	02960517	02957635	02963665	-----
5230-- -----	02960517	02957635	02963665	-----
5240-- -----	02960517	02957635	02963665	-----
5250-- -----	02960517	02957635	02963665	-----
584-- Row Crop Bolster-----	02958947	02957635	02958391	02702900
584-- Utility Bolster-----	02962767	02957635	02963995	02702900
584-- Manf'd Bolster (*Chain Coupler)----	02958631	*02873800(chain)	02858391	*02960002
585-- Row Crop Bolster-----	02958947	02957635	02958391	02702900
585-- Utility Bolster -----	02962767	02957635	02963995	02702900
585-- Manf'd Bolster (*Chain Coupler)----	02958631	*02873800(chain)	02858391	*02960002
595-- Row Crop Bolster-----	02958947	02957635	02958391	02702900
595-- Utility Bolster-----	02952767	02957635	02963995	02702900
595-- Manf'd Bolster (*Chain Coupler)----	02958631	*02873800(chain)	02858391	*02960002
684-- Row Crop Bolster-----	02953767	02957635	02958391	02702900
684-- Utility Bolster-----	02952767	02957635	02958391	02702900
684-- Manf'd Bolster (*Chain Coupler)----	02958631	*02873800(chain)	02858391	*02960002
685-- Row Crop Bolster-----	02958947	02957635	02958391	02702900
685-- Utility Bolster(all except 1989 Mod)	02952767	02957635	02963995	02702900
685-- Utility Bolster(1989 Mod Only)-----	02952767	02957635	02958391	02702900
685-- Manf'd Bolster (*Chain Coupler)----	02958631	*02873800(chain)	02858391	*02960002
695-- Row Crop Bolster-----	02958947	02957635	02958391	02702900
695-- Utility Bolster-----	02952767	02957635	02958391	02702900
695-- Manf'd Bolster (*Chain Coupler)----	02958631	*02873800(chain)	02858391	*02960002
784-- Row Crop Bolster-----	02958947	02957635	02958391	02702900
784-- Utility Bolster-----	02952767	02957635	02958391	02702900
784-- Manf'd Bolster (*Chain Coupler)----	02958631	*02873800(chain)	02858391	*02960002

Feb. 1982  
to  
Current

## Front Pump Drive Shafts VERSA-DITCHER

S/N VS-39383  
to  
S/N VS-Current

### CASE - IH

Model Series	Shaft #	Coupler#	Pulley Adapter#	Pulley Hub#
785-- Row Crop Bolster-----	02958947	02957635	02958391	02702900
785-- Utility Bolster-----	02952767	02957635	02958391	02702900
785-- Manf'd Bolster (*Chain Coupler)---	02958631	*02873800(chain)	02858391	*02960002
884-- Row Crop Bolster-----	02958947	02957635	02958391	02702900
884-- Utility Bolster-----	02952767	02957635	02958391	02702900
884-- Manf'd Bolster (*Chain Coupler)---	02958631	*02873800(chain)	02858391	*02960002
85 HYD Row Crop Bolster-----	02961376	02957635	02958391	02702900
885-- Row Crop Bolster-----	02951376	02957635	02958391	02702900
885-- Utility Bolster(All except 1989 Mod)	02952767	02957635	02963995	02702900
885-- Utility Bolster (1989 Mod Only)---	02952767	02957635	02958391	02702900
885-- Manf'd Bolster (*Chain Coupler)---	02958631	*02873800(chain)	02858391	*02960002
895-- Row Crop Bolster-----	02958947	02957635	02958391	02702900
895-- Utility Bolster-----	02952767	02957635	02958391	02702900
895-- Manf'd Bolster (*Chain Coupler)---	02958631	*02873800(chain)	02858391	*02960002
990-- Mounted w/ Rear Pumps ONLY	-----	-----	-----	-----
995-- Row Crop Bolster-----	02958947	02957635	02958391	02702900
995-- Utility Bolster-----	02952767	02957635	02958391	02702900
995-- Manf'd Bolster (*Chain Coupler)---	02958631	*02873800(chain)	02858391	*02960002

### Case - IH : BOLSTERS TYPES

- Manufactured.. = Welded Metal Assembly; Completely Fabricated by Welding.
- Row Crop..... = Cast Metal Assembly; with Drive Shaft runs through Axle Pivot Pin.
- Utility..... = Cast Metal Assembly; with Drive Shaft running above Axle Pivot Pin

### FORD / NEW HOLLAND

Model Series	Shaft #	Coupler#	Hub Adapter#	*Shaft & Hub Kit #
F-4600	02702800	02957635	02702900	02961953
F-4610	02702800	02957635	02702900	02961953
F-4630	02702800	02957635	02702900	02961953
F-5030 W/Cab-----	02702800	106577	02702900	-----
F-5030 W/O Cab-----	02702800	02957635	02702900	02961953
F-545	02702800	02957635	02702900	02961953
F-5600	02702800	02957635	02702900	02961953
F-5610 W/O Series II Cab-----	02702800	02957635	02702900	02961953
F-5610 W/ Series II Cab-----	02702800	106557	02702900	-----
F-5610-S	02967252	02957635	02702900	-----
F-5640-S	02965016	02957635	02702900	-----
F-5640-SL	02965016	02957635	02702900	-----
F-5640-SLE	02965016	02957635	02702900	-----



Feb. 1982  
to  
Current

## Front Pump Drive Shafts VERSA-DITCHER

S/N VS-39383  
to  
S/NVS-Current

### FORD / NEW HOLLAND (Continued)

Model Series	Shaft #	Coupler#	Hub Adapter#	*Shaft & Hub Kit #
F-5900	02702800	02957635	02702900	02961953
F-6600	02702800	02957635	02702900	02961953
F-6610	02702800	02957635	02702900	02961953
F-6610-S	02967252	02957635	02702900	-----
F-6640-S	02965016	02956535	02702900	-----
F-6640-SL	02965016	02957635	02702900	-----
F-6640-SLE	02965016	02957635	02702900	-----
F-6710	02964027	02957635	02702900	-----
F-7610	W/O Series II Cab-----	02702800	02957635	02961953
F-7610	W/ Series II Cab-----	02702800	106557	-----
F-7610-S	02967252	02957635	02702900	-----
F-7710	02964027	02957635	02702900	-----
F-7740-S	02955016	02957635	02702900	-----
F-7740-SL	02965016	02957635	02702900	-----
F-7740-SLE	02965016	02957635	02702900	-----
F-7840	02965016	02957635	02702900	-----
F-7840-S	02965016	02957635	02702900	-----
F-7840-SL	02965016	02957635	02702900	-----
F-7840-SLE	02965016	02957635	02702900	-----
F-8160	02965016	02957635	02702900	02964918
F-8210	02960517	02957635	02702900	-----
F-8240	02965016	02957635	02702900	-----
F-8240-S	02965016	02957635	02702900	-----
F-8240-SL	02965016	02957635	02702900	-----
F-8240-SLE	02965016	02957635	02702900	-----
F-8260	02965016	02957635	02702900	02964918
F-8340	02965016	02957635	02702900	-----
F-8340-S	02965016	02957635	02702900	-----
F-8340-SL	02965016	02957635	02702900	-----
F-8340-SLE	02965016	02957635	02702900	-----
F-8360	02965016	02957635	02702900	02964918
F-8560	02965016	02957635	02702900	02964918
TN-55	W/ Cab, 2 & 4 WD-----	107232	02957635	02975110
TN-65	W/ Cab, 2 & 4 WD-----	107232	02957635	02975110
TN-75	W/ Cab, 2 & 4 WD-----	107232	02957635	02975110
TS-90	(* Lock Collar Kit)-----	02973713	02957635	02702900
TS-100	(* Lock Collar Kit)-----	02973713	02957635	02702900
TS-110	(* Lock Collar Kit)-----	02973713	02957635	02702900

#### Ford / New Holland: Shaft & Hub Kit.

\* Shaft & Hub Kit includes Shaft & Hub Only, Coupler IS NOT included in Kit. Hub Adapter (# 02702900)  
Use 4 each of #02965355 Bolt & #00022200 Lockwasher for mounting. Also Set Screw # 03100453. Note:  
On Models listed above part will fit All Types (2WD, 4WD, Cab, ROPS etc.) unless other wise listed.

Feb. 1982  
to  
Current

# Front Pump Drive Shafts VERSA-DITCHER

S/N VS-39383  
to  
S/N VS-Current

## JOHN DEERE

Model Series		Shaft #	Coupler	Sprocket Eng. Side	Sprocket Pump Side	Coupling	D/L Kit Chain
<b>JD-2350</b>	Small Pump	02959954	-----	02959980	02960002	02873800	02961969
<b>JD-2350</b>	Large Pump	02961105	-----	02959980	02960002	02873800	02961971
<b>JD-2355</b>	Small Pump	02959954	-----	02959980	02960002	02873800	02961969
<b>JD-2355</b>	Large Pump	02961105	-----	02959980	02960002	02873800	02961971
<b>JD-2550</b>	Small Pump	02959954	-----	02959980	02960002	02873800	02961969
<b>JD-2550</b>	Large Pump	02961105	-----	02959980	02960002	02873800	02961971
<b>JD-2555</b>	Small Pump	02959954	-----	02959980	02960002	02873800	02961969
<b>JD-2555</b>	Large Pump	02961105	-----	02959980	02960002	02873800	02961971
<b>JD-2640</b>	Rear Pump Only	-----	-----	-----	-----	-----	-----
<b>JD-2750</b>	Small Pump	02959954	-----	02959980	02960002	02873800	02961969
<b>JD-2750</b>	Large Pump	02961105	-----	02959980	02960002	02873800	02961971
<b>JD-2755</b>	Small Pump	02959954	-----	02959980	02960002	02873800	02961969
<b>JD-2755</b>	Large Pump	02961105	-----	02959980	02960002	02873800	02961971
<b>JD-2950</b>	Large Pump	02961831	02961107	02959980	02960002	02873800	02961972
<b>JD-2955</b>	Large Pump	02961831	02961107	02959980	02960002	02873800	02961972
<b>JD-301A</b>	Rear Pump Only	-----	-----	-----	-----	-----	-----
<b>JD-302A</b>	Rear Pump Only	-----	-----	-----	-----	-----	-----
<b>JD-401B</b>	Rear Pump Only	-----	-----	-----	-----	-----	-----
<b>JD-4020</b>	Rear Pump Only	-----	-----	-----	-----	-----	-----
<b>JD-5200</b>	-----	02960876	02957635	02971356=(*Pulley Adapter)	-----	-----	-----
<b>JD-5300</b>	-----	02960876	02957635	02971356=(*Pulley Adapter)	-----	-----	-----
<b>JD-5400</b>	-----	02960876	02957635	02971356=(*Pulley Adapter)	-----	-----	-----
<b>JD-5410</b>	-----	106843	02957635	02973992=(*Pulley Adapter)	-----	-----	-----
<b>JD-5500</b>	-----	02958631	106577	02971356=(*Pulley Adapter)	-----	-----	-----
<b>JD-5510</b>	-----	106843	02957635	02973992=(*Pulley Adapter)	-----	-----	-----
<b>JD-6200</b>	-----(All)-----	02973712A=(*D/L Asy.)	-----	02966110=(*Pulley, Modified)	-----	-----	02966141
<b>JD-6300</b>	-----(All)-----	02973712A=(*D/L Asy.)	-----	02966110 (*Pulley, Modified)	-----	-----	02966141
<b>JD-6400</b>	-----(All)-----	02973712A=(*D/L Asy.)	-----	02966110=(*Pulley, Modified)	-----	-----	02966141
<b>JD-6210</b>	-----(All)-----	02973712A=(*D/L Asy.)	-----	02973992 & 02973891=(*Pulley Adapters)	-----	-----	-----
<b>JD-6310</b>	-----(All)-----	02973712A=(*D/L Asy.)	-----	02973992 & 02973891=(*Pulley Adapters)	-----	-----	-----
<b>JD-6410</b>	-----(All)-----	02973712A=(*D/L Asy.)	-----	02973992 & 02973891=(*Pulley Adapters)	-----	-----	-----
<b>JD-7200</b>	Cab-2&4 WD	02973712A=(*D/L Asy.)	-----	02973992=(*Pulley Adapter)	-----	-----	-----
<b>JD-7210</b>	Rops-2&4 WD	02973712A=(*D/L Asy.)	-----	02966110=(*Pulley, Modified)	-----	-----	02966141
<b>JD-7210</b>	Cab-2&4 WD	02973712A=(*D/L Asy.)	-----	02973992=(*Pulley Adapter)	-----	-----	-----

**Continued next Page**

Note: On JD Models listed above & Next Page parts will fit All Types (2WD, 4WD, Cab, ROPS etc.) unless otherwise listed. Driveline Assembly # 02973712A Replaces Old # 02965790, But parts may Not be interchangeable. ALL Drive Components ARE Not of the Same Style. Pulleys / Pulley Adapters are added or changed completely as required

Feb. 1982  
to  
Current

## Front Pump Drive Shafts VERSA-DITCHER

S/N VS-39383  
to  
S/N VS-Current

### JOHN DEERE (Continued From Previous Page)

Model Series	Shaft #	Coupler	Sprocket Eng. Side	Sprocket Pump Side	Coupling	D/L Kit Chain
<b>JD-7400</b> Cab-2&4 WD	02973712A>(*D/L Asy.)		02973992>(*Pulley Adapter)		-----	-----
<b>JD-7410</b> Rops-2&4 WD	02973712A>(*D/L Asy.)		02966110>(*Pulley, Modified)		-----	02966141
<b>JD-7410</b> Cab-2&4 WD	02973712A>(*D/L Asy.)		02973992>(*Pulley Adapter)		-----	-----
<b>JD-7610</b> Cab-4 WD	02971814=(Shaft)		02972703>(*Rubber Element)		02972779>(*U-Joint Kit)	
<b>JD-7810</b> Cab-4 WD	02971814=(Shaft)		02972703>(*Rubber Element)		02972779>(*U-Joint Kit)	

### MASSEY FERGUSON

Model Series Kit#	Shaft #	Coupler#	Pulley Adapter#	Hub Adapter#	Shaft & Hub
MF-255	-----	02761000*	02636300	-----	-----
MF-265	-----	02761000*	02636300	-----	-----
MF-270	-----	02702800	02957635	02957693	02702900 ****02961953
MF-275	-----	02761000*	02636300	-----	-----
MF-282	-----	02702800	02957635	02957693	02702900 ****02961953
MF-283	-----	02702800	02957635	02957693	02702900 ****02961953
MF-285	-----	02702800	02957635	02957693	02702900 ****02961953
MF-290	-----	02702800	02957635	02957693	02702900 ****02961953
MF-298	-----	02702800**	02957635/106577	02959831	-----
MF-375 w/&w/o Crpr Gear	02962767	106577	02970426	-----	-----
MF-375 Rops, 4 WD	02960876	106577	02960878	-----	-----
MF-375 Cab	02960876***	02957635	02960878	s/n 49188 down	
MF-375 Cab	02962767***	106577	02970426	s/n 49189 up	
MF-383 w/&w/o Crpr Gear	02962767	106577	02970426	-----	-----
MF-383 Rops, 4 WD	02960876	106577	02960878	-----	-----
MF-383 Cab	02960876***	02957635	02960878	s/n 49188 down	
MF-383 Cab	02962767***	106577	02970426	s/n 49189 up	
MF-390 w/&w/o Crpr Gear	02962767	106577	02970426	-----	-----
MF-390 Rops, 4 WD	02960876	106577	02960878	-----	-----
MF-390 Cab	02960876***	02957635	02960878	s/n 49188 down	
MF-390 Cab	02962767***	106577	02970426	s/n 49189 up	
MF-40B	-----	02761000*	-----	-----	-----
MF-4233 Cab, 2/4 WD	106954	02957635	02974786	& Std Hood	
MF-4233 Rops, 2/4 WD	02965016	02957635	02974786	& Std Hood	
MF-4235 Cab, 2/4 WD	106954	02957635	02974786	& Std Hood	
MF-4235 Rops, 2/4 WD	02965016	02957635	02974786	& Std Hood	

**Continued**

#### Next page

\* 02761000 is a Welded Assembly with Coupler Weld on it, Coupler can only be replaced as Shaft is replaced.

\*\* This Used a Modified Hub Part # 02968128 Weldment.

\*\*\* See Tractor Serial Number for Break, NOT Versa Serial Number Break.

\*\*\*\* Includes Shaft & Hub, Some components may not be furnished, Check Component List at time of Order.

Feb. 1982  
to  
Current

## Front Pump Drive Shafts VERSA-DITCHER

S/N VS-39383  
to  
S/N VS-Current

### MASSEY FERGUSON (Continued From Previous Page)

Model Series		Shaft #	Coupler#	Hub Adapter#	Shaft & Hub Kit #
MF-4243	Rops, 2/4 WD, Std Hood	02965016	02957635	02974786	-----
MF-4245	Cab, 2/4 WD, Std Hood	106954	02957635	02974786	-----
MF-4245	Rops, 2/4 WD, Std Hood	02965016	02957635	02974786	-----
MF-4253	Cab, 2/4 WD, Std Hood	106954	02957635	02974786	-----
MF-4253	Rops, 2/4 WD, Std Hood	02965016	02957635	02974786	-----
MF-4255	Cab, 2/4 WD, Std Hood	106954	02957635	02974786	-----
MF-4255	Rops, 2/4 WD, Std Hood	02965016	02957635	02974786	-----
MF-4263	Cab/Rops, 2/4 WD	107496	02957635	108424	-----
MF-4270	Cab/Rops, 2/4 WD	107496	02957635	108424	-----
MF-50C	-----	02761000*	-----	-----	-----

\* 02761000 is a Welded Assembly with Coupler Weld on it, Coupler can only be replaced as Shaft is replaced.

\*\* This Used a Modified Hub Part # 02968128 Weldment.

\*\*\* See Tractor Serial Number for Break, NOT A-Boom Serial Number Break.

\*\*\*\* Includes Shaft & Hub, Some components may not be furnished, Check Component List at time of Order.

### HESSTON

Model		Shaft #	Pulley Adapter#	Hub#	Coupling Chain #	Sprocket Weldment#
666	-----	02959341	02968630	02702900	00751158	02959038 (2)
7066	-----	02959341	02968630	02702900	00751158	02959038 (2)
766	-----	02959341	02968630	02702900	00751158	02959038 (2)
80	-----	02959341	02968630	02702900	00751158	02959038 (2)
8066	-----	02959341	02968630	02702900	00751158	02959038 (2)
90	-----	02959341	02968630	02702900	00751158	02959038 (2)

### KUBOTA

Model Series		Shaft #	Pulley Asy.	Sprocket Eng. Side	Sprocket Pump Side	Coupling Chain	D/L Kit
M6950	Cab 4 WD	02958631	02958833	02959038	02958398	00751158	02958828
M7500	-----	02959136	02959138	-----	-----	02957517	02959135(Chain)
M7950	Cab 4 WD	02958631	02958833	02959038	02958398	00751158	02958828

Feb. 1982  
to  
Current

## S/N PRODUCTION DATES VERSA-DITCHER

S/N VS-39383  
to  
S/N VS-Current

START - END	DATE	START - END	DATE	START - END	DATE
39383 - 39400	Feb. 1982	44406 - 44501	Feb. 1986	01786 - 01792	Feb. 1990
39441 - 39468	Mar. 1982	44502 - 44615	Mar. 1986	01793 - 01842	Mar. 1990
39469 - 39568	Apr. 1982	44616 - 44814	Apr. 1986	01843 - 01870	Apr. 1990
39569 - 39620	May 1982	44815 - 44986	May 1986	01871 - 01922	May 1990
39621 - 39777	Jun. 1982	44987 - 45145	Jun. 1986	01923 - 01955	Jun. 1990
39778 - 39813	Jul. 1982	45146 - 45280	Jul. 1986	01956 - 01987	Jul. 1990
39814 - 39915	Aug. 1982	45281 - 45398	Aug. 1986	01988 - 02007	Aug. 1990
39916 - 39979	Sep. 1982	45399 - 45479	Sep. 1986	02008 - 02037	Sep. 1990
39980 - 40029	Oct. 1982	45480 - 45569	Oct. 1986	02038 - 02049	Oct. 1990
40030 - 40066	Nov. 1982	45570 - 45630	Nov. 1986	02050 - 02057	Nov. 1990
40067 - 40120	Dec. 1982	45631 - 45685	Dec. 1986	02058 - 02070	Dec. 1990
40121 - 40185	Jan. 1983	45686 - 45788	Jan. 1987	02071 - 02087	Jan. 1991
40186 - 40298	Feb. 1983	45789 - 45823	Feb. 1987	02088 - 02097	Feb. 1991
40299 - 40384	Mar. 1983	45824 - 45985	Mar. 1987	02098 - 02111	Mar. 1991
40385 - 40474	Apr. 1983	45986 - 46030	Apr. 1987	02112 - 02171	Apr. 1991
40475 - 40591	May 1983	46031 - 46045	May 1987	02172 - 02214	May 1991
40592 - 40671	Jun. 1983	46046 - 46319	Jun. 1987	02215 - 02244	Jun. 1991
40672 - 40753	Jul. 1983	46320 - 46565	Jul. 1987	02245 - 02263	Jul. 1991
40754 - 40855	Aug. 1983	46566 - 47000	Aug. 1987	02264 - 02273	Aug. 1991
40856 - 40906	Sep. 1983	01000 - 01007	Sep. 1987	02274 - 02283	Sep. 1991
40907 - 40965	Oct. 1983	01008 - 01034	Oct. 1987	02284 - 02301	Oct. 1991
40966 - 41003	Nov. 1983	01035 - 01059	Nov. 1987	02302 - 02308	Nov. 1991
41004 - 41103	Dec. 1983	01060 - 01066	Dec. 1987	02309 - 02309*	Dec. 1991
41104 - 41141	Jan. 1984	01067 - 01099	Jan. 1988	02310 - 02329	Jan. 1992
41142 - 41238	Feb. 1984	01100 - 01116	Feb. 1988	02330 - 02352	Feb. 1992
41239 - 41465	Mar. 1984	01117 - 01154	Mar. 1988	02353 - 02381	Mar. 1992
41466 - 41623	Apr. 1984	01155 - 01191	Apr. 1988	02382 - 02395	Apr. 1992
41624 - 41790	May 1984	01192 - 01244	May 1988	02396 - 02411	May 1992
41791 - 41900	Jun. 1984	01245 - 01268	Jun. 1988	02412 - 02440	Jun. 1992
41901 - 42249	Jul. 1984	01269 - 01296	Jul. 1988	02441 - 02490	Jul. 1992
42250 - 42350	Aug. 1984	01297 - 01345	Aug. 1988	02491 - 02520	Aug. 1992
42351 - 42468	Sep. 1984	01346 - 01391	Sep. 1988	02521 - 02550	Sep. 1992
42469 - 42530	Oct. 1984	01392 - 01412	Oct. 1988	02551 - 02557	Oct. 1992
42581 - 42605	Nov. 1984	01413 - 01434	Nov. 1988	02557 - 02557*	Nov. 1992
42606 - 42658	Dec. 1984	01435 - 01455	Dec. 1988	02558 - 02671	Dec. 1992
42659 - 42831	Jan. 1985	01456 - 01484	Jan. 1989	02672 - 02687	Jan. 1993
42832 - 42839	Feb. 1985	01485 - 01525	Feb. 1989	02688 - 02738	Feb. 1993
42840 - 42859	Mar. 1985	01526 - 01547	Mar. 1989	02739 - 02771	Mar. 1993
42860 - 42923	Apr. 1985	01548 - 01572	Apr. 1989	02772 - 02810	Apr. 1993
42924 - 42990	May 1985	01573 - 01602	May 1989	02811 - 02863	May 1993
42991 - 43000	Jun. 1985	01603 - 01642	Jun. 1989	02864 - 02896	Jun. 1993
43001 - 43389	Jul. 1985	01643 - 01668	Jul. 1989	02897 - 02955	Jul. 1993
43390 - 43475	Aug. 1985	01669 - 01684	Aug. 1989	02956 - 02995	Aug. 1993
43476 - 43503	Sep. 1985	01685 - 01691	Sep. 1989	02996 - 03028	Sep. 1993
43504 - 43708	Oct. 1985	01692 - 01694	Oct. 1989	03029 - 03047	Oct. 1993
43709 - 44065	Nov. 1985	01695 - 01760	Nov. 1989	03048 - 03052	Nov. 1993
44066 - 44280	Dec. 1985	01761 - 01777	Dec. 1989	03053 - 03109	Dec. 1993
44281 - 44405	Jan. 1986	01778 - 01785	Jan. 1990	03110 - 03113	Jan. 1994

NOTE: Dates above are to determine approximate ship dates and serial number assignment dates

\* Some months there may not have been production or shipment of these Models

Feb. 1982  
to  
Current

## S/N PRODUCTION DATES VERSA-DITCHER

S/N VS-39383  
to  
S/NVS-Current

START - END	DATE	START - END	DATE
03114 - 03133	Feb. 1994	04573 - 04573*	Feb. 1998
03134 - 03178	Mar. 1994	04574 - 04581	Mar. 1998
03179 - 03220	Apr. 1994	04582 - 04592	Apr. 1998
03221 - 03256	May 1994	04593 - 04596	May 1998
03257 - 03375	Jun. 1994	04597 - 04601	Jun. 1998
03376 - 03416	Jul. 1994	04602 - 04602*	Jul. 1998
03417 - 03417*	Aug. 1994	04603 - 04619	Aug. 1998
03418 - 03443	Sep. 1994	04620 - 04624	Sep. 1998
03444 - 03462	Oct. 1994	04625 - 04633	Oct. 1998
03463 - 03474	Nov. 1994	04634 - 04642	Nov. 1998
03475 - 03481	Dec. 1994	04643 - 04643*	Dec. 1998
03482 - 03498	Jan. 1995	04643 - 04643	Jan. 1999
03499 - 03537	Feb. 1995	04644 - 04684	Feb. 1999
03538 - 03576	Mar. 1995	04685 - 04693	Mar. 1999
03577 - 03590	Apr. 1995	04694 - 04706	Apr. 1999
03591 - 03619	May 1995	04707 - 04715	May 1999
03620 - 03748	Jun. 1995	04716 - 04727	Jun. 1999
03749 - 03756	Jul. 1995	04728 - 04728*	Jul. 1999
03757 - 03757*	Aug. 1995	04729 - 04738	Aug. 1999
03757 - 03757*	Sep. 1995	04739 - 04747	Sep. 1999
03758 - 03817	Oct. 1995	04748 - 04757	Oct. 1999
03817 - 03817*	Nov. 1995	04758 - 04758*	Nov. 1999
03818 - 03861	Dec. 1995	04759 - 04766	Dec. 1999
03862 - 03886	Jan. 1996	04767 - 04789	Jan. 2000
03887 - 03928	Feb. 1996	04790 - 04792	Feb. 2000
03928 - 03928*	Mar. 1996	04793 - 04793*	Mar. 2000
03929 - 04022	Apr. 1996	04793 - 04793*	Apr. 2000
04023 - 04031	May 1996	04794 - 04794*	May 2000
04032 - 04102	Jun. 1996	04795 - 04798	Jun. 2000
04103 - 04107	Jul. 1996	04799 - 04802	Jul. 2000
04108 - 04123	Aug. 1996	04803 - 04803*	Aug. 2000
04124 - 04166	Sep. 1996	04804 - 04808	Sep. 2000
04167 - 04192	Oct. 1996	04809 - 04812	Oct. 2000
04193 - 04200	Nov. 1996	04813 - 04822	Nov. 2000
04201 - 04231	Dec. 1996	04823 - 04838	Dec. 2000
04232 - 04297	Jan. 1997	04839 - 04847	Jan. 2001
04298 - 04326	Feb. 1997	04848 - 04856	Feb. 2001
04327 - 04429	Mar. 1997	04857 - 04861	Mar. 2001
04430 - 04444	Apr. 1997	04862 - 04862*	Apr. 2001
04445 - 04457	May 1997	04863 - 04890	May 2001
04458 - 04468	Jun. 1997	04891 - 04900	Jun. 2001
04469 - 04483	Jul. 1997	04901 - 04919	Jul. 2001
04484 - 04498	Aug. 1997	04920 - 04932	Aug. 2001
04499 - 04512	Sep. 1997	04933 - 04952	Sep. 2001
04513 - 04518	Oct. 1997	04953 - -----	Oct. 2001
04519 - 04520	Nov. 1997		
04521 - 04521	Dec. 1997		
04522 - 04572	Jan. 1998		

**NOTE:** Caution, DO NOT Confuse Versa Ditcher with Ditcher Head Option for Versa-Boom, Many parts are interchangeable but S/N's may not be the same, Check which you have and see Versa-Boom For S/N's for the Versa Boom Ditcher Head Option.

NOTE: Dates above are to determine approximate ship dates and serial number assignment dates  
\* Some months there may not have been production or shipment of these Models

# NOTES

