



STINGRAY ST15/ST10

Rotary Cutter

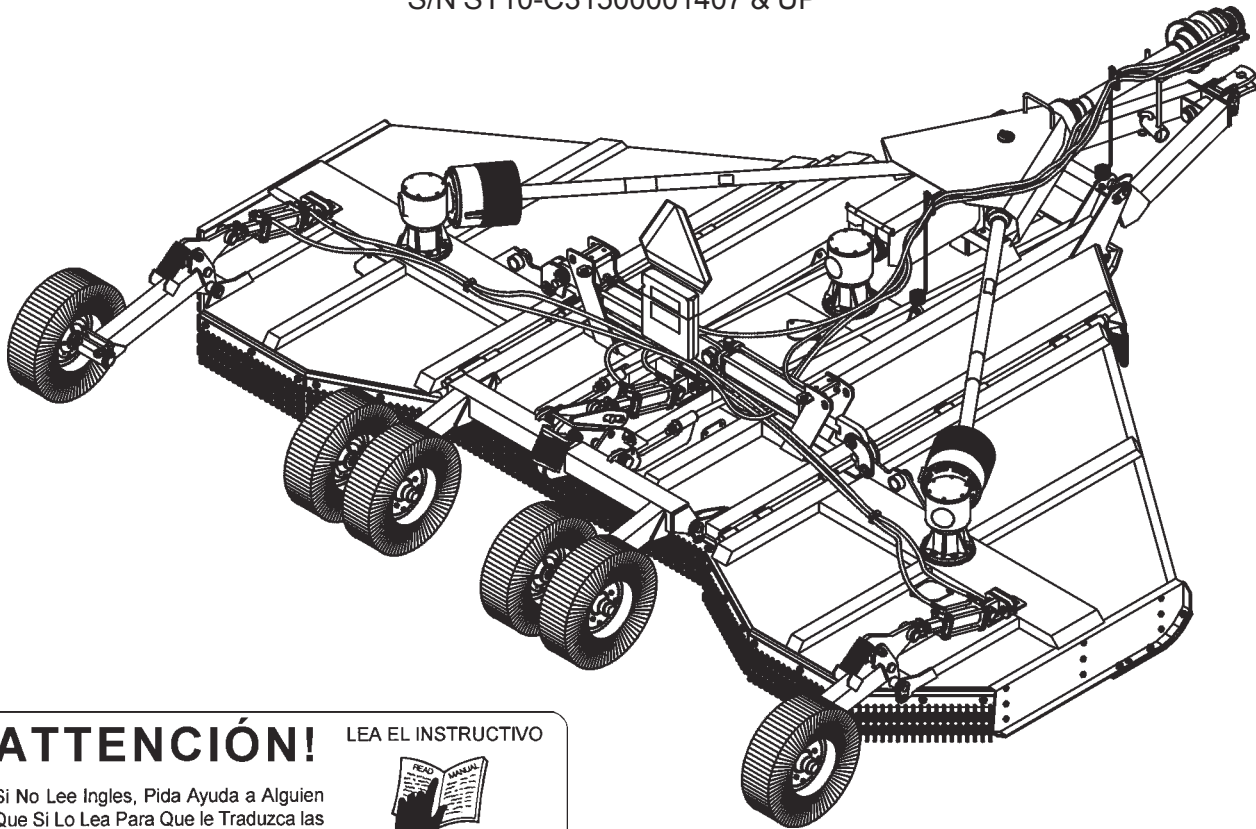
Rev 03-13

P/N 02978992P

PARTS MANUAL

S/N ST15-C31400001406 & UP

S/N ST10-C31500001407 & UP



ATENCIÓN! LEA EL INSTRUCTIVO

Si No Lee Ingles, Pida Ayuda a Alguien
Que Si Lo Lea Para Que le Traduzca las
Medidas de Seguridad.



An Operator's Manual was shipped with the equipment in the Manual Canister. This Operator's Manual is an integral part of the safe operation of this machine and must be maintained with the unit at all times. **READ, UNDERSTAND, and FOLLOW** the Safety and Operation Instructions contained in this manual before operating the equipment. If the Operator's Manual is not with the equipment, contact your dealer/Alamo Industrial (830-379-1480) to obtain a Free copy before operating the equipment.

ALAMO INDUSTRIAL

1502 E. Walnut
Seguin, Texas 78155
830-372-9595



BUILT SHARPER
An Alamo Group Company

© 2013 Alamo Group Inc.

TO THE OWNER/OPERATOR/DEALER

All implements with moving parts are potentially hazardous. There is no substitute for a cautious, safe-minded operator who recognizes the potential hazards and follows reasonable safety practices. The manufacturer has designed this implement to be used with all its safety equipment properly attached to minimize the chance of accidents.

BEFORE YOU START!! Read the safety messages on the implement and shown in your manual.
Observe the rules of safety and common sense!



DANGER

FAILING TO FOLLOW SAFETY MESSAGES AND OPERATING INSTRUCTIONS CAN CAUSE SERIOUS BODILY INJURY OR EVEN DEATH TO OPERATOR AND OTHERS IN THE AREA.

<p>1.</p>	<p>2. NO RIDERS, NO CHILDREN OPERATORS</p>	<p>3. USE SAFETY SHOES, HARD HAT, SAFETY GLASSES, SEAT BELTS, & ROPS</p>	<p>4. BLOCK UP SECURELY BEFORE WORKING UNDER.</p>
-----------	--	--	---

1. Study and understand Operator's Manuals, Safety Signs, and Instructional Decals for tractor & flail mower to prevent misuse, abuse, & accidents. Practice before operating mower in a confined area or near passersby.

- Learn how to stop engine suddenly in an emergency. Be alert for passersby and especially children.
2. Allow no children on or near implement or tractor. Allow no riders on tractor or implement. Falling off can cause serious injury or death from being runover by tractor or mower or contact with Flail Mower Blades.
3. Operate only with tractor having Roll-Over Protective Structure (ROPS) and with seatbelt fastened securely and snugly to prevent injury and possible death from falling off or tractor overturn. Personal Protective Equipment such as Hard Hat, Safety Glasses, Safety Shoes, and Ear Plugs are recommended.
4. Block up or support raised machine and all lifted components securely before putting hands or feet under or working underneath any lifted component to prevent crushing injury or death from sudden dropping or inadvertent operation of controls. Make certain that area is clear before lowering or folding.
5. Before transporting, put Lift Lever in detent or full-lift position. Install Transport Safety Devices securely on folding implements. Slow down when turning and on hillsides.
- Install **Restrictor in folding circuit to slow down lowering and unfolding if action is faster than is desirable.
6. Make certain that SMV sign, Warning Lights, and Reflectors are clearly visible. Follow local traffic codes.
7. Never operate with Flail Mower or Folding Section raised if passersby, bystanders or traffic are in the area to reduce possibility of injury or death from objects thrown by Blades under Shields or implement structure.
8. Before dismounting, secure flail mower in transport position or lower to ground.
- Put tractor in park or set brake, disengage PTO, stop engine, remove key, and wait until noise of rotation has ceased to prevent entanglement in rotating parts which may cause injury or death.
 - Never mount or dismount a moving vehicle. Crushing from runover may cause injury or death.

<p>5. TRANSPORT SAFELY, LOCK UP.</p>	<p>6. USE SMV, LIGHTS, & REFLECTORS.</p>	<p>7. DO NOT OPERATE WITH MOWER OR WING RAISED.</p>	<p>8. DO NOT MOUNT OR DISMOUNT WHILE MOVING.</p>
--------------------------------------	--	---	--

WARRANTY INFORMATION

002369

Read and understand the complete Warranty Statement found in this Manual. Fill out the Warranty Registration Form in full and return it within 30 Days. Make certain the Serial Number of the Machine is recorded on the Warranty Card and on the Warranty Form that you retain. The use of "will-fit" parts will void your warranty and can cause catastrophic failure with possible injury or death.

PARTS SECTION

PARTS ORDERING GUIDE

The following instructions are offered to help eliminate needless delay and error in processing purchase orders for the equipment in this section.

1. The Parts Section is prepared in logical sequence and grouping of parts that belong to the basic machine featured in this manual. Part Numbers and Descriptions are given to help locate the parts and quantities required.
2. The Purchase Order must include the name and address of the person or organization ordering the parts, who should be charged, and if possible, the serial number of the machine for which the parts are ordered.
3. The Purchase Order must clearly list the quantity of each part, the complete and correct part number (be sure to include all periods), and the basic name of the part.
4. The Manufacturer reserves the right to substitute parts where applicable.
5. Some parts are unlisted items which are special production items not normally stocked and are subject to special handling. Request a quotation for such parts before sending a Purchase Order.
6. The Manufacturer reserves the right to change prices without prior notice.

NOTE: Please refer to The Safety Section in the front of this Manual for the proper Part Number when ordering Replacement Safety Decals.



For maximum safety and to guarantee optimum product reliability, always use genuine Servis-Rhino Parts. The use of inferior replacement parts may cause premature or catastrophic failure which could result in serious injury or death. Direct any questions regarding parts to:



ALAMO INDUSTRIAL

1502 E. Walnut
Seguin, Texas 78155
830-379-1480

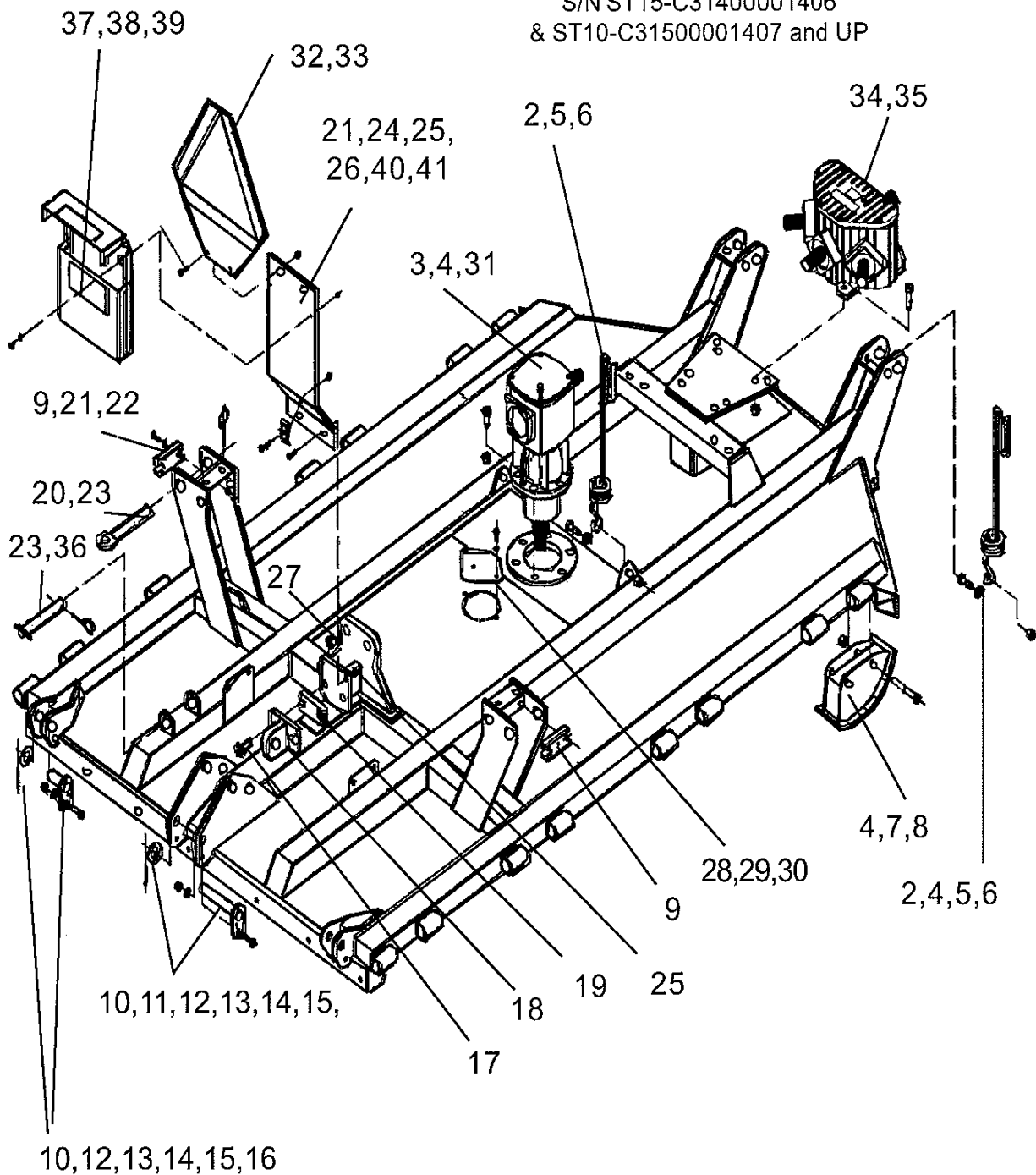


PART NAME INDEX

BLADE CARRIER ASY, CENTER, L-WING & R-WING	36
CLUTCH ASY, CAT IV (SIZE 6) P/N 02981613	23
CLUTCH ASY, CAT IV (SIZE 6) P/N 02981625	22
DECK COMPONENT ASY, CENTER SECTION	4
DECK COMPONENT ASY, LEFT WING	8
DECK COMPONENT ASY, RIGHT WING	6
DRIVELINE SHIELDS.....	24
DRIVELINE, INTERMEDIATE - 540 & 1000 RPM CAT IV (SIZE 6)	19
DRIVELINE, PTO CAT IV, 1000 RPM C/V P/N 02981676.....	17
DRIVELINE, PTO CAT V, 540 RPM C/V (SIZE 8) P/N 02981675	15
DRIVELINE, WING, CAT IV, 540 OR 1000 RPM (SIZE 6) P/N 02981677	20
GEARBOX ASY, CENTER 1000 RPM P/N 02981538	30
GEARBOX ASY, CENTER 540 RPM P/N 02981537	28
GEARBOX ASY, DIVIDER 540 & 1000 RPM	26
GEARBOX ASY, WING LH 540 OR 1000 RPM P/N 02981542.....	34
GEARBOX ASY, WING RH 540 OR 1000 RPM P/N 02981541	32
HYD. SCHEMATIC, AXLE LIFT	41
HYD. CYLINDER ASY, WING LIFT P/N 02980472.....	40
HYD. CYLINDER, AXLE LIFT	43
HYD. SCHEMATIC, WING LIFT.....	39
OFF SET SKIRT ASY, ST10 (10').....	12
TONGUE & CENTER AXLE COMPONENTS, (STD)	10
TOW SAFETY CHAIN ASY	47
TRANSPORT LIGHT KIT	48
VALVE KIT, 2 SPL & 3 SPL.....	45
WHEEL, TIRES & HUB ASY.....	37
WINCH & STAND KIT P/N 02978897	14

DECK COMPONENT ASY, CENTER SECTION

Aug. 2004
S/N ST15-C31400001406
& ST10-C31500001407 and UP



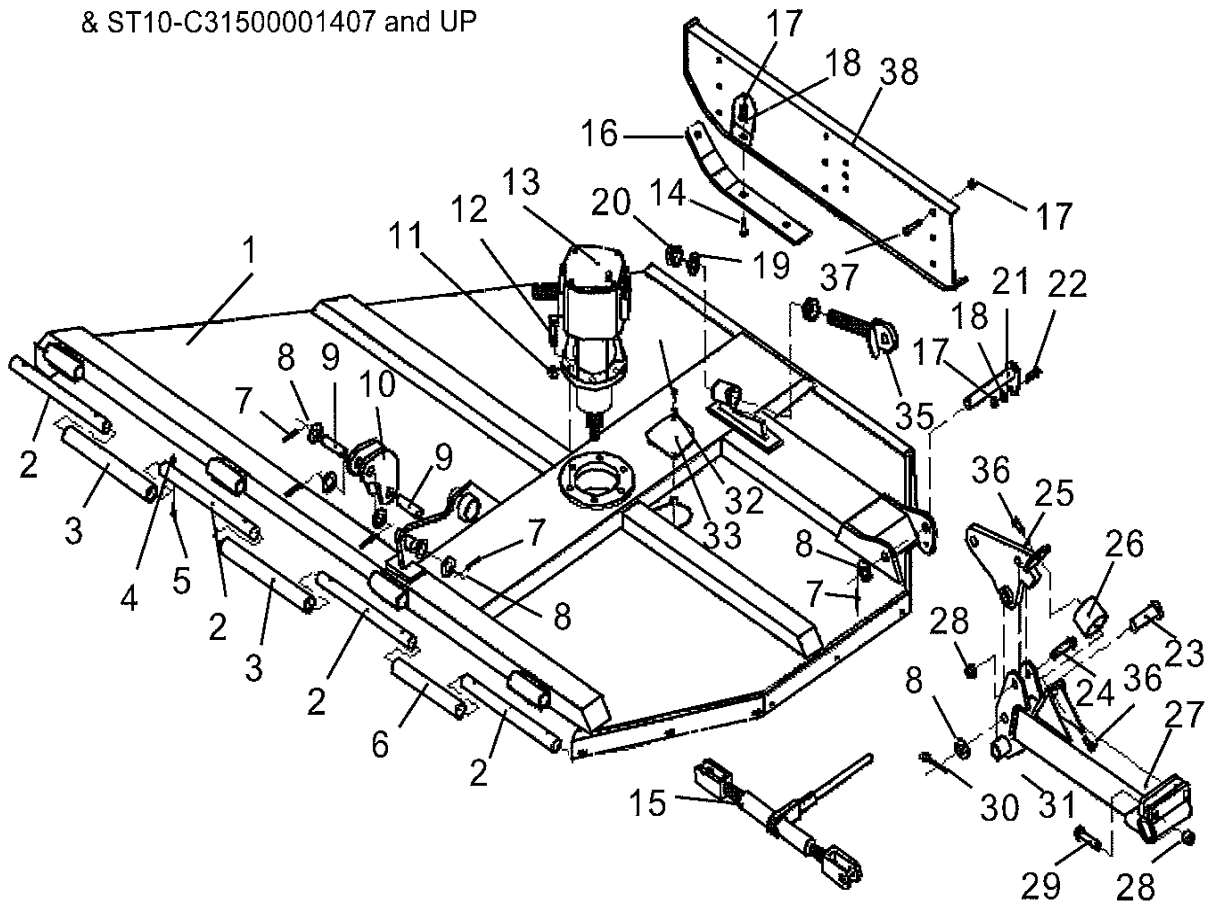
DECK COMPONENT ASY, CENTER SECTION

ITEM	PART NO.	QTY.	DESCRIPTION
1	02978500	1	DECK, CENTER SECTION ASY.
2	02978501	2	HOSE ORGANIZER,
3	00755082	6	BOLT
4	000944	16	LOCKNUT
5	00008300	2	BOLT
6	15B1200	2	FLAT WASHER
7	02978502	2	SKID MOUNT ASY.
8	02975147	4	BOLT
9	02978503	2	PLATE, WING LIFT SPACER
10	02891800	2	BOLT
11	02978504	1	RETAINER PIN, LONG
12	15B800	3	FLAT WASHER
13	00001800	3	LOCKNUT TLM 1/2 NC PLC
14	15B1600	3	FLAT WASHER
15	014085	3	ROLL PIN
16	02978505	2	RETAINER PIN
17	03200269	2	BOLT,(LIGHT TRUCK TIRE)
	02969332	2	BOLT,(LAMINATED & AIRCRAFT TIRE)
18	02978506	1	CYLINDER LUG ASY.
19	02978507	1	SPACER PLATE(LIGHT TRUCK TIRE)
	02978508	1	SPACER PLATE(LAMINATED & AIRCRAFT TIRE)
20	02978509	2	PIN, WING LOCK,
21	02957042	4	BOLT
22	15B600	4	WASHER
23	02978510	3	PIN, LYNCH,
24	02980471	1	STAND, SMV SIGN
25	00015800	8	LOCKNUT
26	00753642	2	BOLT
27	00037200	2	LOCKNUT
28	02978512	1	BOLT ACCES COVER PLATE
29	00012101	2	LOCKWASHER
30	10180500	2	BOLT
31	02981537	1	CENTER GEARBOX ASY, CW,540 RPM
	02981538	1	CENTER GEARBOX,ASY, CW,1000 RPM
32	10180500	2	BOLT
33	02978915	1	PLATE, PIVOT DOOR
34	02981539	1	DIVIDER GEARBOX ASY, 540 RPM
	02981540	1	DIVIDER GEARBOX ASY, 1000 RPM
35	00753753	4	BOLT
36	02978515	1	PIN, TRANSPORT LOCK
37	02978516	1	MANUAL CANNISTER,
38	00024100	2	FLATWASHER
39	10058000	2	BOLT
40	02962363	2	LOCKNUT
41	02978638	1	HOSE CLAMP

ST15/ST10 (08-04) S/N Prefix C314 & C315 & UP

DECK COMPONENT ASY, RIGHT WING

Aug. 2004
S/N ST15-C31400001406
& ST10-C31500001407 and UP

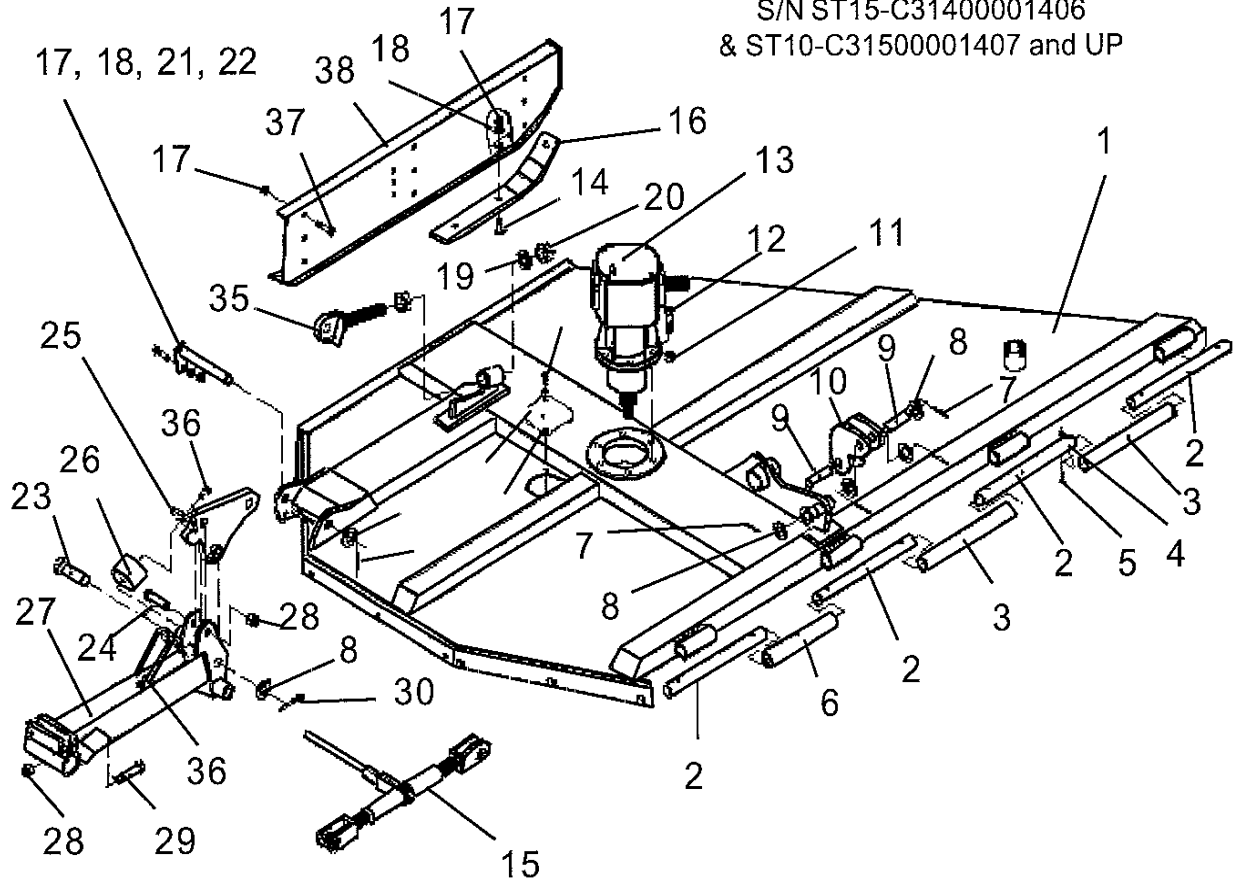


DECK COMPONENT ASY, RIGHT WING

ITEM	PART NO.	QTY.	DESCRIPTION
1	02978517	1	ASSEMBLY, RIGHT WING
2	02978518	4	HINGE PIN
3	02978519	2	HINGE SPACER TUBE
4	00749017	8	TOPLOCK NUT
5	10121000	8	BOLT
6	02978520	1	HINGE SPACER TUBE
7	014085	5	ROLL PIN
8	15B1600	6	FLAT WASHER
9	02978521	2	PIN
10	02978522	2	FLOATING LUG
11	000944	6	LOCKNUT
12	00755082	6	BOLT
13	02981541	1	GEARBOX, ASY. CCW, RH WING 540 & 1000 RPM
14	2A381312	3	PLOW BOLT
16	02978525	1	OUTER WING SKID, STANDARD
17	000001800	10	LOCKNUT TLM 1/2 NC PLC
18	15B800	10	FLAT WASHER
19	02978795	1	LOCK WASHER
20	331212C	2	HALF NUT
21	02978526	1	RETAINER PIN
22	02892000	1	BOLT
23	02978527	1	CLEVIS PIN
24	02959332	1	BOLT
25	02978528	1	WHEEL STANDARD SUSPENSION PLATE
26	00751035	1	RUBBER MOUNT
27	02978529	1	WING WHEEL STANDARD ASY.
28	00037200	5	TOPLOCK NUT
29	03200269	2	BOLT
30	00755153	1	PIN-COTTER
31	001291	1	GREASE FITTING
32	02978512	1	BOLT ACCESS COVER PLATE
33	00012101	2	LOCKWASHER
34	10180500	2	BOLT
35	02978530	1	WING ADJUSTMENT ASY.
36	00011800	2	BOLT
37	02776600	6	BOLT
38	02978531	1	ADJUSTABLE RIGHT SIDE MOUNT

DECK COMPONENT ASY, LEFT WING

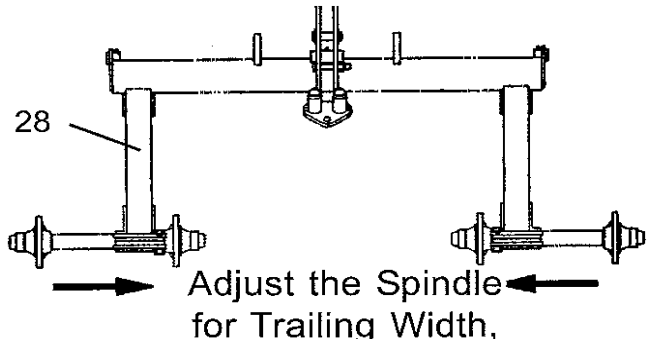
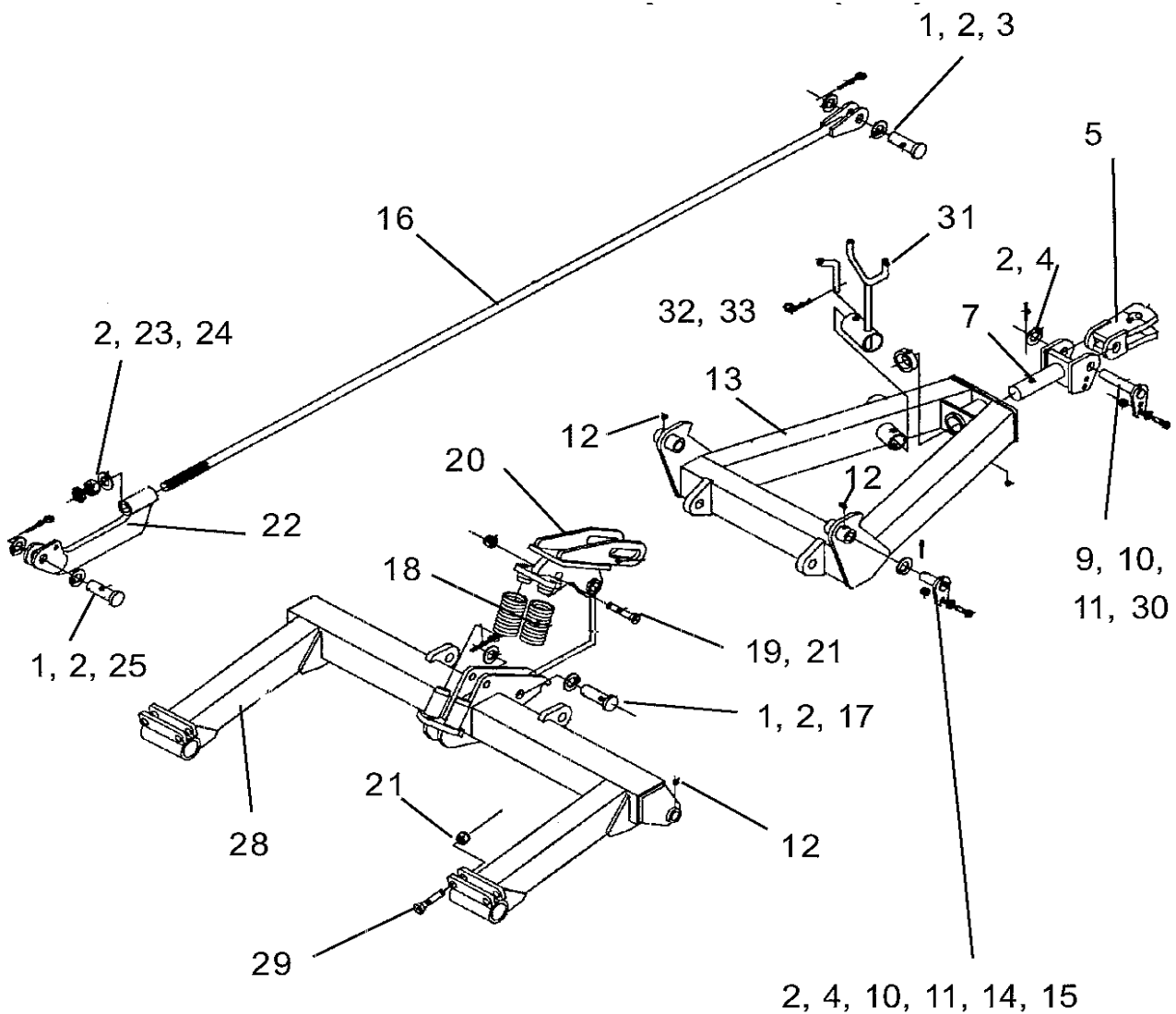
Aug. 2004
S/N ST15-C31400001406
& ST10-C31500001407 and UP



DECK COMPONENT ASY, LEFT WING

ITEM	PART NO.	QTY.	DESCRIPTION
1	02978532	1	ASSEMBLY, LEFT WING
2	02978518	4	HINGE PIN
3	02978519	2	HINGE SPACER TUBE
4	00749017	8	TOPLOCK NUT
5	10121000	8	BOLT
6	02978520	1	HINGE SPACER TUBE
7	014085	5	ROLL PIN
8	15B1600	6	FLAT WASHER
9	02978521	2	PIN
10	02978522	2	FLOATING LUG
11	000944	6	LOCKNUT
12	00755082	6	BOLT
13	02981542	1	GEARBOX ASY, CW LH WING 540 & 1000 RPM
14	2A381312	3	PLOW BOLT
16	02978525	1	OUTER WING SKID, STANDARD
17	000001800	10	LOCK NUT
18	15B800	10	FLAT WASHER
19	02978795	1	LOCK WASHER
20	331212C	2	HALF NUT
21	02978526	1	RETAINER PIN
22	02892000	1	BOLT
23	02978527	1	CLEVIS PIN
24	02959332	1	BOLT
25	02978528	1	WHEEL STANDARD SUSPENSION PLATE
26	00751035	1	RUBBER MOUNT
27	02978529	1	WING WHEEL STANDARD ASY.
28	00037200	5	TOPLOCK NUT
29	03200269	2	BOLT
30	00755153	1	PIN-COTTER
31	001291	1	GREASE FITTING
32	02978512	1	BOLT ACCESS COVER PLATE
33	00012101	2	LOCKWASHER
34	10180500	2	BOLT
35	02978530	1	WING ADJUSTMENT ASY.
36	00011800	2	BOLT
37	02776600	6	BOLT
38	02978534	1	ADJUSTABLE LEFT SIDE MOUNT

TONGUE & CENTER AXLE COMPONENTS, (STD)



Adjust Center axle Spindles for Width:

When the Spindles are re installed and mower is being readied for use. The Spindles in the Center Axle need to be adjusted to give the desired trailing width, this determines where the Wheels run inline with the mower and the wheel track width. this will need to be done once and should not change unless it is unbolted and moved.

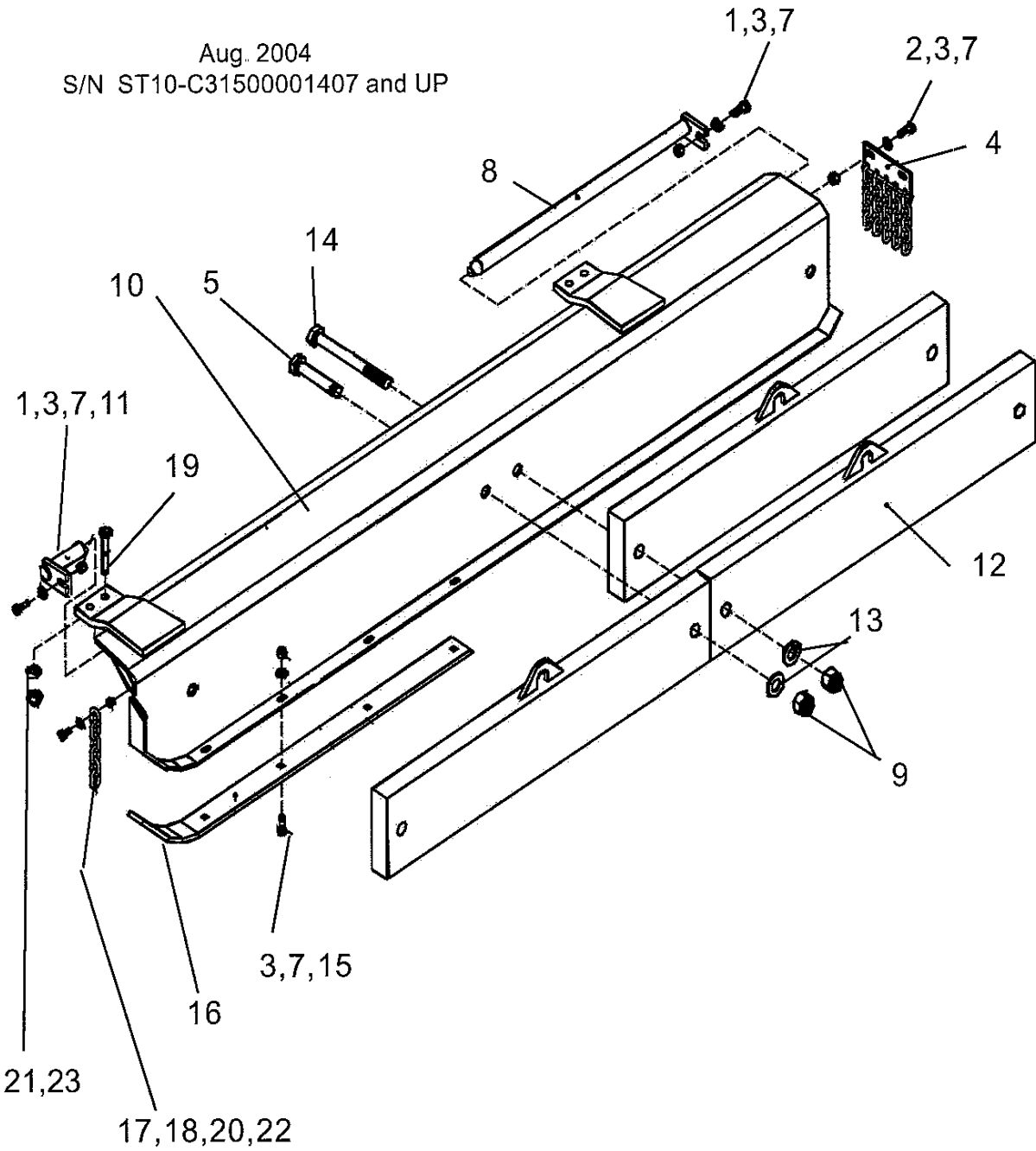
TONGUE & CENTER AXLE COMPONENTS, (STD)

ITEM	PART NO.	QTY.	DESCRIPTION
1	00755153	3	COTTER PIN
2	15B1600	13	FLAT WASHER
3	02978535	2	CLEVIS PIN
4	014085	3	ROLL PIN
5	02978536	1	HITCH CLEVIS
7	02978537	1	PIVOTING HITCH ASY.
8	02978538	1	PIVOT HITCH SLEEVE WLD'MT
9	02891800	1	BOLT
10	15B800	5	FLAT WASHER
11	00001800	3	LOCKNUT TLM 1/2 NC PLC
12	001291	6	GREASE FITTING
13	02978539	1	HITCH FRAME ASSEMBLY
14	02978540	2	RETAINING PIN
15	02892000	2	BOLT
16	02978541	2	LIFT ROD
17	02978527	1	CLEVIS PIN
18	02978542	2	COMPRESSION SPRING
19	02959332	1	BOLT
20	02978543	1	SUSPENSION TOP PLATE
21	00037200	5	TOPLOCK NUT
22	02978544	2	LEVELING ROD LUG
23	00059500	2	HEX NUT
24	23511000	2	JAM NUT
25	02978545	2	CLEVIS PIN
28	02978546	1	CENTER SECTION WHEEL STANDARD
29	03200269	4	BOLT
30	02978547	1	RETAINING PIN
31	02978548	1	PTO STORAGE SUPPORT
32	02978549	1	BENT HITCH PIN
33	02978550	1	HITCH PIN CLIP

ST15/ST10 (08-04) S/N Prefix C314 & C315 & UP

OFF SET SKIRT ASY, ST10 (10')

Aug. 2004
S/N ST10-C31500001407 and UP

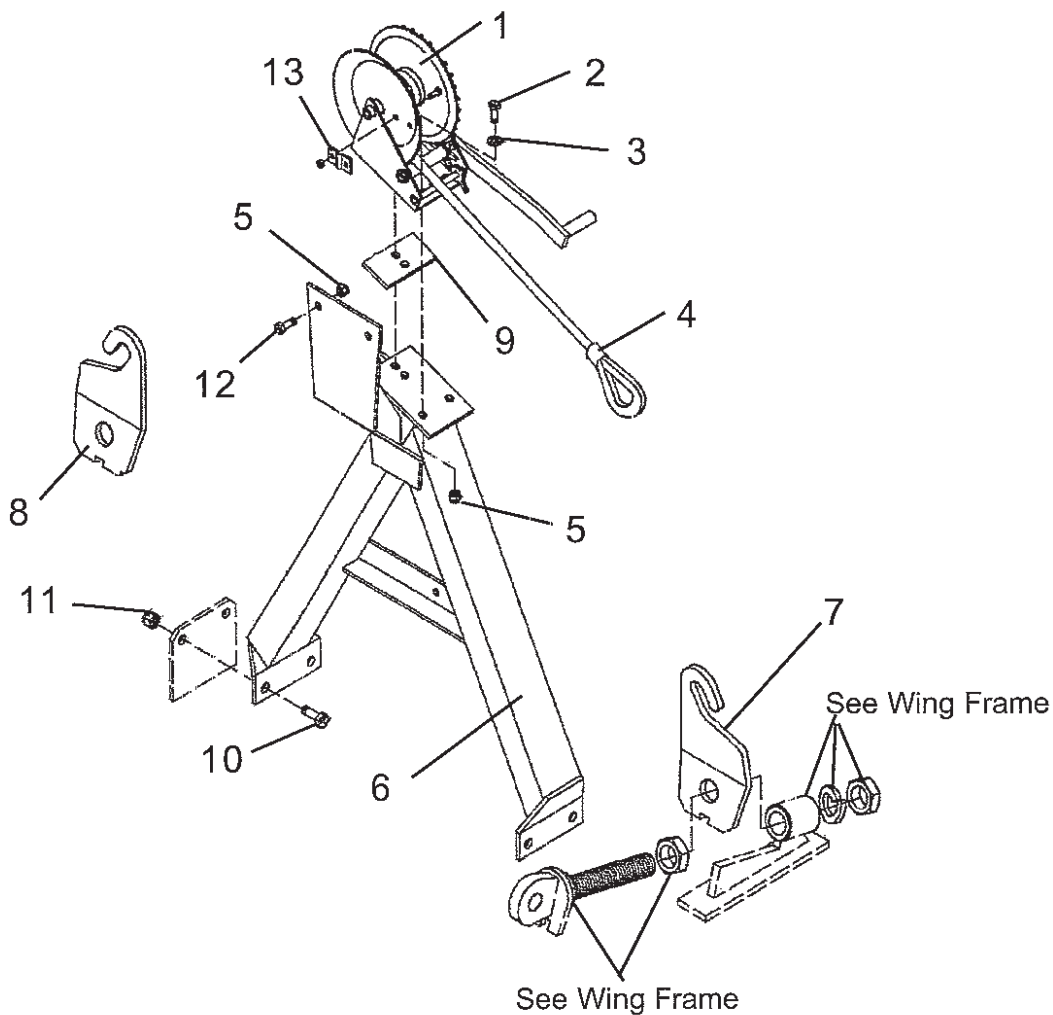


OFF SET SKIRT ASY, ST10 (10')

ITEM	PART NO.	QTY.	DESCRIPTION
1	02891800	2	BOLT
2	02892000	2	BOLT
3	15B800	9	FLAT WASHER
4	02978551	1	CHAIN GUARD, DOUBLE
7	00001800	9	LOCKNUT TLM 1/2 NC PLC
8	02978552	1	HINGE PIN
9	02030300	2	TOPLOCK NUT
10	02978553	1	SKIRT ASSEMBLY, 10' (ONLY)
11	02978554	1	HINGE PIN
12	02978555	2	COUNTER WEIGHT
13	15B1600	2	FLAT WASHER
14	00755305	2	BOLT
15	2A381312	5	PLOW BOLT
16	02978556	1	SKIRT SKID
17	00015800	3	TOPLOCK NUT
18	02978557	3	CHAIN, 11 LINKS
19	02975147	4	BOLT
20	15B600	3	FLAT WASHER
21	15B1200	4	FLAT WASHER
22	00752675	3	BOLT
23	000944	4	LOCK NUT

ST15/ST10 (08-04) S/N Prefix C314 & C315 & UP

WINCH & STAND KIT P/N 02978897

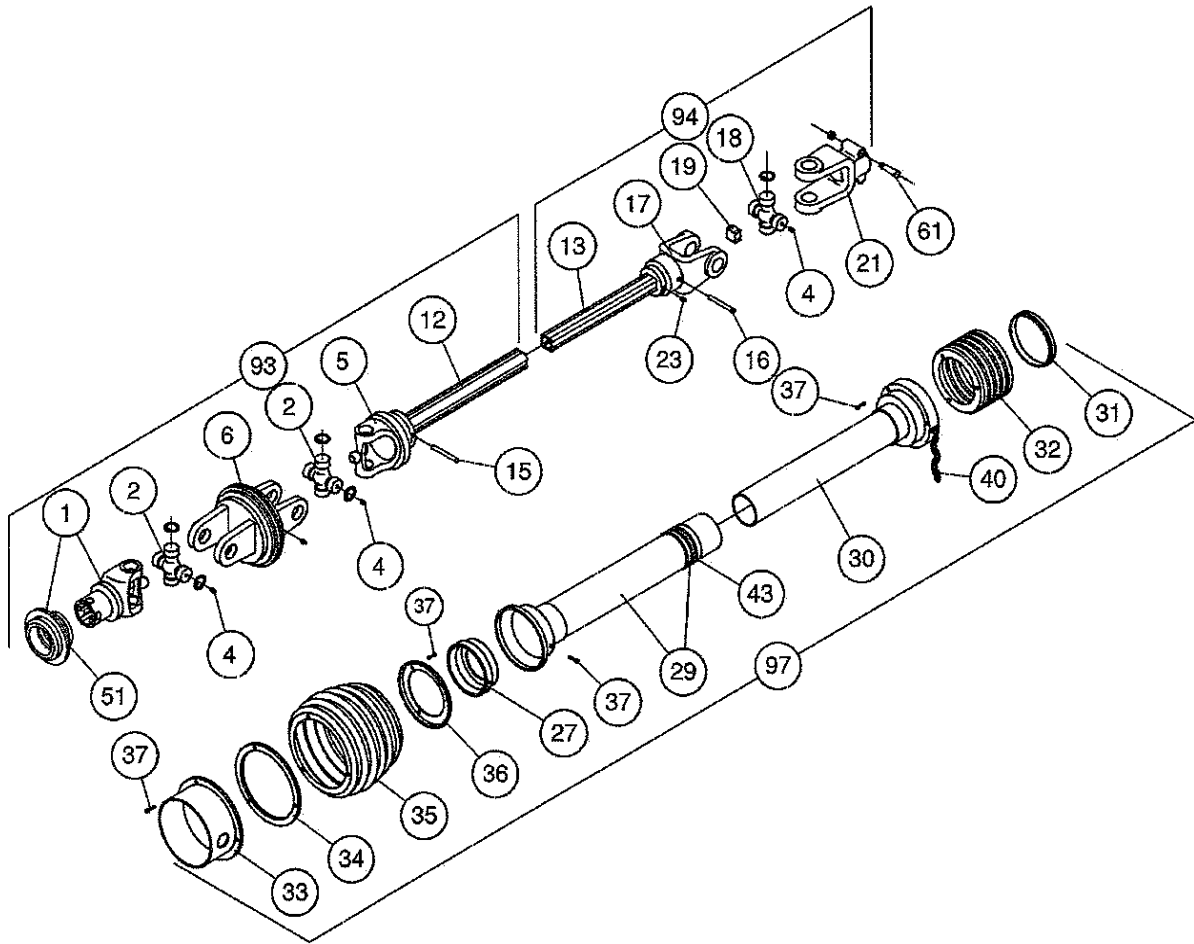


ITEM	PART NO.	QTY.	DESCRIPTION
	02978897	--	KIT, BUNDLE WINCH STAND, ST15
1	02978933	1	WINCH, 1600 LBS, 5:1 RATIO
2	00753642	3	BOLT
3	15B600	3	FLAT WASHER
4	02978934	1	CABLE
5	00015800	5	LOCK NUT
6	02978935	1	WINCH LIFT STAND
7	02978936	1	WINCH LIFT LUG, RIGHT
8	02978937	1	WINCH LIFT LUG, LEFT
9	02981553	1	BACKING PLATE
10	02776600	4	BOLT
11	00001800	4	LOCKNUT TLM 1/2 NC PLC
12	00011400	2	BOLT
13	02981682	1	WINCH CABLE KEEPER, HARDWARE INCLUDED

ST15/ST10 (08-04) S/N Prefix C314 & C315 & UP

NOTES

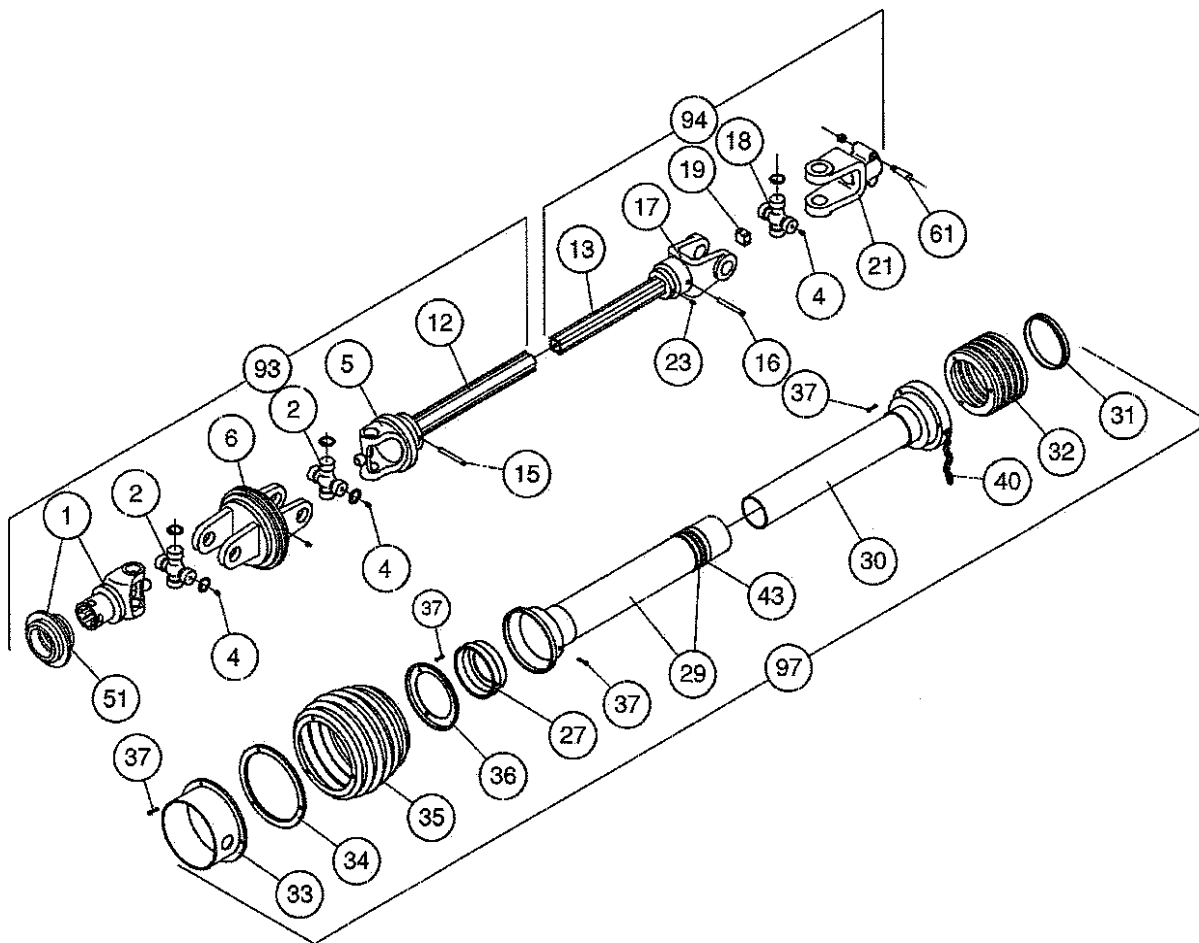
DRIVELINE, PTO CAT V, 540 RPM C/V (SIZE 8) P/N 02981675



DRIVELINE, PTO CAT V, 540 RPM C/V (SIZE 8) P/N 02981675

ITEM	PART NO.	QTY.	DESCRIPTION
	02981675	--	DRIVELINE ASY, 540 RPM C/V SIZE 8
1	02981554	1	YOKE, 1-3/8" X 6 SPLINE QD
2	02981555	2	UNIVERSAL JOINT (X-KIT) C/V END
4	02981556	4	GREASE FITTING
5	02981557	1	YOKE, OUTER
6	02981558	1	C/V BODY
12	02981559	1	TUBE, OUTER
13	02981560	1	TUBE, INNER
15	02981561	1	PIN, FLEXIBLE
16	02981562	1	PIN, FLEXIBLE
17	02981562	1	YOKE, INNER
18	02981564	1	UNIVERSAL JOINT (X-KIT) NON-C/V END
19	02981565	1	TUBE PLUG
21	02981566	1	YOKE, 1-3/4" X 20 SPLINE
23	02981567	1	GREASE FITTING
27	00981568	1	RING, OUTER
29	02981569	1	CONE, OUTER
30	02981570	1	CONE, INNER
31	02981571	1	RING, F/ INNER CONE
32	02981572	1	BELL
33	02981573	1	SHIELD
34	02981574	1	RING
35	02981575	1	SHIELD
36	02981576	1	SHIELD FLANGE
37	02981577	1	SCREW
40	02981578	1	SHIELD CHAIN
43	02981579	1	SHIELD TUBE CONNECTING RING
51	02981580	1	QD KIT (QUICK DETACH)
61	02981581	1	TAPERED PIN
93	02981582	1	DRIVELINE HALF, OUTER HALF W/ SHIELDS
94	02981583	1	DRIVELINE HALF, INNER HALF W. SHIELDS
97	02981584	1	SHIELD SET, COMPLETE INNER & OUTER

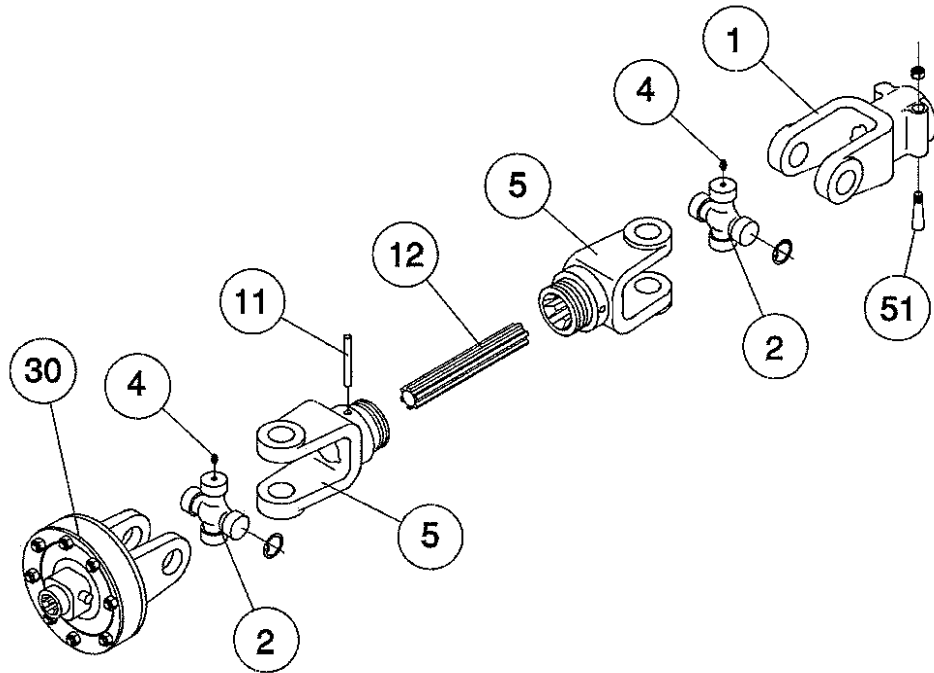
DRIVELINE, PTO CAT IV, 1000 RPM C/V P/N 02981676



DRIVELINE, PTO CAT IV, 1000 RPM C/V P/N 02981676

ITEM	PART NO.	QTY.	DESCRIPTION
	02981676	--	DRIVELINE ASY, 1000 RPM C/V SIZE 6
1	02981585	1	YOKE, 1-3/8" X 21 SPLINE QD
2	02981586	2	UNIVERSAL JOINT (X-KIT) C/V END
4	02981556	4	GREASE FITTING
5	02981588	1	YOKE, OUTER
6	02981589	1	C/V BODY
12	02981590	1	TUBE, OUTER
13	02981591	1	TUBE, INNER
15	02978698	1	PIN, FLEXIBLE
16	02978702	1	PIN, FLEXIBLE
17	02981592	1	YOKE, INNER
18	02981593	1	UNIVERSAL JOINT (X-KIT) NON-C/V END
19	02981594	1	TUBE PLUG
21	02981595	1	YOKE, 1-3/4" X 20 SPLINE
23	02981567	1	GREASE FITTING
27	00981597	1	RING, OUTER
29	02981598	1	CONE, OUTER
30	02981599	1	CONE, INNER
31	02981600	1	RING, F/ INNER CONE
32	02981601	1	BELL
33	02981602	1	SHIELD
34	02981603	1	RING
35	02981604	1	SHIELD
36	02981605	1	SHIELD FLANGE
37	02981577	1	SCREW
40	02981578	1	SHIELD CHAIN
43	02981579	1	SHIELD TUBE CONNECTING RING
51	02981606	1	QD KIT (QUICK DETACH)
61	02981581	1	TAPERED PIN
93	02981607	1	DRIVELINE HALF, OUTER HALF W/ SHIELDS
94	02981608	1	DRIVELINE HALF, INNER HALF W. SHIELDS
97	02981609	1	SHIELD SET, COMPLETE INNER & OUTER

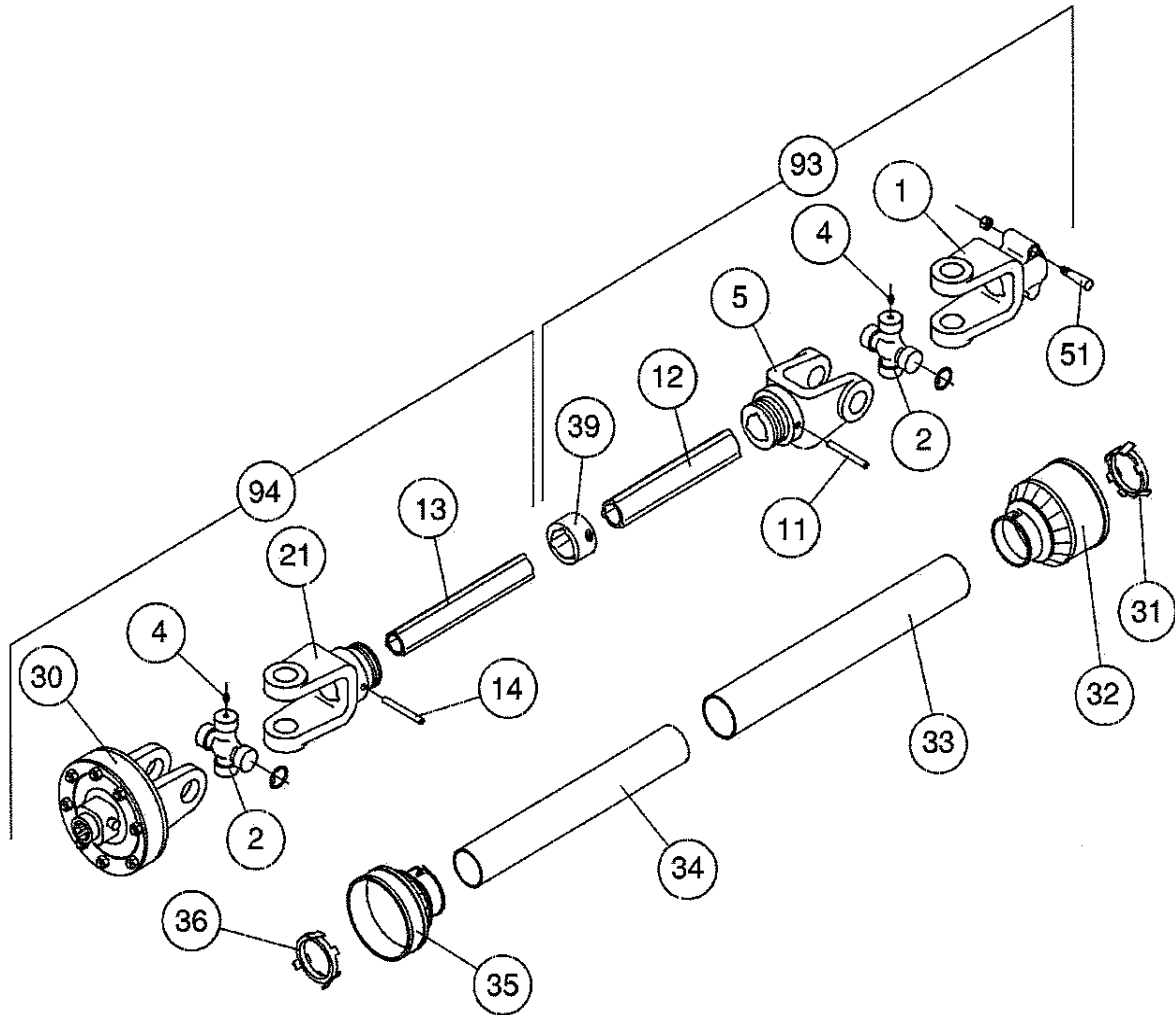
DRIVELINE, INTERMEDIATE - 540 & 1000 RPM CAT IV (SIZE 6)



ITEM	PART NO.	QTY. 540 RPM	QTY. 1000 RPM	DESCRIPTION
	02981678	1	--	DRIVELINE ASY, 540 RPM (SIZE 6)
	02981679	--	1	DRIVELINE ASY, 1000 RPM (SIZE 6)
1	02978959	1	1	YOKE
2	02981610	1	1	UNIVERSAL JOINT (X-KIT)
4	02978667	2	2	GREASE FITTING
5	02978715	2	2	YOKE, SPLINED
11	02981623	1	1	FLEXIBLE PIN
12	02981624	1	1	SHAFT, SPLINED
30	02981613	1	--	CLUTCH ASY, 540 RPM MODEL
	02981625	--	1	CLUTCH ASY, 1000 RPM MODEL
51	02981626	1	1	TAPERED PIN

NOTES

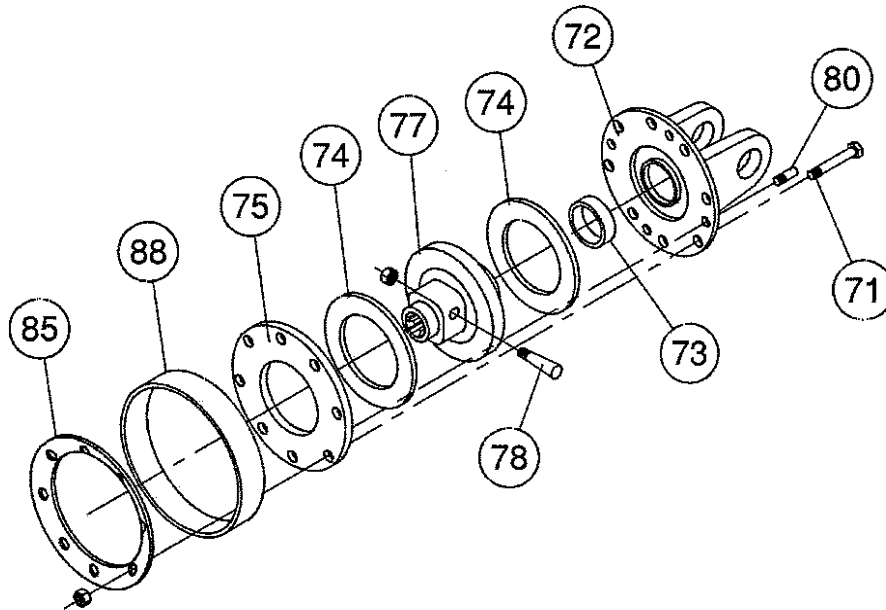
DRIVELINE, WING, CAT IV, 540 OR 1000 RPM (SIZE 6) P/N 02981677



DRIVELINE, WING, CAT IV, 540 OR 1000 RPM (SIZE 6) P/N 02981677

ITEM	PART NO.	QTY.	DESCRIPTION
	02981677	--	DRIVELINE ASY, WING - CAT IV (SIZE 6)
1	02978959	1	YOKE, CLAMP YOKE
2	02981610	2	UNIVERSAL JOINT (X-KIT)
4	02978667	2	GREASE FITTING
5	02978697	1	YOKE, OUTER,
11	02978698	1	FLEXIBLE PIN
12	02981611	1	TUBE, OUTER
13	02981612	1	TUBE, INNER
14	02978702	1	FLEXIBLE PIN
21	02978703	1	YOKE, INNER
30	02981613	1	SLIP CLUTCH ASY.
31	02981614	1	SHIELD BEARING, OUTER
32	02981615	1	CONE, OUTER
33	02981616	1	TUBE, OUTER
34	02981617	1	TUBE, INNER
35	02981618	1	CONE, INNER
36	02981619	1	SHIELD BEARING, INNER
39	02981620	1	GREASING COLLAR
51	02981621	1	TAPERED PIN
93	02981622	1	DRIVELINE HALF ASY, OUTER W/ SHIELDS
94	02981587	1	DRIVELINE HALF ASY, INNER W/ SHIELDS & CLUTCH
97	02981596	1	SHIELD SET, COMPLETE INNER & OUTER

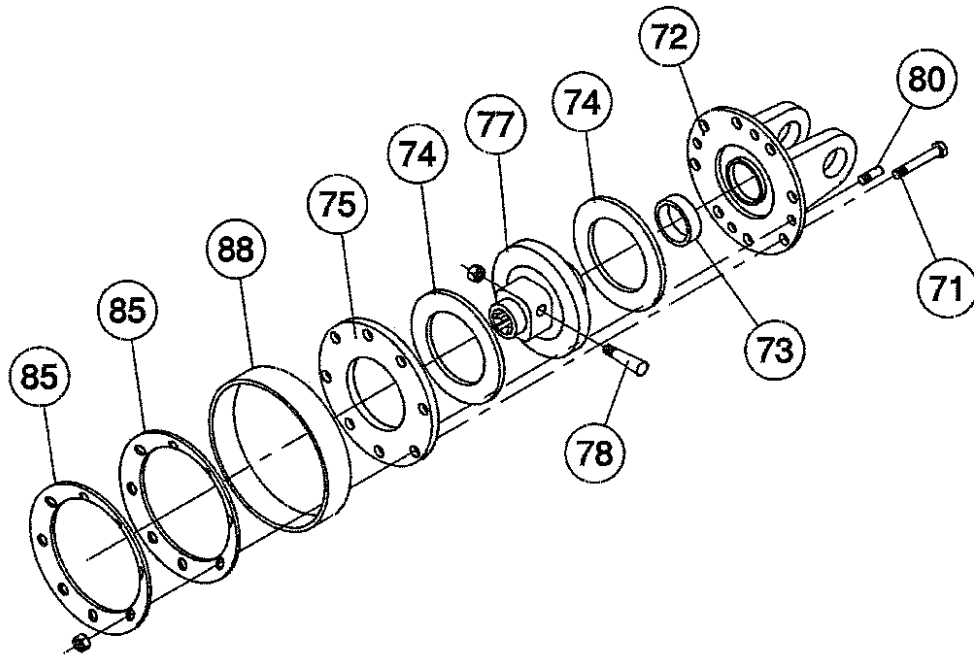
CLUTCH ASY, CAT IV (SIZE 6) P/N 02981625



ITEM	PART NO.	QTY.	DESCRIPTION
	02981625	--	CLUTCH ASY (SEE USE LOCATION IN NOTES)
71	02981627	8	BOLT & NUT
72	02981637	1	CLUTCH PLATE
73	02981629	1	BUSHING
74	02981638	2	LINING
75	02981639	1	THRUST PLATE
77	02981640	1	HUB
78	02981621	1	TAPERED PIN & NUT
80	02981634	4	SCREW
85	02981641	2	SPRING
88	02981642	1	SPACER

NOTE; This clutch asy used on 1000 rpm models only and is for intermediate (center) driveline only

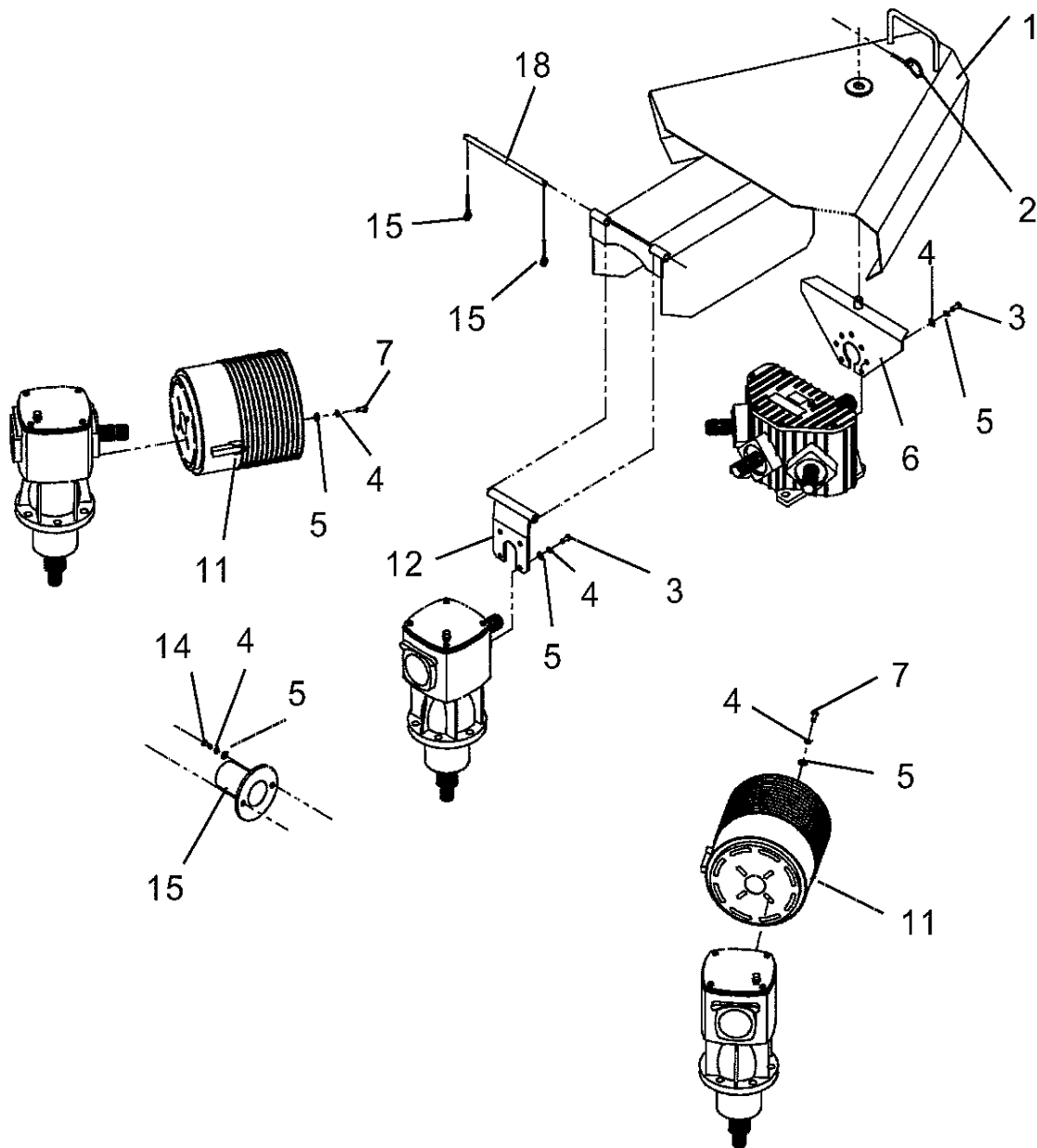
CLUTCH ASY, CAT IV (SIZE 6) P/N 02981613



ITEM	PART NO.	QTY.	DESCRIPTION
	02981613	--	CLUTCH ASY (SEE USE LOCATION IN NOTES)
71	02981627	8	BOLT & NUT
72	02981628	1	CLUTCH PLATE
73	02981629	1	BUSHING
74	02981630	2	LINING
75	02981631	1	THRUST PLATE
77	02981632	1	HUB
78	02981621	1	TAPERED PIN & NUT
80	02981634	4	SCREW
85	02981635	2	SPRING
88	02981636	1	SPACER

NOTE; This clutch asy used on 540 rpm models for intermediate driveline and wing drivelines. Used on 1000 RPM models on the wings drivelines only and not on the intermediate driveline,

DRIVELINE SHIELDS

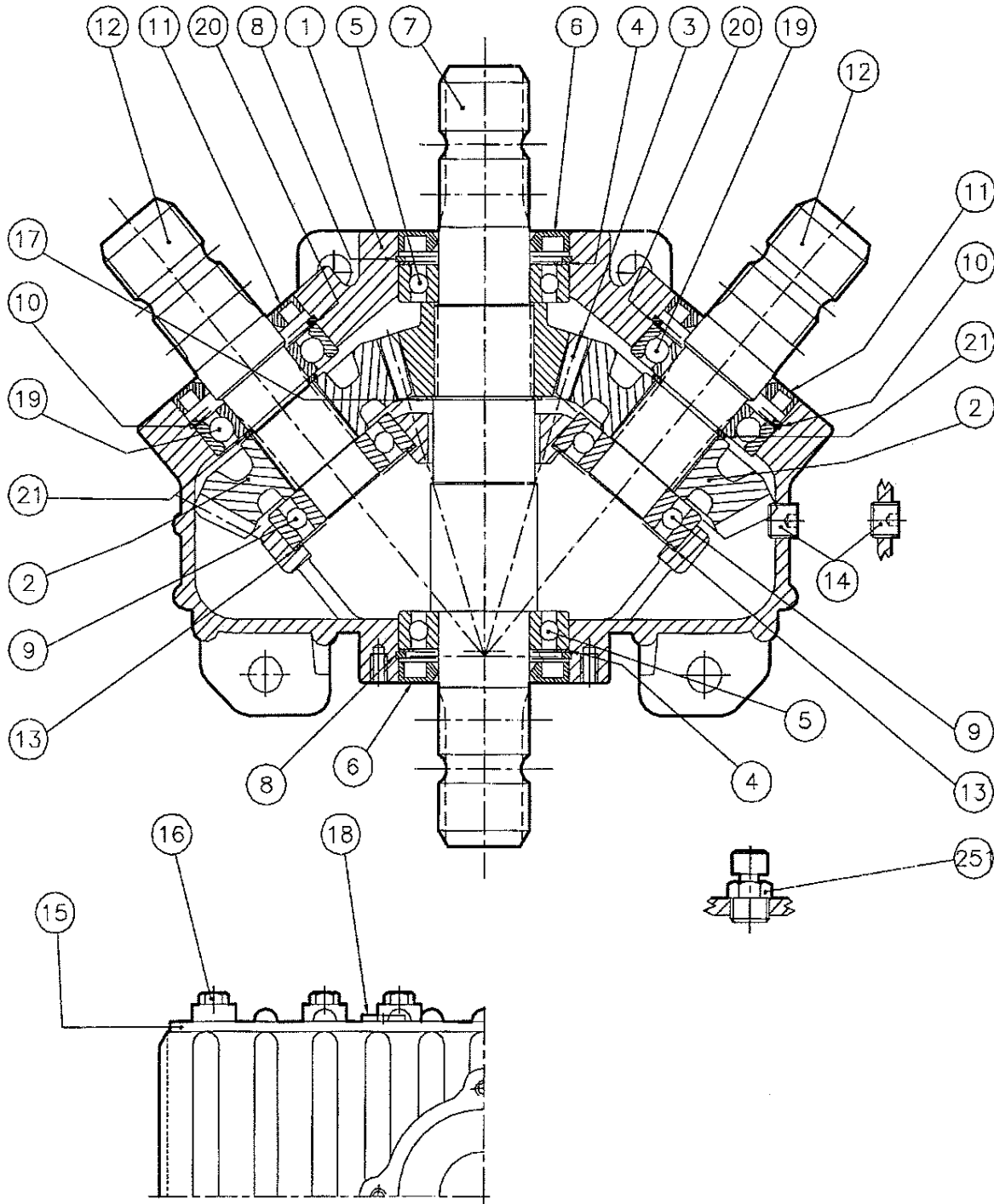


DRIVELINE SHIELDS

ITEM	PART NO.	QTY.	DESCRIPTION
1	02978599	1	CENTER SECTION SHIELD ASY.
2	02978510	1	PIN, LYNCH
3	02974928	7	BOLT
4	00011700	15	LOCKWASHER
5	00023500	15	FLATWASHER
6	02978600	1	SHIELD, SPLITTER MOUNT
7	00753723	8	BOLT
11	02981551	2	PLASTIC SHIELD
12	02981552	1	CENTER GEARBOX PIVOT SHIELD MOUNT
13	02978607	1	PLASTIC SHAFT COVER FOR DIVIDER GEARBOX, 10' UNITS ONLY
14	00035900	2	BOLT
15	40010000	2	PIN COTTER
16	02978601	1	PIN, SHIELD HINGE

ST15/ST10 (08-04) S/N Prefix C314 & C315 & UP

GEARBOX ASY, DIVIDER 540 & 1000 RPM



ST15/ST10 (08-04) S/N Prefix C314 & C315 & UP

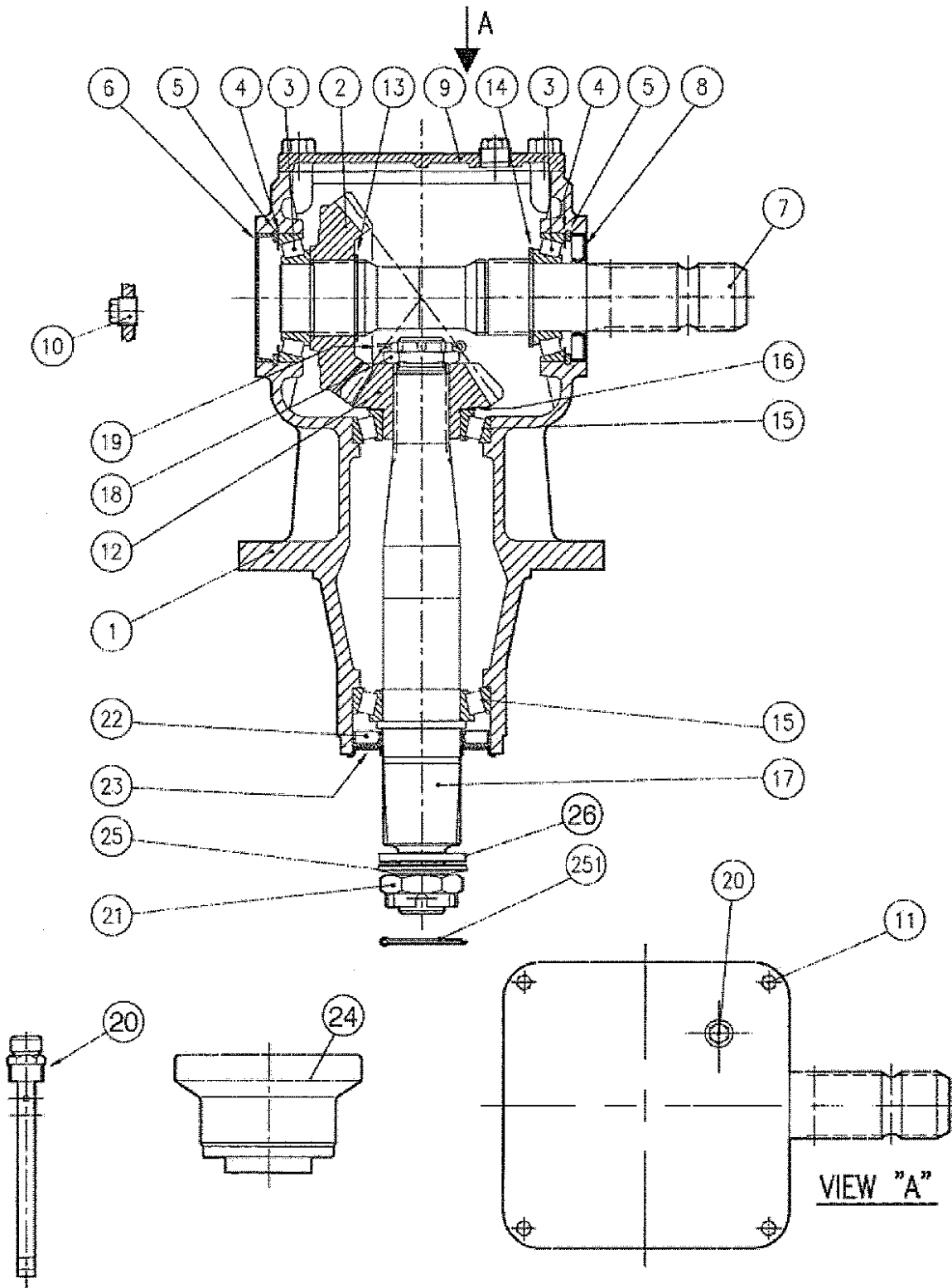
©2004 Alamo Group Inc.

Parts Section - 26

GEARBOX ASY, DIVIDER 540 & 1000 RPM

ITEM	PART NO.	QTY. 540	QTY. 1000	DESCRIPTION
	02981539	1	--	GEARBOX ASY, DIVIDER 540 RPM
	02981540	--	1	GEARBOX ASY, DIVIDER 1000 RPM
1	02981626	1	1	CASING
2	02978736	2	--	GEAR, 20 TOOTH (540 RPM)
	02978969	--	2	GEAR, 27 TOOTH (1000 RPM)
3	02978746	1	--	GEAR, 27 TOOTH (540 RPM)
	02978970	--	1	GEAR, 20 TOOTH (1000 RPM)
4	02981633	2	2	SHIM KIT
5	02978742	2	2	BEARING
6	02981643	2	2	SEAL
7	02981644	1	1	SHAFT, INPUT (1-3/4" X 20 SPLINE)
8	02978739	2	2	SNAP RING
9	02981645	2	2	BEARING
10	02978735	2	2	SNAP RING
11	02982044	2	2	OIL SEAL
12	02981648	2	2	SHAFT, OUTPUT (1-3/4" X 20 SPLINE)
13	02978737	2	2	SHIM KIT
14	02981646	2	2	PLUG, 3/8"
15	02981647	1	1	TOP COVER
16	02978729	6	6	BOLT
17	02978744	1	1	SNAP RING
18	02981649	1	1	PLUG, 1/2"
19	02981650	2	2	BEARING
20	02981651	2	2	SHIM KIT
21	02981652	2	2	SNAP RING
251	02981653	1	1	VENT PLUG / OIL FILL PLUG

GEARBOX ASY, CENTER 540 RPM P/N 02981537



ST15/ST10 (08-04) S/N Prefix C314 & C315 & UP

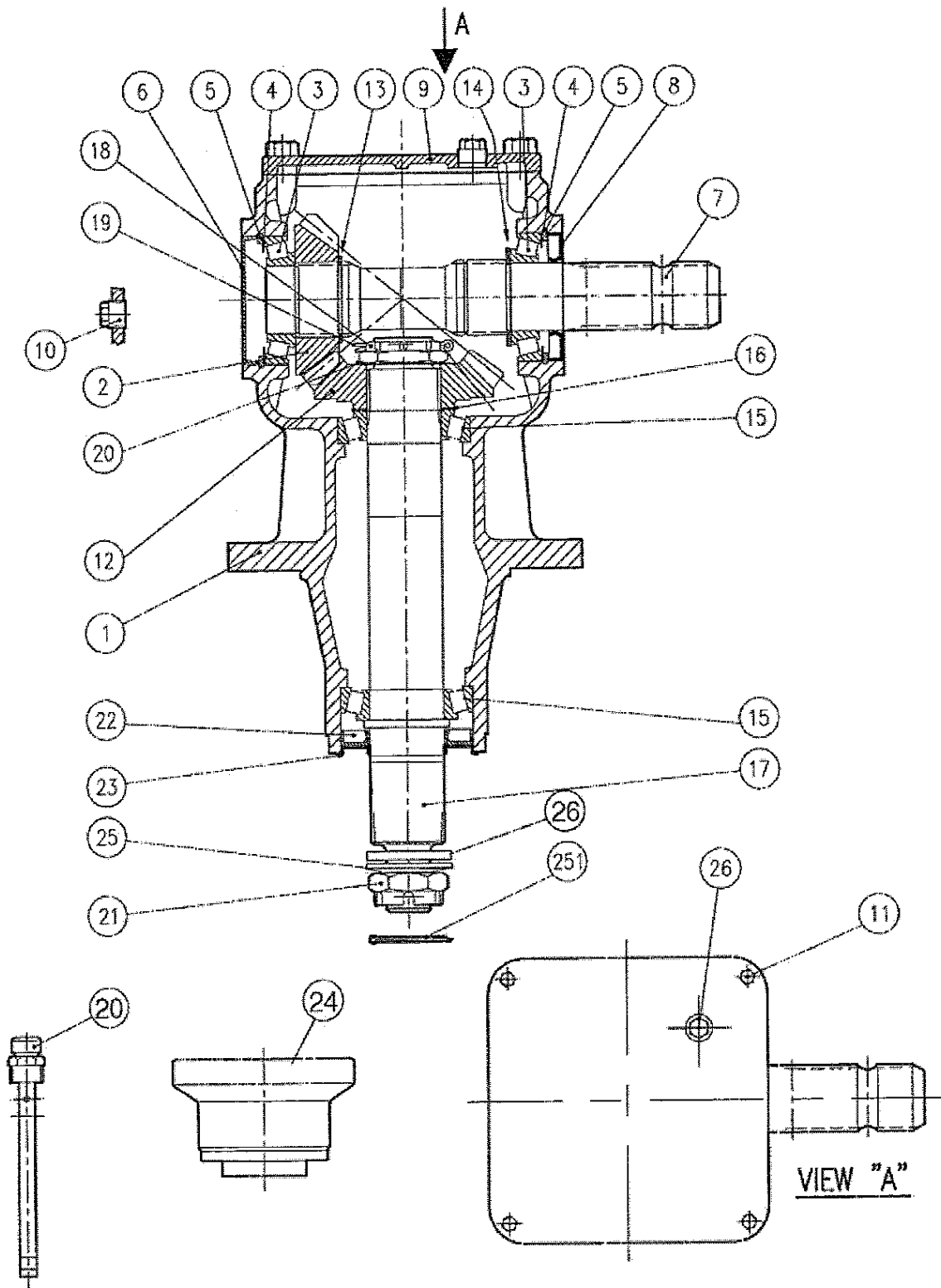
©2004 Alamo Group Inc.

Parts Section - 28

GEARBOX ASY, CENTER 540 RPM P/N 02981537

ITEM	PART NO.	QTY.	DESCRIPTION
	02981537	--	GEARBOX ASY, CENTER 540 RPM
1	02981654	1	CASING
2	02981671	1	GEAR, 24 TOOTH
3	02981656	2	BEARING ASY.
4	02981633	2	SHIM KIT
5	02981657	2	SNAP RING
6	02981658	1	OIL CAP
7	02981659	1	SHAFT, INPUT (1-3/4" X 20 SPLINE)
8	02981643	1	SEAL
9	02981660	1	TOP COVER
10	02981661	1	PLUG, 3/8"
11	02981662	4	BOLT
12	02981672	1	GEAR, 16 TOOTH
13	02981664	1	SNAP RING
14	02978761	1	SHIM
15	02978757	2	BEARING ASY
16	02981665	1	SHIM KIT
17	02981666	1	SHAFT, OUTPUT
18	02978753	1	NUT, SLOTTED
19	02981667	1	COTTER PIN
20	02981791	1	VENT PLUG, OIL FILL PLUG
21	02978571	1	NUT, SLOTTED
22	02978756	1	SEAL
23	02978755	1	SEALING LID
24	02981668	1	HUB
25	02978570	1	BEVEL WASHER
26	02978769	1	FLATWASHER
251	02978572	1	COTTER PIN

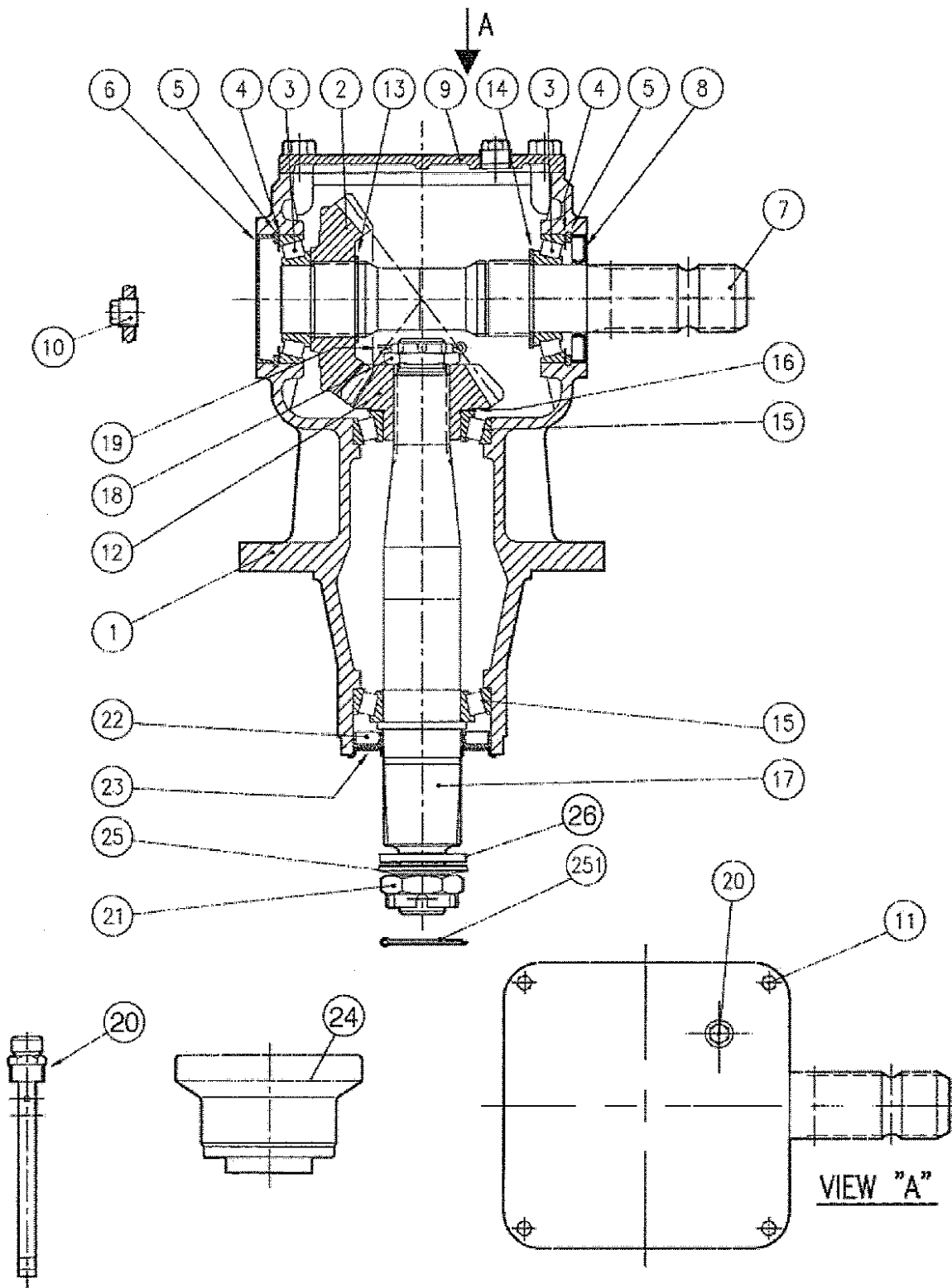
GEARBOX ASY, CENTER 1000 RPM P/N 02981538



GEARBOX ASY, CENTER 1000 RPM P/N 02981538

ITEM	PART NO.	QTY.	DESCRIPTION
	02981538	--	GEARBOX ASY, CENTER 1000 RPM
1	02981654	1	CASING
2	02981673	1	GEAR, 18 TOOTH
3	02981656	2	BEARING ASY.
4	02981633	2	SHIM KIT
5	02981657	2	SNAP RING
6	02981658	1	OIL CAP
7	02981659	1	SHAFT, INPUT (1-3/4" X 20 SPLINE)
8	02981643	1	SEAL
9	02981660	1	TOP COVER
10	02981661	1	PLUG, 3/8"
11	02981662	4	BOLT
12	02981674	1	GEAR, 22 TOOTH
13	02981664	1	SNAP RING
14	02978761	1	SHIM
15	02978757	2	BEARING ASY
16	02981665	1	SHIM KIT
17	02981666	1	SHAFT, OUTPUT
18	02978753	1	NUT, SLOTTED
19	02981667	1	COTTER PIN
20	02981791	1	VENT PLUG, OIL FILL PLUG
21	02978571	1	NUT, SLOTTED
22	02978756	1	SEAL [□]
23	02978755	1	SEALING LID
24	02981668	1	HUB
25	02978570	1	BEVEL WASHER
26	02978769	1	FLATWASHER
251	02978572	1	COTTER PIN

GEARBOX ASY, WING RH 540 OR 1000 RPM P/N 02981541



ST15/ST10 (08-04) S/N Prefix C314 & C315 & UP

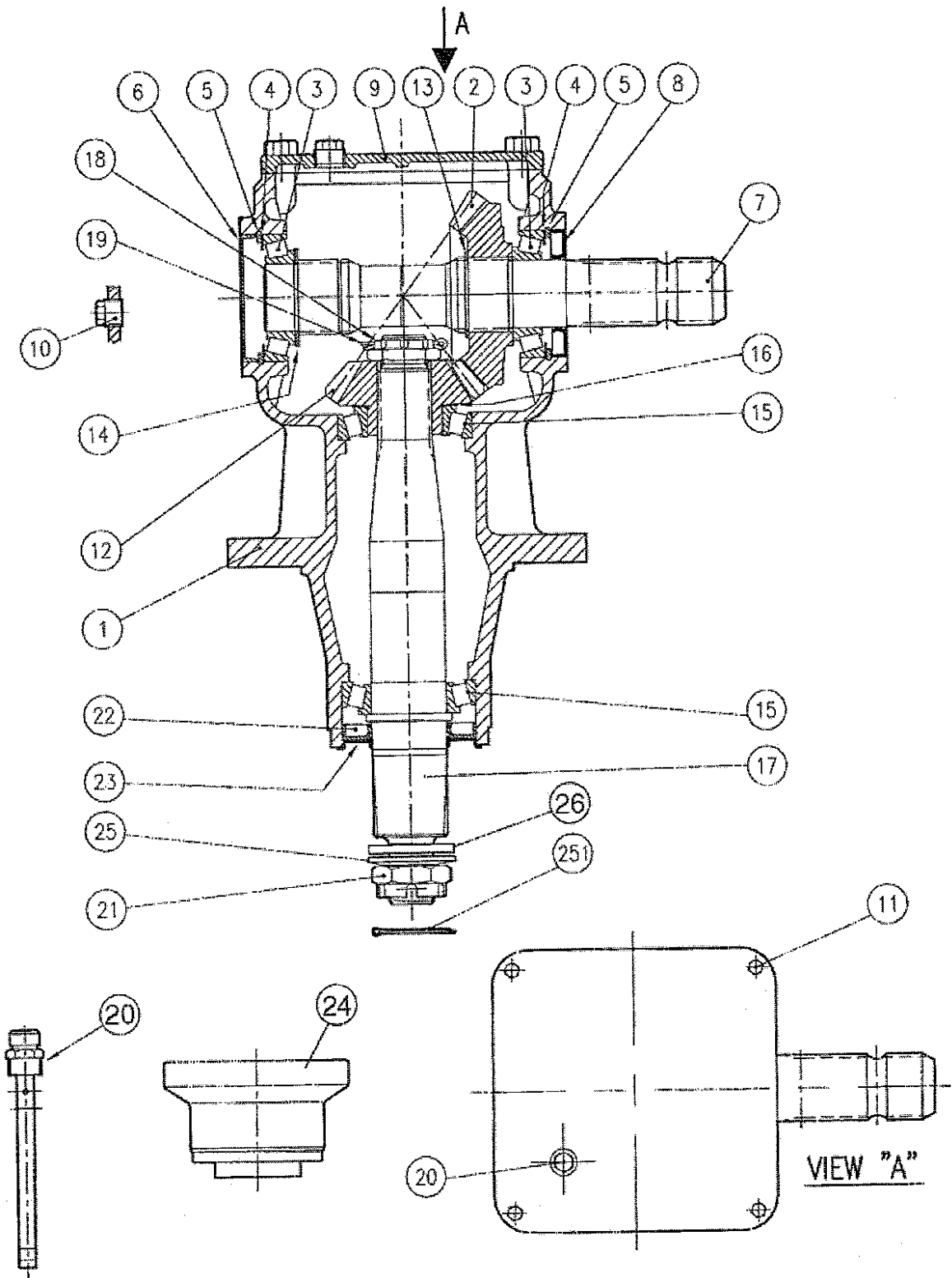
©2004 Alamo Group Inc.

Parts Section - 32

GEARBOX ASY, WING RH 540 OR 1000 RPM P/N 02981541

ITEM	PART NO.	QTY.	DESCRIPTION
	02981541	--	GEARBOX ASY, RH WING 540 OR 1000 RPM
1	02981654	1	CASING
2	02981655	1	GEAR, 23 TOOTH
3	02981656	2	BEARING ASY.
4	02981633	2	SHIM KIT
5	02981657	2	SNAP RING
6	02981658	1	OIL CAP
7	02981659	1	SHAFT, INPUT (1-3/4" X 20 SPLINE)
8	02981643	1	SEAL
9	02981660	1	TOP COVER
10	02981661	1	PLUG, 3/8"
11	02981662	4	BOLT
12	02981663	1	GEAR, 17 TOOTH
13	02981664	1	SANP RING
14	02978761	1	SHIM
15	02978757	2	BEARING ASY
16	02981665	1	SHIM KIT
17	02981666	1	SHAFT, OUTPUT
18	02978753	1	NUT, SLOTTED
19	02981667	1	COTTER PIN
20	02981791	1	VENT PLUG, OIL FILL PLUG
21	02978571	1	NUT, SLOTTED
22	02978756	1	SEAL
23	02978755	1	SEALING LID
24	02981668	1	HUB
25	02978570	1	BEVEL WASHER
26	02978769	1	FLATWASHER
251	02978572	1	COTTER PIN

GEARBOX ASY, WING LH 540 OR 1000 RPM P/N 02981542



ST15/ST10 (08-04) S/N Prefix C314 & C315 & UP

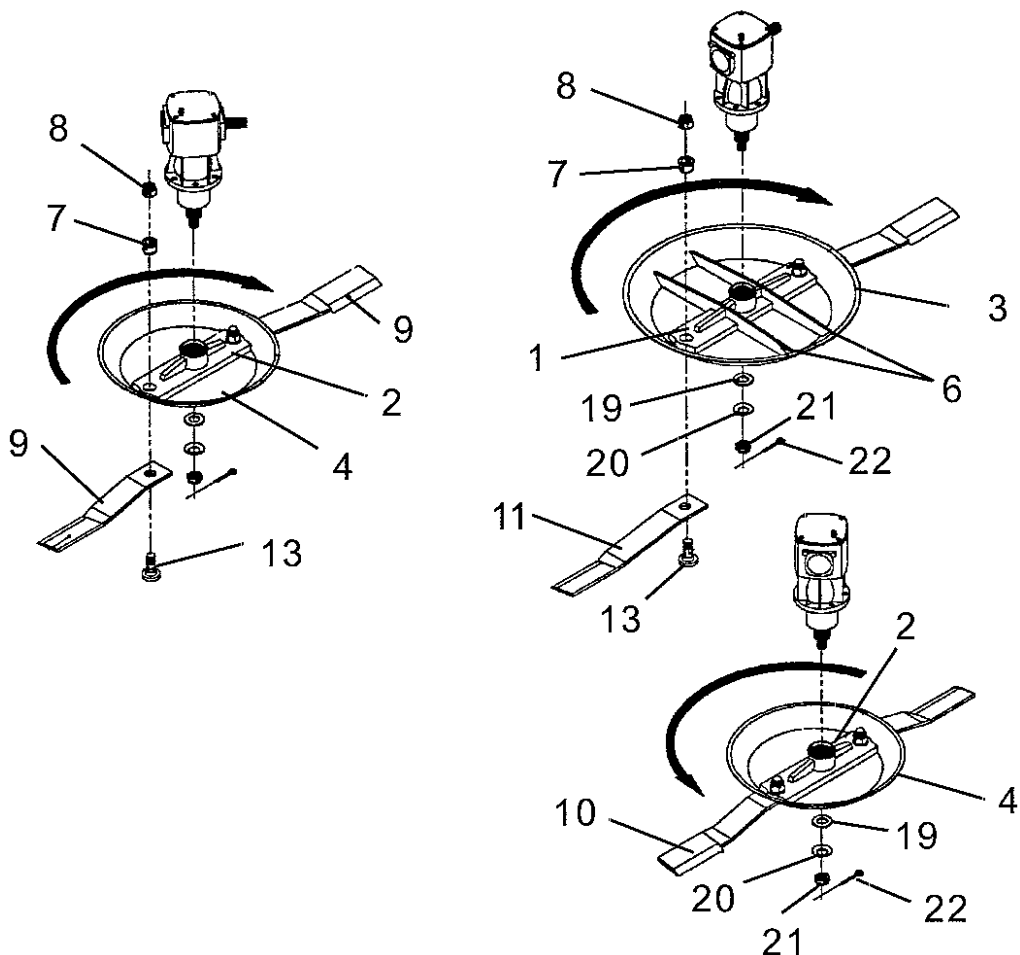
©2004 Alamo Group Inc.

Parts Section - 34

GEARBOX ASY, WING LH 540 OR 1000 RPM P/N 02981542

ITEM	PART NO.	QTY.	DESCRIPTION
	02981542	--	GEARBOX ASY, LH WING 540 OR 1000 RPM
1	02981654	1	CASING
2	02981655	1	GEAR, 23 TOOTH
3	02981656	2	BEARING ASY.
4	02981633	2	SHIM KIT
5	02981657	2	SNAP RING
6	02981658	1	OIL CAP
7	02981659	1	SHAFT, INPUT (1-3/4" X 20 SPLINE)
8	02981643	1	SEAL
9	02981660	1	TOP COVER
10	02981661	1	PLUG, 3/8"
11	02981662	4	BOLT
12	02981663	1	GEAR, 17 TOOTH
13	02981664	1	SANP RING
14	02978761	1	SHIM
15	02978757	2	BEARING ASY
16	02981665	1	SHIM KIT
17	02981666	1	SHAFT, OUTPUT
18	02978753	1	NUT, SLOTTED
19	02981667	1	COTTER PIN
20	02981791	1	VENT PLUG, OIL FILL PLUG
21	02978571	1	NUT, SLOTTED
22	02978756	1	SEAL
23	02978755	1	SEALING LID
24	02981668	1	HUB
25	02978570	1	BEVEL WASHER
26	02978769	1	FLATWASHER
251	02978572	1	COTTER PIN

BLADE CARRIER ASY, CENTER, L-WING & R-WING

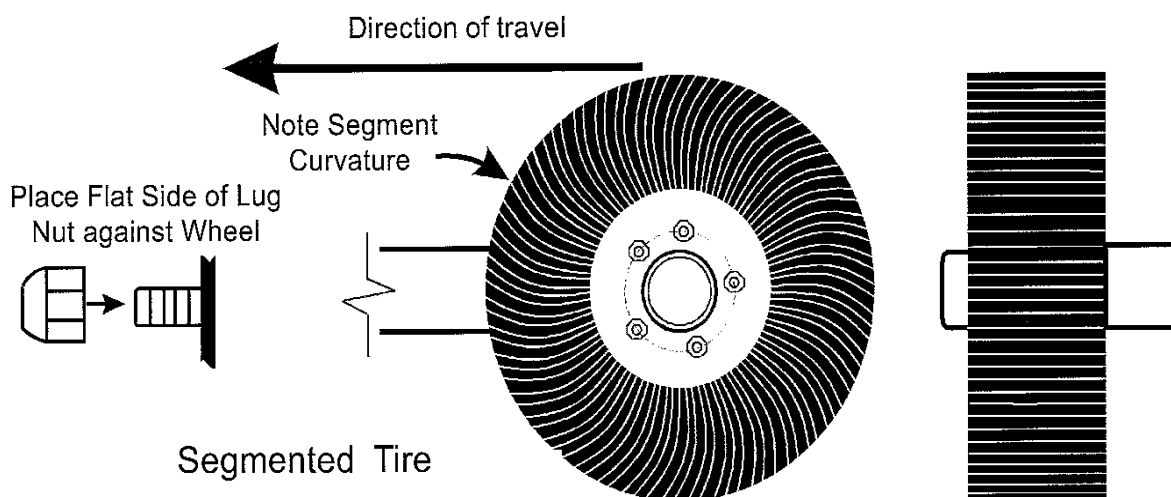
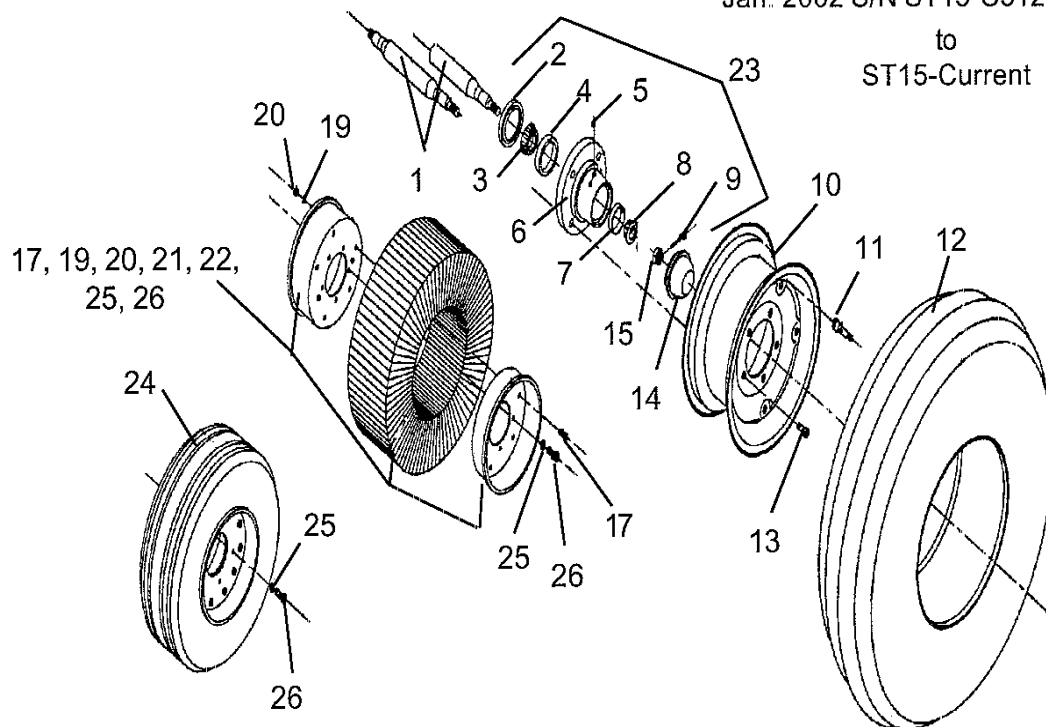


ITEM	PART NO.	QTY.	DESCRIPTION
1	02981543	1	WELDMENT, BLADE CARRIER CENTER
2	02981544	2	WELDMENT, BLADE CARRIER, WING
3	02981545	1	PAN ONLY, CENTER
4	02981546	2	PAN ONLY, WING
6	02981547	2	PAN REINFORCEMENTS, CENTER
7	02981548	6	BLADE BOLT, BUSHING
8	02978796	6	LOCKNUT
9	02978564	2	BLADE, CW - WING
10	02978565	2	BLADE, CCW - WING
11	02978566	2	BLADE, CW - CENTER
13	02981550	6	BLADE BOLT
	02981549	6	BLADE BOLT & NUT
19	02978569	3	FLAT WASHER, (COMER)
20	02978570	3	WASHER,
21	02978571	3	HEX SLOTTED NUT
22	02978572	3	COTTER PIN

NOTES

WHEEL, TIRES & HUB ASY

Jan. 2002 S/N ST15-C31200557203
to
ST15-Current



WHEEL ATTACHMENT

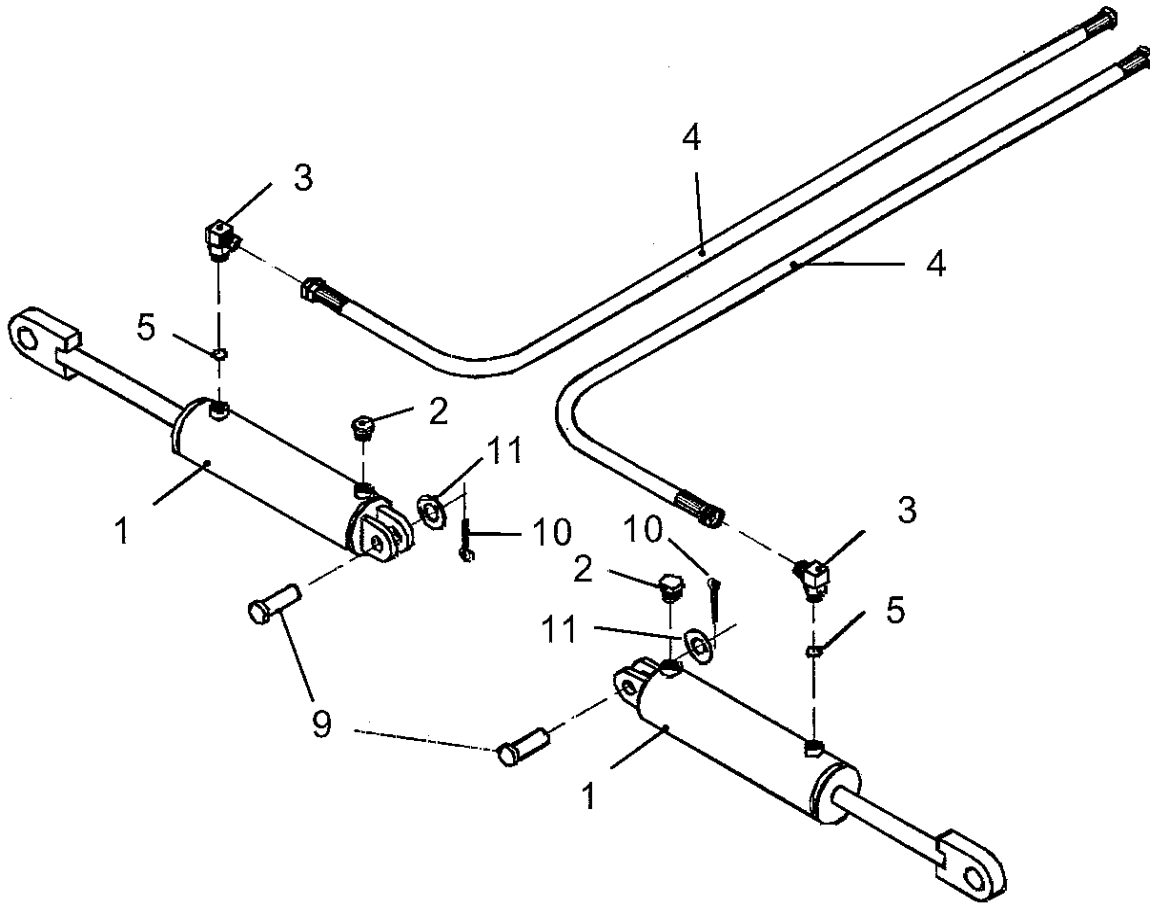
Laminated Tire and Wheels:

Attach the wheels to the hubs. If puncture-proof, Laminated Tires and Wheels are used, be sure the flat side of the nut is against the Wheel. Tighten wheel bolts to 85 ft/lbs. Note direction of travel and curvature of rubber segments in tire and install as shown below to give longest tire life.

WHEEL, TIRES & HUB ASY

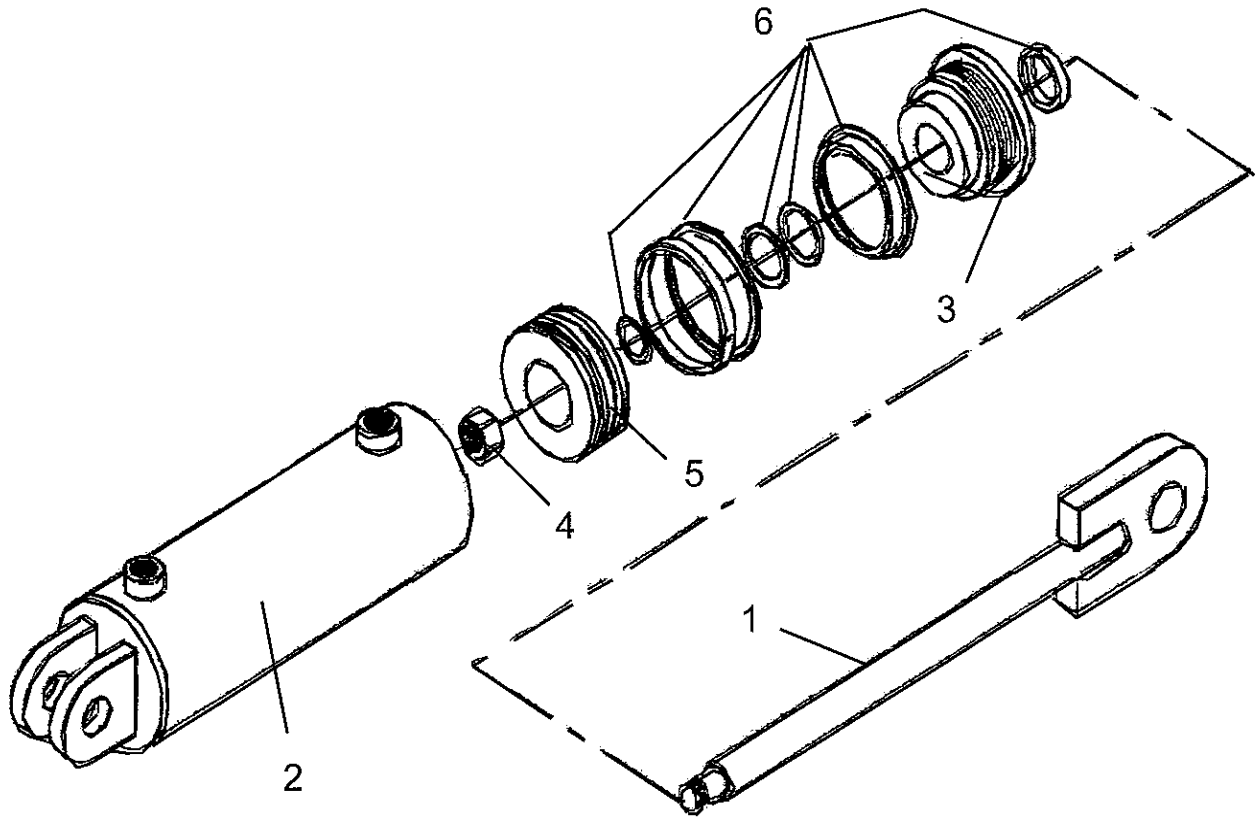
ITEM	PART NO.	QTY.	DESCRIPTION
1	02978573	A/R	SPINDLE, DUAL WHEEL
	02978574	A/R	SPINDLE, SINGLE WHEEL
2	02978575	1	SEAL
3	02978576	1	BEARING
4	02978577	1	RACE
5	001291	1	GREASE FITTING
6	02978578	1	HUB, W / BEARING CUPS
7	02978579	1	RACE
8	02978580	1	BEARING
9	000163	1	COTTER PIN
10	02978930	A/R	WHEEL ONLY, 7:00 X 15
	02982493	A/R	WHEEL ONLY, 9:5L X 15
11	02978931	1	VALVE STEM
12	02978932	A/R	TIRE ONLY, 7:00 X 15
	02982494	A/R	TIRE ONLY, 9:5L X 15
13	02982273	5	WHEEL BOLT
14	02978581	1	DUST CAP
15	5E12160	1	CASTLE NUT
17	10180500	5	BOLT
18	02978797	A/R	TIRE ASY, LAMINATED 6 X 9 - 5 BOLT
19	00012101	5	LOCKWASHER
20	00013901	5	HEX NUT
21	02978798	2	WHEEL HALF ONLY, 6 X 9 - 5 BOLT (REPLACEMENT PART F/ ITEM 18)
22	02978799	1	TIRE ONLY, SOLID LAMINATED 6 X 9 (REPLACEMENT PART F/ ITEM 18)
23	02978583	1	HUB
23	02978584	1	BEARING KIT
24	02978800	A/R	AIRCRAFT TIRE ASY, 22 X 6.6 X 10
	02978801	A/R	TUBE AND LINER F/ # 02978800
25	00001300	5	LOCKWASHER, F/ # 02978800
26	00749171	5	BOLT, F/ # 02978800

HYD. SCHEMATIC, WING LIFT



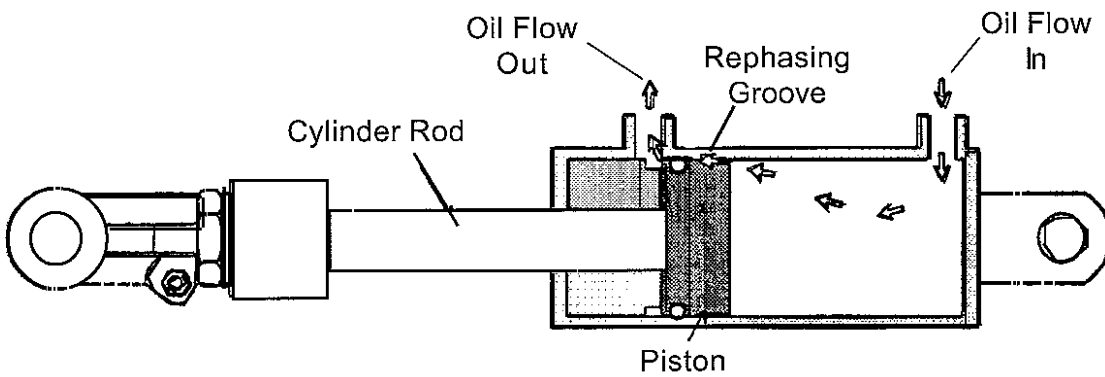
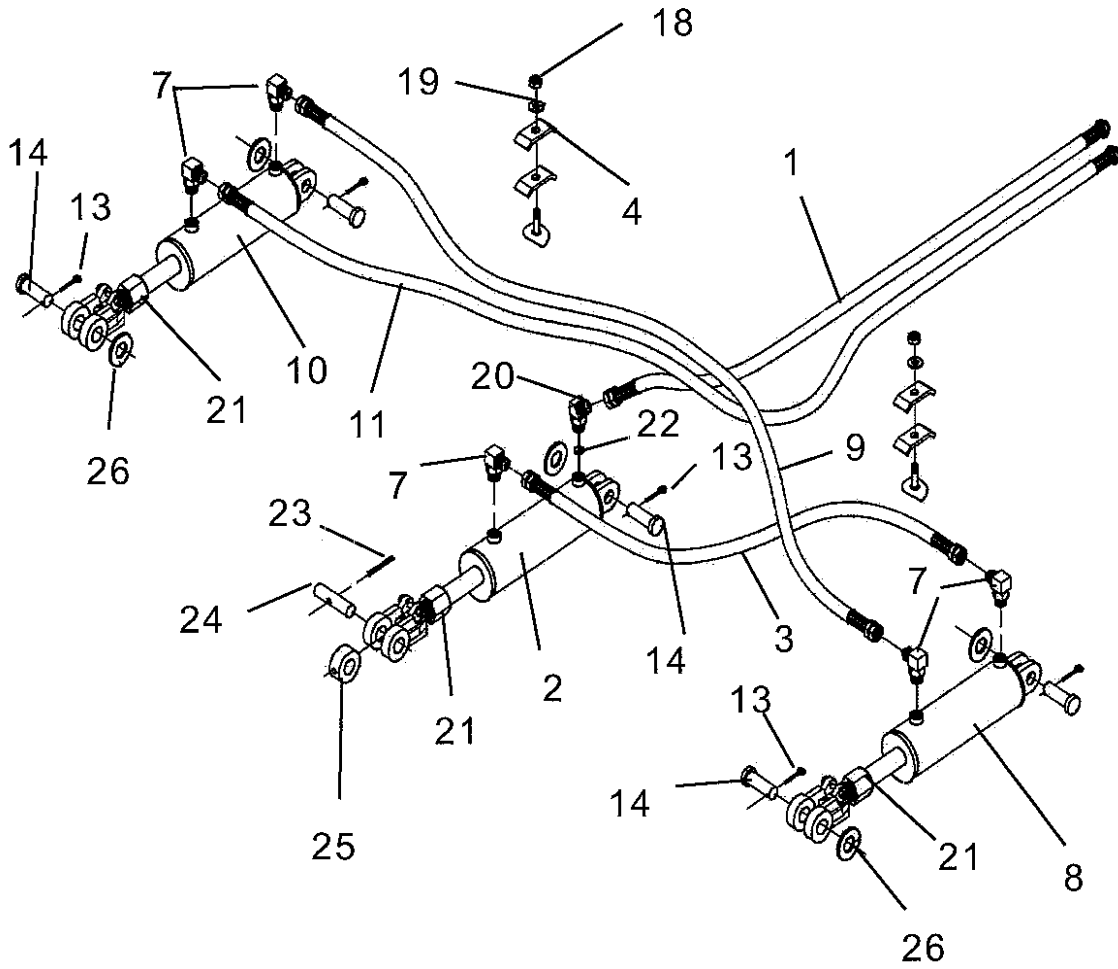
ITEM	PART NO.	QTY.	DESCRIPTION
1	02980472	2	CYLINDER
2	02978615	2	BREATHER, FILTER
3	02978616	2	HYD. ELBOW
4	02978617	2	HOSE
5	02978618	2	RESTRICTOR
9	02978527	2	CLEVIS PIN
10	00755153	2	COTTER PIN
11	15B1600	2	FLAT WASHER

HYD. CYLINDER ASY, WING LIFT P/N 02980472



ITEM	PART NO.	QTY.	DESCRIPTION
	02980472	--	CYLINDER ASY, WING LIFT
1	02980473	1	ROD
2	02980474	1	BARREL
3	02980475	1	GLAND
4	02980476	1	PISTON NUT
5	02980477	1	PISTON
6	02980478	1	SEAL KIT

HYD. SCHEMATIC, AXLE LIFT

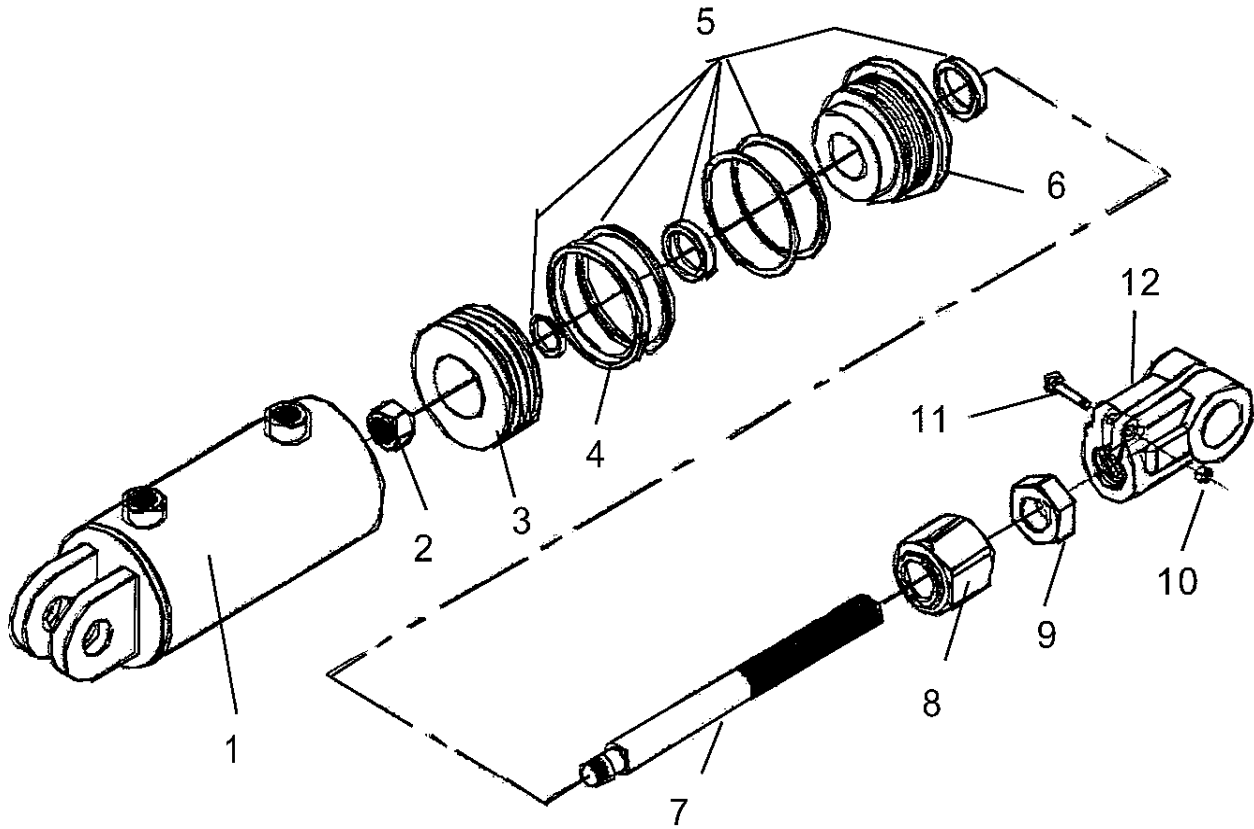


HYD. SCHEMATIC, AXLE LIFT

ITEM	PART NO.	QTY.	DESCRIPTION
1	02978633	1	HOSE
2	02980479	1	CYLINDER
3	02978637	1	HOSE
4	02978638	6	METAL HOSE CLAMP
7	02978616	5	HYD. ELBOW
8	02980480	1	CYLINDER
9	02978640	1	HOSE
10	02980481	1	CYLINDER
11	02978642	1	HOSE
13	00755153	6	COTTER PIN
14	02978527	6	CLEVIS PIN
17	02957042	1	BOLT
18	15B600	3	FLAT WASHER
19	00015800	3	LOCK NUT
20	02978643	1	HYD.ELBOW
21	02978644	3	DEPTH STOP
22	02978618	1	RESTRICTOR

ST15/ST10 (08-04) S/N Prefix C314 & C315 & UP

HYD. CYLINDER, AXLE LIFT



ST15/ST10 (08-04) S/N Prefix C314 & C315 & UP

©2004 Alamo Group Inc.

Parts Section - 43

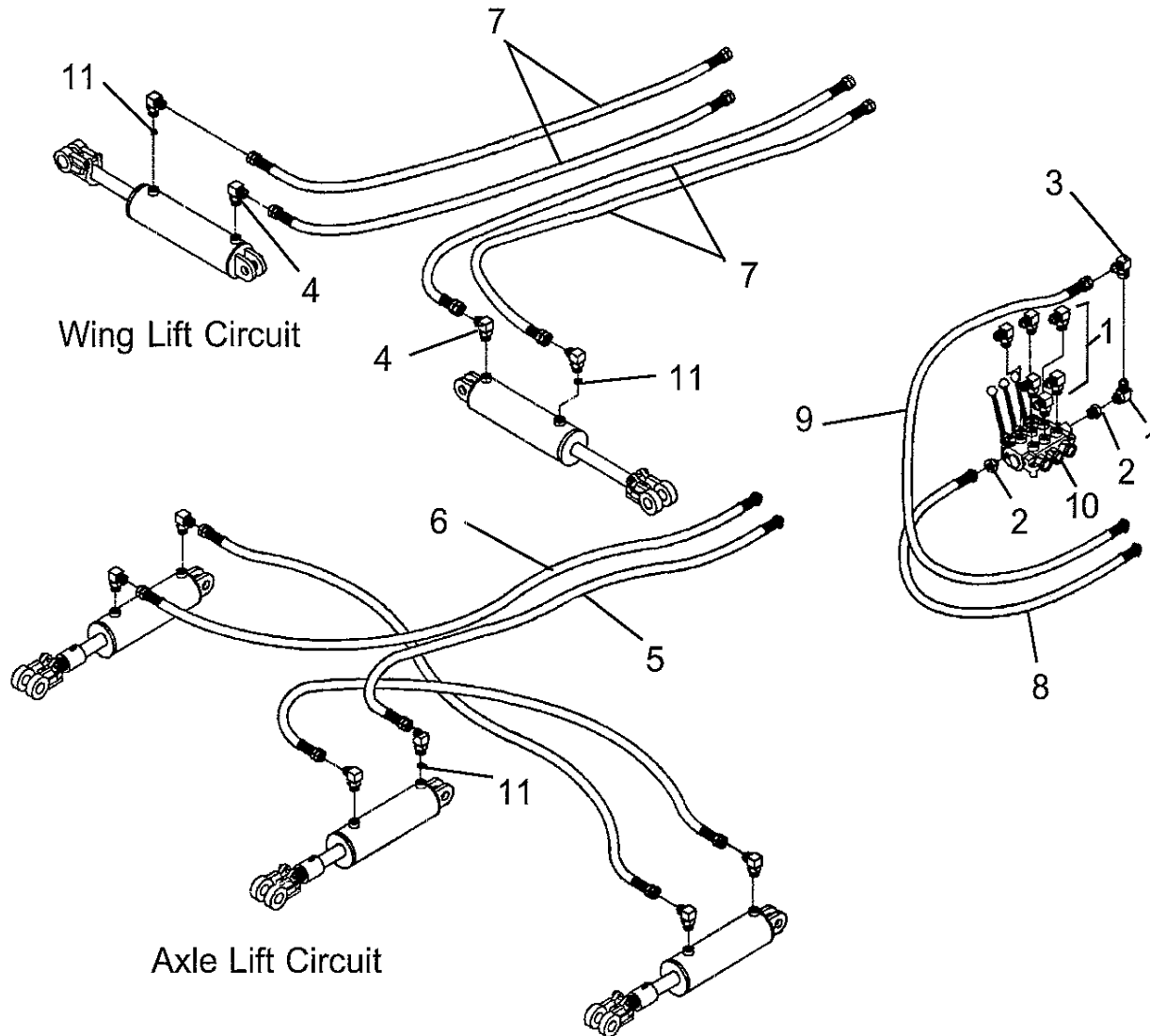
HYD. CYLINDER, AXLE LIFT

ITEM	PART NO.	QTY. CTR	QTY. RWG	QTY. LWG	DESCRIPTION
	02980479	1	--	--	CYL. ASY, 3-1/2" BORE, CENTER AXLE CYL.
	02980480	--	1	--	CYL. ASY, 3-1/4" BORE, RH-WING AXLE CYL.
	02980481	--	--	1	CYL. ASY, 3" BORE, LH-WING AXLE CYL
1	02980494	1	--	--	BARREL WLDMNT, F/ 02980479 CYL
	02980489	--	1	--	BARREL WLDMNT, F/ 02980480 CYL
	02980482	--	--	1	BARREL WLDMNT, F/ 02980481 CYL.
2	02980476	1	1	1	PISTON NUT, F/ CYLINDER
3	02980495	1	--	--	PISTON, F/ 02980479 CYL.
	02980490	--	1	--	PISTON, F/ 02980480 CYL.
	02980483	--	--	1	PISTON, F/ 02980481 CYL
4	02980496	1	--	--	WEAR RING, F/ 02980479 CYL
	02980491	--	1	--	WEAR RING, F/ 02980480 CYL
	02980484	--	--	1	WEAR RING, F/ 02980481 CYL
5	02980497	1	--	--	SEAL KIT, F/ 02980479 CYL
	02980492	--	1	--	SEAL KIT, F/ 02980480 CYL
	02980485	--	--	1	SEAL KIT, F/ 02980481CYL
6	02980498	1	--	--	GLAND, F/ 02980479 CYL.
	02980493	--	1	--	GLAND, F/ 02980480 CYL.
	02980475	--	--	1	GLAND, F/ 02980481 CYL.
7	02980486	1	1	1	ROD, CYLINDER
8	02978655	1	1	1	STROKE CONTROL ASY.
9	02980487	1	1	1	JAM NUT
10	00750940	1	1	1	LOCKNUT
11	00016200	1	1	1	BOLT
12	02980488	1	1	1	CLEVIS END, CYL

VALVE KIT, 2 SPL & 3 SPL

Jan. 2002 S/N ST15-C31200557203

to
ST15-Current



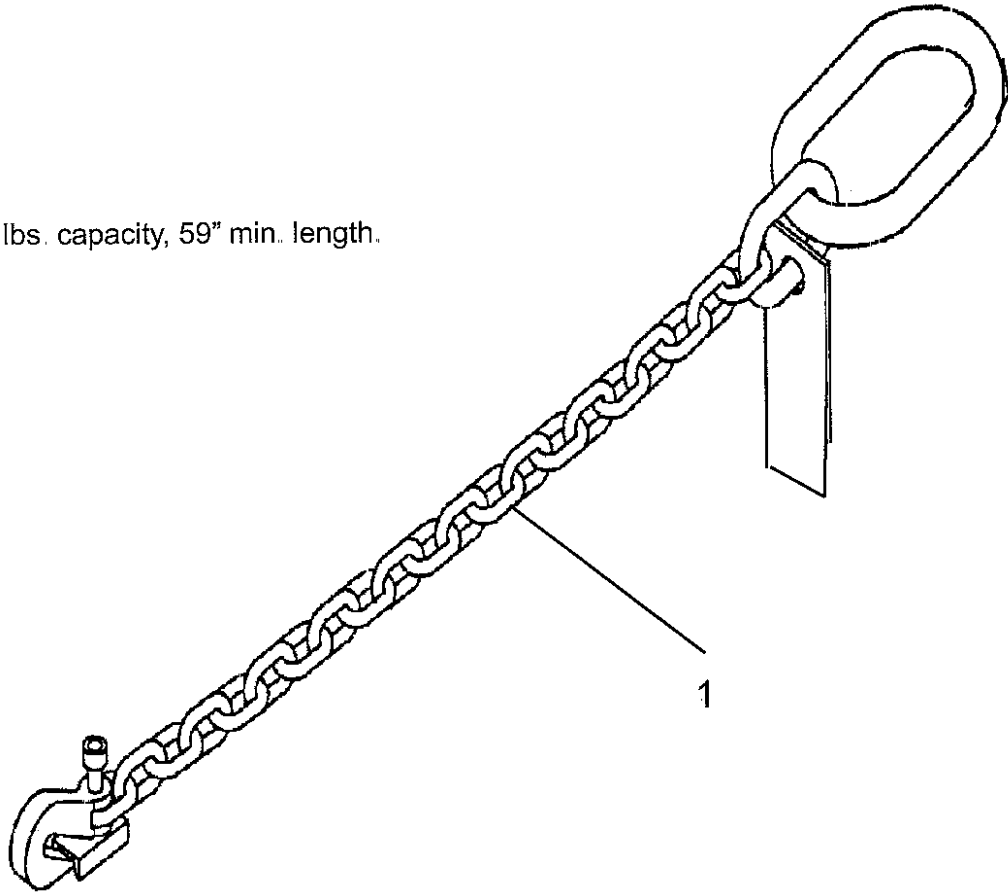
VALVE KIT, 2 SPL & 3 SPL

ITEM	PART NO.	QTY.2 SPL	QTY.3 SPL	DESCRIPTION
	02978898	--		VALVE KIT, 3-SPOOL F/ ST-15
	02978938	1		VALVE KIT, 2 SPOOL F/ ST-10
1	02978939	5	7	HYD ELBOW
2	02978940	2	2	REDUCER
3	02978941	1	1	HYD ELBOW
4	02978616	1	2	HYD STGHT ADAPTER
5	02978942	1	1	HOSE ASY.
6	02978943	1	1	HOSE ASY.
7	02978944	2	4	HOSE ASY.
8	02978946	1	1	HOSE ASY
9	02978946	1	1	HOSE ASY.
10	02978947	1	1	VALVE, 3 SPOOL
11	02978618	2	3	RESTRICTOR

ST15/ST10 (08-04) S/N Prefix C314 & C315 & UP

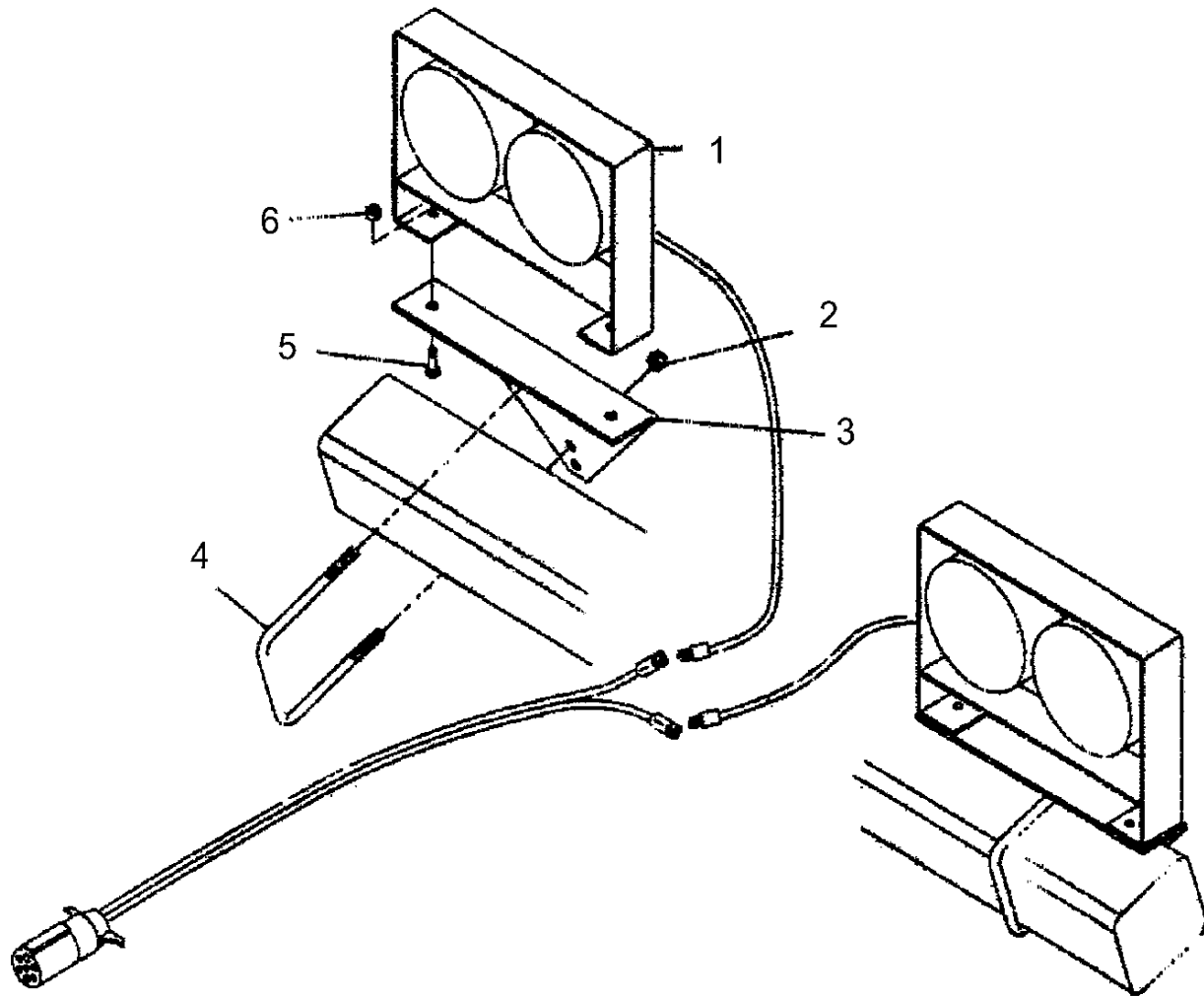
TOW SAFETY CHAIN ASY

10,100 lbs. capacity, 59" min. length.



ITEM	PART NO.	QTY.	DESCRIPTION
1	02978778	1	CHAIN, SAFETY ASY COMPLETE

TRANSPORT LIGHT KIT



ITEM	PART NO.	QTY.	DESCRIPTION
	02978779	1	KIT, TRANSPORT LIGHT KIT (ITEMS 1 THRU 6)
1	02979714	1	TRANSPORT LIGHT SET, W/HARNESS
2	00015800	4	LOCK NUT
3	02979715	2	LIGHT BRACKET
4	02979716	2	U-BOLT
5	00035900	4	BOLT
6	02030300	4	LOCK NUT

NOTES

Alamo Industrial

LIMITED WARRANTY

1. LIMITED WARRANTIES

- 1.01. Servis-Rhino warrants for one year from the purchase date to the original non-commercial, governmental, or municipal purchaser ("Purchaser") and warrants for six months to the original commercial or industrial purchaser ("Purchaser") that the goods purchased are free from defects in material or workmanship.
- 1.02. Manufacturer will replace for the Purchaser any part or parts found, upon examination at one of its factories, to be defective under normal use and service due to defects in material or workmanship.
- 1.03. This limited warranty does not apply to any part of the goods which has been subjected to improper or abnormal use, negligence, alteration, modification, or accident, damaged due to lack of maintenance or use of wrong fuel, oil, or lubricants, or which has served its normal life. This limited warranty does not apply to any part of any internal combustion engine, or expendable items such as blades, shields, guards, or pneumatic tires except as specifically found in your Operator's Manual.
- 1.04. Except as provided herein, no employee, agent, Dealer, or other person is authorized to give any warranties of any nature on behalf of Manufacturer.

2. REMEDIES AND PROCEDURES.

- 2.01. This limited warranty is not effective unless the Purchaser returns the Registration and Warranty Form to Manufacturer within 30 days of purchase.
- 2.02. Purchaser claims must be made in writing to the Authorized Dealer ("Dealer") from whom Purchaser purchased the goods or an approved Authorized Dealer ("Dealer") within 30 days after Purchaser learns of the facts on which the claim is based.
- 2.03. Purchaser is responsible for returning the goods in question to the Dealer.
- 2.04. If after examining the goods and/or parts in question, Manufacturer finds them to be defective under normal use and service due to defects in material or workmanship, Manufacturer will:
 - (a) Repair or replace the defective goods or part(s) or
 - (b) Reimburse Purchaser for the cost of the part(s) and reasonable labor charges (as determined by Manufacturer) if Purchaser paid for the repair and/or replacement prior to the final determination of applicability of the warranty by Manufacturer.The choice of remedy shall belong to Manufacturer.
- 2.05. Purchaser is responsible for any labor charges exceeding a reasonable amount as determined by Manufacturer and for returning the goods to the Dealer, whether or not the claim is approved. Purchaser is responsible for the transportation cost for the goods or part(s) from the Dealer to the designated factory.

3. LIMITATION OF LIABILITY.

- 3.01. MANUFACTURER DISCLAIMS ANY EXPRESS (EXCEPT AS SET FORTH HEREIN) AND IMPLIED WARRANTIES WITH RESPECT TO THE GOODS INCLUDING, BUT NOT LIMITED TO, MERCHANTABILITY AND FITNESS FOR A PARTICULAR PURPOSE.
- 3.02. MANUFACTURER MAKES NO WARRANTY AS TO THE DESIGN, CAPABILITY, CAPACITY, OR SUITABILITY FOR USE OF THE GOODS.
- 3.03. EXCEPT AS PROVIDED HEREIN, MANUFACTURER SHALL HAVE NO LIABILITY OR RESPONSIBILITY TO PURCHASER OR ANY OTHER PERSON OR ENTITY WITH RESPECT TO ANY LIABILITY, LOSS, OR DAMAGE CAUSED OR ALLEGED TO BE CAUSED DIRECTLY OR INDIRECTLY BY THE GOODS INCLUDING, BUT NOT LIMITED TO, ANY INDIRECT, SPECIAL, CONSEQUENTIAL, OR INCIDENTAL DAMAGES RESULTING FROM THE USE OR OPERATION OF THE GOODS OR ANY BREACH OF THIS WARRANTY. NOTWITHSTANDING THE ABOVE LIMITATIONS AND WARRANTIES, MANUFACTURER'S LIABILITY HEREUNDER FOR DAMAGES INCURRED BY PURCHASER OR OTHERS SHALL NOT EXCEED THE PRICE OF THE GOODS.
- 3.04. NO ACTION ARISING OUT OF ANY CLAIMED BREACH OF THIS WARRANTY OR TRANSACTIONS UNDER THIS WARRANTY MAY BE BROUGHT MORE THAN TWO (2) YEARS AFTER THE CAUSE OF ACTION HAS OCCURRED.

4. MISCELLANEOUS.

- 4.01. Proper Venue for any lawsuits arising from or related to this limited warranty shall be only in Guadalupe County, Texas.
- 4.02. Manufacturer may waive compliance with any of the terms of this limited warranty, but no waiver of any terms shall be deemed to be a waiver of any other term.
- 4.03. If any provision of this limited warranty shall violate any applicable law and is held to be unenforceable, then the invalidity of such provision shall not invalidate any other provisions herein.
- 4.04. Applicable law may provide rights and benefits to purchaser in addition to those provided herein.

KEEP FOR YOUR RECORDS

ATTENTION: Purchaser should fill in the blanks below for his reference when buying repair parts and/or for proper machine identification when applying for warranty.

Servis-Rhino Implement Model _____ Serial Number _____

Date Purchased _____ Dealer _____

ATTENTION:
READ YOUR OPERATOR'S MANUAL





TO THE OWNER/OPERATOR/DEALER

To keep your implement running efficiently and safely, read your manual thoroughly and follow these directions and the Safety Messages in this Manual. The Table of Contents clearly identifies each section where you can easily find the information you need.

The OCCUPATIONAL SAFETY AND HEALTH ACT (1928.51 Subpart C) makes these minimum safety requirements of tractor operators:

REQUIRED OF THE OWNER:

1. Provide a Roll-Over-Protective Structure that meets the requirements of this Standard; and
2. Provide Seatbelts that meet the requirements of this paragraph of this Standard and SAE J4C; and
3. Ensure that each employee uses such Seatbelt while the tractor is moving; and
4. Ensure that each employee tightens the Seatbelt sufficiently to confine the employee to the protected area provided by the ROPS.

REQUIRED OF THE OPERATOR

1. Securely fasten seatbelt if the tractor has a ROPS.
2. Where possible, avoid operating the tractor near ditches, embankments, and holes.
3. Reduce speed when turning, crossing slopes, and on rough, slick, or muddy surfaces.
4. Stay off slopes too steep for safe operation.
5. Watch where you are going - especially at row ends, on roads, and around trees.
6. Do not permit others to ride.
7. Operate the tractor smoothly - no jerky turns, starts, or stops.
8. Hitch only to the drawbar and hitch points recommended by the tractor manufacturer.
9. When the tractor is stopped, set brakes securely and use park lock, if available.



Keep children away from danger all day, every day...



Equip tractors with rollover protection (ROPS) and keep all machinery guards in place...



Please work, drive, play and live each day with care and concern for your safety and that of your family and fellow citizens.

