



SUPER HEAVY DUTY FLAIL

SHD62 - SHD74 SHD88 - SHD96

Rev 03-13

P/N 02979007

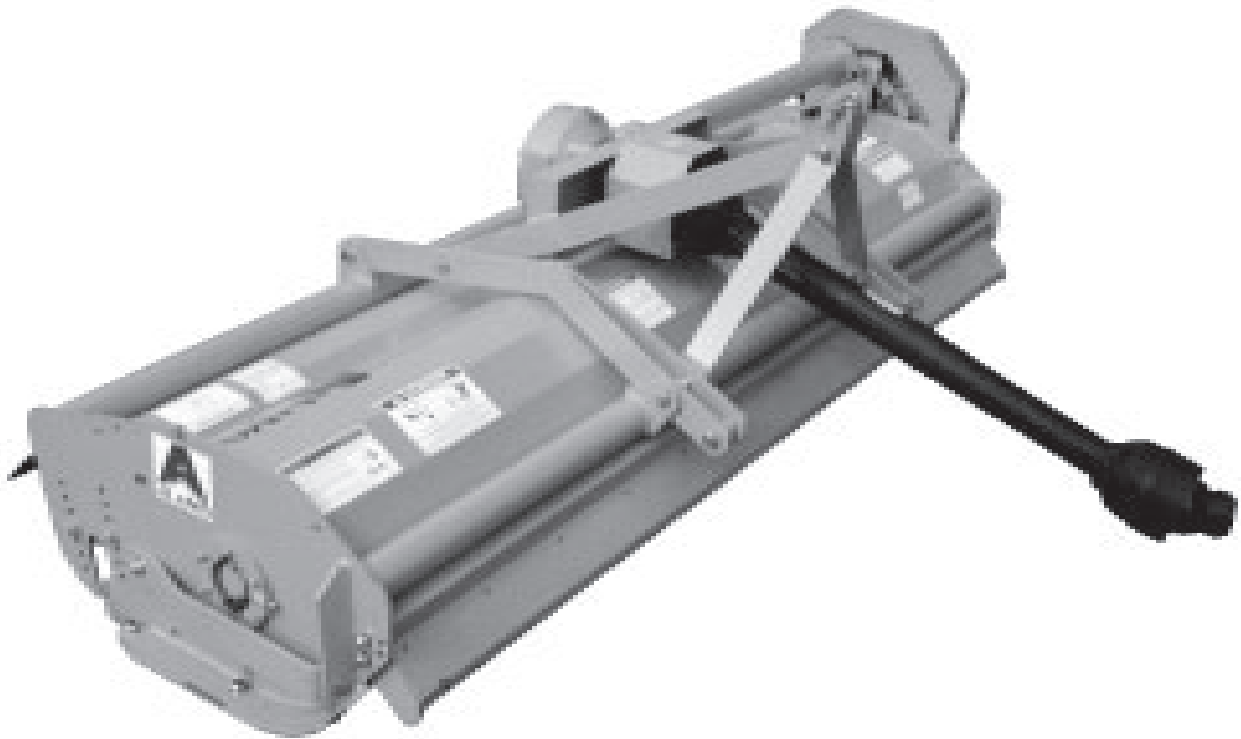
ARCHIVE BOOK

By Serial Number / Production Date

Mar 1972 to Jan 2004

62" - 74" - 88" - 96" Models

2004 Edition



COMPLETE PARTS LISTING

ALAMO INDUSTRIAL

1502 E. Walnut
Seguin, Texas 78155
830-372-9595



INDEX - SHD FLAIL

ITEM	PAGE NO.
INTRODUCTION SHD FLAILS	
Parts Section	1
A-FRAME / GEARBOX MOUNT	57-58-59
BELT & PULLEY SYSTEM	60
CASTER WHEEL OPTION	90-91
CHECK CHAIN OPTION	92-93
DECAL & DECAL LOCATION	94-95-96-97-99
DRIVELINE ASSEMBLY	
Mar. 1972 to Dec. 1977.....	30-31
Jan. 1978 to Oct. 1985.....	32-33
Nov. 1985 to May 1987.....	34-35
Jun. 1987 to May 1990..W/O Clutch.....	36-37
Jun. 1987 to May 1990..W/ Clutch.....	38-39
Jun. 1990 to Current..W/ Clutch.....	40-41
DRIVELINE CLUTCH	
Jun. 1987 to May 1990.....	42
Jun. 1990 to Jun. 1994.....	43
Jul. 1994 to Nov. 1996.....	44
Dec. 1996 to Current.....	45
MOWER DECK ASSEMBLY	
50" & 62" Decks	
Belt & Pulley System.....	60
Cutter Shaft Brg Non Drive Side.....	62-63-64-65-66
Drive Side.....	62-67-68-69
Cutter Shaft Assembly.....	70-71-72-73-74-75
Gearbox Assembly.....	80-81
Gearbox Extension Housing.....	86-67
Knives,.....	76-77-78-79
Deck Components	2-3-4-5-6-7-8-9
Rear Roller Assembly.....	46-47-48-49-50
	51-52-53-54-55
Roller Options, Nov. 1990 to Current.....	56
74" Decks	
Belt & Pulley System.....	60
Cutter Shaft Brg Non Drive Side.....	62-63-64-65-66
Drive Side.....	62-67-68-69
Cutter Shaft Assembly.....	70-71-72-73-74-75
Gearbox Assembly.....	80-81
Gearbox Extension Housing.....	86-67
Knives,.....	76-77-78-79
Deck Components	10-11-12-13
	14-15-16-17
Rear Roller Assembly.....	46-47-48-49-50
	51-52-53-54-55
Roller Options, Nov. 1990 to Current.....	56

Continued Next Page

INDEX - SHD FLAIL

ITEM

PAGE NO.

Continued From Previous Page

88" Decks

Belt & Pulley System.....	60
Cutter Shaft Brg Non Drive Side.....	62-63-64-65-66
Drive Side.....	62-67-68-69
Cutter Shaft Assembly.....	70-71-72-73-74-75
Gearbox Assembly.....	80-81
Gearbox Extension Housing.....	86-67
Knives,.....	76-77-78-79
Deck Components	18-19-20-21
	22-23-24-25
Rear Roller Assembly.....	46-47-48-49-50
	51-52-53-54-55
Roller Options, Nov. 1990 to Current.....	56

96" Decks

Belt & Pulley System.....	60
Cutter Shaft Brg Non Drive Side.....	62-63-64-65-66
Drive Side.....	62-67-68-69
Cutter Shaft Assembly.....	70-71-72-73-74-75
Gearbox Assembly.....	80-81
Gearbox Extension Housing.....	86-67
Knives,.....	76-77-78-79
Deck Components	26-27-28-29
Rear Roller Assembly.....	46-47-48-49-50
	51-52-53-54-55
Roller Options, Nov. 1990 to Current.....	56

SKID SHOE..... 88

SERIAL NUMBERS & PRODUCTION DATE LISTINGt..... 102 thru 118

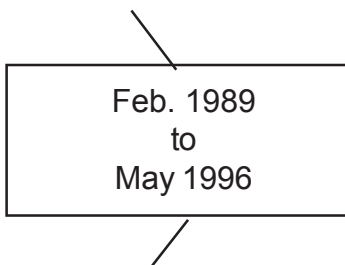
SPECIFICATIONS..... 100-101

SHD FLAIL ARCHIVE BOOK INTRODUCTION

The SHD Flail Archive Book is a complete listing of Parts from the first Unit to the Present. The Production Dates, Serial Numbers, Special Notes and Descriptions are furnished to help find Replacement Parts. Dimension (if listed) are for Identification of Parts and MAY NOT be to Manufacturing Specification, Your measurements may vary some from dimensions listed. Some Parts may be changed and be different than parts listed. Some Modification may be required when replacing older parts. Match S/N's listed in the rear of this Book with the Ship Dates listed at the top of each Parts Page. This is because of the wide range of Model sizes using these S/N's

PAGE EXAMPLE

Beginning Production Date



Ending Production Date

FRAME
ASSEMBLY

Componets Listed This Page

SEE Serial Number Section
in Rear of this Book for S/N
Ship Dates by Model, Then
match to Parts Page date.

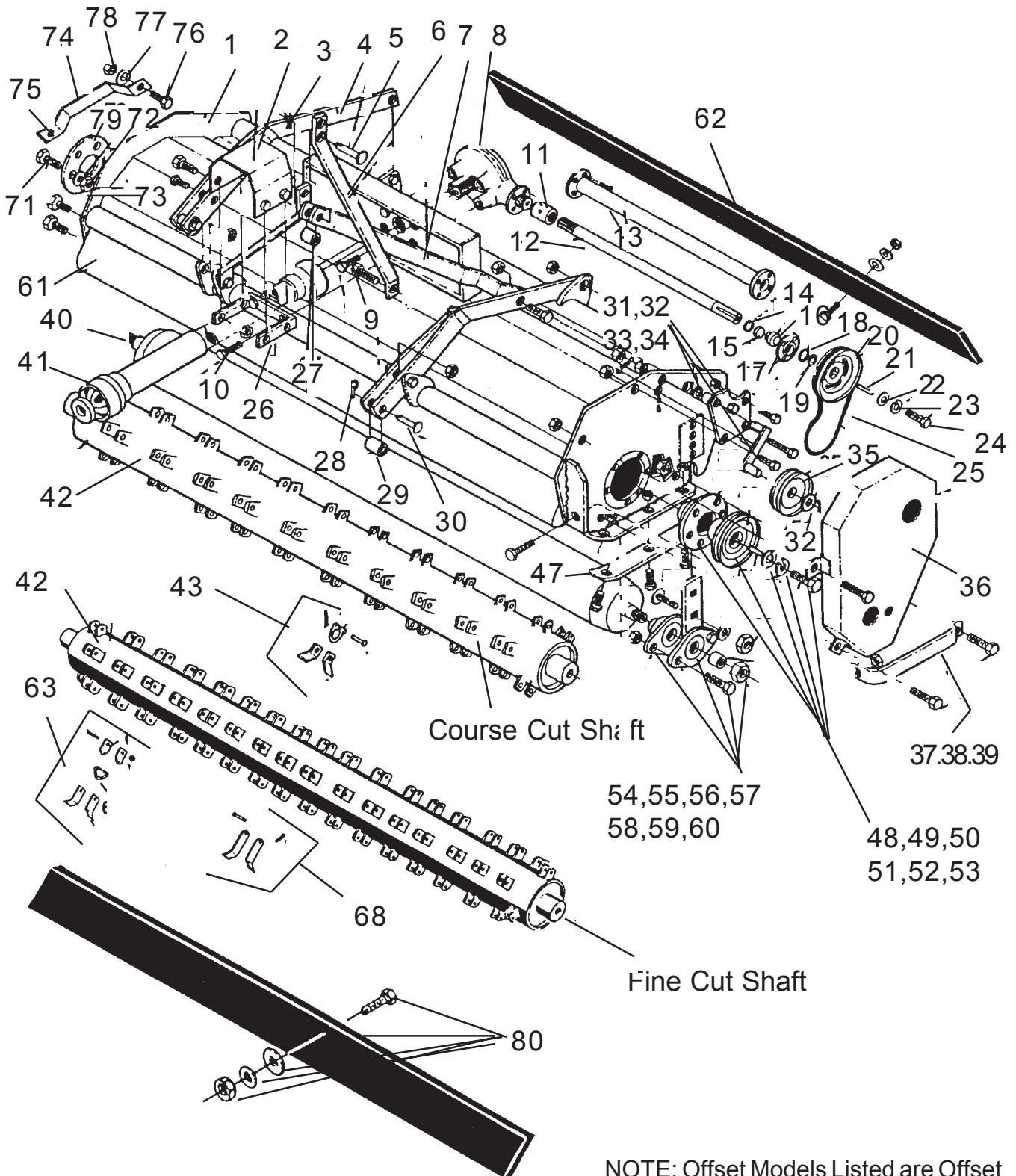
For ordering parts the following instructions are offered to help eliminate delay

1. The purchase order must include the Name, Address (Ship to Street Address) of the Person / Organization ordering the parts. Who / How Parts should be Billed. Name and Phone Number of a Contact Person at your end.
2. The Purchase Order must list clearly the correct Part Number of Part. Quantity of each Part wanted, Complete and correct Description of each Part. All Parts will be shipped as requested depending on availability and/or reasonability of request carrier / method.
3. Alamo Industrial reserves the right to substitute parts where applicable and change prices Without prior notice. Alamo Industrial also reserves the right to Ship Parts the most Reasonable way as determined by Alamo Industrial.
4. Some Parts are unlisted items, which are special production items not normally stocked or built for a limited / special use, These parts may be subject to special handling or cannot be priced till ordered. Always Request a quotation for such Parts before sending a purchase order.

Sep. 1981
to
Oct. 1990

MOWER ASY 50" - 62" Model

SEE
S/N Ship Dates
in Back of Book



NOTE: Offset Models Listed are Offset to the Right and are Forward Rotation
50" & 62" Model not available prior to
Sept. 1981.

Sep. 1981
to
Oct. 1990

MOWER ASY

50" - 62" Model

SEE
S/N Ship Dates
in Back of Book

Item # 1 thru 23

Item	Part No.	50" 62"Center		Description
		Center FWD	REV	
1	104750	1	-	Cutter Hsg. (w/o Caster Brkts)
	104843	1	-	Cutter Hsg. (w/ Caster Brkts) Renov.
	104686	-	1	Cutter Hsg, (w/o Caster Brkts)
	105310	-	1	Cutter Hsg, (w/ Caster Brakts)
	105021	-	-	1 Cutter Hsg, w/ Front Deflector (w/o caster Brkts)
	104709	-	1	- Cutter Hsg, Renv (w/ Caster Brkts) Renov.
2	701458	1	1	1 PTO Shield (06/89 & Up)
	000132	4	4	4 Bolt (Not shown)
	000019	4	4	4 Lockwasher (Not shown)
3	-----	1	1	1 Quick Cotter (See A-Frame Section
4	-----	2	2	2 Overarm (See A-Frame Section)
5	101779	1	1	1 Top Link Hitch Pin
6	103715	2	2	2 A-Frame
7	-----	1	1	1 Gearbox Mounting Frame (See A-Frame / G/B Mnt Section)
8	-----	1	1	1 Geabox Asy. (See Gearbox Asy. Section)
	700554	1	-	- Gearbox & Extension Shaft Asy.
	701653	-	1	1 Gearbox & Extension Shaft Asy.
9	000510	2	2	2 Bolt (upper)
10	000511	2	2	2 Bolt (lower)
	000521	4	4	4 Lockwasher (Not shown)
	000552	6	6	6 Gearbox Shim (as needed) (Not shown)
11	700171	1	1	1 Spline Coupler Assembly (w/zerk fitting)
	001727	4	4	4 Counterbore Screw (Not shown)
	03101646	4	4	4 Lockwasher (Not shown)
12	100286	1	-	- Extension Shaft
	104685	-	1	1 Extension Shaft
13	102637	1	-	- Extesion Shaft Housing
	104683	-	1	1 Extension Shaft Housing
	001727	1	1	1 Screw (Not shown)
	03101646	1	1	1 Lockwasher
14	100010	1	1	1 Bevel Ring
15	100057	1	1	1 Snap Ring
16	000398	1	1	1 Bearing
	700491	1	1	1 Bearing and Housing Asy.
	000206	1	1	1 Lubricap (Not shown)
	000012	4	4	4 Bolt (Not shown)
	000014	4	4	4 Nut (Not shown)
	000019	4	4	4 Lockwasher (Not Shown)
17	700739	1	1	1 Bearing Housing (w/zerk fitting)
18	000402	2	2	2 Bearing Retaining Ring
19	102651	3	3	3 Pulley Shim (as needed)
20	102501	1	1	1 Drive Shaft Pulley
21	101782	1	1	1 Key (06/89 & Up)
22	101780	1	1	1 Heavy Washer
23	000520	1	1	1 Lockwasher

Sep. 1981
to
Oct. 1990

MOWER ASY

50" - 62" Model

SEE
S/N Ship Dates
in Back of Book

Item # 24 thru 43

Item	Part No.	50"	62"Center	Description
		Center	FWD REV	
24	000555	1	1	1 Bolt
25	100706	1	1	1 Drive Belt
26	105597	1	1	1 Shield Mounting Bracket
27	103717	1	1	1 Upper Bushing (Convert CAT 1 to CAT 2)
28	2196	1	1	1 CLIP (LYNCH PIN), 13/32 DIA.
29	103716	2	2	2 Lower Bushing (Convert CAT 1 to CAT 2)
30	100743	2	2	2 Lower Hitch Pin
31	000539	1	1	1 Spring
32	101778	4	4	4 Pulley Arm Bearing Plate Spacer
	000001	1	1	1 Bolt (Not shown)
	000018	1	1	1 Lockwasher (Not shown)
	000017	1	1	1 Washer (Not shown)
	000523	1	1	1 Cotter Pin
	700494	1	1	- Idler Asy.
	701851	1	-	1 Idler Asy.
33	701905	1	1	- Outboard Bearing Plate (w/zerk fitting)
	701847	-	-	1 Outboard Bearing Plate (w/zerk fitting)
	000206	1	1	1 Lubricap (N/S)
	000135	1	1	1 Bolt(long) (N/S)
	000645	1	1	1 Bolt (N/S)
	000019	2	2	2 Lockwasher
	000171	3	3	3 Nut (N/S)
34	100727	1	1	- Idler Arm
	104938	-	-	1 Idler Arm
	00755153	2	2	2 Cotter Pin (N/S)
35	000547	1	1	1 Idler Pulley
36	700488	1	1	- Belt Guard Package (W/ fasteners)
	701845	-	-	1 Belt Guard Package (W/ fasteners)
	000544	3	3	- Bolt (N/S)
	000520	3	3	- Lockwasher
	000513	3	3	- Nut (N/S)
	000554	-	-	3 Bolt (N/S)
	000520	-	-	3 Lockwasher (N/S)
	000063	-	-	2 Flatwasher (N/S)
	000513	-	-	1 Nut
37	100745	1	1	- Belt Guard Fender
	100744	1	1	1 Fender, RH Fwd /LH Rev (Renv.)
	000555	2	2	2 Bolt (front) (N/S)
	000554	2	2	2 Bolt (rear) (N/S)
	000513	2	2	2 Nut (N/S)
40	-----	1	1	1 Roller Asy. (See Roller Section)
41	-----	1	1	1 PTO Driveline Asy, (See Driveline Section)
42	-----	1	1	1 Cuttershaft, CC or FC (See Cutter Shaft Section)
43	-----	1	1	1 Knife Pkg, CC (See Cutter Shaft Section)

Sep. 1981
to
Oct. 1990

MOWER ASY

50" - 62" Model

SEE
S/N Ship Dates
in Back of Book

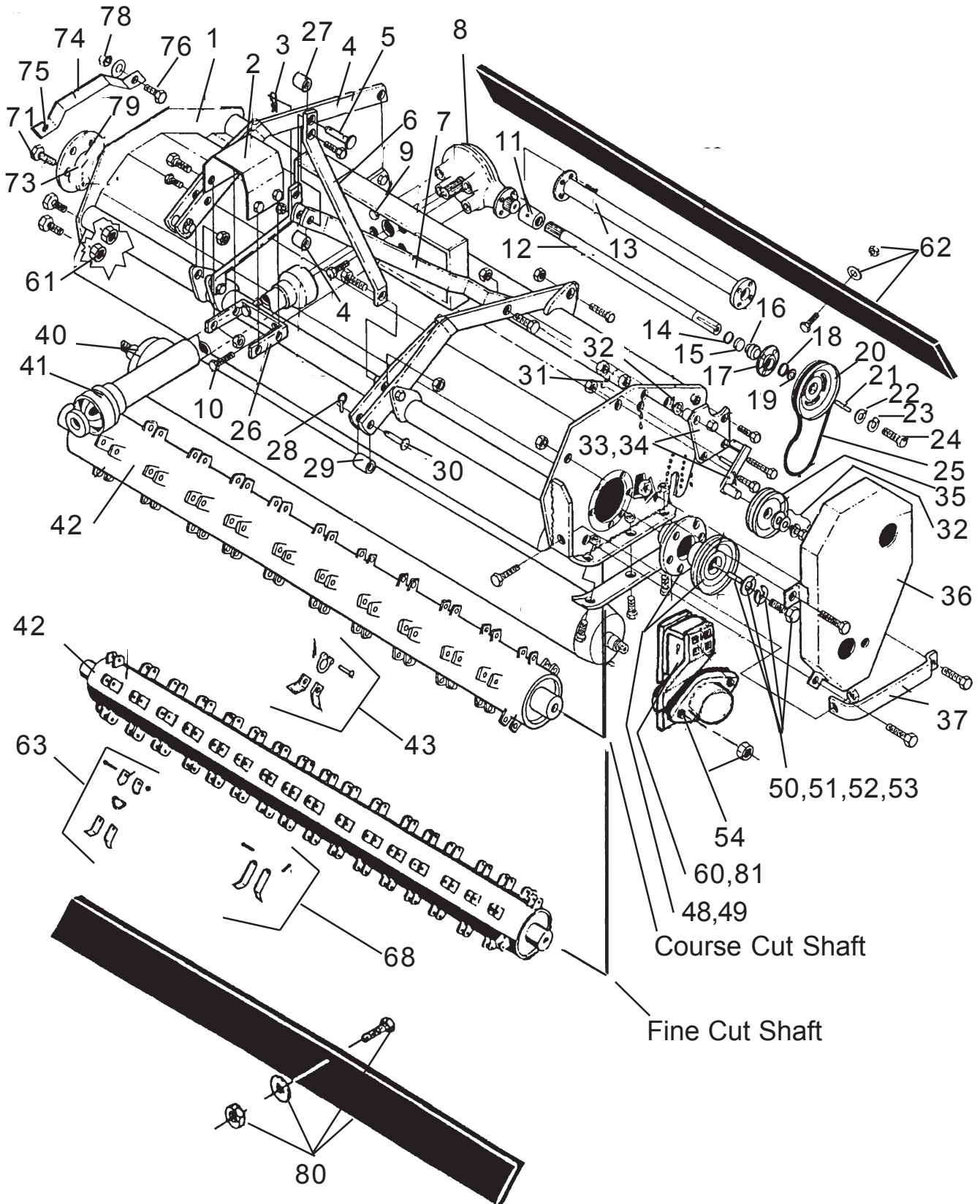
Item # 47 thru 81

Item	Part No.	62"Center			Description
		50" Center	FWD	REV	
47	103051	2	2	2	Shoe Wear Plate
	000515	2	2	2	Carriage Bolt (Not shown)
	000700	4	4	4	Plow Bolt (Not shown)
	000520	6	6	6	Lockwasher
	000170	6	6	6	Nut (Not shown)
	100704	2	2	2	Wear Shoe, Renovating (Not shown)
	02030700	4	4	4	Bolt
	00001800	4	4	4	Locknut TLM 1/2 NC PLC (Not shown)
	00752036	6	6	6	Nut (Not shown)
48	-----	1	1	1	Cutter Shaft Brg & Hsg (See Cutter Shaft Section)
49	102652	1	1	1	Pulley, Cuttershaft
50	100768	1	1	1	Key
51	100720	1	1	1	Clamp Washer
52	000521	1	1	1	Lockwasher
53	000407	1	1	1	Bolt
54	-----	2	2	2	Roller Brg. & Hsg Asy. (See Roller Section)
60	00001800	4	4	4	Locknut TLM 1/2 NC PLC
	000206	2	2	2	Lubricap (Not shown)
61	107258	1	1	1	Front Foot Guard
	000937	4	4	4	Bolt (Not shown)
	000520	4	4	4	Lockwasher
	000170	4	4	4	Locknut (Not shown)
62	100101	1	-	-	Rubber Rear Trash Deflector
	104682	-	1	1	Rubber Rear Trash Deflector
	000860	7	9	9	Bolt (Not shown)
	000036	7	9	9	Lockwasher (Not Shown)
	000016	7	9	9	Washer (Not shown)
	000173	7	9	9	Nut (Not shown)
63	-----	1	1	1	Knife Pkg. FC Ring Mounted (See Cutter Shaft Section)
68	-----	1	1	1	Knife Pkg. FC Pin Mounted (See Cutter Shaft Section)
	-----	1	1	1	Knife Pkg. FC Renov Pin Mounted (See Cuttershaft)
71	000354	6	6	6	Bolt
73	00752036	6	6	6	Nut
74	103064	1	1	1	Fender
75	00748823	1	1	1	Bolt
76	02030700	1	1	1	Bolt
78	00001800	2	2	2	Locknut TLM 1/2 NC PLC
79	-----	1	1	1	Bearing & Hsg Asy, (See Cutter Shaft Brg Section))
80	701692	1	-	-	Front Shield Kit, w/ Fasteners (Optional)
	106781	-	1	1	Front Rubber Trash Deflector (Optional)
	000860	-	12	12	Bolt
	00024100	-	12	12	Flatwasher
	02959924	-	12	12	Nut
81	-----	1	1	1	Roller Bracket Asy.(See Roller Section)

Nov. 1990
to
Current

REAR MOWER ASSEMBLY - 62"

SEE
S/N Ship Dates
in Back of Book



Nov. 1990
to
Current

MOWER ASY 62" Model

SEE
S/N Ship Dates
in Back of Book

Item # 1 thru 29

Item	Part No.	Center		Description
		FWD	REV	
1	107173	1	1	Cutterhousing Weldment
	107194	1	1	Cutterhousing Weldment, w/ Caster Brackets
	107199	1	-	Cutterhousing Weldment, Renovating
2	702705	1	1	PTO Shield
	000132	4	4	Bolt (Not shown)
	000019	4	4	Lockwasher (Not shown)
3	-----	1	1	Quick Cotter (See A-Frame)
4	-----	2	2	Overarm (See A-Frame)
5	101779	1	1	Top Link Hitch Pin
6	103715	2	2	A-Frame
7	-----	1	1	Gearbox Mounting Frame(See A-frame / G/B Mnt section)
8	-----	1	1	Geabox Asy. (See Gearbox Asy. Section)
	701653	1	1	Gearbox & Extension Shaft Asy.
9	000510	2	2	Bolt (upper)
10	000511	2	2	Bolt (lower)
	000521	4	4	Lockwasher (Not shown)
	000552	6	6	Gearbox Shim (as needed) (Not shown)
11	700171	1	1	Spline Coupler Assembly (w/ Grease Fitting)
12	104685	1	1	Extension Shaft
13	104683	1	1	Extension Shaft Housing
	001727	4	4	Screw
	000019	4	4	Lockwasher
14	100010	1	1	Bevel Ring
15	100057	1	1	Snap Ring
16	000398	1	1	Bearing
	700491	1	1	Bearing and Housing Asy.
	000206	1	1	Lubricap (Not shown)
	000937	4	4	Bolt (Not shown)
	00752036	4	4	Locknut (Not shown)
17	700739	1	1	Bearing Housing (w/Grease Fitting)
18	000402	2	2	Bearing Retaining Ring
19	102651	3	3	Pulley Shim (as needed)
20	102501	1	1	Pulley, Drive Shaft
21	101782	1	1	Key
22	101780	1	1	Washer, Plain Heavy
23	000520	1	1	lockwasher
24	000555	1	1	Bolt
25	100706	1	1	Drive Belt
26	105597	1	1	Shield Mounting Bracket
27	103717	1	1	Upper Bushing (Convert CAT 1 to CAT 2)
28	2196	2	2	CLIP (LYNCH PIN), 13/32 DIA.
29	103716	2	2	Lower Bushing (Convert CAT 1 to CAT 2)

Continued Next Page

Nov. 1990
to
Current

MOWER ASY 62" Model

Item # 30 thru 43

SEE
S/N Ship Dates
in Back of Book

Item	Part No.	Center		Description
		FWD	REV	
30	100743	2	2	Lower Hitch Pin
31	000539	1	1	Spring
32	101778	4	4	Pulley Arm Bearing Plate Spacer
	000001	1	1	Bolt (Not shown)
	000018	1	1	Lockwasher (Not shown)
	000017	1	1	Washer (Not shown)
	000523	2	2	Cotter Pin
	700494	1	-	Idler Asy.
	701851	-	1	Idler Asy.
33	701905	1	-	Outboard Bearing Plate (w/zerk fitting)
	701847	-	1	Outboard Bearing Plate (w/zerk fitting)
	000206	1	1	Lubricap (N/S)
	000135	1	1	Bolt(long) (N/S)
	000645	1	1	Bolt (N/S)
	00752036	2	2	Locknut
	000171	3	3	Nut (N/S)
34	100727	1	-	Idler Arm
	104938	-	1	Idler Arm
	00755153	2	2	Cotter Pin (N/S)
35	000547	1	1	Idler Pulley
	700494	1	-	Idler Asy, (w/ Fasteners)
	701851	-	1	Idler Asy, (w/ Fasteners)
36	700488	1	-	Belt Guard Package (W/ fasteners)
	701845	-	1	Belt Guard Package (W/ fasteners)
	000544	3	-	Bolt (N/S)
	000520	3	-	Lockwasher
	000513	3	-	Nut (N/S)
	000554	-	3	Bolt (N/S)
	000520	-	3	Lockwasher (N/S)
	000063	-	2	Flatwasher (N/S)
	000513	-	1	Nut
37	103117	1	-	Belt Guard Fender
	104935	1	1	Belt Guard Fender, Rev. Rot.
	000141	1	1	Bolt (front) (N/S)
	000140	1	1	Bolt (rear) (N/S)
	00001800	2	2	Locknut TLM 1/2 NC PLC (N/S)
40	-----	1	1	Roller Asy. (See Roller Section)
41	-----	1	1	PTO Driveline Asy, (See Driveline Section)
42	-----	1	1	Cuttershaft, CC or FC (See Cutter Shaft Section)
43	-----	1	1	Knife Pkg, CC (See Cutter Shaft Section)

Continued Next Page

Nov.1990
to
Current

MOWER ASY

62" Model

Item # 47 thru 81

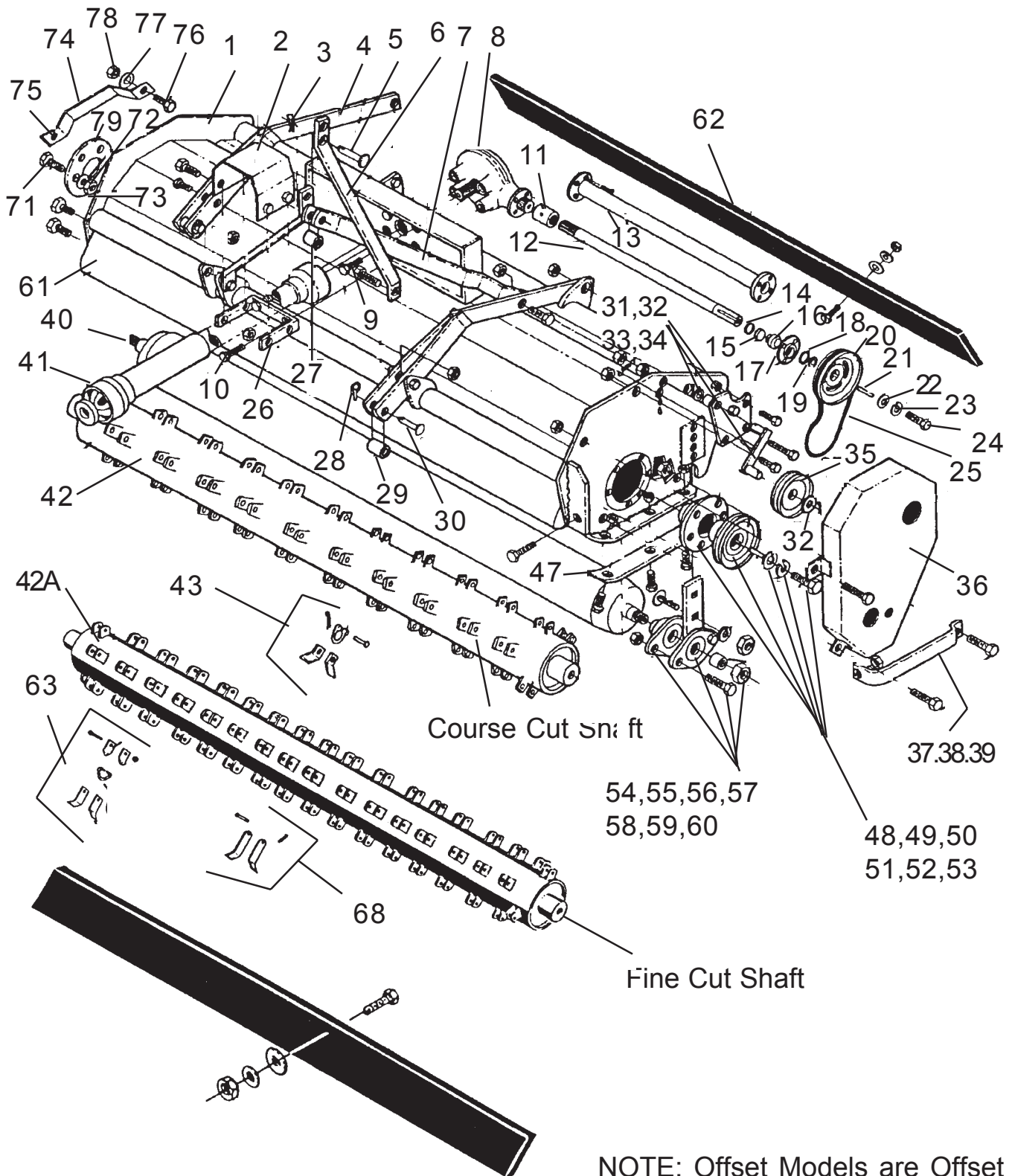
SEE
S/NShipDates
in Backof Book

Item	Part No.	Center		Description
		FWD	REV	
47	103051	2	2	Shoe Wear Plate, (Standard Shoe)
	000515	2	2	Carriage Bolt (Usew/ 103051)
	000700	4	4	Plow Bolt (Use w/ 103051)
	000520	6	6	Lockwasher, (Use w/ 103051)
	000170	6	6	Nut (Usew/ 103051)
	100704	2	2	ShoeWearPlateRenovatingOnly(Optional)
	000140	4	4	Bolt,(Usew/ 100704)
	00001800	4	4	Locknut TLM 1/2 NC PLC(Usew/ 100704)
48	-----	1	1	Cutter Shaft Brg & Hsg (See Cutter Shaft Brg Section)
49	102652	1	1	Pulley,Cuttershaft
50	100768	1	1	Key
51	100720	1	1	ClampWasher
52	000521	1	1	Lockwasher
53	000407	1	1	Bolt
54	-----	2	2	Roller Brg. & Hsg Asy. (See Roller Section)
60	00001800	4	4	Locknut TLM 1/2 NC PLC
	000206	2	2	Lubricap (Not shown)
61	107254	1	1	FrontFootGuard
	000937	4	4	Bolt (Not shown)
	000520	4	4	Lockwasher
	000170	4	4	Locknut (Not shown)
62	104682	1	1	RubberRearTrashDeflector
	000860	9	9	Bolt (Not shown)
	000036	9	9	Lockwasher (Not Shown)
	000016	9	9	Washer (Not shown)
	000173	9	9	Nut (Notshown)
63	-----	1	1	KnifePkg.FCRingMounted (SeeCutter ShaftSection)
68	-----	1	1	KnifePkg.FCPin Mounted (SeeCutter ShaftSection)
	-----	1	1	KnifePkg.FCRenovPin Mounted (SeeCuttershaftSection)
71	000354	6	6	Bolt
73	00752036	6	6	Nut
74	103064	1	1	Fender
75	00748823	1	1	Bolt
76	02030700	1	1	Bolt
78	00001800	2	2	Locknut TLM 1/2 NC PLC
79	-----	1	1	Bearing &Hsg Asy, (See Cutter Shaft Brg Section)
80	106779	-	1	Front RubberTrashDeflector(Optional)
	000860	9	9	Bolt
	00024100	9	9	Fla twasher
	02959924	9	9	Nut
81	-----	1	1	Roller BracketAsy.(See Roller Section)
	108742			Bar,Flap Retainer - 62" rear

Mar. 1972
to
Oct. 1990

MOWER ASY 74" Model

SEE
S/N Ship Dates
in Back of Book



NOTE: Offset Models are Offset
to the Right and are Forward
Rotation

Mar. 1972
to
Oct. 1990

MOWER ASY

74" Model

SEE
S/N Ship Dates
in Back of Book

Item # 1 thru 20

Item	Part No.	Center		Offset		Description
		Fwd	Rev	8"	14"	
1	103128	1	-	-	-	Cutterhousing, Standard (w/o Caster Brackets)
	105314	1	-	-	-	Cutterhousing, (w/ Caster Brackets)
	105020	-	1	-	-	Cutterhousing, w/ Front Deflector (w/o Caster Brackets)
	105316	-	1	-	-	Cutterhousing, w/ Front deflector (w/ Caster Brackets)
	104842	-	-	1	-	Cutterhousing, O/S RT 8" (w/o Caster Brackets)
	103129	-	-	-	1	Cutterhousing, O/S RT 14" (w/o Caster Brackets)
	105315	-	-	-	1	Cutterhousing, O/S RT 14" (w/ Caster Brackets)
2	105596	1	1	1	1	PTO Shield
	000132	4	4	4	4	Bolt (Not shown)
	000019	4	4	4	4	Lockwasher (Not shown)
3	-----	1	1	4	4	Quick Cotter, (See A-Frame Section)
4	-----	2	2	2	2	Overarm, (See A-Frame Section)
5	101779	1	1	1	1	Top Link Hitch Pin
6	-----	2	2	2	2	A-Frame (See A-Frame Section)
7	103713	1	1	1	1	Gearbox Mount Frame (See A-Frame / G/B Mount Section)
8	-----	1	1	1	1	Gearbox Asy. (See Gearbox Asy. Section)
	700523	1	1	-	-	Gearbox & Extension Shaft Asy.
	701455	-	-	1	-	Gearbox & Extension Shaft Asy.
	700554	-	-	-	1	Gearbox & Extension Shaft Asy.
9	000510	2	2	2	2	Bolt (upper)
10	000511	2	2	2	2	Bolt (lower)
	000521	4	4	4	4	Lockwasher (Not shown)
	000552	6	6	6	6	Gearbox Shim (as needed) (Not shown)
11	700171	1	1	1	1	Spline Coupler Assembly (w/Grease Fitting)
	001727	4	4	4	4	Counterbore Screw (Not shown)
	03101646	4	4	4	4	Lockwasher (Not shown)
12	100778	1	1	-	-	Extension Shaft
	100228	-	-	1	-	Extension Shaft
	100286	-	-	-	1	Extension Shaft
13	100776	1	1	-	-	Extension Shaft Housing
	102874	-	-	1	-	Extension Shaft Housing
	102637	-	-	-	1	Extension Shaft Housing
	001727	1	1	1	1	Screw (Not shown)
	03101646	1	1	1	1	Lockwasher
14	100010	1	1	1	1	Bevel Ring
15	100057	1	1	1	1	Snap Ring
16	000398	1	1	1	1	Bearing
	700491	1	1	1	1	Bearing and Housing Asy.
	000206	1	1	1	1	Lubricap (Not shown)
	000012	4	4	4	4	Bolt (Not shown)
	000014	4	4	4	4	Nut (Not shown)
	000019	4	4	4	4	Lockwasher (Not Shown)
17	700739	1	1	1	1	Bearing Housing (w/ Grease Fitting)
18	000402	2	2	2	2	Bearing Retaining Ring
19	102651	3	3	3	3	Pulley Shim (as needed)
20	102501	1	1	1	1	Drive Shaft Pulley

Mar. 1972
to
Oct. 1990

MOWER ASY 74" Model

SEE
S/N Ship Dates
in Back of Book

Item # 21 thru 40

Item	Part No.	Center		Offset		Description
		Fwd	Rev	8"	14"	
21	101782	1	1	1	1	Key
22	101780	1	1	1	1	Heavy Washer
23	000520	1	1	1	1	Lockwasher
24	000555	1	1	1	1	Bolt
25	100706	1	1	1	1	Drive Belt
26	105597	1	1	1	1	Shield Mounting Bracket
27	103717	1	1	1	1	Upper Bushing (Convert CAT 1 to CAT 2)
28	2196	2	2	2	2	CLIP (LYNCH PIN), 13/32 DIA.
29	103716	2	2	2	2	Lower Bushing (Convert CAT 1 to CAT 2)
30	100743	2	2	2	2	Lower Hitch Pin
31	000539	1	1	1	1	Spring
32	101778	4	4	4	4	Pulley Arm Bearing Plate Spacer
	000001	1	1	1	1	Bolt (Not shown)
	000018	1	1	1	1	Lockwasher (Not shown)
	000017	1	1	1	1	Washer (Not shown)
	000523	1	1	1	1	Cotter Pin
	700494	1	-	1	1	Idler Asy.
	701851	-	1	-	-	Idler Asy.
33	701905	1	-	1	1	Outboard Bearing Plate (w/zerk fitting)
	701847	-	1	-	-	Outboard Bearing Plate (w/zerk fitting)
	000206	1	1	1	1	Lubricap (N/S)
	000135	1	1	1	1	Bolt(long) (N/S)
	000645	1	1	1	1	Bolt (N/S)
	000019	2	2	2	2	Lockwasher
	000171	3	3	3	3	Nut (N/S)
34	100727	1	-	1	1	Idler Arm
	104938	-	1	-	-	Idler Arm
	00755153	2	2	2	2	Cotter Pin (N/S)
35	000547	1	1	1	1	Idler Pulley
36	700488	1	-	1	1	Belt Guard Package (W/ fasteners)
	701845	-	1	-	-	Belt Guard Package (W/ fasteners)
	000544	3	-	3	3	Bolt (N/S)
	000520	3	-	3	3	Lockwasher
	000513	3	-	3	3	Nut (N/S)
	000554	-	3	-	-	Bolt (N/S)
	000520	-	3	-	-	Lockwasher (N/S)
	000063	-	2	-	-	Flatwasher (N/S)
	000513	-	1	-	-	Nut
37	100745	1	-	-	1	Belt Guard Fender (Renovating)
	105204	-	1	-	-	Belt Guard fender, (Renovating)
	100744	1	1	-	1	Fender, RH Fwd /LH Rev (Renv.)
	000555	2	2	2	2	Bolt (front) (N/S)
	000554	2	2	2	2	Bolt (rear) (N/S)
	000513	2	2	2	2	Nut (N/S)
40	-----	1	1	1	1	Roller Asy. (See Roller Section)

Mar. 1972
to
Oct. 1990

MOWER ASY

74" Model

Item # 41 thru 81

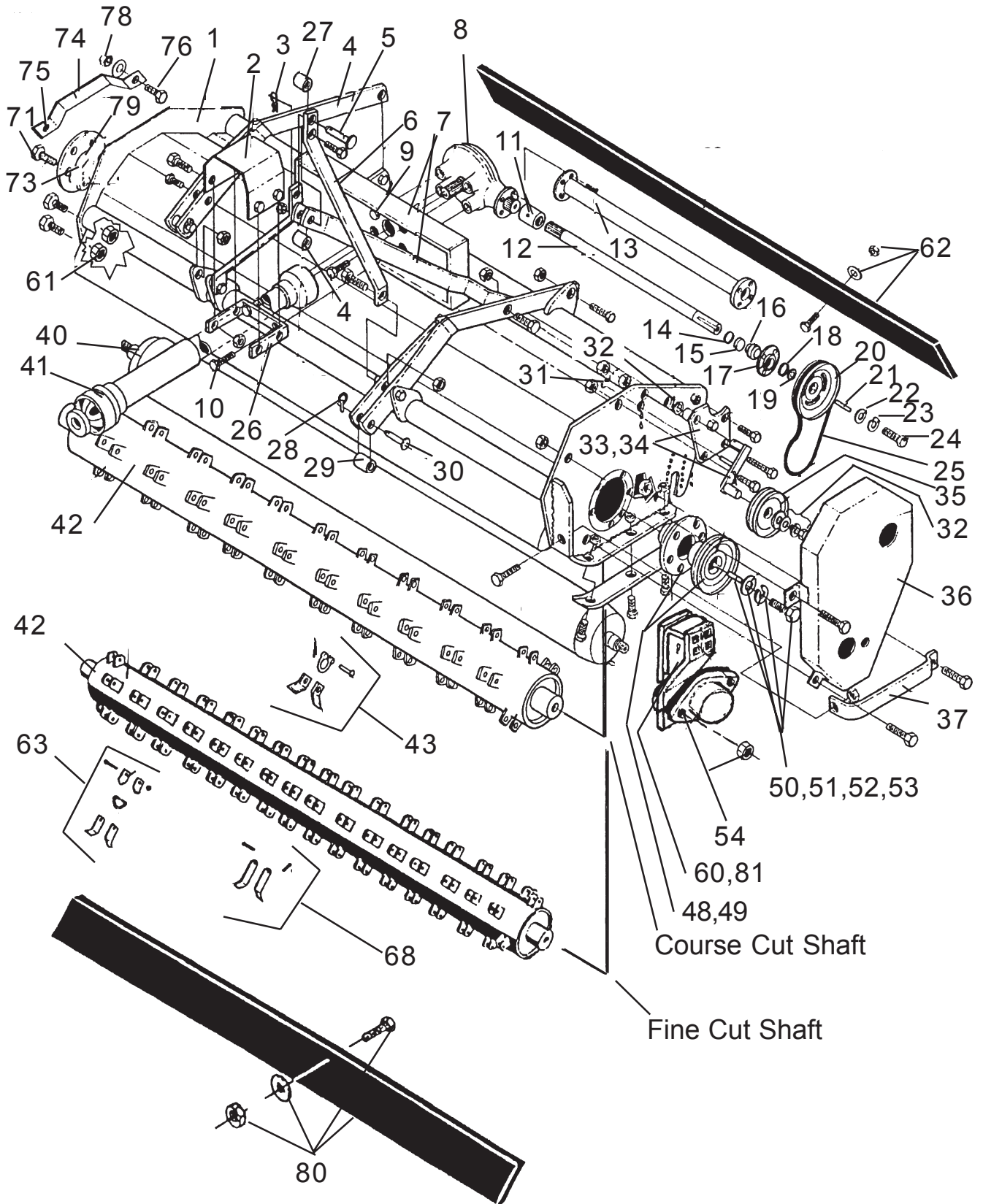
SEE
S/N Ship Dates
in Back of Book

Item	Part No.	Center		Offset		Description
		Fwd	Rev	8"	14"	
41	-----	1	1	1	1	PTO Driveline Asy, (See Driveline Section)
42	-----	1	1	1	1	Cuttershaft, CC or FC (See Cutter Shaft Section)
43	-----	1	1	1	1	Knife Pkg, CC (See Cutter Shaft Section)
47	103051	2	2	2	2	Shoe Wear Plate
	000515	2	2	2	2	Carriage Bolt (Not shown)
	000700	4	4	4	4	Plow Bolt (Not shown)
	000520	6	6	6	6	Lockwasher
	000170	6	6	2	2	Nut (Not shown)
	100704	2	2	2	2	Wear Shoe, Renovating, Optional (Not shown)
	02030700	4	4	4	4	Bolt
	00001800	4	4	4	4	Locknut TLM 1/2 NC PLC (Not shown)
	00752036	6	6	6	6	Nut (Not shown)
48	-----	1	1	1	1	Cutter Shaft Brg & Hsg (See Cutter Shaft Section)
49	102652	1	1	1	1	Pulley, Cuttershaft
50	100768	1	1	1	1	Key
51	100720	1	1	1	1	Clamp Washer
52	000521	1	1	1	1	Lockwasher
53	000407	1	1	1	1	Bolt
54	-----	2	2	2	2	Roller Brg. & Hsg Asy. (See Roller Section)
60	00001800	4	4	4	4	Locknut TLM 1/2 NC PLC
	000206	2	2	2	2	Lubricap (Not shown)
61	107258	1	1	1	1	Front Foot Guard
	000937	4	4	4	4	Bolt (Not shown)
	000520	4	4	4	4	Lockwasher
	000170	4	4	4	4	Locknut (Not shown)
62	100783	1	1	1	1	Rubber Rear Trash Deflector
	000860	11	11	11	11	Bolt (Not shown)
	000036	11	11	11	11	Lockwasher (Not Shown)
	000016	11	11	11	11	Washer (Not shown)
	000173	11	11	11	11	Nut (Not shown)
63	-----	1	1	1	1	Knife Pkg. FC Ring Mounted (See Cutter Shaft)
68	-----	1	1	1	1	Knife Pkg. FC Pin Mounted (See Cutter Shaft)
71	000354	6	6	6	6	Bolt
73	00752036	6	6	6	6	Nut
74	103064	1	1	1	1	Fender
75	00748823	1	1	1	1	Bolt
76	02030700	1	1	1	1	Bolt
78	00001800	2	2	2	2	Locknut TLM 1/2 NC PLC
79	-----	1	1	1	1	Bearing & Hsg Asy, (See Cutter Shaft Brg Section)
80	106781	-	1	-	-	Front Rubber Trash Deflector (Optional)
	000860	-	12	-	-	Bolt
	00024100	-	12	-	-	Flatwasher
	02959924	-	12	-	-	Nut
81	-----	1	1	1	1	Roller Bracket Asy.(See Roller Section)

Nov. 1990
to
Current

MOWER ASY 74" Model

SEE
S/N Ship Dates
in Back of Book



Nov. 1990
to
Current

MOWER ASY 74" Model

SEE
S/N Ship Dates
in Back of Book

Item # 1 thru 21

Item	Part No.	Center		Offset		Description
		Fwd	Rev	8"	14"	
1	107174	1	1	-	-	Cutterhousing, Standard (w/o Caster Brackets)
	107210	1	1	-	-	Cutterhousing, (w/ Caster Brackets)
	107217	-	-	1	-	Cutterhousing, O/S RT 8" (w/o Caster Brackets)
	107212	-	-	1	-	Cutterhousing, O/S RT 8" (w/ Caster Brackets)
	107213	-	-	-	1	Cutter housing, O/S RT 14" (w/o Caster Brackets)
	107214	-	-	-	1	Cutterhousing, O/S RT 14" (w/ Caster Brackets)
	107215	1	-	-	-	Cutterhousing, (Renovating)
	107216	-	-	1	-	Cutter Housing, O/S RT 8" (Renovating)
2	702705	1	1	1	1	PTO Shield
	000132	4	4	4	4	Bolt (Not shown)
	000019	4	4	4	4	Lockwasher (Not shown)
3	-----	1-ref	1-ref	4-ref	4-ref	Quick Cotter (See A-Frame Section)
4	-----	2-ref	2-ref	2-ref	2-ref	Overarm Weldment (See A-Frame Section)
5	101779	1	1	1	1	Top Link Hitch Pin
6	103715	2	2	2	2	A-Frame
7	103713	1	1	1	1	Gearbox Mounting Frame
8	-----	1-ref	1-ref	1-ref	1-ref	Gearbox Asy. (See Gearbox Asy. Section)
	700523	1	1	-	-	Gearbox & Extension Shaft Asy.
	701455	-	-	1	-	Gearbox & Extension Shaft Asy.
	700554	-	-	-	1	Gearbox & Extension Shaft Asy.
9	000510	2	2	2	2	Bolt (upper)
10	000511	2	2	2	2	Bolt (lower)
	000521	4	4	4	4	Lockwasher (Not shown)
	000552	6	6	6	6	Gearbox Shim (as needed) (Not shown)
11	700171	1	1	1	1	Spline Coupler Assembly (w/Grease Fitting)
12	100778	1	1	-	-	Extension Shaft
	100228	-	-	1	-	Extension Shaft
	100286	-	-	-	1	Extension Shaft
13	100776	1	1	-	-	Extension Shaft Housing
	102874	-	-	1	-	Extension Shaft Housing
	102637	-	-	-	1	Extension Shaft Housing
	001727	1	1	1	1	Screw (Not shown)
	000019	1	1	1	1	Lockwasher
14	100010	1	1	1	1	Bevel Ring
15	100057	1	1	1	1	Snap Ring
16	000398	1	1	1	1	Bearing
	700491	1	1	1	1	Bearing and Housing Asy.
	000206	1	1	1	1	Lubricap (Not shown)
	000937	4	4	4	4	Bolt (Not shown)
	00752036	4	4	4	4	Locknut (Not shown)
17	700739	1	1	1	1	Bearing Housing (w/ Grease Fitting)
18	000402	2	2	2	2	Bearing Retaining Ring
19	102651	3	3	3	3	Pulley Shim (as needed)
20	102501	1	1	1	1	Drive Shaft Pulley
21	101782	1	1	1	1	Key

Nov. 1990
to
Current

MOWER ASY 74" Model

SEE
S/N Ship Dates
in Back of Book

Item # 22 thru 40

Item	Part No.	Center		Offset		Description
		Fwd	Rev	8"	14"	
22	101780	1	1	1	1	Heavy Washer
23	000520	1	1	1	1	Lockwasher
24	000555	1	1	1	1	Bolt
25	100706	1	1	1	1	Drive Belt
26	105597	1	1	1	1	Shield Mounting Bracket
27	103717	1	1	1	1	Upper Bushing (Convert CAT 1 to CAT 2)
28	2196	2	2	2	2	CLIP (LYNCH PIN), 13/32 DIA.
29	103716	2	2	2	2	Lower Bushing (Convert CAT 1 to CAT 2)
30	100743	2	2	2	2	Lower Hitch Pin
31	000539	1	1	1	1	Spring
32	101778	4	4	4	4	Pulley Arm Bearing Plate Spacer
	000001	1	1	1	1	Bolt (Not shown)
	000018	1	1	1	1	Lockwasher (Not shown)
	000017	1	1	1	1	Washer (Not shown)
	000523	1	1	1	1	Cotter Pin
	700494	1	-	1	1	Idler Asy.
	701851	-	1	-	-	Idler Asy.
33	701905	1	-	1	1	Outboard Bearing Plate (w/zerk fitting)
	701847	-	1	-	-	Outboard Bearing Plate (w/zerk fitting)
	000206	1	1	1	1	Lubricap (N/S)
	000135	1	1	1	1	Bolt(long) (N/S)
	000645	1	1	1	1	Bolt (N/S)
	00752036	2	2	2	2	Locknut
	000171	3	3	3	3	Nut (N/S)
34	100727	1	-	1	1	Idler Arm
	104938	-	1	-	-	Idler Arm
35	000547	1	1	1	1	Idler Pulley
	700494	1	-	1	1	Idler Asy, (w/ Fasteners)
	701851	-	1	-	-	Idler Asy, (w/ Fasteners)
36	700488	1	-	1	1	Belt Guard Package (W/ fasteners)
	701845	-	1	-	-	Belt Guard Package (W/ fasteners)
	000544	3	-	3	3	Bolt (N/S)
	000520	3	-	3	3	Lockwasher
	000513	3	-	3	3	Nut (N/S)
	000554	-	3	-	-	Bolt (N/S)
	000520	-	3	-	-	Lockwasher (N/S)
	000063	-	2	-	-	Flatwasher (N/S)
	000513	-	1	-	-	Nut
37	103117	1	-	-	1	Belt Guard Fender
	104935	-	1	-	-	Belt Guard fender
	000141	1	1	1	1	Bolt (front) (N/S)
	000140	1	1	1	1	Bolt (rear) (N/S)
	00001800	2	2	2	2	Locknut TLM 1/2 NC PLC (N/S)
40	-----	1	1	1	1	Roller Asy. (See Roller Section)

Nov.1990
to
Current

MOWER ASY 74" Model

Item #41 thru 81

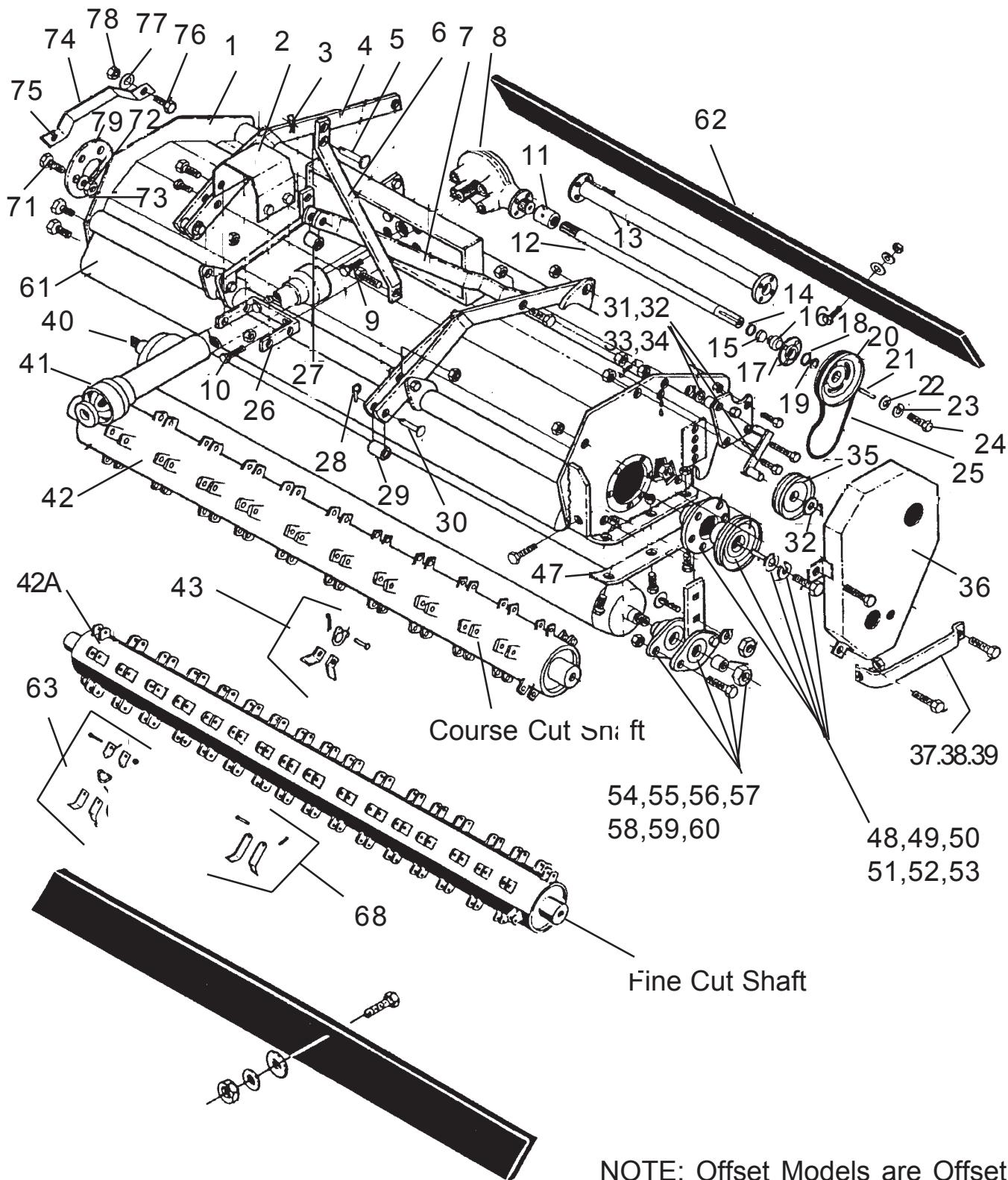
SEE
S/NShipDates
in Backof Book

Item	Part No.	Center		Offset		Description
		Fwd	Rev	8"	14"	
41	001863	1	1	1	1	PTO D/L Asy w/ Slip Clutch, (See D/L Section)
	702299	1	1	1	1	PTO D/L Asy w/o Slip Clutch (See D/L Section)
42	-----	1-ref	1-ref	1-ref	1-ref	Cuttershaft,CCor FC(SeeCutter ShaftSection)
43	-----	1-ref	1-ref	1-ref	1-ref	Knife Pkg, CC (See Cutter Shaft Section)
47	103051	2	2	2	2	Shoe WearPlate
	000515	2	2	2	2	Carriage Bolt (Not shown)
	000700	4	4	4	4	Plow Bolt (Not shown)
	000520	6	6	6	6	Lockwasher
	000170	6	6	2	2	Nut (Not shown)
	100704	2	2	2	2	Wear Shoe, Renovating, Optional (Not shown)
	02030700	4	4	4	4	Bolt
	00001800	4	4	4	4	Locknut TLM 1/2 NC PLC (Not shown)
	00752036	6	6	6	6	Nut (Not shown)
48	-----	1-ref	1-ref	1-ref	1-ref	Cutter Shaft Brg & Hsg (See Cutter Shaft Section)
49	102652	1	1	1	1	Pulley, Cuttershaft
50	100768	1	1	1	1	Key
51	100720	1	1	1	1	Clamp Washer
52	000521	1	1	1	1	Lockwasher
53	000407	1	1	1	1	Bolt
54	-----	2-ref	2-ref	2-ref	2-ref	Roller Brg. & Hsg Asy. (See Roller Section)
60	00001800	4	4	4	4	Locknut TLM 1/2 NC PLC
	000206	2	2	2	2	Lubricap (Not shown)
61	107256	1	1	1	1	Front Foot Guard
	000142	4	4	4	4	Bolt (Not shown)
	000520	4	4	4	4	Lockwasher
	000170	4	4	4	4	Locknut (Not shown)
62	100783	1	1	1	1	RubberRearTrashDeflector
	000860	11	11	11	11	Bolt (Not shown)
	000016	11	11	11	11	Washer (Not shown)
	02959924	11	11	11	11	Locknut (Not shown)
63	-----	1-ref	1-ref	1-ref	1-ref	Knife Pkg.FCRingMounted (SeeCutter Shaft)
68	-----	1-ref	1-ref	1-ref	1-ref	KnifePkg.FCPinMounted (SeeCutter Shaft)
71	000354	6	6	6	6	Bolt
73	00752036	6	6	6	6	Nut
74	103064	1	1	1	1	Fender
75	000141	1	1	1	1	Bolt,Front
76	000140	1	1	1	1	Bolt,Rear
78	00001800	2	2	2	2	Locknut TLM 1/2 NC PLC
79	-----	1-ref	1-ref	1-ref	1-ref	Bearing &Hsg Asy, (See Cutter Shaft Brg Section
80	106781	-	1	-	-	Front RubberTrash Deflector(Optional)
	000860	-	12	-	-	Bolt
	00024100	-	12	-	-	Flatwasher
	02959924	-	12	-	-	Nut
81	-----	1-ref	1-ref	1-ref	1-ref	Roller Bracket Asy.(See Roller Section)
	108743					Bar Flap Retainer 74 Rear

Mar. 1972
to
Oct. 1990

MOWER ASY 88" Model

SEE
S/N Ship Dates
in Back of Book



NOTE: Offset Models are Offset
to the Right and are Forward
Rotation

Mar. 1972
to
Oct. 1990

MOWER ASY

88" Model

SEE
S/N Ship Dates
in Back of Book

Item	Part No.	Center		Offset					Description	
		Fwd	Rev	3.5"	6.5"	8.5"	14.5"	20.5"		
1	103130	1	-	-	-	-	-	-	Cutter Hsg, Std (w/o Caster Brkts)	
	105304	1	-	-	-	-	-	-	Cutter Hsg, (w/ Caster Brkts)	
	102668	1	-	-	-	-	-	-	Cutter Hsg, (w/ Caster Brkts) Renv	
	105019	-	1	-	-	-	-	-	Cutter Hsg. (w/o Caster Brkts) w/ Front Deflector)	
	105318	-	1	-	-	-	-	-	Cutter Hsg. (w/ Caster Brkts) w/ Front Deflector)	
	105422	-	1	-	-	-	-	-	Cutter Hsg. (w/o Caster Brkts & Deflector) Renv	
	103993	-	-	1	-	-	-	-	Cutter Hsg. (w/o Caster Brkts)	
	104841	-	-	-	1	-	-	-	Cutter Hsg. (w/o Caster Brkts)	
	103994	-	-	-	-	1	-	-	Cutter Hsg, (w/o Caster Brkts)	
	103995	-	-	-	-	-	1	-	Cutter Hsg, (w/o Caster Brkts)	
	103131	-	-	-	-	-	-	1	Cutter Hsg, (w/o Caster Brkts)	
	105317	-	-	-	-	-	-	1	Cutter Hsg, CC (w/ Caster Brkts)	
	102669	-	-	-	-	-	-	1	Cutter Hsg, FC (w/ Caster Brkts)	
	2	105596	1	1	1	1	1	1	1	PTO Shield
		000132	4	4	4	4	4	4	4	Bolt (Not shown)
000019		4	4	4	4	4	4	4	Lockwasher (Not shown)	
3	-----	1	1	1	1	1	1	1	Quick Cotter (See A-Frame Section)	
4	-----	2	2	2	2	2	2	2	Overarm, (See A-Frame / G/B Mount Section)	
5	-----	1	1	1	1	1	1	1	Top Link Hitch Pin (See A-Frame Section)	
6	-----	2	2	2	2	2	2	2	A-Frame (See A-Frame Section)	
7	-----	1	1	1	1	1	1	1	Gearbox Mount Frame (See A-Frame Section)	
8	-----	1	1	1	1	1	1	1	Gearbox Asy. (See Gearbox Asy. Section)	
	700489	1	1	-	-	-	-	-	Gearbox & Extension Shaft Asy.	
	701454	-	-	1	-	-	-	-	Gearbox & Extension Shaft Asy.	
	700523	-	-	-	1	-	-	-	Gearbox & Extension Shaft Asy.	
	701457	-	-	-	-	1	-	-	Gearbox & Extension Shaft Asy.	
	701455	-	-	-	-	-	1	-	Gearbox & Extension Shaft Asy.	
	701554	-	-	-	-	-	-	1	Gearbox & Extension Shaft Asy.	
9	000510	2	2	2	2	2	2	2	Bolt (upper)	
10	000511	2	2	2	2	2	2	2	Bolt (lower)	
	000521	4	4	4	4	4	4	4	Lockwasher (Not shown)	
	000552	6	6	6	6	6	6	6	Gearbox Shim (as needed) (Not shown)	
11	700171	1	1	1	1	1	1	1	Spline Coupler Assembly (w/zerk fitting)	
	001727	4	4	4	4	4	4	4	Counterbore Screw (Not shown)	
	03101646	4	4	4	4	4	4	4	Lockwasher (Not shown)	
	12	100724	1	1	-	-	-	-	-	Extension Shaft
12	100159	-	-	1	-	-	-	-	Extension Shaft	
	100778	-	-	-	1	-	-	-	Extension Shaft	
	100287	-	-	-	-	1	-	-	Extension Shaft	
	100288	-	-	-	-	-	1	-	Extension Shaft	
	100286	-	-	-	-	-	-	1	Extension Shaft	
	13	100721	1	1	-	-	-	-	-	Extension Shaft Housing
		102872	-	-	1	-	-	-	-	Extension Shaft Housing
100776		-	-	-	1	-	-	-	Extension Shaft Housing	
102804		-	-	-	-	1	-	-	Extension Shaft Housing	
102874		-	-	-	-	-	1	-	Extension Shaft Housing	
102637		-	-	-	-	-	-	1	Extension Shaft Housing	

Mar. 1972
to
Oct. 1990

MOWER ASY

88" Model

SEE
S/N Ship Dates
in Back of Book

Item	Part No.	Center								Description
		Fwd	Rev	3.5"	6.5"	8.5	14.5"	20.5"		
13	001727	1	1	1	1	1	1	1	Screw (Not shown)	
	03101646	1	1	1	1	1	1	1	Lockwasher	
14	100010	1	1	1	1	1	1	1	Bevel Ring	
15	100057	1	1	1	1	1	1	1	Snap Ring	
16	000398	1	1	1	1	1	1	1	Bearing	
	700491	1	1	1	1	1	1	1	Bearing and Housing Asy.	
	000206	1	1	1	1	1	1	1	Lubricap (Not shown)	
	000012	4	4	4	4	4	4	4	Bolt (Not shown)	
	000014	4	4	4	4	4	4	4	Nut (Not shown)	
	000019	4	4	4	4	4	4	4	Lockwasher (Not Shown)	
17	700739	1	1	1	1	1	1	1	Bearing Housing (w/zerk fitting)	
18	000402	2	2	2	2	2	2	2	Bearing Retaining Ring	
19	102651	3	3	3	3	3	3	3	Pulley Shim (as needed)	
20	102501	1	1	1	1	1	1	1	Drive Shaft Pulley	
21	101782	1	1	1	1	1	1	1	Key	
22	101780	1	1	1	1	1	1	1	Heavy Washer	
23	000520	1	1	1	1	1	1	1	Lockwasher	
24	000555	1	1	1	1	1	1	1	Bolt	
25	100706	1	1	1	1	1	1	1	Drive Belt	
26	105597	1	1	1	1	1	1	1	Shield Mounting Bracket	
27	103717	1	1	1		1	1	1	Upper Bushing (Convert CAT 1 to CAT 2)	
28	2196	2	2	2	2	2	2	2	CLIP (LYNCH PIN), 13/32 DIA.	
29	103716	2	2	2	2	2	2	2	Lower Bushing (Convert CAT 1 to CAT 2)	
30	100743	2	2	2	2	2	2	2	Lower Hitch Pin	
31	000539	1	1	1	1	1	1	1	Spring	
32	101778	4	4	4	4	4	4	4	Pulley Arm Bearing Plate Spacer	
	000001	1	1	1	1	1	1	1	Bolt (Not shown)	
	000018	1	1	1	1	1	1	1	Lockwasher (Not shown)	
	000017	1	1	1	1	1	1	1	Washer (Not shown)	
	000523	1	1	1	1	1	1	1	Cotter Pin	
	700494	1	-	1	1	1	1	1	Idler Asy.	
	701851	-	1	-	-	-	-	-	Idler Asy.	
33	701905	1	-	1	1	1	1	1	Outboard Bearing Plate (w/zerk fitting)	
	701847	-	1	-	-	-	-	-	Outboard Bearing Plate (w/zerk fitting)	
	000206	1	1	1	1	1	1	1	Lubricap (N/S)	
	000135	1	1	1	1	1	1	1	Bolt(long) (N/S)	
	000645	1	1	1	1	1	1	1	Bolt (N/S)	
	000019	2	2	2	2	2	2	2	Lockwasher	
	000171	3	3	3	3	3	2	2	Nut (N/S)	
34	100727	1	-	1	1	1	1	1	Idler Arm	
	104938	-	1	-	-	-	-	-	Idler Arm	
	00755153	2	2	2	2	2	2	2	Cotter Pin (N/S)	
35	000547	1	1	1	1	1	1	1	Idler Pulley	
36	701845	-	1	-	-	-	-	-	Belt Guard Package (W/ fasteners)	
	000554	-	3	-	-	-	-	-	Bolt (N/S)	
36	000520	-	3	-	-	-	-	-	Lockwasher (N/S)	
	000063	-	2	-	-	-	-	-	Flatwasher (N/S)	
	000513	-	1	-	-	-	-	-	Nut	

Mar. 1972
to
Oct. 1990

MOWER ASY 88" Model

SEE
S/N Ship Dates
in Back of Book

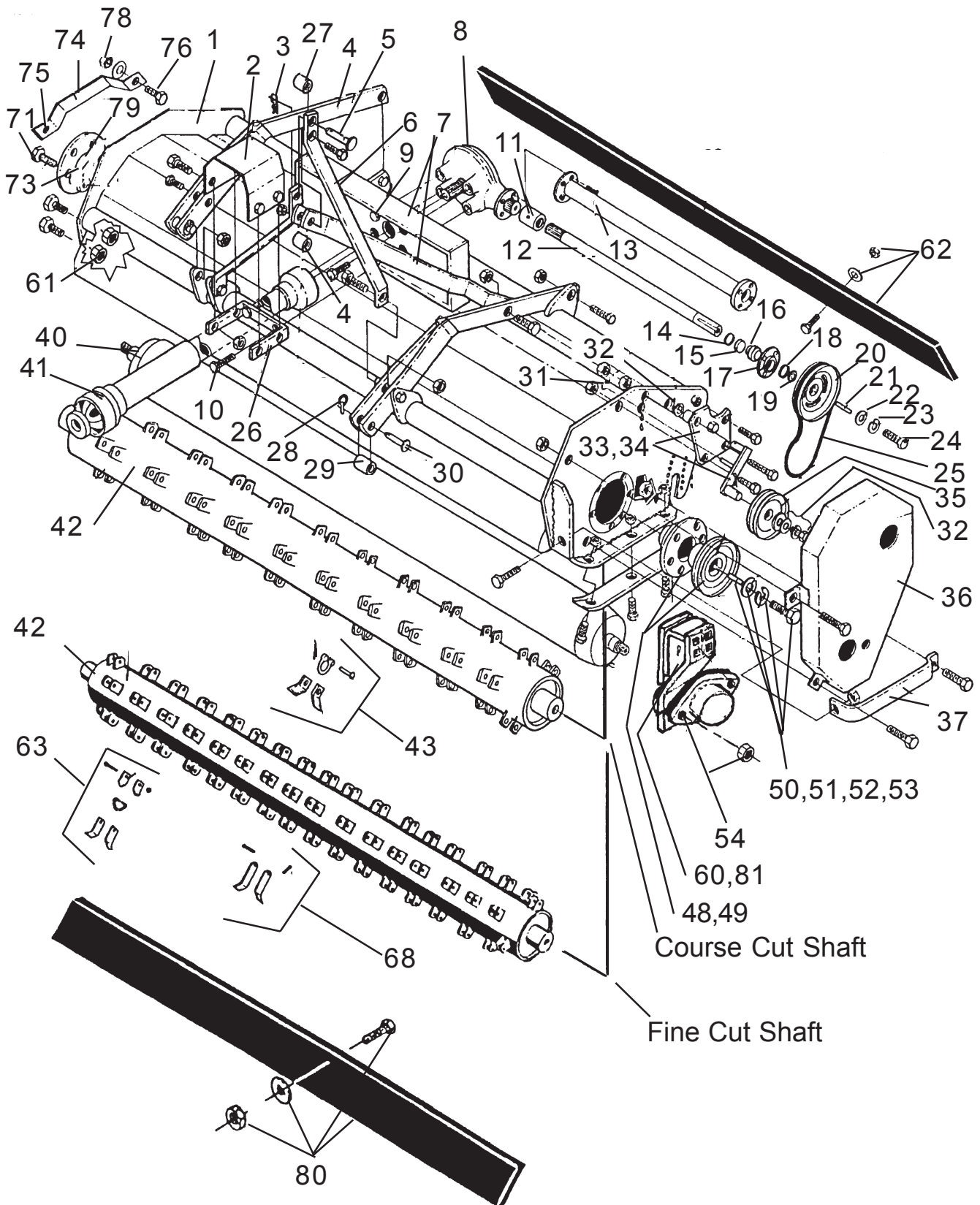
Item # 37 thru 79

Item	Part No.	Center		Offset					Description
		Fwd	Rev	3.5"	6.5"	8.5"	14.5"	20.5"	
37	103117	1	-	1	1	1	1	1	Belt Guard Fender
	104935	-	1	-	-	-	-	-	Belt Guard fender
	103064	1	1	1	1	1	1	1	Fender, RH Fwd /LH Rev.
	000555	2	2	2	2	2	2	2	Bolt (front) (N/S)
	000554	2	2	2	2	2	2	2	Bolt (rear) (N/S)
	000513	2	2	2	2	2	2	2	Nut (N/S)
40	-----	1	1	1	1	1	1	1	Roller Asy. (See Roller Section)
41	-----	1	1	1	1	1	1	1	PTO Driveline Asy, (See D/L Section)
42	-----	1	1	1	1	1	1	1	Cuttershaft, CC or FC (See Cutter Shaft)
43	-----	1	1	1	1	1	1	1	Knife Pkg, CC (See Cutter Shaft)
47	103051	2	2	2	2	2	2	2	Shoe Wear Plate
	000515	2	2	2	2	2	2	2	Carriage Bolt (Not shown)
	000700	4	4	4	4	4	4	4	Plow Bolt (Not shown)
	000520	6	6	6	6	6	6	6	Lockwasher
	000170	6	6	6	6	6	6	6	Nut (Not shown)
	100704	2	2	2	2	2	2	2	Wear Shoe, Renovating (Not shown)
	02030700	4	4	4	4	4	4	4	Bolt
	00001800	4	4	4	4	4	4	4	Locknut TLM 1/2 NC PLC (Not shown)
	00752036	6	6	6	6	6	6	6	Nut (Not shown)
48	-----	1	1	1	1	1	1	1	Cuttershaft Brg & Hsg (See Cutter Shaft)
49	102652	1	1	1	1	1	1	1	Pulley, Cuttershaft
50	100768	1	1	1	1	1	1	1	Key\
51	100720	1	1	1	1	1	1	1	Clamp Washer
52	000521	1	1	1	1	1	1	1	Lockwasher
53	000407	1	1	1	1	1	1	1	Bolt
54	-----	2	2	2	2	2	2	2	Roller Brg. & Hsg Asy. (See Roller)
60	00001800	4	4	4	4	4	4	4	Locknut TLM 1/2 NC PLC
	000206	2	2	2	2	2	2	2	Lubricap (Not shown)
61	106330	1	1	1	1	1	1	1	Front Foot Guard
	000937	4	4	4	4	4	4	4	Bolt (Not shown)
	000520	4	4	4	4	4	4	4	Lockwasher
	000170	4	4	4	4	4	4	4	Locknut (Not shown)
62	100755	1	1	1	1	1	1	1	Rubber Rear Trash Deflector
	000860	12	12	12	12	12	12	12	Bolt (Not shown)
	000036	12	12	12	12	12	12	12	Lockwasher (Not Shown)
	000016	12	12	12	12	12	12	12	Washer (Not shown)
	000173	12	12	12	12	12	12	12	Nut (Not shown)
63	-----	1	1	1	1	1	1	1	Knife Pkg. FC Ring Mnt(See Cutter Shaft)
68	-----	1	1	1	1	1	1	1	Knife Pkg. FC Pin Mnt (See Cutter Shaft)
71	000354	6	6	6	6	6	6	6	Bolt
73	00752036	6	6	6	6	6	6	6	Nut
74	103064	1	1	1	1	1	1	1	Fender
75	00748823	1	1	1	1	1	1	1	Bolt
76	02030700	1	1	1	1	1	1	1	Bolt
78	00001800	2	2	2	2	1	1	1	Locknut TLM 1/2 NC PLC
79	-----	1	1	1	1	1	1	1	Brg &Hsg Asy, (See Cutter Shaft Brg Section)

Nov. 1990
to
Current

MOWER ASY 88" Model

SEE
S/N Ship Dates
in Back of Book



Nov. 1990
to
Current

MOWER ASY

88" Model

SEE
S/N Ship Dates
in Back of Book

Item # 1 thru 16

Item	Part No.	Center		Offset - Right				Description
		Fwd	Rev	6.5"	8.5"	14.5"	20.5"	
1	107171	1	1	-	-	-	-	Cutter Hsg, Std (w/o Caster Brkts)
	107201	1	1	-	-	-	-	Cutter Hsg, (w/ Caster Brkts)
	107220	-	-	1	-	-	-	Cutter Hsg, (w/o Caster Brkts)
	107221	-	-	1	-	-	-	Cutter Hsg, (w/ Caster Brkts)
	107203	-	-	-	1	-	-	Cutter Hsg, (w/o Caster Brkts)
	107202	-	-	-	1	-	-	Cutter Hsg, (w/ Caster Brkts)
	107204	-	-	-	-	1	-	Cutter Hsg, (w/o Caster Brkts)
	107205	-	-	-	-	1	-	Cutter Hsg, (w/ Caster Brkts)
	107206	-	-	-	-	-	1	Cutter Hsg, (w/o Caster Brkts)
	107207	-	-	-	-	-	1	Cutter Hsg, (w/ Caster Brkts)
	107208	1	-	-	-	-	-	Cutter Hsg, (w/ Caster Brkts) Renovating
107209	-	-	-	-	-	1	Cutter Hsg, (w/ Caster Brkts) Renovating	
2	702705	1	1	1	1	1	1	PTO Shield
	000132	4	4	4	4	4	4	Bolt (Not shown)
	000019	4	4	4	4	4	4	Lockwasher (Not shown)
3	-----	1	1	1	1	1	1	Quick Cotter (See A-Frame Section)
4	-----	2	2	2	2	2	2	Overarm, (See A-Frame / G/B Mnt Section)
5	-----	1	1	1	1	1	1	Top Link Hitch Pin (See A-Frame Section)
6	-----	2	2	2	2	2	2	A-Frame (See A-Frame Section)
7	-----	1	1	1	1	1	1	Gearbox Mount (See A-Frame Section)
8	-----	1	1	1	1	1	1	Gearbox Asy. (See G/b Asy. Section)
	700489	1	1	-	-	-	-	Gearbox & Extension Shaft Asy.
	700523	-	-	1	-	-	-	Gearbox & Extension Shaft Asy.
	701457	-	-	-	1	-	-	Gearbox & Extension Shaft Asy.
	701455	-	-	-	-	1	-	Gearbox & Extension Shaft Asy.
	701554	-	-	-	-	-	1	Gearbox & Extension Shaft Asy.
9	000510	2	2	2	2	2	2	Bolt (upper)
10	000511	2	2	2	2	2	2	Bolt (lower)
	000521	4	4	4	4	4	4	Lockwasher (Not shown)
	000552	6	6	6	6	6	6	Gearbox Shim (as needed) (Not shown)
11	700171	1	1	1	1	1	1	Spline Coupler Assembly (w/zerk fitting)
	001727	4	4	4	4	4	4	Counterbore Screw (Not shown)
	000019	4	4	4	4	4	4	Lockwasher (Not shown)
12	100724	1	1	-	-	-	-	Extension Shaft
	100778	-	-	1	-	-	-	Extension Shaft
	100287	-	-	-	1	-	-	Extension Shaft
	100288	-	-	-	-	1	-	Extension Shaft
	100286	-	-	-	-	-	1	Extension Shaft
	13	100721	1	1	-	-	-	-
100776	-	-	1	-	-	-	-	Extension Shaft
102804	-	-	-	1	-	-	-	Extension Shaft Housing
102874	-	-	-	-	1	-	-	Extension Shaft Housing
102637	-	-	-	-	-	1	-	Extension Shaft Housing
001727	1	1	1	1	1	1	1	Screw (Not shown)
000019	1	1	1	1	1	1	1	Lockwasher
14	100010	1	1	1	1	1	1	Bevel Ring

Nov. 1990
to
Current

MOWER ASY 88" Model

SEE
S/N Ship Dates
in Back of Book

Item # 16 thru 37

Item	Part No.	Center		Offset - Right				Description
		Fwd	Rev	6.5"	8.5"	14.5"	20.5"	
15	100057	1	1	1	1	1	1	Snap Ring
16	000398	1	1	1	1	1	1	Bearing
	700491	1	1	1	1	1	1	Bearing and Housing Asy.
	000206	1	1	1	1	1	1	Lubricap (Not shown)
16	000012	4	4	4	4	4	4	Bolt (Not shown)
	000014	4	4	4	4	4	4	Nut (Not shown)
	000019	4	4	4	4	4	4	Lockwasher (Not Shown)
17	700739	1	1	1	1	1	1	Bearing Housing (w/ Grease Fitting)
18	000402	2	2	2	2	2	2	Bearing Retaining Ring
19	102651	3	3	3	3	3	3	Pulley Shim (as needed)
20	102501	1	1	1	1	1	1	Drive Shaft Pulley
21	101782	1	1	1	1	1	1	Key
22	101780	1	1	1	1	1	1	Heavy Washer
23	000520	1	1	1	1	1	1	Lockwasher
24	000555	1	1	1	1	1	1	Bolt
25	100706	1	1	1	1	1	1	Drive Belt
26	105597	1	1	1	1	1	1	Shield Mounting Bracket
27	103717	1	1	1	1	1	1	Upper Bushing (Convert CAT 1 to CAT 2)
28	2196	2	2	2	2	2	2	CLIP (LYNCH PIN), 13/32 DIA.
29	103716	2	2	2	2	2	2	Lower Bushing (Convert CAT 1 to CAT 2)
30	100743	2	2	2	2	2	2	Lower Hitch Pin
31	000539	1	1	1	1	1	1	Spring
32	101778	4	4	4	4	4	4	Pulley Arm Bearing Plate Spacer
	000001	1	1	1	1	1	1	Bolt (Not shown)
	000018	1	1	1	1	1	1	Lockwasher (Not shown)
	000017	1	1	1	1	1	1	Washer (Not shown)
	000523	1	1	1	1	1	1	Cotter Pin
33	701905	1	-	1	1	1	1	Outboard Bearing Plate (w/zerk fitting)
	701847	-	1	-	-	-	-	Outboard Bearing Plate (w/zerk fitting)
	000206	1	1	1	1	1	1	Lubricap (N/S)
	000135	1	1	1	1	1	1	Bolt(long) (N/S)
	000645	1	1	1	1	1	1	Bolt (N/S)
	000019	2	2	2	2	2	2	Lockwasher
	000171	3	3	3	3	3	3	Nut (N/S)
34	100727	1	-	1	1	1	1	Idler Arm
	104938	-	1	-	-	-	-	Idler Arm
	700494	1	-	1	1	1	1	Idler Asy. (w/ Fasteners)
	701851	-	1	-	-	-	-	Idler Asy. (w// Fasteners)
	00755153	2	2	2	2	2	2	Cotter Pin (N/S)
35	000547	1	1	1	1	1	1	Idler Pulley
36	701845	-	1	-	-	-	-	Belt Guard Package (W/ fasteners)
	000139	-	3	-	-	-	-	Bolt (N/S)
	000520	-	3	-	-	-	-	Lockwasher (N/S)
	000063	-	2	-	-	-	-	Flatwasher (N/S)
	000513	-	1	-	-	-	-	Nut

Nov.1990
to
Current

MOWER ASY

88" Model

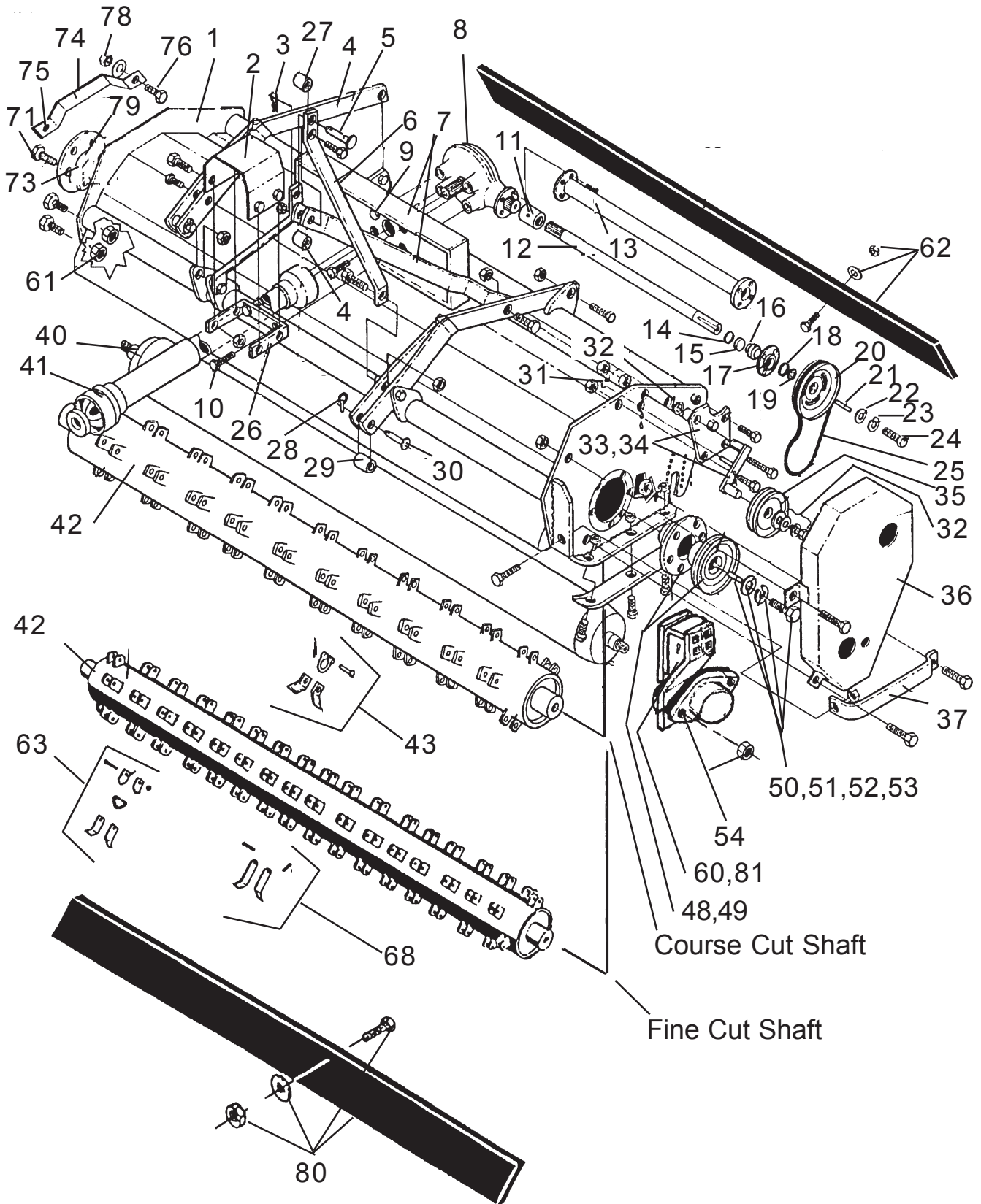
SEE
S/NShipDates
in Backof Book

Item	Part No.	Center		Offset - Right				Description
		Fwd	Rev	6.5"	8.5"	14.5"	20.5"	
37	103117	1	-	1	1	1	1	Belt Guard Fender
	104935	-	1	-	-	-	-	Belt Guard fender
	103064	1	1	1	1	1	1	Fender, RH Fwd/LHRev.
	000555	2	2	2	2	2	2	Bolt (front) (N/S)
	000554	2	2	2	2	2	2	Bolt (rear) (N/S)
	000513	2	2	2	2	2	2	Nut (N/S)
40	-----	1	1	1	1	1	1-	Roller Asy. (See Roller Section)
41	-----	1	1	1	1	1	1	PTO Driveline Asy, (See D/L Section)
42	-----	1	1	1	1	1	1	Cuttershaft, CC (See Cutter Shaft)
43	-----	1	1	1	1	1	1	Knife Pkg, CC (See Cutter Shaft)
47	103051	2	2	2	2	2	2	Shoe Wear Plate
	000515	2	2	2	2	2	2	Carriage Bolt (Not shown)
	000700	4	4	4	4	4	4	Plow Bolt (Not shown)
	000520	6	6	6	6	6	6	Lockwasher
	000170	6	6	6	6	6	6	Nut (Not shown)
	100704	2	2	2	2	2	2	Wear Shoe, Renovating (Not shown)
	02030700	4	4	4	4	4	4	Bolt
	00001800	4	4	4	4	4	4	Locknut TLM 1/2 NC PLC(Not shown)
	00752036	6	6	6	6	6	6	Nut (Not shown)
48	-----	1	1	1	1	1	1	Cuttershaft Brg & Hsg (See Cutter Shaft)
49	102652	1	1	1	1	1	1	Pulley,Cuttershaft
50	100768	1	1	1	1	1	1	Key
51	100720	1	1	1	1	1	1	Clamp Washer
52	000521	1	1	1	1	1	1	Lockwasher
53	000407	1	1	1	1	1	1	Bolt
54	-----	2	2	2	2	2	2	Roller Brg. & Hsg Asy. (See Roller)
60	00001800	4	4	4	4	4	4	Locknut TLM 1/2 NC PLC
	000206	2	2	2	2	2	2	Lubricap (Not shown)
61	107258	1	1	1	1	1	1	Front Foot Guard
	000937	4	4	4	4	4	4	Bolt (Not shown)
	000520	4	4	4	4	4	4	Lockwasher
	000170	4	4	4	4	4	4	Locknut (Not shown)
62	100755	1	1	1	1	1	1	RubberRearTrashDeflector
	000860	12	12	12	12	12	12	Bolt (Not shown)
	000036	12	12	12	12	12	12	Lockwasher (Not Shown)
	000016	12	12	12	12	12	12	Washer (Not shown)
	000173	12	12	12	12	12	12	Nut (Not shown)
63	-----	1	1	1	1	1	1	KnifePkg.FCRingMnt(See Cutter Shaft)
68	-----	1	1	1	1	1	1	KnifePkg.FCPinMnt (SeeCutter Shaft)
71	000354	6	6	6	6	6	6	Bolt
73	00752036	6	6	6	6	6	6	Nut
74	103064	1	1	1	1	1	1	Fender
75	00748823	1	1	1	1	1	1	Bolt
76	02030700	1	1	1	1	1	1	Bolt
78	00001800	2	2	2	2	2	1	Locknut TLM 1/2 NC PLC
79	-----	1	1	1	1	1	1	Brg&HsgAsy, (SeeCutter ShaftBrgSection)
	108744							Bar,Flap Retainer - 88" rear

Oct 1992
to
Current

MOWER ASY 96" Model

SEE
S/N Ship Dates
in Back of Book



Oct. 1992
to
Current

MOWER ASY

96" Model

Item # 1 thru #13

SEE
S/N Ship Dates
in Back of Book

Item	Part No.	Center		Offset -----						Description		
		Rotation	RT	RT	RT	RT	RT	RT	RT	LT	LT	
		Fwd	Rev	10.5"	12.5"	18.5"	24.5"	30.5"	32.5"	5.0"	16.37"	
1	107768	1	1	-	-	-	-	-	-	-	-	Cutter Hsg. (w/o Caster Brkts)
	107890	1	1	-	-	-	-	-	-	-	-	Cutter Hsg. (w/ Caster Brkts)
	107946	-	-	1	-	-	-	-	-	-	-	Cutter Hsg. (w/o Caster Brkts)
	108225	-	-	-	1	-	-	-	-	-	-	Cutter Hsg. (w/o Caster Brkts)
	107972	-	-	-	1	-	-	-	-	-	-	Cutter Hsg. (w/ Caster Brkts)
	107797	-	-	-	-	1	-	-	-	-	-	Cutter Hsg. (w/o Caster Brkts)
	108392	-	-	-	-	1	-	-	-	-	-	Cutter Hsg. (w/ Caster Brkts)
	107892	-	-	-	-	-	1	-	-	-	-	Cutter Hsg. (w/o Caster Brkts)
	108327	-	-	-	-	-	1	-	-	-	-	Cutter Hsg. (w/ Caster Brkts)
	107777	-	-	-	-	-	-	1	-	-	-	Cutter Hsg. (w/o Caster Brkts)
	108276	-	-	-	-	-	-	1	-	-	-	Cutter Hsg. (w/ Caster Brkts)
	108373	-	-	-	-	-	-	-	1	-	-	Cutter Hsg. (w/o Caster Brkts)
	108736	-	-	-	-	-	-	-	-	1	-	Cutter Hsg. (w/ Caster Brkts)
	108179	-	-	-	-	-	-	-	-	1	-	Cutter Hsg. (w/o Caster Brkts)
	108394	-	-	-	-	-	-	-	-	-	1	Cutter Hsg. (w/o Caster Brkts)
2	702705	1	1	1	1	1	1	1	1	1	1	PTO Shield
	000132	4	4	4	4	4	4	4	4	4	4	Bolt (Not shown)
	000019	4	4	4	4	4	4	4	4	4	4	Lockwasher (Not shown)
3	-----	1	1	1	1	1	1	1	1	1	1	Quick Cotter (See A/F Section)
4	-----	2	2	2	2	2	2	2	2	2	2	Overarm, (See A/F & G/B Mnt)
5	-----	1	1	1	1	1	1	1	1	1	1	Top Link Hitch Pin (See A-Frame)
6	-----	2	2	2	2	2	2	2	2	2	2	A-Frame (See A-Frame Section)
7	-----	1	1	1	1	1	1	1	1	1	1	Gearbox Mount (See A-Frame)
8	-----	1	1	1	1	1	1	1	1	1	1	Gearbox Asy. (See G/B Asy.)
	703946	1	1	-	-	-	-	-	-	-	-	Gearbox & Extension Shaft Asy.
	700523	-	-	1	-	-	-	-	-	-	-	Gearbox & Extension Shaft Asy.
	701457	-	-	-	1	-	-	-	-	-	-	Gearbox & Extension Shaft Asy.
	701455	-	-	-	-	1	-	-	-	-	-	Gearbox & Extension Shaft Asy.
	700554	-	-	-	-	-	1	-	-	-	-	Gearbox & Extension Shaft Asy.
	703757	-	-	-	-	-	-	1	-	-	-	Gearbox & Extension Shaft Asy.
	704367	-	-	-	-	-	-	-	1	-	-	Gearbox & Extension Shaft Asy.
	704286	-	-	-	-	-	-	-	-	1	-	Gearbox & Extension Shaft Asy.
	703854	-	-	-	-	-	-	-	-	-	1	Gearbox & Extension Shaft Asy.
9	000510	2	2	2	2	2	2	2	2	2	2	Bolt (upper)
10	000511	2	2	2	2	2	2	2	2	2	2	Bolt (lower)
	000521	4	4	4	4	4	4	4	4	4	4	Lockwasher (Not shown)
	000552	6	6	6	6	6	6	6	6	6	6	Gearbox Shim (as needed) (N/S)
11	700171	1	1	1	1	1	1	1	1	1	1	Spline Coupler Assembly (w/Fitting)
	001727	4	4	4	4	4	4	4	4	4	4	Counterbore Screw (Not shown)
	000019	4	4	4	4	4	4	4	4	4	4	Lockwasher (Not shown)
12	107748	1	1	-	-	-	-	-	-	-	-	Extension Shaft (40-5/32" Long)
	100778	-	-	1	-	-	-	-	-	-	-	Extension Shaft (29-7/16" Long)
	100287	-	-	-	1	-	-	-	-	-	-	Extension Shaft (27-11/16" Long)
	100288	-	-	-	-	1	-	-	-	-	-	Extension Shaft (21-11/16" Long)
	100286	-	-	-	-	-	1	-	-	-	-	Extension Shaft (15-11/16" Long)
	107540	-	-	-	-	-	-	1	-	-	-	Extension Shaft (9-11/16" Long)
	108374	-	-	-	-	-	-	-	1	-	-	Extension Shaft (7-9/16" Long)
	108173	-	-	-	-	-	-	-	-	1	-	Extension Shaft (45-5/32" Long)
	107563	-	-	-	-	-	-	-	-	-	1	Extension Shaft (56-17/32" Long)
	13	107747	1	1	-	-	-	-	-	-	-	-

Continued Next Page

SHD FLAIL (Archive Book) 01/04
© 2004 Alamo Group Inc.

Parts Section -27

Oct. 1992
to
Current

MOWER ASY

96" Model

Item # 13 thru 36

SEE
S/N Ship Dates
in Back of Book

Item	Part No.	Center		Offset -----						Description			
		Rotation	RT	RT	RT	RT	RT	RT	RT	LT	LT		
		Fwd	Rev	10.5"	12.5"	18.5"	24.5"	30.5"	32.5"	5.0"	16.37"		
13	100776	-	-	1	-	-	-	-	-	-	-	Extension Shaft Hsg. (29-9/16" Long)	
	102804	-	-	-	1	-	-	-	-	-	-	Extension Shaft Hsg. (27-5/8" Long)	
	102874	-	-	-	-	1	-	-	-	-	-	Extension Shaft Hsg. (21-5/8" Long)	
	102637	-	-	-	-	-	1	-	-	-	-	Extension Shaft Hsg. (15-5/8" Long)	
	107541	-	-	-	-	-	-	1	-	-	-	Extension Shaft Hsg. (9-5/8" Long)	
	108376	-	-	-	-	-	-	-	1	-	-	Extension Shaft Hsg. (7-1/8" Long)	
	108175	-	-	-	-	-	-	-	-	1	-	Extension Shaft Hsg. (45-1/4" Long)	
	107564	-	-	-	-	-	-	-	-	-	1	Extension Shaft Hsg. (56-5/8" Long)	
	001727	1	1	1	1	1	1	1	1	1	1	Screw (Not shown)	
	000019	1	1	1	1	1	1	1	1	1	1	Lockwasher (Not Shown)	
14	100010	1	1	1	1	1	1	1	1	1	1	Bevel Ring	
15	100057	1	1	1	1	1	1	1	1	1	1	Snap Ring	
16	000398	1	1	1	1	1	1	1	1	1	1	Bearing	
	700491	1	1	1	1	1	1	1	1	1	1	Bearing and Housing Asy.	
	000206	1	1	1	1	1	1	1	1	1	1	Lubricap (Not shown)	
	000937	4	4	4	4	4	4	4	4	4	4	Bolt (Not shown)	
	00752036	4	4	4	4	4	4	4	4	4	4	Locknut (Not shown)	
	17	700739	1	1	1	1	1	1	1	1	1	1	Bearing Housing (w/ Grease Fitting)
18	000402	2	2	2	2	2	2	2	2	2	2	Bearing Retaining Ring	
19	102651	3	3	3	3	3	3	3	3	3	3	Pulley Shim (as needed)	
20	102501	1	1	1	1	1	1	1	1	1	1	Drive Shaft Pulley	
21	101782	1	1	1	1	1	1	1	1	1	1	Key	
22	101780	1	1	1	1	1	1	1	1	1	1	Heavy Washer	
23	000520	1	1	1	1	1	1	1	1	1	1	Lockwasher	
24	000555	1	1	1	1	1	1	1	1	1	1	Bolt	
25	100706	1	1	1	1	1	1	1	1	1	1	Drive Belt	
26	105597	1	1	1	1	1	1	1	1	1	1	Shield Mounting Bracket	
27	103717	1	1	1	1	1	1	1	1	1	1	Upper Bushing (X-CAT 1 to CAT 2)	
28	2196	2	2	2	2	2	2	2	2	2	2	CLIP (LYNCH PIN), 13/32 DIA.	
29	103716	2	2	2	2	2	2	2	2	2	2	Lower Bushing (X-CAT 1 to CAT 2)	
30	100743	2	2	2	2	2	2	2	2	2	2	Lower Hitch Pin	
31	000539	1	1	1	1	1	1	1	1	1	1	Spring	
32	101778	4	4	4	4	4	4	4	4	4	4	Pulley Arm Bearing Plate Spacer	
	000001	1	1	1	1	1	1	1	1	1	1	Bolt (Not shown)	
	000018	1	1	1	1	1	1	1	1	1	1	Lockwasher (Not shown)	
	000017	1	1	1	1	1	1	1	1	1	1	Washer (Not shown)	
	33	701905	1	-	1	1	1	1	1	1	1	1	Outboard Bearing Plate (w/ Fitting)
	701847	-	1	-	-	-	-	-	-	-	-	-	Outboard Bearing Plate (w Fitting)
000206	1	1	1	1	1	1	1	1	1	1	1	Lubricap (N/S)	
000135	1	1	1	1	1	1	1	1	1	1	1	Bolt(long) (N/S)	
000645	1	1	1	1	1	1	1	1	1	1	1	Bolt (N/S)	
00752036	2	2	2	2	2	2	2	2	2	2	2	Locknut (N/S)	
000171	3	3	3	3	3	3	3	3	3	3	3	Nut (N/S)	
34	100727	1	-	1	1	1	1	1	1	1	1	1	Idler Arm
	104938	-	1	-	-	-	-	-	-	-	-	-	Idler Arm
	700494	1	-	1	1	1	1	1	1	1	1	1	Idler Asy. (w/ Fasteners)
	701851	-	1	-	-	-	-	-	-	-	-	-	Idler Asy. (w// Fasteners)
	000523	2	2	2	2	2	2	2	2	2	2	2	Cotter Pin (N/S)
35	000547	1	1	1	1	1	1	1	1	1	1	Idler Pulley	
36	700488	1	-	-	-	-	-	-	-	-	-	-	Belt Guard Package (w/ fasteners)

Oct.1992
to
Current

MOWER ASY

96" Model

Item # 36 thru 79

SEE
S/NShipDates
in Backof Book

Item	Part No.	Center		Offset-----								Description	
		R	otation	RT	RT	RT	RT	RT	RT	LT	LT		
		Fwd	Rev	10.5"	12.5"	18.5"	24.5"	30.532.5"			5.0"	16.37"	
36	701845	-	1	-	-	-	-	-	-	-	-	-	BeltGuardPkg.(w/ Fasteners)
	000139	3	1	3	3	3	3	3	3	3	3	3	Bolt
	00001800	3	3	3	3	3	3	3	3	3	3	3	Locknut TLM 1/2 NC PLC
	000508	-	2	-	-	-	-	-	-	-	-	-	Bolt (N/S)
	000520	-	3	-	-	-	-	-	-	-	-	-	Lockwasher (N/S)
	000063	-	3	-	-	-	-	-	-	-	-	-	Flatwasher
37	103117	1	-	1	1	1	1	1	1	1	1	1	Belt GuardFender
	104935	-	1	-	-	-	-	-	-	-	-	-	Belt Guardfender
	103064	1	1	1	1	1	1	1	1	1	1	1	Fender,RHFwd/LHRev.
	000141	2	2	2	2	2	2	2	2	2	2	2	Bolt(front) (N/S)
	000140	2	2	2	2	2	2	2	2	2	2	2	Bolt(rear) (N/S)
	00001800	2	2	2	2	2	2	2	2	2	2	2	Locknut TLM 1/2 NC PLC (N/S)
40	-----	1	1	1	1	1	1	1	1	1	1	1	Rdler Asy.(SeeRoller Section)
41	-----	1	1	1	1	1	1	1	1	1	1	1	PTO DrivelineAsy,(See D/L Section)
42	-----	1	1	1	1	1	1	1	1	1	1	1	Cuttershaft,CC(See Cutter Shaft)
43	-----	1	1	1	1	1	1	1	1	1	1	1	Knife Pkg,CC(SeeCutterShaft)
47	103051	2	2	2	2	2	2	2	2	2	2	2	Shoe Wear Plate
	000515	2	2	2	2	2	2	2	2	2	2	2	Carriage Bolt (Notshown)
	000700	4	4	4	4	4	4	4	4	4	4	4	Plow Bolt (Notshown)
	00001800	6	6	6	6	6	6	6	6	6	6	6	Locknut TLM 1/2 NC PLC
	100704	2	2	2	2	2	2	2	2	2	2	2	Wear Shoe,Renovating (Not shown)
	02030700	4	4	4	4	4	4	4	4	4	4	4	Bolt
	00001800	4	4	4	4	4	4	4	4	4	4	4	Locknut TLM 1/2 NC PLC (Not shown)
	00752036	6	6	6	6	6	6	6	6	6	6	6	Nut (Not shown)
48	-----	1	1	1	1	1	1	1	1	1	1	1	Brg &Hsg(See CutterShaft)
49	102652	1	1	1	1	1	1	1	1	1	1	1	Pulley, Cuttershaft
50	100768	1	1	1	1	1	1	1	1	1	1	1	Key
51	100720	1	1	1	1	1	1	1	1	1	1	1	ClampWasher
52	000521	1	1	1	1	1	1	1	1	1	1	1	Lockwasher
53	000407	1	1	1	1	1	1	1	1	1	1	1	Bolt
54	-----	2	2	2	2	2	2	2	2	2	2	2	Roller Brg & Hsg Asy(See Roller)
60	00001800	4	4	4	4	4	4	4	4	4	4	4	Locknut TLM 1/2 NC PLC
	000206	2	2	2	2	2	2	2	2	2	2	2	Lubricap(Not shown)
61	107754	1	1	1	1	1	1	1	1	1	1	1	Front FootGuard
	000937	5	5	5	5	5	5	5	5	5	5	5	Bolt (Notshown)
	000520	5	5	5	5	5	5	5	5	5	5	5	Lockwasher
	000170	5	5	5	5	5	5	5	5	5	5	5	Locknut (Notshown)
62	107753	1	1	1	1	1	1	1	1	1	1	1	Rubber RearTrash Deflector
	10058000	13	13	13	13	13	13	13	13	13	13	13	Bolt (Not shown)
	000016	13	13	13	13	13	13	13	13	13	13	13	Washer (Not shown)
	02959924	13	13	13	13	13	13	13	13	13	13	13	Locknut (Not shown)
63	-----	1	1	1	1	1	1	1	1	1	1	1	Knife Pkg.FC (See CutterShaft)
68	-----	1	1	1	1	1	1	1	1	1	1	1	Knf Pkg.FC (See Cutter Shaft)
71	000354	6	6	6	6	6	6	6	6	6	6	6	Bolt
73	00752036	6	6	6	6	6	6	6	6	6	6	6	Nut
74	103064	1	1	1	1	1	1	1	1	1	1	1	Fender
75	000141	1	1	1	1	1	1	1	1	1	1	1	Bolt
76	000140	1	1	1	1	1	1	1	1	1	1	1	Bolt
78	00001800	2	2	2	2	2	2	2	2	2	2	2	Locknut TLM 1/2 NC PLC
79	-----	1	1	1	1	1	1	1	1	1	1	1	Brg &HsgAsy(SeeCutterShaft Brg)

02976084

Bar Flap Retainer 96 Rear

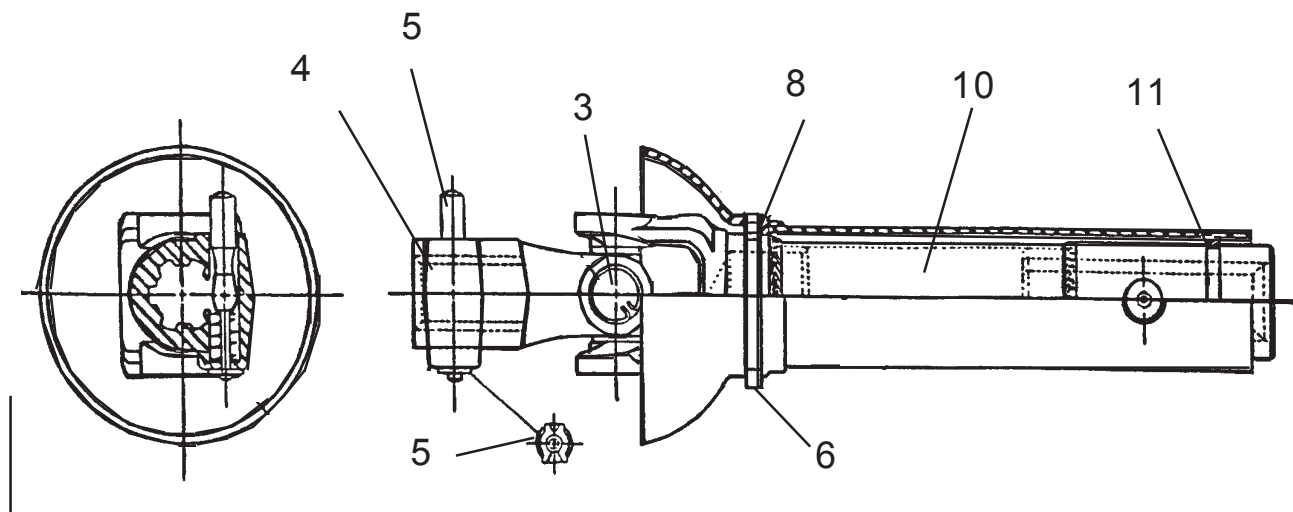
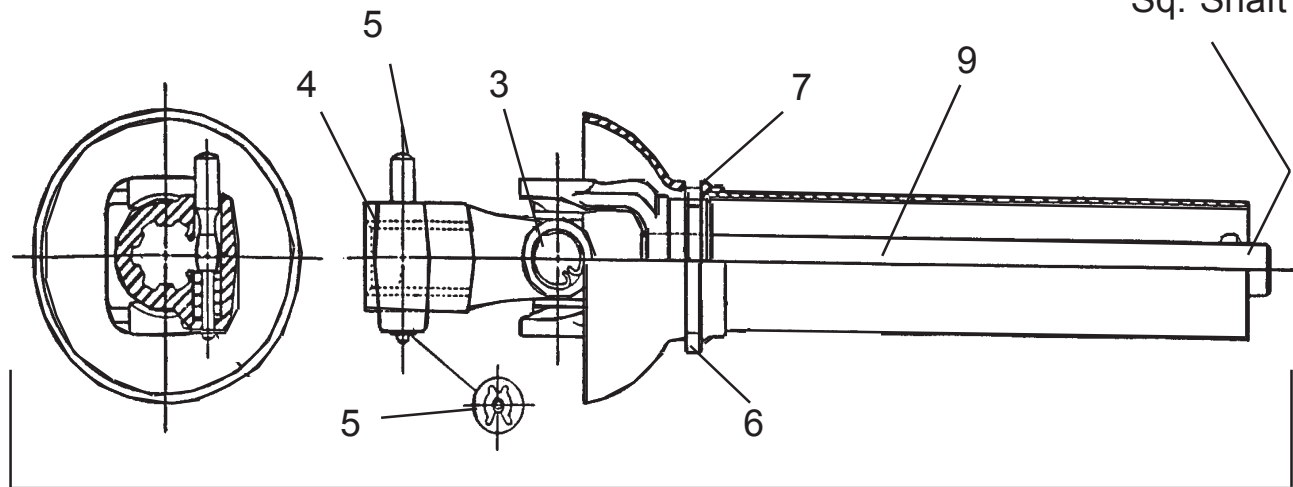
Mar. 1972
to
Dec. 1977

DRIVELINE ASSEMBLY

SEE
S/N Ship Dates
in Back of Book

50" 62", 74", 88" Model W/O Slip Clutch

1" X 1-1/8"
Sq. Shaft



50" & 62" were not Produced Prior to Sept. 1981. Prior to that only the 74" & 88" Models were available.

Mar. 1972
to
Dec. 1977

DRIVELINE ASSEMBLY

SEE
S/N Ship Dates
in Back of Book

50" 62", 74", 88" Model W/O Slip Clutch

Item	Part NO.	Qty	Description
1	701771	1	Shaft Half Asy , Complete (Obsolete use # 701409)
2	701770	1	Tube Half Asy, Complete, (Obsolete use # 701408)
3	000300	2	Universal Joint, Cross & Bearing Kit
4	000299	2	Yoke & QD Pin Asy.
5	001468	2	QD Pin Kit w/ Pin, Spring & Retainer
6	001119	2	Nylon Retainer Bearing
7	701495	1	Shield Asy.Outer, w/ Item # 6 (use w/ 701409)
8	701494	1	Shield Asy, Inner, w/ Item # 6 (use w/ 701408)
9	000677	1	Yoke & Shaft Weldment (21-1/4" Long) (use w/ 701409)
10	000706	1	Tube & Yoke Weldment (19-1/2" Long) (use w/ 701408)

TO ID THIS DRIVELINE measure Universal Joint (X-Kit) Cap it will be 1-1/8" across and driveline will have plastic Shields.

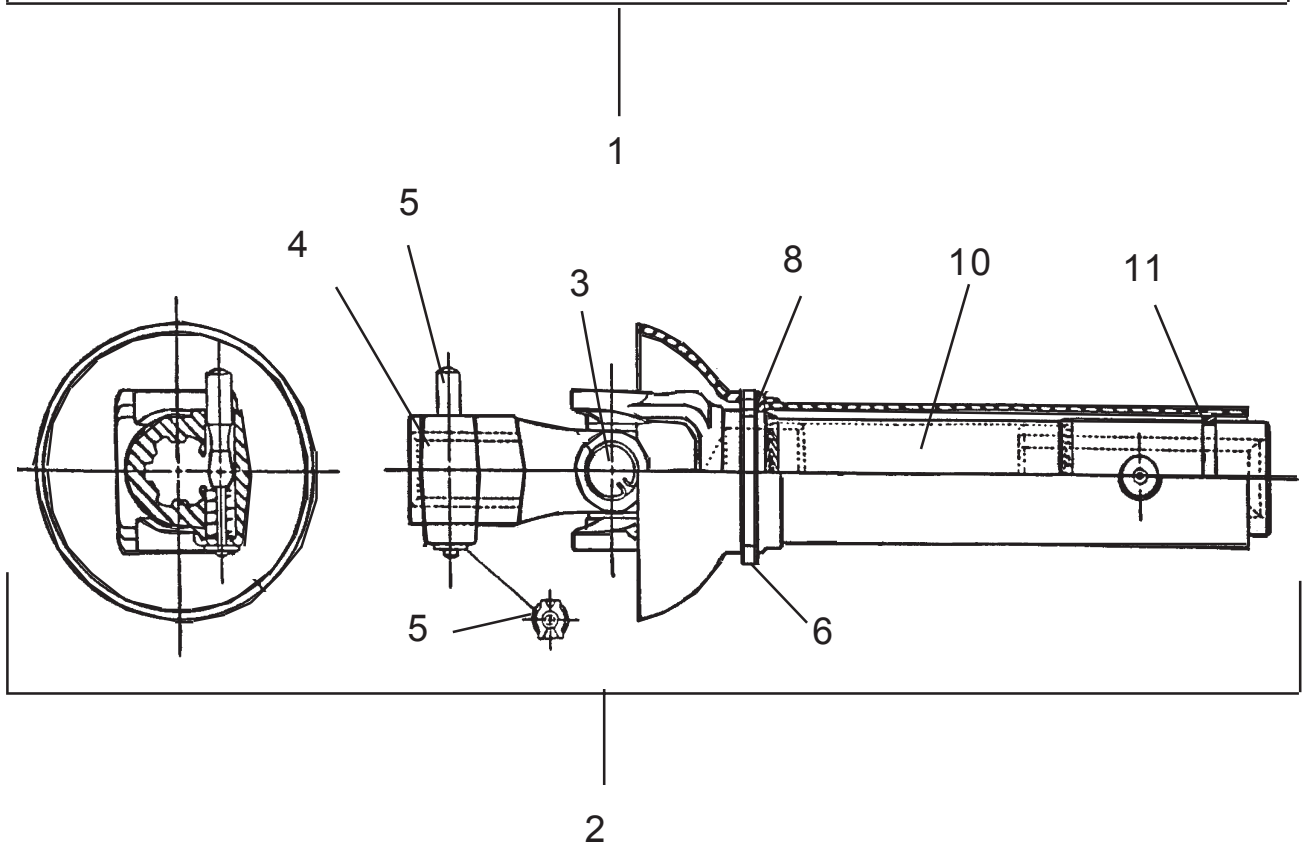
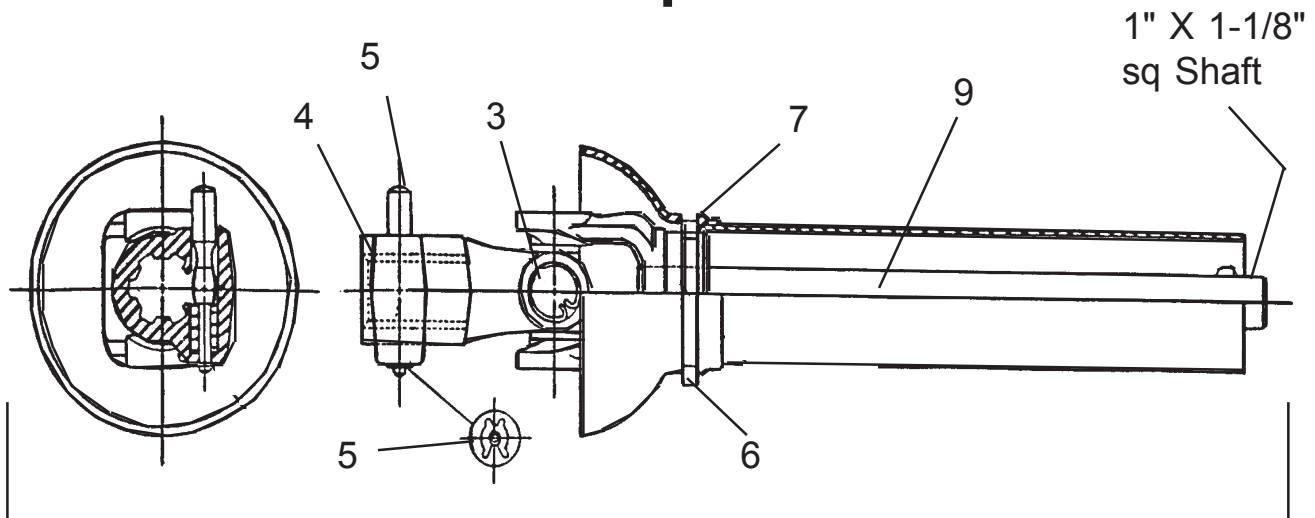
NOTE: These Original Drivelines had Plastic Shields, These are no longer available and will have to be replaced with the later style Drive lines and parts, See next pages for replacement part for Asy # 701408 & 701409.

Jan 1978
to
Oct. 1985

DRIVELINE ASSEMBLY

SEE
S/N Ship Dates
in Back of Book

50" 62", 74", 88" Model W/O Slip Clutch



50" & 62" were not Produced Prior to Sept. 1981. Prior to that only the 74" & 88" Models were available.

Jan. 1978
to
Oct. 1985

DRIVELINE ASSEMBLY

SEE
S/N Ship Dates
in Back of Book

50" 62", 74", 88" Model W/O Slip Clutch

Item	Part NO.	Qty	Description
1	701409	1	Shaft Half Asy , Complete (24-1/2" Long) (Optional)
	701410	1	Shaft Half Asy, Complete (30-1/2" Long) (Standard)
2	701408	1	Tube Half Asy, Complete, (22-3/4" Long) (Standard)
3	000300	2	Universal Joint, Cross & Bearing Kit
4	000299	2	Yoke & QD Pin Asy.
5	001468	2	QD Pin Kit w/ Pin, Spring & Retainer
6	001119	2	Nylon Retainer Bearing
7	701495	1	Shield Asy.Outer, w/ Item # 6 (use w/ 701409)
	701496	1	Shield Asy. Outer, w/ Item # 6 (use w/ 701410)
8	701494	1	Shield Asy, Inner, w/ Item # 6 (use w/ 701408)
9	000677	1	Yoke & Shaft Weldment (21-1/4" Long) (use w/ 701409)
	000675	1	Yoke & Shaft Wledment (27-1/4" long) (use w/ 701410)
10	000706	1	Tube & Yoke Weldment (19-1/2" Long) (use w/ 701408)

TO ID THIS DRIVELINE measure Universal Joint (X-Kit) Cap it
will be 1-1/8" across and driveline will have Metal Shields.

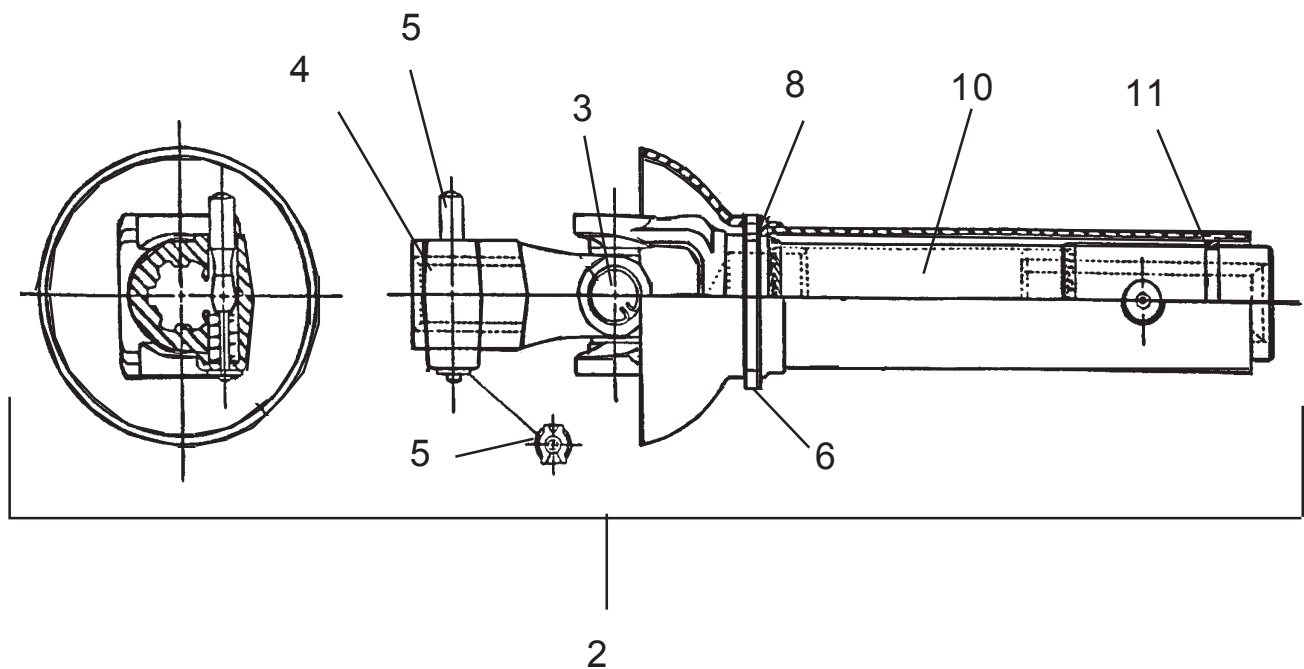
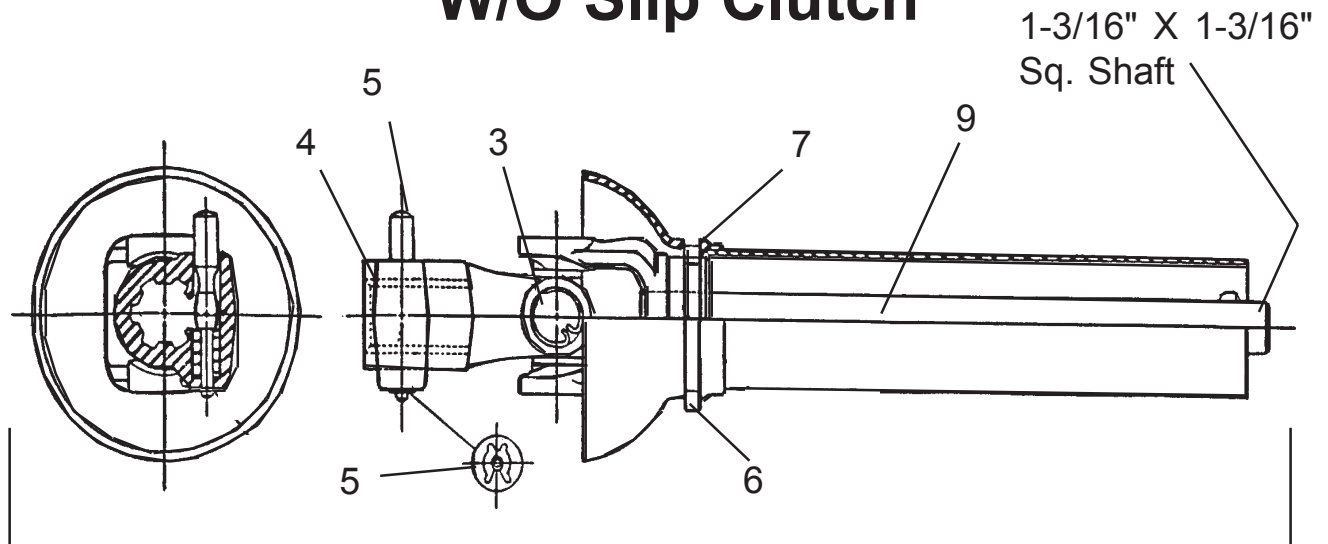
NOTE: There were 2 Different Length of Shaft Half Assemblies offered during this period to accomodate the length of the Tractor Lift Arms, Check Length Needed before ordering Drive Lines or Parts. Later Drivelines will replace these Drivelines as a Complete Assembly but parts will not interchange.

Nov. 1985
to
May 1987

DRIVELINE ASSEMBLY

SEE
S/N Ship Dates
in Back of Book

50" 62", 74", 88" Model W/O Slip Clutch



50" & 62" were not Produced Prior to Sept. 1981. Prior to that only the 74" & 88" Models were available.

Nov. 1985
to
May 1987

DRIVELINE ASSEMBLY

SEE
S/N Ship Dates
in Back of Book

50" 62", 74", 88" Model W/O Slip Clutch

Item	Part NO.	Qty	Description
1	701938	1	Shaft Half Asy , Complete, (30" Long) (Standard)
2	701937	1	Tube Half Asy, Complete, (22-3/8" Long) (Standard)
3	001404	2	Universal Joint, Cross & Bearing Kit
4	001403	2	Yoke w/o QD Pin
5	001405	2	QD Pin Kit w/ Pin, Spring & Retainer
6	001119	2	Nylon Retainer Bearing
7	001392	1	Shield Asy.Outer, w/ Item # 6
8	001391	1	Shield Asy, Inner, w/ Item # 6
9	001407	1	Yoke & Shaft Weldment (26-3/8" Long)
10	001406	1	Tube & Yoke Weldment (18-3/4" Long)

TO ID THIS DRIVELINE measure Universal Joint (X-Kit) Cap it will be 1-1/4" across and driveline will have Metal Shields.

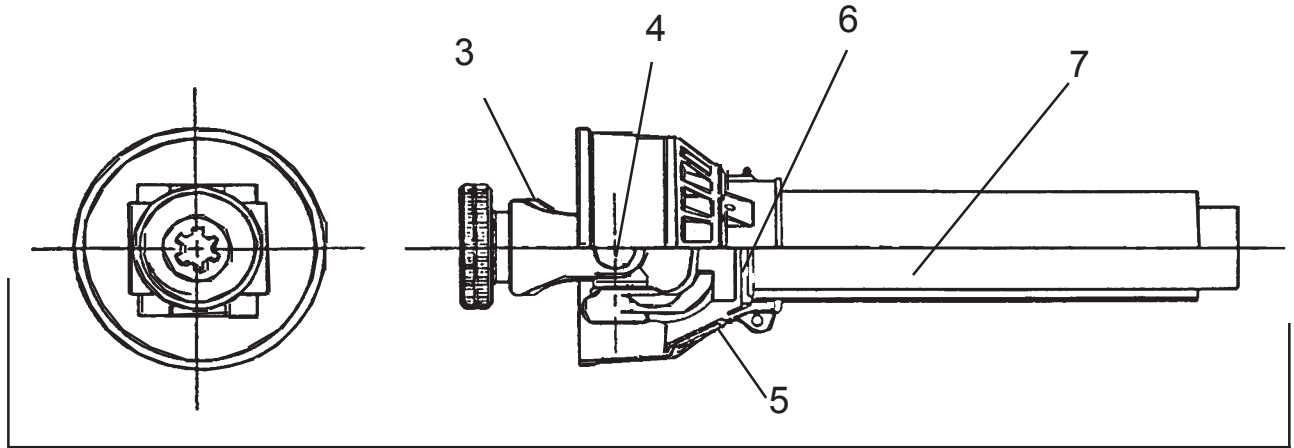
NOTE: There were 3 Different Length of Shaft Half Assemblies offered during this period to accomodate the length of the Tractor Lift Arms, Check Length Needed before ordering Drive Lines or Parts.

Jun. 1987
to
May 1990

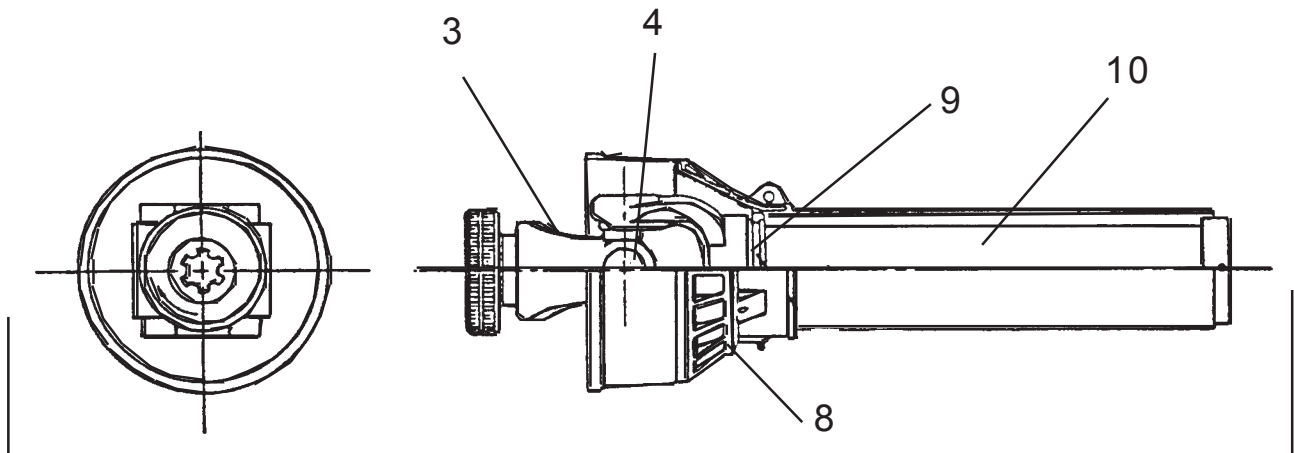
DRIVELINE ASSEMBLY

SEE
S/N Ship Dates
in Back of Book

50" 62", 74", 88" Model W/O Slip Clutch



1



2

Jun. 1987
to
May 1990

DRIVELINE ASSEMBLY

SEE
S/N Ship Dates
in Back of Book

50" 62", 74", 88" Model W/O Slip Clutch

Item	Part NO.	Qty	Description
	702299	--	Driveline Asy, Complete, (Items 1 & 2)
1	001744	1	Shaft Half Asy , Complete
2	001745	1	Tube Half Asy, Complete
3	001451	1	Yoke Asy w/ QD Collar
4	001449	2	Cross & Bearing Kit
5	001455	1	Inner Shield Asy. (w/ Item # 6)
6	001689	1	Locking Collar (Inner Shield)
7	001459	1	Shaft & Yoke
8	001453	1	Outer Shield Asy, Inner (W/ Item #9)
9	001690	1	Lovking collar (Outer Shield)
10	001457	1	Tube & Yoke Weldment

TO ID THIS DRIVELINE measure Universal Joint (X-Kit) Cap it will be 1-1/16" across and driveline will have Plastic Shields.

38" (OVERALL) COLLAPSED 51-1/2" (OVERALL) EXTENDED W/6" OVERLAP

NOTE: This Driveline WAS NOT USED on the 96" Model as the 96" Model WAS NOT in production at this time

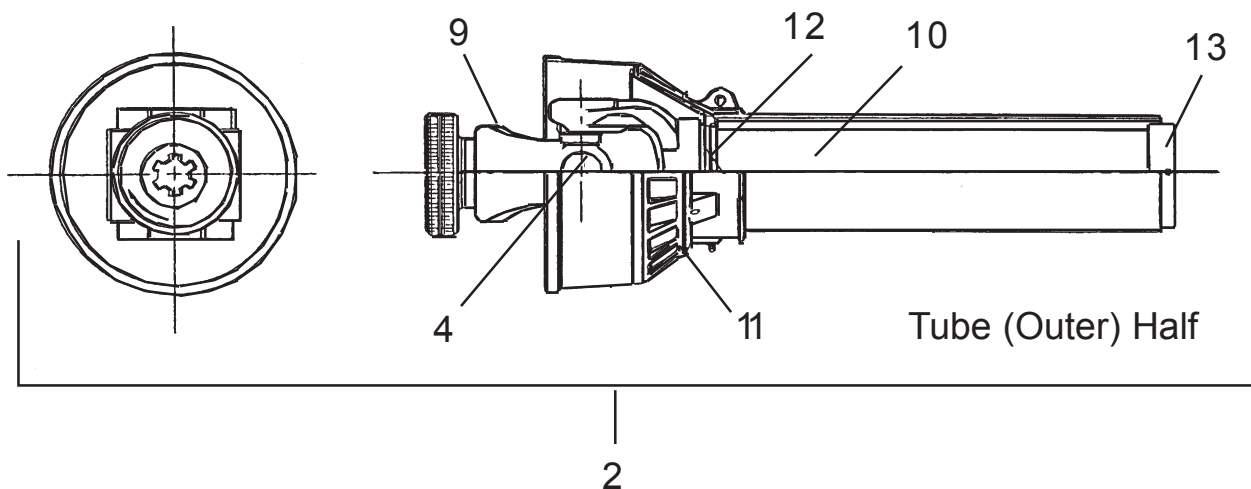
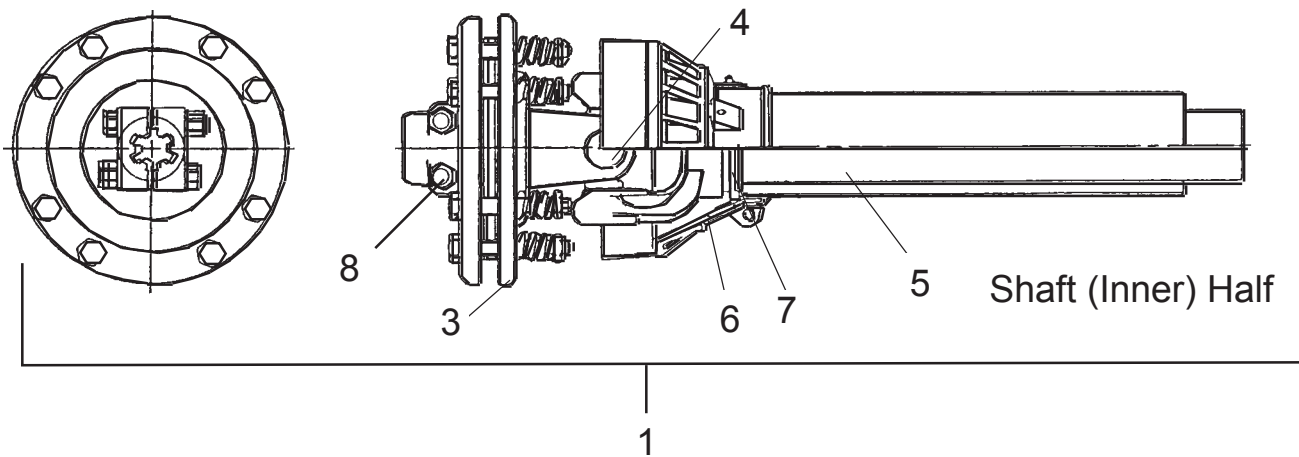
NOTE: Above Driveline (P/N 702299) was Standard through these Years WITHOUT a SLIP CLUTCH, The Driveline # 702300 was OPTIONAL, See the NEXT PAGES if Your Driveline has a Slip Clutch

Jun. 1987
to
May 1990

DRIVELINE ASSEMBLY

SEE
S/N Ship Dates
in Back of Book

50" - 62" - 74" - 88" Model Only W/ SLIP CLUTCH OPTION



Jun. 1987
to
May 1990

DRIVELINE ASSEMBLY

SEE
S/N Ship Dates
in Back of Book

50" - 62" - 74" - 88" Model Only W/ SLIP CLUTCH OPTION

Item	Part NO.	Qty	Description
	702300	--	Driveline Asy, Complete, (Items 1 & 2)
1	001746	1	Shaft Half Asy , Complete
2	001749	1	Tube Half Asy, Complete
3	001461	1	Slip Clutch Yoke Asy
4	001450	2	Cross & Bearing Kit
5	001460	1	Shaft & Yoke
6	001456	1	Shield Asy, Inner (W/#5)
7	001691	1	Locking Collar (Inner)
8	002027	A/R	*Pin & Nut, (Tapered) (*OR)
	00755600	A/R	*Bolt & Nut, (Hex Head)
9	001452	1	Yoke Asy, QD
10	001458	1	Tube & Yoke Weldment
11	001454	1	Shield Asy, Outer (W/#10)
12	001692	1	Locking Collar (Outer)
13	001814	1	Support Bearing

TO ID THIS DRIVELINE measure Universal Joint (X-Kit) Cap it will be 1-3/16" across and driveline will have Plastic Shields.

38" (OVERALL) COLLAPSED 51-1/2" (OVERALL) EXTENDED W/6" OVERLAP

NOTE: This Driveline WAS NOT USED on the 96" Model as the 96" Model WAS NOT in production at this time

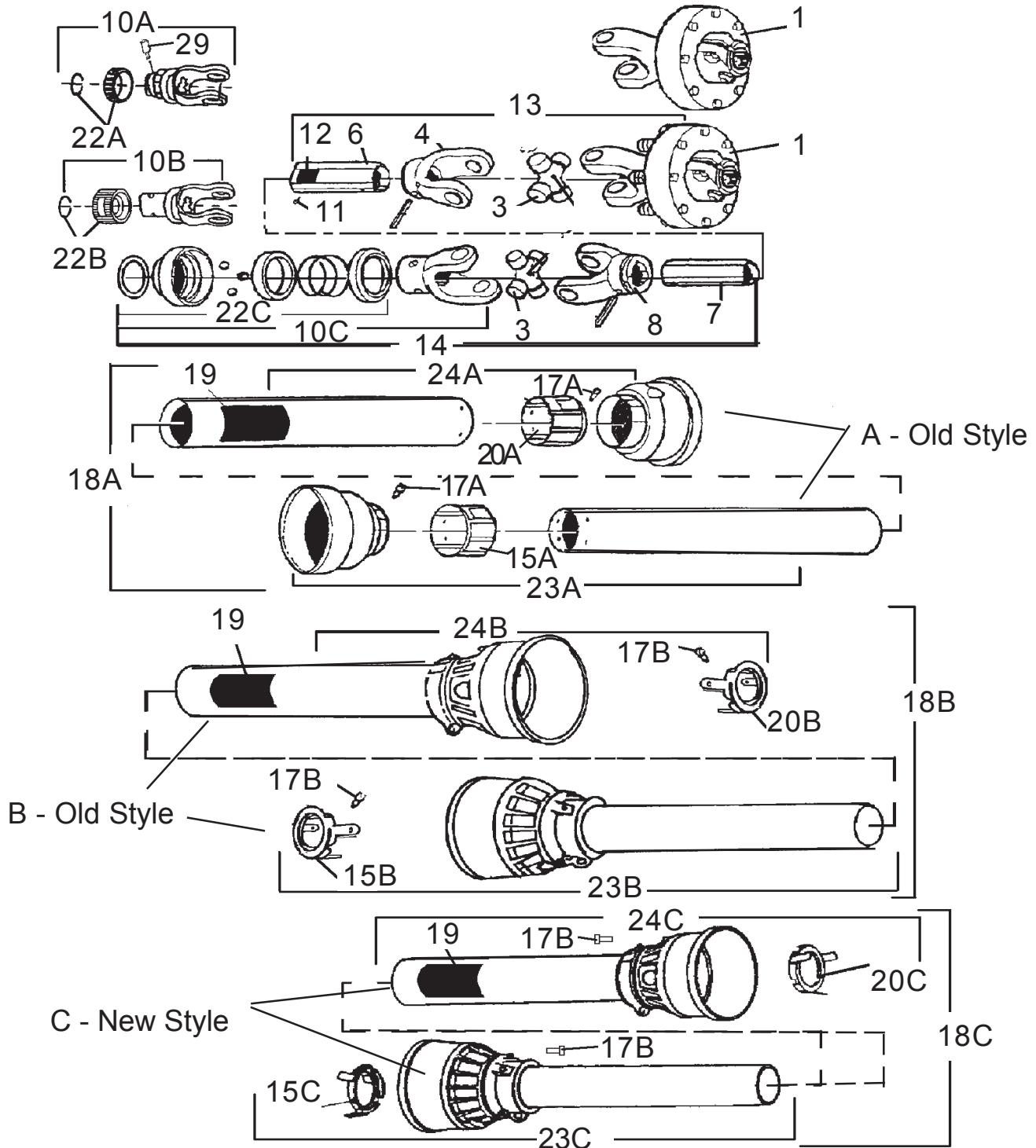
NOTE: Above Driveline (P/N 702300) has been replaced as an assembly by the later Type Driveline # 001863. Parts WILL NOT interchange between Drivelines, replace with later Driveline as an assembly. IF YOUR D/L Did NOT have a Slip Clutch See Earlier Version.

Jun. 1990
to
Current

DRIVELINE ASSEMBLY

SEE
S/N Ship Dates
in Back of Book

62", 74", 88" or 96" Model



TO ID THIS DRIVELINE measure Universal Joint (X-Kit) Cap it will be 1-3/16" across and driveline will have Plastic Shields and Triangle Shaped Shaft & Tube..

Jun. 1990
to
Current

DRIVELINE ASSEMBLY

SEE
S/N Ship Dates
in Back of Book

62", 74", 88" or 96" Model

Item	Part No.	Qty	Description
	001863	-	Driveline Asy, Complete
1	00759948	1-AR	Slip Clutch Asy, (Has Metal Dirt Shield)
	00754320	1-AR	Slip Clutch Asy. (No Dirt Shield & Equal Spaced Holes)
	00754320A	1-AR	Slip Clutch Asy. (No Dirt Shield or Coil Springs)
	00769131	1-AR	Slip Clutch Asy. (No Dirt Shield & Un-Equal Spaced Holres)
3	00752896	2	Cross Kit Asy.
	00759517	2	Grease Zerk (Cross Kit)
4	00754154	1	Outer Tube Yoke
	00754167	1	Roll Pin (To Retain Tube to Yoke)
6	00760242	1	Outer Tube
7	00760243	1	Inner Tube
8	00754153	1	Inner Tube Yoke
	00754167	1	Roll Pin (To Retain Tube To Yoke)
10-A *	00759170	1-ref	Yoke Asy, Twist Collar W/ Pins (Use 10C)
10-B *	00768228	1-ref	Yoke Asy, Twist Collar W/Balls (Use 10C)
10-C	00752883	1	Yoke Asy, Slide Collar W/Balls
11	00754335	1	Grease Zerk (Tube)
12	00756004	1	Driveline Warning Label
13	00760244	1	Outer Half w/Slip Clutch
14	00760245	1	Inner Half Shaft w/1-3/8 - 6 Yoke
15-A *	00759216	1	Shield Brg, Inner (use with Metal screw)
15-B *	00754331	1	Shield Brg, Inner (
15-C	00763196	1	Shield Brg, Inner (New Style)
16	00759216	1	Inner Shield Bearing (use with set screw)
17-A *	00759217	2	Screw, Metal (Use w/ 23A & 24A)
17-B	00754330	2	Screw, Nylon (Use w/ 23B, 23C, 24B & 24C)
18-A *	-----	1-ref	Shield Asy, Complete (Use 18C)
18-B *	-----	1-ref	Shield Asy, Complete (Use 18C)
18-C	00760250A	1	Complete Shield
19	00756005	1	Driveline Shield Warning Label
20-A *	00759218	1	Shield Brg, Outer (use w/ 24A) "Old Style"
20-B *	00754332	1	Shield Brg, Outer (Use w/ 24B) "Old Style"
20-C	00763195	1	Shield Brg, Outer (Use w/ 24C) "New Style"
22-A *	00759119	1-ref	Q.D. Collar Kit, Twist (Pins)
22-B *	02969667	1-ref	Q.D. Collar Kit, Twist (Balls)
22-C	00757144	1	Q.D. Collar Kit, Slide (Balls) (Use W/10C)
23-A *	-----	1-ref	Shield Asy Half, Inner (Use 23C)
23-B *	-----	1-ref	Shield Asy Half, Inner (Use 23C)
23-C	00760248A	1	Shield Asy Half, Inner (New Style)
24-A *	-----	1-ref	Shield Asy Half, Outer (Use 24C)
24-B *	-----	1-ref	Shield Asy Half, Outer, (Use 24C)
24-C	00760249A	1	Shield Asy Half, Outer (New Style)

* This Driveline Asy. (#001863) & The Type that was used before it (# 702300) will replace each other as an assembly only, Parts will not interchange between them.

Jun. 1987
to
May 1990

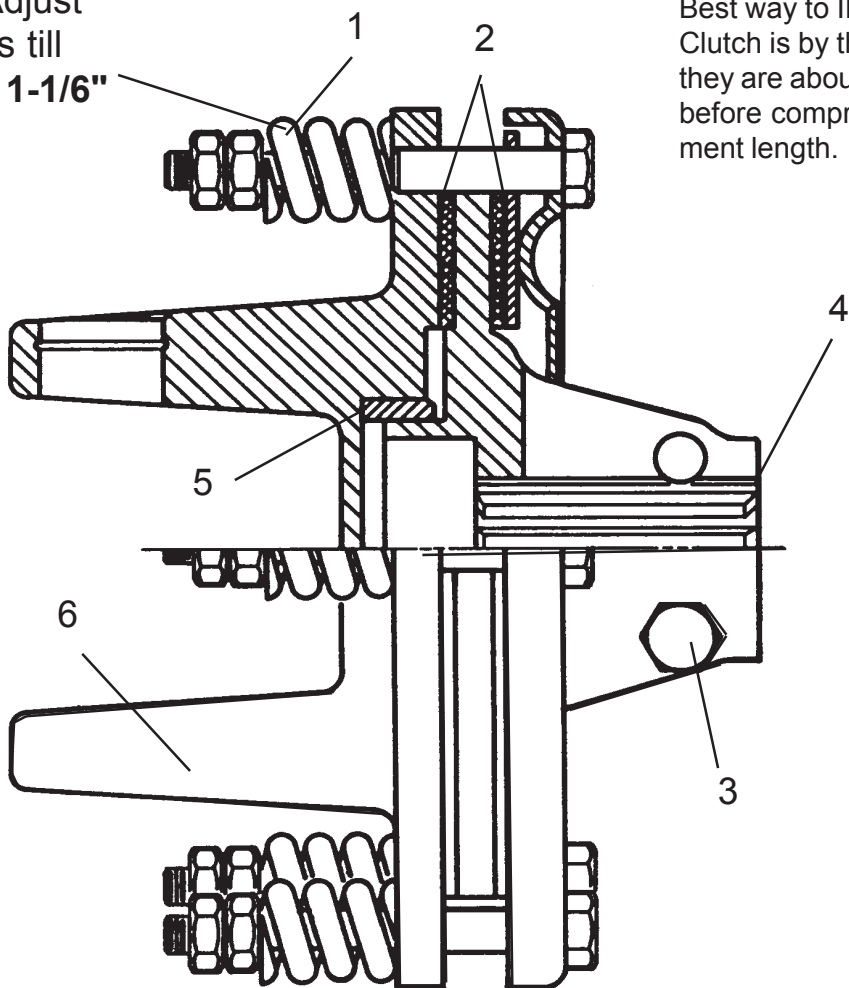
SLIP CLUTCH ASY.

SEE
S/N Ship Dates
in Back of Book

P/N 001461

62", 74", 88" Model

NOTE: To Adjust
Tighten Bolts till
Springs are 1-1/6"
length.



Best way to ID this Driveline
Clutch is by the Spring length,
they are about 1-3/16" long
before compressed to adjust-
ment length.

Item	Part No.	Qty	Description
	001461	-	Slip Clutch Asy.
1	001499	1	Spring Kit (w/ 8 spring & fasteners)
2	001500	2	Clutch Disk
3	002027	2	Tapered Pin & Nut (Replaces # 0020807)
4	001747	1	Splined Clutch Yoke
5	002467	1	Spacer
6	001748	1	Yoke

NOTE: This Driveline WAS NOT USED on the 96" Model as the 96"
Model WAS NOT in production at this time

Jun. 1990
to
Jun. 1994

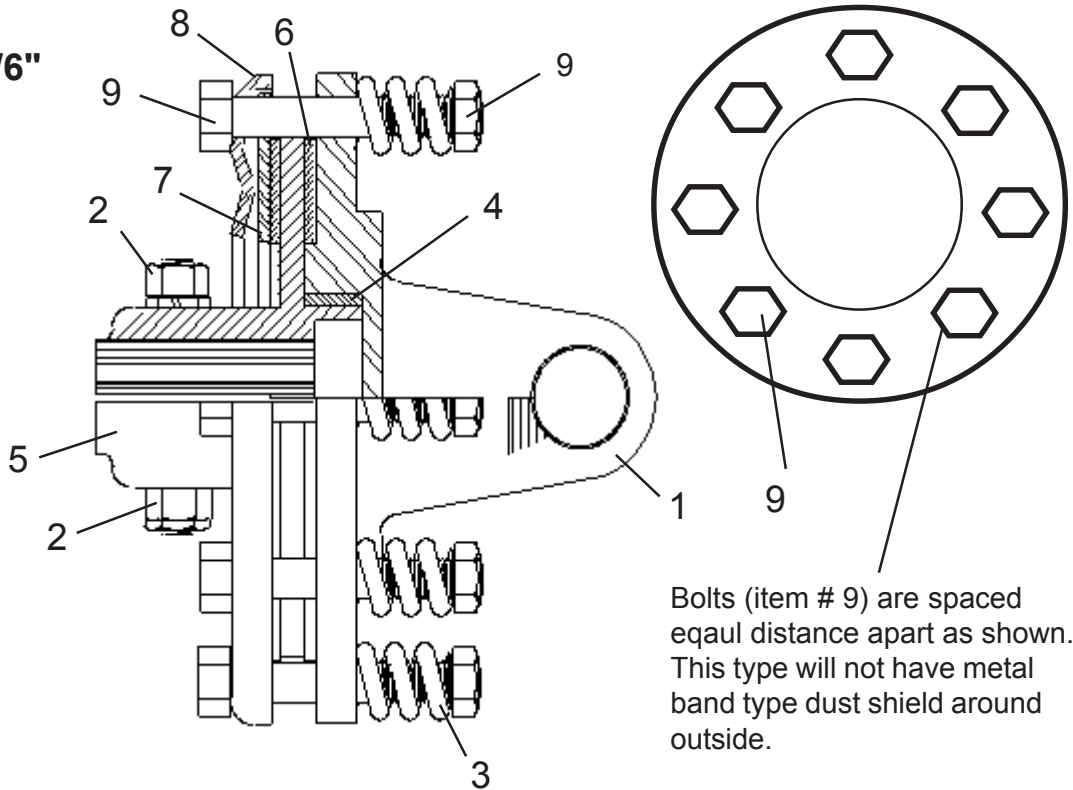
SLIP CLUTCH ASY.

SEE
S/N Ship Dates
in Back of Book

P/N 00754320

62", 74", 88" & 96" Model

NOTE: To Adjust
Tighten Bolts till
Springs are **1-5/6"**
length.



Bolts (item # 9) are spaced
equal distance apart as shown.
This type will not have metal
band type dust shield around
outside.

Item	Part No.	Qty	Description
	00754320	1	Slip Clutch Asy, With Springs
1	00754302	1	Flange Yoke
2	00752903	2	Bolt & Locknut
3	00754315	8	Spring
4	00754301	1	Bushing
5	00754301	1	Clutch Hub, 1-3/8" 6 Spline
6	00754202	2	Friction Disk
7	00754314	1	Inside Plate W/ Holes
8	00756810	1	Pressure Plate
9	00754316	8	Bolt & Locknut

NOTE: Above Clutch # 00754320 WILL NOT fit on earlier style Drivelines because of different U-Joint Series, The Complete Drivelines can be used as a replacement for earlier Drivelines Only.

Jul. 1994
to
Nov. 1996

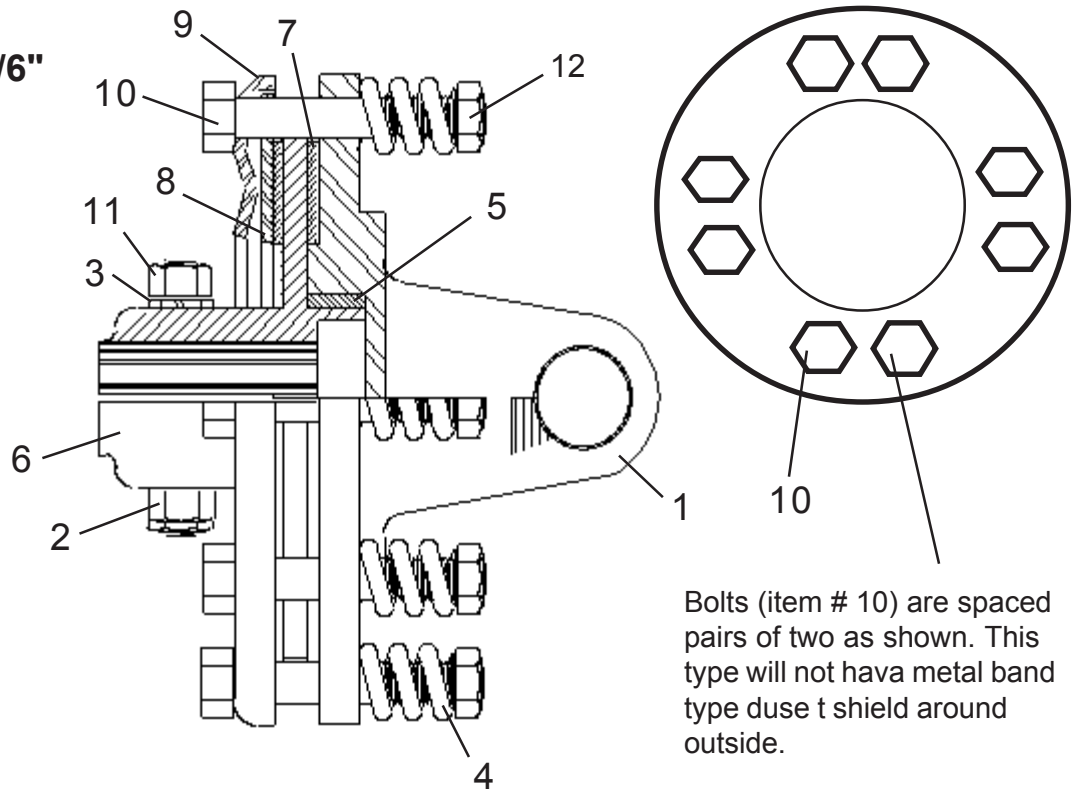
SLIP CLUTCH ASY.

SEE
S/N Ship Dates
in Back of Book

P/N 00769131

62", 74", 88" Model

NOTE: To Adjust
Tighten Bolts till
Springs are **1-5/6"**
length.



Bolts (item # 10) are spaced
pairs of two as shown. This
type will not have metal band
type dust shield around
outside.

Item	Part No.	Qty	Description
	00769131	-	Slip Clutch Asy
1	00769137	1	Yoke
2	02965273	2	Bolt
3	00762420	2	Lockwasher
4	00769136	8	Spring
5	00762528	1	Bushing
6	00769135	1	Hub
7	00769120	2	Friction Disk
8	00769134	1	Inside Plate
9	00769133	1	Pressure Plate
10	00762523	8	Bolt
11	00762372	2	Nut
12	00756024	8	Lock Nut

NOTE: When Replacing as an Assembly Use # 00754320 Asy.

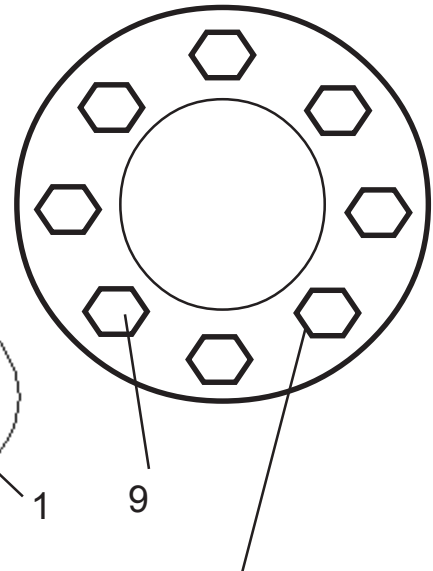
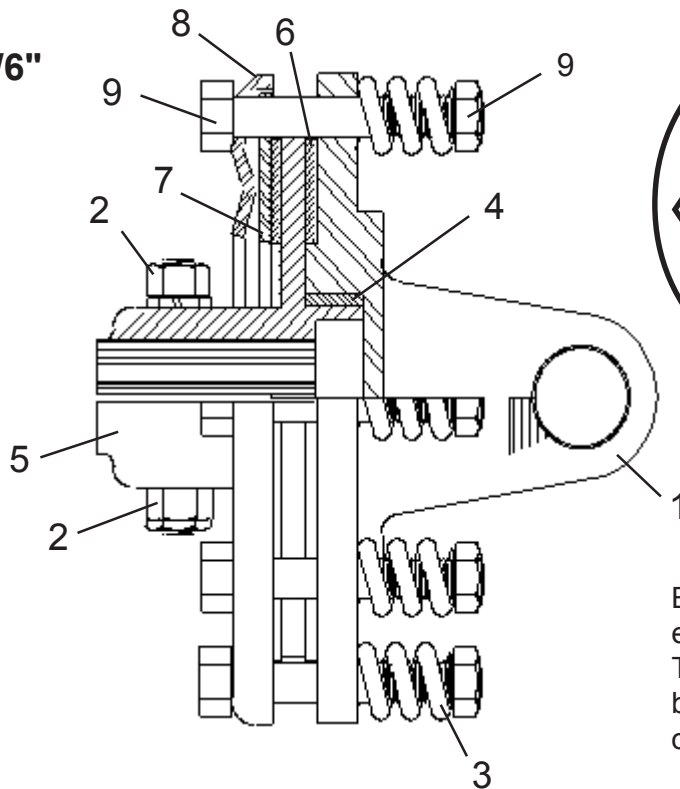
Dec. 1996
to
Current

SLIP CLUTCH ASY. P/N 00754320

SEE
S/N Ship Dates
in Back of Book

62", 74", 88" & 96" Model

NOTE: To Adjust
Tighten Bolts till
Springs are **1-5/6"**
length.



Bolts (item # 9) are spaced
equal distance apart as shown.
This type will not have metal
band type dust shield around
outside.

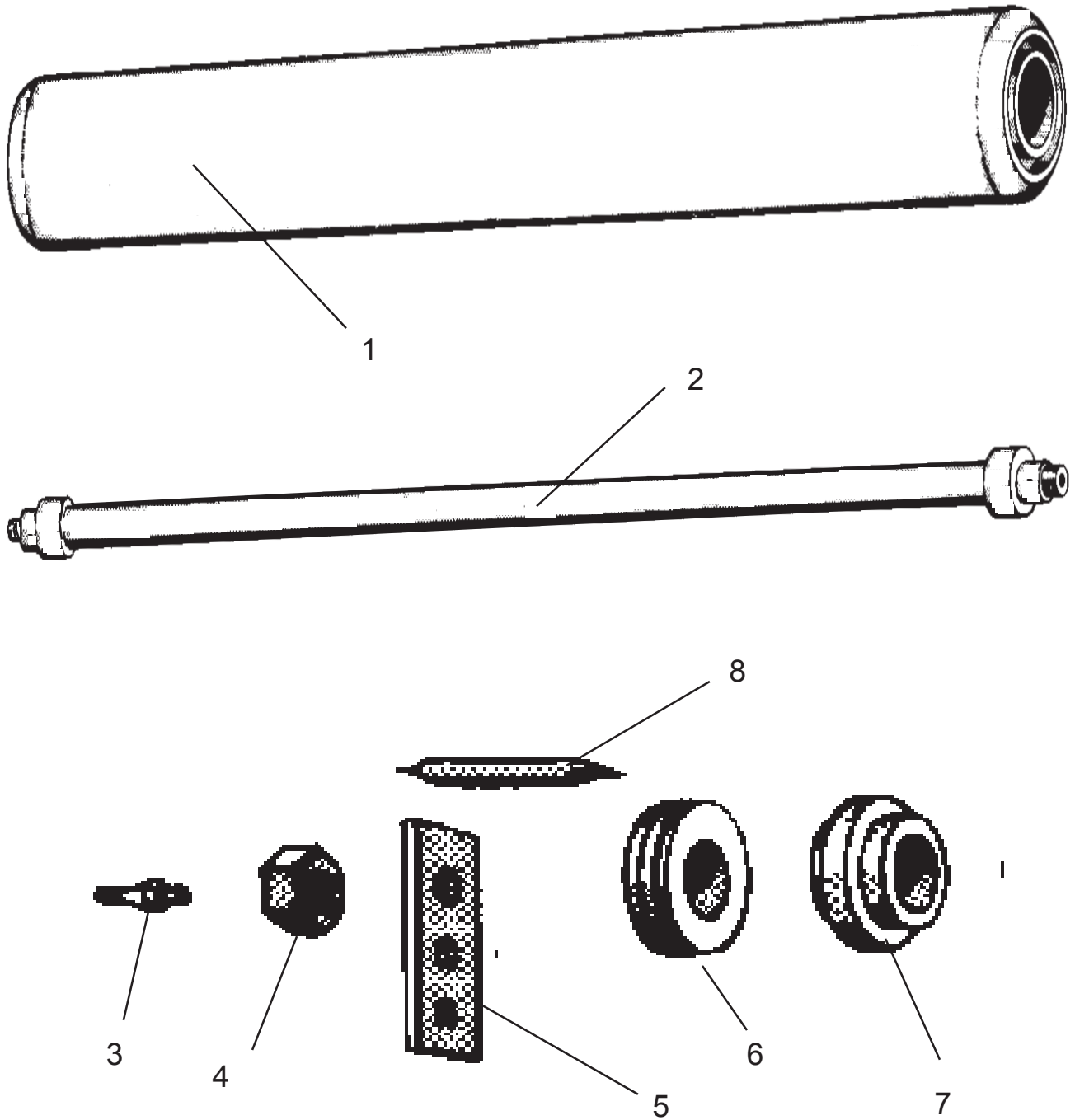
Item	Part No.	Qty	Qty	Description
	00754320	1	--	Slip Clutch Asy, With Springs
	00754320A	--	1	Slip Clutch Asy, With Out Springs (obsolete)
1	00754302	1	1	Flange Yoke
2	00752903	2	2	Bolt & Locknut
3	00754315	8	--	Spring
	00773222	--	1	Spring Kit, Conversion w/ Item # 8 (#00756810)
4	00754301	1	1	Bushing
5	00754301	1	1	Clutch Hub, 1-3/8" 6 Spline
6	00754202	2	2	Friction Disk
7	00754314	1	1	Inside Plate W/ Holes
8	00756810	1	--	Pressure Plate
	00772465	--	1	Pressure Plate, (Replacement Part Only)
9	00754316	8	--	Bolt & Locknut

NOTE: Some Clutches # 00754320A were used in 1997 & 1998, These DID NOT HAVE the 8 coil springs. Not all Shipped were springless type, Most the ones w/o Springs were converted using Kit # 00773222, This included Springs, Bolts, Nuts & a new Pressure Plate that is used with the Springs, The pressure plate for the springless clutch is available as replacement part Only, BUT it is recommended to use complete Spring kit. Once the Kit has been installed the Clutch becomes a Spring type # 00754320

Mar. 1972
to
May 1987

REAR ROLLER All Mowers TIE ROD SHAFT

SEE
S/N Ship Dates
in Back of Book



Mar. 1972
to
May 1987

REAR ROLLER

All Mowers

TIE ROD SHAFT

SEE
S/N Ship Dates
in Back of Book

Item	Part No.	Qty	Description
1*	701428	1	*Roller Asy. 50" w/ Brgs, Tie Rod & Brkts Complete
	701691	1	*Roller Asy. 50" w/ Brgs, Tie Rod & w/o Brkts
	104359	1	*Roller Only, 50" w/o Brgs, Tie Rod or Brkts
	701646	1	*Roller Asy. 62" w/ Brgs, Tie Rod & Brkts Complete
	701647	1	*Roller Asy. 62" w/ Brgs, Tie Rod & w/o Brkts
	104678	1	*Roller Only, 62" w/o Brgs, Tie Rod or Brkts
	701401	1	*Roller Asy. 74" w/ Brgs, Tie Rod & Brkts Complete
	701403	1	*Roller Asy. 74" w/ Brgs, Tie Rod & w/o Brkts
	104298	1	*Roller Only, 74" w/o Brgs, Tie Rod or Brkts
	701402	1	*Roller Asy. 88" w/ Brgs, Tie Rod & Brkts Complete
	701404	1	*Roller Asy. 88" w/ Brgs, Tie Rod & w/o Brkts
	104299	1	*Roller Only, 88" w/o Brgs, Tie Rod or Brkts
2	701429	1	Tie Rod 50", w/ Grease Fitting
	701645	1	Tie Rod 62", w/ Grease Fitting
	701405	1	Tie Rod 74", w/ Grease Fitting
	701406	1	Tie Rod 88", w/ Grease Fitting
3	000088	2	Grease Fitting
4	001096	2	Nut, Roller Retaining, LH or RH Side
5	104307	2	Roller Bracket, LH or RH Side
6	104306	2	Washer, Special Bearings Shield
7	001092	2	Bearing, Includes Item # 8
8	300246	2	Tube of Locktie, One Per Bearing Used

***BEFORE ORDERING ANY PARTS FROM ITEM # 1 READ NOTE BELOW**

NOTE ITEM # 1*: The Roller Assembly Numbers and replacement Part Numbers are listed as a REFERENCE ONLY, They will be replaced by a later style Roller & Bearing Components, So if you are ordering one of these Rollers in Item # 1. DO Not Order the Replacement Parts Items # 2 Through # 7, They WILL NOT Fit the Roller You receive, Items 2 through 7 are listed as replacement parts only when this old style Roller is still being used. You will receive different Bearings and Components with your New style Roller if you order a Roller or Roller Assembly. When You Order the Roller you will also receive an Instruction Drawing # 803289, Read these instruction before trying to assemble Roller to Cutter Housing. Check Price File or Call for Prices on all Items listed in item # 1 before ordering them See Pages for Rollers used starting in June 1987 for Style roller that will be replacing this one if Roller is being replaced.

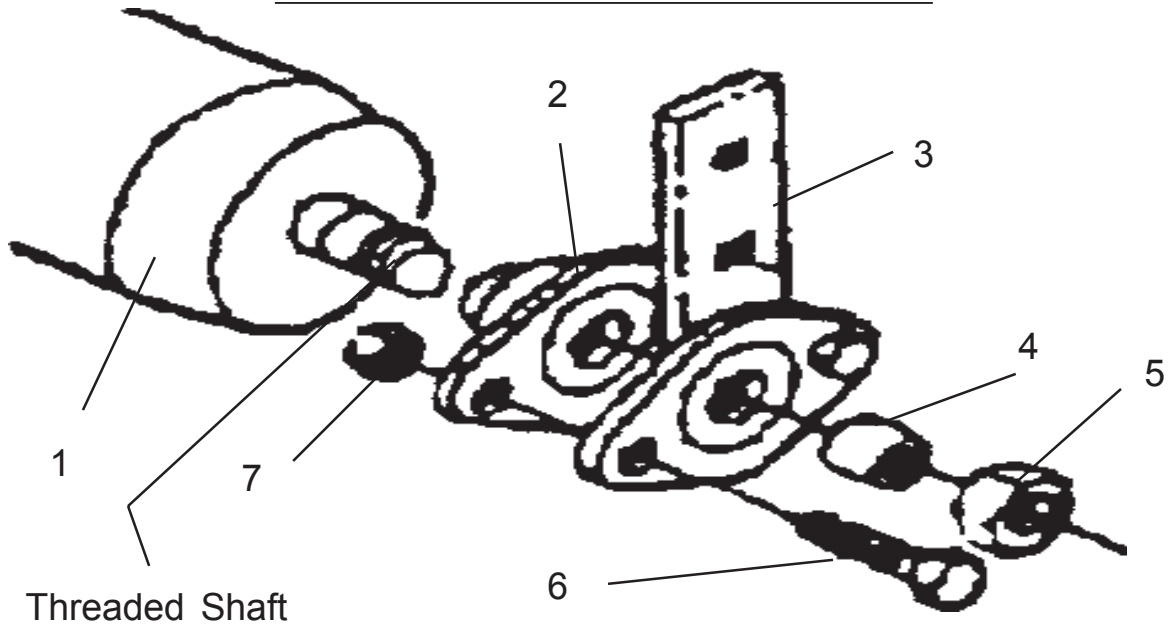
Jun. 1987
to
Oct. 1990

REAR ROLLER

SEE
S/N Ship Dates
in Back of Book

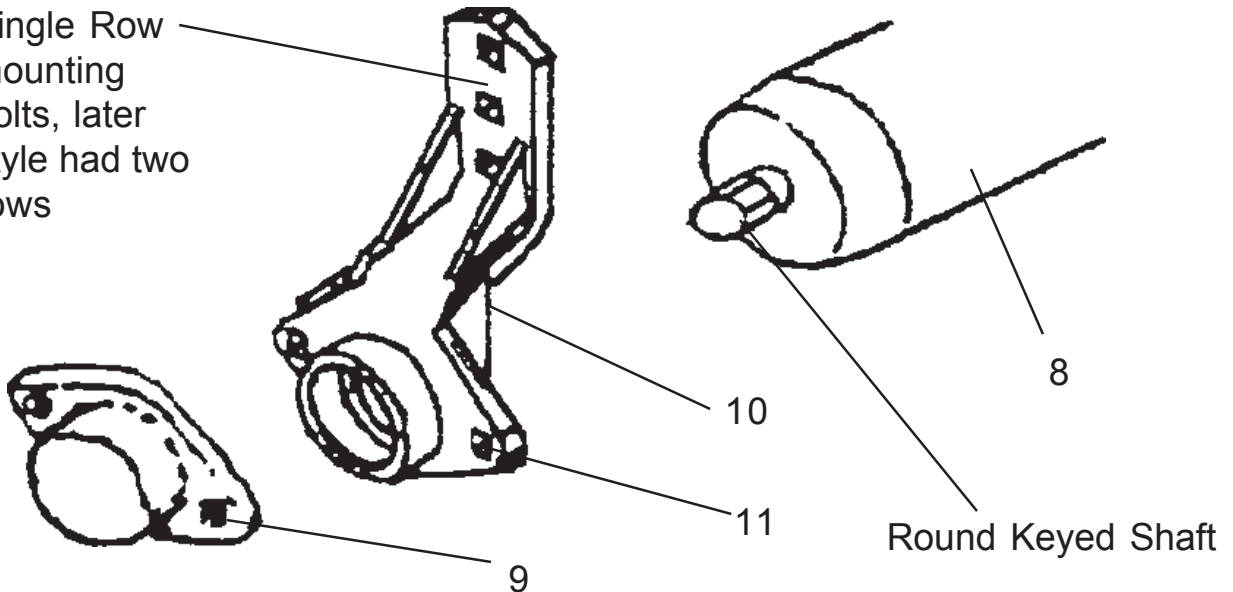
All Mowers Round Threaded Shaft

PRODUCTION ROLLER & BRACKET



RETRO-FIT ROLLER & BRACKET

Single Row
mounting
bolts, later
style had two
rows



Mar. 1988
to
Oct. 1990

REAR ROLLER

SEE
S/N Ship Dates
in Back of Book

Single Row Mounting Bolt Bracket

Production Roller Assembly (Used in Production)

Item	Part No.	Qty	Description
1	108189	1	Roller Weldment Only, Threaded Shaft, 50"
	105701	1	Roller Weldment Only, Threaded Shaft, 62"
	105702	1	Roller Weldment Only, Threaded Shaft, 74"
	105703	1	Roller Weldment Only, Threaded Shaft, 88"
2	702485	1	Bearing & Housing Asy, LH or RH
	703574	1	Bearing, Round LH or RH
3	105697	1	Bracket Only, LH or RH
4	106913	1	Spacer, LH or RH
5	001096	1	Nut, Roller Retaining, LH or RH
6	000516	2	Bolt
7	00001800	2	Locknut TLM 1/2 NC PLC

Retro - Fit Roller Assembly Kit (Replacement For Above)

Item	Part No.	Qty	Description
8	703705	--	Roller, Bracket & Brg Asy. 50"
	107810	1	Roller Only, Hex Shaft, 50"
	703599	--	Roller, Bracket & Brg Asy. 62"
	107176	1	*Roller Only, Round Shaft, 62"
	107784	1	Roller Only, Hex Shaft, 62"
	703600	--	Roller, Bracket & Bearing Asy. 74"
	107177	1	*Roller Only, Round Shaft, 74"
	107785	1	Roller Only, Hex Shaft, 74"
	703601	--	Roller, Bracket & Bearing Asy. 88"
	107178	1	*Roller Only, Round Shaft 88"
	107786	1	Roller Only, Hex Shaft 88"
9	703575	1	*Bearing & Housing Asy, Round Shaft
	703976	1	Bearing & Housing Asy, Hex Shaft
	703574	1	*Bearing Only, Round Shaft
	002486	1	Bearing Only, Hex Shaft
	107340	1	Bearing Housing Only, Round or Hex Shaft
	002039	1	Grease Fitting, Round or Hex Shaft
	002037	1	Seal, (Not Shown)
10	107396	1	Bracket Only, Retro Fit Only LH or RH
11	000516	2	Bolt, (Not Shown)
	00001800	2	Locknut TLM 1/2 NC PLC (Not Shown)

* Round Bearing & Roller has been replaced by Hex Shaft & Bearing, If a Roller Asy is ordered it WILL have Hex Bearings. Round Bearings are listed as replacement parts Only. This Retro Fit WILL NOT fit on Mowers after Oct 1990 because Bracket was changed to Double row mounting bolts to Deck.

RETRO-FIT ROLLER KITS were as replacement parts and WERE NOT USED in production but as replacement Parts Only.

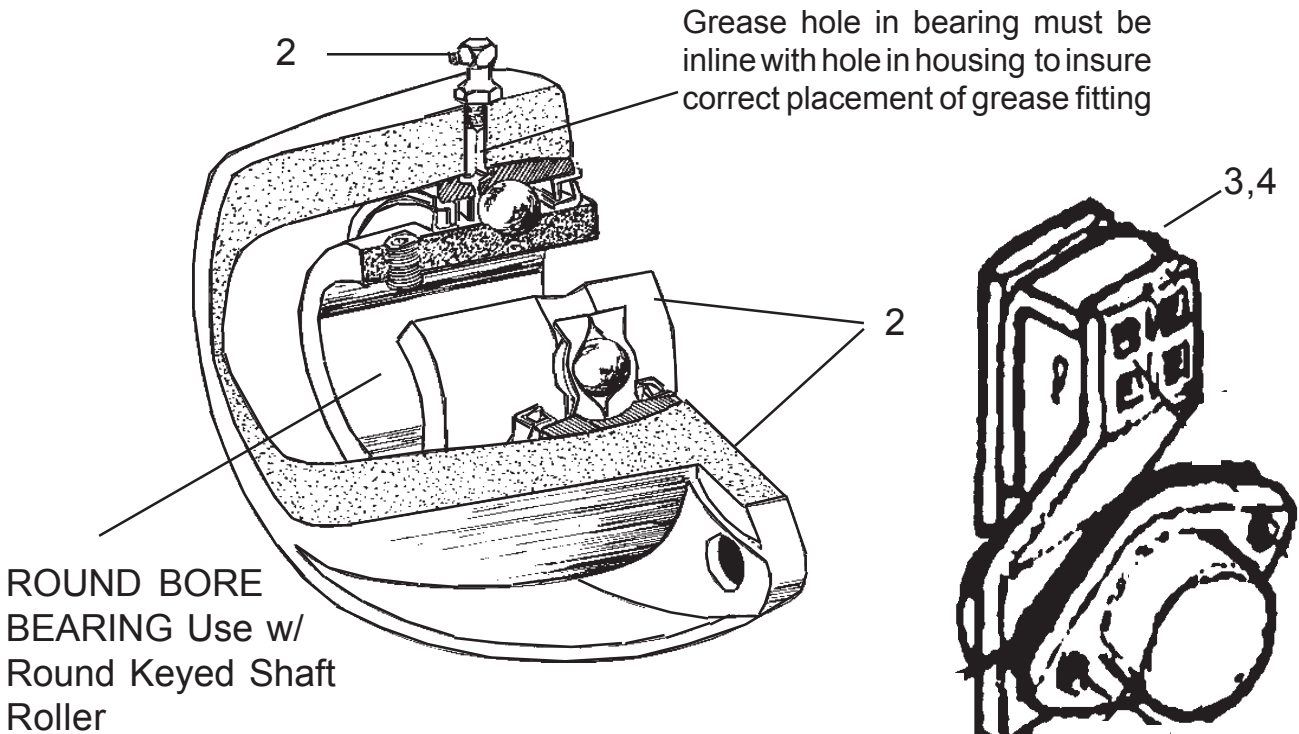
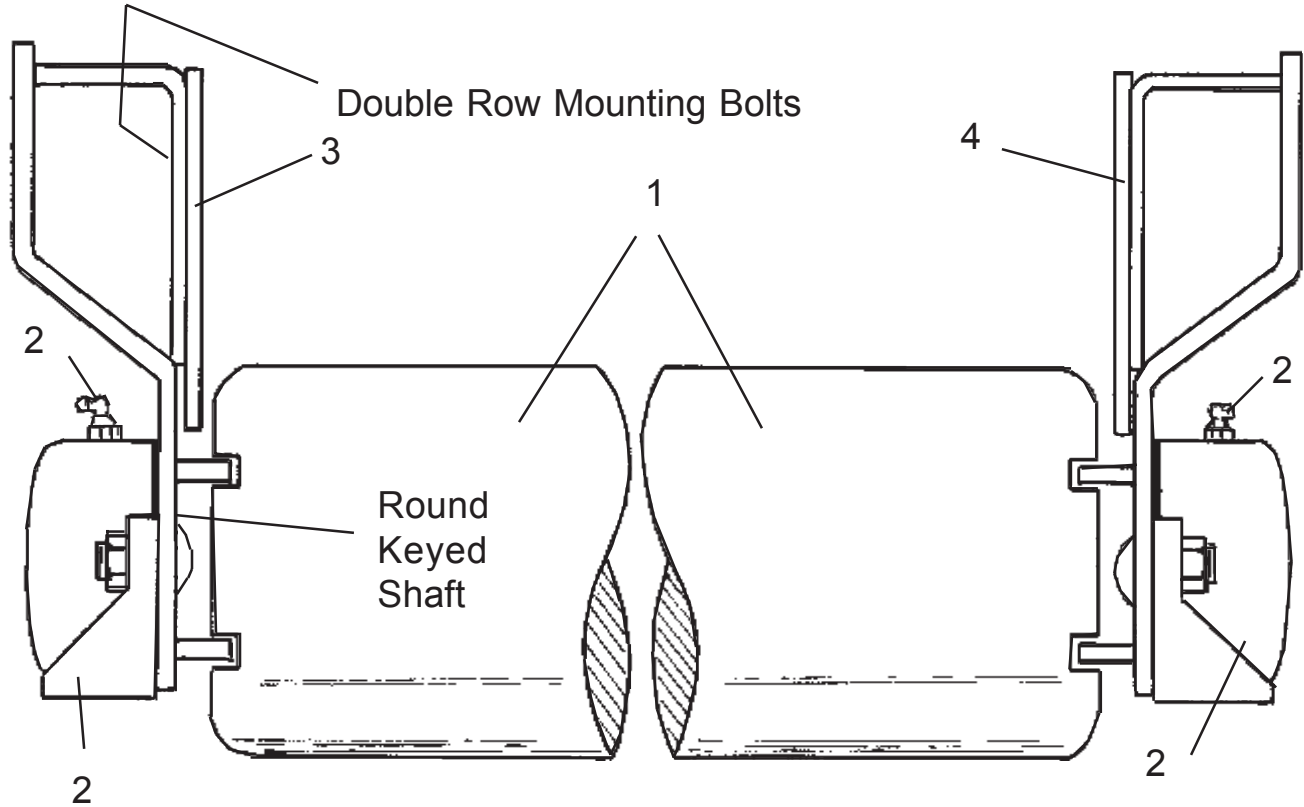
Nov. 1990
to
Jan. 1994

REAR ROLLER

All Mowers

Round Keyed Shaft

SEE
S/N Ship Dates
in Back of Book



ROUND BORE
BEARING Use w/
Round Keyed Shaft
Roller

Double Row
Mounting Bolts

Nov. 1990
to
Jan. 1994

REAR ROLLER

SEE
S/N Ship Dates
in Back of Book

All Mowers Round Keyed Shaft & Double Row Mounting Bolts

Item	Part No.	Qty	Description
1	108189	1	Roller Weldment, 50"
	107176	1	Roller Weldment, 62" (Round Shaft)
	704021	--	Roller & Brg retro-Fit Kit 62" (Hex Shaft)
	107177	1	Roller Weldment, 74"
	701401	--	Roller, Bracket & Brg Asy, Retro Fit 74" (Hex Shaft)
	107178	1	Roller Weldment, 88"
	107682	1	Roller Weldment, 96" (Round Shaft)
	704026	--	Roller & Bearing Retro-Fit Kit 96" (Hex Shaft)
	2	703575	1
703574		1	Bearing, Round Keyed, LH or RH
107506		1	Housing , Cast, LH or RH
002039		1	Grease Fitting, LH or RH
000516		2	Bolt, LH or RH
00001800		2	Locknut TLM 1/2 NC PLC, LH or RH
002037		1	Seal, LH or RH (Not Shown)
3		107182	1
	703263	1	Bracket & Bearing Asy, LH
	00749130	2	Bolt, Bracket Mounting, (Not Shown)
	00001800	2	Locknut TLM 1/2 NC PLC, Bracket Mounting, (Not Shown)
4	107380	1	Bracket Only, LH
	703596	1	Bracket & Bearing Asy, RH
	00749130	2	Bolt, Bracket Mounting, (Not Shown)
	00001800	2	Locknut TLM 1/2 NC PLC, Bracket Mounting, (Not Shown)

NOTE: This ROLLER has a Round Shaft w/ Keyway where Bearing Mounts, Later Rollers have a Hex (6 sided) Shaft & use a Hex Bore Bearing, The Hex Bore Roller will replace the Round Bore if the Hex Bearings are used, The Bearing Housing & Mounting Brackets were the same.

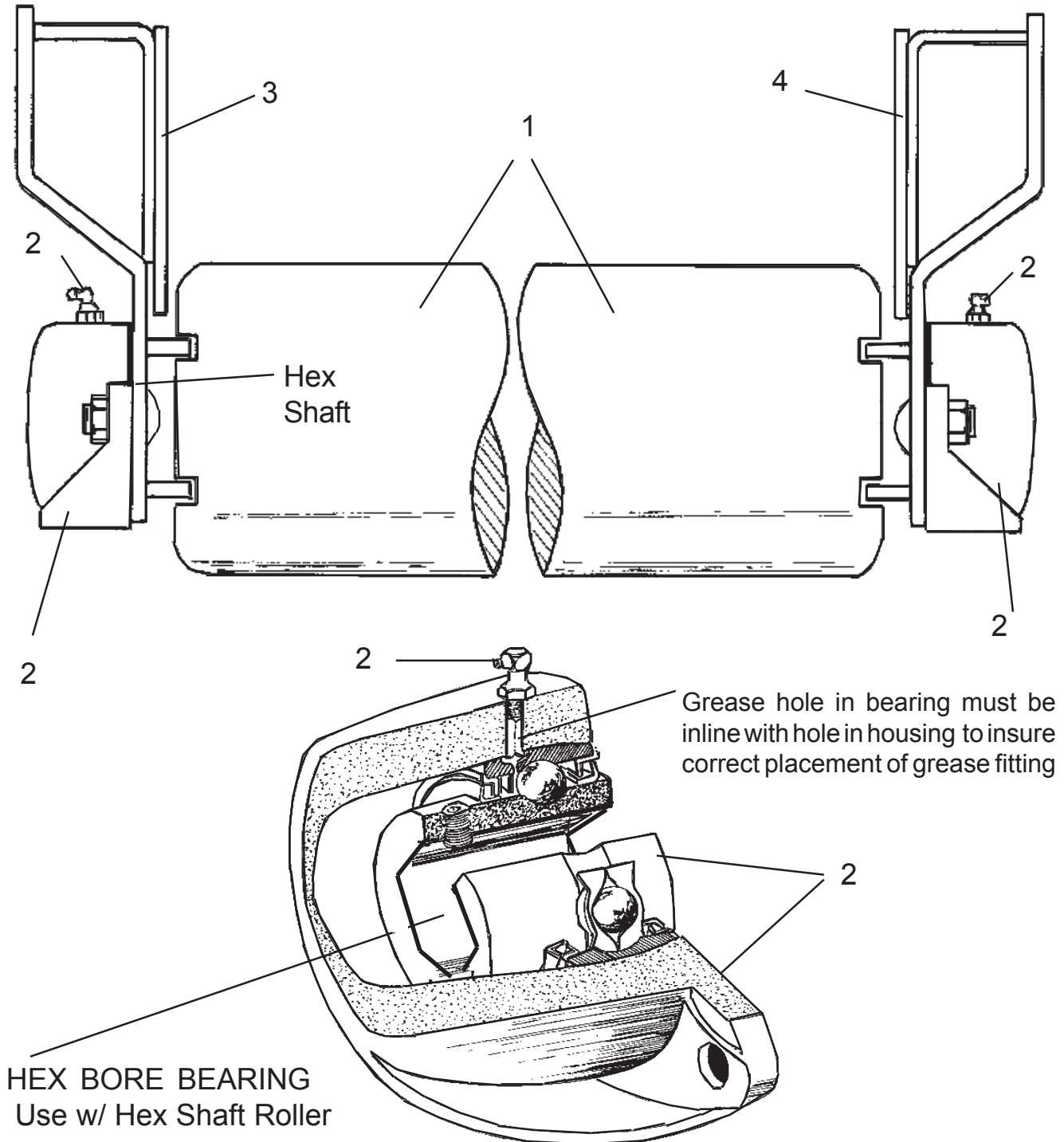
Feb. 1994
to
Oct. 2000

REAR ROLLER

SEE
S/N Ship Dates
in Back of Book

All Mowers

Hex Shaft w/ Old Brackets



Feb. 1994
to
Oct. 2000

REAR ROLLER

SEE
S/N Ship Dates
in Back of Book

All Mowers

Hex Shaft w/ Old Brackets

Item	Part No.	Qty	Description
1	107810	1	Roller Weldment, Hex Shaft, 50"
	703262	--	Roller, Bracket & Brg Asy. Hex Shaft 62"
	107784	1	Roller Weldment Hex Shaft, 62"
	703261	--	Roller, Bracket & Brg Asy. Hex Shaft, 74"v
	107785	1	Roller Weldment Hex Shaft, 74"
	703260	--	Roller, Bracket & Brg Asy. Hex Shaft, 88"
	107786	1	Roller Weldment Hex Shaft, 88"
	704026	--	Roller & Brg Asy, L/Bracket, 96" Hex Shaft
	107787	1	Roller Weldment Hex Shaft, 96"
	2	703976	1
002486		1	Bearing, Hex Shaft, LH or RH
107340		1	Housing, Cast, LH or RH
002039		1	Grease Fitting, LH or RH
000516		2	Bolt, LH or RH
00001800		2	Locknut TLM 1/2 NC PLC, LH or RH
002037		1	Seal, LH or RH (Not Shown)
3	107182	1	*Bracket Only, LH (Use P/N 02976761)
	703977	1	Bracket & Bearing Asy, Hex Shaft, LH
	00749130	2	Bolt, Bracket Mounting, (Not Shown)
	00001800	2	Locknut TLM 1/2 NC PLC, Bracket Mounting, (Not Shown)
4	107380	1	*Bracket Only, RH (Use P/N 02976761)
	703978	1	Bracket & Bearing Asy, RH
	00749130	2	Bolt, Bracket Mounting, (Not Shown)
	00001800	2	Locknut TLM 1/2 NC PLC, Bracket Mounting, (Not Shown)

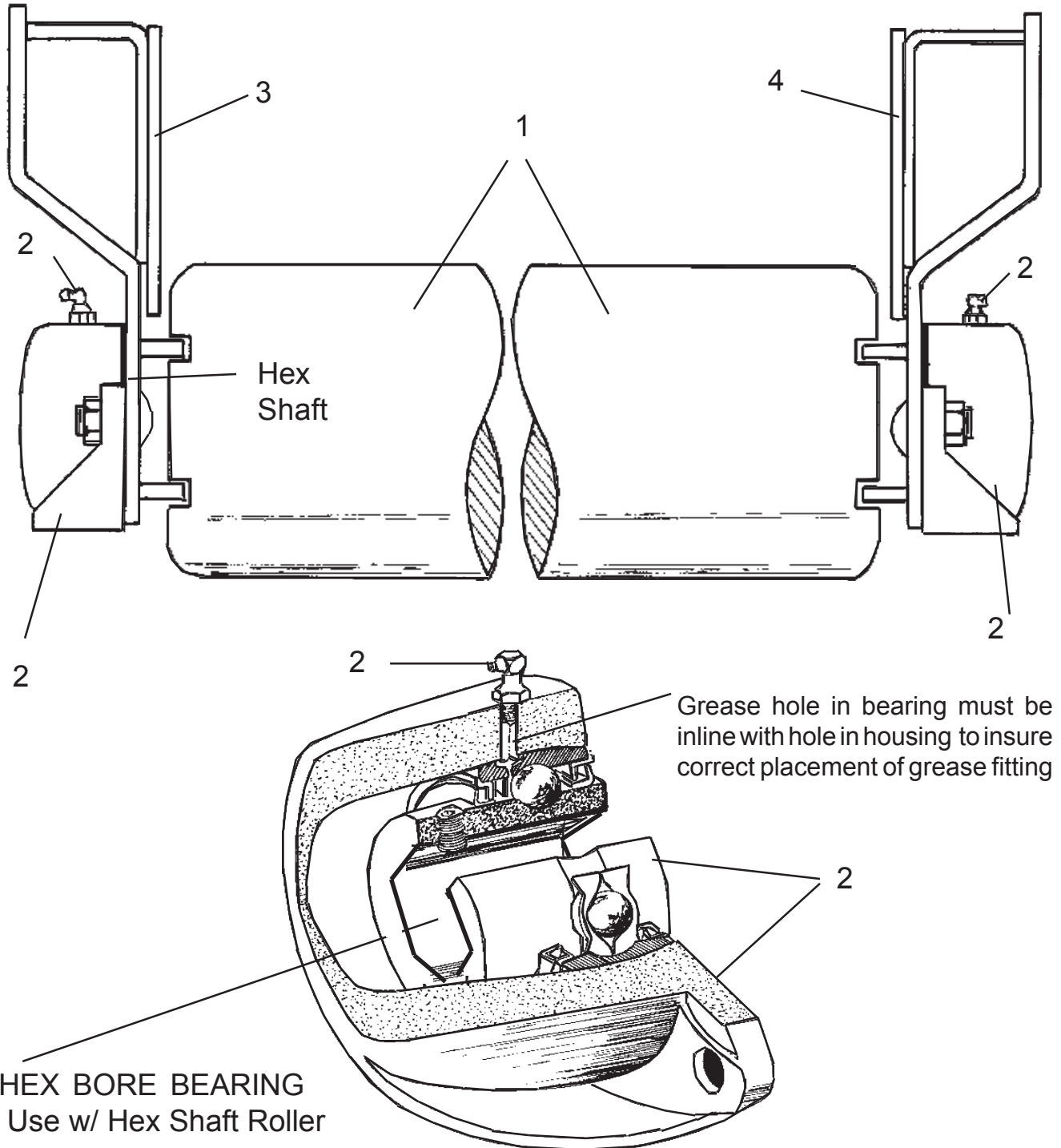
* Note: Item 3 & 4 Brackets were LH or RH use only, These have been changed to P/N 02676761 as of Nov. 2000 which will work on right or left hand side. If Bracket & Bearing Asy. is ordered it will have new Bracket, If Bracket only is ordered New Style Bracket will Be Shipped that will work on LH or RH side.

Nov. 2000
to
Current

REAR ROLLER

SEE
S/N Ship Dates
in Back of Book

All Mowers Hex Shaft & New Bracket



Nov. 2000
to
Current

REAR ROLLER

SEE
S/N Ship Dates
in Back of Book

All Mowers Hex Shaft & New Bracket

Item	Part No.	Qty	Description
1	703262	--	Roller, Bracket & Bry Asy. Hex Shaft 62"
	107784	1	Roller Weldment Hex Shaft, 62"
	703261	--	Roller, Bracket & Brg Asy. Hex Shaft, 74"
	107785	1	Roller Weldment Hex Shaft, 74"
	703260	--	Roller, Bracket & Brg Asy. Hex Shaft, 88"
	107786	1	Roller Weldment Hex Shaft, 88"
	704026	--	Roller & Brg Asy, L/Bracket, 96" Hex Shaft
	107787	1	Roller Weldment Hex Shaft, 96"
2	703976	1	Bearing & Housing Asy Hex Shaft, LH or RH
	002486	1	Bearing, Hex Shaft, LH or RH
	107340	1	Housing , Cast, LH or RH
	002039	1	Grease Fitting, LH or RH
	000516	2	Bolt, LH or RH
	00001800	2	Locknut TLM 1/2 NC PLC, LH or RH
	002037	1	Seal, LH or RH (Not Shown)
3	02976761	1	*Bracket Only, LH or RH (Repl's # 107172 or 107380)
	703977	1	Bracket & Bearing Asy, Hex Shaft, LH or RH
	00749130	2	Bolt, Bracket Mounting, (Not Shown)
	00001800	2	Locknut TLM 1/2 NC PLC, Bracket Mounting, (Not Shown)
4	02976761	1	*Bracket Only, RH or LH (Repl's # 107380 or 107172)
	703978	1	Bracket & Bearing Asy, LH or RH
	00749130	2	Bolt, Bracket Mounting, (Not Shown)
	00001800	2	Locknut TLM 1/2 NC PLC, Bracket Mounting, (Not Shown)

* Note: Item 3 & 4 Brackets were LH or RH use only, These have been changed to P/N 02676761 as of Nov. 2000 which will work on right or left hand side. If Bracket & Bearing Asy. is ordered it will have new Bracket, If Bracket only is ordered New Style Bracket (#02976761) will Be Shipped.

Feb. 1989
to
Current

ROLLERS Optional Equip.

SEE
S/N Ship Dates
in Back of Book

OPTIONAL EQUIPMENT, ACCESSORIES, AND PACKAGES

50" ROLLER - (Wing Only)

- 108189 Roller Only (Steel)
- 702010 Roller, Brcket & Bry asy, (Steel W/Rubber Cover)

62" ROLLER - (Wing Only)

- 703602 Roller Scraper Kit, (Recommended for Steel Roller)
- 701646 Roller, Bracket & Brg Asy, (Steel)
- 107784 Roller Only, (Steel)
- 702118 Roller, Bracket & Brg Asy, (Steel w/ Rubber Cover, 1/4" thick Pad)
- 105569 Roller Only, (Steel w/ Rubber Cover, 1/4" Thick Pad)

74" ROLLER - (Wing Only)

- 703603 Roller Scraper Kit, (Recommended for Steel Roller)
- 701401 Roller, Bracket & Brg Asy, (Steel)
- 107785 Roller Only, (Steel)
- 702120 Roller, Bracket & Brg Asy, (Steel w/ Rubber Cover, 1/4" thick Pad)
- 105570 Roller Only, (Steel w/ Rubber Cover, 1/4" Thick Pad)

88" ROLLER - (Wing or Rear)

- 703604 Roller Scraper Kit, (Recommended for Steel Roller)
- 701402 Roller, Bracket & Brg Asy, (Steel)
- 107786 Roller Only, (Steel)
- 702122 Roller, Bracket & Brg Asy, (Steel w/ Rubber Cover, 1/4" thick Pad)
- 105571 Roller Only, (Steel w/ Rubber Cover, 1/4" Thick Pad)

96" ROLLER - (Rear Only)

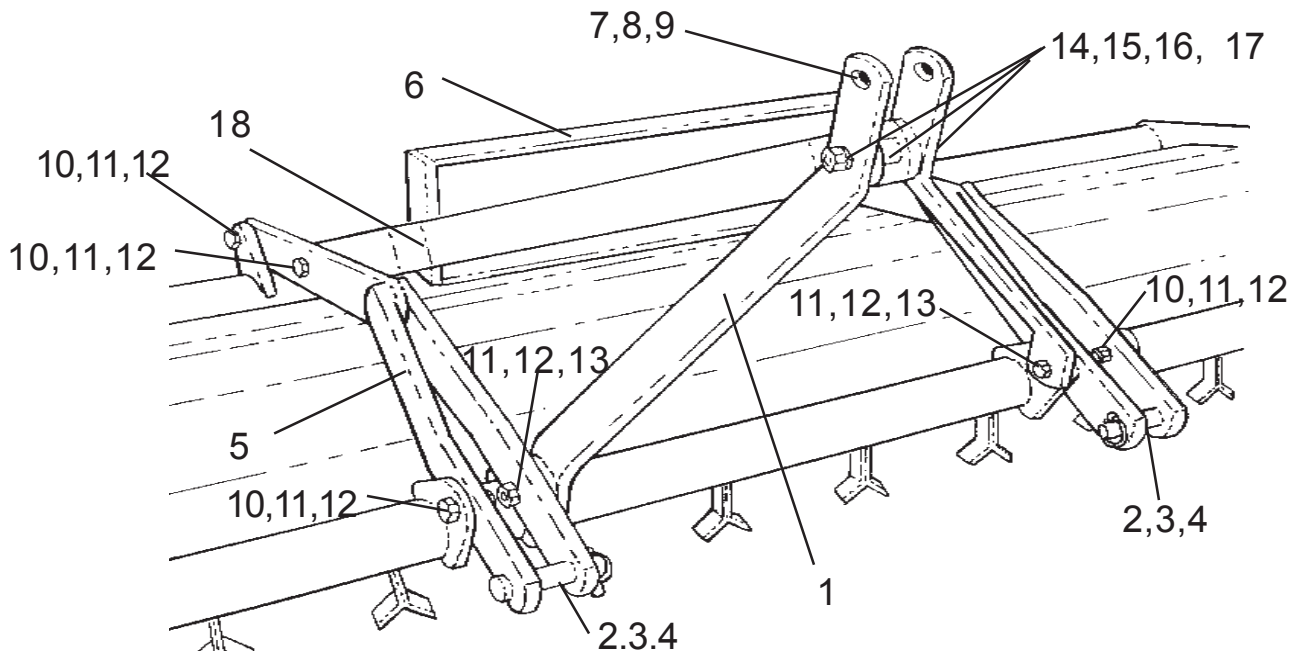
- 704036 Roller Scraper Kit, (Recommended for Steel Roller)
- 107787 Roller Only, (Steel)
- 002452 Roller Only, (Steel w/ Rubber Cover, 1/4" Thick Pad)

Mar. 1972
to
Dec. 1977

A-FRAME & G/B MOUNT

SEE
S/N Ship Dates
in Back of Book

50" - 62" - 74" - 88" Model



Item	Part NO.	Qty	Description
1	102661	2	A-Frame Up-Right, LH or RH (Use 103715)
2	100743	2	Lower Hitch Pin
3	2196	2	CLIP (LYNCH PIN), 13/32 DIA.
4	103716	2	Bushing, Lower (Convert f/ Cat I to Cat II Pin)
5	102658	2	Overarm, LH or RH
6	102655	1	Gearbox Mounting Frame (Use 103713)
7	101779	1	Top Hitch Pin (Not Shown)
8	102549	1	Quick Pin, F/ Top Hitch Pin
9	103717	1	Bushing, Upper (Convert Cat I to Cat II Top Hitch Pin)
10	00008300	6	Bolt, Overarm Connecting
11	000521	8	Lockwasher, Use w/ Item 10 & 13
12	00010400	8	Nut, Use w/ Item 10 & 13
13	00750952	2	Bolt, Overarm & A-Frame Connecting
14	000874	1	Bolt, Upper A-Frame Connecting
15	00003901	1	Lockwasher, Use w/ Item 14
16	00000200	1	Nut, Use w/ Item 14
17	102667	1	Spacer, Upper A-Frame Bolt
18	-----	2-ref	Gearbox Mounting arm & A-Frame Support (This Part is Welded to Item # 6 as part of Gearbox Mounting Frame)

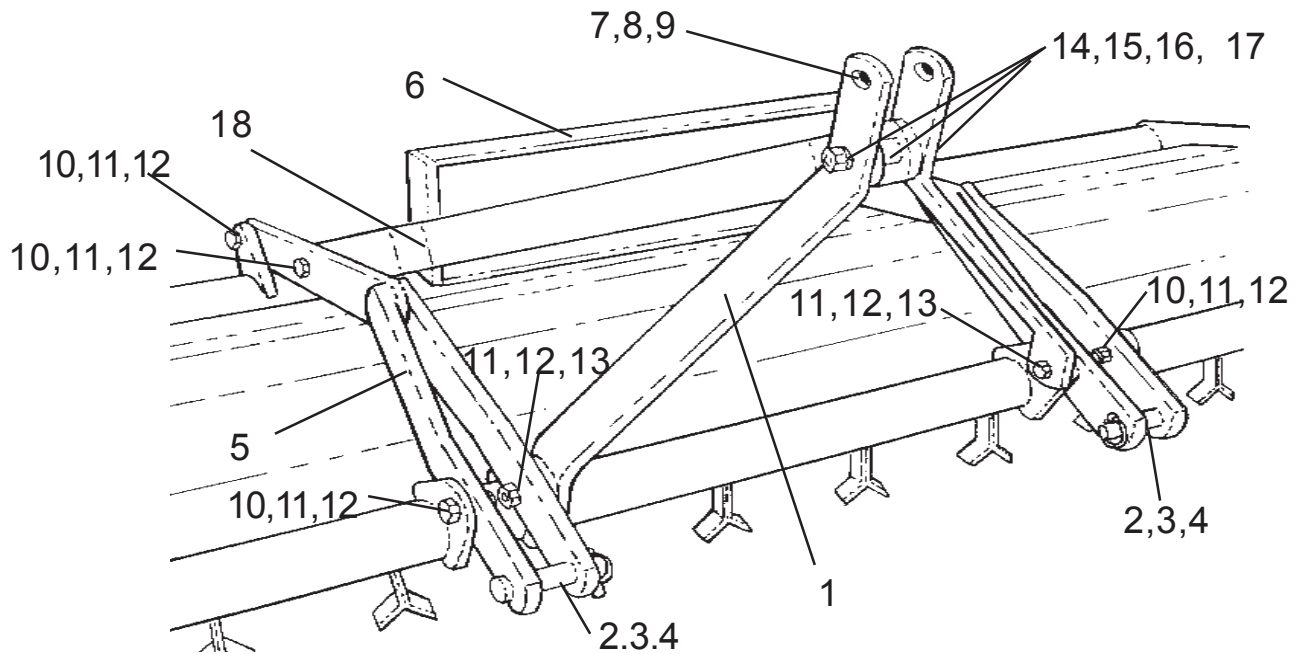
NOTE: Torque Item # 10 & 13 to 170 ft lbs. & Torque Item # 14 to 300 ft. lbs.

Jan. 1978
to
May 2001

A-FRAME & G/B MOUNT

SEE
S/N Ship Dates
in Back of Book

50" - 62" - 74" - 88" - 96" Model



Item	Part NO.	Qty	Description
1	103715	2	A-Frame Up-Right, LH or RH
2	100743	2	Lower Hitch Pin
3	2196	2	CLIP (LYNCH PIN), 13/32 DIA.
4	103716	2	Bushing, Lower (Convert f/ Cat I to Cat II Pin)
5	102658	2	Overarm, LH or RH
6	103713	1	Gearbox Mounting Frame
7	101779	1	Top Hitch Pin (Not Shown)
8	102549	1	Quick Pin, F/ Top Hitch Pin
9	103717	1	Bushing, Upper (Convert Cat I to Cat II Top Hitch Pin)
10	00008300	6	Bolt, Overarm Connecting
11	000521	8	Lockwasher, Use w/ Item 10 & 13
12	00010400	8	Nut, Use w/ Item 10 & 13
13	00750952	2	Bolt, Overarm & A-Frame Connecting
14	000874	1	Bolt, Upper A-Frame Connecting
15	00003901	1	Lockwasher, Use w/ Item 14
16	00000200	1	Nut, Use w/ Item 14
17	102667	1	Spacer, Upper A-Frame Bolt
18	-----	2-ref	Gearbox Mounting arm & A-Frame Support (This Part is Welded to Item # 6 as part of Gearbox Mounting Frame)

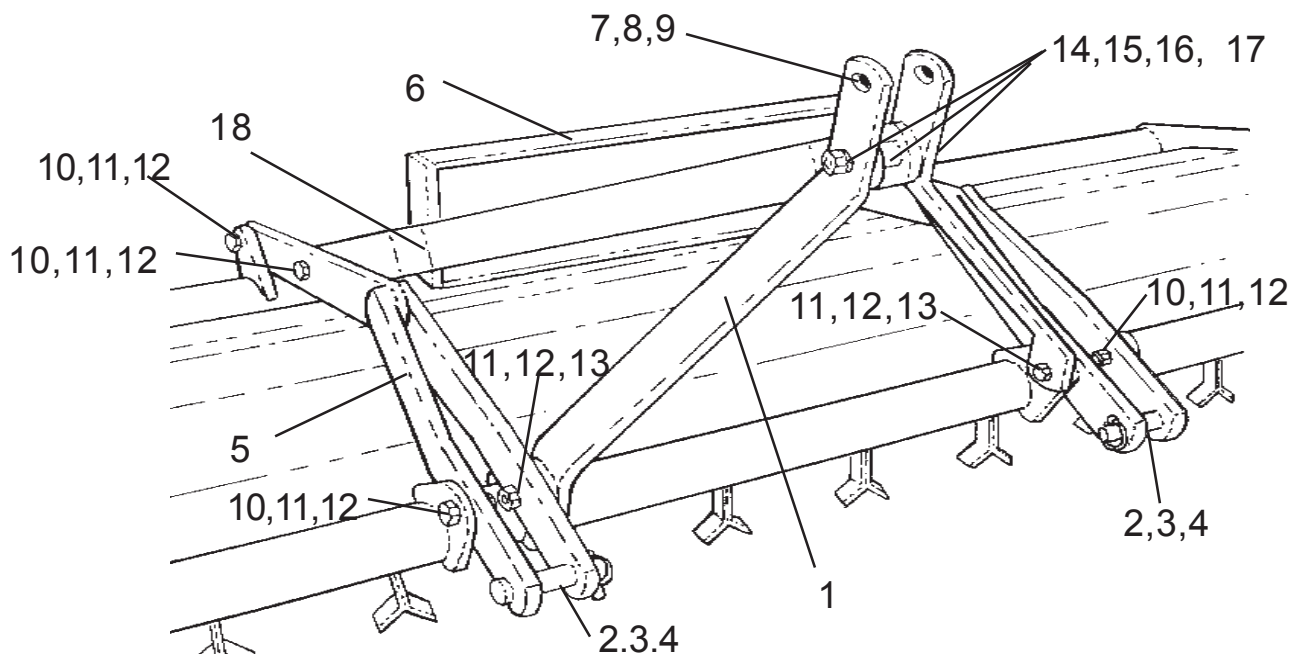
NOTE: Torque Item # 10 & 13 to 170 ft lbs. & Torque Item # 14 to 300 ft. lbs.

Jun. 2001
to
Current

A-FRAME & G/B MOUNT

SEE
S/N Ship Dates
in Back of Book

62" - 74" - 88" - 96" Model



Item	Part NO.	Qty	Description
1	103715	2	A-Frame Up-Right, LH or RH
2	100743	2	Lower Hitch Pin
3	2196	2	CLIP (LYNCH PIN), 13/32 DIA.
4	103716	2	Bushing, Lower (Convert f/ Cat I to Cat II Pin)
5	102658	2	Overarm, LH or RH
6	02977728	1	Bearbox Mounting Frame
7	101779	1	Top Hitch Pin (Not Shown)
8	102549	1	Quick Pin, F/ Top Hitch Pin
9	103717	1	Bushing, Upper (Convert Cat I to Cat II Top Hitch Pin)
10	00008300	6	Bolt, Overarm Connecting
11	000521	8	Lockwasher, Use w/ Item 10 & 13
12	00010400	8	Nut, Use w/ Item 10 & 13
13	00750952	2	Bolt, Overarm & A-Frame Connecting
14	000874	1	Bolt, Upper A-Frame Connecting
15	00003901	1	Lockwasher, Use w/ Item 14
16	00000200	1	Nut, Use w/ Item 14
17	102667	1	Spacer, Upper A-Frame Bolt
18	-----	2-ref	Gearbox Mounting arm & A-Frame Support (This Part is Welded to Item # 6 as part of Gearbox Mounting Frame)

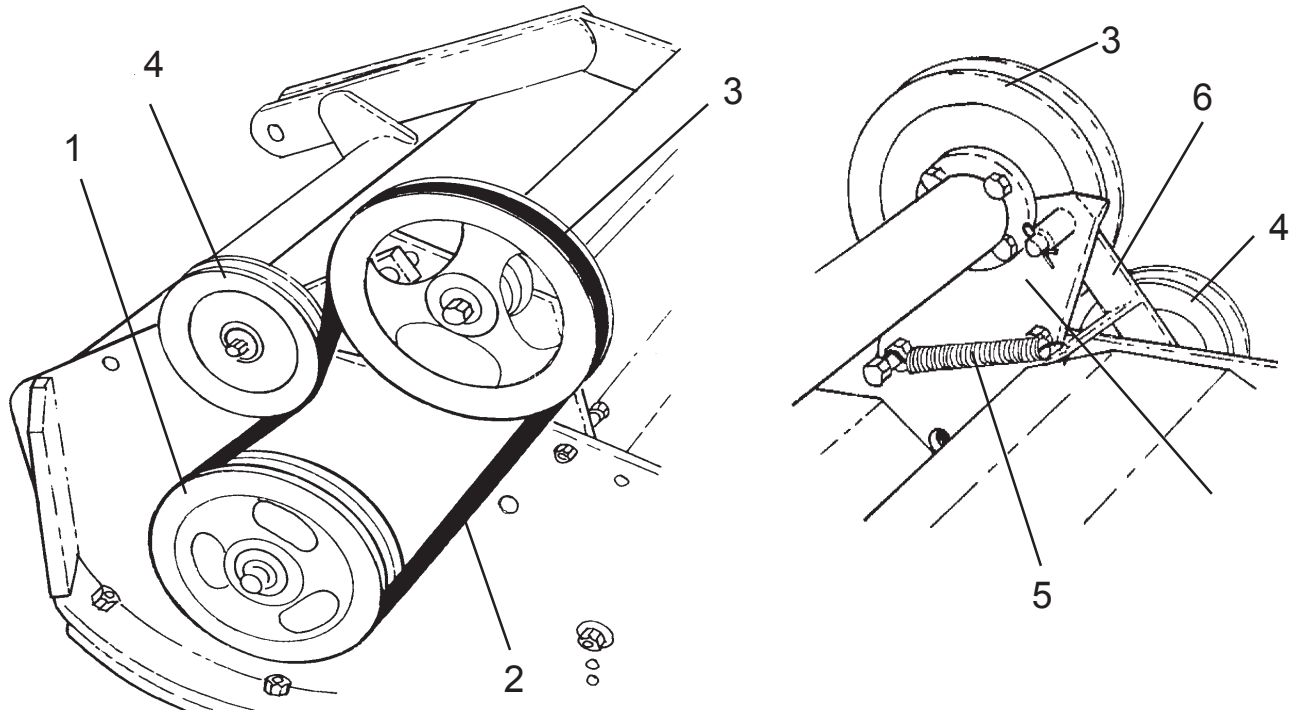
NOTE: Torque Item # 10 & 13 to 170 ft lbs. & Torque Item # 14 to 300 ft. lbs.

Mar. 1972
to
Current

BELT & PULLEY SYSTEM

SEE
S/N Ship Dates
in Back of Book

50" - 62" - 74" - 88" 96" Model



Item	Part No.	Qty	Description	Item	Part No.	Qty	Description	
1	102652	1	Pulley, Lower	6	100727	1	Idler Arm, Fwd Rot.	
	100768	1	Key		104938	1	Idler Arm, Rev Rot	
	100720	1	Clamp Washer	7	700494	a/r	Idler Arm Assy. Fwd Rot.	
	000521	1	Lockwasher		701851	a/r	Idler Arm Assy. Rev Rot.	
	000407	1	Bolt		Asy w/ Items 4 & 6			
2	100706	1	Drive Belt	8	701905	a/r	O/B Brg Plate, Fwd Rot.	
3	102501	1	Pulley, Upper Drive		701847	a/r	O/B Brg Plate, Rev Rot.	
	101782	1	Key				w/ Grease Fittings	
	101780	1	Washer, Heavy					
	000520	1	Lockwasher					
	000555	1	Bolt					
	102651	3	Pulley Shims A/R					
	4	000547	1	Idler Pulley				
		000001	1	Bolt				
00023500		1	Washer					
00011700		1	Lockwasher					
00755153		1	Cotter Pin					
5	101778	1	Idler Brg Spacer					
	00539	1	Spring, Adjusting					

NOTES

Mar. 1972
to
Current

**CUTTERSHAFT
BEARING ASY.
DRIVE & NON-DRIVE**

SEE
S/N Ship Dates
in Back of Book

50" - 62" - 74" - 88" - 96"
**CUTTER SHAFT BEARING
SECTION INFORMATION**
Drive & Non-Drive Ends

Read All Directions, Notes and Instruction Sheets sent with Parts. Most of these Bearings WILL INTERCHANGE or REPLACE BEARINGS IF ALL DIRECTIONS ARE FOLLOWED.

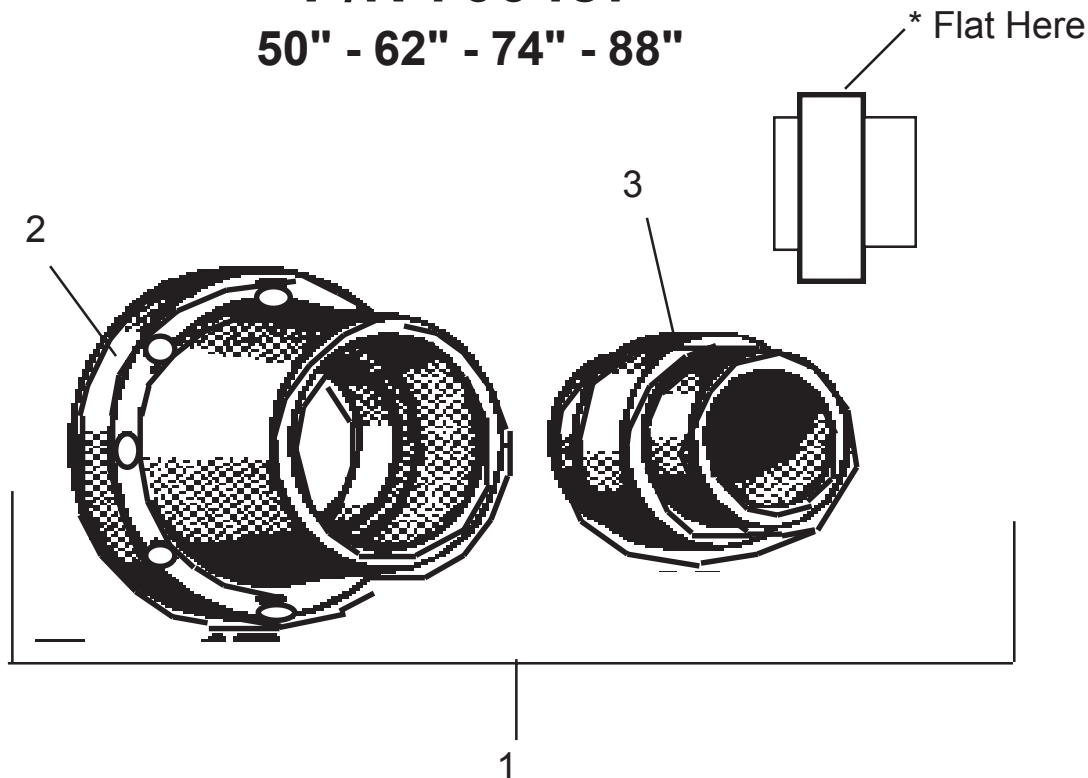
1. Mar. 1972 to May 1987 These Bearings were not Self Aligning, they had to be pressed into the Bearing Housing, These bearings are available as replacement parts ONLY. If Bearing Housing or Cutter Shaft is replaced on these models the bearings will be replaced with the New (Self Aligning Style) Style. The New Style will not fit into the Old Style Housing or Vice versa. When Replacing Bearings with New Style use required componets in kit and read all directions on installation Sheet # 803414
2. Jun. 1987 to Oct. 1990
Use Caution When replacing Bearings on Unit Built from Jun. 1987 to Oct. 1990, There were Changes made in Deck Housing which require Bearings with Spacers between Deck & Bearing Housing when replacing Bearing Assemblies. The Drive & Non-Drive Bearings Spacers install different, Also the Wing & Rear Mowers Use different Spacers, Read All instruction sent with Bearing Assemblies. See Instruction Sheet # 803414 for SHD Mowers & # 803415 Sheet for Wing Interstater Mowers. The Spacers were only used during this period and NOT After. (WILL NOT Apply to 96" Model because not introduced till 1992)
3. Nov. 1990 to Feb. 1999
The Difference between Drive End & Non-Drive End Bearing Assemblies from Nov. 1990 to Feb, 1999 was the Grease Fitting, The Drive End has a Pipe Nipple & Coupler where the Non-Drive Does Not., The Drive & Non-Drive End used the same Bearing & Housing. The Drive End DID NOT USE the Set Screw that were sent with the bearings only Non-Drive End DID.
4. Mar. 1999 to Current
The Drive End Bearing DID NOT Change but the Non-Drive end Did. The Cutter Shaft was made 3/4" longer on Non-Drive End, A different Bearing was used that is install in the opposite direction as the old one did, (This is a completely different Bearing) This New Bearing on the Non-Drive End WILL NOT WORK with the older Cutter Shafts that were 3/4" shorter and it WILL NOT Work on the Drive End, DO NOT try to put The Newer Bearing Units built prior to Mar. 1999 unless the Cutter Shaft is also Changed. The Longer Cutter Shaft CAN BE USED with the Old Bearings or the New Bearings, (DO NOT MIX THESE BEARINGS)
5. General Information.
DO NOT Install Bearing Backwards in Housings, The Hole (for Lubrication) located in the outer Bearing Race has to be located so it will line up with the Hole in the Bearing Housing. If it is Bearing damage WILL occur because bearings CANNOT be lubed. If not aligned correctly the Bearing WILL NOT get lubrication and WILL BE DAMAGED. Using the WRONG BEARING can also cause a miss alignment of this lubrication hole. Always check this when installing Bearings into Housing and again when lubricating Bearing, If Bearing WILL NOT accept Lubrication, CHECK this alignment.

Mar. 1972
to
May 1987

CUTTERSHAFT BEARING ASY. NON-DRIVE SIDE P/N 700487

SEE
S/N Ship Dates
in Back of Book

50" - 62" - 74" - 88"



Item	Part No.	Qty	Description
1*	700487	--	*Bearing & Hsg Asy (Use Asy 704389)
2	700738	1	Bearing Housing Only
3	000399	1	Bearing Only

NOTE: * These Bearing Housings HAVE been replaced with a later Style, If Bearing Housing # 700487 is ordered a later Style Kit # 704389 should be used w/ new Style Bearing will be used. It will include Brg Hsg, Brg, Spacers, Nuts & Bolts plus an Installation Drawing # 803414, Read and follow these Instructions to install newer style Bearings. The Bearing # 000399 is available as a replacement Part Only. To ID the Old Style Bearing, The outer race has a flat surface and the Bearing has to be pressed into the Bearing Housing, The later Bearings the Outer Race Surface is curved and has to be turned to install it into Bearing Housing, This Later Style was called a self aligning Bearing, The Earlier Style is NOT a self aligning Bearing. Read ALL instructions before installing new Bearing Housing Assembly.

Jun. 1987
to
Oct. 1990

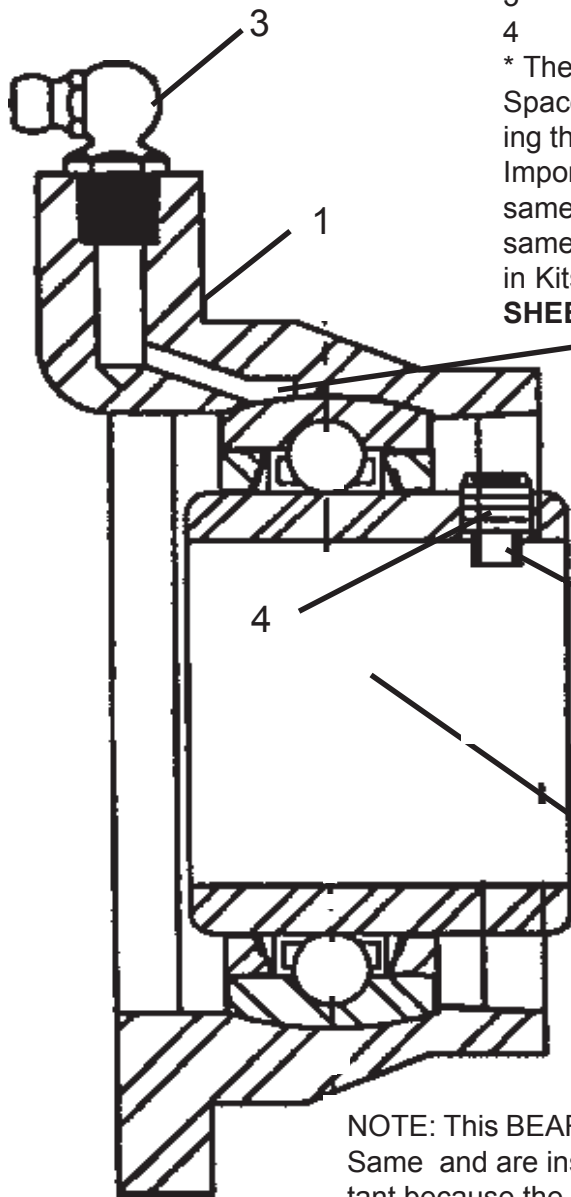
CUTTERSHAFT BEARING ASY. NON-DRIVE SIDE P/N 704202

SEE
S/N Ship Dates
in Back of Book

50" - 62" - 74" - 88"

Item	Part No.	Qty	Description
	704202	--	Bearing & Hsg Asy * Use # 704389
1	107469	1	Bearing Housing
2	002315	1	Bearing Only
3	00752176	1	Grease Fitting
4	02967912	1	Set Screw

* These are replacement Brg Assemblies which will include Spacers, New Bolts, Brg w/Hsg & Instruction Sheet, Following the Instruction Sheet on location of Spacers is very Important. Wings & Rear Mower DO NOT Assemble the same. (If you replace Drive & Non-drive Bearings at the same time or if one has been replaced previously All Parts in Kits WILL NOT be used, **READ INSTRUCTION SHEETS !**)



Note: Hole in Bearing MUST line up with the Hole in the Housing for lubrication, IF IT IS NOT aligned check installation and the Bearing Part Number to be sure it is correct Bearing.

Note; There are SetScrews & Holes in this Bearing , replacement Bearings should be Shipped with Set Screws in them. The Setscrews ARE USED when this Bearing is being used on Non- Drive Side

NOTE: This BEARING and the later Bearing on NON-DRIVE SIDE are the Same and are install facing as shown, Bearing installation is very important because the Hole in outer Race must be correct for lubrication. These Bearings have changed and use a Kit with Spacer when installing them. Read All Directions.

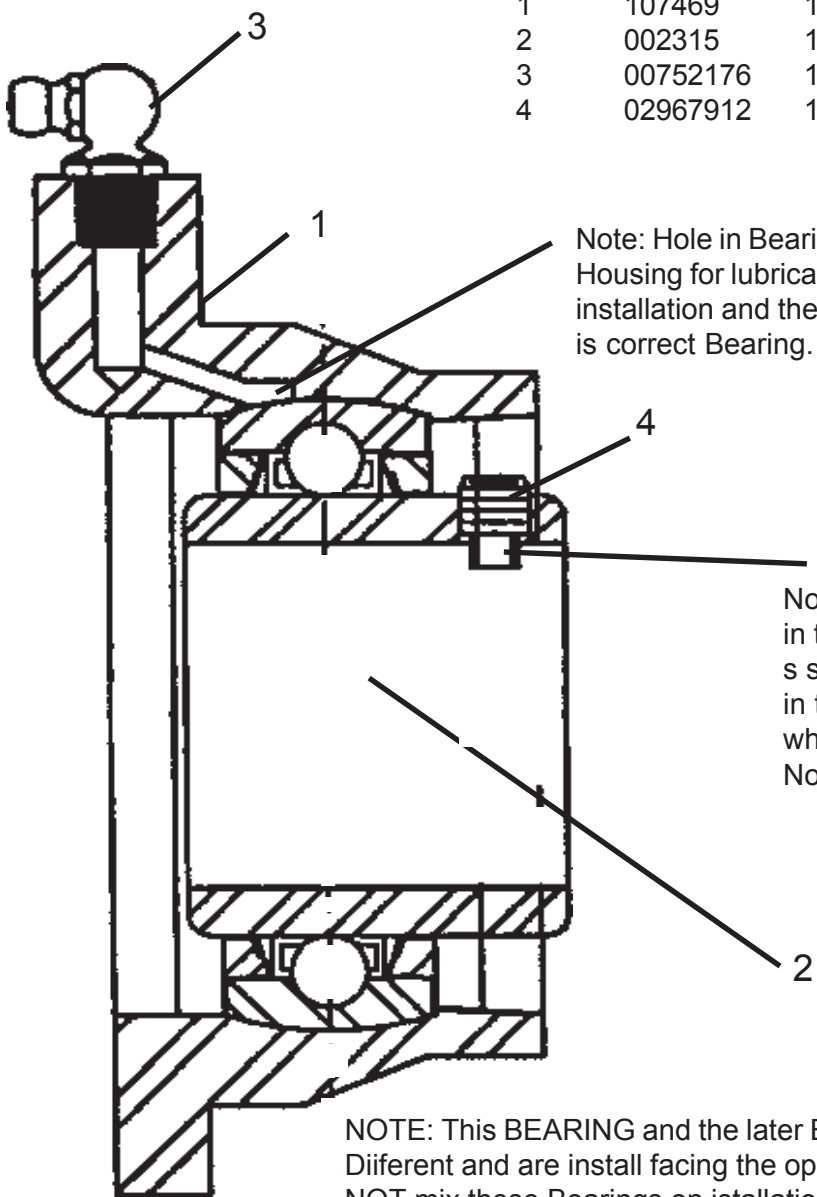
Nov. 1990
to
Feb. 1999

CUTTERSHAFT BEARING ASY. NON-DRIVE SIDE

SEE
S/N Ship Dates
in Back of Book

P/N 703271
62" - 74" - 88" - 96"

Item	Part No.	Qty	Description
	703271	1	Bearing & Hsg Asy.
1	107469	1	Bearing Housing
2	002315	1	Bearing Only
3	00752176	1	Grease Fitting
4	02967912	1	Set Screw



Note: Hole in Bearing MUST line up with the Hole in the Housing for lubrication, IF IT IS NOT aligned check installation and the Bearing Part Number to be sure it is correct Bearing.

Note: There are SetScrews & Holes in this Bearing , replacement Bearings should be Shipped with Set Screws in them. The Setscrews ARE USED when this Bearing is being used on Non- Drive Side

NOTE: This BEARING and the later Bearing on NON-DRIVE SIDE are Different and are install facing the opposite direction of each other, DO NOT mix these Bearings on installation because the Hole in outer Race is on opposite sides AND WILL NOT WORK, This is very important for proper lubrication.!!!

Mar. 1999
to
Current

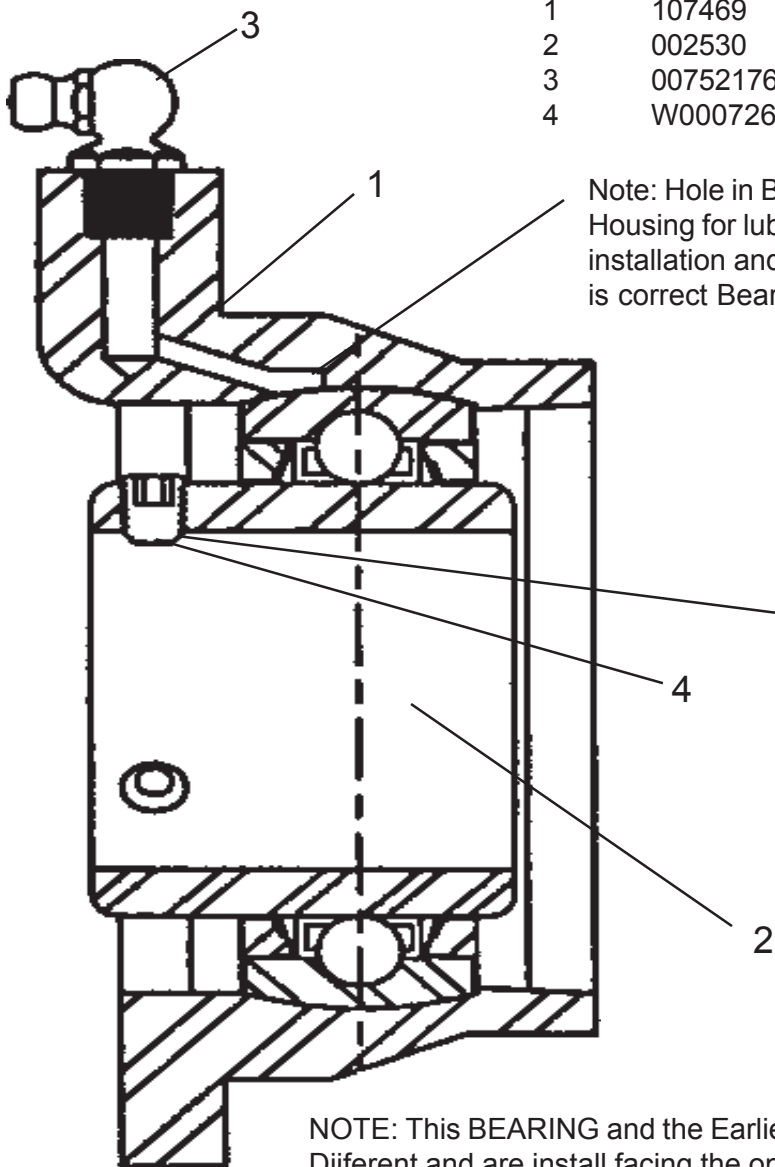
CUTTERSHAFT BEARING ASY. NON-DRIVE SIDE

SEE
S/N Ship Dates
in Back of Book

P/N 704305

62" - 74" - 88" - 96"

Item	Part No.	Qty	Description
	704305	1	Bearing & Hsg Asy.
1	107469	1	Bearing Housing
2	002530	1	Bearing Only
3	00752176	1	Grease Fitting
4	W0007269	2	Setscrew



Note: Hole in Bearing MUST line up with the Hole in the Housing for lubrication, IF IT IS NOT aligned check installation and the Bearing Part Number to be sure it is correct Bearing.

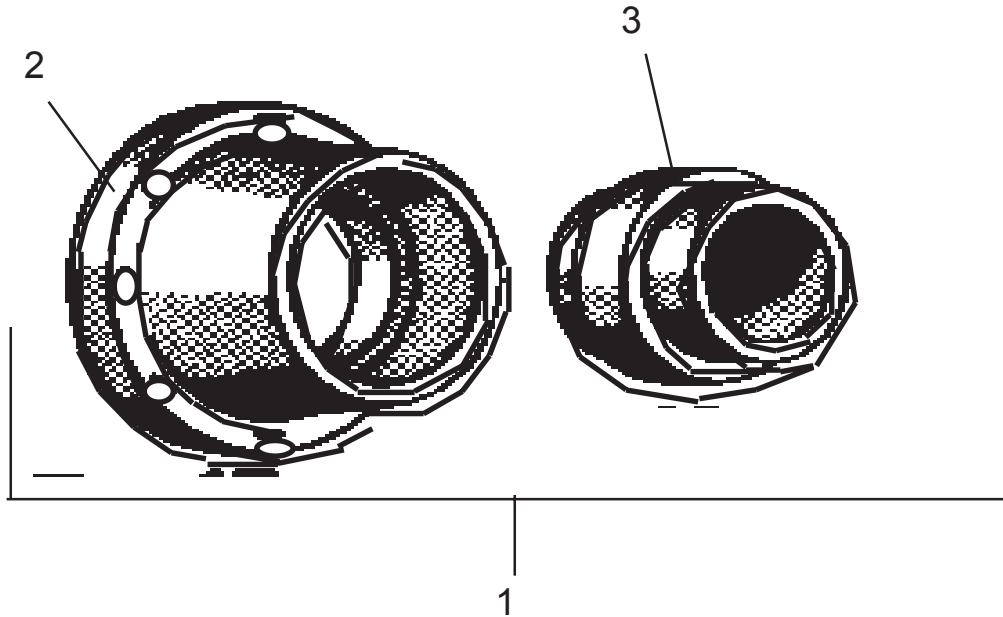
Note; There are SetScrews & Holes in this Bearing , replacement Bearings should be Shipped with Set Screws in them. The Setscrews ARE USED when this Bearing is being used on Non- Drive Side

NOTE: This BEARING and the Earlier Bearing on NON-DRIVE SIDE are Different and are install facing the opposite direction of each other, DO NOT mix these Bearings on installation because the Hole in outer Race is on opposite sides and WILL NOT WORK, This is very important for proper lubrication!!!

Mar. 1972
to
May 1987

CUTTERSHAFT BEARING ASY. DRIVE SIDE P/N 700487 50" - 62" - 74" - 88"

SEE
S/N Ship Dates
in Back of Book



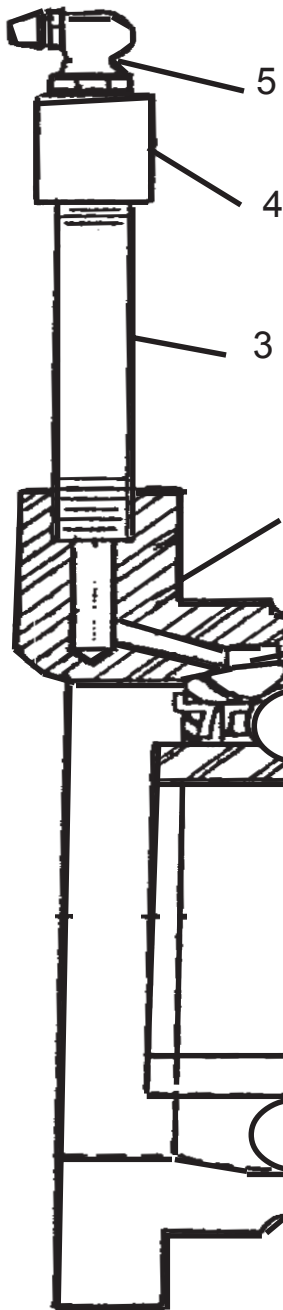
Item	Part No.	Qty	Description
1*	700487	--	*Bearing & Hsg Asy (Use Kit # 704388)
2	700738	1	Bearing Housing Only
3	000399	1	Bearing Only

NOTE: * These Bearing Housings HAVE been replaced with a later Style, If Bearing Housing # 700487 is ordered a later Style w/ Bearing Kit # 704388 will be used. It will include Brg Hsg, Brg, Spacers, Nuts & Bolts plus an Installation Drawing # 803414, Read and follow these Instructions to install newer style Bearings. The Bearing # 000399 is available as a replacement Part Only. To ID this Bearing, The outer race has a flat surface and the Bearing has to be pressed into the Bearing Housing, The later Bearings the Outer Race Surface is curved and has to be turned to install it into Bearing Housing, This Later Style was called a self aligning Bearing, The Earlier Style is NOT a self aligning Bearing. Read ALL instructions before installing new Bearing Housing Assembly.

Jun. 1987
to
Oct. 1990

CUTTERSHAFT BEARING ASY. DRIVE SIDE P/N 704203 62" - 74" - 88"

SEE
S/N Ship Dates
in Back of Book



Item	Part No.	Qty	Description
	704203	1	Bearing & Hsg Asy.
			* Use # 704388
1	107469	1	Bearing Housing
2	002315	1	Bearing Only
3	002347	1	Pipe, Nipple
4	002348	1	Coupler, Pipe
5	00752176	1	Grease Fitting

* These are replacement Brg Assemblies which will include Spacers, New Bolts, Brg w/Hsg & Instruction Sheet, Following the Instruction Sheet on location of Spacers is very Important. Wings & Rear Mower DO NOT Assemble the same. (If you replace Drive & Non-drive Bearings at the same time or if one has been replaced previously All Parts in Kits WILL NOT be used, **READ INSTRUCTION SHEETS !**)

Note: Hole in Bearing MUST line up with the Hole in the Housing for lubrication, IF IT IS NOT aligned check installation and the Bearing Part Number to be sure it is correct Bearing.

Note; There are SetScrew Holes in this Bearing and replacement Bearings are Shipped with Set Screws in them. BUT the Set-screws ARE NOT USED when this Bearing is being used on Drive Side

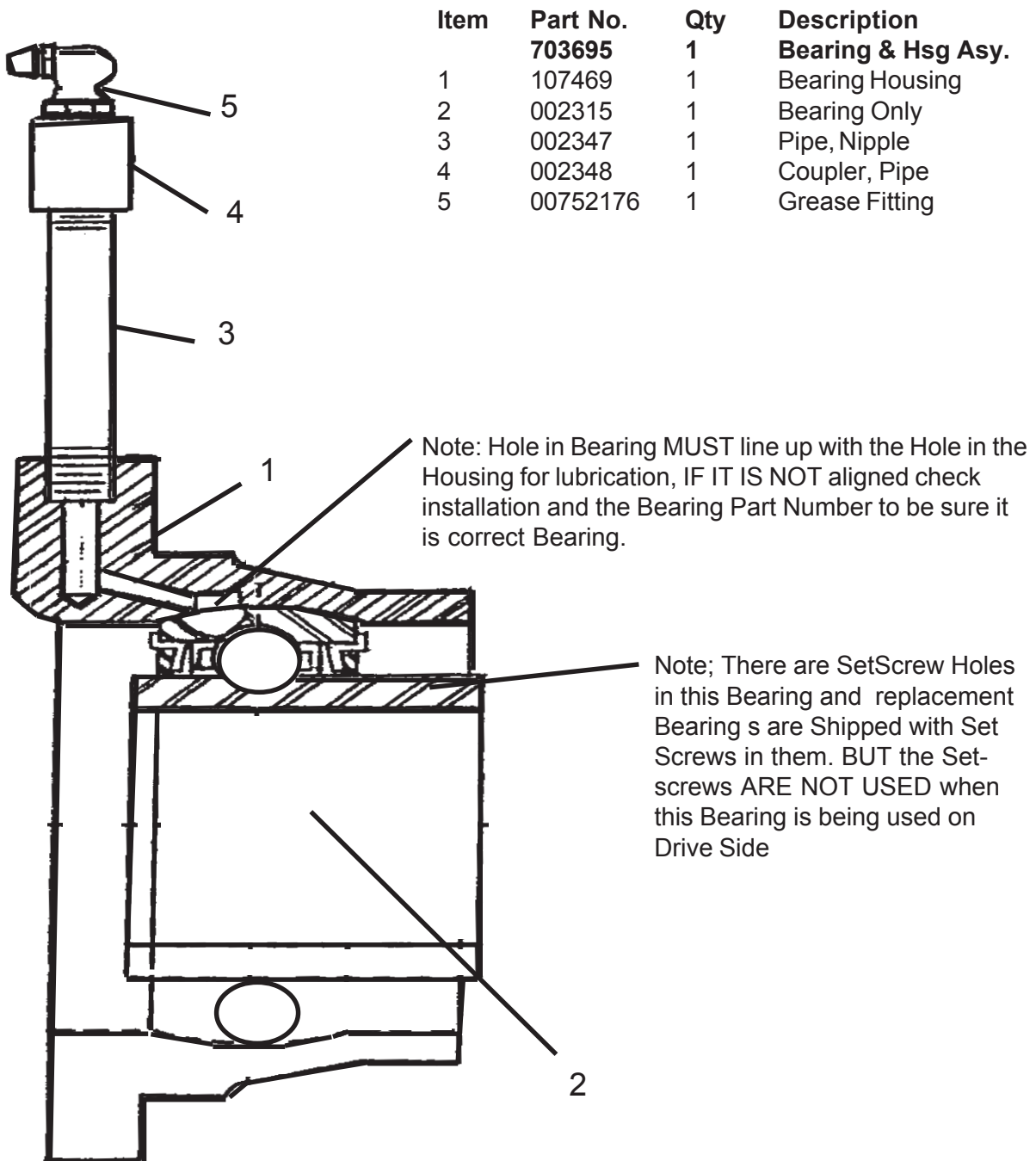
Nov. 1990
to
Current

CUTTERSHAFT BEARING ASY. DRIVE SIDE

SEE
S/N Ship Dates
in Back of Book

P/N 703695

62" - 74" - 88" - 96"

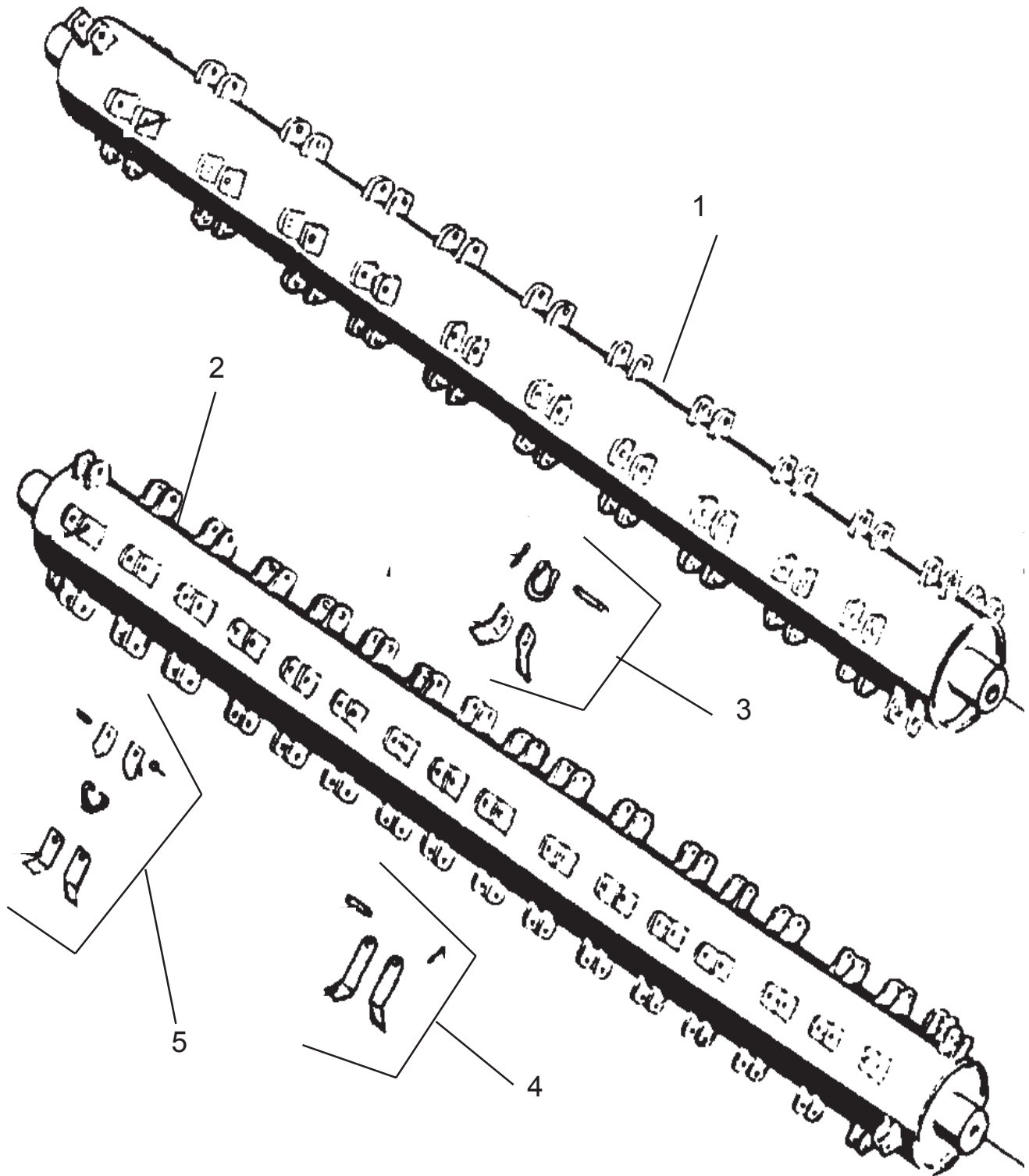


Mar. 1972
to
May 1987

CUTTERSHAFT & KNIVES

SEE
S/N Ship Dates
in Back of Book

50" - 62" - 74" 88"



Mar. 1972
to
May 1987

CUTTERSHAFT & KNIVES

SEE
S/N Ship Dates
in Back of Book

50" - 62" - 74" - 88"

Coarse Cut Cutter Shaft (CC)

Item	Part No.	Qty 50"	Qty 62"	Qty 74"	Qty 88"	Description
1	102994R	1	--	--	--	*Cuttershaft Weldment, CC (replaced by *)
	103031R	--	1	--	--	*Cuttershaft Weldment, CC (replaced by *)
	102990R	--	--	1	--	*Cuttershaft Weldment, CC (replaced by *)
	102992R	--	--	--	1	*Cuttershaft Weldment, CC (replaced by *)
3	100759	60	72	72	88	Knife, CC (Std)
	105319M	60	72	72	88	Knife, CC ES Sheared Edge (Option)
	108381	60	72	72	88	Knife, CC ES Forged Edge (Option)
	103026	30	36	36	44	Knife, Renovating Detatching (Option)
	100761	30	36	36	44	Ring, (CC Knife)
	102670	30	36	36	44	Pin, Hardened (CC Knife)
	000026	30	36	36	44	Cotter Pin (CC Knife)

Fine Cut Cutter Shaft (FC)

Item	Part No.	Qty 50"	Qty 62"	Qty 74"	Qty 88"	Description
2	102993R	1	--	--	--	*Cuttershaft Weldment, FC (replaced by *)
	103030R	--	1	--	--	*Cuttershaft Weldmnet, FC (replaced by *)
	102989R	--	--	1	--	*Cuttershaft Weldmnet, FC (replaced by *)
	102991R	--	--	--	1	*Cuttershaft Weldmnet, FC (replaced by *)
4	102086	138	152	184	216	Knife, FC Pin Mounted (Std)
	102087	69	76	92	108	Knife, Renovating Detatching (Option)
	101034	69	76	92	108	Pin, Hardened (FC Knife)
	000026	69	76	92	108	Cotter Pin (FC Knife)
5	101993	138	152	184	216	Knife, FC Ring Mounted (Option)
	101991	69	76	92	108	Ring , FC Knife Ring Mounted
	102650	138	152	184	216	Ring Clip, FC Knife Ring Mounted
	000032	69	76	92	108	Bolt, FC Knife Ring Mounted
	000210	69	76	92	108	Locknut, FC Knife Ring Mounted

To ID Cutter Shaft Measure Length End to End (Includes Bearing Shafts)
OR count the Blade Lugs welded to shaft, Lug Qty will match Blade Qty.

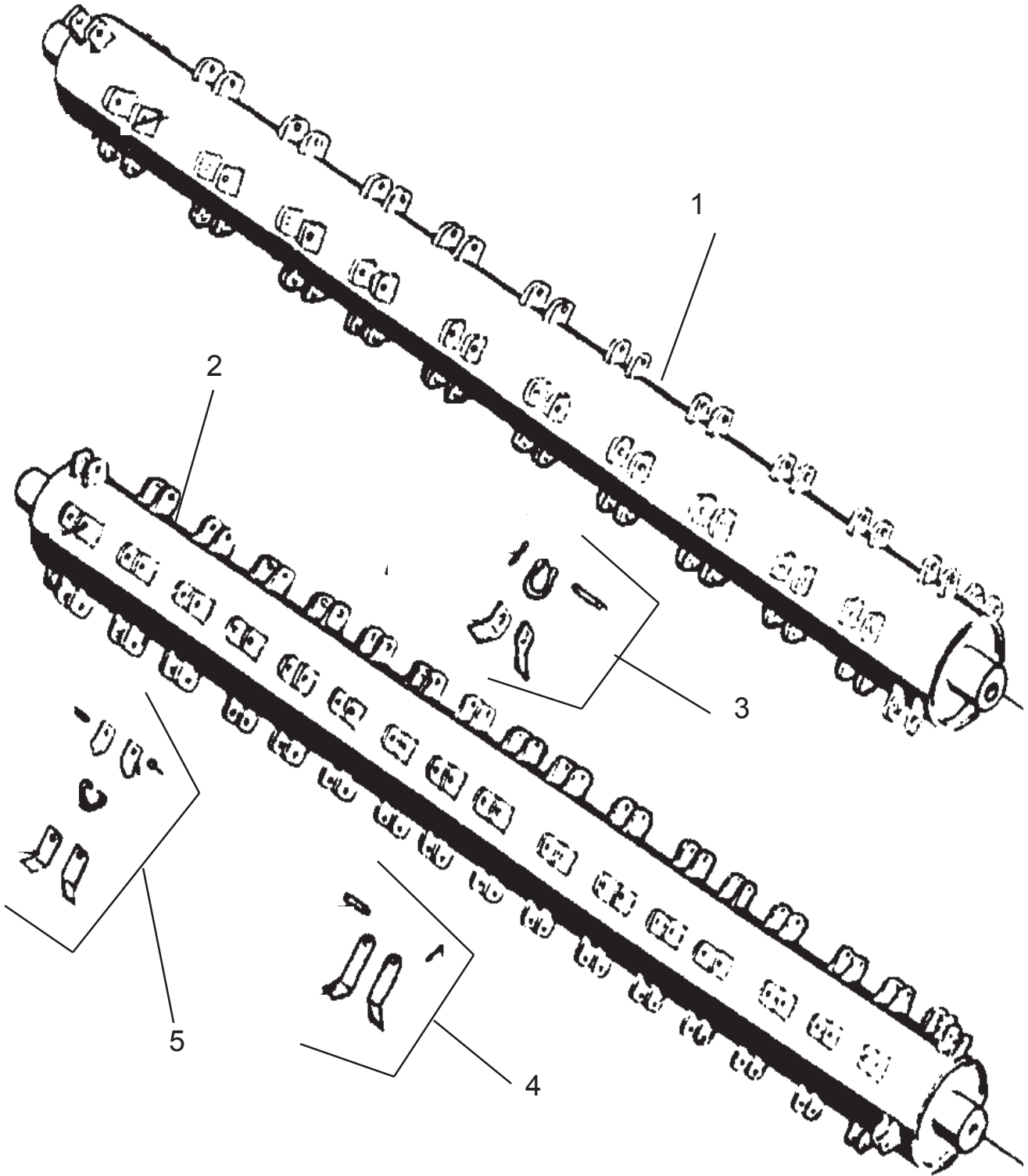
NOTE: * The Above Cutter Shafts WILL be replaced by a later Style Cutter Shaft w/ Later Style Bearings. IF REPLACING the Cutter shaft you WILL HAVE TO REPLACE Cutter Shaft Bearings that should be sent with the later Style Cutter Shaft. The OLD STYLE Cutter Shaft Bearings are NOT AVAILABLE as an assembly. The Old Cutter Shafts used a Bearing that had to be Pressed into Bearing Housing instead of the Self aligning Bearing that was used later.

Jun. 1987
to
Oct. 1990

CUTTERSHAFT & KNIVES

SEE
S/N Ship Dates
in Back of Book

50" - 62" - 74" 88"



Jun. 1987
to
Oct. 1990

CUTTERSHAFT & KNIVES

SEE
S/N Ship Dates
in Back of Book

50" - 62" - 74" - 88"

Coarse Cut Cutter Shaft (CC)

Item	Part No.	Qty 50"	Qty 62"	Qty 74"	Qty 88"	Description
1	105718	1	--	--	--	Cuttershaft Weldment, CC
	105719	--	1	--	--	Cuttershaft Weldment, CC
	105720	--	--	1	--	Cuttershaft Weldment, CC
	105721	--	--	--	1	Cuttershaft Weldment, CC
3	100759	60	72	72	88	Knife, CC (Std)
	105319M	60	72	72	88	Knife, CC ES Sheared Edge (Option)
	108381	60	72	72	88	Knife, CC ES Forged Edge (Option)
	103026	30	36	36	44	Knife, Renovating Detatching (Option)
	100761	30	36	36	44	Ring, (CC Knife)
	102670	30	36	36	44	Pin, Hardened (CC Knife)
	000026	30	36	36	44	Cotter Pin (CC Knife)

Fine Cut Cutter Shaft (FC)

Item	Part No.	Qty 50"	Qty 62"	Qty 74"	Qty 88"	Description
2	105722M	1	--	--	--	Cuttershaft Weldment, FC
	105723	--	1	--	--	Cuttershaft Weldment, FC
	105724	--	--	1	--	Cuttershaft Weldment, FC
	105725	--	--	--	1	Cuttershaft Weldment, FC
4	102086	138	152	184	216	Knife, FC Pin Mounted (Std)
	102087	69	76	92	108	Knife, Renovating Detatching (Option)
	101034	69	76	92	108	Pin, Hardened (FC Knife)
	000026	69	76	92	108	Cotter Pin (FC Knife)
5	101993	138	152	184	216	Knife, FC Ring Mounted (Option)
	101991	69	76	92	108	Ring, FC Knife Ring Mounted
	102650	138	152	184	216	Ring Clip, FC Knife Ring Mounted
	000032	69	76	92	108	Bolt, FC Knife Ring Mounted
	000210	69	76	92	108	Locknut, FC Knife Ring Mounted

To ID Cutter Shaft Measure Length End to End (Includes Bearing Shafts)
OR count the Blade Lugs welded to shaft, Lug Qty will match Blade Qty.

Shaft	Type	Length	Size	Shaft	Type	Length	Size
105718	CC	52.21"	50"	105722M	FC	52.21"	50"
105719	CC	65.85	62"	105723	FC	65.85"	62"
105720	CC	79.65"	74"	105724	FC	79.65"	74"
105721	CC	92.50"	88"	105725	FC	92.50"	88"

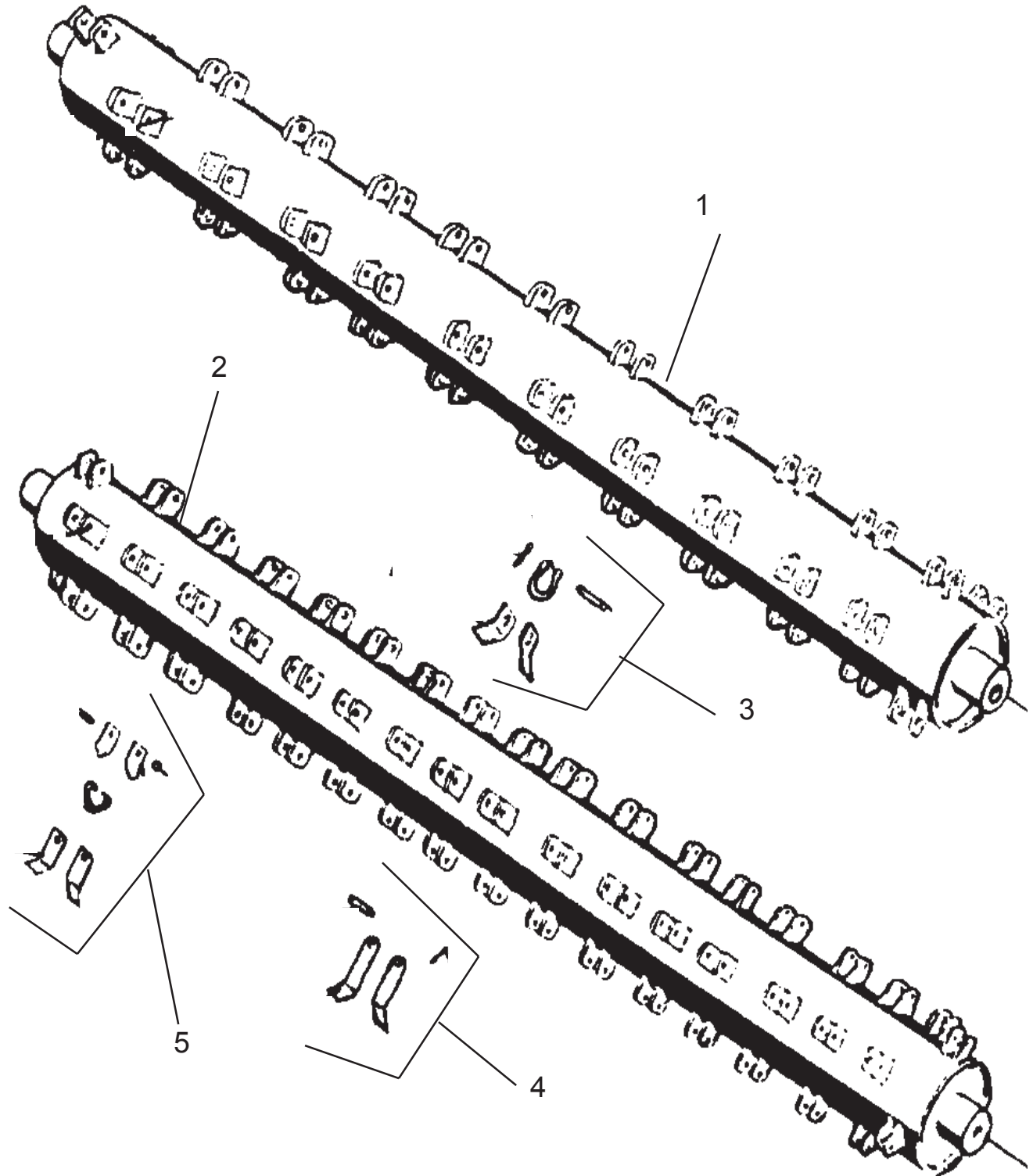
Note: Most Cutter Shafts will be replaced by more current P/N which may be longer, Bearings use during this time are shipped as Kit with Spacers and Bolts to change to newer & Longer Shafts.

Nov. 1990
to
Current

CUTTERSHAFT & KNIVES

SEE
S/N Ship Dates
in Back of Book

62" - 74" - 88" - 96"



Nov. 1990
to
Current

CUTTERSHAFT & KNIVES

SEE
S/N Ship Dates
in Back of Book

62" - 74" - 88" - 96"

Coarse Cut Cutter Shaft (CC)

Item	Part No.	Qty 50"	Qty 62"	Qty 74"	Qty 88"	Qty 96"	Description
1	108186	1	--	--	--	--	Cuttershaft Weldment, CC
	107123	--	1	--	--	--	Cuttershaft Weldment, CC
	107124	--	--	1	--	--	Cuttershaft Weldment, CC
	107125	--	--	--	1	--	Cuttershaft Weldment, CC
	107745	--	--	--	--	1	Cuttershaft Weldment, CC
3	100759	60	72	72	88	96	Knife, CC (Std)
	105319M	60	72	72	88	96	Knife, CC ES Sheared Edge (Option)
	108381	60	72	72	88	96	Knife, CC ES Forged Edge (Option)
	100761	30	36	36	44	48	Ring, (CC Knife)
	102670	30	36	36	44	48	Pin, Hardened (CC Knife)
	000086	30	36	36	44	48	Cotter Pin (CC Knife)

Fine Cut Cutter Shaft (FC)

Item	Part No.	Qty 50"	Qty 62"	Qty 74"	Qty 88"	Qty 96"	Description
2	108187	1	--	--	--	--	Cuttershaft Weldment, FC
	107127	--	1	--	--	--	Cuttershaft Weldmnet, FC
	107128	--	--	1	--	--	Cuttershaft Weldmnet, FC
	107129	--	--	--	1	--	Cuttershaft Weldmnet, FC
	107789	--	--	--	--	1	Cuttershaft Weldmnet, FC
4	102086	138	152	184	216	246	Knife, FC Pin Mounted (Std)
	101034	69	76	92	108	123	Pin, Hardened (FC Knife)
	000026	69	76	92	108	123	Cotter Pin (FC Knife)
5	101993	138	152	184	216	246	Knife, FC Ring Mounted (Option)
	101991	69	76	92	108	123	Ring , FC Knife Ring Mounted
	102650	138	152	184	216	246	Ring Clip, FC Knife Ring Mounted
	000032	69	76	92	108	123	Bolt, FC Knife Ring Mounted
	000210	69	76	92	108	123	Locknut, FC Knife Ring Mounted

To ID Cutter Shaft Measure Length End to End (Includes Bearing Shafts)

OR count the Blade Lugs welded to shaft, Lug Qty will match Blade Qty.

Shaft	Type	Length	Size	Shaft	Type	Length	Size
107123	CC	66.03	62"	107129	FC	93.25"	88"
107124	CC	80.12"	74"	107745	CC	101.5"	96"
107125	CC	93.25"	88"	107789	FC	101.5"	96"
107127	FC	66.12"	62"	108186	CC	56.12"	50"
107128	FC	80.12"	74"	108187	FC	56.12"	50"

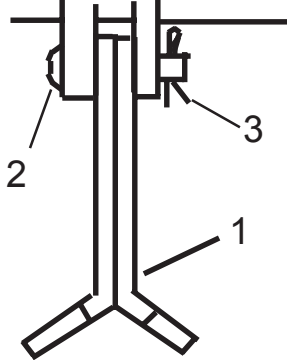
Mar. 1972
to
Current

Cutter Shaft Knives

SEE
S/N Ship Dates
in Back of Book

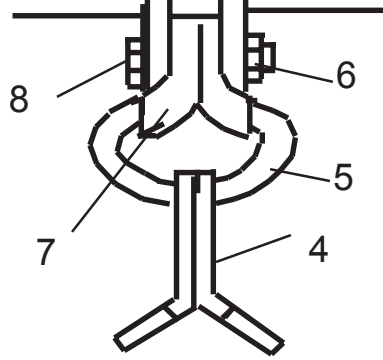
50" - 62" - 74" - 88" - 96"

FINE CUT
(FC)
CUTTERSHAFT
ONLY



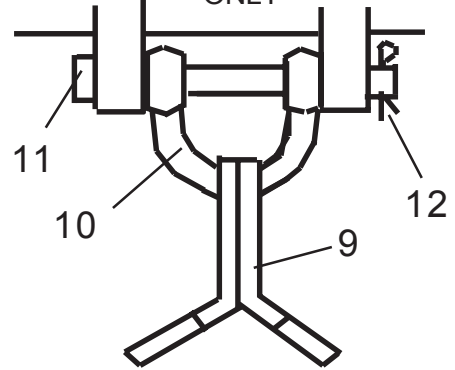
FC
Pin Mounted
P/N 102086 (FC)
P/N 102087 (Renv)

FINE CUT
(FC)
CUTTERSHAFT
ONLY



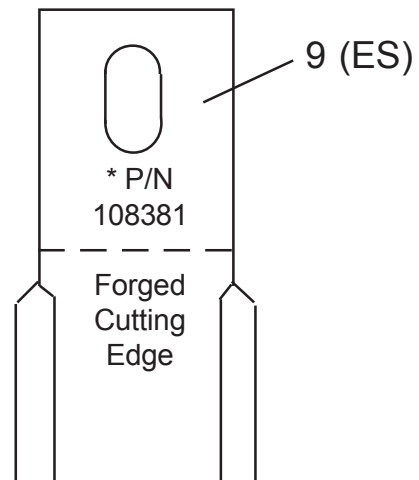
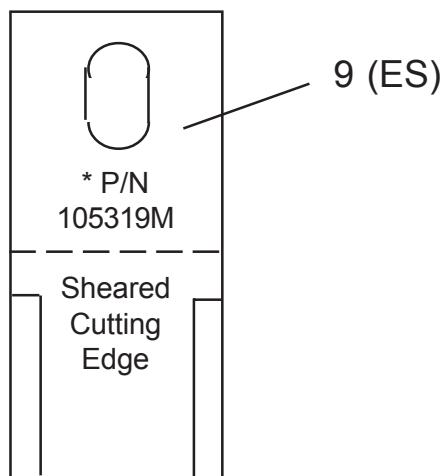
FC
Ring Mounted
P/N 101993

COARSE CUT
(CC)
CUTTERSHAFT
ONLY



CC
Ring Mounted
P/N 100759 (Std.) or
P/N *105319M (ES) or
P/N *108381 (ES)
P/N 103026 (Renv)

*COARSE CUT EXTREME SERVICE (ES or HD) KNIVES



IMPORTANT NOTE:
DO NOT MIX THESE BLADES AS THEY DO NOT HAVE SAME WEIGHT

Mar. 1972
to
Current

Cutter Shaft Knives

SEE
S/N Ship Dates
in Back of Book

50" - 62" - 74" - 88" - 96"

Qty Listed is Per Hanger or Knife Bulk Pkg.

Item	Part No.	Qty	Description
1	102086	2	FC Knife, Pin Mounted, (Standard)
	800141	1-ref	Bulk Pkg, 2500 of 102086 Knife
	702333	1-ref	Bulk Pkg, 5000 of 102086 Knife
	102087	1	Renovating Knife, (Dettaching), Not Shown
2	101034	1	Pin, Hardened
3	02668700	1	Cotter Pin
4	101993	2	FC Knife, Ring Mounted, (Rock & Trash Knife)
	701032	1-ref	Bulk Pkg, 500 of 101993 Knife
	800142	1-ref	Bulk Pkg, 2500 of 101993
5	101991	1	Ring Hanger (Fine Cut)
6	000210	1	Locknut
7	102650	2	Ring Clips
8	000032	1	Bolt
9	100759	2	CC Knife, Standard
	800140	1-ref	Bulk Pkg, 2500 of 100759 Knife
	702332	1-ref	Bulk Pkg, 5000 of 100759 Knife
	105319M	2	*CC Knife, ES (Thicker than Std. W/ Sheared cutting Edge)
	702658	1-ref	*Bulk Pkg, 2000 of 105319M Knife
	703865	1-ref	*Bulk Pkg, 4000 of 105319M Knife
	108381	2	*CC Knife, ES (Thicker than Std. W/ Forged cutting Edge)
	702658A	1-ref	*Bulk Pkg, 2000 of 108381 Knife
	703865A	1-ref	*Bulk Pkg, 4000 of 108381 Knife
	103026	1	Renovating Knife, (Dettaching), Not Shown
10	100761	1	Ring Hanger (Coarse Cut)
11	102670	1	Pin, Hardened
12	02668700	1	Cotter Pin

IMPORTANT NOTE: See Previous Pages and Mower Parts Section for Detailed Knife Packages for Each Mower Size. DO NOT MIX Styles of Knives on Cutter Shaft because it WILL Cause a Balance Problem, Fine Cut Knife WILL NOT Fit Coarse Cut Cutter Shaft and Coarse Cut Knife WILL NOT fit Fine Cut Cutter Shaft. Bulk Knife Packages are listed for a Bulk Stock Parts Order availability reference. *DO NOT Mix ES (Extreme Service Knife) with Sheared & Forged Cutting Edges it will Cause a Balance Problem. Renovating (detaching) Knives only use 1 Kife Per Hanger and are straight (No Bends).

Mar. 1972
to
Current

Cutter Shaft Knives

SEE
S/N Ship Dates
in Back of Book

50" - 62" - 74" - 88" - 96"

OPTIONAL EQUIPMENT, ACCESSORIES, AND PACKAGES

50" KNIFE PKG.

701693 FC Knife Pkg, Std. (Pin Mounted) - Uses Knife # 102086
700514 FC Knife Pkg, Detatching (Pin Mounted) - Uses Knife # 102087
701694 FC Knife Pkg, Std. (Ring Mounted) - Uses Knife # 101993
N/A FC Knife Pkg, Detatching (Ring Mounted) - N/A Use Pkg. # 700515 Pin Mounted
701431 CC Knife Pkg, Std. (Ring Mounted) - Uses Knife # 100759 (Standard)
702254 CC Knife Pkg, ES* (Ring Mounted) - Uses Knife # 105319M (Extreme Service*)
702254A CC Knife Pkg, ES* (Ring Mounted) - Uses Knife # 108381 (Extreme Service*)
701776 CC Knife Pkg, Detatching (Ring Mounted) - Uses Knife # 103026

62" KNIFE PKG.

701654 FC Knife Pkg, Std. (Pin Mounted) - Uses Knife # 102086
700515 FC Knife Pkg, Detatching (Pin Mounted) - Uses Knife # 102087
701655 FC Knife Pkg, Std. (Ring Mounted) - Uses Knife # 101993
N/A FC Knife Pkg, Detatching (Ring Mounted) - N/A Use Pkg. # 700515 Pin Mounted
700616 CC Knife Pkg, Std. (Ring Mounted) - Uses Knife # 100759
702255 CC Knife Pkg, ES* - Uses Knife # 105319M (Extreme Service*)
702255A CC Knife Pkg, ES* - Uses Knife # 108381 (Extreme Service*)
701777 CC Knife Pkg, Detatching (Ring Mounted) - Uses Knife # 103026

74" KNIFE PKG.

700553 FC Knife Pkg, Std. (Pin Mounted) - Uses Knife # 102086
700516 FC Knife Pkg, Detatching (Pin Mounted) - Uses Knife # 102087
700801 FC Knife Pkg, Std. (Ring Mounted) - Uses Knife # 101993
N/A FC Knife Pkg, Detatching (Ring Mounted) - N/A Use Pkg. # 700515 Pin Mounted
700616 CC Knife Pkg, Std. (Ring Mounted) - Uses Knife # 100759
702255 CC Knife Pkg, ES* - Uses Knife # 105319M (Extreme Service*)
702255A CC Knife Pkg, ES* - Uses Knife # 108381 (Extreme Service*)
701777 CC Knife Pkg, Detatching (Ring Mounted) - Uses Knife # 103026

88" KNIFE PKG.

700469 FC Knife Pkg, Std. (Pin Mounted) - Uses Knife # 102086
700517 FC Knife Pkg, Detatching (Pin Mounted) - Uses Knife # 102087
700803 FC Knife Pkg, Std. (Ring Mounted) - Uses Knife # 101993
N/A FC Knife Pkg, Detatching (Ring Mounted) - N/A Use Pkg. # 700515 Pin Mounted
700592 CC Knife Pkg, Std. (Ring Mounted) - Uses Knife # 100759
702256 CC Knife Pkg, ES* - Uses Knife # 105319M (Extreme Service*)
702256A CC Knife Pkg, ES* - Uses Knife # 108381 (Extreme Service*)
701778 CC Knife Pkg, Detatching (Ring Mounted) - Uses Knife # 103026

SHD FLAIL (Archive Book) 01/04

Mar. 1972
to
Current

Cutter Shaft Knives

SEE
S/N Ship Dates
in Back of Book

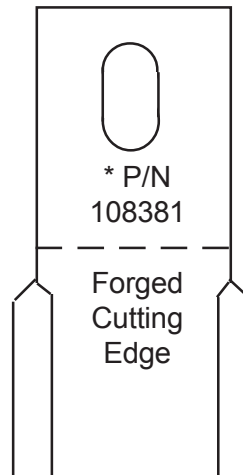
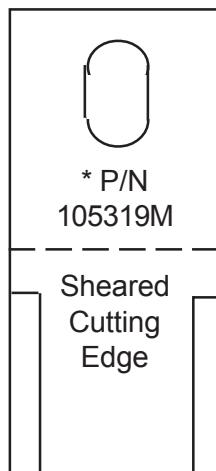
50" - 62" - 74" - 88" - 96"

OPTIONAL EQUIPMENT, ACCESSORIES, AND PACKAGES

96" KNIFE PKG.

701033	FC Knife Pkg. Std. (Pin Mounted) - Uses Knife # 102086
703988	FC Knife Pkg, Detatching (Pin Mounted) - Uses Knife # 102087
703986	FC Knife Pkg, Std. (Ring Mounted) - Uses Knife # 101993
N/A	FC Knife Pkg, Detatching (Ring Mounted) - N/A Use Pkg. # 700515 Pin Mounted
800044	CC Knife Pkg, Std. (Ring Mounted) - Uses Knife # 100759 (Knives Only) MUST Order Hardware for Knives as parts. Order Parts # 100761 Ring (qty 50) # 703873 Pin & Cotter Pin Bag of 50 pcs. (qty 1) to make Knife Kit because Knife Pkg. # 800044 is Knives ONLY NO Mounting Hardware..
703874	CC Knife Pkg, ES* - Uses Knife # 105319M (Extreme Service*)
703874A	CC Knife Pkg, ES* - Uses Knife # 108381 (Extreme Service*)
N/A	CC Knife Pkg, Detatching (Ring Mounted) - Uses Knife # 103026

*COARSE CUT EXTREME SERVICE KNIVES



DO NOT MIX THESE BLADES AS THEY DO NOT HAVE SAME WEIGHT

KNIFE GRINDER and KNIFE STRAIGHTENER

702321	Knife Grinder (Sharpens all ALAMO GROUP flail mower knives)
700413	Knife Straightener Set (Two 102092 slotted bars)

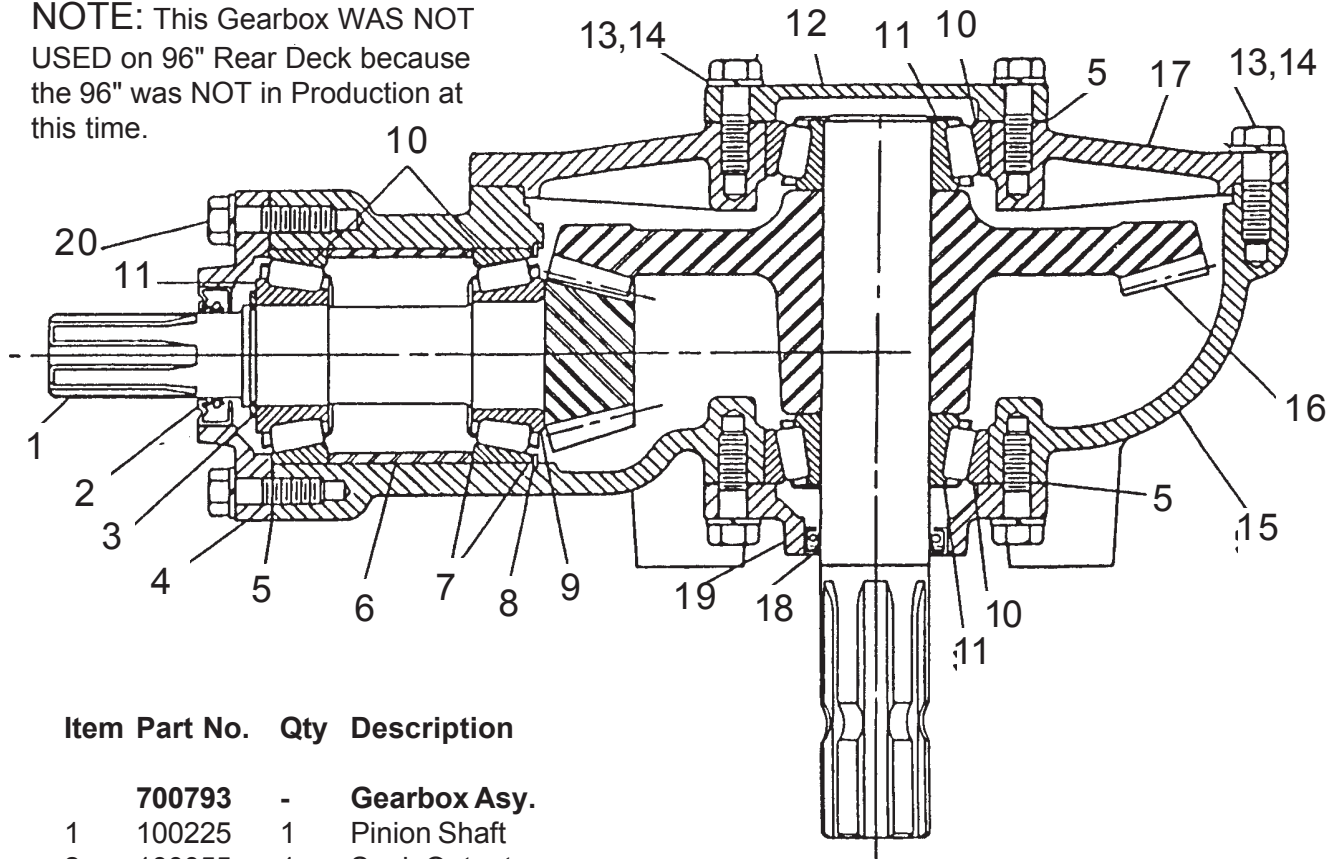
Mar. 1972
to
Aug 1990

GEARBOX ASY. P/N 700493

SEE
S/N Ship Dates
in Back of Book

50" - 62" - 74" - 88"

NOTE: This Gearbox WAS NOT USED on 96" Rear Deck because the 96" was NOT in Production at this time.



Item	Part No.	Qty	Description
	700793	-	Gearbox Asy.
1	100225	1	Pinion Shaft
2	100055	1	Seal, Output
3	000330	1	Retainer Ring
4	100707	1	Seal Housing
5	100232	a/r	Shim (.020")
	100233	a/r	Shim (.007")
	100234	a/r	Shim (.005")
	100235	a/r	Shim (.002")
6	100241	1	Spacer
7	100237	a/r	Shim (.002")
	100238	a/r	Shim (.004")
	100239	a/r	Shim (.006")
	100240	a/r	Shim (.020")
8	000331	1	Retainer Ring
9	000329	1	Bearing, Cone
10	000327	4	Bearing, Cup

Item	Part No.	Qty	Description
11	000328	3	Bearing, Cone
12	100231	1	Bearing Cap
13	000354	16	Bolt
14	000019	20	Lockwasher
15	100228	1	Gear Housing
16	700495	1	Shaft & Gear Asy
17	100229	1	Housing Cover
18	100054	1	Seal, Input
19	100230	1	Seal Housing
20	000601	4	Bolt
21	000054	1	Pipe Plug, Level (1/2")
22	000055	1	Pipe Plug, Fill (1/4")

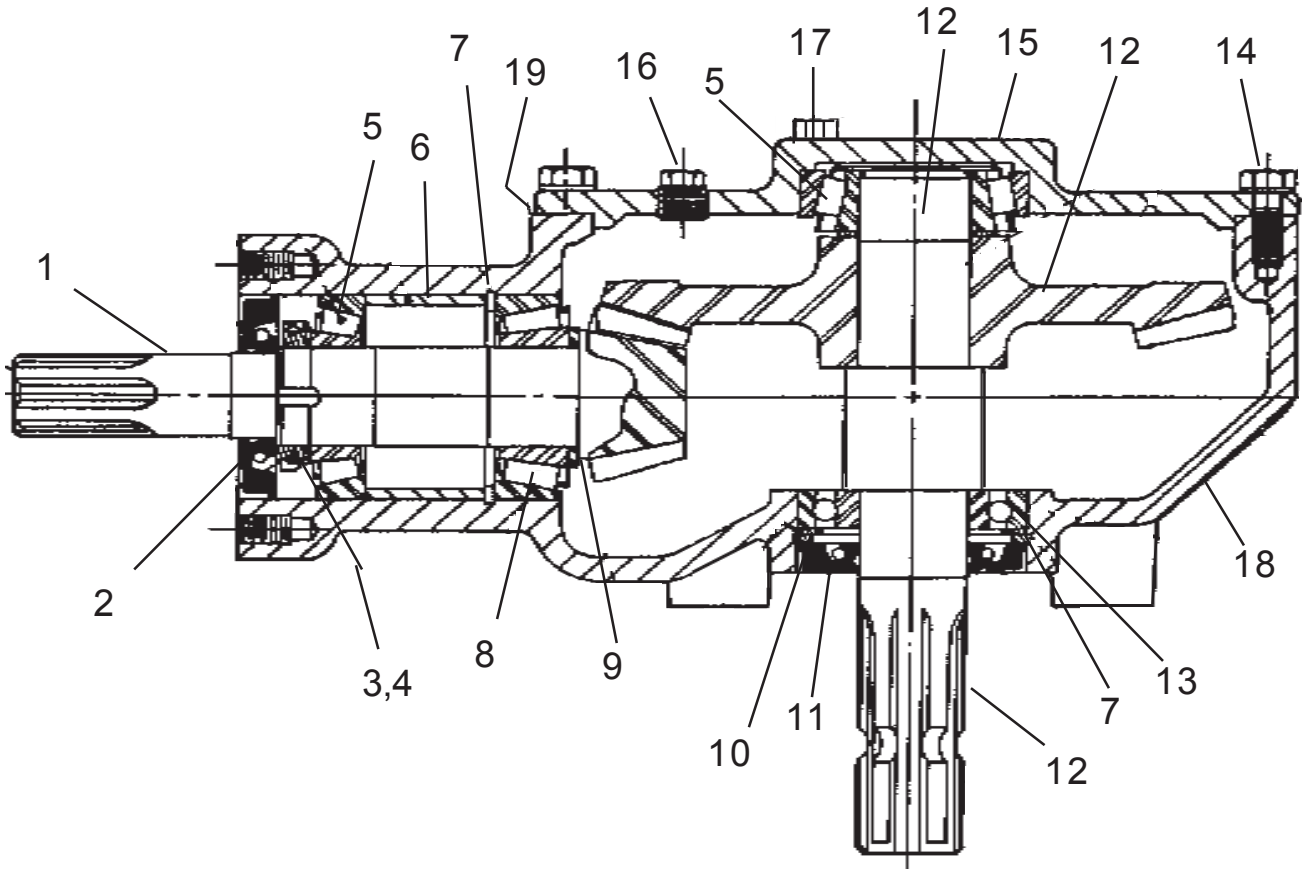
NOTE: This G/B Asy (P/N 700493) is replaced by later style as an Asy. Parts WILL NOT interchange between them. The easiest way to tell which G/B you have is by looking where the Shaft goes through the G/B Housing, The Old Style had Bolt on Caps Here and the new style will not.

Sep. 1990
to
Current

GEARBOX ASY. P/N 702673

SEE
S/N Ship Dates
in Back of Book

62" - 74" - 88" - 96"



Item	Part No.	Qty	Description
	702673	-	Gearbox Asy.
1	001718	1	Pinion
2	001719	1	Seal
3	001717	1	Nut
4	001720	1	Spring Washer
5	00754757	2	Bearing, Roller
6	001716	1	Spacer
7	00754752	2	Circlip, Internal
8	001722	1	Bearing, Roller
9	00753222	2	Shim
10	00754761	1	Shim

Item	Part No.	Qty	Description
11	001724	1	Seal
12	001725	1	Shaft & Gear
13	00754459	1	Bearing, Ball
14	001708	8	Bolt
15	001710	1	Cover
16	00755633	2	Plug
17	000055	2	Plug, Drain
18	002516	1	Housing
19*	00769800	1	Gasket (See * NOTE:)

* NOTE: Some Models Used Gaskets. Currently All Models Use Sealant, or Form - A - Gasket.

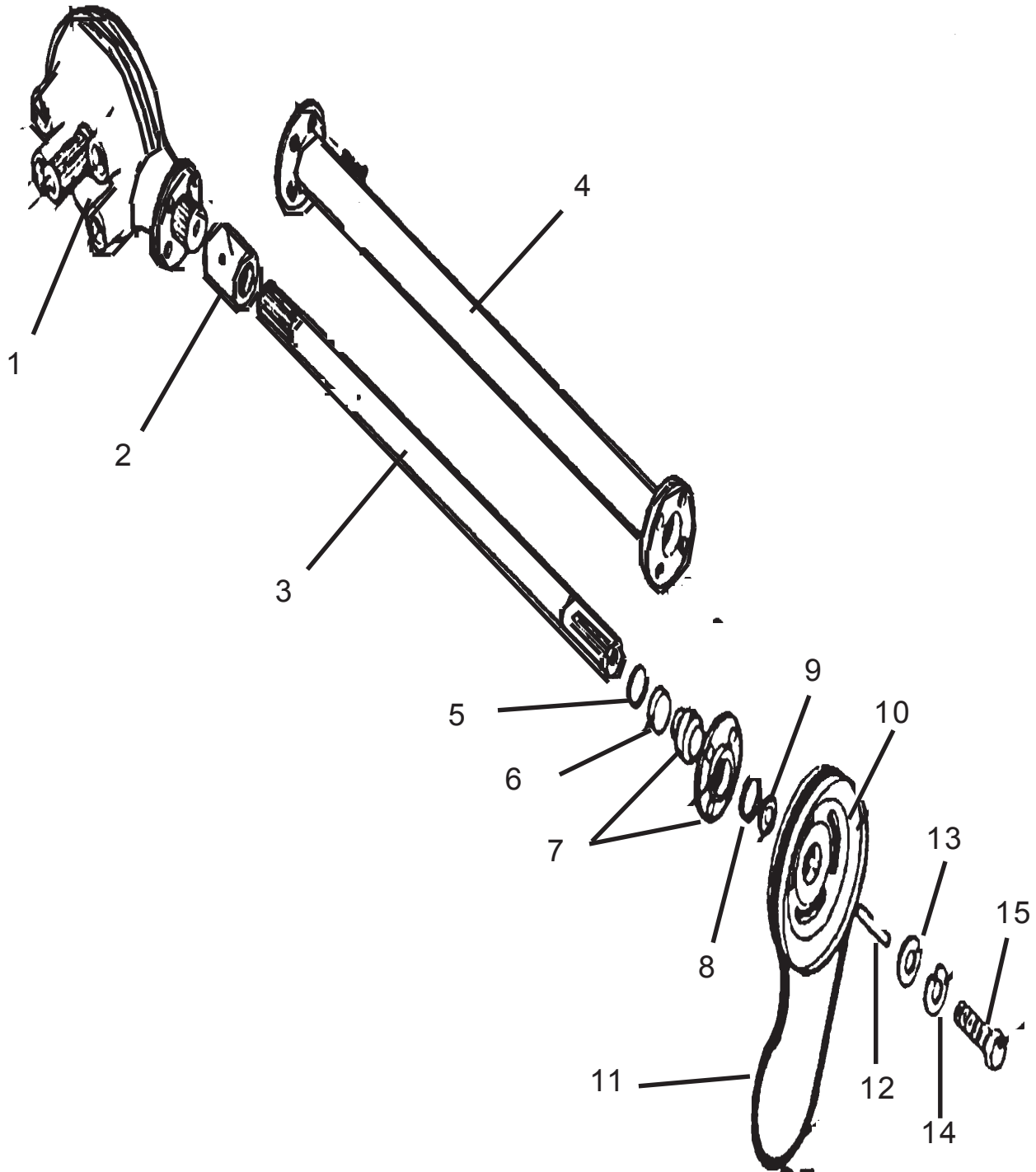
NOTE: This G/B Asy (P/N 702673) Can replace earlier style as an Asy but parts WILL NOT interchange between them. The easiest way to tell which G/B you have is by looking were the Shaft goes through the G/B Housing, The Old Style had Bolt on Caps Here and the new style will not.

Mar. 1972
to
Current

G/B EXT'N SHAFT Asy.

SEE
S/N Ship Dates
in Back of Book

50" - 62" - 74" Model



Mar. 1972
to
Current

G/B EXT'N SHAFT Asy.

SEE
S/N Ship Dates
in Back of Book

50" - 62" - 74" Model

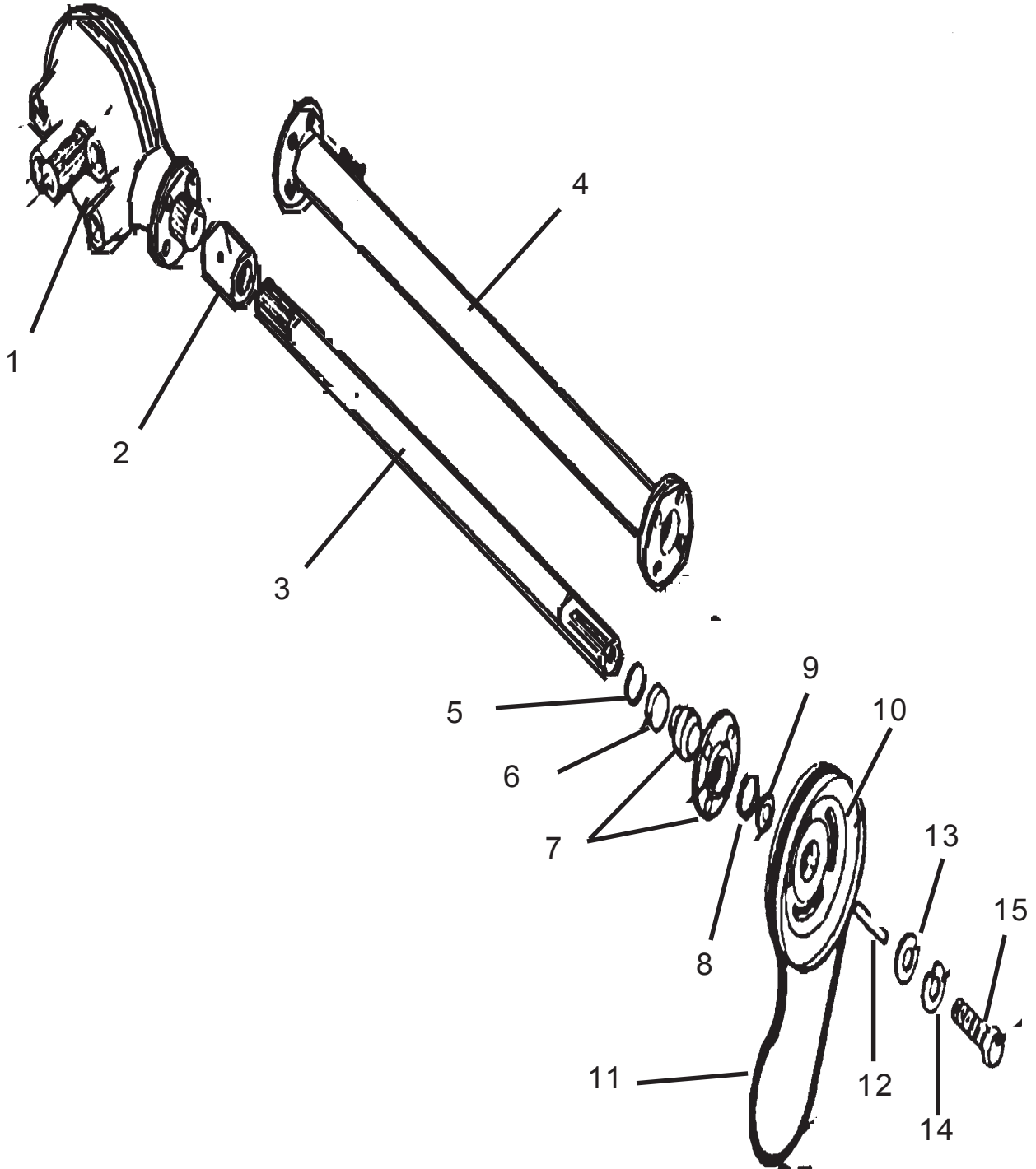
Item	Part No.	50"	62 Center		74" Center		74"Offset		Description
		Ctr	Fwd	Rev	Fwd	Rev	8"RT	14"RT	
	701653	-	1	1	-	-	-	-	Gearbox & Extension Shaft Asy.
	700523	-	-	-	1	1	-	-	Gearbox & Extension Shaft Asy.
	701455	-	-	-	-	-	1	-	Gearbox & Extension Shaft Asy.
	701554	-	-	-	-	-	-	1	Gearbox & Extension Shaft Asy.
1	700493	1	1	1	1	1	1	1	Gearbox Asy. (08/90 & Down)
	702673	1	1	1	1	1	1	1	Gearbox Asy (09/90 & Up)
2	700171	1	1	1	1	1	1	1	Spline Coupler Asy. w/ Grease Fitting
	001727	4	4	4	4	4	4	4	Counter Bore Screw
	000019	4	4	4	4	4	4	4	Lockwasher
3	100286	1	-	-	-	-	-	-	Extension Shaft (15-11/16" long)
	104685	-	1	1	-	-	-	-	Extension Shaft (22-7/16" Long)
	100778	-	-	-	1	1	-	-	Extension Shaft (29-7/16" Long)
	100288	-	-	-	-	-	1	-	Extension Shaft (21-11/16" long)
	100286	-	-	-	-	-	-	1	Extension Shaft (15-11/16" Long)
4	102637	1	-	-	-	-	-	-	Extension Shaft Hsg. (15-5/8" Long)
4	104683	-	1	1	-	-	-	-	Extension Shaft Hsg. (22-9/16" Long)
	100776	-	-	-	1	1	-	-	Extension Shaft Hsg. (29-9/16" Long)
	102874	-	-	-	-	-	1	-	Extension Shaft Hsg. (21-5/8" Long)
	102637	-	-	-	-	-	-	1	Extension Shaft Hsg. (15-5/8" long)
5	100010	1	1	1	1	1	1	1	Bevel Ring
6	100057	1	1	1	1	1	1	1	Snap Ring
7	700491	1	1	1	1	1	1	1	Bearing & Hsg Asy. (w/ Items below)
	000398	1	1	1	1	1	1	1	Bearing Only
	700739	1	1	1	1	1	1	1	Bearing Housing Only
	000206	1	1	1	1	1	1	1	Lubricap
	000937	4	4	4	4	4	4	4	Bolt
	00752036	4	4	4	4	4	4	4	Nut
8	000402	1	1	1	1	1	1	1	Bearing Retaining Ring
9	102651	3	3	3	3	3	3	3	Pulley Shim (Use Qty As Needed)
10	102501	1	1	1	1	1	1	1	Pulley, Top Shaft Drive
11	100706	1	1	1	1	1	1	1	Drive Belt
12	101782	1	1	1	1	1	1	1	Key
13	101780	1	1	1	1	1	1	1	Heavy Flat Washer
14	000520	1	1	1	1	1	1	1	Lockwasher
15	000555	1	1	1	1	1	1	1	Bolt

NOTE: Offset Models Listed are Offset to Right, To ID Forward Rotation Drive Belt is to the Left Side, Reverse Rotation Drive Belt is on Right Side Standing Behind Unit looking toward Tractor. Item # 4 & # 5 Lengths are from End to End, Item # 4 includes welded on round Flanges on Ends in measurement, To ID which Unit you have, measure these Extension Shafts or Housings.

Mar. 1972
to
Current

G/B EXT'N SHAFT Asy. 88" Model

SEE
S/N Ship Dates
in Back of Book



Mar. 1972
to
Current

G/B EXT'N SHAFT Asy. 88" Model

SEE
S/N Ship Dates
in Back of Book

Item	Part No.	Center		Offset - Right						Description
		Fwd	Rev	3.5"	6.5"	8.5"	14.5"	20.5"	26.5"	
	700489	1	1	-	-	-	-	-	-	Gearbox & Extension Shaft Asy.
	701454	-	-	1	-	-	-	-	-	Gearbox & Extension Shaft Asy.
	700523	-	-	-	1	-	-	-	-	Gearbox & Extension Shaft Asy.
	701457	-	-	-	-	1	-	-	-	Gearbox & Extension Shaft Asy.
	701455	-	-	-	-	-	1	-	-	Gearbox & Extension Shaft Asy.
	701554	-	-	-	-	-	-	1	-	Gearbox & Extension Shaft Asy.
	703757	-	-	-	-	-	-	-	1	Gearbox & Extension Shaft Asy.
1	700493	1	1	1	1	1	1	1	1	Gearbox Asy. (08/90 & Down)
	702673	1	1	1	1	1	1	1	1	Gearbox Asy (09/90 & Up)
2	700171	1	1	1	1	1	1	1	1	Spline Coupler Asy. w/ Grease Fitting
	001227	4	4	4	4	4	4	4	4	Counter Bore Screw
	000019	4	4	4	4	4	4	4	4	Lockwasher
3	100724	1	1	-	-	-	-	-	-	Extension Shaft (36-1/32" Long)
	100159	-	-	1	-	-	-	-	-	Extension Shaft (39-11/16" Long)
	100778	-	-	-	1	-	-	-	-	Extension Shaft (29-7/16" Long)
	100287	-	-	-	-	1	-	-	-	Extension Shaft (27-11/16" Long)
	100288	-	-	-	-	-	1	-	-	Extension Shaft (21-11/16" Long)
	100286	-	-	-	-	-	-	1	-	Extensioin Shaft (15-11/16" Long)
	107540	-	-	-	-	-	-	-	1	Extension Shaft (9-11/16" Long)
4	100721	1	1	-	-	-	-	-	-	Extension Shaft Hsg. (36-1/8" Long)
	102872	-	-	1	-	-	-	-	-	Extension Shaft Hsg. (39-5/8" Long)
	100776	-	-	-	1	-	-	-	-	Extension Shaft Hsg. (29-9/16" Long)
	102804	-	-	-	-	1	-	-	-	Extension Shaft Hsg. (27-5/8" Long)
	102874	-	-	-	-	-	1	-	-	Extension Shaft Hsg. (21-5/8" Long)
	102637	-	-	-	-	-	-	1	-	Extension Shaft Hsg. (15-5/8" long)
	107541	-	-	-	-	-	-	-	1	Extension Shaft Hsg. (9-5/8" Long)
5	100010	1	1	1	1	1	1	1	1	Bevel Ring
6	100057	1	1	1	1	1	1	1	1	Snap Ring
7	700491	1	1	1	1	1	1	1	1	Bearing & Hsg Asy. (w/ Items below)
	000398	1	1	1	1	1	1	1	1	Bearing Only
	700739	1	1	1	1	1	1	1	1	Bearing Housing Only
	000206	1	1	1	1	1	1	1	1	Lubricap
	000937	4	4	4	4	4	4	4	4	Bolt
	00752036	4	4	4	4	4	4	4	4	Nut
8	000402	1	1	1	1	1	1	1	1	Bearing Retaining Ring
9	102651	3	3	3	3	3	3	3	3	Pulley Shim (Use Qty As Needed)
10	102501	1	1	1	1	1	1	1	1	Pulley, Top Shaft Drive
11	100706	1	1	1	1	1	1	1	1	Drive Belt
12	101782	1	1	1	1	1	1	1	1	Key
13	101780	1	1	1	1	1	1	1	1	Heavy Flat Washer
14	000520	1	1	1	1	1	1	1	1	Lockwasher
15	000555	1	1	1	1	1	1	1	1	Bolt

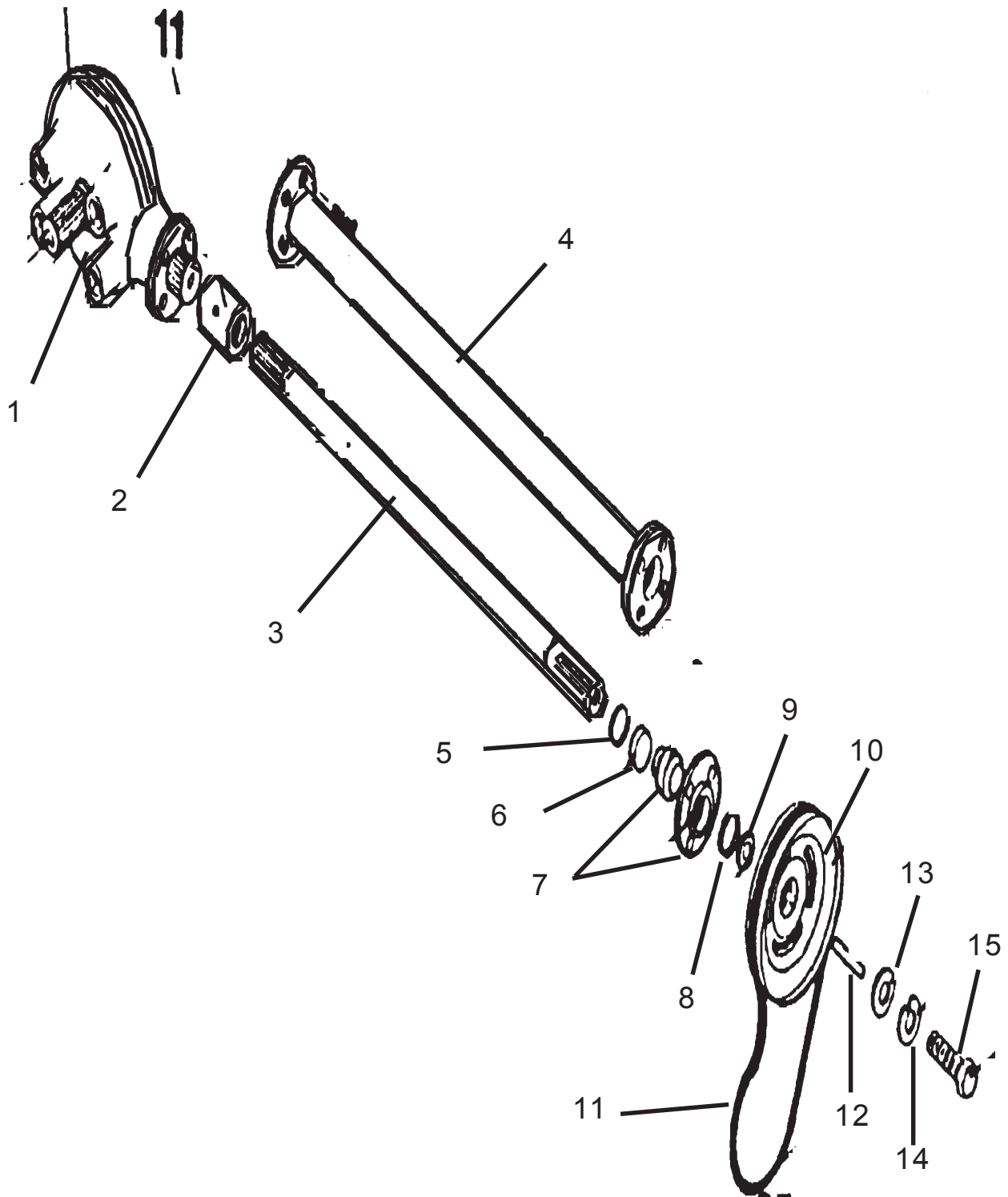
NOTE: Offset Models Listed are Offset to Right, To ID Forward Rotation Drive Belt is to the Left Side, Reverse Rotation Drive Belt is on Right Side Standing Behind Unit looking toward Tractor. Item # 4 & # 5 Lengths are from End to End, Item # 4 includes welded on round Flanges on Ends in measurement, To ID which Unit you have, measure these Extension Shafts or Housings.

SHD FLAIL (Archive Book) 01/04

Oct. 1992
to
Current

G/B EXT'N SHAFT Asy. 96" Model

SEE
S/N Ship Dates
in Back of Book



NOTE: Offset Models Listed are Offset to Right Except for 1 which is Offset to Left. To ID Forward Rotation Drive Belt is to the Left Side, Reverse Rotation Drive Belt is on Right Side Standing Behind Unit looking toward Tractor. Item # 4 & # 5 Lengths are from End to End, Item # 4 includes welded on round Flanges on Ends in measurement, To ID which Unit you have, measure these Extension Shafts or Housings.

Oct. 1992
to
Current

G/B EXT'N SHAFT Asy. 96" Model

SEE
S/N Ship Dates
in Back of Book

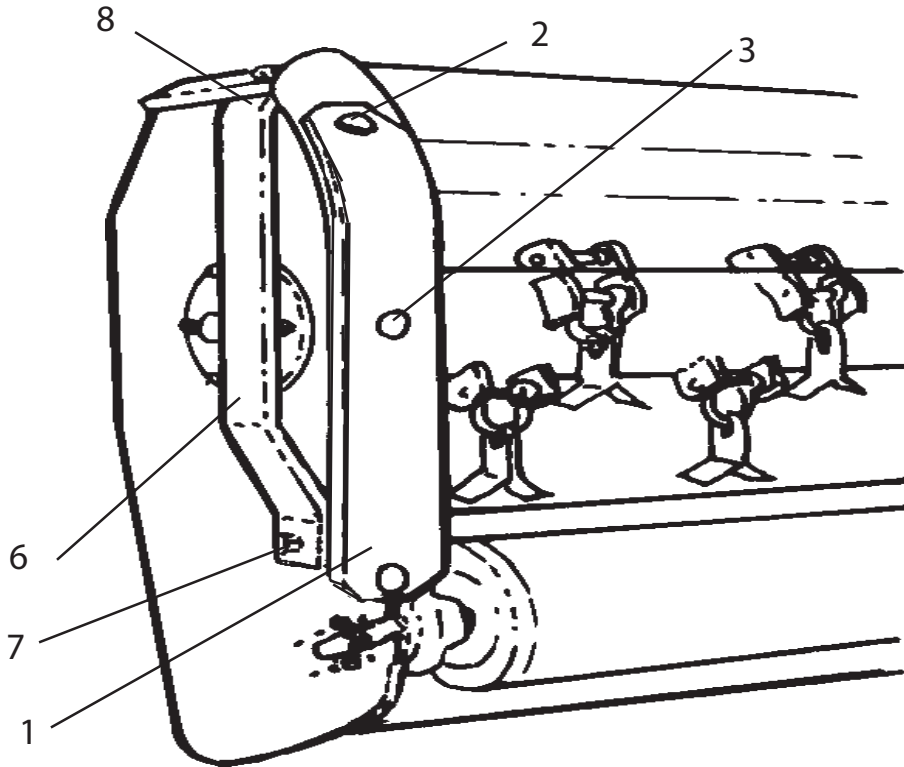
Item	Part No.	Center		Offset -----							Description
		Rotation	Rotation	RT	RT	RT	RT	RT	RT	LT	
		Fwd	Rev	10.5"	12.5"	18.5"	24.5"	30.5"	32.5"	16.37"	
	703946	1	1	-	-	-	-	-	-	-	Gearbox & Extension Shaft Asy.
	700523	-	-	1	-	-	-	-	-	-	Gearbox & Extension Shaft Asy.
	701457	-	-	-	1	-	-	-	-	-	Gearbox & Extension Shaft Asy.
	701455	-	-	-	-	1	-	-	-	-	Gearbox & Extension Shaft Asy.
	700554	-	-	-	-	-	1	-	-	-	Gearbox & Extension Shaft Asy.
	703757	-	-	-	-	-	-	1	-	-	Gearbox & Extension Shaft Asy.
	704367	-	-	-	-	-	-	-	1	-	Gearbox & Extension Shaft Asy.
	703854	-	-	-	-	-	-	-	-	1	Gearbox Extension Shaft Asy. O/S LH
1	702673	1	1	1	1	1	1	1	1	1	Gearbox Asy
2	700171	1	1	1	1	1	1	1	1	1	Spline Coupler Asy. w/ Grease Fitting
	001227	4	4	4	4	4	4	4	4	4	Counter Bore Screw
	000019	4	4	4	4	4	4	4	4	4	Lockwasher
3	107748	1	1	-	-	-	-	-	-	-	Extension Shaft (40-5/32" Long)
	100778	-	-	1	-	-	-	-	-	-	Extension Shaft (29-7/16" Long)
	100287	-	-	-	1	-	-	-	-	-	Extension Shaft (27-11/16" Long)
	100288	-	-	-	-	1	-	-	-	-	Extension Shaft (21-11/16" Long)
	100286	-	-	-	-	-	1	-	-	-	Extension Shaft (15-11/16" Long)
	107540	-	-	-	-	-	-	1	-	-	Extension Shaft (9-11/16" Long)
	108374	-	-	-	-	-	-	-	1	-	Extension Shaft (7-9/16" Long)
	107563	-	-	-	-	-	-	-	-	1	Extension Shaft (56-17/32" Long)
4	107747	1	1	-	-	-	-	-	-	-	Extension Shaft Hsg. (40-1/4" Long)
	100776	-	-	1	-	-	-	-	-	-	Extension Shaft Hsg. (29-9/16" Long)
	102804	-	-	-	1	-	-	-	-	-	Extension Shaft Hsg. (27-5/8" Long)
	102874	-	-	-	-	1	-	-	-	-	Extension Shaft Hsg. (21-5/8" Long)
	102637	-	-	-	-	-	1	-	-	-	Extension Shaft Hsg. (15-5/8" Long)
	107541	-	-	-	-	-	-	1	-	-	Extension Shaft Hsg. (9-5/8" Long)
	108376	-	-	-	-	-	-	-	1	-	Extension Shaft Hsg. (7-1/8" Long)
	107564	-	-	-	-	-	-	-	-	1	Extension Shaft Hsg. (56-5/8" Long)
5	100010	1	1	1	1	1	1	1	1	1	Bevel Ring
6	100057	1	1	1	1	1	1	1	1	1	Snap Ring
7	700491	1	1	1	1	1	1	1	1	1	Bearing & Hsg Asy. (w/ Items below)
	000398	1	1	1	1	1	1	1	1	1	Bearing Only
	700739	1	1	1	1	1	1	1	1	1	Bearing Housing Only
	000206	1	1	1	1	1	1	1	1	1	Lubricap
	000937	4	4	4	4	4	4	4	4	4	Bolt
	00752036	4	4	4	4	4	4	4	4	4	Nut
8	000402	1	1	1	1	1	1	1	1	1	Bearing Retaining Ring
9	102651	3	3	3	3	3	3	3	3	3	Pulley Shim (Use Qty As Needed)
10	102501	1	1	1	1	1	1	1	1	1	Pulley, Top Shaft Drive
11	100706	1	1	1	1	1	1	1	1	1	Drive Belt
12	101782	1	1	1	1	1	1	1	1	1	Key
13	101780	1	1	1	1	1	1	1	1	1	Heavy Flat Washer
14	000520	1	1	1	1	1	1	1	1	1	Lockwasher
15	000555	1	1	1	1	1	1	1	1	1	Bolt

Mar. 1972
to
Current

SKID SHOES WEAR PLATES

SEE
S/N Ship Dates
in Back of Book

62" - 74" - 88" 96"



Item	Part No.	Qty	Description
1	103051	2	Shoe, Wear Plate (Used Jan. 1978 & Up)
	100704	2	Shoe, Wear, Renovating, Optional (Not shown)
	02030700	4	Bolt (use w/ 100704)
	00001800	4	Locknut TLM 1/2 NC PLC (Not shown) (use w/ 100704)
	00752036	6	Nut (Not shown) (use w/ 100704)
	2	000515	2
000700		4	Plow Bolt (use w/ 103051)
4	000520	6	Lockwasher (Use w/ item 2 & 3)
5	000170	6	Nut, (Use w/ Item 2 & 3)
6	103064	1	Fender, Non-Drive End (Shown)
	103117	1-ar	Fender Belt Guard, Drive End Fwd Rot. (Not Shown)
	104935	1-ar	Fender Belt Guard, Drive End Rev Rot, (Not Shown)
	000554	2	Bolt, Use with Drive End
	000508	1	Bolt, Use with Drive End
	000063	2	Flat washer, Use w. Drive end only
7	000555	1	Bolt, Non Drive End
8	000554	1	Bolt, Non Drive End
9	000520	5	Lockwasher, Use w/ Item # 6, 7 & 8
10	000513	2	Nut, Use w/ Item # 6, 7 & 8

NOTE: Prior to Jan 1978 only the Renovating Shoe was offered.

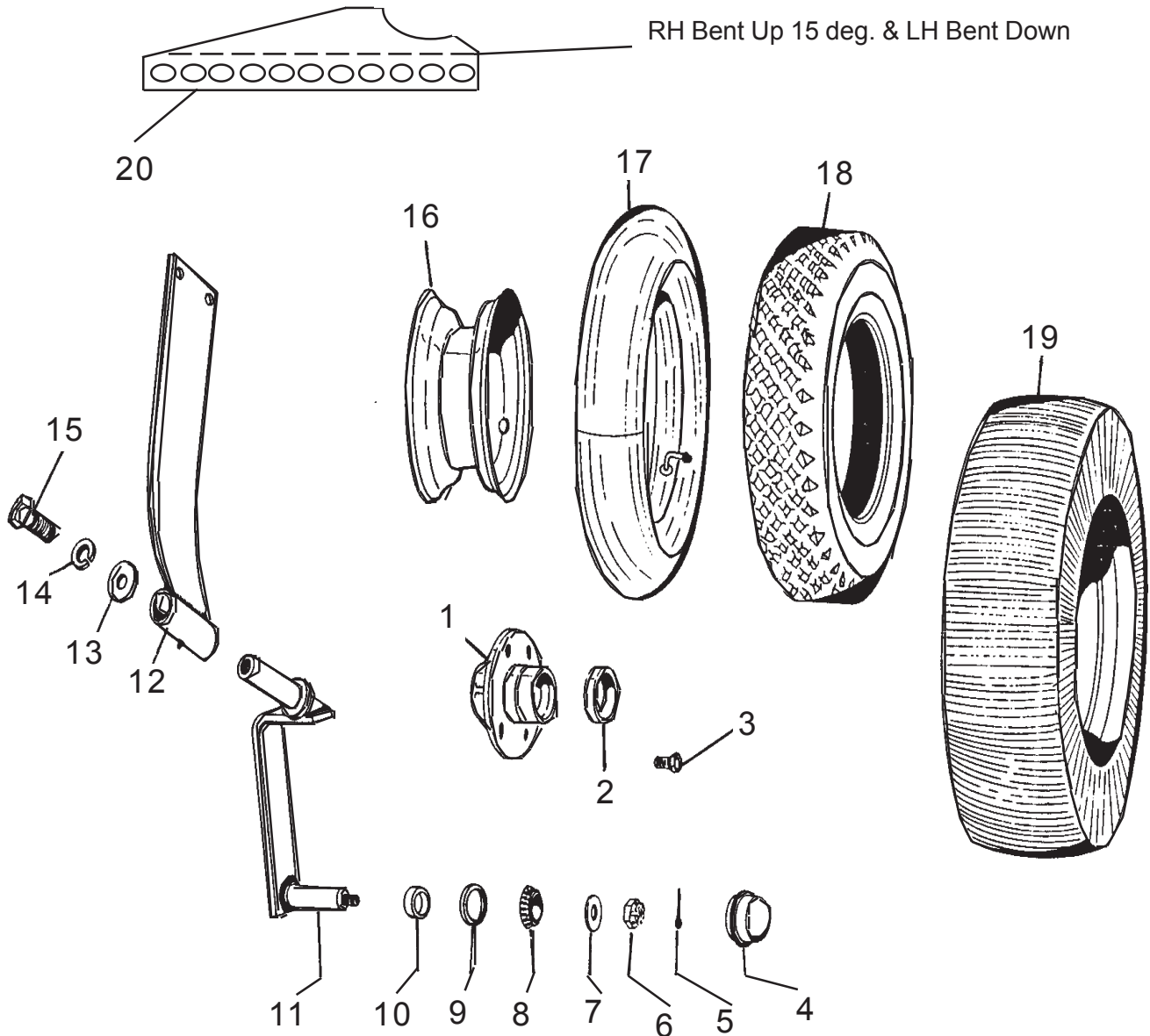
NOTES

Mar. 1972
to
Current

Caster Wheels Optional Equip.

SEE
S/N Ship Dates
in Back of Book

50" - 62" - 74" - 88" - 96" Models



- 700500 Caster Wheel Pkg, Pneumatic, 180 Deg Swivel, Field Install (2 Wheels Complete)
- 700502 Caster Wheel Pkg, Laminated, 180 Deg Swivel, Field Install (2 Wheels Complete)
- 701056M Caster Wheel Pkg, Pneumatic, 360 Deg Swivel, Field Install (2 Wheels Complete)
- 701057M Caster Wheel Pkg, Laminated, 360 Deg Swivel, Field Install (2 Wheels Complete)

Mount Note: Caster Wheel Pkg. come with Fasteners and Field Install Brackets (item # 20), Welding WILL BE required to install Field Install pkg's to Decks, It is Best to order Caster Wheel Pkg's installed at time of initial Mower Purchase's of Units when brackets will be welded to Deck during production.

SHD FLAIL (Archive Book) 01/04

Mar. 1972
to
Current

Caster Wheels Optional Equip.

SEE
S/N Ship Dates
in Back of Book

Item	Part No.	Qty	Qty	Qty	Qty	Description
		360 Lam	360 Pneu	180 Lam	180 Pneu	
1	000621	2	2	2	2	Hub w/ Bearing Cups
2	000226	4	4	4	4	Bearing Cups Inner & Outer
	702663	a/r	a/r	a/r	a/r	Bearing, Cup & Cone (item 2 & 8)
3	000622	8	8	8	8	Hub Bolt (with item 16)
	000554	8	8	8	8	Hub Bolt
	000520	8	8	8	8	Lockwasher
4	000247	2	2	2	2	Hub Cap
	000620	2	2	2	2	Hub Complete (includes 1,8-10,4)
	702272	2	2	2	2	Lower Fork Asy w/Hub (includes 1 thru 4 & 11)
5	000123	2	2	2	2	Cotter Pin
6	000122	2	2	2	2	Nut
7	101780	2	2	2	2	Washer
8	000225	4	4	4	4	Bearing Cone
	702663	a/r	a/r	a/r	a/r	Bearing, Cup & Cone (item 2 & 8)
9	000201	2	2	2	2	Seal
10	000573	2	2	2	2	Spacer
11*	100141	2	2	2	2	Caster Fork Only
12*	701058M	2	2	--	--	Caster Socket w/Fitting, 360 deg
	700191	--	--	2	2	Caster Socket w/Fitting, 180 deg.
	00749130	4	4	4	4	Bolt
	00001800	4	4	4	4	Locknut TLM 1/2 NC PLC
13	103767	2	2	2	2	Washer
14	000520	2	2	2	2	Lockwasher
15	000554	2	2	2	2	Bolt
16	000619	--	2	--	2	Wheel (tube type tire)
17	000623	--	2	--	2	Tube
18	000618	--	2	--	2	Tire (tube type)
	000617	--	2	--	2	Wheel, Tire, Tube Asy. (#'s 16-18)
19	700280	2	--	2	--	Laminated Tire/ Whl Asy. (optional)
20	100752	2	2	2	2	Bracket, RH (Weld On) Field Install
	100753	2	2	2	2	Bracket, LH (Weld On) Field install

Item 11* From Mar. 1972 to Dec. 1977 this was retained with a Cotter Pin (#000250) Not a Bolt as shown. (item 15) Bolt was added Jan. 1978.

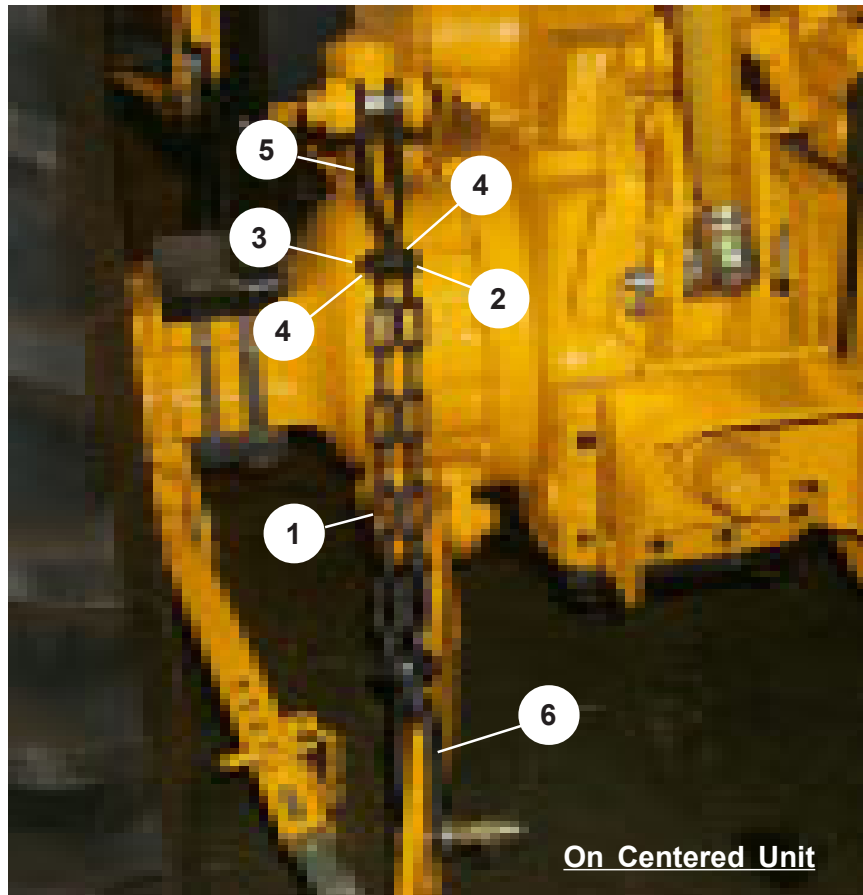
Item 12* Bushing was used and there was no grease Fitting on tube till Jan. 1978 when Oil lite Bushin(# 00126) discontinued & Grease Fitting was added. If replacing old style with Oil Lite Bushing it will be required to replace Item 12 which will not need bushing.

Mar. 1972
to
Current

Check Chains Optional Equip.

SEE
S/N Ship Dates
in Back of Book

50" - 62" - 74" - 88" - 96" Models



Check Chain Hole Size In Assembly =

702264	=	Upper - 29/32"	Lower - 29/32"
701836	=	Upper - 29/32"	Lower - 29/32"
701150	=	Upper - 29/32"	Lower - 29/32"
701780	=	Upper - 21/32"	Lower - 21/32"
701781	=	Upper - 29/32"	Lower - 29/32"
700497M	=	Upper - 21/32"	Lower - 21/32"

NOTE: To Decide which Check Chain is needed Measure Lift Arm Lifting Link as Check Chains will replace them as shown in Drawing.

Mar. 1972
to
Current

Check Chains Optional Equip.

SEE
S/N Ship Dates
in Back of Book

50" - 62" - 74" - 88" - 96" Models

Two Assemblies required per Mower, Qty Below For One Side LH or RH

Item	Part No.	Qty	Qty	Qty	Qty	Qty	Qty	Description
	702264	1	-	-	-	-	-	Check Chain Asy. (29-1/2" long)
	701836	-	1	-	-	-	-	Check Chain Asy. (30-1/4" long)
	701150	-	-	1	-	-	-	Check Chain Asy. (28-5/8" long)
	701780	-	-	-	1	-	-	Check Chain Asy. (21-9/16" long)
	701781	-	-	-	-	1	-	Check Chain Asy. (23-3/4" long)
	700497M	-	-	-	-	-	1	Check Chain Asy. (25" long)
1	103333	2	2	2				Chain - 9 Links (17-1/2" Long)
	100247	-	-	-	-	2	2	Chain - 7 Links (13-5/8" Long)
	104844	-	-	-	2	-	-	Chain - 7 Links (10-3/16" Long)
2	000413	4	2	2	2	2	2	Bolt
3	000414	4	2	2	2	2	2	Nut
4	101780	4	4	4	4	4	4	Washer
5	104736	2	-	2	-	2	-	Lift Chain Clevis (29/32" Hole)
	100769	-	-	-	2	-	2	Lift Chain Clevis (21/32" Hole)
	104926	-	2	-	-	-	-	Lift Chain Clevis (29/32" Hole)
6	104926	2	2	-	-	-	-	Lift Chain Clevis (29/32" Hole)
	100769	-	-	-	2	-	2	Lift Chain Clevis (21/32" Hole)
	104736	-	-	2	-	2	-	Lift Chain Clevis (29/32" Hole)

ALWAYS NOTE Qty of Parts Required Per Type Of Check Chain Assembly. One Assembly will include all Parts needed to make ONE Check Chain, Two Assemblies are required to make a set of Check Chains

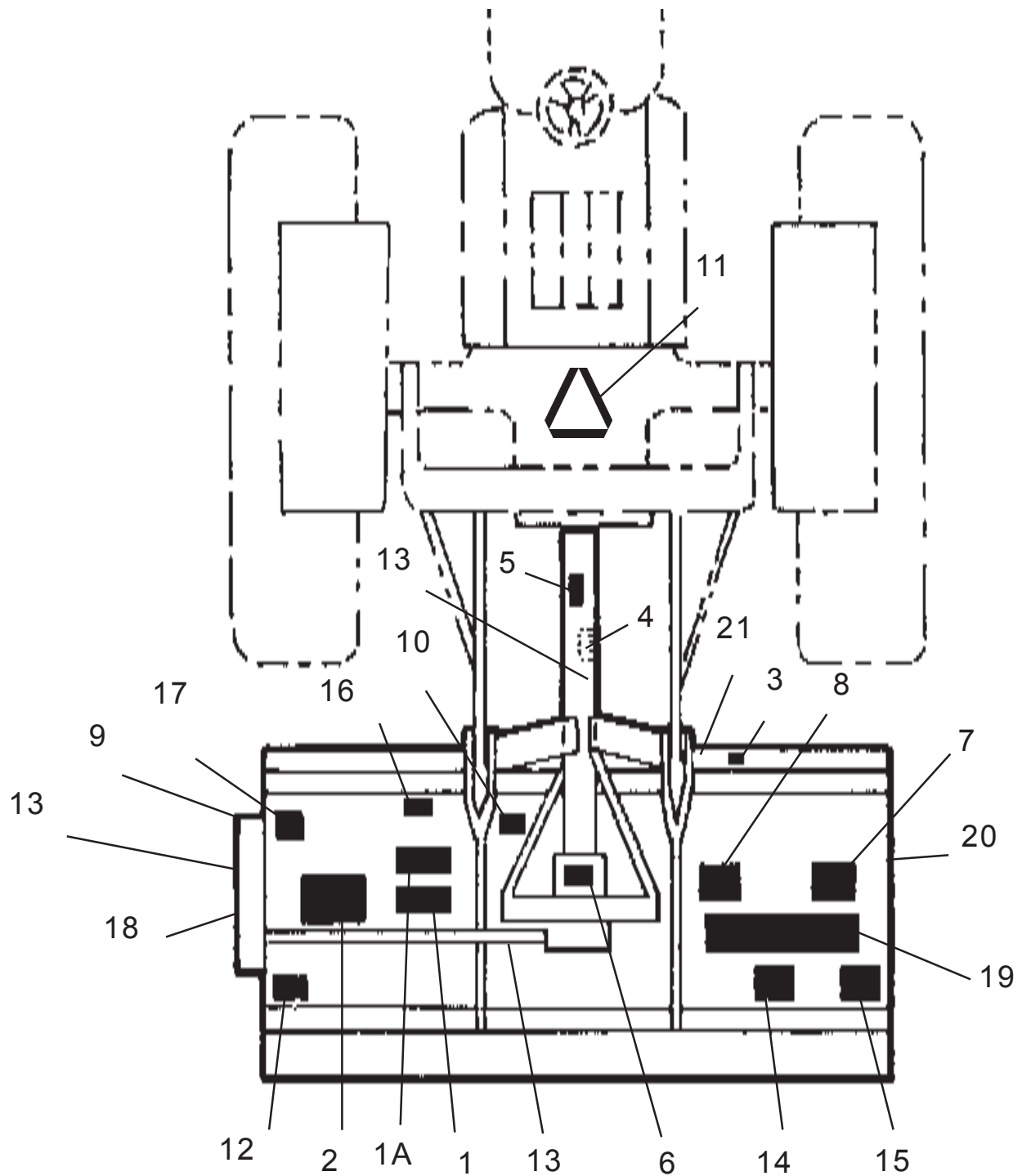
Check Chain Length = Measure From center of Upper to center of Lower Mounting Hole.

702264	=	29-1/2" Long	701836	=	30-1/4" Long
701150	=	28-5/8" Long	701780	=	21-9/16" Long
701781	=	23-3/4" Long	700497M	=	25" Long

Mar. 1972
to
Current

DECALS & LOCATION

SEE
S/N Ship Dates
in Back of Book



Mar. 1972
to
Current

DECALS & LOCATION

SEE
S/N Ship Dates
in Back of Book

ITEM	PART NO.	QTY	DESCRIPTION
1*	00725746	1	Peligro, Translate Safety Material
1A*	00773723	1	Peligro, Translate Driveline Instructions
2*	002369	1	Danger, Multi. Hazard
3	002425	1	Danger, Front Shield
4*	00756004	ref	Danger, Shield Missing
5*	00756005	ref	Danger, Rotating Driveline
6*	00756494	1	Danger, Driveline Safety
7*	02967668	1	Danger, Cutting Blades
8*	00725739	1	Warning, Repair Shields
9*	00758194	1	Warning, Pinch Points (V-Belt)
10*	D103	1	Warning, 540 PTO Required
11	03200347	ref	Reflector, SMV Emblem
12*	000108	1	Instruct, Operating Instructions
13*	000678	3	Instruct, Grease Fitting Inside
14*	001830	1	Instruct, Lubrication Chart
15	002023	1	Instruct, Cutting Height Instructions
16*	00763977	1	Instruct, Notice to Owners
17*	02925100	1	Instruct, Genuine Parts
18*	001650	1	Logo, Alamo
19*	001651	1	Logo, Alamo by Mott
20*	02960766	1	Logo, Alamo Logo
21	nfs	1	Serial Number Plate
22*	803195	1	Drawing, Decal Location
23	703379	1	Decal Kit F/ SHD (includes Items w/ *)

NOTE: See the Following Pages for Illustrations of Decals

Mar. 1972
to
Current



DECALS & LOCATION

SEE
S/N Ship Dates
in Back of Book


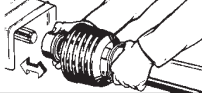
! DANGER

1. MAKE CERTAIN DRIVELINES ARE OF THE CORRECT LENGTH AND SECURELY ATTACHED. **DRIVELINE SEPARATION AND/OR PTO STUB SHAFT FAILURE CAN CAUSE INJURY OR DEATH.** (See Operator's Manual for procedure.)

* SEE MANUAL FOR MINIMUM OVERLAP & MINIMUM/MAXIMUM LENGTHS

2. MAKE CERTAIN THAT DRIVELINE SHIELDS ARE INSTALLED CORRECTLY AND TURN FREELY TO PREVENT INJURY OR DEATH FROM ENTANGLEMENT

3. MAKE CERTAIN THAT DRIVELINE IS INSTALLED CORRECTLY ON TRACTOR PTO SHAFT. MOVE YOKE BACK AND FORTH UNTIL LOCKING COLLAR CLICKS FORWARD AND LOCKS YOKE IN PLACE

4. **540 PTO RPM** UNLESS SPECIFICALLY MARKED OTHERWISE. 00756494

(6) 00756494 DRIVELINE SAFETY

! DANGER



GUARD MISSING DO NOT OPERATE

00756004

! DANGER



GUARD MISSING DO NOT OPERATE

00756004

! DANGER

(4) 00756004
SHIELD MISSING

IMPORTANT

For your safety and to guarantee optimum product reliability, always use Genuine ALAMO INDUSTRIAL replacement parts. The use of inferior "will-fit" parts will void Warranty of your ALAMO INDUSTRIAL implement and may cause premature or catastrophic failure which can result in serious injury or death. If you have any questions concerning the repair parts you are using, contact ALAMO INDUSTRIAL, 1502 E. Walnut Seguin, TX 78155 (830) 372-3551.

ALAMO INDUSTRIAL
02925100

(17) 02925100 GENUINE PARTS

NOTICE TO OWNER

An OPERATOR'S MANUAL (with Repair Parts Listing) and a WARRANTY REGISTRATION CARD were attached to this implement during final inspection at the factory. If they were not attached at the time of purchase, please contact your selling dealer at once.

1. Read and understand Manual before operating the implement.
2. Complete, sign, and mail the Warranty Registration Card in today.

00763977

(16) 00763977 NOTICE TO OWNER

! DANGER



ROTATING DRIVELINE- CONTACT CAN CAUSE DEATH KEEP AWAY!

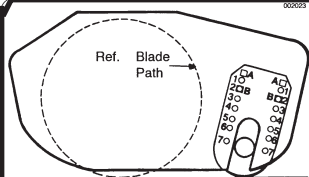
DO NOT OPERATE WITHOUT-

- All driveline guards, tractor and equipment shields in place
- Drivelines securely attached at both ends
- Driveline guards that turn freely on driveline

00756005

(5) 00756005 ROTATING DRIVELINE

SHD FLAIL (Archive Book) 01/04



MOWER CUTTING HEIGHT ADJUSTMENT

DESIRED CUTTING HEIGHT (INCHES)	ADJUSTMENT BRACKET HOLE	MOWER END PLATE HOLE
1/2	B	2
1	A	1
1-1/2	B	3
2	A	2
2-1/2	B	4
3	A	3
3-1/2	B	5
4	A	4
4-1/2	B	6
5	A	5
5-1/2	B	7
6	A	6

(15) 002023 CUTTING HEIGHT INSTRUCTION



(11) 03200347 SMV SYMBOL

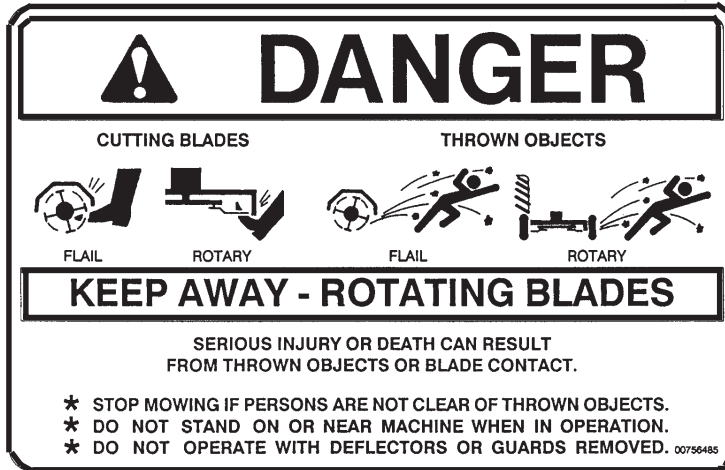
GREASE FITTING INSIDE

(13) 000678 GREASE FITTING INSIDE

Mar. 1972
to
Current

DECALS & LOCATION

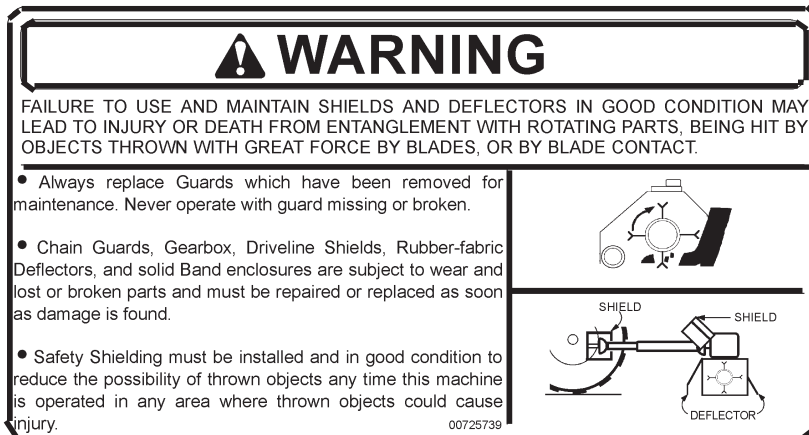
SEE
S/N Ship Dates
in Back of Book



(7) 00756485 CUTTING BLADES



(20) 02960766 ALAMO LOGO (SM)
(18) 001650 ALAMO LOGO (LG)



(8) 00725739 REPAIR SHIELDS



(10) D103 540 PTO REQ'D



(3) 002425 FRONT SHIELD

Mar. 1972
to
Current

DECALS & LOCATION

SEE
S/N Ship Dates
in Back of Book



DANGER

FAILING TO FOLLOW SAFETY MESSAGES AND OPERATING INSTRUCTIONS CAN CAUSE SERIOUS BODILY INJURY OR EVEN DEATH TO OPERATOR AND OTHERS IN THE AREA.

<p>1.</p>	<p>2. NO RIDERS, NO CHILDREN ON OPERATORS</p>	<p>3. USE SAFETY SHOES, HARD HAT, SAFETY GLASSES, SEAT BELTS, & ROPS</p>	<p>4. BLOCK UP SECURELY BEFORE WORKING UNDER.</p>
-----------	---	--	---

- Study and understand Operator's Manuals, Safety Signs, and Instructional Decals for tractor & flail mower to prevent misuse, abuse, & accidents. Practice before operating mower in a confined area or near passersby.
 - Learn how to stop engine suddenly in an emergency. Be alert for passersby and especially children.
- Allow no children on or near implement or tractor. Allow no riders on tractor or implement. Falling off can cause serious injury or death from being runover by tractor or mower or contact with Flail Mower Blades.
- Operate only with tractor having Roll-Over Protective Structure (ROPS) and with seatbelt fastened securely and snugly to prevent injury and possible death from falling off or tractor overturn. Personal Protective Equipment such as Hard Hat, Safety Glasses, Safety Shoes, and Ear Plugs are recommended.
- Block up or support raised machine and all lifted components securely before putting hands or feet under or working underneath any lifted component to prevent crushing injury or death from sudden dropping or inadvertent operation of controls. Make certain that area is clear before lowering or folding.
- Before transporting, put Lift Lever in detent or full-lift position. Install Transport Safety Devices securely on folding implements. Slow down when turning and on hillsides.
 - Install **Restrictor in folding circuit to slow down lowering and unfolding if action is faster than is desirable.
- Make certain that SMV sign, Warning Lights, and Reflectors are clearly visible. Follow local traffic codes.
- Never operate with Flail Mower or Folding Section raised if passersby, bystanders or traffic are in the area to reduce possibility of injury or death from objects thrown by Blades under Shields or implement structure.
- Before dismounting, secure flail mower in transport position or lower to ground.
 - Put tractor in park or set brake, disengage PTO, stop engine, remove key, and wait until noise of rotation has ceased to prevent entanglement in rotating parts which may cause injury or death.
 - Never mount or dismount a moving vehicle. Crushing from runover may cause injury or death.

<p>5. TRANSPORT SAFELY, LOCK UP.</p>	<p>6. USE SMV, LIGHTS, & REFLECTORS.</p>	<p>7. DO NOT OPERATE WITH MOWER OR WING RAISED.</p>	<p>8. DO NOT MOUNT OR DISMOUNT WHILE MOVING.</p> <p>002369</p>
--------------------------------------	--	---	--

(2) 002369 Multi-Hazard

<p>WARNING</p> <p>DO NOT OPERATE WITH BELT SHIELD REMOVED. FINGER(S) MAY BE PINCHED OFF IF CAUGHT BETWEEN V-BELT AND PULLEY.</p> <p>00758194</p>	
---	--

(9) 00758194 PINCH POINTS



(19) 001651 ALAMO LOGO MOTT

Mar. 1972
to
Current

DECALS & LOCATION

SEE
S/N Ship Dates
in Back of Book



PELIGRO

Si No Lee Ingles, Pida Ayuda a Alguien
Que Si Lo Lea Para Que le Traduzca las
Medidas de Seguridad.

LEA EL INSTRUCTIVO



00725746

(1) 00725746 PELIGRO SAFETY

PELIGRO	LINEA DE CONDUCCION GIRATORIA- EL CONTACTO PUEDE CAUSAR LA MUERTE ¡MANTENERSE LEJOS! NO FUNCIONE SIN QUE-
Un manual de la seguridad de la línea de conducción n/p 00773776 está disponible en español. Llame el número enumerado para una copia gratis.	<ul style="list-style-type: none">• Todos los protectores de la línea de Conducción, alimentador y blindajes del Equipo estén en su lugar• Las líneas de conducción estén conectadas con seguridad en ambos extremos• Los protectores de la línea de conducción den vuelta libremente en la línea de Conducción

00773723

(1A) 00773723 PELIGRO DRIVELINE

OPERATING INSTRUCTIONS

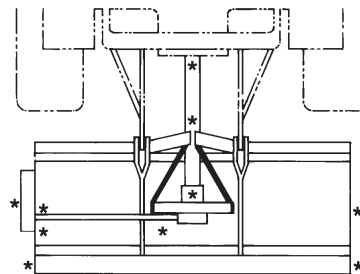
This Mower will give long satisfactory service with a minimum of upkeep cost if the following procedure is followed:

1. KEEP PROPERLY LUBRICATED
 - a. BEARINGS - Use a lithium-based #2 Bearing Grease such as Shell Alvania #2, Sinclair Litholene, Mobil BRB, Texaco Marfak #2, Standard Stanolith #57, etc.
 - b. GEARBOX - Use SAE EP90 oil.
2. KEEP FASTENERS TIGHTENED
 - a. Normally, if Fasteners loosen after being properly tightened, the Mower is vibrating more than is acceptable and permanent damage can occur rapidly.
 - b. See Bolt Chart for proper tightening torque.
3. KEEP THE MOWER RUNNING SMOOTHLY AND QUIETLY.
 - a. After hitting any obstruction and at the first sign of any unusual vibration or noise, STOP THE MOWER, and do not operate again until the problem is found and corrected. VIBRATION CAN DESTROY THE ENTIRE MOWER IN A SHORT TIME.
 - b. Inspect for broken or missing Knives, Knives restricted from swinging freely, worn Bearings, a bent Shaft, or other conditions causing out-of-balance rotation.
 - c. See Operators Manual for details on causes and correction of vibration of Flail Mowers.

NOTICE: Warranty does not cover damage resulting from the failure to observe these reasonable procedures. 000108

(12) 000108 OPERATING INSTRUCTIONS

LUBRICATION CHART



* LUBRICATE ALL POINTS EVERY 8 HOURS OF OPERATION

001830

(14) 001830 LUBRICATION CHART

Feb. 1989
to
Current

SPECIFICATION SHD FLAIL

SEE
S/N Ship Dates
in Back of Book

MODELS CUTTING WIDTHS; Optional Decks

SHD 50 =	50" Cut	SHD 62 =	62" Cut
SHD 74 =	74" Cut	SHD 88 =	88" Cut
SHD 96 =	96" Cut		

CUTTER SHAFT : Speed: 2000 - 2400 RPM
Cutter Shaft Options: Fine Cut or Coarse Cut (Different Cutter Shaft Used)
Knife Options: Fine Cut:..... Pin Mounted Standard (Fine Cut)
Ring Mounted Optional (Rock & Trash)
Detaching Optional (Pin Mounted Only)
Course Cut..... Ring Mounted Standard (Coarse Cut)
Ring Mounted Optional Extreme Service (HD)
Ring Mounted Detaching Optional (Renovating)
Cutter Shaft Bearing..... Roller, Self Aligning (in Brg Hsg) After Jun. 1987
Drive: Belt Drive W/ Auto Spring Adjusting Idler Pulley
Cutting Height Adjustment..... Bolt Hole positioning on Rear Roller or Caster Wheels

MOWER CUTTING HEIGHT ;

Range: 1/2" to 6 " (1/2" Increments)
Height Adjustment: Roller and / or Caster Wheel
Cutting Height Adjustment.. Bolt Hole positioning on Rear Roller or Bolt
positioning on Optional Caster Wheel Brackets.

ROLLER; Standard & Optional

Type:..... Standard..... Steel, Steel
Option..... Rubber Covered (1/4" Thick Pad)
Shaft..... Hex (old style was round)
Bearing: Bearing in Sealable Housing
Adjustment: Bracket w/ Selection of Holes for Height.

CASTER WHEELS; Optional Only

Type: Solid or Pneumatic Option
Adjustment: Series of Bolt Holes
Brackets : Weld to Deck
Available: For Wings or Rear Decks

GREASE ; Required

Type: # 2 Lithium Base Brg Grease / EP90 Gear Oil

Feb. 1989
to
Current

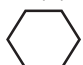


SPECIFICATION SHD FLAIL

SEE
S/N Ship Dates
in Back of Book

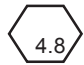

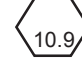
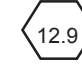
TORQUE VALUES - BOLTS: Recommended Torque, Ft lbs & (Nm)

IMPORTANT ! Listed below IS DRY BOLT TORQUE and NOT APPLICATION TORQUE, Component Application Torque will vary depending on what is bolted down and the type material (Metal) that is being bolted together. Thread condition and lubrication will make Torque vary.

Inche Sizes

Bolt Dia. inch	2 (B)  Plain Head	5 (D)  3 Dashes	8 (F)  6 Dashes
1/4	5.5 (7.5)	10 (14)	14 (19)
5/16	11(15)	20 (27)	30 (41)
3/8	20 (27)	35 (47)	50 (68)
7/16	35 (47)	55 (75)	80 (108)
1/2	55 (75)	85 (115)	120 (163)
9/16	75 (102)	130 (176)	175 (230)
5/8	105 (142)	170 (230)	240 (325)
3/4	185 (251)	300 (407)	425 (576)
7/8	160 (217)	445 (603)	685 (929)
1	250 (339)	670 (908)	1030 (1396)
1-1/8	330 (447)	910 (1234)	1460 (1979)
1-1/4	480 (651)	1250 (1695)	2060 (2793)
1-3/8	700 (949)	1550 (2100)	2550 (3457)
1-1/2	930 (1261)	2100 (2847)	3350 (4542)

Metric Sizes

Bolt Dia. mm	 4.8	 8.8	 10.9	 12.9
6	5	7	12	14.5
8	11	20	25	35
10	20	40	58	70
12	37	70	105	120
14	60	100	140	190
16	92	155	200	300
18	118	216	280	410
20	160	270	355	580
22	215	330	430	800
24	285	500	700	1000
27	450	875	1000	1500
30	600	1200	1700	2000
33	800	1600	2300	2900
36	900	2100	3000	3900

(Newton-Meters) To Convert from ft. lbs to Newton Meters Multiply ft. lbs by 1.356

**ALWAYS CHECK MARKINGS ON TOP OF BOLT HEAD
OR OTHER BOLT DESCRIPTIONS**

SHD FLAIL

S/N PRODUCTION DATES

From Mar. 1972 to Current

1. See Serial Numbers & Serial Number Model Prefix in these Pages to determine when Unit was shipped, after this is determined use that Date to match the Dates at the top of the Parts Page to determine what Parts are needed.
2. S/N's will include Prefix (Example SH88-19987), The prefix determines which Deck Width is used and must be used to determine which size Unit you have. See Prefix for size.
SH50 = 50" (56") SH62 = 62" (68") SH74 = 74" (80")
SH88 = 88" (94") SH96 = 96" (102")

ALLWAYS USE PREFIX IN W/ SERIAL NUMBER, The same Serial Number is used on DIFFERENT SIZE UNIT but the Prefix WILL NOT be the Same!

3. Model Identification, The best way is to see the Serial Number Plates on Decks. If this is not available measure the over all width of Decks from outside side skirt to opposite out side side skirt, DEDUCT about 5" to 6 " from this and it will give you an approximate cutting width for Deck, Check these widths against Chart above to determine which model you have.
4. S/N's ending with "A" or "D" indicate Duplicate, This S/N was used twice. In some cases there was time between the usage and sometime within the same time frame.
5. S/N's a 88" or 96" could have been used as the rear deck of an interstater or removed from interstater and used as a rear mounted unit by itself.
6. When ordering Parts for Deck it will be required to know what size they are (see above Prefix.) and in some cases it will be rquired to know what the part looks like or how it is shaped. In this book there are a number of descriptions and/or statements about how something is built or shaped. a good example is the Cutter Shaft & Knives. There are 2 DIFFERENT Cutter Shafts that use DIFFERENT Knives and Knife Hangers, These WILL NOT interchange between these two Cutter Shafts. Course Cut WILL ONLY use Course Cut Knives anf Fine Cut WILL ONLY use Fine Cut Knives, Pin Mounted will not work as Ring Mounted. Etc.
7. There are possible some Serial Numbers that are not listed and there are possible some Serial Numbers that were never used.

Note: **Most Serial Numbers Listed in following pages are from 1990 and Up. This is to hold down on space. This Book List Parts Changes from 1972 to Current, Note there were few changes between 1972 to 1987. If Questions about earlier or S/N 's that are not listed in this Book contact Alamo Customer Service.**

S/N - SHD 62" FLAIL

SHD62				SHD62				SHD62			
S/N	TO	S/N	SHIP	S/N	TO	S/N	SHIP	S/N	TO	S/N	SHIP
01001.....	To....	01005	03/00	51145.....	To....	51148	06/93	51295.....	To....	51297	09/96
01006....	To....	01006	05/00	51149.....	To....	51149	09/93	51298.....	To....	51298	04/98
01007....	To....	01009	06/00	51150.....	To....	51152	10/93	51299.....	To....	51300	07/97
01010....	To....	01018	08/00	51153.....	To....	51154	12/93	51301.....	To....	51302	04/97
01019....	To....	01019	09/00	51155.....	To....	51156A	11/93	51303.....	To....	51329	02/97
01020....	To....	01020	11/00	51157.....	To....	51157	05/91	51330.....	To....	51330	05/97
01021....	To....	01023	12/00	51157A...	To....	51157A	08/94	51331.....	To....	51331	03/97
01024....	To....	01024	03/01	51158.....	To....	51158	05/91	51332.....	To....	51332	05/97
01025....	To....	01027	01/01	51158A...	To....	51158A	06/94	51333.....	To....	51333	07/97
01028....	To....	01028	04/01	51159.....	To....	51159	01/94	51334.....	To....	51334	12/97
01029....	To....	01033	05/01	51160.....	To....	51160	05/91	51335.....	To....	51336	09/97
01034....	To....	01036	12/01	51160A...	To....	51161	12/93	51337.....	To....	51337	10/97
01037....	To....	01037	06/02	51162.....	To....	51162	03/92	51338.....	To....	51339	03/98
01038....	To....	01038	11/01	51162A...	To....	51162A	03/94	51340.....	To....	51342	04/98
01039....	To....	01043	02/02	51163.....	To....	51163	07/91	51343.....	To....	51345	05/98
01044....	To....	01048	08/02	51163A...	To....	51163A	02/94	51346.....	To....	51350	06/98
01049....	To....	01052	12/02	51164.....	To....	51164	03/94	51351.....	To....	51351	04/97
01053....	To....	01053	01/03	51165.....	To....	51165	04/94	51352.....	To....	51352	05/97
01054....	To....	01054	02/03	51166.....	To....	51167	05/94	51353.....	To....	51357	07/98
01055....	To....	01055	03/03	51167A...	To....	51169	06/94	51358.....	To....	51361	09/98
01056....	To....	01057	04/03	51170.....	To....	51170	07/94	51362.....	To....	51364	10/98
01058....	To....	01059	05/03	51171.....	To....	51174	10/94	51365.....	To....	51369	11/98
01060....	To....	01063	04/03	51175.....	To....	51175	12/94	51370.....	To....	51371	01/99
01064....	To....	01065	08/03	51176.....	To....	51176	04/95	51372.....	To....	51375	05/99
01066....	To....	01067	10/03	51177.....	To....	51177	02/95	51376.....	To....	51381	06/99
01068....	To....	01068	11/03	51178.....	To....	51178	01/95	51382.....	To....	51399	08/99
01069....	To....	01069	12/03	51179.....	To....	51179	12/94	51400.....	To....	51406	09/99
111.....	To....	111	07/96	51180.....	To....	51180	05/95	51407.....	To....	51408	10/99
222.....	To....	222	07/96	51181.....	To....	51181	06/95	51409.....	To....	51881	11/99
50793....	To....	50794	02/90	51182.....	To....	51183	09/95	51882.....	To....	55186	08/99
50795....	To....	50795	05/90	51184.....	To....	51184	10/95	55187.....	To....	55347	09/99
50796....	To....	50796	03/90	51185.....	To....	51185	02/96	55348.....	To....	55352	07/92
50797....	To....	50797	04/90	51186.....	To....	51194	12/95	55353.....	To....	55377	05/91
51103.....	To....	51103	07/91	51195.....	To....	51195	06/91	55378.....	To....	55387	09/91
51104.....	To....	51106	09/91	51196.....	To....	51201	12/95	55388.....	To....	55388	01/93
51107.....	To....	51107	10/91	51202.....	To....	51203	01/96	55389.....	To....	55389	04/93
51108.....	To....	51108	03/92	51204.....	To....	51232	02/96	57135.....	To....	57137	05/93
51109.....	To....	51109	02/92	51233.....	To....	51238	04/96				
51110.....	To....	51111	01/92	51239.....	To....	51244	02/96				
51112.....	To....	51112	03/92	51245.....	To....	51247	05/96				
51113.....	To....	51116	04/92	51248.....	To....	51248	06/96				
51117.....	To....	51121	05/92	51249.....	To....	51249	02/96				
51122.....	To....	51122	07/92	51250.....	To....	51259	06/96				
51123.....	To....	51124	08/92	51260.....	To....	51261	09/96				
51125.....	To....	51125	10/92	51262.....	To....	51264	06/96				
51126.....	To....	51126	09/92	51265.....	To....	51268	07/96				
51127.....	To....	51128	10/92	51269.....	To....	51270	08/96				
51129.....	To....	51129	11/92	51271.....	To....	51279	09/96				
51130.....	To....	51130	04/93	51279A...	To....	51279A	10/96				
51131.....	To....	51131	12/92	51280.....	To....	51285	09/96				
51132.....	To....	51133	01/93	51286.....	To....	51286	08/96				
51134.....	To....	51142	04/93	51287.....	To....	51293	09/96				
51143.....	To....	51144	05/93	51294.....	To....	51294	12/96				

S/N - SHD 74" FLAIL

SHD74				SHD74				SHD74			
S/N	TO	S/N	SHIP	S/N	TO	S/N	SHIP	S/N	TO	S/N	SHIP
13994.....	To.....	13999	06/92	55352.....	To.....	55352	04/93	56853.....	To.....	56853	09/91
14.....	To.....	14	03/96	55353.....	To.....	55355	07/93	56854.....	To.....	56879	10/91
14000.....	To.....	14000	07/92	55356.....	To.....	55358	08/93	56880.....	To.....	56881	11/91
00704....	To.....	00711	06/92	55359.....	To.....	55359	10/93	56882.....	To.....	56882	10/91
00712....	To.....	00716	08/92	55445.....	To.....	55445	05/91	56883.....	To.....	56926	11/91
00717....	To.....	00719	09/93	55450.....	To.....	55465	06/91	56927.....	To.....	56927	12/91
00719A..	To.....	00719A	04/94	55472.....	To.....	55472	07/93	56928.....	To.....	56928	11/91
00720....	To.....	00720	09/93	55655.....	To.....	55655	07/89	56929.....	To.....	56938	12/91
00720A..	To.....	00720A	09/94	55807.....	To.....	55807	11/98	56939.....	To.....	56939	01/92
00721.....	To.....	00721	09/93	56160.....	To.....	56160	01/90	56940.....	To.....	56948	12/91
00721A..	To.....	00721A	09/94	56235.....	To.....	56335	03/90	56949.....	To.....	56950	02/92
00722....	To.....	00722	09/94	56387.....	To.....	56387	09/91	56951.....	To.....	56952	12/91
00723....	To.....	00723	10/92	56393.....	To.....	56394	05/91	56953.....	To.....	56953	02/92
00723A..	To.....	00723A	09/94	56624.....	To.....	56624	06/91	56954.....	To.....	56964	01/92
00724....	To.....	00724	04/94	56625.....	To.....	56625	05/91	56965.....	To.....	56966	02/92
00724A..	To.....	00724A	09/94	56639.....	To.....	56639	11/91	56967.....	To.....	56967	03/92
00725.....	To.....	00725	04/94	56640.....	To.....	56640	12/91	56968.....	To.....	56968	01/92
00725A..	To.....	00725A	09/94	56672.....	To.....	56672	06/91	56969.....	To.....	56970	02/92
00726....	To.....	00727	09/94	56673.....	To.....	56673	05/91	56971.....	To.....	56973	01/92
00728....	To.....	00728	10/94	56674.....	To.....	56674	09/91	56974.....	To.....	56974	02/92
00729....	To.....	00729	05/95	56675.....	To.....	56676	07/91	56975.....	To.....	56976	03/92
00730....	To.....	00730	12/95	56677.....	To.....	56677	05/91	56977.....	To.....	56977	02/92
00731....	To.....	00731	06/96	56678.....	To.....	56681	11/91	56978.....	To.....	56979	05/92
00732....	To.....	00738	12/94	56682.....	To.....	56706	05/91	56980.....	To.....	56980	01/92
00739....	To.....	00739	02/96	56707.....	To.....	56719	08/91	56981.....	To.....	56985	03/92
00739.....	To.....	00739	07/96	56720.....	To.....	56730	05/91	56986.....	To.....	56987	01/92
00740-....	To.....	00740-	07/96	56731.....	To.....	56731	02/92	56988.....	To.....	56989	03/92
00740....	To.....	00740	02/96	56732.....	To.....	56740	05/91	56990.....	To.....	56990	07/92
00741....	To.....	00742	05/96	56741.....	To.....	56743	07/91	56991.....	To.....	56993	03/92
0640446.	To.....	0	08/00	56744.....	To.....	56748	05/91	56994.....	To.....	56994	04/92
1.....	To.....	1	10/95	56749.....	To.....	56753	06/91	56995.....	To.....	56995	06/92
10.....	To.....	10	03/96	56754.....	To.....	56759	07/91	56996.....	To.....	56999	03/92
10101....	To.....	10999	03/00	56760.....	To.....	56765	06/91	57000.....	To.....	57003	04/92
11.....	To.....	13	03/96	56766.....	To.....	56766	07/91	57004.....	To.....	57004	05/92
13939....	To.....	13939	05/92	56767.....	To.....	56769	06/91	57005.....	To.....	57015	04/92
15532....	To.....	15533	06/94	56770.....	To.....	56770	08/91	57016.....	To.....	57034	05/92
15628....	To.....	15628	02/95	56771.....	To.....	56771	07/91	57035.....	To.....	57045	06/92
15857....	To.....	15857	08/96	56772.....	To.....	56773	06/91	57046.....	To.....	57048	05/92
17980.....	To.....	17980	07/98	56774.....	To.....	56774	07/91	57049.....	To.....	57060	06/92
18.....	To.....	18	03/96	56775.....	To.....	56775	06/91	57061.....	To.....	57087	07/92
18311....	To.....	18311	03/97	56776.....	To.....	56776	07/91	57088.....	To.....	57088	09/92
2.....	To.....	2.....	10/95	56777.....	To.....	56777	08/91	57089.....	To.....	57096	08/92
20.....	To.....	30.....	03/96	56778.....	To.....	56778	06/91	57097.....	To.....	57098	09/92
30498....	To.....	30498	02/02	56779.....	To.....	56805	07/91	57099.....	To.....	57099	08/92
4.....	To.....	5.....	03/96	56806.....	To.....	56807	08/91	57100.....	To.....	57100	09/92
51931....	To.....	51984	07/99	56808.....	To.....	56812	07/91	57101.....	To.....	57108	08/92
51985....	To.....	52837	12/96	56813.....	To.....	56813	09/91	57109.....	To.....	57123	09/92
52838....	To.....	55343	09/92	56814.....	To.....	56815	08/91	57124.....	To.....	57124	09/93
55344.....	To.....	55344	06/91	56816.....	To.....	56817	07/91	57125.....	To.....	57126	02/93
55345.....	To.....	55348	08/91	56818.....	To.....	56835	08/91	57127.....	To.....	57128	06/93
55349.....	To.....	55350	02/93	56836.....	To.....	56851	09/91	57129.....	To.....	57140	09/92
55351.....	To.....	55351	02/93	56852.....	To.....	56852	10/91	57141.....	To.....	57154	10/92

S/N - SHD 74" FLAIL

SHD74				SHD74				SHD74			
S/N	TO	S/N	SHIP	S/N	TO	S/N	SHIP	S/N	TO	S/N	SHIP
57154A...	To....	57171	12/92	57361.....	To....	57361	11/93	57563.....	To....	57563	07/94
57172.....	To....	57175	11/92	57362.....	To....	57362	09/93	57564.....	To....	57564	08/94
57176.....	To....	57179	12/92	57363.....	To....	57363	10/93	57565.....	To....	57565	10/95
57180.....	To....	57182	04/93	57364.....	To....	57365	11/93	57566.....	To....	57568	07/94
57183.....	To....	57183	02/93	57366.....	To....	57366	12/93	57568A...	To....	57568A	10/94
57184.....	To....	57184	06/93	57367.....	To....	57374	10/93	57569.....	To....	57584	07/94
57185.....	To....	57185	12/93	57375.....	To....	57385	11/93	57585.....	To....	57604	08/94
57186.....	To....	57186	02/94	57386.....	To....	57386	04/94	57605.....	To....	57610A	09/94
57187.....	To....	57220	12/92	57387.....	To....	57387	02/94	57611.....	To....	57612	10/94
57221.....	To....	57221	03/93	57388.....	To....	57391	12/93	57613.....	To....	57614	12/94
57222.....	To....	57226	12/92	57392.....	To....	57392	04/93	57615.....	To....	57616	03/95
57227.....	To....	57227	02/93	57393.....	To....	57400	12/93	57617.....	To....	57618	10/94
57228.....	To....	57228	12/92	57401.....	To....	57401	11/93	57619.....	To....	57619	03/95
57229.....	To....	57230	02/93	57402.....	To....	57402	06/94	57620.....	To....	57620	11/94
57231.....	To....	57232	12/92	57403.....	To....	57403	11/94	57621.....	To....	57623	03/95
57233.....	To....	57233	01/93	57404.....	To....	57408	12/93	57624.....	To....	57624	06/96
57234.....	To....	57234	04/93	57409.....	To....	57411	11/93	57625.....	To....	57634	11/94
57235.....	To....	57236	03/93	57412.....	To....	57476	12/93	57635.....	To....	57635	12/94
57237.....	To....	57239A	02/93	57477.....	To....	57477	03/94	57636.....	To....	57639	11/94
57240.....	To....	57240	03/93	57478.....	To....	57483	01/94	57640.....	To....	57692	12/94
57241.....	To....	57241	05/93	57484.....	To....	57484	12/93	57693.....	To....	57693	06/95
57242.....	To....	57249	02/93	57484A...	To....	57484A	03/94	57694.....	To....	57694	11/95
57250.....	To....	57253	03/93	57485.....	To....	57485	02/94	57695.....	To....	57695	07/96
57254.....	To....	57254	02/93	57486.....	To....	57487	01/94	57696.....	To....	57696	12/94
57255.....	To....	57265	03/93	57488.....	To....	57488	02/94	57697.....	To....	57706	01/95
57266.....	To....	57288	04/93	57489.....	To....	57489	01/94	57707.....	To....	57707	06/96
57289.....	To....	57298	05/93	57490.....	To....	57493	02/94	57708.....	To....	57709	02/95
57299.....	To....	57300	06/93	57494.....	To....	57494	03/94	57710.....	To....	57713	01/95
57301.....	To....	57301	05/93	57495.....	To....	57500	02/94	57714.....	To....	57725	02/95
57302.....	To....	57302	06/93	57501.....	To....	57503	03/94	57726.....	To....	57727	03/95
57303.....	To....	57304	05/93	57504.....	To....	57504	05/94	57728.....	To....	57730	01/95
57305.....	To....	57307	06/93	57505.....	To....	57509	03/94	57731.....	To....	57732	03/95
57308.....	To....	57308	07/93	57510.....	To....	57510	02/94	57733.....	To....	57743	02/95
57309.....	To....	57314	06/93	57510A...	To....	57510A	09/94	57744.....	To....	57746	03/95
57315.....	To....	57318	07/93	57511.....	To....	57511	03/94	57747.....	To....	57747	02/95
57319.....	To....	57319	08/93	57512.....	To....	57525	04/94	57748.....	To....	57770	03/95
57320.....	To....	57321	07/93	57526.....	To....	57534	06/94	57771.....	To....	57777	04/95
57322.....	To....	57322	06/93	57535.....	To....	57538	06/94	57778.....	To....	57778	03/95
57323.....	To....	57323	12/93	57539.....	To....	57543	05/94	57779.....	To....	57781	04/95
57324.....	To....	57325	07/93	57544.....	To....	57545	06/94	57782.....	To....	57782	06/95
57326.....	To....	57326	12/93	57546.....	To....	57546	08/94	57783.....	To....	57786	05/95
57327.....	To....	57328	07/93	57547.....	To....	57549	06/94	57787.....	To....	57790	04/95
57329.....	To....	57332	08/93	57550.....	To....	57550	12/94	57791.....	To....	57805	05/95
57333.....	To....	57333	07/93	57551.....	To....	57551	06/94	57806.....	To....	57827	06/95
57334.....	To....	57340	08/93	57552.....	To....	57552	02/95	57828.....	To....	57829	09/95
57341.....	To....	57342	09/93	57553.....	To....	57554	06/94	57830.....	To....	57832	06/95
57343.....	To....	57343	08/93	57555.....	To....	57557	07/94	57833.....	To....	57841	07/95
57343A...	To....	57345	09/93	57558.....	To....	57558	06/94	57842.....	To....	57852	08/95
57346.....	To....	57346	01/95	57559.....	To....	57559	07/94	57853.....	To....	57857	09/95
57347.....	To....	57357	09/93	57560.....	To....	57560	06/94	57858.....	To....	57858	06/95
57358.....	To....	57358	02/94	57561.....	To....	57561	07/94	57859.....	To....	57867	09/95
57359.....	To....	57360	10/93	57562.....	To....	57562	08/94	57868.....	To....	57869	01/96

S/N - SHD 74" FLAIL

SHD74				SHD74				SHD74			
S/N	TO	S/N	SHIP	S/N	TO	S/N	SHIP	S/N	TO	S/N	SHIP
57870.....	To....	57876	10/95	58186.....	To....	58186	12/96	58451.....	To....	58467	09/97
57877.....	To....	57879	12/95	58187.....	To....	58193	11/96	58468.....	To....	58470	10/97
57880.....	To....	57880	11/95	58194.....	To....	58195	10/97	58471.....	To....	58471	12/97
57881.....	To....	57881	12/95	58196.....	To....	58196	09/97	58472.....	To....	58472	10/97
57882.....	To....	57882	11/95	58197.....	To....	58197	07/97	58473.....	To....	58476	09/97
57883.....	To....	57883	12/95	58198.....	To....	58198	08/97	58477.....	To....	58481	01/98
57884.....	To....	57884	11/95	58199.....	To....	58199	09/97	58482.....	To....	58484	10/97
57885.....	To....	57891	12/95	58200.....	To....	58200	08/97	58485.....	To....	58487	11/97
57892.....	To....	57892	06/95	58201.....	To....	58203	02/97	58488.....	To....	58488	12/97
57893.....	To....	57900	12/95	58204.....	To....	58207	11/96	58489.....	To....	58489	11/97
57901.....	To....	57907	01/96	58208.....	To....	58247	12/96	58490.....	To....	58491	12/97
57908.....	To....	57908	12/95	58248.....	To....	58250	05/97	58492.....	To....	58493	10/97
57909.....	To....	57922	01/96	58251.....	To....	58253	07/97	58494.....	To....	58505	12/97
57923.....	To....	57924	02/96	58254.....	To....	58254	02/97	58506.....	To....	58506	01/98
57925.....	To....	57929	01/96	58255.....	To....	58258	01/97	58507.....	To....	58520	12/97
57930.....	To....	57934	02/96	58259.....	To....	58260	04/97	58521.....	To....	58526	01/98
57935.....	To....	57945	03/96	58261.....	To....	58283	01/97	58527.....	To....	58528	02/98
57946.....	To....	57962	02/96	58284.....	To....	58303	02/97	58529.....	To....	58529	01/98
57963.....	To....	57963	03/96	58304.....	To....	58314	03/97	58530.....	To....	58540	02/98
57964.....	To....	57984	02/96	58315.....	To....	58317	02/97	58541.....	To....	58578	03/98
57985.....	To....	58035	03/96	58318.....	To....	58319	03/97	58579.....	To....	58586	04/98
58040.....	To....	58040	04/96	58320.....	To....	58329	04/97	58587.....	To....	58594	05/98
58041.....	To....	58041	08/96	58330.....	To....	58355	03/97	58595.....	To....	58598	04/98
58042.....	To....	58064	05/96	58356.....	To....	58356	04/97	58599.....	To....	58614	05/98
58065.....	To....	58070	06/96	58357.....	To....	58358	03/97	58615.....	To....	58638	06/98
58071.....	To....	58095	05/96	58359.....	To....	58359	06/97	58639.....	To....	58643	07/98
58096.....	To....	58116	06/96	58360.....	To....	58360	04/97	58644.....	To....	58648	06/98
581161..	To....	581163	09/96	58361.....	To....	58370	03/97	58649.....	To....	58674	07/98
58117.....	To....	58118	06/96	58371.....	To....	58371	03/98	58675.....	To....	58704	08/98
58119.....	To....	58133	07/96	58372.....	To....	58372	05/97	58705.....	To....	58707	09/98
58134.....	To....	58134	12/96	58373.....	To....	58375	04/97	58708.....	To....	58711	08/98
58135.....	To....	58140	07/96	58376.....	To....	58379	05/97	58712.....	To....	58763	09/98
58141.....	To....	58142	12/96	58380.....	To....	58383	06/97	58764.....	To....	58774	10/98
58143.....	To....	58143	11/96	58384.....	To....	58386	05/97	58775.....	To....	58776	12/98
58144.....	To....	58147	10/96	58387.....	To....	58389	06/97	58777.....	To....	58784	10/98
58148.....	To....	58149	09/96	58390.....	To....	58391	05/97	58785.....	To....	58788	11/98
58150.....	To....	58150	12/96	58392.....	To....	58392	06/97	58789.....	To....	58807	10/98
58151.....	To....	58151	10/96	58393.....	To....	58396	05/97	58808.....	To....	58811	11/98
58152.....	To....	58152	12/96	58397.....	To....	58400	01/98	58812.....	To....	58834	12/98
58153.....	To....	58158	08/96	58401.....	To....	58411	06/97	58835.....	To....	58837	01/99
58159.....	To....	58159	12/96	58412.....	To....	58416	07/97	58838.....	To....	58853	12/98
58160.....	To....	58163	08/96	58417.....	To....	58418	08/97	58854.....	To....	58856	01/99
58164.....	To....	58168	09/96	58419.....	To....	58419	07/97	58857.....	To....	58858	02/99
58169.....	To....	58169	06/96	58420.....	To....	58420	08/97	58859.....	To....	58859	01/99
58170.....	To....	58171	09/96	58421.....	To....	58421	05/97	58860.....	To....	58861	02/99
58172.....	To....	58177	10/96	58422.....	To....	58430	07/97	58862.....	To....	58864	01/99
58178.....	To....	58179	09/96	58431.....	To....	58432	12/97	58865.....	To....	58904	02/99
58180.....	To....	58180	03/97	58433.....	To....	58440	08/97	58905.....	To....	58914	03/99
58181.....	To....	58181	12/96	58441.....	To....	58447	09/97	58915.....	To....	58916	06/99
58182.....	To....	58182	11/96	58448.....	To....	58448	08/97	58917.....	To....	58935	03/99
58183.....	To....	58184	12/96	58449.....	To....	58449	10/97	58936.....	To....	58948	04/99
58185.....	To....	58185	11/96	58450.....	To....	58450	11/97	58949.....	To....	58949	06/98

S/N - SHD 74" FLAIL

SHD74				SHD74				SHD74			
S/N	TO	S/N	SHIP	S/N	TO	S/N	SHIP	S/N	TO	S/N	SHIP
58950.....	To....	58958	04/99	60180.....	To....	60192	10/00	60578.....	To....	60591	05/02
58959.....	To....	58960	05/99	60192D...	To....	60192D	04/01	60592.....	To....	60602	06/02
58961.....	To....	58976	04/99	60193.....	To....	60208	10/00	60603.....	To....	60603	07/02
58977.....	To....	59052	05/99	60209.....	To....	60209	11/00	60604.....	To....	60604	10/02
59053.....	To....	59059	06/99	60210.....	To....	60210	10/00	60605.....	To....	60605	07/02
59060.....	To....	59112	07/99	60211.....	To....	60214	11/00	60606.....	To....	60613	08/08
59113.....	To....	59115	08/99	60215.....	To....	60215	06/01	60614.....	To....	60616	09/02
59116.....	To....	59135	07/99	60216.....	To....	60220	11/00	60617.....	To....	60618	10/02
59136.....	To....	59136	08/99	60221.....	To....	60221	10/00	60622.....	To....	60622	09/02
59137.....	To....	59137	07/99	60222.....	To....	60227	11/00	60623.....	To....	60625	10/02
59138.....	To....	59139	08/99	60228.....	To....	60247	12/00	60626.....	To....	60626	10/02
59140.....	To....	59141	07/99	60248.....	To....	60248	01/01	60627.....	To....	60632	11/02
59142.....	To....	59152	08/99	60249.....	To....	60252	02/01	60633.....	To....	60634	11/02
59153.....	To....	59155	03/00	60253.....	To....	60254	05/01	60635.....	To....	60639	12/02
59156.....	To....	59156	04/00	60255.....	To....	60256	02/01	60640.....	To....	60640	01/03
59157.....	To....	59157	03/00	60257.....	To....	60257	06/01	60641.....	To....	60643	12/02
59158.....	To....	59159	04/00	60258.....	To....	60306	02/01	60644.....	To....	60663	01/03
59160.....	To....	59182	08/99	60307.....	To....	60307	03/01	60664.....	To....	60664	01/03
59183.....	To....	59183	05/00	60308.....	To....	60319	02/01	60666.....	To....	60676	01/03
59184.....	To....	59184	10/99	6032.....	To....	60326	03/01	60677.....	To....	60677	02/03
59185.....	To....	59185	08/99	60327.....	To....	60336	04/01	60678A..	To....	60679	01/03
59186.....	To....	59192	09/99	60337.....	To....	60341	05/01	60680.....	To....	60684	02/03
59193.....	To....	59203	10/99	60342.....	To....	60342	06/01	60685.....	To....	60688	02/03
59204.....	To....	59204	09/99	60343.....	To....	60349	05/01	60689.....	To....	60692	03/03
59205.....	To....	59239	10/99	60350.....	To....	60350	06/01	60693.....	To....	60700	04/03
59240.....	To....	59248	11/99	60351.....	To....	60355	05/01	60728.....	To....	60739	04/03
59249.....	To....	59999	04/99	60356.....	To....	60390	06/01	60740.....	To....	60740	04/03
6.....	To....	6.....	03/96	60391.....	To....	60392	07/01	60741.....	To....	60742	05/03
60000.....	To....	60005	12/99	60392R...	To....	60392R	04/02	60742A...	To....	60742A	N/A
60006.....	To....	60006	01/00	63393.....	To....	60402	07/01	60743.....	To....	60743	05/03
60007.....	To....	60013	12/99	60403.....	To....	60412	08/01	60744.....	To....	60751	06/03
60014.....	To....	60035	02/00	60413.....	To....	60442	09/01	60752.....	To....	60761	06/03
60036.....	To....	60064	03/00	60443.....	To....	60443	07/02	60762.....	To....	60773	07/03
60065.....	To....	60066	04/00	60444.....	To....	60444	01/02	60774.....	To....	60781	08/03
60067.....	To....	60074	05/00	60445.....	To....	60445	08/05	60783.....	To....	60793	08/03
60075.....	To....	60075	03/00	60446.....	To....	60449	07/02	60794.....	To....	60811	09/03
60076.....	To....	60104	05/00	60450.....	To....	60450	10/01	60805.....	To....	60805	09/03
60105.....	To....	60105	06/00	60451.....	To....	60451	09/01	60812.....	To....	60814	10/03
60106.....	To....	60106	09/00	60452.....	To....	60459	10/01	60820.....	To....	60823	10/03
60107.....	To....	60108	05/00	60460.....	To....	60460	11/01	60824.....	To....	60829	11/03
60109.....	To....	60111	06/00	60461.....	To....	60464	12/02	60830.....	To....	60830	11/03
60112.....	To....	60117	05/00	60465.....	To....	60477	12/02	60836.....	To....	60836	12/03
60118.....	To....	60124	06/00	60478.....	To....	60478	11/01	60837.....	To....	60839	12/03
60125.....	To....	60125	08/00	60479.....	To....	60486	12/01				
60126.....	To....	60134	06/00	60487.....	To....	60499	02/02				
60135.....	To....	60136	07/00	60500.....	To....	60546	02/02				
60137.....	To....	60137	06/00	60547.....	To....	60553	03/02				
60138.....	To....	60146	07/00	60554.....	To....	60554	04/02				
60147.....	To....	60168	08/00	60555.....	To....	60555	03/02				
60169.....	To....	60173	09/00	60556.....	To....	60565	04/02				
60174.....	To....	60174	08/00	60566.....	To....	60573	05/02				
60175.....	To....	60179	09/00	60574.....	To....	60577	09/02				

S/N - SHD 88" FLAIL

SHD88				SHD88				SHD88			
S/N	TO	S/N	SHIP	S/N	TO	S/N	SHIP	S/N	TO	S/N	SHIP
00549.....	To....	00608	12/93	00704.....	To....	00705	01/94*	00835.....	To....	00835	04/97*
00578w..	To....	00578w	06/90*	00706.....	To....	00706	12/93*	00836.....	To....	00837	05/97*
00591w..	To....	00591w	01/91*	00707.....	To....	00707	01/94*	00838.....	To....	00840	02/97*
00604....	To....	00604	05/91*	00707.....	To....	00708	11/93*	00841.....	To....	00842	12/96*
00605.....	To....	00606	05/91*	00709.....	To....	00711	03/94*	00843.....	To....	00847	01/97*
00609.....	To....	00614	09/95	00712.....	To....	00712	04/94*	00848.....	To....	00848	05/97*
00610.....	To....	00610	05/91*	00713.....	To....	00717D	05/94*	00849.....	To....	00853	06/97*
00611.....	To....	00611	06/91*	00717.....	To....	00717	07/92	00854.....	To....	00856	05/97*
00612.....	To....	00612	05/91*	00718D...	To....	00718D	05/94*	00857.....	To....	00859	08/97*
00614.....	To....	00615	06/91*	00718.....	To....	00718	08/92	00860.....	To....	00860	07/97*
00615D...	To....	00716	06/95	00719.....	To....	00722	10/92	00861.....	To....	00861	09/97*
00617.....	To....	00619	07/91*	00719D...	To....	00719D	05/94*	00862.....	To....	00862	03/97*
00620.....	To....	00624	08/91*	00720.....	To....	00722	05/94*	00863.....	To....	00864	06/97*
00625.....	To....	00625	10/91*	00722A...	To....	00723	12/94	00865.....	To....	00867	11/97*
00626.....	To....	00626	08/91*	00723D...	To....	00723D	05/94*	00868.....	To....	00869	08/97*
00627.....	To....	00627	10/91*	00724.....	To....	00725	08/94*	00870.....	To....	00871	09/97*
00628.....	To....	00628	12/91*	00726.....	To....	00730	06/94*	00872.....	To....	00873	11/97*
00629.....	To....	00629	11/91*	00731.....	To....	00732	07/94*	00874.....	To....	00877	03/98*
00630.....	To....	00630	01/92*	00733.....	To....	00736	08/94*	00878.....	To....	00881	04/98*
00631.....	To....	00631	11/91*	00737.....	To....	00739	09/94*	00882.....	To....	00883	06/98*
00632.....	To....	00636	12/91*	00740.....	To....	00742	11/94*	00884.....	To....	00887	07/98*
00637.....	To....	00638	01/92*	00743.....	To....	00743	06/95*	00888.....	To....	00890	08/98*
00639.....	To....	00642	03/92*	00744.....	To....	00744	12/94*	00891.....	To....	00898	10/98*
00643.....	To....	00646	04/92*	00745.....	To....	00745	02/94*	00899.....	To....	00901	12/98*
00647.....	To....	00647	06/92*	00746.....	To....	00748	01/95*	00902.....	To....	00903	02/99*
00648.....	To....	00648	04/92*	00749.....	To....	00751	02/95*	00904.....	To....	00904	03/99*
00649.....	To....	00651	06/92*	00752.....	To....	00752	04/95*	00905.....	To....	00906	04/99*
00652.....	To....	00653	07/92*	00753.....	To....	00753	05/95*	00907.....	To....	00908	06/99*
00654.....	To....	00654	08/92*	00754.....	To....	00758	04/95*	00909.....	To....	00912	07/99*
00655.....	To....	00656	07/92*	00759.....	To....	00768	05/95*	00913.....	To....	00913	05/99*
00657.....	To....	00657	01/92*	00769.....	To....	00772	06/95*	00914.....	To....	00916	07/99*
00658.....	To....	00659	09/92*	00773.....	To....	00773	12/95*	00917.....	To....	00917	08/99*
00660.....	To....	00660	03/92*	00774.....	To....	00778	07/95*	00918.....	To....	00919	10/99*
00661.....	To....	00665	10/92*	00779.....	To....	00780	08/95*	00920.....	To....	00920	06/00*
00666.....	To....	00667	12/92*	00781.....	To....	00781	10/95*	00921.....	To....	00921	04/01*
00668.....	To....	00638	03/93*	00782.....	To....	00783	09/95*	00922.....	To....	00922	05/01*
00669.....	To....	00670	12/92*	00784.....	To....	00788	10/95*	00923.....	To....	00923	04/01*
00671.....	To....	00671	03/93*	00789.....	To....	00789	11/95*	00924.....	To....	00924	07/00*
00672.....	To....	00677	02/93*	00790.....	To....	00794	12/95*	00925.....	To....	00925	04/01*
00678.....	To....	00680	03/93*	00795.....	To....	00800	02/96*	00926.....	To....	00926	11/99*
00681.....	To....	00682	04/93*	00801.....	To....	00807	11/96*	02001.....	To....	02005	05/00*
00682A...	To....	00682A	07/93*	00801.....	To....	00807	11/96*	02006.....	To....	02010	07/00*
00683.....	To....	00684	04/93*	00808.....	To....	00808	04/96*	02011.....	To....	02013	08/00*
00685.....	To....	00687	05/93*	00809.....	To....	00819	06/96*	02014.....	To....	02017	09/00*
00688.....	To....	00693	06/93*	00820.....	To....	00821	07/96*	02018.....	To....	02018	10/00*
00694.....	To....	00694	11/93*	00822.....	To....	00824	08/96*	02019.....	To....	02019	11/00*
00695.....	To....	00696	06/93*	00825.....	To....	00825	09/96*	02020.....	To....	02024	02/01*
00697.....	To....	00698	08/93*	00826.....	To....	00828	04/97*	02025.....	To....	02029	03/01*
00699.....	To....	00700	09/93*	00829.....	To....	00830	09/96*	02030.....	To....	02030	05/01*
00637.....	To....	00638	01/92*	00831.....	To....	00831	02/97*	02031.....	To....	02035	04/01*
00701.....	To....	00701	10/93*	00832.....	To....	00833	10/96*	02036.....	To....	02039	05/01*
00702.....	To....	00703	02/94*	00834.....	To....	08034	05/97	02040.....	To....	02043	06/01*

S/N - SHD 88" FLAIL

SHD88				SHD88				SHD88			
S/N	TO	S/N	SHIP	S/N	TO	S/N	SHIP	S/N	TO	S/N	SHIP
02044	To	02044	07/01*	13332	To	13333	06/91	13652	To	13655	02/92
02045	To	02045	06/01*	13335	To	13336	05/91	13656	To	13665	09/92
02046	To	02047	08/01*	13337	To	13337	06/91	13666	To	13674	02/92
02048	To	02048	07/01*	13338	To	13345	05/91	13675	To	13703	12/91
02049	To	02053	08/01*	13346	To	13367	06/91	13704	To	13706	01/92
0662	To	0662	03/93*	13376	To	13376	07/91	13707	To	13707	04/92
07011	To	08055	12/96	13377	To	13377	09/91	13708	To	13708	03/92
08056	To	10100	09/98	13378	To	13380	06/91	13710	To	13710	01/92
10101	To	10707	02/00	13381	To	13383	08/91	13711	To	13712	02/92
10708	To	11744	12/96	13384	To	13387	06/91	13713	To	13740	01/92
11615	To	11633	04/89	13388	To	13396	07/91	13741	To	13774	02/92
11634	To	11634	03/90	13397	To	13398	09/91	13775	To	13783	03/92
11635	To	11645	04/89	13399	To	13399	07/91	13784	To	13785	03/92
11646	To	11649	07/89	13400	To	13401	11/91	13791	To	13792	09/92
11650	To	11650	02/89	13402	To	13407	07/91	13793	To	13793	01/93
11651	To	11651	07/89	13408	To	13408	08/91	13794	To	13796	08/92
11652	To	11668	02/89	13409	To	13412	07/91	13798	To	13802	03/92
11669	To	11672	03/89	13413	To	13413	09/91	13803	To	13804	04/92
11673	To	11681	07/89	13414	To	13414	07/91	13805	To	13808	03/92
11682	To	11685	03/89	13415	To	13415	08/91	13809	To	13810	04/92
11686	To	11687	07/89	13416	To	13417	07/91	13811	To	13812	03/92
11688	To	11692	03/89	13418	To	13418	08/91	13813	To	13814	04/92
11693	To	11701	07/89	13419	To	13422	07/91	13815	To	13815	03/92
11702	To	11778	03/89	13423	To	13425	08/91	13816	To	13818	04/92
11779	To	11816	04/89	13436	To	13437	10/91	13819	To	13819	03/92
11817	To	11873	11/89	13438	To	13442	09/91	13820	To	13821	05/92
11874	To	11899	05/89	13443	To	13433	12/91	13822	To	13823	03/92
11900	To	11914	11/89	13444	To	13445	11/91	13824	To	13824	04/92
11915	To	11918	12/89	13446	To	13447	09/91	13825	To	13827	05/92
11919	To	11937	11/89	13448	To	13453	08/91	13828	To	13829	03/92
12159	To	12159	02/90	13454	To	13457	10/91	13829	To	13829	03/92
12261	To	12261	03/90	13458	To	13464	04/94	13830	To	13830	04/92
12419	To	12419	04/90	13465	To	13468	08/91	13831	To	13831	03/92
11745	To	122573	11/95	13469	To	13469	04/92	13832	To	13833	04/92
122574	To	12535	11/95	13470	To	13474	08/91	13834	To	13835	06/92
12536	To	13124	09/91	13475	To	13475	10/91	13836	To	13841	03/92
13125	To	13132	03/91	13476	To	13479	09/91	13842	To	13877	04/92
13133	To	13155	06/91	13480	To	13480	01/93	13878	To	13878	06/92
13156	To	13255	03/91	13481	To	13503	09/91	13879	To	13881	04/92
13256	To	13264	04/91	13504	To	13509	10/92	13882	To	13882	05/92
13265	To	13276	05/91	13510	To	13510	12/95	13883	To	13883	06/92
13277	To	13279	06/91	13511	To	13531	09/91	13884	To	13884	05/92
13280	To	13300	05/91	13532	To	13539	12/92	13885	To	13896	04/92
13301	To	13301	07/91	13540	To	13546	07/92	13897	To	13897	05/92
13302	To	13302	05/91	13547	To	13568	09/91	13898	To	13898	04/92
13303	To	13308	07/91	13569	To	13595	10/91	13899	To	13903	05/92
13309	To	13309	06/91	13596	To	13632	11/91	13904	To	13904	07/92
13310	To	13310	09/91	13633	To	13634	01/92	13905	To	13905	08/92
13311	To	13326	05/91	13635	To	13635	11/91	13906	To	13906	06/92
13327	To	13328	08/91	13636	To	13636	12/91	13908	To	13926	05/92
13329	To	13329	07/91	13637	To	13643	11/91	13927	To	13927	06/92
13330	To	13331	05/91	13644	To	13651	12/91	13928	To	13934	05/92

S/N - SHD 88" FLAIL

SHD88				SHD88				SHD88			
S/N	TO	S/N	SHIP	S/N	TO	S/N	SHIP	S/N	TO	S/N	SHIP
13935.....	To....	13935	06/92	14093.....	To....	14093	02/93	14438.....	To....	14439	04/93
13936.....	To....	13942	05/92	14094.....	To....	14094	10/92	14440.....	To....	14440	04/93
13943.....	To....	13943	07/92	14095.....	To....	14099	09/92	14441.....	To....	14441	05/93
13944.....	To....	13946	06/92	14100.....	To....	14100	11/92	14442.....	To....	14443	04/93
13947.....	To....	13948	12/92	14101.....	To....	14103	09/92	14444.....	To....	14447	03/93
13949.....	To....	13950	01/93	14104.....	To....	14105	12/92	14448.....	To....	14495	04/93
13951.....	To....	13951	02/93	14106.....	To....	14106	10/92	14496.....	To....	14496	11/93
13952.....	To....	13853	01/93	14107.....	To....	14108	09/92	14497.....	To....	14498	04/93
13954.....	To....	13958	08/92	14109.....	To....	14109	12/92	14499.....	To....	14499	05/93
13959.....	To....	13963	09/92	14110.....	To....	14111	01/93	14500.....	To....	14536	04/93
13963.....	To....	13963	08/92	14112.....	To....	14113	10/92	14537.....	To....	14593	05/93
13964.....	To....	13964	07/92	14114.....	To....	14116	09/92	14594.....	To....	14594	06/93
13965.....	To....	13965	01/93	14117.....	To....	14117	10/92	14595.....	To....	14596	05/93
13966.....	To....	13966	06/92	14118.....	To....	14119	09/92	14597.....	To....	14621	06/93
13967.....	To....	13967	01/93	14120.....	To....	14120	10/92	14622.....	To....	14622	07/93
13968.....	To....	13971	06/92	14121.....	To....	14122	12/92	14623.....	To....	14636	06/93
13972.....	To....	13972	07/92	14123.....	To....	14125	10/92	14636A...	To....	14636A	02/95
13973.....	To....	13973	01/93	14126.....	To....	14129	12/92	14637.....	To....	14637	06/93
13974.....	To....	13976	07/93	14130.....	To....	14130	10/92	14638.....	To....	14638	07/93
13977.....	To....	13977	08/92	14131.....	To....	14132	12/92	14639.....	To....	14639	06/93
13978.....	To....	13978	07/92	14133.....	To....	14134	11/92	14640.....	To....	14641	07/93
13979.....	To....	13979	06/92	14135.....	To....	14141	10/92	14642.....	To....	14658	06/93
13980.....	To....	13980	07/92	14142.....	To....	14142	12/92	14659.....	To....	14659	07/93
13981.....	To....	13991	06/92	14143.....	To....	14145	10/92	14660.....	To....	14660	06/93
13992.....	To....	13993	07/92	14146.....	To....	14148	12/92	14661.....	To....	14662	07/93
13994.....	To....	13999	06/92	14149.....	To....	14149	10/92	14663.....	To....	14675	06/93
14.....	To....	14	03/96	14150.....	To....	14150	11/92	14676.....	To....	14686	07/93
14000.....	To....	14000	07/92	14151.....	To....	14151	12/92	14687.....	To....	14687	08/93
14001.....	To....	14001	10/92	14152.....	To....	14152	02/93	14688.....	To....	14692	07/93
14002.....	To....	14003	01/93	14153.....	To....	14155	11/92	14693.....	To....	14693	09/93
14004.....	To....	14005	08/92	14156.....	To....	14158	12/92	14694.....	To....	14695	07/93
14006.....	To....	14007	09/92	14159.....	To....	14160	11/92	14696.....	To....	14700	09/93
14008.....	To....	14008	10/92	14161.....	To....	14161	02/93	14701.....	To....	14702	07/93
14009.....	To....	14009	08/92	14162.....	To....	14164	12/92	14703.....	To....	14703	08/93
14010.....	To....	14010	11/92	14165.....	To....	14165	11/92	14704.....	To....	14708	07/93
14011.....	To....	14011	07/92	14166.....	To....	14172	12/92	14709.....	To....	14736	08/93
14012.....	To....	14012	05/92	14173.....	To....	14174	11/92	14737.....	To....	14737	11/93
14013.....	To....	14013	07/92	14175.....	To....	14261	12/92	14738.....	To....	14738	04/94
14014.....	To....	14015	06/92	14262.....	To....	14264	01/93	14739.....	To....	14739	12/93
14016.....	To....	14031	07/92	14265.....	To....	14265	03/93	14740.....	To....	14740	08/93
14015.....	To....	14015	06/92	14266.....	To....	14266	01/93	14741.....	To....	14741	10/93
14016.....	To....	14031	07/92	14267.....	To....	14269	02/93	14742.....	To....	14748	08/93
14031.....	To....	14040	07/92	14270.....	To....	14270	01/93	14748A...	To....	14750	11/93
14041.....	To....	14046	08/92	14271.....	To....	14275	02/93	14751.....	To....	14752	09/93
14047.....	To....	14057	07/92	14276.....	To....	14276	03/93	14753.....	To....	14753	08/93
14058.....	To....	14058	08/92	14277.....	To....	14277	02/93	14754.....	To....	14755	09/93
14059.....	To....	14059	07/92	14278.....	To....	14278	03/93	14756.....	To....	14757	11/93
14060.....	To....	14077	08/92	14279.....	To....	14346	02/93	14758.....	To....	14758	10/93
14078.....	To....	14078	09/92	14347.....	To....	14350	03/93	14759.....	To....	14763	08/93
14079.....	To....	14081	08/92	14351.....	To....	14352	04/93	14764.....	To....	14764	09/93
14082.....	To....	14088	09/92	14353.....	To....	14358	02/93	14765.....	To....	14790	08/93
14089.....	To....	14092	12/92	14359.....	To....	14437	03/93	14791.....	To....	14799	09/93

S/N - SHD 88" FLAIL

SHD88				SHD88				SHD88			
S/N	TO	S/N	SHIP	S/N	TO	S/N	SHIP	S/N	TO	S/N	SHIP
14800.....	To....	14800	10/93	14949.....	To....	14949	01/94	15380.....	To....	15380	09/94
14801.....	To....	14801	09/93	14950.....	To....	14972	12/93	15381.....	To....	15392	08/94
14802.....	To....	14806	10/93	14973.....	To....	14973	03/94	15393.....	To....	15439	09/94
14807.....	To....	14807	12/93	14974.....	To....	14983	02/94	15440.....	To....	15440	10/94
14808.....	To....	14808	10/93	14984.....	To....	14987	01/94	15441.....	To....	15452	09/94
14809.....	To....	14809	01/94	14988.....	To....	14988	02/94	15453.....	To....	15453	12/94
14810.....	To....	14810	10/93	14989.....	To....	14991	03/94	15454.....	To....	15462	10/94
14811.....	To....	14817	11/93	14992.....	To....	14999	02/94	15463.....	To....	15463	05/95
14818.....	To....	14818	10/93	15.....	To....	15	03/96	15464.....	To....	15464	04/95
14819.....	To....	14829	11/93	15000.....	To....	15004	02/94	15465.....	To....	15466	05/95
14830.....	To....	14852	12/93	15005.....	To....	15011	01/94	15467.....	To....	15468	10/94
14853.....	To....	14853	10/93	15012.....	To....	15012	07/94	15469.....	To....	15469	03/95
14854.....	To....	14854	12/93	15013.....	To....	15067	02/94	15470.....	To....	15473	11/94
14855.....	To....	14858	10/93	15068.....	To....	15068	04/94	15474.....	To....	15479	12/94
14859.....	To....	14859	11/93	15069.....	To....	15080	02/94	15480.....	To....	15489	11/94
14860.....	To....	14860	12/93	15081.....	To....	15081	03/94	15490.....	To....	15526A	12/94
14861.....	To....	14861	11/93	15082.....	To....	15113	02/94	15527.....	To....	15527	06/94
14862.....	To....	14862	02/94	15114.....	To....	15114	03/94	15527A...	To....	15527A	12/94
14863.....	To....	14864	11/93	15115.....	To....	15116	02/94	15528.....	To....	15529	06/94
14865.....	To....	14866	12/93	15117.....	To....	15130	02/94	15529A...	To....	15529A	12/94
14867.....	To....	14868	05/94	15131.....	To....	15150	03/94	15530.....	To....	15530	06/94
14869.....	To....	14869	12/93	15151.....	To....	15152	04/94	15530A...	To....	15575	12/94
14870.....	To....	14870	01/94	15153.....	To....	15160	03/94	15576....	To....	15576	01/95
14871.....	To....	14875	11/93	15161.....	To....	15161	07/94	15577....	To....	15588	12/94
14876.....	To....	14876	09/94	15162.....	To....	15162	04/94	15589....	To....	15592	01/95
14877.....	To....	14877	06/94	15163.....	To....	15164	05/94	15593....	To....	15593	02/95
14878.....	To....	14878	05/94	15165.....	To....	15199	04/94	15594....	To....	15594	01/95
14879.....	To....	14880	11/93	15200.....	To....	15200	08/94	15595....	To....	15595	05/95
14881.....	To....	14881	06/94	15201.....	To....	15201	04/94	15596....	To....	15624	01/95
14882.....	To....	14882	04/94	15202.....	To....	15209	05/94	15625....	To....	15626	02/95
14882A...	To....	14882A	06/94	15210.....	To....	15210	06/94	15627....	To....	15628	01/95
14883.....	To....	14883A	04/94	15211.....	To....	15226	05/94	15629....	To....	15631	02/95
14884.....	To....	14884	12/93	15227.....	To....	15227	06/94	15632....	To....	15633	01/95
14884A...	To....	14884A	03/94	15228.....	To....	15250	05/94	15634....	To....	15685	02/95
14885.....	To....	14885	12/93	15251.....	To....	15278	06/94	15686....	To....	15686	03/95
14885A...	To....	14885A	04/94	15279.....	To....	15281	07/94	15687....	To....	15688	06/95
14886.....	To....	14886	11/93	15282.....	To....	15282	06/94	15689....	To....	15710	02/95
14886A...	To....	14886A	04/94	15283.....	To....	15285	07/94	15711.....	To....	15713	02/96
14887.....	To....	14887	03/94	15286.....	To....	15287	06/94	15714....	To....	15714	06/95
14887A...	To....	14887A	09/94	15288.....	To....	15290	07/94	15715....	To....	15715	02/95
14888.....	To....	14895	11/93	15291.....	To....	15292	06/94	15716....	To....	15723	03/95
14896.....	To....	14901	12/93	15293.....	To....	15293	08/94	15724....	To....	15724	04/95
14902.....	To....	14905	11/93	15294.....	To....	15298	07/94	15725....	To....	15726	03/95
14906.....	To....	14909	12/93	15298A...	To....	15298A	02/95	15727....	To....	15727	04/95
14910.....	To....	14911	11/93	15299.....	To....	15322	07/94	15728....	To....	15744	03/95
14912.....	To....	14932	12/93	15323.....	To....	15335	11/94	15745....	To....	15745	12/94
14933.....	To....	14934	02/93	15336.....	To....	15338	08/94	15745A..	To....	15748	03/95
14934A...	To....	14934A	11/93	15339.....	To....	15347	07/94	15749....	To....	15750	04/95
14935.....	To....	14935	02/93	15348.....	To....	15350	08/94	15751....	To....	15828	03/95
14935A...	To....	14936	12/93	15351.....	To....	15351	09/94	15829....	To....	15836	04/95
14937.....	To....	14937	02/93	15352.....	To....	15375	08/94	15837....	To....	15837	07/95
14937A...	To....	14948	12/93	15376.....	To....	15379	12/94	15838....	To....	15878	04/95

S/N - SHD 88" FLAIL

SH88				SHD88				SH88			
S/N	TO	S/N	SHIP	S/N	TO	S/N	SHIP	S/N	TO	S/N	SHIP
15879....	To....	15879	10/95	16385....	To....	16386	03/96	16682....	To....	16682	07/96
15880....	To....	15880	05/95	16387....	To....	16387	04/96	16683....	To....	16683	08/97
15881....	To....	15881	04/95	16388....	To....	16389	03/96	16684....	To....	16686	04/97
15852....	To....	15897	05/95	16390....	To....	16392	04/96	16687....	To....	16687	07/96
15898....	To....	15898	08/95	16393....	To....	16395	03/96	16688....	To....	16688	08/97
15899....	To....	15915	05/95	16396....	To....	16409	05/96	16689....	To....	16689	10/96
15916....	To....	15928	11/95	16410....	To....	16429	03/96	16690....	To....	16690	11/96
15929....	To....	15930	06/96	16430....	To....	16431	04/96	16691....	To....	16691	04/96
15931....	To....	15936	05/95	16432....	To....	16432	06/96	16692....	To....	16692	08/96
15937....	To....	15939	06/95	16433....	To....	16435	04/96	16693....	To....	16693	06/96
15940....	To....	15948	05/95	16436....	To....	16445	03/96	16694....	To....	16694	04/96
15948A..	To....	15948A	06/95	16446....	To....	16446	04/96	16695....	To....	16696	04/98
15949....	To....	15951	05/95	16447....	To....	16450	03/96	16697....	To....	16697	11/96
15952....	To....	15993	06/95	16451....	To....	16452	04/96	16698....	To....	16700	06/96
15994....	To....	15999	07/95	16453....	To....	16463	03/96	16701....	To....	16701	07/96
16.....	To....	16000	03/96	16464....	To....	16468	04/96	16702....	To....	16704	06/96
16001....	To....	16020	09/95	16469....	To....	16511	05/96	16705....	To....	16706	07/96
16021....	To....	16021	06/95	16512....	To....	16527	04/96	16707....	To....	16711	06/96
16022....	To....	16022	11/96	16528....	To....	16535	05/96	16712....	To....	16712	04/97
16023....	To....	16024	02/96	16536....	To....	16537	04/96	16713....	To....	16716	08/96
16025....	To....	16027	10/96	16538....	To....	16538	06/96	16717....	To....	16740	07/96
16028....	To....	16033	07/95	16538A..	To....	16538A	04/96	16741....	To....	16743	12/96
16034....	To....	16034	06/95	16539....	To....	16539	05/96	16744....	To....	16746	08/96
16035....	To....	16051	07/95	16539A..	To....	16539A	04/96	16747....	To....	16748	12/96
16052....	To....	16072	08/95	16540....	To....	16540	05/96	16749....	To....	16750	09/96
16073....	To....	16073	12/95	16540A..	To....	16535A	04/96	16751....	To....	16759	07/96
16074....	To....	16078	08/95	16540D...	To....	16540D	05/96	16760....	To....	16761	09/96
16079....	To....	16086	09/95	16541....	To....	16543	04/96	16762....	To....	16764	08/96
16087....	To....	16087	10/95	16544....	To....	16544	08/96	16765....	To....	16768	07/96
16088....	To....	16107	09/95	16545....	To....	16551	05/96	16769....	To....	16769	02/97
16108....	To....	16121	10/95	16552....	To....	16552	06/96	16770....	To....	16774	07/96
16122....	To....	16122	12/95	16553....	To....	16555	05/96	16775....	To....	16779	08/96
16123....	To....	16137	10/95	16556....	To....	16557	10/96	16780....	To....	16781	10/96
16138....	To....	16168	11/95	16558....	To....	16572	04/96	16782....	To....	16797	08/96
16169....	To....	16197	12/95	16573....	To....	16601	05/96	16798....	To....	16798	09/96
16198....	To....	16198	01/96	16602....	To....	16602	06/96	16799....	To....	16799	08/96
16199....	To....	16236	12/95	16603....	To....	16605	05/96	16800....	To....	16810	09/96
16237....	To....	16257	01/96	16605D...	To....	16605D	04/97	16811....	To....	16811	10/96
16258....	To....	16258	02/96	16606....	To....	16606	06/96	16812....	To....	16814	09/96
16259....	To....	16267	01/96	16607....	To....	16607	10/96	16815....	To....	16815	02/97
16268....	To....	16291	02/96	16608....	To....	16607	08/97	16816....	To....	16817	09/96
16292....	To....	16292	03/96	16609....	To....	16609	07/96	16818....	To....	16819	10/96
16293....	To....	16295	02/96	16610....	To....	16622	06/96	16820....	To....	16820	04/98
16296....	To....	16296	03/96	16623....	To....	16623	05/96	16821....	To....	16821	05/98
16297....	To....	16308	02/96	16624....	To....	16625	06/96	16822....	To....	16822	04/98
16309....	To....	16337	04/96	16626....	To....	16628	05/96	16823....	To....	16828	09/96
16342....	To....	16346	05/96	16629....	To....	16640	06/96	16829....	To....	16831	10/96
16347....	To....	16354	02/96	16641....	To....	16641	12/95	16832....	To....	16833	09/96
16355....	To....	16355	03/96	16642....	To....	16678	06/96	16834....	To....	16834	11/96
16356....	To....	16360	02/96	16679....	To....	16679	07/96	16835....	To....	16835	09/96
16361....	To....	16383	03/96	16680....	To....	16680	06/96	16836....	To....	16838	04/97
16384....	To....	16384	05/96	16681....	To....	16681	08/97	16839....	To....	16840	02/97

S/N - SHD 88" FLAIL

SHD88				SHD88				SHD88			
S/N	TO	S/N	SHIP	S/N	TO	S/N	SHIP	S/N	TO	S/N	SHIP
16841....	To....	16842	10/96	16946....	To....	16947	02/97	17201.....	To....	17201	06/98
16843....	To....	16843	06/97	16948....	To....	16949	12/96	17202.....	To....	17202	06/97
16844....	To....	16844	05/97	16950....	To....	16950	02/97	17203.....	To....	17203	04/98
16845....	To....	16845	03/97	16951....	To....	16953	12/96	17204.....	To....	17206	06/98
16846....	To....	16848	09/96	16954....	To....	16956	11/96	17207.....	To....	17210	06/97
16849....	To....	16850	10/96	16957....	To....	16959	12/96	17211.....	To....	17211	07/97
16851....	To....	16852	08/97	16960....	To....	16960	09/97	17212.....	To....	17213	06/98
16853....	To....	16856	10/97	16961....	To....	16961	04/97	17214.....	To....	17232	03/97
16857....	To....	16858	09/96	16962....	To....	16962	03/97	17233.....	To....	17236	04/97
16859....	To....	16859	05/98	16963....	To....	16963	01/98	17237.....	To....	17239	03/97
16860....	To....	16860	11/96	16964....	To....	16964	12/96	17240.....	To....	17243	04/97
16861....	To....	16861	03/98	16965....	To....	16965	02/97	17244.....	To....	17244	05/97
16862....	To....	16864	06/98	16966....	To....	16973	12/96	17245.....	To....	17245	03/97
16865....	To....	16867	11/96	16974....	To....	16977	11/96	17246.....	To....	17247	06/97
16868....	To....	16871	12/96	16978....	To....	16979	12/96	17248.....	To....	17248	03/97
16872....	To....	16873	10/96	16980....	To....	16980	03/97	17249.....	To....	17249	05/97
16874....	To....	16874	11/96	16981....	To....	16981	09/97	17250.....	To....	17251	04/97
16875....	To....	16875	06/97	16982....	To....	16983	03/97	17252.....	To....	17252	05/97
16876....	To....	16876	11/96	16984....	To....	16984	11/96	17253.....	To....	17268	04/97
16877....	To....	16877	12/97	16985....	To....	17018	12/96	17269.....	To....	17269	05/97
16878....	To....	16878	02/97	17019....	To....	17019	08/97	17270.....	To....	17270	04/97
16879....	To....	16879	07/97	17020....	To....	17021	07/97	17271.....	To....	17272	03/97
16880....	To....	16881	04/97	17022....	To....	17022	08/97	17273.....	To....	17273	06/97
16882....	To....	16888	10/96	17023....	To....	17024	06/97	17274.....	To....	17284	03/97
16889....	To....	16889	03/97	17025....	To....	17025	08/97	17285.....	To....	17290	04/97
16890....	To....	16891	01/97	17026....	To....	17026	07/97	17291.....	To....	17293	05/97
16892....	To....	16894	10/96	17027....	To....	17028	06/97	17294.....	To....	17295	07/97
16895....	To....	16895	12/96	17029....	To....	17033	12/96	17296.....	To....	17308	04/97
16896....	To....	16897	10/96	17034....	To....	17039	10/97	17309.....	To....	17310	05/97
16898....	To....	16900	01/97	17040....	To....	17041	08/97	17311.....	To....	17313	04/97
16901....	To....	16901	04/97	17042....	To....	17044	06/97	17314.....	To....	17315	09/97
16902....	To....	16902	03/97	17045....	To....	17048	03/97	17315.....	To....	17331	04/97
16903....	To....	16904	10/96	17049....	To....	17049	04/97	17332.....	To....	17334	09/97
16905....	To....	16910	11/96	17050....	To....	17051	03/97	17335.....	To....	17337	04/97
16911....	To....	16912	02/97	17052....	To....	17052	07/97	17338.....	To....	17340	10/97
16913....	To....	16915	11/96	17053....	To....	17056	05/97	17341.....	To....	17354	04/97
16916....	To....	16917	12/96	17057....	To....	17121	01/97	17355.....	To....	17358	05/97
16918....	To....	16922	10/96	17122....	To....	17162	02/97	17359.....	To....	17364	06/97
16923....	To....	16925	11/96	17163....	To....	17166	01/97	17365.....	To....	17365	05/97
16926....	To....	16926	12/96	17167....	To....	17167	10/97	17366.....	To....	17367	06/97
16927....	To....	16927	02/97	17168....	To....	17169	04/98	17368.....	To....	17369	07/97
16928....	To....	16928	11/96	17170....	To....	17171	01/98	17370.....	To....	17370	06/97
16929....	To....	16931	12/96	17172....	To....	17172	02/97	17371.....	To....	17377	09/97
16932....	To....	16932	08/97	17173....	To....	17176	03/97	17378.....	To....	17378	06/97
16933....	To....	16933	10/97	17177....	To....	17177	05/97	17379.....	To....	17379	08/97
16934....	To....	16934	06/97	17178....	To....	17178	04/97	17380.....	To....	17380	09/97
16935....	To....	16937	12/96	17179....	To....	17180	03/97	17381.....	To....	17407	05/97
16938....	To....	16938	10/97	17181....	To....	17188	02/97	17408.....	To....	17411	07/97
16939....	To....	16940	04/97	17189....	To....	17189	06/98	17412....	To....	17413	06/97
16941....	To....	16941	02/99	17190....	To....	17190	07/97	17414....	To....	17417	07/97
16942....	To....	16943	12/96	17191....	To....	17199	06/97	17418....	To....	17421	06/97
16944....	To....	16945	11/96	17200....	To....	17200	07/97	17422....	To....	17426	08/97

S/N - SHD 88" FLAIL

SHD88				SHD88				SHD88			
S/N	TO	S/N	SHIP	S/N	TO	S/N	SHIP	S/N	TO	S/N	SHIP
17427.....	To....	17431	06/97	17619.....	To....	17619	01/98	18164.....	To....	18165	02/99
17432.....	To....	17432	07/97	17620.....	To....	17620	06/98	18166.....	To....	18169	12/98
17433.....	To....	17433	03/98	17621.....	To....	17621	10/97	18170.....	To....	18174	02/99
17434.....	To....	17435	06/97	17622.....	To....	17625	11/97	18175.....	To....	18179	12/98
17436.....	To....	17444	07/97	17626.....	To....	17627	10/97	18180.....	To....	18184	01/99
17445.....	To....	17446	01/98	17628.....	To....	17630	11/97	18185.....	To....	18188	12/98
17447.....	To....	17447	03/98	17631.....	To....	17648	12/97	18189.....	To....	18244	02/99
17448.....	To....	17450	07/97	17649.....	To....	17650	01/98	18245.....	To....	18249	04/99
174500...	To....	17451	08/97	17651.....	To....	17710	12/97	18250.....	To....	18275	02/99
17452.....	To....	17452	07/97	17711.....	To....	17711	06/98	18276.....	To....	18287	03/99
17452.....	To....	17453	08/97	17712.....	To....	17714	12/97	18288.....	To....	18311	04/99
17454.....	To....	17457	07/97	17715.....	To....	17726	01/98	18312.....	To....	18398	04/99
17458.....	To....	17458	12/97	17727.....	To....	17727	02/98	18399.....	To....	18423	07/99
17459.....	To....	17476	07/97	17728.....	To....	17732	01/98	18424.....	To....	18426	09/99
17477.....	To....	17479	08/97	17733.....	To....	17766	02/98	18427.....	To....	18455	05/99
17480.....	To....	17481	10/97	17767.....	To....	17824	03/98	18456.....	To....	18459	06/99
17482.....	To....	17482	08/97	17825.....	To....	17855	04/98	18460.....	To....	18460	02/00
17483.....	To....	17484	07/97	17856.....	To....	17916	05/98	18461.....	To....	18485	06/99
17485.....	To....	17485	11/98	17917.....	To....	17918	08/98	18486.....	To....	18502	07/99
17486.....	To....	17489	08/97	17919.....	To....	17932	06/98	18503.....	To....	18517	08/99
17490.....	To....	17490	10/97	17933.....	To....	17933	11/98	18518.....	To....	18552	07/99
17491.....	To....	17491	08/97	17934.....	To....	17935	10/98	18553.....	To....	18553	08/99
17492.....	To....	17492	10/97	17936.....	To....	17959	06/98	18554.....	To....	18563	07/99
17492.....	To....	17493	08/97	17960.....	To....	17961	08/98	18564.....	To....	18584	08/99
17494.....	To....	17496	10/97	17962.....	To....	17968	06/98	18585.....	To....	18586	11/99
17497.....	To....	17497	04/98	17969.....	To....	17980	07/98	18587.....	To....	18600	08/99
17498.....	To....	17498	10/97	17981.....	To....	17981	02/99	18601.....	To....	18610	09/99
17499.....	To....	17499	08/97	17982.....	To....	17985	07/98	18611.....	To....	18615	08/99
17500.....	To....	17500	04/98	17986.....	To....	17986	09/98	18616.....	To....	18617	05/00
17501.....	To....	17501	08/97	17987.....	To....	17987	08/98	18618.....	To....	18618	01/00
17502.....	To....	17502	10/97	17988.....	To....	17993	07/98	18619.....	To....	18653	09/99
17503.....	To....	17503	02/98	17994.....	To....	17994	05/01	18654.....	To....	18654	02/00
17504.....	To....	17504	04/98	17995.....	To....	17995	08/98	18655.....	To....	18684	10/99
17505.....	To....	17505	06/98	17996.....	To....	17998	11/97	18685.....	To....	18685	12/97
17506.....	To....	17506	02/98	17999.....	To....	17999	05/97	18686.....	To....	18686	10/99
17507.....	To....	17507	04/98	18000.....	To....	18006	07/98	18687.....	To....	18695	02/00
17508.....	To....	17500	09/97	18007.....	To....	18027	08/98	18696.....	To....	18699	12/99
17509.....	To....	17515	09/97	18028.....	To....	18028	09/98	18970.....	To....	18970	09/92
17516.....	To....	17517	11/97	18029.....	To....	18052	08/98	19001.....	To....	19003	03/00
17518.....	To....	17524	08/97	18053.....	To....	18057	09/98	19004.....	To....	19004	02/00
17525.....	To....	17599	09/97	18058.....	To....	18059	10/98	19005.....	To....	19006	01/00
17600.....	To....	17600	01/98	18060.....	To....	18076	09/98	19006D...	To....	19007	12/99
17601.....	To....	17601	10/97	18077.....	To....	18078	10/98	19007D...	To....	19008	01/00
17602.....	To....	17603	12/97	18079.....	To....	18079	11/98	19009...	To....	19009	02/00
17604.....	To....	17609	10/97	18080.....	To....	18090	10/98	19010...	To....	19011	01/00
17610.....	To....	17610	11/97	18091.....	To....	18091	11/98	19012...	To....	19046	02/00
17611.....	To....	17611	10/97	18092.....	To....	18093	02/99	19046D...	To....	19046D	12/99
17612.....	To....	17612	11/97	18094.....	To....	18106	10/98	19047...	To....	19049	02/00
17613.....	To....	17613	10/97	18107.....	To....	18117	11/98	19050...	To....	19050	03/00
17614.....	To....	17614	01/98	18118.....	To....	18140	12/98	19051...	To....	19108	02/00
17615.....	To....	17615	11/97	18141.....	To....	18142	01/99	19109...	To....	19109	03/00
17616.....	To....	17618	10/97	18143.....	To....	18163	12/98	19110...	To....	19130	02/00

S/N - SHD 88" FLAIL

SHD88				SHD88				SHD88			
S/N	TO	S/N	SHIP	S/N	TO	S/N	SHIP	S/N	TO	S/N	SHIP
19131...	To....	19136	03/00	19536...	To....	19536	11/00	19726...	To....	19727	04/01
19137...	To....	19137	08/01	19537...	To....	19537	10/00	19728...	To....	19730	03/01
19138...	To....	19145	03/00	19538...	To....	19541	11/00	19731...	To....	19732	07/01
19146...	To....	19147	02/00	19542...	To....	19544	10/00	19732D...	To....	19735	04/01
19148...	To....	19149	03/00	19545...	To....	19553	11/00	19736...	To....	19743	03/01
19150...	To....	19150	02/00	19554...	To....	19555	12/00	19744...	To....	19745	04/01
19151...	To....	19151	08/01	19556...	To....	19556	11/00	19746...	To....	19756	03/01
19152...	To....	19207	03/00	19557...	To....	19557	12/00	19757...	To....	19758	04/01
19207D...	To....	19207D	05/00	19558...	To....	19564	11/00	19759...	To....	19759	03/01
19208...	To....	19218	03/00	19565...	To....	19565	02/01	19760...	To....	19763	04/01
19219...	To....	19231	04/00	19566...	To....	19566	06/01	19764...	To....	19764	05/01
19232...	To....	19232	05/00	19567...	To....	19567	01/01	19765...	To....	19765	04/01
19233...	To....	19234	04/00	19568...	To....	19568	12/00	19766...	To....	19766	05/01
19235...	To....	19235	05/00	19569...	To....	19569	05/01	19767...	To....	19768	06/01
19236...	To....	19236	04/00	19570...	To....	19570	02/01	19769...	To....	19771	04/01
19237...	To....	19238	05/00	19571...	To....	19571	12/00	19772...	To....	19772	12/01
19239...	To....	19241	04/00	19572...	To....	19572	06/01	19773...	To....	19782	04/01
19242...	To....	19242	09/00	19573...	To....	19575	12/00	19783...	To....	19832	05/01
19243...	To....	19250	05/00	19576...	To....	19583	11/00	19833...	To....	19834	06/01
19251...	To....	19255	04/00	19584...	To....	19587	12/00	19835...	To....	19837	07/01
19256...	To....	19299	05/00	19588...	To....	19588	01/01	19838...	To....	19888	06/01
19300...	To....	19300	06/00	19589...	To....	19590	12/00	19888D...	To....	19889	07/01
19301...	To....	19311	05/00	19591...	To....	19592	05/01	19890...	To....	19890	06/01
19312...	To....	19314	06/00	19593...	To....	19600	11/00	19891...	To....	19931	07/01
19315...	To....	19316	05/00	19601...	To....	19623	12/00	19932...	To....	19932	06/01
19317...	To....	19320	06/00	19624...	To....	19638	01/01	19932D...	To....	19952	07/01
19321...	To....	19324	05/00	19639...	To....	19639	02/01	19953...	To....	19954	09/01
19325...	To....	19335	06/00	19640...	To....	19648	01/01	19955...	To....	19955	08/01
19336...	To....	19336	07/00	19649...	To....	19649	06/01	19956...	To....	19956	09/01
19337...	To....	19337	06/00	19650...	To....	19651	01/01	19957...	To....	19978	08/01
19337D...	To....	19337D	07/01	19652...	To....	19652	02/01	19979...	To....	19980	09/01
19338...	To....	19366	06/00	19653...	To....	19654	01/01	19981...	To....	19991	08/01
19367...	To....	19367	07/00	19655...	To....	19655	02/01	19992...	To....	19999	09/01
19368...	To....	19377	06/00	19656...	To....	19656	01/01	20000...	To....	20016	09/01
19378...	To....	19378	07/00	19656D...	To....	19656D	02/01	20017...	To....	20017	11/01
19379...	To....	19392	06/00	19657...	To....	19663	01/01	20018...	To....	20021	09/01
19393...	To....	19397	07/00	19664...	To....	19665	02/01	20022...	To....	20028	10/01
19398...	To....	19401	06/00	19666...	To....	19667	03/01	20029...	To....	20030	09/01
19402...	To....	19404	07/00	19668...	To....	19669	01/01	20031...	To....	20032	10/01
19405...	To....	19405	05/00	19670...	To....	19675	05/01	20033...	To....	20034	12/01
19406...	To....	19429	07/00	19676...	To....	19682	02/01	20035...	To....	20036	11/01
19430...	To....	19430	08/00	19683...	To....	19683	05/01	20037...	To....	20037	10/01
19431...	To....	19433	07/00	19684...	To....	19684	04/01	20038...	To....	20039	02/02
19434...	To....	19447	08/00	19685...	To....	19685	02/01	20040...	To....	20045	11/01
19448...	To....	19448	09/00	19686...	To....	19686	05/01	20046...	To....	20055	10/01
19449...	To....	19486	08/00	19687...	To....	19688	06/01	20056...	To....	20057	12/01
19487...	To....	19487	09/00	19689...	To....	19692	05/01	20058...	To....	20059	10/01
19488...	To....	19488	08/00	19693...	To....	19693	03/01	20060...	To....	20060	11/01
19488D...	To....	19514	09/00	19694...	To....	19694	05/01	20061...	To....	20064	10/01
19515...	To....	19523	10/00	19695...	To....	19698	02/01	20065...	To....	20066	11/01
19524...	To....	19524	04/01	19699...	To....	19699	05/01	20067...	To....	20068	12/01
19525...	To....	19535	10/00	19700...	To....	19725	03/01	20069...	To....	20071	10/01

S/N - SHD 88" FLAIL

SHD88				SHD88				SHD88			
S/N	TO	S/N	SHIP	S/N	TO	S/N	SHIP	S/N	TO	S/N	SHIP
20072...	To....	20074	11/01	20505D...	To....	20505D	01/03	20901.....	To....	20910	08/03
20075...	To....	20075	12/01	20506.....	To....	20507	12/02	20911.....	To....	20914	07/03
20076...	To....	20080	11/01	20509.....	To....	20517	01/03	20915.....	To....	20915	06/03
20081...	To....	20086	12/01	20518.....	To....	20519	01/03	20916.....	To....	20939	08/03
20087...	To....	20087	01/02	20521.....	To....	20528	01/03	20940.....	To....	20942	09/03
20088...	To....	20090	02/02	20529.....	To....	20538	11/02	20945.....	To....	20946	09/03
20091...	To....	20103	12/01	20539.....	To....	20540	11/02	20949.....	To....	20951	09/03
20104...	To....	20104	05/02	20541.....	To....	20543	12/02	20954....	To....	20959	09/03
20105....	To....	20134	12/01	20544.....	To....	20544	11/02	20960.....	To....	20964	10/03
20135...	To....	20174	01/02	20545.....	To....	20545	12/02	20965.....	To....	20966	09/03
20175...	To....	20196	02/02	20546.....	To....	20554	11/02	20973.....	To....	20974	10/03
20187...	To....	20213	03/02	20555.....	To....	20583	11/02	20976.....	To....	20976	10/03
20214....	To....	20214	06/02	20584.....	To....	20597	01/03	20979.....	To....	20979	10/03
20215....	To....	20219	03/02	20598.....	To....	20601	02/03	20999.....	To....	10999	10/03
20220....	To....	20223	04/02	20603.....	To....	20632	02/03	21003.....	To....	21005	10/03
20224....	To....	20226	03/02	20634.....	To....	20635	08/02	21016.....	To....	21018	11/03
20227.....	To....	20292	04/02	20636.....	To....	20661	09/02	40101.....	To....	40101	02/00
20293.....	To....	20294	06/02	20669.....	To....	20699	10/02	55450.....	To....	55450	06/91
20295....	To....	20298	05/02	20702.....	To....	20704	10/02	55472.....	To....	55472	07/93
20299....	To....	20299	09/02	20705.....	To....	20708	11/02	60832.....	To....	60835	11/03
20300.....	To....	20300	05/02	20708D..	To....	20708D	04/03	79148.....	To....	79148	02/00
20301.....	To....	20301	07/02	20709.....	To....	20710	04/03				
20302.....	To....	20302	06/02	20711.....	To....	20711	11/02				
20303.....	To....	20303	05/02	20712.....	To....	20716	04/03				
20304.....	To....	20322	06/02	20717....	To....	20726	05/03				
20323.....	To....	20323	05/02	20729.....	To....	20732	05/03				
20324.....	To....	20324	04/02	20733.....	To....	20733	02/03				
20325.....	To....	20330	05/02	20733D...	To....	20733D	05/03				
20332.....	To....	20332	07/02	20734.....	To....	20736	02/03				
20334.....	To....	20334	06/02	20737.....	To....	20741	02/03				
20339.....	To....	20352	05/02	20742.....	To....	20742	03/03				
20354.....	To....	20356	06/02	20744.....	To....	20745	03/03				
20358.....	To....	20358	07/02	20746.....	To....	20779	03/03				
20359.....	To....	20412	06/02	20780.....	To....	20781	10/02				
20413....	To....	20414	07/02	20780D...	To....	20781D	03/03				
20415.....	To....	20418	12/02	20782.....	To....	20790	03/03				
20419.....	To....	20423	07/02	20791.....	To....	20802	04/03				
20424....	To....	20425	08/02	20803.....	To....	20808	04/03				
20426.....	To....	20440	07/02	20809.....	To....	20811	05/03				
20441.....	To....	20457	08/02	20812.....	To....	20817	05/03				
20458.....	To....	20460	11/02	20819.....	To....	20821	05/03				
20462.....	To....	20462	11/02	20822.....	To....	20822	02/03				
20463.....	To....	20478	12/02	20823.....	To....	20830	05/03				
20480.....	To....	20483	12/02	20831....	To....	20833	05/03				
20485....	To....	20488	12/02	20834....	To....	20839	06/03				
20490.....	To....	20493	12/02	20840....	To....	20840	05/03				
20495.....	To....	20499	12/02	20841....	To....	20851	06/03				
20500....	To....	20500	12/02	20852.....	To....	20864	06/03				
20500D...	To....	20500D	01/03	20865.....	To....	20866	07/03				
20501.....	To....	20502	12/02	20867.....	To....	20867	07/03				
20503.....	To....	20505	12/02	20869....	To....	20900	07/03				

S/N - SHD 96" FLAIL

SHD96				SHD96				SHD96			
S/N	TO	S/N	SHIP	S/N	TO	S/N	SHIP	S/N	TO	S/N	SHIP
000659...	To....	000659	08/96	00623....	To....	00623	12/95	00773....	To....	00776	12/98
000695...	To....	000695	09/97	00624....	To....	00624	03/96	00777....	To....	00777	02/99
00501....	To....	00503	12/92	00625....	To....	00627	02/96	00778....	To....	00782	01/99
00504....	To....	00504	09/94	00628...	To....	00639	03/96	00783....	To....	00783	02/99
00505....	To....	00506	02/93	00640....	To....	00641	05/96	00784....	To....	00784	06/99
00507....	To....	00507	03/93	00642....	To....	00642	06/96	00785....	To....	00788	02/99
00507A..	To....	00507A	06/93	00643....	To....	00647	05/96	00789....	To....	00801	03/99
00508....	To....	00508	03/93	00648....	To....	00648	06/96	00802....	To....	00808	04/99
00508A..	To....	00508A	06/93	00650....	To....	00651	07/96	00809....	To....	00809	07/98
00509....	To....	00509	06/93	00652....	To....	00653	08/96	00810....	To....	00825	04/99
00510....	To....	00516	05/93	00654....	To....	00660	09/96	00826....	To....	00837	05/99
00517....	To....	00517	04/93	00661....	To....	00661	01/97	00838....	To....	00851	07/99
00518....	To....	00519	05/93	00662....	To....	00662	12/96	00852....	To....	00855	08/99
00520....	To....	00522	06/93	00663....	To....	00663	05/97	00856....	To....	00856	03/00
00523....	To....	00524	07/93	00664....	To....	00664	02/97	00857....	To....	00859	08/99
00525....	To....	00525	02/94	00665....	To....	00665	01/98	00860....	To....	00866	09/99
00526....	To....	00528	09/93	00666....	To....	00667	11/97	00867....	To....	00867	01/00
00529....	To....	00529	11/93	00668....	To....	00668	08/97	00868....	To....	00869	10/99
00530....	To....	00539	10/93	00669....	To....	00669	11/96	00870....	To....	00870	12/99
00540....	To....	00540	11/93	00670....	To....	00670	12/96	00871....	To....	00871	01/00
00541....	To....	00551	12/93	00671....	To....	00673	01/97	00872....	To....	00872	11/99
00552....	To....	00552	01/94	00674....	To....	00674	02/97	00873....	To....	00873	05/00
00553....	To....	00560	02/94	00675....	To....	00676	05/97	00874....	To....	00874	01/00
00561....	To....	00562	03/94	00677....	To....	00677	02/97	00875....	To....	00880	12/99
00562A..	To....	00565	04/94	00678....	To....	00680	04/97	00881....	To....	01000	11/99
00566....	To....	00567	05/94	00681....	To....	00685	05/97	01001....	To....	01001	01/00
00568....	To....	00568	04/94	00686....	To....	00690	06/97	01002....	To....	01003	02/00
00569....	To....	00569	12/93	00691....	To....	00694	08/97	01004....	To....	01009	03/00
00570....	To....	00570	04/94	00695....	To....	00697	09/97	01010....	To....	01011	05/00
00571....	To....	00575	05/94	00698....	To....	00700	10/97	01012....	To....	01028	03/00
00576....	To....	00576	06/94	00701....	To....	00703	11/97	01029....	To....	01029	04/00
00577....	To....	00577	07/94	00704....	To....	00706	12/97	01030....	To....	01058	05/00
00578....	To....	00581	09/94	00707....	To....	00707	01/98	01059....	To....	01060	03/00
00582....	To....	00584	11/94	00708....	To....	00708	03/98	01061....	To....	01073	05/00
00585....	To....	00589	12/94	00709....	To....	00710	02/98	01074....	To....	01074	07/00
00590....	To....	00593	02/95	00711....	To....	00714	03/98	01075....	To....	01075	06/00
00594....	To....	00596	04/95	00715....	To....	00724	04/98	01076....	To....	01078	07/00
00597....	To....	00597	05/95	00725....	To....	00725	05/98	01079....	To....	01079	06/00
00598....	To....	00599	04/95	00726....	To....	00726	06/98	01080....	To....	01080	07/00
00600....	To....	00600	05/95	00727....	To....	00732	05/98	01081....	To....	01081	06/00
00601....	To....	00602	04/95	00733....	To....	00739	06/98	01082....	To....	01082	07/00
00603....	To....	00603	05/95	00740....	To....	00748	07/98	01083....	To....	01083	06/00
00604....	To....	00604	01/95	00749....	To....	00750	08/98	01084....	To....	01089	07/00
00605....	To....	00607	01/95	00751....	To....	00755	09/98	01090....	To....	01110	08/00
00608....	To....	00608	05/95	00756....	To....	00760	10/98	01111....	To....	01116	09/00
00609....	To....	00609	09/95	00761....	To....	00761	11/98	01117....	To....	01118	10/00
00610....	To....	00611	05/95	00762....	To....	00763	12/98	01119....	To....	0112	09/00
00612....	To....	00613	06/95	00764....	To....	00767	11/98	01120....	To....	01126	10/00
00614....	To....	00618	09/95	00768....	To....	00769	01/99	01127....	To....	01127	12/00
00619....	To....	00619	10/95	00770....	To....	00770	02/99	01128....	To....	01129	10/00
00620....	To....	00621	12/95	00771....	To....	00771	12/98	01130....	To....	01131	11/00
00622....	To....	00622	01/96	00772....	To....	00772	01/99	01132....	To....	01132	05/01

S/N - SHD 96" FLAIL

SHD96				SHD96				SHD96			
S/N	TO	S/N	SHIP	S/N	TO	S/N	SHIP	S/N	TO	S/N	SHIP
01133....	To....	01133	11/00	01287....	To....	01289	11/01	01477.....	To....	01478	03/03
01134....	To....	01134	01/01	01290....	To....	01290	12/01	01479.....	To....	01496	04/03
01135....	To....	01138	11/00	01291....	To....	01293	11/01	01497.....	To....	01498	05/03
01139....	To....	01144	12/00	01294....	To....	01295	12/01	01499.....	To....	01503	08/03
01145....	To....	01159	01/01	01296....	To....	01296	11/01	01504.....	To....	01518	09/03
01160....	To....	01160	05/01	01297....	To....	01298	12/01	01520.....	To....	01529	10/03
01161....	To....	01161	04/01	01299....	To....	01299	02/02	01530.....	To....	01534	11/03
01162....	To....	01163	05/01	01300....	To....	01302	01/02	0666.....	To....	0666	03/98
01164....	To....	01164	01/01	01303....	To....	01303	03/02	0682.....	To....	0685	05/97
01165....	To....	01167	02/01	01307....	To....	01308	01/02	16011....	To....	16011	12/95
01168....	To....	01168	03/01	01309....	To....	01310	03/02	58791L...	To....	58801R	12/98
01169....	To....	01172	02/01	01311....	To....	01311	02/02				
01173....	To....	01174	03/01	01312....	To....	01337	03/02				
01175....	To....	01175	06/01	01338....	To....	01338	05/02				
01176....	To....	01177	05/01	01339....	To....	01344	04/02				
01178....	To....	01179	06/01	01345....	To....	01345	06/02				
01180....	To....	01180	05/01	01346....	To....	01348	04/02				
01181....	To....	01181	06/01	01349....	To....	01350	05/02				
01182....	To....	01182	03/01	01352....	To....	01353	05/02				
01183....	To....	01183	06/01	01355....	To....	01356	05/02				
01184....	To....	01184	05/01	01357....	To....	01357	06/02				
01185....	To....	01185	04/01	01358....	To....	01362	05/02				
01186....	To....	01186	05/01	01363....	To....	01367	06/02				
01187....	To....	01187	03/01	01368....	To....	01368	07/02				
01188....	To....	01188	05/01	01369....	To....	01373	06/02				
01189....	To....	01189	04/01	01374....	To....	01374	07/02				
01190....	To....	01190	05/01	01375....	To....	01376	06/02				
01191....	To....	01194	04/01	01378....	To....	01379	08/02				
01195....	To....	01195	06/01	01381....	To....	01381	08/02				
01196....	To....	01201	04/01	01382....	To....	01382	07/02				
01202....	To....	01213	05/01	01383....	To....	01400	08/02				
01214....	To....	01215	06/01	01401....	To....	01401	09/02				
01216....	To....	01216	12/01	01402....	To....	01402	08/02				
01217....	To....	01231	06/01	01403....	To....	01407	09/02				
01232....	To....	01233	07/01	01408....	To....	01410	10/02				
01234....	To....	01234	01/02	01412....	To....	01414	11/02				
01235....	To....	01240	07/01	01415....	To....	01416	12/02				
01241....	To....	01252	08/01	01417....	To....	01419	11/02				
01253....	To....	01253	12/01	01420....	To....	01420	01/03				
01254....	To....	01262	08/01	01422....	To....	01426	12/02				
01263....	To....	01266	09/01	01427....	To....	01428	02/03				
01267....	To....	01267	10/01	01429....	To....	01433	01/03				
01268....	To....	01268	05/02	01434....	To....	01434	02/03				
01269....	To....	01269	09/02	01435....	To....	01435	01/03				
01270....	To....	01271	10/01	01437....	To....	01443	02/03				
01272....	To....	01272	08/02	01444....	To....	01446	03/03				
01273....	To....	01278	10/01	01449....	To....	01455	05/03				
01279....	To....	01279	04/02	01456....	To....	01468	06/03				
01280....	To....	01281	12/01	01469....	To....	01471	07/03				
01282....	To....	01282	01/02	01472....	To....	01472	08/03				
01283....	To....	01283	10/01	01473....	To....	01473	07/03				
01284....	To....	01286	12/01	01475....	To....	01476	07/03				

SHD FLAIL (Archive) 01/04



SHD FLAILS
Archive Parts Book
Book Part No. 02979007
Mar. 2004 Edition