



AG60

Rotary Mower

Rev 03-13

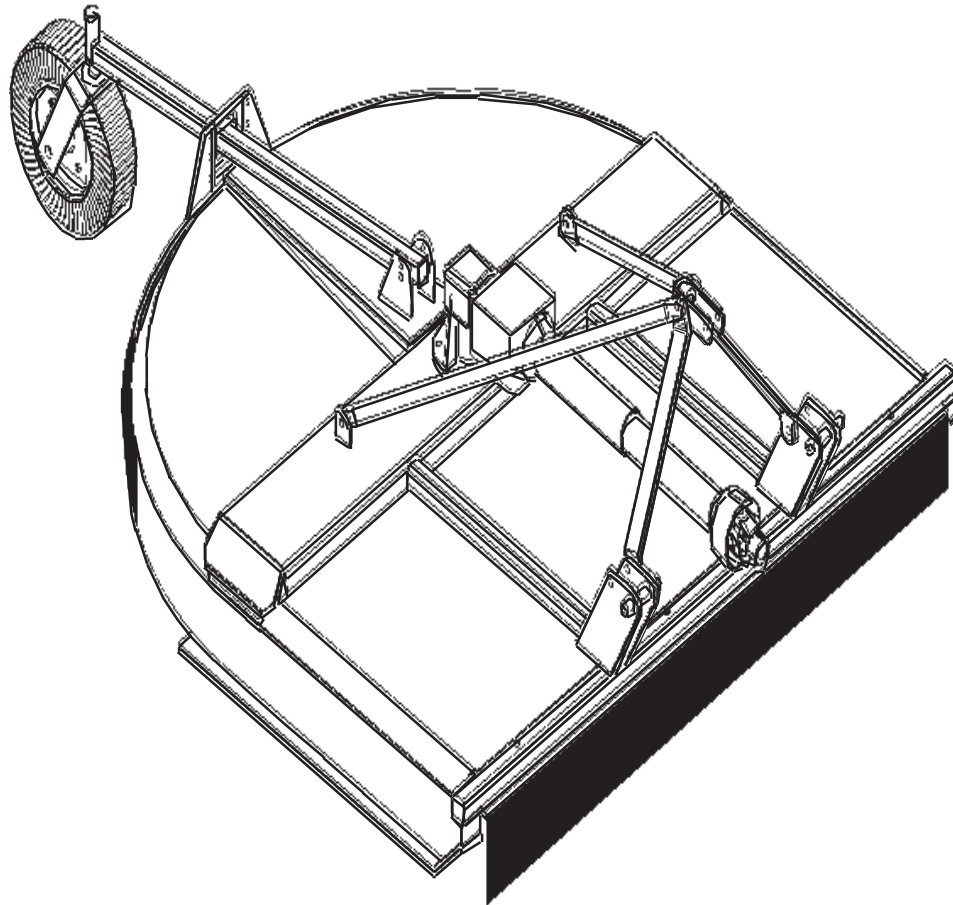
P/N 02979105

ARCHIVE BOOK

By Serial Number / Production

July 1988 to January 2004 (Current)

(AG60 Model - 60" Rotary)



COMPLETE PARTS LISTING

ALAMO INDUSTRIAL

1502 E. Walnut

Seguin, Texas 78155

830-372-9595



BUILT SHARPER[®]

An Alamo Group Company

© 2013 Alamo Group Inc.

NOTES

INDEX - AG60

60" Rotary

ITEM	PAGE NO.
INTRODUCTION AG60 Rotary	
Parts Section Introduction.....	1
A-FRAME	
Jul. 1988 to Apr. 2000.....	4
May 2000 to Current.....	5
BLADES & BLADE CARRIER	
Jul. 1988 to Jan. 1990.....	6
Feb. 1990 to Nov. 1998.....	7-8
Dec. 1998 to Apr. 2000.....	9
May 2000 to Current.....	10
CASTER WHEELS	
Beams	
Jul. 1988 to Aug. 2000.....	37
Sep. 2000 to Current.....	38
Forks & Wheels	
Jul. 1988 to Current.....	39
CHAINGUARDS, FRONT	
Jul. 1988 to Aug. 2000.....	44
Sep. 2000 to Current).....	45
CHAINGUARDS, REAR	
Jul. 1988 to May 1998.....	46
Jun. 1998 to Aug. 2000.....	47
Sep. 2000 to Current.....	48-49
CHECK CHAINS OPTION	
Jul. 1988 to Aug. 2000.....	52
Sep. 2000 to Current.....	53
DECALS	
Jul. 1988 to Current.....	56-59
DECK	
Jul. 1988 to Apr. 2000.....	2
May 2000 to Current.....	3
DEFLECTORS, FRONT	
Jul. 1988 to Aug. 2000.....	40
Sep. 2000 to Current).....	41
DEFLECTORS, REAR	
Jul. 1988 to Aug. 2000.....	42
Sep. 2000 to Current.....	43
DRIVELINE	
Jul. 1988 to Feb. 1989.....	24
Mar. 1989 to Apr. 1990.....	25
May. 1990 to Oct. 1990.....	26
Nov. 1990 to Jun. 1991.....	27
Jul. 1991 to Nov. 1998.....	28
Dec. 1998 to Current.....	29
Optional Cat 5	30

Continued Next Page

INDEX - AG60

60" Rotary

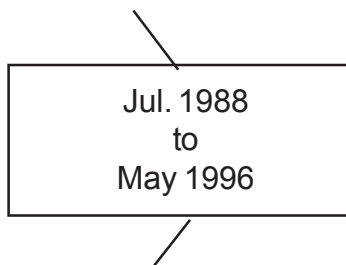
ITEM	PAGE NO.
Continued From Previous Page	
GEARBOX	
Jul. 1988 to Jan. 1990.....	12-13
Feb. 1990 to Dec. 1991.....	14-15
Jan. 1992 to Nov. 1998.....	16-17
Dec. 1998 to Current.....	18-19
GEARBOX SHIELDS	
Jul. 1988 to Jan. 1990.....	20
Feb. 1990 to Nov. 1998.....	21
Dec. 1998 to Current.....	22
OFFSET HITCH OPTION	
Jul. 1988 to Current.....	54
SERIAL NUMBER LISTING	
Jul. 1988 to Current.....	61-64
SKID SHOES	
Jul. 1988 to Aug. 2000.....	50
Sep. 2000 to Current.....	51
SLIP CLUTCHES	
Jul. 1988 to Apr. 1990.....	31
May. 1990 to Oct. 1990.....	32
Nov. 1990 to Jun. 1991.....	33
Jul. 1991 to Nov. 1998.....	34
Dec. 1998 to Current.....	35
SPECIFICATIONS	
Jul. 1988 to Current.....	60

AG60 Rotary ARCHIVE BOOK INTRODUCTION

The AG60 Archive Book is a complete listing of Parts from the first Unit to the Present. The Production Dates, Serial Numbers, Special Notes and Descriptions are furnished to help find Replacement Parts. Dimension (if listed) are for Identification of Parts and MAY NOT be to Manufacturing Specification, Your measurements may vary some from dimensions listed. Some Parts may be changed and be different than parts listed. Some Modification may be required when replacing older parts. Match S/N's listed in the rear of this Book with the Ship Dates listed at the top of each Parts Page. This is because of the wide range of Model sizes using these S/N's

PAGE EXAMPLE

Beginning Production Date

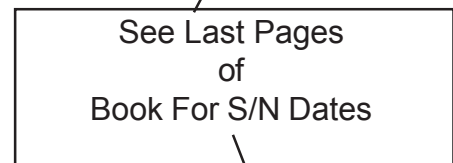


Ending Production Date

FRAME
ASSEMBLY

Componets Listed This Page

Beginning S/N



Ending S/N

For ordering parts the following instructions are offered to help eliminate delay

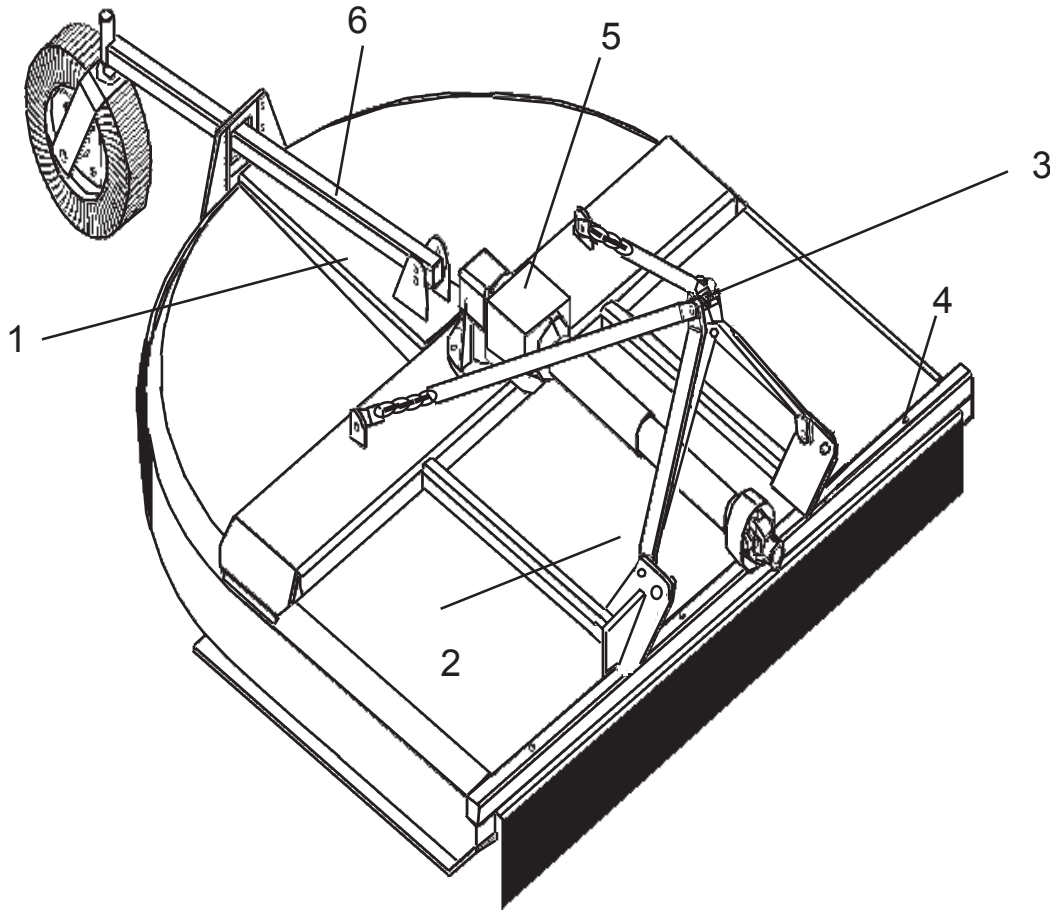
1. The purchase order must include the Name, Address (Ship to Street Address) of the Person / Organization ordering the parts. Who / How Parts should be Billed. Name and Phone Number of a Contact Person at your end.
2. The Purchase Order must list clearly the correct Part Number of Part. Quantity of each Part wanted, Complete and correct Description of each Part. All Parts will be shipped as requested depending on availability and/or reasonability of request carrier / method.
3. Alamo Industrial reserves the right to substitute parts where applicable and change prices Without prior notice. Alamo Industrial also reserves the right to Ship Parts the most Reasonable way as determined by Alamo Industrial.
4. Some Parts are unlisted items, which are special production items not normally stocked or built for a limited / special use, These parts may be subject to special handling or cannot be priced till ordered. Always Request a quotation for such Parts before sending a purchase order.

Jul. 1988
to
Apr. 2000

DECK ID AG60 Model

See Last Pages
of
Book For S/N Dates

This Page is to Help ID the AG60 Model Rotary Cutter



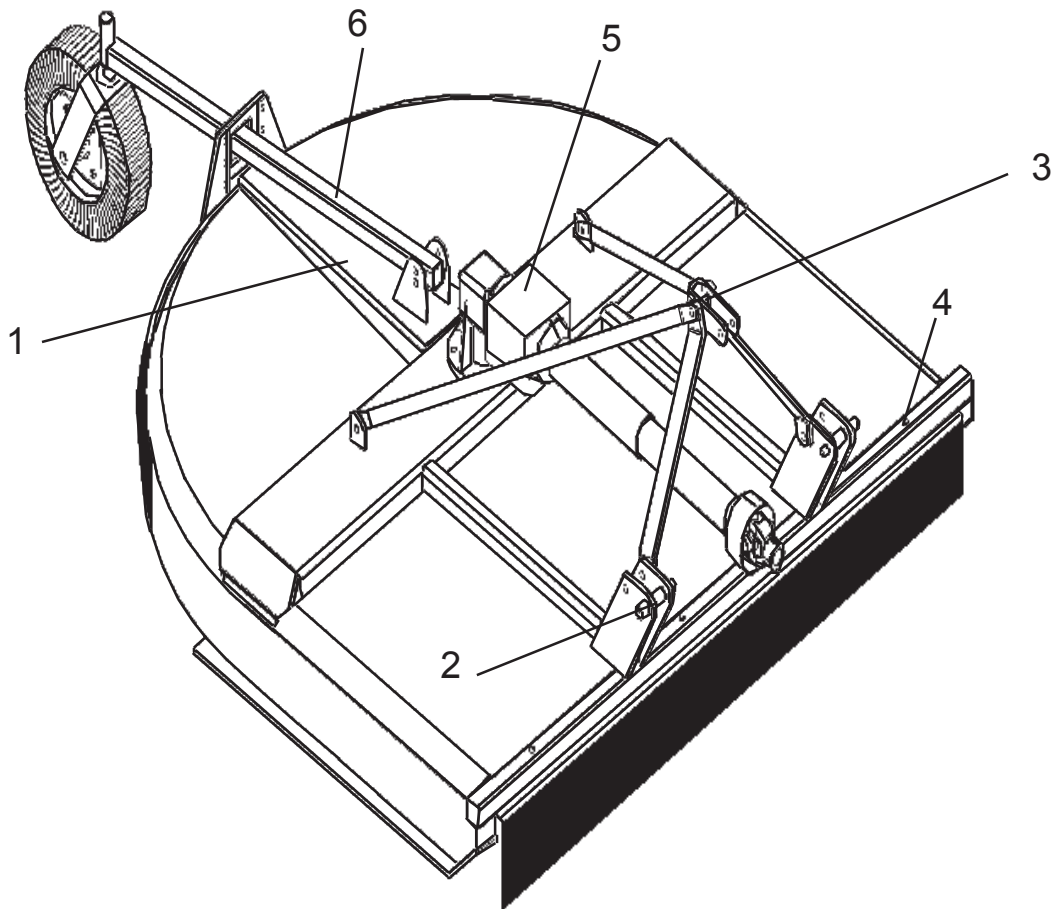
Item	Part	Description
1	Deck	One Formed Channel Brace Run F/ Front to Rear, Below Tail Wheel Beam as Shown
2	Hitch Pin	Bolt in Hitch Pins & Single Mounting Up-Right Welded to Deck.
3	A-Frame	Use Top Link Pin that slides through top of A-Frame There IS NO Toggle Link here as on the AG60- Model later. The A-Frame Lift Straps had Chain Links welded to them where they bolt to Deck.
4	Chain Guard	3 Holes for LH & 3 Holes for RH Mounting of Front CG is Used Here, (6 Holes Total)
5	Gearbox	Housings have had NO Top Cover, Square Top Covers & Round Top Covers, So ID by Gearbox is Difficult
6	Tail Whl Beam	Short Tail Wheel Beam, is 3" X 3" sq. X 49-1/2" f/ end of Tube to center of Caster Wheel Fork Shaft.

May 2000
to
Current

DECK ID AG60 Model

See Last Pages
of
Book For S/N Dates

This Page is to Help ID the AG60 Model Rotary Cutter

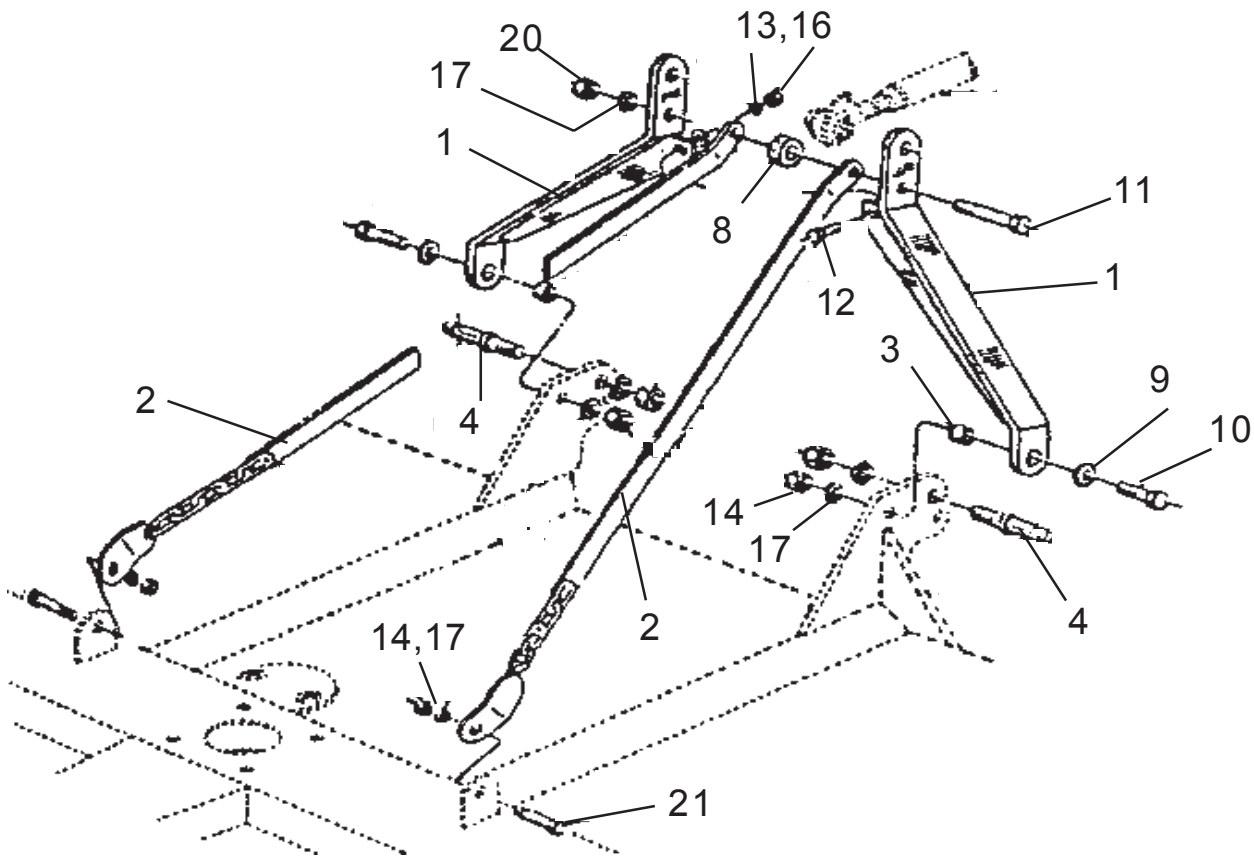


Item	Part	Description
1	Deck	One Formed Channel Brace Run F/ Front to Rear, Below Tail Wheel Beam as Shown
2	Hitch Pin	Slide through Hitch Pins & Double Mounting Up-Right Welded to Deck.
3	A-Frame	Use Toggle type Top Link at top of A-Frame The A-Frame Lift Straps did NOT have Chain Links welded to them where they bolt to Deck.
4	Chain Guard	3 Holes for LH & 3 Holes for RH Mounting of Front CG is Used Here, (6 Holes Total)
5	Gearbox	Housings have had NO Top Cover, Square Top Covers & Round Top Covers, So ID by Gearbox is Difficult
6	Tail Whl Beam	Long Tail Wheel Beam, is 3" X 3" sq. X 54-1/2" f/ end of Tube to center of Caster Wheel Fork Shaft.

Jul. 1988
to
Apr.. 2000

A-FRAME AG60 Model

See Last Pages
of
Book For S/N Dates



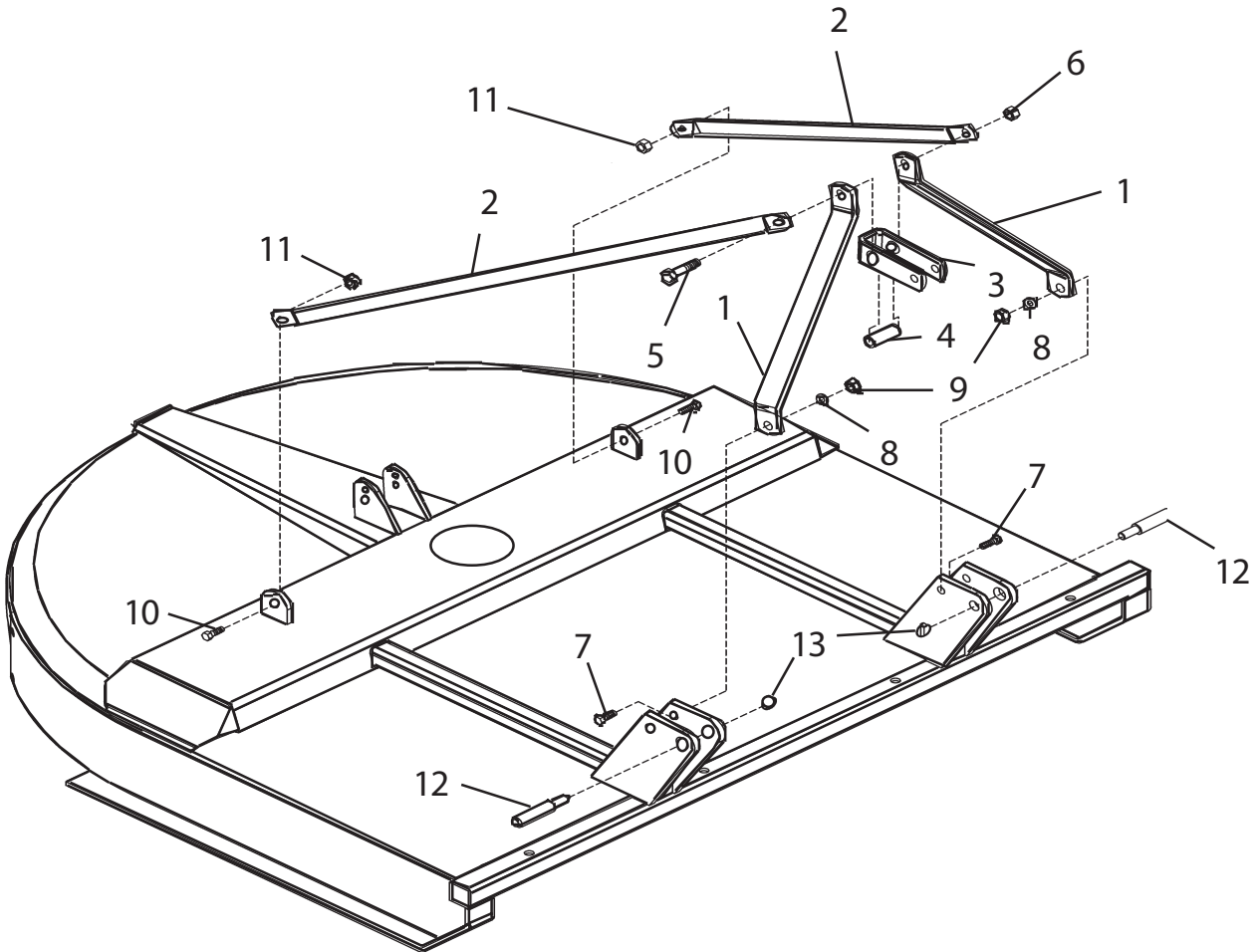
Item	Part No.	Qty	Description
1	483015A	2	A-Frame Upright
2	00757264	2	Brace Flat, Chain
3	523012	2	Pivot Bushing
4	00603500	2	Wrist Pin Only, 7/8 Dia. (Cat I) Standard
	00748100	2	Wrist Pin Only, 1-1/8 Dia. (Cat II) Optional
	00603600	2	Nut Hex, F/ Wrist Pin
	00012200	2	Lockwasher, F/ Wrist Pin
8	625053	1	A-Frame Spacer
9	00001400	2	Washer
10	00750952	2	Bolt, Hex Head
11	7AH8101832	1	Bolt, Hex Head
12	00748823	1	Bolt, Hex Head
13	00001200	1	Hex Nut
14	00010400	4	Hex Nut
16	00001300	1	Lockwasher
17	00010300	5	Lockwasher
19	00002700	1	Washer
20	00036300	1	Hex Nut
21	10406000	2	Bolt

* Cat I Furnished as Standard

May 2000
to
Current

A-FRAME AG60 Model

See Last Pages
of
Book For S/N Dates



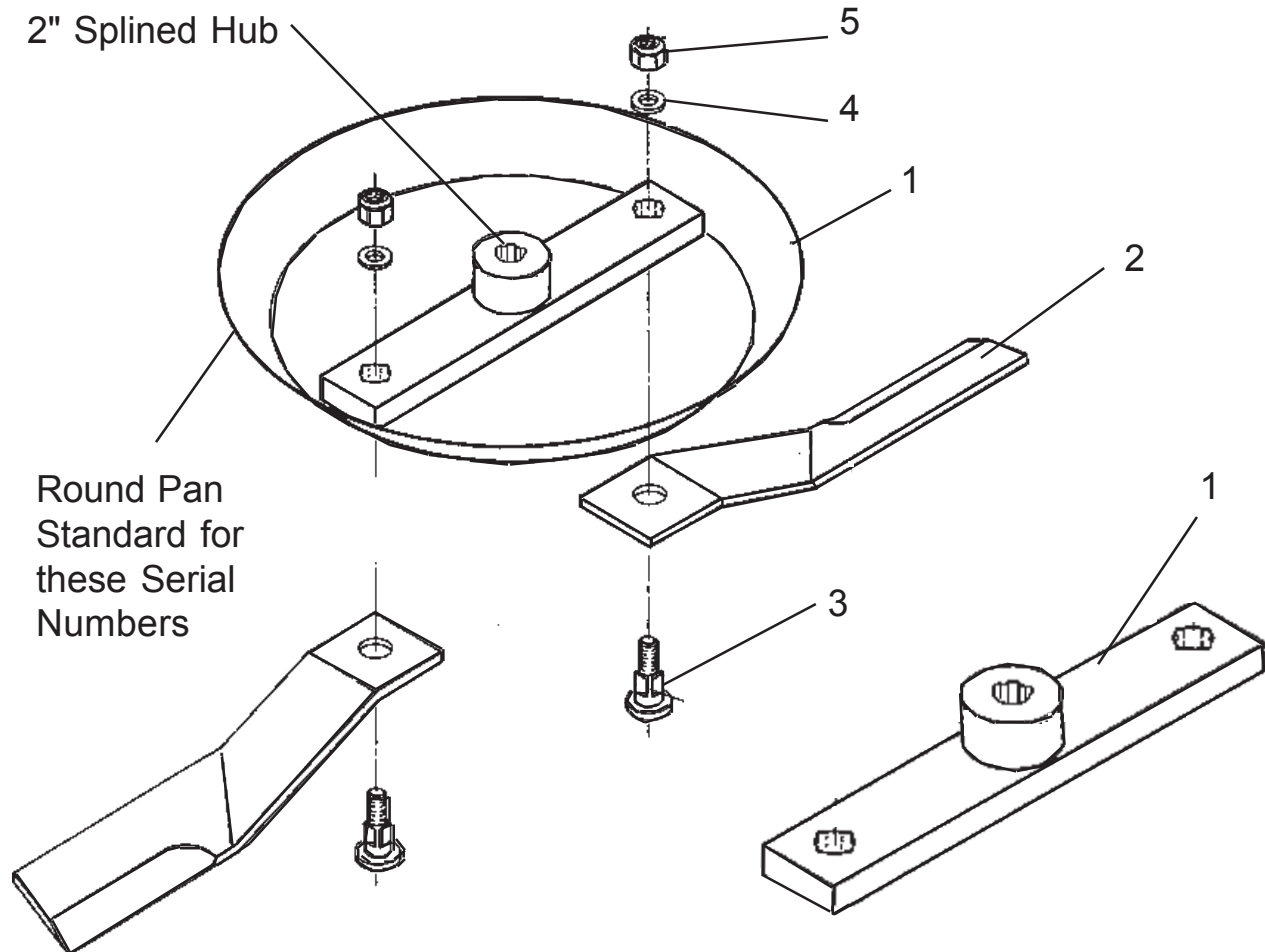
Item	Part No.	Qty.	Description
1	00773183	2	A-Frame Upright
2	00773189	2	Brace Flat
3	00757949	1	Top Link
4	00757953	1	Bushing
5	02959587	1	Bolt
6	00037200	1	Lockut
7	02845500	2	Bolt
8	00756077	2	Washer
9	00695100	2	Nut, Toplock 5/8 NC PLC
10	02675800	2	Bolt
11	00695100	2	Nut, Toplock 5/8 NC PLC
12	4410212A	2	Wrist Pin, 7/8 Dia.(Cat. I) Standard
	*4410212AS	2	Wrist Pin, 1-1/8 Dia.(Cat. II) Optional
13	2196	2	Lynch Pin

* Cat I Furnished as standard

Jul. 1988
to
Jan. 1990

BLADE PAN Standard Round Pan

See Last Pages
of
Book For S/N Dates



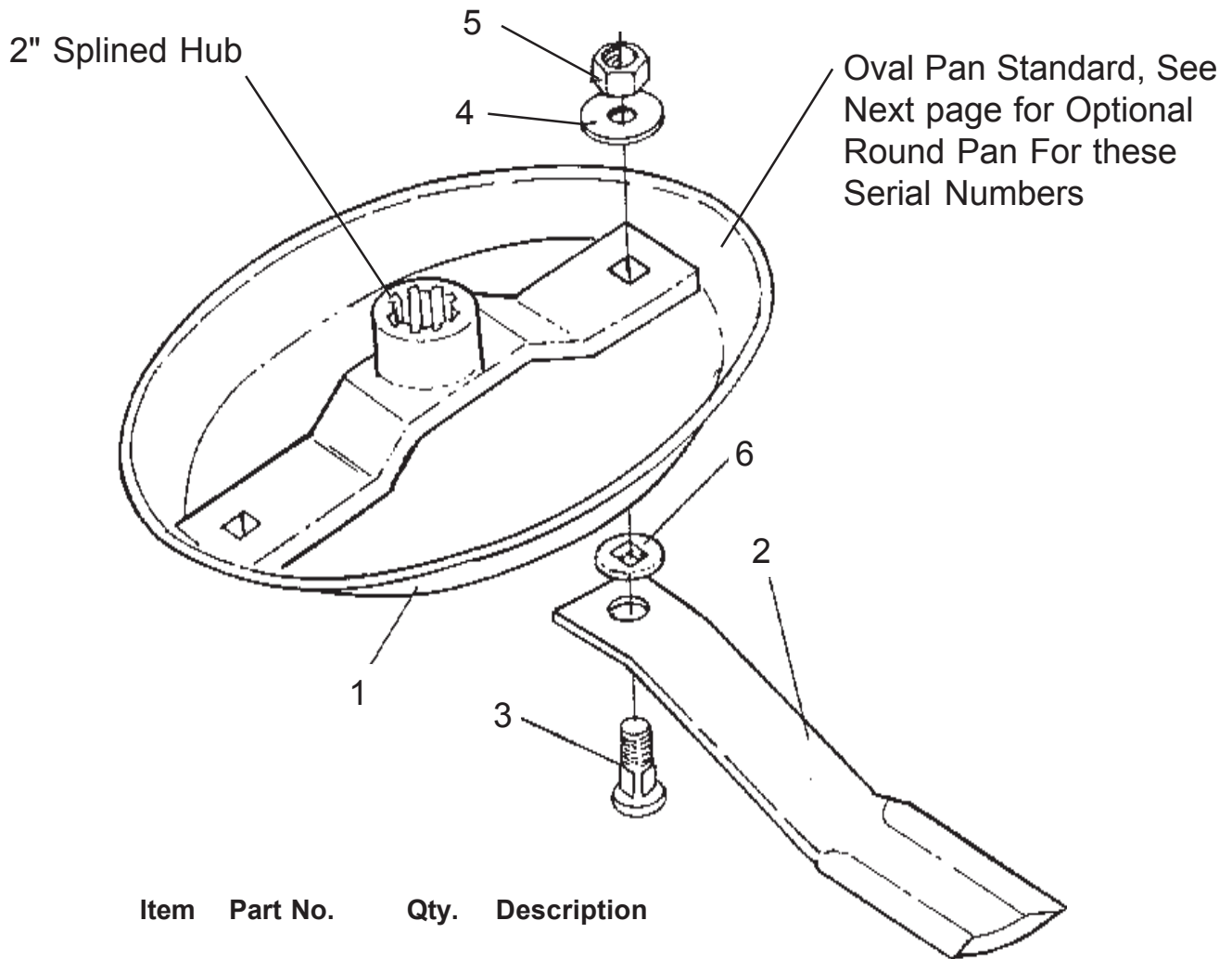
Item	Part No.	Qty	Description
	00757508	--	Blade Pan Asy w/ Blades & Bolts
	00757506	--	Blade Bar Asy w/ Blades & Bolts
1	00757507	1	Blade Pan Weldment w/ 2" Hub (Standard Round Pan)
	00757505	1	Blade Bar Weldment Only
2	00750788	2	Blade, Fan (CCW)
3	8227	2	Blade Bolt
4	9216	2	Washer
6	8201	2	Locknut

NOTE: The above Blade Carrier WILL ONLY fit on units with Gearbox that has a 1-3/8" X 6 Spline Input Shaft & a 2" Tapered Splined Output Shaft. It WILL NOT FIT on units with later Serial Numbers because Splined Blade Hub IS NOT the Same.

Feb. 1990
to
Nov. 1998

BLADE PAN Standard Oval Pan

See Last Pages
of
Book For S/N Dates



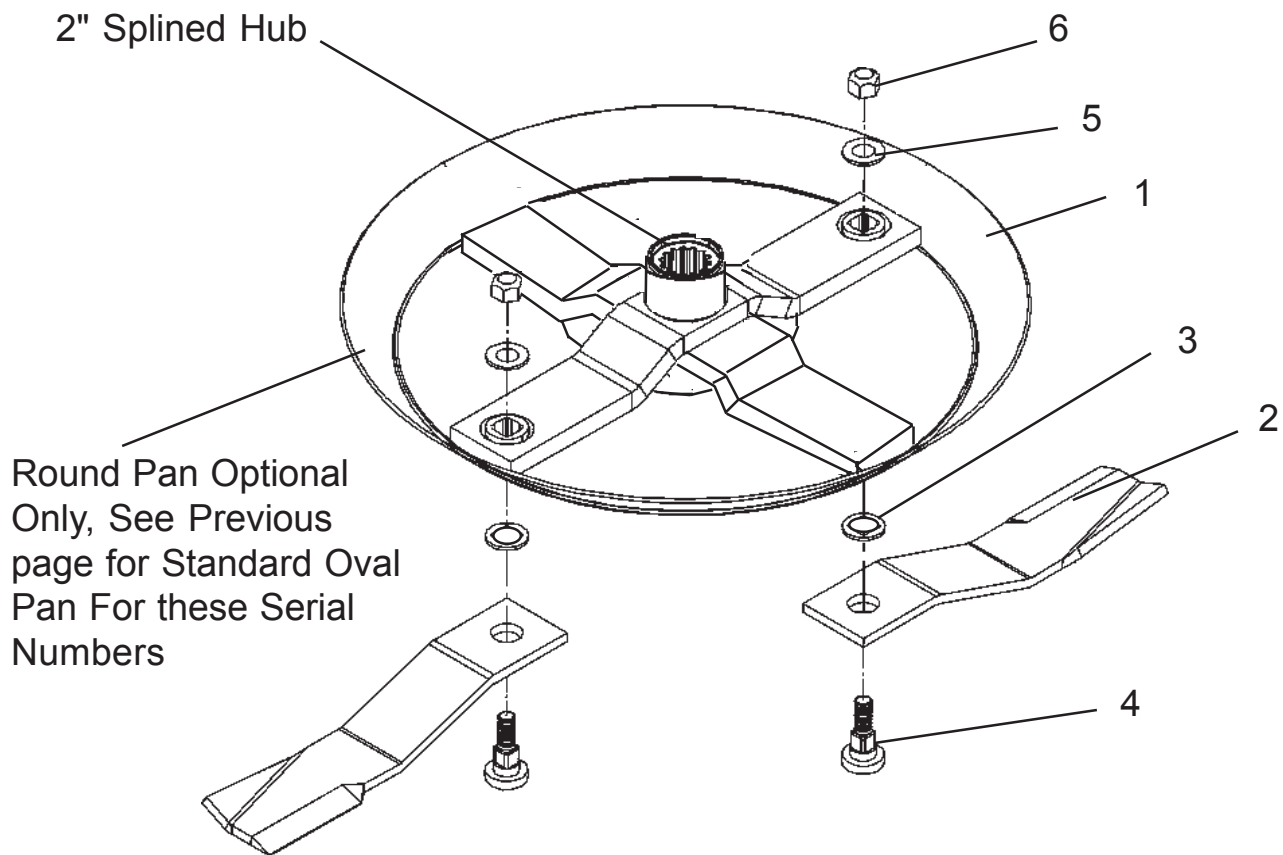
Item	Part No.	Qty.	Description
	00758592	1	Blade Carrier Asy w/ Blades
1	00758590	1	Dishpan Weldment w/ 2" Hub (Standard Oval Pan)
2	8589	1	Blade Set, (2 Blades) CCW
3	8264	2	Blade Bolt & Nut Set
	8251	2	Blade Bolt Only (Included in # 8264)
4	9216	2	Washer
5	5JRC16140	2	Locknut Only (included in # 8264)
6	00758579	2	Blade Washer, Special w/ Square Hole

NOTE: The above Blade Carrier WILL ONLY fit on units with Gearbox that has a 1-3/8" X 6 Spline Input Shaft & a 2" Tapered Splined Output Shaft. Carrier WILL NOT FIT on earlier Serial Number units because Splined Hub in Carrier IS NOT the Same

Feb. 1990
to
Nov. 1998

BLADE PAN Optional Round Pan

See Last Pages
of
Book For S/N Dates



Item	Part No.	Qty.	Description
	00763607	--	Blade Carrier Asy, (Optional Round Pan)
1	00762836	1	Blade Pan Weldment w/ 2" Hub
2	8589	1	Blade Set, Fan Blades (2 Blades) CCW
3	00758579	2	Washer
4	8251	2	Blade Bolt
5	9216	2	Washer
6	5JRC16140	2	Locknut

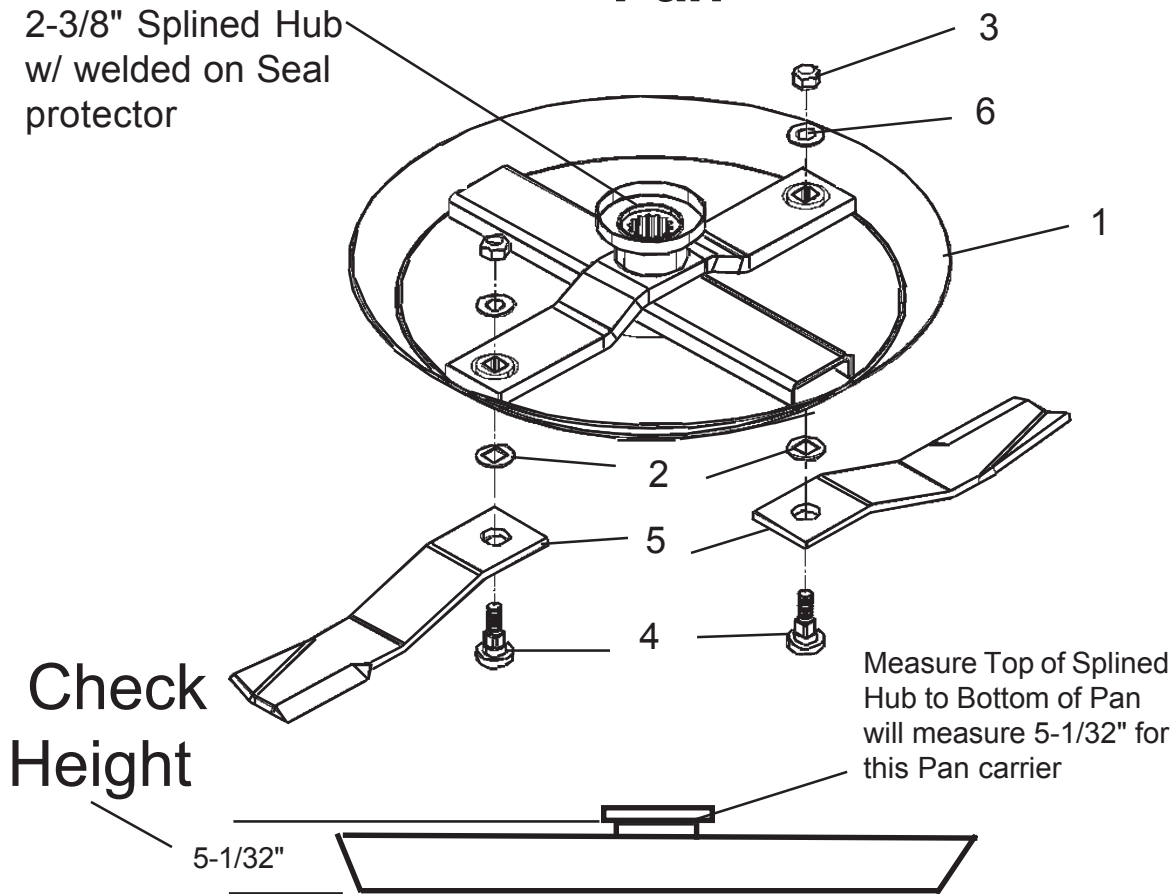
* Replace blades in matched sets only.

NOTE: The above Blade Carrier WILL ONLY fit on units with Gearbox that has a 1-3/8" X 6 Spline Input Shaft & a 2" Tapered Splined Output Shaft. Carrier WILL NOT FIT on earlier Serial Number units because Splined Hub in Carrier IS NOT the Same

Dec. 1998
to
Apr. 2000

BLADE PAN Standard Round Pan

See Last Pages
of
Book For S/N Dates



Item	Part No.	Qty.	Description
	00773095	--	Blade Pan Asy, W/ Blades & Bolts
1	00773091	1	Blade Pan Weldment w/ 2-3/8"Hub
2	00758579	2	Flatwasher w/ Sq. Hole
3	5JRC16140	2	Locknut
4	8251	2	Blade Bolt
5	8589	1	Blade Set (2 Blades), CCW
6	9216	2	Washer

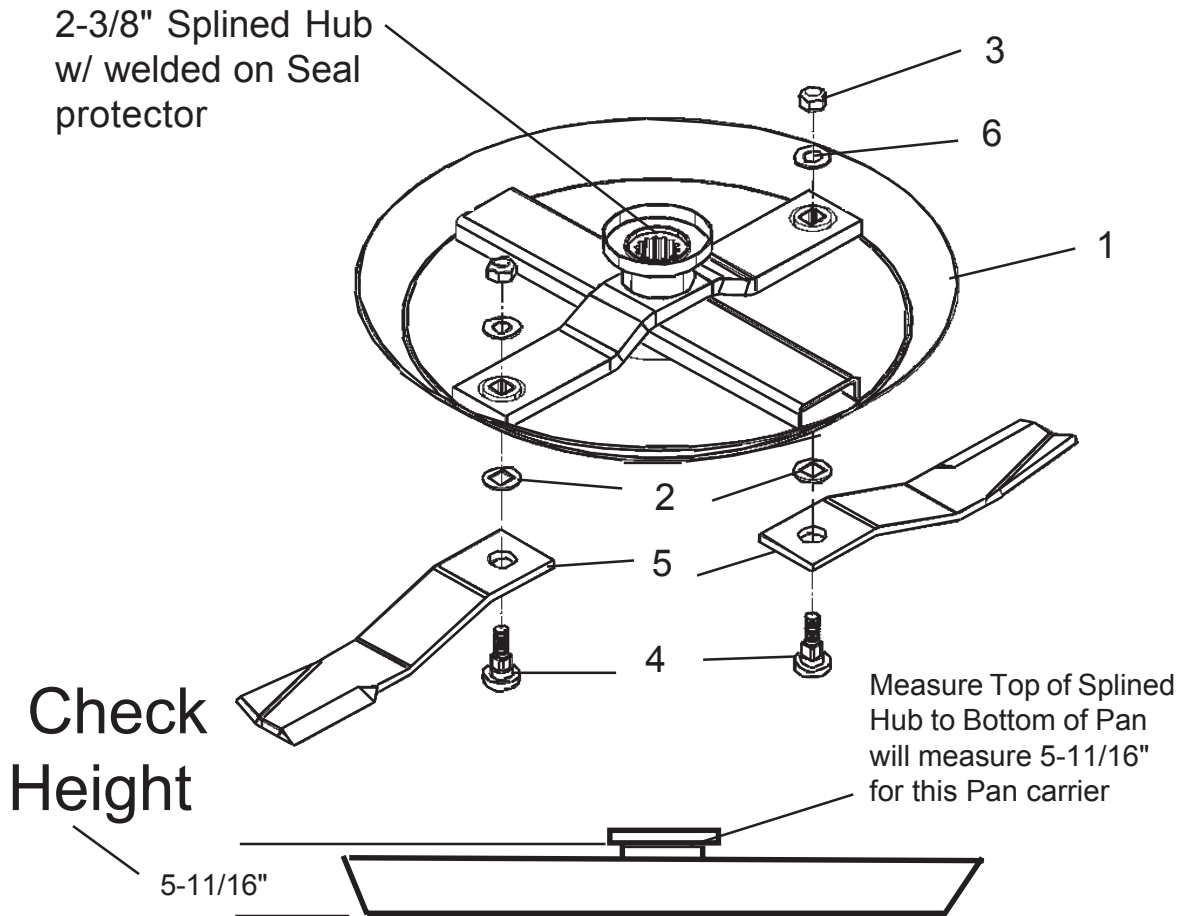
* Replace blades in matched sets only.

NOTE: The above Blade Carrier WILL ONLY fit on units with Gearbox that has a 1-3/4" X 20 Spline Input Shaft & a 2-3/8" Tapered Splined Output Shaft. Carrier WILL NOT FIT on earlier Serial Number units because Splined Hub in Carrier IS NOT the Same Height and would cause Blades to be too low, Check this Height before ordering Parts is recommended.

May 2000
to
Current

BLADE PAN Standard Round Pan

See Last Pages
of
Book For S/N Dates



Item	Part No.	Qty.	Description
1	00768485	1	Blade Carrier w/ Hub
2	00758579	2	Flatwasher w/ Sq. Hole
3	5JRC16140	2	Locknut
4	8251	2	Blade Bolt
5	8589	1	Blade Set (2 Blades) , CCW
6	9216	2	Washer

* Replace blades in matched sets only.

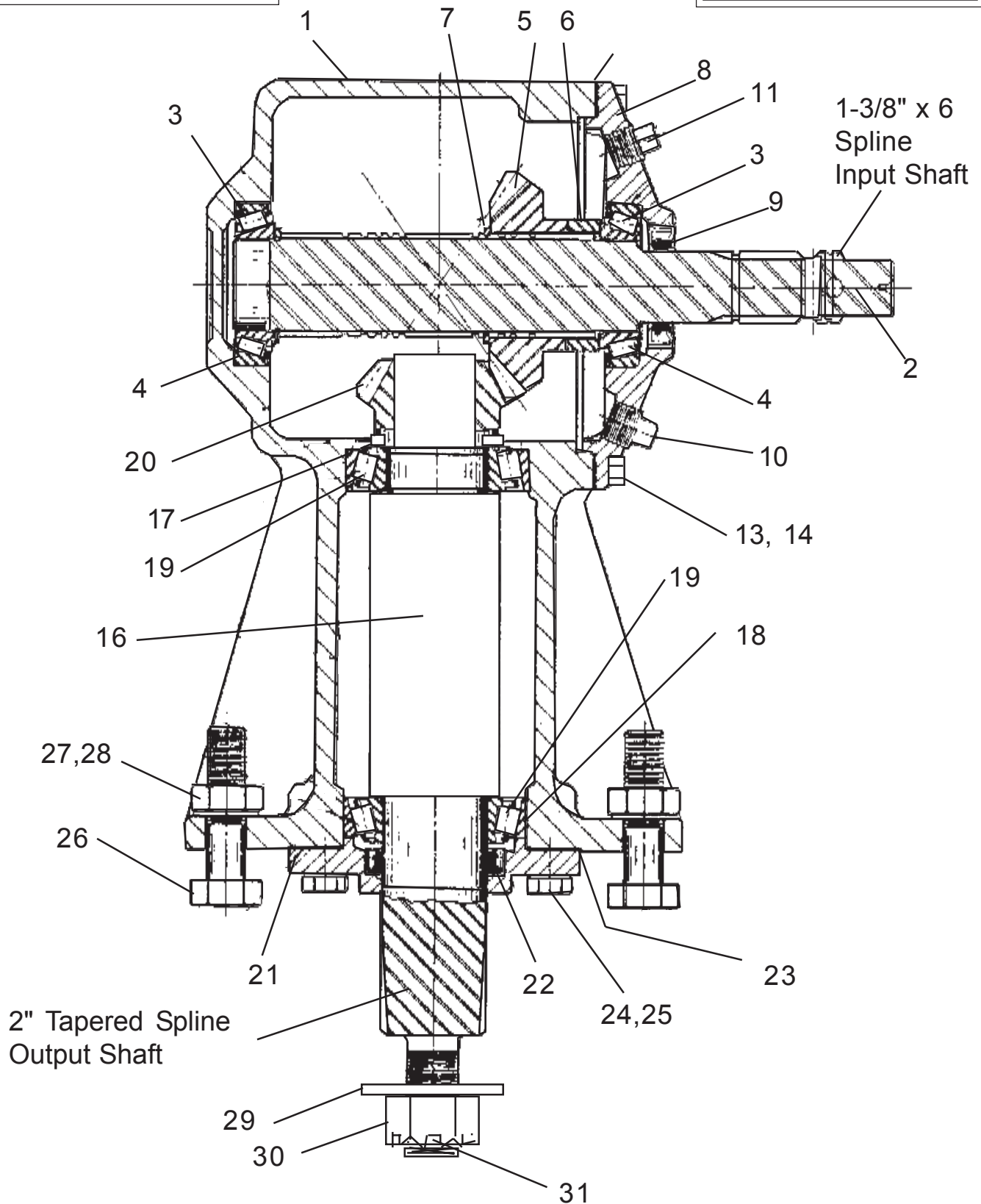
NOTE: The above Blade Carrier WILL ONLY fit on units with Gearbox that has a 1-3/4" X 20 Spline Input Shaft & a 2-3/8" Tapered Splined Output Shaft. Carrier WILL NOT FIT on earlier Serial Number units because Splined Hub in Carrier IS NOT the Same Height and would cause Blades to be to low, Check this Height before ordering Parts is recommended.

NOTES

Jul. 1988
to
Jan. 1990

GEARBOX

See Last Pages
of
Book For S/N Dates



Jul. 1988
to
Jan. 1990

GEARBOX

See Last Pages
of
Book For S/N Dates

P/N 00752140A (Available as 540 RPM Only)

ITEM	PART NO.	QTY	DESCRIPTION
	00752140A	--	Gearbox Assembly
1	00752362	1	Main Housing
2	00752363	1	Input Shaft
3	00748525	2	Bearing Cup
4	00748527	2	Bearing Cone
5	00755505	1	Gear, Input (19 Tooth)
6	00748533	1	Spacer
7	00748526		Snap Ring
8	00752365	1	Side Housing
9	00748536	1	Seal
10	00564900	1	Plug
11	00752307	1	Plug
12	00752407	1	Plug (Not Shown)
13	00012101	8	Lockwasher (Not Shown)
14	00563300	8	Bolt (Not Shown)
15	00748531	a/r	Shim
16	00755507	1	Output Shaft
17	00748537	1	Bearing Cup
18	00020600	1	Bearing Cup
19	00748522	2	Bearing Cone
20	00755506	1	Gear, Output (13 Tooth)
21	00752155	1	Bearing Retainer Cap
22	00748519	1	Seal
23	00748520	a/r	Shim
24	00001300	4	Lockwasher
25	02044000	4	Bolt
26	02880900	4	Bolt
27	00037200	4	Nut
28	00003901	4	Lockwasher
29	00748547	1	Flat Washer (Blade Hub Retaining)
30	00606100	1	Nut (Blade Hub Retaining)
31	00606000	1	Cotter Pin (Blade Hub Retaining)

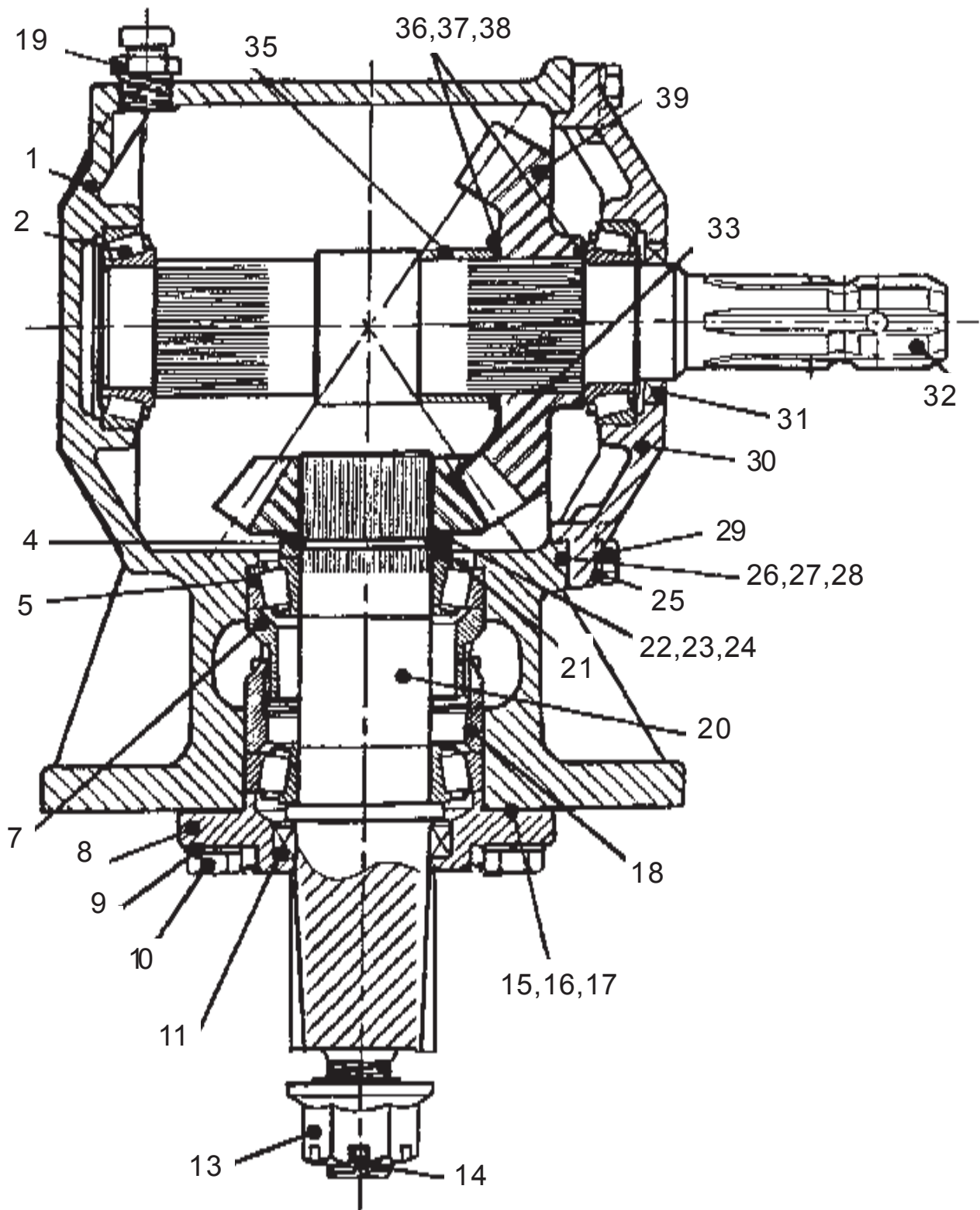
Note: a/r = Use Qty. As Required

This Gearbox Has a 1-3/8" X 6 Spline Input Shaft & 2" Tapered Spline Output Shaft with No Lower Bearing Spacer, Also the input shaft where clutch slides on has snap ring grooves in it with machined pilot surface on the very end that is about 3/4" long., The Front Bearing Cover has 3 pipe plugs (2 large & 1 small) that screw into it, the later gearboxes the plugs screw into the Main Housing or Top Cover.

Feb. 1990
to
Dec. 1991

GEARBOX

See Last Pages
of
Book For S/N Dates



Feb. 1990
to
Dec. 1991

GEARBOX

See Last Pages
of
Book For S/N Dates

This Gearbox Has a 1-3/8" X 6 Spline Input Shaft
& 2" Tapered Spline Output Shaft & a 2 piece Lower Bearing Spacer

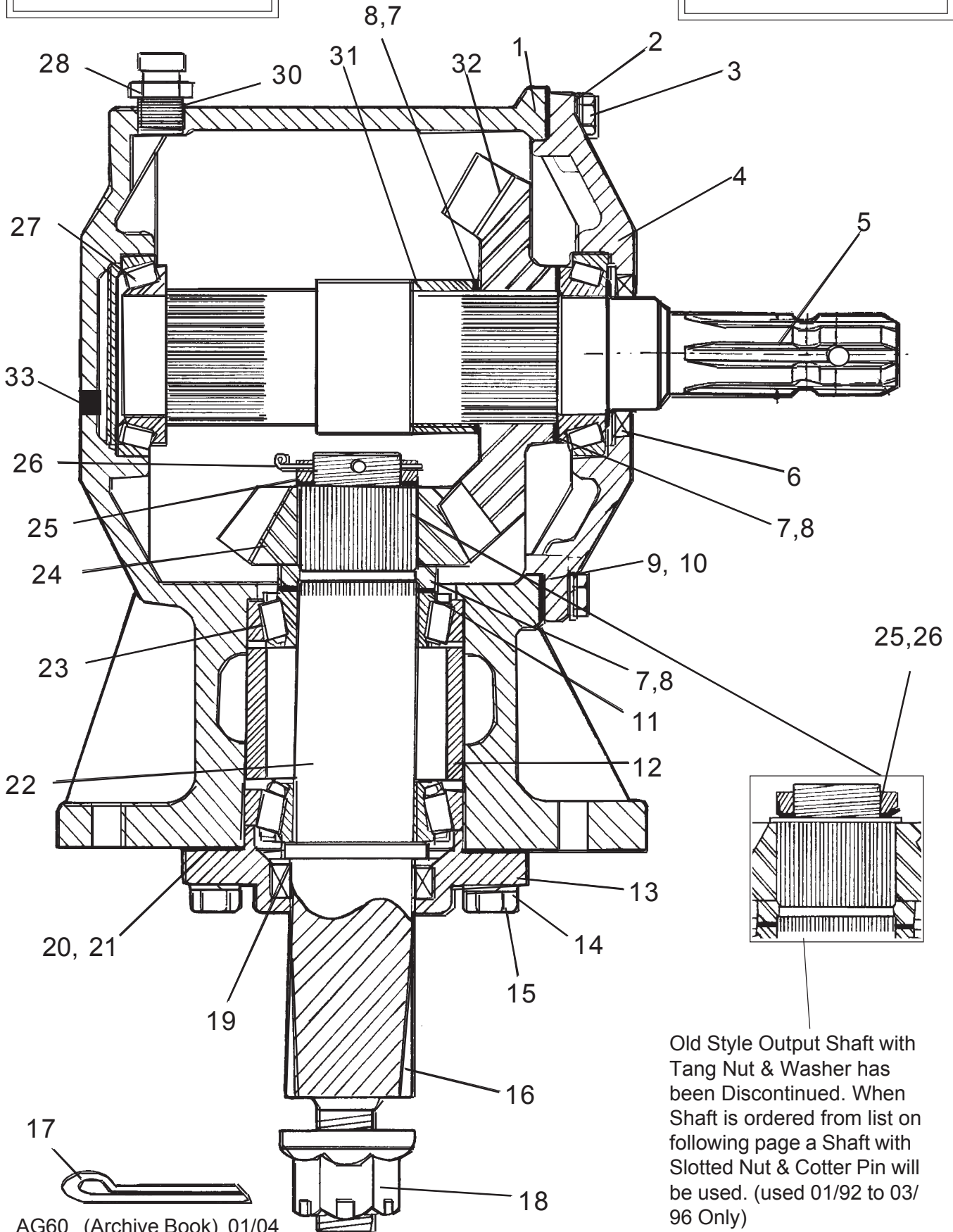
Item	Part No.	Qty	Description
	00757828	1	Gearbox Asy (Use # 00757828B)
1	00758661	1	Housing, Gearbox
2	00758655	2	Bearing, Input Shaft
4	00758660	1	Retaining Ring
5	00758650	2	Bearing, Output Shaft
7*	00758662	1	Bearing Spacer, Upper Half of 2 Piece
8	00758663	1	Bearing Cap, Output
9	00758672	4	Lockwasher
10	00758673	4	Bolt
11	00758674	1	Seal, Output
13	00758692	1	Flange Nut, Special
14	00606000	1	Cotter Pin
15	00758676	2-a/r	Gasket / Shim (0.004" Thick)
16	00758677	1-a/r	Gasket / Shim (0.010" Thick)
17	00758678	1-a/r	Gasket / Shim (0.020" Thick)
18*	00758679	1	Bearing Spacer, Lower Half of 2 Piece
19	00758654	1	Plug, Pressure Relief
20*	00758687	1	Shaft, Output (See Note Below)
21	00758688	1	Retaining Ring
22	00758666	2-a/r	Shim (0.004" Thick)
23	00758667	1-a/r	Shim (0.010" Thick)
24	00758668	1-a/r	Shim (0.020" Thick)
25	00755954	8	Lockwasher
26	00758646	2-a/r	Gasket / Shim (0.004" Thick)
27	00758647	1-a/r	Gasket / Shim (0.010" Thick)
28	00758648	1-a/r	Gasket / Shim (0.020" Thick)
29	00758659	8	Bolt
30	00758664	1	Bearing Cap, Input
31	00758653	1	Seal
32	00758696	1	Shaft, Input (1-3/8" 6 Spline)
33	00758693	1	Gear, Output (13 Tooth X 2" Splined Bore)
34	00565000	1	Plug, Oil Level (Not Shown)
35	00758657	1	Spacer, F/ Input Gear
36	00758666	2-a/r	Shim (0.004" Thick)
37	00758667	1-a/r	Shim (0.010" Thick)
38	00758668	1-a/r	Shim (0.020" Thick)
39	00758694	1	Gear, Input (19 Tooth X 2" Splined Bore)

* If Replacing Items #7, #18 or #20 it is recommended to Use Output Shaft Replacement Kit #00761517, This will update this Gearbox to the later style Shaft and Nut Type used in later Gearbox # 00757828B. This later Style will be easier to Adjust Bearing Preload. Kit will include Shaft, Nut and one piece Bearing Spacer. Replace Gearbox as an Asy w/ # 00757828B

Jan. 1992
To
Nov. 1998

GEARBOX

See Last Pages
of
Book For S/N Dates



Jan. 1992
To
Nov. 1998

GEARBOX

See Last Pages
of
Book For S/N Dates

This Gearbox Has a 1-3/8" X 6 Spline Input Shaft & a 2" Tapered Spline Output Shaft & a 1 piece Lower Bearing Spacer

ITEM	PART NO.	QTY	DESCRIPTION
	00757828B	1	Gearbox Asy
1	00758661	1	Housing
2	00755954	8	Lockwasher
3	00758659	8	Cap Screw
4	00758664	1	Input Cap
5	00758696	1	Input Shaft
6	00758653	1	Oil Seal
7	00758667	2-a/r	Gear Adjusting Shim (0.010" Thick)
8	00758668	1-a/r	Gear Adjusting Shim (0.020" Thick)
9	00758646	2-a/r	Input Cap Gasket (0.004" Thick)
10	00758647	1-a/r	Input Cap Gasket (0.010" Thick)
11	00759977	1	Spacer
12	00760889	1	Spacer
13	00758663	1	Output Cap
14	00758672	4	Lockwasher
15	02959661	4	Cap Screw
16	00758675	1	Blade Hub
17	00606000	1	Cotter Pin
18	00758692	1	Nut
19	00758674	1	Oil Seal
20	00758676	2-a/r	Output Cap Gasket (0.004" Thick)
21	00758677	2-a/r	Output Cap Gasket (0.010" Thick)
22*	00760892	1	Output Shaft
23	00755628	2	Bearing Asy
24	00758693	1	Gear (13 Tooth)
25*	00759970	1	Brg Adjust Nut, Tanged (01/92 to 03/96)
	00762121	1	Brg AdjustNut, Slotted (04/96 to 02/01)
26*	00606000	1	Cotter Pin, (Use w/ Slotted Nut Only)
	00759971	1	Tang Washer, (Use w/ Tang Nut Only)
	00760994	1	Flat Washer, (Use w/ Tang Nut Only)
27	00755615	2	Bearing Asy
28*	00758654	1	Vent Plug (Dia. 0.78 Tapered Thread)
	00762114	1	Vent Plug (Dia. 0.71 Straight Thread)w/ Seal Washer
31	00758657	1	Spacer
32	00758694	1	Gear (19 Tooth)
33*	00565000	1	Oil Level Plug (Sq Head Tapered Thread)
	00762517	1	Oil Level Plug (Allen Head w/ Seal Washer)

NOTE*: # 00760892 Output Shaft will include, Bearing Adjusting Nut, and Cotter Pin. Output Shaft will be type with Slotted Bearing adjusting Nut, If converting from Tang nut to Sloted Nut DO NOT use the Washer that was under Tang Nut.

There were two types of Vent & Oil Level Plugs used. To ID which the Straight Thread & Allen Head Plug has a small circle machined around the threaded hole so the Sealing Washer will Seal, the Tapered Threaded & Square HeadPlug WILL NOT have this Machined circle around the hole.

AG60 (Archive Book) 01/04

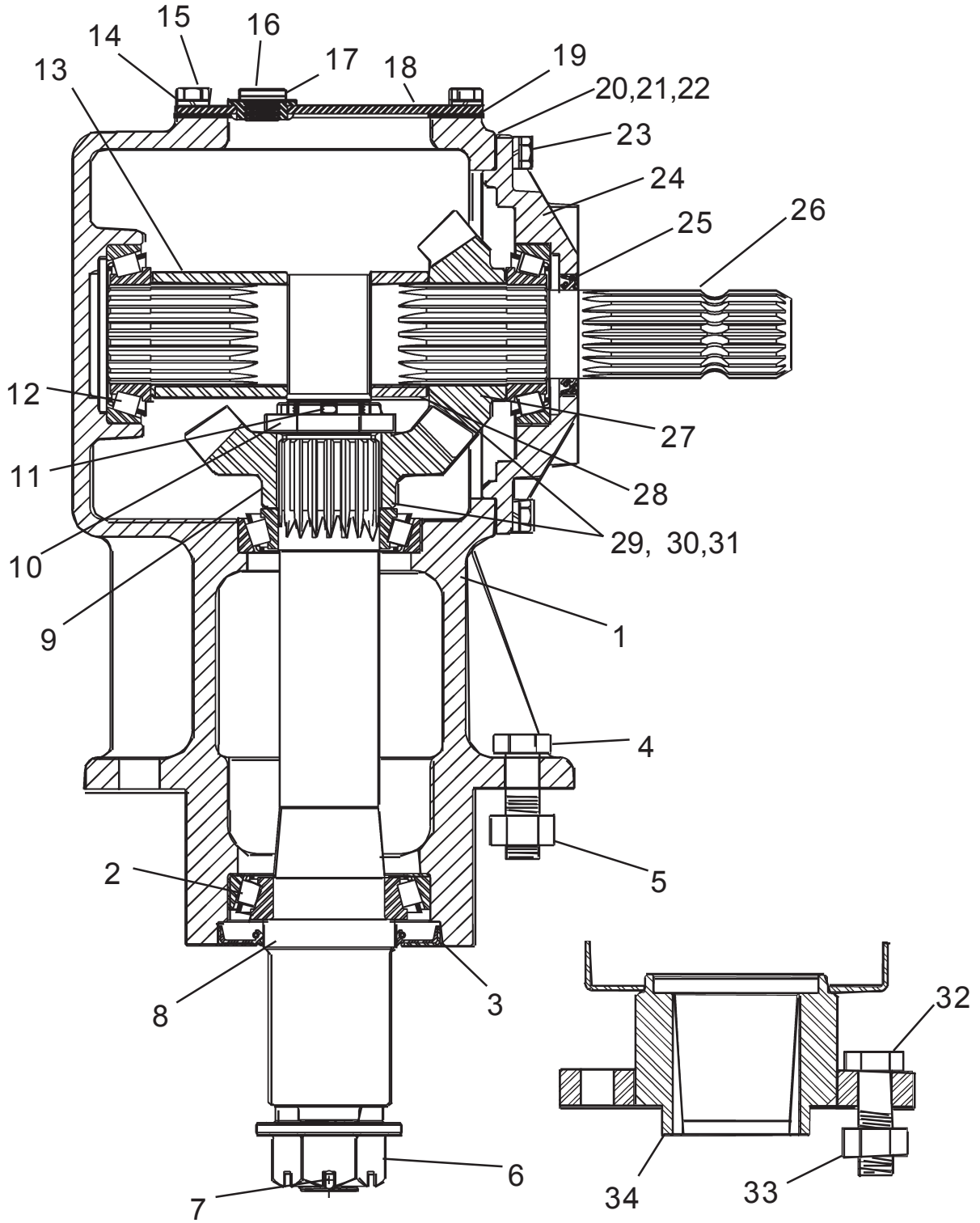
© 2004 Alamo Group Inc.

Parts Section -17

Dec. 1998
to
Current

GEARBOX

See Last Pages
of
Book For S/N Dates



Dec. 1998
to
Current

GEARBOX

See Last Pages
of
Book For S/N Dates

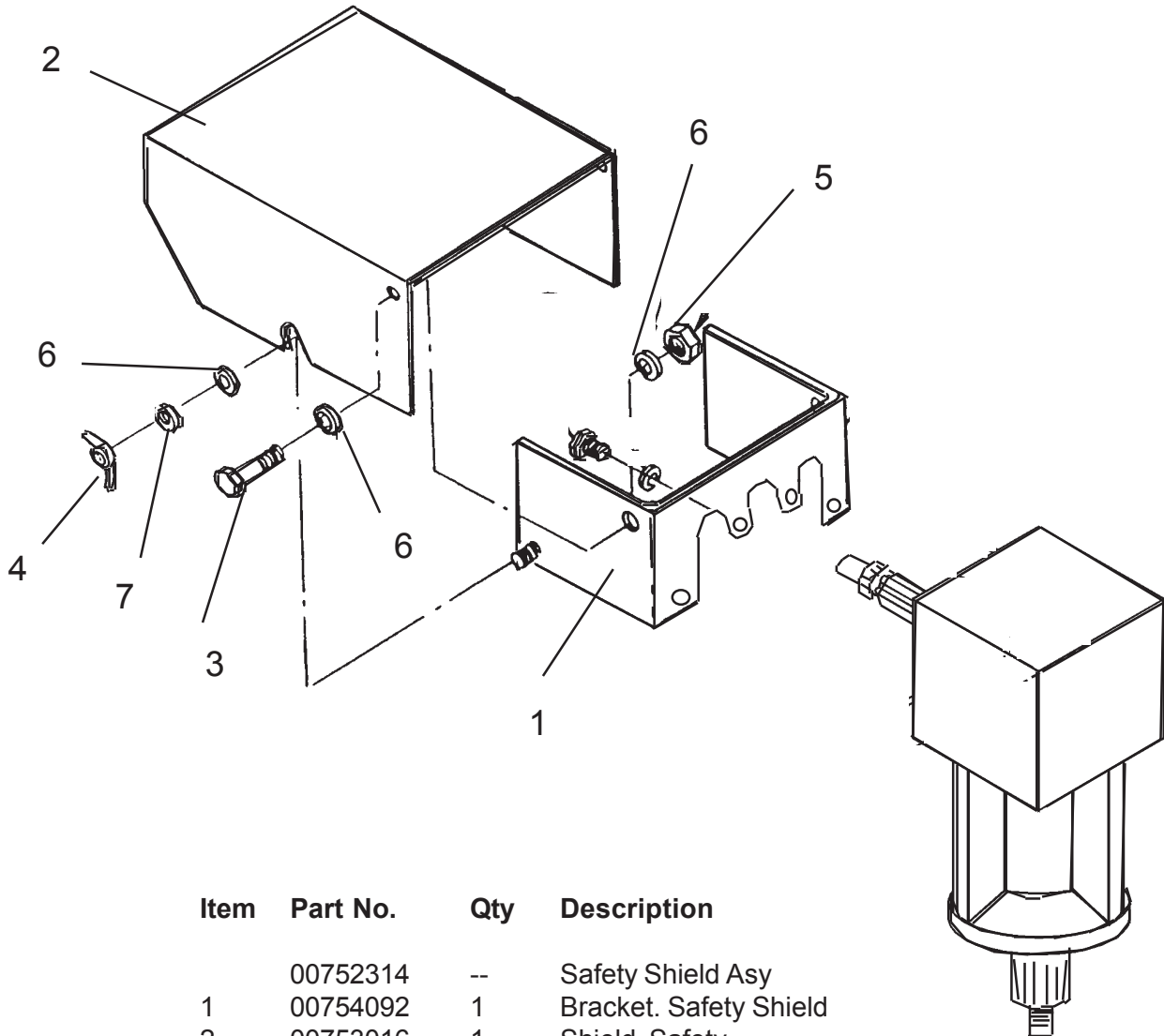
Item	Part No.	Qty.	Description
	00769912	1	Gearbox Asy
1	00770724	1	Main Housing
2	00770725	2	Bearing Asy.
3	00770726	1	Oil Seal
4	00749127	6	Bolt
5	00749136	6	Locknut
6	00771226	1	Flange Nut
7	01422502	1	Cotter Pin
8	00770728	1	Shaft, Output
9	00770736	1	Gear, Output (13 Tooth)
10	00770730	1	Bearing Adjusting Nut
11	00606000	1	Cotter Pin
12	00755628	3	Bearing Asy.
13	00770731	1	Spacer, Input Shaft
14	00766083	12	Lockwasher
15	00754338	4	Bolt
16	00762517	2	Plug, Oil Level
17	00769321	3	Sealing Washer
18	00770732	1	Cover, Inspection
19	00770733	1	Inspection Cover Gasket
20	00758646	a/r	Gasket (0.004" Thick)
21	00758647	a/r	Gasket (0.010" Thick)
22	00758648	a/r	Gasket (0.020" Thick)
23	00765905	8	Bolt
24	00770734	1	Bearing Cap, Input
25	00758653	1	Seal
26	00770735	1	Shaft, Input
27	00770729	1	Gear, Input (19 Tooth)
28	00758657	1	Spacer, Input Shaft
29	00758667	a/r	Shim (0.010" Thick)
31	00758668	a/r	Shim (0.020" Thick)
32	00752681	4	Bolt (Not Supplied w/ Gearbox)
33	00749136	4	Nut (Not Supplied w/ Gearbox)
34	00772016	1	Hub (Not Supplied w/ Gearbox)

This Gearbox Has a 1-3/4" X 20 Spline Input Shaft
& a 2-3/8" Tapered Spline Output Shaft with a bolt on top cover

Jul. 1988
to
Jan. 1990

Gearbox Shield

See Last Pages
of
Book For S/N Dates



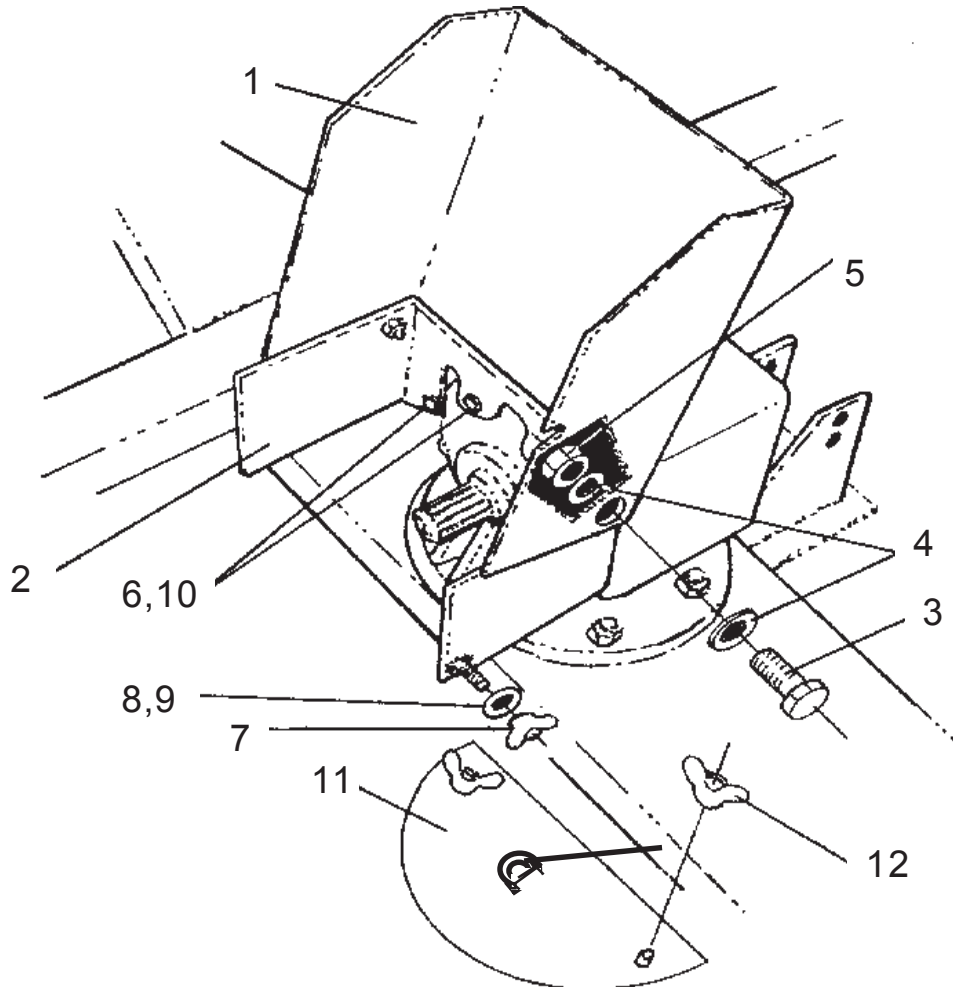
Item	Part No.	Qty	Description
	00752314	--	Safety Shield Asy
1	00754092	1	Bracket. Safety Shield
2	00753016	1	Shield, Safety
3	00999314	2	Bolt
4	00004000	2	Wingnut
5	02957941	2	Nut
6	00019700	2	Washer
7	00024100	2	Flatwasher

To ID: This Shield Used on Gearbox w/ 1-3/8" X 6 Spline Input Shaft & A 2" Tapered Spline Output Shaft & No Top Cover, Front Bearing Cover will have 3 pipe plugs screwed into it. These plug are for Oil level Check and to add Oil.

Feb. 1990
to
Nov. 1998

Gearbox Shield

See Last Pages
of
Book For S/N Dates



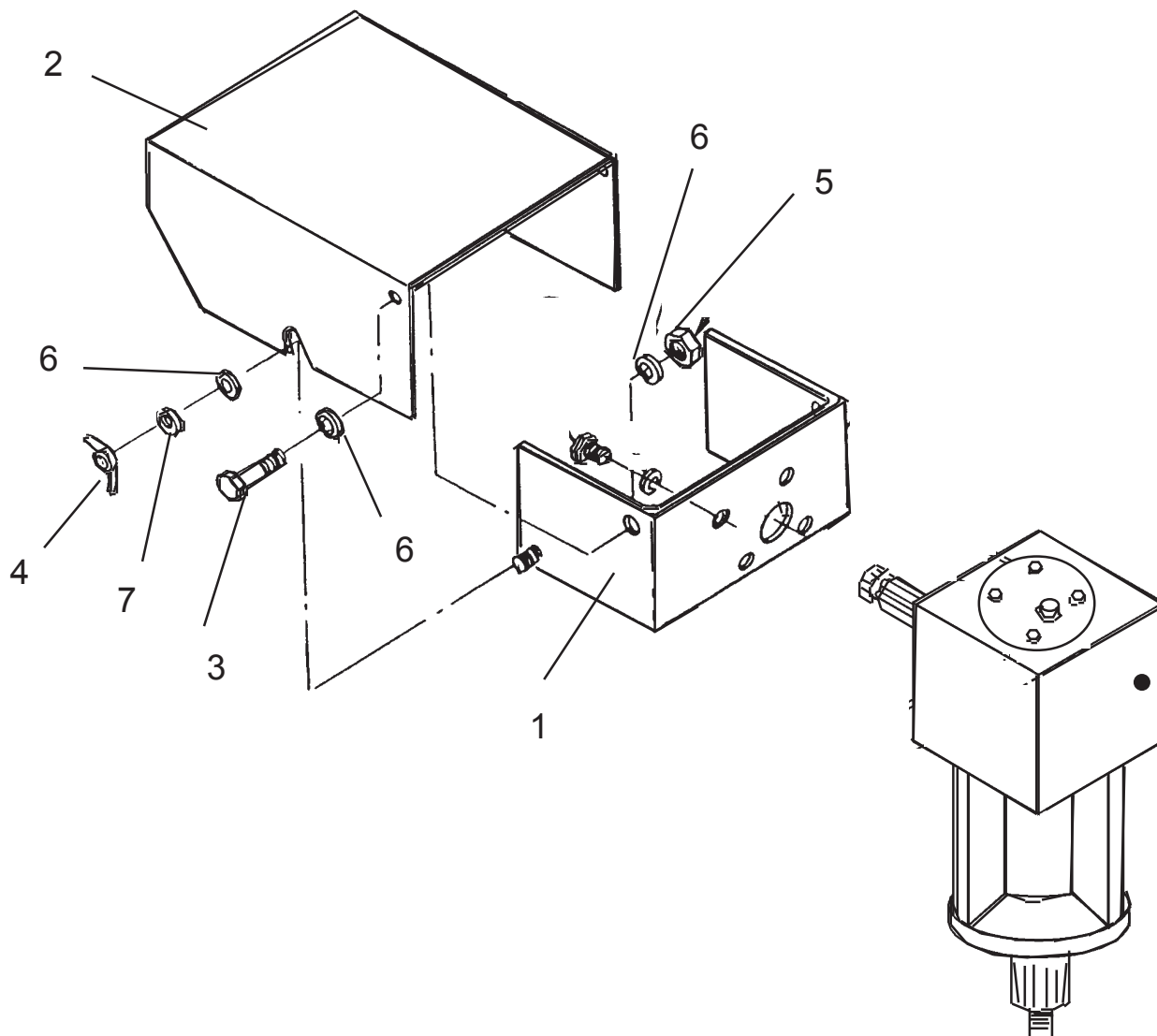
Item	Part No.	Qty.	Description
1	00757573	1	Shield, Gearbox
2	00770718	1	Shield Bracket
3	00753642	2	Bolt
4	00011100	4	Falt Washer
5	00015800	2	Locknut
6	00756328	4	Bolt
7	00004000	1	Wing Nut
8	00024100	1	Falt Washer
9	00017000	1	Lockwasher
10	00759780	4	Spacer
11	00759043	1	Cover Plate, Blade Bolt Inspection
12	5F5180	2	Wing Nut, F/ Inspection Cover

To ID: This Shield Used on Gearbox w/ 1-3/8" X 6 Spline Input Shaft & A 2" Tapered Spline Output Shaft & No Top Cover, Front Bearing Cover Will NOT have any Plugs in it. Oil Level Plug is in Back side of Gearbox & Oil add Plug is in Top of Gearbox.

Dec. 1998
to
Current

Gearbox Shield

See Last Pages
of
Book For S/N Dates



Item	Part No.	Qty	Description
	00752314	--	Safety Shield Asy
1	00754092	1	Bracket. Safety Shield
2	00753016	1	Shield, Safety
3	00999314	2	Bolt
4	00004000	2	Wingnut
5	02957941	2	Nut
6	00019700	2	Washer
7	00024100	2	Flatwasher

This Shield Used on Gearbox w/ 1-3/4" X 20 Spline Input Shaft & A 2-3/8" Tapered Spline Output Shaft, Gearbox also has round bolt on top cover. Oil Level Plug is in Backside of Gearbox & Oil add plug screws into bolt on Top Cover.

AG60 (Archive Book) 01/04

© 2004 Alamo Group Inc.

Parts Section -22

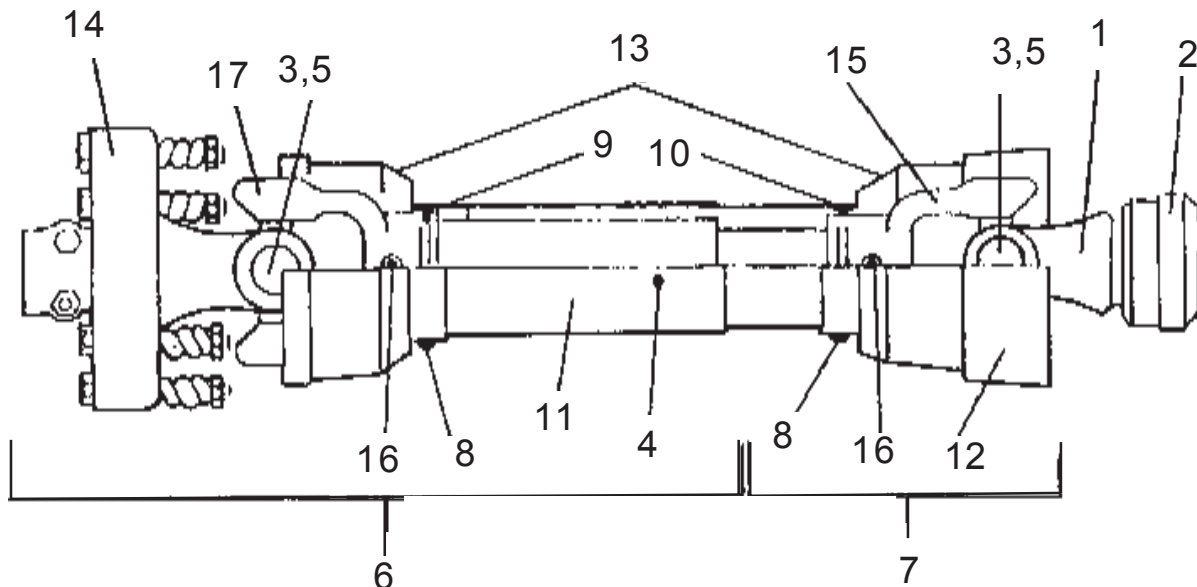
NOTES

Jul. 1988
to
Feb. 1989

DRIVELINE (Standard)

See Last Pages
of
Book For S/N Dates

D/L Had Yellow Shield, Triangle Shape Tube & Shaft, 1-3/8" 6 Splined Clutch Hub



Item	Part No.	Qty.	Description
	00754172	--	Driveline Asy w/ Shields
1	00752883	1	Yoke, QD w/ Slide Collar
2	00757144	1	Slide collar Kit
3	00752896	2	Cross Kit, U-Joint
4	00754335	1	Grease Fitting
5	00754334	2	Grease Fitting
6	00754375	1	D/L Half Asy, w/ Shield & Clutch (Mower End)
7	00754376	1	D/L Half Asy w/ Shield & QD Yoke (Tractor End)
8	00754330	6	Nylon Bolts, Shield Retaining
9	00754332	1	Locking Collar, Outer Shield
10	00754331	1	Inner Locking Collar, Inner Shield
11	00754377	1	Shield Half Asy, Outer
12	00754378	1	Shield Half Asy, Inner
13	00754379	1	Shield Asy, Complete Inner & Outer Halves
14	00754200	1	Slip Clutch Asy (4 Friction Disc)
15	00754153	1	Yoke Only, F/ Inner Tube
	00759988	1	Tube Only, Inner
16	00754166	2	Roll Pin, F/ Inner or Outer Yoke
17	00754154	1	Yoke Only, F/ Outer Tube
	00759987	1	Tube Only, Outer

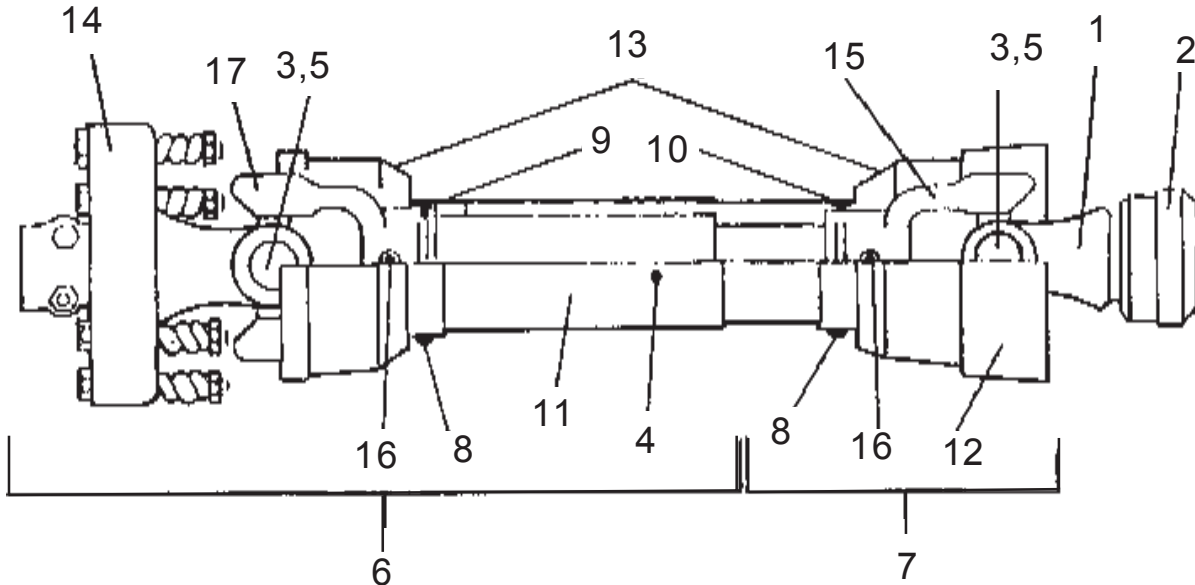
Adjust Clutch: Tighten Bolts
till Springs are 1-5/16" Long

Mar. 1989
to
Apr. 1990

DRIVELINE (Standard)

See Last Pages
of
Book For S/N Dates

D/L Had Yellow Shield, Triangle Shape Tube & Shaft, 1-3/8" 6 Splined Clutch Hub



Item	Part No.	Qty.	Description
	00752817	--	Driveline Asy w/ Shields
1	00752883	1	Yoke, QD w/ QD
2	00757144	1	Slide collar Kit (a/r)
	00752880	1	Push Pin Kit (a/r)
3	00752896	2	Cross Kit, U-Joint
4	00724335	1	Grease Fitting
5	00754334	2	Grease Fitting
6	00754190	1	D/L Half Asy, w/ Shield & Clutch (Mower End)
7	00754191	1	D/L Half Asy w/ Shield & QD Yoke (Tractor End)
8	00754330	6	Nylon Bolts, Shield Retaining
9	00754332	1	Locking Collar, Outer Shield
10	00754331	1	Inner Locking Collar, Inner Shield
11	00754333	1	Shield Half Asy, Outer
12	00754192	1	Shield Half Asy, Inner
13	00754193	1	Shield Asy, Complete Inner & Outer Halves
14	00754200	1	Slip Clutch Asy (4 Friction Disc)
15	00754153	1	Yoke Only, F/ Inner Tube
	00759988	1	Tube Only, Inner
16	00754166	2	Roll Pin, F/ Inner or Outer Yoke
17	00754154	1	Yoke Only, F/ Outer Tube
	00759987	1	Tube Only, Outer

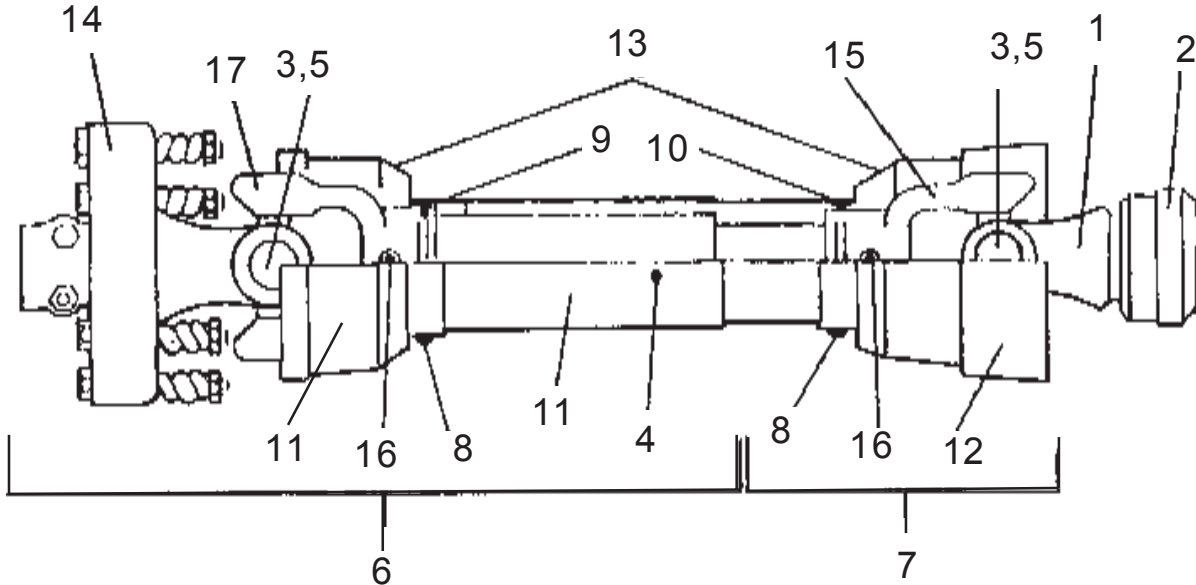
Adjust Clutch: Tighten Bolts
till Springs are 1-5/16" Long

May 1990
to
Oct. 1990

DRIVELINE (Standard)

See Last Pages
of
Book For S/N Dates

D/L Had Black Shield, Triangle Shape Tube & Shaft, 1-3/8" 6 Splined Clutch Hub



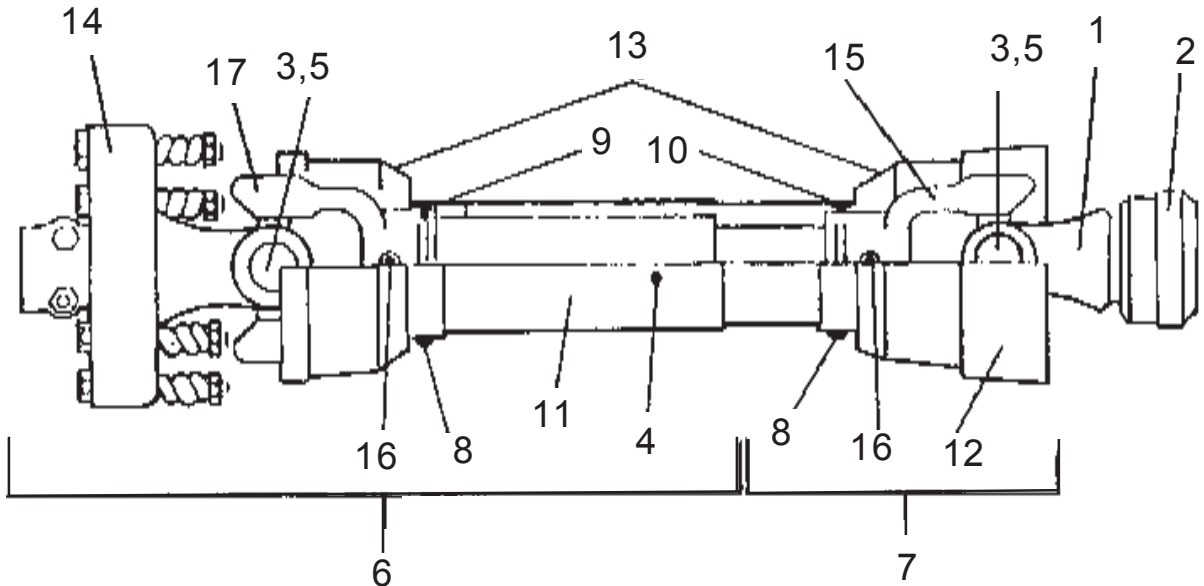
Item	Part No.	Qty.	Description
	00759320	--	Driveline Asy w/ Shields
1	00752883	1	Yoke, QD w/ Slide Collar
2	00757144	1	Slide collar Kit
3	00752896	2	Cross Kit, U-Joint
4	00754335	1	Grease Fitting
5	00759517	2	Grease Fitting
6	00759989	1	D/L Half Asy, w/ Shield & Clutch (Mower End)
7	00759990	1	D/L Half Asy w/ Shield & QD Yoke (Tractor End)
8	00759217	4	Screws, Shield Retaining
9	00759218	1	Bearing, Outer Shield
10	00759216	1	Bearing, Inner Shield
11	00759994	1	Shield Half Asy, Outer
	00759992	1	Shield Tube Only, Outer
	00759842	1	Short Cone
12	00759993	1	Shield Half Asy, Inner
	00759844	1	Standard Cone
13	00759995	1	Shield Asy, Complete Inner & Outer Halves
14	00759948	1	Slip Clutch Asy
15	00754153	1	Yoke Only, F/ Inner Tube
	00759988	1	Tube Only, Inner
16	00754167	2	Roll Pin, F/ Inner or Outer Yoke
17	00754154	1	Yoke Only, F/ Outer Tube
	00759987	1	Tube Only, Outer
	00756004	1	Decal, D/L Warning Label

Nov. 1990
to
Jun. 1991

DRIVELINE (Standard)

See Last Pages
of
Book For S/N Dates

D/L Had Yellow Shield, Triangle Shape Tube & Shaft, 1-3/8" 6 Splined Clutch Hub



Item	Part No.	Qty.	Description
	00754172	--	Driveline Asy w/ Shields
1	00752883	1	Yoke, QD w/ Slide Collar
2	00757144	1	Slide collar Kit
3	00752896	2	Cross Kit, U-Joint
4	00754335	1	Grease Fitting
5	00754334	2	Grease Fitting
6	00754375	1	D/L Half Asy, w/ Shield & Clutch (Mower End)
7	00754376	1	D/L Half Asy w/ Shield & QD Yoke (Tractor End)
8	00754330	6	Nylon Bolts, Shield Retaining
9	00754332	1	Locking Collar, Outer Shield
10	00754331	1	InnerLocking Collar, Inner Shield
11	00754377	1	Shield Half Asy, Outer
12	00754378	1	Shield Half Asy, Inner
13	00754379	1	Shield Asy, Complete Inner & Outer Halves
14	00754200	1	Slip Clutch Asy (4 Friction Disc)
15	00754153	1	Yoke Only, F/ Inner Tube
	00759988	1	Tube Only, Inner
16	00754166	2	Roll Pin, F/ Inner or Outer Yoke
17	00754154	1	Yoke Only, F/ Outer Tube
	00759987	1	Tube Only, Outer

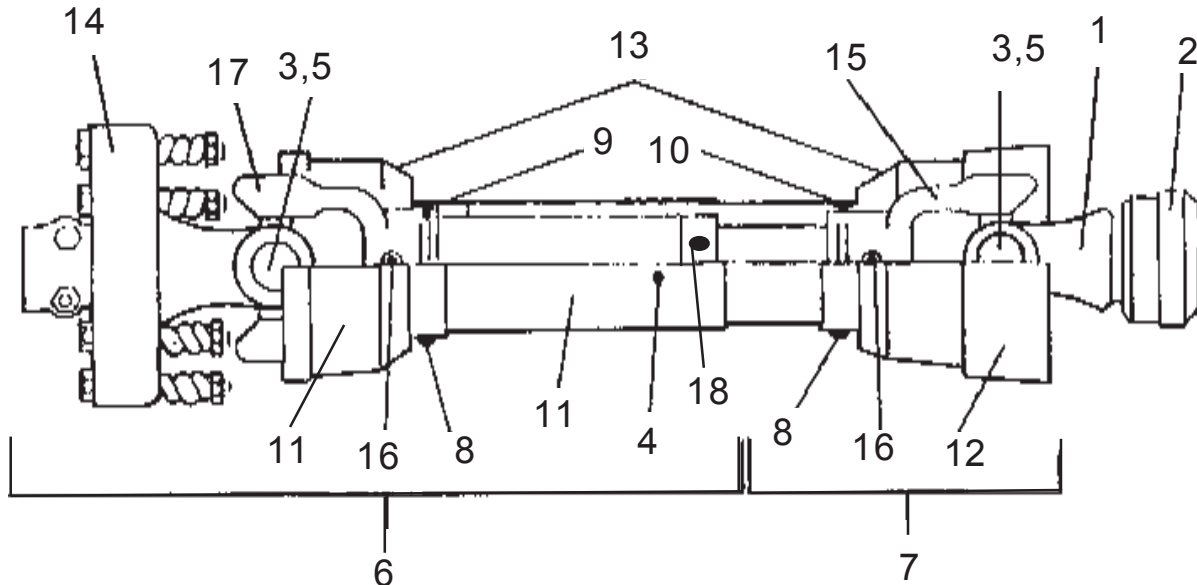
Adjust Clutch: Tighten Bolts
till Springs are 1-5/16" Long

Jul. 1991
to
Nov. 1998

DRIVELINE (Standard)

See Last Pages
of
Book For S/N Dates

D/L Had Yellow or Blavk Shield, Triangle Shape Tube & Shaft, 1-3/8" 6 Splined Clutch Hub



Item	Part No.	Qty.	Description
	00751321	--	Driveline Asy w/ Shields
1	00752883	1	Yoke, QD w/ Slide Collar
2	00757144	1	Slide collar Kit
3	00752896	2	Universal Joint (Cross Kit)
4	00754335	1	Grease Fitting
5	00755610	2	Grease Fitting
6	00751323	1	D/L Half Asy, w/ Shield & Clutch (Mower End)
7	00754376	1	D/L Half Asy w/ Shield & QD Yoke (Tractor End)
8	00754330	6	Nylon Screws, Shield Retaining
9	00754332	1	Lock Collar Bearing, Outer Shield
10	00754331	1	Lock Collar Bearing, Inner Shield
11	00754377	1	Shield Half Asy, Outer
12	00754378	1	Shield Half Asy, Inner
13	00754379	1	Shield Asy, Complete Inner & Outer Halves
14	00754320	1	Slip Clutch Asy, w/ 8 Coil Springs
	00754320A	1	*Slip Clutch Asy, w/o Any Coil Springs
15	00754153	1	Yoke Only, F/ Inner Tube
	00752735	1	Tube Only, Inner (will replace # 00759988)
16	00754166	2	Roll Pin, F/ Inner or Outer Yoke
17	00754154	1	Yoke Only, F/ Outer Tube
	00759987	1	Tube Only, Outer (will replace # 00759987)
	00756004	1	Decal, D/L Warning Label
18	00772559	1	Shield Bushing w/ grease Fitting

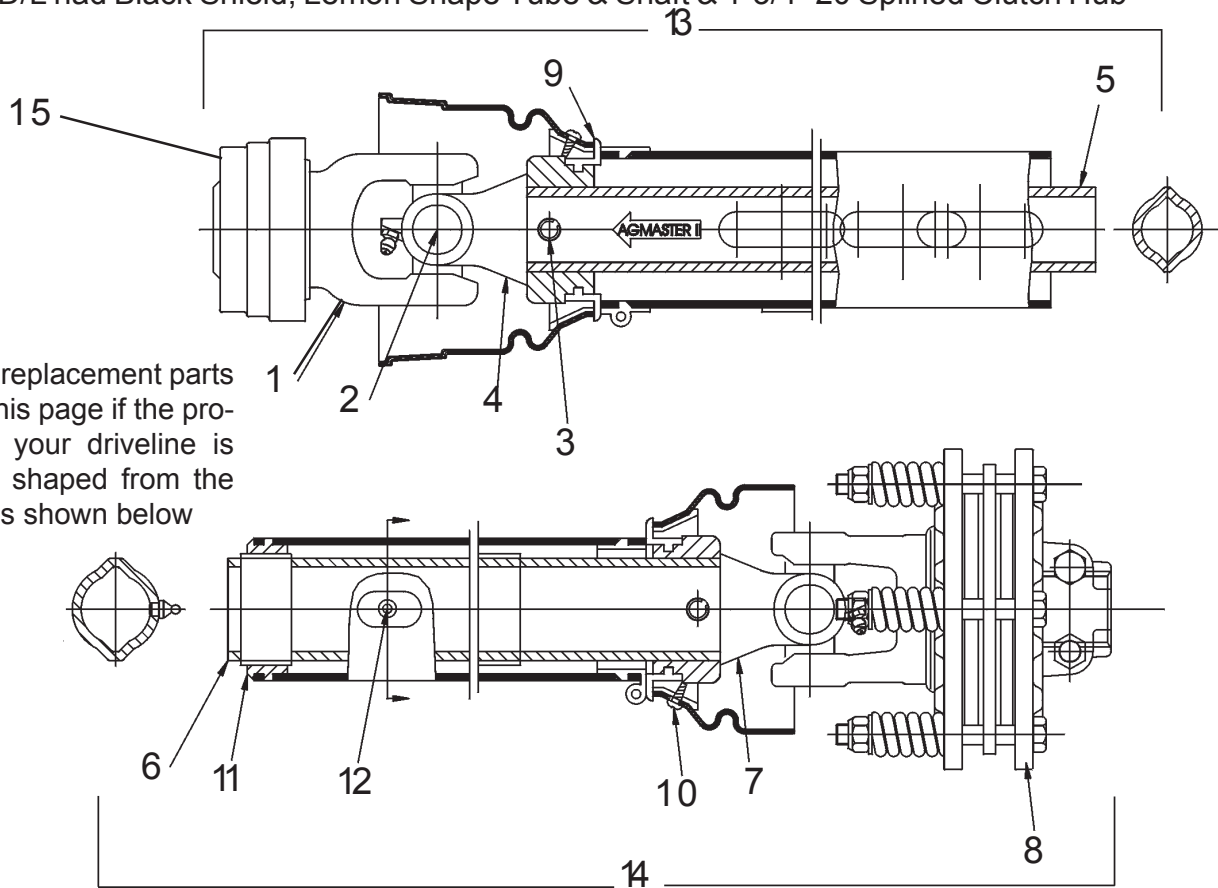
* Clutches # 00754320A Shipped w/o Springs in 1997 & 1998 Only, Use Kit # 00773222 to Install Springs

Dec. 1998
to
Current

DRIVELINE (Standard)

See Last Pages
of
Book For S/N Dates

D/L had Black Shield, Lemon Shape Tube & Shaft & 1-3/4" 20 Splined Clutch Hub



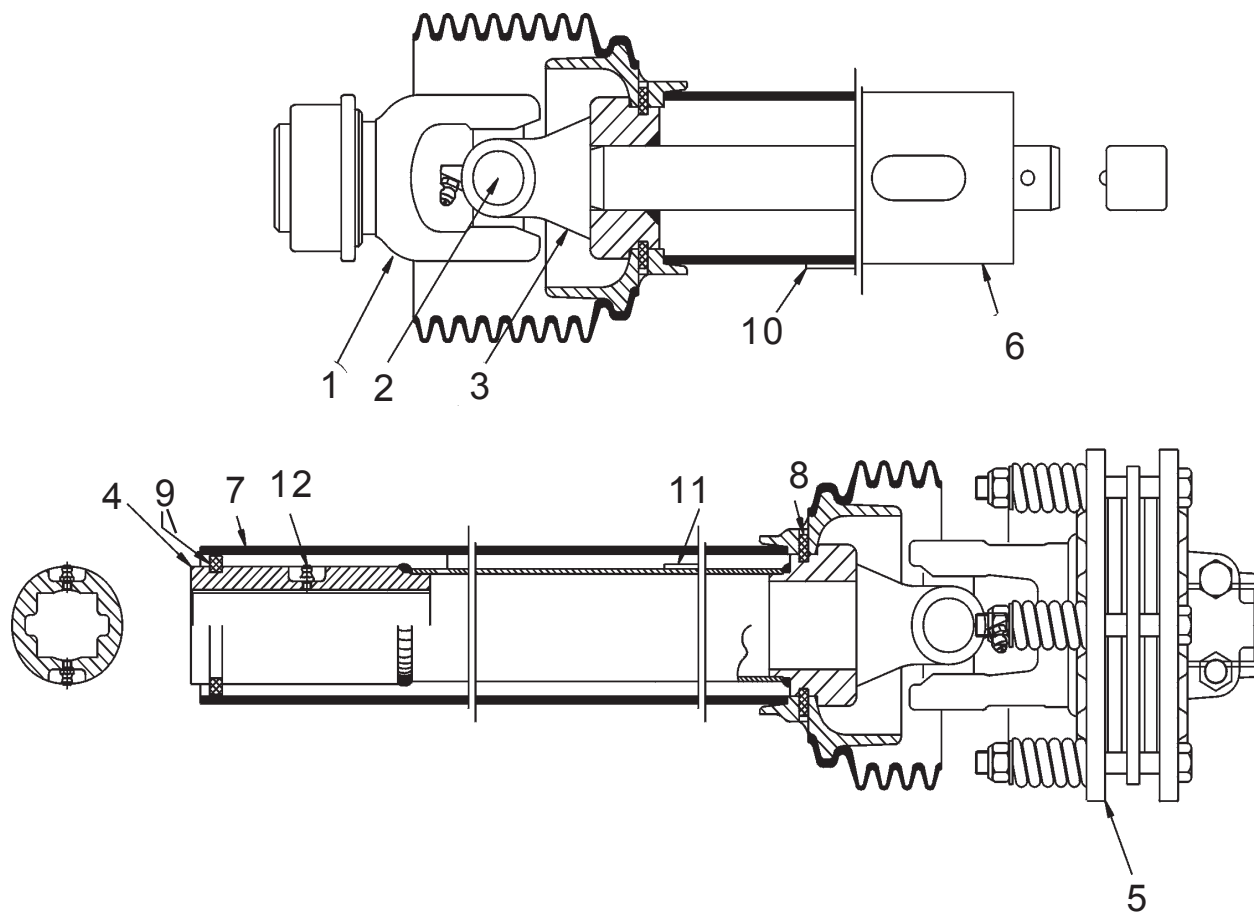
Order replacement parts from this page if the profile of your driveline is lemon shaped from the end, as shown below

ITEM	PART NO.	QTY	DESCRIPTION
	00775385	-	540 RPM Driveline Assembly
	00775390	-	1000 RPM Driveline Assembly
1	00775353	1	Yoke, 540 RPM 1-3/8" X 6 Spline
-	00761762	1	Yoke, 1000 RPM 1-3/8" X 21 Spline
2	W279R	2	Universal Joint (Cross Kit)
3	8384	2	Spring Pin
4	00775317	1	Inboard Yoke
5	7413	1	Inner Profile
6	00775377	1	Profile & Sleeve W.A.
7	00775318	1	Inboard Yoke
8	00775331	1	Friction Clutch
9	8393	2	Bearing Ring
10	4797	2	Screw
11	8974	1	Support Bearing
12	1416601	1	Zerk
13	00775388	1	Outer Shield Half
14	00775389	1	Inner Shield Half
15	00767954	1	Yoke QD Kit, 540 RPM
-	00767953	1	Yoke QD Kit, 1000 RPM

Dec. 1998
to
Current

DRIVELINE Optional Cat 5

See Last Pages
of
Book For S/N Dates



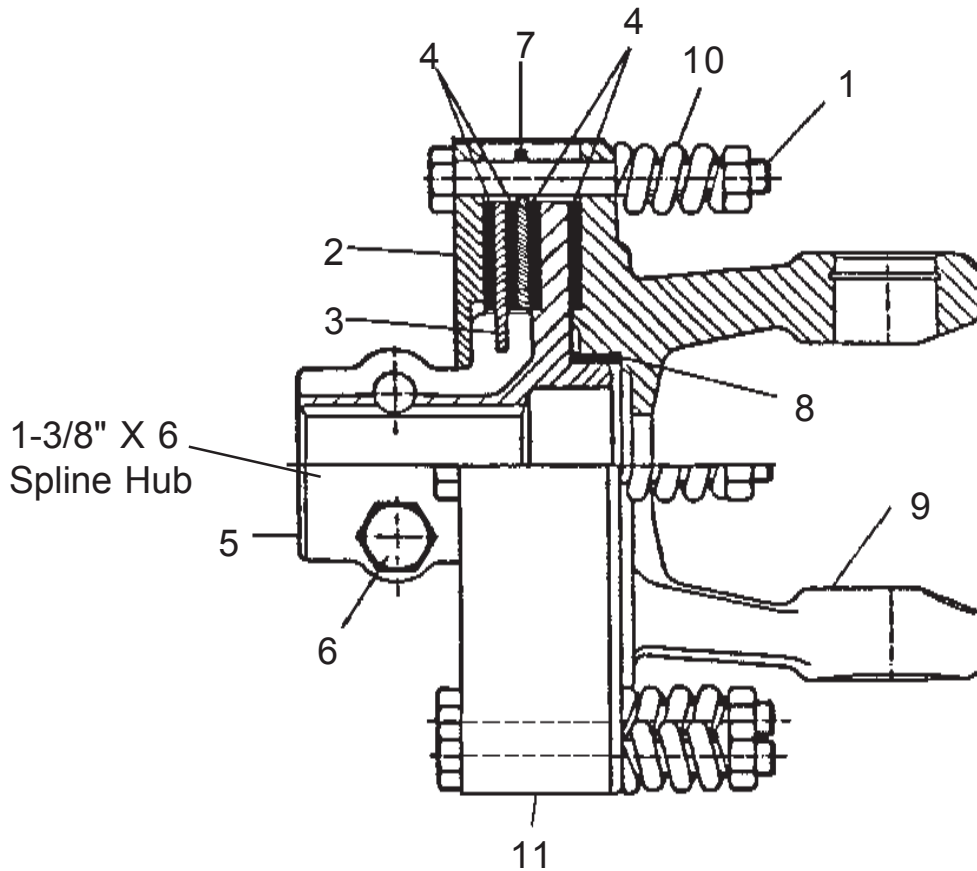
ITEM	PART NO.	QTY	DESCRIPTION
	00775433	-	Driveline Assembly, 540 RPM
1	W821A	1	Yoke
2	W840	2	Cross & Bearing Kit
3	00775446	1	I.B. Yoke & Bar W.A.
4	00775447	1	I.B. Yoke , Tube and Sleeve W.A.
5	00775382	1	Friction Clutch
6	00775448	1	Outer Shield Tube Assy.
7	00775449	1	Inner Shield Tube Assy.
8	00775347	4	Shield Bearing
9	00775348	1	Sleeve Bearing
10	7387	1	Decal Outer
11	7397	1	Decal Inner
12	752670	2	Zerk

Jul. 1988
to
Apr. 1990

SLIP CLUTCH

See Last Pages
of
Book For S/N Dates

Note: Used with D/L Assembly 00754172 & 00752817



Item	Part No.	Qty	Description
	00754200	--	Slip Clutch Asy
1	00754199	8	Nut and Bolt
2	00754203	1	Pressure
3	00754201	1	Inner Plate
4	00754202	4	Clutch Lining
5	00754300	1	Clutch Body, Hub, 1-3/8" X 6 Spline
6	00755600	2	Bolt And Nut Set
7	00754314	1	Plate with Holes
8	00754301	1	Spacer
9	00754302	1	Yoke
10	00754303	8	Clutch Spring
11	00754304	1	Dirt Shield

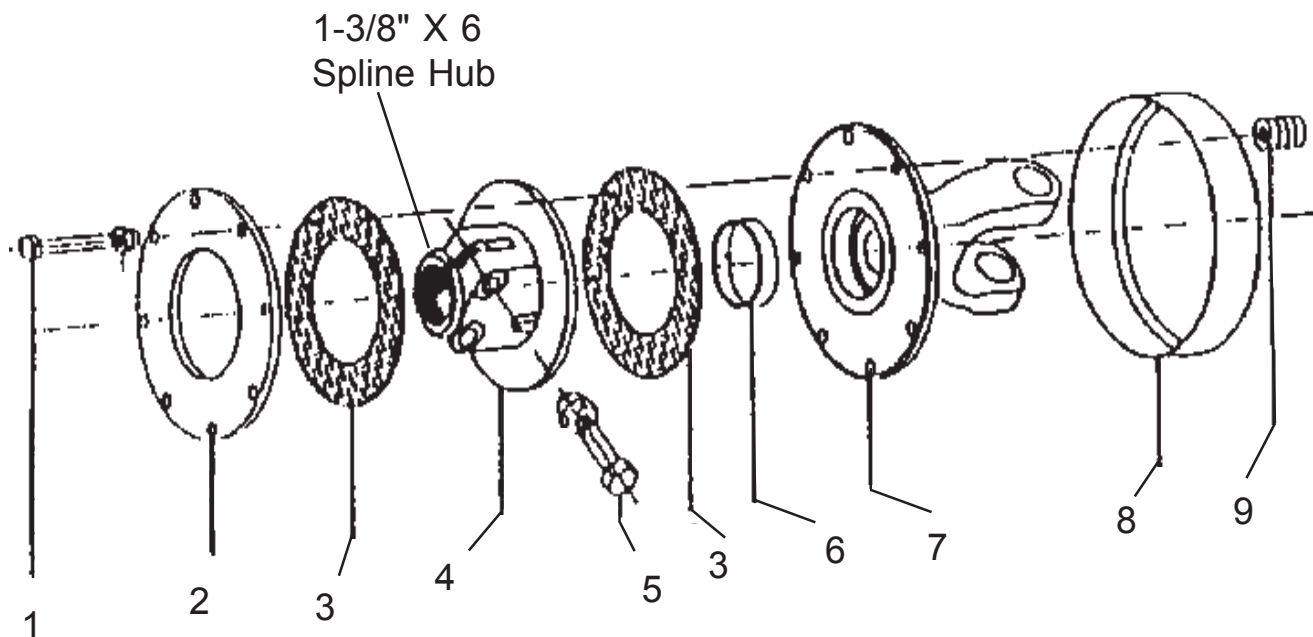
Adjust Clutch: Tighten Bolts
till Springs are 1-5/16" Long

May. 1990
to
Oct. 1990

SLIP CLUTCH

See Last Pages
of
Book For S/N Dates

Note: Used with D/L Assembly 00759320



Item	Part No.	Qty	Description
	00759948	--	Slip Clutch Asy
1	00754316	8	Nut and Bolt
2	00754203	1	Pressure
3	00754202	2	Clutch Lining
4	00754300	1	Clutch Body, Hub, 1-3/8" X 6 Spline
5	00752903	2	Nut & Bolt
6	00754301	1	Bushing
7	00754302	1	Flanged Yoke
8	00754318	1	Dirt Shield
9	00754315	8	Springs

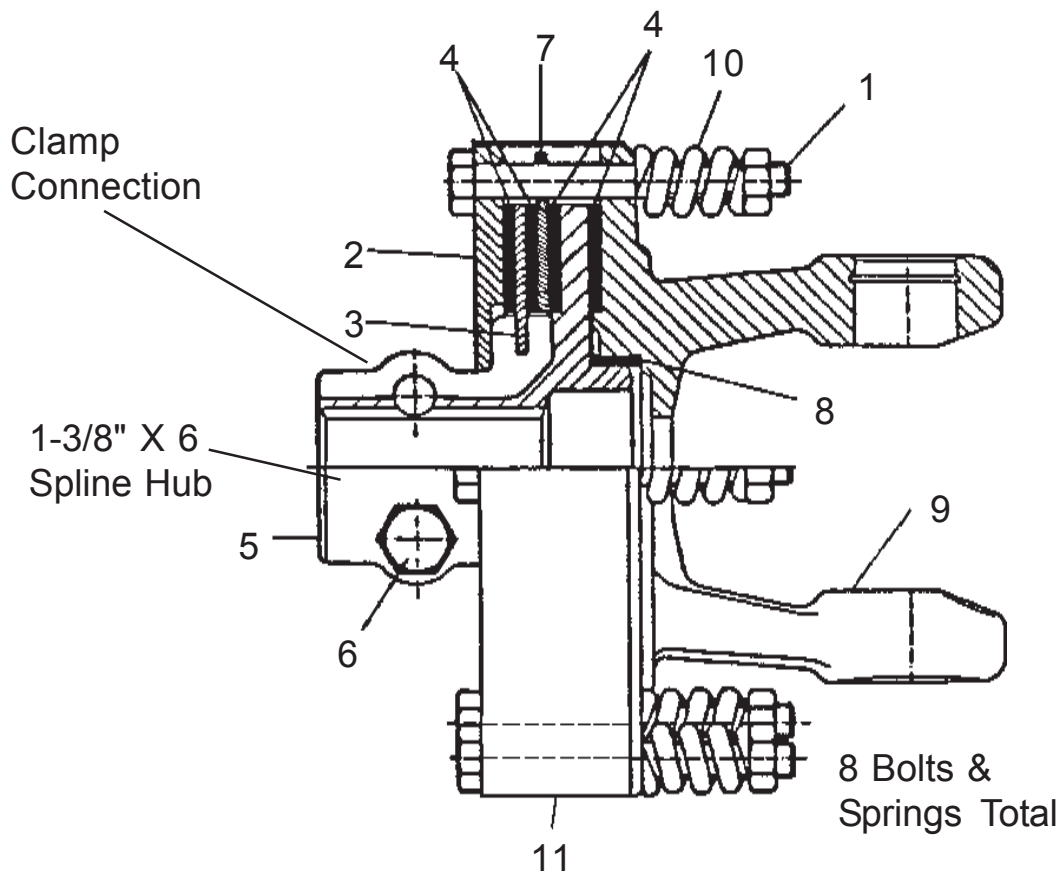
Adjust Clutch: Tighten Bolts
till Springs are 1-5/16" Long

Nov. 1990
to
Jun. 1991

SLIP CLUTCH

See Last Pages
of
Book For S/N Dates

Note: Used with D/L Assembly 00754172



Item	Part No.	Qty	Description
	00754200	--	Slip Clutch Asy
1	00754199	8	Nut and Bolt
2	00754203	1	Pressure
3	00754201	1	Inner Plate
4	00754202	4	Clutch Lining
5	00754300	1	Clutch Body, Hub, 1-3/8" X 6 Spline
6	00755600	2	Bolt And Nut Set
7	00754314	1	Plate with Holes
8	00754301	1	Spacer
9	00754302	1	Yoke
10	00754303	8	Clutch Spring
11	00754304	1	Dirt Shield

Adjust Clutch: Tighten Bolts
till Springs are 1-5/16" Long

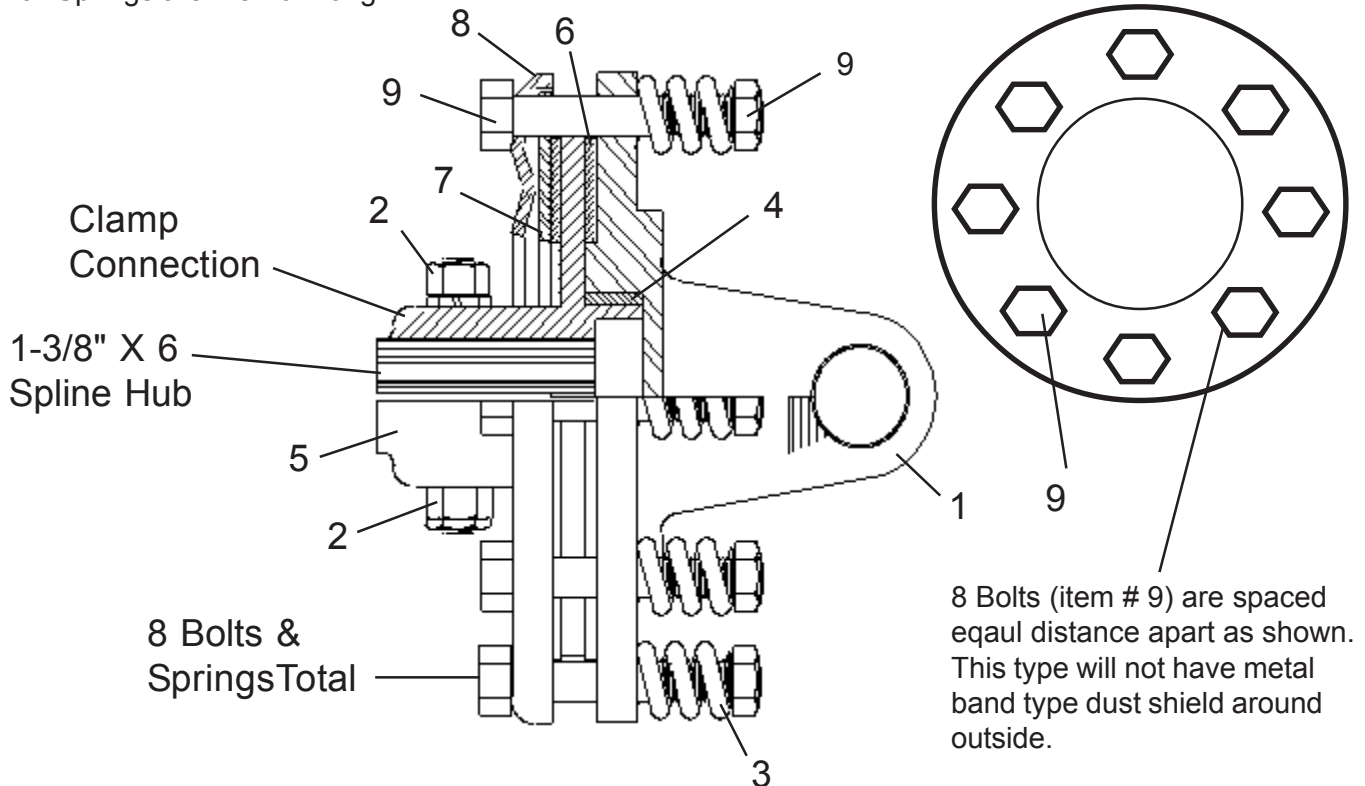
Jul. 1991
to
Nov. 1998

SLIP CLUTCH

See Last Pages
of
Book For S/N Dates

Note: Used with D/L Assembly 00751321

Adjust Clutch: Tighten Bolts
till Springs are 1-5/16" Long



Item	Part No.	Qty	Qty	Description
	00754320	1	--	Slip Clutch Asy, With Springs
	00754320A	--	1	Slip Clutch Asy, With Out Springs (obsolete)
1	00754302	1	1	Flange Yoke
2	00752903	2	2	Bolt & Locknut
3	00754315	8	--	Spring
	00773222	--	1	Spring Kit, Conversion w/ Item # 8 (#00756810)
4	00754301	1	1	Bushing
5	00754301	1	1	Clutch Hub, 1-3/8" X 6 Spline
6	00754202	2	2	Friction Disk
7	00754314	1	1	Inside Plate W/ Holes
8	00756810	1	--	Pressure Plate
	00772465	--	1	Pressure Plate, (Replacement Part Only)
9	00754316	8	--	Bolt & Locknut

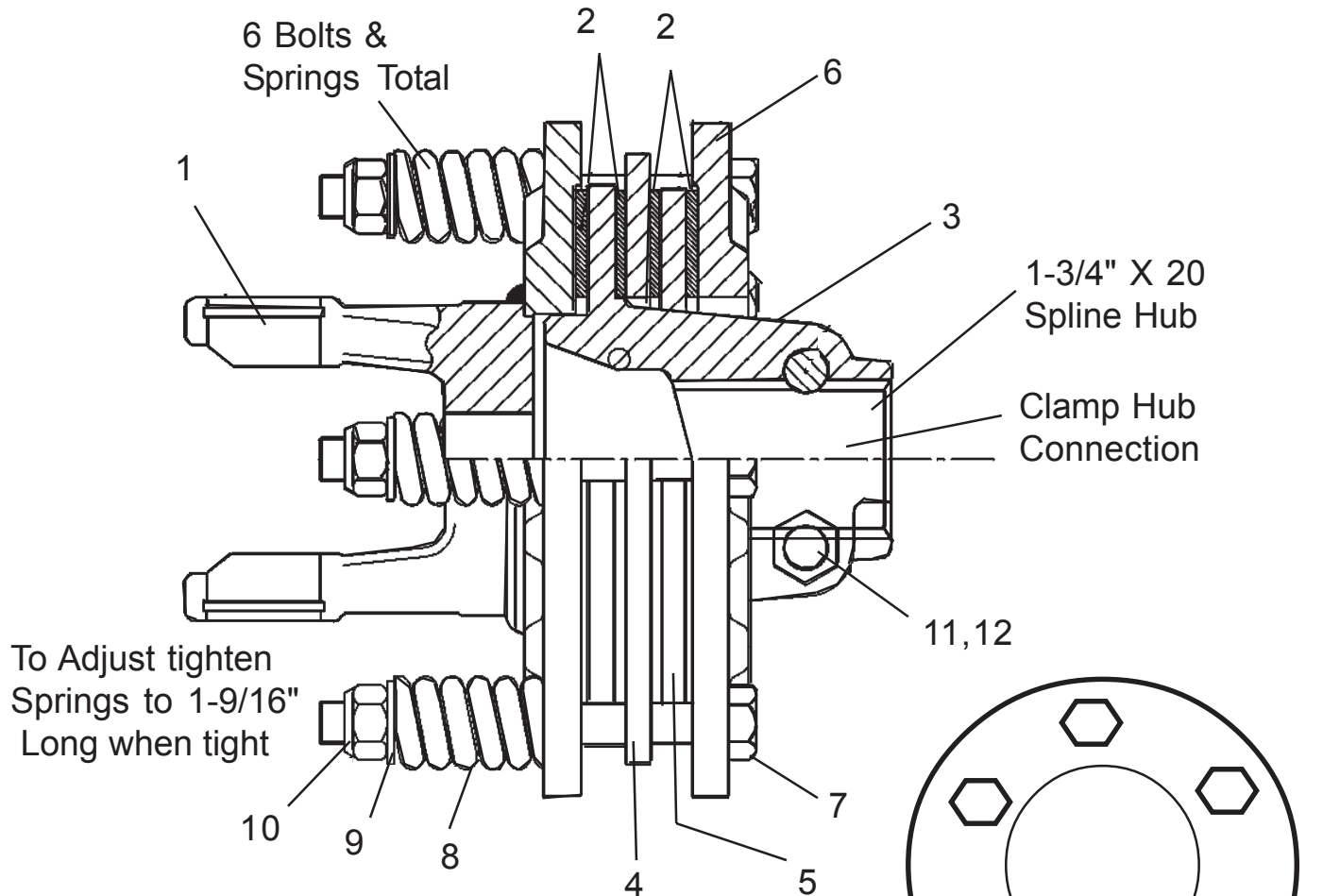
NOTE: Some Clutches # 00754320A were used in 1997 & 1998, These DID NOT HAVE the 8 coil springs. Not all Shipped were springless type, Most the ones w/o Springs were converted using Kit # 00773222, This included Springs, Bolts, Nuts & a new Pressure Plate that is used with the Springs, The pressure plate for the springless clutch is available as replacement part Only, BUT it is recommended to use complete Spring kit. Once the Kit has been installed the Clutch becomes a Spring type # 00754320

Dec. 1998
to
Current

SLIP CLUTCH Cat 4 Standard

See Last Pages
of
Book For S/N Dates

Note: Used with D/L Assembly 00775385 & 00775390



Item	Part No.	Qty	Description
	00775331	-	Slip Clutch
1	00775333	1	Flange Yoke
2	8366	4	Friction Disk
3	00775334	1	Hub
4	00775335	1	Drive Plate
5	00775336	1	Drive Plate
6	00775337	1	Thrust Plate
7	00775338	6	Bolt
8	00775339	6	Compression Spring
9	00754566	6	Lockwasher
10	00756164	6	Locknut
11	00775327	2	Locknut
12	00775328	2	Bolt

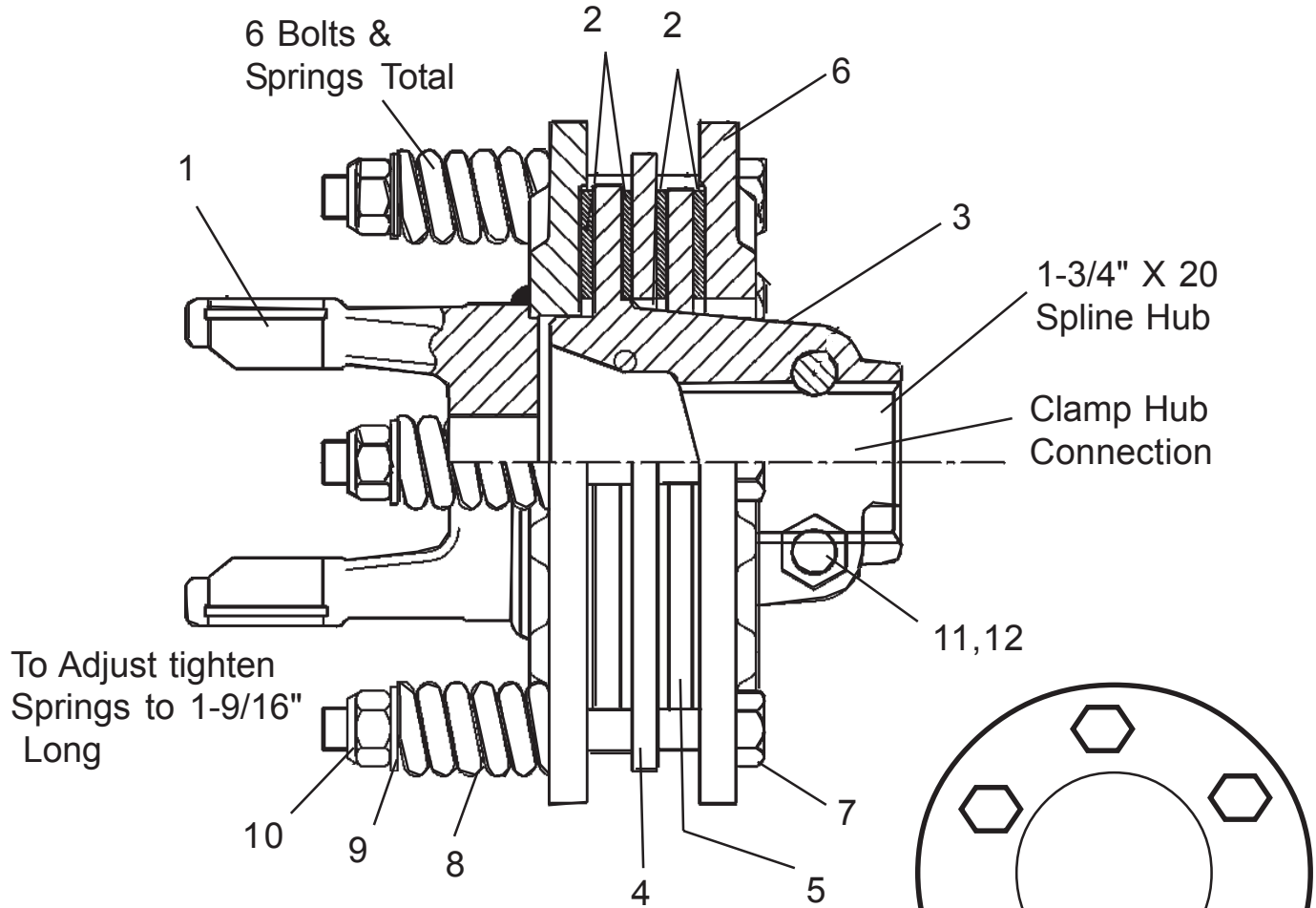
6 Bolts (item # 7) are spaced equal distance apart as shown. This type will not have metal band type dust shield around outside.

Dec. 1998
to
Current

SLIP CLUTCH Optional Cat 5

See Last Pages
of
Book For S/N Dates

Note: Used with D/L Assembly 00775433



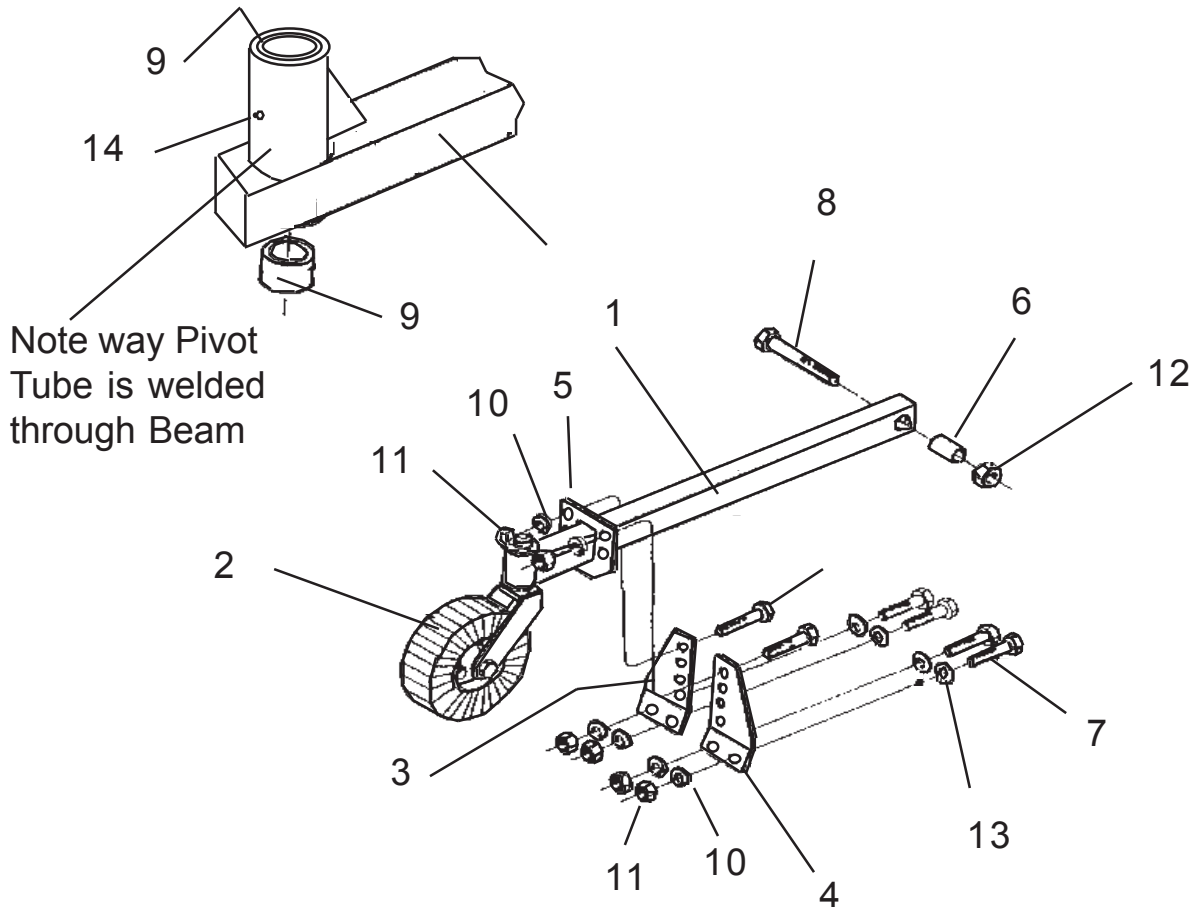
Item	Part No.	Qty	Description
	00775382		Slip Clutch
1	00775383	1	Flange Yoke
2	0921000462	4	Friction Disk
3	00777498	1	Hub
4	00775335	1	Drive Plate
5	00775336	1	Drive Plate
6	00775337	1	Thrust Plate
7	00775338	6	Bolt
8	00775339	6	Compression Spring
9	00754566	6	Lockwasher
10	00755881	6	Locknut
11	700322C	2	Locknut
12	0615700	2	Bolt

6 Bolts (item # 7) are spaced equal distance apart as shown. This type will not have metal band type dust shield around outside.

Jul.. 1988
to
Aug. 2000

CASTER WHEEL ASY

See Last Pages
of
Book For S/N Dates



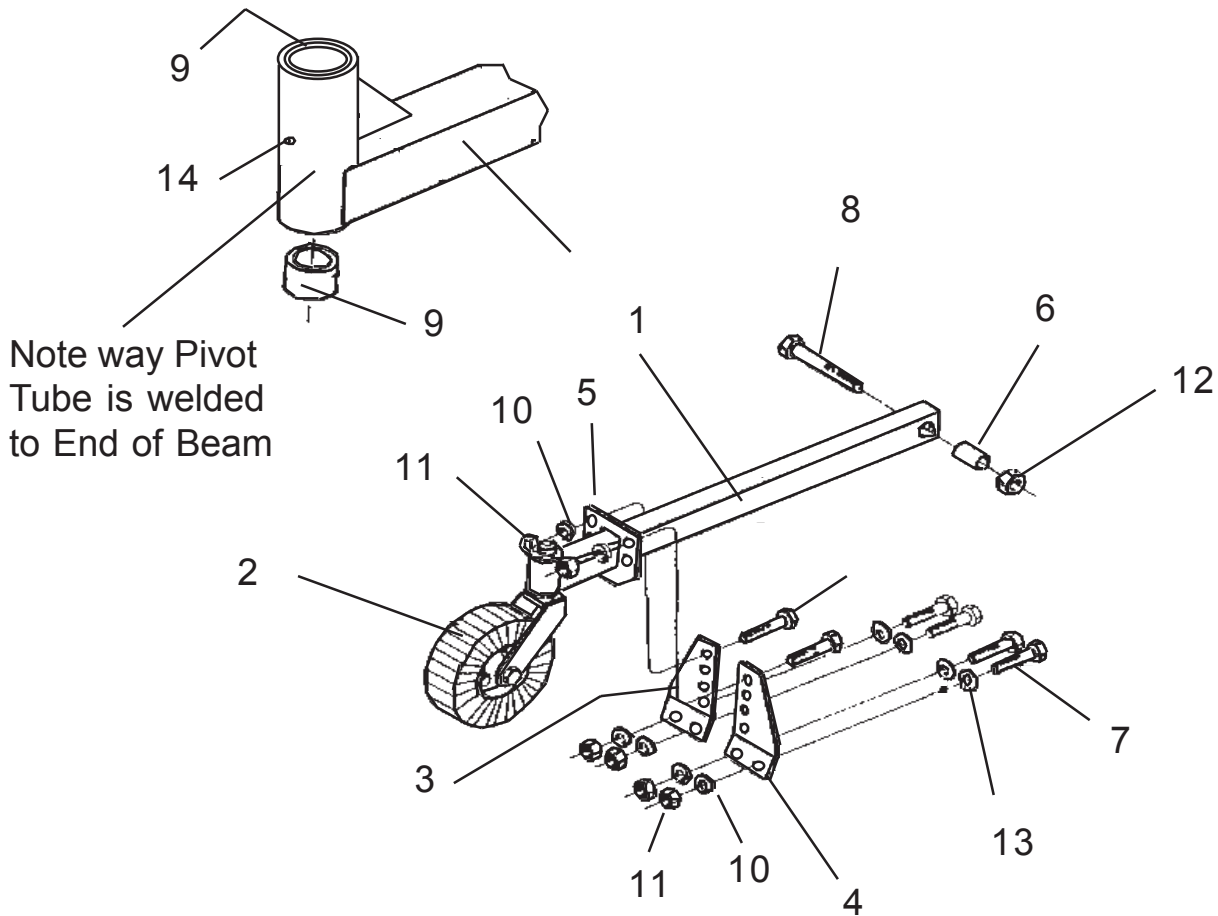
Item	Part No.	Qty	Description
1	0625021100	1	Tailwheel Beam, w/Bushings, (3" X 3" X 49-1/2" Long)
2	0585020200	1	Tailwheel Asy
3	0585020002	1	Support Bracket, LH
4	0585020001	1	Support Bracket, RH
5	0585020300	1	Bracket, Positioning
6	0585021101	1	Spacer
7	7A81312	6	Bolt
8	7A101140	1	Bolt
9	361129	2	Sintered Iron Bushing, 1-1/2 ID
10	00001300	6	Lock Washer
11	5B8130	6	Nut
12	5GR10110	1	Locknut
13	15B800	4	Plain Washer
14	651062F	1	Grease Fitting

* Measure Tailwheel Beam from center of Caster Fork Pivot Shaft to End of Beam where it mounts to Deck for length.

Sep. 2000
to
Current

CASTER WHEEL ASY

See Last Pages
of
Book For S/N Dates



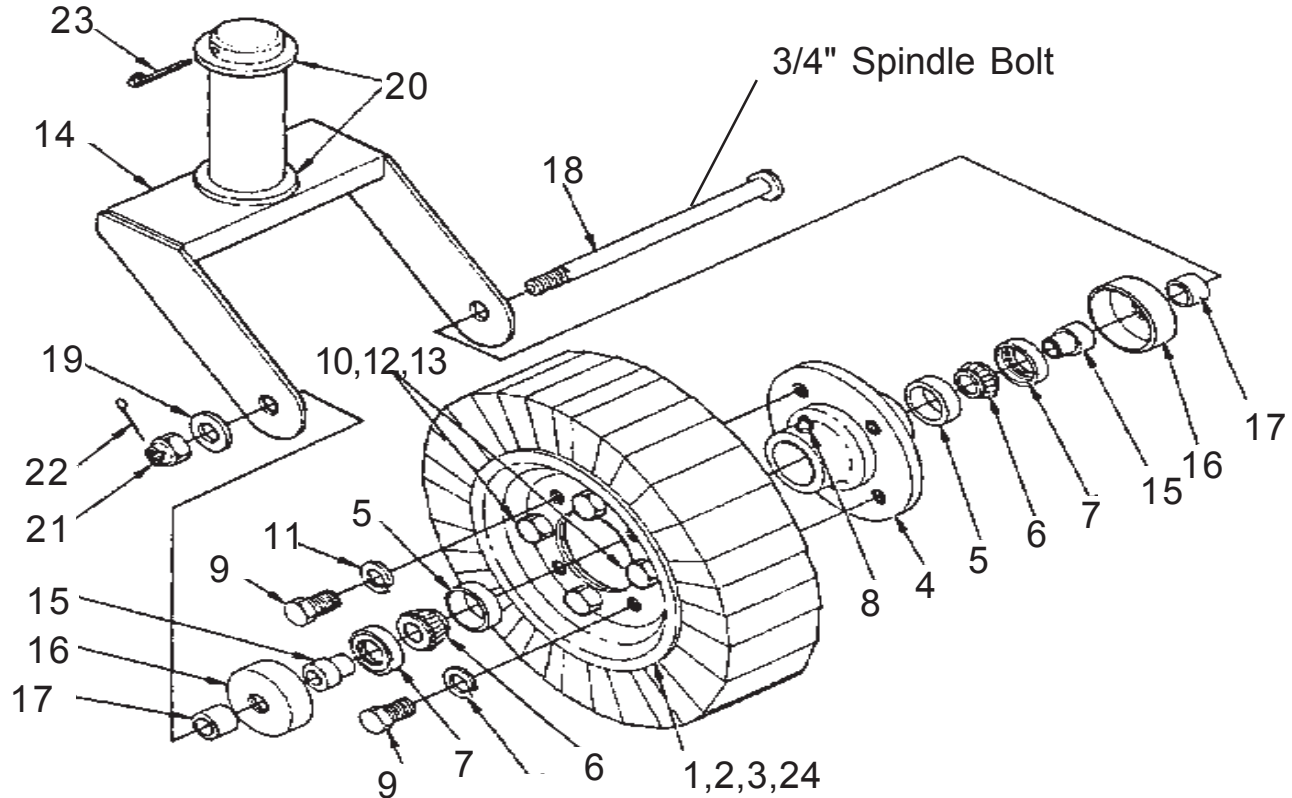
Item	Part No.	Qty	Description
1	00775627	1	Tailwheel Beam, w/Bushings (3" X 3" X 54-1/2")
2	0585020200	1	Tailwheel Asy
3	0585020002	1	Left Side Support Bracket
4	0585020001	1	Right Side Support Bracket
5	0585020300	1	Positioning Bracket
6	0585021101	1	Spacer
7	7A81312	6	Bolt
8	7A101140	1	Bolt
9	361129	2	Sintered Iron Bushing, 1-1/2 ID
10	00001300	6	Lock Washer
11	5B8130	6	Nut
12	5GR10110	1	Locknut
13	15B800	4	Plain Washer
14	651062F	1	Grease Fitting

* Measure Tailwheel Beam from center of Caster Fork Pivot Shaft to End of Beam where it mounts to Deck for length.

Jul. 1988
to
Current

CASTER WHEEL & HUB ASY

See Last Pages
of
Book For S/N Dates

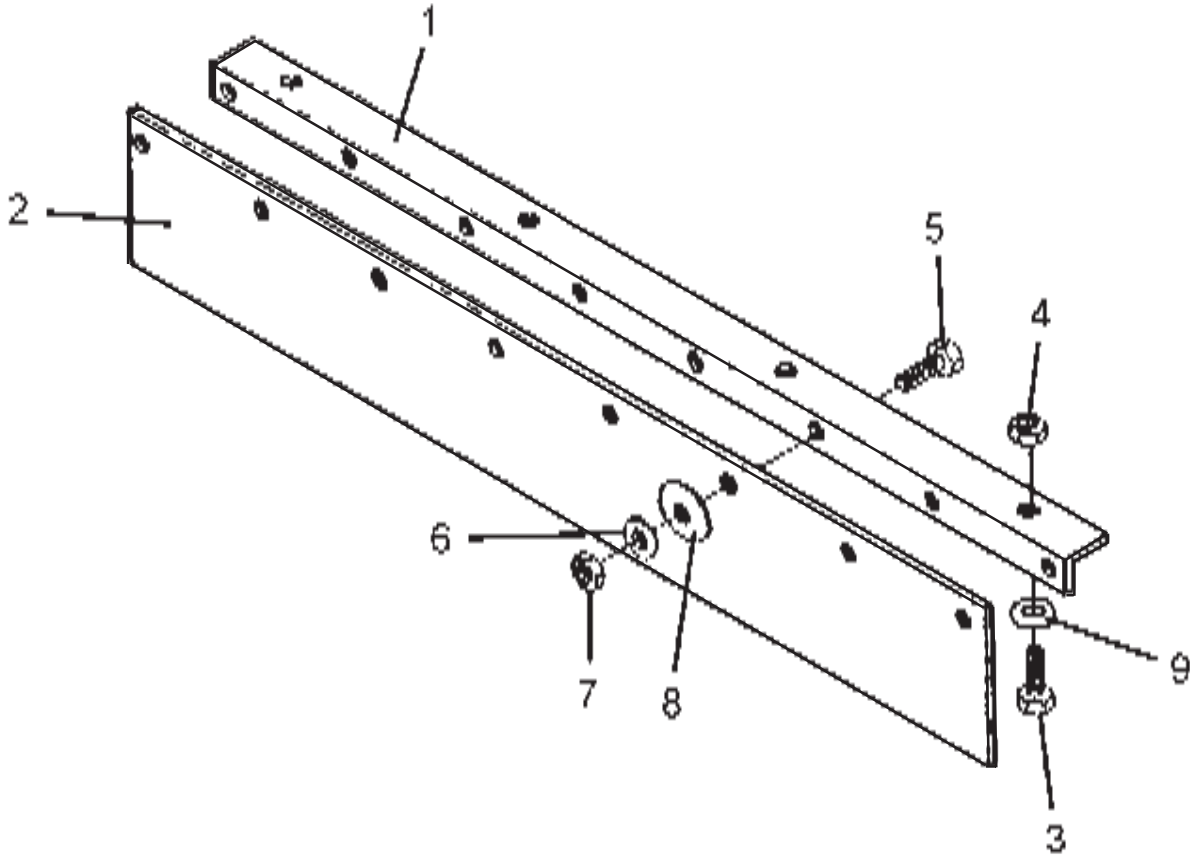


Item	Part No.	Qty	Description	Item	Part No.	Qty	Description
	0585020200	1	Caster Whl, Caster Fork & Hub Asy	13	00013901	4	Nut
1	373024	1	Tire Wheel Asy	14	0585020210	1	Caster Fork Wldmnt
2	373024A	1	Tire	15	37302C2C	2	Bushing
3	373024B	1	8" Dia. Wheel (Bolted Assy)	16	37302D2B	2	Dust Cap
4	373024D	1	Hub Asy (with brgs & seals)	17	511016	2	Bushing
5	00750621	2	Bearing Cup	18	37302D2A	1	Spindle Bolt
6	373024F	2	Bearing Cone	19	15B1200	1	Washer
7	373024E	2	Seal	20	15B2400	2	Flatwasher
8	00752670	1	Grease Fitting (Threaded)	21	5E12160	1	Castle Nut Slot
	00600000	1	Grease Fitting	22	162012	1	Cotter Pin
9	7A8208	4	Bolt	23	00758899	1	Cotter Pin
10	7A6166	4	Bolt	24	373024H	1-ref	Tire & Whl Asy (Bolted Assy. w/o Hub)
11	00001300	4	Lockwasher				
12	00012101	4	Lockwasher				

Jul. 1988
to
Aug. 2000

DEFLECTOR FRONT

See Last Pages
of
Book For S/N Dates

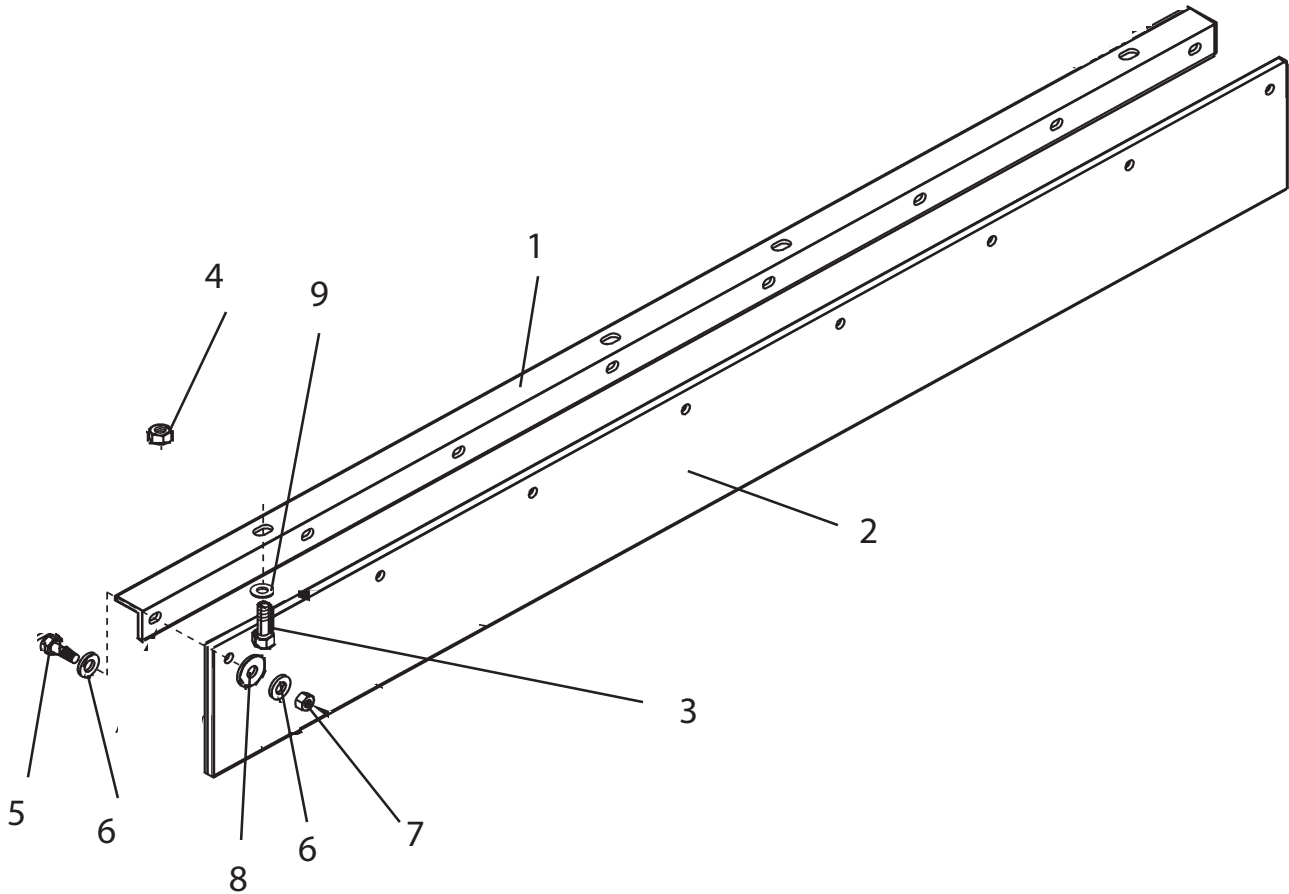


Item	Part No.	Qty	Description
	00758347	-	Front Deflector Asy
1	00758240	1	Bracket
2	00758242	1	Panel
3	02845600	4	Bolt
4	00695100	4	Nut, Toplock 5/8 NC PLC
5	00011400	8	Bolt
6	00011100	16	Flat Washer
7	00015800	8	Locknut
8	02035800	8	Woodwasher
9	00001400	4	Flatwasher

Sep. 2000
to
Current

DEFLECTOR FRONT

See Last Pages
of
Book For S/N Dates

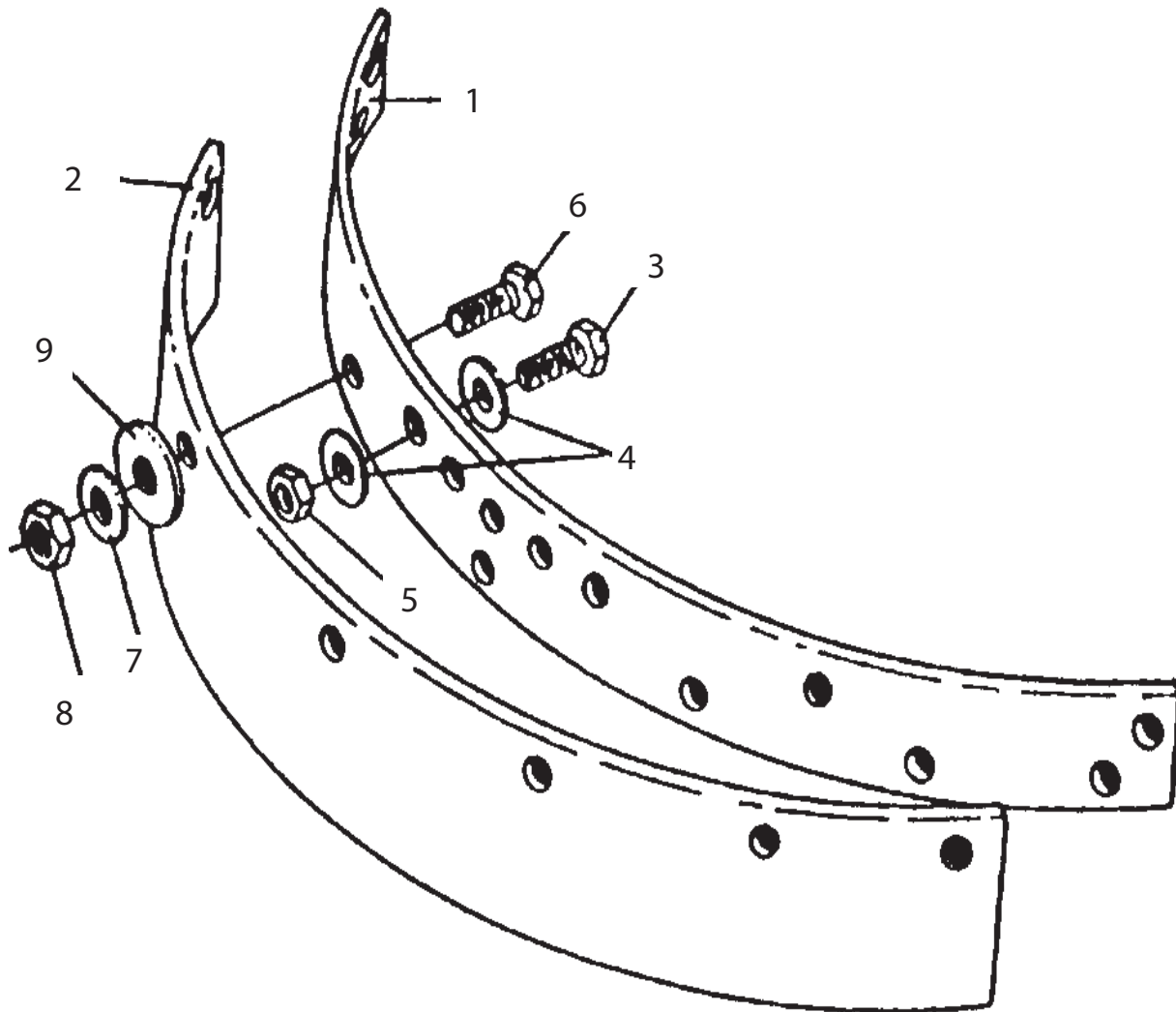


Item	Part No.	Qty	Description
	00775714	-	Front Deflector Assy
1	00758240	1	Bracket
2	00775715	1	Panel
3	02845600	4	Bolt
4	00695100	4	Nut, Toplock 5/8 NC PLC
5	00011400	8	Bolt
6	00011100	16	Flatwasher
7	00015800	8	Locknut
8	02035800	8	Woodwasher
9	00001400	4	Flatwasher

Jul. 1988
to
Aug. 2000

DEFLECTOR REAR

See Last Pages
of
Book For S/N Dates

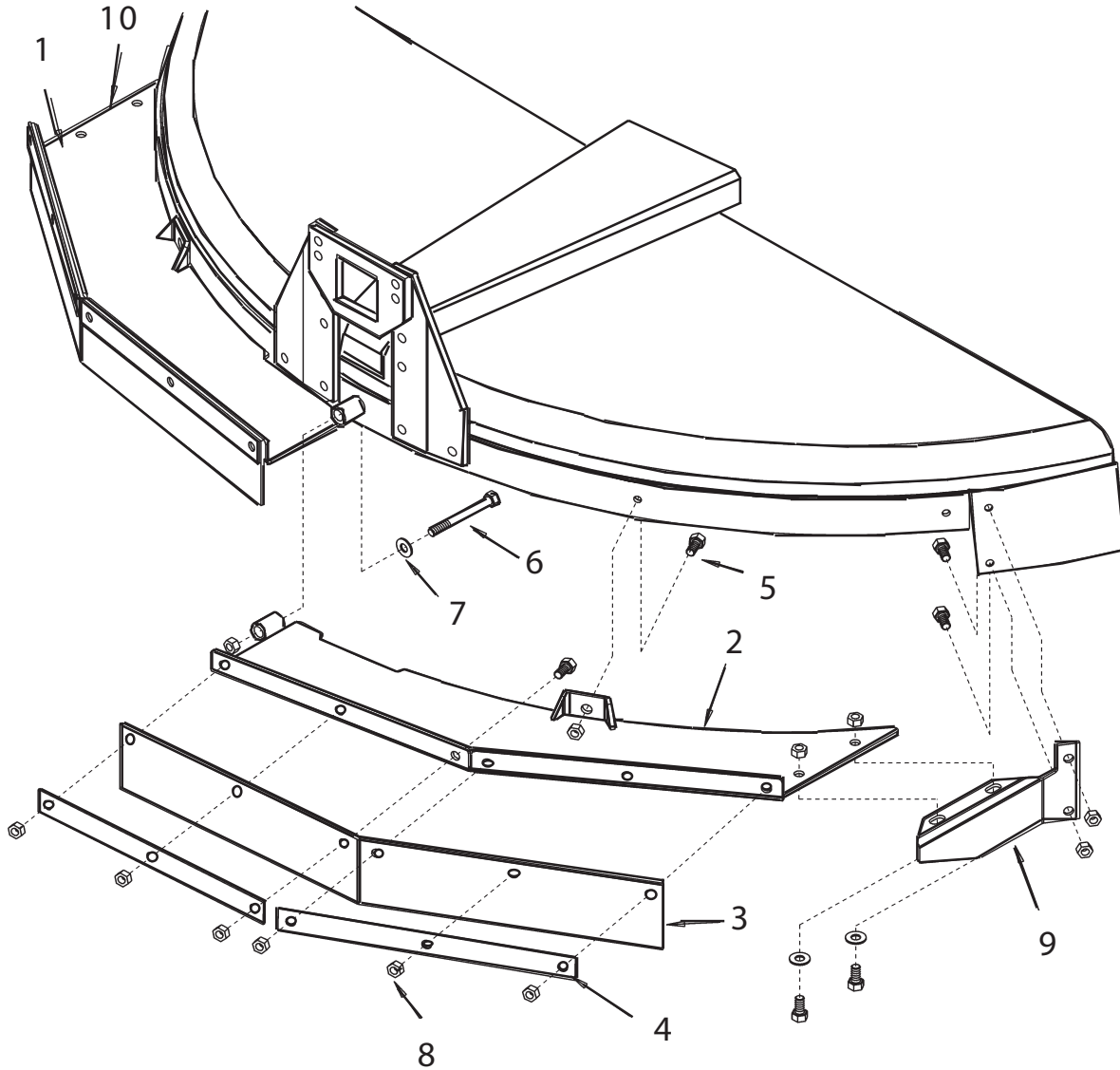


Item	Part No.	Qty.	Description
	00758348	1	Deflector Asy, Rear
1	00758239	1	Band
2	00758241	1	Deflector, Rubber Guard
3	00748823	5	Bolt
4	00002700	10	Flat Washer
5	00001800	5	Locknut TLM 1/2 NC PLC
6	00011400	7	Bolt
7	00011100	14	Flatwasher
8	00015800	7	Locknut
9	02035800	7	Woodwasher

Sep. 2000
to
Current

DEFLECTOR REAR

See Last Pages
of
Book For S/N Dates



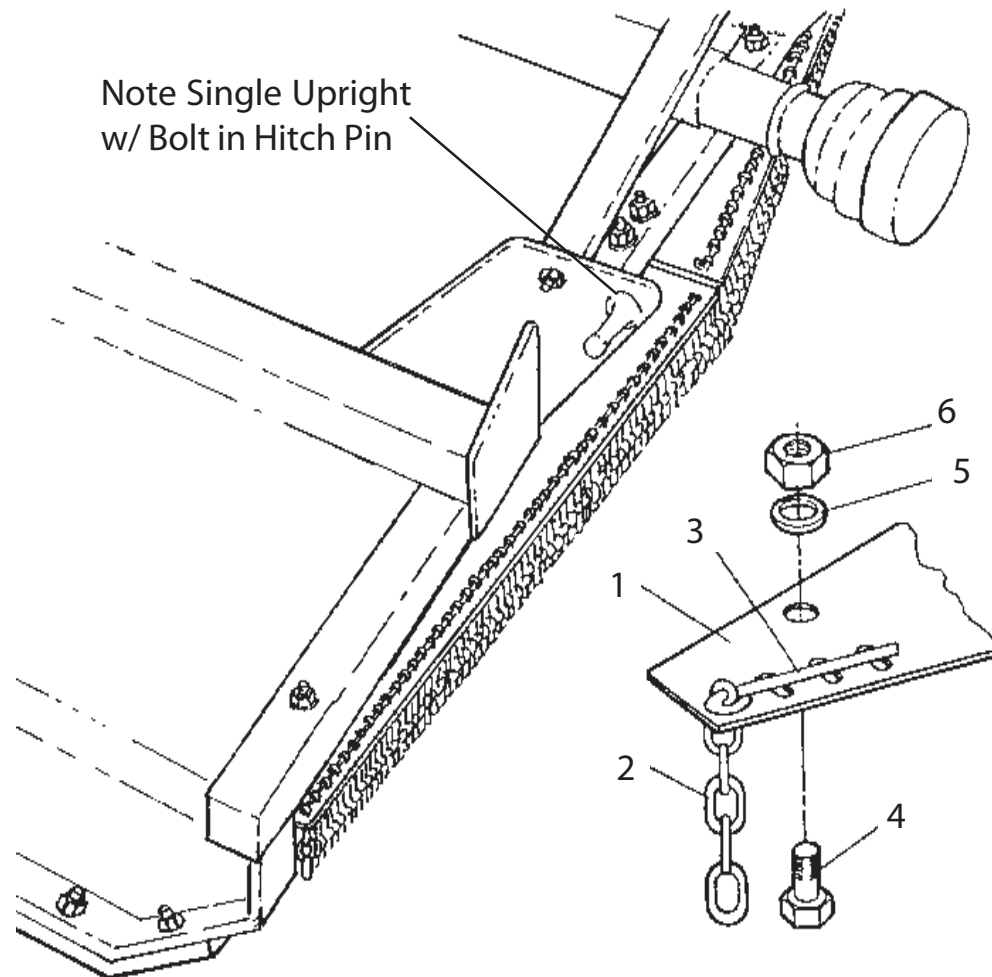
Item	Part No.	Qty	Description
	00775687	1	Deflector Asy, Rear
1	00773667	1	Deflector Weldment, LH Rear
2	00773663	1	Deflector Weldment, RH Rear
3	00775658	2	Deflector Panel, Rear
4	00773658	4	Deflector Bar, Rear
5	02030700	22	Bolt
6	7B81332	1	Bolt
7	00002700	17	Flatwasher
8	00001800	23	Locknut TLM 1/2 NC PLC
9	00775655	1	Mount Plate, RH Rear
10	00775656	1	Mount Plate, LH Rear

NOTE: These Deflectors WILL NOT FIT on earlier units unless T/W Beam is Changed.

Aug. 1988
to
Aug. 2000

CHAINGUARD FRONT

See Last Pages
of
Book For S/N Dates

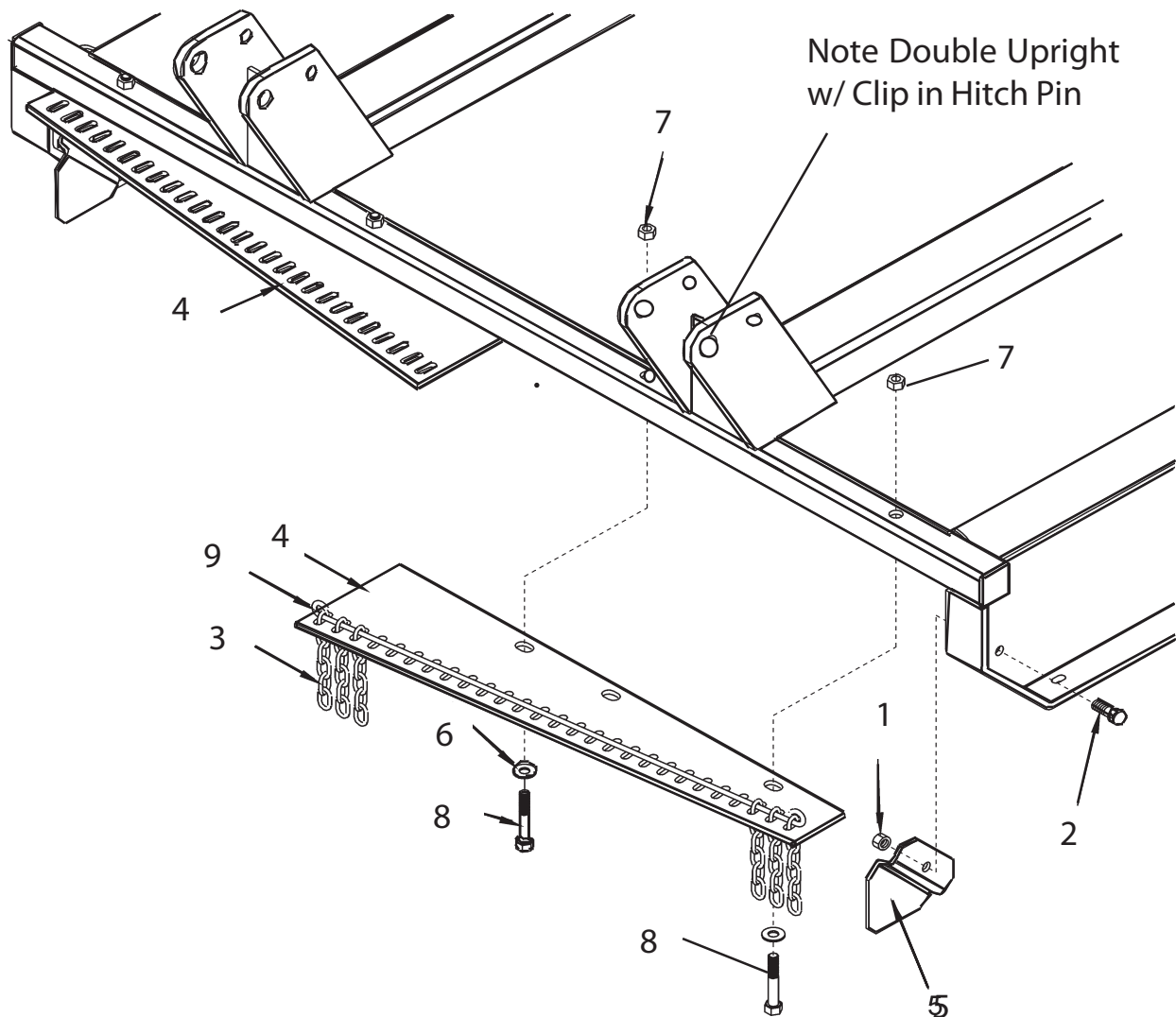


Item	Part No.	Qty	Description
	00756206	1	RH Single Asy
	00758117	1	RH Double Asy
	00756208	1	LH Single Asy
	00758116	1	LH Double Asy
1	00756204	1	Guard Plate , (RH or LH Single)
	00758114	1	Guard Plate, (RH or LH Double)
2	00751126	54	Chain-6 Link (Single)
	00751126	68	Chain 6-Link (Double)
3	00756181	2	Rod (R&L Single)
	00756181	4	Rod (R&L Double)
4	00750311	4	Bolt
5	00001400	4	Washer
6	00695100	4	Nut, Toplock 5/8 NC PLC

Sep. 2000
to
Current

CHAINGUARD FRONT

See Last Pages
of
Book For S/N Dates

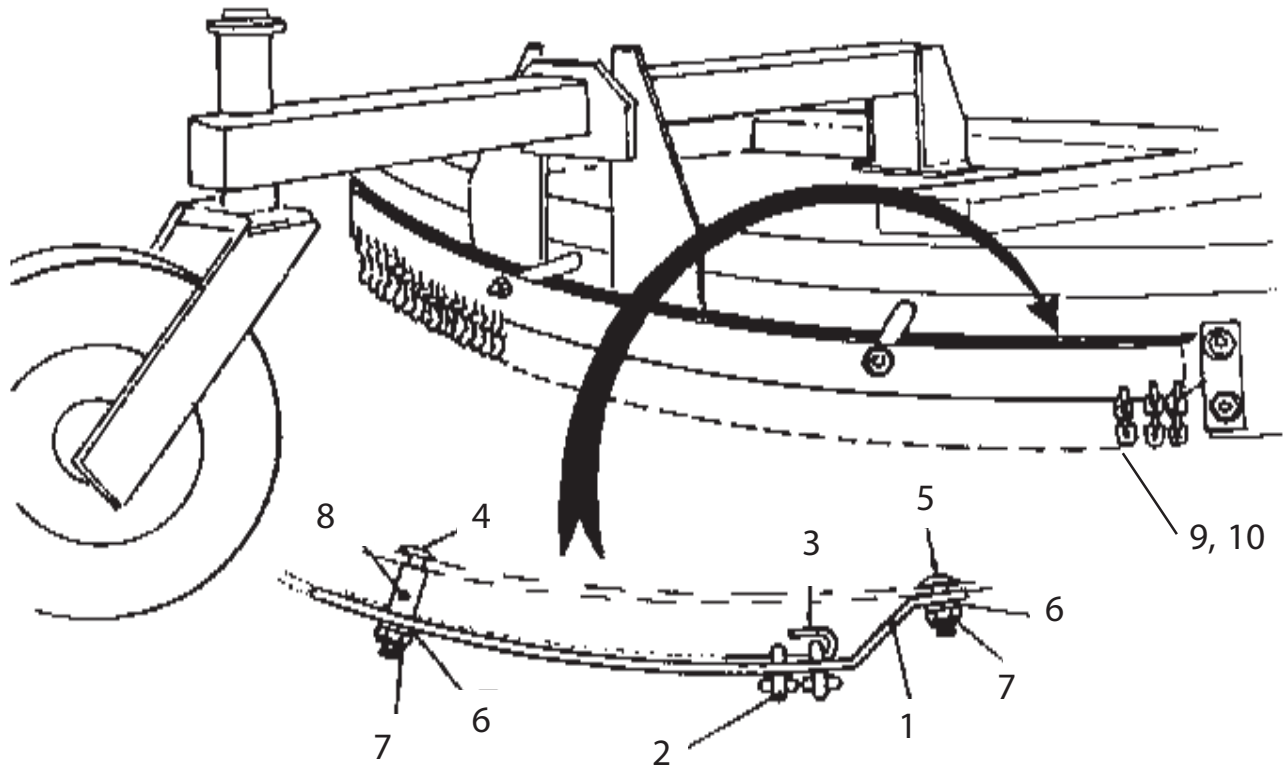


Item	Part No.	Qty	Description
	00775719	1	LH Asy Single
	00775720	1	RH Asy Single
	00775730	1	LH Asy Double
	00775729	1	RH Asy Double
1	00001800	2	Locknut TLM 1/2 NC PLC
2	00748823	2	Bolt
3	00751126	27	Chain
4	00756204	2	Plate
5	00775739	2	Side Deflector
6	00001400	4	Washer
7	00695100	4	Nut, Toplock 5/8 NC PLC
8	00750311	4	Bolt
9	00771618	2	Rod

Jul. 1988
to
May 1998

CHAINGUARD REAR

See Last Pages
of
Book For S/N Dates

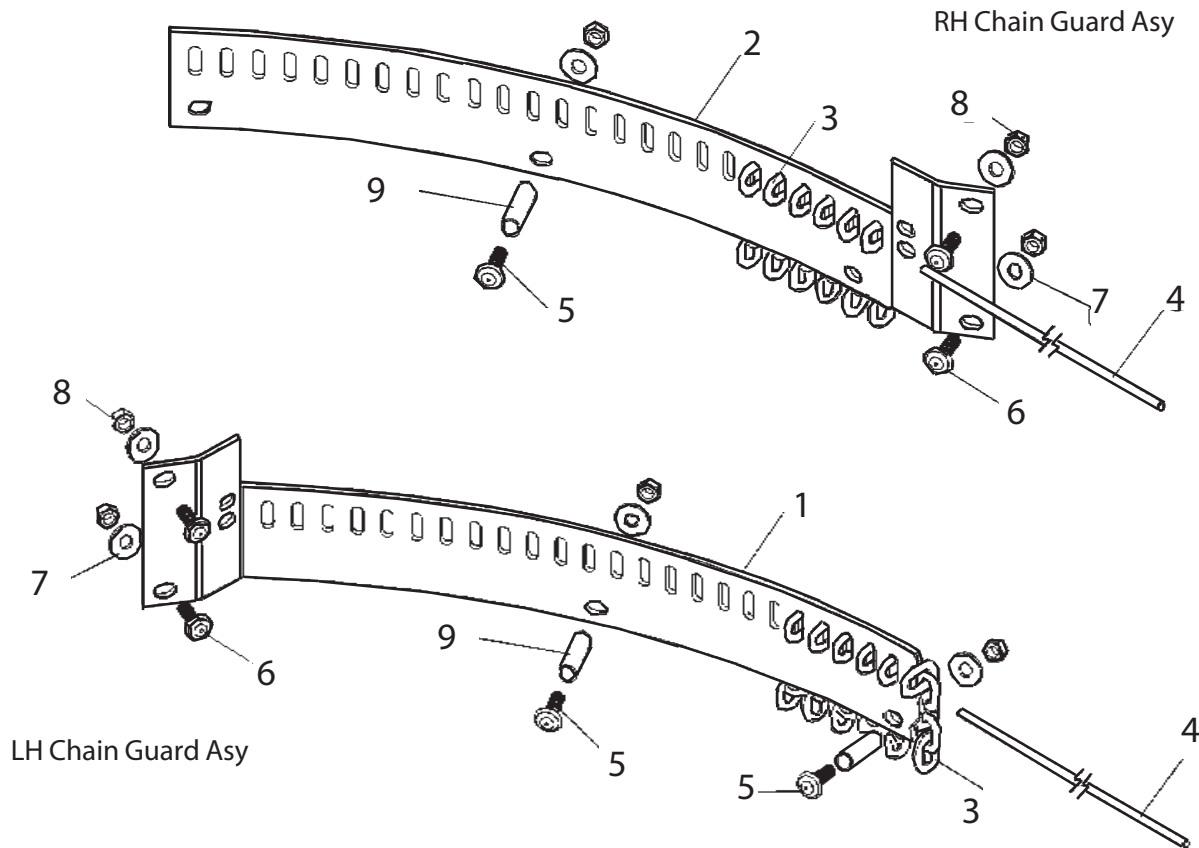


Item	Part No.	Qty. Sngl	Qty Dbl	Description
	0622071000	1	--	Rear ChainGuard Asy, Single Curtain
	00758109	--	1	Rear Chain Guard Asy, Double Curtain
1	0622071100	1	--	Guard Weldment (Single)
	00758120	--	1	Guard Weldment (Double)
2	00755090	50	65	Chain-5 Link
3	0623070200	1	2	Rod
4	281324	3	3	Bolt
5	02886900	4	4	Bolt
6	15B800	7	7	Flatwasher
7	00001800	7	7	Locknut TLM 1/2 NC PLC
8	582052	3	3	Locknut
9	00326700	--	2	Cable Clamp (Double Curtain Only)
10	00750207	--	1	Cable (Double Curtain Only)

Jun. 1998
to
Aug. 2000

CHAINGUARD REAR

See Last Pages
of
Book For S/N Dates



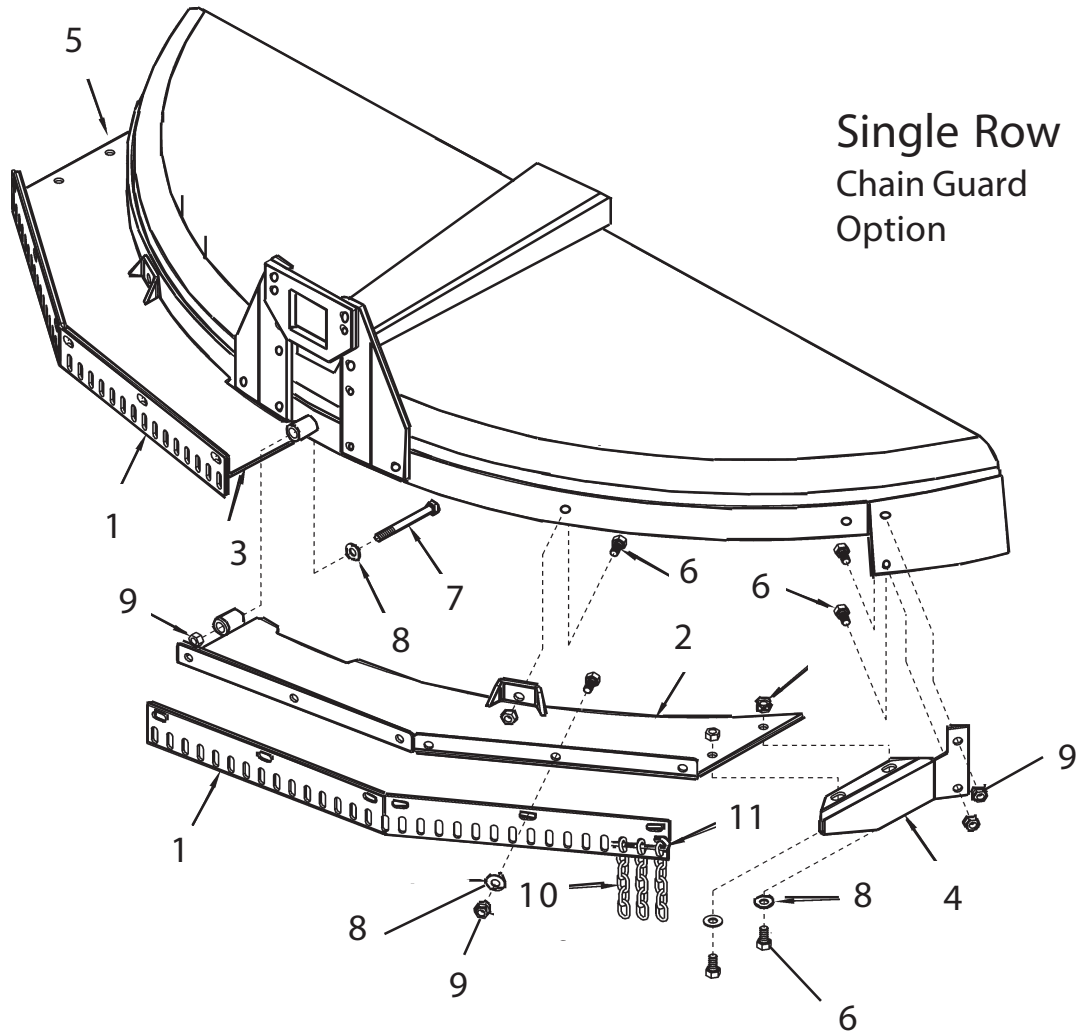
Item	Part No.	Qty. Sngl	Qty. Dbl	DESCRIPTION
	0622071000	1	--	Chain Guard Assy, Rear (Single)
	00758109	--	1	Chain Guard Assy, Rear (Double)
1	00770818	1	--	Chain Guard Assy, LH Side (Single)
	00770813	1	--	LH Chain Guard Brkt LH Side (Single)
2	00770819	1	--	Chain Guard Assy, RH Side (Single)
	00770814	1	--	RH Chain Guard Brkt RH side (Single)
	00758120	--	1	Chain Guard Brkt LH & RH Side (Double)
3	00755090	50	--	Chain - 5 Link (Sngl use 25 ea Side)
	00755090	--	65	Chain - 5 Link (Double is one piece)
4	00756540	1	--	Rod (Single)
	00756182	--	2	Rod (Double)
5	281324	3	3	Carriage Bolt
6	02886900	4	4	Carriage Bolt
7	15B800	7	7	Washer
8	00001800	7	7	Locknut TLM 1/2 NC PLC
9	582052	3	3	Pipe Spacer

NOTE: Double Chain Guard is not Shown

Sep. 2000
to
Current

CHAINGUARD SINGLEREAR

See Last Pages
of
Book For S/N Dates



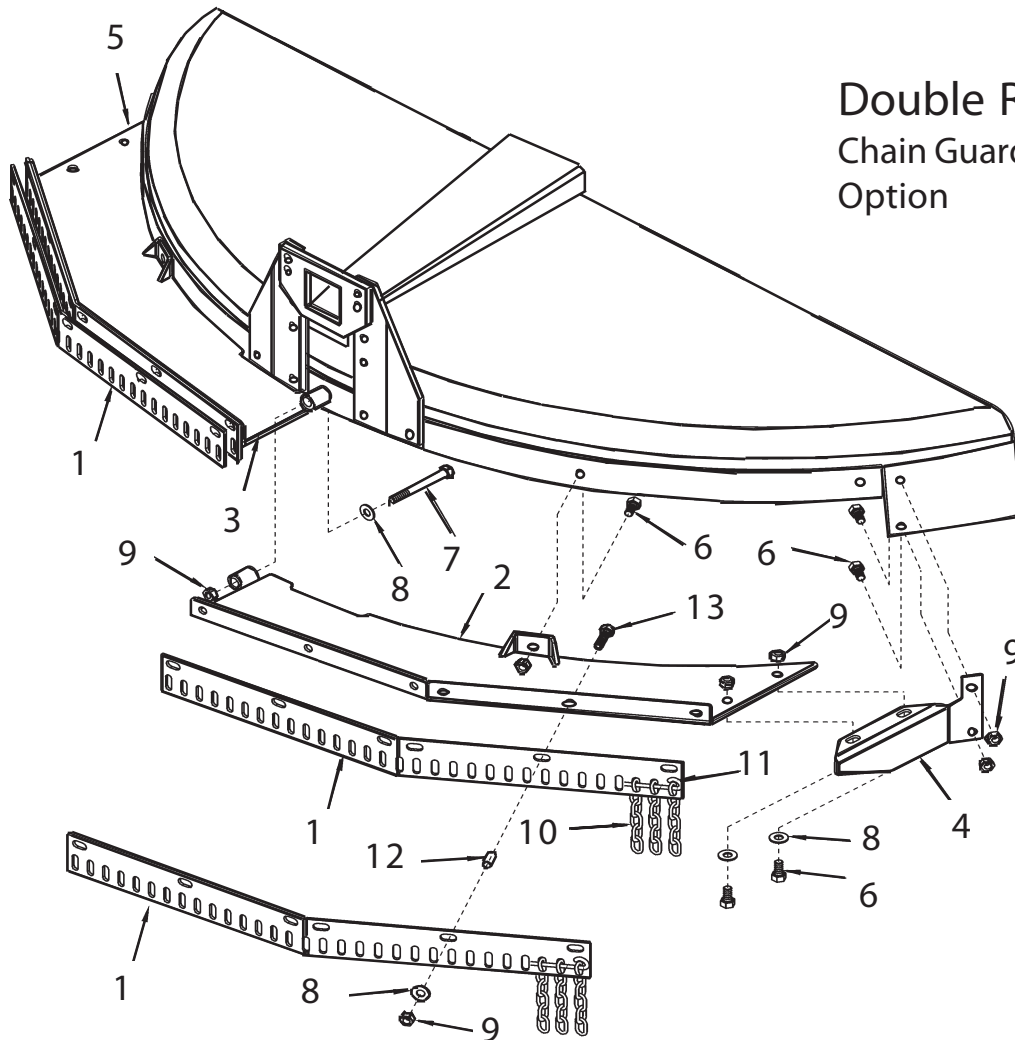
Single Row
Chain Guard
Option

Item	Part No.	Qty.	Description
	00775688	--	Chain Guard Asy Single, Rear Complete
1	00775501	2	Chain Guard Bracket
2	00773663	1	Rear Right Deflector Weldment
3	00773667	1	Rear Left Deflector Weldment
4	00775655	1	Right Rear Mount Plate
5	00775656	1	Left Rear Mount Plate
6	02030700	22	Bolt
7	7B81332	1	Bolt
8	00002700	17	Flatwasher
9	00001800	23	Locknut TLM 1/2 NC PLC
10	00755090	48	Chain
11	00761363	2	Rod

Sep. 2000
to
Current

CHAINGUARD DOUBLEREAR

See Last Pages
of
Book For S/N Dates



Double Row
Chain Guard
Option

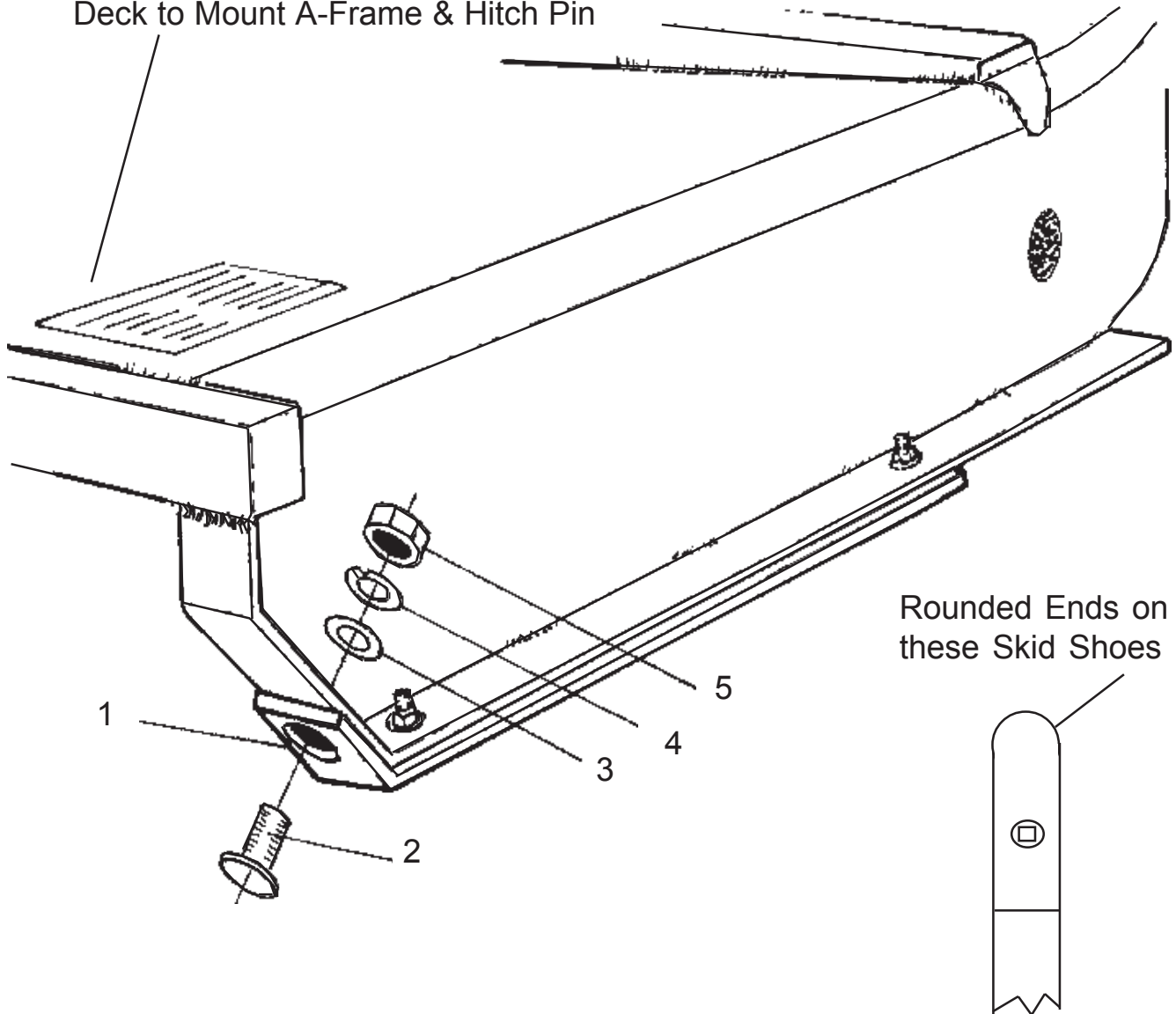
Item	Part No.	Qty	Description
	00775690	--	Chain Guard Asy Double, Rear Complete
1	00775501	4	Chain Guard Bracket
2	00773663	1	Deflector Weldment, RH Rear
3	00773667	1	Deflector Weldment, LH Rear
4	00775655	1	Mount Plate, RH Rear
5	00775656	1	Mount Plate, LH Rear
6	02030700	10	Bolt
7	7B81332	1	Bolt
8	00002700	17	Flatwasher
9	00001800	23	Locknut TLM 1/2 NC PLC
10	00755090	96	Chain
11	00761363	4	Rod
12	00774909	12	Spacer
13	000245	12	Bolt

Jul. 1988
to
Aug. 2000

SKID SHOE LH or RH

See Last Pages
of
Book For S/N Dates

This Deck has Single Lugs welded to
Deck to Mount A-Frame & Hitch Pin



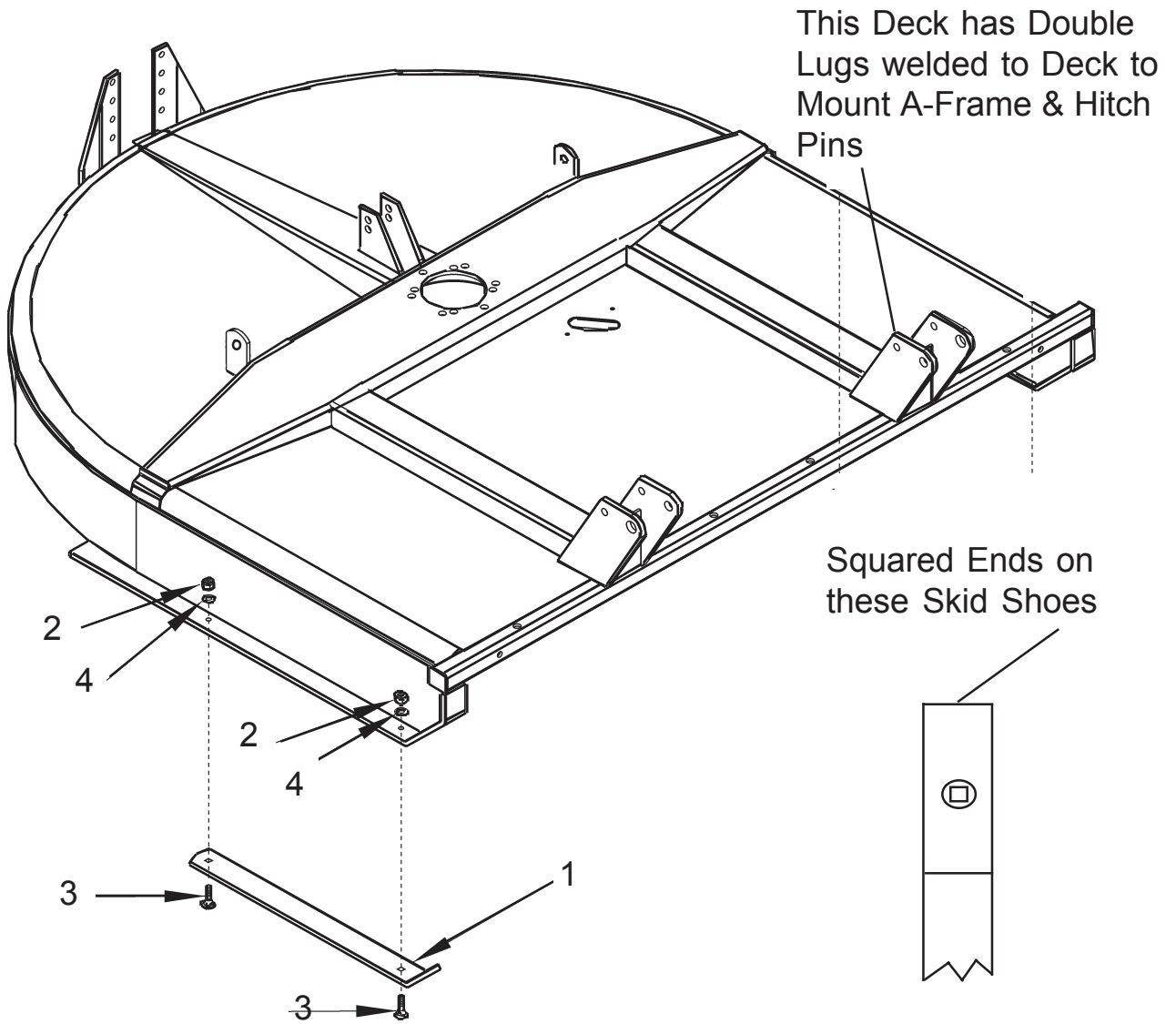
Item	Part No.	Qty	Description
1	0622000001	1	Skid Shoe, LH or RH
2	2A361612	3	Plow Bolt
3	00011100	3	Flat Washer
4	00012101	3	Lockwasher
5	00013901	3	Nut Hex

Qty Shown F/ LH or RH Side, Double Qty F/ Both Sides

Sep. 2000
to
Current

SKID SHOE LH or RH

See Last Pages
of
Book For S/N Dates



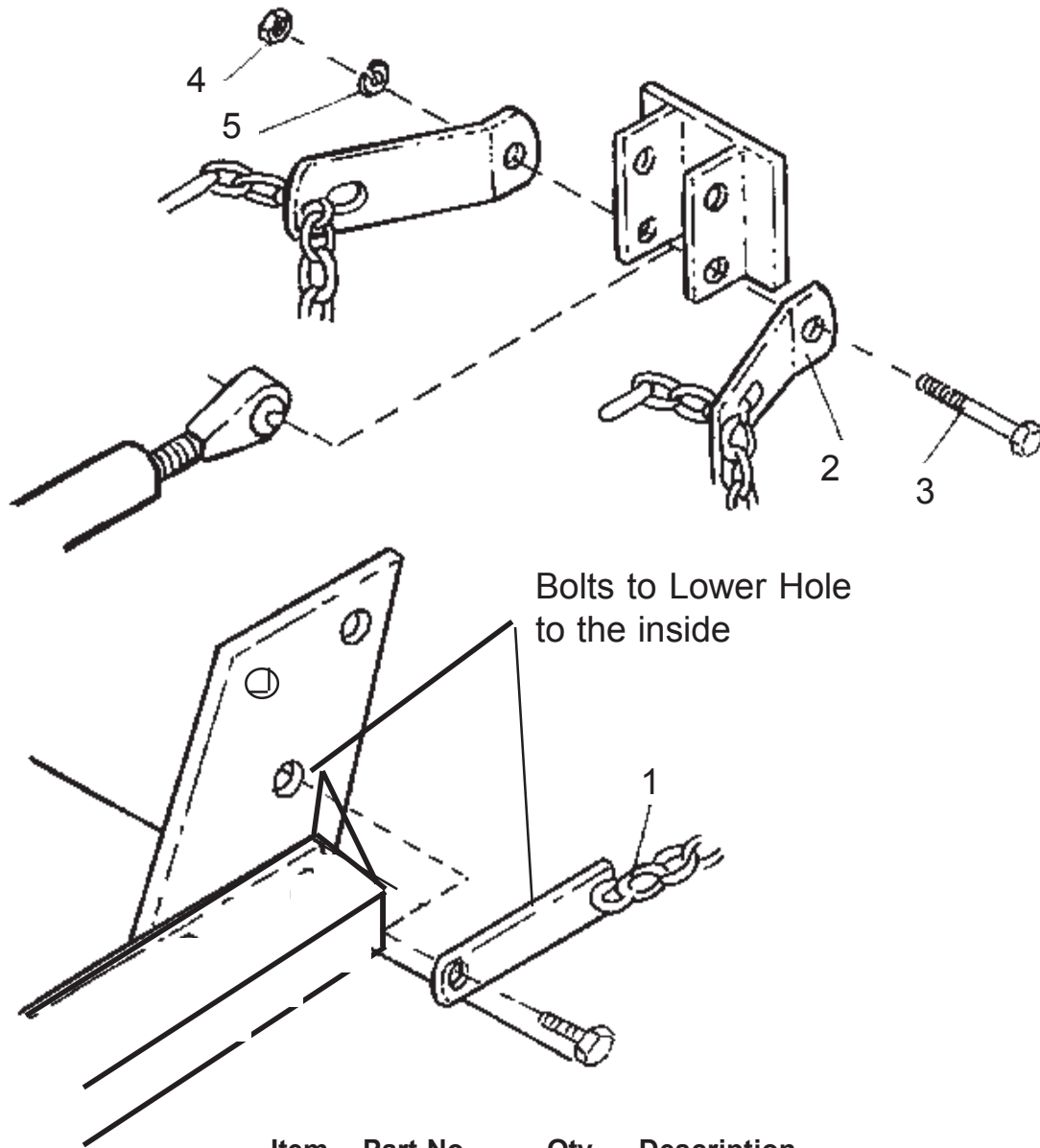
Item	Ppart No.	Qty	Description
1	00774704	1	Skid Shoe LH or RH
2	00015800	3	Locknut
3	2A361612	3	Bolt
4	00011100	3	Flatwasher

Qty Shown F/ LH or RH Side, Double Qty F/ Both Sides

Aug. 2000
to
Aug. 2000

CHECK CHAINS (Optional)

See Last Pages
of
Book For S/N Dates



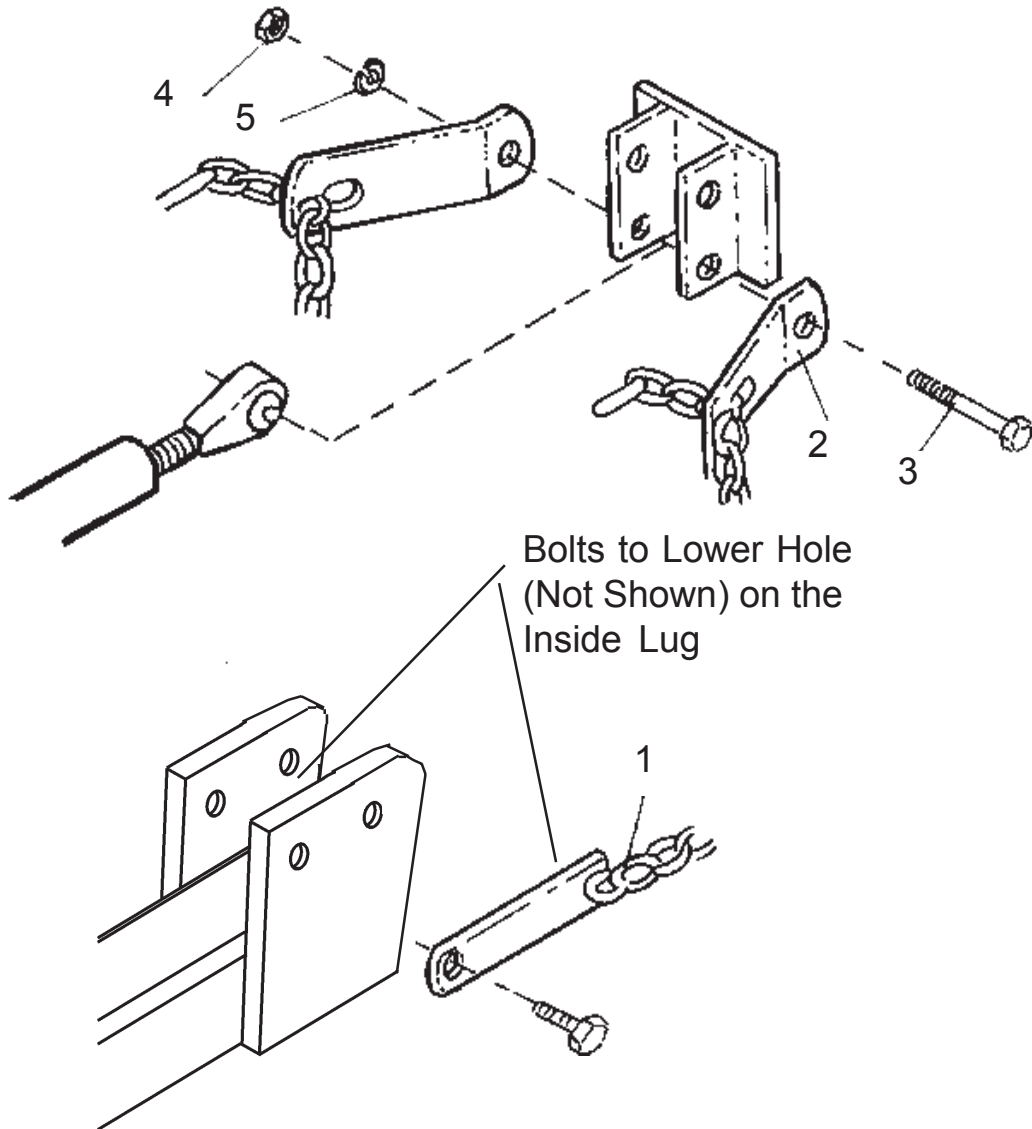
Item	Part No.	Qty.	Description
1	8709	2	Carrier Chain Asy
2	8708	2	Carrier Adjustment Strap
3	8236	2	Bolt
4	4337	2	Nut
5	2372	2	Lockwasher

Above Shows Deck with Single A-Frame / Hitch Lug on Deck, Feb 2001 & Down
Later Components for Chck Chains Did Not Change, Deck Did.

Sep. 2000
to
Current

CHECK CHAINS (Optional)

See Last Pages
of
Book For S/N Dates



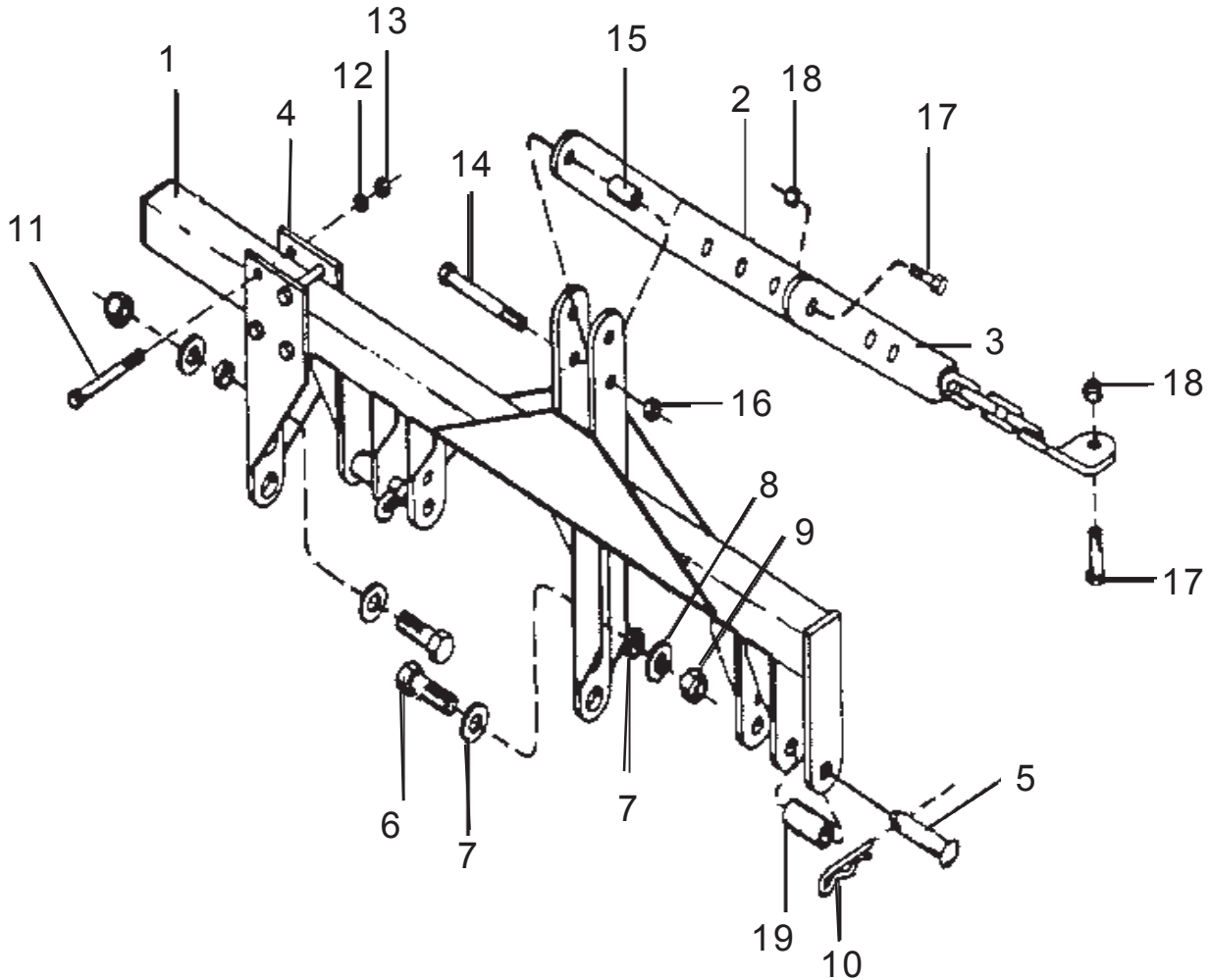
Item	Part No.	Qty.	Description
1	8709	2	Carrier Chain Asy
2	8708	2	Carrier Adjustment Strap
3	8236	2	Bolt
4	4337	2	Nut
5	2372	2	Lockwasher

Above Shows Deck with Double A-Frame / Hitch Lug on Deck, Mar. 2001 & Up, Components for Check Chains Did Not Change, Deck Did.

Aug. 1988
to
Current

OFFSET HITCH (Optional)

See Last Pages
of
Book For S/N Dates



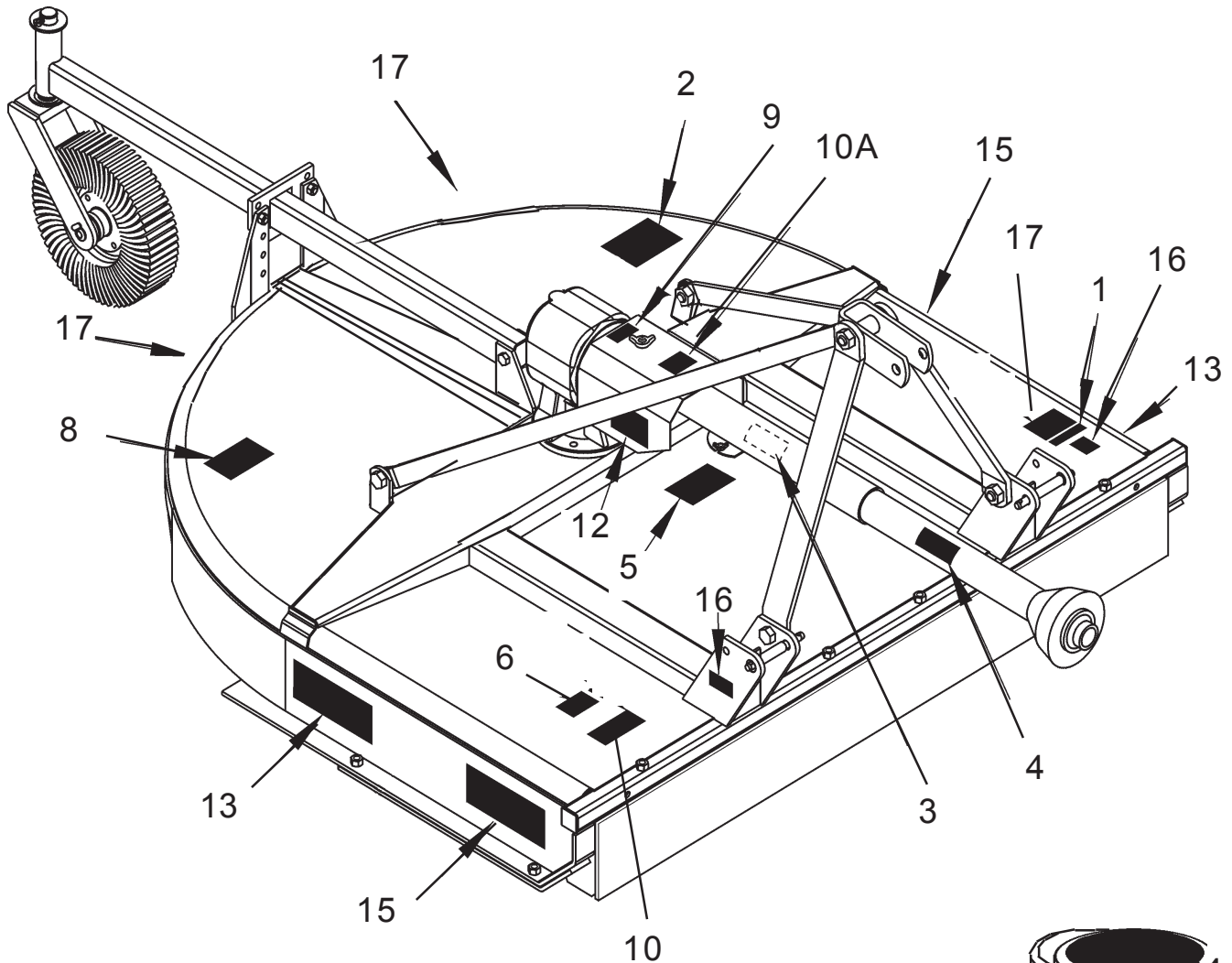
Item	Part No.	Qty.	Description	Item	Part No.	Qty.	Description
	0702310000	1	Off Set Hitch Adapter	11	02030400	4	Bolt
1	0702310100	1	Adapter Mainframe	12	00001300	4	Lockwasher
2	0702310001	1	Stabilizer	13	00001200	4	Hex Nut
3	0702310300	1	Brace Lug and Chain	14	7AH5121636	1	Bolt
4	0702310200	1	Adjustable Lift Lug	15	595062	1	Bushing
5	511027	2	Pin	16	00748539	1	Locknut
6	7A14924	2	Bolt	17	7AH5101816	2	Bolt
7	15B1400	4	Washer	18	5JRC10180	2	Locknut
8	423013	4	Bushing	19	743013	2	Bushing
9	5JRC1490	2	Nut, Toplock				
10	3W6	2	Retaining Pin				

NOTES

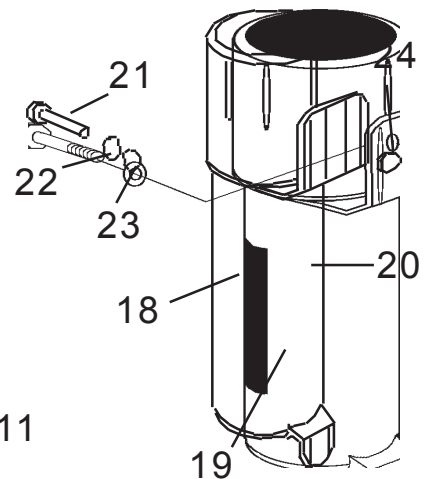
Jul. 1988
to
Current

DECALS A60 Model

See Last Pages
of
Book For S/N Dates



WHEN THIS SYMBOL IS
DISPLAYED,
BE ALERT!
PAY ATTENTION!
SOMEONE'S LIFE IS AT STAKE!



Jul. 1988
to
Current

DECALS A60 Model

See Last Pages
of
Book For S/N Dates

Item	Part No.	Qty	Description
1	00725746	1	Peligro, Get Manual Translated
2	00749117	1	Danger, Multi-Hazard
3	00756004	1	Danger, D/L Shield missing
4	00756005	1	Danger, Rotating Driveline
5	00756494	1	Danger, Driveline Hazards
6	02925100	1	Important, Genuine Parts, Rotary
	00763977	1	Instructions, Notice to Owner
6A	00773723	1	Peligro, Rotating Driveline Translation
7	00769736	1	Warning, Use/Repair Shields & Guards
8	00769737	1	Danger, Blades/Thrown Objects
9	00763613	1	Instructions, Slip Clutch Adjustment
10	00763977	1	Instructions, Notice to Owner
10A	D103	1	Instructions, 540 RPM Operation
	D114	1	Instructions, 1000 RPM Operation
11	03200347	*	Reflector, *SMV Emblem
12	00757139	2	Logo, Alamo Group
13	02960766	2	Logo / Name, Alamo Industrial Logo
15	00769872	2	Name, A60
16	nfs	1	Serial Number Plate
17	2738332	2	Reflector, Red
18	02977417	1	Instruction, Operators Manual Inside
19	00776031	1	Canister, Operators Manual
20	00759354C	1	Operators Manual
21	10058000	3	Bolt
22	00017000	3	Lockwasher
23	00024100	3	Flatwasher
24	02959924	3	Locknut

* FURNISHED BY TRACTOR MANUFACTURER

Jul. 1988
to
Current

DECALS A60 Model

See Last Pages
of
Book For S/N Dates

3 - 00756004

4 - 00756005



13 - 02960766

5 - 00756494

7 - 00769736

8 - 00769737

6 - 02925100

1 - 00725746

LEA EL INSTRUCTIVO



00725746

Jul. 1988
to
Current

DECALS A60 Model

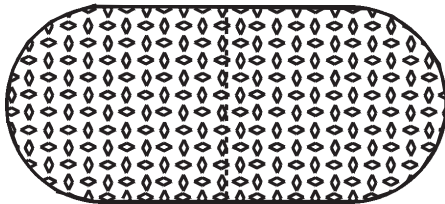
See Last Pages
of
Book For S/N Dates



A 60

12 - 00757139

15 - 00769872



17-2738332

2 - 00749117 - Not Shown
(See Inside Front Cover of Manual)

ATTENTION!

Do not operate PTO until ALL Slip Clutches are properly adjusted and checked to make certain that NONE ARE FROZEN and that ALL WILL SLIP under excessive load. See Operator's Manual for complete instructions.

00763613

9 - 00763613

NOTICE TO OWNER

An OPERATOR'S MANUAL (with Repair Parts Listing) and a WARRANTY REGISTRATION CARD were attached to this implement during final inspection at the factory. If they were not attached at the time of purchase, please contact your selling dealer at once.

1. Read and understand Manual before operating the implement.
2. Complete, sign, and mail the Warranty Registration Card in today.

00763977

10- 00763977

WARNING

OPERATE THIS MACHINE AT
540 RPM
TRACTOR PTO SPEED ONLY
Overspeeding PTO may cause component
failure with resulting injury. D103

10A - D103

PELIGRO



LINEA DE CONDUCCION GIRATORIA-
EL CONTACTO PUEDE CAUSAR LA MUERTE.
¡MANTENERSE LEJOS!
NO FUNCIONE SIN QUE-

Un manual de la seguridad de la línea de conducción n/p 00773776 está disponible en español. Llame el número enumerado para una copia gratis.

- Todos los protectores de la línea de Conducción, alimentador y blindajes del Equipo estén en su lugar
- Las líneas de conducción estén conectadas con seguridad en ambos extremos
- Los protectores de la línea de conducción den vuelta libremente en la línea de Conducción

00773723

6A - 00773723

OPERATOR'S MANUAL INSIDE

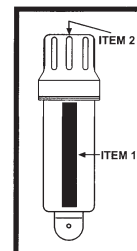
READ AND UNDERSTAND Before Operating Tractor & Implement
If Manual is missing, obtain one before operating from Dealer or Alamo Group (800) 221-2855

00776481

ITEM 1



ITEM 2



00776481 Decal Canister Sheet

18 --00776481

Jul. 1988
to
Current

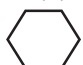


SPECIFICATION A60 Model

See Last Pages
of
Book For S/N Dates

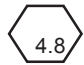

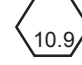
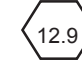
TORQUE VALUES - BOLTS: Recommended Torque, Ft lbs & (Nm)

IMPORTANT ! Listed below IS DRY BOLT TORQUE and NOT APPLICATION TORQUE, Component Application Torque will vary depending on what is bolted down and the type material (Metal) that is being bolted together. Thread condition and lubrication will make Torque vary.

Inche Sizes

Bolt Dia. inch	2 (B)  Plain Head	5 (D)  3 Dashes	8 (F)  6 Dashes
1/4	5.5 (7.5)	10 (14)	14 (19)
5/16	11(15)	20 (27)	30 (41)
3/8	20 (27)	35 (47)	50 (68)
7/16	35 (47)	55 (75)	80 (108)
1/2	55 (75)	85 (115)	120 (163)
9/16	75 (102)	130 (176)	175 (230)
5/8	105 (142)	170 (230)	240 (325)
3/4	185 (251)	300 (407)	425 (576)
7/8	160 (217)	445 (603)	685 (929)
1	250 (339)	670 (908)	1030 (1396)
1-1/8	330 (447)	910 (1234)	1460 (1979)
1-1/4	480 (651)	1250 (1695)	2060 (2793)
1-3/8	700 (949)	1550 (2100)	2550 (3457)
1-1/2	930 (1261)	2100 (2847)	3350 (4542)

Metric Sizes

Bolt Dia. mm	 4.8	 8.8	 10.9	 12.9
6	5	7	12	14.5
8	11	20	25	35
10	20	40	58	70
12	37	70	105	120
14	60	100	140	190
16	92	155	200	300
18	118	216	280	410
20	160	270	355	580
22	215	330	430	800
24	285	500	700	1000
27	450	875	1000	1500
30	600	1200	1700	2000
33	800	1600	2300	2900
36	900	2100	3000	3900

(Newton-Meters) To Convert from ft. lbs to Newton Meters Multiply ft. lbs by 1.356

**ALWAYS CHECK MARKINGS ON TOP OF BOLT HEAD
OR OTHER BOLT DESCRIPTIONS**

AG60 ROTARY

S/N & SHIP DATES

From Feb. 1988 to Current

1. See Serial Numbers & Serial Number Model Prefix in these Pages to determine when Unit was shipped, after this is determined use that Date to match the Dates at the top of the Parts Page to determine what Parts are needed.
2. S/N's will include Prefix (Example AG60-01050), The prefix determines which Deck Width is used and must be used to determine which size Unit you have. See Prefix for size. SPECIAL NOTE; There was a Prefix change about 07/91 the prefix 60- had the letter AG Added to become AG60-, During this period a Serial Number may also have been used again. There were a few enter with th AG Prefix earlier than 07/91 but it was not standard till after 07/91.
ALLWAYS USE PREFIX IN W/ SERIAL NUMBER, The same Serial Number is used on DIFFERENT MODEL UNIT but the Prefix WILL NOT be the Same!
3. Model Identification, The best way is to see the Serial Number Plates on Decks. If this is not available measure the over all width of Decks from outside side skirt to oposite out side side skirt, DEDUCT about 5" to 6 " from total width and it will give you an approximate cutting width for Deck.
4. S/N's ending with "A" or "D" indicate Duplicate, This S/N was used twice. In some cases there was time between the usage and sometime within the same time frame.
5. When ordering Parts for Deck it will be required to know what size they are (See Prefix in S/N) and in some cases it will be rquired to know what the part looks like or how it is shaped. In this book there are a number of descriptions and/or statements about how something is built or shaped. a good example is the Gearbox Input Shaft. There are DIFFERENT Gearboxes that use DIFFERENT Shafts, Size number of Spline, These WILL NOT interchange between these Gearboxes.
6. There are possible some Serial Numbers that are not listed in this list as it is possible they were not listed in the system.

Note: Serial Numbers Listed in following pages are from 1988 and Up. This Book List Parts Changes from 1988 to Current, If Questions about S/N 's that are not listed in this Book contact Alamo Industrial Customer Service Dept.

S/N - AG60 Rotary

AG60		AG60		AG60		AG60	
S/N	SHIP	S/N	SHIP	S/N	SHIP	S/N	SHIP
60-01001....	07/88	60-01052....	03/90	AG 60-01105....	06/92	AG 60-01158....	09/92
AG 60-01001....	09/91	60-01053....	03/90	AG 60-01106....	06/92	AG 60-01159....	09/92
60-01002....	12/88	AG 60-01054....	03/90	AG 60-01107....	06/92	AG 60-01160....	09/92
AG 60-01002....	09/91	60-01055....	03/90	AG 60-01108....	06/92	AG 60-01161....	09/92
60-01003....	12/88	60-01056....	03/90	AG 60-01109....	06/92	AG 60-01162....	09/92
60-01004....	01/89	60-01057....	03/90	AG 60-01110....	06/92	AG 60-01163....	09/92
60-01005....	01/89	60-01058....	03/90	AG 60-01111....	06/92	AG 60-01164....	09/92
60-01006....	01/89	60-01059....	05/90	AG 60-01112....	06/92	AG 60-01165....	09/92
60-01007....	02/89	60-01060....	04/90	AG 60-01113....	06/92	AG 60-01166....	11/92
60-01008....	02/89	60-01061....	05/90	AG 60-01114....	06/92	AG 60-01167....	12/92
60-01009....	02/89	60-01062....	05/90	AG 60-01115....	06/92	AG 60-01168....	12/92
60-01010....	02/89	60-01063....	05/90	AG 60-01116....	06/92	AG 60-01169....	12/92
60-01011....	02/89	60-01064....	05/90	AG 60-01117....	06/92	AG 60-01170....	01/93
60-01012....	02/89	60-01065....	05/90	AG 60-01118....	06/92	AG 60-01171....	01/93
60-01013....	05/89	60-01066....	05/90	AG 60-01119....	06/92	AG 60-01172....	01/93
60-01014....	05/89	60-01067....	05/90	AG 60-01120....	06/92	AG 60-01173....	05/93
60-01015....	05/89	60-01068....	05/90	AG 60-01121....	06/92	AG 60-01174....	06/93
60-01016....	05/89	60-01069....	06/90	AG 60-01122....	06/92	AG 60-01175....	06/93
AG 60-01017....	05/89	60-01070....	08/90	AG 60-01123....	06/92	AG 60-01176....	06/93
60-01018....	05/89	60-01071....	08/90	AG 60-01124....	06/92	AG 60-01177....	06/93
60-01019....	05/89	60-01072....	08/90	AG 60-01125....	06/92	AG 60-01178....	06/93
60-01020....	05/89	60-01073....	08/90	AG 60-01126....	06/92	AG 60-01179....	06/93
60-01021....	05/89	60-01074....	08/90	AG 60-01127....	06/92	AG 60-01180....	06/93
60-01022....	06/89	60-01075....	08/90	AG 60-01128....	06/92	AG 60-01181....	06/93
60-01023....	08/89	60-01076....	08/90	AG 60-01129....	06/92	AG 60-01182....	06/93
AG 60-01024....	09/89	60-01077....	08/90	AG 60-01130....	06/92	AG 60-01183....	06/93
60-01025....	08/89	60-01078....	08/90	AG 60-01131....	06/92	AG 60-01184....	06/93
60-01026....	10/89	60-01079....	10/90	AG 60-01132....	06/92	AG 60-01185....	06/93
60-01027....	10/89	60-01080....	01/91	AG 60-01133....	06/92	AG 60-01186....	06/93
60-01028....	10/89	60-01081....	01/91	AG 60-01134....	06/92	AG 60-01187....	06/93
60-01029....	10/89	60-01082....	02/91	AG 60-01135....	06/92	AG 60-01188....	06/93
60-01030....	10/89	60-01083....	02/91	AG 60-01136....	06/92	AG 60-01189....	06/93
60-01031....	10/89	60-01084....	02/91	AG 60-01137....	06/92	AG 60-01190....	06/93
60-01032....	10/89	60-01085....	02/91	AG 60-01138....	06/92	AG 60-01191....	06/93
60-01033....	11/89	60-01086....	01/91	AG 60-01139....	06/92	AG 60-01192....	06/93
60-01034....	11/89	60-01087....	02/91	AG 60-01140....	06/92	AG 60-01193....	06/93
60-01035....	11/89	60-01088....	02/91	AG 60-01141....	06/92	AG 60-01194....	06/93
60-01036....	11/89	60-01089....	02/91	AG 60-01142....	06/92	AG 60-01195....	06/93
60-01037....	11/89	60-01090....	02/91	AG 60-01143....	06/92	AG 60-01196....	06/93
60-01038....	11/89	60-01091....	02/91	AG 60-01144....	06/92	AG 60-01197....	06/93
60-01039....	11/89	60-01092....	02/91	AG 60-01145....	06/92	AG 60-01198....	06/93
60-01040....	11/89	60-01093....	02/91	AG 60-01146....	06/92	AG 60-01199....	06/93
60-01041....	11/89	60-01094....	04/91	AG 60-01147....	06/92	AG 60-01200....	06/93
60-01042....	12/90	60-01095....	04/91	AG 60-01148....	06/92	AG 60-01201....	06/93
AG 60-01043....	01/90	60-01096....	04/91	AG 60-01149....	06/92	AG 60-01202....	06/93
60-01044....	01/90	60-01097....	05/91	AG 60-01150....	06/92	AG 60-01203....	05/93
60-01045....	02/90	60-01098....	05/91	AG 60-01151....	06/92	AG 60-01204....	05/93
60-01046....	02/90	60-01099....	05/91	AG 60-01152....	06/92	AG 60-01205....	05/93
60-01047....	03/90	60-01100....	07/91	AG 60-01153....	06/92	AG 60-01206....	05/93
60-01048....	03/90	AG 60-01101....	02/92	AG 60-01154....	08/92	AG 60-01207....	05/93
60-01049....	03/90	AG 60-01102....	03/92	AG 60-01155....	07/92	AG 60-01208....	05/93
60-01050....	03/90	AG 60-01103....	06/92	AG 60-01156....	07/92	AG 60-01209....	05/93
60-01051....	03/90	AG 60-01104....	06/92	AG 60-01157....	03/93	AG 60-01210....	05/93

S/N - AG60 Rotary

AG60		AG60		AG60		AG60	
S/N	SHIP	S/N	SHIP	S/N	SHIP	S/N	SHIP
AG 60-01211....	05/93	AG 60-01263....	02/94	AG 60-01314....	04/96	AG 60-01619....	05/98
AG 60-01212....	05/93	AG 60-01264....	02/94	AG 60-01315....	04/96	AG 60-01620....	05/98
AG 60-01213....	05/93	AG 60-01265....	03/94	AG 60-01316....	04/96	AG 60-01621....	05/98
AG 60-01214....	05/93	AG 60-01266....	05/94	AG 60-01317....	06/96	AG 60-01622....	05/98
AG 60-01215....	04/93	AG 60-01267....	06/94	AG 60-01318....	05/96	AG 60-01623....	05/98
AG 60-01216....	04/93	AG 60-01268....	05/94	AG 60-01319....	05/96	AG 60-01624....	07/98
AG 60-01217....	04/93	AG 60-01269....	05/94	AG 60-01320....	05/96	AG 60-01625....	07/98
AG 60-01218....	04/93	AG 60-01270....	05/94	AG 60-01321....	05/96	AG 60-01626....	07/98
AG 60-01219....	04/93	AG 60-01271....	08/94	AG 60-01322....	05/96	AG 60-01627....	12/98
AG 60-01220....	04/93	AG 60-01272....	08/94	AG 60-01323....	02/97	AG 60-01628....	07/98
AG 60-01221....	04/93	AG 60-01273....	08/94	AG 60-01324....	06/97	AG 60-01629....	07/98
AG 60-01222....	04/93	AG 60-01274....	09/94	AG 60-01325....	06/96	AG 60-01630....	07/98
AG 60-01223....	04/93	AG 60-01275....	03/95	AG 60-01326....	09/96	AG 60-01631....	07/98
AG 60-01224....	04/93	AG 60-01276....	05/95	AG 60-01327....	09/96	AG 60-01632....	07/98
AG 60-01225....	04/93	AG 60-01277....	05/95	AG 60-01328....	02/97	AG 60-01633....	07/98
AG 60-01226....	04/93	AG 60-01278....	11/94	AG 60-01329....	01/97	AG 60-01634....	07/98
AG 60-01227....	04/93	AG 60-01279....	11/94	AG 60-01330....	01/97	AG 60-01635....	12/98
AG 60-01228....	04/93	AG 60-01280....	11/94	AG 60-01331....	04/97	AG 60-01636....	07/98
AG 60-01229....	04/93	AG 60-01281....	12/94	AG 60-01332....	04/97	AG 60-01637....	12/98
AG 60-01230....	04/93	AG 60-01282....	01/95	AG 60-01333....	04/97	AG 60-01638....	07/98
AG 60-01231....	04/93	AG 60-01283....	01/95	AG 60-01334....	05/95	AG 60-01639....	07/98
AG 60-01232....	04/93	AG 60-01284....	01/95	AG 60-01335....	04/97	AG 60-01640....	07/98
AG 60-01233....	04/93	AG 60-01285....	11/95	AG 60-01336....	04/97	AG 60-01641....	07/98
AG 60-01234....	05/93	AG 60-01286....	05/95	AG 60-01337....	04/97	AG 60-01642....	07/98
AG 60-01235....	05/93	AG 60-01287....	05/95	AG 60-01338....	04/97	AG 60-01643....	07/98
AG 60-01236....	06/93	AG 60-01288....	05/95	AG 60-01339....	07/97	AG 60-01644....	11/98
AG 60-01237....	06/93	AG 60-01289....	05/95	AG 60-01340....	08/97	AG 60-01645....	12/98
AG 60-01238....	06/93	AG 60-01290....	10/96	AG 60-01341....	08/97	AG 60-01646....	12/98
AG 60-01239....	06/93	AG 60-01291....	05/95	AG 60-01342....	08/97	AG 60-01647....	05/98
AG 60-01240....	06/93	AG 60-01292....	09/95	AG 60-01343....	06/97	AG 60-01648....	08/98
AG 60-01241....	06/93	AG 60-01293....	09/95	AG 60-01344....	06/95	AG 60-01649....	07/98
AG 60-01242....	06/93	AG 60-01294....	09/95	AG 60-01345....	02/97	AG 60-01650....	07/98
AG 60-01243....	06/93	AG 60-01295....	06/97	AG 60-01346....	02/97	AG 60-01651....	12/98
AG 60-01244....	06/93	AG 60-01296....	02/96	AG 60-01347....	09/97	AG 60-01652....	12/98
AG 60-01245....	06/93	AG 60-01297....	09/95	AG 60-01348....	04/98	AG 60-01653....	07/98
AG 60-01246....	10/93	AG 60-01298....	09/95	AG 60-01349....	04/98	AG 60-01654....	12/98
AG 60-01247....	01/91	AG 60-01299....	09/95	AG 60-01350....	04/98	AG 60-01655....	12/98
AG 60-01248....	01/94	AG 60-01300....	06/97	AG 60-01351....	07/96	AG 60-01656....	05/98
AG 60-01249....	01/94	AG 60-01301....	10/95	AG 60-01352....	06/96	AG 60-01657....	05/98
AG 60-01250....	01/94	AG 60-01302....	06/97	<u>AG 60-01353....</u>	*Stop	AG 60-01658....	05/98
AG 60-01251....	01/94	AG 60-01303....	11/95	<u>AG 60-01606....</u>	*Start	AG 60-01659....	05/98
AG 60-01252....	01/94	AG 60-01303D..	12/95	AG 60-01607....	07/97	AG 60-01660....	05/98
AG 60-01253....	01/94	AG 60-01304....	09/95	AG 60-01608....	07/97	AG 60-01661....	06/98
AG 60-01254....	10/93	AG 60-01305....	12/95	AG 60-01609....	07/97	AG 60-01662....	12/98
AG 60-01255....	10/93	AG 60-01306....	14/96	AG 60-01610....	05/98	<u>AG 60-01663....</u>	*Stop
AG 60-01256....	09/93	AG 60-01307....	01/96	AG 60-01611....	05/98	<u>AG 60-01705....</u>	*Start
AG 60-01257....	09/93	AG 60-01308....	03/96	AG 60-01612....	05/98	AG 60-01706....	03/99
AG 60-01258....	09/93	AG 60-01309....	02/97	AG 60-01613....	05/98	AG 60-01707....	03/99
AG 60-01259....	11/93	AG 60-01310....	06/95	AG 60-01614....	05/98	AG 60-01708....	03/99
AG 60-01260....	12/93	AG 60-01311....	06/95	AG 60-01615....	05/98	AG 60-01709....	03/99
AG 60-01261....	12/93	AG 60-01312....	07/97	AG 60-01616....	05/98	AG 60-01710....	03/99
AG 60-01262....	12/93	AG 60-01313....	06/96	AG 60-01618....	05/98	AG 60-01711....	03/99

S/N - AG60 Rotary

AG60		AG60		AG60	
S/N	SHIP	S/N	SHIP	S/N	SHIP
AG 60-01712....	03/99	AG 60-01764....	04/00	AG 60-01844....	08/01
AG 60-01713....	03/99	AG 60-01765....	04/00	AG 60-01845....	08/01
AG 60-01714....	03/99	AG 60-01766....	04/00	AG 60-01846....	08/01
AG 60-01715....	03/01	AG 60-01767....	04/01	AG 60-01847....	08/01
AG 60-01716....	03/01	AG 60-01768....	12/99	AG 60-01848....	08/01
AG 60-01717....	10/00	AG 60-01769....	12/99	AG 60-01849....	03/02
AG 60-01718....	10/00	AG 60-01770....	01/00	AG 60-01850....	03/02
AG 60-01719....	06/99	AG 60-01771....	12/99	AG 60-01851....	03/02
AG 60-01720....	05/99	AG 60-01772....	01/00	AG 60-01852....	03/02
AG 60-01721....	10/00	AG 60-01772D..	10/00	AG 60-01853....	02/02
AG 60-01722....	03/99	AG 60-01773....	01/00	AG 60-01853A..	03/02
AG 60-01723....	03/99	<u>AG 60-01774....</u>	*Stop	AG 60-01854....	03/02
AG 60-01724....	03/99	<u>AG 60-01805....</u>	*Start	AG 60-01855....	03/02
AG 60-01725....	03/99	AG 60-01806....	04/00	AG 60-01856....	03/02
AG 60-01726....	04/99	AG 60-01807....	04/00	AG 60-01857....	03/02
AG 60-01727....	03/99	AG 60-01808....	04/00	AG 60-01858....	03/02
AG 60-01728....	03/99	AG 60-01809....	04/00	AG 60-01859....	09/95
AG 60-01729....	03/99	AG 60-01810....	04/00	AG 60-01860....	09/95
AG 60-01730....	01/01	AG 60-01811....	04/00	AG 60-01861....	09/95
AG 60-01731....	09/99	AG 60-01812....	04/00	AG 60-01862....	09/95
AG 60-01732....	09/99	AG 60-01813....	04/00	AG 60-01862A..	02/02
AG 60-01733....	09/99	AG 60-01814....	04/00	AG 60-01863....	02/02
AG 60-01734....	03/01	AG 60-018141...	08/01	AG 60-01863A..	02/02
AG 60-01735....	08/99	AG 60-01815....	04/00	AG 60-01864....	02/02
AG 60-01736....	03/01	AG 60-01816....	04/00	AG 60-01865....	02/02
AG 60-01737....	05/00	AG 60-01817....	04/00	AG 60-01866....	02/02
AG 60-01738....	05/00	AG 60-01818....	04/00	AG 60-01867....	02/02
AG 60-01739....	09/00	AG 60-01819....	04/00	<u>AG 60-01868....</u>	*Stop
AG 60-01740....	09/00	AG 60-01820....	04/00	<u>AG 60-01937....</u>	*Start
AG 60-01741....	09/00	AG 60-01821....	04/00	AG 60-01938....	09/00
AG 60-01742....	10/00	AG 60-01822....	05/01	AG 60-06154....	22/98
AG 60-01743....	03/01	AG 60-01823....	05/01	AG 60-100017..	11/88
AG 60-01744....	02/00	AG 60-01824....	08/01	AG 60-1278.....	05/95
AG 60-01745....	08/00	AG 60-01825....	08/01		
AG 60-01746....	06/00	AG 60-01826....	08/01		
AG 60-01747....	04/00	AG 60-01827....	08/01		
AG 60-01748....	08/00	AG 60-01828....	08/01		
AG 60-01749....	04/00	AG 60-01829....	08/01		
AG 60-01750....	04/00	AG 60-01830....	08/01		
AG 60-01751....	04/00	AG 60-01831....	08/01		
AG 60-01752....	04/00	AG 60-01832....	08/01		
AG 60-01753....	04/00	AG 60-01833....	08/01		
AG 60-01754....	04/00	AG 60-01834....	08/01		
AG 60-01755....	04/00	AG 60-01835....	08/01		
AG 60-01756....	04/00	AG 60-01836....	08/01		
AG 60-01757....	04/00	AG 60-01837....	08/01		
AG 60-01758....	04/00	AG 60-01838....	08/01		
AG 60-01759....	04/00	AG 60-01839....	08/01		
AG 60-01760....	04/00	AG 60-01840....	10/01		
AG 60-01761....	04/00	AG 60-01841....	08/01		
AG 60-01762....	04/00	AG 60-01842....	02/02		
AG 60-01763....	04/00	AG 60-01843....	10/01		

