



Rev 03-13

AG96

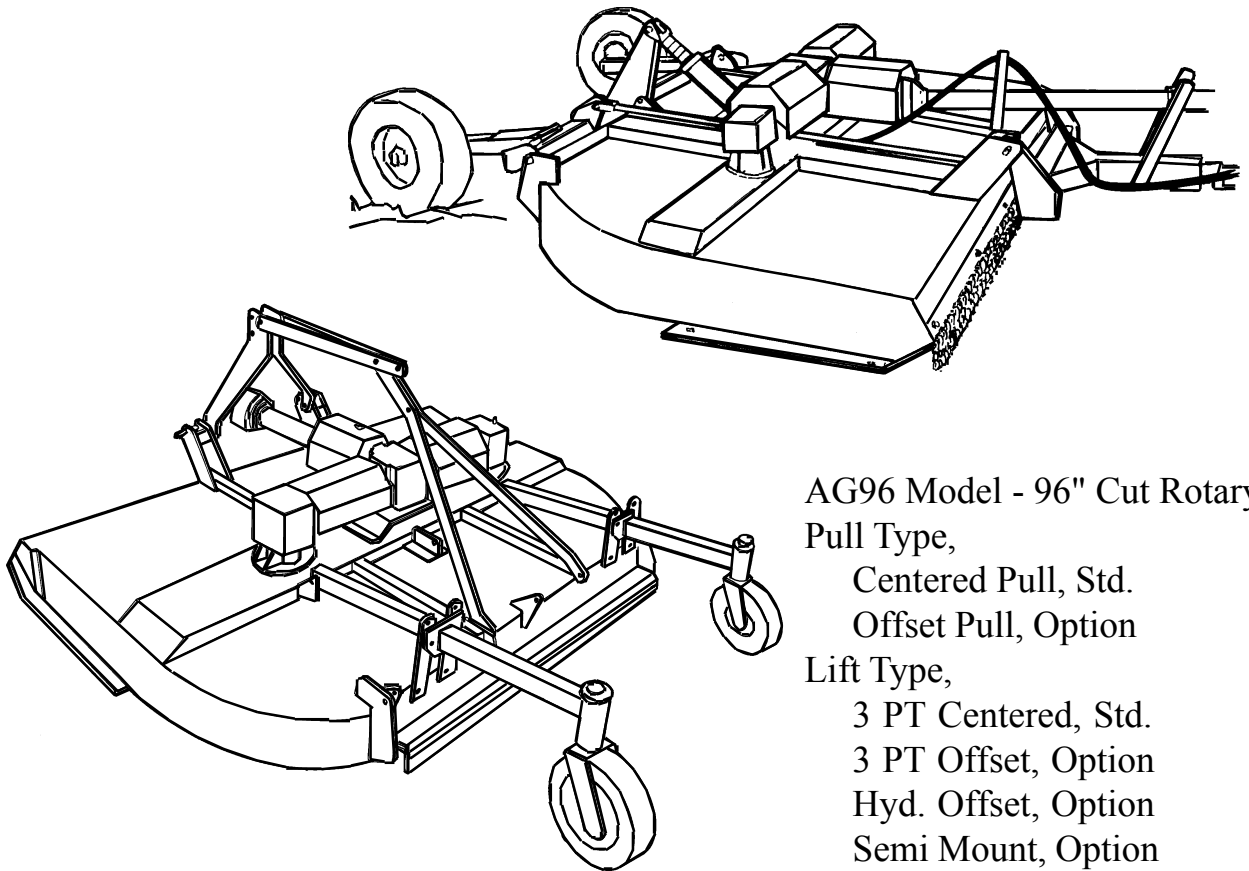
ROTARY MOWER

P/N 02979192

ARCHIVE BOOK

COMPLETE PARTS LISTING

By Serial Number / Production
June 1992 to June 2002 (Current)



AG96 Model - 96" Cut Rotary
Pull Type,
Centered Pull, Std.
Offset Pull, Option
Lift Type,
3 PT Centered, Std.
3 PT Offset, Option
Hyd. Offset, Option
Semi Mount, Option

ALAMO INDUSTRIAL

1502 E. Walnut
Seguin, Texas 78155
830-372-9595



© 2013 Alamo Group, Inc.

INDEX - AG96 (96" Rotary)

ITEM		PAGE NO.
INTRODUCTION	Parts Section Introduction.....	1
A-FRAME, Lift Type	Standard A-Frame (Std 3 PT Lift).....	2-3
	Optional Offset A-Frame (Offset 3 PT Lift).....	4
	Optional Hyd. Offset A-Frame (Semi-Mount).....	77
AXLE	Pull Type (Standard or Offset Type).....	12
BLADES & CARRIER	Pull Type or Lift Type (Standard Centered Deck Only).....	52
	Pull Type (Offset Pull Option Only).....	70-71
CHAINGUARDS	Front, Lift or Pull Type (Centered or Offset).....	56
	Rear, Lift or Pull Type (Centered or Offset).....	57
CHECK CHAINS	Lift Type Only (Optional).....	89
CONTROL RODS	Pull Type Model Only (Standard Pull Type).....	10-11
	Pull Type Model Only (Optional C/V PTO Option).....	35
DECALS	Pull Or Lift Type.....	81 thru 88
DEFLECTORS	Front, Lift Type or Pull Type (Centered or Offset).....	54
	Rear, Lift Type or Pull Type (Centered or Offset).....	55
DRIVELINES	PTO	
	Lift Type Model.....	18-19
	Pull Type (Standard Pull Type).....	21-22
	Pull Type (Offset Pull Type).....	21-22
	Pull Type (C/V Option Pull Type).....	28 thru 31
	JACKSHAFT	
	Pull Type Model (Standard Pull Type).....	23-24
	Pull Type (Offset Pull Type).....	23-24
	Pull Type (C/V Option Pull Type).....	32-33
	CARRIER BEARING	
Pull Type Model (Standard Pull Type).....	25	
Pull Type Model (Optional C/V PTO Type).....	35	
Pull Type Model (Offset Pull Option Type).....	72-73	
SIDE DRIVE	Pull Type or Lift Type (Standard).....	40-41-42
	Pull Type (Offset Option Only).....	74
	GEARBOX	
	DIVIDER, PT or LT (Standard Centered Deck).....	44-45
	DIVIDER, PT (Offset Deck Option Only).....	66-67
O/B GEARBOX, PT or LT (Standard Centered Deck).....	46 thru 49	
O/B GEARBOX, PT (Offset Deck Option Only).....	62 thru 65	

INDEX - AG96 (96" Rotary)

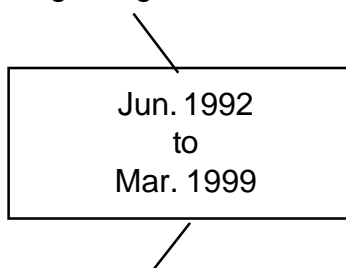
ITEM		PAGE NO.
GEARBOX SHIELDS	Pull Type or Lift Type (Standard centered Deck Only).....	50-51
	Pull Type (Offset Option Deck Only).....	68-69
GEARBOX MOUNTS	Pull Type (Offset Deck Option Only).....	52
HYDRAULIC CYL.	Pull Type Models (Axle Lift - Centered or Offset Model).....	16-17
	Hyd Offset Model (Axle Lift).....	16-17
	Hyd Offset Model (Hyd A-Frame Offset).....	78-79
OFFSET HITCH	Lift Type Only (Optional).....	4
RATCHET JACK	Pull Type Models (Axle Height Adjust).....	12
	Lift Type Models (Optional Axle Height Adjust).....	80
SAFETY CHAIN	Pull Type (centered or Offst.....	8-9-61-34
SKID SHOES	Pull or Lift Type.....	58
SLIP CLUTCHES	Pull or Lift Type.....	37-38-39
SPRING SHOCK	Pull Type / Semi Mnt (Standard or Offset Type).....	13
	Lift Type (With Special Axle Option).....	13
SUPPORT ROD	Pull Type (Offset Pull Type Option).....	75
TONGUE	Pull Type (Standard Pull Type).....	8-9
	Pull Type (Optional Offset Type).....	61
	Pull Type (Optional C/V PTO Option).....	34
WHEEL HUBS	Pull Type Models (Standard or Offset Type).....	14
	Lift Type Models (3 Point & Semi-Mount Options).....	81
WHEELS	Pull Type Models (Standard or Offset Type).....	15
	Lift Type Models (Semi-Mount or Optional Wheels).....	81
	Lift Type Models (Standard 3 PT Lift Type).....	5-6

AG96 Rotary ARCHIVE BOOK INTRODUCTION

The AG96 Archive Book is a complete listing of Parts from the first Unit to the Present. The Production Dates, Serial Numbers, Special Notes and Descriptions are furnished to help find Replacement Parts. Dimension (if listed) are for Identification of Parts and MAY NOT be to Manufacturing Specification, Your measurements may vary some from dimensions listed. Some Parts may be changed and be different than parts listed. Some Modification may be required when replacing older parts. Match S/N's listed in the rear of this Book with the Ship Dates listed at the top of each Parts Page. This is because of the wide range of Model sizes using these S/N's

PAGE EXAMPLE

Beginning Production Date

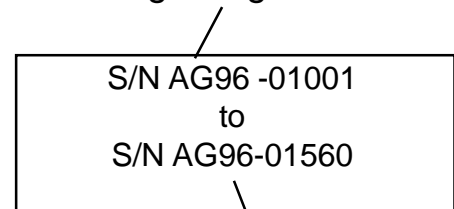


Ending Production Date

FRAME
ASSEMBLY

Componets Listed This Page

Beginning S/N



Ending S/N

For ordering parts the following instructions are offered to help eliminate delay

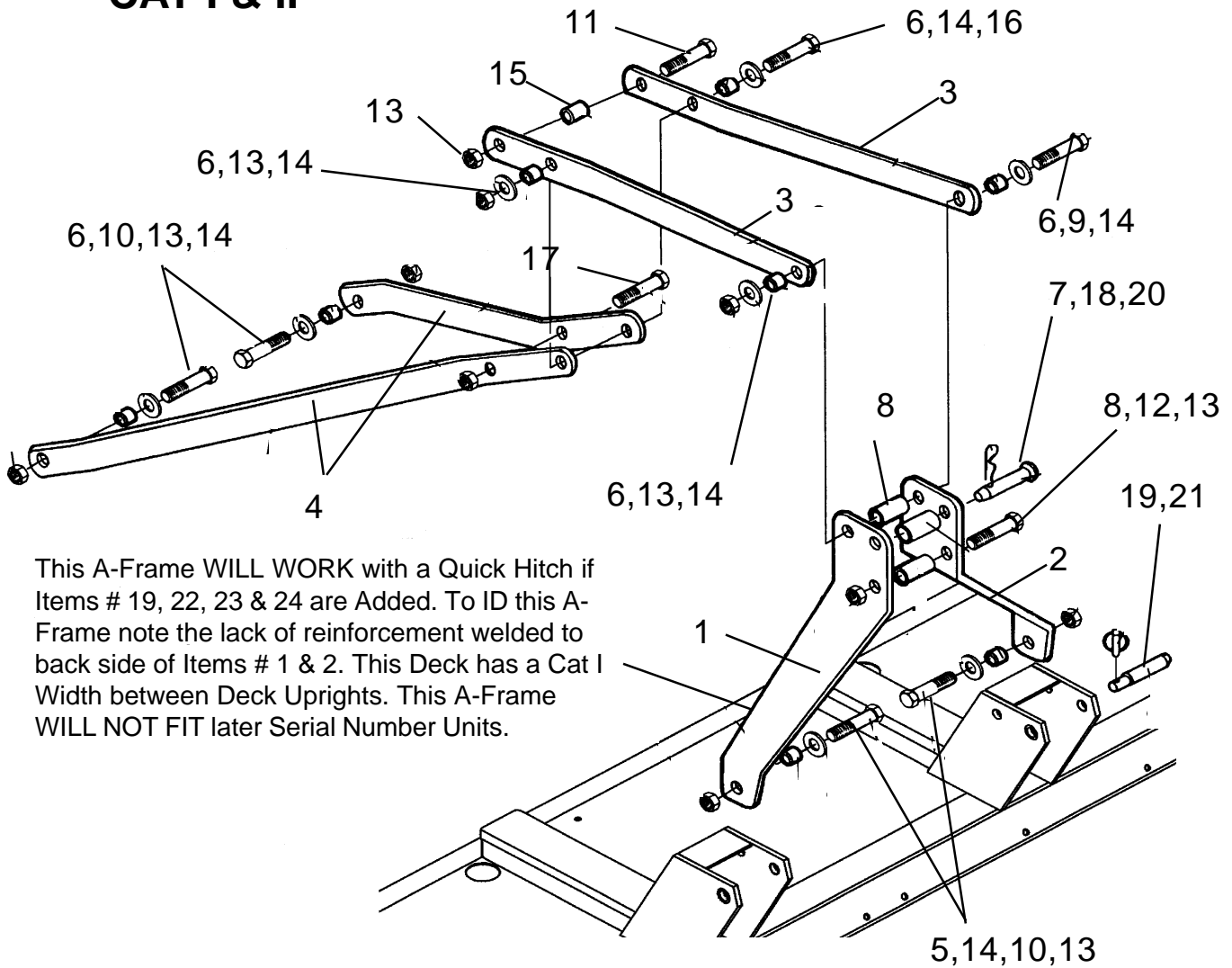
1. The purchase order must include the Name, Address (Ship to Street Address) of the Person / Organization ordering the parts. Who / How Parts should be Billed. Name and Phone Number of a Contact Person at your end.
2. The Purchase Order must list clearly the correct Part Number of Part. Quantity of each Part wanted, Complete and correct Description of each Part. All Parts will be shipped as requested depending on availability and/or reasonability of request carrier / method.
3. Alamo Industrial reserves the right to substitute parts where applicable and change prices Without prior notice. Alamo Industrial also reserves the right to Ship Parts the most Reasonable way as determined by Alamo Industrial.
4. Some Parts are unlisted items, which are special production items not normally stocked or built for a limited / special use, These parts may be subject to special handling or cannot be priced till ordered. Always Request a quotation for such Parts before sending a purchase order.

Jun. 1992
to
Aug. 1996

A-FRAME Lift Type Lift Type

S/N AG96-01001
to
S/N AG96-01229

CAT I & II



This A-Frame WILL WORK with a Quick Hitch if Items # 19, 22, 23 & 24 are Added. To ID this A-Frame note the lack of reinforcement welded to back side of Items # 1 & 2. This Deck has a Cat I Width between Deck Uprights. This A-Frame WILL NOT FIT later Serial Number Units.

Item	Part No.	Qty	Description	Item	Part No.	Qty	Description
1	00761462	1	A-Frame - (RH)	14	15B1200	8	Washer
2	00761463	1	A-Frame - (LH)	15	651091B	1	Bushing
3	00761669	2	Brace	16	0037100	2	Bolt
4	00761670	2	Brace-Support	17	02929200	1	Bolt
5	0758550070	6	Bushing	18	37107B12	1	Top Link Pin
6	701023R	1	Bushing	19	4410212AS	2	*Pin, Cat II (Std)
7	441029	1	Bushing		4410212A	2	Pin, Cat I (Opt)
8	0758550030	2	Bushing	20	37104B13	1	Clip
9	00748786	1	Bolt	21	2196	4	Clip
10	02931300	5	Bolt	22	20BH5012	2	* Spiral Pin
11	02959391	1	Bolt	23	15B1800	2	* Washer
12	00003300	2	Bolt	24	0733030010	2	* Bushing
13	00037200	9	Nut				

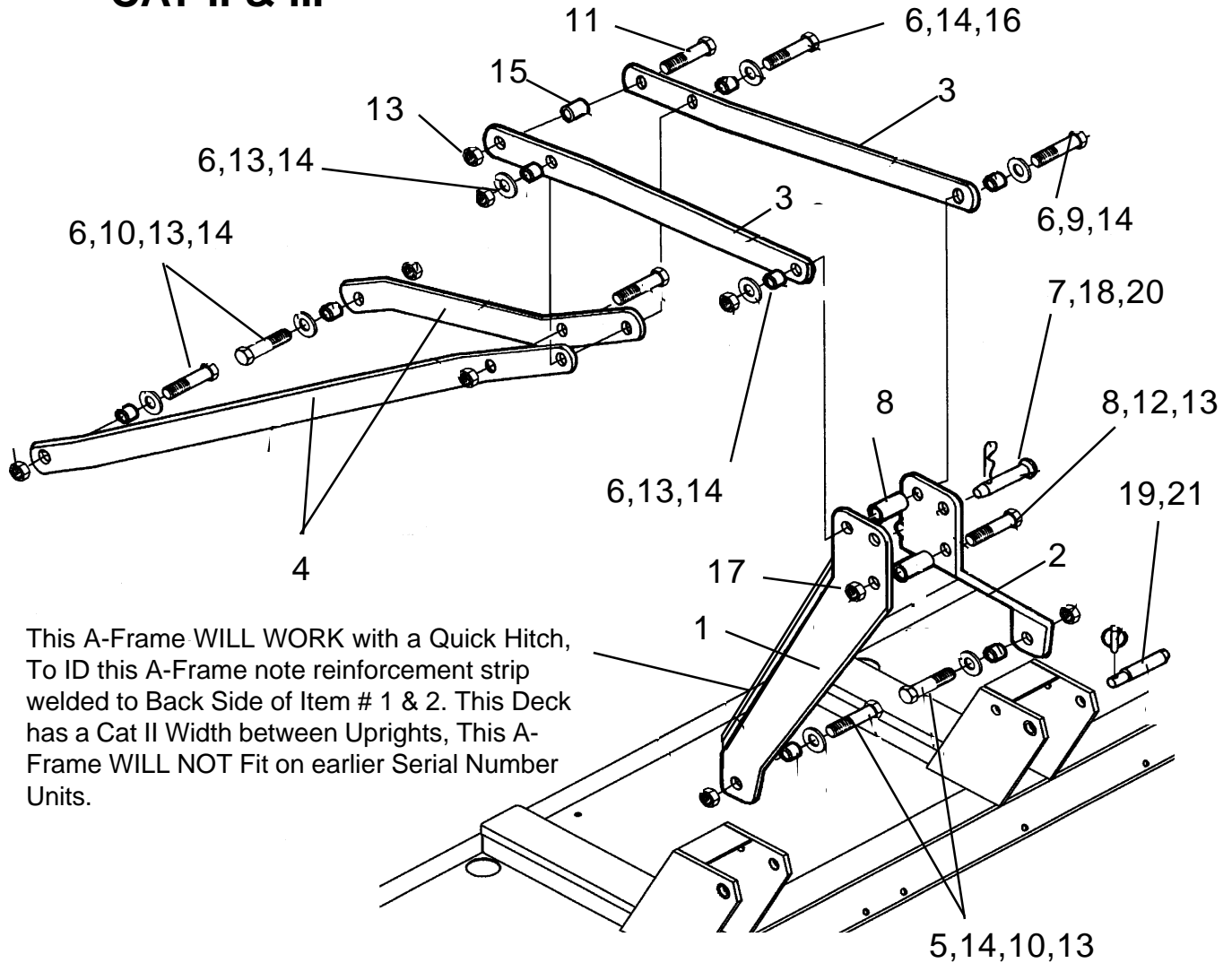
* Must Use if using Quick Hitch

Sep. 1996
to
Current

A-FRAME Lift Type Lift Type

S/N AG96-01230
to
S/N AG96-Current

CAT II & III



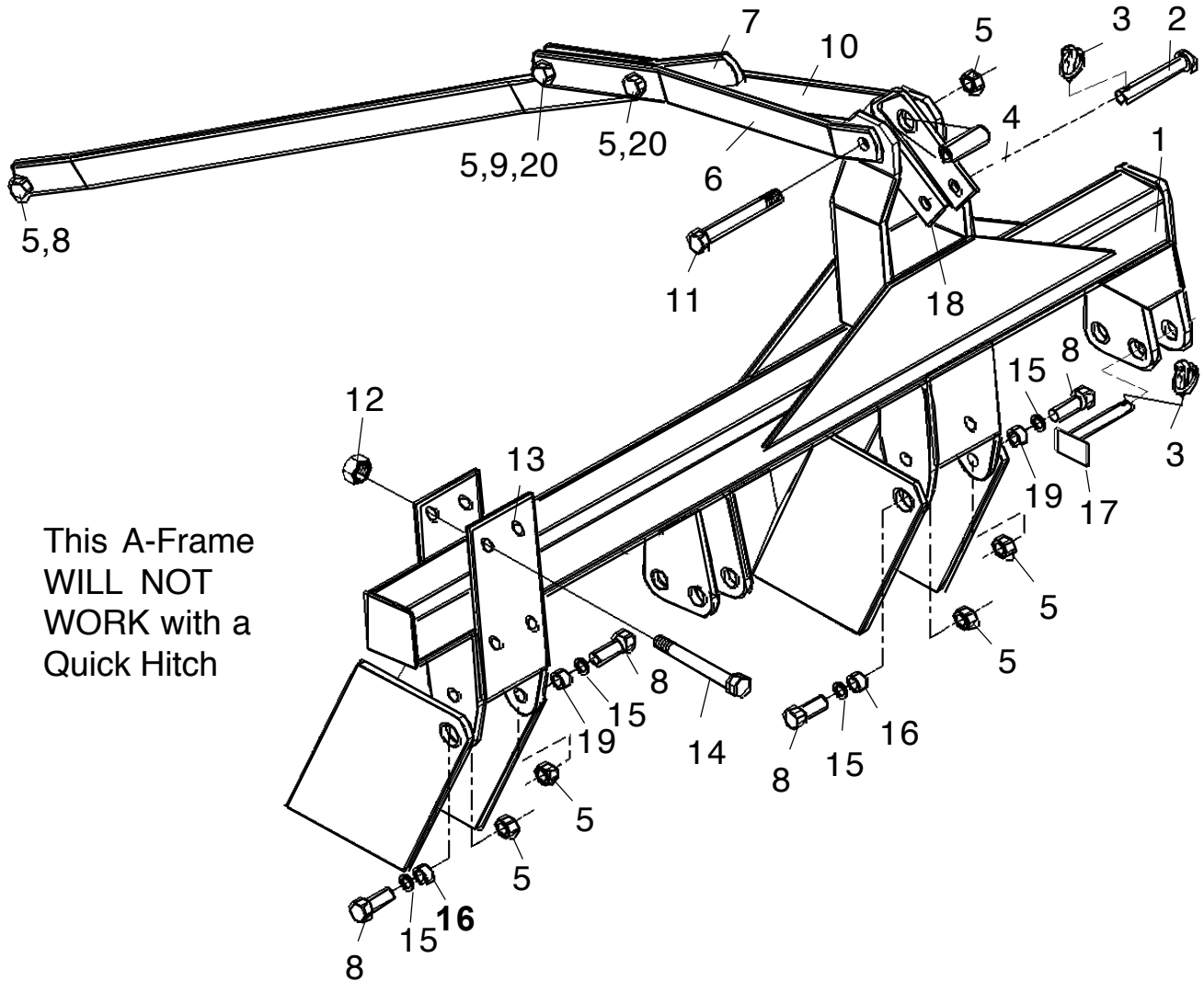
This A-Frame WILL WORK with a Quick Hitch,
To ID this A-Frame note reinforcement strip
welded to Back Side of Item # 1 & 2. This Deck
has a Cat II Width between Uprights, This A-
Frame WILL NOT Fit on earlier Serial Number
Units.

Item	Part No.	Qty	Description	Item	Part No.	Qty	Description
1	0758550010	1	A-Frame - (RH)	12	7AH5161436	2	Bolt
2	0758550020	1	A-Frame - (LH)	13	00037200	9	Nut
3	00761669	2	Brace	14	5312316	8	Washer
4	00771403	2	Brace-Support	15	00761267	1	Bushing
5	0758550070	6	Bushing	16	00007800	2	Bolt
6	701023R	1	Bushing	17	5JRC16140	1	Nut
8	0758550031	2	Bushing	18	3730110	1	Top Link Pin
9	00009500	1	Bolt	19	69141	2	Lower Hitch Pin
10	00037100	5	Bolt	21	2196	3	Clip
11	02959391	1	Bolt				

Sep. 1996
to
Current

A-FRAME Offset Adapter Lift Type Optional

S/N AG96-01230
to
S/N AG96-Current



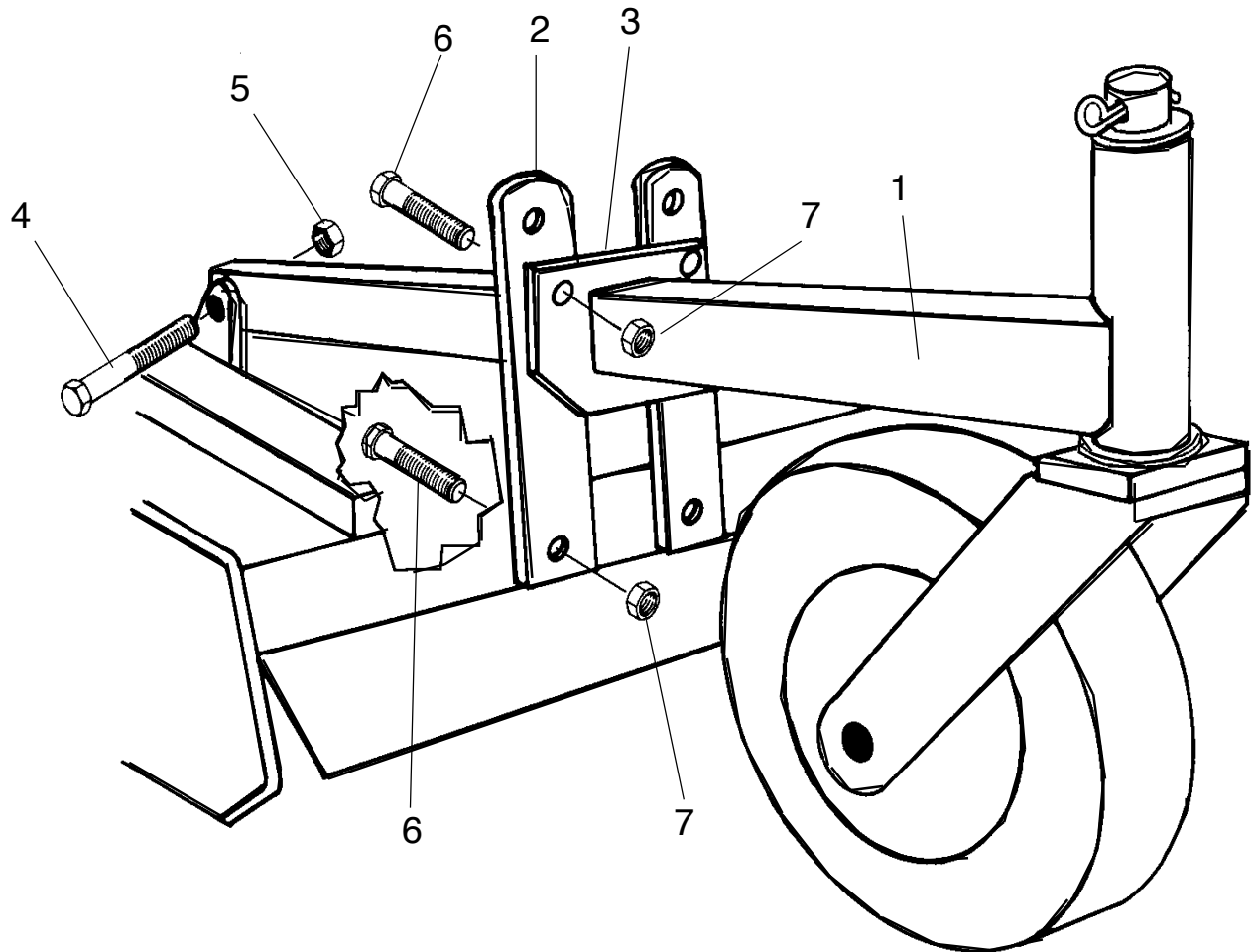
This A-Frame
WILL NOT
WORK with a
Quick Hitch

Item	Part No.	Qty	Description	Item	Part No.	Qty	Description
1	00761610	1	Adapter Wldmnt	11	02959587	1	Bolt
2	3730110M	1	Pin, Toplink	12	00695100	4	Locknut, 5/8 NC PLC
3	2196	3	Clip	13	00761621	1	Hitch Lug Wldmnt
4	00757953	1	Bushing	14	00059100	4	Bolt
5	00037200	8	Nut	15	00002701	4	Flatwasher
6	00763391	1	Flat Brace (Short)	16	00761624	2	Bushing
7	00763392	1	Flat Brace (Long)	17	0758440000	2	Wrist Pin Wldmnt
8	02931300	5	Bolt	18	00760959	1	Flat Top Link
9	00762808	1	Spacer	19	00761625	2	Bushing
10	00763430	1	Flat Brace (Straight)	20	02959391	2	Bolt

Jun. 1992
to
Current

Tail Wheel Lift Type Center Lift

S/N AG96-01001
to
S/N AG96-Current



Item	Part No.	Qty	Description
1	00761466	2	Beam Weldment
2	4744	2	Beam Support Weldment
3	702302R	2	Bracket
4	00750311	2	Bolt
5	00695100	2	Nut, Toplock 5/8 NC PLC
6	00748823	8	Bolt
7	00001800	8	Locknut TLM 1/2 NC PLC

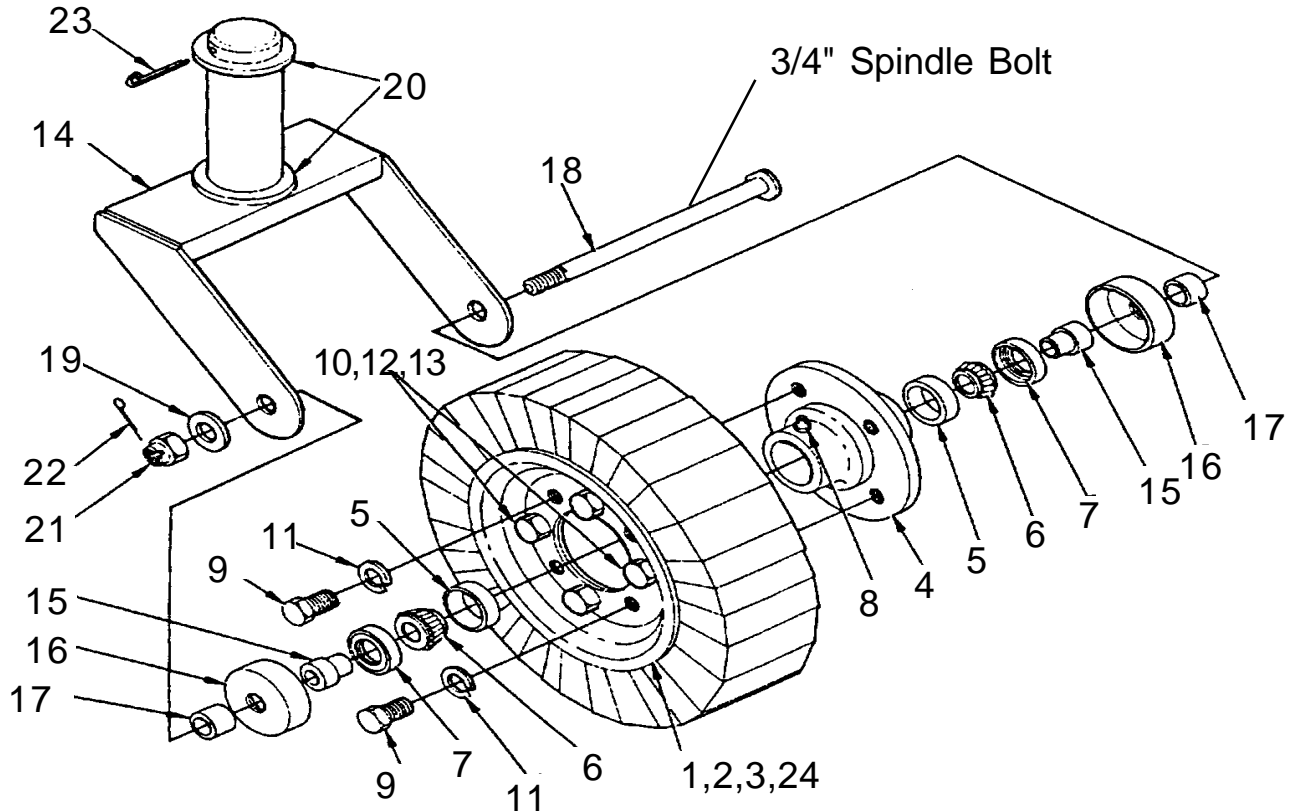
Jun. 1992
to
Current

CASTER WHEEL

Lift Type

Lift Type

S/N AG96-01001
to
S/NAG96-Current



Item	Part No.	Qty	Description	Item	Part No.	Qty	Description
	0585020200	1	Caster Whl, Caster Fork & Hub Asy	12	00012101	4	Lockwasher
1	373024	1	Tire Wheel Asy	13	00013901	4	Nut
2	373024A	1	Tire	14	0585020210	1	Caster Fork Wldmnt
3	373024B	1	8" Dia. Wheel Asy	15	37302C2C	2	Bushing
4	373024D	1	Hub Asy (w/ Brgs & seals)	16	37302D2B	2	Dust Cap
5	00750621	2	Bearing Cup	17	511016	2	Bushing
6	373024F	2	Bearing Cone	18	37302D2A	1	Spindle Bolt
7	373024E	2	Seal	19	15B1200	1	Washer
8	00752670	1	Grease Fitting (Screw In)	20	15B2400	2	Flatwasher
	00600000	1	Grease Fitting (Drive In)	21	5E12160	1	Castle Nut Slot
9	7A8208	4	Bolt	22	162012	1	Cotter Pin
10	7A6166	4	Bolt	23	00758899	1	Cotter Pin
11	00001300	4	Lockwasher	24	373024H	1-ref	Tire & Whl Asy (Bolted Asy. w/o Hub)

QTY. SHOWN F/ ONE WHEEL, 2 REQ.

Standard PTO

DRIVELINE COMPONENTS

PULL TYPE MODELS ONLY

Equal Angle PTO Driveline & Jack Shaft Section

For Standard Pull Type Driveline Option, 540 or 1000 RPM
Center Pull Type Model Only See the Following Pages.

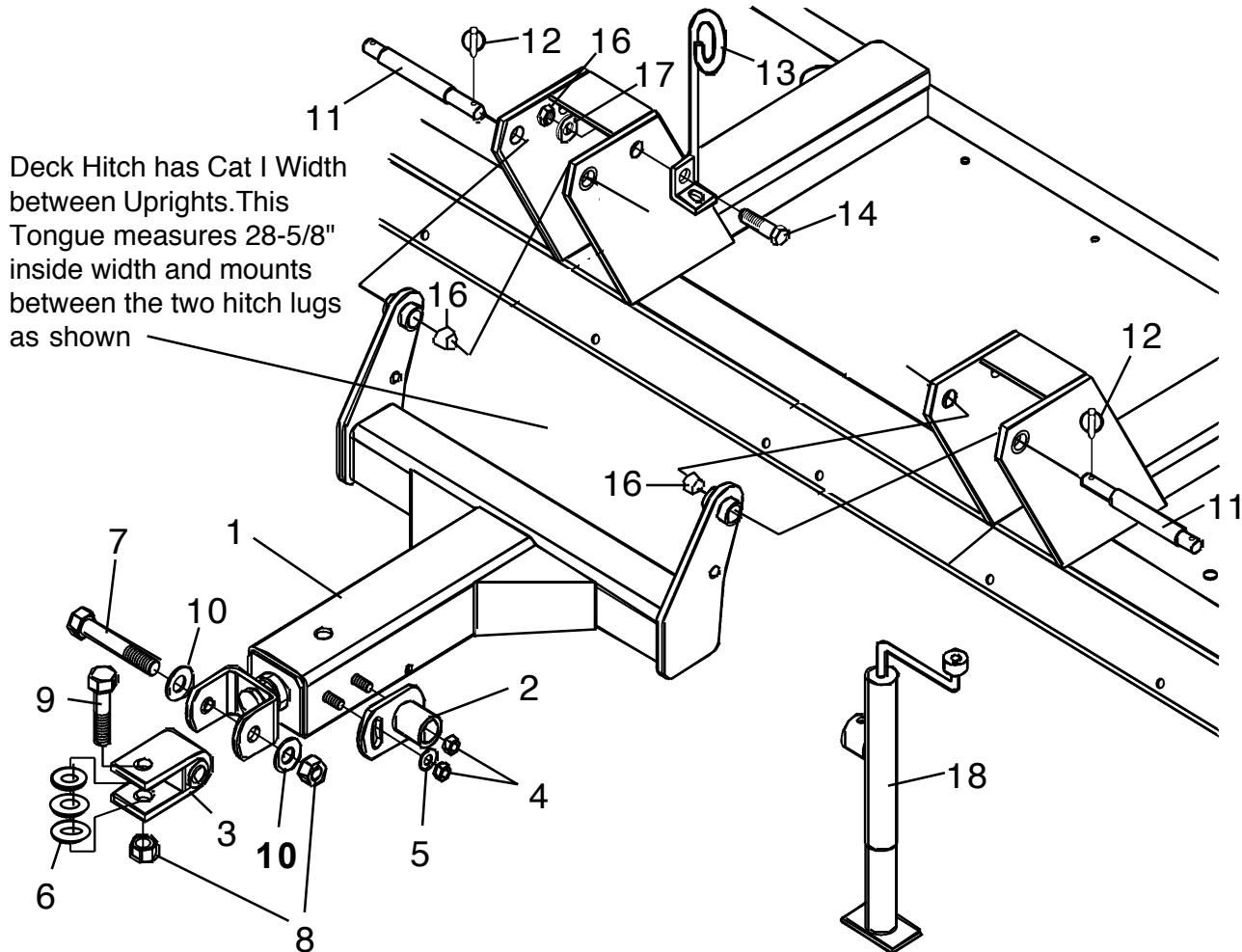
NOTE: There are Optional Type Drivelines available for this Model
Standard PTO, C/V Type PTO and the Offset Model which had a different
Driveline, Check before Ordering Parts.

Jun. 1992
to
Aug. 1996

TONGUE Standard PTO

S/N AG96-01001
to
S/N AG96-01229

540 & 1000 RPM Center Pull Type



Item	Part No.	Qty	Description	Item	Part No.	Qty	Description
1	00761272	1	Weldment-Tongue	11	4410212AS	2	Pin, Cat II
2	00760941	1	Weldment Jack Tube Mnt	12	2196	2	Clip
3	00748807	1	Weldment - Clevis	13	8343	1	Hose Holder
4	00695100	2	Nut Toplock 5/8NC PLC	14	00748823	1	Bolt
5	00001400	1	Flatwasher	15	00001800	1	Locknut TLM 1/2 NC PLC
6	00759275	3	Washer-Hitch Clevis	16	4962	2	Spacer
7	00755305	1	Bolt	17	00002700	1	Flatwasher
8	02030300	2	Nut, Top Lock	18	00756655	1	Parking Jack
9	02712500	1	Bolt	19	00757908	1	Safety Chain
10	00757478	2	Washer - Spring				

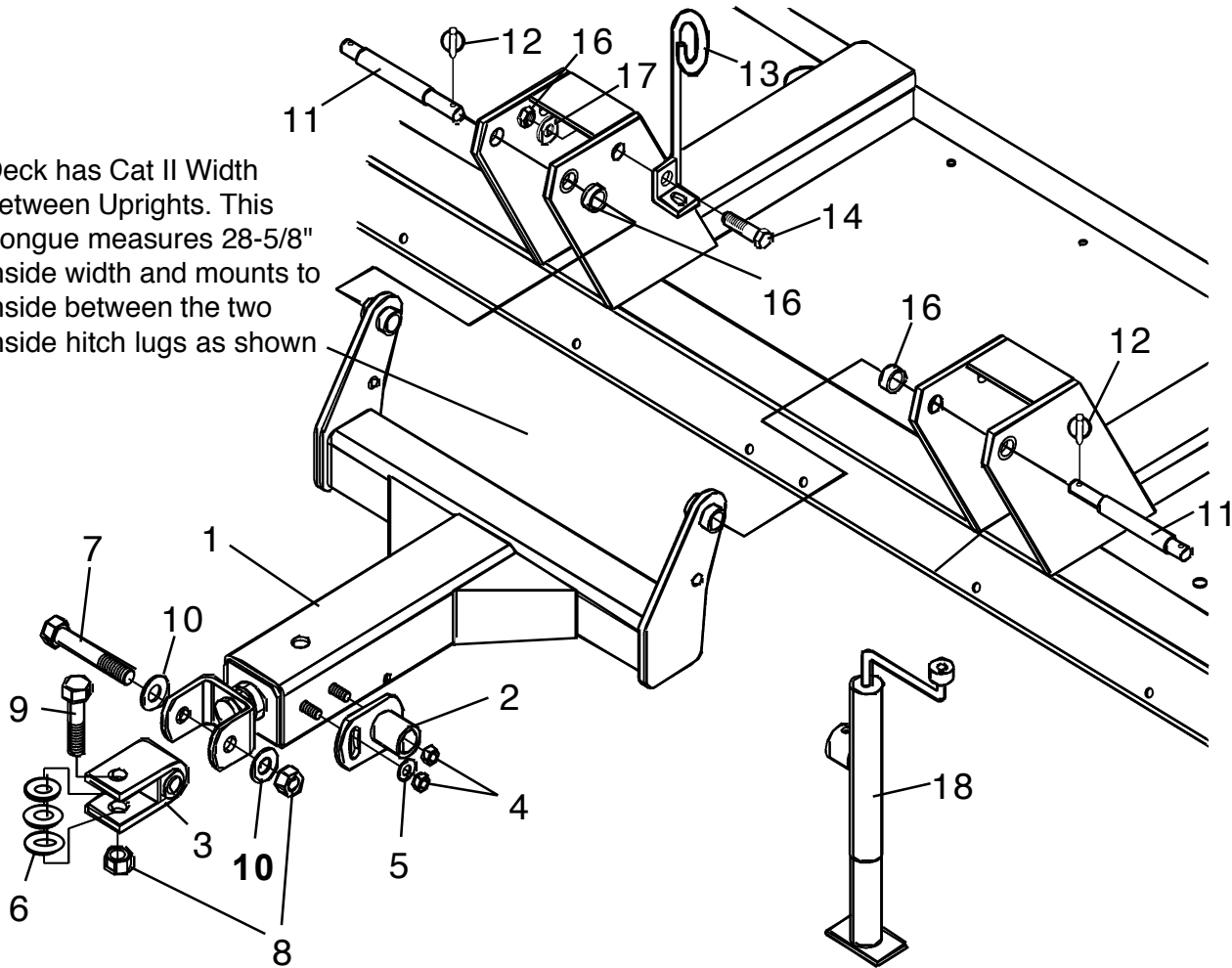
Sep. 1996
to
Current

TONGUE Standard PTO

S/N AG96-01230
to
S/N AG96-Current

540 & 1000 RPM Center Pull Type

Deck has Cat II Width
between Uprights. This
Tongue measures 28-5/8"
inside width and mounts to
inside between the two
inside hitch lugs as shown



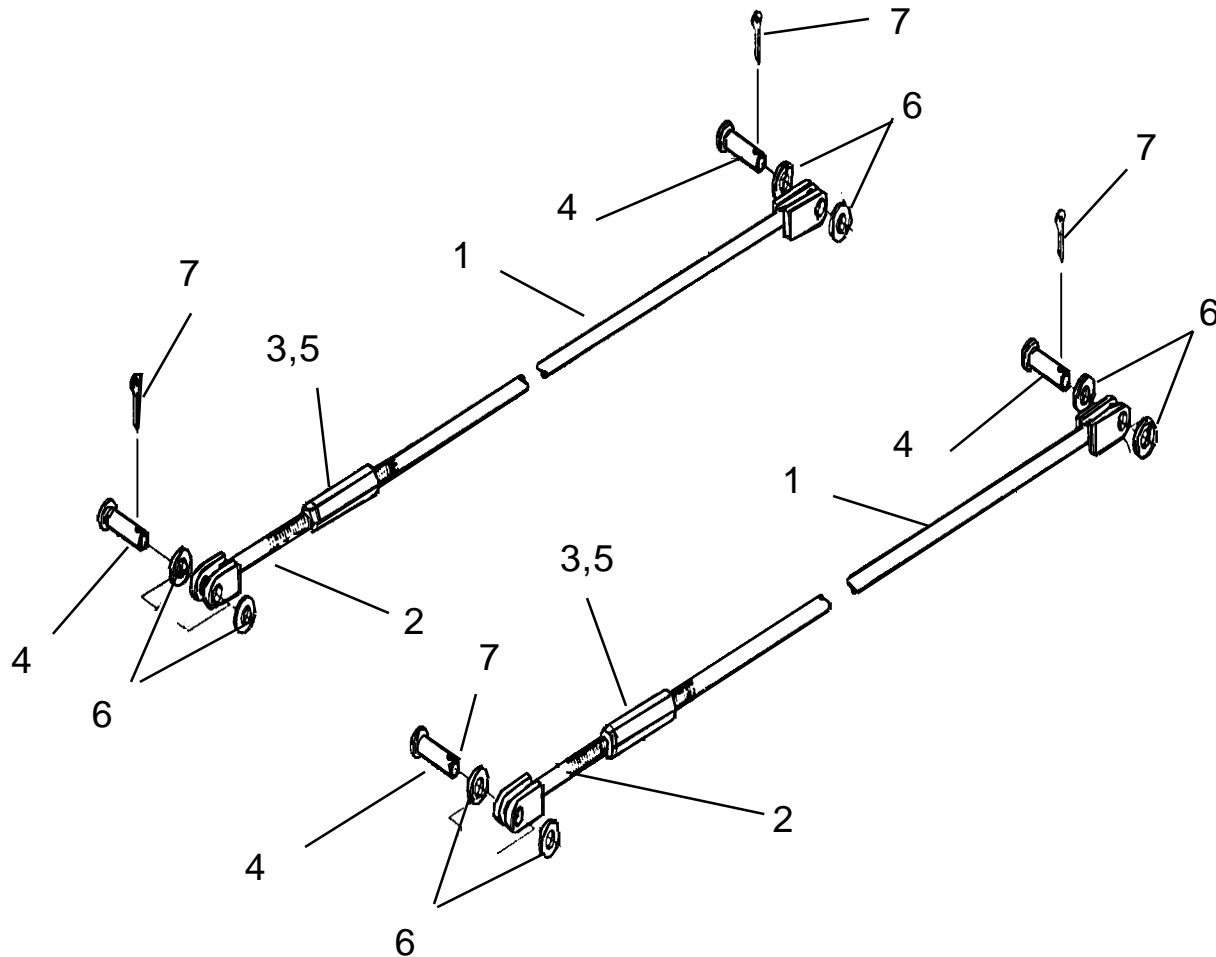
Item	Part No.	Qty	Description	Item	Part No.	Qty	Description
1	00761272	1	Weldment-Tongue	11	69141	2	Pin Hitch Pin
2	00760941	1	Weldment Jack Tube Mnt	12	2196	2	Clip
3	00748807	1	Weldment - Clevis	13	8343	1	Hose Holder
4	00695100	2	Nut Toplock 5/8NC PLC	14	00748823	1	Bolt
5	00001400	1	Flatwasher	15	00001800	1	Locknut TLM 1/2 NC PLC
6	00759275	3	Washer-Hitch Clevis	16	02958686	2	Pivot Bushing Short
7	00755305	1	Bolt	17	00002700	1	Flatwasher
8	02030300	2	Nut, Top Lock	18	00772391	1	Parking Jack
9	02712500	1	Bolt	19	00757908	1	Safety Chain
10	00757478	2	Washer - Spring				

Jun. 1992
to
May 1998

Control Rods Standard PTO

S/N AG96-01001
to
S/N AG96-01394

540 & 1000 RPM Center Pull Type



Item	Part No.	Qty.	Description
	00761943	--	Control Rod Asy
1	0584010210	2	Control Rod, Wldt, L.H. Thds, 52-1/2" long
2	584042	2	Control Rod, Wldt. R.H. Thds, 15" Long
3	421062	2	Wldmt. Nut, Adjusting
4	651102	4	Rod Pin, Control
5	5C1490	2	Nut, Jam
6	15B1200	8	Washer
7	00755153	8	Pin, Cotter

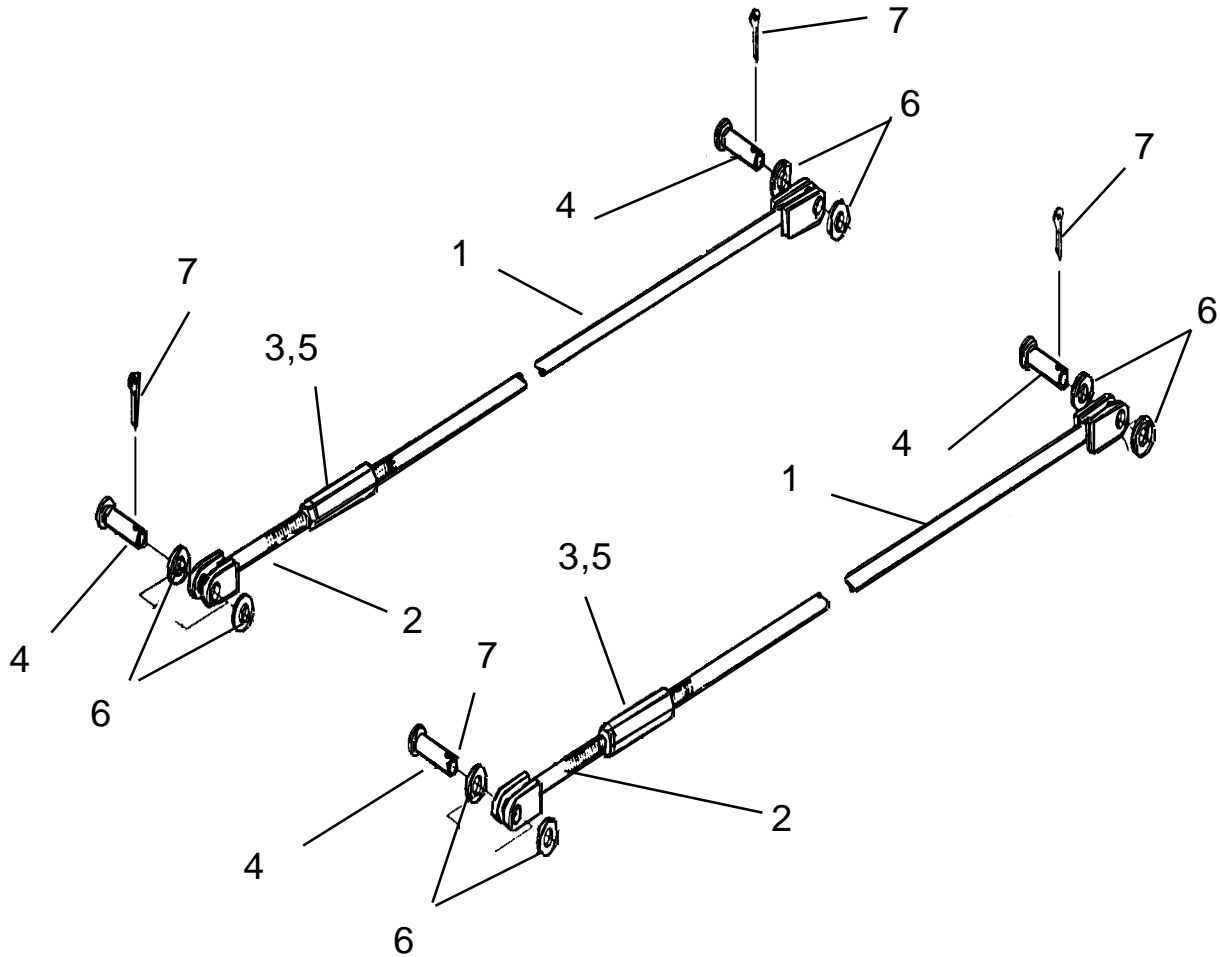
Qty Listed is for two Control Rod Asy, Doubled Qty's for both Control Rods, To Measure Control Rod Length measure from center of mounting hole to end of threads.

Jun. 1998
to
Current

Control Rods Standard PTO

S/N AG96-01395
to
S/N AG96-Current

540 & 1000 RPM Center Pull Type



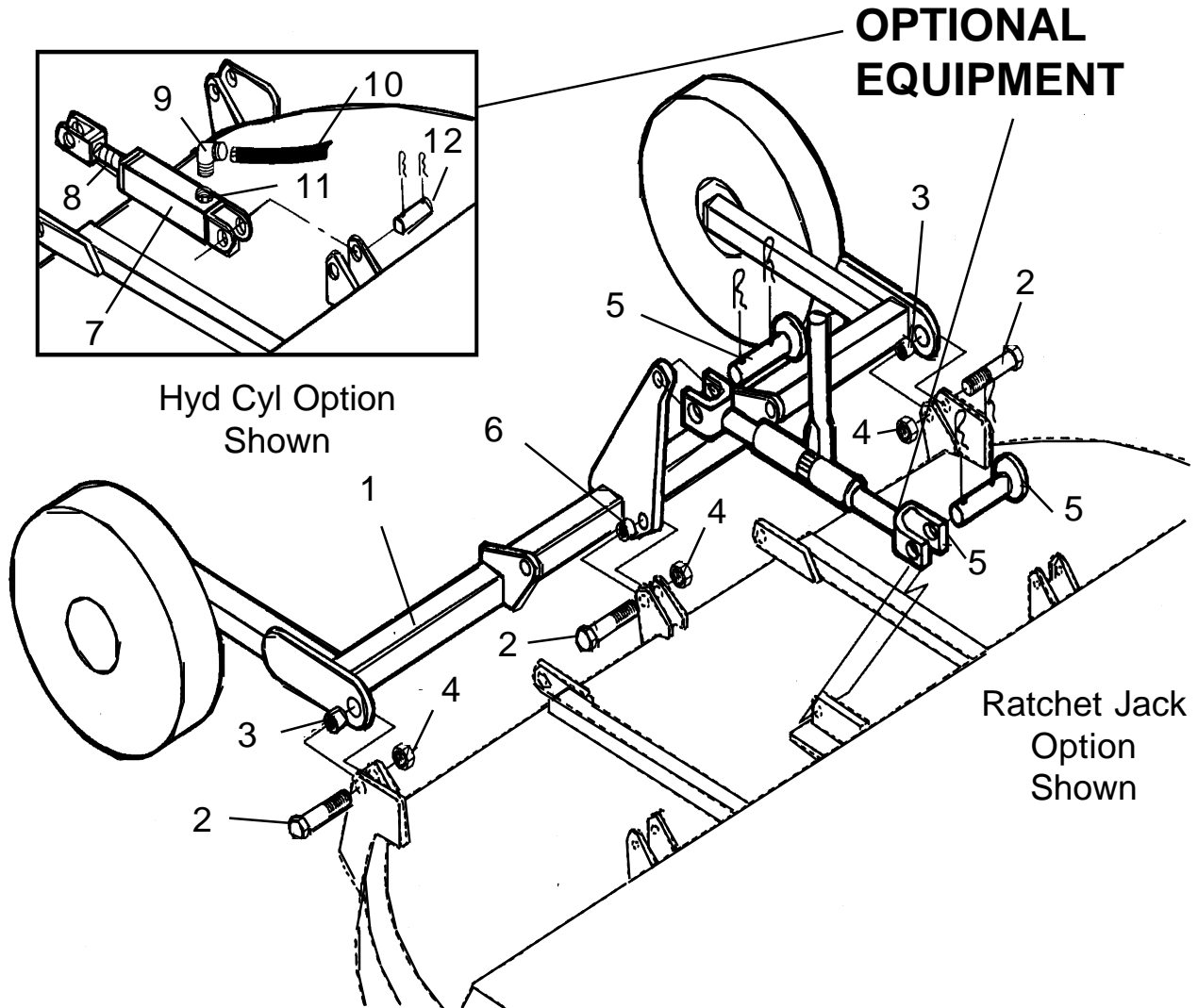
Item	Part No.	Qty.	Description
	00773133	--	Control Rod Asy
1	00773132	2	Control Rod, Wldt, L.H. Thds, 50-1/2" Long
2	00758643	2	Control Rod, Wldt. R.H. Thds, 14-13/16" Long
3	00770485A	2	Wldmt. Nut, Adjusting
4	651102	4	Rod Pin, Control
5	5C1490	2	Nut, Jam
6	15B1200	8	Washer
7	00755153	8	Pin, Cotter

Qty Listed is for two Control Rod Asy, Doubled Qty's for both Control Rods, To Measure Control Rod Length measure from center of mounting hole to end of threads.

Jun. 1992
to
Current

AXLE Pull Type Center or Offset

S/N AG96-01001
to
S/N AG96-Current



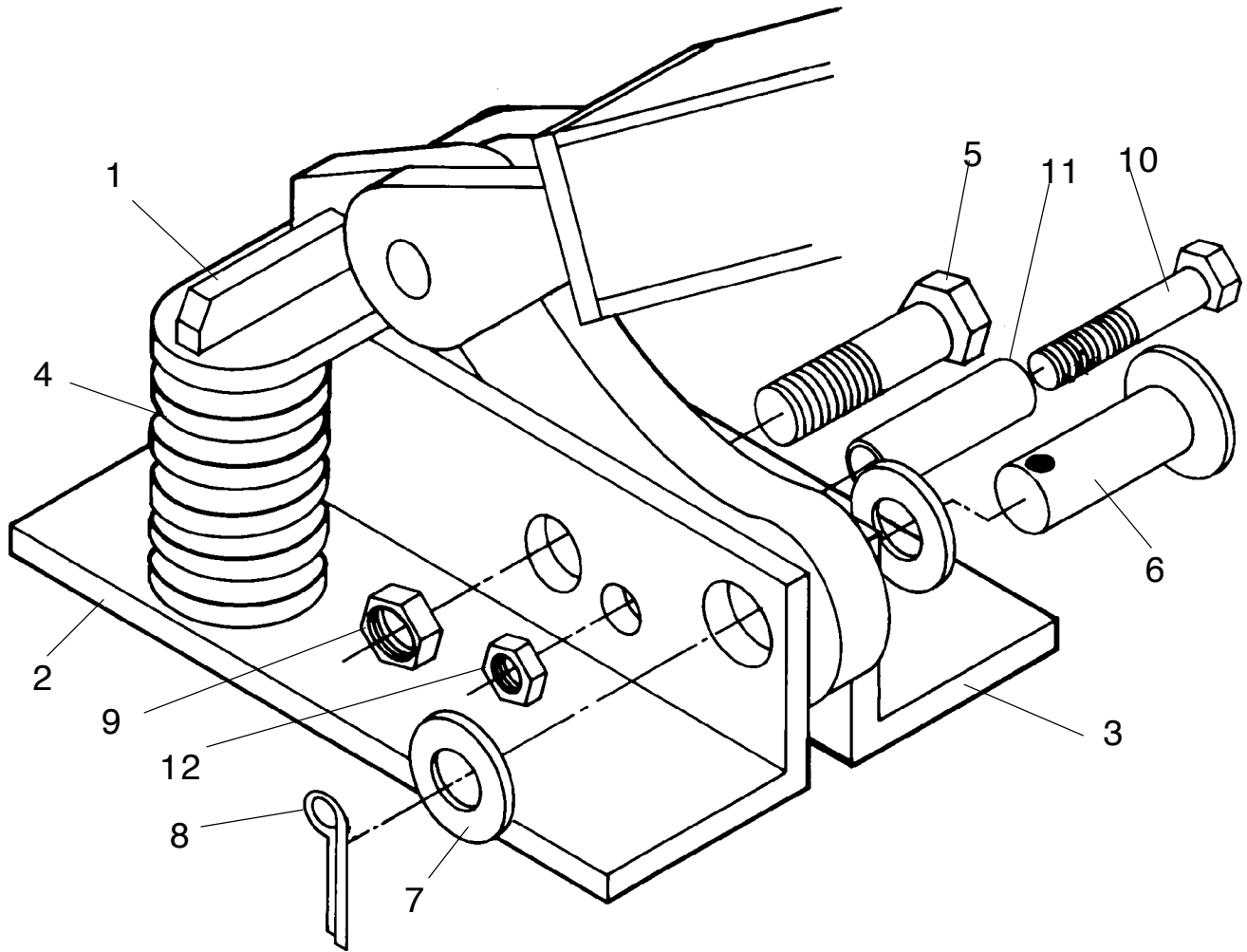
Item	Part No.	Qty	Description	Item	Part No.	Qty	Description
1	00761271	1	Axle Weldment	8	00755234	1	Control Spacer
2	00007800	3	Bolt	9	94514	1	Elbow Swivel
3	00762802	2	Bushing	10	651132	1	Hydraulic Hose
4	00037200	3	Nut Toplock	11	-----	1-ref	Adapter, ORB
5	00554600	1	Ratchet Jack Assy	-----	-----	1-ref	Adapter Restrictor
	00755153	4	Cotter pin	12	8354	2	Cyl Pin
	02822500	4	Flat Washer		00606000	4	Cotter Pin
	8354	2	Cyl Pin				
6	8327	1	Bushing-Level & Rod				
7	-----	1-ref	Hydraulic Cylinder				

Hyd Cyl & Hose Kit # 00758437 or Ratchet Jack Kit # 00554600 **Optional**

Jun. 1992
to
Current

SPRING SHOCK Pull Type Center or Offset

S/N AG96-01001
to
S/N AG96-Current

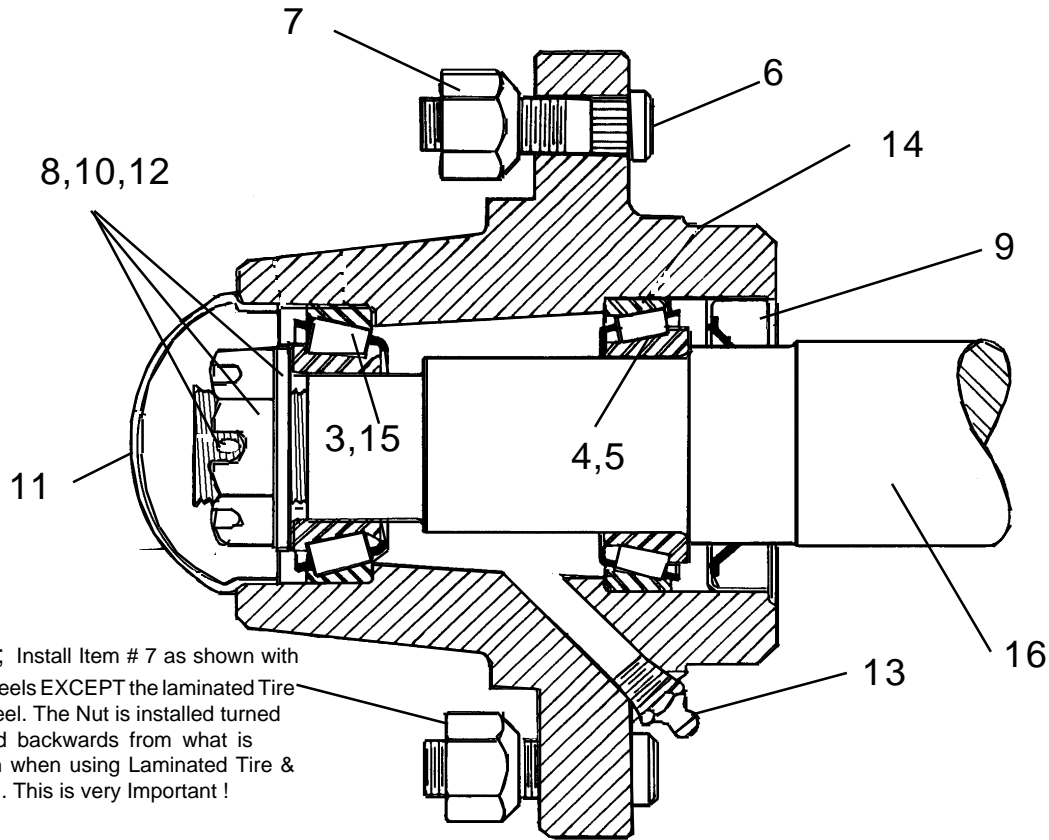


Item	Part No.	Qty.	Description
	00759191	-	Spring Shock Asy
1	00759190	1	Spring Shock Weldment
2	00759189	1	Angle Bracket Weldment LH
3	00759188	1	Angle Bracket Weldment RH
4	371063A	2	Spring
5	02782100	1	Bolt
6	8354	1	Pin
7	02822500	1	Flat Washer
8	00606000	1	Cotter Pin
9	02030300	1	Locknut Toplock 5/8NC PLC
10	00750952	1	Bolt
11	00761199	1	Tube Spacer
12	00695100	1	Nut, Toplock 5/8 NC PLC

Jun. 1992
to
Current

Wheel Hub Pull Type Center or Offset

S/N AG96-01001
to
S/N AG96-Current



Note; Install Item # 7 as shown with all Wheels EXCEPT the laminated Tire & Wheel. The Nut is installed turned around backwards from what is shown when using Laminated Tire & Wheel. This is very Important !

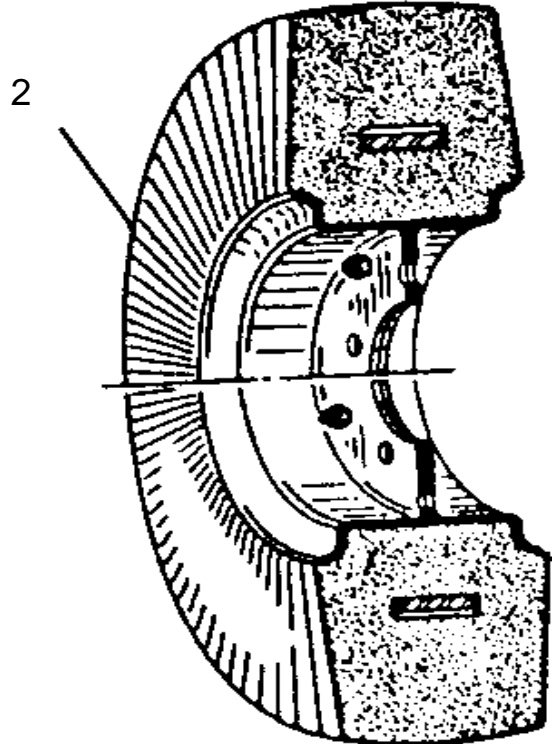
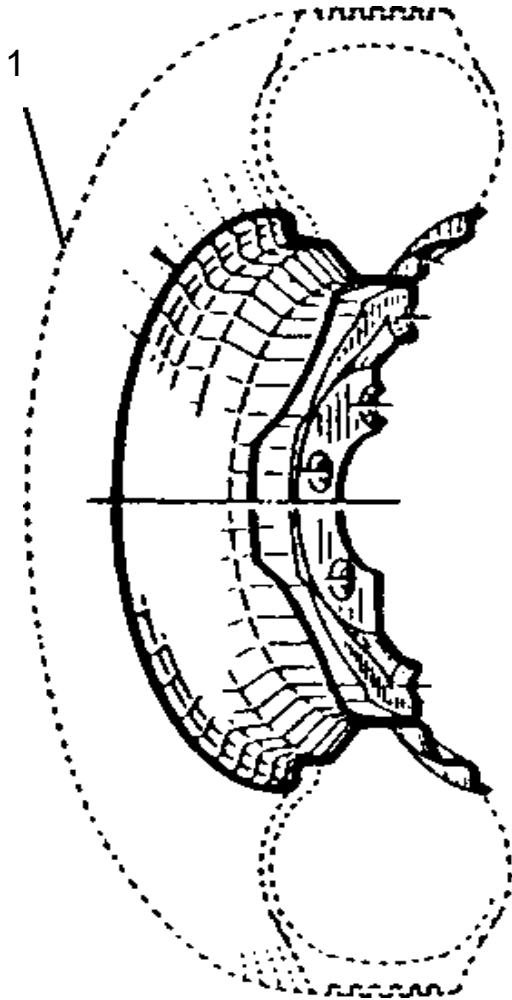
Item	Part No.	Qty	Description
	00757241	--	Hub Asy Complete (items 3 thru 14)
3	00756576	1	Bearing Cup(Outside)
4	00750434	1	Bearing Cone(Inside)
5	00756577	1	Bearing Cup(Inside)
6	00756488	5	Bolt, Wheel Stud
7	00750614	5	Nut, Lug Nut
8	00756490	1	Nut, Slotted Thin
9	002957044	1	Seal
10	00756493	1	Washer
11	00756492	1	Dust Cap
12	00000400	1	Cotter Pin
13	00003500	1	Grease Fitting
14	00756489	1	Wheel Hub w/Cups & Studs
15	0371242102	1	Bearing Cone(Outside)
16	00756001	ref	Spindle, Single Wheel (Weld In Spindle)
	00756002	ref	Spindle, Dual Wheel (Weld in Spindle)
	00756528	ref	Wheel Hub Accessory Kit (Includes Items 3,4,5,7,8,9,10,11,12,15)

Note: # 00757241 Includes 1 each of #00756489 and 1 each of #00756828

Jun. 1992
to
Current

Tire & Wheel Pull Type Center or Offset

S/N AG96-01001
to
S/N AG96-Current



Wheel Group

(Quantities for 1-Cutter, 2 Wheels Complete)

Item	Part No.	Qty	Description
1	00749698	--	Implement Tire & Wheel Asy 6:70 X 15 (Includes *)
	00008700	--	*15" Wheel Only
	00601700	--	* Implement Tire Only, 6:70 X 15 Tube Type
	00751994	--	* Tube F/ Implement Tire Only, 6:70 X 15
	00771461	--	Used 15" Airplane Tire & Wheel (Not Shown)
	00749700	--	Used 14" Airplane Tire & Wheel (Not Shown)
	00749698	--	Implement Tire & Wheel (Not Shown)
2	00025200	--	6 X 9 Laminated Tire & Wheel Asy
	00766911A	--	Used Aiplane Tire & Whl, 22 X 6.6, Foam Filled

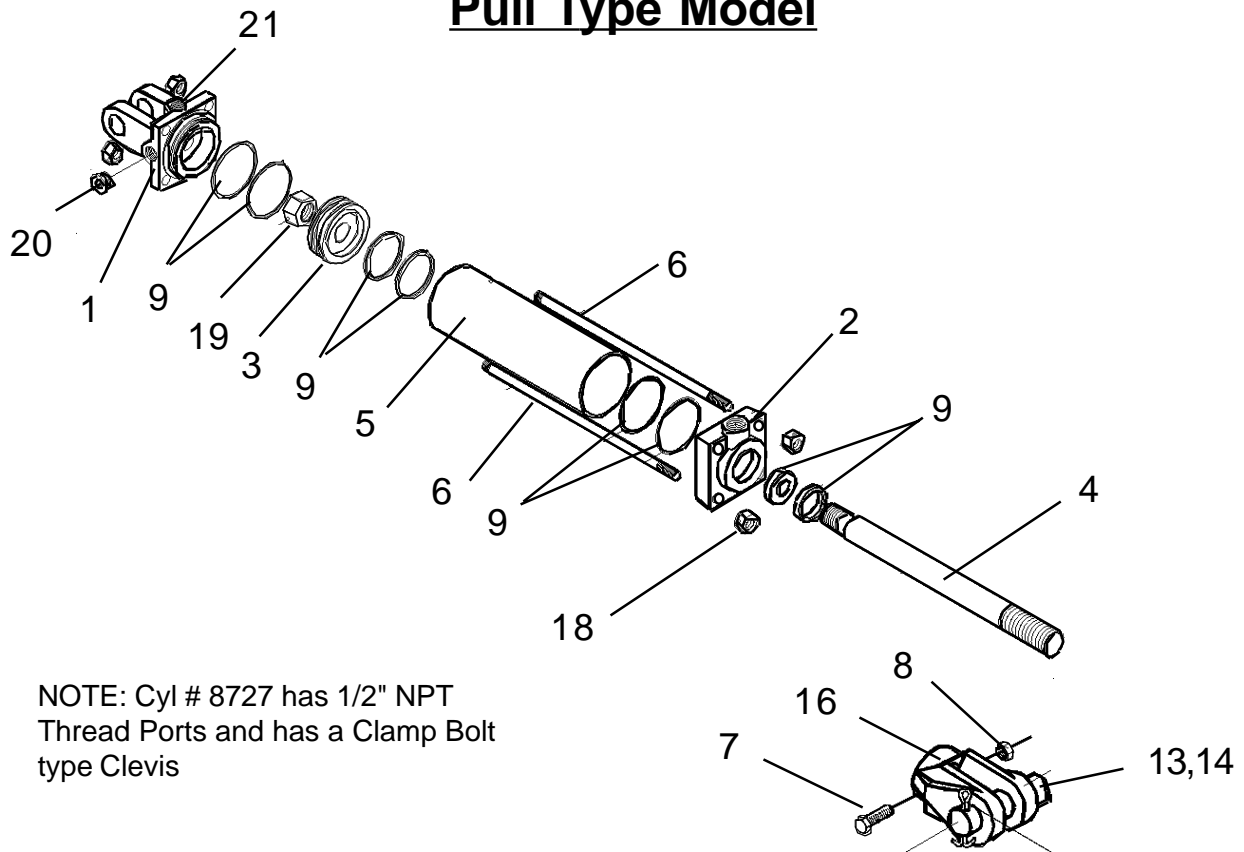
Jun. 1992
to
Jul. 1999

Hydraulic Lift Cyl - Optional

540 & 1000 RPM

Pull Type Model

S/N AG96-01001
to
S/N AG96-01447



NOTE: Cyl # 8727 has 1/2" NPT
Thread Ports and has a Clamp Bolt
type Clevis

Item	Part No.	Qty	Description
	8727		Cylinder Asy.
1	8755	1	Cap
2	8757	1	Head
3	00760671	1	Piston
4	8753	1	Piston Rod
5	8752	1	Tube
6	8756	4	Tie Rod
7	00023100	1	Bolt
8	00013901	1	Hex Nut
9	8763	1	Seal Kit
13	8354	2 ref	Pivot Pin
14	00606000	2 ref	Cotter Pin
16	8754	1	Outer Clevis
18	02031800	8	Tie Rod Nut
19	4675	1	Piston Nut
20	94514	2 ref	Swivel Fitting 90 Deg
21	7339	1	Breather Plug
	651132	2 ref	HydraulicHose(Not Shown)

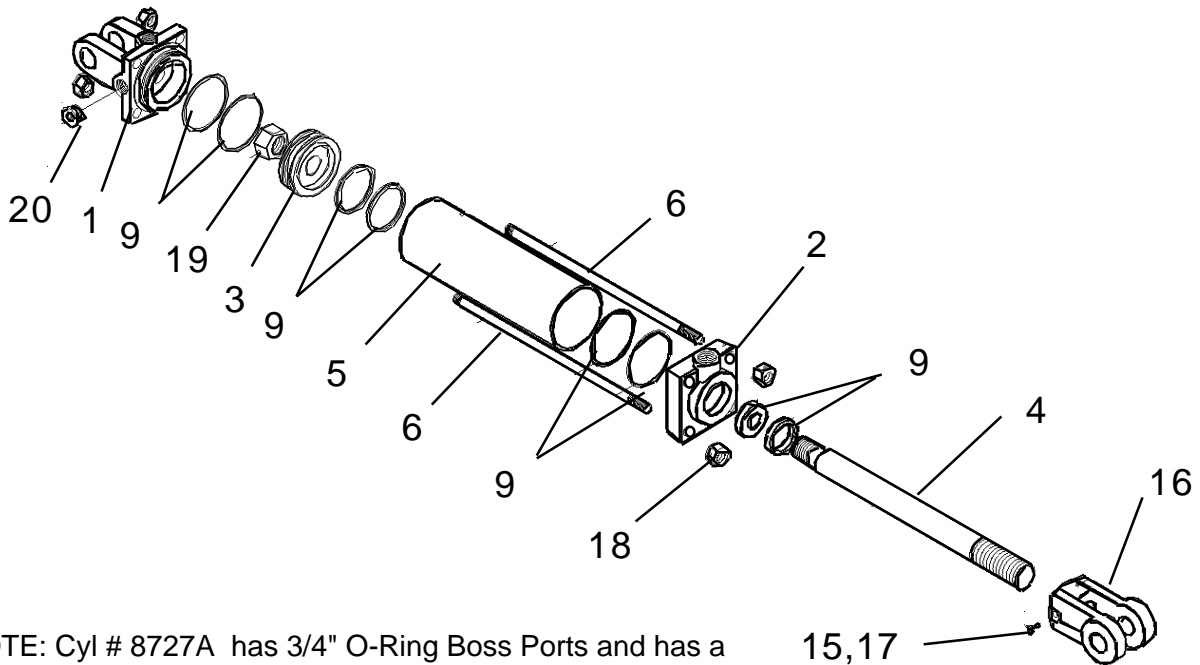
Aug. 1999
to
Current

Hydraulic Lift Cyl - Optional

S/N AG96-01448
to
S/N AG96-Current

540 & 1000 RPM

Pull Type Model



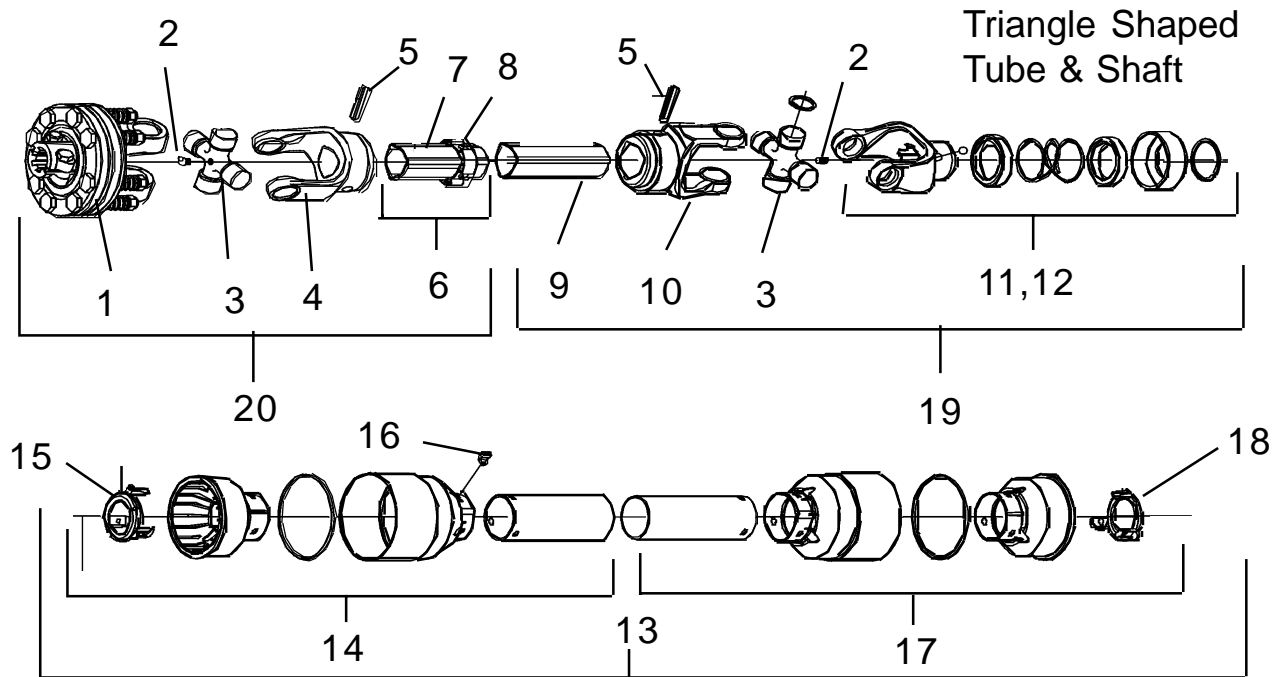
NOTE: Cyl # 8727A has 3/4" O-Ring Boss Ports and has a Nylon Thread Protector & Set Screw type Clevis, Parts WILL NOT interchange with earlier Cylinders But Complete Cyl Assembly can be put on Earlier Units.

ITEM	PART NO.	QTY	DESCRIPTION
	8727A		Cylinder Asy.
1	00774729	1	Clevis Cap
2	00774734	1	Rod Cap
3	00774730	1	Piston
4	00774753	1	Rod
5	3047111	1	Tube
6	3047112	4	Tie Rod
9	00774760	1	Seal Kit
15	3047117	1	Nylon Thread Protector
16	1917140	1	Rod Clevis
17	00774740	1	Set Screw
18	33003H5C	8	Tie Rod Nut
19	5JRC12160	1	Piston Nut
20	1917132	1	Port Plug
21	2417154	1	Breather
	651132	2 ref	Hose (Not Shown)
	94514	2 ref	Elbow (Not Shown)
	0652141311	2 ref	Adapter (Not Shown)
	8354	2 ref	Pin (Not Shown)
	00606000	2 ref	Cotter Pin (Not Shown)

Jun. 1992
to
Dec. 1999

Driveline Lift Type 540 & 1000 RPM

S/N AG96-01001
to
S/N AG96-01464



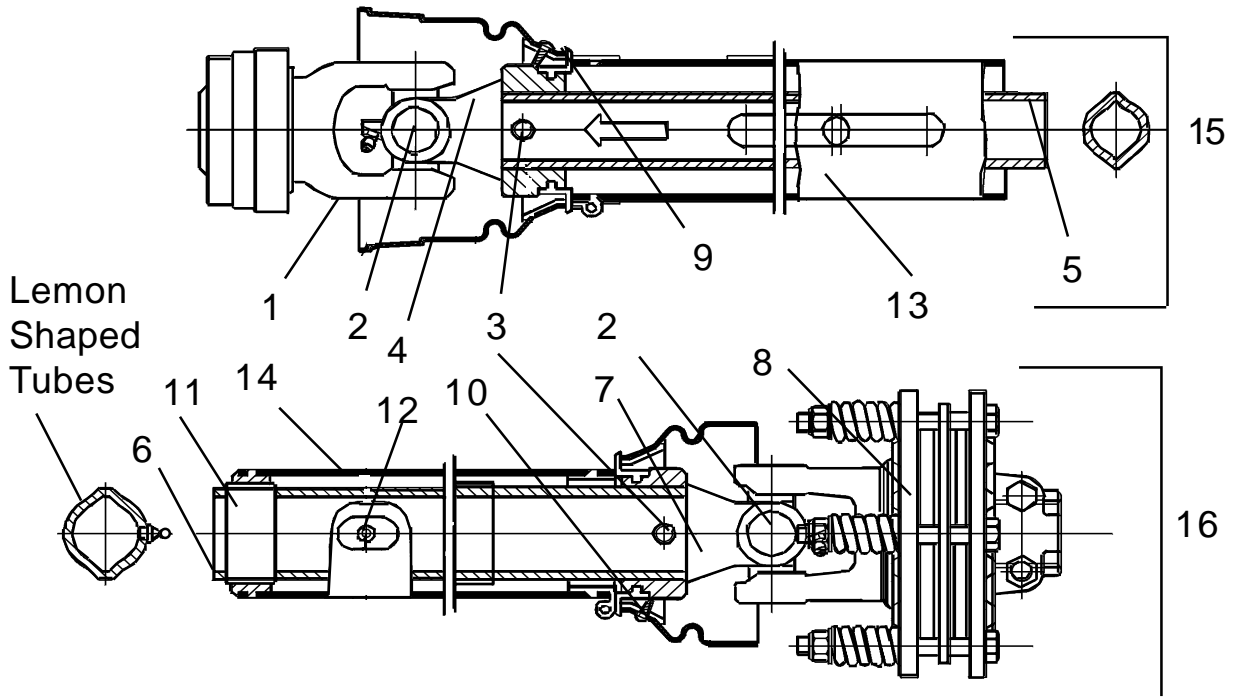
Item	Part No. 540 RPM	Part No. 1000 RPM	Qty	Description
	00761322	00761325	-	Driveline Asy, Complete w/ Shield
	00761324	00761324	1	Driveline Half Asy, Impl End w/ Shield
	00754376	00761326	1	Driveline Half Asy, Tractor End w/ Shield
1	00756075	00756075	1	Slip Clutch, w/ Springs
	00756075A	00756075A	1	Slip Clutch, w/o Springs
2	00754335	00754335	2	Grease Fitting
3	00752896	00752896	2	Cross Bearing
4	00754154	00754154	1	Yoke, F/ Outer Tube
5	00754167	00754167	2	Roll Pin
6	00762726	00762726	1	Tube Shaft, Outer
7	00756004	00756004	1	Decal -Danger
8	00772529	00772529	1	Bushing w/ Grease Fitting (Outer Tube)
9	00762735	00762735	1	Tube Shaft, Inner
10	00754153	00754153	1	Yoke F/ Inner Tube
11	00752883	00760002	1	Yoke QD, w/Slide Collar (Complete)
12	00757144	00757144	1	Slide Collar Kit Only
13	00754379	00754379	1	Shield Kit Complete, Inner & Outer
14	00754377	00754377	1	Outer Shield Kit
15	00754332	00754332	1	Locking Collar F/ Outer Shield
16	00754330	00754330	6	Bolt, Shield Retaining
17	00754378	00754378	1	Inner Shield Kit
18	00754331	00754331	1	Locking Collar F/ Inner Shield

*NOTE: Some of the drivelines shipped in 1997/98 were shipped with a springless slip clutch (P/N 00756075A) which is no longer available. Please refer to Slip Clutch Assembly page for replacement parts. The Springless Clutch # 00756075A can be converted to one w/ Spring by installing Kit # 00773224

Jan. 2000
to
Current

Driveline Lift Type 540 & 1000 RPM

S/N AG96-01465
to
S/N AG96-Current



Item	Part No. 540 RPM	Part No. 1000 RPM	Qty.	Description
	00775385	-----	--	Driveline Asy w/ Shields
	-----	00775390	--	Driveline Asy w/ Shields
1	00775353	00761762	1	Yoke, QD w/ Slide Collar
	00767954	00767953	1	Slide Collar Kit Only
2	00189700	00189700	2	Cross & Bearing Kit
3	8384	8384	2	Spring Pin
4	00775317	00775317	1	Yoke, Inner Tube Yoke
5	7413	7413	1	Tube, Inner
6	00775377	00775377	1	Tuibe & Sleeve, Outer
7	00775318	00775318	1	Yoke, Outer Tube Yoke
8	00775331	00755331	1	Friction Clutch, w/ Clamp Bolts
	61076C8	61076C8	2	Bolt, Clamp Hub
	00756164	00756164	2	Locknut, Clamp Hub
9	8393	8393	2	Bearing Ring
10	00759217	00759217	2	Screw
11	8974	8974	1	Support Bearing
12	1416601	1416601	1	Grease Fitting
13	00775388	00775388	1	Outer Shield Half
14	00775389	00775389	1	Inner Shield Half
15	00775386	00775391	1	Driveline Half Asy w/ Shields, Tractor End
16	00775387	00775387	1	Driveline Half Asy w/ Shields, Impl End
17	00756004	00756004	1	Decal, Shield Missing (Under Shield)
18	00756005	00756005	1	Decal, Rotating Driveline, (On Outer Shield)

Standard PTO Driveline

& Jack Shaft Section

(Standard Pull Type Driveline, 540 or 1000 RPM
Center Pull Model)

NOTE: There are more than one Type Driveline available for this Model
Standard or C/V Type, Check before Ordering Parts.

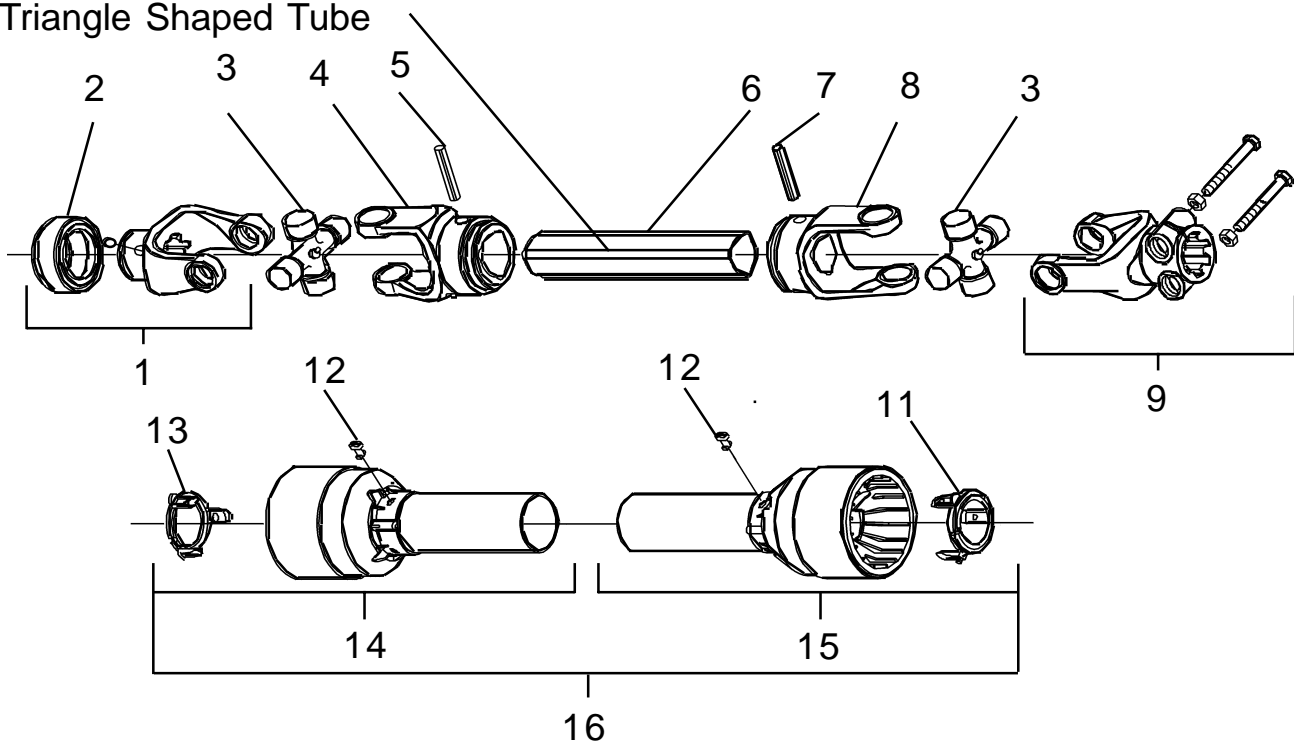
Jun. 1992
to
Dec. 1999

PTO Driveline Std Pull Type

S/N AG96-01001
to
S/N AG96-01464

540 & 1000 RPM Center or Offset

Triangle Shaped Tube



Item	Part No.	Qty	Description
	00760898A	--	Driveline Asy w/ Shields (540 RPM)
	00760902A	--	Driveline Asy w/ Shields (1000 RPM)
1	00752883	1	Yoke, QD w/ Skide Collar (540 RPM)
	00760002	1	Yoke, QD w/ Skide Collar (1000 RPM)
2	00757144	1	Slide Collar Kit
3	00752896	2	Cross & Bearing Set
4	00772793	1	Outer yoke
5	00754167	1	Roll Pin for Outer Tube
6	00772795	1	Inner Tube
7	00754167	1	Roll Pin for Inner Tube
8	00754153	1	Inner Yoke
9*	00771337	1	Yoke, Clamp Yoke w/ Bolt & Nut (See Note Below)
	02964955	2	Bolt
	00755881	2	Locknut
11	00754331	1	Retaining Collar for Inner Tube
12	00754330	6	Bolt
13	00754332	1	Retaining Collar for Outer Tube
14	00773046	1	Outer Shield
15	00773047	1	Inner Shield
16	00772794	1	Complete Shield

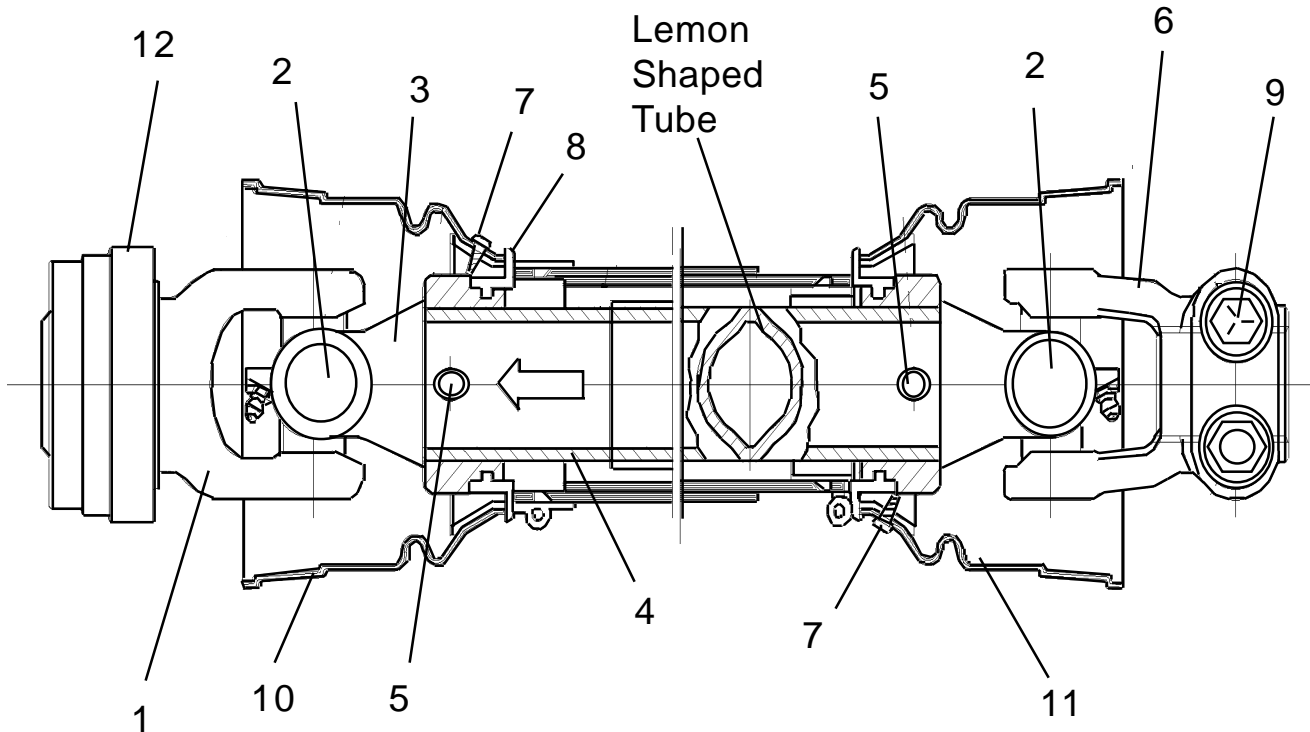
* **Item # 9 Note:** There have been different Yokes, (1.) A Slide Collar Yoke #00757051 w/ slide collar kit # 00757052, (2.) A Clamp Yoke with a Single tapered Pin # 00767655 Pin & #00770777 Locknut, The Tapered Pin is available but the yoke has been replaced, (3.) A double Bolt Clamp Yoke # 00772530 w/ Bolt & Nut # 00772531. All these Yokes will be replaced by # 00771337 as an Asy. (# 00772530 & # 00771337 Yokes used same size Bolts & Nuts)

Jan. 2000
to
Current

PTO Driveline Std Pull Type

S/N AG96-01465
to
S/N AG96-Current

540 & 1000 RPM Center or Offset



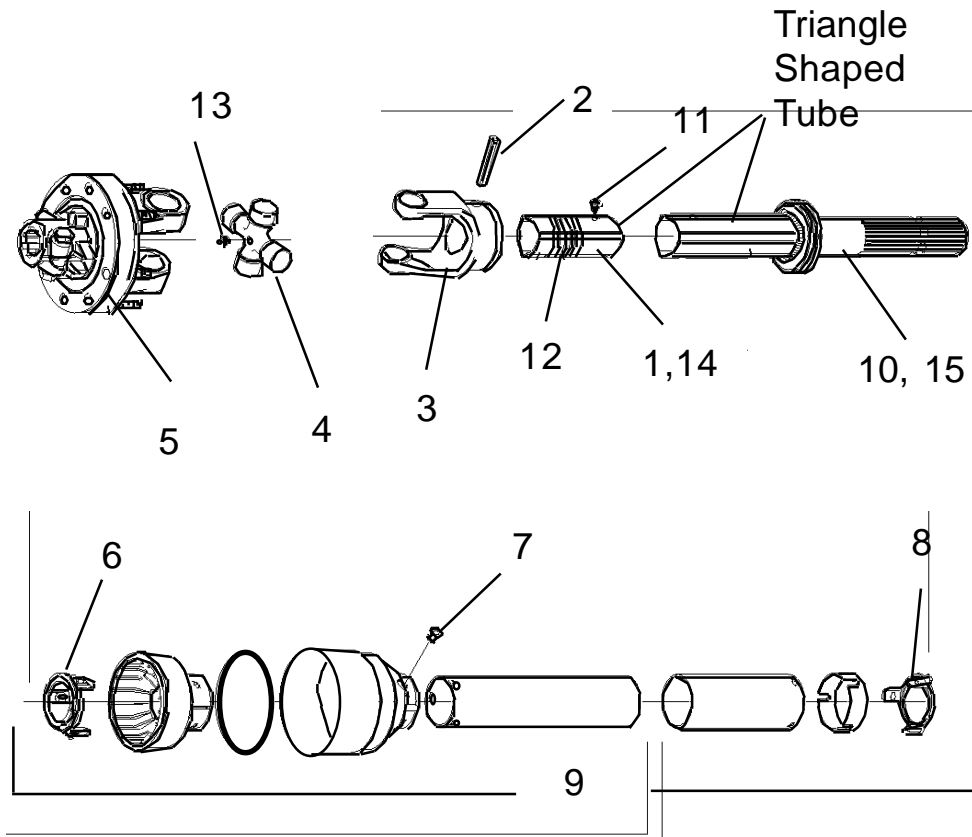
Item	Part No.	Qty	Description
	00775351	--	Driveline Asy, w/ Shields (540 RPM)
	00775352	--	Driveline Asy, w/ Shields (1000 RPM)
1	00775353	1	Yoke, QD w/ Slide Collar (540 RPM)
	00761762	1	Yoke, QD w/ Slide Collar (1000 RPM)
2	00189700	2	Cross & Bearing Kit
3	00775318	1	Inboard Yoke
4	00775354	1	Outer Tube
5	00756934	2	Spring Pin
6	00775316	1	Yoke, Clamp Yoke w/ Bolts & Nuts
7	00759217	2	Screw
8	8393	2	Bearing Ring
9	00775384	2	Bolt
	00775327	1	Nut
10	00775355	1	Outer Shield Half
11	00775356	1	Inner Shield Half
12	00767954	1	Slide Collar Kit, F/ QD Yoke (540 RPM)
	00767953	1	Slide Collar Kit, F/ QD Yoke (1000 RPM)

Jun. 1992
to
Dec. 1999

Jackshaft D/L Std Pull Type

S/N AG96-01001
to
S/N AG96-01464

540 & 1000 RPM Center or Offset



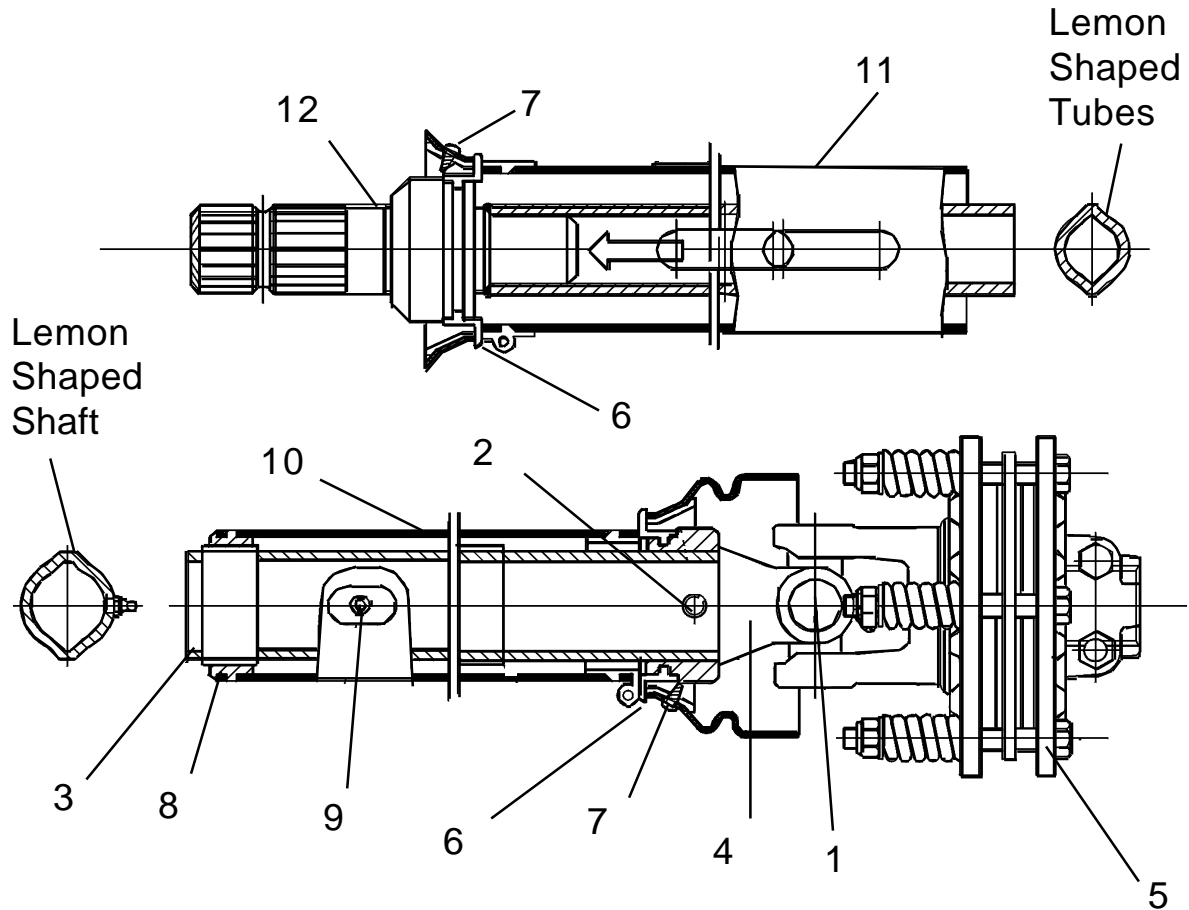
Item	Part No.	Qty.	Description
	00762045	--	Jackshaft Asy. w/ Shields (540 or 1000 RPM)
1	00764167	1	Tube, Outer
2	00754167	1	Roll Pin
3	00754154	1	Yoke, Outer
4	00752896	1	Cross & Bearing Kit
5	00756075	1	Slip Clutch(w/ Spring)
6	00754332	1	Locking Collar (Outer Tube)
7	00754330	6	Bolt
8	00754331	1	Locking Collar (Inner Tube)
9	00762727	1	Complete Shield
10	00762729	1	Inner Tube, w/ 1-3/4-20 Spline Stub Shaft
11	00754335	1	Grease Fitting
12	00761075	1	Centering Spring
13	00755610	1	Grease Fitting
14	00772729	1	Drivel Half Asy, Outer Shaft w/ Shields & Clutch
15	00772730	1	Driveline Half Asy, Inner Shaft w/ Shields & Stub Shaft

Jan. 2000
to
Current

Jackshaft D/L Std Pull Type

S/N AG96-01465
to
S/N AG96-Current

540 & 1000 RPM Center or Offset



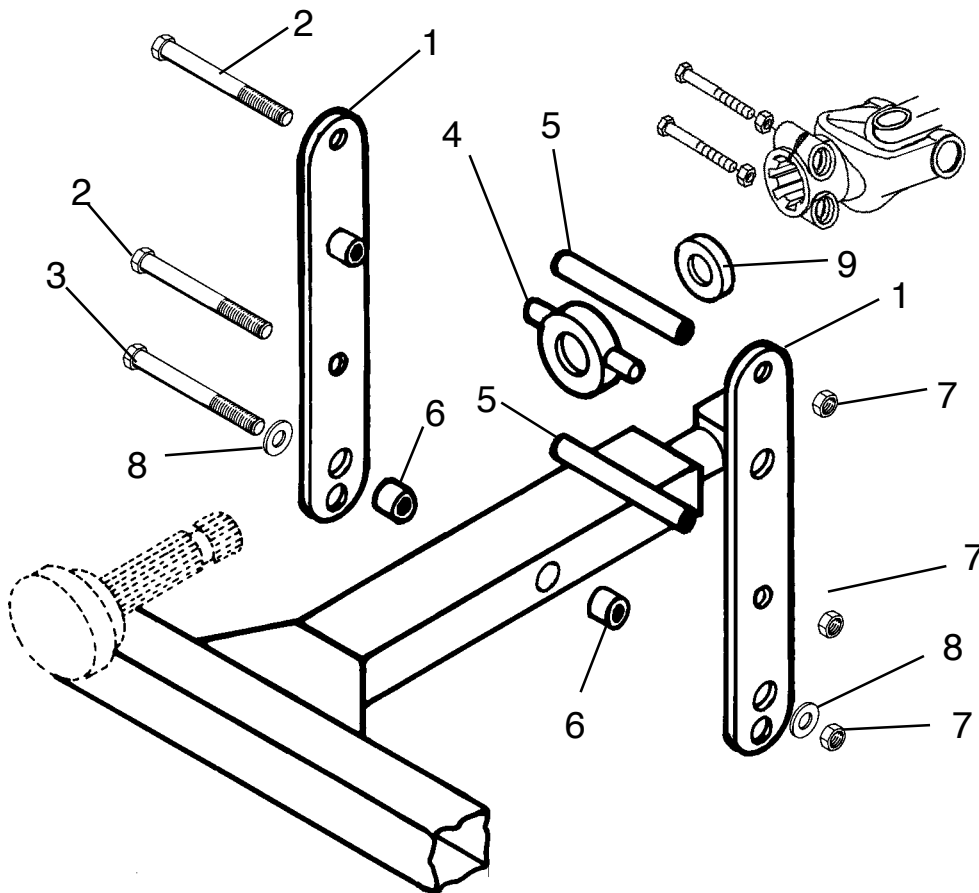
Item	Part No.	Qty.	Description
	00775397	-	Driveline Asy, w/ Shield (540 or 1000 RPM)
1	00189700	1	Cross & Bearing Kit
2	8384	1	Spring Pin
3	00775400	1	Outer Tupe & Sleeve
4	00775318	1	Yoke, Inboard
5	00775331	1	Clutch Asy
6	8393	2	Bearing Ring
7	4797	2	Screw
8	8974	1	Support Bearing
9	1416601	1	Grease Fitting
10	00775401	1	Shield Half Asy, Outer
11	00775502	1	Shield half Asy, Inner
12	-----	1-ref	Stub Shaft & Inner Tube Weldment
14	00775398	1	Driveline Half Asy, Outer Shaft w/ Shields & Clutch
15	00775399	1	Driveline Half Asy, Inner Shaft w/ Shields & Stub

Jun. 1992
to
Current

Jackshaft Support Asy Std Pull Type

S/N AG96-01001
to
S/N AG96-Current

540 & 1000 RPM Center or Offset



Item	Part No.	Qty.	Description
1	00760944	2	Wldmt. -Jackshaft Support
2	00751582	3	Bolt
4	00759100	1	Bearing & Housing Asy
	00759286	1	Bearing Only
	00759099	1	Bearing Housing Only
5	00760943	2	Pipe Spacer
6	681112	2	Bushing
7	00001800	3	Locknut TLM 1/2 NC PLC
8	00002700	2	Flatwasher
9	00768652	1	Spacer

NOTES

OPTIONAL PTO C/V DRIVELINE COMPONENTS PULL TYPE MODELS ONLY

C/V PTO Driveline & Jack Shaft Section

For C/V Pull Type Driveline Option, 540 or 1000 RPM
Center Pull Type Model Only See the Following 7 Pages.

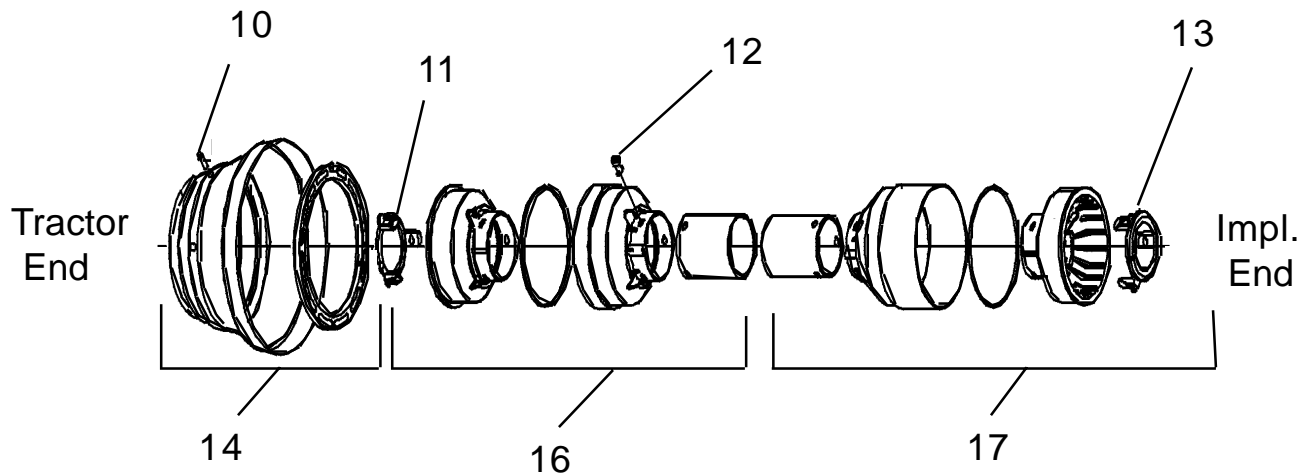
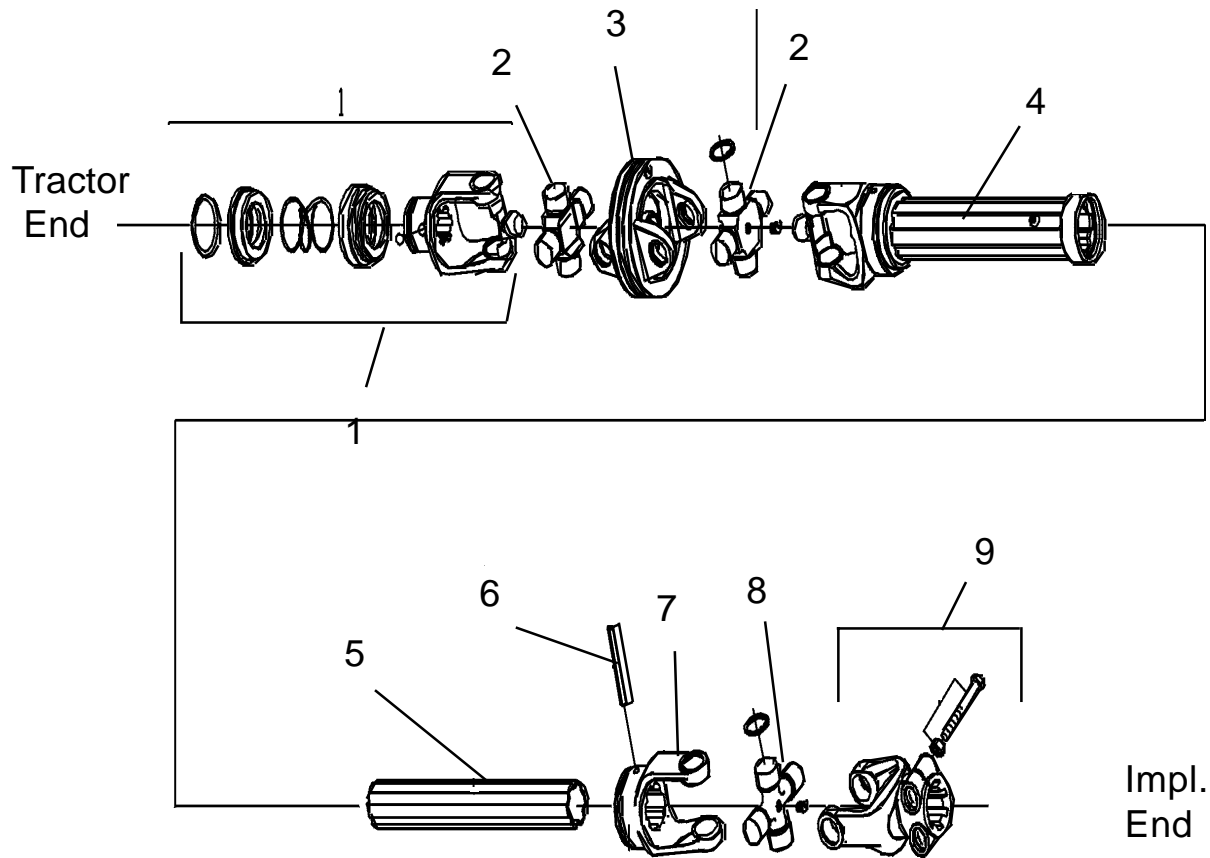
NOTE: There are Optional Type Drivelines available for this Model
Standard PTO, C/V Type PTO and the Offset Model which had a different
Driveline, Check before Ordering Parts.

Nov. 1997
to
Dec. 1999

PTO Driveline C/V Pull Type Optional Eqpt

S/N AG96-01337
to
S/N AG96-01464

540 & 1000 RPM Center Model



Nov. 1997
to
Dec. 1999

PTO Driveline C/V Pull Type Optional Eqpt

S/N AG96-01337
to
S/N AG96-01464

540 & 1000 RPM Center Model

Item	Part NO.	Qty.	Description
	00772707		Driveline Asy (540 RPM)
	00772706		Driveline Asy (1000 RPM)
1	00773483	1	Yoke. w/ QD Slide Collar (540 RPM)
	00773473	1	Yoke, w/ QD Slide Collar (1000 RPM)
2	00773474	2	Cross Journal Set
3	00773475	1	Wide Angle Double Yoke
4	00773476	1	Complete Outer Tube w/ Yoke
5	00773477	1	Inner Tube
6	00754167	1	Roll Pin for Inner Tube
7	00754153	1	Inner Yoke
8	00773478	1	Cross Journal Set
9	00771337	1	Clamp Yoke, w/ Bolts
	00773289	2	Bolt & Nut Only, F/ Clamp Yoke
10	00773479	6	Screw
11	00754332	1	Locking Collar Outer Shield
12	00754330	6	Bolt
13	00754331	1	Locking Collar Inner Shield
14	00773480	1	Guard Cone Set
16	00773481	1	Half Outer Guard
17	00773482	1	Half Guard

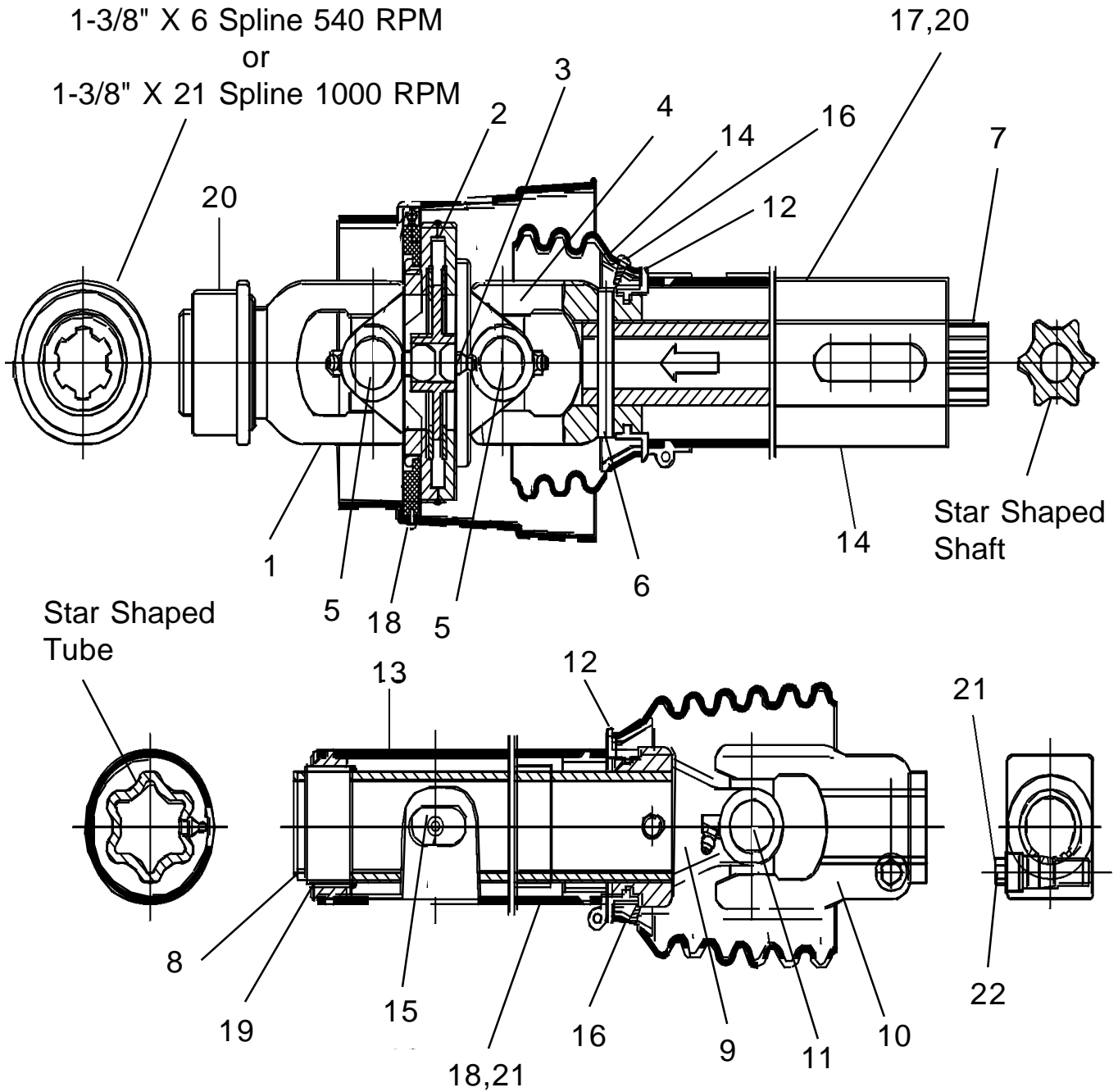
NOTE: As an Assembly the above Drivelines will be replaced when ordering replacement parts, # 00775301 for 540 RPM & # 00775306 for 1000 RPM, As an asssembly these new Drivelines will replace the old without any modification. BUT Parts WILL NOT interchange between the two Different Brands of Drivelines. When ordering these replacement Drivelines you should receive an Insert Sheet # 00768469 with the replacement Assmbly.

Jan. 2000
to
Current

PTO Driveline C/V Option

S/N AG96-01465
to
S/N AG96-Current

540 & 1000 RPM Center Pull Type



Jan. 2000
to
Current

PTO Driveline C/V Option

S/N AG96-01465
to
S/N AG96-Current

540 & 1000 RPM Center Pull Type

Item	Part No.	Part No.	Qty	Description
	00775301	-----	--	Driveline Asy, w/ Shields, 540 RPM
	-----	00775306	-	Driveline Asy, w/ Shields, 1000 RPM
1	8380	-----	1	Yoke w/ Slide Collar, 540 RPM
	-----	00775379	1	Yoke w/ Slide Collar, 1000 RPM
	00767953	00767953	1	Slide Collar Kit, 540 or 1000 RPM
2	8381	8381	1	Double Yoke
3	8382	8382	1	Grease fitting, F/ Double Yoke
4	00775309	00775309	1	Yoke, F/ Inner Shaft
5	8396	8396	2	Cross & Bearing Kit
6	0921000333	8384	2	Roll Pin
7	00775380	00775380	1	Shaft Only, Inner
8	00775381	00775381	1	Tube & Sleeve, Outer
9	00775310	00775310	1	Yoke, F/ Outer Tube
10	00775311	00775311	1	Yoke, Clamp (1-3/4" X 20 Spline)
11	8388	8388	1	Cross & Bearing Kit
12	8393	8393	2	Bearing Ring
13	00763951	00763951	1	C/V Cone & bearing Asy
14	8949	8949	1	Shield Cone
15	00752670	00752670	1	Grease Fitting, F/ Outer Tube
16	4797	00759217	8	Screw
17	7387	00756005	1	Decal, Danger Shield
18	7397	00756004	1	Decal, Shield Missing
19	8974	8974	1	Support Bearing
20	00775304	00775304	1	Shield Half Asy, Outer
21	00775305	00775305	1	Shield Half Asy, Inner
22	00774208	00774208	1	Clamp Yoke Lock Asy (F/ Item 10)
23	00775302	00775307	1	Driveline Half Asy, w/ Shields, Tractor End
24	00775303	00775303	1	Driveline Half Asy, w/ Shields, Impl End

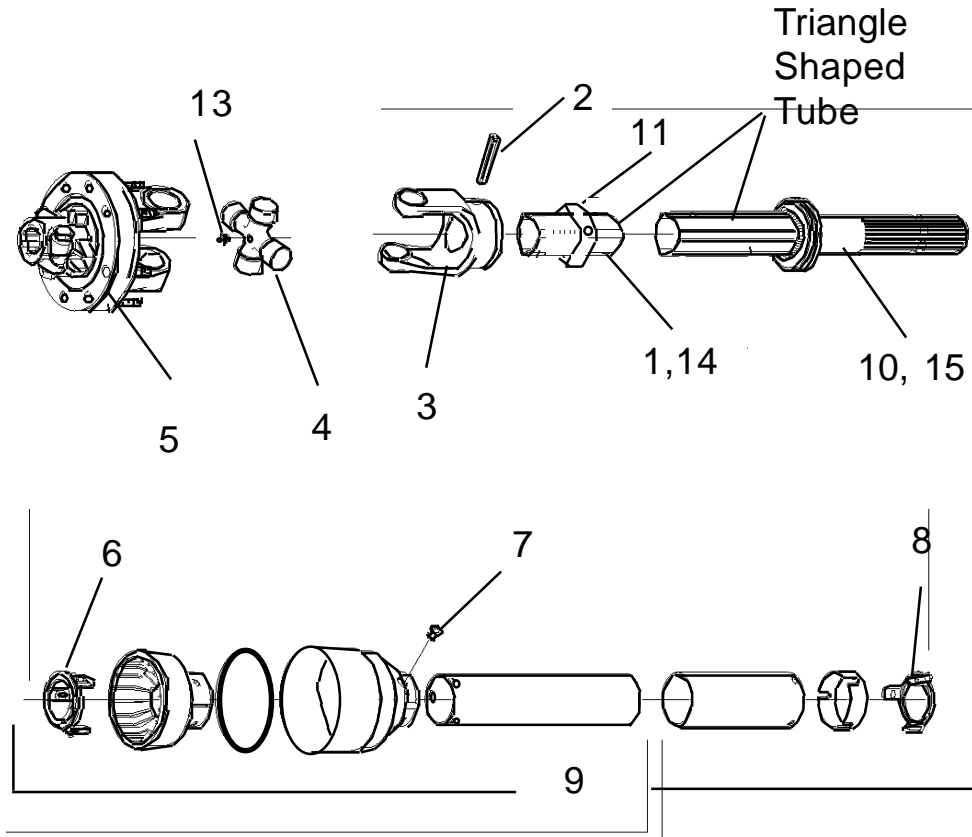
NOTE: These Drivelines will replace Earlier Drivelines as an assembly, BUT Parts WILL NOT interchange between them because they are different types.

Nov. 1997
to
Dec. 1999

Jackshaft D/L C/V Option

S/N AG96-01337
to
S/N AG96-01464

540 & 1000 RPM Center Pull Type



Item	Part No.	Qty.	Description
	00773121	--	Jackshaft Assy. w/ Shields (540 or 1000 RPM)
1	00773584	1	Tube, Outer
2	00754167	1	Roll Pin
3	00754154	1	Yoke, Outer
4	00752896	1	Cross & Bearing Kit
5	00756075	1-ref	*Slip Clutch(w/ Spring)
	00755600	2	Bolt & Nut, Clamp Bolts
6	00754332	1	Locking Collar (Outer Tube)
7	00754330	6	Bolt
8	00754331	1	Locking Collar (Inner Tube)
9	00762727	1	Complete Shield
10	00773585	1	Inner Tube, w/ 1-3/4-20 Spline Stub Shaft
11	00772529	1	Bushing w/ Gease Fitting
13	00755610	1	Grease Fitting
14	00773587	1	Driveline Half Assy, Outer Shaft w/ Shields & Clutch
15	00773586	1	Driveline Half Assy, Inner Shaft w/ Shields & Stub Shaft

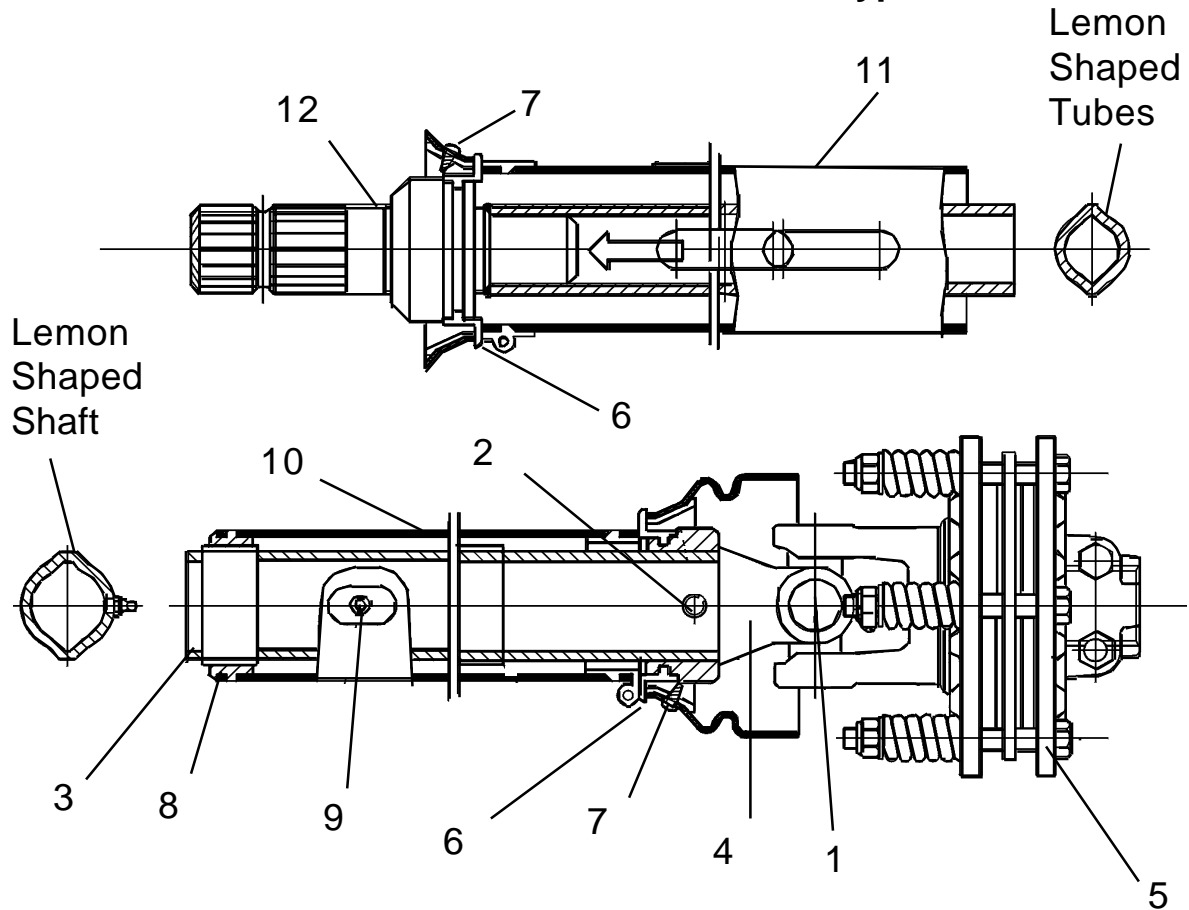
* See Slip Clutch Repair Parts Section for parts.

Jan. 2000
to
Current

Jackshaft D/L C/V Option

S/N AG96-01465
to
S/N AG96-Current

540 & 1000 RPM Center Pull Type



Item	Part No.	Qty.	Description
	00776419	-	Driveline Asy, w/ Shield (540 or 1000 RPM)
1	00189700	1	Cross & Bearing Kit
2	00756934	1	Spring Pin
3	00776421	1	Outer Tube & Sleeve
4	00775318	1	Yoke, Inboard
5	00775331	1	Clutch Asy
6	8393	2	Bearing Ring
7	00759217	2	Screw
8	8974	1	Support Bearing
9	1416601	1	Grease Fitting
10	00776423	1	Shield Half Asy, Inner
11	00776422	1	Shield half Asy, Outer
12	00776420	1	Stub Shaft & Inner Tube Weldment
14	00776425	1	Driveline Half Asy, Outer Shaft w/ Shields & Clutch
15	00776424	1	Driveline Half Asy, Inner Shaft w/ Shields & Stub
16	00756005	1	Decal, Rotating Shield (Outer Shield)
17	00756004	1	Decal, Shield Missing (Outer Tube)

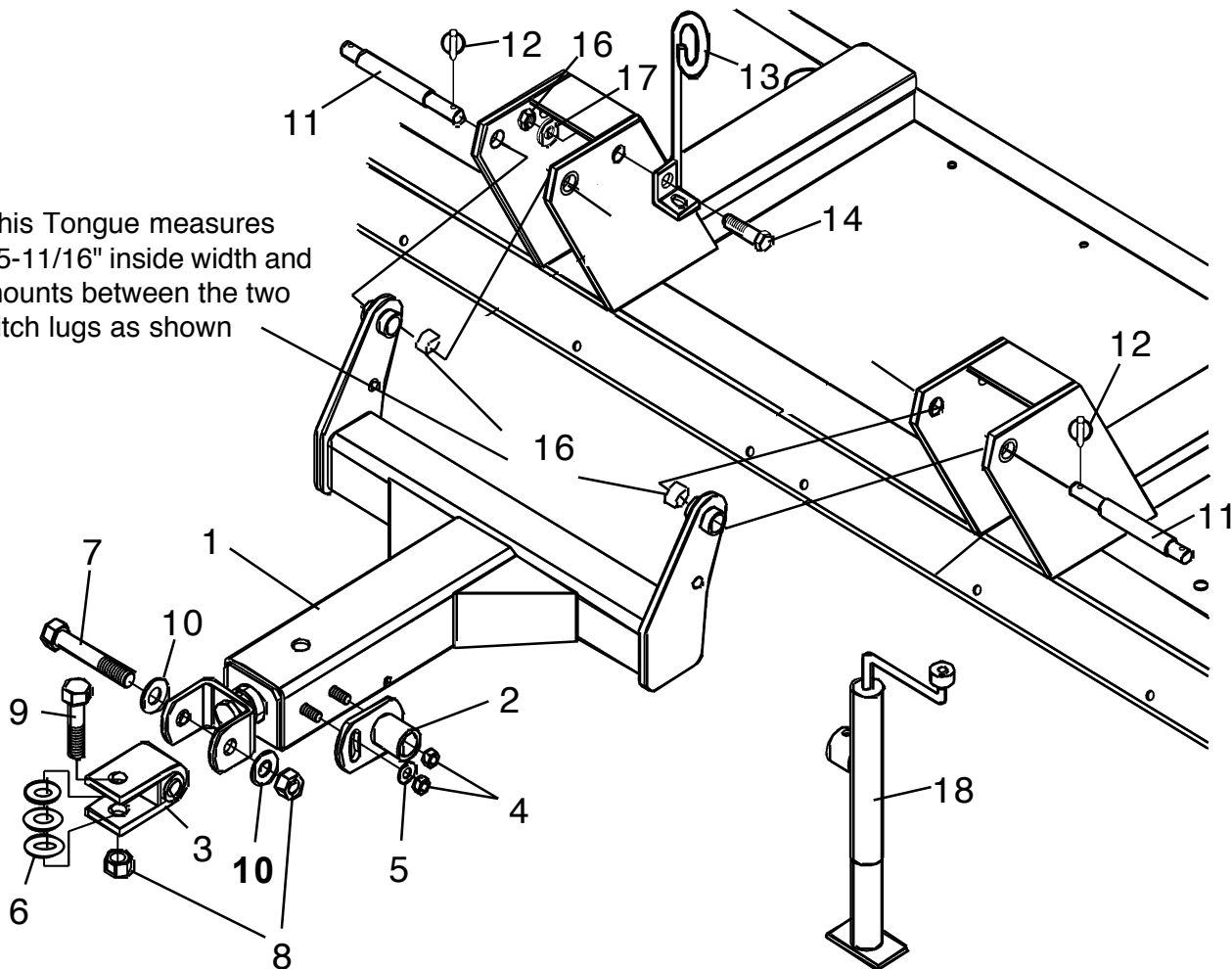
Nov. 1997
to
Current

TONGUE C/V Option PTO

S/N AG96-01337
to
S/N AG96-Current

540 & 1000 RPM Center Pull Type

This Tongue measures
35-11/16" inside width and
mounts between the two
hitch lugs as shown



Item	Part No.	Qty	Description	Item	Part No.	Qty	Description
1	00765810	1	Weldment-Tongue	11	69141	2	Pin Hitch Pin
2	00760941	1	Weldment Jack Tube Mnt	12	2196	2	Clip
3	00748807	1	Weldment - Clevis	13	8343	1	Hose Holder
4	00695100	6	Nut, Toplock 5/8 NC PLC	14	00748823	1	Bolt
5	00001400	1	Flatwasher	15	00001800	1	Locknut TLM 1/2 NC PLC
6	00759275	3	Washer-Hitch Clevis	16	02958686	2	Pivot Bushing Short
7	00755305	1	Bolt	17	00002700	1	Flatwasher
8	02030300	2	Nut Toplock 5/8NC PLC	18	00756655	1	Parking Jack
9	02712500	1	Bolt				
10	00757478	2	Washer - Spring				

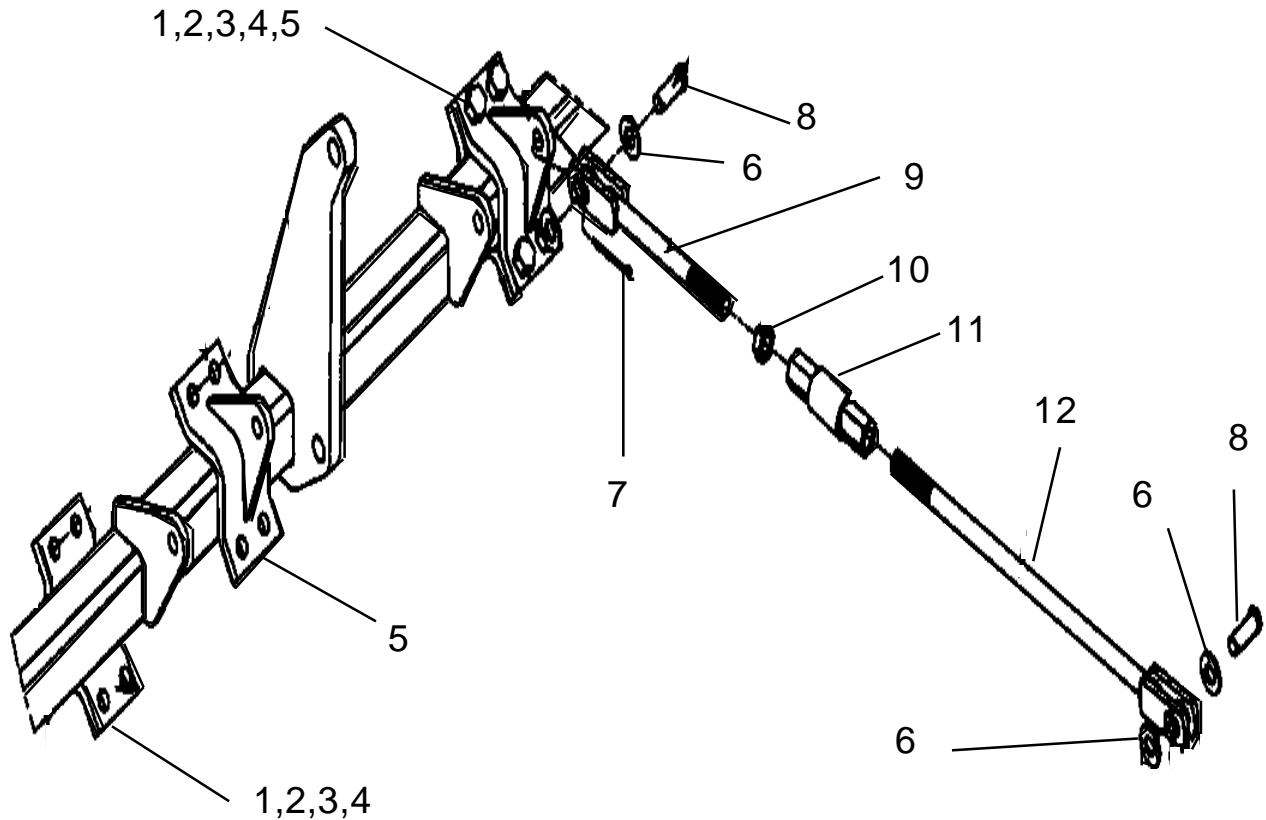
Note: See Special Control rods & Components that must be used with this Tongue

Nov. 1997
to
Current

Control Rods C/V PTO Option

S/N AG96-01337
to
S/N AG96-Current

540 & 1000 RPM Center Pull Type



Item	Part No.	Qty.	Description
1	00037100	8	Bolt
2	00037200	8	Nut
3	00761271	1	Axle
4	00773225	2	Tube Clamp
5	00773235	2	Control Rod Clamp Lug
6	15B1200	8	Flatwasher
7	00755153	4	Cotter Pin
8	651102	4	Pin
9	00758643	2	Short Control Rod
10	5C1490	2	Jamnut
11	00770485	2	Adjusting Nut
12	00773132	2	Level Rod
13	00765810	1-ref	Tongue (use w. This Tongue Only)

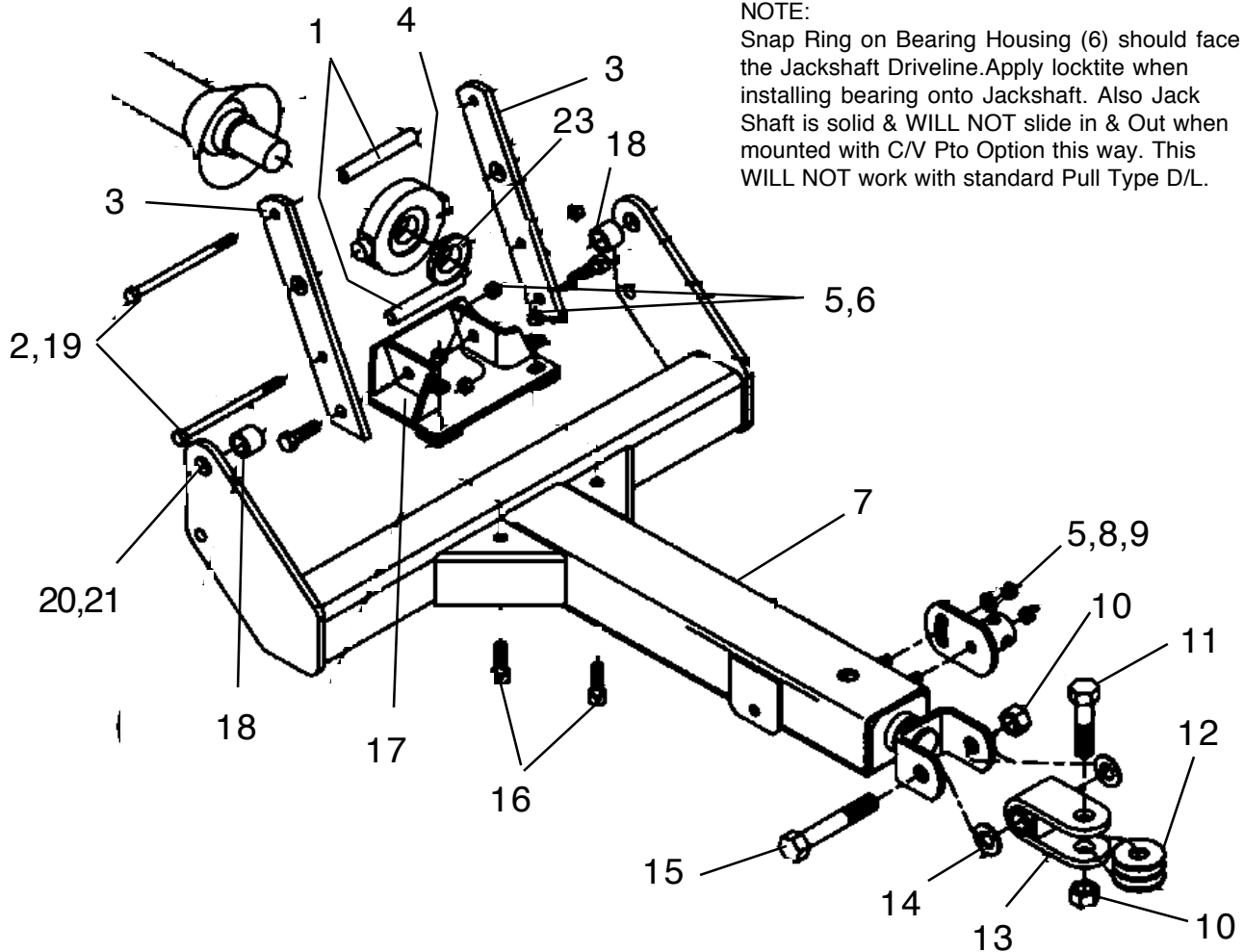
Note: These control rods Will Not work with out the special Clamps (Items # 4 & # 5) on rear Axle Beam

Nov. 1997
to
Current

Jackshaft Brg. Support Asy C/V Option

S/N AG96-01337
to
S/N AG96-Current

540 & 1000 RPM Center Pull Type



NOTE:
Snap Ring on Bearing Housing (6) should face the Jackshaft Driveline. Apply lockite when installing bearing onto Jackshaft. Also Jack Shaft is solid & WILL NOT slide in & Out when mounted with C/V Pto Option this way. This WILL NOT work with standard Pull Type D/L.

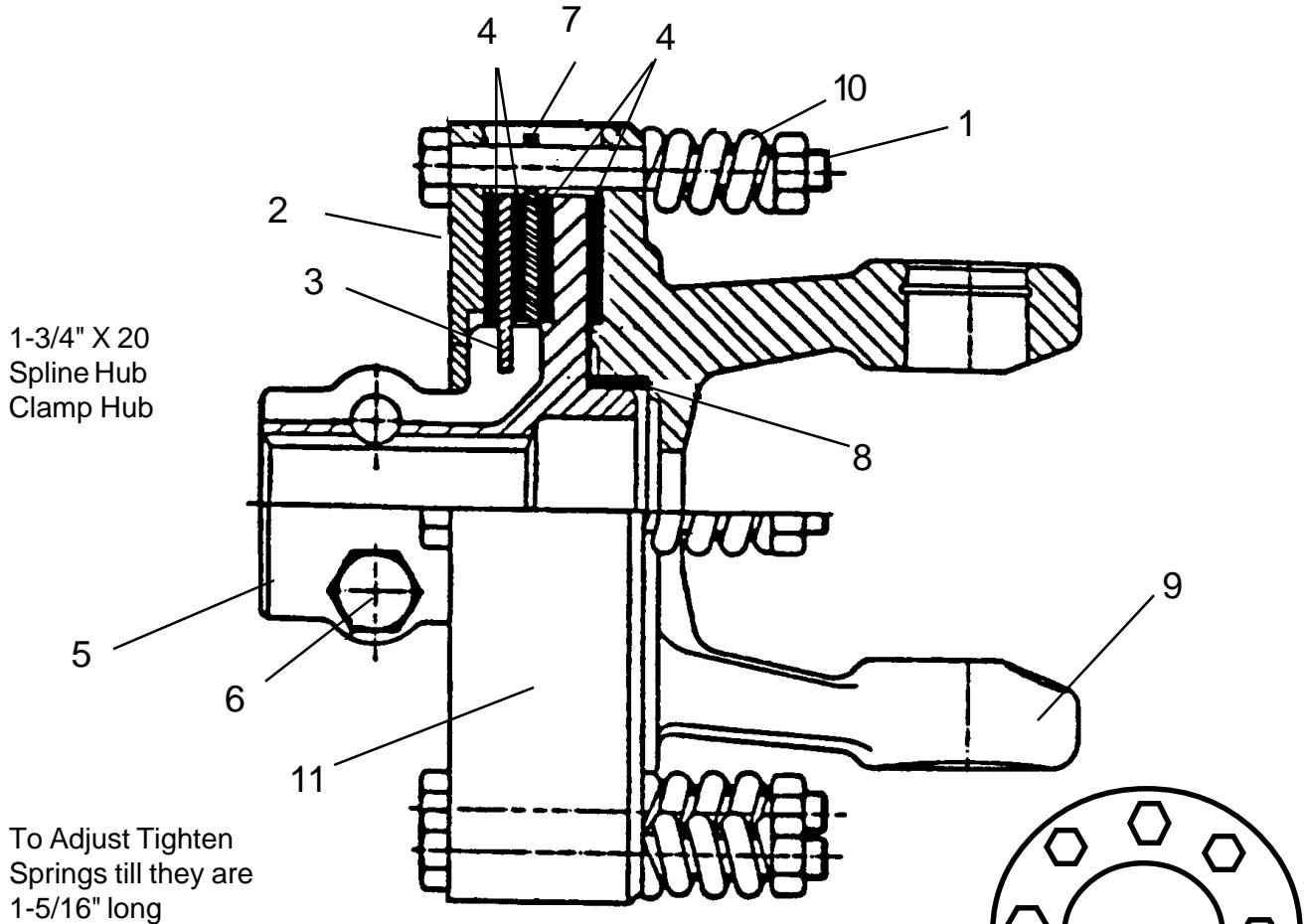
Item	Part No.	Qty	Description	Item	Part No.	Qty	Description
1	00764457	2	Pipe Spacer	12	00759275	3	Washer, Hitch
2	00001800	2	Locknut TLM 1/2 NC PLC	13	00748807	1	Clevis
3	00773059	2	Jackshaft Support	14	00757478	2	Spring Washer
4	00773088	1	Bearing & Housing	15	00755305	1	Bolt
	00764417	1	Bearing	16	02845500	4	Bolt
5	00695100	6	Nut Toplock 5/8 NC PLC	17	00773068	1	Jackshaft Mount
6	00756077	2	Washer	18	00761890	2	Bushing
7	00765810	1	Tongue	19	00751582	2	Bolt
8	00760941	1	Jack Tube Mount	20	69141	2	Pivot Pin
9	00001400	1	Flatwasher	21	2196	2	Lynch Pin
10	02030300	2	Locknut	22	00756655	1	Parking Jack
11	02712500	1	Bolt	23	00768682	1	Spacer

Jun. 1992
to
Sep. 1993

Slip Clutch Pull or Lift Type

S/N AG96-01001
to
S/N AG96-01060

USED ON: Driveline # 00761322 & 00761325,
Jack Shaft # 00762045 & 00773121



Item	Part No.	Qty	Description
	00756075	--	Clutch Assy, Complete
1	00754199	8	Bolt and Nut Set
2	00754203	1	Pressure, Machined Plate
3	00754201	1	Clutch Plate
4	00754202	4	Disk
5	00755599	1	Body Friction Clutch
6	00755600	2	Bolt and Nut Set
7	00754314	1	Plate w/Holes
8	00754301	1	Spacer
9	00754302	1	Yoke Friction
10	00754303	8	Spring
11	00754304	1	Dirt Shield

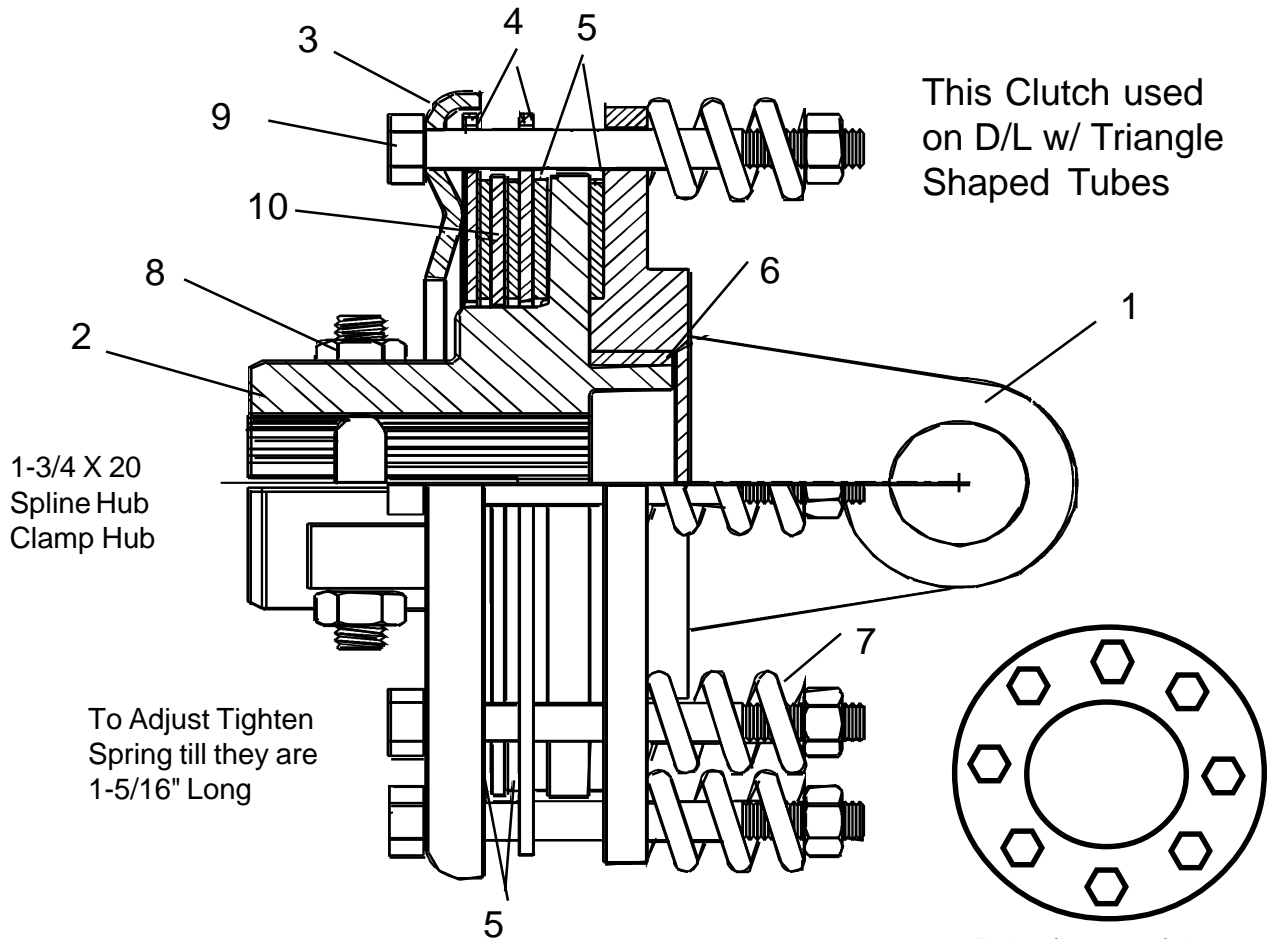
NOTE: The Style of Clutch changed even though the Assembly Part No. did not, Check which type Pressure Plate (Item 2) you have, If machined use this one if Formed Metal use the Later Style.

Oct. 1993
to
Dec. 1999

Slip Clutch Pull or Lift Type

S/N AG96-01061
to
S/N AG96-01464

USED ON: Driveline # 00761322 & 00761325,
Jack Shaft # 00762045 & 00773121



This Clutch used
on D/L w/ Triangle
Shaped Tubes

1-3/4 X 20
Spline Hub
Clamp Hub

To Adjust Tighten
Spring till they are
1-5/16" Long

8 Bolts (Item # 9) Later
Clutches have 6 Bolts &
Springs

Item	Part No.	Qty	Description
	00756075	--	Clutch Asy. Complete
1	00754302	1	Flange Yoke
2	00755599	1	Clutch Support
3	00766810	1	Pressure Plate, Formed Plate
4	00754314	2	Plate with Holes
5	00754202	4	Lining Ring
6	00754301	1	Bushing
7	00754303	8	Spring
8	00755600	2	Nut & Bolt
9	00754199	8	Nut & Bolt
10	00754201	1	Intermediate Plate

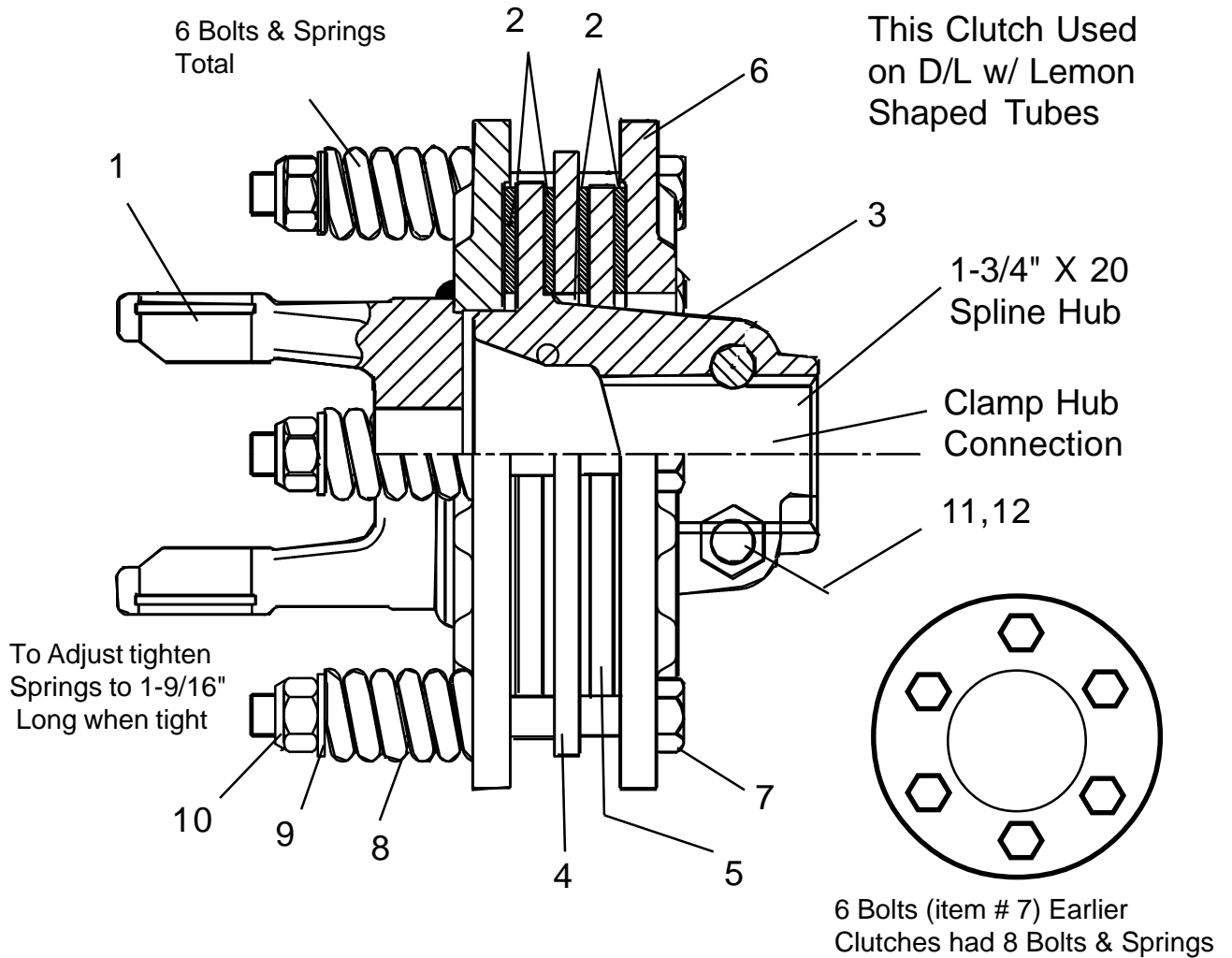
NOTE: Some Clutches # 00756075A were used in 1997 & 1998, These DID NOT HAVE the 8 coil springs. Not all Shipped were springless type, Most the ones w/o Springs were converted using Kit # 00773222, This included Springs, Bolts, Nuts & a new Pressure Plate that is used with the Springs, The pressure plate for the springless clutch is available as replacement part Only, BUT it is recommended to use complete Spring kit. Once the Kit has been installed the Clutch becomes a Spring type # 00756075 AG96 (Archive Book) 06/02

Jan. 2000
to
Current

Slip Clutch Pull or Lift Type

S/N AG96-01465
to
S/NAG96-Current

USED ON: Driveline # 00775385 & 00775390. Jack Shaft # 00775397



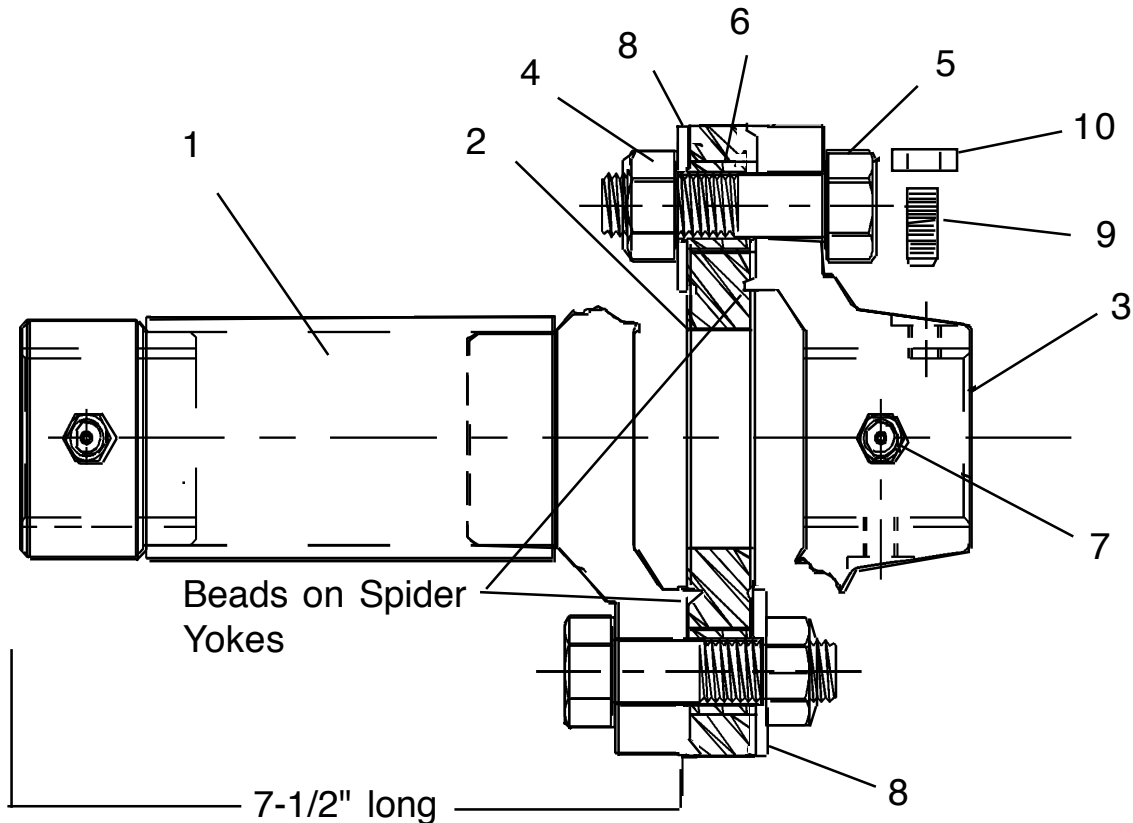
Item	Part No.	Qty	Description
	00775331	-	Slip Clutch
1	00775333	1	Flange Yoke
2	8366	4	Friction Disk
3	00775334	1	Hub
4	00775335	1	Drive Plate
5	00775336	1	Drive Plate
6	00775337	1	Thrust Plate
7	00775338	6	Bolt
8	00775339	6	Spring
9	00754566	6	Lockwasher
10	00756164	6	Locknut
11	00775327	2	Locknut
12	00775328	2	Bolt

Jun. 1992
to
Oct. 1997

Driveline Coupler Lift & Pull Type Center Mount

S/N AG96-01001
to
S/N AG96-01336

540 & 1000 RPM Standard Type



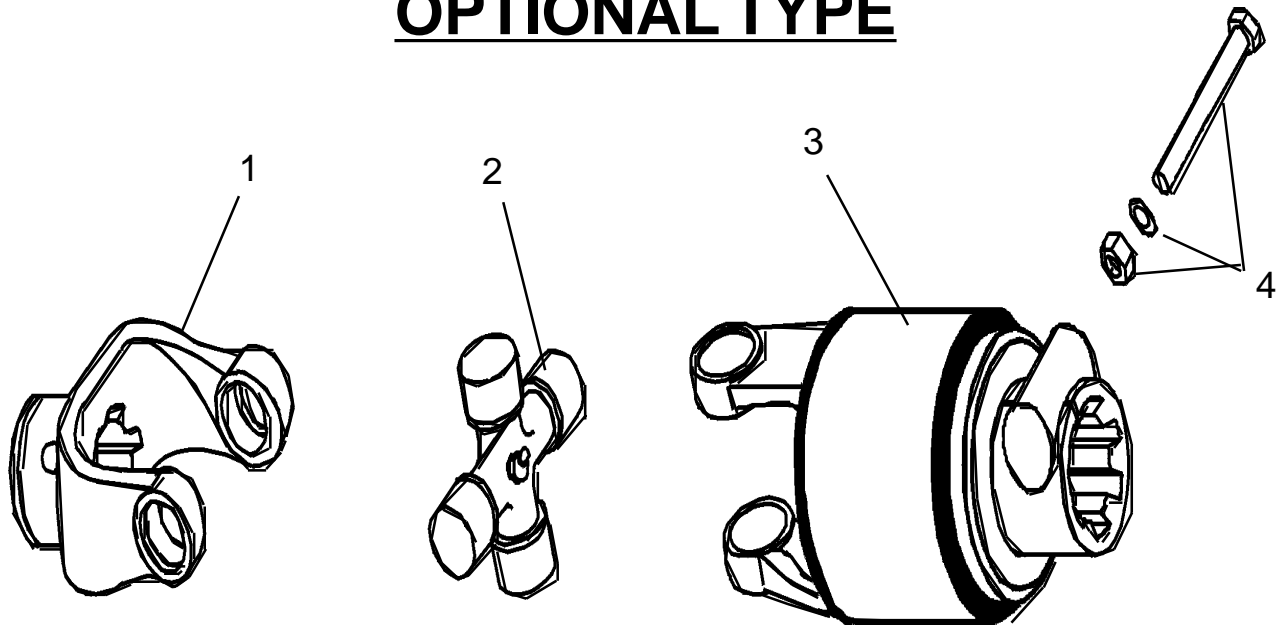
Item	Part No.	Qty.	Description
	00761346	1	Driveline Asy, LH or RH Side
1	00762460	1	Weldment - Sleeve
2	00762215	1	Rubber Disc
3	00762216	1	Spider
4	00695100	6	Nut, Toplock 5/8 NC PLC
5	00750952	6	Bolt
6	00762930	6	Bushing, Coupler
7	00764386	2	Grease Fitting
8	00756077	6	Flatwasher
9	3167	1	Set Screw
10	5C6160	1	Jam Nut

Note: Replace as an assembly with later Style # 00761346A, DO NOT MIX parts from this assembly with parts on later assembly, Item # 8 is best way to ID which Asy, Later ones had a machined bead on the Washer and the Bead on the Spider Yokes was removed.

Jan. 1998
to
Current

Driveline Coupler Lift & Pull Type Center Mount 540 & 1000 RPM OPTIONAL TYPE

S/N AG96-01395
to
S/N AG96-Current



Item	Part No.	Qty	Description
	00767894	1	Complete Asy
1	00774148	1	Special Yoke
2	00752896	1	CrossJournal Set
3	00774147	1	Tapered Pin Set
4	00774146	1	Complete Rubber Element w/ Item # 3

NOTE: 2 Asy required per Mower, 1 each LH & RH Side

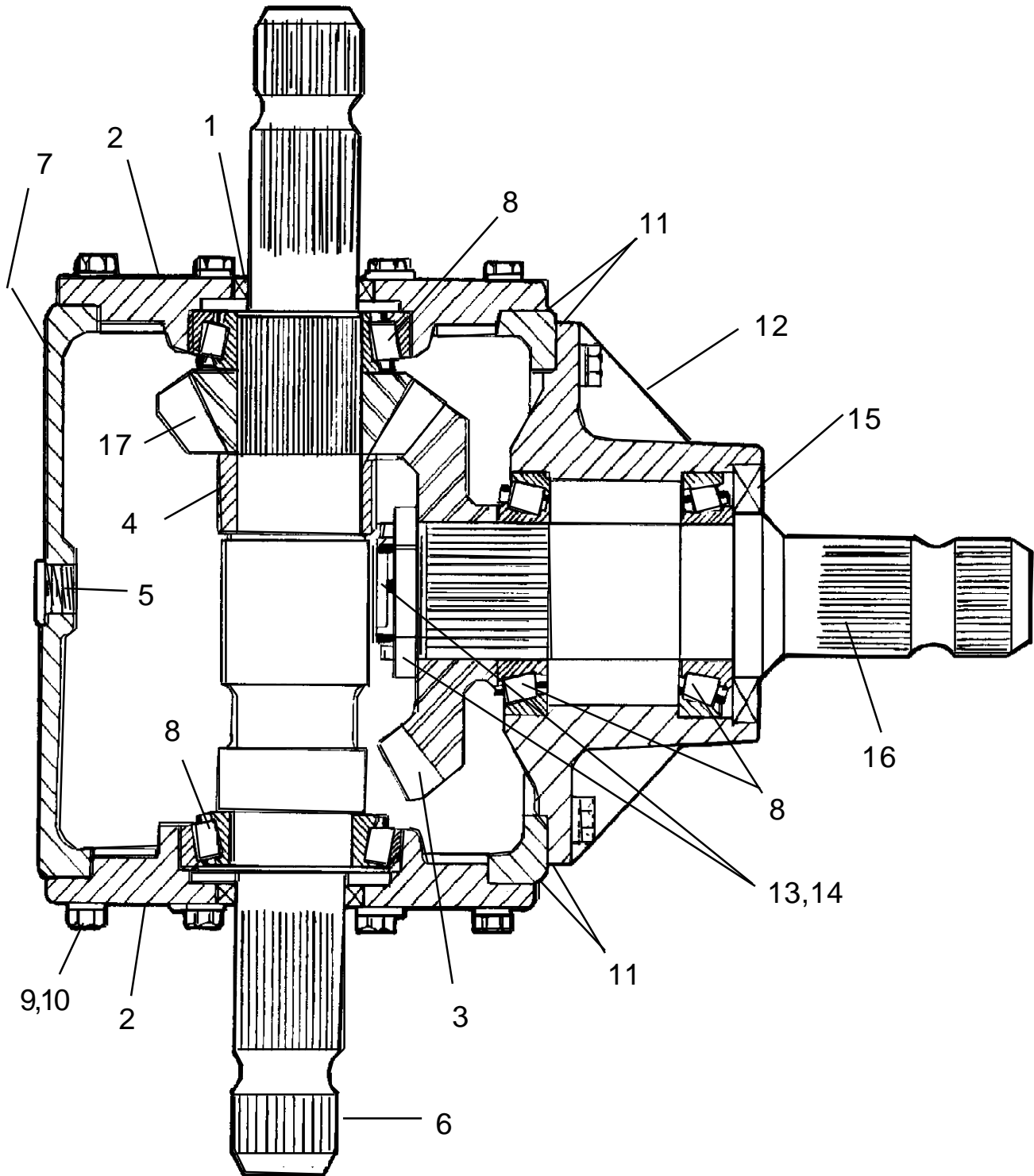
NOTE: This Coupler is **OPTIONAL ORDER ONLY** and as a replacement Part for Assembly # 00761346 & 00761346A, It was not offered as an option till Jan. 1999 but can be used on earlier Serial Number units. This **WILL NOT WORK** on the Offset Pull Type Model At all. **WILL ONLY WORK** on 3-Point Lift Type, Centered Pull Type and Hydraulic Offset Lift Type.

NOTES

Jun. 1992
to
Current

Gearbox - Divider Lift & Pull Type Center Mount 540 & 1000 RPM

S/N AG96-01001
to
S/N AG96-Current



Jun. 1992
to
Current

Gearbox - Divider Lift & Pull Type Center Mount 540 & 1000 RPM

S/N AG96-01001
to
S/N AG96-Current

Item	Part No. 540 RPM	Part No. 1000 RPM	Qty	Description
	00760880	-----	1	Gearbox Asy, 540 RPM
	-----	00758996	1	Gearbox Asy, 1000 RPM
1	00758653	00758653	2	Seal, Output
2	00762516	00762516	2	Cap, Side Cover
3	00758693	-----	1	Gear, 13 Tooth (540 RPM)
	-----	00759487	1	Gear, 14 Tooth (1000 RPM)
4	00758657	00758657	1	Spacer
5	00762517	00762517	2	Pipe Plug
6	00762518	00762518	1	Shaft, Output
7	00762519	00762519	1	Housing
8	00755628	00755628	4	Bearing
9	00755954	00755954	24	Lockwasher
10	00758659	00758659	24	Bolt
11	00748531	00748531	a/r	Shim Kit* (0.25, 0.30 & 0.40)
12	00762520	00762520	1	Cap, Hub Input Cover
13	00762121	00762121	1	Adjusting Nut
14	00026200	00026200	1	Cotter Pin
15	00762521	00762521	1	Seal, Input
16	00762522	00762522	1	Shaft Input
17	00758694	-----	1	Gear, 19 Tooth (540 RPM)
	-----	00759488	1	Gear, 17 Tooth (1000 RPM)
18	00762114	00762114	1	Pipe Plug Vented (not illustrated)

*Shim measurements are in Metric Dimensions mm.

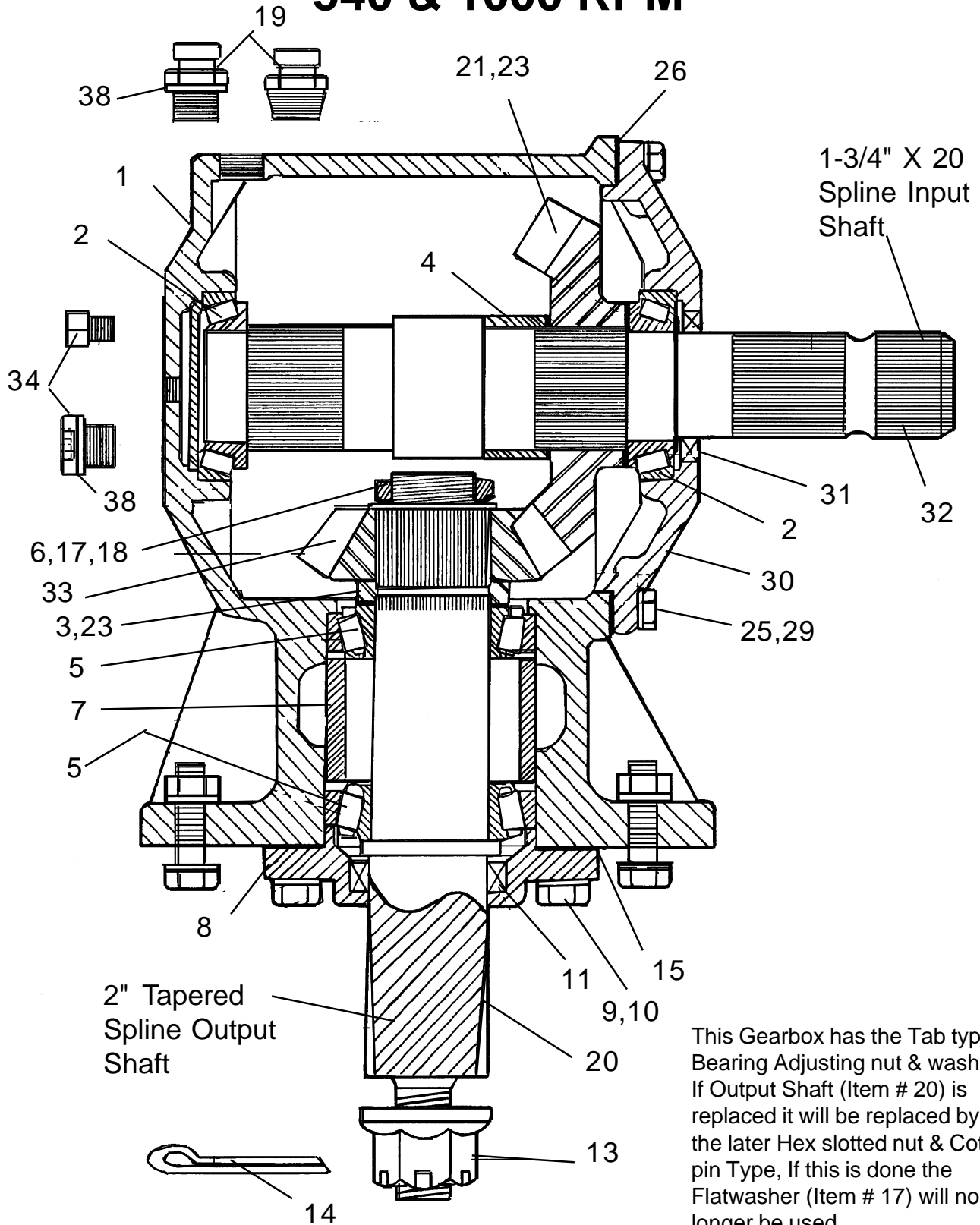
Inch conversions are 0.25 mm = .009", 0.30 mm = .011" & 0.40 mm = .015"

NOTE: 540 RPM and 1000 RPM Gearbox use same parts except GEARS, To change RPM from 540 to 1000 or vice versa both Gears WILL have to be replaced, Gearbox RPM CAN NOT be changed by reversing Gears. To Check which Gearbox turn input shaft (item # 16) one complete turn, Cross Shaft (item # 6) will turn 1.46 turns for 540 RPM and 0.82 Turns for 1000 RPM for every complete turn input Shaft is turned. The Outboard Gearboxes will turn 1 turn output for every turn input on 540 RPM or 1000 RPM as they use the same gearbox and the Gear Ratio is changed in the Divider Gearbox.

Jun. 1992
to
Apr. 1996

Gearbox Lift & Pull Type Center Mount 540 & 1000 RPM

S/N AG96-01001
to
S/N AG96-01219



This Gearbox has the Tab type Bearing Adjusting nut & washer, If Output Shaft (Item # 20) is replaced it will be replaced by the later Hex slotted nut & Cotter pin Type, If this is done the Flatwasher (Item # 17) will no longer be used.

Jun. 1992
to
Apr. 1996

Gearbox Lift & Pull Type Center Mount 540 & 1000 RPM

S/N AG96-01001
to
S/N AG96-01219

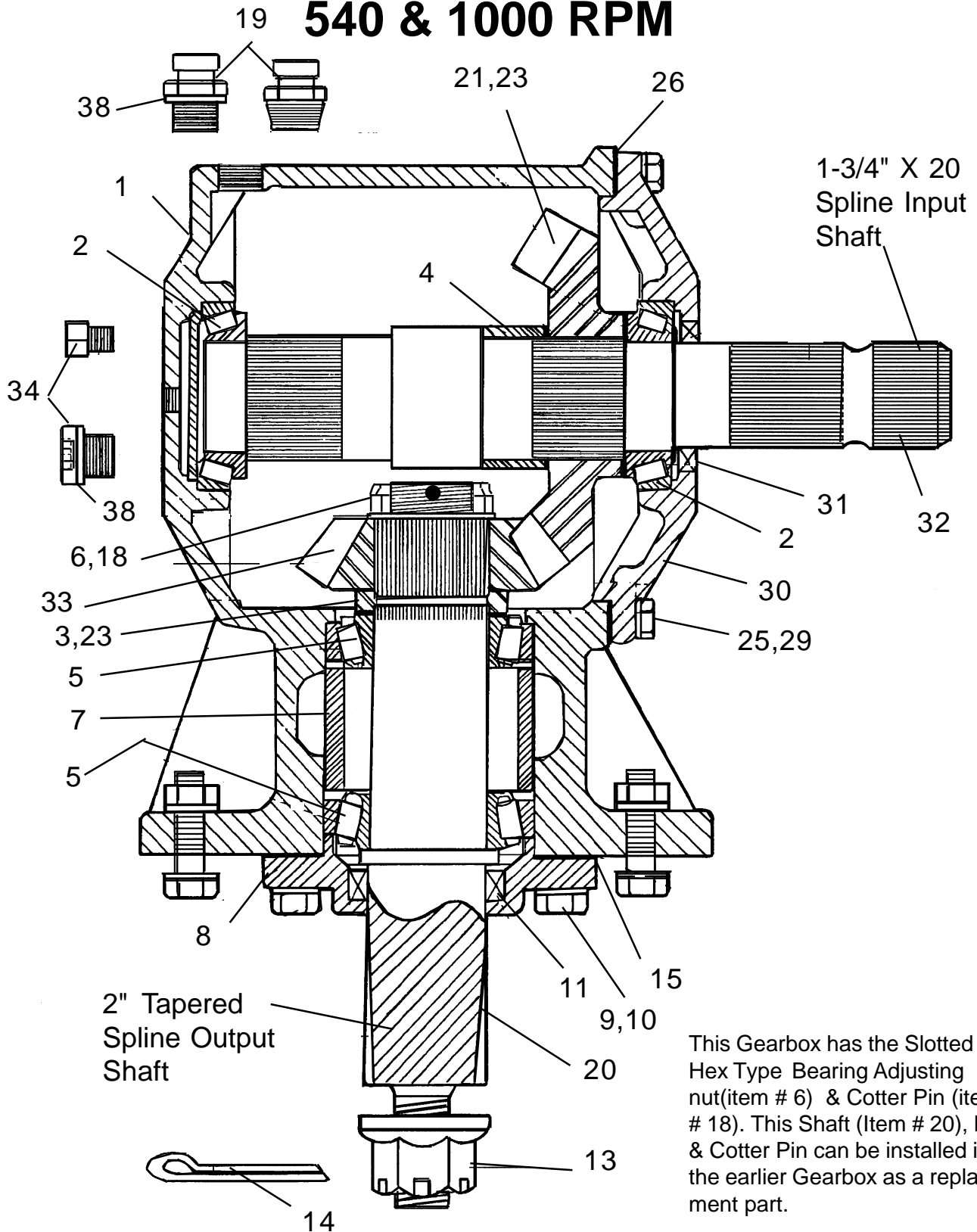
Item	Part No.	Qty	Description
	00759205B	--	Gearbox Asy, 540 or 1000 RPM
1	00758661	1	Housing-Gearbox
2	00758655	2	Bearing Cup & Cone, Input
3	00759977	1	Gear Spacer, Output
4	00758657	1	Gear Spacer, Input
5	00755628	2	Bear Cup & Cone, Output
6	00759970	1	Bearing Adjusting Nut, Output
7	00760889	1	Bearing Spacer, Output
8	00758663	1	Bearing Cap, Output
9	00758672	4	Lockwasher
10	00758673	4	Bolt
11	00758674	1	Seal, Output Shaft
13	00758692	1	Nut, Blade Carrier Retaining
14	00606000	1	Cotter Pin
15	00758676	a/r	Gasket, Output Cap (.004) Approx 2 Ea.
	00758677	a/r	Gasket, Output Cap (.010) Approx 1 Ea.
17	00760994	1	Flatwasher, Output
18	00759971	1	Locking Washer, Bearing Adjust Nut, Output
19*	00758654	a/r	Pressure Relief Plug, (Tapered Threads)
	00762114	a/r	Pressure Relief Plug, (Straight Threads w/ Sealing Washer)
20	00760892	1	Output Shaft, (Used Tab Nt & Washer on Top)
21	00758693	a/r	Gear, Input 13 Tooth (540 or 1000 RPM)
23	00758667	a/r	Shim, Output or Input Gear Adjusting (.012) Approx 2 Ea.
	00758668	a/r	Shim, Output or Input Gear Adjusting (.020) Approx 2 Ea.
25	00755954	8	Lockwasher
26	00758646	a/r	Gasket, Input Cap (.004) Approx 2 Ea.
	00758647	a/r	Gasket, Input Cap (.010) Approx 1 Ea.
29	00758659	8	Bolt
30	00758664	1	Bearing Cap, Input
31	00758653	1	Seal, Input Shaft
32	00758689	1	Shaft, Input
33	00758694	a/r	Gear, Output 19 Tooth (540 or 1000 RPM)
34*	00565000	a/r	Plug, Oil Level, Sq Head (Tapered Thread)
	00762517	a/r	Plug, Oil Level, Allen Head (Straight Thread w/ Sealing Washer)
38	00769321	2	Seal Washer, (Use Only w/ 00762517 or 00762114 Plugs)

NOTE: * There are two different type Plugs, To ID which check Threads & Head Type, Sealing washer or not, Also on type with sealing wwasher there will be a circle machined around hole to make a flat surface for washer to seal. Tapered Threaded Plugs will Not have this machined area.

May 1996
to
Current

Gearbox Lift & Pull Type Center Mount 540 & 1000 RPM

S/N AG96-01220
to
S/NAG96-Current



This Gearbox has the Slotted Hex Type Bearing Adjusting nut (item # 6) & Cotter Pin (item # 18). This Shaft (Item # 20), Nut & Cotter Pin can be installed in the earlier Gearbox as a replacement part.

May 1996
to
Current

Gearbox Lift & Pull Type Center Mount 540 & 1000 RPM

S/N AG96-01220
to
S/N AG96-Current

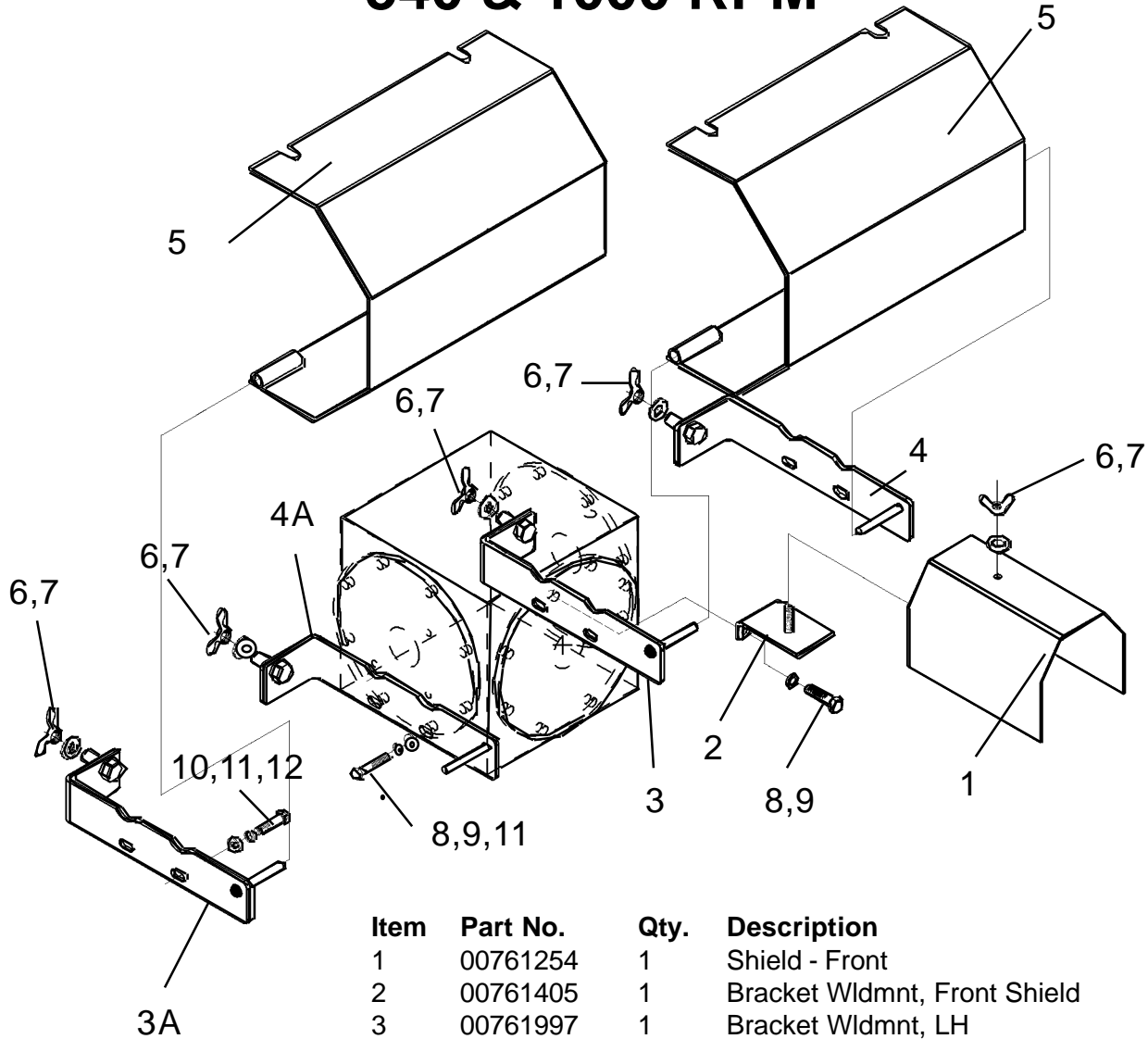
Item	Part No.	Qty	Description
	00759205B	--	Gearbox Asy, 540 or 1000 RPM
1	00758661	1	Housing-Gearbox
2	00758655	2	Bearing Cup & Cone, Input
3	00759977	1	Gear Spacer, Output
4	00758657	1	Gear Spacer, Input
5	00755628	2	Bearing Cup & Cone, Output
6	00770730	1	Bearing Adjusting Nut, Output
7	00760889	1	Bearing Spacer, Output
8	00758663	1	Bearing Cap, Output
9	00758672	4	Lockwasher
10	00758673	4	Bolt
11	00758674	1	Seal, Output Shaft
13	00758692	1	Nut, Blade Carrier Retaining
14	00606000	1	Cotter Pin
15	00758676	a/r	Gasket, Output Cap (.004) Approx 2 Ea.
	00758677	a/r	Gasket, Output Cap (.010) Approx 1 Ea.
18	00771620	1	Cotter Pin, Use w/ Brg Adjusting Nut Item # 6
19*	00758654	a/r	Pressure Relief Plug, (Tapered Threads)
	00762114	a/r	Pressure Relief Plug, (Straight Threads w/ Sealing Washer)
20	00760892	1	Output Shaft (Use Slotted Nut & Cotter Pin on Top)
21	00758693	a/r	Gear, Input 13 Tooth (540 or 1000 RPM)
23	00758667	a/r	Shim, Output or Input Gear Adjusting (.012) Approx 2 Ea.
	00758668	a/r	Shim, Output or Input Gear Adjusting (.020) Approx 2 Ea.
25	00755954	8	Lockwasher
26	00758646	a/r	Gasket, Input Cap (.004) Approx 2 Ea.
	00758647	a/r	Gasket, Input Cap (.010) Approx 1 Ea.
29	00758659	8	Bolt
30	00758664	1	Bearing Cap, Input
31	00758653	1	Seal, Input Shaft
32	00758689	1	Shaft, Input
33	00758694	a/r	Gear, Output 19 Tooth (540 or 1000 RPM)
34*	00565000	a/r	Plug, Oil Level, Sq Head (Tapered Thread)
	00762517	a/r	Plug, Oil Level, Allen Head (Straight Thread w/ Sealing Washer)
38	00769321	2	Seal Washer, (Use Only w/ 00762517 or 00762114 Plugs)

NOTE: * There are two different type Plugs, To ID which check Threads & Head Type, Sealing washer or not, Also on type with sealing washer there will be a circle machined around hole to make a flat surface for washer to seal. Tapered Threaded Plugs will Not have this machined area.

Jun. 1992
to
Jul. 1992

Shields Outer Lift & Pull Type Center Mount 540 & 1000 RPM

S/N AG96-01001
to
S/N AG96-01010

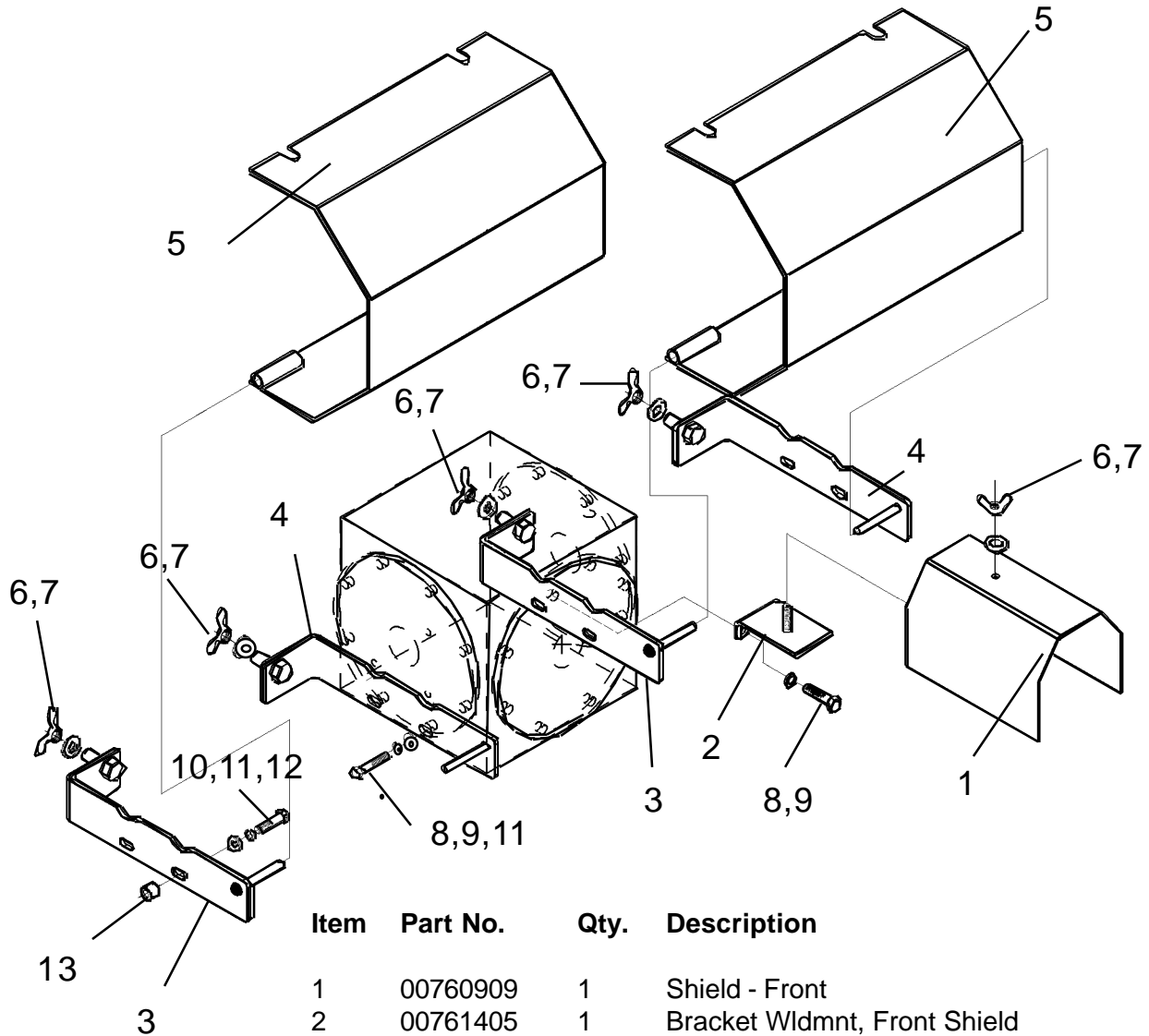


Item	Part No.	Qty.	Description
1	00761254	1	Shield - Front
2	00761405	1	Bracket Wldmnt, Front Shield
3	00761997	1	Bracket Wldmnt, LH
3A	00761996	1	Bracket Wldmnt, RH
4	00762067	1	Bracket Wldmnt, LH
4A	00762066	1	Bracket Wldmnt, RH
5	00761342	2	Shield Wldmnt, Side Drive, LH or RH
6	5F8130	5	Wing Nut
7	00002700	5	Flatwasher
8	00022200	6	Lockwasher
9	02961228	6	Bolt
10	00753642	4	Bolt
11	00019700	4	Washer
12	00012101	4	Lockwasher

Aug. 1992
to
Current

Shields Outer Lift & Pull Type Center Mount 540 & 1000 RPM

S/N AG96-01011
to
S/N AG96-Current



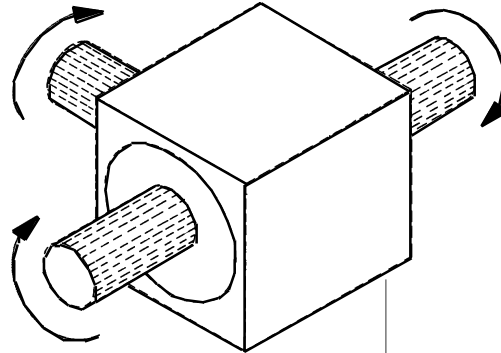
Item	Part No.	Qty.	Description
1	00760909	1	Shield - Front
2	00761405	1	Bracket Wldmnt, Front Shield
3	00763236	2	Bracket Wldmnt, RH
4	00763237	2	Bracket Wldmnt, LH
5	00761342	2	Shield Weldment, Side Drive
6	5F8130	5	Wing Nut
7	00002700	5	Flatwasher
8*	00022200	6	Lockwasher
9*	00758659	6	Bolt
10	00762816	4	Bolt
11	00019700	4	Washer
12	00012101	4	Lockwasher
13	00762837	4	Spacer

* Existing Hardware

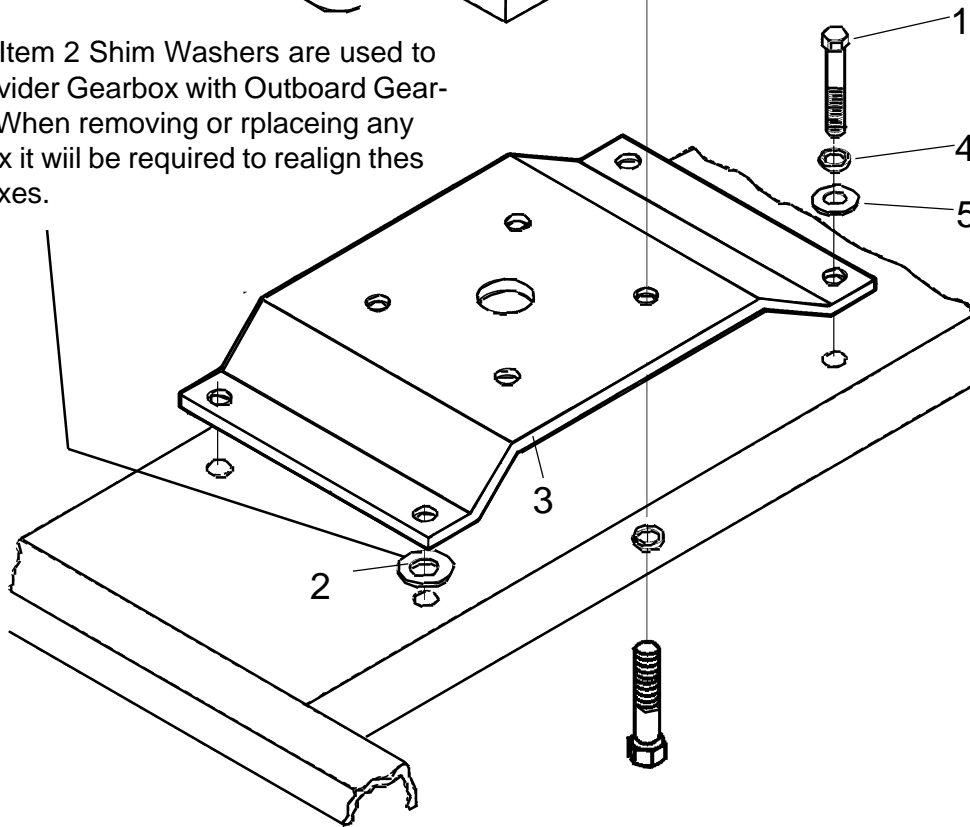
Jun. 1992
to
Current

Divider G/B Mnt Lift & Pull Type 540 & 1000 RPM Center Mount

S/N AG96-01001
to
S/N AG96-Current



NOTE: Item 2 Shim Washers are used to align Divider Gearbox with Outboard Gearboxes, When removing or replacing any Gearbox it will be required to realign these Gearboxes.

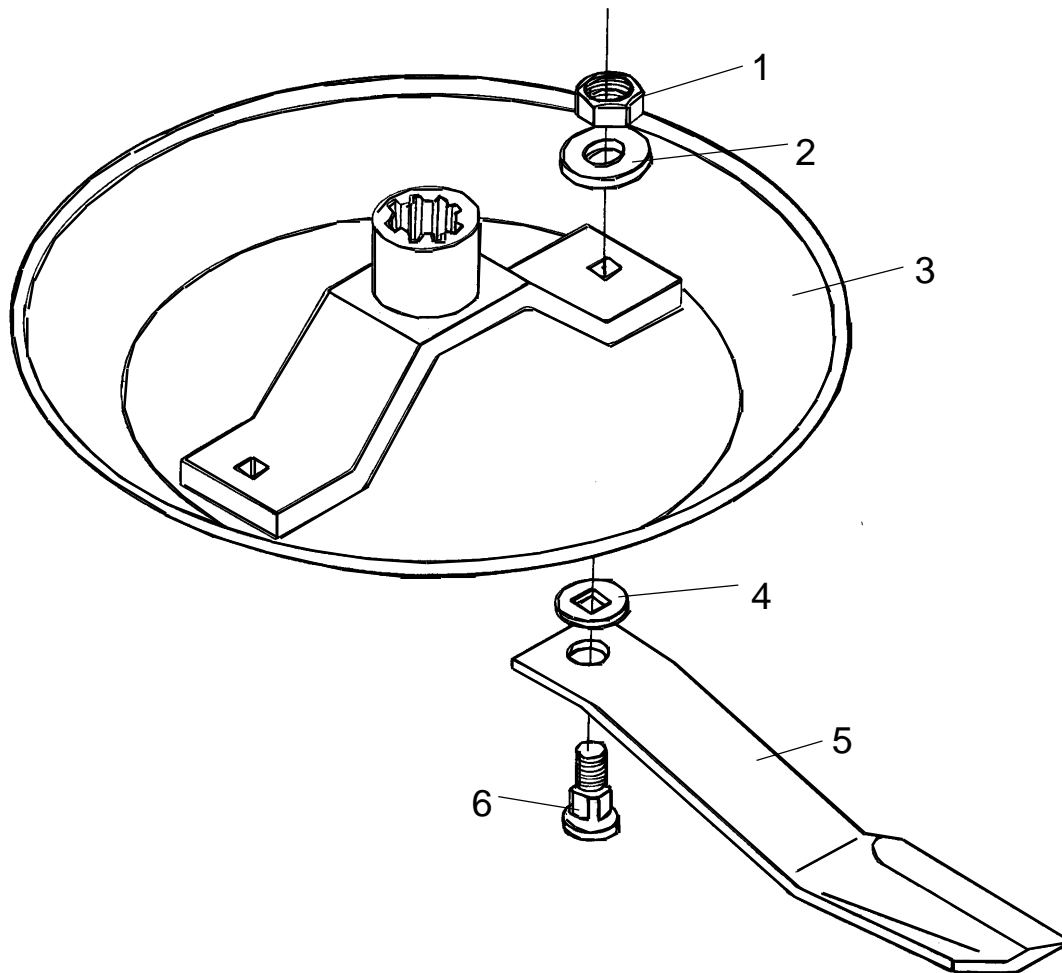


Item	Part No.	Qty.	Description
1	02030700	4	Bolt
2	1169	a/r	Shim Washer
3	00761447	1	Gearbox Mount Plate
4	00001300	4	Lockwasher
5	00002700	4	Flat Washer

Jun. 1992
to
Current

Blade Carrier Lift & Pull Type Center Mount 540 & 1000 RPM

S/N AG96-01001
to
S/N AG96-Current



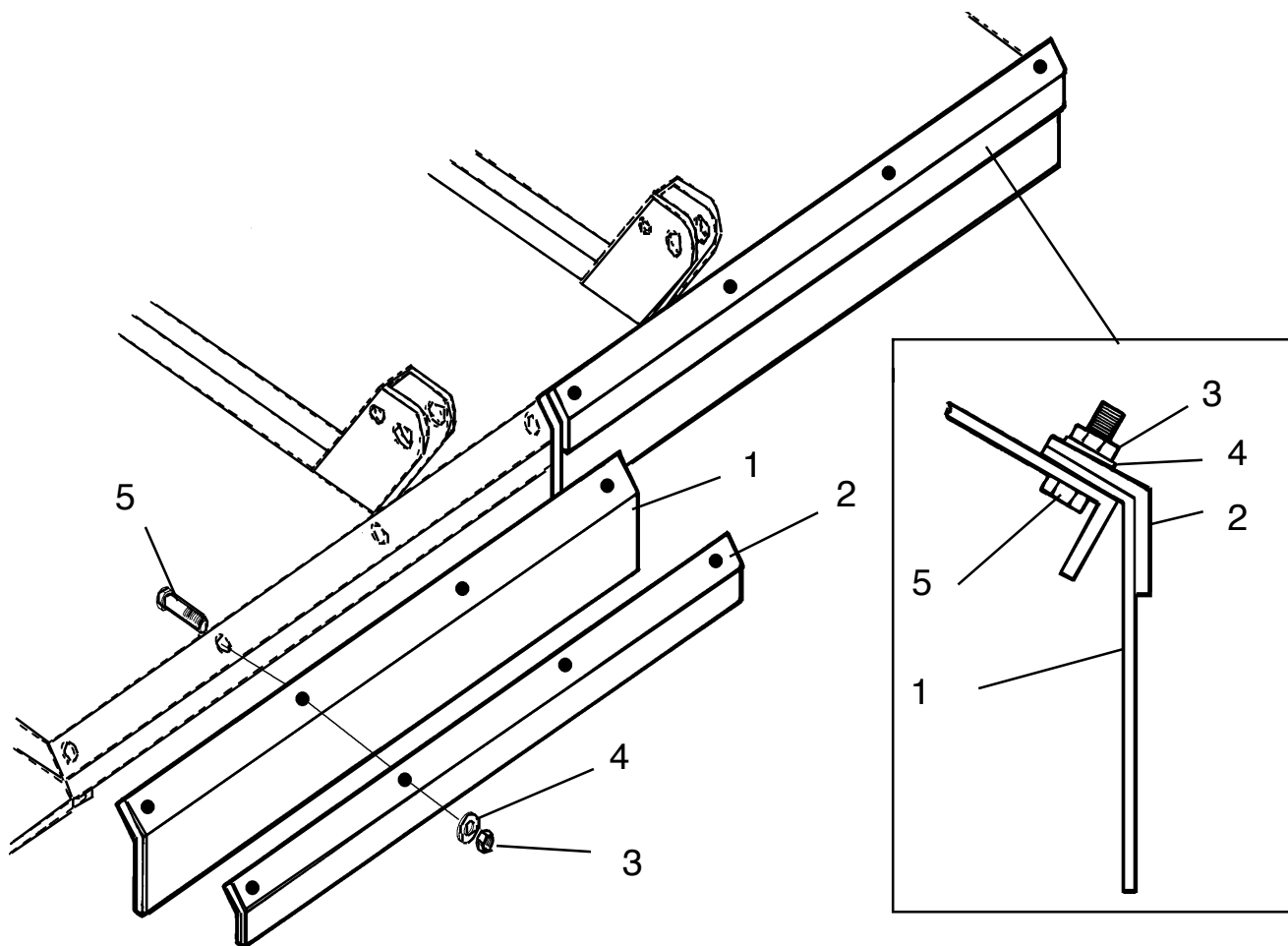
Item	Part No.	Qty.	Description
	00761401	-	Blade Asy, LH (CCW)
	00761400	-	Blade Asy , RH (CW)
1	5JRC16140	2	Locknut
2	9216	2	Washer
3	00761399	1	Weldment - Dishpan
4	00758579	2	Washer Blade, w/ Square Hole
5	00753842	2	Blade, LH Carrier, (CCW)
	00753841	2	Blade , RH Carrier, (CW)
6	8251	2	Blade Bolt

Qty Shown For One Carrier

Jun. 1992
to
Current

Deflector - Front Lift & Pull Type Center & Offset

S/N AG96-01001
to
S/N AG96-Current

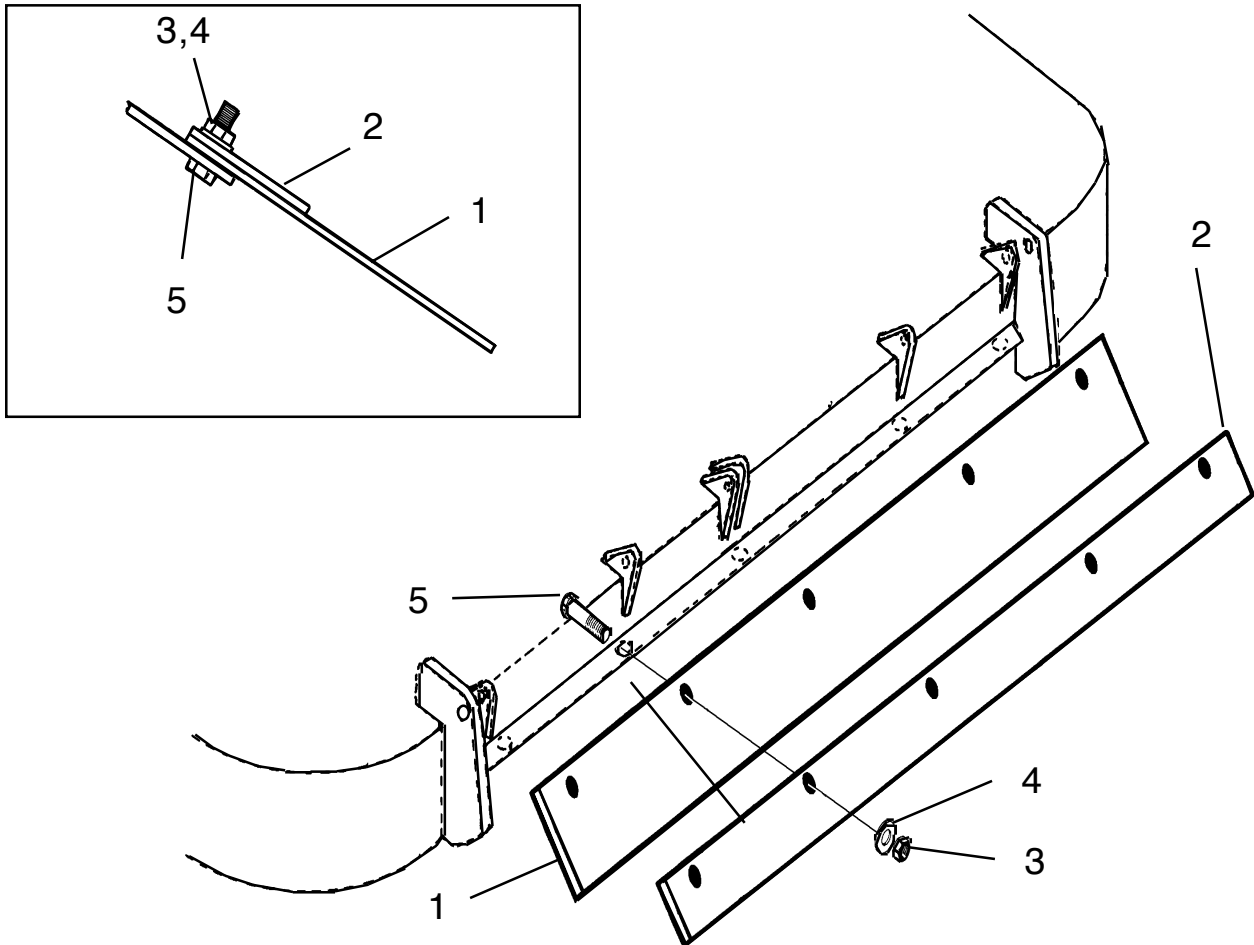


Item	Part No.	Qty.	Description
	00761647	1	Deflector Asy
1	00761973	2	Shield Deflector, Rubber
2	00761972	2	Bracket - Strap
3	00001800	8	Locknut TLM 1/2 NC PLC
4	00002700	8	Flatwasher
5	02030700	8	Bolt

Jun. 1992
to
Current

Deflector - Rear Lift & Pull Type Center & Offset

S/N AG96-01001
to
S/N AG96-Current

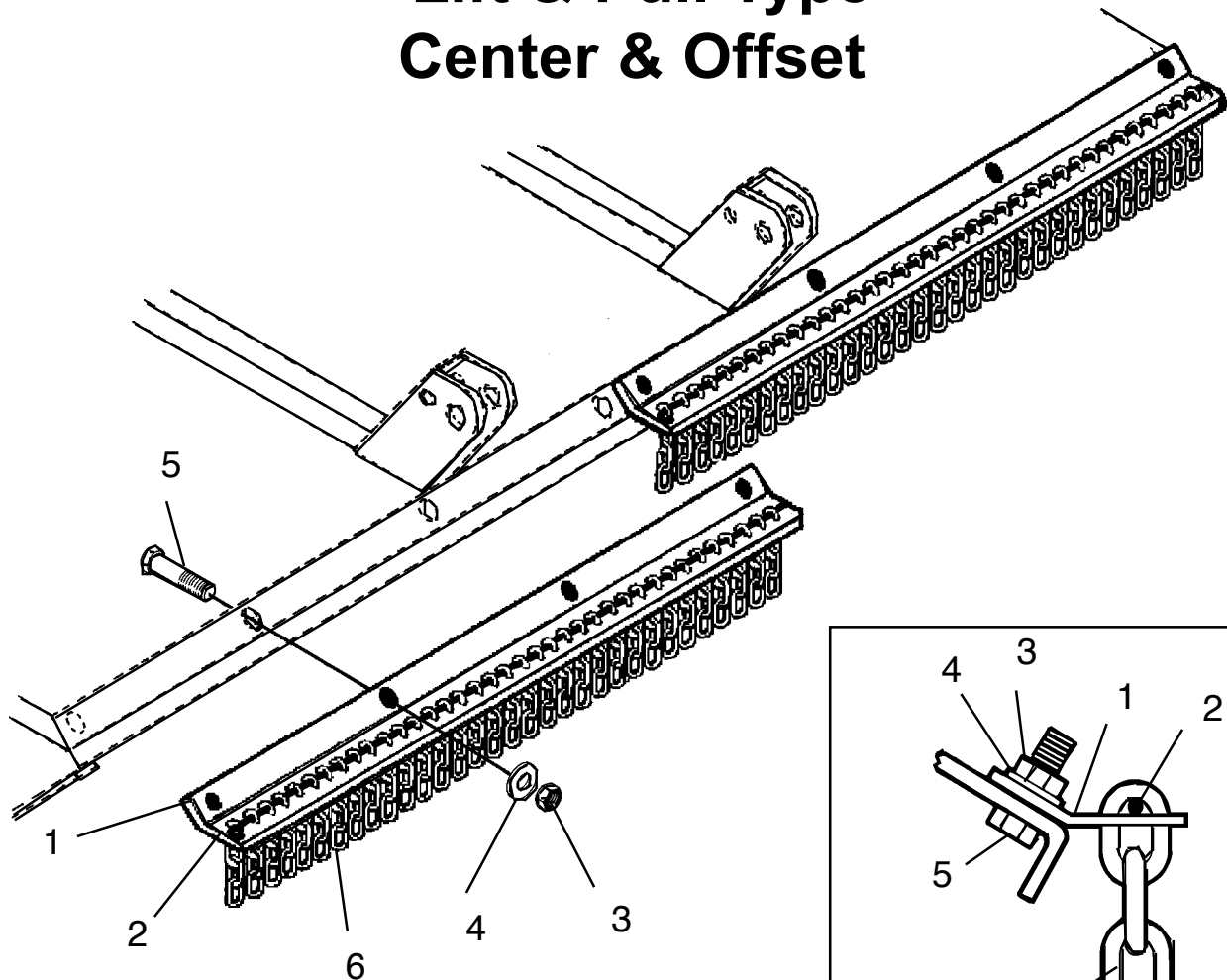


Item	Part No.	Qty.	Description
	00761648	1	Deflector Asy
1	00761970	1	Shield Def Rear
2	00761971	1	Bar - Strap
3	00001800	5	Locknut TLM 1/2 NC PLC
4	00002700	5	Washer
5	02030700	5	Bolt

Jun. 1992
to
Current

Chain Guard Front Lift & Pull Type Center & Offset

S/N AG96-01001
to
S/N AG96-Current

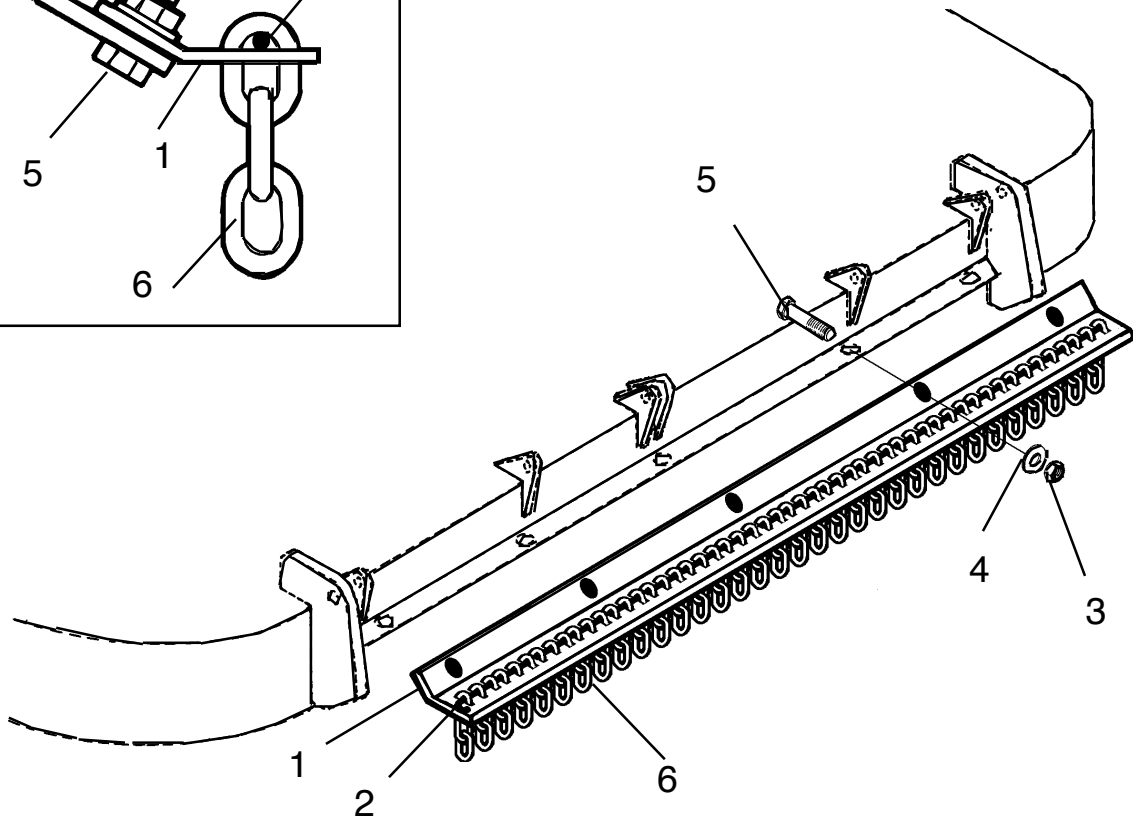
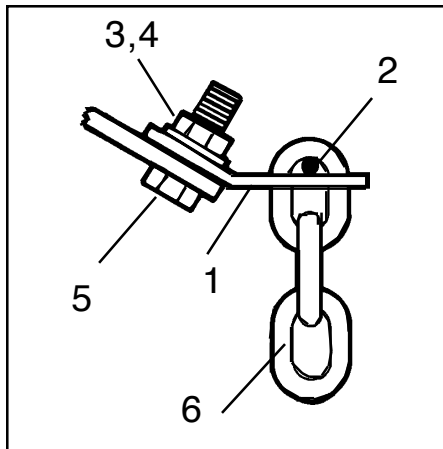


Item	Part No.	Qty.	Description
	00761867	1	Chain Guard Asy
1	00761385	2	Chain Guard - Bracket Flat
2	0731371001	2	Chain Rod
3	00001800	8	Locknut TLM 1/2 NC PLC
4	00002700	8	Flatwasher
5	02030700	8	Bolt
6	0731361104	88	Chain, 4 Links

Jun. 1992
to
Current

Chain Guard Rear Lift & Pull Type Center & Offset

S/N AG96-01001
to
S/N AG96-Current

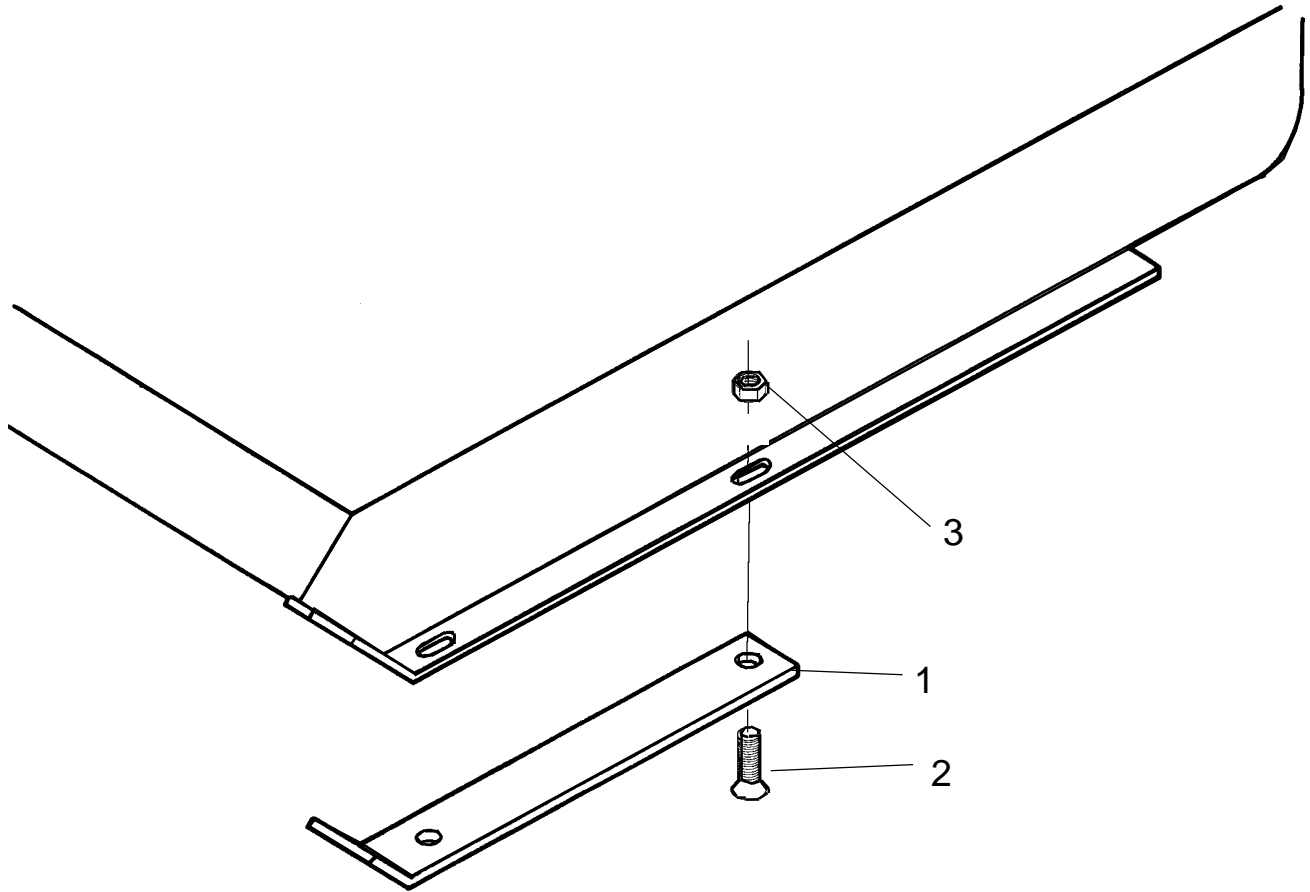


Item	Part No.	Qty.	Description
	00761868	1	Chain Guard Assy
1	00761388	1	Chain Guard - Bracket Rear
2	0652110201	1	Rod Chainguard
3	00001800	5	Locknut TLM 1/2 NC PLC
4	00002700	5	Flatwasher
5	02030700	5	Bolt
6	0652130101	59	Chain, 3 Links

Jun. 1992
to
Current

Skid Shoe Lift & Pull Type Center & Offset

S/N AG96-01001
to
S/N AG96-Current



Item	Part No.	Qty.	Description
1	0622000001	2	Skid Shoe
2	2A361612	6	Plow Bolt
3	4528	6	Flange Nut

NOTES

Offset Model

ALL COMPONENTS FOR OFFSET PULL TYPE MODELS ONLY

For Offset Models

For Offset Pull Type Model, 540 or 1000 RPM
See the Following Pages.

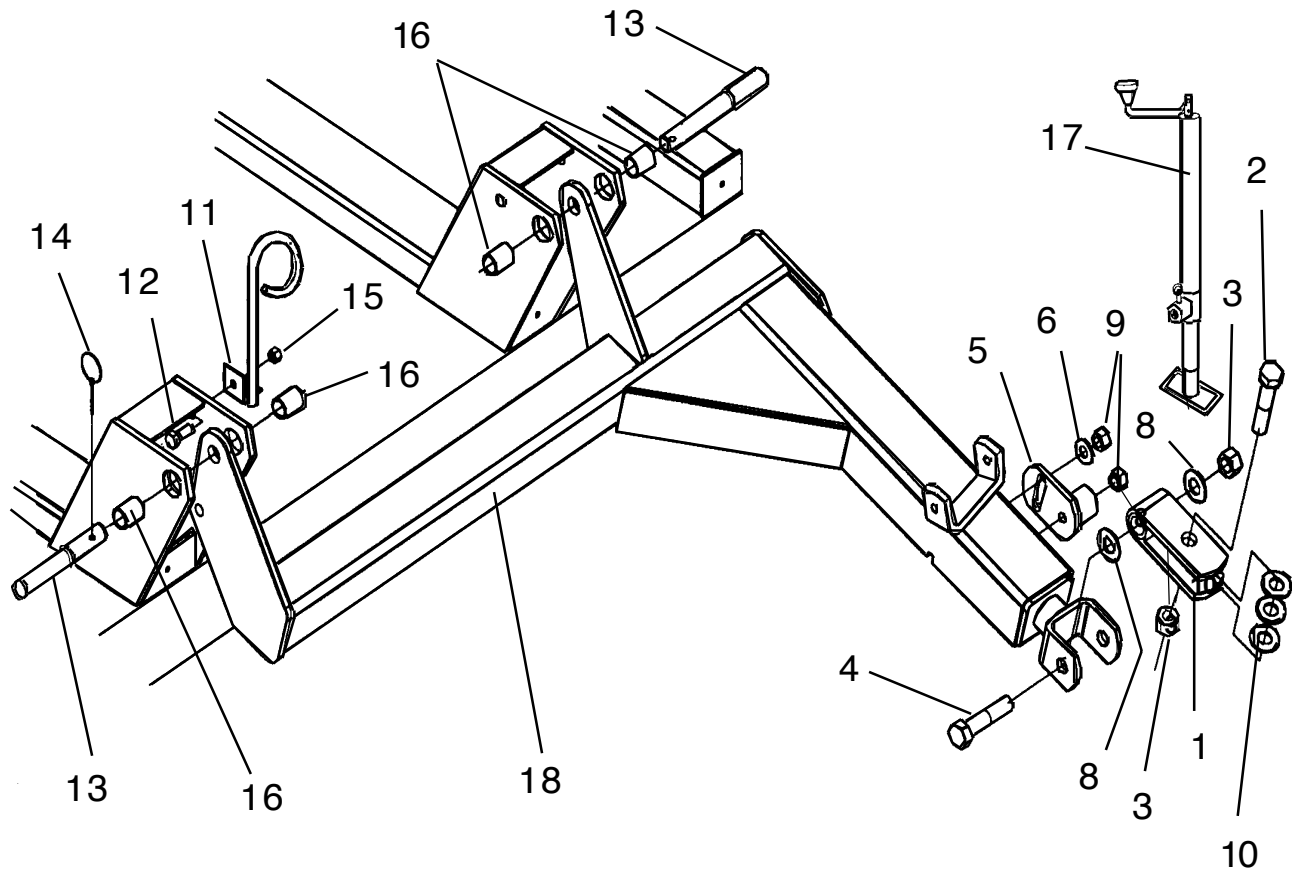
NOTE: There are Optional Models available, Centered or Offset, Some components WILL be the same on both models and some WILL NOT, Check which Model before ordering parts.

Jun. 1992
to
Current

TONGUE Offset Model

S/N AG96-01001
to
S/N AG96-Current

540 & 1000 RPM Offset Pull Type



Item	Part No.	Qty	Description	Item	Part No.	Qty	Description
1	00748807	1	Clevis Weldment	11	8343	1	Hose Holder
2	02712500	1	Bolt	12	00748823	1	Bolt
3	02030300	2	Nut	13	00767641	2	Pin Hitch
4	00755305	1	Bolt	14	2196	2	Clip
5	00760941	1	Jack Tube Mount	15	00001800	1	Locknut TLM 1/2 NC PLC
6	00001400	1	Falt Washer	16	4962	4	Bushing
8	00757478	2	Spring Washer	17	00772391	1	Parking Jack
9	00695100	2	Nut, Toplock 5/8 NC PLC	18	-----	1	See <u>Tongue Note</u>
10	00759275	3	Washer	19	00757908	1	Safety chain

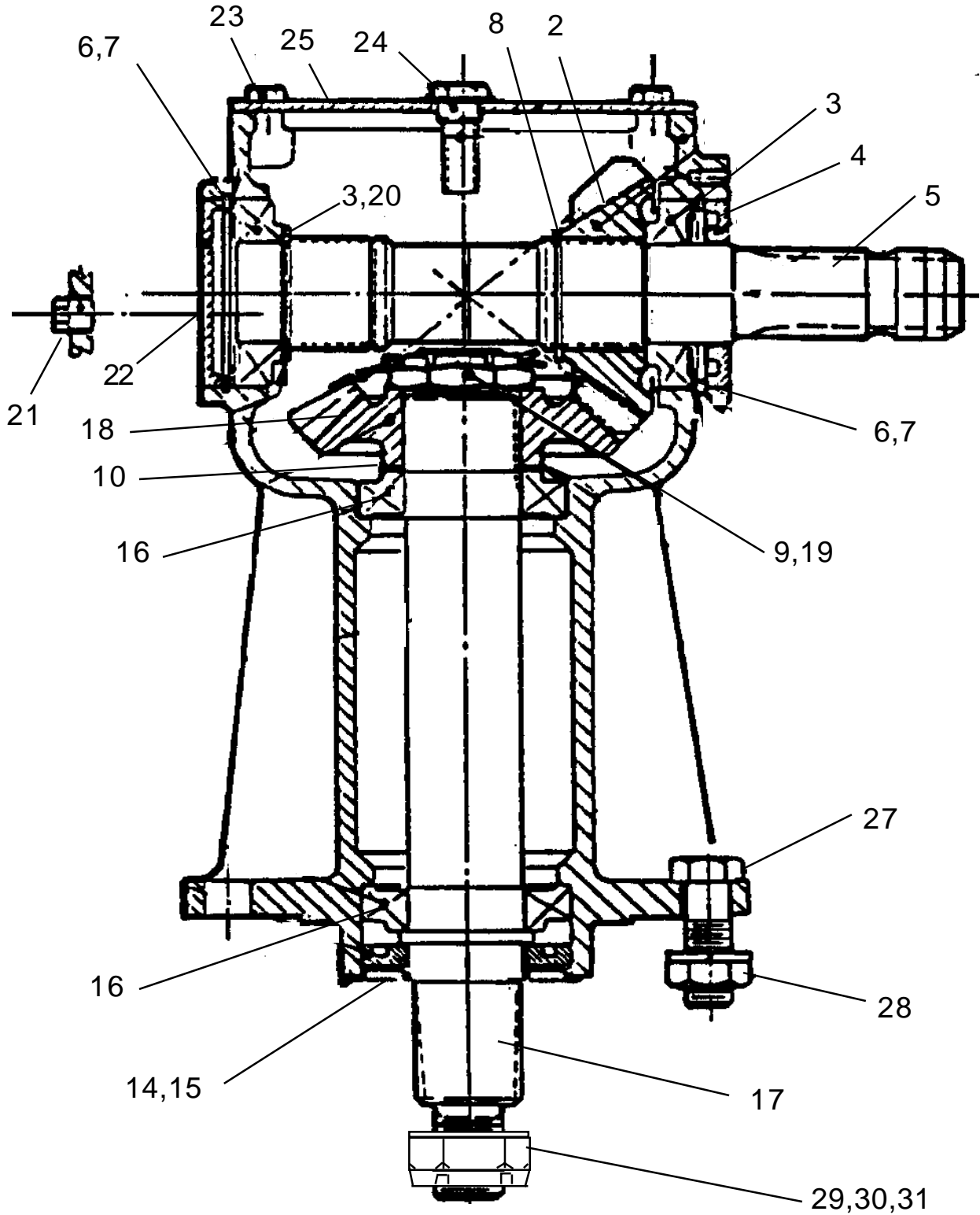
Tongue Note : There were two Tongues used on the Offset Pull Model, See Jack Shaft Support Section for Tongue Weldment Part Numbers, Jackshaft support Mounts are different on the two tongues.

Jun. 1992
to
Jun. 1997

Gearbox Right Side

S/N AG96-01001
to
S/N AG96-01320

540 RPM Offset Pull Type



Jun. 1992
to
Jun. 1997

Gearbox Right Side

S/N AG96-01001
to
S/N AG96-01320

540 RPM Offset Pull Type

Item	Part No.	Qty	Description
	00764053	--	Gearbox Asy.
1	00755613	1	Gearbox Housing, Main
2	00758506	1	Gear, Input (20 Tooth)
3	00755615	2	Bearing
4	00753238	1	Seal
5	00755617	1	Shaft, Input
6	00755618	2	Circlip, Internal
7	00755619	2	Shim
8	00755620	1	Circlip, External
9	00756943	1	Nut, Slotted
10	00755622	1	Shim
14	00755626	1	Shield, Protective
15	00755627	1	Seal
16	00755628	2	Bearing
17	00756945	1	Shaft, Output
18	00758506	1	Gear, Output (20 Tooth)
19	00756946	1	Cotter Pin
20	00755632	1	Shim
21	00755633	1	Plug, Oil Level Check
22	00755634	1	Seal Cap, Rear
23	00755635	4	Bolt
24	00758654	1	Plug, Vent / Oil Fill
25	00755637	1	Cover, Top
27	02959391	6	Bolt
28	00037200	6	Locknut
29	00755624	1	Nut, Blade Carrier Retaining
30	00755623	1	Washer, Blade Carrier
31	163016	1	Cotterpin, Blade Carrier

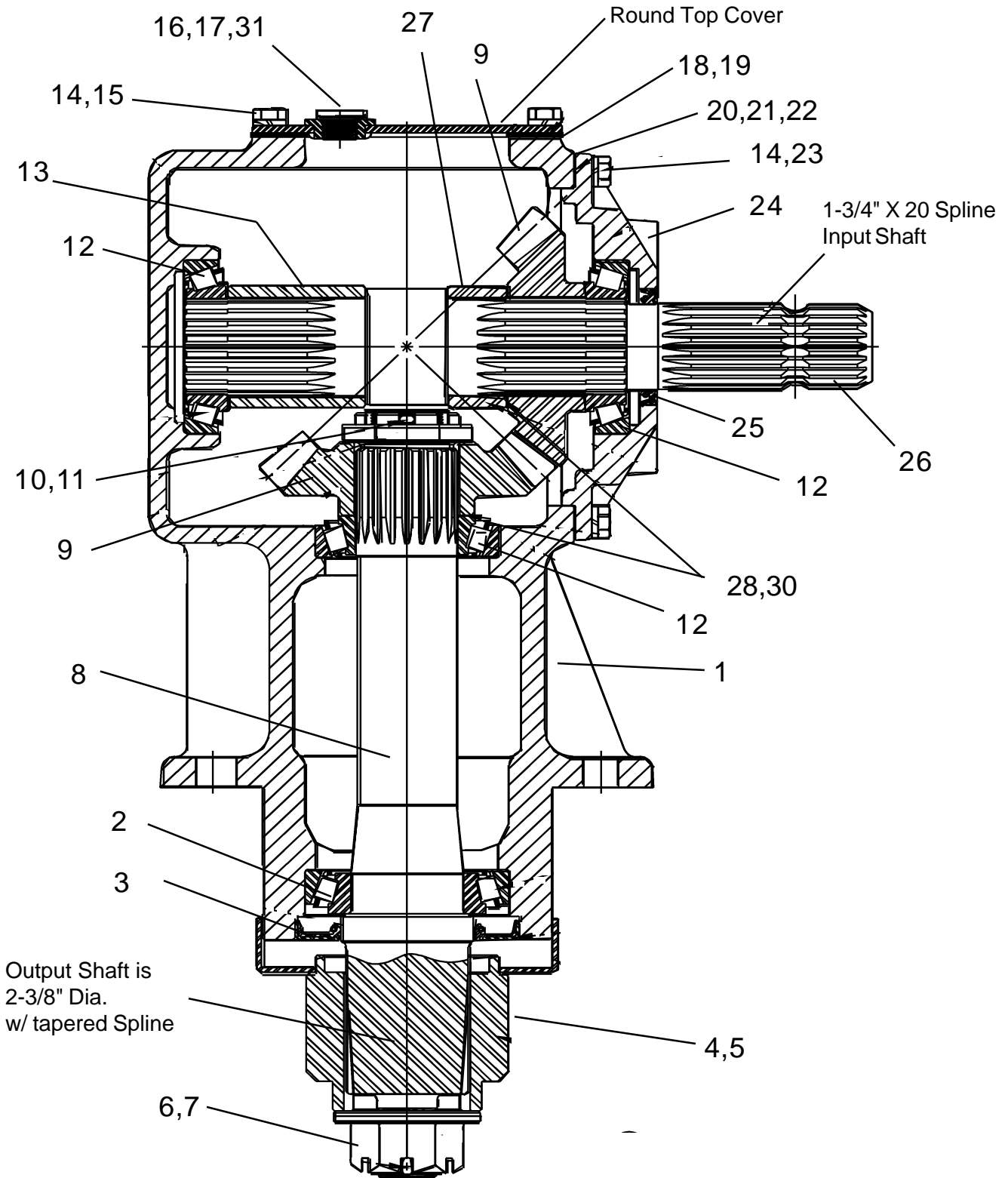
NOTE: This Gearbox has a Square Bolt on Top Cover, Later Serial Numbers the Top Cover was round. This is only on the Offset Model, The Centered model had Gearboxes with NO top Cover at all.

Jul. 1997
to
Current

Gearbox Right Side

S/N AG96-01321
to
S/N AG96-Current

540 RPM Offset Pull Type



Jul. 1997
to
Current

Gearbox Right Side

S/N AG96-01321
to
S/N AG96-Current

540 RPM Offset Pull Type

Item	Part No.	Qty	Description
	00771225P	--	Gearbox Asy
1	00770724	1	Housing
2	00770725	1	Bearing Asy
3	00770726	1	Oil Seal
4	00770727	1-ref	*Seal Protector
5	00771227	1-ref	*Blade Hub
6	00771226	1	Flange Nut
7	01422502	1	Cotter Pin
8	00770728	1	Vertical Output Shaft
9	00770736	2	Gear, Input or Output, 13-Tooth
10	00762121	1	Bearing Adjustment
11	00606000	1	Cotter Pin
12	00755628	3	Bearing Asy
13	00770731	1	Input Shaft Spacer
14	00766083	12	Lockwasher
15	00754338	4	Head Bolt
16	00762517	2	Pipe Plug
17	00769321	3	Sealing Washer
18	00770732	1	Inspection Cover
19	00770733	1	Cover Gasket
20	00758646	a/r	Shim
21	00758647	a/r	Shim
22	00758648	a/r	Shim
23	00765905	8	Bolt
24	00770734	1	Input Cap
25	00758653	1	Oil Seal
26	00770735	1	Input Shaft
27	00758657	1	Input Shaft Spacer
28	00758667	a/r	Shim
30	00758668	a/r	Shim
31	00762114	1	Plug Relief Valve, Not Shown

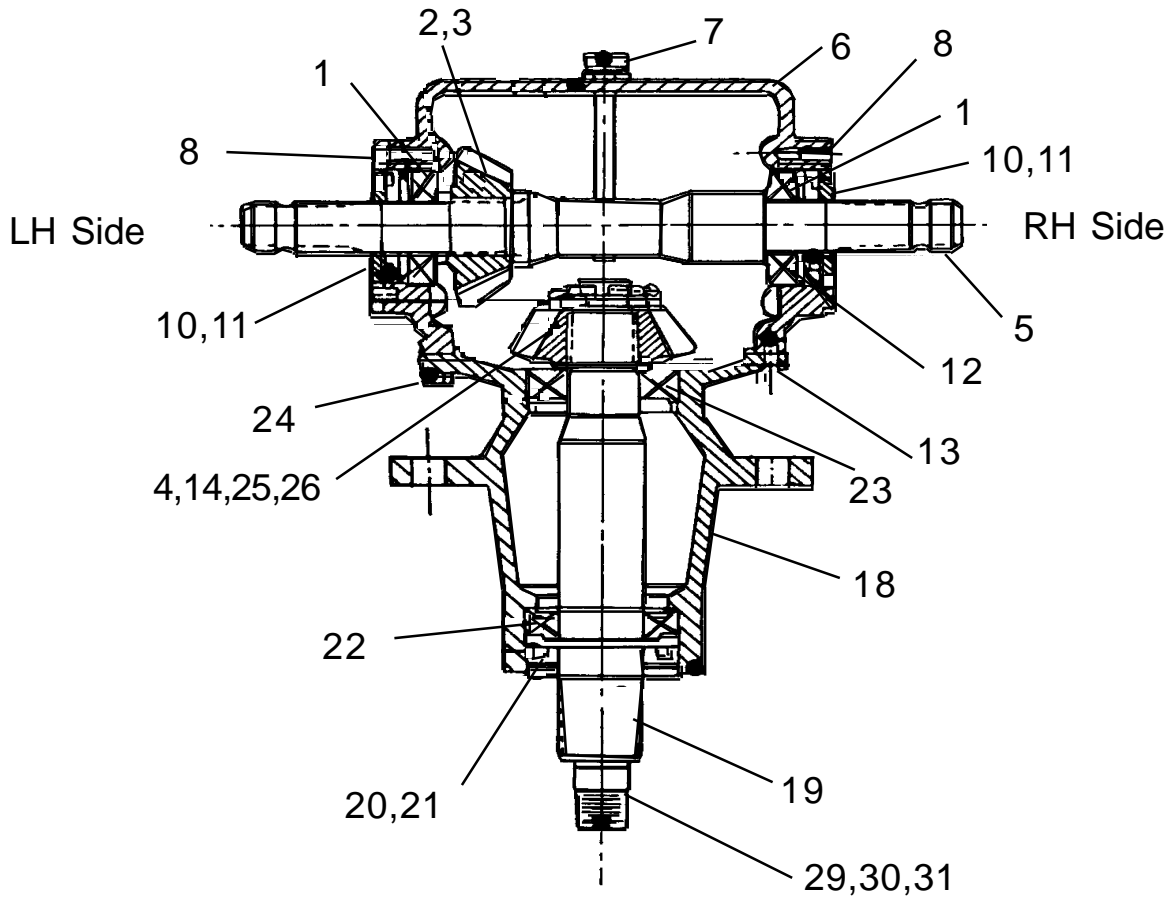
Note: * Item 4 & 5 are weld on Items and must be welded to Blade Carriers, They are listed as a Reference to Size Only and should be replaced by replacing Blade Pan Weldment only.

Jun. 1992
to
Current

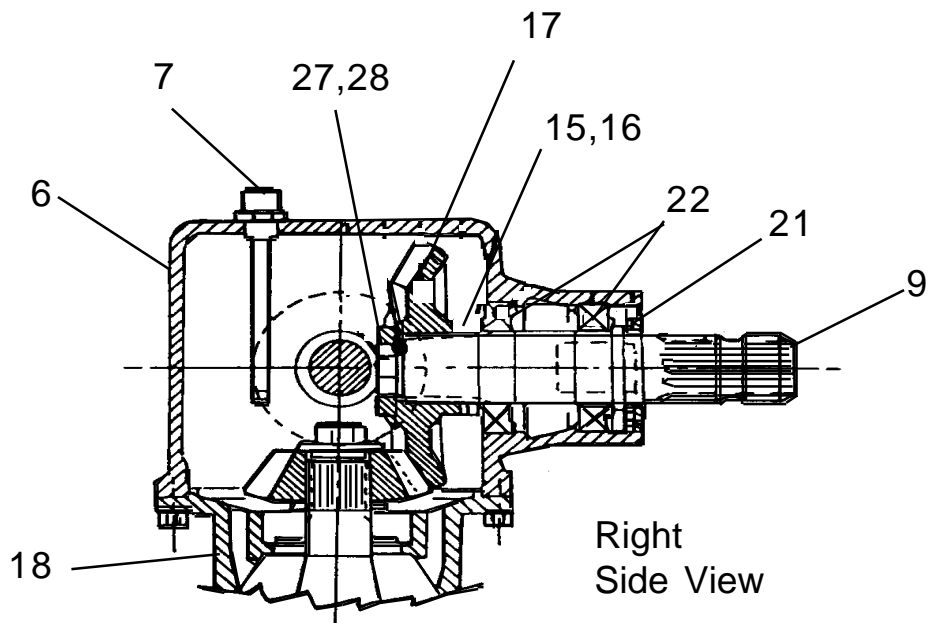
Gearbox Left Side Divider

S/N AG96-01001
to
S/N AG96-Current

540 RPM Offset Pull Type



Rear View



Right
Side View

Jun. 1992
to
Current

Gearbox Left Side Divider

S/N AG96-01001
to
S/N AG96-Current

540 RPM Offset Pull Type

Item	Part No.	Qty	Description
	00757918	1	Gearbox Asy 540 RPM
1	00758480	2	Bearing Cup & Cone
2	00758481	1	Shim-Back Gear
3	00758482	2	Pinion Gear
4	00001600	1	Cotter Pin
5	00758487	1	Shaft-Cross
6	00758483	1	Casing, Upper Half
7	00758484	1	Plug-Vent
8	00744338	8	Bolt
9	00758495	1	Shaft-Input
10	00758486	2	Oil Seal
11	00758485	2	Cover-Side Shaft
12	00758488	1	Shim Cross Shaft
13	00758489	2	Spring Pin
14	00758490	1	Shim Lower Gear
15	00758500	1	Shim Input Gear
16	00758491	1	Spacer Input Gear
17	00758499	1	Gear Input
18	00758493	1	Extension Lower
19	00758492	1	Shaft Lower Blade
20	00755626	1	Protective Shield
21	00755627	2	Oil Seal
22	00755628	3	Bearing
23	00758494	1	Bearing Cup & Cone
24	00751688	8	Bolt
25	00758482	2	Pinion Gear
26	00758496	1	Nut
27	00758498	1	Spring Washer
28	00758497	1	Locknut
29	00755623	1	Washer, (Not Shown)
30	00755624	1	Nut (Not, Shown)
31	00606000	1	Cotter Pin, (Not Shown)

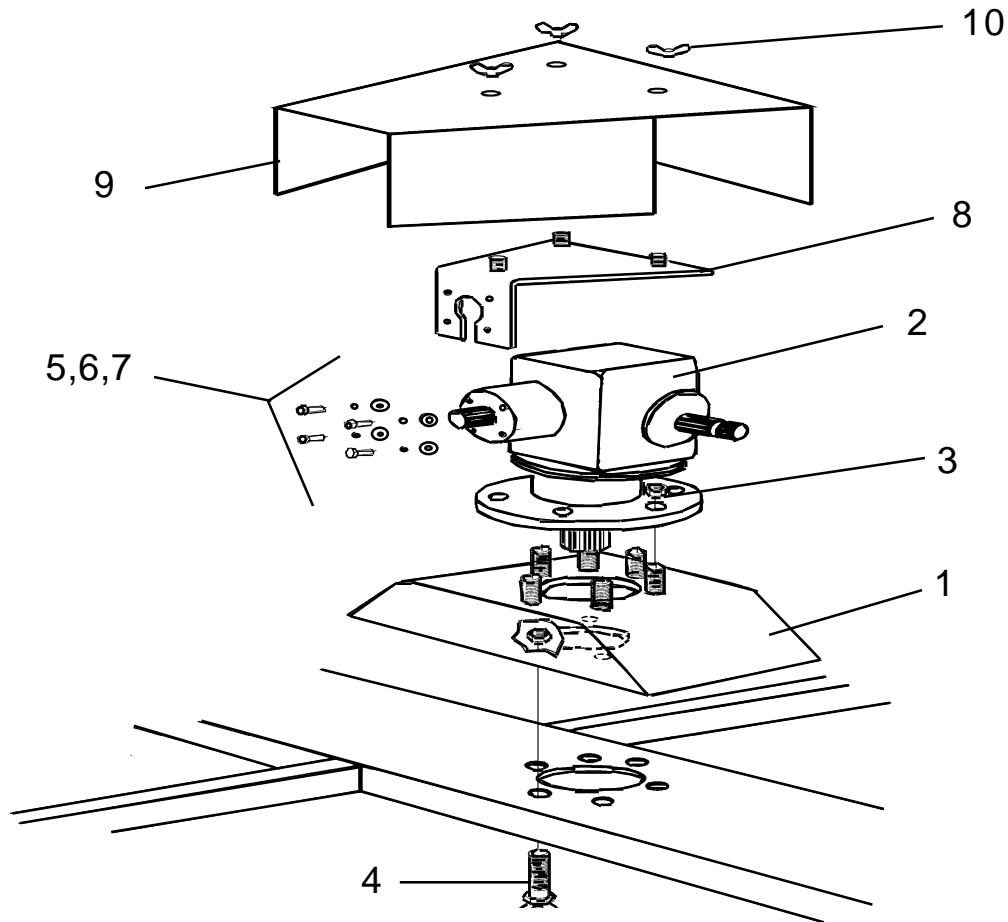
NOTE: Offset Model offered as a 540 RPM Only.

Jun. 1992
to
Jun. 1997

Gearbox Mount Divider

S/N AG96-01001
to
S/N AG96-01320

540 RPM Offset Pull Type



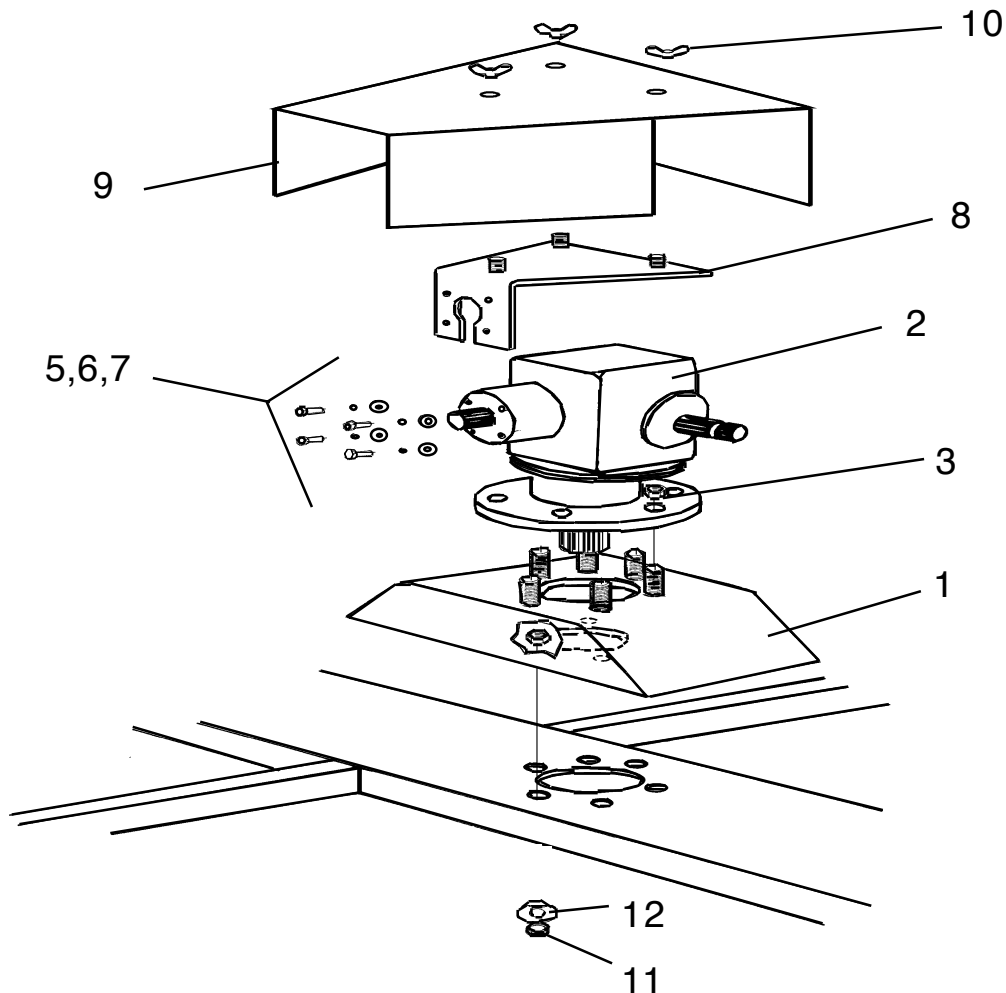
Item	Part No.	Qty	Description
1	00765743	1	Weldment - Gearbox Mount
2	00757918	1	Gearbox
3	00037200	6	Nut
4	02959391	6	Bolt, (Used Jun 1997 & Down)
5	00011700	4	Lockwasher
6	00023500	4	Flatwasher
7	02958784	4	Bolt
8	00763919	1	Shield Bracket
9	00763914	1	Gearbox Shield
10	5F8130	3	Wing Nut

Jul. 1997
to
Current

Gearbox Mount Divider

S/N AG96-01321
to
S/N AG96-Current

540 RPM Offset Pull Type



Item	Part No.	Qty	Description
1	00767668	1	Weldment - Gearbox Mount
2	00757918	1	Gearbox
3	00037200	6	Nut
5	00011700	4	Lockwasher
6	00023500	4	Flatwasher
7	02958784	4	Bolt
8	00763919	1	Shield Bracket
9	00763914	1	Gearbox Shield
10	5F8130	3	Wing Nut
11	00695100	6	Nut, Toplock 5/8 NC PLC (Used July 1997 & Up)
12	00756077	6	Wahsher , (Used July 1997 & Up)

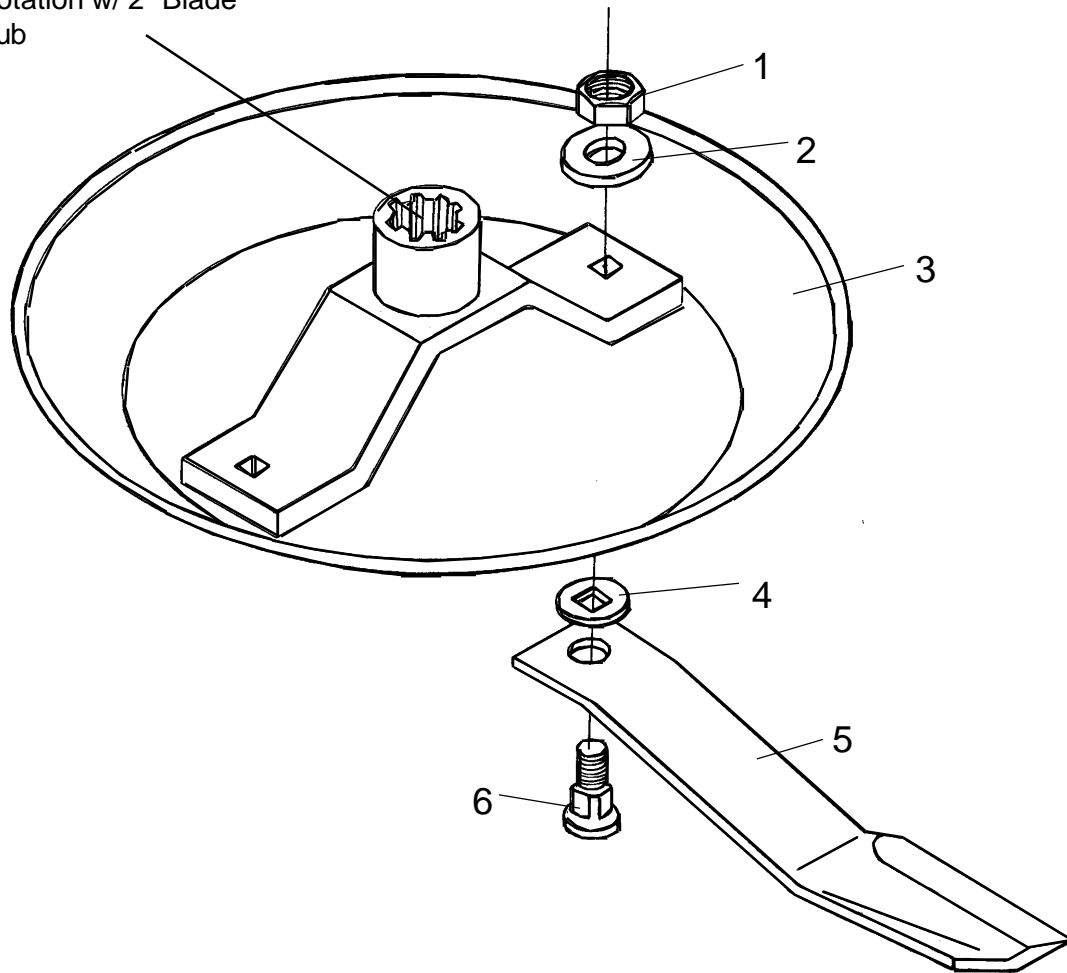
Jun. 1992
to
Jun. 1997

Blade Pan LH & RH Side

S/N AG96-01001
to
S/N AG96-01320

540 RPM Offset Pull Type

LH & RH Side CCW
Rotation w/ 2" Blade
Hub



Item	Part No.	Qty.	Description
	00766814	-	Blade Pan Asy, LH or RH
1	5JRC16140	2	Locknut
2	9216	2	Washer
3	00766813	1	Weldment - Dishpan
4	00758579	2	Washer Blade, w/ Square Hole
5	00753842	4	Blade, Suction (CCW)
6	8251	2	Blade Bolt

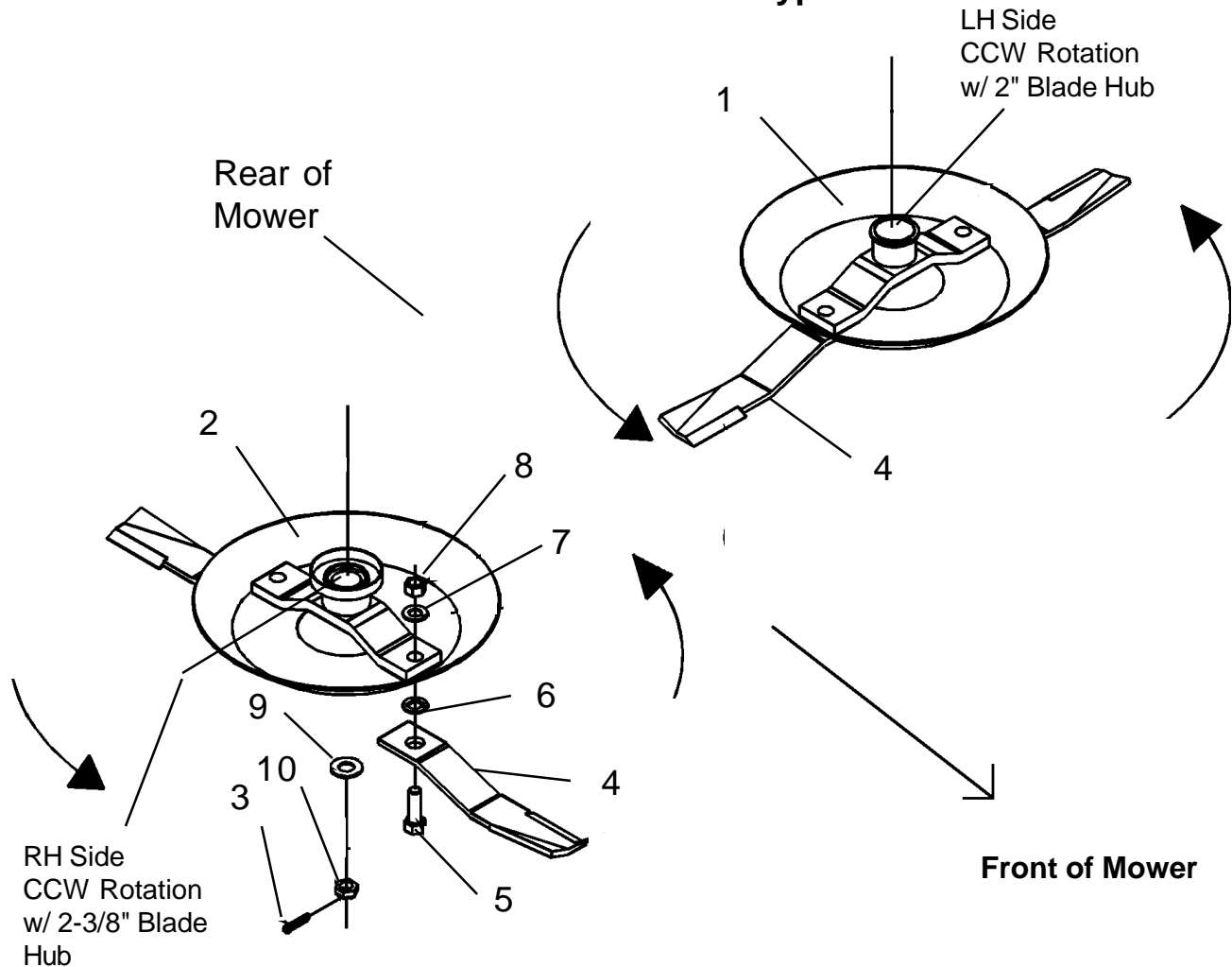
Qty Shown For One Carrier

Jul. 1997
to
Current

Blade Pan LH & RH Side

S/N AG96-01321
to
S/N AG96-Current

540 RPM Offset Pull Type



Item	Part No.	Qty	Description
1	00767670	1	Blade Pan Weldment, LH Side Only
2	00767672	1	Blade Pan Weldment, RH Side Only
3	00606000	2	Cotter Pin
4	00753842	4	Blade , Suction (CCW)
5	8251	4	Blade Bolt
6	00758579	4	Washer Blade
7	9216	4	Washer 1" Structural
8	5JRC16140	4	Locknut
9	00755623	REF	Washer
10	00755624	REF	Nut

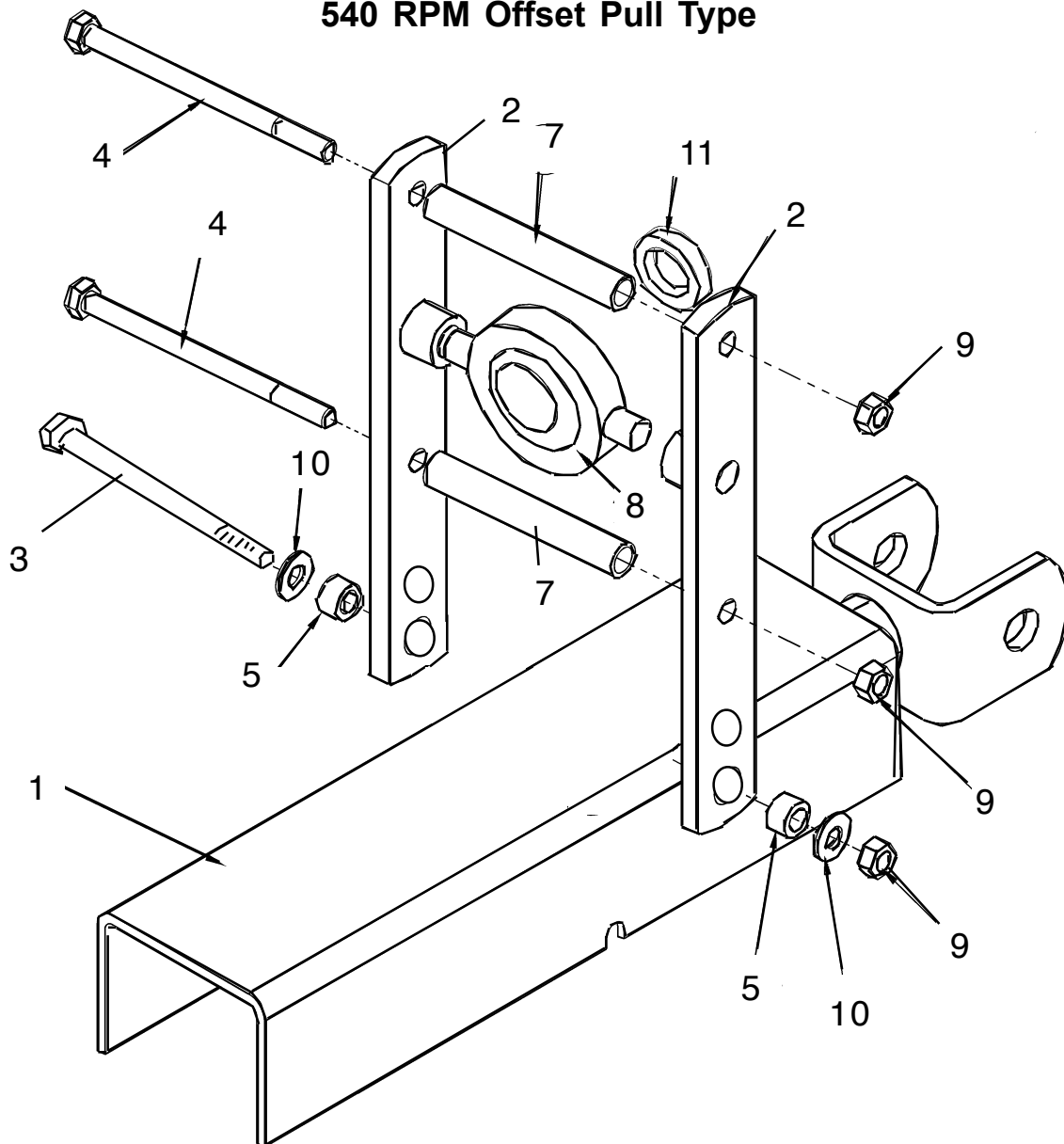
NOTE: LH & RH Blade Pans WILL NOT interchange because Blade Hubs are different Size.

Jun. 1992
to
Sep. 1996

Jack Shaft Support

S/N AG96-01001
to
S/N AG96-01237

540 RPM Offset Pull Type



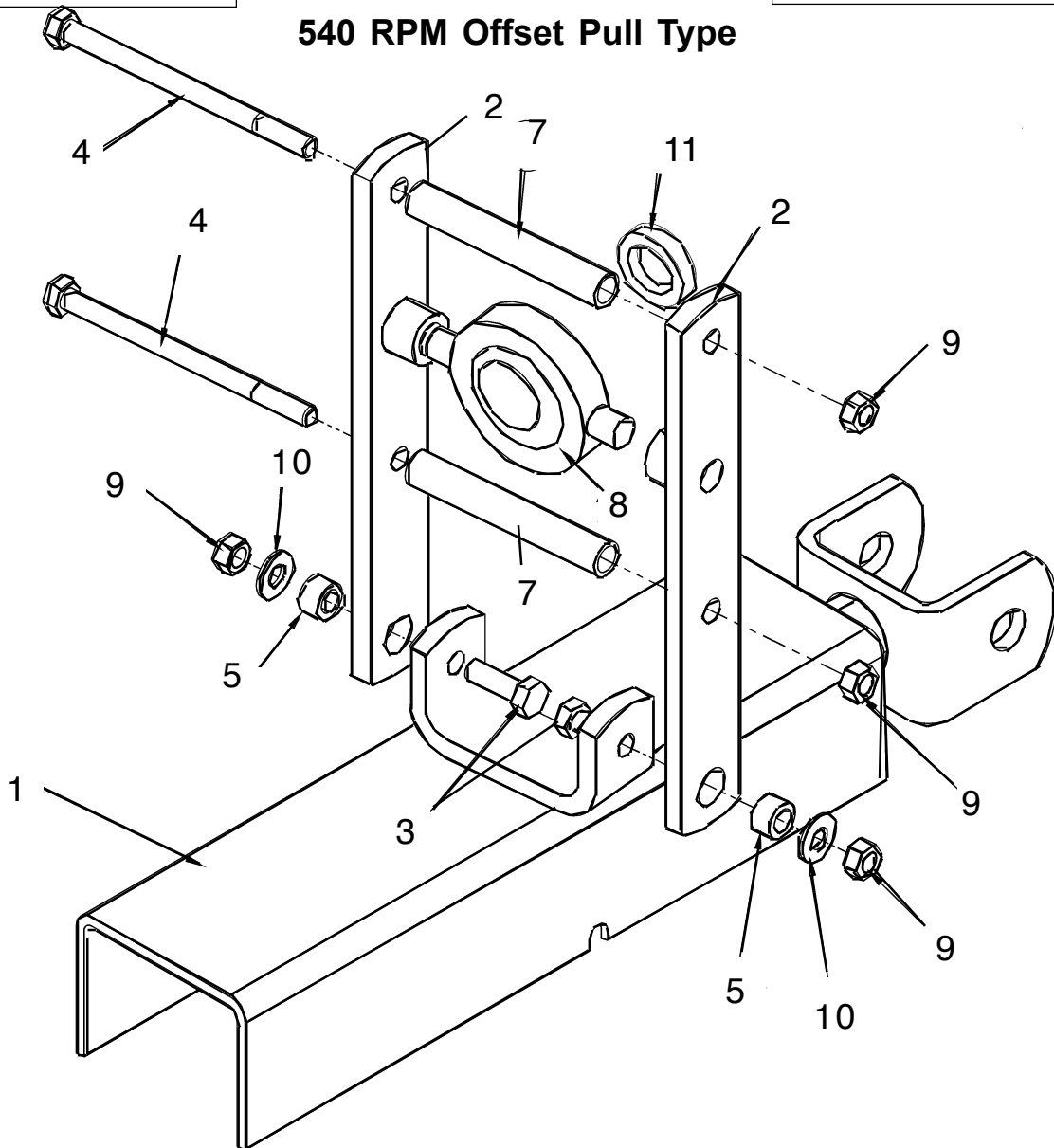
Item	Part No.	Qty	Description
1	00764698	1	Wldmt.-Offset Tongue
2	00760944	2	Wldmt. -Jackshaft Support
3	00751582	1	Bolt
4	02963243	2	Bolt
5	00752802	2	Bushing
7	00760943	2	Pipe Spacer
8	00759100	1	Bearing & Housing
9	00001800	3	Locknut TLM 1/2 NC PLC
10	00002700	2	Flatwasher
11	00769868	1	Spacer

Oct. 1996
to
Current

Jack Shaft Support

S/N AG96-01238
to
S/N AG96-Current

540 RPM Offset Pull Type



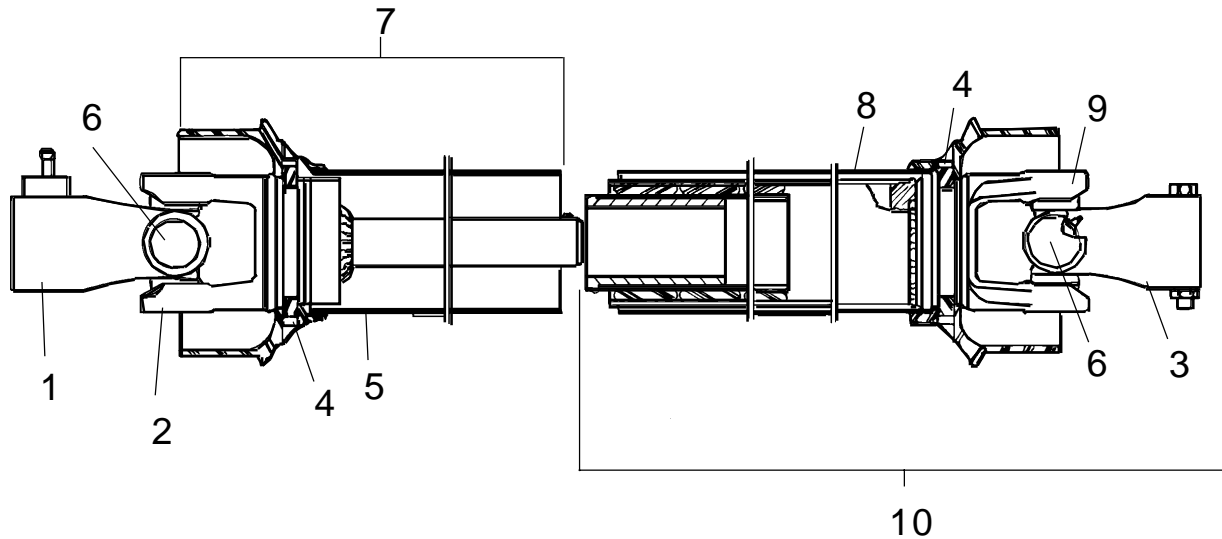
Item	Part No.	Qty	Description
1	00767629	1	Wldmt.-Offset Tongue
2	00767632	2	Wldmt. -Jackshaft Support
3	00748823	2	Bolt
4	02963243	2	Bolt
5	681112	2	Bushing
7	00760943	2	Pipe Spacer
8	00759100	1	Bearing & Housing
9	00001800	4	Locknut TLM 1/2 NC PLC
10	00002700	2	Flatwasher
11	00768652	1	Spacer

Jun. 1992
to
Current

Driveline LH to RH Side

S/N AG96-01001
to
S/N AG96-Current

540 RPM Offset Pull Type



SIDE DRIVELINE (OFFSET MODEL)

Item	Part No.	Qty	Description
	00764755	1	Driveline Asy
1	3066	1	Yoke, QD w/ Push Pin
	00749960	1	Push Pin Kit Only
2	00758470	1	Wldmt. Yoke and Bar
3	00758472	1	Yoke, Clamp Yoke
4	00758475	1	Shield Bearing
5	00758474	1	Outer Shield Tube
6	00189700	2	U-Joint Kit
7	00758468	1	Driveline - Bar Half
8	00769320	1	Inner Shield Tube
9	00769319	1	Yoke, Tube & Sleeve
10	00766442	1	Driveline - Inner Half

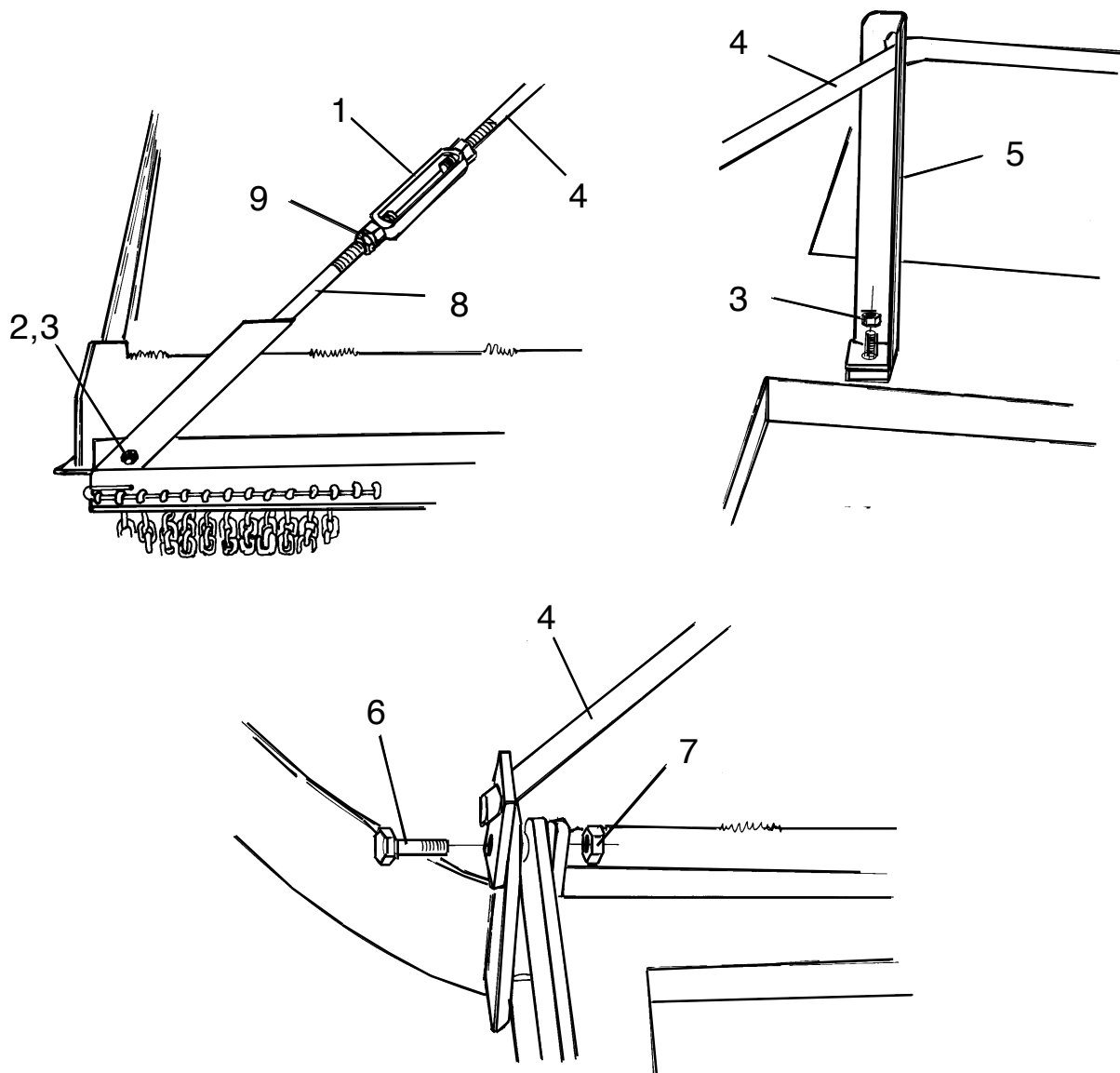
NOTE: Asy required per Mower, Connect from LH to RH Side (This Model only has two Gearboxes, The LH Gearbox is also the Divider Gearbox.

Jun. 1992
to
Current

Mower Support Rod

S/N AG96-01001
to
S/N AG96-Current

540 RPM Offset Pull Type



Item	Part No.	Qty	Description
1	8305	1	Turnbuckle Body
2	02030700	1	Bolt
3	00001800	1	Locknut TLM 1/2 NC PLC
4	00766334	1	Wldmt. Long Rod
5	00766331	1	Wldmt. Support Beam
6	00007800	1	Bolt
7	00037200	1	Nut
8	00766337	1	Wldmt. Short Rod
9	5C1490	1	Jam Nut

Hyd Offset Model

OPTION

COMPONENTS

FOR HYDRAULIC OFFSET

SEMI - MOUNT TYPE MODELS

ONLY

For Hyd. Offset Models

For Hyd Offset Lift Type & Semi- Mount Models, 540 or 1000
RPM

See the Following Pages.

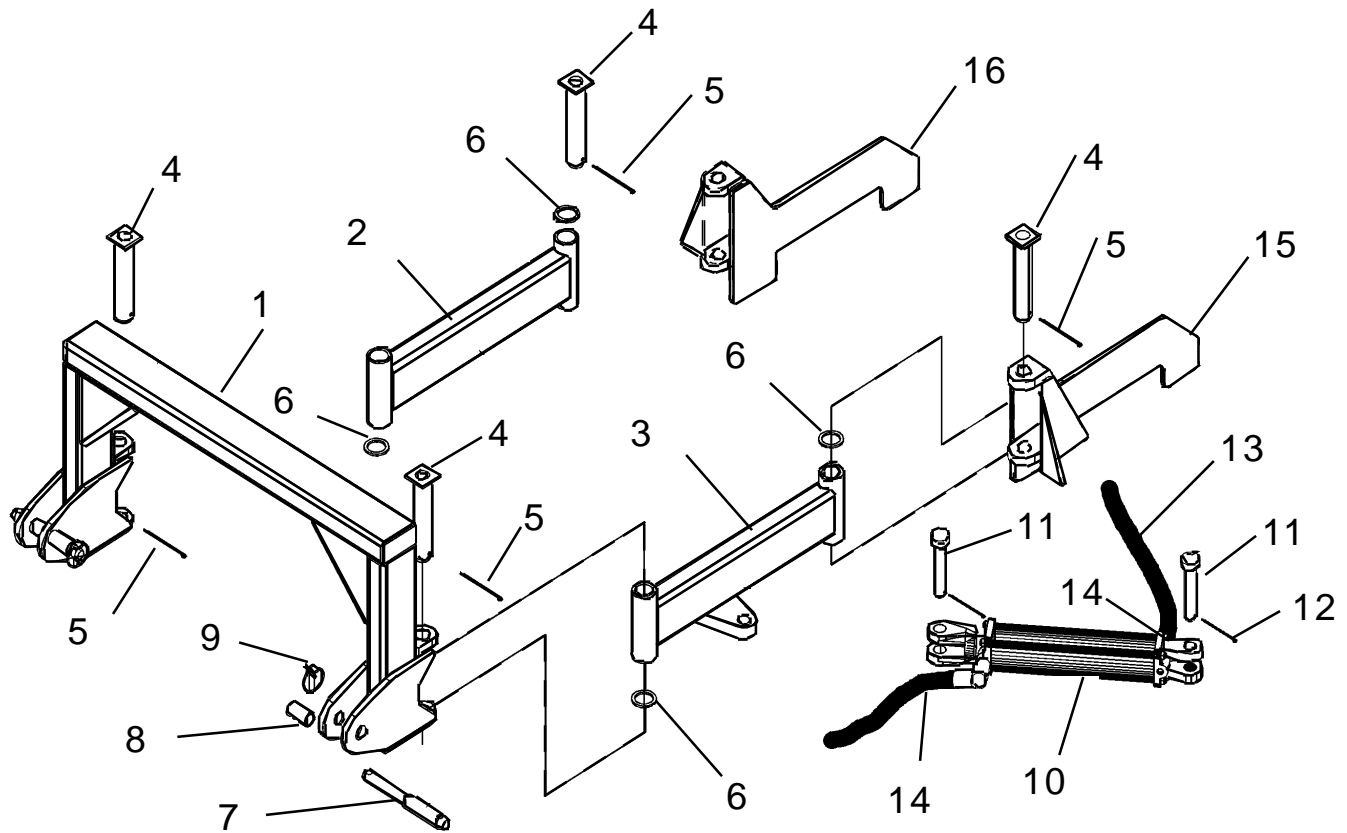
NOTE: There are Optional Models available, Centered, Offset & Hydraulic Offset, Some components WILL be the same on these models and some WILL NOT, Check which Model before ordering parts.

Feb. 1997
to
Current

Hydraulic Offset Option

S/N AG96-01282
to
S/N AG96-Current

540 & 1000 RPM Hyd Offset Semi - Mount



Item	Part No.	Qty.	Description
1	00771344	1	Hitch Frame Weldment
2	00771345	1	Spring Right Arm Weldment
3	00771346	1	Spring Left Arm with Lug Weldment
4	00771281	4	Pivot Pin Weldment
5	01422502	4	Cotter Pin
6	00749941	4	Washer
7	0781080000	2	Hitch Pin
8	2196	2	Lynch Pin
9	00772458	2	Tube Spacer
10	8727	1	Cylinder
11	8354	2	Pivot Pin
12	00606000	2	Cotter Pin
13	00755449	2	Hose
14	104151	2	Adapter
15	00771749	1-ref	Pivot Weldment, LH (Welded to Deck)
16	00771740	1-ref	Pivot Weldment, RH (Welded to Deck)

NOTE: Items 15 & 16 are Factory installed Parts and are non-Saleable Parts, These are listed for Reference Only as they are welded to the Deck

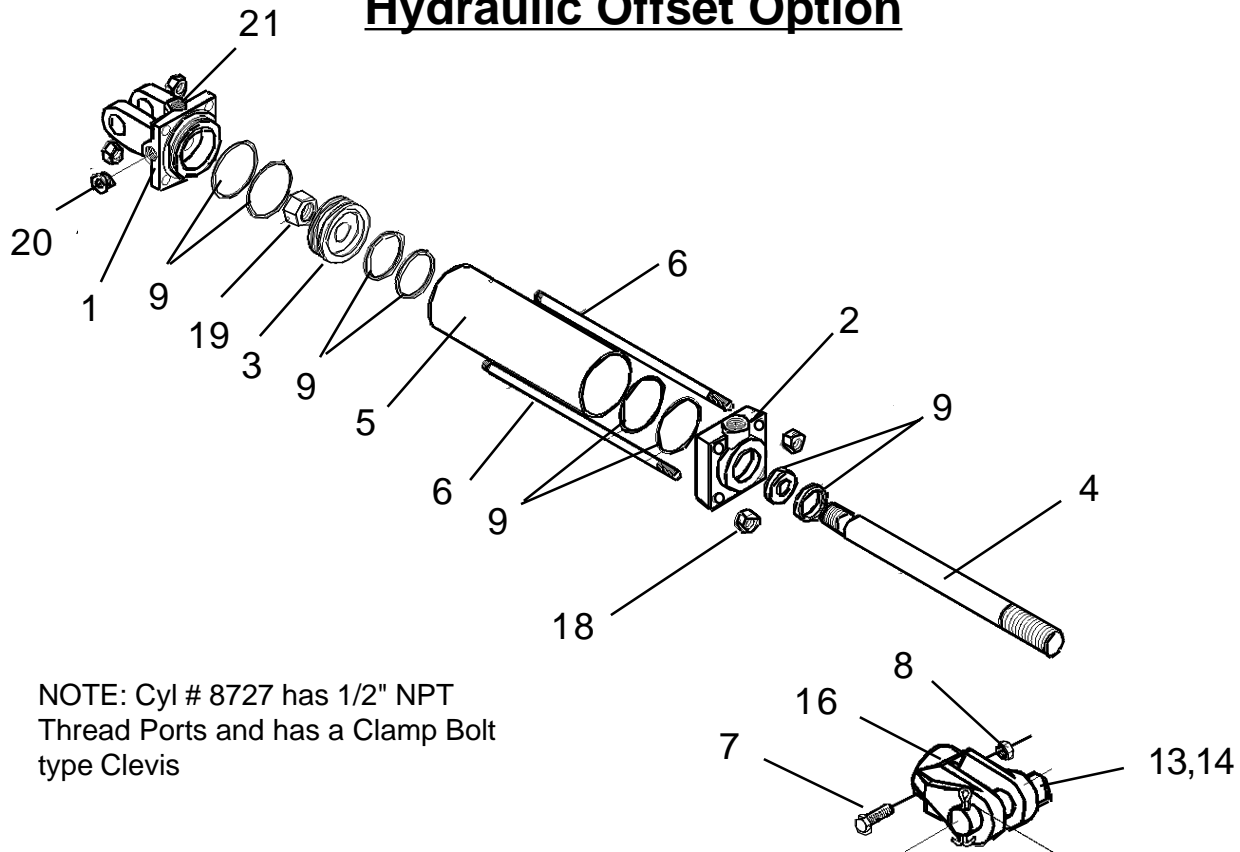
Feb. 1997
to
Jul. 1999

Hydraulic Offset Pivot Cyl

S/N AG96-01282
to
S/N AG96-01447

540 & 1000 RPM Hyd Offset

Hydraulic Offset Option



NOTE: Cyl # 8727 has 1/2" NPT
Thread Ports and has a Clamp Bolt
type Clevis

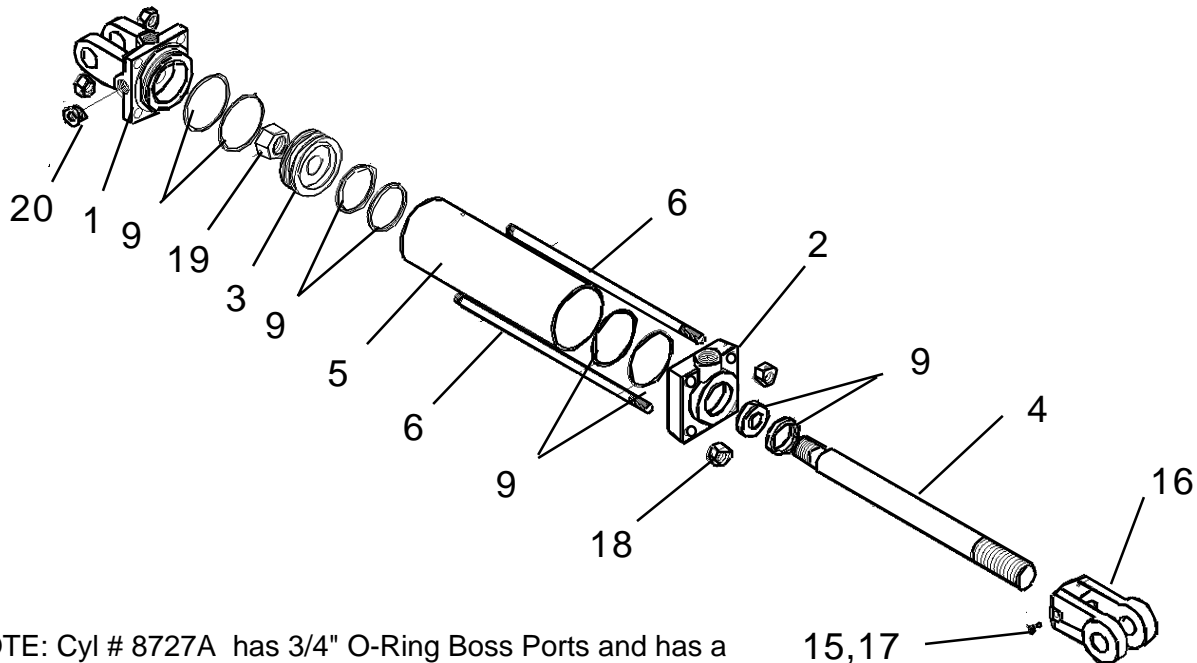
Item	Part No.	Qty	Description
	8727		Cylinder Asy.
1	8755	1	Cap
2	8757	1	Head
3	00760671	1	Piston
4	8753	1	Piston Rod
5	8752	1	Tube
6	8756	4	Tie Rod
7	00023100	1	Bolt
8	00013901	1	Hex Nut
9	8763	1	Seal Kit
13	8354	2 ref	Pivot Pin
14	00606000	2 ref	Cotter Pin
16	8754	1	Outer Clevis
18	02031800	8	Tie Rod Nut
19	4675	1	Piston Nut
20	94514	2 ref	Swivel Fitting 90 Deg
21	7339	1	Breather Plug
	651132	2 ref	HydraulicHose(Not Shown)

Aug. 1999
to
Current

Hydraulic Offset Pivot Cyl.

S/N AG96-01448
to
S/N AG96-Curnnet

540 & 1000 RPM Hyd Offset Hydraulic Offset Option



NOTE: Cyl # 8727A has 3/4" O-Ring Boss Ports and has a Nylon Thread Protector & Set Screw type Clevis, Parts WILL NOT interchange with earlier Cylinders But Complete Cyl Assembly can be put on Earlier Units.

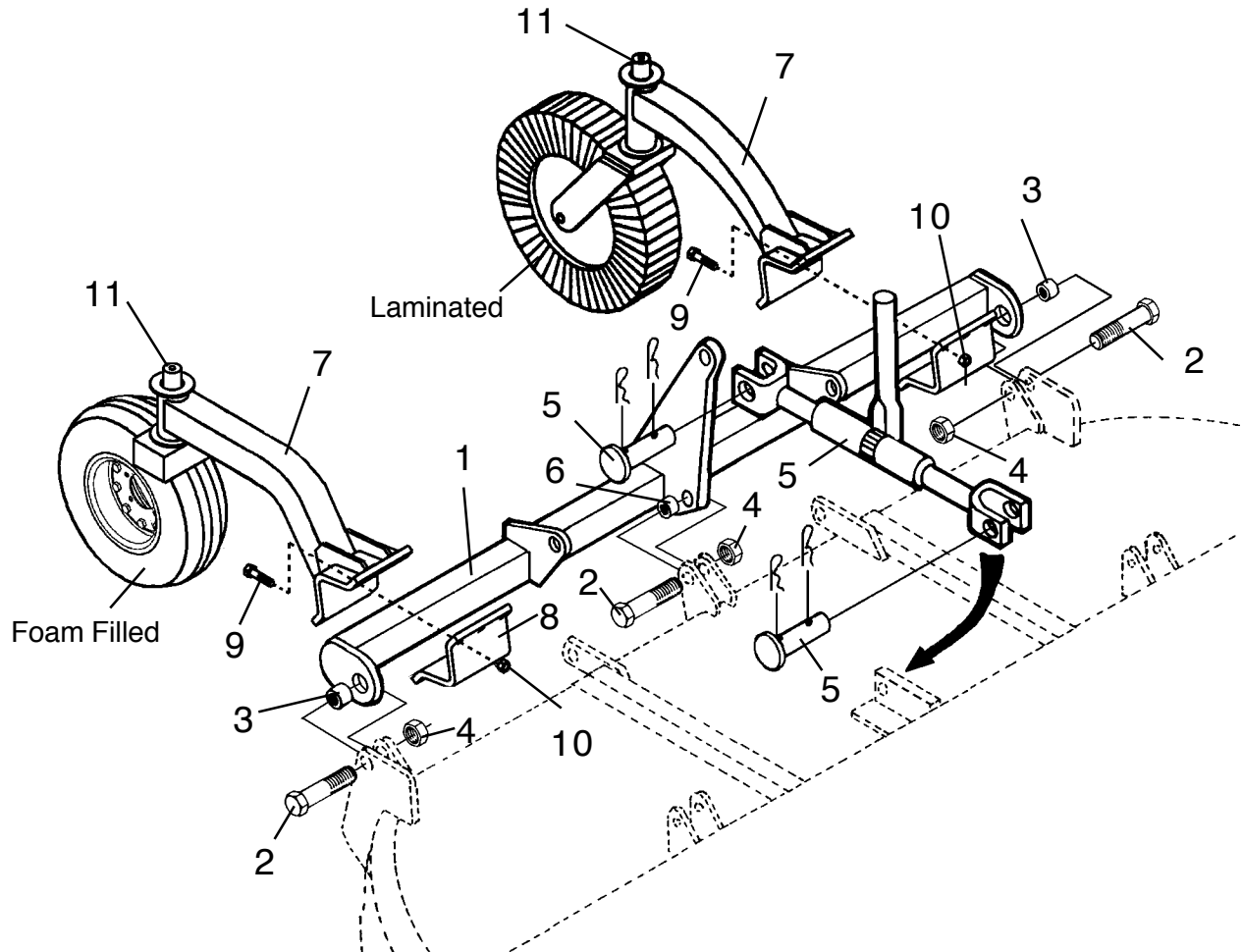
ITEM	PART NO.	QTY	DESCRIPTION
	8727A		Cylinder Asy.
1	00774729	1	Clevis Cap
2	00774734	1	Rod Cap
3	00774730	1	Piston
4	00774753	1	Rod
5	3047111	1	Tube
6	3047112	4	Tie Rod
9	00774760	1	Seal Kit
15	3047117	1	Nylon Thread Protector
16	1917140	1	Rod Clevis
17	00774740	1	Set Screw
18	33003H5C	8	Tie Rod Nut
19	5JRC12160	1	Piston Nut
20	1917132	1	Port Plug
21	2417154	1	Breather
	651132	2 ref	Hose (Not Shown)
	94514	2 ref	Elbow (Not Shown)
	0652141311	2 ref	Adapter (Not Shown)
	8354	2 ref	Pin (Not Shown)
	00606000	2 ref	Cotter Pin (Not Shown)

Feb. 1997
to
Current

Axle Hydraulic Offset & Semi-Mount

S/N AG96-01282
to
S/N AG96-Current

540 & 1000 RPM



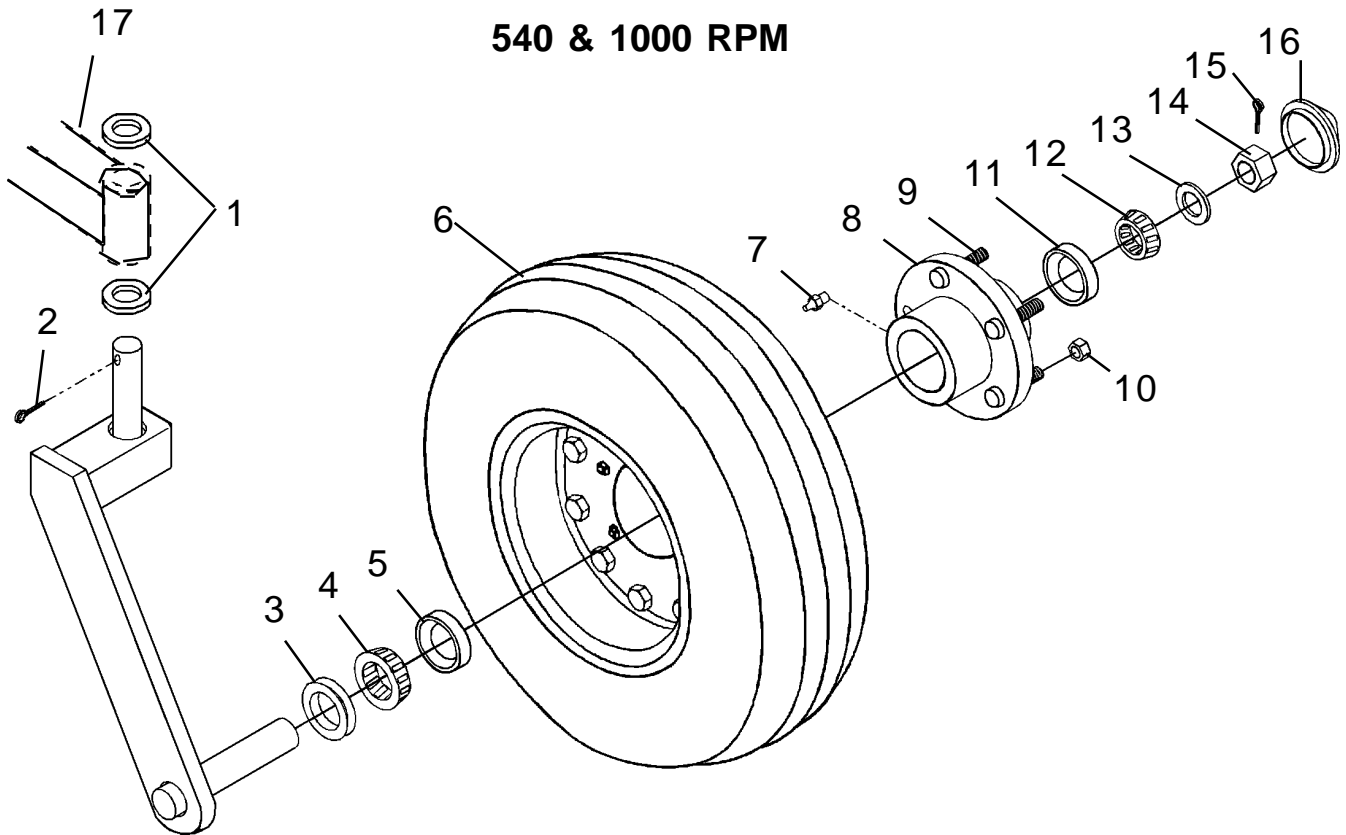
Item	Part No.	Qty.	Description
1	00769692	1	Axle Weldment
2	00007800	3	Bolt
3	00762802	2	Bushing
4	00037200	3	Nut
5	00554600	1	Ratchet Jack Asy
6	8327	1	Bushing Level & Rod
7	00769690	2	Caster Arm (Laminated Tire 4 x 8.00 Whl)
	00763097	2	Caster Arm (Foam Filled Tire)
8	0683030200	2	Weldment Cap
9	00750952	12	Bolt
10	00695100	12	Nut, Toplock 5/8 NC PLC
11	0585020200	2	Caster Fork (Laminated Tire)
	00758151	2	Caster Fork (Foam Filled Tire)

Feb. 1997
to
Current

Caster Asy Hydraulic Offset & Semi-Mount

S/N AG96-01282
to
S/N AG96-Current

540 & 1000 RPM

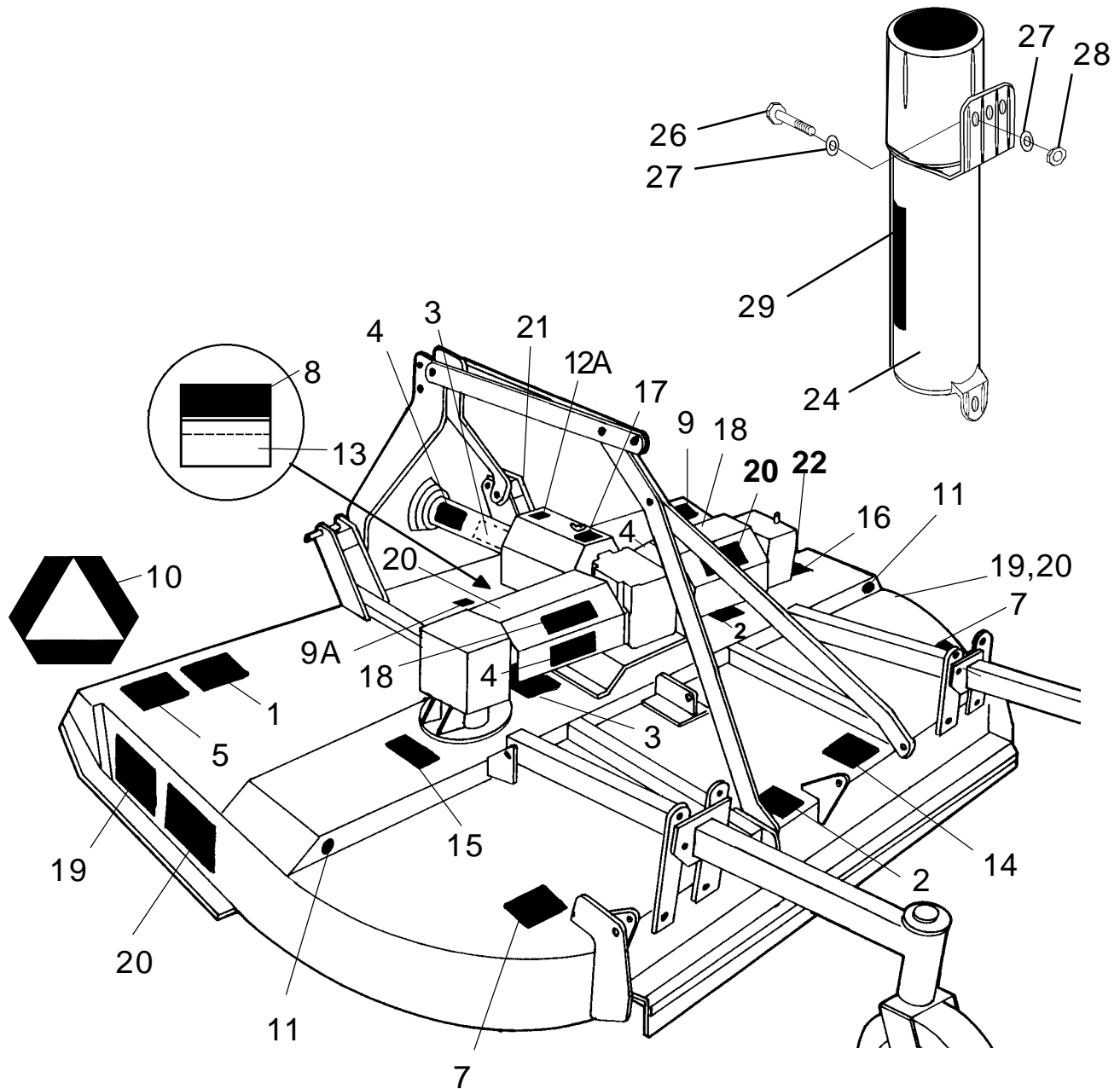


Item	Part No.	Qty.	Description
	00763516	-	Caster Arm & Whl Asy (Aircraft Tire)
	00758153	--	Caster Arm & Whl Asy (Laminated 6 X 9 Whl)
1	00765807	2	Washer
2	165024	1	Cotter Pin
3	00750616	1	Seal
4	00750434	1	Inside Bearing Cone
5	00756577	1	Inside Bearing Cup
6	00766911A	1	Aircraft Tire, (Foam Filled)
	00025200	1	Laminated 6 X 9.00 Whl)
7	00003500	1	Grease Fitting
8	00756489	1	Hub Asy w/ Cups & Studs
9	00752177	5	Stud Bolt
10	00750614	5	Nut
11	00756576	1	Outside Bearing Cup
12	0371242102	1	Outside Bearing Cone
13	00756493	1	Washer
14	00756490	1	Spindle Nut
15	00026200	1	Cotter Pin
16	00756492	1	Dust Cap
17	00763097	1	Caster Arm , Foam Filled or Laminated Whl

Jun. 1992
to
Current

Decals Lift Type

S/N AG96-01001
to
S/N AG96-Current



Jun. 1992
to
Current

Decals Lift Type

S/N AG96-01001
to
S/N AG96-Current

Item	Part No.	Qty	Description
1	00725746	1	Peligro, Translate Safety Material
2	00749117	1	Danger, Multiple Hazard
3	00756004	3	Danger, D/L Shield Missing. Do not operate
4	00756005	3	Danger, Rotating D/L - Entanglement
5	00756007	1	Warning, Use/Repair Shields & Guards
6	00756059	1	Danger, Oil Leak Detection
7	00756485	2	Danger, Cutting Blades/Thrown Objects
8	00756494	1	Danger, Driveline Hazards
9	02925100	1	Caution, Alamo Genuine Parts, Rotary Mowers
9A	00773723	1	Peligro!, Rotating Driveline Translation
10	03200347	*	Reflector, SMV Sign
11	1458392	2	Reflector, Red Reflector
12A	00763977	1	Instruction, Notice to Owner
13	D114**	1	Instruction, 1000 RPM
	D103**	1	Instruction, 540 RPM
14	D132	1	Instruction, Blade Timing
15	D137	1	Instruction, CCW Blade Rotation
16	D138	1	Instruction, CW Blade Rotation
17	00763613	1	Instruction, Slip Clutch
18	00757139	2	Name, Alamo (5 x 15)
19	02960766	2	Logo, Alamo Logo (4 x 5)
20	00769875	4	Name, A96
21	nfs	1	Serial No. Plate, AG96
22	1458393	1	Reflector, Amber Reflector
24	00776031	1	Canister, Operators Manual
25	00761808C	1	Operators Manual
26	10058000	3	Bolt
27	00024100	6	Flatwasher
28	02959924	3	Locknut
29	00776481	1	Instruction, Operators Manual Inside (Decal)

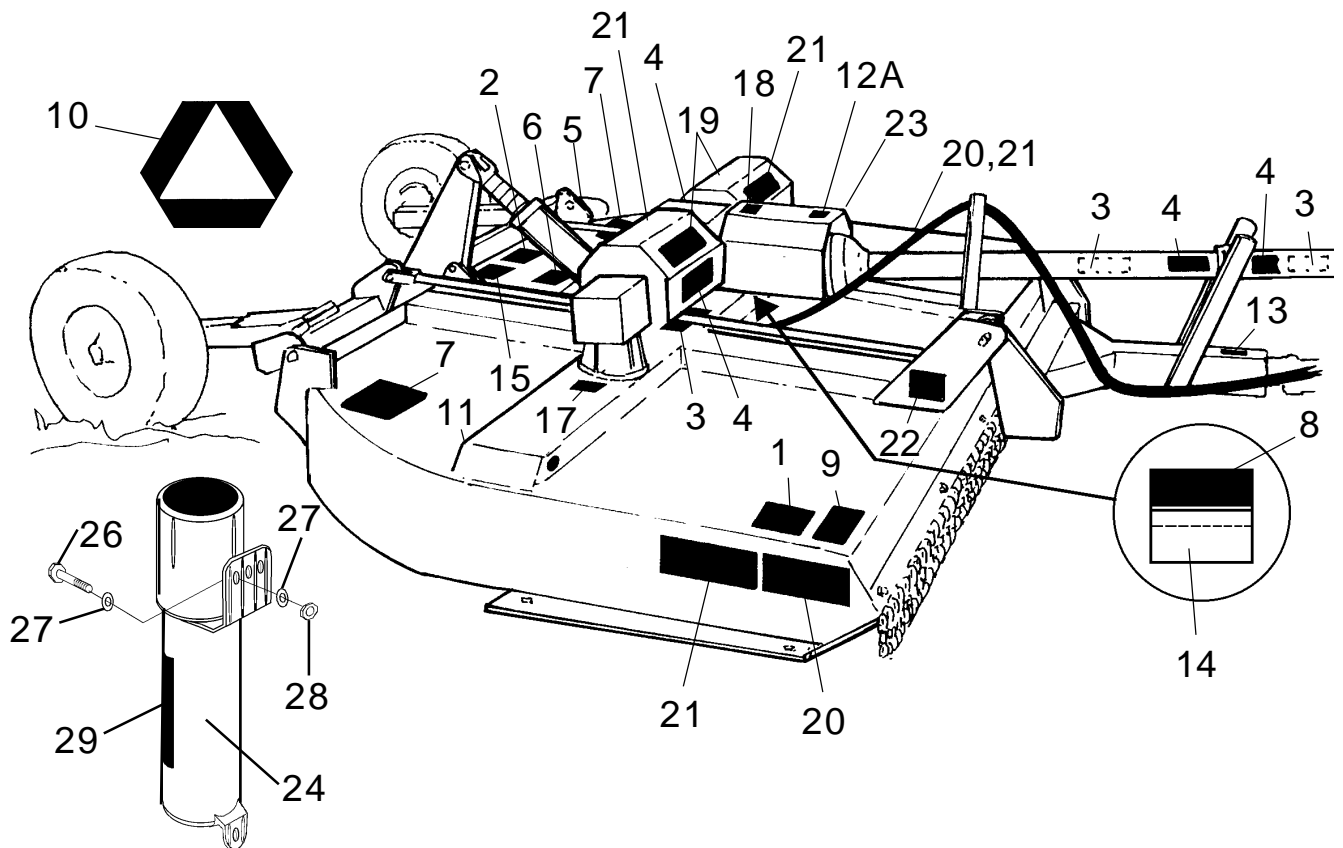
* Provided by tractor manufacturer

** 540 or 1000 RPM units only. Select correct one.

Jun. 1992
to
Current

Decals Pull Type Center & Offset

S/N AG96-01001
to
S/N AG96-Current



Jun. 1992
to
Current

Decals Pull Type Center & Offset

S/N AG96-01001
to
S/N AG96-Current

Item	Part No.	Qty	Description
1	00725746	1	Peligro, Translate Safety Material
2	00749117	1	Danger, Multiple Hazard
3	00756004	3	Danger, D/L Shield Missing. Do not operate
4	00756005	4	Danger, Rotating D/L - Entanglement
5	00756007	1	Warning, Use/Repair Shields & Guards
6	00756059	1	Warning Oil Leak Detection
7	00756485	2	Danger, Cutting Blades/Thrown Objects
8	00756494	1	Danger, Driveline Hazards
9	02925100	1	Caution, Alamo Genuine Parts, Rotary Mowers
9A	00773723	1	Peligro!, Rotating Driveline Translation
10	03200347	*	Reflector, SMV Sign
11	1458392	2	Reflector, Red Reflectors
12A	00763977	1	Instruction, Notice to Owner
13	D102	1	Instruction, Drawbar-to-PTO Adjustment
14	D114**	1	Instruction, 1000 RPM
	D103**	1	Instruction, 540 RPM
15	D132	1	Instruction, Blade Timing
16	D137	1	Instruction, CCW Blade Rotation
17	D138	1	Instruction, CW Blade Rotation
18	00763613	1	Instruction, Slip Clutch
19	00757139	2	Name, Alamo (5 x 15)
20	02960766	2	Logo, Alamo Logo (4 x 5)
21	00769875	4	Name, A96
22	nfs	1	Serial No. Plate, AG96
23	1458393	1	Reflector, Amber Reflector
24	00776031	1	Canister, Operators Manual
25	00761808C	1	Operators Manual
26	10058000	3	Bolt
27	00024100	6	Flatwasher
28	02959924	3	Locknut
29	00776481	1	Instruction, Operators Manual Inside (Decal)

Jun. 1992
to
Current

Decals

S/N AG96-01001
to
S/N AG96-Current



2 - 00756004



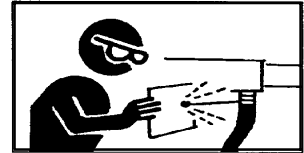
3 - 00756005

DECAL NOT SHOWN
1 - 00749117

WARNING

USE PAPER OR CARDBOARD TO CHECK FOR LEAKS. **NEVER USE YOUR HAND.** IF OIL PENETRATES SKIN, GANGRENE OR OTHER SERIOUS INJURY COULD OCCUR. **GET IMMEDIATE MEDICAL ATTENTION.**
See Operator's Manual.

00756059

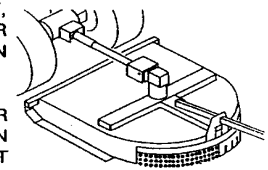


5 - 00756059

WARNING

WHENEVER THIS MACHINE IS OPERATED IN ANY AREA WHERE THROWN OBJECTS COULD INJURE PERSONS OR PROPERTY, **SAFETY SHIELDING** MUST BE INSTALLED AND IN GOOD REPAIR TO REDUCE THE POSSIBILITY OF INJURY FROM THROWN OBJECTS.

CHAIN GUARDS, SOLID BANDS, RUBBER FLAPS, AND OTHER GUARDS ARE SUBJECT TO WEAR AND LOST OR BROKEN PIECES. IT IS THE **OPERATOR'S RESPONSIBILITY** TO SEE THAT THESE ITEMS OF SAFETY EQUIPMENT ARE REPAIRED AND/OR REPLACED AS SOON AS DAMAGE OCCURS, OR YOU WILL BE OPERATING MACHINE THAT IS IN AN UNSAFE CONDITION.



00756007

4 - 00756007

DANGER

CUTTING BLADES

THROWN OBJECTS



FLAIL



ROTARY



FLAIL



ROTARY

KEEP AWAY - ROTATING BLADES

SERIOUS INJURY OR DEATH CAN RESULT FROM THROWN OBJECTS OR BLADE CONTACT.

- * STOP MOWING IF PERSONS ARE NOT CLEAR OF THROWN OBJECTS.
- * DO NOT STAND ON OR NEAR MACHINE WHEN IN OPERATION.
- * DO NOT OPERATE WITH DEFLECTORS OR GUARDS REMOVED. 00756485

6 - 00756485

ATTENTION!

Do not operate PTO until ALL Slip Clutches are properly adjusted and checked to make certain that NONE ARE FROZEN and that ALL WILL SLIP under excessive load. See Operator's Manual for complete instructions.


00763613

17,18 - 00763613

Jun. 1992
to
Current



Decals

S/N AG96-01001
to
S/N AG96-Current


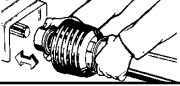


DANGER

1. MAKE CERTAIN DRIVELINES ARE OF THE CORRECT LENGTH AND SECURELY ATTACHED. **DRIVELINE SEPARATION AND/OR PTO STUB SHAFT FAILURE CAN CAUSE INJURY OR DEATH.** (See Operator's Manual for procedure.)

* SEE MANUAL FOR MINIMUM OVERLAP & MINIMUM/MAXIMUM LENGTHS	BOTTOMING OUT
	

2. MAKE CERTAIN THAT DRIVELINE SHIELDS ARE **INSTALLED CORRECTLY** AND **TURN FREELY** TO PREVENT INJURY OR DEATH FROM ENTANGLEMENT

	
---	---

3. MAKE CERTAIN THAT DRIVELINE IS INSTALLED CORRECTLY ON TRACTOR PTO SHAFT. MOVE YOKE BACK AND FORTH UNTIL LOCKING COLLAR CLICKS FORWARD AND LOCKS YOKE IN PLACE

4. **540 PTO RPM** UNLESS SPECIFICALLY MARKED OTHERWISE. 00756494

7 - 00756494

OPERATE THIS MACHINE WITH

1000 RPM

TRACTOR P.T.O. SPEED D-114

13,14 - D114

OPERATE THIS MACHINE WITH


540 RPM

TRACTOR P.T.O. SPEED

13, 14 - D103

IMPORTANT

For your safety and to guarantee optimum product reliability, always use Genuine ALAMO INDUSTRIAL replacement parts. The use of inferior "will-fit" parts will void Warranty of your ALAMO INDUSTRIAL implement and may cause premature or catastrophic failure which can result in serious injury or death. If you have any questions concerning the repair parts you are using, contact ALAMO INDUSTRIAL, 1502 E. Walnut Seguin, TX 78155 (830) 372-3551.


02925100

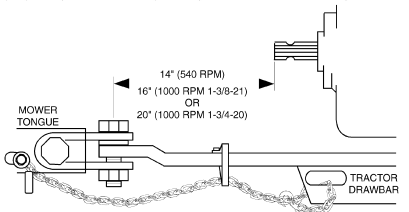
9- 02925100



18,19 - 02967139

IMPORTANT

REQUIRED FOR JACKSHAFT UNIT
SUGGESTED FOR STANDARD SHAFT



Attach Safety Chain securely as per ASAE S338 D102

12- D102

IMPORTANT

Time Blade Carriers
Perpendicular To
Each Other.

Servis-Rhino
Seguin, TX.


D132

14,15 - D132

NOTICE TO OWNER

An OPERATOR'S MANUAL (with Repair Parts Listing) and a WARRANTY REGISTRATION CARD were attached to this implement during final inspection at the factory.

If they were not attached at the time of purchase, please contact your selling dealer at once.

1. Read and understand Manual before operating the implement.
2. Complete, sign, and mail the Warranty Registration Card in today. 00763977

12A-00763977

Jun. 1992
to
Current

Decals

S/N AG96-01001
to
S/N AG96-Current

! PELIGRO

Si No Lee Ingles, Pida Ayuda a Alguien
Que Si Lo Lea Para Que le Traduzca las
Medidas de Seguridad.

LEA EL INSTRUCTIVO



00725746

1 - 00725746

! PELIGRO

Un manual de la
seguridad de la línea
de conducción
n/p 00773776 está
disponible en
español. Llame el
número enumerado
para una copia
grátis.



*LÍNEA DE CONDUCCION GIRATORIA-
EL CONTACTO PUEDE CAUSAR LA MUERTE
¡MANTENERSE LEJOS!
NO FUNCIONE SIN QUE-*

- Todos los protectores de la línea de Conducción, alimentador y blindajes del Equipo estén en su lugar
- Las líneas de conducción estén conectadas con seguridad en ambos extremos
- Los protectores de la línea de conducción den vuelta libremente en la línea de Conducción

00773723

9A - 00773723



19,20 - 02960766

AG96

20,21- 00761676



BLADE ROTATION

16,17 - D138



BLADE ROTATION

15,16 - D137

OPERATOR'S MANUAL INSIDE

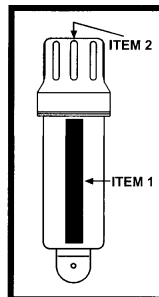
READ AND UNDERSTAND Before Operating Tractor & Implement
If Manual is missing, obtain one before operating from Dealer or Alamo Group (800) 221-2855

00776481

ITEM 1



ITEM 2



00776481 Decal Canister Sheet

29 --00776481

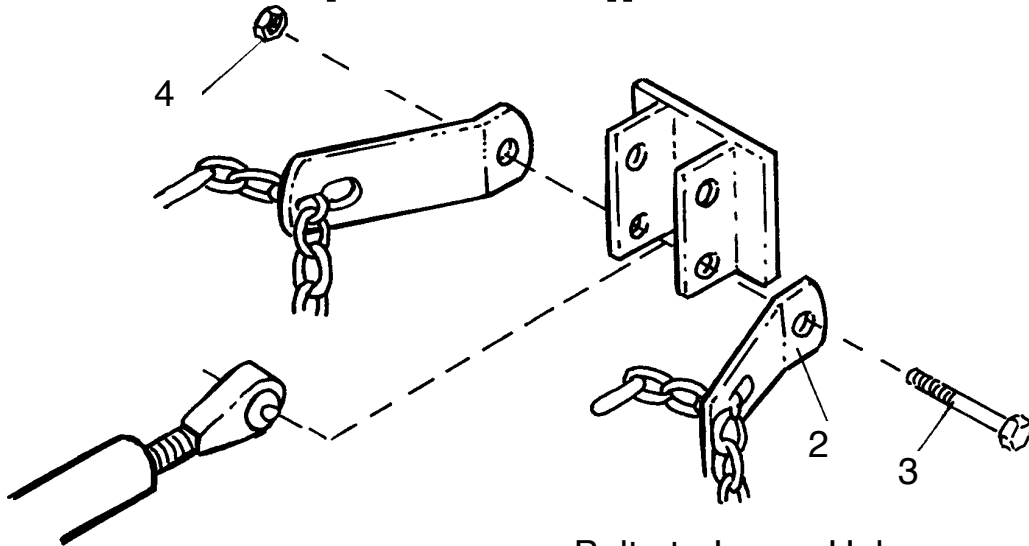
Jun. 1992
to
Current

CHECK CHAINS

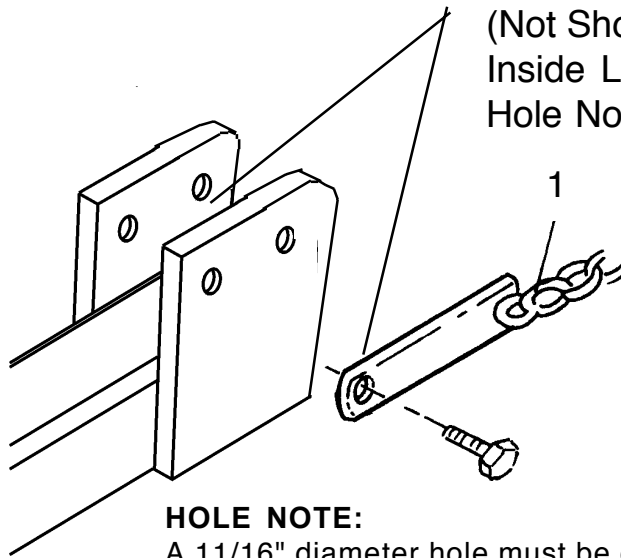
3 Point

Optional Eqpt.

S/N AG96-01001
to
S/N AG96-Current



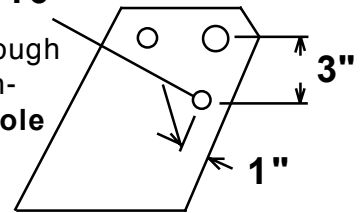
Bolts to Lower Hole
(Not Shown) on the
Inside Lug See
Hole Note Below.



HOLE NOTE:

A 11/16" diameter hole must be drilled through the inside hitch lug according to the dimensions shown. **Down 3" f/ center of top hole & 1" Back f/ front edge to edge of Hole.**

**Drill
11/16"**



Item	Part No.	Qty.	Description
	3571M	--	Check ChainKit (Cat II Only)
1	8710	2	Carrier Chain Asy
2	8711	2	Carrier Adjustment Strap
3	02845500	2	Bolt
4	00695100	2	Nut, Toplock 5/8 NC PLC

