



AG20-IV / AG14-IV

Rotary Flex-Wing Mower

Rev 03-13

P/N 02979200

ARCHIVE BOOK - 1

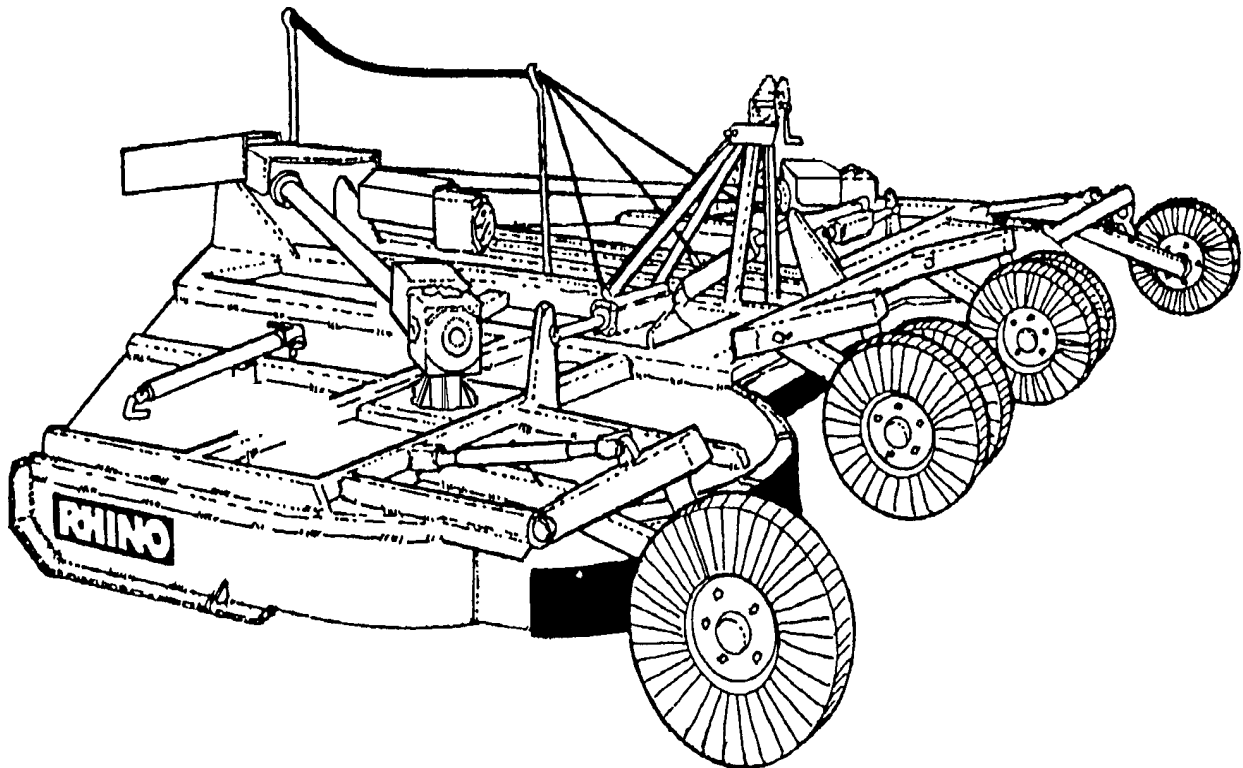
Archive Book 1 of 2

By Serial Number / Production

AG20-IV Model - 20' Flex Wing Rotary

AG14-IV Model - 14' Model (Not Available till after Jul. 1994)

Book 1 Contains: Sep. 1989 S/N AG20-01050 to Jul. 1994 S/N AG20-01299



COMPLETE PARTS LISTING BOOK 1

ALAMO INDUSTRIAL

1502 E. Walnut
Seguin, Texas 78155
830-372-9595



BUILT SHARPER®
An Alamo Group Company

© 2013 Alamo Group Inc.

NOTES

INDEX - AG20-IV

(20' Flex Wing Rotary)

ITEM	PAGE NO.
INTRODUCTION	
Parts Section Introduction.....	1
AXLE	
Center Axle.....	6-7-8-9
Wing Axle.....	10-11-12-13
BLADES & CARRIER	
Pan Carriers.....	28
Bar Carriers.....	70-71
CHAINGUARDS	
Front & Rear.....	44-45-46-47
CLUTCHES	
Intermeadiate & Wing Drivelines.....	38-39
CONTROL RODS	
Leveling Front to Rear.....	14
Tongue Clevis Level.....	4
DECALS	
All.....	68 thru 72
DECK	
Center & Wing Section.....	2-3
DEFLECTORS	
Front & Rear.....	40-41-42-43
DRIVELINES	
PTO	
540 RPM & 1000 RPM.....	30-31-32-33
Intrmeadiate	
540 & 1000 RPM.....	34-35
Wing	
540 RPM & 1000 RPM.....	36-37
GEARBOX	
Divider, 540 RPM & 1000 RPM.....	16-17
Center Section.....	540 RPM..... 18-19
	1000 RPM..... 20-21
RH Wing Section.....	540 RPM & 1000 RPM..... 22-23
LH Wing Section	540 RPM & 1000 RPM..... 24-25

INDEX - AG20-IV

(20' Flex Wing Rotary)

ITEM	PAGE NO.
GEARBOX SHIELD	
Divider & Center Blade Box.....	26
HYD. CYL.	
Center Axle Lift (Standard Axle Lift).....	52-53
Center Axle Lift (Optional Level Lift).....	54
Wing Lift & Fold, LH & RH.....	55-56
HYD. HOSE STAND	
All Hose Stands.....	15
HYD. Schematic	
Standard Lift & Fold.....	58-59
Optional Lift & Fold.....	60-61
HYD. VALVE	
Closed Center.....	48-49
Open Center.....	50-51
PARKING JACK	
Tongue Lift Jack.....	5
SAFETY CHAIN	
Tongue Safety Connection.....	4
SKID SHOES	
Center & Wing.....	2-3
SLIP CLUTCHES	
Pull or Lift Type.....	38-39
TONGUE	
Tongue & Tongue Control Rod.....	4
WHEEL HUBS	
Center & Wing Axle.....	62-63
WHEELS	
Center & Wings.....	64
WINCH & STAND	
Center & Wings.....	66-67

AG20-IV Rotary ARCHIVE BOOK

INTRODUCTION - VOLUME I

The AG20-IV Archive Book is a complete listing of Parts from the first Unit to the Present in two volumes, Volume I from Sep. 1989 (s/n AG20-01050 Start) to Jul. 1994 & Volume II from Aug. 1994 to Current. The Production Dates, Serial Numbers, Special Notes and Descriptions are furnished to help find Replacement Parts. Dimension (if listed) are for Identification of Parts and MAY NOT be to Manufacturing Specification, Your measurements may vary some from dimensions listed. Some Parts may be changed and be different than parts listed. Some Modification may be required when replacing older parts. Match S/N's listed in the rear of this Book with the Ship Dates listed at the top of each Parts Page. This is because of the wide range of Model sizes using these S/N's

PAGE EXAMPLE

Beginning Production Date

Sep. 1989
to
Jul. 1994

Ending Production Date

DECK
COMPONENTS

Componets Listed This Page

Beginning S/N

S/N AG20 -01050
to
S/N AG20-01160

Ending S/N

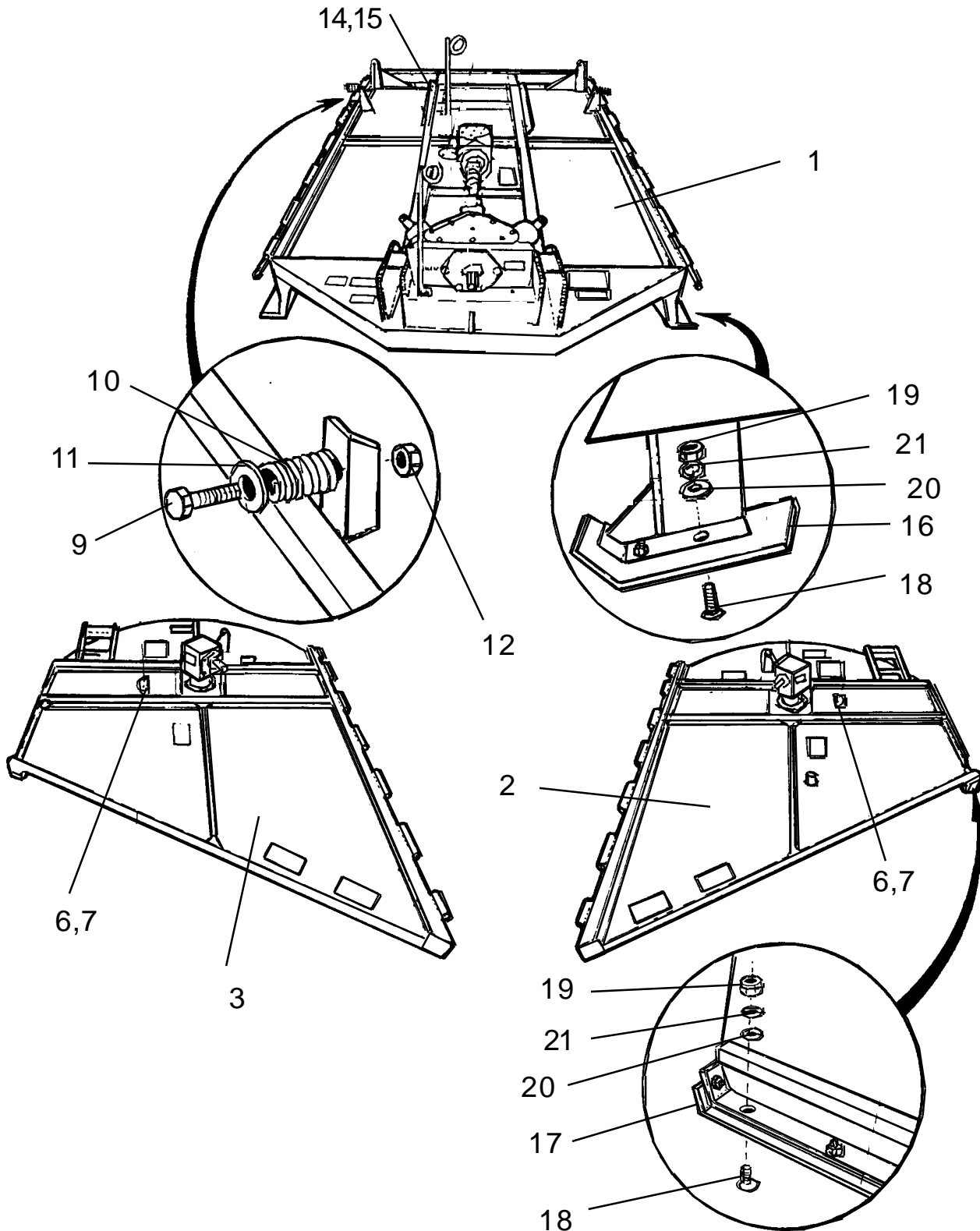
For ordering parts the following instructions are offered to help eliminate delay

1. The purchase order must include the Name, Address (Ship to Street Address) of the Person / Organization ordering the parts. Who / How Parts should be Billed. Name and Phone Number of a Contact Person at your end.
2. The Purchase Order must list clearly the correct Part Number of Part. Quantity of each Part wanted, Complete and correct Description of each Part. All Parts will be shipped as requested depending on availability and/or reasonability of request carrier / method.
3. Alamo Industrial reserves the right to substitute parts where applicable and change prices Without prior notice. Alamo Industrial also reserves the right to Ship Parts the most Reasonable way as determined by Alamo Industrial.
4. Some Parts are unlisted items, which are special production items not normally stocked or built for a limited / special use, These parts may be subject to special handling or cannot be priced till ordered. Always Request a quotation for such Parts before sending a purchase order.

Sep. 1989
to
Jul. 1994

Deck Components

S/N AG20-01050
to
S/N AG20-01299



Sep. 1989
to
Jul. 1994

Deck Components

S/N AG20-01050
to
S/N AG20-01299

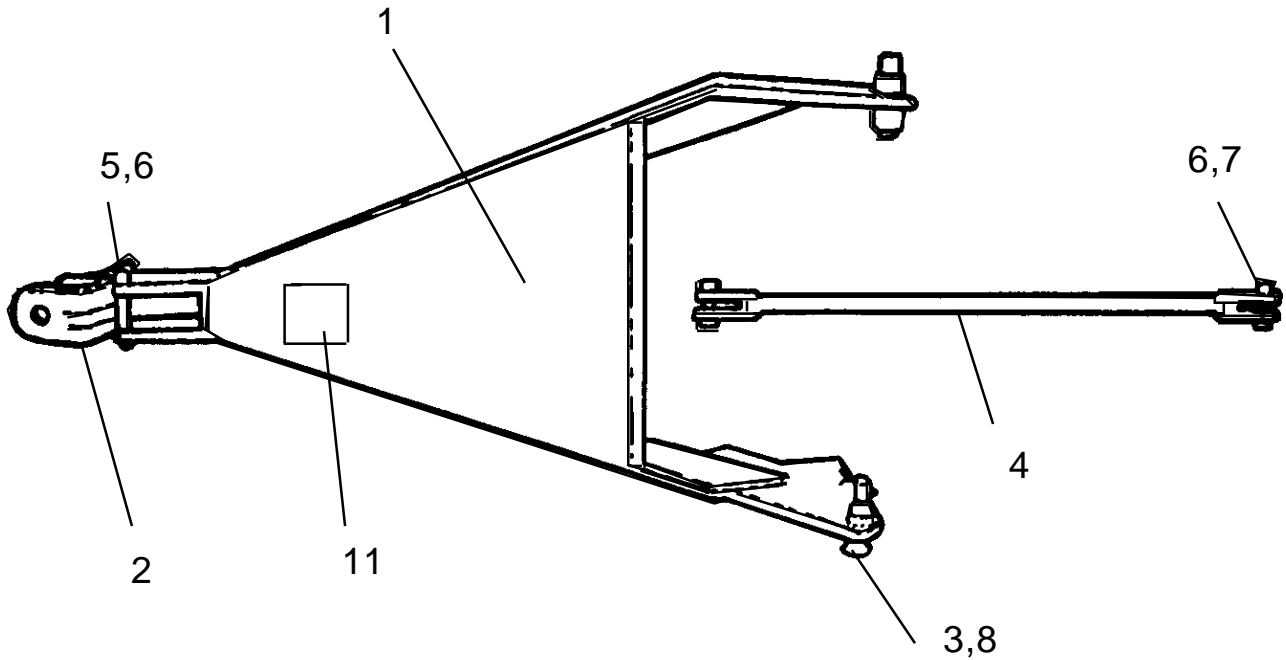
Item	PartNo.	Qty.	Description
1	00757766	1	Center Deck Wldmt, (w/o Gearbox)
2	00757765	1	LH Wing Deck Wldmt, (w/o Gearbox)
3	00757764	1	RH Wing Deck Wldmnt, (w/o Gearbox)
4	0811090000	2	Pin, Hinge
5	7A51812	2	Bolt
6	5710121	3	Plate, Cover
7	5F5180	6	Nut, Wing
8	5JRC5180	2	Locknut
9	7A81344	2	Bolt
10	371063A	2	Spring
11	0811120000	2	Spring Retainer Disk
12	5JRC8130	2	Locknut
14	0811110000	2	Transport Bar
15	37107B13	4	Retaining Pins
16	0815080107	2	Skid Shoe, Center
17	0811080000	2	Skid Shoe, LH or RH Wing
18	2A381312	12	Plow Bolt
19	00001200	12	Nut, Hex
20	15B800	4	Washer, Plain
21	00001300	12	Lock Washer

Note: The AG20-IV Archive Book is in 2 volumes, Sep 1989 to Jul. is Book I and 1994 and Aug. 1994 to Current is Book II. After July 1994 this model was changed in design. The Decks, Axles, Tongue and most all the other components were changed to the extent that they WOULD NOT Interchange with this older style. The Best way to ID this later Design would be the Rear Axle System. The Rear Axle System is a Mechanical Level Lift design where the Center and Wing Axles are connected with adjustable turn buckles, This is to allow one Cylinder (the center Axle Lift Cylinder) to raise all three Axles at the same time, For this later Design See Book 2 of the AG20-IV Archive Books. DO NOT order Parts from this Book if you have a Mower built after July 1994 (S/N AG20-01299)

Sep. 1989
to
Jul. 1994

Tongue And Control Rod

S/N AG20-01050
to
S/N AG20-01299



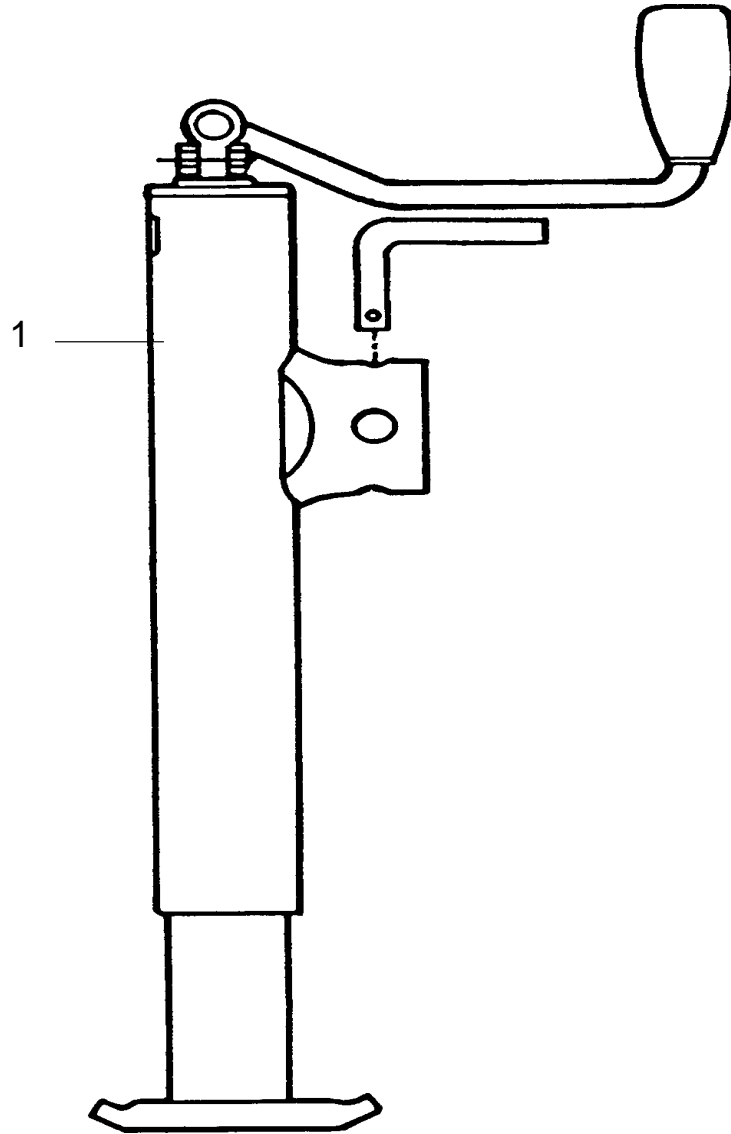
Item	Part No.	Qty.	Description
	00760480	-	Tongue Asy w/o Control Rod
1*	00760479	1	Tongue Weldment
2*	651052	1	Tongue Clevis
3*	081105 0030	2	Tongue Pivot Pin
4	0811050040	1	Tongue Control Rod Wldmnt
5*	7AH5121636	1	Capscrew
6*	00748539	3	Locknut
7	7AH5121620	2	Bolt
8*	00606000	2	Pin, Cotter
9*	00748547	1	Flatwasher, (Not Shown)
10*	5JRC1490	1	Locknut, (Not Shown)
11	D140	1	Decal, Draw Bar Adjust

* These Items are included in Tongue Asy

Sep. 1989
to
Jul. 1994

Tongue And Control Rod

S/N AG20-01050
to
S/N AG20-01299

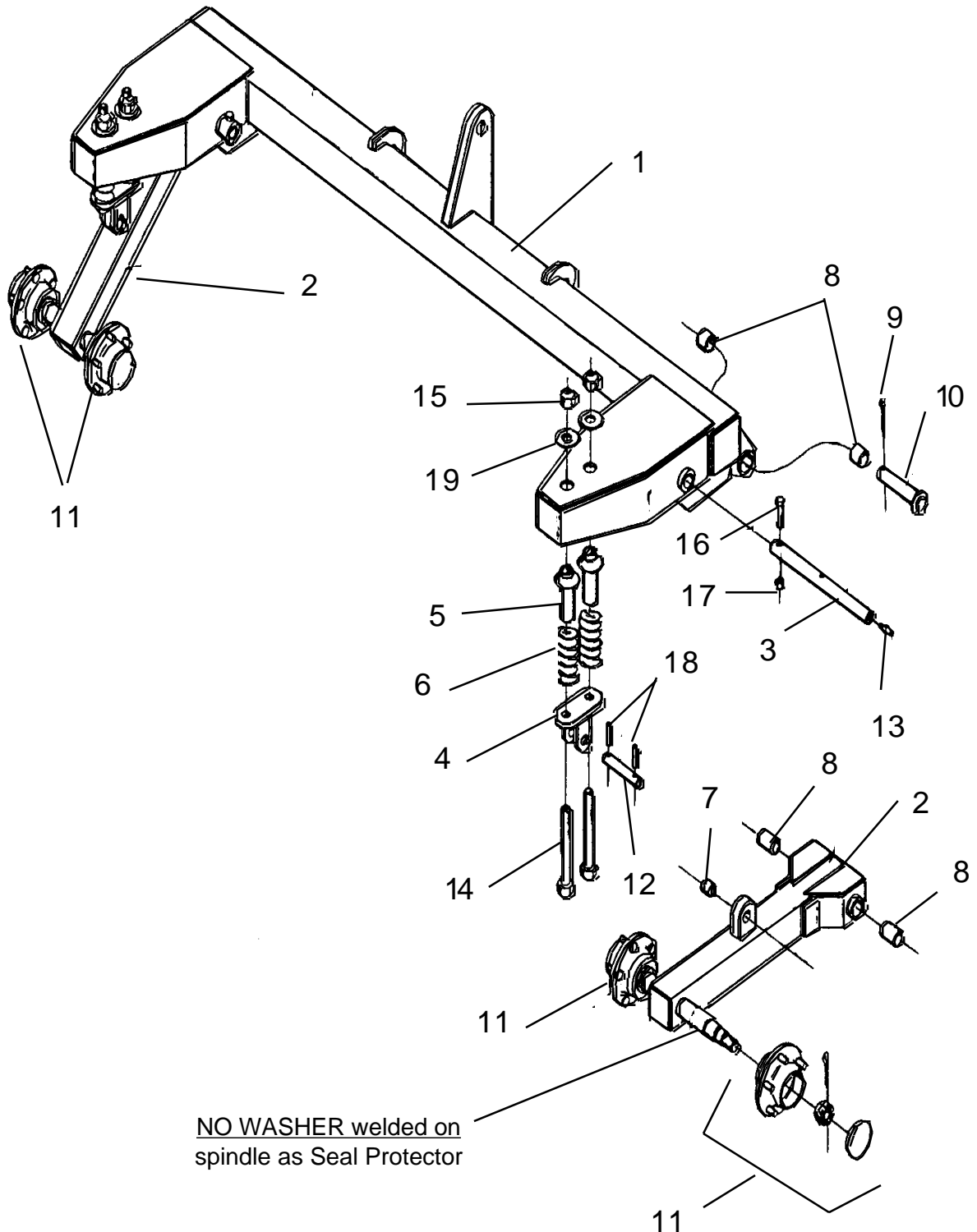


Item	Part No.	Qty	Description
1	00756655	1	Parking Jack

Sep. 1989
to
Jan. 1990

Axle Center

S/N AG20-01050
to
S/N AG20-01055



Sep. 1989
to
Jan. 1990

Axle Center

S/N AG20-01050
to
S/N AG20-01055

Item	Part No.	Qty.	Description
	00756473	--	Axle Asy Center (Items 1 thru 19)
1	0811060010	1	Center Axle Bracket Weldment
2	00756472	2	Axle Arm Weldment Only, Dual Spindle
3	0811060030	2	Axle Arm Pivot Pin
4	651063	2	Spring Base
5	65107A4	4	Spring Guide
6	371063A	4	Spring
7	651062D	2	Bushing, Spring Base Pivot
8	651062E	10	Bushing, Bronze, Axle Arm Pivot
9	00755153	3	Cotter Pin
10	651054	3	Tongue Pivot Pin
11*	00756489	4	Hub Asy, W/ Components
12	65121B2	2	Spring Base Pin
13	17C1610	2	Grease Fitting
14	02023800	4	Bolt
15	00037200	4	Locknut
16	00016200	2	Bolt
17	00750940	2	Locknut
18	2OBH5012	4	Spiral Pin
19	00002701	4	Washer

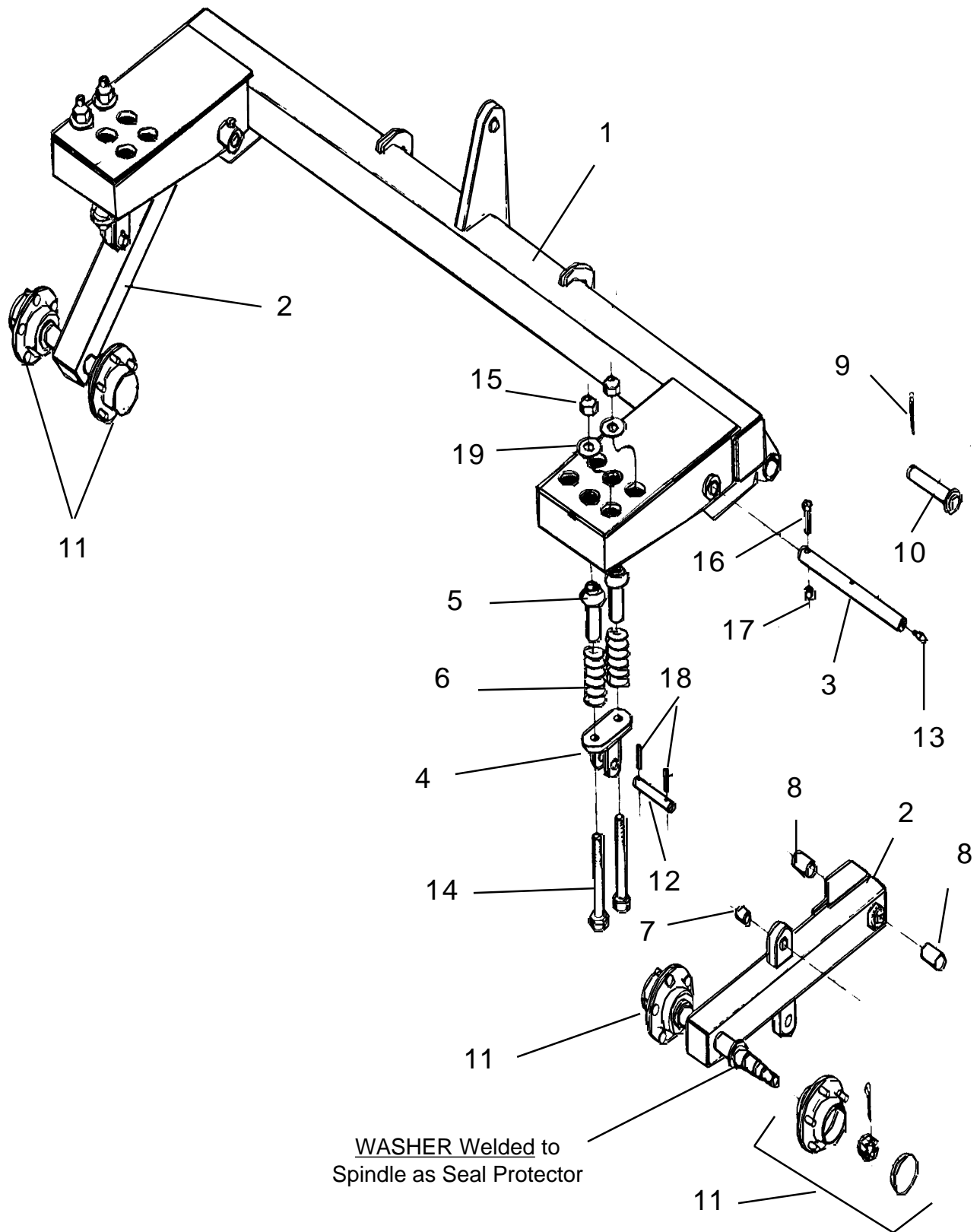
NOTE *:

Item # 11 Hub Will Not have a washer welded onto Spindle as a Seal protector and this Hub has a 1" Spindle Nut. The Later Hub Will have this washer welded on Spindle and the Spindle Nut is a 7/8" Nut.

Feb. 1990
to
Jul. 1994

Axle Wings

S/N AG20-01056
to
S/N AG20-01299



Feb. 1990
to
Jul. 1994

Axle Wings

S/N AG20-01056
to
S/N AG20-01299

Item	Part No.	Qty.	Description
	00758850	--	Axle Asy Center (Items 1 thru 19)
1	00758843	1	Center Axle Bracket Weldment
2	00758994	2	Axle Arm w/ Dual Hubs complete
	00758841	2	Axle Arm Wldmnt Only (Dual Spindle)
3	0811060030	2	Axle Arm Pivot Pin
4	651063	2	Spring Base
5	65107A4	4	Spring Guide
6	371063A	4	Spring
7	651062D	2	Bushing, Spring Base Pivot
8	00753803	4	Bushing, Bronze, Axle Arm Pivot
9	00755153	3	Cotter Pin
10	651054	3	Tongue Pivot Pin
11*	371247	4	Hub Asy, W/ Components
12	65121B2	2	Spring Base Pin
13	00003500	2	Grease Fitting
14	02023800	4	Bolt
15	00037200	4	Locknut
16	00016200	2	Bolt
17	00750940	2	Locknut
18	2OBH5012	4	Spiral Pin
19	00002701	4	Washer

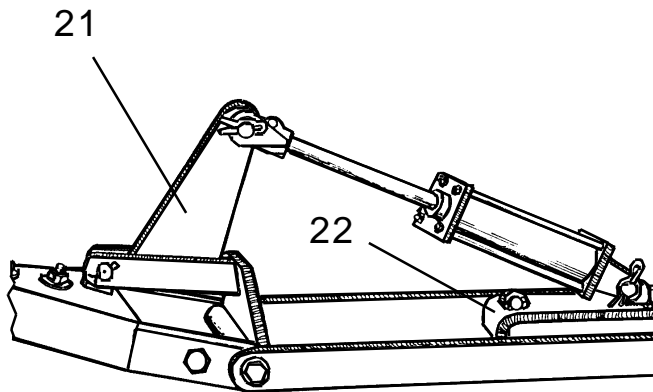
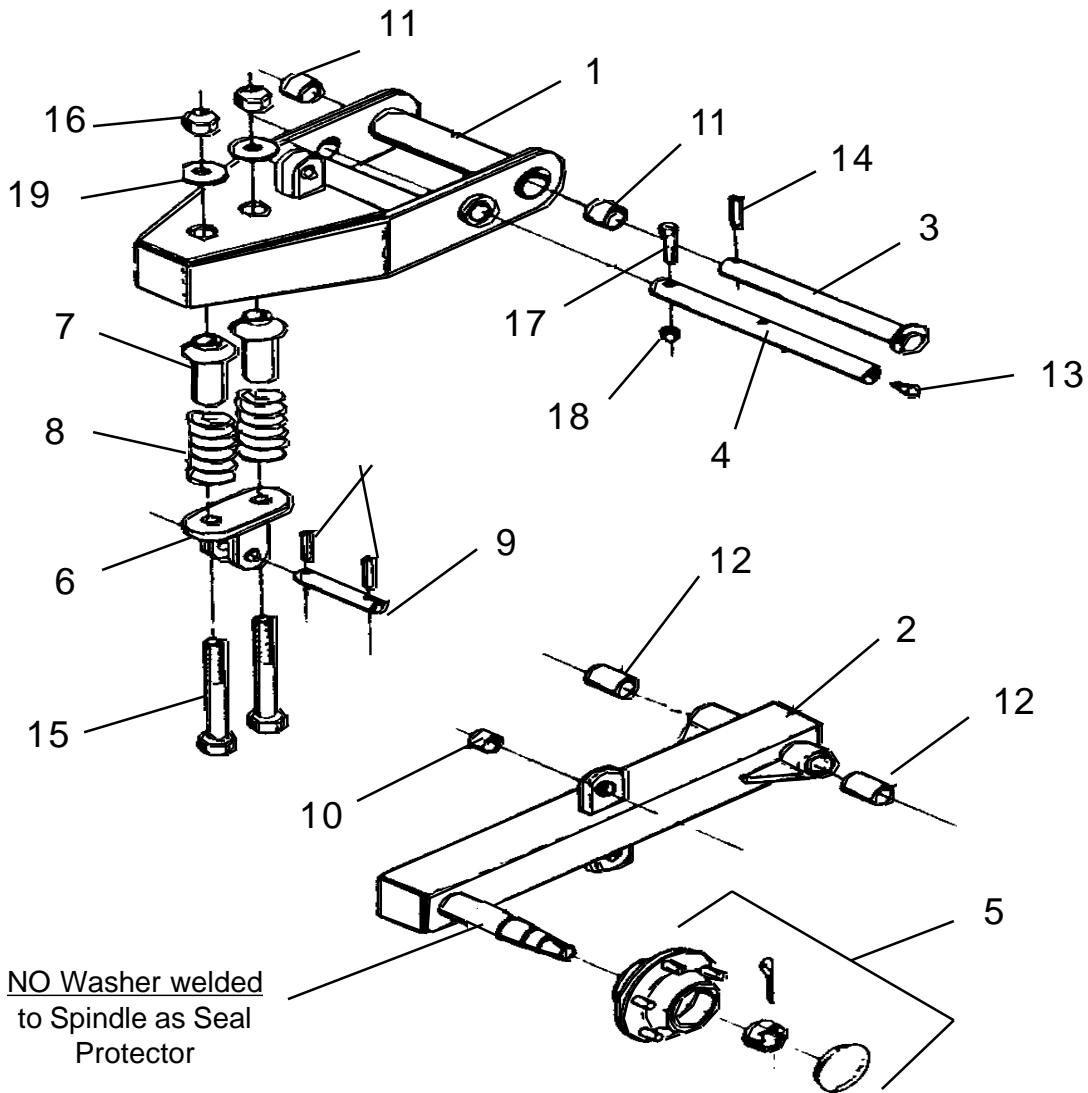
NOTE *:

Item # 11 Hub will have a washer welded onto Spindle as a Seal protector and this Hub has a 7/8" Spindle Nut. The earlier Hub Will Not have this washer welded on Spindle and the Spindle Nut is a 1" Nut

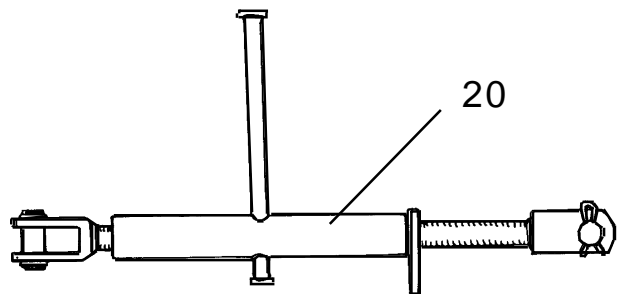
Sep. 1989
to
Jan. 1990

Axle Wings

S/N AG20-01050
to
S/N AG20-01055



Optional Hydraulic Level Lift



Standard Lift Screw

Sep. 1989
to
Jan. 1990

Axle Wings

S/N AG20-01050
to
S/N AG20-01055

Item	Part No.	Qty.	Description
	00756470	--	Axle Asy, RH (Shown) Items 1 Thru 19
	00756471	--	Axle Asy, LH (Not Shown) Items 1 Thru 19
1	0811070010	1	Outboard Axle Bracket Wldmnt
2	00756469	1	Single Spindle Axle Wldmnt
3	0811070030	1	Axle Bracket Pivot Pin
4	0811060030	1	Axle Arm Pivot Pin
5	00756489	1	Hub w/cups & studs
6	651063	1	Spring Base
7	65107A4	2	Spring Guide
8	371063A	2	Spring
9	65121B2	1	Spring Base Pin
10	651062D	1	Bushing, Spring Base Pivot
11	02959889	2	Bushing, Axle Bracket Pivot
12	00753803	2	Bushing, Axle Arm Pivot
13	00003500	1	Grease Fitting
14	20BH5012	3	Spiral Pin
15	02023800	2	Capscrew
16	00037200	2	Locknut
17	00016200	1	Capscrew
18	00750940	1	Locknut
19	00002701	2	Washer
20	0656510000	1	Ratchet Lift Screw Asy, (std. lift only)
21*	0812140100	1	Rear Lift Bracket (Level lift only)
22*	0812140200	1	Adapter Plate (Level Lift only)

NOTE *:

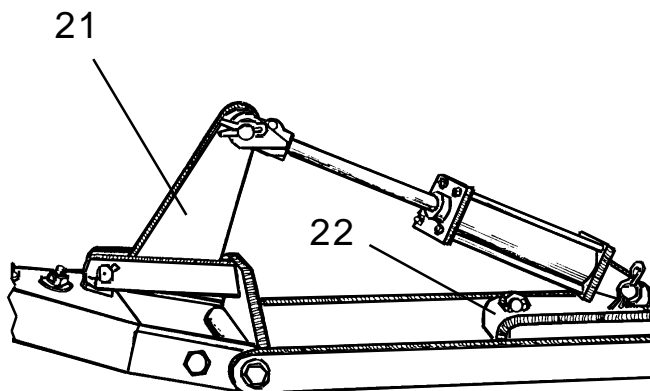
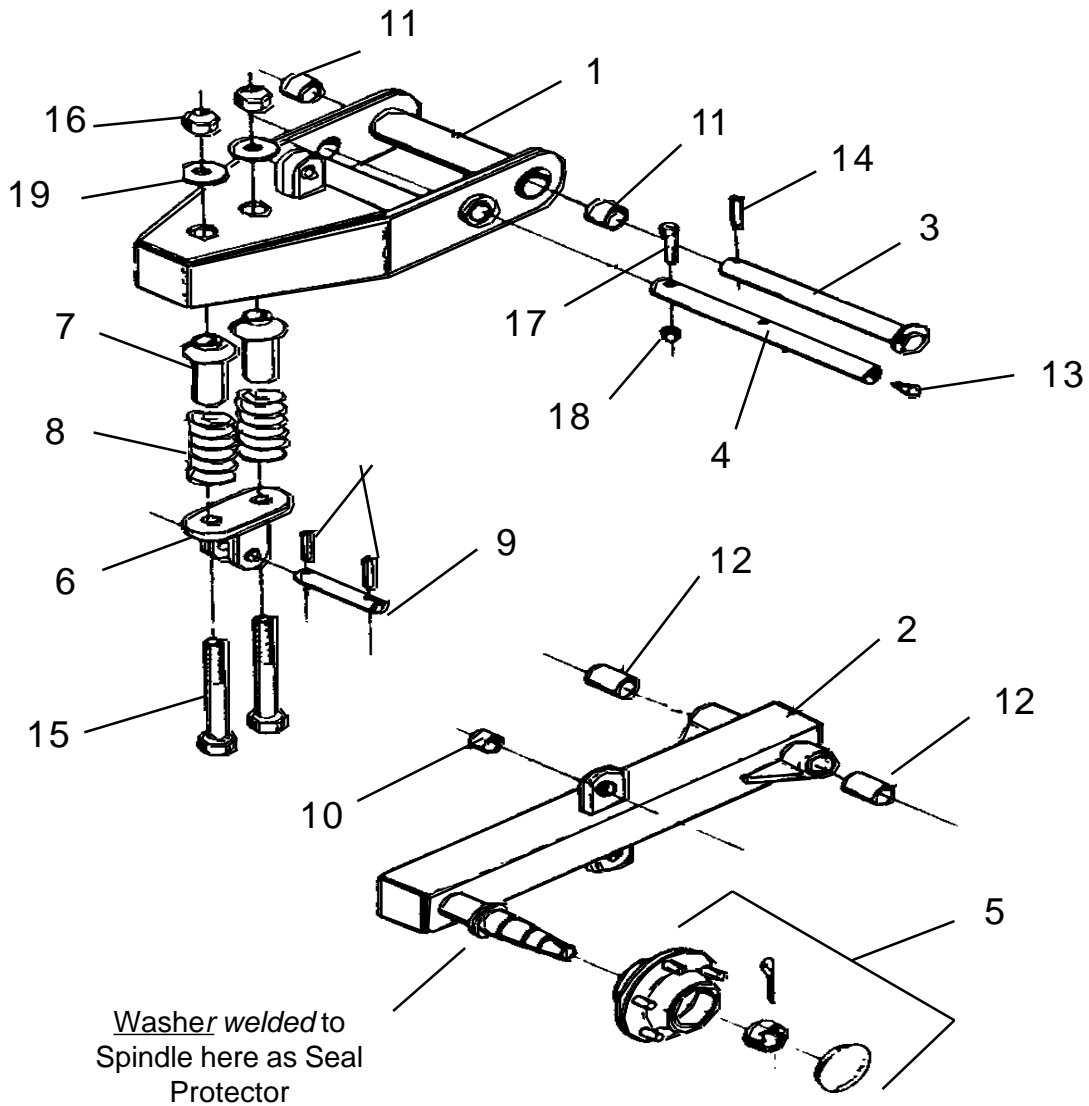
Items # 21 & 22 are ONLY used if Unit is equipped with the OPTIONAL Hydraulic Level Lift System, The Hydraulic Level Lift System will not fit without these brackets.

Item # 5 Hub Will Not have a washer welded onto Spindle as a Seal protector and this Hub has a 1" Spindle Nut. The Later Hub Will have this washer welded on Spindle and the Spindle Nut is a 7/8" Nut.

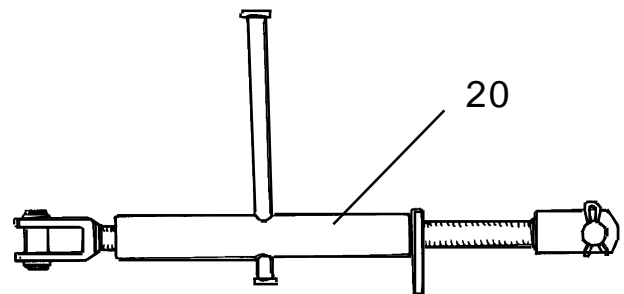
Feb. 1990
to
Jul. 1994

Axle Wings

S/N AG20-01056
to
S/N AG20-01299



Optional Hydraulic Level Lift



Standard Lift Screw

Feb. 1990
to
Jul. 1994

Axle Wings

S/N AG20-01056
to
S/N AG20-01299

Item	Part No.	Qty.	Description
	00758849	--	Axle Asy, RH (Shown) Items 1 Thru 19
	00759011	--	Axle Asy, LH (Not Shown) Items 1 Thru 19
1	00758842	1	Outboard Axle Bracket Wldmnt
2	00758823	1	Single Spindle Axle Wldmnt
3	0811070030	1	Axle Bracket Pivot Pin
4	0811060030	1	Axle Arm Pivot Pin
5*	371247	1	Hub w/cups & studs
6	651063	1	Spring Base
7	65107A4	2	Spring Guide
8	371063A	2	Spring
9	65121B2	1	Spring Base Pin
10	651062D	1	Bushing, Spring Base Pivot
11	02959889	2	Bushing, Axle Bracket Pivot
12	00753803	2	Bushing, Axle Arm Pivot
13	00003500	1	Grease Fitting
14	20BH5012	3	Spiral Pin
15	02023800	2	Capscrew
16	00037200	2	Locknut
17	00016200	1	Capscrew
18	00750940	1	Locknut
19	00002701	2	Washer
20	0656510000	1	Ratchet Lift Screw Asy, (std. lift only)
21*	0812140100	1	Rear Lift Bracket (Level lift only)
22*	0812140200	1	Adapter Plate (Level Lift only)

NOTE *:

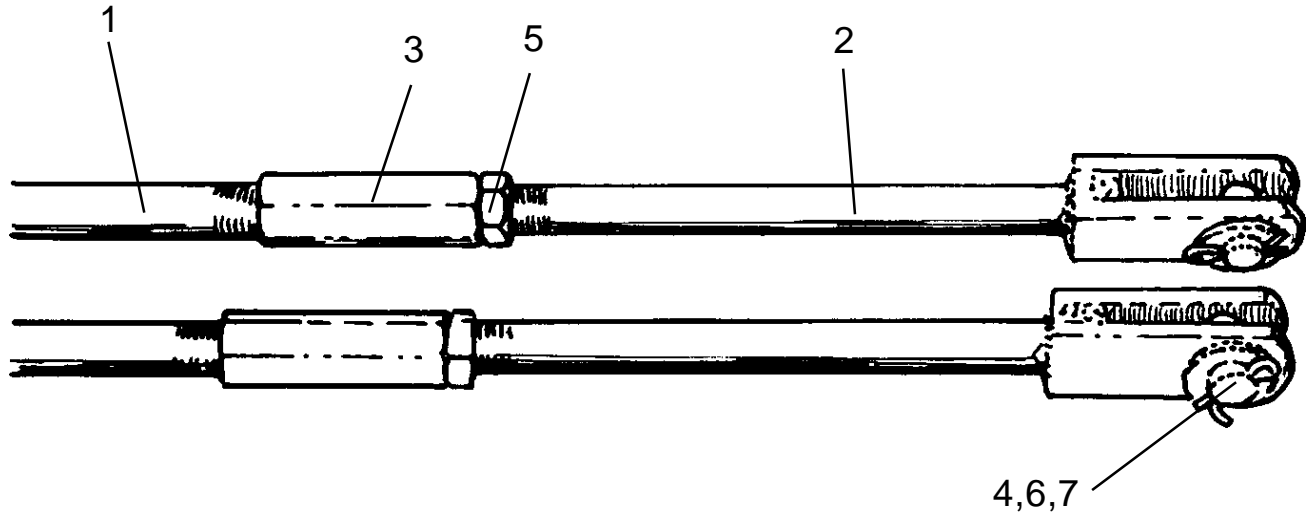
Items # 21 & 22 are ONLY used if Unit is equipped with the OPTIONAL Hydraulic Level Lift System, The Hydraulic Level Lift System will not fit without these brackets.

Item # 5 Hub will have a washer welded onto Spindle as a Seal protector and this Hub has a 7/8" Spindle Nut. The earlier Hub Will Not have this washer on Spindle and the Spindle Nut is a 1" Nut

Sep. 1989
to
Jul. 1994

Control Rods Leveling Rods

S/N AG20-01050
to
S/N AG20-01299



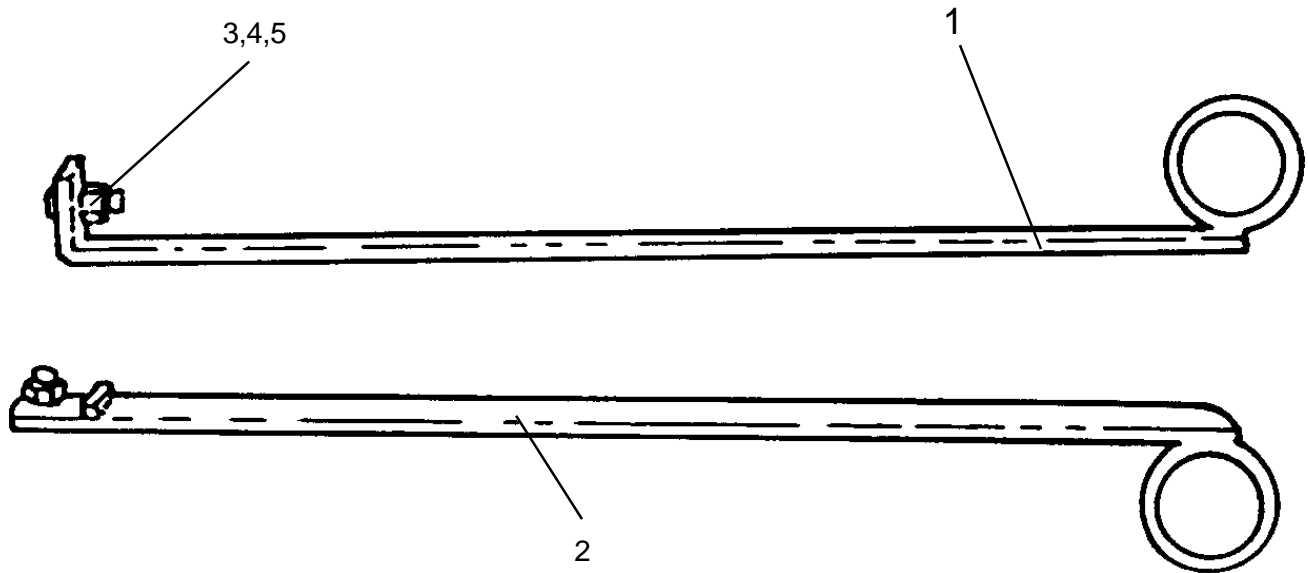
Item	Part No.	Qty.	Description
	00759883	--	*Control Rod Asy Complete (Item # 1 thru 7)
1	0811100010	1	Control Rod, Long, L.H. Thread
2	00758643	1	Control Rod, Short, R.H. Thread
3	421062	1	Adjusting Nut
4	651102	2	Control Rod Pin
5	5C1490	1	Nut, Jam
6	00755153	4	Pin, Cotter
7	15B1200	4	Washer, Plain SAE

NOTE *: Qty shown is for for one Control Rod, Two Control Rod Asy required per Mower, The Tightening of these Control Rods are very Critical, they MUST tightened to equal tension, To check this with mower weight on Draw Bar Strike each Control Rod with a hammer and listen to the sound it makes, when the sound is the same for each control rod they are adjusted right, each time the tightness of one control rod is changed they both must be checked and re-adjusted. Shortening the length of the rods will raise the front of the mower, making them longer will lower the front of mower.

Sep. 1989
to
Jul. 1994

Hydraulic Hose Brackets

S/N AG20-01050
to
S/N AG20-01299



Item	Part No.	Qty.	Description
	0651140099	--	Hose Bracket Bundle, Front & Rear w/Hardware
1	0651150100	1	Bracket, Hose, Rear Only
2	0651140100	1	Bracket, Hose, Front Only
3	00008300	2	Capscrew
4	00010400	2	Nut, Hex.,
5	00010300	2	Washer, Lock

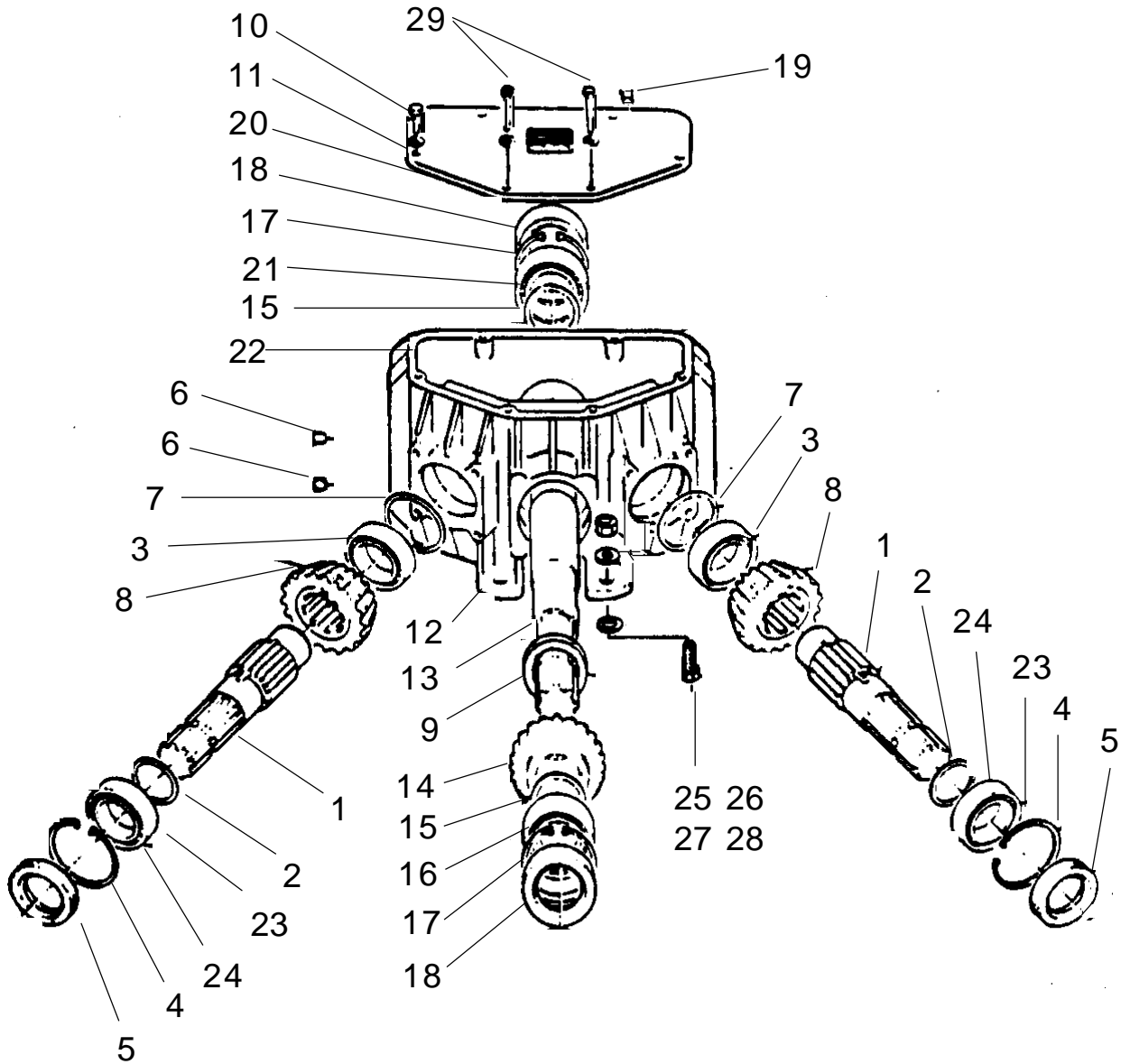
* Bundle # - 0651140099 (Includes Items #1 thru #5)

Sep. 1989
to
Jul. 1994

Divider Gearbox

S/N AG20-01050
to
S/N AG20-01299

P/N 00756604 (540 RPM)
P/N 00755698 (1000 RPM)



Sep. 1989
to
Jul. 1994

Divider Gearbox

S/N AG20-01050
to
S/N AG20-01299

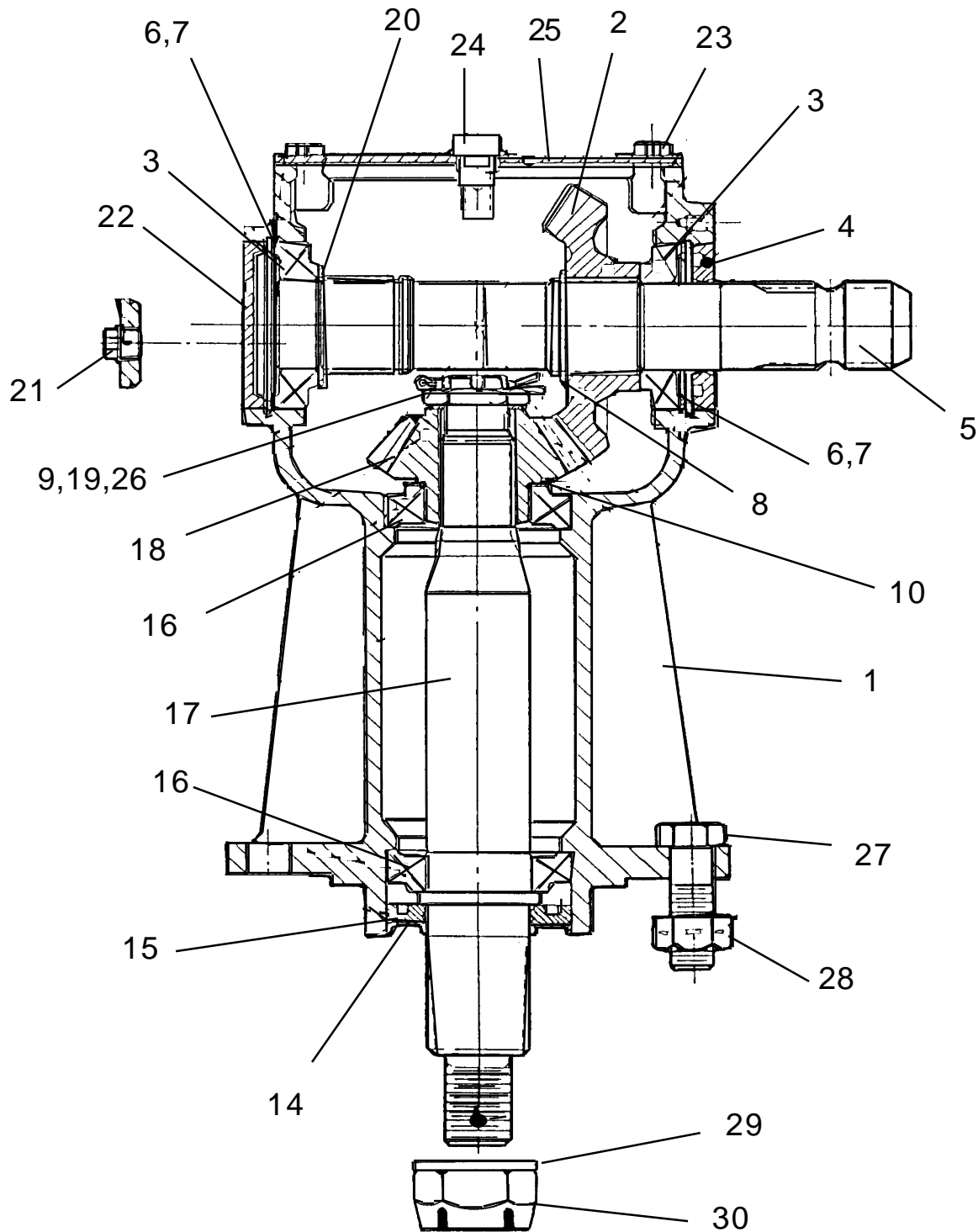
P/N 00756604 (540 RPM) P/N 00755698 (1000 RPM)

Item	Part No.	Qty	Description
	00756604	1	Gearbox Asy, (540 RPM)
	00755698	1	Gearbox Asy, (1000 RPM)
1	00756643	2	Shaft
2	00756647	2	Shim
3	00753223	2	Bearing
4	00753224	2	Retaining Ring
5	00756644	2	Oil Seal
6	00753226	2	Oil Plug
7	00756645	2	Shim
8	00753228	2	Gear, 20 Tooth, (540 RPM)
	00755746	2	Gear, 25 Tooth, (1000 RPM)
9	00755068	1	Retaining Ring
10	00753230	4	Capscrew
11	00753231	6	Spring Washer
12	00753232	1	Housing
13	00756648	1	Shaft
14	00753234	1	Gear, 23 Tooth, (540 RPM)
	00755745	1	Gear, 19 Tooth, (1000 RPM)
15	00753235	2	Shim
16	00755070	1	Bearing, Front
17	00753237	2	Retaining Ring
18	00753238	2	Oil Seal
19	00753239	1	Breather Plug
20	00753240	1	Top Cover
21	00753241	1	Bearing, Rear
22	00755069	1	Gasket
23	00756649	2	Retaining Ring
24	00756646	2	Bearing
25	00001400	4	Flatwasher
26	02845500	4	Bolt
27	00010300	4	Lockwasher
28	00010400	4	Nut

Sep. 1989
to
Jul. 1994

Center Section Gearbox 540 RPM

S/N AG20-01050
to
S/N AG20-01299



Note: Blades Turn CCW

Sep. 1989
to
Jul. 1994

Center Section Gearbox 540 RPM

S/N AG20-01050
to
S/N AG20-01299

P/N 00755598 CW IN - CCW OUT

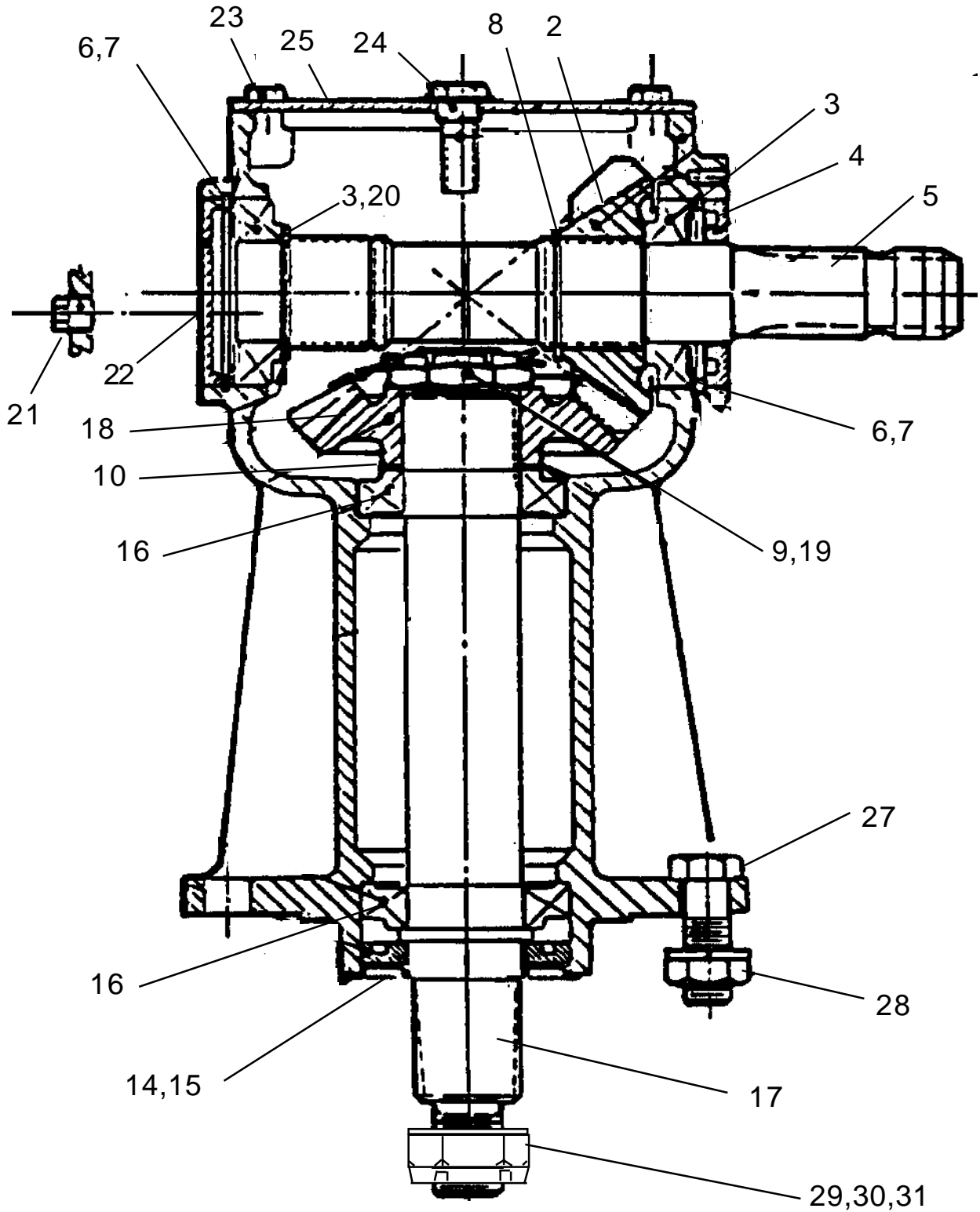
Item	Part No.	Qty.	Description
	00755598	--	Gearbox Asy
1	00755613	1	Casing
2	00755614	1	Gear (24 Teeth)
3	00755615	2	Bearing
4	00753238	1	Oil Seal
5	00755617	1	Shaft
6	00755618	2	Internal Circlip
7	00755619	2	Shim
8	00755620	1	External Circlip
9	00755621	1	Nut
10	00755622	1	Shim
14	00755626	1	Seal Protector Shield
15	00755627	1	Oil Seal
16	00755628	2	Bearing
17	00755629	1	Shaft
18	00755630	1	Gear (16 Teeth)
19	00026200	1	Cotter Pin
20	00755632	1	Shim
21	00755633	1	Plug
22	00755634	1	Cap
23	00755635	4	Hex Bolt
24	00758654	1	Vent Plug
25	00755637	1	Cover
26	00755638	1	Shim
27	02959391	6	Bolt
28	00037200	6	Nut, Top Lock
29	00755623	1	Washer
30	00755624	1	Nut, Castle
31	163016	1	Cotterpin, Blade Carrier

NOTE: This Gearbox has a Square Bolt on Top Cover & Input Gear is mounted in the front as shown in drawing

Sep. 1989
to
Jul. 1994

Center Section Gearbox 1000 RPM

S/N AG20-01050
to
S/N AG20-01299



Note: Blades Turn CCW

Sep. 1989
to
Jul. 1994

Center Section Gearbox 1000 RPM

S/N AG20-01050
to
S/N AG20-01299

P/N 00756744 CW IN - CCW OUT

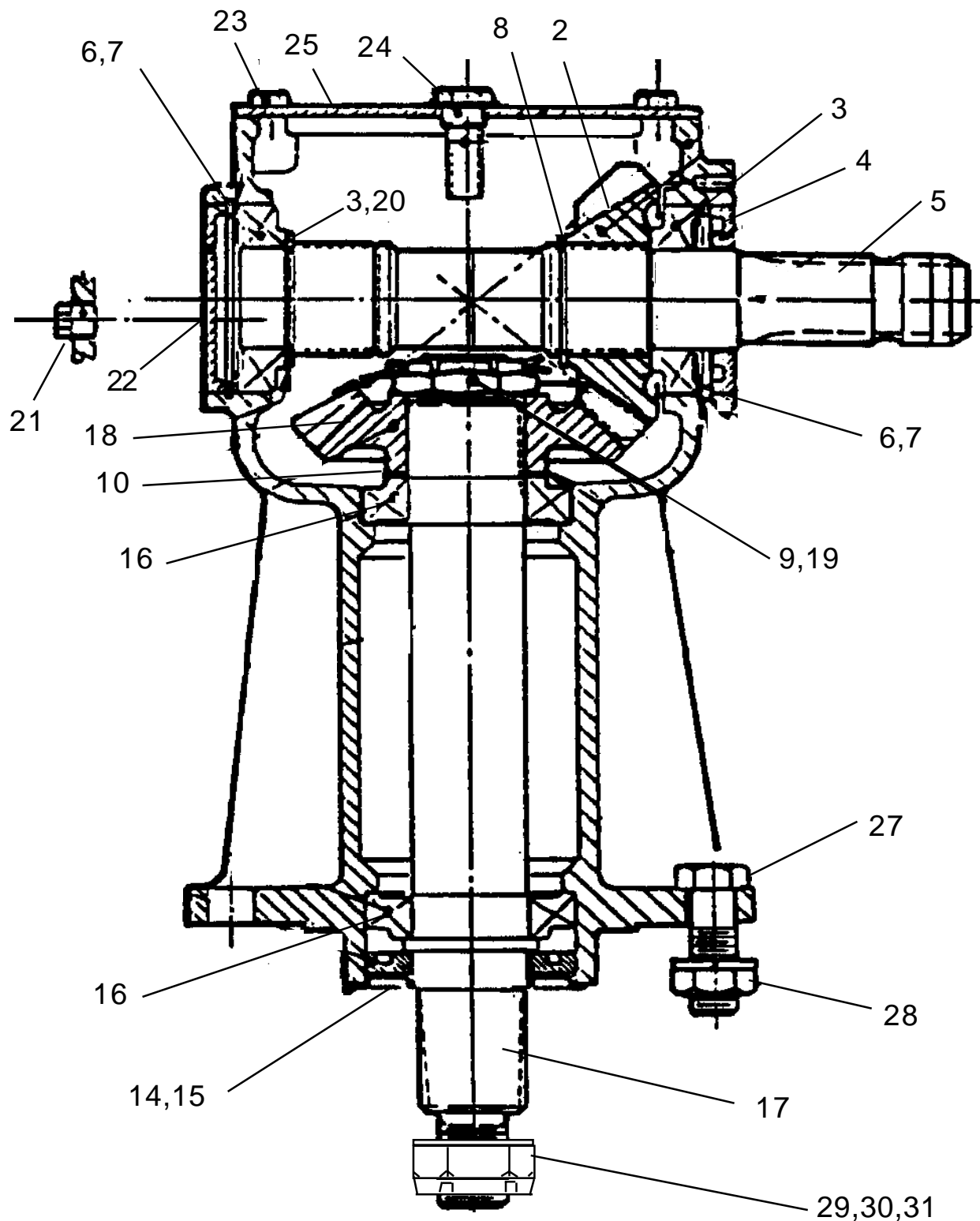
Item	Part No.	Qty	Description
	00756744	--	Gearbox Asy.
1	00755613	1	Gearbox Housing, Main
2	00756942	1	Gear, Input (15 Tooth)
3	00755615	2	Bearing
4	00753238	1	Seal
5	00755617	1	Shaft, Input
6	00755618	2	Circlip, Internal
7	00755619	2	Shim
8	00755620	1	Circlip, External
9	00756943	1	Nut, Slotted
10	00755622	1	Shim
14	00755626	1	Shield, Protective
15	00755627	1	Seal
16	00755628	2	Bearing
17	00756945	1	Shaft, Output
18	00756944	1	Gear, Output (24 Tooth)
19	00756946	1	Cotter Pin
20	00755632	1	Shim
21	00755633	1	Plug, Oil Level Check
22	00755634	1	Seal Cap, Rear
23	00755635	4	Bolt
24	00758654	1	Plug, Vent / Oil Fill
25	00755637	1	Cover, Top
27	02959391	6	Bolt
28	00037200	6	Locknut
29	00755624	1	Nut, Blade Carrier Retaining
30	00755623	1	Washer, Blade Carrier
31	163016	1	Cotterpin, Blade Carrier

NOTE: This Gearbox has a Square Bolt on Top Cover & Input Gear is mounted in the front as shown in drawing

Sep. 1989
to
Jul. 1994

RH Wing Section Gearbox 540 & 1000 RPM

S/N AG20-01050
to
S/N AG20-01299



Note: Blades Turn CCW

Sep. 1989
to
Jul. 1994

RH Wing Section Gearbox 540 & 1000 RPM

S/N AG20-01050
to
S/N AG20-01299

P/N 00756739 (540 RPM) CW IN - CCW OUT
P/N 00756622 (1000 RPM) CW IN - CCW OUT

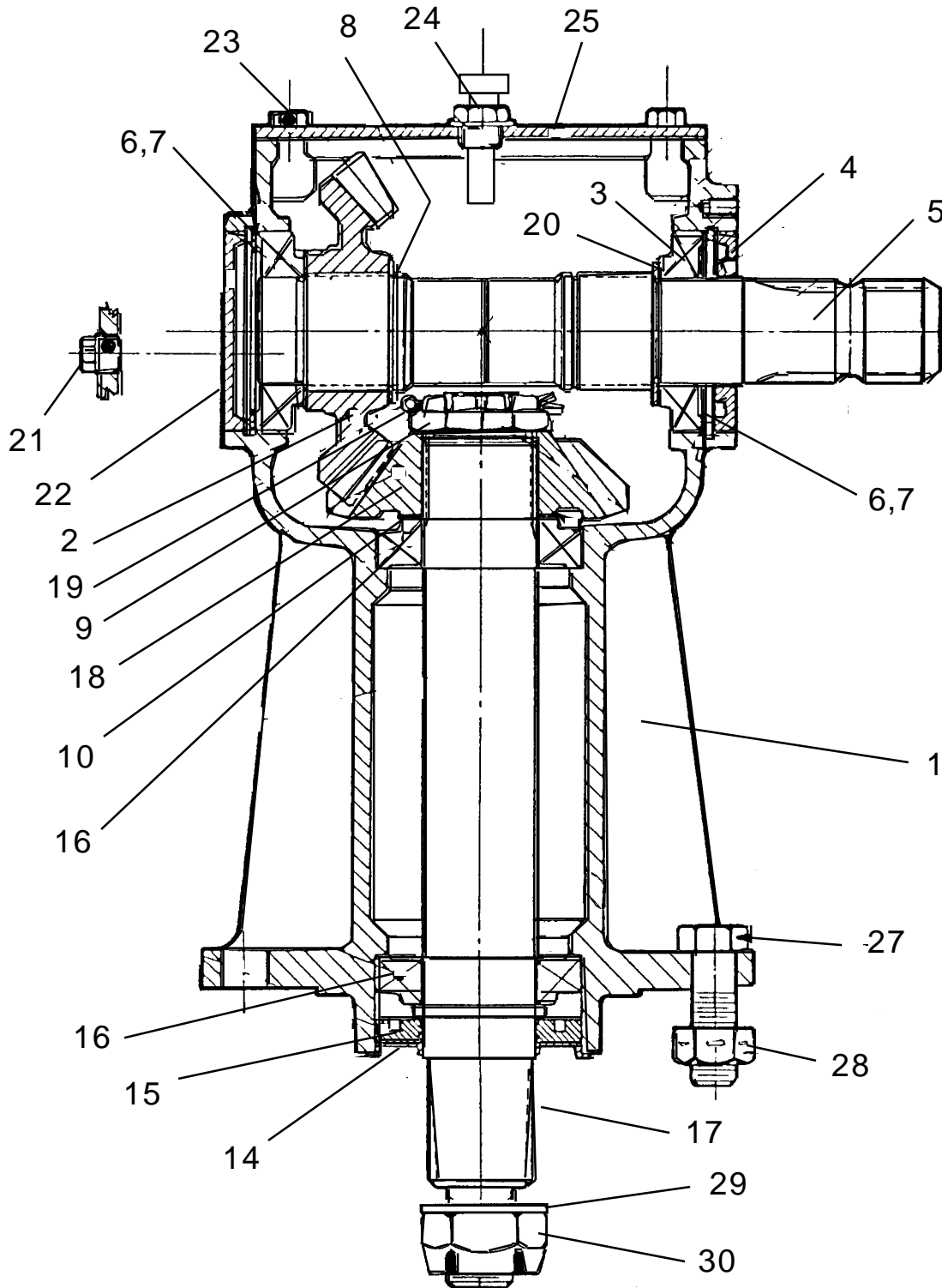
Item	Part No.	Qty	Description
	00756739	--	Gearbox Asy, (540 RPM)
	00756622	--	Gearbox Asy. (1000 RPM)
1	00755613	1	Gearbox Housing, Main
2	00756899	1	Gear, 540 RPM Input (24 Tooth)
	00756900	1	Gear, 1000 RPM Input (20 Tooth)
3	00755615	2	Bearing
4	00753238	1	Seal
5	00755617	1	Shaft, Input
6	00755618	2	Circlip, Internal
7	00755619	2	Shim
8	00755620	1	Circlip, External
9	00756943	1	Nut, Slotted
10	00755622	1	Shim
14	00755626	1	Shield, Protective
15	00755627	1	Seal
16	00755628	2	Bearing
17	00756945	1	Shaft, Output
18	00756900	1	Gear, 540 RPM Output (20 Tooth)
	00756899	1	Gear, 1000 RPM Output (24 Tooth)
19	00756946	1	Cotter Pin
20	00755632	1	Shim
21	00755633	1	Plug, Oil Level Check
22	00755634	1	Seal Cap, Rear
23	00755635	4	Bolt
24	00758654	1	Plug, Vent / Oil Fill
25	00755637	1	Cover, Top
27	02959391	6	Bolt
28	00037200	6	Locknut
29	00755624	1	Nut, Blade Carrier Retaining
30	00755623	1	Washer, Blade Carrier
31	163016	1	Cotterpin, Blade Carrier

NOTE: This Gearbox has a Square Bolt on Top Cover &
Input Gear is mounted in the front as shown in drawing

Sep. 1989
to
Jul. 1994

LH Wing Section Gearbox 540 & 1000 RPM

S/N AG20-01050
to
S/N AG20-01299



CW IN - CW OUT

Sep. 1989
to
Jul. 1994

LH Wing Section Gearbox 540 & 1000 RPM

S/N AG20-01050
to
S/N AG20-01299

P/N 00756741 (540 RPM) CW IN - CW OUT
P/N 00756624 (1000 RPM) CW IN - CW OUT

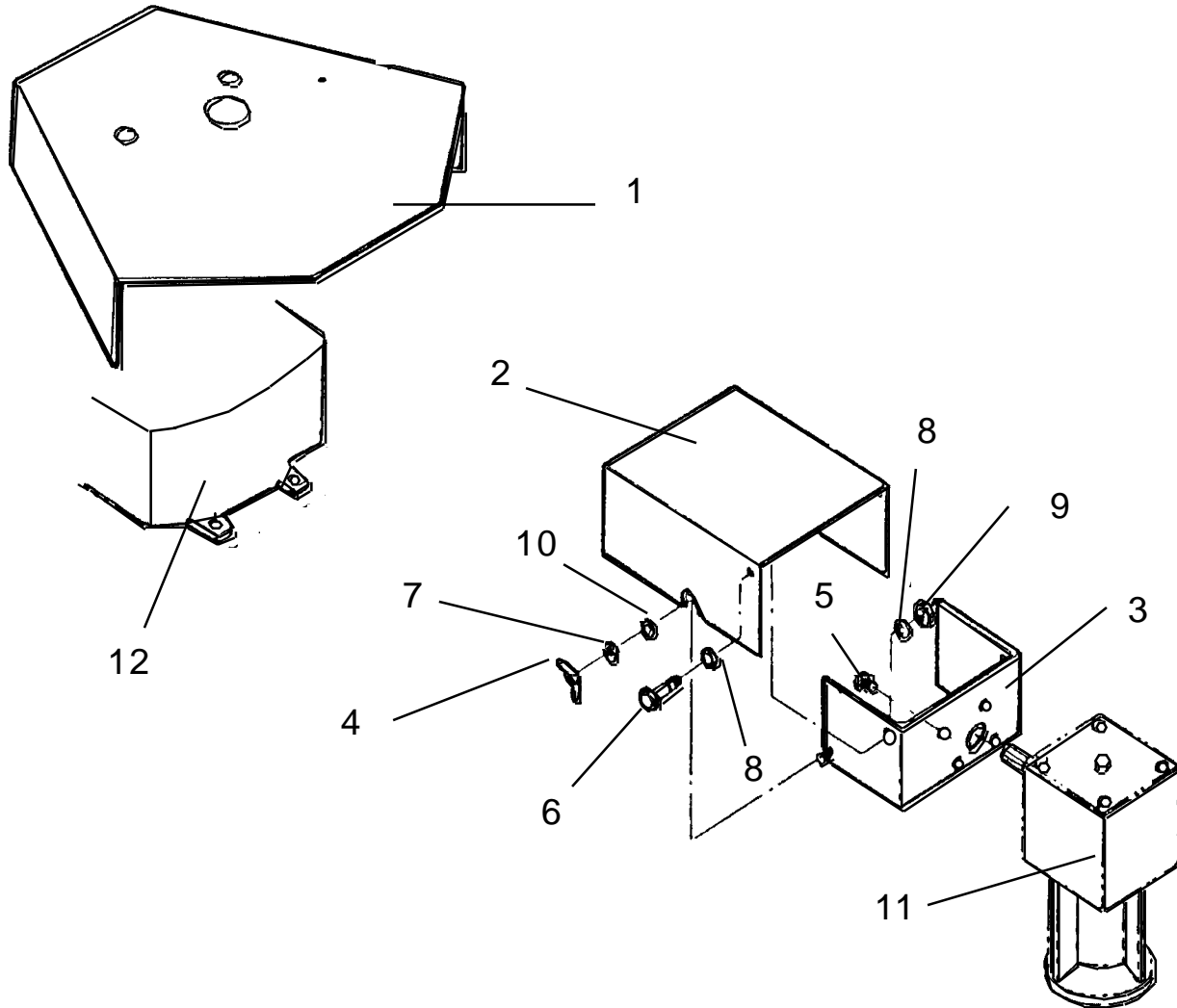
Item	Part No.	Qty.	Description
1	00755613	1	Casing
2	00756899	1	Gear (24 Teeth-540RPM)
	00756900	1	Gear (20 Teeth-1000RPM)
3	00755615	2	Bearing
4	00753238	1	Oil Seal
5	00755617	1	Shaft
6	00755618	2	Internal Circlip
7	00755619	2	Shim
8	00755620	1	External Circlip
9	00756943	1	Nut
10	00755622	1	Shim
14	00755626	1	Protective Shield
15	00755627	1	Oil Seal
16	00755628	2	Bearing
17	00756945	1	Shaft
18	00756900	1	Gear (20 Teeth-540 RPM)
	00756899	1	Gear (24 Teeth-100RPM)
19	00756946	1	Cotter Pin
20	00755632	1	Shim
21	00755633	1	Plug
22	00755634	1	Cap
23	00755635	4	Hex Bolt
24	00758654	1	Vent Plug
25	00755637	1	Cover
27	02959391	6	Bolt
28	00037200	6	Locknut
29	00755623	1	Washer
30	00755624	1	Nut, Castle
31	163016	1	Cotterpin, Blade Carrier

NOTE: This Gearbox has a Square Bolt on Top Cover & Input Gear is mounted in the Back as shown in drawing

Sep. 1989
to
Jul. 1994

Shields Divider & Center Gearbox

S/N AG20-01050
to
S/N AG20-01299



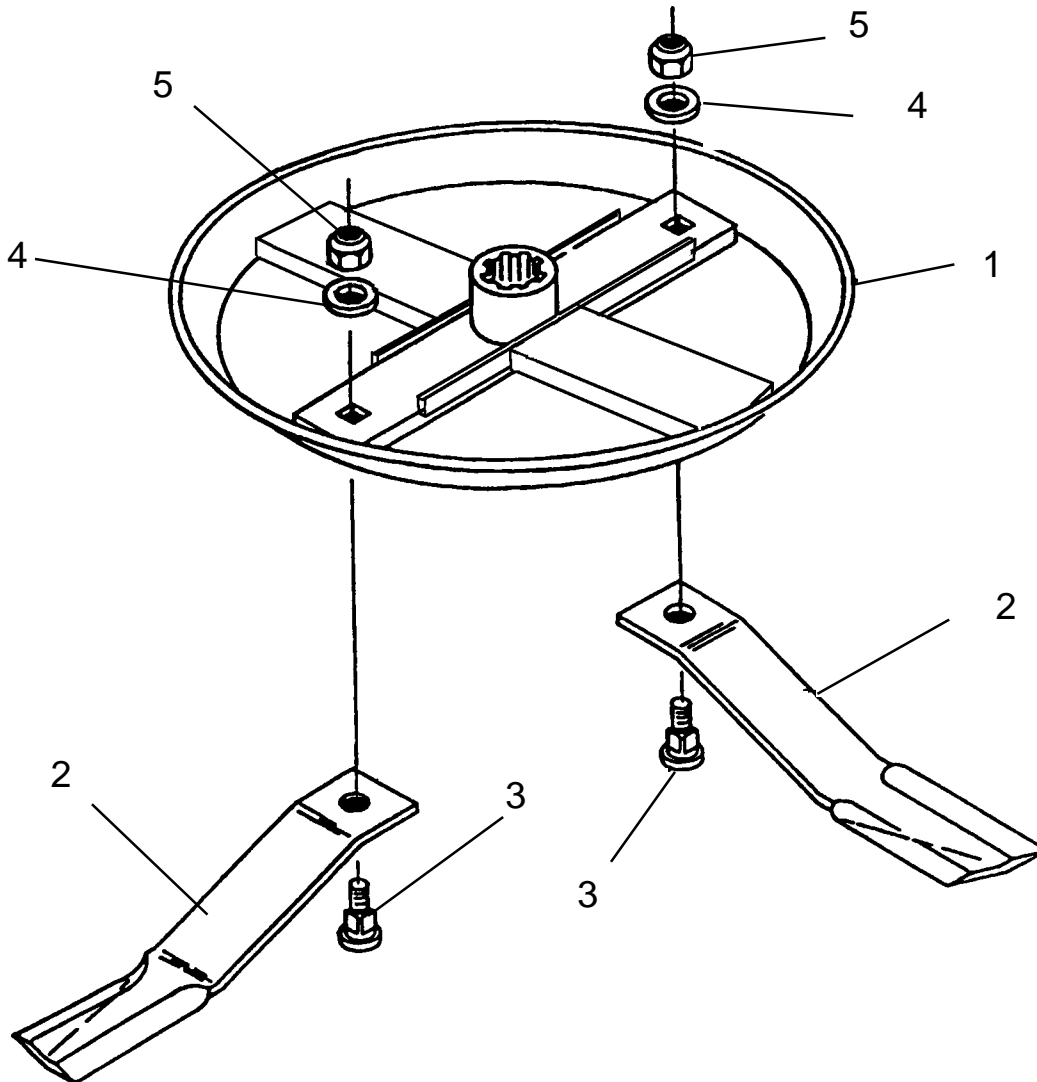
Item	Part No	Qty	Descriptin
1	0656130100	1	Safety Shield, Divider Gearbox
2	00753016	1	Safety Shield, Center Blade Box
3	00756076	1	Rear Support
4	00004000	2	Wing Nut
5	00751693	4	Bolt
6	10182000	2	Bolt
7	00011700	4	Lockwasher
8	00011100	4	Flatwasher
9	00015800	2	Nut
10	00024100	2	Flatwasher
11	-----	1-ref	Gearbox, Center Sextion Blade
10	-----	1-ref	Gearbox, Divider

NOTES

Sep. 1989
to
Jul. 1994

Blades & Carriers Pan Carrier Standard

S/N AG20-01050
to
S/N AG20-01299



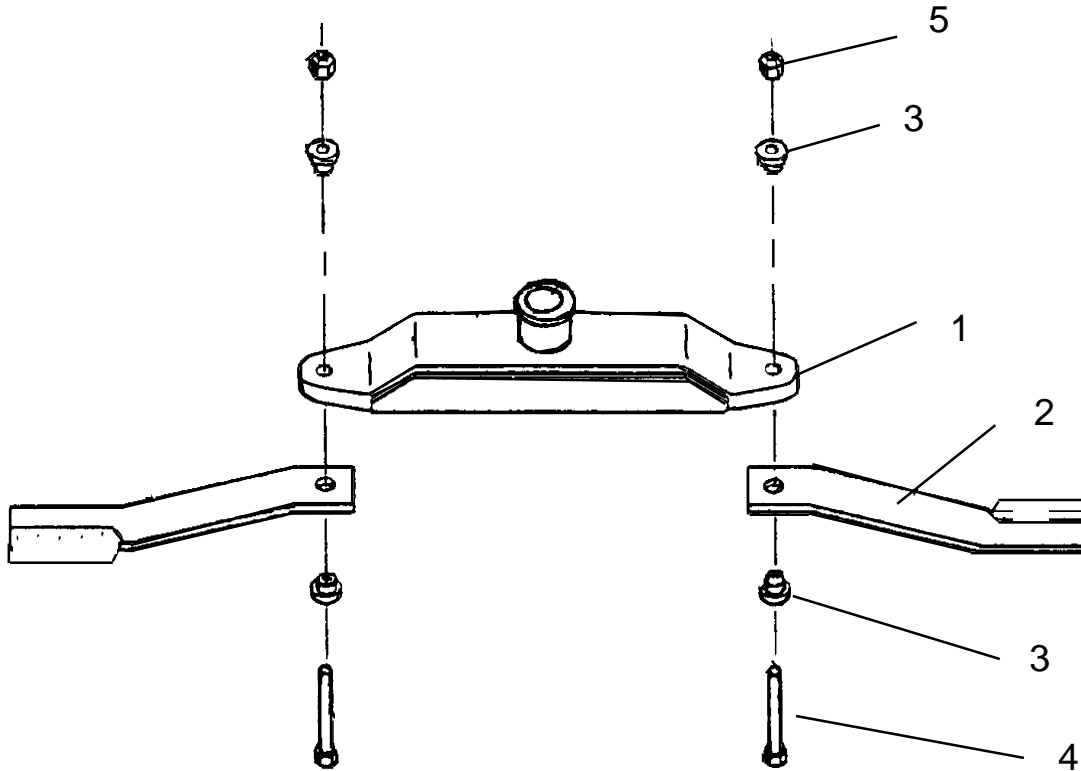
Qty Shown For One 20' Model

Item	Part No.	Qty	Description
1	00756949	3	Blade Pan Weldment, (Center, LH Wing & RH Wing)
2	00761081	1	Blade Set, 6 Blades, (4 CCW & 2 CW)
	00752974	4	Blade Updraft, CCW (LH Wing & Center)
	00753254	2	Blade Updraft, CW (RH Wing)
3	8227	6	Blade Bolt
4	9216	6	Washer
5	5JRC16140	6	Locknut

Sep. 1989
to
Jul. 1994

Blades & Carriers Bar Carrier Optional

S/N AG20-01050
to
S/N AG20-01299



Qty Shown for 3 Carriers Center, Left & Right Wing

ITEM	PART NO.	QTY	DESCRIPTION
1	00758794	3	Blade Bar Weldment
2	582013	6	Flat Blade
	0582010330	4	CCW (Center & Left Wing) Fan Blade
	0582010332	2	CW (Right Wing) Fan Blade
3	0811230060	12	Blade Bushing
4	7AH8141436	6	Hex Head Bolt
5	5JRC14140	6	Locknut

Note: #0811230199 Set of 6 Flat Blade cw/ccw (582013) #0811230399 Set of 6 Fan Blades cw/ccw (2 cw/0582010332 and 4 ccw/0582010330) Fan Blades may be used as bottom blade only - 4 Blade Bushings Item #3 must be used per carrier even if dual blades are not used.

FAN BLADES MAY BE USED AS THE BOTTOM BLADE ONLY

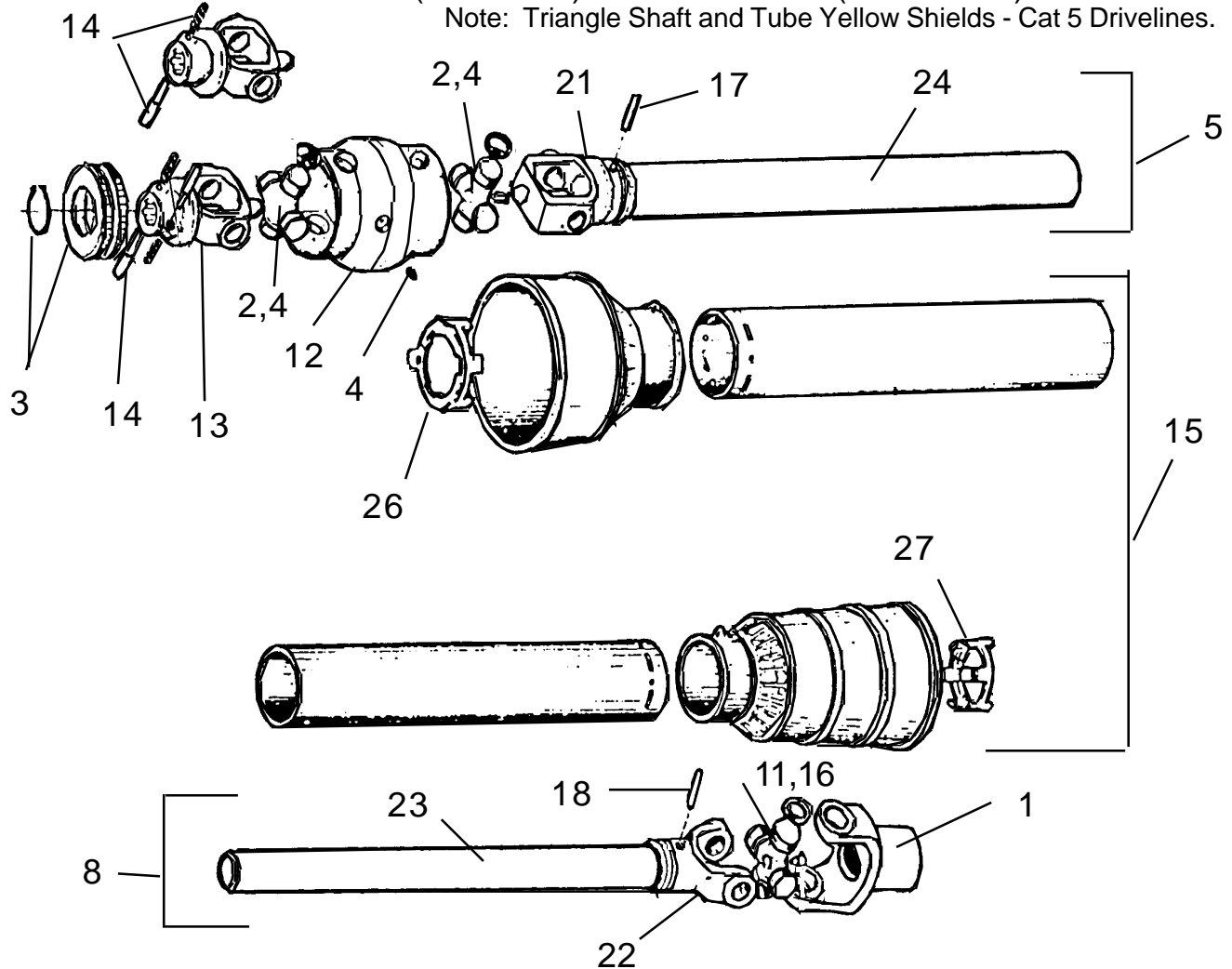
Sep. 1989
to
March 1990

Driveline PTO

S/N AG20-01050
to
S/N AG20-01054

P/N 00754009 (540 RPM) P/N 00755751 (1000 RPM)

Note: Triangle Shaft and Tube Yellow Shields - Cat 5 Drivelines.



Item	Part No.	Qty	Description	Item	Part No.	Qty	Description
1	00753908	1	Yoke, 1-3/4" X 20 Spl.	14	00754474	1	Push Pin Set, Twist Collar (540)
2	00753286	2	Cross & Bearing		00753079	2	Push Pin Set, Dbl Pin (540)
3	00759119	1	Yoke Collar w/ Circlip		00759207	1	Push Pin Set, Twist Collar (1000)
4	00752881	5	Grease Fitting		00759208	1	Push Pin set, Dbl Pin (1000)
5	00753070	1	Yoke & Outer Tube	15	00753082	1	Shield Assy Complete
6	00757055	1	D/L Half, Mower End	16	00753068	1	Cross & Bearing
8	00753073	1	Yoke & Inner Tube	17	00758159	1	Roll Pin
9	00753074	1	D/L Half Assy (540 PTO)	18	00758160	1	Roll Pin
	00757048	1	D/L Half Assy (1000 PTO)	21	00759111	1	Yoke, F/ Outer Tube
11	00755610	1	Grease Fitting	22	00759112	1	Yoke, F/ Inner Tube
12	00753078	1	Central Body	23	00757818	1	Tube, Inner
13	00753078	1	Yoke, 1-3/8" X 6 Spl.	24	00757817	1	Tube, Outer
	00755750	1	Yoke, 1-3/8" X 21 Spl.	26	00755074	1	Shield Bearing, Outer
				27	00755073	1	Shield Bearing, Inner

Note: #00754009 Assy (540) NLA replaced by #00760452 Assy, #00755751 Assy (1000) NLA replaced by #00760453 Assy Parts WILL NOT interchange between New & Old D/L's.

AG20-IV (Archive Book) 06/02

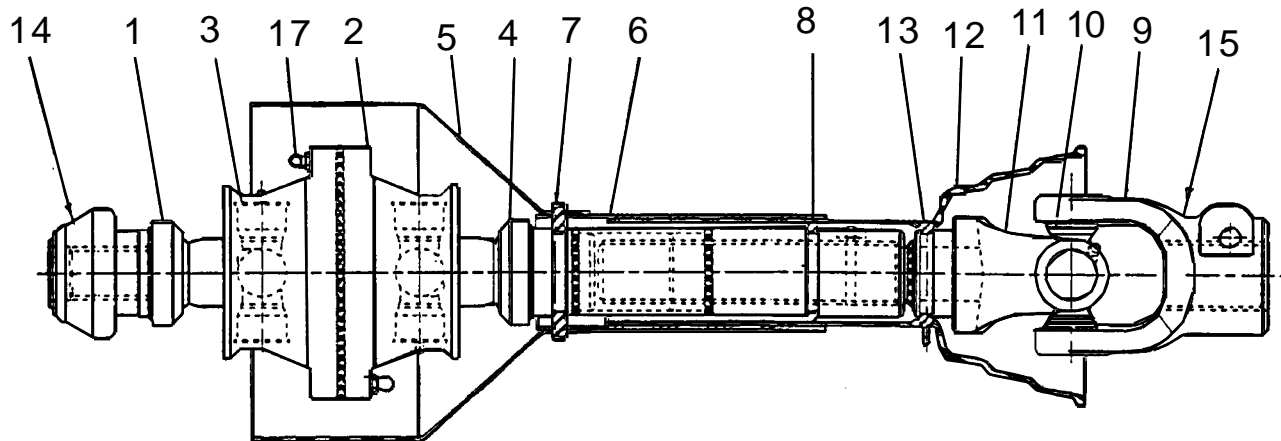
Apr. 1990
to
Sep. 1990

Driveline PTO

S/N AG20-01055
to
S/N AG20-01059

P/N 00759243 (540 RPM) P/N00759242 (1000 RPM)

Note: Spline Shaft & Tube Black Shields - Cat 5 Drivelines.



Note: #00759243 (540 RPM) Asy NLA replaced by #00760452 Asy
#00759242 (1000 RPM) Asy NLA replaced by #00760453 Asy
Parts WILL NOT interchange between New & Old Style

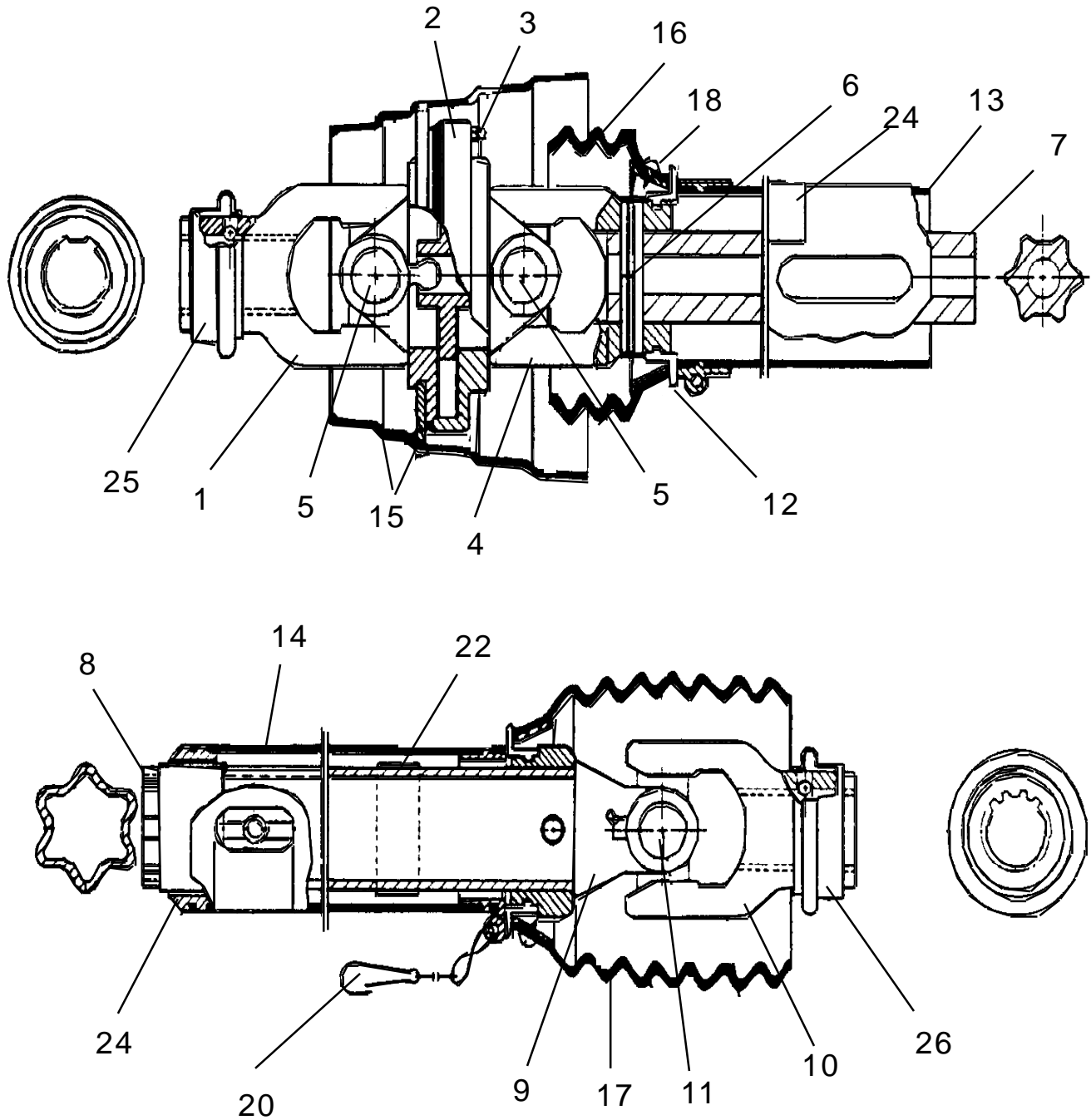
Item	Part No.	Qty	Description
1	00759244	1	Yoke, QD 1-3/8" X 6 Spl. (540)
	00759232	1	Yoke, QD 1-3/8" X 21 Spl. (1000)
2	00759233	1	Body Asy
3	00759234	2	C & B Kit
4	00759235	1	Tube & Sleeve
5	00759236	1	Bell Shield
6	00759237	1	Shield Tube
7	1442	4	Shield Bearing
8	00759238	1	Nylon Bearing
9	W827A	1	Clamp Yoke
10	W840	1	C & B Kit
11	00759239	1	Yoke & Shaft
12	00759240	1	Inner Shield
13	00759241	3	Shield Bearing
14	4571	1	Collar Kit
15	00759245	1	Male Half Asy
16	00759247	1	Female Half Asy (540)
	00759246	1	Female Half Asy (1000)
17	02961453	2	Grease Fitting

Oct. 1990
to
Jul. 1994

Driveline PTO

S/N AG20-01060
to
S/N AG20-01299

Note: Star Shape Shaft & Tube
Black Shields - Cat 5 Drivelines



Oct. 1990
to
Jul. 1994

Driveline PTO

S/N AG20-01060
to
S/N AG20-01299

P/N 00760452 (540 RPM) - 1-3/8-6 Spline PTO
P/N 00760453 (1000 RPM) - 1-3/8-21 Spline PTO
P/N 00763554 (1000 RPM) - 1-3/4-20 Spline PTO

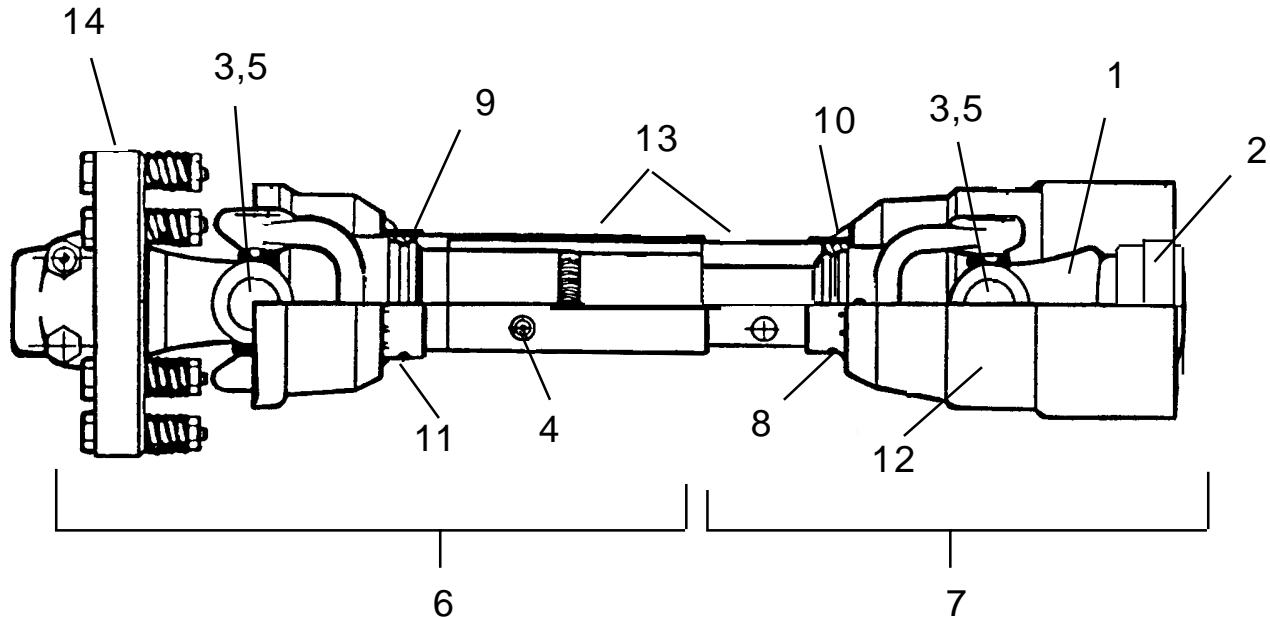
Item	540 RPM 1-3/8"-6 Part No.	1000 RPM 1-3/8"-21 Part No	1000 RPM 1-3/4"-20 Part No..	Qty	Desription
	00760452	-----	-----	--	Driveline Asy Complete (540 RPM)
	-----	00760453	-----	--	Driveline Asy Complete (1000 RPM)
	-----	-----	00763554	--	Driveline Asy Complete (1000 RPM)
	00760662	00760665	00763555	1	Driveline Half Asy, Tractor End
	00760664	00760667	00763556	1	Driveline Half Asy, Impl End
1	7431	8478	00761434	1	Yoke, QD (PTO End)
2	8482	8482	8482	1	Double Yoke
3	8382	8382	8382	1	Grease Fitting
4	7432	7432	7432	1	Inboard Yoke
5	7433	7433	7433	2	Cross & Bearing Kit
6	8384	8384	8384	2	Spring Pin
7	00760632	00760632	00763557	1	Tube, Inner
8	00760634	00760634	00763558	1	Tube & Sleeve, Outer
9	8489	8489	8489	1	Inboard Yoke
10	00760636	00760636	00760636	1	Yoke, 1-3/4" QD, Impl End
11	8486	8486	8486	1	Cross & Bearing Kit
12	8393	8393	8393	2	Bearing Ring
13	00760640	00760640	00763560	1	Shield, Outer
14	00760641	00760641	00763561	1	Shield, Inner
15	7420	7420	7420	1	Cone & Bearing Asy.
16	8949	8949	8949	1	Shield, Tractor End
17	8949	8949	8949	1	Shield, Impl End
18	4797	4797	4797	8	Screw
20	0921000345	0921000345	0921000345	1	Safety Chain
21	00756005	00756005	00756005	1	Outer Decal
22	00756004	00756004	00756004	1	Inner Decal
24	8974	8974	8974	1	Support Bearing
25	8391	8391	00759556	1	Collar Kit, PTO End
26	00759556	00759556	00759556	1	Collar Kit, Impl End

Sep. 1989
to
March 1993

Driveline Intermediate

S/N AG20-01050
to
S/N AG20-01109

Note: Triangle Shaped Shaft & Tube, Yellow Shields - Cat 5 Driveline Series 6 Shielding



Item	Part No. Series 6	Qty	Description
	00756634	--	Driveline Asy w/ Series 6 Shields
1	00753908	1	Outer Yoke 1-3/4" - 20 Spline
2	00757052	1	Slide Collar Repair Kit
3	00753068	2	Cross Journal Set
4	00754335	1	Grease Nipple for Tube
5	00754334	2	Grease Nipple
6	00756601	1	Driveline Half Asy w/ Shields (Mower End)
7	00756940	1	Driveline Half Asy w/ Shields (Tractor End)
8	00754330	6	Nylon Bolt
9	00754332	1	Locking Collar Outer
10	00754331	1	Locking Collar Inner
11	00754407	1	Shield Complete Outer
12	00754408	1	Shield Complete Inner
13	00754409	1	Shield Complete
14	00756173	1	Slip Clutch

INNER SHIELD		
00756634 Series 6	3" 9-3/8"	Dia. Circ.

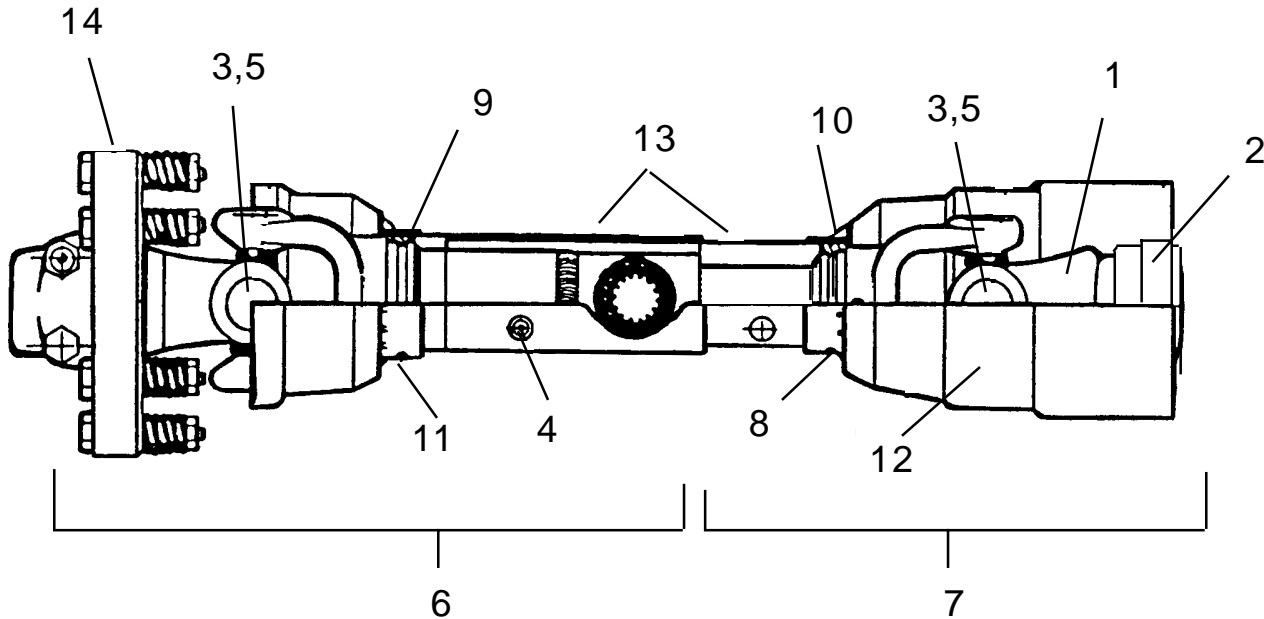
OUTER SHIELD		
00756634 Series 6	3-1/4" 10-1/8"	Dia. Circ.

Apr. 1993
to
Jul. 1994

Driveline Intermediate

S/N AG20-01110
to
S/N AG20-01299

Note: Spline Shaft & Tube - Yellow Shields - Cat 5 Driveline. Series 6 or 8 Shielding
Use dimensions shown to identify Series 6 or Series 8 driveshafts before ordering parts.



Item	00756634 Part No.	00756634A Part No.	Qty	Description
1	00753908	00753908	1	Outer Yoke
2	00757052	00757052	1	Slide Collar Repair Kit
3	00753068	00753068	2	Cross Journal Set
4	00754335	00754335	1	Grease Nipple for Tube
5	00754334	00754334	2	Grease Nipple
6	00756601	00765459	1	Mower Half Complete & Shielded
7	00756940	00765460	1	Tractor Half Complete & Shielded
8	00754330	00754330	6	Nylon Bolt
9	00754332	00765420	1	Locking Collar Outer
10	00754331	00765417	1	Locking Collar Inner
11	00754407	00765461	1	Shield Complete Outer
12	00754408	00765462	1	Shield Complete Inner
13	00754409	00765463	1	Shield Complete
14	00756173	00756173	1	Slip Clutch

INNER SHIELD ID		
00756634 Series 6	3" 9-3/8"	Dia. Circ.
00756634A Series 8	3-9/16" 11-1/4"	Dia. Circ.

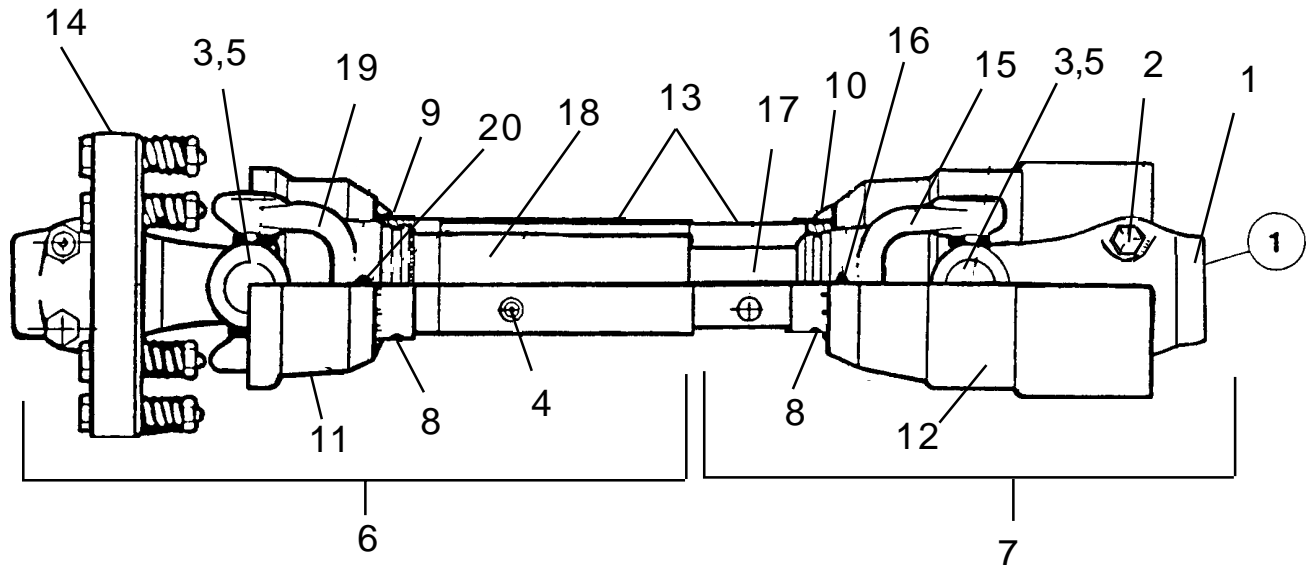
OUTER SHIELD ID		
00756634 Series 6	3-1/4" 10-1/8"	Dia. Circ.
00756634A Series 8	3-13/16" 12"	Dia. Circ.

Sep. 1989
to
March 1993

Driveline Wing

S/N AG20-01050
to
S/N AG20-01109

Triangle Shaft & Tube w/ Yellow Shields - Cat 5 Driveline Series 6 Shielding



Item	Part No.	Qty	Description
	00756633	--	Driveline Asy w/ Series 6 Shields
1	00757040	1	Clamp Yoke 1-3/4 20 Spline
2	00757729	2	Bolt
	00757196	2	Bolt
3	00753068	2	Cross Journal Set
4	00754335	1	Grease Fitting for Tube
5	00755610	2	Grease Fitting
6	00756937	1	Driveline Half Asy Outer, w/Shields & Clutch
7	00756938	1	Driveline Half Asy Inner, w/Shield & Clamp Yoke
8	00754330	6	Nylon Bolt
9	00754332	1	Locking Collar Outer
10	00754331	1	Locking Collar Inner
11	00754402	1	Shield Complete Outer
12	00754403	1	Shield Complete Inner
13	00754404	1	Shield Complete
14	00756173	1	Slip Clutch
15	00756929	1	Inner Yoke
16	00756930	1	Roll Pin, Inner
17	00756931	1	Inner Tube
18	00756932	1	Outer Tube
19	00756933	1	Outer Yoke
20	00756934	1	Roll Pin, Outer

INNER SHIELD

00756633	3"	Dia.
Series 6	9-3/8"	Circ.

OUTER SHIELD

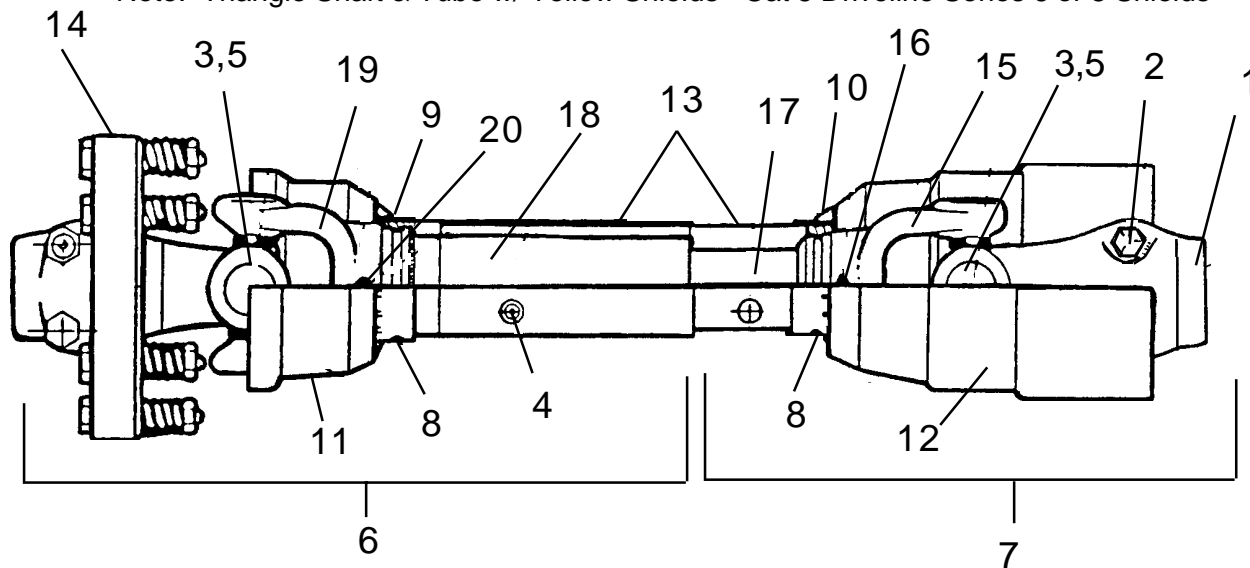
00756633	3-1/4"	Dia.
Series 6	10-1/8"	Circ.

Apr. 1993
to
Jul. 1994

Driveline Wing

S/N AG20-01110
to
S/N AG20-01299

Note: Triangle Shaft & Tube w/ Yellow Shields - Cat 5 Driveline Series 6 or 8 Shields



Item	Part No.	Part No.	Qty	Description
	00756633	-----	--	Driveline Asy w/ Ser 6 Shields
	-----	00756633A	--	Driveline Asy w/ Ser 8 Shields
1	00757040	00757040	1	Clamp Yoke
2	00757729	00757729	2	Bolt
	00757196	-----	2	Bolt
3	00753068	00753068	2	Cross Journal Set
4	00754335	00754335	1	Grease Fitting for Tube
5	00755610	00755610	2	Grease Fitting
6	00756937	00765447	1	Driveline Half Asy Outer, w/Shield & Clutch
7	00756938	00765446	1	Inner D/L Half Asy Inner w/Shield & Clamp Yoke
8	00754330	00754330	6	Nylon Bolt
9	00754332	00765420	1	Locking Collar Outer
10	00754331	00765417	1	Locking Collar Inner
11	00754402	00765438	1	Shield Complete Outer
12	00754403	00765439	1	Shield Complete Inner
13	00754404	00765448	1	Shield Complete
14	00756173	00756173	1	Slip Clutch
15	00756929	00765472	1	Inner Yoke
16	00756930	00756930	1	Roll Pin, Inner
17	00756931	00765465	1	Inner Tube
18	00756932	00765466	1	Outer Tube
19	00756933	00765471	1	Outer Yoke
20	00756934	00756934	1	Roll Pin, Outer

INNER SHIELD ID		
00756633	3"	Dia.
Series 6	9-3/8"	Circ.
00756633A	3-9/16"	Dia.
Series 8	11-1/4"	Circ.

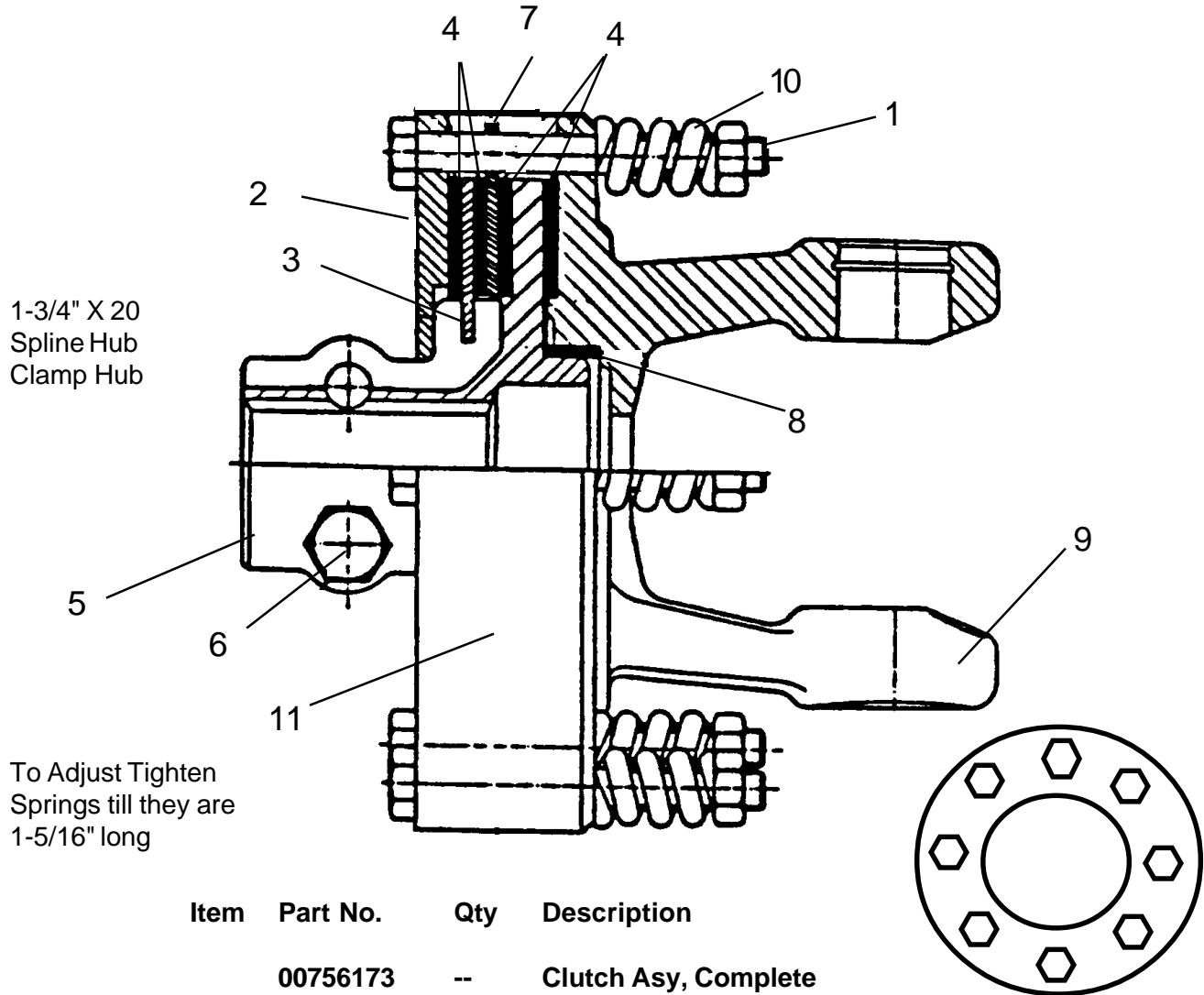
OUTER SHIELD ID		
00756633	3-1/4"	Dia.
Series 6	10-1/8"	Circ.
00756633A	3-13/16"	Dia.
Series 8	12"	Circ.

Sep. 1989
to
Sep. 1993

Clutch

S/N AG20-01001
to
S/N AG20-01118

USED ON: Intermediate & Wing Drivelines



1-3/4" X 20
Spline Hub
Clamp Hub

To Adjust Tighten
Springs till they are
1-5/16" long

Item	Part No.	Qty	Description
	00756173	--	Clutch Asy, Complete
1	00754199	8	Bolt and Nut Set
2	00754203	1	Pressure Plate, Machined Plate
3	00754201	1	Clutch Plate
4	00754202	4	Disk
5	00755599	1	Body Friction Clutch
6	00755600	2	Bolt and Nut Set
7	00754314	1	Plate w/Holes
8	00754301	1	Spacer
9	00754083	1	Yoke Friction
10	00754303	8	Spring
11	00754304	1	Dirt Shield

8 Bolts (Item # 1)

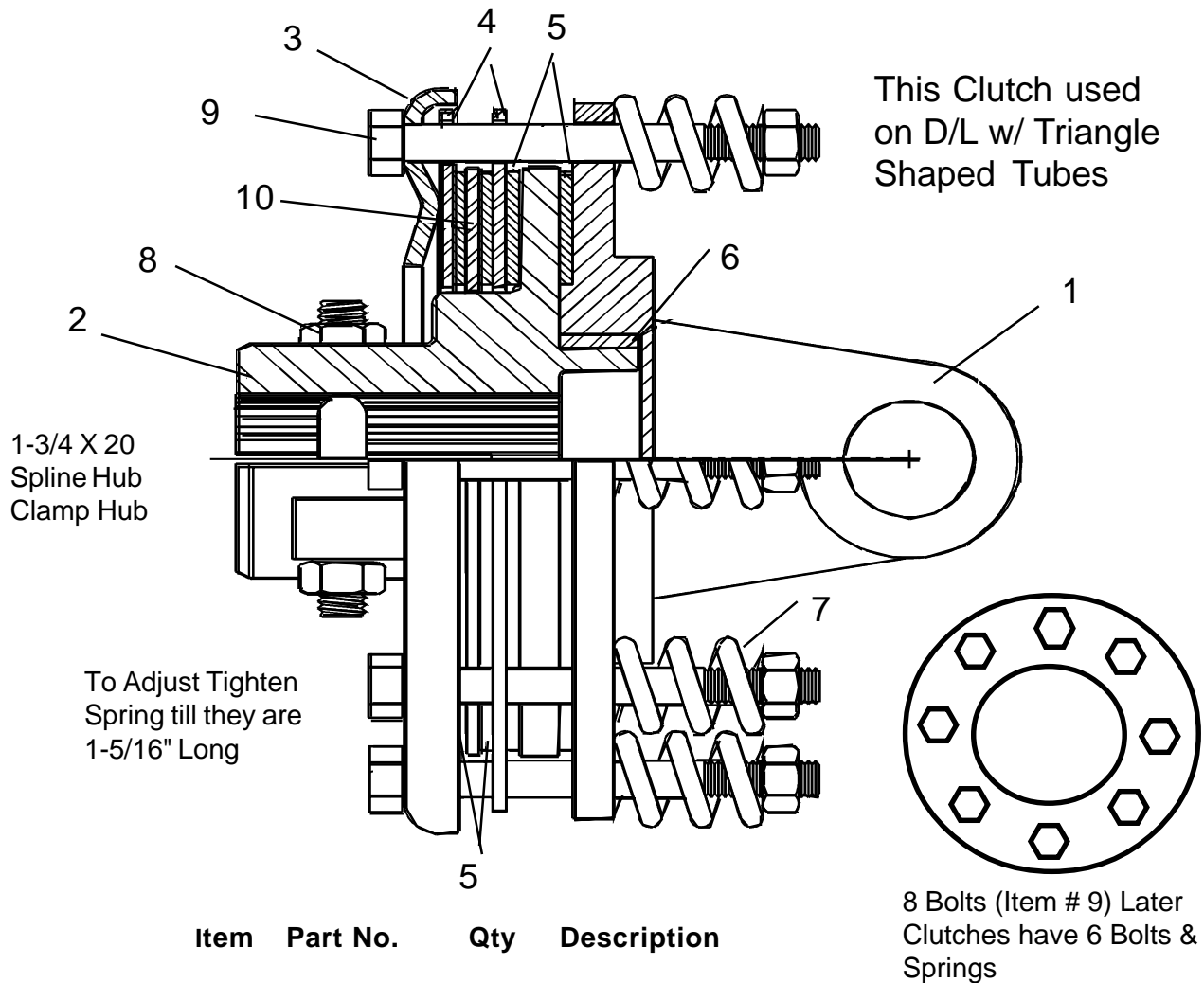
NOTE: The Style of Clutch changed even though the Assembly Part No. did not, Check which type Pressure Plate (Item 2) you have, If Clutch use Machined Metal One or Formed Metal One which is the Later Style.

Oct. 1993
to
Jul. 1994

Clutch

S/N AG20-01119
to
S/N AG20-01299

USED ON: Intermediate & Wing Drivelines



Item	Part No.	Qty	Description
	00756173	--	Clutch Asy. Complete
1	00754083	1	Flange Yoke
2	00755599	1	Clutch Support
3	00766810	1	Pressure Plate, Formed Plate
4	00754314	2	Plate with Holes
5	00754202	4	Lining Ring
6	00754301	1	Bushing
7	00754303	8	Spring
8	00755600	2	Nut & Bolt
9	00754199	8	Nut & Bolt
10	00754201	1	Intermediate Plate

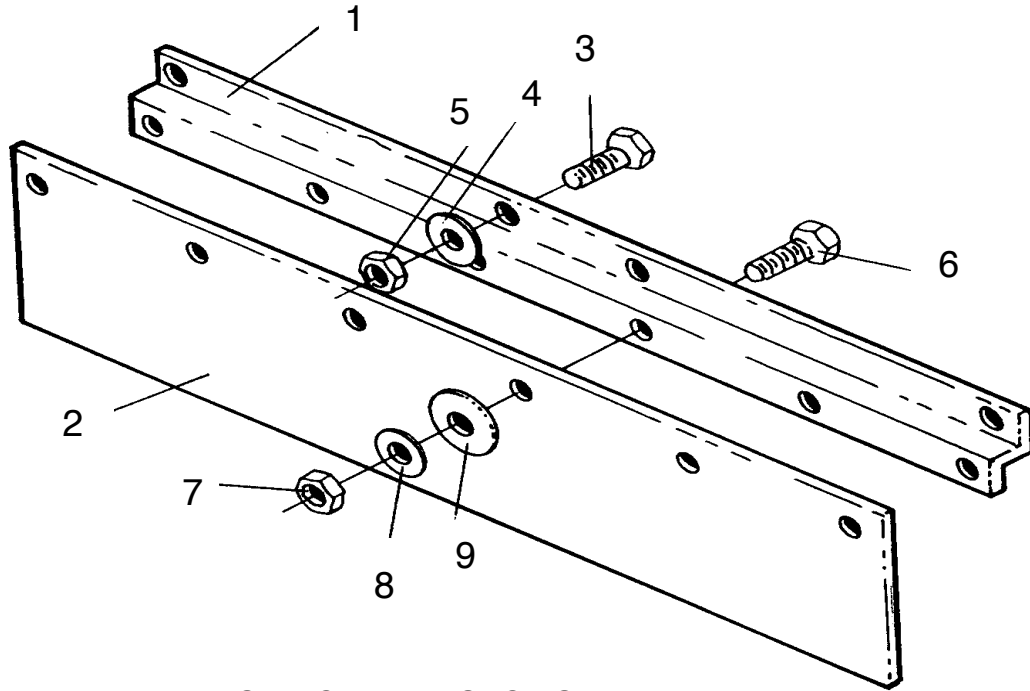
8 Bolts (Item # 9) Later Clutches have 6 Bolts & Springs

NOTE: The Style of Clutch changed even though the Assembly Part No. did not, Check which type Pressure Plate (Item 3) you have, If Clutch use Machined Metal one or Formed Metal which is the Later Style.

Sep. 1989
to
Jul. 1994

Deflectors Front Center Section

S/N AG20-01050
to
S/N AG20-01299



FRONT CENTER SECTION

Item	Part No.	Qty Ctr	Qty RH	Qty LH	Description
	00758390	1	--	--	*Deflector Asy, Center Front Center
	00758391	--	1	--	*Deflector Asy, Center Front RH Side
	00758392	--	--	1	*Deflector Asy, Center Front LH Side
1	00758287	1	--	--	*Bracket, Metal (4 Mounting Holes)
	00758288	--	1	--	*Bracket, Metal (3 Mounting Holes)
	00758289	--	--	1	*Bracket, Metal (3 Mounting Holes)
2	00758294	1	1	1	Panel, Rubber
3	02030700	4	3	3	Bolt
4	00002700	4	3	3	Flatwasher
5	00001800	4	3	3	Locknut TLM 1/2 NC PLC
6	00011400	6	6	6	Bolt
7	00015800	6	6	6	Locknut
8	00011100	12	12	12	Flatwasher
9	02035800	6	6	6	Woodwasher

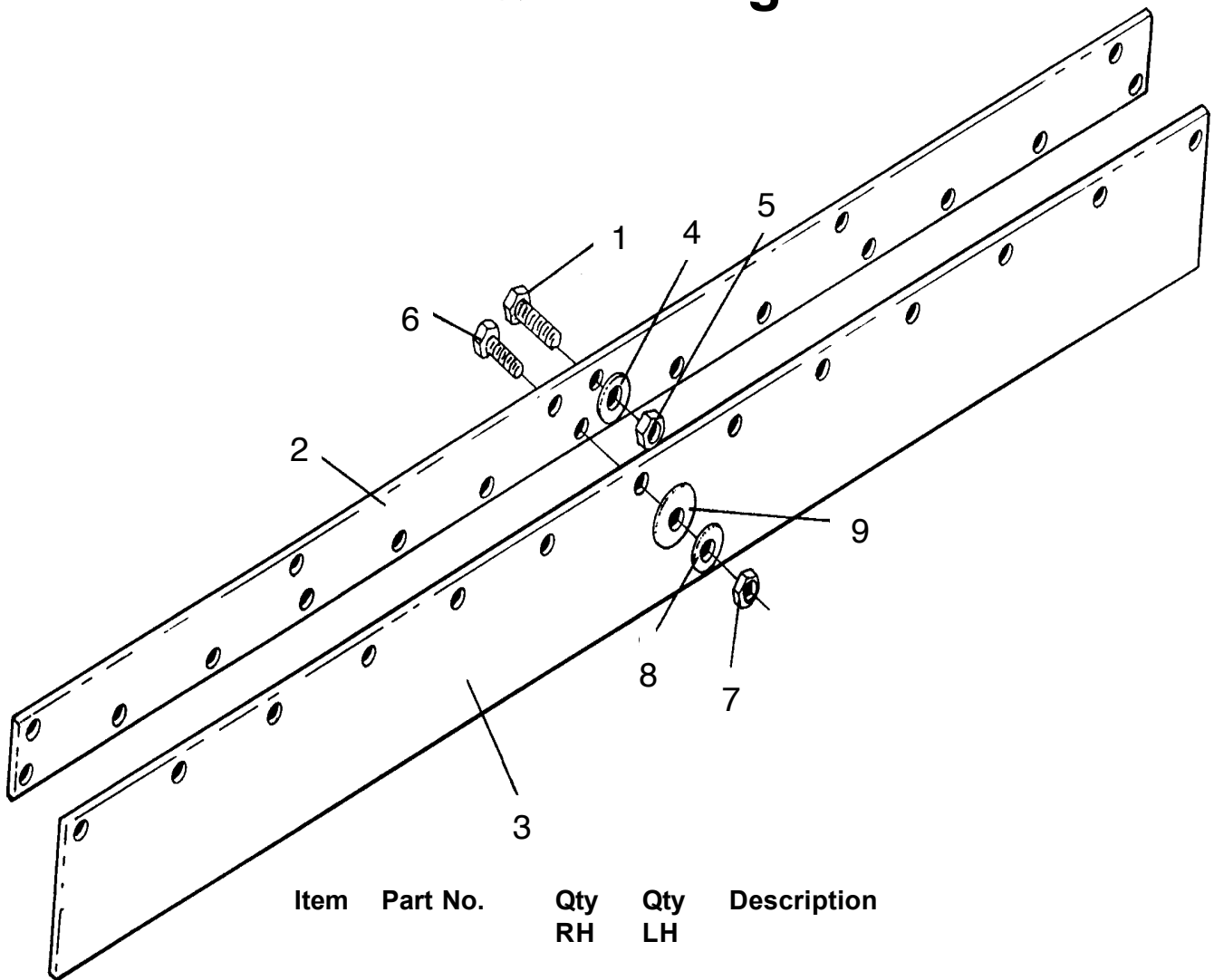
#00758356 Complete Front Deflector Set, Center Section & Wings

* Front center Shown, LH & RH center section look same as center bracket except for the number of mounting holes, LH & RH is from standing behind mower facing forward.

Sep. 1989
to
Jul. 1994

Deflectors Front LH & RH Wing

S/N AG20-01050
to
S/N AG20-01299



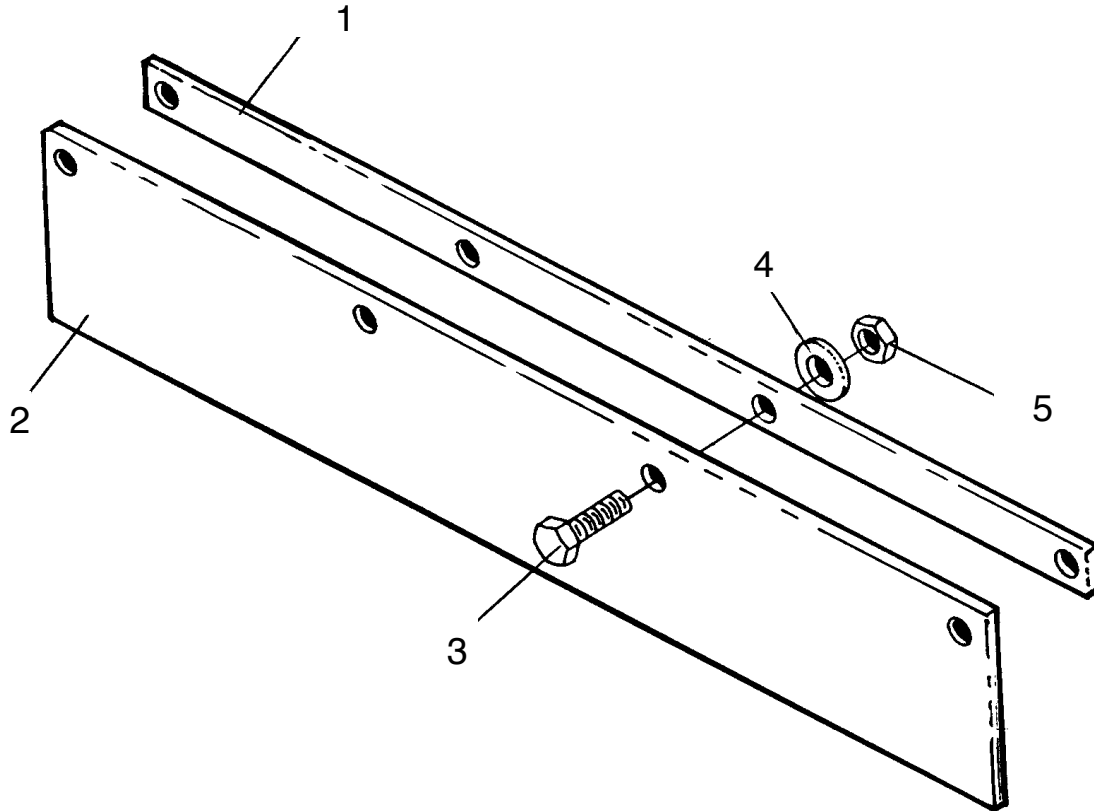
Item	Part No.	Qty RH	Qty LH	Description
	00758393	--	1	Deflector Asy, LH Wing
	00758789	1	--	Deflector Asy, RH Wing
1	00999418	6	6	Bolt
2	00758291	1	1	Bracket, Rubber
3	00758297	1	1	Panel, Rubber
4	00002700	6	6	Flatwasher
5	00001800	6	6	Locknut TLM 1/2 NC PLC
6	00011400	13	13	Bolt
7	00015800	13	13	Locknut
8	00011100	26	26	Flatwasher
9	02035800	13	13	Woodwasher

#00758356 Complete Front Deflector Set, Center Section & Wings

Sep. 1989
to
Jul. 1994

Deflectors Rear Center Section

S/N AG20-01050
to
S/N AG20-01299



REAR CENTER SECTION

Item	Part No.	Qty	Description
	00758394	1	Deflector Asy, Center Section Rear
1	00758295	1	Band, Metal
2	00758290	1	Panel, Rubber
3	02030700	4	Bolt
4	00002700	4	Flatwasher
5	00001800	4	Locknut TLM 1/2 NC PLC

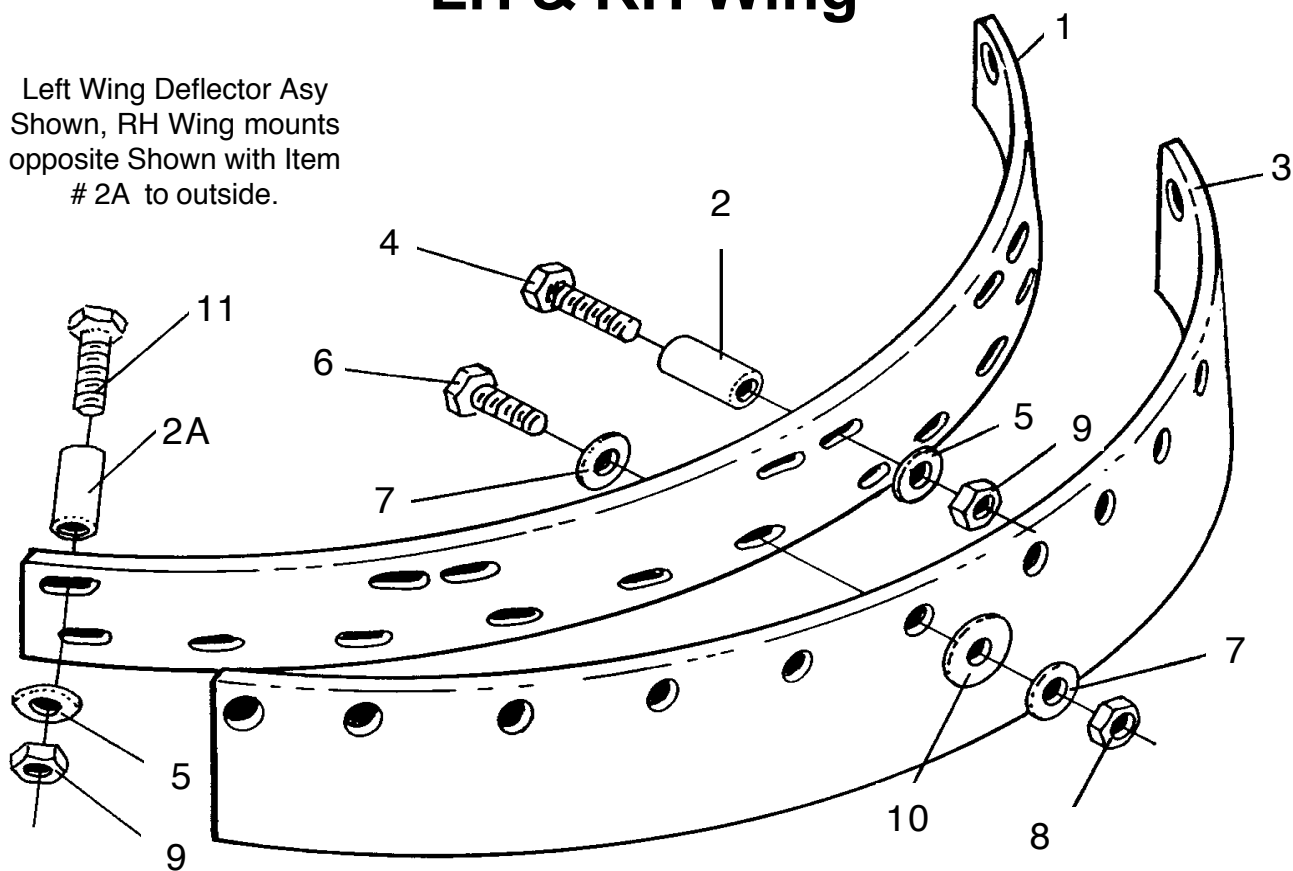
#00758357 Complete Set of Rear Deflectors Center - Left & Right Wings

Sep. 1989
to
Jul. 1994

Deflectors Rear LH & RH Wing

S/N AG20-01050
to
S/N AG20-01299

Left Wing Deflector Asy
Shown, RH Wing mounts
opposite Shown with Item
2A to outside.



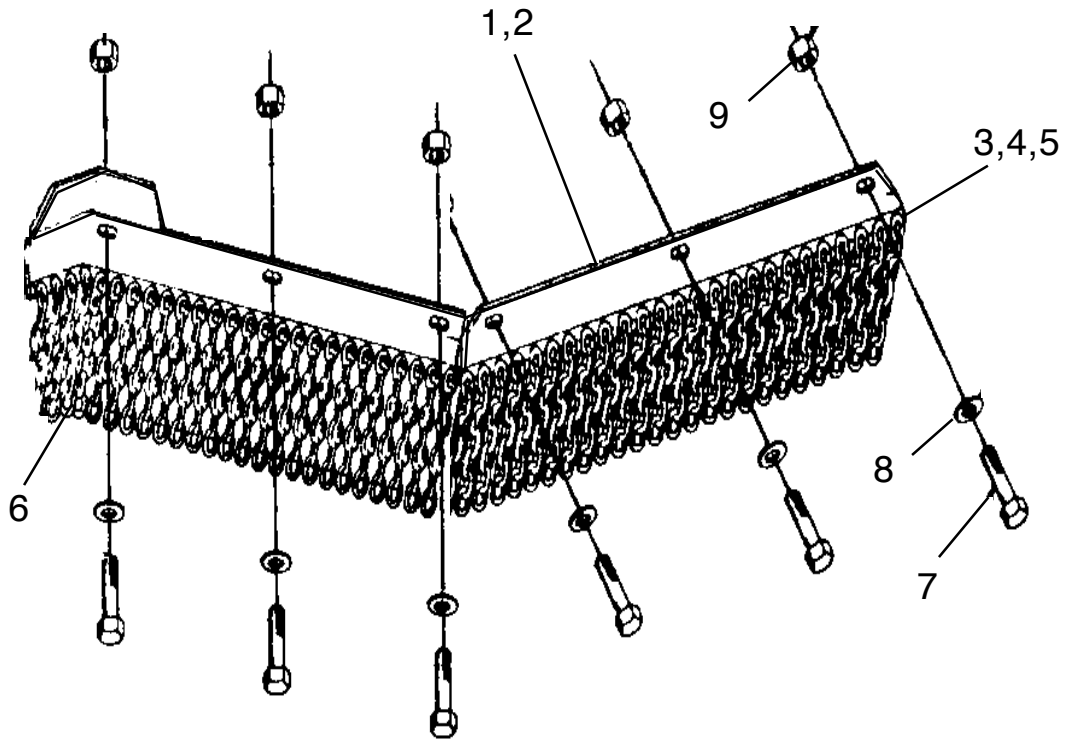
LH or RH REAR WING

Item	Part No.	Qty RH	Qty LH	Description
	00758395	1	1	Wing Deflector Asy, LH or RH Wing
1	00758292	1	1	Mounting Brace
2	652053	4	4	Spacer, Short
2A	00758771	1	1	Spacer, Long (outer end spacer)
3	00758296	1	1	Rubber Panel
4	7A81332	4	4	Bolt
5	00002700	5	5	Flatwasher
6	00011400	12	12	Bolt
7	00011100	24	24	Flatwasher
8	00015800	12	12	Locknut
9	00001800	5	5	Locknut TLM 1/2 NC PLC
10	02035800	12	12	Woodwasher
11	00999418	1	1	Bolt

Sep. 1989
to
Jul. 1994

Chain Guards Front Center Section

S/N AG20-01050
to
S/N AG20-01299



FRONT CENTER CHAIN GUARD

Item	Part No.	Qty.	Description
1*	0811301100	1	Chain Guard Asy, RH Center (Shown)*
	0811301200	1	Chain Guard Asy, LH Center (Not Shown)*
2	0811301110	1	Chain Guard Bracket, RH Center (Shown)
	0811301210	1	Chain Guard Bracket, LH Center (Not Shown)
3	0652100105	1	Chain Rod, 4" LG (Not Shown)
4	0652100102	1	Chain Rod, 28" LG (Not Shown)
5	0811301101	1	Chain Rod, 14" LG (Not Shown)
6	0758341005	41	Chain, 7 Links @ 5/16
7	00748823	4	Bolt
8	15B800	4	Flatasher
9	00001800	4	Locknut TLM 1/2 NC PLC

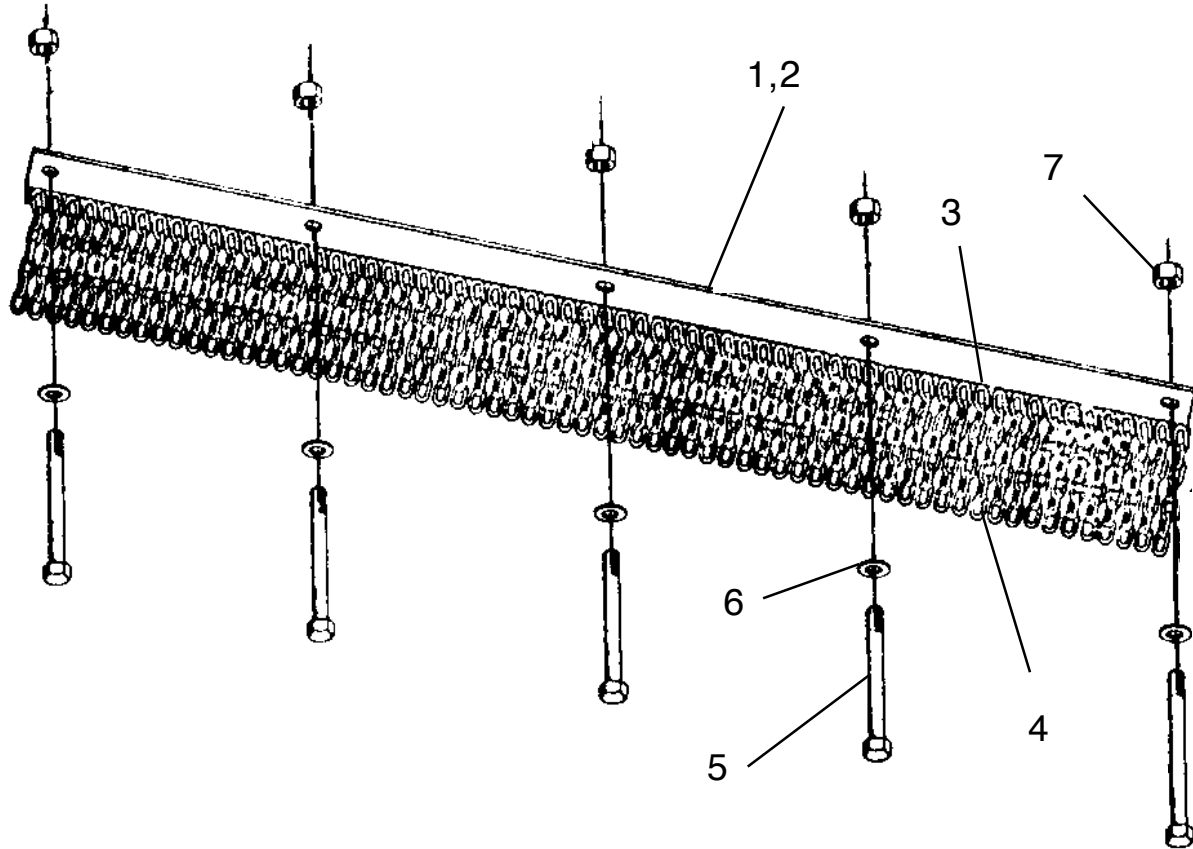
Note *: Qty shown for LH or RH Center Section - Double quantity for both LH & RH Center
*These assemblies include items #3 through #11

#0811300000 Front Chain Guard Set includes 1 ea of # 0811301100 & 0811301200, 4 ea of # 0811301300, A Complete Set of Chain guards for Front. Includes Center, LH & RH Wings.

Sep. 1989
to
Jul. 1994

Chain Guards Front LH & RH Wing

S/N AG20-01050
to
S/N AG20-01299



FRONT WING CHAIN GUARD

Item	Part No.	Qty.	Description
1*	0811301300	1	Chain Guard Asy, LH or RH Wing
2	0811301301	1	Chain Guard Bracket, LH or RH Wing
3	0758341004	1	Chain Rod (Not Shown)
4	0881200103	41	Chain, 8 Links @ 5/16
5	7A81332	3	Bolt
6	15B800	3	Flatwasher
7	00001800	3	Locknut TLM 1/2 NC PLC

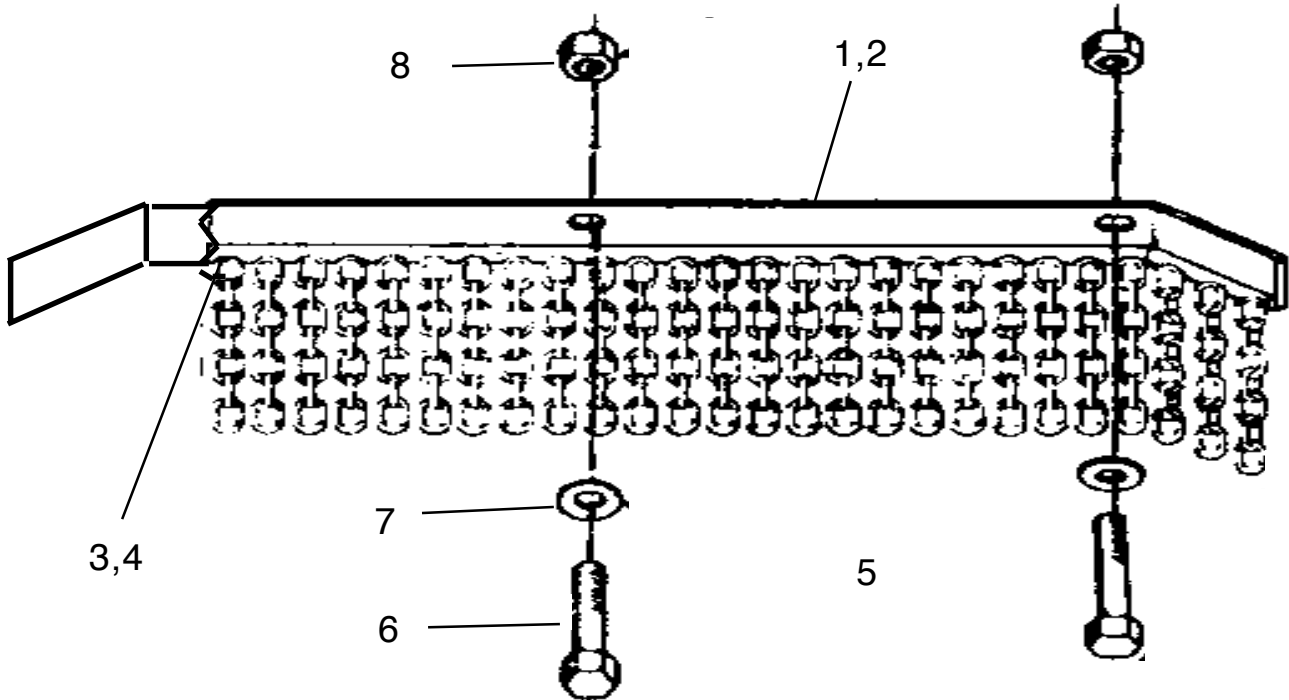
Note *: Items #1 includes items # 2 thru #7, 2 Assemblies (Item # 1) Required Per Wing.
4 Assemblies Required Per Mower on 20' Models

#0811300000 Front Chain Guard Set includes 1 ea of # 0811301100 & 0811301200, 4 ea of # 0811301300, A Complete Set of Chain guards for Front. Includes Center, LH & RH Wings.

Sep. 1989
to
Jul. 1994

Chain Guards Rear Center Section

S/N AG20-01050
to
S/N AG20-01299



REAR CENTER CHAIN GUARD

Item	Part No.	Qty.	Description
1*	0811331100	1	Chain Guard Asy, Rear Center
2	0811331101	1	Chain Guard Bracket, Rear Center
3	0652100105	2	Chain Rod, 4" (Not Shown)
4	0652100202	1	Chain Rod, 72" (Not Shown)
5	0652100203	70	Chain, 6 Links
6	00748823	4	Bolt
7	15B800	4	Washer
8	00001800	4	Locknut TLM 1/2 NC PLC

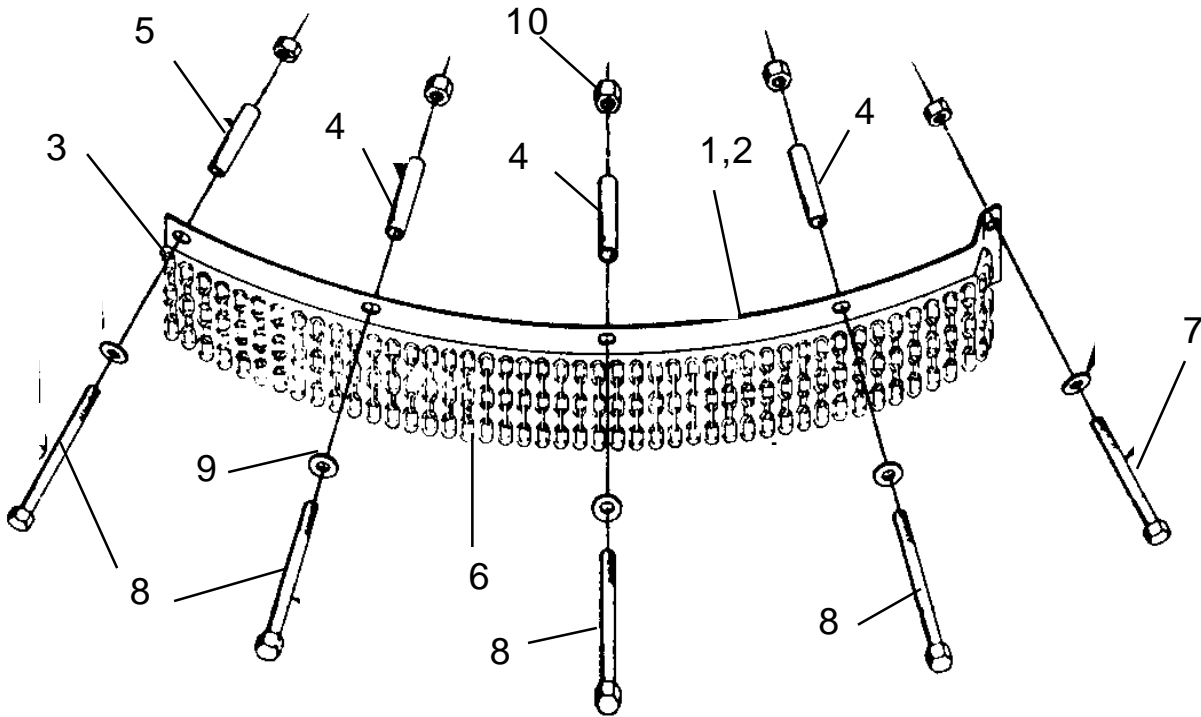
Note *: Qty shown for Center Section, Drawing is shown cut to fit Page, Rear Center Chain Guard is one piece and goes all the way across Rear Center Section

#0811330900 Rear Chain Guard Set includes 1 ea. of #0811331100, 0811331200 & 0811331300, A Complete Set of Chain Guards for Rear, Includes Center, LH & RH Wings.

Sep. 1989
to
Jul. 1994

Chain Guards Rear LH & RH Wing

S/N AG20-01050
to
S/N AG20-01299



REAR LH & RH CHAIN GUARD

Item	Part No.	Qty.	Description
1*	0811331200	1	Chain Guard Assy, RH Wing Rear (Shown)
	0811331300	1	Chain Guard Assy, LH Wing Rear (Not Shown)
2	0811331210	1	Chain Guard Bracket, RH Wing Rear (Shown)
	0811331310	1	Chain Guard Bracket, LH Wing Rear (Not Shown)
3	0811331201	1	Chain Rod (Not Shown)
4	652053	3	Pipe Spacer
5	652054	1	Pipe Spacer
6	00755090	74	Chain 5 Links
7	00013300	1	Capscrew
8	7A81332	4	Capscrew
9	15B800	5	Washer
10	5GR8130	5	Locknut

*Assemblies include Items #2 thru 10

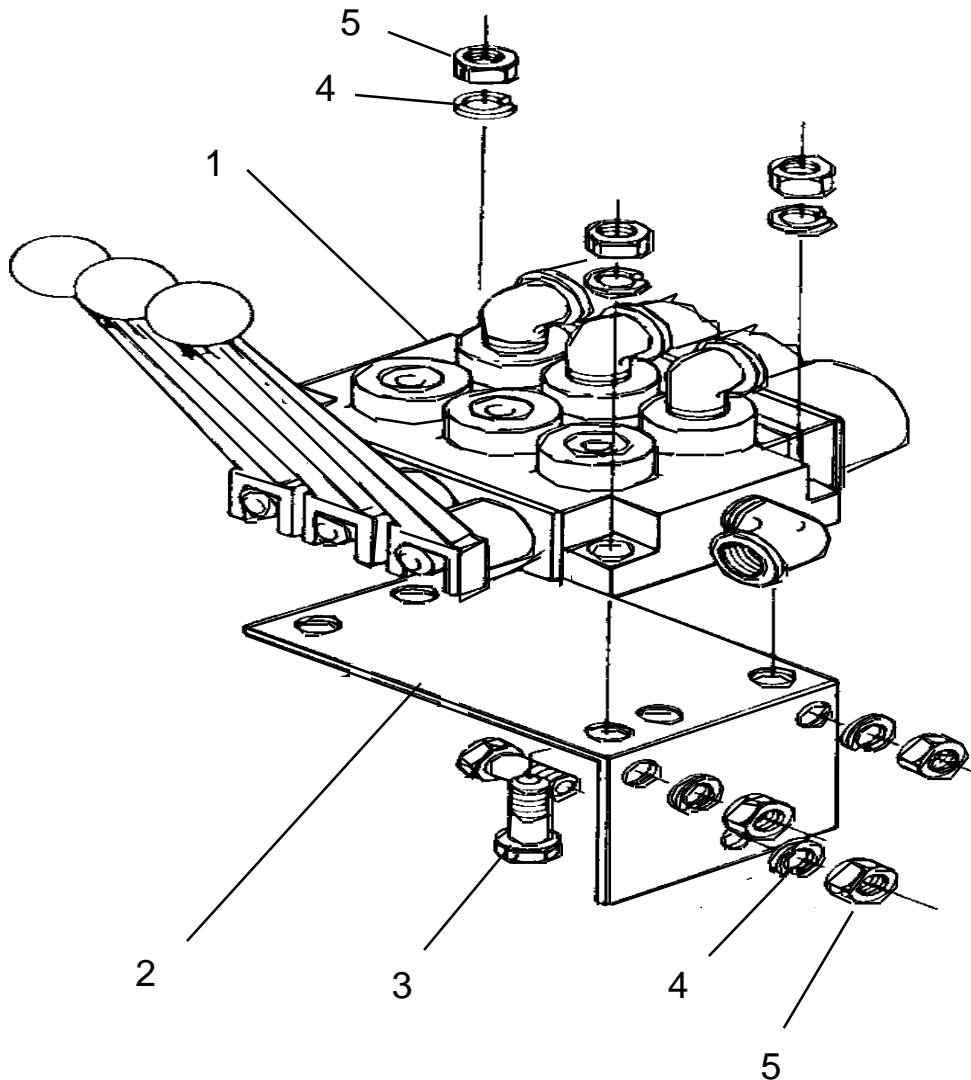
#0811330900 Rear Chain Guard Set includes 1 ea. of #0811331100, 0811331200 & 0811331300,
A Complete Set of Chain Guards for Rear, Includes Center, LH & RH Wings.

Sep. 1989
to
Sep. 1991

Hyd. Valve Closed Center (Optional)

S/N AG20-01050
to
S/N AG20-01084

Note: Optional Equipment



Item	Part No.	Qty.	Description
1	B651412	1	Hydraulic Valve Asy (3 spool)
2	651401	1	Bracket, Mounting
3	00016200	6	Bolt
4	13500	6	Washer
5	5B5180	6	Nut

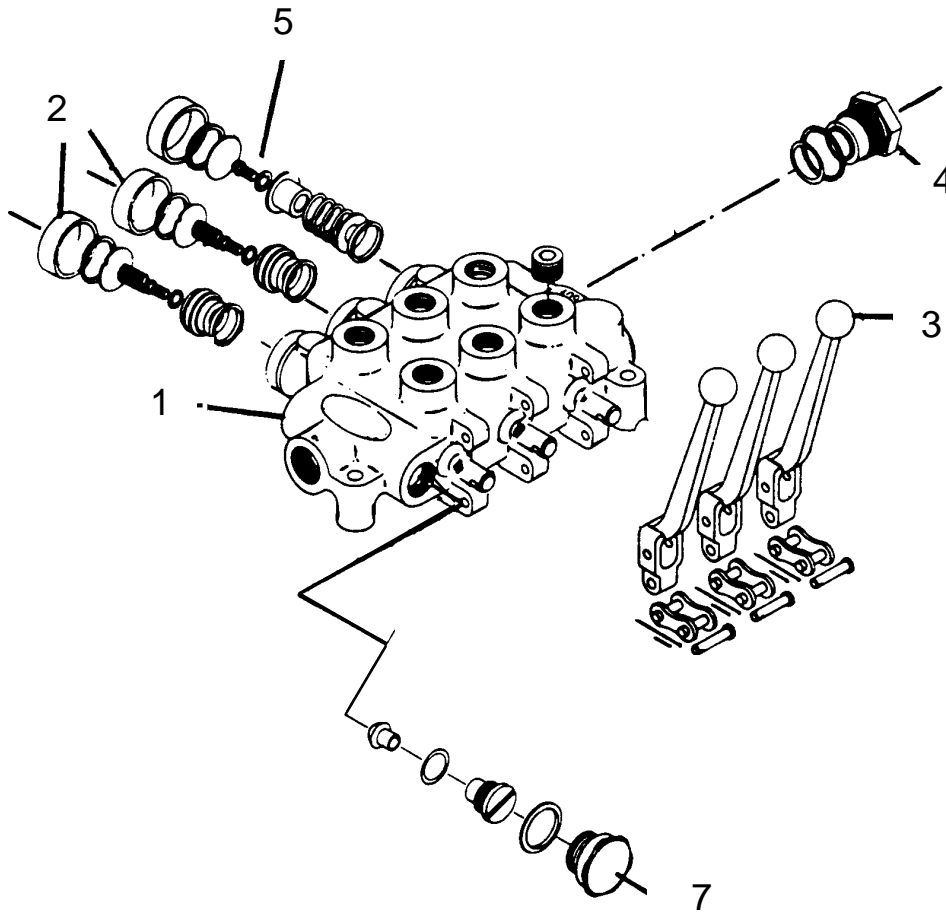
B651412 no longer available as assembly - replace with #00759833

Oct. 1991
to
Jul. 1994

Hyd. Valve Closed Center (Optional)

S/N AG20-01085
to
S/N AG20-01299

Note: Optional Equipment



Item	Part No.	Qty	Description
1	00759833	1	Closed Center Valve
2	00751139	3	Detent Repair Kit
3	00751142	3	Handle Assembly
4	00751002	1	Closed Center Plug
5	00751358	-	Repair Kit-Spring Return to Center
6	00751556	1	Spool Seal Kit for Item #1 or #2 (Not Shown)
7	00752057	1	Non-Relief Valve Plug (Closed Center)

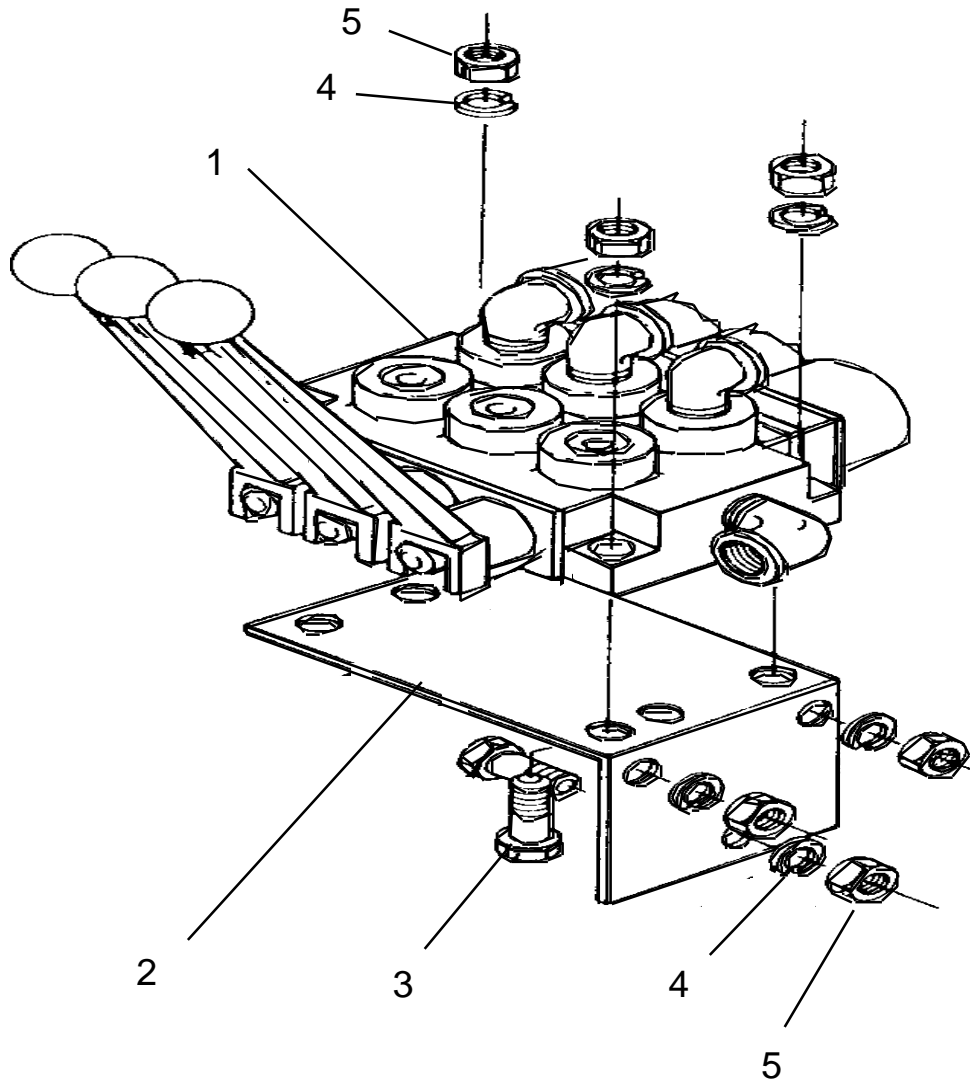
NOTE: The Three Spool Control valve must have detent float positions for the wing cylinders. This will allow decks to float to contour of ground and prevent stress in deck components.

Sep. 1989
to
Sep. 1991

Hyd. Valve Open Center (Optional)

S/N AG20-01050
to
S/N AG20-01084

Note: Optional Equipment



Item	Part No.	Qty.	Description
1	B651402	1	Hydraulic Valve Asy (3 spool)
2	651401	1	Bracket, Mounting
3	00016200	6	Bolt
4	13500	6	Washer
5	5B5180	6	Nut

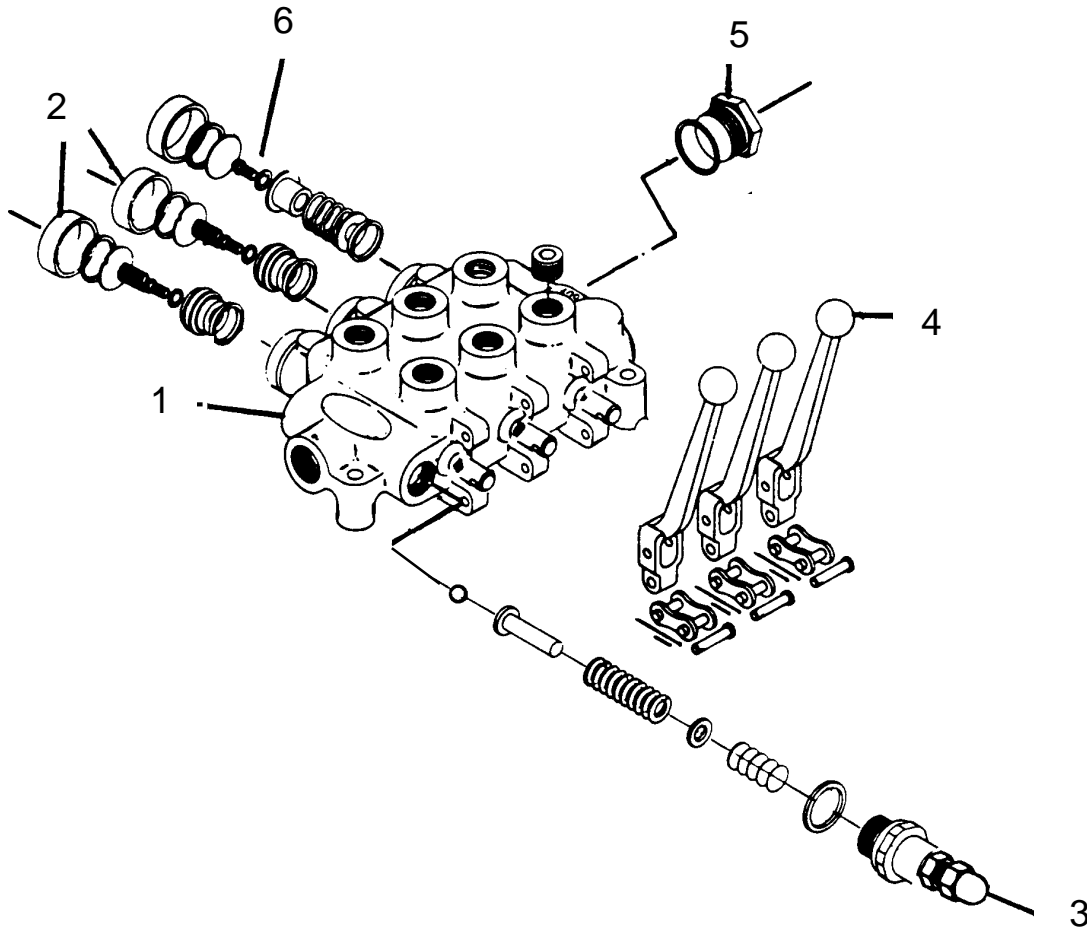
B651402 no longer available as assembly - replace with #00380200

Oct. 1991
to
Jul. 1994

Hyd. Valve Open Center (Optional)

S/N AG20-01085
to
S/N AG20-01299

Note: Optional Equipment



Item	Part No.	Qty	Description
1	00380200	1	Open Center Valve
2	00751139	2	Detent Repair Kit
3	00751140	1	High Pressure Relief Valve Kit
4	00751142	3	Handle Assembly
5	00751142	1	Open Center Plug
6	00751358	-	Repair Kit-Spring Return to Center
7	00751556	1	Spool Seal Kit for Item #1 or #2 (Not Shown)

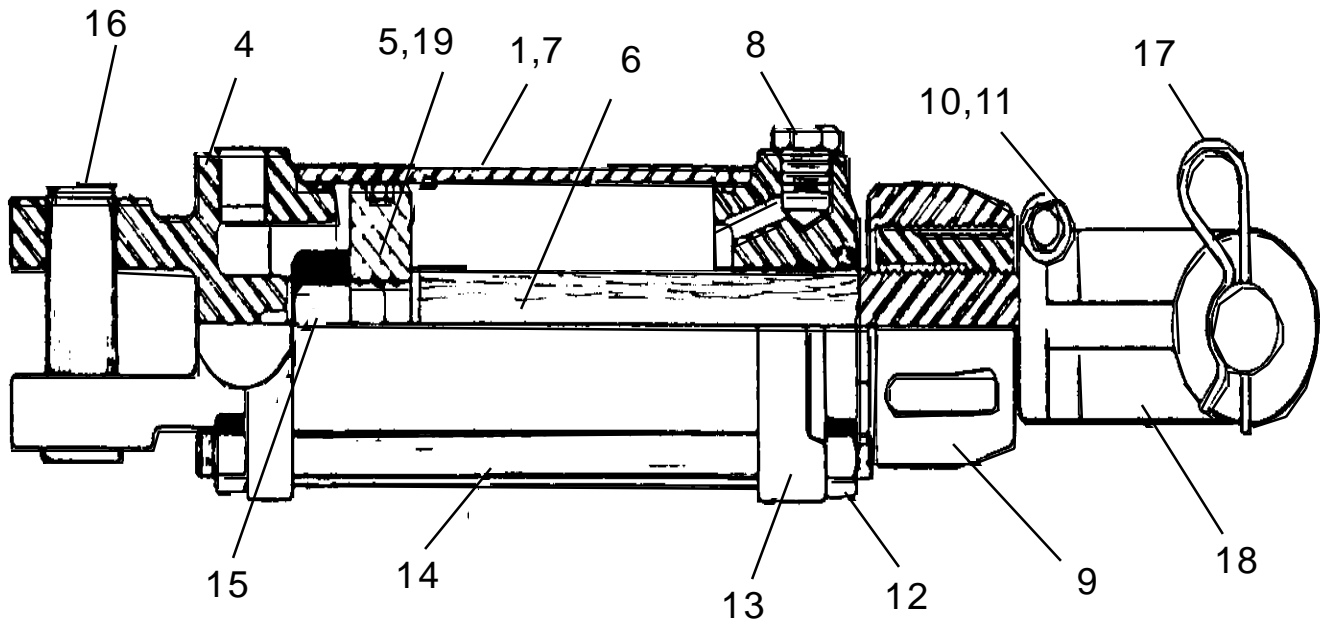
NOTE: The Three Spool Control valve must have detent float positions for the wing cylinders. This will allow decks to float to contour of ground and prevent stress in deck components.

Sep. 1989
to
Sep. 1990

Hyd. Cyl. Center Axle Lift (Standard Lift)

S/N AG20-01050
to
S/N AG20-01059

Note: Screw on stroke control item #9



Item	Part No.	Qty.	Description
1	65113B1	1	Hydraulic Cyl.
4	0651130001	1	Base Clevis
5	0651130005	1	Piston
6	0651130006	1	Rod
7	0651130007	1	Barrel
8	6511324	1	Breather Plug
9	0651130012	1	Stroke Control
10	5B6240	1	Nut, Rod Clevis
11	7E62414	1	Socket Hd. Bolt
12	5B8200	8	Nut, Tie Rod
13	0651130016	1	Head
14	0651130017	4	Tie Rod
15	691351	1	Lock Nut, 1-14NF
16	6511314	2	Pin, Clevis
17	37107B13	2	Clip
18	0651130022	1	Rod, Clevis
19	0651130014		Seal Kit
	0811251000	1	Hose (Not Shown)

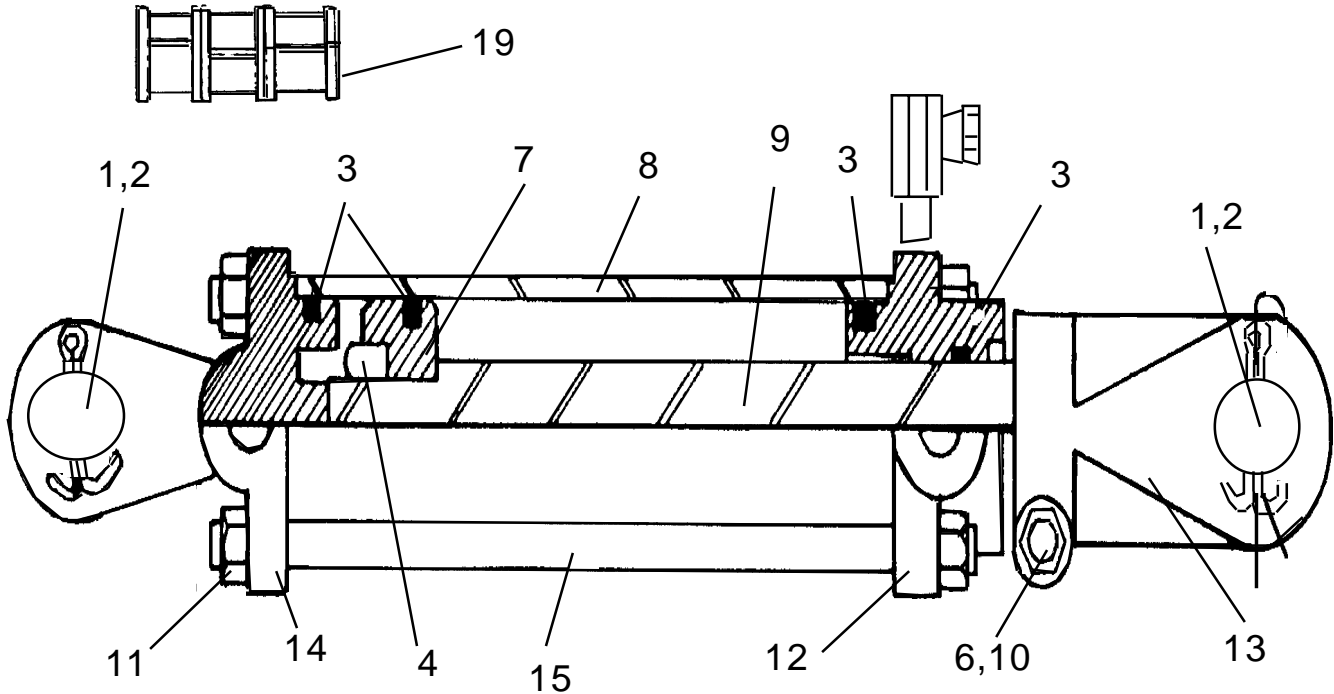
Note: Cylinder #65113B1 no longer available as assembly - Replace complete cylinder with #00759946 Cyl & 00755234 Control Spacer Kit. Parts will not interchange between new & Old style Cyl..

Oct. 1990
to
Jul. 1994

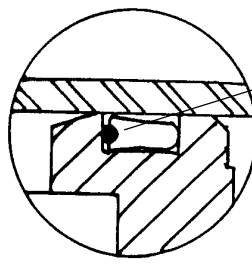
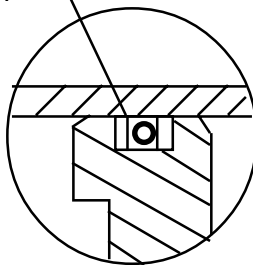
Hyd. Cyl. Center Axle Lift (Standard Lift)

S/N AG20-01060
to
S/N AG20-01299

Note: Clip on stroke control item 19.



Old Style Piston Seal.



NOTE: Seal to install over Chamfer side of Piston. Note position of Chamfer on New Style Piston.

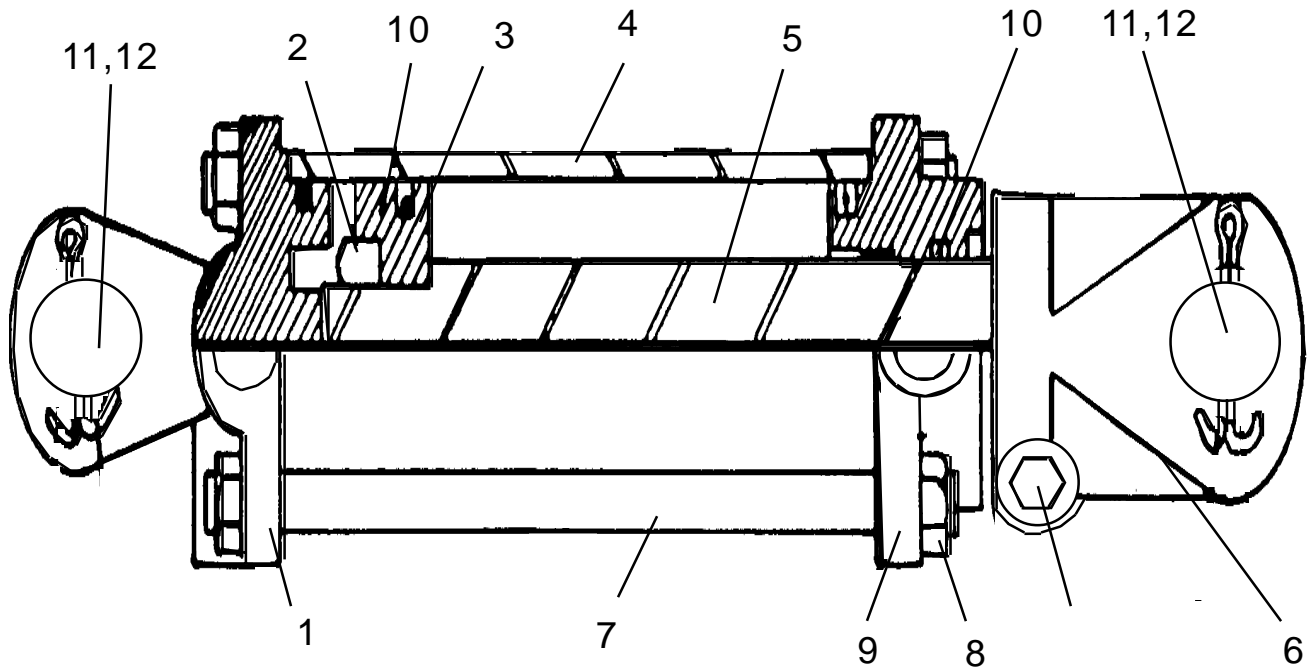
Item	Part No.	Qty	Description	Item	Part No.	Qty	Description
	00759946	1	Hyd Cyl	9	00760200	1	Piston Rod
1	8354	2	Pivot Pin	10	4376	1	Hex Nut
2	163016	2	Clip Pin	11	4690	8	Tie Rod Nut
3	00760199	1	Seal Kit	12	00760197	1	Head
4	4675	1	Piston Nut	13	8754	1	Outer Clevis
5	7339	1	Breather Plug (Not Shown)	14	00760196	1	Cap
6	4427	1	Bolt	15	00760202	4	Tie Rod
7	00760661	1	Piston	19	00755234	1	Control Spacer Kit
8	00760194	1	Tube				

NOTE: Seal Kit (#00760199) contains both old and new style piston seals. New style seal can be installed on old style piston.

Sep. 1989
to
Jul. 1994

Hyd. Cyl. Center Axle Lift (Hyd. Level Lift Option)

S/N AG20-01050
to
S/N AG20-01299



Item	Part No.	Part No.	Part No.	Qty.	Description
	8719	-----	-----	1	Cy. Asy, Center Axle, (3-1/2" x 8")
	-----	8720	-----	1	Cyl. Asy, RH Wing Axle, (3-1/4" x8")
	-----	-----	8721	1	Cyl. Asy, LH Wing Axle, (3" x 8")
1	8772	8778	8784	1	Base Clevis
2	4705M	4705M	-----	1	Piston Nut, (8719 - 8720 Only)
	-----	-----	4675M	1	Piston Nut (8721 only)
3	8768	8775	8780	1	Piston
4	8769	8776	8781	1	Tube
5	4706	4706	8753	1	Piston Rods
6	8754	8754	8754	1	Rod Clevis
7	8773	8773	8785	4	Tie Rod
8	44689	4689	-----	8	Nut, 9/16" (8719-8720 Only)
	-----	-----	4376	8	Nut, 1/2" (8721 Only)
9	8774	8779	8786	1	Head
10	8764	8765	8766	1	Seal Kit (Not Shown)
11	8354	8354	8354	2	Pin, Clevis
12	163016	163016	163016	4	Cotter Pin

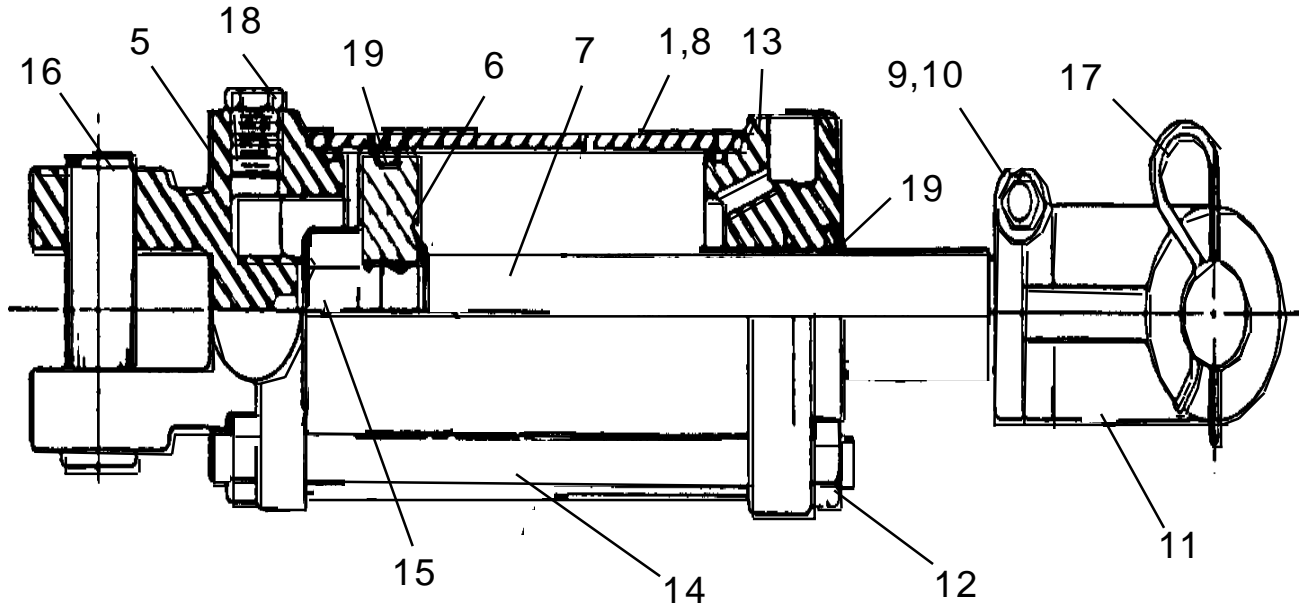
Note: Hose route will depend on cylinder from left to right mounting order by size. Measure old hose before ordering replacements. Cylinders must be connected larger (8719) to Medium (8720) to smaller (8721) in Oil Flow order or this system will not work. All Air Must be bled from system and mounted so Air can't enter system.

Sep. 1989
to
Sep. 1990

Hyd. Cyl. Wing Lift & Fold

S/N AG20-01050
to
S/N AG20-01059

Note: # B65130B1 & # 00759931 no longer available as an asy. Replace w/ # 00759947 as asy.



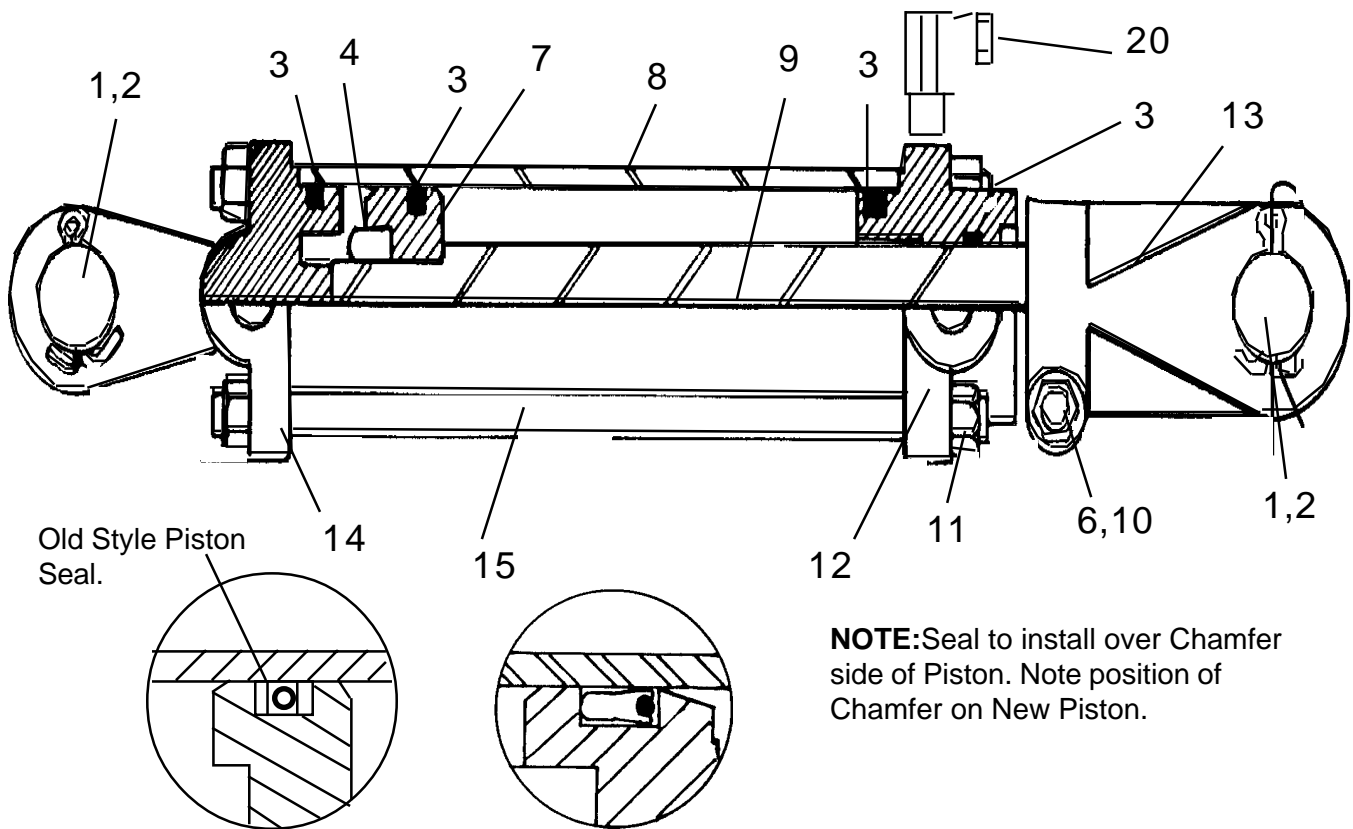
Item	Part No.	Qty.	Qty	Description
1*	B65130B1	1	--	Hyd. Cyl. Asy, (1-1/4" Rod)
	00759931	--	1	Hyd Cyl . Asy. (1-1/2" Rod)
5	0651130001	1	1	Base Clevis
6	0651130005	1	1	Piston
7*	0651300001	1	--	Rod (1-1/4")
	00759932	--	1	Rod Kit (1-1/2") (wHead, Rod, & Seal Kit)
8	0651300002	1	1	Barrel
9	5B6240	1	1	Nut, Rod Clevis
10	7E62414	1	1	Socket Hd., Bolt
11	0651130022	1	1	Rod Clevis
12	5B8200	8	8	Nut, Tie Rod
13*	0651130016	1	--	Head (1-1/4")
	00759933	--	1	Head Kit (1-1/2") (w/Head, Rod, & Seal Kit)
14	0651300003	4	4	Tie Rod
15	691351	1	1	Lock Nut
16	6511314	2	2	Clevis Pin
17	37107B13	2	2	Clip
18*	6511324	1	1	Plug
19	0651130014	1	--	Seal Kit (1-1/4" Rod)
	00759934	--	1	Seal Kit (1-1/2" Rod)
20	0811261100	1	1	Hose (Not Shown)

Note * : 1-1/4" Rod was standard and most common, The 1-1/2" Rod cylinders were shipped and not known till after they were shipped, there were not many of the 1-1/2" Rod Cylinder used or shipped

Oct. 1990
to
Jul. 1994

Hyd. Cyl. Wing Lift & Fold

S/N AG20-01060
to
S/N AG20-01299



Item	Part No.	Qty	Description
	00759947	1	Hyd Cyl Asy
1	6511314	2	Pivot Pin
2	162012		2 Clip Pin
3	00760199	1	Seal Kit
4	4675	1	Piston Nut
5	6511324	1	Breather Plug (Not Shown)
6	4427	1	Bolt
7	00760198	1	Piston
8	00760195	1	Tube
9	00760201	1	Piston Rod
10	4378	1	Hex Nut
11	4690	8	Tie Rod Nut
12	00760197	1	Head
13	8754	1	Outer Clevis
14	00760197	1	Cap
15	00760203	4	Tie Rod
19	0811261100	1	Hose (Not Shown)

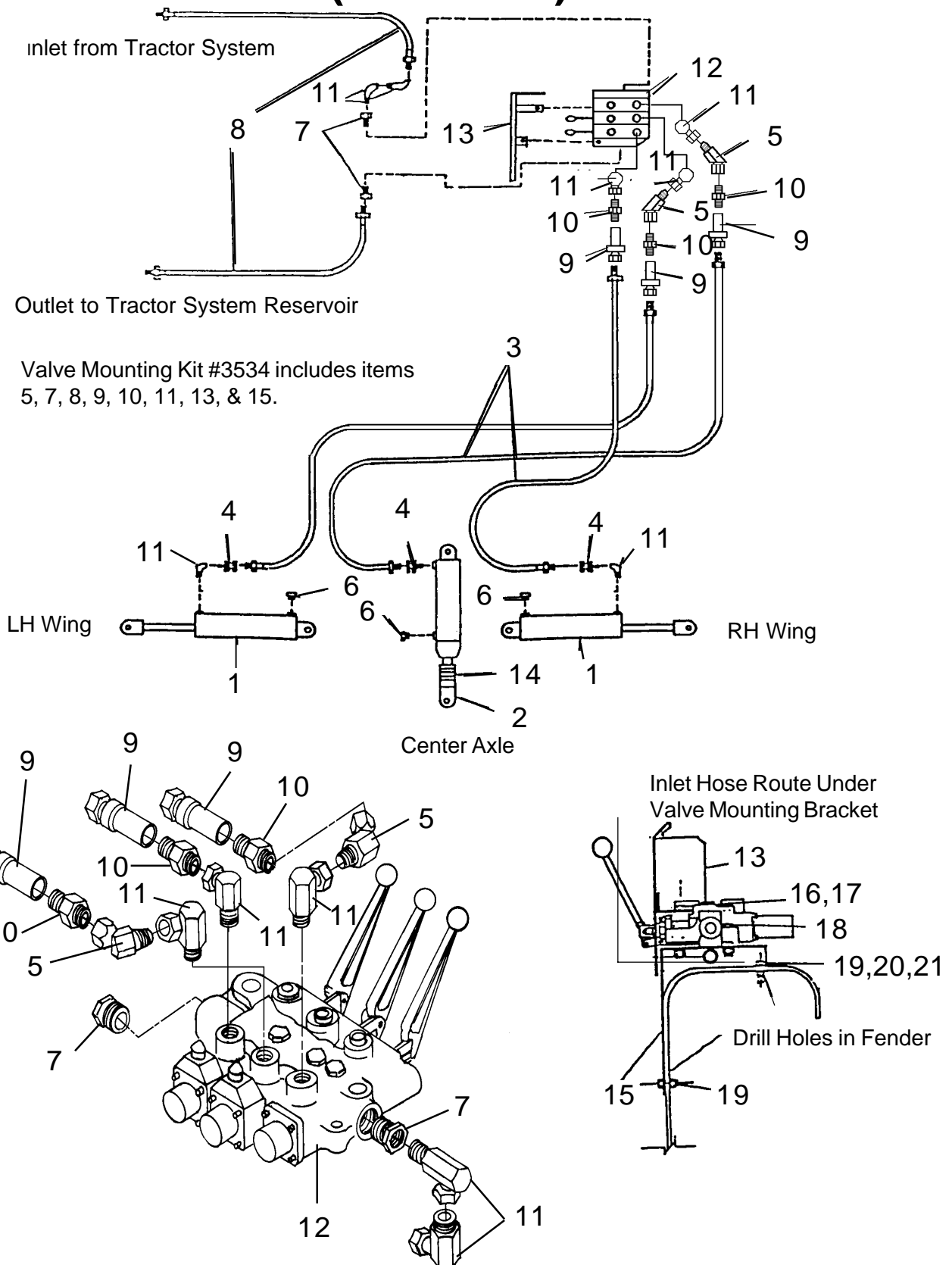
NOTE: Seal Kit (#00760199) contains both old and new style piston seals. New style seal can be installed in old style piston.

NOTES

Sep. 1989
to
Jul. 1994

Hyd. Schematic Lift & Fold (Standard)

S/N AG20-01050
to
S/N AG20-01299



Sep. 1989
to
Jul. 1994

Hyd. Schematic Lift & Fold (Standard)

S/N AG20-01050
to
S/N AG20-01299

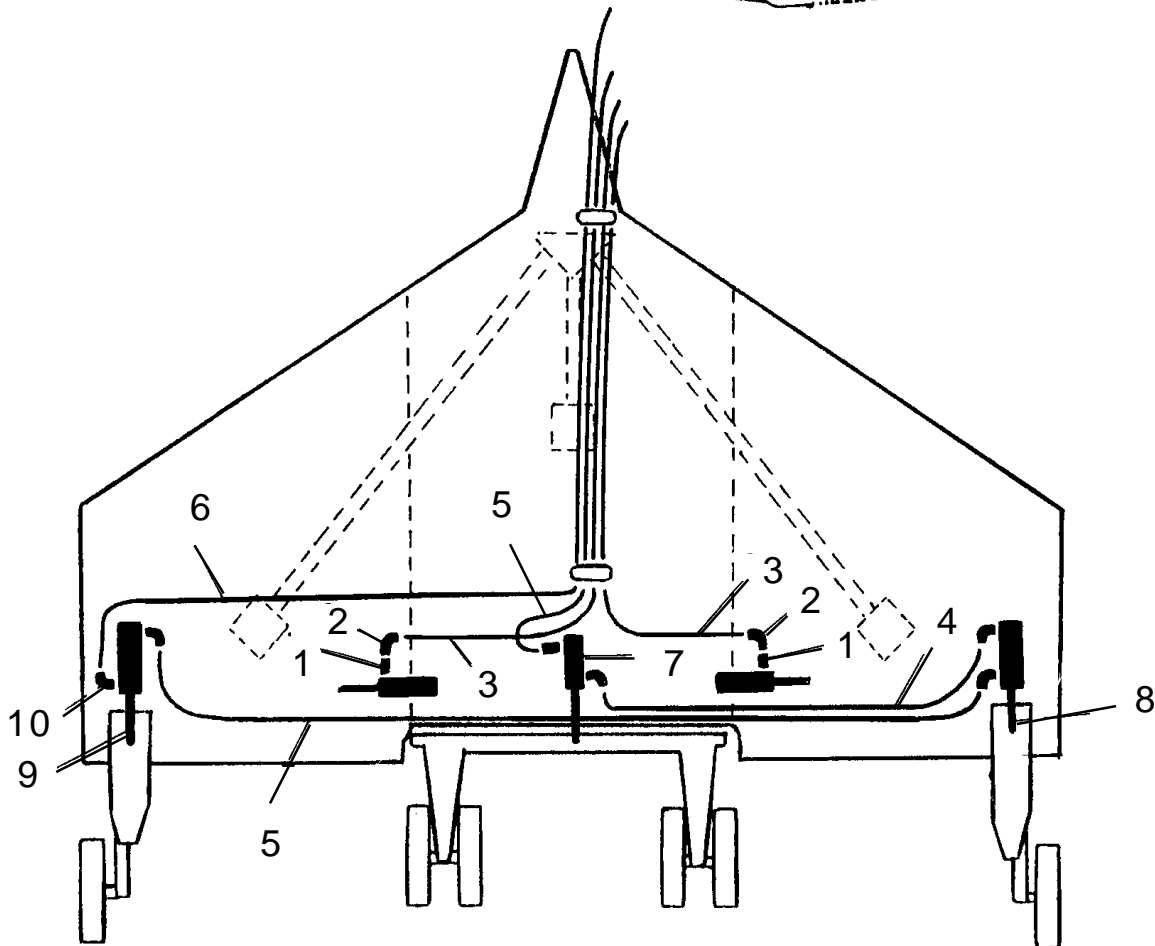
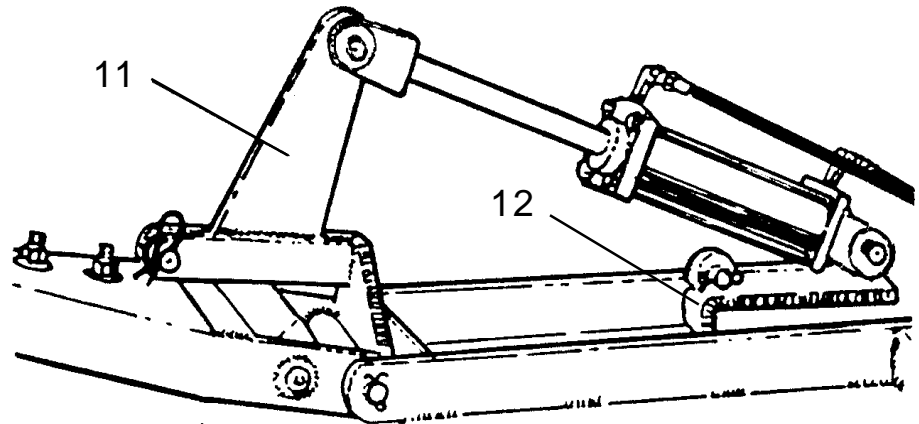
Item	Part No.	Qty	Description
1	-----	2-ref	Cylinder, Wing Lift & Fold
2	-----	1-ref	Cylinder, Axle Lift
3	-----	3-ref	Hose
4	-----	3-ref	Restrictor Fitting
5	000999	2	Elbow 45 Deg.
6	-----	3-ref	Breather
7	7323	2	Reducer
8	1347	2	Hydraulic Hose
9	2107	3	Quick Disconnect Coupler
10	02960460	3	Straight Adapter
11	94514	5	Elbow 90 Deg.
12	-----	1-ref	Open Valve Bank
	-----	1-ref	Closed Valve Bank
13	00759682	1	Shield
14	-----	1-ref	Stroke Control
15	8166	1	Fender Bracket
16	10204000	2	Bolt
17	7336	2	Spacer
18	00010600	1	Bolt
19	00011400	4	Bolt
20	03101646	7	Lockwasher
21	00013901	7	Nut

NOTE: This is the Standard Hydraulic Lift and Fold Schematic, This sytem will use 1 Cylinder each wing to lift & Fold. There will be 1 Cylinder for the Center Axle for Lift, The Wing Axles will have Lift Screws that are adjusted manually.

Sep. 1989
to
Jul. 1994

Hyd. Schematic Lift & Fold (Hyd. Level Lift Option)

S/N AG20-01050
to
S/N AG20-01299



Sep. 1989
to
Jul. 1994

Hyd. Schematic Lift & Fold

S/N AG20-01050
to
S/N AG20-01299

(Hyd. Level Lift Option)

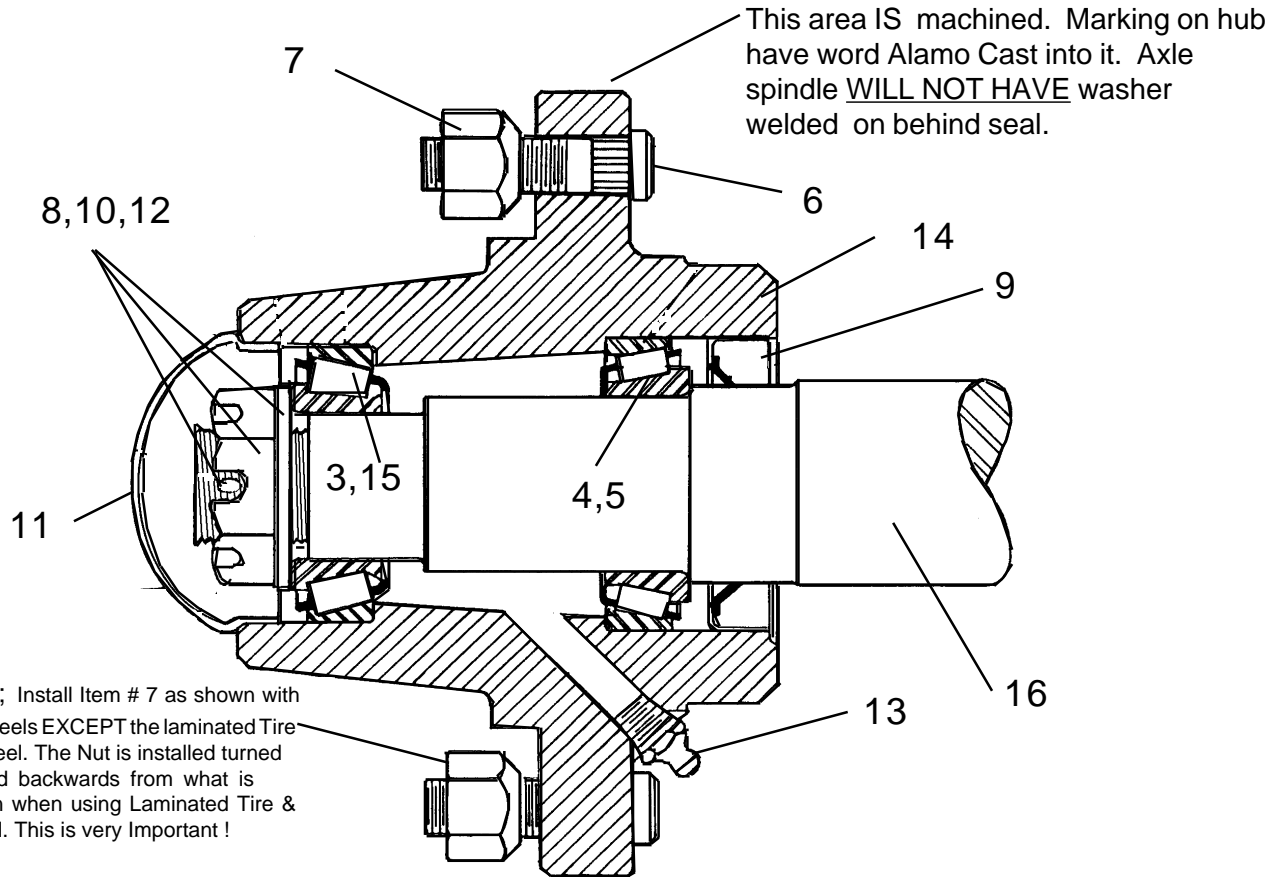
Item	Part No.	Qty	Description
1	7329	2	Adaptor - Restrictor
2	94517	2	Hydraulic Adaptor 90°
3	0811261100	2	Hydraulic Hose (288" Long)
4	0651131200	1	Hydraulic Hose (120" Long)
5	0811251000	2	Hydraulic Hose (240" Long)
6	00760626	1	Hydraulic Hose (360" Long)
7	8719	1	Hydraulic Cylinder 3-1/2" Dia.
8	8720	1	Hydraulic Cylinder 3-1/4" Dia.
9	8721	1	Hydraulic Cylinder 3" Dia.
10	94514	5	Hydraulic Adaptor 90° (1 w/0651131200)
11	0812140100	2	Rear Lift Bracket Asy.
12	0812140200	2	Adapter Plate Asy.

NOTE: The above Hose's & Brackets are ONLY USED if Mower is equipped with the OPTIONAL Hydraulic Level Lift System. If Mower does not have the Level Lift System there will only be one Cylinder for Center Axle and Wings will have Standard Lift Screw. The Hyd. Level Lift Cylinders are Phasing Cylinders and WILL NOT WORK as the standard lift Cylinder. If Cylinders are disassembled care MUST be taken to make sure Barrels of Cylinders are re-installed in the correct direction.

Sep. 1989
to
Jan. 1990

Wheel Hubs

S/N AG20-01050
to
S/N AG20-01055



Item	Part No.	Qty	Description
	00757241	--	Hub Asy Complete (items 3 thru 14)
3	00756576	1	Bearing Cup(Outside)
4	00750434	1	Bearing Cone(Inside)
5	00756577	1	Bearing Cup(Inside)
6	00756488	5	Bolt, Wheel Stud
7	00750614	5	Nut, Lug Nut
8	00756490	1	Nut, Slotted Thin
9	002957044	1	Seal
10	00756493	1	Washer
11	00756492	1	Dust Cap
12	00000400	1	Cotter Pin
13	00003500	1	Grease Fitting
14	00756489	1	Wheel Hub w/Cups & Studs
15	0371242102	1	Bearing Cone(Outside)
16	00756001	ref	Spindle, Single Wheel (Weld In Spindle)
	00756002	ref	Spindle, Dual Wheel (Weld in Spindle)
	00756528	ref	Wheel Hub Accessory Kit (Includes Items 3,4,5,7,8,9,10,11,12,15)

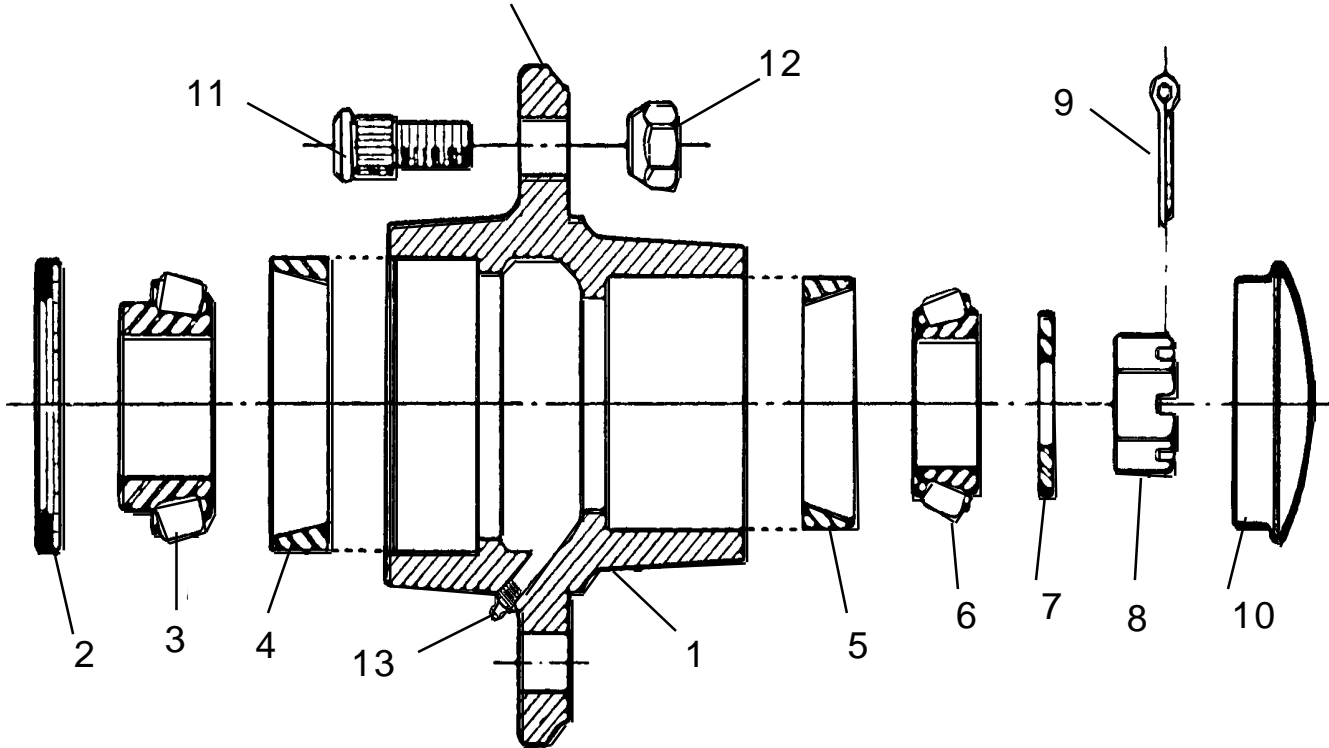
Note: # 00757241 Includes 1 each of #00756489 and 1 each of #00756828

Feb. 1990
to
Jul. 1994

Wheel Hubs

S/N AG20-01056
to
S/N AG20-01299

This area is NOT machined. No marking on hub. Axle spindle WILL HAVE washer welded on behind seal.



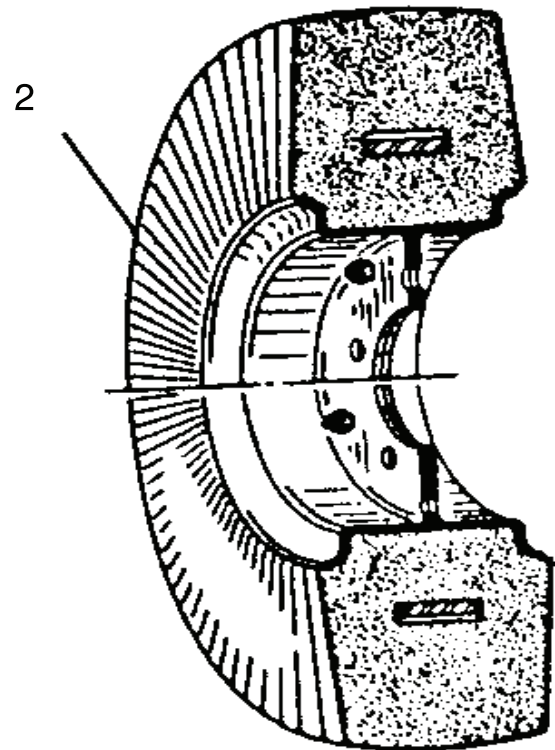
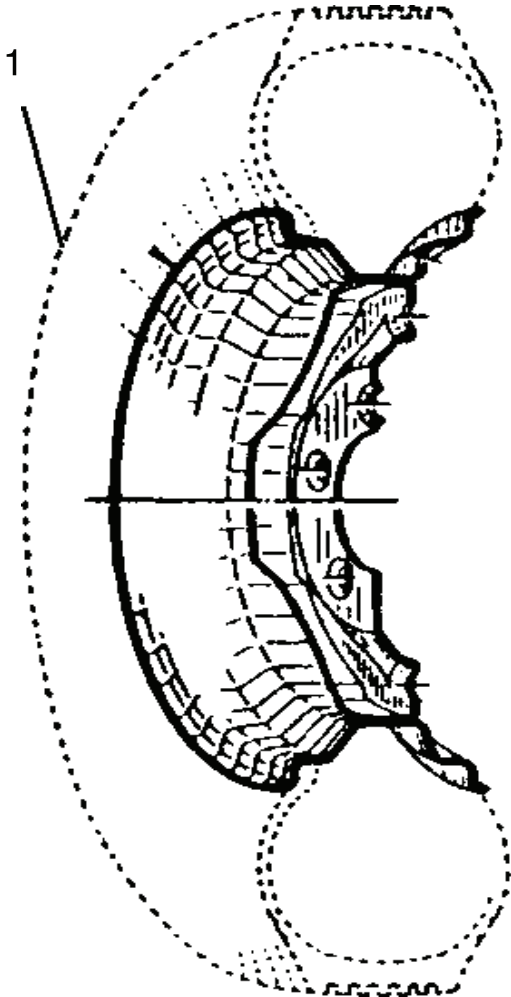
Item	Part No.	Qty.	Description
	37124	1	Hub Asy Complete (w/ items 1 thru 13)
1	371247SA	1	Hub Sub Asy (w/ items 4,5,11,12 & 13)
2	371247F	1	Grease Seal
3	371247E	1	Inner Bearing Cone
4	371247D	1	Inner Bearing Cup
5	00016900	1	Outer Bearing Cup
6	02957149	1	Outer Bearing Cone
7	15B1400	1	Spindle Washer
8	371247J	1	Spindle Nut
9	1621/2012	1	Cotter Pin
10	371247G	1	Hub Cap
11	13198	5	Hub Bolt
12	00750614	5	Hub Nut
13	00003500	1	Grease Fitting

NOTE: Hub Only is not Offered as a Separate Repair Part. When Ordering Bearings, it is Recommended That Both Cup and Cone be Specified. To ID this hub note Spindle bolt size, it is a 7/8" Nut, earlier Hub used a 1" Bolt. This Hub also used a Washer welded to Spindle as a Seal protector, The earlier Spindle DID NOT.

Sep. 1989
to
Jul. 1994

Tire & Wheel

S/N AG20-01050
to
S/N AG20-01299



Wheel Group

(Quantities for 1-Cutter, 2 Wheels Complete)

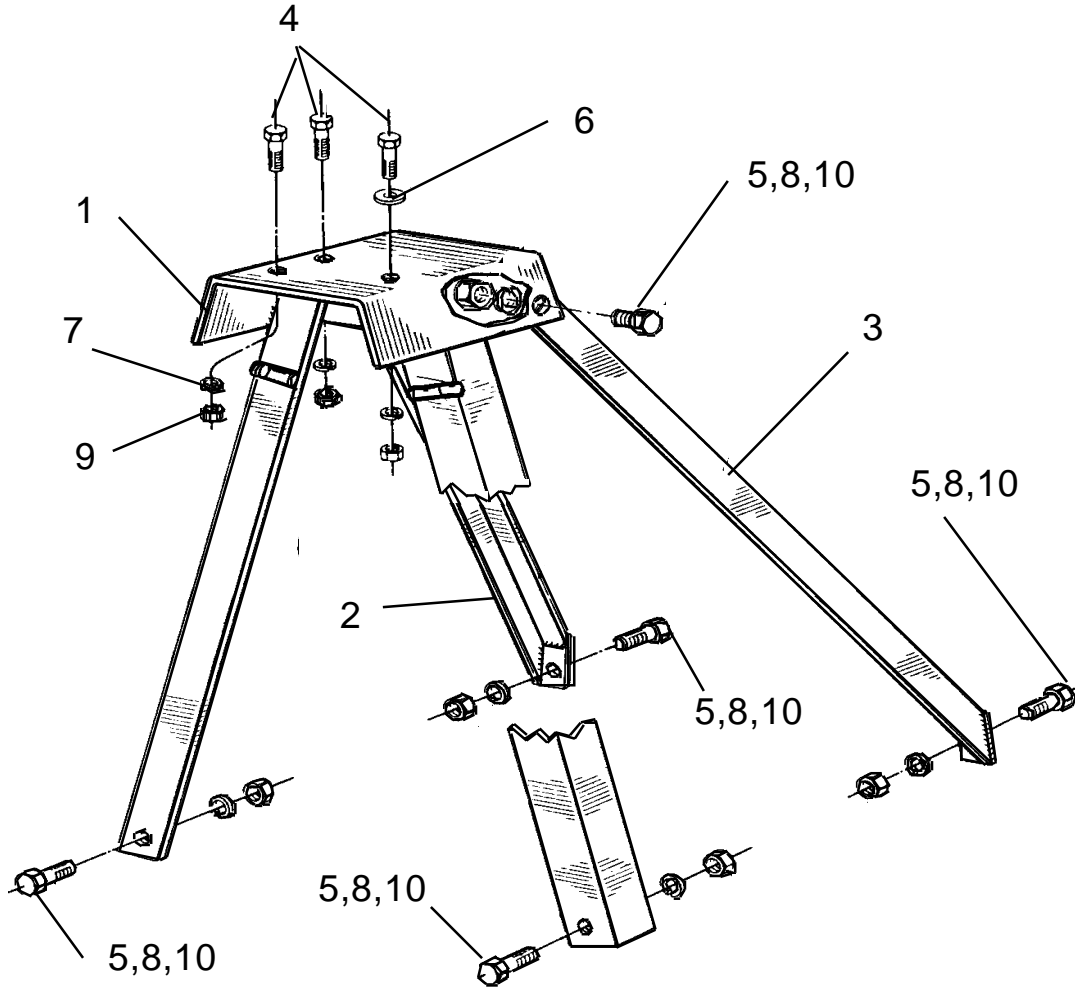
Item	Part No.	Qty	Description
1	00749698	--	Implement Tire & Wheel Asy 6:70 X 15 (Includes *)
	00008700	--	*15" Wheel Only
	00601700	--	* Implement Tire Only, 6:70 X 15 Tube Type
	00751994	--	* Tube F/ Implement Tire Only, 6:70 X 15
	00771461	--	Used 15" Airplane Tire & Wheel (Not Shown)
	00788719	--	ASY,FOAM FILLED TIRE-25.5X8-14(Not Shown)
	00749698	--	Implement Tire & Wheel (Not Shown)
2	00025200	--	6 X 9 Laminated Tire & Wheel Asy
	00766911A	--	Used Aiplane Tire & Whl, 22 X 6.6, Foam Filled

NOTES

Sep. 1989
to
Nov. 1992

Winch & Stand Optional

S/N AG20-01050
to
S/N AG20-01104



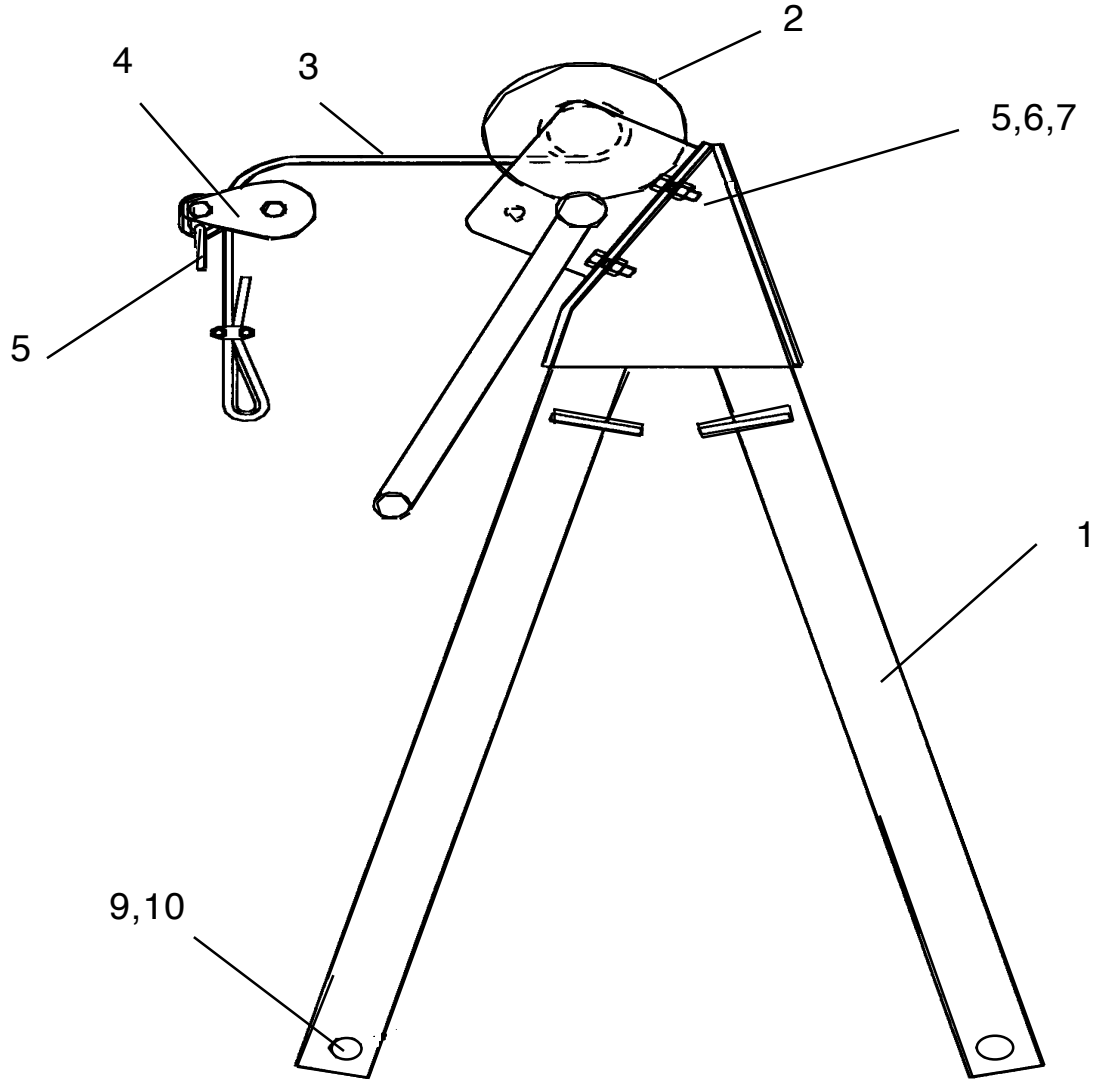
Item	Part No.	Qty	Description
1	0811270100	1	Winch Stand Weldment
2	0811270300	1	Support Leg, LH
3	0811270200	1	Support Leg, LH
4	00011400	3	Bolt
5	00748823	6	Bolt
6	00011100	1	Flatwasher
7	03101646	3	Lockwasher
8	00001300	6	Lockwasher
9	00013900	3	Locknut
10	0001200	6	Locknut

NOTE: This winch Stand will be replaced by Stand on following page.

Dec. 1992
to
Jul. 1994

Winch & Stand Optional

S/N AG20-01105
to
S/N AG20-01299

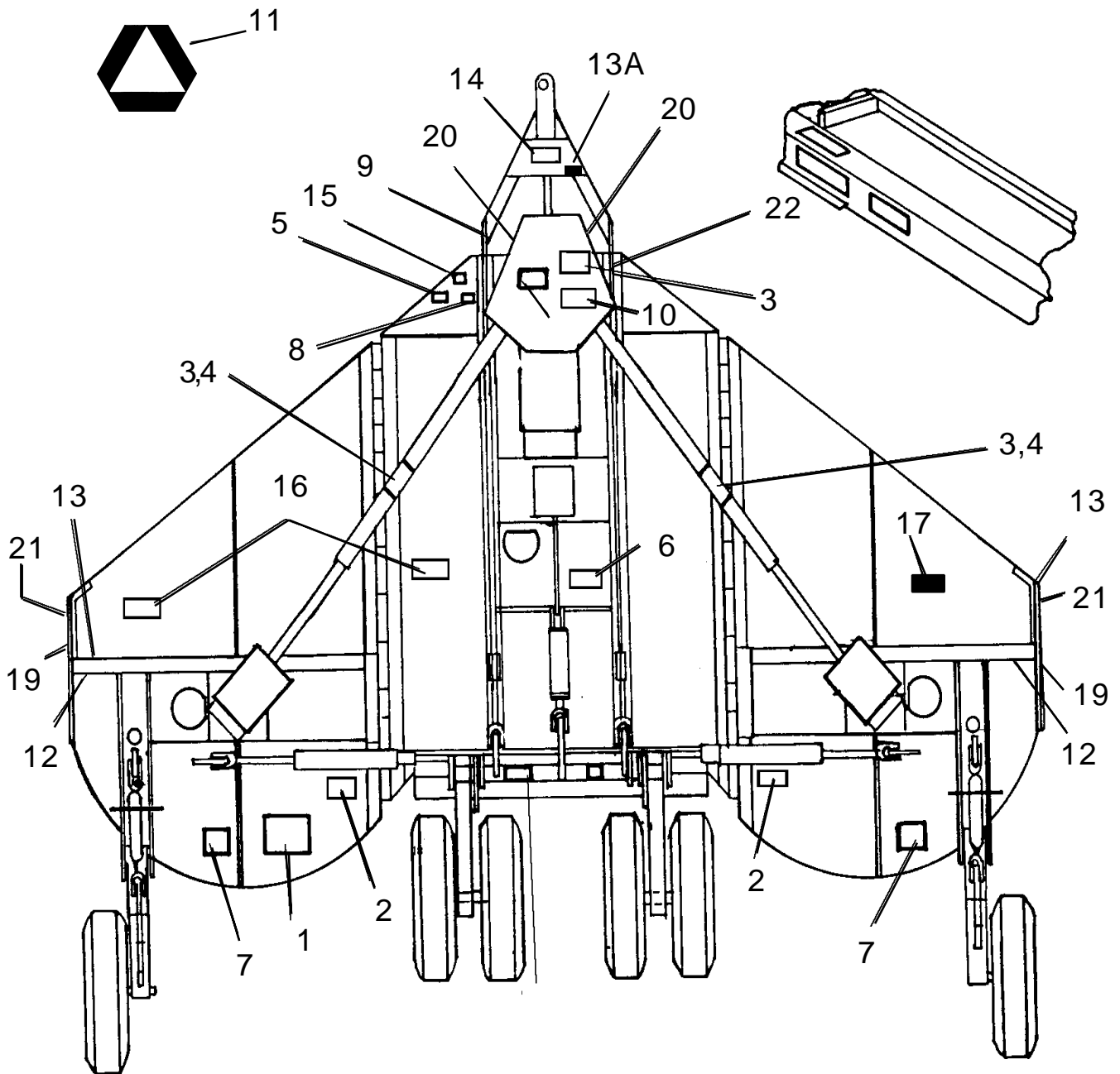


Item	Part No.	Qty	Description
	0811270500	--	Winch & Stand Asy w/Cable & Hardware
1	00761743	1	Winch Stand Weldment
2	00750936	1	Winch
3	0811280000	1	Cable
4	00753655	1	Pulley & Block
5	00753656	1	Chain
6	00011400	2	Bolt
7	00011100	2	Flatwasher
8	00015800	2	Locknut
9	00748823	2	Bolt
10	00001800	2	Locknut TLM 1/2 NC PLC

Sep. 1989
to
Jul. 1994

Decals

S/N AG20-01050
to
S/N AG20-01299



Sep. 1989
to
Jul. 1994

Decals

S/N AG20-01050
to
S/N AG20-01299

Item	Part No.	Qty	Description
1	00749117	1	Danger, Multiple Hazard, Operation, Transport, Parking
2	00753840	2 (1)	Danger, Folding Wing Multiple Hazard
3	00756004	4 (3)	Danger, Driveline Shield Missing; Do Not Operate
4	00756005	4 (3)	Danger, Rotating Driveline, Entanglement
5	00756007	1	Warning, Use/Repair Shields & Guards
6	00756059	1	Warning, Oil Leak Detection, Skin Penetration
7	00756485	2 (1)	Danger, Cutting Blades, Thrown Objects
8	00756494	1	Danger, Driveline Hazards, 540 RPM
9	02925100	1	Caution, Alamo Repair Parts
10	00763613	1	INSTRUC-Slip Clutch
11	03200347	*	SMV Emblem
12	99203	2	Red Reflective Tape
13	99204	2	Yellow Reflective Tape
13A	00763977	1	Notice to Owner
14	D102	1	PTO-to-Drawbar Hole Adjustment
15	D114**	1	1000 RPM PTO
	D103**	1	540 RPM PTO
16	D137	1	CCW Blade Rotation
17	D138	1	CW Blade Rotation
19	00757139	2	Alamo Type, 4-3/8 x 16-3/4
20	02960766	2	Logo, Alamo 4-7/8 x 6-1/2
21	00769670	2	AG20-IV Name Decal Only
22	00758407	1	AG20-IV, Serial Plate

* Furnished by Tractor Manufacturer

** 540 or 1000 RPM units only. Select correct one.

() = For Two Section Units

Sep. 1989
to
Jul. 1994

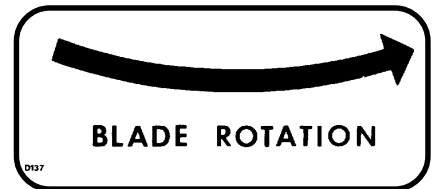
Decals

S/N AG20-01050
to
S/N AG20-01299

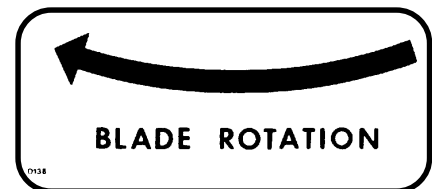


4 -- 00756005

1 -- 00749117
SEE INSIDE FRONT COVER
12 -- 99203 RED REFLECTOR
13 -- 99204 YELLOW REFLECTOR
21 -- D306 FL20 NAME ONLY



16 -- D137



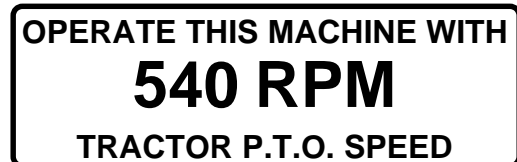
17 -- D138



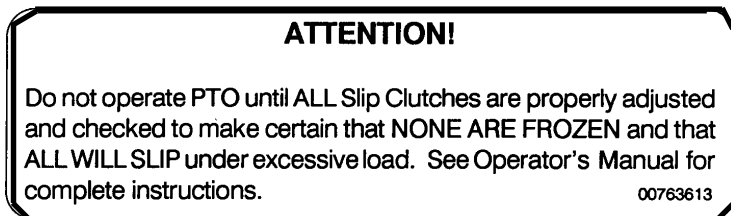
9 -- 02925100



15 -- D114



15 -- D103



10--00763613



22 -- 00757139

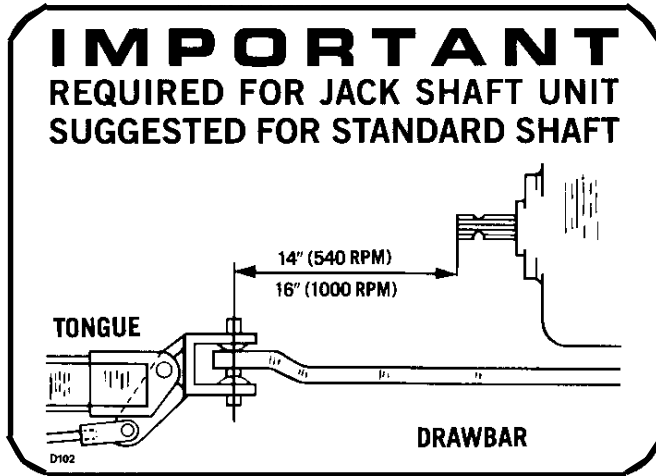


21-- 002960766

Sep. 1989
to
Jul. 1994

Decals

S/N AG20-01050
to
S/N AG20-01299



14 -- D102

A20-IV

23-- 02960766

A14-IV

23-- 00769813

! DANGER

1. MAKE CERTAIN DRIVELINES ARE OF THE **CORRECT LENGTH** AND SECURELY ATTACHED. **DRIVELINE SEPARATION AND/OR PTO STUB SHAFT FAILURE CAN CAUSE INJURY OR DEATH.** (See Operator's Manual for procedure.)

* SEE MANUAL FOR MINIMUM OVERLAP & MINIMUM/MAXIMUM LENGTHS	BOTTOMING OUT

2. MAKE CERTAIN THAT DRIVELINE SHIELDS ARE **INSTALLED CORRECTLY** AND **TURN FREELY** TO PREVENT INJURY OR DEATH FROM ENTANGLEMENT

--	--

3. MAKE CERTAIN THAT DRIVELINE IS INSTALLED CORRECTLY ON TRACTOR PTO SHAFT. MOVE YOKE BACK AND FORTH UNTIL LOCKING COLLAR CLICKS FORWARD AND LOCKS YOKE IN PLACE

4. **540 PTO RPM** UNLESS SPECIFICALLY MARKED OTHERWISE. 00756494

8 -- 00756494

! DANGER

**GUARD MISSING
DO NOT OPERATE**

00756004

! DANGER

**GUARD MISSING
DO NOT OPERATE**

00756004

! DANGER

3 -- 00756004

! WARNING

USE PAPER OR CARDBOARD TO CHECK FOR LEAKS. **NEVER USE YOUR HAND.** IF OIL PENETRATES SKIN, GANGRENE OR OTHER SERIOUS INJURY COULD OCCUR. **GET IMMEDIATE MEDICAL ATTENTION.**
See Operator's Manual. 00756059

6 -- 00756059

NOTICE TO OWNER

An OPERATOR'S MANUAL (with Repair Parts Listing) and a WARRANTY REGISTRATION CARD were attached to this implement during final inspection at the factory.

If they were not attached at the time of purchase, please contact your selling dealer at once.

1. Read and understand Manual before operating the implement.
2. Complete, sign, and mail the Warranty Registration Card in today. 00763977


13A -- 00763977

Sep. 1989
to
Jul. 1994

Decals

S/N AG20-01050
to
S/N AG20-01299

⚠ DANGER



- Stay clear when removing transport strap and lowering or raising wing. • Component failure or accidental operation of controls may allow wing to fall suddenly and cause bodily injury or death.
- Cylinders with Restrictors installed must be filled with oil for wings to lower slowly & safely.
- Lock Wings up securely for transporting.




- Do not operate mower with wings raised with passersby in the area. • Contact with exposed rotating Blades and/or being hit by thrown objects may cause injury or death.

00753840

2 -- 00753840


⚠ DANGER

CUTTING BLADES



FLAIL ROTARY

THROWN OBJECTS



FLAIL ROTARY

KEEP AWAY - ROTATING BLADES


SERIOUS INJURY OR DEATH CAN RESULT
FROM THROWN OBJECTS OR BLADE CONTACT.

- * STOP MOWING IF PERSONS ARE NOT CLEAR OF THROWN OBJECTS.
- * DO NOT STAND ON OR NEAR MACHINE WHEN IN OPERATION.
- * DO NOT OPERATE WITH DEFLECTORS OR GUARDS REMOVED. 00756485

7 -- 00756485

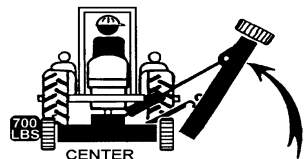
⚠ DANGER

WITHOUT WEIGHT, CENTER MAY LIFT UP



WING

WITH WEIGHT, WING FOLDS



700 LBS
CENTER

1. Keep everyone clear when lifting, folding, and working under raised components. Block securely before working under mower.
2. Install Weight Box and Weight (Minimum of 700# Total) before operating to prevent turning over the center section which can cause **SERIOUS BODILY INJURY** or **DEATH**. Without weight, Do not fold wing.
3. Attach transport strap securely to prevent inadvertent dropping from the transport position and possible **CRUSING INJURY** or **DEATH**.

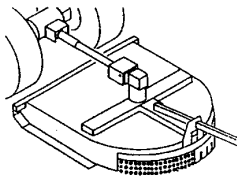
999403

10 -- 999403

⚠ WARNING

WHENEVER THIS MACHINE IS OPERATED IN ANY AREA WHERE THROWN OBJECTS COULD INJURE PERSONS OR PROPERTY, **SAFETY SHIELDING** MUST BE INSTALLED AND IN GOOD REPAIR TO REDUCE THE POSSIBILITY OF INJURY FROM THROWN OBJECTS.

CHAIN GUARDS, SOLID BANDS, RUBBER FLAPS, AND OTHER GUARDS ARE SUBJECT TO WEAR AND LOST OR BROKEN PIECES. IT IS THE **OPERATOR'S RESPONSIBILITY** TO SEE THAT THESE ITEMS OF SAFETY EQUIPMENT ARE REPAIRED AND/OR REPLACED AS SOON AS DAMAGE OCCURS, OR YOU WILL BE OPERATING MACHINE THAT IS IN AN UNSAFE CONDITION.



00756007

5 - - 00756007

