

# BE

Publication No. 855

SUPERTRIM BASE 470

GT 470

B 477

**Parts Manual**

BOMFORD & EVERSHED LTD BOMFORD & EVERSHED LTD

**£5.00**

# IMPORTANT !

NOTE HERE THE SERIAL NUMBER OF YOUR MACHINE  
AND ALWAYS QUOTE IT IN ANY COMMUNICATIONS  
WITH US OR YOUR DEALER

THIS IS PARTICULARLY IMPORTANT  
WHEN ORDERING SPARES, OR QUERIES  
REGARDING THIS MANUAL

REMEMBER TO INCLUDE ALL NUMBERS AND LETTERS

MACHINE SERIAL NUMBER

BASE ..... ON MAINFRAME

THE INFORMATION GIVEN THROUGHOUT THIS MANUAL IS CORRECT  
AT THE TIME OF PUBLICATION, HOWEVER IN THE COURSE OF  
CONSTANT DEVELOPMENT OF BOMFORD MACHINES, CHANGES IN  
SPECIFICATION ARE INEVITABLE

ANYONE FINDING THE INFORMATION GIVEN IN THIS BOOK TO  
BE AT VARIANCE WITH THE MACHINE IN HIS POSSESSION IS  
ADVISED TO CONTACT THE SERVICE DEPARTMENT WHERE UP TO  
DATE INFORMATION WILL BE PROVIDED

NOTE: PAGE AND ILLUSTRATION NUMBERS SHOWN ARE USED ONLY FOR REFERENCE PURPOSES AND SHOULD NOT BE USED FOR ORDERING SPARE PARTS, PLEASE GIVE FULL PART NUMBER AND DESCRIPTION WHEN ORDERING SPARE PARTS

FOR MACHINES WITH SERIAL NUMBERS COMMENCING FROM

MAINFRAME:.....**5270P**.....

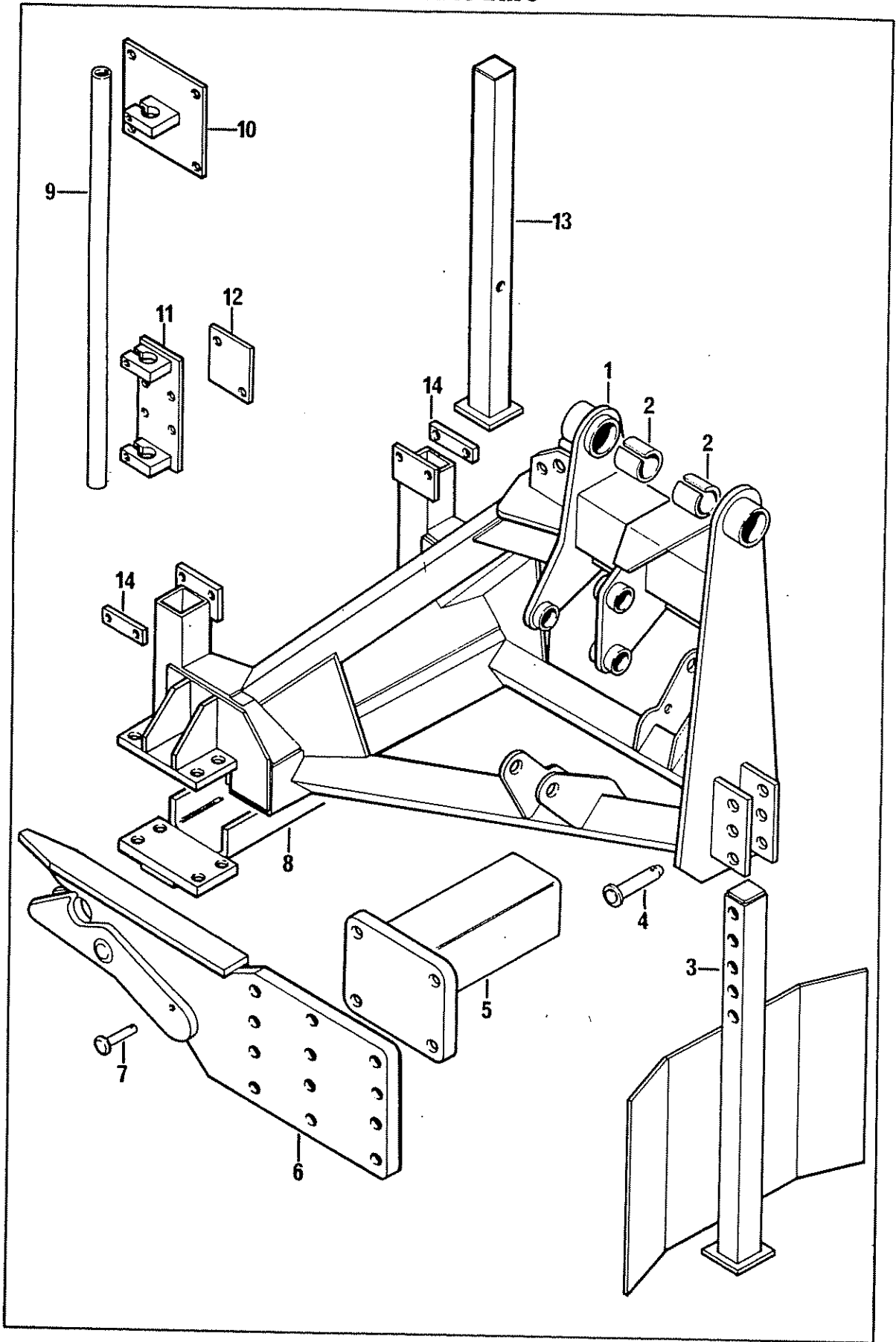
| PAGE NO.     | TITLE                                | ISSUE NO. |
|--------------|--------------------------------------|-----------|
| 2-1 to 2-2   | Mainframe                            | 0383      |
| * 3-1 to 3-3 | Control valve and cable assemblies   | 0383      |
| * 4-1 to 4-3 | Single pump and gearbox assemblies   | 0383      |
| * 5-1 to 5-4 | Twin pump and gearbox assemblies     | 0383      |
| * 6-1 to 6-3 | 1st arm and intermediate beam        | 0383      |
| * 7-1 to 7-4 | Second arm and cowl linkage          | 0383      |
| * 8-1 to 8-3 | Hydraulic ram circuit                | 0383      |
| 9-1 to 9-2   | Tank                                 | 0383      |
| 10-1 to 10-2 | Guard kit                            | 0383      |
| 11-1 to 11-2 | Decals                               | 0382      |
| 12-1 to 12-2 | Machine options - hydra cushion kits | 0383      |

\* Where a parts list has necessitated two and three pages of text, the corresponding illustration has been repeated on the facing page purely for convenient referencing.

THE ILLUSTRATIONS AND TEXT COMBINE STANDARD ALTERNATIVE AND OPTIONAL PARTS AND MUST NOT BE USED AS A PRODUCT SPECIFICATION

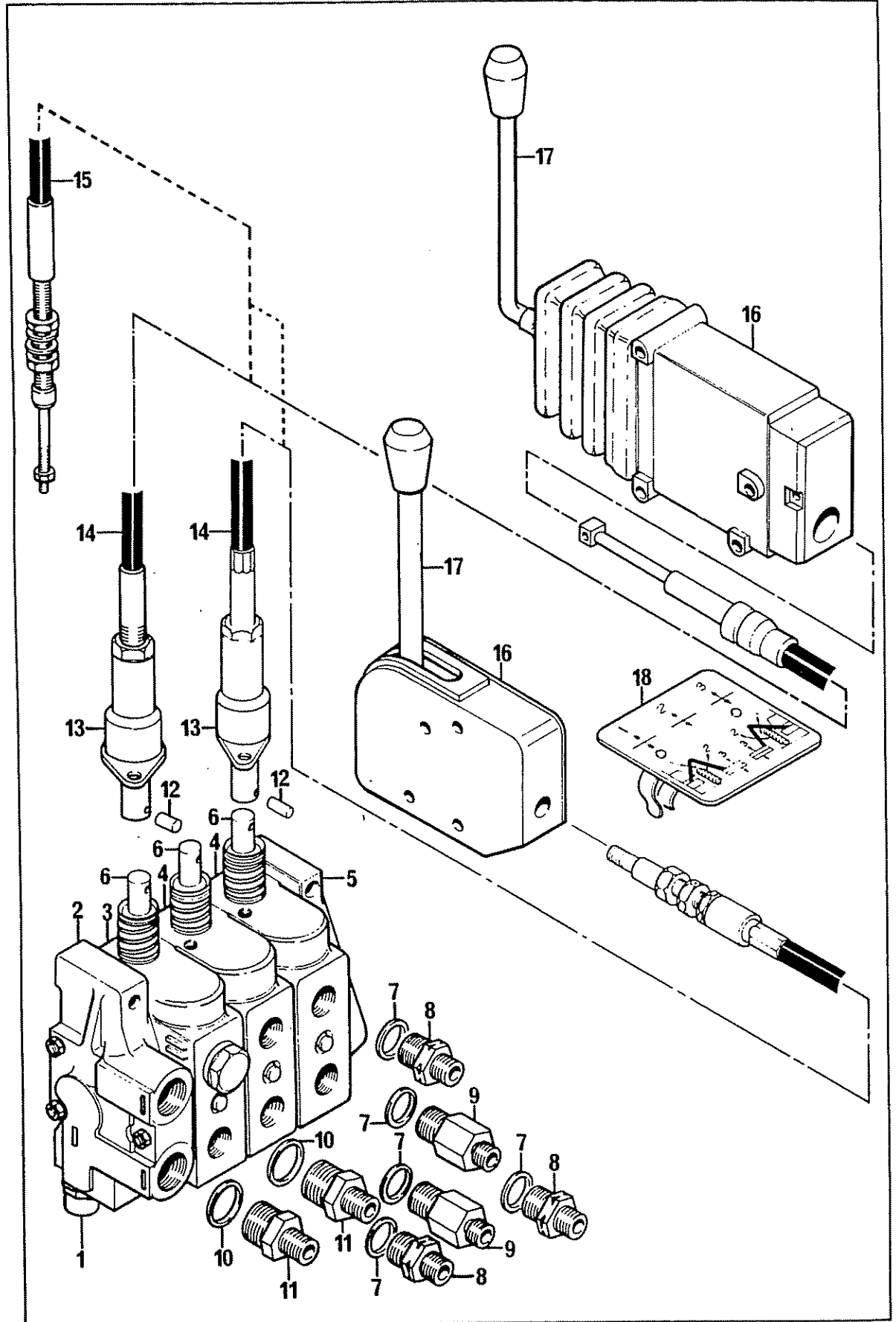
---

CHECK REAR OF MANUAL FOR UPDATES



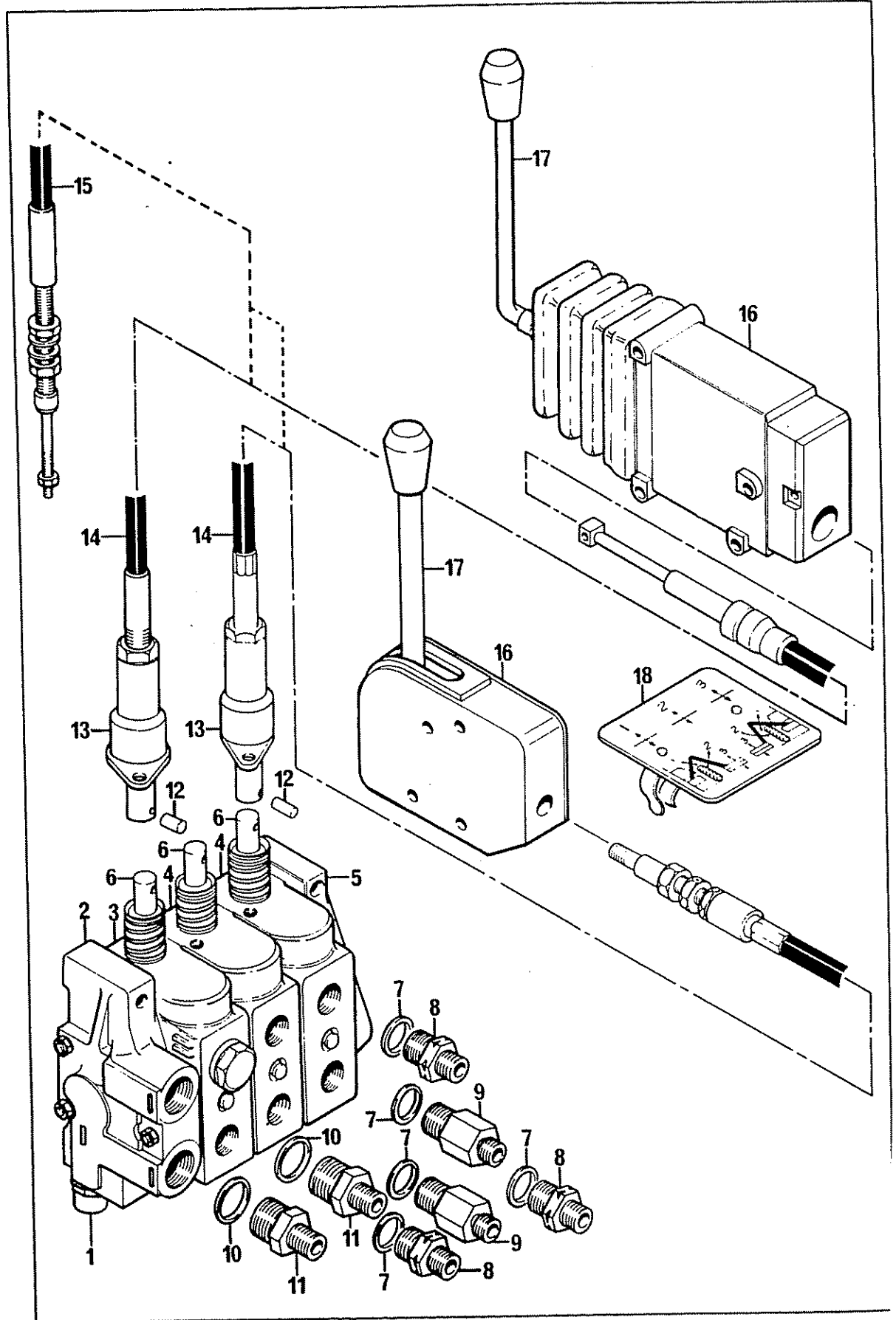
| Ref. | Part No.  | Description                             | Serial No.<br>from - up to | Qty. |
|------|-----------|---|----------------------------|------|
| 1    | 04 077 01 | Mainframe                               |                            | 1    |
| 2    | 02 771 02 | Tension bush 55mm O/D x 50mm I/D x 50mm |                            | 2    |
| 3    | 02 873 01 | Stand - rear                            |                            | 1    |
| 4    | 03 043 01 | Pin 25mm dia. x 80mm                    |                            | 2    |
|      | 00 372 01 | Linch pin                               |                            | 2    |
| 5    | 02 090 01 | Bracket - Stub mounting                 |                            | 2    |
| 6    | 03 190 01 | Arm - mounting fork                     |                            | 2    |
|      | 05 252 46 | Bolt 3/4in UNF x 2.1/2in                |                            | 8    |
|      | 05 293 07 | Spring washer 3/4in                     |                            | 8    |
|      | 05 288 06 | Nut 3/4 UNF                             |                            | 8    |
|      | 03 255 05 | Chain - Ring assembly                   |                            | 2    |
|      | 05 964 01 | Spring cotter 3.6mm dia.                |                            | 2    |
| 7    | 05 331 01 | Pin 12mm dia. x 50mm                    |                            | 2    |
| 8    | 03 232 01 | Bracket - Clamping channel              |                            | 1    |
|      | 05 264 47 | Setscrew M20 x 50mm                     |                            | 1    |
|      | 05 282 05 | Spring washer 20mm                      |                            | 1    |
|      | 05 253 48 | Bolt 3/4 UNF x 7in                      |                            | 8    |
|      | 05 293 07 | Spring washer 3/4in                     |                            | 8    |
|      | 05 288 06 | Nut 3/4 UNF                             |                            | 8    |
| 9    | 03 036 01 | Rod - Valve support                     |                            | 1    |
| 10   | 03 066 01 | Bracket - valve                         |                            | 1    |
|      | 05 264 15 | Setscrew M10 x 40mm                     |                            | 3    |
|      | 05 282 02 | Spring washer 10mm                      |                            | 3    |
| 11   | 03 035 01 | Bracket - Clamping                      |                            | 1    |
|      | 05 264 15 | Setscrew M10 x 40mm                     |                            | 2    |
|      | 05 282 02 | Spring washer 10mm                      |                            | 2    |
| 12   | 03 034 01 | Plate - Clamping                        |                            | 1    |
|      | 05 292 24 | Bolt M12 x 110mm                        |                            | 2    |
|      | 05 282 03 | Spring washer 12mm                      |                            | 2    |
|      | 05 286 03 | Nut M12                                 |                            | 2    |
| 13   | 00 856 01 | Stand - front                           |                            | 2    |
|      | 05 282 02 | Spring washer 10mm                      |                            | 2    |
|      | 05 286 02 | Nut M10                                 |                            | 2    |
|      | 05 291 17 | Bolt M10 x 60mm                         |                            | 2    |
| 14   | 03 811 01 | Plate - Clamping                        |                            | 2    |
|      | 05 292 12 | Bolt M10 x 90mm                         |                            | 4    |
|      | 05 282 02 | Spring washer 10mm                      |                            | 4    |
|      | 05 286 02 | Nut M10                                 |                            | 4    |

CHECK REAR OF MANUAL FOR UPDATES



| Ref. | Part No.  | Description  | Serial No.<br>from - upto | Qty. |
|------|-----------|--|---------------------------|------|
|      | 01 407 38 | Valve assy 3 spool open centres (Kontak)           |                           |      |
|      | 01 407 39 | Valve assy 3 spool closed centres (Kontak)         |                           |      |
|      | 05 449 01 | Seal kit for (01 407 38 & 39) valves               |                           |      |
|      | 04 265 01 | Remote control assy - 3 bank, 1.5m cable (Bowden)  |                           |      |
|      | 04 265 02 | Remote control assy - 3 bank, 2.0m cable (Bowden)  |                           |      |
|      | 04 265 04 | Remote control assy - 1 bank, 1.5m cable (Bowden)  |                           |      |
|      | 04 265 05 | Remote control assy - 1 bank, 2.0m cable (Bowden)  |                           |      |
| *    | 04 265 03 | Remote control assy - 1 bank, 2.0m cable (Bowden)  |                           |      |
|      | 03 469 01 | Remote control assy - 3 bank, 1.5m cable (Bristow) |                           |      |
|      | 03 469 26 | Remote control assy - 3 bank, 2.0m cable (Bristow) |                           |      |
|      | 03 469 03 | Remote control assy - 1 bank, 1.5m cable (Bristow) |                           |      |
|      | 03 469 28 | Remote control assy - 1 bank, 2.0m cable (Bristow) |                           |      |
| *    | 03 469 34 | Remote control assy - 1 bank, 2.0m cable (Bristow) |                           |      |
| 1    | 01 407 17 | Relief valve assy                                  |                           | -    |
| 2    | 01 407 21 | Inlet block assy                                   |                           | -    |
| 3    | 01 407 26 | Single section assy Single Acting                  |                           | -    |
| 4    | 01 407 14 | Single section assy Double Acting                  |                           | -    |
| 5    | 01 407 20 | End cover assy open centre valve                   |                           | -    |
| 5    | 01 407 15 | End cover assy closed centre valve                 |                           | -    |
|      | 05 291 17 | Bolt M10 x 60mm                                    |                           | 3    |
|      | 05 282 02 | Spring washer 10mm                                 |                           | 3    |
|      | 05 286 02 | Nut M10  |                           | 3    |
| 6    | 03 542 01 | Special adaptor                                    |                           | 3    |
| 7    | 05 290 05 | Bonded seal 1/2in BSP                              |                           | 5    |
| 8    | 05 126 01 | Adaptor 1/2in x 3/8in BSP                          |                           | 3    |
| 9    | 03 077 01 | Adaptor - extended 1/2in x 3/8in BSP               |                           | 2    |
| 10   | 05 290 06 | Bonded seal 3/4in BSP                              |                           | 2    |
| 11   | 03 197 01 | Adaptor 3/4in x 5/8in BSP                          |                           | 2    |
| 12   | 04 265 28 | Pin - Cable/valve (Bowden)                         |                           | -    |
| 12   | 03 048 08 | Pin - Cable/valve (Bristow)                        |                           | -    |
| 13   | 04 265 19 | Spring cover only (Bowden)                         |                           | -    |
| 13   | 03 469 15 | Spring cover only (Bristow)                        |                           | -    |
| 14   | 04 265 06 | Cable assy - 1.5m (Bowden)                         |                           | -    |
| 14   | 04 265 07 | Cable assy - 2.0m (Bowden)                         |                           | -    |
| 14   | 04 265 33 | Cable assy - 2.5m (Bowden)                         |                           | -    |
| 14   | 03 469 14 | Cable assy - 1.5m (Bristow)                        |                           | -    |
| 14   | 03 469 25 | Cable assy - 2.0m (Bristow)                        |                           | -    |
| 14   | 03 469 35 | Cable assy - 2.5m (Bristow)                        |                           | -    |

CHECK REAR OF MANUAL FOR UPDATES

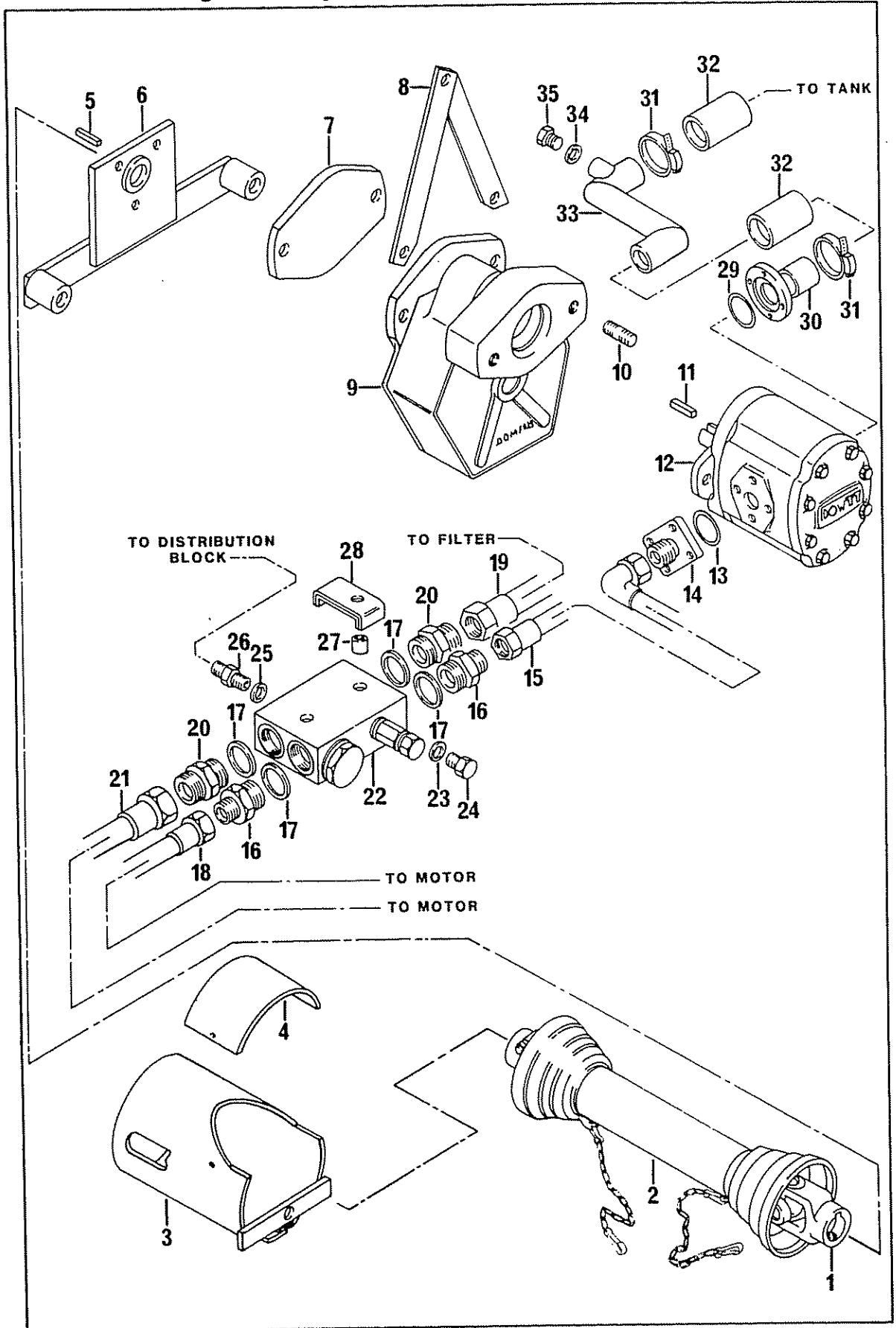




**Control Valve And Cable Assemblies**

| Ref. | Part No.  | Description   | Serial No.<br>from - up to | Qty. |
|------|-----------|---|----------------------------|------|
| *15  | 04 265 30 | Cable assy - 2.0m (Bowden)                            |                            | -    |
| *15  | 03 469 38 | Cable assy - 2.0m (Bristow)                           |                            | -    |
| 16   | 04 265 08 | Lever assy (Bowden)                                   |                            | -    |
|      | 04 265 11 | Bush - Lever pivot (Bowden)                           |                            | -    |
| 16   | 03 469 36 | Lever assy (Bristow)                                  |                            | -    |
| 17   | 04 265 24 | Handle only (Bowden)                                  |                            | -    |
| 17   | 03 469 06 | Handle only (Bristow)                                 |                            | -    |
| 18   | 03 541 01 | Instruction plate - Ram operation (Bristow)           |                            | 1    |
| 18   | 03 541 06 | Instruction plate - Ram operation (Bowden)            |                            | 1    |
| 18   | 03 541 07 | Instruction plate - Ram operation (Bristow) Twin pump |                            | 1    |
| 18   | 03 541 08 | Instruction plate - Ram operation (Bowden) Twin pump  |                            | 1    |

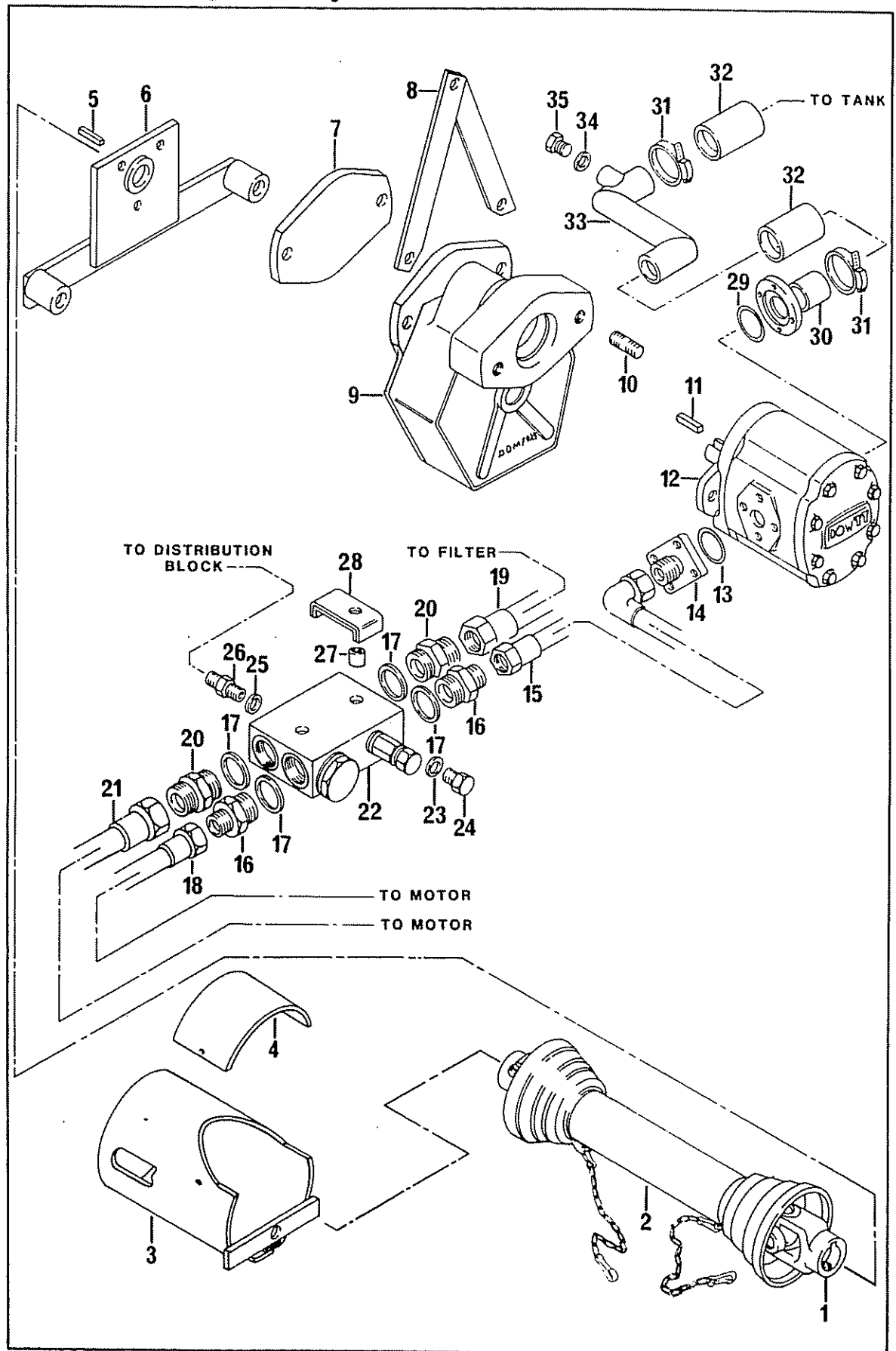
\* Valve diverter cable and cable/body assemblies only



## Single Pump And Gearbox Assemblies

| Ref. | Part No.  | Description  | Serial No.<br>from - up to | Qty. |
|------|-----------|--|----------------------------|------|
| 1    | 02 600 16 | PTO shaft assy 444mm closed centres (Didot)              |                            | 1    |
|      | 05 825 01 | Journal bearing kit (Didot)                              |                            | -    |
| 1    | 01 266 21 | PTO shaft assy 444mm closed centres (Hardy Spicer)       |                            | 1    |
|      | 01 266 06 | Journal bearing kit (Hardy Spicer)                       |                            | -    |
| 2    | 02 600 02 | PTO shaft guard assy 444mm closed centres (Didot)        |                            | -    |
| 2    | 01 266 26 | PTO shaft guard assy 444mm closed centres (Hardy spicer) |                            | -    |
| 3    | 04 053 01 | Guard - PTO shaft  |                            | 1    |
| 4    | 04 063 01 | Plate - cover  |                            | 1    |
|      | 05 969 01 | Self tapping screw No. 6 x 1/2in                         |                            | 2    |
| 5    | 01 071 04 | Key S.E.P. 3/8in x 5/16in x 1.3/4in                      |                            | 1    |
| 6    | 04 051 01 | Bracket - Gearbox mounting                               |                            | 1    |
|      | 05 264 23 | Setscrew M12 x 30mm                                      |                            | 2    |
|      | 05 264 25 | Setscrew M12 x 40mm                                      |                            | 1    |
|      | 05 282 03 | Spring washer 12mm                                       |                            | 3    |
|      | 05 291 24 | Bolt M12 x 110mm   |                            | 2    |
|      | 05 282 03 | Spring washer 12mm                                       |                            | 2    |
|      | 05 286 03 | Nut M12  |                            | 2    |
| 7    | 04 182 01 | Plate - Blanking   |                            | 1    |
| 8    | 04 052 01 | Stay - Top   |                            | 1    |
|      | 05 264 15 | Setscrew M10 x 40mm                                      |                            | 2    |
|      | 05 282 02 | Spring washer 10mm                                       |                            | 2    |
|      | 05 286 02 | Nut M10  |                            | 2    |
|      | 05 291 23 | Bolt M12 x 40mm  |                            | 1    |
|      | 05 282 03 | Spring washer 12mm                                       |                            | 1    |
|      | 05 286 03 | Nut M12  |                            | 1    |
| 9    | 03 840 19 | Gearbox assy (Hi-Ton)                                    |                            | 1    |
|      | 03 840 02 | Seal kit for (03 840 19) gearbox                         |                            | -    |
| 10   | 03 100 01 | Stud M10 x 37mm  |                            | 2    |
|      | 05 282 02 | Spring washer 10mm                                       |                            | 2    |
|      | 05 286 02 | Nut M10  |                            | 2    |
| 11   | 01 071 13 | Key S.E.P. 1/4in x 1/4in x 1in                           |                            | 1    |
| 12   | 05 650 02 | Pump assy (Dowty)  |                            | 1    |
|      | 05 642 02 | Seal kit for (05 650 02) pump                            |                            | -    |
| 13   | 05 656 03 | 'O' Ring 32mm O/D x 25mm I/D                             |                            | 1    |
| 14   | 03 864 01 | Adaptor flanged 3/4in BSP                                |                            | 1    |
|      | 05 657 01 | Socket capscrew 5/16in UNC x 7/8in                       |                            | 4    |
| 15   | 05 994 49 | Hose 3/4in BSP x 2900mm                                  |                            | 1    |
| 16   | 05 373 01 | Adaptor 1in x 3/4in BSP                                  |                            | 2    |

CHECK REAR OF MANUAL FOR UPDATES

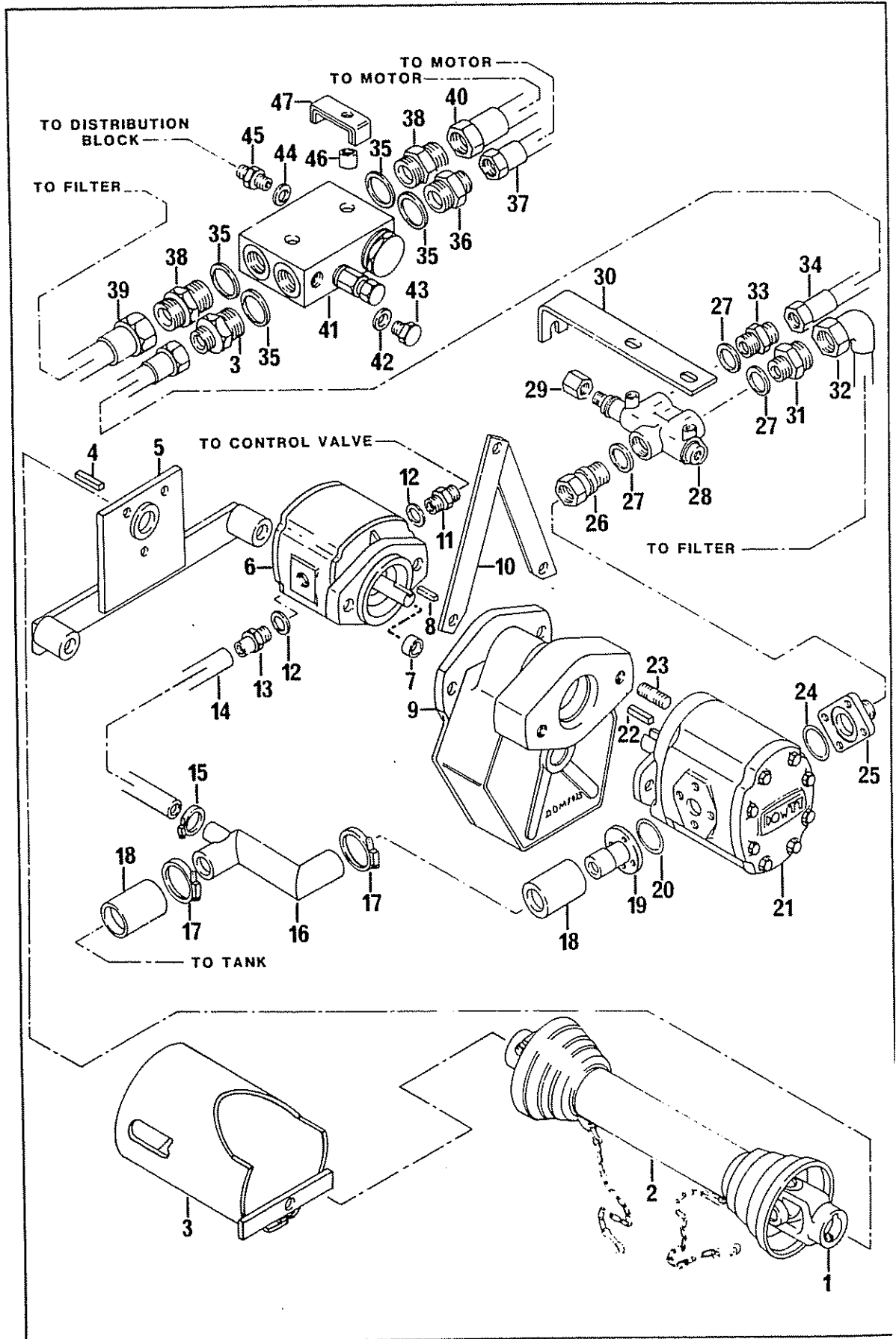


## Single Pump And Gearbox Assemblies

| Ref. | Part No.  | Description                            | Serial No.<br>from - up to | Qty. |
|------|-----------|--|----------------------------|------|
| 17   | 05 240 07 | Bonded seal 1in BSP                    |                            | 4    |
| 18   | 05 995 96 | Hose 3/4in BSP x 3500mm                |                            | 1    |
| 19   | 05 996 43 | Hose 1in BSP x 2300mm                  |                            | 1    |
| 20   | 05 434 01 | Adaptor 1in x 1in BSP                  |                            | 2    |
| 21   | 05 997 97 | Hose 1in BSP x 3500mm                  |                            | 1    |
| 22   | 03 419 15 | Relief/AC valve assy (Integrated)      |                            | 1    |
|      | 03 419 02 | Seal kit for (03 419 15) valve         |                            | -    |
|      | 03 419 13 | Relief valve cartridge                 |                            | -    |
|      | 04 282 09 | Stud M10 x 80mm                        |                            | 1    |
|      | 03 152 01 | Rubber washer 25mm O/D x 9mm I/D x 5mm |                            | 2    |
|      | 05 282 02 | Spring easher 10mm                     |                            | 1    |
|      | 05 286 02 | Nut M10                                |                            | 1    |
| 23   | 05 117 01 | Copper washer 3/8in BSP                |                            | 1    |
| 24   | 05 433 01 | Plug 3/8in BSP                         |                            | 1    |
| 25   | 05 290 04 | Bonded seal 3/8in BSP                  |                            | 1    |
| 26   | 05 124 01 | Adaptor 3/8in x 3/8in BSP              |                            | 1    |
| 27   | 03 039 02 | Spacer 3/4in O/D x 1/2in I/D x 17mm    |                            | 1    |
| 28   | 06 009 01 | Hose clamp                             |                            | 1    |
|      | 04 282 10 | Stud M10 x 100mm                       |                            | 1    |
|      | 05 281 02 | Flat washer 10mm                       |                            | 1    |
|      | 05 282 02 | Spring washer 10mm                     |                            | 1    |
|      | 05 286 02 | Nut M10                                |                            | 1    |
| 29   | 05 656 01 | 'O' Ring 36mm O/D x 29mm I/D           |                            | 1    |
| 30   | 03 050 01 | Adaptor flanged 1.1/2in O/D            |                            | 1    |
|      | 05 657 01 | Socket capscrew 5/16in UNC x 7/8in     |                            | 4    |
| 31   | 05 863 02 | Jubilee clip 2in dia                   |                            | 4    |
| 32   | 03 049 07 | Hose 38mm dia x 90mm                   |                            | 2    |
| 33   | 04 180 01 | Pipe-steel 38mm dia. O/D               |                            | 1    |
| 34   | 05 117 01 | Copper washer 3/8in dia.               |                            | 1    |
| 35   | 05 433 01 | Plug 3/8in BSP                         |                            | 1    |

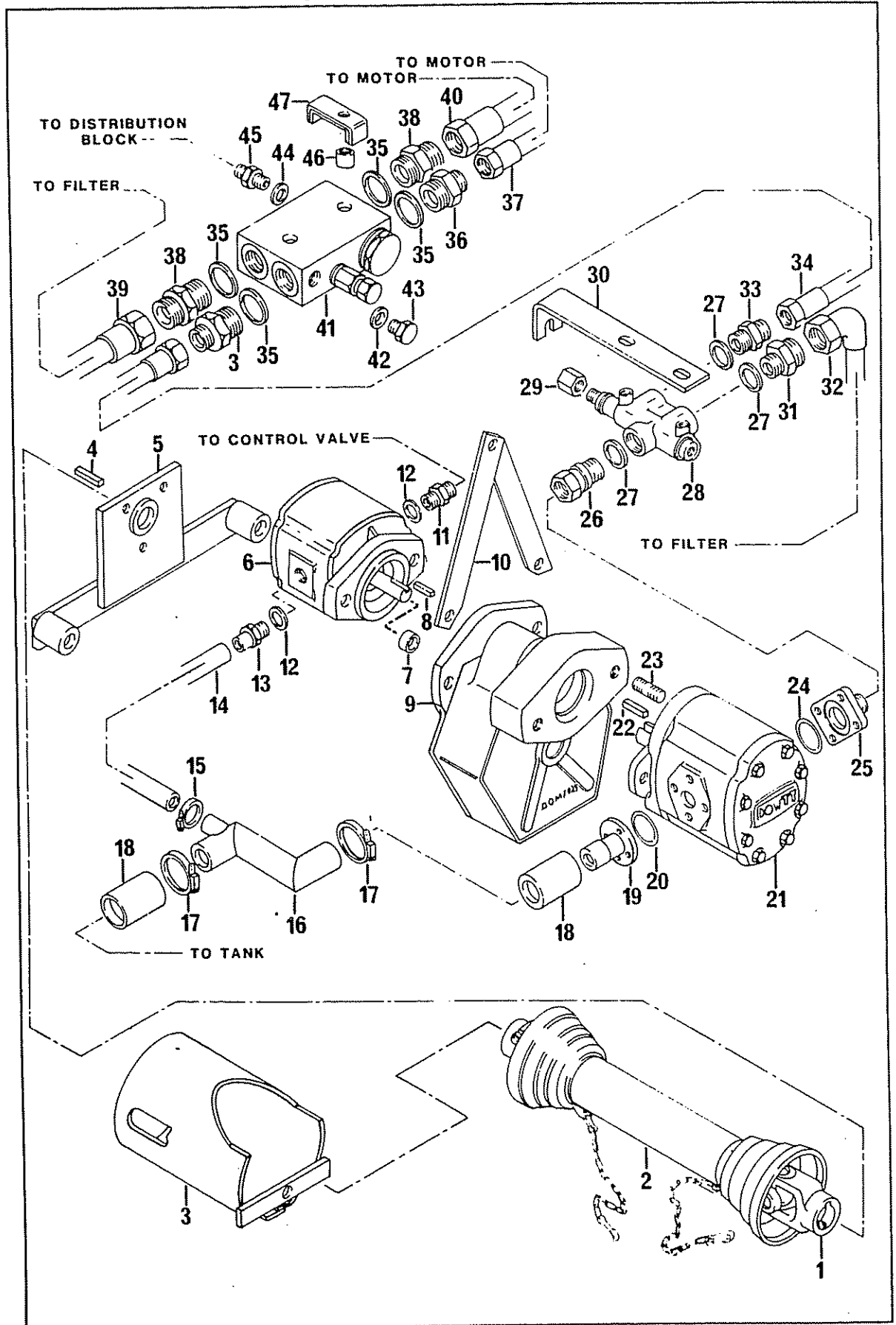
CHECK REAR OF MANUAL FOR UPDATES

# Twin Pump And Gearbox Assemblies



| Ref. | Part No.  | Description  | Serial No.<br>from - up to | Qty. |
|------|-----------|--|----------------------------|------|
| 1    | 02 600 16 | PTO shaft assy 444mm closed centres (Didot)              |                            | 1    |
|      | 05 825 01 | Journal bearing kit (Didot)                              |                            | -    |
| 1    | 01 266 21 | PTO shaft assy 444mm closed centres (Hardy Spicer)       |                            | 1    |
|      | 01 266 06 | Journal bearing kit (Hardy Spicer)                       |                            | -    |
| 2    | 02 600 02 | PTO shaft guard assy 444mm closed centres (Didot)        |                            | -    |
| 2    | 01 266 26 | PTO shaft guard assy 444mm closed centres (Hardy Spicer) |                            | -    |
| 3    | 04 053 01 | Guard - PTO shaft  |                            | 1    |
| 4    | 01 071 04 | Key S.E.P. 3/8in x 5/16in x 1.3/4in                      |                            | 1    |
| 5    | 04 051 01 | Bracket - gearbox mounting                               |                            | 1    |
|      | 05 264 23 | Setscrew M12 x 30mm                                      |                            | 2    |
|      | 05 264 25 | Setscrew M12 x 40mm                                      |                            | 1    |
|      | 05 282 03 | Spring washer 12mm                                       |                            | 3    |
|      | 05 291 24 | Bolt M12 x 110mm   |                            | 2    |
|      | 05 282 03 | Spring washer 12mm                                       |                            | 2    |
|      | 05 286 03 | Nut M12  |                            | 2    |
| 6    | 04 002 01 | Pump assy (Dowty)  |                            | 1    |
|      | 04 002 02 | Seal kit for (04 002 01) pump                            |                            | -    |
| 7    | 04 369 01 | Collar 13.5mm I/D x 8.5mm                                |                            | 1    |
| 8    | 04 002 03 | Key 1/8in x 1/8in x 16.5mm                               |                            | 1    |
|      | 05 205 10 | Pan head screw No. 10 UNF x 3/8in                        |                            | 1    |
|      | 05 281 11 | Flat washer 5mm dia.                                     |                            | 1    |
| 9    | 03 840 19 | Gearbox assy (Hi-Ton)                                    |                            | 1    |
|      | 03 840 02 | Seal kit for (03 840 19) gearbox                         |                            | -    |
| 10   | 04 052 01 | Stay-top   |                            | 1    |
|      | 05 264 15 | Setscrew M10 x 40mm                                      |                            | 2    |
|      | 05 282 02 | Spring washer 10mm                                       |                            | 2    |
|      | 05 286 02 | Nut M10  |                            | 2    |
|      | 05 291 23 | Bolt M12 x 40mm  |                            | 1    |
|      | 05 282 03 | Spring washer 12mm                                       |                            | 1    |
|      | 05 286 03 | Nut M12  |                            | 1    |
| 11   | 05 123 01 | Adaptor 1/2in x 3/8in BSP                                |                            | 1    |
| 12   | 05 290 05 | Bonded seal 1/2in BSP                                    |                            | 2    |
| 13   | 04 244 01 | Adaptor 3/4in O/D X 1/2in BSP                            |                            | 1    |
| 14   | 05 983 07 | Hose 3/4in dia. x 210mm                                  |                            | 1    |
| 15   | 05 863 03 | Jubilee clip 25mm dia.                                   |                            | 2    |
| 16   | 04 180 01 | Pipe - Steel 38mm O/D                                    |                            | 1    |
| 17   | 05 863 02 | Jubilee clip 2in dia.                                    |                            | 4    |
| 18   | 03 049 07 | Hose 38mm dia. x 90mm                                    |                            | 2    |
| 19   | 03 050 01 | Adaptor flanged 1.1/2in O/D                              |                            | 1    |

CHECK REAR OF MANUAL FOR UPDATES

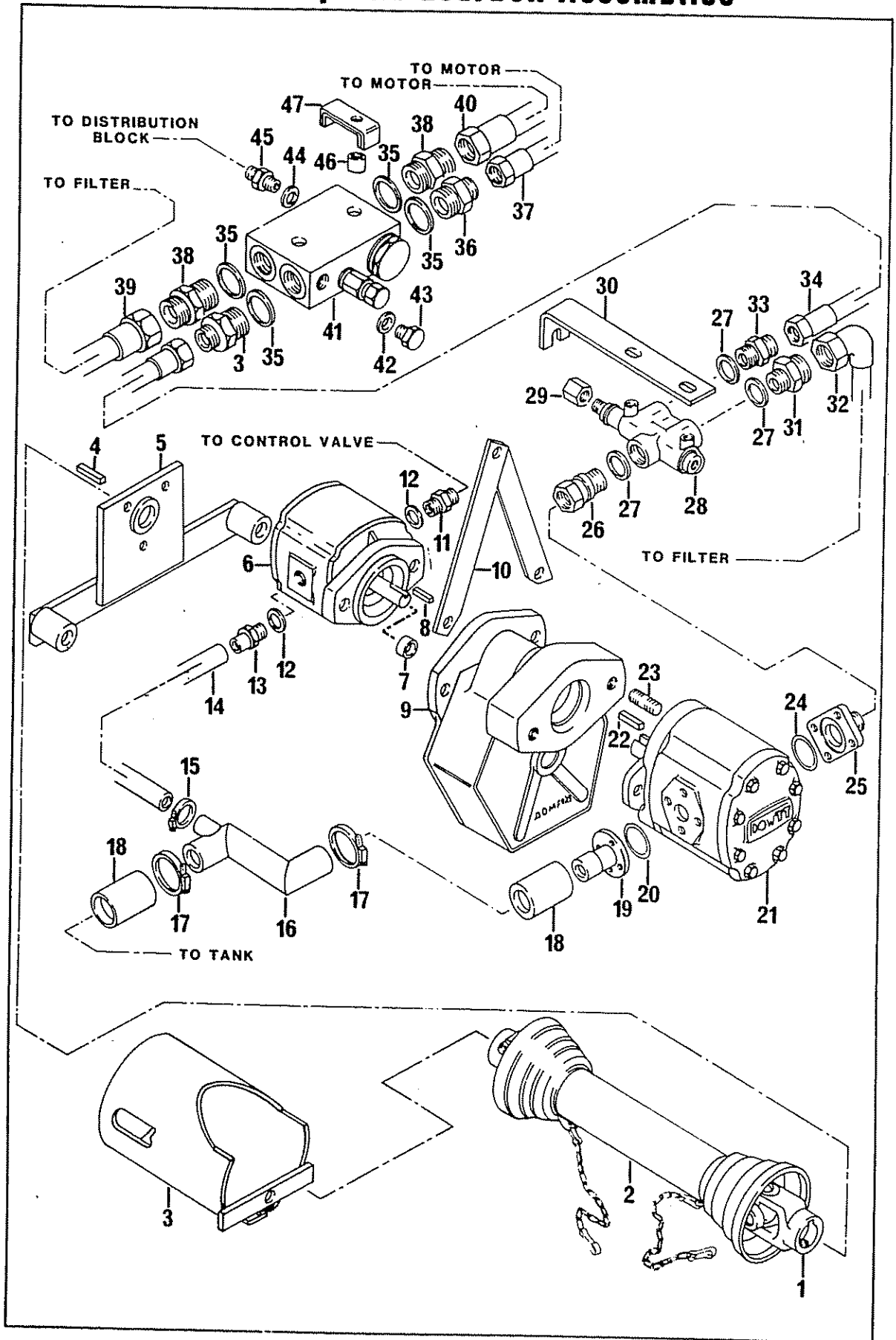




| Ref. | Part No.  | Description                               | Serial No.<br>from - up to | Qty. |
|------|-----------|---|----------------------------|------|
|      | 05 657 01 | Socket capscrew 5/16in UNC x 7/8in        |                            | 4    |
| 20   | 05 656 01 | 'O' Ring 36mm O/D x 29mm I/D              |                            | 1    |
| 21   | 05 650 02 | Pump assy (Dowty)                         |                            | 1    |
|      | 05 642 02 | Seal kit for (05 650 02) pump             |                            | -    |
| 22   | 01 071 13 | Key S.E.P. 1/4in x 1/4in x 1in            |                            | 1    |
| 23   | 03 100 01 | Stud M10 x 37mm                           |                            | 2    |
|      | 05 282 02 | Spring washer 10mm                        |                            | 2    |
|      | 05 286 02 | Nut M10                                   |                            | 2    |
| 24   | 05 656 03 | 'O' Ring 32mm O/D x 25mm I/D              |                            | 1    |
| 25   | 03 864 01 | Adaptor flanged 3/4in BSP                 |                            | 1    |
|      | 05 657 01 | Socket capscrew 5/16in UNC x 7/8in        |                            | 4    |
| 26   | 03 858 01 | Adaptor - swivel St 3/4in BSP male/female |                            | 1    |
| 27   | 05 290 06 | Bonded seal 3/4in BSP                     |                            | 3    |
| 28   | 04 005 01 | Valve assy - 1 spool, 2 position (Kontak) |                            | 1    |
|      | 04 005 02 | Seal kit for (04 005 01) valve            |                            | -    |
| 29   | 04 055 01 | Adaptor - 3/8in BSF x 1/4in UNF (female)  |                            | 1    |
| 30   | 04 054 01 | Bracket cable                             |                            | 1    |
|      | 04 282 07 | Stud 3/8in UNC x 30mm                     |                            | 2    |
|      | 05 296 03 | Self locking nut M10                      |                            | 2    |
| 31   | 05 373 01 | Adaptor 1in x 3/4in BSP                   |                            | 1    |
| 32   | 05 996 31 | Hose 1in BSP x 1550                       |                            | 1    |
| 33   | 05 377 01 | Adaptor 3/4in x 3/4in BSP                 |                            | 1    |
| 34   | 05 994 49 | Hose 3/4in BSP x 2900mm                   |                            | 1    |
| 35   | 05 290 07 | Bonded seal 1in BSP                       |                            | 4    |
| 36   | 05 373 01 | Adaptor 1in x 3/4in BSP                   |                            | 2    |
| 37   | 05 995 96 | Hose 3/4in BSP x 3500mm                   |                            | 1    |
| 38   | 05 434 01 | Adaptor 1in x 1in BSP                     |                            | 2    |
| 39   | 05 996 43 | Hose 1in BSP x 2300mm                     |                            | 1    |
| 40   | 05 997 97 | Hose 1in BSP x 3500mm                     |                            | 1    |
| 41   | 03 419 15 | Relief/A.C. valve assy (Integrated)       |                            | 1    |
|      | 03 419 02 | Seal kit for (03 419 15) valve            |                            | -    |
|      | 03 419 13 | Relief valve cartidge                     |                            | -    |
|      | 04 282 09 | Stud M10 x 80mm                           |                            | 1    |
|      | 03 152 01 | Rubber washer 25mm O/D x 9mm I/D x 5mm    |                            | 2    |
|      | 05 282 02 | Spring washer 10mm                        |                            | 1    |
|      | 05 286 02 | Nut M10                                   |                            | 1    |
| 42   | 05 117 01 | Copper washer 3/8in dia.                  |                            | 1    |
| 43   | 05 433 01 | Plug 3/8in BSP                            |                            | 1    |

CHECK REAR OF MANUAL FOR UPDATES

# Twin Pump And Gearbox Assemblies



855

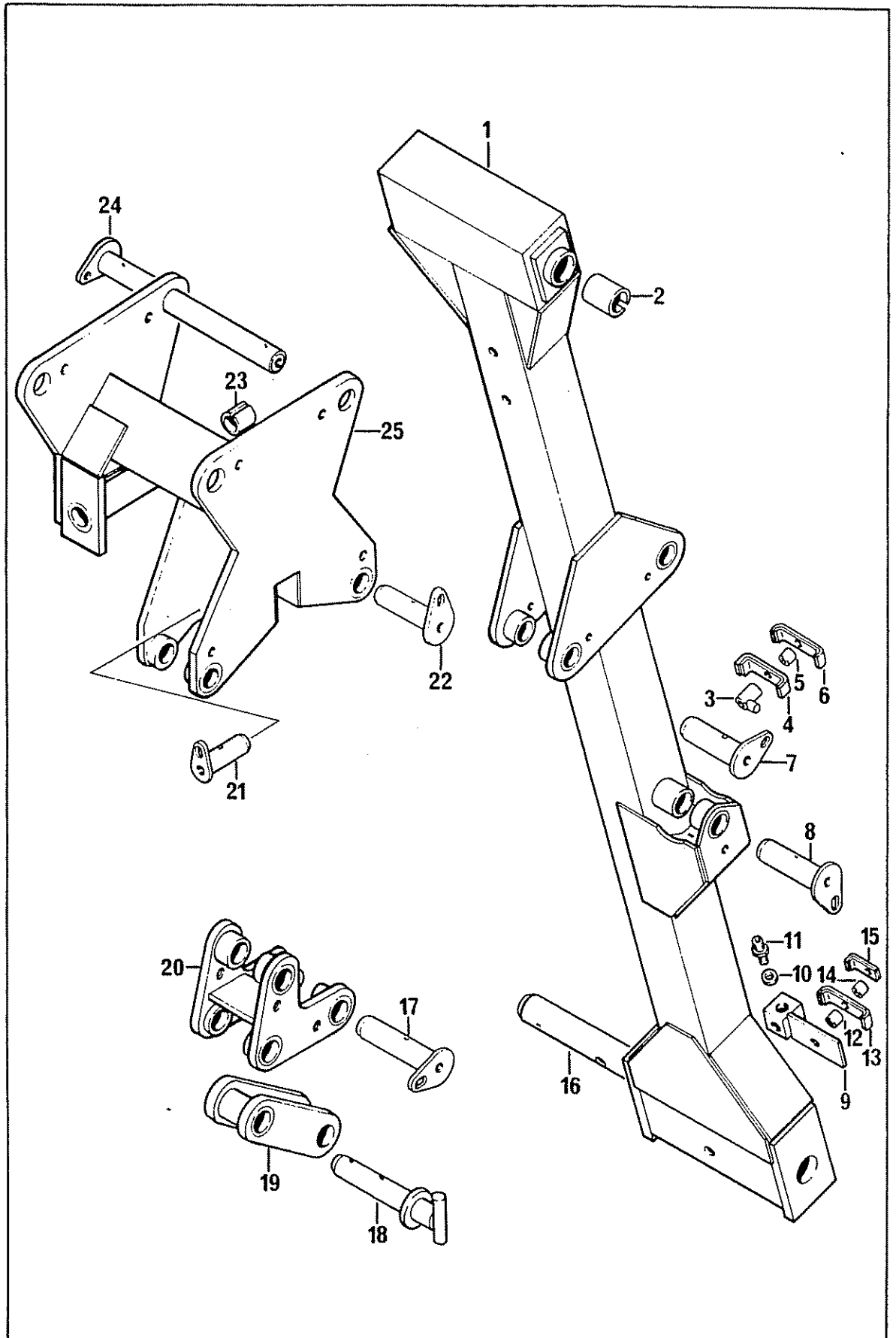
# Twin Pump And Gearbox Assemblies

0383

| Ref. | Part No.  | Description                         | Serial No.<br>from - up to | Qty: |
|------|-----------|-------------------------------------|----------------------------|------|
| 44   | 05 290 04 | Bonded seal 3/8in BSP               |                            | 1    |
| 45   | 05 124 01 | Adaptor 3/8in x 3/8in BSP           |                            | 1    |
| 46   | 03 039 02 | Spacer 3/4in O/D x 1/2in I/D x 17mm |                            | 1    |
| 47   | 06 009 01 | Hose clamp                          |                            | 1    |
|      | 04 282 10 | Stud M10 x 100mm                    |                            | 1    |
|      | 05 281 02 | Flat washer 10mm                    |                            | 1    |
|      | 05 282 02 | Spring washer 10mm                  |                            | 1    |
|      | 05 286 02 | Nut M10                             |                            | 1    |

CHECK REAR OF MANUAL FOR UPDATES

# First Arm And Intermediate Beam

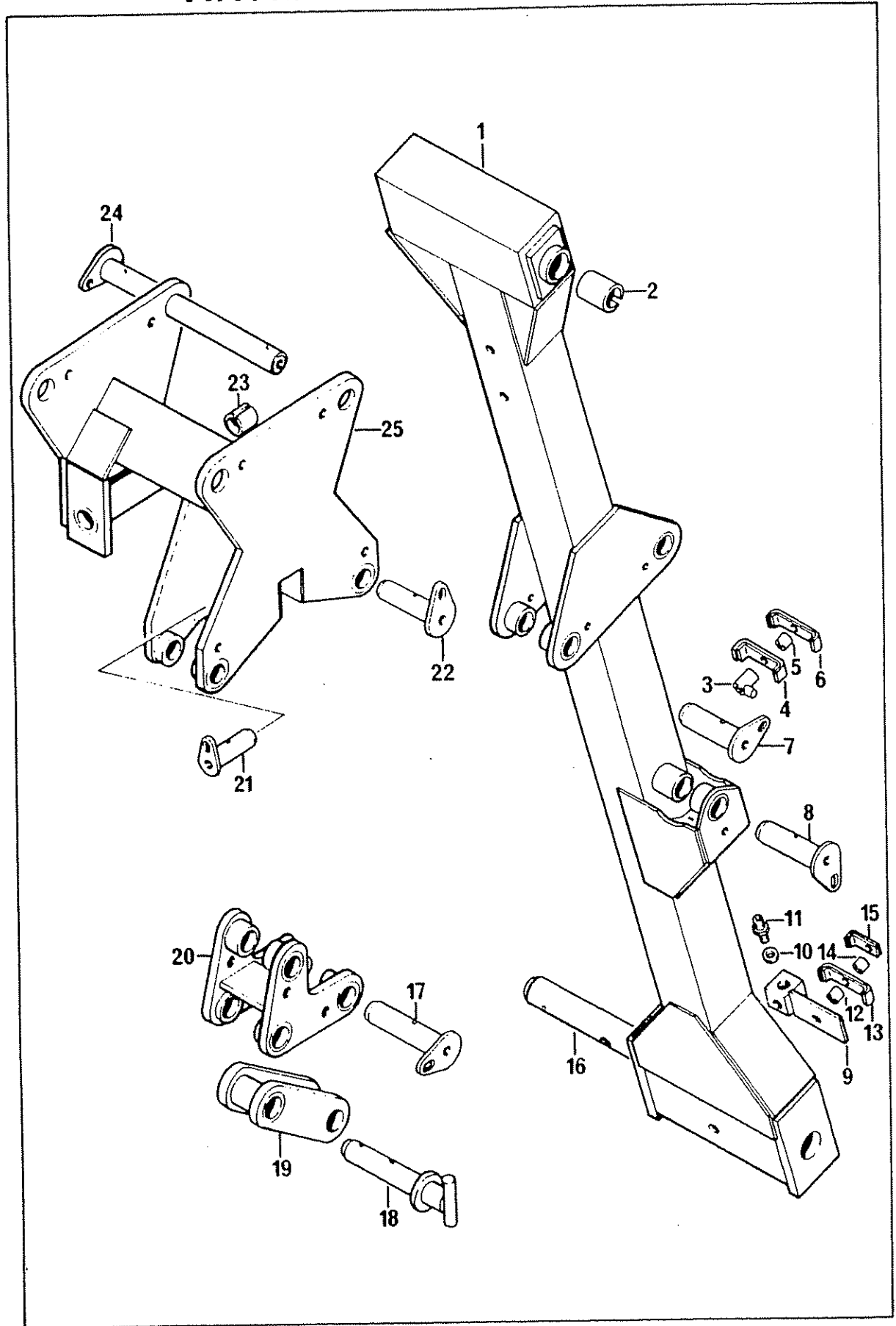


## First Arm And Intermediate Beam

| Ref. | Part No.  | Description                             | Serial No.<br>from - upto | Qty. |
|------|-----------|---|---------------------------|------|
| 1    | 03 982 01 | Arm - first                             |                           | 1    |
| 2    | 02 771 03 | Tension bush 45mm O/D x 40mm I/D x 50mm |                           | 2    |
| 3    | 03 040 02 | Spacer 3/4in O/D x 1/2in I/D x 36mm     |                           | 1    |
| 4    | 04 497 01 | Hose clamp                              |                           | 1    |
| 5    | 04 499 01 | Spacer 3/4in O/D x 1/2in I/D x 17mm     |                           | 1    |
| 6    | 04 494 01 | Hose clamp                              |                           | 1    |
|      | 04 282 10 | Stud M10 x 100mm                        |                           | 1    |
|      | 05 281 02 | Flat washer 10mm                        |                           | 1    |
|      | 05 282 02 | Spring washer 10mm                      |                           | 1    |
|      | 05 286 02 | Nut M10                                 |                           | 1    |
| 7    | 03 143 01 | Pin 40mm dia. x 120mm                   |                           | 1    |
|      | 03 786 02 | Instruction plate - Grease M10          |                           | 1    |
|      | 05 953 03 | Grease nipple M10                       |                           | 1    |
|      | 05 281 03 | Flat washer 12mm                        |                           | 1    |
|      | 04 174 01 | Stud M12 x 38mm                         |                           | 1    |
|      | 05 968 03 | Self locking nut M12 x 1.25 (fine)      |                           | 1    |
| 8    | 02 852 01 | Pin 35mm dia. x 105mm                   |                           | 1    |
|      | 03 786 02 | Instruction plate - Grease M10          |                           | 1    |
|      | 05 953 03 | Grease Nipple M10                       |                           | 1    |
|      | 05 281 03 | Flat washer 12mm                        |                           | 1    |
|      | 04 174 01 | Stud M12 x 38mm                         |                           | 1    |
|      | 05 968 03 | Self locking nut M12 x 1.25 (fine)      |                           | 1    |
| 9    | 03 203 02 | Distribution block - 3 port 3/8in BSP   |                           | 1    |
| 10   | 05 290 04 | Bonded seal 3/8in BSP                   |                           | 3    |
| 11   | 05 124 01 | Adaptor 3/8in x 3/8in BSP               |                           | 3    |
| 12   | 03 039 02 | Spacer 3/4in O/D x 1/2in I/D x 17mm     |                           | 1    |
| 13   | 04 494 01 | Hose clamp                              |                           | 1    |
| 14   | 03 039 02 | Spacer 3/4in O/D x 1/2in I/D x 17mm     |                           | 1    |
| 15   | 06 010 01 | Hose clamp                              |                           | 1    |
|      | 04 282 14 | Stud M12 x 100mm                        |                           | 1    |
|      | 05 282 03 | Spring washer 12mm                      |                           | 1    |
|      | 05 286 03 | Nut M12                                 |                           | 1    |
| 16   | 02 869 01 | Pin 50mm dia. x 406mm                   |                           | 1    |
|      | 03 786 02 | Instruction plate - Grease M10          |                           | 2    |
|      | 05 953 03 | Grease Nipple M10                       |                           | 2    |
|      | 05 292 25 | Bolt M12 x 120mm                        |                           | 1    |
|      | 05 282 03 | Spring washer 12mm                      |                           | 1    |
|      | 05 286 03 | Nut M12                                 |                           | 1    |

CHECK REAR OF MANUAL FOR UPDATES

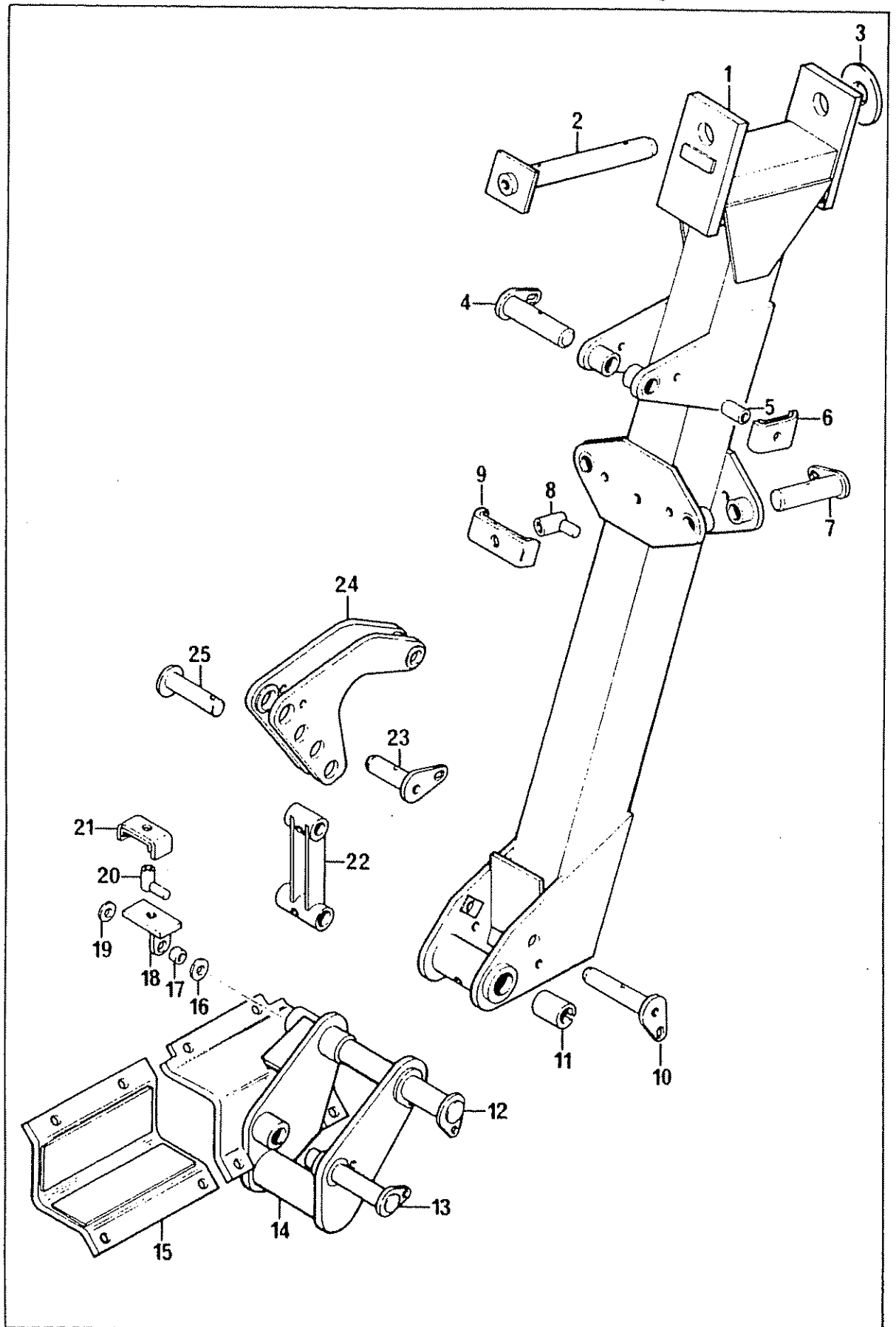
# First Arm And Intermediate Beam



| Ref. | Part No.  | Description                                | Serial No. |       | Qty. |
|------|-----------|--|------------|-------|------|
|      |           |  | from       | up to |      |
| 16   | 02 844 01 | Pin 40mm dia. x 128mm                      |            |       | 2    |
|      | 03 786 02 | Instruction plate - Grease M10             |            |       | 2    |
|      | 05 953 03 | Grease nipple M10                          |            |       | 2    |
|      | 05 281 03 | Flat washer 12mm                           |            |       | 2    |
|      | 04 174 01 | Stud M12 x 38mm                            |            |       | 2    |
|      | 05 968 03 | Self locking nut M12 x 1.25 (fine)         |            |       | 2    |
| 17   | 02 818 01 | Pin 40mm dia. x 150mm                      |            |       | 2    |
|      | 05 964 02 | Double loop spring cotter 5.6mm dia.       |            |       | 2    |
|      | 03 255 05 | Chain - Ring assembly                      |            |       | 2    |
| 18   | 02 882 02 | Link extension                             |            |       | 1    |
| 19   | 02 881 01 | Bracket - First Ram (standard)             |            |       | 1    |
| 19   | 04 367 01 | Bracket - First ram - Down bank (optional) |            |       | 1    |
| 20   | 02 839 01 | Pin 30mm dia. x 76mm                       |            |       | 1    |
|      | 03 786 02 | Instruction plate - Grease M10             |            |       | 1    |
|      | 05 953 03 | Grease nipple M10                          |            |       | 1    |
|      | 05 281 03 | Flat washer 12mm                           |            |       | 1    |
|      | 04 174 01 | Stud M12 x 38mm                            |            |       | 1    |
|      | 05 968 03 | Self locking nut M12 x 1.25 (fine)         |            |       | 1    |
| 21   | 02 852 01 | Pin 35mm dia. x 105mm                      |            |       | 1    |
|      | 03 786 02 | Instruction plate - Grease M10             |            |       | 1    |
|      | 05 953 03 | Grease nipple M10                          |            |       | 1    |
|      | 05 281 03 | Flat washer 12mm                           |            |       | 1    |
|      | 04 174 01 | Stud M12 x 38mm                            |            |       | 1    |
|      | 05 968 03 | Self locking Nut M12 x 1.25 (fine)         |            |       | 1    |
| 22   | 02 771 04 | Tension bush 40mm O/D x 35mm I/D x 40mm    |            |       | 2    |
| 23   | 02 871 01 | Pin 40mm dia. x 382mm                      |            |       | 1    |
|      | 03 786 02 | Instruction plate - Grease M10             |            |       | 1    |
|      | 05 953 03 | Grease Nipple M10                          |            |       | 1    |
|      | 05 281 03 | Flat washer 12mm                           |            |       | 1    |
|      | 04 174 01 | Stud M12 x 38mm                            |            |       | 1    |
|      | 05 968 03 | Self locking nut M12 x 1.25 (fine)         |            |       | 1    |
|      | 03 156 01 | Washer 50mm O/D x 13mm I/D x 9mm           |            |       | 1    |
|      | 05 282 03 | Spring washer 12mm                         |            |       | 1    |
|      | 03 068 01 | Setscrew M12 x 25mm                        |            |       | 1    |
|      | 03 786 01 | Instruction plate - Grease M6              |            |       | 1    |
|      | 05 953 01 | Grease nipple M6                           |            |       | 1    |
| 24   | 02 880 02 | Beam-intermediate                          |            |       | 1    |

CHECK REAR OF MANUAL FOR UPDATES

## Second Arm And Cowl Linkage



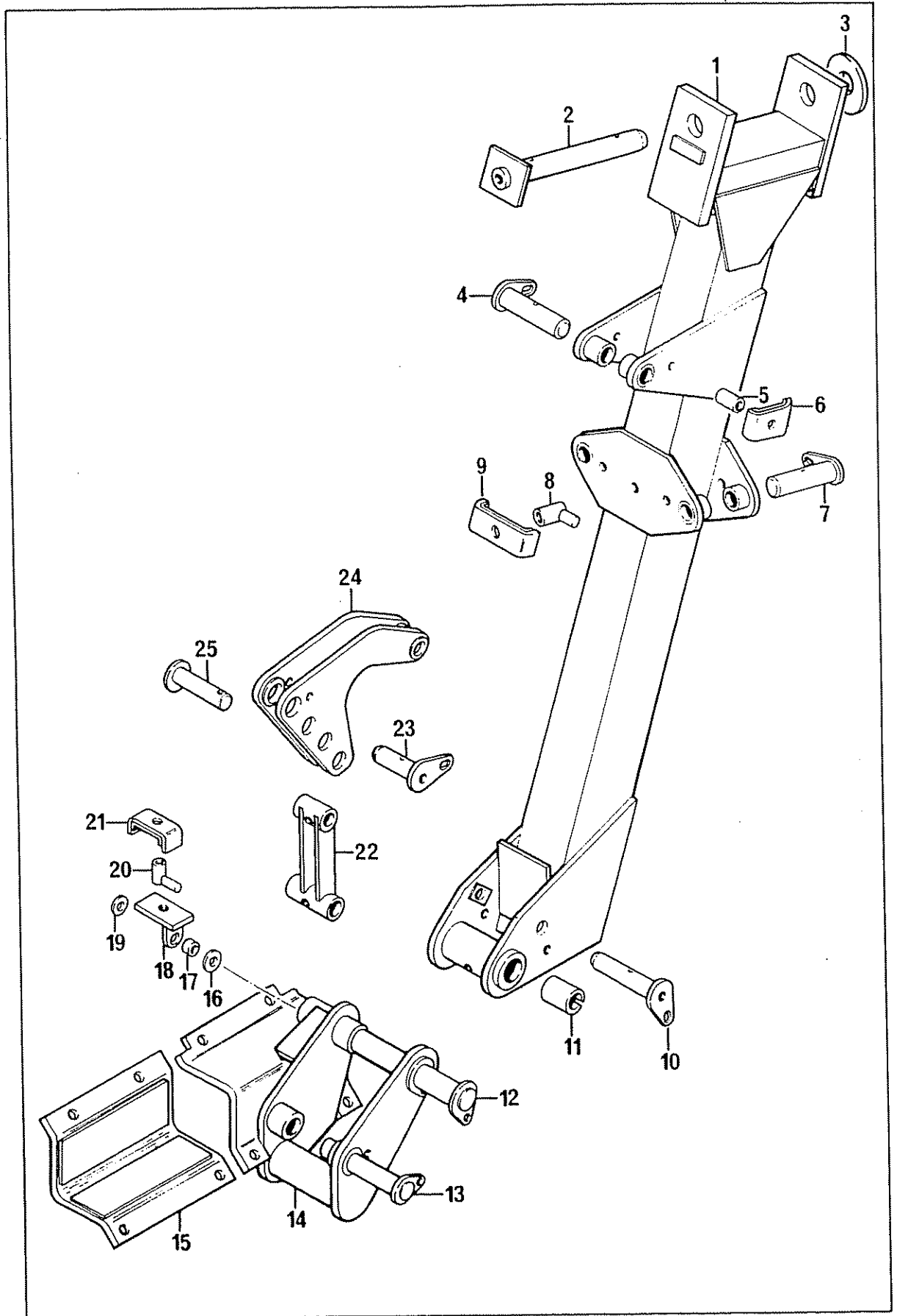


# Second Arm And Cowl Linkage

| Ref. | Part No.  | Description                             | Serial No.<br>from - up to | Qty. |
|------|-----------|---|----------------------------|------|
| 1    | 02 893 01 | Arm - second                            |                            | 1    |
| 2    | 02 870 01 | Pin - 35mm dia. x 248mm                 |                            | 1    |
|      | 03 786 02 | Instruction plate - Grease M10          |                            | 1    |
|      | 05 953 03 | Grease nipple M10                       |                            | 1    |
| 3    | 03 156 01 | Washer 50mm O/D x 13mm I/D x 9mm        |                            | 1    |
|      | 05 282 03 | Spring washer 12mm                      |                            | 1    |
|      | 03 068 01 | Setscrew M12 x 25                       |                            | 1    |
|      | 03 786 01 | Instruction plate - grease M6           |                            | 1    |
|      | 05 953 01 | Grease nipple                           |                            | 1    |
| 4    | 02 875 01 | Pin 35mm dia. x 110mm                   |                            | 1    |
|      | 03 786 02 | Instruction plate - Grease M10          |                            | 1    |
|      | 05 953 03 | Grease nipple M10                       |                            | 1    |
|      | 04 174 01 | Stud M12 x 38mm                         |                            | 1    |
|      | 05 281 03 | Flat washer 12mm                        |                            | 1    |
|      | 05 968 03 | Self locking nut M12 x 1.25 (fine)      |                            | 1    |
| 5    | 03 039 02 | Spacer 3/4in O/D x 1/2in I/D x 17mm     |                            | 1    |
| 6    | 04 495 01 | Hose clamp                              |                            | 1    |
|      | 04 282 12 | Stud M12 x 55mm                         |                            | 1    |
|      | 05 281 03 | Flat washer 12mm                        |                            | 1    |
|      | 05 282 03 | Spring washer 12mm                      |                            | 1    |
|      | 05 286 03 | Nut M12                                 |                            | 1    |
| 7    | 03 098 01 | Pin 30mm dia. x 115mm                   |                            | 1    |
|      | 03 786 02 | Instruction plate - grease M10          |                            | 1    |
|      | 05 953 03 | Grease nipple M10                       |                            | 1    |
|      | 04 175 01 | Stud M10 x 35mm                         |                            | 1    |
|      | 05 281 02 | Flat washer 10mm                        |                            | 1    |
|      | 05 968 02 | Self locking nut M10 x 1.25 (fine)      |                            | 1    |
| 8    | 04 499 01 | Spacer 3/4in O/D x 1/2in I/D x 36mm     |                            | 1    |
| 9    | 04 497 01 | Hose clamp                              |                            | 1    |
|      | 05 281 02 | Flat washer 10mm                        |                            | 1    |
|      | 05 968 02 | Self locking nut M10 x 1.25 (fine)      |                            | 1    |
|      | 04 282 02 | Stud M10 x 65mm                         |                            | 1    |
| 10   | 03 098 01 | Pin 30mm dia. x 115mm                   |                            | 1    |
|      | 03 786 02 | Instruction plate - grease M10          |                            | 1    |
|      | 05 953 03 | Grease nipple M10                       |                            | 1    |
|      | 04 175 01 | Stud M10 x 35mm                         |                            | 1    |
|      | 05 281 02 | Flat washer 10mm                        |                            | 1    |
|      | 05 968 02 | Self locking nut M10 x 1.25 (fine)      |                            | 1    |
| 11   | 02 771 03 | Tension bush 45mm O/D x 40mm I/D x 50mm |                            | 2    |

CHECK REAR OF MANUAL FOR UPDATES

# Second Arm And Cowl Linkage

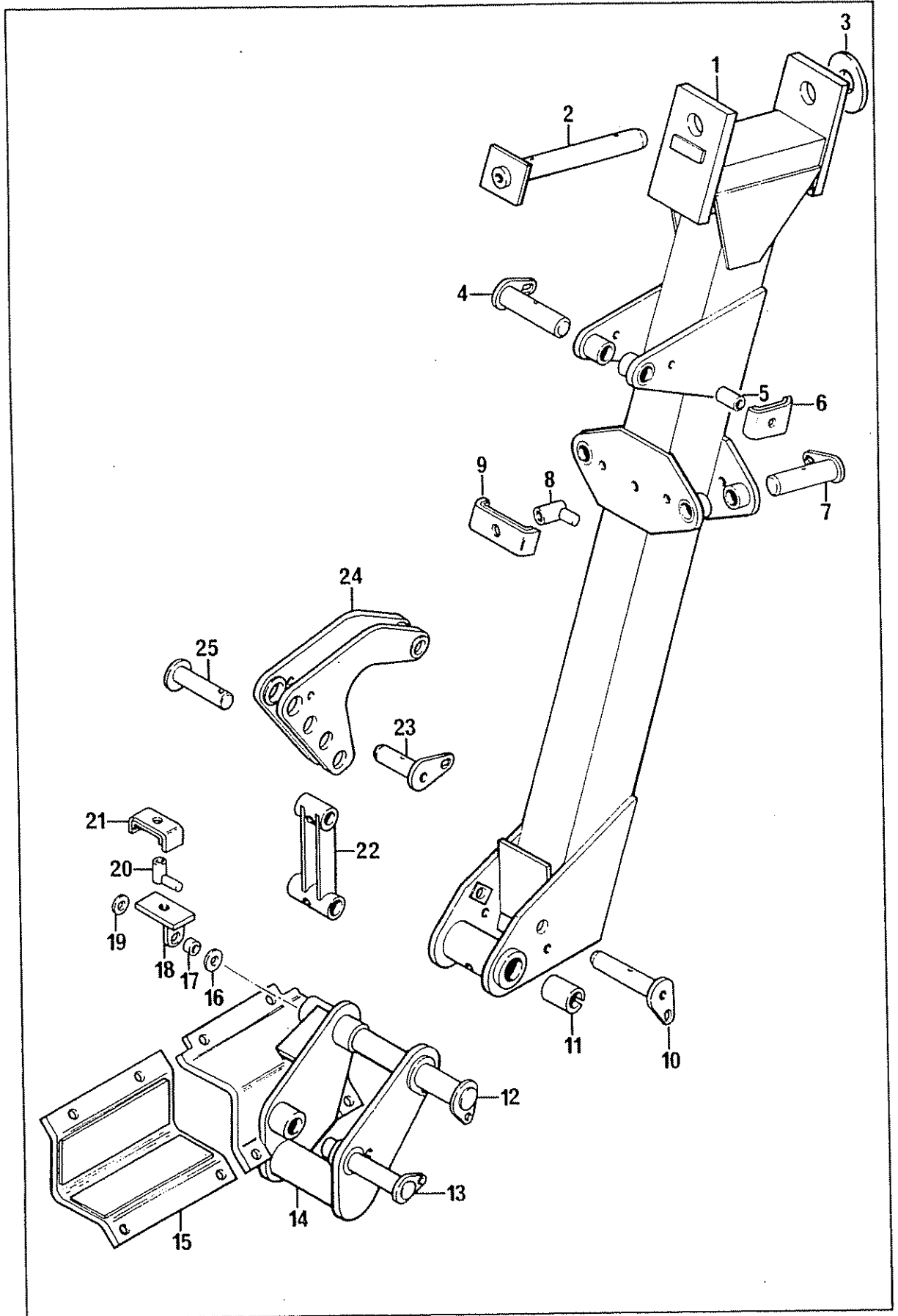


# Second Arm And Cowl Linkage

| Ref. | Part No.  | Description                               | Serial No.<br>from - up to | Qty. |
|------|-----------|---|----------------------------|------|
|      | 05 953 03 | Grease nipple M10                         |                            | 1    |
| 12   | 03 656 12 | Pin 40mm dia x 241mm                      |                            | 1    |
|      | 04 174 01 | Stud M12 x 38mm                           |                            | 1    |
|      | 05 281 03 | Flat washer 12mm                          |                            | 1    |
|      | 05 968 03 | Self locking nut M12 x 1.25 (fine)        |                            | 1    |
| 13   | 02 855 01 | Pin 30mm dia x 155mm                      |                            | 1    |
|      | 04 175 01 | Stud M10 x 35mm                           |                            | 1    |
|      | 05 281 02 | Flat washer 10mm                          |                            | 1    |
|      | 05 968 02 | Self locking nut M10 x 1.25 (fine)        |                            | 1    |
| 14   | 04 067 01 | Bracket - Cowl LH (not illustrated)       | -1492R                     | 1    |
| 14   | 04 067 03 | Bracket - Cowl LH (not illustrated)       | 1493R-1185S                | 1    |
| 14   | 04 067 05 | Bracket - Cowl LH                         | 1186S-                     | 1    |
| 14   | 04 067 02 | Bracket - Cowl RH (not illustrated)       | -1492R                     | 1    |
| 14   | 04 067 04 | Bracket - Cowl RH (not illustrated)       | 1493R-1185S                | 1    |
| 14   | 04 067 06 | Bracket - Cowl RH (not illustrated)       | 1186S-                     | 1    |
| 15   | 04 066 01 | Clamp - Cowl bracket (not illustrated)    | -1492R                     | 1    |
| 15   | 04 319 01 | Clamp - Cowl bracket                      | 1493R-                     | 1    |
|      | 05 291 35 | Bolt M16 x 50mm                           | -1492R                     | 4    |
|      | 05 292 32 | Bolt M16 x 90mm                           | 1493R-                     | 4    |
|      | 05 282 04 | Spring washer 16mm                        |                            | 4    |
|      | 05 286 04 | Nut M16                                   |                            | 4    |
| 16   | 02 824 01 | Washer 50mm o/d x 13mm i/d x 5mm          |                            | 1    |
| 17   | 04 489 01 | Spacer 3/4in o/d x 1/2in i/d x 12mm       |                            | 1    |
| 18   | 04 485 01 | Bracket - Hose clamp                      |                            | 1    |
| 19   | 04 490 01 | Washer 30mm o/d x 13mm i/d x 4mm          |                            | 1    |
|      | 04 282 06 | Stud M12 x 1.75, M12 x 1.25 (fine) x 55mm |                            | 1    |
|      | 05 282 03 | Spring washer 12mm                        |                            | 1    |
|      | 05 968 03 | Self locking nut M12 x 1.25 (fine)        |                            | 1    |
| 20   | 04 499 01 | Spacer 3/4in o/d x 1/2in i/d x 36mm       |                            | 1    |
| 21   | 04 497 01 | Hose clamp                                |                            | 1    |
|      | 04 282 13 | Stud M12 x 65mm                           |                            | 1    |
|      | 05 281 03 | Flat washer 12mm                          |                            | 1    |
|      | 05 282 03 | Spring washer 12mm                        |                            | 1    |
|      | 05 286 03 | Nut M12                                   |                            | 1    |
| 22   | 02 831 01 | Link-cowl                                 |                            | 1    |
|      | 05 953 01 | Grease nipple M6                          |                            | 2    |
| 23   | 02 864 01 | Pin 35mm dia x 76mm                       |                            | 1    |
|      | 03 786 02 | Instruction plate - Grease M10            |                            | 1    |

CHECK REAR OF MANUAL FOR UPDATES

# Second Arm And Cowl Linkage



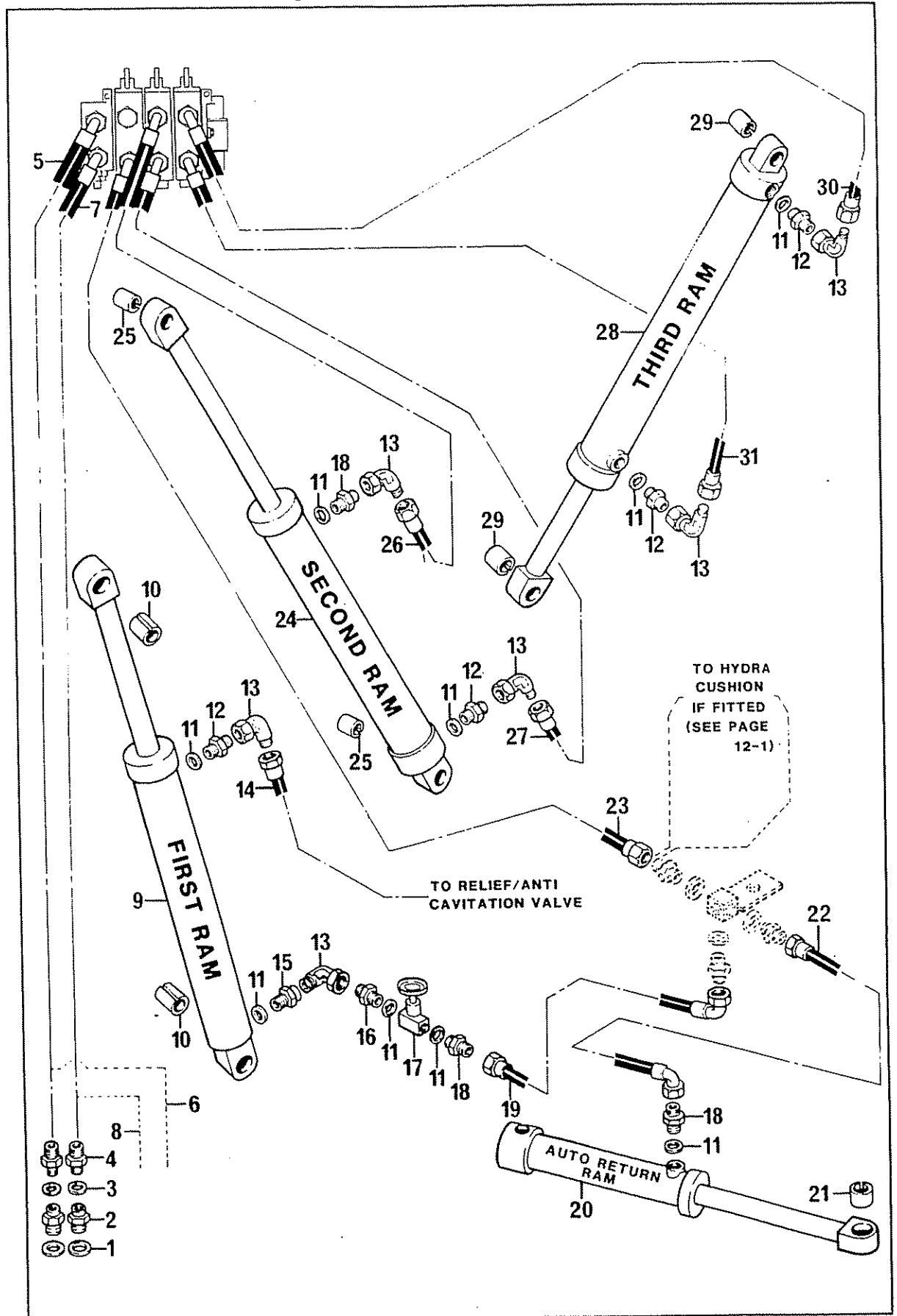
**Second Arm And Cowl Linkage**

| Ref. | Part No.  | Description                        | Serial No.<br>from - up to | Qty. |
|------|-----------|------------------------------------|----------------------------|------|
|      | 05 953 03 | Grease nipple M10                  |                            | 1    |
|      | 04 174 01 | Stud M12 x 38mm                    |                            | 1    |
|      | 05 281 03 | Flat washer 12mm                   |                            | 1    |
|      | 05 968 03 | Self locking nut M12 x 1.25 (fine) |                            | 1    |
| 24   | 04 068 01 | Link-ram                           |                            | 1    |
| 25   | 02 877 01 | Pin 30mm dia x 81mm                |                            | 1    |
|      | 00 372 01 | Linch pin                          |                            | 1    |

---

CHECK REAR OF MANUAL FOR UPDATES

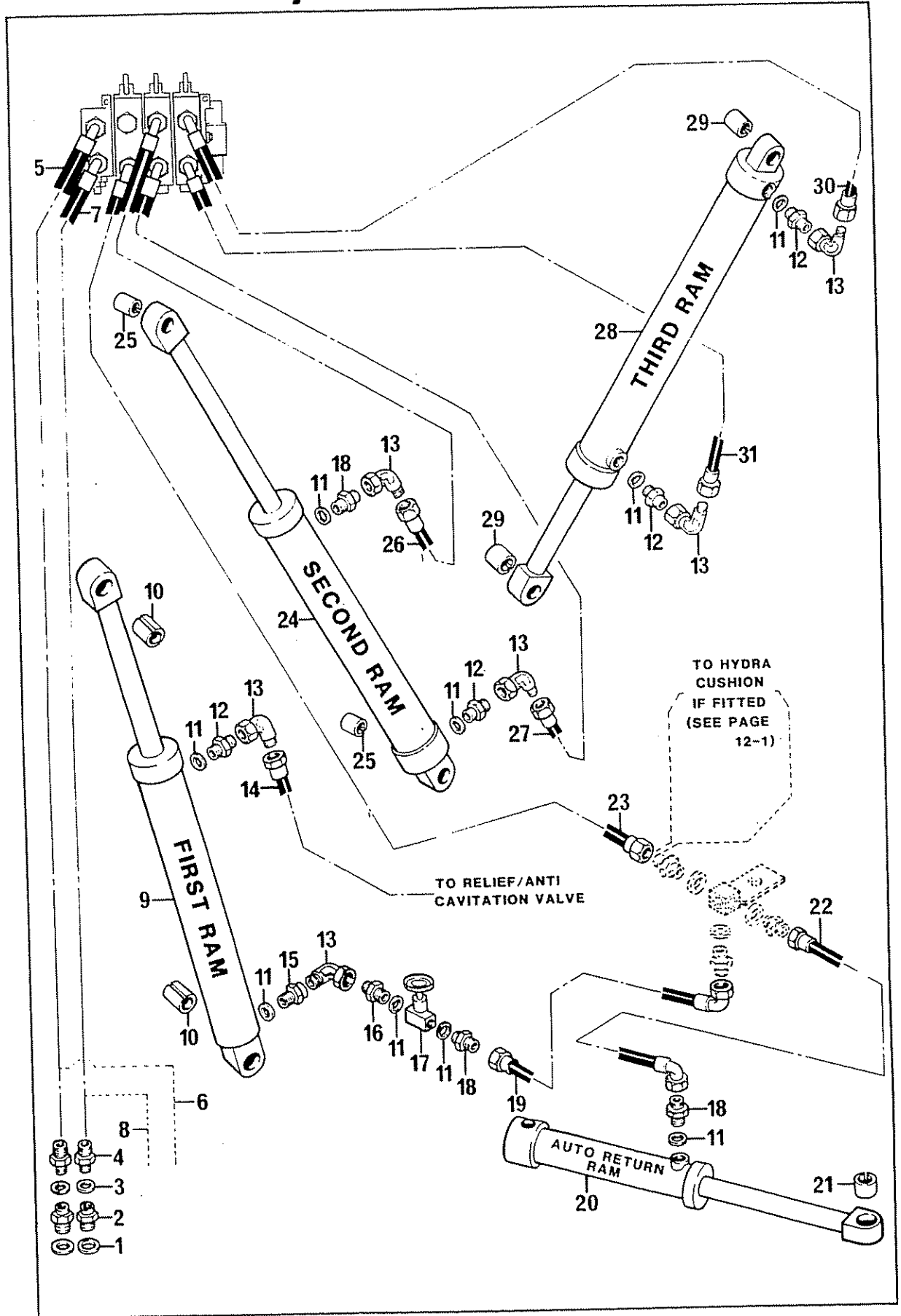
# Hydraulic Ram Circuit



## Hydraulic Ram Circuit

| Ref. | Part No.  | Description                                     | Serial No.<br>from - up to             | Qty. |
|------|-----------|---|--|------|
| 1    | 05 290 05 | Bonded seal 1/2in BSP                           |  | 2    |
| 2    | 05 225 01 | Adaptor 1/2in BSP o/d x 3/8in BSP i/d           |  | 2    |
| 3    | 05 290 04 | Bonded seal 3/8in BSP                           |  | 2    |
| 4    | 03 195 01 | Adaptor 5/8in x 3/8in BSP                       |  | 2    |
| 5    | 05 993 30 | Hose 5/8in BSP x 2000mm                         |  | 2    |
| *    | 6         | 05 991 20                                       | Hose 3/8in BSP x 1000mm                | 1    |
|      | 7         | 05 993 30                                       | Hose 5/8in BSP x 2000mm                | 1    |
| *    | 8         | 05 991 23                                       | Hose 3/8in BSP x 1300mm                | 1    |
|      | 9         | 02 901 16                                       | Ram assy S.A. 90mm bore x 445mm stroke | 1    |
|      |           | 02 901 12                                       | Seal kit for (02 901 16) ram           | -    |
|      |           | 02 900 03                                       | Plug - Nylon                           | -    |
|      |           | 05 388 03                                       | Socket grub screw M6 x 6mm             | -    |
| 10   | 02 771 03 | Tension bush 45mm o/d x 40mm i/d x 50mm         |  | 2    |
| 11   | 05 290 04 | Bonded seal 3/8in BSP                           |  | 9    |
| 12   | 03 028 01 | Restrictor 3/8in x 3/8in BSP                    |  | 4    |
| 13   | 05 835 01 | Adaptor - Swivel 90° 3/8in BSP male/female      |  | 6    |
| 14   | 05 991 29 | Hose 3/8in BSP x 1900mm                         |  | 1    |
| 15   | 02 714 01 | Adaptor - Swivel st 3/8in BSP male/female       |  | 1    |
| + 16 | 05 124 01 | Adaptor 3/8in x 3/8in BSP                       |  | 1    |
| 16   | 03 028 01 | Restrictor 3/8in x 3/8in BSP                    |  | 1    |
| 17   | 05 176 01 | Isolator valve assy                             |  | 1    |
| 18   | 05 124 01 | Adaptor 3/8in x 3/8in BSP                       |  | 3    |
| 19   | 05 991 14 | Hose 3/8in BSP x 700mm                          |  | 1    |
| 20   | 02 785 19 | Ram assy - Auto Return 70mm bore x 201mm stroke |  | 1    |
|      |           | 02 785 20                                       | Seal kit for (02 785 19) ram           | -    |
|      |           | 02 900 03                                       | Plug - nylon                           | -    |
|      |           | 05 388 03                                       | Socket grub screw M6 x 6mm             | -    |
| 21   | 02 771 05 | Tension bush 35mm o/d x 30mm i/d x 40mm         |  | 1    |
| 22   | 05 991 44 | Hose 3/8in BSP x 3400mm                         |  | 1    |
| 23   | 05 991 23 | Hose 3/8in BSP x 1300mm                         |  | 1    |
| 24   | 02 902 11 | Ram assy - D/A 70mm bore x 615mm stroke         |  | 1    |
|      |           | 02 902 08                                       | Seal kit for (02 902 11) ram           | -    |
|      |           | 02 900 03                                       | Plug - nylon                           | -    |
|      |           | 05 388 03                                       | Socket grub screw M6 x 6mm             | -    |
| 25   | 02 771 04 | Tension bush 40mm o/d x 35mm i/d x 40mm         |  | 2    |
| 26   | 05 991 36 | Hose 3/8in BSP x 2600mm                         |  | 1    |
| 27   | 05 991 29 | Hose 3/8in BSP x 1900mm                         |  | 1    |

CHECK REAR OF MANUAL FOR UPDATES





**Hydraulic Ram Circuit**

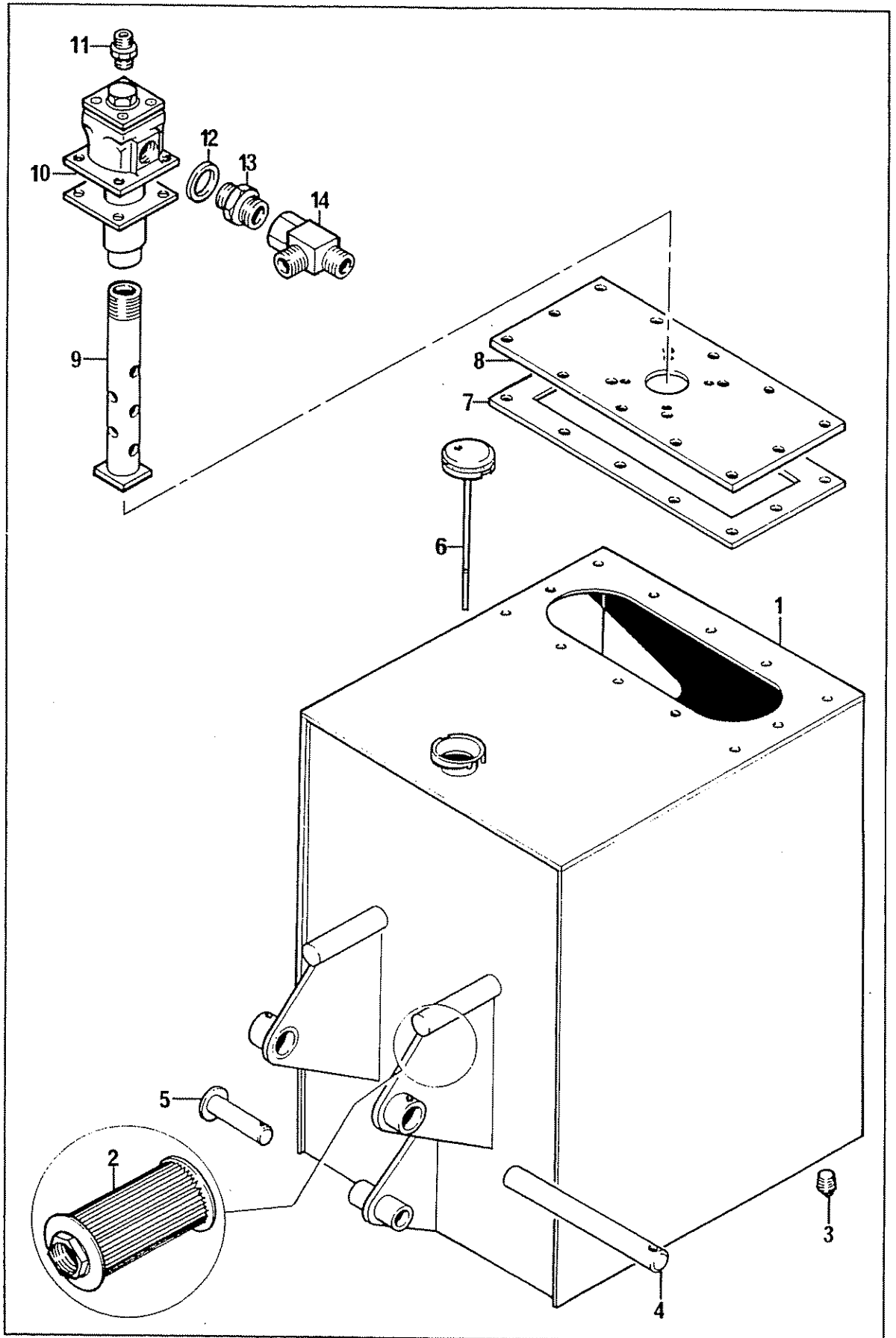
| Ref. | Part No.  | Description                             | Serial No.<br>from - up to | Qty. |
|------|-----------|---|----------------------------|------|
| 28   | 02 902 07 | Ram assy - D/A 70mm bore x 430mm stroke |                            | 1    |
|      | 02 902 08 | Seal kit for (02 902 07) ram            |                            | -    |
|      | 02 900 03 | Plug - nylon                            |                            | -    |
|      | 05 388 03 | Socket grub screws M6 x 6mm             |                            | -    |
| 29   | 02 771 04 | Tension bush 40mm o/d x 35mm i/d x 40mm |                            | 1    |
| 30   | 05 991 51 | Hose 3/8in BSP x 4100mm                 |                            | 1    |
| 31   | 05 991 56 | Hose 3/8in BSP x 4600mm                 |                            | 1    |

\* Items for twin pump machines only

+ Items for Supertrim machines with  
hydra cushion fitted as an option

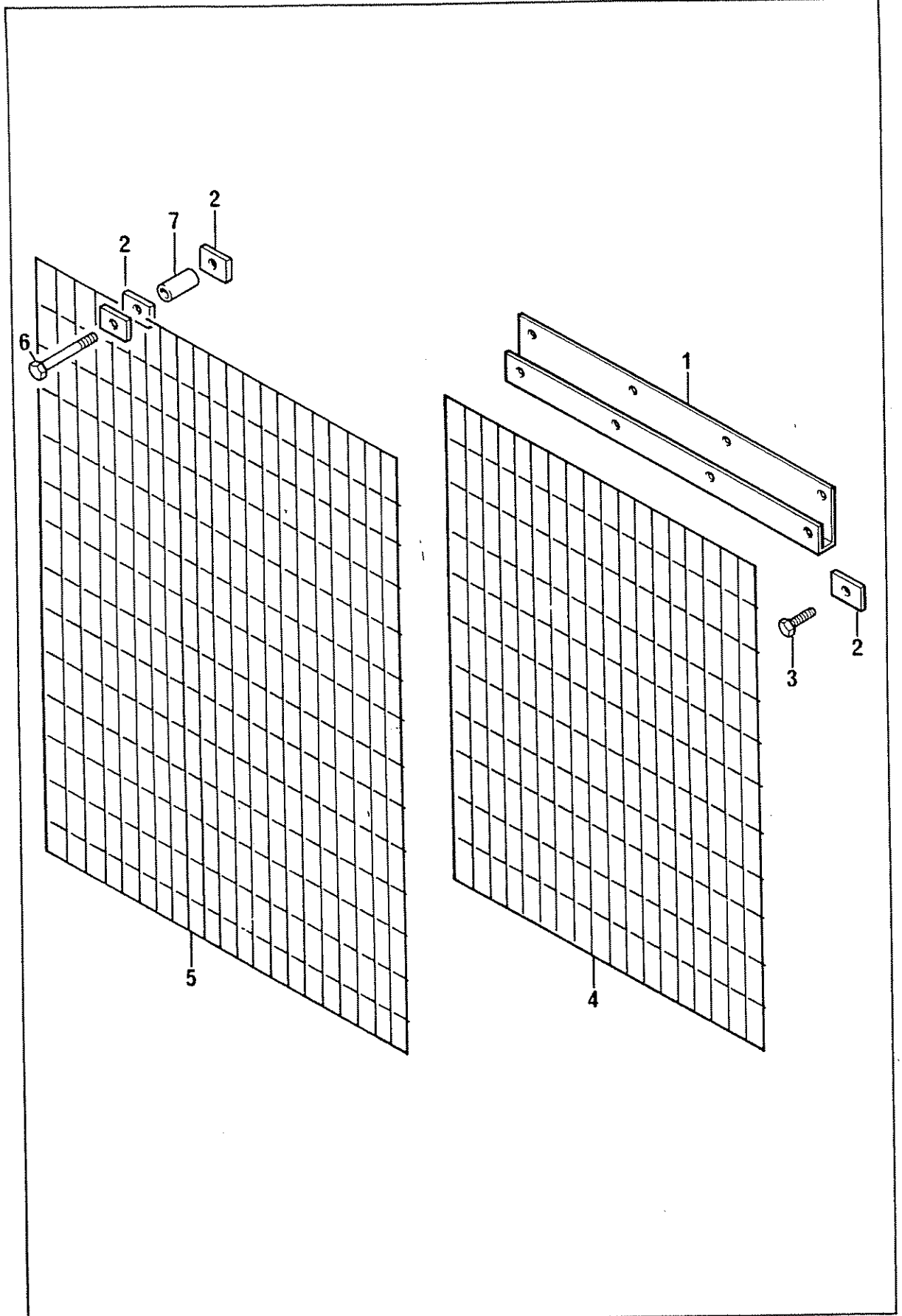
---

CHECK REAR OF MANUAL FOR UPDATES



| Ref. | Part No.  | Description                    | Serial No.<br>from - up to | Qty. |
|------|-----------|--------------------------------|----------------------------|------|
| 1    | 04 079 01 | Tank                           |                            | 1    |
| 2    | 05 367 01 | Filter - suction               |                            | 1    |
| 3    | 05 495 01 | Plug -1/2in BSP (Taper)        |                            | 1    |
| 4    | 02 896 01 | Pin 40mm dia. x 261mm          |                            | 1    |
|      | 05 291 19 | Bolt M10 x 70mm                |                            | 1    |
|      | 05 282 02 | Spring washer 10mm             |                            | 1    |
|      | 05 286 02 | Nut M10                        |                            | 1    |
| 5    | 02 884 01 | Pin 30mm dia. x 100mm          |                            | 1    |
|      | 05 284 26 | Split cotter 6.3mm dia. x 50mm |                            | 1    |
| 6    | 02 796 01 | Breather cap and dipstick      |                            | 1    |
| 7    | 03 018 01 | Gasket                         |                            | 1    |
| 8    | 03 017 02 | Plate - Filter mounting        |                            | 1    |
|      | 05 264 01 | Setscrew M8 x 20mm             |                            | 12   |
|      | 05 281 01 | Flat washer 8mm                |                            | 12   |
| 9    | 03 825 01 | Pipe - steel 1in BSP x 250mm   |                            | 1    |
| 10   | 03 824 05 | Filter assembly                |                            | 1    |
|      | 03 824 04 | Gasket                         |                            | -    |
|      | 03 824 07 | Filter element                 |                            | -    |
|      | 05 839 04 | Setscrew M6 x 30mm             |                            | 4    |
|      | 05 282 07 | Spring washer 6mm              |                            | 4    |
| *11  | 05 126 01 | Adaptor 3/8in x 1/2in BSP      |                            | 1    |
| 12   | 05 290 07 | Bonded seal 1in BSP            |                            | 1    |
| 13   | 05 434 01 | Adaptor 1in x 1in BSP          |                            | 1    |
| *14  | 04 056 02 | Adaptor - swivel tee 1in BSP   |                            | 1    |

\* Parts required for twin pump only



| Ref. | Part No.  | Description                | Serial No.<br>from - up to | Qty. |
|------|-----------|----------------------------|----------------------------|------|
| 1    | 01 859 03 | Bracket - cab guard        |                            | 2    |
| 2    | 01 859 05 | Plate - clamp              |                            | 16   |
| 3    | 05 216 06 | Setscrew 5/16 UNF x 3/4in  |                            | 6    |
|      | 05 288 01 | Nut 5/16 UNF               |                            | 6    |
|      | 05 282 01 | Spring washer 8mm          |                            | 6    |
| 4    | 01 859 02 | Guard - mesh 610mm x 760mm |                            | 1    |
| 5    | 01 859 01 | Guard - mesh 760mm x 915mm |                            | 1    |
| 6    | 05 216 05 | Bolt 5/16 UNF x 3in        |                            | 4    |
| 7    | 01 859 04 | Spacer - 3/8in bore x 51mm |                            | 4    |
|      | 05 281 01 | Washer 8mm                 |                            | 6    |
|      | 05 282 01 | Spring washer 8mm          |                            | 4    |
|      | 05 288 01 | Nut 5/16 UNF               |                            | 4    |

CHECK REAR OF MANUAL FOR UPDATES

# BOMFORD

# Supertrim 470



APPROVED FOR USE IN QUALIFIED HYDRAULIC MACHINES

The following oils are approved for use in any Bomford hydraulic machine. Always refer to the instruction book for complete instructions on oiling hydraulic equipment.

|         |                    |            |    |
|---------|--------------------|------------|----|
| Country | Germany            | Shell M 68 | 10 |
|         | France             | Shell M 68 | 10 |
|         | Spain              | Shell M 68 | 10 |
|         | Italy              | Shell M 68 | 10 |
|         | USA                | Shell M 68 | 10 |
|         | Canada             | Shell M 68 | 10 |
|         | UK                 | Shell M 68 | 10 |
|         | Japan              | Shell M 68 | 10 |
|         | China              | Shell M 68 | 10 |
|         | India              | Shell M 68 | 10 |
|         | Australia          | Shell M 68 | 10 |
|         | South Africa       | Shell M 68 | 10 |
|         | Argentina          | Shell M 68 | 10 |
|         | Brazil             | Shell M 68 | 10 |
|         | Chile              | Shell M 68 | 10 |
|         | Colombia           | Shell M 68 | 10 |
|         | Costa Rica         | Shell M 68 | 10 |
|         | Cuba               | Shell M 68 | 10 |
|         | Dominican Republic | Shell M 68 | 10 |
|         | Ecuador            | Shell M 68 | 10 |
|         | El Salvador        | Shell M 68 | 10 |
|         | Honduras           | Shell M 68 | 10 |
|         | Indonesia          | Shell M 68 | 10 |
|         | Malaysia           | Shell M 68 | 10 |
|         | Mexico             | Shell M 68 | 10 |
|         | Nicaragua          | Shell M 68 | 10 |
|         | Pakistan           | Shell M 68 | 10 |
|         | Panama             | Shell M 68 | 10 |
|         | Paraguay           | Shell M 68 | 10 |
|         | Peru               | Shell M 68 | 10 |
|         | Philippines        | Shell M 68 | 10 |
|         | Poland             | Shell M 68 | 10 |
|         | Portugal           | Shell M 68 | 10 |
|         | Romania            | Shell M 68 | 10 |
|         | Saudi Arabia       | Shell M 68 | 10 |
|         | South Korea        | Shell M 68 | 10 |
|         | Taiwan             | Shell M 68 | 10 |
|         | Thailand           | Shell M 68 | 10 |
|         | Turkey             | Shell M 68 | 10 |
|         | Vietnam            | Shell M 68 | 10 |
|         | Zimbabwe           | Shell M 68 | 10 |

For full information on oiling requirements for use in all Bomford hydraulic machines, consult the instruction book.

See a Bomford agent or dealer for the latest technical information.

© 1982 Bomford

**BOMFORD IMPORTANT**

**NEW MACHINE.** Check that the tank is filled to the correct level with one of the grades of oil recommended in the instruction book. Bleed the pump by loosening the outlet hose, turning P.T.O. shaft by hand if necessary.

**BEFORE STARTING.** Check: 1) Oil level correct 2) Knives secure 3) Guards in position

**COLD START.** Do not work whilst the oil is cold. After starting run the machine at 500 r.p.m. on the P.T.O. for 5-10 minutes to warm up. Any abnormal noise must be investigated immediately. Consult the instruction book if in doubt.

**OPERATION.** Always engage and disengage the drive with the engine at idling speed. Make engine speed changes slowly and progressively, particularly when slowing down. Before approaching the cutting head disengage the drive and stop the tractor engine.

**IMPORTANT**

**INITIAL CHECK**

**BEFORE STARTING**

**OPERATION**

**SAFETY**


**WARNING**

**CAUTION**

**NOTE**

SEE INSTRUCTION NUMBER 5



LIFT FROM POINTS MARKED WITH  SUITABLE FOR PRE-ASSEMBLY TRAMMETS ONLY

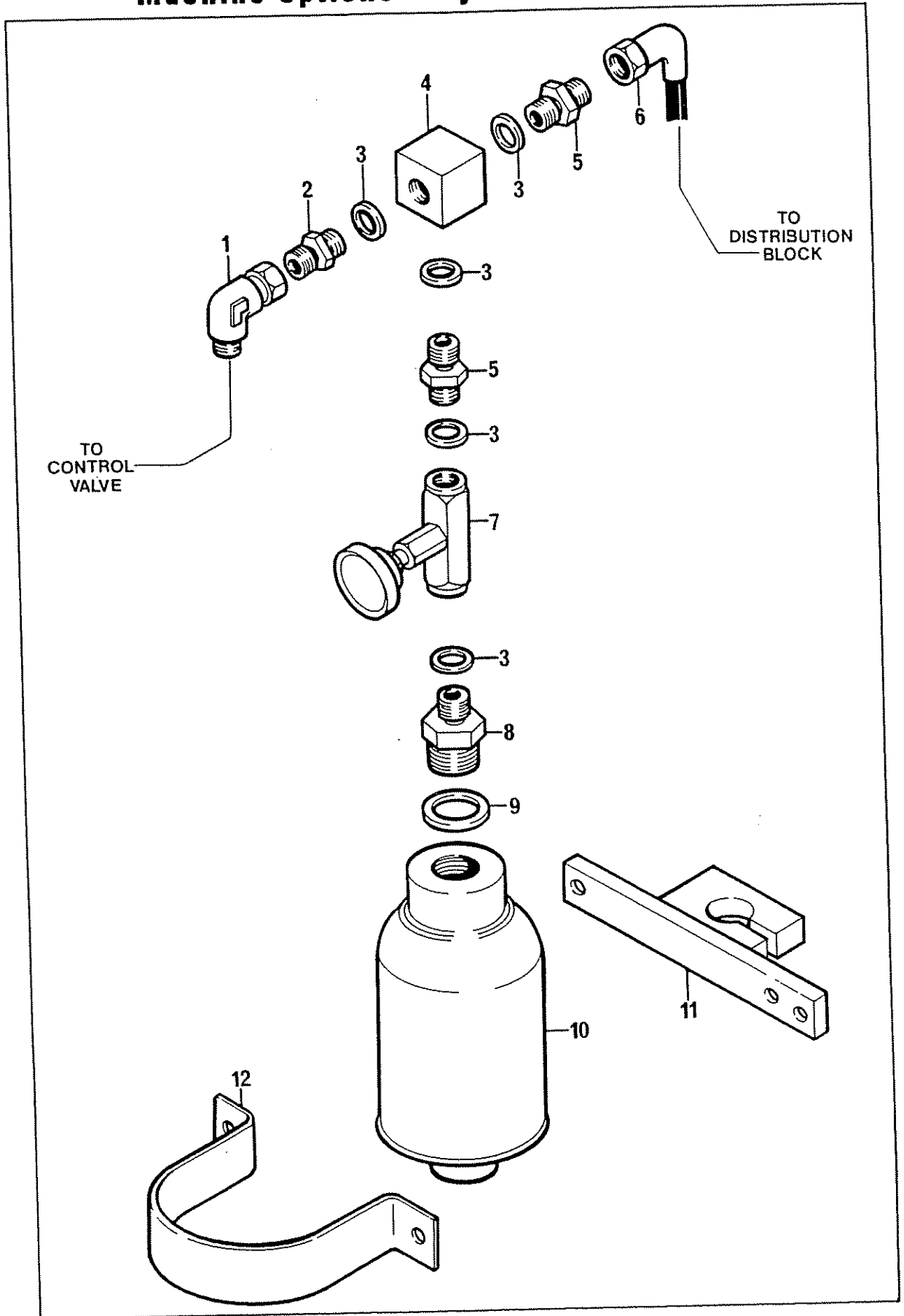


**Decals**

| Ref. | Part No.  | Description                            | Serial No.<br>from - up to | Qty. |
|------|-----------|--|----------------------------|------|
| 1    | 02 075 01 | Decal - Bomford                        |                            | 1    |
| 2    | 04 274 01 | Decal - Supertrim 470                  |                            | 1    |
| 3    | 04 349 01 | Decal - G.T. 470                       |                            | 1    |
| 4    | 02 783 02 | Decal - Recommended Oils               |                            | 1    |
| 5    | 05 390 01 | Decal - Important 'Start up procedure' |                            | 1    |
| 6    | 02 737 01 | Decal - Important (large triangle)     |                            | 1    |
| 7    | 02 738 01 | Decal - (small triangle)               |                            | 1    |
|      | 02 738 02 | Decal - (small triangle)               |                            | 1    |
|      | 02 783 03 | Decal - (small triangle)               |                            | 1    |
|      | 02 738 04 | Decal - (small triangle)               |                            | 1    |
|      | 02 738 05 | Decal - (small triangle)               |                            | 1    |
|      | 02 783 06 | Decal - (small triangle)               |                            | 1    |
|      | 02 738 07 | Decal - (small triangle)               |                            | 1    |
|      | 02 738 08 | Decal - (small triangle)               |                            | 1    |
|      | 02 738 09 | Decal - (small triangle)               |                            | 1    |
|      | 02 738 10 | Decal - (small triangle)               |                            | 1    |
| 8    | 03 785 01 | Decal - grease                         |                            | 4    |
| 9    | 02 948 01 | Decal - lift point instruction         |                            | 1    |
| 10   | 02 950 01 | Decal - Lift point                     |                            | 2    |

---

CHECK REAR OF MANUAL FOR UPDATES





**Machine Options - Hydra Cushion Kits**

| Ref. | Part No.  | Description                              | Serial No.<br>from - up to | Qty. |
|------|-----------|--|----------------------------|------|
|      | 90 100 51 | Supertrim hydra cushion kit 1 litre      |                            |      |
|      | 90 100 53 | Supertrim hydra cushion kit 2 litre      |                            |      |
| 1    | 05 835 01 | Adaptor-swivel 90° 3/8in BSP male/female |                            | 1    |
| 2    | 05 124 01 | Adaptor 3/8in x 3/8in BSP                |                            | 1    |
| +2   | 03 028 01 | Restrictor 3/8in x 3/8in BSP             |                            | 1    |
| 3    | 05 290 04 | Bonded seal 3/8in BSP                    |                            | 5    |
| 4    | 00 954 01 | Distribution block - 3 port 3/8in BSP    |                            | 1    |
| 5    | 05 124 01 | Adaptor 3/8in x 3/8in BSP                |                            | 2    |
| 6    | 05 991 14 | Hose 3/8in BSP x 700mm                   |                            | 1    |
| 7    | 05 176 01 | Isolator valve assy                      |                            | 1    |
| 8    | 05 128 01 | Adaptor 3/4in x 3/8in BSP                |                            | 1    |
| *8   | 03 590 01 | Adaptor 1in x 3/8in BSP                  |                            | 1    |
| 9    | 05 290 06 | Bonded seal 3/4in BSP                    |                            | 1    |
| *9   | 05 290 07 | Bonded seal 1in BSP                      |                            | 1    |
| 10   | 05 459 01 | Hydra cushion 1 litre                    |                            | 1    |
| *10  | 03 589 01 | Hydra cushion 2 litre                    |                            | 1    |
| 11   | 03 153 01 | Bracket - hydra cushion                  |                            | 1    |
|      | 05 282 02 | Spring washer 10mm                       |                            | 1    |
|      | 05 264 15 | Setscrew M10 x 40mm                      |                            | 1    |
| 12   | 00 858 01 | Clamp - hydra cushion 1 litre            |                            | 1    |
| *12  | 03 591 01 | Clamp - hydra cushion 2 litre            |                            | 1    |
|      | 05 264 12 | Setscrew M10 x 25mm                      |                            | 2    |
|      | 05 282 02 | Spring washer 10mm                       |                            | 2    |
|      | 05 286 02 | Nut M10                                  |                            | 2    |

\* Items for hydra cushion kit 2 litre

+ Item for Supertrim machines with hydra cushion fitted as an option

CHECK REAR OF MANUAL FOR UPDATES





**BOMFORD & EVERSHEED LTD BOMFORD & EVERSHEED LTD**