



GRASS KING®

FLAIL or ROTARY

Rev 03-13

P/N 02980372

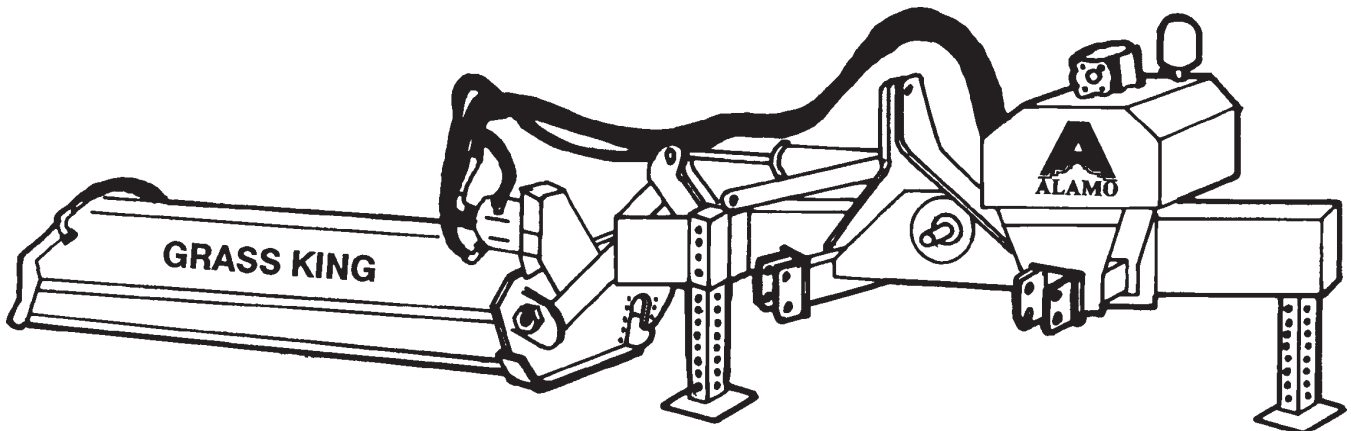
ARCHIVE BOOK

S/N GK-01001 (Mar. 1992)

to

S/N GK-Current

2004 Edition



COMPLETE PARTS LISTING

ALAMO INDUSTRIAL

1502 E. Walnut
Seguin, Texas 78155
830-372-9595



BUILT SHARPER®

An Alamo Group Company

© 2013 Alamo Group, Inc.

INDEX - Grass King

ITEM **PAGE NO.**

A-FRAME

GK-01001 (Mar. 1992 to GK-_____(Apr. 1994).....	14,15
GK-____ (May 1994) to GK-Current.....	16.17

CHAIN GUARDS

Rotary Model

GK-01001 (Mar. 1992) to GK-Current.....	54, 55
-----------------------------------------	--------

CHECK CHAINS

GK-01001 (Mar. 1992) to GK-Current.....	64, 65
-----------------------------------------	--------

DECALS

GK-01001 (Mar. 1992) to GK-Current.....	66 thru 76
-----------------------------------------	------------

DECK ATTACHMENTS

Flail Model

GK-01001 (Mar. 1992) to GK-Current.....	46
-----------------------------------------	----

Rotary Model

GK-01001 (Mar. 1992) to GK-Current.....	62
-----------------------------------------	----

DEFLECTORS, RUBBER

Flail Model

GK-01001 (Mar. 1992) to GK-Current.....	36 thru 39
-----------------------------------------	------------

Rotary Model

GK-01001 (Mar. 1992) to GK-Current.....	54, 55
-----------------------------------------	--------

DRIVELINE ASY. - PTO

GK-01001 (Mar. 1992 to GK-_____(Feb. 2001).....	34
-------------------------------------------------	----

GK-____ (Mar 2001) to GK-Current.....	35
---------------------------------------	----

FLAIL DECK

General Components

GK-01001 (Mar. 1992) to GK-Current.....	36 thru 39
-----------------------------------------	------------

Cutter Shaft

GK-01001 (Mar. 1992) to GK-Current.....	36 thru 39
-----------------------------------------	------------

Cutter Shaft Bearings

GK-01001 (Mar. 1992) to GK-Current.....	36 thru 39
-----------------------------------------	------------

Cutter Knives

GK-01001 (Mar. 1992) to GK-Current.....	47, 48, 49
-----------------------------------------	------------

Pulleys & Belts

GK-01001 (Mar. 1992) to GK-Current.....	36 thru 39
-----------------------------------------	------------

Continued Next Page

INDEX - GRASS KING

ITEM	PAGE NO.
FLAIL DECK (Continued from Previous Page)	
Rollers	
GK-01001 (Mar. 1992) to GK-Current.....	50, 53
Roller Bearings	
GK-01001 (Mar. 1992) to GK-Current.....	50, 53
Roller Bearing Brackets	
GK-01001 (Mar. 1992) to GK-Current.....	50, 53
GEARBOX / SPEED INCREASER	
GK-01001 (Mar. 1992 to GK-_____(Apr. 1994).....	26, 28,29
GK-____ (May 1994) to GK-Current.....	27, 30, 31
HYDRAULICS	
Cylinder	
GK-01001 (Mar. 1992) to GK-Current.....	22
Filter	
GK-01001 (Mar. 1992) to GK-Current.....	14 thru 17
Motor - Flail	
GK-01001 (Mar. 1992) to GK-Current.....	40 thru 43
Pump	
GK-01001 (Mar. 1992) to GK-Current.....	32
Schematic Flail Mower	
GK-01001 (Mar. 1992) to GK-Current.....	44, 45
Schematic Rotary Mower	
GK-01001 (Mar. 1992) to GK-Current.....	61
Tank / Reservoir	
GK-01001 (Mar. 1992) to GK-Current.....	14 thru 17
INDEX / INTRODUCTION	
Index.....	3 thru 5
Introduction.....	6
LIFT ARM ATTACHMENTS	
GK-01001 (Mar. 1992) to GK-Current.....	20,21
MAIN FRAME	
GK-01001 (Mar. 1992 to GK-_____(Apr. 1994).....	14,15
GK-____ (May 1994) to GK-Current.....	16.17
ROTARY DECK	
General Components	
GK-01001 (Mar. 1992) to GK-Current.....	54, 55

Continued Next Page

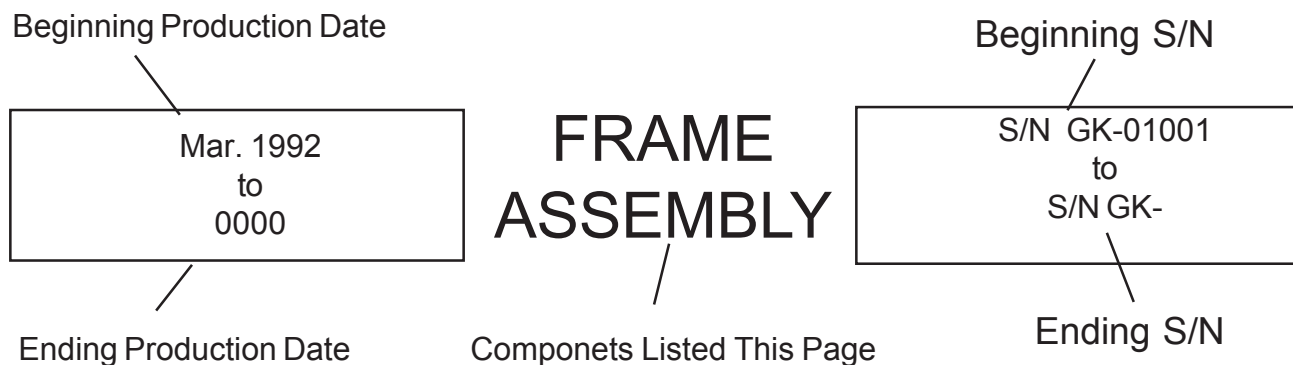
INDEX - GRASS KING

ITEM	PAGE NO.
ROTARY DECK (Continued from Previous Page)	
Motor	
GK-01001 (Mar. 1992) to GK-Current.....	58, 59
Motor & Spindle Asy	
GK-01001 (Mar. 1992) to GK-Current.....	57
Blade Carrier & Blades	
GK-01001 (Mar. 1992) to GK-Current.....	56
Rollers	
GK-01001 (Mar. 1992) to GK-Current.....	54, 55
Roller Bearings	
GK-01001 (Mar. 1992) to GK-Current.....	54,55
Roller Bearing Brackets	
GK-01001 (Mar. 1992) to GK-Current.....	54,55
Spindle	
GK-01001 (Mar. 1992) to GK-Current.....	60
PARKING JACK	
GK-01001 (Mar. 1992) to GK-Current.....	14,15
SAFETY SECTION	
Safety Information.....	7 thru 13
SERIAL NUMBER & SHIP DATES	
Safety Information.....	78 thru 81
SKID SHOES	
Flail Model	
GK-01001 (Mar. 1992) to GK-Current.....	36 thru 39
Rotary Model	
GK-01001 (Mar. 1992) to GK-Current.....	54, 55
TAIL WHEEL ATTACHMENTS	
GK-01001 (Mar. 1992) to GK-Current.....	20,21
TILT LINK ATTACHMENTS	
GK-01001 (Mar. 1992) to GK-Current.....	18,19
TIRE, WHEEL & HUBS	
GK-01001 (Mar. 1992) to GK-Current.....	24, 25

GRASS KING ARCHIVE BOOK INTRODUCTION

The Grass King Archive Book is a complete listing of Parts from the first Unit to the Present. The Production Dates, Serial Numbers, Special Notes and Descriptions are furnished to help find Replacement Parts. Dimension (if listed) are for Identification of Parts and MAY NOT be to Manufacturing Specification, Your measurements may vary some from dimensions listed. Some Parts may be changed and be different than parts listed. Some Modification may be required when replacing older parts. Match S/N's listed in this Book with the S/N's listed at the top of each Parts Page.

PAGE EXAMPLE



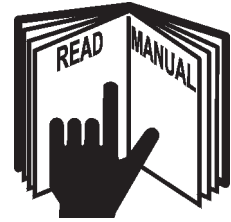
For ordering parts the following instructions are offered to help eliminate delay

1. The purchase order must include the Name, Address (Ship to Street Address) of the Person / Organization ordering the parts. Who / How Parts should be Billed. Name and Phone Number of a Contact Person at your end.
2. The Purchase Order must list clearly the correct Part Number of Part. Quantity of each Part wanted, Complete and correct Description of each Part. All Parts will be shipped as requested depending on availability and/or reasonability of request carrier / method.
3. Alamo Industrial reserves the right to substitute parts where applicable and change prices Without prior notice. Alamo Industrial also reserves the right to Ship Parts the most Reasonable way as determined by Alamo Industrial.
4. Some Parts are unlisted items, which are special production items not normally stocked or built for a limited / special use, These parts may be subject to special handling or cannot be priced till ordered. Always Request a quotation for such Parts before sending a purchase order.

SAFETY SECTION

SAFETY

Read these assembly instructions through completely and understand them before proceeding with the assembly of the equipment.



A safe and careful operator is the best operator. Safety is of primary importance to the manufacturer and should be to the owner/operator. Most accidents can be avoided by being aware of your equipment, your surroundings, and observing certain precautions. The first section of this manual includes a list of Safety Messages that, if followed, will help protect the operator and bystanders from injury or death. Read and understand these Safety Messages before assembling, operating or servicing this Implement. This equipment should only be operated by those persons who have read the Manual, who are responsible and trained, and who know how to do so safely and responsibly.

The Safety Alert Symbol combined with a Signal Word, as seen below, is used throughout this manual and on decals which are attached to the equipment. The Safety Alert Symbol means: **“ATTENTION! BECOME ALERT! YOUR SAFETY IS INVOLVED!”** The Symbol and Signal Word are intended to warn the owner/operator of impending hazards and the degree of possible injury faced when operating this equipment..

Practice all usual and customary safe working precautions and above all---remember safety is up to YOU. Only YOU can prevent serious injury or death from unsafe practices.

CAUTION!

The lowest level of Safety Message; warns of possible injury. Decals located on the Equipment with this Signal Word are Black and Yellow.



WARNING!

Serious injury or possible death! Decals are Black and Orange.



DANGER!

Imminent death/critical injury. Decals are Red and White. (SG-1)



SAFETY

PELIGRO!



Si no lee Ingles, pida ayuda a alguien que si lo lea para que le traduzca las medidas de seguridad. (SG-3)



!LEA EL INSTRUCTIVO!

READ, UNDERSTAND, and FOLLOW the following Safety Messages. Serious injury or death may occur unless care is taken to follow the warnings and instructions stated in the Safety Messages. Always use good common sense to avoid hazards.

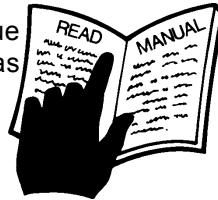
(SG-2)



PELIGRO!



Si no lee Ingles, pida ayuda a alguien que si lo lea para que le traduzca las medidas de seguridad. (SG-3)



! LEA EL INSTRUCTIVO!

WARNING!



Perform service, repairs and lubrication according to the maintenance section. Ensure the unit is properly lubricated as specified in the lubrication schedule and all bolts and nuts are properly torqued. Failure to properly service, repair and maintain this Implement in good operating condition could cause component failure and possible serious injury or even death. (SG-35)

WARNING!



Operate this Equipment only with a Tractor equipped with an approved roll-over-protective system (ROPS). Always wear seat belts. Serious injury or even death could result from falling off the tractor--particularly during a turnover when the operator could be pinned under the ROPS. (SG-7)



DANGER!



Never work under the Implement, the framework, or any lifted component unless the Implement is securely supported or blocked up to prevent sudden or inadvertent falling which could cause serious injury or even death. (SG-14)



WARNING!



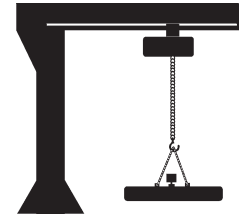
Use caution and wear protective gloves when handling sharp objects such as blades, knives, and other cutting edges. Be alert to worn component surfaces which have sharp edges. Sharp surfaces can inflict severe laceration injuries if proper hand protection is not worn. (SG-37)

SAFETY

WARNING!



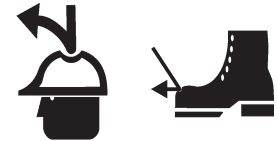
Many of the parts are heavy and require lifting assistance. Do not try to lift the heavy parts by yourself. Get help from another employee or from an overhead crane.



WARNING!



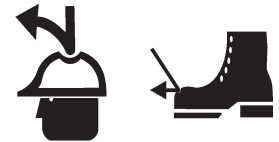
The operator and all support personnel should wear hard hats, safety shoes, safety glasses, and proper hearing protection at all times for protection from injury including injury from items thrown by the equipment. (SG-16)



WARNING!



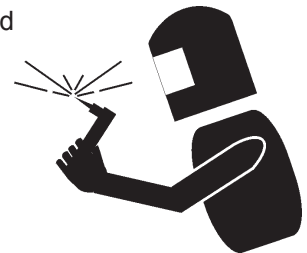
Always wear safety shoes with steel toes when working on this equipment. It is recommended that the safety shoes have metatarsal guards.



WARNING!



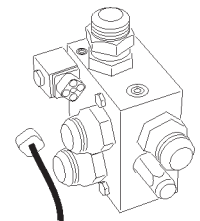
When welding use Welding hood with the appropriate OSHA required protective lens, welding apron, and welding gloves.



DANGER!



Always disconnect the wire leads from the mower valve solenoid before performing service on the Tractor or Mower. Use caution when working on the Tractor or Mower. Tractor engine must be stopped before working on Mower or Tractor. The Mower Blades could inadvertently be turned on without warning and cause immediate dismemberment, injury or death. (SBM-12)



DANGER!



Never run the tractor engine in a closed building or without adequate ventilation. The exhaust fumes can be hazardous to your health.

(SG-23)

SAFETY

DANGER!



Before starting the mower make sure the area is clear and the floor has been swept. The mower blade can throw objects several hundred feet. Thrown objects could damage property or cause severe bodily injuries even death.

WARNING!



Make certain that the "Slow Moving Vehicle" (SMV) sign is installed in such a way as to be clearly visible and legible. When transporting the Equipment use the Tractor flashing warning lights and follow all local traffic regulations. (SG-6)



DANGER!



Start tractor only when properly seated in the Tractor seat. Starting a tractor in gear can result in injury or death. Read the Tractor operators manual for proper starting instructions. (SG-13)



DANGER!



Do not operate this Equipment with hydraulic oil leaking. Oil is expensive and its presence could present a hazard. Do not check for leaks with your hand! Use a piece of heavy paper or cardboard. High-pressure oil streams from breaks in the line could penetrate the skin and cause tissue damage including gangrene. If oil does penetrate the skin, have the injury treated immediately by a physician knowledgeable and skilled in this procedure. (SG-15)



WARNING!



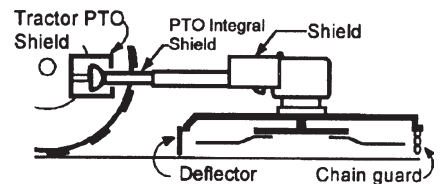
Always read carefully and comply fully with the manufacturers instructions when handling oil, solvents, cleansers, and any other chemical agent. (SG-22)



DANGER!



All Safety Shields, Guards and Safety devices including (but not limited to) - the Deflectors, Chain Guards, Steel Guards, Gearbox Shields, PTO integral shields, and Retractable Door Shields should be used and maintained in good working condition. All safety devices should be inspected carefully at least daily for missing or broken components. Missing, broken, or worn items must be replaced at once to reduce the possibility of injury or death from thrown objects, entanglement, or blade contact. (SGM-3)



SAFETY

DANGER!



NEVER use drugs or alcohol immediately before or while operating the Tractor and Implement. Drugs and alcohol will affect an operator's alertness and coordination and therefore affect the operator's ability to operate the equipment safely. Before operating the Tractor or Implement, an operator on prescription or over-the-counter medication must consult a medical professional regarding any side effects of the medication that would hinder their ability to operate the Equipment safely. **NEVER** knowingly allow anyone to operate this equipment when their alertness or coordination is impaired. Serious injury or death to the operator or others could result if the operator is under the influence of drugs or alcohol. (SG-27)



DANGER!



Operate the Tractor and/or Implement controls only while properly seated in the Tractor seat with the seat belt securely fastened around you. Inadvertent movement of the Tractor or Implement may cause serious injury or death. (SG-29)

WARNING!



Engine Exhaust, some of its constituents, and certain vehicle components contain or emit chemicals known to the state of California to cause cancer and birth defects or other reproductive harm. (SG-30)

WARNING!



Battery posts, terminals and related accessories contain lead and lead compounds, chemicals known to the state of California to cause cancer and birth defects or other reproductive harm. Wash Hands after handling. (SG-31)

WARNING!



Use extreme caution when getting onto the Implement to perform repairs, maintenance and when removing accumulated material. Only stand on solid flat surfaces to ensure good footing. Use a ladder or raised stand to access high spots which cannot be reached from ground level. Slipping and falling can cause serious injury or death. (SG-33)

WARNING!



Avoid contact with hot surfaces including hydraulic oil tanks, pumps, motors, valves and hose connections. Relieve hydraulic pressure before performing maintenance or repairs. Use gloves and eye protection when servicing hot components. Contact with a hot surface or fluid can cause serious injury from burns or scalding. (SG-34)

WARNING!



Avoid contact with hot surfaces of the engine or muffler. Use gloves and eye protection when servicing hot components. Contact with a hot surface or fluid can cause serious injury from burns or scalding. (SG-38)

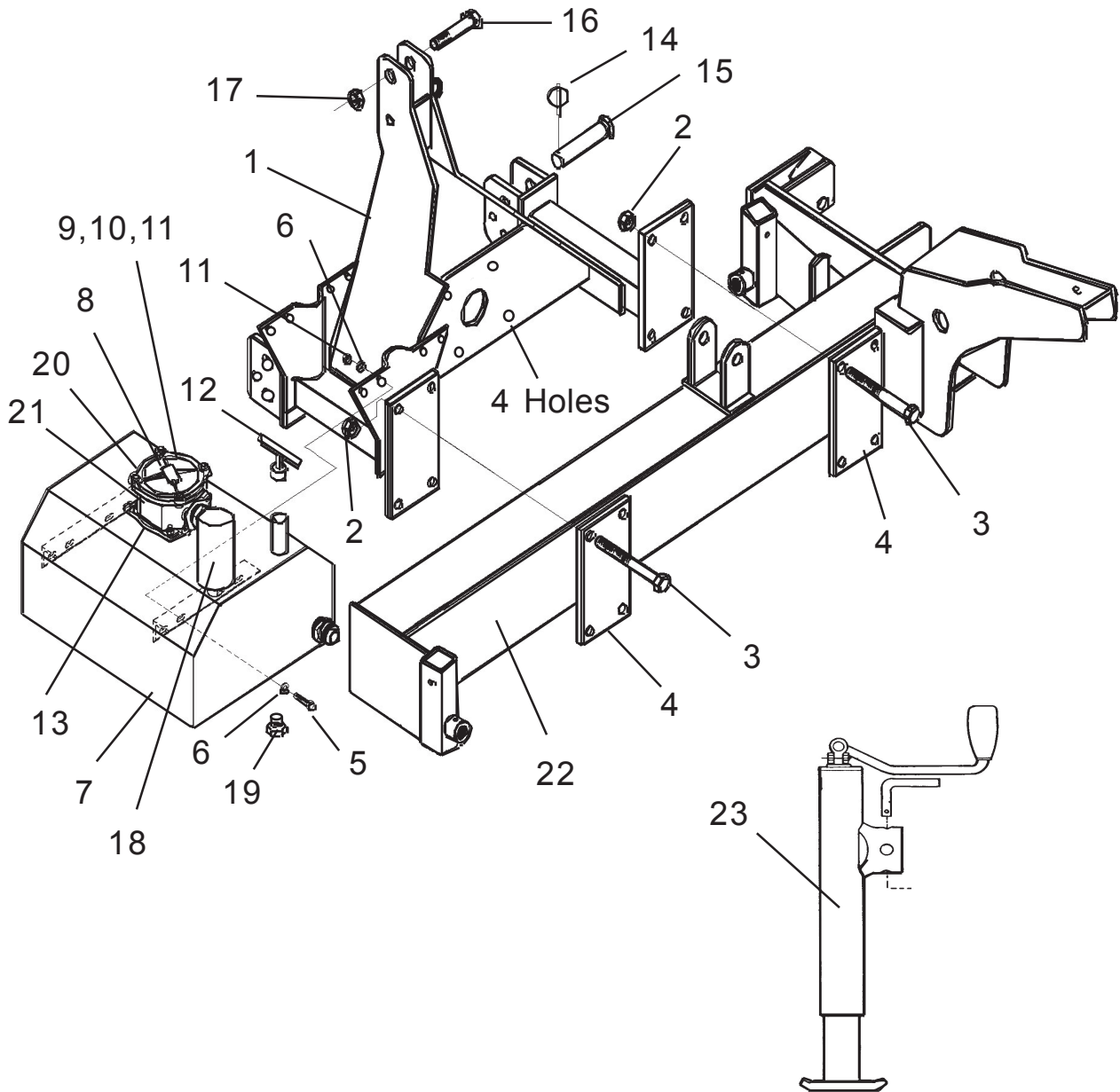
NOTES

Mar. 1992
to
Apr. 1994

A-FRAME Grass King

See S/N Page
for
S/N Dates

Note: This A-Frame asy is used with #02897900 speed increaser. Mounting of the Speed Increaser used mounting 4 holes. The Speed increaser used with this A-Frame had a Steel Housing, the later speed increasers had an Aluminum Housing.



Mar. 1992
to
Apr. 1994

A-FRAME Grass King

See S/N Page
for
S/N Dates

Item	Part No.	Qty	Description
1	02964987	1	Hitch Weldment
2	00037200	8	Nut
3	02758400	8	Bolt
4	02965041	2	Mount
5	00753642	8	Bolt
6	02035800	16	Washer
7	02964995	1	Tank Weldment
8	02964748	1	Filter Housing Asy*
9	00600500	4	Bolt
10	02049500	4	Lockwasher
11	00015800	8	Top Locknut
12	03200350	1	Cap
13	02967127	1	Gasket
14	2196	2	Clip Pin
15	02965043	2	Lift Pin (Cat I)
	02964535	2	Lift Pin (Cat II)
16	02959332	1	Bolt (Cat I)
	00609200	1	Bolt (Cat II)
17	00037200	1	Nut (Cat I)
	02030300	1	Nut (Cat II)
18	00751530	1	Filter Element
19	02016100	1	Pipe Plug
20	02961452	1	O-Ring
21	02961001	1	Filter Element
22	02964966	1	Main Frame Weldment
23	00756655	2	Jack

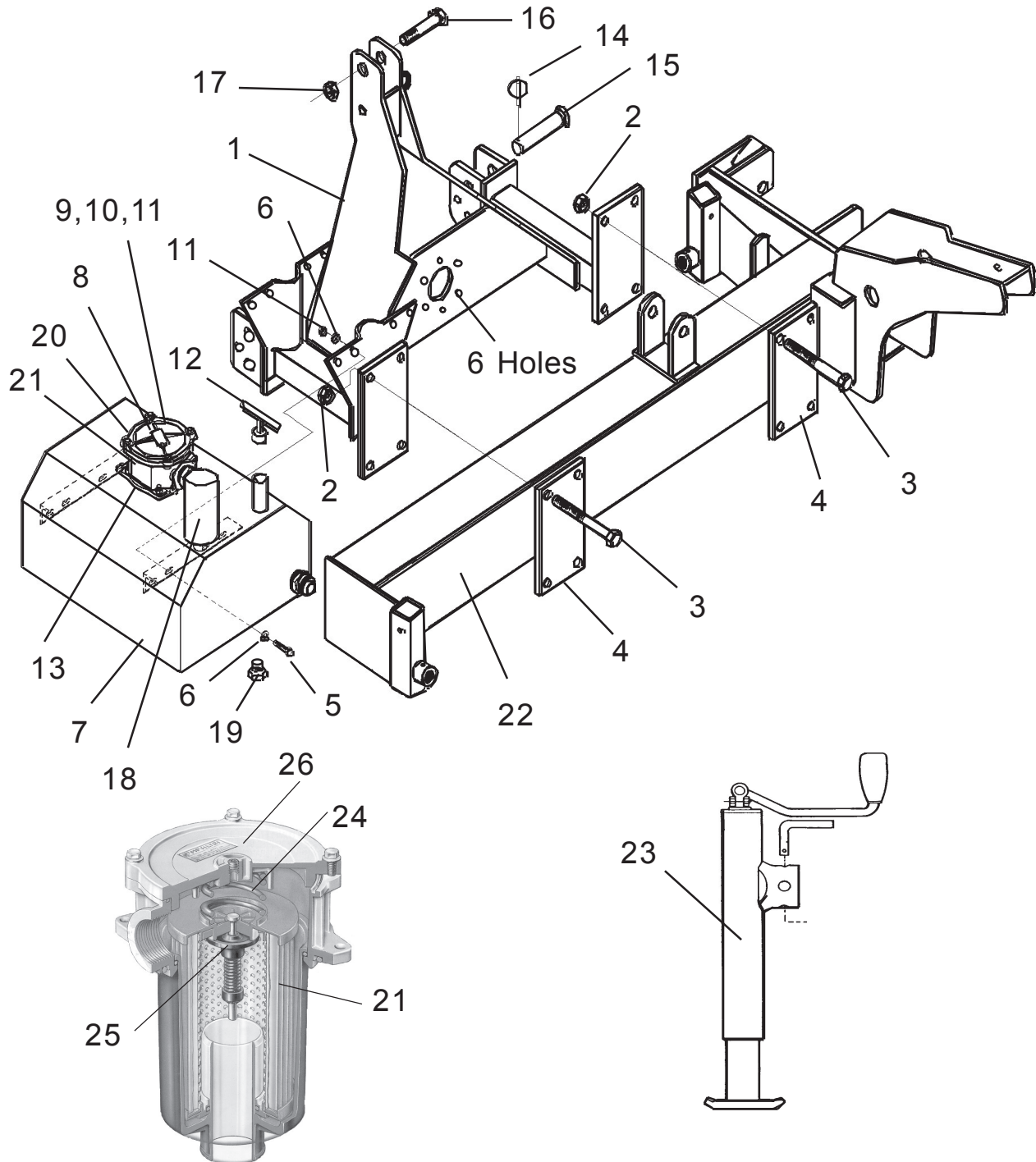
*Filter Housing Assembly includes Filter Element #02961001 & O-Ring #02961452. This A-Frame Asy is listed as replacement parts only.

May 1994
to
Current

A-FRAME Grass King

See S/N Page
for
S/N Dates

Note: This A-Frame asy is used with #02967028 speed increaser. There are 6 mounting holes to mount Speed Increaser. Also Speed Increaser has an Aluminum Housing, earlier Speed increaser was Steel Housing.



May 1994
to
Current

A-FRAME Grass King

See S/N Page
for
S/N Dates

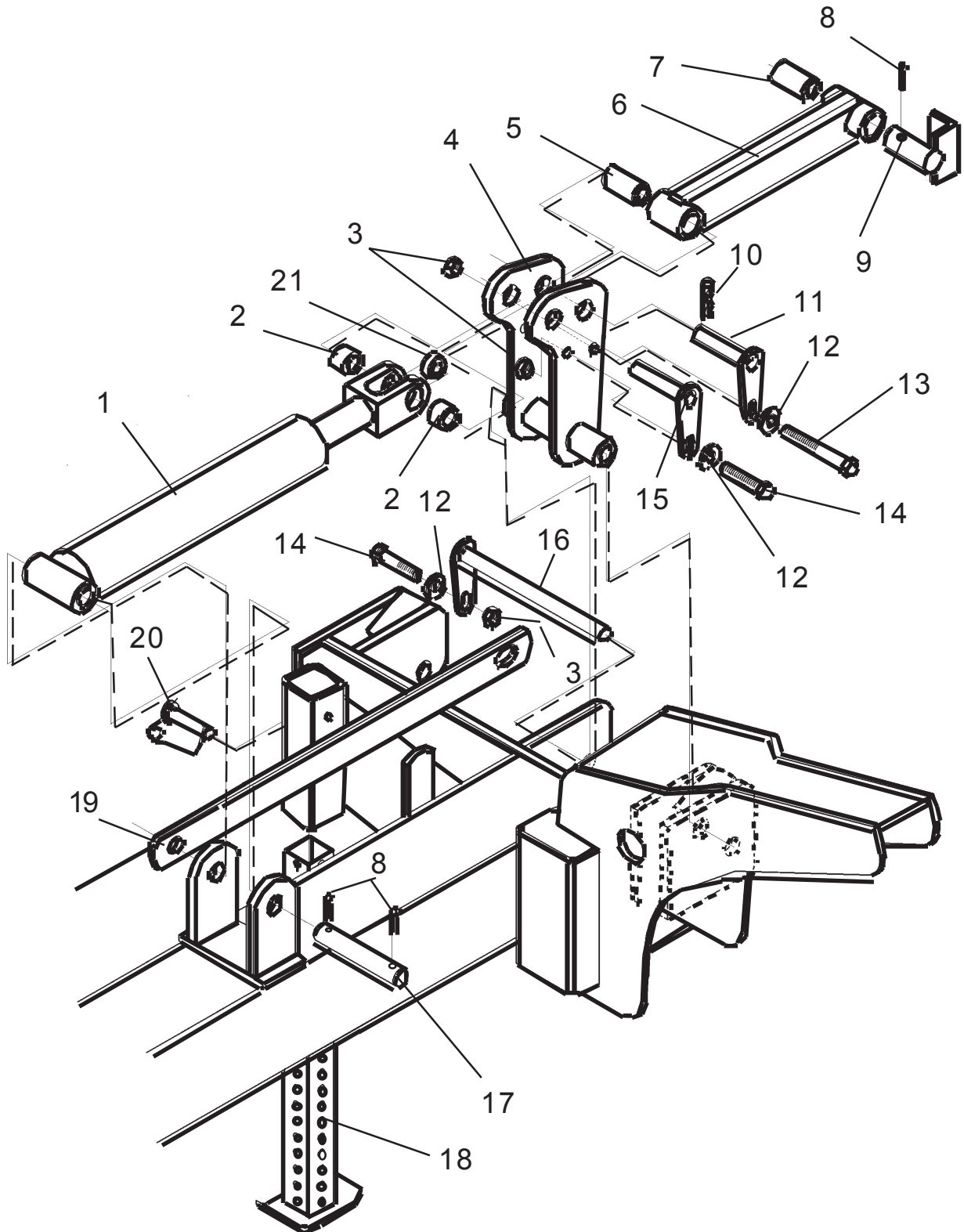
Item	Part No.	Qty	Description
1	02967015	1	Hitch Weldment
2	00037200	8	Nut
3	02758400	8	Bolt
4	02965041	2	Mount
5	00753642	8	Bolt
6	02035800	16	Washer
7	02964995	1	Tank Weldment
8	02964748	1	Filter Housing Asy*
9	00600500	4	Bolt
10	02049500	4	Lock Washer
11	00015800	8	Top Locknut
12	03200350	1	Cap
13	02963662	1	Gasket
14	2196	2	Clip Pin
15	02965043	2	Lift Pin (Cat I)
	02964535	2	Lift Pin (Cat II)
16	02959332	1	Bolt (Cat I)
	00609200	1	Bolt (Cat II)
17	00037200	1	Nut (Cat I)
	02030300	1	Nut (Cat II)
18	00751530	1	Filter Element
19	02016100	1	Pipe Plug
21	02961001	1	Filter Element
22	02964966	1	Main Frame Weldmt
23	00756655	2	Jack
24	02972678	1	Spring Filter Cartridge
25	02973782	1	Valve Filter Bypass
26	02978349	1	Filter Cover
---	02978354	1	Seal Kit
---	02978355	1	Nut & Bolt Kit

*Filter Housing Assembly includes Filter Element #02961001 & O-Ring #02961452.

Mar. 1992
to
Current

TILT LINK ATTACHMENT Grass King

S/N GK-01001
for
S/N GK-Current



Mar. 1992
to
Current

LIFT ARM ATTACHMENT Grass King

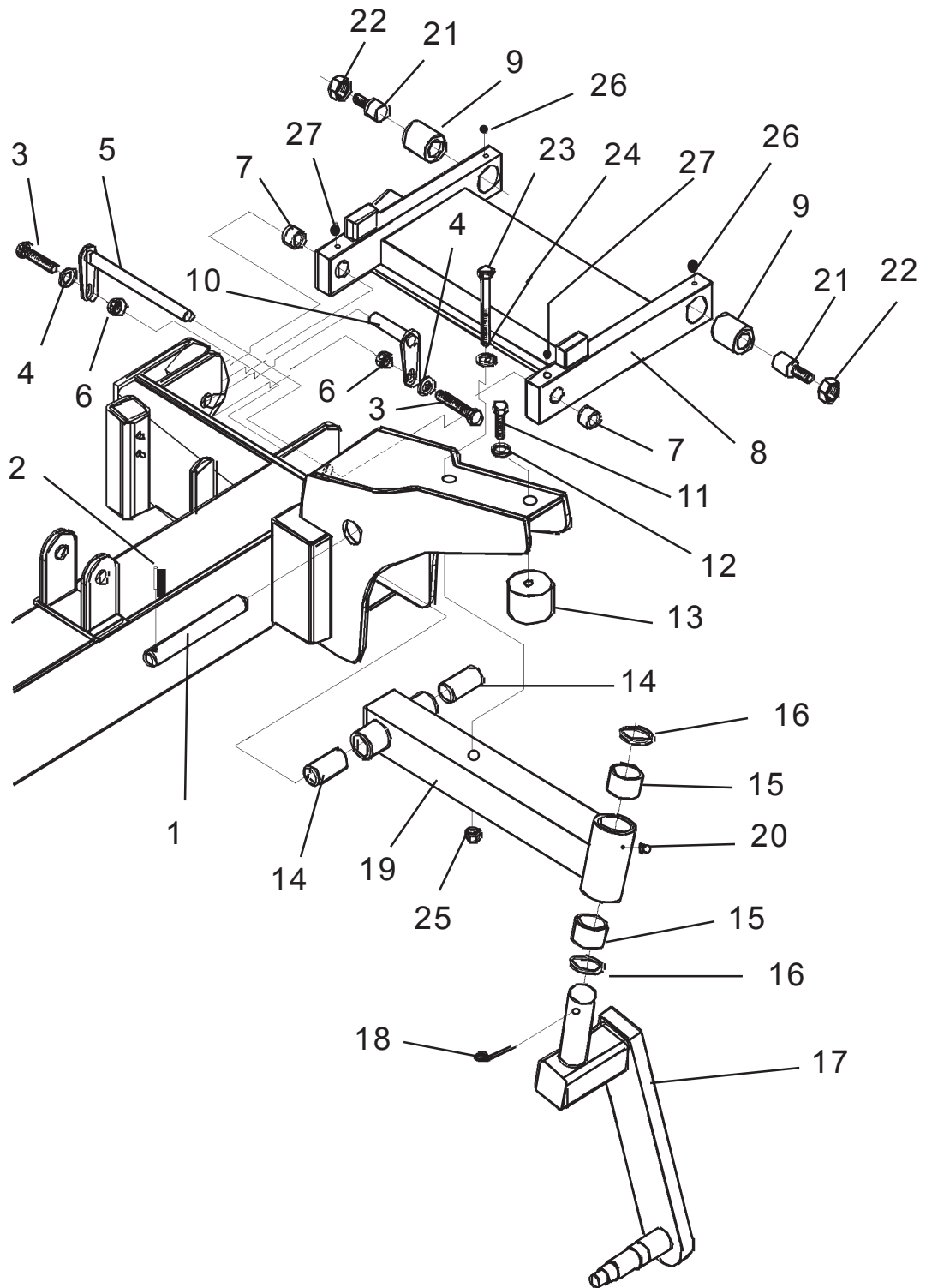
S/N GK-01001
for
S/N GK-Current

Item	Part No.	Qty	Description
1.	02965063	1	Cylinder Asy.
2.	02965214	2	Bearing
3.	00001800	4	Locknut TLM 1/2 NC PLC
4.	02964988	1	Actuator
5.	02965213	1	Bearing
6.	02964991	1	Tilt link Weldmen
7.	02965212	1	Bearing
8.	00755153	3	Cotter Pin
9.	02965112	1	Link Pin
10.	02276800	1	Clip Pin
11.	02965074	1	Pin
12.	00002700	3	Flatwasher
13.	02030400	1	Bolt
14.	00748823	5	Bolt
15.	02963096	1	Pin
16.	00763355	1	Pin
17.	02965072	1	Pin
18.	00756214	2	Stabilizer
19.	02965070	1	Transport Link
20.	02961620	1	Clip Pin
21.	02965015	1	Spacer
22.	02965113	1	Tilt Link Asy (items 5,6 & 7)

Mar 1992
to
Current

LIFT ARM ATTACHMENT Grass King

S/N GK-01001
for
S/N GK-Current



Aug 1992
to
Current

LIFT ARM ATTACHMENT Grass King

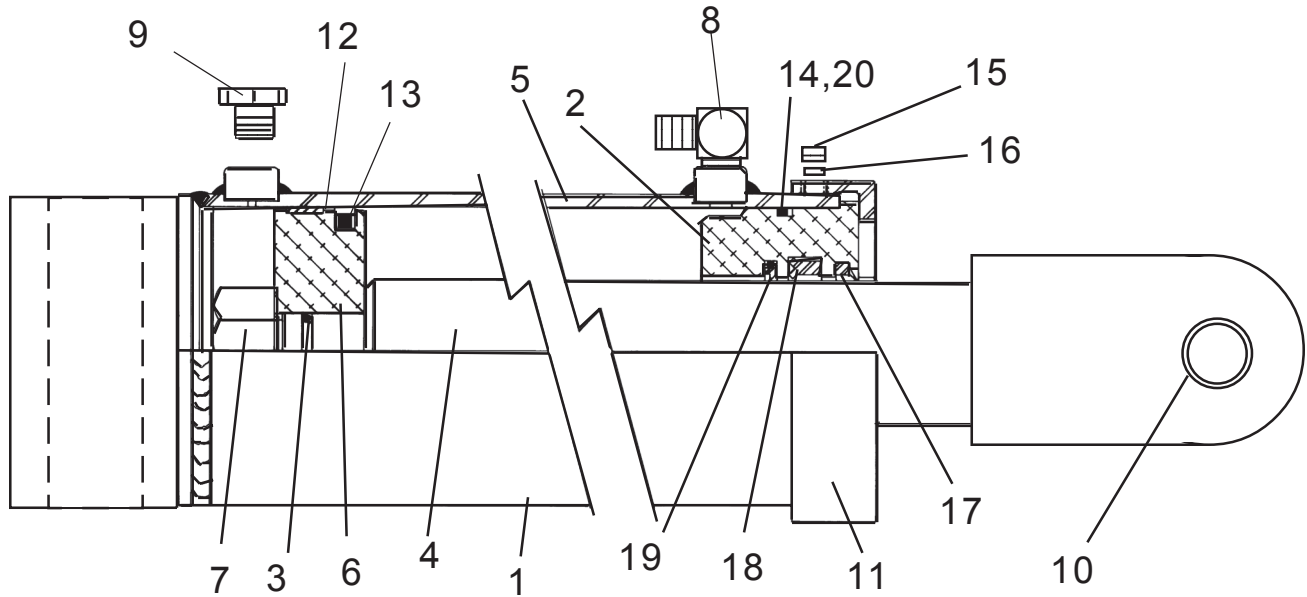
S/N GK-01001
for
S/N GK-Current

Item	Part No.	Qty	Description
1	02965102	1	Pin
2	0629600	1	Pin - Roll
3	00748823	5	Bolt
4	00002700	3	Flatwasher
5	00763355	1	Pin
6	0001800	4	Nut
7	02965214	2	Bushing
8	02963073	1	Weldment - Lift Frame
9	00764656	2	Bushing
10	02965829	1	Pin
11	00752255	1	Bolt
12	00019600	1	Lockwasher
13	00751035	1	Disc - Rubber
14	02960841	2	Bushing
15	54103A11	2	Bushing
16	301042	2	Thrust - Washer
17	02965099	1	Weldment - Caster
18	165024	1	Cotter Pin
19	02965226	1	Weldment - Tail Wheel Mounting
20	00003500	1	Grease Fitting
21	02965777	2	Pivot Pin
22	000760	2	Nut
23	02956947	1	Bolt
24	00001400	1	Washer
25	00695100	1	Nut, Toplock 5/8 NC PLC
26	00003500	2	Grease Fitting
27	00752176	2	Grease Fitting

Mar. 1992
to
Current

TILT CYLINDER (Flail & Rotary Mower) Grass King

S/N GK-01001
for
S/N GK-Current



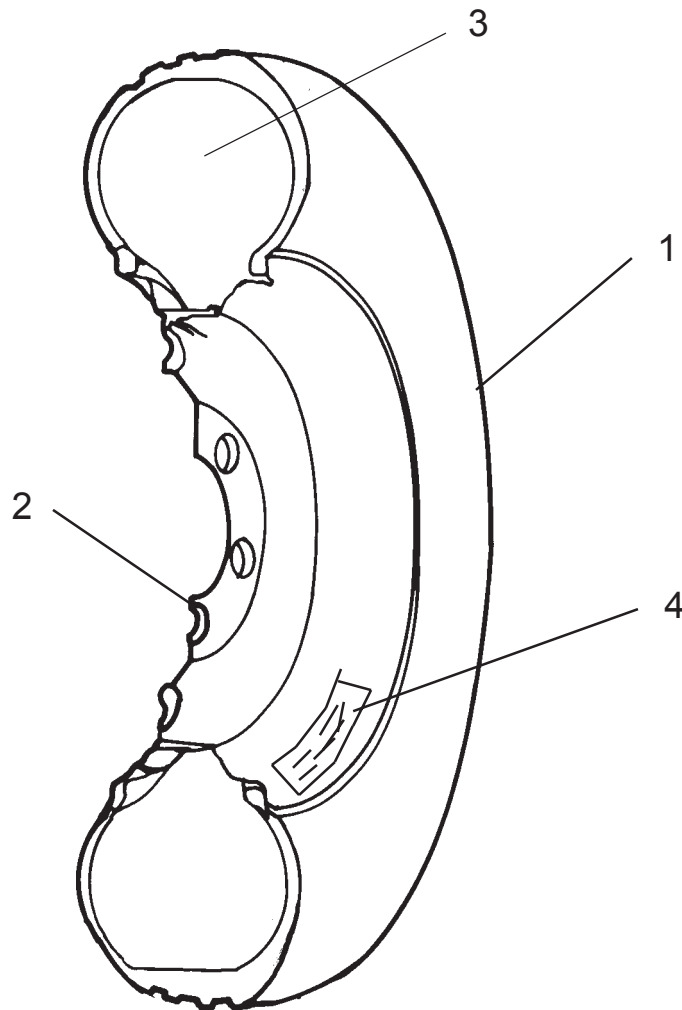
Item	Part No.	Qty	Description
	02965063	--	Hydraulic Cylinder Asy. (items 1,8,9 & 10)
1	02961476	1	Hydraulic Cylinder (items 2 thru 7 & 11 thru 21)
2	02962157	1	Gland
3*	-----	1	"O" Ring
4	02962166	1	Rod Asy.
5	02962165	1	Barrel Asy.
6	02962160	1	Piston
7	02252400	1	Locknut
8	02960018	1	Elbow
9	02960054	1	Plug
10	02965214	2	Bushing
11	02962158	1	Collar
12*	-----	1	Wear Ring
13*	-----	1	Piston Seal
14*	-----	1	O-Ring
15	02962169	1	Set Screw
16	02962170	1	Nylon Insert
17*	-----	1	Rod Wiper
18*	-----	1	Rod Seal
19*	-----	1	Buffer Seal
20*	-----	1	Back-Up Ring
21	02962159	a/r	* Seal Kit (items 3,12,13,14,17,18,19 & 20)

NOTES

Mar. 1992
to
Current

TIRES & WHEELS Grass King

S/N GK-01001
for
S/N GK-Current

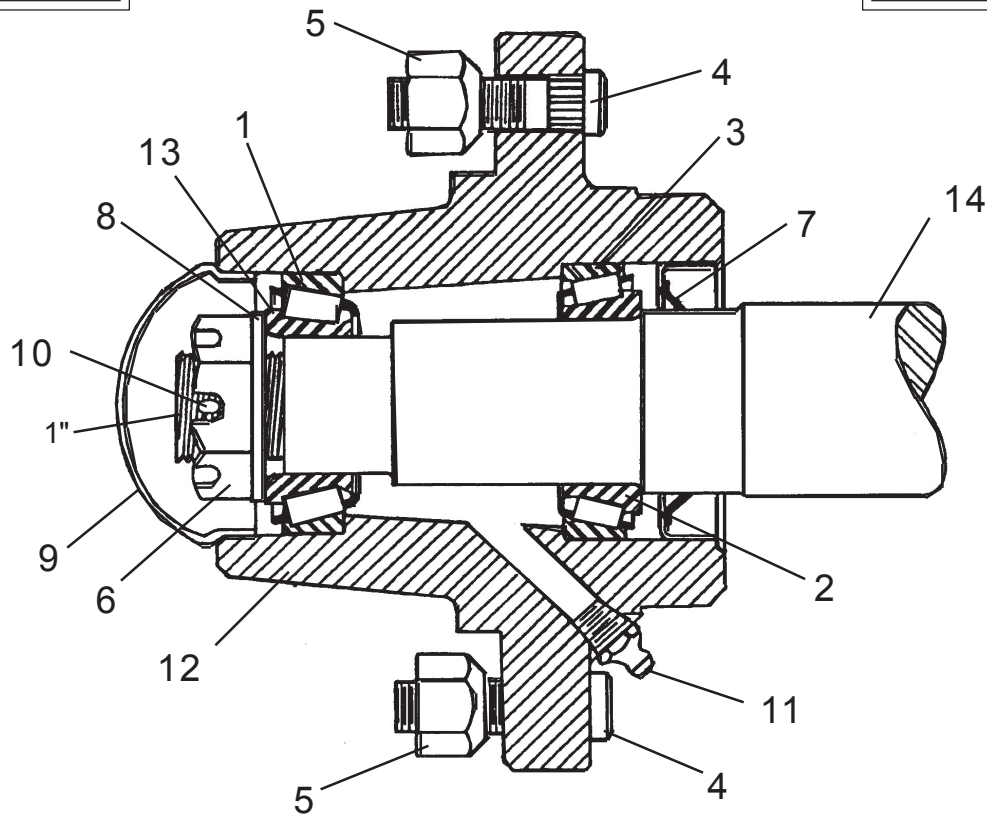


Item	Part No.	Qty	Description
1.	00749700	1	Tire and Wheel Asy, Used Airplane
2.	00019200	1	Wheel Only
3.	00720302	1	Tube Only
4.	00762608	1	Decal, Wheel Safety

Mar. 1992
to
Current

WHEEL HUB Grass King

S/N GK-01001
for
S/N GK-Current



Item	Part No.	Qty	Description
	00757241	a/r	Hub Asy (items 1 thru 12)
1	00756576	1	Bearing Cup, Outer
2	00750434	1	Bearing Cone, Inner
3	00756577	1	Bearing Cup, Inner
4	00756488	5	Stud Bolt
5	00750614	5	Lug Nut
6	00756490	1	Bearing Adjusting Nut
7	00750616	1	Oil Seal
8	00756493	1	Washer
9	00756492	1	Dust Cap
10	00026400	1	Cotter Pin
11	00003500	1	Grease Fitting
12	00756489	ref	Wheel Hub (w/Cups & Studs)
	00756528	ref	Wheel Hub Accessory Kit (includes Items 2, 5, 6, 7, 8, 9, 10 & 13)
13	0371242102	1	Bearing Cone, Outer
14	00756001	ref	Spindle, Weld In Part

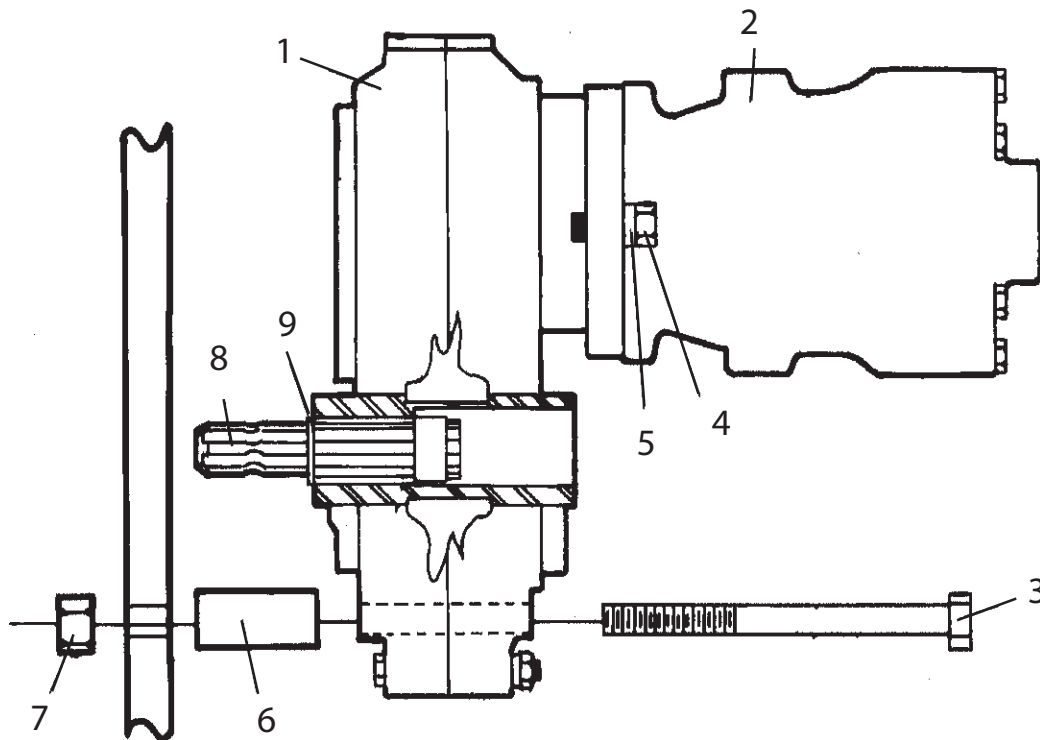
This Hub has Grease Fitting (item# 11) on Back Side and has the word Alamo cast into the back side, This Hub used a 1" Retaining Nut (Item # 6).

Mar. 1992
to
Apr. 1994

Speed In increaser & Pump Mounting Grass King

See S/N Page
for
S/N Dates

Note: This Speed In creaser asy has four mounting bolts (item 3) and uses a spacer (item) 6. The Housing is Steel, the later Speed In creaser has Aluminum Housing. These will not interchange because of Mounting holes in A- frame.



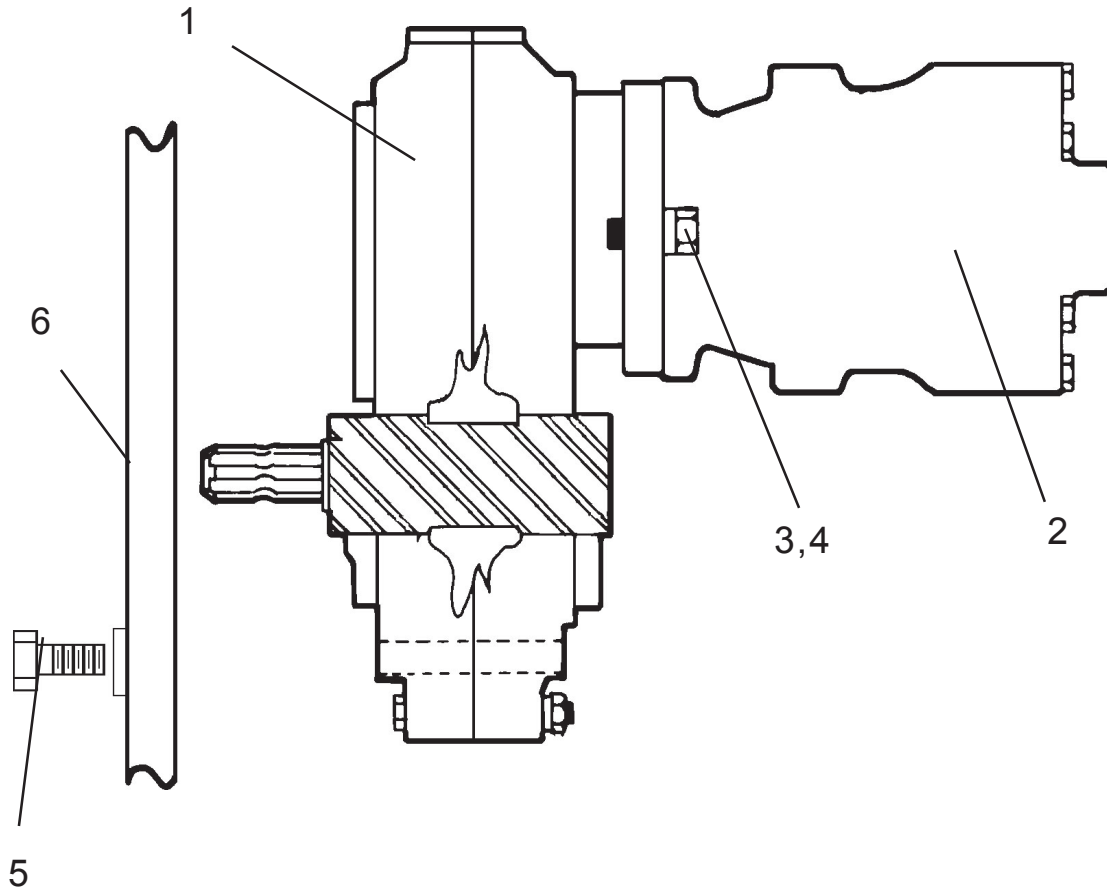
Item	Part No.	Qty	Description
1	02897900	1	Speed In creaser
2	002460	1	Pump
3	02014200	4	Bolt
4	00750959	2	Bolt
5	00019600	2	Lockwasher
6	00752060	4	Spacer
7	00001800	4	Locknut TLM 1/2 NC PLC
8	02965066	1	Input Shaft
9	02965068	1	Retaining Ring

May 1994
to
Current

Speed Increaser & Pump Mounting Grass King

See S/N Page
for
S/N Dates

Note: This Speed Increaser asy. has six mounting bolts (item 5) on a 6.1" bolt circle. The Housing is Aluminum, the earlier Speed Increaser had a Steel Housing, These will not interchange because of Mounting holes in A- frame.

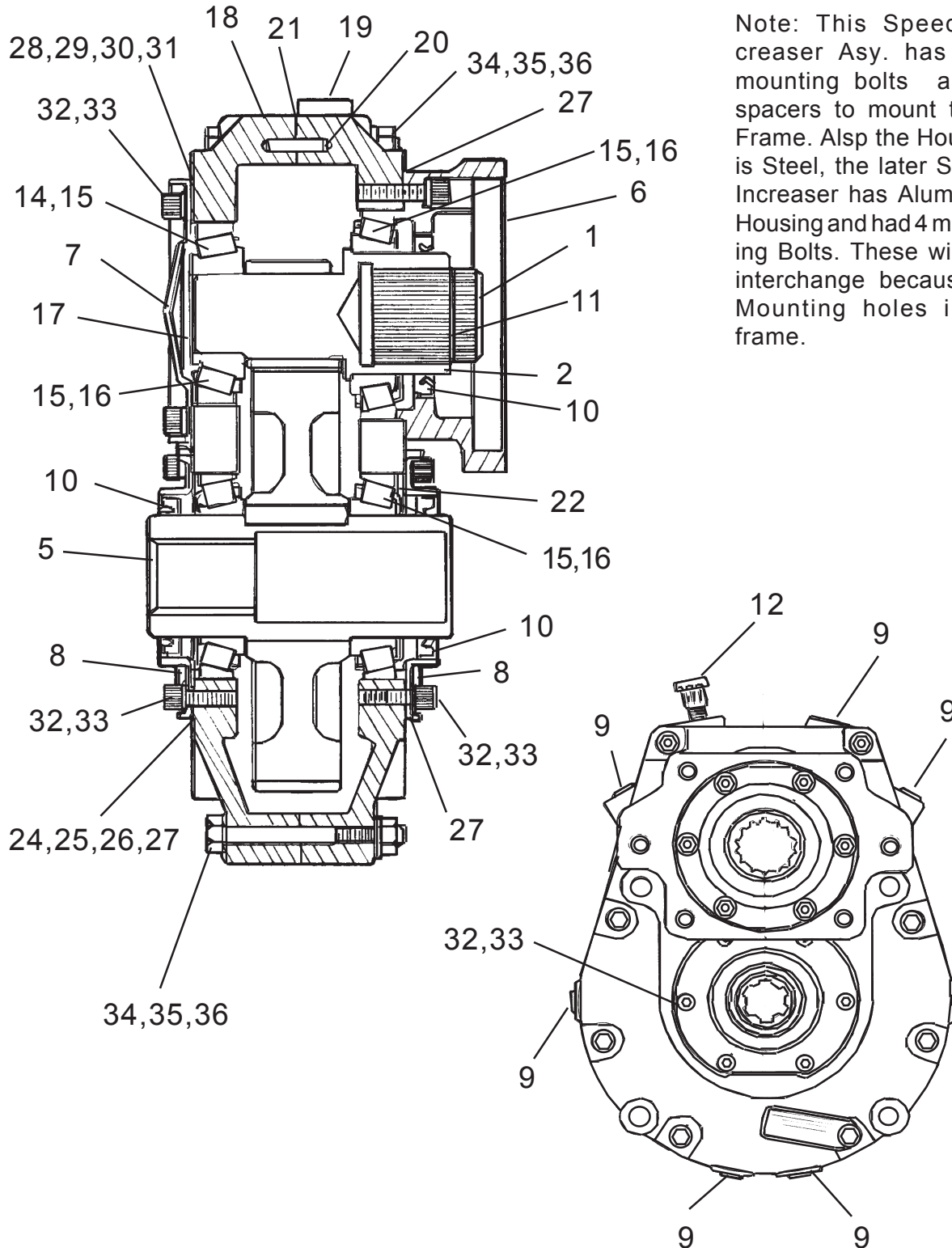


Item	Part No.	Qty	Description
1	02967028	1	Speed Increaser Asy
2	002460	1	Pump Asy.
3	02959661	2	Bolt
4	00019600	8	Lockwasher
5	00756026	6	Bolt
6	02967015	Ref.	A-Frame

Mar. 1992
to
Apr. 1994

SPEED INCREASER Grass King

See S/N Page
for
S/N Dates



Note: This Speed In-
creaser Asy. has four
mounting bolts and 4
spacers to mount to A-
Frame. Also the Housing
is Steel, the later Speed
Increaser has Aluminum
Housing and had 4 mount-
ing Bolts. These will not
interchange because of
Mounting holes in A-
frame.

Mar. 1992
to
Apr. 1994

SPEED INCREASER Grass King

See S/N Page
for
S/N Dates

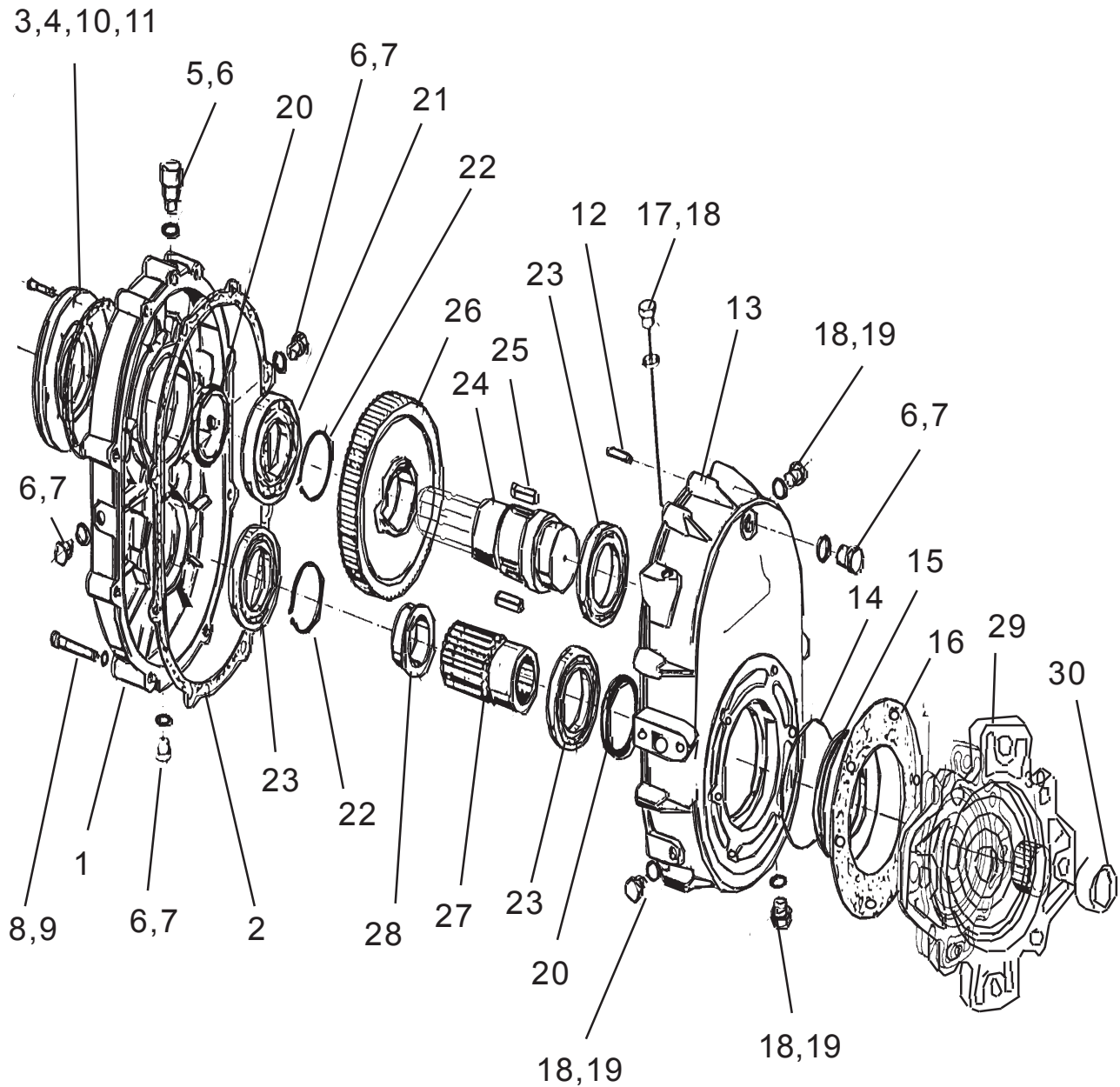
Item	Part No.	Qty	Description
	02897900	--	Speed Increaser Asy.
1	02922700	1	Adapter, Shaft
2	00751531	1	Pinion Gear - High Speed
5	00752179	1	Shaft & Gear, Low Speed
6	02922600	1	Pump Flange
7	00751949	1	Cover, Closed
8	00751950	2	Cover, Open
9	00751970	8	Pipe Plug
10	00751535	3	Seal
11	00751954	1	Retaining Ring
12	00751942	1	Breather
13	00751951	1	Bearing Cup
14	00751533	1	Bearing Cone
15	00749201	3	Bearing Cup
16	00749200	3	Bearing Cone
17	00751953	1	Spacer Ring
18	00751955	1	Housing
19	00751956	1	Housing
20	00751957	2	Dowel
21	00751958	1	Gasket (.015)
22	00751971	2	Spacer Ring
24	00751959	AR	Shim (.005 Alum.)
25	00751960	AR	Shim (.007 Alum.)
26	00751961	AR	Shim (.020 Alum.)
27	00751962	3	Shim (.005 Fibre)
28	00751963	AR	Shim (.005 Alum.)
29	00751964	1	Shim (.005 Fibre)
30	00751965	AR	Shim (.007 Alum.)
31	00751966	AR	Shim (.020 Alum.)
32	00751967	24	Screw
33	00751968	24	Lockwasher
34	00751969	8	Screw
35	00013901	8	Nut
36	00012101	8	Lockwasher
	00752772	1	Magnetic Plug

May 1994
to
Current

A-FRAME Grass King

See S/N Page
for
S/N Dates

Note: This Speed Inserter Asy. has six mounting Bolts on a 6.1" bolt circle that mount Speed Inserter to A-Frame. The Housing is Aluminum, the earlier Speed Inserter had a Steel Housing and mounted using 4 bolts and spacers, These will not interchange because of Mounting holes in A- frame.



May 1994
to
Current

A-FRAME Grass King

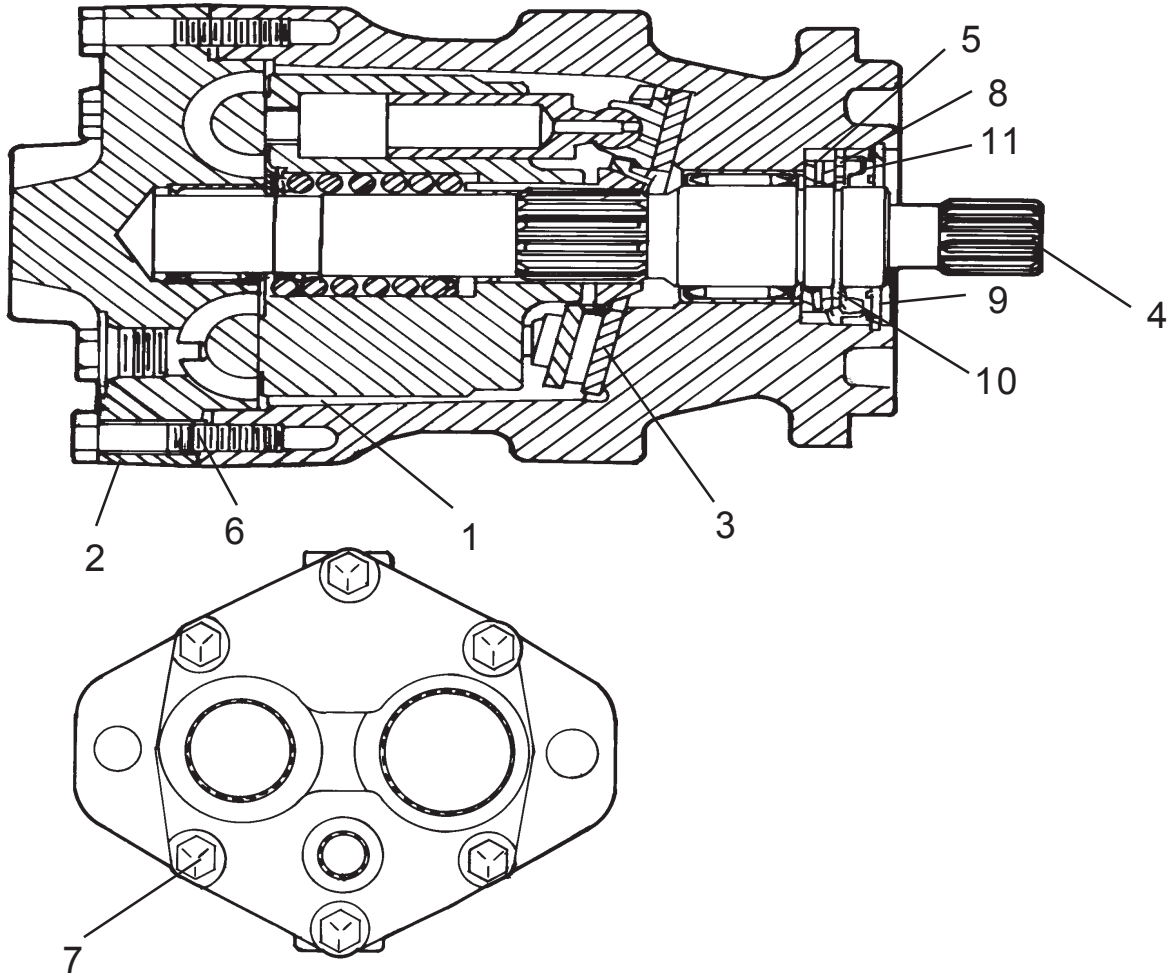
See S/N Page
for
S/N Dates

Item	Part No.	Qty	Description
	02967028	--	Speed Increaser Asy.
1	00754519	1	Housing
2	00754520	1	Gasket
3	00754521	1	Gasket
4	00754522	1	Flange
5	00754523	1	Plug
6	00754524	4	Gasket
7	00754525	3	Plug
8	00754526	3	Lockwasher
9	00754527	8	Bolt
10	00754528	4	Lockwasher
11	00754529	4	Bolt
12	00754530	2	Dowel
13	00754531	1	Housing
14	00754532	1	Gasket
15	00754533	1	Flange
16	00754534	1	Gasket
17	00754535	1	Breather
18	00754536	5	Gasket
19	00754537	4	Plug
20	00754538	2	Seal
21	00754539	1	Bearing
22	00754540	1	Retaining Ring
23	00754541	3	Bearing
24	00754542	1	Shaft
25	00754543	2	Key
26	00754544	1	Gear (540 RPM)
	00756532	1	Gear (1000 RPM)
27	00754545	1	Pinion (540 RPM)
	00756531	1	Pinion (1000 RPM)
28	00754546	1	Spacer
29	00754950	1	Pump Flange
30	02966731	Ref.	Splined Pump Adapter 1" - 15 Spline
	00754951	Ref.	Splined Pump Adapter 7/8" - 13 Spline

Mar. 1992
to
Current

Pump Asy. Grass King

S/N GK-01001
to
S/N GK-Current



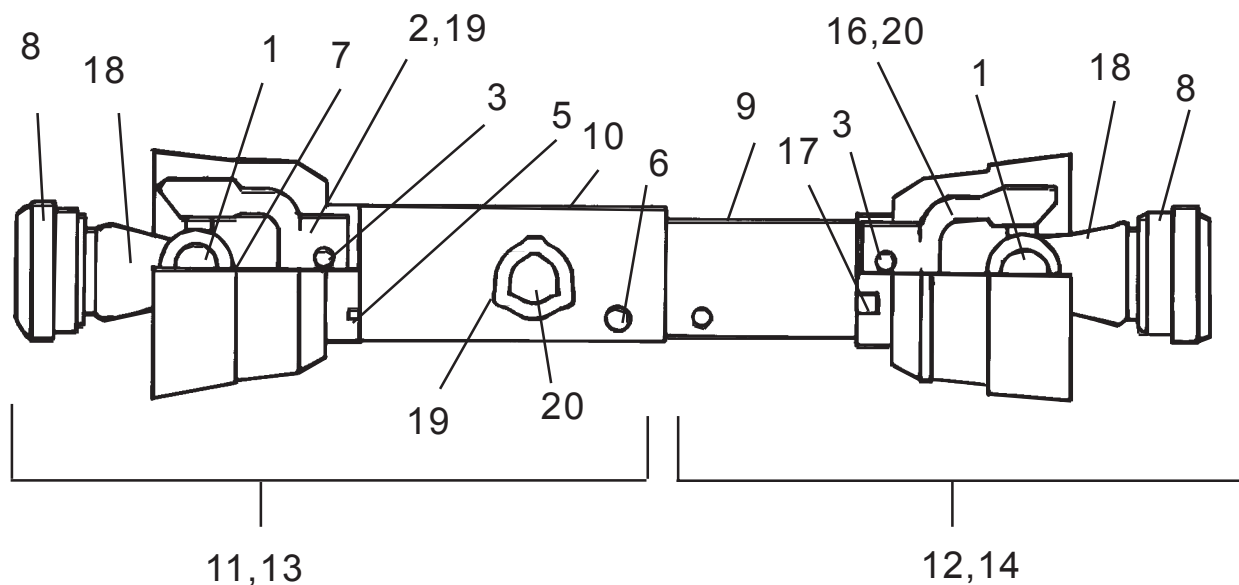
Item	Part NO.	Qty	Description
	002460	--	Pump Asy
1	03200402	1	Rotating Kit Asy.
2	02965235	1	Back Plate Asy.
3	03200408	1	Camplate Insert
4	03200404	1	Shaft
5	001644	2	Bearing & Cone Kit
6	03200409	1	O-Ring
7	02766400	6	Bolt
8	03200411	1	Washer
9	03200412	1	Retaining Ring
10	03200413	2	Retaining Ring
11	03200414	1	Seal - Shaft

NOTES

Mar. 1992
to
Feb. 2001

DRIVELINE Grass King

See S/N Page
for
S/N Dates

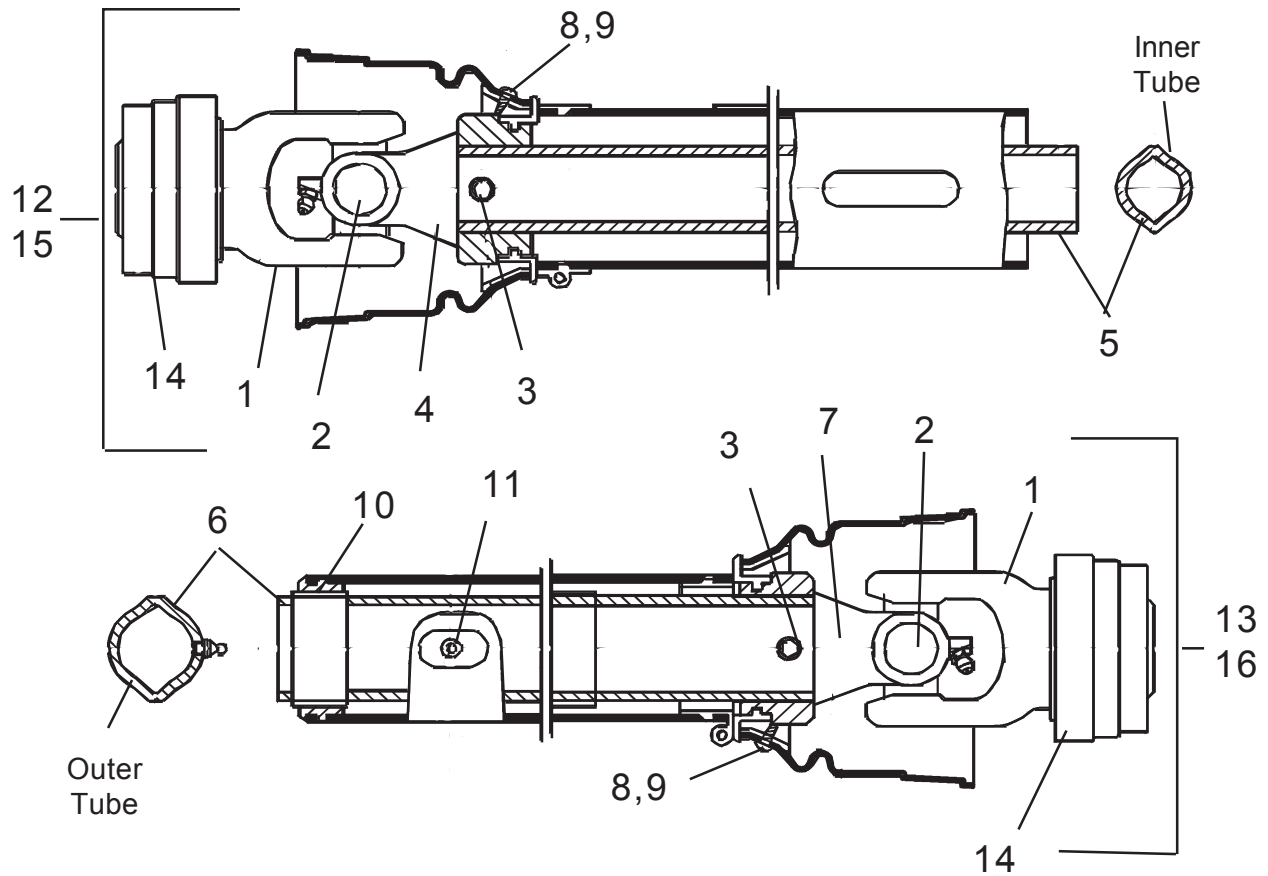


Item	Part No.	Qty	Description
	02965064	1	Driveline Asy
1	00752896	2	Bearing Cross
2	00754154	1	Yoke, Outer Tube
3	00754167	2	Roll Pin
4	00754330	6	Bolt - Nylon
5	00754332	1	Locking Collar, Outer Shield
6	00754335	1	Grease Fitting
7	00755610	2	Grease Fitting
8	00757144	2	Kit - Slide Collar
9	02965076	1	Tube - Inner
10	02965077	1	Tube - Outer
11	02965078	1	Driveline Half Asy Outer Half, w/Shields
12	02965079	1	Driveline Half Asy Inner Half, w/Shields
13	02965080	1	Shield Half Asy, Outer Tube Half
14	02965081	1	Shield Half Asy, Inner Tube Half
15	02965082	1	Shield Asy, Inner and Outer Half
16	00754153	1	Yoke, Inner
17	00754331	1	Locking Collar, Inner Shield
18	00752883	2	Yoke 1-3/8" 6 Spline
19	02965077	1	Outer Tube Only (Triangle Shaped)
20	02965076	1	Inner Tube Only (Triangle Shaped)

Mar. 2001
to
Current

DRIVELINE Grass King

See S/N Page
for
S/N Dates

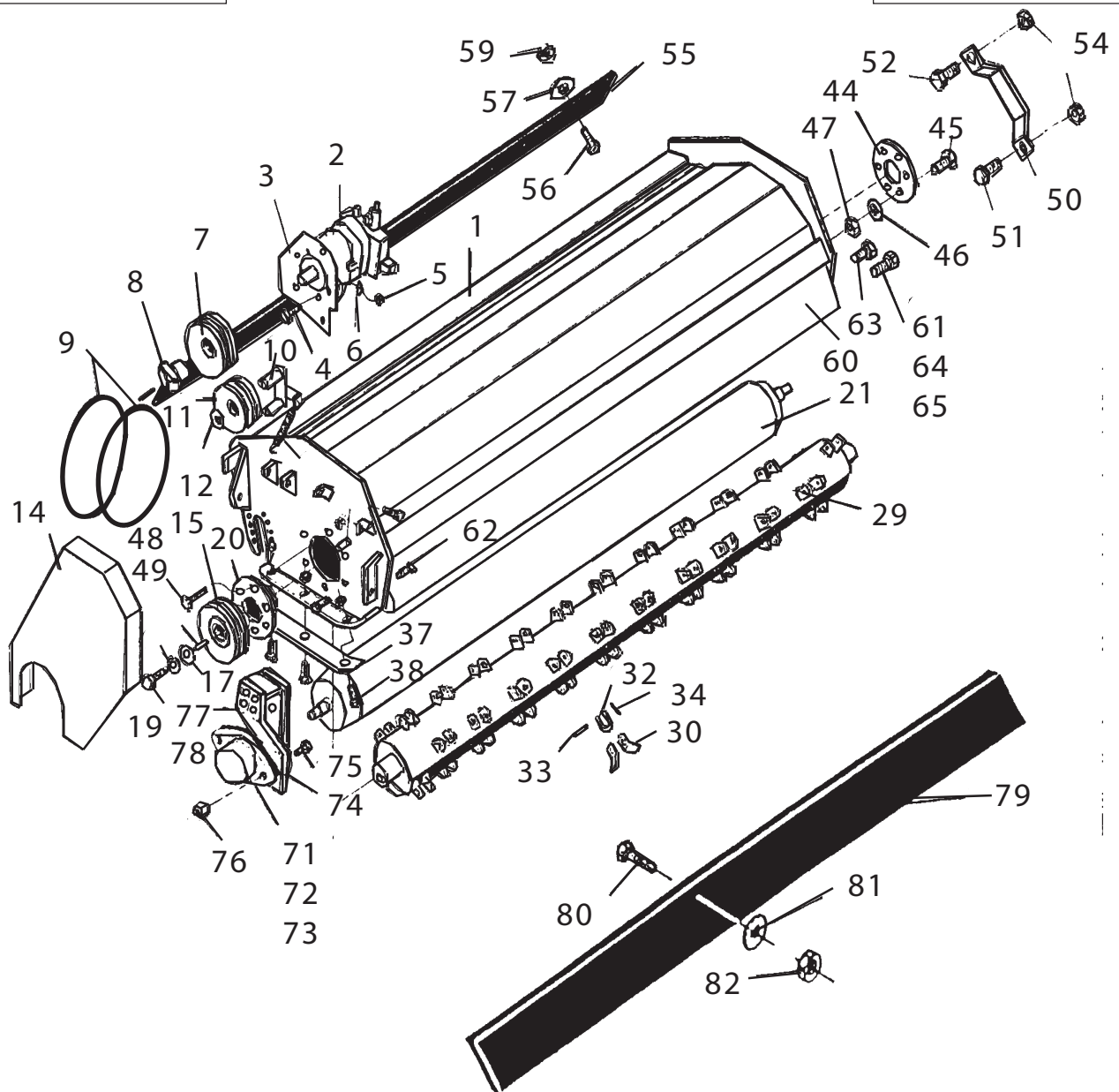


Item	Part No.	Qty	Description
	00775403	-	Driveline Asy
1	00775353	2	Yoke
2	W279R	2	Universal Joint (X-Kit)
3	8384	2	Spring Pin
4	00775317	1	Inboard Yoke
5	00775408	1	Inner Profile (Lemon Shaped)
6	00775409	1	Profile & Sleeve (Lemon Shaped)
7	00775318	1	Inboard Yoke
8	8393	2	Bearing Ring
9	4797	2	Screw
10	8974	1	Support Bearing
11	1416601	1	Grease Fitting
12	00775410	1	Outer Shield Half Asy
13	00775411	1	Inner Shield Half Asy
14	00767954	1	Yoke QD Kit
15	00775405	1	Driveline Half Asy, Tractor End (Inner Tube)
16	00775406	1	Driveline Half Asy, Impl. End (outer Tube)

Mar. 1992
to
Current

FLAIL DECK Grass King

S/N GK-01001
for
S/N GK-Current



Item	Part No. 62"	Part No. 74"	Qty 62"	Qty 74"	DESCRIPTION
1	107154	107156	1	1	Mower Weldment RH Wing
2	02965086	02965086	1	1	Motor Asy. RH Wing, Forward Rotation
	02965104	02965010	1	1	Motor Asy. RH Wing, Reverse Rotation
3	106458	106458	1	1	Motor Mntg Bracket, Forward Rotation
+	106942	106942	1	1	Motor Mntg Bracket, Reverse Rotation
4	00748823	00748823	2	2	Bolt
5	00001800	00001800	2	2	Locknut TLM 1/2 NC PLC
6	00019600	00019600	2	2	Lockwasher

Continued Next Page

Mar. 1992
to
Current

FLAIL DECK Grass King

S/N GK-01001
for
S/N GK-Current

Item	Part No. 62"	Part No. 74"	Qty 62"	Qty 74"	DESCRIPTION
7	000671	000671	1	1	Pulley
8	001761	001761	1	1	Hub
9	000702	000702	1	1	V-Belts Matched Pair
10	106529	106529	1	1	Idler Arm RH, Forward Rotation
@	106527	106527	1	1	Idler Arm RH, Reverse Rotation
11	103105	103105	1	1	IdlerPulley
12	101778	101778	1	1	Spacer
13	000539	000539	1	1	Spring
+	000001	000001	1	1	Bolt
+	00011700	00011700	1	1	Lockwasher
@	702747	702747	1	1	Idler Asy. RH, Forward Rotation
@	703085	703085	1	1	Idler Asy. RH, Reverse Rotation
@	000206	000206	1	1	Lubricap
14	107390	107390	1	1	Belt Guard RH, Forward Rotation
	107394	107394	1	1	Belt Guard RH, Reverse Rotation
+	02035400	02035400	2	2	Bolt
+	00011100	00011100	2	2	Lockwasher
+	03101646	03101646	2	2	Flatwasher
@	702754	702754	1	1	Guard Support
+	00753642	00753642	1	1	Bolt
+	00752036	00752036	1	1	Nut
15	103065	103065	1	1	Cuttershaft Pulley
16	103105	103105	1	1	Key
17	103767	103767	1	1	Washer
18	000521	000521	1	1	Lockwasher
19	000407	000407	1	1	Bolt
20	703695	703695	1	1	Cuttershaft Bearing & Housing Asy.
@	002315	002315	1	1	Bearing
21	-----	-----	1	1	Roller (See Roller Parts Page)
@	-----	-----	1	1	Roller Asy. (See Roller Parts Page)
+	00516	000516	2	2	Carriage Bolt
+	02866900	02886900	2	2	Carriage Bolt
+	00001800	00001800	4	4	Locknut TLM 1/2 NC PLC
29	107123	107124	1	1	Cuttershaft, Coarse Cut
30*	100759	100759	76	76	Coarse Cut Knife
	105319M	105319M	76	76	CC Knife, Extreme Service (Sheared)
	108381	108381	76	76	CC Knife, Extreme Service (Forged)
32	100761	100761	38	38	Ring
33	102670	102670	38	38	Pin
34	02668700	02668700	38	38	Cotter Pin

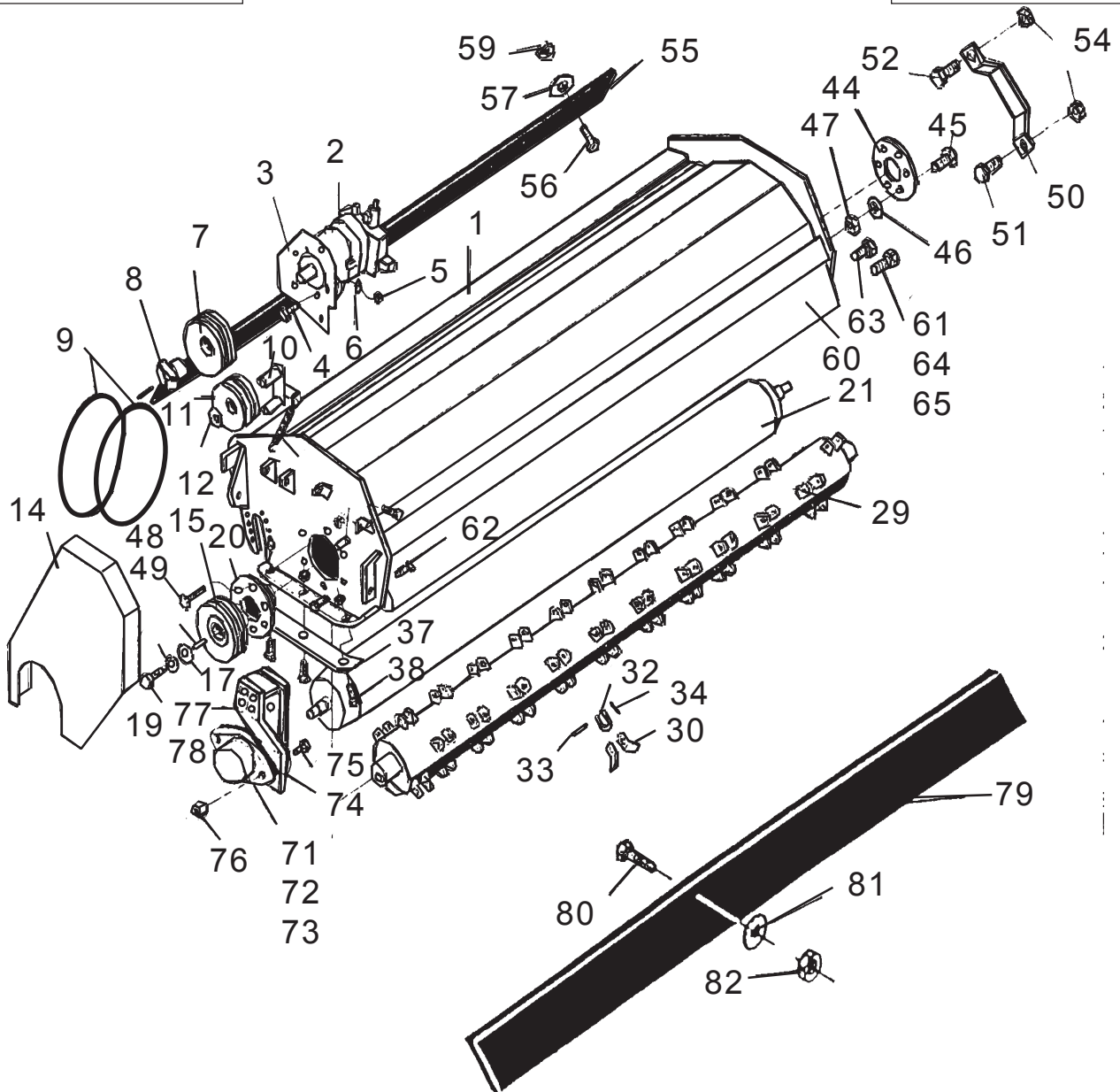
* See Flail Knife Page in Flail Deck Section for additional information on on Knives.

Continued Next Page

Mar. 1992
to
Current

FLAIL DECK Grass King

S/N GK-01001
for
S/N GK-Current



Item	Part No. 62"	Part No. 74"	Qty 62"	Qty 74"	DESCRIPTION
37	103051	103051	2	2	Shoe Wear Plate
38	02886900	02886900	2	2	Carriage Bolt
39	000700	000700	4	4	Plow Bolt
+	00011700	00011700	6	6	Nut
40	702749	702749	1	1	Idler Pivot Pin w/Grease Fitting
@	000853	000853	1	1	Grease Fitting
@	000206	000206	1	1	Lubricap

Continued Next Page

Mar. 1992
to
Current

FLAIL DECK Grass King

S/N GK-01001
for
S/N GK-Current

Item	Part No. 62"	Part No. 74"	Qty 62"	Qty 74"	DESCRIPTION
44	703271	703271	1	1	Cuttershaft Bearing & Housing Asy.
@	703694	703694	1	1	Bearing w/Set Screw
45	00753642	00753642	6	6	Bolt
47	00752036	00752036	6	6	Nut
48	000130	000130	6	6	Bolt
49	000841	000841	6	6	Lockwasher
50	103064	103064	1	1	Fender
51	00748823	00748823	1	1	Bolt
52	02030700	02030700	1	1	Bolt
54	0001800	00001800	2	2	Locknut TLM 1/2 NC PLC
55	106482	100783	1	1	Rear Trash Deflector
56	10058000	10058000	9	11	Bolt
57	00024100	00024100	9	11	Flatwasher
59	02959924	02959924	9	11	Nut
60	107255	107257	1	1	Foot Guard
61	02030700	02030700	2	2	Bolt
62	000134	000134	1	1	Bolt
63	000937	000937	1	1	Bolt
@	00748823	00748823	2	2	Bolt
64	00019600	00019600	4	4	Lockwasher
65	00001200	00001200	4	4	Nut
71	703575	703575	2	2	Roller Bearing & Housing Asy. (Keyed)
	703976	703976	2	2	Roller Bearing & Housing Asy. (Hex)
	107340	107340	2	2	Cast Housing
72	703574	703574	2	2	Bearing (Keyed)
	002486	002486	2	2	Bearing (Hex)
73	002039	002039	2	2	Grease Fitting
74	002037	002037	2	2	Seal
75	000516	000516	4	4	Carriage Bolt
76	02979042	02979042	4	4	Locknut
77	107185	107182	1	1	Left Roller Bracket
78	107380	107380	1	1	Right Roller Bracket
79	106781	106781	1	1	Front Trash Deflector
80	000860	000860	9	11	Bolt
81	00024100	00024100	9	11	Flatwasher
82	02959924	02959924	9	11	Nut
@	703263	703263	1	1	Left Roller Bracket & Bearing Assembly
@	703596	703596	1	1	Right Roller Bracket & Bearing Assembly

Mar. 1992
to
Current

MOTOR ASY (FLAIL MOWER) Grass King

S/N GK-01001
for
S/N GK-Current

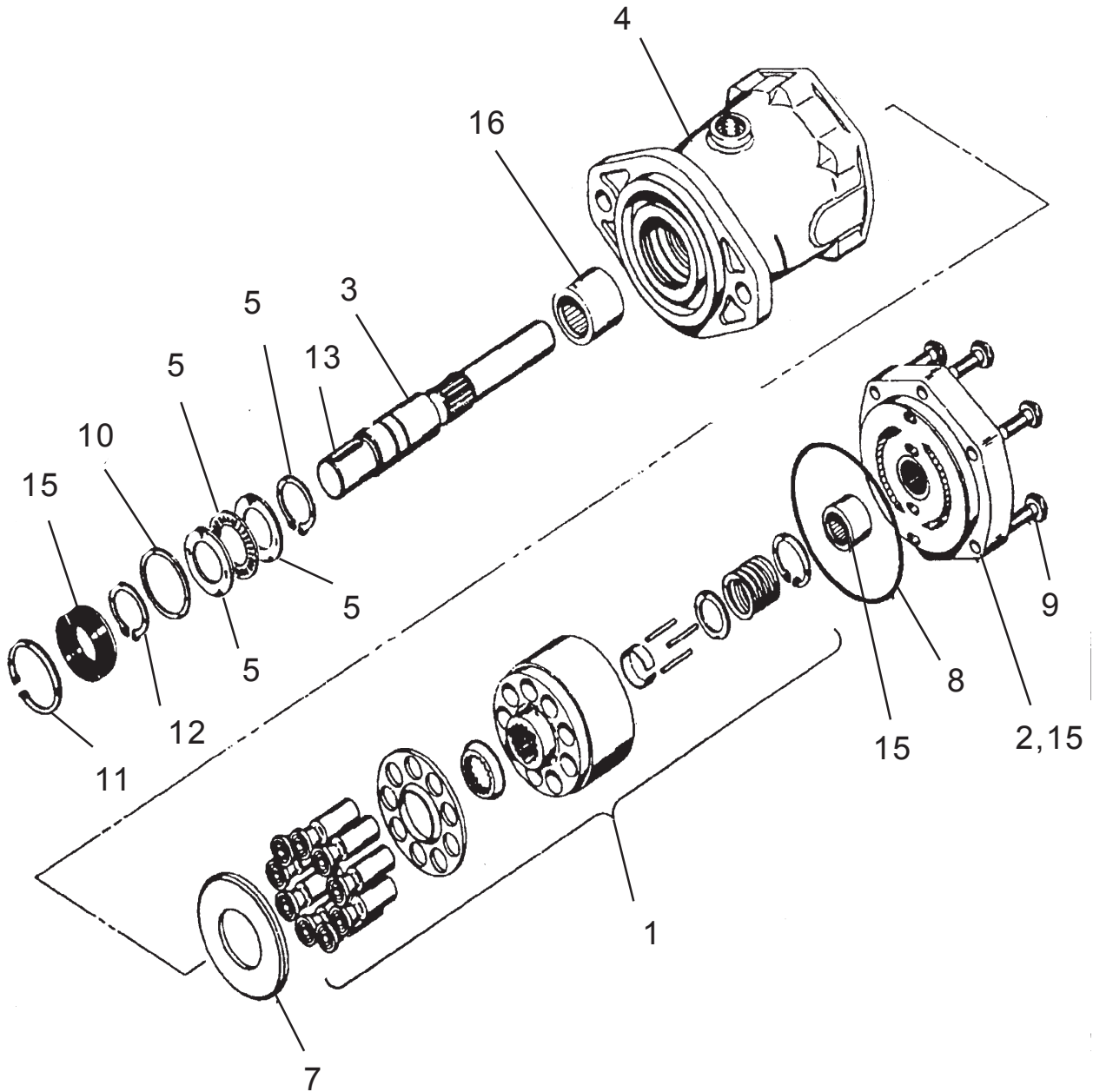
Item	Part NO.	Qty	Description
	02965086	--	Motor Asy w/ items 1 thru 20
1	03200521	1	Step Key
2	001761	1	Hub
3	10121000	3	Bolt
4	000673	1	Pulley
5	106458	1	* Mount Plate - Forward Rotation
	106942	1	* Mount Plate - Reverse Rotation
6	001654	1	Elbow
7	00748823	2	Bolt
8	00001800	2	Locknut TLM 1/2 NC PLC
9	001602	1	Motor Only
10	00753642	3	Bolt
11	00015800	3	Nut
12	02090900	2	Adapter
13	702754	1	Support Guard
14	03200283	2	Adapter
15	001574	1	Cap
16	63092200	4	Bolt
17	00011700	7	Lockwasher
18	001759	1	Relief Valve
	03200820	ref.	Relief Valve Seal Kit
19	02965161	1	Manifold Block
20	02964793	2	O-Ring

* NOTE: Item 5 will be one or the other but not both forward & Reverse Mount Plates

Mar. 1992
to
Current

MOTOR (FLAIL MOWER) Grass King

S/N GK-01001
for
S/N GK-Current



Mar. 1992
to
Current

MOTOR (FLAIL MOWER) Grass King

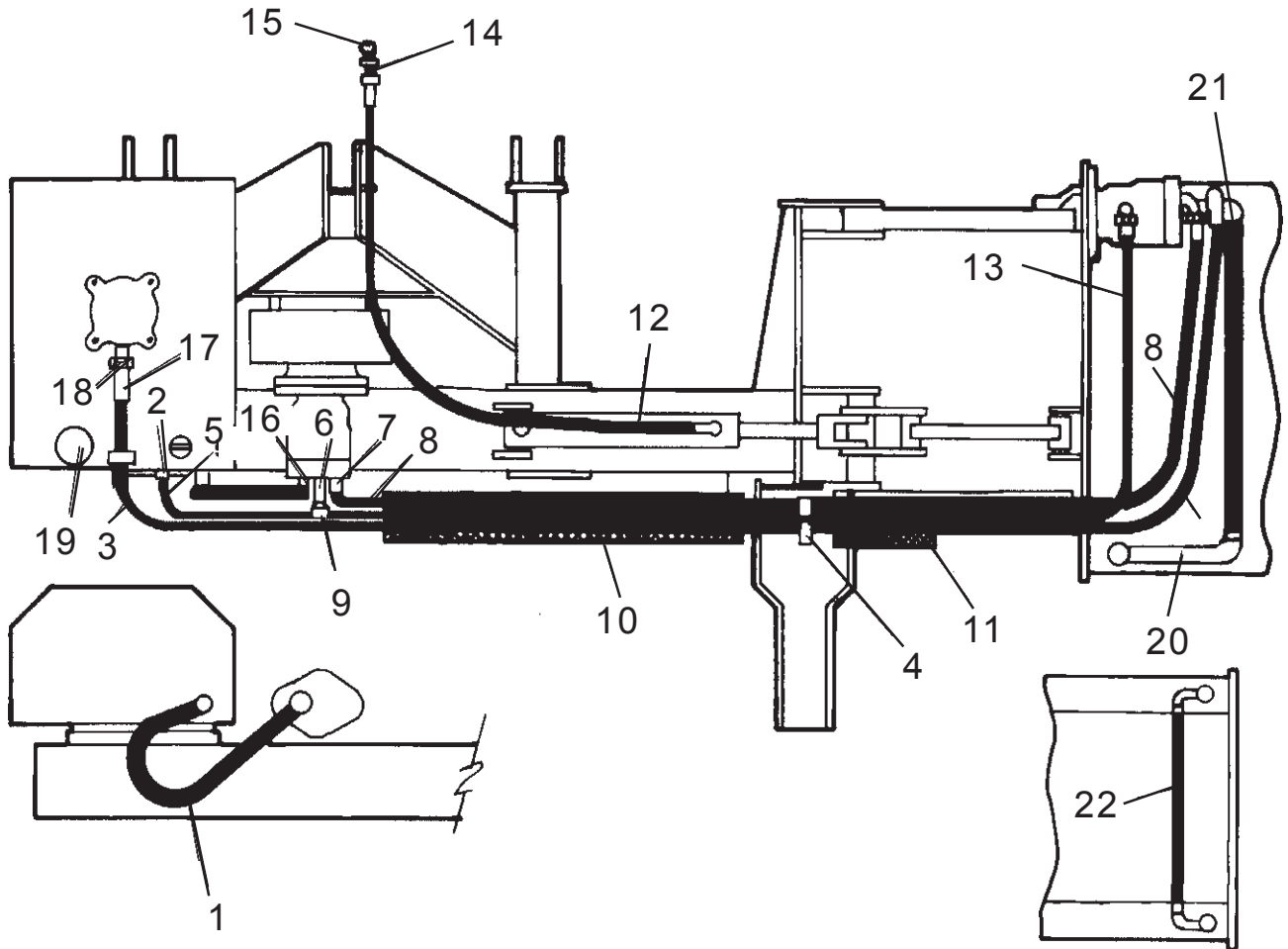
S/N GK-01001
for
S/N GK-Current

Item	Part No.	Qty	Description
	001602	1	Motor Asy
1	001641	1	Rotating Kit Asy.
2	001642	1	Backplate Asy. w/Bearing
3	001643	1	Keyed Driveshaft
4	N/A	1	Housing Asy (Not a servicable Part.
5	001644	1	Thrust Bearing & Race Kit
6	001645	1	Camplate Insert
7*	03200409	1	O-Ring
8	02766400	2	Bolt
9	03200411	1	Washer
10*	03200412	1	Retaining Ring
11*	03200413	2	Retaining Ring
12*	03200414	1	Shaft Seal
13	03200521	1	Key
14	001649	1	Plug Asy.
15	002339	1	Bearing, Backplate
16	002340	1	Bearing, Housing

Mar. 1992
to
Current

HYDRAULIC SCHEMATIC (Flail Mower) Grass King

S/N GK-01001
for
S/N GK-Current



Right Side of Wing

Mar. 1992
to
Current

HYDRAULIC SCHEMATIC (Flail Mower) Grass King

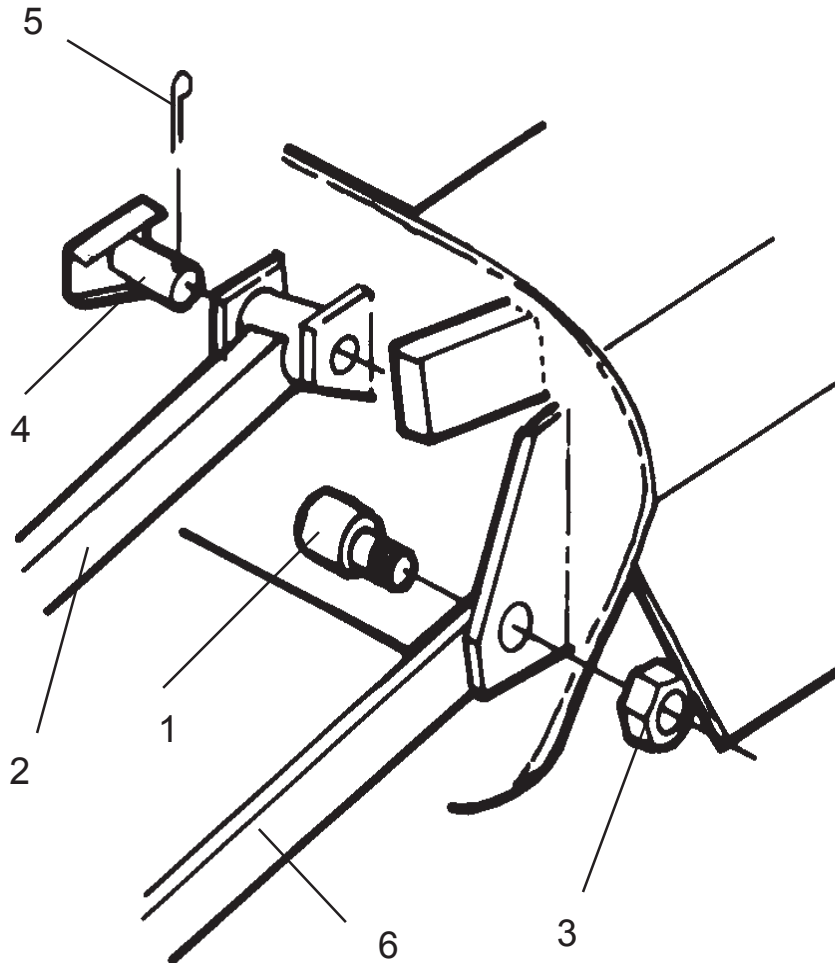
S/N GK-01001
for
S/N GK-Current

Item	Part No.	Qty	Description
1	02964975	1	Hose - Suction
2	02960407	1	Adapter
3	02964974	1	Hose 131" Long
4	02965059	1	Clamp
5	02965243	1	Hose 15" Long
6	03200283	1	Adapter
7	02957622	1	Adapter
8	02965054	1	Hose 105" Long #16
9	03200351	1	Adapter - Tee
10	107260	1	Sleeve
11	02906300	1	Sleeve
12	00756811	1	Hose 70" Long
13	02965101	1	Hose 105" Long #6
14	02957691	1	Adapter
15	02811300	1	Restrictor
16	02961098	1	Adapter
17	00752067	1	Adapter
18	00751471	1	Adapter - Pipe
19	00751530	1	Filter
20	02958858	1	Elbow
21	001779	2	Hose 18" Long
22	002017	1	Hose 20" Long

Mar. 1992
to
Current

DECK ATTACHMENTS (Flail Mower) Grass King

S/N GK-01001
for
S/N GK-Current



Item	Part No.	Qty	Description
1.	02965777	2	Pivot Pin
2.	02964991	1	Tilt Link Weldment
3.	000760	2	Nut
4.	02965112	1	Link Pin Weldment
5.	00755153	1	Cotter Pin
6.	02963073	1	Lift Frame Weldment
7.	00764656	2	Pivot Pin Bushing (not shown)

Mar. 1992
to
Current

FLAIL KNIVES (Flail Mower) Grass King

S/N GK-01001
for
S/N GK-Current

OPTIONAL EQUIPMENT, ACCESSORIES, AND PACKAGES

62" KNIFE PKG. *

701654 FC Knife Pkg. Std. (Pin Mounted) - Uses Knife # 102086
700515 FC Knife Pkg, Detatching (Pin Mounted) - Uses Knife # 102087
701655 FC Knife Pkg, Std. (Ring Mounted) - Uses Knife # 101993
N/A FC Knife Pkg, Detatching (Ring Mounted) - N/A Use Pkg. # 700515 Pin Mounted
700616 CC Knife Pkg, Std. (Ring Mounted) - Uses Knife # 100759
702255 CC Knife Pkg, ES* - Uses Knife # 105319M (Extreme Service*)
702255A CC Knife Pkg, ES* - Uses Knife # 108381 (Extreme Service*)
701777 CC Knife Pkg, Detatching (Ring Mounted) - Uses Knife # 103026

74" KNIFE PKG. *

700553 FC Knife Pkg. Std. (Pin Mounted) - Uses Knife # 102086
700516 FC Knife Pkg, Detatching (Pin Mounted) - Uses Knife # 102087
700801 FC Knife Pkg, Std. (Ring Mounted) - Uses Knife # 101993
N/A FC Knife Pkg, Detatching (Ring Mounted) - N/A Use Pkg. # 700515 Pin Mounted
700616 CC Knife Pkg, Std. (Ring Mounted) - Uses Knife # 100759
702255 CC Knife Pkg, ES* - Uses Knife # 105319M (Extreme Service*)
702255A CC Knife Pkg, ES* - Uses Knife # 108381 (Extreme Service*)
701777 CC Knife Pkg, Detatching (Ring Mounted) - Uses Knife # 103026

***Course Cut - Use**

Qty 76 Knives except Detatching only has 38 Knives.

*** Fine Cut - Use**

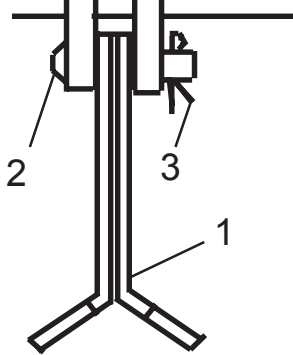
Qty 162 Knives except Detatching has 81 Knives.

Mar. 1992
to
Current

FLAIL KNIVES (Flail Mower) Grass King

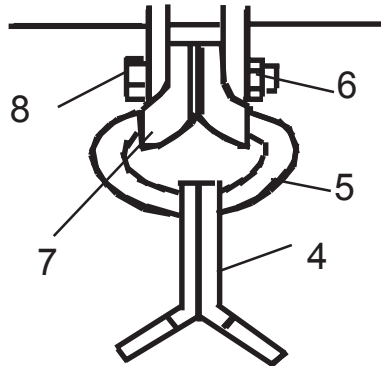
S/N GK-01001
for
S/N GK-Current

FINE CUT
(FC)
CUTTERSHAFT
ONLY



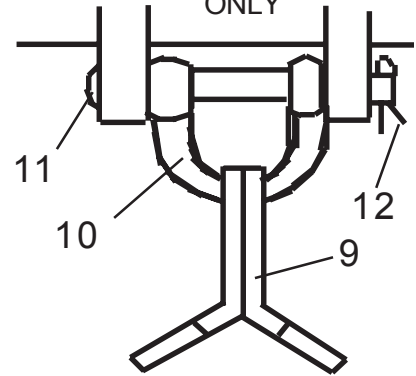
FC
Pin Mounted
P/N 102086 (FC)
P/N 102087 (Renv)

FINE CUT
(FC)
CUTTERSHAFT
ONLY



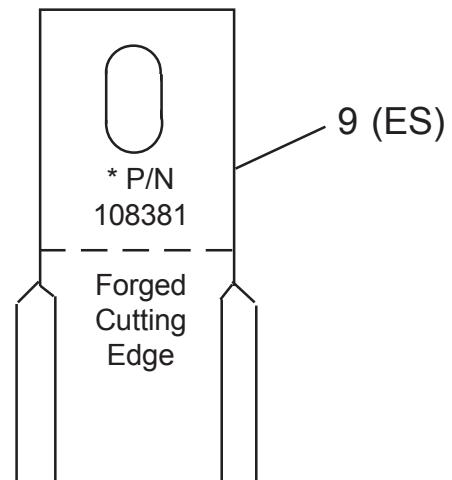
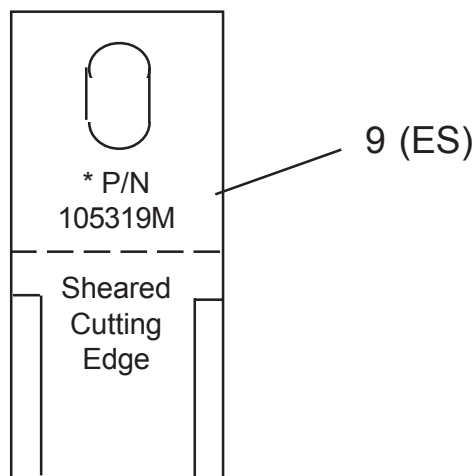
FC
Ring Mounted
P/N 101993

COARSE CUT
(CC)
CUTTERSHAFT
ONLY



CC
Ring Mounted
P/N 100759 (Std.) or
P/N *105319M (ES) or
P/N *108381 (ES)
P/N 103026 (Renv)

*COARSE CUT EXTREME SERVICE (ES or HD) KNIVES



IMPORTANT NOTE:
DO NOT MIX THESE BLADES AS THEY DO NOT HAVE SAME WEIGHT

Mar. 1992
to
Current

FLAIL KNIVES (Flail Mower) Grass King

S/N GK-01001
for
S/N GK-Current

Qty Listed is Per Hanger or Knife Bulk Pkg.

Item	Part No.	Qty	Description
1	102086	2	FC Knife, Pin Mounted, (Standard)
	800141	1-ref	Bulk Pkg, 2500 of 102086 Knife
	702333	1-ref	Bulk Pkg, 5000 of 102086 Knife
	102087	1	Renovating Knife, (Dettaching), Not Shown
2	101034	1	Pin, Hardened
3	02668700	1	Cotter Pin
4	101993	2	FC Knife, Ring Mounted, (Rock & Trash Knife)
	800036	1-ref	Bulk Pkg, 100 of 101993 Knife
	701032	1-ref	Bulk Pkg, 500 of 101993 Knife
	800142	1-ref	Bulk Pkg, 2500 of 101993
5	101991	1	Ring Hanger (Fine Cut)
6	000210	1	Locknut
7	102650	2	Ring Clips
8	000032	1	Bolt
9	100759	2	CC Knife, Standard
	800044	1-ref	Buk Pkg, 100 of 100759 Knife
	800140	1-ref	Bulk Pkg, 2500 of 100759 Knife
	702332	1-ref	Bulk Pkg, 5000 of 100759 Knife
	105319M	2	*CC Knife, ES (Thicker than Std. W/ Sheared cutting Edge)
	702658	1-ref	*Bulk Pkg, 2000 of 105319M Knife
	703865	1-ref	*Bulk Pkg, 4000 of 105319M Knife
	108381	2	*CC Knife, ES (Thicker than Std. W/ Forged cutting Edge)
	702658A	1-ref	*Bulk Pkg, 2000 of 108381 Knife
	703865A	1-ref	*Bulk Pkg, 4000 of 108381 Knife
	103026	1	Renovating Knife, (Dettaching), Not Shown
10	100761	1	Ring Hanger (Coarse Cut)
11	102670	1	Pin, Hardened
12	02668700	1	Cotter Pin

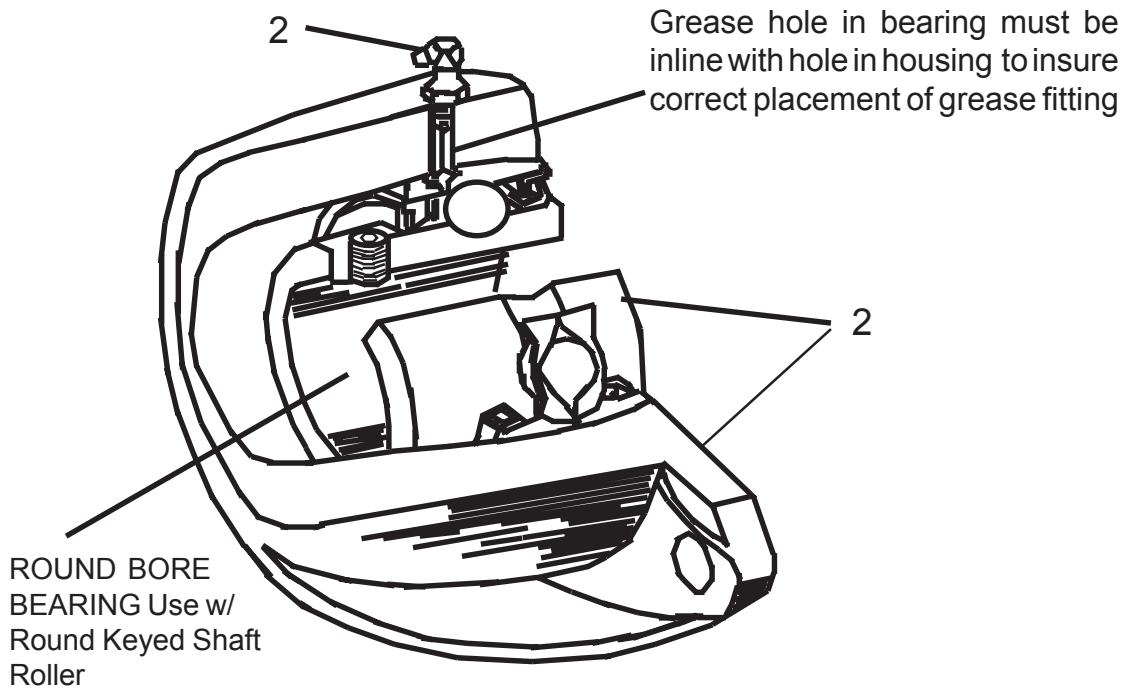
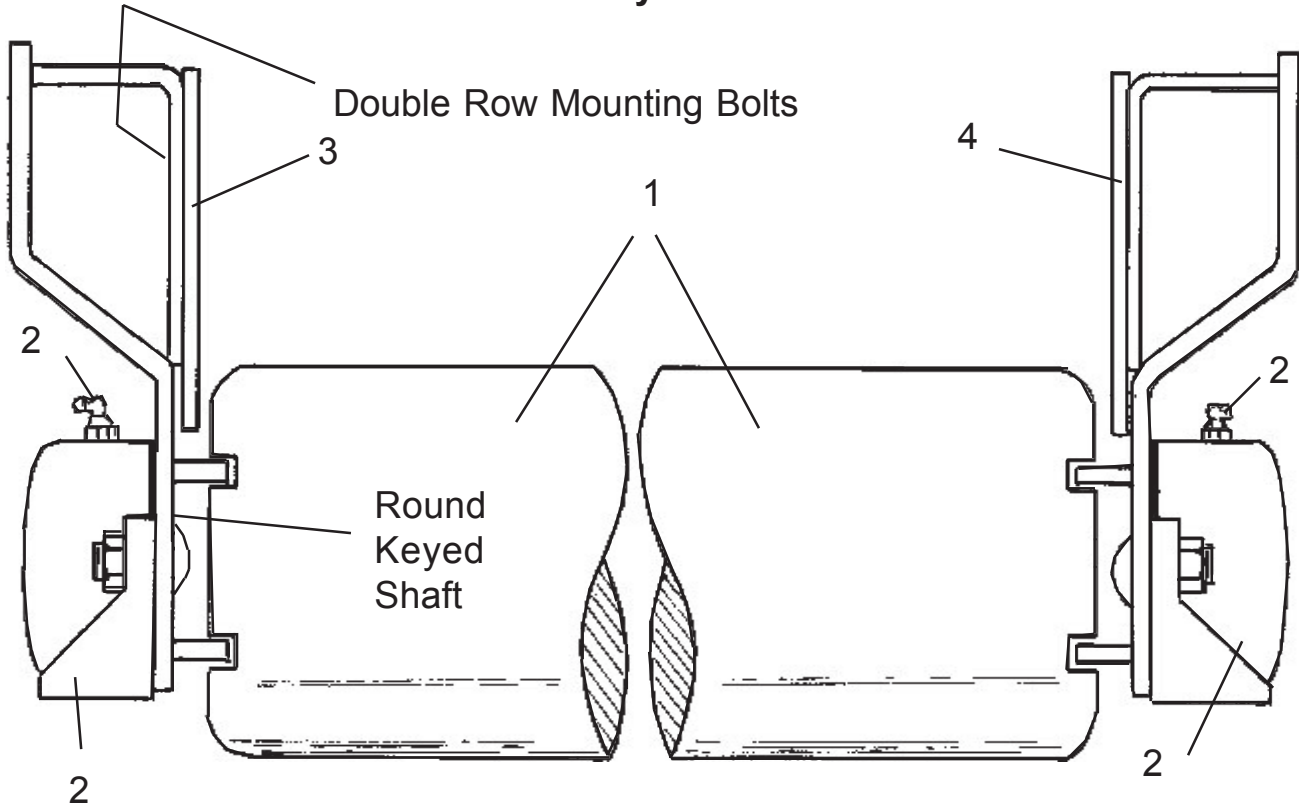
IMPORTANT NOTE: See Previous Pages and Mower Parts Section for Detailed Knife Packages for Each Mower Size. DO NOT MIX Styles of Knives on Cutter Shaft because it WILL Cause a Balance Problem, Fine Cut Knife WILL NOT Fit Coarse Cut Cutter Shaft and Coarse Cut Knife WILL NOT fit Fine Cut Cutter Shaft. Bulk Knife Packages are listed for a Bulk Stock Parts Order availability reference. *DO NOT Mix ES (Extreme Service Knife) with Sheared & Forged Cutting Edges it will Cause a Balance Problem. Renovating (dettaching) Knives only use 1 Kife Per Hanger and are straight (No Bends).

Mar. 1992
to
Jan 1994

Rear Roller (Flail Mower) Grass King

See S/N Page
for
S/N Dates

Round Keyed Shaft



Mar. 1992
to
Jan 1994

Rear Roller (Flail Mower) Grass King

See S/N Page
for
S/N Dates

Round Keyed Shaft

Item	Part No.	Qty	Description
1	107176	1	Roller Weldment, 62" (Round Shaft)
	704021	--	Roller & Brg retro-Fit Kit 62" (Hex Shaft)
	107177	1	Roller Weldment, 74"
	701401	--	Roller, Bracket & Brg Asy, Retro Fit 74" (Hex Shaft)
2	703575	1	Bearing & Housing Asy, LH or RH
	703574	1	Bearing, Round Keyed, LH or RH
	107304	1	Housing, Cast, LH or RH
	002039	1	Grease Fitting, LH or RH
	000516	2	Bolt, LH or RH
	00001800	2	Locknut TLM 1/2 NC PLC, LH or RH
	002037	1	Seal, LH or RH (Not Shown)
3	107182	1	Bracket Only, LH
	703263	1	Bracket & Bearing Asy, LH
	00749130	2	Bolt, Bracket Mounting, (Not Shown)
	00001800	2	Locknut TLM 1/2 NC PLC, Bracket Mounting, (Not Shown)
4	107380	1	Bracket Only, LH
	703596	1	Bracket & Bearing Asy, RH
	00749130	2	Bolt, Bracket Mounting, (Not Shown)
	00001800	2	Locknut TLM 1/2 NC PLC, Bracket Mounting, (Not Shown)

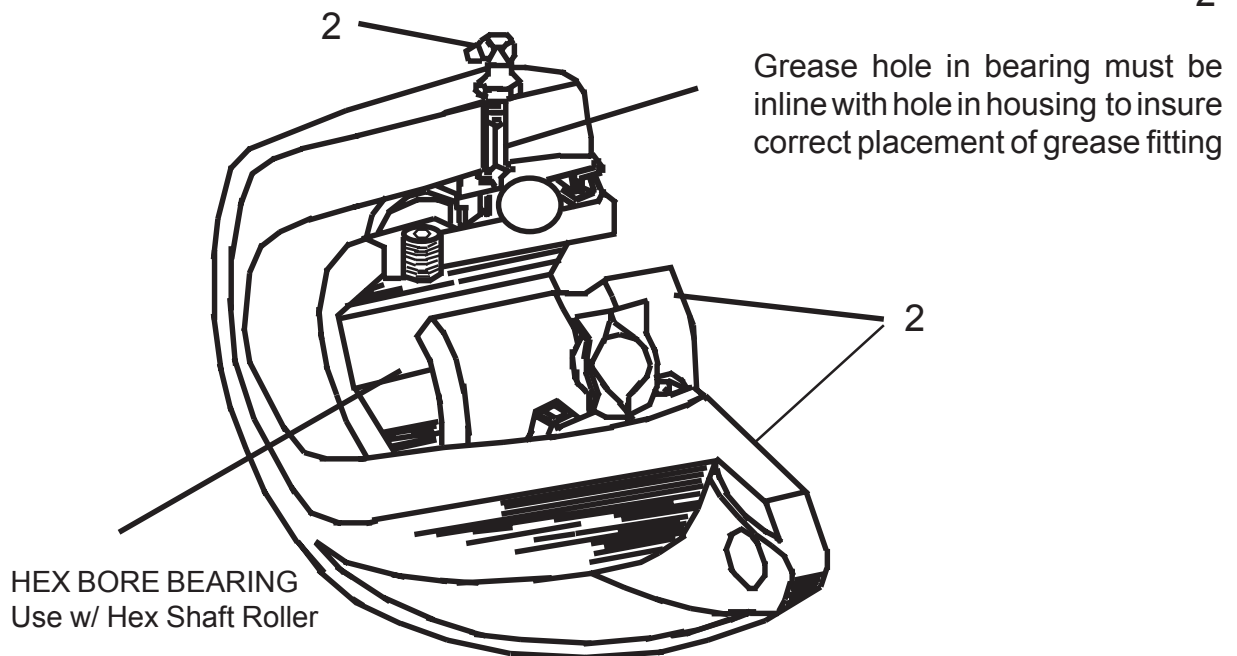
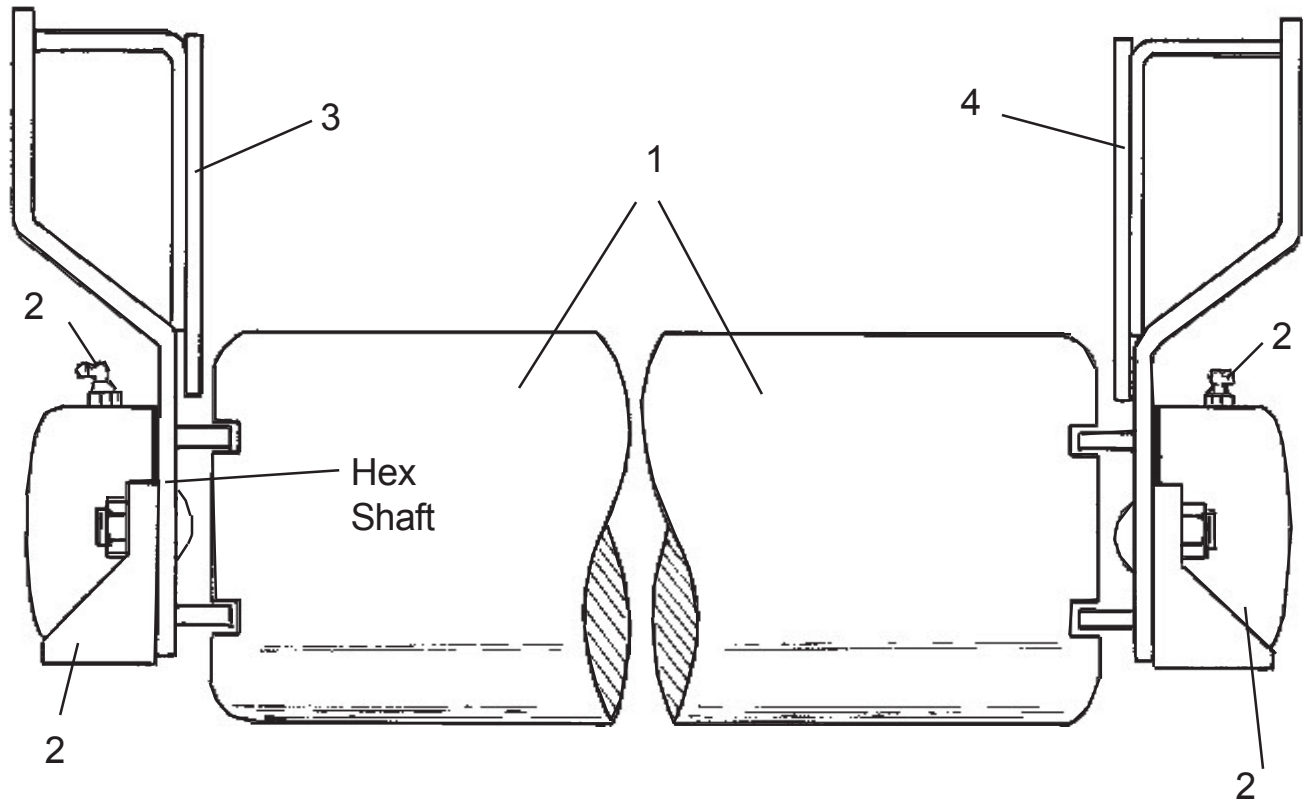
NOTE: This ROLLER has a Round Shaft w/ Keyway where Bearing Mounts, Later Rollers have a Hex (6 sided) Shaft & use a Hex Bore Bearing, The Hex Bore Roller will replace the Round Bore if the Hex Bearings are used, The Bearing Housing & Mounting Brackets were the same.

Feb. 1994
to
Current

Rear Roller (Flail Mower) Grass King

See S/N Page
for
S/N Dates

Hex Shaft



Feb. 1994
to
Current

Rear Roller (Flail Mower) Grass King

See S/N Page
for
S/N Dates

Hex Shaft

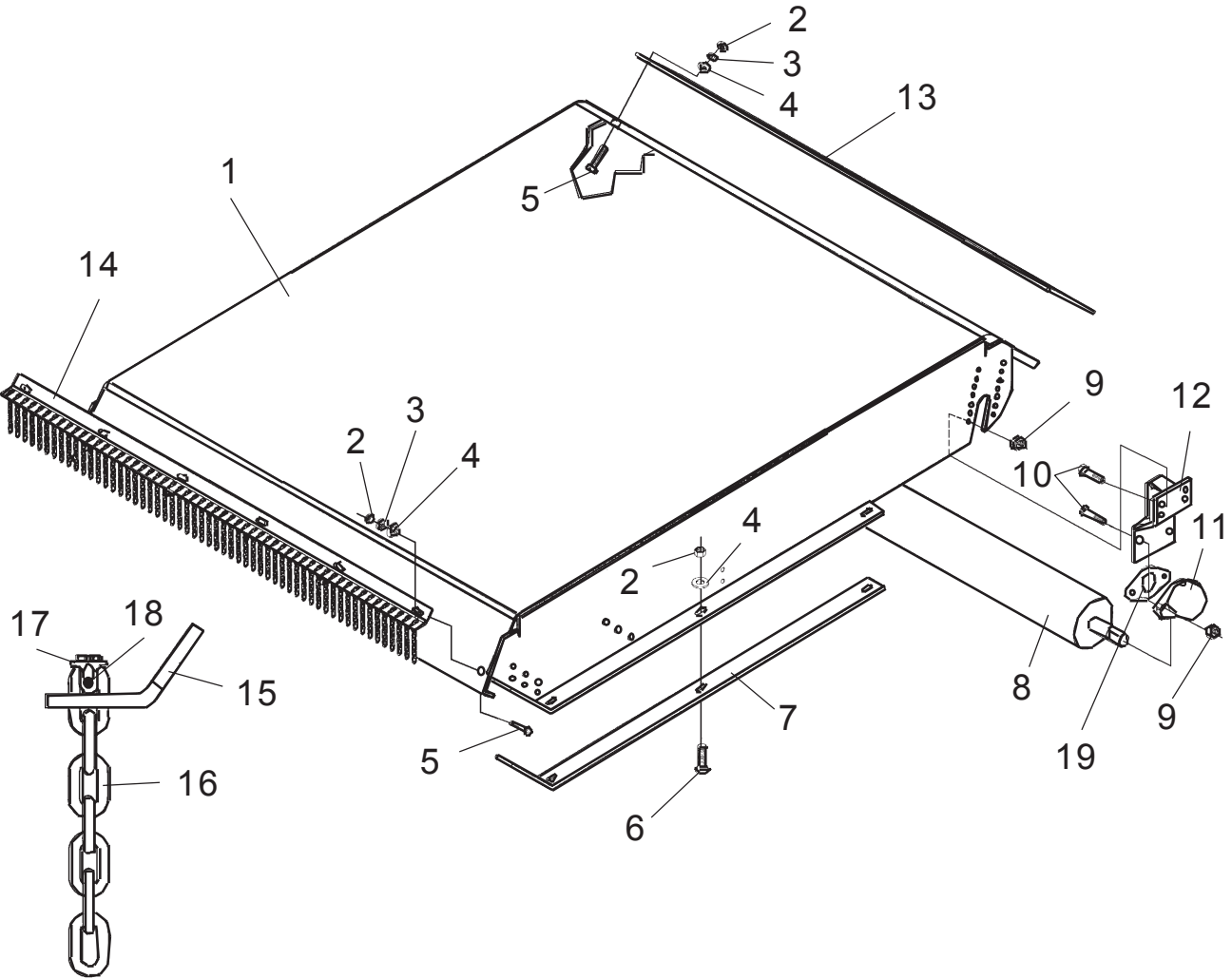
Item	Part No.	Qty	Description
1	703262	--	Roller, Bracket & Brg Asy. Hex Shaft 62"
	107784	1	Roller Weldment Hex Shaft, 62"
	703261	--	Roller, Bracket & Brg Asy. Hex Shaft, 74"v
	107785	1	Roller Weldment Hex Shaft, 74"
2	703976	1	Bearing & Housing Asy Hex Shaft, LH or RH
	002486	1	Bearing, Hex Shaft, LH or RH
	107304	1	Housing , Cast, LH or RH
	002039	1	Grease Fitting, LH or RH
	000516	2	Bolt, LH or RH
	00001800	2	Locknut TLM 1/2 NC PLC, LH or RH
	002037	1	Seal, LH or RH (Not Shown)
	107182	1	*Bracket Only, LH (Use P/N 02976761)
3	703977	1	Bracket & Bearing Asy, Hex Shaft, LH
	00749130	2	Bolt, Bracket Mounting, (Not Shown)
	00001800	2	Locknut TLM 1/2 NC PLC, Bracket Mounting, (Not Shown)
4	107380	1	*Bracket Only, RH (Use P/N 02976761)
	703978	1	Bracket & Bearing Asy, RH
	00749130	2	Bolt, Bracket Mounting, (Not Shown)
	00001800	2	Locknut TLM 1/2 NC PLC, Bracket Mounting, (Not Shown)

* Note: Item 3 & 4 Brackets were LH or RH use only, These have been changed to P/N 02676761 as of Nov. 2000 which will work on right or left hand side. If Bracket & Bearing Asy. is ordered it will have new Bracket, If Bracket only is ordered New Style Bracket will Be Shipped that will work on LH or RH side.

Mar. 1992
to
Current

ROTARY DECK Grass King

S/N GK-01001
for
S/N GK-Current



Mar. 1992
to
Current

ROTARY DECK Grass King

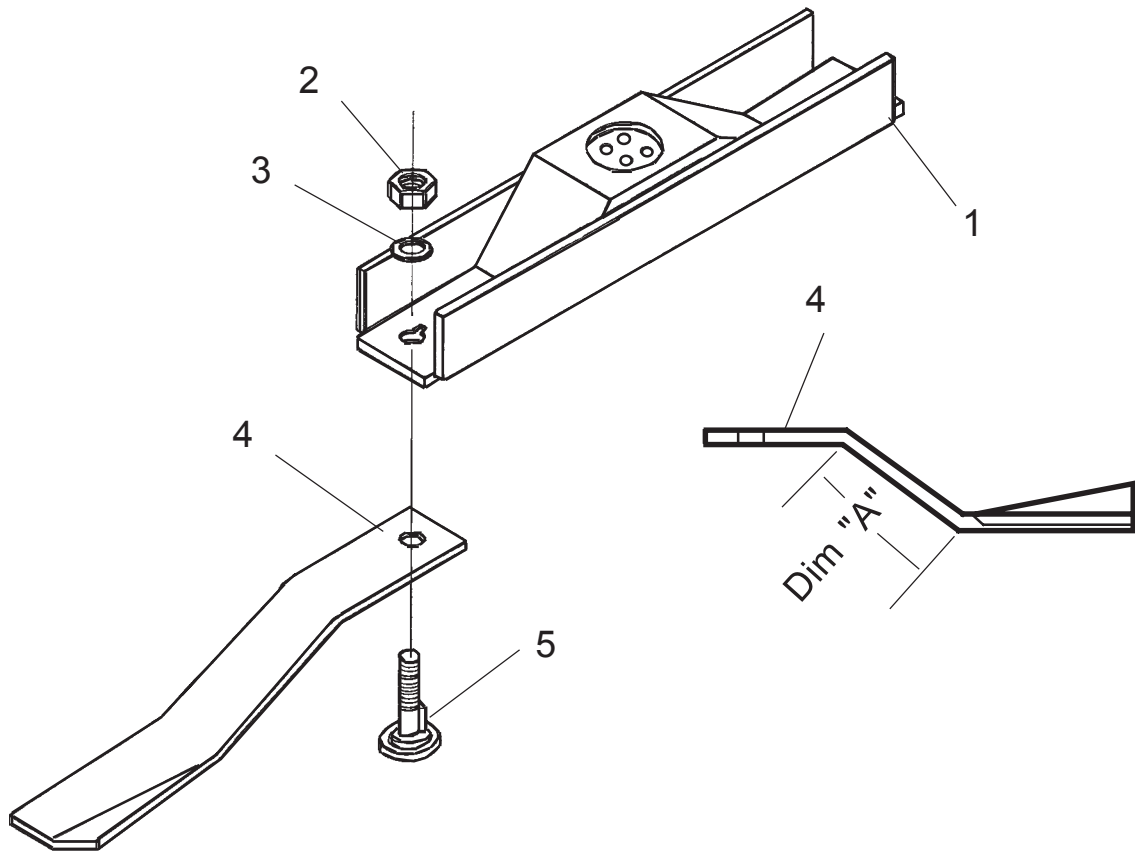
S/N GK-01001
for
S/N GK-Current

Item	Part No.	Qty	Description
1	02965732	1	Deck Weldment
2	00015800	20	Nut
3	1360000	20	Lockwasher
4	00011100	20	Flatwasher
5	00023100	12	Bolt
6	2A361612	8	Bolt
7	02965751	2	Skid Shoe
8	107784	1	Roller Weldment
9	02979042	4	Nut
10	000516	4	Carriage Bolt
11	703976	2	Bearing Asy.
	107340	2	Bearing Housing
	002486	2	Bearing
	002039	1	Grease Fitting
12	107182	1	Roller Mounting Bracket Weldment (LH)
	107380	1	Roller Mounting BracketWeldment (RH)
13	02885700	1	Flap
14	02965797	1	Chainguard Asy.
15	02965584	1	Chainguard Bracket
16	00223900	56	Chain (8 Links)
17	00001000	2	Cable Clamp
18	00992000	1	Cable
19	002037	1	Seal

Mar. 1992
to
Current

BLADE CARRIER ASY. (Rotary Mower) Grass King

S/N GK-01001
for
S/N GK-Current



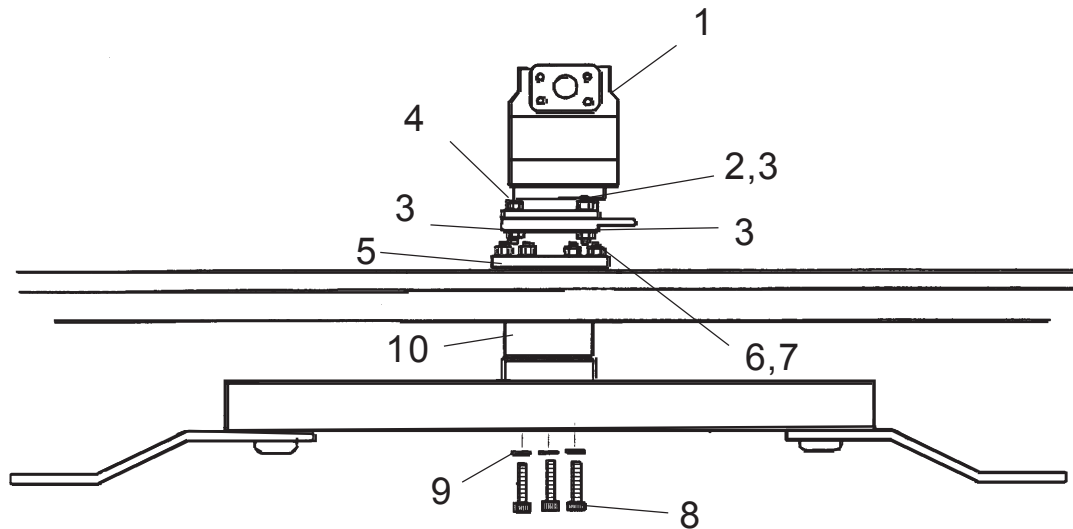
ITEM	PART NO.	QTY	DESCRIPTION
	02965737	--	Blade Bar Asy w/ Blades & Bolts
1	02965579	1	Blade Bar Wledment
2	00747900	2	Nut
3	00748000	2	Lockwasher
4	02966262	1	Blade Set of 2 (Use Set # 02977402)
5	00752827	2	Blade Bolt

Note: Blade Set # 02964824 (Single Blade # 02964824 w/ Dim "A" = 4 inches) is replaced by Set # 02977402. There is also a Set # 02977557 (Single Blade # 02886200 or 02886200A w/ Dim "A" = 6 inches) that can be used on this model. The Blade dimensions are the same over all with the difference being where the bends are.

Mar. 1992
to
Current

MOTOR & SPINDLE ASY. (Rotary Mower) Grass King

S/N GK-01001
for
S/N GK-Current

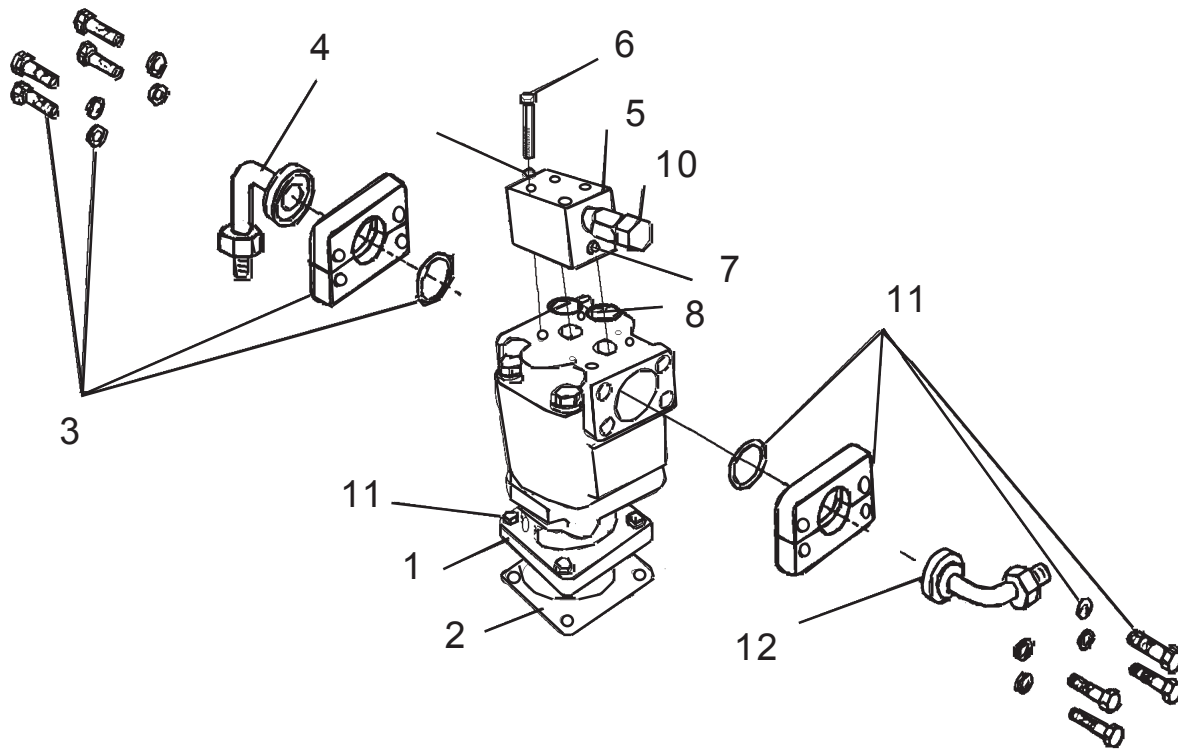


Item	Part No.	Qty	Description
1	02965670	1	Motor
2	02960951	2	Stud
3	0001800	6	Nut
4	02788400	2	Bolt
5	02961038	1	Gasket
6	02960521	6	Bolt
7	00037200	6	Nut
8	02708700	4	Bolt
9	00003901	4	Lockwasher
10	02960553C	1	Spindle

Mar. 1992
to
Current

HYD. MOTOR ASY. (Rotary Mower) Grass King

S/N GK-01001
for
S/N GK-Current

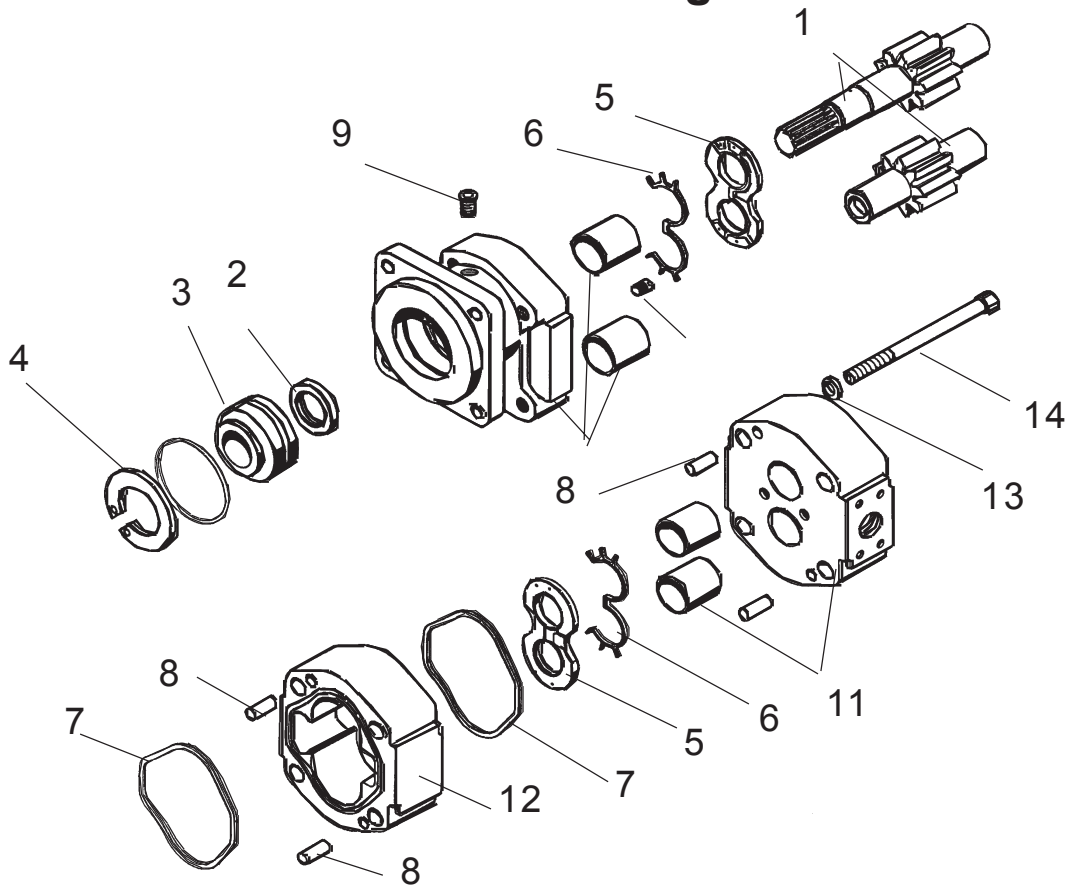


Item	Part No.	Qty	Description
1	02965670	1	Hydraulic Motor
2	02961038	1	Gasket
3	00749101	1	Split Flange
4	00751842	1	Elbow
5	00760886	1	Block
6	10074000	4	Bolt
7	02961940	1	Plug
8	001695	2	O-Ring
9	00017000	4	Lockwasher
10	02966200	1	Relief Valve
11	00749103	1	Split Flange Kit
12	02754100	1	Elbow

Mar. 1992
to
Current

HYD. MOTOR PARTS (Rotary Mower) Grass King

S/N GK-01001
for
S/N GK-Current

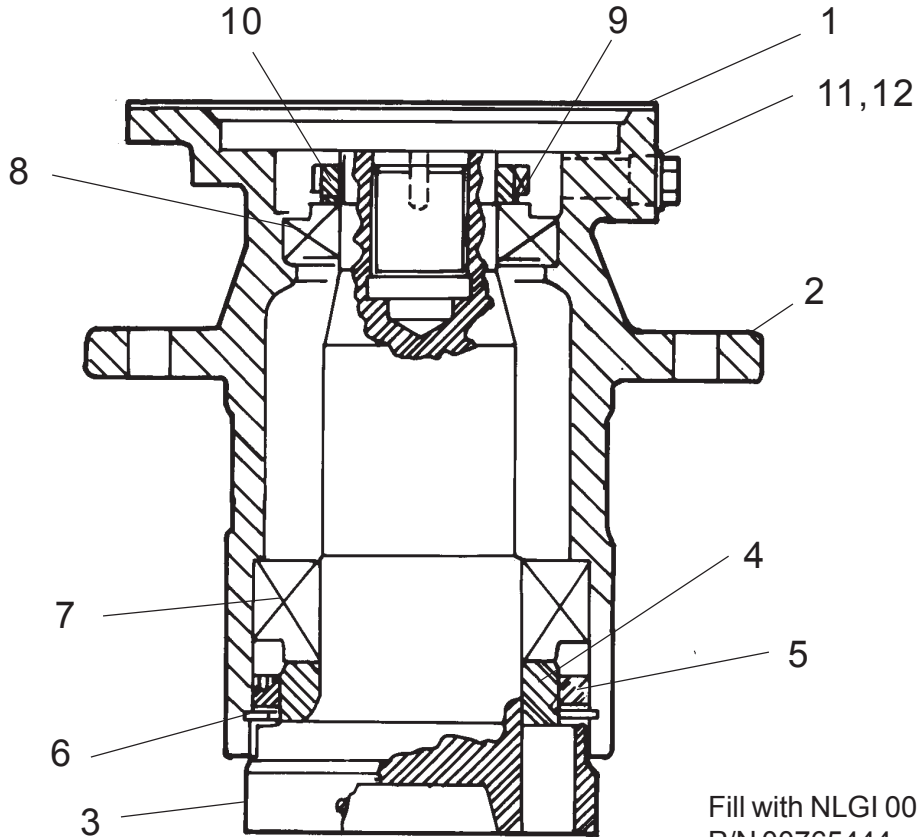


Item	Part No.	Qty	Description
	02965670	--	Hyd. Motor (w/o Fittings)
1	02965715	1	Gear Shaft (set)
2	00763756	1	Seal
3	00763757	1	Seal Retainer
4	02961933	1	Snap Ring
5	00763759	2	Thrust Plate
6	-----	4	Seal End (Seal Kit)
7	-----	2	Square Seal (Seal Kit)
8	02961924	4	Dowel Pin
9	02961940	1	Plug
10	00763828	1	Mounting Flange w/Bushing
11	00763829	1	Porting Flange w/ Bushing
12	02965719	1	Gear Housing
13	02965719	4	Washer
14	02961917	4	Capscrew
15	02961931	2	Check Assembly
	00763762	1	Seal Kit

Mar. 1992
to
Current

SPINDLE ASY. (Rotary Mower) Grass King

S/N GK-01001
for
S/N GK-Current



Fill with NLGI 000 Grease
P/N 00765444
DO NOT OVERFILL

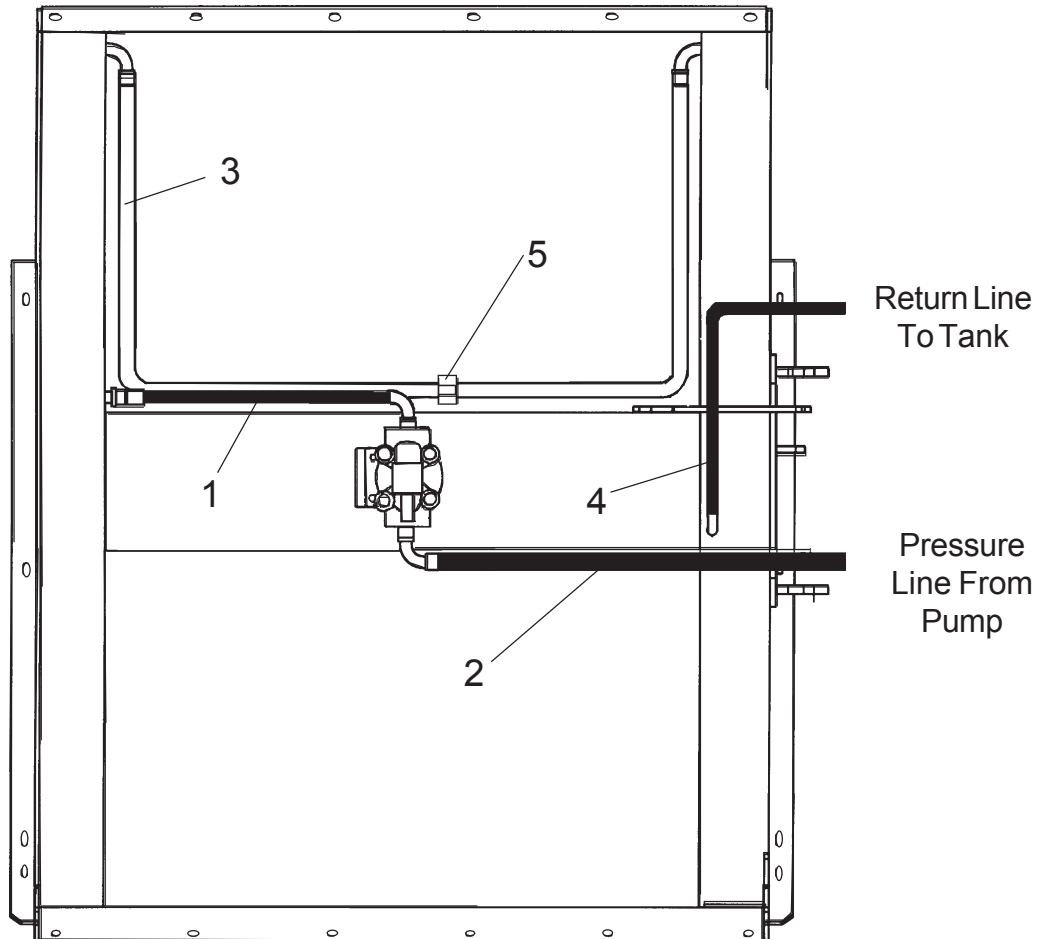
Item	Part No.	Qty	Description
	02960553C	--	Spindle Asy
1	02961038	1	Gasket
2	02960562C	1	Housing
3	02960561	1	Spindle
4	02960558	1	Bearing Ring
5	02960559	1	Seal
6	00754627	1	Snap Ring
7	02960557	1	Spindle Cup & Cone Assy.
8	00755628	1	Bearing
9	02964269	1	Lockwasher
10	02962030	1	Nut
11	00754634	1	Plug
12	02959860	1	Pressure Relief Plug

NOTE: For proper assembly, see Operator's Manual - Maintenance Section.

Mar. 1992
to
Current

HYDRAULIC SCHEMATIC (Rotary Mower) Grass King

S/N GK-01001
for
S/N GK-Current



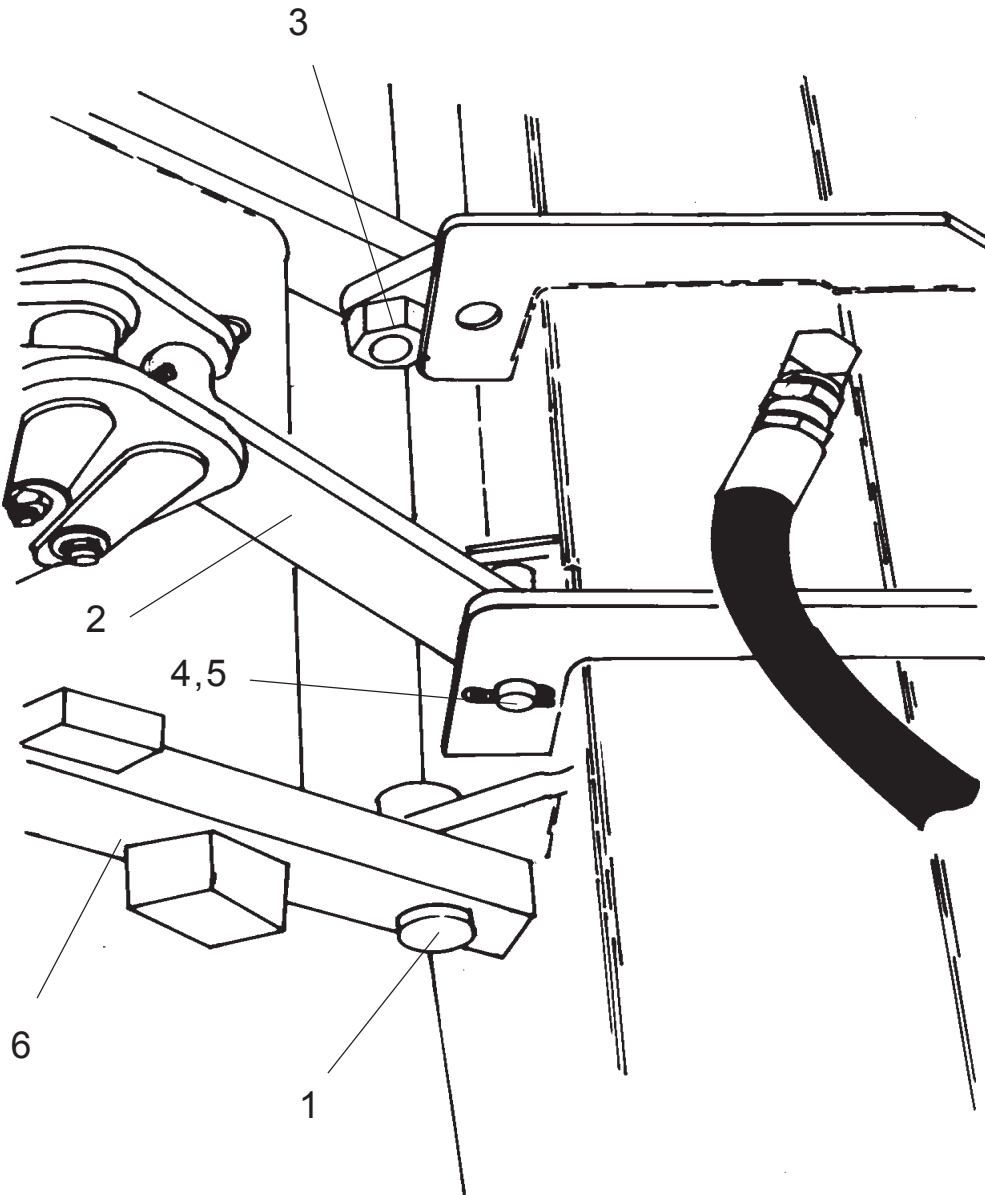
Item	Part No.	Qty	Description
1	002308	1	Hose 32" Long
2	02965054	1	Hose 105" Long
3	02965656	1	Tube
4	02965753	1	Hose 130" Long
5	03200375	1	Clamp

Note: Hydraulic oil return from Motor is run through tanks built into Mower deck, this aids the colling of the Oil. DO NOT reverse the Motor Pressure Line and return lines through these tanks, if it is it will damage the tanks.

Mar. 1992
to
Current

DECK ATTACHMENTS (Rotary Mower) Grass King

S/N GK-01001
for
S/N GK-Current



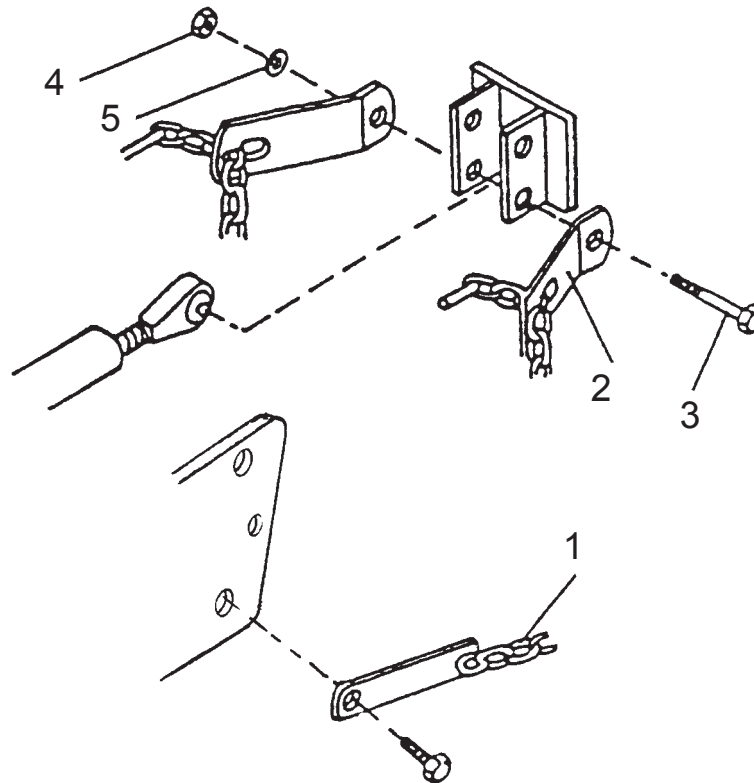
Item	Part No.	Qty	Description
1.	02965777	2	Pivot Pin
2.	02964991	1	Tilt Link Weldment
3.	000760	2	Nut
4.	02965112	1	Link Pin Weldment
5.	00755153	1	Cotter Pin
6.	02963073	1	Lift Frame Weldment
7.	00764656	2	Pivot Pin Bushing (not shown)

NOTES

Mar. 1992
to
Current

CHECK CHAIN ASY. CAT-I Grass King (Optional Eqpt)

S/N GK-01001
for
S/N GK-Current

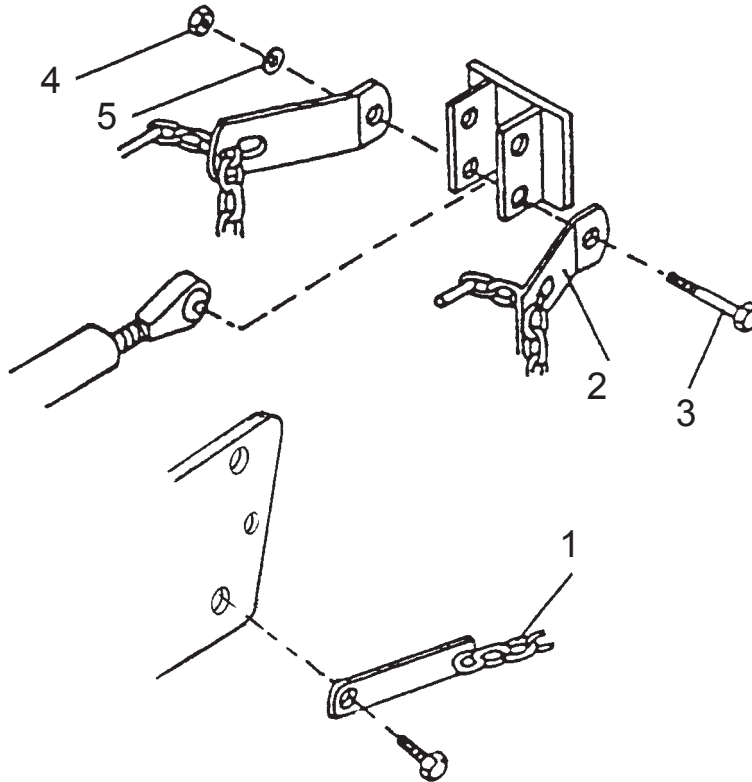


Item	Part No.	Qty	Description
	3570	--	Check Chain Kit Cat-I
1	8709	2	Chain Asy.
2	8708	2	Bracket
3	02845500	2	Bolt
4	00010400	2	Nut
5	00010300	2	Lockwasher

Mar. 1992
to
Current

CHECK CHAIN ASY. CAT-II Grass King (Optional Eqpt)

S/N GK-01001
for
S/N GK-Current

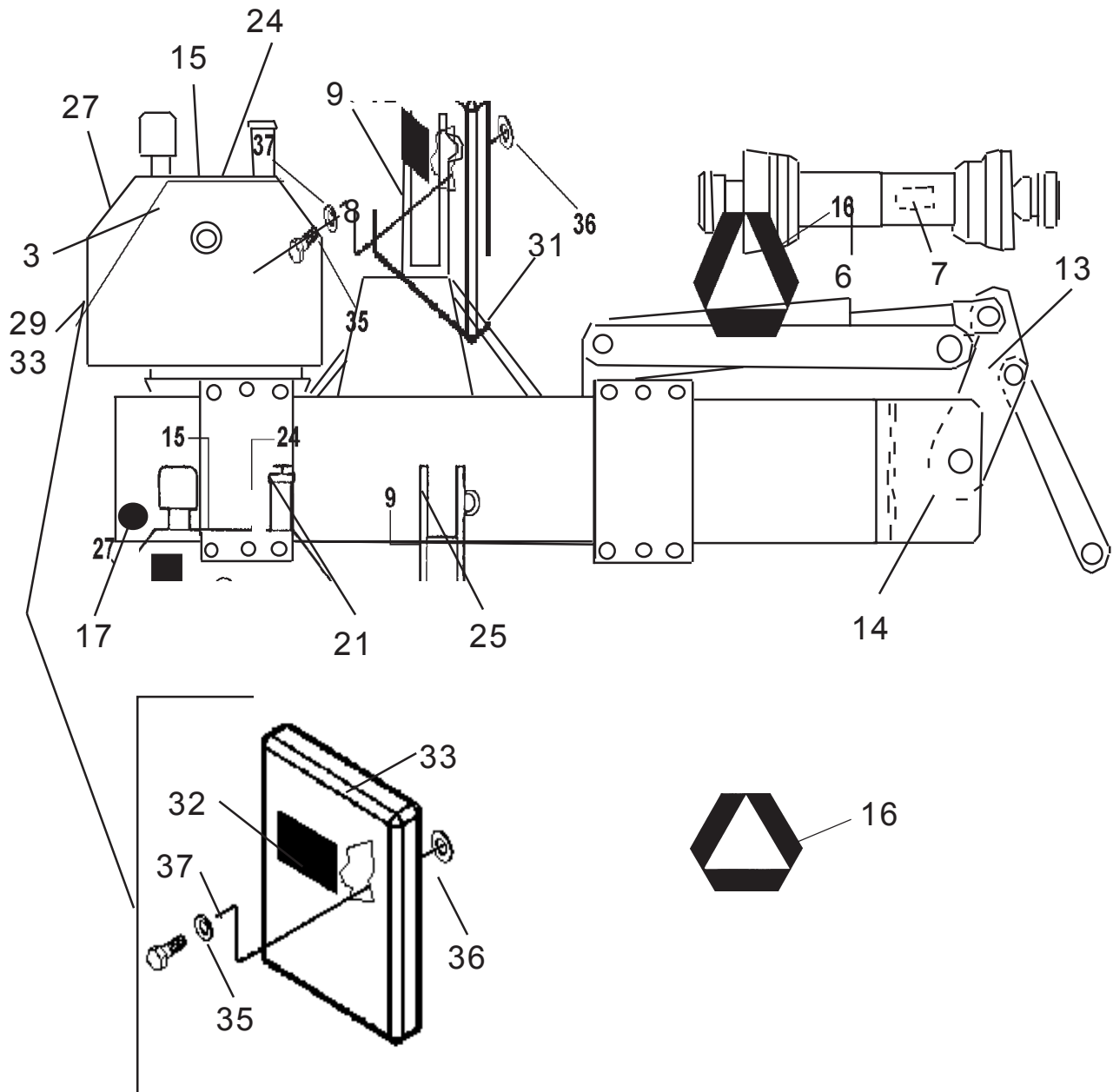


Item	Part No.	Qty	Description
	3571	--	Check Chain Kit Cat- II
1	8710	2	Chain Asy.
2	8711	2	Bracket
3	02845500	2	Bolt
4	00010400	2	Nut
5	00010300	2	Lockwasher

Mar. 1992
to
Current

DECALS - A-FRAME Grass King

S/N GK-01001
for
S/N GK-Current



Mar. 1992
to
Current

DECALS - A-FRAME Grass King

S/N GK-01001
for
S/N GK-Current

Item	Part No.	Qty	Type	Description
3	00752746	1	Peligro	Translate Safety Material
6	00756004	(1)	Danger	Shield Missing
7	00756005	(1)	Danger	Rotating Driveline
8	00756059	1	Warning	Checking for Oil Leaks
9	00756494	1	Danger	Driveline Multiple Hazard
13	02962764	1	Danger	Pinch Point, Scissors
14	02962765	1	Danger	Pinch Point, Multiple
15	02971123	1	Warning	Pressurized Tank
16	03200347	*	Reflector	SMV Reflector
17	99203	1	Reflector	Red Reflector
21	00763977	1	Instruction	Notice to Owner
24	02966305	1	Instruction	Universal Hyd Oil
25	001650	2	Logo	Alamo (7-1/4 x 7-1/2)
27	00767139	1	Logo	Alamo, TK (5 x 19)
28	02960766	2	Logo	Alamo (4 x 5)
29	02965260	1	NAME	Grass King Name
31	nfs	1	S/N Plate	Grass King Hitch Serial Plate
32	02977417	1	Instruction	Operators Manual Inside (Decal)
33	02977385	1	-----	Canister, Operators Manual
34	02965180C	1	-----	Operators Manual
35	10058000	4	-----	Bolt
36	00017000	4	-----	Lockwasher
37	00024100	4	-----	Flatwasher

* Furnished by Tractor Mfr.

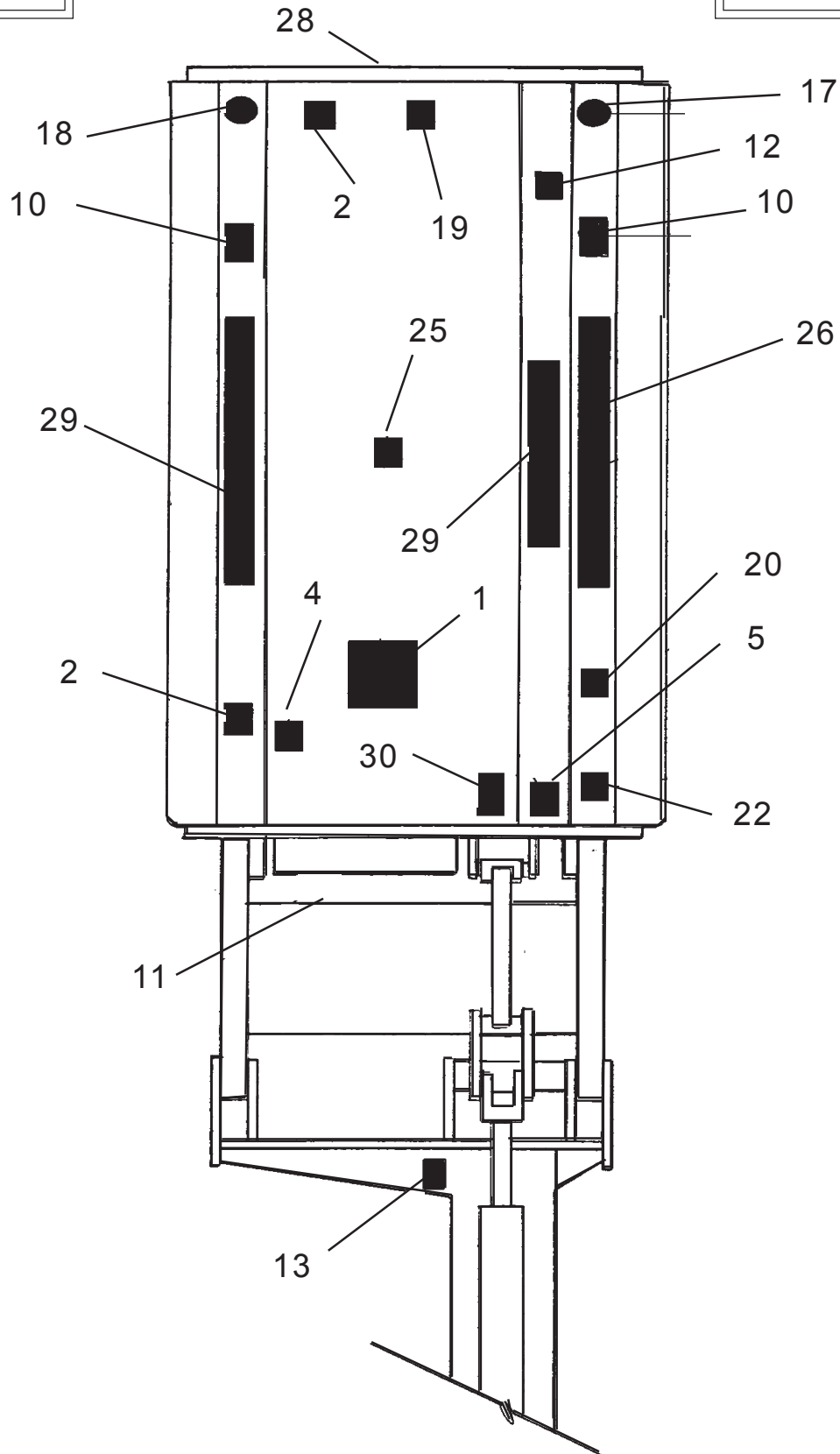
() Installed by D/L Mfr.

GRASS KING FLAIL DECALS (Interstater with removable Front Guard)

Mar. 1992
to
Current

DECALS - FLAIL DECK Grass King

S/N GK-01001
for
S/N GK-Current



Mar. 1992
to
Current

DECALS - FLAIL DECK Grass King

S/N GK-01001
for
S/N GK-Current

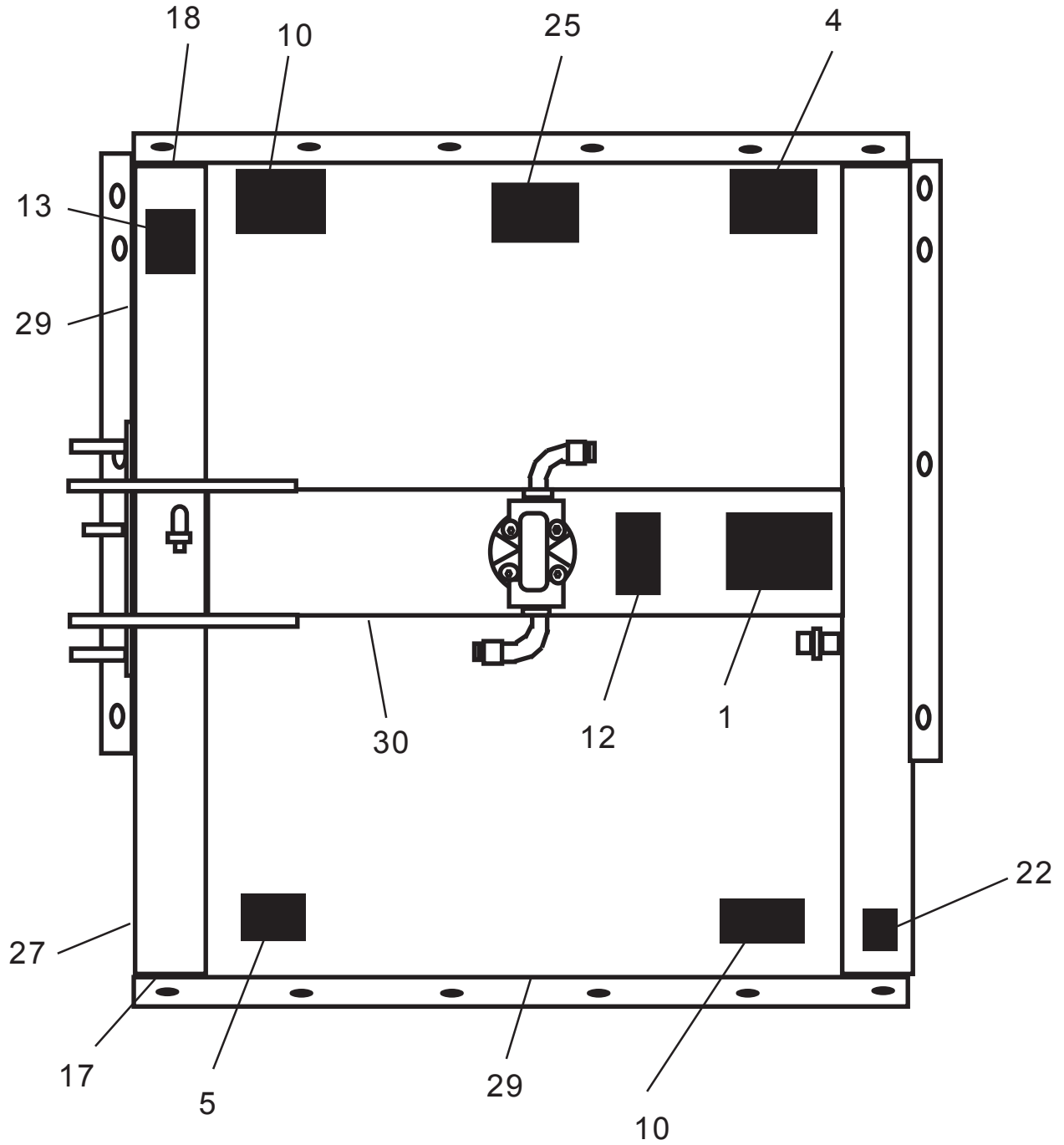
Item	Part No.	Qty	Type	Description
1	002369	1	Danger	Flail Multiple Hazard
2	002425	1	Danger	Use Front Shield
4	00725739	1	Warning	Use/Repair Shields/Guards
5	00753840	1	Danger	Folding Wing
10	02967668	2	Danger	Cutting Blades/Thrown Objects
11	00758194	1	Warning	Pinch Point, V-Belt
12	03200432	1	Important	Genuine ALAMO Flail Parts
13	02962764	1	Danger	Pinch Point, Scissors
17	99203	1	Reflector	Red Reflector
18	99204	1	Reflector	Yellow Reflector
19	000108	1	Instruction	Flail Mower Operation
20	002023	1	Instruction	Cutting Height Instructions
22	02965089	1	Instruction	Lubrication Decal, Flail
25	001650	1	Logo	Alamo (7-1/4 x 7-1/2)
26	001651	1	Logo	Alamo (5 x 19)
28	02960766	2	Logo	Alamo (4 x 5)
29	02965260	2	Name	Grass King Name
30	nfs	1	S/N Plate	Grass King Flail Mower S/P

Mar. 1992
to
Current

DECALS - ROTARY DECK Grass King

S/N GK-01001
for
S/N GK-Current

FRONT



REAR

Mar. 1992
to
Current

DECALS - ROTARY DECK Grass King

S/N GK-01001
for
S/N GK-Current

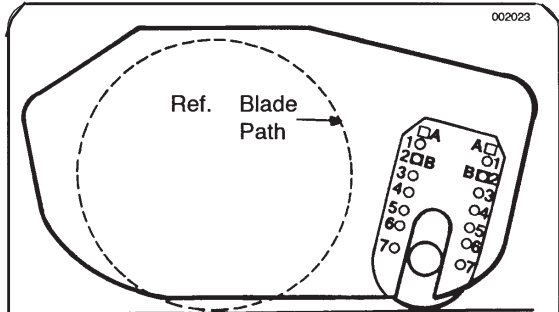
Item	Part No.	Qty	Type	Description
1	02967827	1	Danger	Rotary Multiple Hazard
3	00725746	1	Peligro	Translate Safety Material
4	00769736	1	Warning	Use/Repair Shields/Guards
5	00753840	1	Danger	Folding Wing
10	00769737	2	Danger	Cutting Blades/Thrown Objects
12	02952100	1	Important	Genuine ALAMO Rotary Parts
13	02962764	1	Danger	Pinch Point, Sissors
17	99203	1	Reflector	Red Reflector
18	99204	1	Reflector	Yellow Reflector
22	02966161	1	Instruction	Lubrication Decal, Rotary
25	001650	2	Logo	Alamo (7-1/4 x 7-1/2)
27	00767139	1	Logo	Alamo, TK (5 x 19)
29	02965260	3	Name	Grass King Name/Alamo
30	nfs	1	S/N Plate	Grass King Rotary Mower

Mar. 1992
to
Current

DECALS

Grass King

S/N GK-01001
for
S/N GK-Current



MOWER CUTTING HEIGHT ADJUSTMENT

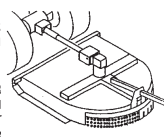
DESIRED CUTTING HEIGHT (INCHES)	ADJUSTMENT BRACKET HOLE	MOWER END PLATE HOLE
1/2	B	2
1	A	1
1-1/2	B	3
2	A	2
2-1/2	B	4
3	A	3
3-1/2	B	5
4	A	4
4-1/2	B	6
5	A	5
5-1/2	B	7
6	A	6

(20) 002023 CUT HEIGHT INSTRUCTION

⚠ WARNING

WHENEVER THIS MACHINE IS OPERATED IN ANY AREA WHERE THROWN OBJECTS COULD INJURE PERSONS OR PROPERTY, SAFETY SHIELDING MUST BE INSTALLED AND IN GOOD REPAIR TO REDUCE THE POSSIBILITY OF INJURY FROM THROWN OBJECTS.

CHAIN GUARDS, SOLID BANDS, RUBBER FLAPS, AND OTHER GUARDS ARE SUBJECT TO WEAR AND LOST OR BROKEN PIECES. IT IS THE OPERATOR'S RESPONSIBILITY TO SEE THAT THESE ITEMS OF SAFETY EQUIPMENT ARE REPAIRED AND/OR REPLACED AS SOON AS DAMAGE OCCURS, OR YOU WILL BE OPERATING MACHINE THAT IS IN AN UNSAFE CONDITION.





00756007

(6) 00756007 REPAIR SHIELDS



⚠ DANGER

1. MAKE CERTAIN DRIVELINES ARE OF THE CORRECT LENGTH AND SECURELY ATTACHED. DRIVELINE SEPARATION AND/OR PTO STUB SHAFT FAILURE CAN CAUSE INJURY OR DEATH. (See Operator's Manual for procedure.)

SEE MANUAL FOR MINIMUM OVERLAP & MINIMUM/MAXIMUM LENGTHS

2. MAKE CERTAIN THAT DRIVELINE SHIELDS ARE INSTALLED CORRECTLY AND TURN FREELY TO PREVENT INJURY OR DEATH FROM ENTANGLEMENT

3. MAKE CERTAIN THAT DRIVELINE IS INSTALLED CORRECTLY ON TRACTOR PTO SHAFT. MOVE YOKE BACK AND FORTH UNTIL LOCKING COLLAR CLICKS FORWARD AND LOCKS YOKE IN PLACE


4. 540 PTO RPM UNLESS SPECIFICALLY MARKED OTHERWISE.

00756494


(9) 00756494 DRIVELINE MULTI-HAZARD

⚠ DANGER

- Stay clear when removing transport strap and lowering or raising wing. ● Component failure or accidental operation of controls may allow wing to fall suddenly and cause bodily injury or death.
- Cylinders with ⓄRestrictors installed must be filled with oil for wings to lower slowly & safely.
- Lock Wings up securely for transporting.



- Do not operate mower with wings raised with passersby in the area. ● Contact with exposed rotating Blades and/or being hit by thrown objects may cause injury or death.



00753840

(5) 00753840 FOLDING WINGS

⚠ WARNING

DO NOT OPERATE WITH BELT SHIELD REMOVED. FINGER(S) MAY BE PINCHED OFF IF CAUGHT BETWEEN V-BELT AND PULLEY.



00758194

(11) 00758194 PINCH POINTS

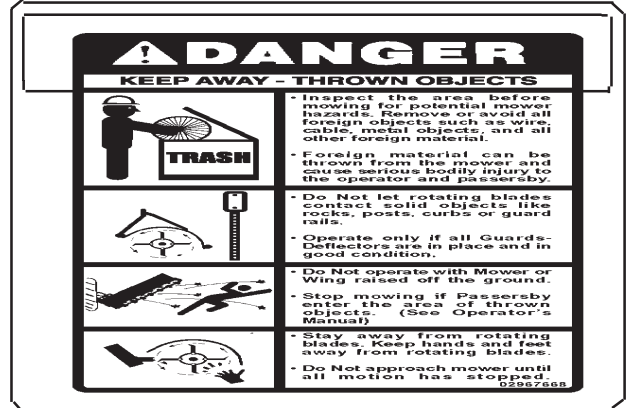
Mar. 1992
to
Current

DECALS Grass King

S/N GK-01001
for
S/N GK-Current



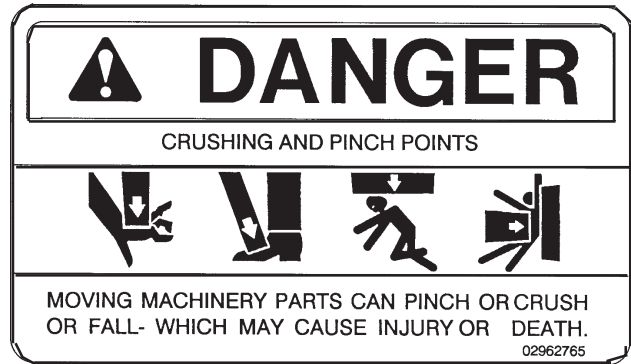
(8) 00756059 DECAL LEAK DETECTION



(10) 02967668
CUTTING BLADES/THROWN OBJECTS



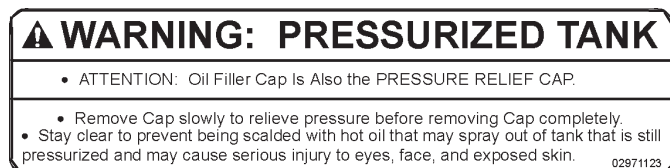
(32) 02977417 CANISTER DECAL



(14) 02962765 PINCH POINT



(7) 00756005 ROTATING DRIVELINE

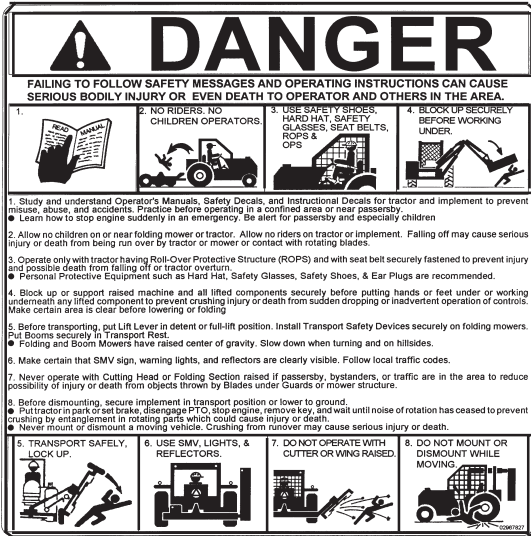


(15) 02971123 WARNING PRESS. TANK

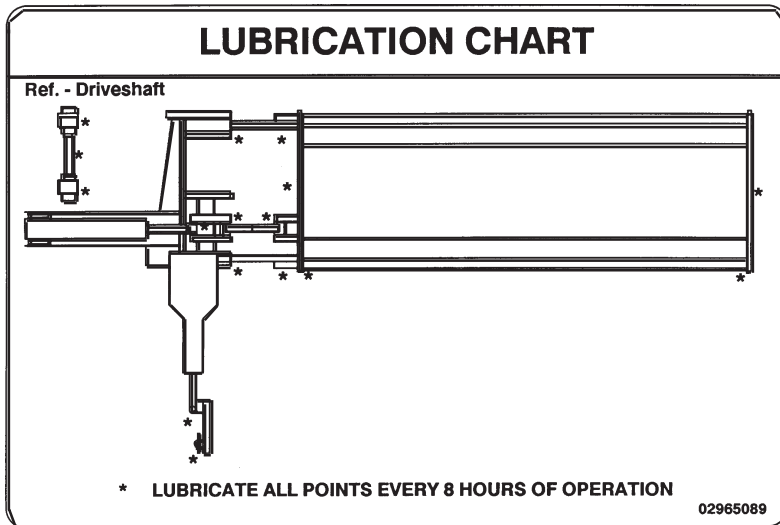
Mar. 1992
to
Current

DECALS Grass King

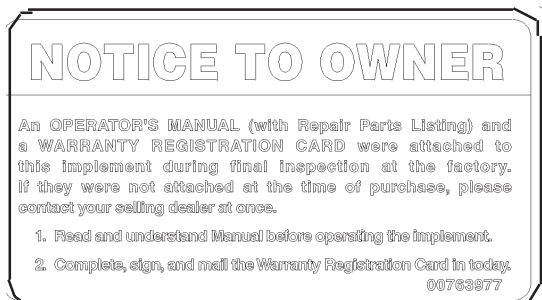
S/N GK-01001
for
S/N GK-Current



(1) 02967827 Rotary Multiple Hazard



(22) 02965089 LUBRICATION DECAL



(21) 00763977 NOTICE TO OWNER

- (17) 99203 RED REFLECTOR
- (18) 99204 YELLOW REFLECTOR
- (25) 001650 ALAMO (7-1/4 X 7-1/2)
- (26) 001651 ALAMO, MOTT (5 X 19)
- (27) 00767139 ALAMO, TK (5X19)
- (28) 02960766 ALAMO (4 X 5)
- (29) 02965260 GRASS KING NAME/ALAMO



(16) 03200347 SMV REFLECTOR



(6) 00756004 SHIELD MISSING

Mar. 1992
to
Current

DECALS Grass King

S/N GK-01001
for
S/N GK-Current

IMPORTANT

For your safety and to guarantee optimum product reliability, always use Genuine ALAMO INDUSTRIAL replacement parts. The use of inferior "will-fit" parts will void Warranty of your ALAMO INDUSTRIAL implement and may cause premature or catastrophic failure which can result in serious injury or death. If you have any questions concerning the repair parts you are using, contact ALAMO INDUSTRIAL, 1502 E. Walnut Seguin, TX 78155 (830) 372-3551.



(12) 02925100 Use Genuine Parts

OPERATING INSTRUCTIONS

This Mower will give long satisfactory service with a minimum of upkeep cost if the following procedure is followed:

1. KEEP PROPERLY LUBRICATED
 - a. BEARINGS - Use a lithium-based #2 Bearing Grease such as Shell Alvania #2, Sinclair Litholene, Mobil BRB, Texaco Marfak #2, Standard Stanolith #57, etc.
 - b. GEARBOX - Use SAE EP90 oil.
2. KEEP FASTENERS TIGHTENED
 - a. Normally, if Fasteners loosen after being properly tightened, the Mower is vibrating more than is acceptable and permanent damage can occur rapidly.
 - b. See Bolt Chart for proper tightening torque.
3. KEEP THE MOWER RUNNING SMOOTHLY AND QUIETLY.
 - a. After hitting any obstruction and at the first sign of any unusual vibration or noise, STOP THE MOWER, and do not operate again until the problem is found and corrected. VIBRATION CAN DESTROY THE ENTIRE MOWER IN A SHORT TIME.
 - b. Inspect for broken or missing Knives, Knives restricted from swinging freely, worn Bearings, a bent Shaft, or other conditions causing out-of-balance rotation.
 - c. See Operators Manual for details on causes and correction of vibration of Flail Mowers.

NOTICE: Warranty does not cover damage resulting from the failure to observe these reasonable procedures. 000108

(17) 000108 OPERATING INSTRUCTIONS

⚠ DANGER



- Stay clear when removing transport strap and lowering or raising wing.
- Component failure or accidental operation of controls may allow wing to fall suddenly and cause bodily injury or death.
- Cylinders with ⓅRestrictors installed must be filled with oil for wings to lower slowly & safely.
- Lock Wings up securely for transporting.



- Do not operate mower with wings raised with passersby in the area.
- Contact with exposed rotating Blades and/or being hit by thrown objects may cause injury or death.

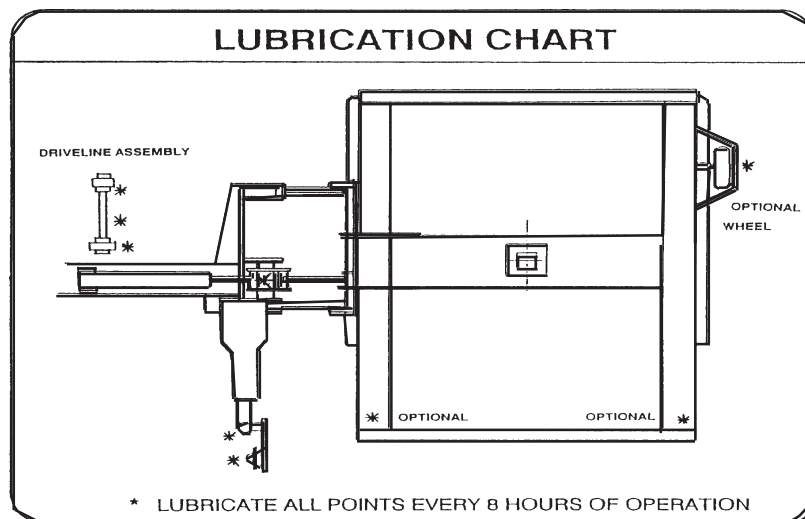
00753840

(2) 00753840 Folding Wing

PATENT PENDING

(19) 02961134 Patent Pending

LUBRICATION CHART



(6) 02966161 Lubrication Decal

Mar. 1992
to
Current

DECALS Grass King

S/N GK-01001
for
S/N GK-Current

IMPORTANT

ALAMO GENUINE FLAIL PARTS


ALAMO INDUSTRIAL Flail Mowers use dynamically balanced and matched system components for Cutter Shafts, Knives, Knife Hangers, Rollers, Drivetrain components, Bearings, Belts, and Pulleys. ALAMO INDUSTRIAL parts are made and tested to meet close-tolerance specifications of balance, quality, and consistency that assure long, trouble-free service. The use of inferior "will fit" parts will void warranty for your ALAMO INDUSTRIAL implement and may cause premature or catastrophic failure which can result in serious injury or death. If you have any questions concerning the repair parts you are using, contact ALAMO INDUSTRIAL 1502 E. Walnut Seguin, TX 78155 (830) 372-3551.

ALAMO INDUSTRIAL
03200432

(12) 03200432 GENUINE PARTS

⚠ DANGER

CRUSHING AND PINCH POINTS



MOVING MACHINERY PARTS CAN PINCH OR CRUSH OR FALL- WHICH MAY CAUSE INJURY OR DEATH.

02962765

(14) 02962765 Pinch Point, Multiple

ATTENTION

SERVICE HYDRAULIC SYSTEM
WITH UNIVERSAL TRACTOR
HYDRAULIC OIL.

PART NUMBER 02966305

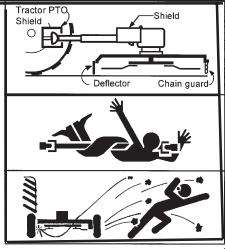
02966305

(24) 02966305 Universal Hyd Oil

⚠ WARNING

FAILURE TO USE AND MAINTAIN SHIELDS AND DEFLECTORS IN GOOD CONDITION MAY LEAD TO INJURY OR DEATH FROM ENTANGLEMENT WITH ROTATING PARTS, BEING HIT BY OBJECTS THROWN WITH GREAT FORCE BY BLADES, OR BY BLADE CONTACT.

- Always replace Guards which have been removed for maintenance. Never operate with Guards missing or broken.
- Chain Guards, Gearbox & Driveline Shields, Rubber-Fabric Deflectors, and Solid Band Enclosures are subject to wear and lost or broken parts and must be repaired or replaced as soon as damage is found.
- Safety Shielding must be installed and in good condition to reduce the possibility of thrown objects any time this machine is operated in any area where thrown objects could cause property damage or bodily injury.




ROTARY 00769736

(4) 00769736 Use/Repair Shields/Guards

⚠ PELIGRO

LEA EL INSTRUCTIVO



Si No Lee Ingles, Pida Ayuda a Alguien Que Si Lo Lea Para Que le Traduzca las Medidas de Seguridad.

00725746

(3) 00752746 Translate Safety Material

⚠ DANGER

KEEP AWAY! IF FRONT DEFLECTOR SHIELD IS REMOVED FROM FLAIL HOUSING, SERIOUS INJURY TO OR AMPUTATION OF HANDS, FEET, OR LIMBS MAY OCCUR FROM BLADES CONTACT.



IF FRONT DEFLECTOR SHIELD IS REMOVED TO EFFECT A SUBSTANTIAL IMPROVEMENT IN PERFORMANCE IN VERY HIGH GRASS OR WEEDS, THE OPERATOR MUST BE AWARE OF THE RESULTING POTENTIAL HAZARD AND USE SPECIAL CARE TO MAKE CERTAIN THAT:

- THE FLAIL MOWER IS NOT OPERATED IN THE VICINITY OF BYSTANDERS TO PREVENT CONTACT WITH BLADES AND RESULTING SERIOUS INJURY.
- THE OPERATOR NEVER LEAVES THE SEAT NOR ALLOWS ANYONE TO APPROACH THE FLAIL MOWER UNTIL THE PTO AND HYDRAULIC POWER ARE DISENGAGED FROM ROTORS, FLAIL SECTIONS ARE LOWERED TO THE GROUND, ENGINE IS TURNED OFF, PARKING BRAKE IS SET, KEY IS REMOVED, AND ALL MOTION CEASES.
- THE FRONT DEFLECTOR SHIELD IS REPLACED IN NORMAL MOWING CONDITIONS.

002425

(2) 002425 USE FRONT SHIELD

Grass King

S/N PRODUCTION DATES

From Mar. 1992 to Current

1. See Serial Numbers & Serial Number Model Prefix in these Pages to determine when Unit was shipped, after this is determined use that Date to match the Dates at the top of the Parts Page to determine what Parts are needed.
2. S/N's will include Prefix (Example GK74-01305), The prefix determines which Deck Width is used and must be used to determine which size Unit you have. See Prefix for size. There are three different heads used on this model, a 60 inch Rotary, a 62 inch Flail and a 74 inch flail. Which model head will effect some parts, hydraulic Lines, Blades (Knives) and some other components.

GK60 = 60" Rotary

GK62 = 62" Flail

GK74 = 74" Flail

ALLWAYS USE PREFIX IN W/ SERIAL NUMBER, The same Serial Number is used on DIFFERENT SIZE UNIT but the Prefix WILL NOT be the Same!

3. Model Identification, The best way is to see the Serial Number Plates on Decks. If this is not available measure the over all width of Decks from outside side skirt to opposite outside side skirt, DEDUCT about 5" to 6 " from this and it will give you an approximate cutting width for Deck, Check these widths against Chart above to determine which model you have.
4. S/N's ending with "A" or "D" indicate Duplicate, This S/N was used twice. In some cases there was time between the usage and sometime within the same time frame.
5. When ordering Parts for Deck it will be required to know what size they are (see above Prefix.) and in some cases it will be required to know what the part looks like or how it is shaped. In this book there are a number of descriptions and/or statements about how something is built or shaped. a good example is the Cutter Shaft & Knives. There are 2 DIFFERENT Cutter Shafts that use DIFFERENT Knives and Knife Hangers, These WILL NOT interchange between these two Cutter Shafts. Course Cut WILL ONLY use Course Cut Knives and Fine Cut WILL ONLY use Fine Cut Knives, Pin Mounted will work as Ring Mounted as an option. Etc.
6. There are possible some Serial Numbers that are not listed and there are possible some Serial Numbers that were never used.

Note: Most Serial Numbers Listed in following pages are from 1992 and Up. This is to hold down on space. This Book List Parts Changes from 1992 to Current. If Questions about S/N 's that are not listed in this Book contact Alamo Industrial Customer Service.

S/N - Grass King

GK60 = 60" Rotary

GK62 = 62" Flail

GK74 = 74" Flail

S/N	SHIP	S/N	SHIP	S/N	SHIP
GK60-01001.....	08/93	GK62-01023.....	07/92	GK74-01059.....	12/93
GK74-01001.....	06/92	GK60-1023.....	11/95	GK74-01060.....	09/92
GK60-01002.....	08/93	GK60-01024.....	03/95	GK74-01061.....	01/93
GK62-01002.....	05/92	GK74-01024.....	08/92	GK74-01062.....	10/92
GK60-01003.....	09/93	GK60-01026.....	03/96	GK74-01063.....	10/92
GK74-01004.....	05/92	GK74-01026.....	08/92	GK74-01064.....	02/93
GK60-01005.....	11/93	GK60-01027.....	02/96	GK74-01065.....	01/93
GK74-01005.....	06/92	GK62-01027.....	08/92	GK74-01066.....	01/93
GK74-01007.....	06/92	GK60-01028.....	02/96	GK74-01068.....	01/93
GK60-01008.....	02/94	GK74-01028.....	08/92	GK74-01069.....	01/93
GK74-01008.....	06/92	GK74-01029.....	08/92	GK74-01070.....	01/93
GK60-01009.....	02/94	GK74-01030.....	08/92	GK62-01071.....	02/93
GK74-01009.....	06/92	GK74-01031.....	08/92	GK74-01072.....	02/93
GK60-01010.....	03/94	GK60-01032.....	07/96	GK74-01073.....	03/93
GK74-01010.....	06/92	GK74-01032.....	08/92	GK74-01074.....	02/93
GK60-01011.....	03/94	GK60-01034.....	08/97	GK74-01075.....	02/93
GK74-01011.....	06/92	GK74-01034.....	08/92	GK74-01076.....	02/93
GK60-01012.....	03/94	GK74-01035.....	08/92	GK74-01077.....	02/93
GK60-01013.....	05/94	GK74-01036.....	08/92	GK74-01079.....	03/93
GK60-01014.....	05/94	GK74-01037.....	09/92	GK62-01080.....	06/93
GK74-01014.....	06/92	GK74-01038.....	08/92	GK74-01081.....	03/93
GK60-01015.....	05/94	GK74-01039.....	09/92	GK74-01082.....	03/93
GK60-01016.....	06/94	GK74-01040.....	09/92	GK62-01083.....	06/93
GK60-01016.....	06/92	GK62-01041.....	10/92	GK62-01085.....	08/93
GK60-01017.....	06/94	GK74-01044.....	11/92	GK74-01085.....	05/93
GK60-01017.....	07/92	GK74-01046.....	11/92	GK62-01086.....	10/93
GK60-01018.....	07/94	GK74-01049.....	08/92	GK74-01086.....	05/93
GK62-01018.....	07/92	GK74-01050.....	11/92	GK62-01087.....	11/93
GK60-01019.....	07/94	GK74-01052.....	01/93	GK74-01087.....	05/93
GK62-01019.....	07-92	GK74-01053.....	01/93	GK62-01088.....	05/00
GK60-01020.....	08/94	GK74-01054.....	12/92	GK74-01089.....	07/93
GK74-01020.....	07/92	GK74-01055.....	12/92	GK74-01090.....	06/93
GK60-01021.....	11/94	GK74-01056.....	12/92	GK62-01091.....	12/93
GK74-01021.....	08/92	GK74-01057.....	12/92	GK74-01091.....	07/93
GK60-01023.....	03/95	GK74-01058.....	09/92	GK62-01093.....	12/93

S/N - Grass King

GK60 = 60" Rotary

GK62 = 62" Flail

GK74 = 74" Flail

S/N	SHIP	S/N	SHIP	S/N	SHIP
GK74-01093.....	07/93	GK74-01121.....	03/94	GK74-01148.....	05/95
GK62-01094.....	12/93	GK62-01122.....	09/95	GK74-01149.....	05/95
GK74-01094.....	07/93	GK74-01122.....	03/94	GK74-01151.....	08/95
GK62-01095.....	01/94	GK74-01123.....	06/94	GK74-01152.....	09/95
GK62-01096.....	04/94	GK62-01124.....	03/96	GK74-01153.....	05/95
GK62-01097.....	04/94	GK74-01124.....	06/94	GK74-01154.....	04/96
GK62-01098.....	04/94	GK62-01125.....	09/95	GK74-01155.....	12/95
GK74-01098.....	09/93	GK74-01125.....	07/94	GK74-01156.....	12/95
GK62-01099.....	05/94	GK62-01126.....	01/96	GK74-01157.....	12/95
GK74-01100.....	09/93	GK74-01126.....	07/94	GK74-01158.....	03/96
GK60-01101.....	03/97	GK62-01127.....	04/96	GK74-01159.....	12/95
GK74-01101.....	11/93	GK74-01127.....	07/94	GK60-01160.....	03/96
GK62-01101.....	08/94	GK62-01128.....	01/96	GK74-01161.....	12/95
GK62-01103.....	10/94	GK74-01128.....	07/94	GK74-01162.....	02/96
GK62-01104.....	09/94	GK62-01129.....	04/96	GK74-01163.....	02/96
GK74-01104.....	12/93	GK74-01129.....	07/94	GK74-01164.....	09/95
GK62-01105.....	10/94	GK74-001129.....	01/96	GK74-01165.....	03/96
GK62-01106.....	11/94	GK62-01130.....	12/95	GK74-01166.....	02/96
GK62-01107.....	02/95	GK74-01130.....	07/94	GK74-01167.....	01/96
GK74-01107.....	11/93	GK74-01131.....	08/94	GK74-01168.....	07/92
GK62-01108.....	02/95	GK74-01132.....	08/94	GK74-01169.....	07/96
GK62-01109.....	03/95	GK74-01133.....	08/94	GK74-01170.....	07/96
GK74-01109.....	11/93	GK74-01134.....	09/94	GK74-01171.....	11/96
GK62-01110.....	09/95	GK74-01135.....	10/94	GK74-01172.....	07/96
GK74-01112.....	07/96	GK74-01136.....	11/94	GK74-01173.....	07/96
GK74-1112.....	07/96	GK74-01137.....	11/94	GK74-01175.....	08/96
GK62-01113.....	09/95	GK74-01138.....	01/95	GK74-01176.....	09/96
GK62-01114.....	09/95	GK74-01140.....	02/95	GK74-01178.....	11/96
GK74-01114.....	01/94	GK74-01141.....	02/95	GK74-01179.....	11/96
GK62-01115.....	09/95	GK74-01142.....	02/95	GK74-01180.....	11/96
GK74-01115.....	01/94	GK74-01143.....	02/95	GK74-01181.....	01/97
GK62-01116.....	12/95	GK74-01144.....	03/95	GK74-01182.....	11/96
GK62-01117.....	12/95	GK74-01145.....	03/95	GK74-01184.....	01/97
GK62-01119.....	09/95	GK74-01146.....	03/95	GK74-01185.....	05/97
GK74-01120.....	04/94	GK74-01147.....	03/95	GK74-01186.....	07/97

S/N - Grass King

GK60 = 60" Rotary

GK62 = 62" Flail

GK74 = 74" Flail

S/N	SHIP	S/N	SHIP	S/N	SHIP
GK74-01187.....	09/97	GK62-01247.....	07/98	GK74-01312.....	05/99
GK74-01188.....	09/97	GK62-01253.....	06/98	GK74-01313.....	12/99
GK74-01189.....	11/97	GK62-01254.....	06/98	GK74-01314.....	07/99
GK74-01190.....	11/97	GK62-01255.....	09/98	GK74-01315.....	07/99
GK74-01191.....	11/97	GK62-01257.....	01/99	GK74-01317.....	03/00
GK74-01192.....	11/97	GK62-01258.....	04/99	GK74-01318.....	04/00
GK74-01193.....	01/98	GK62-01259.....	04/99	GK74-01319.....	04/00
GK74-01194.....	01/98	GK62-01260.....	10/99	GK74-01320.....	07/00
GK74-01195.....	01/98	GK62-01261.....	03/00	GK74-01323.....	08/00
GK74-01196.....	01/98	GK62-01262.....	03/00	GK74-01326.....	09/00
GK74-01197.....	02/98	GK62-01263.....	03/00	GK74-01327.....	03/00
GK74-01198.....	03/98	GK62-01264.....	04/00	GK74-01328.....	03/00
GK74-01199.....	04/98	GK62-01266.....	04/00	GK74-01329.....	11/00
GK74-01200.....	05/98	GK62-01267.....	04/00	GK74-01331.....	01/01
GK74-01201.....	08/98	GK62-01270.....	08/00	GK62-01332.....	04/00
GK74-01201Y.....	05/98	GK62-01272.....	03/01	GK74-01332.....	03/01
GK74-01202.....	06/98	GK62-01273.....	03/01	GK74-01333.....	03/01
GK74-01203.....	07/98	GK62-01274.....	06/02	GK74-01334.....	03/01
GK74-01204.....	07/98	GK62-01277.....	11/01	GK74-01335.....	03/01
GK62-01231.....	04/00	GK62-01278.....	12/01	GK74-01336.....	04/01
GK62-01232.....	08/96	GK62-01279.....	04/02	GK62-01337.....	07/00
GK62-01233.....	08/96	GK62-01282.....	12/02	GK74-01337.....	04/01
GK62-01234.....	08/96	GK62-01301.....	09/98	GK62-01338.....	07/00
GK62-01235.....	08/96	GK74-01301.....	11/98	GK74-01338.....	05/01
GK62-01236.....	12/96	GK62-01302.....	09/98	GK62-01339.....	07/00
GK62-01237.....	05/97	GK74-01302.....	01/99	GK74-01339.....	05/01
GK62-01238.....	05/97	GK74-01303.....	02/99	GK74-01340.....	07/01
GK62-01239.....	06/97	GK62-01304.....	01/99	GK62-01341.....	07/00
GK62-01240.....	08/97	GK74-01304.....	04/99	GK74-01341.....	07/01
GK62-01241.....	09/97	GK74-01305.....	05/99	GK74-01342.....	07/01
GK62-01242.....	03/98	GK74-01306.....	01/99	GK74-01342D.....	08/01
GK62-01243.....	04/98	GK74-01307.....	03/03	GK74-01343.....	08/00
GK62-01244.....	04/98	GK74-01309.....	11/99	GK74-01343D.....	08/01
GK62-01245.....	05/98	GK62-01309.....	06/03	GK74-01344.....	07/00
GK62-01246.....	07/98	GK74-01311.....	05/99	GK74-01344D.....	08/01

S/N - Grass King

GK60 = 60" Rotary

GK62 = 62" Flail

GK74 = 74" Flail

S/N	SHIP	S/N	SHIP
GK74-01345.....	08/00	GK74-01444.....	11/02
GK74-01345D.....	09/01	GK74-01447.....	10/02
GK74-01346.....	08/02	GK74-01449.....	08/02
GK74-01348.....	09/00	GK74-01455.....	01/03
GK74-01350.....	10/00	GK74-01458.....	10/02
GK74-01351.....	11/01	GK62-01459.....	06/02
GK62-01352.....	11/00	GK74-01459.....	11/02
GK74-01353.....	11/00	GK74-01460.....	04/03
GK74-01354.....	02/02	GK74-01464.....	05/03
GK74-01355.....	02/02	GK74-01465.....	03/03
GK74-01356.....	01/01	GK74-01466.....	04/03
GK74-01356B.....	02/02	GK74-01467.....	04/03
GK74-01357.....	02/02	GK74-01468.....	04/03
GK74-01358.....	02/02	GK74-01469.....	04/03
GK74-01359.....	11/01	GK74-01470.....	04/03
GK74-01360.....	03/02	GK74-01471.....	04/03
GK74-01361.....	03/02	GK74-01472.....	05/03
GK74-01362.....	03/02	GK74-01473.....	05/03
GK74-01363.....	04/02	GK74-01476.....	07/03
GK74-01364.....	04/02	GK74-01477.....	08/03
GK74-01365.....	04/02	GK74-01478.....	08/03
GK74-01366.....	05/02	GK74-01479.....	08/03
GK74-01368.....	06/02	GK74-03184.....	02/03
GK74-01369.....	06/02	GK74-03352.....	08/96
GK74-01370.....	07/02	GK62-03397.....	08/96
GK74-01375.....	10/02	GK62-03398.....	08/96
GK74-01376.....	11/02		
GK74-01377.....	12/02		
GK74-01379.....	05/03		
GK74-01380.....	01/03		
GK74-01382.....	02/03		
GK74-01383.....	02/03		
GK74-01385.....	03/03		
GK74-01394.....	07/03		
GK74-01432.....	04/02		
GK74-01439.....	09/02		

NOTES



Grass King Archive Manual 2004 Edition