



TRIUMPH
2500 / 3500 / 6000 / 7500 / 8500

Hydro-Clipper

Rev 03-13

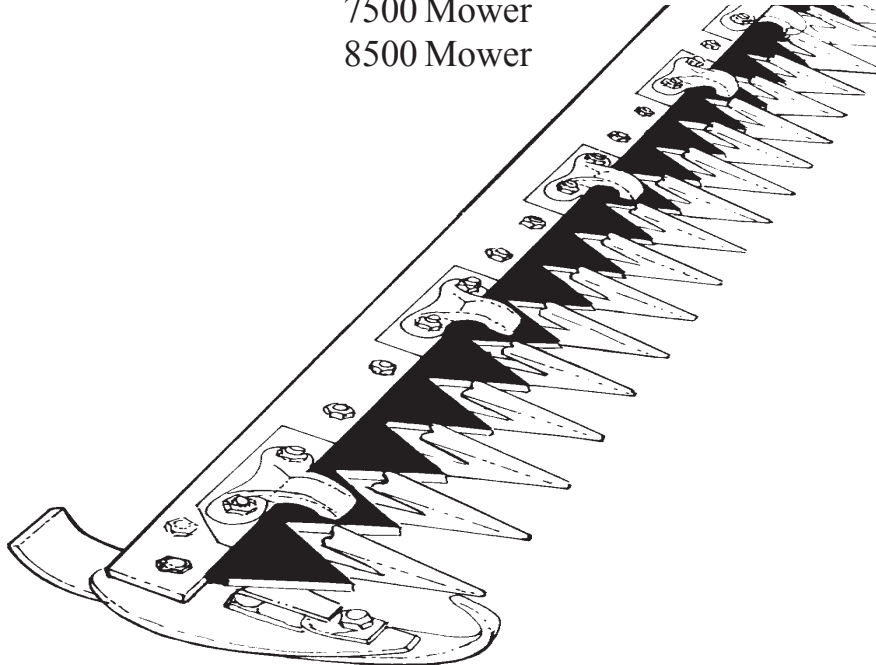
P/N 02979557

ARCHIVE BOOK

By Serial Number / Production

Jan 1962 to Feb. 2001 (End of Production)

D2500 Hydro Clipper
D3500 Utility Mower
5500 Mower
7500 Mower
8500 Mower



COMPLETE PARTS LISTING

2002 Edition

ALAMO INDUSTRIAL

1502 E. Walnut
Seguin, Texas 78155
830-372-9595



BUILT SHARPER®

An Alamo Group Company

© 2013 Alamo Group Inc.

NOTES

Note: Front Cover is Page 1 & 2
Parts Section -3

INDEX - Hydro Clipper

5 ft - 6 ft - 7ft

ITEM	PAGE NO.
Hydro Clipper / Sickle Bar Cutter	
Installation Instructions.....	140 thru 142
Model Parts Introduction.....	7
Model Information.....	130 thru 139
Operation Instructions.....	143 thru 144
Serial Number Information.....	159 thru 172
Service Instructions.....	145 thru 158
 2500 MODEL	
Lift & Break-A-Way Asy.....	8-9
Lift & Break-A-Way Parts.....	10-11
Pitman Arm Asy.....	12-13
Cutter Bar Asy.....	14 thru 25
Knife Asy.....	26-27
Hydraulic Cylinder.....	92-93-94-95-96-97
Hydraulic Motor.....	28-29-30-31
Hydraulic Valve.....	98 thru 105
Open Center 3 Spool (Bar Lift, Curb Lit & Motor Cntrl)	106-107
Open Center 2 Spool (Bar Lift & Curb Lift).....	112-113
Open Center 1 Spool (Motor Control).....	108-109
Closed Center 2 spool (Bar Lift & Curb Lift).....	110-111
Closed Center 1 Spool (Motor Control).....	114-115
Hydraulic Governor.....	116 thru 123
Hydraulic Pumps.....	124-125
Hydraulic Tanks.....	126-127
AG Skid Shoe Option.....	128-129
Decals.....	
 3500 MODEL	
Lift & Break-A-Way Asy.....	32-33
Lift & Break-A-Way Parts.....	34-35
Pitman Arm Asy.....	36-37
Cutter Bar Asy.....	38 thru 49
Knife Asy.....	50-51
Hydraulic Cylinder.....	92-93-94-95-96-97
Hydraulic Motor.....	52-53-54-55
Hydraulic Valve.....	98 thru 105
Open Center 3 Spool (Bar Lift, Curb Lit & Motor Cntrl)	106-107
Open Center 2 Spool (Bar Lift & Curb Lift).....	112-113
Open Center 1 Spool (Motor Control).....	108-109
Closed Center 2 spool (Bar Lift & Curb Lift).....	110-111
Closed Center 1 Spool (Motor Control).....	114-115
Hydraulic Governor.....	116 thru 123
Hydraulic Pumps.....	124-125
Hydraulic Tanks.....	126-127
AG Skid Shoe Option.....	128-129
Decals.....	

INDEX - Hydro Clipper

5 ft - 6 ft - 7ft

ITEM

PAGE NO.

7500 MODEL

Lift & Break-A-Way Asy.....	56-57-58-59
Lift & Break-A-Way Parts.....	60-61-62-63
Hydraulic Drive Asy.....	64-65-66-67
Cutter Bar Asy.....	68-69
Knife Asy.....	70-71
Hydraulic Cylinder.....	92-93-94-95-96-97
Hydraulic Motor.....	72-73-74-75
Hydraulic Valve..... Open Center 3 Spool (Bar Lift, Curb Lit & Motor Cntrl)	98 thru 105
Open Center 2 Spool (Bar Lift & Curb Lift).....	106-107
Open Center 1 Spool (Motor Control).....	112-113
Closed Center 2 spool (Bar Lift & Curb Lift).....	108-109
Closed Center 1 Spool (Motor Control).....	110-111
Hydraulic Governor.....	114-115
Hydraulic Pumps.....	116 thru 123
Hydraulic Tanks.....	124-125
AG Skid Shoe Option.....	126-127
Decals.....	128-129

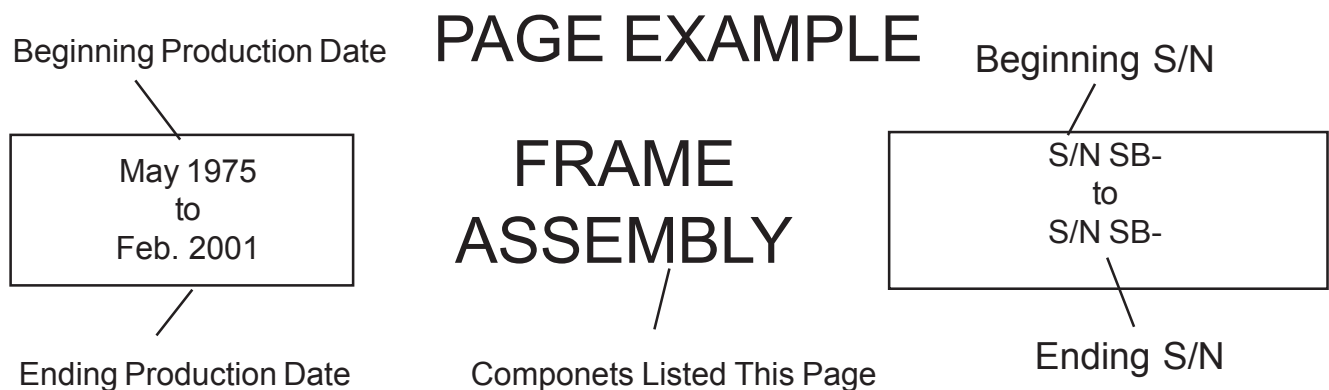
8500 MODEL

Lift & Break-A-Way Asy.....	76-77
Lift & Break-A-Way Parts.....	78-79
Hydraulic Drive Asy.....	80-81-82-83
Cutter Bar Asy.....	84-85
Knife Asy.....	86-87
Hydraulic Cylinder.....	92-93-94-95-96-97
Hydraulic Motor.....	88-89-90-91
Hydraulic Valve..... Open Center 3 Spool (Bar Lift, Curb Lit & Motor Cntrl)	98 thru 105
Open Center 2 Spool (Bar Lift & Curb Lift).....	106-107
Open Center 1 Spool (Motor Control).....	112-113
Closed Center 2 spool (Bar Lift & Curb Lift).....	108-109
Closed Center 1 Spool (Motor Control).....	110-111
Hydraulic Governor.....	114-115
Hydraulic Pumps.....	116 thru 123
Hydraulic Tanks.....	124-125
AG Skid Shoe Option.....	126-127
Decals.....	128-129

NOTES

HYDRO CLIPPER 5, 6 & 7 ft SICKLE BAR ARCHIVE BOOK INTRODUCTION

The Hydro-Clipper (2600, 3500, 7500 & 8500) Archive Book is a complete listing of Parts from the first Unit to the Present. The Production Dates, Serial Numbers are available when possible, Special Notes and Descriptions are furnished to help find Replacement Parts. Dimension (if listed) are for Identification of Parts and MAY NOT be to Manufacturing Specification, Your measurements may vary some from dimensions listed. Some Parts may be changed and be different than parts listed. Some Modification may be required when replacing older parts. Match S/N's listed in the rear of this Book with the Ship Dates listed at the top of each Parts Page. This is because of the different range of Model sizes using these S/N's. Some S/N Info is not available, Check with Alamo Customer Service Dept for S/N questions. Production of this Model Ended Feb. 2001.



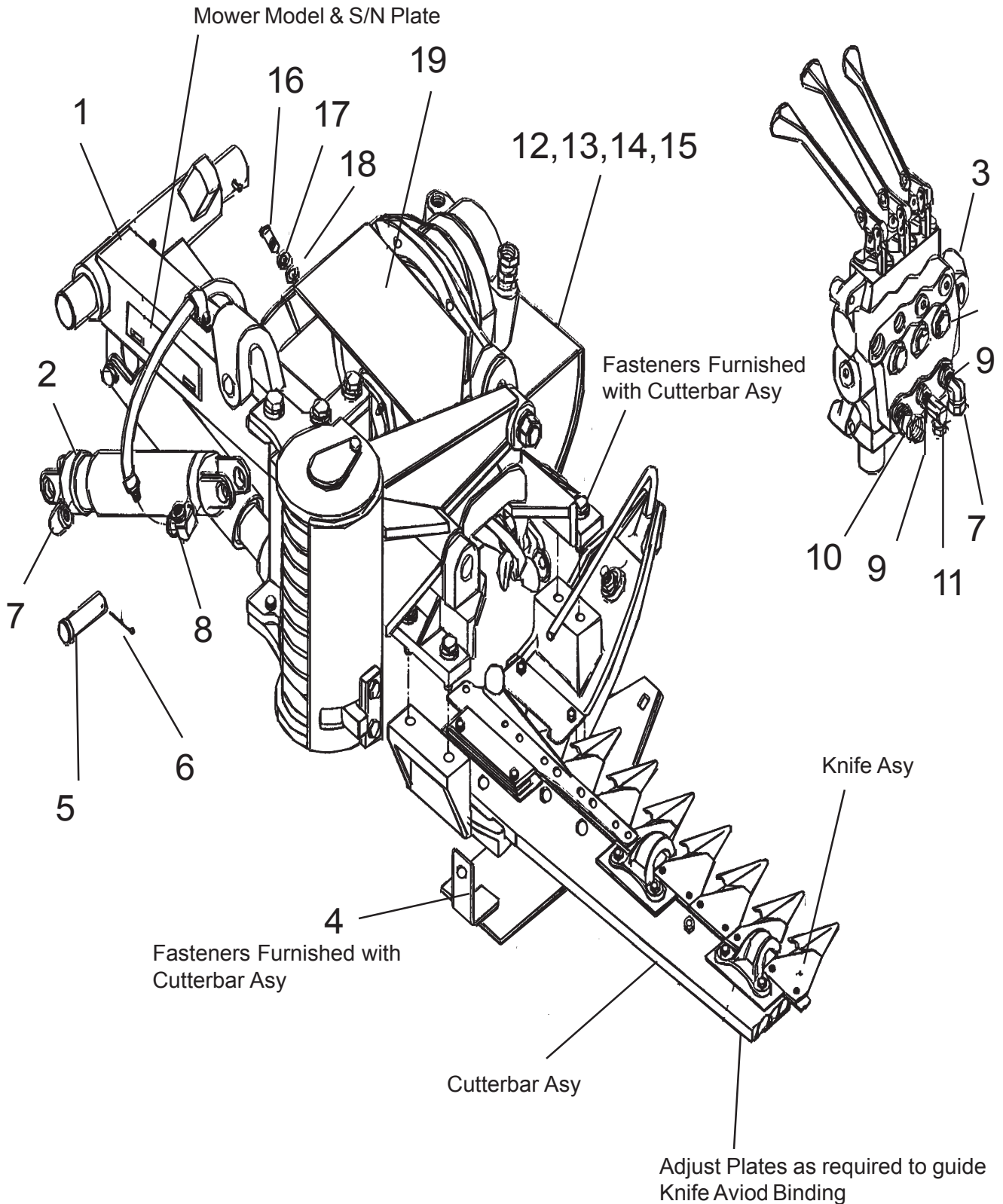
For ordering parts the following instructions are offered to help eliminate delay

1. The purchase order must include the Name, Address (Ship to Street Address) of the Person / Organization ordering the parts. Who / How Parts should be Billed. Name and Phone Number of a Contact Person at your end.
2. The Purchase Order must list clearly the correct Part Number of Part. Quantity of each Part wanted, Complete and correct Description of each Part. All Parts will be shipped as requested depending on availability and/or reasonability of request carrier / method.
3. Alamo Industrial reserves the right to substitute parts where applicable and change prices Without prior notice. Alamo Industrial also reserves the right to Ship Parts the most Reasonable way as determined by Alamo Industrial.
4. Some Parts are unlisted items, which are special production items not normally stocked or built for a limited / special use, These parts may be subject to special handling or cannot be priced till ordered. Always Request a quotation for such Parts before sending a purchase order.

Jan . 1975
to
Feb. 2001

LIFT & BREAK-A-WAY ASY 2500 Series

S/N SB-All
to
S/N SB-End Production



Jan . 1975
to
Feb. 2001

LIFT & BREAK-A-WAY ASY 2500 Series

S/N SB-All
to
S/N SB-End Production

Item	Part No New #	Part No. Old #	Qty.	Description
1	NLA	D2500	1	Lift And Break-A-Way Asy (RH Model) (Use Parts)
	NLA	C2500	1	Lift And Break-A-Way Asy (LH Model) (Use Parts)
2	0693400A	2401	1	Cylinder Asy, Curb Cyl
3	0672000	6420	1	Valve Asy, 3 Spool
4	0585500	5855	1	* Inner Shoe Sole (RH Model)
	0585600	5856	1	* Inner Shoe Sole (LH Model)
5	0424200	4242	2	Clevis Pin
6	00755153	513	2	Cotter Pin
7	0075000	750	2	Street Elbow, 1/4" X 90 Deg.
8	0585000	5850	1	Side Outlet Elbow, 1/4"
9	0066200	662	2	Bushing, 1/2" X 1/4"
10	000898	695	1	Adapter Union, 1/2"
11	0307000	3070	1	Adapter Union Elbow, 1/4"
12	0586000	5860	1	* Motor Guard (RH Model)
	0585900	5859	1	* Motor Guard (LH Model)
13	02886900	1166	7	Carriage Bolt
14	00019600	112	7	Lockwasher
15	00001200	186	7	Nut
16	0021400	1661	2	Bolt
17	00017000	1184	2	Lockwasher
18	0084900	849	2	Flatwasher
19	0614300	6143	1	Pitman Guard, (RH Model)
	0614400	6144	1	Pitman Guard, (LH Model)

NOTE: * Prior to Oct. 1976 the Inner Shoe Sole & Motor Guard were one piece Part # 5721 (RH) & 5722 (LH) this was change to the 2 piece as shown in Oct. 1976, This new 2 piece design will fit the older units by drilling 3 of the motor mount holes to match alignment with existing holes.

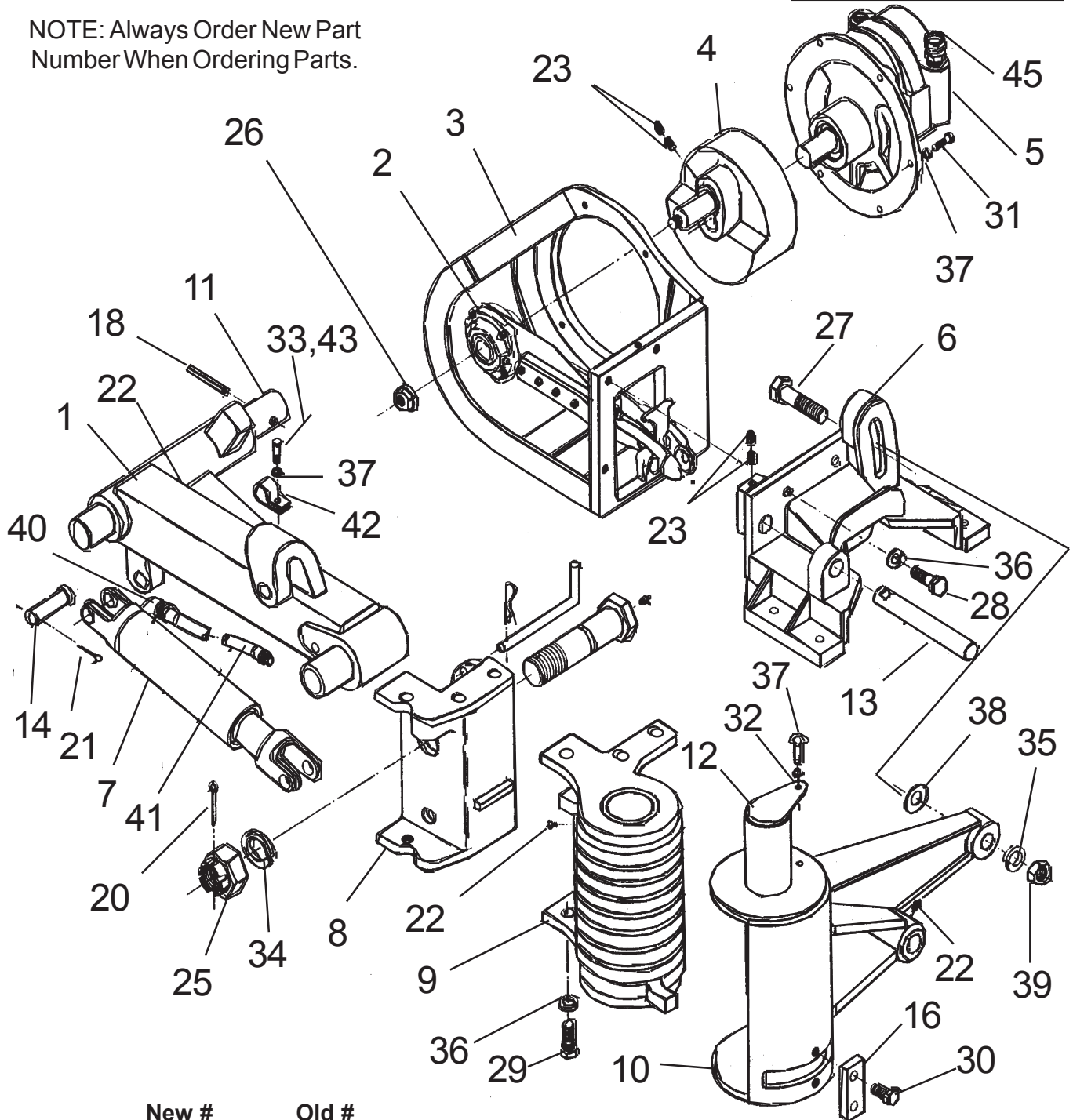
Always Order New Part Numbers When Ordering Parts

Jan . 1975
to
Feb. 2001

LIFT & BREAK-A-WAY PARTS 2500 Series

S/N SB-All
to
S/N SB-End Production

NOTE: Always Order New Part
Number When Ordering Parts.



Item	New # Part No	Old # Part No.	Qty.	Description
1	0341600 0493600	3416 2707	1	Carriage, w/items 19 & 22 (RH Model)
2	0182800 0442800	1828 4428	1	Carriage, w/items 19 & 22 (LH Model)
3	0182700 0270900	1827 2709	1	Pitman Assy, (RH Model)
4	0185800	1858	1	Pitman Assy, (LH Model)
			1	Motor Mount, (RH Model)
			1	Motor Mount, (LH Model)
			1	Flywheel Assy, w/Items 23 & 26 (w/3/4" Threads)

Jan . 1975
to
Feb. 2001

LIFT & BREAK-A-WAY PARTS 2500 Series

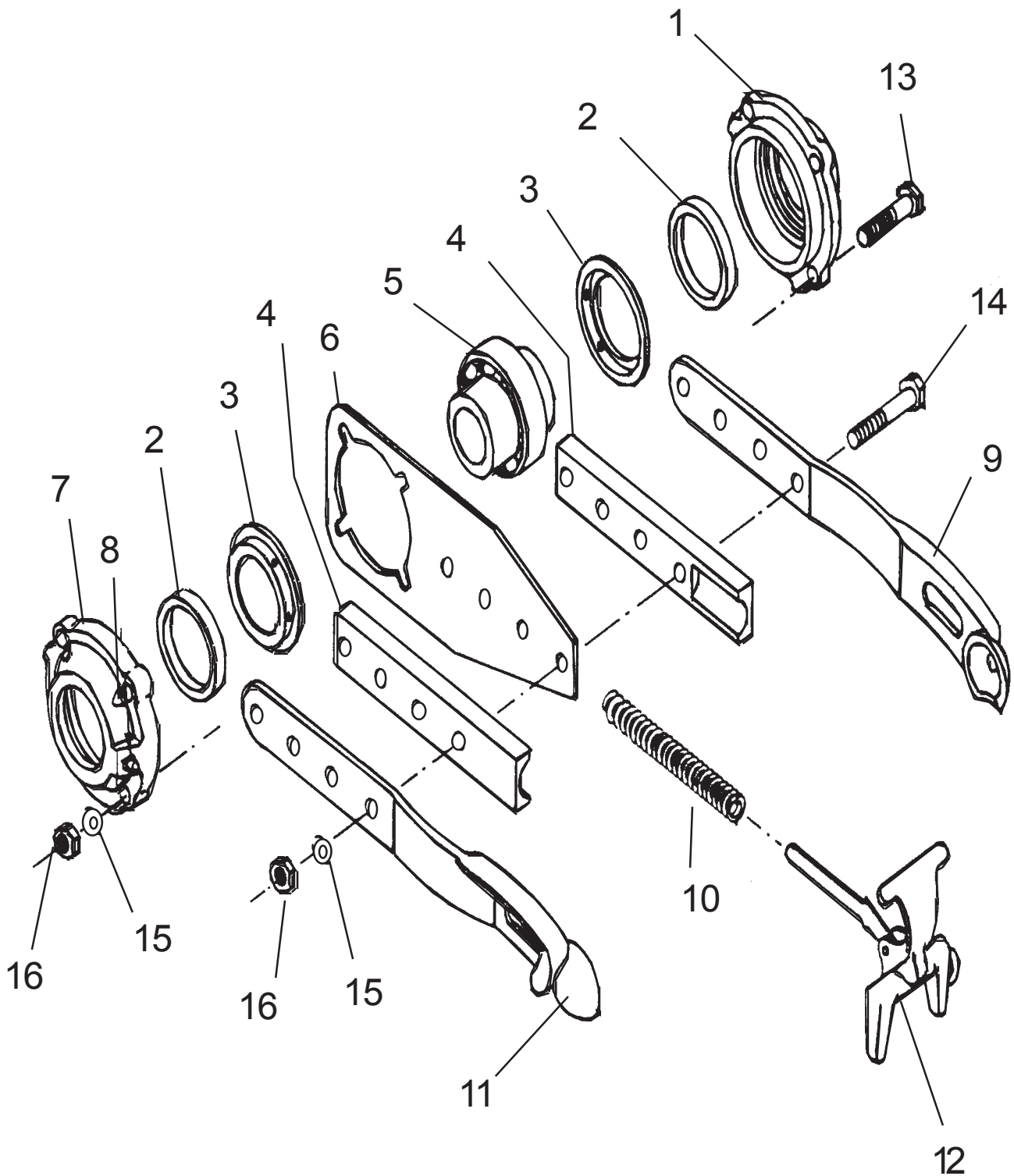
S/N SB-All
to
S/N SB-End Production

Item	Part No New #	Part No. Old #	Qty.	Description
5	0188600	1886	1	Hydraulic Motor (w/ 1" Gears)
	0118600	1186	1	Hyd Motor (w/ 3/4" Gears)
6	0270100	2701	1	Motor Mount Support, w/Item 23 (RH Model)
	0275700	2757	1	Motor Mount Support, w/Item 23 (LH Model)
7	0693500A	2402	1	Cylinder Asy, (Bar)
8	0113000	1130	1	Knuckle, (RH Model)
	0271000	2710	1	Knuckle, (LH Model)
9	0119000	1190	1	Spring Support, w/Spring & Item 22 (RH Model)
	0270500	2705	1	Spring Support, w/Spring & Item 22 (LH Model)
10	0112800	1128	1	Cutter Bar Support w/Item 22 (RH Model)
	0270800	2708	1	Cutter Bar Support w/Item 22 (LH Model)
11	0112700	1127	1	Carriage Pin
12	0113900	1139	1	Release Pin
13	0114100	1141	1	Rocker Pin
14	0424200	4242	2	Clevis Pin
15	0121800	1218	1	Transport Pin
16	0112300	1123	1	Spring Tension Block
17	0114600	1146	1	Hair Pin
18	0113400	1134	1	Roll Pin
19	02977603	3431	1	Bushing
20	000162	1056	1	Cotter Pin
21	00755153	513	2	Cotter Pin
22	00752670	123	3	Grease Fitting
23	00009600	1159	4	Set Screw
24	0144300	1443	1	Knuckle Bolt, w/Item 44
25	0142100	1421	1	Knuckle Bolt Nut
26	0631300	6313	1	Wrist Pin Nut, LH Thds, 3/4" (03/82 & Up)
	0185700	1857	1	Wrist Pin Nut, LH Thds, 41/64" (02/82 & Down)
27	00007800	667	1	Bolt
28	02675800	778	4	Bolt
29	00752658	393	6	Bolt
30	00750959	865	2	Bolt
31	00753642	1041	6	Bolt
32	00749503	900	1	Bolt
33	02035400	1101	1	Bolt
34	0142000	1420	1	Lockwasher
35	00003901	523	1	Lockwasher
36	00010300	734	10	Lockwasher
37	00012101	459	8	Lockwasher
38	00002701	1158	1	Flatwasher
39	00000200	1157	1	Nut, Hex
40	0075000	750	1	Street Ell, 1/4" X 90 Deg.
41	0181400	1814	1	Hose, HP
42	0573300	5733	1	Hose Clamp
43	00001004	4737	a/r	Loctite (AV87)
44	00003500	122	1	Grease Fitting
45	000898	695	1	Adapter Union

Jan . 1975
to
Feb. 2001

PITMAN ASY 2500 Series

S/N SB-All
to
S/N SB-End Production



Jan . 1975
to
Feb. 2001

PITMAN ASY 2500 Series

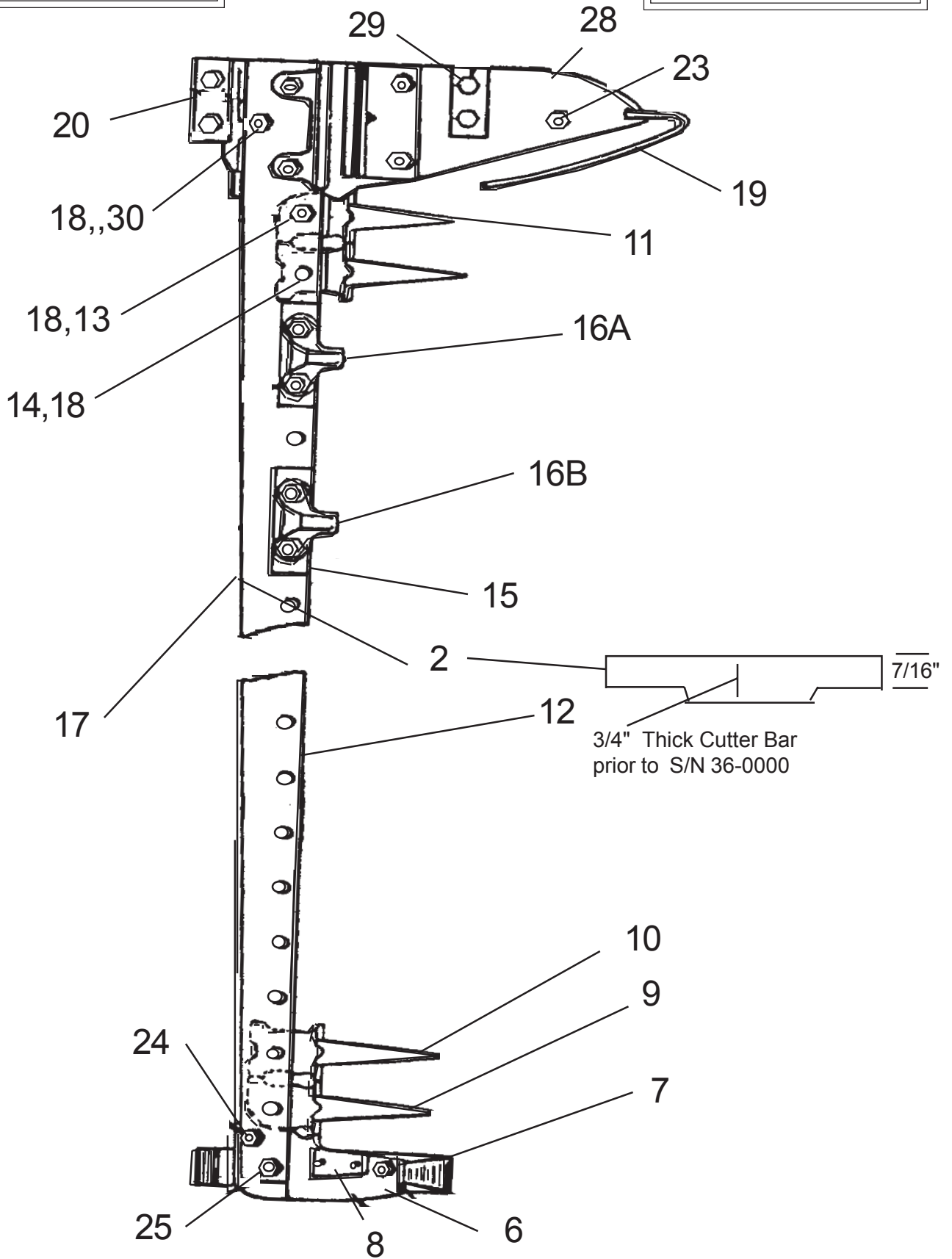
S/N SB-All
to
S/N SB-End Production

Item	Part No New #	Part No. Old #	Qty.	Description
	0182800	1828	1	Pitman Asy (RH Model)
	0442800	4428	1	Pitman Asy (LH Model)
1	0190400	1904	1	Bearing Housing
2	0190600	1906	2	Felt Washer
3	0190700	1907	2	Retainer
4	0190900	1909	2	Spacer
5	0191000	1910	1	Bearing
6	0190800	1908	1	Pitman Connector
7	0190500	1905	1	Bearing Cap
8	00003500	122	1	Grease Fitting
9	0191100	1911	1	Pitman Strap, Rear (RH Model)
	0191200	1912	1	Pitman Strap, Rear (LH Model)
10	0191400	1914	1	Spring
11	0191200	1912	1	Pitman Strap, Front (RH Model)
	0191100	1911	1	Pitman Strap, Front (LH Model)
12	0191500	1915	1	Pitman Fork Asy
13	00016200	1885	4	Bolt
14	02766400	721	4	Bolt
15	00011700	788	8	Lockwasher
16	00021800	1601	8	Nut

N/A
to
N/A

CUTTERBARASY 2500 Series

S/N SB-22-0000
to
S/N SB-29-8645



N/A
to
N/A

CUTTERBAR ASY 2500 Series

S/N SB-22-0000
to
S/N SB-29-8645

ITEMS 1 Thru 17

Item	Part No New #	Part No. Old #	Qty.	Description
	--NLF--	1925	1	* Cutterbar Asy 5', w/o Knife Asy
	--NLF--	1926	1	* Cutterbar Asy 6', w/o Knife Asy
	--NLF--	1927	1	* Cutterbar Asy 7', w/o Knife Asy
1	KIT4498	1551	1	** Agricultural Outer Shoe Asy (Not Shown) Use Kit
	--NLF--	476	1	** Agricultural Outer Shoe & Ledger Plates (Not Shown)
	--NLF--	458	1	** Agricultural Outer Shoe Sole & Bradket (Not Shown)
	--NLF--	448	1	** Divider Rod Outer (Not Shown)
	--NLF--	449	2	** Divider Rod Inner (Not Shown)
6	0124100	1241	5	Industrial Outer Shoe Sole w/ Ledger Plates
7	0123800	1238	1	Industrial Outer Shoe Sole Olny
8	0047800	478	1	Outer Shoe Ledger Plate Only
	0047500	475	1	Rivet, 3/4" Long
	0167800	1678	1	Rivet, 1" Long
9	0093700	936	1	Rock Guard, Outer
10	0093700	937	17	Rock Guard, Center (Qty = 17 for 5', 21 for 6' & 25 for 7')
11	0093500	935	1	Rock Guard, Outer,
	0116200	1162	a/r	Ledger Plate for Guards Beveled Edge
	0116300	1163	a/r	Screw & Nut , Flat Head f/ Guard Plates
12	0093800	938	1	*** One Piece Wear Plate, 5' (Use 4 # 5326 & 1 # 5719)
	0133800	1338	1	*** One Piece Wear Plate, 6' (Use 5 # 5326 & 1 # 5719)
	0131700	1317	1	*** One Piece Wear Plate, 7' (Use 6 # 5326 & 1 # 5719)
13	0046400	464	8	Bolt, Use with Low Clips (Qty = 8 f/ 5', 10 f/ 6' & 12 f/ 7')
14	0046600	466	9	Bolt, (Qty 9 f/ 5', 11 f/ 6' & 13 f/ 7')
15	0046500	465	2	Bolt
16A	0012700	127	1	Knife Clip, High
16B	0188700	1887	4	Knife Clip, Low (Qty = 4 f/ 5', 5 f/ 6' & 6 f/ 7')
17	--NLF--	807	1	Cutter Bar Only, 5' Model
	--NLF--	809	1	Cutter Bar Only, 6' Model
	--NLF--	1258	1	Cutter Bar Only, 7' Model
	--NLF--	3929	a/r	Spacer used w/ 5/8" Cutterbar Only (see Cutterbar ID)

* Assemblies have Serrated Knives, These Assemblies are obsolete & only some parts are available. Above listing for RH Models only.

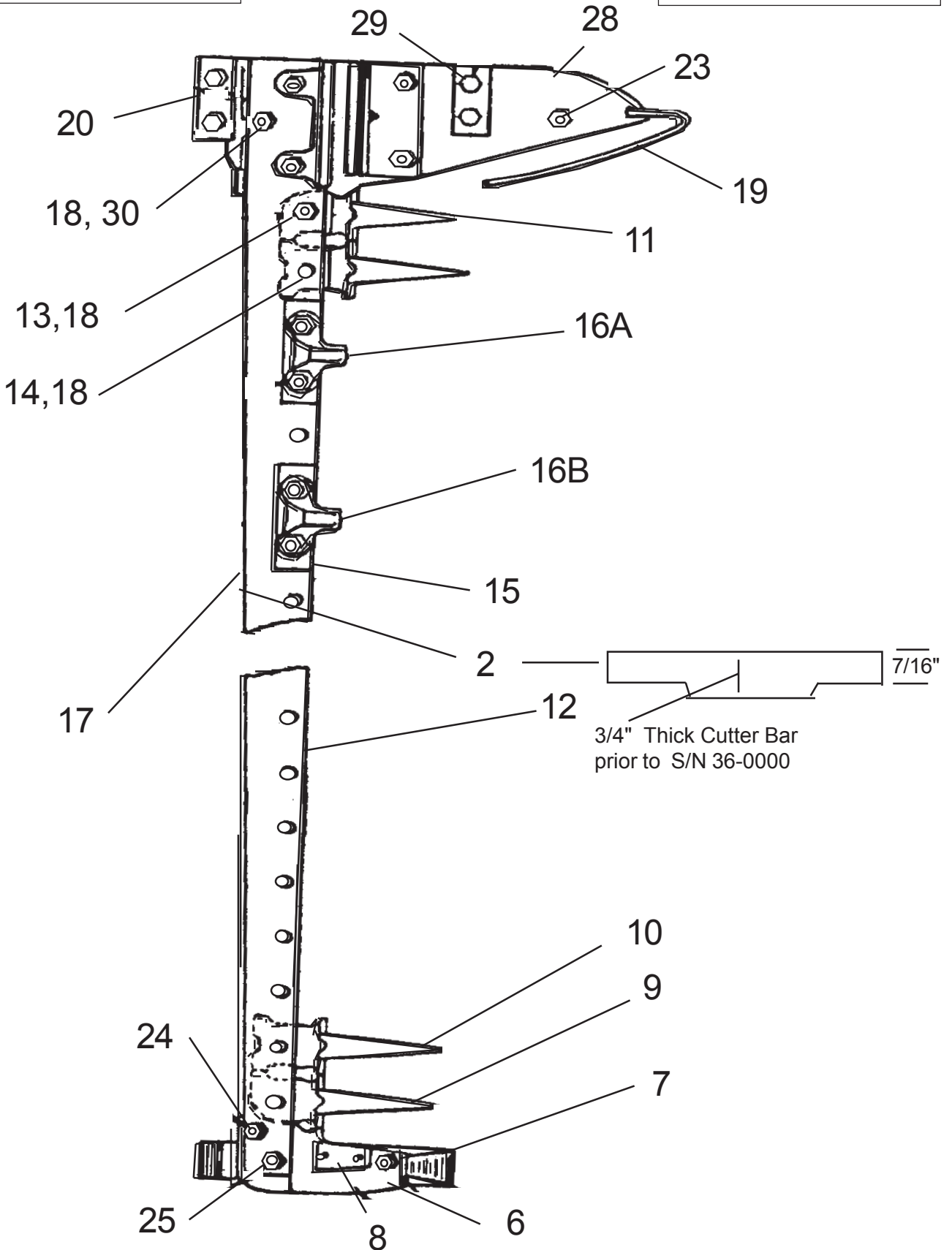
** Outer Agricultural Shoe is an Optional component & Listed as reference Only. Industrila Shoe is standard equipment.

*** One Piece Wear Plates, Item 12 were repalce with section wear plates in Jan 1974, so if replaceing wear plates the pieces will have to be used.

N/A
to
N/A

CUTTERBAR ASY 2500 Series

S/N SB-22-0000
to
S/N SB-29-8645



N/A
to
N/A

CUTTERBAR ASY 2500 Series

S/N SB-22-0000
to
S/N SB-29-8645

ITEMS 18 Thru 30

Item	Part No New #	Part No. Old #	Qty.	Description
18	0085800	858	11	Conical Washer (Qty = 11 f/ 5', 13, f/ 6' & 15 f/ 7')
19	0044700	447	1	Inner Shoe Guard Rod
20	0044600	446	1	Inner Shoe Sole, Not required when using # 2121 Guard
	000516	1012	1	Carriage Bolt
24	12666000	812	1	Carriage Bolt
25	0129000	1290	1	Carridge Bolt
26	0045600	456	1	Bolt Sq, Short (CSk Hd)
27	000644	457	2	Carriage Bolt
	--NLF--	462	1	Bolt, Machine Bolt
28	0343200	3432	1	Inner Shoe & Wear Plate
	0047400	474	1	Inner Shoe Wear Plate
	0167800	1678	4	Rivet, 1" Long
29	00008300	781	4	Bolt
	00010300	734	4	Lockwasher
30	0678300	2905	1	Bolt, Sq. CSK Hd.

* Assemblies have Serrated Knives, These Assemblies are obsolete & only some parts are available. Above listing for RH Models only.

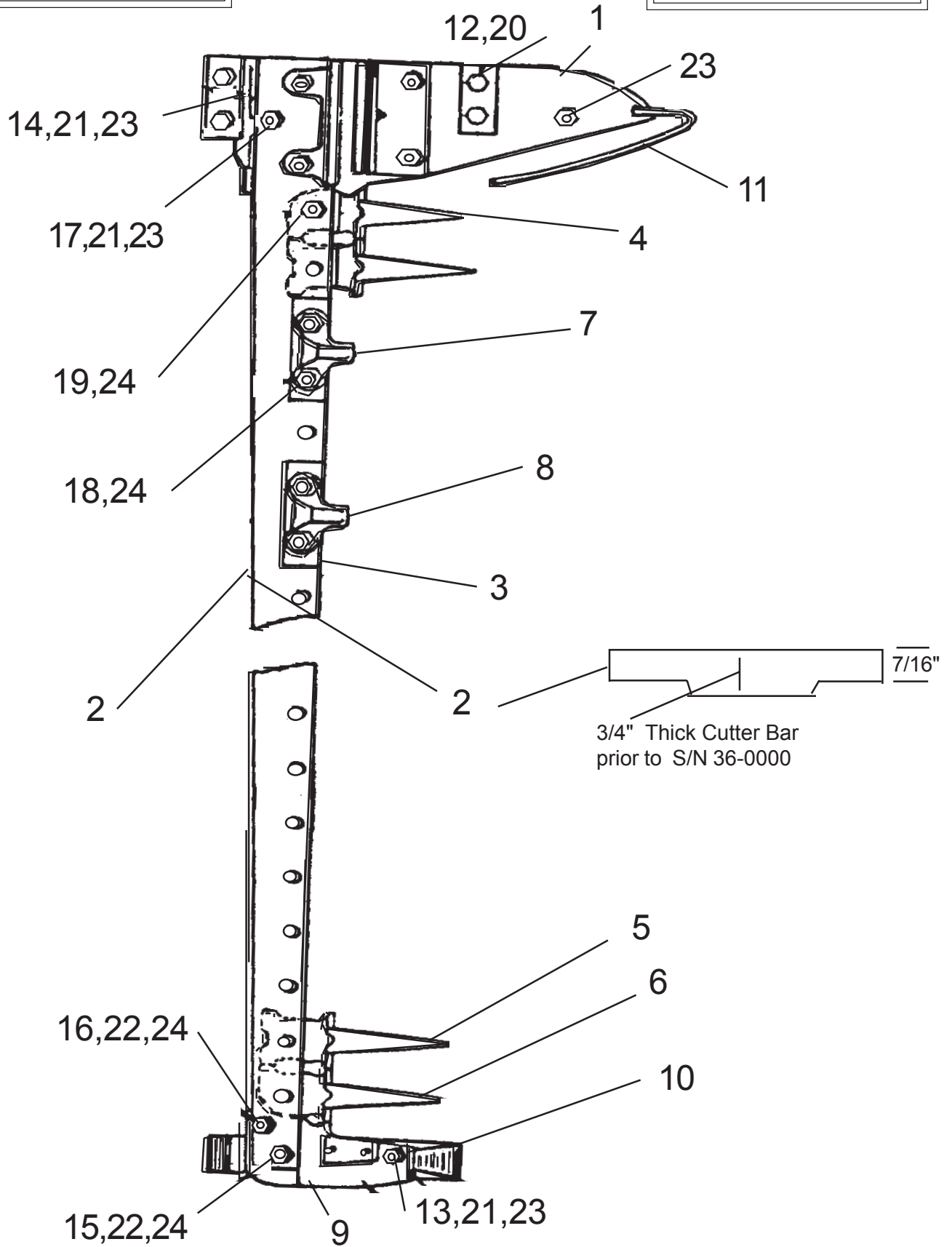
** Outer Agricultural Shoe is an Optional component & Listed as reference Only. Industrila Shoe is standard equipment.

*** One Piece Wear Plates, Item 12 were repalce with section wear plates in Jan 1974, so if replacineg wear plates the pieces will have to be used.

N/A
to
Dec. 1974

CUTTERBAR ASY 2500 Series

S/N SB-29-8646
to
S/N SB-36-0000



N/A
to
Dec. 1974

CUTTERBAR ASY 2500 Series

S/N SB-29-8646
to
S/N SB-36-0000

ITEMS 1 Thru 10

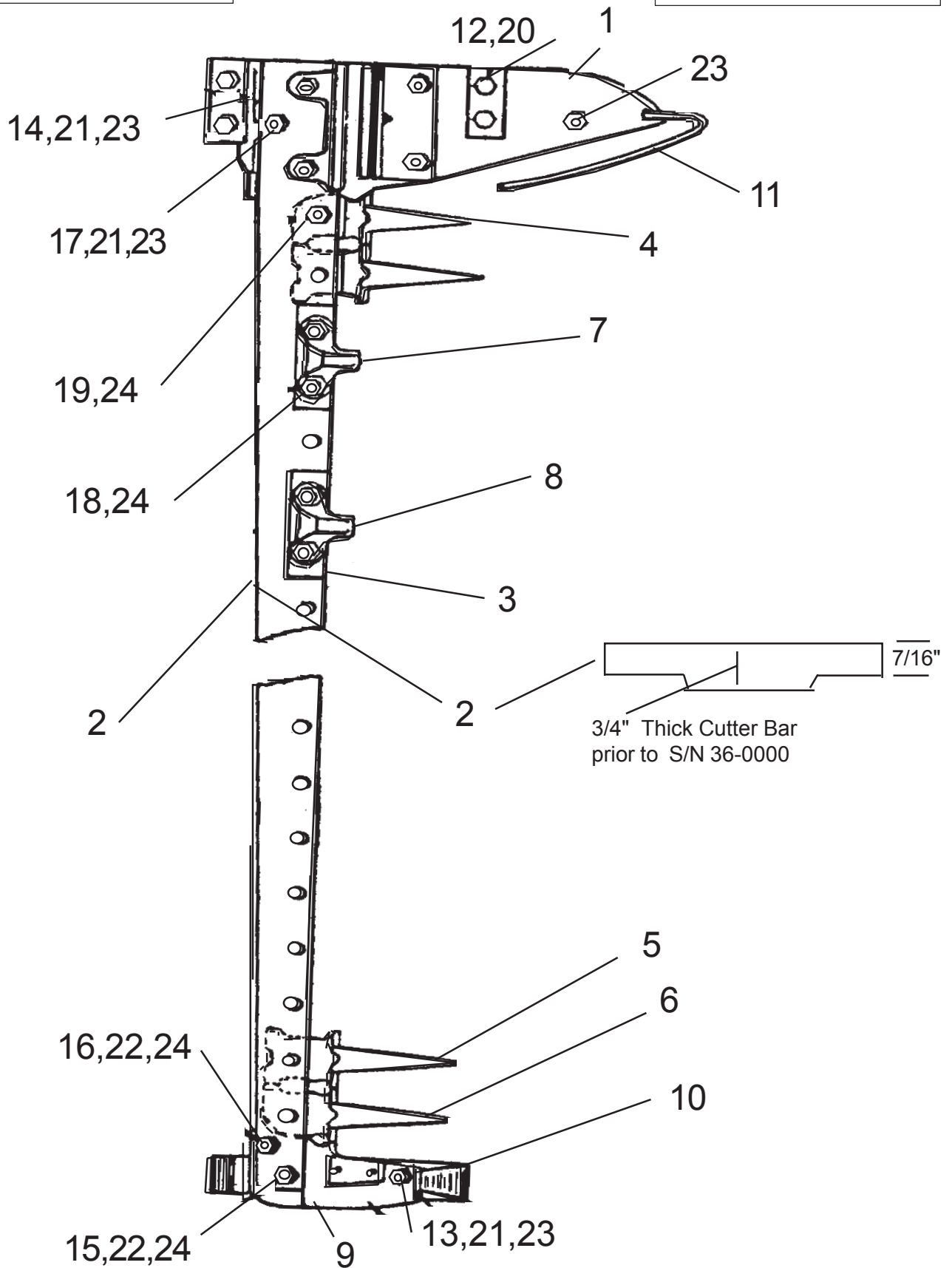
Item	Part No New #	Part No. Old #	Qty.	Description
	--NLF--	3905	1	*Cutterbar Asy 5', w/ Serrated Knife Asy
	--NLF--	3425	1	* Cutterbar Asy 5', w/o Knife Asy
	--NLF--	3906	1	*Cutterbar Asy 6', w/ Serrated Knife Asy
	--NLF--	3426	1	* Cutterbar Asy 6', w/o Knife Asy
	--NLF--	3907	1	*Cutterbar Asy 7', w/ Knife Asy
	--NLF--	3427	1	* Cutterbar Asy 7', w/o Knife Asy
1	0343200	3432	1	Inner Shoe & Wear Plate Asy
	0342400	3424	1	Inner Shoe Only
	0047400	474	1	Wear Plate
	0167800	1678	4	Rivet, Counter Sunk Head
2	0570500	3397	1	* Cutterbar, 5 ft
	0572600	3398	1	* Cutterbar, 6 ft
	0572700	3399	1	* Cutterbar, 7 ft
3	0532600	5326	5	Knife Wear Plate (Qty = 5 for 5', 6 for 7' & 7 for 7')
4	0093500	935	1	Rock Guard, Inner, w/ # 1162 & 1163A
	0116200	1162	1	Ledger Plate, (1 per Rock Guard)
	011630A	1163A	1	Screw, Flathead, (1 per Rock Guard)
	011630B	1163B	1	Nut, Square, (1 per Rock Guard)
5	0093700	937	17	Rock Guard, Center w/ # 1162, 1163A & 1163B (Qty = 17 for 5', 21 for 6' & 25 for 7')
	0116200	1162	1	Ledger Plate, (1 per Rock Guard)
	011630A	1163A	1	Screw, Flathead, (1 per Rock Guard)
	011630B	1163B	1	Nut, Square, (1 per Rock Guard)
6	0093600	936	1	Rock Guard, Outer w/ # 1162, 1163A & 1163B (RH Model)
	0116200	1162	1	Ledger Plate, (1 per Rock Guard)
	011630A	1163A	1	Screw, Flathead, (1 per Rock Guard)
	011630B	1163B	1	Nut, Square, (1 per Rock Guard)
7	0012700	127	1	Knife Clip, High
8	0188700	1887	1	Knife Clip, Low
9	0124100	1241	1	Outer Shoe & Wear Plate Asy (Industrial)
	0124100	1237	1	Outer Shoe (Industrial)
	0047800	478	1	Outer Shoe Wear Plate (Industrial)
	0047500	475	1	Rivet, 3/4" Long
	0167800	1678	1	Rivet, 1" Long
10	0123800	1238	1	Outer Shoe Sole, (RH Model)

* Assemblies have Serrated Knives, These Assemblies are obsolete & only some parts are available.
Above listing for RH Models only.

N/A
to
Dec. 1974

CUTTERBAR ASY 2500 Series

S/N SB-29-8646
to
S/N SB-36-0000



N/A
to
Dec. 1974

CUTTERBAR ASY 2500 Series

S/N SB-29-8646
to
S/N SB-36-0000

ITEMS 11 Thru 24

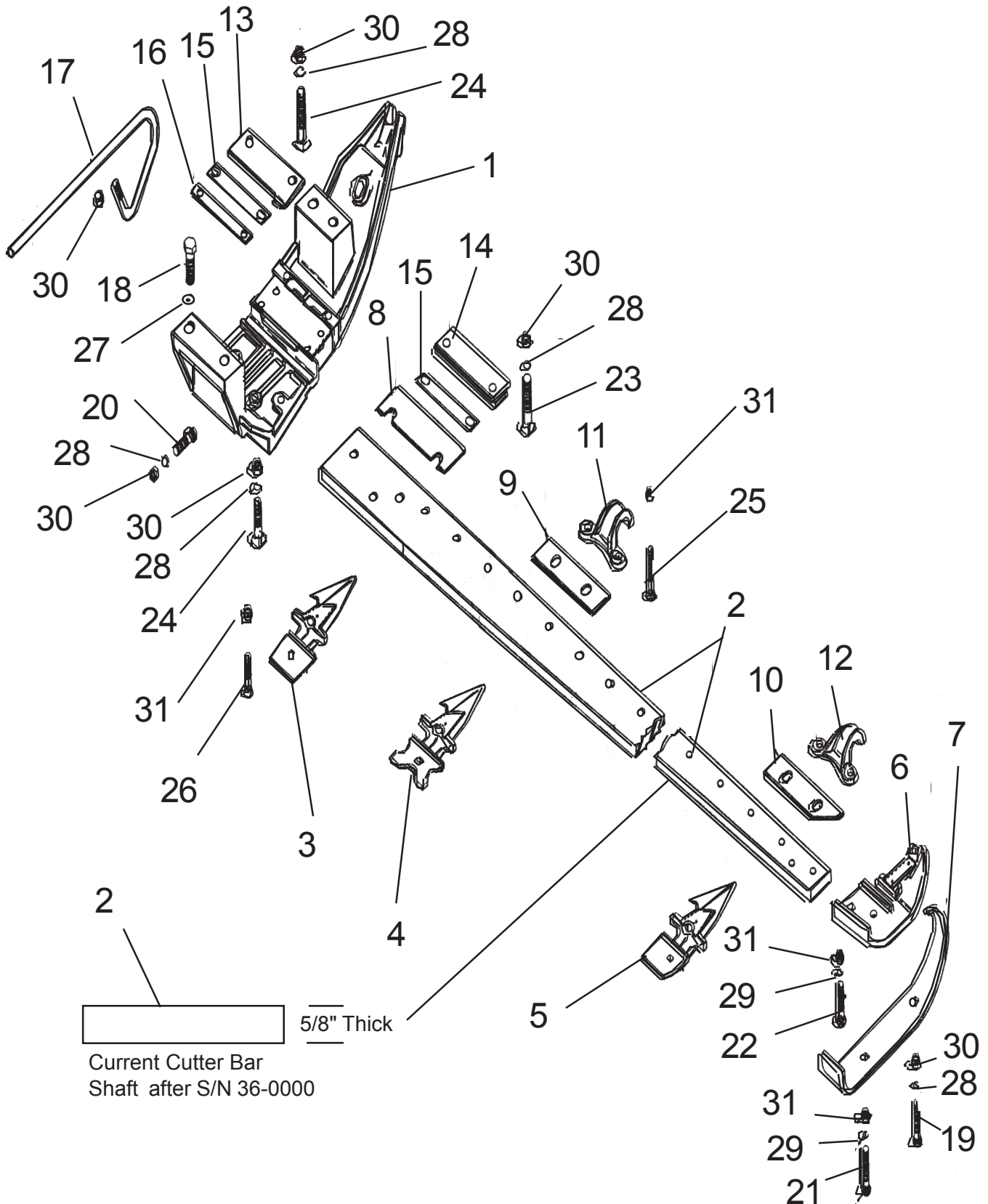
Item	Part No New #	Part No. Old #	Qty.	Description
11	0044700	447	1	Inner Shoe Guard Rod
12	00008300	781	4	Bolt, 1-3/4" Long
13	000516	1012	1	Carriage Bolt, 1-3/4" Long
14	02886900	1166	1	Carriage Bolt, 1-1/2" Long
15	0129000	1290	1	Carriage Bolt, 1-3/4" Long
16	12666000	812	1	Carriage Bolt, 1-1/2" Long
17	0678300	2905	1	Bolt,Sq CSK Hd.
18	0046500	465	10	Bolt, Rnd CSK Hd. (Qty = 10 for 5', 12 for 6' & 14 for 7')
19	0046400	464	9	Bolt, Rnd CSK Hd. (Qty = 9 for 5', 11 for 6' & 13 for 7')
20	00010300	734	4	Lockwasher
21	00019600	112	3	Lockwasher
22	00022200	460	2	lockwasher
23	00001200	186	4	Nut
24	00999316	1638	21	Nut, (Qty = 21 for 5', 25 for 6' & 29 for 7')

* Asemblies have Serrated Knives, These Assemblies are obsolete & only some parts are available.
Above listing for RH Models only.

Jan. 1975
to
Feb. 2001

CUTTERBAR ASY 2500 Series

S/N SB-All
to
S/N SB-End Production



Jan. 1975
to
Feb. 2001

CUTTERBAR ASY 2500 Series

S/N SB-All
to
S/N SB-End Production

ITEMS 1 Thru 7

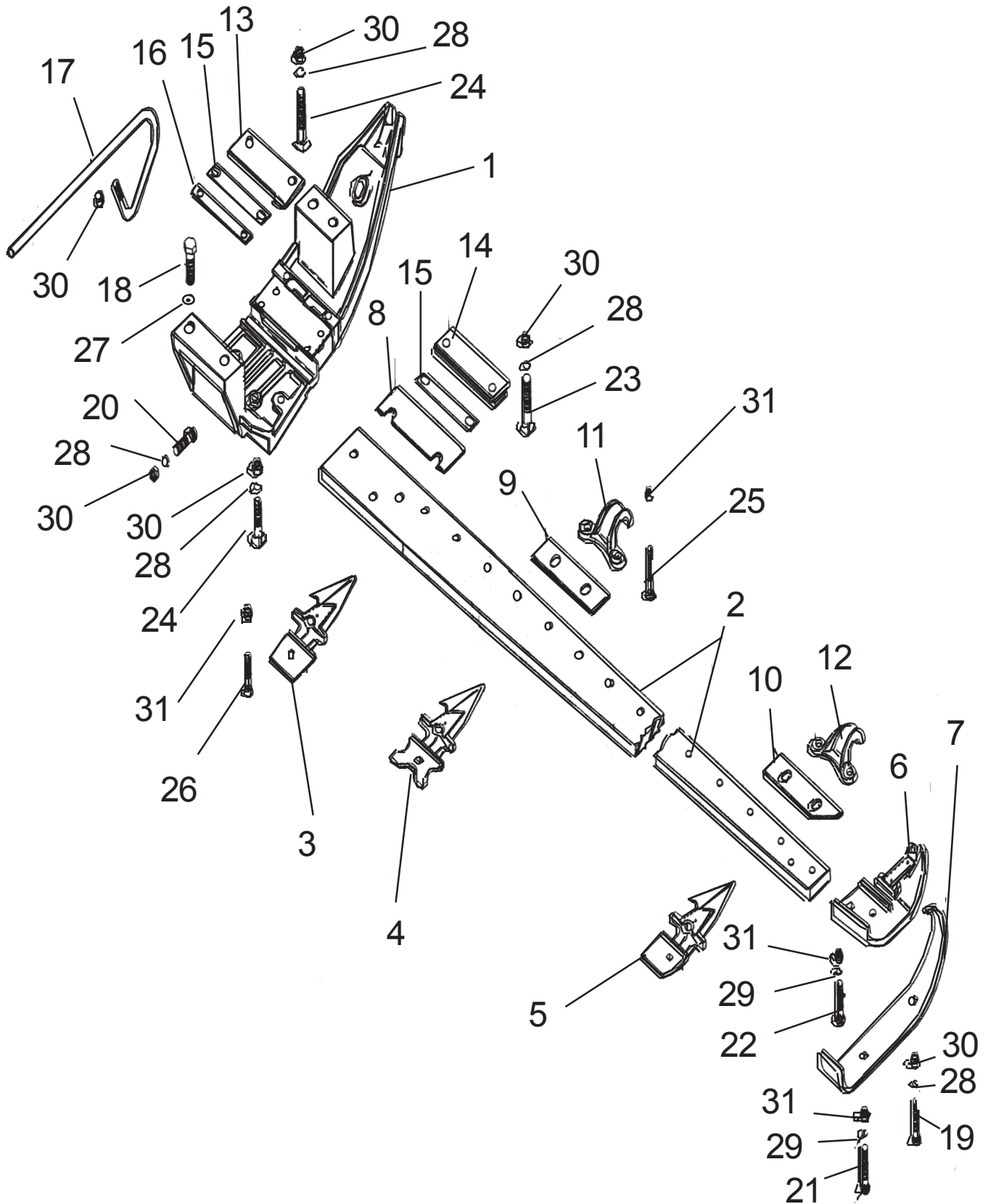
Item	Part No New #	Part No. Old #	Qty.	Description
	0574500	5745	1	*Cutterbar Asy 5', w/ Knife Asy (RH Model)
	0271400	2714	1	*Cutterbar Asy 5', w/ Knife Asy (LH Model)
	0572500	5725	1	Cutterbar Asy 5', w/o Knife Asy (RH Model)
	0574600	5746	1	*Cutterbar Asy 6', w/ Knife Asy (RH Model)
	0575600	5756	1	*Cutterbar Asy 5', w/ Knife Asy (LH Model)
	0572600	5726	1	Cutterbar Asy 6', w/o Knife Asy (RH Model)
	0573600	5736	1	Cutterbar Asy 6', w/o Knife Asy (LH Model)
	0574700	5747	1	*Cutterbar Asy 7', w/ Knife Asy (RH Model)
	0572700	5727	1	Cutterbar Asy 7', w/o Knife Asy (RH Model)
1	0571300	5713	1	Inner Shoe Asy, w/ # 474 & 1678 (RH Model)
	0571500	5715	1	Inner Shoe Asy, w/ # 2779 & 1678 (LH Model)
	0047400	474	1	Wear Plate (RH Model)
	0277900	2779	1	Wear Plate (LH Model)
	0167800	1678	4	Rivet, Counter Sunk Head
2	0570500	5705	1	Cutterbar, 5 ft
	0570600	5706	1	Cutterbar, 6 ft
	0570700	5707	1	Cutterbar, 7 ft
3	0593500	5935	1	Rock Guard, Inner, w/ # 1162 & 1163A & B (RH Model)
	0593600	5936	1	Rock Guard, Inner, w/ # 1162 & 1163A & B (LH Model)
	0116200	1162	1	Ledger Plate, (1 per Rock Guard)
	011630A	1163A	1	Screw, Flathead, (1 per Rock Guard)
	011630B	1163B	1	Nut, Square, (1 per Rock Guard)
4	0593700	5937	17	Rock Guard, Center 5', w/ # 1162, 1163A & 1163B
	0593700	5937	21	Rock Guard, Center 6', w/ # 1162, 1163A & 1163B
	0593700	5937	25	Rock Guard, Center 7', w/ # 1162, 1163A & 1163B
	0116200	1162	1	Ledger Plate, (1 per Rock Guard)
	011630A	1163A	1	Screw, Flathead, (1 per Rock Guard)
	011630B	1163B	1	Nut, Square, (1 per Rock Guard)
5	0593600	5936	1	Rock Guard, Outer w/ # 1162, 1163A & 1163B (RH Model)
	0593500	5935	1	Rock Guard, Outer w/ # 1162, 1163A & 1163B (LH Model)
	0116200	1162	1	Ledger Plate, (1 per Rock Guard)
	011630A	1163A	1	Screw, Flathead, (1 per Rock Guard)
	011630B	1163B	1	Nut, Square, (1 per Rock Guard)
6	0570900	5709	1	Outer Shoe Asy, w/ # 5708, 5728 & 1678 (RH Model)
	0571100	5711	1	Outer Shoe Asy, w/ # 5708, 5729 & 1678 (LH Model)
	0570800	5708	1	Outer Shoe
	0572800	5728	1	Ledger Plate, (RH Model)
	0572900	5729	1	Ledger Plate, (LH Model)
	0167800	1678	2	Rivet, Counter Sunk Head
7	0123800	1238	1	Outer Shoe Sole, (RH Model)
	0569500	5695	1	Outer Shoe Sole, (LH Model)

Contact Factory for LH Model Part Numbers * Assemblies have Serrated Knives

Jan. 1975
to
Feb. 2001

CUTTERBAR ASY 2500 Series

S/N SB-All
to
S/N SB-End Production



Jan. 1975
to
Feb. 2001

CUTTERBAR ASY 2500 Series

S/N SB-All
to
S/N SB-End Production

ITEMS 8 Thru 31

Item	Part No New #	Part No. Old #	Qty.	Description
8	0044500	445	1	Knife Head Wear Plate, Rear
9	0532600	5326	a/r	Knife Wear Plate (Qty. 4-5', 5-6' & 6-7' Models)
10	0571900	5719	1	Knife Wear Plate
11	0012700	127	1	Knife Clip, High
12	0188700	1887	a/r	Knife Clip, Low (Qty. 4-5', 5-6' & 6-7' Models)
13	0188300	1883	1	Knife Head Cap, Front, (RH Model)
	0299300	2993	1	Knife Head Cap, Front, (LH Model)
14	0045000	450	1	Knife Head Cap, Rear
15	0045300	453	8	Shim, Knife Head Cap
16	0571700	5717	1	Spacer, Front Knife Head Cap
17	0044700	447	1	Inner Shoe Guard Rod
18	0008300	781	4	Bolt, Hex Head
19	000516	1012	1	Bolt, Carriage Bolt
20	02886900	1166	1	Bolt, Carriage Bolt
21	0129000	1290	1	Bolt, Carriage Bolt
22	12666000	812	1	Bolt, Carriage Bolt
23	0677700	1869	2	Bolt, Square Head Counter Sunk
24	0678300	2905	3	Bolt, Square Head Counter Sunk
25	0571800	5718	a/r	Bolt, Round Head Counter Sunk (Qty 10-5', 12-6' & 14-7')
26	0046400	464	a/r	Bolt, Round Head Counter Sunk (Qty 9-5', 11-6' & 13-7')
27	00010300	734	4	Lockwasher
28	00019600	112	7	Lockwasher
29	00022200	460	2	Lockwasher
30	00001200	186	8	Nut, Hex
31	00999316	1638	a/r	Nut, Hex (Qty 21-5', 25-6' & 29-7')

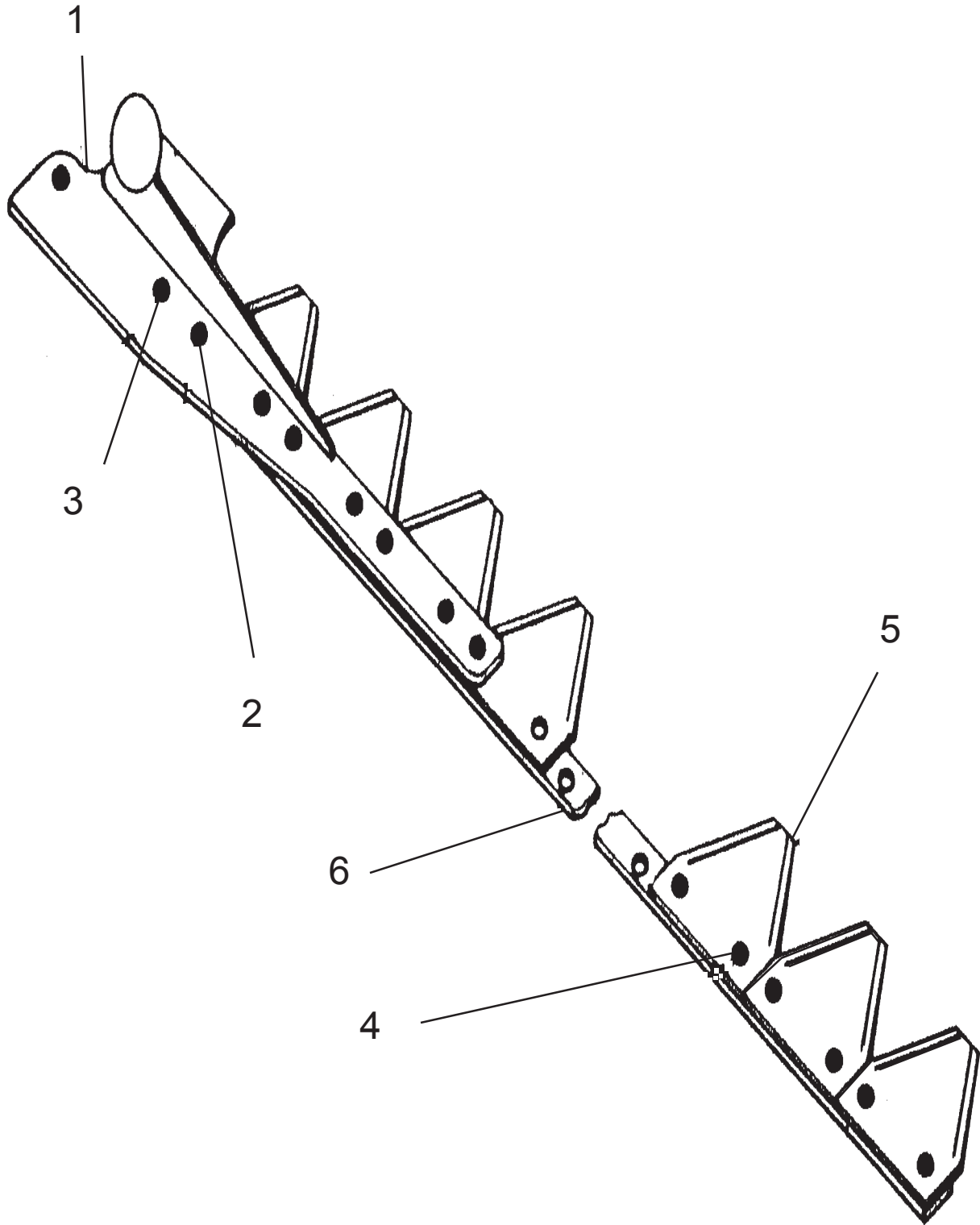
Contact Factory for LH Model Part Numbers * Assemblies have Serrated Knives

Note: Item 1 (# 0571300) Skid Shoe after July 1987 was changed to where the mounting holes were tapped & threaded, the old one used Nuts & Bolts, The threaded skid shoe will replace the old one that was not threaded but bolts will have to be changed to.

Jan. 1975
to
Feb. 2001

KNIFE ASY 2500 Series

S/N SB-All
to
S/N SB-End Production



Jan. 1975
to
Feb. 2001

KNIFE ASY 2500 Series

S/N SB-All
to
S/N SB-End Production

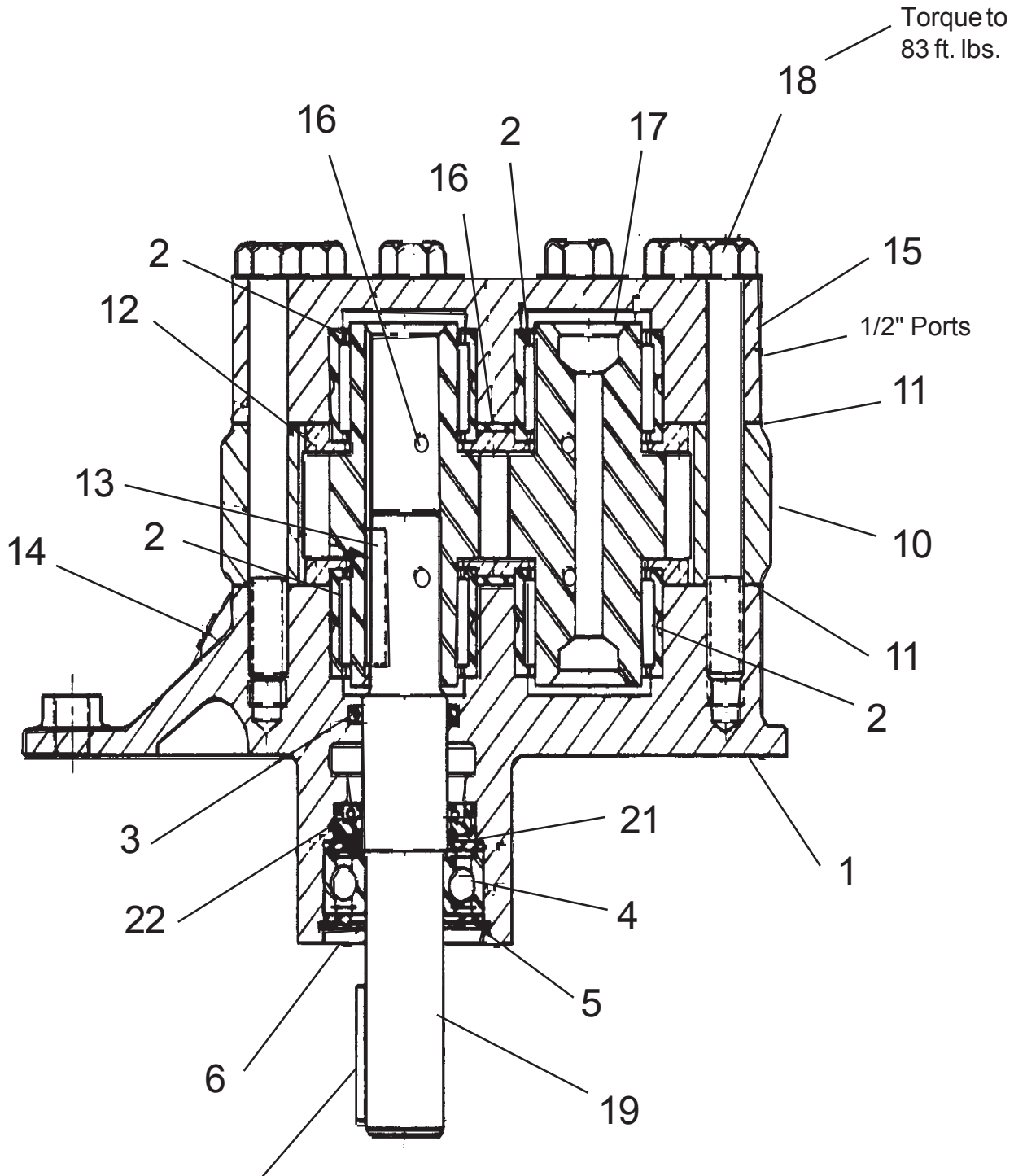
Item	Part No New #	Part No. Old #	Qty.	Description
	0189100	1891	1	*Knife Asy, 5' Smooth Knife (RH Model)
	0187500	1875	1	*Knife Asy, 5' Serrated Knife (RH Model)
	0271400	2714	1	*Knife Asy, 5' Serrated Knife (LH Model)
	0189200	1892	1	*Knife Asy, 6' Smooth Knife (RH Model)
	0187600	1876	1	*Knife Asy, 6' Serrated Knife (RH Model)
	0272100	2721	1	*Knife Asy, 6' Serrated Knife (LH Model)
	0189300	1893	1	*Knife Asy, 7' Smooth Knife (RH Model)
	0187700	1877	1	*Knife Asy, 7' Serrated Knife (RH Model)
	0271500	2715	1	*Knife Asy, 7' Serrated Knife (LH Model)
1	0187400	1874	1	Knife Head, (RH Model)
	0272500	2725	1	Knife Head, (LH Model)
2	0064700	647	a/r	Section Rivet, 29/32" Long (Qty = 7-5', 6' or 7')
3	0064800	648	a/r	Section Rivet, 23/32" Long (Qty = 2-5', 6' or 7')
4	0187100	1871	a/r	Section Rivet, 9/16" Long (Qty = 33-5', 41-6' & 49-7')
5	0064600	646	a/r	*Knife Section, Serrated (Qty = 20-5', 24-6' & 28-7')
	8064600	-----	Set	*Knife Set, Serrated, (1 Carton of 25 Knives)
	0122700	1227	a/r	*Knife Section, Smooth (Qty = 20-5', 24-6' & 28-7')
	8122700	-----	Set	*Knife Set, Smooth, (1 Carton of 25 Knives)
6	0153900	1539	1	Backing Strip (5' Model)
	0187300	1873	1	Backing Strip (6' Model)
	0189000	1890	1	Backing Strip (7' Model)

*Serrated Knives are Standard, Smooth Knives are an Option, Contact factory for LH Parts Not Listed.

Jan. 1975
to
Jan. 2001

HYDRAULIC MOTOR 2500 Series

S/N SB-All
to
S/N SB-End Production



20 This is a Gear Type Motor used during Production, A Replacement Motor Assembly is the Geroler Type See the next page for the Replacement Motor.

Jan. 1975
to
Jan. 2001

HYDRAULIC MOTOR 2500 Series

S/N SB-All
to
S/N SB-End Production

MOTORS HAD 1" or 3/4" Gears

Item	Part No New #	Part No. Old #	Qty.	Description
	0188600	1886	1	Hyd Motor w/ 1" Gears 2.8 CID (Use # 02977145 Motor)
	0118600	1186	1	Hyd Motor w/ 3/4" Gears 2.2 CID (Use # 02977279 Motor)
1	0115500	1155	1	Shaft End Cover, (w/ Items 3,4,5,6,7,8,9,14, 21,22 & 2 of item 2 Only)
2	0159900	1599	4	Roller Bearing
3	0029000	290	1	O-Ring Seal
4	0588700	287	1	Bearing
5	0028800	288	1	Retainer Ring
6	0028900	289	1	Bearing Shield
7	0038000	380	2	Check Ball, (Not Shown)
8	0038100	381	2	Check Ball Retainer, (Not Shown) (Use # 0038000)
9	0038200	382	2	Check Valve Seat (Use # 0038000)
10	0448800	4488	1	Center Housing (use on Motor w/ 1" Gears)
	0115100	1151	1	Center Housing (use on Motor w/ 3/4" Gears)
11	0163100	1631	2	Gasket
12	0029200	292	2	Thrust Plate
13	0029300	293	1	Gear Key
14	0063500	635	1	Pipe Plug
15	0448300	4483	1	Port End Covers
16	0029700	297	10	*Pocket Seals (approx 1/2" Long)
17	0147200	1472	1	Gear Set 1" Gears , Matched Pair, 2 Gears
	0115300	1153	1	Gear Set 3/4" Gears , Matched Pair, 2 Gears
18	00008200	1865	10	Bolt (use on Motor w/ 1" Gears)
	0126800	1268	10	Bolt (use on Motor w/ 3/4" Gears)
19	0115200	1152	1	Shaft
20	0126900	1269	1	Shaft Key
21	0241100	2411	1	Bearing Retainer
22	0231800	2318	1	Seal, Double Lipped

NOTE: There are 2 different Motors, One had 1" Gears (Used on D2500 Model) & the other has 3/4" Gears (Used on the S2500 Model), Check which Motor before ordering High Lighted Parts above. The rest of the parts are common Parts & will interchange between the two pumps, The "D2500 or S2500 is a Designation as to what Tractor they were mounted on.

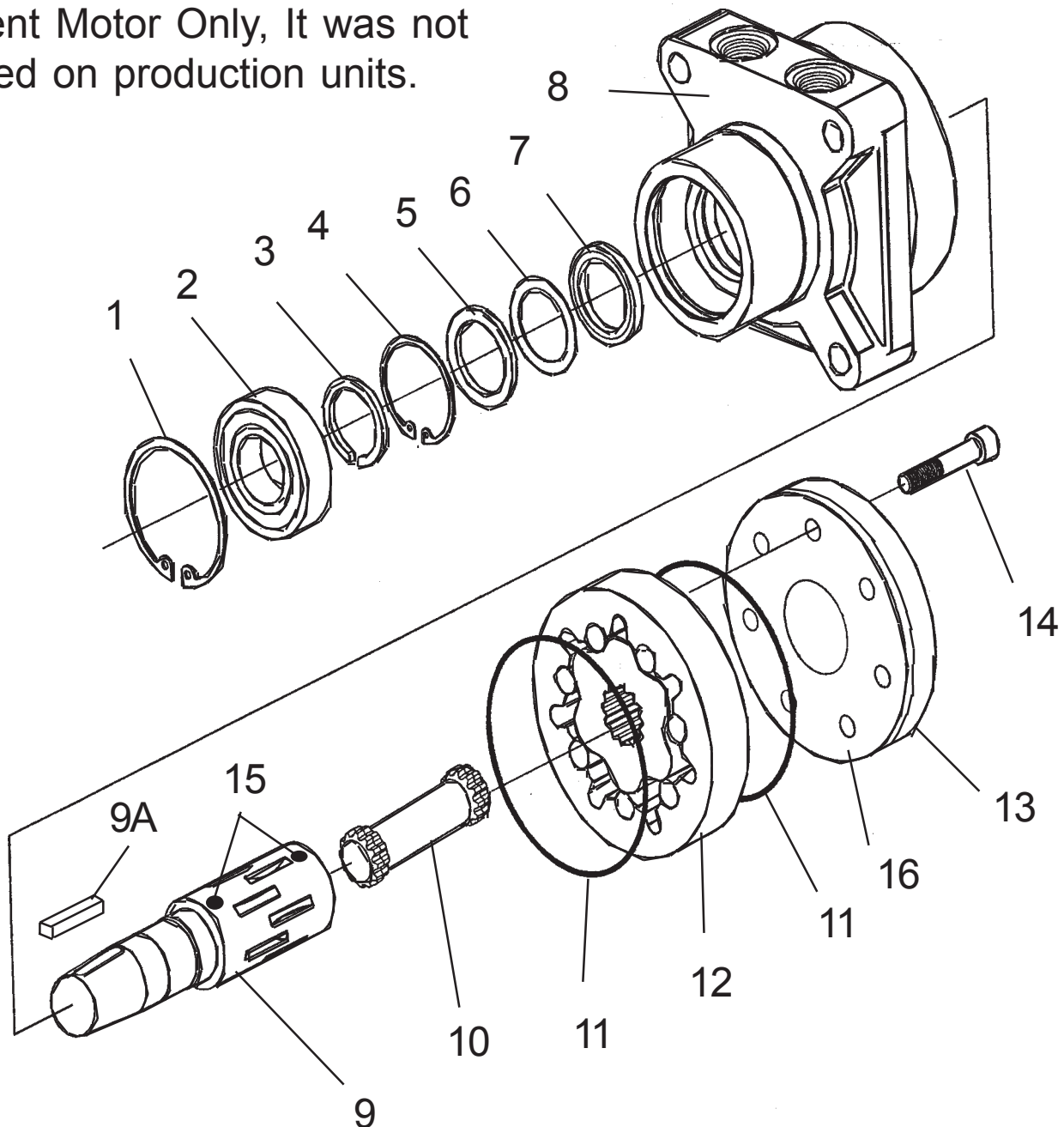
Feb. 2001
to
Replacement

HYDRAULIC MOTOR 2500 Series

S/N SB-Replacement
to
S/N SB-Replacement

Replacement Motor

This Motor used as a replacement Motor Only, It was not used on production units.



This is a Geroler Type Motor used as a Replacement Motor Assembly, For the Geared Type Motor used in production See the Previous page.

Feb. 2001
to
Current

HYDRAULIC MOTOR 2500 Series

S/NSB-Replacement
to
S/NSB-Replacement

Replacement Motor

MOTORS SIZE IS 2.2 CID or 2.8 CID

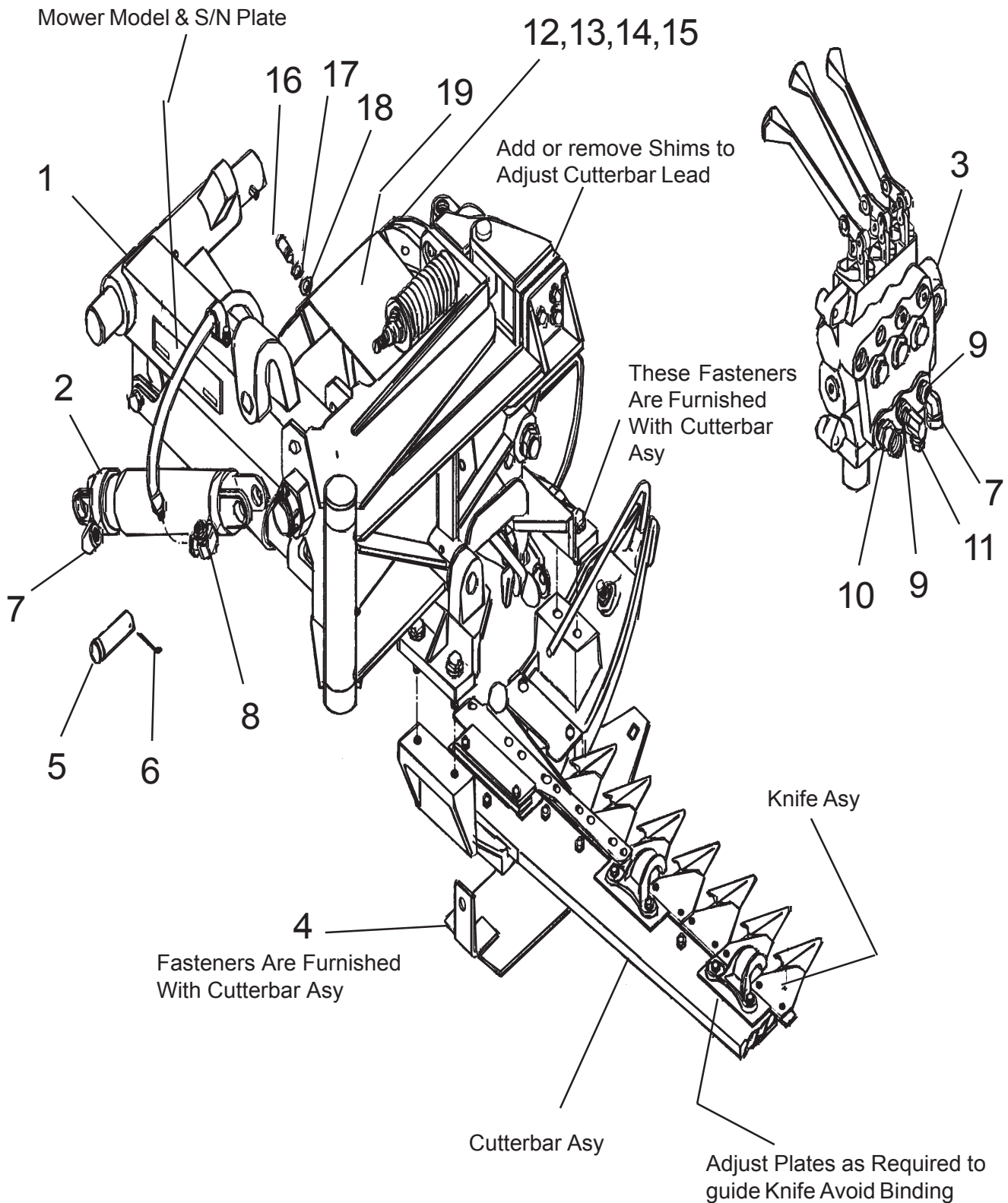
Item	Part No	Part No.	Qty.	Description
	02977120	-----	1	<u>*Motor Only, 2.8 CID</u> (# 0188600 Replacement Motor) (*Use 02977145 Retrofit Kit w/ items 18 thru 21)
	-----	02977279	1	<u>*Motor Only, 2.2 CID</u> (# 0118600M Replacement) (*Use 02978088 Retrofit Kit w/ items 18 thru 21)
1	02977968	02977968	1	Retaining Ring (Included In Seal Kit)
2	02977969	02977969	1	Ball Bearing (Included In Seal Kit)
3	02977970	02977970	1	Retaining Ring (Included In Seal Kit)
4	02977971	02977971	1	Retaining Ring (Included In Seal Kit)
5	02977972	02977973	1	Washer (Included In Seal Kit)
6	02977973	02977973	1	Washer, Back-Up (Included In Seal Kit)
7	02977974	02977974	1	Pressure Seal (Included In Seal Kit)
8	02977975	02977975	1	Housing
9	02977976	02977976	1	Input Shaft
9A	02977981	02977981	1	Key
10	02977977	02977977	1	Drive Shaft
11	02977978	02977978	1	Seal (Included In Seal Kit)
12	02976884	-----	1	Geroler, For 02977120 Motor Only
	-----	02977979	1	Geroler, For 02977279 Motor Only
13	02978098	-----	1	End Cap, For 02977120 Motor Only
	-----	02976894	1	End Cap, For 02977279 Motor Only
14	02977980	02977980	7	Bolt, Hex Head
15	02978096	02978096	2	Poppet
16	02976893	02976893	1	Spacer Plate
17	02977967	02977967	1	Seal Kit (Items 1, 2, 3, 4, 5, 6, 7 & 11)
18	00001800	00001800	4	Locknut TLM 1/2 NC PLC (in P/N 0188600 & 0118600M) Not Shown
19	02757800	02757800	2	Hyd Adapter Fitting (in P/N 0188600 & 0118600M) Not Shown
20	02977865	02977865	1	Motor Adapter Plate (in P/N 0188600 & 0118600M) Not Shown
21	02977866	02977866	4	Bolt, (in P/N 0188600 & 0118600M) Not Shown

NOTE: These are Replacement Motors and were not used in production, There are 2 different Motors, One had 2.8CID (Used on D2500 Model) & the other has 2.2CID (Used on S2500 Model), Check which Motor needed before ordering High Lighted Parts above. The rest of the parts are common Parts & will interchange between the two Motors, The "D2500 & S2500 was a designation as to which tractor it was mounted on. *These are replacement motors for earlier style, these cannot be mounted without items 18 thru 21 to adapt these later style motors to older units

Jan. 1975
to
Feb. 2001

LIFT & BREAK-A-WAY ASY 3500 Series

S/N SB-All
to
S/N SB-End Production



Jan. 1975
to
Feb. 2001

LIFT & BREAK-A-WAY ASY 3500 Series

S/N SB-All
to
S/N SB-End Production

Item	Part No New #	Part No. Old #	Qty.	Description
1	NLA	D3500	1	Lift And Break-A-Way Asy (RH Model) (Use Parts)
	NLA	C3500	1	Lift And Break-A-Way Asy (LH Model) (Use Parts)
2	0693400A	2401	1	Cylinder Asy, Curb Cyl
3	0672000	6420	1	Valve Asy, 3 Spool
4	0585500	5855	1	Inner Shoe Sole (RH Model)
	0585600	5856	1	Inner Shoe Sole (LH Model)
5	0424200	4242	2	Clevis Pin
6	00755153	513	2	Cotter Pin
7	0075000	750	2	Street Elbow, 1/4" X 90 Deg.
8	0585000	5850	1	Side Outlet Elbow, 1/4"
9	0066200	662	2	Bushing, 1/2" X 1/4"
10	000898	695	1	Adapter Union, 1/2"
11	0307000	3070	1	Adapter Union Elbow, 1/4"
12	0586000	5857	1	Motor Guard (RH Model)
	0585900	5858	1	Motor Guard (LH Model)
13	02886900	1166	7	Carriage Bolt
14	00019600	112	7	Lockwasher
15	00001200	186	7	Nut
16	0021400	1661	2	Bolt
17	00017000	1184	2	Lockwasher
18	0084900	849	2	Flatwasher
19	0614300	6143	1	Pitman Guard, (RH Model)
	0614400	6144	1	Pitman Guard, (LH Model)

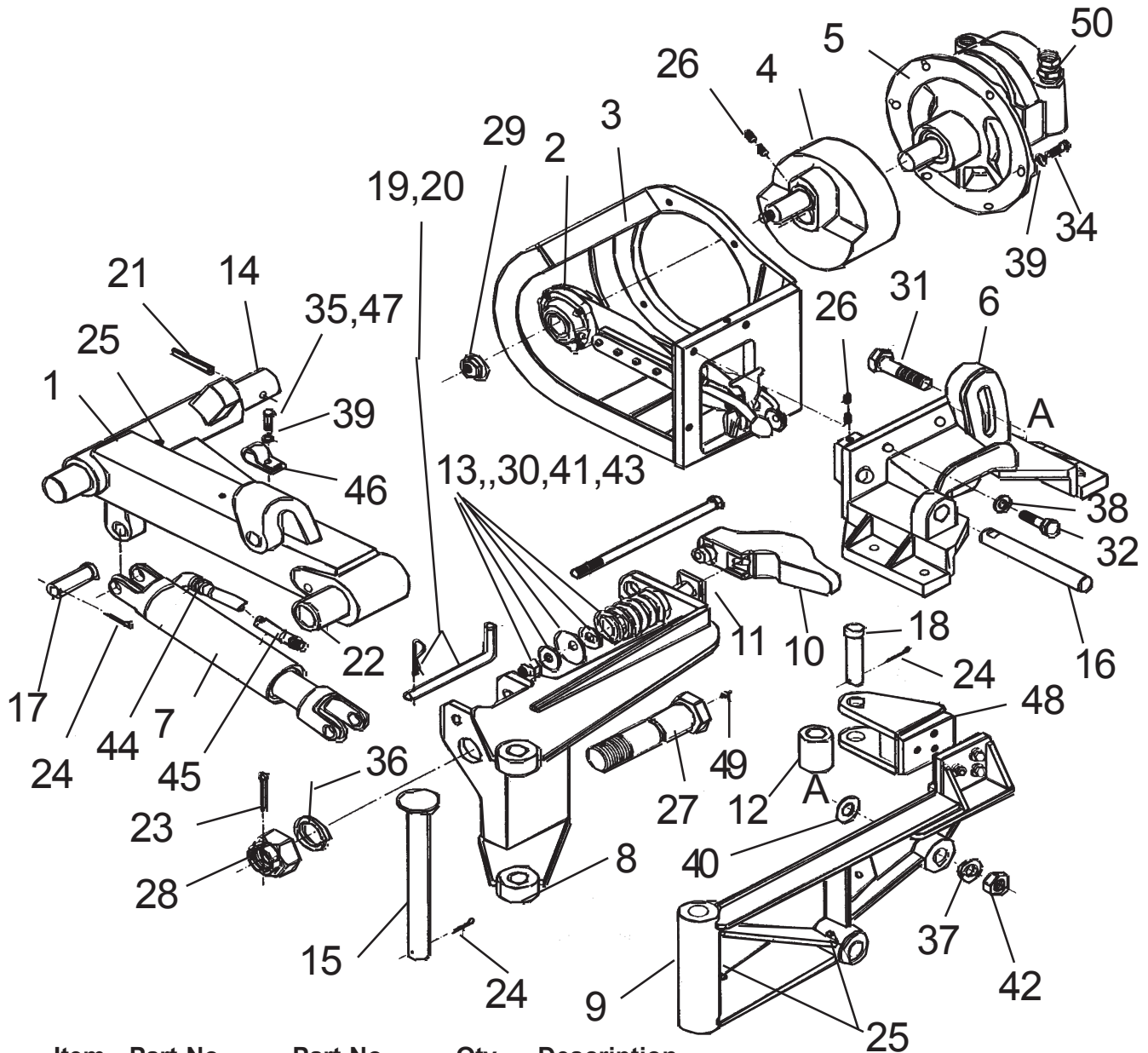
NOTE: * Prior to Oct. 1976 the Inner Shoe Sole & Motor Guard were one piece Part # 2121 (RH) & 2717 (LH) this was change to the 2 piece as shown in Oct. 1976, This new 2 piece design will fit the older units by drilling 3 of the motor mount holes to match alignment with existing holes.

NOTE: Always Order New Part Number When Ordering Parts.

Jan. 1975
to
Feb. 2001

LIFT & BREAK-A-WAY PARTS 3500 Series

S/N SB-All
to
S/N SB-End Production



Item	Part No New #	Part No. Old #	Qty.	Description
1	0341600	3416	1	Carriage, w/items 19 & 22 (RH Model)
	0493600	2707	1	Carriage, w/items 19 & 22 (LH Model)
2	0182800	1828	1	Pitman Asy, (RH Model)
	0442800	4428	1	Pitman Asy (LH Model)
3	0182700	1827	1	Motor Mount, (RH Model)
	0270900	2709	1	Motor Mount, (LH Model)
4	0185800	1858	1	Flywheel Asy, w/Items 23 & 26 (w/ 3/4" Threads)
5	0188600	1886	1	Hyd Motor (w/ 1" Gears)
	0118600	1186	1	Hyd Motor (w/ 3/4" Gears)
6	0270100	2701	1	Motor Mount Support, w/Item 23 (RH Model)
	0275700	2757	1	Motor Mount Support, w/Item 23 (LH Model)

Jan. 1975
to
Feb. 2001

LIFT & BREAK-A-WAY PARTS 3500 Series

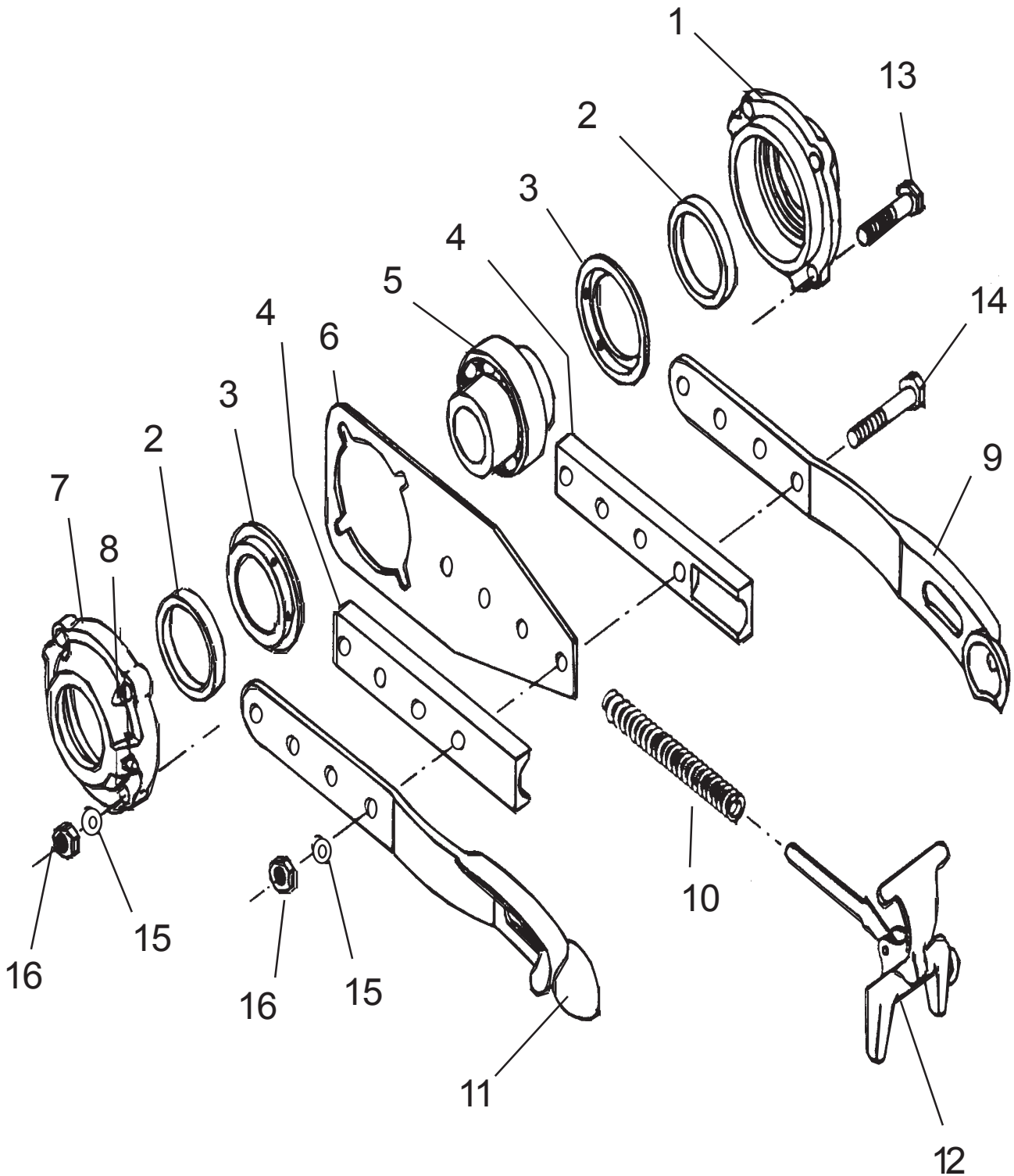
S/N SB-All
to
S/N SB-End Production

Item	Part No New #	Part No. Old #	Qty.	Description
7	0693500A	2402	1	Cylinder Asy, (Bar)
8	0213800	2138	1	Knuckle, (RH Model)
9	0220400	2204	1	Spring Support, w/Spring & Item 25 (RH Model)
10	0044000	440	1	Hook
11	00010300	2372	1	pring Adjustment Stop
12	0039700	397	1	Roller
13	0043900	439	1	Spring
14	0112700	1127	1	Carriage Pin
15	0221700	2217	1	Knuckle Pin
16	0114100	1141	1	Rocker Pin
17	0424200	4242	2	Clevis Pin
18	0221600	2216	1	Roller Pin
19	0121800	1218	1	Transport Pin
20	0114600	1146	1	Hair Pin
21	0113400	1134	1	Roll Pin
22	02977603	3431	1	Bushing
23	000162	1056	1	Cotter Pin
24	00755153	513	4	Cotter Pin
25	00752670	123	3	Grease Fitting
26	00009600	1159	4	Set Screw
27	0144300	1443	1	Knuckle Bolt, w/Item 44
28	0142100	1421	1	Knuckle Bolt Nut
29	0631300	6313	1	Wrist Pin Nut, LH Threads, 3/4" (03/82 & Up)
	0185700	1857	1	Wrist Pin Nut, LH Threads, 41/64" (02/82/& Down)
30	0044100	441	1	Washer, Large Curved Washer
31	00007800	667	1	Bolt
32	02675800	778	4	Bolt
33	0091800	918	1	Bolt
34	00753642	1041	6	Bolt
35	02035400	1101	1	Bolt
36	0142000	1420	1	Lockwasher
37	00003901	523	1	Lockwasher
38	00010300	734	4	Lockwasher
39	00012101	459	7	Lockwasher
40	00002701	1158	1	Flatwasher
41	00002700	1043	2	Flatwasher
42	00000200	1157	1	Nut, Hex
43	0247100	2471	1	Nut, Elastic Stop Nut
44	0075000	750	1	Street ELL
45	0181400	1814	1	Hose, HP
46	0573300	5733	1	Hose Clamp
47	00001004	4737	a/r	Loctite (AV87)
48	022040B	2204B	1	Bracket, w/ Item 9
49	00003500	122	1	Grease Fitting
50	000898	695	1	Adapter Union

Jan. 1975
to
Feb. 2001

PITMAN ASY 3500 Series

S/N SB-All
to
S/N SB-End Production



Jan. 1975
to
Feb. 2001

PITMAN ASY 3500 Series

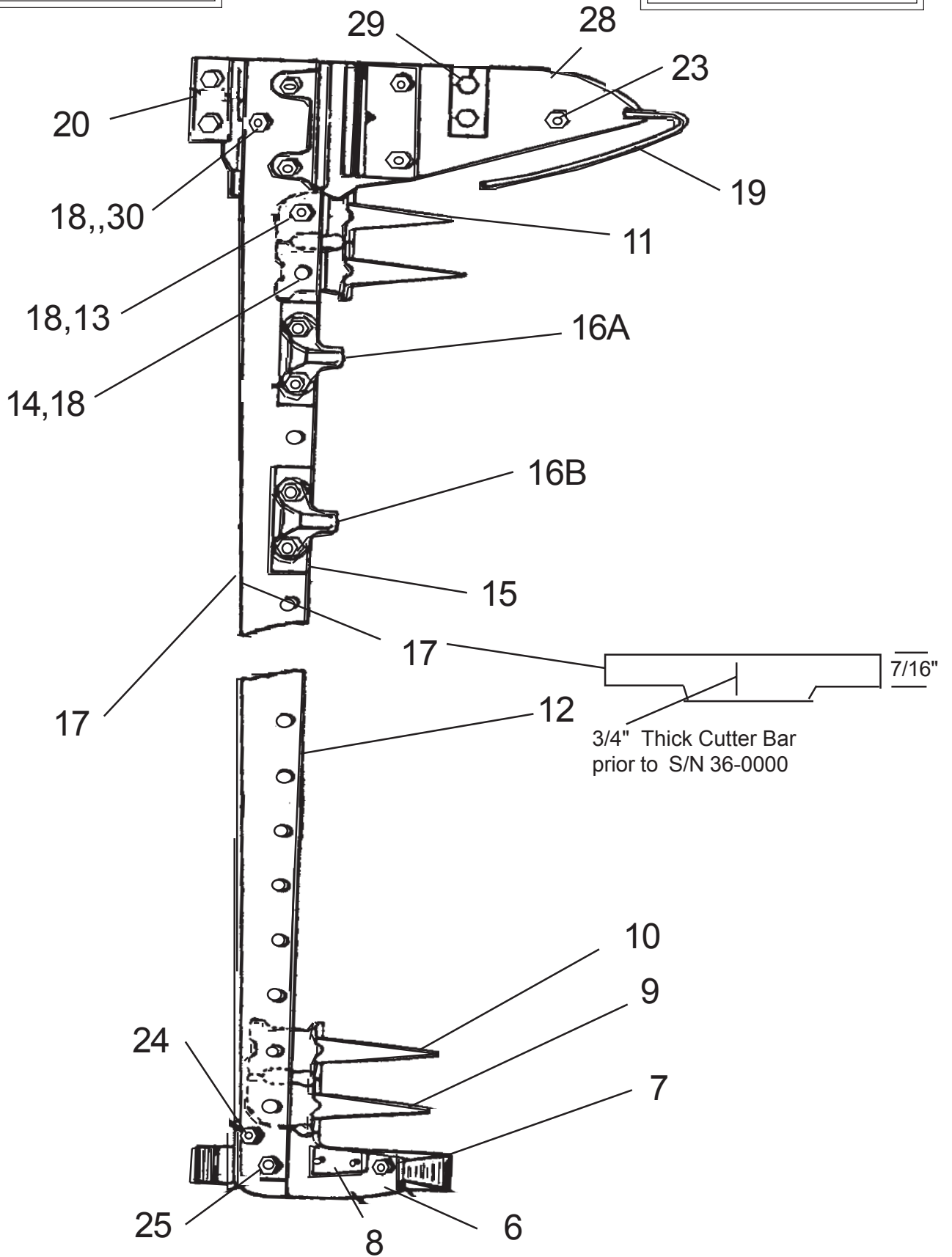
S/N SB-All
to
S/N SB-End Production

Item	Part No New #	Part No. Old #	Qty.	Description
	0182800	1828	1	Pitman Asy (RH Model)
	0442800	4428	1	Pitman Asy (LH Model)
1	0190400	1904	1	Bearing Housing
2	0190600	1906	2	Felt Washer
3	0190700	1907	2	Retainer
4	0190900	1909	2	Spacer
5	0191000	1910	1	Bearing
6	0190800	1908	1	Pitman Connector
7	0190500	1905	1	Bearing Cap
8	00003500	122	1	Grease Fitting
9	0191100	1911	1	Pitman Strap, Rear (RH Model)
	0191200	1912	1	Pitman Strap, Rear (LH Model)
10	0191400	1914	1	Spring
11	0191200	1912	1	Pitman Strap, Front (RH Model)
	0191100	1911	1	Pitman Strap, Front (LH Model)
12	0191500	1915	1	Pitman Fork Asy
13	00016200	1885	4	Bolt
14	02766400	721	4	Bolt
15	00011700	788	8	Lockwasher
16	00021800	1601	8	Nut

N/A
to
N/A

CUTTERBAR ASY 3500 Series

S/N SB-22-0000
to
S/N SB-29-8645



N/A
to
N/A

CUTTERBAR ASY 3500 Series

S/N SB-22-0000
to
S/N SB-29-8645

ITEMS 1 Thru 17

Item	Part No New #	Part No. Old #	Qty.	Description
	--NLF--	1925	1	* Cutterbar Asy 5', w/o Knife Asy
	--NLF--	1926	1	* Cutterbar Asy 6', w/o Knife Asy
	--NLF--	1927	1	* Cutterbar Asy 7', w/o Knife Asy
1	KIT4498	1551	1	** Agricultural Outer Shoe Asy (Not Shown)
	--NLF--	476	1	** Agricultural Outer Shoe & Ledger Plates (Not Shown)
	--NLF--	458	1	** Agricultural Outer Shoe Sole & Bradket (Not Shown)
	--NLF--	448	1	** Divider Rod Outer (Not Shown)
	--NLF--	449	2	** Divider Rod Inner (Not Shown)
6	0124100	1241	5	Industrial Outer Shoe Sole w/ Ledger Plates
7	0123800	1238	1	Industrial Outer Shoe Sole Olny
8	0047800	478	1	Outer Shoe Ledger Plate Only
	0047500	475	1	Rivet, 3/4" Long
	0167800	1678	1	Rivet, 1" Long
9	--NLF--	--NLF--	1	Rock Guard, Outer
10	--NLF--	--NLF--	17	Rock Guard, Center (Qty = 17 for 5', 21 for 6' & 25 for 7')
11	--NLF--	--NLF--	1	Rock Guard, Outer,
	0116200	1162	a/r	Ledger Plate for Guards Beveled Edge
	0116300	1163	a/r	Screw & Nut , Flat Head f/ Guard Plates
12	0093800	938	1	*** One Piece Wear Plate, 5' (Use 4 # 5326 & 1 # 5719)
	0133800	1338	1	*** One Piece Wear Plate, 6' (Use 5 # 5326 & 1 # 5719)
	0131700	1317	1	*** One Piece Wear Plate, 7' (Use 6 # 5326 & 1 # 5719)
13	0046400	464	8	Bolt, Use with Low Clips (Qty = 8 f/ 5', 10 f/ 6' & 12 f/ 7')
14	0046600	466	9	Bolt, (Qty 9 f/ 5', 11 f/ 6' & 13 f/ 7')
15	0046500	465	2	Bolt
16A	0012700	127	1	Knife Clip, High
16B	0188700	1887	4	Knife Clip, Low (Qty = 4 f/ 5', 5 f/ 6' & 6 f/ 7')
17	--NLF--	807	1	Cutter Bar Only, 5' Model
	--NLF--	809	1	Cutter Bar Only, 6' Model
	--NLF--	1258	1	Cutter Bar Only, 7' Model
	--NLF--	3929	a/r	Spacer used w/ 5/8" Cutterbar Only (see Cutterbar ID)

* Assemblies have Serrated Knives, These Assemblies are obsolete & only some parts are available. Above listing for RH Models only.

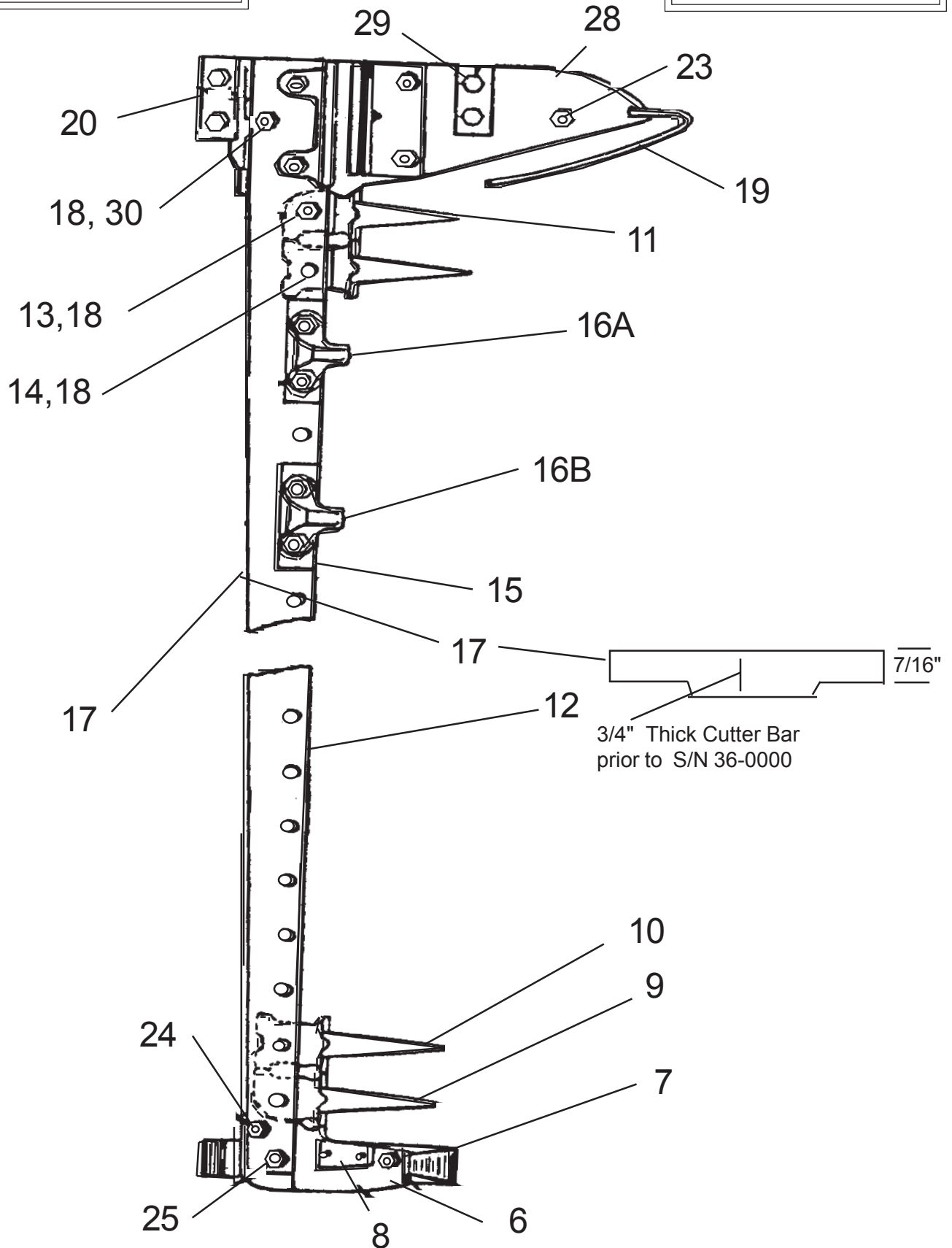
** Outer Agricultural Shoe is an Optional component & Listed as reference Only. Industrila Shoe is standard equipment.

*** One Piece Wear Plates, Item 12 were repalce with section wear plates in Jan 1974, so if replacing wear plates the pieces will have to be used.

N/A
to
N/A

CUTTERBAR ASY 3500 Series

S/N SB-22-0000
to
S/N SB-29-8645



N/A
to
N/A

CUTTERBAR ASY 3500 Series

S/N SB-22-0000
to
S/N SB-29-8645

ITEMS 18 Thru 30

Item	Part No New #	Part No. Old #	Qty.	Description
18	0085800	858	11	Conical Washer (Qty = 11 f/ 5', 13, f/ 6' & 15 f/ 7')
19	0044700	447	1	Inner Shoe Guard Rod
20	0044600	446	1	Inner Shoe Sole, Not required when using # 2121 Guard
	000516	1012	1	Carriage Bolt
24	12666000	812	1	Carriage Bolt
25	0129000	1290	1	Carridge Bolt
26	0045600	456	1	Bolt Sq, Short (CSk Hd)
27	000644	457	2	Carriage Bolt
	--NLF--	462	1	Bolt, Machine Bolt
28	0343200	3432	1	Inner Shoe & Wear Plate
	0074700	474	1	Inner Shoe Wear Plate
	0167800	1678	4	Rivet, 1" Long
29	00008300	781	4	Bolt
	00010300	734	4	Lockwasher
30	0678300	2905	1	Bolt, Sq. CSK Hd.

* Assemblies have Serrated Knives, These Assemblies are obsolete & only some parts are available. Above listing for RH Models only.

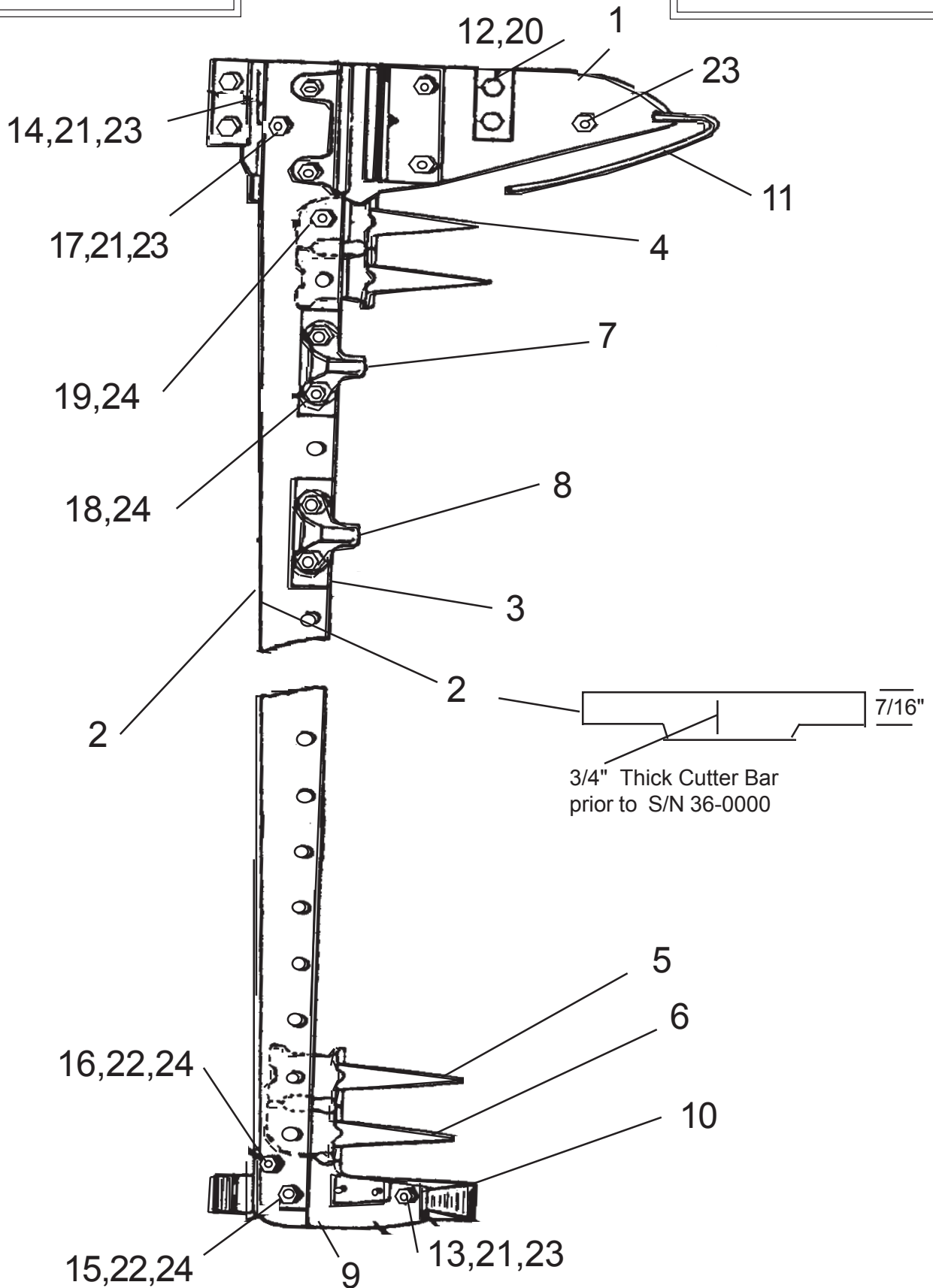
** Outer Agricultural Shoe is an Optional component & Listed as reference Only. Industrila Shoe is standard equipment.

*** One Piece Wear Plates, Item 12 were repalce with section wear plates in Jan 1974, so if replacing wear plates the pieces will have to be used.

N/A
to
Dec. 1974

CUTTERBAR ASY 3500 Series

S/N SB-29-8646
to
S/N SB-36-0000



N/A
to
Dec. 1974

CUTTERBAR ASY 3500 Series

S/N SB-29-8646
to
S/N SB-36-0000

ITEMS 1 Thru 10

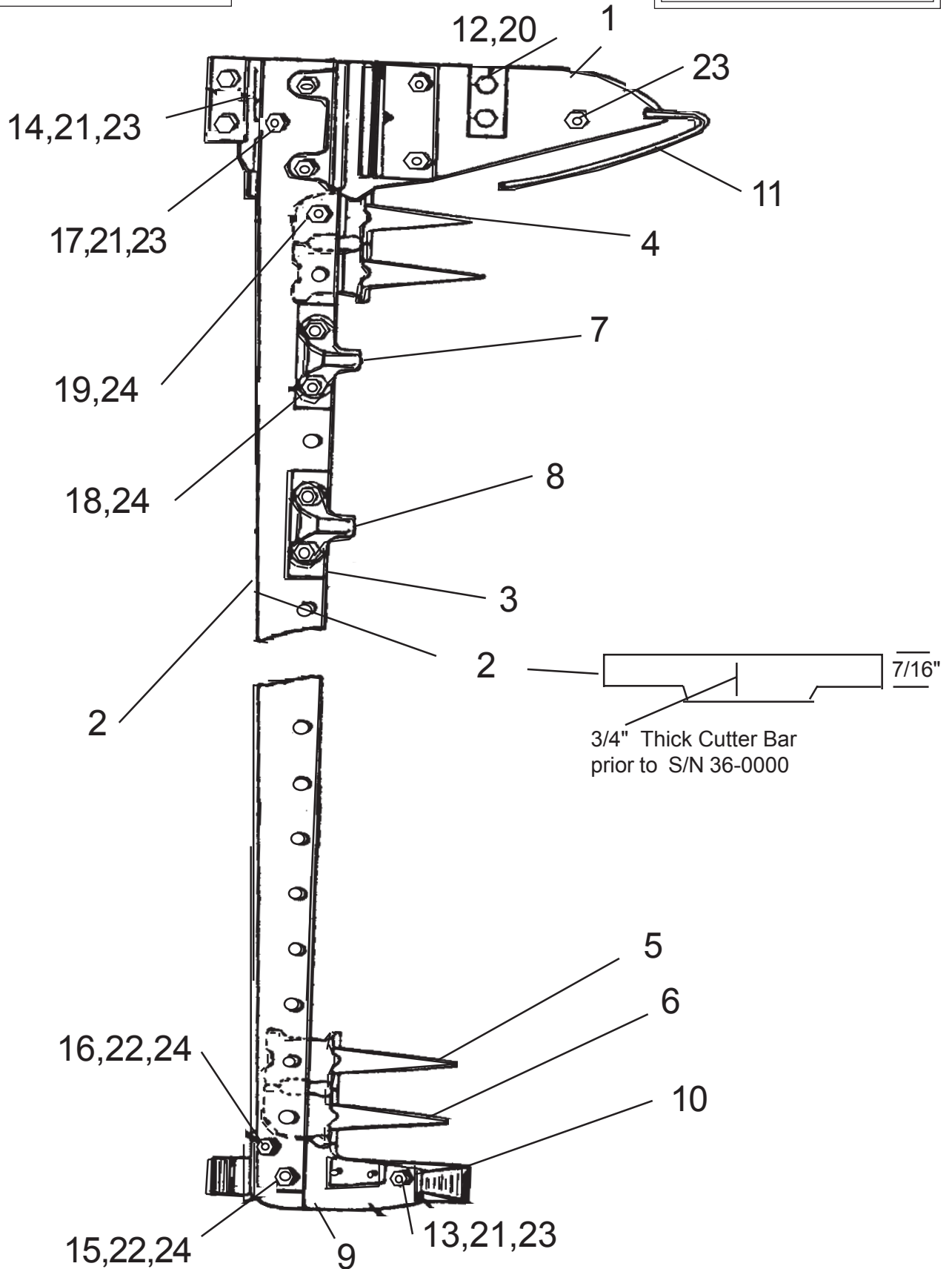
Item	Part No New #	Part No. Old #	Qty.	Description
	--NLF--	3905	1	*Cutterbar Asy 5', w/ Serrated Knife Asy
	--NLF--	3425	1	* Cutterbar Asy 5', w/o Knife Asy
	--NLF--	3906	1	*Cutterbar Asy 6', w/ Serrated Knife Asy
	--NLF--	3426	1	* Cutterbar Asy 6', w/o Knife Asy
	--NLF--	3907	1	*Cutterbar Asy 7', w/ Knife Asy
	--NLF--	3427	1	* Cutterbar Asy 7', w/o Knife Asy
1	0343200	3432	1	Inner Shoe & Wear Plate Asy
	0342400	3424	1	Inner Shoe Only
	0047400	474	1	Wear Plate
	0167800	1678	4	Rivet, Counter Sunk Head
2	0570500	3397	1	* Cutterbar, 5 ft
	0572600	3398	1	* Cutterbar, 6 ft
	0572700	3399	1	* Cutterbar, 7 ft
3	0532600	5326	5	Knife Wear Plate (Qty = 5 for 5', 6 for 7' & 7 for 7')
4	0093500	935	1	Rock Guard, Inner, w/ # 1162 & 1163A
	0116200	1162	1	Ledger Plate, (1 per Rock Guard)
	011630A	1163A	1	Screw, Flathead, (1 per Rock Guard)
	011630B	1163B	1	Nut, Square, (1 per Rock Guard)
5	0093700	937	17	Rock Guard, Center w/ # 1162, 1163A & 1163B (Qty = 17 for 5', 21 for 6' & 25 for 7')
	0116200	1162	1	Ledger Plate, (1 per Rock Guard)
	011630A	1163A	1	Screw, Flathead, (1 per Rock Guard)
	011630B	1163B	1	Nut, Square, (1 per Rock Guard)
6	0093600	936	1	Rock Guard, Outer w/ # 1162, 1163A & 1163B (RH Model)
	0116200	1162	1	Ledger Plate, (1 per Rock Guard)
	011630A	1163A	1	Screw, Flathead, (1 per Rock Guard)
	011630B	1163B	1	Nut, Square, (1 per Rock Guard)
7	0012700	127	1	Knife Clip, High
8	0188700	1887	1	Knife Clip, Low
9	0124100	1241	1	Outer Shoe & Wear Plate Asy (Industrial)
	0124100	1237	1	Outer Shoe (Industrial)
	0047800	478	1	Outer Shoe Wear Plate (Industrial)
	0047500	475	1	Rivet, 3/4" Long
	0167800	1678	1	Rivet, 1" Long
10	0123800	1238	1	Outer Shoe Sole, (RH Model)

* Assemblies have Serrated Knives, These Assemblies are obsolete & only some parts are available.
Above listing for RH Models only.

N/A
to
Dec. 1974

CUTTERBAR ASY 3500 Series

S/N SB-29-8646
to
S/N SB-36-0000



N/A
to
Dec. 1974

CUTTERBAR ASY 3500 Series

S/N SB-29-8646
to
S/N SB-36-0000

ITEMS 11 Thru 24

Item	Part No New #	Part No. Old #	Qty.	Description
11	0044700	447	1	Inner Shoe Guard Rod
12	00008300	781	4	Bolt, 1-3/4" Long
13	000516	1012	1	Carriage Bolt, 1-3/4" Long
14	02886900	1166	1	Carriage Bolt, 1-1/2" Long
15	0129000	1290	1	Carriage Bolt, 1-3/4" Long
16	12666000	812	1	Carriage Bolt, 1-1/2" Long
17	0678300	2905	1	Bolt,Sq CSK Hd.
18	0046500	465	10	Bolt, Rnd CSK Hd. (Qty = 10 for 5', 12 for 6' & 14 for 7')
19	0046400	464	9	Bolt, Rnd CSK Hd. (Qty = 9 for 5', 11 for 6' & 13 for 7')
20	00010300	734	4	Lockwasher
21	00019600	112	3	Lockwasher
22	00022200	460	2	lockwasher
23	00001200	186	4	Nut
24	00999316	1638	21	Nut, (Qty = 21 for 5', 25 for 6' & 29 for 7')

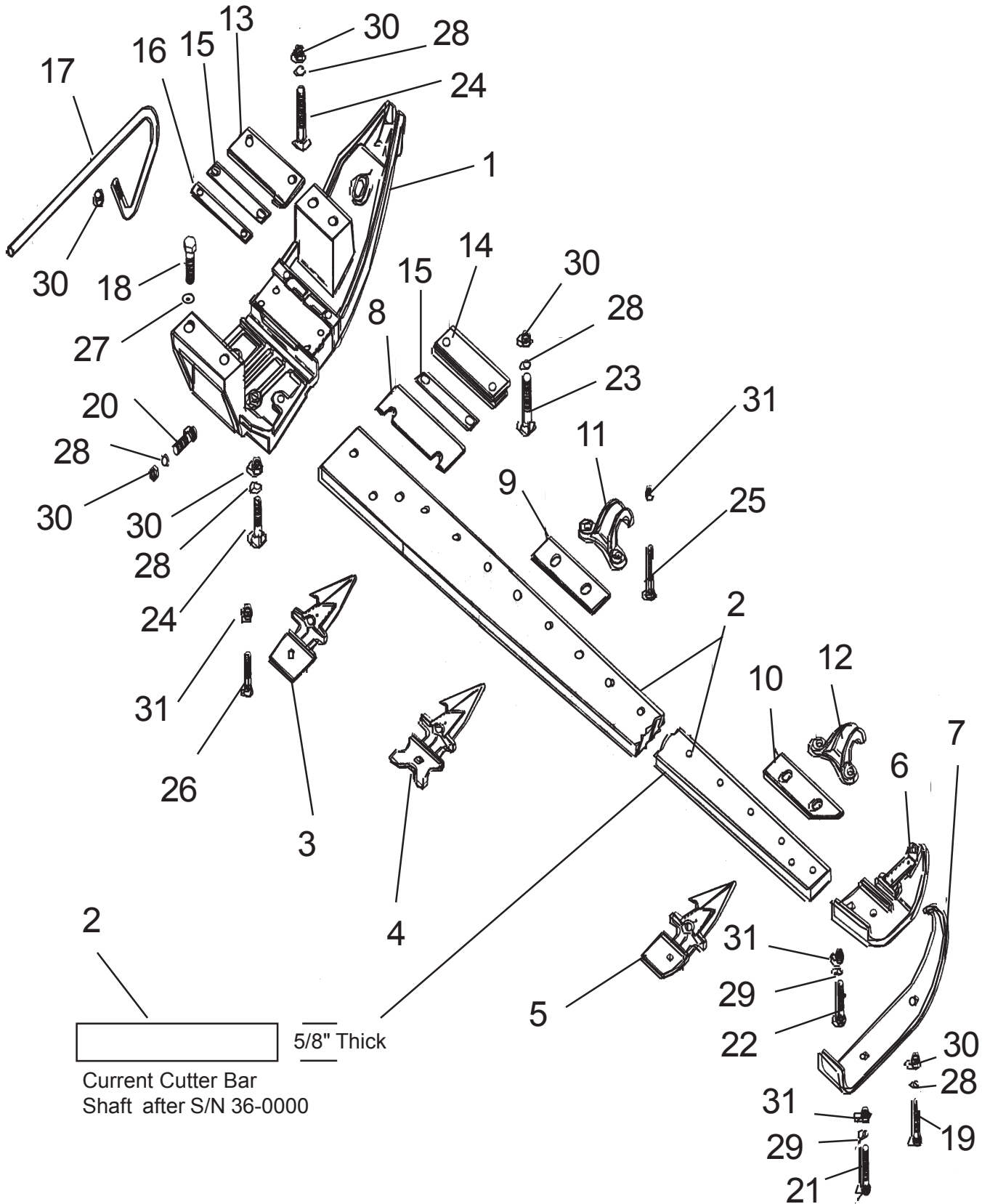
* Asemblies have Serrated Knives, These Assemblies are obsolete & only some parts are available.
Above listing for RH Models only.

Jan. 1975
to
Feb. 2001

CUTTERBAR ASY

3500 Series

S/N SB-36-0001
to
S/N SB-End Production



Jan. 1975
to
Feb. 2001

CUTTERBAR ASY 3500 Series

S/N SB-36-0001
to
S/N SB-End Production

ITEMS 1 Thru 7

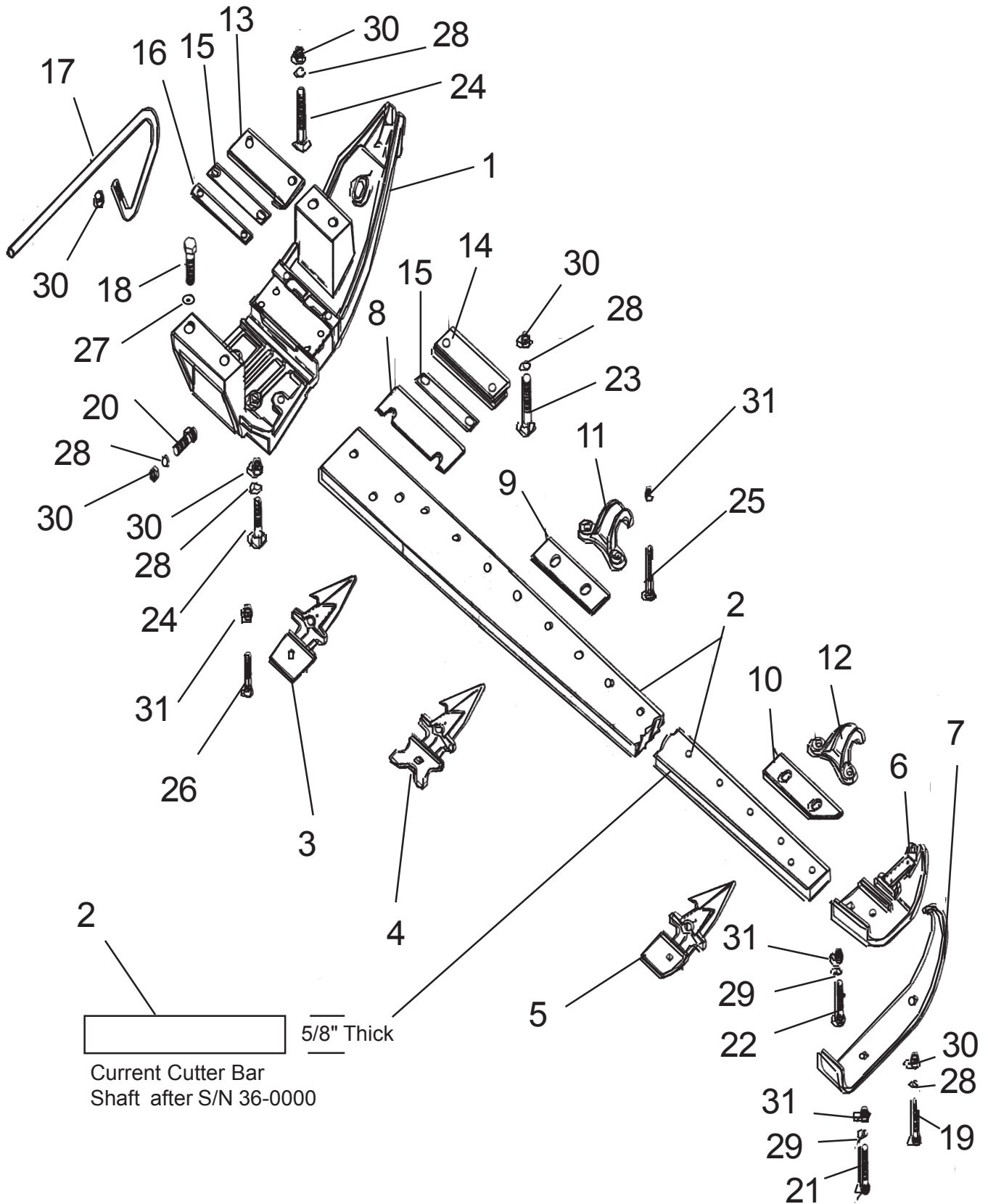
Item	Part No New #	Part No. Old #	Qty.	Description
	0574500	5745	1	*Cutterbar Asy 5', w/ Knife Asy (RH Model)
	0271400	2714	1	*Cutterbar Asy 5', w/ Knife Asy (LH Model)
	0572500	5725	1	Cutterbar Asy 5', w/o Knife Asy (RH Model)
	0574600	5746	1	*Cutterbar Asy 6', w/ Knife Asy (RH Model)
	0575600	5756	1	*Cutterbar Asy 5', w/ Knife Asy (LH Model)
	0572600	5726	1	Cutterbar Asy 6', w/o Knife Asy (RH Model)
	0573600	5736	1	Cutterbar Asy 6', w/o Knife Asy (LH Model)
	0574700	5747	1	*Cutterbar Asy 7', w/ Knife Asy (RH Model)
	0572700	5727	1	Cutterbar Asy 7', w/o Knife Asy (RH Model)
1	0571300	5713	1	Inner Shoe Asy, w/ # 474 & 1678 (RH Model)
	0571500	5715	1	Inner Shoe Asy, w/ # 2779 & 1678 (LH Model)
	0047400	474	1	Wear Plate (RH Model)
	0277900	2779	1	Wear Plate (LH Model)
	0167800	1678	4	Rivet, Counter Sunk Head
2	0570500	5705	1	Cutterbar, 5 ft
	0570600	5706	1	Cutterbar, 6 ft
	0570700	5707	1	Cutterbar, 7 ft
3	0593500	5935	1	Rock Guard, Inner, w/ # 1162 (RH Model)
	0593600	5936	1	Rock Guard, Inner, w/ # 1162 (LH Model)
	0116200	1162	1	Ledger Plate, (1 per Rock Guard)
	011630A	1163A	1	Screw, Flathead, (1 per Rock Guard)
	011630B	1163B	1	Nut, Square, (1 per Rock Guard)
4	0593700	5937	17	Rock Guard, Center 5', w/ # 1162, 1163A & 1163B
	0593700	5937	21	Rock Guard, Center 6', w/ # 1162, 1163A & 1163B
	0593700	5937	25	Rock Guard, Center 7', w/ # 1162, 1163A & 1163B
	0116200	1162	1	Ledger Plate, (1 per Rock Guard)
	011630A	1163A	1	Screw, Flathead, (1 per Rock Guard)
	011630B	1163B	1	Nut, Square, (1 per Rock Guard)
5	0593600	5936	1	Rock Guard, Outer w/ # 1162, 1163A & 1163B (RH Model)
	0593500	5935	1	Rock Guard, Outer w/ # 1162, 1163A & 1163B
	0116200	1162	1	Ledger Plate, (1 per Rock Guard)
	011630A	1163A	1	Screw, Flathead, (1 per Rock Guard)
	011630B	1163B	1	Nut, Square, (1 per Rock Guard)
6	0570900	5709	1	Outer Shoe Asy, w/ # 5708, 5728 & 1678 (RH Model)
	0571100	5711	1	Outer Shoe Asy, w/ # 5708, 5729 & 1678 (LH Model)
	0570800	5708	1	Outer Shoe
	0572800	5728	1	Ledger Plate, (RH Model)
	0572900	5729	1	Ledger Plate, (LH Model)
	0167800	1678	2	Rivit, Counter Sunk Head
7	0123800	1238	1	Outer Shoe Sole, (RH Model)
	0569500	5695	1	Outer Shoe Sole, (LH Model)

Contact Factory for LH Model Part Numbers * Assemblies have Serrated Knives

Jan. 1975
to
Feb. 2001

CUTTERBAR ASY 3500 Series

S/N SB-36-0001
to
S/N SB-End Production



Jan. 1975
to
Feb. 2001

CUTTERBAR ASY

3500 Series

S/N SB-36-0001
to
S/N SB-End Production

ITEMS 8 Thru 31

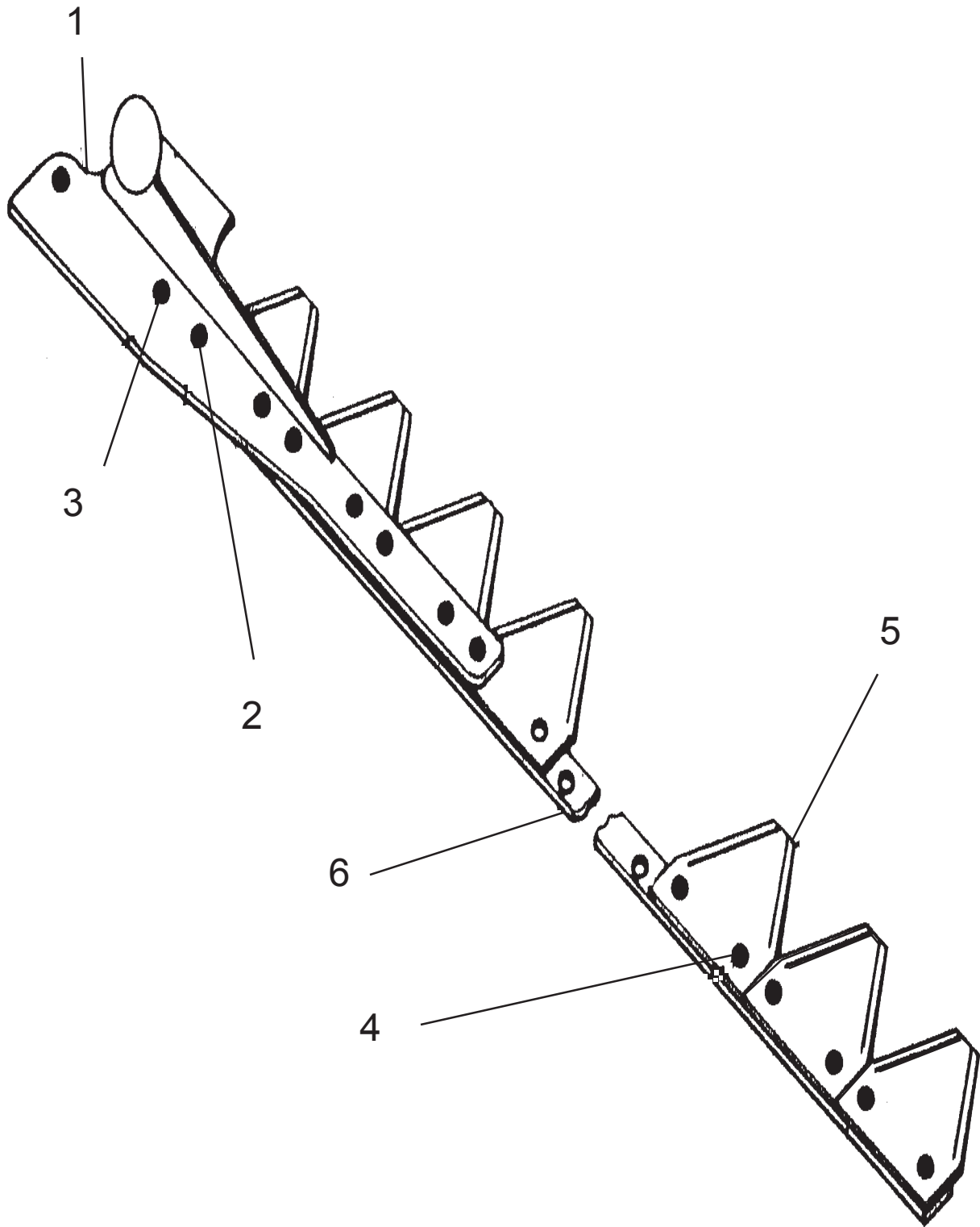
Item	Part No New #	Part No. Old #	Qty.	Description
8	0044500	445	1	Knife Head Wear Plate, Rear
9	0532600	5326	a/r	Knife Wear Plate (Qty. 4-5', 5-6' & 6-7' Models)
10	0571900	5719	1	Knife Wear Plate
11	0012700	127	1	Knife Clip, High
12	0188700	1887	a/r	Knife Clip, Low (Qty. 4-5', 5-6' & 6-7' Models)
13	0188300	1883	1	Knife Head Cap, Front, (RH Model)
	0299300	2993	1	Knife Head Cap, Front, (LH Model)
14	0045000	450	1	Knife Head Cap, Rear
15	0045300	453	8	Shim, Knife Head Cap
16	0571700	5717	1	Spacer, Front Knife Head Cap
17	0044700	447	1	Inner Shoe Guard Rod
18	0008300	781	4	Bolt, Hex Head
19	000516	1012	1	Bolt, Carriage Bolt
20	02886900	1166	1	Bolt, Carriage Bolt
21	0129000	1290	1	Bolt, Carriage Bolt
22	12666000	812	1	Bolt, Carriage Bolt
23	0677700	1869	2	Bolt, Sqaure Head Counter Sunk
24	0678300	2905	3	Bolt, Sqaure Head Counter Sunk
25	0571800	5718	a/r	Bolt, Round Head Counter Sunk (Qty 10-5', 12-6' & 14-7')
26	0046400	464	a/r	Bolt, Round Head Counter Sunk (Qty 9-5', 11-6' & 13-7')
27	00010300	734	4	Lockwasher
28	00019600	112	7	Lockwasher
29	00022200	460	2	Lockwasher
30	00001200	186	8	Nut, Hex
31	00999316	1638	a/r	Nut, Hex (Qty 21-5', 25-6' & 29-7')

Contact Factory for LH Model Part Numbers * Asemblies have Serrated Knives

Jan. 1975
to
Feb. 2001

KNIFE ASY 3500 Series

S/N SB-36-0001
to
S/N SB-End Production



Jan. 1975
to
Feb. 2001

KNIFE ASY 3500 Series

S/N SB-36-0001
to
S/N SB-End Production

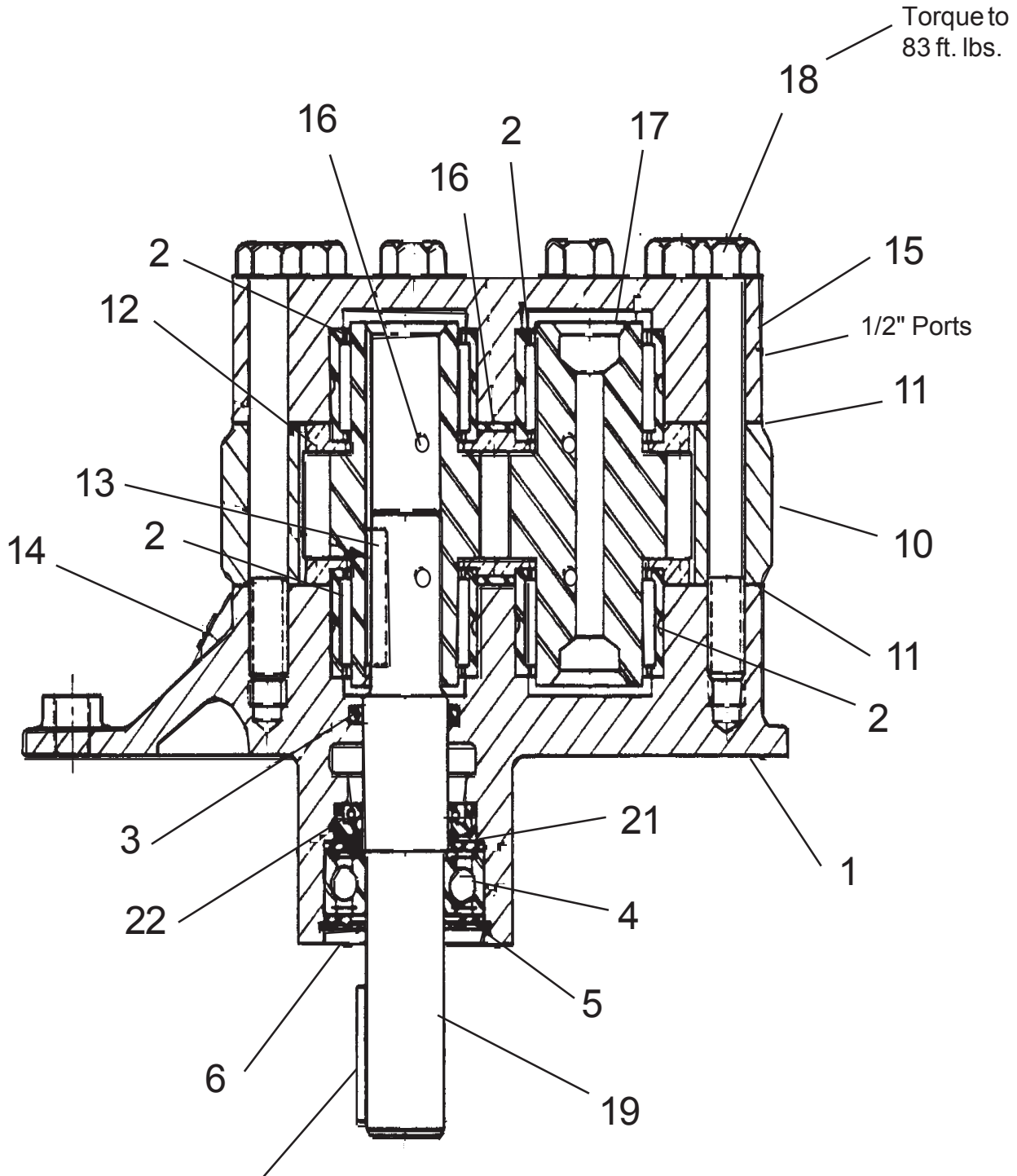
Item	Part No New #	Part No. Old #	Qty.	Description
	0189100	1891	1	*Knife Asy, 5' Smooth Knife (RH Model)
	0187500	1875	1	*Knife Asy, 5' Serrated Knife (RH Model)
	0271400	2714	1	*Knife Asy, 5' Serrated Knife (LH Model)
	0189200	1892	1	*Knife Asy, 6' Smooth Knife (RH Model)
	0187600	1876	1	*Knife Asy, 6' Serrated Knife (RH Model)
	0272100	2721	1	*Knife Asy, 6' Serrated Knife (LH Model)
	0189300	1893	1	*Knife Asy, 7' Smooth Knife (RH Model)
	0187700	1877	1	*Knife Asy, 7' Serrated Knife (RH Model)
	0271500	2715	1	*Knife Asy, 7' Serrated Knife (LH Model)
1	0187400	1874	1	Knife Head, (RH Model)
	0272500	2725	1	Knife Head, (LH Model)
2	0064700	647	a/r	Section Rivet, 29/32" Long (Qty = 7-5', 6' or 7')
3	0064800	648	a/r	Section Rivet, 23/32" Long (Qty = 2-5', 6' or 7')
4	0187100	1871	a/r	Section Rivet, 9/16" Long (Qty = 33-5', 41-6' & 49-7')
5	0064600	646	a/r	*Knife Section, Serrated (Qty = 20-5', 24-6' & 28-7')
	8064600	-----	Set	*Knife Set, Serrated, (1 Carton of 25 Knives)
	0122700	1227	a/r	*Knife Section, Smooth (Qty = 20-5', 24-6' & 28-7')
	8122700	-----	Set	*Knife Set, Smooth, (1 Carton of 25 Knives)
6	0153900	1539	1	Backing Strip (5' Model)
	0187300	1873	1	Backing Strip (6' Model)
	0189000	1890	1	Backing Strip (7' Model)

*Serrated Knives are Standard, Smooth Knives are an Option, Contact factory for LH Parts Not Listed.

Jan. 1975
to
Feb. 2001

HYDRAULIC MOTOR 3500 Series

S/N SB-36-0001
to
S/N SB-End Production



20 This is a Gear Type Motor used during Production, A Replacement Motor Assembly is the Geroler Type See the next page for the Replacement Motor.

Jan. 1975
to
Feb. 2001

HYDRAULIC MOTOR 3500 Series

S/N SB-36-0001
to
S/N SB-End Production

MOTORS HAD 1" or 3/4" Gears

Item	Part No New #	Part No. Old #	Qty.	Description
	0188600	1886	1	Hyd Motor w/ 1" Gears (Use # 02977145 Motor Kit)
	0118600M	1186	1	Hyd Motor w/ 3/4" Gears (Use # 02978088 Motor Kit)
1	0115500	1155	1	Shaft End Cover, (w/ Items 3,4,5,6,7,8,9,14, 21,22 & 2 of item 2 Only)
2	0159900	1599	4	Roller Bearing
3	0029000	290	1	O-Ring Seal
4	0588700	287	1	Bearing
5	0028800	288	1	Retainer Ring
6	0028900	289	1	Bearing Shield
7	0038000	380	2	Check Ball, (Not Shown)
8	0038100	381	2	Check Ball Retainer, (Not Shown) (Use # 0038000)
9	0038200	382	2	Check Valve Seat (Use # 0038000)
10	0448800	4488	1	Center Housing (use on Motor w/ 1" Gears)
	0115100	1151	1	Center Housing (use on Motor w/ 3/4" Gears)
11	0163100	1631	2	Gasket
12	0029200	292	2	Thrust Plate
13	0029300	293	1	Gear Key
14	0063500	635	1	Pipe Plug
15	0448300	4483	1	Port End Covers
16	0029700	297	10	*Pocket Seals (approx 1/2" Long)
17	0147200	1472	1	Gear Set 1" Gears , Matched Pair, 2 Gears
	0115300	1153	1	Gear Set 3/4" Gears , Matched Pair, 2 Gears
18	00008200	1865	10	Bolt (use on Motor w/ 1" Gears)
	0126800	1268	10	Bolt (use on Motor w/ 3/4" Gears)
19	0115200	1152	1	Shaft
20	0126900	1269	1	Shaft Key
21	0241100	2411	1	Bearing Retainer
22	0231800	2318	1	Seal, Double Lipped

NOTE: There are 2 different Motors, One had 1" Gears (Used on D3500 Model) & the other has 3/4" Gears (Used on the S3500 Model), Check which Motor before ordering High Lighted Parts above. The rest of the parts are common Parts & will interchange between the two pumps, The "D3500 or S3500 is a Designation as to what Tractor they were mounted on.

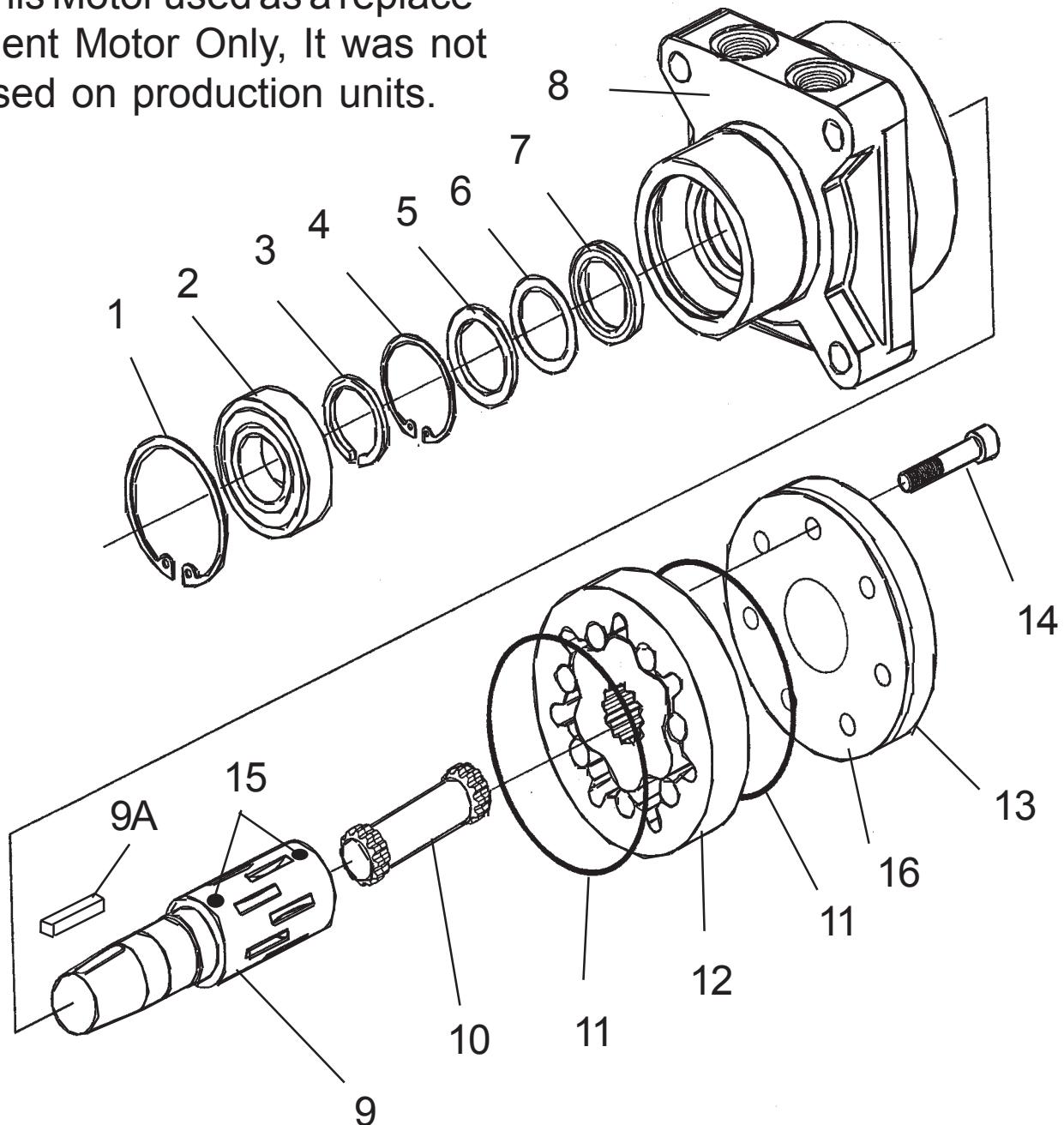
Feb. 2001
to
Repalcement Part

HYDRAULIC MOTOR 3500 Series

S/N SB-Replacement
to
S/N SB-Replacement

Replacement Motor

This Motor used as a replacement Motor Only, It was not used on production units.



This is a Geroler Type Motor used as a Replacement Motor Assembly, For the Geared Type Motor used in production See the Previous page.

Feb. 2001
to
ReplacementPart

HYDRAULIC MOTOR 3500 Series

S/NSB-Replacement
to
S/NSB-Replacement

Replacement Motor

MOTORS SIZE IS 2.2 CID or 2.8 CID

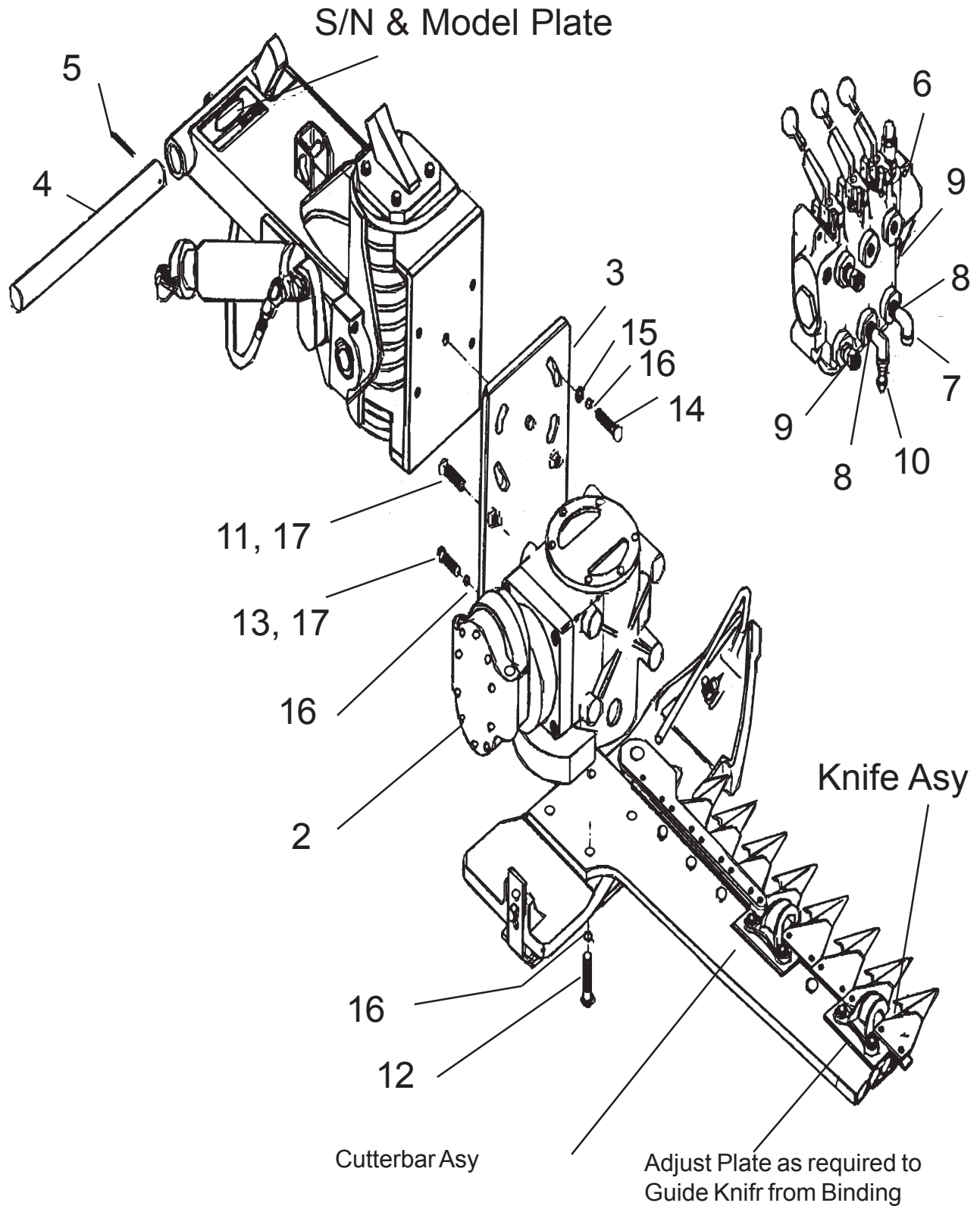
Item	Part No	Part No.	Qty.	Description
	02977120	-----	1	* <u>Motor Only, 2.8 CID</u> (# 0188600 Replacement Motor) (*Use 02977145 Retrofit Kit w/ items 18 thru 21)
	-----	02977279	1	* <u>Motor Only, 2.2 CID</u> (# 0118600M Replament Motor) (* Use 02978088 Retrofit Kit w/ items 18 thru 21)
1	02977968	02977968	1	* Retaining Ring
2	02977969	02977969	1	* Ball Bearing
3	02977970	02977970	1	* Retaining Ring
4	02977971	02977971	1	* Retaining Ring
5	02977972	02977973	1	* Washer
6	02977973	02977973	1	* Washer, Back-Up
7	02977974	02977974	1	* Pressure Seal
8	02977975	02977975	1	Housing
9	02977976	02977976	1	Input Shaft
9A	02977981	02977981	1	Key
10	02977977	02977977	1	Drive Shaft
11	02977978	02977978	1	Seal
12	02976884	-----	1	Geroler, For 02977120 Motor Only
	-----	02977979	1	Geroler, For 02977279 Motor Only
13	02978098	-----	1	End Cap, For 02977120 Motor Only
	-----	02976894	1	End Cap, For 02977279 Motor Only
14	02977980	02977980	7	Bolt, Hex Head
15	02978096	02978096	2	Poppet
16	02976893	02976893	1	Spacer Plate
17	02977967	02977967	1	Seal Kit (Items 1, 2, 3, 4, 5, 6, 7 & 11)
18	00001800	00001800	4	Locknut TLM 1/2 NC PLC (in P/N 0188600 & 0118600M) Not Shown
19	02757800	02757800	2	Hyd Adapter Fitting (in P/N 0188600 & 0118600M) Not Shown
20	02977865	02977865	1	Motor Adapter Plate (in P/N 0188600 & 0118600M)Not Shown
21	02977866	02977866	4	Bolt, (in P/N 0188600 & 0118600M)Not Shown

NOTE: These are Replacement Motors and were not used in production, There are 2 different Motors, One had 2.8CID (Used on D3500 Model) & the other has 2.2CID (Used on S3500 Model), Check which Motor needed before ordering High Lighted Parts above. The rest of the parts on these two size motora are common Parts & will interchange between the two Motors, The "D3500 & S3500 was a designation as to which tractor it was mounted on. *These are replacement motors for earlier style Cutters that hat Old Gear Type Motors, these cannot be mounted without items 18 thru 21 to adapt these later style motors to older units

May 1975
to
Sep. 1984

MOWER ASY 7500 Series

S/N SB-All
to
S/N SB-End Production



May 1975
to
Sep. 1984

MOWER ASY 7500 Series

S/N SB-All
to
S/N SB-End Production

Item	Part No New #	Part No. Old #	Qty.	Description
1	--NLF--	5336	1	* Lift And Break-A-Way Asy (RH Model)
2	0449200	4492	1	Hydraulic Drive Unit Asy
3	0530700	5307	1	Mounting Plate
4	0112700	1127	1	Carriage Pin
5	0113400	1134	1	Roll Pin
6	0672000	4140	1	Valve Asy (Use 0672000 Valve Asy)
7	0075000	750	2	Street ELL
8	0066200	662	2	Bushing
9	--NLF--	495	2	Adapter Union, 1/2"
10	0158900	1589	1	Adapter Union, 1/4"
11	0531500	5315	2	Bolt, Socket Head
12	02845500	568	4	Bolt
13	00008300	781	2	Bolt
14	02675800	778	4	Bolt
15	00001400	1210	4	Flatwasher
16	00010300	734	10	Lockwasher
17	00001004	4737	1	Loctite, Use Sparingly (Supplied by Owner)

* In Oct 1984 the Breakway for the 7500 was discontinued and some parts became obsolete and the break-a-way for the 8500 series was used to replace it, if replacing the assembly use the later 8500 type. Some of the parts for the 7500 are the same as the 8500 from drive assembly out.

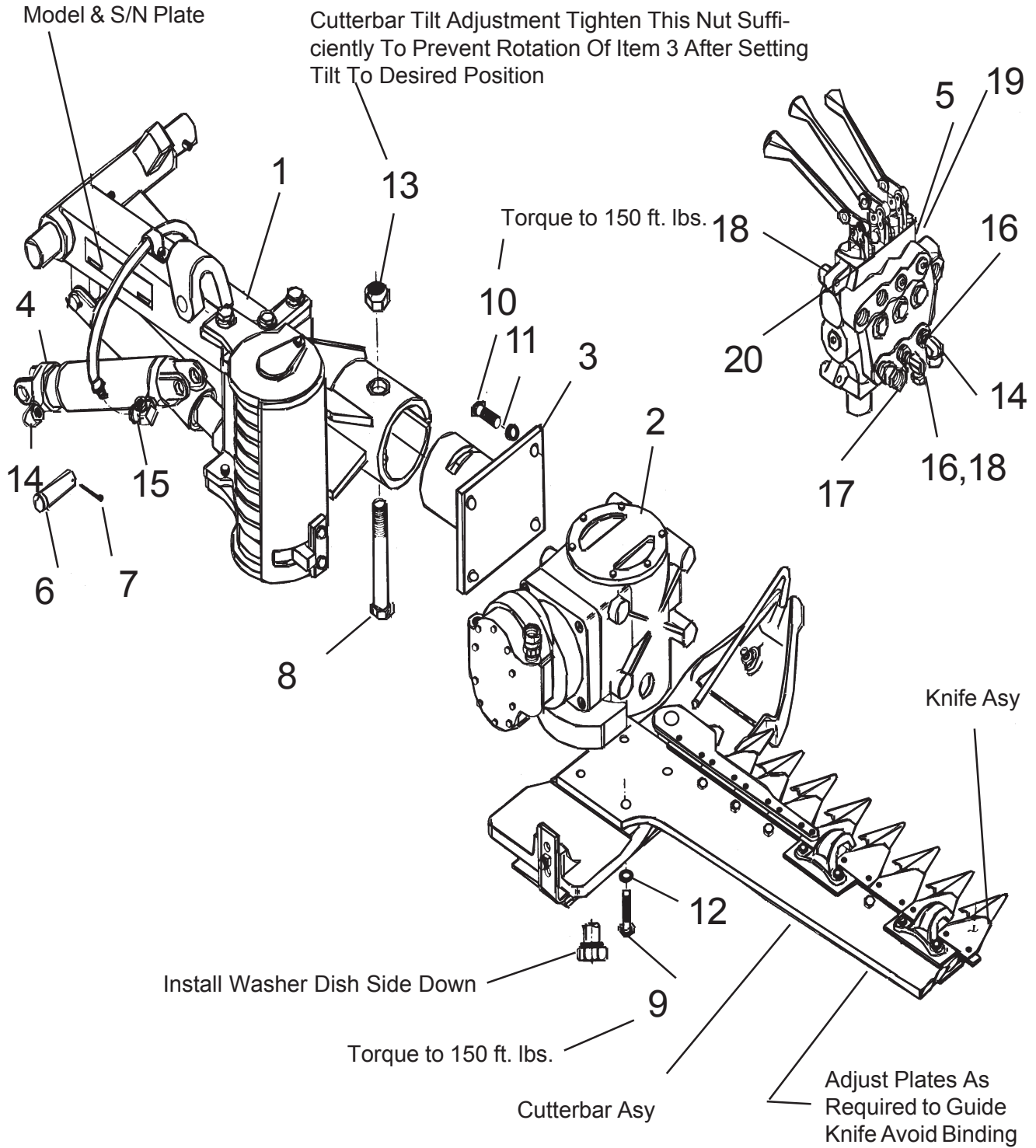
NOTE: Always Order New Part Number When Ordering Parts.

Oct. 1984
to
End Production

MOWER ASY 7500 Series

S/N SB-Replacement
to
S/N SB-Replacement

Replacement Parts



Oct. 1984
to
End Production

MOWER ASY 7500 Series

S/N SB-Replacement
to
S/N SB-Replacement

Replacement Parts

Item	Part No New #	Part No. Old #	Qty.	Description
1	0587100	5871	1	Lift And Break-A-Way Asy (RH Model)
2	0449200	4492	1	Hydraulic Drive Unit Asy (05/85 to 12/89)
	0534300	-----	1	Hydraulic Drive Unit Asy (01/90 to Current)
3	0585100	5851	1	Drive Housing Bracket
4	0693400A	2401	1	Cylinder Asy, Curb Cyl.
5	-----	6420	1	Valve Asy (6420 is Original Valve)
	0672000	-----	1	Valve Asy (0672000 is Replacement Valve)
6	0424200	4242	2	Clevis Pin
7	00755153	513	2	Cotter Pin
8	02025700	5848	1	Bolt
9	0585700	5857	4	Bolt, Self Locking
10	00008300	781	4	Bolt
11	00010300	734	4	Lockwasher
12	0586300	5863	4	Serrated Washer
13	00037200	5849	1	Locknut
14	0075000	750	2	Street Ell (Original or Replacement Valve)
15	0585000	5850	1	Elbow
16	0066200	662	2	Bushing Adapter (Original Valve)
	0665700	-----	2	Bushing Adapter (Replacement Valve)
17	00898	695	1	Adapter Union
	001288	-----	1	Adapter (Replacement Valve)
	0665800	-----	1	Elbow (Replacement Valve)
18	000755	3070	1	Adapter Union Elbow (Original Valve)
	000756	-----	2	Adpter Elbow (Replacement Valve)
19	0461100	4611	1	Adapter Union (Replacement Valve)
20	066500E	6650E	1	Port Adapter

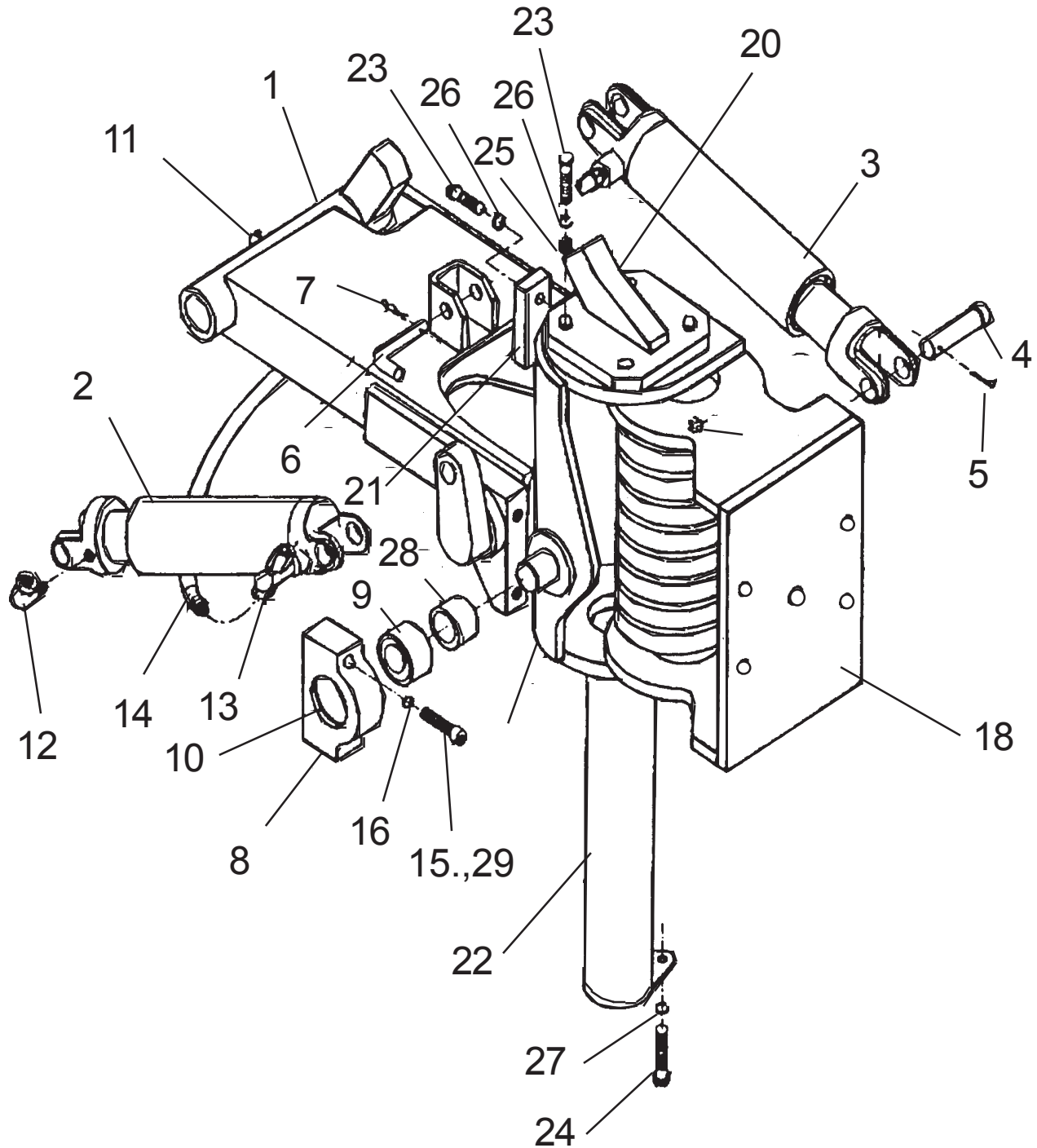
These are replacement parts for the 7500 series, they were not used in production of the 7500 only to update the Break-a-way system on it

NOTE: Always Order New Part Number When Ordering Parts.

May 1975
to
Sep. 1984

Lift & Break-A-Way 7500 Series

S/N SB-All
to
S/N SB-End Production



May 1975
to
Sep. 1984

Lift & Break-A-Way 7500 Series

S/N SB-All
to
S/N SB-End Production

Item	Part No New #	Part No. Old #	Qty.	Description
	--NLF--	5336	--	* Lift And Break-A-Way Asy (RH Model)
1	0532000	5320	1	Carriage
2	0693400A	2401	1	Curb Lift Cylinder (Replaced by Later Cyl.)
3	0693500A	2402	1	Bar Lift Cylinder (Replaced by Later Cyl.)
4	0424200	4242	4	Clevis Pin
5	0051300	513	4	Cotter Pin
6	0112400	1124	1	Transport Pin
7	0114600	1146	1	Hair Pin
8	0530900	5309	2	Pillow Block
9	0531000	5310	2	Needle Bearing
10	0531200	5312	2	Retaining Ring
11	--NLF--	3759	1	Grease Fitting, 90 deg. 1/4" - 28 Thread
12	0075000	750	1	Street ELL
13	0181500	1815	1	Adpater Union, 1/4"
14	0181400	1814	1	Hose
15	0531300	5313	4	Bolt, Allen Head
16	00019600	112	4	Lockwasher
17	0530500	5305	1	Knuckle
18	--NLF---	5325	1	* Spring Support & Knuckle Asy.
	--NLF--	5306	1	* Spring Support Asy
19	00752670	123	1	Grease Fitting
20	0530800	5308	1	Transport Bracket
21	0112300	1123	1	Tension Block
22	0113900	1139	1	Release Pin
23	02030700	901	6	Bolt
24	00749503	900	1	Bolt
25	00002700	1043	8	Flatwasher
26	00019600	112	6	Lockwasher
27	00012101	459	1	Lockwasher
28	0531100	5311	2	Inner Race
29	--NLF--	4737	a/r	Locktite (AV87)

* In Oct 1984 the Break-a-way for the 7500 was discontinued and some parts became obsolete , the break-a-way for the 8500 series was used to replace it, if replacing the assembly use the later 8500 type. Some of the parts for the 7500 are the same as the 8500 from drive assembly out.

NOTE: Always Order New Part Number When Ordering Parts.

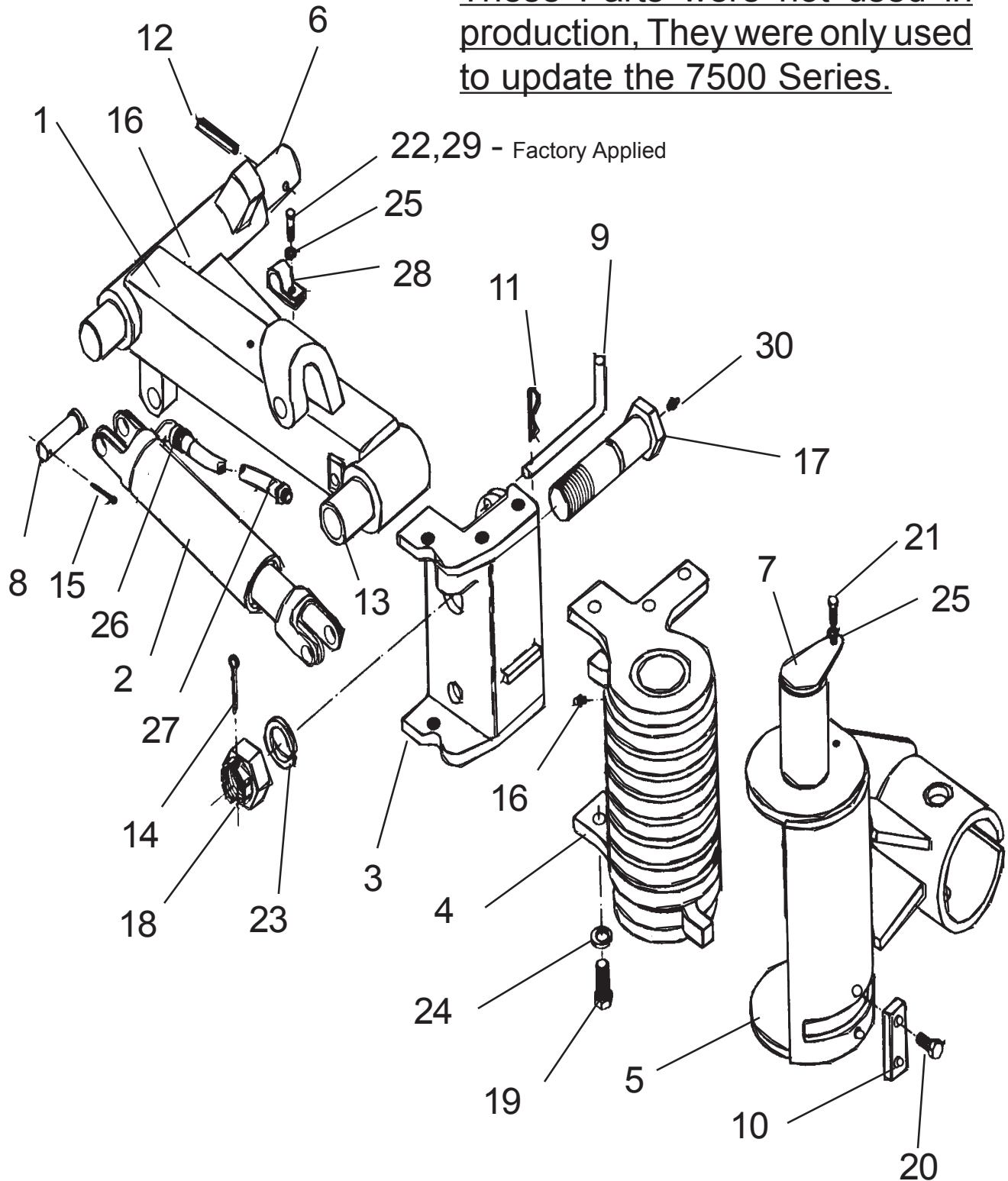
Oct. 1984
to
Replacement Parts

LIFT & BREAK-A-WAY 7500 Series

S/N SB-Replacement
to
S/N SB-Replacement

Replacement Parts Only

These Parts were not used in production. They were only used to update the 7500 Series.



Oct. 1984
to
Replacement Parts

LIFT & BREAK-A-WAY 7500 Series

S/N SB-Replacement
to
S/N SB-Replacement

Replacement Parts Only

Item	Part No New #	Part No. Old #	Qty.	Description
	0587100	5871	--	Lift And Break-A-Way Asy (RH Model)
1	0341600	3416	1	Carriage, (Includes Items 13 & 16)
2	0693500A	2402	1	Cylinder Asy, Bar Lift
3	0113000	1130	1	Knuckle
4	0119000	1190	1	Spring & Spring Support w/ item 16
5	0585200	5852	1	Drive Unit Support
6	0112700	1127	1	Carriage Pin
7	00113900	1139	1	Release Pin
8	0424200	4242	2	Clevis Pin
9	0121800	1218	1	Transport Pin
10	0112300	1123	1	Spring Tension Block
11	0114600	1146	1	Hair Pin
12	0113400	1134	1	Roll Pin
13	0343100	3431	1	Bushing
14	000162	1056	1	Cotter Pin
15	00755123	513	2	Cotter Pin
16	000088	123	2	Grease Fitting
17	0144300	1443	1	Knuckle Bolt, w/ Item 30
18	0142100	1421	1	Knuckle Bolt Nut
19	00752658	393	6	Bolt
20	00750959	865	2	Bolt
21	00002000	900	1	Bolt
22	02035400	1101	1	Bolt
23	0142000	1420	1	Lockwasher
24	00010300	734	6	Lockwasher
25	00012101	459	2	Lockwasher
26	0075000	750	1	Street Ell
27	0181400	1814	1	Hose
28	0573300	5733	1	Hose Clamp
29	00001004	4737	a/r	Loctite (AV87) Use Sparingly
30	00003500	122	1	Grease Fitting

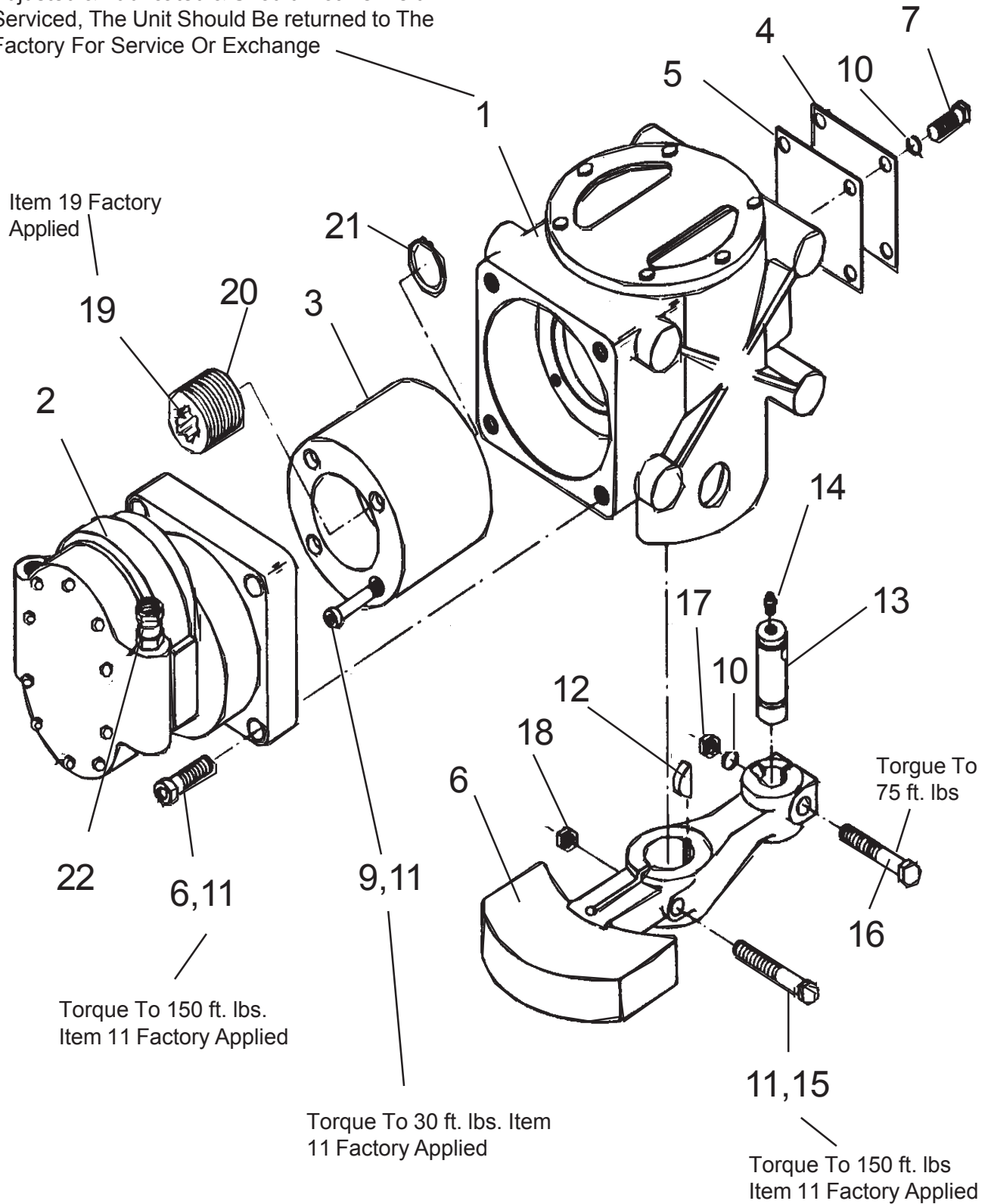
NOTE: Always Order New Part Number When Ordering Parts.

May 1975
to
Sep. 1984

HYD DRIVE ASY 7500 Series

S/N SB-All
to
S/N SB-End Production

CAUTION: The Basic Drive Unit is factory Adjusted & Lubricated & Should Not Be Field Serviced, The Unit Should Be returned to The Factory For Service Or Exchange



May 1975
to
Sep. 1984

HYD DRIVE ASY 7500 Series

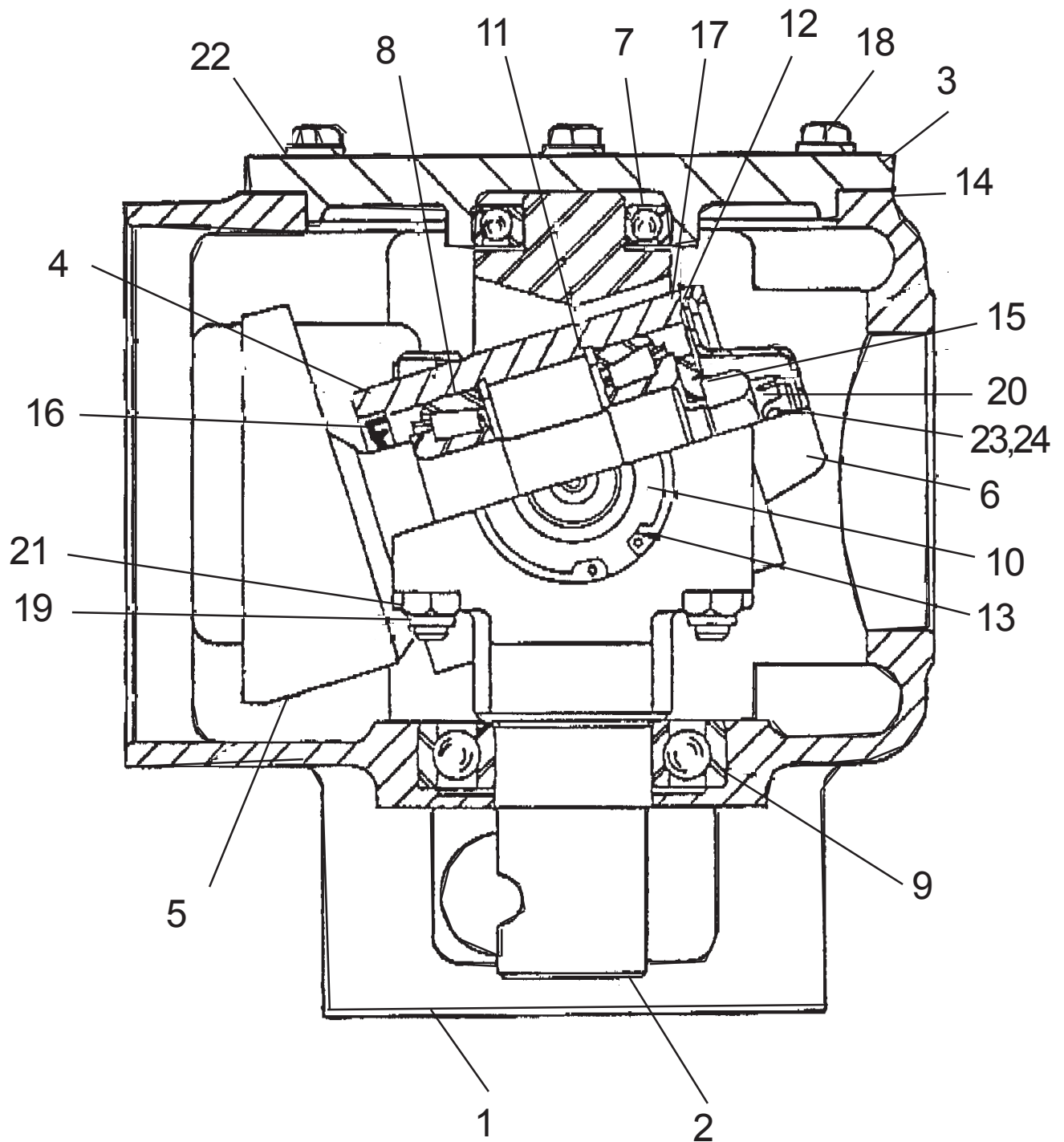
S/N SB-All
to
S/N SB-End Production

Item	Part No New #	Part No. Old #	Qty.	Description
	0449200	4492	--	Hyd Drive Unit Asy (w/ 1" Gear Motor) D8500
	0534300	5343	--	Hyd Drive Unit Asy (w/ 3/4" Gear Motor) S8500
1	0449000	4490	1	Basic Drive UnitAsy
2	0447300	4473	1	Motor (w/ 1" Gears used on Asy #4492)
	0534400	5344	1	Motor (w/ 3/4" Gears Used on Asy #5343)
3	0447500	4475	1	Flywheel
4	0447600	4476	1	Cover Plate
5	0447700	4477	1	Gasket
6	0446400	4464	1	Drive Arm
7	00750959	865	4	Bolt, Hex Head
8	0447100	4471	4	Bolt, Socket Head, Short
9	000196	4474	4	Bolt, Socket Head, Long
10	0011200	112	5	Lockwasher
11	00001004	4737	1	Locktite (AV87), Apply Sparingly
12	0564100	5641	1	Key
13	0446600	4466	1	Knife Drive Pin
14	000088	123	1	Grease Fitting
15	7AH882024	5649	1	Bolt
16	02788400	1342	1	Bolt
17	00001200	186	1	Nut
18	02716500	5650	1	Locknut
19	-----	5739	--	Mollykote Lube, (No Longer Available)
20	044750B	4475B	1	Sleeve (included in Item 3)
21	044750C	4475C	1	Sleeve (included in Item 3)
22	000898	695	1	Adapter Union

May 1975
to
Sep. 1984

BASIC DRIVE UNIT 7500 Series

S/N SB-All
to
S/N SB-End Production



May 1975
to
Sep. 1984

BASIC DRIVE Unit 7500 Series

S/N SB-All
to
S/N SB-End Production

Item	Part No New #	Part No. Old #	Qty.	Description
	0449000	4490	--	Basic Drive Unit
1	0445000	4450	1	Drive Housing
2	-----	-----	1	* Crankshaft
3	0445100	4451	1	Cover
4	-----	-----	1	* Wobble Box
6	0448100	4481	1	Cap
7	0588700	5887	1	Bearing
8	0445800	4458	2	Bearing
9	0445300	4453	1	Bearing
10	-----	-----	1	* Bearing
11	0446200	4462	2	Retaining Ring
12	0445500	4455	1	Retaining Ring
13	-----	-----	1	* Retaining Ring
14	0445600	4456	a/r	Shim, Laminated
15	0445900	4459	1	Washer
16	0448700	4487	1	Seal
17	0447000	4470	1	Gasket
18	10119000	-----	6	Bolt
19	-----	-----	1	* Shoulder Screw
20	-----	-----	1	* Nut, Slotted
21	000253	-----	1	Locknut
22	-----	-----	1	* Lockwasher
23	00011700	-----	6	Cotter Pin
24	000123	-----	1	Cotter Pin

* Un-numbered Parts Are Serviceable only as # 0676200 Crankshaft / Wobble Box Asy.

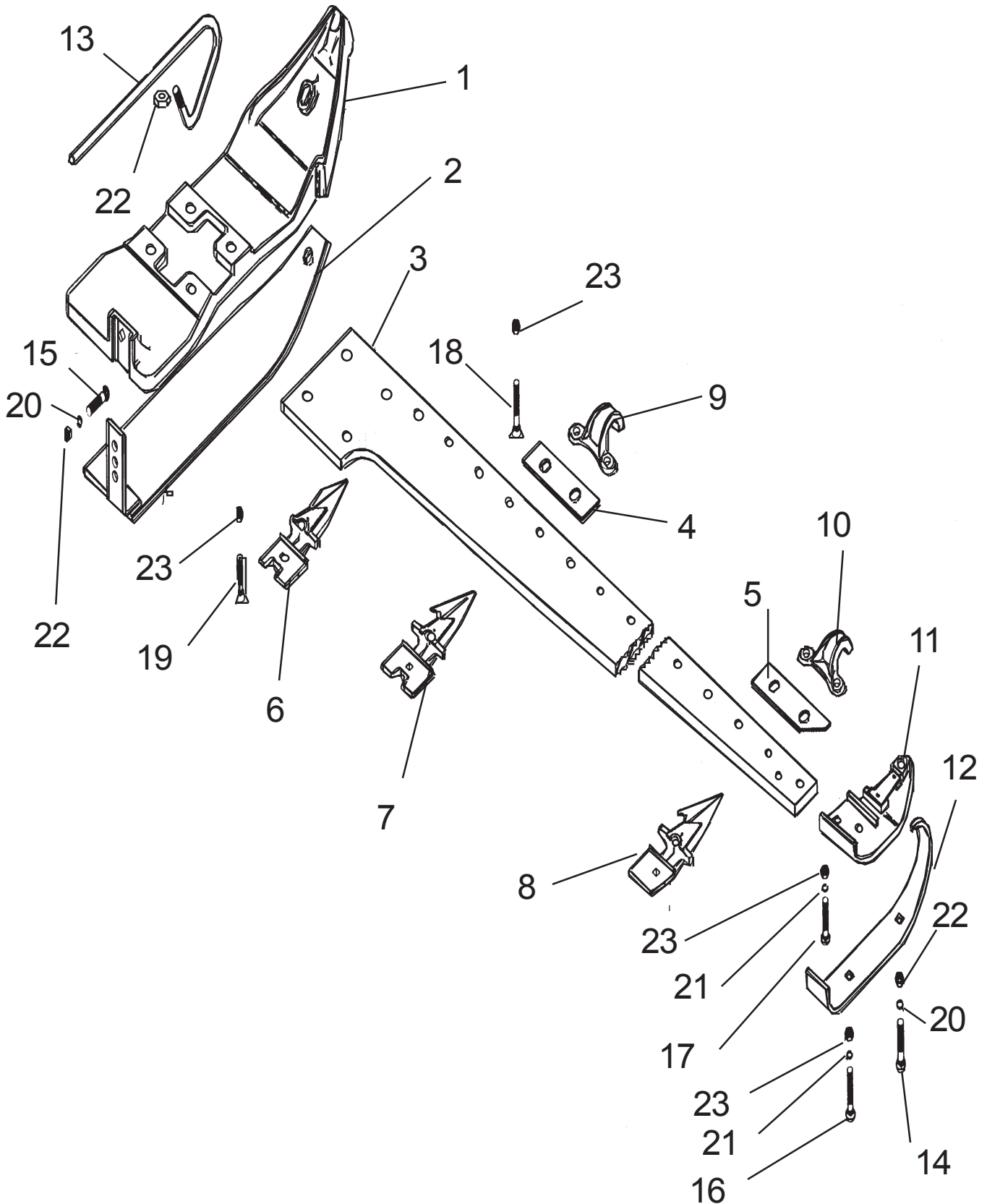
Special Instructions:

Item	Instructions
1	Fill Cavities within Wobble Box half full with HD General Grease MO-Lith No. 2 or =.
8	Coat Contact Areas of Bearing liberally with bearing grease.
14	Cover Shims, Shim to provide .001" to .004" End Play in Crank Shaft
17	Attach to Cap with Eastman Adhesive 910 10R or equivalent, Must be Dry & Clean.
18	Torque Item 18 to 17 ft. lbs.
20	Tighten Nut to eliminate End Play but allow free rotation of Shaft
*	Un-ID Parts are Serviceable only as 6762 (0676200) Crankshaft. Wobblw Box

May 1975
to
Sep. 1984

CUTTERBAR ASY 7500 Series

S/N SB-All
to
S/N SB-End Production



May 1975
to
Sep. 1984

CUTTERBAR ASY 7500 Series

S/N SB-All
to
S/N SB-End Production

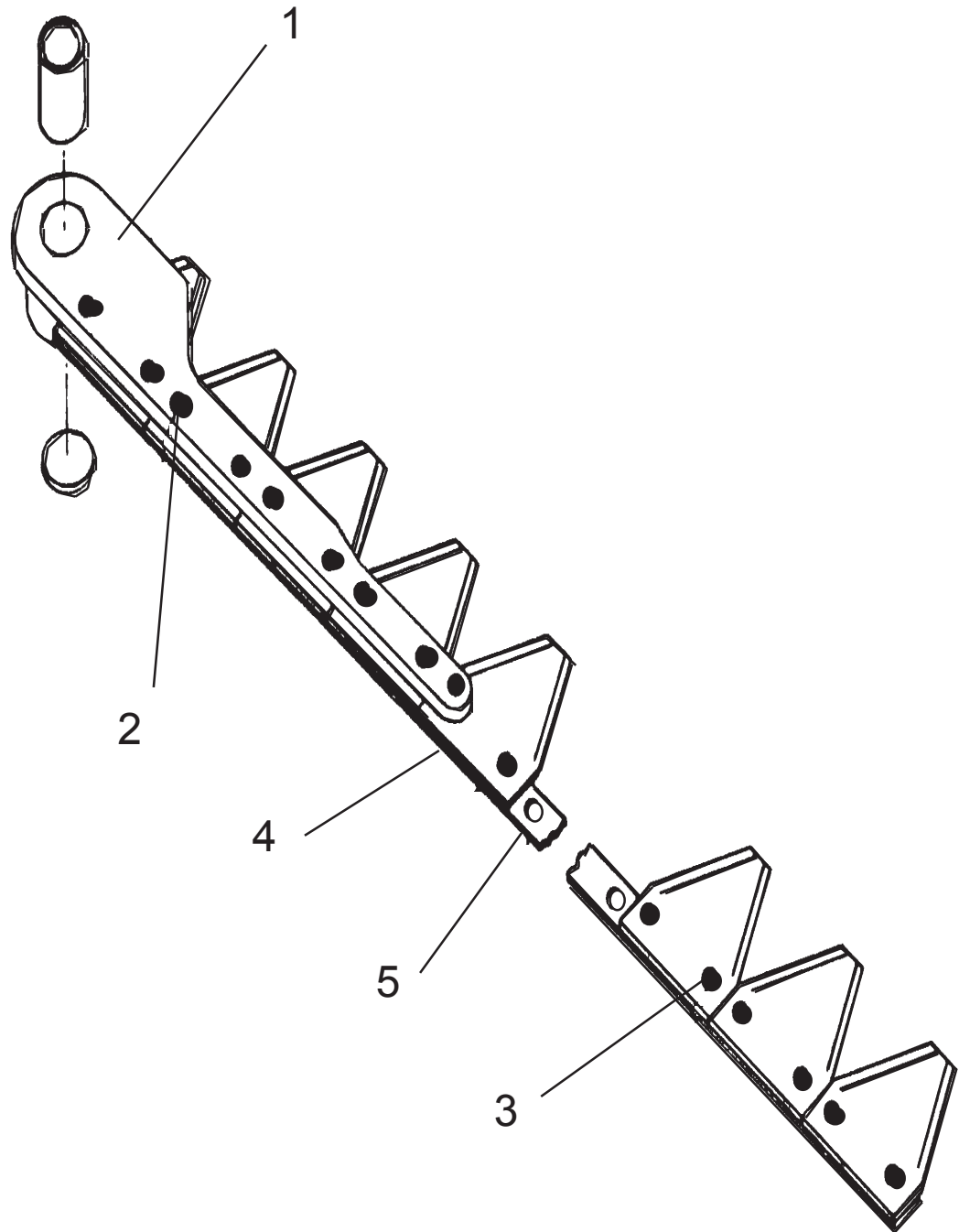
Item	Part No	Part No.	Qty.	Description
	New #	Old #		
	0583500	5835	1	Cutterbar Asy 5', w/ Serrated Knife Asy
	0582500	5825	1	Cutterbar Asy 5', w/o Knife Asy
	0583600	5836	1	Cutterbar Asy 6', w/ Serrated Knife Asy
	0582600	5826	1	Cutterbar Asy 6', w/o Knife Asy
	0583700	5837	1	Cutterbar Asy 7', w/ Serrated Knife Asy
	0582700	5827	1	Cutterbar Asy 7', w/o Knife Asy
1	0449300	4493	1	Inner Shoe Asy
2	0448900	4489	1	Inner Sole
3	0580500	5805	1	Cutterbar, 5 ft
	0580600	5806	1	Cutterbar, 6 ft
	0580700	5807	1	Cutterbar, 7 ft
4	0532600	5326	a/r	Knife Wear Plate, (Qty 4 f/ 5', 5 f/ 6' & 6 f/ 7' Model)
5	0571900	5719	1	Knife Wear Plate, (Qty 1 f/ 5',6' or 7')
6	0593800	5938	1	* Rock Guard, Inner, w/ 1 ea. Item 24 (Qty 1 for 5', 6' or 7')
7	0593700	5937	a/r	* Rock Guard, Center, w/ 1 ea. Item 24 (Qty 18 f/ 5', 22 f/ 6' & 26 f/ 7')
8	0593600	5936	1	* Rock Guard, Outer w/ 1 ea. Item 24 (Qty 1 f/ 5', 6' or 7')
9	0012700	127	1	Knife Clip, High (Qty 1 f/ 5',6' or 7')
10	0188700	1887	a/r	Knife Clip, Low (Qty 4 f/ 5', 5 f/ 6' & 6 f/ 7')
11	0570900	5709	1	Outer Shoe Asy, w/ # 5708, 5728 & 1678
	0570800	5708	1	Outer Shoe
	0572800	5728	1	Ledger Plate
	0167800	1678	2	Rivet, Counter Sunk Head
12	0123800	1238	1	Outer Shoe Sole, (RH Model)
13	0044700	447	1	Inner Shoe Guard Rod
14	000516	1012	1	Carriage Bolt
15	02886900	1166	1	Carriage Bolt
16	0129000	1290	1	Carriage Bolt
17	12666000	812	1	Carriage Bolt
18	0571800	5718	a/r	Bolt, Rnd Cntr Sunk Hd, Long (Qty 10 f/ 5', 12 f/ 6' & 14 f/ 7')
19	0046400	464	a/r	Bolt, Rnd Cntr Sunk Hd, Short (Qty 10 f/ 5', 12 f/ 6' & 14 f/ 7')
20	00019600	112	2	Lockwasher
21	00022200	460	2	Lockwasher
22	00001200	186	3	Nut
23	00999316	1638	a/r	Nut, (Qty 22 f/ 5', 26 f/ 6' & 30 f/ 7')
24	0116200	1162	1	* Ledger Plate, (1 per Rock Guard)
	011630A	1163A	1	* Screw, Flathead, (1 per Rock Guard)
	011630B	1163B	1	* Nut, Square, (1 per Rock Guard)

NOTE: * Each Rock Guard (Item 6, 7 & 8) will include 1 each of Item # 24

May 1975
to
Sep. 1984

KNIFE ASY 7500 Series

S/N SB-All
to
S/N SB-End Production



May 1975
to
Sep. 1984

KNIFE ASY 7500 Series

S/N SB-All
to
S/N SB-End Procuton

Item	Part No New #	Part No. Old #	Qty.	Description
	0533900	5339	1	*Knife Asy, 5' Smooth Knife (RH Model)
	0531600	5316	1	*Knife Asy, 5' Serrated Knife (RH Model)
	0534000	5340	1	*Knife Asy, 6' Smooth Knife (RH Model)
	0531800	5318	1	*Knife Asy, 6' Serrated Knife (RH Model)
	0534100	5341	1	*Knife Asy, 7' Smooth Knife (RH Model)
	0533700	5337	1	*Knife Asy, 7' Serrated Knife (RH Model)
1	0448200	4482	1	Knife Head, w/ Bushing & Plug
	0446000	4460	1	Bushing, Bronse
	0547500	5475	1	Expansion Plug
2	0064700	647	a/r	Section Rivet, 29/32" Long (Qty = 9-5', 6' or 7')
3	0187100	1871	a/r	Section Rivet, 9/16" Long (Qty = 33-5', 41-6' & 49-7')
4	0064600	646	a/r	*Knife Section, Serrated (Qty = 21-5', 25-6' & 29-7')
	8064600	-----	Set	*Knife Set, Serrated, (1 Carton of 25 Knives)
	0122700	1227	a/r	*Knife Section, Smooth (Qty = 21-5', 25-6' & 29-7')
	8122700	-----	Set	*Knife Set, Smooth, (1 Carton of 25 Knives)
6	0530100	5301	1	Backing Strip (5' Model)
	0531900	5319	1	Backing Strip (6' Model)
	0534200	5342	1	Backing Strip (7' Model)

*Serrated Knives are Standard, Smooth Knives are an Option.

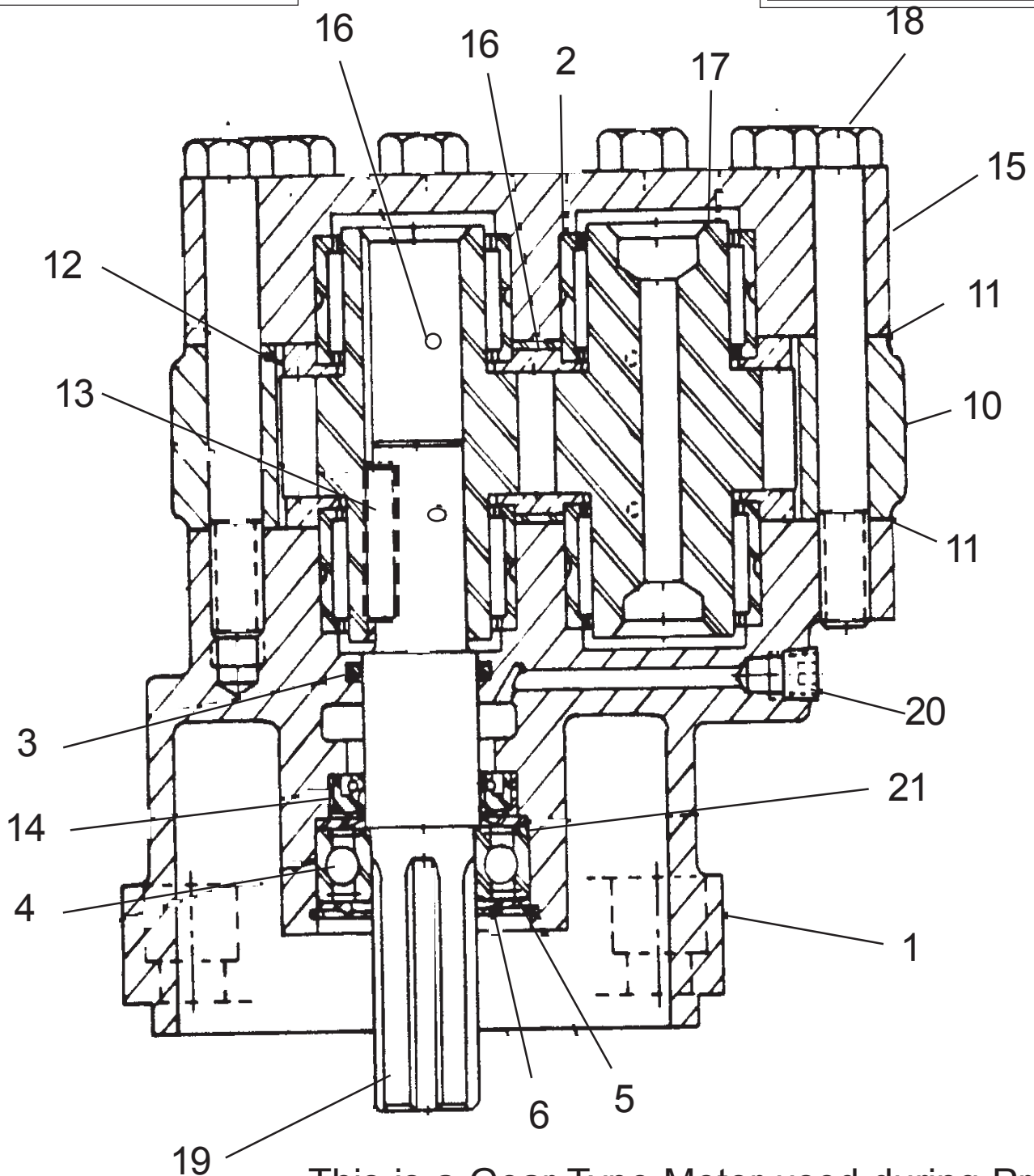
KNIFE HEAD BUSHING REPLACEMENT

After Driving out Expansion Plug, with a 1" dia. Rod, Press out Old Busing on an Arbor Press. Press in a New Bushing Flush to the Top Surface of the Knife Head and insert a new Expansion Plug

May 1975
to
Sep. 1984

HYDRAULIC MOTOR 7500 Series

S/N SB-All
to
S/N SB-End Production



This is a Gear Type Motor used during Production, A Replacement Motor Assembly is the Geroler Type See the next page for the Replacement Motor.

May 1975
to
Sep. 1984

HYDRAULIC MOTOR 7500 Series

S/N SB-All
to
S/N SB-End Production

Motors Have 2 Size Gears, 1" (2.8 CID) or 3/4" (2.2 CID)

Item	Part No New #	Part No. Old #	Qty.	Description
	0447300	4473	1	Motor, w/ 1" Gears (D8500 Model) CC System
	0534400	5344	1	Motor, w/ 3/4" Gears (S8500 Model) OC System
1	0448400	4484	1	Shaft End Cover,
2	0159900	1599	4	Roller Bearing
3	0029000	290	1	O-Ring Seal
4	0588700	287	1	Bearing
5	0028800	288	1	Retainer Ring
6	0028900	289	1	Bearing Shield
7	0038000	380	2	Check Ball, (Not Shown) Includes Item 8 & 9
8	0038100	381	2	Check Ball Retainer, (Not Shown) (Use # 0038000)
9	0038200	382	2	Check Valve Seat (Use # 0038000)
10	0448800	4488	1	Center Housing (Use on Motor w/ 1" Gears)
	0115100	1151	1	Center Housing (Use on Motor w/ 3/4" Gears)
11	0163100	1631	2	Gasket
12	0029200	292	2	Thrust Plate
13	0029300	293	1	Gear Key
14	0231800	2318	1	Seal, Double Lipped
15	0448300	4483	1	Port End Cover
16	0029700	297	10	*Pocket Seals (approx 5" Long)
17	0147200	1472	1	Gear Set 1" Gears, Matched Pair, 2 Gears
	0115300	1153	1	Gear Set 3/4" Gears, Matched Pair, 2 Gears
18	0008200	1865	10	Bolt (Use on Motor w/ 1" Gears)
	0126800	1268	10	Bolt (Use on Motor w/ 3/4" Gears)
19	0037100	371	1	Shaft
20	0063500	635	1	Pipe Plug
21	0241100	2411	1	Bearing Retainer
22	0664800	6648	1	Seal Kit

NOTE: Pocket Seals are furnished a 5" long strips, Cut to required Length. Torque Item 18 to 83 ft. lbs. in a Alternating side to side pattern of Bolts.

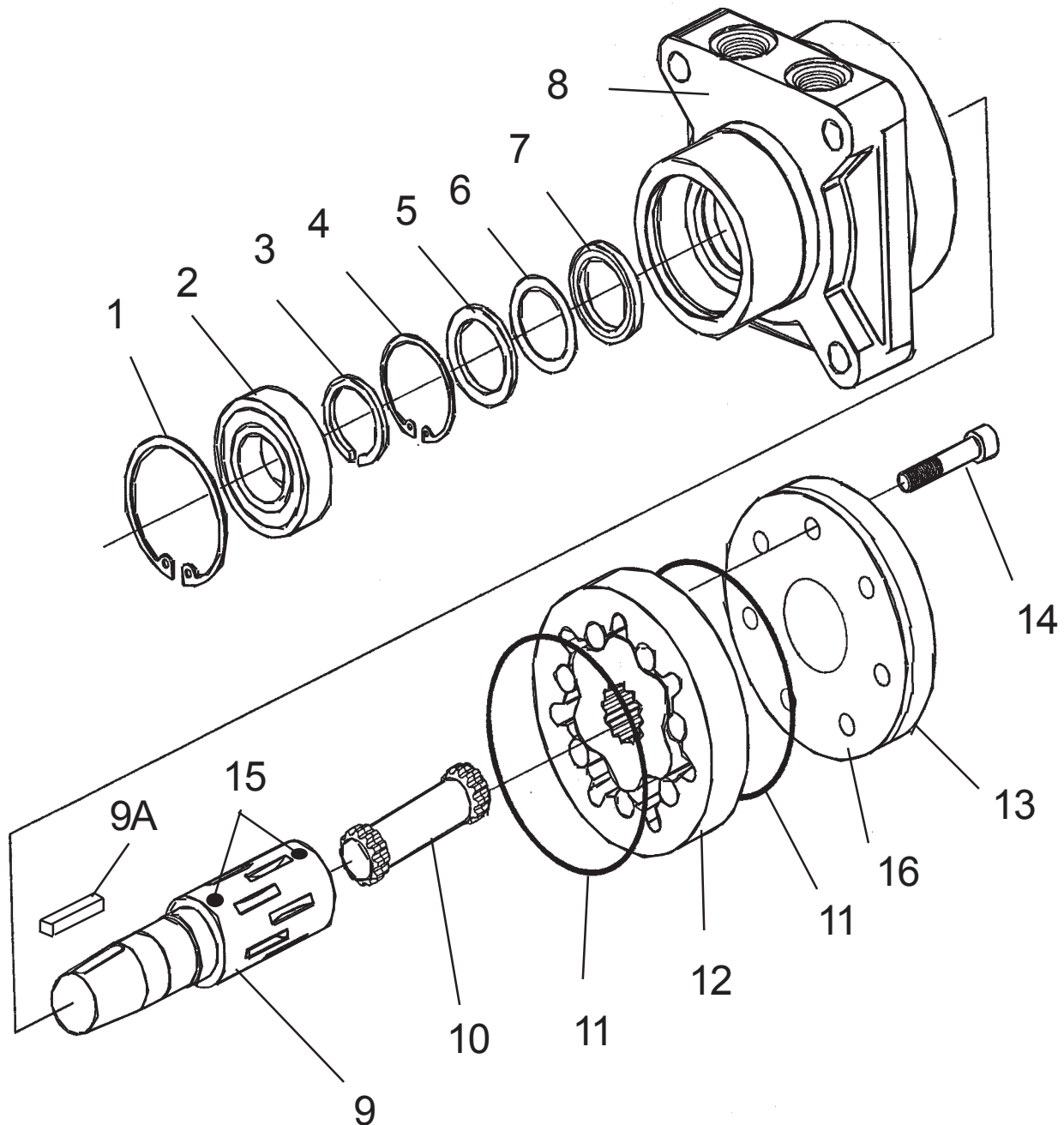
NOTE: There are 2 different Motors, One had 1" Gears (Used on D8500 Model Open Center Hyd.) & the other has 3/4" Gears (Used on S8500 Model Closed Center Hyd.) , Check which Motor before ordering High Lighted Parts above. The rest of the parts are common Parts & will interchange between the two Motors, The "D8500 & S8500 was a designation as to which tractor it was mounted on. When ordering these Motors they will be replaced with a later Style Motor with adapter plates to mount new motor in place of old style, order # 0447300 or # 0534400 and receive these adapter parts and new style motors, if only the new style motor is ordered you will not receive adapter plates and Motors will not fit.

Feb. 2001
to
Replacement Part

HYDRAULIC MOTOR 7500 Series

S/N SB-Replacement
to
S/N SB-Replacement

Replacement Motor



This is a Geroler Type Motor used as a Replacement Motor Assembly, For the Geared Type Motor used in production See the Previous page.

Feb. 2001
to
Replacement Part

HYDRAULIC MOTOR 7500 Series

S/N SB-Replacement
to
S/N SB-Replacement

Replacement Motor

MOTORS SIZE IS 2.2 CID or 2.8 CID

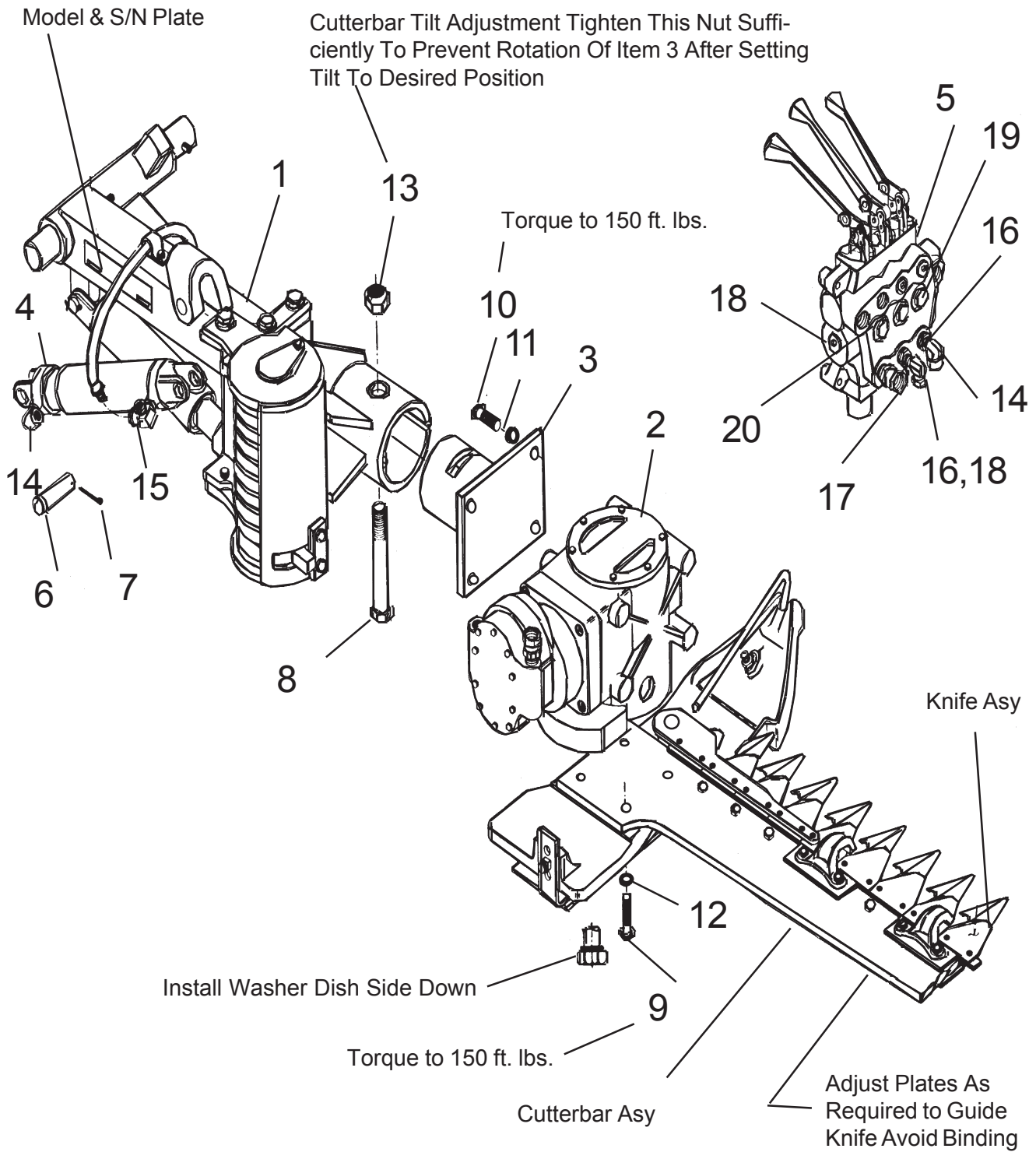
Item	Part No	Part No.	Qty.	Description
	02977120	-----	1	*Motor Only, 2.8 CID (Use 0447300 Motor Retrofit Kit)
	0447300	-----	--	*Motor Retrofit Kit (02977120 w/ items 18 thru 22)
	-----	02977279	1	*Motor Only, 2.2 CID (Use 0534400 Motor Retrofit Kit)
	-----	0534400	--	*Motor Retrofit Kit (02977279 w/ items 18 thru 22)
1	02977968	02977968	1	Retaining Ring, (Included in Seal kit)
2	02977969	02977969	1	Ball Bearing, (Included in Seal kit)
3	02977970	02977970	1	Retaining Ring, (Included in Seal kit)
4	02977971	02977971	1	Retaining Ring, (Included in Seal kit)
5	02977972	02977973	1	Washer, (Included in Seal kit)
6	02977973	02977973	1	Washer, Back-Up, (Included in Seal kit)
7	02977974	02977974	1	Pressure Seal, (Included in Seal kit)
8	02977975	02977975	1	Housing
9	02977976	02977976	1	Input Shaft
9A	02977981	02977981	1	Key
10	02977977	02977977	1	Drive Shaft
11	02977978	02977978	1	Seal, (Included in Seal kit)
12	02976884	-----	1	Geroler, For 02977120 Motor Only
	-----	02977979	1	Geroler, For 02977279 Motor Only
13	02978098	-----	1	End Cap, For 02977120 Motor Only
	-----	02976894	1	End Cap, For 02977279 Motor Only
14	02977980	02977980	7	Bolt, Hex Head
15	02978096	02978096	2	Poppet
16	02976893	02976893	1	Spacer Plate
17	02977967	02977967	1	Seal Kit (Items 1, 2, 3, 4, 5, 6, 7 & 11)
18	00013300	00013300	4	Bolt, 1/2" (in P/N 0534400 & 0447300) Not Shown
19	02757800	02757800	2	Hyd Adapter Fitting (in P/N 0534400 & 0447300) Not Shown
20	02975300	02975300	1	Motor Adapter Flange (in P/N 0534400 & 0447300) Not Shown
21	02975301	02975301	1	Flywheel (in P/N 0534400 & 0447300) Not Shown
22	10010653	10010653	4	Bolt, 3/8" (in P/N 0534400 & 0447300) Not Shown

NOTE: These are Replacement Motors and were not used in production, There are 2 different Motors, One had 2.8 CID (Used on D8500 Model) & the other has 2.2 CID (Used on S8500 Model), Check which Motor needed before ordering High Lighted Parts above. The rest of the parts are common Parts & will interchange between the two Motors, The "D8500 & S8500 was a designation as to which tractor it was mounted on. *These are replacement motors for earlier style, these cannot be mounted without items 18 thru 22 to adapt these later style motors to older units

Jan. 1975
to
Feb. 2001

MOWER ASY 8500 Series

S/N SB-All
to
S/N SB-End Production



Jan. 1975
to
Feb. 2001

MOWER ASY 8500 Series

S/N SB-All
to
S/N SB-End Production

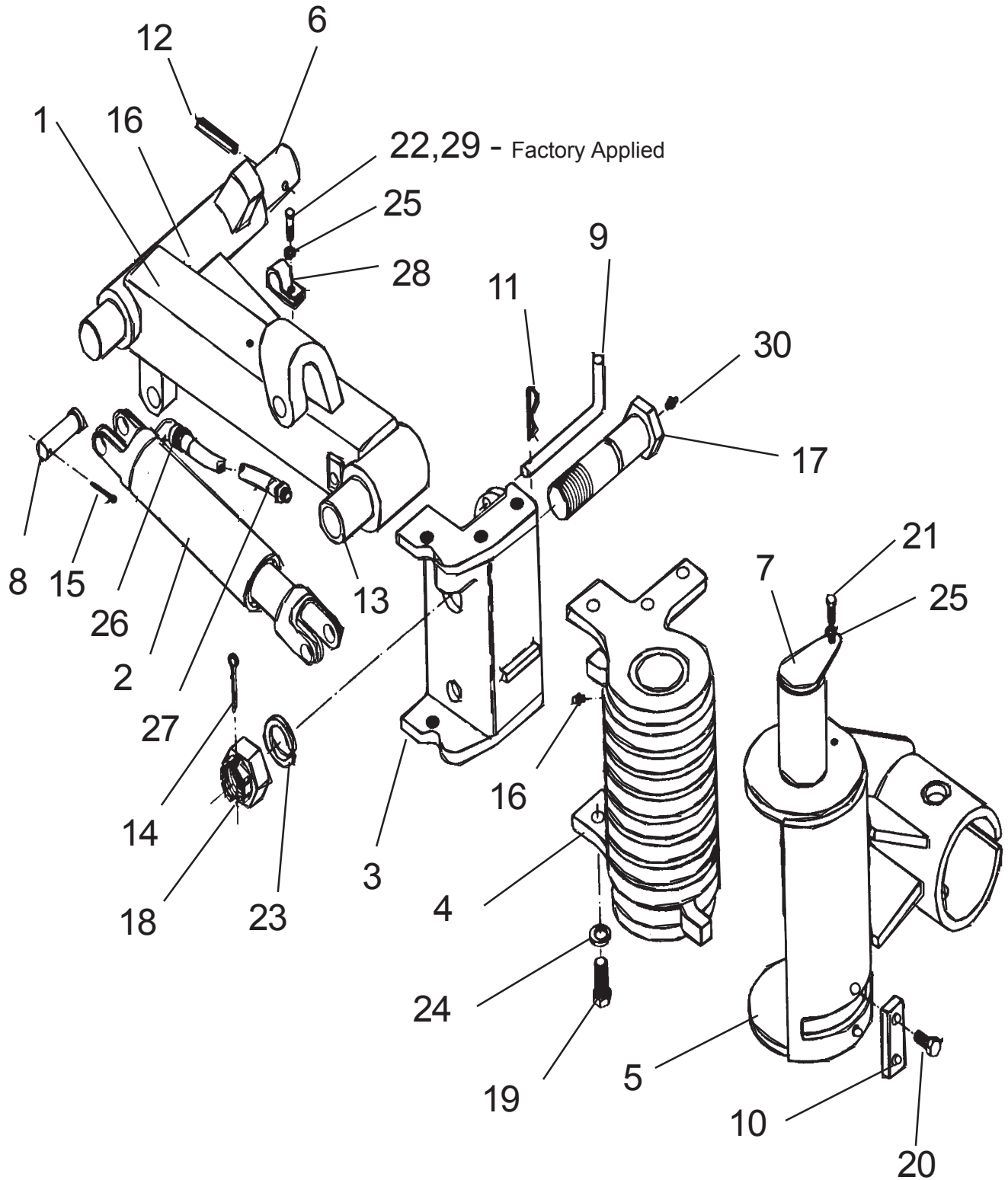
Item	Part No New #	Part No. Old #	Qty.	Description
1	0587100	5871	1	Lift And Break-A-Way Asy (RH Model)
2	0449200	4492	1	Hydraulic Drive Unit Asy (05/85 to 12/89)
	0534300	-----	1	Hydraulic Drive Unit Asy (01/90 to Current)
3	0585100	5851	1	Drive Housing Bracket
4	0693400A	2401	1	Cylinder Asy, Curb Cyl.
5	-----	6420	1	Valve Asy (6420 is Original Valve)
	0672000	-----	1	Valve Asy (0672000 is Replacement Valve)
6	0424200	4242	2	Clevis Pin
7	00755153	513	2	Cotter Pin
8	02025700	5848	1	Bolt
9	0585700	5857	4	Bolt, Self Locking
10	00008300	781	4	Bolt
11	00010300	734	4	Lockwasher
12	0586300	5863	4	Serrated Washer
13	00037200	5849	1	Locknut
14	0075000	750	2	Street Ell (Original or Replacement Valve)
15	0585000	5850	1	Elbow
16	0066200	662	2	Bushing Adapter (Original Valve)
	0665700	-----	2	Bushing Adapter (Replacement Valve)
17	00898	695	1	Adapter Union
	001288	-----	1	Adapter (Replacement Valve)
	0665800	-----	1	Elbow (Replacement Valve)
18	000755	3070	1	Adapter Union Elbow (Original Valve)
	000756	-----	2	Adpter Elbow (Replacement Valve)
19	0461100	4611	1	Adapter Union (Replacement Valve)
20	066500E	6650E	1	Port Adapter

NOTE: Always Order New Part Number When Ordering Parts.

Jan. 1975
to
Feb. 2001

LIFT & BREAK-A-WAY ASY 8500 Series

S/N SB-All
to
S/N SB-End Production



Jan. 1975
to
Feb. 2001

LIFT & BREAK-A-WAY ASY 8500 Series

S/N SB-All
to
S/N SB-End Production

Item	Part No New #	Part No. Old #	Qty.	Description
	0587100	5871	--	Lift And Break-A-Way Asy (RH Model)
1	0341600	3416	1	Carriage, (Includes Items 13 & 16)
2	0693500A	2402	1	Cylinder Asy, Bar Lift
3	0113000	1130	1	Knuckle
4	0119000	1190	1	Spring & Spring Support w/ item 16
5	0585200	5852	1	Drive Unit Support
6	0112700	1127	1	Carriage Pin
7	00113900	1139	1	Release Pin
8	0424200	4242	2	Clevis Pin
9	0121800	1218	1	Transport Pin
10	0112300	1123	1	Spring Tension Block
11	0114600	1146	1	Hair Pin
12	0113400	1134	1	Roll Pin
13	0343100	3431	1	Bushing
14	000162	1056	1	Cotter Pin
15	00755123	513	2	Cotter Pin
16	000088	123	2	Grease Fitting
17	0144300	1443	1	Knuckle Bolt, w/ Item 30
18	0142100	1421	1	Knuckle Bolt Nut
19	00752658	393	6	Bolt
20	00750959	865	2	Bolt
21	00002000	900	1	Bolt
22	02035400	1101	1	Bolt
23	0142000	1420	1	Lockwasher
24	00010300	734	6	Lockwasher
25	00012101	459	2	Lockwasher
26	0075000	750	1	Street Ell
27	0181400	1814	1	Hose
28	0573300	5733	1	Hose Clamp
29	00001004	4737	a/r	Loctite (AV87) Use Sparingly
30	00003500	122	1	Grease Fitting

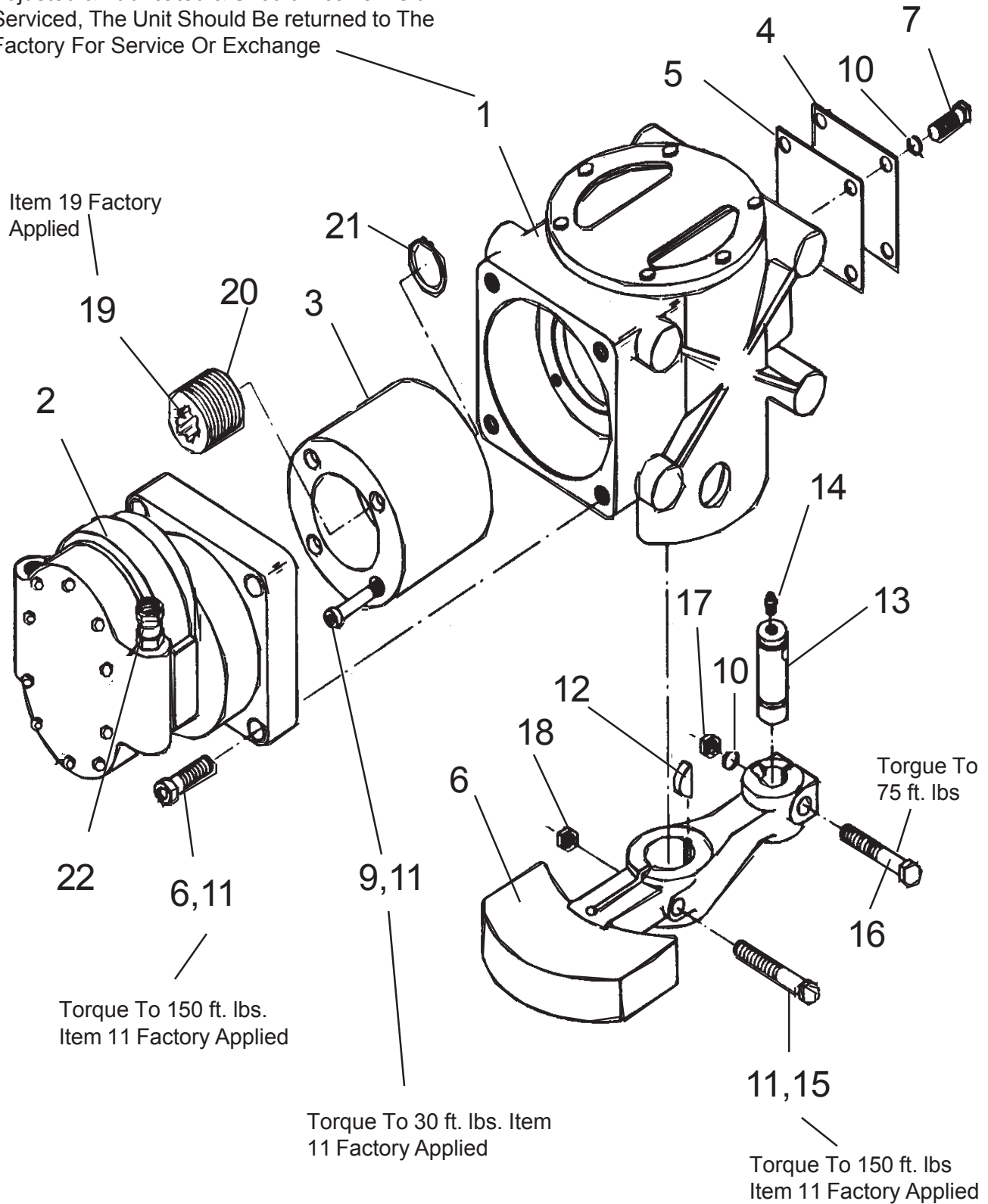
NOTE: Always Order New Part Number When Ordering Parts.

Jan. 1975
to
Feb. 2001

HYD DRIVE ASY 8500 Series

S/N SB-All
to
S/N SB-End Production

CAUTION: The Basic Drive Unit is factory Adjusted & Lubricated & Should Not Be Field Serviced, The Unit Should Be returned to The Factory For Service Or Exchange



Jan. 1975
to
Feb. 2001

HYD DRIVE ASY 8500 Series

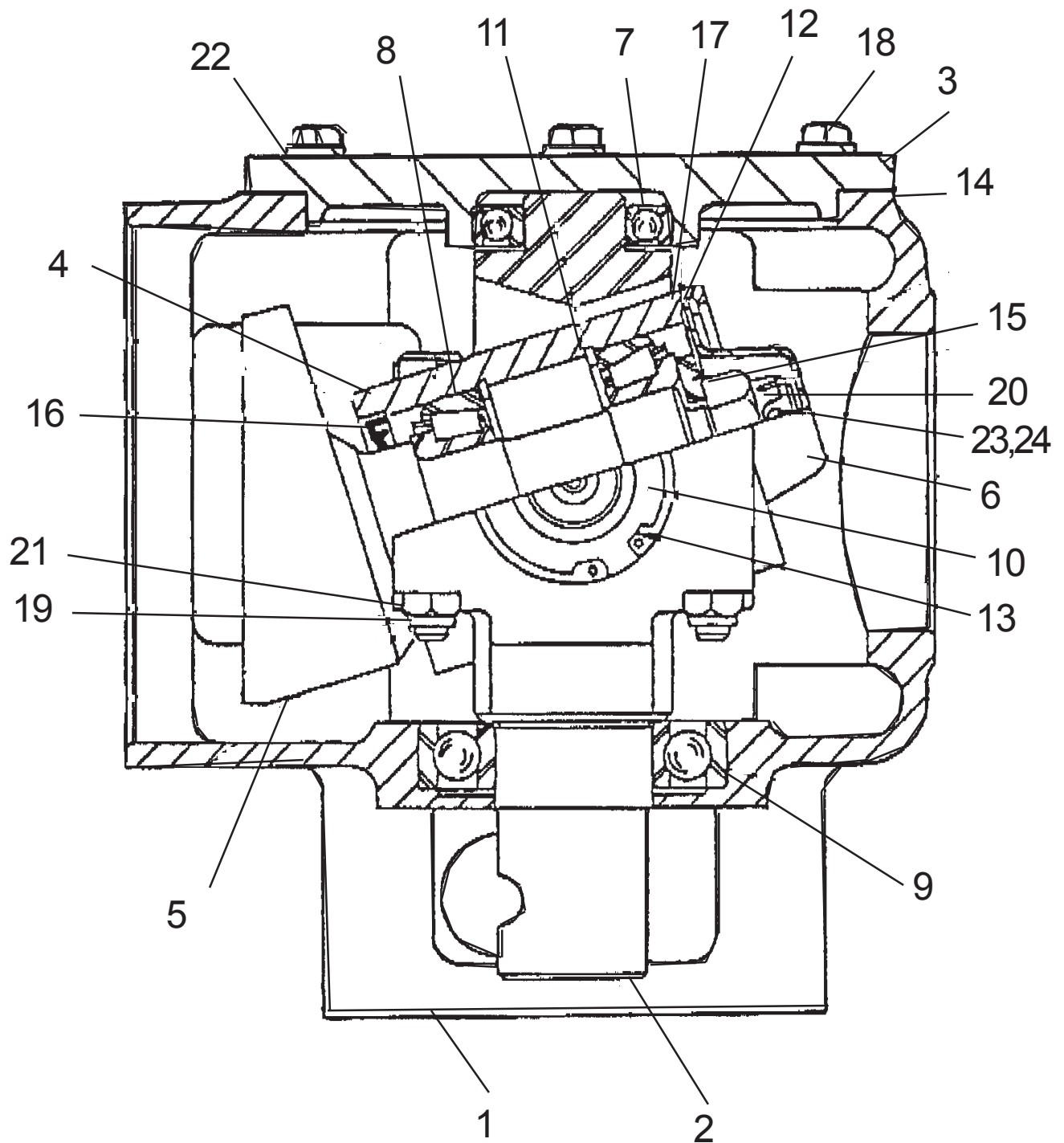
S/N SB-All
to
S/N SB-End Production

Item	Part No New #	Part No. Old #	Qty.	Description
	0449200	4492	--	Hyd Drive Unit Asy (w/ 1" Gear Motor) D8500
	0534300	5343	--	Hyd Drive Unit Asy (w/ 3/4" Gear Motor) S8500
1	0449000	4490	1	Basic Drive UnitAsy
2	0447300	4473	1	Motor (w/ 1" Gears used on Asy #4492)
	0534400	5344	1	Motor (w/ 3/4" Gears Used on Asy #5343)
3	0447500	4475	1	Flywheel
4	0447600	4476	1	Cover Plate
5	0447700	4477	1	Gasket
6	0446400	4464	1	Drive Arm
7	00750959	865	4	Bolt, Hex Head
8	0447100	4471	4	Bolt, Socket Head, Short
9	000196	4474	4	Bolt, Socket Head, Long
10	0011200	112	5	Lockwasher
11	00001004	4737	1	Locktite (AV87), Apply Sparingly
12	0564100	5641	1	Key
13	0446600	4466	1	Knife Drive Pin
14	000088	123	1	Grease Fitting
15	7AH882024	5649	1	Bolt
16	02788400	1342	1	Bolt
17	00001200	186	1	Nut
18	02716500	5650	1	Locknut
19	-----	5739	--	Mollykote Lube, (No Longer Available)
20	044750B	4475B	1	Sleeve (included in Item 3)
21	044750C	4475C	1	Sleeve (included in Item 3)
22	000898	695	1	Adapter Union

Jan. 1975
to
Feb. 2001

BASIC DRIVE UNIT 8500 Series

S/N SB-All
to
S/N SB-End Production



Jan. 1975
to
Feb. 2001

BASIC DRIVE Unit 8500 Series

S/N SB-All
to
S/N SB-End Production

Item	Part No New #	Part No. Old #	Qty.	Description
	0449000	4490	--	Basic Drive Unit
1	0445000	4450	1	Drive Housing
2	-----	-----	1	* Crankshaft
3	0445100	4451	1	Cover
4	-----	-----	1	* Wobble Box
6	0448100	4481	1	Cap
7	0588700	5887	1	Bearing
8	0445800	4458	2	Bearing
9	0445300	4453	1	Bearing
10	-----	-----	1	* Bearing
11	0446200	4462	2	Retaining Ring
12	0445500	4455	1	Retaining Ring
13	-----	-----	1	* Retaining Ring
14	0445600	4456	a/r	Shim, Laminated
15	0445900	4459	1	Washer
16	0448700	4487	1	Seal
17	0447000	4470	1	Gasket
18	10119000	-----	6	Bolt
19	-----	-----	1	* Shoulder Screw
20	-----	-----	1	* Nut, Slotted
21	000253	-----	1	Locknut
22	-----	-----	1	* Lockwasher
23	00011700	-----	6	Cotter Pin
24	000123	-----	1	Cotter Pin

* Un-numbered Parts Are Serviceable only as # 0676200 Crankshaft / Wobble Box Asy.

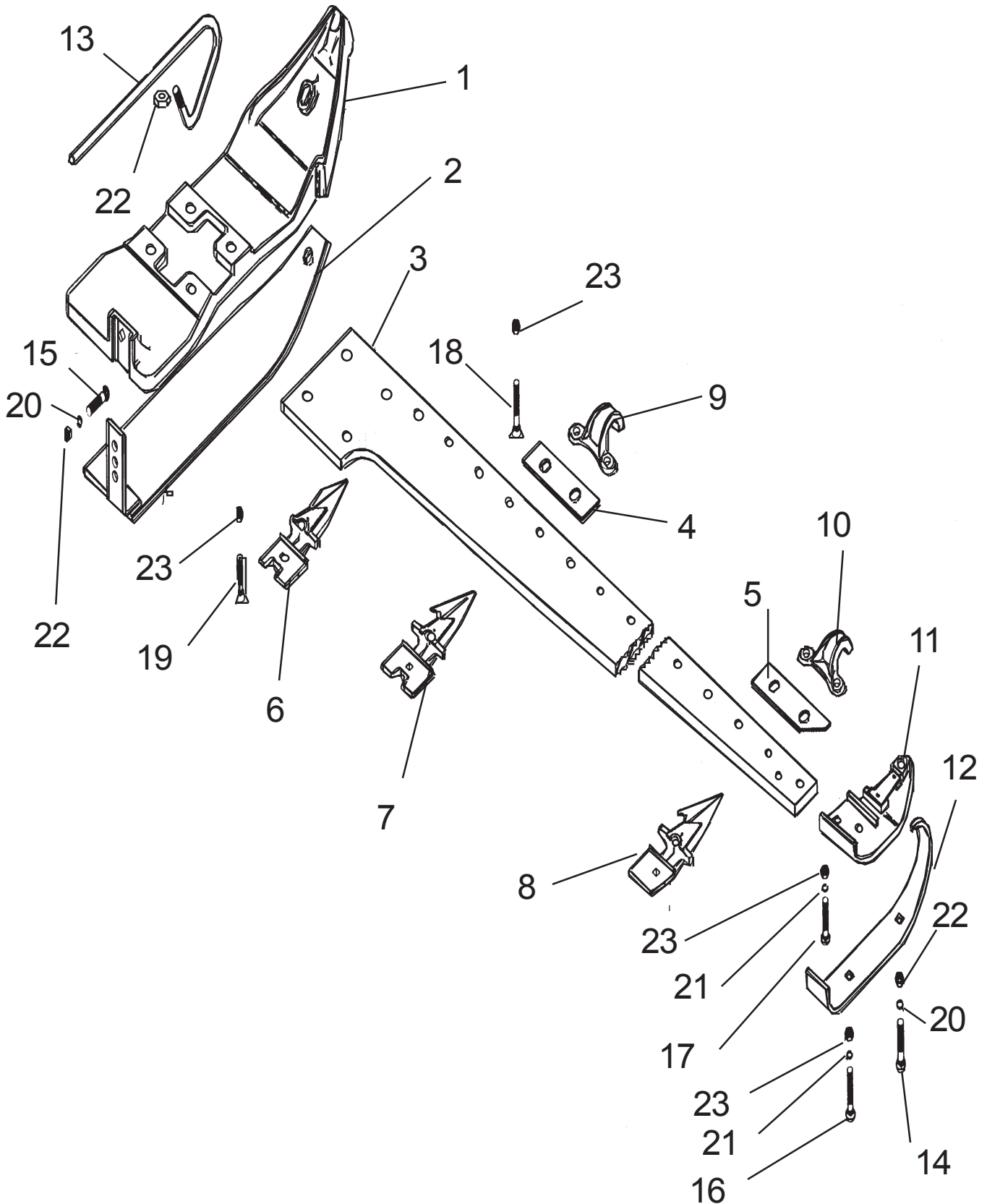
Special Instructions:

Item	Instructions
1	Fill Cavities within Wobble Box half full with HD General Grease MO-Lith No. 2 or =.
8	Coat Contact Areas of Bearing liberally with bearing grease.
14	Cover Shims, Shim to provide .001" to .004" End Play in Crank Shaft
17	Attach to Cap with Eastman Adhesive 910 10R or equivalent, Must be Dry & Clean.
18	Torque Item 18 to 17 ft. lbs.
20	Tighten Nut to eliminate End Play but allow free rotation of Shaft
*	Un-ID Parts are Serviceable only as 6762 (0676200) Crankshaft. Wobblw Box

Jan. 1975
to
Feb. 2001

CUTTERBAR ASY 8500 Series

S/N SB-All
to
S/N SB-End Production



Jan. 1975
to
Feb. 2001

CUTTERBAR ASY 8500 Series

S/N SB-All
to
S/N SB-End Production

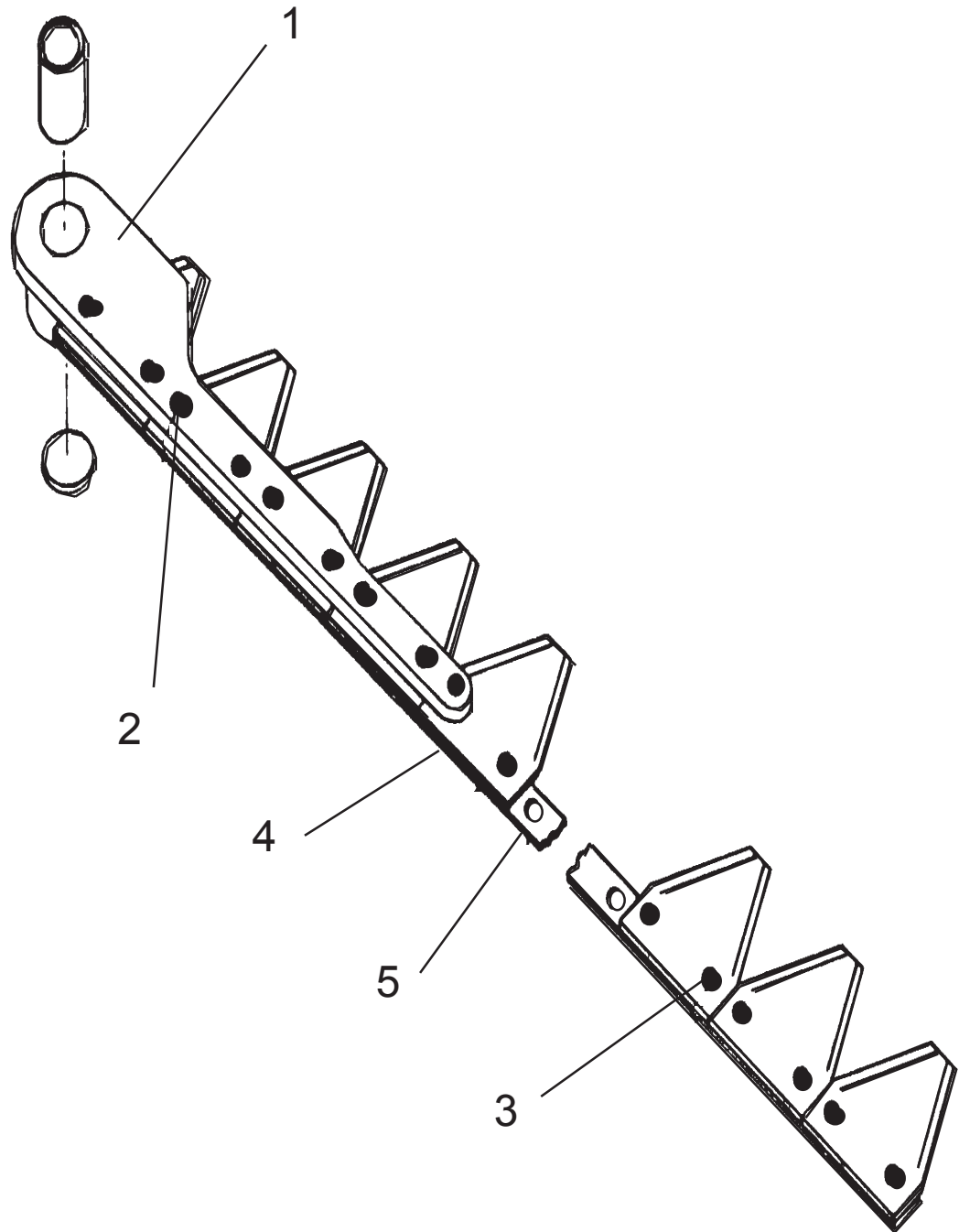
Item	Part No	Part No.	Qty.	Description
	New #	Old #		
	0583500	5835	1	Cutterbar Asy 5', w/ Serrated Knife Asy
	0582500	5825	1	Cutterbar Asy 5', w/o Knife Asy
	0583600	5836	1	Cutterbar Asy 6', w/ Serrated Knife Asy
	0582600	5826	1	Cutterbar Asy 6', w/o Knife Asy
	0583700	5837	1	Cutterbar Asy 7', w/ Serrated Knife Asy
	0582700	5827	1	Cutterbar Asy 7', w/o Knife Asy
1	0449300	4493	1	Inner Shoe Asy
2	0448900	4489	1	Inner Sole
3	0580500	5805	1	Cutterbar, 5 ft
	0580600	5806	1	Cutterbar, 6 ft
	0580700	5807	1	Cutterbar, 7 ft
4	0532600	5326	a/r	Knife Wear Plate, (Qty 4 f/ 5', 5 f/ 6' & 6 f/ 7' Model)
5	0571900	5719	1	Knife Wear Plate, (Qty 1 f/ 5',6' or 7')
6	0593800	5938	1	* Rock Guard, Inner, w/ 1 ea. Item 24 (Qty 1 for 5', 6' or 7')
7	0593700	5937	a/r	* Rock Guard, Center, w/ 1 ea. Item 24 (Qty 18 f/ 5', 22 f/ 6' & 26 f/ 7')
8	0593600	5936	1	* Rock Guard, Outer w/ 1 ea. Item 24 (Qty 1 f/ 5', 6' or 7')
9	0012700	127	1	Knife Clip, High (Qty 1 f/ 5',6' or 7')
10	0188700	1887	a/r	Knife Clip, Low (Qty 4 f/ 5', 5 f/ 6' & 6 f/ 7')
11	0570900	5709	1	Outer Shoe Asy, w/ # 5708, 5728 & 1678
	0570800	5708	1	Outer Shoe
	0572800	5728	1	Ledger Plate
	0167800	1678	2	Rivet, Counter Sunk Head
12	0123800	1238	1	Outer Shoe Sole, (RH Model)
13	0044700	447	1	Inner Shoe Guard Rod
14	000516	1012	1	Carriage Bolt
15	02886900	1166	1	Carriage Bolt
16	0129000	1290	1	Carriage Bolt
17	12666000	812	1	Carriage Bolt
18	0571800	5718	a/r	Bolt, Rnd Cntr Sunk Hd, Long (Qty 10 f/ 5', 12 f/ 6' & 14 f/ 7')
19	0046400	464	a/r	Bolt, Rnd Cntr Sunk Hd, Short (Qty 10 f/ 5', 12 f/ 6' & 14 f/ 7')
20	00019600	112	2	Lockwasher
21	00022200	460	2	Lockwasher
22	00001200	186	3	Nut
23	00999316	1638	a/r	Nut, (Qty 22 f/ 5', 26 f/ 6' & 30 f/ 7')
24	0116200	1162	1	* Ledger Plate, (1 per Rock Guard)
	011630A	1163A	1	* Screw, Flathead, (1 per Rock Guard)
	011630B	1163B	1	* Nut, Square, (1 per Rock Guard)

NOTE: * Each Rock Guard (Item 6, 7 & 8) will include 1 each of Item # 24

Jan. 1975
to
Feb. 2001

KNIFE ASY 8500 Series

S/N SB-All
to
S/N SB-End Production



Jan. 1975
to
Feb. 2001

KNIFE ASY 8500 Series

S/N SB-All
to
S/N SB-End Production

Item	Part No New #	Part No. Old #	Qty.	Description
	0533900	5339	1	*Knife Asy, 5' Smooth Knife (RH Model)
	0531600	5316	1	*Knife Asy, 5' Serrated Knife (RH Model)
	0534000	5340	1	*Knife Asy, 6' Smooth Knife (RH Model)
	0531800	5318	1	*Knife Asy, 6' Serrated Knife (RH Model)
	0534100	5341	1	*Knife Asy, 7' Smooth Knife (RH Model)
	0533700	5337	1	*Knife Asy, 7' Serrated Knife (RH Model)
1	0448200	4482	1	Knife Head, w/ Bushing & Plug
	0446000	4460	1	Bushing, Bronse
	0547500	5475	1	Expansion Plug
2	0064700	647	a/r	Section Rivet, 29/32" Long (Qty = 9-5', 6' or 7')
3	0187100	1871	a/r	Section Rivet, 9/16" Long (Qty = 33-5', 41-6' & 49-7')
4	0064600	646	a/r	*Knife Section, Serrated (Qty = 21-5', 25-6' & 29-7')
	8064600	-----	Set	*Knife Set, Serrated, (1 Carton of 25 Knives)
	0122700	1227	a/r	*Knife Section, Smooth (Qty = 21-5', 25-6' & 29-7')
	8122700	-----	Set	*Knife Set, Smooth, (1 Carton of 25 Knives)
6	0530100	5301	1	Backing Strip (5' Model)
	0531900	5319	1	Backing Strip (6' Model)
	0534200	5342	1	Backing Strip (7' Model)

*Serrated Knives are Standard, Smooth Knives are an Option.

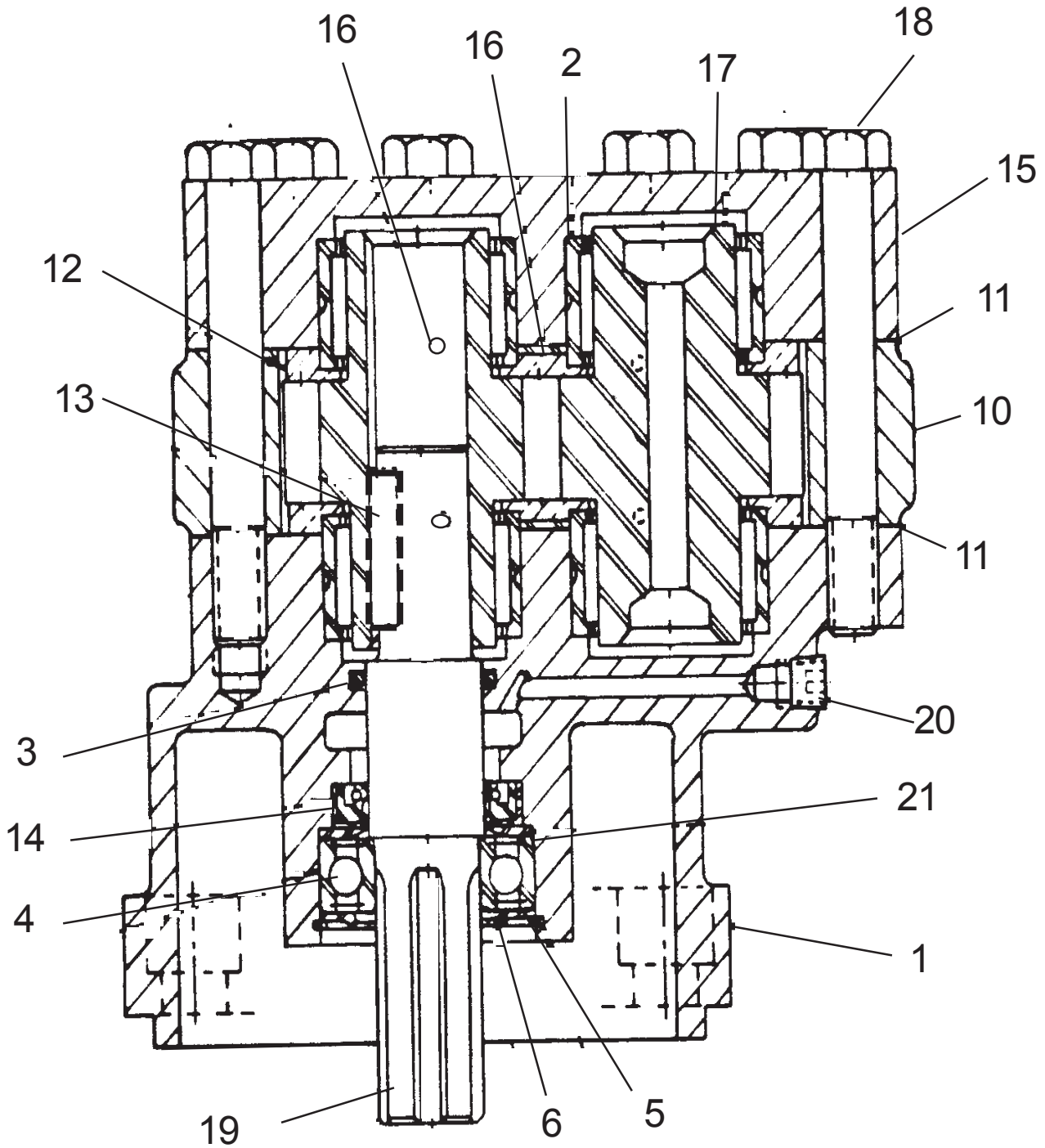
KNIFE HEAD BUSHING REPLACEMENT

After Driving out Expansion Plug, with a 1" dia. Rod, Press out Old Busing on an Arbor Press. Press in a New Bushing Flush to the Top Surface of the Knife Head and insert a new Expansion Plug

Jan. 1975
to
Feb. 2001

HYDRAULIC MOTOR 8500 Series

S/N SB-All
to
S/N SB-End Production



This is a Gear Type Motor used during Production, A Replacement Motor Assembly is the Geroler Type See the next page for the Replacement Motor.

Jan. 1975
to
Jan. 2001

HYDRAULIC MOTOR 8500 Series

S/N SB-All
to
S/N SB-End Production

Motors Have 2 Size Gears, 1" (2.8 CID) or 3/4" (2.2 CID)

Item	Part No New #	Part No. Old #	Qty.	Description
	0447300	4473	1	Motor, w/ 1" Gears (D8500 Model) CC System
	0534400	5344	1	Motor, w/ 3/4" Gears (S8500 Model) OC System
1	0448400	4484	1	Shaft End Cover,
2	0159900	1599	4	Roller Bearing
3	0029000	290	1	O-Ring Seal
4	0588700	287	1	Bearing
5	0028800	288	1	Retainer Ring
6	0028900	289	1	Bearing Shield
7	0038000	380	2	Check Ball, (Not Shown) Includes Item 8 & 9
8	0038100	381	2	Check Ball Retainer, (Not Shown) (Use # 0038000)
9	0038200	382	2	Check Valve Seat (Use # 0038000)
10	0448800	4488	1	Center Housing (Use on Motor w/ 1" Gears)
	0115100	1151	1	Center Housing (Use on Motor w/ 3/4" Gears)
11	0163100	1631	2	Gasket
12	0029200	292	2	Thrust Plate
13	0029300	293	1	Gear Key
14	0231800	2318	1	Seal, Double Lipped
15	0448300	4483	1	Port End Cover
16	0029700	297	10	*Pocket Seals (approx 5" Long)
17	0147200	1472	1	Gear Set 1" Gears, Matched Pair, 2 Gears
	0115300	1153	1	Gear Set 3/4" Gears, Matched Pair, 2 Gears
18	0008200	1865	10	Bolt (Use on Motor w/ 1" Gears)
	0126800	1268	10	Bolt (Use on Motor w/ 3/4" Gears)
19	0037100	371	1	Shaft
20	0063500	635	1	Pipe Plug
21	0241100	2411	1	Bearing Retainer
22	0664800	6648	1	Seal Kit

NOTE: Pocket Seals are furnished a 5" long strips, Cut to required Length. Torque Item 18 to 83 ft. lbs. in a Alternating side to side pattern of Bolts.

NOTE: There are 2 different Motors, One had 1" Gears (Used on D8500 Model Open Center Hyd.) & the other has 3/4" Gears (Used on S8500 Model Closed Center Hyd.) , Check which Motor before ordering High Lighted Parts above. The rest of the parts are common Parts & will interchange between the two Motors, The "D8500 & S8500 was a designation as to which tractor it was mounted on. When ordering these Motors they will be replaced with a later Style Motor with adapter plates to mount new motor in place of old style, order # 0447300 or # 0534400 and receive these adapter parts and new style motors, if only the new style motor is ordered you will not receive adapter plates and Motors will not fit.

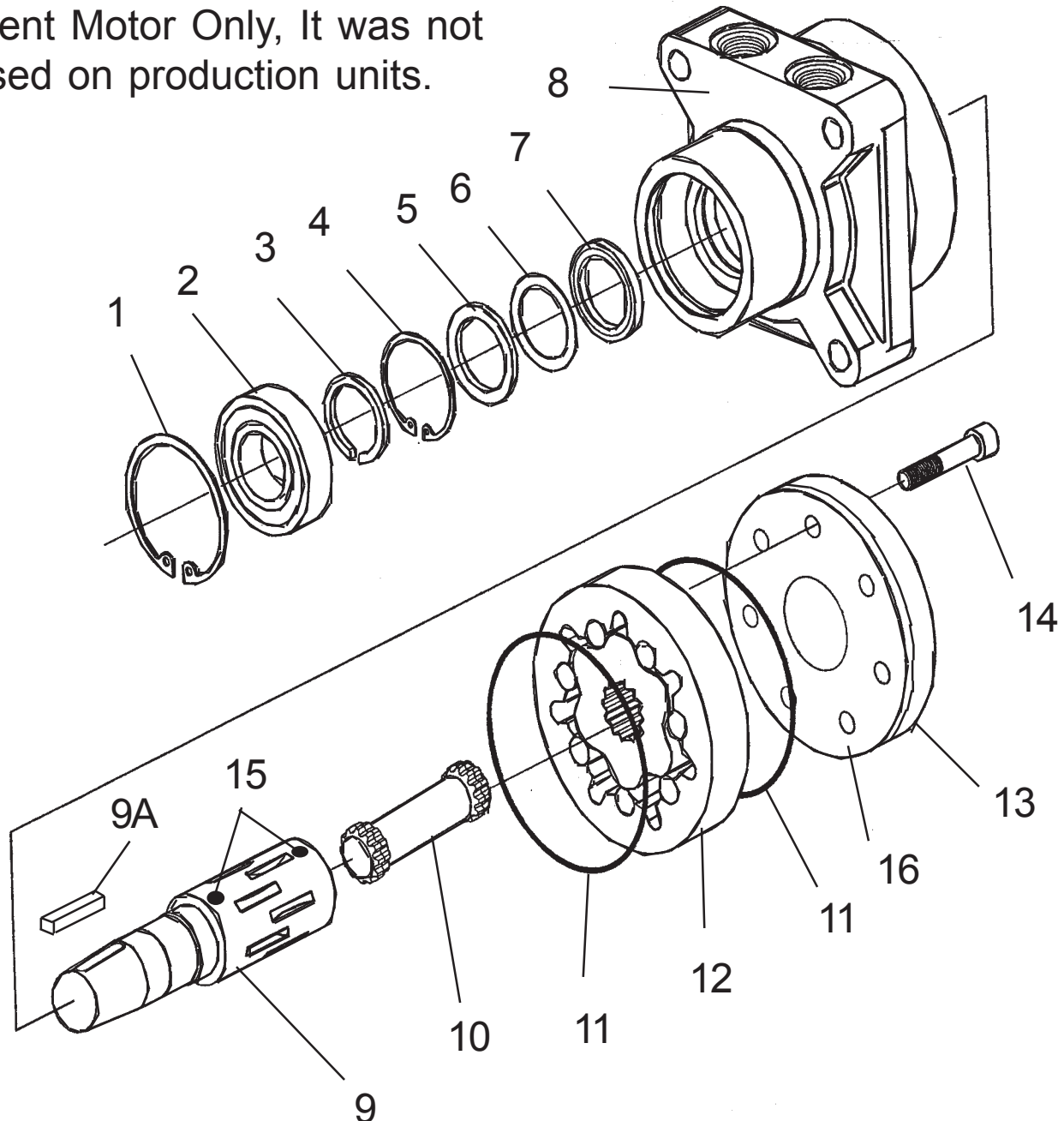
Feb. 2001
to
Replacement Part

HYDRAULIC MOTOR 8500 Series

S/N SB-Replacement
to
S/N SB-Replacement

Replacement Motor

This Motor used as a replacement Motor Only, It was not used on production units.



This is a Geroler Type Motor used as a Replacement Motor Assembly, For the Geared Type Motor used in production See the Previous page.

Feb. 2001
to
Replacement Part

HYDRAULIC MOTOR 8500 Series

S/N SB-Replacement
to
S/N SB-Replacement

Replacement Motor

MOTORS SIZE IS 2.2 CID or 2.8 CID

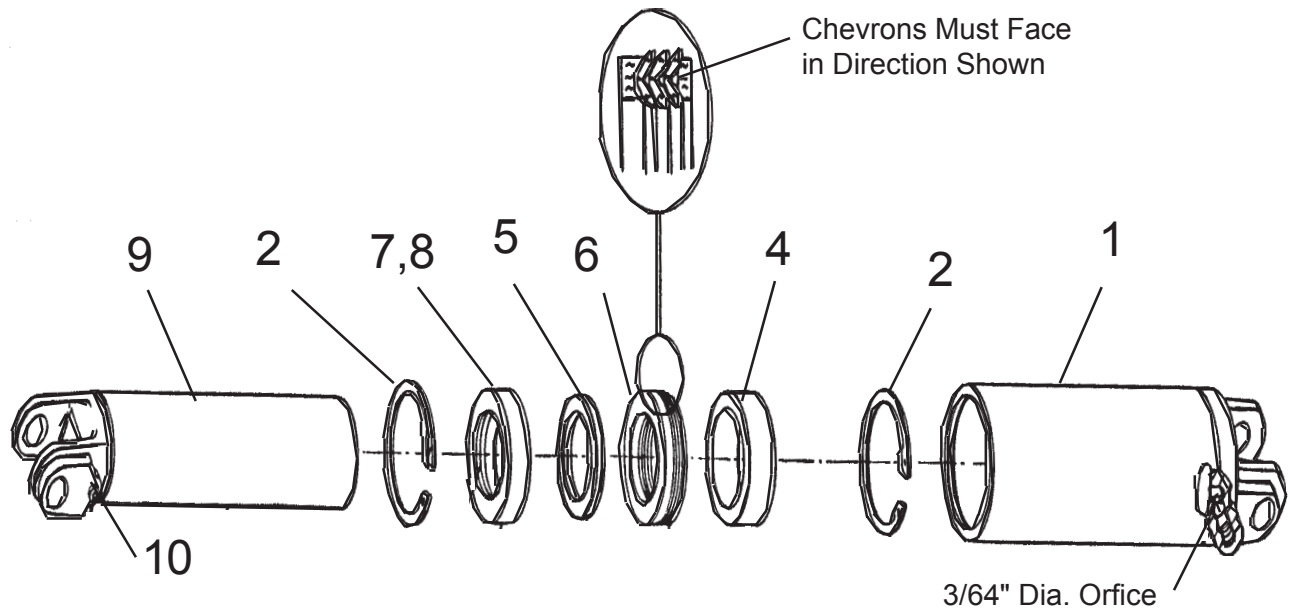
Item	Part No	Part No.	Qty.	Description
	02977120	-----	1	* Motor Only, 2.8 CID (Use 0447300 Motor Retrofit Kit)
	0447300	-----	--	* Motor Retrofit Kit (Motor 02977120 w/ items 18 thru 22)
	-----	02977279	1	* Motor Only, 2.2 CID (Use 0534400 Motor Retrofit Kit)
	-----	0534400	--	* Motor Retrofit Kit (Motor 02977279 w/ items 18 thru 22)
1	02977968	02977968	1	Retaining Ring, (included in Seal Kit)
2	02977969	02977969	1	Ball Bearing, (included in Seal Kit)
3	02977970	02977970	1	Retaining Ring, (included in Seal Kit)
4	02977971	02977971	1	Retaining Ring, (included in Seal Kit)
5	02977972	02977973	1	Washer, (included in Seal Kit)
6	02977973	02977973	1	Washer, Back-Up, (included in Seal Kit)
7	02977974	02977974	1	Pressure Seal, (included in Seal Kit)
8	02977975	02977975	1	Housing
9	02977976	02977976	1	Input Shaft
9A	02977981	02977981	1	Key
10	02977977	02977977	1	Drive Shaft
11	02977978	02977978	1	Seal, (included in Seal Kit)
12	02976884	-----	1	Geroler, For 02977120 Motor Only
	-----	02977979	1	Geroler, For 02977279 Motor Only
13	02978098	-----	1	End Cap, For 02977120 Motor Only
	-----	02976894	1	End Cap, For 02977279 Motor Only
14	02977980	02977980	7	Bolt, Hex Head
15	02978096	02978096	2	Poppet
16	02976893	02976893	1	Spacer Plate
17	02977967	02977967	1	Seal Kit (w/ Items 1, 2, 3, 4, 5, 6, 7 & 11)
18	00013300	00013300	4	Bolt, 1/2" (in P/N 0534400 & 0447300) Not Shown
19	02757800	02757800	2	Hyd Adapter Fitting (in P/N 0534400 & 0447300) Not Shown
20	02975300	02975300	1	Motor Adapter Flange (in P/N 0534400 & 0447300) Not Shown
21	02975301	02975301	1	Flywheel (in P/N 0534400 & 0447300) Not Shown
22	10010653	10010653	4	Bolt, 3/8" (in P/N 0534400 & 0447300) Not Shown

NOTE: These are Replacement Motors and were not used in production, There are 2 different Motors, One had 2.8 CID (Used on D8500 Model CC System) & the other has 2.2 CID (Used on S8500 Model OC System), Check which Motor needed before ordering High Lighted Parts above. The rest of the parts are common Parts & will interchange between the two Motors, The "D8500 & S8500 was a designation as to which tractor it was mounted on. *These are replacement motors for earlier style, these cannot be mounted without items 18 thru 22 to adapt these later style motors to older units

Jan. 1975
to
Aug. 1992

CYLINDER, BAR LIFT 2500-3500-7500 - 8500 Series

S/N SB-All
to
S/N SB-9216072



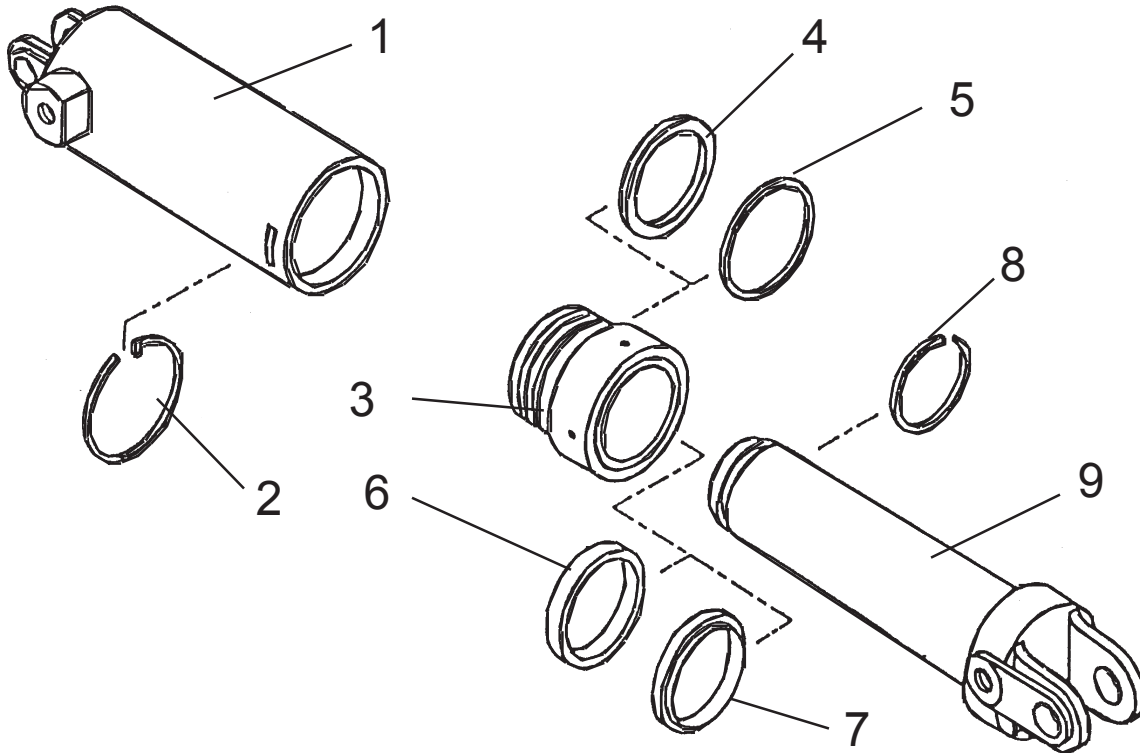
Item	Part No New #	Part No. Old #	Qty.	Description
	0240200	2402	1	Cylinder Asy, Bar lift (Use # 0693500A Cyl Asy)
1	0236200	2362	1	Cylinder Casing (Use # 0693500A Cyl Asy)
2	0283300	2833	2	Snap Ring
4	0625400	6254	1	Stop Ring (replaces # 2361 & # 0236100)
5	0235700	2357	1	Rubber Washer
6	0408800	4088	1	Packing
7	0625300	6253	1	Packing Ring (replaces # 2358 & # 0235800)
8	0625200	6252	1	Wiper Ring (replaces # 353 & # 0035300)
9	0236000	2360	1	Plunger (Use # 0693500A Cyl)
10	0092500	925	1	Pipe Plug
11	0543000	5430	1	Seal Kit

**This Cylinder No Longer Available AS Assembly, Use
Replacement Cylinder Assembly # 0693500A**

Sep. 1992
to
Feb. 2001

CYLINDER, BAR LIFT 2500-3500-7500 - 8500 Series

S/N SB-9216073
to
S/N SB-End Production



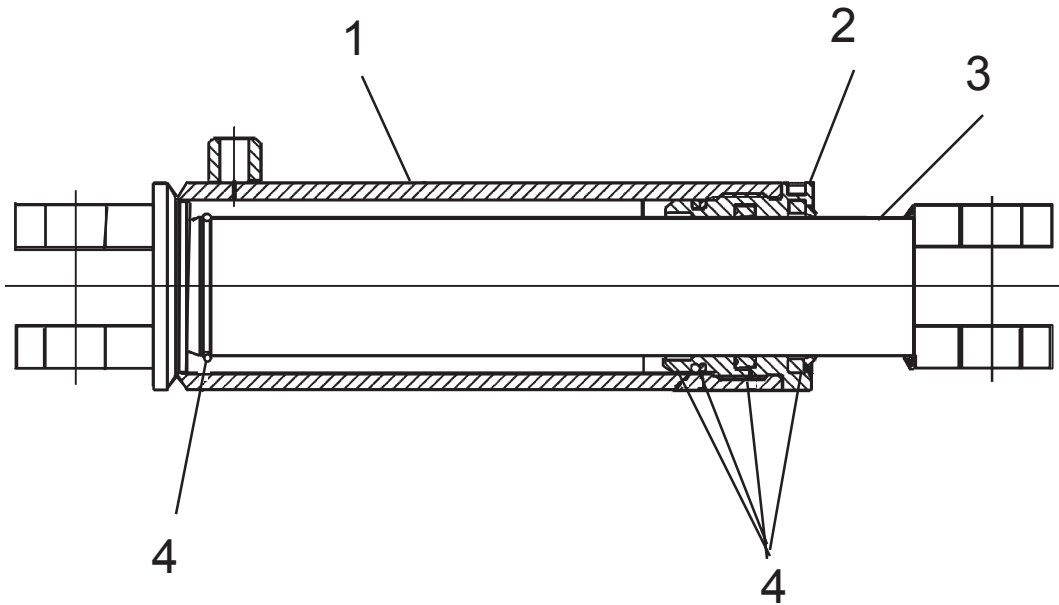
Item	Part No New #	Part No. Old #	Qty.	Description
	0693500	6935	1	Cylinder Asy, Bar lift (Use # 0693500A Cyl Asy)
1	0701100	7011	1	Cylinder Casing (Use # 0693500A Cyl Asy)
2	0700800	7008	1	Retaining Ring (Head)
3	0700900	7009	1	Head
4	0701700	7017	1	* O-Ring
5	0701800	7018	1	* Back-Up Ring
6	0701900	7019	1	* "U" Cup
7	0702000	7020	1	* Wiper Ring
8	0700700	7007	1	Retaining Ring (Rod - Tube)
9	0701000	7010	1	Rod Tube Asy
10	0701700	7017	1	* O-Ring
11	KIT7006	7006	1	* Seal Kit, (Includes Items 4,5,6,7 & 10)

**This Cylinder No Longer Available AS Assembly, Use
Replacement Cylinder Assembly # 0693500A**

Feb. 2001
to
Replacement Part

CYLINDER, BAR LIFT 2500-3500-7500 - 8500 Series

S/N SB-Replacement
to
S/N SB-Replacement

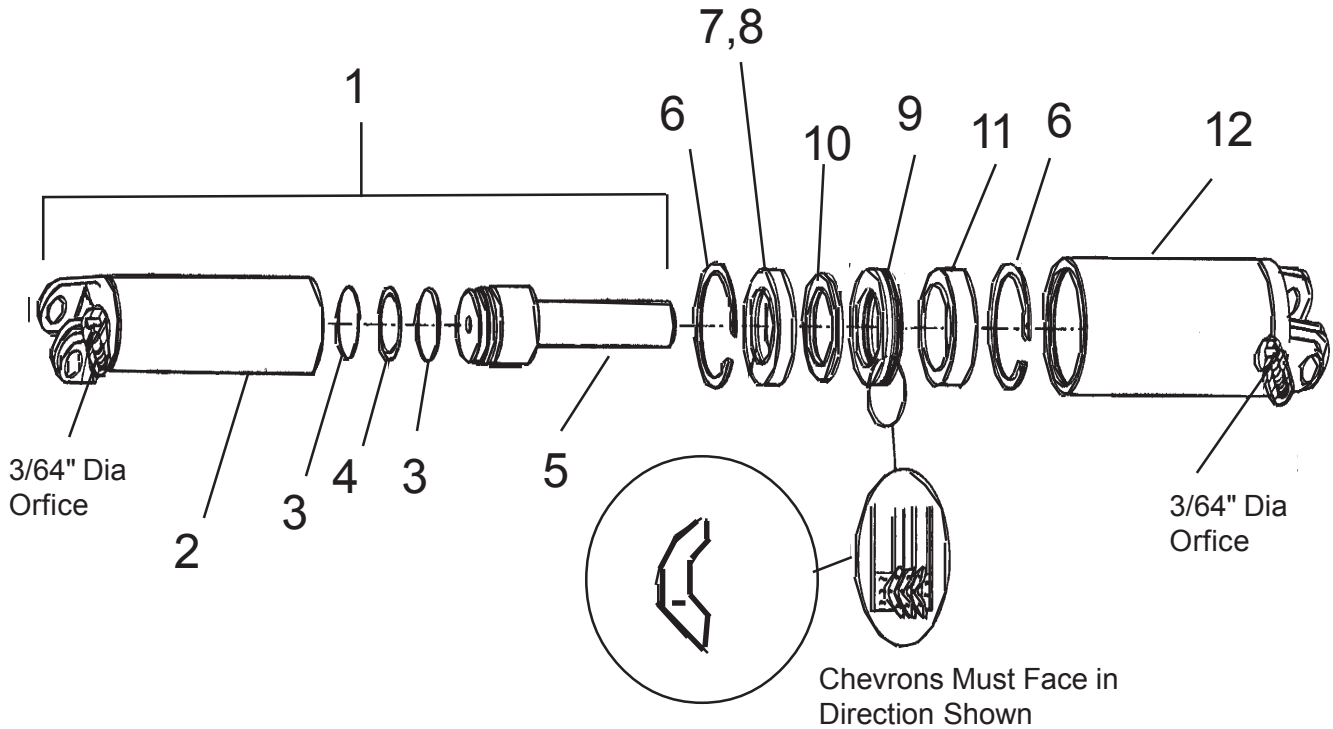


Item	Part No	Qty.	Description
	0693500A	1	Cylinder Asy, Bar lift (Replacement Cyli)
1	02977114	1	Tube Weldment
2	02977116	1	Cylinder Head
4	02977115	1	Rod Weldment
5	02977121	1	Seal Kit

Jan. 1975
to
Aug. 1992

CYLINDER, CURB STOP 2500-3500-7500 - 8500 Series

S/N SB-All
to
S/N SB-9216072



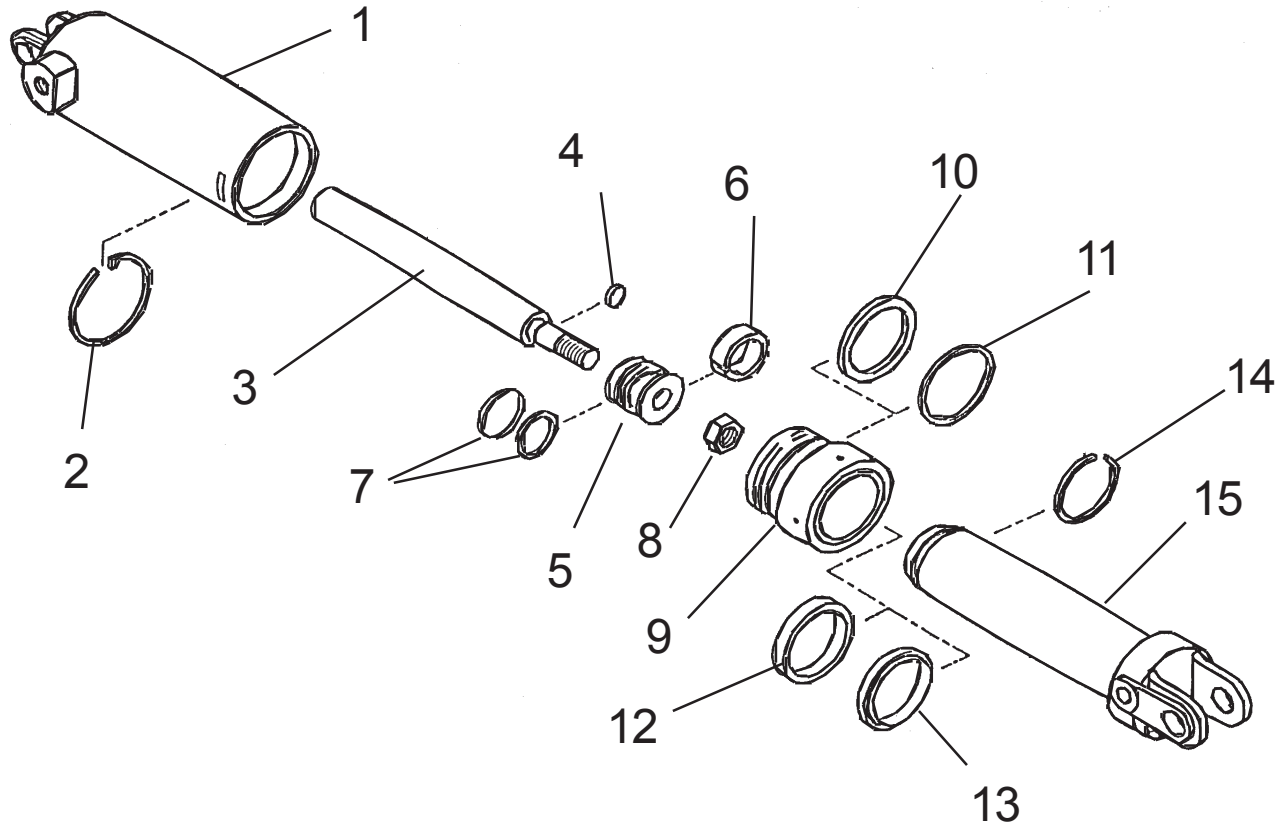
Item	Part No New #	Part No. Old #	Qty.	Description
	0240100	2401	1	Cylinder Asy, Curb Stop (Use # 0693400A Cyl Asy)
1	0238300	2383	1	Plunger & Stop Rod Asy (Use # 0693400A Cyl Asy)
2	0236000	2360	1	Plunger Only (Use # 0693400A Cyl Asy)
3	0228100	2281	2	Back-Up Washer
4	0166700	1667	1	O-Ring
5	0236300	2363	1	Stop Rod (New Style Shown replaces Old Style)
6	0283300	2833	2	Snap Ring
7	0625200	6252	1	Wiper Ring (replaces # 353 & # 0035300)
8	0625300	6253	1	Packing Ring (replaces # 2358 & # 0235800)
9	0408800	4088	1	Packing
10	0235700	2357	1	Rubber Washer
11	0625400	6254	1	Stop Ring (replaces # 2361 & # 0236100)
12	0236200	2362	1	Cylinder Casing (Use # 0693400A Cyl Asy)
13	0542900	5429	1	Seal Kit

**This Cylinder No Longer Available AS Assembly, Use
Replacement Cylinder Assembly # 0693400A**

Sep. 1992
to
Feb. 2001

CYLINDER, CURB STOP 2500-3500-7500 - 8500 Series

S/N SB-9216072
to
S/N SB-End Production



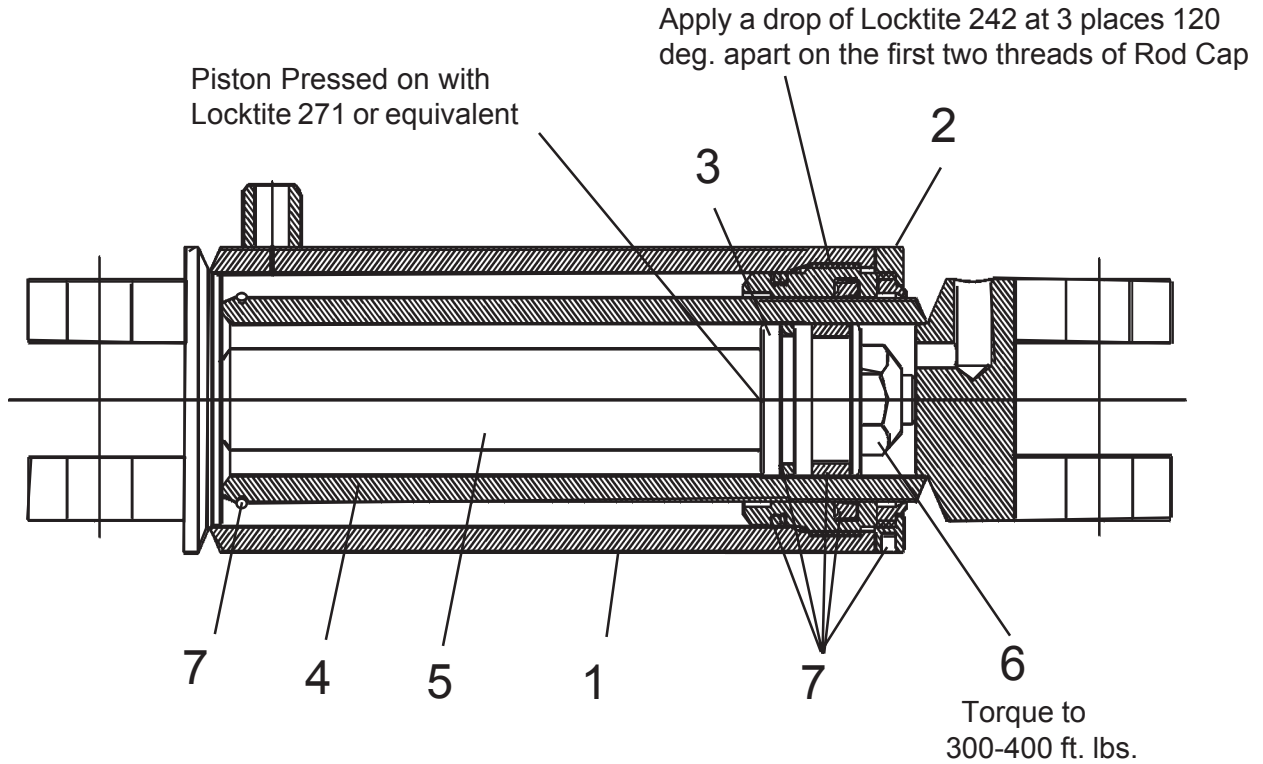
Item	Part No New #	Part No. Old #	Qty.	Description
	0693400	6934	1	Cylinder Asy, Curb Stop (Use # 0693400A Cyl Asy)
1	0701100	7011	1	Tube Asy (Use # 0693400A Cyl Asy)
2	0700800	7008	1	Retaining Ring (Head)
3	0701200	7012	1	Stop Rod
4	0701300	7013	1	* O-Ring
5	0701400	7014	1	Piston
6	0701500	7015	1	* Wear Ring
7	0701600	7016	1	* O-Ring
8	00749136	-----	1	Locknut
9	0700900	7009	1	Head
10	0701700	7017	1	* O-Ring
11	0701800	7018	1	* Back-Up Ring
12	0701900	7019	1	* "U" Cup
13	0702000	7020	1	* Wiper
14	0700700	7007	1	Retaining Ring (Rod Tube)
15	0701000	7010	1	Rod - Tube Asy
13	KIT7006	7006	1	Seal Kit (* Includes Items 4,6,7,10,11,12,13)

**This Cylinder No Longer Available AS Assembly, Use
Replacement Cylinder Assembly # 0693400A**

Feb. 2001
to
Replacement Parts

CYLINDER, CURB STOP 2500-3500-7500 - 8500 Series

S/N SB-Replacement
to
S/N SB-Replacement



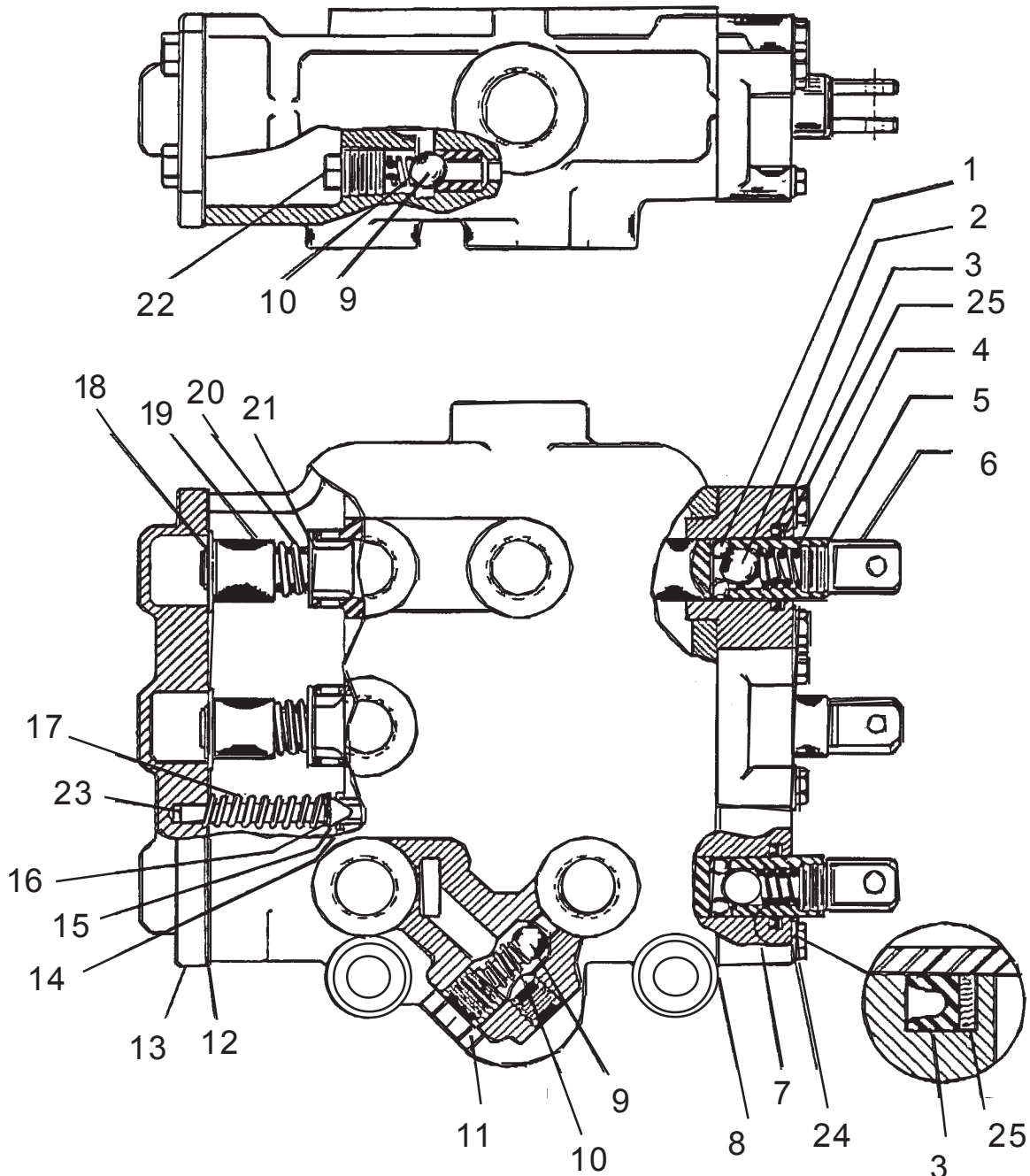
Item	Part No	Qty.	Description
	0693400A	1	Cylinder Asy, Curb Stop (Replacement Cyli)
1	02977114	1	Tube Weldment
2	02977116	1	Cylinder Head
3	02977118	1	Piston
4	02977122	1	Rod Weldment
5	02977123	1	Rod Cylinder
6	02208000	1	Locknut
7	02977121	1	Seal Kit

Aug. 1962
to
Dec. 1974

Valve - 3 Spool Open Center P/N 1670

S/N SB-N/A
to
S/N SB-N/A

To ID this Valve Look it at back side of valve note that rear cover bolts on to it Also note Handles connect to Valve between ears on Spools, Note position of check Ball & Limit Plug Asy (items 9, 10, 11 & 22)



Aug. 1962
to
Dec. 1974

Valve - 3 Spool Open Center P/N 1670

S/N SB-N/A
to
S/N SB-N/A

Item	Part No New #	Part No. Old #	Qty.	Description
	--NLF--	1670	--	Control Valve (Use Valve Asy # 0672000)
1	0194300	1943	4	Detent Ball
2	0240300	2403	3	Detent Ball
3	0330900	3309	3	V-Packing
4	0240400	2404	3	Detent Spring
5	0264100	2641	3	Clevis Gasket
6	0240600	2406	3	Gasket
7	0330800	3308	3	Front Cover
8	0194700	1947	3	Front Cover Gasket
9	0211300	2113	2	Check Ball
10	0207000	2070	2	Check Ball Spring
11	0240800	2408	1	Limit Plug Asy
12	0185400	1854	1	Back Cover Gasket
13	0264300	2643	1	Back Cover
14	0263000	2630	1	Pressure Relief Seat
15	0263100	2631	1	Pressure Relief Washer
16	0263200	2632	2	Pressure Relief Adjusting Shim
17	0263300	2633	1	Pressure Relief Spring
18	0201600	2016	3	Retainer
19	0211200	2112	3	Spool Stop
20	0210900	2109	3	Spool Spring
21	0210800	2108	6	Spool Washer
22	0240900	2409	1	Limit Plug
23	0263400	2634	1	Pressure Relief Cone
24	0290700	2907	1	Washer
25	0331000	3310	3	Back-Up Washer

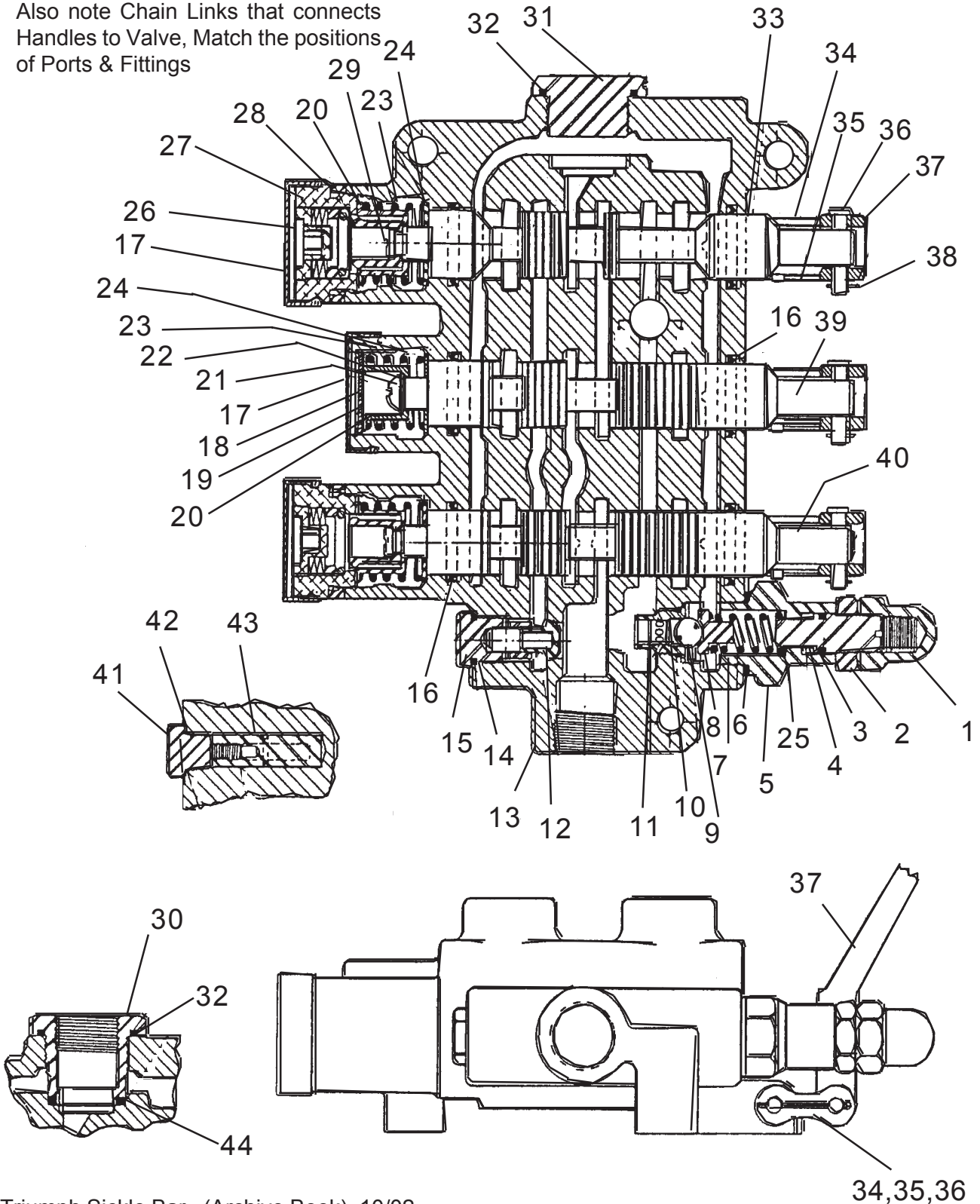
NOTE: Some numbers in above Parts List are no longer available as spare parts and are listed above as a reference only. Always check availability of these parts before ordering. The Complete Valve Assembly will have to be replaced by the most current style and some modification may be required to mount new Valve.

Jan. 1975
to
Aug. 1982

Valve - 3 Spool Open Center P/N 4140

S/N SB-N/A
to
S/N SB-N/A

To ID this Valve Look at Name imprinted on Valve, it should say **Gresen**. Also note Chain Links that connects Handles to Valve, Match the positions of Ports & Fittings



Jan. 1975
to
Aug. 1982

Valve - 3 Spool Open Center

S/N SB-N/A
to
S/N SB-N/A

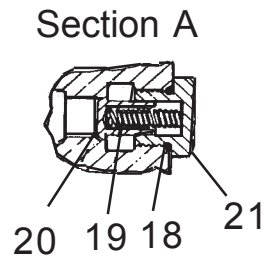
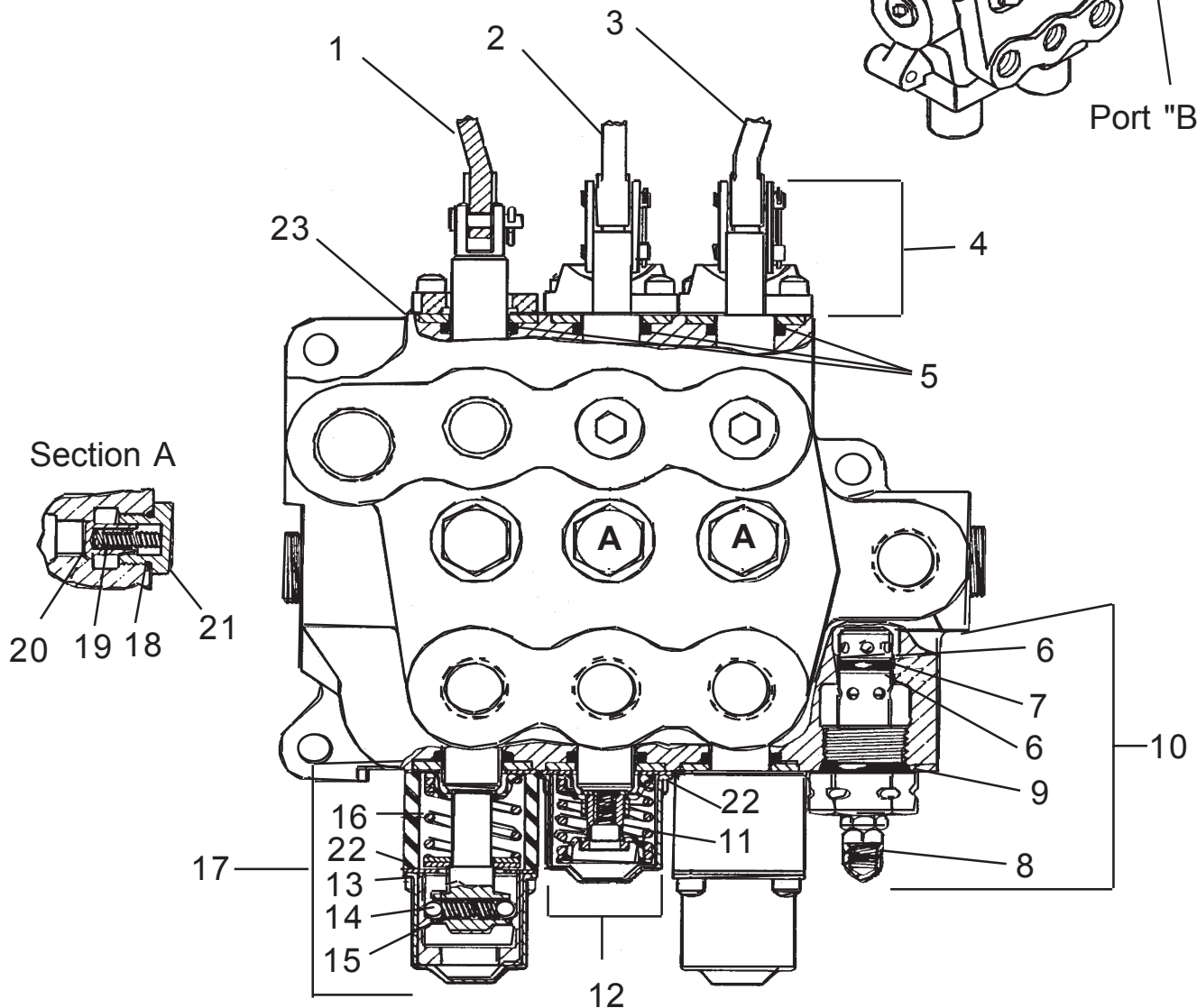
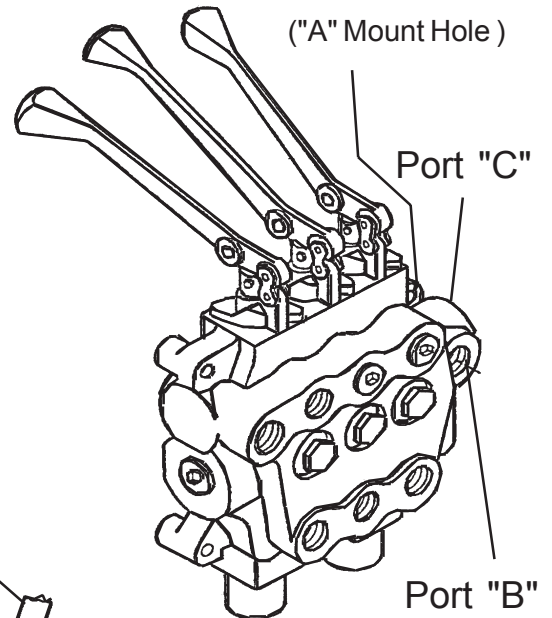
Item	Part No New #	Part No. Old #	Qty.	Description
	--NLF--	4140	--	Control Valve (Use Valve Asy # 0672000)
1	0420100	4201	1	Acorn Nut
2	0420200	4202	1	Jam Nut
3	0420300	4203	1	O-Ring
4	0420400	4204	1	Adjusting Screw
5	0420500	4205	1	Relief Body
6	0420600	4206	1	Gasket
7	0420700	4207	1	Relief Spring
8	0420800	4208	1	Spring Spacer
9	0420900	4209	1	Steel Ball, 7/16"
10	0421000	4210	1	Seal
11	0421100	4211	1	HP Relief Seat
12	0421200	4212	1	Check Poppet
13	--NLF--	4213	1	3 Spool Housing (Use Valve Asy # 0672000)
14	0421400	4214	1	O-Ring Seal
15	0421500	4215	1	Check Guide Plug
16	0421600	4216	6	Spool Seal
17	0421700	4217	3	Rubber Bonnet
18	0421800	4218	1	Retaining Ring
19	0421900	4219	1	Stop Disc
20	0422000	4220	3	Stop Collar
21	0423400	4234	1	Screw
22	0422100	4221	1	Lockwasher
23	0422300	4223	3	Centering Spring
24	0422400	4224	3	Stop Washers
25	--NLF--	3345A	1	Washer
26	0422700	4227	2	Detent Sub-Asy
27	0422800	4228	2	Spacer Washer
28	0422900	4229	2	Detent Plunger
29	0423000	4230	2	Shoulder Bolt
30	030650C	3065C	1	P/B Sleeve 3/4"
31	--NLF--	4232	1	Conversion Plug (Use Valve Asy # 0672000)
32	030650B	3065B	1	Gasket
33	--NLF--	4241	1	4-Way Spool (Use Valve Asy # 0672000)
34	03048BT	3048BT	3	Link Asy
35	03448BU	3448BU	3	Cotter Pin
36	0423500	4235	3	Pin
37	0321000	3210	3	Handle
38	03048BQ	3048BQ	3	3048BQ
39	--NLF--	4226	1	3-Way Spool (Use Valve Asy # 0672000)
40	--NLF--	4236	1	3-Way Spool (Use Valve Asy # 0672000)
41	0423800	4238	1	Plug
42	0423900	4239	1	O-Ring
43	0424000	4240	1	Orifice Plug
44	030650D	3065D	1	Quad Ring
45	0433500	4335	1	Seal Kit

Sep 1982
to
Dec. 1987

Valve - 3 Spool Open Center P/N 6420

S/N SB-N/A
to
S/N SB-N/A

To ID this Valve Look at Name imprinted on Valve, it should say **Commercial Shearing**. Also note Chain Links that connects Handles to Valve, Match the positions of Ports & Fittings



Sep 1982
to
Dec. 1987

Valve - 3 Spool Open Center P/N 6420

S/N SB-N/A
to
S/N SB-N/A

Item	Part No New #	Part No. Old #	Qty.	Description
	0642000	6420	--	Control Valve Asy (Use Valve Asy # 0672000)
1	064200A	6420A	1	Handle
2	064200B	6420B	1	Handle
3	064200C	6420C	1	Handle
4	064200D	6420D	3	Linkage Kit, Handle Pivot (1 Kit per Handle Req.)
5	0092800	928	6	Spool Seal
6	064200E	6420E	2	Back-Up Ring
7	064200F	6420F	1	O-Ring Seal
8	064200G	6420G	1	Socket Head Set Screw
9	018700A	1870A	1	O-Ring Seal
10	064200H	6420H	1	Relief Valve Asy Kit (Complete)
11	064200J	6420J	1	Spring
12	064200K	6420K	1	Spring Center Back Cap Asy Kit (Complete)
13	064200L	6420L	1	Detent Sleeve
14	0194300	1943	8	Ball
15	064200M	6420M	4	Spring
16	064200N	6420N	2	Spring
17	064200W	6420W	2	Spring Center Detent "IN" Back Cap Asy Kit (Complete)
18	0288600	2886	2	O-Ring Seal
19	064200R	6420R	2	Check Spring
20	064200S	6420S	2	Poppet
21	064200T	6420T	2	Check Cap
22	064200U	6420U	5	Retainer
23	064200V	6420V	6	Seal Retainer

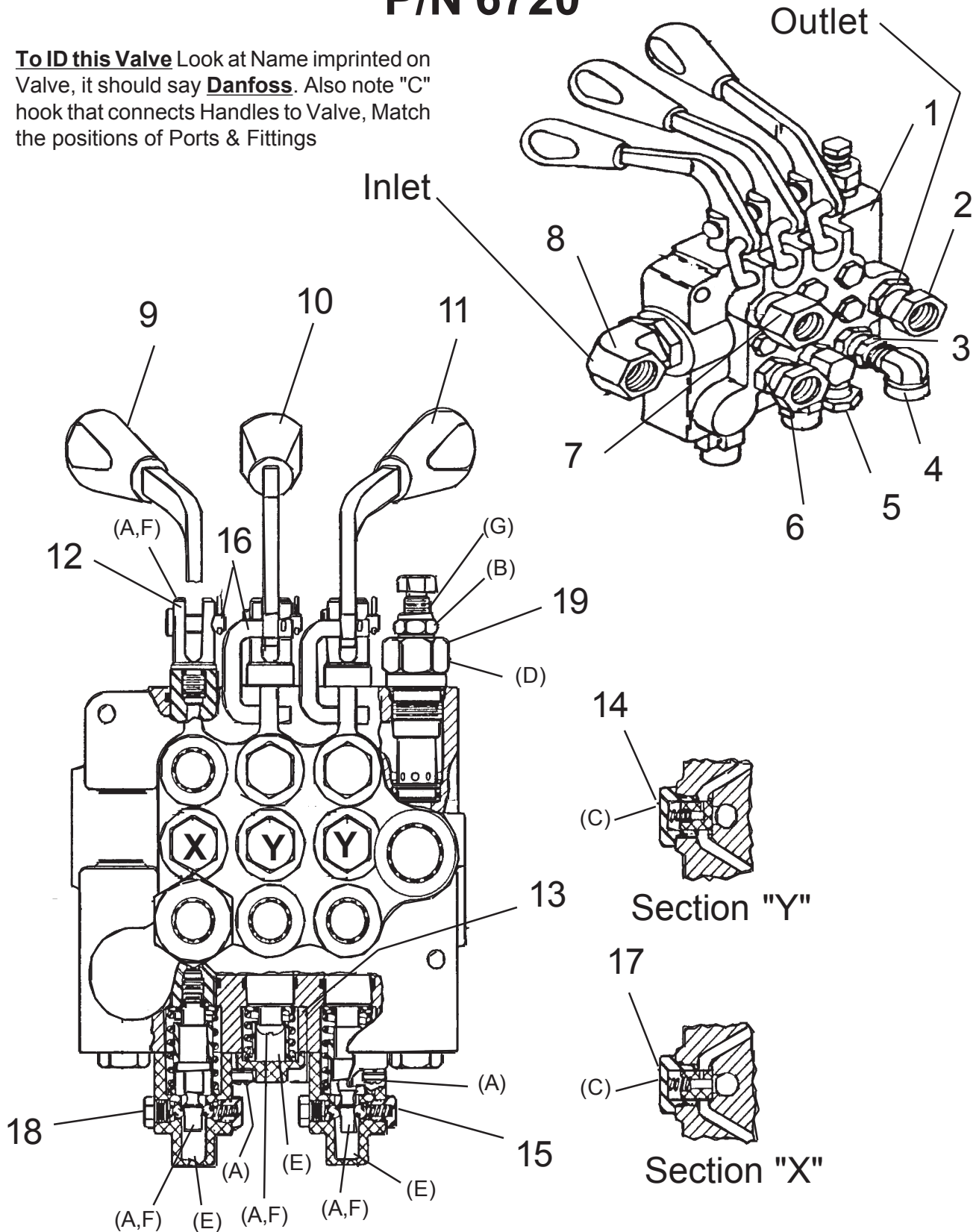
This Valve used from Sep. 1982 till Dec. 1987, This Valve replaced Valve # 4140 and will function the same as the # 4140 Valve. When this Valve is used to replace # 4140 Valve It will be required to drill 1 mounting hole ("A" Mount Hole) in mounting Plate to mount it. Also it may be required to add Spacers (washers) between Valve and mounting plate to get clearance between them. Plug Port "B" if replacing # 4140 Valve or pipe Governor into port "B" and leave port "C" Plugged as received.

Jan. 1988
to
Feb. 2001

Valve - 3 Spool Open Center P/N 6720

S/N SB-N/A
to
S/N SB-End Production

To ID this Valve Look at Name imprinted on Valve, it should say **Danfoss**. Also note "C" hook that connects Handles to Valve, Match the positions of Ports & Fittings



Jan 1988
to
Feb. 2001

Valve - 3 Spool Open Center P/N 6720

S/N SB-N/A
to
S/N SB-End Production

Item	Part No New #	Part No. Old #	Qty.	Description
	0672000	6720	--	Control Valve Asy (w/ items 1 thru 20)
1	0665000	6650	1	Control Valve (w/ items 9 thru 20)
2	0461100	4611	1	Adapter Union, (Outlet Side)
3	001288	4610	1	Adapter Union
4	0075000	750	1	Street Ell
5	0665800	6658	1	Adapter Union Elbow
6	0665700	6657	1	Adapter Union
7	066500E	6650E	1	Port Adapter
8	000756	6656	1	Adapter Elbow (Inlet Side)
9	066500A	6650A	1	Handle, LH (Motor Control)
10	066500B	6650B	1	Handle, Center (Bar Lift Cyl)
11	066500C	6650C	1	Handle, RH (Curb Lift Cyl)
12	066500D	6650D	1	Clevis End
13	066500F	6650F	1	Spring Center Kit (Bar Lift Cyl Control)
14	066500G	6650G	2	Load Check Kit (Cyl Lift Control)
15	066500H	6650H	1	Spool Detent Kit (Curb Lift Control)
16	066500J	6650J	3	"C" Hook Kit
17	066500K	6650K	1	Load Check Orifice Kit (Motor Control)
18	066500L	6650L	1	Motor Spool Detent Kit (Motor Spool)
19	066500N	6650N	1	System Relief Valve Kit
20	066500M	6650M	1	Seal Repair Kit Complete

(Service & Maintenance Information)

- (A) Torque to 2 - 3 ft. lbs.
- (B) Torque to 8 - 10 ft. lbs.
- (C) Torque to 15 - 20 ft. lbs.
- (D) Torque to 35 - 40 ft. lbs.
- (E) Coat Parts inside End Caps w/ light coat of Lubriplate 130AA, 630AA or Petroleum Jelly
- (F) Apply Loctite Grade 242 to first thread, Excess or Careless Application will cause sticking or locking of Spool. Refer to Locking Sealant instructions for preparation.
- (G) Relief Valve Setting is 1700-1800 PSI @ 8.0 GPM
- (H) Spools & Valve Body are a matched set and cannot be obtained separately.
- (I) Oil GPM = 8.0 GPM for Cylinders Control & Motor Function
- (J) This Valve will replace previous Valve with some hose connections changes but will function the same as previous valves.

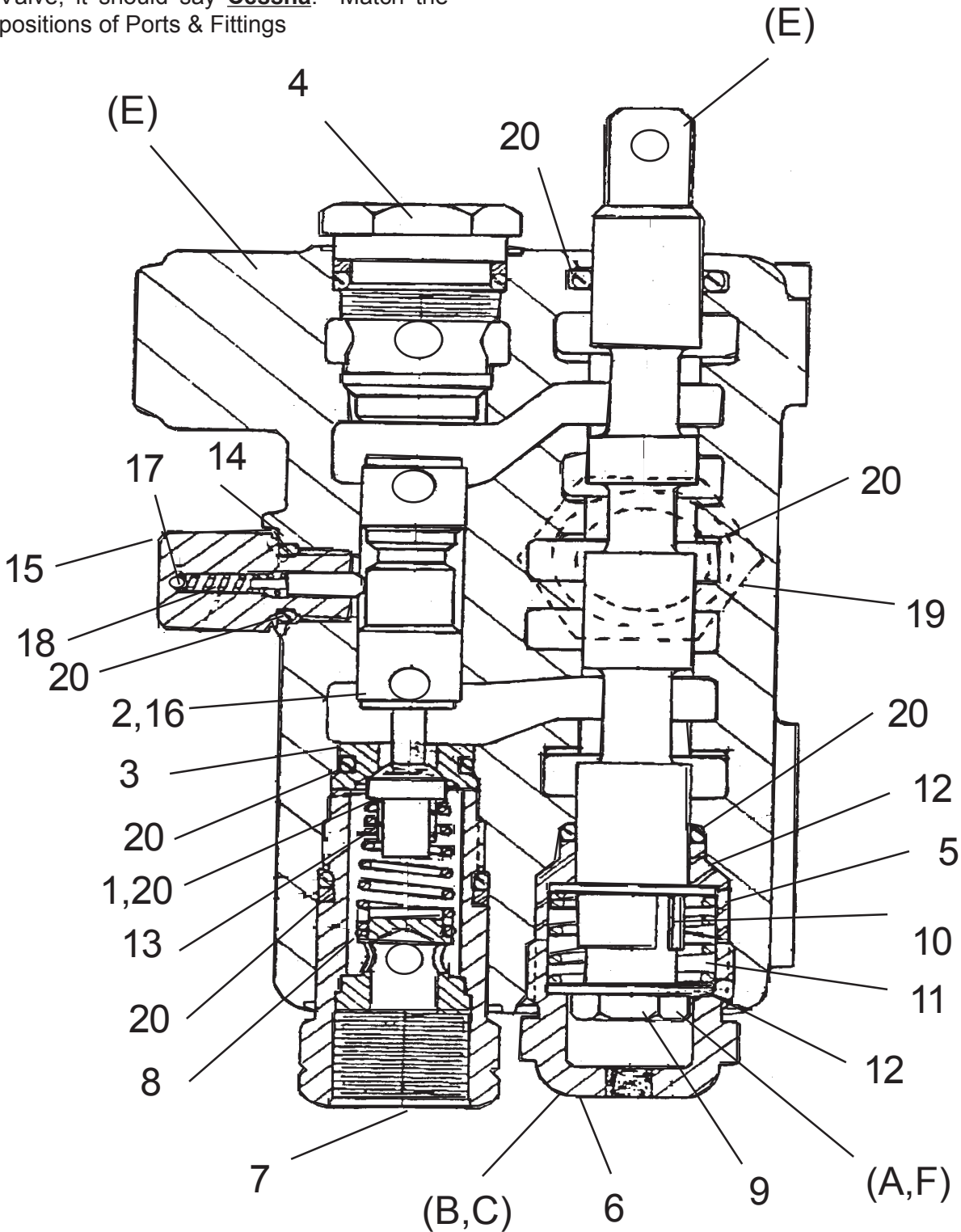
Jan. 1975
to
Feb. 2001

Valve - 2 Spool Cyl. Lift

S/N SB-All
to
S/N SB-End Production

Open Center P/N 6553

To ID this Valve Look at Name imprinted on Valve, it should say **Cessna**. Match the positions of Ports & Fittings



Jan. 1975
to
Current

Valve - 2 Spool Cyl. Lift

S/N SB-All
to
S/N SB-End Production

Open Center P/N 6553

Item	Part No New #	Part No. Old #	Qty.	Description
	0655300	6553	--	Control Valve Asy (2 Spool)
1	065530A	6553A	2	Poppet Asy.
2	065530B	6553B	1	Plunger
3	065530C	6553C	2	Seal Asy.
4	065530D	6553D	2	Plug Asy.
5	065530E	6553E	2	Bushing
6	065530F	6553F	2	Cap Asy.
7	065530G	6553G	2	Plug asy.
8	065530H	6553H	2	Spring
9	065530J	6553J	2	Spool Screw
10	065530K	6553K	2	Spool Spacer
11	065530L	6553L	2	Spring
12	065530M	6553M	4	Washer
13	065530N	6553N	2	Eyelet
14	065530P	6553P	1	Plunger
15	065530Q	6553Q	1	Plug Asy.
16	065530R	6553R	1	Plunger
17	065530S	6553S	a/r	Disc
18	065530T	6553T	1	Spring
19	065530U	6553U	1	Plug Asy.
20	0657900	6579	1	Seal Repair Kit

(Service & Maintenance Information)

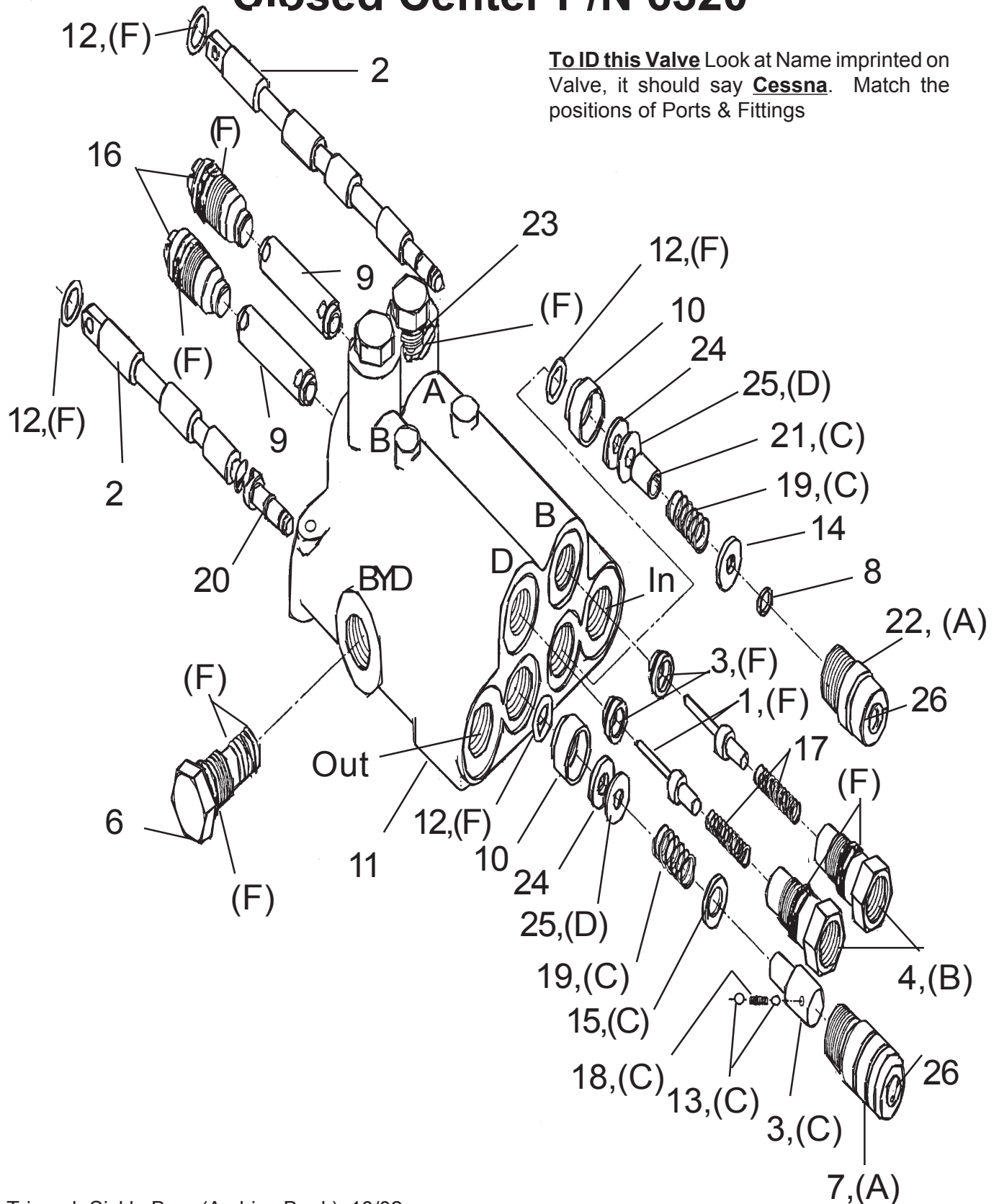
- (A) Torque to 5 - 8 ft. lbs.
- (B) Torque to 15 - 20 ft. lbs.
- (C) Coat Items within Caps with a light coat of Lubriplate
- (D) These Items include Seals
- (E) Non-Serviceable Parts
- (F) Apply Loctite AV 271 or equivalent Springly to Threads
- (G) Some Parts above may No Longer be Available & are Listed as a reference Only

Jan. 1975
to
Feb. 2001

Valve - 2 Spool Cyl. Lift

S/N SB-All
to
S/N SB-End Production

Closed Center P/N 6320



Jan. 1975
to
Feb. 2001

Valve - 2 Spool Cyl. Lift

S/N SB-All
to
S/N SB-End Production

Closed Center P/N 6320

Item	Part No New #	Part No. Old #	Qty.	Description
	0632000	6320	--	Control Valve Asy (2 Spool)
1	--NLF--	4667	2	Poppet Asy.
2	--NLF--	--N/A--	1	Spool,
3	046670C	4667C	2	Seat Asy.
4	046670D	4667D	2	Plug Asy. Port Adapter
5	--NLF--	--N/A--	2	Detent Adapter Cap
6	046670F	4667F	2	Plug Asy. PSI, BYD
7	063200C	6320C	1	Cap, Detent
8	063200D	6320D	1	Ring, Retaining
9	046670J	4667J	2	Plunger, Lockout
10	046670K	4667K	2	Bushing
11	--NLF--	--N/A--	1	Valve Body
12	063200F	6320F	4	O-Ring
13	046670N	4667N	2	Ball
14	046670P	4667P	1	Washer
15	--NLF--	--N/A--	1	Washer
16	046670S	4667S	2	Plug Asy.
17	63200H	6320H	2	Spring, Lockout
18	046670U	4667U	1	Spring, Detent
19	46670V	4667V	2	Spring, Spool Center
20	--NLF--	--N/A--	1	Ring, Retaining
21	046670X	4667X	1	Spacer, Spool
22	063200K	6320K	1	Cap
23	063200L	6320L	2	Plug Asy.
24	04667AB	4667AB	2	Washer
25	04667AC	4667AC	2	Washer
26	063200M	6320M	2	Button Insert
27	0638000	6380	1	Seal Kit

(Service & Maintenance Information)

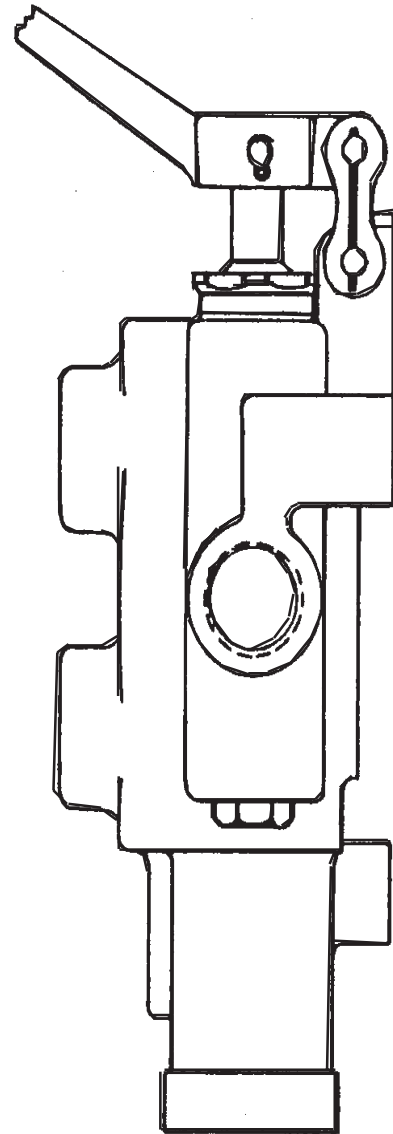
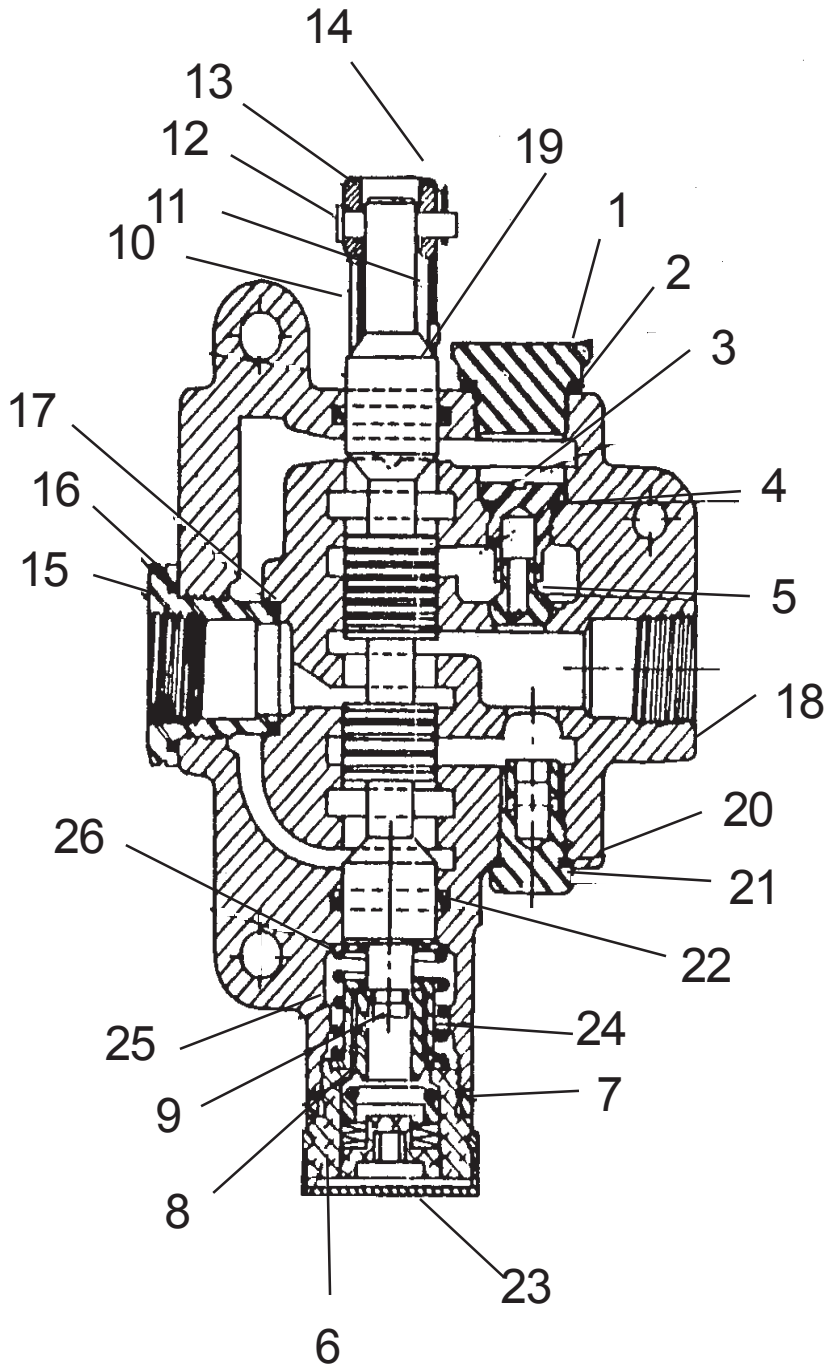
- (A) Torque to 20 - 25 ft. lbs.
- (B) Torque to 30 - 35 ft. lbs.
- (C) Coat Items within Caps with a light coat of Lubriplate
- (D) Optional, Manufactures Control
- (E) These Items Include Seals
- (F) Included in Seal Kit
- (G) Non - Serviceable Parts
- (H) Some Parts above may No Longer be Available & are Listed as a reference Only

Jan. 1975
to
Feb. 2001

Valve - 1 Spool Motor Control

S/N SB-All
to
S/N SB-End Production

Closed Center P/N 4036



Jan. 1975
to
Feb. 2001

Valve - 1 Spool Motor Control

S/N SB-All
to
S/N SB-End Production

Closed Center P/N 4036

Item	Part No New #	Part No. Old #	Qty.	Description
	0403600	4036	--	Control Valve Asy (1 Spool)
	040360A	4036A	1	* Poppet Valve Kit (Items 1 thru 5)
1	---*---	---*---	1	Plug Cap
2	---*---	---*---	1	Gasket
3	---*---	---*---	1	Poppet
4	---*---	---*---	1	O-Ring
5	---*---	---*---	1	Poppet
	040360B	4036B	1	* Detent Kit, (Items 6 thru 9)
6	---*---	---*---	1	Detent Sub-Asy.
7	---*---	---*---	1	Spacer Washer
8	---*---	---*---	1	Detent Plunger
9	---*---	---*---	1	Shoulder Bolt (Torque to 20 ft. lbs.)
	00751142	4036C	1	* Handle & Linkage Kit (Items 10 thru 14)
10	---*---	---*---	1	Link
11	---*---	---*---	1	Cotter Pin
12	---*---	---*---	1	Pin
13	---*---	---*---	1	Handle
14	---*---	---*---	1	Cotter Pin
	040360D	4036D	1	** Sleeve Asy Kit (items 15 thru 17)
15	---**---	---**---	1	Sleeve
16	---**---	---**---	1	Sleeve Seal
17	---**---	---**---	1	Nose Seal
18	--NLF--	4036E	1	**** 1 Spool Housing
19	--NLF--	4036F	1	**** 4 Way Spool
20	0421400	4214	1	O-Ring Seal
21	0421500	4215	1	Check Plug
22	0421600	4216	1	Spool Seal
23	0421700	4217	1	Rubber Bonnet
24	0422000	4220	1	Stop Collar
25	0422300M	4223	1	Centering Spring
26	0422400	4224	1	Stop Washer
27	0433500	4036G	1	Seal Kit

(Service & Maintenance Information)

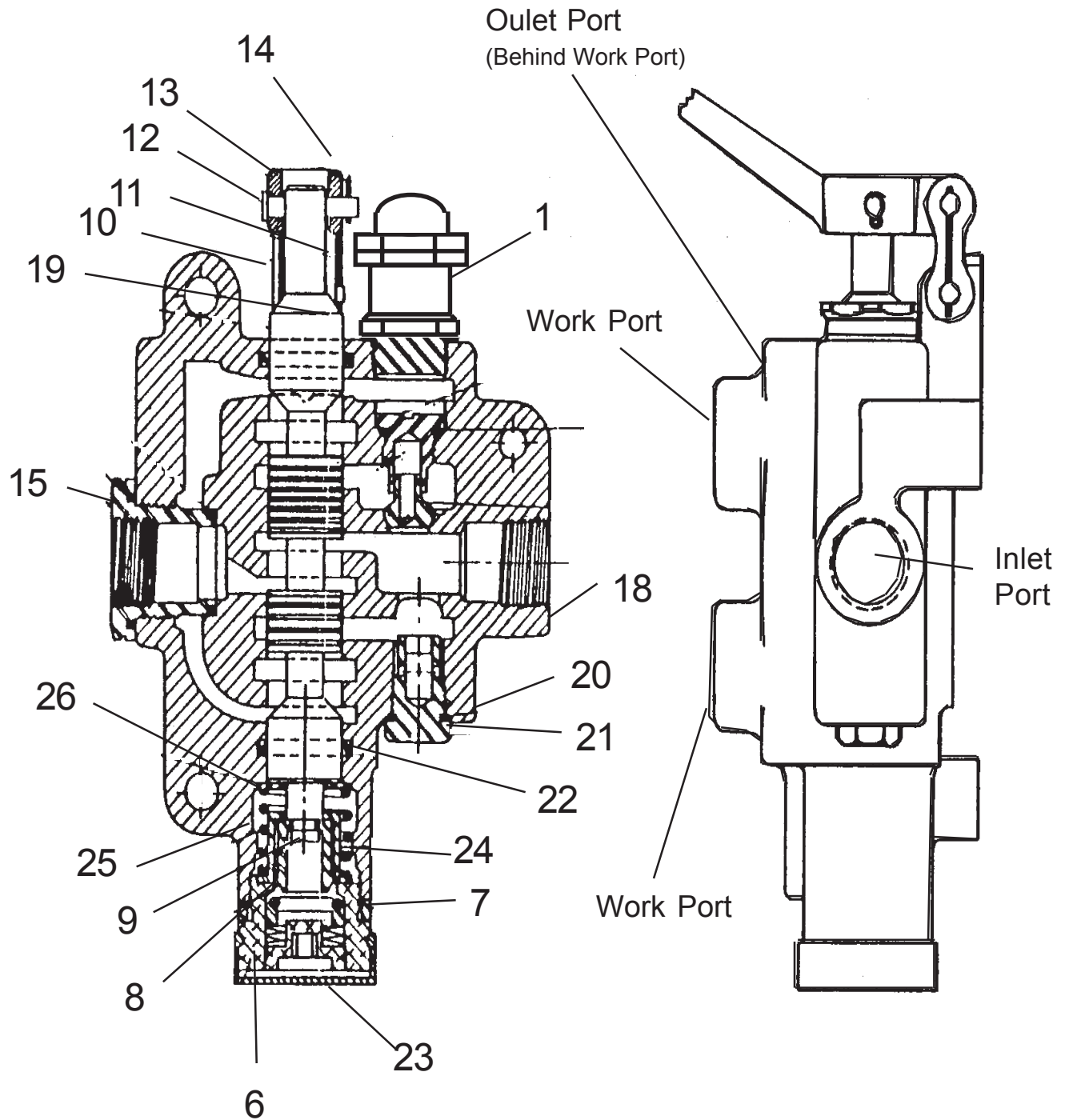
- (*) Individual Items with in these Kits are Not Sold separately except for items 2 & 4, Order Seal Kit P/N 4036G.
- (**) Sleeves without a groove around the hex nut requires a copper sealing gasket (Not Shown), for sealing order kit P/N 4036H.
- (****) Housing & Spool Cannot be ordered as separate items.

Jan. 1975
to
Feb. 2001

Valve - 1 Spool Motor Control

S/N SB-All
to
S/N SB-End Production

Open Center P/N 0304700



Jan. 1975
to
Feb. 2001

Valve - 1 Spool Motor Control

S/N SB-All
to
S/N SB-End Production

Open Center P/N 0304700

Item	Part No New #	Part No. Old #	Qty.	Description
	0304700	3047	--	** Control Valve Asy (1 Spool)
1	030470A	3047A	1	Relief Valve Kit (Items 1 Complete)
	040360B	4036B	1	* Detent Kit, (Items 6 thru 9)
6	----*----	----*----	1	Detent Sub-Asy.
7	----*----	----*----	1	Spacer Washer
8	----*----	----*----		1 Detent Plunger
9	----*----	----*----	1	Shoulder Bolt (Torque to 20 ft. lbs.)
	00751142	4036C	1	* Handle & Linkage Kit (Items 10 thru 14)
10	----*----	----*----	1	Link
11	----*----	----*----	1	Cotter Pin
12	----*----	----*----	1	Pin
13	----*----	----*----	1	Handle
14	----*----	----*----	1	Cotter Pin
15	030470B	3047B	1	* Conversion Plug (item 15 Complete)
18	--NLF---	4036E	1	*** 1 Spool Housing
19	--NLF---	4036F	1	*** 4 Way Spool
20	0421400	4214	1	O-Ring Seal
21	0421500	4215	1	Check Plug
22	0421600	4216	1	Spool Seal
23	0421700	4217	1	Rubber Bonnet
24	0422000	4220	1	Stop Collar
25	0422300M	4223	1	Centering Spring
26	0422400	4224	1	Stop Washer
27	0433500	4036G	1	Seal Kit

(Service & Maintenance Information)

(*) Individual Items with in these Kits are Not Sold separately except for items 2 & 4, Order Seal Kit P/N 4036G.

(**) This is a P/N 4036 Valve that has been modified to a Open Center valve by installing Relief valve Kit P/N 3047A in place of P/N 4036A Poppet valve Kit & installing Conversion Plug Kit P/N 3047B in Place of Sleeve Kit P/N 4036D, This can be field change but if a Valve Asy is ordered (P/N 0304700) the conversion is done at the factory. The other Parts in these Valves are the same.

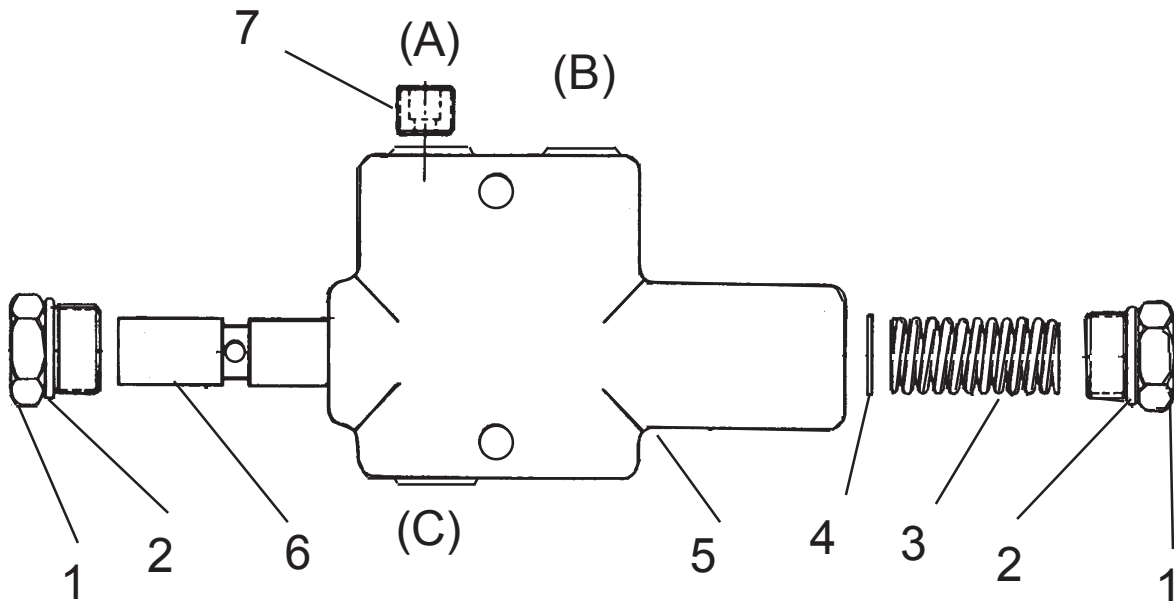
(***) Housing & Spool Cannot be ordered as separate items only available as complete Valve

Jan. 1974
to
Jan. 1988

Governor Asy

P/N 0156100

S/N SB-N/A
to
S/N SB-N/A



Item	Part No New #	Part No. Old #	Qty.	Description
	0156100	1561	--	Governor Asy (Use Asy P/N 0655000)
1	0187000	1870	1	Hex Head Plug (w/ item 2)
2	018700A	1870A	1	O-Ring
3	0156300	1563	1	* Spring
4	0166400	1664	1	* Spring Washer
5	0156500	1565	1	* Governor Body
6	0156600	1566	1	* Piston
7	0166300	1663	1	* Orifice (restrict to 8 GPM)

(Service & Maintenance Information)

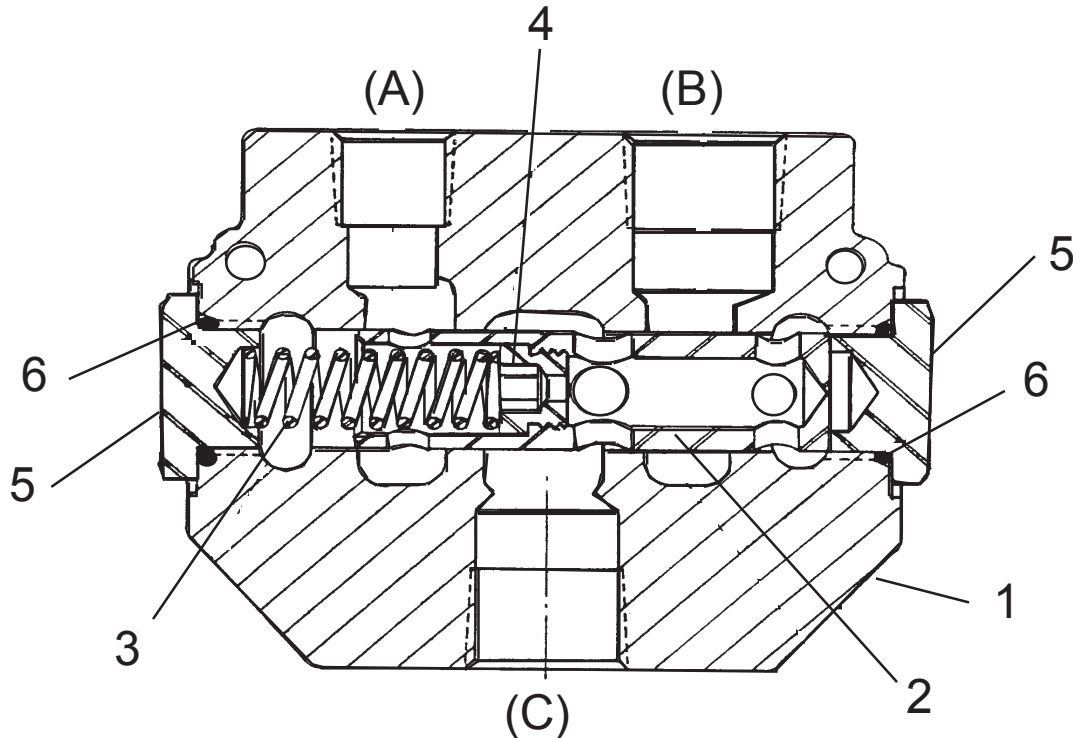
- (*) Valve Body & Piston are listed as reference only & cannot be ordered as a separate Part, order complete Governor Asy. (newer style P/N 0655000)
- (A) Constant Flow, (1/2") - To Mower Valve
- (B) Excess Flow, (3/4") - To Reservoir
- (C) Pressurized Flow from Pump (3/4")

Feb. 1988
to
Feb. 2001

Governor Asy

P/N 0655000

S/N SB-All
to
S/N SB-End Production



Item	Part No New #	Part No. Old #	Qty.	Description
	0655000	6550	--	Governor Asy (8 GPM) Standard Governor
	0691900	6919	--	Governor Asy (6 GPM) Special Application
1	--N/A--	--N/A--	1	* Valve Body
2	--N/A--	--N/A--	1	* Metering Spool
3	065500A	6550A	1	Metering Spring
4	065500B	6550B	1	Orifice Plug (8 GPM) Standard Application
	0692000	6920	1	Orifice Plug (6 GPM) Special Application
5	065500C	6550C	1	Main Bore Plug (w/ item 6)
6	018700A	1870A	1	O-Ring

(Service & Maintenance Information)

(*) Valve Body & Metering Spool n are listed as reference only & cannot be ordered as a separate Part, order complete Governor Asy . Governor P/N 0691900 is a Special 6 GPM application Governor and is a converted P/N 0655000 (8 GPM), This can be converted in Feild by changing Orifice (Item 4) or if ordered as Valve Asy. already changed.

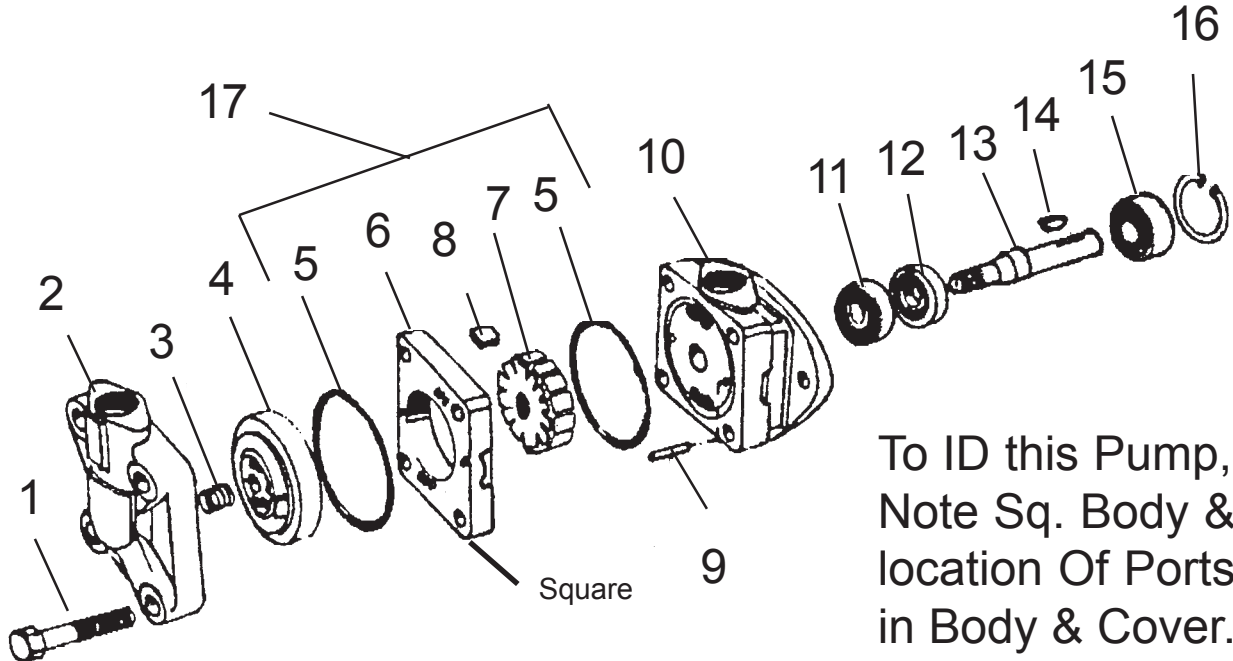
- (A) Constant Flow, (1/2") - To Mower Valve
- (B) Excess Flow, (3/4") - To Reservoir
- (C) Pressurized Flow from Pump (3/4")

Jan. 1967
to
Dec. 1972

Pump Assy Vickers

S/N SB-N/A
to
S/N SB-N/A

Single Wing / Engine Mounted



To ID this Pump,
Note Sq. Body &
location Of Ports
in Body & Cover.

Item	Part No New #	Part No. Old #	Qty.	Description
	0460000	4600	--	Hyd. Pump (Obsolete, See Below)
1	--NLF--	4247	4	Screw
2	--NLF--	4248	1	Cover
3	--NLF--	4249	1	Spring
4	--NLF--	4250	1	Plate
5	--NLF--	4251	2	Seal
6	--NLF--	4252	1	Ring
7	--NLF--	4253	1	Rotor
8	--NLF--	4254	1	Vane Kit
9	--NLF--	4255	2	Pin
10	--NLF--	4256	1	Body
11	--NLF--	4257	1	Bearing
12	--NLF--	4258	1	Seal
13	--NLF--	4598	1	Shaft
14	--NLF--	4599	1	Key
15	--NLF--	4261	1	Bearing
16	--NLF--	4262	1	Snap Ring
17	--NLF--	4263	1	Cartridge Kit (items 5, 6, 7 & 8)

The above Pump & Repair Parts are Obsolete & NLF (No Longer Furnished) as replacement parts, It will be required to supply parts locally or replace with later style Pump. there is no direct replacement part number and modifications may be required. Alamo will not be responsible for any modifications.

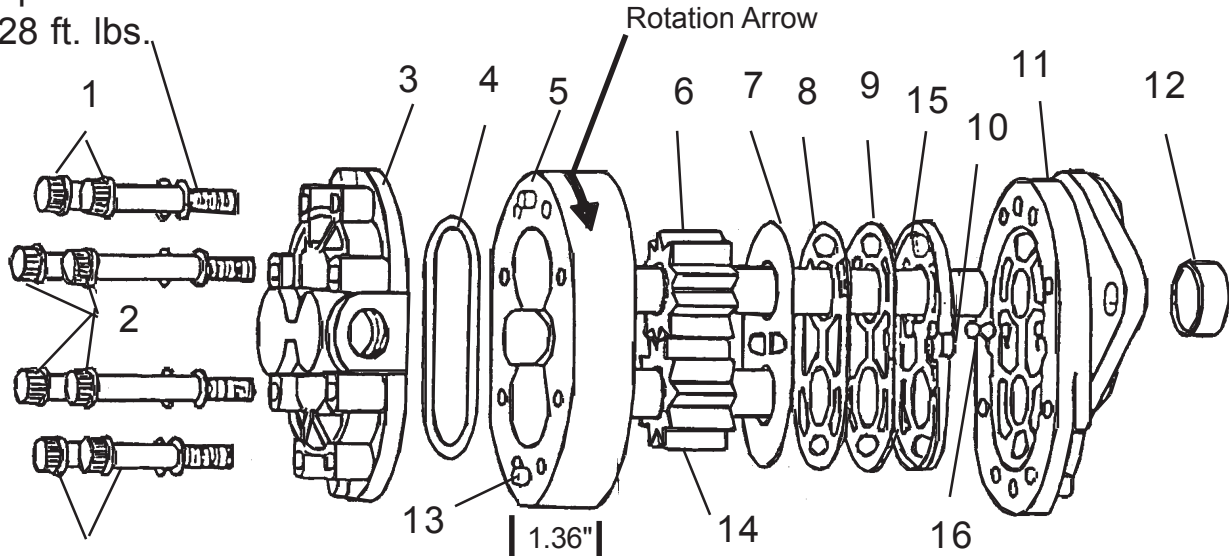
Dec. 1973
to
Feb. 2001

Pump Asy Cessna

S/N SB-All
to
S/N SB-End Production

Single Wing / Engine Mounted

Torque f/ 25
to 28 ft. lbs.



1 To ID this Pump, Note Bolts(Item 1 & 2) are installed from Back Plate (item 3) side, if they install f/ Front Flange Plate side (item 11) see Parker Hannifin Pump on Previous Page. Also Note Arrow on Body (item 5) indicating Pump Rotation.

Item	Part No New #	Part No. Old #	Qty.	Description
	0169900	1699	--	Hyd. Pump, Cessna Pump
1	0242000	2420	4	Tie Bolt, 2-3/4" Long (Top 2 & Bottom 2)
2	0242200	2422	4	Tie Bolt, 3" Long (4 Middle Bolts)
3	0443100	4431	1	Back Plate Asy.
4	0443200	4432	1	* O-Ring
5	0443300	4433	1	Gear Housing, w/ 1.36" wide Housing
6	0242500	2425	1	Drive Gear Asy
7	0242600	2426	1	* Diaphragm
8	0242700	2427	1	* Back-Up Gasket
9	0242800	2428	1	* Gasket
10	0243000	2430	2	* Spring
11	0243200	2432	1	Front Plate asy
12	0243300	2433	1	* Shaft Seal
13	0443400	4434	1	Dowel Pin
14	0243400	2434	1	Idler Gear Asy
15	0242900	2429	1	* Diaphragm Seal
16	0243100	2431	2	* Steel Ball
17	0244400	2444	1	Key, Square (Not Shown)
18	0408900	4089	1	Seal Kit, (* Items 4, 7, 8, 9, 10, 12, 15 & 16)

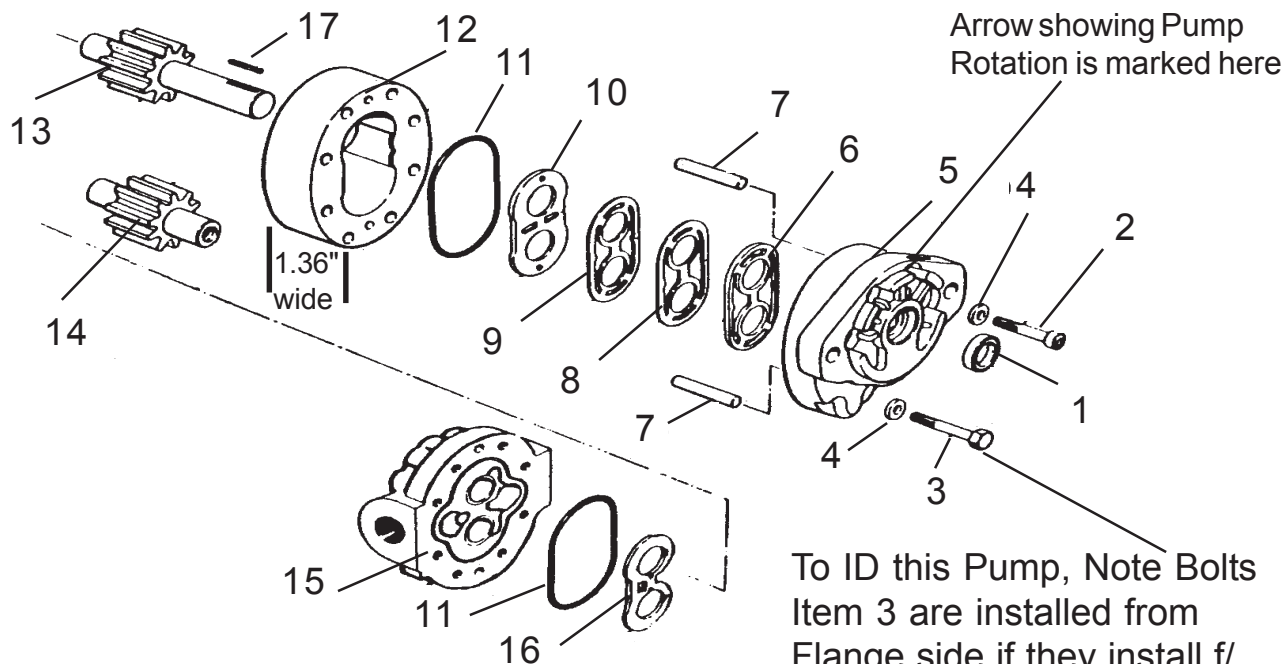
NOTE: There are 2 different pumps used with the same Asy No. 0169900, See ID Notes this page and next to determine which you have. The Cessna Pump was most common, The Parker Hannifin Pump was used small % of the time because of supply problems, Always check which pump before ordering parts

Dec. 1973
to
Apr. 1998

Pump Asy Parker Hannifin

S/N SB-All
to
S/N SB-N/A

Single Wing / Engine Mounted



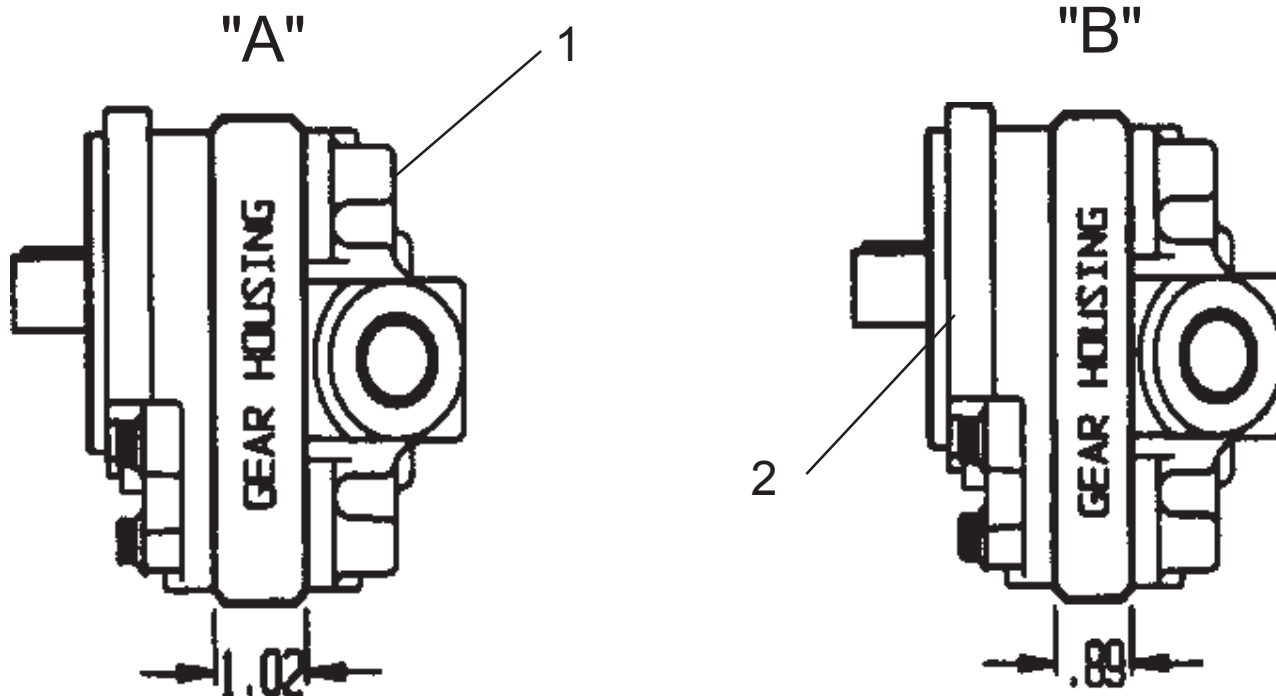
Item	Part No New #	Part No. Old #	Qty.	Description
	0169900	1699	--	Hyd. Pump, Parker Hannifin Pump 1.48 CID
1	0548200	5482	1	* Rotary Seal
2	0548300	5483	2	Bolt, Socket Head
3	0548400	5484	6	Bolt, Hex Head
4	--NLF--	5485	8	Washer
5	0548600	5486	1	Front Cover Asy.
6	0548700	5487	1	* V-Seal
7	0548800	5488	2	Dowel
8	0548900	5489	1	* Gasket
9	0549000	5490	1	* Heat Shield
10	0549100	5491	1	* Wear Plate
11	0549200	5492	2	* O-Ring
12	0549300	5493	1	Gear Housing, w/ 1.36" wide Housing
13	0549400	5494	1	Drive Gear Asy. (Use 0169900 Pump)
14	0549500	5495	1	Driven Gear Asy
15	0560100	5601	1	Back Cover Asy.
16	0560200	5602	1	* Thrust Plate
17	0560300	5603	1	Key
18	0560000	5600	1	Repair Kit, (* Items 1, 6, 8, 9, 10, 11 & 16)

NOTE: There are 2 different pumps used with the same Asy No. 0169900, See ID Notes this page and next to determine which you have. The Cessna Pump was most common, The Parker Hannifin Pump was used small % of the time because of supply problems, Always check which pump before ordering parts

May 1998
to
Feb. 2001

Pump Asy Single Wing Engine Mounted

S/N SB-N/A
to
S/N SB-End Production



Item	Part No	Qty.	Description
1.	02973292	--	Hyd. Pump Asy. "A", (1.02" Gear Housing)
2.	02973291	--	Hyd. Pump Asy. "B", (0.89" Gear Housing)
3.	02974134	1	Seal Repair Kit (Will Fit Both Pumps)

NOTE:

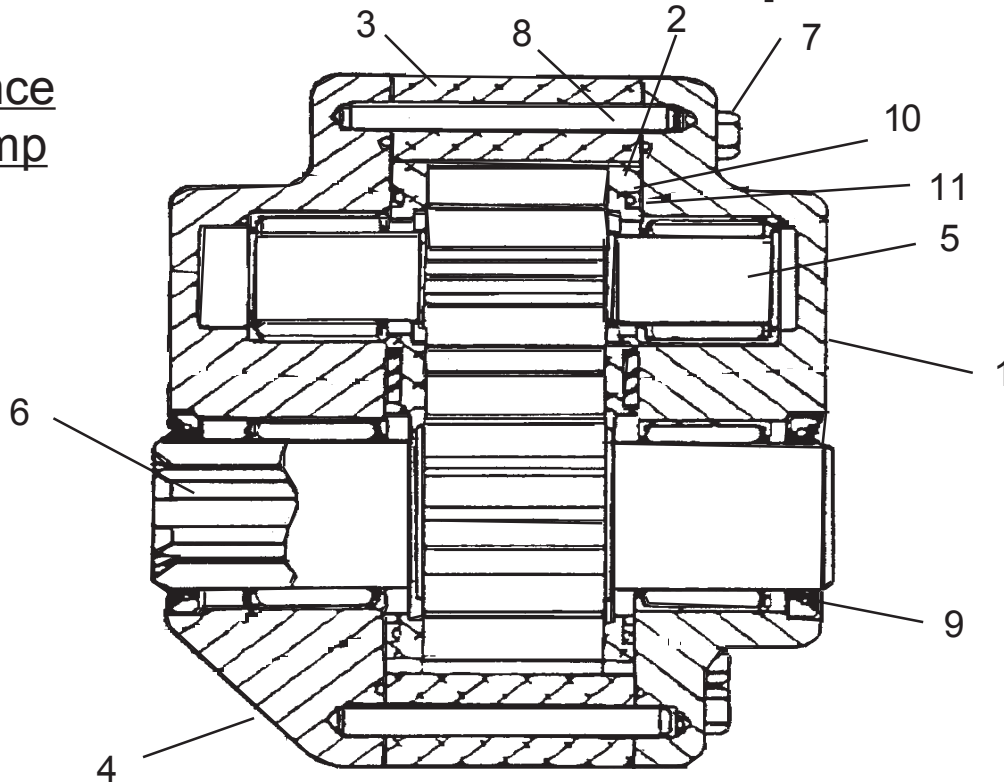
1. Pump Used on Tractor to Match Tractor RPM. (Engine RPM is what speed Engine is being run to produce 540 PTO Speed).
2. Pump # 02973292 is rated for Tractors with 1800 to 2100 RPM this Pump has a 1.02 CID and Pump # 02973291 is rated for Tractors with 2101 to 2500 RPM this Pump has a 0.84 CID, The Pump # 0169900 (old Pump) used prior to this was run at 1200 to 2500 RPM and used a Governor, the Gear Housing on Old Pump # 0169900 measured 1.36" across
4. Always measure width of Gear Housing to determine which Pump.
5. See Pump Istruction Sheet # 02973295 on these Pump.
6. The Above Pumps DO NOT use a Governor as the earlier pumps did. Check for Governor to determine if you have the older pump.
7. There are no replacement Parts for this Pump at this time Only Complete Pump Asy or Seal Kit, Contact Alamo Parts Dept.

Dec. 1967
to
Nov. 1973

Pump Asy Single Wing PTO Mounted Pump

S/N SB-All
to
S/N SB-N/A

Prince
Pump



Item	Part No New #	Part No. Old #	Qty.	Description
	0626000	6260	--	**Hyd. Pump, Use # 0679000
1	062600A	6260A	1	Front Plate Asy
2	062600B	6260B	1	Wear Plate
3	062600C	6260C	1	Body
4	062600D	6260D	1	Back Plate Asy
5	062600E	6260E	1	Idler Gear Asy
6	062600F	6260F	1	Drive Gear Asy
7	062600G	6260G	14	Bolt, 2-3/4" Long
8	062600H	6260H	2	Dowel Pin, 2-1/2" Long
9	-----	-----	2	* Shaft Seal
10	-----	-----	1	* Seal
11	-----	-----	1	* Protector Gasket
12	0664900	6649	1	Seal Kit (Includes Items 9, 10 & 11)

** Note: Above Pump is Obsolete and most parts are not available, These Numbers are listed as a reference only. To replace this Pump use Current Complete Pump asy # 0679000

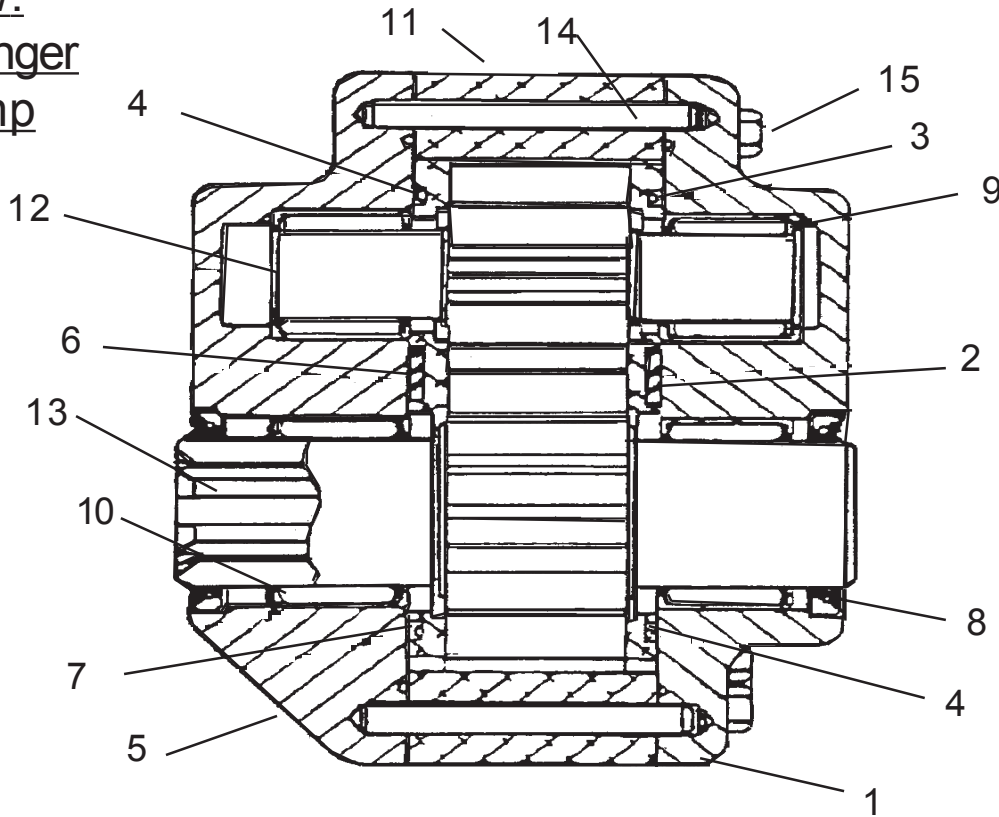
Dec. 1973
to
Feb. 2001

Pump Asy Single Wing

S/N SB-All
to
S/N SB-End Production

W.W.
Grainger
Pump

PTO Mounted Pump



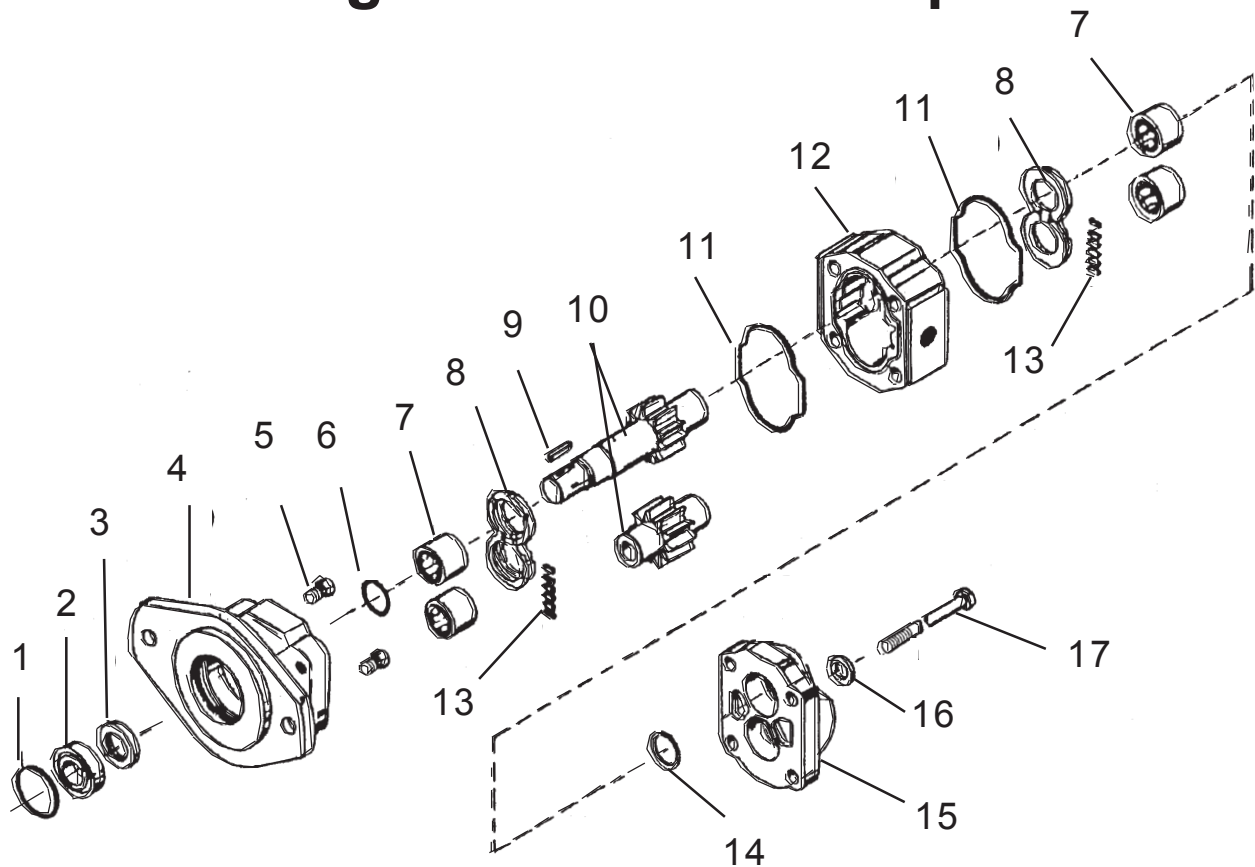
Item	Part No New #	Part No. Old #	Qty.	Description
	0679000	6790	--	Hyd. Pump, PTO Mounted, Single wing
1	067900A	6790A	1	Front Plate
2	067900B	6790B	1	Wear Plate, Front Plate Side
3	067900C	6790C	1	Protector, Front Plate
4	067900D	6790D	2	Seal
5	067900E	6790E	1	Back Plate
6	067900F	6790F	1	Wear Plate, Back Plate Side
7	067090G	6790G	1	Protector, Back Plate Side
8	067900H	6790H	2	Shaft Seal
9	067900J	6790J	2	Idler Shaft Bearing
10	067900K	6790K	2	Drive Shaft Bearing
11	067900L	6790L	1	Body
12	067900M	6790M	1	Idler Gear Asy.
13	067900N	6790N	1	Drive Gear Asy.
14	097900P	6790P	2	Dowel Pin
15	0229700	2297	12	Bolt, 3" Long
16	0292600	2926	2	Bolt, 3-1/2" Long (Not Shown)

Dec. 1973
to
Feb. 1998

Pump Asy Double Wing

S/N SB-All
to
S/N SB-N/A

Engine Mounted Pump



Item	Part No New #	Part No. Old #	Qty.	Description
	0656200	6562	--	Hyd. Pump, Dual Wings, Engine Mounted
1	065620A	6562A	1	Seal
2	065620B	6562B	1	Snap Ring
3	065620C	6562C	1	Bearing
4	065620D	6562D	1	Shaft End Cover
5	065620E	6562E	2	Ring Seal
6	049240J	4924J	2	Check Assy.
7	065620F	6562F	4	Roller Bearing
	065620G	6562G	2	Thrust Plate
8	065620H	6562H	1	Pocket Seal Strip, (Cut to Fit)
9	065620J	6562J	1	Gear Set
10	065620K	6562K	1	Key
11	065620L	6562L	1	Gasket Seal
12	065620M	6562M	1	Gear Housing
13	065620N	6562N	1	Port End Cover
14	04924DD	4924DD	4	Washer
15	0127400	1274	4	Bolts

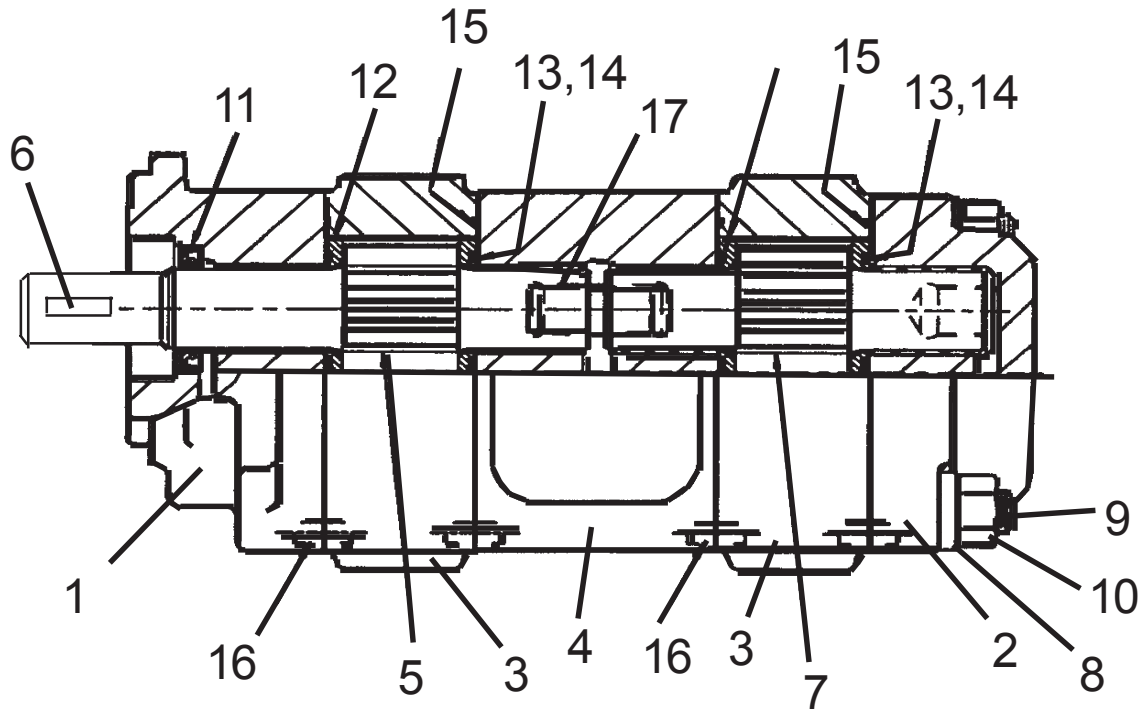
Mar. 1998
to
Feb 2001

Pump Asy Double Wing

S/N SB-All
to
S/N SB-End Production

Engine Mounted Pump

(Tandem Pump w/ 1" Inlet & two 1/2" Outlet)

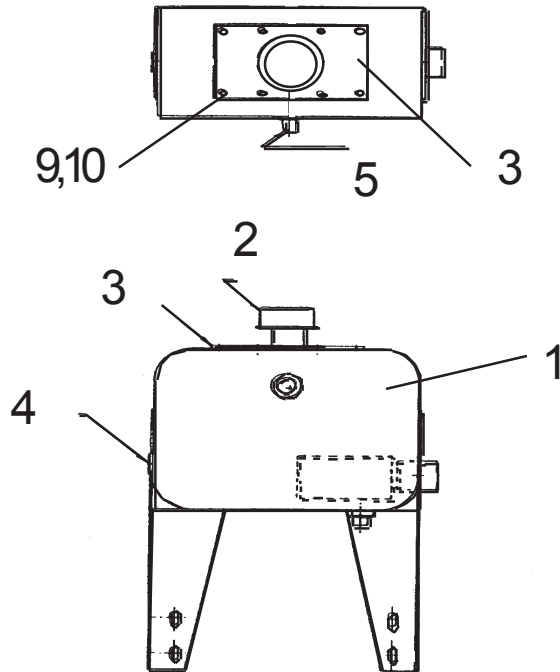


Item	Part No	Qty.	Description
	02973293	--	Hyd. Pump, Dual Wings, Engine Mounted
1.	02973874	1	Housing, Inner Flanged
2.	02973875	1	Housing, Outer End
3.	02973876	2	Housing, Inner & Outer Gear
4.	02973877	1	Housing, Center Bearing Carrier
5.	02973878	1	Gear Shaft Set
6.	02973884	1	Key
7.	02973879	1	Gear Set
8.	02964944	4	Washer
9.	02973880	4	Stud
10.	02973885	4	Nut
11.	02973888	1	Section Seal
12.	02973890	4	Thrust Plate
13.	02973887	4	Channel Seal
14.	02973886	4	Channel Back-Up Seal
15.	02973889	4	Seal
16.	----N/A----	8	Dowel Pins, (Listed as Reference Not as Spare Part)
17.	----N/A----	1	Connecting Shaft, (Listed as Reference Not as Spare Part)

Jan. 1975
to
Feb. 2001

Hyd Tank Single Wing All Models

S/N SB-All
to
S/N SB-End Production



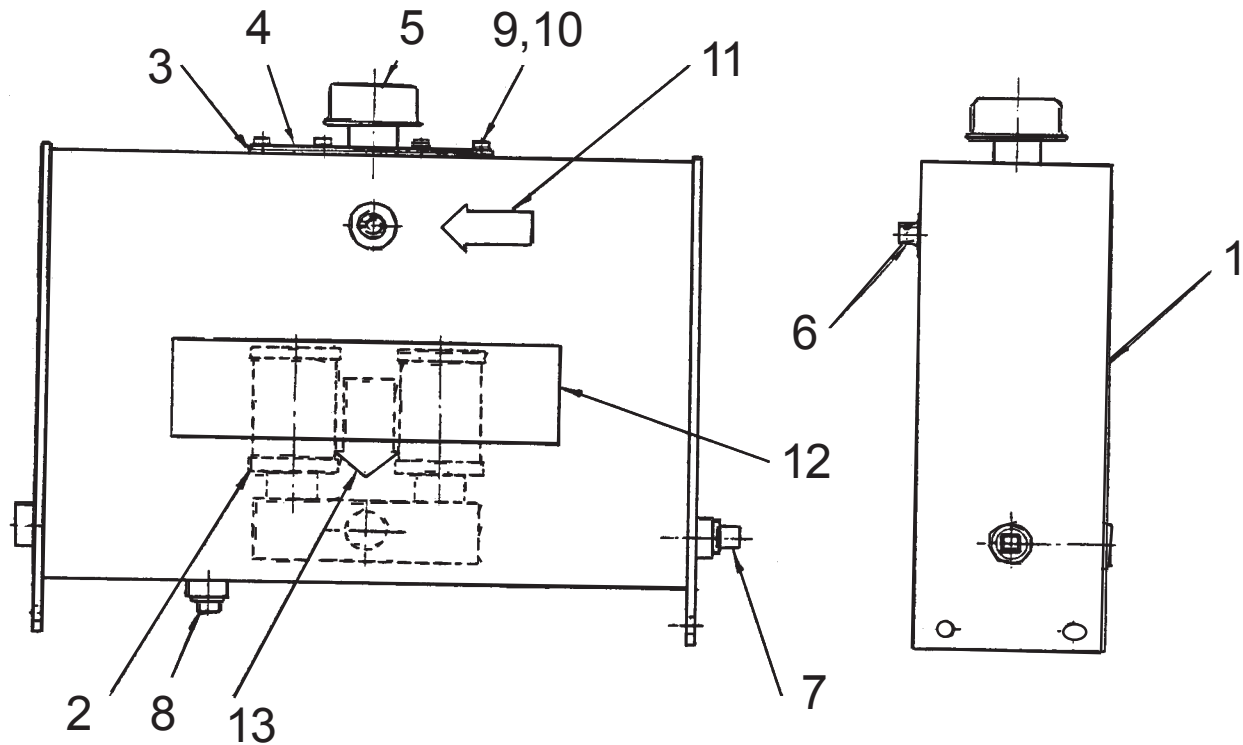
This Tank WILL replace all previous Tanks, This Tank holds 3.2 gal. to top & 2.43 gal. to Sight Glass

Item	Part No New #	Part No. Old #	Qty.	Description
	0646000	6460	--	Hyd Tank Asy (New Style)
1	02973903	-----	1	Hyd Tank Only
2	064600B	6460B	1	Breather Cap (replaces old # 3332)
3	064600C	4660C	1	Tank Cover Weldment
	064600D	6460D	1	Tank Cover Gasket
4	001817	-----	1	3/4" Plug (Shipping Plug)
5	0333000	3330	1	Sight Glass, Bolt On (Old Style use 6460A)
	064600A	6460A	1	Sight Glass w/o O-Ring (replaces Old # 3330)
	064600E	6460E	1	O-Ring (For 6460A Sight Glass)
6	030550M	A3055M	1	Strainer Filter (replacement)
7	001818	-----	1	1" Plug (Shipping Plug)
8	0117100	A1171	1	3/4" Magnetic Drain Plug
9	00017000	-----	8	Lockwasher
10	10058000	-----	8	Bolt
11	02966305	-----	1	Decal, Use Universal Hyd. Oil (New Decal)
12	0408600	4086	1	Decal, Filter
13	0408700	4087	1	Decal, Oil Level

Jan. 1975
to
Feb. 2001

Hyd Tank Dual Wing All Models

S/N SB-All
to
S/N SB-End Production



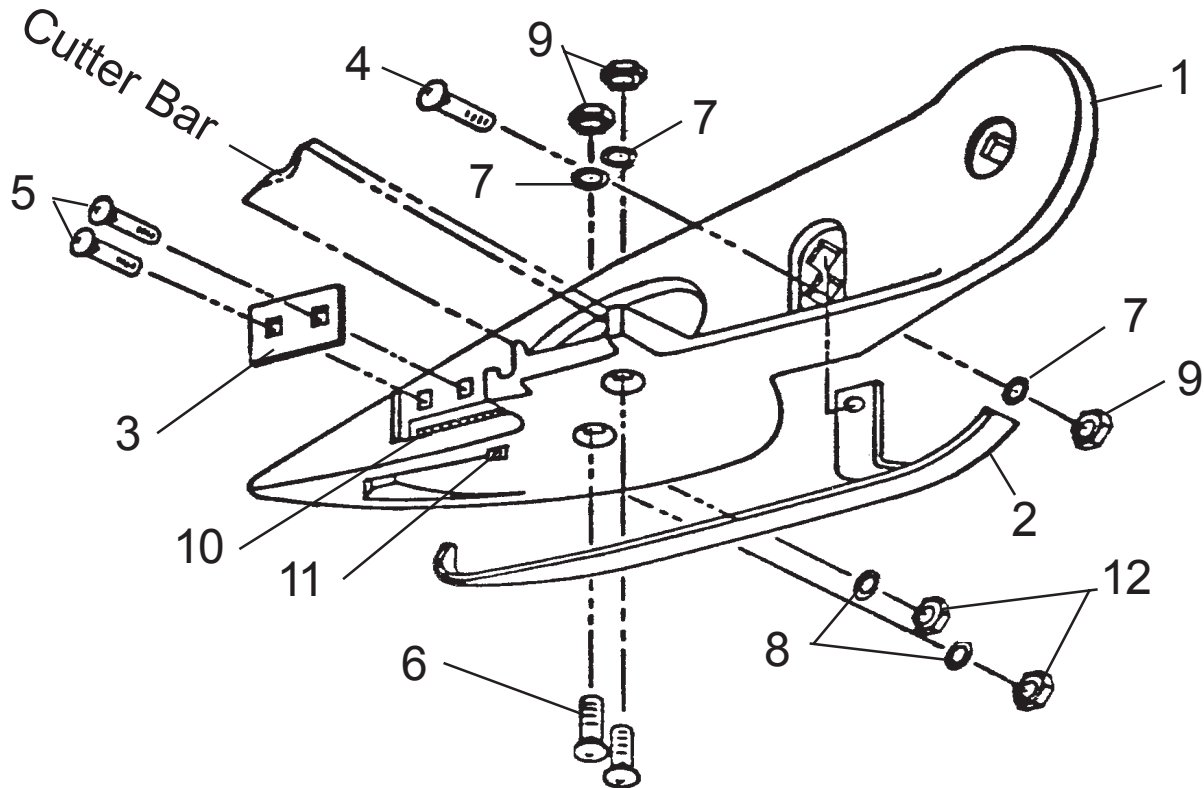
Item	Part No New #	Part No. Old #	Qty.	Description
	0656100	6561	--	Hyd Tank Asy, Dual Wing Models
1	065610A	C6561A	1	Hyd Tank Weldment
2	030550M	A3055M	1	Strainer Filter (replacement)
3	064600D	6460D	1	Tank Cover Gasket
4	064600C	6460C	1	Tank Cover Weldment
5	064600B	6460B	1	Breather Cap
6	064600A	6460A	1	Sight Glass w/o O-Ring
7	0050800	A508	1	3/4" Pipe Plug
8	0117100	A1171	1	3/4" Magnetic Drain Plug
9	00017000	1184	8	Lockwasher
10	02153100	3171	8	Bolt
11	0408700	A4087	1	Decal, Oil Level
12	0408600	A4086	1	Decal, Filter
13	0324700	B3247	1	Decal, Triumph Logo
14	0726500	7265	2	Tank Support Plates (Not Shown)
15	0656300	6563	1	Flow Divider (Not Shown) See Mount Kit

Instructions for your Tractor application

Jan. 1975
to
Feb. 2001

Agricultural Outer Shoe Optional Eqpt.

S/N SB-All
to
S/N SB-End Production



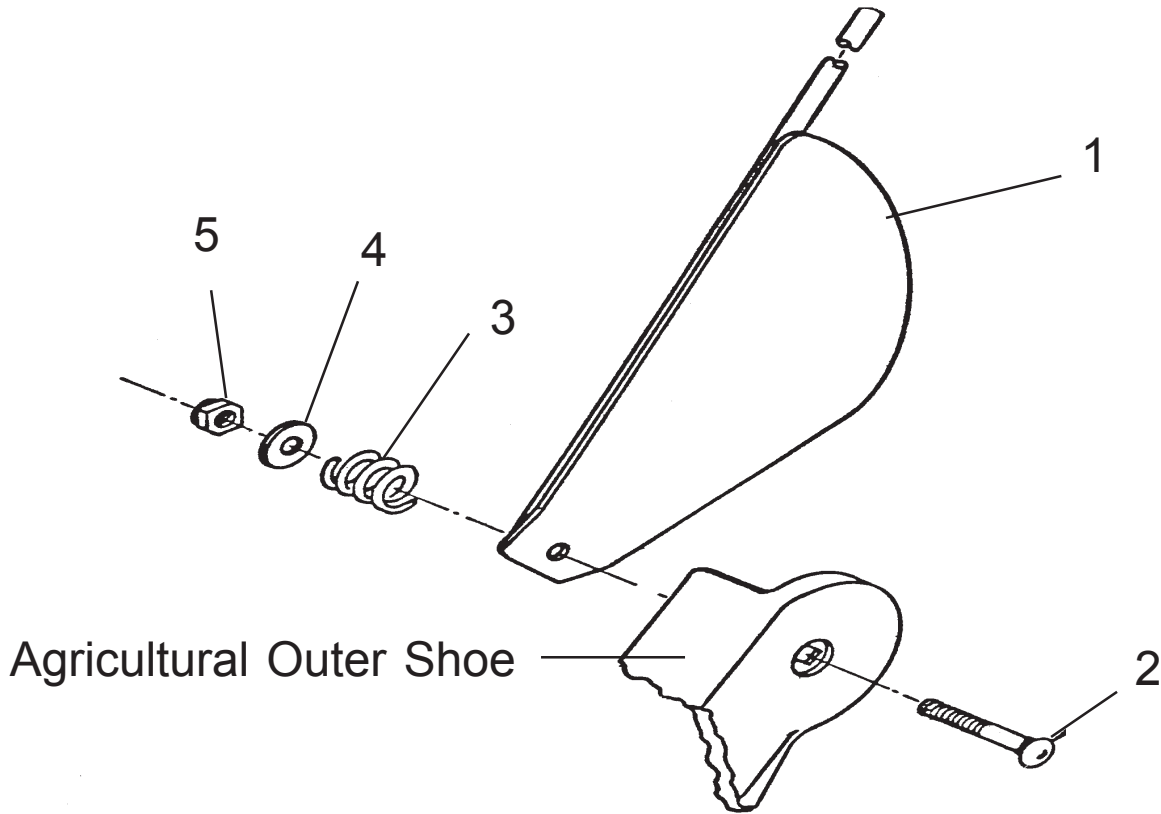
Item	Part No New #	Part No. Old #	Qty.	Description
	0449800	4498	--	Agricultural Outer Shoe kit (RH Model)
1	0468100	4681	1	Outer Shoe Asy, RH Model
	0468200	4682	1	Outer Shoe Asy, LH Model
2	0046800	468	1	Outer Shoe Sole Asy, RH Model
	0482400	4824	1	Outer Shoe Sole Asy, LH Model
3	0467900	4679	1	Grass Wiper Plate
4	0081200	812	1	Carriage Bolt, 1-1/2" Long
5	0493500	4935	2	Carriage Bolt, 1" Long
6	0046400	464	2	Bolt, Counter Sunk Head
7	0046000	460	3	Lockwasher
8	0045900	459	2	Lockwasher
9	0163800	1638	3	Nut
10	0116200	1162	1	* Ledger Plate
11	0116300	1163	1	* Screw, Flat Head
12	0076100	761	2	Nut, Hex

* Items #10 & #11 are included with Item # 1

Jan. 1975
to
Feb. 2001

Swathboard Kit Optional Eqpt.

S/N SB-All
to
S/N SB-End Production



Item	Part No New #	Part No. Old #	Qty.	Description
	0444600	4446	--	Swathboard Kit, Optional
1	0442400	4424	1	Swathboard Asy, RH Model
2	0381000	3810	1	Carriage Bolt, 2-3/4" Long
3	0380900	3809	1	Spring
4	0019200	192	1	Washer
5	0247100	2471	1	Stop Nut

NOTE: This can ONLY be used with the optional Agricultural Outer Shoe Asy which is optional order equipment.

Jan. 1975
to
Feb. 2001

Decals

S/N SB-All
to
S/N SB-End Production



P/N 0599900



P/N 0408700

FOR BEST RESULTS ALWAYS

USE A SHARP KNIFE - KEEP BAR IN ADJUSTMENT
BEND DOWN HIGH GUARDS - CHANGE DULL GUARD
PLATES - KEEP ALL BOLTS TIGHT - LUBRICATE TWICE DAILY

6659

P/N 0665900



P/N 0437100

Licensed under one or more of the following patents, or other patents pending

U.S. NO. 2,663,133

U.S. NO. 2,729,044

MODEL NO.

TRIUMPH MACHINERY COMPANY
HACKETTSTOWN, N.J., U.S.A.

SERIAL NO.

PRINTED IN U.S.A.

PART #1889

1889

P/N 0188900

Jan. 1975
to
Feb. 2001

Decals

S/N SB-All
to
S/N SB-End Production

 **CAUTION**

NO STEP

KEEP HANDS AND FEET OFF MACHINE

6145

P/N 0614500

 **WARNING**

1. KEEP ALL SHIELDS IN PLACE
2. STOP MACHINE TO ADJUST & OIL
3. IF MECHANISM BECOMES CLOGGED SHUT OFF POWER BEFORE CLEANING
4. KEEP HANDS FEET AND CLOTHING AWAY FROM POWER-DRIVEN PARTS
5. KEEP OFF MOWER AND KEEP OTHERS OFF
6. WARN BYSTANDERS TO KEEP AWAY

4103

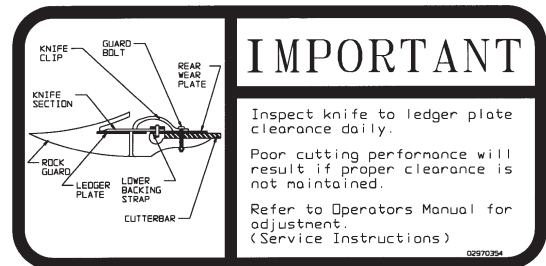
P/N 0410300

 **CAUTION**

**SPRING IS PRELOADED.
REMOVE BOLTS WITH CARE**

6146

P/N 0614600



P/N 02970354

PERMANENT FILTER
ELEMENT INSIDE TANK.
DRAIN AND DISCARD
OIL EVERY 250 HOURS.
THOROUGHLY CLEAN
INSIDE OF TANK.
BE SURE FILTER
ELEMENT IS TIGHT.
REFILL WITH NEW OIL.

4086

P/N 0408600

BAR LIFT

↑
RAISE
↓
HOLD
↓
FLOAT
↓

CURB LIFT

↑
RAISE
↓
HOLD
↓
LOWER
↓

MOTOR

↑
REVERSE
↓
OFF
↓
ON
↓

4837

P/N 0483700



P/N 0408700



3247

P/N 0324700

MODEL PARTS INFORMATION

Models

The Following Data is Standard for all Units

2500 Model

D2500 = Open Center Hydraulic System

S2500 = Closed Center Hydraulic System

Break-A-Way style shared with D & S Type

3500 Model

D3500 = Open Center Hydraulic System

S3500 = Closed Center Hydraulic System

Break-A-Way style shared with D & S Type

5500 Model (2500 Model with LH & RH Wings)

6000 Model (See 2500 & 3500 For Parts)

D6000 = Open Center Hydraulic System

S6000 = Closed Center Hydraulic System

Break-A-Way style shared with D & S Type

7500 Model (See D8500 & S8500 After Nov. 1984)

D7500 = Open Center Hydraulic System

S7500 = Closed Center Hydraulic System

See Note Below about 7500 Model

8500 Model (Also Known as the Pitmanless Arm Model)

D8500 = Open Center Hydraulic System

S8500 = Closed Center Hydraulic System

Break-A-Way style shared with D & S Type

Note:

The 8500 & 7500 shared most Cutterbar Parts, Motor Parts and some others, The Breakaway on the 7500 Series was similar but not the same as the 2500 Series. In 1984 there were some 7500 Model where the Break-A-Way was switched over to the 8500 Type (on a Special Purchase). When ordering parts for the 7500 model Always check which Break-A-Way style before ordering parts.

MODEL PARTS INFORMATION

Oil Flow, Pump & Motor (Open Center Models)

The Following Data is Standard for all Open Center System
Mounted with Alamo (Triumph) Pumps (Open Center Only)

1.

	Pump Output (GPM)	Tractor Engine (RPM)	Pump PSI (PSI)
A.	9.5 GPM	1500 RPM	2000 PSI Max.
B.	12.2 GPM	2000 RPM	2000 PSI Max.
C.	15.0 GPM	2500 RPM	2000 PSI Max.
2. Governor rated @ 20 GPM Maximum Input. 8 GPM (9 GPM optional) priority Flow, Excess flow returned to reservoir. Pressure drop approximately 50 PSI @ 8 GPM.
3. Control valve rated @ 20 GPM @ 2000 PSI Max. Built in relief valve set @ 1650 PSI. Pressure drop approximately 35 PSI @ 8 GPM.
4. Reservoir Capacity Using Alamo (Triumph) Tank. (Old or New Style Tank)
Old Reservoir System = Reservoir 6 quarts, Total system capacity 7.5 to 8 quarts.
New Reservoir System = Reservoir 2.5 gal. & Total system capacity 3.5 gal. (2.5 gal measuring to sight glass in tank)
5. Recommended Oil 10W.30 or 10W.40 MS, This was changed in the early 1990's to a Universal Hyd Oil. Either Oil Will function in unit to specifications.
6. Oil Filter = 100 micron reusable type.
7. System Operating Pressure:

A.	Free Running Knife (No Work Load)	100 to 1250 PSI
B.	Average Cutting, Roadside Grass	400 to 500 PSI
C.	Dense Grass & Most Weeds	500 to 800 PSI
D.	Dense Weeds, Light Brush & Vines	800 to 1200 PSI
E.	Control Valve Pressure Relief Setting	1700 PSI Max.
8. Operating Temperature in Dense Material @ approximately 800 to 1200 PSI = 70 to 90 deg. F. above ambient Temperature in continuous cutting, Material, RPM, Ground Speed and Mechanical conditions on Components can make this vary. Lighter cutting conditions should decrease temperature as worn component or heavy material will increase it.
9. Power Requirements (General Rule of Thumb) = 1 HP per Foot of Cutterbar
 - A. This rule can vary depending on material being cut and terrain.

NOTE: All of the above applies as well to Mower Models operated from the Tractor Hydraulic Supply, providing pump capacity and pressure ratings are compatible to requirements above. Also these must be free for supply to mower and not be shared with some other Tractor function.

ABOVE INFORMATION WILL NOT APPLY TO CLOSED CENTER SYSTEMS

MODEL PARTS INFORMATION

Control Valves, Open Center & Closed center Systems

Open Center System

1. This used an add on Pump, Supplied by manufacturer (Alamo/Triumph) that was run off the front of the Engine or PTO through a Speed Changer. This supplied the Pressure for Hydraulic Cylinder Operation as well as to the Motor Operation.
2. This System Used an Aux. Mounted Tank for the Oil, There were three Tanks Used.
 - 1 st. First was an Oblong Square type that was mounted to a Bracket using Straps, This Tank has become obsolete and will have to be replaced with the second tank by making modifications.
 - 2 nd. Second was a larger Tank that is taller and has the Mounting Brackets welded to it, This tank increased th Oil capacity by about one Gallon. This is also the Last Tank Used for the Single Wing Models.
 - 3 rd. This Tank was ONLY USED on the Dual Wing Models and is built basically the same as thr 2 nd. Tank but with a larger Oil Capacity to accomodate the Dual Wing units.
3. Governor rated @ 20 GPM Maximum Input. 8 GPM (9 GPM optional) priority Flow, Excess flow returned to reservoir. Pressure drop approximately 50 PSI @ 8 GPM. was only uded on the Open center models
4. Control Valve is a 3 Spool (one Valve) System for Cylinder & Motor Controls

Closed Center System

1. This WILL NOT use an add on Pump. The Hydraulic Oil & Pressure and Supply is provided by the Tractor Hydraulic System for all functions
2. The Oil is from the Tractors internal Hydraulic Supply and NO EXTERNAL Hydraulic Tank is used on this type.
3. The Governor is NOT USED on the Closed Center System, It is controled by the Valves through restrictors & Check valves.
4. There are 2 control Valves Used, a 2 Spool Valve for Hydraulic Cylinder Controls and a separate 1 spool Valve for Motor Control.

VALVE NOTES:

1. There were some Closed Center Systems that were converted to Open Center by modifying the control Valves so the Closed Center could be moved to a Open Center Tractor, See Control Valve Section for Parts that would have been used. All Models shared the Control Valves, It is the Open Center or Closed Center Hyd. System that is important.

MODEL PARTS INFORMATION

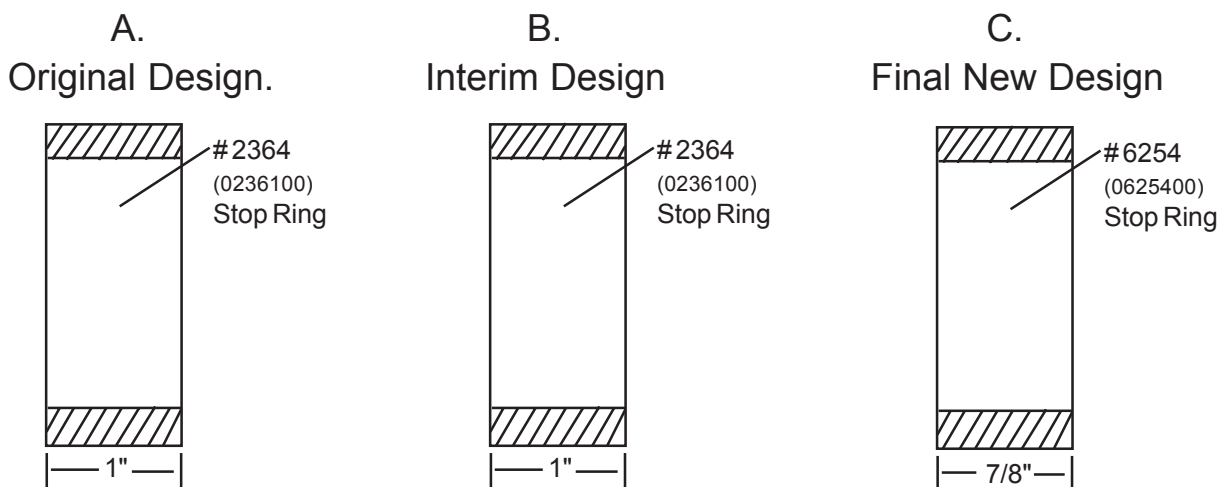
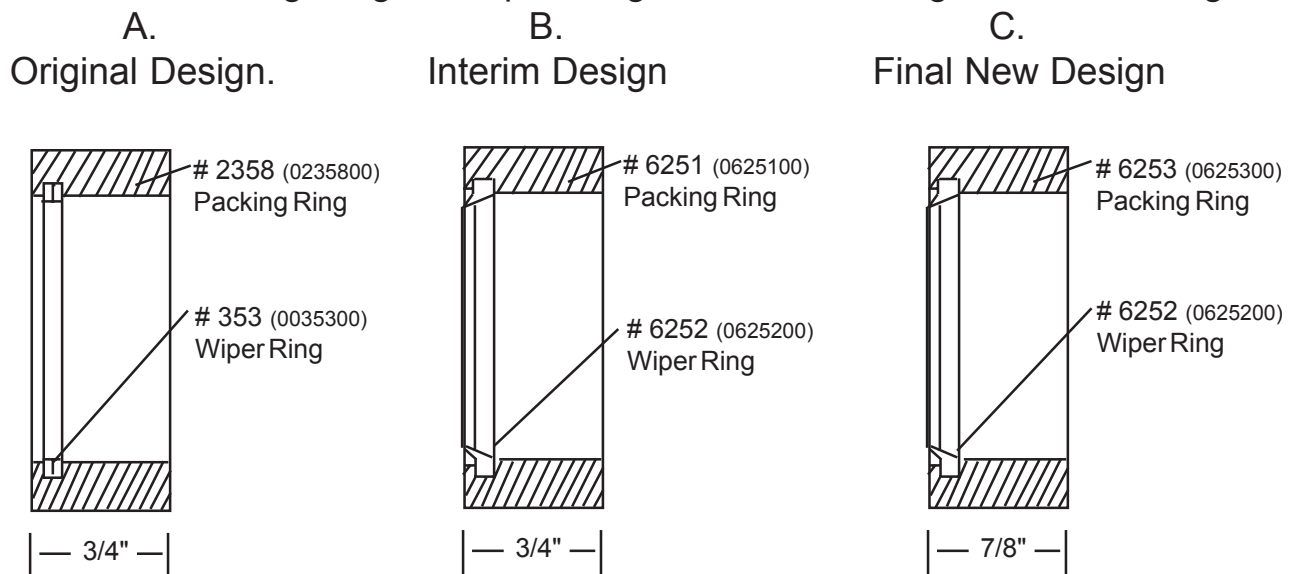
Control Valves, Valve Notes Continued

2. The Valves were changed, in most cases the Replacement valve may require that the routing of Hosed and/or fittings may have to be changed.
3. Due to the change in ownership, A fire destroying the Plant, The 40 some years of production of this Product, The Many changes of Personnel, the Moving of Plant Facility. We are unable to pin point Serial Numbers for this product only Dates. It will be required to match feature of Valves to determine which valve you have. Look for manufacturers Name, Locations of features, Ports, Handles & ETC.

Hydraulic Cylinders # 2401 & 2402

Packing Rings & Wiper Rings & Stop Rings

Change in Feb 1981 of the Packing, Wiper & Stop Rings, The New design will replace the Old design as parts even though width of them is different. The Packing Rings & Wiper Ring will not interchange between designs.



MODEL PARTS INFORMATION

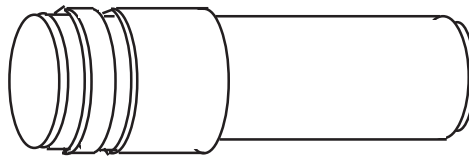
Hydraulic Cylinder # 2401 Stop Rod

Feb. 1980 the Stop Rod design was changed on the # 2401 (0240100) Curb Stop Cylinder. The Stop Rods look different in the way they are made but they will interchange with each other without any modifications.

- A. Original Design (Old Style) Jan. 1980 & Down



- B. Replacement Design (New Style) Feb. 1980 & Up



NOTE. The Above Stop Rods , Old & New Rods are completely interchangeable and will perform the same functions without any difference in operation.

Single Wings / Dual Wings

1. Single Wing Units use 1 Set of Valve to operate Cylinder & Motor Functions, Dual Wing Units will use 2 sets of same valves for these function.
2. When ordering parts for a dual wing unit some parts will be the same on both sides and others will be a Mirror Image of each other, Always check which side on dual units and check if part numbers are the same.
3. Dual Wing units used a Flow Divider Valve to split flow between the LH & RH units. This Valve creates a Tee of the Pressure Hose from Pump forcing equal amounts to each side. This Flow divider is Mounted near Pump & Tank, See Dual Tank Parts Section or the Original Mounting Instructions you recieved with your Unit for Flow Divider Valve #.

MODEL PARTS INFORMATION

Break-A-Way, Assemble or Dis-Assemble

2500 & 3500 Models

1. DO NOT ATTEMPT this without Tool # 0161700 (Old # 1617) and following Instructions as shown in Figure 1 and Figure 2. Tool No. 0161700 is Optional Purchase & not furnished with Units.
2. Tension on Springs are very severe, DO NOT REMOVE bolts on Spring Lock till tension on spring has been removed from against the Stop Block.
3. When releasing pressure on Spring release puller slowly notch at a time till all pressure is released and then the Break-A-Way assembly can be dis-assembled.
4. When the Spring is re-installed & the Tool # 0161700 is used to re-load Spring Tension pull on tool till Spring clears Bolt Holes for Spring Stop Block, After Bolting & Tightening down Stop Block begin to slowly release pressure on spring till Spring touches Stop Block.
5. Remove Tool # 0161700 from Unit before operating Cutter.

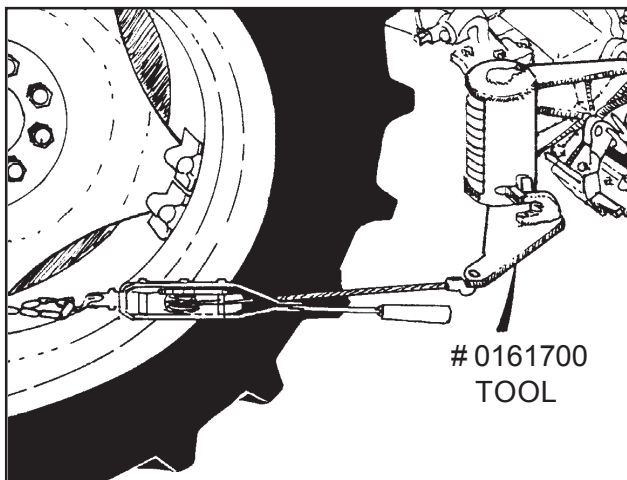


FIGURE 1

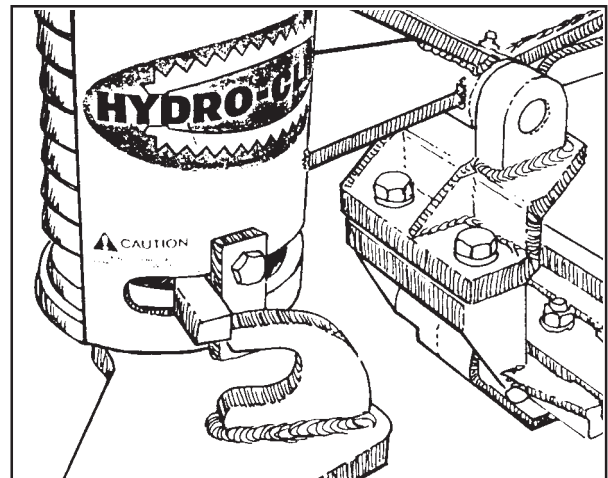


FIGURE 2

3500 Models

1. See Figure 3 to the Right.
2. To Adjust Break-A-Way on the 3500 Model, Tighten or loosen the Spring Adjusting Bolt, Tighten for more tension and loosen for less tension.
3. DO NOT Tighten till Spring is bottomed out, this WILL Damage Break-A-Way Components.

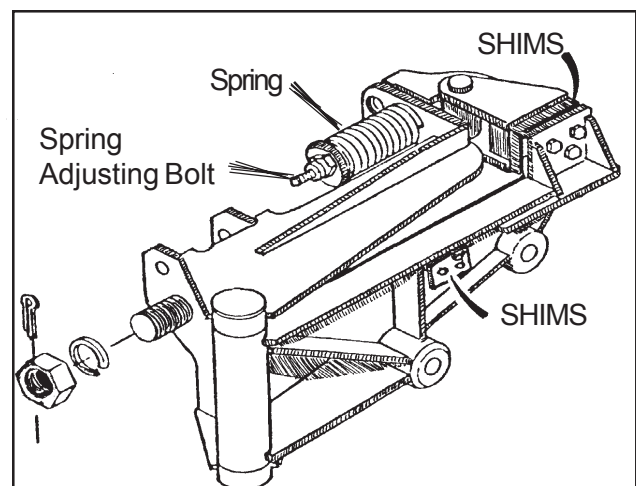


FIGURE 3

MODEL PARTS INFORMATION

Model / Mechanical / Hydraulic Improvements

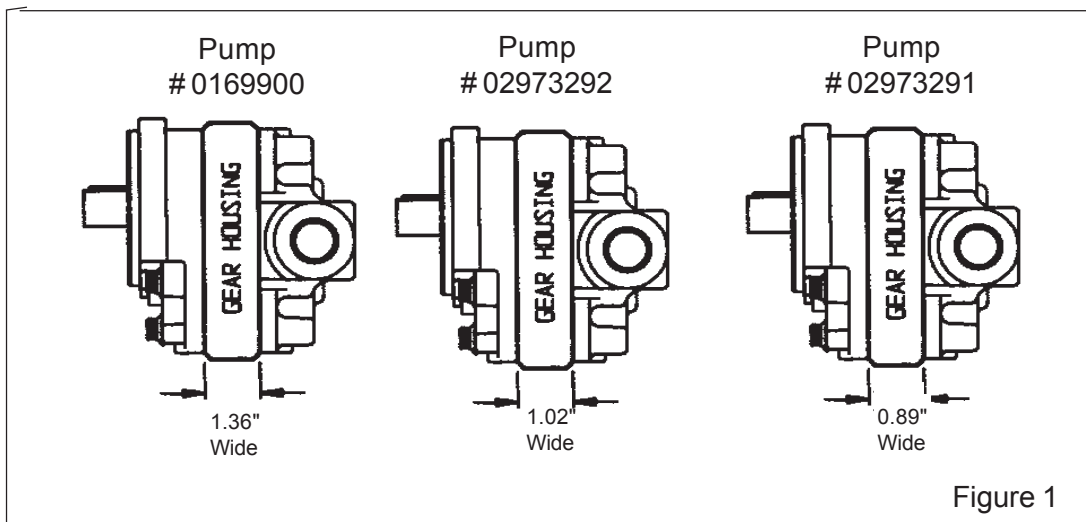
There Have been a number of changes/ Improvements made to various Parts / Design, Some are listed below as a History reference.

Mechanical Improvements

1. 5/16" thick high abrasion resistant steel is added to the wear surface of the inner **Shoe Sole** (P/N 0585500) and to the **Motor Guard** (P/N 0586000). This provides provide for increased durability and life of the components.
2. The "**J**" shaped mount which attaches the Butt end of the **Curb Cylinder** to the **Main Mounting Beam** (P/N 0341600) has been gusseted on two sides. This is to prevent deformation of the Main Beam during activation of the Cylinder.
3. The Plate which supports the front of the **Head Tilt Pin** has been increased from 1/4" to 1/2" for increased strength. **Hardened Bushings** were added in the **Pin Knuckle** to reduce wear in the Head Tilt Pin area.
4. **Gussets** have been added to the **Cutterbar Support** in order to reduce the possibility of damage due to rapid recoil of the **Break-A-Way function**.
5. The **Block** which retains the **Break-A-Way Spring** at the proper tension has been made to provide increased strength, It has also been notched to provide increased holding capability. There were 2 more holes added to allow for an optional adjustment of less **Spring Tension**.

Hydraulics Improvements (Aux Front Mounted Pump Only)

1. **PUMPS** (See Figure 1)
 - A. The Old Front Mounted Pump # 0169900 with a 1.48 CID was rated at 1200 to 2500 RPM (Engine Speed) the the flow was controled by a Governor till May 1998.
 - B. In may 1998 this changed, Pump would now match the RPM of Tractor, (Required Engine RPM to produce 540 PTO Speed),
Pump # 02973292 w/ 1.02 CID rated for RPM from 1800 to 2100 Engine RPM.
Pump # 02973291 w/ 0.84 CID rated f/ RPM from 2101 to 2500 Engine RPM.
 - C. The Flow Governor was removed with these newer Pumps as it was not needed, This also changed the Hose Routing when Governor was removed.



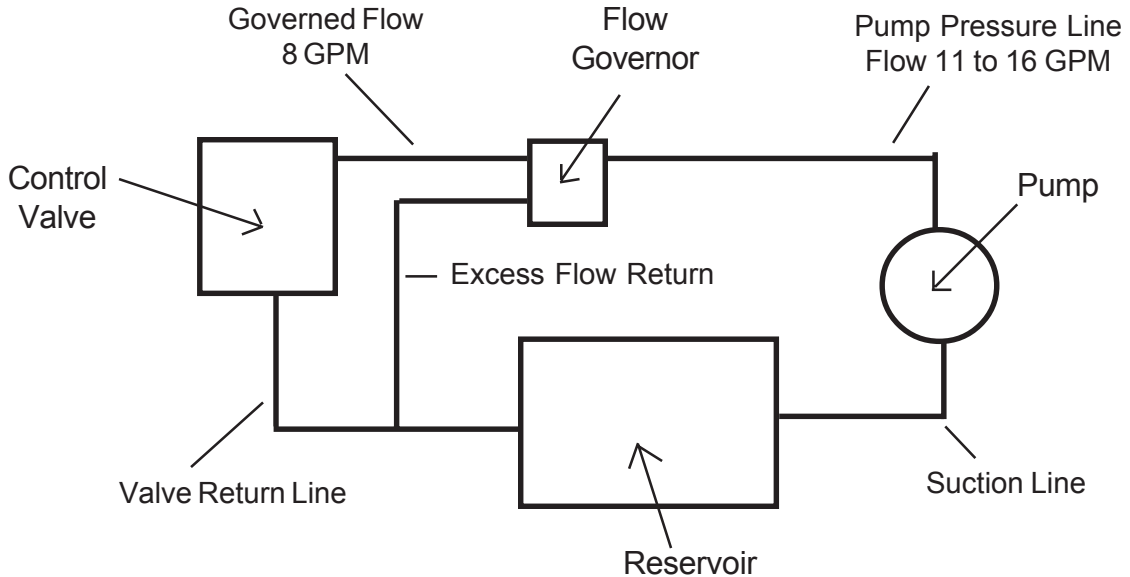
MODEL PARTS INFORMATION

Continued From Previous Page

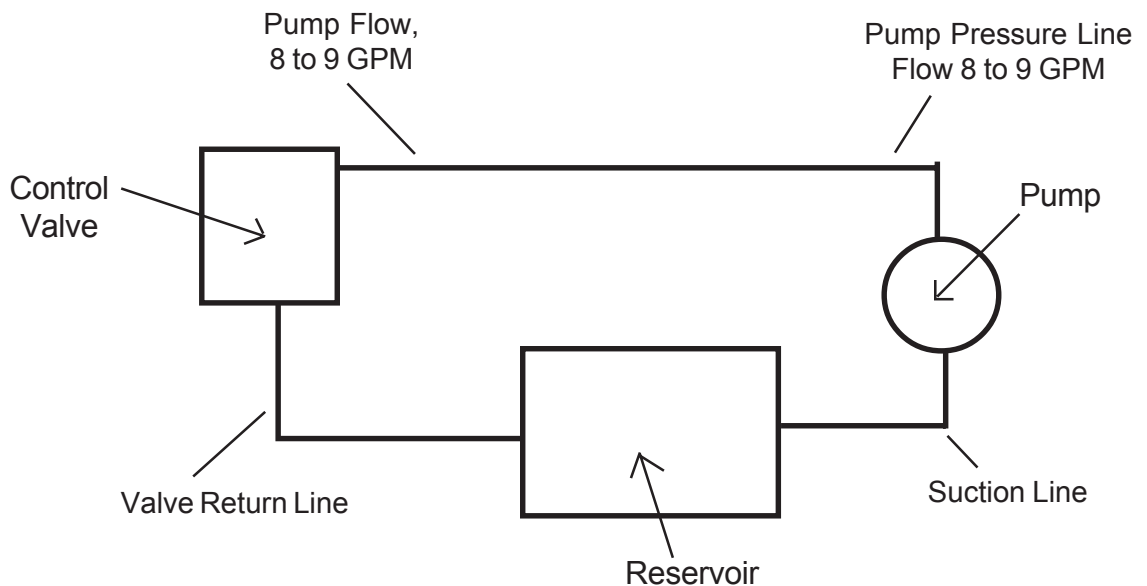
Hydraulics Improvements (Aux. Front Mounted Pump Only)

1. **Hoses Routing** (See Figure 2 & 3)
 - A. When the Pumps were changed in May 1998 the Governor was dis-continued in system, This changed the Hose routing that was used previously.
 - B. System is required to hold 8 to 9 GPM to Operate Correctly, Routing & Type Pump is Crittical to operation. Hose Routin & use of Governor MUST be to Match which Pump is used, If converting to new style Pump it will be regired to change Hose rRouting. See Diagrams below.

OLD HOSE ROUTING w/ Governor Apr. 1998 & Down (Figure 2)



NEW HOSE ROUTING w/o Governor May 1998 & Up (Figure 3)



MODEL PARTS INFORMATION

Hydraulics Improvements (Aux. Front Mounted Pump Only)

1. Converting Pumps, (Old Style to New Style)

- A. Determine which Pump you currently Have mounted to the front of the Tractor, See the Pump Parts section on how to ID Pump First.
- B. Pump MUST be chosen to match Tractor Engine RPM when converting to new style Pump, This Engine RPM is determined by the Engine RPM required to operate Tractor PTO at 540 RPM.
- C. Old Style Pump # 0169900 (Used an Aux Flow Governor Mounted with it)
New Style is Pump # 02973291 or # 02973292 depending on Tractor RPM
- D. Old Style Pump # 0169900 is rated 1200 to 2500 RPM w/ Flow Governor
New Style Pump # 02973291 is rated 2101 to 2500 RPM (No Governor Used)
New Style Pump # 02973292 ie rated 1800 to 2100 RPM (No Governor Used)
- E. Hose (Pump Pressure Line) must be made longer by approx 1 foot, This can be done by adding section to Hose (do not restrict Flow when doing this) or by changing to a longer Hose, See Hose List below and See Figure 2 & 3 on previous Page for Pump Pressure Line.

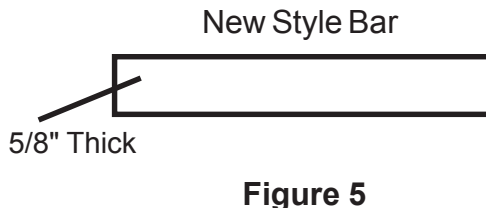
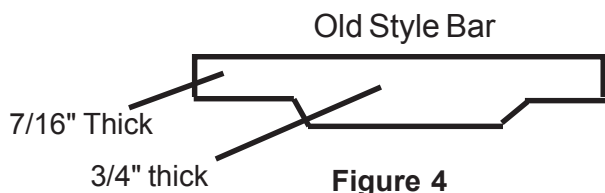
Pump Pressure Line Only

Using Hose # & Size		=	Use Longer Hose # & Size	
0033100	52.5" Long	=	0022000	66" Long
0599600	54" Long	=	0022000	66" Long
0040400	60" Long	=	0180600	72" Long
0180600	72" Long	=	0151400	84" Long
0110800	78" Long	=	0057500	90" Long
0151400	84" Long	=	0318500	96" Long
0057500	90" Long	=	0496400	102" Long
0318500	96" Long	=	0573200	108" Long

Design Changes (All Models Affected)

1. Cutterbar Shape Changed

- A. The Design of the Cutterbar was changed to Material Availability from a Stepped Bar to even Shape Bar. This Change made the guards to be changed also, The Old bar is called the 3/4" Bar & the later Bar was called the 5/8" Bar. See Drawings in Figure 4 for Old Style Bar & Figure 5 for New Style Bar. This also made a change in the Knife Guards.



MODEL PARTS INFORMATION

Hydraulic Supply Types (Option)

1. **Internal Tractor Hydraulic Supply used.** Tractor Pumps
 - A. Uses a Two Spool Valve for the Operation of Hydraulic Cylinders and a separate One Spool Valve for the Cutter Motor Control.
 - B. These controls were usually Closed Center Type, But there are kits to convert them to Open Center Type Control Valves.

2. **Loader / Tractor Hydraulic Supply used.** Tractor Pump or Add on Loader Pump.
 - A. Uses a Two Spool Valve for the Operation of Hydraulic Cylinders and a One Spool Valve for the Cutter Motor Control.
 - B. These controls were usually Closed Center Type, But there are kits to convert them to Open Center Type Control Valves.

3. **PTO Mounted Aux Pump Hydraulic Supply used.** 540 RPM PTO Only
 - A. Uses a Three Spool Valve for the Operation of Hydraulic Cylinder and Cutter Motor Control. (two spools operate Cylinders & one Spool operates Motor Control.)
 - B. These controls are Open Center Type and were not available as Closed Center at all.

4. **Front Engine Mounted Aux Pump Hydraulic Supply used.**
 - A. Uses a Three Spool Valve for the Operation of Hydraulic Cylinder and Cutter Motor Control. (two spools operate Cylinders & one Spool operates Motor Control.)
 - B. These controls are Open Center Type and were not available as Closed center at all.
 - C. Before May 1989 the Pump used a Governor to limit the Flow to 8 GPM and Pump was design to run 1200 RPM (Engine Speed) , But because many operators wanted to exceed this speed the Governor had to be used.
 - D. After May 1998 this system was redesigned to a match tractor engine RPM (Speed that is required to run PTO at 540 RPM), Earlier they were controled with a Flow Governor. The Flow Governor was not Used after May 1998 and there were two different Pumps offered, one was for 1800 to 2100 RPM and the other was for 2101 to 2500 RPM. See previous 3 Pages for details on Pumps.

INSTALLATION INSTRUCTIONS

INSTRUCTIONS FOR ALAMO GROUP SICKLEBAR MOWERS (Built by Triumph)

Model 2500 Hydro Clipper

Model 3500 Utility

Model 8500 Pitmanless Hydro Clipper

RECEIVING INSTRUCTIONS:

1. Your mower was partially pre-assembled and adjusted at the factory when originally Shipped. The mower was shipped in three or four separate packages.
Package 1 --- Contained the complete mower body assembly in a large carton.
Package 2 --- Contained the cutterbar assembly and knife.
Package 3 --- Contained the attaching subframe(s) and other large brackets to fit the particular tractor on your order.
Package 4 --- Contained the pump & attaching parts. Usually shipped in package 1 carton.(Not required for installation which uses the tractor or loader pump)
2. The mower should have been mounted following the step-by-step sequence given. Before mounting any part or assembly, **READ MANUAL**. Give careful attention to all notes on pages concerning the parts being installed, for specific information, and FOLLOW INSTRUCTIONS! If you have problems or are not sure of instructions, STOP and call our Service Department for help. **NO PARTS Should have to be Modified unless instructions indicate it!**
3. **DO NOT** use teflon or other pipe joint tape on fittings or hose connections.
4. After pump is installed **NEVER run the engine until the system is filled with oil!** The pump will be destroyed if run even for a short time **without lubrication !**
5. **Do not use teflon or other pipe joint tape** on Pump & Valve Fittings or Hose connections. because pieces of Tape may get into system or heat of Oil when Unit is ran may melt tape.
6. After pump is installed **do not run the engine until the system is filled with oil!** The pump will be destroyed if run **even for a short time without lubrication.**

MOUNTING ON BARE TRACTOR:

1. Remove all parts from shipping cartons and lay them out for identification. Separate hardware for easy use as needed.
2. Install the attaching parts to the tractor as described on page marked "Subframe Kit." Install subframe and valve bracket cap screws and lockwashers loosely and tighten only after all fasteners have been started. NOTE! Shimming may be required for proper alignment.
3. Install pump bracket, pump & tank For tractors using front mounted pump, install pulley adapter to crank shaft of engine, next determine & cut the jackshaft to length. Preassemble the jackshaft, pump bracket, flexible coupling, and pump as a unit. Then, install this unit to tractor with fasteners provided. Also install tank at this time. NOTE! To get longer life from splined jackshaft & pulley adapters, we recommend the splines be coated w/ LUBRIPLATE MO-LITH #2 or equivalent. **IMPORTANT! After pump is installed do not run the engine until the system is filled with oil!** The pump will be destroyed if run even for a short time without lubrication.
4. Assemble the lift and breakaway to the subframe with the 1 -1/2" carriage pin thru the subframe trunnions. Line up the roll pin holes; insert the roll pin and drive it in place.
5. Attach the curb lift cylinder to the carriage and sub-frame lug with the clevis pins and cotter pins. **NOTE! Cylinder plunger end goes on the Sub-Frame lug.**

INSTALLATION INSTRUCTIONS

6. Assemble hydraulic governor to the valve using parts described on page marked "Hydraulic Kit Valve Mounting", and then attach the valve to valve mounting bracket.
7. Connect the hydraulic circuit in accordance with parts book on page marked "Hydraulic Kit Pump and Tank Mounting," tank to pump, pump to valve and so on. NOTE: Be sure to connect Motor Hoses as shown on page marked Hydraulic Kit (Valve Mounting) for proper motor rotation. Use a paste sealer on all pipe thread connections. **NOTE: DO NOT USE TEFLON TAPE! CAUTION: Do not over-tighten connections.** Cracked castings, due to overtightening will not be covered under warranty. The 1699 pump requires that you take special care when installing fittings in it; the port housing is aluminum.

2500, 3500 CUTTERBAR ASSEMBLY:

1. Attach the cutterbar assembly to the lift and breakaway using (4) capscrews and lockwashers supplied with cutterbar assembly. Install the knife and attach the pitman arm to knifehead ball. The knife should slide smoothly into its guides. **DO NOT FORCE IT!** Use a drift or screw driver to latch the fork. **NO HAMMERS!** Refer to Page #20 and Fig #18. Handle knives with care. Knife sections are razor-sharp. Wear gloves and hold knifehead end and the knife back.

8500 CUTTERBAR ASSEMBLY:

1. Remove long capscrew from drive housing and slip drive unit from lift and breakaway. Attach the inner shoe and cutterbar assembly to the drive unit using the four special self-locking capscrews and serrated lockwashers provided. (See Page 1 of "Assembling instruction and parts list pitmanless mower.") Do not use lubricants on threads. Slip the completed assembly back into the drive unit support and install the long capscrew and self-locking nut and tighten to 270 ft. lbs. Next, install the knife by withdrawing the knife drive pin part way from drive arm. Slide the knife into the cutterbar and under the drive pin. The knife should slide smoothly into its guides. **DO NOT FORCE IT!** Then push the drive pin down into the knife head. Install and tighten the retaining cap screw to 75 ft. lbs. of torque. See Fig. #1 and #2.

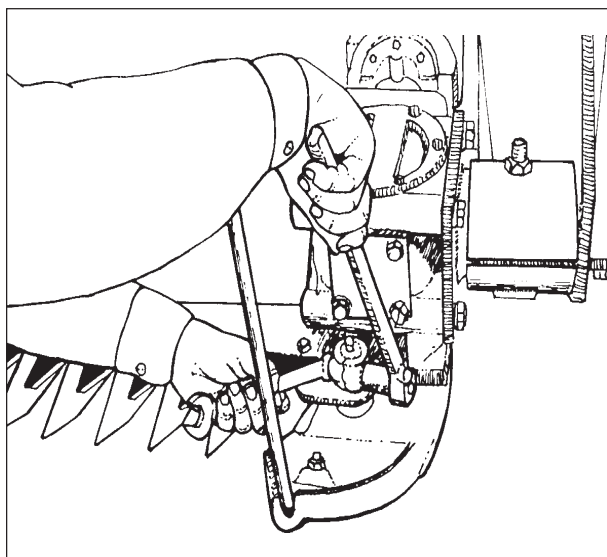


FIGURE 1

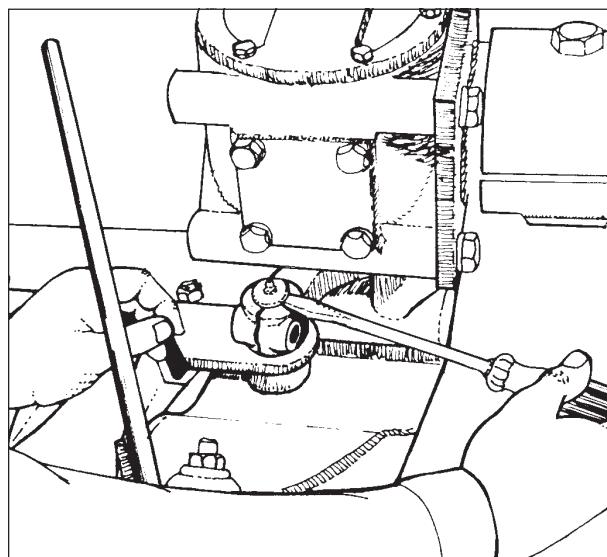
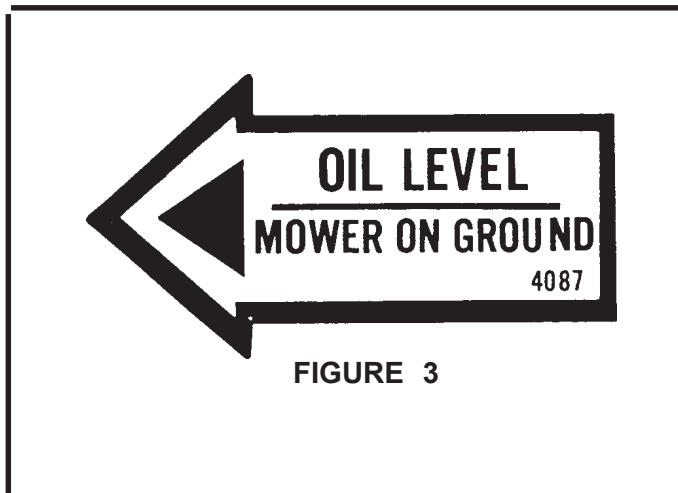


FIGURE 2

INSTALLATION INSTRUCTIONS

HYDRAULIC OIL:

9. Fill the hydraulic tank to level of center of sight gauge. Then start engine and at the same time have someone continue to **fill the tank so the pump does not cavitate (run dry)**. Lift and lower the mower for several cycles to remove all air from the system. Return cutterbar to the floor and recheck oil level. Add oil if necessary to center of sight gauge. See Fig. #3 Below.
10. **Lubrication** - Your mower **has been lubricated at the factory at all required points except:** carriage pin, knifehead connection, cutterbar wear plates, clips and knifehead guides. NOTE! Refer to the service instructions for lubrication of these points plus adding new lubricant to all points listed. before Operating.
11. **Installing guards** - Lift mower to transport position. Install transport pins. Stop engine! Then install motor guard, pitman guard, inner shoe sole, and grass rod. Bend grass rod to desired angle.
12. **8500 mowers only** have inner shoe sole and grass rod to be installed.
13. Install decals - Some decals are shipped in a "Decal" envelope. All decals should be attached in their appropriate location. If decals are damaged, replacements will be supplied upon request. See Decal Section for decals.
14. **Set the tractor wheels for tread and weight.** For tractors with adjustable tread it is advisable to set the wheels, front and rear, to the widest tread setting consistent with the work to be done. Some mountings will not permit full front tread adjustment on mower side. For banks and ditch work, the rear wheel opposite the mower should be weighted and the tire filled with calcium chloride and water as an added overturn safety precaution.



OPERATIONS

KNIFE SPEED:

All current model Triumph mowers are equipped with an overspeed control governor which regulates the flow of oil to the motor and provides a constant knife speed regardless of tractor engine RPM. The operator may select the engine RPM and transmission gear range to suit mowing conditions without affecting the knife speed. Tractor-loader-mower combinations and mowers powered from the tractor's built in pump must be operated at an engine RPM sufficient for the tractor or loader pump to produce a flow of 8 GPM minimum .

TRACTOR MOWING SPEED:

The best mowing speeds are usually between 1-3 MPH. Conditions will vary with the material being cut and the terrain, but select a speed producing the desired result and try to maintain that speed. If too much material falls on the cutterbar, increase the speed slightly. If grass is being torn out, slow down to allow the knife time to cut clean. If the cutterbar breaks back frequently when cutting heavy dead grass, brush, or vines, slow down to allow the knife time to cut clear and clean.

CUTTER BAR BREAK-BACK: (Break-A-Way)

Never allow the tractor to roll back with the rear edge of the cutterbar against an obstruction; severe damage to the carriage will result and lead angle will be destroyed. When the cutterbar strikes an obstruction while traveling forward, it will break back against the return spring on 2500-8500 models or release the safety latch on 3500 models. The cutter bar will return automatically to cutting position on 2500-8500 models and will have to be re-latched on 3500 models. Refer to Page #17 and Figures #12 & #13.

IMPORTANT:

Do not slide the cutter bar past the obstruction. If necessary, back up, adjust the bar to clear the obstacle and proceed with mowing. If the cutter bar assembly is allowed to repeatedly "slam" back into a work position (perpendicular to the tractor centerline) the tractor and the cutter assembly may become damaged. If the knife jams or stalls on a cable, heavy brush or other debris, it can most often be cleared by moving the Control #3 to the off (center) or reverse position. If you are unable to clear unit in this manner, you may have to clear it by hand. Make certain that Control #3 is in the off (center) position and the engine is shut down before clearing by hand. Refer to Valve Operation for more detail. **For John Deere closed center system**, bleed off accumulator pressure before working on mower! Refer to decal on tractor and tractor operating instructions.

WARNING:

DON'T LOSE YOUR FINGERS NEVER TOUCH THE KNIFE OR CUTTERBAR WITH THE VALVE TURNED ON or THE ENGINE RUNNING ON TRACTOR: IT MAY START UP SUDDENLY WHEN YOU LEAST EXPECT IT!

TURNING CORNERS:

Triumph mowers will cut neat, square corners. It is seldom necessary to raise the cutterbar at corners. Turn quickly when near the end of cut using brake to pivot right-hand wheel of tractor when making turns to the right. When turning corners to the left, run tractor in low gear. The cutterbar swings around faster when turning in this direction and increases the possibility of striking an unnoticed post or some other obstacle. Be very careful when working on hillsides. Move slowly over rough terrain. Avoid sharp turns on steep slopes. Adjust speed to the conditions of the terrain. Watch out for rocks, stumps, soft edges, deep holes, electrical lines, and low overhead clearances. When mowing a ditch, the tip of the cutting bar is in the ditch. When you want to come out, be sure to turn out of the ditch never into the ditch.

OPERATIONS

TRANSPORT:

1. When transporting the tractor and mower, use the two transport safety pins and hair pins provided with the mower. Install using following Steps:
2. Shut off the mower motor. Control #3.
3. Raise the cutterbar to the vertical position with Control #1. Insert the short carriage transport pin thru the subframe clevis and behind the carriage lug. Insert the hair pin.
4. Shut off the tractor engine.
5. Lower the cutterbar very little with Control #1. Insert the long cutterbar transport pin thru the holes in the knuckle and carriage outer end from the front. Insert the hair pin.
6. Make sure all three control levers are in the center position before restarting the tractor.

WINTER STORAGE:

1. Some precautions will prevent rusting and corrosion of working parts.
2. Clean off all dirt and debris.
3. Tighten loose bolts.
4. Grease the knife sections and wearing parts on the cutterbar.
5. Apply a light coat of grease to the cylinder plungers and valve spools on exposed surfaces.
6. Drain and refill the hydraulic system.
7. Replace missing fasteners, nuts, bolts, cotter pins, hairpins, etc.
8. Note and order any new parts needed for the next season.
9. Steam clean and repaint the mower if necessary.
10. Cover the mower with a tarpaulin or store indoors.

GENERAL INFORMATION:

1. Operators should be aware that sickle bar mowers are precision cutting machines.
2. They are designed to cut like a pair of fine shears but are subjected to the roadside punishment of a bulldozer!
3. If the mower is not cutting properly, the operator must be prepared to make on-the-job adjustments to assure good cutting and avoid costly repairs.
4. Keep a grease gun, oil can, heavy hammer, screw driver, and proper size wrenches on the tractor at all times.
5. Since most of the day-to-day problems originate in the cutterbar, operators should keep the cutterbar in adjustment and make sure that the knife is sharp.
6. Refer to the service instructions for specific adjustments and information.
7. To save time, it is recommended that spare knives and rockguards be carried on the tractor for replacement on the job.
8. Follow the daily lubrication procedures given in the service instructions.
9. Keep all nuts, bolts, and screws tight.
10. A carefully adjusted and maintained mower will make the job easier and reward you with outstanding performance, long life, and reduced maintenance

SERVICE INSTRUCTIONS



This safety alert symbol is used to point out areas requiring precautions for your safety. Failure to observe these warnings could result in injury to you. **DO NOT** attempt to make adjustments **with the mower or tractor running!**

For **John Deere closed center system; bleed off accumulator pressure before working on mower!** Refer to Decal on Tractor and Tractor Operating Instructions. For continued good cutting and trouble-free operation, it is important to follow these instructions accurately.

LUBRICATION: Always Shut off the tractor engine and remove key before lubricating the mower.

Greasing:

Wipe dirt from grease fittings and grease gun nozzle before greasing. Replace missing or damaged grease fittings immediately. Use a good grade of #2 bearing grease or SAE #2 multi-purpose grease where grease fittings are provided. Do not over-lubricate. Stop as soon as clean grease emerges from the joint.

Oiling:

Use SAE 30 oil on all lubrication points without grease fittings. **DO NOT FLOOD WITH OIL.** A few drops at the right place will do the job. Excessive oil picks up dirt or grit and causes unnecessary wear.

Lubricate Daily (See Next Page Instructions)

1. Knuckle bolt.
2. Knuckle pin (3500 model)
3. Carriage pin
4. Spring release pin (2500 & 8500 models)
5. Latch roller (3500 model)

Lubricate Several Times Each Day (See Next Page Instruction)

1. Pitman bearing (2500 & 3500 models)
2. Knife head connection (2500) Knife Drive Pin (8500)
3. Knife head guides (2500 & 3500 models)
4. Knife wear plates and clips.*

* **When working in very dusty or sandy conditions, it may be better not to lubricate these at all.**

Lubricate the cutterbar support rocker pin every 50 hours. It is a good practice to put a few drops of oil on cylinder clevis pins and control valve handle links occasionally. This will allow them to work easily and prolong their life.

RESERVOIR OIL:

NOTE! Dirty oil can destroy the hydraulic system. Dirt scores valve spools and cylinder plungers and gouges metal from pump and motor thrust plates, gears, and housings. If mower performance is lagging or system is running hotter, very likely the cause is dirty oil.

SERVICE INSTRUCTIONS

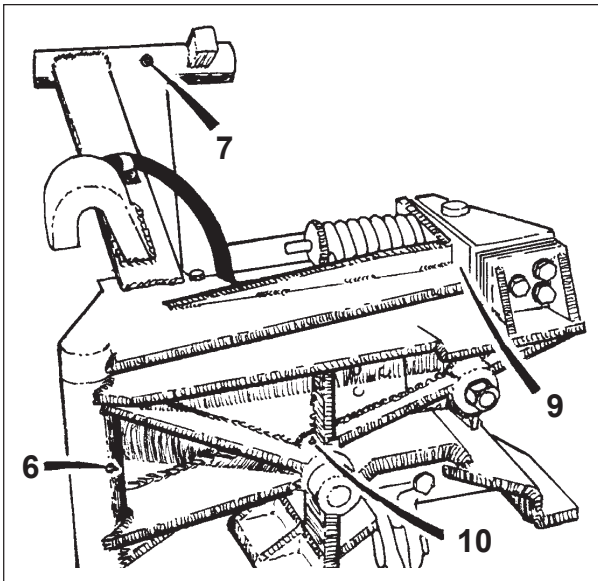


FIGURE 5

Lubricate every two hours of operation. (Inspect all parts carefully at same time).

1. Pitman bearing (2500 & 3500 models) Figure 8
2. Knife head connection Figure 6
3. Knife head guides (2500 & 3500 models) Figure 6
4. Knife wear plates and clips.* Figure 7

* When working in very dusty or sandy conditions, it may be better not to lubricate these at all.

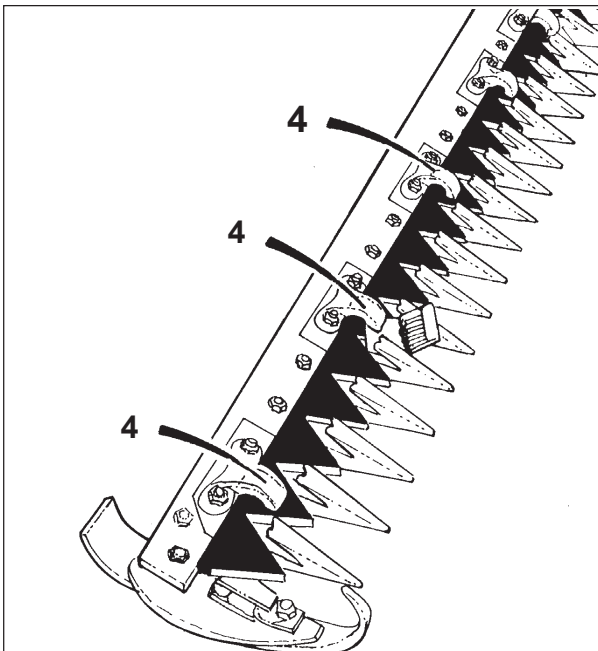


FIGURE 7

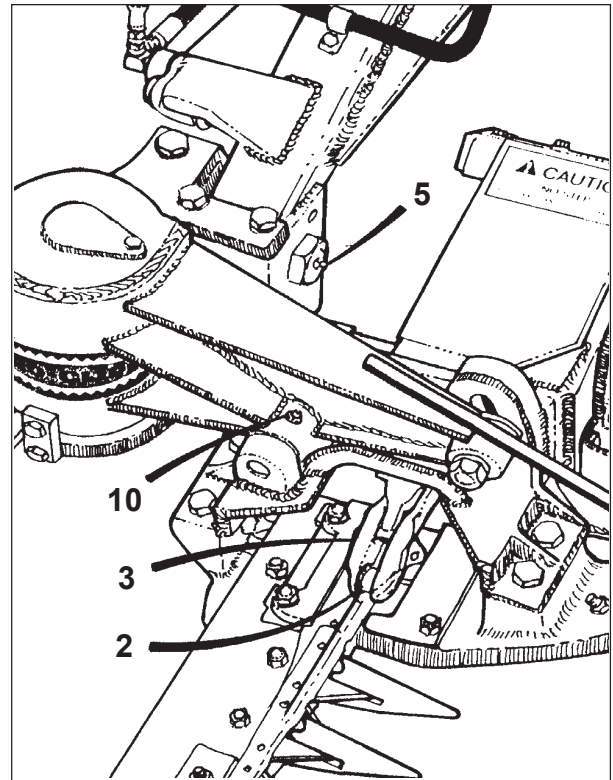


FIGURE 6

Lubricate Daily

5. Knuckle bolt Figure 6
6. Knuckle pin (3500 model) Figure 5
7. Carriage pin Figure 5
8. Spring release pin (2500 & 8500 models) Figure 8
9. Latch roller (3500 model) Figure 5
10. Rocker Pin every 50 Hr. (2500-3500 Models) See Figure 6

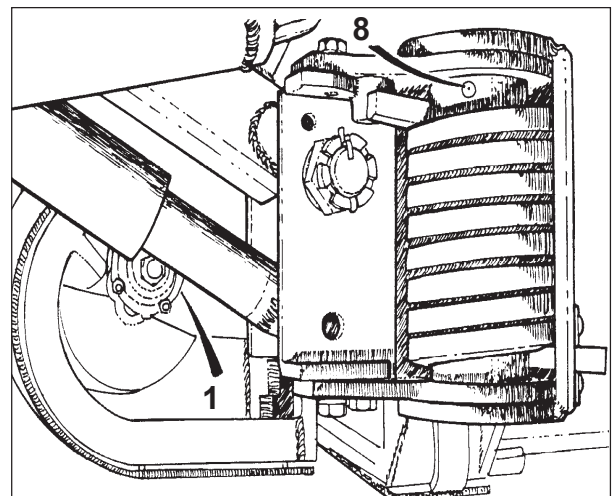


FIGURE 8

SERVICE INSTRUCTIONS

NOTE! Dirty oil can destroy the hydraulic system. Dirt scores valve spools, and cylinder plungers and gouges metal from pump and motor thrust plates, gears, and housings. If mower performance is lagging or system is running hotter, very likely the cause is dirty oil.

CLEANING HYDRAULIC RESERVOIR:

1. **After first 20 hours of operation**, drain and clean reservoir in the following manner.
 - A. Drain oil and remove any metal filings which may have accumulated on the magnetic drain plug in the reservoir.
 - B. Remove top plate from reservoir containing filler neck and breather.
 - C. Reach through hand hole and unscrew filter element.
 - D. Wash filter in clean kerosene or diesel fuel and blow dry.
 - E. Carefully wipe out inside of tank with clean lint-free material.
 - F. Replace filter element and magnetic drain plug and tighten.
 - G. Replace hand hole cover but not the breather.
 - H. Refill with Universal Tractor Hydraulic Oil to midpoint of sight gauge. **NOTE! DO NOT START THE TRACTOR ENGINE WITH AN EMPTY RESERVOIR.**
 - I. Replace breather.
 - J. Make sure the system is free from any leaks. It can be very dangerous looking for leaks by hand without some type of protection like very heavy gloves and a piece of cardboard wrapped around the hose. Move the cardboard up and down the hose and fittings to find leaks - Not your hand.

WARNING! **REMOVE HYDRAULIC PRESSURE** prior to doing any maintenance. Place the cutterheads on the ground, OR **SECURELY BLOCKED UP**, disengage the PTO, and turn off the engine. Push and pull the control lever in and out several times.

2. **Repeat cleaning after every 250 hours of operation** or each mowing season, whichever occurs first.
3. **For mowers operating from the tractor's internal hydraulic system** or tractor-loader hydraulic system, refer to the tractor manufacturer's manual for cleaning procedure and oil specifications.

WARNING! **DO NOT ATTEMPT ANY SERVICING OR ADJUSTMENTS WHILE THE MOWER IS RUNNING. DISENGAGE THE PTO AND SHUT OFF THE TRACTOR ENGINE.**

CUTTERBAR ADJUSTMENTS:

Cutting Height:

Triumph mowers are designed to cut above and below ground level with the cutterbar in the float position. If a cut is required when the inner and outer shoe soles are not in contact with the ground the cutterbar can be raised with the curb lift to the desired height. However, if continued high cuts are required, it is suggested that the inner and outer shoe soles be extended by welding on spacers and spring steel skids to the height desired.

Pitch: The entire cutterbar pitch angle can be quickly adjusted by loosening the single adjustment bolt and nut and tilting the bar up or down as desired. See Fig. #10 & #11. Retighten after adjustment.

Lead: The lead angle of the cutterbar on 2500 and 8500 models is preset at the factory at 3/16" per foot and is automatically maintained by the release spring. The lead may be changed, if desired. To reduce the lead, build up boss "B" with weld See Figure 12. To increase the lead, grind down the height of the boss. The lead of the 3500 utility cutterbar can be adjusted by adding or removing shims from the cutterbar support See Figure 12. Extra shims will be required.

SERVICE INSTRUCTIONS

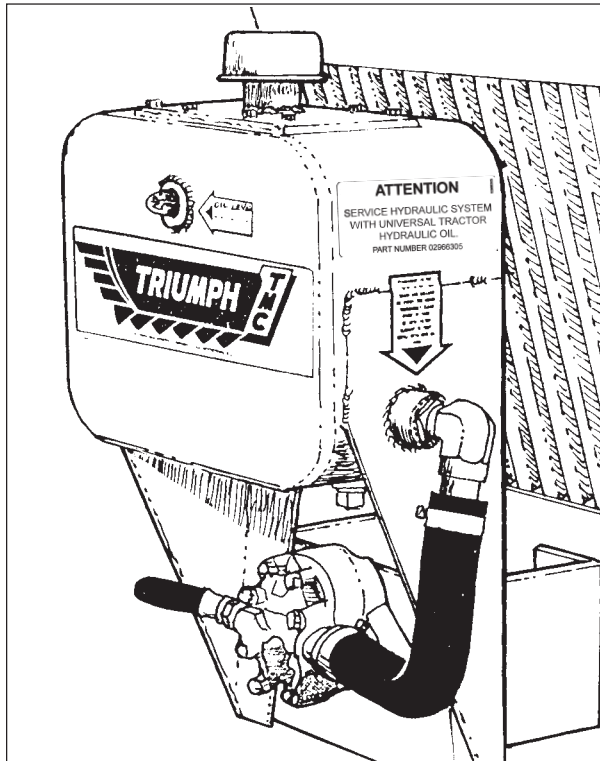


FIGURE 9

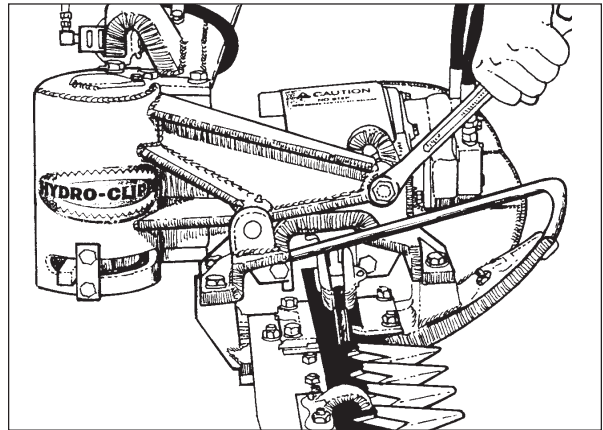


FIGURE 10 (2500-3500)

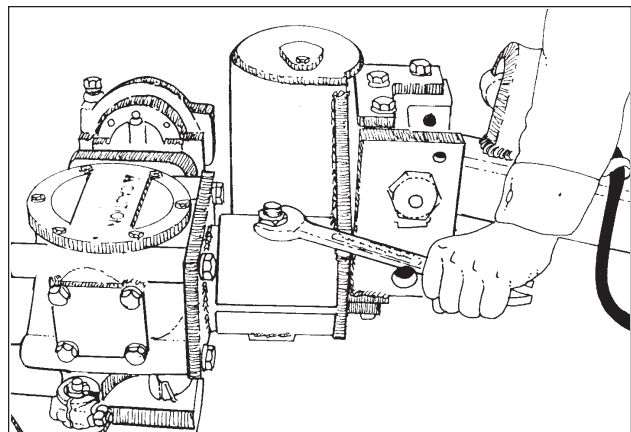


FIGURE 11 (8500)

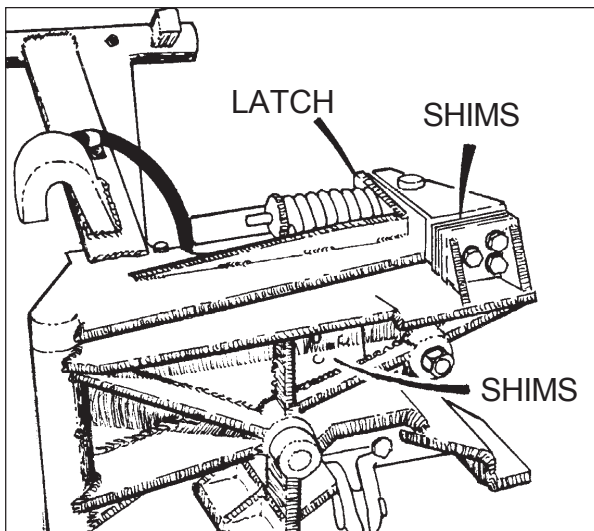


FIGURE 12

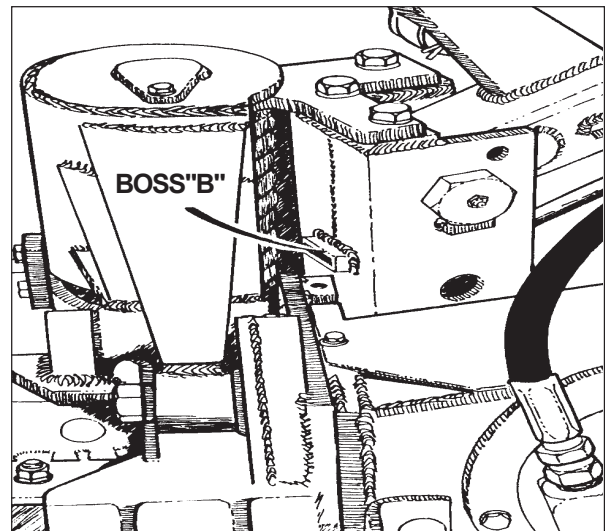


FIGURE 13

SERVICE INSTRUCTIONS

NOTE:

All cutting is done by the knife section passing over the ledger plate in the guard. It is vital that these sections are parallel with the ledger plates and in contact with them. See Fig. #14 & #15. The knife should move smoothly in the cutterbar guides and every knife section should rest on the ledger plate to make a shear cut. This means the guards, ledger plates, wear plates, clips and knife head caps must be in good condition and correctly set. **If these parts become loose or worn, the knife will flop around in the cutterbar, chewing and tearing instead of cutting.**

GUARD ADJUSTMENT:

1. To align the guards, the only method provided to accomplish this very important adjustment is to bend the guards into alignment with a hammer. No easier method has been found to adjust heavy duty guards which will stand up in rocky conditions.

NOTE: guards are cast from alloy steel. If they are worked too much, they will work harden and cannot be bent. In this case the guard must be removed from the bar also remove the ledger plate. Heat the guard to a cherry red and air cool. It will be annealed enough that it can be bent.

2. Raise the bar to about 45 degrees. Make sure the pitman is at the bottom of the stroke so the flywheel doesn't suddenly turn and catch your fingers in the knife. Shut off engine and set parking brake. FOR JOHN DEERE CLOSED CENTER SYSTEM, BLEED OFF ACCUMULATOR PRESSURE BEFORE WORKING ON MOWER! REFER TO DECAL ON TRACTOR AND TRACTOR OPERATING INSTRUCTIONS.

3. Sight down the bar and look for a knife section in close contact with a guard ledger. If the section to the right and left are both 1/8" off the ledger, DO NOT bend the two side ones up until they contact the knife. This is WRONG! The high guard should be knocked down until all three contact. The higher up a guard gets bent, the more the knife section will tend to contact only the tip.

4. Bolt the guards tight and strike them at the thick part, just in front of the ledger plates. Do not pound down the guard lips as the knife might bind. Retighten the bolts as each guard is aligned. Disregard the position of the guard points. It is the ledger plates which must be kept in line. Blunt points should be filed sharp.

5. Starting from the inner shoe, adjust each guard so that the knife section and ledger are parallel and reasonably close to each other. Find the high guard and knock them down. Usually, the only time it is necessary to knock a guard up is when new guards are first installed on the bar.

6. Make certain that the first knife section is contacting the inner shoe ledger plate. If it doesn't contact, check the first or second guard which may be holding the knife up or the inner shoe ledger plate may be worn out. The first section must contact the inner shoe ledger plate or grass will be dragged under the head and bind the knife until it stalls. (Not applicable to 8500 model).

7. Finally, align the industrial outer shoe in the same way as guards.

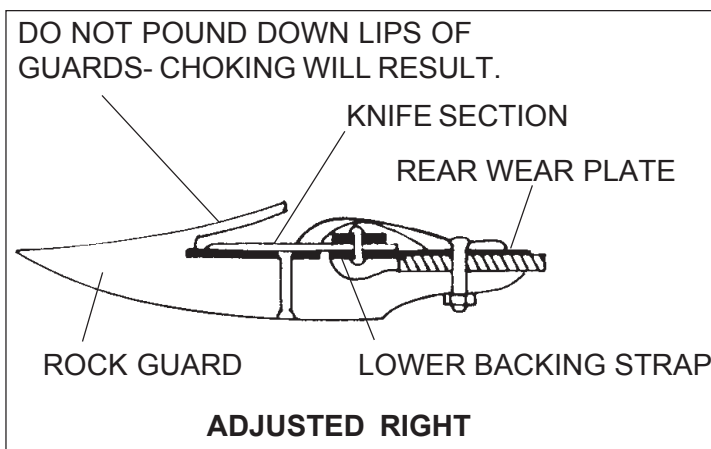


FIGURE 14

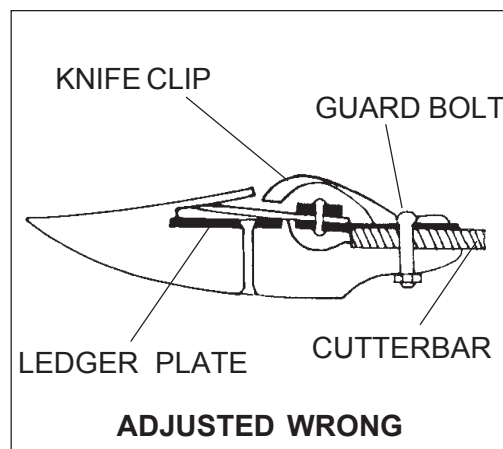


FIGURE 15

SERVICE INSTRUCTIONS

WEAR PLATES:

The wear plates must line up with each other to give the knife back a straight bearing along its entire length. Wear plates should project approximately 1/16" in front of the leading edge of the cutterbar after adjustment. Triumph wear plates are hardened on both edges. After the first edge has worn back, simply turn over the plate to obtain a new wearing surface. See Fig. #14 & #15, page #18.

CLIPS:

After all guards are adjusted, it is necessary to see that the knife clips are bent down to within 1/64" of the section. The easiest way to check this is to hold the knife down on the ledger plate and use a feeler gauge or the cover of a matchbook to measure the clearance. Do not attempt to hold the knife tightly against the ledger plate with the clips. Knock the clips down with a hammer. A light blow is all that is required. If the clips drag on the knife, pry them up. Drag will bind the knife and wear out the clip very rapidly. See Fig. #16 & #17.

KNIFE HEAD CAPS: (2500-3500 Models)

The proper clearance between the front and rear knife head caps and new knife head is set at the factory. As the caps and knife head wear, shims should be removed to maintain this clearance. Save these shims to be used with new knife or knife head. The clearance should be just enough to permit the knife to work without binding. Too much clearance will cause plugging and pitman vibration. Refer to the CUTTERBAR ASSEMBLY illustration in the parts list pages, covering these parts.

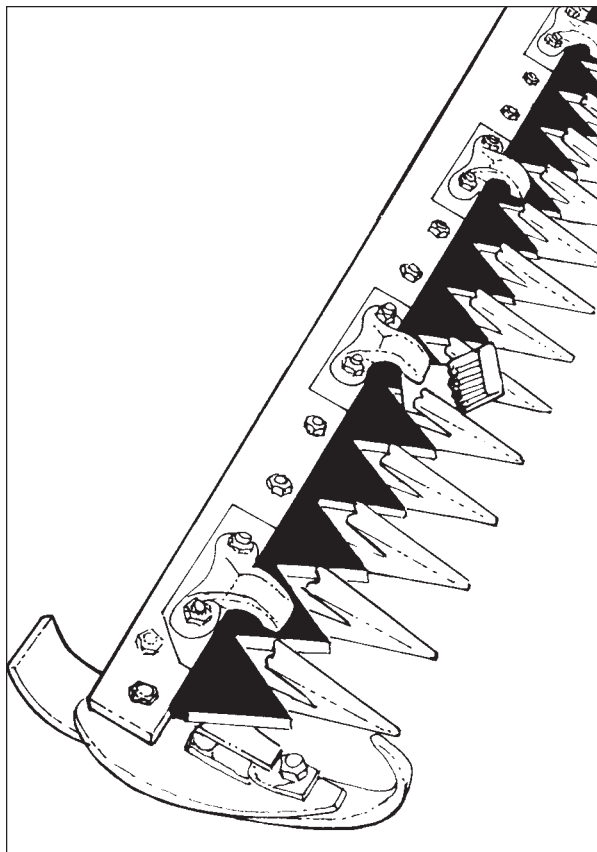


FIGURE 16

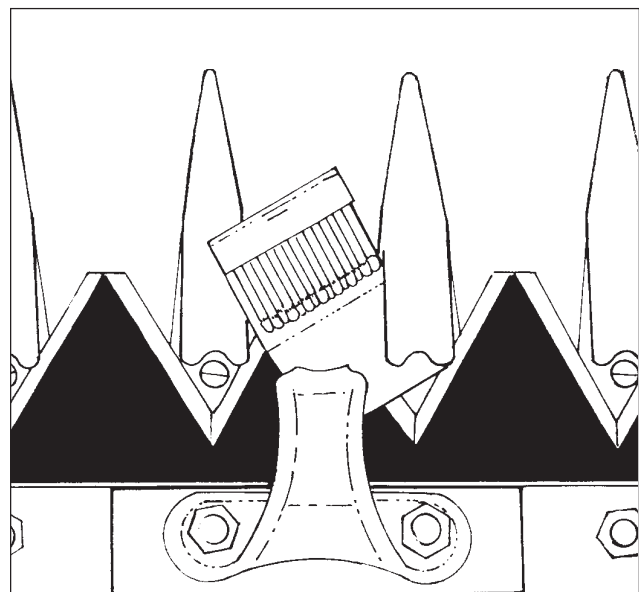


FIGURE 17

SERVICE INSTRUCTIONS

REMOVING THE KNIFE:

CAUTION! HANDLE WITH CARE. WEAR GLOVES. GRASP THE KNIFE HEAD AND KNIFE BACK.

2500-3500 Models:

Insert a pointed tool into the hole in the pitman fork and rotate it upward and forward. It will snap over center---pry pitman arm upward off knife head ball. Slide knife out rear of mower. After installing new knife, snap pitman arm over knife head ball, and using pointed tool, rotate pitman fork upward and rearward. It will snap over center and lock the pitman arm to the knife head ball. See Figure #18, as well as Figures on other Pages.

8500 Pitmanless Model:

Loosen knife drive pin clamping screw in the drive arm. Fit a screw driver into the small groove in the drive pin and pry up until the pin is free. Slide the knife out of the cutterbar. After installing new knife, push the drive pin down into the knifehead bushing. Tighten the clamping screw to **75 ft. lbs. torque**. See Fig. #19 as well as other Figures on other pages

KNIFE REPAIR:

ALWAYS USE A SHARP KNIFE. A dull knife cuts poorly, may plug, and doesn't do a clean job. Keep the knife straight with the sections firmly riveted to the knife back. When sharpening the knife, be careful to restore the **original shear angle and bevel of 23 degrees**. Properly and improperly ground knife sections are shown in the Figure #20 next page. A knife section that has been ground several times may have the proper angle and bevel and still be unserviceable because the hard cutting edge has been ground away and the section is too short to cut everything encountered. Replace worn or broken knife sections. **Triumph knife sections are heavy duty** sections made of **special steel** and will stay sharp for many more hours than conventional sections. Shear off the rivets rather than punch them out, as a punch will enlarge the holes in the knife back. Over a slightly open vise with the sections pointing down, strike the flat rear edge of the section a sharp blow with a hammer to shear the rivets. **WEAR SAFETY GLASSES** anytime you are striking these hardened steel parts. Chips off a knife section may cause injury or even loss of sight.

KNIFE HEAD:

2500-3500 Models:

When the knife head ball has worn to the point where it is no longer held snugly by the pitman, the knifehead must be replaced. Follow the same rivet shearing instructions given above.

8500 Pitmanless Model:

If side play is evident between the knife drive pin and the knife head, it will be necessary to replace the bushing in the knife head. Use a one-inch diameter pipe or shaft and drive the plug out the bottom of the knife head. Be careful when removing plug not to deform it. Next press out the worn bushing; Replace plug and press in new bushing. Examine the knife drive pin at this time and replace it if it is loose in the new Bushing.

Always use sharp ledger plates. The ledger plates provide one half of the shearing action. Worn and dull ledgers should be replaced. To cut cleanly and efficiently, sharp ledgers are as important as a sharp knife.

SERVICE INSTRUCTIONS

KNIFE REPLACEMENT:

Triumph rock guards use bolt-on ledger plates. It is not necessary to remove the guards from the cutterbar. Follow this simple procedure to remove the ledgers. (Remove the knife from the mower first.)

1. Raise the cutterbar off the ground and block up.
2. Using a punch, drive the bolt from the head end thru the guard. The head will shear off. It is not necessary to remove the nut.
3. Scrape all dirt from the mating face of the guard.
4. Snap in the new ledger and tighten the new bolt and nut. Make sure the ledger is down TIGHT in contact on its bottom face.
5. Stake over or flatten the bolt on the nut side to make sure it does not become loose.
6. Check and tighten the guard-cutterbar attaching bolt.

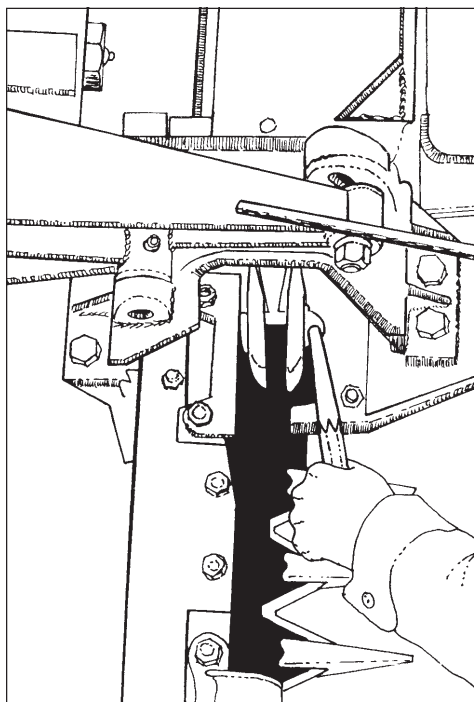


FIGURE 18

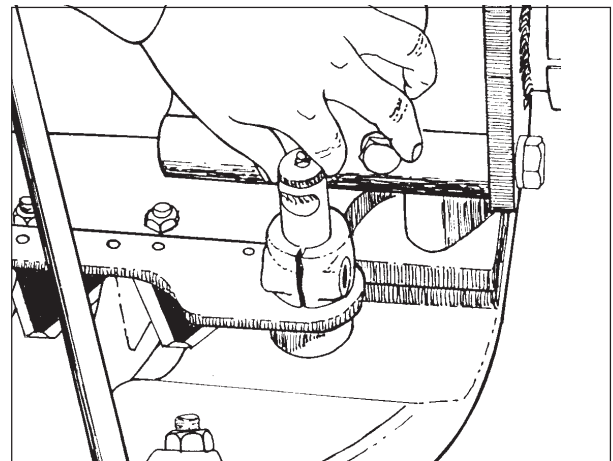


FIGURE 19

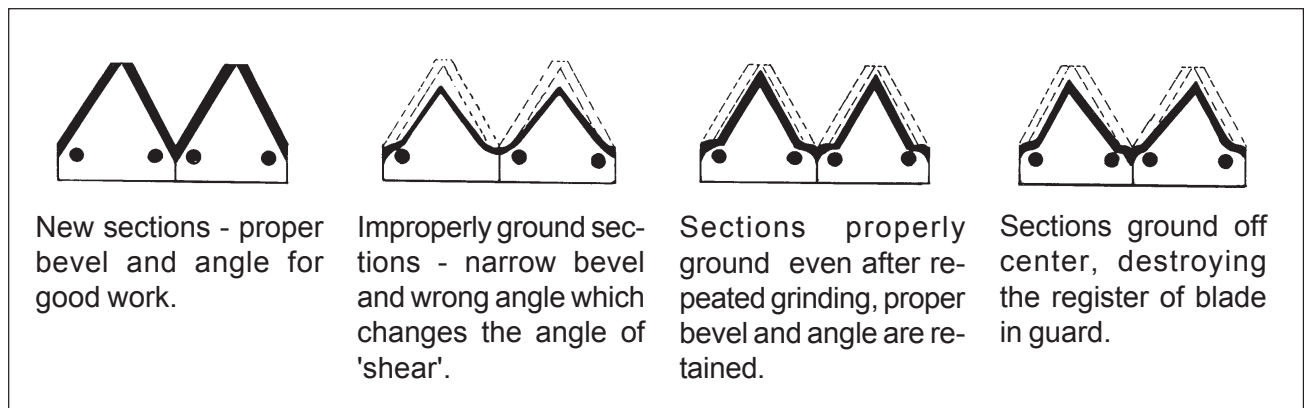


FIGURE 20

SERVICE INSTRUCTIONS

SHOE LEDGER PLATES:

Inner and outer shoe ledger plates are attached with rivets. These ledgers can also be replaced without removing the shoe.

1. Shear off the old rivets by a sharp blow with a hammer at the edge of the plate.
2. Scrape dirt off the shoe mating face.
3. Install new ledger plate and rivets. Make sure they are TIGHT.

ATTENTION: Loose ledger plates can cause poor cutting and destroy otherwise usable knives, guards, and shoes. **KEEP LEDGERS TIGHT.**

PITMAN:

(2500-3500 Models)

Pitman parts should be replaced when they are worn. See the pitman assembly illustration in the parts book. Frequent lubrication and keeping bolts tight will prevent premature failure. **ATTENTION:** The connector plate is a safety fuse, which is designed to fail before more serious damage can occur to the motor shaft and other expensive parts when the knife jams. If the mower continues to break pitman connectors, look for other causes. **DO NOT REPLACE WITH A HEAVIER CONNECTOR! USE ONLY TRIUMPH CONNECTOR PLATES** and pitman parts.

FLYWHEEL:

(2500-3500 Models)

The flywheel is secured to the motor shaft with TWO set screws, one over the top of the other. The inner set screw locks the flywheel on the shaft. The outer set screw locks the inner set screw. It is important to check these set screws occasionally. Looseness at this connection can cause vibration, broken motor shafts and broken pitman parts.

KNUCKLE BOLT:

The knuckle bolt is adjustable to take up knuckle wear (Figure #23 & 24 on next page).

Adjust as follows:

1. Remove the cotterpin from the knuckle bolt.
2. Raise the cutterbar to the transport position.
3. Tighten the knuckle bolt nut to remove any end play between the carriage and knuckle.
4. Back off on the nut just enough to allow the cutterbar to return to the ground by gravity alone.
5. Re-install the cotterpin.

Improper adjustment of this connection can cause excessive vibration and wear if too loose and will prevent easy lifting and lowering of the cutterbar if too tight.

RETURN SPRING OR KNUCKLE REPLACEMENT:

(2500-8500 Models)

Return spring tension is not adjustable. To replace return spring or knuckle, use Triumph release tool #0161700 & come-along fastened to the rear wheel of the tractor. (Figure 21 & 22). Proceed as follows:

1. Install the release tool into the release pin.
2. Attach the come-along to the release tool and the tractor rear wheel.
3. Pull back w/ the come-along until the spring tang lifts off the stop block. (Figure 22, Next Page)
4. Remove the stop block and release spring tension with come-along.
5. Remove the 3 capscrews at the top and bottom of the support knuckle.
6. Remove the release pin.
7. Remove the spring support assembly from the cutterbar support.
8. Remove the knuckle bolt & knuckle (only if needs to be replaced). (See Fig. 23 & 24, next page)
9. Reverse the procedure to install new parts.
10. Retension the spring and install the stop block.

Use extreme care when winding or unwinding the return spring. Sudden release of tension can result in injury to you.

SERVICE INSTRUCTIONS

Springs are furnished, assembled into the spring support, as assemblies only. Springs only are not available as separate parts. The #1617 release tool may be ordered from the factory on an exchange return basis or purchased outright.

LATCH SPRING BREAK-A-WAY: (3500 Model) Figure 23

The break-a-way force is adjustable on this model. To obtain the desired point of breakaway, simply tighten or loosen the long capscrew, projecting thru the spring. DO NOT OVER-TIGHTEN or bottom the spring. Excessive force will result in damage to the cutterbar support and knuckle and will bend the carriage.

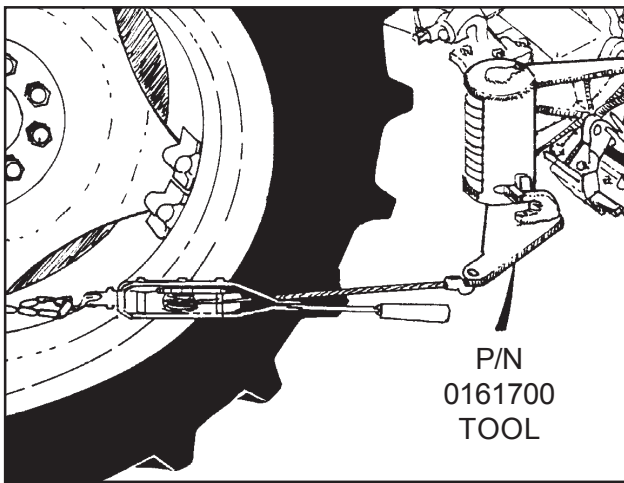


FIGURE 21

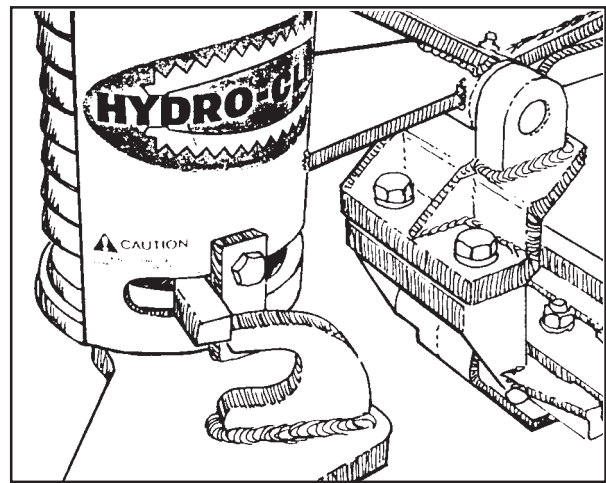


FIGURE 22

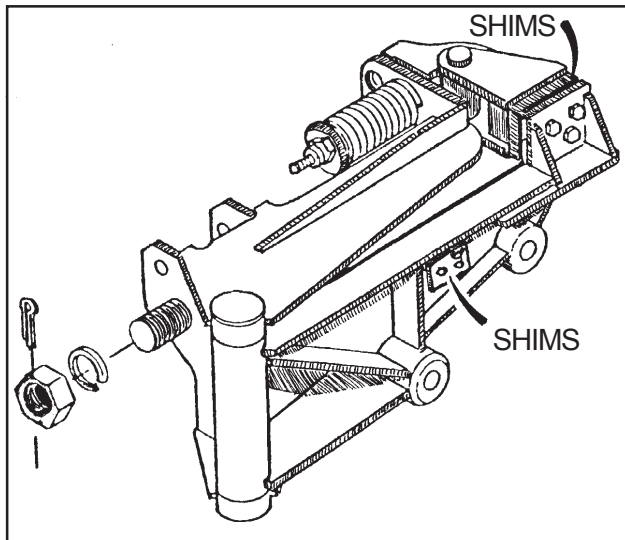


FIGURE 23

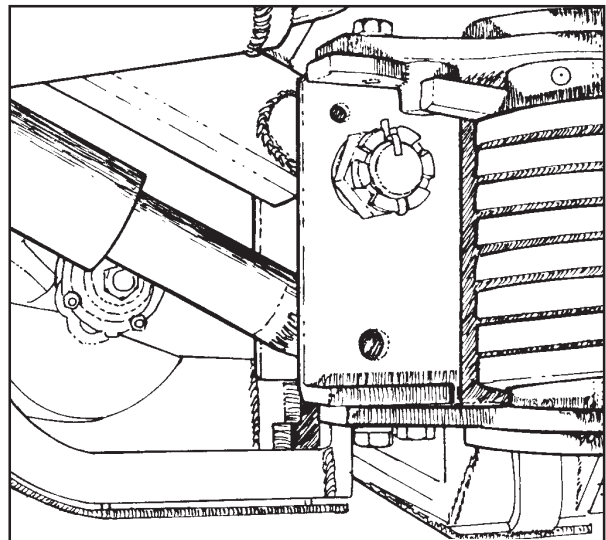


FIGURE 24

MODEL 8500 PITMANLESS MOWER DRIVE:

DRIVE UNIT:

If the drive arm is striking the drive unit housing, there are three possible causes to be checked out.

1. The drive arm clamping screw may be loose. It is very important that this connection be TIGHT and torqued to 150 ft. lbs. Continued operation with a loose drive arm will pound out the keyway in the drive unit crankshaft and cause the drive arm to break or cause expensive failure of the drive unit's internal parts.
2. The flywheel or motor shaft splines may be worn causing overtravel of the drive arm. If this is the problem, the splined flywheel sleeve and/or motor shaft should be replaced. Check this connection at least twice a year. Lubricate splines with lubriplate Mo-Lith #2 or Equivalent.
3. The internal bearings in the drive unit may be worn out after long service. In this case, the drive unit should be replaced or repaired. Internal parts are available for field repairs. Refer to the parts book page marked 4490 Basic Drive Unit, page #35.4, for the service parts needed to make these repairs.

FLYWHEEL:

The only service required is replacement of the splined sleeve in the flywheel. Proceed as follows:

1. Remove the four socket head capscrews attaching the motor to the drive unit. It is not necessary to remove the motor hoses.
2. Pull the motor away from the drive unit.
3. Remove the four socket head capscrews from the flywheel and pull the flywheel out of the drive unit.
4. Remove the snap ring from the end of the splined sleeve.
5. Unscrew the sleeve from the flywheel. This is a right hand thread.
6. Install the new sleeve. Coat the splines with a thin film of LUBRIPLATE MO-LITH #2 or equivalent.
7. Reverse the procedure for reassembly. Apply a drop or two of Loctite (Non-Permanent) to the cap screw threads. Torque the flywheel screws to 30 ft. lbs. Torque the motor screws to 150 ft. lbs.

HYDRAULIC SYSTEM: All Models

PUMP: The pump is the heart of the hyd. circuit & is vital to the performance of all Triumph mowers. Worn pumps should be replaced or repaired. It is recommended that most customers replace the #0169900 pump. However, spare parts and seal repair kits are available for field repair if desired. **ALWAYS DRAIN, CLEAN AND REFILL THE TANK WITH CLEAN OIL** when pump repairs are made. Note Changes in Pump Types, See Pump Information in this Book for Pump Replacement & Pump Identification.

NOTICE: To avoid possible damage to a new or rebuilt pump, run the tractor engine at very low RPM for about 5 minutes with all control levers in neutral position. If the mower operated from the tractor's internal pump or loader pump, refer to the tractor manufacturer's service manual.

MOTOR: Like the pump, the motor also plays a critical part in mower performance. Motors should also be replaced or rebuilt when they become worn.

VALVE(s):

The major cause of valve malfunction is dirty oil or foreign material causing the valve spools to be scored or seals to fail. If repairs are required remove the valve from the system and thoroughly clean all parts before reassembly. Replacement parts and service kits are available. The valve body and spools are match fitted and are not interchangeable or adjustable. Check the valve lever linkage for free movement to allow the detents to locate without binding.

PRESSURE RELIEF VALVE:

The pressure relief valve for the entire hydraulic system is built into the control valve. The relief pressure is factory set at 1700 PSI. (Does not apply to mower operating from John Deere internal pumps). To adjust the relief pressure, loosen the jam nut and adjust the screw clockwise to increase pressure, counterclockwise to decrease pressure. The relief pressure can be checked in several ways:

1. Install a tee and a 0-3000# PSI gauge in the inlet high pressure side of the governor.
2. Raise the mower to the full upright and transport position holding the bar lift control in the raised position. Read the gauge.

OR

3. Block the knife with a heavy piece of wood between two guards. Then turn on the motor with the motor control lever. Read the gauge.

Either of these methods forces all the oil to go over the relief valve and at 1200 RPM or higher engine speed the gauge should read 1700 PSI (or 2250 PSI for John Deere system).

ATTENTION! Never operate the mower with incorrect relief valve settings. A low setting will cause poor performance and high oil temperatures. A high setting can result in damage to pitman, knives, hoses, etc.

SERVICE INSTRUCTIONS

STANDARD HEX HEAD CAP SCREW S.A.E. GRADE #5

BOLT SIZE	LOAD*	TORQUE
1/4-20	2,000 lbs.	8 ft. lbs.
1/4-28	2,300 lbs.	10 ft. lbs.
5/16-18	3,350 lbs.	17 ft. lbs.
5/16-24	3,700 lbs.	19 ft. lbs.
3/8-16	4,950 lbs.	30 ft. lbs.
3/8-24	5,600 lbs.	35 ft. lbs.
7/16-14	6,800 lbs.	50 ft. lbs.
7/16-20	7,550 lbs.	55 ft. lbs.
1/2-13	9,050 lbs.	75 ft. lbs.
1/2-20	10,200 lbs.	85 ft. lbs.
9/16-12	11,600 lbs.	110 ft. lbs.
9/16-18	13,000 lbs.	120 ft. lbs.
5/8-11	14,500 lbs.	150 ft. lbs.
5/8-18	16,300 lbs.	170 ft. lbs.
3/4-10	21,300 lbs.	270 ft. lbs.
3/4-16	23,800 lbs.	300 ft. lbs.
7/8-9	29,500 lbs.	430 ft. lbs.
7/8-14	32,400 lbs.	475 ft. lbs.
1"-8	38,700 lbs.	645 ft. lbs.
1"-12	42,300 lbs.	705 ft. lbs.
1"-14	43,300 lbs.	720 ft. lbs.

*Clamp Load lbs. equal to 75% of Bolt Proof Load

METRIC CAP SCREW GRADE 8.8 = U.S. GRADE #5 (APPROX.)

BOLT SIZE	LOAD*	TORQUE
6 mm R.P.	2,000 lbs.	8 ft. lbs.
6 mm F.P.	2,300 lbs.	10 ft. lbs.
8 mm R.P.	3,350 lbs.	17 ft. lbs.
8 mm F.P.	3,700 lbs.	19 ft. lbs.
10 mm R.P.	4,950 lbs.	30 ft. lbs.
10 mm F.P.	5,600 lbs.	35 ft. lbs.
12 mm R.P.	6,800 lbs.	50 ft. lbs.
12 mm F.P.	7,550 lbs.	55 ft. lbs.
14 mm R.P.	9,050 lbs.	75 ft. lbs.
14 mm F.P.	10,200 lbs.	85 ft. lbs.
16 mm R.P.	11,600 lbs.	110 ft. lbs.
16 mm F.P.	13,000 lbs.	120 ft. lbs.
18 mm R.P.	14,500 lbs.	150 ft. lbs.
18 mm F.P.	16,300 lbs.	170 ft. lbs.
20 mm R.P.	21,300 lbs.	270 ft. lbs.
20 mm F.P.	23,800 lbs.	300 ft. lbs.

R.P. Regular Pitch
F.P. Fine Pitch

*Clamp Load lbs. equal to 75% of Bolt Proof Load

be careful.....
avoid accidents



NOTES

Serial Number Listings

1. Serial Numbers use a Prefix Prior to Approx 1990 S/N did not use Prefix. Prefix added approx. 1990 to determine Model (Example SB25- is 2500 Model etc.) After Mid 1991 the S/N was changed to reflect the Unit production Year, Example SB25-9216072, the first two digits after dash is the Year unit was manufactured, in this case it was 1992 (-92_____).
2. Serial Numbers in this listing is approx. from 1990 to end of production in Feb 2001, Prior S/N's are not available for listing in this Book. If Questions about earlier Serial Numbers contact Alamo Customer Service Dept.
3. Brackets and Components used in Mount Kits, Hydraulic Kits will be listed in the original Installation Sheet that was shipped with Unit and are not available for listing in this Book. For These components it will be required to contact Alamo Customer Service Dept. When contacting Alamo Customer Service have all Tractor and Cutter Model Information available, This information will be needed to get the correct Sheet/Sheets pertaining to Assembly of Model to Tractor Type.

Serial Number Ship Dates

Model S/N	Date	Model S/N	Date	Model S/N	Date	Model S/N	Date
SB25- 01001	08/00	SB25- 01043	09/00	SB25- 01089	02/01	SB25- 9115624	02/92
SB25- 01002	06/00	SB25- 01044	09/00	SB25- 01090	02/01	SB25- 9115625	08/91
SB25- 01003	06/00	SB25- 01045	09/00	SB25- 01091	02/01	SB25- 9115628	08/91
SB25- 01004	07/00	SB25- 01046	09/00	SB25- 01112	08/01	SB25- 9115629	09/91
SB25- 01005	07/00	SB25- 01047	09/00	SB25- 01121	08/01	SB25- 9115630	08/91
SB25- 010005	07/00	SB25- 01048	10/00	SB25- 01122	08/01	SB25- 9115631	04/94
SB25- 01006	07/00	SB25- 01049	10/00	SB25- 1	03/97	SB25- 9115632	02/92
SB25- 010006	07/00	SB25- 01050	10/00	SB25- 17860	09/99	SB25- 9115633	02/92
SB25- 01007	07/00	SB25- 01051	10/00	SB25- 304640	10/91	SB25- 9115634	02/92
SB25- 01008	07/00	SB25- 01052	10/00	SB25- 580501	11/97	SB25- 9115637	01/92
SB25- 01009	07/00	SB25- 01053	10/00	SB25- 580939	11/97	SB25- 9115638	01/92
SB25- 01011	07/00	SB25- 01054	11/00	SB25- 59115567	08/91	SB25- 9115639	01/92
SB25- 01012	07/00	SB25- 01055	11/00	SB25- 59115568	08/91	SB25- 9115640	02/92
SB25- 01013	07/00	SB25- 01056	11/00	SB25- 59115574	08/91	SB25- 9115641	02/92
SB25- 01014	07/00	SB25- 01057	11/00	SB25- 59115575	08/91	SB25- 9115642	01/92
SB25- 01015	07/00	SB25- 01058	11/00	SB25- 59115576	08/91	SB25- 9115644	09/91
SB25- 01016	07/00	SB25- 01059	11/00	SB25- 59115577	08/91	SB25- 9115645	10/91
SB25- 01017	07/00	SB25- 01060	11/00	SB25- 59115578	08/91	SB25- 9115646	09/91
SB25- 01018	07/00	SB25- 01061	11/00	SB25- 59115579	08/91	SB25- 9115647	09/91
SB25- 01019	07/00	SB25- 01062	12/00	SB25- 59115580	08/91	SB25- 9115648	09/91
SB25- 01020	08/00	SB25- 01063	11/00	SB25- 59115581	08/91	SB25- 9115649	09/91
SB25- 01021	08/00	SB25- 01064	12/00	SB25- 59115615	08/91	SB25- 9115650	09/91
SB25- 01022	08/00	SB25- 01065	11/00	SB25- 59115643	10/91	SB25- 9115651	10/91
SB25- 01023	08/00	SB25- 01066	11/00	SB85- 59175583	08/91	SB25- 9115652	09/91
SB25- 01024	08/00	SB25- 01067	11/00	SB85- 59175585	08/91	SB25- 9115653	10/91
SB25- 01025	08/00	SB25- 01068	12/00	SB25- 59175797	11/91	SB25- 9115654	09/91
SB25- 01026	08/00	SB25- 01069	12/00	SB85- 6476639	01/96	SB25- 9115656	09/91
SB25- 01027	08/00	SB25- 01070	12/00	SB25- 791381	06/97	SB25- 9115657	09/91
SB25- 01028	08/00	SB25- 01071	12/00	SB25- 9115260	08/91	SB25- 9115658	09/91
SB25- 01029	08/00	SB25- 01072	12/00	SB25- 9115546	02/92	SB25- 9115659	09/91
SB25- 01030	08/00	SB25- 01073	12/00	SB25- 9115547	02/92	SB25- 9115680	09/91
SB25- 01031	08/00	SB25- 01074	12/00	SB25- 9115549	08/91	SB25- 9115681	10/91
SB25- 01032	08/00	SB25- 01075	02/01	SB25- 911561	08/91	SB25- 9115682	10/91
SB25- 01033	08/00	SB25- 01076	12/00	SB25- 9115611	09/91	SB25- 9115683	10/91
SB25- 01034	08/00	SB25- 01077	01/01	SB25- 9115612	09/91	SB25- 9115764	09/91
SB25- 01035	09/00	SB25- 01078	01/01	SB25- 9115613	09/91	SB25- 9115765	09/91
SB25- 01036	09/00	SB25- 01079	01/00	SB25- 9115615	09/91	SB25- 9115766	09/91
SB25- 01037	09/00	SB25- 01080	01/01	SB25- 9115616	07/91	SB25- 9115767	09/91
SB25- 01038	09/00	SB25- 01081	01/01	SB25- 9115617	07/91	SB25- 9115768	10/91
SB25- 01039	09/00	SB25- 01082	01/01	SB25- 9115618	08/91	SB25- 9115769	09/91
SB25- 01040	09/00	SB25- 01083	01/01	SB25- 9115619	08/91	SB25- 9115773	10/91
SB25- 01041	09/00	SB25- 01084	01/01	SB25- 9115621	07/91	SB25- 9115774	10/91
SB25- 01042	09/00	SB25- 01088	01/01	SB25- 9115622	07/91	SB25- 9115775	10/91

Serial Number Ship Dates

Model S/N	Date	Model S/N	Date	Model S/N	Date	Model S/N	Date
SB25- 9115776	10/91	SB25- 9175794	11/91	SB25- 9215843	02/92	SB25- 9215888	03/92
SB25- 9115781	11/91	SB25- 9175795	11/91	SB25- 9215844	02/92	SB25- 9215889	03/92
SB25- 9115682	10/91	SB85- 9175797	11/91	SB25- 9215845	02/92	SB25- 9215890	03/92
SB25- 9115683	10/91	SB25- 9177703	01/92	SB25- 9215846	03/92	SB25- 9215891	03/92
SB25- 9115764	09/91	SB25- 9177770	10/91	SB25- 9215847	03/92	SB25- 9215892	03/92
SB25- 9115765	09/91	SB25- 9177771	10/91	SB25- 9215848	03/92	SB25- 9215893	03/92
SB25- 9115766	09/91	SB25- 9177772	10/91	SB25- 9215849	03/92	SB25- 9215894	03/92
SB25- 9115767	09/91	SB25- 921000	06/92	SB25- 9215850	03/92	SB25- 9215895	03/92
SB25- 9115768	10/91	SB25- 9215808	01/92	SB25- 9215851	03/92	SB25- 9215896	03/92
SB25- 9115769	09/91	SB25- 9215809	02/92	SB25- 9215852	03/92	SB25- 9215897	03/92
SB25- 9115773	10/91	SB25- 9215810	02/92	SB25- 9215853	03/92	SB25- 9215898	03/92
SB25- 9115774	10/91	SB25- 9215811	02/92	SB25- 9215856	03/92	SB25- 9215899	03/92
SB25- 9115775	10/91	SB25- 9215812	02/92	SB25- 9215857	03/92	SB25- 9215900	03/92
SB25- 9115776	10/91	SB25- 9215813	02/92	SB25- 9215858	03/92	SB25- 9215901	03/92
SB25- 9115781	11/91	SB25- 9215814	02/92	SB25- 9215859	03/92	SB25- 9215902	03/92
SB25- 9115784	11/91	SB25- 9215815	02/92	SB25- 9215860	03/92	SB25- 9215903	03/92
SB25- 9115785	11/91	SB25- 9215816	02/92	SB25- 9215861	03/92	SB25- 9215904	03/92
SB25- 9115786	11/91	SB25- 9215817	02/92	SB25- 9215862	03/92	SB25- 9215905	03/92
SB25- 9115787	11/91	SB25- 9215818	02/92	SB25- 9215863	03/92	SB25- 9215906	03/92
SB25- 9115788	11/91	SB25- 9215819	02/92	SB25- 9215864	03/92	SB25- 9215907	03/92
SB25- 9115792	12/91	SB25- 9215820	02/92	SB25- 9215865	03/92	SB25- 9215908	03/92
SB25- 9115796	11/91	SB25- 9215821	02/92	SB25- 9215866	03/92	SB25- 9215909	03/92
SB25- 9115798	02/92	SB25- 9215822	02/92	SB25- 9215867	03/92	SB25- 9215910	03/92
SB25- 9115799	02/92	SB25- 9215823	02/92	SB25- 9215868	03/92	SB25- 9215911	03/92
SB25- 9115800	02/92	SB25- 9215824	02/92	SB25- 9215869	03/92	SB25- 9215912	03/92
SB25- 9115801	12/91	SB25- 9215825	02/92	SB25- 9215870	03/92	SB25- 9215913	03/92
SB25- 9115802	12/91	SB25- 9215826	02/92	SB25- 9215871	03/92	SB25- 9215924	03/92
SB25- 9115803	12/91	SB25- 9215827	02/92	SB25- 9215872	03/92	SB25- 9215925	03/92
SB25- 9115804	12/91	SB25- 9215828	02/92	SB25- 9215873	03/92	SB25- 9215926	04/92
SB25- 9115805	12/91	SB25- 9215829	02/92	SB25- 9215874	03/92	SB25- 9215927	04/92
SB25- 9117709	10/91	SB25- 9215830	02/92	SB25- 9215875	03/92	SB25- 9215928	04/92
SB25- 9117769	10/91	SB25- 9215831	02/92	SB25- 9215876	03/92	SB25- 9215929	04/92
SB25- 9117777	10/91	SB25- 9215832	02/92	SB25- 9215877	03/92	SB25- 9215930	04/92
SB25- 9117778	10/91	SB25- 9215833	02/92	SB25- 9215878	03/92	SB25- 9215931	04/92
SB25- 9117780	03/92	SB25- 9215834	02/92	SB25- 9215879	03/92	SB25- 9215932	04/92
SB25- 9175582	08/91	SB25- 9215835	02/92	SB25- 9215880	03/92	SB25- 9215933	04/92
SB25- 9175584	08/91	SB25- 9215836	02/92	SB25- 9215881	03/92	SB25- 9215934	04/92
SB25- 9175588	09/91	SB25- 9215837	02/92	SB25- 9215882	03/92	SB25- 9215935	04/92
SB25- 9175589	08/91	SB25- 9215838	02/92	SB25- 9215883	03/92	SB25- 9215936	04/92
SB25- 9175789	11/91	SB25- 9215839	02/92	SB25- 9215884	03/92	SB25- 9215937	04/92
SB25- 9175790	11/91	SB25- 9215840	02/92	SB25- 9215885	03/92	SB25- 9215938	04/92
SB25- 9175791	11/91	SB25- 9215841	02/92	SB25- 9215886	03/92	SB25- 9215939	04/92
SB25- 9175793	11/91	SB25- 9215842	02/92	SB25- 9215887	03/92	SB25- 9215940	04/92

Serial Number Ship Dates

Model S/N	Date	Model S/N	Date	Model S/N	Date	Model S/N	Date
SB25- 9215941	04/92	SB25- 9215987	06/92	SB25- 9216067	08/92	SB25- 9216119	11/92
SB25- 9215942	04/92	SB25- 9215988	06/92	SB25- 9216068	08/92	SB25- 9216120	11/92
SB25- 9215943	04/92	SB25- 9215989	06/92	SB25- 9216069	08/92	SB25- 9216121	11/92
SB25- 9215944	04/92	SB25- 9215990	06/92	SB25- 9216070	08/92	SB25- 9216122	11/92
SB25- 9215945	04/92	SB25- 9215991	06/92	SB25- 9216071	08/92	SB25- 9216123	11/92
SB25- 9215946	04/92	SB25- 9215992	06/92	SB25- 9216072	09/92	SB25- 9216124	11/92
SB25- 9215947	04/92	SB25- 9215993	06/92	SB25- 9216073	09/92	SB25- 9216125	10/92
SB25- 9215948	04/92	SB25- 9215994	06/92	SB25- 9216074	09/92	SB25- 9216126	10/92
SB25- 9215949	04/92	SB25- 9215995	06/92	SB25- 9216075	09/92	SB25- 9216127	02/92
SB25- 9215950	04/92	SB25- 9215996	06/92	SB25- 9216082	09/92	SB25- 9216128	12/92
SB25- 9215951	04/92	SB25- 9215997	06/92	SB25- 9216083	09/92	SB25- 9216129	12/92
SB25- 9215952	04/92	SB25- 9215998	06/92	SB25- 9216084	09/92	SB25- 9216130	12/92
SB25- 9215953	04/92	SB25- 9215999	06/92	SB25- 9216085	09/92	SB25- 9216131	12/92
SB25- 9215954	04/92	SB25- 9216001	06/92	SB25- 9216086	10/92	SB25- 9216132	12/92
SB25- 9215955	04/92	SB25- 9216012	07/92	SB25- 9216087	10/92	SB25- 9216133	12/92
SB25- 9215956	04/92	SB25- 9216013	07/92	SB25- 9216088	09/92	SB25- 9216134	12/92
SB25- 9215957	04/92	SB25- 9216014	07/92	SB25- 9216089	09/92	SB25- 9216135	12/92
SB25- 9215958	04/92	SB25- 9216015	07/92	SB25- 9216090	09/92	SB25- 9216136	12/92
SB25- 9215959	04/92	SB25- 9216016	07/92	SB25- 9216091	09/92	SB25- 9216137	12/92
SB25- 9215960	04/92	SB25- 9216017	07/92	SB25- 9216092	10/92	SB25- 9216138	12/92
SB25- 9215961	03/92	SB25- 9216018	07/92	SB25- 9216093	10/92	SB25- 9216139	01/93
SB25- 9215962	03/92	SB25- 9216019	07/92	SB25- 9216094	10/92	SB25- 9216140	01/93
SB25- 9215963	04/92	SB25- 9216020	07/92	SB25- 9216095	10/92	SB25- 9216141	01/93
SB25- 9215964	04/92	SB25- 9216021	07/92	SB25- 9216096	10/92	SB25- 9216142	01/93
SB25- 9215965	04/92	SB25- 9216022	07/92	SB25- 9216097	10/92	SB25- 9216143	01/93
SB25- 9215966	04/92	SB25- 9216023	07/92	SB25- 9216098	10/92	SB25- 9216144	01/93
SB25- 9215967	04/92	SB25- 9216024	07/92	SB25- 9216099	10/92	SB25- 9255856	07/92
SB25- 9215968	04/92	SB25- 9216025	07/92	SB25- 9216100	10/92	SB25- 925854	03/92
SB25- 9215969	05/92	SB25- 9216026	07/92	SB25- 9216101	10/92	SB25- 925855	03/92
SB25- 9215970	05/92	SB25- 9216027	07/92	SB25- 9216102	10/92	SB25- 9275802	01/92
SB25- 9215971	05/92	SB25- 9216028	07/92	SB25- 9216103	10/92	SB25- 9275803	01/92
SB25- 9215972	05/92	SB25- 9216029	07/92	SB25- 9216104	10/92	SB25- 9275804	03/92
SB25- 9215973	05/92	SB25- 9216030	07/92	SB25- 9216105	10/92	SB25- 9275805	02/92
SB25- 9215974	05/92	SB25- 9216031	07/92	SB25- 9216106	10/92	SB25- 9275806	02/92
SB25- 9215975	05/92	SB25- 9216032	07/92	SB25- 9216107	10/92	SB25- 9275807	03/92
SB25- 9215976	05/92	SB25- 9216033	07/92	SB25- 9216108	10/92	SB25- 9275914	04/92
SB25- 9215977	05/92	SB25- 9216034	07/92	SB25- 9216109	11/92	SB25- 9275915	04/92
SB25- 9215978	05/92	SB25- 9216035	07/92	SB25- 9216113	11/92	SB25- 9275916	04/92
SB25- 9215979	05/92	SB25- 9216036	07/92	SB25- 9216114	11/92	SB25- 9275917	06/92
SB25- 9215983	06/92	SB35- 9216036	08/92	SB25- 9216115	11/92	SB25- 9275918	05/92
SB25- 9215984	06/92	SB25- 9216037	08/92	SB25- 9216116	11/92	SB25- 9275919	03/92
SB25- 9215985	06/92	SB25- 9216038	08/92	SB25- 9216117	11/92	SB25- 9275920	03/92
SB25- 9215986	06/92	SB25- 9216039	07/92	SB25- 9216118	11/92	SB25- 9275921	03/92

Serial Number Ship Dates

Model S/N	Date	Model S/N	Date	Model S/N	Date	Model S/N	Date
SB25- 9275922	04/92	SB25- 9316170	03/93	SB25- 9316218	03/93	SB25- 9316268	04/93
SB25- 9275923	04/92	SB25- 9316171	03/93	SB25- 9316219	03/93	SB25- 9316269	04/93
SB25- 9275980	05/92	SB25- 9316172	03/93	SB25- 9316220	03/93	SB25- 9316270	04/93
SB25- 9275981	05/92	SB25- 9316173	03/93	SB25- 9316221	03/93	SB25- 9316271	04/93
SB25- 9275982	06/92	SB25- 9316174	03/93	SB25- 9316222	03/93	SB25- 9316272	05/93
SB85- 9276002	06/92	SB25- 9316175	02/93	SB25- 9316223	03/93	SB25- 9316273	05/93
SB85- 9276003	06/92	SB25- 9316176	02/93	SB25- 9316224	05/93	SB25- 9316278	08/93
SB85- 9276004	06/92	SB25- 9316182	03/93	SB25- 9316227	03/93	SB25- 9316279	05/93
SB85- 9276005	06/92	SB25- 9316183	03/93	SB25- 9316228	04/93	SB25- 9316280	05/93
SB85- 9276006	06/92	SB25- 9316184	03/93	SB25- 9316229	04/93	SB25- 9316281	05/93
SB85- 9276007	06/92	SB25- 9316185	03/93	SB25- 9316230	04/93	SB25- 9316282	05/93
SB85- 9276008	06/92	SB25- 9316186	03/93	SB25- 9316231	04/93	SB25- 9316283	05/93
SB85- 9276009	06/92	SB25- 9316187	03/93	SB25- 9316232	04/93	SB25- 9316284	05/93
SB85- 9276010	06/92	SB25- 9316188	03/93	SB25- 9316233	04/93	SB25- 9316285	05/93
SB85- 9276011	06/92	SB25- 9316189	03/93	SB25- 9316234	06/93	SB25- 9316286	05/93
SB25- 9276040	07/92	SB25- 9316190	03/93	SB25- 9316235	06/93	SB25- 9316287	05/93
SB25- 9276076	09/92	SB25- 9316191	03/93	SB25- 9316240	09/93	SB25- 9316188	05/93
SB25- 9276077	09/92	SB25- 9316192	03/93	SB25- 9316241	05/93	SB25- 9316289	06/93
SB25- 9276078	01/93	SB25- 9316193	03/93	SB25- 9316242	05/93	SB25- 9316290	06/93
SB25- 9276079	09/92	SB25- 9316194	03/93	SB25- 9316243	04/93	SB25- 9316291	06/93
SB25- 9276080	09/92	SB25- 9316195	03/93	SB25- 9316144	04/93	SB25- 9316292	06/93
SB25- 9276081	09/92	SB25- 9316196	03/93	SB25- 9316245	04/93	SB25- 9316293	10/94
SB25- 9276110	10/92	SB25- 9316197	03/93	SB25- 9316246	04/93	SB25- 9316294	06/93
SB25- 9276111	10/92	SB25- 9316198	03/93	SB25- 9316247	04/93	SB25- 9316295	06/93
SB25- 9276112	10/92	SB25- 9316199	03/93	SB25- 9316248	05/93	SB25- 9316296	06/93
SB25- 9316152	02/93	SB25- 9316200	03/93	SB25- 9316249	05/93	SB25- 9316297	07/93
SB25- 9316153	02/93	SB25- 9316201	03/93	SB25- 9316250	05/93	SB25- 9316299	06/93
SB25- 9316154	02/93	SB25- 9316202	03/93	SB25- 9316251	05/93	SB25- 9316300	06/93
SB25- 9316155	01/93	SB25- 9316203	03/93	SB25- 9316252	05/93	SB25- 9316301	06/93
SB25- 9316156	01/93	SB25- 9316204	03/93	SB25- 9316253	05/93	SB25- 9316302	06/93
SB25- 9316157	01/93	SB25- 9316205	03/93	SB25- 9316254	05/93	SB25- 9316303	06/93
SB25- 9316158	01/93	SB25- 9316206	03/93	SB25- 9316255	05/93	SB25- 9316304	06/93
SB25- 9316159	01/93	SB25- 9316207	03/93	SB25- 9316257	04/93	SB25- 9316305	06/93
SB25- 9316160	01/93	SB25- 9316208	03/93	SB25- 9316258	04/93	SB25- 9316306	06/93
SB25- 9316161	02/93	SB25- 9316209	03/93	SB25- 9316259	04/93	SB25- 9316307	06/93
SB25- 9316162	02/93	SB25- 9316210	03/93	SB25- 9316260	04/93	SB25- 9316308	07/93
SB25- 9316163	02/93	SB25- 9316211	03/93	SB25- 9316261	04/93	SB25- 9316309	06/93
SB25- 9316164	02/93	SB25- 9316212	03/93	SB25- 9316262	04/93	SB25- 9316310	06/93
SB25- 9316165	03/93	SB25- 9316213	03/93	SB25- 9316263	04/93	SB25- 9316311	06/93
SB25- 9316166	03/93	SB25- 9316214	03/93	SB25- 9316264	04/93	SB25- 9316268	04/93
SB25- 9316167	04/93	SB25- 9316215	03/93	SB25- 9316265	04/93	SB25- 9316269	04/93
SB25- 9316168	04/93	SB25- 9316216	03/93	SB25- 9316266	04/93	SB25- 9316270	04/93
SB25- 9316169	02/93	SB25- 9316217	03/93	SB25- 9316267	04/93	SB25- 9316271	04/93

Serial Number Ship Dates

Model S/N	Date	Model S/N	Date	Model S/N	Date	Model S/N	Date
SB25- 9316272	05/93	SB25- 9316322	07/93	SB25- 9316394	10/93	SB25- 9356180	03/93
SB25- 9316273	05/93	SB25- 9316323	07/93	SB25- 9316395	10/93	SB25- 9356181	03/93
SB25- 9316278	08/93	SB25- 9316324	07/93	SB25- 9316396	10/93	SB25- 9356298	07/93
SB25- 9316279	05/93	SB25- 9316325	07/93	SB25- 9316397	03/94	SB25- 9356315	06/93
SB25- 9316280	05/93	SB25- 9316326	08/93	SB25- 9316398	11/93	SB25- 9356437	03/94
SB25- 9316281	05/93	SB25- 9316327	07/93	SB25- 9316399	11/93	SB25- 9356438	03/94
SB25- 9316282	05/93	SB25- 9316328	07/93	SB25- 9316400	11/93	SB25- 9376145	01/93
SB25- 9316283	05/93	SB25- 9316329	07/93	SB25- 9316401	11/93	SB25- 9376177	02/93
SB25- 9316284	05/93	SB25- 9316330	07/93	SB25- 9316407	02/94	SB25- 9376178	02/93
SB25- 9316285	05/93	SB25- 9316331	07/93	SB25- 9316408	02/94	SB25- 9376236	04/93
SB25- 9316286	05/93	SB25- 9316335	08/93	SB25- 9316409	11/93	SB25- 9376237	06/93
SB25- 9316287	05/93	SB25- 9316342	08/93	SB25- 9316410	11/93	SB25- 9376238	06/93
SB25- 9316188	05/93	SB25- 9316348	08/93	SB25- 9316411	01/94	SB25- 9376239	07/93
SB25- 9316289	06/93	SB25- 9316349	08/94	SB25- 9316412	11/93	SB25- 9376256	04/93
SB25- 9316290	06/93	SB25- 9316350	08/93	SB25- 9316413	01/94	SB25- 9376275	06/93
SB25- 9316291	06/93	SB25- 9316351	08/93	SB25- 9316414	01/94	SB25- 9376276	05/93
SB25- 9316292	06/93	SB25- 9316352	08/93	SB25- 9316415	01/94	SB25- 9376277	07/93
SB25- 9316293	10/94	SB25- 9316353	08/93	SB25- 9316416	01/94	SB25- 9376278	05/93
SB25- 9316294	06/93	SB25- 9316354	08/93	SB25- 9316417	01/94	SB25- 9376321	07/93
SB25- 9316295	06/93	SB25- 9316355	08/93	SB25- 9316418	01/94	SB25- 9376332	08/93
SB25- 9316296	06/93	SB25- 9316356	08/93	SB25- 9316419	01/94	SB25- 9376333	08/93
SB25- 9316297	07/93	SB25- 9316357	08/93	SB25- 9316420	01/94	SB25- 9376334	08/93
SB25- 9316299	06/93	SB25- 9316358	08/93	SB25- 9316421	02/94	SB25- 9376336	08/93
SB25- 9316300	06/93	SB25- 9316361	08/93	SB25- 9316422	02/94	SB25- 9376337	08/93
SB25- 9316301	06/93	SB25- 9316362	08/93	SB25- 9316423	02/94	SB25- 9376338	08/93
SB25- 9316302	06/93	SB25- 9316363	09/93	SB25- 9316424	02/94	SB25- 9376339	08/93
SB25- 9316303	06/93	SB25- 9316364	09/93	SB25- 9316426	02/94	SB25- 9376340	08/93
SB25- 9316304	06/93	SB25- 9316365	09/93	SB25- 9316427	03/94	SB25- 9376341	08/93
SB25- 9316305	06/93	SB25- 9316366	09/93	SB25- 9316428	03/94	SB25- 9376343	09/93
SB25- 9316306	06/93	SB25- 9316367	09/93	SB25- 9316429	03/94	SB25- 9376344	08/93
SB25- 9316307	06/93	SB25- 9316368	10/93	SB25- 9316430	04/94	SB25- 9376345	08/93
SB25- 9316308	07/93	SB25- 9316369	09/93	SB25- 9316431	03/94	SB25- 9376346	08/93
SB25- 9316309	06/93	SB25- 9316370	09/93	SB25- 9316432	12/93	SB25- 9376347	08/93
SB25- 9316310	06/93	SB25- 9316370A	06/94	SB25- 9316433	12/93	SB25- 9376371	09/93
SB25- 9316311	06/93	SB25- 9316372	09/93	SB25- 9316434	12/93	SB25- 9376379	09/93
SB25- 9316312	06/93	SB25- 9316373	09/93	SB25- 931646	01/93	SB25- 9376380	09/93
SB25- 9316313	06/93	SB25- 9316374	09/93	SB25- 931647	01/93	SB25- 9376381	09/93
SB25- 9316314	06/93	SB25- 9316375	09/93	SB25- 931648	01/93	SB25- 9376382	09/93
SB25- 9316316	07/93	SB25- 9316376	09/93	SB25- 931649	01/93	SB25- 9376383	09/93
SB25- 9316317	07/93	SB25- 9316377	09/93	SB25- 931650	01/93	SB25- 9376384	09/93
SB25- 9316318	07/93	SB25- 9316378	09/93	SB25- 931651	01/93	SB25- 9376385	09/93
SB25- 9316319	07/93	SB25- 9316392	10/93	SB25- 931674	05/93	SB25- 9376386	09/93
SB25- 9316320	07/93	SB25- 9316393	10/93	SB25- 9356179	03/93	SB25- 9376387	09/93

Serial Number Ship Dates

Model S/N	Date	Model S/N	Date	Model S/N	Date	Model S/N	Date
SB25- 9376388	09/93	SB25- 9416442	03/94	SB25- 9416526	04/94	SB25- 9416571	06/94
SB25- 9376389	09/93	SB25- 9416452	02/94	SB25- 9416527	04/94	SB25- 9416572	06/94
SB25- 9376390	09/93	SB25- 9416453	02/94	SB25- 9416528	05/94	SB25- 9416573	06/94
SB25- 9376391	10/93	SB25- 9416454	02/94	SB25- 9416529	05/94	SB25- 9416574	06/94
SB25- 9376392	10/93	SB25- 9416455	02/94	SB25- 9416530	05/94	SB25- 9416575	06/94
SB25- 9376403	10/93	SB25- 9416456	02/94	SB25- 9416531	05/94	SB25- 9416576	06/94
SB25- 9376404	10/93	SB25- 9416457	02/94	SB25- 9416532	05/94	SB25- 9416577	06/94
SB25- 9376405	12/93	SB25- 9416458	02/94	SB25- 9416534	06/94	SB25- 9416578	06/94
SB25- 9376406	11/93	SB25- 9416459	02/94	SB25- 9416535	06/94	SB25- 9416579	06/94
SB25- 9376425	11/93	SB25- 9416460	02/94	SB25- 9416536	06/94	SB25- 9416580	06/94
SB25- 9376426	11/93	SB25- 9416461	02/94	SB25- 9416537	05/94	SB25- 9416581	06/94
SB25- 9376435	03/94	SB25- 9416462	02/94	SB25- 9416538	05/94	SB25- 9416582	06/94
SB25- 9376436	03/94	SB25- 9416463	02/94	SB25- 9416539	05/94	SB25- 9416583	06/94
SB25- 9376437	12/93	SB25- 9416464	02/94	SB25- 9416540	05/94	SB25- 9416584	06/94
SB25- 941479	03/94	SB25- 9416465	02/94	SB25- 9416541	05/94	SB25- 9416585	06/94
SB25- 941480	03/94	SB25- 9416466	02/94	SB25- 9416542	05/94	SB25- 9416586	06/94
SB25- 941481	03/94	SB25- 9416467	02/94	SB25- 9416543	05/94	SB25- 9416587	06/94
SB25- 941482	03/94	SB25- 9416468	02/94	SB25- 9416544	05/94	SB25- 9416588	06/94
SB25- 941483	03/94	SB25- 9416469	02/94	SB25- 9416545	05/94	SB25- 9416589	06/94
SB25- 941484	03/94	SB25- 9416470	02/94	SB25- 9416546	05/94	SB25- 9416590	06/94
SB25- 941485	03/94	SB25- 9416471	02/94	SB25- 9416547	05/94	SB25- 9416592	06/94
SB25- 941486	03/94	SB25- 9416473	03/94	SB25- 9416548	05/94	SB25- 9416593	06/94
SB25- 941487	03/94	SB25- 9416474	03/94	SB25- 9416550	05/94	SB25- 9416594	06/94
SB25- 941488	03/94	SB25- 9416475	03/94	SB25- 9416551	05/94	SB25- 9416595	06/94
SB25- 941489	03/94	SB25- 9416487	03/94	SB25- 9416552	05/94	SB25- 9416596	06/94
SB25- 941490	03/94	SB25- 9416488	03/94	SB25- 9416553	06/94	SB25- 9416597	06/94
SB25- 941491	03/94	SB25- 9416492	01/96	SB25- 9416554	05/94	SB25- 9416598	06/94
SB25- 941492	03/94	SB25- 9416495	09/95	SB25- 9416555	05/94	SB25- 9416599	06/94
SB25- 941493	03/94	SB25- 9416508	03/94	SB25- 9416556	06/94	SB25- 9416600	06/94
SB25- 941494	03/94	SB25- 9416509	03/94	SB25- 9416557	06/94	SB25- 9416601	07/94
SB25- 941496	03/94	SB25- 9416512	03/94	SB25- 9416558	06/94	SB25- 9416602	06/94
SB25- 941497	03/94	SB25- 9416513	03/94	SB25- 9416559	06/94	SB25- 9416603	06/94
SB25- 941498	03/94	SB25- 9416514	04/94	SB25- 9416560	06/94	SB25- 9416604	06/94
SB25- 941499	03/94	SB25- 9416515	04/94	SB25- 9416561	06/94	SB25- 9416605	07/95
SB25- 941500	03/94	SB25- 9416516	04/94	SB25- 9416562	06/94	SB25- 9416606	06/94
SB25- 941501	03/94	SB25- 9416517	04/94	SB25- 9416563	06/94	SB25- 9416607	06/94
SB25- 941502	03/94	SB25- 9416519	04/94	SB25- 9416564	06/94	SB25- 9416608	06/94
SB25- 941503	03/94	SB25- 9416520	04/94	SB25- 9416565	06/95	SB25- 9416609	06/94
SB25- 941504	03/94	SB25- 9416521	04/94	SB25- 9416566	06/94	SB25- 9416610	06/94
SB25- 941505	03/94	SB25- 9416522	04/94	SB25- 9416567	06/94	SB25- 9416611	06/94
SB25- 9416439	03/94	SB25- 9416523	04/94	SB25- 9416568	06/94	SB25- 9416612	06/94
SB25- 9416440	03/94	SB25- 9416524	04/94	SB25- 9416569	06/94	SB25- 9416613	06/94
SB25- 9416441	03/94	SB25- 9416525	04/94	SB25- 9416570	06/94	SB25- 9416615	06/94

Serial Number Ship Dates

Model S/N	Date	Model S/N	Date	Model S/N	Date	Model S/N	Date
SB25- 9416616	07/94	SB25- 9416681	10/94	SB25- 9456701	11/94	SB25- 9476695	10/94
SB25- 9416617	07/94	SB25- 9416682	10/94	SB25- 9456702	11/94	SB25- 9476699	10/94
SB25- 9416619	07/94	SB25- 9416683	10/94	SB25- 9466678	09/94	SB25- 9476700	10/94
SB25- 9416620	07/94	SB25- 9416684	10/94	SB25- 9476443	02/94	SB25- 9476712	11/94
SB25- 9416621	07/94	SB25- 9416685	10/94	SB25- 9476444	02/94	SB85- 6476688	11/95
SB25- 9416622	07/94	SB25- 9416686	10/94	SB25- 9476445	02/94	SB25- 9511647	07/95
SB25- 9416623	07/94	SB25- 9416690	10/94	SB25- 9476446	02/94	SB25- 9516735	01/95
SB25- 9416624	07/94	SB25- 9416691	10/94	SB25- 9476447	02/94	SB25- 9516737	01/95
SB25- 9416628	07/94	SB25- 9416692	10/94	SB25- 9476448	02/94	SB25- 9516738	01/95
SB25- 9416629	07/94	SB25- 9416693	10/94	SB25- 9476449	02/94	SB25- 9516739	01/95
SB25- 9416630	07/94	SB25- 9416694	10/94	SB25- 9476450	02/94	SB25- 9516740	01/95
SB25- 9416631	07/94	SB25- 9416696	11/94	SB25- 9476451	02/94	SB25- 9516746	02/95
SB25- 9416632	07/94	SB25- 9416697	10/94	SB25- 9476472	02/94	SB25- 9516747	02/95
SB25- 9416641	07/94	SB25- 9416698	10/94	SB25- 9476477	03/94	SB25- 9516748	02/95
SB25- 9416642	08/94	SB25- 9416703	11/94	SB25- 9476478	03/94	SB25- 9516749	02/95
SB25- 9416643	08/94	SB25- 9416704	11/94	SB25- 9476510	03/94	SB25- 9516750	02/95
SB25- 9416644	08/94	SB25- 9416705	11/94	SB25- 9476511	03/94	SB25- 9516751	02/95
SB25- 9416646	08/94	SB25- 9416706	11/94	SB85- 9476511	01/96	SB25- 9516752	03/95
SB25- 9416647	08/94	SB25- 9416707	11/94	SB25- 9476518	03/94	SB25- 9516753	03/95
SB25- 9416648	08/94	SB25- 9416708	11/94	SB25- 9476533	05/94	SB25- 9516756	03/95
SB25- 9416649	08/94	SB25- 9416714	12/94	SB25- 9476549	05/94	SB25- 9516757	03/95
SB25- 9416650	08/94	SB25- 9416715	12/94	SB25- 9476591	06/94	SB25- 9516758	03/95
SB25- 9416651	08/94	SB25- 9416716	12/94	SB25- 9476614	07/94	SB25- 9516759	03/95
SB25- 9416652	08/94	SB25- 9416717	12/94	SB25- 9476634	07/94	SB25- 9516760	03/95
SB25- 9416654	08/94	SB25- 9416718	12/94	SB25- 9476636	07/94	SB25- 9516761	03/95
SB25- 9416655	08/94	SB25- 9416719	12/95	SB25- 9476637	07/94	SB25- 9516762	03/95
SB25- 9416657	08/94	SB25- 9416720	12/94	SB25- 9476638	08/94	SB25- 9516763	03/95
SB25- 9416663	09/94	SB25- 9416721	12/94	SB85- 9476638	08/94	SB25- 9516764	03/95
SB25- 9416664	09/94	SB25- 9416722	12/94	SB25- 9476639	08/94	SB25- 9516765	03/95
SB25- 9416665	09/95	SB25- 9416723	12/94	SB85- 9476639	11/95	SB25- 9516766	03/95
SB25- 9416666	09/94	SB25- 9416724	12/94	SB25- 9476640	08/94	SB25- 9516767	03/95
SB25- 9416667	09/94	SB25- 9416725	12/94	SB85- 9476640	11/95	SB25- 9516768	03/95
SB25- 9416668	09/94	SB25- 9416726	01/95	SB25- 9476645	07/94	SB25- 9516769	03/95
SB25- 9416669	09/94	SB25- 9416727	12/94	SB25- 9476653	08/94	SB25- 9516770	03/95
SB25- 9416670	09/94	SB25- 9416728	12/94	SB25- 9476656	08/94	SB25- 9516771	03/95
SB25- 9416671	09/94	SB25- 9416729	12/94	SB25- 9476658	08/94	SB25- 9516772	03/95
SB25- 9416672	09/94	SB25- 9416730	12/94	SB25- 9476660	08/94	SB25- 9516773	03/95
SB25- 9416673	09/94	SB25- 9416731	12/94	SB25- 9476661	08/94	SB25- 9516774	04/95
SB25- 9416674	09/94	SB25- 9416732	12/94	SB25- 9476677	09/94	SB25- 9516775	04/95
SB25- 9416675	09/94	SB25- 9416733	12/94	SB25- 9476687	10/94	SB25- 9516776	04/95
SB25- 9416676	09/94	SB25- 9416734	02/94	SB25- 9476688	10/94	SB25- 9516777	04/95
SB25- 9416679	09/94	SB25- 9456476	03/94	SB85- 9476688	11/95	SB25- 9516778	04/95
SB25- 9416680	09/94	SB25- 9456658	09/94	SB25- 9476689	10/94	SB25- 9516781	04/95

Serial Number Ship Dates

Model	S/N	Date	Model	S/N	Date	Model	S/N	Date	Model	S/N	Date
SB25-	9516782	04/95	SB25-	9516843	12/95	SB25-	9516884	07/95	SB25-	9516930	10/95
SB25-	9516783	04/95	SB25-	9516844	06/95	SB25-	9516885	07/95	SB25-	9516942	09/95
SB25-	9516784	04/95	SB25-	9516846	07/95	SB25-	9516886	07/95	SB25-	9516943	09/95
SB25-	9516785	04/95	SB25-	9516848	06/95	SB25-	9516887	07/95	SB25-	9516944	09/95
SB25-	9516786	05/95	SB25-	9516849	07/95	SB25-	9516888	07/95	SB25-	9516945	09/95
SB25-	9516790	05/95	SB25-	9516850	07/95	SB25-	9516889	07/95	SB25-	9516946	09/95
SB25-	9516791	05/95	SB25-	9516851	07/95	SB25-	9516890	07/95	SB25-	9516947	09/95
SB25-	9516792	05/95	SB25-	9516852	07/95	SB25-	9516891	07/95	SB25-	9516948	09/95
SB25-	9516793	05/95	SB25-	9516853	07/95	SB25-	9516892	07/95	SB25-	9516951	10/95
SB25-	9516794	05/95	SB25-	9516854	07/95	SB25-	9516893	07/95	SB25-	9516954	10/95
SB25-	9516795	05/95	SB25-	9516856	07/95	SB25-	9516894	07/95	SB25-	9516955	10/95
SB25-	9516796	05/95	SB25-	9516857	07/95	SB25-	9516895	07/95	SB25-	9516956	12/95
SB25-	9516797	05/95	SB25-	9516858	07/95	SB25-	9516896	07/95	SB25-	9516957	10/95
SB25-	9516798	05/95	SB25-	9516859	07/95	SB25-	9516898	07/95	SB25-	9516958	10/95
SB25-	9516799	05/95	SB25-	9516860	07/95	SB25-	9516899	07/95	SB25-	9516959	03/96
SB25-	9516800	05/95	SB25-	9516861	07/95	SB25-	9516900	07/95	SB25-	9516960	11/95
SB25-	9516801	05/95	SB25-	9516862	07/95	SB25-	9516901	07/95	SB25-	9516961	08/96
SB25-	9516802	05/95	SB25-	9516863	07/95	SB25-	9516902	07/95	SB25-	9516962	08/96
SB25-	9516803	05/95	SB25-	9516864	07/95	SB25-	9516903	07/95	SB25-	9516963	11/95
SB25-	9516804	05/95	SB25-	9516865	07/95	SB25-	9516904	07/95	SB25-	9516964	11/95
SB25-	9516805	05/95	SB25-	9516866	07/95	SB25-	9516905	07/95	SB25-	9516967	12/95
SB25-	9516806	05/95	SB25-	9516867	07/95	SB25-	9516907	08/95	SB25-	9516968	12/95
SB25-	9516807	05/95	SB25-	9516868	07/95	SB25-	9516908	08/95	SB25-	9516969	12/95
SB25-	9516808	06/95	SB25-	9516869	07/95	SB25-	9516909	08/95	SB25-	9516970	12/95
SB25-	9516809	05/95	SB25-	9516869A	07/95	SB25-	9516910	08/95	SB25-	9516975	12/95
SB25-	9516810	05/95	SB25-	9516870	07/95	SB25-	9516911	08/95	SB25-	9516977	11/95
SB25-	9516811	05/95	SB25-	9516870A	07/95	SB25-	9516912	08/95	SB25-	9516978	11/95
SB25-	9516812	05/95	SB25-	9516871	07/95	SB25-	9516913	08/95	SB25-	9516979	11/95
SB25-	9516813	05/95	SB25-	9516871A	07/95	SB25-	9516914	08/95	SB25-	9516980	11/95
SB25-	9516814	05/95	SB25-	9516871B	07/95	SB25-	9516915	08/95	SB25-	9516981	11/95
SB25-	9516815	05/95	SB25-	9516872	07/95	SB25-	9516916	08/95	SB25-	9516982	12/95
SB25-	9516816	05/95	SB25-	9516872A	07/95	SB25-	9516917	08/95	SB25-	9516983	12/95
SB25-	9516817	05/95	SB25-	9516873	07/95	SB25-	9516918	08/95	SB25-	9516984	12/95
SB25-	9516818	05/95	SB25-	9516874	07/95	SB25-	9516919	08/95	SB25-	9516985	12/95
SB25-	9516819	05/95	SB25-	9516875	07/95	SB25-	9516920	08/95	SB25-	9516986	12/95
SB25-	9516820	05/95	SB25-	9516876	07/95	SB25-	9516921	08/95	SB25-	9516987	12/95
SB25-	9516821	05/95	SB25-	9516877	07/95	SB25-	9516923	08/95	SB25-	9516988	12/95
SB25-	9516822	05/95	SB25-	9516878	07/95	SB25-	9516924	08/95	SB25-	9516989	12/95
SB25-	9516823	06/95	SB25-	9516879	07/95	SB25-	9516925	08/95	SB25-	9516990	12/95
SB25-	9516824	06/95	SB25-	9516880	07/95	SB25-	9516926	08/95	SB25-	9516991	12/95
SB25-	9516825	06/95	SB25-	9516881	07/95	SB25-	9516927	08/95	SB25-	9518897	07/96
SB25-	9516826	05/95	SB25-	9516882	07/95	SB25-	9516928	10/95	SB25-	9556930	08/95
SB25-	9516827	05/95	SB25-	9516883	07/95	SB25-	9516929	10/95	SB25-	9556931	08/95

Serial Number Ship Dates

Model S/N	Date	Model S/N	Date	Model S/N	Date	Model S/N	Date
SB25- 9556932	08/95	SB25- 9617000	03/96	SB25- 9617051	05/96	SB25- 9617122	07/96
SB25- 957632	05/95	SB25- 9617001	04/96	SB25- 9617052	05/96	SB25- 9617123	07/96
SB25- 9576741	01/95	SB25- 9617002	02/96	SB25- 9617053	05/96	SB25- 9617124	07/96
SB25- 9576742	01/95	SB25- 9617003	03/96	SB25- 9617054	05/96	SB25- 9617125	08/96
SB25- 9576743	01/95	SB25- 9617004	03/96	SB25- 9617055	05/96	SB25- 9617126	08/96
SB25- 9576744	01/95	SB25- 9617005	03/96	SB25- 9617056	05/96	SB25- 9617127	08/96
SB25- 9576745	01/95	SB25- 9617006	03/96	SB25- 9617057	05/96	SB25- 9617128	08/96
SB25- 957675	03/95	SB25- 9617007	03/96	SB25- 9617058	05/96	SB25- 9617129	08/96
SB25- 9576755	03/95	SB25- 9617008	03/96	SB25- 9617059	05/96	SB25- 9617130	08/96
SB25- 9576779	04/95	SB25- 9617009	03/96	SB25- 9617061	05/96	SB25- 9617131	08/96
SB25- 9576780	04/95	SB25- 9617010	03/96	SB25- 9617064	05/96	SB25- 9617132	08/96
SB25- 9576787	04/95	SB25- 9617011	03/96	SB25- 9617065	05/96	SB25- 9617133	08/96
SB25- 9576788	04/95	SB25- 9617012	03/96	SB25- 9617066	05/96	SB25- 9617137	08/96
SB25- 9576789	04/95	SB25- 9617013	03/96	SB25- 9617067	05/96	SB25- 9617138	08/96
SB25- 9576828	05/95	SB25- 9617014	03/96	SB25- 9617071	05/96	SB25- 9617139	08/96
SB25- 9576829	05/95	SB25- 9617015	03/96	SB25- 9617072	06/96	SB25- 9617140	08/96
SB25- 9576830	05/95	SB25- 9617016	03/96	SB25- 9617073	06/96	SB25- 9617142	08/96
SB25- 9576831	05/95	SB25- 9617017	03/96	SB25- 9617074	06/96	SB25- 9617143	08/96
SB25- 9576833	05/95	SB25- 9617018	03/96	SB25- 9617076	06/96	SB25- 9617147	08/96
SB25- 9576834	05/95	SB25- 9617019	03/96	SB25- 9617077	06/96	SB25- 9617148	08/96
SB25- 9576835	05/95	SB25- 9617020	03/96	SB25- 9617078	06/96	SB25- 9617149	08/96
SB25- 9576836	06/95	SB25- 9617021	03/96	SB25- 9617082	06/96	SB25- 9617150	08/96
SB25- 9576837	05/95	SB25- 9617022	05/96	SB25- 9617093	06/96	SB25- 9617151	09/96
SB25- 9576838	05/95	SB25- 9617023	05/96	SB25- 9617094	06/96	SB25- 9617153	09/96
SB25- 9576838	05/95	SB25- 9617024	05/96	SB25- 9617100	07/96	SB25- 9617154	09/96
SB25- 9576839	05/95	SB25- 9617025	05/96	SB25- 9617101	07/96	SB25- 9617155	09/96
SB25- 9576840	05/95	SB25- 9617026	05/96	SB25- 9617102	07/96	SB25- 9617156	09/96
SB25- 9576841	05/95	SB25- 9617027	05/96	SB25- 9617103	07/96	SB25- 9617157	09/96
SB25- 9576842	05/95	SB25- 9617028	05/96	SB25- 9617104	07/96	SB25- 9617158	09/96
SB25- 9576906	07/95	SB25- 9617029	05/96	SB25- 9617105	07/96	SB25- 9617160	10/96
SB25- 9576933	08/95	SB25- 9617030	05/96	SB25- 9617106	07/96	SB25- 9617161	10/96
SB25- 9576934	08/95	SB25- 9617031	05/96	SB25- 9617110	12/97	SB25- 9617162	10/96
SB25- 9576935	08/95	SB25- 9617032	05/96	SB25- 9617111	07/96	SB25- 9617163	10/96
SB25- 9576936	08/95	SB25- 9617033	05/96	SB25- 9617112	07/96	SB25- 9617169	09/96
SB85- 9576937	09/95	SB25- 9617034	05/96	SB25- 9617113	07/96	SB25- 9617170	09/96
SB85- 9576938	09/95	SB25- 9617035	05/96	SB25- 9617114	07/96	SB25- 9617171	10/96
SB85- 9576939	09/95	SB25- 9617044	05/96	SB25- 9617115	07/96	SB25- 9617174	12/96
SB25- 9576940	08/95	SB25- 9617045	05/96	SB25- 9617116	07/96	SB25- 9617175	12/96
SB85- 9576941	09/95	SB25- 9617046	05/96	SB25- 9617117	08/96	SB25- 9617176	12/96
SB85- 9576993	02/96	SB25- 9617047	05/96	SB25- 9617118	08/96	SB25- 9617177	12/96
SB25- 9610707	06/96	SB25- 9617048	05/96	SB25- 9617119	07/96	SB25- 9617178	12/96
SB25- 9616992	02/96	SB25- 9617049	05/96	SB25- 9617120	07/96	SB25- 9617179	12/96
SB25- 9616994	02/96	SB25- 9617050	05/96	SB25- 9617121	07/96	SB25- 9617180	12/96

Serial Number Ship Dates

Model S/N	Date	Model S/N	Date	Model S/N	Date	Model S/N	Date
SB25- 9617181	12/96	SB25- 9617251	12/96	SB25- 9717263	02/97	SB25- 9717346	05/97
SB25- 9617182	12/96	SB25- 9617252	08/97	SB25- 9717264	02/97	SB25- 9717347	05/97
SB25- 9617183	12/96	SB25- 9617253	04/98	SB25- 9717266	03/97	SB25- 9717348	05/97
SB25- 9617184	12/96	SB25- 9617254	12/96	SB25- 9717267	01/97	SB25- 9717349	05/97
SB25- 9617185	12/96	SB25- 9617275	12/97	SB25- 9717268	01/97	SB25- 9717350	05/97
SB25- 9617186	12/96	SB25- 961759	09/96	SB25- 9717269	01/97	SB25- 9717351	05/97
SB25- 9617187	12/96	SB25- 9631641	01/94	SB25- 9717270	01/97	SB25- 9717352	06/97
SB25- 9617188	12/96	SB85- 9657141	08/96	SB25- 9717273	03/97	SB25- 9717353	05/97
SB25- 9617191	12/96	SB85- 9676993	02/96	SB25- 9717274	03/97	SB25- 9717354	05/97
SB25- 9617192	12/96	SB85- 9676995	02/96	SB25- 9717276	03/97	SB25- 9717355	05/97
SB25- 9617193	12/96	SB85- 9676996	02/96	SB25- 9717277	03/97	SB25- 9717356	05/97
SB25- 9617195	10/96	SB85- 9676997	02/96	SB25- 9717278	03/97	SB25- 9717357	05/97
SB25- 9617196	10/96	SB85- 9676998	02/96	SB25- 9717279	03/97	SB25- 9717358	04/97
SB25- 9617197	10/96	SB85- 9676999	02/96	SB25- 9717280	04/97	SB25- 9717364	05/97
SB25- 9617198	10/96	SB85- 9677036	04/96	SB25- 9717281	04/97	SB25- 9717365	05/97
SB25- 9617219	11/96	SB85- 9677037	04/96	SB25- 9717282	04/97	SB25- 9717367	05/97
SB25- 9617220	11/96	SB85- 9677062	05/96	SB25- 9717283	04/97	SB25- 9717368	05/97
SB25- 9617221	11/96	SB85- 9677068	05/96	SB25- 9717284	04/97	SB25- 9717369	05/97
SB25- 9617222	11/96	SB85- 9677069	05/96	SB25- 9717285	04/97	SB25- 9717370	05/97
SB25- 9617223	11/96	SB85- 9677070	05/96	SB25- 9717286	04/97	SB25- 9717371	05/97
SB25- 9617224	11/96	SB85- 9677079	06/96	SB25- 9717287	04/97	SB25- 9717372	05/97
SB25- 9617225	11/96	SB85- 9677080	06/96	SB25- 9717288	04/97	SB25- 9717373	05/97
SB25- 9617226	11/96	SB85- 9677081	06/96	SB25- 9717294	03/97	SB25- 9717374	05/97
SB25- 9617227	11/96	SB85- 9677107	07/96	SB25- 9717301	04/97	SB25- 9717375	05/97
SB25- 9617228	11/96	SB85- 9677108	07/96	SB25- 9717302	04/97	SB25- 9717376	05/97
SB25- 9617229	12/96	SB85- 9677109	07/96	SB25- 9717328	05/97	SB25- 9717377	06/97
SB25- 9617230	12/96	SB85- 9677135	08/96	SB25- 9717329	05/97	SB25- 9717378	06/97
SB25- 9617231	12/96	SB85- 9677168	09/96	SB25- 9717330	05/97	SB25- 9717381	06/97
SB25- 9617232	12/96	SB85- 9677214	10/96	SB25- 9717331	05/97	SB25- 9717382	06/97
SB25- 9617233	12/96	SB85- 9677215	10/96	SB25- 9717332	05/97	SB25- 9717385	05/97
SB25- 9617234	12/96	SB85- 9677216	10/96	SB25- 9717333	05/97	SB25- 9717386	05/97
SB25- 9617235	01/97	SB85- 9677217	10/96	SB25- 9717334	05/97	SB25- 9717387	05/97
SB25- 9617236	01/97	SB85- 9677218	10/96	SB25- 9717335	05/97	SB25- 9717388	05/97
SB25- 9617237	01/97	SB85- 9677256	12/96	SB25- 9717336	05/97	SB25- 9717389	05/97
SB25- 9617238	01/97	SB85- 9677257	12/96	SB25- 9717337	05/97	SB25- 9717390	05/97
SB25- 9617239	01/97	SB85- 9677258	01/97	SB25- 9717338	05/97	SB25- 9717391	05/97
SB25- 9617240	01/97	SB85- 9677259	12/96	SB25- 9717339	05/97	SB25- 9717392	05/97
SB25- 9617241	01/97	SB85- 9677260	01/97	SB25- 9717340	05/97	SB25- 9717393	05/97
SB25- 9617242	12/96	SB85- 97	07/97	SB25- 9717341	05/97	SB25- 9717394	05/97
SB25- 9617243	01/97	SB25- 971380	06/97	SB25- 9717342	05/97	SB25- 9717395	05/97
SB25- 9617244	01/97	SB25- 9716990	06/97	SB25- 9717343	05/97	SB25- 9717396	05/97
SB25- 9617245	01/97	SB25- 9717133	06/97	SB25- 9717344	05/97	SB25- 9717397	05/97
SB25- 9617250	06/96	SB25- 9717262	02/97	SB25- 9717345	05/97	SB25- 9717398	05/97

Serial Number Ship Dates

Model S/N	Date	Model S/N	Date	Model S/N	Date	Model S/N	Date
SB25- 9717399	05/97	SB25- 9717445	07/97	SB25- 9717504	11/97	SB85- 9777294	03/97
SB25- 9717400	05/97	SB25- 9717446	07/97	SB25- 9717505	11/97	SB85- 9777295	03/97
SB25- 9717401	05/97	SB25- 9717447	08/97	SB25- 9717506	11/97	SB85- 9777296	03/97
SB25- 9717402	05/97	SB25- 9717448	08/97	SB25- 9717507	11/97	SB85- 9777299	06/97
SB25- 9717403	06/97	SB25- 9717449	08/97	SB25- 9717508	11/97	SB85- 9777300	01/97
SB25- 9717404	05/97	SB25- 9717453	08/97	SB25- 9717509	11/97	SB85- 9777305	04/97
SB25- 9717405	05/97	SB25- 9717454	08/97	SB25- 9717510	11/97	SB85- 9777306	04/97
SB25- 9717406	05/97	SB25- 9717455	08/97	SB25- 9717511	11/97	SB85- 9777307	04/97
SB25- 9717407	05/97	SB25- 9717456	08/97	SB25- 9717512	11/97	SB85- 9777363	04/97
SB25- 9717408	05/97	SB25- 9717457	09/97	SB25- 9717513	11/97	SB85- 9777366	05/97
SB25- 9717409	04/97	SB25- 9717458	09/97	SB25- 9717514	11/97	SB85- 9777383	05/97
SB25- 9717410	05/97	SB25- 9717459	09/97	SB25- 9717515	11/97	SB85- 9777384	05/97
SB25- 9717411	05/97	SB25- 9717460	09/97	SB25- 9717516	11/97	SB85- 9777439	06/97
SB25- 9717412	06/97	SB25- 9717461	09/97	SB25- 9717517	11/97	SB85- 9777440	06/97
SB25- 9717413	06/97	SB25- 9717462	10/97	SB25- 9717518	11/97	SB85- 9777450	07/97
SB25- 9717414	06/97	SB25- 9717463	09/97	SB25- 9717519	11/97	SB85- 9777451	07/97
SB25- 9717415	06/97	SB25- 9717464	03/98	SB25- 9717520	11/97	SB85- 9777452	07/97
SB25- 9717416	06/97	SB25- 9717465	02/98	SB25- 9717521	11/97	SB85- 9777474	12/97
SB25- 9717417	06/97	SB25- 9717466	03/98	SB25- 9717522	11/97	SB85- 9777475	12/97
SB25- 9717418	06/97	SB25- 9717467	03/98	SB25- 9717523	11/97	SB85- 9777476	01/98
SB25- 9717419	06/97	SB25- 9717468	03/98	SB25- 9717524	11/97	SB85- 9777495	03/98
SB25- 9717420	06/97	SB25- 9717469	03/98	SB25- 9717525	11/97	SB85- 9777496	03/98
SB25- 9717421	06/97	SB25- 9717471	03/98	SB25- 9717526	11/97	SB85- 9777497	10/97
SB25- 9717422	06/97	SB25- 9717472	03/98	SB25- 9717527	12/97	SB85- 9777498	03/98
SB25- 9717423	06/97	SB25- 9717473	03/98	SB25- 9717785	05/99	SB85- 9777499	03/98
SB25- 9717424	06/97	SB25- 9717477	02/98	SB25- 9717786	05/99	SB85- 9777500	03/98
SB25- 9717425	06/97	SB25- 9717478	12/97	SB25- 9717787	05/99	SB85- 9777501	03/98
SB25- 9717426	06/97	SB25- 9717479	12/97	SB25- 9717788	05/99	SB25- 9817527	02/98
SB25- 9717427	06/97	SB25- 9717480	02/98	SB25- 9717789	05/99	SB25- 9817529	03/98
SB25- 9717428	06/97	SB25- 9717481	12/97	SB25- 9717790	05/99	SB25- 9817530	03/98
SB25- 9717429	06/97	SB25- 9717482	02/98	SB25- 9717791	05/99	SB25- 9817531	03/98
SB25- 9717430	06/97	SB25- 9717483	01/98	SB25- 9717792	05/99	SB25- 9817532	03/98
SB25- 9717431	06/97	SB25- 9717484	01/98	SB25- 9717793	05/99	SB25- 9817533	03/98
SB25- 9717432	06/97	SB25- 9717487	10/97	SB25- 9717794	05/99	SB25- 9817534	03/98
SB25- 9717433	06/97	SB25- 9717488	10/97	SB25- 9717795	05/99	SB25- 9817535	03/98
SB25- 9717434	07/97	SB25- 9717489	03/98	SB25- 9717796	05/99	SB25- 9817536	03/98
SB25- 9717435	12/97	SB25- 9717490	03/98	SB25- 9717797	05/99	SB25- 9817537	03/98
SB25- 9717436	12/97	SB25- 9717491	03/98	SB25- 9717798	05/99	SB25- 9817538	03/98
SB25- 9717437	12/97	SB25- 9717492	10/97	SB25- 9717799	05/99	SB25- 9817539	03/98
SB25- 9717441	08/97	SB25- 9717493	03/98	SB25- 9717800	05/99	SB25- 9817540	03/98
SB25- 9717442	09/97	SB25- 9717494	12/97	SB85- 9777271	02/97	SB25- 9817541	03/98
SB25- 9717443	07/97	SB25- 9717502	11/97	SB85- 9777272	02/97	SB25- 9817542	03/98
SB25- 9717444	07/97	SB25- 9717503	11/97	SB85- 9777293	03/97	SB25- 9817543	03/98

Serial Number Ship Dates

Model S/N	Date	Model S/N	Date	Model S/N	Date	Model S/N	Date
SB25- 9817544	03/98	SB25- 9817619	06/98	SB25- 9817674	06/98	SB25- 9817731	10/98
SB25- 9817545	03/98	SB25- 9817620	06/98	SB25- 9817676	07/98	SB25- 9817732	10/98
SB25- 9817546	03/98	SB25- 9817621	06/98	SB25- 9817677	07/98	SB25- 9817733	09/98
SB25- 9817547	03/98	SB25- 9817622	06/98	SB25- 9817679	07/98	SB25- 9817734	02/99
SB25- 9817548	03/98	SB25- 9817623	06/98	SB25- 9817683	07/98	SB25- 9817735	12/98
SB25- 9817549	03/98	SB25- 9817624	06/98	SB25- 9817687	08/98	SB25- 9817736	12/98
SB25- 9817550	03/98	SB25- 9817625	06/98	SB25- 9817688	08/98	SB25- 9817737	12/98
SB25- 9817554	03/98	SB25- 9817626	06/98	SB25- 9817689	08/98	SB25- 9817738	12/98
SB25- 9817555	03/98	SB25- 9817627	06/98	SB25- 9817691	12/98	SB25- 9817739	12/98
SB25- 9817556	03/98	SB25- 9817628	06/98	SB25- 9817692	09/98	SB25- 9817740	12/98
SB25- 9817557	03/98	SB25- 9817629	06/98	SB25- 9817693	12/98	SB25- 9817741	12/98
SB25- 9817558	03/98	SB25- 9817630	06/98	SB25- 9817694	11/98	SB25- 9817742	12/98
SB25- 9817559	03/98	SB25- 9817631	06/98	SB25- 9817695	09/98	SB25- 9817743	12/98
SB25- 9817560	03/98	SB25- 9817632	06/98	SB25- 9817696	11/98	SB25- 9817744	12/98
SB25- 9817561	03/98	SB25- 9817633	06/98	SB25- 9817697	09/98	SB25- 9817747	02/99
SB25- 9817571	04/98	SB25- 9817634	06/98	SB25- 9817698	09/98	SB25- 9817748	02/99
SB25- 9817572	04/98	SB25- 9817635	06/98	SB25- 9817699	09/98	SB25- 9817749	02/99
SB25- 9817576	05/98	SB25- 9817647	06/98	SB25- 9817700	09/98	SB25- 9817750	02/99
SB25- 9817577	05/98	SB25- 9817648	06/98	SB25- 9817702	09/98	SB25- 9817751	02/99
SB25- 9817578	05/98	SB25- 9817649	06/98	SB25- 9817702	09/98	SB25- 9817752	02/99
SB25- 9817579	05/98	SB25- 9817650	06/98	SB25- 9817704	09/98	SB25- 9817753	02/99
SB25- 9817585	08/98	SB25- 9817651	06/98	SB25- 9817705	12/98	SB25- 9817754	02/99
SB25- 9817586	06/98	SB25- 9817652	06/98	SB25- 9817706	09/98	SB25- 9817755	02/99
SB25- 9817587	06/98	SB25- 9817653	06/98	SB25- 9817707	12/98	SB25- 9817756	02/99
SB25- 9817588	06/98	SB25- 9817655	06/98	SB25- 9817707	12/98	SB25- 9817757	03/99
SB25- 9817589	06/98	SB25- 9817655	06/98	SB25- 9817709	12/98	SB25- 9817758	03/99
SB25- 9817590	06/98	SB25- 9817656	06/98	SB25- 9817710	12/98	SB25- 9817759	03/99
SB25- 9817591	06/98	SB25- 9817657	06/98	SB25- 9817710A	12/98	SB25- 9817762	05/99
SB25- 9817582	06/98	SB25- 9817658	06/98	SB25- 9817710B	12/98	SB25- 9817763	05/99
SB25- 9817593	06/98	SB25- 9817659	06/98	SB25- 9817710C	12/98	SB25- 9817764	05/99
SB25- 9817594	06/98	SB25- 9817660	06/98	SB25- 9817710D	12/98	SB25- 9817765	05/99
SB25- 9817595	06/98	SB25- 9817661	06/98	SB25- 9817711	12/98	SB25- 9817766	05/99
SB25- 9817596	06/98	SB25- 9817662	06/98	SB25- 9817711A	12/98	SB25- 9817767	05/99
SB25- 9817597	06/98	SB25- 9817663	06/98	SB25- 9817711B	12/98	SB85- 9877528	02/98
SB25- 9817598	06/98	SB25- 9817665	06/98	SB25- 9817711C	12/98	SB85- 9877551	03/98
SB25- 9817602	05/98	SB25- 9817666	06/98	SB25- 9817712	11/98	SB85- 9877552	03/98
SB25- 9817603	05/98	SB25- 9817667	06/98	SB25- 9817713	12/98	SB85- 987756	03/98
SB25- 9817607	06/98	SB25- 9817668	06/98	SB25- 9817714	11/98	SB85- 9877563	04/98
SB25- 9817608	06/98	SB25- 9817669	06/98	SB25- 9817715	11/98	SB85- 9877564	04/98
SB25- 9817611	06/98	SB25- 9817670	06/98	SB25- 9817716	12/98	SB85- 9877565	04/98
SB25- 9817616	06/98	SB25- 9817671	07/98	SB25- 9817728	10/98	SB85- 9877566	04/98
SB25- 9817617	06/98	SB25- 9817672	06/98	SB25- 9817729	10/98	SB85- 9877567	04/98
SB25- 9817618	06/98	SB25- 9817673	06/98	SB25- 9817730	10/98	SB85- 9877568	04/98

Serial Number Ship Dates

Model S/N	Date	Model S/N	Date	Model S/N	Date	Model S/N	Date
SB85- 9877569	04/98	SB25- 9917781	05/99	SB25- 9917846	08/99	SB85- 9977752	07/00
SB85- 9877580	05/98	SB25- 9917782	05/99	SB25- 9917847	08/99	SB85- 9977753	07/00
SB85- 9877581	02/99	SB25- 9917783	05/99	SB25- 9917848	08/99	SB85- 9977754	02/00
SB85- 9877582	05/98	SB25- 9917784	05/99	SB25- 9917849	08/99	SB85- 9977754A	07/00
SB85- 9877583	02/99	SB25- 9917801	06/99	SB25- 9917850	08/99	SB85- 9977755	02/00
SB85- 9877584	05/98	SB25- 9917802	06/99	SB25- 9917851	08/99	SB85- 9977760	02/00
SB85- 9877635	07/98	SB25- 9917803	06/99	SB25- 9917852	08/99		
SB85- 9877636	09/00	SB25- 9917804	05/99	SB25- 9917853	08/99		
SB85- 9877637	05/99	SB25- 9917805	03/99	SB25- 9917854	08/99		
SB85- 9877639	05/99	SB25- 9917808	05/99	SB25- 9917855	08/99		
SB85- 9877640	06/99	SB25- 9917809	05/99	SB25- 9917856	08/99		
SB85- 9877641	05/99	SB25- 9917810	06/99	SB85- 9917857	10/99		
SB85- 9877642	08/99	SB25- 9917811	06/99	SB25- 9917858	09/99		
SB85- 9877643	06/98	SB25- 9917812	06/99	SB25- 9917859	09/99		
SB85- 9877644	09/98	SB25- 9917813	06/99	SB25- 9917861	09/99		
SB85- 9877645	05/99	SB25- 9917814	06/99	SB25- 9917862	09/99		
SB85- 9877717	12/98	SB25- 9917815	06/99	SB25- 9917863	09/99		
SB85- 9877718	03/99	SB25- 9917816	06/99	SB25- 9917864	09/99		
SB85- 9877719	03/99	SB25- 9917818	06/99	SB25- 9917866	02/00		
SB85- 9877720	02/99	SB25- 9917822	06/99	SB25- 9917867	04/00		
SB85- 9877721	08/99	SB25- 9917824	06/99	SB25- 9917869	02/00		
SB85- 9877723	03/99	SB25- 9917824A	06/99	SB25- 9917870	02/00		
SB85- 9877724	03/99	SB25- 9917825	07/99	SB25- 9917871	02/00		
SB85- 9877725	03/99	SB25- 9917826	07/99	SB25- 9917872	04/00		
SB85- 9877726	03/99	SB25- 9917827	07/99	SB25- 9917874	02/00		
SB85- 9877745	03/99	SB25- 9917828	07/99	SB25- 9917875	02/00		
SB85- 9877746	02/99	SB25- 9917829	07/99	SB25- 9917876	02/00		
SB25- 991771	05/99	SB25- 9917830	07/99	SB25- 9917879	02/00		
SB25- 991772	05/99	SB25- 9917831	08/99	SB25- 9917880	05/00		
SB25- 991773	05/99	SB25- 9917832	08/99	SB25- 9917881	02/00		
SB25- 991774	05/99	SB25- 9917833	08/99	SB25- 9917882	02/00		
SB25- 9917760	03/99	SB25- 9917834	08/99	SB25- 9917883	05/00		
SB25- 9917761	03/99	SB25- 9917835	08/99	SB25- 9917884	04/00		
B25- 9917767	05/99	SB25- 9917836	08/99	SB25- 9917885	04/00		
SB25- 9917768	05/99	SB25- 9917837	08/99	SB25- 9917886	09/99		
SB25- 9917769	05/99	SB25- 9917838	08/99	SB85- 9977757	02/00		
SB25- 9917770	05/99	SB25- 9917839	08/99	SB85- 9977758	02/00		
SB25- 9917775	05/99	SB25- 9917840	08/99	SB85- 9977759	02/00		
SB25- 9917776	05/99	SB25- 9917841	08/99	SB25- 997760	02/00		
SB25- 9917777	05/99	SB25- 9917842	08/99	SB85- 9977747	08/99		
SB25- 9917778	05/99	SB25- 9917843	08/99	SB85- 9977748	09/99		
SB25- 9917779	05/99	SB25- 9917844	08/99	SB25- 9977749	10/99		
SB25- 9917780	05/99	SB25- 9917845	08/99	SB85- 9977750	10/99		



**Hydro Clipper 5 ft. - 6 ft. - 7 ft.
2500 - 3500 - 6000 - 7500 - 8500
Archive Book No. 02979557
2004 Edition**