



EAGLE 15-10

Pull Behind Mower

Rev 06-20

Part No. 00780567P

PARTS MANUAL SN 0180-UP



ALAMO INDUSTRIAL

1502 E. Walnut
Seguin, Texas 78155
830-372-9595

¡ATENCIÓN!

LEA EL INSTRUCTIVO

Si No Lee Ingles, Pida Ayuda a Alguien
Que Si Lo Lea Para Que le Traduzca las
Medidas de Seguridad.



An Operator's Manual was shipped with the equipment in the Manual Canister. This Operator's Manual is an integral part of the safe operation of this machine and must be maintained with the unit at all times. **READ, UNDERSTAND, and FOLLOW** the Safety and Operation Instructions contained in this manual before operating the equipment. If the Operator's Manual is not with the equipment, contact your dealer or Alamo Industrial (800-356-6286) to obtain a Free copy before operating the equipment.

BOLT TORQUE

Mounting procedures for mowers will require a significant amount of bolt nut and washer installation.

Frame and structure mounting bolts should be installed using *Red Loctite*, and torqued to the dry values listed in the torque chart based on the bolt size and hardness.

Other structures such as pump mounting bolts should be installed with *Blue Loctite* and torqued to the dry values indicated in the chart.

Bolt tightness should be completed with and checked with a suitable torque wrench.

Torque checks should be completed throughout the life of the mower in accordance with the maintenance chart provided in this manual.



Loose bolts on a frame or in a casting may be a result of:

- Vibration from the mower due to imbalance of the mower blades
- Pulled threads due to over tightening
- Distortion of the hole due to under tightening during installation

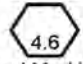
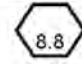
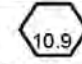
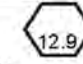
Bolts broken or sheared in the mounting structure or tractor may be the result of:

- Improper alignment of the Mounting Plate or Structure such that it is not sitting flat on the mating surface
- Distortion of the bolt due to over-tightening
- Under tightening of the bolts

Check the bolt torque during installation and prior to delivery with a suitable torque wrench.

Bolt Diameter		
	Head Marking Three Lines Grade Five	Head Marking Six Lines Grade Eight
	Pound - Foot Value Dry	Pound - Foot Value Dry
1/4"	7	10
5/16"	15	22
3/8"	26	39
7/16"	42	60
1/2"	64	88
9/16"	100	134
5/8"	128	180
3/4"	227	320
7/8"	365	515
1"	547	772

To get Newton-Meters multiply pound-foot of torque by 1.356

Bolt Diameter				
	Head Marking 4.6	Head Marking 8.8 or 9.8	Head Marking 10.9	Head Marking 12.9
	Pound - Foot Value Dry	Pound - Foot Value Dry	Pound - Foot Value Dry	Pound - Foot Value Dry
6mm	3	7	9	10
8mm	6.2	16	23	24
10mm	12	32	45	47
12mm	21	55	79	81
14mm	34	88	126	130
16mm	53	137	196	202
18mm	73	189	270	279
20mm	104	267	382	394
22mm	141	364	520	537
24mm	179	461	660	680
27mm	262	676	968	998
30mm	355	917	1312	1353

TO THE OWNER/OPERATOR/DEALER

All implements with moving parts are potentially hazardous. There is no substitute for a cautious, safe-minded operator who recognizes the potential hazards and follows reasonable safety practices. The manufacturer has designed this implement to be used with all its safety equipment properly attached to minimize the chance of accidents.

BEFORE YOU START!! Read the safety messages on the implement and shown in your manual.
Observe the rules of safety and common sense!

! DANGER

FAILING TO FOLLOW SAFETY MESSAGES AND OPERATING INSTRUCTION CAN CAUSE SERIOUS BODILY INJURY OR EVEN DEATH TO OPERATOR AND OTHERS IN THE AREA.

1. 	2. NO RIDERS. NO CHILDREN OPERATORS 	3. USE SAFETY SHOES, HARD HAT, SAFETY GLASSES, SEAT BELTS, ROPS & OPS. 	4. BLOCK UP SECURELY BEFORE WORKING UNDER. 
--	---	---	--

1. Study and understand Operator's Manuals, Safety Decals, and Instructional Decals for tractor and implement to prevent misuse, abuse, and accidents. Practice before operating in a confined area or near passersby.
 - Learn how to stop engine suddenly in an emergency. Be alert for passersby and especially children.
2. Allow no children on or near folding mower or tractor. Allow no riders on tractor or implement. Falling off may cause serious injury or death from being run over by tractor or mower or contact with rotating blades.
3. Operate only with tractor having Roll-Over Protective Structure (ROPS) and with seat belt securely fastened to prevent injury and possible death from falling off or tractor overturn.
 - Personal Protective Equipment such as Hard Hat, Safety Glasses, Safety Shoes, & Ear Plugs are recommended.
4. Block up or support raised machine and all lifted components securely before putting hands or feet under or working underneath any lifted component to prevent crushing injury or death from sudden dropping or inadvertent operation of controls. Make certain area is clear before lowering or folding.
5. Before transporting, put Lift Lever in detent or full-lift position. Install Transport Safety Devices securely on folding mowers. Put Booms securely in Transport Rest.
 - Folding and Boom Mowers have raised center of gravity. Slow down when turning and on hillsides.
6. Make certain that SMV sign, warning lights, and reflectors are clearly visible. Follow local traffic codes.
7. Never operate with Cutting Head or Folding Section raised if passersby, bystanders, or traffic are in the area to reduce possibility of injury or death from objects thrown by Blades under Guards or mower structure.
8. Before dismounting, secure implement in transport position or lower to ground.
 - Put tractor in park or set brake, disengage PTO, stop engine, remove key, and wait until noise of rotation has ceased to prevent crushing by entanglement in rotating parts which could cause injury or death.
 - Never mount or dismount a moving vehicle. Crushing from runover may cause serious injury or death.

5. TRANSPORT SAFELY, LOCK UP. 	6. USE SMV, LIGHTS, & REFLECTORS. 	7. DO NOT OPERATE WITH CUTTER OR WING RAISED 	8. DO NOT MOUNT OR DISMOUNT WHILE MOVING. 
---	---	---	---

02967827

WARRANTY INFORMATION:

Read and understand the complete Warranty Statement found in this Manual. Fill out the Warranty Registration Form in full and return it within 30 Days. Make certain the Serial Number of the Machine is recorded on the Warranty Card and on the Warranty Form that you retain. The use of "will-fit" parts will void your warranty and can cause catastrophic failure with possible injury or death.

CHANGE PAGES

Date of Change	Page Number
04-03-2013	(EXAMPLE ONLY: ECN##### - chg pages 17, 23, 137)
04-03-2013	document release date
07-09-2014	chg pg 47
01-12-2015	chg pg 9
05-21-2018	chg pg 76
06-25-2018	ECN28231
6-09-2020	chg pg 69 NS00975
06-30-2020	chg pg 5 NS01019

CHANGE PAGES

The following is a listing of pages that have been changed since the latest publication date for the overall document.

PARTS ORDERING GUIDE

The following instructions are offered to help eliminate needless delay and error in processing purchase orders for the equipment in this section.

1. The Parts Section is prepared in logical sequence and grouping of parts that belong to the basic machine featured in this manual. Part Numbers and Descriptions are given to help locate the parts and quantities required.
2. The Purchase Order must include the name and address of the person or organization ordering the parts, who should be charged, and if possible, the serial number of the machine for which the parts are ordered.
3. The Purchase Order must clearly list the quantity of each part, the complete and correct part number (be sure to include all periods), and the basic name of the part.
4. The Manufacturer reserves the right to substitute parts where applicable.
5. Some parts are unlisted items which are special production items not normally stocked and are subject to special handling. Request a quotation for such parts before sending a Purchase Order.
6. The Manufacturer reserves the right to change prices without prior notice.

Note: *Please refer to The Safety Section in the front of this Manual for the proper part number when ordering replacement safety decals.*



For maximum safety and to guarantee optimum product reliability, always use genuine Alamo Industrial Parts. The use of inferior replacement parts may cause premature or catastrophic failure which could result in serious injury or death. Direct any questions regarding parts to:



ALAMO INDUSTRIAL

1502 E. Walnut
Seguin, Texas 78155
830-379-1480

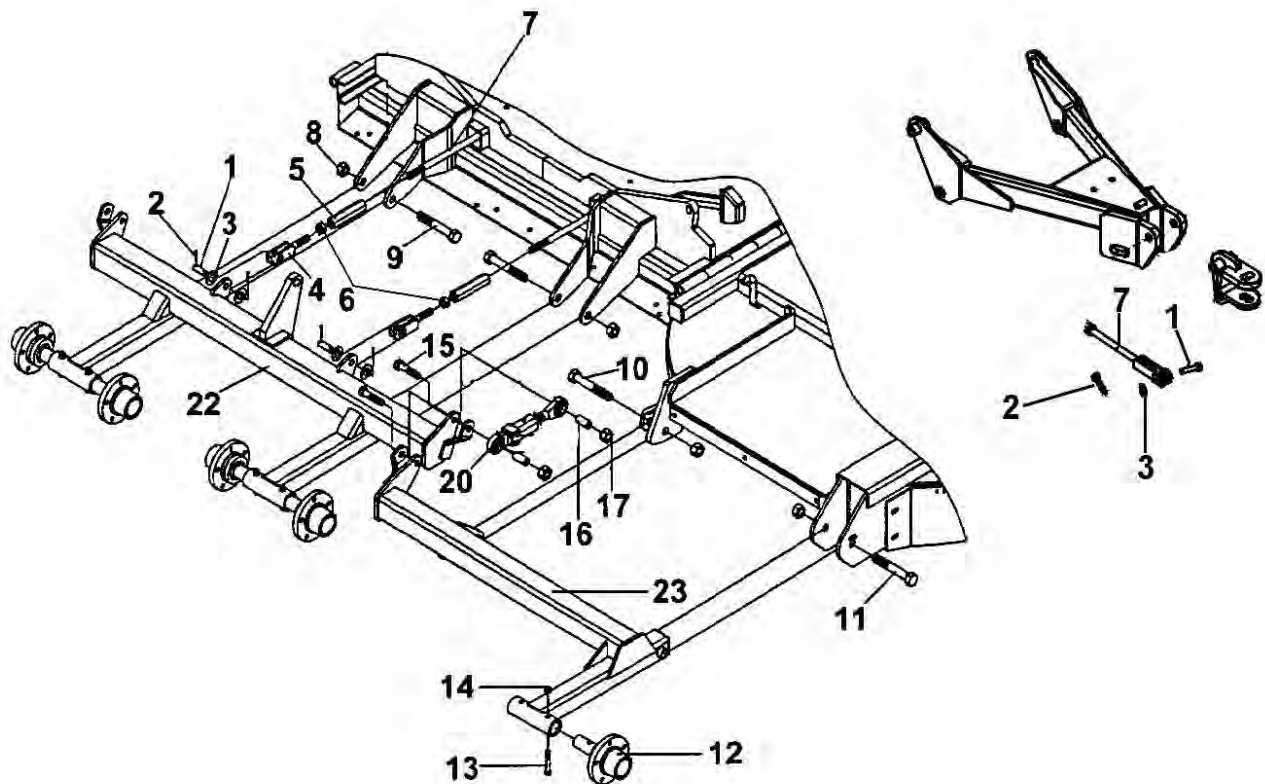
PART NAME INDEX

AXLE & LEVEL ROD ASY - (SN EGL-0180 (08-06 TO CURRENT)).....	5
AXLE TURNBUCKLE ASY P/N 00763449 - (SN EGL-0001 (09-04) TO CURRENT).....	7
BLADE CARRIER ASY - CENTER & WING - (SN EGL-0180 (08-06) TO CURRENT).....	9
CHAINGUARD ASY - FRONT CENTER - (SN EGL-0001 (09-04) TO CURRENT).....	11
CHAINGUARD ASY - FRONT WING LH & RH - (SN EGL-0001 (09-04) TO CURRENT).....	12
CHAINGUARD ASY - REAR CENTER - (SN EGL-0001 (09-04) TO CURRENT).....	13
CHAINGUARD ASY - REAR WING LH & RH - (SN EGL-0001 (09-04) TO CURRENT).....	14
CHAINGUARD ASY - REAR WING LH & RH INSIDE - (SN EGL-0001 (09-04) TO CURRENT).....	15
CLUTCH - 35R - P/N 00775331 - (SN EGL-0001 (09-04) TO CURRENT).....	16
CLUTCH - 44R - P/N 00779357 - (SN EGL-0180 (08-06) TO CURRENT).....	17
CYLINDER ASY - CENTER AXLE LIFT - (SN EGL-0180 (08-06) TO CURRENT).....	18
CYLINDER ASY - WING LIFT & FOLD - (SN EGL- (02-07) TO CURRENT).....	19
CYLINDER ASY - WING LIFT & FOLD - (SN EGL- (01-07) TO BELOW).....	20
CYLINDER ATTACHMENT - WING - (SN EGL-0001 (09-04) TO CURRENT).....	21
DECK ATTACHMENTS - CENTER & WINGS BLADE G/B - (SN EGL-0001 (09-04) TO CURRENT).....	23
DECK ATTACHMENTS - CENTER DIVIDER G/B - (SN EGL-0001 (09-04) TO CURRENT).....	25
DRIVELINE - INTERMEDIATE 540 OR 1000 - (SN EGL-0001 (09-04) TO CURRENT).....	27
DRIVELINE - PTO - C/V 1-3/4 X 20 SPL 1000 - (SN EGL-0180 (08-06) TO CURRENT).....	29
DRIVELINE - PTO - C/V 1-3/8 X 21 SPL 1000 - (SN EGL-0180 (08-06) TO CURRENT).....	31
DRIVELINE - PTO - C/V 1-3/8 X 6 SPL 540 - (SN EGL-0180 (08-06) TO CURRENT).....	33
DRIVELINE - PTO - NON C/V 1-3/4 X 20 SPL 1000 - (SN EGL-0001 (09-04) TO CURRENT).....	35
DRIVELINE - PTO - NON C/V 1-3/8 X 21 SPL 1000 - (SN EGL-0180 (08-06) TO CURRENT).....	36
DRIVELINE - PTO - NON C/V 1-3/8 X 6 SPL 540 - (SN EGL-0180 (08-06) TO CURRENT).....	37
DRIVELINE - WING - 35R OPTION - (SN EGL-0001 (09-04) TO CURRENT).....	39
DRIVELINE - WING - 44R OPTION - (SN EGL-0180 (08-06) TO CURRENT).....	41
DRIVELINE - WING - CAT 5 OPTION.....	42
GEARBOX ASY - CENTER 1000 RPM - (SN EGL-0001 (09-04) TO CURRENT).....	43
GEARBOX ASY - CENTER 540 RPM - (SN EGL-0001 (09-04) TO CURRENT).....	45
GEARBOX ASY - DIVIDER 540 OR 1000 RPM - (SN EGL-0001 (09-04) TO CURRENT).....	47
GEARBOX ASY - LH WING 1000 RPM - (SN EGL-0001 (09-04) TO CURRENT).....	49
GEARBOX ASY - LH WING 540 RPM - (SN EGL-0001 (09-04) TO CURRENT).....	51
GEARBOX ASY - RH WING 1000 RPM - (SN EGL-0001 (09-04) TO CURRENT).....	53
GEARBOX ASY - RH WING 540 RPM - (SN EGL-0001 (09-04) TO CURRENT).....	55
HYDRAULIC CONTROL VALVE - (SN EGL-0001 (09-04) TO CURRENT).....	57
HYDRAULIC CONTROL VALVE W/MOUNTING KIT - (SN EGL-0001 (09-04) TO CURRENT).....	59
HYDRAULIC SCHEMATIC - (SN EGL-0001 (09-04) TO CURRENT).....	61
SIDE SKIRTS & SKID SHOES - (SN EGL-0001 (09-04) TO CURRENT).....	63
SMV SIGN & MOUNTING - (SN EGL-0001 (09-04) TO CURRENT).....	65
SPRING ASY - CENTER AXLE - (SN EGL-0180 (08-06) TO CURRENT).....	67
TONGUE ASY - LONG - (SN EGL-0180 (08-06) TO CURRENT).....	69

PART NAME INDEX

TONGUE ASY - SHORT - (SN EGL-0180 (08-06) TO CURRENT).....	71
TONGUE HITCH ASY - CAPTIVE BALL OPTION - (SN EGL-0001 (09-04) TO CURRENT).....	73
TONGUE HITCH ASY - PINTLE HOOK OPTION - (SN EGL-0001 (09-04) TO CURRENT).....	74
TONGUE HITCH ASY - SWIVEL CLEVIS OPTION - (SN EGL-0001 (09-04) TO CURRENT).....	75
WEIGHTBOX ASY - 1400 LBS. - 10' MODEL - (SN EGL-0001 (09-04) TO CURRENT).....	76
WHEEL & TIRE ASY - PNEUMATIC & SOLID TIRE - (SN EGL-0001 (09-04) TO CURRENT).....	77
WHEEL HUB & SPINDLE ASY - (SN EGL-0001 (9-04) TO 0179).....	78
WHEEL HUB & SPINDLE ASY - (SN EGL-0180 TO CURRENT) OPTION 1.....	79
WHEEL HUB & SPINDLE ASY - (SN EGL-0180 TO CURRENT) OPTION 2.....	80
WINCH STAND ASY - (SN EGL-0001 (09-04) TO CURRENT).....	81

AXLE & LEVEL ROD ASY - (SN EGL-0180 (08-06 TO CURRENT))



ITEM	PART NO.	QTY.	DESCRIPTION
1	00764990	4	PIN-DRILLED
2	00755153	8	COTTER PIN, 3/16" X 1-1/2" PLATED
3	15B1200	8	WASHER, 3/4" P SAE
4	00778163	2	SHORT LEVEL ROD WELDMENT
5	00778159	2	NUT, 9" LONG, ADJUSTING
6	00778160	2	HEXNUT, 7/8" JAM LH THREAD ZP
7	00778164	2	LONG LEVEL ROD WELDMENT
8	02030300	6	LOCKNUT, TOPLOCK 1"-NC PLB
9	00016700	2	BOLT, HEX HEAD 1 (OPTIONAL, 00764990-GREASEABLE PIN)
10	00750479	2	BOLT, HEX HEAD 1 (OPTIONAL, 00786342-GREASEABLE PIN)
11	317918H5C	2	BOLT, HEX HEAD 1 (OPTIONAL, 00764990-GREASEABLE PIN)
12	00775616A	6	HUB & SPINDLE ASY
13	00764375	6	BOLT, HEX HEAD 1/2
14	00001800	6	LOCKNUT TLM 1/2 NC PLC
15	00009500	4	BOLT, HE HEAD 3/4"-NC X 4-1/2" PL GR5
16	00751584	4	SPACER TUBE
17	00037200	4	LOCKNUT, TOPLOCK 3/4"-NC PLC
20	00763449	2	CONTROL ROD TURNBUCKLE ASY
22	00778962	1	AXLE WELDMENT, CENTER
23	00777830	1	AXLE WELDMENT, RH WING

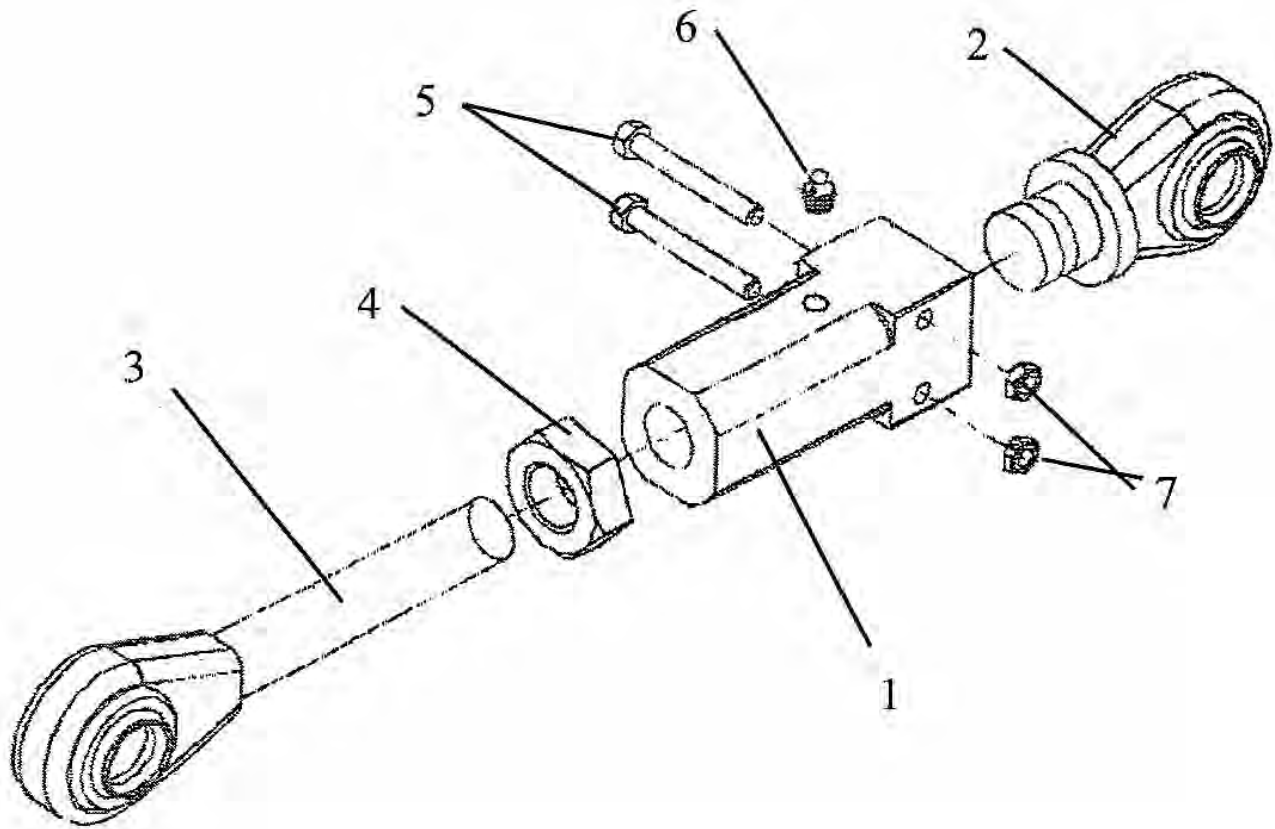
00780567P - Eagle 15-10 (SN 0180-Up) (08-06)_06-20

AXLE & LEVEL ROD ASY - (SN EGL-0180 (08-06 TO CURRENT))

Continued...

ITEM	PART NO.	QTY.	DESCRIPTION
	00777831	1	AXLE WELDMENT, LH WING
24	00778165	2	LEVEL ROD ASY, COMPLETE (ITEMS 1 THRU 7)

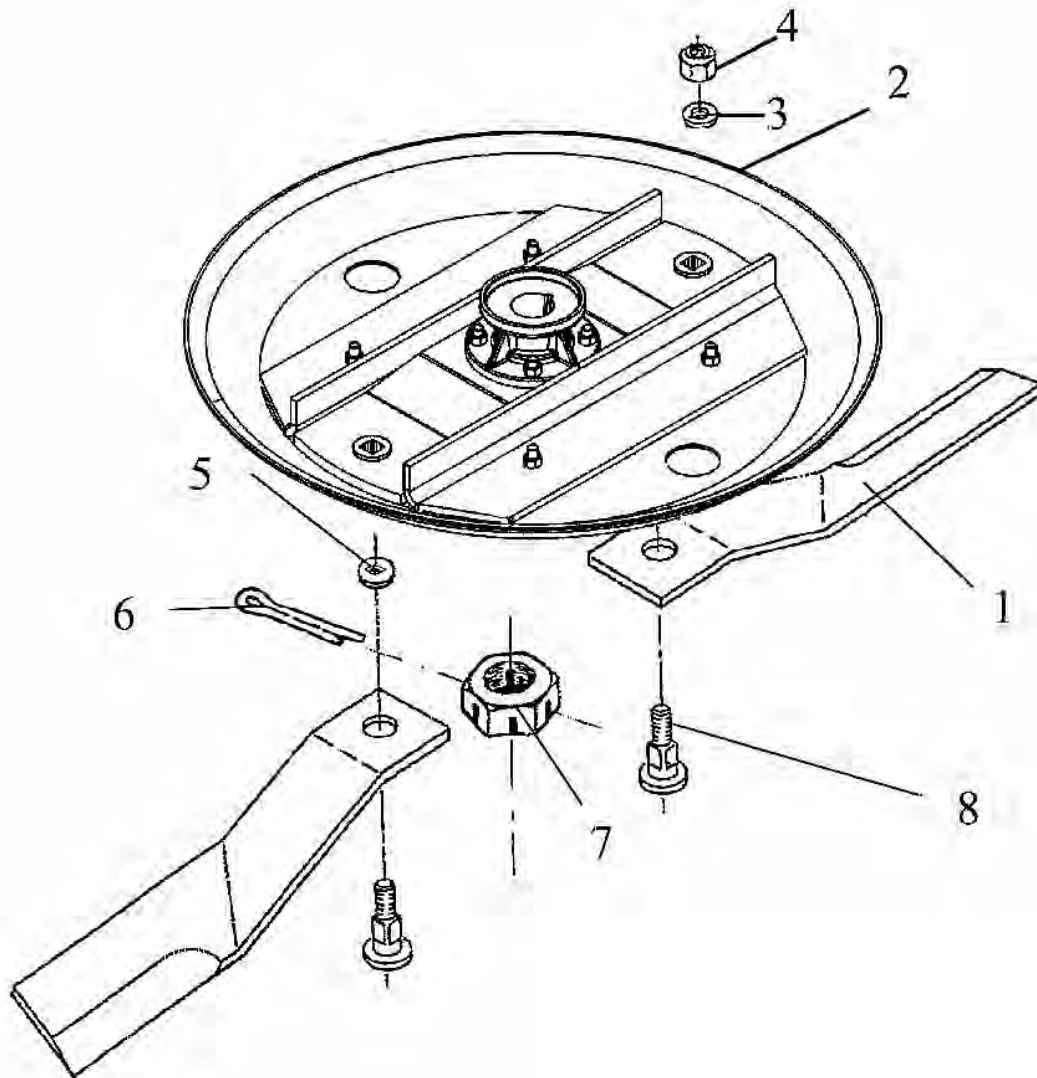
AXLE TURNBUCKLE ASY P/N 00763449 - (SN EGL-0001 (09-04) TO CURRENT)



ITEM	PART NO.	QTY.	DESCRIPTION
	00763449	-	LINK ASY, AXLE TURNBUCKLE
1	00763450A	1	TURNBUCKLE,1-1/8NC THRD 2 HOLE
2	00763962	1	LINK END
3	00763447	1	THREADED LINK END
4	02012200	1	NUT, HEX 1-1/8 NC PL
5	02152800	2	BOLT, HEX HEAD 5/16"-NC X 2-1/2" PL
6	00780848	1	GREASE FITTING
7	00750940	2	LOCKNUT, TOPLOCK 5/16"-NC PLB

THIS PAGE INTENTIONALLY LEFT BLANK

BLADE CARRIER ASY - CENTER & WING - (SN EGL-0180 (08-06) TO CURRENT)



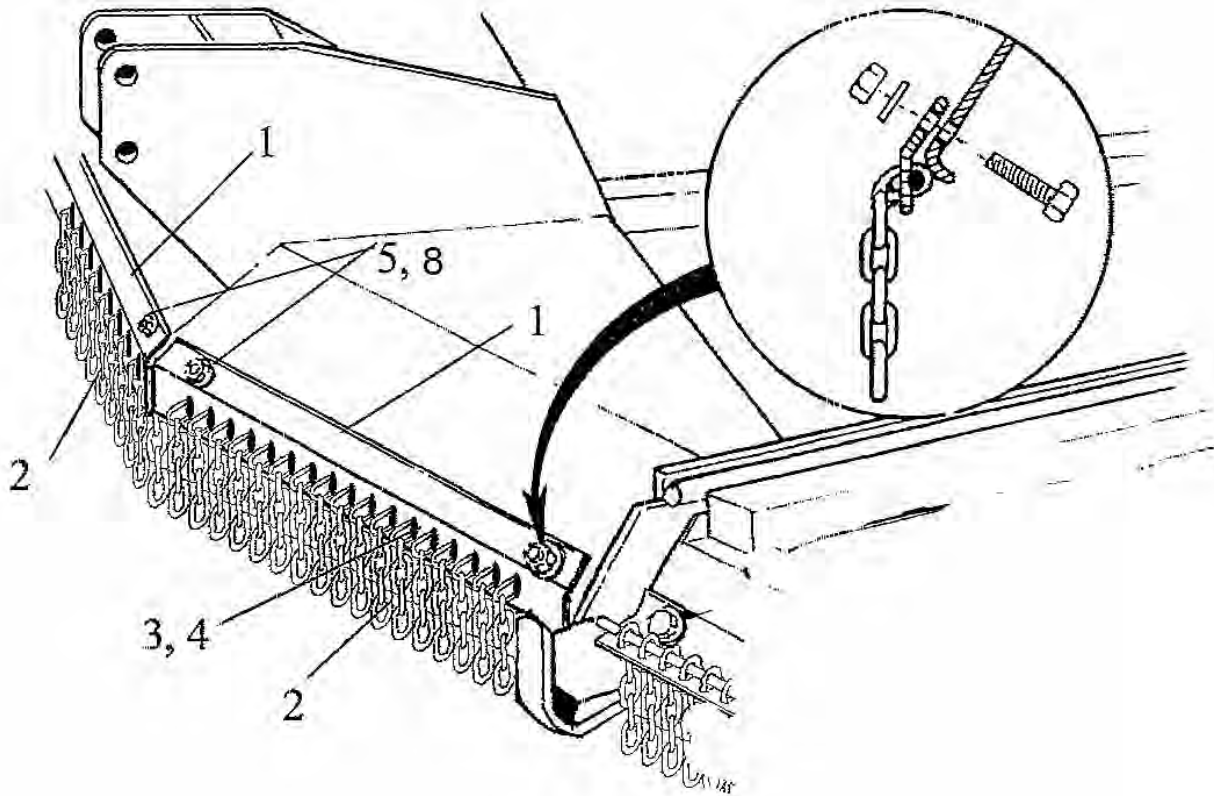
ITEM	PART NO.	QTY.	DESCRIPTION
1	0622010330	2	BLADE, CCW FAN, RH WING (1/2" THICK) STANDARD
----	0652010330	4	BLADE, CW FAN, CENTER & LH WING (1/2" THICK) STANDARD
	00762435	2	BLADE, CCW FAN, RH WING (5/8" THICK) OPTIONAL
----	00762438	4	BLADE, CW FAN, CENTER & LH WING (5/8" THICK) OPTIONAL
	0652010030	6	BLADE, FLAT CW & CCW, CENTER, LH & RH WING (1/2" THICK) OPTIONAL
	00757830	2	BLADE, CCW TWISTED, RH WING (1/2" THICK) OPTIONAL
----	00757829	4	BLADE, CW TWISTED, CENTER & LH WING (1/2" THICK) OPTIONAL
2	00779372	1	BLADE PAN ASY, CENTER SECTION
2A	00779371	2	BLADE PAN ASY, LH OR RH WING
3	571045	6	WASHER, HARDENED

BLADE CARRIER ASY - CENTER & WING - (SN EGL-0180 (08-06) TO CURRENT)

Continued...

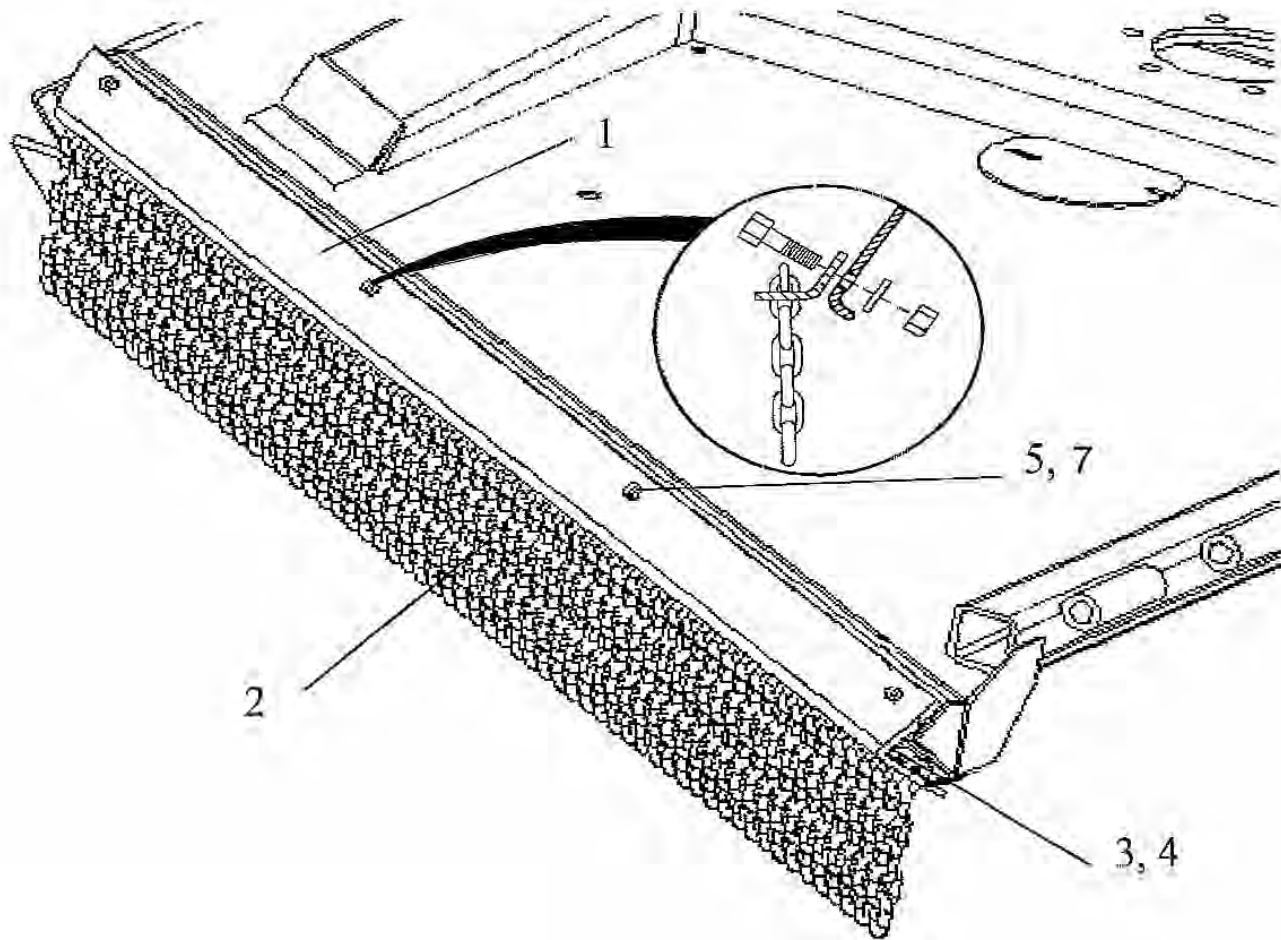
ITEM	PART NO.	QTY.	DESCRIPTION
4	5GL16140	3	LOCKNUT, 1"-14 LH THREAD PL (INCLUDED IN B571044)
5	00779283	6	WASHER, HARDENED BLADE WEAR
6	00777875	3	COTTER PIN
7	00777874	3	NUT, HEX SLOTTED FLANGED
8	B571044	3	KIT, (2) BLADE BOLTS & NUTS

CHAINGUARD ASY - FRONT CENTER - (SN EGL-0001 (09-04) TO CURRENT)



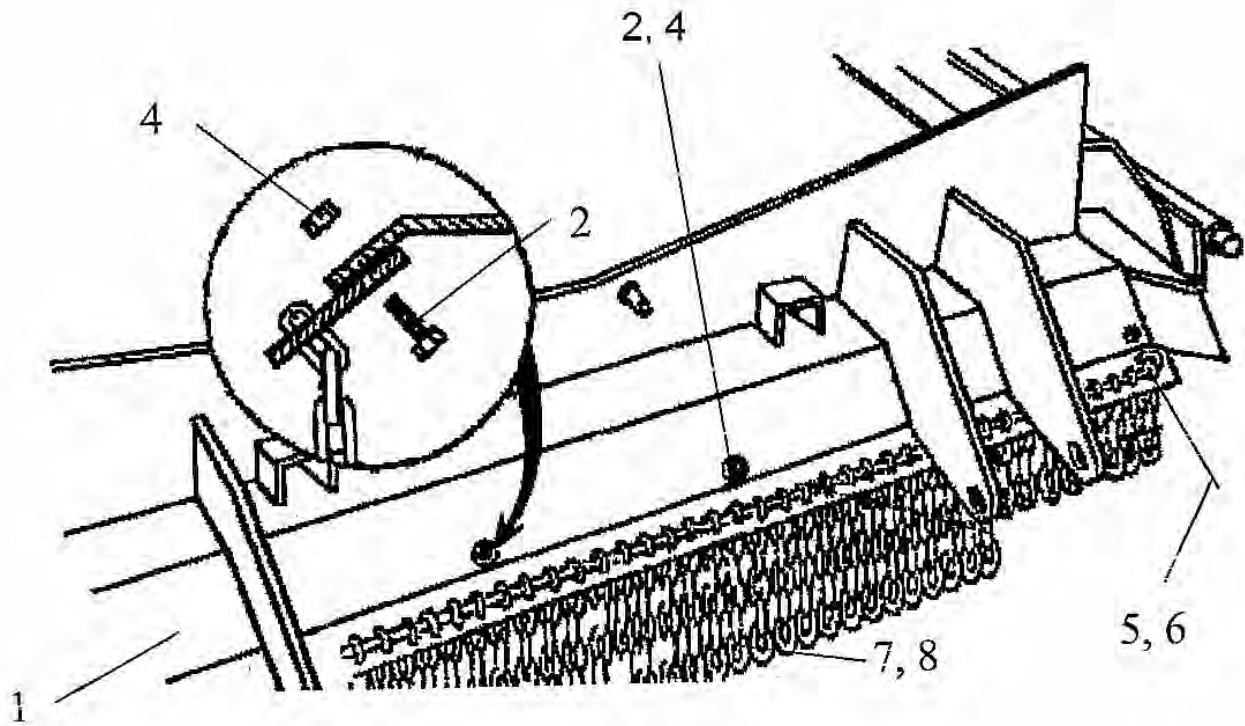
ITEM	PART NO.	QTY.	DESCRIPTION
	00778192	1	C/G ASY, FRNT CNTR (CNTR OF FRNT CNTR)
	00778190	-	C/G ASY, FRNT CNTR (LH OF FRNT CNTR)
	00778191	-	C/G ASY, FRNT CNTR (RH OF FRNT CNTR) NOT SHOWN
1	00757445	1	C/G BAR, FRNT CNTR (F/ 00778192)
	00757444	-	C/G BAR, LH FRNT CNTR (F/00778190)
	00757443	-	C/G BAR, RH FRNT CNTR (F/00778191) NOT SHOWN
2	00777370	51	CHAIN, 5/16"X6 LINK ZINC PLATED
3	00992000	-	CABLE, 1/4 GA AIRCRAFT (7X19)
4	00777374	2	CABLE STOP, ALUMINUM 1/4"
5	02030700	8	BOLT, HEX HEAD, 1/2-13UNC 1-1/4 PL5
8	4526	8	LOCKNUT (W/ FLANGE WHIZ)

CHAINGUARD ASY - FRONT WING LH & RH - (SN EGL-0001 (09-04) TO CURRENT)



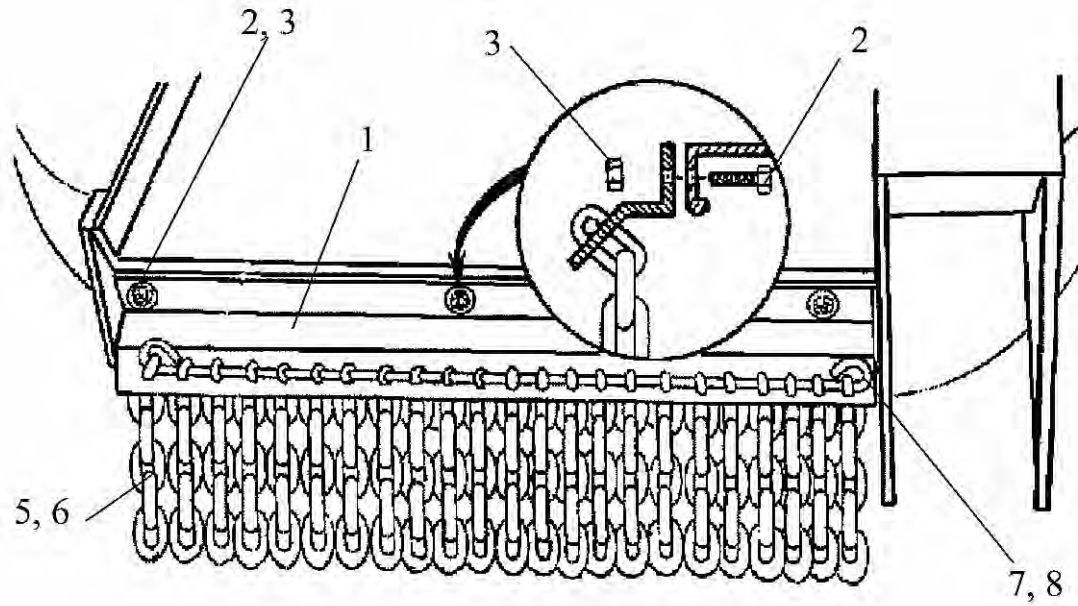
ITEM	PART NO.	QTY.	DESCRIPTION
	00778141	2	CHAIN GUARD ASY, FRONT WING DBL CG LH OR RH WING
1	00778139	2	MOUNT PLATE, DBL CG ONLY
2	00777370	119	CHAIN, 5/16" X 6 LINK ZINC PLATED
3	00992000	-	CABLE, 1/4 GA AIRCRAFT (7X19)
4	00777374	4	CABLE STOP, ALUMINUM 1/4"
5	02030700	8	BOLT, HEX HEAD 1/2-13UNC 1-1/4 PL5
7	4526	8	LOCKNUT (W/ FLANGE WHIZ)

CHAINGUARD ASY - REAR CENTER - (SN EGL-0001 (09-04) TO CURRENT)



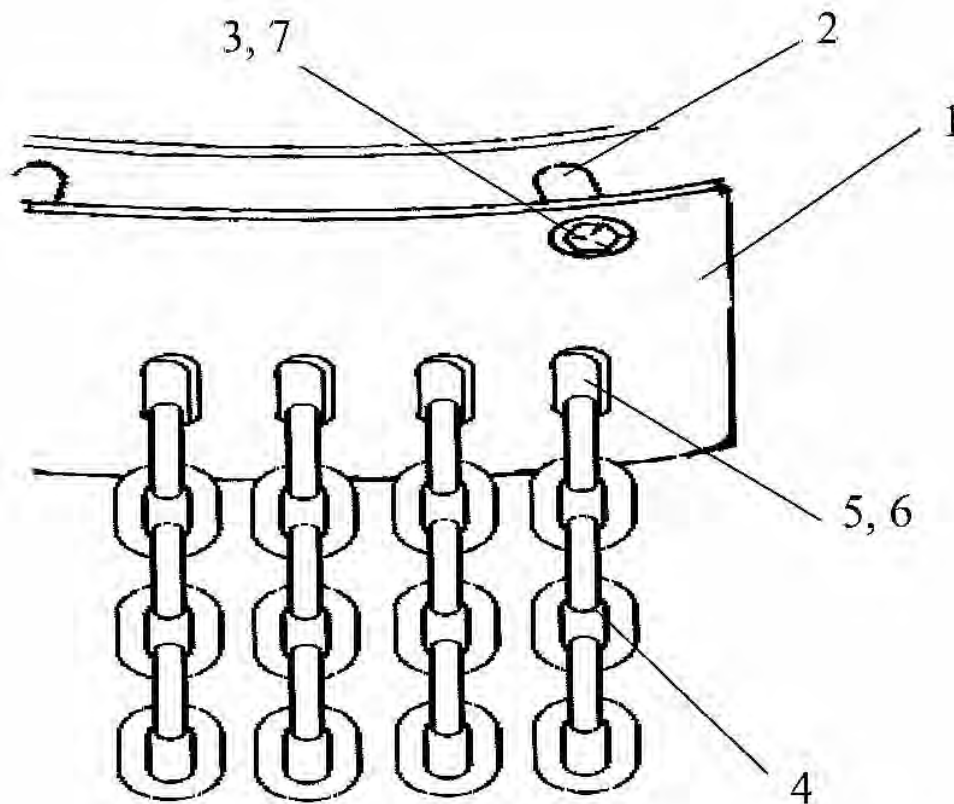
ITEM	PART NO.	QTY.	DESCRIPTION
	00757447	-	CHAINGUARD ASY, CENTER REAR DBL CHAINS
1	00757441	1	CHAINGUARD BAR, CENTER REAR
2	02030700	6	BOLT, HEX HEAD, 1/2-13UNC 1-1/4 PL5
4	4526	6	LOCKNUT (W/ FLANGE WHIZ)
5	00992000	-	CABLE, 1/4 GA AIRCRAFT
6	00777374	4	CABLE STOP, ALUMINUM 1/4"
7	00777368	12	CHAIN, 5/16" X 4 LINK ZINC PLATED
8	00777369	91	CHAIN, 5/16" X 5 LINK ZINC PLATED

CHAINGUARD ASY - REAR WING LH & RH - (SN EGL-0001 (09-04) TO CURRENT)



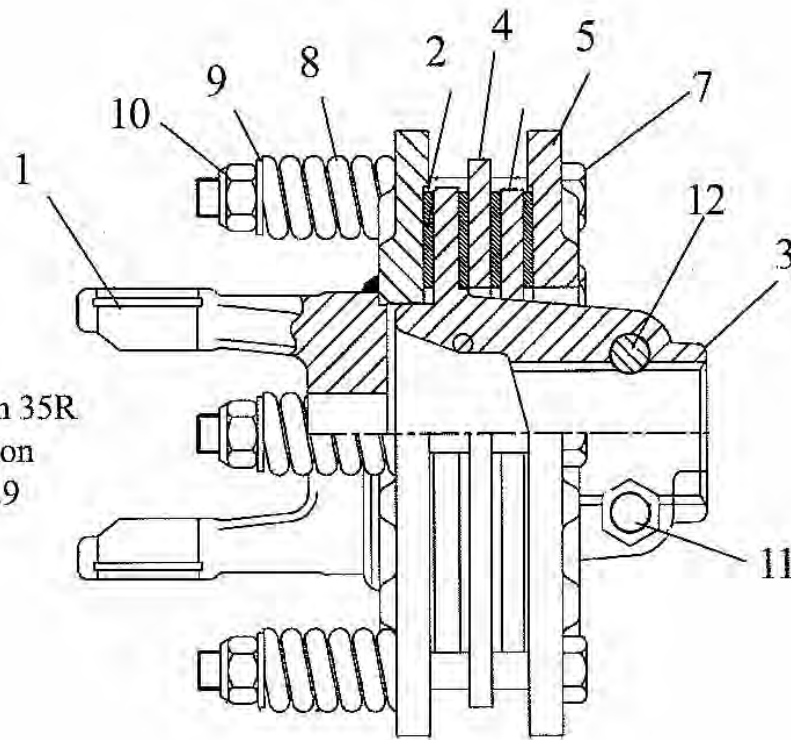
ITEM	PART NO.	QTY.	DESCRIPTION
	00761275	-	CHAINGUARD, ASY, WG RER
1	00761274	1	BRKT CHAINGUARD WING REAR DBL
2	00748823	3	HHCS 1/2-13UNC 1-1/2 PL5
3	4526	3	LOCKNUT (W/ FLANGE WHIZ)
5	00777370	26	CHAIN,5/16"X6 LINK ZINC PLATED
6	00777369	26	CHAIN,5/16"X5 LINK ZINC PLATED
7	00992000	-	CABLE, 1/4 GA AIRCRAFT (7X19)
8	00777374	2	CABLE STOP, ALUMINUM 1/4"

CHAINGUARD ASY - REAR WING LH & RH INSIDE - (SN EGL-0001 (09-04) TO CURRENT)



ITEM	PART NO.	QTY.	DESCRIPTION
	00763213	-	CHAINGUARD ASY - REAR WING INSIDE (L OR R WING)
1	00763214	1	BRACKET, WING INSIDE CHAINGUARD
2	00761027	3	PIPE SPACER
3	00753013	3	BOLT, HEX HEAD 1/2 NC 3 PL GR8
4	00777370	15	CHAIN, 5/16" X 6 LINK
5	00992000	-	CABLE, 1/4" GA AIRCRAFT
6	00777374	2	CABLE STOP, ALUMINUM 1/4"
7	4526	3	LOCKNUT (W/ FLANGE WHIZ)

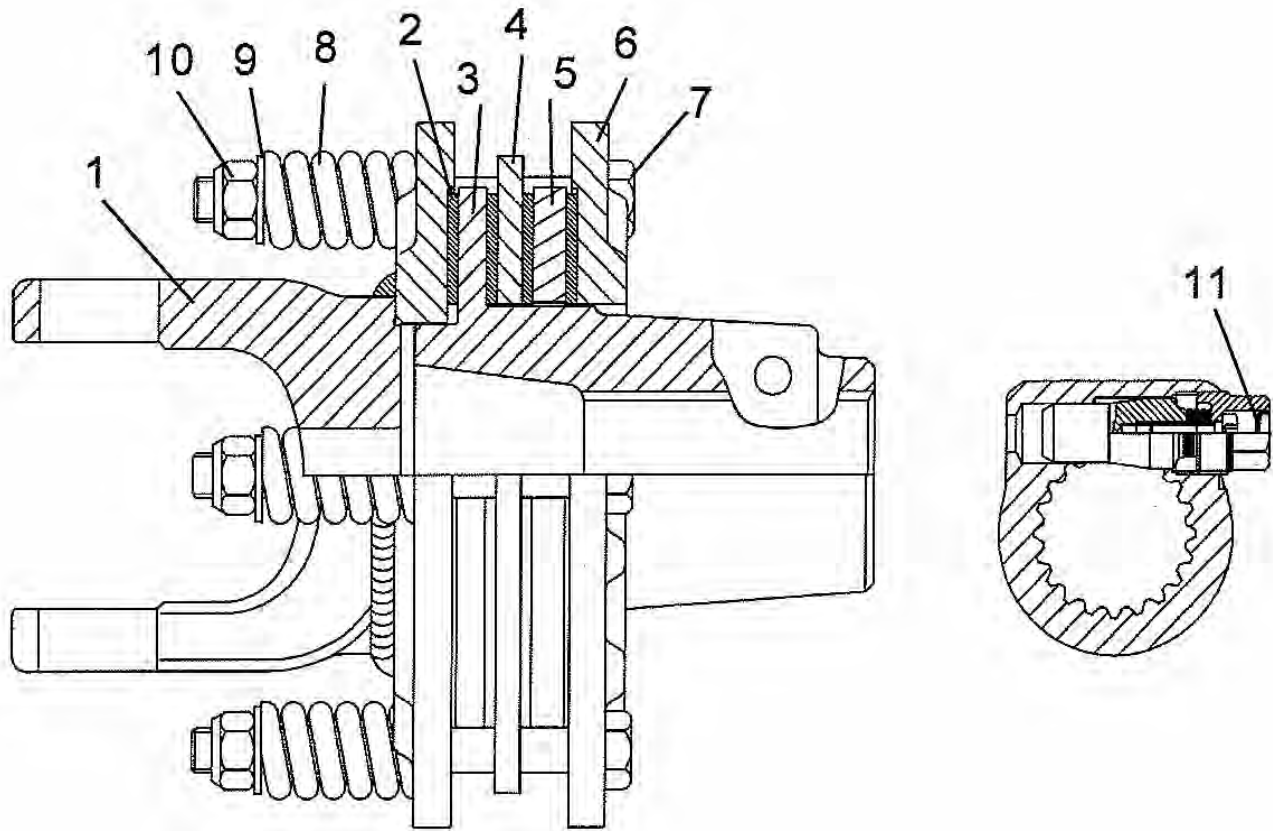
CLUTCH - 35R - P/N 00775331 - (SN EGL-0001 (09-04) TO CURRENT)



This Clutch used on 35R
Wing Driveline option
Asy P/N 00775329

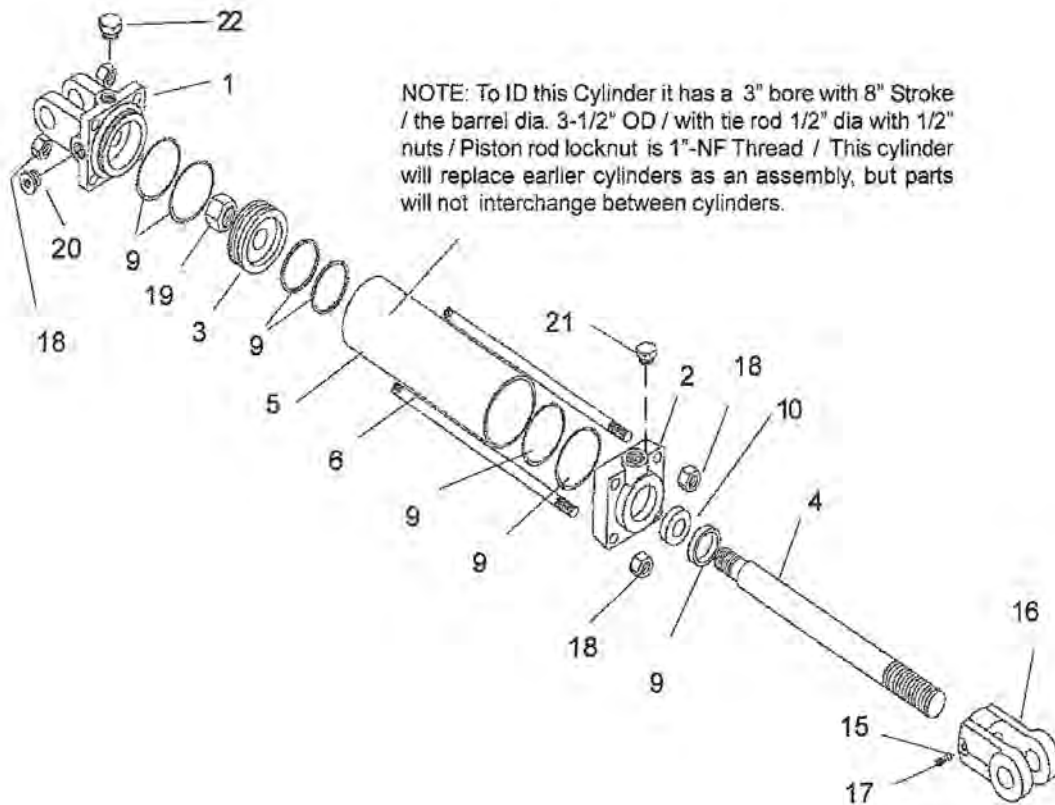
ITEM	PART NO.	QTY.	DESCRIPTION
	00775331	-	CLUTCH ASY, 4 DISC / 6 SPRING
1	00775333	1	FLANGE YOKE (F/ 35R DRIVELINE)
2	8366	4	RING, CLUTCH LINING
3	00775334	1	HUB 1-3/4-20 SPLINE
4	00775335	1	DRIVE PLATE
5	00775336	1	DRIVE PLATE
6	00775337	1	THRUST PLATE
7	00775338	6	BOLT, HEX HEAD (12 MM X 115MM)
8	00775339	6	COMPRESSION SPRING
9	00754566	6	LOCKWASHER
10	00756164	6	LOCKNUT, (12 MM)
11	00775327	2	LOCKNUT, (12 MM)
	700322C	2	LOCKNUT, NYLON INSERT (14 MM)
12	00775328	2	BOLT, HEX HEAD (12 MM)
	0615700	2	BOLT, HEX HEAD (14 MM))

CLUTCH - 44R - P/N 00779357 - (SN EGL-0180 (08-06) TO CURRENT)



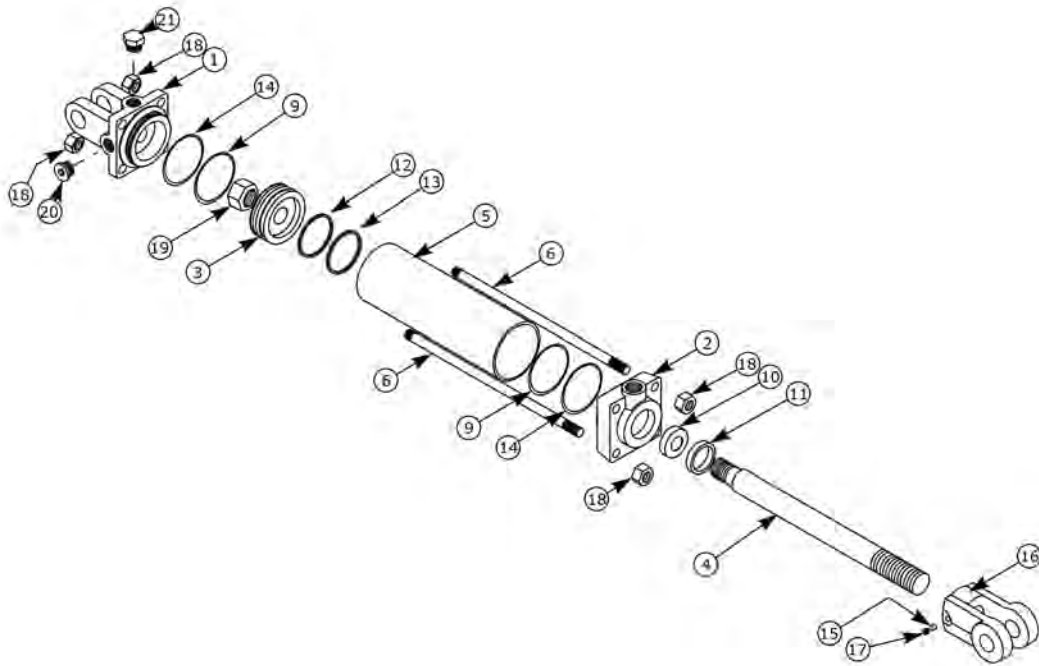
ITEM	PART NO.	QTY.	DESCRIPTION
	00779357	1	CLUTCH ASY, CAT 5 (1 TAPERED PIN CLUTCH HUB)
1	00775383	1	YOKE FLANGE
2	0921000462	4	DISK, CLUTCH
3	00779366	1	HUB, 1-3/4-20 SPLINE (USED 1 TAPERED PIN LOCK)
4	00775335	1	DRIVE PLATE
5	00779365	1	DRIVE PLATE
6	00775337	1	THRUST PLATE
7	00775338	6	BOLT, HEX M12 X P1.25 X 115M
8	00775339	6	COMPRESSION SPRING
9	00754566	6	LOCKWASHER, 12MM
10	00756164	6	NUT METRIC, 12MM-P1.75 GR.8.8
11	00774208	1	LOCK ASY CC YOKE (F/ ITEM 3)

CYLINDER ASY - CENTER AXLE LIFT - (SN EGL-0180 (08-06) TO CURRENT)



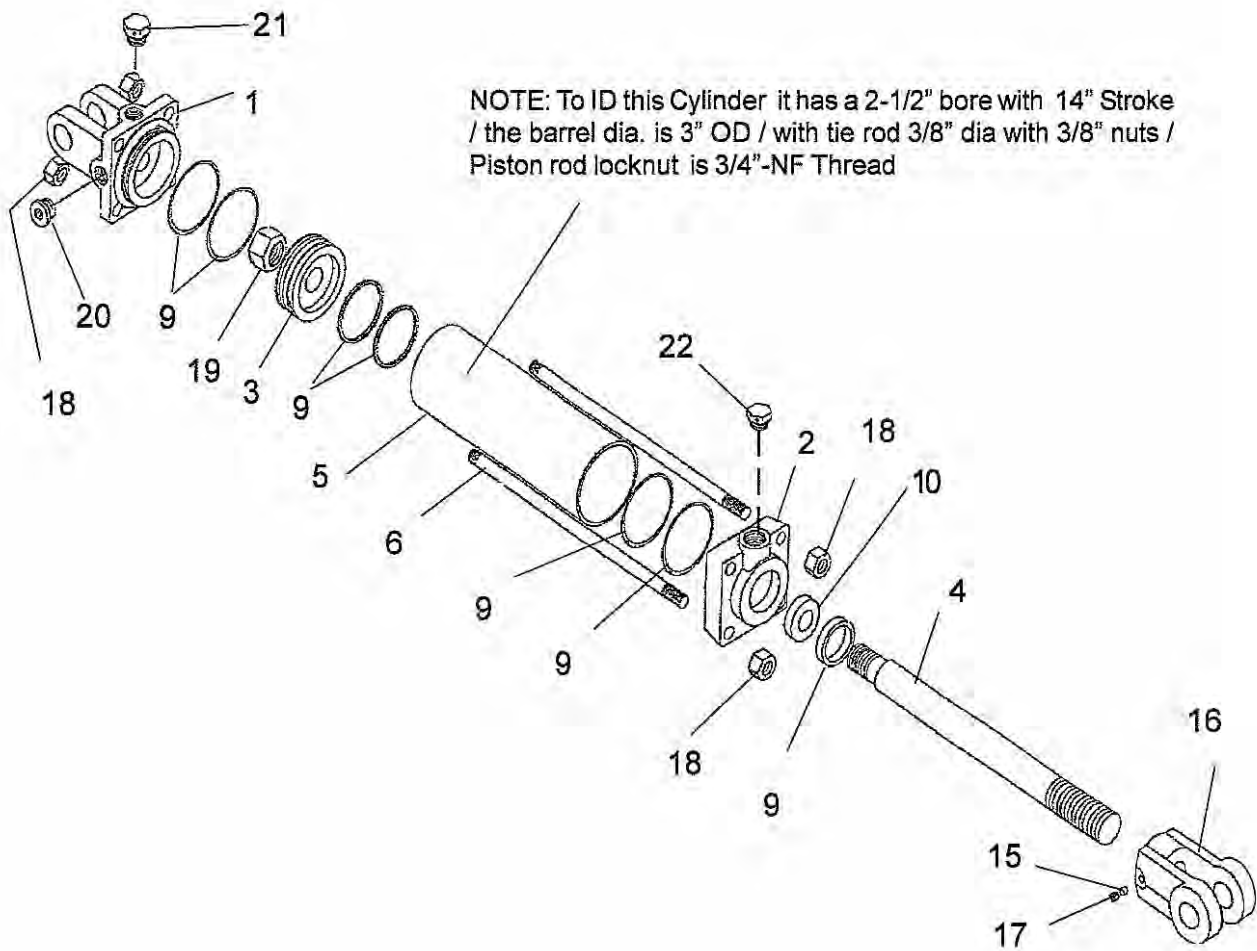
ITEM	PART NO.	QTY.	DESCRIPTION
	00759946A	-	CYLINDER ASY, 3" BORE X 8" STROKE W/ 1-1/4" ROD
1	2417158	1	CAP CLEVIS, CYL. BASE END
2	2417157	1	CAP, CYL. ROD END
3	00774732	1	PISTON (3" OD)
4	00774737	1	CYLINDER ROD, 1-1/4" ROD
5	00774748	1	CYLINDER BARRELL (3" BORE & 3-1/2" OD)
6	00774742	4	TIE ROD, (1/2" ROD W/ 1/2" THREAD, TORQUE LOCKNUTS TO 80 FT LBS)
9	00774761	1	SEAL KIT
15	3047117	1	THREAD LOCK (USE ON ITEM 19)
16	1917140	1	ROD CLEVIS
17	00774740	1	SET SCREW, SCKT HEAD (TORQUE SETSCREW TO 20 FT LBS)
18	33005H5C	8	NUT, HEX 1/2" THREAD, (TORQUE LOCKNUTS TO 80 FT LBS)
19	5JRC16140	1	LOCKNUT, 1" (INSTALL W/ THREAD LOCK (ITEM 15) & TORQUE LOCKNUT TO 300 FT LBS)
20	1917132	1	PLUG, SCKT HEAD, 3/4-16 ORB
21	2417154	1	BREATHER, CYLINDER 3/4" ORB
22	-----	1	HYDRAULIC HOSE ASSEMBLY (SEE CYLINDER ATTACHMENTS)

CYLINDER ASY - WING LIFT & FOLD - (SN EGL- (02-07) TO CURRENT)



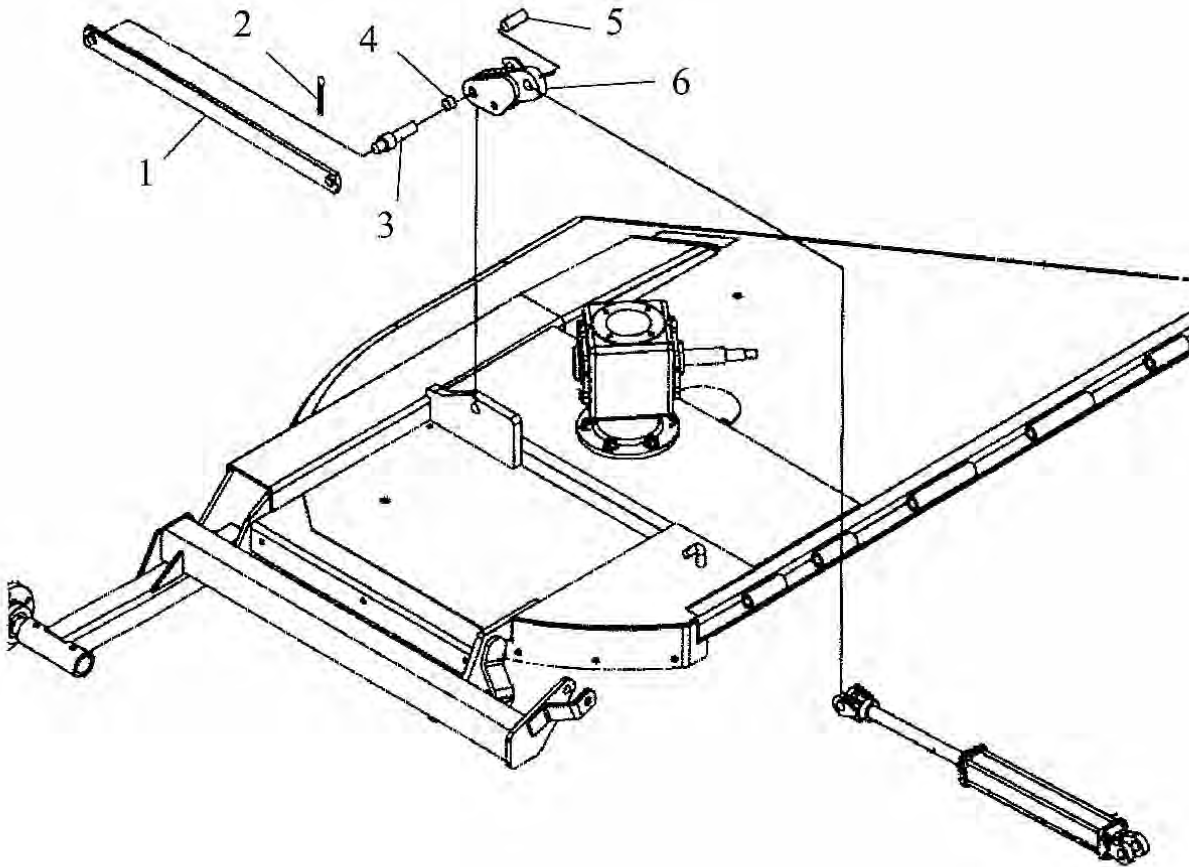
ITEM	PART NO.	QTY.	DESCRIPTION
	00759947A	1	CYLINDER ASSEMBLY
1	2417158	1	CLEVIS CAP
2	2417157	1	ROD CAP
3	00774732	1	PISTON
4	00774738	1	ROD
5	00774749	1	TUBE
6	00774743	4	TIE ROD
9	*	2	END CAP O-RING
10	*	1	ROD WIPER SEAL
11	*	1	ROD DUSTSEAL
12	*	1	PISTON SEAL
13	*	1	PISTON WEAR RING
14	*	2	END CAP BACKUP WASHERS
15	3047117	1	NYLON THREAD PROTECTOR
16	1917140	1	ROD CLEVIS
17	00774740	1	SETSCREW
18	33005H5C	8	TIE ROD NUT
19	5JRC16140	1	PISTON NUT
20	1917132	1	PORT PLUG
21	2417154	1	BREATHER
	00774761	1	SEAL KIT

CYLINDER ASY - WING LIFT & FOLD - (SN EGL- (01-07) TO BELOW)



ITEM	PART NO.	QTY.	DESCRIPTION
	8728A	-	CYLINDER ASY, WING LIFT & FOLD 2-1/2" BORE X 14" STROKE
1	00774729	1	CLEVIS CAP, BASE END
2	00774734	1	CAP, ROD END
3	00774730	1	PISTON, 2-1/2 DIA
4	00775728	1	CYL. ROD
5	00774746	1	CYL. TUBE 2-12" BORE WITH 14" STROKE
6	00774744	4	TIE ROD, 3/8" ROD W/ 3/8" THREAD (TORQUE TO 30 FT LBS)
9	00774760	1	SEAL KIT
15	3047117	1	THREAD LOCK (USE WITH ITEM 19)
16	3047119	1	ROD CLEVIS
17	00774740	1	SET SCREW, SOCKET HEAD (TORQUE TO 20 FT LBS)
18	33003H5C	8	HEX NUT, 3/8" THREAD (TORQUE TO 30 FT LBS)
19	5JRC12160	1	LOCKNUT, TOPLOCK (3/4" LOCKNUT USE ITEM 15 & TORQUE TO 130 FT LBS)
20	1917132	1	PLUG, SOCKET HEAD O-RING PLUG
21	2417154	1	BREATHER,CYLINDER

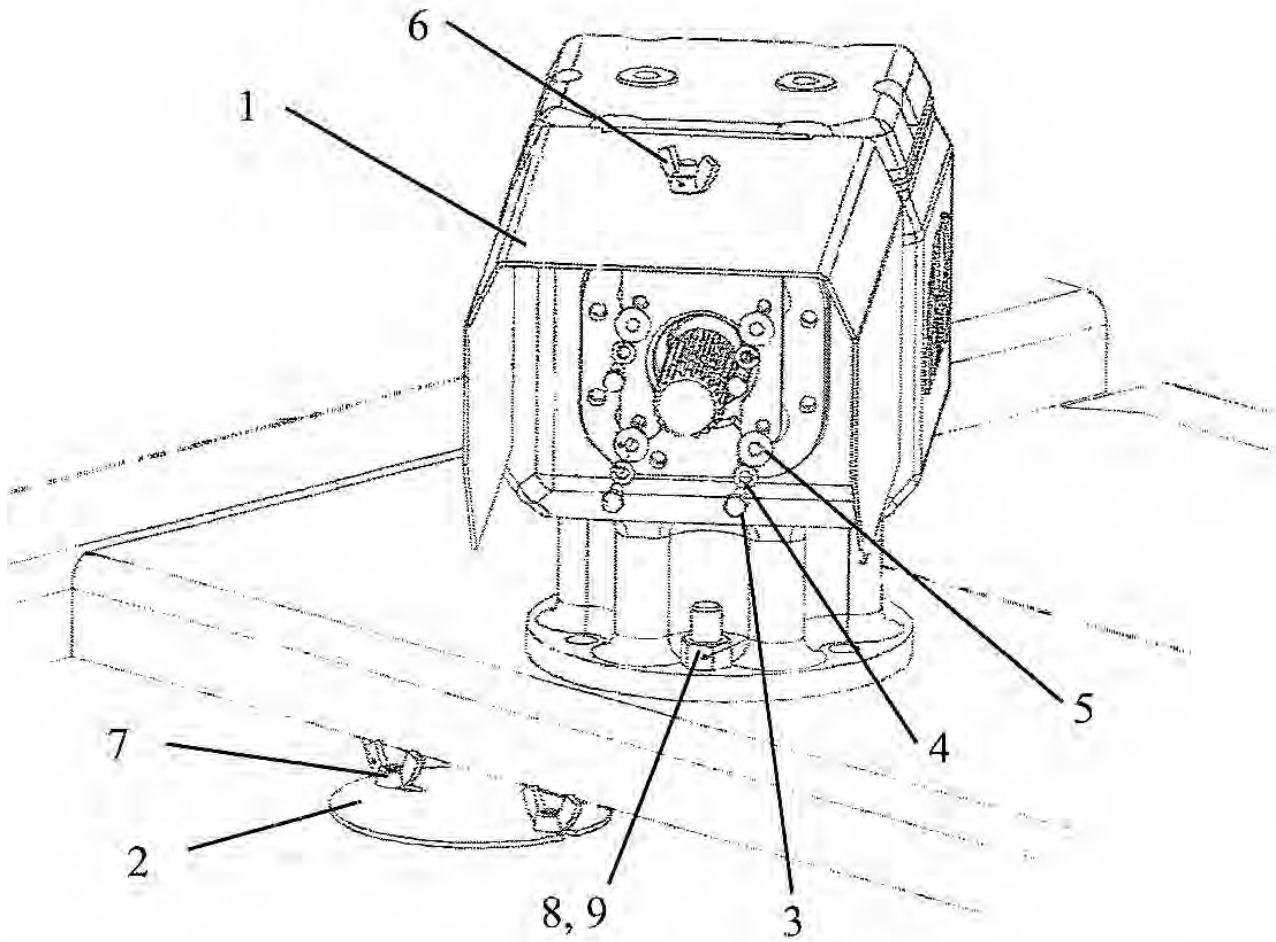
CYLINDER ATTACHMENT - WING - (SN EGL-0001 (09-04) TO CURRENT)



ITEM	PART NO.	QTY.	DESCRIPTION
1	00775174	2	TRANSPORT BAR, FLATE
2	00606000	9	COTTER PIN
3	8352	4	PIN ASY
4	00761504	2	SPACER
5	8354	3	PIN, F/HYD. CYL.
6	00777951	2	FLOAT LINK WELDMENT

THIS PAGE INTENTIONALLY LEFT BLANK

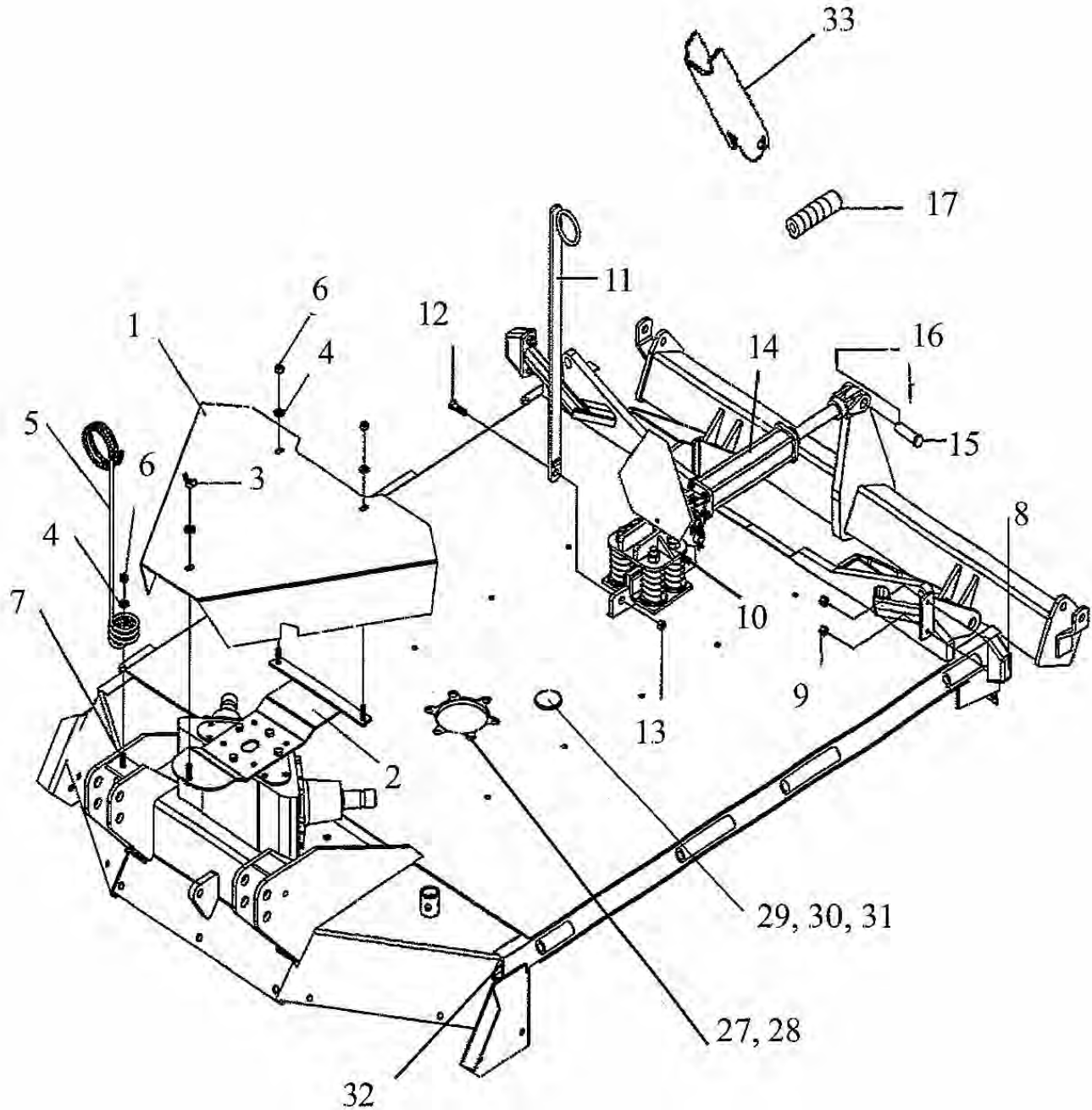
DECK ATTACHMENTS - CENTER & WINGS BLADE G/B - (SN EGL-0001 (09-04) TO CURRENT)



ITEM	PART NO.	QTY.	DESCRIPTION
1	00779439	2	WDMT,GEARBOX SHIELD
	00778122	1	G/B SHIELD WELDMENT, CENTER
2	5710121	3	COVER PLATE, CENTER OR WING
3	10119000	12	BOLT, HEX HEAD 5/16"-NC X 1" PL GR5
4	00011700	12	LOCKWASHER, 5/16 PL STD
5	00023500	12	FLATWASHER, 5/16,TYPE AW,ZP
6	5F8130	3	WING NUT, 1/2" NC
7	5F5180	6	WING NUT, 5/16" NC
8	00037200	18	LOCKNUT, TOPLOCK 3/4"-NC PLC
9	00007800	18	BOLT, HEX HEAD 3/4"-NC X 3" PL GR5
10	5312316	18	WASHER, HARDENED (SPECIAL)

THIS PAGE INTENTIONALLY LEFT BLANK

DECK ATTACHMENTS - CENTER DIVIDER G/B - (SN EGL-0001 (09-04) TO CURRENT)



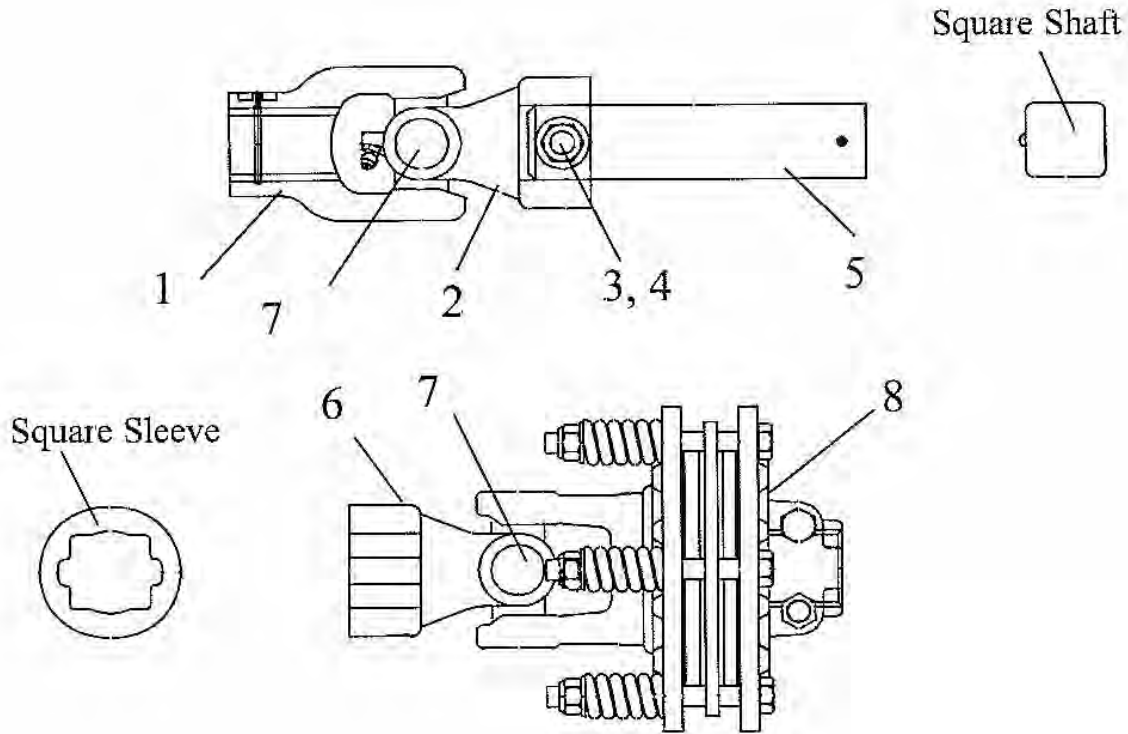
ITEM	PART NO.	QTY.	DESCRIPTION
1	00775191	1	GEARBOX SHIELD, DIVIDER
2	00775192	1	HINGE WELDMENT DIVIDER GEARBOX COVER
3	5F8130	1	WING NUT
4	00002700	4	FLATWASHER
5	02965484	1	HOSE BRACKET, SPRING BASE
6	00001800	1	LOCKNUT TLM 1/2 NC PLC

DECK ATTACHMENTS - CENTER DIVIDER G/B - (SN EGL-0001 (09-04) TO CURRENT)

Continued...

ITEM	PART NO.	QTY.	DESCRIPTION
7	00749130	1	BOLT, HEX HEAD
8	00776591	2	RUBBER BUMPER, WING
9	00755934	4	NUT, HEX
10	0656460100	1	CENTER SPRING ASY, (S/N EGL-0001 (9-04) TO EGL-0179 (7-06)
	00778942	1	CENTER SPRING ASY, (S/N EGL-0180 (8-06) TO CURRENT)
	03200347	1	SMV EMBLEM, (S/N EGL-0001 (9-04) TO EGL-0179 (7-06)
	00780664	1	SMV MOUNT FLAT, (S/N EGL-0001 (9-04) TO CURRENT)
	00748823	1	BOLT, HEX HEAD 1/2"-13NC X 1-1/2" PL GR5
	00001800	1	LOCKNUT TLM 1/2 NC PLC
	10119000	2	BOLT, HEX HEAD 5/16"-NC X 1" PL GR5
	00750940	2	LOCKNUT, TOPLOCK 5/16"-NC PLB
11	0651140100	1	HYD. HOSE BRACKET WELDMENT
12	02675800	1	BOLT, HEX HEAD
13	00695100	1	NUT, TOPLOCK 5/8 NC PLC
14	00759946A	1	CYLINDER ASY, 3 X 8 W/1-1/4 ROD
15	103266	1	CYLINDER PIN
16	00606000	2	COTTER PIN
17	00755234	1	CONTROL SPACER KIT
18	0656460110	1	UPPER SPRING WELDMENT
19	0656460120	1	LOWER SPRING WELDMENT
20	00037200	4	LOCKNUT, TOPLOCK
21	371063A	4	SPRING
22	65107A4	4	SPRING GUIDE
23	00002701	4	FLATWASHER
24	02023800	4	BOLT, HEX HEAD
25	37107B13	2	HAIR PIN CLIP
26	0656460240	2	PIN WELDMENT
27	00007800	6	G/B MNT BOLT, HEX HEAD 3/4"-NC X 3" PL GR5 (NOT SHOWN)
28	00037200	6	G/B MNT LOCKNUT, TOPLOCK 3/4"-NC PLC (NOT SHOWN)
29	5710121	1	BLADE BOLT INSPECTION COVER PLATE (NOT SHOWN)
30	5F5180	2	INSPECTION COVER WING NUT. 5/16 NC WING (NOT SHOWN)
31	5312316	6	INSPECTION COVER WASHER (SPECIAL) (NOT SHOWN)
32	651091	2	HINGE PIN WELDMENT (WING HINGE)
33	00777963	1	PLATE, TRANSPORT LOCK

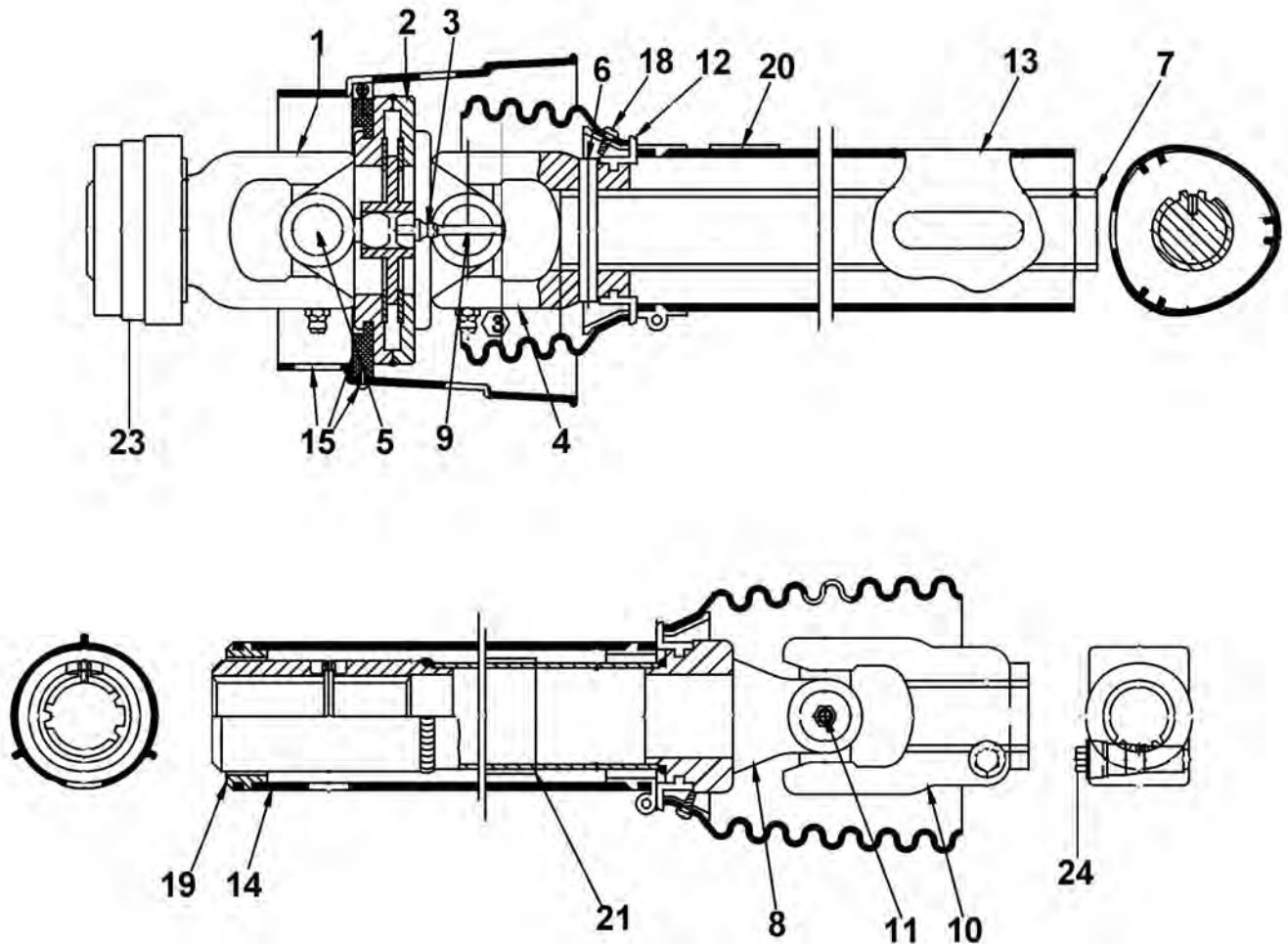
DRIVELINE - INTERMEDIATE 540 OR 1000 - (SN EGL-0001 (09-04) TO CURRENT)



ITEM	PART NO.	QTY.	DESCRIPTION
	00776699	-	DRIVELINE ASY, INTERMEDIATE 540/1000 RPM
1	00776033	1	SLIP YOKE, 1-3/4" X 20 SPLINE
2	00761488	1	YOKE, SQUARE BORE W/ 1/2" THRU BORE HOLE
3	00001800	1	LOCKNUT TLM 1/2 NC PLC
4	00999422	1	BOLT, HEX HEAD (1/2" NC X 2-3/4" PL GR8)
5	00761489	1	BAR, 1-5/16" SQUARE X 4-1/2" LG.
6	W823	1	SLIP YOKE, 1-5/16" SQ BORE
7	W840	2	UNIVERSAL JOIN (X-KIT)
8	00775382	1	CLUTCH ASY (F/ 44R DRIVELINE)

THIS PAGE INTENTIONALLY LEFT BLANK

DRIVELINE - PTO - C/V 1-3/4 X 20 SPL 1000 - (SN EGL-0180 (08-06) TO CURRENT)



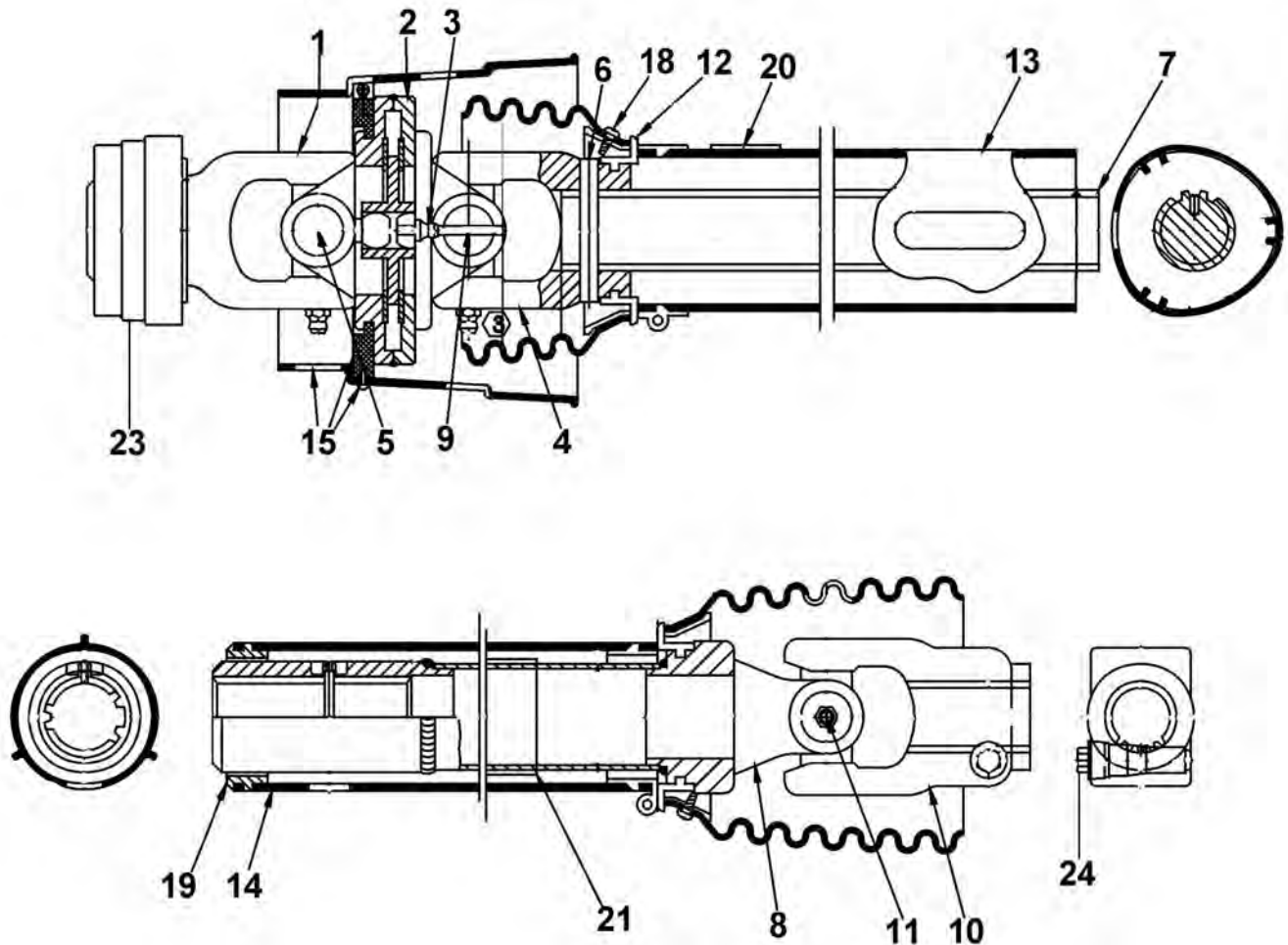
ITEM	PART NO.	QTY.	DESCRIPTION
	00778932	-	DRIVELINE ASY, 1-3/4-20 SPL 1000 RPM (SPLINED SHAFT & TUBE)
1	00779128	1	YOKE W/ SLIDE COLLAR, 1-3/4-20 SPL 1000 RPM
2	8482	1	DOUBLE YOKE
3	8382	1	FITTING, GREASE M8 X 1
4	00779145	1	YOKE & SHAFT ASY (SPLINED SHAFT)
5	00779119	1	UNIVERSAL JOINT (X-KIT)
8	00779120	1	YOKE, TUBE & SLEEVE ASY (SPLINED TUBE)
9	00779121	1	UNIVERSAL JOINT, (X-KIT)
10	00774207	1	YOKE, 1-3/4-20 SPLINE (W/ LOCK PIN)
11	00779122	1	UNIVERSAL JOINT (X-KIT)
12	8393	2	BEARING RING
15	00779123	1	CONE & BEARING ASY
18	00759217	8	SCREW, 1/2 LG END
19	00779124	1	SHIELD SUPPORT BEARING
20	00756005	1	DECAL, ROTATING DRIVELINE
21	00756004	1	DECAL, SHIELD MISSING

DRIVELINE - PTO - C/V 1-3/4 X 20 SPL 1000 - (SN EGL-0180 (08-06) TO CURRENT)

Continued...

ITEM	PART NO.	QTY.	DESCRIPTION
22	00779125	1	SHIELD KIT, (ITEMS 12,13,14 & 18)
23	00779126	1	SLIDE COLLAR KIT (F/ITEM 1)
24	00774208	1	LOCK ASY CC YOKE (F/ ITEM 10)

DRIVELINE - PTO - C/V 1-3/8 X 21 SPL 1000 - (SN EGL-0180 (08-06) TO CURRENT)



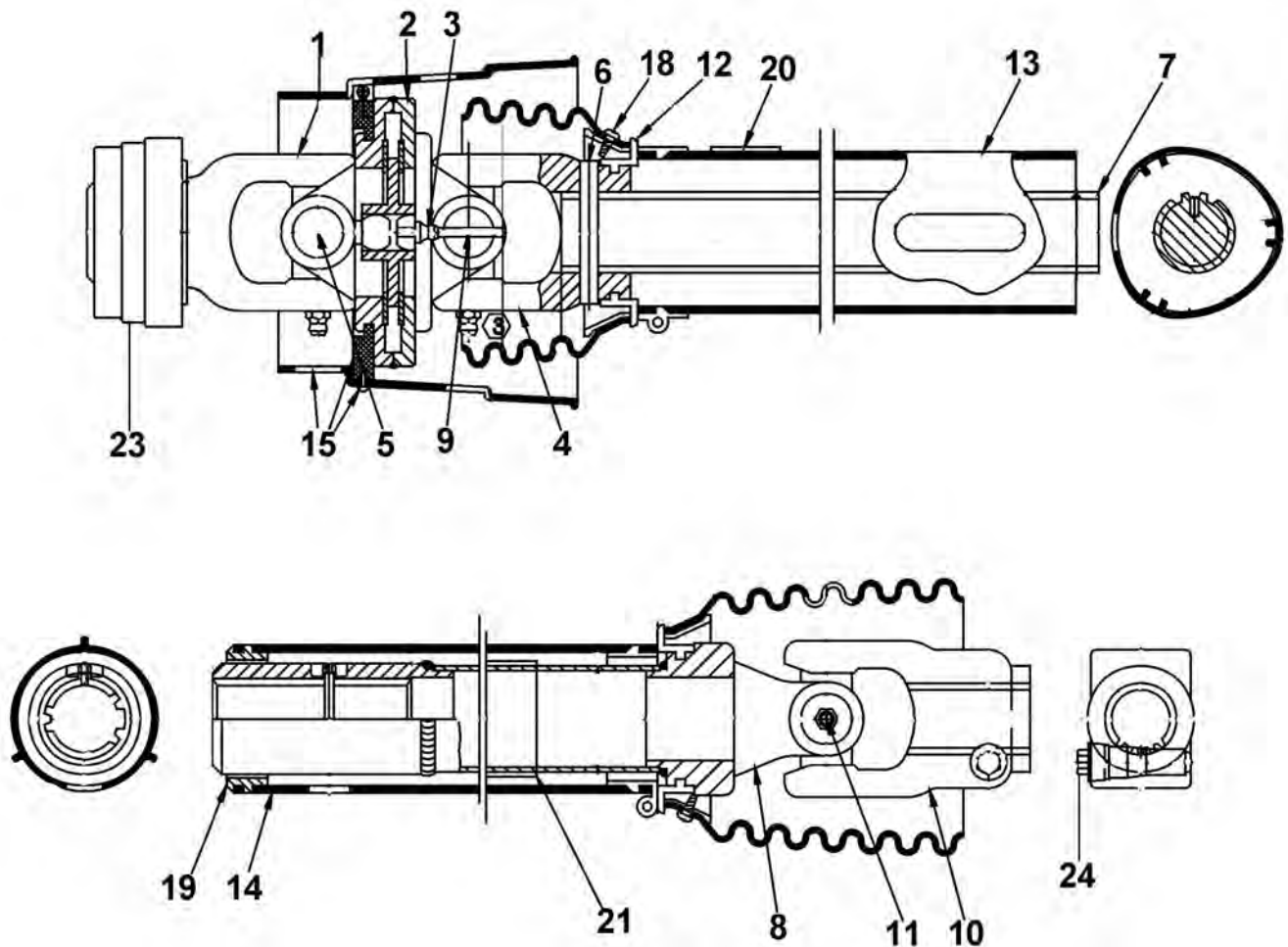
ITEM	PART NO.	QTY.	DESCRIPTION
	00778931	-	DRIVELINE ASY, C/V 1-3/8" 21 SPL (SPLINED SHAFT & TUBE)
1	00779127	1	YOKE W/ SLIDE COLLAR, 1-3/8" 21 SPL
2	8482	1	DOUBLE YOKE
3	8382	1	FITTING, GREASE M8 X 1
4	00779145	1	YOKE & SHAFT ASY (SPLINE SHAFT)
5	00779119	1	UNIVERSAL JOINT (X-KIT)
8	00779120	1	YOKE, TUBE & SLEEVE ASY (SPLINED TUBE)
9	00779121	1	UNIVERSAL JOINT (X-KIT)
10	00774207	1	YOKE, 1-3/4-20 SPLINE W/ LOCK PIN
11	00779122	1	UNIVERSAL JOINT (X-KIT)
12	8393	2	BEARING RING
15	00779123	1	CONE & BEARING ASY
18	00759217	8	SCREW, 1/2" LG END
19	00779124	1	SHIELD SUPPORT BEARING
20	00756005	1	DECAL, ROTATING DRIVELINE
21	00756004	1	DECAL, SHIELD MISSING

DRIVELINE - PTO - C/V 1-3/8 X 21 SPL 1000 - (SN EGL-0180 (08-06) TO CURRENT)

Continued...

ITEM	PART NO.	QTY.	DESCRIPTION
22	00779125	1	SHIELD KIT (ITEMS 12,13,14 & 18)
23	00779126	1	Q.D. SLIDE COLLAR KIT (F/ ITEM 1)
24	00774208	1	LOCK ASY CC YOKE (F/ ITEM 10)

DRIVELINE - PTO - C/V 1-3/8 X 6 SPL 540 - (SN EGL-0180 (08-06) TO CURRENT)



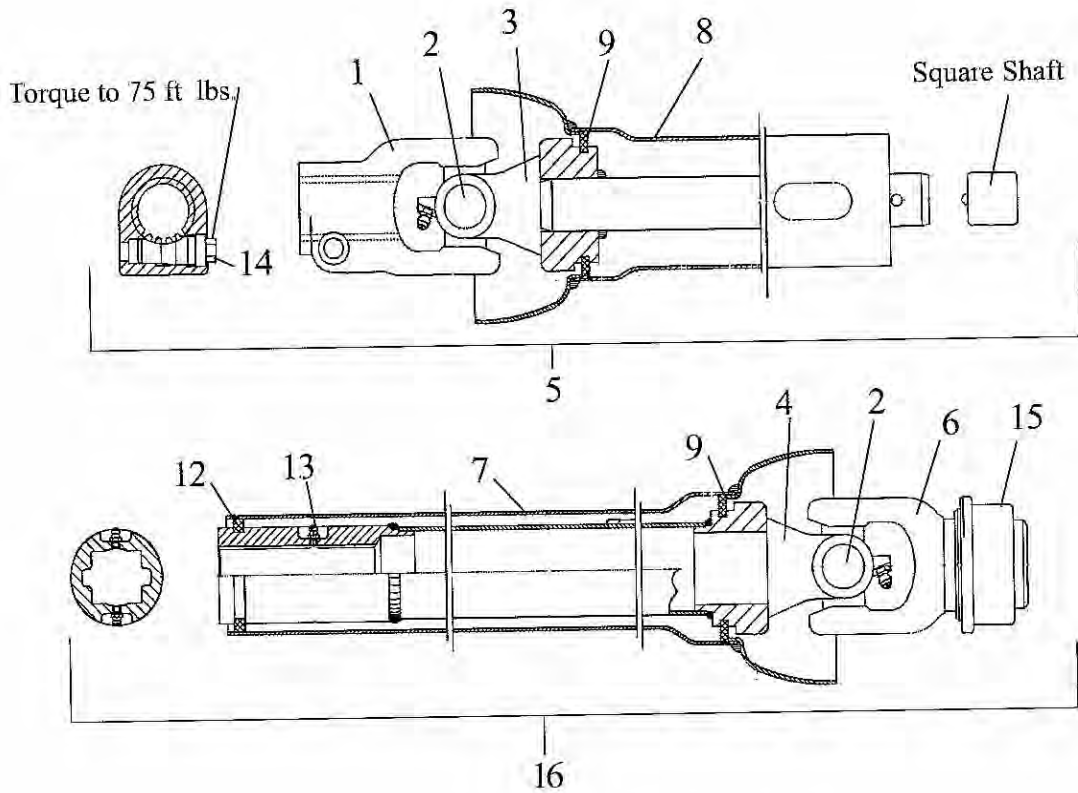
ITEM	PART NO.	QTY.	DESCRIPTION
	00778930	-	DRIVELINE ASY, C/V 1-3/8 X 6 SPL 540
1	00779118	1	YOKE & SLIDE COLLAR, 1-3/8 X 6
2	8482	1	DOUBLE YOKE
3	8382	1	FITTING, GREASE M8 X 1
4	00779145	1	YOKE AND SHAFT ASY (SPLINED SHAFT)
5	00779119	1	UNIVERSAL JOINT (X-KIT) (OUTER C/V END)
8	00779120	1	YOKE TUBE & SLEEVE (SPLINED TUBE)
9	00779121	1	UNIVERSAL JOINT (X-KIT) (INNER C/V END)
10	00774207	1	YOKE 1-3/4-20 SPLINE CLAMP YOKE
11	00779122	1	UNIVERSAL JOINT (X-KIT) (NON C/V IMPL END)
12	8393	2	BEARING RING
15	00779123	1	CONE & BEARING ASY
18	00759217	8	SCREW, 1/2 LG END
19	00779124	1	SHIELD SUPPORT BEARING
20	00756005	1	DECAL, ROTATING DRIVELINE
21	00756004	1	DECAL, SHIELD MISSING

DRIVELINE - PTO - C/V 1-3/8 X 6 SPL 540 - (SN EGL-0180 (08-06) TO CURRENT)

Continued...

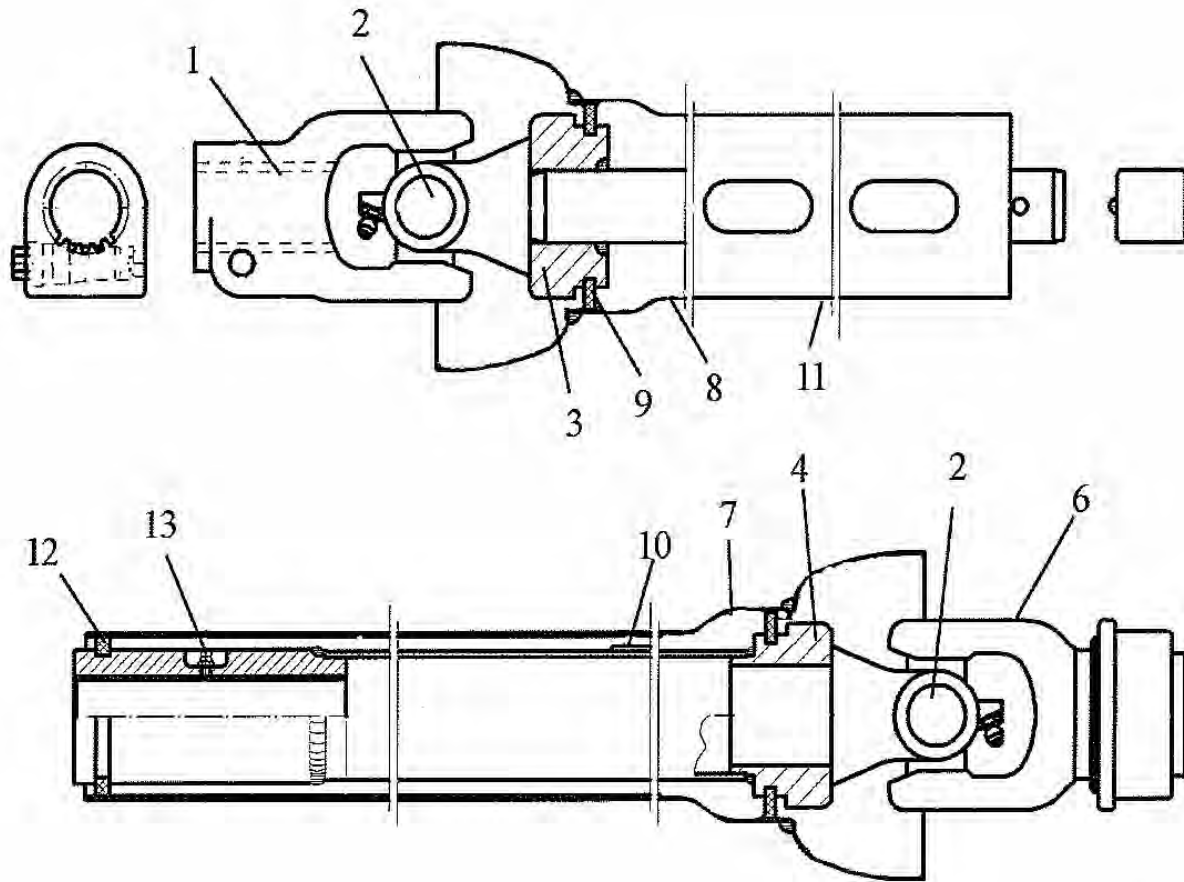
ITEM	PART NO.	QTY.	DESCRIPTION
22	00779125	1	SHIELD KIT (ITEMS 12,13,14 & 18)
23	00779126	1	SLIDE COLLAR KIT F/ ITEM 1
24	00774208	1	LOCK ASY, CC YOKE

DRIVELINE - PTO - NON C/V 1-3/4 X 20 SPL 1000 - (SN EGL-0001 (09-04) TO CURRENT)



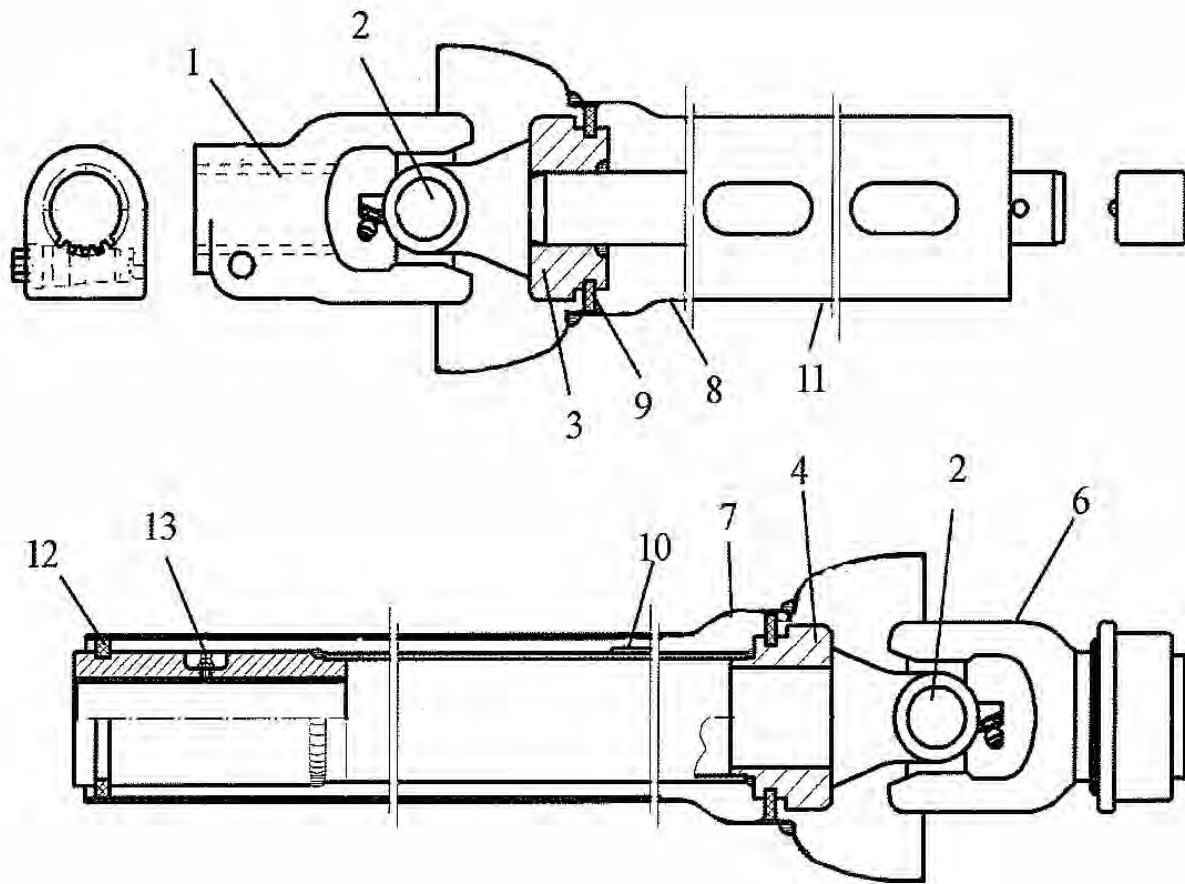
ITEM	PART NO.	QTY.	DESCRIPTION
	00773071	-	DRIVELINE ASY, 1000 RPM 44R W/1-3/4" X 20 SPLINE PTO
1	00775005	1	CLAMP YOKE, 1-3/4" X 20 SPLINE, W/TAPERED PIN
2	W840	2	UNIVERSAL JOINT (X-KIT)
3	W816F	1	YOKE & SHAFT WELDMENT
4	00769034	1	YOKE & TUBE WELDMENT
5	W805F11	1	DRIVELINE SHAFT HALF ASY, W/SHIELDS & CLAMP YOKE
6	00775394	1	YOKE, 1-3/4" X 20 SPLINE W/Q.D.
7	00769035	1	SHIELD, INNER
8	W811S	1	SHIELD, OUTER
9	00759212	4	BEARING, NYLON SHIELD RETAINER
12	00760519	1	BEARING RING
13	00752670	2	GREASE FITTING
14	00774208	1	TAPERED LOCK ASY, F/CLAMP YOKE (TORQUE TO 75 FT LBS.)
15	00759556	1	Q.D. COLLAR KIT, (F/ Q.D. YOKE 00775394)
16	00775763	1	DRIVELINE TUBE HALF ASY, W/ SHIELDS & Q.D YOKE

DRIVELINE - PTO - NON C/V 1-3/8 X 21 SPL 1000 - (SN EGL-0180 (08-06) TO CURRENT)



ITEM	PART NO.	QTY.	DESCRIPTION
	00777974	-	DRIVELINE ASY, 1-3/8" X 21 SPL 1000 RPM
1	00775005	1	YOKE, 1-3/4-20 TAPER PIN
2	W840	2	UNIVERSAL JOINT (X-KIT)
3	W816F	1	YOKE & SQ SHAFT WELDMENT
4	00769034	1	YOKE, TUBE & SLEEVE WELDMENT
6	W825A	1	YOKE Q.D, 1-3/8"-21SPL 1000 RPM
7	00769035	1	SHIELD TUBE ASY, INNER
8	W811S	1	SHIELD TUBE ASY, OUTER
9	00759212	4	RETAINER, NYLON BEARING
10	00756004	1	DECAL, SHIELD MISSING
11	00756005	1	DECAL, ROTATING DRIVELINE
12	00760519	1	RING, BEARING
13	00752670	2	GREASE FITTING, 1/4-28 BOLT THD

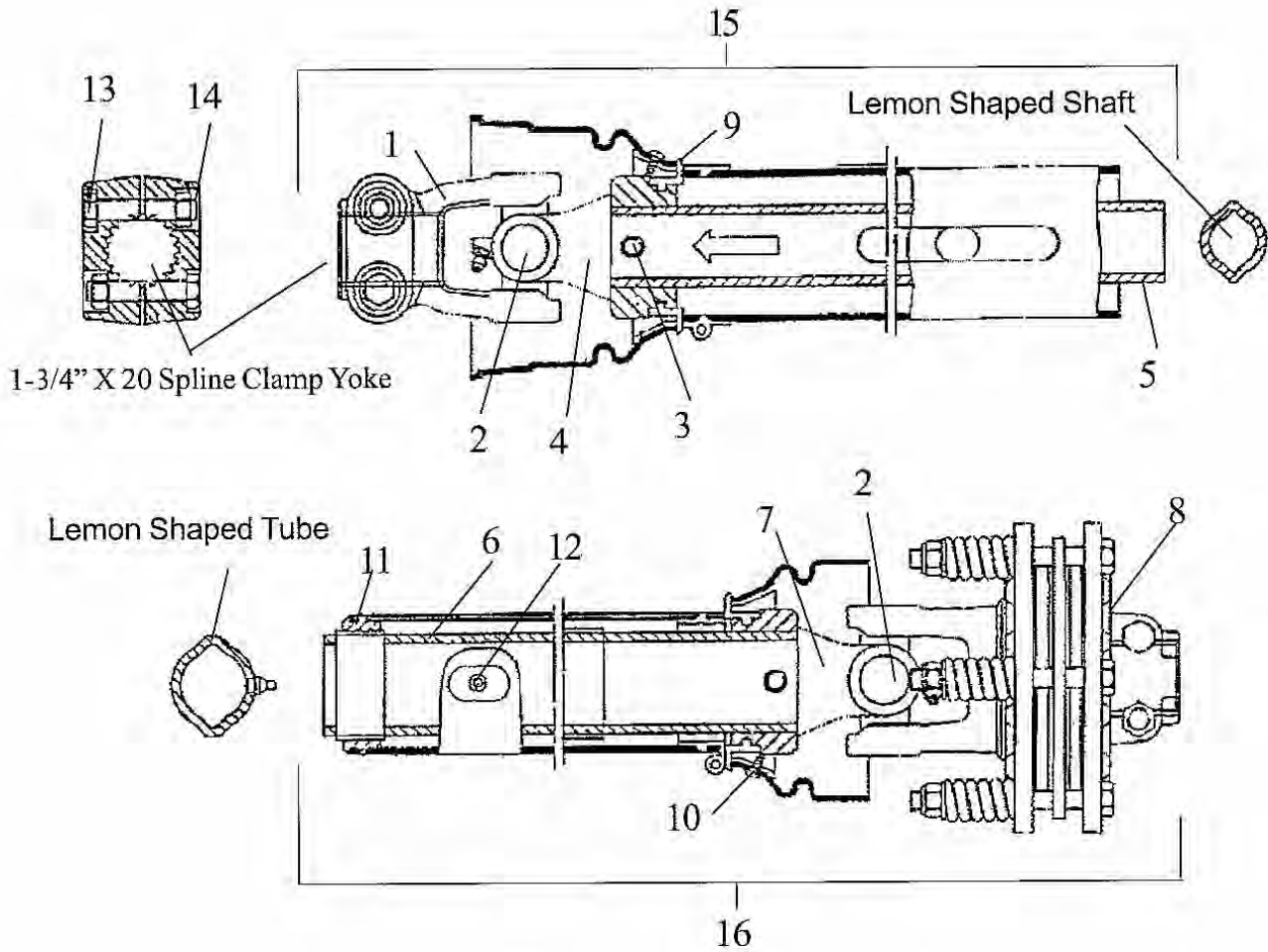
DRIVELINE - PTO - NON C/V 1-3/8 X 6 SPL 540 - (SN EGL-0180 (08-06) TO CURRENT)



ITEM	PART NO.	QTY.	DESCRIPTION
	00777973	-	DRIVELINE ASY, 1-3/8" X 6 SPL - 540 RPM
1	00775005	1	YOKE, 44R 1-3/4"-20 SPL W/ TAPER PIN
2	W840	2	UNIVERSAL JOINT (X-KIT)
3	W816F	1	YOKE & SQ SHAFT
4	00769034	1	YOKE, TUBE & SQ SLEEVE
6	W821A	1	YOKE, Q.D. 1-3/8" - 6 - SPL
7	00769035	1	SHIELD TUBE ASY, INNER
8	W811S	1	SHIELD TUBE ASY. OUTER
9	00759212	4	RETAINER, NYLON BEARING
10	00756004	1	DECAL, SHIELD MISSING
11	00756005	1	DECAL, ROTATING DRIVELINE
12	00760519	1	RING, BEARING
13	00752670	2	GREASE FITTING 1/4-28 BOLT THD

THIS PAGE INTENTIONALLY LEFT BLANK

DRIVELINE - WING - 35R OPTION - (SN EGL-0001 (09-04) TO CURRENT)



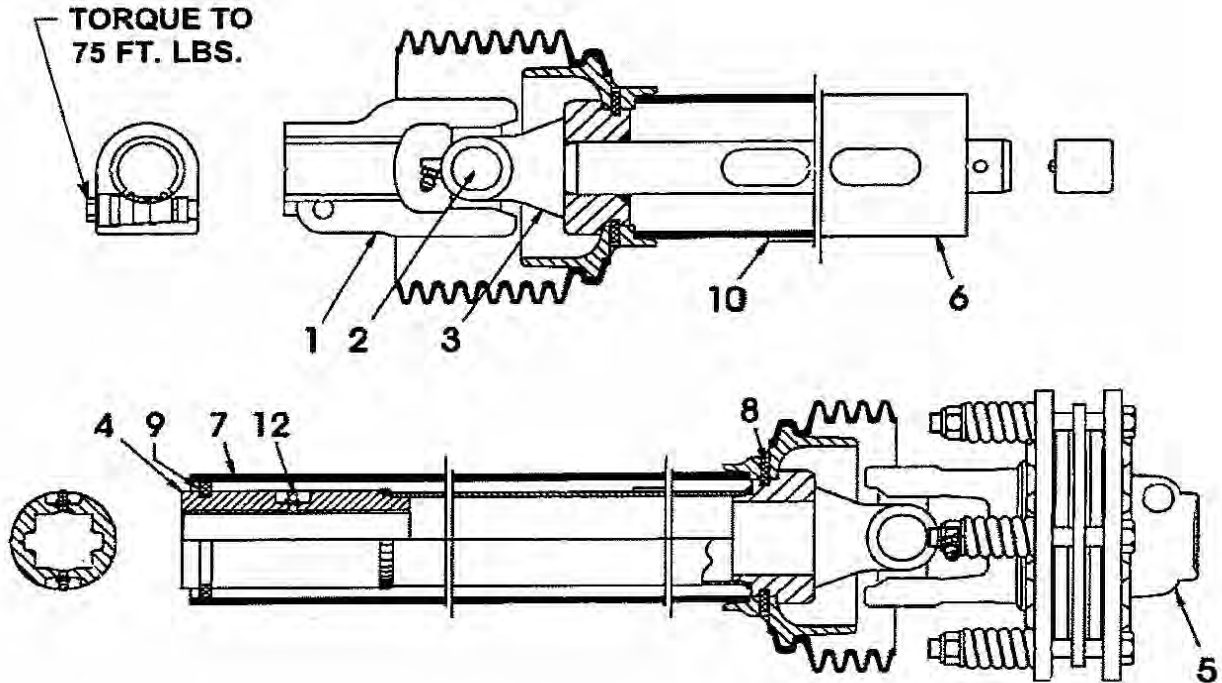
ITEM	PART NO.	QTY.	DESCRIPTION
	00775329	-	DRIVELINE ASY, WING 35R W/CLUTCH 1-3/4" X 20 SPLINE HUB
1	00775316	1	CLAMP YOKE, 1-3/4" X 20 SPLINE
2	00189700	2	UNIVERSAL JOINT (X-KIT)
3	8384	2	SPRING PIN 10MM X 90MM
4	00775317	1	YOKE, F/ INNER SHAFT
5	00775375	1	SHAFT, INNER (LEMON SHAPE SHAFT)
6	00775376	1	TUBE & SLEEVE ASY, OUTER (LEMON SHAPE)
7	00775318	1	YOKE, F/ OUTER TUBE
8	00775331	1	CLUTCH, W/ 35R YOKE & 1-3/4" X 20 SPLINE HUB
9	8393	2	BEARING RING
10	00759217	2	SCREW, F/ ITEM 9 & 13
11	8974	1	SUPPORT BEARING
12	1416601	1	GREASE FITTING
13	00775384	2	BOLT, HEX HEAD (METRIC)

DRIVELINE - WING - 35R OPTION - (SN EGL-0001 (09-04) TO CURRENT)

Continued...

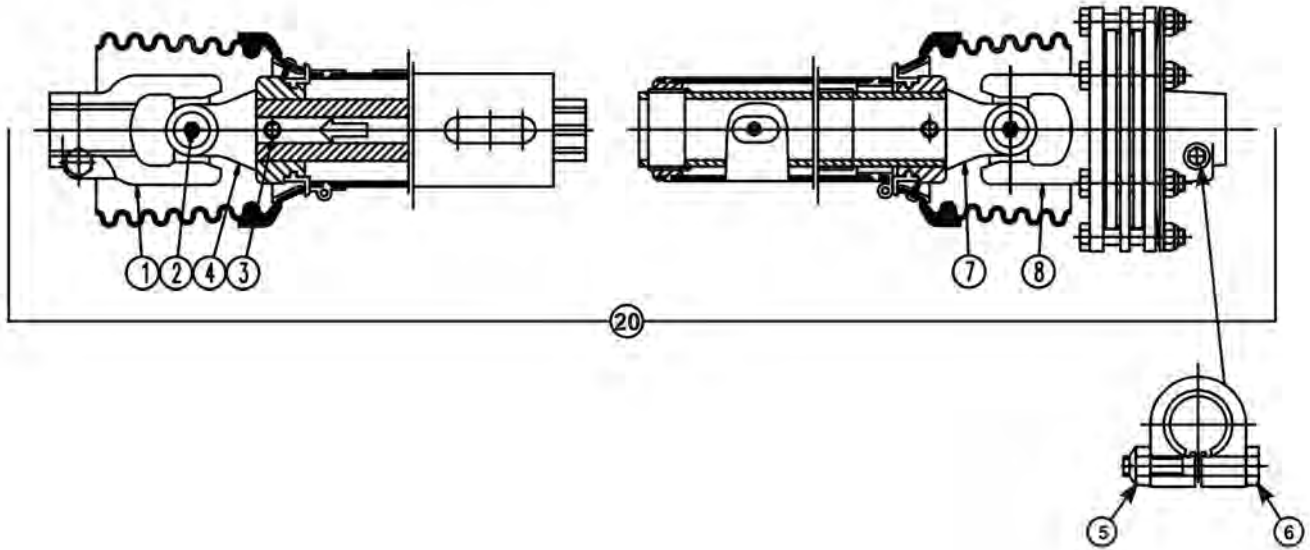
ITEM	PART NO.	QTY.	DESCRIPTION
14	00775327	2	NUT, HEX (METRIC)
15	00775319	1	SHIELD, OUTER
16	00775332	1	SHIELD, INNER

DRIVELINE - WING - 44R OPTION - (SN EGL-0180 (08-06) TO CURRENT)



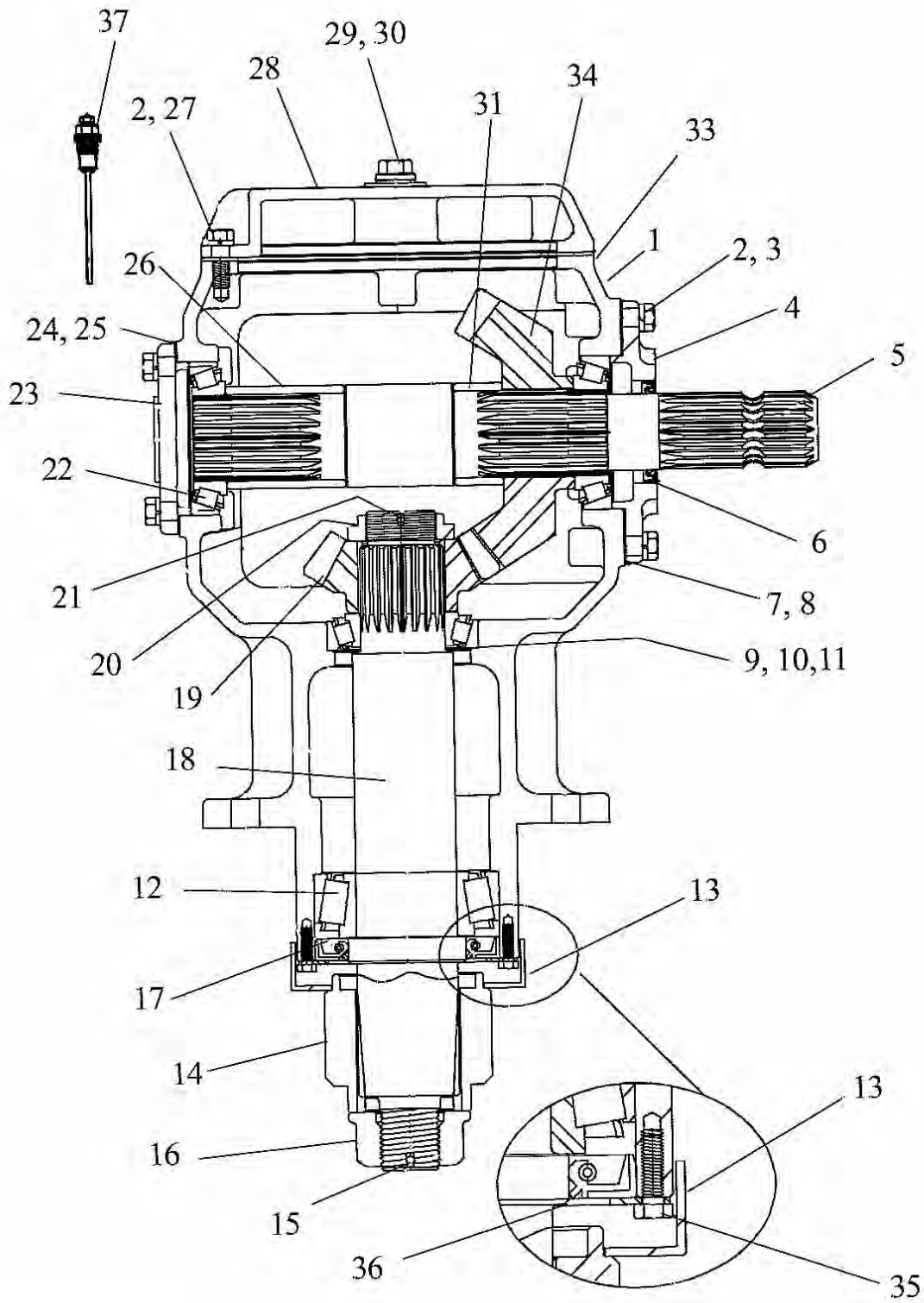
ITEM	PART NO.	QTY.	DESCRIPTION
	00775343A	-	DRIVELINE & CLUTCH ASY, 44R WING
1	00775005	1	YOKE, 44R 1-3/4-20SPL TAPER PIN
2	W840	2	UNIVERSAL JOINT (X-KIT)
3	W816F	1	YOKE & SQ SHAFT WELDMENT
4	00775344	1	YOKE, TUBE & SLEEVE WELDMENT
5	00779357	1	CLUTCH, W/ SINGLE LOCK PIN ASY HUB
6	00775345	1	SHIELD TUBE ASY, OUTER
7	00775346	1	SHIELD TUBE ASY, INNER
8	00775347	4	SHIELD BEARING
9	00775348	1	SHIELD SUPPORT BEARING
10	00752670	2	GREASE FITTING, 1/4-28 BOLT THD
11	00774208	1	LOCK ASY CC YOKE (F/ ITEM 10R 5)

DRIVELINE - WING - CAT 5 OPTION



ITEM	PART NO.	QTY.	DESCRIPTION
	00786300	1	COMPLETE DRIVELINE
1	00786369	1	YOKE,D/L 1-3/4 -20 SPL.
2	00779122	2	KIT, CROSS & BEARING
3	8384	2	SPRING PIN 10MM X 90MM
5	00765962	1	NUT MET TLE 16MM-P2.0 PL ELASTIC
6	00765902	1	HHCS M16-P2.0 X 90MM PL8 UNI 5737,
4	1416516	1	INBOARD YOKE-S4
7	8489	1	YOKE,INBOARD S5
8	00786348	1	ASY, FRICTION CLUTCH
20	00786370	1	KIT, DRIVELINE SHIELD-COMPLETE

GEARBOX ASY - CENTER 1000 RPM - (SN EGL-0001 (09-04) TO CURRENT)



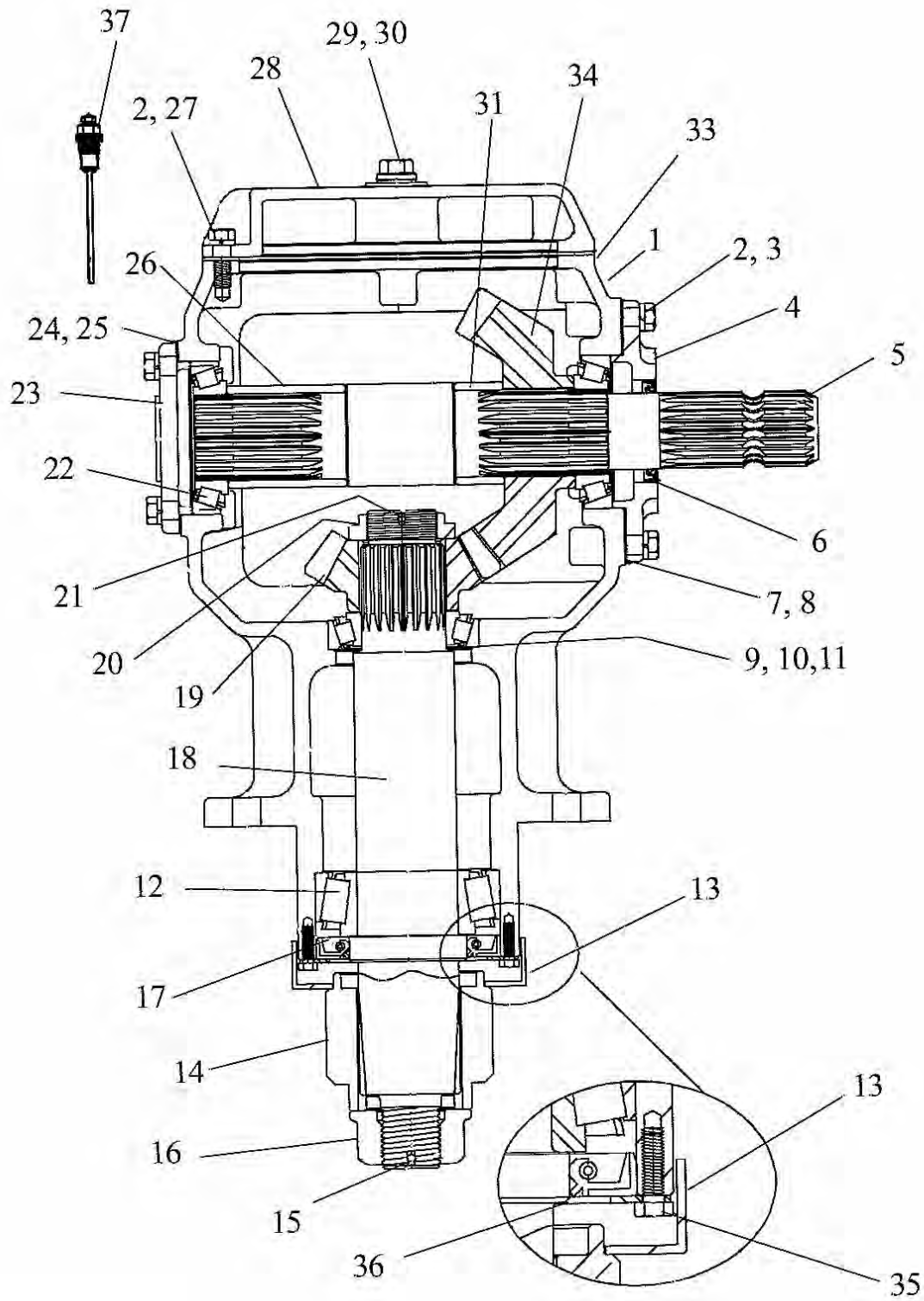
GEARBOX ASY - CENTER 1000 RPM - (SN EGL-0001 (09-04) TO CURRENT)

Continued...

ITEM	PART NO.	QTY.	DESCRIPTION
	00777841	-	GEARBOX ASY, USED ON CENTER
1	00777882	1	HOUSING
2	00755954	18	LOCKWASHER
3	00762398	12	BOLT, HEX HEAD
4	00777881	1	CAP, INPUT
5	00777880	1	SHAFT, INPUT
6	00758653	1	SEAL, INPUT SHAFT
7	00777879	-	GASKET 0.10, INPUT CAP
8	00777878	-	GASKET 0.25, INPUT CAP
9	00758667	-	SHIM, 0.012"
10	00762153	-	SHIM, 0.016"
11	00758668	-	SHIM, 0.020"
12	00777877	1	BEARING, TAPERED
13	00777876	1	SEAL PROTECTOR
14	00771227	1	HUB W/ 2-7/8 SHOULDER
15	00777875	1	COTTER PIN
16	00777874	1	NUT, HEX SLOTTED FLANGED
17	00777873	1	OIL SEAL
18	00777872	1	SHAFT, OUTPUT
19	00777885	1	GEAR, OUTPUT (23 TOOTH)
20	00762121	1	NUT,HEX THIN SLOTTED
21	00777859	1	COTTER PIN
22	00769938	3	BEARING ASY, CUP & CONE (REPLACES P/N 00758650)
23	00777870	1	BLANK ADJUSTING CAP
24	00777869	-	BLANK CAP GASKET, 0.10
25	00777868	-	BLANK CAP GASKET, 0.25
26	00777867	1	BEARING SPACER
27	61368C8	6	BOLT, HEX HEAD
28	00777866	1	INSPECTION COVER CAP
29	00769321	2	WASHER,SEALING
30	00762123	2	PLUG, LEVEL
31	00758657	1	SPACER,INPUT SHAFT
33	00777865	1	INSPECTION COVER GASKET
34	00777884	1	GEAR, INPUT (20 TOOTH)
35	02969728	2	BOLT, HEX HEAD
36	00778621	1	SEAL PLATE, OUTPUT
37	00777883	1	DIP STICK/BREATHER ASY
38	00007800	6	BOLT, HEX HEAD (3/4" NC X 3" PL GR5) G/B MNTING (NOT SHOWN)
39	00037200	6	LOCKNUT, TOPLOCK (3/4 NC) G/B MNTING (NOT SHOWN)
40	5312316	6	FLATWASHER, HARDENED (SPECIAL) G/B MNTING (NOT SHOWN) INSTALL ON UNDER SIDE OF DECK

00780567P - Eagle 15-10 (SN 0180-Up) (08-06)_06-20

GEARBOX ASY - CENTER 540 RPM - (SN EGL-0001 (09-04) TO CURRENT)



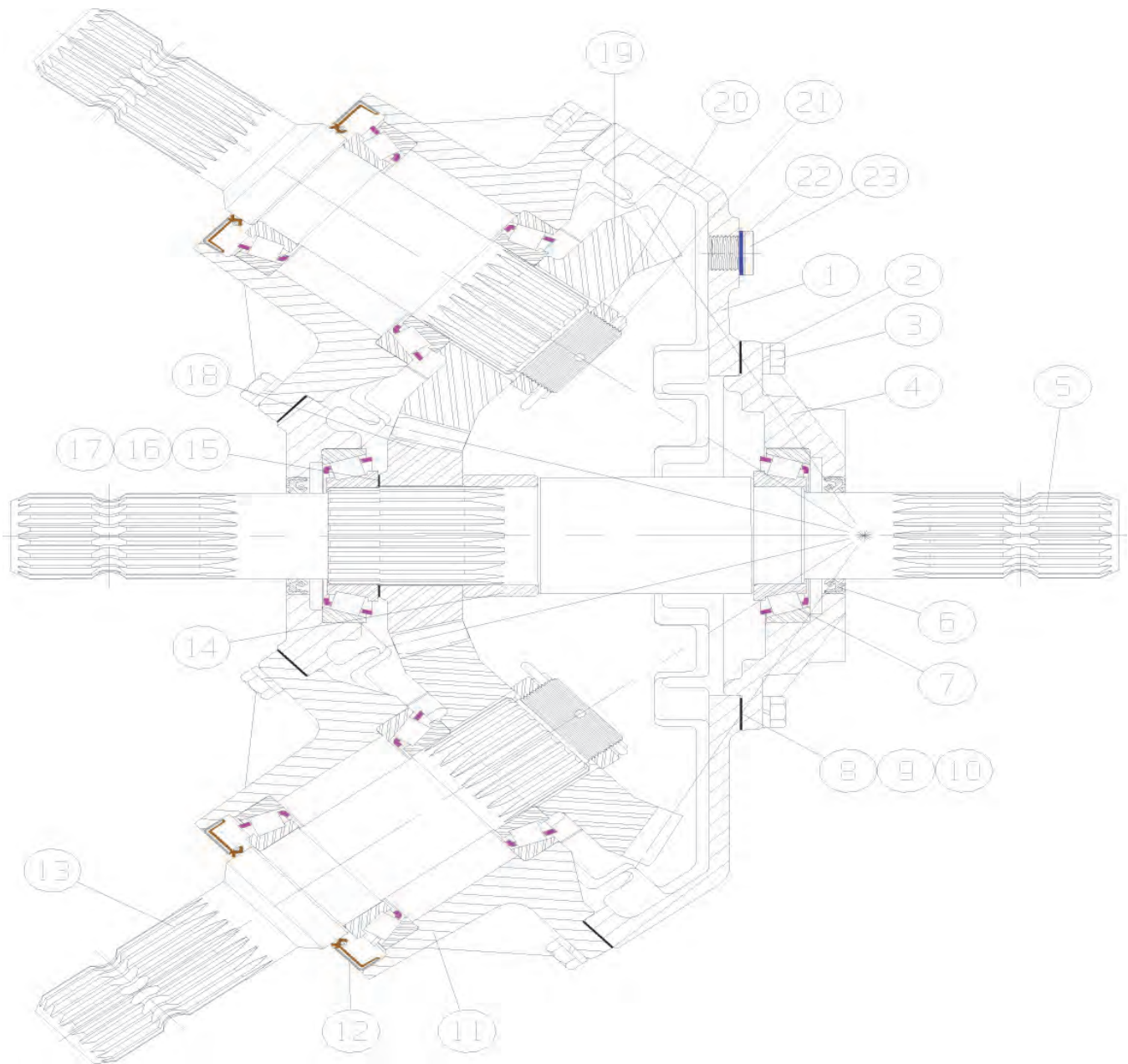
GEARBOX ASY - CENTER 540 RPM - (SN EGL-0001 (09-04) TO CURRENT)

Continued...

ITEM	PART NO.	QTY.	DESCRIPTION
	00777838	-	GEARBOX ASY, USED ON CENTER
1	00777882	1	HOUSING
2	00755954	18	LOCKWASHER
3	00762398	12	BOLT, HEX HEAD
4	00777881	1	CAP, INPUT
5	00777880	1	SHAFT, INPUT
6	00758653	1	SEAL, INPUT SHAFT
7	00777879	-	GASKET 0.10, INPUT CAP
8	00777878	-	GASKET 0.25, INPUT CAP
9	00758667	-	SHIM, 0.012"
10	00762153	-	SHIM, 0.016"
11	00758668	-	SHIM, 0.020"
12	00777877	1	BEARING, TAPERED
13	00777876	1	SEAL PROTECTOR
14	00771227	1	HUB W/ 2-7/8 SHOULDER
15	00777875	1	COTTER PIN
16	00777874	1	NUT, HEX SLOTTED FLANGED
17	00777873	1	OIL SEAL
18	00777872	1	SHAFT, OUTPUT
19	00777871	1	GEAR, OUTPUT (15 TOOTH)
20	00762121	1	NUT,HEX THIN SLOTTED
21	00777859	1	COTTER PIN
22	00769938	3	BEARING ASY, CUP & CONE (REPLACES P/N 00758650)
23	00777870	1	BLANK ADJUSTING CAP
24	00777869	-	BLANK CAP GASKET, 0.10
25	00777868	-	BLANK CAP GASKET, 0.25
26	00777867	1	BEARING SPACER
27	61368C8	6	BOLT, HEX HEAD
28	00777866	1	INSPECTION COVER CAP
29	00769321	2	WASHER,SEALING
30	00762123	2	PLUG, LEVEL
31	00758657	1	SPACER,INPUT SHAFT
33	00777865	1	INSPECTION COVER GASKET
34	00777864	1	GEAR, INPUT (24 TOOTH)
35	02969728	2	BOLT, HEX HEAD
36	00778621	1	SEAL PLATE, OUTPUT
37	00777883	1	DIP STICK/BREATHER ASY
38	00007800	6	BOLT, HEX HEAD (3/4" NC X 3" PL GR5) G/B MNTING (NOT SHOWN)
39	00037200	6	LOCKNUT, TOPLOCK (3/4" NC) G/B MNTING (NOT SHOWN)
40	5312316	6	FLATWASHER, HARDENED(SPECIAL) G/B MNTING (NOT SHOWN) INSTALLS TO UNDERSIDE OF DECK.

00780567P - Eagle 15-10 (SN 0180-Up) (08-06)_06-20

GEARBOX ASY - DIVIDER 540 OR 1000 RPM - (SN EGL-0001 (09-04) TO CURRENT)



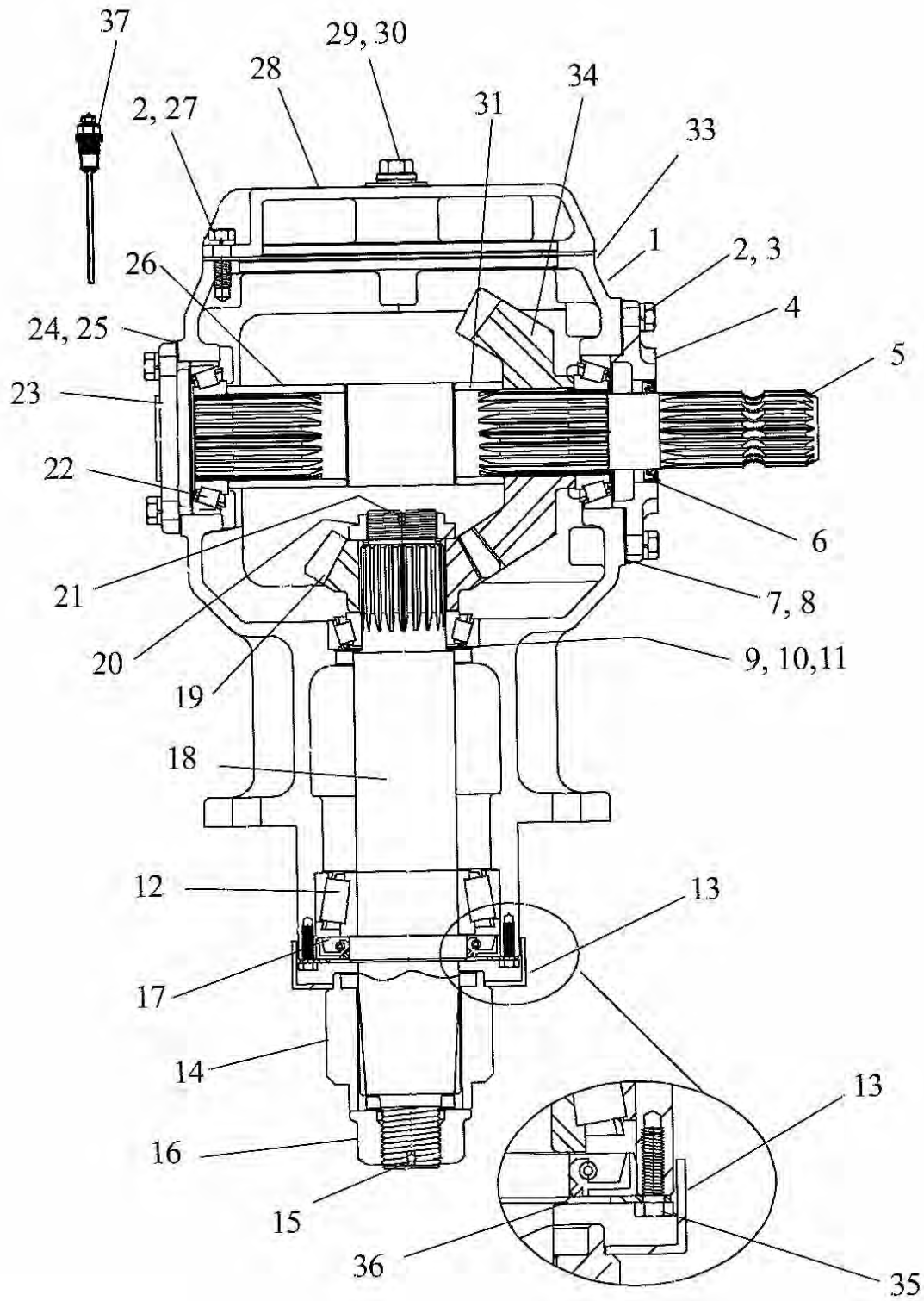
ITEM	PART NO.	QTY.	DESCRIPTION
	00769115A	1	GEARBOX ASY, DIVIDER 540 RPM
	00769116A	-	GEARBOX ASY, DIVIDER 1000 RPM
1	00769162	1	HOUSING, DIVIDER GEARBOX
2	00755954	24	LOCKWASHER
3	00758659	24	BOLT, HEX HEAD
4	00770734	1	INPUT CAP
5	00769163	1	INPUT SHAFT
6	00758653	2	INPUT OIL SEAL
7	00755628	6	BEARING ASSEMBLY

GEARBOX ASY - DIVIDER 540 OR 1000 RPM - (SN EGL-0001 (09-04) TO CURRENT)

Continued...

ITEM	PART NO.	QTY.	DESCRIPTION
8	00758646	-	GASKET (0.15)
9	00758647	-	GASKET (0.25)
10	00758648	-	GASKET (0.45)
11	00762520	2	HUB CAP
12	00762521	2	OIL SEAL
13	00762522	2	OUTPUT SHAFT
14	00758657	1	SPACER
15	00758667	-	SHIM (0.30)
16	-----	-	SHIM (0.40)
17	00758668	-	SHIM (0.50)
18	00769161	1	23 TOOTH GEAR
-----	00775894	1	19 TOOTH GEAR
19	00769160	1	20 TOOTH GEAR
-----	00775895	1	23 TOOTH GEAR
20	00762121	2	BEARING ADJUSTING NUT
21	00026200	2	COTTER PIN
22	00769321	3	SEALING WASHER
23	00762123	2	M18X1.5 LEVEL PLUG
----	00770737	2	M18X1.5 LEVEL PLUG
24	00762114	1	M18X1.5 BREATHER PLUG
25	-----	2	I.D. TAG RIVET
26	-----	1	I.D. TAG

GEARBOX ASY - LH WING 1000 RPM - (SN EGL-0001 (09-04) TO CURRENT)



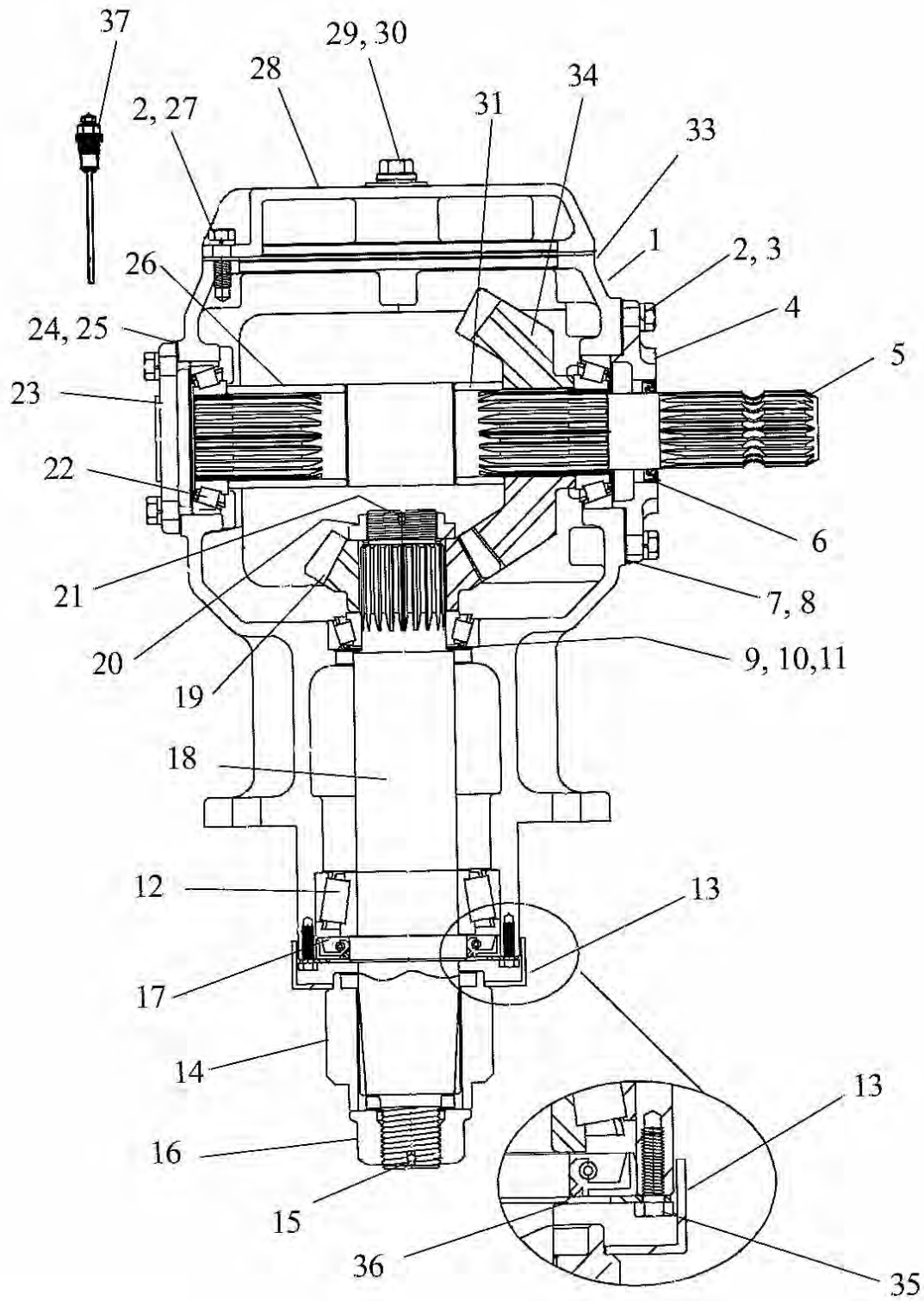
GEARBOX ASY - LH WING 1000 RPM - (SN EGL-0001 (09-04) TO CURRENT)

Continued...

ITEM	PART NO.	QTY.	DESCRIPTION
	00777842	-	GEARBOX ASY, USED ON LH WING
1	00777882	1	HOUSING
2	00755954	18	LOCKWASHER
3	00762398	12	BOLT, HEX HEAD
4	00777881	1	CAP, INPUT
5	00777880	1	SHAFT, INPUT
6	00758653	1	SEAL, INPUT SHAFT
7	00777879	-	GASKET 0.10, INPUT CAP
8	00777878	-	GASKET 0.25, INPUT CAP
9	00758667	-	SHIM, 0.012"
10	00762153	-	SHIM, 0.016"
11	00758668	-	SHIM, 0.020"
12	00777877	1	BEARING, TAPERED
13	00777876	1	SEAL PROTECTOR
14	00771227	1	HUB W/ 2-7/8 SHOULDER
15	00777875	1	COTTER PIN
16	00777874	1	NUT, HEX SLOTTED FLANGED
17	00777873	1	OIL SEAL
18	00777872	1	SHAFT, OUTPUT
19	00777887	1	GEAR, OUTPUT (19 TOOTH)
20	00762121	1	NUT,HEX THIN SLOTTED
21	00777859	1	COTTER PIN
22	00769938	3	BEARING ASY, CUP & CONE (REPLACES P/N 00758650)
23	00777870	1	BLANK ADJUSTING CAP
24	00777869	-	BLANK CAP GASKET, 0.10
25	00777868	-	BLANK CAP GASKET, 0.25
26	00777867	1	BEARING SPACER
27	61368C8	6	BOLT, HEX HEAD
28	00777866	1	INSPECTION COVER CAP
29	00769321	2	WASHER,SEALING
30	00762123	2	PLUG, LEVEL
31	00758657	1	SPACER,INPUT SHAFT
33	00777865	1	INSPECTION COVER GASKET
34	00777886	1	GEAR, INPUT (25 TOOTH)
35	02969728	2	BOLT, HEX HEAD
36	00778621	1	SEAL PLATE, OUTPUT
37	00777883	1	DIP STICK/BREATHER ASY
38	00007800	6	BOLT, HEX HEAD (3/4" NC X 3" PL GR5) G/B MNTING (NOT SHOWN)
39	00037200	6	LOCKNUT, TOPLOCK (3/4" NC) G/B MNTING (NOT SHOWN)
40	5312316	6	FLATWASHER, HARDENED (SPECIAL) G/B MNTING (NOT SHOWN) INSTALLS ON UNDERSIDE OF DECK

00780567P - Eagle 15-10 (SN 0180-Up) (08-06)_06-20

GEARBOX ASY - LH WING 540 RPM - (SN EGL-0001 (09-04) TO CURRENT)



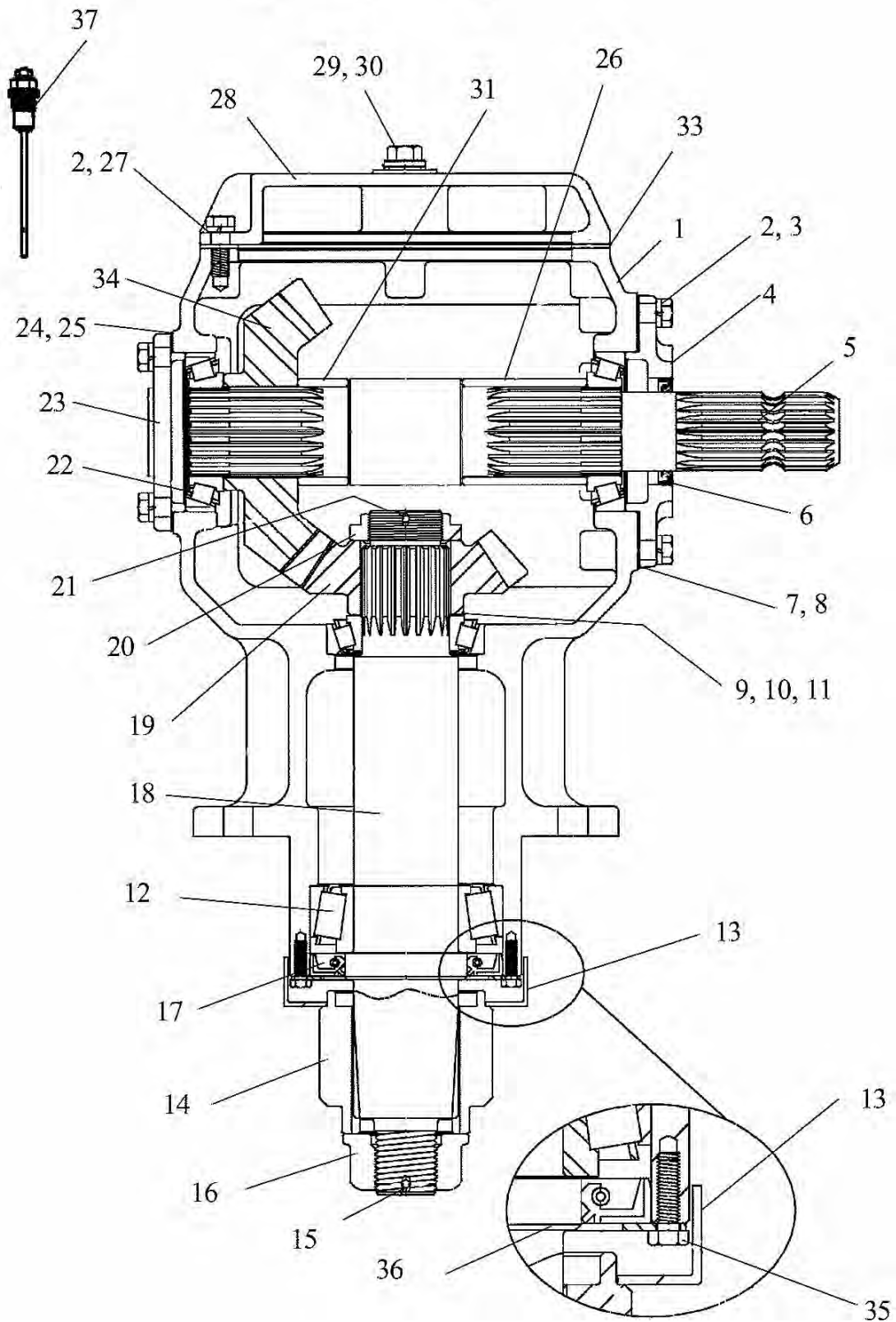
GEARBOX ASY - LH WING 540 RPM - (SN EGL-0001 (09-04) TO CURRENT)

Continued...

ITEM	PART NO.	QTY.	DESCRIPTION
	00777838	-	GEARBOX ASY, USED ON LH WING
1	00777882	1	HOUSING
2	00755954	18	LOCKWASHER
3	00762398	12	BOLT, HEX HEAD
4	00777881	1	CAP, INPUT
5	00777880	1	SHAFT, INPUT
6	00758653	1	SEAL, INPUT SHAFT
7	00777879	-	GASKET 0.10, INPUT CAP
8	00777878	-	GASKET 0.25, INPUT CAP
9	00758667	-	SHIM, 0.012"
10	00762153	-	SHIM, 0.016"
11	00758668	-	SHIM, 0.020"
12	00777877	1	BEARING, TAPERED
13	00777876	1	SEAL PROTECTOR
14	00771227	1	HUB W/ 2-7/8 SHOULDER
15	00777875	1	COTTER PIN
16	00777874	1	NUT, HEX SLOTTED FLANGED
17	00777873	1	OIL SEAL
18	00777872	1	SHAFT, OUTPUT
19	00777871	1	GEAR, OUTPUT (15 TOOTH)
20	00762121	1	NUT, HEX THIN SLOTTED
21	00777859	1	COTTER PIN
22	00769938	3	BEARING ASY, CUP & CONE (REPLACES P/N 00758650)
23	00777870	1	BLANK ADJUSTING CAP
24	00777869	-	BLANK CAP GASKET, 0.10
25	00777868	-	BLANK CAP GASKET, 0.25
26	00777867	1	BEARING SPACER
27	61368C8	6	BOLT, HEX HEAD
28	00777866	1	INSPECTION COVER CAP
29	00769321	2	WASHER, SEALING
30	00762123	2	PLUG, LEVEL
31	00758657	1	SPACER, INPUT SHAFT
33	00777865	1	INSPECTION COVER GASKET
34	00777864	1	GEAR, INPUT (24 TOOTH)
35	02969728	2	BOLT, HEX HEAD
36	00778621	1	SEAL PLATE, OUTPUT
37	00777883	1	DIP STICK/BREATHER ASY
38	00007800	6	BOLT, HEX HEAD (3/4" NC X 3" PL GR5) G/B MNTING (NOT SHOWN)
39	00037200	6	LOCKNUT, TOPLOCK (3/4" NC) G/B MNTING (NOT SHOWN)
40	5312316	6	FLATWASHER, HARDENED (SPECIAL) G/B MNTING (NOT SHOWN) INSTALL ON UNDER SIDE OF DECK

00780567P - Eagle 15-10 (SN 0180-Up) (08-06)_06-20

GEARBOX ASY - RH WING 1000 RPM - (SN EGL-0001 (09-04) TO CURRENT)



00780567P - Eagle 15-10 (SN 0180-Up) (08-06)_06-20

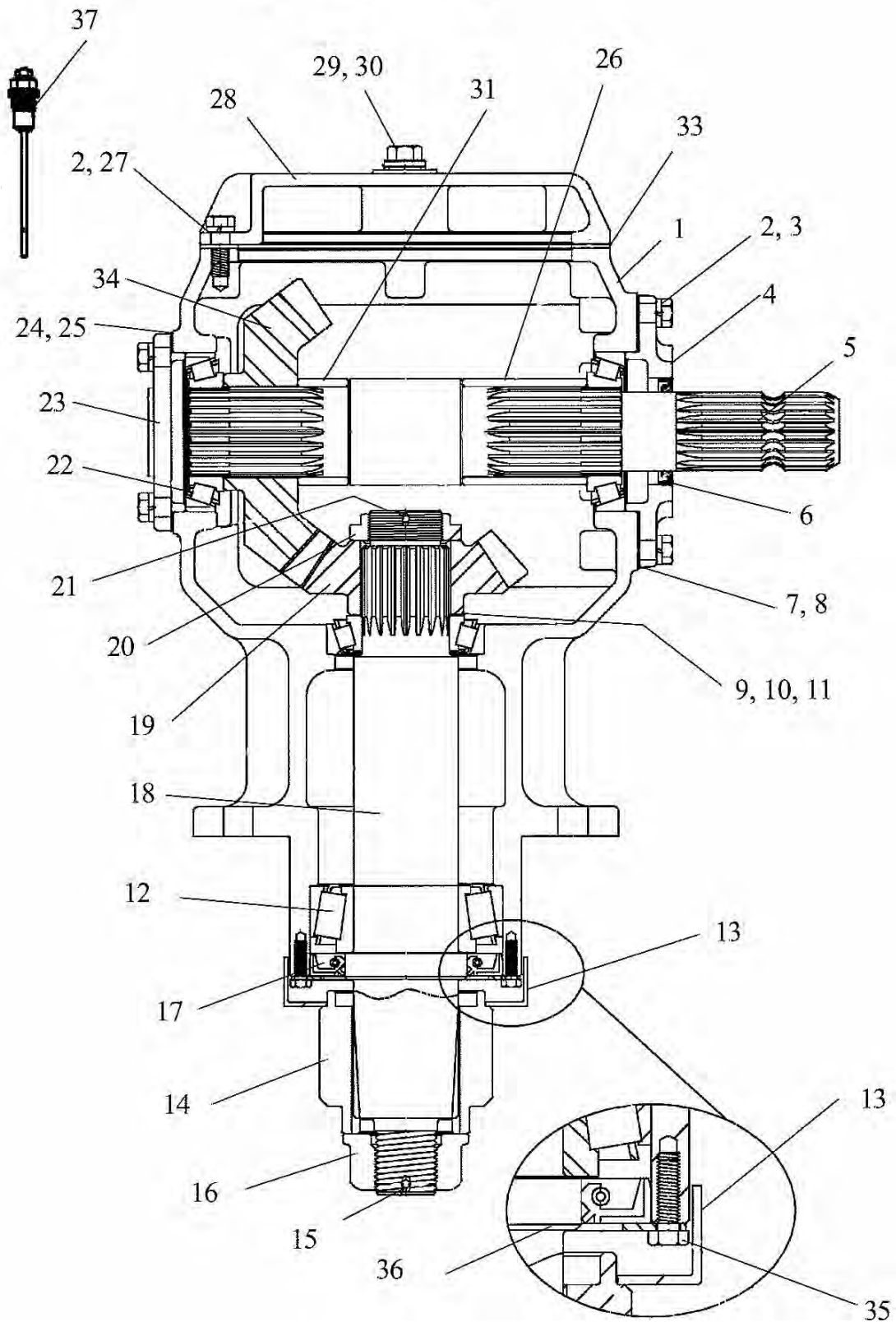
GEARBOX ASY - RH WING 1000 RPM - (SN EGL-0001 (09-04) TO CURRENT)

Continued...

ITEM	PART NO.	QTY.	DESCRIPTION
	00777843	-	GEARBOX ASY, RH WING ONLY
1	00777882	1	HOUSING
2	00755954	18	LOCKWASHER
3	00762398	12	BOLT, HEX HEAD
4	00777881	1	CAP, INPUT
5	00777880	1	SHAFT, INPUT
6	00758653	1	SEAL, INPUT SHAFT
7	00777879	-	INPUT CAP GASKET 0.10
8	00777878	-	INPUT CAP GASKET 0.25
9	00758667	-	SHIM, 0.012"
10	00762153	-	SHIM, 0.016"
11	00758668	-	SHIM, 0.020"
12	00777877	1	BEARING, TAPERED
13	00777876	1	SEAL PROTECTOR
14	00771227	1	HUB W/ 2-7/8 SHOULDER
15	00777875	1	COTTER PIN
16	00777874	1	NUT, HEX SLOTTED FLANGED
17	00777873	1	OIL SEAL
18	00777872	1	OUTPUT SHAFT
19	00777884	1	GEAR, OUTPUT, (19 TOOTH)
20	00762121	1	BEARING ADJUSTING NUT
21	00777859	1	COTTER PIN
22	00769938	3	BEARING ASY, CUP & CONE, (REPLACES P/N 00758650)
23	00777870	1	BLANK ADJUSTING CAP
24	00777869	-	BLANK CAP GASKET, 0.10
25	00777868	-	BLANK CAP GASKET, 0.25
26	00777867	1	BEARING SPACER
27	61368C8	6	BOLT, HEX HEAD
28	00777866	1	INSPECTION COVER CAP
29	00769321	2	SEALING WASHER
30	00762123	2	PLUG, OIL LEVEL
31	00758657	1	SPACER, INPUT SHAFT
33	00777865	1	INSPECTION COVER GASKET
34	00777886	1	GEAR, INPUT (25 TOOTH)
35	02969728	2	BOLT, HEX HEAD
36	00778621	1	OUTPUT SEAL PLATE
37	00777883	1	DIP STICK / BREATHER ASY
38	00007800	6	BOLT, HEX HEAD (3/4" NC X 3" PL GR5) G/B MNTING (NOT SHOWN)
39	00037200	6	LOCKNUT, TOPLOCK (3/4" NC) G/B MNTING (NOT SHOWN)
40	5312316	6	FLATWASHER, HARDENED (SPECIAL) G/B MNTING (NOT SHOWN) INSTALL ON UNDER SIDE OF DECK

00780567P - Eagle 15-10 (SN 0180-Up) (08-06)_06-20

GEARBOX ASY - RH WING 540 RPM - (SN EGL-0001 (09-04) TO CURRENT)



00780567P - Eagle 15-10 (SN 0180-Up) (08-06)_06-20

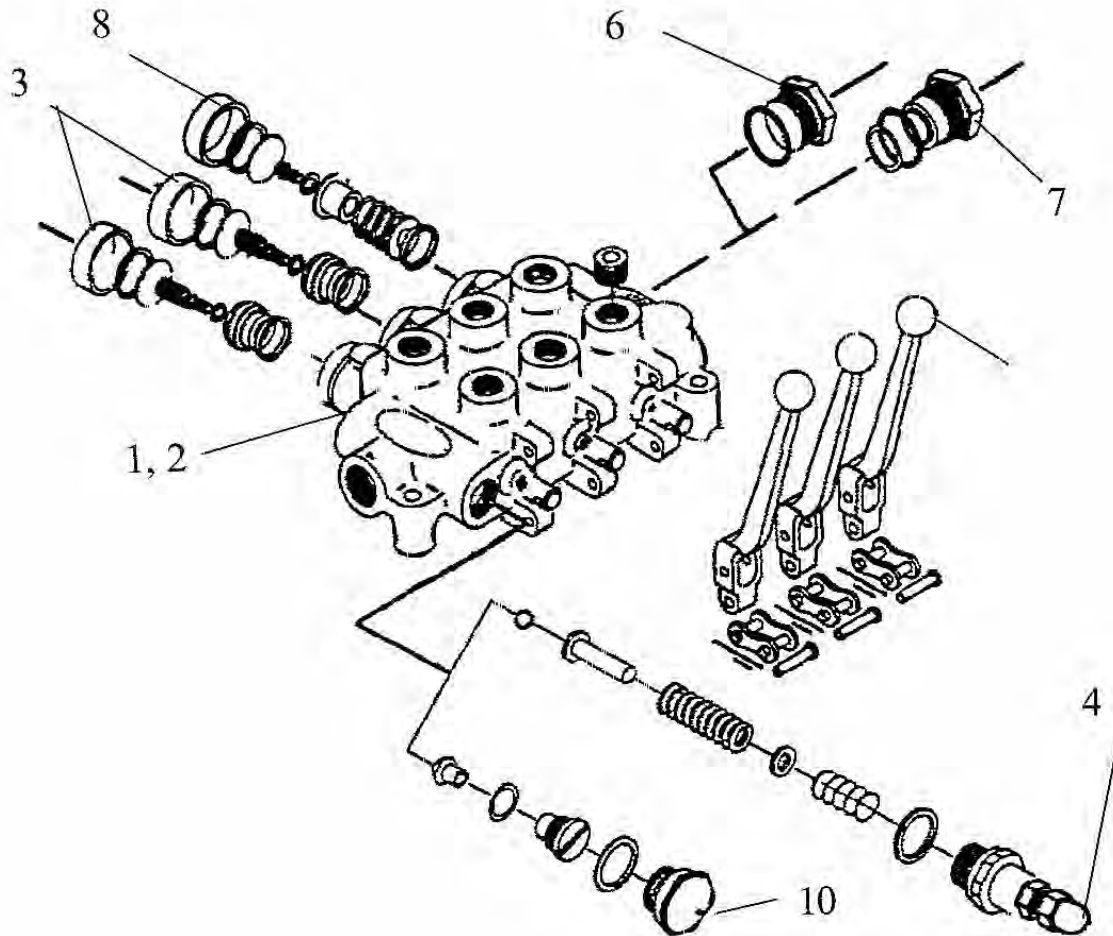
GEARBOX ASY - RH WING 540 RPM - (SN EGL-0001 (09-04) TO CURRENT)

Continued...

ITEM	PART NO.	QTY.	DESCRIPTION
	00777839	-	GEARBOX ASY, RH WING ONLY
1	00777882	1	HOUSING
2	00755954	18	LOCKWASHER
3	00762398	12	BOLT, HEX HEAD
4	00777881	1	CAP, INPUT
5	00777880	1	SHAFT, INPUT
6	00758653	1	SEAL, INPUT SHAFT
7	00777879	-	INPUT CAP GASKET 0.10
8	00777878	-	INPUT CAP GASKET 0.25
9	00758667	-	SHIM, 0.012"
10	00762153	-	SHIM, 0.016"
11	00758668	-	SHIM, 0.020"
12	00777877	1	BEARING, TAPERED
13	00777876	1	SEAL PROTECTOR
14	00771227	1	HUB W/ 2-7/8 SHOULDER
15	00777875	1	COTTER PIN
16	00777874	1	NUT, HEX SLOTTED FLANGED
17	00777873	1	OIL SEAL
18	00777872	1	OUTPUT SHAFT
19	00777871	1	GEAR, OUTPUT (15 TOOTH)
20	00762121	1	BEARING ADJUSTING NUT
21	00777859	1	COTTER PIN
22	00769938	3	BEARING ASY, CUP & CONE, (REPLACES P/N 00758650)
23	00777870	1	BLANK ADJUSTING CAP
24	00777869	-	BLANK CAP GASKET, 0.10
25	00777868	-	BLANK CAP GASKET, 0.25
26	00777867	1	BEARING SPACER
27	61368C8	6	BOLT, HEX HEAD
28	00777866	1	INSPECTION COVER CAP
29	00769321	2	SEALING WASHER
30	00762123	2	PLUG, OIL LEVEL
31	00758657	1	SPACER, INPUT SHAFT
33	00777865	1	INSPECTION COVER GASKET
34	00777864	1	GEAR, INPUT (24 TOOTH)
35	02969728	2	BOLT, HEX HEAD
36	00778621	1	OUTPUT SEAL PLATE
37	00777883	1	DIP STICK / BREATHER ASY
38	00007800	6	BOLT, HEX HEAD (3/4" NC X 3" PL GR5) G/B MNTING (NOT SHOWN)
39	00037200	6	LOCKNUT, TOPLOCK (3/4" NC) G/B MNTING (NOT SHOWN)
40	5312316	6	FLATWASHER, HARDENED (SPECIAL) G/B MNTING (NOT SHOWN) INSTALL ON UNDER SIDE OF DECK

00780567P - Eagle 15-10 (SN 0180-Up) (08-06)_06-20

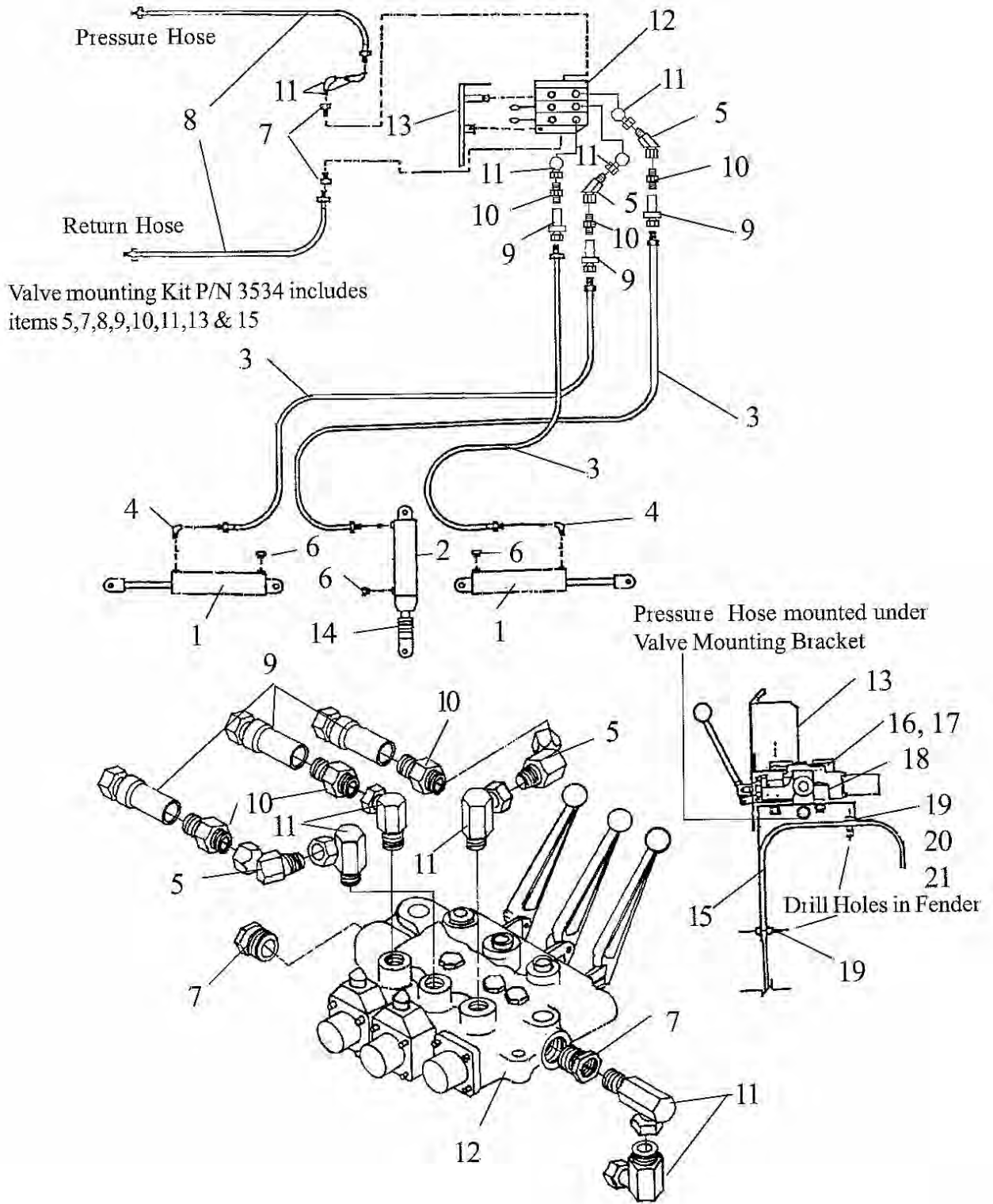
HYDRAULIC CONTROL VALVE - (SN EGL-0001 (09-04) TO CURRENT)



ITEM	PART NO.	QTY.	DESCRIPTION
1	00380200	-	VALVE 3 SPOOL (OC) OPEN CENTER
2	00759833	1	VALVE,3 SPOOL (CC) CLOSED CENTER
3	00751139	3	DETENT KIT
4	00751140	-	HP RELIEF VALVE KIT (OC VALVE ONLY)
5	00751142	3	HANDLE ASY
6	00751141	-	PLUG,OPEN CTR (OC VALVE ONLY)
7	00751002	1	PLUG KIT-CLOSED CTR. (CC VALVE ONLY)
8	00751358	-	SPRING RETURN REPAIR KIT (OC VALVE ONLY)
9	00751556	1	SPOOL SEAL KIT (OC OR CC VALVE)
10	00752057	1	NON-RELIEF VALVE PLUG (CC VALVE ONLY)

THIS PAGE INTENTIONALLY LEFT BLANK

HYDRAULIC CONTROL VALVE W/MOUNTING KIT - (SN EGL-0001 (09-04) TO CURRENT)

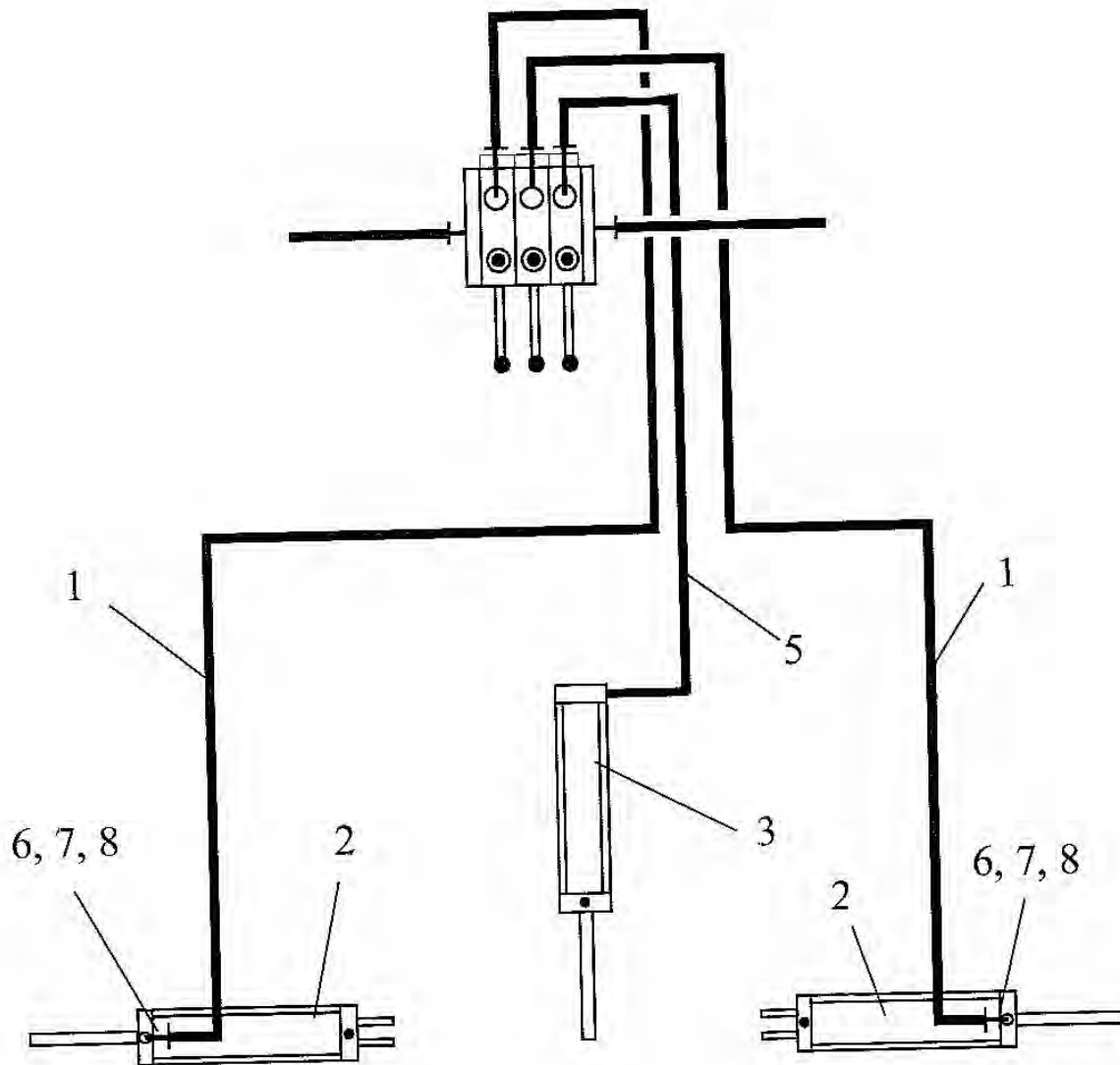


HYDRAULIC CONTROL VALVE W/MOUNTING KIT - (SN EGL-0001 (09-04) TO CURRENT)

Continued...

ITEM	PART NO.	QTY.	DESCRIPTION
1	8728A	2	CYLINDER ASY, WING LIFT & FOLD
2	00759946A	1	CYLINDER ASY, CENTER AXLE LIFT
3	-----	3	HYDRAULIC HOSE
4	00774574	2	ADAPTER, ELBOW SWIVEL W/ORFICE
5	000999	2	ADAPTER, PIPE, 8MP-8FPX-45 DEG
6	2417154	3	BREATHER, CYL #8 ORB
7	7323	2	BUSHING, REDUCER
8	1347	2	HOSE #8 - 8MP - 8MP - 60LG
9	00275400	3	Q.D. COUPLER (REPLACES P/N 2107)
10	02960460	3	ADAPTER, STRAIGHT 8MP-8MP
11	94514	5	ADAPTER, ELBOW SWIVEL
12	-----	-	VALVE ASY, OPEN CENTER
	-----	-	VALVE ASY, CLOSED CENTER
13	00759682	1	ASSY, VALVE CONTROL SHIELD
14	00755234	1	CONTROL SPACER KIT
15	8166	1	VALVE MTG. FENDER BRKT.
16	10204000	2	BOLT, HEX HEAD
17	7336	2	SPACER, SHIELD 3-SPOOL VALVE
18	00010600	1	BOLT, HEX HEAD
19	00011400	4	BOLT, HEX HEAD
20	00012101	7	LOCKWASHER
21	00013901	7	NUT, HEX

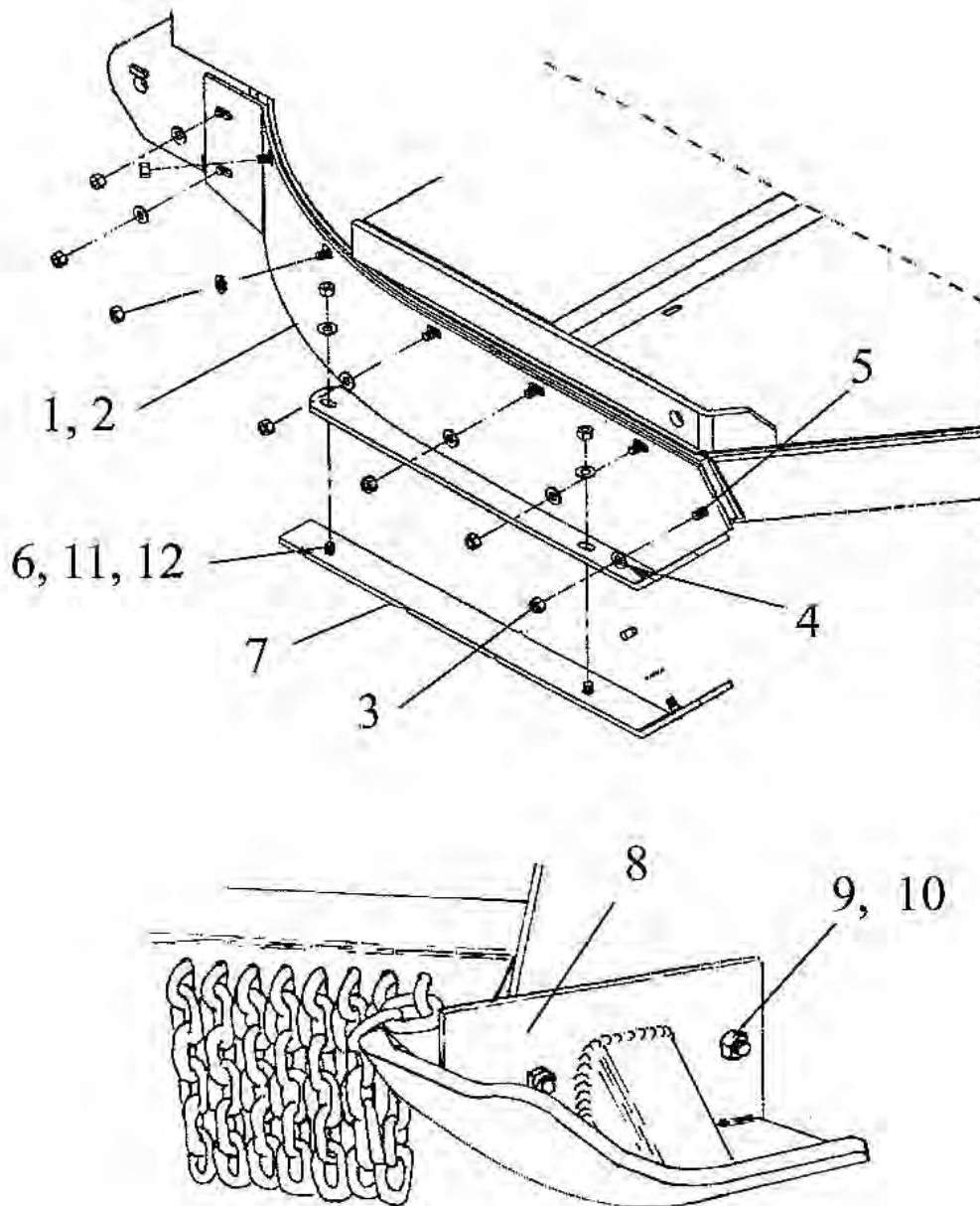
HYDRAULIC SCHEMATIC - (SN EGL-0001 (09-04) TO CURRENT)



ITEM	PART NO.	QTY.	DESCRIPTION
1	00773043	2	HOSE ASY, 240" LG (WING LIFT & FOLD)
2	8728A	2	CYLINDER ASY, (WING LIFT & FOLD)
3	00759946A	1	CYLINDER ASY, (AXLE LIFT)
5	00774832	1	HOSE ASY, 204" LG (AXLE LIFT)
6	00774574	2	ADAPTER, ELBOW SWIVEL (WITH ORFICE)

THIS PAGE INTENTIONALLY LEFT BLANK

SIDE SKIRTS & SKID SHOES - (SN EGL-0001 (09-04) TO CURRENT)



ITEM	PART NO.	QTY.	DESCRIPTION
1	00777736	1	SIDE SKIRT WELDMENT, RH WING
2	00777737	1	SIDE SKIRT WELDMENT, LH WING
3	00001800	8	LOCKNUT TLM 1/2 NC PLC
4	00002700	8	FLATWASHER
5	00748823	8	BOLT, HEX HEAD
6	2A361612	3	BOLT,PLOW BOLT

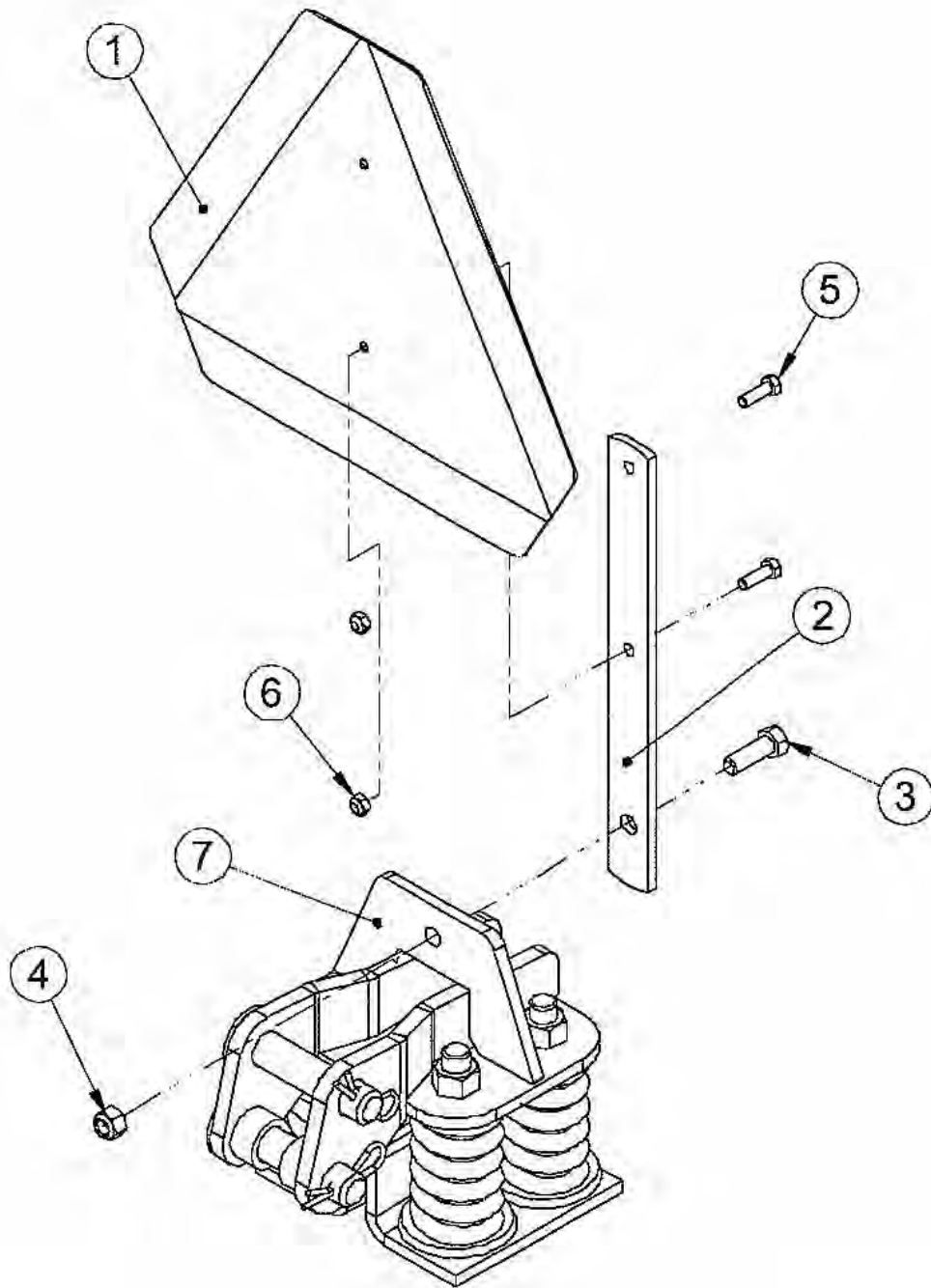
00780567P - Eagle 15-10 (SN 0180-Up) (08-06)_06-20

SIDE SKIRTS & SKID SHOES - (SN EGL-0001 (09-04) TO CURRENT)

Continued...

ITEM	PART NO.	QTY.	DESCRIPTION
7	00776618	2	SKID SHOE, LH OR RH WING
8	00764020	1	SKID SHOE, LH CENTER SECTION
	00763996	1	SKID SHOE, RH CENTER SECTION (NOT SHOWN)
9	02030700	4	BOLT, HEX HEAD
10	00001800	4	LOCKNUT TLM 1/2 NC PLC
11	00012101	3	NUT, HEX 3/8"-NC PL
12	00013901	3	LOCKWASHER, 3/8" PL HVY

SMV SIGN & MOUNTING - (SN EGL-0001 (09-04) TO CURRENT)



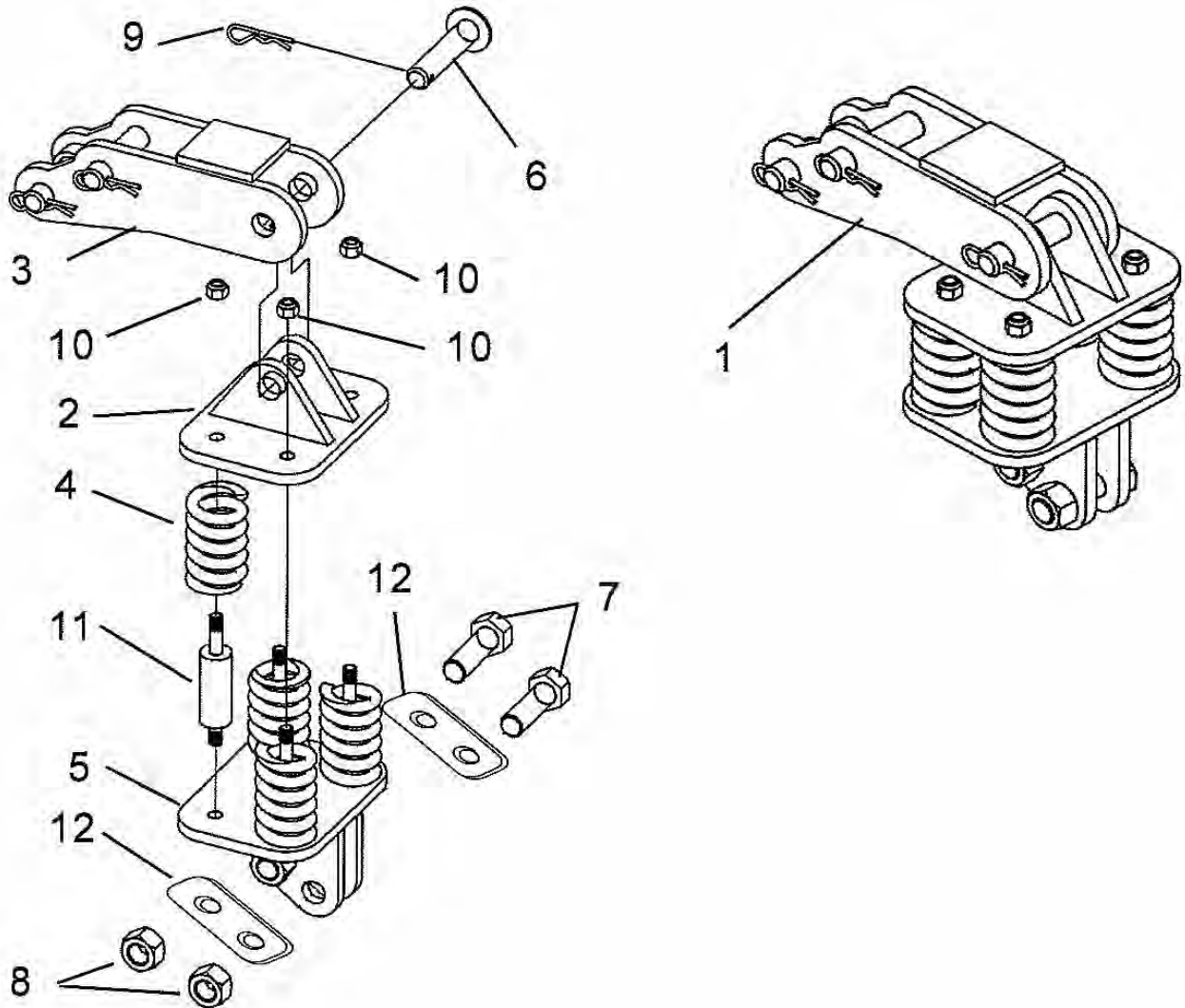
ITEM	PART NO.	QTY.	DESCRIPTION
1	03200347	1	SMV EMBLEM
2	00780664	1	SMV EMBLEM MOUNT FLAT, (SN EGL-0001 (9-04) TO EGL-0179 (7-06)
	00778719	1	SMV EMBLEM MOUNT FLAT, (SN EGL-0180 (8-06) TO CURRENT)
3	00748823	1	BOLT, HEX HEAD 1/2"-13NC X 1-1/2" PL GR5

SMV SIGN & MOUNTING - (SN EGL-0001 (09-04) TO CURRENT)

Continued...

ITEM	PART NO.	QTY.	DESCRIPTION
4	00001800	1	LOCKNUT TLM 1/2 NC PLC
5	10119000	2	BOLT, HEX HEAD 5/16"-NC X 1" PL GR5
6	00750940	2	LOCKNUT, TOPLOCK 5/16"-NC PLB
7	0656460100	1	CENTER SPRING ASY, (SN EGL-0001 (9-04) TO EGL-0179 (7-06)
	00778942	1	CENTER SPRING ASY, (SN EGL-0180 (8-06) TO CURRENT)

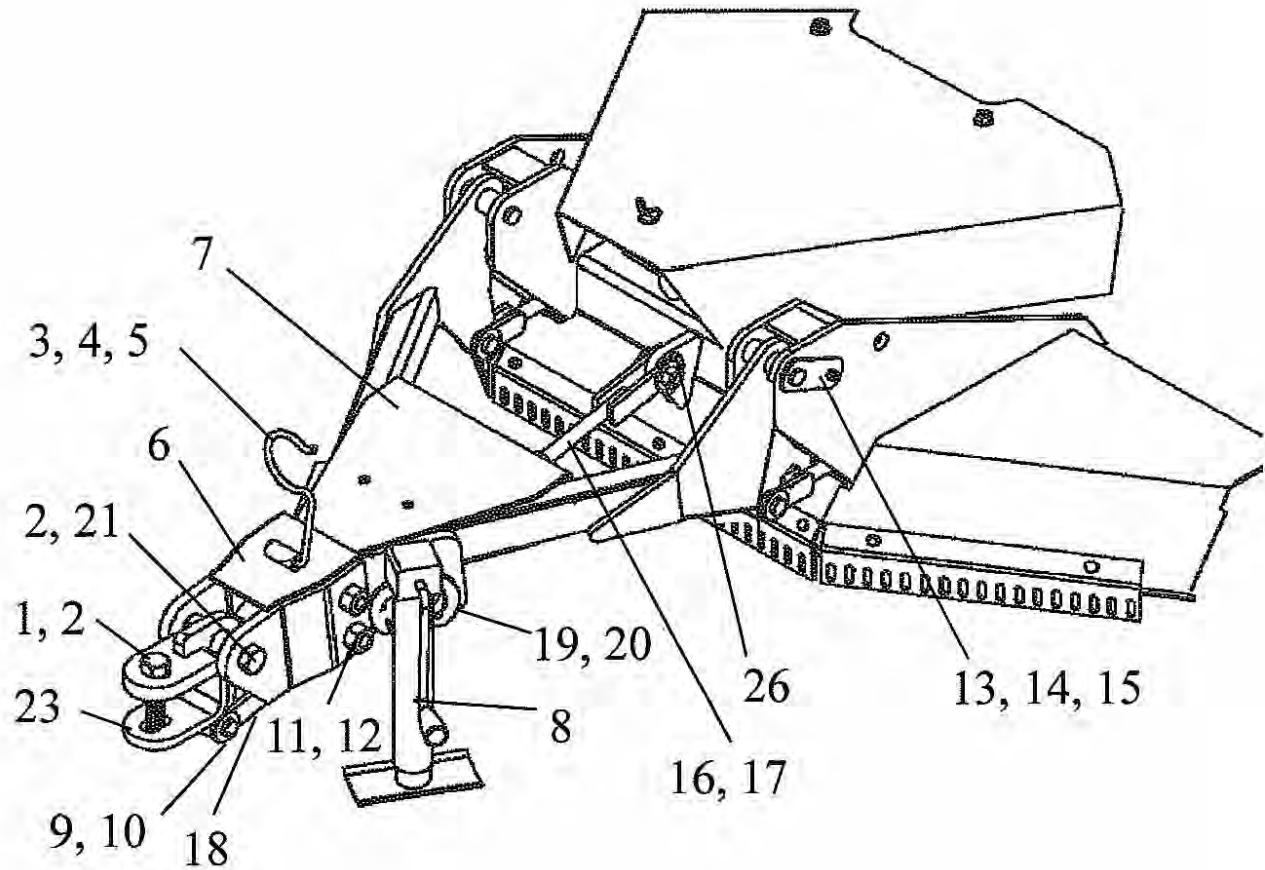
SPRING ASY - CENTER AXLE - (SN EGL-0180 (08-06) TO CURRENT)



ITEM	PART NO.	QTY.	DESCRIPTION
1	00778942	1	SPRING ASY, CENTER AXLE (ITEMS 2 THRU 12)
2	00778939	1	SPRING SUPPORT WELDMENT
3	00778940	1	PIVOT ARM WELDMENT
4	371063A	4	SPRING
5	00778933	1	BASE SPRING WELDMENT
6	0656460240	3	PIN WELDMENT
7	00781043	2	BOLT, HEX HEAD 1"-NC X 3-1/2" PL GR5
8	02030300	2	LOCKNUT, TOPLOCK 1"NC PLB
9	37107B13	3	HAIR PIN CLIP
10	00001800	8	LOCKNUT TLM 1/2 NC PLC
11	00779069	4	SPRING GUIDE AND SPACER
12	00779106	2	SPACER

THIS PAGE INTENTIONALLY LEFT BLANK

TONGUE ASY - LONG - (SN EGL-0180 (08-06) TO CURRENT)



ITEM	PART NO.	QTY.	DESCRIPTION
1	00755305	1	BOLT, HEX HEAD
2	02030300	2	LOCKNUT
3	00776426	1	DRIVELINE HOLDER TUBE
4	1431565	1	DRIVELINE TRANSPORT SUPPORT
5	40010000	1	COTTER PIN
6	00774712	1	TONGUE EXTENSION WELDMENT
7	00779334	1	TONGUE WELDMENT
8	00772391	1	JACK PARKING, SIDEWIND
9	00755153	1	COTTER PIN
10	651102	1	PIN, DRILLED
11	7A16824	4	BOLT, HEX HEAD
12	02030300	4	LOCKNUT
13	00760895	2	PIN WELDMENT, TONGUE PIVOT PIN
14	00748823	2	BOLT, HEX HEAD
15	00001800	2	LOCKNUT TLM 1/2 NC PLC
16	00764537	1	CONTROL ROD WELDMENT THREADED
17	5C1490	1	NUT, HEX

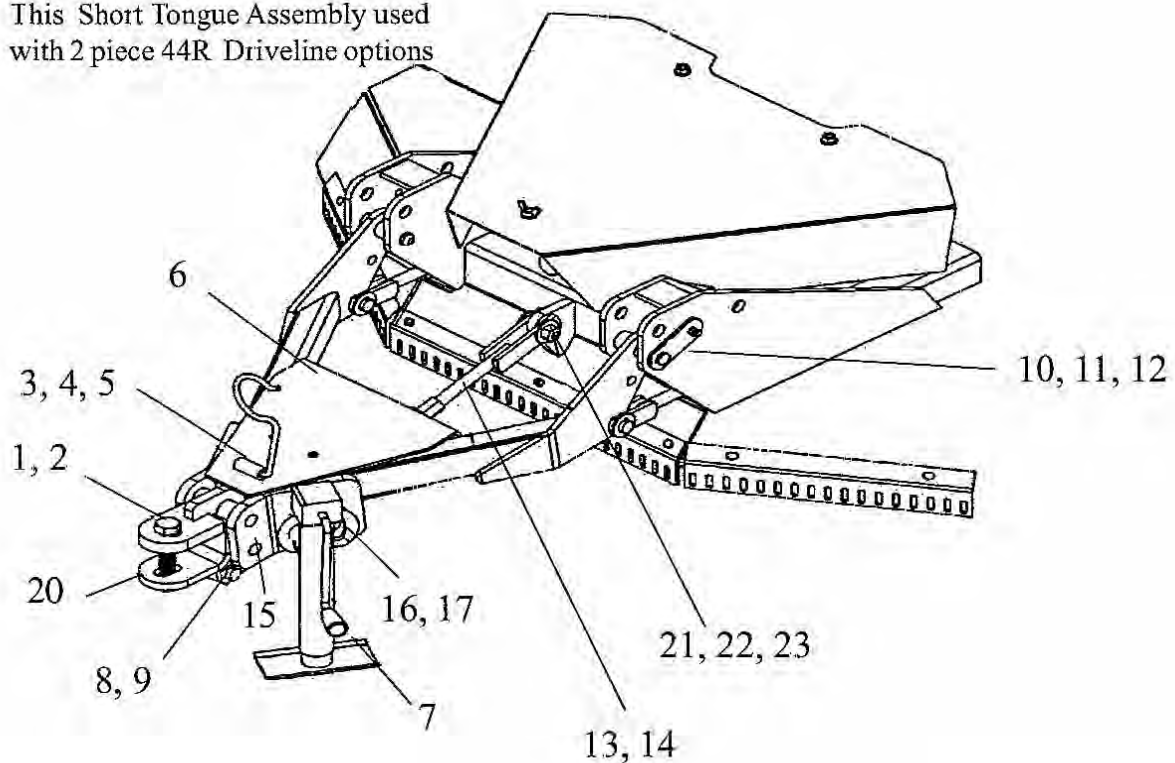
TONGUE ASY - LONG - (SN EGL-0180 (08-06) TO CURRENT)

Continued...

ITEM	PART NO.	QTY.	DESCRIPTION
18	00764536	1	CONTROL ROD WLEDMENT, LONG
19	00695100	2	NUT, TOPLOCK 5/8 NC PLC
20	00756077	1	WASHER, HARDENED
21	00755224	1	BOLT, HEX HEAD
22	00760941	1	JACK MOUNT WELDMENT
23	00779468	1	CLEVIS WELDMENT
24	03200269	1	BOLT, HEX HEAD
25	15B1200	2	WASHER
26	00037200	4	LOCKNUT
----	00764515	1	TOW CHAIN

TONGUE ASY - SHORT - (SN EGL-0180 (08-06) TO CURRENT)

This Short Tongue Assembly used with 2 piece 44R Driveline options



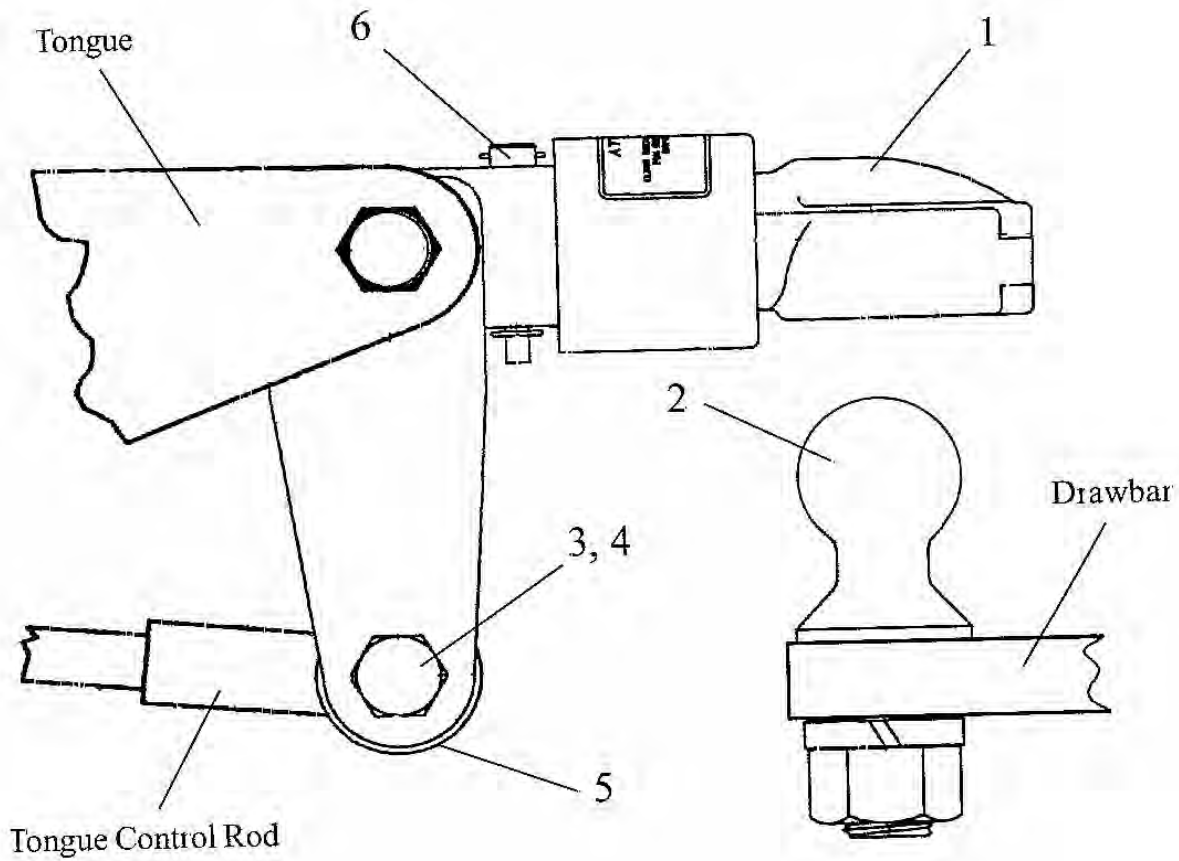
ITEM	PART NO.	QTY.	DESCRIPTION
1	00755305	1	BOLT, HEX HEAD 1"-8NC X 6" GR8
2	02030300	2	LOCKNUT, 1"-NC PLB
3	00776426	1	DRIVELINE HOLDER TUBE
4	1431565	1	SHAFT TRANSPORT SUPPORT
5	40010000	1	COTTER PIN, 1/8" X 1"
6	00779334	1	TONGUE WELDMENT, SHORT
7	00772391	1	JACK PARKING 3000LB SIDEWIND
8	00755153	1	COTTER PIN, 3/16" X 1-1/2" PLATED
9	651102	1	PIN, DRILLED
10	00760895	2	PIN WELDMENT, TONGUE PIVOT
11	00748823	2	BOLT, HEX HEAD 1/2"-13NC X 1-1/2" PL GR5
12	00001800	2	LOCKNUT TLM 1/2 NC PLC
13	00764537	1	CONTROL ROD WELDMENT, THREADED
14	5C1490	1	NUT, HEX 7/8 JAMNUT ZP
15	00764535	1	CONTROL ROD WELDMENT, SHORT
16	00695100	2	LOCKNUT TOPLOCK 5/8NC PLC
17	00756077	1	WASHER, 5/8" HARDENED
18	00754107	1	BOLT, HEX HEAD 1"-8NC X 6-1/2" PL GR8
19	00760941	1	JACK TUBE MOUNT WELDMENT
20	00779468	1	CLEVIS WELDMENT

TONGUE ASY - SHORT - (SN EGL-0180 (08-06) TO CURRENT)

Continued...

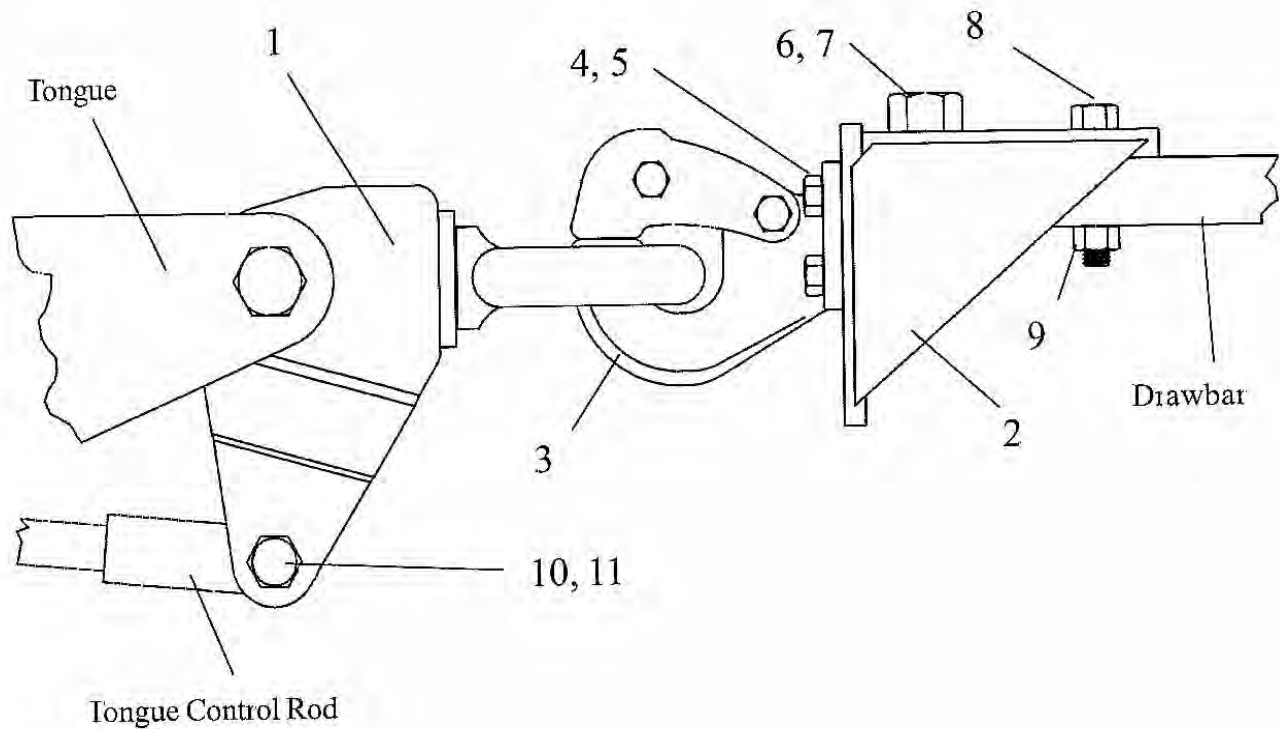
ITEM	PART NO.	QTY.	DESCRIPTION
21	03200269	1	BOLT, HEX HEAD 3/4"-NC X 3" PL GR8
22	15B1200	2	WASHER, 3/4" P SAE
23	00037200	1	LOCKNUT, TOPLOCK 3/4"-NC PLC

TONGUE HITCH ASY - CAPTIVE BALL OPTION - (SN EGL-0001 (09-04) TO CURRENT)



ITEM	PART NO.	QTY.	DESCRIPTION
	00769178	1	CAPTIVE BALL HITCH ASY COMPLETE
1	00769331	1	CAPTIVE BALL COUPLER CLEVIS WELDMENT
2	00758938	1	BALL, HITCH 2-5/16 BALL 1-1/4
3	02960916	1	BOLT, HEX HEAD 3/4-NC X 5 PL8
4	00037200	1	LOCKNUT, TOPLOCK 3/4-NC PLC
5	15B1200	2	WASHER, 3/4 P SAE
6	00769398	1	PIN ASY

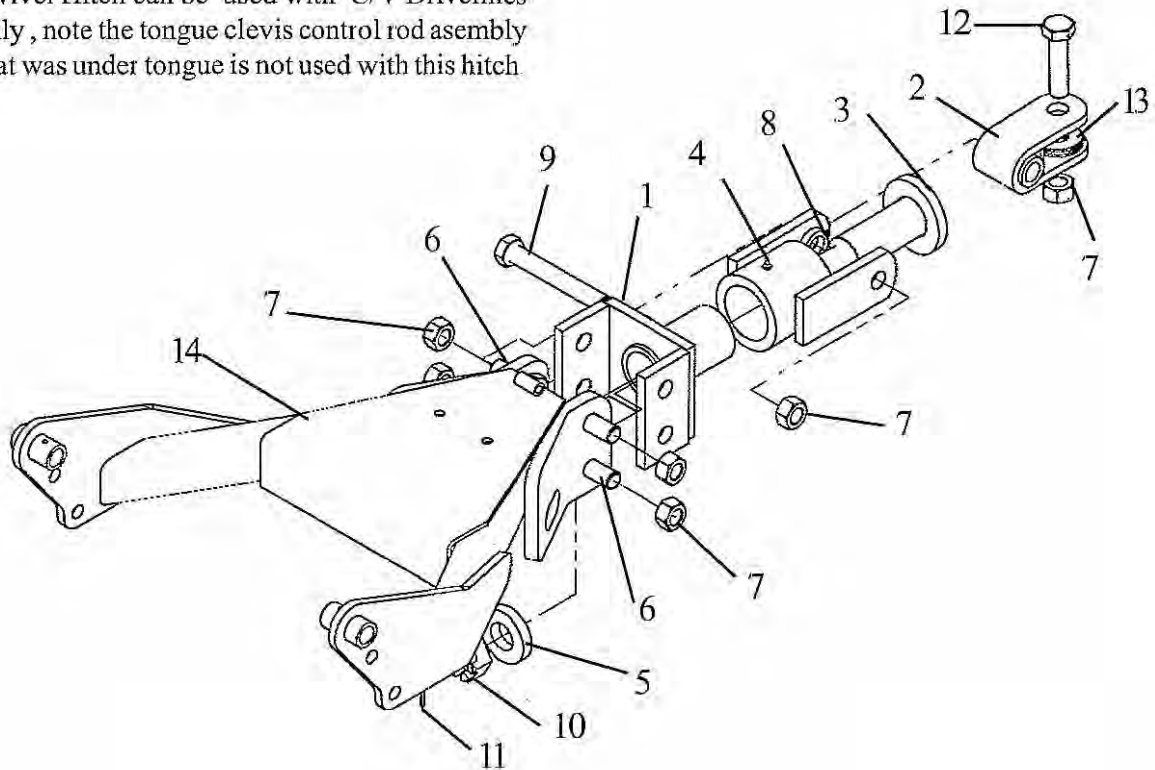
TONGUE HITCH ASY - PINTLE HOOK OPTION - (SN EGL-0001 (09-04) TO CURRENT)



ITEM	PART NO.	QTY.	DESCRIPTION
	00773869SP	1	ASY PINTLE HOOK OPTION
1	00773872	1	PINTLE HOOK CLEVIS WELDMENT
2	00752283	1	PINTLE HOOK MNTG WELDMENT
3	00752279	1	PINTLE HOOK
4	02891800	4	BOLT, HEX HEAD 1/2-NC X 1-3/4 PL8
5	00001800	4	LOCKNUT TLM 1/2 NC PLC
6	02712500	1	BOLT, HEX HEAD 1-NC X 4 PL8 SPECIAL
7	02030300	1	LOCKNUT, TOPLOCK 1-NC PLB
8	02845600	1	BOLT, HEX HEAD 5/8-NC X 3 PL5
9	00695100	3	NUT, TOPLOCK 5/8 NC PLC
10	00003300	1	BOLT, HEX HEAD 3/4-NC X 4 PL5
11	00037200	1	LOCKNUT, TOPLOCK 3/4-NC PLC

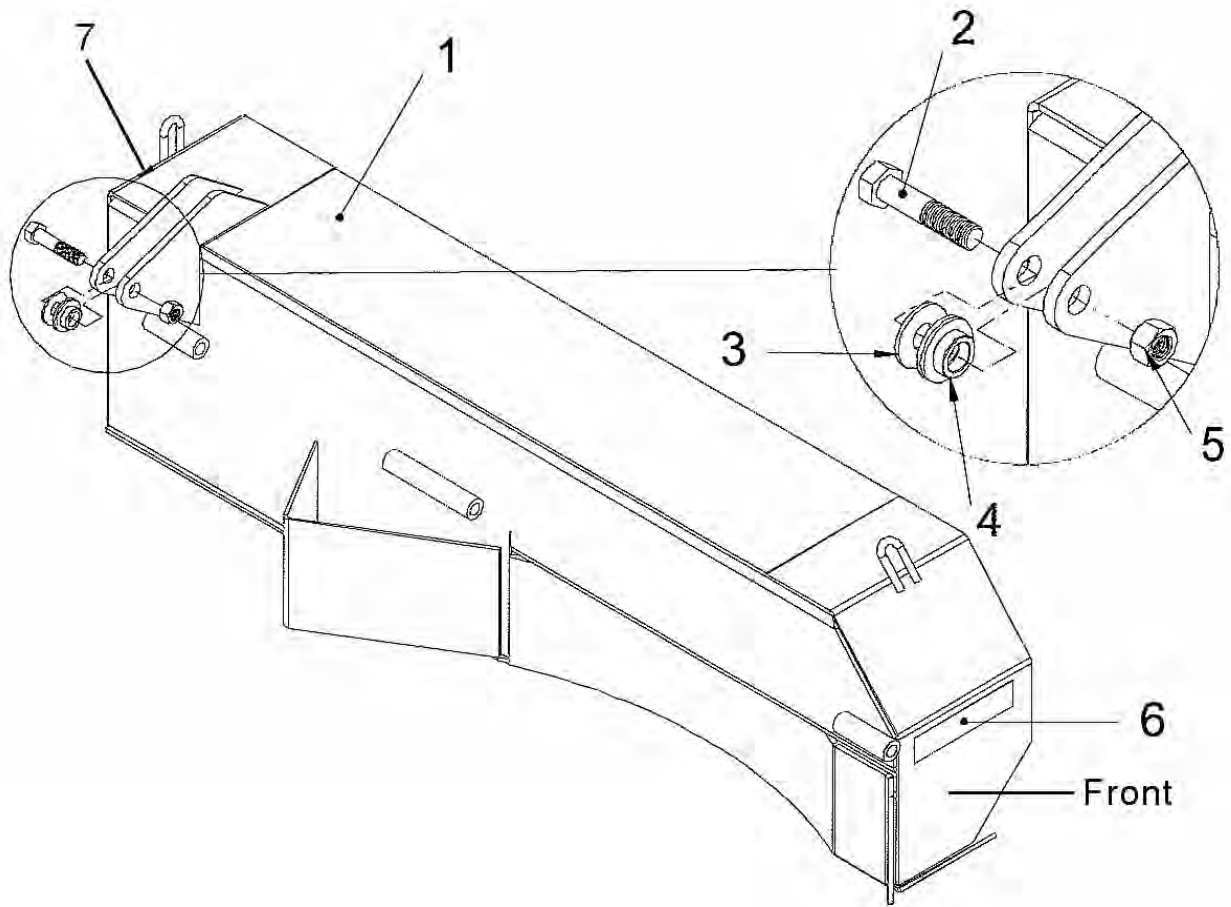
TONGUE HITCH ASY - SWIVEL CLEVIS OPTION - (SN EGL-0001 (09-04) TO CURRENT)

Swivel Hitch can be used with C/V Drivelines only , note the tongue clevis control rod assembly that was under tongue is not used with this hitch



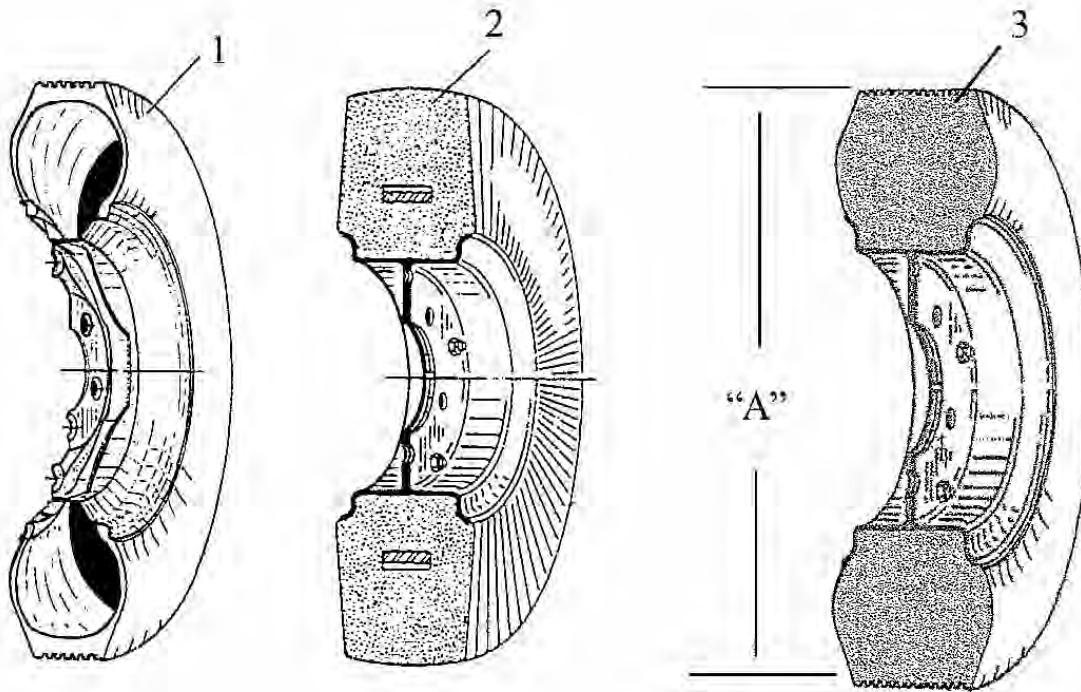
ITEM	PART NO.	QTY.	DESCRIPTION
	00779232	-	SWIVEL HITCH ASY, (ITEMS 1 THRU 13)
1	00779222	1	SWIVEL BASE WELDMENT
2	00748807	1	CLEVIS WELDMENT
3	00779229	1	SWIVEL SHAFT WELDMENT
4	00779226	1	OUTER PIVOT TUBE WELDMENT
5	00779221	1	SWIVEL NUT WASHER PLATE
6	7B16820	4	BOLT, HEX HEAD 1"-NC X 2-1/2" PL
7	5JRC1680	6	LOCKNUT, TOPLOCK 1"-NC PL
8	00779220	2	CLEVIS SPACER TUBE
9	00755224	1	BOLT, HEX HEAD 1"-NC X 7" GR8
10	5D2460	1	NUT,HEX SLOTTED 1-1/2"-6NC PL
11	165024	1	COTTER PIN, 5/16" X 3" PLTD
12	02712500	1	BOLT, HEX HEAD 1"-NC X 4" PL GR8 SPECIAL
13	15B1600	3	WASHER, 1" SAE P
14	00775200	-	TONGUE WELDMENT?

WEIGHTBOX ASY - 1400 LBS. - 10` MODEL - (SN EGL-0001 (09-04) TO CURRENT)



ITEM	PART NO.	QTY.	DESCRIPTION
	00780279	-	WEIGHTBOX ASY. L.H., (USED ON UNITS W/ RH WING)
1	00777999	1	WLDMT, WEIGHTBOX L.H.
2	7A14932	1	BOLT, HEX HEAD 7/8"-NC X 4" PL GR5
3	00761535	3	WASHER, 7/8" STR PLAIN
4	00761503	1	SPACER, 1-1/2"-OD X 1"-ID X 1/2"LG
5	00012300	1	NUT, 7/8"-NC HEX PL
6	1458393	1	DECAL, YELLOW REFLECTOR
7	1458392	1	DECAL, RED REFLECTOR (NOT SHOWN)
-----	00786253	1	WDMT, THREAD ROD ADJUSTMENT
	00786274	1	PIN, COUNTERWEIGHT, ADJ. PIVOT

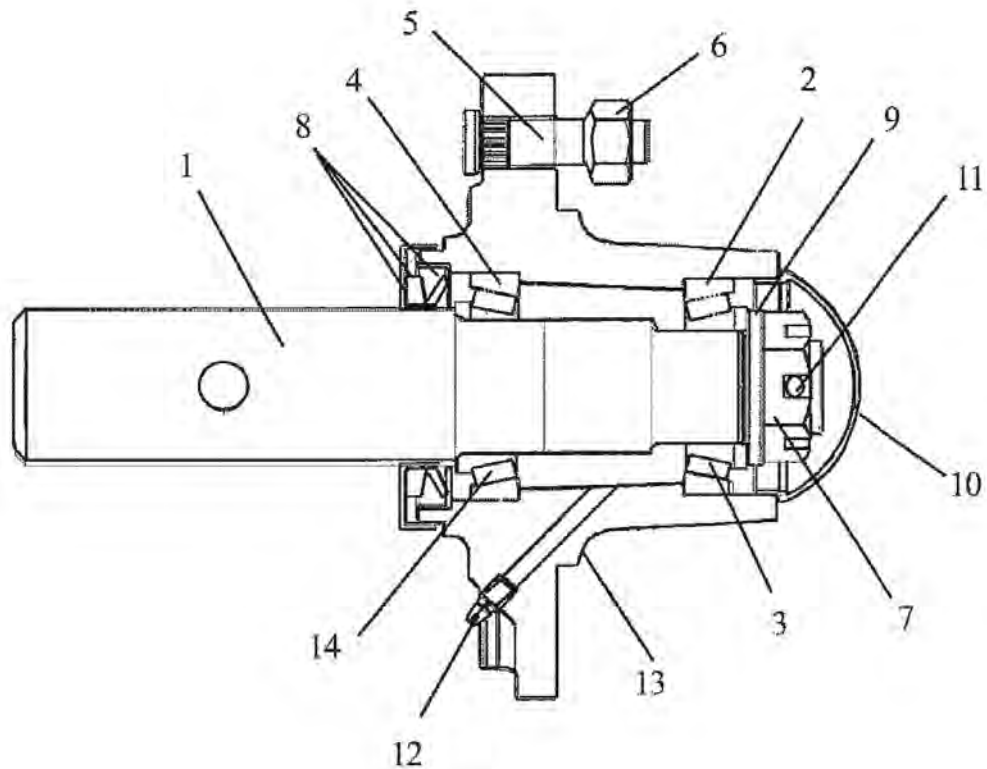
WHEEL & TIRE ASY - PNEUMATIC & SOLID TIRE - (SN EGL-0001 (09-04) TO CURRENT)



Note: 4 or 6 Assemblies are needed, depending upon axle option, single or dual wheels

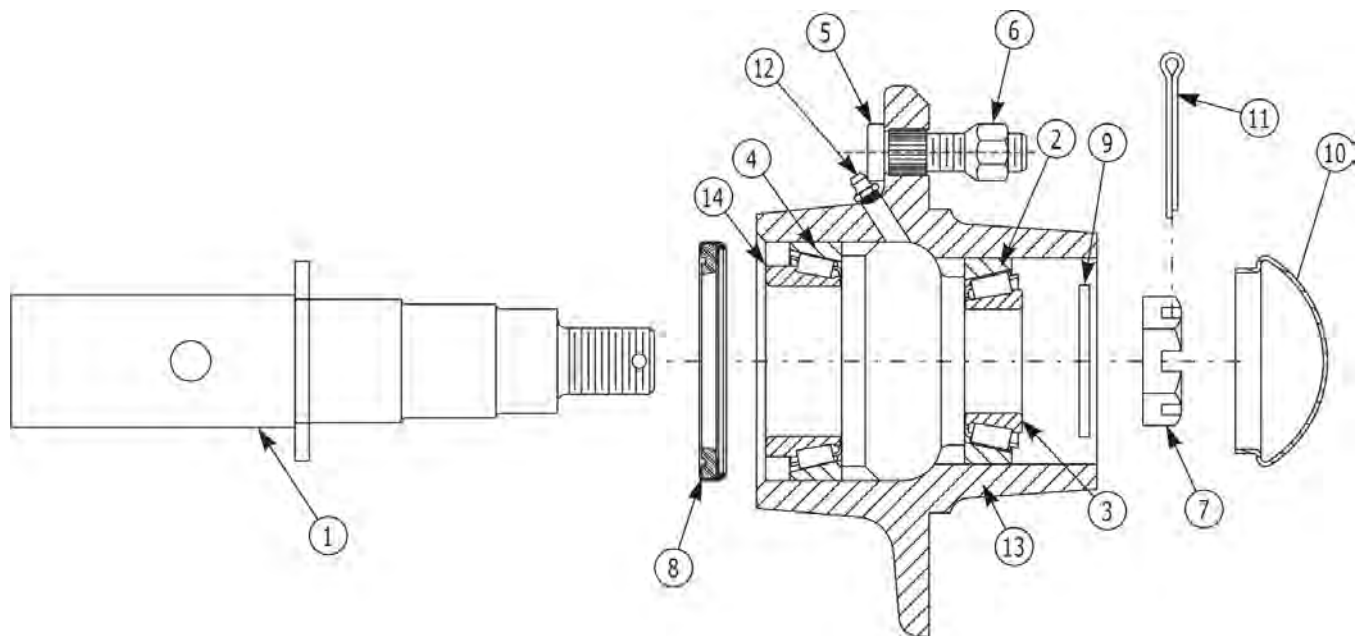
ITEM	PART NO.	QTY.	DESCRIPTION
1	00008700	-	WHL ONLY, 15 X 5.00
	00749698	-	WHL & IMPLEMENT TIRE ASY. 6.70 X 15 X 6 PLY
2	00025200	-	SECTIONAL TIRE & WHL ASY. 6.00 X 9 (21" OD)
3	00766911A	-	USED AIRPLANE TIRE & WHL, FOAM FILLED ("A" = 23"OD) USED S/N 00010 & DOWN
	00766911	-	USED AIRPLANE TIRE & WHL ASY, FOAM FILLED ("A" = 21.5"OD) USED S/N 00011 & UP
4	00771461	-	AIRPLANE TIRE & WHL ASY (USED TIRE)

WHEEL HUB & SPINDLE ASY - (SN EGL-0001 (9-04) TO 0179)



ITEM	PART NO.	QTY.	DESCRIPTION
	00775616A	-	HUB & SPINDLE ASY COMPLETE
	00756489	-	HUB ASY ONLY, W/ CUPS & STUBS
1	00774821	1	SPINDLE, SINGLE WHEEL
2	00756576	1	BEARING CUP, OUTSIDE
3	00750434	1	BEARING CONE, INSIDE
4	00756577	1	BEARING CUP, INSIDE
5	00752177	-	STUD BOLT, W/ .540" SHANK (REPLACES 00756488)
	13198	-	STUD BOLT, W/ .616" SHANK
6	00750614	5	NUT, 1/2-20NF 90DEG.CONE LUG PL
7	00756490	1	NUT, SLOTTED THIN
8	00778108	1	SEAL KIT, (3 PIECE KIT IS ALSO SEAL PROTECTOR)
9	00756493	1	WASHER
10	00756492	1	DUST CAP
11	00026200	1	COTTER PIN
12	00003500	1	GREASE FITTING
13	00756489	1	HUB ASY, (W/ STUDS & BRG CUPS ITEM 2,4 & 5)
14	0371242102	1	BEARING CONE, OUTSIDE

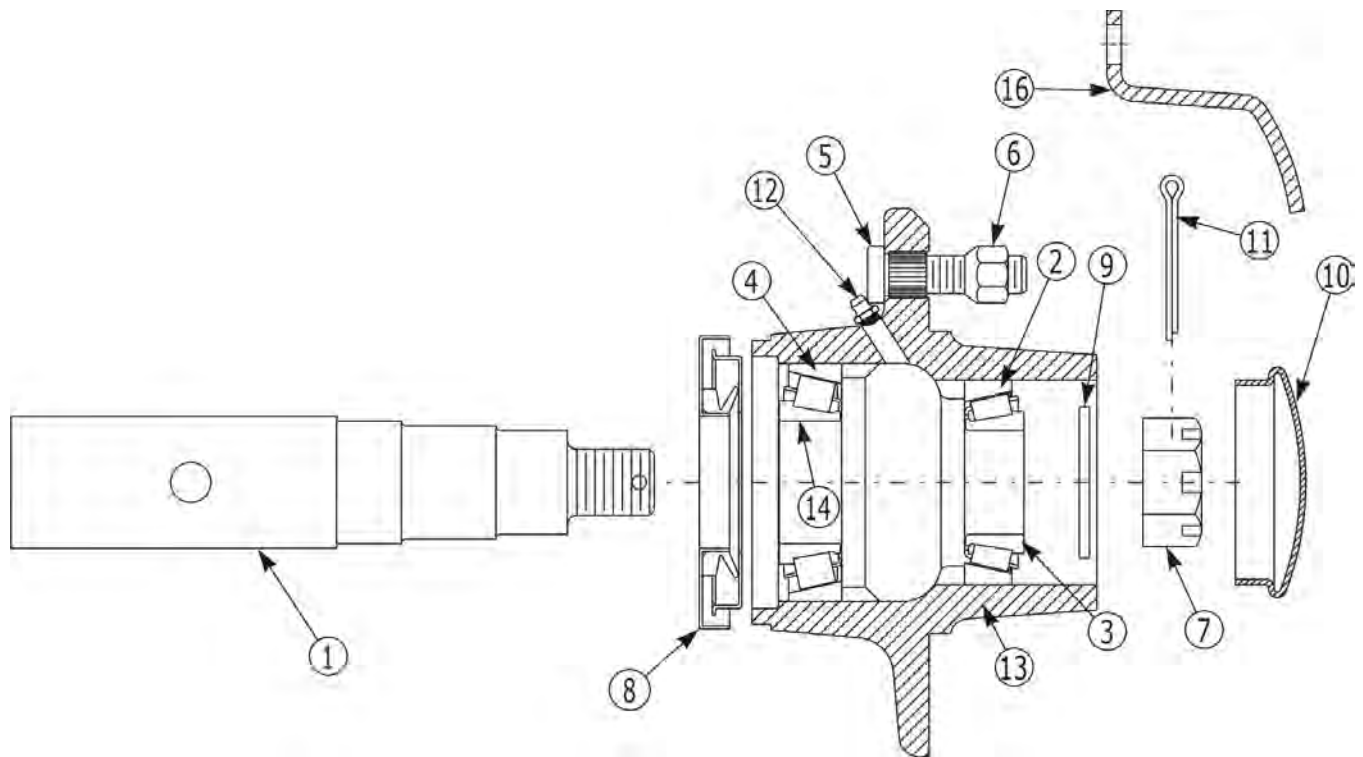
WHEEL HUB & SPINDLE ASY - (SN EGL-0180 TO CURRENT) OPTION 1



ITEM	PART NO.	QTY.	DESCRIPTION
-	00776306	1	ASY, HUB AND SPINDLE
1	00768807	1	WELDMENT, SPINDL
2	00016900	1	BEARING CUP (OUTSIDE)
3	02957149	1	BEARING CONE (INSIDE)
4	371247D	1	BEARING CUP (OUTSIDE)
5	13198	5	STUD BOLT ID-20 UNF
6	00750614	5	WHEEL NUTS 1/2-20 UNF
7	371247J	1	BEARING ADJUSTING NUT 7/8-14
8	371247F	1	OIL SEAL
9	15B1400	1	WASHER
10	371247G	1	DUST CAP
11	00026200	1	COTTER PIN
12	00003500	1	GREASE FLLTLNG
13	371247A	1	WHEEL HUB (00756489 FOR PARTS)
14	371247E	1	BEARING CONE (INSIDE)
15	371247SA	1	HUB ASY WI HUB, CAPS, BOLTS & LERK

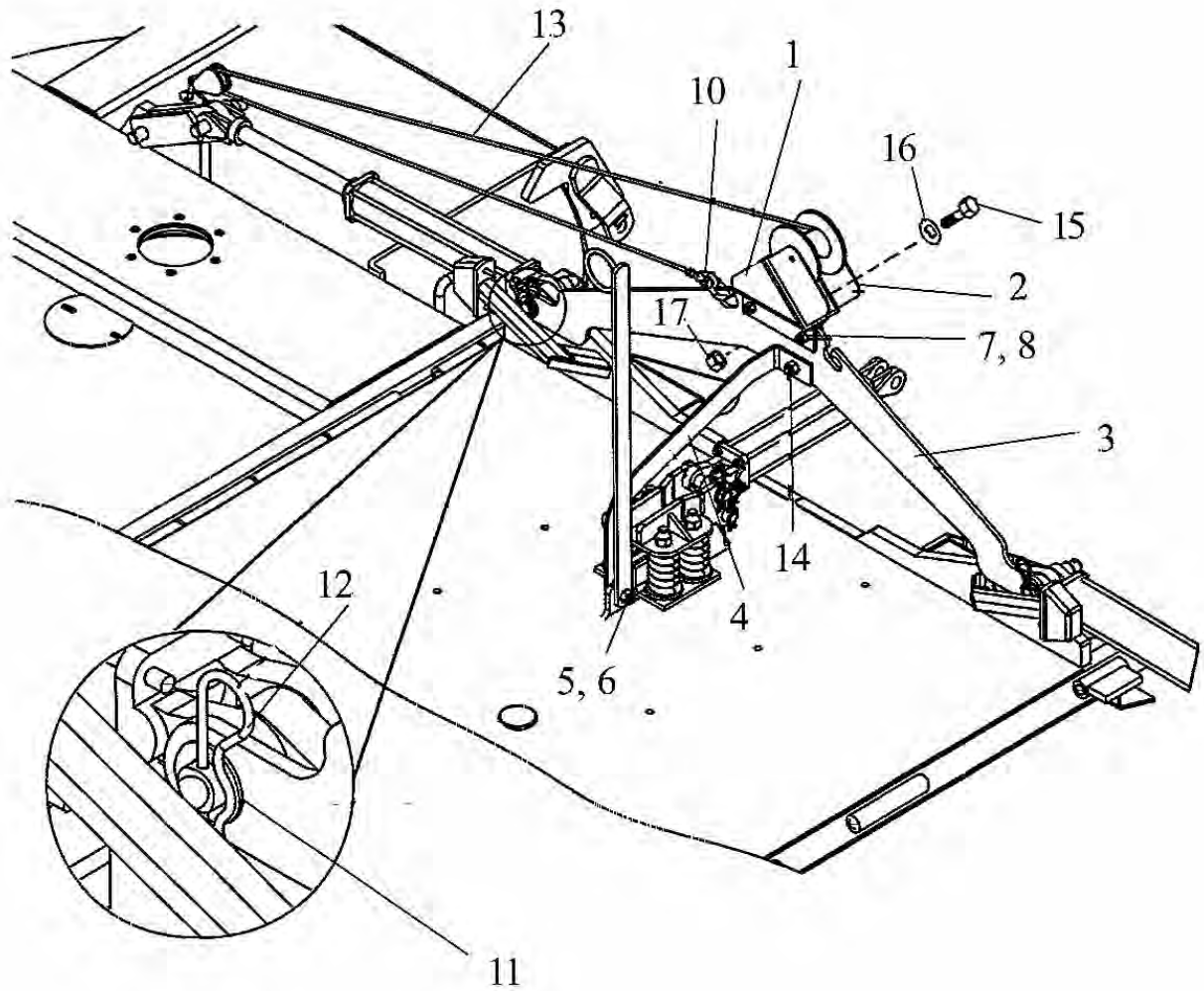
NOTE: ITEM 15 INCLUDES ITEMS 2, 3-6, 12, & 13 - PLEASE NOTE THE BEARING WASHER STOP ON SPINDLE

WHEEL HUB & SPINDLE ASY - (SN EGL-0180 TO CURRENT) OPTION 2



ITEM	PART NO.	QTY.	DESCRIPTION
	00776306	1	ASY, HUB AND SPINDLE
1	00778528	1	AXLE SPINDLE BOLT IN
2	00016900	1	BEARING CUP (OUTSIDE)
3	02957149	1	BEARING CONE (INSIDE)
4	371247D	1	BEARING CUP (OUTSIDE)
5	13198	5	STUD BOLT 1/2-20 UNF
6	00750614	5	WHEEL NUTS 1/2-20 UNF
7	371247J	1	BEARING ADJUSTING NUT 7/8"-14
8	00778713	1	SEAL KIT
9	15B1400	1	WASHER
10	371247G	1	DUST CAP
11	00026200	1	COTTER PIN
12	00003500	1	GREASE FITTING
13	00778714	1	WHEEL HUB
14	00778715	1	BEARING CONE (INSIDE)
16	00779390	1	HUB CAP RETAINER

WINCH STAND ASY - (SN EGL-0001 (09-04) TO CURRENT)



ITEM	PART NO.	QTY.	DESCRIPTION
	00780570	-	WINCH & STAND KIT COMPLETE
1	00776958	1	WLDMT, WINCH MOUNT WELDMENT
2	00750936	1	WINCH
3	00776957	1	PLATE, MAIN WINCH STAND
4	00770569	1	PLATE, WINCH STAND BRACE
5	02845500	1	BOLT, HEX HEAD 5/8"-NC X 2" PL GR5
6	00695100	2	NUT, TOPLOCK 5/8 NC PLC
7	00749130	2	BOLT, HEX HEAD 1/2"-13UNC X 1-3/4 PL GR5
8	00001800	2	LOCKNUT TLM 1/2 NC PLC
9	00753655	1	CABLE PULLEY & BLOCK
10	00753656	2	CHAIN, 3/8" X 2 LINKS WELD PLATED
11	02822500	2	FLATWASHER, 1" PL STD
12	37107B13	2	HAIR PIN CLIP

00780567P - Eagle 15-10 (SN 0180-Up) (08-06)_06-20

WINCH STAND ASY - (SN EGL-0001 (09-04) TO CURRENT)

Continued...

ITEM	PART NO.	QTY.	DESCRIPTION
13	00000801	1	WINCH CABLE ASY
14	02675800	1	BOLT, HEX HEAD 5/8"-11UNC X 1-1/2" PL GR5
15	00011400	2	BOLT, HEX HEAD 3/8"-NC X 1 PL GR5
16	00011100	2	FLATWASHER. 3/8 PL STD
17	00015800	2	LOCKNUT, TOPLOCK 3/8"-NC PLB
18	00778781	1	PLATE, SLOW MOVING VEHICLE SIGN (NOT SHOWN)
19	00753642	1	BOLT, HEX HEAD 3/8"-NC X 1-1/4" ZP GR5 (NOT SHOWN)
20	15B1600	2	WASHER, 1" SAE P (NOT SHOWN)
21	00013300	2	BOLT, HEX HEAD 1/2"-NC X 2" PL GR5 (NOT SHOWN)



TO THE OWNER/OPERATOR/DEALER

To keep your implement running efficiently and safely, read your manuals thoroughly and follow these directions and the Safety Messages in this Manual. The Table of Contents clearly identifies each section where you can easily find the information you need.

The OCCUPATIONAL SAFETY AND HEALTH ACT (1928.51 Subpart C) makes these minimum safety requirements of tractor operators:

REQUIRED OF THE OWNER

1. Provide a Roll-Over-Protective Structure that meets the requirements of this standard.
2. Provide seat belts that meet the requirements of this paragraph of this standard and SAE J4C.
3. Ensure that each employee uses such seat belt while the tractor is moving.
4. Ensure that each employee tightens the seat belt sufficiently to confine the employee to the protected area provided by the ROPS.

REQUIRED OF THE OPERATOR

1. Securely fasten seat belt if the tractor has a ROPS.
2. Where possible, avoid operating the tractor near ditches, embankments, and holes.
3. Reduce speed when turning, crossing slopes, and on rough, slick, or muddy surfaces.
4. Stay off slopes too steep for safe operation.
5. Watch where you are going, especially at row ends, on roads, and around trees.
6. Do not permit others to ride.
7. Operate the tractor smoothly, no jerky turns, starts, or stops.
8. Hitch only to the draw bar and hitch points recommended by the tractor manufacturer.
9. When the tractor is stopped, set brakes securely and use park lock, if available.



Keep children away from danger all day, every day...



Equip tractors with rollover protection (ROPS) and keep all machinery guards in place...



Please work, drive, play and live each day with care and concern for your safety and that of your family and fellow citizens.

ALAMO INDUSTRIAL

Limited Warranty

1. Limited Warranties

- 1.01. Alamo industrial warrants for one year from the purchase date to the original non-commercial, governmental, or municipal purchaser ("purchaser") and warrants for six months to the original commercial or industrial purchaser ("purchaser") that the goods purchased are free from defects in material or workmanship.
- 1.02. Manufacturer will replace for the purchaser any part or parts found, upon examination at one of its factories, to be defective under normal use and service due to defects in material or workmanship.
- 1.03. This limited warranty does not apply to any part of the goods which has been subjected to improper or abnormal use, negligence, alteration, modification, or accident, damaged due to lack of maintenance or use of wrong fuel, oil, or lubricants, or which has served its normal life. This limited warranty does not apply to any part of any internal combustion engine, or expendable items such as blades, shields, guards, or pneumatic tires except as specifically found in your operator's manual.
- 1.04. Except as provided herein, no employee, agent, dealer, or other person is authorized to give any warranties of any nature on behalf of manufacturer.

2. Remedies And Procedures

- 2.01. This limited warranty is not effective unless the purchaser returns the registration and warranty form to manufacturer within 30 days of purchase.
- 2.02. Purchaser claims must be made in writing to the authorized dealer ("dealer") from whom purchaser purchased the goods or an approved authorized dealer ("dealer") within 30 days after purchaser learns of the facts on which the claim is based.
- 2.03. Purchaser is responsible for returning the goods in question to the dealer.
- 2.04. If after examining the goods and/or parts in question, manufacturer finds them to be defective under normal use and service due to defects in material or workmanship, manufacturer will:
 - (A) repair or replace the defective goods or part(s) or
 - (B) reimburse purchaser for the cost of the part(s) and reasonable labor charges (as determined by manufacturer) if purchaser paid for the repair and/or replacement prior to the final determination of applicability of the warranty by manufacturer. The choice of remedy shall belong to manufacturer.
- 2.05. Purchaser is responsible for any labor charges exceeding a reasonable amount as determined by manufacturer and for returning the goods to the dealer, whether or not the claim is approved. Purchaser is responsible for the transportation cost for the goods or part(s) from the dealer to the designated factory.

3. Limitation Of Liability

- 3.01. Manufacturer disclaims any express (except as set forth herein) and implied warranties with respect to the goods including, but not limited to, merchantability and fitness for a particular purpose.
- 3.02. Manufacturer makes no warranty as to the design, capability, capacity, or suitability for use of the goods.
- 3.03. Except as provided herein, manufacturer shall have no liability or responsibility to purchaser or any other person or entity with respect to any liability, loss, or damage caused or alleged to be caused directly or indirectly by the goods including, but not limited to, any indirect, special, consequential, or incidental damages resulting from the use or operation of the goods or any breach of this warranty. Notwithstanding the above limitations and warranties, manufacturer's liability hereunder for damages incurred by purchaser or others shall not exceed the price of the goods.
- 3.04. No action arising out of any claimed breach of this warranty or transactions under this warranty may be brought more than two (2) years after the cause of action has occurred.

4. Miscellaneous

- 4.01. Proper venue for any lawsuits arising from or related to this limited warranty shall be only in Guadalupe county, Texas.
- 4.02. Manufacturer may waive compliance with any of the terms of this limited warranty, but no waiver of any terms shall be deemed to be a waiver of any other term.
- 4.03. If any provision of this limited warranty shall violate any applicable law and is held to be unenforceable, then the invalidity of such provision shall not invalidate any other provisions herein.
- 4.04. Applicable law may provide rights and benefits to purchaser in addition to those provided herein.

Keep for your records

Attention: Purchaser should fill in the blanks below for his reference when buying repair parts and/or for proper machine identification when applying for warranty.

Alamo Industrial Implement Model _____ Serial Number _____
Date Purchased _____ Dealer _____

Attention:
Read your operator's manual



ALAMO INDUSTRIAL
1502 E. Walnut
Seguin, Texas 78155
830-379-1480



BUILT SHARPER®

An Alamo Group Company

1502 E. Walnut St.
Seguin, Texas 78155



Sales and Marketing

Tel 800.882.5762 Fax 830.379.0864
support@alamo-industrial.com

Warranty Registration/Claims

www.alamoparts.com

Return Authorizations

Online Part Orders
Techical Information
www.alamoparts.com
Tel 800.356.6286 Fax 800.322.5141
www.alamo-industrial.com

