



# REAR MOUNTED BOOM

Flail



Rev 07-20

Part No. 02963600

## PARTS MANUAL




### ALAMO INDUSTRIAL

1502 E. Walnut  
Seguin, Texas 78155  
830-372-9595

**¡ATENCIÓN!** LEA EL INSTRUCTIVO

Si No Lee Ingles, Pida Ayuda a Alguien  
Que Si Lo Lea Para Que le Traduzca las  
Medidas de Seguridad.



An Operator's Manual was shipped with the equipment in the Manual Canister. This Operator's Manual is an integral part of the safe operation of this machine and must be maintained with the unit at all times. **READ, UNDERSTAND, and FOLLOW** the Safety and Operation Instructions contained in this manual before operating the equipment. If the Operator's Manual is not with the equipment, contact your dealer or Alamo Industrial (800-356-6286) to obtain a Free copy before operating the equipment.



# BOLT TORQUE

Mounting procedures for mowers will require a significant amount of bolt nut and washer installation.

Frame and structure mounting bolts should be installed using *Red Loctite*, and torqued to the dry values listed in the torque chart based on the bolt size and hardness.

Other structures such as pump mounting bolts should be installed with *Blue Loctite* and torqued to the dry values indicated in the chart.

Bolt tightness should be completed with and checked with a suitable torque wrench.

Torque checks should be completed throughout the life of the mower in accordance with the maintenance chart provided in this manual.



Loose bolts on a frame or in a casting may be a result of:

- Vibration from the mower due to imbalance of the mower blades
- Pulled threads due to over tightening
- Distortion of the hole due to under tightening during installation

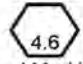
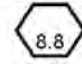
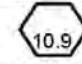
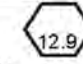
Bolts broken or sheared in the mounting structure or tractor may be the result of:

- Improper alignment of the Mounting Plate or Structure such that it is not sitting flat on the mating surface
- Distortion of the bolt due to over-tightening
- Under tightening of the bolts

Check the bolt torque during installation and prior to delivery with a suitable torque wrench.

Bolt Diameter		
	Head Marking Three Lines Grade Five	Head Marking Six Lines Grade Eight
	Pound - Foot Value Dry	Pound - Foot Value Dry
1/4"	7	10
5/16"	15	22
3/8"	26	39
7/16"	42	60
1/2"	64	88
9/16"	100	134
5/8"	128	180
3/4"	227	320
7/8"	365	515
1"	547	772

To get Newton-Meters multiply pound-foot of torque by 1.356

Bolt Diameter				
	Head Marking 4.6	Head Marking 8.8 or 9.8	Head Marking 10.9	Head Marking 12.9
	Pound - Foot Value Dry	Pound - Foot Value Dry	Pound - Foot Value Dry	Pound - Foot Value Dry
6mm	3	7	9	10
8mm	6.2	16	23	24
10mm	12	32	45	47
12mm	21	55	79	81
14mm	34	88	126	130
16mm	53	137	196	202
18mm	73	189	270	279
20mm	104	267	382	394
22mm	141	364	520	537
24mm	179	461	660	680
27mm	262	676	968	998
30mm	355	917	1312	1353

# TO THE OWNER/OPERATOR/DEALER

All implements with moving parts are potentially hazardous. There is no substitute for a cautious, safe-minded operator who recognizes the potential hazards and follows reasonable safety practices. The manufacturer has designed this implement to be used with all its safety equipment properly attached to minimize the chance of accidents.

**BEFORE YOU START!!** Read the safety messages on the implement and shown in your manual.  
Observe the rules of safety and common sense!

## ! DANGER

FAILING TO FOLLOW SAFETY MESSAGES AND OPERATING INSTRUCTION CAN CAUSE SERIOUS BODILY INJURY OR EVEN DEATH TO OPERATOR AND OTHERS IN THE AREA.

<b>1.</b> 	<b>2. NO RIDERS. NO CHILDREN OPERATORS</b> 	<b>3. USE SAFETY SHOES, HARD HAT, SAFETY GLASSES, SEAT BELTS, ROPS &amp; OPS.</b> 	<b>4. BLOCK UP SECURELY BEFORE WORKING UNDER.</b> 
--	---	---	--

1. Study and understand Operator's Manuals, Safety Decals, and Instructional Decals for tractor and implement to prevent misuse, abuse, and accidents. Practice before operating in a confined area or near passersby.
  - Learn how to stop engine suddenly in an emergency. Be alert for passersby and especially children.
2. Allow no children on or near folding mower or tractor. Allow no riders on tractor or implement. Falling off may cause serious injury or death from being run over by tractor or mower or contact with rotating blades.
3. Operate only with tractor having Roll-Over Protective Structure (ROPS) and with seat belt securely fastened to prevent injury and possible death from falling off or tractor overturn.
  - Personal Protective Equipment such as Hard Hat, Safety Glasses, Safety Shoes, & Ear Plugs are recommended.
4. Block up or support raised machine and all lifted components securely before putting hands or feet under or working underneath any lifted component to prevent crushing injury or death from sudden dropping or inadvertent operation of controls. Make certain area is clear before lowering or folding.
5. Before transporting, put Lift Lever in detent or full-lift position. Install Transport Safety Devices securely on folding mowers. Put Booms securely in Transport Rest.
  - Folding and Boom Mowers have raised center of gravity. Slow down when turning and on hillsides.
6. Make certain that SMV sign, warning lights, and reflectors are clearly visible. Follow local traffic codes.
7. Never operate with Cutting Head or Folding Section raised if passersby, bystanders, or traffic are in the area to reduce possibility of injury or death from objects thrown by Blades under Guards or mower structure.
8. Before dismounting, secure implement in transport position or lower to ground.
  - Put tractor in park or set brake, disengage PTO, stop engine, remove key, and wait until noise of rotation has ceased to prevent crushing by entanglement in rotating parts which could cause injury or death.
  - Never mount or dismount a moving vehicle. Crushing from runover may cause serious injury or death.

<b>5. TRANSPORT SAFELY, LOCK UP.</b> 	<b>6. USE SMV, LIGHTS, &amp; REFLECTORS.</b> 	<b>7. DO NOT OPERATE WITH CUTTER OR WING RAISED</b> 	<b>8. DO NOT MOUNT OR DISMOUNT WHILE MOVING.</b> 
---	---	---	---

02967827

## WARRANTY INFORMATION:

Read and understand the complete Warranty Statement found in this Manual. Fill out the Warranty Registration Form in full and return it within 30 Days. Make certain the Serial Number of the Machine is recorded on the Warranty Card and on the Warranty Form that you retain. The use of "will-fit" parts will void your warranty and can cause catastrophic failure with possible injury or death.

# CHANGE PAGES

Date of Change	Page Number	Description of Change
04-03-2013	(EX: chg pages 17, 23, 137)	
04-03-2013	document release date	
05-13-2013	chg pages 57	
08-19-2014	chg pgs 59-61	
11-02-2015	chg pgs 35, 39	
02-17-2016	chg pg 25	
12-06-2016	chg pgs 105,113	
01-03-2017	chg pgs 67,71,75	
03-20-2017	chg pg 43	
05-12-2017	chg pgs 19,27,	chg desc p/n 029602984 NS00688
03-28-2019	chg pgs 95-96	Ecn 28487 changed boms
04-24-2019	chg pgs 81,83,85,97	Ecn 28506 changed boms

## CHANGE PAGES

The following is a listing of pages that have been changed since the latest publication date for the overall document.

# PARTS ORDERING GUIDE

The following instructions are offered to help eliminate needless delay and error in processing purchase orders for the equipment in this section.

1. The Parts Section is prepared in logical sequence and grouping of parts that belong to the basic machine featured in this manual. Part Numbers and Descriptions are given to help locate the parts and quantities required.
2. The Purchase Order must include the name and address of the person or organization ordering the parts, who should be charged, and if possible, the serial number of the machine for which the parts are ordered.
3. The Purchase Order must clearly list the quantity of each part, the complete and correct part number (be sure to include all periods), and the basic name of the part.
4. The Manufacturer reserves the right to substitute parts where applicable.
5. Some parts are unlisted items which are special production items not normally stocked and are subject to special handling. Request a quotation for such parts before sending a Purchase Order.
6. The Manufacturer reserves the right to change prices without prior notice.

**Note:** *Please refer to The Safety Section in the front of this Manual for the proper part number when ordering replacement safety decals.*



For maximum safety and to guarantee optimum product reliability, always use genuine Alamo Industrial Parts. The use of inferior replacement parts may cause premature or catastrophic failure which could result in serious injury or death. Direct any questions regarding parts to:



## ALAMO INDUSTRIAL

1502 E. Walnut  
Seguin, Texas 78155  
830-379-1480

## PART NAME INDEX

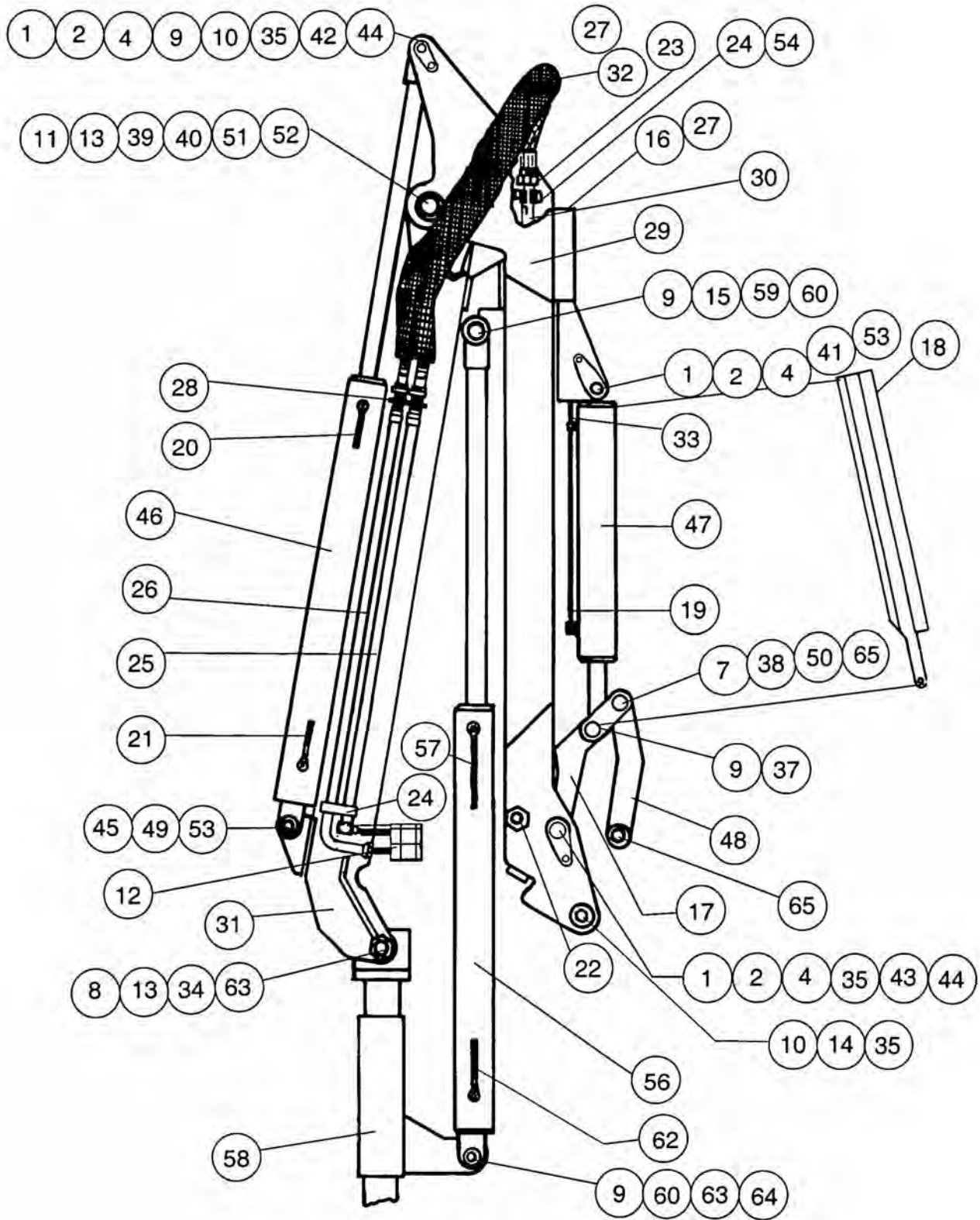
17 FT - ARTICULATED ARM ASY (PART 1).....	5
17 FT - ARTICULATED ARM ASY (PART 2).....	7
17 FT - BOOM HYDRAULIC SYSTEM.....	9
17 FT - DIPPER CYLINDER ASY.....	11
17 FT - LIFT CYLINDER ASY.....	13
17- 20 & 23 FT - SWING CYLINDER ASY.....	15
17- 20 & 23 FT - TILT CYLINDER ASY.....	17
20 & 23 FT - ARTICULATED ARM (PART 1).....	19
20 & 23 FT - ARTICULATED ARM (PART 2).....	21
20 & 23 FT - BOOM DIPPER CYLINDER ASY.....	23
20 & 23 FT - LIFT CYLINDER ASY.....	25
20 & 23 FT - VERSA BOOM HYDRAULIC SYSTEM (PART 1).....	27
20 & 23 FT - VERSA BOOM HYDRAULIC SYSTEM (PART 2).....	29
50 IN BOOM AXE SQUARE HEAD SUB-ASSEMBLY.....	31
50 IN BOOM AXE SQUARE HEAD ASSEMBLY.....	33
60 IN SQUARE HEAD W/ROUND GUARD ASY P/N 02974676.....	35
60 IN X-FRAME SQUARE HEAD ASY P/N 02961793.....	37
60 IN X-FRAME SQUARE HEAD ASY P/N 02962795 OLD.....	39
60 IN X-FRAME SQUARE HEAD PRE- ASY P/N 02962795 OLD.....	41
BUZZBAR ASY (PART 1).....	43
BUZZBAR ASY (PART 2).....	45
BUZZBAR SPINDLE ASSEMBLY.....	47
CAGE ASY.....	49
CASTER WHEEL ASSY - HD FLAIL.....	51
CUTTERSHAFT - DRIVE SIDE ASY - 48 IN.....	52
CUTTERSHAFT - DRIVE SIDE ASY - 60 IN.....	53
CUTTERSHAFT - NON-DRIVE SIDE ASY - 48 IN.....	54
CUTTERSHAFT - NON-DRIVE SIDE ASY - 60 IN.....	55
DRIVELINE ASY P/N 02967256.....	56
FILTER ASY.....	57
FLAIL AXE HEAD ASY (PART 1) SN 01746 TO CURRENT.....	59
FLAIL AXE HEAD ASY (PART 2) SN 01746 TO CURRENT.....	61
HD FLAIL HYDRAULIC MOTOR.....	63
HD FLAIL HYDRAULIC MOTOR - OLD STYLE.....	64
HEAVY DUTY FLAIL ASY - 48 & 60 IN (PART 1).....	65
HEAVY DUTY FLAIL ASY - 48 & 60 IN (PART 2).....	67
HEAVY DUTY FLAIL ASY - 48 IN (OLD STYLE) (PART 1).....	69
HEAVY DUTY FLAIL ASY - 48 IN (OLD STYLE) (PART 2).....	71
HEAVY DUTY FLAIL ASY - 60 IN (OLD STYLE) (PART 1).....	73
HEAVY DUTY FLAIL ASY - 60 IN (OLD STYLE) (PART 2).....	75



## PART NAME INDEX

HYDRAULIC MOTOR ASY.....	77
HYDRAULIC MOTOR ASY P/N 02963893.....	79
HYDRAULIC MOTOR P/N 02961678.....	81
HYDRAULIC MOTOR P/N 02975175.....	83
HYDRAULIC MOTOR REPAIR PARTS.....	85
INDIVIDUAL VALVE SEGMENT.....	87
KING POST ATTACHMENT.....	89
MAIN FRAME MOUNT - LEFT HAND.....	91
MAIN FRAME MOUNT - RIGHT HAND.....	93
MOTOR CONTROL VALVE ASY.....	95
MOTOR CONTROL VALVE P/N 02999486.....	96
MOTOR PARTS - PN 02989904 (MODEL NO. 323-9210-194).....	97
MOTOR RELIEF ASY.....	99
OIL RESERVOIR ASY.....	101
PUMP ASY - TANDEM.....	103
PUMP ASY P/N 02958595.....	105
SELF CONTAINED HYDRAULIC SYSTEM.....	107
SPEED INCREASER - P/N 00768991.....	109
SPEED INCREASER - P/N 02897900.....	111
SPEED INCREASER ASY P/N 02958594.....	113
SPINDLE & HOUSING ASY.....	115
TANDEM PUMP REPAIR PARTS.....	117
TIMBERCAT ASSEMBLY (PART 1).....	119
TIMBERCAT ASSEMBLY (PART 2).....	121
TRACTOR HYDRAULIC SYSTEM.....	123
VALVE BANK WITH FITTINGS.....	125
VALVE REMOTE CONTROL.....	127

17 FT - ARTICULATED ARM ASY (PART 1)



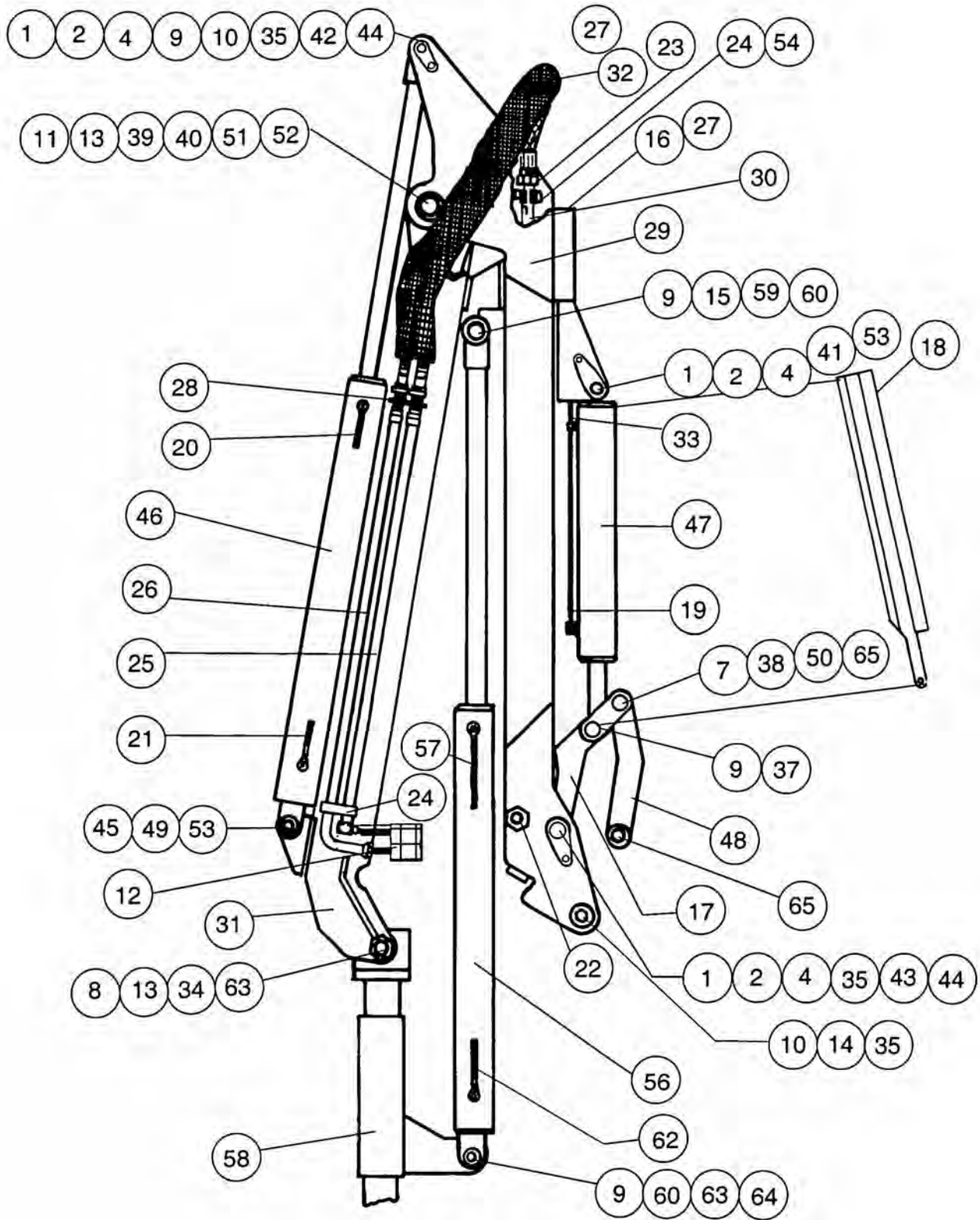
## 17 FT - ARTICULATED ARM ASY (PART 1)

Continued...

ITEM	PART NO.	QTY.	DESCRIPTION
1	00007000	3	BOLT
2	00011100	3	FLATWASHER
4	00015800	3	LOCKNUT
6	00037200	1	LOCKNUT
7	00606000	1	COTTER PIN
8	00748000	1	LOCKWASHER
9	00749946	1	WASHER
10	02030300	1	LOCKNUT
11	02957089	1	LOCKWASHER
12	02906300	1	SLEEVING
13	02921700	1	NUT
14	02956972	1	BOLT
15	02957501	1	BUSHING
16	02957969	2	GROMMET
17	02958716T	1	LINKAGE ARM ASSEMBLY W/02966792 TEFLON BEARINGS
	02958716C	1	LINKAGE ARM ASSEMBLY W/02958357 CONNEX BEARINGS
18	02959084	1	CYLINDER GUARD ASSEMBLY
19	02959198	1	HOSE
20	02959199	1	HOSE
21	02959200	1	HOSE
22	02960406	2	ELBOW
23	02960411	2	ELBOW
24	02960869	2	TUBE CLAMP
25	02961070	1	TUBE - LOWER
26	02961072	1	TUBE - UPPER
27	02961085	1	SLEEVING
28	02961103	2	ADAPTER
29	02961129	1	17' DIPPER SECTION WELDMENT
30	02961130	2	TUBE - DIPPER
31	02961132	1	17' LIFT SECTION WELDMENT
32	02961520	2	HOSE
33	02962023	1	HOSE
34	02965538	1	MAIN PIN
35	02960650	4	BEARING
37	02966756	1	PIN - CYLINDER
38	02966757	1	PIN - LINKAGE ARM
39	02958591	1	PIN - DIPPER
40	02960841	2	BEARING
41	02966935	1	PIN - TILT CYLINDER
42	02966936	1	PIN - DIPPER CYLINDER
43	02966964	1	PIN

02963600 - Rear Mount Boom (06-03)\_07-20

17 FT - ARTICULATED ARM ASY (PART 2)

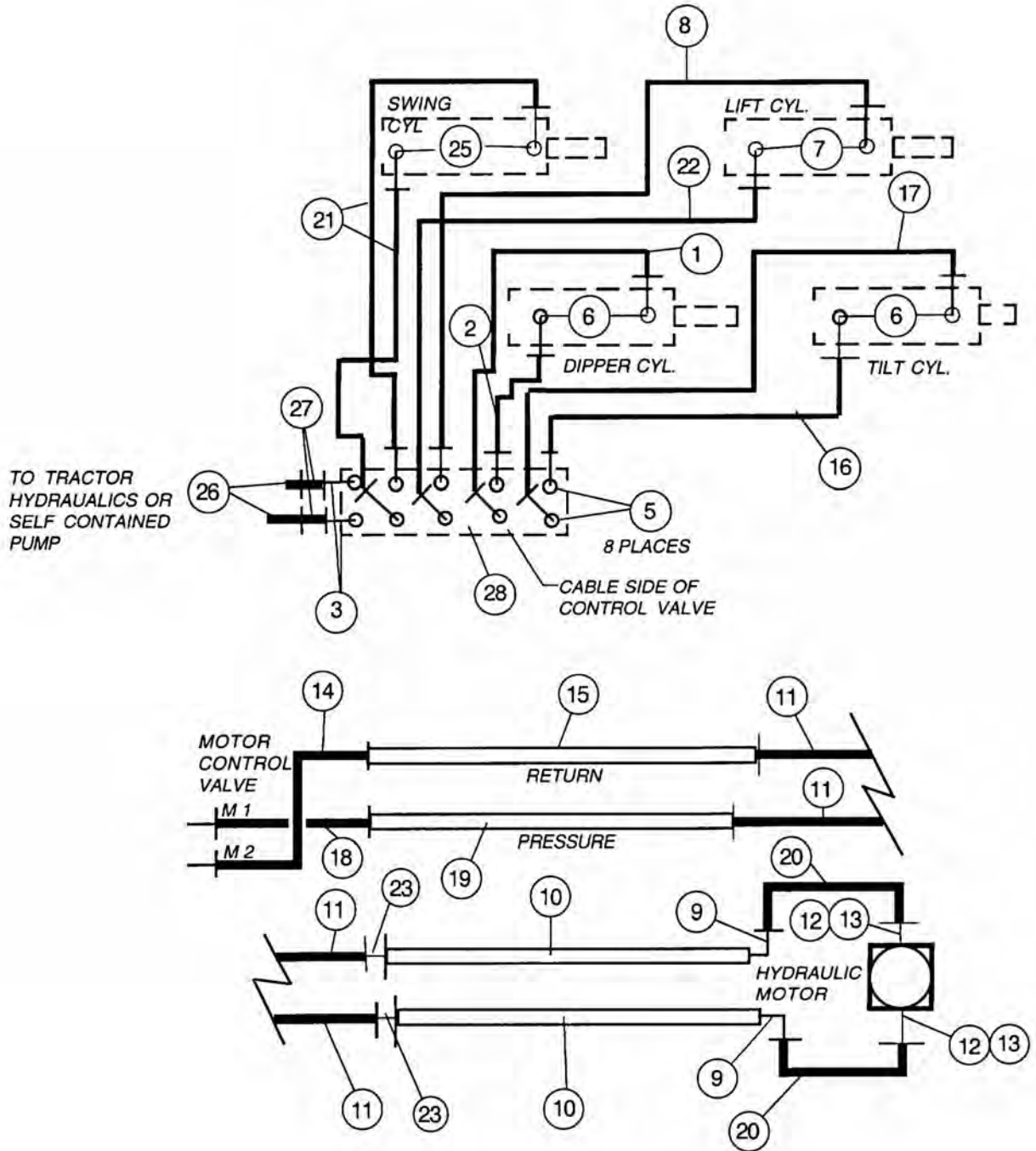


## 17 FT - ARTICULATED ARM ASY (PART 2)

Continued...

ITEM	PART NO.	QTY.	DESCRIPTION
44	02967008	3	SPACER
45	02967013	1	PIN
46	02967017	1	DIPPER CYLINDER ASSEMBLY
47	02967016	1	TILT CYLINDER ASSEMBLY
48	02967021	1	LINKAGE ARM
49	02967246	1	SET SCREW
50	03100099	1	WASHER
51	02966443	1	BUSHING
52	02960842	2	BUSHING
53	02965214	2	BEARING
54	02044900	4	BOLT
55	02966790	1	BEARING
56	02962297	1	LIFT CYLINDER ASSEMBLY
57	02905100	1	HOSE
58		1	KING POST (SEE PAGE 6-8)
59	00750479	1	BOLT
60	02030300	2	NUT
62	02905000	1	HOSE
63		1	BUSHING (SEE PAGE 6-8)
64	00755076	1	BOLT
65	02959891	2	BUSHING

# 17 FT - BOOM HYDRAULIC SYSTEM

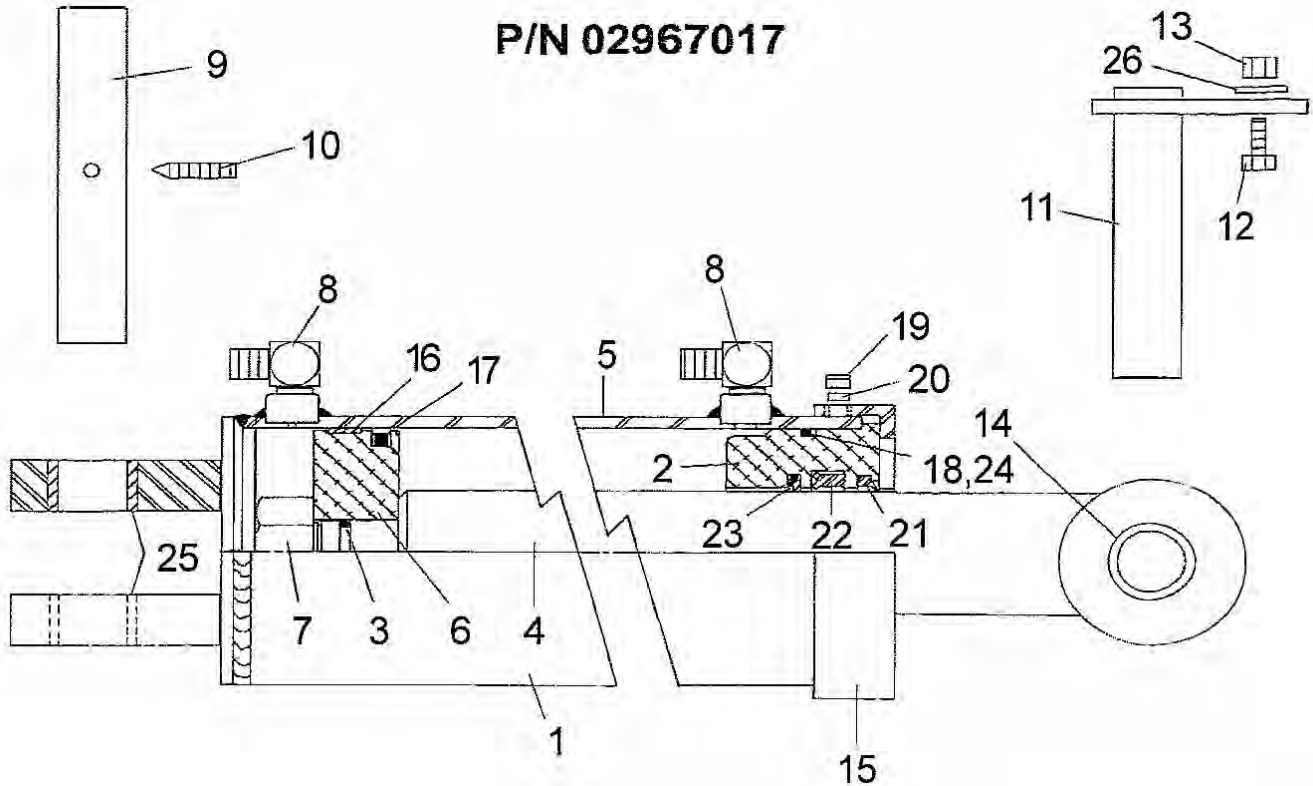


## 17 FT - BOOM HYDRAULIC SYSTEM

Continued...

ITEM	PART NO.	QTY.	DESCRIPTION
1	02959199	1	HOSE - CONTROL VALVE TO DIPPER CYLINDER
2	02959200	1	HOSE - CONTROL VALVE TO DIPPER CYLINDER
3	63042700	2	ADAPTER STRAIGHT
5	02962249	8	ELBOW - 90
6	02960018	4	ELBOW - 90
7	02960018	2	ELBOW - 90
8	02959200	1	HOSE - CONTROL VALVE TO LIFT CYLINDER
9	02960406	2	ELBOW
10	02961130	2	TUBE
11	02961520	2	HOSE - TUBE TO TUBE
12	00749101	2	SPLIT FLANGE KIT
13	02960806	2	ADAPTER MOTOR
14	02957460	1	HOSE-CUTTER VALVE TO BULKHEAD
15	02961070	1	TUBE - LIFT SECTION
16	02962023	1	HOSE - CONTROL VALVE TO TILT CYLINDER
17	02959198	1	HOSE - CONTROL VALVE TO TILT CYLINDER
18	02957460	1	HOSE - BULKHEAD TO CUTTER VALVE
19	02961072	1	TUBE LIFT SECTION
20	02961057	2	HOSE - MOTOR TO BULKHEAD
21	02890900	2	HOSE - CONTROL VALVE TO SWING CYLINDER
22	02839000	1	HOSE - CONTROL VALVE TO DIPPER CYLINDER
23	02960411	2	ELBOW - 90
25	02960018	2	ELBOW - 90
26	61026400	2	HOSE-CONTROL VALVE TO PUMP SELF-CONTAINED UNITS
	02890700	2	HOSE-CONTROL VALVE TO TRACTOR TRACTOR HYDRAULIC UNITS
27	02961166	2	ELBOW-90DEGREES TRACTOR HYD. UNITS ONLY
28	02962178	1	DIRECTIONAL CONTROL VALVE (INCL. #2 & #4)
	02961346	1	CLOSED CENTER DIRECTIONAL CONTROL VALVE (TRACTOR HYD REQUIRING CLOSED CENTER VALVE)

17 FT - DIPPER CYLINDER ASY



ITEM	PART NO.	QTY.	DESCRIPTION
1	02961478A	1	HYDRAULIC CYLINDER
2	02962157	1	GLAND
3	-----	1	"O" RING
4	02967043	1	ROD ASSEMBLY
5	02967034	1	BARREL ASSEMBLY
6	02962154	1	PISTON
7	02252400	1	LOCKNUT
8	02960018	2	ELBOW
9	02967013	-	PIN
10	02967246	-	SET SCREW
11	02966936	-	PIN
12	00007000	-	BOLT
13	00015800	-	LOCKNUT
14	02965548	2	BUSHING
15	-----	1	COLLAR
16	-----	1	WEAR RING
17	-----	1	PISTON SEAL
18	-----	1	"O" RING
19	02962169	1	SET SCREW
21	-----	1	ROD WIPER

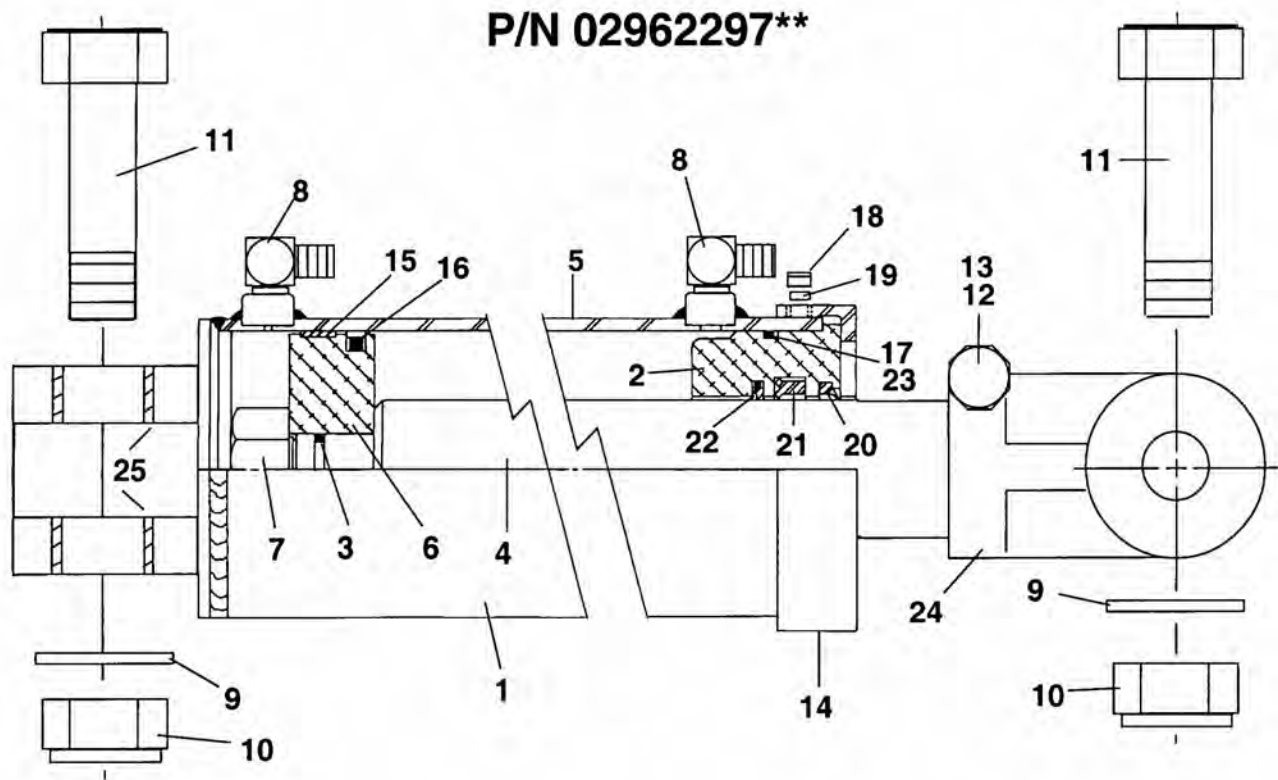


17 FT - DIPPER CYLINDER ASY

Continued...

ITEM	PART NO.	QTY.	DESCRIPTION
22	-----	1	ROD SEAL
23	-----	1	BUFFER SEAL
24	-----	1	BACK-UP RING
25	02965214	2	BUSHING
26	00011100	-	FLATWASHER

# 17 FT - LIFT CYLINDER ASY



ITEM	PART NO.	QTY.	DESCRIPTION
1	02962651	1	HYDRAULIC CYLINDER
2	02962163	1	GLAND
3	-----	1	"O" RING
4	02962889	1	ROD ASSEMBLY
5	02962888	1	BARREL ASSEMBLY
6	02962160	1	PISTON
7	02252400	1	LOCKNUT
8	02960018	2	ELBOW
9	00749946	-	WASHER
10	02030300	-	NUT
11	00750479	-	BOLT
12	02960255	-	ALLEN HEAD BOLT
13	02960254	1	NUT
14	02962158	1	COLLAR
15	-----	1	WEAR RING
16	-----	1	PISTON SEAL
17	-----	1	"O" RING
18	02962169	1	SET SCREW
20	-----	1	ROD WIPER

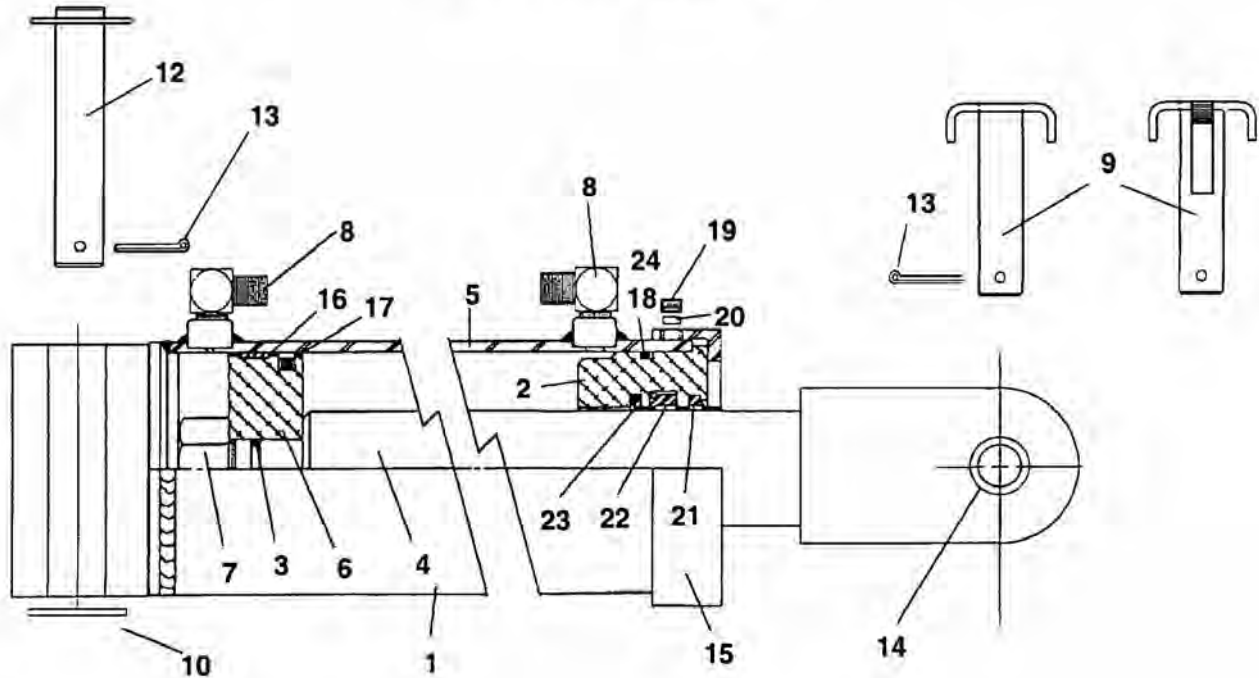
## 17 FT - LIFT CYLINDER ASY

Continued...

ITEM	PART NO.	QTY.	DESCRIPTION
21	-----	1	ROD SEAL
22	-----	1	BUFFER SEAL
23	-----	1	BACK-UP RING
24		1	
25	02959891	2	BUSHING

17- 20 & 23 FT - SWING CYLINDER ASY

P/N 02961778\*\*



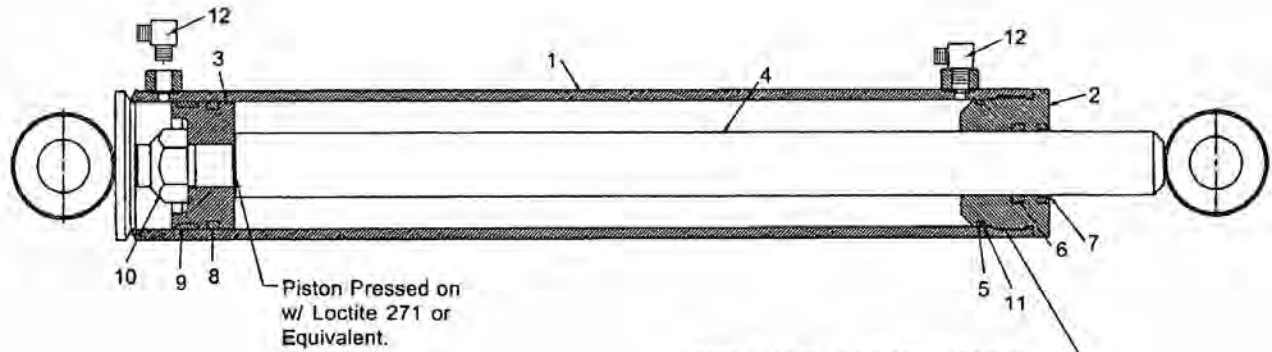
ITEM	PART NO.	QTY.	DESCRIPTION
1	02961476	1	HYDRAULIC CYLINDER
2	02962157	1	GLAND
3	-----	1	"O" RING
4	02962166	1	ROD ASSEMBLY
5	02962165	1	BARREL ASSEMBLY
6	02962160	1	PISTON
7	02252400	1	LOCKNUT
8	02960018	2	ELBOW
9	02960458	-	TURNING ARM PIN (USE W/SPRING BUSHING)
	02966767	-	TURNING ARM PIN (USE W/TEFLON BUSHING)
10	00749946	-	WASHER
12	02930100	-	CYLINDER PIN
13	00606000	-	COTTER PIN
14	02959890	2	BUSHING (SPRING)
	02965214	2	BUSHING (TEFLON)
15	-----	1	COLLAR
16	-----	1	WEAR RING
17	-----	1	PISTON SEAL
18	-----	1	"O" RING

**17- 20 & 23 FT - SWING CYLINDER ASY**

**Continued...**

<b>ITEM</b>	<b>PART NO.</b>	<b>QTY.</b>	<b>DESCRIPTION</b>
19	02962169	1	SET SCREW
21	-----	1	ROD WIPER
22	-----	1	ROD SEAL
23	-----	1	BUFFER SEAL
24	-----	1	BACK-UP RING

## 17- 20 & 23 FT - TILT CYLINDER ASY

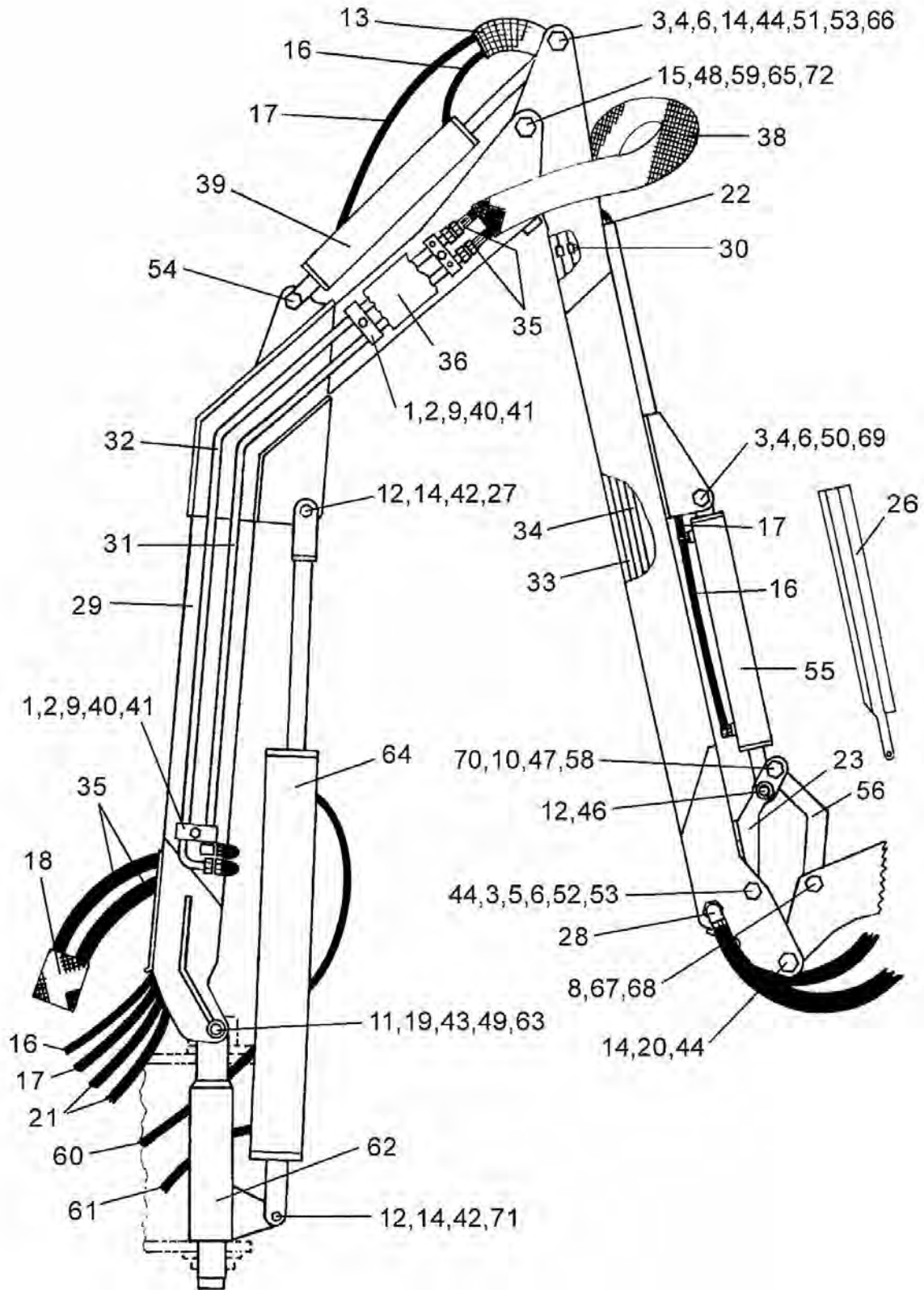


Apply a Drop of Loctite #242 3-Places  
120° Apart On the First Two Thirds  
of the Cylinder Head.

ITEM	PART NO.	QTY.	DESCRIPTION
	02961475B	1	HYDRAULIC CYLINDER
1	02975869	1	TUBE WLDMT 3.00-17.50-W
2	02975450	1	HEAD,CYLINDER 3 X 1.50
3	02975454	1	PISTON 3.00-1.00-S-WR-PSP
4	02975870	1	ROD WLDMT 1.50-17.50-W
5	-----	1	N/A
6	-----	1	N/A
7	-----	1	N/A
8	-----	1	N/A
9	-----	1	N/A
10	5JRC16140	1	LOCKNUT TLM 1 NF PL
11	-----	1	N/A
12	02960018	2	ADP HYD ELBOW 4MB-4MJ90
13	02975530	1	SEAL KIT
	02965548	4	BSHG TF-1-1/4OD X 1 ID X1

**THIS PAGE INTENTIONALLY LEFT BLANK**

20 & 23 FT - ARTICULATED ARM (PART 1)





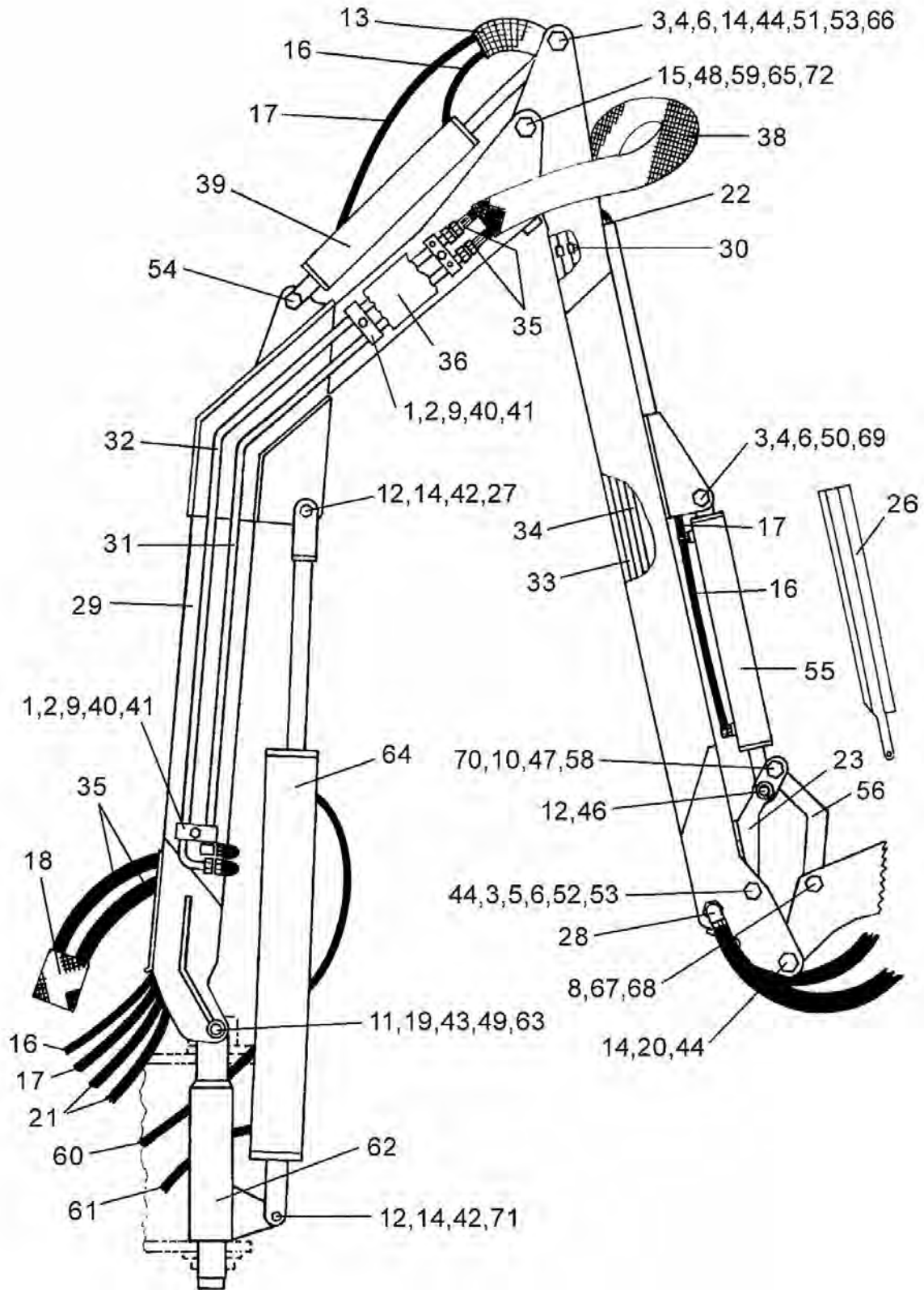
## 20 & 23 FT - ARTICULATED ARM (PART 1)

Continued...

ITEM	PART NO.	QTY.	DESCRIPTION
	02961820A	-	20' ARTICULATED ARM ASY.
	02961823A	-	23' ARTICULATED ARM ASY.
1	00001800	3	LOCKNUT TLM 1/2 NC PLC
2	00002700	5	FLATWASHER
3	00007000	3	BOLT
4	00011100	3	FLATWASHER
6	00015800	3	LOCKNUT
8	00037200	1	LOCKNUT
9	00764375	3	BOLT
10	00606000	1	COTTER PIN
11	00748000	1	LOCKWASHER
12	00749946	4	WASHER
13	00751838	1	CORDURA SLEEVING - 30" LG
14	02030300	3	LOCKNUT
15	02957089	1	LOCKWASHER
16	02905200	1	HOSE # 4 - 4FJX - 4FJX - 184" LG - 20`
	02905300	1	HOSE # 4 - 4FJX - 4FJX - 200" LG - 23`
17	02905300	1	HOSE # 4 - 4FJX - 4FJX - 200" LG - 20`
	02956911	1	HOSE # 4 - 4FJX - 4FJX - 215.5" LG - 23`
18	02906300	1	CORDURA SLEEVING - 48" LG
19	02921700	1	JAM NUT
20	02956972	1	BOLT
21	02957468	2	HOSE # 4 - 4FJX - 4FJX -172" LG - 20`
	02957467	2	HOSE # 4 - 4FJX - 4FJX -163" LG - 23`
22	02957969	2	RUBBER GROMMET
23	02958716T	1	LINKAGE ARM ASY. - W/ TEFLON BUSHINGS
24	02959066	1	HOSE # 4 - 4FJX - 4MJ -114" LG - 20`
	02959177	1	HOSE # 4 - 4FJX - 4MJ -148" LG - 23`
25	02959067	1	HOSE # 4 - 4FJX - 4MJ - 96" LG - 20`
	02959178	1	HOSE # 4 - 4FJX - 4MJ -129" LG - 23`
26	02959084	1	CYLINDER ROD GUARD ASY.
27	02959225	1	CONNEX BUSHING
28	02960406	2	ADAPTER, HYD, ELBOW
29	02960838	1	LARGE BOOM WLD`MT - 20`
	02961082	1	LARGE BOOM WLD`MT - 23`
30	02960869	1	TUBE CLAMP
31	02960984	1	TOP FOUR LINKAGE HYD TUBE 20
	02960982	1	LOWER TUBE - 23`
32	02960985	1	TOP FOUR LINKAGE HYD TUBE 20
	02960983	1	UPPER TUBE - 23`
33	02960987	1	DIPPER SECTION TUBE - 20`

02963600 - Rear Mount Boom (06-03)\_07-20

20 & 23 FT - ARTICULATED ARM (PART 2)



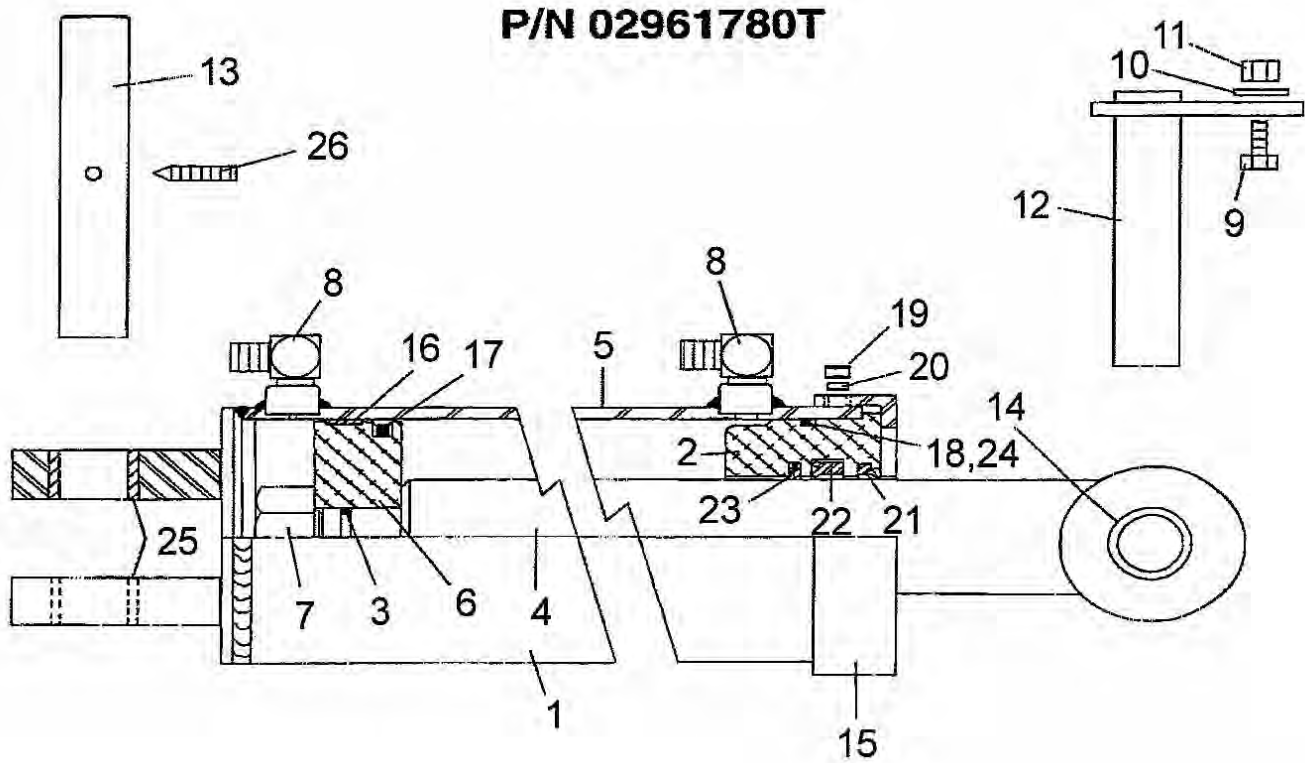
## 20 & 23 FT - ARTICULATED ARM (PART 2)

Continued...

ITEM	PART NO.	QTY.	DESCRIPTION
	02960991	1	DIPPER SECTION TUBE - 23`
34	02960988	1	DIPPER SECTION TUBE - 20`
	02960992	1	DIPPER SECTION TUBE - 23`
35	02961054	4	HOSE # 20 - 20FJX - 20FJX90 - 52LG - 20`
	02961327	4	HOSE # 20 - 20FJX - 20FJX90 - 62LG - 23`
36	02961067	1	HYDRAULIC TUBING COVER
37	02961081	1	BOOM, DIPPER WLD`MT - 20`
	02961084	1	BOOM, DIPPER WLD`MT - 23`
38	02961085	1	CORDURA SLEEVING - 54" LG
39	02961780	1	DIPPER CYLINDER ASY.
40	02963154	3	CLAMP
41	02963323	3	TOP BRACKET
42	00750479	2	BOLT
43	02965538	1	MAIN PIN WLD`MT
44	02965548	4	TEFLON BUSHING
46	02966756	1	CYLINDER PIN WLD`MT
47	02966757	1	LINKAGE ARM PIN WLD`MT
48	02958591	1	MAIN PIN WLD`MT ( NEW STYLE )
49	02960841	2	BUSHING
50	02966935	1	TILT CYLINDER PIN WLD`MT
51	00748980	1	DIPPER PIN ( W/ NUT & WASHER )
52	02966964	1	TOGGLE PIN WLD`MT
53	02967008	3	SPACER
54	02967013	1	DIPPER CYLINDER PIN
55	02967016	1	TILT CYLINDER ASY.
56	02967021	1	LINKAGE ARM ASY.
58	03100099	1	FLATWASHER
59	02960842	2	BUSHING
60	02905100	1	HOSE # 4 - 4FJX - 4FJX -114" LG
61	02905000	1	HOSE # 4 - 4FJX - 4FJX - 80" LG
62	-----	1	KING POST ( SEE KING POST SECTION )
63	-----	1	MAIN PIN BUSHING ( SEE KING POST SECTION )
64	02961779	1	LIFT CYLINDER ASY.
65	02921700	1	JAM NUT
66	02960650	4	BUSHING
67	02958357	2	BUSHING CONNEX
68	00752405	1	BOLT
69	02965214	2	TEFLON BEARING
70	02966792	2	TEFLON BEARING
71	02959891	2	BUSHING
72	02966443	1	BUSHING

02963600 - Rear Mount Boom (06-03)\_07-20

20 & 23 FT - BOOM DIPPER CYLINDER ASY



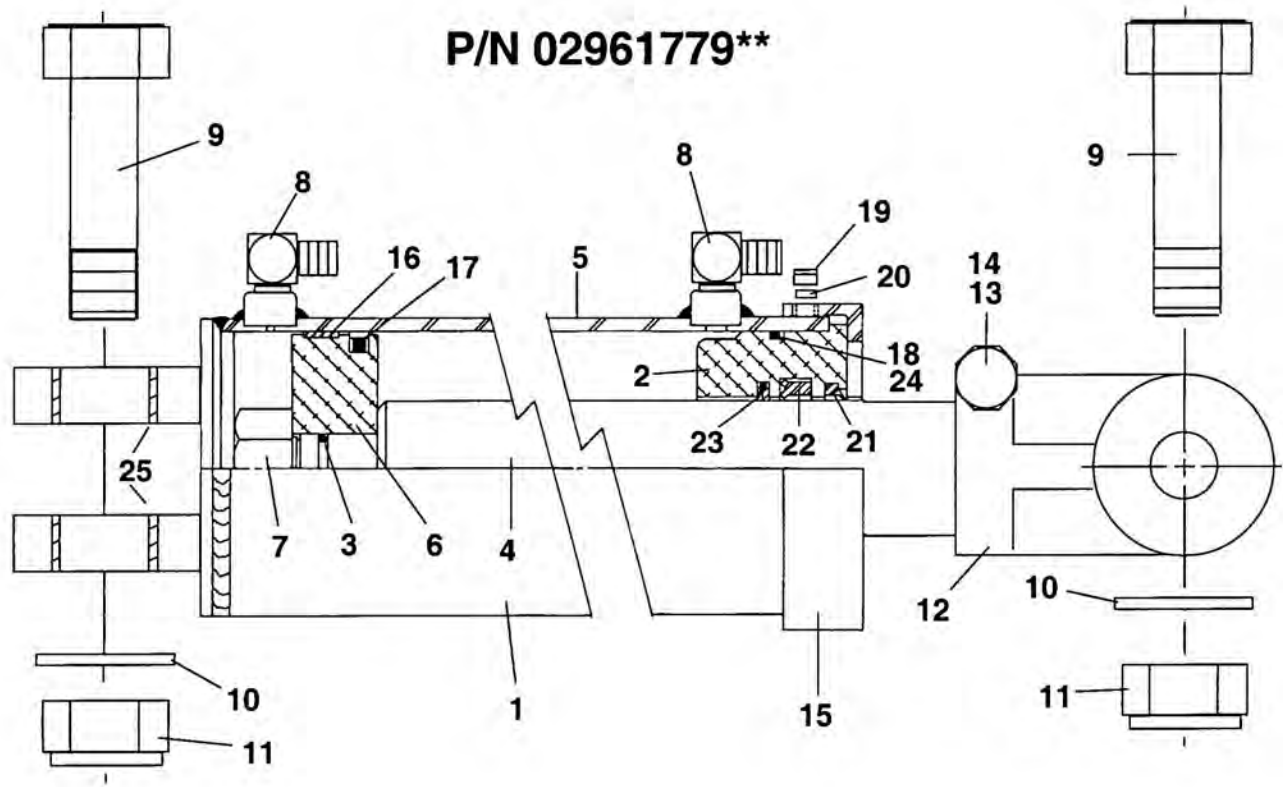
ITEM	PART NO.	QTY.	DESCRIPTION
1	02961482A	1	HYDRAULIC CYLINDER
2	02962140	1	GLAND
3	-----	1	"O" RING
4	02967042	1	ROD ASSEMBLY
5	02967037	1	BARREL ASSEMBLY
6	02962131	1	PISTON
7	02252400	1	LOCKNUT
8	02960018	2	ELBOW
9	00007000	-	BOLT
10	00011100	-	FLATWASHER
11	00015800	-	NUT
12	02966936	-	PIN
13	02967013	-	PIN
14	02965548	2	BUSHING
15	02962129	1	COLLAR
16	-----	1	WEAR RING
17	-----	1	PISTON SEAL
18	-----	1	"O" RING
19	02962169	1	SET SCREW
21	-----	1	ROD WIPER
22	-----	1	ROD SEAL

## 20 & 23 FT - BOOM DIPPER CYLINDER ASY

Continued...

ITEM	PART NO.	QTY.	DESCRIPTION
23	-----	1	BUFFER SEAL
24	-----	1	BACK-UP RING
25	02965214	2	BUSHING
26	02967246	1	SET SCREW

20 & 23 FT - LIFT CYLINDER ASY



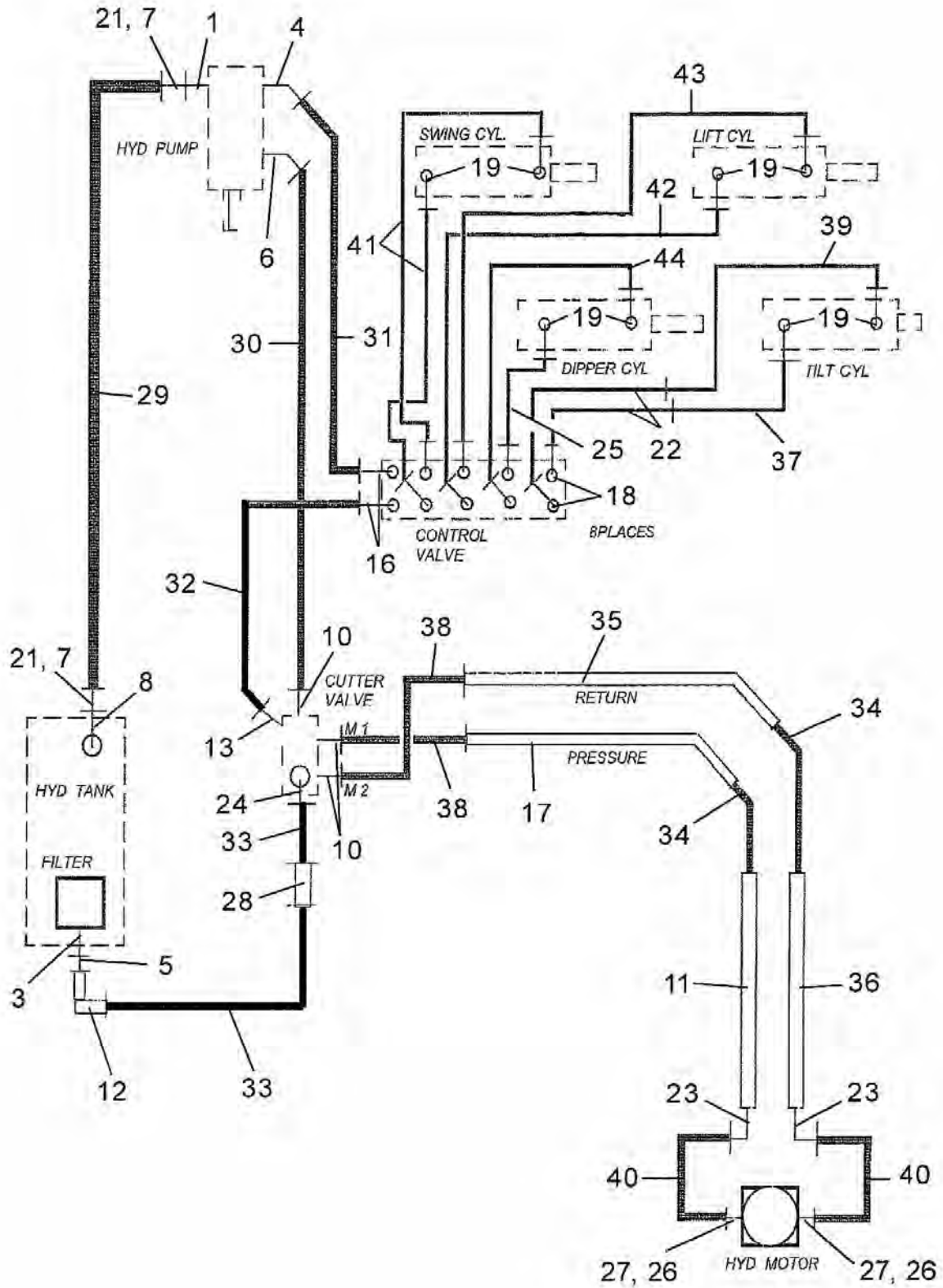
ITEM	PART NO.	QTY.	DESCRIPTION
1	02961479	1	HYDRAULIC CYLINDER
2	02962151	1	GLAND
3	-----	1	"O" RING
4	02962150	1	ROD ASSEMBLY
5	02962149	1	BARREL ASSEMBLY
6	02962148	1	PISTON
7	02252400	1	LOCKNUT
8	02960018	2	ELBOW
9	00750479	-	BOLT
10	00749946	-	WASHER
11	02030300	-	NUT
12		1	
13	02960255	-	ALLEN HEAD BOLT
14	02960254	1	NUT
15	02962152	1	COLLAR
16	-----	1	WEAR RING
17	-----	1	PISTON SEAL
18	-----	1	"O" RING
19	02962169	1	SET SCREW

**20 & 23 FT - LIFT CYLINDER ASY**

**Continued...**

<b>ITEM</b>	<b>PART NO.</b>	<b>QTY.</b>	<b>DESCRIPTION</b>
21	-----	1	ROD WIPER
22	-----	1	ROD SEAL
23	-----	1	BUFFER SEAL
24	-----	1	BACK-UP RING
25	02959891	2	BUSHING

20 & 23 FT - VERSA BOOM HYDRAULIC SYSTEM (PART 1)





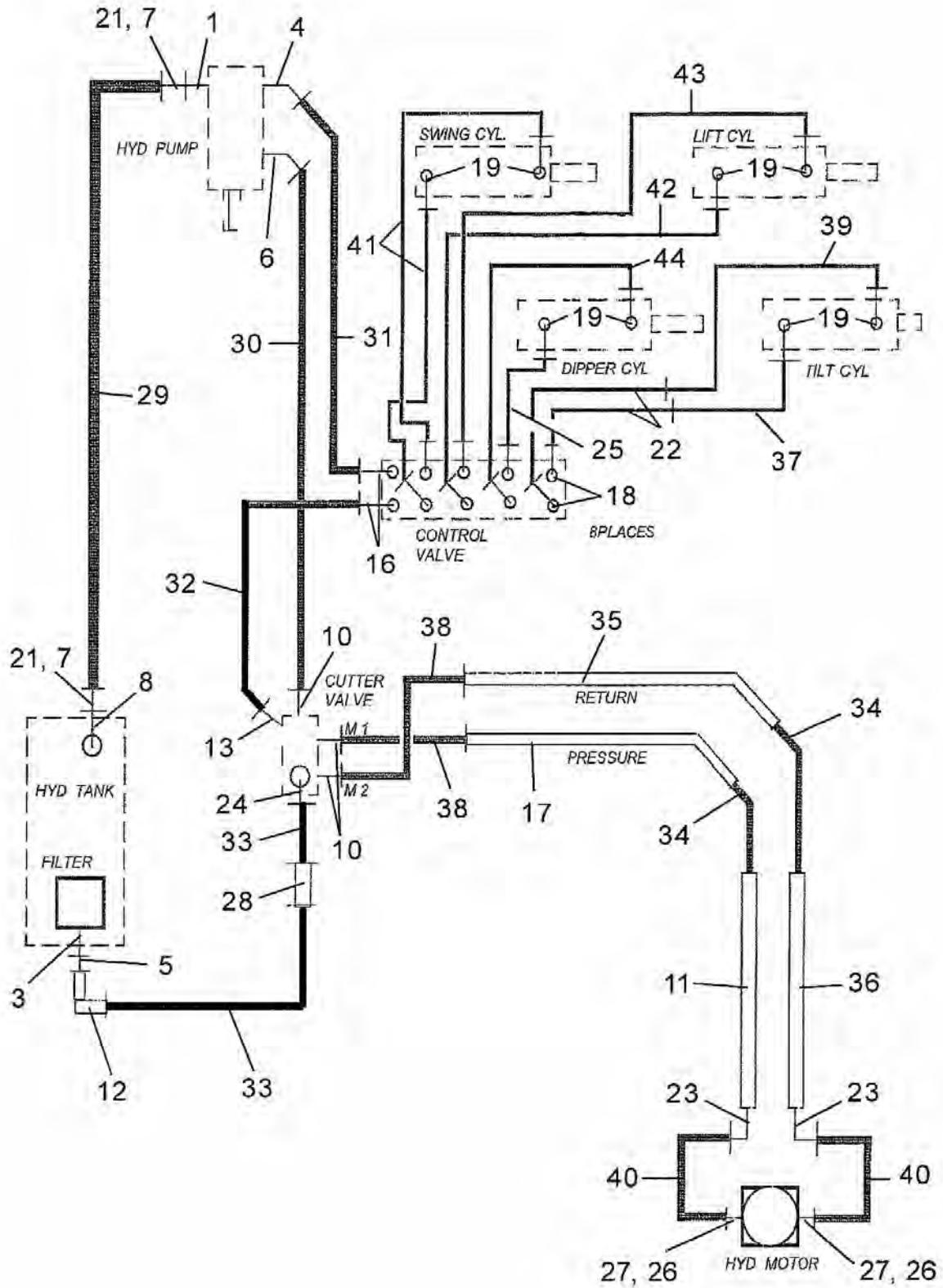
## 20 & 23 FT - VERSA BOOM HYDRAULIC SYSTEM (PART 1)

Continued...

ITEM	PART NO.	QTY.	DESCRIPTION
1	02827700	1	FLANGE KIT
3	02960809	1	ADAPTER STRAIGHT
4	02962214	1	ELBOW - 90 DEG.
5	02962404	1	RETURN TUBE STRAIGHT ADAPTER
6	02961825	1	ADAPTER
7	02411000	2	HOSE BIB
8	02047200	1	ELBOW - 90 DEG.
10	02960807	3	ADAPTER STRAIGHT
11	02960988	1	TUBE - DIPPER
	02960992	1	TUBE - DIPPER - ( 23° )
12	02961681	1	FILTER RETURN TUBE
13	63042700	1	ELBOW - 90 DEG.
14	02961000	1	FILTER
15	02961001	1	FILTER REPLACEMENT ELEMENT
16	63042700	2	ADAPTER - STRAIGHT
	02960983	1	BOTTOM TUBE - LIFT SECTION - ( 23° )
17	02960985	1	TOP FOUR LINKAGE HYD TUBE 20
18	02962249	8	ELBOW - 90 DEG.
19	02960018	8	ELBOW - 90 DEG.
21	02026200	2	HOSE CLAMP
22	02957468	2	HOSE - CONTROL VALVE TO HOSE
23	02960406	2	ELBOW - BULKHEAD
24	02961003	1	ADAPTER STRAIGHT
25	02905300	1	HOSE
	02956911	1	HOSE - ( 23° )
26	00749101	2	SPLIT FLANGE KIT
27	02962774	2	ELBOW
28	02889700	1	ELBOW - 45 DEGREES
29	02512800	1	HOSE - RESERVOIR TANK TO PUMP
30	02961096	1	HOSE - PUMP TO CUTTER VALVE
31	02513000	1	HOSE - PUMP TO CONTROL VALVE
32	02963468	1	HOSE - CONTROL VALVE TO CUTTER VALVE
33	02961148	2	HOSE
34	02961054	2	HOSE - TUBE TO TUBE
35	02960984	1	TOP FOUR LINKAGE HYD TUBE 20
	02960982	1	TOP TUBE - LIFT SECTION - ( 23° )
36	02960987	1	REAR TUBE - DIPPER
	02960991	1	REAR TUBE - DIPPER - ( 23° )
37	02959067	1	HOSE - HOSE TO TILT CYLINDER
	02959178	1	HOSE - HOSE TO TILT CYLINDER - ( 23° )
38	02961327	2	HOSE - TUBE TO CUTTER VALVE

02963600 - Rear Mount Boom (06-03)\_07-20

20 & 23 FT - VERSA BOOM HYDRAULIC SYSTEM (PART 2)

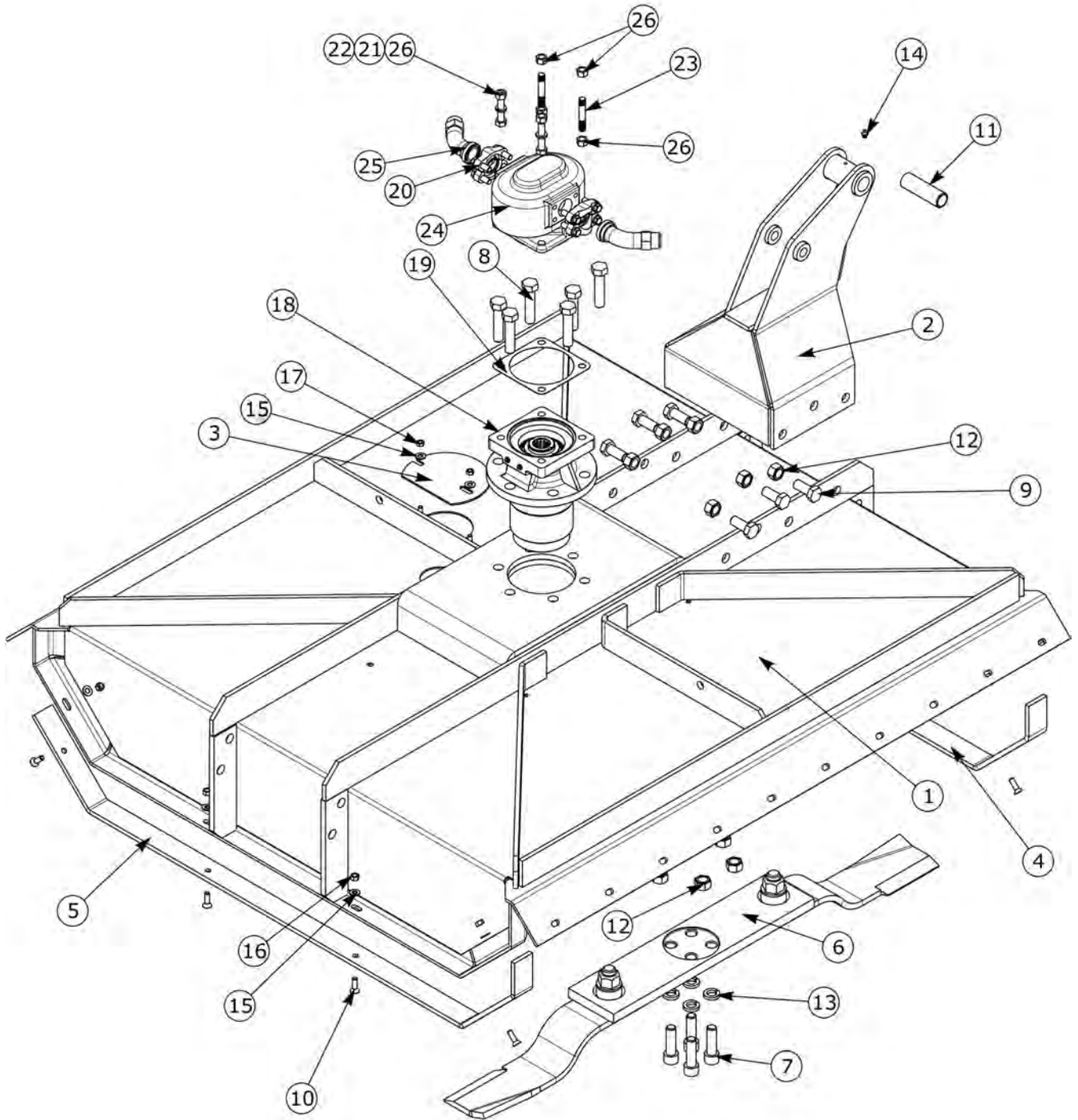


## 20 & 23 FT - VERSA BOOM HYDRAULIC SYSTEM (PART 2)

Continued...

ITEM	PART NO.	QTY.	DESCRIPTION
39	02959066	1	HOSE - HOSE TO TILT CYLINDER
	02959177	1	HOSE - HOSE TO TILT CYLINDER - ( 23` )
40	02961057	2	HOSE - MOTOR TO BULKHEAD (ROTARY)
	02961074	2	HOSE - MOTOR TO BULKHEAD (FLAIL)
	02961058	1	HOSE - MOTOR TO BULKHEAD (FLAIL AXE)
	02961059	1	HOSE - MOTOR TO BULKHEAD (FLAIL AXE)
41	02839000	2	HOSE - CONTROL VALVE TO SWING CYLINDER
42	02905000	1	HOSE - CONTROL VALVE TO LIFT CYLINDER
43	02905100	1	HOSE - CONTROL VALVE TO LIFT CYLINDER
44	02905200	1	HOSE - CONTROL VALVE TO DIPPER CYLINDER
	02905300	1	HOSE - CONTROL VALVE TO DIPPER - ( 23` )

# 50 IN BOOM AXE SQUARE HEAD SUB-ASSEMBLY

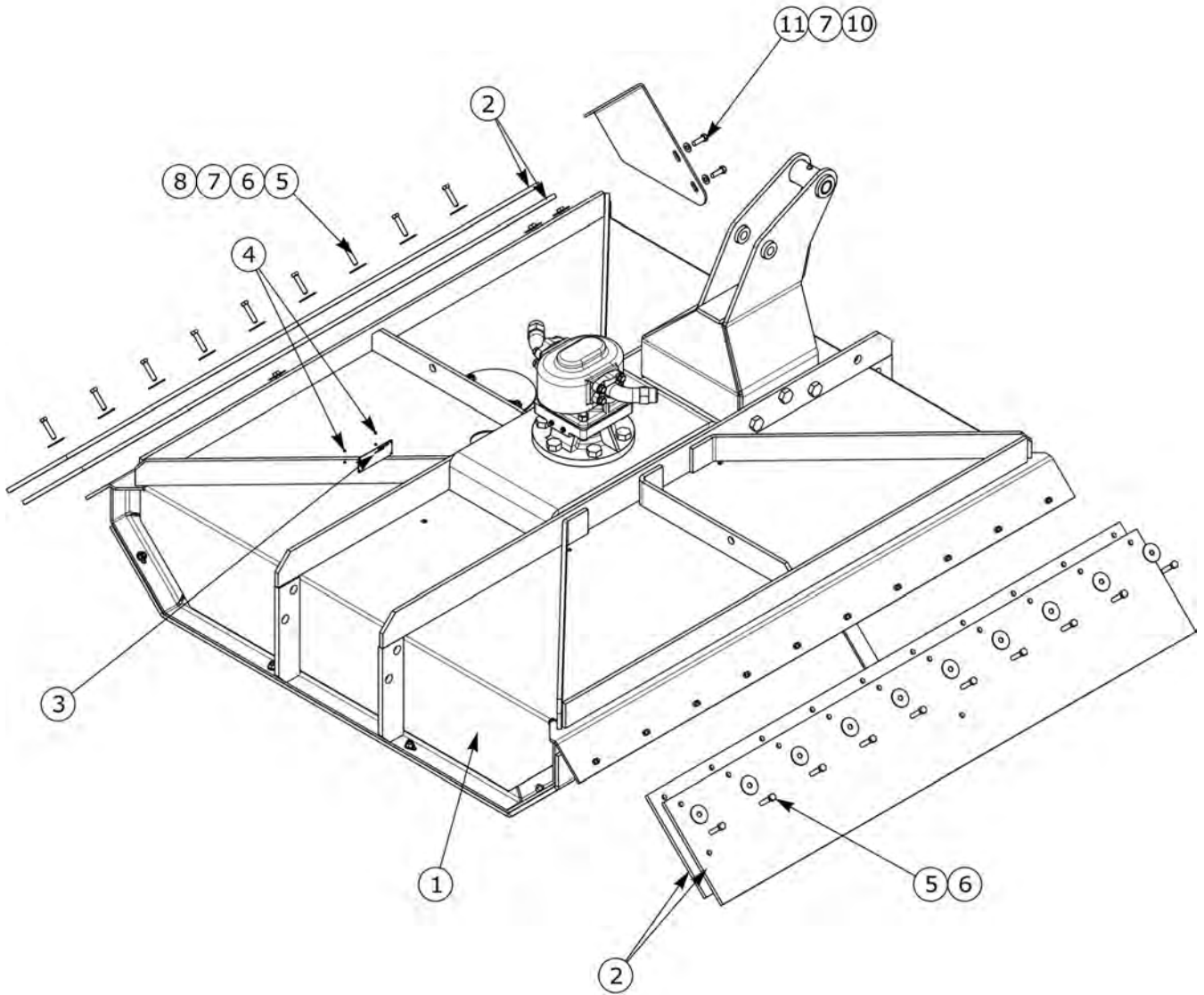


## 50 IN BOOM AXE SQUARE HEAD SUB-ASSEMBLY

Continued...

ITEM	PART NO.	QTY.	DESCRIPTION
	02989172	1	SUB-ASY, SQ HEAD, 50 B/AXE
1	02989174	1	WLDMT, DECK, 50 B/AXE
2	02958644	1	HITCHPOST, 4 BAR
3	5710121	1	PLATE, INSPECTION COVER
4	02960883	1	L. H. SKID SHOE
5	02967943	1	SKID SHOE, RH, 50" HEAD
6	02971745	1	ASY, BLADE BAR, SLP MWR, 50
7	02886600	4	SHCS 3/4 NC 2-1/2 PL8
8	02960521	6	HHCS 3/4 NC 3-1/4 PL8
9	02892100	6	HHCS 3/4 NC X 1 3/4" LG
10	00059700	8	FSCS 3/8 NC X 1-1/4
11	02958424	1	BUSHING, 1-1/4 X 1 X 4LG
12	00037200	12	NUT 3/4 NC LOCKNUT
13	00003901	4	LOCKWASHER 3/4 HEAVY
14	00003500	1	GREASE FITTING 1/8" STRAIGHT
15	00011100	10	FLATWASHER 3/8 STD
16	00015800	8	LOCKNUT TLM 3/8 NC PLC
17	00750940	2	NUT, TOPLOCK 5/16 NC PL B
18	02960553C	1	ASY, SPLINED, SPINDLE
19		1	
20	00749103	2	#20 SPLIT FLANGE KIT
21	00001300	2	HIGH ALLOY, L/W 1/2 YZ KG
22	02027400	2	HHCS 1/2 NC 2-1/4 PL5
23	02960951	2	DOUBLE END STUD 1/2-13UNC
24	02960696	1	MOTOR, HYD ALUM 1-1/4 SPL SHFT
25	02705100	2	ADP HYD ELBOW 24FL - 16MJ - 45
26	00001800	6	LOCKNUT TLM 1/2 NC PLC

# 50 IN BOOM AXE SQUARE HEAD ASSEMBLY

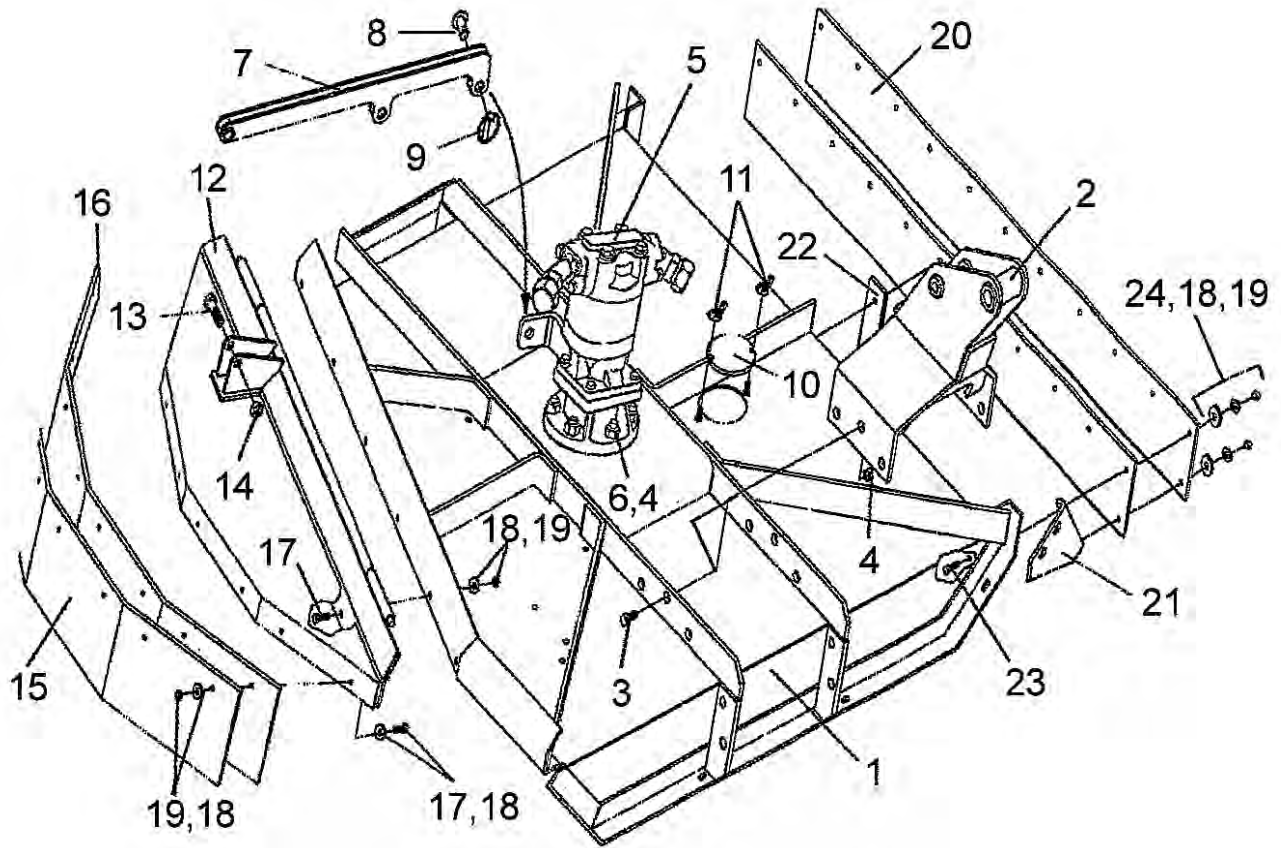


## 50 IN BOOM AXE SQUARE HEAD ASSEMBLY

Continued...

ITEM	PART NO.	QTY.	DESCRIPTION
	02989170	1	ASY, SQ HEAD, BAR, 50 B/AXE
1	02989172	1	SUB-ASY, SQ HEAD, 50 B/AXE
2	02960886	4	REAR FLAP MODIFIED
3	02971495	1	SERIAL NUMBER PLATE
4		4	
5	00007000	23	HHCS 3/8 NC 1-3/4 PL5
6	02035800	23	WASHER, 3/8", SPECIAL PLATED
7	00011100	27	FLATWASHER 3/8 STD
8	00015800	25	LOCKNUT TLM 3/8 NC PLC
9	02957496	2	REAR FLAP RETAINER
10	02989182	1	GUARD, SIDE, B/AXE, 50 & 60
11	000354	2	BOLT, HHCS 3/8" NC X 1-1/8" PL5

60 IN SQUARE HEAD W/ROUND GUARD ASY P/N 02974676



ITEM	PART NO.	QTY.	DESCRIPTION
	02974676	1	60" X-FRAME SQUARE HEAD ASY.
1	02974674A	1	SQUARE HEAD WLD`MT - 60"
2	02958644	1	HITCH POST - 4 BAR
	00003500	1	GREASE FITTING
	02958424	1	BUSHING
3	02892100	6	BOLT
4	00037200	12	LOCKNUT
5	02962272	1	MOTOR
6	02960521	6	BOLT
7	02972723	1	DOOR LOCK
8	02972726	1	PIN
9	2196	1	CLIP PIN
10	5710121	1	COVER PLATE
11	5F5180	2	WINGNUT
12	02973857A	1	DOOR
13	02845600	1	BOLT
14	00695100	1	NUT, TOPLOCK 5/8 NC PLC
15	02975229	6	FLAP DEFLECTOR - DOOR
16	02975230	2	FLAP DEFLECTOR - DOOR



**60 IN SQUARE HEAD W/ROUND GUARD ASY P/N 02974676**

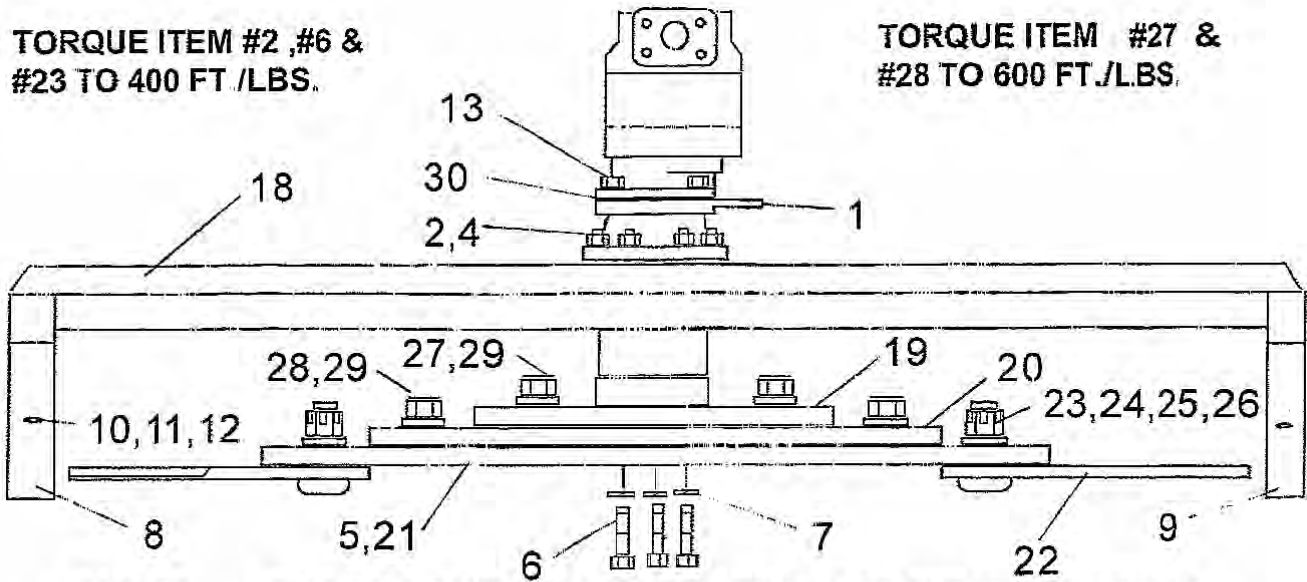
**Continued...**

<b>ITEM</b>	<b>PART NO.</b>	<b>QTY.</b>	<b>DESCRIPTION</b>
17	00753642	14	BOLT
18	00011100	50	FLATWASHER
19	00015800	34	LOCKNUT
20	02885700	2	FLAP DEFLECTOR - REAR
21	02957380	1	SIDE GUARD
22	02957496	1	REAR FLAP RETAINER
23	00023100	19	BOLT
24	02035800	25	WOODWASHER

60 IN X-FRAME SQUARE HEAD ASY P/N 02961793

TORQUE ITEM #2, #6 & #23 TO 400 FT./LBS.

TORQUE ITEM #27 & #28 TO 600 FT./LBS.



DANGER



ROLL PIN #26 MUST BE INSTALLED TO PREVENT NUT FROM BECOMING LOOSE AND BLADE FROM BEING THROWN FROM THE MACHINE. BLADES SHOULD ALWAYS BE REPLACED IN PAIRS. BLADES OF DIFFERENT WEIGHTS CAN CAUSE SERIOUS IMBALANCE AND DAMAGE TO THE MACHINE AND PERSONNEL. WHEN REPLACING BLADES, BLADE BOLTS, BUSHINGS, NUTS AND WASHERS MUST BE CHANGED.

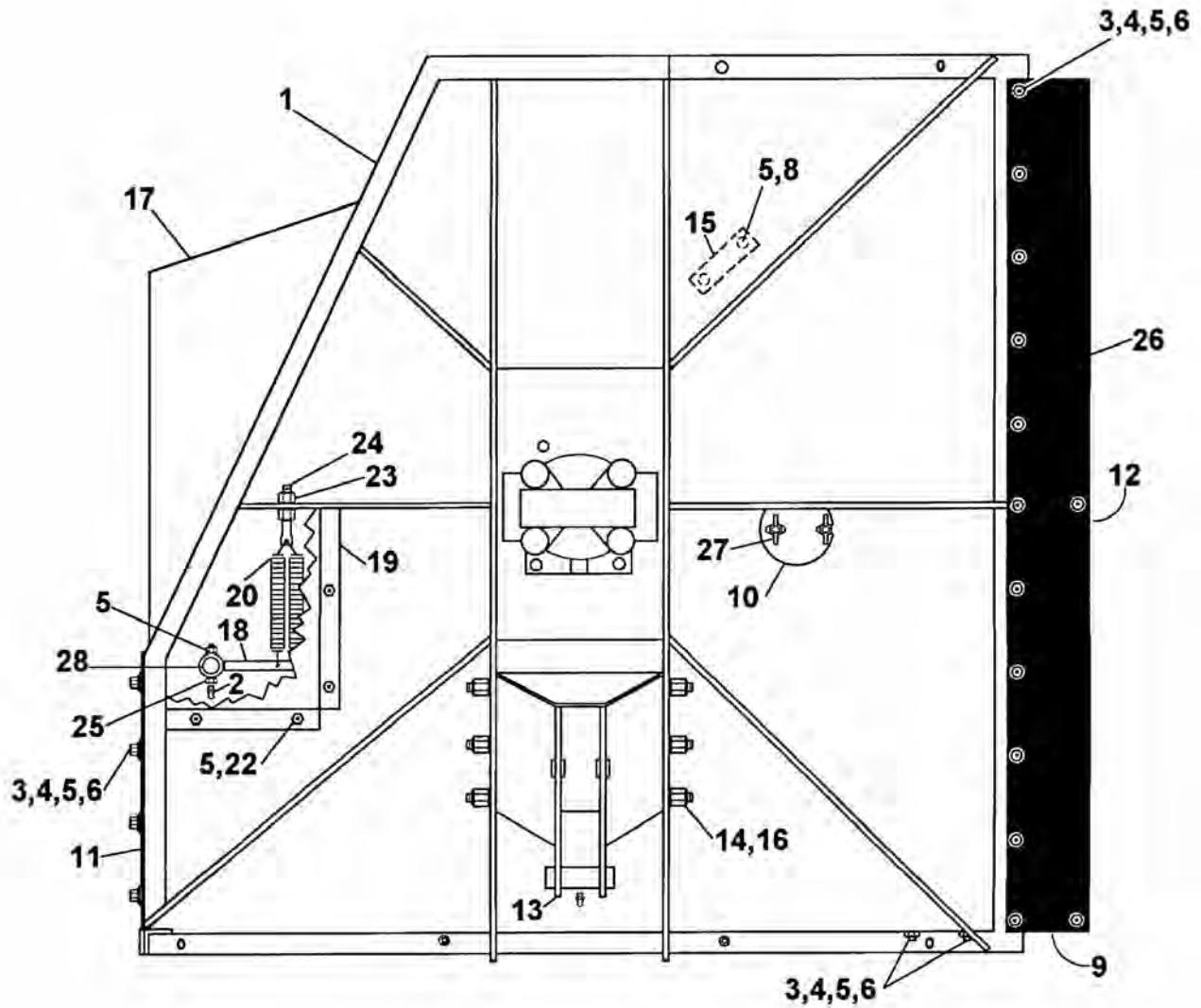
ITEM	PART NO.	QTY.	DESCRIPTION
	02961793	1	60" SQUARE HEAD ASY.
1	02962272	1	SPINDLE HOUSING/SPINDLE ASY. W/HYDRAULIC MOTOR & FITTINGS (S/N 03260-03400 & 03501 AND ABOVE)
	02961798	1	SPINDLE HOUSING/SPINDLE ASY. W/HYDRAULIC MOTOR & FITTINGS (S/N 03259 AND PRIOR & 03401-03500)
	02960553B	1	SPINDLE HOUSING/SPINDLE ASY.
	02962112	1	MOTOR (HIGH SPEED) (S/N 03260-03400 & 03501 AND ABOVE)
	02961732	1	MOTOR (S/N 03259 AND PRIOR & 03401-03500)
2	02892100	6	BOLT
4	00037200	6	NUT
5	02782300	1	BLADE BAR ASY. (ITEMS 19-29)
6	02782000	4	BOLT
7	00003901	4	LOCKWASHER
8	02957331	1	SKID SHOE (RIGHT HAND - 41-1/2" LONG)
9	02957332	1	SKID SHOE (LEFT HAND - 61-1/2" LONG)
10	00059700	7	BOLT
11	00015800	7	NUT
12	00011100	7	WASHER
13	02892000	4	BOLT
18	02960664	1	SQUARE HEAD WLD`MT
19	02781600	1	TOP LEAF
20	02781700	1	MIDDLE LEAF
21	02781800	1	BOTTOM LEAF

**60 IN X-FRAME SQUARE HEAD ASY P/N 02961793**

**Continued...**

<b>ITEM</b>	<b>PART NO.</b>	<b>QTY.</b>	<b>DESCRIPTION</b>
22	02761500	1	BLADE SET
23	02782900	2	BLADE BOLT
24	00020900	2	SLOTTED NUT
25	02957089	2	LOCKWASHER
26	00023200	2	SPIRAL ROLL PIN
27	02782100	2	BOLT
28	02782200	2	BOLT
29	02032200	4	LOCKWASHER
30		1	

60 IN X-FRAME SQUARE HEAD ASY P/N 02962795 OLD



ITEM	PART NO.	QTY.	DESCRIPTION
1	02960664	1	SQUARE HEAD WELDMENT
2	00752176	1	GREASE FITTING
3	00011100	32	WASHER
4	02035800	17	WOODWASHER
5	00015800	26	LOCKNUT
6	00023100	19	BOLT
8	00753642	2	BOLT
9	02957380	1	SIDE GUARD
10	5710121	1	COVER PLATE
11	02959957	1	RUBBER FLAP
12	02957496	1	REAR FLAP RETAINER

**60 IN X-FRAME SQUARE HEAD ASY P/N 02962795 OLD**

**Continued...**

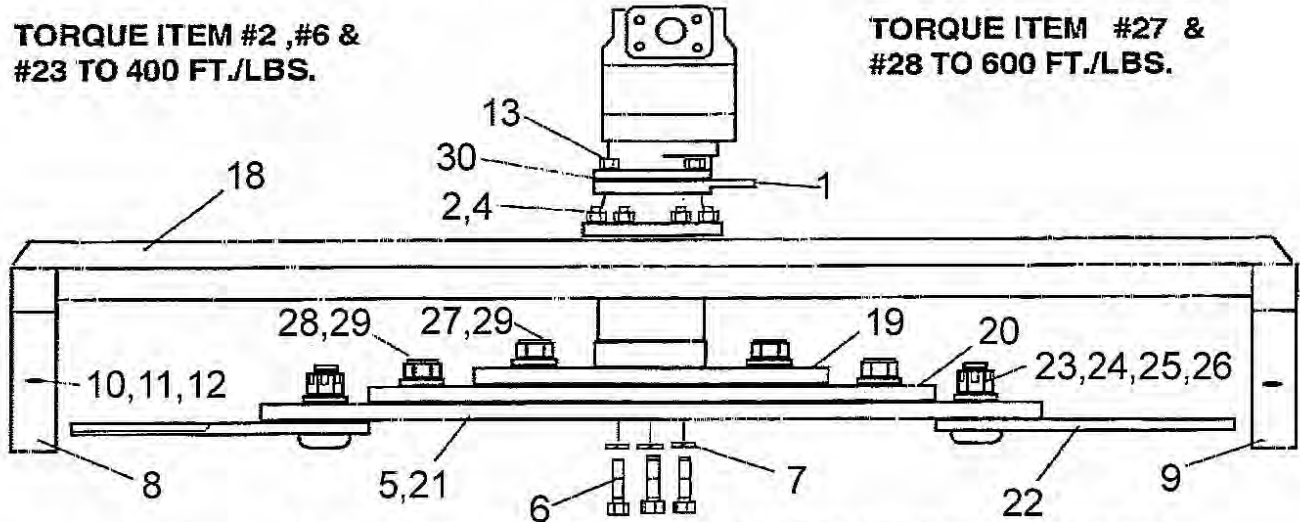
<b>ITEM</b>	<b>PART NO.</b>	<b>QTY.</b>	<b>DESCRIPTION</b>
13	02958644	1	HITCH POST ASSY. W/GREASE FITTING & BUSHING
	00003500	1	GREASE FITTING
	02958424	1	BUSHING
14	02892100	6	BOLT
15	02960715	1	STOP
16	00037200	6	LOCKNUT
17	02960667	1	RETRACTABLE GUARD WELDMENT
18	02960716	1	PIVOT ARM
19	02960452	1	SPRING GUARD
20	000539	2	SPRING
22	00011400	4	BOLT
23	02031800	2	NUT
24	02960717	1	ADJUSTABLE SPRING STUD
25	00013900	1	BOLT
26	02885700	1	REAR FLAP
27	5F5180	2	WINGNUT

60 IN X-FRAME SQUARE HEAD PRE- ASY P/N 02962795 OLD

60 x-frame square head pre-asy

**TORQUE ITEM #2 ,#6 & #23 TO 400 FT./LBS.**

**TORQUE ITEM #27 & #28 TO 600 FT./LBS.**



**DANGER**



**ROLL PIN #26 MUST BE INSTALLED TO PREVENT NUT FROM BECOMING LOOSE AND BLADE FROM BEING THROWN FROM THE MACHINE.**

**DANGER**



**BLADES SHOULD ALWAYS BE REPLACED IN PAIRS. BLADES OF DIFFERENT WEIGHTS CAN CAUSE SERIOUS IMBALANCE AND DAMAGE TO THE MACHINE AND PERSONNEL. WHEN REPLACING BADES, BLADE BOLTS, BUSHINGS, NUTS AND WASHERS MUST BE CHANGED.**

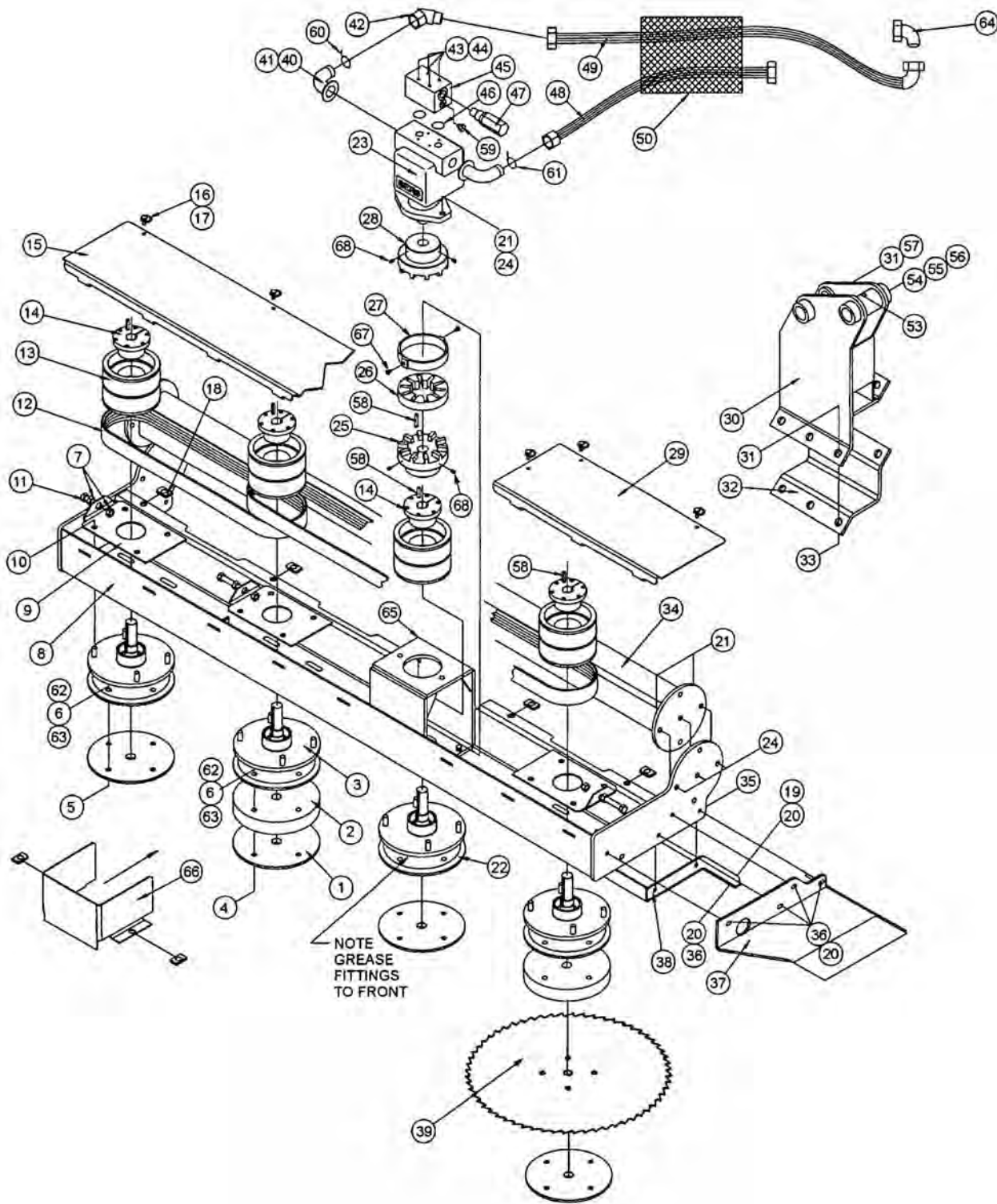
ITEM	PART NO.	QTY.	DESCRIPTION
1	02962272	1	SPINDLE HOUSING/SPINDLE ASSEMBLY W/HYDRAULIC MOTOR & FITTINGS (HIGH SPEED) (S/N 03260-03400 & 03501 AND ABOVE)
	02961798	1	SPINDLE HOUSING/SPINDLE ASSEMBLY W/HYDRAULIC MOTOR & FITTINGS (S/N 03259 AND PRIOR & 03401-03500)
	02960553B	1	SPINDLE HOUSING & SPINDLE ASSEMBLY
	02962112	1	MOTOR (HIGH SPEED) (S/N 03260-03400 & 03501 AND ABOVE)
	02961732	1	MOTOR (S/N 03259 AND PRIOR & 03401-03500)
2	02892100	6	BOLT
4	00037200	6	NUT
5	02782300	1	BLADE BAR ASSEMBLY (ITEMS 19-29)
6	02782000	4	BOLT
7	00003901	4	LOCKWASHER
8	02957331	1	SKID SHOE (RIGHT HAND - 41-1/2" LONG)
9	02957332	1	SKID SHOE (LEFT HAND - 61-1/2" LONG)
10	00059700	7	BOLT
11	00015800	7	NUT
12	00011100	7	WASHER
13	02892000	4	BOLT
18	02960664	1	SQUARE HEAD WELDMENT
19	02781600	1	TOP LEAF

**60 IN X-FRAME SQUARE HEAD PRE- ASY P/N 02962795 OLD**

**Continued...**

<b>ITEM</b>	<b>PART NO.</b>	<b>QTY.</b>	<b>DESCRIPTION</b>
20	02781700	1	MIDDLE LEAF
21	02781800	1	BOTTOM LEAF
22	02761500	1	BLADE SET
23	02782900	2	BLADE BOLT
24	00020900	2	SLOTTED NUT
25	02957089	2	LOCKWASHER
26	00023200	2	SPIRAL ROLL PIN
27	02782200	2	BOLT
28	02782100	2	BOLT
29	02032200	4	LOCKWASHER
30		1	

# BUZZBAR ASY (PART 1)





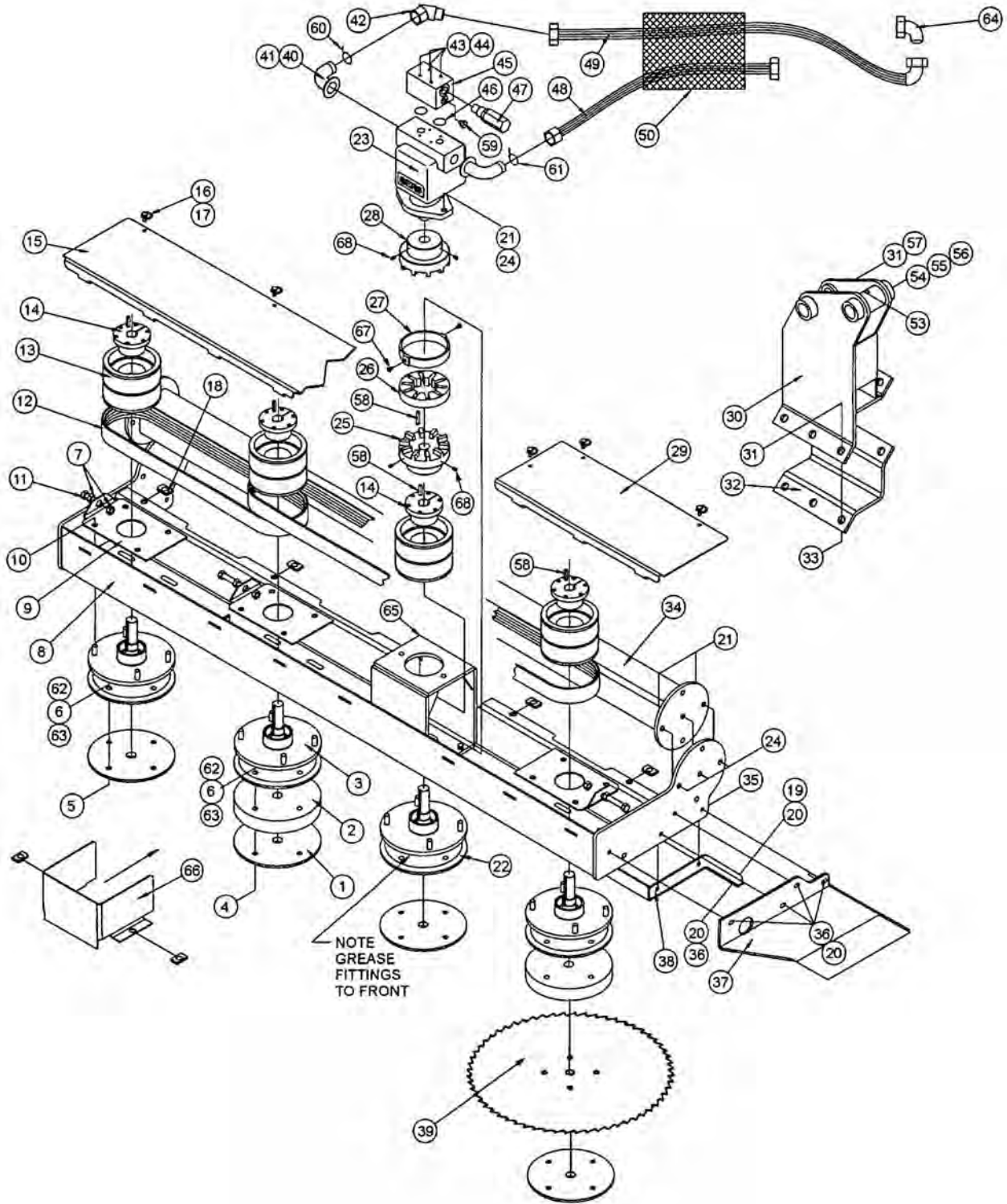
## BUZZBAR ASY (PART 1)

Continued...

ITEM	PART NO.	QTY.	DESCRIPTION
	02974204	-	BUZZBAR ASSEMBLY
1	02974237	4	END CAP
2	02974238	2	BLADE SPACER
3	02974235	3	HUB ASSEMBLY
4	02974659	8	BOLT
5	02974658	8	BOLT
6	02976017	16	SLOT NUT
7	00001200	6	HEXNUT
8	02978273	1	WLDMT 4 BLADE SAW BODY
9	02974225	3	TENSION ADJUST BRACKET
10	00750614	16	NUT
11	002521	3	BOLT
12	02974241	3	BELT MICRO-V
13	02974239	4	SHEAVE
14	02974240	3	QD BUSHING
15	02978265	1	BELT COVER, LONG
16	02975441	7	STUD, QUICK RELEASE
17	02975440	7	RETAINER, QUICK RELEASE
18	02975439	7	RECEIVER, QUICK RELEASE
19	00011400	9	BOLT
20	00011100	10	FLATWASHER 3/8
21	00001800	6	LOCKNUT TLM 1/2 NC PLC
22	02978249	1	ASSEMBLY, DRIVE SPINDLE
23	02975175	1	MOTOR GEAR
24	00749130	8	BOLT
25	02978267	2	BRACKET MOTOR ADJUST
26	02978268	3	FLAT SOCKET HEAD 7/16" X 2 1/2"
27	02978269	1	RUBBER COUPLING, A-BOOM MOTOR
28	02978266	1	HUB, 20R 10 W/ 1" BORE
29	02978264	1	BELT COVER, SHORT
30	02970302	1	HITCH POST, A-BOOM
31	00037200	7	LOCKNUT
32	02970324	1	CLAMP
33	02918600	6	BOLT
34	02974215	1	WELDMENT HITCH TUBE
35	00015800	9	LOCKNUT
36	00023100	8	BOLT
37	02974207	1	BUMPER
38	02974212	1	WLDMT. REAR SHIELD
39	02975600	2	SAW BLADE PACK (2 BLADES PER PACK SHIPPED UNMOUNTED)
40	02961280	2	ADP. HYD

02963600 - Rear Mount Boom (06-03)\_07-20

# BUZZBAR ASY (PART 2)



## BUZZBAR ASY (PART 2)

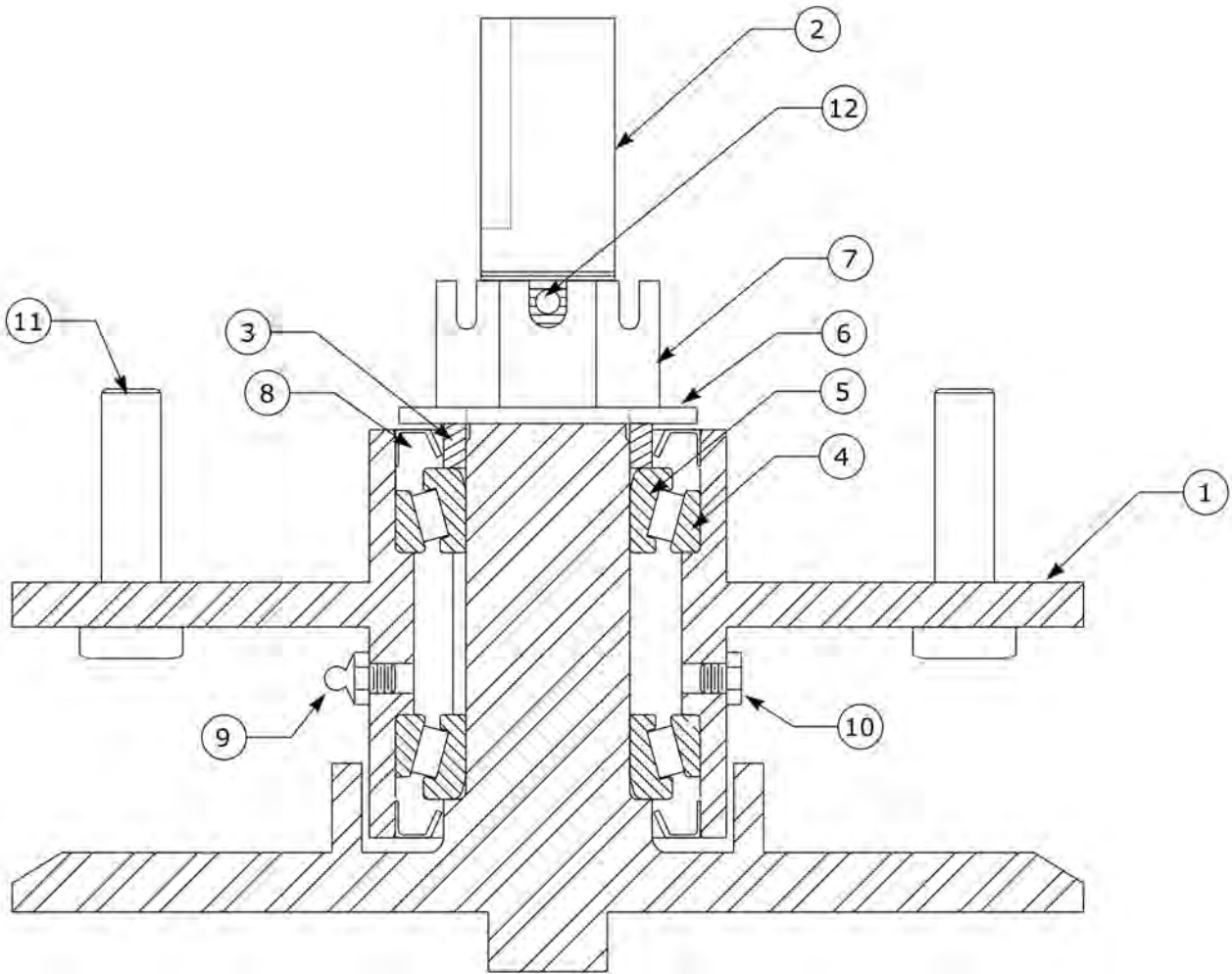
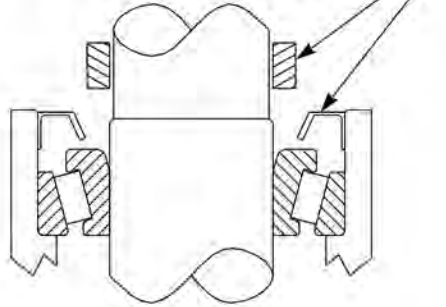
Continued...

ITEM	PART NO.	QTY.	DESCRIPTION
40	02961280	2	ADP. HYD
41	00749103	2	SPLIT FLANGE KIT
42	02960411	1	ADP. HYD
43	00024100	4	FLATWASHER
44	10074000	4	BOLT
45	00760886	1	MANIFOLD BLOCK
46	00761699	2	O-RING
47	00751790	1	RELIEF CARTRIDGE
48	02973124	1	HOSE
49	02973125	1	HOSE
50	02961085	1	CORDURA SLEEVE
	02974204	-	BUZZBAR ASSEMBLY
52	02975434	1	QD-BUSHING-MODIFIED
53	00003500	1	GREASE FITTING
54	02030300	1	NUT
55	02958424	1	BUSHING
56	02956972	1	BOLT
57	00752405	1	BOLT
58	02669600	5	KEY SQUARE
59	02961940	1	PLUG
60	02968896	1	ORANGE TIE
61	02968894	1	RED TIE
62	40010000	16	COTTER PIN (SHIPPED UNMOUNTED)
63	63000500	16	WASHER
64	02960407	1	ADP. HYD.
65	02978255	1	MOTOR MOUNT, MACH
66	02978256	1	DRIVE SHIELD
67	02978272	2	BOLT
68	02978372	4	SETSCREW

# BUZZBAR SPINDLE ASSEMBLY

## UPPER SEAL INSTALLATION

FIRST INSTALL SEAL (LIP DOWN)  
THEN SLIDE THE RING IN

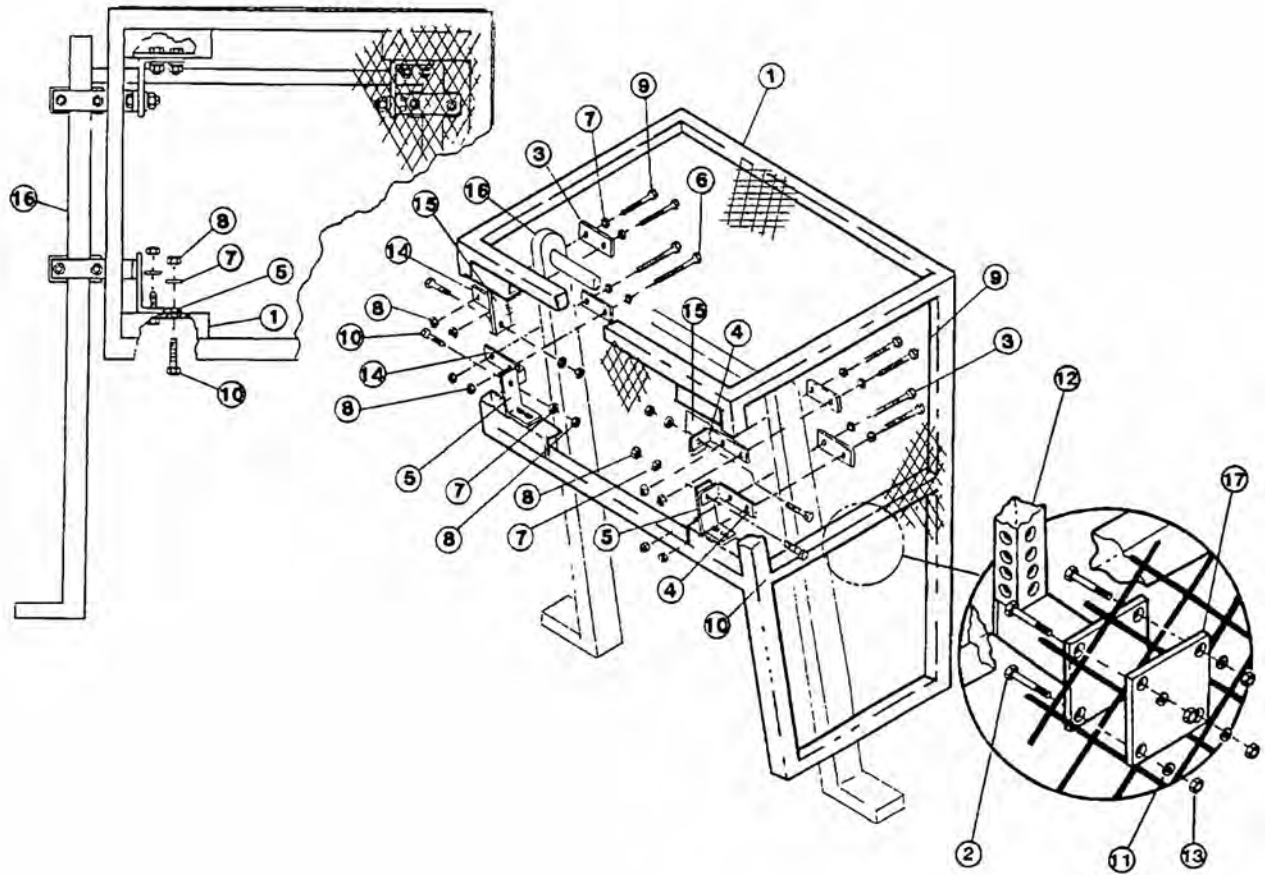


## BUZZBAR SPINDLE ASSEMBLY

Continued...

ITEM	PART NO.	QTY.	DESCRIPTION
	02974235	1	ASSEMBLY SPINDLE SHAFT
1	02974224	1	HOUSING, MACHINED
2	02978472	1	WLDMT, SHAFT W/ ANTI-WRAP
3	02974234	1	COLLAR, BEARING PRELOAD
4	70044	2	BEARING CUP
5	5312314	2	BEARING ROLLER
6	15C2000	1	WASHER, HARDENED
7	5D20120	1	NUT, HEX SLOTTED
8	00766549	2	SEAL
9	00003500	1	GREASE FITTING, 1/8 MP STRGHT
10	02959018	1	GREASE VENT 1/8 MP, 1-5 LB
11	00752177	4	STUD
12	00606000	1	COTTER PIN

## CAGE ASY



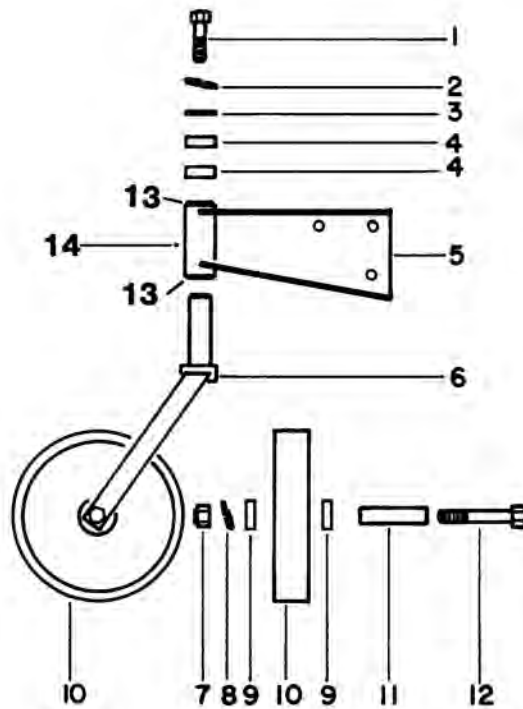
ITEM	PART NO.	QTY.	DESCRIPTION
1	02958047	1	CAGE WELDMENT
2	02957042	4	BOLT
3	02959608	2	CLAMP BAR
4	02959610	2	ATTACHMENT BAR
5	02959611	2	MOUNT BRACKET
6	00751582	4	BOLT
7	00002700	20	FLATWASHER
8	00001800	20	LOCKNUT TLM 1/2 NC PLC
9	02958035	4	BOLT
10	02886900	12	BOLT
11	00011100	4	FLATWASHER
12	02961946	1	VALVE CONTROL STAND
13	00015800	4	LOCKNUT
14	02959989	2	LONG MOUNT BRACKET
15	02959990	2	TOP LONG MOUNT BRACKET
16	-----	-	ROLL BAR

**CAGE ASY**

**Continued...**

<b>ITEM</b>	<b>PART NO.</b>	<b>QTY.</b>	<b>DESCRIPTION</b>
17	02961945	1	RETAINING BRACKET

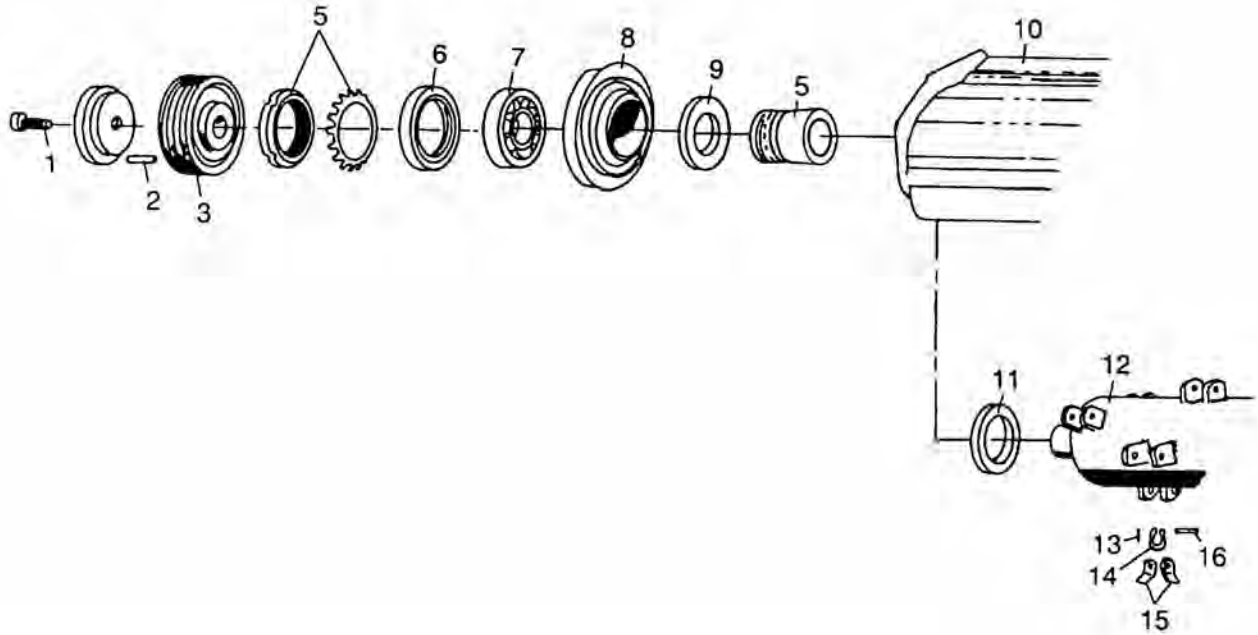
## CASTER WHEEL ASSY - HD FLAIL



ITEM	PART NO.	QTY.	DESCRIPTION
1	02035400	1	BOLT
2	00012101	1	LOCKWASHER
3	02035800	1	FLATWASHER
4	02035600	2	SPACER
5	02957101	-	CASTER ARM RIGHT
	02957100	-	CASTER ARM LEFT
6	00749943	1	CASTER FORK WELDMENT
7	00001200	1	NUT
8	00001300	1	LOCKWASHER
9	02959181	-	WHEEL BUSHING
10	02605901	1	WHEEL
11	02036300	1	AXLE BUSHING
12	02036400	1	BOLT
13	02031000	2	BUSHING, CASTER ARM
14	00752670	1	GREASE FITTING

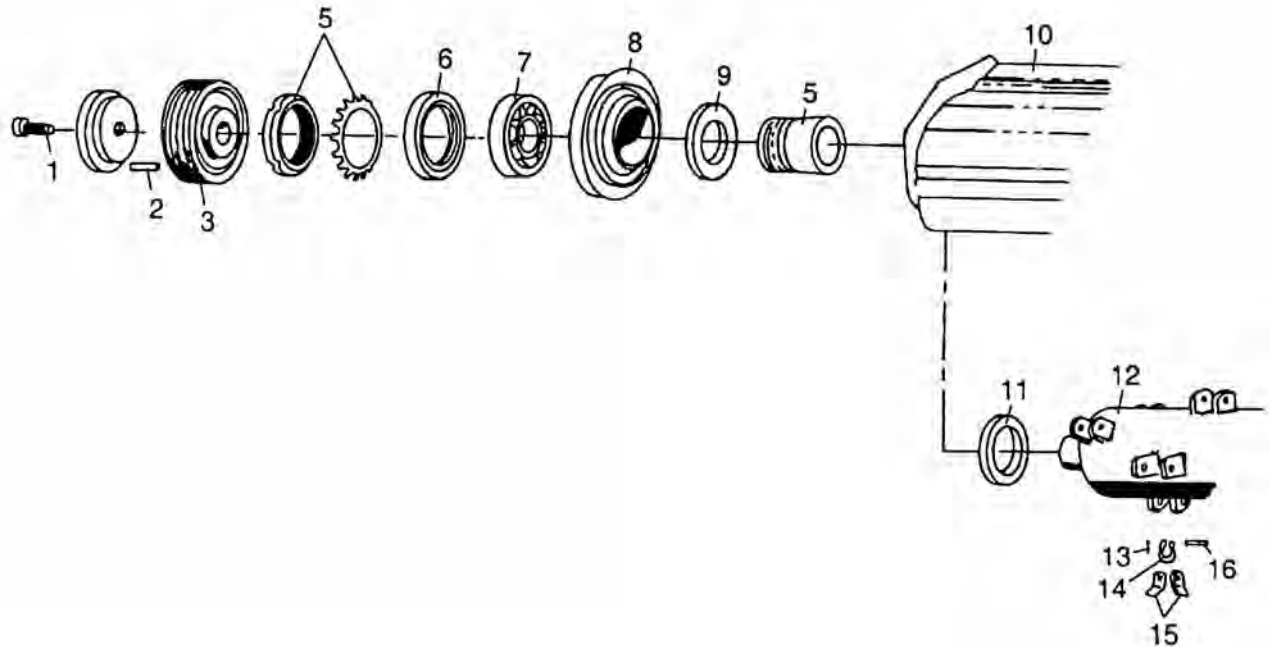


## CUTTERSHAFT - DRIVE SIDE ASY - 48 IN



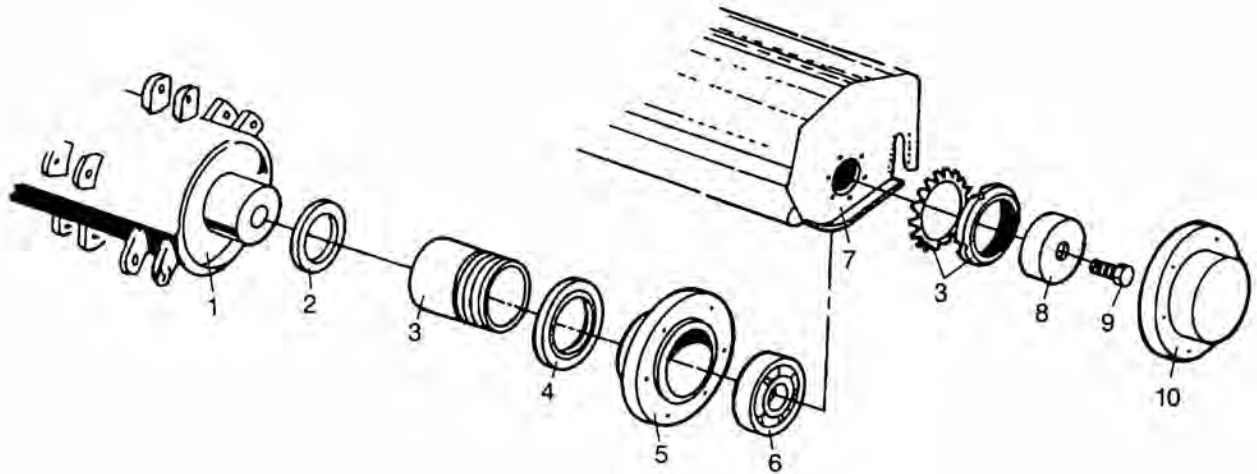
ITEM	PART NO.	QTY.	DESCRIPTION
1	00603300	1	BOLT
2	02957177	1	CUTTERSHAFT WASHER
3	02959282	1	KEY
4	02960512	1	PULLEY, CUTTERSHAFT
5	02957168	1	BEARING ADAPTER
6	02957169	1	SEAL
7	02957167	1	ROLLER BEARING
8	02957157	1	INNER HOUSING
	02957042	6	BOLT
	00752036	6	NUT
9	02957173	1	SEAL
10	107458	1	HOUSING WELDMENT
11	02957348	1	SPACER
12	105532	1	CUTTERSHAFT WELDMENT
13	000026	32	COTTER PIN
14	100761	30	RING (ADD 8 FOR 60" FLAIL)
15	02986332	60	KNIFE (ADD 16 FOR 60
16	102670	30	PIN (ADD 8 FOR 60" FLAIL)

## CUTTERSHAFT - DRIVE SIDE ASY - 60 IN



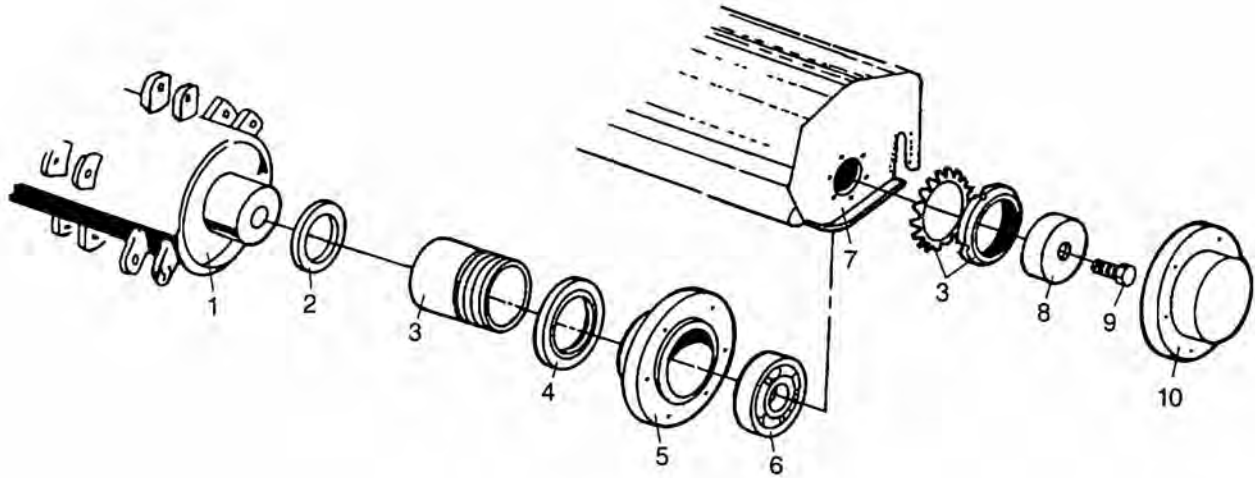
ITEM	PART NO.	QTY.	DESCRIPTION
1	00603300	1	BOLT
2	02957177	1	CUTTERSHAFT WASHER
3	02959282	1	KEY
4	02960512	1	PULLEY, CUTTERSHAFT
5	02957168	1	BEARING ADAPTER
6	02957169	1	SEAL
7	02957167	1	ROLLER BEARING
8	02957157	1	INNER HOUSING
	02957042	6	BOLT
	00752036	6	NUT
9	02957173	1	SEAL
10	107457	1	HOUSING WELDMENT
11	02957348	1	SPACER
12	105530	1	CUTTERSHAFT WELDMENT
13	000026	32	COTTER PIN
14	100761	30	RING (ADD 8 FOR 60" FLAIL)
15	02986332	60	KNIFE (ADD 16 FOR 60
16	102670	30	PIN (ADD 8 FOR 60" FLAIL)

## CUTTERSHAFT - NON-DRIVE SIDE ASY - 48 IN



ITEM	PART NO.	QTY.	DESCRIPTION
1	105532	1	CUTTERSHAFT WELDMENT
2	02957348	2	SPACER
3	02957168	2	BEARING ADAPTER
4	02957173	1	SEAL
5	02957161	1	OUTER HOUSING
6	02957167	1	ROLLER BEARING
7	107458	1	HOUSING WELDMENT
8	02957177	1	WASHER
9	00603300	2	BOLT
10	02957166	1	HOUSING COVER
	10182000	6	BOLT

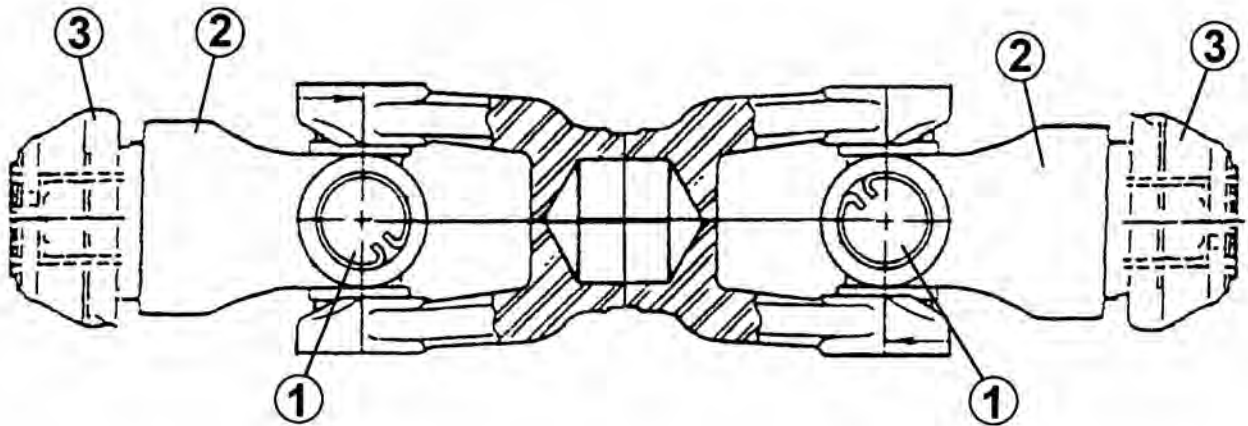
## CUTTERSHAFT - NON-DRIVE SIDE ASY - 60 IN



ITEM	PART NO.	QTY.	DESCRIPTION
1	105530	1	CUTTERSHAFT WELDMENT
2	02957348	2	SPACER
3	02957168	2	BEARING ADAPTER
4	02957173	1	SEAL
5	02957161	1	OUTER HOUSING
6	02957167	1	ROLLER BEARING
7	107457	1	HOUSING WELDMENT
8	02957177	1	WASHER
9	00603300	2	BOLT
10	02957166	1	HOUSING COVER
	10182000	6	BOLT

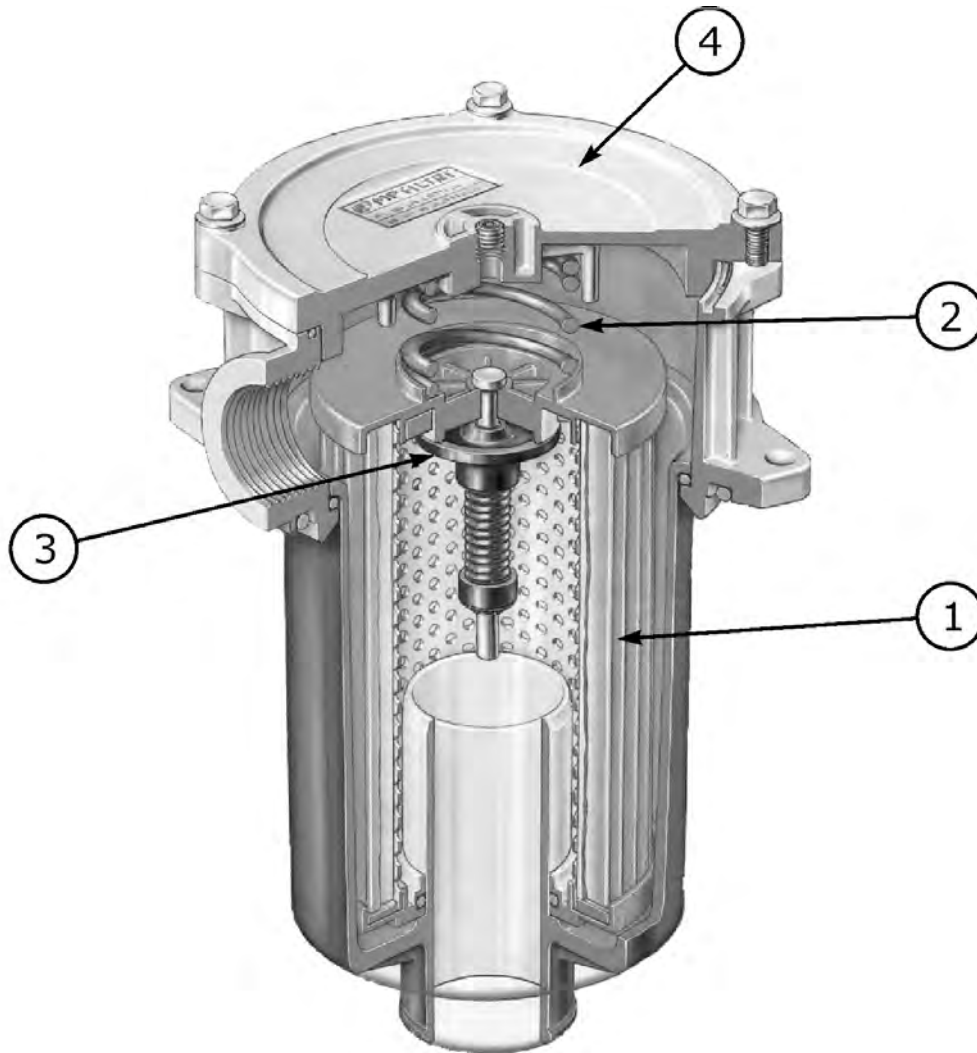
DRIVELINE ASY P/N 02967256

(Ford New Holland 9030 Only)



ITEM	PART NO.	QTY.	DESCRIPTION
1	00189700	2	BEARING AND CROSS KIT
2	W284A	2	YOKE W/SLIDE COLLAR
3	8445	2	YOKE Q.D. KIT

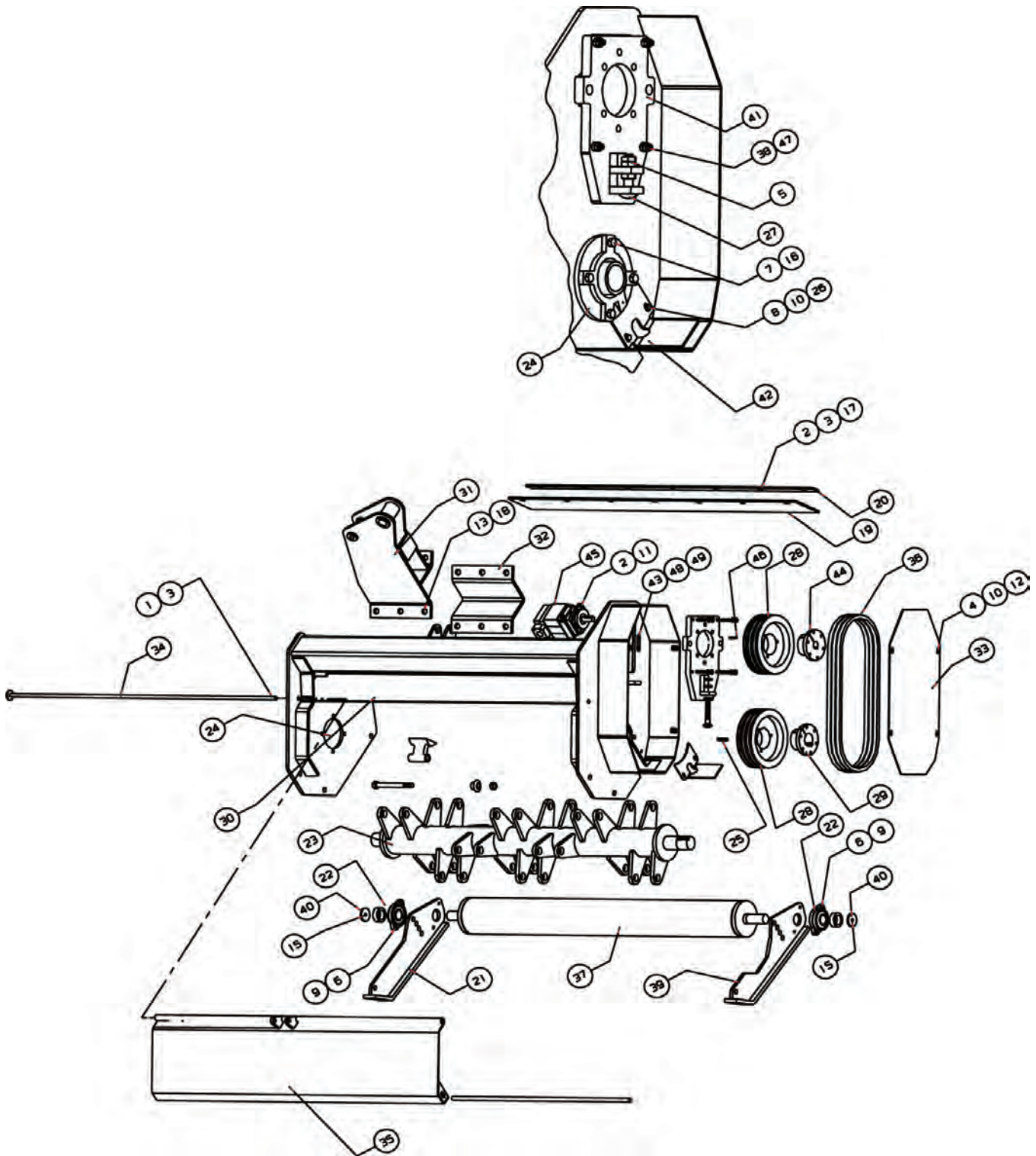
## FILTER ASY



ITEM	PART NO.	QTY.	DESCRIPTION
-	02961000	1	FILTER ASY
1	02961001	1	FILTER ELEMENT
2	02972678	1	SPRING FILTER CARTRIDGE
3	02973782	1	VALVE, FILTER BY-PASS
4	02978349	1	FILTER COVER
-	02978354	1	SEAL KIT
	02978355	1	NUT & BOLT KIT
	02961452	1	O-RING

**THIS PAGE INTENTIONALLY LEFT BLANK**

FLAIL AXE HEAD ASY (PART 1) SN 01746 TO CURRENT



ITEM	PART NO.	QTY.	DESCRIPTION
0	02970299	1	FLAIL AXE 48
1	00026200	1	PIN,COTTER 5/32 X 1-1/2

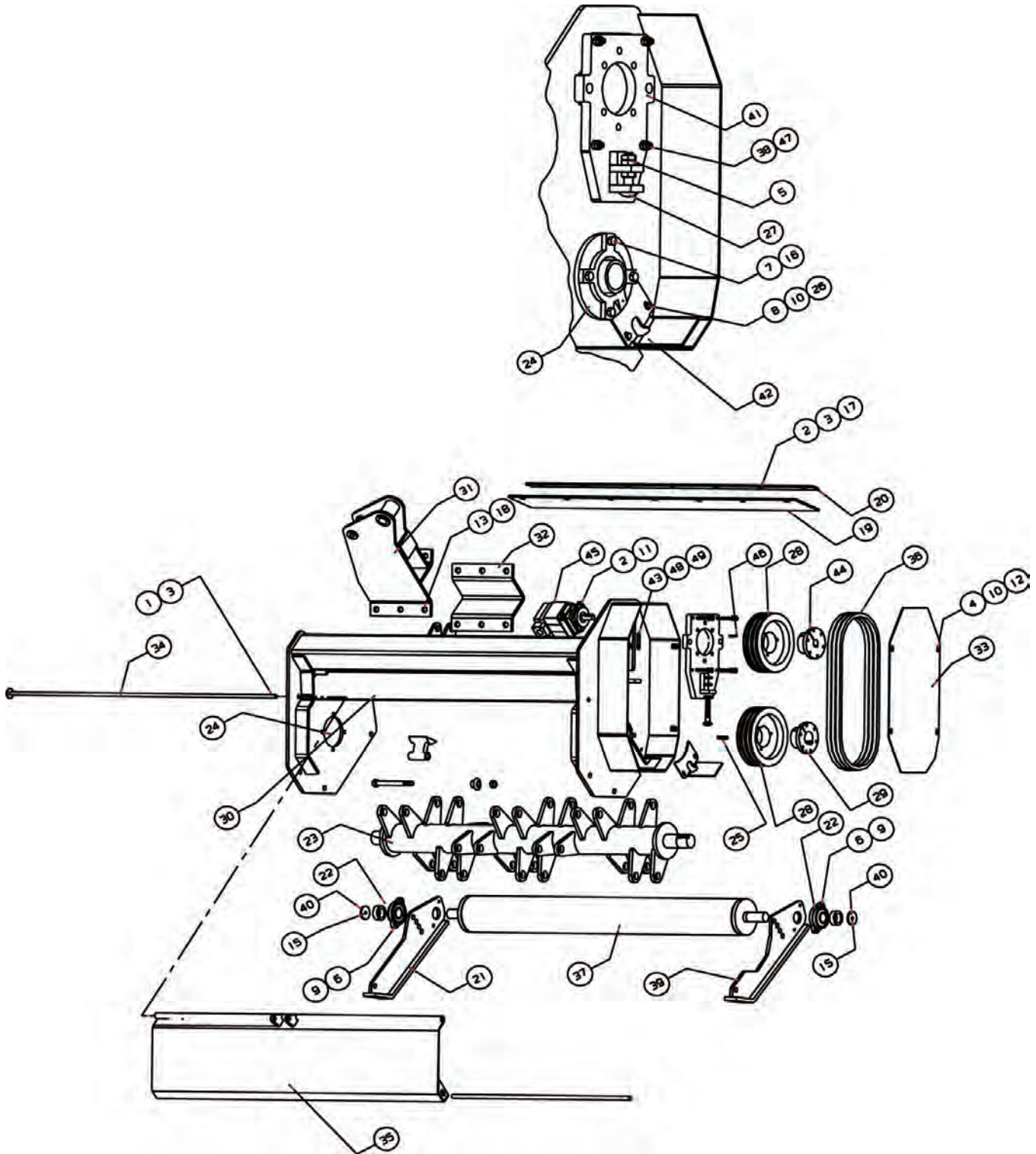


**FLAIL AXE HEAD ASY (PART 1) SN 01746 TO CURRENT**

**Continued...**

<b>ITEM</b>	<b>PART NO.</b>	<b>QTY.</b>	<b>DESCRIPTION</b>
2	000642	19	NUT,1/2NF CENTERLOCK
3	00002700	16	FLATWASHER 1/2 PL STD
4	00011700	4	HIGH ALLOY, L/W 5/16 YZ KG
5	00013500	3	NUT JAM HEX 5/8 NC PL
6	00015800	4	LOCKNUT TLM 3/8-NC PLC
8	10119000	2	HEXB 5/16 X 1 NC GR5
9	000644	4	CARB 3/8 NC 1-1/4 PL5
10	00023500	6	FLATWASHER 5/16 PL
11	00013300	4	HHCS 1/2 NC X 2 GR.5 PL
12	00035900	4	HHCS,5/16-18 X 3/4 PL5
13	00037200	6	NUT,HEX TOPLOCK 3/4 NC GR.C PL
15	02972949	2	BOLT 3/8 NC GR8 X 1-1/4
17	00019300	15	HHCS 1/2 NF 1-1/2 PL5
18	02918600	6	HEXB 3/4-10UNC 2 PL8
19	02956712	1	RUBBER FLAP 6 X 48-1/2
20	02956714	1	CLAMP BAR
21	02956748	1	WLDMT, SKID SHOE
22	02957041	2	ROLLER BEARING AND FLANGE
23	02957655M	1	ROTOR W/KNIVES (FLAIL AXE)
24	02958131A	2	FLANGE BEARING ASY 2 BORE
25	02958198	1	KEY 1/2 X 1/2 X 1 7/8LG
26	00750940	2	LOCKNUT TLM 5/16 NC PLB
27	03200925	1	CARB 5/8-11UNC 3LG PL5
28	02967325	2	PULLEY, 3G5V-8.50 DIA.
29	02967328	1	BUSHING,QD-HUB SF 1-15/16 DIA.
30	02994073	1	WLDMNT, HOUSING, F/AXE 48"
31	02970302	1	WDMT,HITCH POST,FLAIL AXE
32	02970324	1	PLATE,HITCH POST CLAMP

FLAIL AXE HEAD ASY (PART 2) SN 01746 TO CURRENT



ITEM	PART NO.	QTY.	DESCRIPTION
33	02970325	1	PLATE,COVER,BELT & PULLEY
34	02970326	1	ROD,HINGE,F/A DOOR

## FLAIL AXE HEAD ASY (PART 2) SN 01746 TO CURRENT

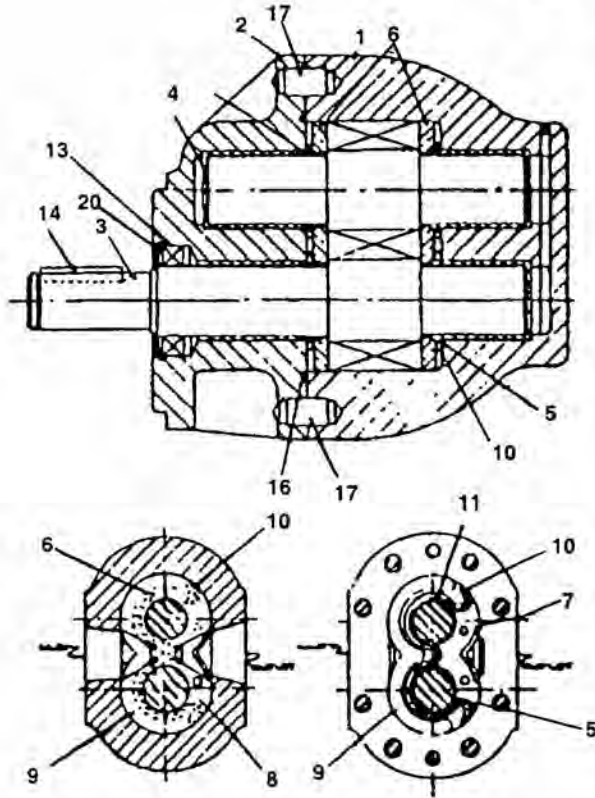
Continued...

ITEM	PART NO.	QTY.	DESCRIPTION
35	02994074	1	WLDMNT, DOOR, F/AXE 48"
36	02970539	3	V-BELT
37	02970540	1	WELDMNT,ROLLER
38	02970583	4	SHSS 3/8-NF X 1-1/2 PL5
40	02970586	2	WASHER,2OD,7/16 ID X 3/16
41	02973544	1	WLDMT MOTOR MOUNTS
42	02970709	1	PLATE,INSIDE PLATE
43	02675800	4	HHCS 5/8-11 X 1-1/2 PL5
44	02970537	1	HUB,QD-SF 1DIA.BORE W/KEY WAY
45	02961678	1	HYD MOTOR-CAST IRON,3.94 CU IN
46	02962207	1	KEY 1/4 X 1/4 X 1 1/2 LG
47	23504500	8	NUT, JAM 3/8 NF PLB
48	00001400	4	FLATWASHER 5/8 PL STD
49	00010300	4	WASHER,LOCK 5/8 GR8 - YDP

# HD FLAIL HYDRAULIC MOTOR

## HYDRAULIC MOTOR REPAIR PARTS P/N 02957328

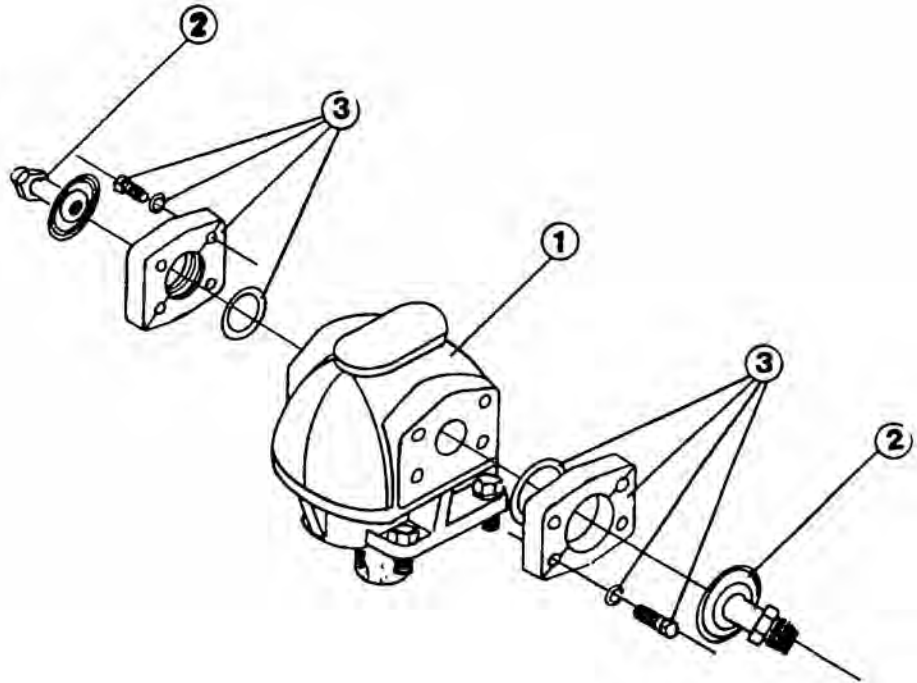
**DISCONTINUED**  
FOR REPLACEMENT  
PARTS ONLY



ITEM	PART NO.	QTY.	DESCRIPTION
1	02682600	1	BODY
2	02682500	1	FLANGE
3,4	02957727	1	GEAR SET (DRIVE & IDLER)
5	-----	-	BACK-UP RING
6	02655400	2	PRESSURE PLATE
7	02721400	2	TOP ISOLATION PLATE
8	02721500	2	BOTTOM ISOLATION PLATE
9	-----	-	RETAINER RING
10	-----	-	O-RING
11	02655700	4	STEEL RING
13	-----	-	SEAL
14	02656400	1	KEY
16	-----	-	O-RING (BODY)
17	02655800	2	DOWEL
20	02681400	1	SNAP RING
	02720000	-	SEAL KIT (CONTAINS 5,9,10,13,16)

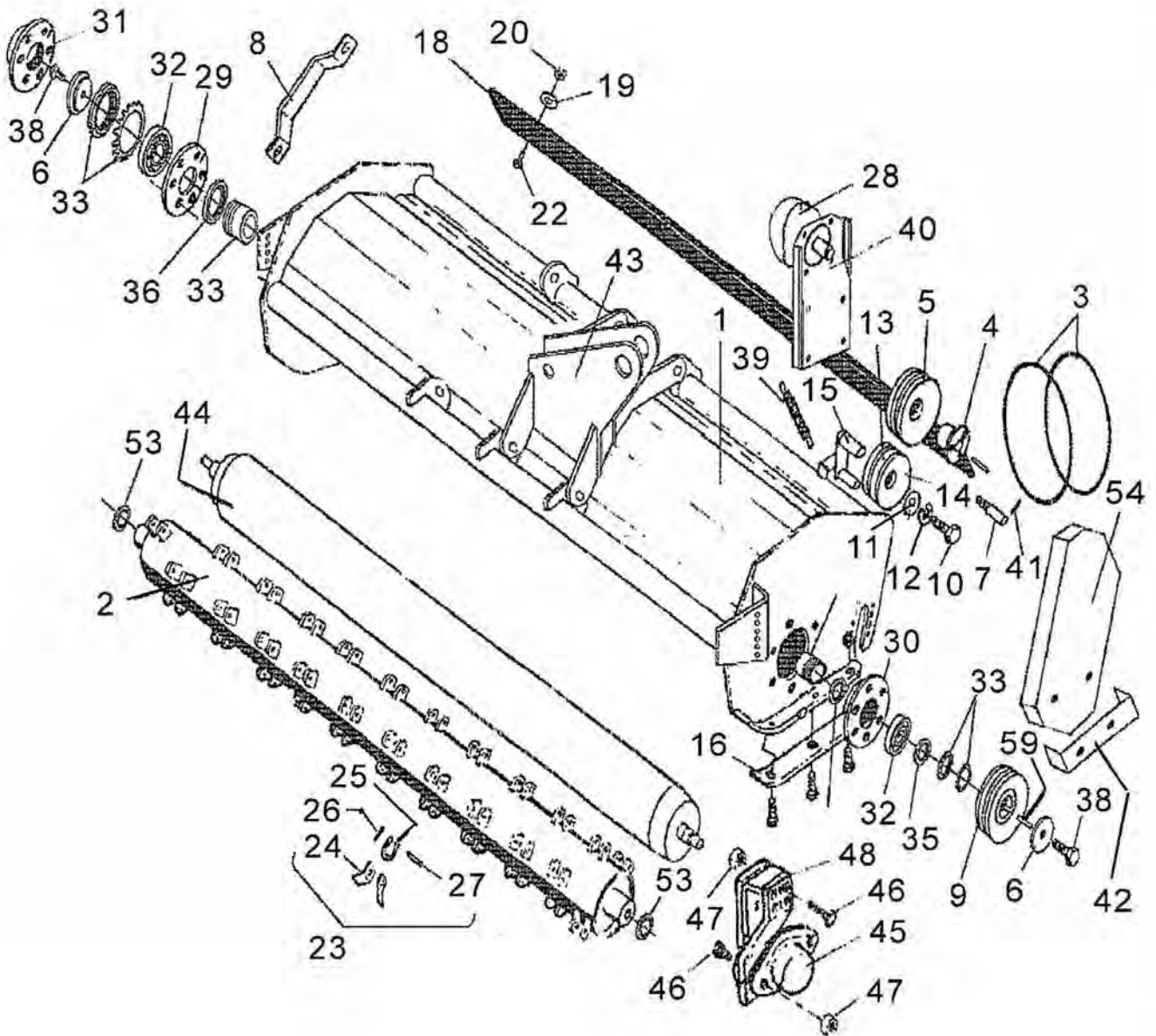
# HD FLAIL HYDRAULIC MOTOR - OLD STYLE

**DISCONTINUED  
FOR REPLACEMENT  
PARTS ONLY**



ITEM	PART NO.	QTY.	DESCRIPTION
1	02957328	1	HYDRAULIC MOTOR
2	02961281	2	ELBOW
3	00750317	2	SPLIT FLANGE KIT

# HEAVY DUTY FLAIL ASY - 48 & 60 IN (PART 1)



## HEAVY DUTY FLAIL ASY - 48 & 60 IN (PART 1)

Continued...

ITEM	PART NO.	QTY.	DESCRIPTION
1	107458	1	HD FLAIL WLD`MT - 48"
	107457	1	HD FLAIL WLD`MT - 60"
2	105532	1	CUTTER SHAFT WLD`MT - 48"
	105530	1	CUTTER SHAFT WLD`MT - 60"
3	000533	2	V-BELT
4	000672	1	QD HUB
5	000673	1	PULLEY, HYD. MOTOR
6	02957177	2	CUTTER SHAFT WASHER
7	103041	1	IDLER PIVOT PIN
8	103064	1	FENDER
9	02960512	1	PULLEY, CUTTER SHAFT
10	000001	1	BOLT
11	00023500	1	WASHER
12	00011700	1	LOCKWASHER
13	101778	1	IDLER BEARING SPACER
14	103105	2	IDLER PULLEY
15	700949	1	IDLER ARM W/GREASE FITTING
16	700886	1	SHOE WEAR PLATE ASSEMBLY
	00001800	6	LOCKNUT TLM 1/2 NC PLC
	02886900	2	BOLT
	000520	6	LOCKWASHER
	000700	4	SHOE BOLT
	103051	2	SHOE WEAR PLATE
	700194	1	TRASH DEFLECTOR PACKAGE ( INCLUDES 18,19,20, & 22 ) - 48"
	701650	1	TRASH DEFLECTOR PACKAGE ( INCLUEDS 18,19,20,& 22 ) - 60"
18	100101	1	TRASH DEFLECTOR - 48"
	104682	1	TRASH DEFLECTOR - 60"
19	00024100	7	WASHER ( ADD 2 FOR 60" FLAIL )
20	02959924	7	NUT ( ADD 2 FOR 60" FLAIL )
22	10058000	7	BOLT ( ADD 2 FOR 60" FLAIL )
23	701431	1	KNIFE PACKAGE COMPLETE ( INCLUDES 24,25,26, & 27 ) - 48"
	700616	1	KNIFE PACKAGE COMPLETE ( INCLUDES 24,25,26, & 27 ) - 60"
24	02986332	60	KNIFE ( ADD 16 FOR 60
25	100761	30	RING ( ADD 8 FOR 60" FLAIL )
26	000026	32	COTTER PIN ( ADD 8 FOR 60" FLAIL )
27	102670	30	PIN ( ADD 8 FOR 60" FLAIL )
28	02962020	1	HYDRAULIC MOTOR ASSEMBLY
	00749130	4	BOLT
	63000500	4	WASHER
29	02957157	1	BEARING HOUSING, OUTER
30	02957161	1	BEARING HOUSING, INNER

02963600 - Rear Mount Boom (06-03)\_07-20





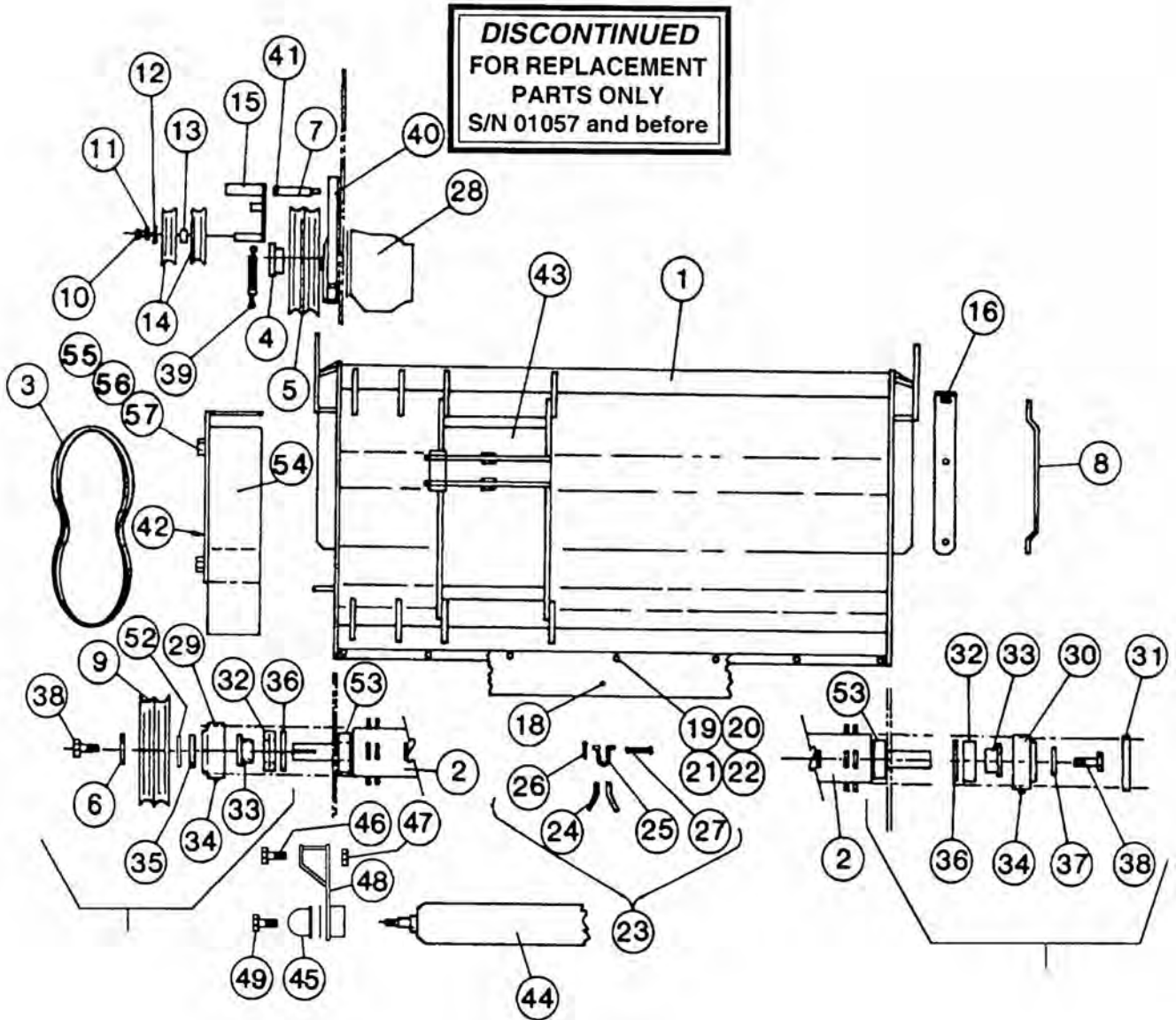
## HEAVY DUTY FLAIL ASY - 48 & 60 IN (PART 2)

Continued...

ITEM	PART NO.	QTY.	DESCRIPTION
	02957042	6	BOLT, OUTER HOUSING ATTACHMENT
	00015800	6	NUT, OUTER AND INNER HOUSING - ATTACHMENT
31	02957166	1	HOUSING COVER
	00753642	6	BOLT, INNER HOUSING AND COVER ATTACHMENT
32	02957167	2	ROLLER BEARING
33	02957168	2	BEARING ADAPTER
	00003500	4	GREASE FITTING
35	02957169	1	SEAL
36	02957173	2	SEAL
38	00603300	2	BOLT
39	000539	1	TURNBUCKLE
40	02966254	1	MOTOR BRACKET WELDMENT
	02957042	4	BOLT
	00015800	4	NUT
41	00000400	1	COTTER PIN
42	02960550	1	BUMPER TO HEAD ATTACHMENT
	02030400	4	BOLT-BUMPER
	02957941	4	NUT
43	02958666	1	HITCH POST ASY.
	02958424	1	BUSHING
	02931300	4	BOLT
	00037200	4	NUT
44	107810	1	ROLLER WLD`MT, W/ HEX SHAFT - 48"
	107784	1	ROLLER WLD`MT, W/ HEX SHAFT - 60"
45	703976	2	ROLLER BEARING & HOUSING ASY. W/ HEX BRG.
	002486	2	BEARING W/ HEX BRG.
	002039	2	GREASE FITTING
	002037	2	SEAL
46	000516	4	CARRIAGE BOLT
47	02979042	4	NUT
48	107182	1	BRACKET LH
	107380	1	BRACKET RH
53	02957348	2	SPACER
54	02991970	1	BELT GUARD WELDMENT
	00999314	2	BOLT BUMPER TO BELT GUARD
	00019700	2	FLATWASHER
	00022200	2	LOCKWASHER
58	02959282	1	KEY, COUPLIN ASY.
59	100768	1	KEY, CUTTER SHAFT PULLEY

02963600 - Rear Mount Boom (06-03)\_07-20

# HEAVY DUTY FLAIL ASY - 48 IN (OLD STYLE) (PART 1)



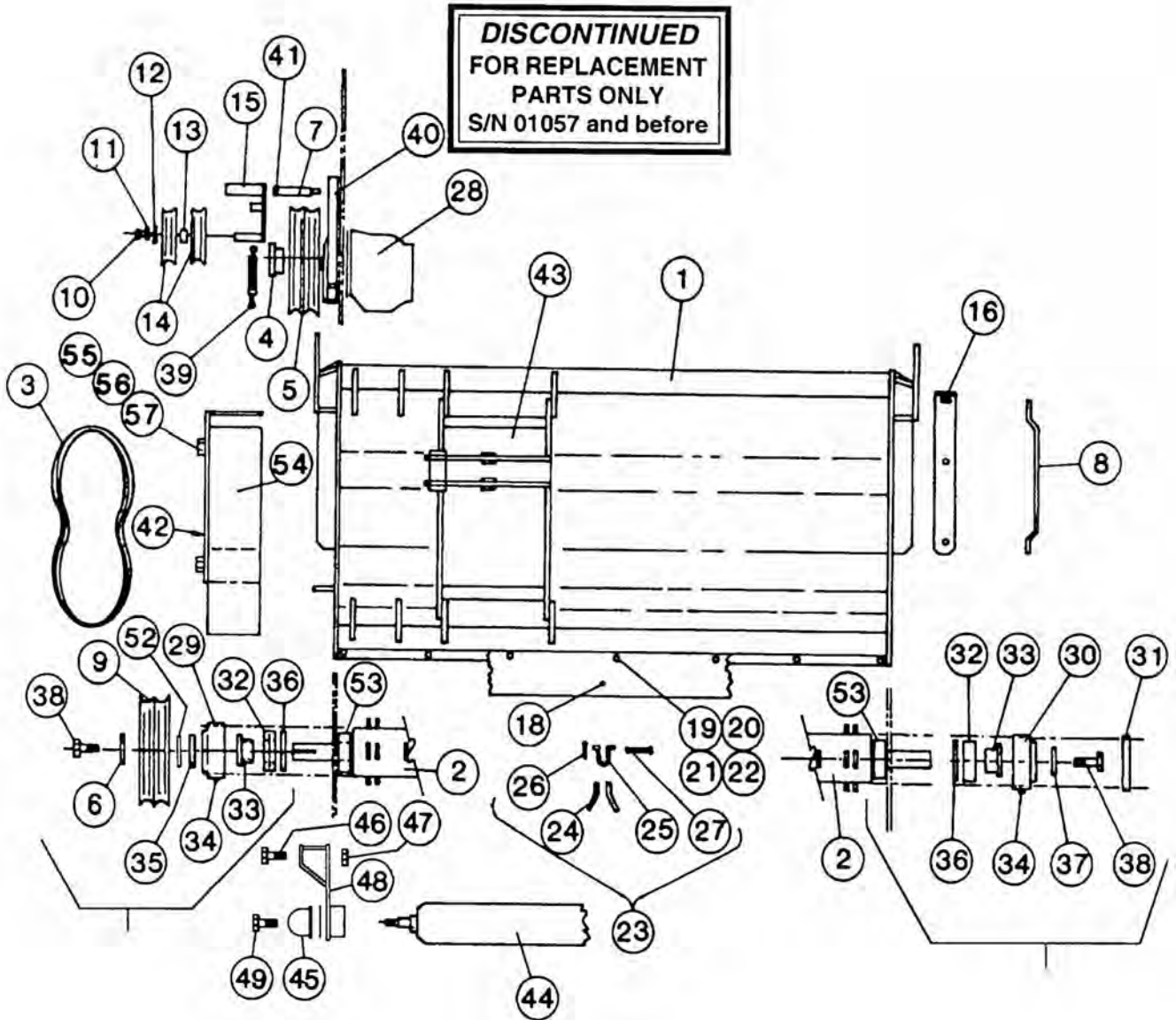
## HEAVY DUTY FLAIL ASY - 48 IN (OLD STYLE) (PART 1)

Continued...

ITEM	PART NO.	QTY.	DESCRIPTION
1	500105	1	HD FLAIL WELDMENT
2	105532	1	CUTTER SHAFT WELDMENT
3	000533	2	V-BELT
4	000672	1	QD HUB
5	000673	1	PULLEY, HYD. MOTOR
6	02957177	1	CUTTER SHAFT WASHER
7	103041	1	IDLER PIVOT PIN
8	103064	1	FENDER
9	02960512	1	PULLEY, CUTTER SHAFT
10	000001	1	BOLT
11	000017	1	WASHER
12	000018	1	LOCKWASHER
13	101778	1	IDLER BEARING SPACER
14	103105	2	IDLER PULLEY
15	700949	1	IDLER ARM W/GREASE FITTING
16	701914	1	SHOE WEAR PLATE ASSEMBLY
	000170	6	NUT
	000515	2	BOLT
	000520	6	LOCKWASHER
	000700	4	SHOE BOLT
	103051	2	SHOE WEAR PLATE
17	700194	1	TRASH DEFLECTOR PACKAGE
18	100101	1	TRASH DEFLECTOR
19	000016	7	WASHER (ADD 2 FOR 60" FLAIL)
20	000035	7	NUT (ADD 2 FOR 60" FLAIL)
21	000036	7	LOCKWASHER (ADD 2 FOR 60" FLAIL)
22	000112	7	BOLT (ADD 2 FOR 60" FLAIL)
23	701431	1	KNIFE PACKAGE COMPLETE
24	02986332	60	KNIFE (ADD 16 FOR 60
25	100761	30	RING (ADD 8 FOR 60" FLAIL)
26	000026	32	COTTER PIN (ADD 8 FOR 60" FLAIL)
27	102670	30	PIN (ADD 8 FOR 60" FLAIL)
28	02961285	1	HYDRAULIC MOTOR ASSEMBLY
	00749130	4	BOLT
	63000500	4	WASHER
29	02957161	1	BEARING HOUSING, INNER
30	02957157	1	BEARING HOUSING, OUTER
	02957042	6	BOLT, OUTER HOUSING ATTACHMENT
	00752036	6	NUT, OUTER AND INNER HOUSING ATTCHMENT
31	02957166	1	HOUSING COVER
	10182000	6	BOLT, INNER HOUSING AND COVER ATTACHMENT

02963600 - Rear Mount Boom (06-03)\_07-20

# HEAVY DUTY FLAIL ASY - 48 IN (OLD STYLE) (PART 2)

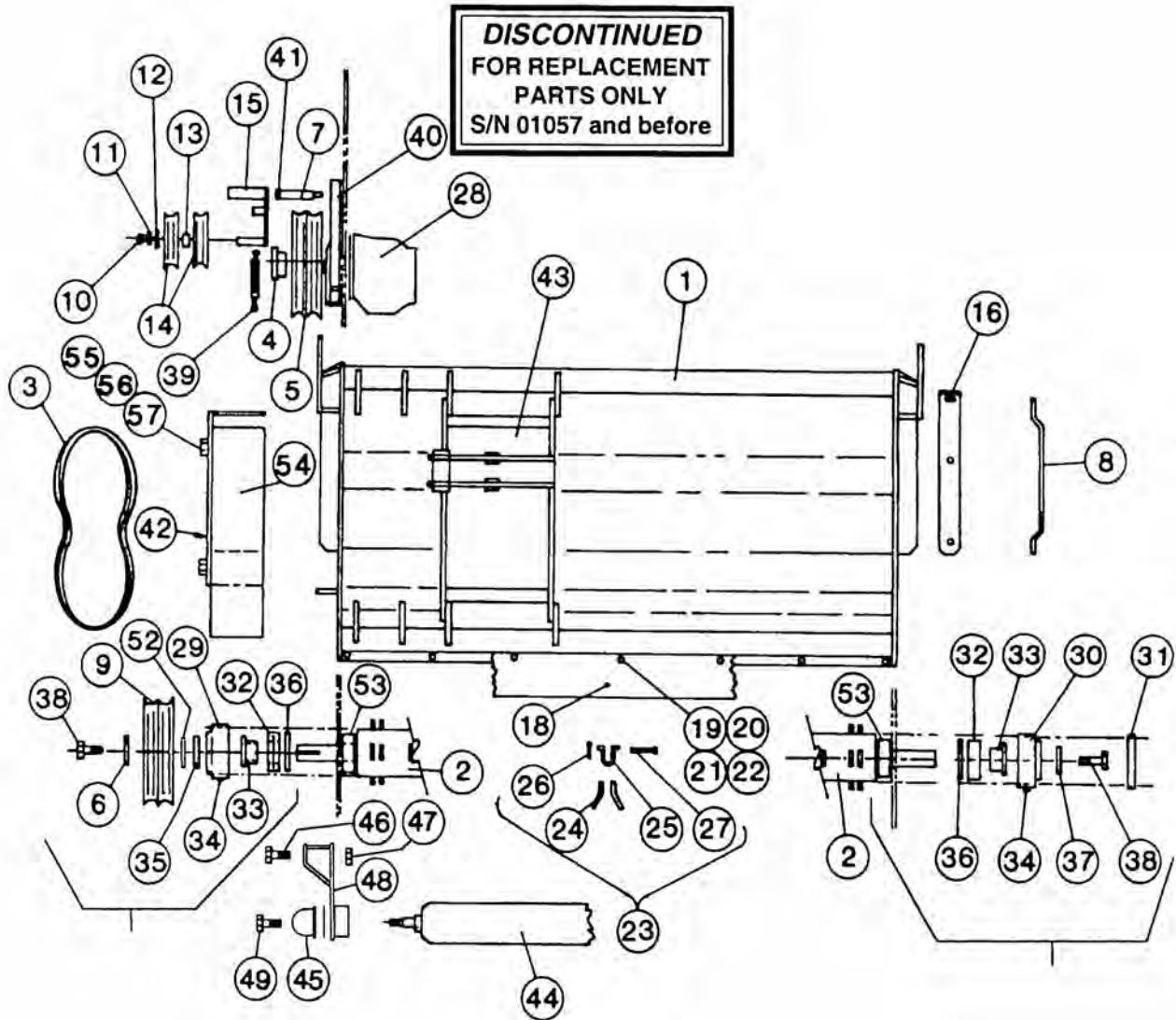


## HEAVY DUTY FLAIL ASY - 48 IN (OLD STYLE) (PART 2)

Continued...

ITEM	PART NO.	QTY.	DESCRIPTION
32	02957167	2	ROLLER BEARING
33	02957168	2	BEARING ADAPTER
34	00003500	3	GREASE FITTING
35	02957169	1	SEAL
36	02957173	2	SEAL
37	02957177	1	WASHER
38	00603300	2	BOLT
39	000539	1	TURNBUCKLE
40	02960569	1	MOTOR BRACKET WELDMENT
	02957042	4	BOLT
	00015800	4	NUT
41	00000400	1	COTTER PIN
42	02960550	1	BUMPER TO HEAD ATTACHMENT
	00999314	4	BOLT-BUMPER
	02957941	4	NUT
43	02958666	1	HITCH POST ASSEMBLY
	02918600	4	BOLT
	00037200	4	NUT
44	105700	1	ROLLER
45	001479	2	FLANGE BEARING
	000142	4	BOLT
	0001700	4	NUT
46	105699	2	SPACER
47	001096	2	NUT
48	105697	2	BRACKET
49	000516	2	BOLT
52	02957349	1	INNER HOUSING SPACER
53	02957348	2	SPACER
54	02991970	1	BELT GUARD WELDMENT
55	00999314	2	BOLT BUMPER TO BELT GUARD
56	00019700	2	FLATWASHER
57	00022200	2	LOCKWASHER

# HEAVY DUTY FLAIL ASY - 60 IN (OLD STYLE) (PART 1)



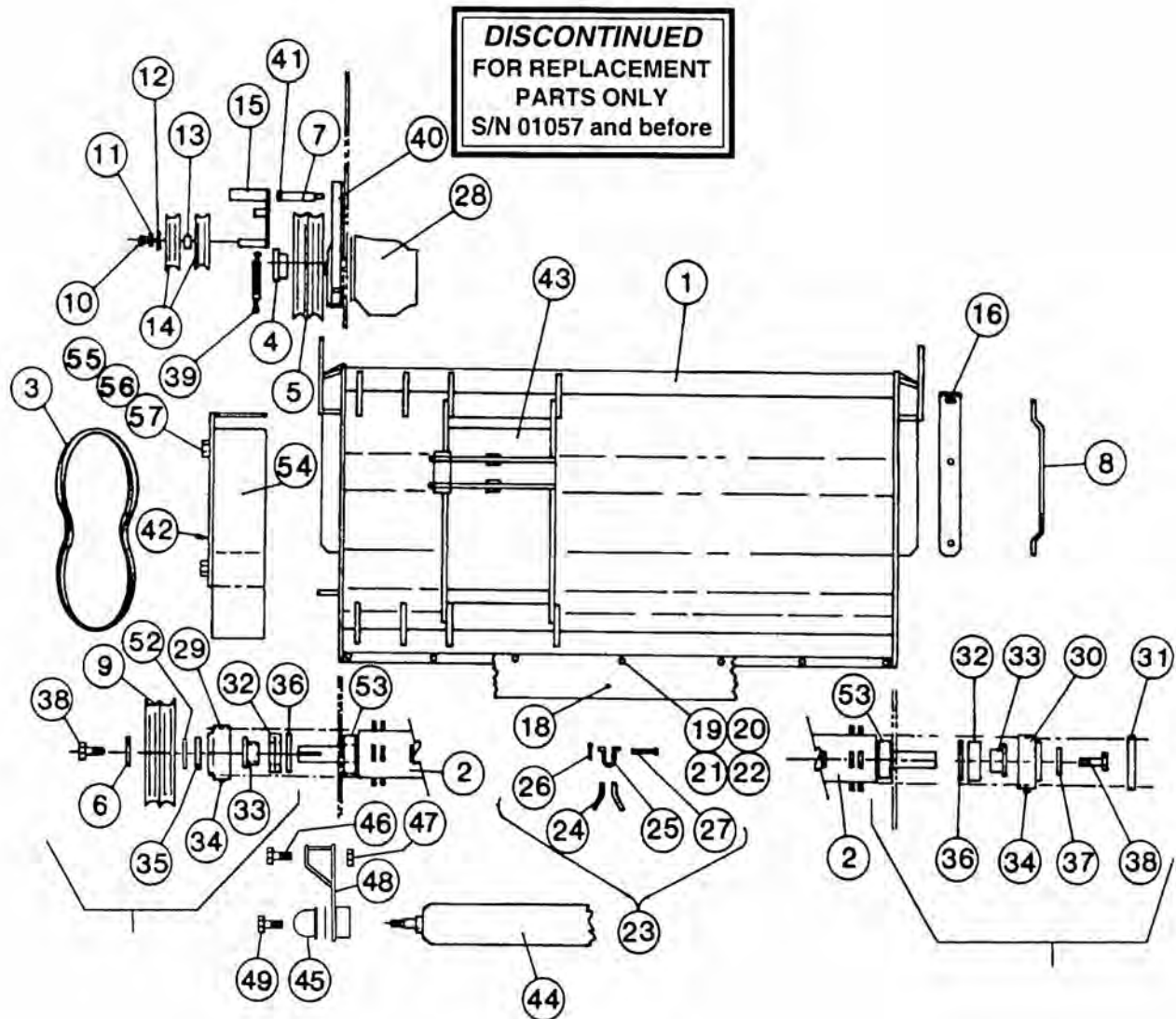
ITEM	PART NO.	QTY.	DESCRIPTION
1	500106	1	HD FLAIL WELDMENT
2	105530	1	CUTTER SHAFT WELDMENT
3	000533	2	V-BELT
4	000672	1	QD HUB
5	000673	1	PULLEY, HYD. MOTOR
6	02957177	1	CUTTER SHAFT WASHER
7	103041	1	IDLER PIVOT PIN
8	103064	1	FENDER
9	02960512	1	PULLEY, CUTTER SHAFT
10	000001	1	BOLT

## HEAVY DUTY FLAIL ASY - 60 IN (OLD STYLE) (PART 1)

Continued...

ITEM	PART NO.	QTY.	DESCRIPTION
11	000017	1	WASHER
12	000018	1	LOCKWASHER
13	101778	1	IDLER BEARING SPACER
14	103105	2	IDLER PULLEY
15	700949	1	IDLER ARM W/GREASE FITTING
16	701914	1	SHOE WEAR PLATE ASSEMBLY
	000170	6	NUT
	000515	2	BOLT
	000520	6	LOCKWASHER
	000700	4	SHOE BOLT
	103051	2	SHOE WEAR PLATE
17	701650	1	TRASH DEFLECTOR PACKAGE
18	104682	1	TRASH DEFLECTOR
19	000016	7	WASHER (ADD 2 FOR 60" FLAIL)
20	000035	7	NUT (ADD 2 FOR 60" FLAIL)
21	000036	7	LOCKWASHER (ADD 2 FOR 60" FLAIL)
22	000112	7	BOLT (ADD 2 FOR 60" FLAIL)
23	700616	1	KNIFE PACKAGE COMPLETE
24	02986332	60	KNIFE (ADD 16 FOR 60
25	100761	30	RING (ADD 8 FOR 60" FLAIL)
26	000026	32	COTTER PIN (ADD 8 FOR 60" FLAIL)
27	102670	30	PIN (ADD 8 FOR 60" FLAIL)
28	02961285	1	HYDRAULIC MOTOR ASSEMBLY
	00749130	4	BOLT
	63000500	4	WASHER
29	02957161	1	BEARING HOUSING, INNER
30	02957157	1	BEARING HOUSING, OUTER
	02957042	6	BOLT, OUTER HOUSING ATTACHMENT
	00752036	6	NUT, OUTER AND INNER HOUSING ATTCHMENT
31	02957166	1	HOUSING COVER
	10182000	6	BOLT, INNER HOUSING AND COVER ATTACHMENT

## HEAVY DUTY FLAIL ASY - 60 IN (OLD STYLE) (PART 2)



ITEM	PART NO.	QTY.	DESCRIPTION
32	02957167	2	ROLLER BEARING
33	02957168	2	BEARING ADAPTER
34	00003500	3	GREASE FITTING
35	02957169	1	SEAL
36	02957173	2	SEAL
37	02957177	1	WASHER
38	00603300	2	BOLT
39	000539	1	TURNBUCKLE
40	02960569	1	MOTOR BRACKET WELDMENT
	02957042	4	BOLT



## HEAVY DUTY FLAIL ASY - 60 IN (OLD STYLE) (PART 2)

Continued...

ITEM	PART NO.	QTY.	DESCRIPTION
	00015800	4	NUT
41	00000400	1	COTTER PIN
42	02960550	1	BUMPER TO HEAD ATTACHMENT
	00999314	4	BOLT-BUMPER
	02957941	4	NUT
43	02958666	1	HITCH POST ASSEMBLY
	02918600	4	BOLT
	00037200	4	NUT
44	105701	1	ROLLER
45	001479	2	FLANGE BEARING
	000142	4	BOLT
	000170	4	NUT
46	105699	2	SPACER
47	001096	2	NUT
48	105697	2	BRACKET
49	000516	2	BOLT
52	02957349	1	INNER HOUSING SPACER
53	02957348	2	SPACER
54	02991970	1	BELT GUARD WELDMENT
55	00999314	2	BOLT BUMPER TO BELT GUARD
56	00019700	2	FLATWASHER
57	00022200	2	LOCKWASHER

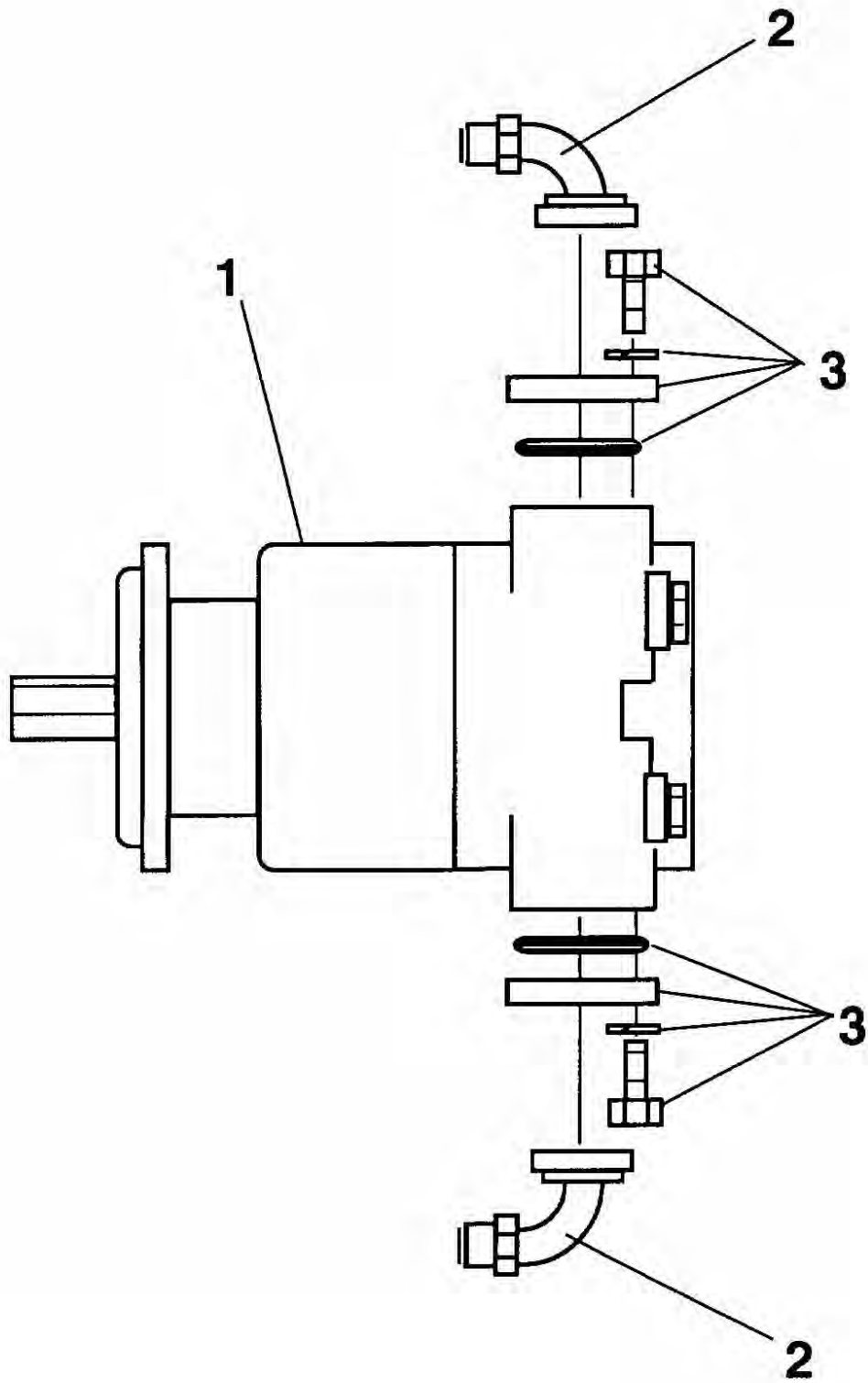


## HYDRAULIC MOTOR ASY

Continued...

ITEM	PART NO.	QTY.	DESCRIPTION
1	02962112	1	HYDRAULIC MOTOR (HIGH SPEED) (S/N 02027-02033 & 02134 AND ABOVE)
	02961732	1	HYDRAULIC MOTOR (S/N 02026 AND PRIOR & 02034-02133)
2	02962774	2	ELBOW
3	00749101	2	SPLIT FLANGE KIT
4	02044200	2	"O" RING

HYDRAULIC MOTOR ASY P/N 02963893

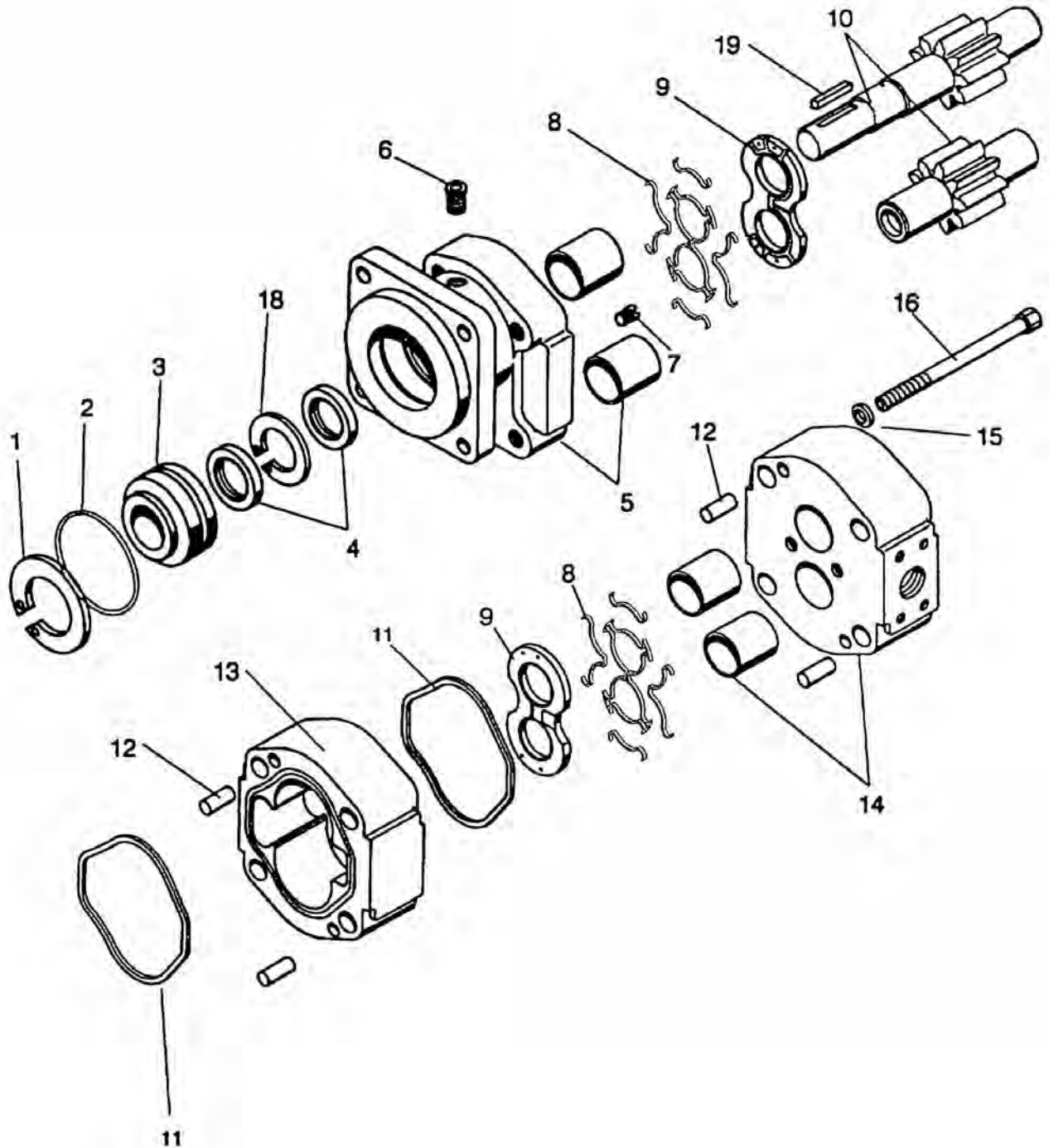


**HYDRAULIC MOTOR ASY P/N 02963893**

**Continued...**

<b>ITEM</b>	<b>PART NO.</b>	<b>QTY.</b>	<b>DESCRIPTION</b>
1	02961678	1	HYDRAULIC MOTOR
2	02961280	2	ELBOW
3	00749103	2	SPLIT FLANGE KIT

# HYDRAULIC MOTOR P/N 02961678



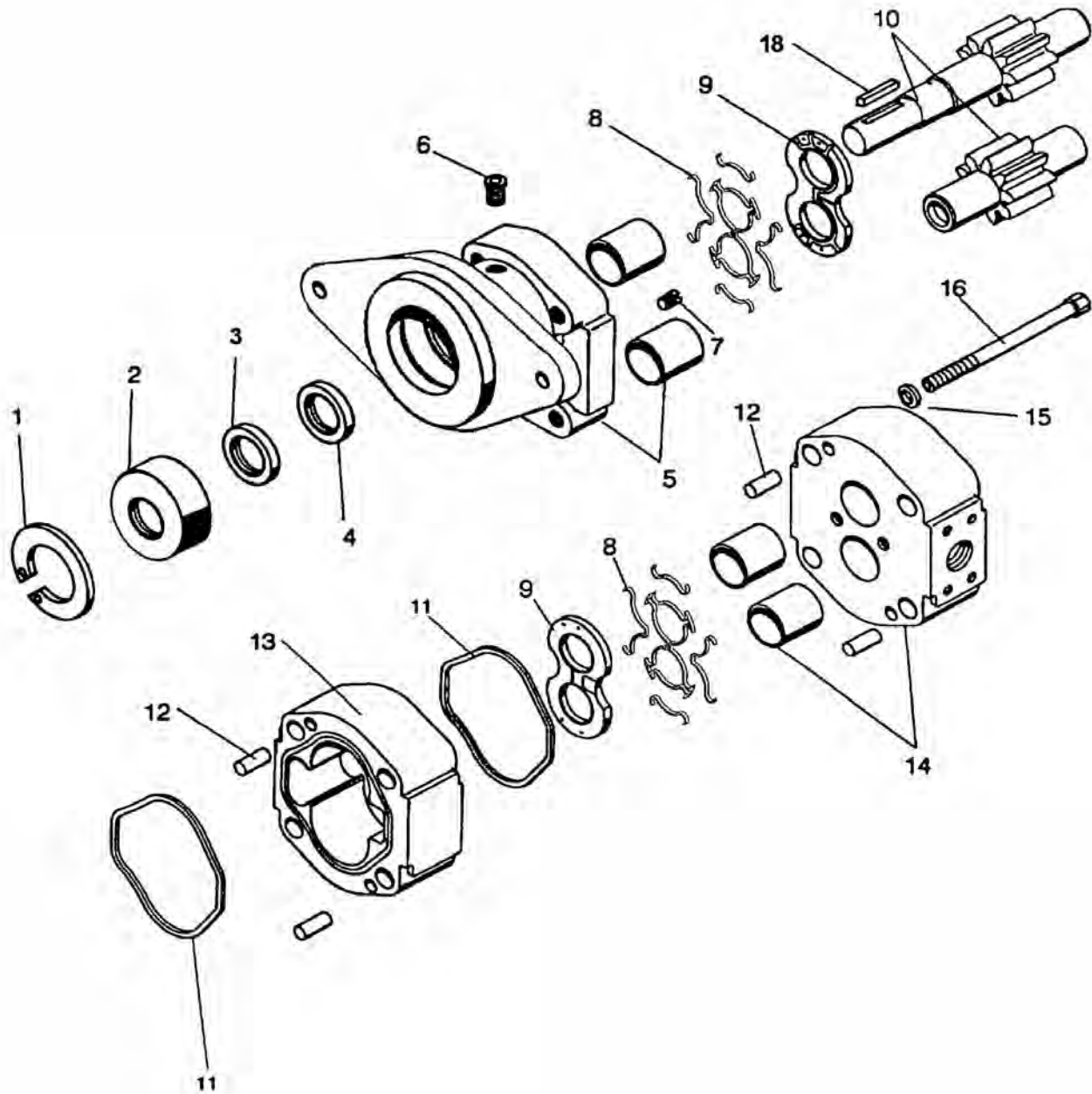
ITEM	PART NO.	QTY.	DESCRIPTION
1	02962210	1	SNAP RING
2	-----	1	"O" RING
3	02962209	1	SEAL RETAINER

## HYDRAULIC MOTOR P/N 02961678

Continued...

ITEM	PART NO.	QTY.	DESCRIPTION
4	-----	2	SEAL
5	02962203	1	MOUNTING FLANGE W/BUSHINGS
6	02961940	1	PLUG
7		2	
8	-----	4	SEAL END
9	-----	2	THRUST PLATE
10	02962206	1	GEAR SET
11	-----	2	SQUARE SEAL
12	02961924	4	DOWEL PIN
13	02962205	1	GEAR HOUSING
14	02962204	1	PORTING FLANGE W/BUSHING
15	02961917	4	WASHER
16	02962208	4	BOLT
17	-----	4	SIDE SEAL (NOT SHOWN)
18	02976771	1	SEAL RETAINER
19	02962207	1	KEY

# HYDRAULIC MOTOR P/N 02975175



ITEM	PART NO.	QTY.	DESCRIPTION
1	02962210	1	SNAP RING
2	02964940	1	SPACER
3	02976771	1	SEAL RETAINER
4	-----	1	SEAL
5	02964704	1	MOUNTING FLANGE W/BUSHINGS
6	02961940	1	PLUG

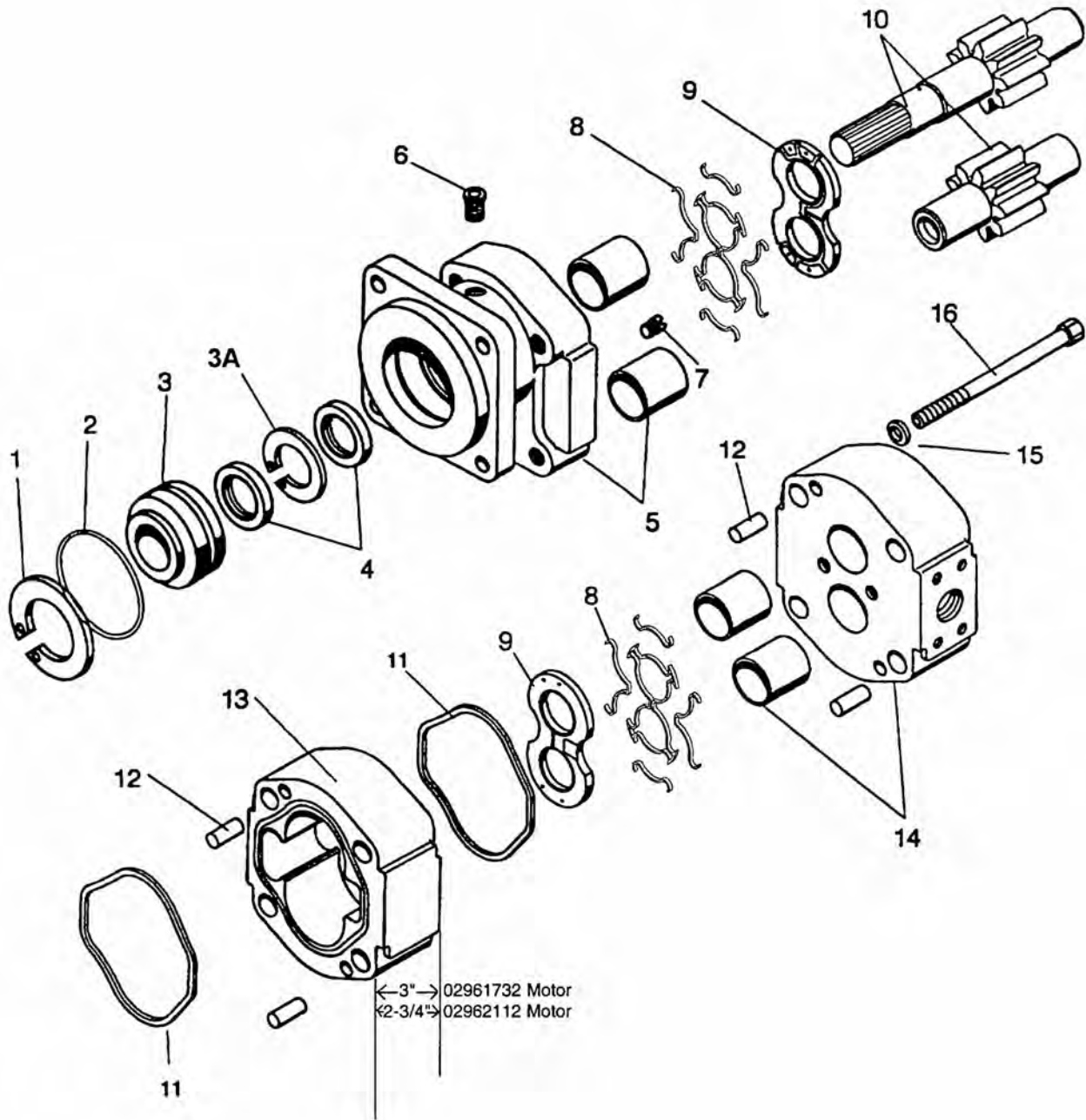


## HYDRAULIC MOTOR P/N 02975175

Continued...

ITEM	PART NO.	QTY.	DESCRIPTION
7		2	
8	-----	4	SEAL END
9	-----	2	THRUST PLATE
10	02964937	1	GEAR SET
11	-----	2	SQUARE SEAL
12	02961924	4	DOWEL PIN
13	02962205	1	GEAR HOUSING
14	02976773	1	PORTING FLANGE W/BUSHING
15	02961917	4	WASHER
16	02962208	4	BOLT
17	-----	4	SIDE SEAL (NOT SHOWN)
18	02964956	1	KEY

## HYDRAULIC MOTOR REPAIR PARTS



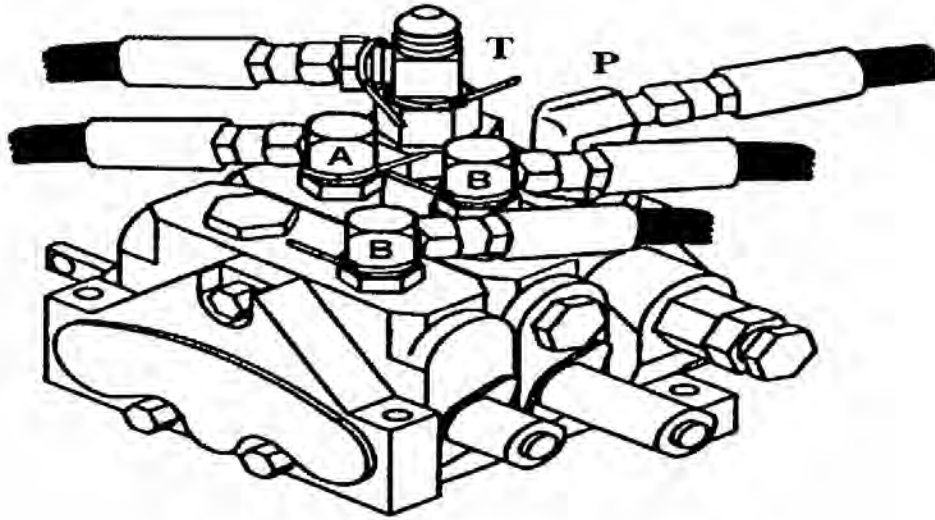
ITEM	PART NO.	QTY.	DESCRIPTION
1	02961933	1	SNAP RING
2	----	1	"O" RING
3	02961932	1	SEAL RETAINER (S/N 02027-02034 & 02134 AND ABOVE)
	02962286	1	SEAL RETAINER (S/N 02026 AND PRIOR & 02034-02133)
4	----	2	SEAL

## HYDRAULIC MOTOR REPAIR PARTS

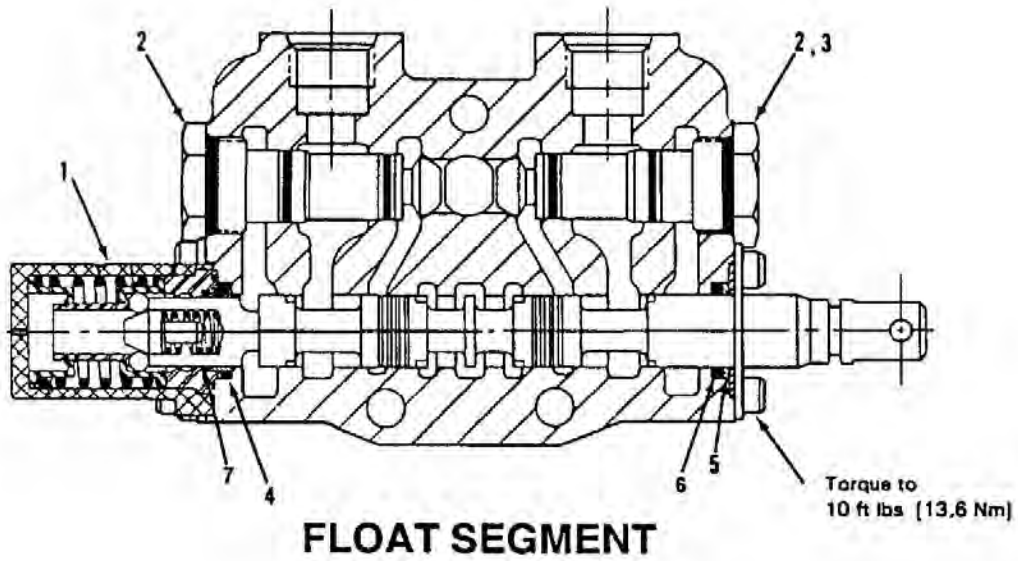
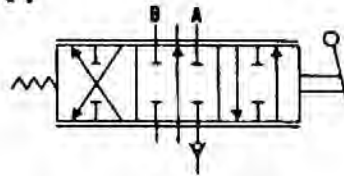
Continued...

ITEM	PART NO.	QTY.	DESCRIPTION
5	02961926	1	MOUNTING FLANGE W/BUSHINGS
6	02961940	1	PLUG
7		2	
8	-----	4	SEAL END
9	-----	2	THRUST PLATE
10	02962287	1	GEAR SET (S/N 02027-02034 & 02134 AND ABOVE)
	02961929	1	GEAR SET (S/N 02026 AND PRIOR & 02034-02133)
11	-----	2	SQUARE SEAL
12	02961924	4	DOWEL PIN
13	02962288	1	GEAR HOUSING (S/N 02027-02034 & 02134 AND ABOVE)
	02961928	1	GEAR HOUSING (S/N 02026 AND PRIOR & 02034-02133)
14	02961927	1	PORTING FLANGE W/BUSHING
15	02961917	4	WASHER
16	02961918	4	BOLT (S/N 02026 AND PRIOR & 02034-02133)
	02962197	4	BOLT (S/N 02027-02034 & 02134 AND ABOVE)
17	-----	4	SIDE SEAL (NOT SHOWN)

# INDIVIDUAL VALVE SEGMENT



# NON-FLOAT SEGMENT



# FLOAT SEGMENT

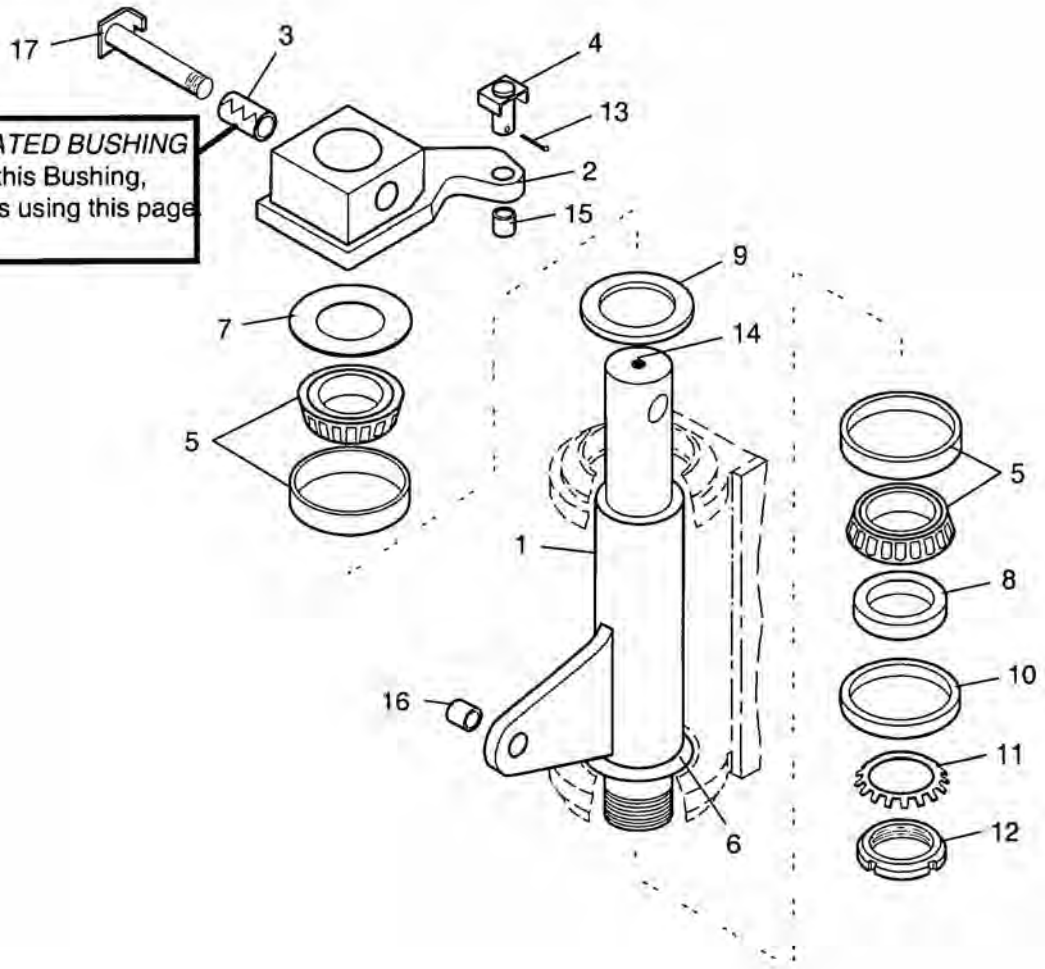
## INDIVIDUAL VALVE SEGMENT

Continued...

ITEM	PART NO.	QTY.	DESCRIPTION
	02958734	1	POSITIONER, FLOAT
2	-----	2	SEE VALVE BANK FOR PART #
3	02965115	-	SEAL KIT FOR RELIEF CARTRIDGE
4	00545500	-	O-RING (INCLUDED IN KIT #00545500
5	02962529	-	WASHER AND O-RING
6	-----	-	O-RING (INCLUDED IN KIT #00545500
7	-----	-	O-RING (INCLUDED IN KIT #00545500

## KING POST ATTACHMENT

**NOTICE: SERRATED BUSHING**  
If your Unit uses this Bushing,  
please order parts using this page



ITEM	PART NO.	QTY.	DESCRIPTION
1	02956821	1	KING PIN W/ BUSHING
2	02967231	1	REAR TURNING ARM WELDMENT W/TEFLON BUSHING
3	02958345	1	STEEL SERRATED BUSHING
4	02966767	1	TURNING ARM PIN - CHROME PLATED - USE ONLY WITH TEFLON BUSHING
	02960458	-	TURNING ARM PIN - GREASEABLE - USE ONLY WITH STEEL SERRATED BUSHING
5	02957008	2	BEARING CUP AND CONE ASSEMBLY
6	02956882	1	RING, BOTTOM BEARING SEAL
7	02956941	1	RING, TOP BEARING SEAL
8	02956818	1	BEARING SUPPORT COLLAR
9	02956836	1	SEAL
10	02956837	1	SEAL
11	02956838	1	LOCKWASHER
12	02956839	1	NUT
13	00606000	1	PIN

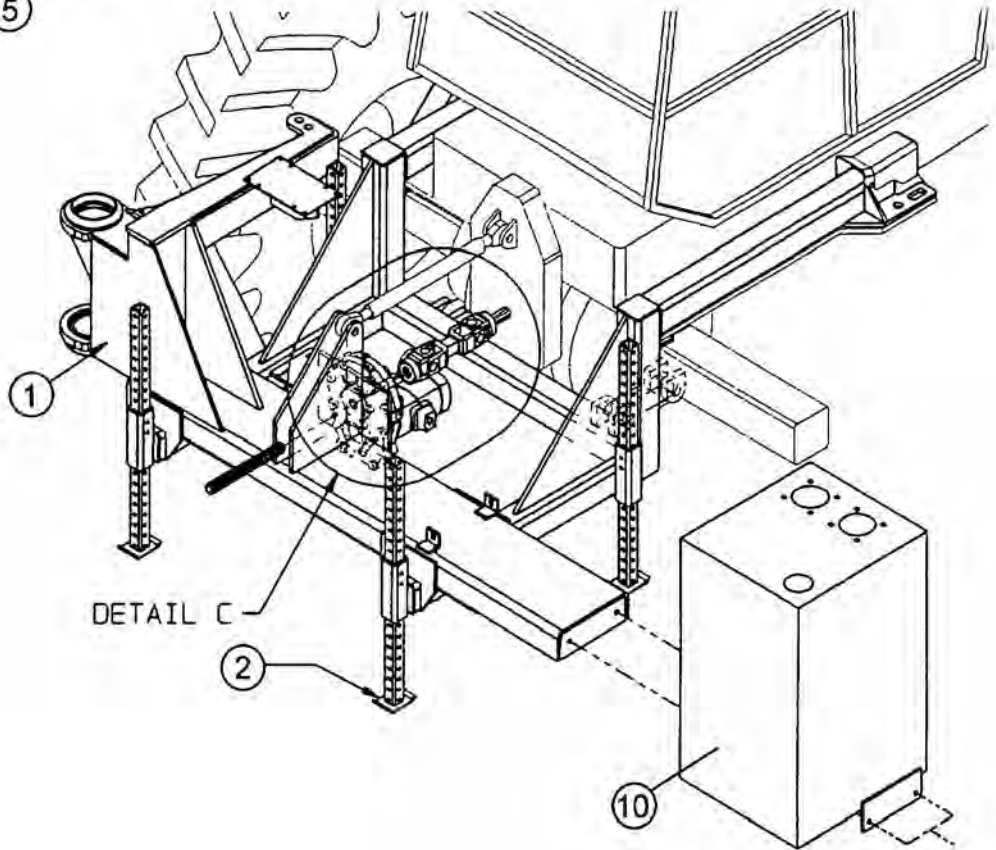
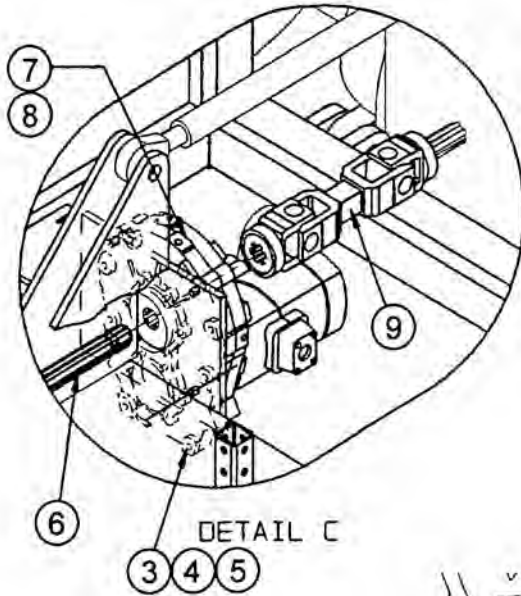
## KING POST ATTACHMENT

Continued...

ITEM	PART NO.	QTY.	DESCRIPTION
14	00752176	1	GREASE FITTING
15	02965548	1	BUSHING - TEFLON IMPREGNATED - 1-1/4 OD
	02957501	-	BUSHING - STEEL SERRATED - 1-3/8 OD
16	02959225	1	BUSHING
17	02965538	1	MAIN PIN WELDMENT
	02967490	-	MAIN PIN WELDMENT - GREASEABLE - USE ONLY W/O GREASE HOLE IN TOP (ITEM #1)

MAIN FRAME MOUNT - LEFT HAND

(Ford New Holland 9030 Only)



ITEM	PART NO.	QTY.	DESCRIPTION
1	02964226	1	FRAME WELDMENT
2	00751670	4	STABILIER



## MAIN FRAME MOUNT - LEFT HAND

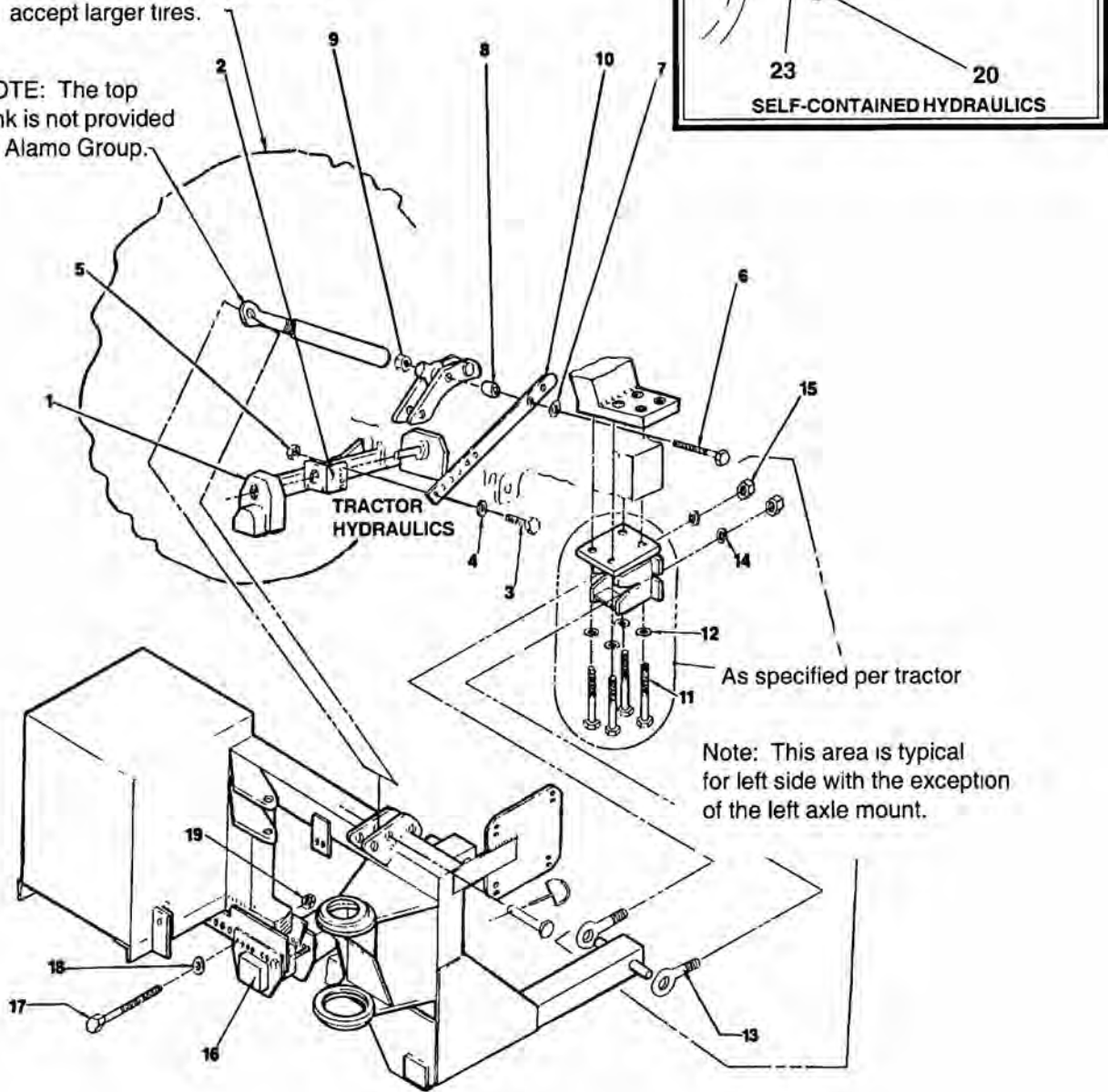
Continued...

ITEM	PART NO.	QTY.	DESCRIPTION
3	00752060	1	SPACER
4	02014200	4	BOLT
5	00001300	4	LOCKWASHER
6	107969	1	SPLINE SHAFT
7	02959261	1	SPLINE ADAPTOR
8	02897900	1	SPEED INCREASER
9	02967256	1	DRIVELINE ASSEMBLY
10	02961144	1	HYDRAULIC TANK ASSY.

# MAIN FRAME MOUNT - RIGHT HAND

Maximum Tire Size for a REAR MOUNT Unit is 16.9 - 28's.  
If Tire is larger than specified, the unit will have to be modified to accept larger tires.

NOTE: The top Link is not provided by Alamo Group.

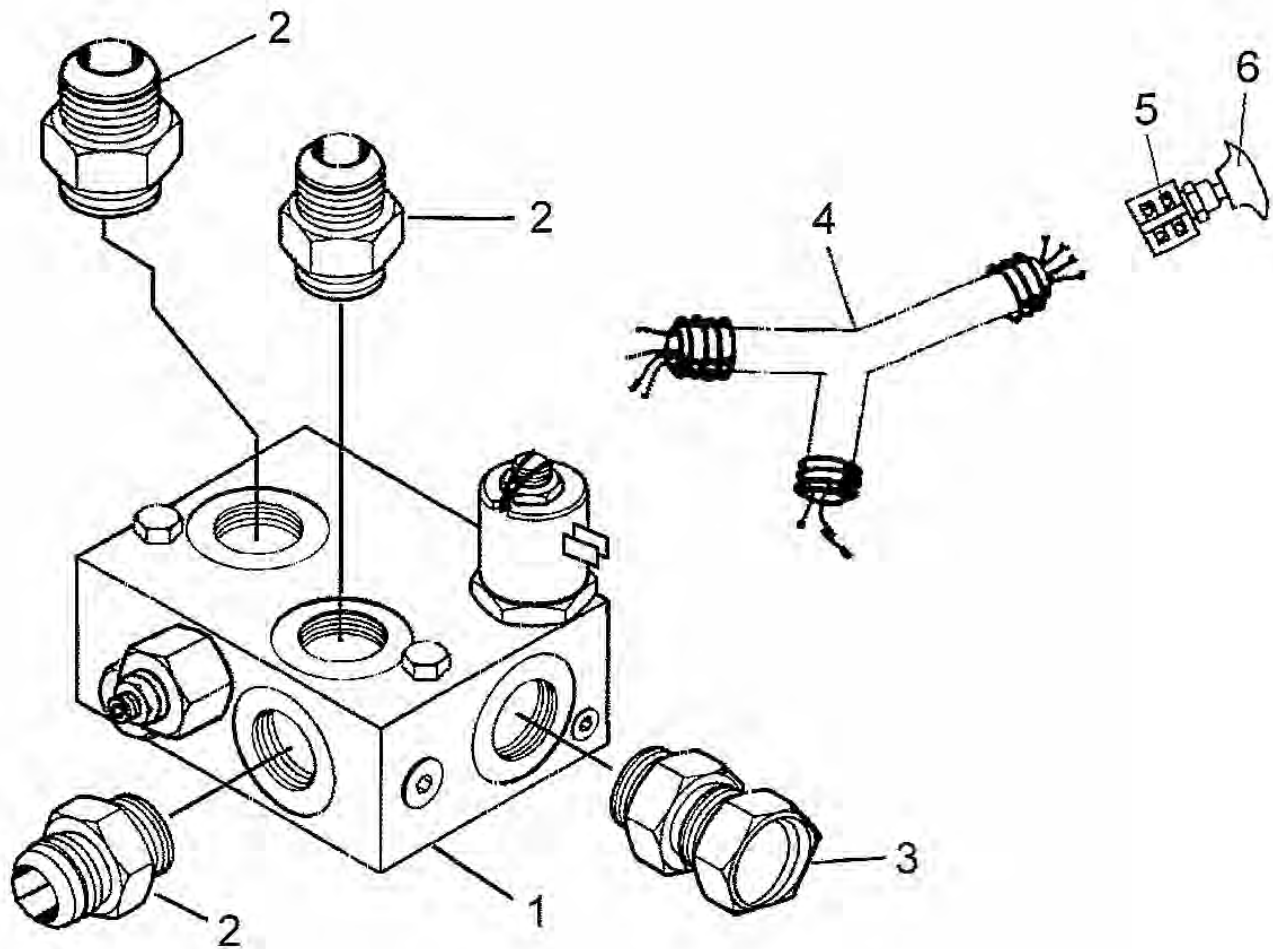


## MAIN FRAME MOUNT - RIGHT HAND

Continued...

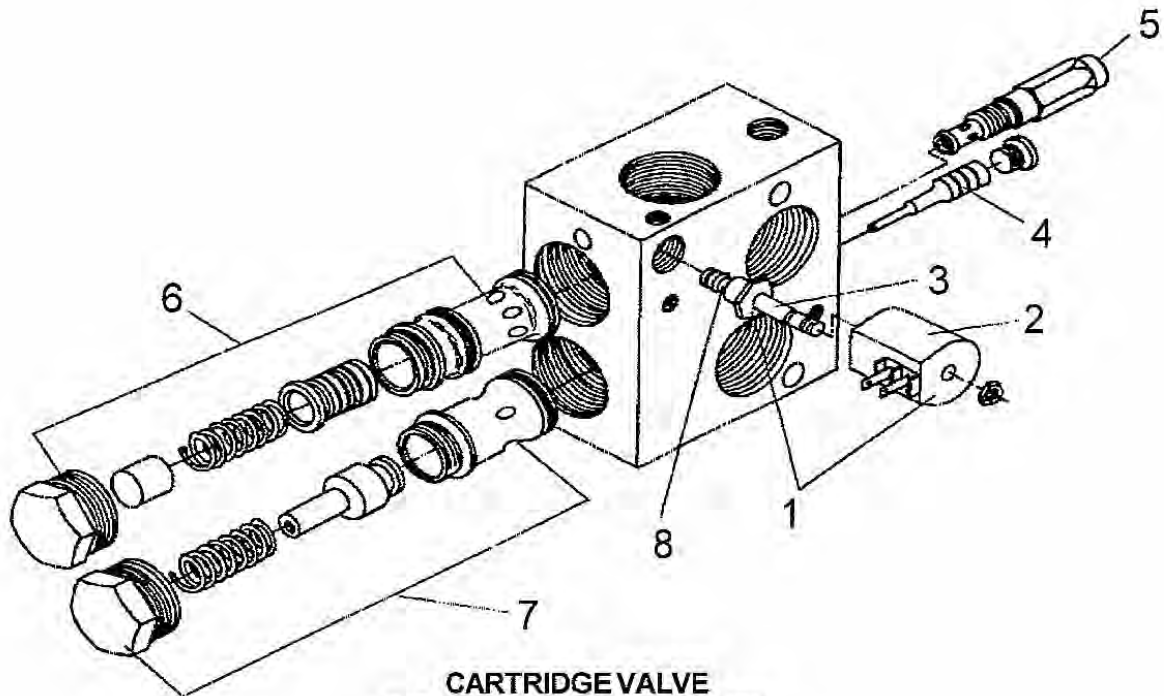
ITEM	PART NO.	QTY.	DESCRIPTION
1		1	
2	02959659	1	SPEED CHANGER MOUNT PLATE
3	00751399	1	BOLT
4	02043900	1	LOCKWASHER
5	02716500	1	NUT
6	02956972	1	BOLT
7	02822500	1	FLATWASHER
8	02959675	1	TOP LINK SPACER
9	02030300	1	LOCKNUT
10	02275300	1	MOTOR BAR
11	-----	-	HEX BOLT
12	-----	-	LOCKWASHER
13	02956833	-	EYE BOLT
14	00002701	4	FLATWASHER
15	00000200	4	NUT
16	02959657	1	RAIL WELDMENT
17	00750952	8	BOLT
18	00001400	8	FLATWASHER
19	00695100	8	NUT, TOPLOCK 5/8 NC PLC
20	-----	1	MOUNT PLATE
21	02897900	1	SPEED CHANGER
22	02962097	1	PUMP ASSEMBLY
23	-----	4	SPACER
24	-----	4	BOLT

## MOTOR CONTROL VALVE ASY



ITEM	PART NO.	QTY.	DESCRIPTION
1	02999486	1	MOTOR CONTROL VALVE ASSEMBLY
2	02960807	1	STRAIGHT ADAPTER
3	02961003	1	STRAIGHT ADAPTER
4	02958203	1	WIRE HARNESS
5	02964028	1	SWITCH - PUSH PULL
6	02964063	1	KNOB

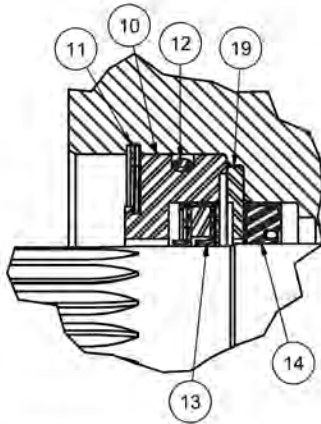
## MOTOR CONTROL VALVE P/N 02999486



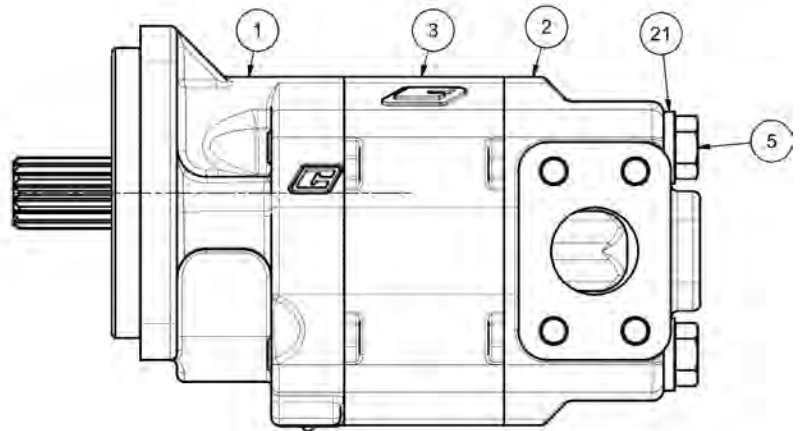
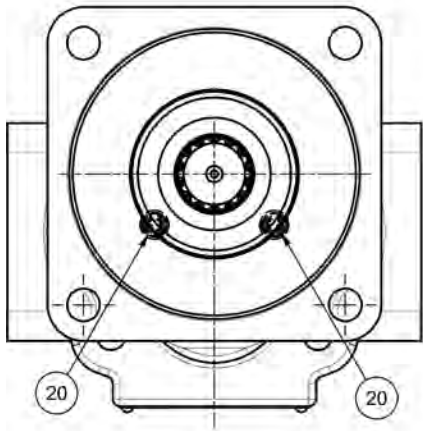
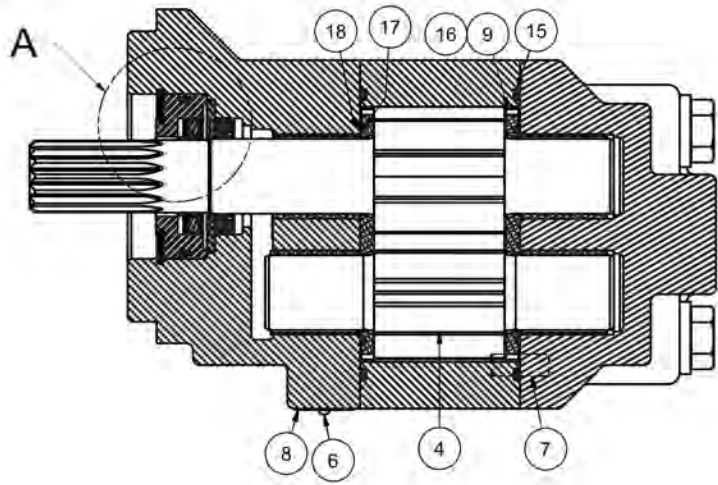
- 1 Visually inspect manifold block, make certain cavities are free of any contamination
- 2 Check the cartridge valve to be sure it is free of visible contamination
- 3 Be sure o-rings and/or split back-up rings are arranged properly on valve and are not damaged
- 4 Dip cartridge valve in clean oil up to the threads to lubricate seals
- 5 Carefully screw cartridge into proper cavity

ITEM	PART NO.	QTY.	DESCRIPTION
1	02999494	1	SOLENOID COMPLETE (S/N 01068 AND AFTER)
	02961265	1	SOLENOID COMPLETE (S/N 01067 AN PRIOR)
2	02999493	1	SOLENOID COIL (S/N 01068 AND AFTER)
	02961263	1	SOLENOID COIL (S/N 01067 AND PRIOR)
3	02965221	1	SOLENOID VALVE W/SEALS (S/N 01068 AND AFTER)
	02961264	1	SOLENOID VALVE W/SEALS (S/N 01067 AND AFTER)
4	02961271	1	PILOT PISTON W/SEALS
5	02961261	1	RELIEF VALVE
6	02961267	1	LOGIC VALVE
	02961268	1	SEAL KIT
7	02961269	1	CHECK VALVE
	02961270	1	SEAL KIT
8	02961266	1	SEAL KIT - SOLENOID VALVE - ALL S/N'S

MOTOR PARTS - PN 02989904 (MODEL NO. 323-9210-194)



DETAIL "A"

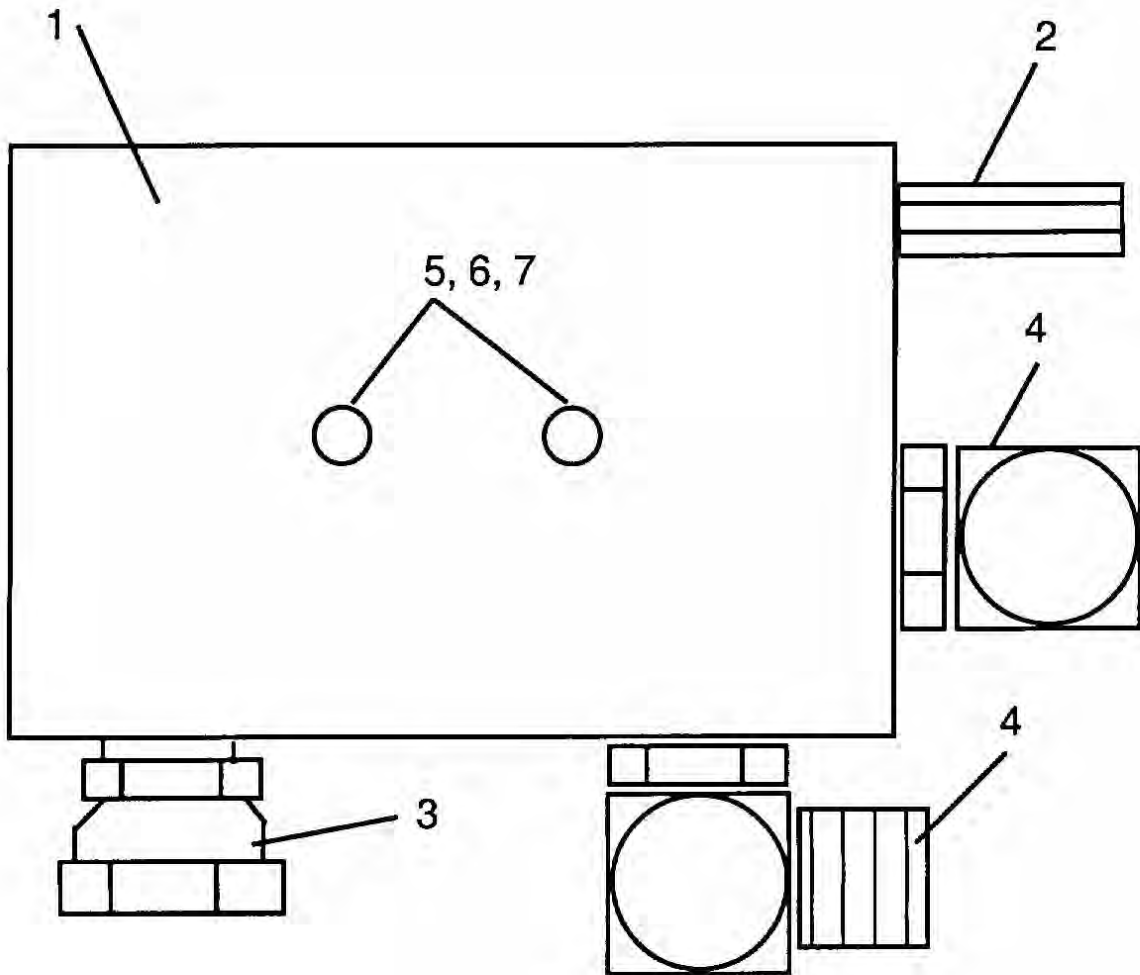


**MOTOR PARTS - PN 02989904 (MODEL NO. 323-9210-194)**

**Continued...**

<b>ITEM</b>	<b>PART NO.</b>	<b>QTY.</b>	<b>DESCRIPTION</b>
	02989904	1	MOTOR, HYD, GEAR, 5.73, HP SEAL
1	02961926	1	HOUSING, SEC
2	02961927	1	HOUSING, PEC
3	02962288	1	HOUSING, GEAR
4	02990072	1	SET, GEAR SHAFT
5	02962289	4	CAP SCREW
6	02987938	2	SCREW, DRIVE
7	02979953	4	PIN, DOWEL
9	02979973	2	THRPL
10	02961932	1	RTNR, SEAL
11	02979971	1	RING, SNAP
12	02980321	1	SEAL, O-R
13	02979969	1	SEAL, LIP
14	02990073	1	SEAL, LIP
15	02979976	2	SEAL, SQ-R
16	02979975	4	SEAL, SIDE
17	02979974	4	SEAL, END
18	02979972	2	SEAL, BACK-UP
19	02990074	1	RTNR, SEAL
20		2	
21	02961917	4	WASHER
	02990075	1	KIT, HP, SEAL, 5.73 CID MOTOR

# MOTOR RELIEF ASY



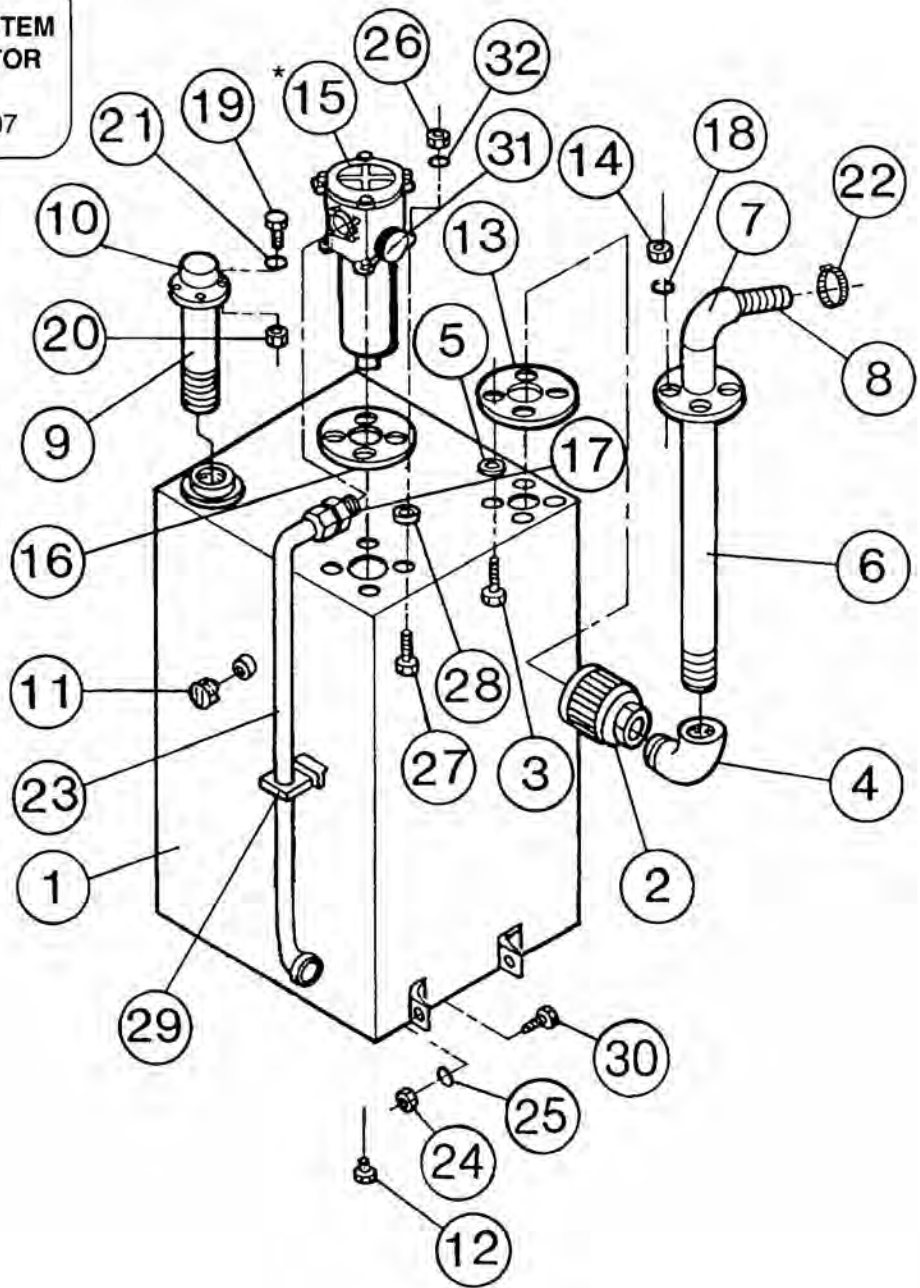
ITEM	PART NO.	QTY.	DESCRIPTION
1	02287000	1	PRESSURE RELIEF MANIFOLD
2	00751791	1	RELIEF VALVE
3	02273300	1	STRAIGHT ADAPTER
4	02090900	2	ADJUSTABLE ELBOW
5	00059900	2	BOLTS
6	00011100	2	FLATWASHER
7	00015800	2	NUT



**THIS PAGE INTENTIONALLY LEFT BLANK**

# OIL RESERVOIR ASY

**ATTENTION**  
**SERVICE HYDRAULIC SYSTEM**  
**WITH UNIVERSAL TRACTOR**  
**HYDRAULIC OIL**  
**PART NUMBER 02966307**



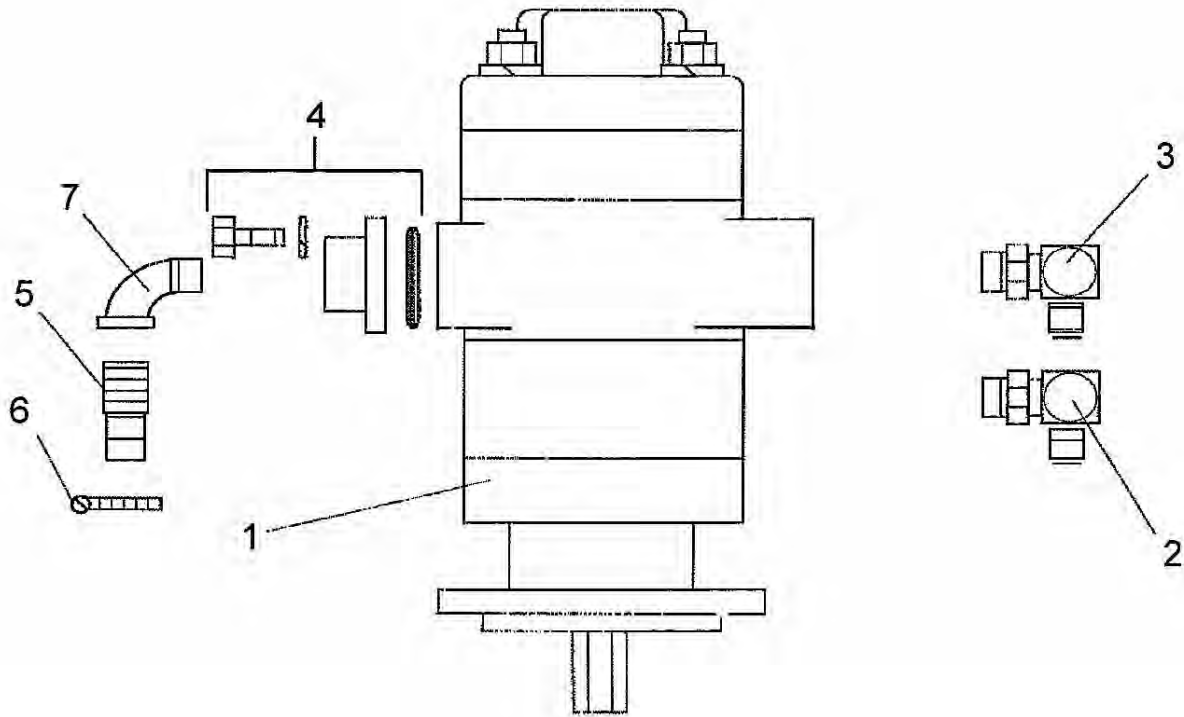
ITEM	PART NO.	QTY.	DESCRIPTION
1	02961046	1	WELDMENT
2	02047400	2	SUCTION FILTER
3	02208800	4	BOLT
4	02047200	1	ELBOW
5	63161900	4	SPRING NUT

## OIL RESERVOIR ASY

Continued...

ITEM	PART NO.	QTY.	DESCRIPTION
6	02957223	1	SUCTION PIPE WELDMENT
7	02208400	1	ELBOW
8	02411000	1	HOSE BIB
9	02957390	1	FILLER CAP WELDMENT
10	02209600	1	FILLER CAP
11	02049700	1	SIGHT GAUGE
12	02963659	1	MAGNETIC PLUG
13	02958079	1	GASKET - RUBBER
	02963661	1	GASKET - CORK
14	00749137	4	NUT
15	02961000	1	FILTER ASSEMBLY
	02961001	1	FILTER REPLACEMENT ELEMENT
16	02961052	1	GASKET - RUBBER
	02963662	1	GASKET - CORK
17	02960809	1	ADAPTER
18	00002700	4	FLATWASHER
19	63067100	6	BOLT
20	63121700	6	NUT
21	63121800	6	LOCKWASHER
22	02026200	1	HOSE CLAMP
23	02961681	1	FILTER RETURN TUBE
24	00001200	-	NUT
25	00001300	-	LOCKWASHER
26	00752036	4	NUT
27	12621000	4	BOLT
28	02961255	4	PUSHNUT
29	02960871	1	TUBE CLAMP
30	00749130	-	BOLT
31	02962963	1	DIAL INDICATOR
32	02962864	4	SEALING WASHER

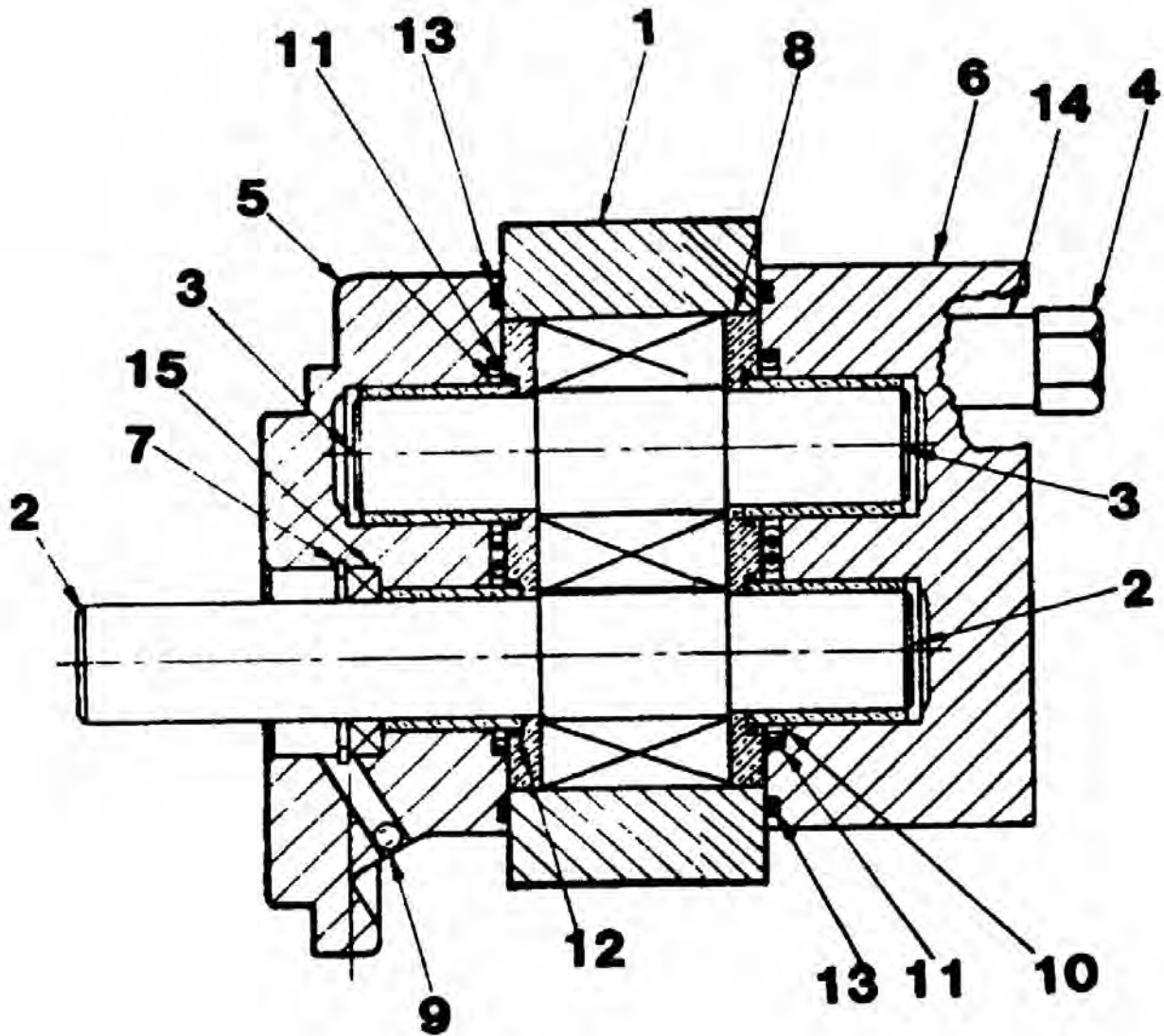
## PUMP ASY - TANDEM



ITEM	PART NO.	QTY.	DESCRIPTION
	02962097	-	REAR, TANDEM PUMP ASY.
1	02964948	1	HYDRAULIC PUMP
2	02961098	1	90 DEG. ELBOW
3	02962213	1	90 DEG. ELBOW
4	02827700	1	FLANGE KIT
5	02411000	1	HOSE BIB
6	02026200	1	HOSE CLAMP
7	02047200	1	ELBOW

**THIS PAGE INTENTIONALLY LEFT BLANK**

PUMP ASY P/N 02958595



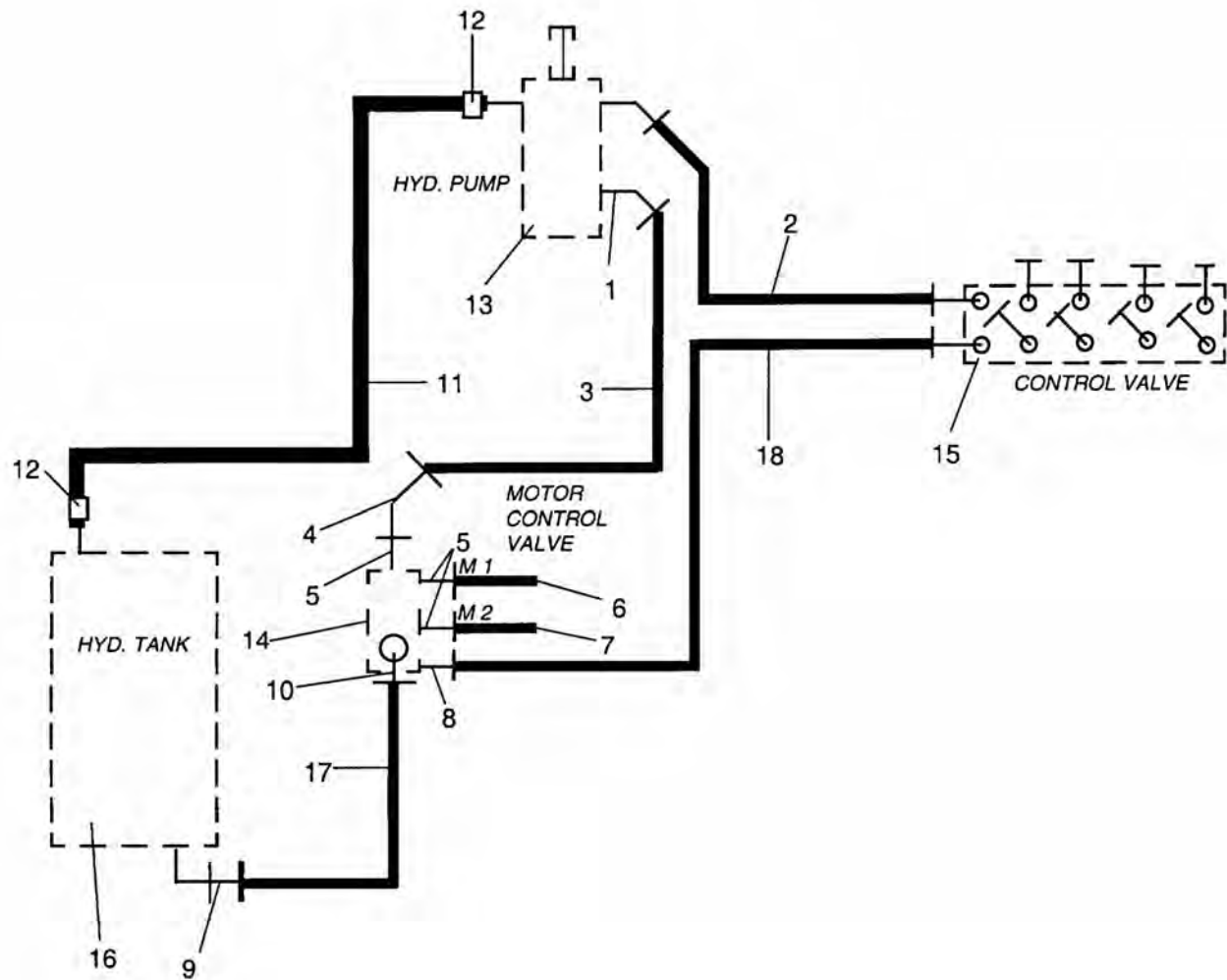
ITEM	PART NO.	QTY.	DESCRIPTION
1	02957995	1	GEAR PLATE
2	02959795	1	DRIVE GEAR
3	02957994	1	IDLER GEAR
4	02959797	4	CAPSCREW
5	02957975	1	FLANGE
6	02957984	1	COVER PLATE
7	02957972	2	SNAP RING
8	02957983	1	PRESSURE PLATE
9	02959802	1	PLUG
10	02957976	2	BACK-UP RING

**PUMP ASY P/N 02958595**

**Continued...**

<b>ITEM</b>	<b>PART NO.</b>	<b>QTY.</b>	<b>DESCRIPTION</b>
11	02957977	2	O-RING
12	02959805	4	O-RING
13	02957978	2	O-RING
14	02957982	8	DOWELS
15	02957973	2	SEAL
16	02959809	1	SHAFT SEAL KIT
18	02959881	1	FLANGE

## SELF CONTAINED HYDRAULIC SYSTEM



ITEM	PART NO.	QTY.	DESCRIPTION
1	02961286	1	STRAIGHT ADAPTER 20 FJ-16MJ
2	61026400	2	HOSE
3	02958886	1	HOSE
4	02959154	1	ELBOW
5	02961006	1	STRAIGHT ADAPTER 20 MB-16 MJ
6	02957460	1	HOSE
7	02957460	1	HOSE
8	63042700	1	STRAIGHT ADAPTER
9	02963656	1	PIPE ELBOW
10	02961118	1	ELBOW
11	02956842	1	SUCTION HOSE
12	02026200	2	HOSE CLAMP
13	02962097	1	PUMP ASSEMBLY

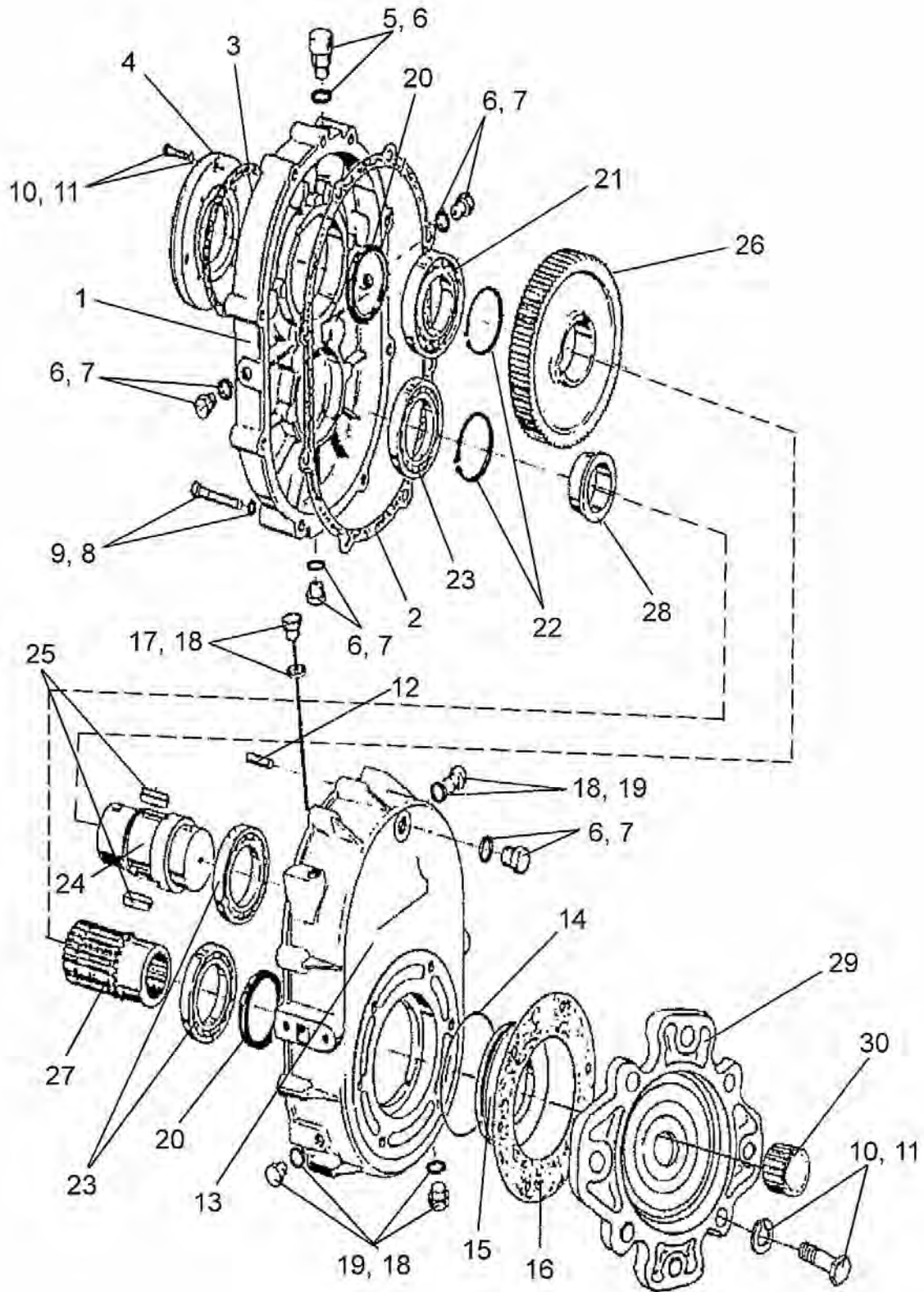


## SELF CONTAINED HYDRAULIC SYSTEM

Continued...

ITEM	PART NO.	QTY.	DESCRIPTION
14	02999486	1	MOTOR CONTROL VALVE ASSEMBLY
15	02962178	1	DIRECTIONAL CONTROL VALVE
16	02961144	1	OIL RESERVOIR ASSEMBLY
17	02964806	1	HOSE
18	02906100	1	HOSE

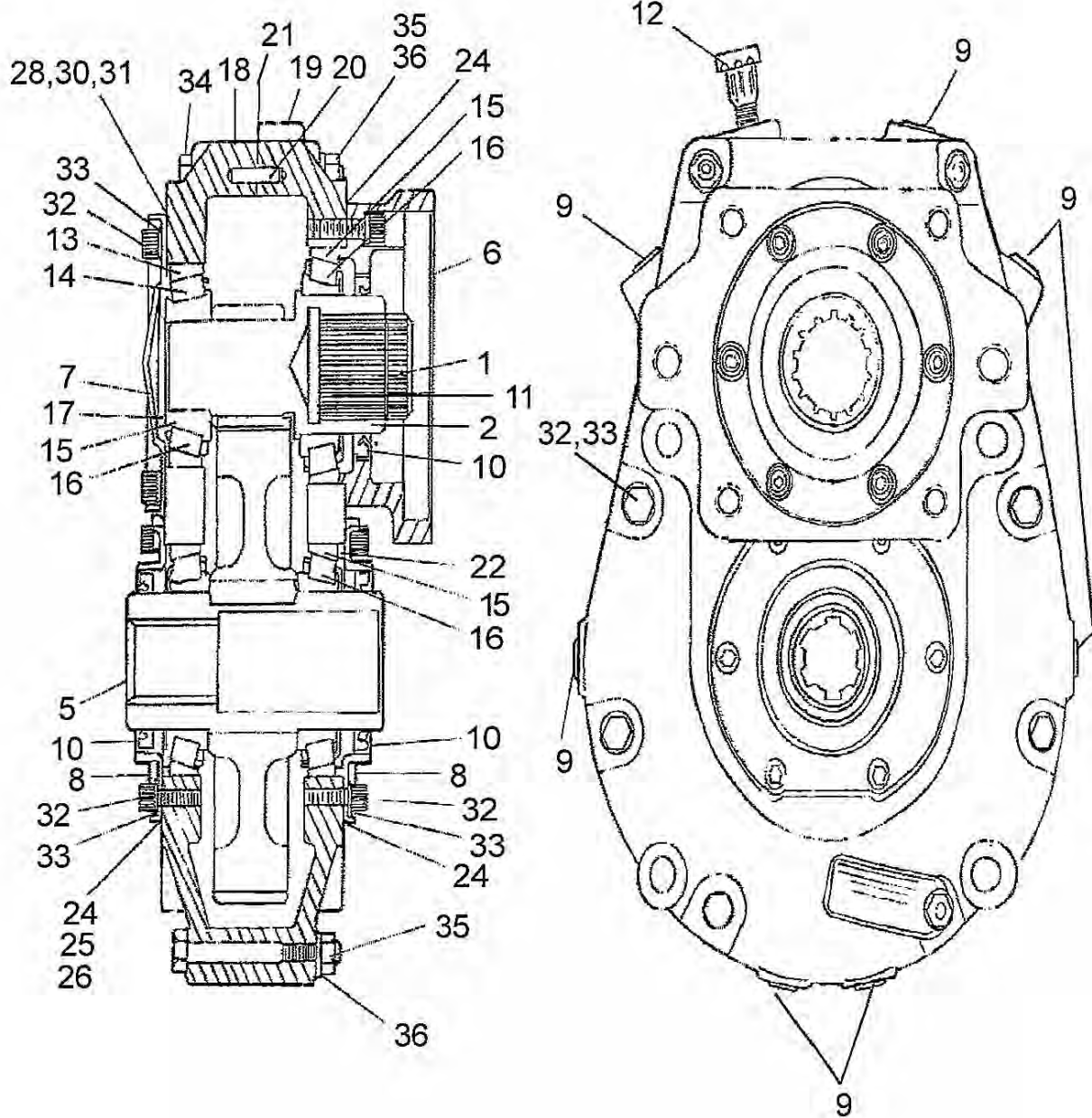
SPEED INCREASER - P/N 00768991



**SPEED INCREASER - P/N 00768991****Continued...**

<b>ITEM</b>	<b>PART NO.</b>	<b>QTY.</b>	<b>DESCRIPTION</b>
1	00754519	1	HOUSING
2	00754520	1	GASKET
3	00754521	1	GASKET
4	00754522	1	FLANGE
5	00754523	1	PLUG
6	00754524	4	GASKET
7	00754525	3	PLUG
8	00754526	8	LOCKWASHER
9	00754527	8	BOLT
10	00754528	10	LOCKWASHER
11	00754529	10	BOLT
12	00754530	2	DOWEL
13	00754531	1	HOUSING
14	00754332	1	GASKET
15	00754533	1	FLANGE
16	00754534	1	GASKET
17	00754535	1	DIPSTICK
18	00754536	5	GASKET
19	00754537	4	PLUG
20	00754538	2	SEAL
21	00754539	1	BEARING
22	00754540	1	RETAINING RING
23	00754541	3	BEARING
24	00754542	1	SHAFT
25	00754543	2	KEY
26	00754544	1	GEAR (540 RPM)
	00756532	1	GEAR (1000 RPM)
27	00754545	1	PINION (540 RPM)
	00756531	1	PINION (1000 RPM)
28	00754546	1	SPACER
29	00754950	1	PUMP FLANGE
30	02966731	-	SPLINED PUMP ADAPTER

**SPEED INCREASER - P/N 02897900**



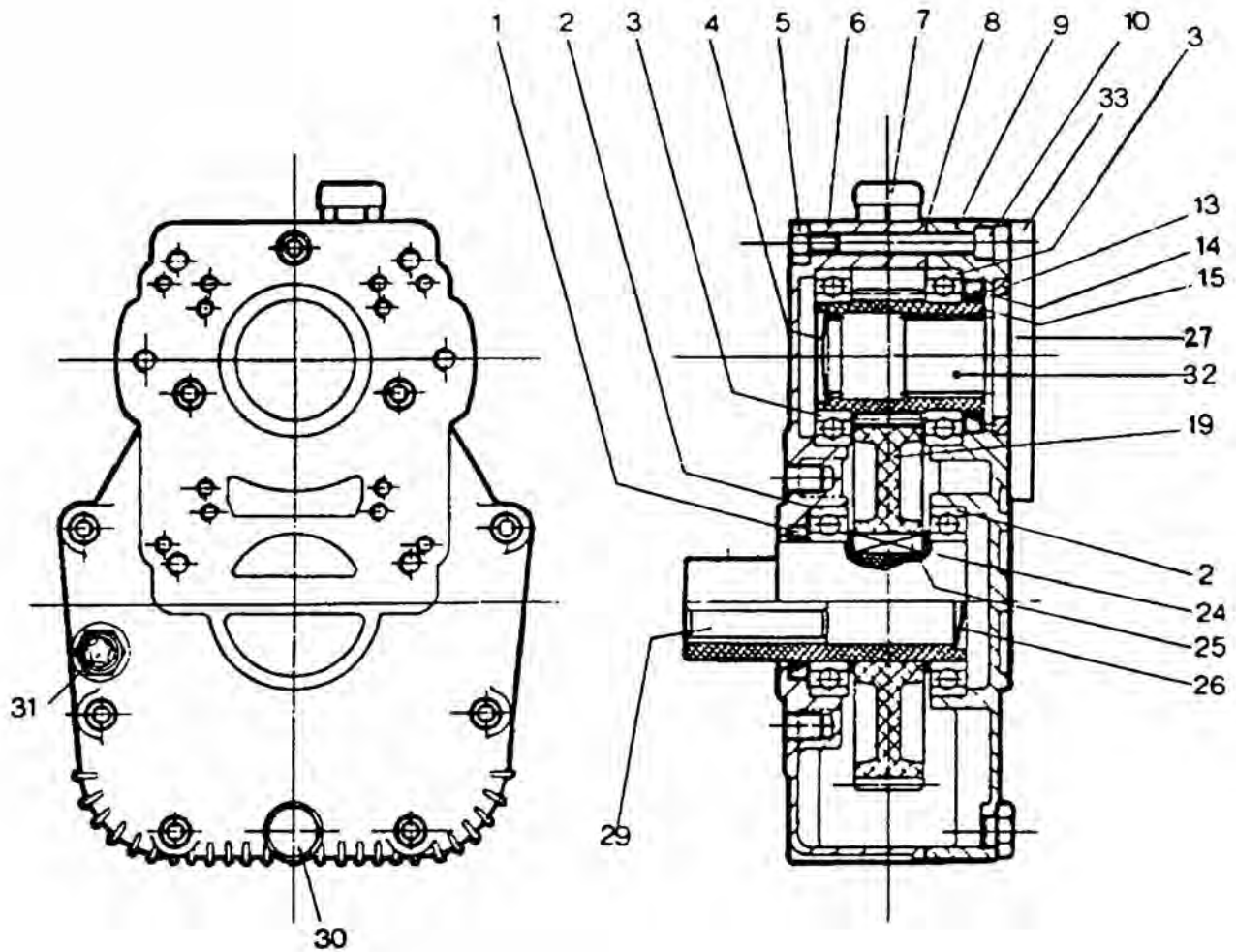
ITEM	PART NO.	QTY.	DESCRIPTION
	02897900	-	SPEED INCREASER ASSEMBLY
1	02922700	1	ADAPTER, SHAFT
5	00752179	1	SHAFT & GEAR, LOW SPEED
6	02922600	1	PUMP FLANGE
7	00751949	1	COVER, CLOSED
8	00751950	2	COVER, OPEN

**SPEED INCREASER - P/N 02897900**

**Continued...**

<b>ITEM</b>	<b>PART NO.</b>	<b>QTY.</b>	<b>DESCRIPTION</b>
9	00751970	8	PIPE PLUG
10	00751535	3	SEAL
11	00751954	1	RETAINING RING
12	00751942	1	BREATHER
13	00757533	1	BEARING CUP
14	00751533	1	BEARING CONE
15	00749201	3	BEARING CUP
16	00749200	3	BEARING CONE
17	00751953	1	SPACER RING
18	00751955	1	HOUSING
19	00751956	1	HOUSING
20	00751957	2	DOWEL
21	00751958	1	GASKET ( .015 )
22	00751971	2	SPACER RING
23	-----	-	NAME TAG
24	00751959	-	SHIM ( .005 ALUM. )
25	00751960	-	SHIM ( .007 ALUM. )
26	00751961	-	SHIM ( .020 ALUM. )
28	00751963	-	SHIM ( .005 ALUM. )
30	00751965	-	SHIM ( .007 ALUM. )
31	00751966	-	SHIM ( .020 ALUM. )
32	00751967	24	SCREW
33	00751968	24	LOCKWASHER
34	00751969	8	SCREW
35	00013901	8	NUT
36	00012101	8	LOCKWASHER

**FOR UNITS USING TRACTOR HYDRAULICS**



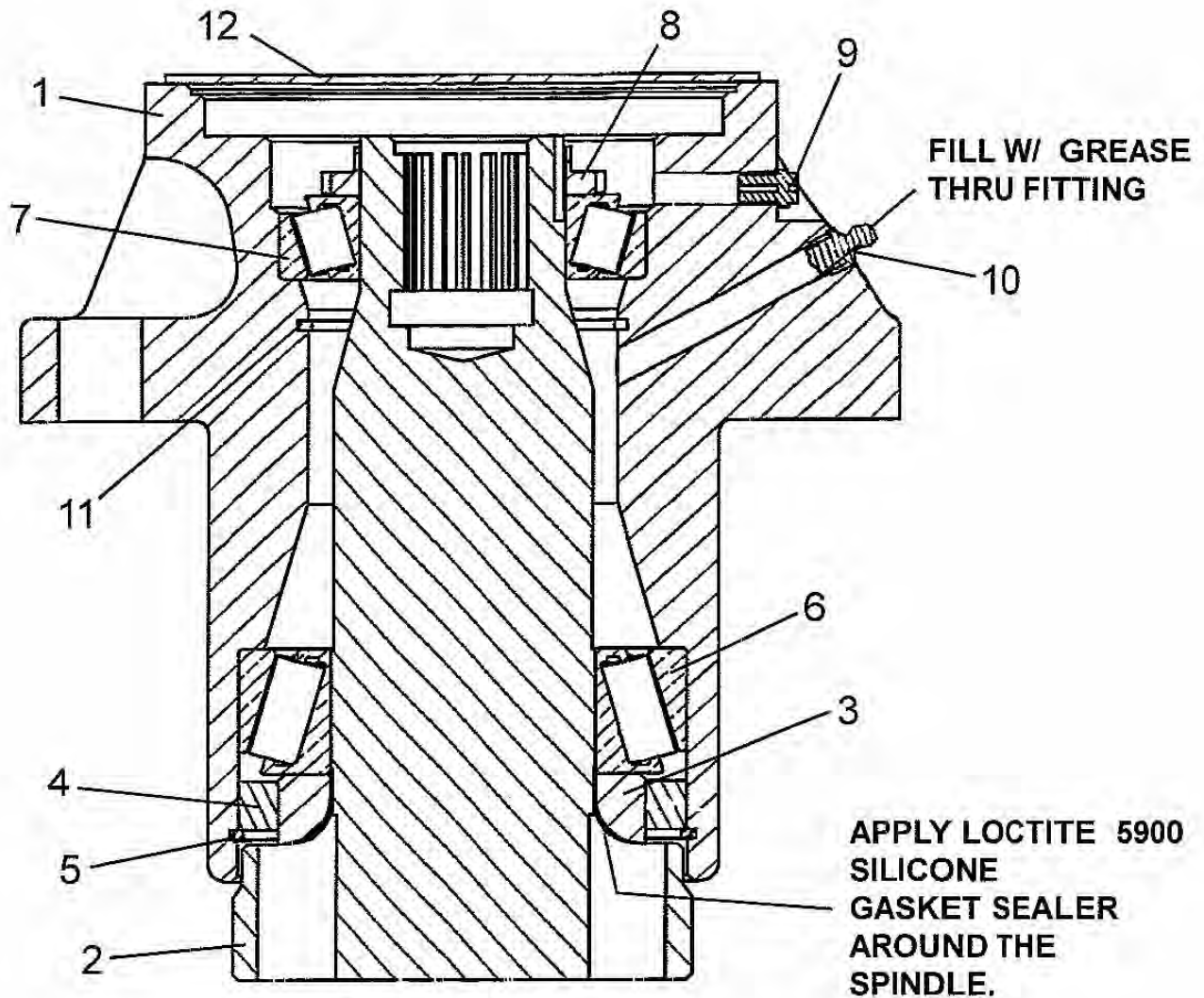
ITEM	PART NO.	QTY.	DESCRIPTION
1	02959854	1	SEAL
2	02959855	1	BEARING
3	02959856	1	BEARING
4	02959857	1	COVER
5	02959858	9	NUT

## SPEED INCREASER ASY P/N 02958594

Continued...

ITEM	PART NO.	QTY.	DESCRIPTION
6	02959859	1	HOUSING
7	02959860	1	BREATHER
8	02959861	1	GASKET
9	02959862	1	HOUSING
10	02959863	9	BOLT
13	02959865	1	RING
14	02959866	1	SEAL
15	02959867	1	PINION
19	02959868	1	GEAR
24	02959870	2	SPACER
25	02959871	1	KEY
26	02959872	1	EXPANSION RING
27	02962870	1	PUMP ADAPTER PLATE
29	02959873	1	FEMALE SPLINE
30	02959874	1	OIL PLUG
31	02959875	1	SIGHT GAUGE

## SPINDLE & HOUSING ASY



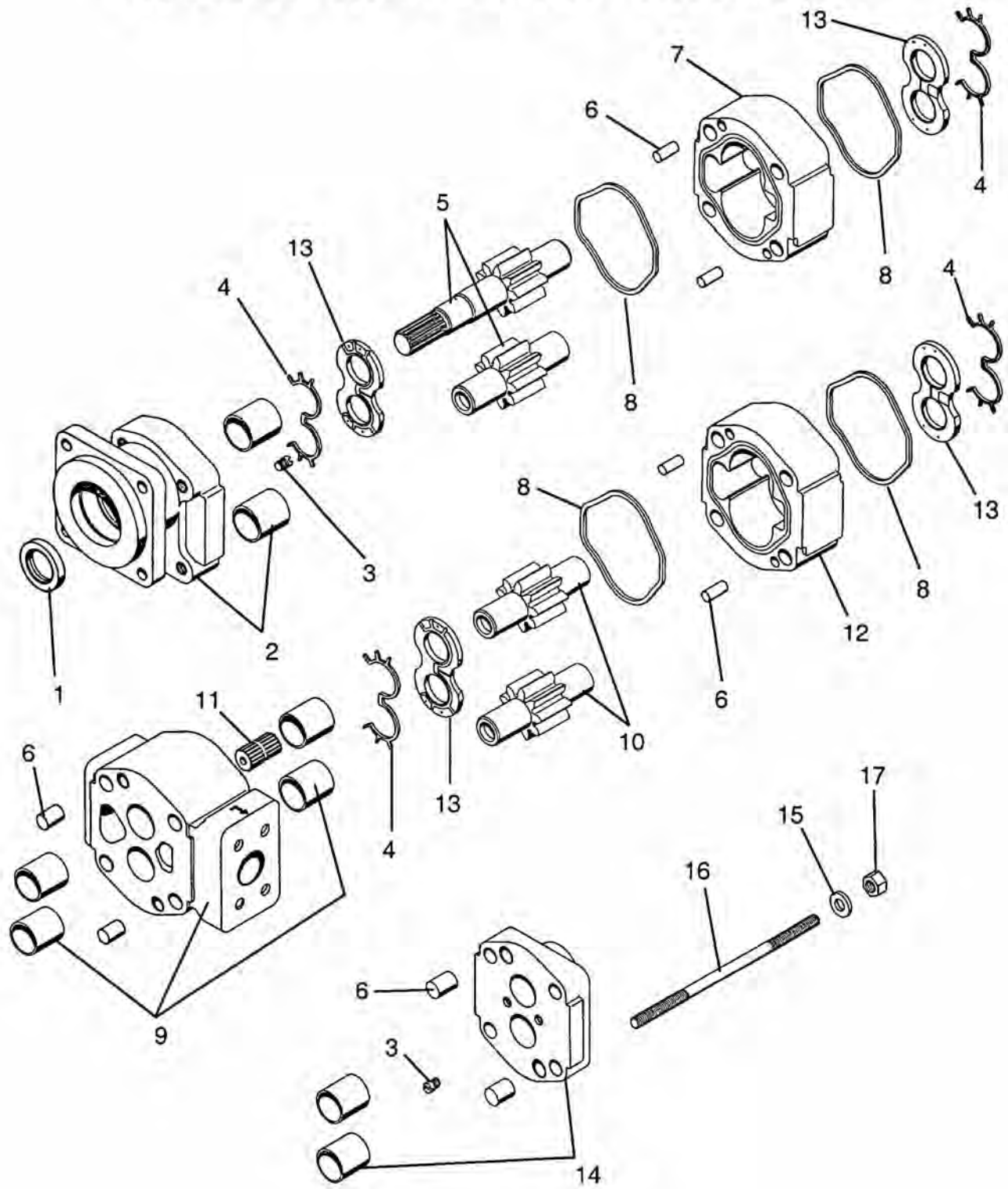
ITEM	PART NO.	QTY.	DESCRIPTION
1	02963815	1	HOUSING
2	02960561	1	SPINDLE
3	02960558	1	BEARING RING
4	02960559	1	SEAL
5	00754627	1	SNAP RING
6	02960557	1	BEARING
7	00769938	1	BEARING
8	02962030	1	NUT
9	02979570	1	GREASE RELIEF FITTING
10	00003500	1	GREASE FITTING
11	02976756	1	RETAINING RING
12	02963060	1	COVER



**THIS PAGE INTENTIONALLY LEFT BLANK**

TANDEM PUMP REPAIR PARTS

REAR MOUNTED - 540 PTO - P/N 02964948

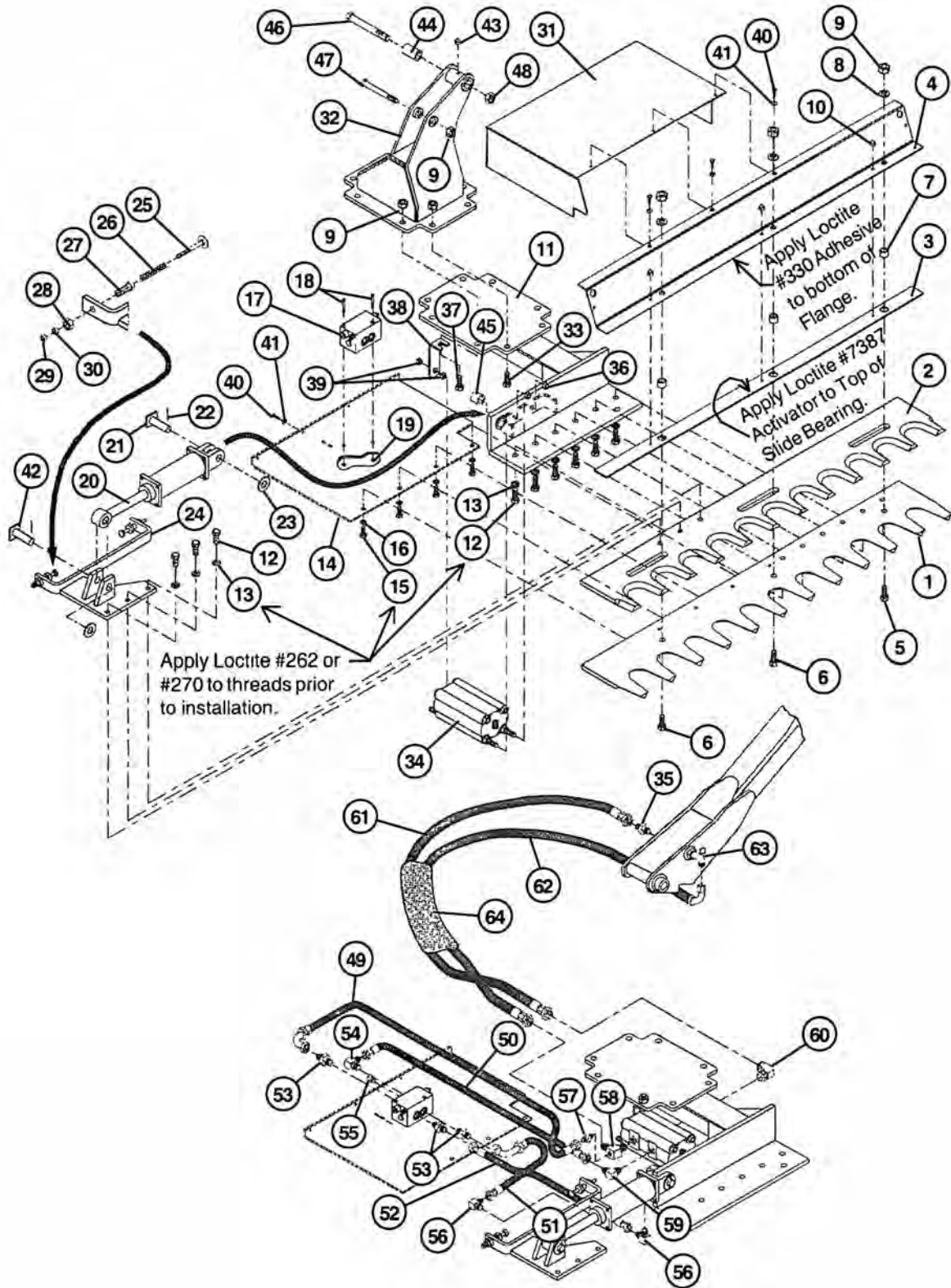


## TANDEM PUMP REPAIR PARTS

Continued...

ITEM	PART NO.	QTY.	DESCRIPTION
1	-----	1	SEAL
2	02961913	1	MOUNTING FLANGE W/BUSHINGS
3	02961920	2	PLUG
4	-----	4	SEAL END
5	02965091	1	GEAR SET
6	02961924	8	DOWEL PIN
7	02965092	1	GEAR HOUSING
8	-----	4	SQUARE SEAL
9	02962185	1	BEARING CARRIER HOUSING W/BUSHINGS
10	02962188	1	GEAR SET
11	02962216	1	CONNECTOR SHAFT
12	02962186	1	GEAR HOUSING
13	-----	4	THRUST PLATE
14	02962184	1	END FLANGE W/BUSHING
15	02961917	4	WASHER
16	02962189	4	STUDS
17	02962190	4	NUTS

# TIMBERCAT ASSEMBLY (PART 1)



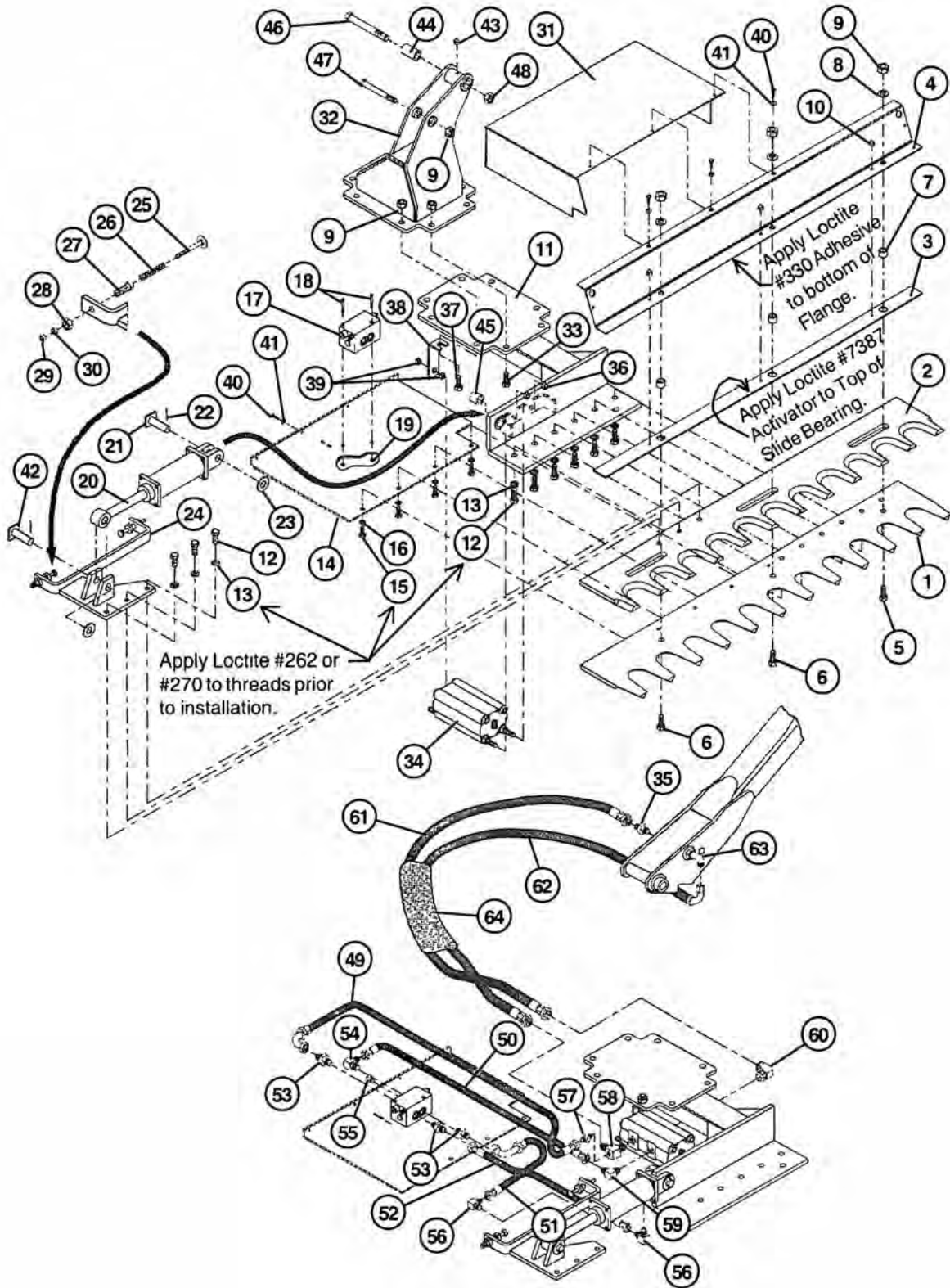
## TIMBERCAT ASSEMBLY (PART 1)

Continued...

ITEM	PART NO.	QTY.	DESCRIPTION
	02972145	-	TIMBERCAT ASY 5'
	02972146	-	TIMBERCAT ASY 7'
1	02971390	1	BOTTOM BLADE (5')
	02971392	1	BOTTOM BLADE (7')
2	02971389	1	TOP BLADE (5')
	02971391	1	TOP BLADE (7')
3	02971398	1	SLIDE BEARING (5')
	02971399	1	SLIDE BEARING (7')
4	02972363	1	FRONT COVER (5')
	02972512	1	FRONT COVER (7')
5	00751581	1	BOLT
6	02960521	2	BOLT (5")
	02960521	3	BOLT (7")
7	02971400	3	BUSHING (5')
	02971400	4	BUSHING (7')
8	5312316	3	WASHER (5')
	5312316	4	WASHER (7')
9	00037200	12	LOCKNUT (5')
	00037200	13	LOCKNUT (7')
10	4720	3	GREASE FITTING (5')
	4720	4	GREASE FITTING (7')
11	02972567	1	TIMBERCAT FRAME
12	00024400	9	BOLT
13	02972570	9	LOCKWASHER
14	02972256	1	VALVE MOUNT PLATE
15	00750959	4	BOLT
16	00001300	4	LOCKWASHER
17	02972549	1	INVERSION VALVE
18	02972807	2	BOLT
19	00750940	2	LOCKNUT
20	02971423	1	CYLINDER
21	02972505	1	PIN
22	00749495	2	COTTER PIN
23	02822500	2	WASHER
24	02972353	1	CYLINDER MOUNT
25	02972352	2	BOLT
26	02972262	2	SPRING
27	02972261	2	ADJUSTING BOLT
28	65010300	2	NUT
29	00015800	2	LOCKNUT
30	00751281	2	JAMNUT

02963600 - Rear Mount Boom (06-03)\_07-20

# TIMBERCAT ASSEMBLY (PART 2)

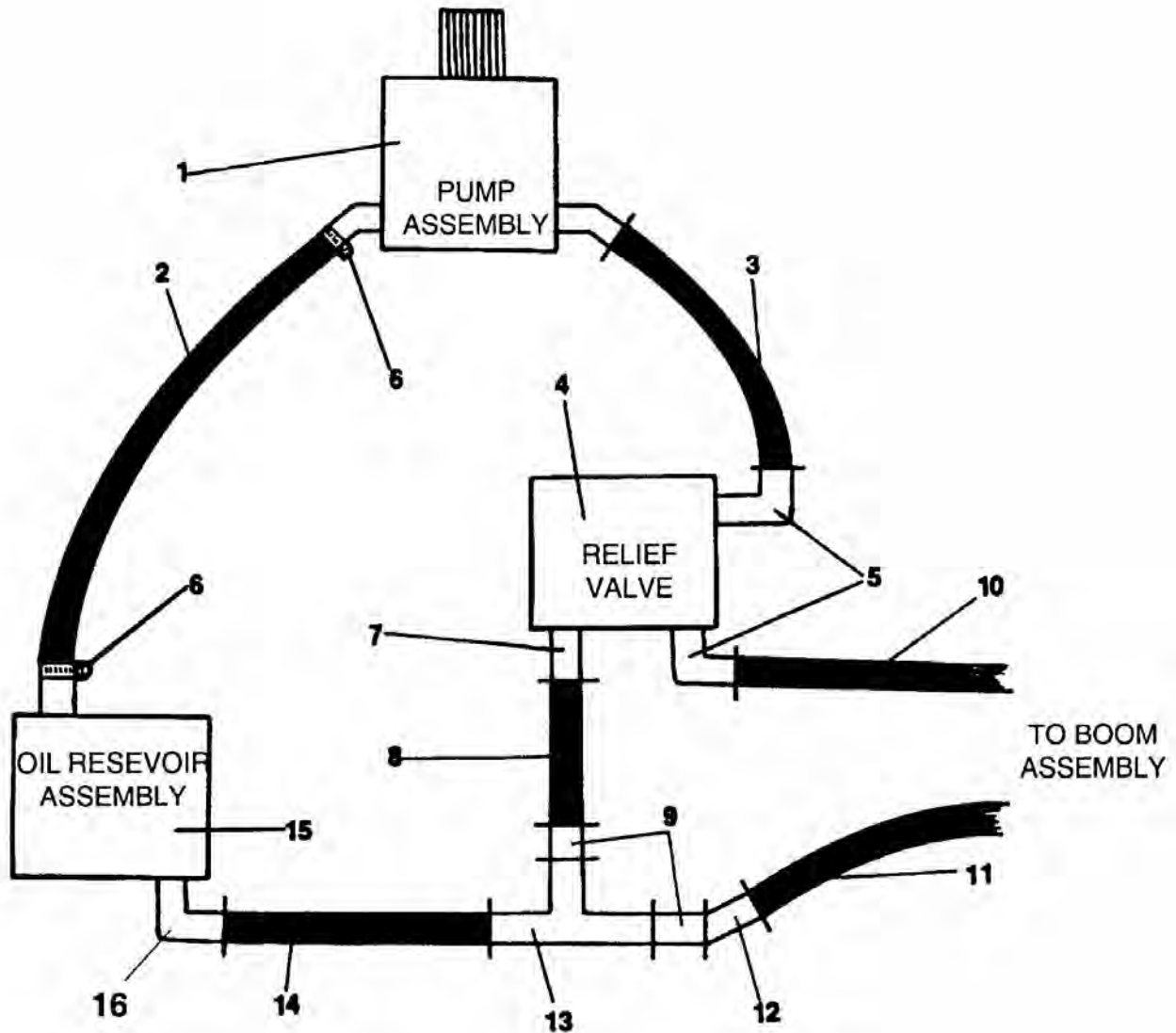


## TIMBERCAT ASSEMBLY (PART 2)

Continued...

ITEM	PART NO.	QTY.	DESCRIPTION
31	02972355	1	COVER
32	02972815	1	HITCH POST (A-BOOM)
33	02918600	7	BOLT
34	02972504	1	FLOW DIVIDER
35	02960411	1	ADAPTER - 45DEGREES
36	00695100	2	NUT, TOPLOCK 5/8 NC PLC
37	02959390	1	BOLT
38	02972750	1	BRACKET
39	00013500	2	NUT
40	00752735	7	SELF TAPPING SCREW
41	00023500	7	WASHER
42	02972507	1	PIN
43	00003500	1	GREASE FITTING
44	02958424	1	BUSHING
45	02957501	1	BUSHING
46	02956972	1	BOLT
47	00752405	1	BOLT
48	02030300	1	NUT
49	02972797	1	HOSE
50	02972798	1	HOSE
51	02972799	1	HOSE
52	02972800	1	HOSE
53	02042300	3	ADAPTER - STRAIGHT
54	02161300	1	ADAPTER - 90DEGREES
55	001582	1	PLUG
56	02962213	2	ADAPTER - 90DEGREES
57	02042400	1	ADAPTER - STRAIGHT
58	02972806	1	ADAPTER - SPECIAL
59	02161400	1	ADAPTER - 90DEGREES
60	02961098	1	ADAPTER - 90DEGREES
61	02973124	1	HOSE
62	02973125	1	HOSE - W/ 90DEGREES
63	02960407	1	ADAPTER - 90DEGREES
64	02961085	1	HOSE SLEEVING
65	02974943	1	ADHESIVE KIT

# TRACTOR HYDRAULIC SYSTEM



ITEM	PART NO.	QTY.	DESCRIPTION
1		1	
2	02956842	1	HOSE
3	00752717	1	HOSE
4	02287000	1	RELIEF VALVE
5	02090900	2	ELBOW
6	02026200	2	HOSE CLAMP
7	02937300	1	ELBOW
8	02957258	1	HOSE
9	00751471	2	BUSHING
10	02958887	1	HOSE

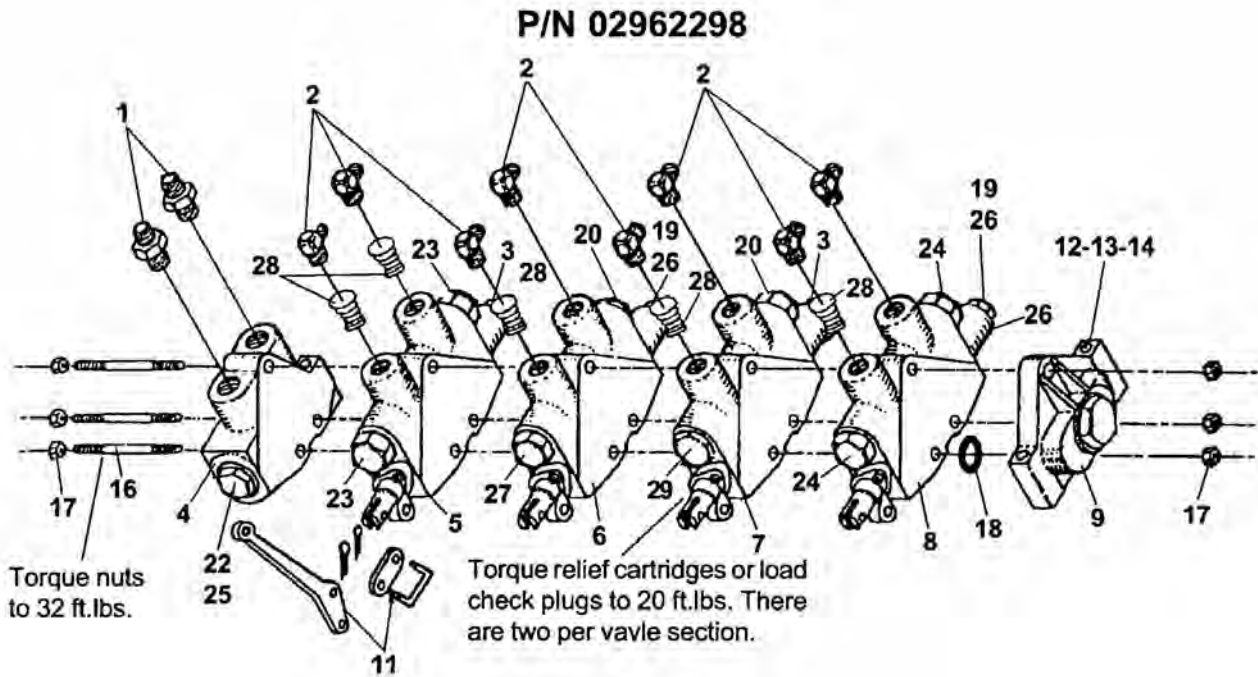


## TRACTOR HYDRAULIC SYSTEM

Continued...

ITEM	PART NO.	QTY.	DESCRIPTION
11	02959606	1	HOSE
12	02889000	1	ELBOW
13	00751468	1	TEE
14	72432000	1	PIPE NIPPLE
15	02961144	1	OIL RESERVOIR ASSEMBLY
16	02963656	1	ELBOW

## VALVE BANK WITH FITTINGS



ITEM	PART NO.	QTY.	DESCRIPTION
1	63042700	2	ADAPTER
2	02962249	8	ADAPTER
3	02750100	2	DETENT KIT (STANDARD)
4	02962303	1	VALVE SECTION - INLET COVER
5	02962300	1	VALVE SECTION - SWING
6	02962028	1	VALVE SECTION - LIFT
7	02962301	1	VALVE SECTION - DIPPER
8	02962302	1	VALVE SECTION - TILT
9	02046700	1	VALVE SECTION - OUTLET COVER
11	02049600	-	HANDLE LINKAGE REPAIR KIT
12	00021800	3	NUT
13	00011700	3	LOCKWASHER
14	02044900	3	BOLT
16	02698200	1	KIT, BOLTS, NUTS AND SEALS
17	00013901	6	NUT
18	00545500	4	O-RING KIT
19	02958734	2	DETENT KIT - FLOAT (INCL. # 26)
20	02728200	-	RELIEF CARTRIDGE (SET AT 875 PSI)
22	02785300	-	MAIN RELIEF VALVE SEAL KIT
23	02956999	-	RELIEF CARTRIDGE (SET AT 1500 PSI)
24	02957172	-	LOAD CHECK PLUG ASSY (2000 PSI)
25	02957191	-	MAIN RELIEF (2000 PSI)

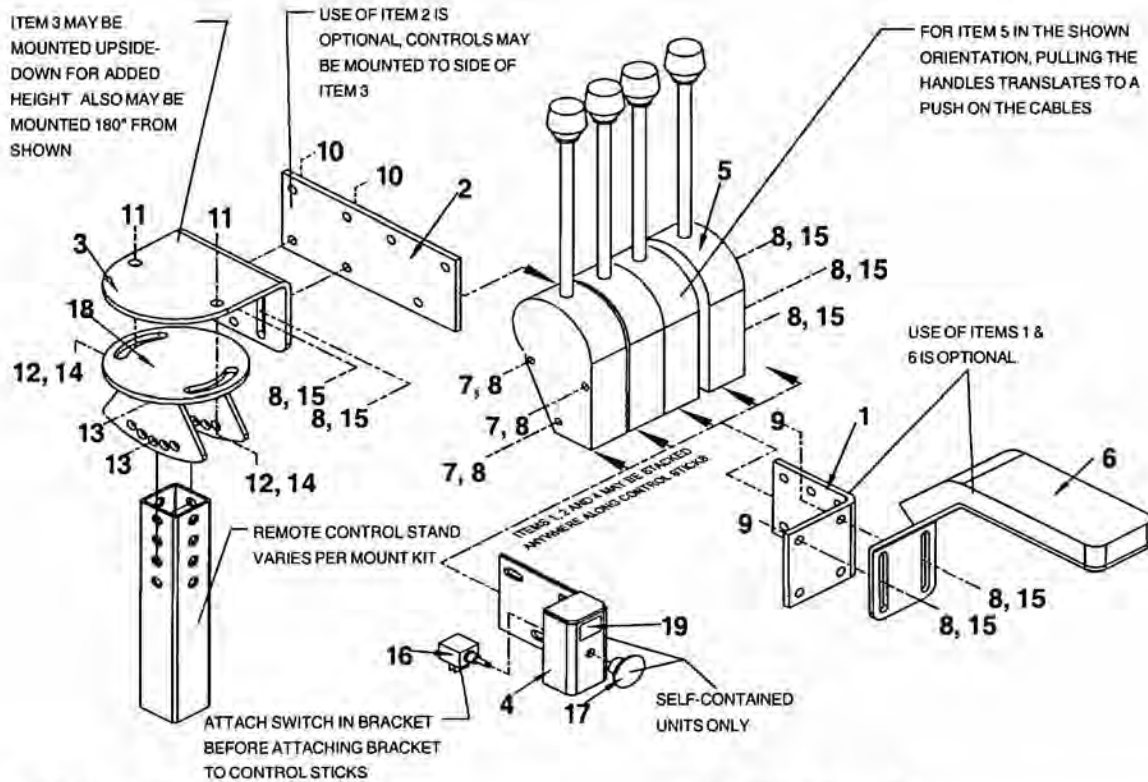
## VALVE BANK WITH FITTINGS

Continued...

ITEM	PART NO.	QTY.	DESCRIPTION
26	02962596	-	DETENT CAP ONLY
27	02957194	-	RELIEF CARTRIDGE (SET AT 2000 PSI)
	02962403	-	RESTRICTOR ASSEMBLY (NOT SHOWN)
	02965115	-	SEAL KIT FOR RELIEF CARTRIDGES
28	02962403	5	ONE WAY RESTRICTOR
29	02962778	-	RELIEF VALVE

NOTE: PART NUMBER 02698200 KIT CONTAINS 3 BOLTS, 3 NUTS & 14 WASHERS

# VALVE REMOTE CONTROL



## VALVE CONNECTION KITS

02971274 Valve Connect Kit for Boom Units

Follow instructions contained in the kit's package each kit contains hardware for one cable connection

## CONTROL CABLES

02971197	48" Lg	Cable - RVC to Valve Kit
02971198	60" Lg	Cable - RVC to Valve Kit
02969130	72" Lg	Cable - RVC to Valve Kit
02971199	102" Lg	Cable - RVC to Valve Kit

ITEM	PART NO.	QTY.	DESCRIPTION
1	02971188	1	BRACKET, ARM REST MOUNT
2	02971189	1	PLATE, MOUNT EXTENSION
3	02971190	1	BRACKET, PIVOT PLATE MOUNT
4	02971191	1	WELDMENT, SWITCH MOUNT
5	02971243	-	ASSEMBLY, SINGLE AXIS CONTROL STICK
6	02971260	1	ASSEMBLY, ARM REST
7	02965619	3	BOLT (4-HANDLE)
	02971272	3	BOLT (5-HANDLE)
8	00023500	10	FLAT WASHER
9	00035900	2	BOLT
10	10119000	2	BOLT
11	00011400	2	BOLT
12	00011100	2	FLATWASHER
13	00059900	2	BOLT

## VALVE REMOTE CONTROL

Continued...

ITEM	PART NO.	QTY.	DESCRIPTION
14	0015800	4	LOCKNUT
15	00750940	7	LOCKNUT
16	02964028	1	SWITCH, PUSH PULL
17	02964063	1	KNOB
18	02961489	1	PIVOT PLATE WELDMENT
19	02962748	1	DECAL, ON/OFF SWITCH
20	02958203	1	WIRE HARNESS KIT (NOT SHOWN)





## TO THE OWNER/OPERATOR/DEALER

To keep your implement running efficiently and safely, read your manuals thoroughly and follow these directions and the Safety Messages in this Manual. The Table of Contents clearly identifies each section where you can easily find the information you need.

The OCCUPATIONAL SAFETY AND HEALTH ACT (1928.51 Subpart C) makes these minimum safety requirements of tractor operators:

### REQUIRED OF THE OWNER

1. Provide a Roll-Over-Protective Structure that meets the requirements of this standard.
2. Provide seat belts that meet the requirements of this paragraph of this standard and SAE J4C.
3. Ensure that each employee uses such seat belt while the tractor is moving.
4. Ensure that each employee tightens the seat belt sufficiently to confine the employee to the protected area provided by the ROPS.

### REQUIRED OF THE OPERATOR

1. Securely fasten seat belt if the tractor has a ROPS.
2. Where possible, avoid operating the tractor near ditches, embankments, and holes.
3. Reduce speed when turning, crossing slopes, and on rough, slick, or muddy surfaces.
4. Stay off slopes too steep for safe operation.
5. Watch where you are going, especially at row ends, on roads, and around trees.
6. Do not permit others to ride.
7. Operate the tractor smoothly, no jerky turns, starts, or stops.
8. Hitch only to the draw bar and hitch points recommended by the tractor manufacturer.
9. When the tractor is stopped, set brakes securely and use park lock, if available.



**Keep children away from danger all day, every day...**



**Equip tractors with rollover protection (ROPS) and keep all machinery guards in place...**



**Please work, drive, play and live each day with care and concern for your safety and that of your family and fellow citizens.**

# ALAMO INDUSTRIAL

## Limited Warranty

### 1. Limited Warranties

- 1.01. Alamo industrial warrants for one year from the purchase date to the original non-commercial, governmental, or municipal purchaser ("purchaser") and warrants for six months to the original commercial or industrial purchaser ("purchaser") that the goods purchased are free from defects in material or workmanship.
- 1.02. Manufacturer will replace for the purchaser any part or parts found, upon examination at one of its factories, to be defective under normal use and service due to defects in material or workmanship.
- 1.03. This limited warranty does not apply to any part of the goods which has been subjected to improper or abnormal use, negligence, alteration, modification, or accident, damaged due to lack of maintenance or use of wrong fuel, oil, or lubricants, or which has served its normal life. This limited warranty does not apply to any part of any internal combustion engine, or expendable items such as blades, shields, guards, or pneumatic tires except as specifically found in your operator's manual.
- 1.04. Except as provided herein, no employee, agent, dealer, or other person is authorized to give any warranties of any nature on behalf of manufacturer.

### 2. Remedies And Procedures

- 2.01. This limited warranty is not effective unless the purchaser returns the registration and warranty form to manufacturer within 30 days of purchase.
- 2.02. Purchaser claims must be made in writing to the authorized dealer ("dealer") from whom purchaser purchased the goods or an approved authorized dealer ("dealer") within 30 days after purchaser learns of the facts on which the claim is based.
- 2.03. Purchaser is responsible for returning the goods in question to the dealer.
- 2.04. If after examining the goods and/or parts in question, manufacturer finds them to be defective under normal use and service due to defects in material or workmanship, manufacturer will:
  - (A) repair or replace the defective goods or part(s) or
  - (B) reimburse purchaser for the cost of the part(s) and reasonable labor charges (as determined by manufacturer) if purchaser paid for the repair and/or replacement prior to the final determination of applicability of the warranty by manufacturer. The choice of remedy shall belong to manufacturer.
- 2.05. Purchaser is responsible for any labor charges exceeding a reasonable amount as determined by manufacturer and for returning the goods to the dealer, whether or not the claim is approved. Purchaser is responsible for the transportation cost for the goods or part(s) from the dealer to the designated factory.

### 3. Limitation Of Liability

- 3.01. Manufacturer disclaims any express (except as set forth herein) and implied warranties with respect to the goods including, but not limited to, merchantability and fitness for a particular purpose.
- 3.02. Manufacturer makes no warranty as to the design, capability, capacity, or suitability for use of the goods.
- 3.03. Except as provided herein, manufacturer shall have no liability or responsibility to purchaser or any other person or entity with respect to any liability, loss, or damage caused or alleged to be caused directly or indirectly by the goods including, but not limited to, any indirect, special, consequential, or incidental damages resulting from the use or operation of the goods or any breach of this warranty. Notwithstanding the above limitations and warranties, manufacturer's liability hereunder for damages incurred by purchaser or others shall not exceed the price of the goods.
- 3.04. No action arising out of any claimed breach of this warranty or transactions under this warranty may be brought more than two (2) years after the cause of action has occurred.

### 4. Miscellaneous

- 4.01. Proper venue for any lawsuits arising from or related to this limited warranty shall be only in Guadalupe county, Texas.
- 4.02. Manufacturer may waive compliance with any of the terms of this limited warranty, but no waiver of any terms shall be deemed to be a waiver of any other term.
- 4.03. If any provision of this limited warranty shall violate any applicable law and is held to be unenforceable, then the invalidity of such provision shall not invalidate any other provisions herein.
- 4.04. Applicable law may provide rights and benefits to purchaser in addition to those provided herein.

*Keep for your records*

Attention: Purchaser should fill in the blanks below for his reference when buying repair parts and/or for proper machine identification when applying for warranty.

Alamo Industrial Implement Model \_\_\_\_\_ Serial Number \_\_\_\_\_  
Date Purchased \_\_\_\_\_ Dealer \_\_\_\_\_

Attention:  
Read your operator's manual



**ALAMO INDUSTRIAL**  
1502 E. Walnut  
Seguin, Texas 78155  
830-379-1480







**BUILT SHARPER<sup>®</sup>**

An Alamo Group Company

1502 E. Walnut St.  
Seguin, Texas 78155



## Sales and Marketing

Tel 800.882.5762      Fax 830.379.0864  
support@alamo-industrial.com

## Warranty Registration/Claims

[www.alamoparts.com](http://www.alamoparts.com)

## Return Authorizations

Online Part Orders  
Techical Information  
[www.alamoparts.com](http://www.alamoparts.com)  
Tel 800.356.6286      Fax 800.322.5141  
[www.alamo-industrial.com](http://www.alamo-industrial.com)

