



Grass King

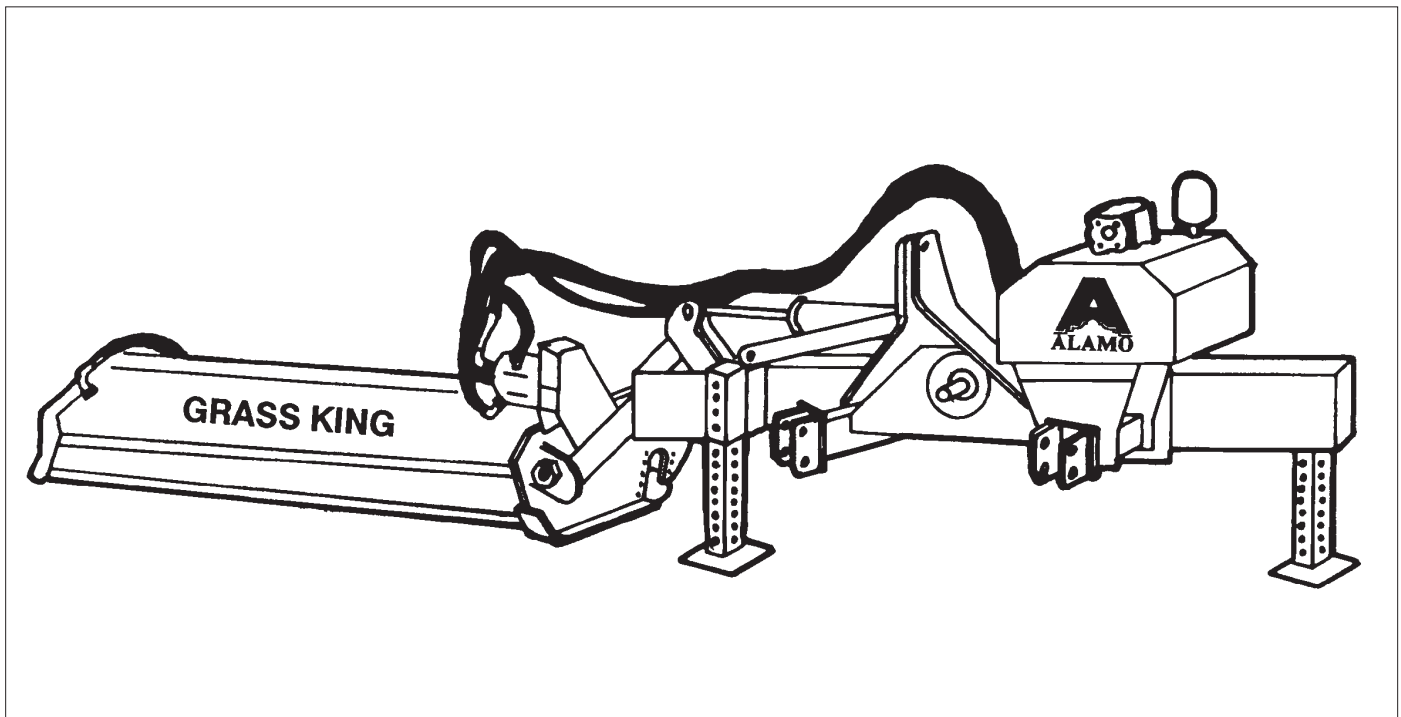
Boom Arm Mower



Rev 07-20

Part No. 02965180P

PARTS MANUAL




ALAMO INDUSTRIAL

1502 E. Walnut
Seguin, Texas 78155
830-372-9595

¡ATENCIÓN! LEA EL INSTRUCTIVO

Si No Lee Ingles, Pida Ayuda a Alguien
Que Si Lo Lea Para Que le Traduzca las
Medidas de Seguridad.



An Operator's Manual was shipped with the equipment in the Manual Canister. This Operator's Manual is an integral part of the safe operation of this machine and must be maintained with the unit at all times. **READ, UNDERSTAND, and FOLLOW** the Safety and Operation Instructions contained in this manual before operating the equipment. If the Operator's Manual is not with the equipment, contact your dealer or Alamo Industrial (800-356-6286) to obtain a Free copy before operating the equipment.

BOLT TORQUE

Mounting procedures for mowers will require a significant amount of bolt nut and washer installation.

Frame and structure mounting bolts should be installed using *Red Loctite*, and torqued to the dry values listed in the torque chart based on the bolt size and hardness.

Other structures such as pump mounting bolts should be installed with *Blue Loctite* and torqued to the dry values indicated in the chart.

Bolt tightness should be completed with and checked with a suitable torque wrench.

Torque checks should be completed throughout the life of the mower in accordance with the maintenance chart provided in this manual.



Loose bolts on a frame or in a casting may be a result of:

- Vibration from the mower due to imbalance of the mower blades
- Pulled threads due to over tightening
- Distortion of the hole due to under tightening during installation

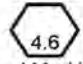
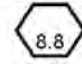
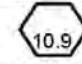
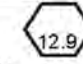
Bolts broken or sheared in the mounting structure or tractor may be the result of:

- Improper alignment of the Mounting Plate or Structure such that it is not sitting flat on the mating surface
- Distortion of the bolt due to over-tightening
- Under tightening of the bolts

Check the bolt torque during installation and prior to delivery with a suitable torque wrench.

Bolt Diameter		
	Head Marking Three Lines Grade Five	Head Marking Six Lines Grade Eight
	Pound - Foot Value Dry	Pound - Foot Value Dry
1/4"	7	10
5/16"	15	22
3/8"	26	39
7/16"	42	60
1/2"	64	88
9/16"	100	134
5/8"	128	180
3/4"	227	320
7/8"	365	515
1"	547	772

To get Newton-Meters multiply pound-foot of torque by 1.356

Bolt Diameter				
	Head Marking 4.6	Head Marking 8.8 or 9.8	Head Marking 10.9	Head Marking 12.9
	Pound - Foot Value Dry	Pound - Foot Value Dry	Pound - Foot Value Dry	Pound - Foot Value Dry
6mm	3	7	9	10
8mm	6.2	16	23	24
10mm	12	32	45	47
12mm	21	55	79	81
14mm	34	88	126	130
16mm	53	137	196	202
18mm	73	189	270	279
20mm	104	267	382	394
22mm	141	364	520	537
24mm	179	461	660	680
27mm	262	676	968	998
30mm	355	917	1312	1353

TO THE OWNER/OPERATOR/DEALER

All implements with moving parts are potentially hazardous. There is no substitute for a cautious, safe-minded operator who recognizes the potential hazards and follows reasonable safety practices. The manufacturer has designed this implement to be used with all its safety equipment properly attached to minimize the chance of accidents.

BEFORE YOU START!! Read the safety messages on the implement and shown in your manual.
Observe the rules of safety and common sense!

! DANGER

FAILING TO FOLLOW SAFETY MESSAGES AND OPERATING INSTRUCTION CAN CAUSE SERIOUS BODILY INJURY OR EVEN DEATH TO OPERATOR AND OTHERS IN THE AREA.

1. 	2. NO RIDERS. NO CHILDREN OPERATORS 	3. USE SAFETY SHOES, HARD HAT, SAFETY GLASSES, SEAT BELTS, ROPS & OPS. 	4. BLOCK UP SECURELY BEFORE WORKING UNDER. 
--	---	---	--

1. Study and understand Operator's Manuals, Safety Decals, and Instructional Decals for tractor and implement to prevent misuse, abuse, and accidents. Practice before operating in a confined area or near passersby.
 - Learn how to stop engine suddenly in an emergency. Be alert for passersby and especially children.
2. Allow no children on or near folding mower or tractor. Allow no riders on tractor or implement. Falling off may cause serious injury or death from being run over by tractor or mower or contact with rotating blades.
3. Operate only with tractor having Roll-Over Protective Structure (ROPS) and with seat belt securely fastened to prevent injury and possible death from falling off or tractor overturn.
 - Personal Protective Equipment such as Hard Hat, Safety Glasses, Safety Shoes, & Ear Plugs are recommended.
4. Block up or support raised machine and all lifted components securely before putting hands or feet under or working underneath any lifted component to prevent crushing injury or death from sudden dropping or inadvertent operation of controls. Make certain area is clear before lowering or folding.
5. Before transporting, put Lift Lever in detent or full-lift position. Install Transport Safety Devices securely on folding mowers. Put Booms securely in Transport Rest.
 - Folding and Boom Mowers have raised center of gravity. Slow down when turning and on hillsides.
6. Make certain that SMV sign, warning lights, and reflectors are clearly visible. Follow local traffic codes.
7. Never operate with Cutting Head or Folding Section raised if passersby, bystanders, or traffic are in the area to reduce possibility of injury or death from objects thrown by Blades under Guards or mower structure.
8. Before dismounting, secure implement in transport position or lower to ground.
 - Put tractor in park or set brake, disengage PTO, stop engine, remove key, and wait until noise of rotation has ceased to prevent crushing by entanglement in rotating parts which could cause injury or death.
 - Never mount or dismount a moving vehicle. Crushing from runover may cause serious injury or death.

5. TRANSPORT SAFELY, LOCK UP. 	6. USE SMV, LIGHTS, & REFLECTORS. 	7. DO NOT OPERATE WITH CUTTER OR WING RAISED 	8. DO NOT MOUNT OR DISMOUNT WHILE MOVING. 
---	---	---	---

02967827

WARRANTY INFORMATION:

Read and understand the complete Warranty Statement found in this Manual. Fill out the Warranty Registration Form in full and return it within 30 Days. Make certain the Serial Number of the Machine is recorded on the Warranty Card and on the Warranty Form that you retain. The use of "will-fit" parts will void your warranty and can cause catastrophic failure with possible injury or death.

CHANGE PAGES

Date of Change	Page Number
04-03-2013	(EXAMPLE ONLY: ECN##### - chg pages 17, 23, 137)
04-03-2013	document release date
08-07-2013	chg pg 46
07-07-2014	chg pgs 4, 11
02-22-2017	chg pg 44
01-31-2019	chg pg 51
04-23-2019	chg pg 32
07-07-2020	chg pg 54 ECN 28695

CHANGE PAGES

The following is a listing of pages that have been changed since the latest publication date for the overall document.

PARTS ORDERING GUIDE

The following instructions are offered to help eliminate needless delay and error in processing purchase orders for the equipment in this section.

1. The Parts Section is prepared in logical sequence and grouping of parts that belong to the basic machine featured in this manual. Part Numbers and Descriptions are given to help locate the parts and quantities required.
2. The Purchase Order must include the name and address of the person or organization ordering the parts, who should be charged, and if possible, the serial number of the machine for which the parts are ordered.
3. The Purchase Order must clearly list the quantity of each part, the complete and correct part number (be sure to include all periods), and the basic name of the part.
4. The Manufacturer reserves the right to substitute parts where applicable.
5. Some parts are unlisted items which are special production items not normally stocked and are subject to special handling. Request a quotation for such parts before sending a Purchase Order.
6. The Manufacturer reserves the right to change prices without prior notice.

Note: *Please refer to The Safety Section in the front of this Manual for the proper part number when ordering replacement safety decals.*



For maximum safety and to guarantee optimum product reliability, always use genuine Alamo Industrial Parts. The use of inferior replacement parts may cause premature or catastrophic failure which could result in serious injury or death. Direct any questions regarding parts to:



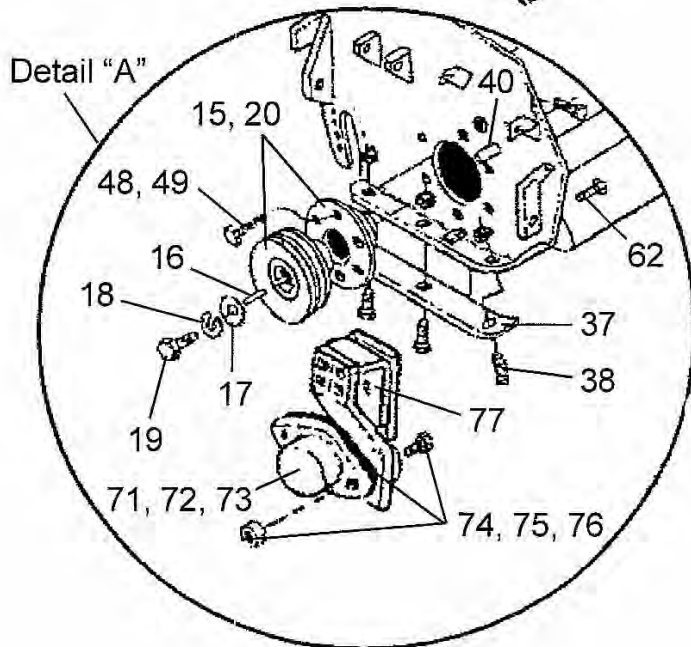
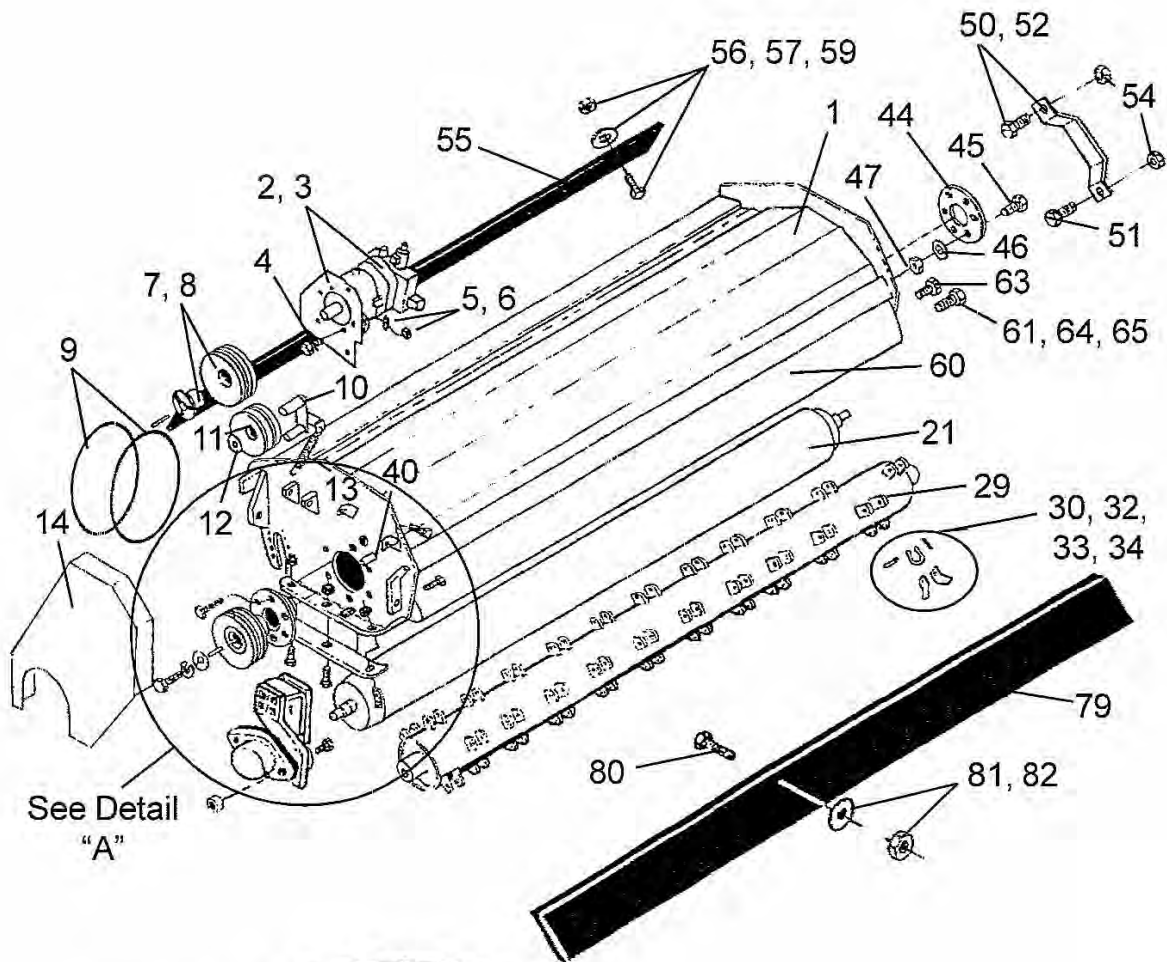
ALAMO INDUSTRIAL

1502 E. Walnut
Seguin, Texas 78155
830-379-1480

PART NAME INDEX

62 IN MOWER ASY (PART 1).....	4
62 IN MOWER ASY (PART 2).....	7
62 IN MOWER ASY (PART 3).....	9
74 IN MOWER ASY (PART 1).....	11
74 IN MOWER ASY (PART 2).....	14
74 IN MOWER ASY (PART 3).....	16
A-FRAME ASY - (DISCONTINUED).....	18
A-FRAME ASY - (NEW STYLE).....	20
BLADE BAR ASY - PN 02965737.....	22
CHECK CHAIN ASY - CAT-I.....	23
CHECK CHAIN ASY - CAT-II.....	24
DRIVELINE ASY - PN 00775403.....	25
FILTER ASSEMBLY.....	26
HYD. MOTOR - PN 001602.....	27
HYD. MOTOR ASY.....	28
HYD. MOTOR ASY - PN 02965086.....	30
HYD. MOTOR REPAIR PARTS - PN 02965670.....	32
HYD. SCHEMATIC (FRAME).....	34
HYD. SCHEMATIC - (HEAD).....	36
HYDRAULIC TANK ASSEMBLY.....	38
LIFT ARM ATTACHMENT.....	40
LIFT CYLINDER ASY.....	42
MOTOR & SPINDLE ASY.....	44
PNEUMATIC TIRE - PN 00749700A.....	45
PUMP ASY.....	46
ROTARY MOWER ASY.....	48
SPEED INCREASER & PUMP ASY (DISCONTINUED).....	50
SPEED INCREASER & PUMP ASY (NEW STYLE).....	51
SPEED INCREASER ASY - PN 02967028 (540 RPM).....	52
SPEED INCREASER REPLACEMENT PARTS - PN 02897900.....	54
SPINDLE HOUSING & SPINDLE ASY - PN 02960553C.....	56
TILT CYLINDER ASY - PN 02965063.....	57
WHEEL HUB ASY.....	58

62 IN MOWER ASY (PART 1)



62 IN MOWER ASY (PART 1)

Continued...

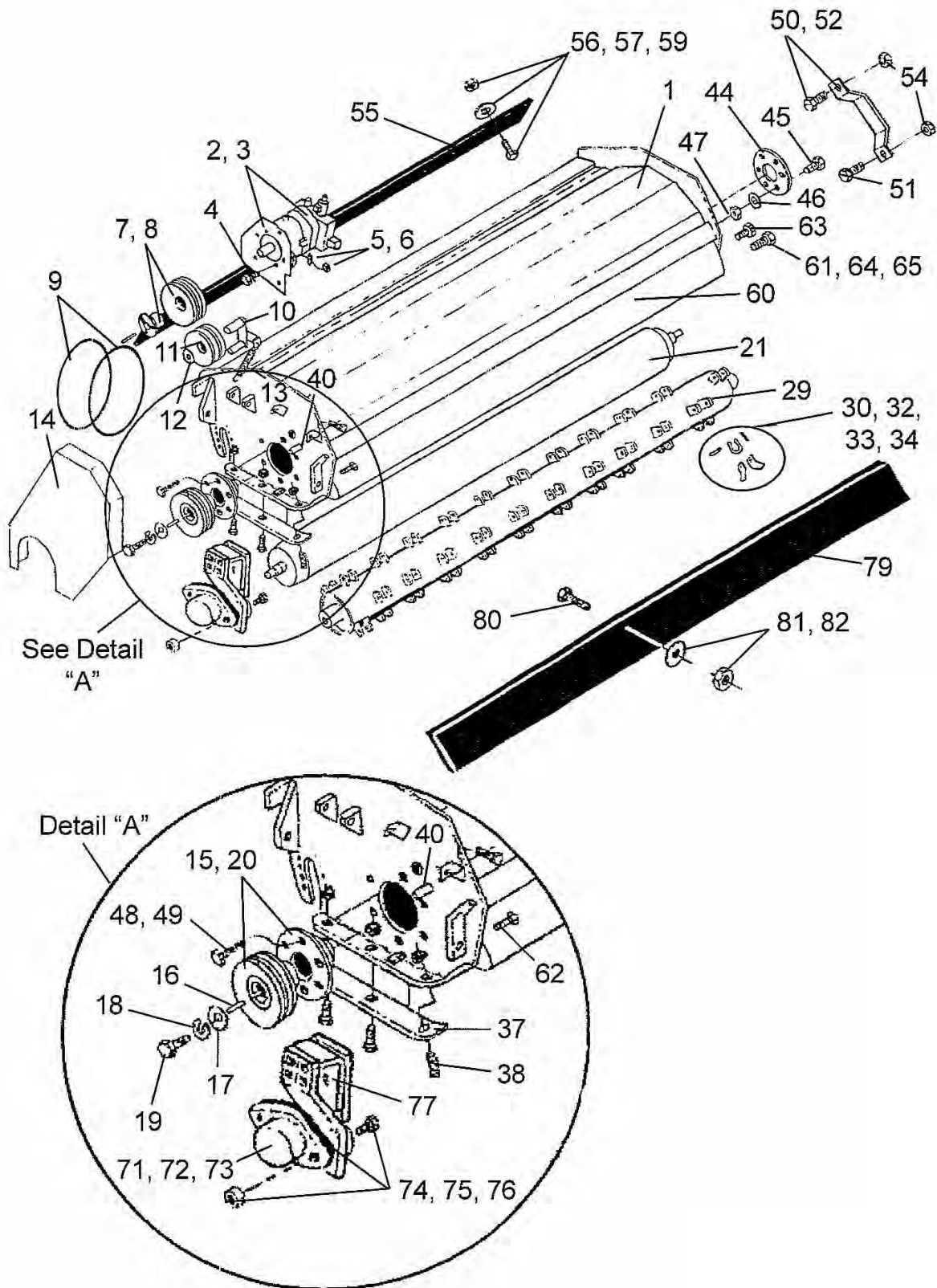
ITEM	PART NO.	QTY.	DESCRIPTION
1	107154	1	CUTTER HOUSING, RH - 62"
2	02965086	1	HYDRAULIC MOTOR ASY, FWD.ROT.
	02965104	1	HYDRAULIC MOTOR ASY, REV. ROT.
3	106458	1	MOTOR MOUNT PLATE, FWD.ROT.
+	106942	1	MOTOR MOUNT PLATE, REV.ROT.
4	00748823	2	BOLT
5	00001800	2	LOCKNUT TLM 1/2 NC PLC
6	00019600	2	LOCKWASHER
7	000671	1	PULLEY
8	001761	1	HUB
9	000702	1	V-BELTS - MATCHED PAIR
10	106529	1	IDLER ARM RIGHT WLD`MT, - FWD. ROT.
@	106527	1	IDLER ARM RIGHT WLD`MT, - REV. ROT.
11	103105	1	IDLER PULLEY
12	101778	1	IDLER BEARING SPACER
13	000539	1	SPRING,EXTENSION
+	000001	1	BOLT
	00011700	1	LOCKWASHER
@	702747	1	IDLER ASY., RH - FWD. ROT.
	703085	1	IDLER ASY., RH - REV. ROT.
	000206	1	NO. 2 RED LUBRICAP
14	107390	1	BELT GUARD WLD`MT, RH - FWD.ROT.
	107394	1	BELT GUARD WLD`MT, RH - REV.ROT.
+	02035400	2	BOLT
	00011100	2	FLATWASHER
	03101646	2	LOCKWASHER
@	702754	1	GUARD SUPPORT - TOP
+	00753642	1	BOLT
	00752036	1	LOCKNUT
15	103065	1	CUTTERSHAFT PULLEY
16	103105	1	IDLER PULLEY
17	103767	1	WASHER
18	000521	1	LOCKWASHER
19	000407	1	BOLT
20	703695	1	CUTTERSHAFT BEARING ASY.
@	002315	1	CUTTERSHAFT BEARING
21	107176	1	ROLLER, WLD`MT - 62"
@	703262	1	ROLLER KIT - 62"
----	107784	1	WLDMT- ROLLER 62 W/HEX SHAFT
+	000516	2	CARRIAGE BOLT
	02866900	2	CARRIAGE BOLT

62 IN MOWER ASY (PART 1)

Continued...

ITEM	PART NO.	QTY.	DESCRIPTION
	00001800	4	LOCKNUT TLM 1/2 NC PLC

62 IN MOWER ASY (PART 2)

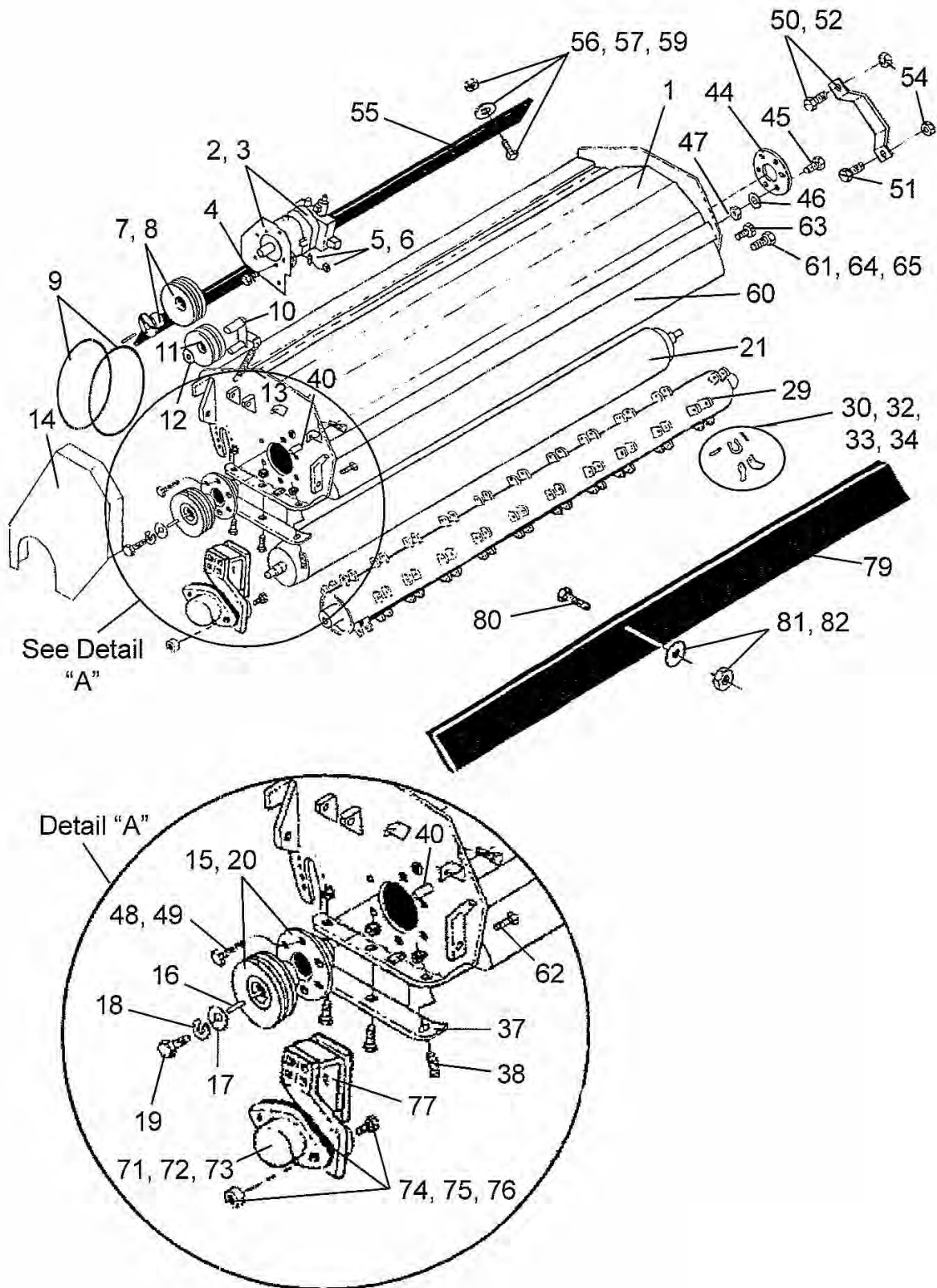


62 IN MOWER ASY (PART 2)

Continued...

ITEM	PART NO.	QTY.	DESCRIPTION
29	107123	1	CUTTERSHAFT, WLD`MT - 62"
30	02986332	72	KNIFE
	108381	72	KNIFE
32	100761	36	RING
33	102670	36	PIN
34	02668700	36	COTTER PIN
37	103051	2	SHOE/WEAR PLATE
38	02886900	2	CARRIAGE BOLT
39	000700	4	PLOW BOLT
#	00011700	6	LOCKWASHER
40	702749	1	IDLER PIVOT PIN, W/ GREASE FITTING
@	000853	1	GREASE FITTING
	000206	1	NO. 2 RED LUBRICAP
44	703271	1	CUTTERSHAFT BEARING ASY.
@	703694	1	BEARING ASY, W/ SETSCREW
45	00753642	6	BOLT
47	00752036	6	LOCKNUT
48	000130	6	BOLT
49	000841	6	LOCKWASHER
50	103064	1	FENDER
51	00748823	1	BOLT
52	02030700	1	BOLT
54	0001800	2	LOCKNUT TLM 1/2 NC PLC
55	104682	1	GEARBOX MOUNT
56	10058000	9	BOLT
57	00024100	9	FLATWASHER
59	02959924	9	LOCKNUT
60	107255	1	FOOT GUARD WLD`MT, 62"
61	02030700	2	BOLT
62	000134	1	BOLT
63	000937	1	BOLT
@	00748823	2	BOLT
64	00019600	4	LOCKWASHER
65	00001200	4	HEX NUT
71	703575	2	ROLLER BEARING ASY. - KEYED
	703976	2	ROLLER BEARING ASY. - HEX
	107340	2	HOUSING
72	703574	2	BEARING PKG ASY., W/ SETSCREW
	002486	2	REAR ROLLER BEARING, W/ HEX BORE
73	002039	2	GREASE FITTING
74	002037	2	SEAL

62 IN MOWER ASY (PART 3)

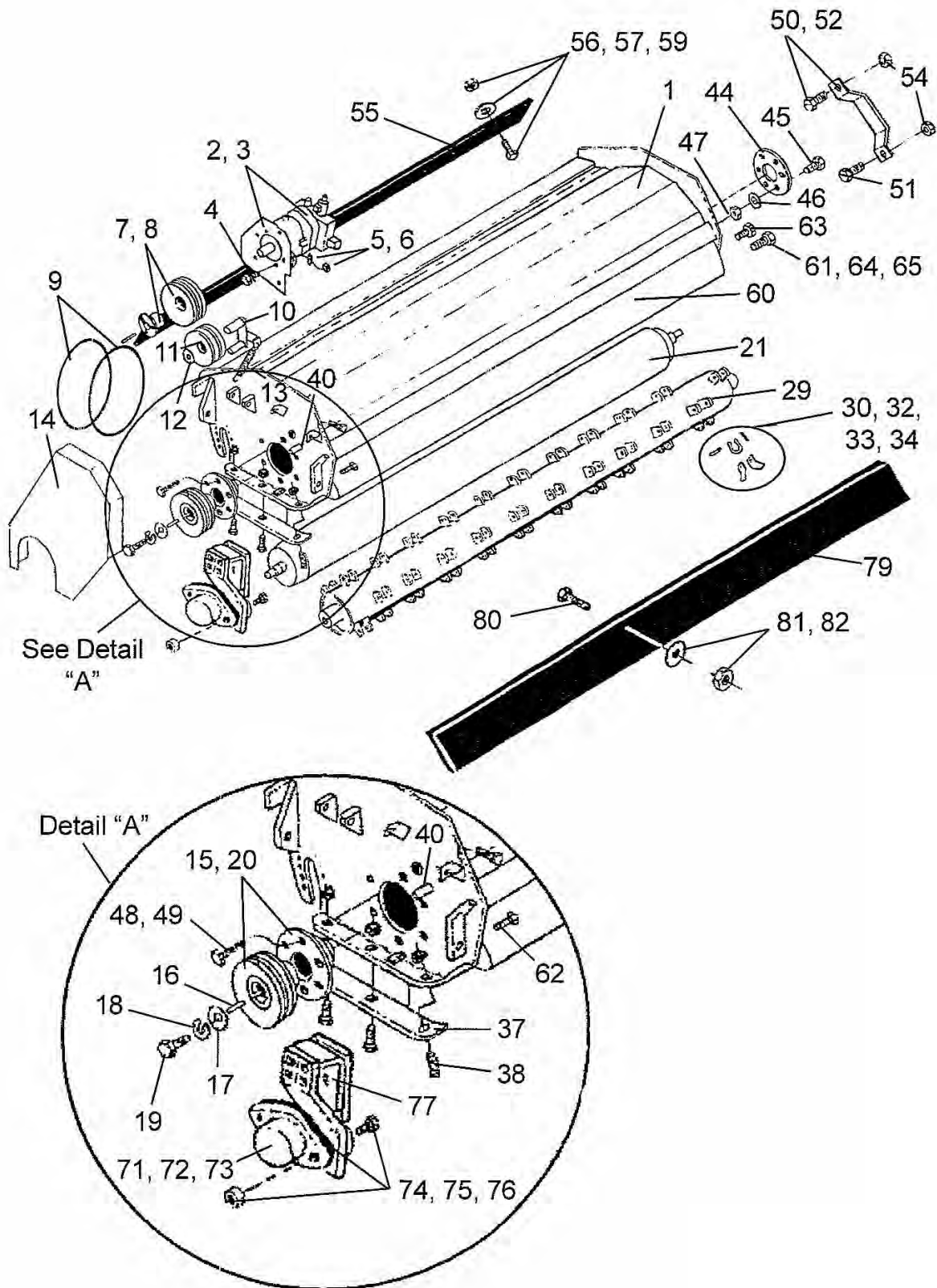


62 IN MOWER ASY (PART 3)

Continued...

ITEM	PART NO.	QTY.	DESCRIPTION
75	000516	4	CARRIAGE BOLT
76	02979042	4	LOCKNUT
77	107185	1	ROLLER BRKT, LEFT
78	107380	1	ROLLER BRKT, RIGHT
79	106781	1	TRASH DEFLECTOR, 88 - FRONT
80	000860	9	BOLT
81	00024100	9	FLATWASHER
82	02959924	9	LOCKNUT
@	703263	1	ROLLER BRG/BRKT ASY., LH
	703596	1	ROLLER BRG/BRKT ASY., RH

74 IN MOWER ASY (PART 1)



74 IN MOWER ASY (PART 1)

Continued...

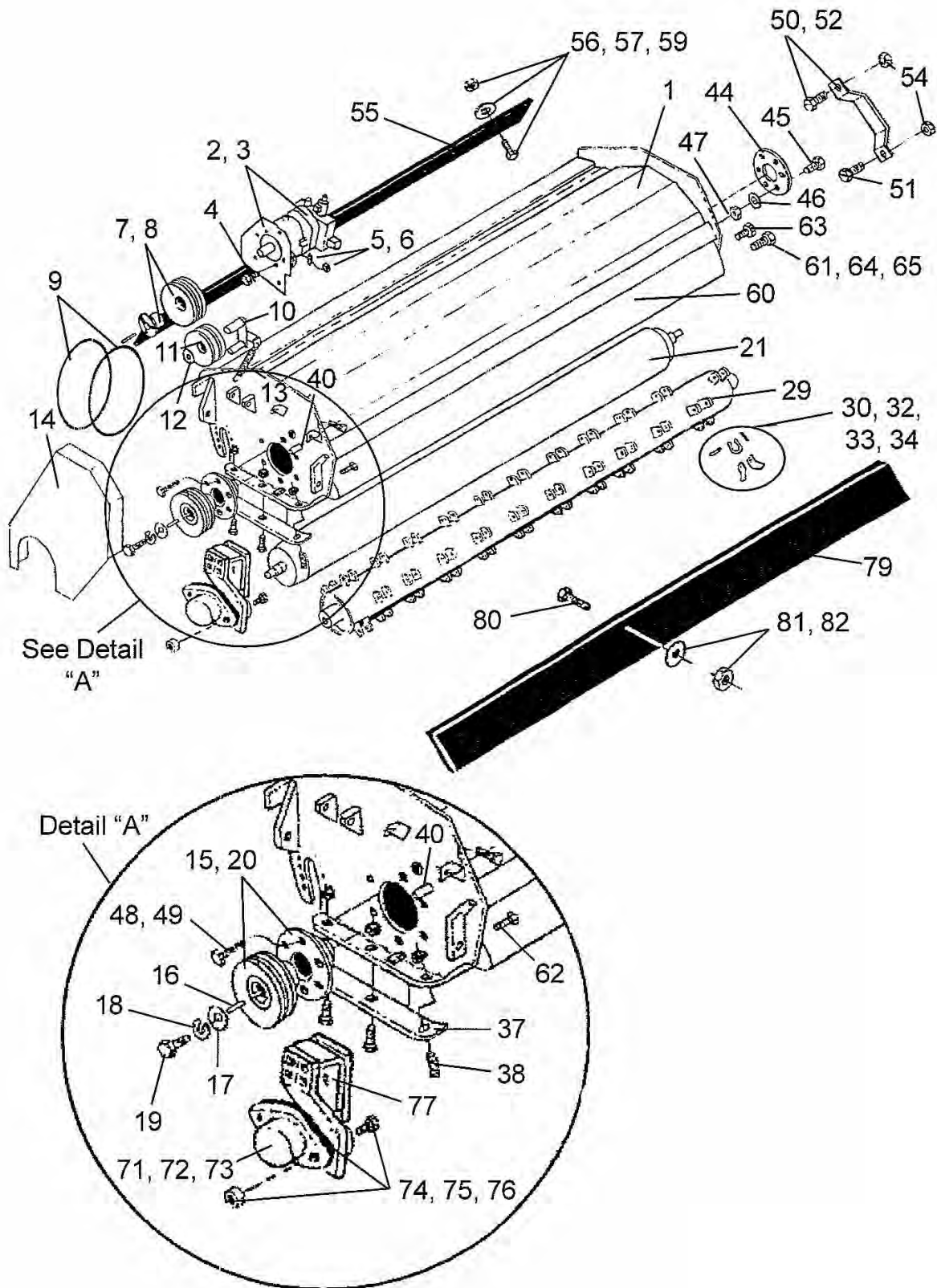
ITEM	PART NO.	QTY.	DESCRIPTION
1	107156	1	CUTTERHOUSING, WLD`MT - RH 74"
2	02965086	1	HYDRAULIC MOTOR ASY.
	02965010	1	HYDRAULIC MOTOR ASY. - REV.ROT.
3	106458	1	MOTOR MOUNT PLATE
+	106942	1	MOTOR MOUNT PLATE, - REV.ROT.
4	00748823	2	BOLT
5	00001800	2	LOCKNUT TLM 1/2 NC PLC
6	00019600	2	LOCKWASHER
7	000671	1	PULLEY
8	001761	1	HUB
9	000702	1	V-BELTS, MATCHED PAIR
10	106529	1	RIGHT, IDLER ARM, WLD`MT - FWD.ROT.
@	106527	1	RIGHT, IDLER ARM, WLD`MT - REV. ROT.
11	103105	1	IDLER PULLEY
12	101778	1	IDLER BEARING SPACER
13	000539	1	SPRING, EXTENSION
+	000001	1	BOLT
	00011700	1	LOCKWASHER
@	702747	1	IDLER ASY., RH - FWD. ROT.
	703085	1	IDLER ASY., RH - REV. ROT.
	000206	1	NO. 2 RED LUBRICAP
14	107390	1	BELT GUARD, WLD`MT - RH - FWD.ROT.
	107394	1	BELT GUARD, WLD`MT - RH - REV.ROT.
+	02035400	2	BOLT
	00011100	2	FLATWASHER
	03101646	2	LOCKWASHER
@	702754	1	TOP SUPPORT, GUARD
+	00753642	1	BOLT
	00752036	1	LOCKNUT
15	103065	1	CUTTERSHAFT PULLEY
16	103105	1	IDLER PULLEY
17	103767	1	WASHER
18	000521	1	LOCKWASHER
19	000407	1	BOLT
20	703695	1	BEARING ASY.
@	002315	1	CUTTERSHAFT BEARING
21	107177	1	ROLLER, WLD`MT - 74"
@	703261	1	ROLLER KIT - 74"
----	107785	1	WLDMT- ROLLER 74 W/HEX SHAFT
+	000516	2	CARRIAGE BOLT
	02866900	2	PISTON

74 IN MOWER ASY (PART 1)

Continued...

ITEM	PART NO.	QTY.	DESCRIPTION
	00001800	4	LOCKNUT TLM 1/2 NC PLC

74 IN MOWER ASY (PART 2)

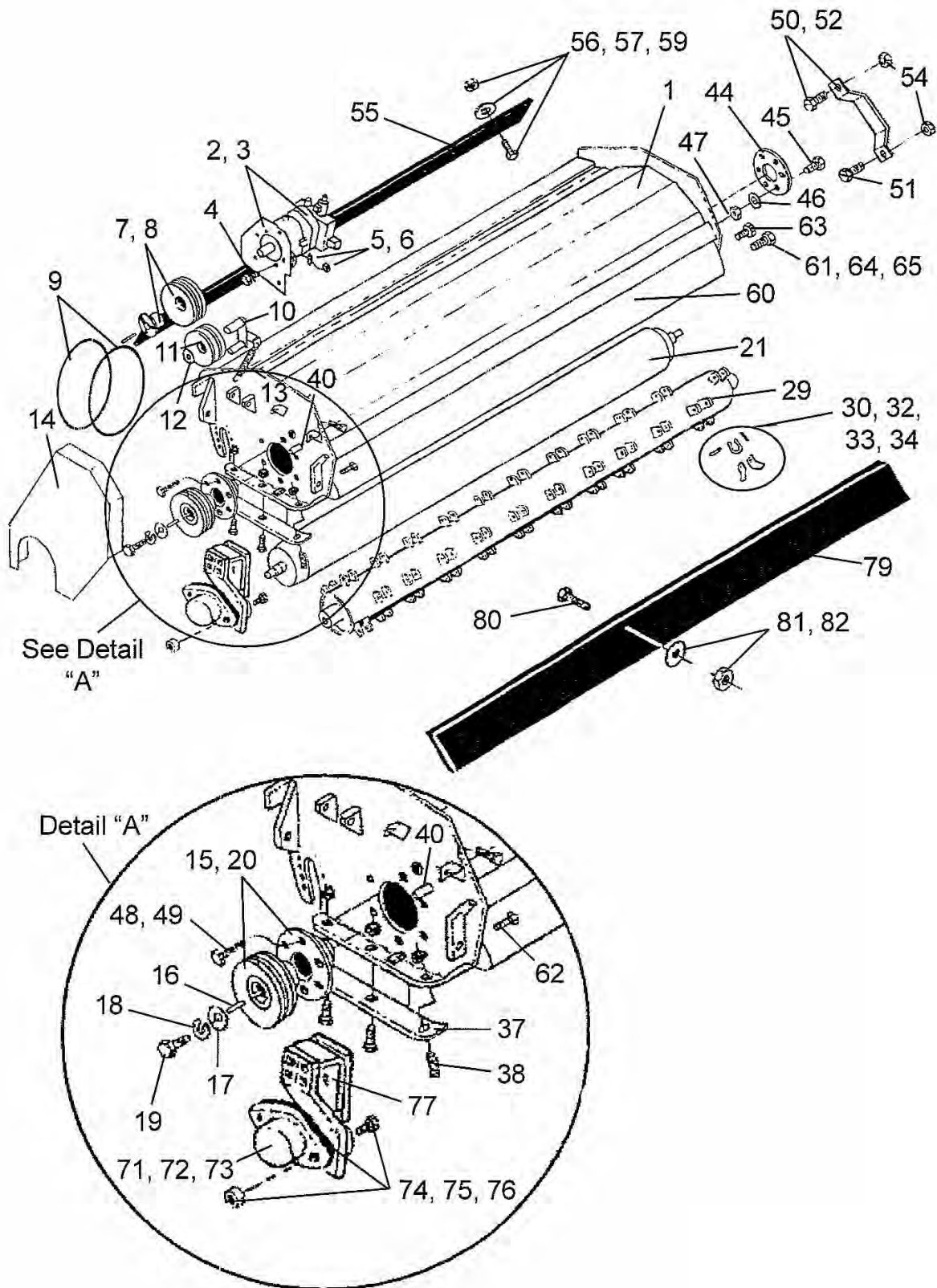


74 IN MOWER ASY (PART 2)

Continued...

ITEM	PART NO.	QTY.	DESCRIPTION
29	107124	1	CUTTERSHAFT, WLD'MT
30	02986332	72	COARSE CUT KNIFE
	02986276	72	HD COARSE CUT KNIFE
32	100761	36	RING COMPLETE
33	102670	36	HARDENED PIN
34	02668700	36	COTTER PIN
37	103051	2	SHOE/WEAR PLATE
38	02886900	2	CARRIAGE BOLT
39	000700	4	PLOW BOLT
#	00011700	6	LOCKWASHER
40	702749	1	IDLER PIVOT PIN, W/ GREASE FITTING
@	000853	1	GREASE FITTING
	000206	1	NO. 2 RED LUBRICAPS
44	703271	1	CUTTERSHAFT BEARING ASY.
@	703694	1	BEARING ASY, W/ SETSCREW
45	00753642	6	BOLT
47	00752036	6	LOCKNUT
48	000130	6	BOLT
49	000841	6	LOCKWASHER
50	103064	1	FENDER
51	00748823	1	BOLT
52	02030700	1	BOLT
54	0001800	2	LOCKNUT TLM 1/2 NC PLC
55	100783	1	GEARBOX MOUNT
56	10058000	11	BOLT
57	00024100	11	FLATWASHER
59	02959924	11	LOCKNUT
60	107257	1	FOOT GUARD, WLD'MT - 62"
61	02030700	2	BOLT
62	000134	1	BOLT
63	000937	1	BOLT
@	00748823	2	BOLT
64	00019600	4	LOCKWASHER
65	00001200	4	HEX NUT
71	703575	2	ROLLER BEARING ASY. - KEYED
	703976	2	ROLLER BEARING ASY. - HEX
	107340	2	BEARING HOUSING
72	703574	2	BEARING - KEYED
	002486	2	BEARING - HEX
73	002039	2	GREASE FITTING
74	002037	2	SEAL

74 IN MOWER ASY (PART 3)

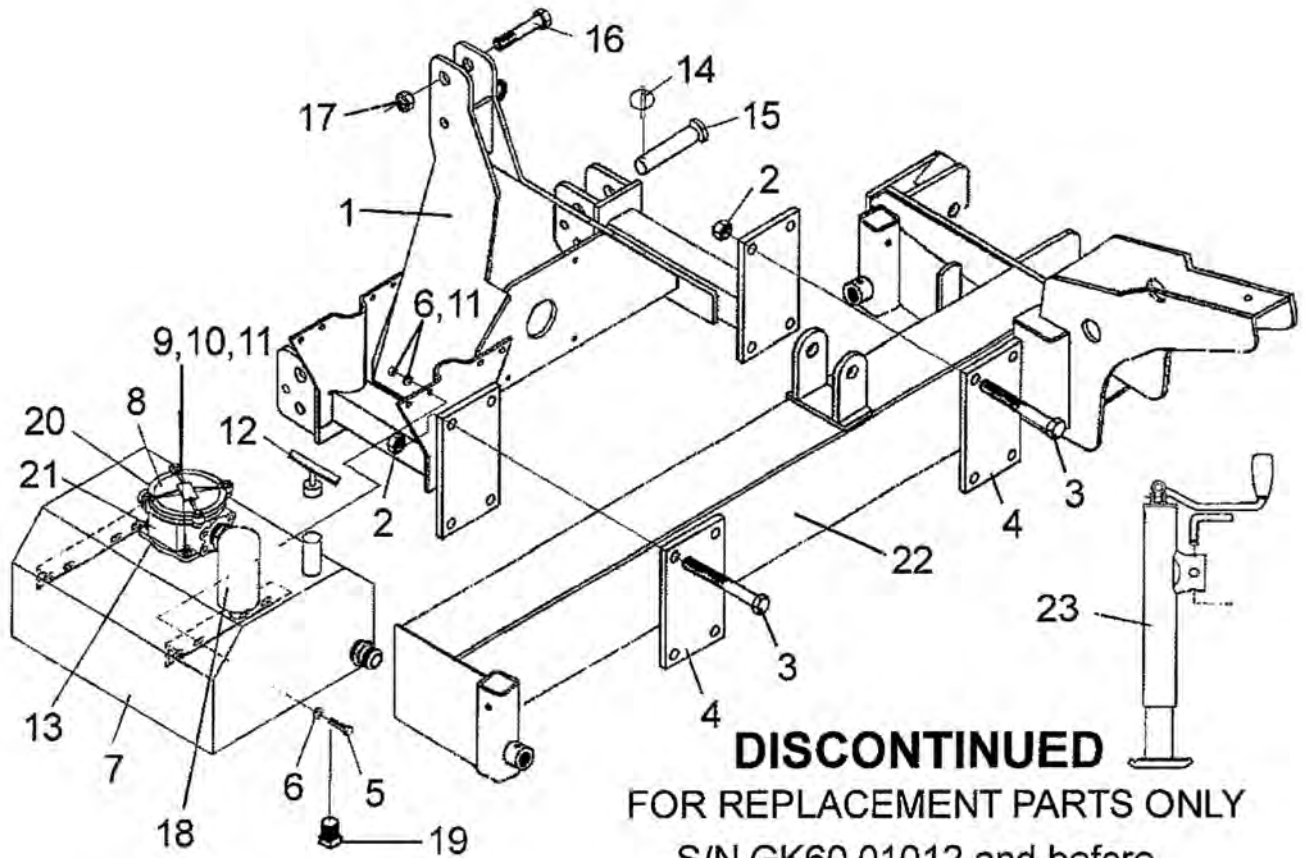


74 IN MOWER ASY (PART 3)

Continued...

ITEM	PART NO.	QTY.	DESCRIPTION
75	000516	4	CARRIAGE BOLT
76	02979042	4	LOCKNUT
77	107185	1	ROLLER BRKT - LEFT
78	107380	1	ROLLER BRKT - RIGHT
79	106781	1	TRASH DEFLECTOR, 88 - FRONT
80	000860	11	BOLT
81	00024100	11	FLATWASHER
82	02959924	11	LOCKNUT
@	703263	1	ROLLER BRG/BRKT ASY., LH
	703596	1	ROLLER BRG/BRKT ASY., RH

A-FRAME ASY - (DISCONTINUED)



DISCONTINUED
FOR REPLACEMENT PARTS ONLY
S/N GK60 01012 and before

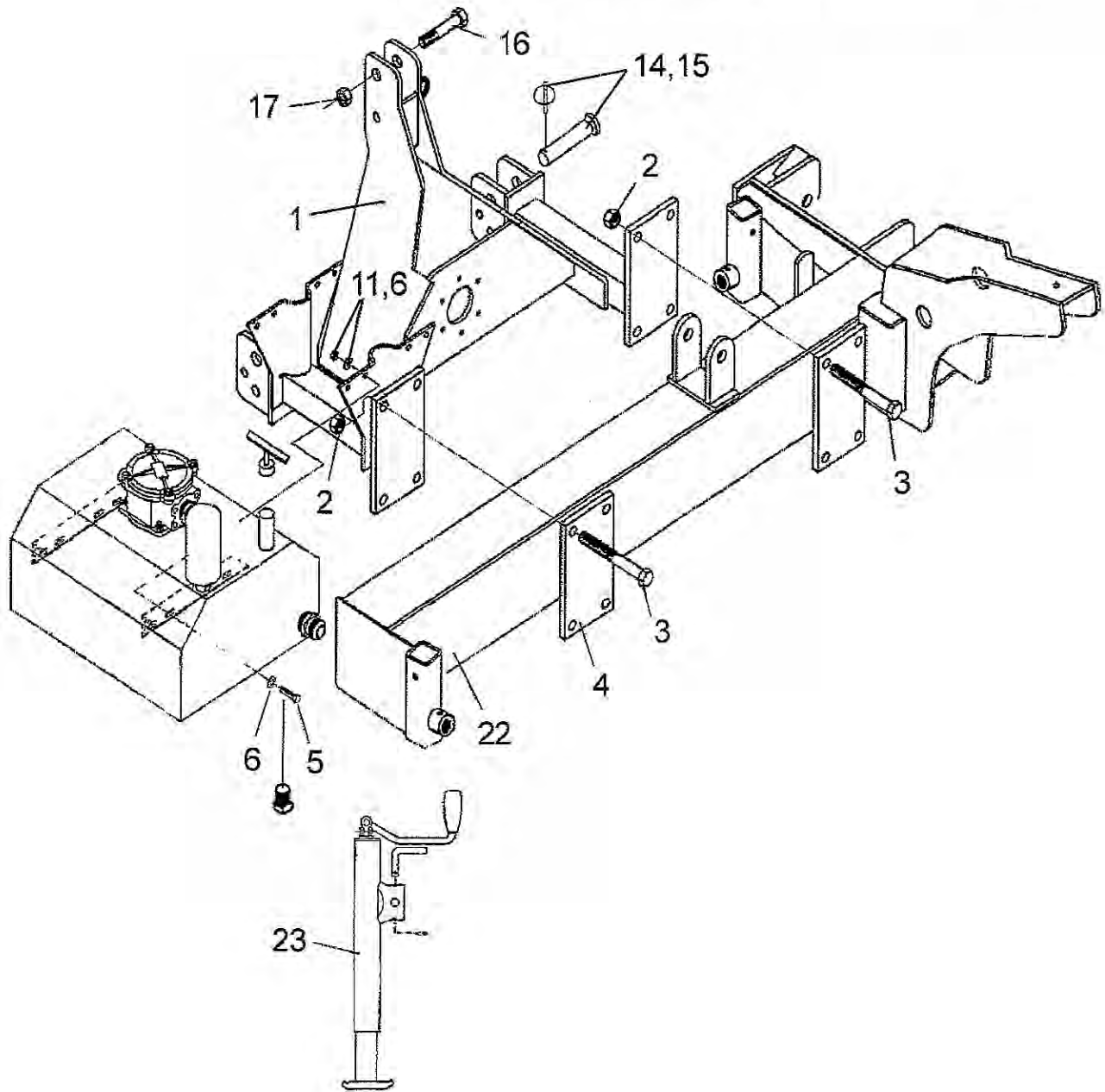
A-FRAME ASY - (DISCONTINUED)

Continued...

ITEM	PART NO.	QTY.	DESCRIPTION
1	02964987	1	HITCH, WLD`MT
2	00037200	8	LOCKNUT
3	02758400	8	BOLT
4	02965041	2	MOUNT
5	00753642	8	BOLT
6	02035800	16	WASHER
7	02964995	1	HYDRAULIC TANK, WLD`MT
8	02964748	1	FILTER HOUSING ASY.
9	00600500	4	BOLT
10	02049500	4	LOCKWASHER
11	00015800	8	LOCKNUT
12	03200350	1	FILLER CAP
13	02967127	1	O-RING
14	2196	2	CLIP PIN
15	02965043	2	LIFT PIN, WLD`MT
	02964535	2	LIFT PIN, WLD`MT
16	02959332	1	BOLT
	00609200	1	BOLT
17	00037200	1	TOPLOCK NUT
	02030300	1	TOPLOCK NUT
18	00751530	1	FILTER ELEMENT
19	02016100	1	PIPE PLUG
20	02961452	1	O-RING
21	02961001	1	FILTER ELEMENT
22	02964966	1	MAIN FRAME, WLD`MT
23	00756655	2	PARKING JACK

A-FRAME ASY - (NEW STYLE)

NOTE: This A-Frame assembly is used with # 02967028 speed increaser.

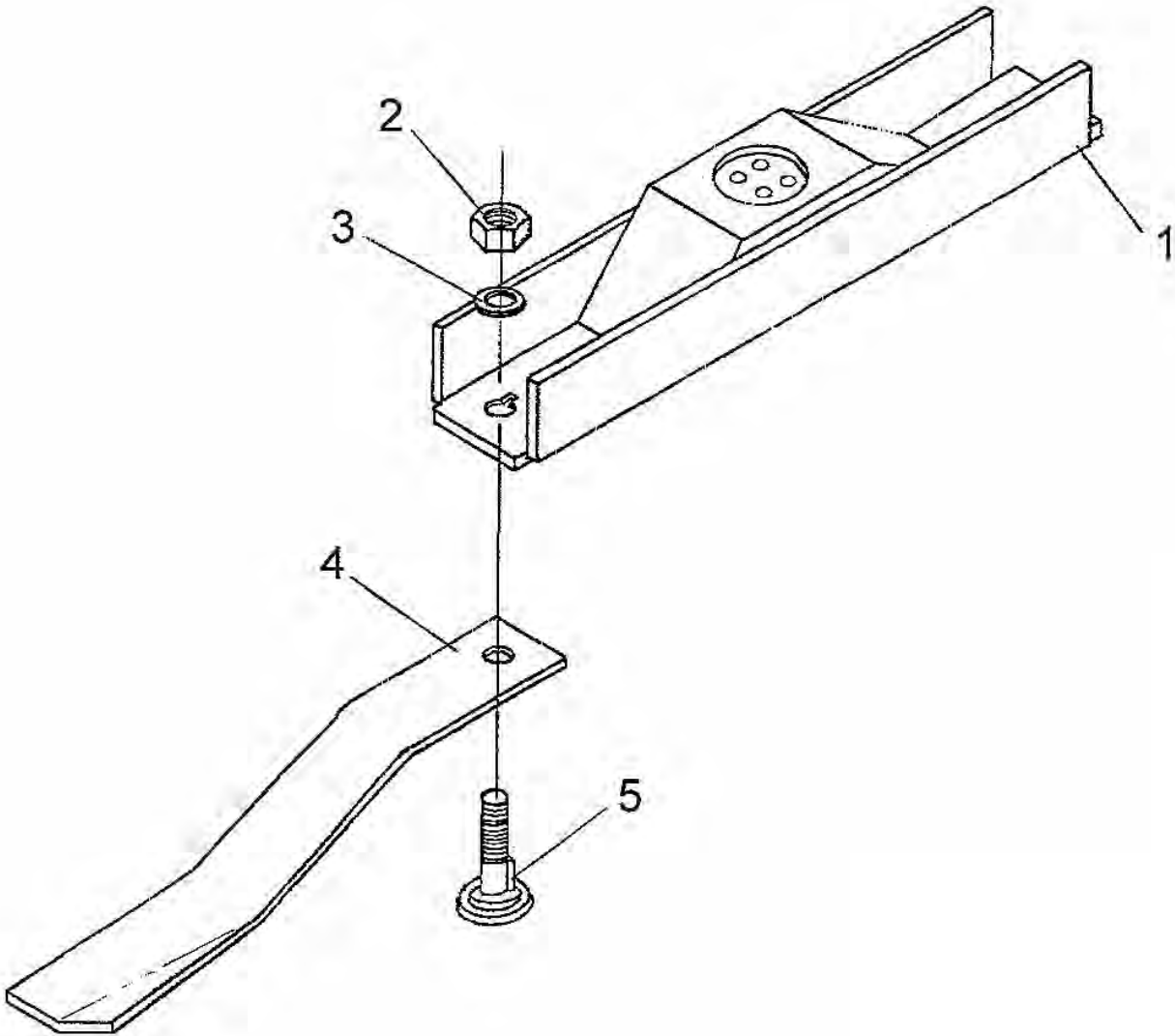


A-FRAME ASY - (NEW STYLE)

Continued...

ITEM	PART NO.	QTY.	DESCRIPTION
1	02967015	1	HITCH, WLD'MT
2	00037200	8	NUT
3	02758400	8	BOLT
4	02965041	2	MOUNT
5	00753642	8	BOLT
6	02035800	16	WASHER
13	02963662	1	GASKET
14	2196	2	CLIP PIN
15	02965043	2	LIFT PIN - CAT I
	02964535	2	LIFT PIN - CAT II
16	02959332	1	BOLT - CAT I
	00609200	1	BOLT - CAT II
17	00037200	1	NUT - CAT I
	02030300	1	NUT - CAT II
22	02964966	1	MAIN FRAME, WLD'MT
23	00756655	2	JACK
	02978354	1	SEAL KIT
	02978355	1	NUT & BOLT KIT

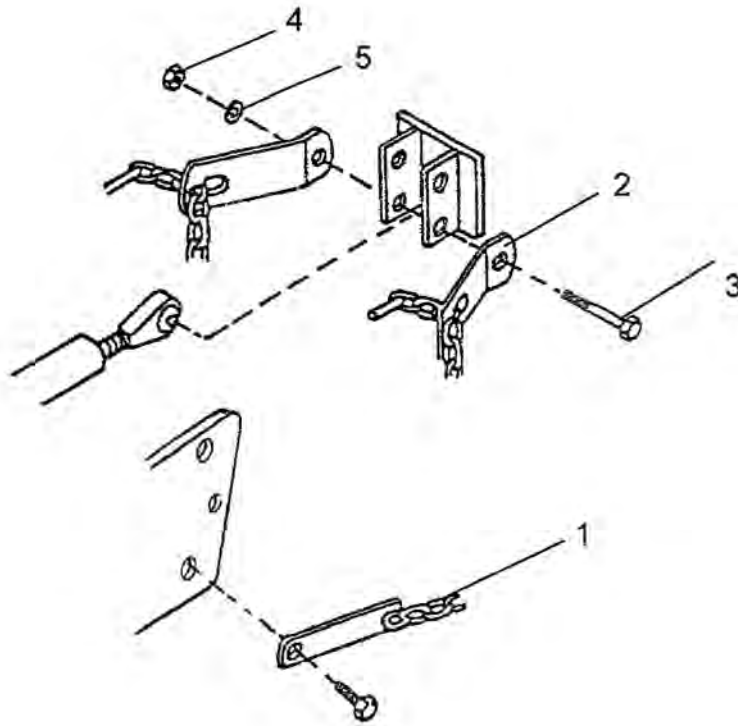
BLADE BAR ASY - PN 02965737



ITEM	PART NO.	QTY.	DESCRIPTION
1	02965579	1	BLADE BAR, WLD`MT
2	00747900	2	NUT
3	0074800	2	LOCKWASHER
4	02966262	1	BLADES, MATCHED SET
5	00752827	2	BOLT, BLADE

CHECK CHAIN ASY - CAT-I

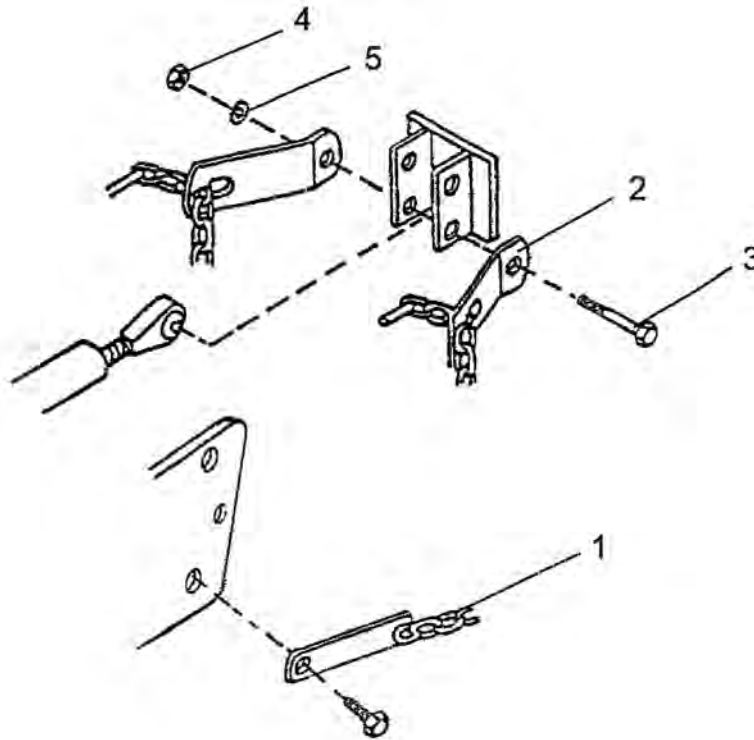
Kit #3570



ITEM	PART NO.	QTY.	DESCRIPTION
1	8709	2	CHAIN ASY.
2	8708	2	BRACKET
3	02845500	2	BOLT
4	00010400	2	NUT
5	00010300	2	LOCKWASHER

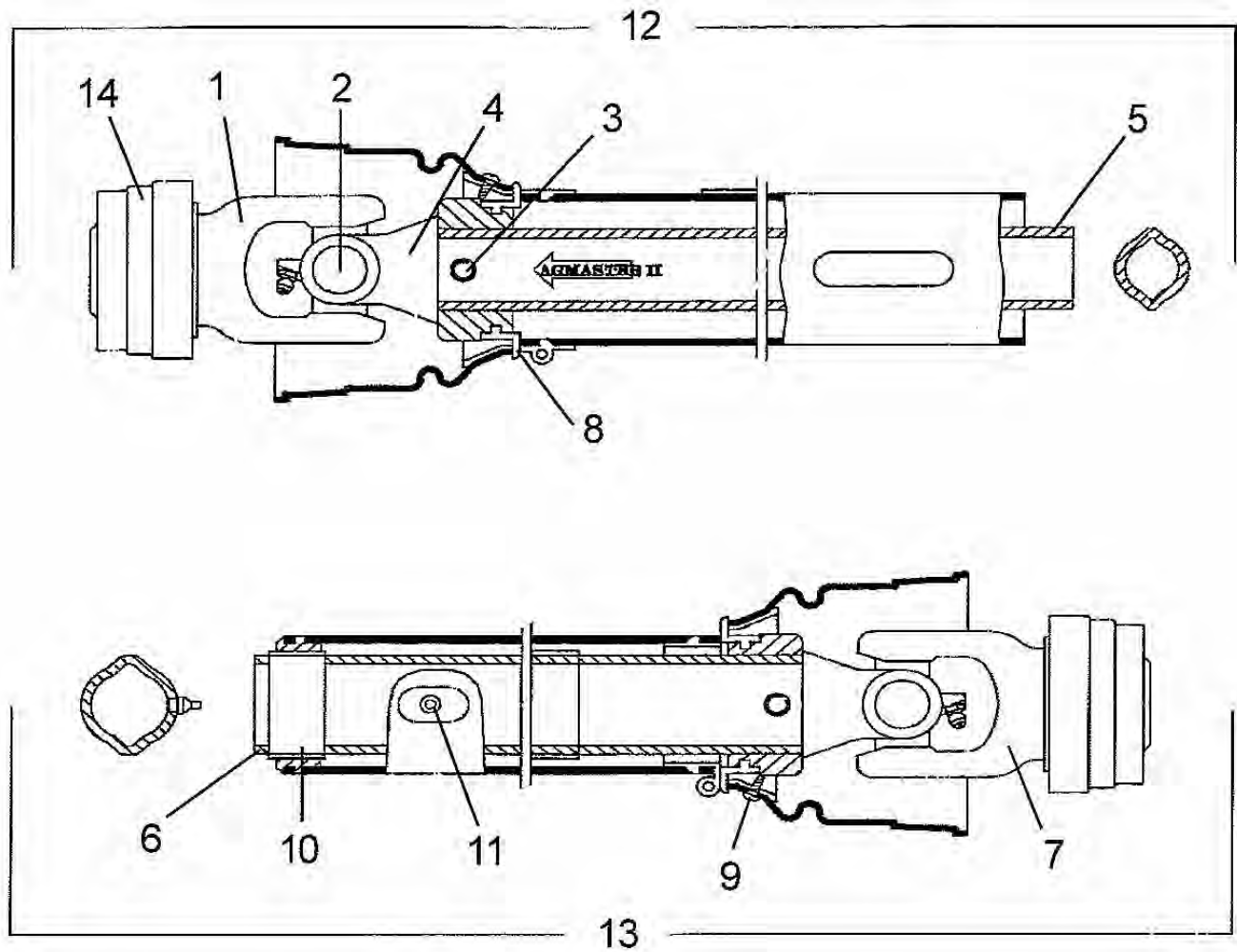
CHECK CHAIN ASY - CAT-II

Kit #3571



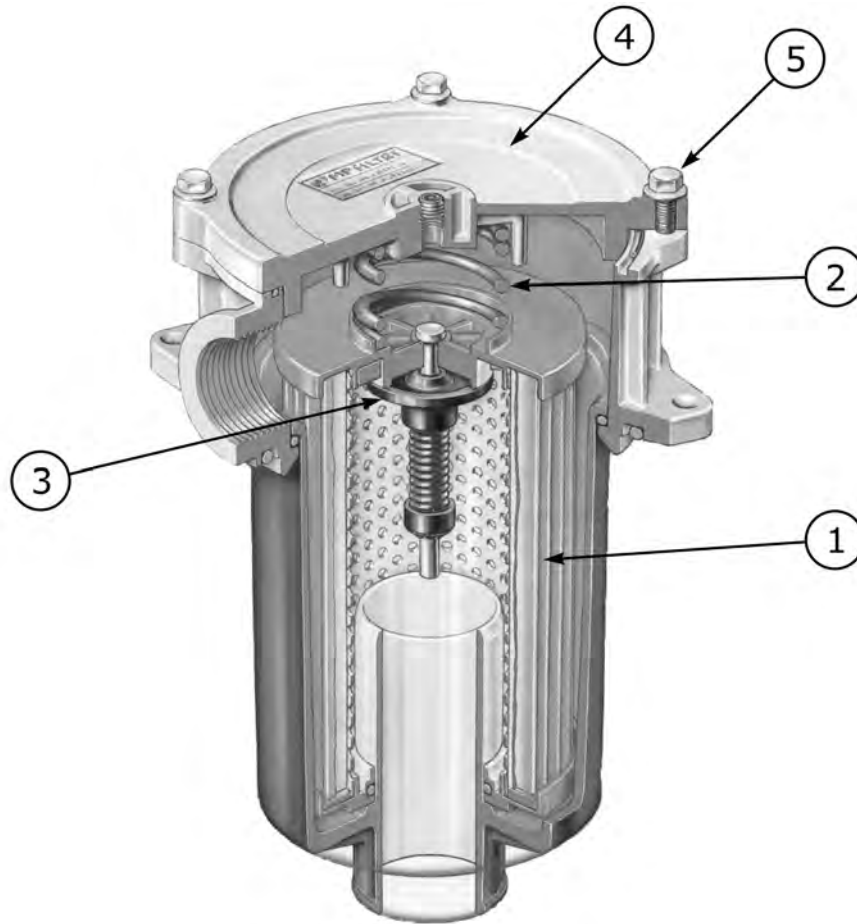
ITEM	PART NO.	QTY.	DESCRIPTION
1	8710	2	CHAIN ASY.
2	8711	2	BRACKET
3	02845500	2	BOLT
4	00010400	2	NUT
5	00010300	2	LOCKWASHER

DRIVELINE ASY - PN 00775403



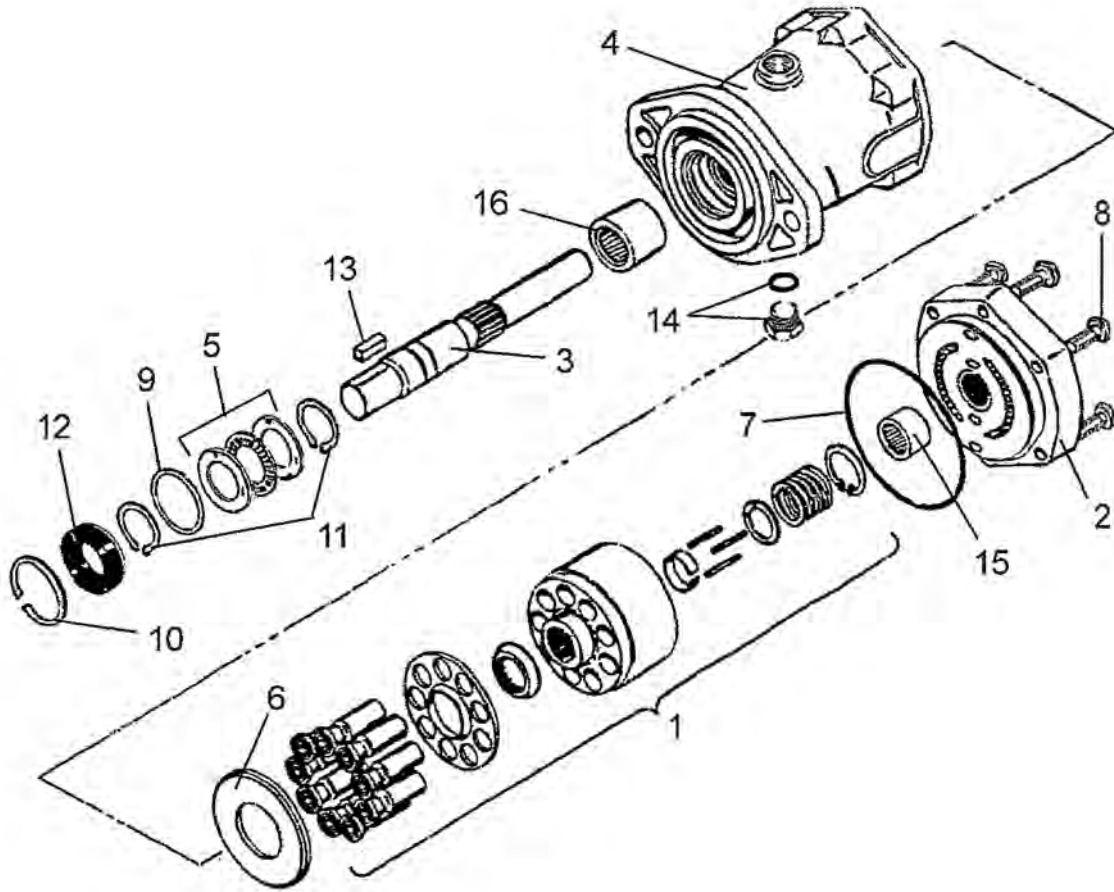
ITEM	PART NO.	QTY.	DESCRIPTION
1	00775353	1	YOKE, 1-3/8" - 6 SPLINE
2	W279R	2	CROSS BEARING KIT
3	8384	2	SPRING PIN
4	00775317	1	INBOARD YOKE
5	00775408	1	TUBE INNER
6	00775409	1	TUBE & SLEEVE
7	00775318	1	YOKE, INBOARD
8	8393	2	BEARING RING
9	4797	2	SCREW
10	8974	1	SUPPORT BEARING
11	1416601	1	ZERK
12	00775410	1	OUTER SHIELD HALF
13	00775411	1	INNER SHIELD HALF
14	00767954	1	YOKE, Q.D.KIT - PLASTIC

FILTER ASSEMBLY



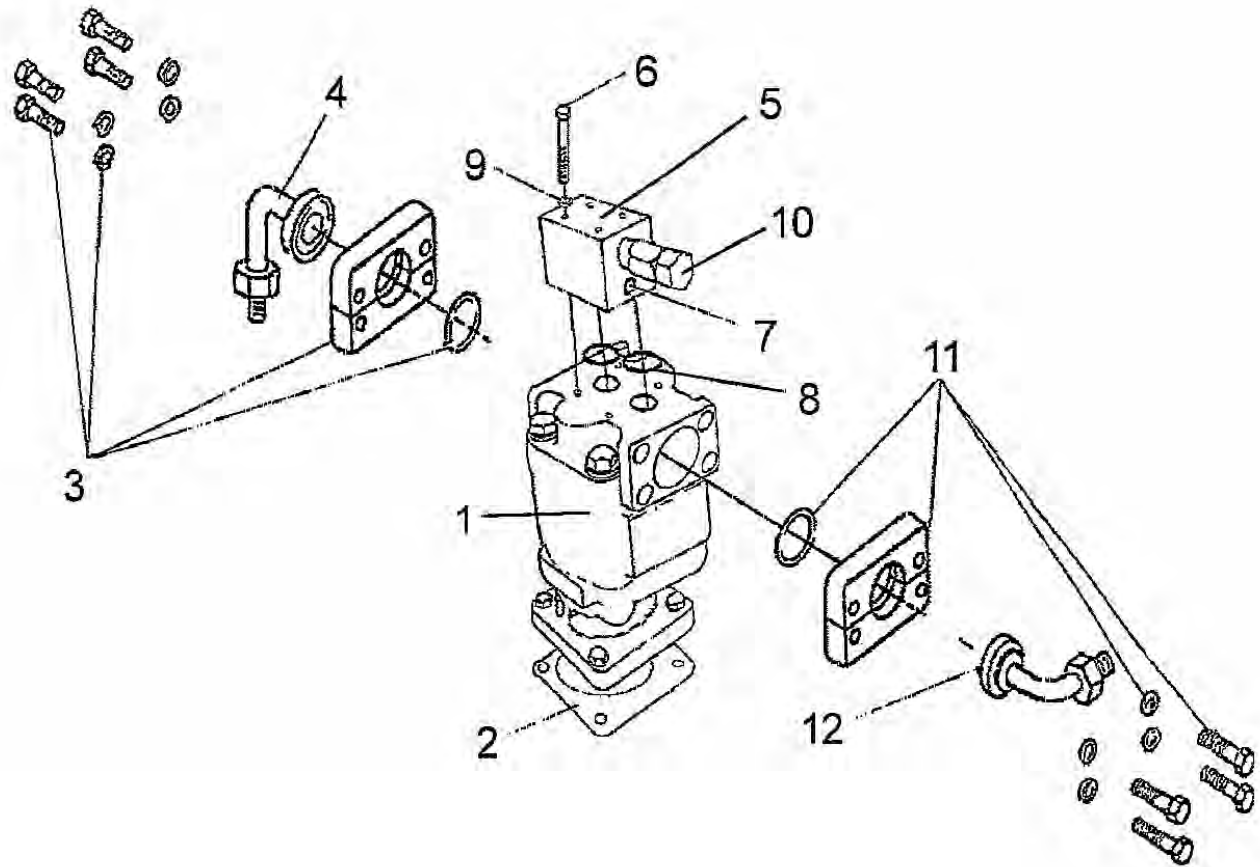
ITEM	PART NO.	QTY.	DESCRIPTION
	02964748	1	FILTER ASY
1	02961001	1	FILTER ELEMENT REPLACEMENT ONLY
2	02972678	1	SPRING, FILTER CARTRIDGE
3	02973782	1	VALVE, FILTER BYPASS
4	02978349	1	FILTER COVER
5	02978354	1	SEAL KIT
6	02978355	1	NUT AND BOLT KIT F/ TOP COVER

HYD. MOTOR - PN 001602



ITEM	PART NO.	QTY.	DESCRIPTION
1	001641	1	ROTATING KIT ASY.
2	001642	1	BACKING PLATE ASY
3	001643	1	SHAFT, KEYED
4	NON SERVICE 1		HOUSING ASY.
5	001644	1	BEARING & RACE - SET
6	001645	1	CAMPLATE INSERT
7*	03200409	1	O-RING
8	02766400	2	BOLT
9	03200411	1	WASHER
10*	03200412	1	RETAINING RING
11*	03200413	2	RETAINING RING
12*	03200414	1	SHAFT SEAL
13	03200521	1	STEP KEY
14	001649	1	PLUG, W/ O-RING
15	002339	1	BACKPLATE BEARING ASY.
16	002340	1	HOUSING BEARING ASY.

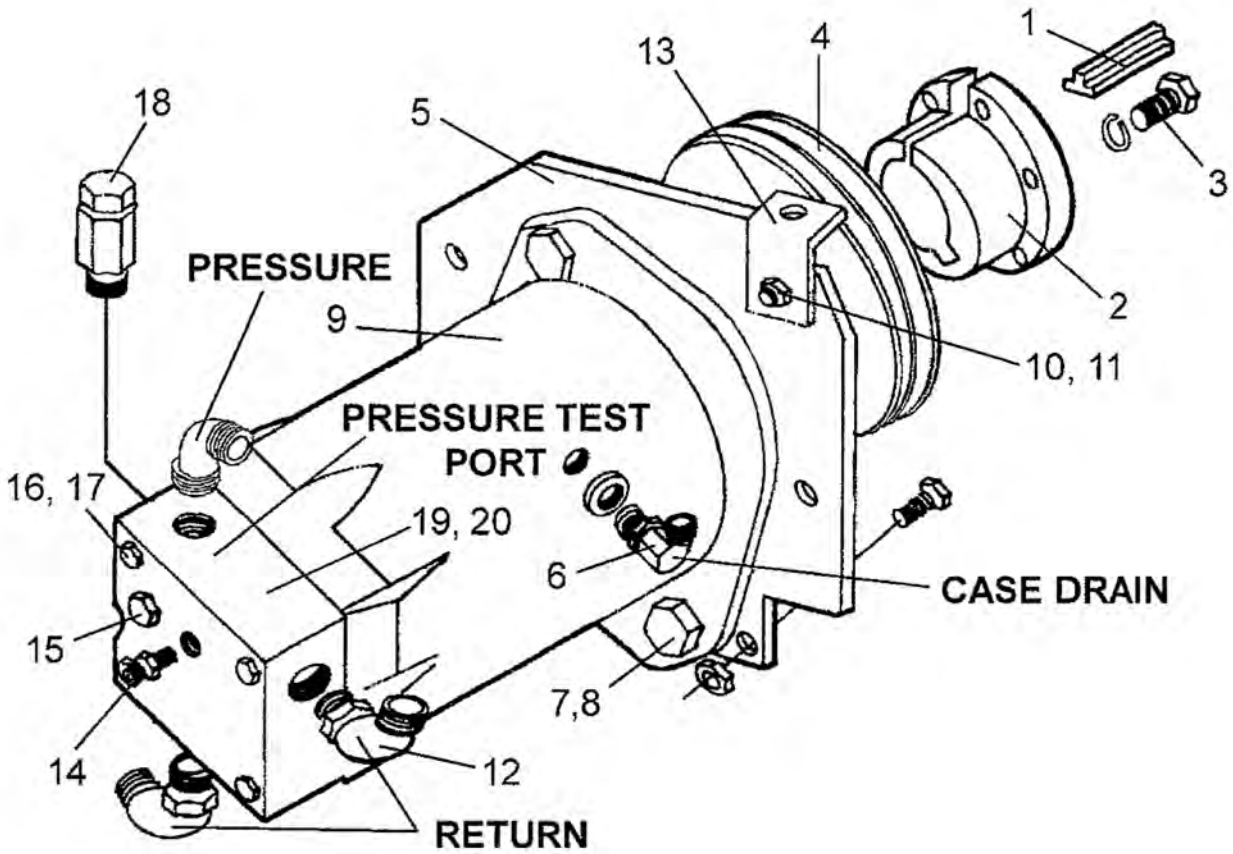
HYD. MOTOR ASY



ITEM	PART NO.	QTY.	DESCRIPTION
1	02965670	1	HYDRAULIC MOTOR
2		1	
3	00749101	1	SPLIT FLANGE KIT
4	00751842	1	ADAPTER, ELBOW
5	00760886	1	MANIFOLD BLOCK
6	10074000	4	BOLT
7	02961940	1	PLUG
8	001695	2	O-RING
9	00017000	4	LOCKWASHER
10	02966200	1	RELIEF VALVE
11	00749103	1	SPLIT FLANGE KIT
12	02754100	1	ADAPTER, ELBOW

THIS PAGE INTENTIONALLY LEFT BLANK

HYD. MOTOR ASY - PN 02965086

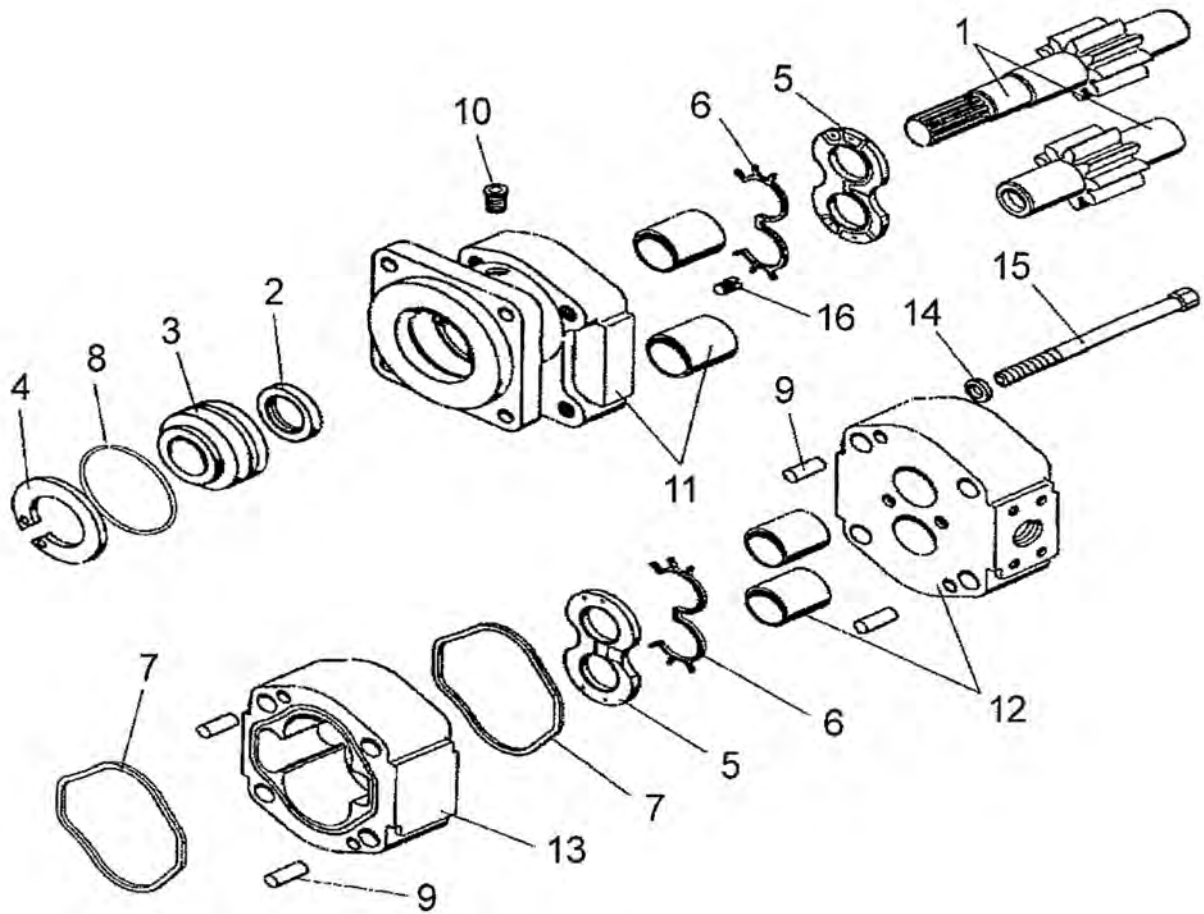


HYD. MOTOR ASY - PN 02965086

Continued...

ITEM	PART NO.	QTY.	DESCRIPTION
1	03200521	1	STEP KEY
2	001761	1	HUB
3	10121000	3	BOLT
4	000673	1	PULLEY
5	106458	1	MOTOR MOUNT PLATE
	106942	1	MOTOR MOUNT PLATE
6	001654	1	ADAPTER, ELBOW
7	00748823	2	BOLT
8	00001800	2	LOCKNUT TLM 1/2 NC PLC
9	001602	1	MOTOR, W/KEY
10	00753642	3	BOLT
11	00015800	3	LOCKNUT
12	02090900	2	ADAPTER, ELBOW
13	702754	1	GUARD SUPPORT
14	03200283	2	STRAIGHT ADAPTER
15	001574	1	NUT CAP
16	63092200	4	BOLT
17	00011700	7	LOCKWASHER
18	001759	1	RELIEF VALVE
	03200820	-	RELIEF VALVE, SEAL KIT
19	02965161	1	MANIFOLD BLOCK
20	02964793	2	O-RING

HYD. MOTOR REPAIR PARTS - PN 02965670

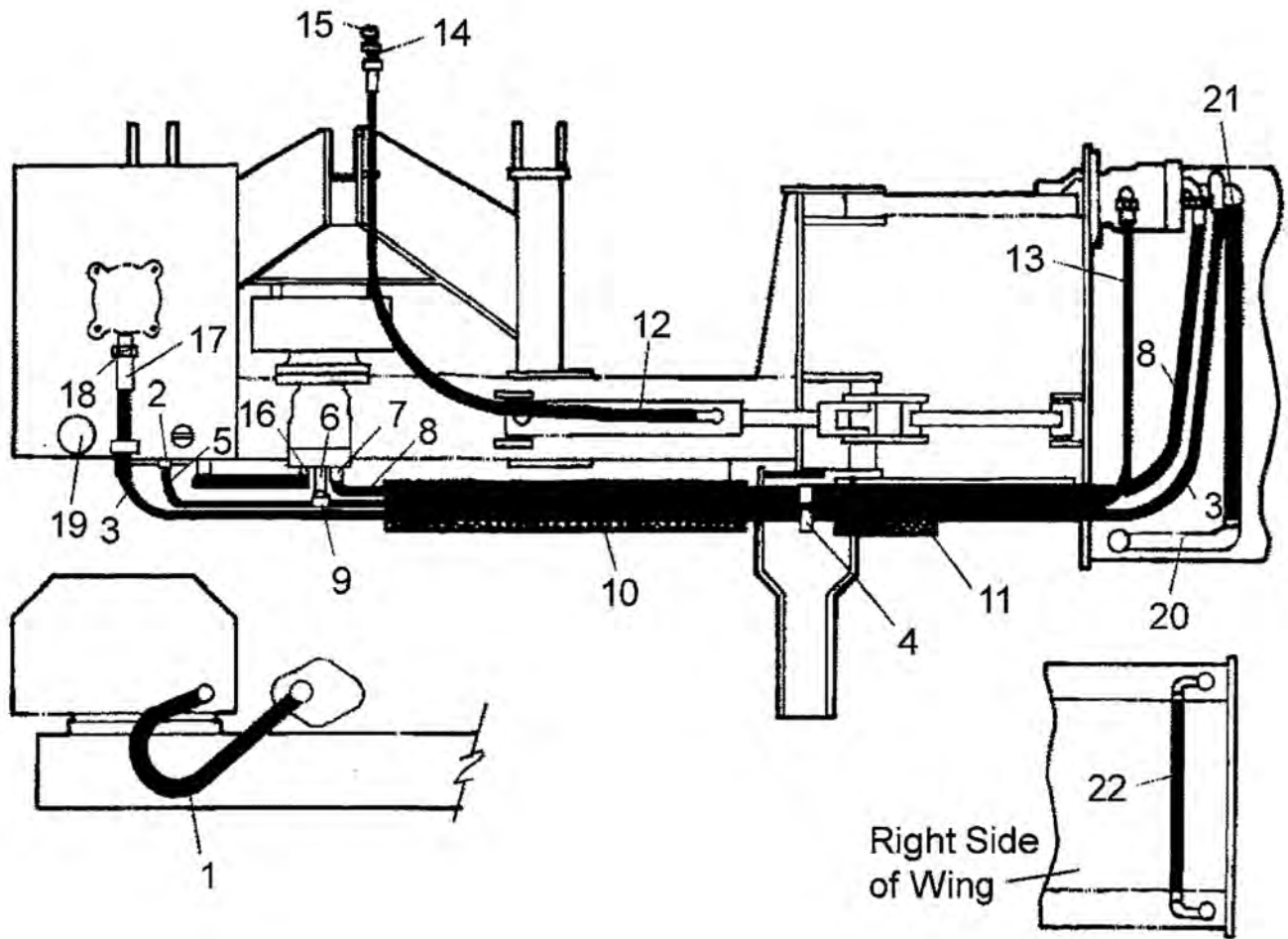


HYD. MOTOR REPAIR PARTS - PN 02965670

Continued...

ITEM	PART NO.	QTY.	DESCRIPTION
1	02965715	1	GEAR AND SHAFT,SET
2	00763756	1	SEAL
3	00763757	1	RETAINER,SEAL
4	02961933	1	SNAP RING
5	00763759	2	THRUST PLATE
6		4	SEAL END
7		2	SQUARE SEAL
8	02961924	4	DOWEL PIN
9	02961940	1	PLUG
10	00763828	1	MOUNTING FLANGE W/BUSHING
11	00763829	1	PORTING FLANGE W/BUSHING
12	02965719	1	GEAR HOUSING
13	02961917	4	WASHER
14	02965720	4	CAPSCREW
15		2	
	00763762	1	SEAL KIT

HYD. SCHEMATIC (FRAME)

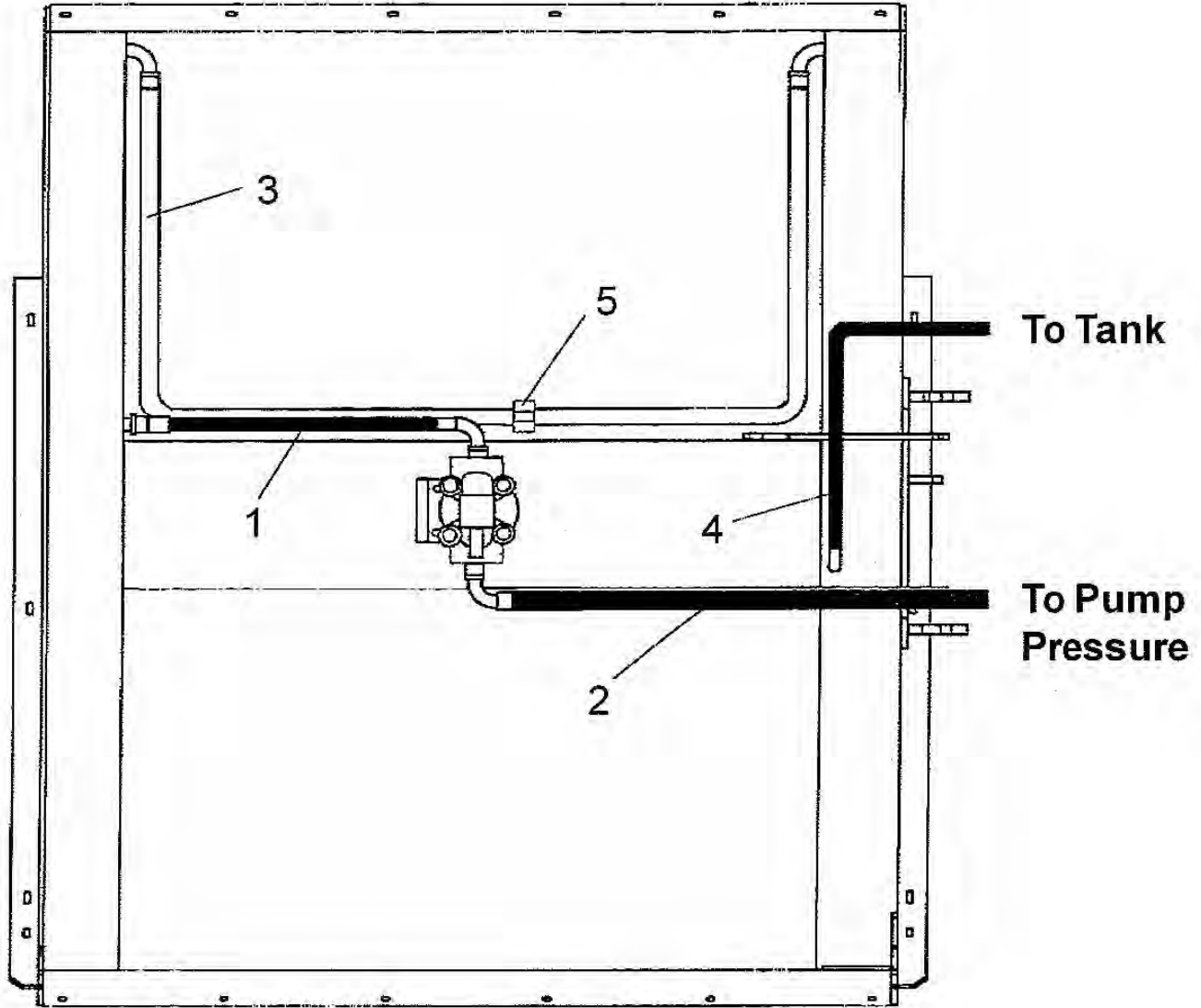


HYD. SCHEMATIC (FRAME)

Continued...

ITEM	PART NO.	QTY.	DESCRIPTION
1	02964975	1	SUCTION HOSE
2	02960407	1	ADAPTER
3	02964974	1	HOSE, 131" LG
4	02965059	1	CLAMP
5	02965243	1	HOSE, 15" LG
6	03200283	1	ADAPTER
7	02957622	1	ADAPTER
8	02965054	1	HOSE, 105" LG
9	03200351	1	ADAPTER - TEE
10	107260	1	SLEEVE
11	02906300	1	SLEEVE
12	00756811	1	HOSE, 70" LG
13	02965101	1	HOSE, 105" LG
14	02957691	1	ADAPTER
15	02811300	1	RESTRICTOR
16	02961098	1	ADAPTER
17	00752067	1	ADAPTER
18	00751471	1	ADAPTER - PIPE
19	00770429	1	FILTER
20	02958858	1	ELBOW
21	001779	2	HOSE, 18" LG
22	0026281	1	HOSE, 20" LG

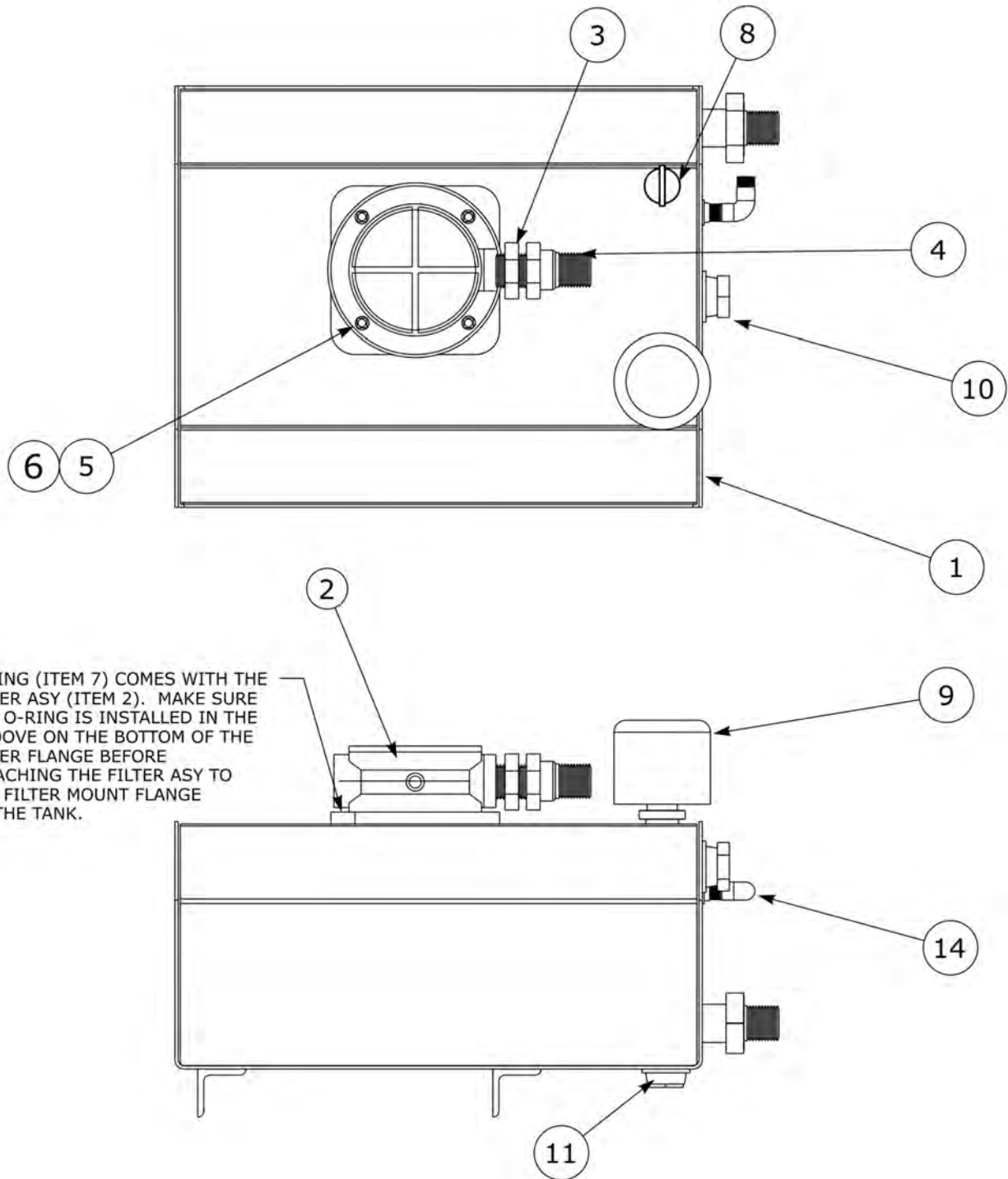
HYD. SCHEMATIC - (HEAD)



ITEM	PART NO.	QTY.	DESCRIPTION
1	002308	1	HOSE, 32" LG
2	02965054	1	HOSE, 105" LG
3	02965656	1	TUBE
4	02965753	1	HOSE, 130" LG
5	03200375	1	CLAMP

THIS PAGE INTENTIONALLY LEFT BLANK

HYDRAULIC TANK ASSEMBLY

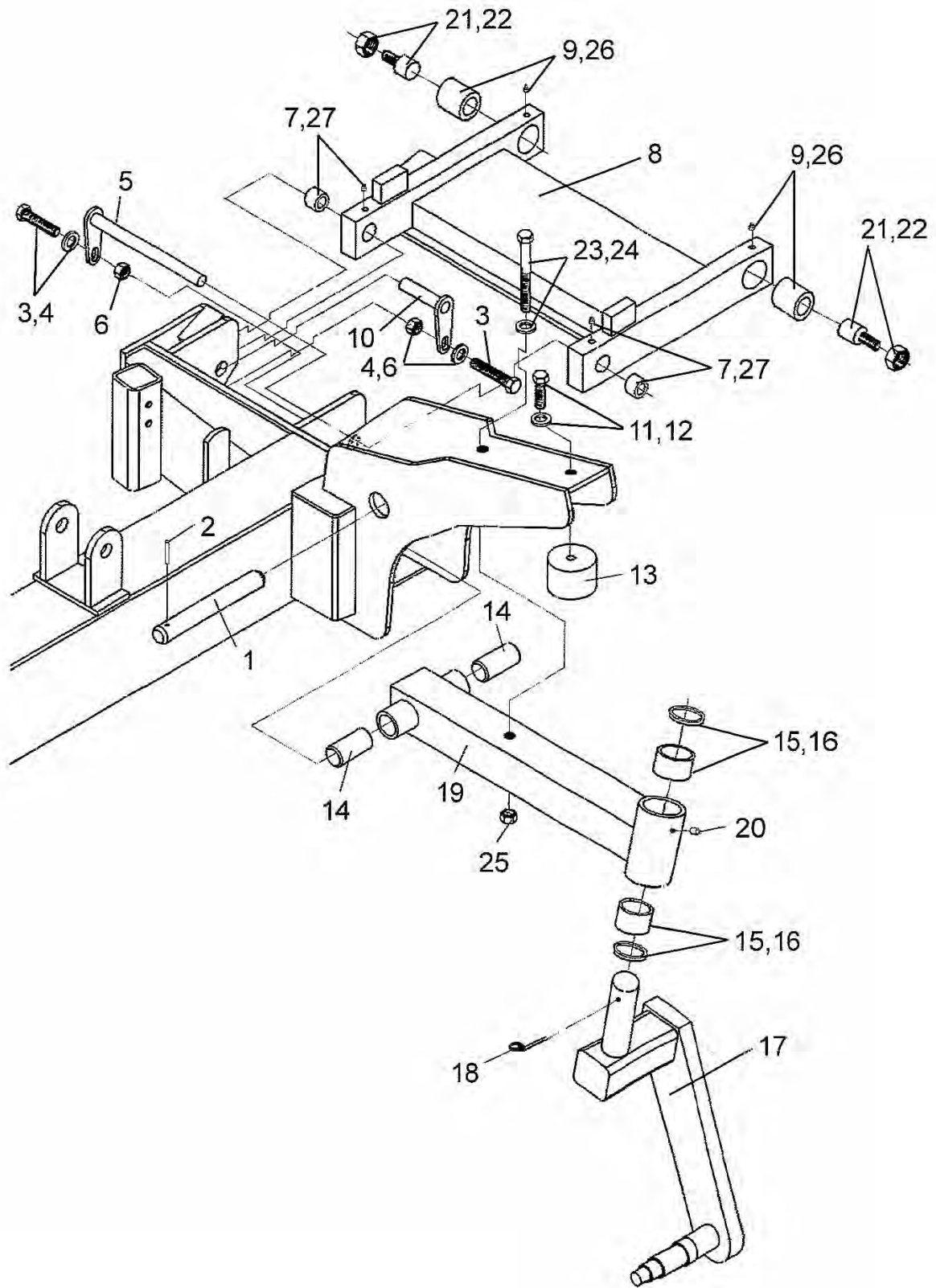


HYDRAULIC TANK ASSEMBLY

Continued...

ITEM	PART NO.	QTY.	DESCRIPTION
	02964996	1	ASSY - HYDRAULIC TANK
1	02964995	1	WLDMT-HYD TANK
2	02964748	1	FILTER MODIFIED
3	00751471	1	REDUCER-20MP 16FP
4	00752067	1	ADAPTER-16MP-16MJ
5	000645	4	BOLT 3/8X7/8
6	02049500	4	LOCKWASHER 3/8 HGHICOLLAR
7	02967127	1	O-RING
8	03200350	1	FILLER CAP
9	00770429	1	FILLER, BREATHER W/VALVE
10	02049700	1	SIGHT GUAGE 16 MP
11	02016100	1	PIPE, PLUG 1"
14	00750983	1	ADAPTER ELBOW -8MP-6MJ-90

LIFT ARM ATTACHMENT

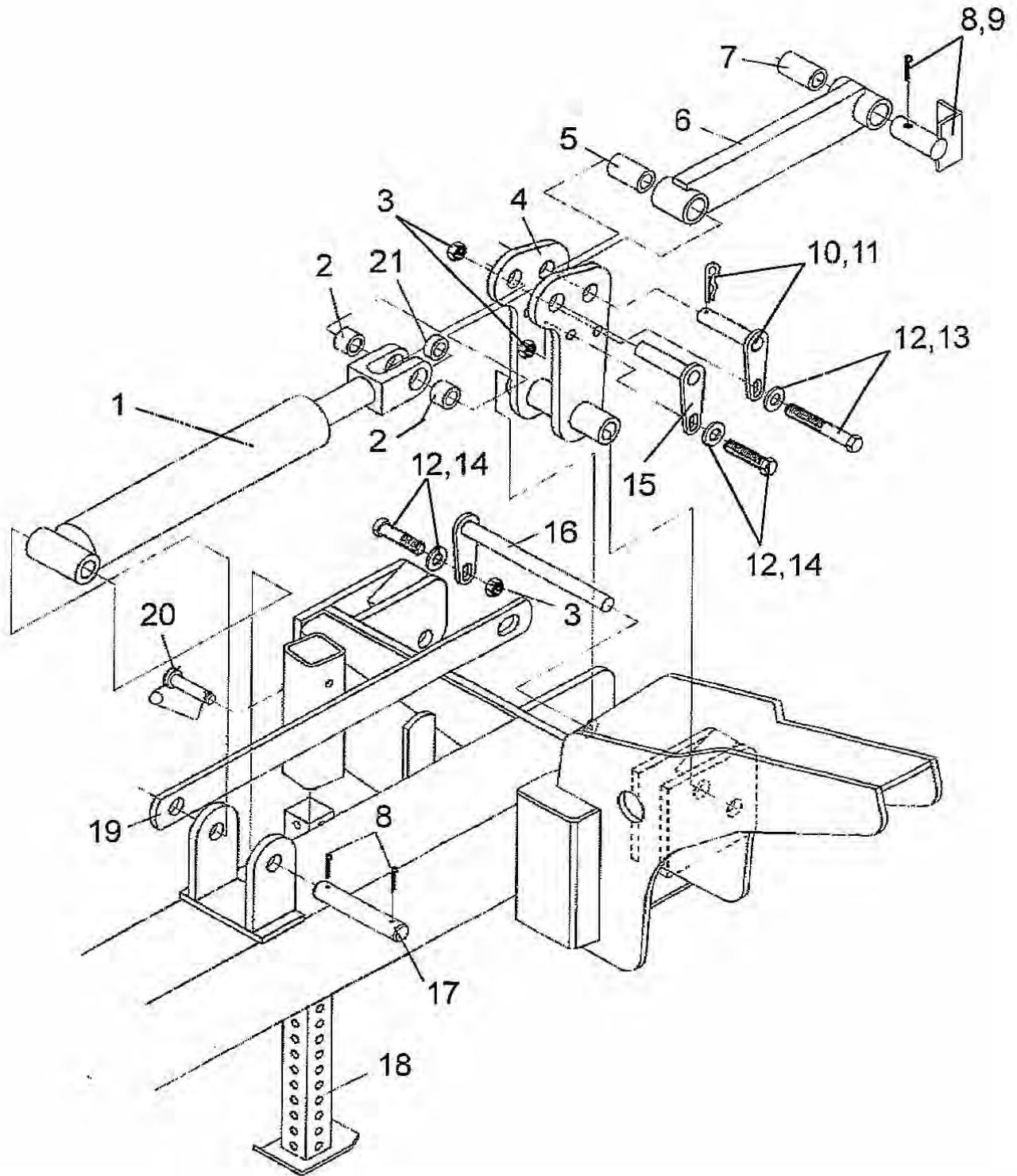


LIFT ARM ATTACHMENT

Continued...

ITEM	PART NO.	QTY.	DESCRIPTION
1	02965102	1	PIN
2	0629600	1	ROLL PIN
3	00748823	5	BOLT
4	00002700	3	FLATWASHER
5	00763355	1	PIN
6	0001800	4	LOCKNUT TLM 1/2 NC PLC
7	02965214	2	BUSHING
8	02963073	1	LIFT FRAME, WLD`MT
9	00764656	2	BUSHING
10	02965829	1	PIN
11	00752255	1	BOLT
12	00019600	1	LOCKWASHER
13	00751035	1	RUBBER DISC
14	02960841	2	BUSHING
15	54103A11	2	BUSHING
16	301042	2	THRUST WASHER
17	02965099	1	CASTER, WLD`MT
18	165024	1	COTTER PIN
19	02965226	1	TAIL WHEEL MOUNT, WLD`MT
20	00003500	1	GREASE FITTING
21	02965777	2	PIVOT PIN
22	000760	2	NUT
23	02956947	1	BOLT
24	00001400	1	WASHER
25	00695100	1	NUT, TOPLOCK 5/8 NC PLC
26	00003500	2	GREASE FITTING
27	00752176	2	GREASE FITTING

LIFT CYLINDER ASY

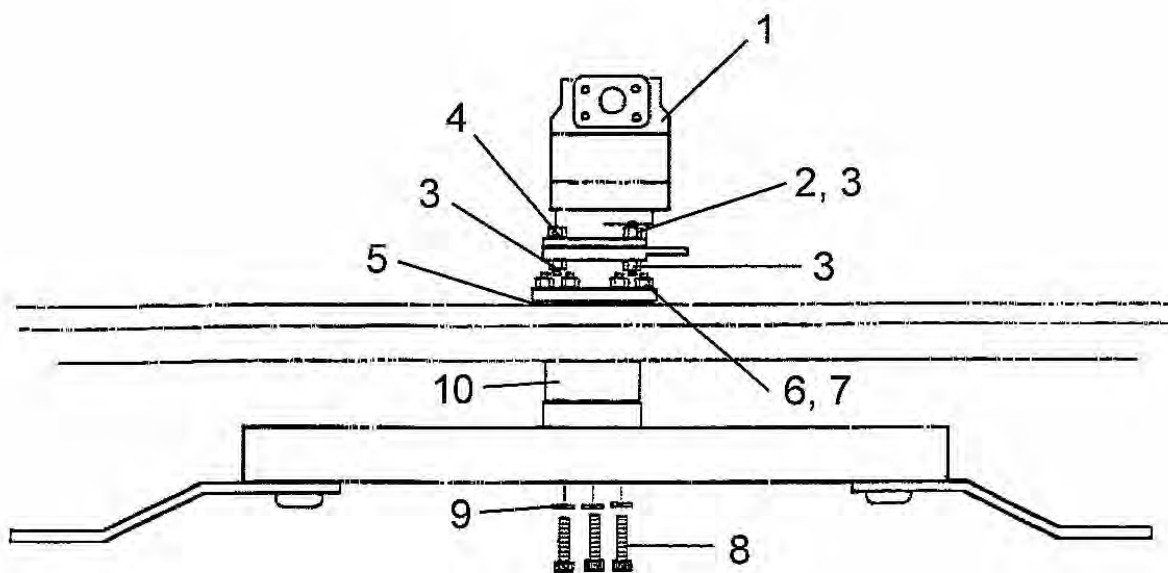


LIFT CYLINDER ASY

Continued...

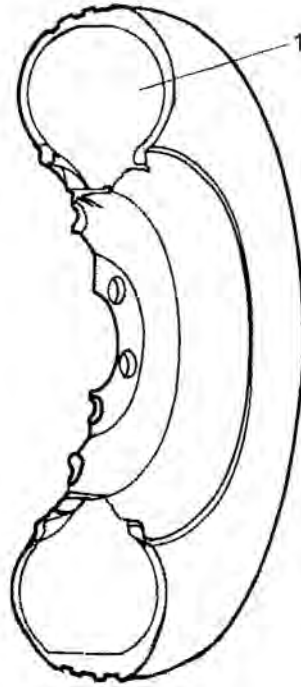
ITEM	PART NO.	QTY.	DESCRIPTION
1	02965063	1	CYLINDER
2	02965214	2	BEARING
3	00001800	4	LOCKNUT TLM 1/2 NC PLC
4	02964988	1	ACTUATOR
5	02965213	1	BEARING
6*	02964991	1	TILT LINK, WLD`MT
7	02965212	1	BEARING
8	00755153	3	COTTER PIN
9	02965112	1	LINK PIN
10	02276800	1	CLIP PIN
11	02965074	1	PIN
12	00002700	3	FLATWASHER
13	02030400	1	BOLT
14	00748823	5	BOLT
15	02963096	1	PIN
16	00763355	1	PIN
17	02965072	1	PIN
18	00756214	2	STABILIZER
19	02965070	1	TRANSPORT LINK
20	02961620	1	CLIP PIN
21	02965015	1	SPACER
*	02965113	1	TILT LINK ASY. (INCL.,ITEMS # 5,6,& 7)

MOTOR & SPINDLE ASY



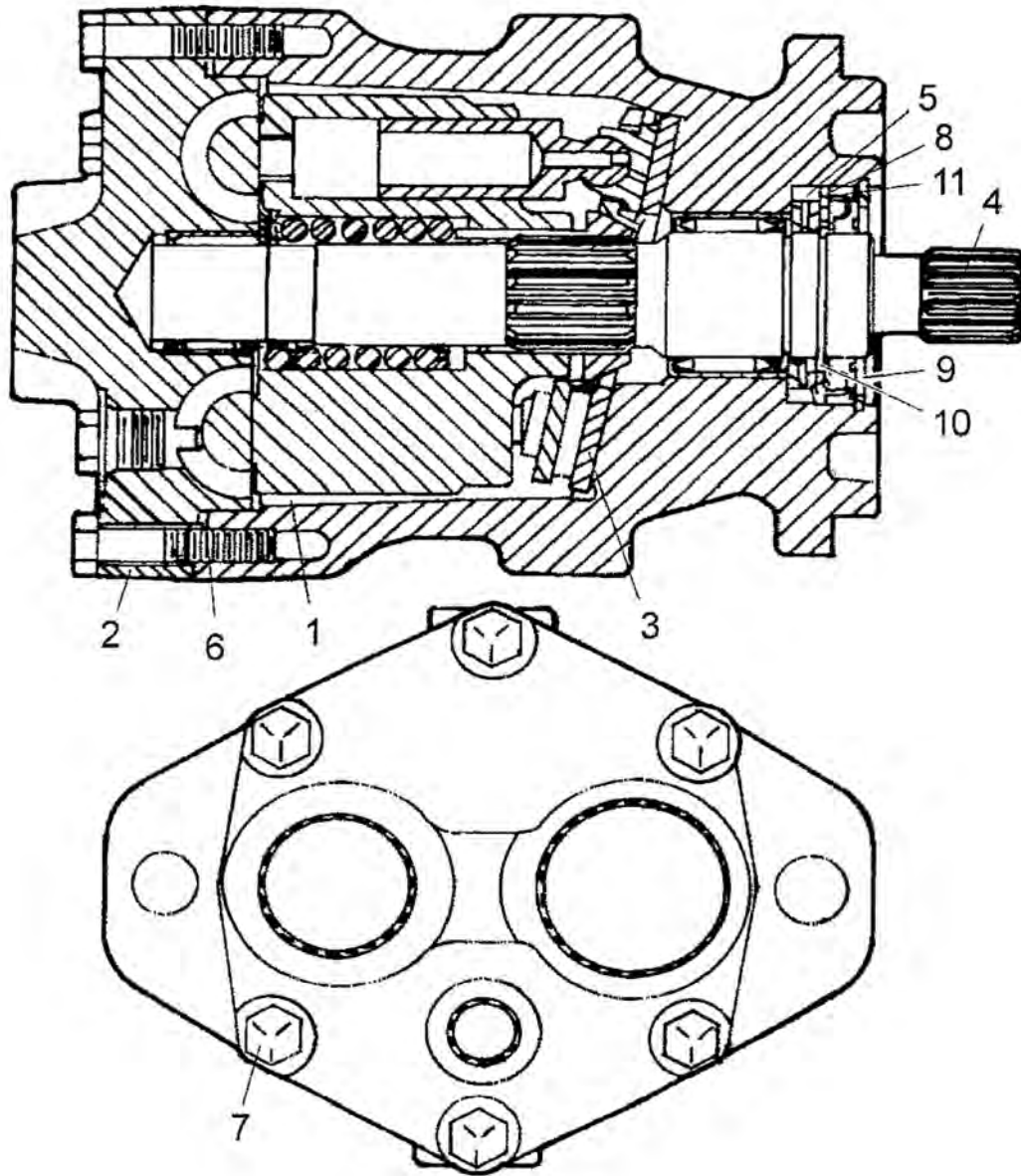
ITEM	PART NO.	QTY.	DESCRIPTION
1	02965670	1	MOTOR
2	02960951	2	DOUBLE END STUD
3	0001800	6	LOCKNUT TLM 1/2 NC PLC
4	02027400	2	HHCS 1/2 NC 2-1/4 PL5
5		1	
6	02960521	6	BOLT
7	00037200	6	LOCKNUT
8	02708700	4	BOLT
9	00003901	4	LOCKWASHER
10	02960553C	1	SPINDLE

PNUEMATIC TIRE - PN 00749700A



ITEM	PART NO.	QTY.	DESCRIPTION
1	00720302	1	TUBE, F/14 16 PLY TIRES

PUMP ASY

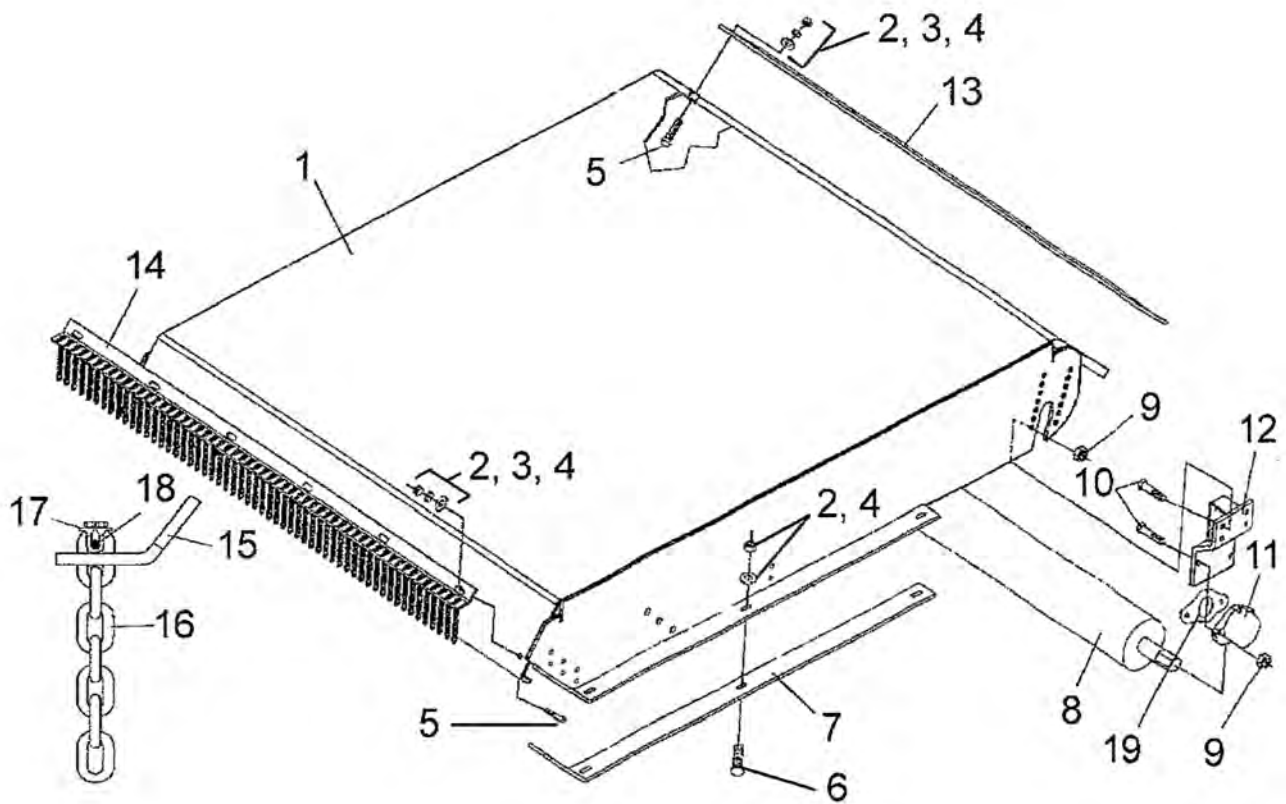


PUMP ASY

Continued...

ITEM	PART NO.	QTY.	DESCRIPTION
1	03200402	1	ROTATING KIT ASY.
2	02965235	1	BACK PLATE ASY.
3	03200408	1	CAMPLATE INSERT
4	03200404	1	SHAFT
5	001644	2	BEARING & CONE KIT
6	03200409	1	O - RING
7	02766400	6	BOLT
8	03200411	1	WASHER
9	03200412	1	RETAINING RING
10	03200413	2	RETAINING RING
11	03200414	1	SHAFT SEAL

ROTARY MOWER ASY



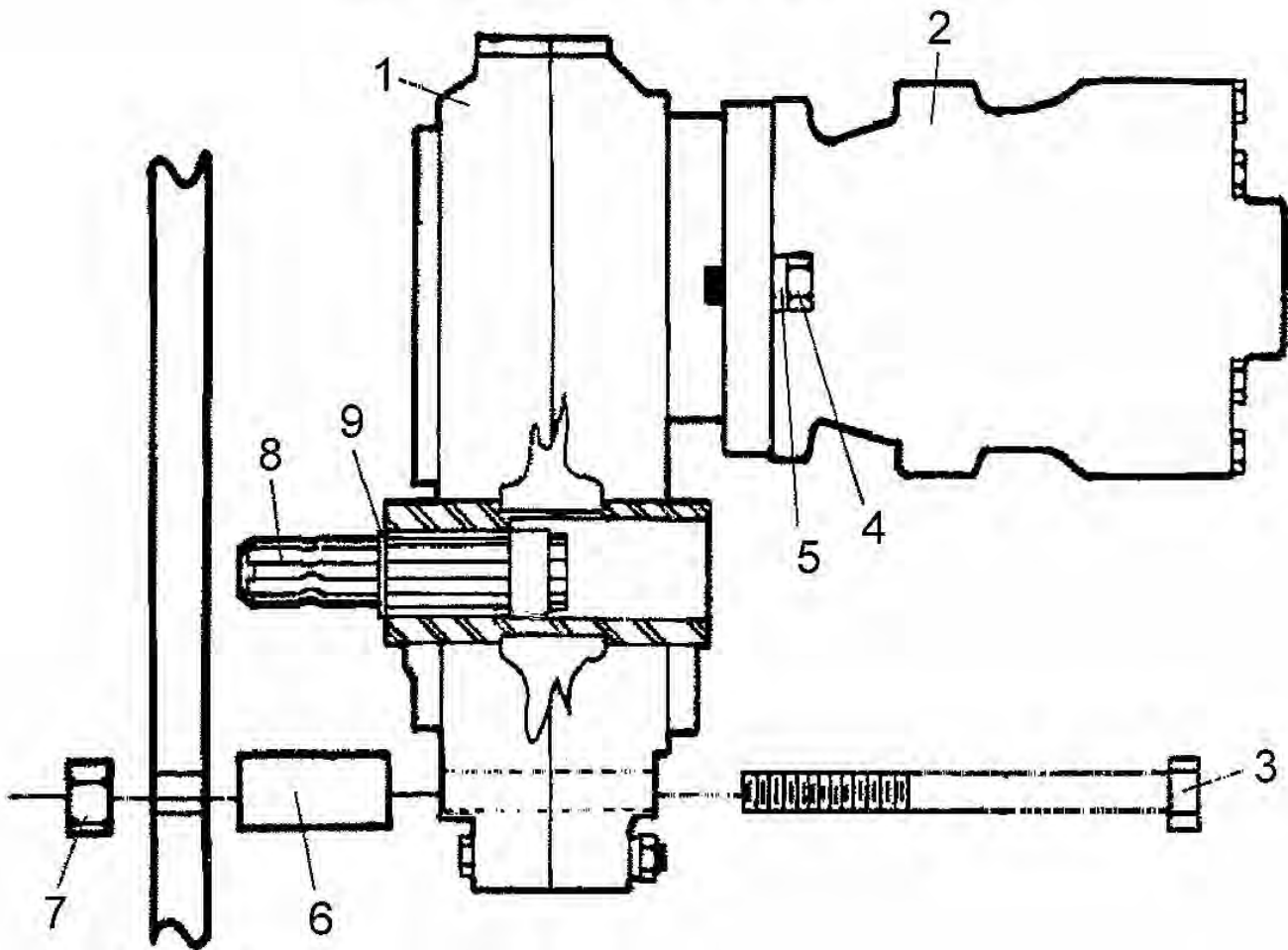
ROTARY MOWER ASY

Continued...

ITEM	PART NO.	QTY.	DESCRIPTION
1	02965732	1	DECK, WLD`MT
2	00015800	20	LOCKNUT
3	1360000	20	LOCKWASHER
4	00011100	20	FLATWASHER
5	00023100	12	BOLT
6	2A361612	8	BOLT
7	02965751	2	SKID SHOE
8	107784	1	ROLLER, WLD`MT
9	02979042	4	LOCKNUT
10	000516	4	CARRIAGE BOLT
11	703976	2	BEARING ASY.
	107340	2	BEARING HOUSING
	002486	2	BEARING
	002039	1	GREASE FITTING
12	107182	1	ROLLER MTG WLD`MT - LH
	107380	1	ROLLER MTG WLD`MT - RH
13	02885700	1	REAR FLAP
14	02965797	1	CHAIN GUARD ASY.
15	02965584	1	CHAIN GUARD BRKT.
16	00751127	56	CHAIN 5/16 WLD 8 LINK ZINC PL
17	00001000	2	CABLE CLAMP
18	00992000	1	CABLE
19	002037	1	SEAL

SPEED INCREASER & PUMP ASY (DISCONTINUED)

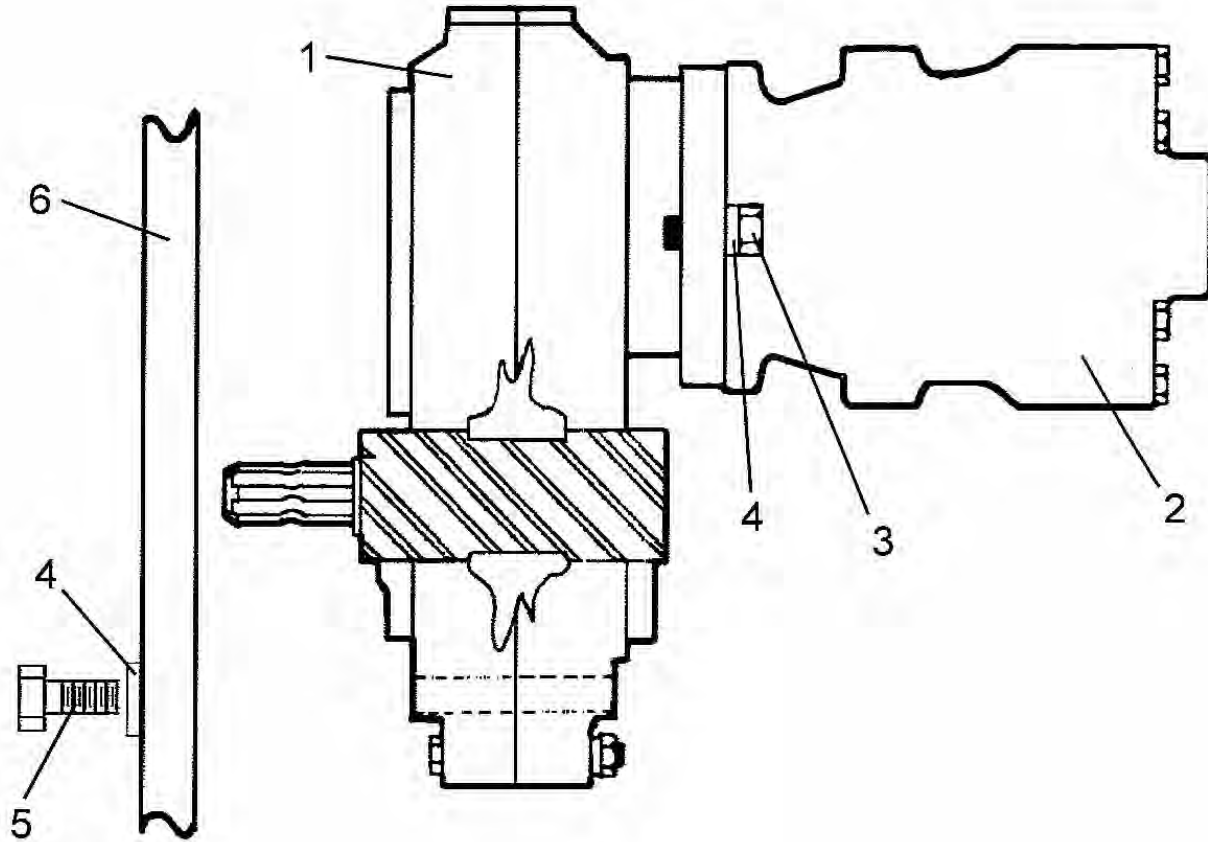
DISCONTINUED
FOR REPLACEMENT PARTS ONLY
S/N GK60 01012 and before



ITEM	PART NO.	QTY.	DESCRIPTION
1	02897900	1	SPEED INCREASER
2	002460	1	PUMP
3	02014200	4	BOLT
4	00750959	2	BOLT
5	00019600	2	LOCKWASHER
6	00752060	4	SPACER
7	00001800	4	LOCKNUT TLM 1/2 NC PLC
8	02965066	1	INPUT SHAFT
9	02965068	1	RETAINING RING

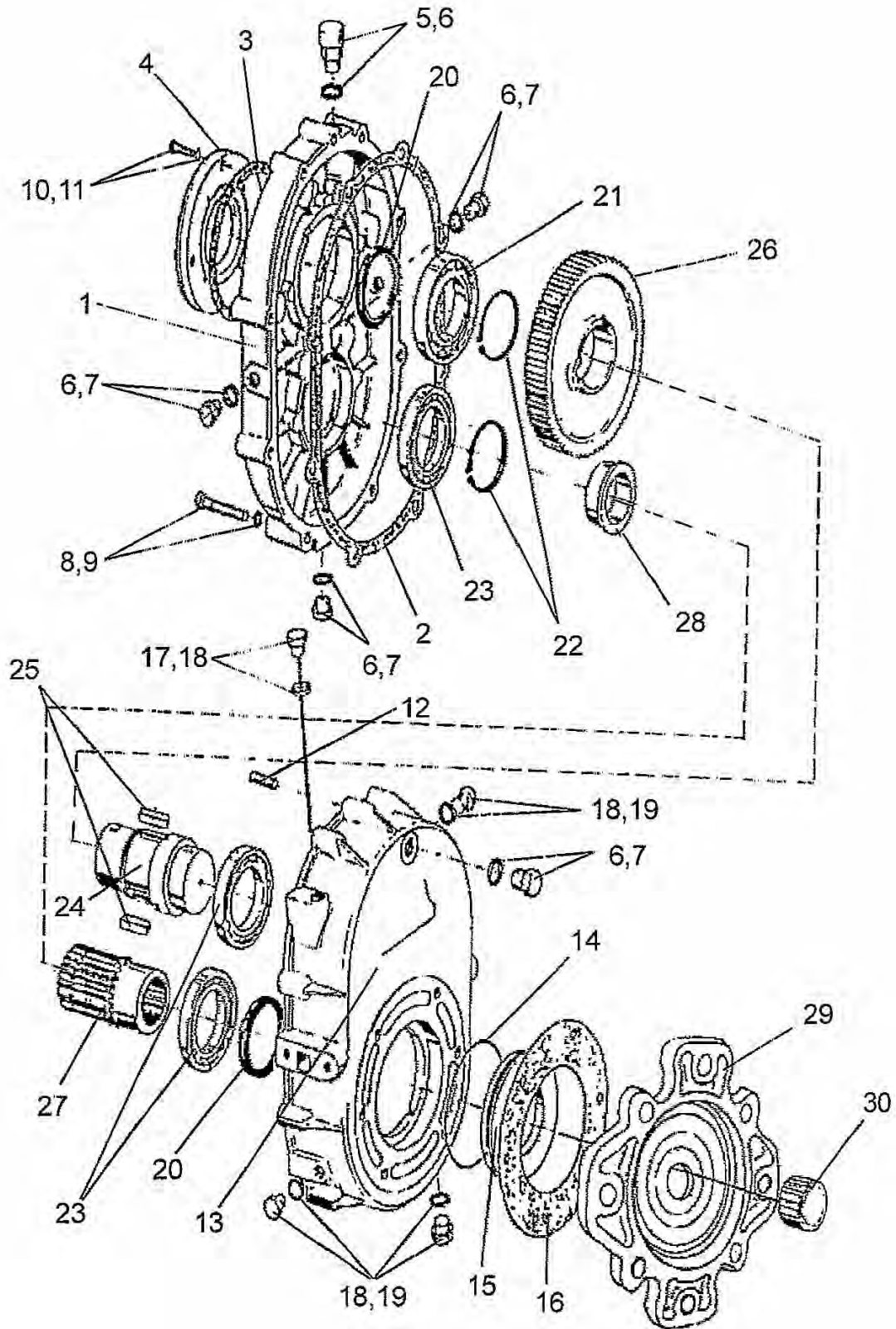
SPEED INCREASER & PUMP ASY (NEW STYLE)

NOTE: Speed Increaser has six mounting bolts on a 6.1" bolt circle.



ITEM	PART NO.	QTY.	DESCRIPTION
1	02967028	1	SPEED INCREASER
2	02996699	1	PUMP, 7/8" SHAFT
3	02959661	2	BOLT
4	00019600	8	LOCKWASHER
5	00756026	6	BOLT
6	02967015	-	A-FRAME

SPEED INCREASER ASY - PN 02967028 (540 RPM)

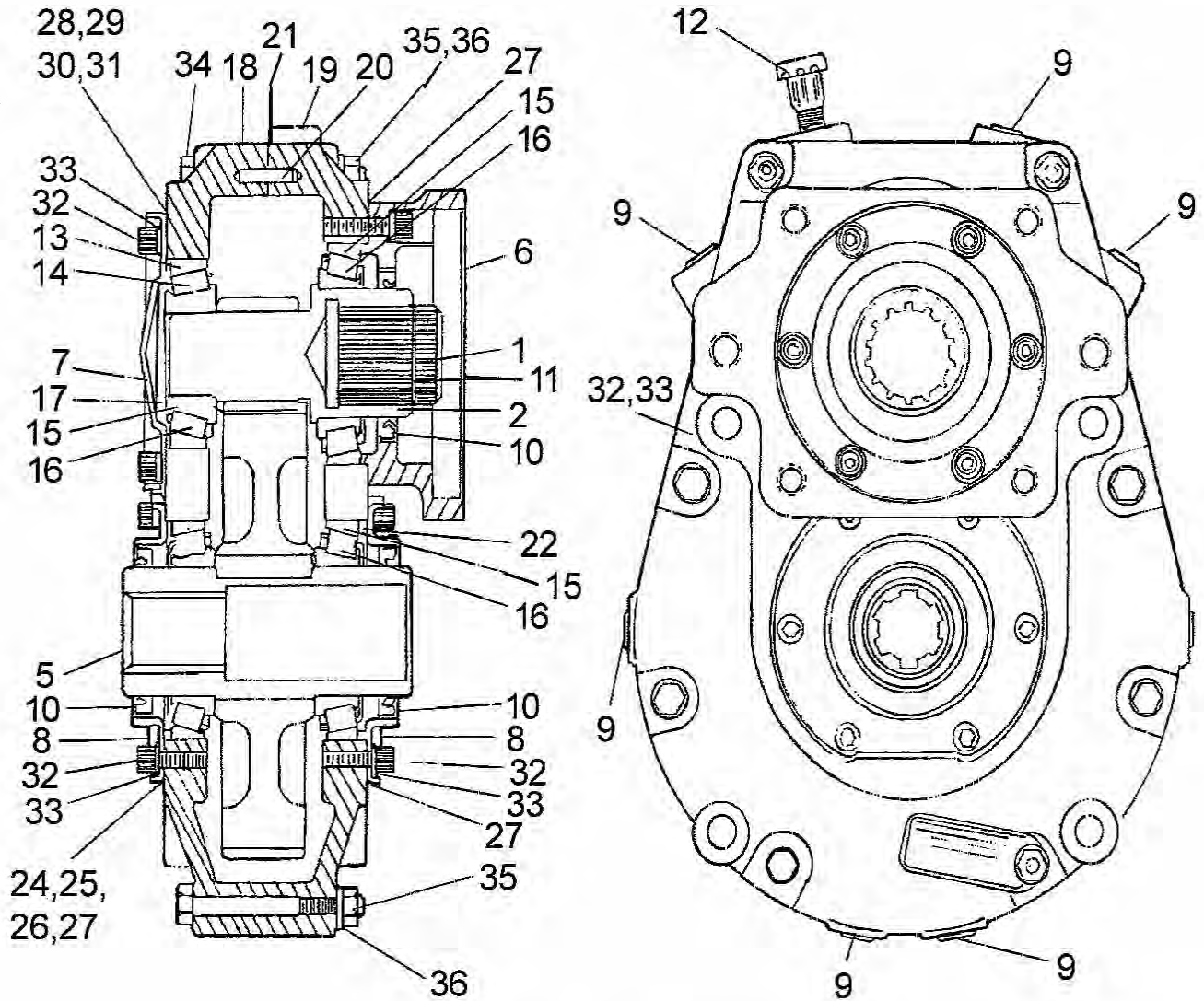


SPEED INCREASER ASY - PN 02967028 (540 RPM)

Continued...

ITEM	PART NO.	QTY.	DESCRIPTION
1	00754519	1	HOUSING
2	00754520	1	GASKET
3	00754521	1	GASKET
4	00754522	1	FLANGE
5	00754523	1	PLUG
6	00754524	4	GASKET
7	00754525	3	PLUG
8	00754526	3	LOCKWASHER
9	00754527	8	BOLT
10	00754528	4	LOCKWASHER
11	00754529	4	BOLT
12	00754530	2	DOWEL
13	00754531	1	HOUSING
14	00754532	1	GASKET
15	00754533	1	FLANGE
16	00754534	1	GASKET
17	00754535	1	BREATHER
18	00754536	5	GASKET
19	00754537	4	PLUG
20	00754538	2	SEAL
21	00754539	1	BEARING
22	00754540	1	RETAINING RING
23	00754541	3	BEARING
24	00754542	1	SHAFT
25	00754543	2	KEY
26	00754544	1	GEAR - 540 RPM
	00756532	1	GEAR - 1000 RPM
27	00754545	1	PINION - 540 RPM
	00756531	1	PINION - 1000 RPM
28	00754546	1	SPACER
29	00754950	1	PUMP FLANGE
30	02966731	-	SPLINED PUMP ADAPTER, 1" - 15 SPLINE
31	00754951	-	SPLINED PUMP ADAPTER, 7/8" - 13 SPLINE

P/N 02897900



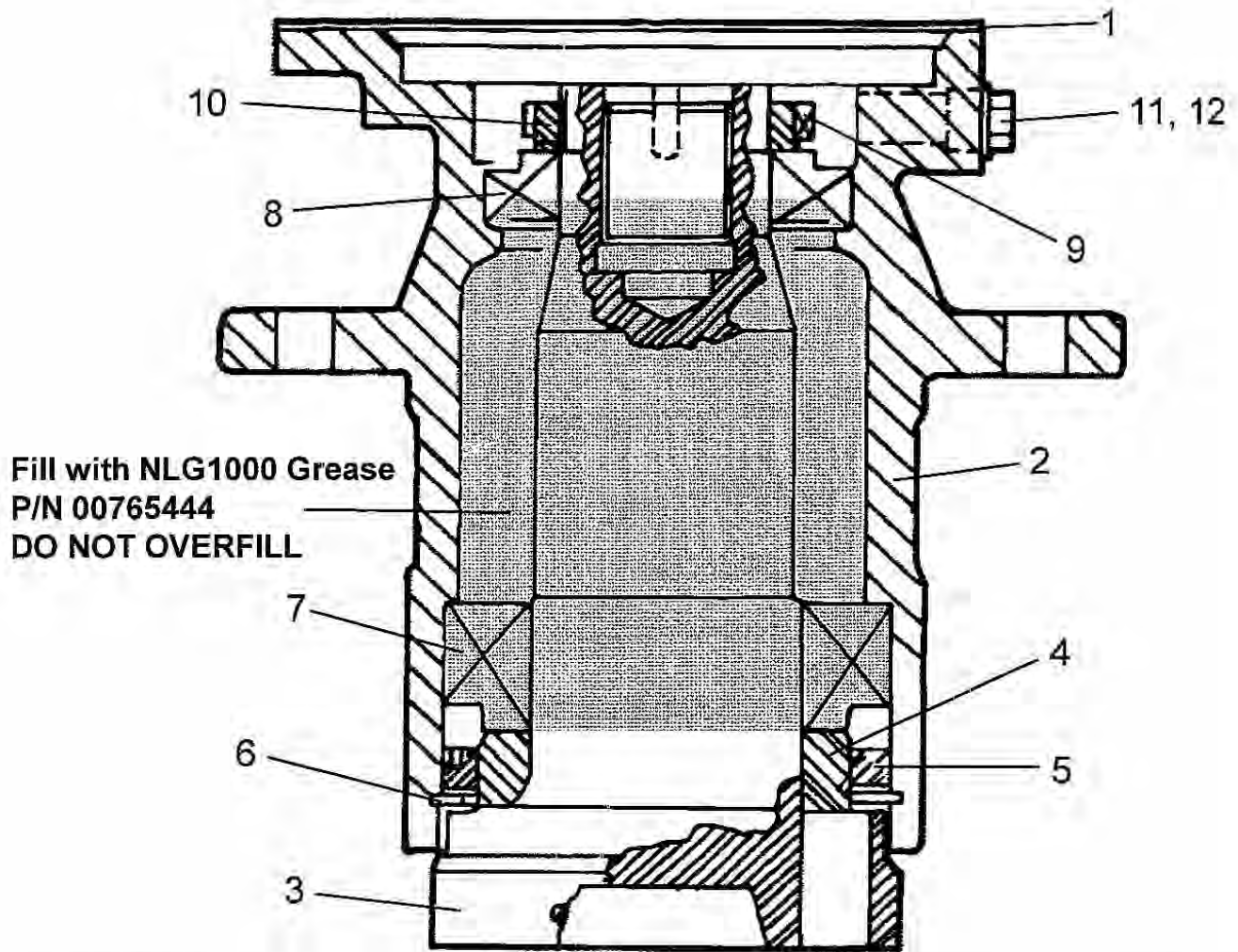
DISCONTINUED
FOR REPLACEMENT PARTS ONLY
S/N GK60 01012 and before

SPEED INCREASER REPLACEMENT PARTS - PN 02897900

Continued...

ITEM	PART NO.	QTY.	DESCRIPTION
1	02922700	1	SHAFT ADAPTER
5	02960663	1	GEAR
6	02922600	1	ADAPTER, PLATE
7	00751949	1	COVER, CLOSED
8	00751950	2	COVER, OPEN
9	00751970	8	PIPE PLUG
10	00751535	3	SEAL
11	00751954	1	RETAINING RING
12	00751942	1	BREATHER
13	00751951	1	BEARING CUP
14	00751533	1	BEARING CONE
15	00749201	3	BEARING CUP
16	00749200	3	BEARING CONE
17	00751953	1	SPACER RING
18	00751955	1	HOUSING
19	00751956	1	HOUSING
20	00751957	2	DOWEL
21	00751958	1	GASKET - .015
22	00751971	2	SPACER RING
24	00751959	-	SHIM .005 ALUM.
25	00751960	-	SHIM .007 ALUM.
26	00751961	-	SHIM .020 ALUM.
27	00751962	3	SHIM .005 FIBRE.
28	00751963	-	SHIM .005 ALUM.
29	00751964	1	SHIM .005 FIBRE.
30	00751965	-	SHIM .007 ALUM.
31	00751966	-	SHIM .020 ALUM.
32	00751967	24	BOLT
33	00751968	24	LOCKWASHER
34	00751969	8	BOLT
35	00013901	8	HEX NUT
36	00012101	8	LOCKWASHER
	00752772	1	MAGNETIC PLUG

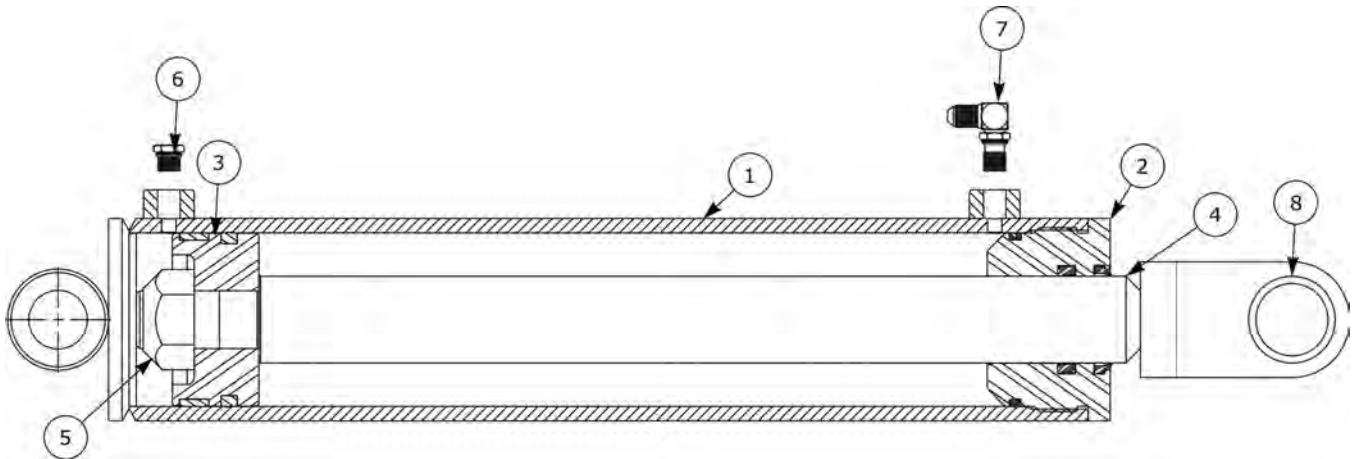
SPINDLE HOUSING & SPINDLE ASY - PN 02960553C



NOTE: For proper assembly, see Operator's Manual - Maintenance Section.

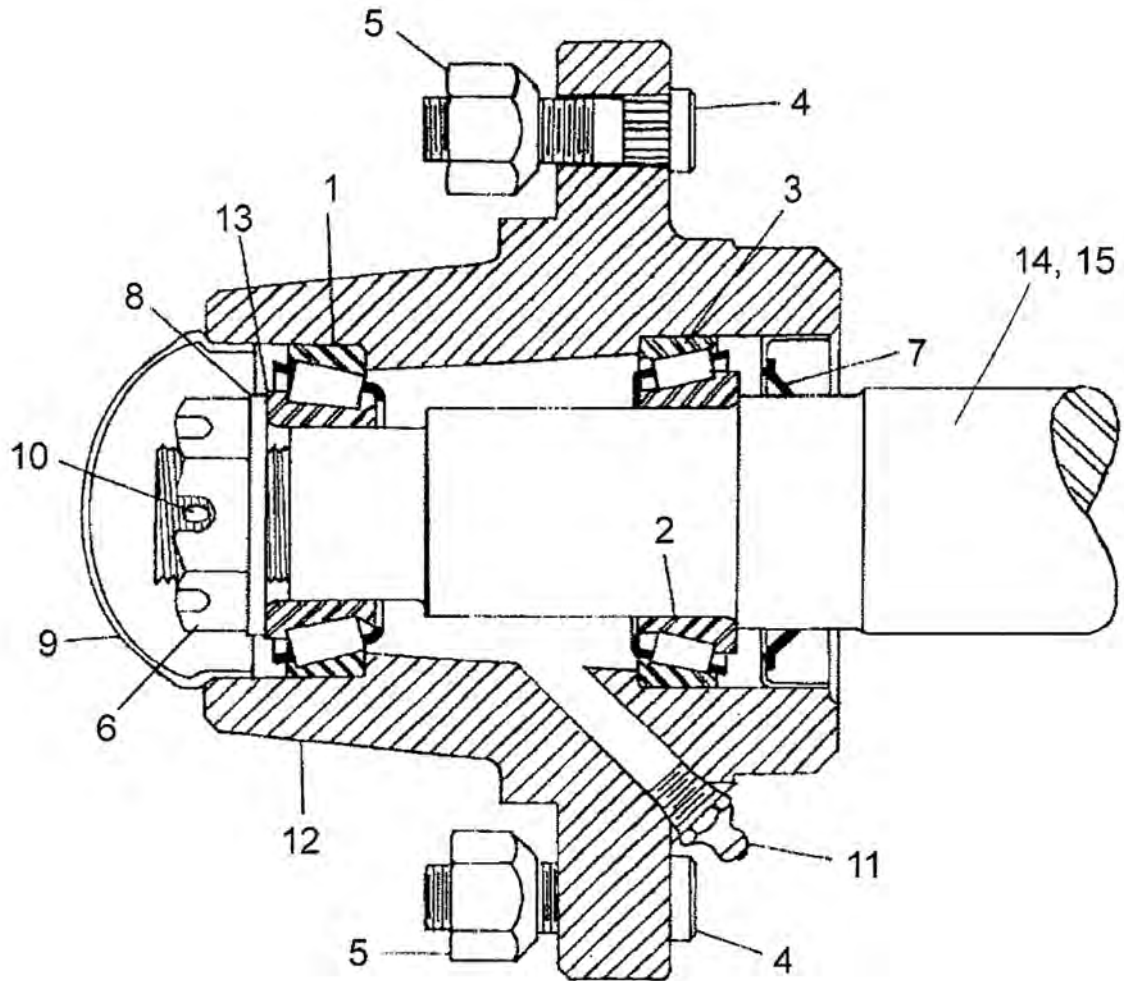
ITEM	PART NO.	QTY.	DESCRIPTION
1		1	
2	02960562C	1	HOUSING
3	02960561	1	SPINDLE
4	02960558	1	BEARING RING
5	02960559	1	SEAL
6	00754627	1	SNAP RING
7	02960557	1	SPINDLE CUP & CONE ASY.
8	00755628	1	BEARING
9	02964269	1	LOCKWASHER
10	02962030	1	LOCKNUT
11	00754634	1	GREASE PLUG
12	02959860	1	PRESSURE RELIEF PLUG

TILT CYLINDER ASY - PN 02965063



ITEM	PART NO.	QTY.	DESCRIPTION
	02961476B	1	HYD CYLINDER 3BORE X 12-5/8
1	02975619	1	WLDMT TUBE 3.00-12.62-W
2	02975450	1	HEAD,CYLINDER 3 X 1.50
3	02975454	1	PISTON 3.00-1.00-S-WR-PSP
4	02975620	1	WLDMT ROD 1.50-12.62-W
5	5JRC16140	1	LOCKNUT TLM 1 NF PL
6	02960054	1	PLUG #4 MB W/T-VENT & O-RING
7	02960018	1	ADP HYD ELBOW 4MB-4MJ90
8	02965214	2	BEARING-TEFLON IMPREG.
	02975530	1	SEAL KIT

WHEEL HUB ASY



WHEEL HUB ASY

Continued...

ITEM	PART NO.	QTY.	DESCRIPTION
1	00756576	1	BEARING CUP - OUTSIDE
2	00750434	1	BEARING CONE - INSIDE
3	00756577	1	BEARING CUP - INSIDE
4	00752177	5	STUD BOLT - 1/2" DIA. HOLE
	13198	5	STUD BOLT - 5/8" DIA. HOLE
5	00750614	5	NUT
6	00756490	1	BEARING ADJUSTING NUT
7	00756491	1	SEAL
8	00756493	1	WASHER
9	00756492	1	DUST CAP
10	00000400	1	COTTER PIN
11	00003500	1	GREASE FITTING
12	00756000	1	WHEEL HUB
13	0371242102	1	BEARING CONE
14	00756001	-	SPINDLE
	00756489	-	HUB, W/ CUPS & STUBS
	00756528	-	WHEEL HUB ACCESS. KIT
15	00756002	-	SPINDLE DUAL WHEEL



TO THE OWNER/OPERATOR/DEALER

To keep your implement running efficiently and safely, read your manuals thoroughly and follow these directions and the Safety Messages in this Manual. The Table of Contents clearly identifies each section where you can easily find the information you need.

The OCCUPATIONAL SAFETY AND HEALTH ACT (1928.51 Subpart C) makes these minimum safety requirements of tractor operators:

REQUIRED OF THE OWNER

1. Provide a Roll-Over-Protective Structure that meets the requirements of this standard.
2. Provide seat belts that meet the requirements of this paragraph of this standard and SAE J4C.
3. Ensure that each employee uses such seat belt while the tractor is moving.
4. Ensure that each employee tightens the seat belt sufficiently to confine the employee to the protected area provided by the ROPS.

REQUIRED OF THE OPERATOR

1. Securely fasten seat belt if the tractor has a ROPS.
2. Where possible, avoid operating the tractor near ditches, embankments, and holes.
3. Reduce speed when turning, crossing slopes, and on rough, slick, or muddy surfaces.
4. Stay off slopes too steep for safe operation.
5. Watch where you are going, especially at row ends, on roads, and around trees.
6. Do not permit others to ride.
7. Operate the tractor smoothly, no jerky turns, starts, or stops.
8. Hitch only to the draw bar and hitch points recommended by the tractor manufacturer.
9. When the tractor is stopped, set brakes securely and use park lock, if available.



Keep children away from danger all day, every day...



Equip tractors with rollover protection (ROPS) and keep all machinery guards in place...



Please work, drive, play and live each day with care and concern for your safety and that of your family and fellow citizens.

ALAMO INDUSTRIAL

Limited Warranty

1. Limited Warranties

- 1.01. Alamo industrial warrants for one year from the purchase date to the original non-commercial, governmental, or municipal purchaser ("purchaser") and warrants for six months to the original commercial or industrial purchaser ("purchaser") that the goods purchased are free from defects in material or workmanship.
- 1.02. Manufacturer will replace for the purchaser any part or parts found, upon examination at one of its factories, to be defective under normal use and service due to defects in material or workmanship.
- 1.03. This limited warranty does not apply to any part of the goods which has been subjected to improper or abnormal use, negligence, alteration, modification, or accident, damaged due to lack of maintenance or use of wrong fuel, oil, or lubricants, or which has served its normal life. This limited warranty does not apply to any part of any internal combustion engine, or expendable items such as blades, shields, guards, or pneumatic tires except as specifically found in your operator's manual.
- 1.04. Except as provided herein, no employee, agent, dealer, or other person is authorized to give any warranties of any nature on behalf of manufacturer.

2. Remedies And Procedures

- 2.01. This limited warranty is not effective unless the purchaser returns the registration and warranty form to manufacturer within 30 days of purchase.
- 2.02. Purchaser claims must be made in writing to the authorized dealer ("dealer") from whom purchaser purchased the goods or an approved authorized dealer ("dealer") within 30 days after purchaser learns of the facts on which the claim is based.
- 2.03. Purchaser is responsible for returning the goods in question to the dealer.
- 2.04. If after examining the goods and/or parts in question, manufacturer finds them to be defective under normal use and service due to defects in material or workmanship, manufacturer will:
 - (A) repair or replace the defective goods or part(s) or
 - (B) reimburse purchaser for the cost of the part(s) and reasonable labor charges (as determined by manufacturer) if purchaser paid for the repair and/or replacement prior to the final determination of applicability of the warranty by manufacturer. The choice of remedy shall belong to manufacturer.
- 2.05. Purchaser is responsible for any labor charges exceeding a reasonable amount as determined by manufacturer and for returning the goods to the dealer, whether or not the claim is approved. Purchaser is responsible for the transportation cost for the goods or part(s) from the dealer to the designated factory.

3. Limitation Of Liability

- 3.01. Manufacturer disclaims any express (except as set forth herein) and implied warranties with respect to the goods including, but not limited to, merchantability and fitness for a particular purpose.
- 3.02. Manufacturer makes no warranty as to the design, capability, capacity, or suitability for use of the goods.
- 3.03. Except as provided herein, manufacturer shall have no liability or responsibility to purchaser or any other person or entity with respect to any liability, loss, or damage caused or alleged to be caused directly or indirectly by the goods including, but not limited to, any indirect, special, consequential, or incidental damages resulting from the use or operation of the goods or any breach of this warranty. Notwithstanding the above limitations and warranties, manufacturer's liability hereunder for damages incurred by purchaser or others shall not exceed the price of the goods.
- 3.04. No action arising out of any claimed breach of this warranty or transactions under this warranty may be brought more than two (2) years after the cause of action has occurred.

4. Miscellaneous

- 4.01. Proper venue for any lawsuits arising from or related to this limited warranty shall be only in Guadalupe county, Texas.
- 4.02. Manufacturer may waive compliance with any of the terms of this limited warranty, but no waiver of any terms shall be deemed to be a waiver of any other term.
- 4.03. If any provision of this limited warranty shall violate any applicable law and is held to be unenforceable, then the invalidity of such provision shall not invalidate any other provisions herein.
- 4.04. Applicable law may provide rights and benefits to purchaser in addition to those provided herein.

Keep for your records

Attention: Purchaser should fill in the blanks below for his reference when buying repair parts and/or for proper machine identification when applying for warranty.

Alamo Industrial Implement Model _____ Serial Number _____
Date Purchased _____ Dealer _____

Attention:
Read your operator's manual



ALAMO INDUSTRIAL
1502 E. Walnut
Seguin, Texas 78155
830-379-1480



BUILT SHARPER®

An Alamo Group Company

1502 E. Walnut St.
Seguin, Texas 78155



Sales and Marketing

Tel 800.882.5762

Fax 830.379.0864

support@alamo-industrial.com

Warranty Registration/Claims

www.alamoparts.com

Return Authorizations

Online Part Orders

Technical Information

www.alamoparts.com

Tel 800.356.6286

Fax 800.322.5141

www.alamo-industrial.com

