



# BRAHMA

Flail - Rotary Mower

Rev 05-20

Part No. 02968822P

## PARTS MANUAL



### ALAMO INDUSTRIAL

1502 E. Walnut  
Seguin, Texas 78155  
830-372-9595

#### ¡ATENCIÓN!

LEA EL INSTRUCTIVO

Si No Lee Ingles, Pida Ayuda a Alguien  
Que Si Lo Lea Para Que le Traduzca las  
Medidas de Seguridad.



An Operator's Manual was shipped with the equipment in the Manual Canister. This Operator's Manual is an integral part of the safe operation of this machine and must be maintained with the unit at all times. **READ, UNDERSTAND, and FOLLOW** the Safety and Operation Instructions contained in this manual before operating the equipment. If the Operator's Manual is not with the equipment, contact your dealer or Alamo Industrial (800-356-6286) to obtain a Free copy before operating the equipment.



# BOLT TORQUE

Mounting procedures for mowers will require a significant amount of bolt nut and washer installation.

Frame and structure mounting bolts should be installed using *Red Loctite*, and torqued to the dry values listed in the torque chart based on the bolt size and hardness.

Other structures such as pump mounting bolts should be installed with *Blue Loctite* and torqued to the dry values indicated in the chart.

Bolt tightness should be completed with and checked with a suitable torque wrench.

Torque checks should be completed throughout the life of the mower in accordance with the maintenance chart provided in this manual.



Loose bolts on a frame or in a casting may be a result of:

- Vibration from the mower due to imbalance of the mower blades
- Pulled threads due to over tightening
- Distortion of the hole due to under tightening during installation

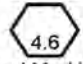
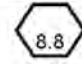
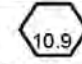
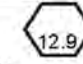
Bolts broken or sheared in the mounting structure or tractor may be the result of:

- Improper alignment of the Mounting Plate or Structure such that it is not sitting flat on the mating surface
- Distortion of the bolt due to over-tightening
- Under tightening of the bolts

Check the bolt torque during installation and prior to delivery with a suitable torque wrench.

Bolt Diameter		
	Head Marking Three Lines Grade Five	Head Marking Six Lines Grade Eight
	Pound - Foot Value Dry	Pound - Foot Value Dry
1/4"	7	10
5/16"	15	22
3/8"	26	39
7/16"	42	60
1/2"	64	88
9/16"	100	134
5/8"	128	180
3/4"	227	320
7/8"	365	515
1"	547	772

To get Newton-Meters multiply pound-foot of torque by 1.356

Bolt Diameter				
	Head Marking 4.6	Head Marking 8.8 or 9.8	Head Marking 10.9	Head Marking 12.9
	Pound - Foot Value Dry	Pound - Foot Value Dry	Pound - Foot Value Dry	Pound - Foot Value Dry
6mm	3	7	9	10
8mm	6.2	16	23	24
10mm	12	32	45	47
12mm	21	55	79	81
14mm	34	88	126	130
16mm	53	137	196	202
18mm	73	189	270	279
20mm	104	267	382	394
22mm	141	364	520	537
24mm	179	461	660	680
27mm	262	676	968	998
30mm	355	917	1312	1353



# TO THE OWNER/OPERATOR/DEALER

All implements with moving parts are potentially hazardous. There is no substitute for a cautious, safe-minded operator who recognizes the potential hazards and follows reasonable safety practices. The manufacturer has designed this implement to be used with all its safety equipment properly attached to minimize the chance of accidents.

**BEFORE YOU START!!** Read the safety messages on the implement and shown in your manual.  
Observe the rules of safety and common sense!

## ! DANGER

**FAILING TO FOLLOW SAFETY MESSAGES AND OPERATING INSTRUCTION CAN CAUSE SERIOUS BODILY INJURY OR EVEN DEATH TO OPERATOR AND OTHERS IN THE AREA.**

<b>1.</b> 	<b>2. NO RIDERS. NO CHILDREN OPERATORS</b> 	<b>3. USE SAFETY SHOES, HARD HAT, SAFETY GLASSES, SEAT BELTS, ROPS &amp; OPS.</b> 	<b>4. BLOCK UP SECURELY BEFORE WORKING UNDER.</b> 
--	---	---	--

1. Study and understand Operator's Manuals, Safety Decals, and Instructional Decals for tractor and implement to prevent misuse, abuse, and accidents. Practice before operating in a confined area or near passersby.
  - Learn how to stop engine suddenly in an emergency. Be alert for passersby and especially children.
2. Allow no children on or near folding mower or tractor. Allow no riders on tractor or implement. Falling off may cause serious injury or death from being run over by tractor or mower or contact with rotating blades.
3. Operate only with tractor having Roll-Over Protective Structure (ROPS) and with seat belt securely fastened to prevent injury and possible death from falling off or tractor overturn.
  - Personal Protective Equipment such as Hard Hat, Safety Glasses, Safety Shoes, & Ear Plugs are recommended.
4. Block up or support raised machine and all lifted components securely before putting hands or feet under or working underneath any lifted component to prevent crushing injury or death from sudden dropping or inadvertent operation of controls. Make certain area is clear before lowering or folding.
5. Before transporting, put Lift Lever in detent or full-lift position. Install Transport Safety Devices securely on folding mowers. Put Booms securely in Transport Rest.
  - Folding and Boom Mowers have raised center of gravity. Slow down when turning and on hillsides.
6. Make certain that SMV sign, warning lights, and reflectors are clearly visible. Follow local traffic codes.
7. Never operate with Cutting Head or Folding Section raised if passersby, bystanders, or traffic are in the area to reduce possibility of injury or death from objects thrown by Blades under Guards or mower structure.
8. Before dismounting, secure implement in transport position or lower to ground.
  - Put tractor in park or set brake, disengage PTO, stop engine, remove key, and wait until noise of rotation has ceased to prevent crushing by entanglement in rotating parts which could cause injury or death.
  - Never mount or dismount a moving vehicle. Crushing from runover may cause serious injury or death.

<b>5. TRANSPORT SAFELY, LOCK UP.</b> 	<b>6. USE SMV, LIGHTS, &amp; REFLECTORS.</b> 	<b>7. DO NOT OPERATE WITH CUTTER OR WING RAISED</b> 	<b>8. DO NOT MOUNT OR DISMOUNT WHILE MOVING.</b> 
---	---	---	---

02967827

## WARRANTY INFORMATION:

Read and understand the complete Warranty Statement found in this Manual. Fill out the Warranty Registration Form in full and return it within 30 Days. Make certain the Serial Number of the Machine is recorded on the Warranty Card and on the Warranty Form that you retain. The use of "will-fit" parts will void your warranty and can cause catastrophic failure with possible injury or death.

# CHANGE PAGES

Date of Change	Page Number
04-03-2013	(EXAMPLE ONLY: ECN##### - chg pages 17, 23, 137)
04-03-2013	document release date
06-03-2013	chg pgs 56-58
11-11-2014	chg pgs 22,52,54
01-06-2014	chg pg 48-49
03-29-2017	chg pgs 8,10,12,14,15,16
03-27-2018	chg pgs 30-32
12-03-2018	chg pgs 31
10-18-2019	chg pg 30
05-29-2020	added pg 42 ECN

## CHANGE PAGES

The following is a listing of pages that have been changed since the latest publication date for the overall document.

# PARTS ORDERING GUIDE

The following instructions are offered to help eliminate needless delay and error in processing purchase orders for the equipment in this section.

1. The Parts Section is prepared in logical sequence and grouping of parts that belong to the basic machine featured in this manual. Part Numbers and Descriptions are given to help locate the parts and quantities required.
2. The Purchase Order must include the name and address of the person or organization ordering the parts, who should be charged, and if possible, the serial number of the machine for which the parts are ordered.
3. The Purchase Order must clearly list the quantity of each part, the complete and correct part number (be sure to include all periods), and the basic name of the part.
4. The Manufacturer reserves the right to substitute parts where applicable.
5. Some parts are unlisted items which are special production items not normally stocked and are subject to special handling. Request a quotation for such parts before sending a Purchase Order.
6. The Manufacturer reserves the right to change prices without prior notice.

**Note:** *Please refer to The Safety Section in the front of this Manual for the proper part number when ordering replacement safety decals.*



For maximum safety and to guarantee optimum product reliability, always use genuine Alamo Industrial Parts. The use of inferior replacement parts may cause premature or catastrophic failure which could result in serious injury or death. Direct any questions regarding parts to:



## ALAMO INDUSTRIAL

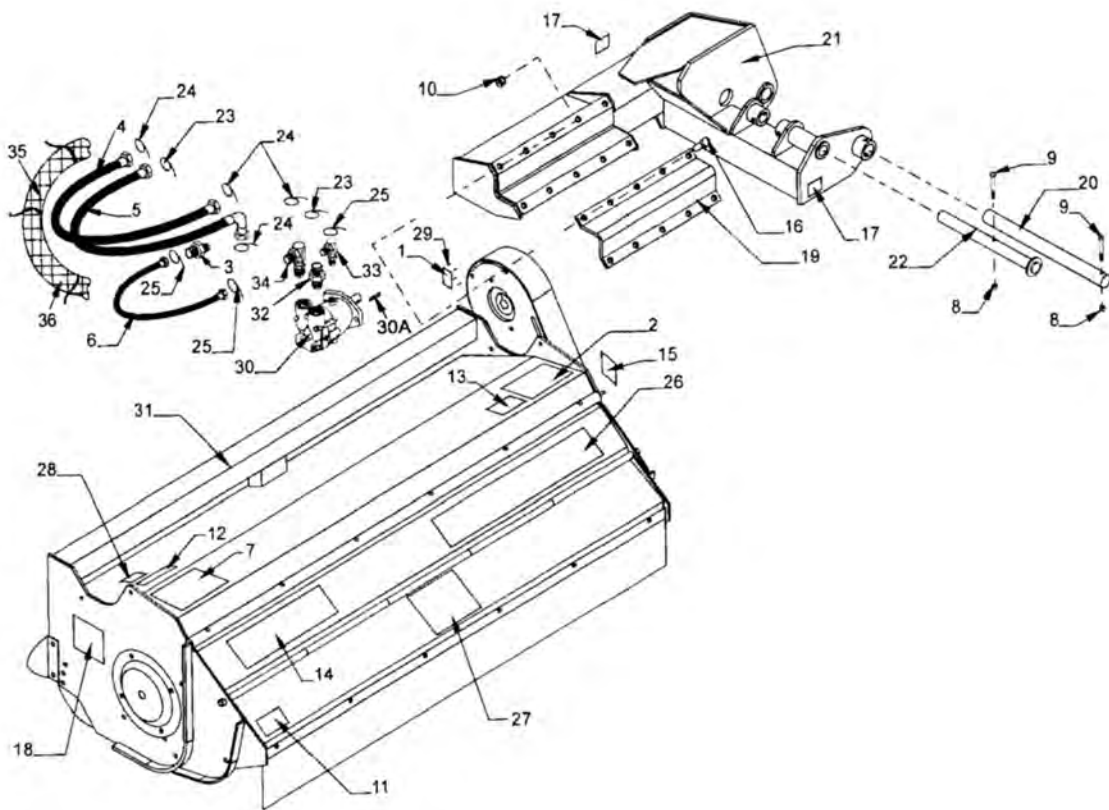
1502 E. Walnut  
Seguin, Texas 78155  
830-379-1480

## PART NAME INDEX

FLAIL HEAD ASY - 60 INCH (PART 1) - PN 02968984.....	4
FLAIL HEAD ASY - 60 INCH (PART 2) - PN 02968984.....	6
FLAIL HEAD SUB-ASY 1500.....	8
FLAIL HEAD SUB-ASY 2000.....	10
PULLEY ASY - FLAIL HEAD 1500 & 2000.....	12
ROLLER ASY - FLAIL HEAD 1500 & 2000.....	14
BEARING ASY - 2000 FLAIL HEAD.....	15
BEARING ASY - 1500 FLAIL HEAD.....	16
ROTOR SHAFT ASY - FLAIL HEAD 60 INCH.....	17
ROTOR SHAFT ASY - FLAIL HEAD 80 INCH.....	18
BLADE CARRIER ASY - PAN - PN 02964456.....	19
BLADE CARRIER ASY - BAR - PN 02965737.....	20
ROTARY HEAD ASY.....	22
ROTARY HEAD ASY (NEW STYLE).....	24
ROTARY HEAD SUB-ASY.....	26
ROTARY HEAD PRE-ASY (NEW STYLE).....	28
ROTARY HEAD - MOTOR ASY PARTS - PN 02979881.....	30
ROLLER ASY - ROTARY HEAD (OPTION).....	32
CHAIN GUARD ASY - FRONT (DEEP DECK) - PN 02965797.....	33
COMMON BOX PARTS - PN 02969093.....	34
CONTROL VALVE ASY - SN 01241 (05-06) & DOWN - PN 02969613.....	36
CONTROL VALVE ASY - SN 01242 (06-06) & UP -PN 02981363.....	38
CYLINDER ASY - LIFT - PN 0296023A.....	40
CYLINDER ASY - TILT - PN 02968024A.....	41
PRE ASY BRAHMA TANK BOSCH PUMP P/N 32120946.....	42
HYDRAULIC TANK SUB-ASY - PN 02981211.....	44
MOTOR & SPINDLE ASY - PN 02969096.....	46
SPINDLE & HOUSING ASY - PN 02960553B.....	48
MOTOR ASY - FLAIL HEAD.....	50
MOTOR ASY - FLAIL HEAD PARTS.....	51
MOUNTING ARM ASY - PN 02979631.....	53
OIL RESERVOIR ASY - PN 02968168.....	55
SERVO CONTROLLED PISTON PUMP ASY (PART 1) - PN 02969527A.....	57
SERVO CONTROLLED PISTON PUMP ASY (PART 2) - PN 02969527A.....	59
CHARGE PUMP ADAPTER SUB-ASY - (SN 01001 TO CURRENT) - PN 02977450.....	61
GAUGE WHEEL, SIDE MOUNT, DEEP DECK (OPTION) - PN 02966070.....	63



FLAIL HEAD ASY - 60 INCH (PART 1) - PN 02968984

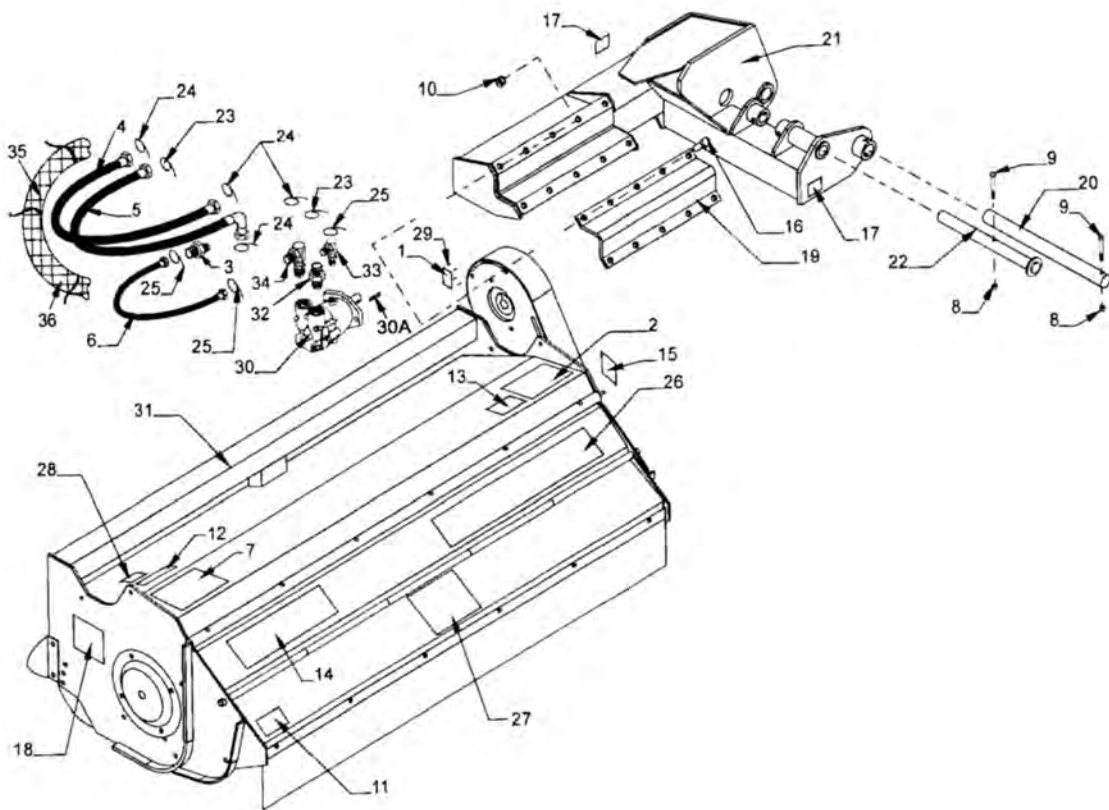


**FLAIL HEAD ASY - 60 INCH (PART 1) - PN 02968984**

**Continued...**

<b>ITEM</b>	<b>PART NO.</b>	<b>QTY.</b>	<b>DESCRIPTION</b>
	02968984	1	HEAD ASY, 60" FLAIL ( 1500 HEAD )
	02968985	1	HEAD ASY, 80" FLAIL ( 2000 HEAD )
1	NFS	1	SERIAL PLATE - BRAHMA
2	000108	1	DECAL, OPERATING INSTRUCTIONS , FLAIL
3	02969464	1	ADAPTER REDUCER
4	02979128	1	PRESSURE HOSE ( RED )
5	02979127	1	RETURN HOSE, W/90 DEG ELBOW ( ORANGE )
6	02970705	1	CASE DRAIN HOSE ( BLUE )
7	002369	1	DECAL, MULTI-HAZARD FLAIL
8	00015800	2	LOCKNUT
9	00059900	2	BOLT
10	00695100	10	NUT, TOPLOCK 5/8 NC PLC
11	00725739	1	DECAL, USE REPAIR SHIELDS / GUARDS
12	00725746	1	DECAL, SPANISH, TRANSLATE SAFETY MATERIAL
13	00756059	1	DECAL, DANGER OIL LEAK
14	00757139	1	DECAL, ALAMO GROUP ( 5X19 )
15	00758194	1	DECAL, PINCH POINT V-BELT
16	02845500	10	HEX BOLT
17	02962764	2	DECAL, PINCH POINT SCISSORS
18	02967668	1	DECAL, CUTTING BLADES / THROWN OBJECTS , FLAIL
19	02976663	1	CLAMP PLATE
20	02968274	1	MOWER HEAD MOUNT PIN
21	02976694	1	MOWER HEAD MOUNT WLD'MT
22	02968561	1	HEAD LINK PIN WLD'MT
23	02968896	3	VINYL TAPE BLUE 1/2" WIDE
24	02968894	3	VINYL TAPE RED 1/2" WIDE
25	02991249	3	VINYL TAPE GREEN 1/2" WIDE
26	02969647	1	DECAL, BRAHMA 30"
27	02969648	1	DECAL, BRAHMA PICTURE
28	03200432	1	DECAL, USE GENUINE PARTS FLAIL
29		4	
30	8301295	1	PISTON MOTOR - INCLUDES THE FOLLOWING :
30A	02964954	1	MOTOR KEY (REFERENCE ONLY)
31	90.162.12	1	FLAIL HEAD - INCLUDES THE FOLLOWING (5 ITEMS)
	72.736.01	1	BEARING ASY.
	72.740.02	1	ROLLER ASY. 1500
	72.753.01	1	ROTOR SHAFT ASY. 1500
	76.114.01	1	COWL ASY. 1500
	76.154.01	1	MOTOR, PULLEY & BELT ASY.
31A	90.282.12	1	FLAIL HEAD 2000 * - INCLUDES THE FOLLOWING ( 5 ITEMS )
	76.115.01	1	MOTOR, PULLEY & BELT ASY.

FLAIL HEAD ASY - 60 INCH (PART 2) - PN 02968984

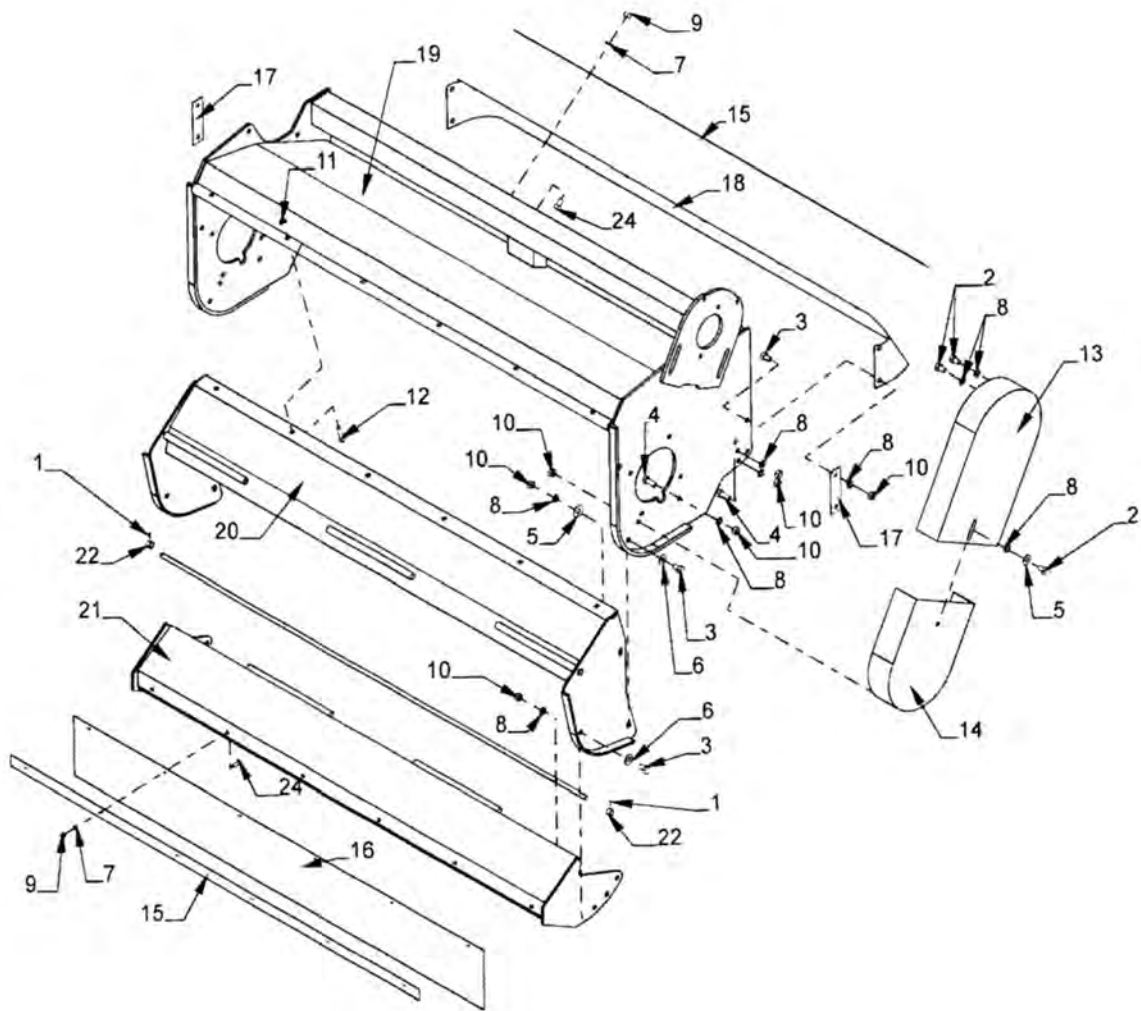


**FLAIL HEAD ASY - 60 INCH (PART 2) - PN 02968984**

**Continued...**

<b>ITEM</b>	<b>PART NO.</b>	<b>QTY.</b>	<b>DESCRIPTION</b>
	76.117.01	1	COWL ASY 2000
&#8303;	76.118.01	1	BEARING ASY
	76.119.01	1	ASY,ROTOR SHAFT 4934
	76.155.01	1	ASY,ROLLER 2000 4934
32	02957622	1	ADP HYD STGHT 16MB-16MJ
33	02962213	1	ADP HYD ELBOW 8MB - 8MJ 90°
34	02090900	1	ADP HYD ELBOW 16MB-16MJ90
35	02961085	1	CORDURA SLEEVING-54 LG
36	02775500	3	PLASTIC TIE 21 LG.

# FLAIL HEAD SUB-ASY 1500



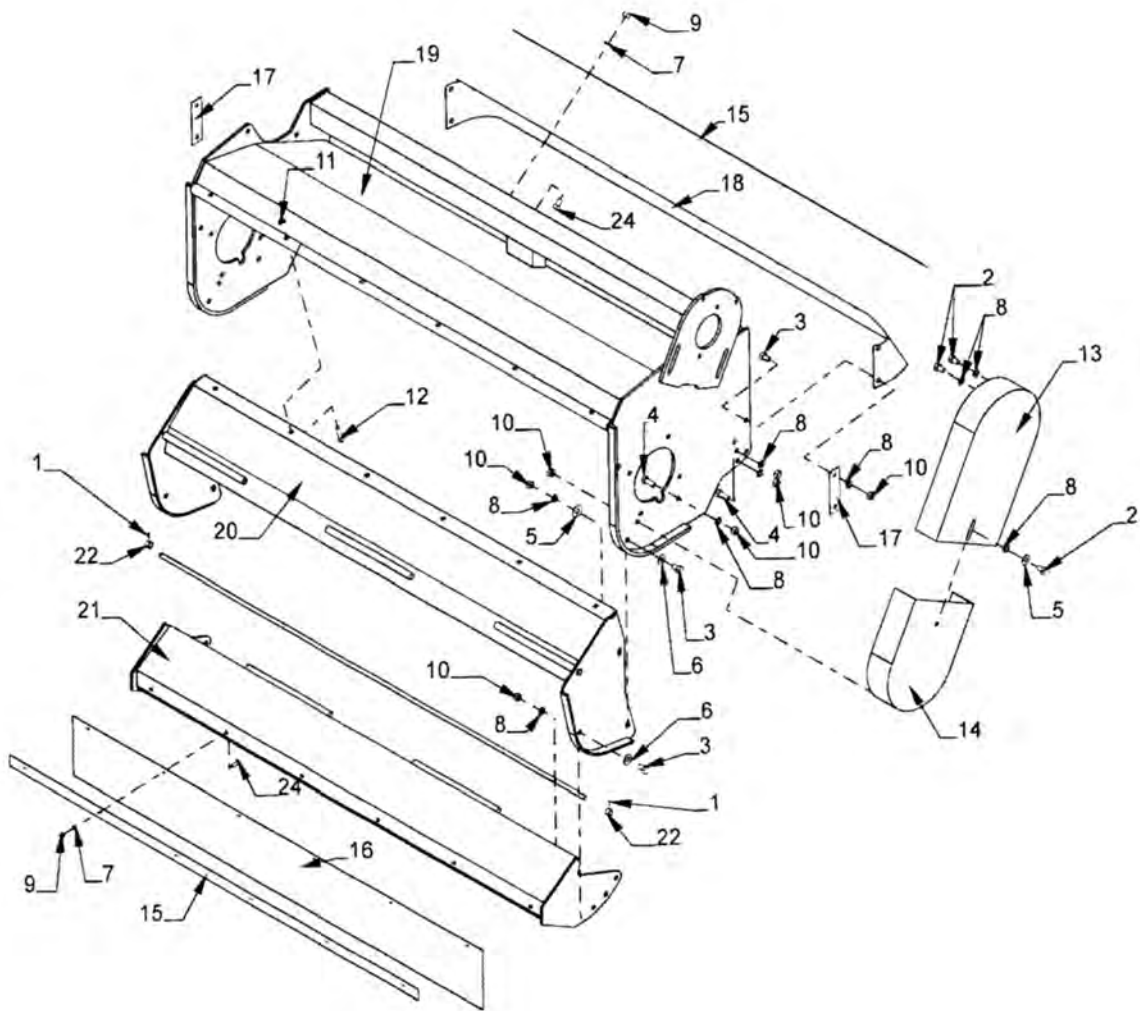
## FLAIL HEAD SUB-ASY 1500

Continued...

ITEM	PART NO.	QTY.	DESCRIPTION
1	05.201.17	2	TENSION PIN
2	05.264.21	3	SETSCREW
3	05.264.23	10	SETSCREW
4	05.264.24	6	SETSCREW
5	05.281.03	5	FLATWASHER - PLATED
6	05.281.04	6	FLATWASHER - PLATED
7	05.282.01	12	SPRING WASHER - PLATED
8	9100206	20	WASHER,LOCK 12MM
9	05.286.01	16	PLATED NUT
10	05.286.03	17	PLATED NUT
11	05.287.02	6	SELF - LOCKING NUT
12	05.839.24	6	BOLT CUP SQUARE
13	09.589.01	1	TOP DRIVE, GUARD
14	09.590.01	1	BOTTOM DRIVE, GUARD
15	09.594.02	2	BACKING STRIP - 1500
16	09.595.02	1	FLEXIBLE GUARD - 1500
17	41418.01	2	CLAMP GUARD
18	41424.01	1	FLEXIBLE GUARD - 1500
19	41425.01	1	COWL - 1500
20	41429.01	1	FRT FIXED GUARD - 1500
21	41430.01	1	FRT ADJ GUARD - 1500
22	41436.01	2	FRT GUARD - PIVOT SPACER
23	41438.01	1	FRT GUARD - PIVOT PIN
24	9293054	12	BOLT CUP SQUARE



# FLAIL HEAD SUB-ASY 2000

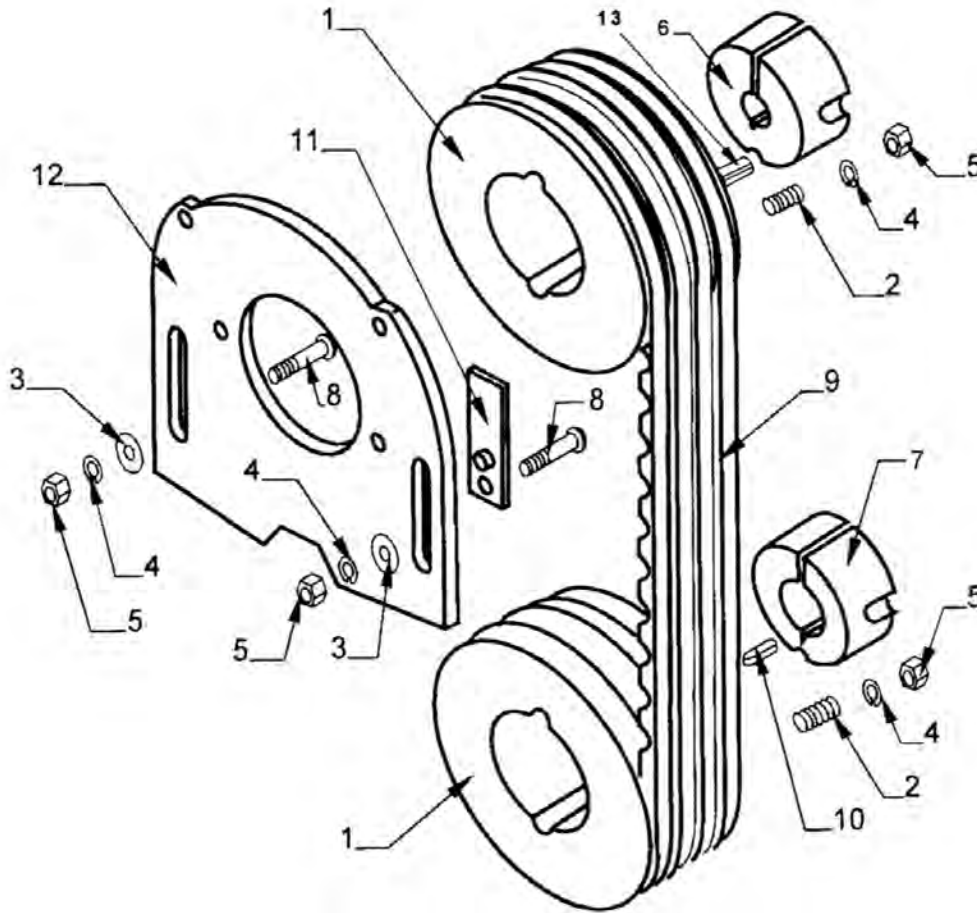


## FLAIL HEAD SUB-ASY 2000

Continued...

ITEM	PART NO.	QTY.	DESCRIPTION
1	05.201.17	2	TENSION PIN
2	05.264.21	3	SETSCREW
3	05.264.23	10	SETSCREW
4	05.264.24	6	SETSCREW
5	05.281.03	5	FLATWASHER - PLATED
6	05.281.04	8	FLATWASHER - PLATED
7	05.282.01	16	SPRING WASHER - PLATED
8	9100206	20	WASHER,LOCK 12MM
9	05.286.01	16	PLATED NUT
10	05.286.03	17	PLATED NUT
11	05.287.02	8	SELF - LOCKING NUT
12	05.839.24	8	BOLT CUP SQUARE
13	09.589.01	1	TOP DRIVE, GUARD
14	09.590.01	1	BOTTOM DRIVE, GUARD
15	41.237.01	2	BACKING STRIP - 2000
16	41.063.01	1	FLEXIBLE GUARD - 2000
17	41418.01	2	CLAMP GUARD
18	41452.01	1	FLEXIBLE GUARD - 2000
19	41445.01	1	COWL - 2000
20	41453.01	1	FRT FIXED GUARD - 2000
21	41454.01	1	FRT ADJ GUARD - 2000
22	41436.01	2	FRT GUARD - PIVOT SPACER
23	41444.01	1	FRT GUARD - PIVOT PIN
24	9293054	16	BOLT CUP SQUARE

## PULLEY ASY - FLAIL HEAD 1500 & 2000



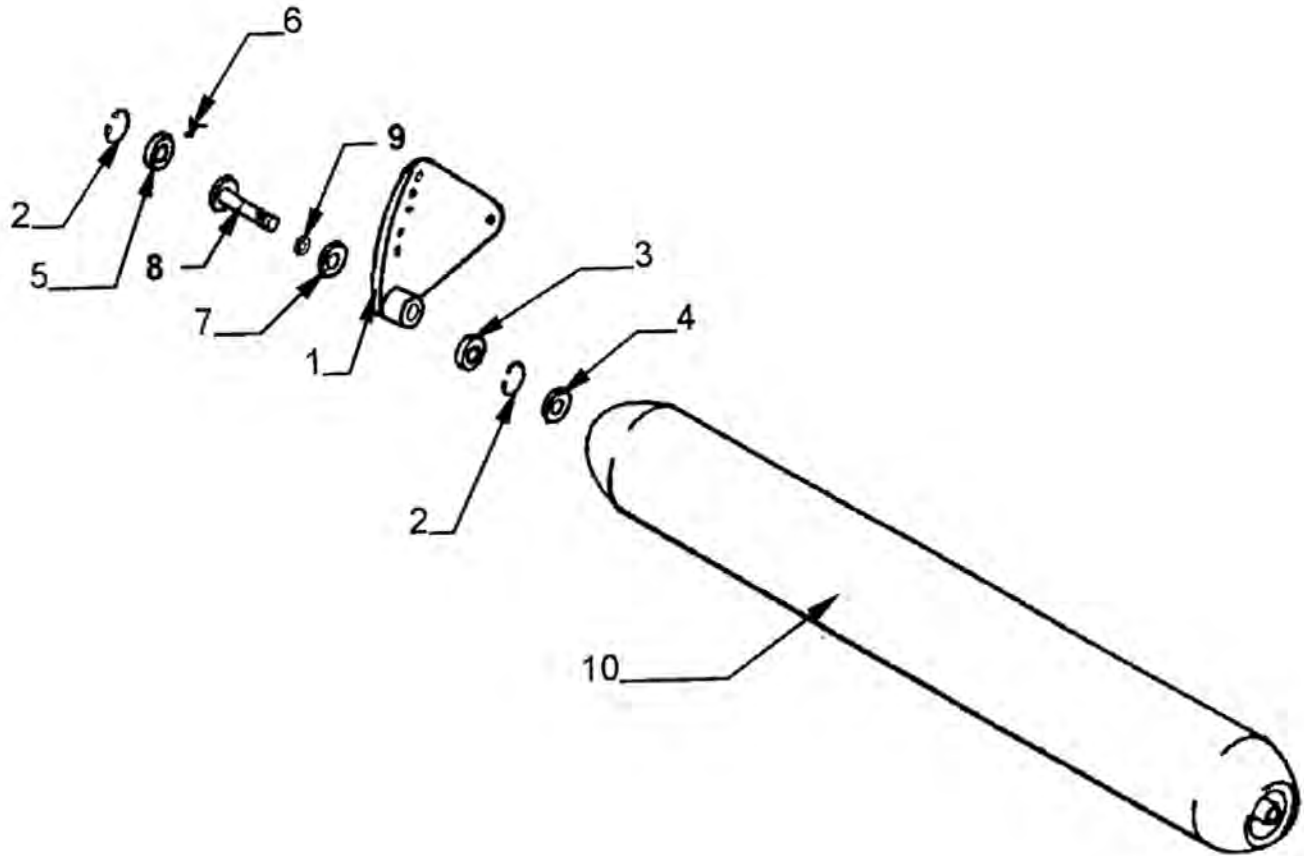
ITEM	PART NO.	QTY.	DESCRIPTION
	76.154.01	1	PULLEY ASY. F/ 60" ( 1500 ) HEAD
	76.115.01	1	PULLEY ASY. F/ 80" ( 2000 ) HEAD
1	03.795.02	2	PULLEY
2	04.282.17	2	STUD
3	05.281.03	2	WASHER
4	9100206	4	WASHER,LOCK 12MM
5	05.286.03	4	NUT
6	05.424.02	1	TAPERLOCK
7	05.424.18	1	TAPERLOCK F/ 60" ( 1500 ) HEAD
	05.424.17	1	TAPERLOCK F/ 80" ( 2000 ) HEAD
8	05.625.12	2	SCREW
9	05.299.53	3	BELT
10	05.960.16	1	KEY
11	09.587.01	1	COVER PLATE
12	41342.01	1	PLATE

**PULLEY ASY - FLAIL HEAD 1500 & 2000**

**Continued...**

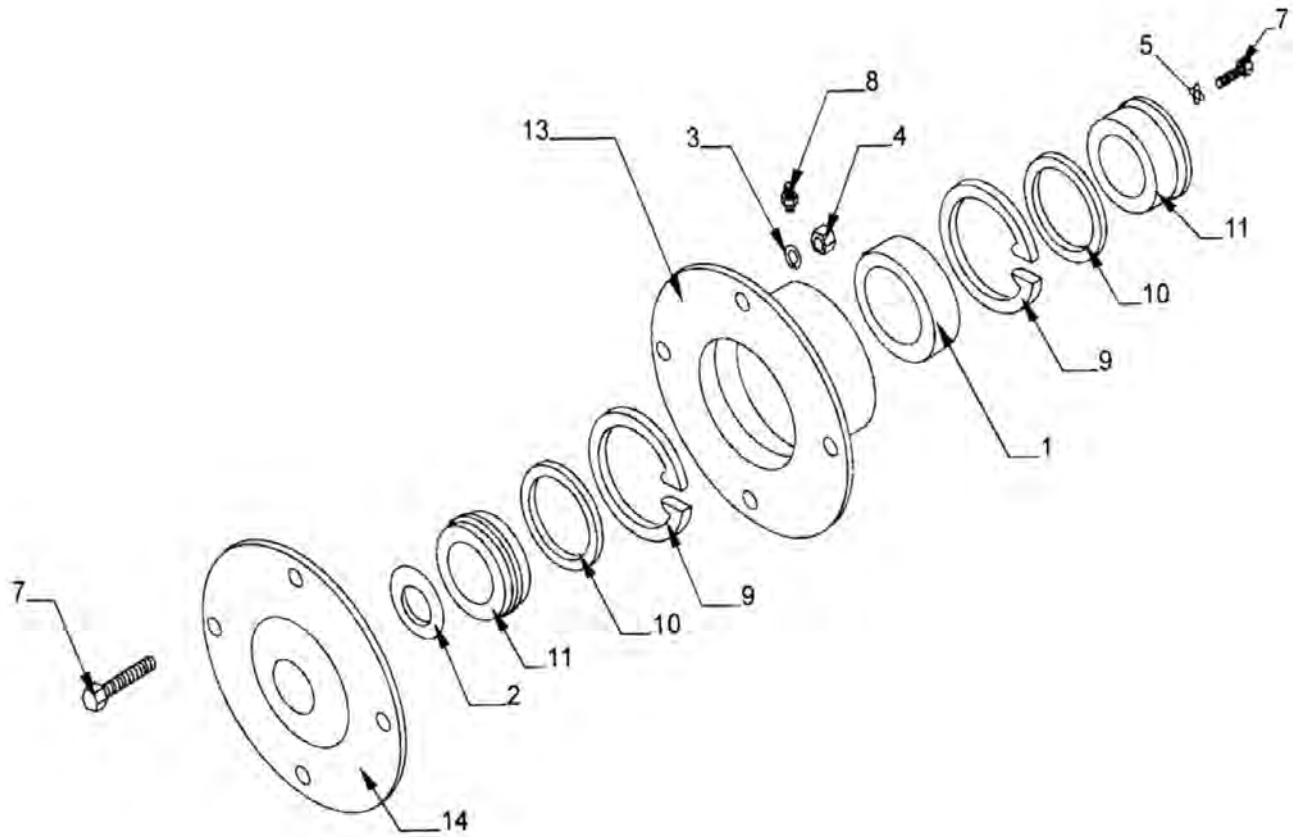
<b>ITEM</b>	<b>PART NO.</b>	<b>QTY.</b>	<b>DESCRIPTION</b>
13	02964954	1	MOTOR KEY (REFERENCE ONLY)

## ROLLER ASY - FLAIL HEAD 1500 & 2000



ITEM	PART NO.	QTY.	DESCRIPTION
1	09.898.01	1	LEFT BRKT ( NOT SHOWN )
	09.898.02	1	RIGHT BRKT
2	05.959.05	4	CIRCLIP
	03.007.02	2	BEARING ( CAN USE BRG P/N 42954.01 )
	09.714.01	1	BEARING KIT COMPLETE ( BOTH SIDES ), ITEMS 3,4,5,6,7,8 & 9 (AS REQUIRED)
	04.164.04	2	SEAL
5	41851.01	2	CAP
6	05.953.01	4	GREASE NIPPLE
7	05.234.01	2	WASHER
8	05.625.10	2	SOCKET HEAD BOLT
9	9100206	2	WASHER,LOCK 12MM
	42955.05	1	ROLLER - 60" ( 1500 ) HEAD
10	42955.07	1	ROLLER - 80" ( 2000 ) HEAD

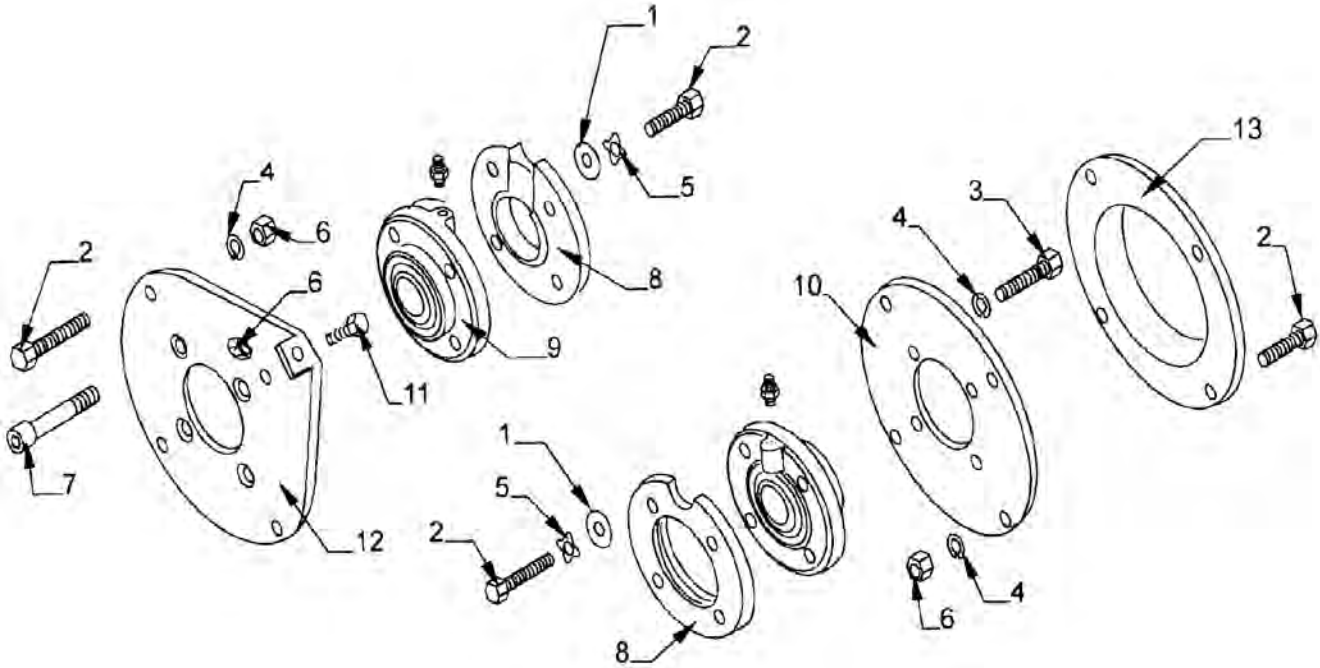
## BEARING ASY - 2000 FLAIL HEAD



ITEM	PART NO.	QTY.	DESCRIPTION
1	04.163.04	2	BEARING
2	04.252.01	2	WASHER
3	9100206	8	WASHER,LOCK 12MM
4	05.286.03	10	NUT
5	05.283.04	2	WASHER
6	05.264.23	4	SETSCREW
	05.264.24	4	SETSCREW
7	05.264.33	2	SETSCREW
8	05.953.03	2	GREASE NIPPLE
9	05.959.07	4	CIRCLIP
10	06.909.01	4	SEAL
11	06.910.01	4	COLLAR
12	09.585.01	1	ADJUSTING BOLT - DRIVE END ONLY
13	41456.01	1	HOUSING - DRIVE END ONLY
	41457.01	1	HOUSING - NON DRIVE END ONLY
14	41461.01	1	GUARD - NON DRIVE END ONLY

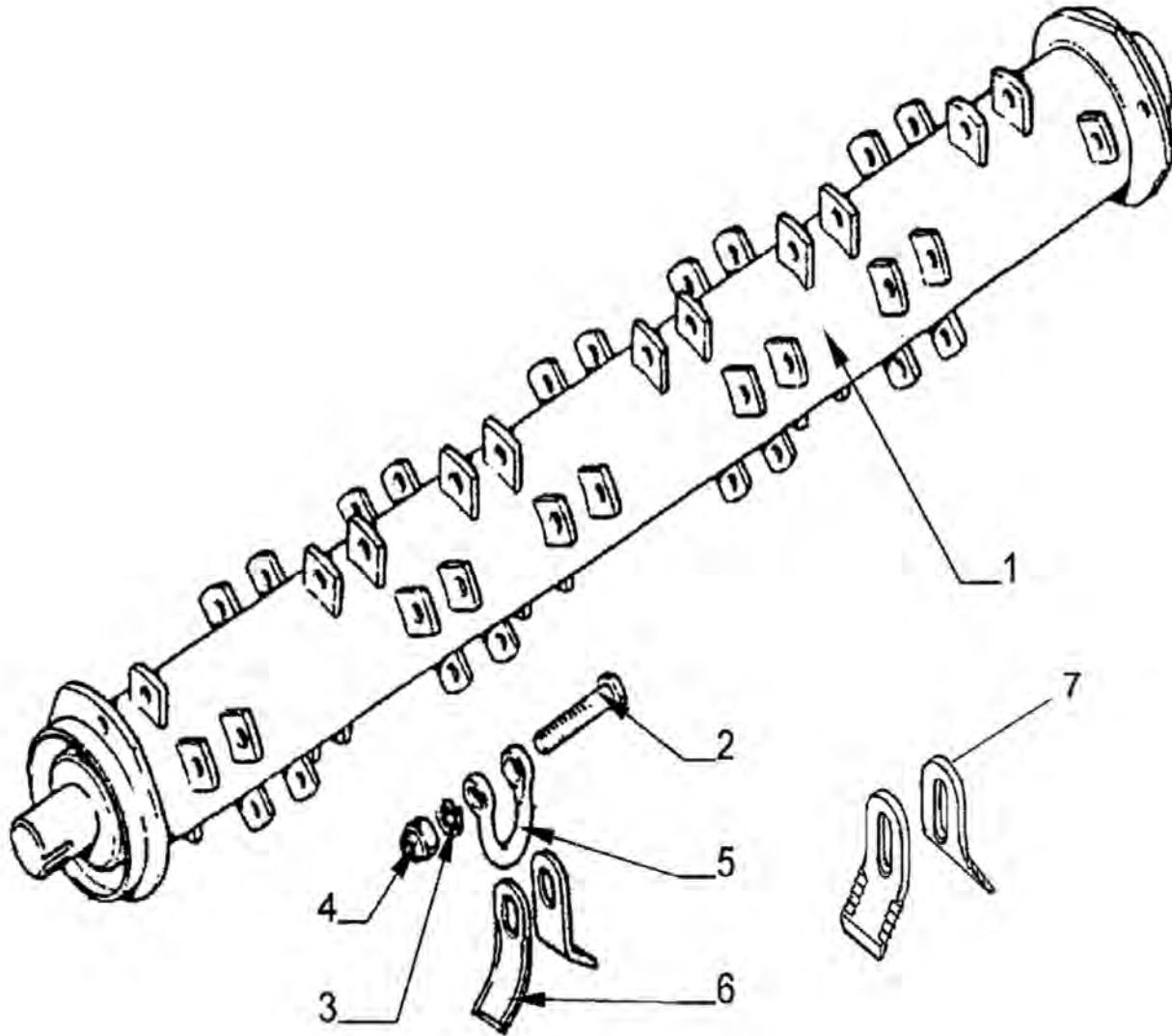


## BEARING ASY - 1500 FLAIL HEAD



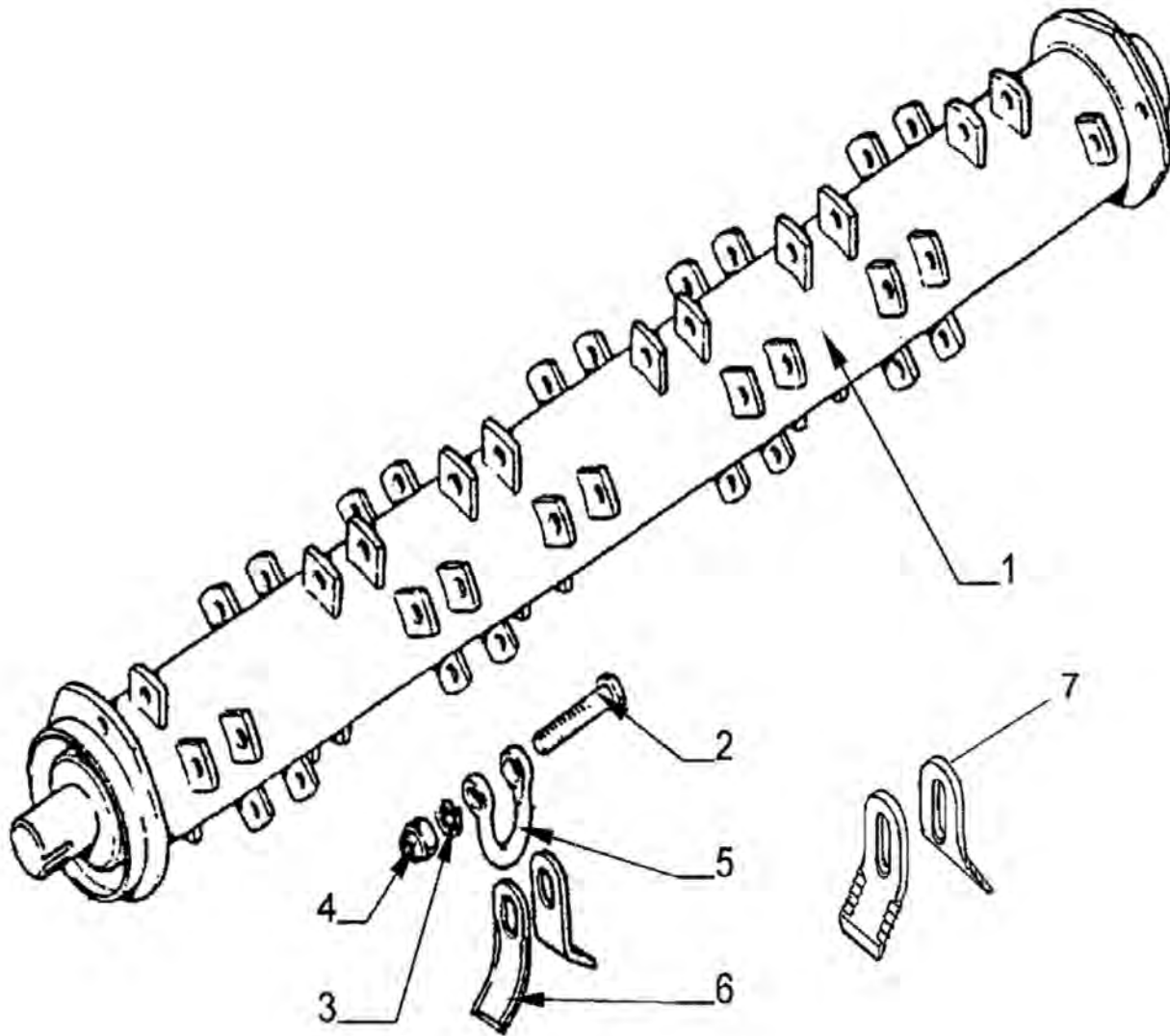
ITEM	PART NO.	QTY.	DESCRIPTION
1	02.824.01	2	WASHER
2	05.264.23	10	SETSCREW
3	05.264.25	4	SETSCREW
4	9100206	12	WASHER,LOCK 12MM
5	05.283.03	2	SHAKEPROOF WASHER
6	05.286.03	10	NUT
7	05.345.05	4	SOCKET CSK SCREW
8	06.219.01	2	DISC-SHIELD
9	06.221.01	2	BEARING ASY. ( DRIVE OR NON-DRIVE END )
10	09.584.01	1	BEARING PLATE-NON DRIVE
11	09.585.01	1	ADJUSTING-BOLT
12	09.586.01	1	BEARING PLATE-DRIVE END
13	09.588.01	1	GUARD - NON DRIVE

## ROTOR SHAFT ASY - FLAIL HEAD 60 INCH



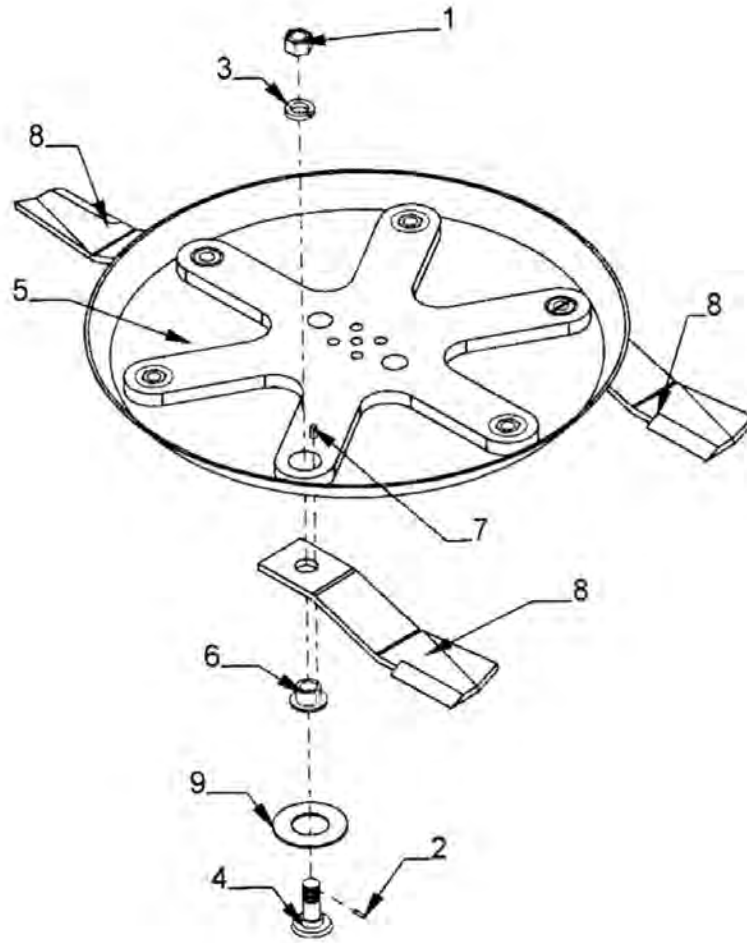
ITEM	PART NO.	QTY.	DESCRIPTION
	09.666.01	1	ROTOR SHAFTASY, 60"( 1500 MM )
1	09.597.01	1	ROTOR SHAFT WLD'MT, 60" ( 1500 MM )
2	05.775.10	40	BOLT
3	05.282.08	40	SPRING WASHER
4	05.968.06	40	LOCKNUT
5	09.517.01	40	D-RING SHACKLE
6	09.528.01	80	FLAIL KNIFE, ( STANDARD )
7	02975613	80	FLAIL KNIFE, SERRATED ( OPTIONAL )

## ROTOR SHAFT ASY - FLAIL HEAD 80 INCH



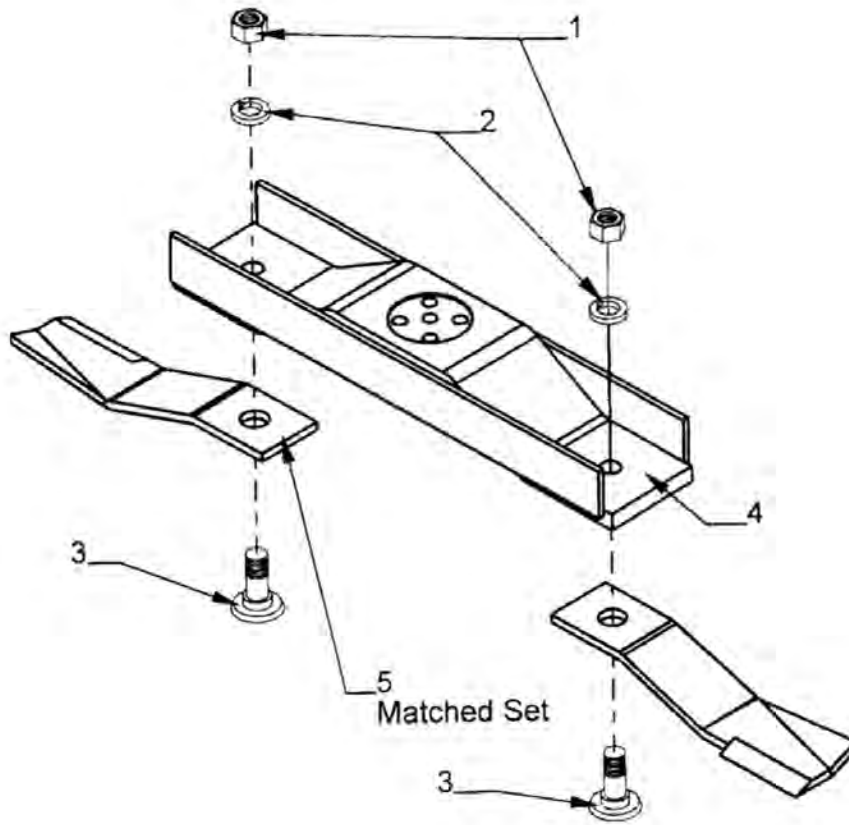
ITEM	PART NO.	QTY.	DESCRIPTION
	41458.01	1	ROTOR SHAFT ASY, 80" ( 2000 MM )
1	41.299.01	1	ROTOR SHAFT WLD'MT, 80" ( 2000 MM )
2	05.775.10	54	BOLT
3	05.282.08	54	SPRING WASHER
4	05.968.06	54	LOCKNUT
5	09.517.01	54	D-RING SHACKLE
6	09.528.01	108	FLAIL KNIFE, ( STANDARD )
7	02975613	108	FLAIL KNIFE, SERRATED ( OPTIONAL )

**BLADE CARRIER ASY - PAN - PN 02964456**



ITEM	PART NO.	QTY.	DESCRIPTION
	02964456	1	BLADE PAN ASY. W/ BLADES
1	00020900	3	SLOTTED NUT
2	00023200	3	ROLL PIN
3	00755623	3	WASHER
4	02964330	3	KEYED BLADE BOLT ( TORQUE TO 600 FT LBS )
5	02964804	1	BLADE PAN ASY. W/O BLADES
6	02964815	3	BLADE BOLT BUSHING
7	02964954	3	KEY
8	02975903	1	BLADES ( MATCHED SET )
9	02965229	3	WEAR WASHER

**BLADE CARRIER ASY - BAR - PN 02965737**



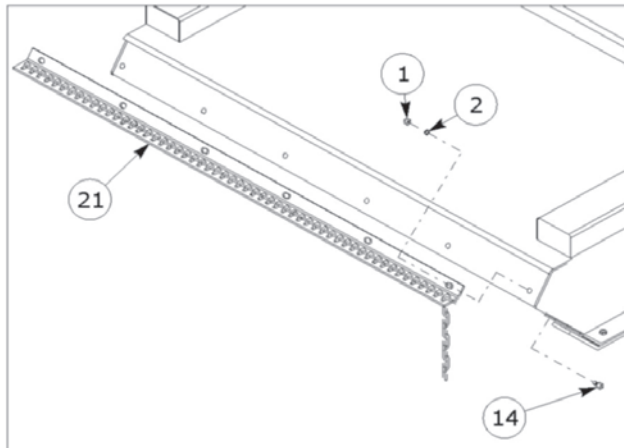
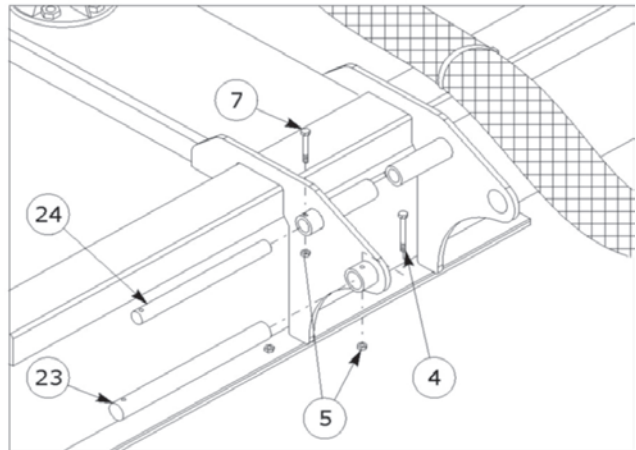
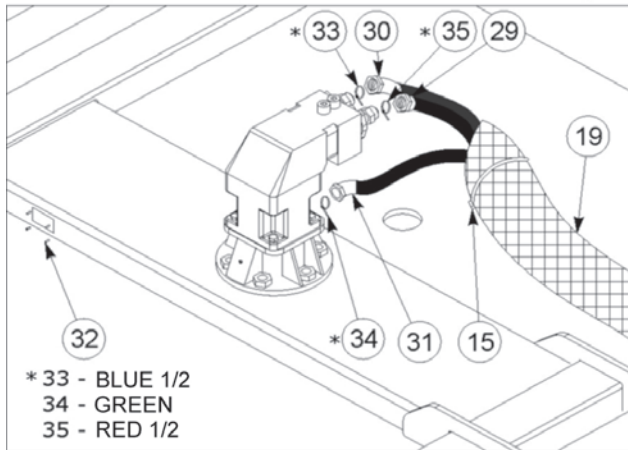
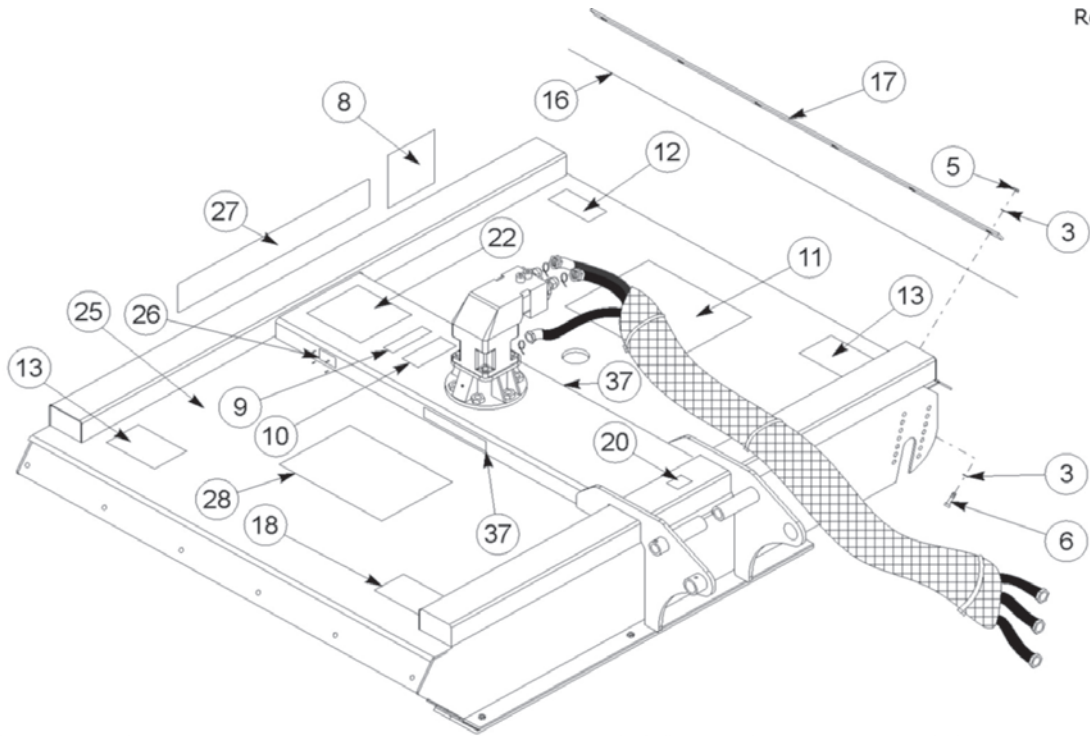
ITEM	PART NO.	QTY.	DESCRIPTION
	02965737	1	BLADE BAR ASY
1	00747900	2	HEX NUT
2	00748000	2	HEAVY LOCKWASHER
3	00752827	2	BLADE BOLT ( TORQUE TO 600 FT LBS )
4	02965579	1	BLADE BAR WLD'MT
5	02966262	1	BLADES ( MATCHED SET )

**THIS PAGE INTENTIONALLY LEFT BLANK**



# ROTARY HEAD ASY

Rev 05-07



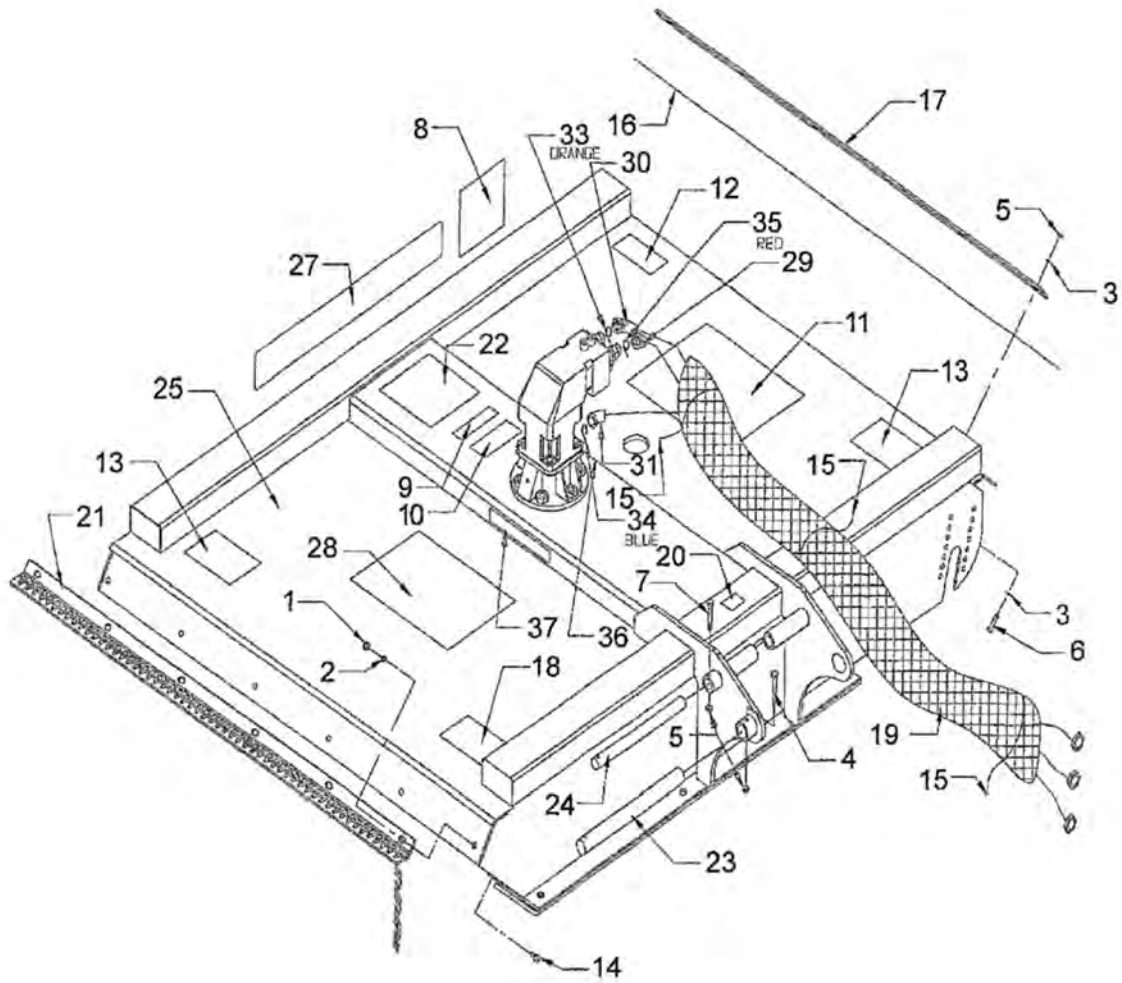
## ROTARY HEAD ASY

Continued...

ITEM	PART NO.	QTY.	DESCRIPTION
	02969091	1	HEAD, ASY, 60 PAN DEP DEK
	02969090	1	HEAD, ASY, BAR DEP DEK
1	00001800	6	LOCKNUT TLM 1/2 NC PLC
2	00002700	6	FLATWASHER 1/2 PL STD
3	00011100	22	FLATWASHER STD 3/8
4	00013900	1	HHCS 3/8 NC 2-1/2 PL5
5	00015800	13	LOCKNUT TLM 3/8-NC PLC
6	00023100	11	HHCS 3/8 -16UNC 1-1/2 PL5
7	00059900	1	HEXB 3/8 NC 3 PL5
8	001650	1	DECAL-ALAMO IND. LOGO
9	00725746	1	DECAL, PELIGRO
10	00756059	1	DECAL-WARNING OIL LEAK
11	00757140	1	DECAL,ALAMO INDUSTRIAL LOGO
12	00769736	1	DECAL,USE/REPAIR GUARDS
13	00769737	2	DECAL-BLADES THROWN OBJECTS
14	02030700	6	HHCS 1/2-13UNC 1-1/4 PL5
15	02753400	3	PLASTIC TIE-ON 15 LG
16	02885700	1	REAR FLAP 10 X 63 X 3/8 THK
17	02885800	1	REAR CLAMP BAR
18	02925100	1	DECAL-REPLACEMENT PARTS
19	02961085	1	CORDURA SLEEVING-54 LG
20	02962764	1	DECAL - PINCH POINTS
21	02965797	1	ASY,FRT CNGD 60VM DP DK
22	02967827	1	DECAL-MULTI HAZ
23	02968274	1	PIN- MOWER HEAD MT.
24	02984760	1	PIN 1-1/4
25	02969094	1	PRE-ASSEMBLY-60ROTARY /BAR
	02969095	1	PRE-ASSEMBLY-60ROTARY /PAN
26	02969645	1	PLATE,S/N - BRAHMA ROTARY
27	02969647	1	DECAL,NAME--BRAHMA 30(BLACK)
28	02969648	1	DECAL,PICTURE - BRAHMA (BLACK)
29	02969677	-	HOSE
30	02987336	-	HOSE
31	02969679	-	HOSE
32		4	
33	02968896	1	VINYL TAPE BLUE 1/2" WIDE
34	02991249	1	VINYL TAPE WIDE
35	02968894	1	VINYL TAPE RED 1/2" WIDE
36	1458392	1	DECAL,RED REFLECTOR
37	1458393	1	DECAL,YELLOW REFLECTOR

02968822P - Brahma (07-06)\_05-20

# ROTARY HEAD ASY (NEW STYLE)

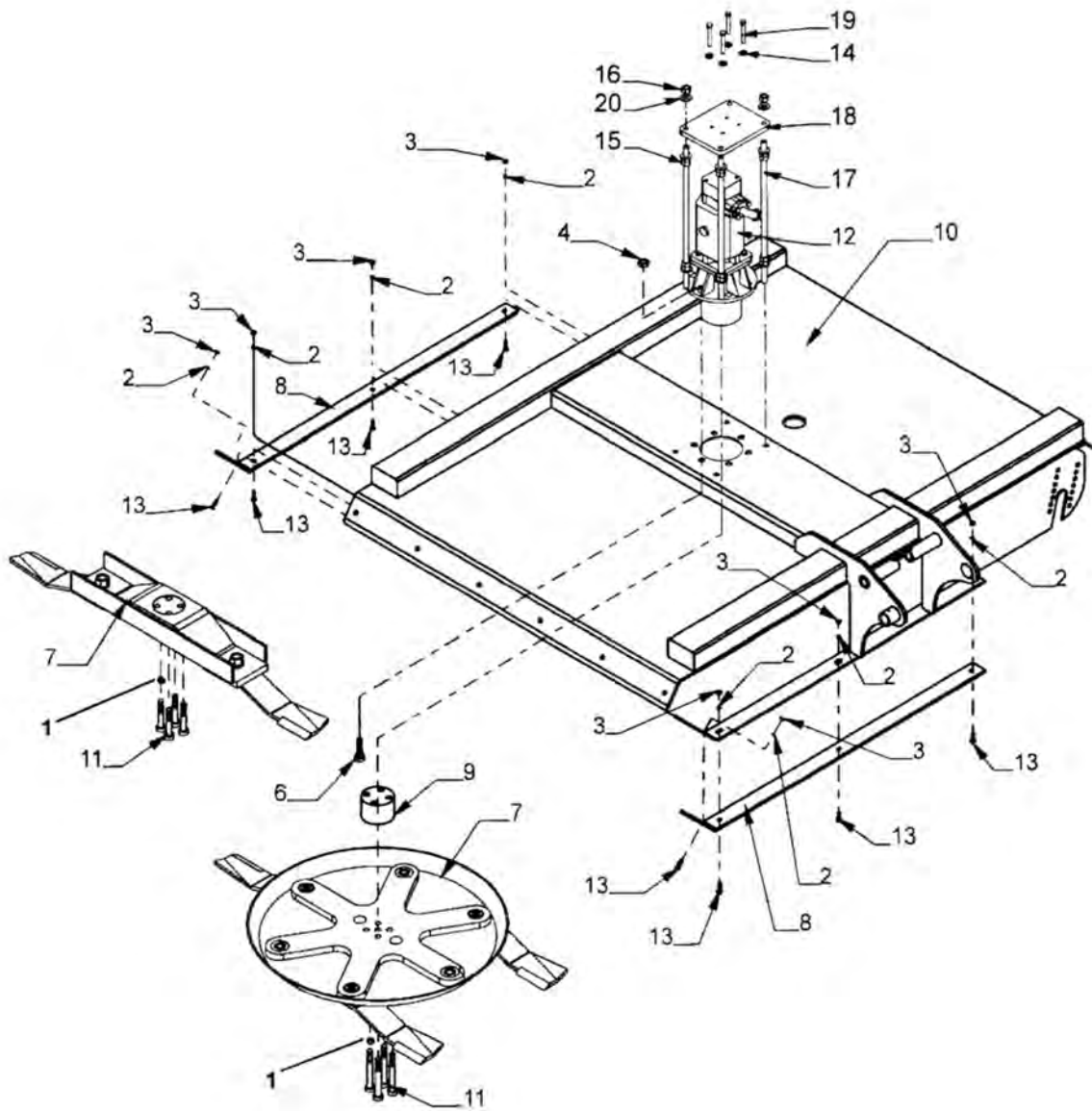


## ROTARY HEAD ASY (NEW STYLE)

Continued...

ITEM	PART NO.	QTY.	DESCRIPTION
	02969091	1	HEAD, ASY, 60" PAN DEEP DECK
	02969090	1	HEAD, ASY, 60" BAR DEEP DECK
1	00001800	6	LOCKNUT TLM 1/2 NC PLC
2	00002700	6	FLATWASHER, 1/2" PL STD
3	00011100	22	FLATWASHER, 3/8" NC STD
4	00013900	1	HHCS 3/8" NC 2-1/2" PL5
5	00015800	13	LOCKNUT, 3/8"-NC PLC
6	00023100	11	HHCS 3/8" -16UNC 1-1/2" PL5
7	00059900	1	HEXB 3/8" NC 3" PL5
8	001650	1	DECAL, ALAMO IND. LOGO
9	00725746	1	DECAL, PELIGRO
10	00756059	1	DECAL, WARNING OIL LEAK
11	00757140	1	DECAL, ALAMO INDUSTRIAL LOGO
12	00769736	1	DECAL, USE/REPAIR GUARDS
13	00769737	2	DECAL, BLADES THROWN OBJECTS
14	02030700	6	HHCS 1/2"-13UNC 1-1/4" PL5
15	02753400	3	PLASTIC TIE, 15" LG
16	02885700	1	REAR FLAP, 10" X 63" X 3/8" THK
17	02885800	1	REAR CLAMP BAR
18	02925100	1	DECAL, REPLACEMENT PARTS
19	02961085	1	CORDURA SLEEVING, 54" LG
20	02962764	1	DECAL, PINCH POINTS
21	02965797	1	ASY,FRT CNGD 60VM DP DK
22	02967827	1	DECAL, MULTI HAZ
23	02968274	1	PIN, MOWER HEAD MT
24	02984760	1	PIN, 1-1/4" X 15-3/4"LG CHR PLT
25	02969094	1	PRE-ASSEMBLY - 60" ROTARY /BAR
	02969095	1	PRE-ASSEMBLY - 60" ROTARY /PAN
27	02969647	1	DECAL, NAME--BRAHMA 30(BLACK)
28	02969648	1	DECAL, PICTURE - BRAHMA (BLACK)
29	02969677	1	HOSE #16-16FJX -16FJX - 68" LG
30	02969678	1	HOSE #16-16FJX -16FJX45 - 74" LG
31	02969679	1	HOSE #16-16FJX -16FJX45 - 69" LG
33	02968896	1	VINYL TAPE BLUE 1/2" WIDE
34	02991249	1	VINYL TAPE GREEN 1/2" WIDE
35	02968894	1	VINYL TAPE RED 1/2" WIDE
36	1458392	1	DECAL, RED REFLECTOR
37	1458393	1	DECAL, YELLOW REFLECTOR

# ROTARY HEAD SUB-ASY

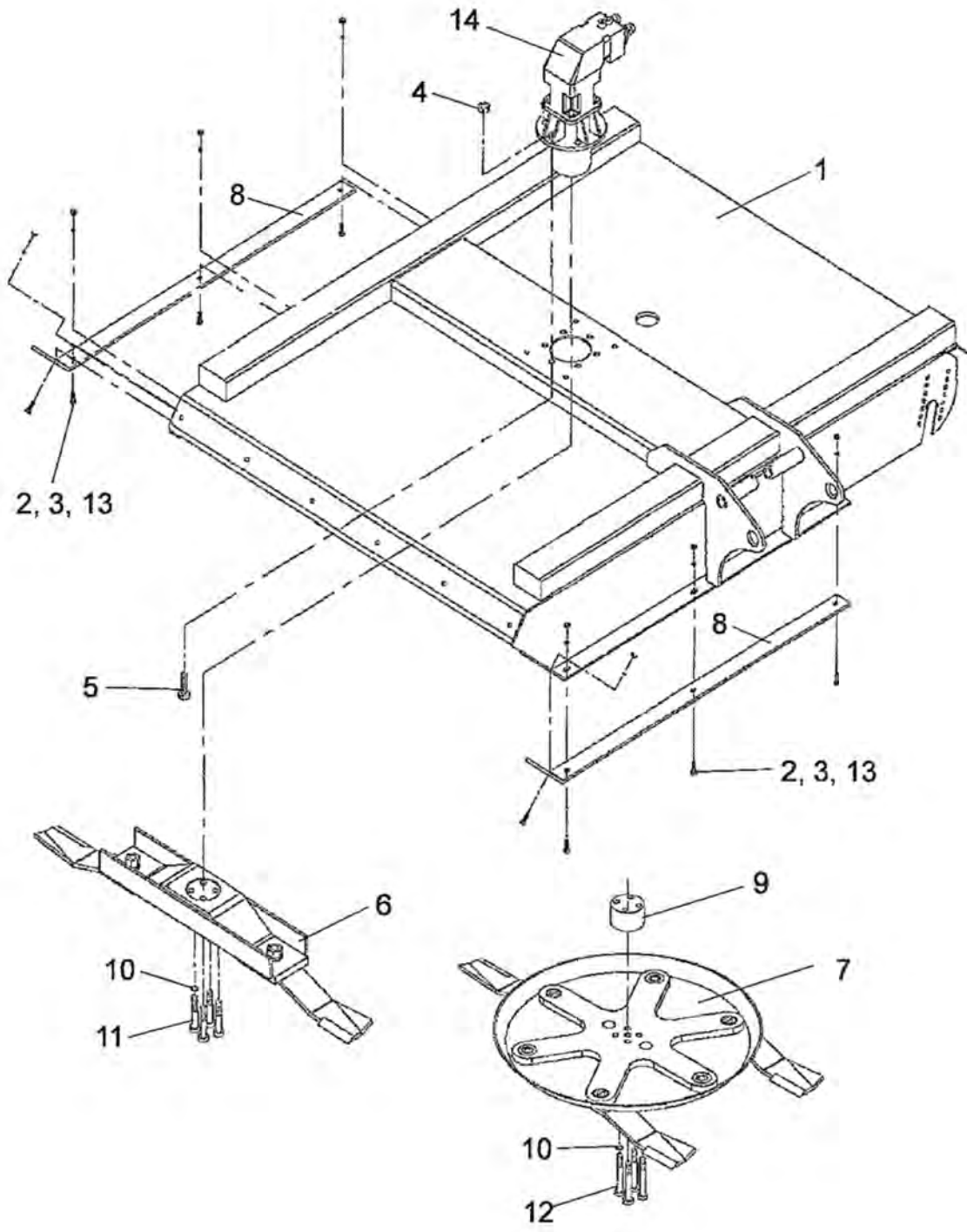


## ROTARY HEAD SUB-ASY

Continued...

ITEM	PART NO.	QTY.	DESCRIPTION
	02969094	1	ROTARY HEAD SUB-ASY, 60" W/BAR CARRIER
	02969095	1	ROTARY HEAD SUB-ASY, 60" W/PAN CARRIER
1	00003901	4	LOCKWASHER
2	00011100	8	FLATWASHER
3	00015800	8	LOCKNUT
4	00037200	6	LOCKNUT
5	00900265	1	TEXAS YELLOW PAINT (REFERENCE ONLY)
6	02960521	6	BOLT
7	02964456	1	BLADE PAN ASY. 60" STUMP JUMPER
	02965737	1	BLADE BAR ASY.
8	02965751	2	SKID SHOE
9	02965808	1	SPACER, 3-1/8 F/ BLADE PAN ONLY
10	02966618	1	DECK WLD'MT - DP. DK. BRAHMA
11	02967007	4	BOLT, SOCKET HEAD USE W/ PAN ONLY (TORQUE TO 400 FT. LBS.)
	02708700	4	BOLT, SOCKET HEAD USE W/ BAR ONLY (TORQUE TO 400 FT. LBS.)
12	02969096	1	MOTOR ASY. - W/ SPINDLE
13	2A361612	8	PLOW BOLT
14	00012101	4	LOCKWASHER
15	00036300	16	NUT
16	00749136	8	LOCKNUT
17	02970752	4	TIE ROD
18	02970753	1	MOTOR SUPPORT PLATE
19	02970755	4	BOLT
20	W67	16	HARDENED WASHER

ROTARY HEAD PRE-ASY (NEW STYLE)



## ROTARY HEAD PRE-ASY (NEW STYLE)

Continued...

ITEM	PART NO.	QTY.	DESCRIPTION
	02969094	1	PRE-ASSEMBLY - 60 ROTARY / BAR
	02969095	1	PRE-ASSEMBLY - 60 ROTARY / PAN
1	02966618	1	WLDMT.-MOWER DP. DK. BRAHMA
2	00011100	8	FLATWASHER, STD 3/8"
3	00015800	8	LOCKNUT, 3/8" NC PLC
4	00037200	6	LOCKNUT, 3/4" NC GRC PL
5	02960521	6	HEX HEAD BOLT, 3/4" NC 2-3/4" PL8
6	02965737	1	BLADE BAR ASY (OPTIONAL)
7	02964456	1	PAN ASSEMBLY, 60 V/M STUMP (OPTIONAL)
8	02965751	2	SKID SHOE ROTARY
9	02965808	1	SPACER, 3-1/8" BLADE BAR
10	00003901	4	LOCKWASHER, 3/4" PL HEAVY
11	02708700	4	SOCKET HEAD BOLT, 3/4" NC 2" PL8
12	02967089	4	SOCKET HEAD BOLT, 3/4" NC 6" PL8
13	2A361612	8	PLOW BOLT, 3/8" X 1 1/2"
14	02969096	1	MOTOR ASY, W/ SPINDLE



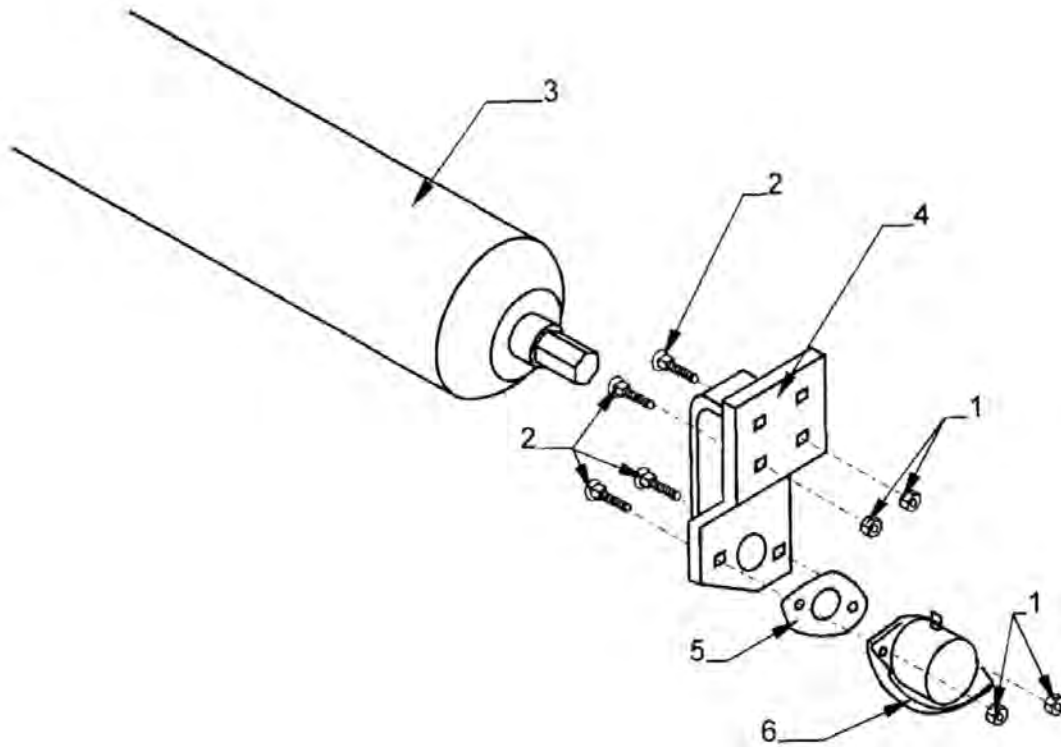


## ROTARY HEAD - MOTOR ASY PARTS - PN 02979881

Continued...

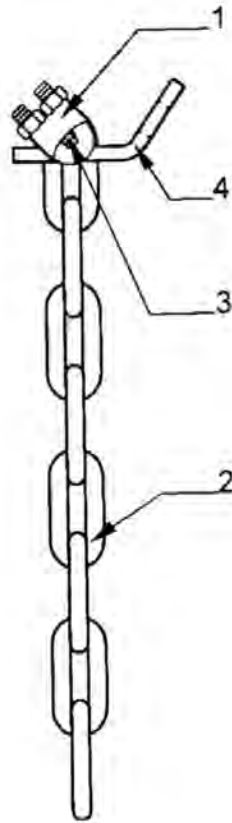
ITEM	PART NO.	QTY.	DESCRIPTION
	02979881	1	MOTOR ASY, PISTON TYPE 4.91 CID
1	02980529	1	BARREL HOUSING ASY
2	02993589	1	REPAIR KIT
4	02980536	1	NOZZLE, 2.5
5	02980537	1	PLUG ASY, 7/8" HEXAGON
6	02980538	1	BEARING HOUSING
14	02980546	1	SHAFT ASY, TYPE U
15	02980552	1	KIT,REPL, BARREL/RING, 4.91 CI
16	02980549	1	BARREL SUPPORT
20	02980553	1	TAP ROL BEARING
21	02980554	1	BEARING, TAPERED ROLLER
23	02998870	1	KIT,SPACER,WASHER
	02998869	1	KIT, SHIM, MOTOR,PISTON,4.91
	02980562	1	SHIM, 1.0 (AS REQUIRED)
25	02980564	4	BOLT, SOCKET HEAD M12 X 50 10.9
26	02980565	1	LOCKWASHER, M13 X 19.5
27	02980547	1	GUIDE PIN
28	02980571	1	RELIEF MANIFOLD
	02980570	1	RELIEF VALVE, SEAL KIT (AS REQUIRED)
29	02980568	1	RELIEF VALVE, 280 BAR
30	02980569	1	RELIEF VALVE, 330 BAR
31	02980237	2	O-RING
33	02980532	2	STEEL BALL
34	02980533	2	PLUG, HEXAGON
35	02980534	2	O-RING
36	02980535	2	PLUG ASY, HEX SOCKET
37	02980572	2	PLUG ASY
38	02980573	1	PLUG ASY
40	02980567	1	SEAL KIT FOR 02979881 MTR

## ROLLER ASY - ROTARY HEAD (OPTION)



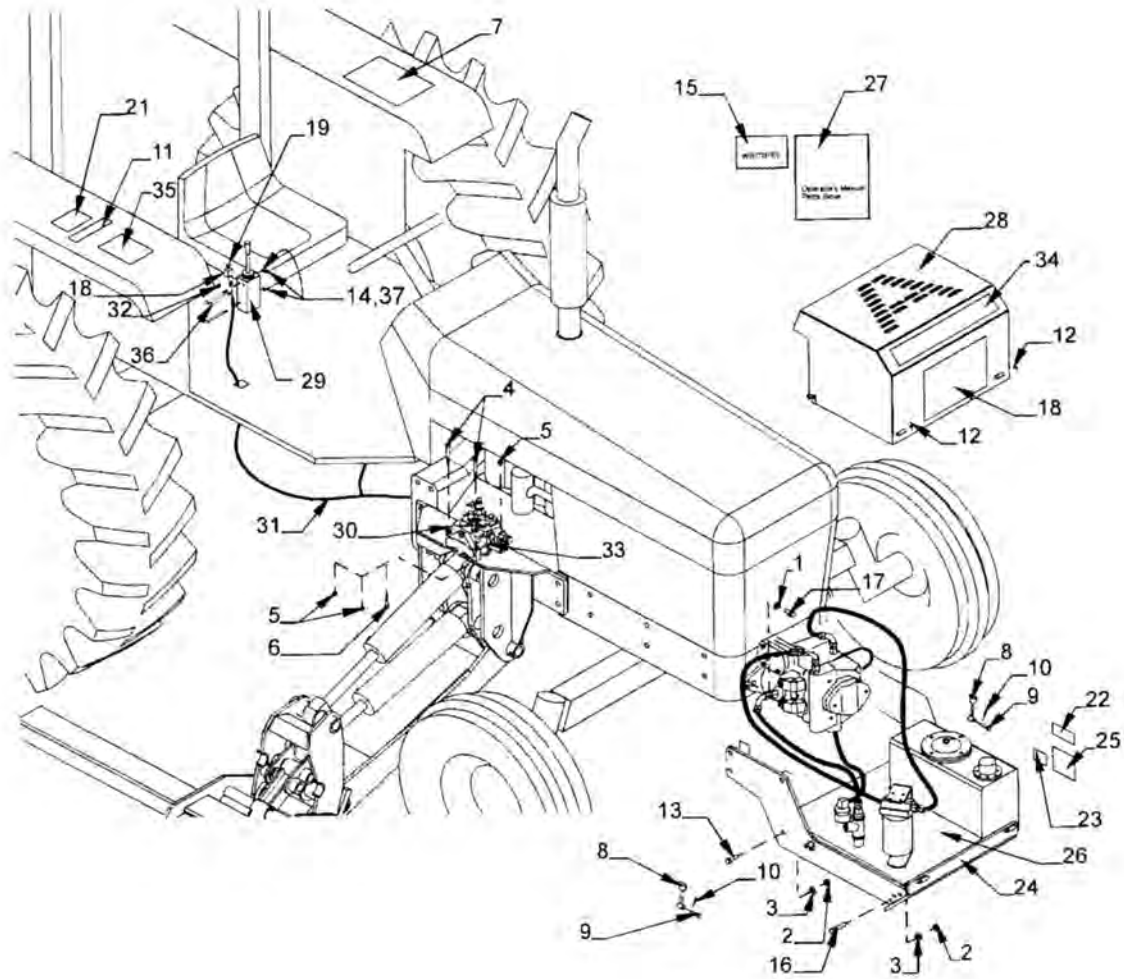
ITEM	PART NO.	QTY.	DESCRIPTION
	703262	1	ROLLER KIT, 62"
1	00001800	8	LOCKNUT TLM 1/2 NC PLC
2	000516	8	CARRIAGE BOLT
3	107784	1	ROLLER
4	107380	1	RIGHT ROLLER MOUNT - WLD'MT
	107182	1	LEFT ROLLER MOUNT - WLD'MT
5	002037	2	SEAL
6	703976	2	BEARING

## CHAIN GUARD ASY - FRONT (DEEP DECK) - PN 02965797



ITEM	PART NO.	QTY.	DESCRIPTION
1	00001000	4	CABLE CLAMP
2	00751127	71	CHAIN 5/16 WLD 8 LINK ZINC PL
3	00992000	11	CABLE, 1/4 GA AIRCRAFT (7X19)
4	02979119	1	BRKT,CHAIN GUARD DEEP DECK

COMMON BOX PARTS - PN 02969093



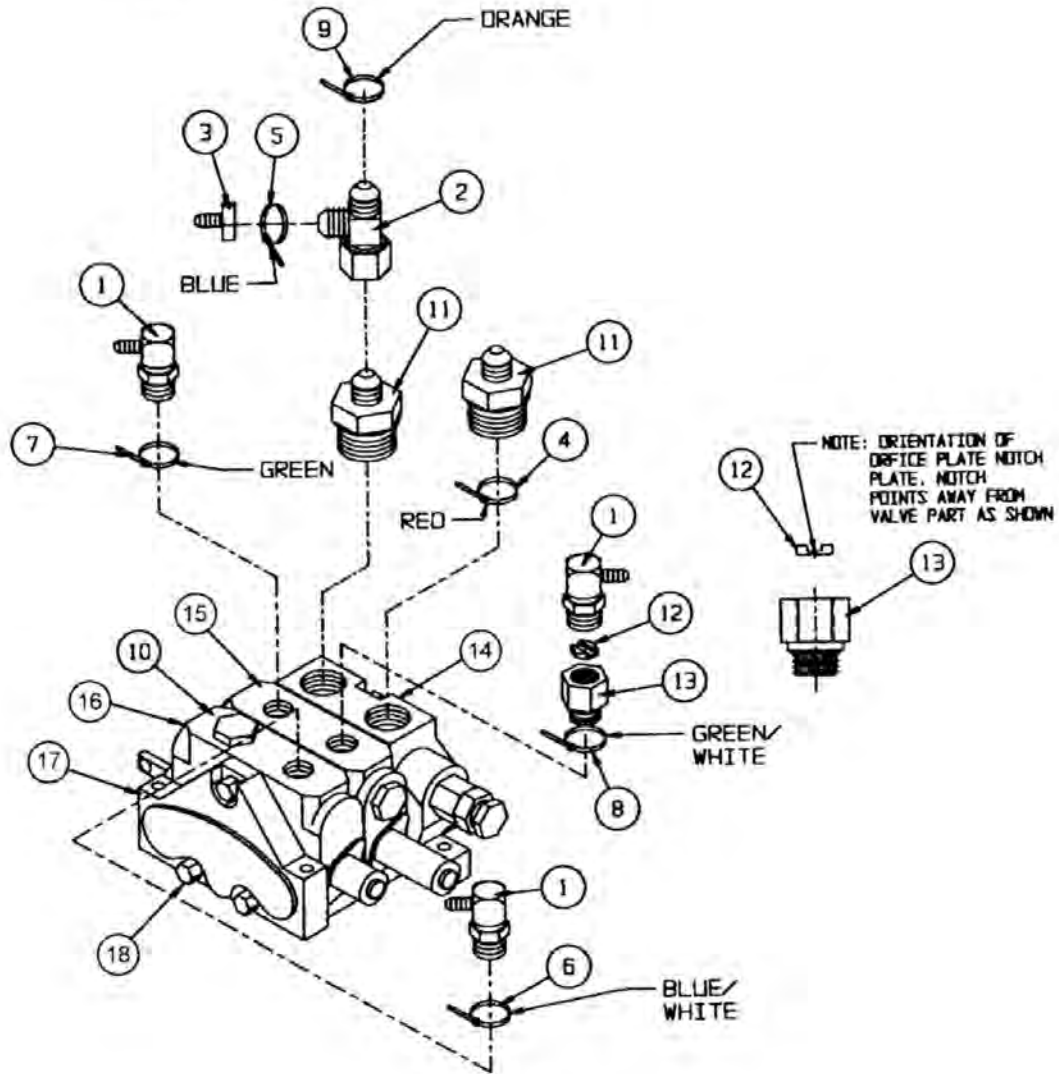
## COMMON BOX PARTS - PN 02969093

Continued...

ITEM	PART NO.	QTY.	DESCRIPTION
	02969093	1	COMMON BOX, BRAHMA
1	00001300	2	LOCKWASHER
2	00001800	8	LOCKNUT TLM 1/2 NC PLC
3	00002700	8	FLATWASHER
5	00750940	3	NUT
6	00016300	3	BOLT
7	002369	1	DECAL, DANGER MULTI-HAZARD - FLAIL
	02967827	1	DECAL, DANGER MULTI-HAZARD - ROTARY
8	00725336	2	STRAP
9	00725337	2	PIN
10	00725338	2	COTTER PIN
11	00725746	1	DECAL PELIGRO
12	00726119	2	BRASS WASHER, SPECIAL
13	00748823	2	BOLT
14	00750940	6	LOCKNUT
15	00763504	1	ALAMO, WARRANTY CARD
16	02027400	6	BOLT
17	02776600	2	BOLT
18	02963201	1	DECAL, AG LOGO
19	02964028	1	PUSH-PULL SWITCH
20	02964063	1	SWITCH KNOB
21	02965093	1	DECAL, PROPER ENGINE RPM
22	02965262	1	DECAL, WARNING HOSE BURST
23	02966305	1	DECAL, AW ISO VG100 TRACTER HYD.FLUID
24	02966634	1	BUMPER WLD'MT
25	03200437	1	DECAL, PRESSURIZED TANK
26	02981212	1	OIL RESERVOIR ASY - BRAHMA
27	02968822	1	PARTS & OPERATORS MANUAL
28	02969032	1	TANK & PUMP COVER WLD'MT
29	02969128	1	DUAL AXIS - JOYSTICK
29A	02974119	1	BALL JOINT PIVOT - PLASTIC BALL (NOT SHOWN ))
29B	02974120	1	BALL JOINT PIVOT - DIE CAST METAL (NOT SHOWN )
30	02971274	2	CABLE CONNECTION KIT
31	02970204	1	PUMP SOLENOID - WIRE HARNESS (INCLUDES ITEM 32)
32	02969741	1	FUSE (REFERENCE ONLY)
33	02981363	1	2 SPOOL VALVE ASY - BRAHMA
34	02969646	1	DECAL, NAME BRAHMA
35	02969666	1	DECAL, JOYSTICK INSTRUCTIONS
36	02733700	3	BOLT
37	00023500	9	FLATWASHER

02968822P - Brahma (07-06)\_05-20

**CONTROL VALVE ASY - SN 01241 (05-06) & DOWN - PN 02969613**



ITEM	PART NO.	QTY.	DESCRIPTION
	02981363	1	CONTROL VALVE ASY
1	02962249	3	ADAPTER, HYD ELBOW
2	02967150	1	ADAPTER, HYD TEE
3	02967151	1	ADAPTER, HYD STRAIGHT
4	02968828	1	VINYL TAPE RED 1/2" WIDE
5	02968830	1	VINYL TAPE BLUE 1/2" WIDE
6	02968831	1	VINYL TAPE BLUE 1/4" WIDE
7	02968832	1	VINYL TAPE GREEN 1/2" WIDE
8	02968833	1	VINYL TAPE GREEN 1/4"
9	02968834	1	VINYL TAPE ORANGE 1/2" WIDE
10	02969131	1	DIRECTIONAL CONTROL VALVE
11	63042700	2	ADAPTER, HYD STRAIGHT
12	02969399	1	RESTRICTOR-ORFICE, ONE WAY

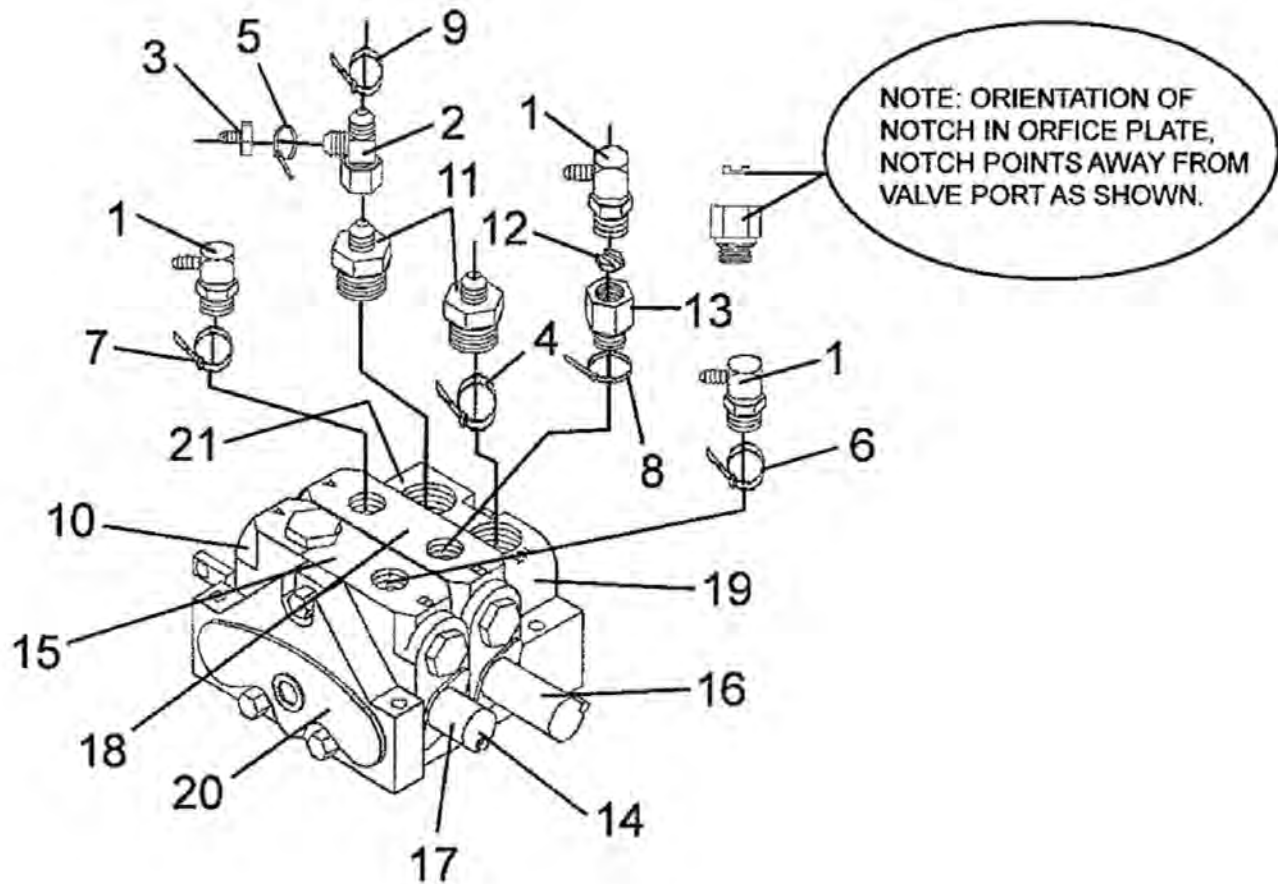
**CONTROL VALVE ASY - SN 01241 (05-06) & DOWN - PN 02969613**

**Continued...**

<b>ITEM</b>	<b>PART NO.</b>	<b>QTY.</b>	<b>DESCRIPTION</b>
13	02972159	1	ADAPTER, HYD ELBOW
14	02979336	1	INLET
15		1	
16	02979338	1	SINGLE ACTION
17	02979339	1	OUTLET COVER
18	02979340	3	STUD ASY.
19	02975061	1	POWER BEYOND



**CONTROL VALVE ASY - SN 01242 (06-06) & UP -PN 02981363**



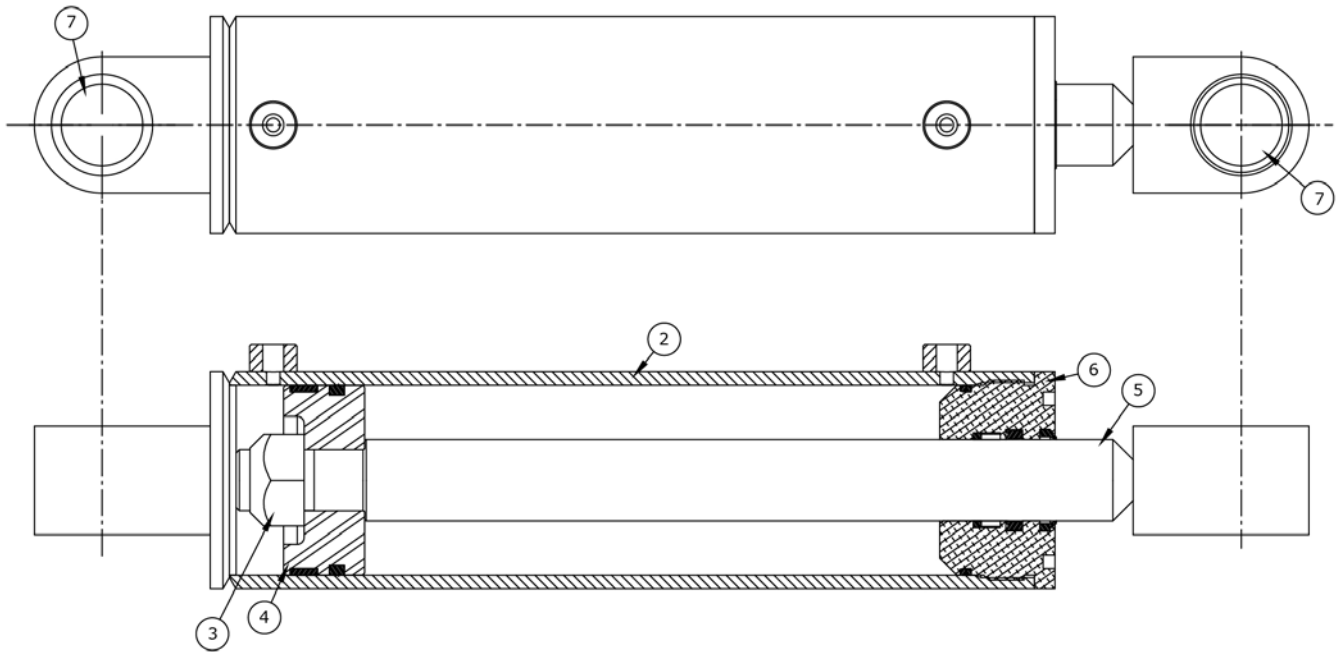
ITEM	PART NO.	QTY.	DESCRIPTION
	02981363	1	CONTROL VALVE ASY.
1	02962249	3	HYD. ADAPTER ELBOW
2	02967150	1	HYD. ADAPTER TEE
3	02967151	1	HYD. ADAPTER STRAIGHT
4	02968828	1	VINYL TAPE RED 1/2" WIDE
5	02968830	1	VINYL TAPE BLUE 1/2" WIDE
6	02968831	1	VINYL TAPE BLUE 1/4" WIDE
7	02968832	1	VINYL TAPE GREEN 1/2" WIDE
8	02968833	1	VINYL TAPE GREEN 1/4
9	02968834	1	VINYL TAPE ORANGE 1/2" WIDE
10	02980906	1	DIRECTIONAL CONTROL VALVE
11	63042700	2	HYD. ADAPTER STRAIGHT
12	02969399	1	ONE WAY RESTRICTOR-ORFICE
13	02972159	1	HYD. ADAPTER ELBOW
14	02962596	1	DETENT CAP 02908600 VALVE
15	02984398	1	VALVE SECTION TILT
16	02958734	1	SPOOL POSITIONER KIT 4-POS DET

**CONTROL VALVE ASY - SN 01242 (06-06) & UP -PN 02981363**

**Continued...**

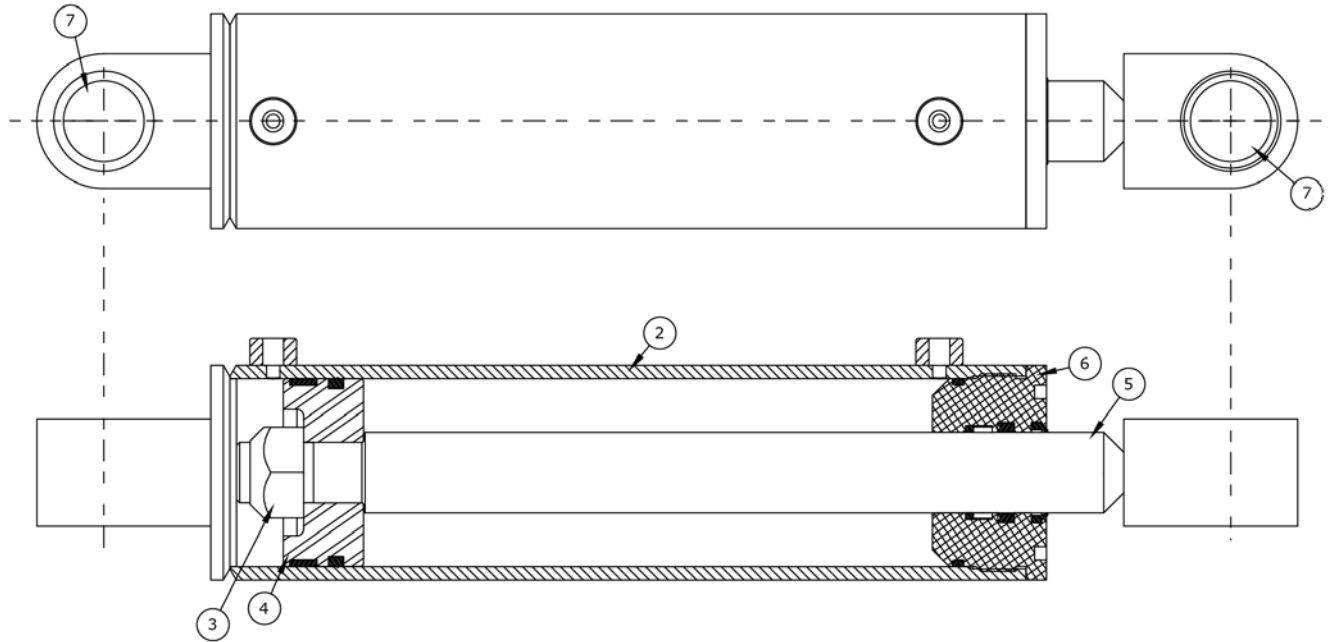
<b>ITEM</b>	<b>PART NO.</b>	<b>QTY.</b>	<b>DESCRIPTION</b>
17	02750100	1	DETENT KIT
18	02984421	1	VALVE SECTION LIFT
19	02046700	1	VALVE END PLATE
20	02984397	1	MAIN RELIEF - 3000 PSI
21	02984396	1	VALVE SECTION-INLET COVER
22	02918400	2	VALVE HANDLE FROM 02908600
23	02966875	2	VALVE HANDLE CONNECTION KIT
24	02989822	1	POWER BEYOND, V20

**CYLINDER ASY - LIFT - PN 0296023A**



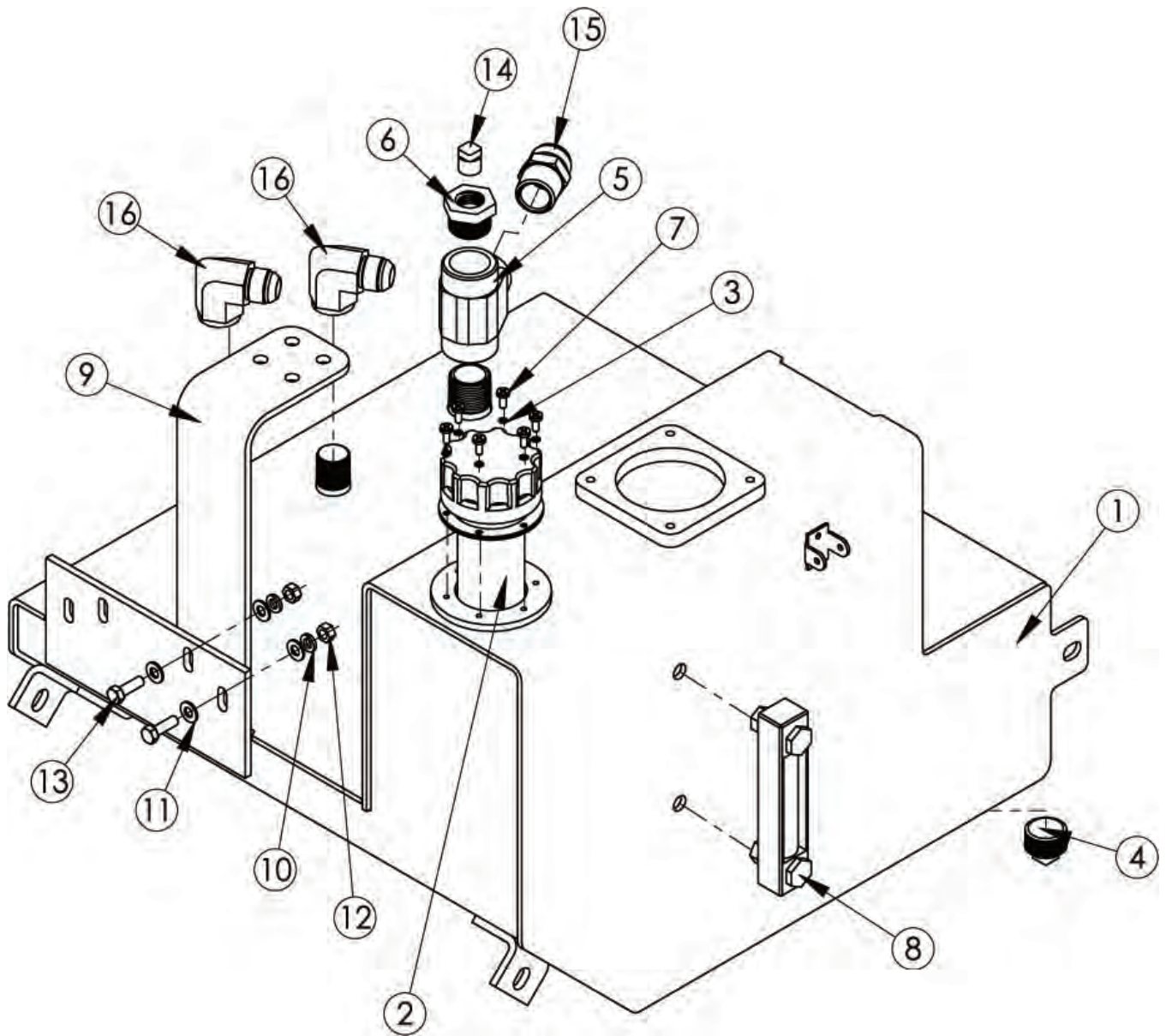
ITEM	PART NO.	QTY.	DESCRIPTION
	02968023A	1	HYD LIFT CYL (10-1/2 X 3-1/2 BORE)
	02975531	1	SEAL KIT
2	02975464	1	TUBE WLDMNT (LIFT CYL)
3	1917155	1	LOCKNUT
4	02975456	1	PISTON
5	02975458	1	ROD WLDMNT (LIFT CYL)
6	02975449	1	HEAD GLAND (LIFT CYL)
7	02968803	2	BUSHINGS

## CYLINDER ASY - TILT - PN 02968024A



ITEM	PART NO.	QTY.	DESCRIPTION
	02968024A	1	HYD TILT CYL. (12-13/16)
	02975531	1	SEAL KIT
2	02975550	1	TUBE WLD'MT (TILT CYL.)
3	1917155	1	LOCKNUT
4	02975456	1	PISTON
5	02975549	1	ROD WLD'MT (TILT CYL.)
6	02975449	1	HEAD GLAND (TILT CYL.)
7	02968803	2	BUSHINGS

PRE ASY BRAHMA TANK BOSCH PUMP P/N 32120946



ITEM	PART NO.	QTY.	DESCRIPTION
1	32120947	1	WLDMT. BRAHMA TANK FOR
2	02968879	1	ASY, CAP/NECK, FILL/BREATH, 3
3	00751984	6	STARWSHR #10 EXT TOOTH TY A PL
4	02963659	1	PLUG,1 MAGNETIC
5	02275700	1	ADP HYD TEE 16FP-16FP-16FP
6	63081000	1	REDUCER BUSHING 16MP-8FP
7	02969917	6	MACH METRIC 5-P0.8 - 12MM
8	02968880	1	GAUGE,SIGHT/TEMPERATURE
9	02980353	1	BRACKET,FILTER MOUNT
10	00011700	2	HIGH ALLOY, L/W 5/16 YZ KG

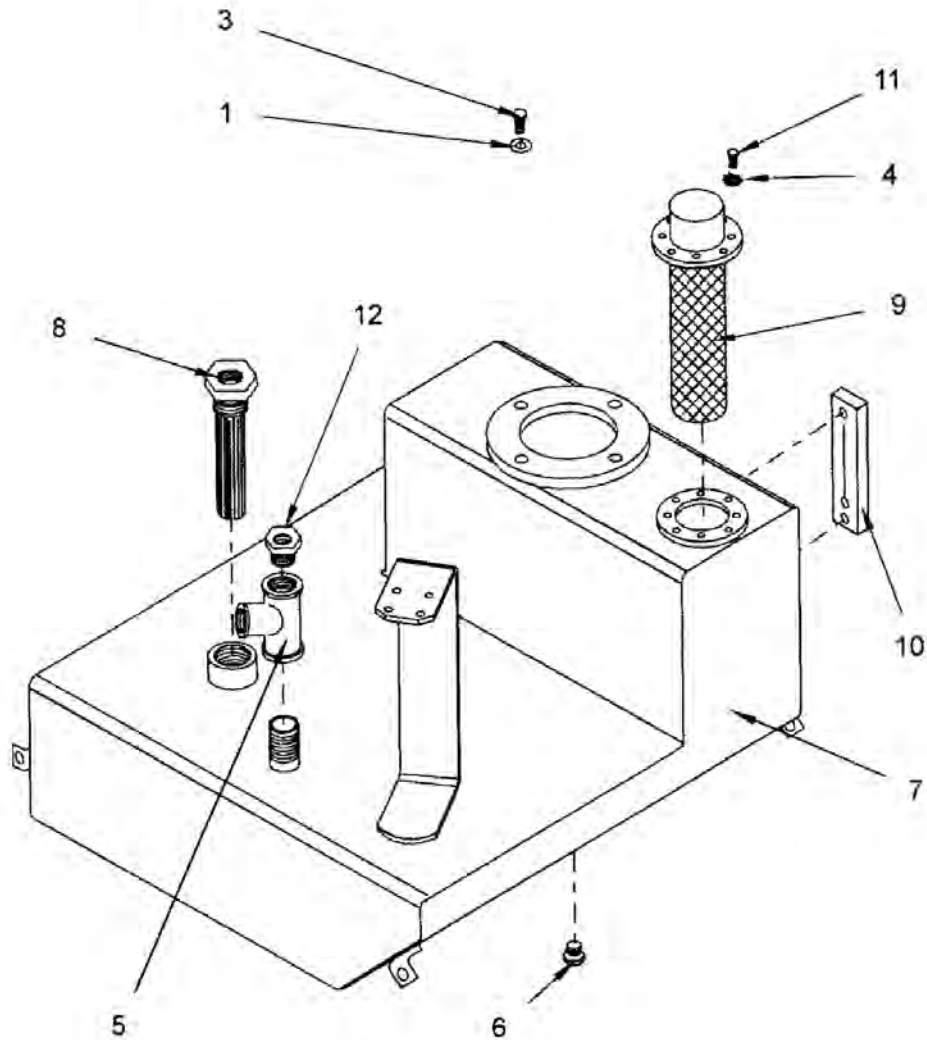
02968822P - Brahma (07-06)\_05-20

**PRE ASY BRAHMA TANK BOSCH PUMP P/N 32120946**

**Continued...**

<b>ITEM</b>	<b>PART NO.</b>	<b>QTY.</b>	<b>DESCRIPTION</b>
11	00023500	4	FLATWASHER 5/16 PL
12	00750940	2	LOCKNUT TLM 5/16 NC PLB
13	10119000	2	HEXB 5/16 X 1 NC GR5
14	001892	1	PLUG PLASTIC - 1/2 NPT
15	00752067	1	ADP HYD STGHT 16MP-16MJ
16	02996987	2	ADP HYD ELBOW 12MJ - 12FP-90

## HYDRAULIC TANK SUB-ASY - PN 02981211



ITEM	PART NO.	QTY.	DESCRIPTION
	02981211	1	HYDRAULIC TANK SUB-ASY.
1	00001300	4	LOCKWASHER
3	00011800	4	BOLT
4	00751984	6	STARWASHER
5	02275700	1	PIPE TEE
6	02963659	1	MAGNETIC PLUG
7	02977040	1	TANK WLD'MT
8	02968166	1	SUCTION STRAINER
9	02968879	1	FILLER/BREATHER CAP ASY.
10	02968880	1	GAUGE, SIGHT & TEMP.
11	02969377	6	MACHINE SCREW, SLOTTED HEX
12	63081000	1	REDUCER BUSHING
13	00011700	2	LOCKWASHER

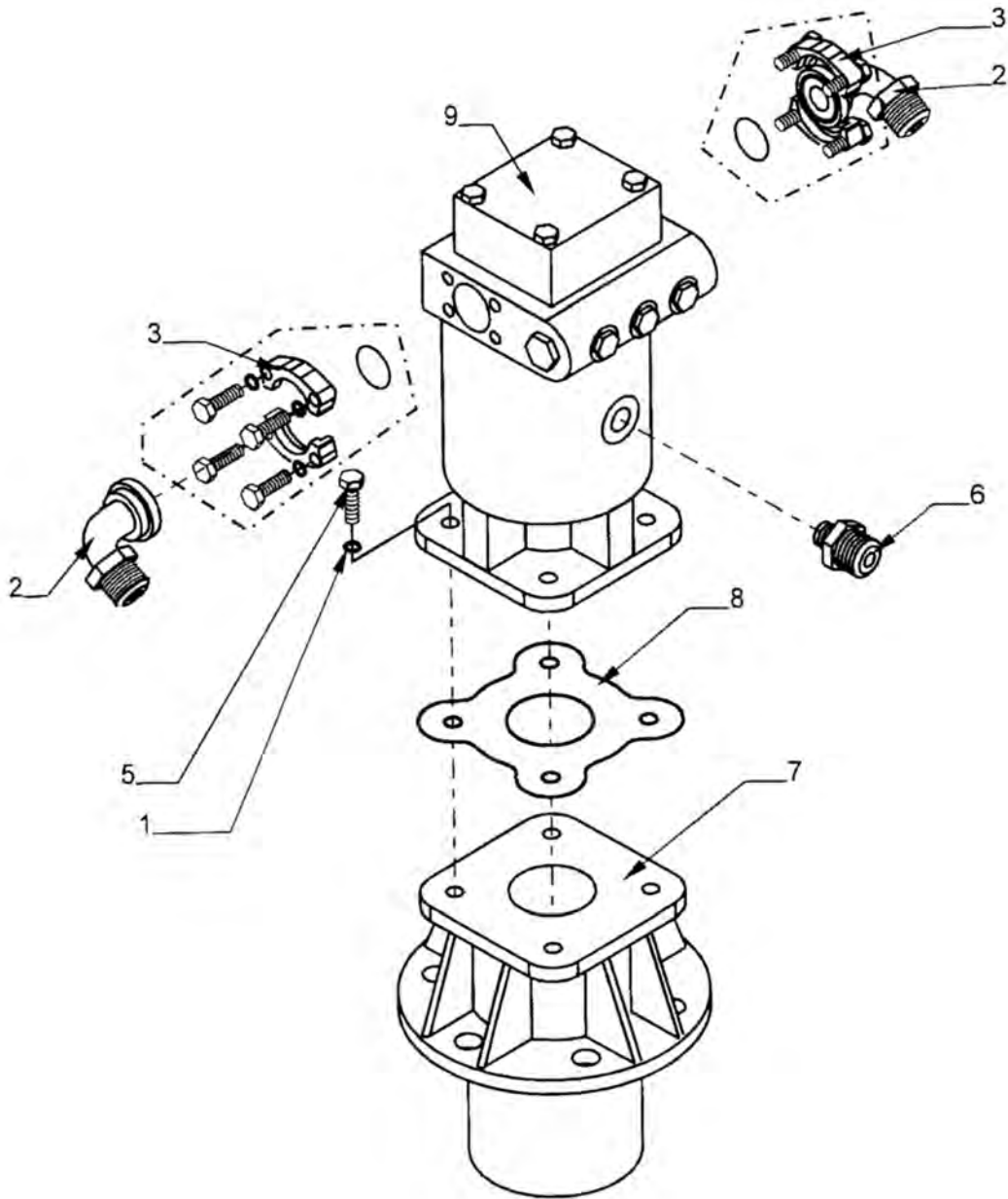
HYDRAULIC TANK SUB-ASY - PN 02981211

Continued...

ITEM	PART NO.	QTY.	DESCRIPTION
14	10119000	2	LOCKWASHER
15	00023500	4	FLATWASHER
16	00750940	2	LOCKNUT



MOTOR & SPINDLE ASY - PN 02969096

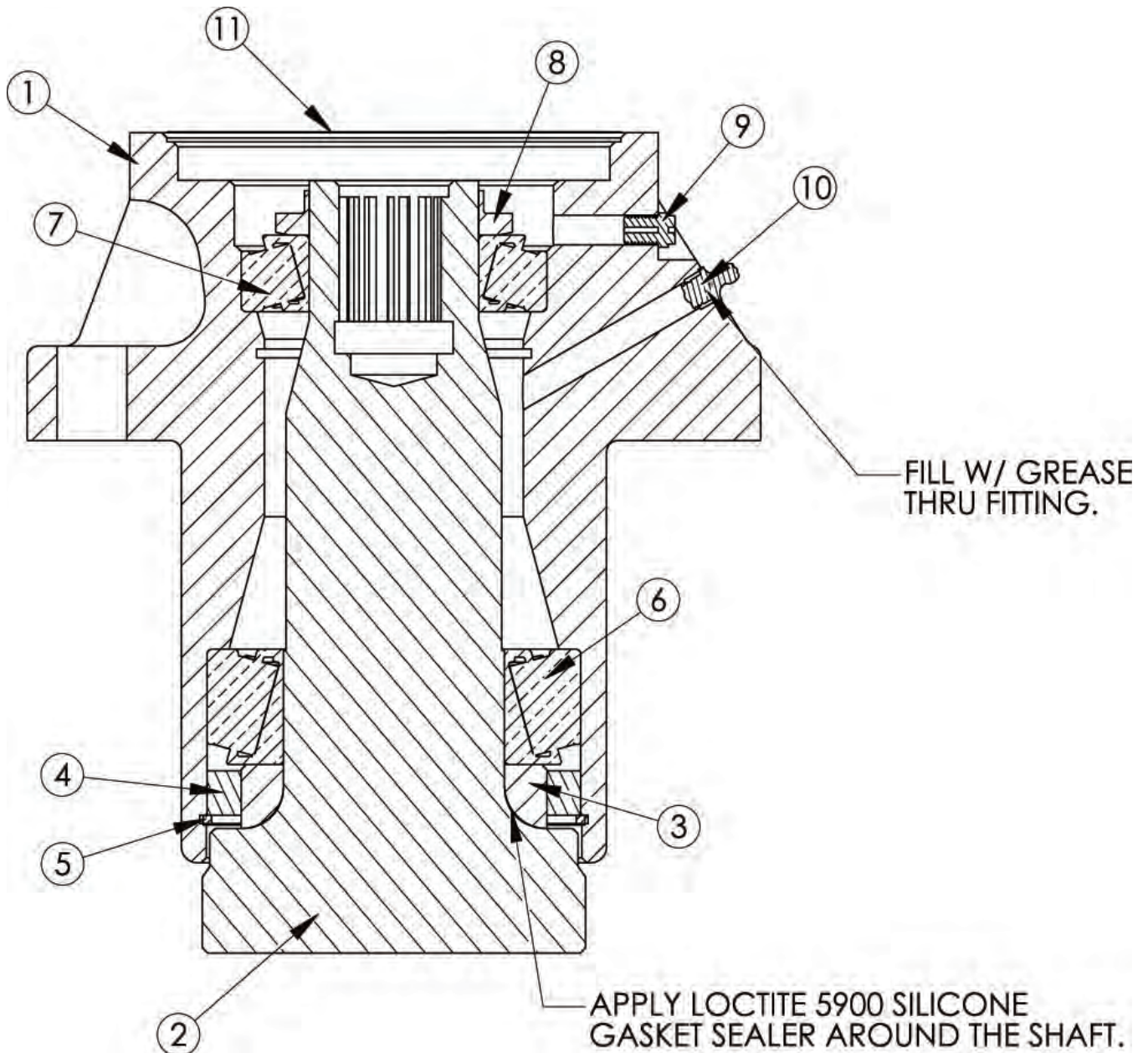


## MOTOR & SPINDLE ASY - PN 02969096

Continued...

ITEM	PART NO.	QTY.	DESCRIPTION
	02969096	1	MOTOR & SPINDLE ASY.
1	00019600	4	LOCKWASHER
2	00750316	2	HYD. ADAPTER ELBOW
3	00750317	2	SPLIT FLANGE KIT
4	-----	1	GREASE NLGI "000" ( NOT SHOWN , SEE MAINTENCE SECTION ) (REFERENCE ONLY)
5	02776600	4	BOLT
6	02958782	1	HYD. ADAPTER STRAIGHT
7	02960553B	1	SPINDLE HOUSING - SPINDLE ASY.(SEE SPINDLE HOUSING & SPINDLE ASY.)
8		1	
9	02967193B	1	PISTON MOTOR ASY
	02967193RB	1	PISTON MOTOR ASY ( REBUILT UNIT ) (REFERENCE ONLY)
	02972094	1	SEAL KIT, VALVE BLOCK TO MOTOR
	02971574	1	RELIEF CARTRIDGE, 4000 PSI
	02981685	1	O-RING ( F/ 02971574 )
	02981686	1	O-RING ( F/ 02971574 )
	02981687	1	O-RING ( F/ 02971574 )
	02981688	2	BACK-UP RING ( F/ 02971574 )

SPINDLE & HOUSING ASY - PN 02960553B



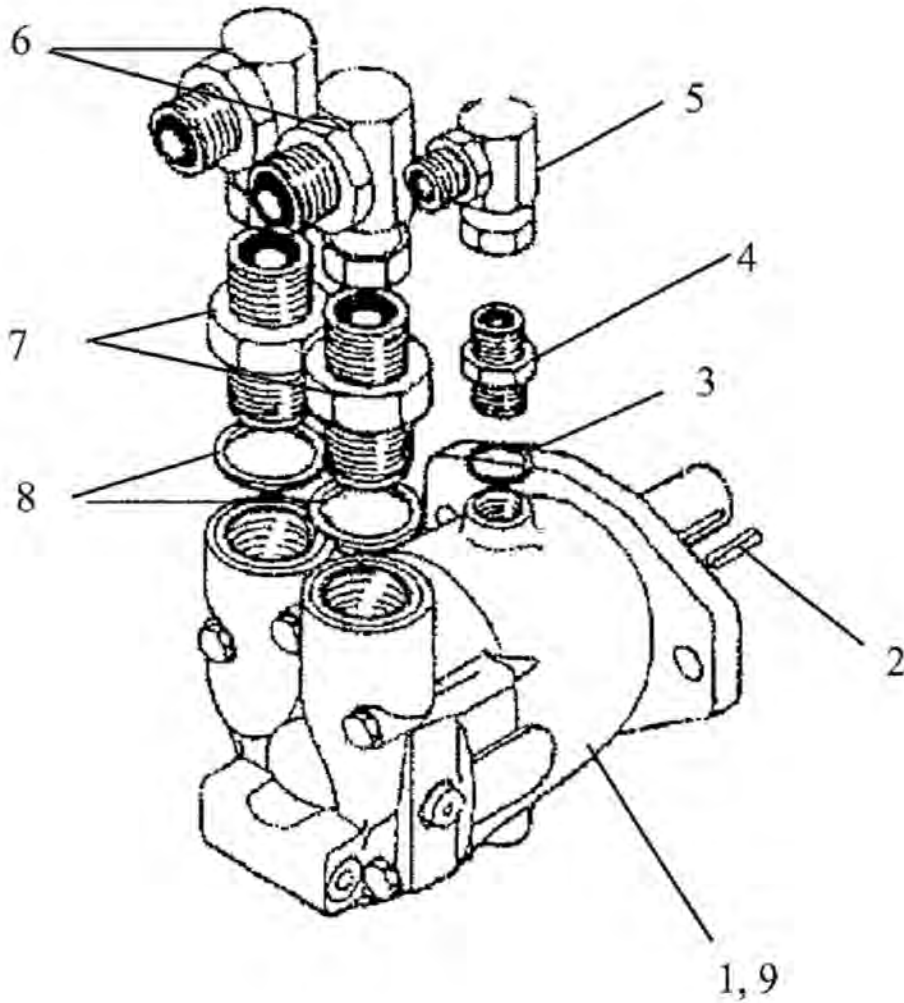
ITEM	PART NO.	QTY.	DESCRIPTION
0	02960553B	-	ASSY,SPINDLE HOUSING-SPLINED
1	02963815	1	MACH, CAST, SPINDLE, HOUSING
2	02960561	1	SPINDLE -SPLINED
3	02960558	1	BEARING RING
4	02960559	1	SEAL
5	00754627	1	SNAP RING
6	02960557	1	SPINDLE CUP & CONE ASY
7	00769938	1	BEARING,ROLLER-50 X 90 X 21.75
8	02962030	1	LOCKNUT-SPINDLE BEARING

**SPINDLE & HOUSING ASY - PN 02960553B**

**Continued...**

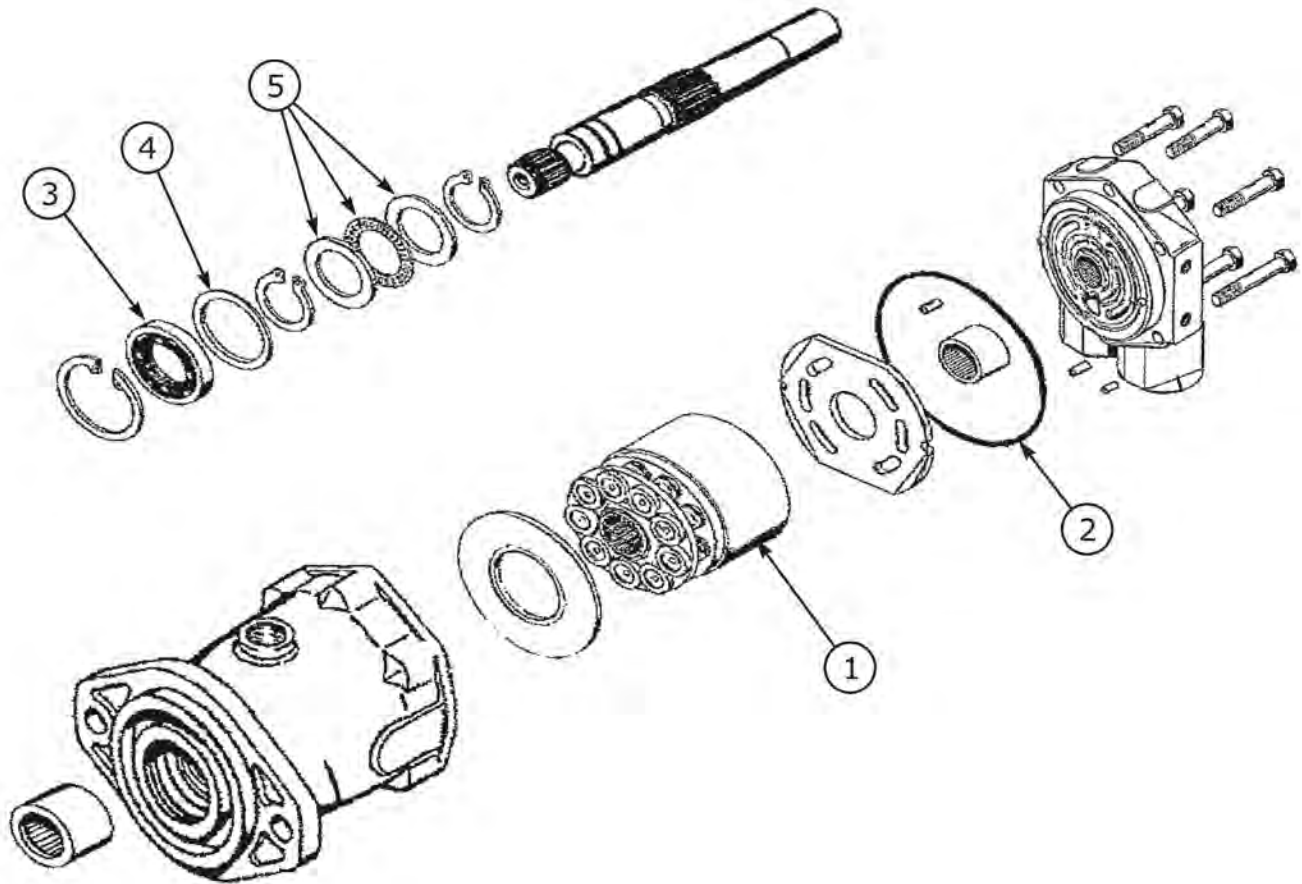
<b>ITEM</b>	<b>PART NO.</b>	<b>QTY.</b>	<b>DESCRIPTION</b>
9	02959018	1	GREASE RELIEF FITTING 1-5LBS
10	00003500	1	FITTING,GREASE 1/8 MP STRAIGHT
11	02963060	1	COVER

## MOTOR ASY - FLAIL HEAD



ITEM	PART NO.	QTY.	DESCRIPTION
1	8301295	1	PISTON MOTOR, 2.48 CU.IN./REV W/O FITTINGS
2	05.960.16	1	KEY
3	8600908	1	O-RING GASKET
4	03.198.01	1	HYD. ADAPTER
5	8581338	1	HYD. ADAPTER
6	05.835.02	2	HYD. ADAPTER
7	08.955.25	2	HYD. ADAPTER
8	8600916	2	O-RING GASKET
9	8699238	1	SEAL KIT ( FOR P/N 8301295 MOTOR )

# MOTOR ASY - FLAIL HEAD PARTS

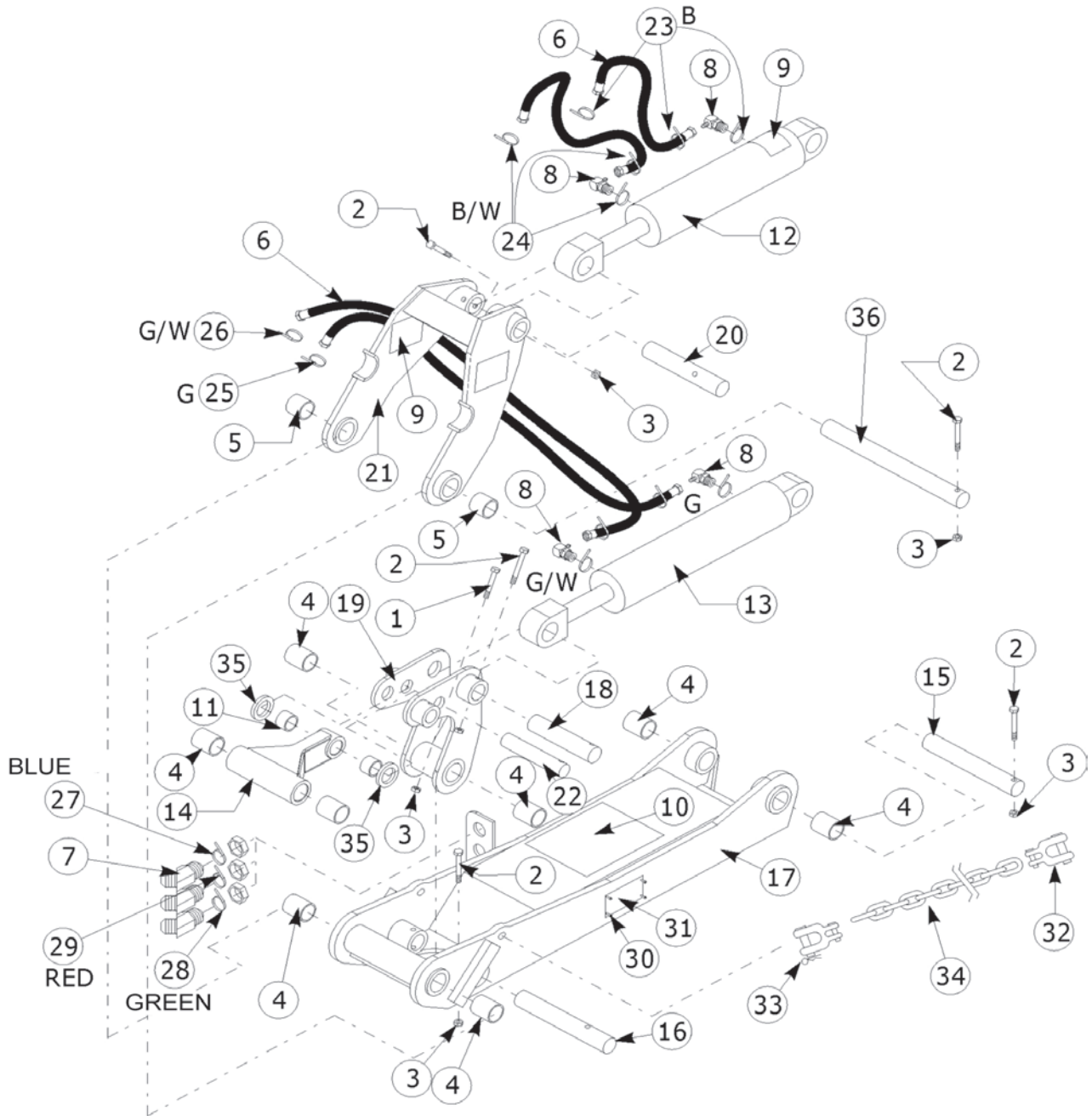


## MOTOR ASY - FLAIL HEAD PARTS

Continued...

ITEM	PART NO.	QTY.	DESCRIPTION
	8301295	1	MOTOR,PISTON-2.48 CU.IN./REV
1	001641	1	ASSY, ROTATING KIT
2	03200409	1	O-RING
3	02988181	1	KIT,HIGH PRESSURE, SEAL & RING
4	03200411	1	WASHER
5	001644	2	BRG. & RACE SET
	02975345	1	SEAL KIT

MOUNTING ARM ASY - PN 02979631



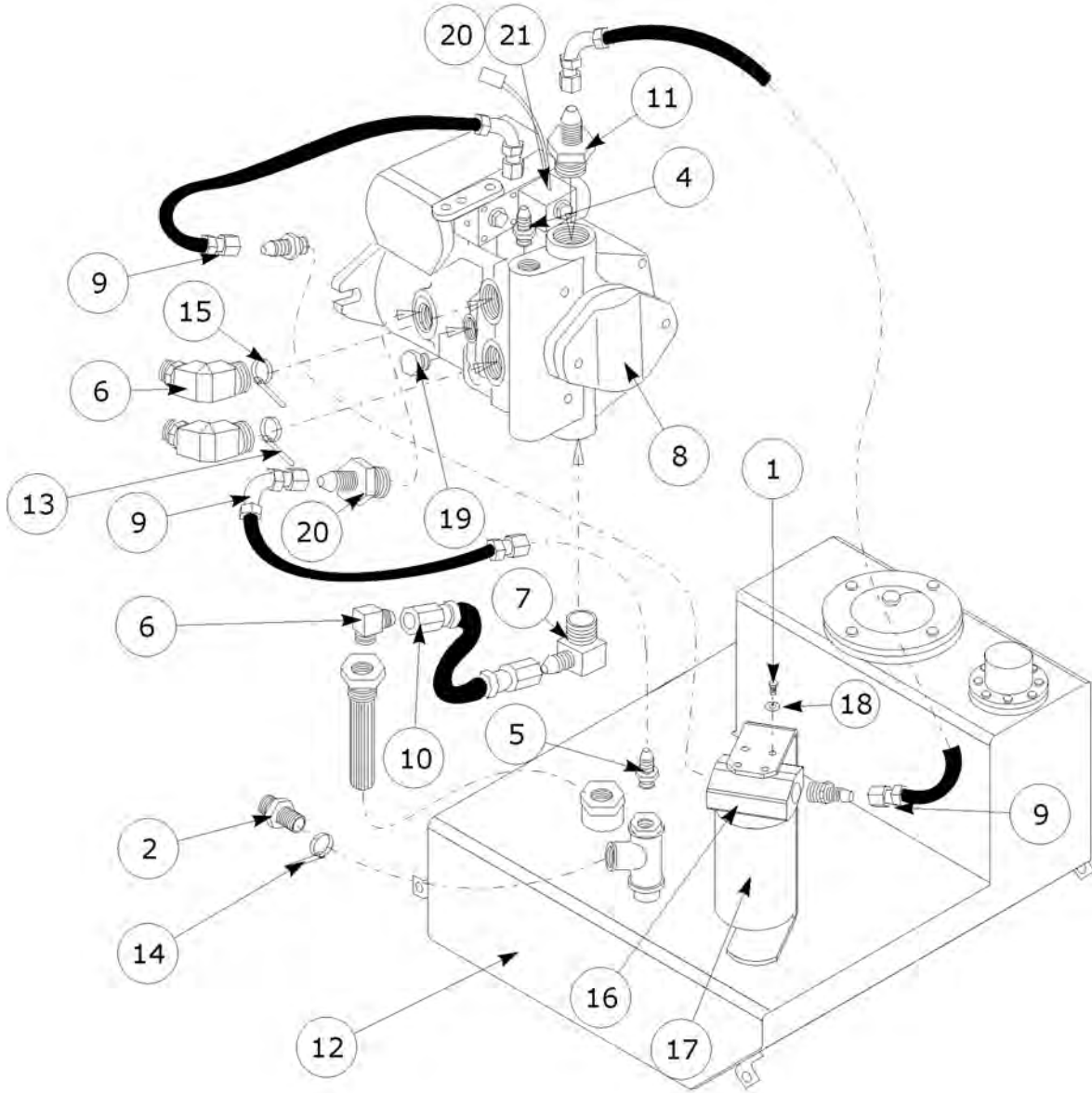


## MOUNTING ARM ASY - PN 02979631

Continued...

ITEM	PART NO.	QTY.	DESCRIPTION
	02979631	1	MOUNTING ARM ASY, BRAHMA
1	00013900	1	BOLT
2	00059900	5	BOLT
3	00015800	5	LOCKNUT
4	02968803	8	TEFLON BEARING
5	00764656	2	TEFLON BEARING
6	02890900	4	HOSE - 47"LG
7	02919400	3	BULKHEAD FITTING - 45 DEG
8	02960018	4	FITTING - 90 DEG
9	02962764	3	DECAL, PINCH POINTS
10	02965262	1	DECAL, HOSE BURST
11	02966791	2	TEFLON BEARING IMPREG
12	02968023A	1	HYD. TILT CYL.( SEE LIFT &TILT CYL.)
13	02968024A	1	HYD. LIFT CYL.( SEE LIFT &TILT CYL.)
14	02985235	1	WLDMT, HEAD PIVOT
15	02968101	1	ARM BASE PIN
16	02968103	1	LINK BASE CYLINDER PIN
17	02979612	1	MACHINED ARM , BRAHMA
18	02979628	1	CYLINDER ROD PIN
19	02979620	1	MACHINED , CYLINDER LINK
20	02968197	1	CYLINDER ROD PIN
21	02979614	1	MACHINED , CYLINDER LINK
22	02979627	1	CYLINDER BASE PIN
23	02968830	3	VINYL TAPE BLUE 1/2" WIDE
24	02968831	3	VINYL TAPE BLUE 1/4" WIDE
25	02968832	3	VINYL TAPE GREEN 1/2" WIDE
26	02968833	3	VINYL TAPE GREEN 1/4" WIDE
27	02968896	1	VINYL TAPE BLUE 1/2" WIDE
28	02991249	1	VINYL TAPE WIDE
29	02968894	1	VINYL TAPE RED 1/2" WIDE
30		4	
31	02960692	1	SERIAL PLATE - BRAHMA ARM
32	02275800	2	DOUBLE CLEVIS
33	00751685	1	HAIRPIN
34	02973792	1	CHAIN
35	15C2000	2	HARDENED WASHER 1-1/4"
36	02968274	1	PIN- MOWER HEAD MT.

OIL RESERVOIR ASY - PN 02968168

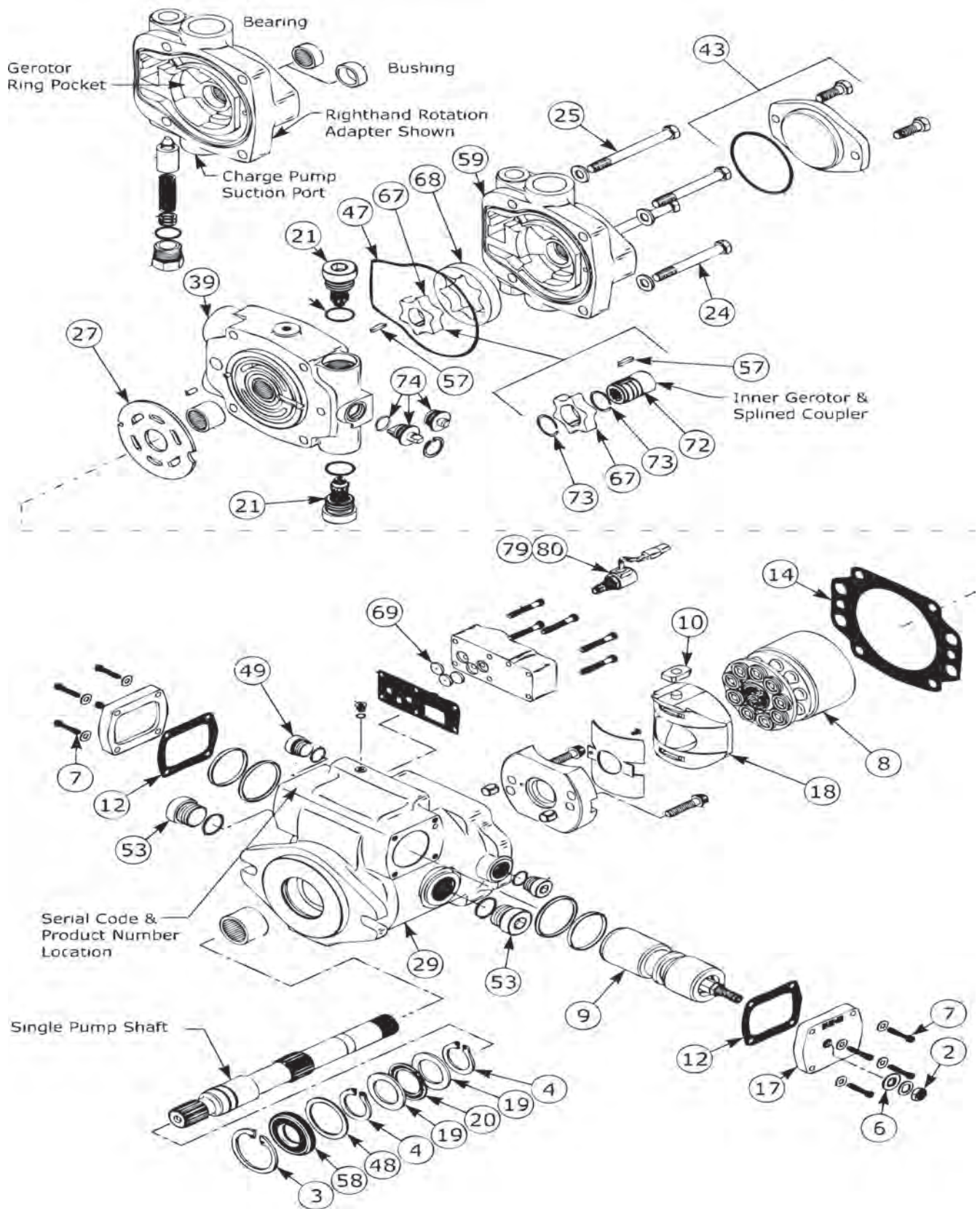


## OIL RESERVOIR ASY - PN 02968168

Continued...

ITEM	PART NO.	QTY.	DESCRIPTION
	02968168	1	OIL RESERVOIR ASY
1	00002000	4	HHCS 3/8 NC X 3/4 PL5
2	00752067	1	ADP HYD STGHT 16MP-16MJ
3	02041800	1	ADP HYD ELBOW 12MP-12MJ90
4	02042300	1	ADP HYD STGHT 10MB-8MJ
5	02042400	1	ADP HYD STGHT 8MJ-8MP
6	02043600	2	ADP HYD ELBOW 16MB -16MJ 45
7	02822700	1	ADP HYD ELBOW 16MB-12MJ90
8	02969527	1	PUMP, FRONT-SERVO (INCLUDES 02970206 SOLENOID SERVO CONTROL)
	02969527RB	1	PUMP, FRONT-SERVO REBUILT (REFERENCE ONLY)
9	02968164	3	HOSE 8 - 8FJX - 8FJX90- 15LG
10	02968165	1	HOSE 12-12FJX -12FJX -14.25
11	02968167	1	ADP HYD STGHT 16MB - 8MJ
12	02968169	1	TANK SUB-ASY
13	02968894	1	VINYL TAPE RED 1/2" WIDE
14	02991249	1	VINYL TAPE WIDE
15	02968896	1	VINYL TAPE BLUE 1/2" WIDE
16	02968922	1	PRESSURE FILTER HEAD ASY
17	02968923	1	PRESS FILTER ASY
	03101646	4	HIGH ALLOY, LOCKWASHER 3/8 YZ
18	03200587	1	PLUG
19	63042700	3	ADP HYD STGHT 12MB-8MJ
20	02972836	1	COIL ASY (OLD STYLE - SQUARE)
21	02972835	1	ASY, CARTRIDGE VALVE W/O COIL

# SERVO CONTROLLED PISTON PUMP ASY (PART 1) - PN 02969527A



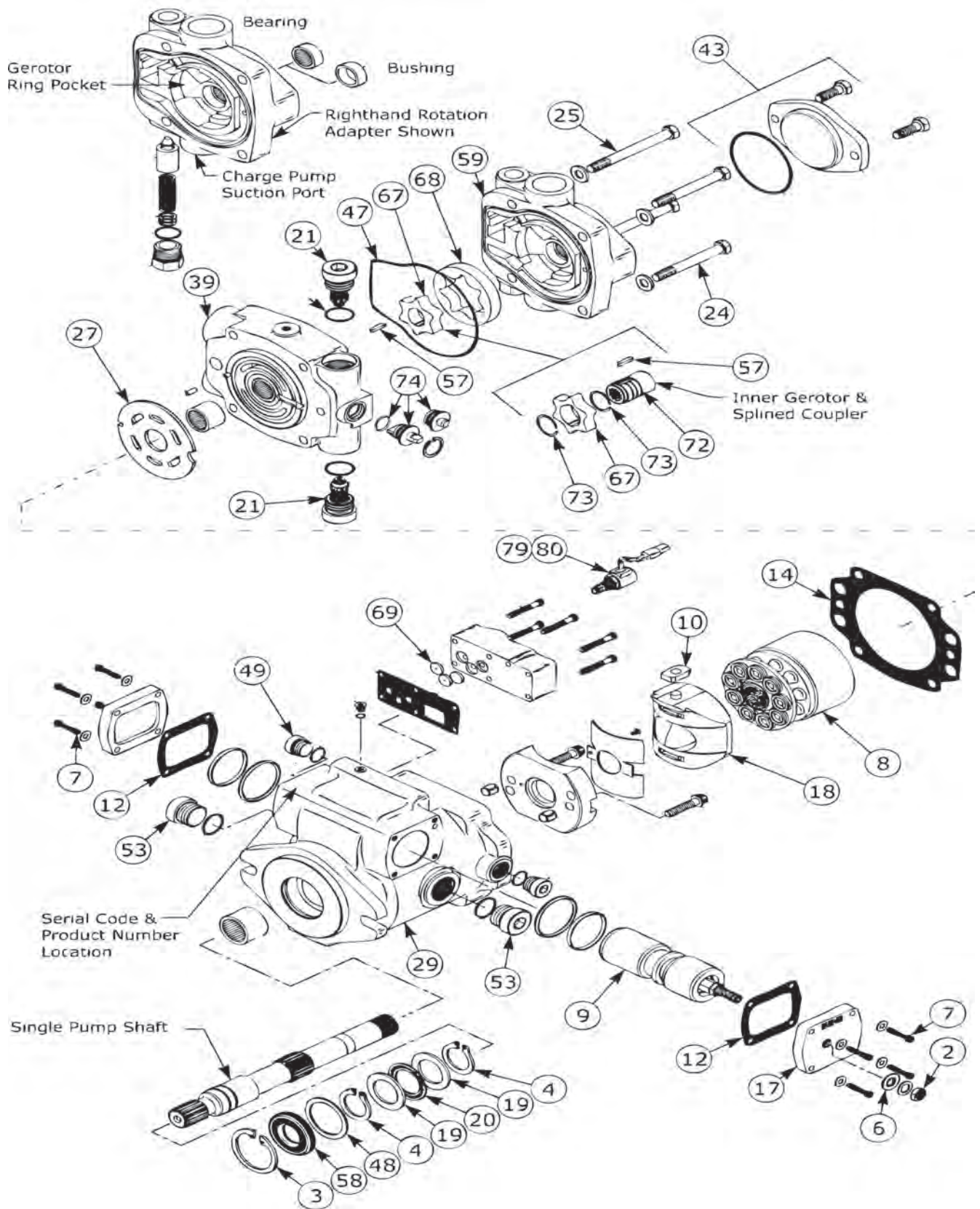
**SERVO CONTROLLED PISTON PUMP ASY (PART 1) - PN 02969527A**

**Continued...**

<b>ITEM</b>	<b>PART NO.</b>	<b>QTY.</b>	<b>DESCRIPTION</b>
2	02977418	1	NUT, JAM
3	02977419	1	RING, RETAINING
4	02977420	2	RING, RETAINING
6	02977421	1	WASHER, SEAL
7	02977422	8	SCREW, CAP
8	02977423	1	ROTATING KIT, SUBASSY
9	02977424	1	SERVO PISTON SUBASSY
10	02977425	1	FOLLOWER, SERVO PISTON
11	02977426	1	PLATE, COVER
12	02977427	2	GASKET, COVER PLATE
14	02977428	1	GASKET, HOUSING
17	02977430	1	PLATE, COVER
18	02977431	1	CAMPLATE, SUBASSY
21	02977434	2	RELIEF VALVE SUBASSY
	02977539	2	O-RING .116 DIA X .924INSIDE
24	02977436	2	SCREW, CAP
25	02977437	2	SCREW, CAP
27	02977439	1	PLATE, VALVE
28	02977440	1	HOUSING SUBASSY
	02977526	1	HOUSING
	02977527	1	BEARING (PRESS FIT)
	02977528	1	PLUG, SUBASY
	02977529	1	O-RING .064 DIA X .239INSIDE
**	02989690	1	SUB-ASY, CRADLE, SERVO PUMP
	02989691	2	PIN, DOWEL, SERVO PUMP
	02988733	1	BUSHING, CRADLE
**	02977533	1	CAP SCREW, BUTTON HEAD
	02977534	2	CAP SCREW
	02977535	2	SEAL SUBASY
39	02977441	1	BACKPLATE SUBASSY
	02977536	1	BEARING, PRESS FIT
	02977537	1	ROLL PIN
43	02977551	1	KIT, COVER PLATE FOR SAE A
	02977442	1	O-RING
	02977444	2	SCREW CAP
	02977449	1	PLATE, COVER
47	02977443	1	O-RING MOLDED
48	02977445	1	WASHER



# SERVO CONTROLLED PISTON PUMP ASY (PART 2) - PN 02969527A



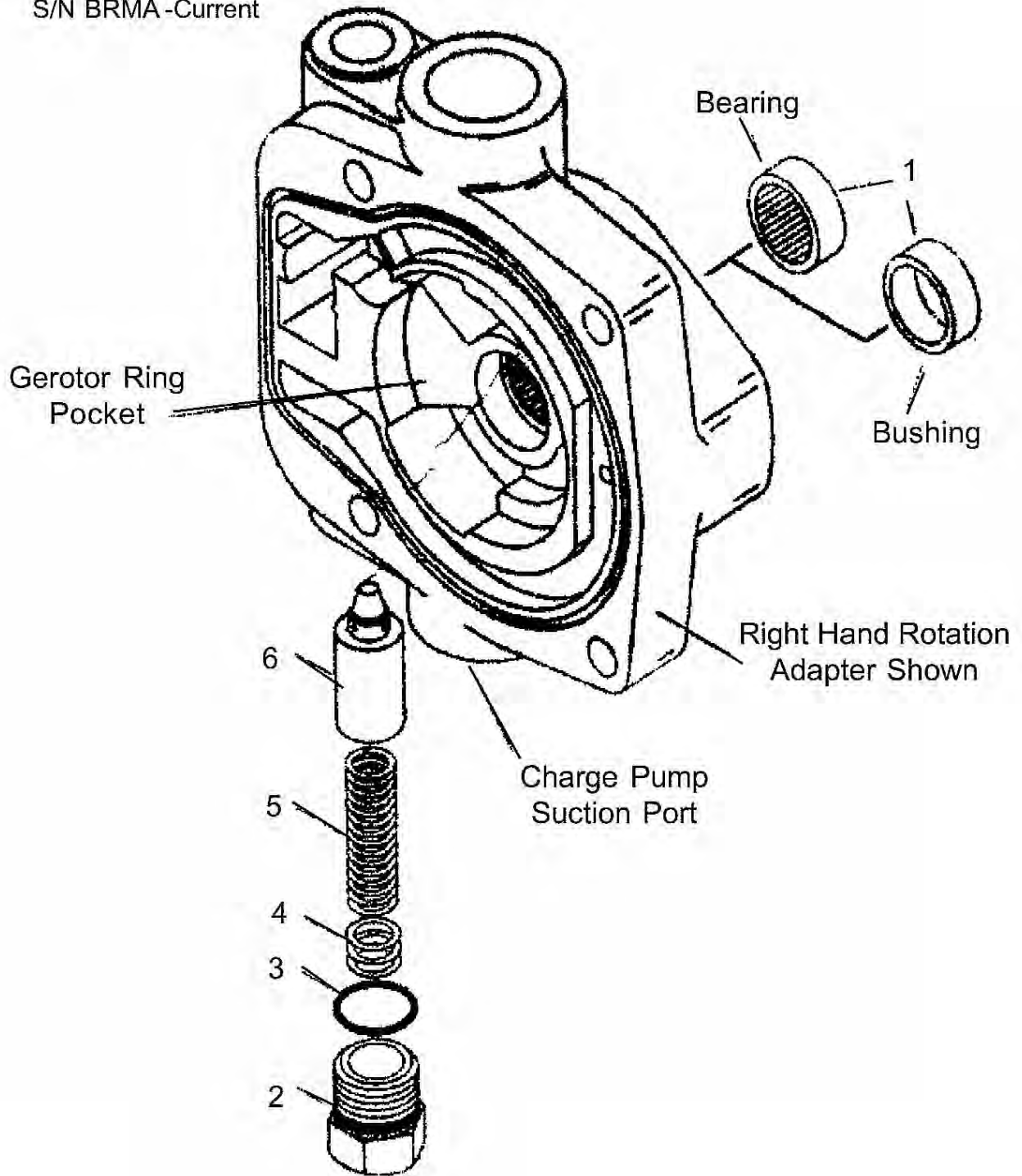
**SERVO CONTROLLED PISTON PUMP ASY (PART 2) - PN 02969527A**

**Continued...**

<b>ITEM</b>	<b>PART NO.</b>	<b>QTY.</b>	<b>DESCRIPTION</b>
49	02977446	2	PLUG, SUBASSY
	02977538	2	O-RING .087 DIA X .644INSIDE
53	02977447	2	PLUG, SUBASSY
	02977539	2	O-RING .116 DIA X .924INSIDE
57	02977448	1	KEY
58	02977199	1	SEAL PUMP SHAFT
59	02977450	1	CHARGE PUMP ASSEMBLY
	02977543	1	BUSHING, PRESS FIT W/11 TOOTH
	02977544	1	PLUG
	02977545	1	O-RING
	02977546	1	SHIM (1)NOTE: MAY REQUIRE MORE
	02977547	1	SPRING
	02977548	1	POPPET
67	02991556	1	RING, GEROTER, INNER
68	02991557	1	RING, GEROTER, OUTER
69	02977453	3	ORIFICE, CONTROL VALVE
72	02977456	1	COUPLER
73	02977457	2	RING, RETAINING
74	02977458	1	PLUG SUBASSY
	02977459	1	WASHER
76	02977460	8	WASHER
77	02977461	4	WASHER
78	02977462	1	RING LOCK
79	02983257	1	CARTRIDGE SOL VLV 3-WAY 2-POS
80	02983256	1	COIL 12VDC (ROUNDED)
	02970206	1	KIT,SOLENOID SERVO CONTROL
	02977086	1	SEAL KIT - PUMP
	02977325	1	SHAFT, PISTON PUMP

CHARGE PUMP ADAPTER SUB-ASY - (SN 01001 TO CURRENT) - PN 02977450

Apr. 1996 S/N BRMA-01005  
to  
S/N BRMA -Current



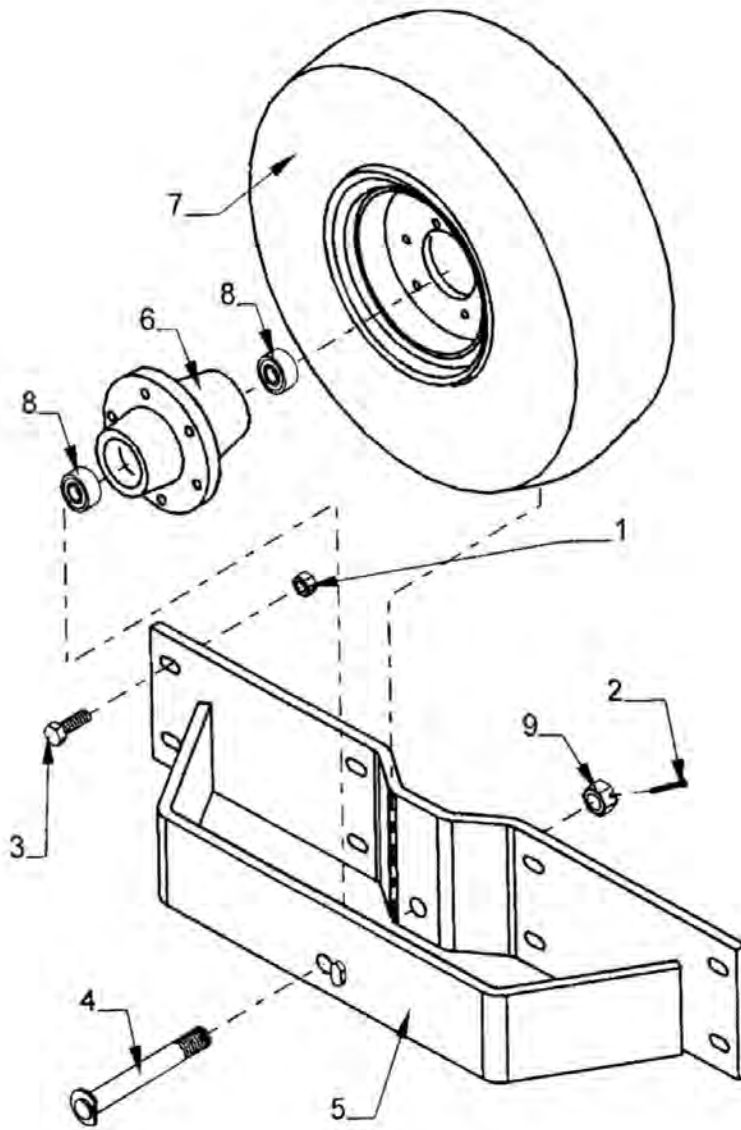


**CHARGE PUMP ADAPTER SUB-ASY - (SN 01001 TO CURRENT) - PN 02977450**

**Continued...**

<b>ITEM</b>	<b>PART NO.</b>	<b>QTY.</b>	<b>DESCRIPTION</b>
1	02977543	1	BUSHING, PRESS FIT W/11 TOOTH
2	02977544	1	PLUG
3	02977545	1	O-RING
4	02977546	1	SHIMS
5	02977547	1	SPRING
6	02977548	1	POPPET

**GAUGE WHEEL, SIDE MOUNT, DEEP DECK (OPTION) - PN 02966070**



ITEM	PART NO.	QTY.	DESCRIPTION
	02966070	1	GAUGE WHEEL, SIDE MOUNT, DEEP DECK
1	00001800	8	LOCKNUT TLM 1/2 NC PLC
2	00606000	1	COTTERPIN
3	02892000	8	BOLT, HEX HEAD
4	02965675	1	PIN WELDMENT
5	02966238	1	WHEEL MOUNTING WELDMENT
6	373024D	1	HUB ASY
7	373024H	1	WHEEL AND TIRE ASY

**GAUGE WHEEL, SIDE MOUNT, DEEP DECK (OPTION) - PN 02966070**

**Continued...**

<b>ITEM</b>	<b>PART NO.</b>	<b>QTY.</b>	<b>DESCRIPTION</b>
8	37302C2C	2	BUSHING
9	5DR12160	1	NUT, SLOTTED





## TO THE OWNER/OPERATOR/DEALER

To keep your implement running efficiently and safely, read your manuals thoroughly and follow these directions and the Safety Messages in this Manual. The Table of Contents clearly identifies each section where you can easily find the information you need.

The OCCUPATIONAL SAFETY AND HEALTH ACT (1928.51 Subpart C) makes these minimum safety requirements of tractor operators:

### REQUIRED OF THE OWNER

1. Provide a Roll-Over-Protective Structure that meets the requirements of this standard.
2. Provide seat belts that meet the requirements of this paragraph of this standard and SAE J4C.
3. Ensure that each employee uses such seat belt while the tractor is moving.
4. Ensure that each employee tightens the seat belt sufficiently to confine the employee to the protected area provided by the ROPS.

### REQUIRED OF THE OPERATOR

1. Securely fasten seat belt if the tractor has a ROPS.
2. Where possible, avoid operating the tractor near ditches, embankments, and holes.
3. Reduce speed when turning, crossing slopes, and on rough, slick, or muddy surfaces.
4. Stay off slopes too steep for safe operation.
5. Watch where you are going, especially at row ends, on roads, and around trees.
6. Do not permit others to ride.
7. Operate the tractor smoothly, no jerky turns, starts, or stops.
8. Hitch only to the draw bar and hitch points recommended by the tractor manufacturer.
9. When the tractor is stopped, set brakes securely and use park lock, if available.



**Keep children away from danger all day, every day...**



**Equip tractors with rollover protection (ROPS) and keep all machinery guards in place...**



**Please work, drive, play and live each day with care and concern for your safety and that of your family and fellow citizens.**

# ALAMO INDUSTRIAL

## Limited Warranty

### 1. Limited Warranties

- 1.01. Alamo industrial warrants for one year from the purchase date to the original non-commercial, governmental, or municipal purchaser ("purchaser") and warrants for six months to the original commercial or industrial purchaser ("purchaser") that the goods purchased are free from defects in material or workmanship.
- 1.02. Manufacturer will replace for the purchaser any part or parts found, upon examination at one of its factories, to be defective under normal use and service due to defects in material or workmanship.
- 1.03. This limited warranty does not apply to any part of the goods which has been subjected to improper or abnormal use, negligence, alteration, modification, or accident, damaged due to lack of maintenance or use of wrong fuel, oil, or lubricants, or which has served its normal life. This limited warranty does not apply to any part of any internal combustion engine, or expendable items such as blades, shields, guards, or pneumatic tires except as specifically found in your operator's manual.
- 1.04. Except as provided herein, no employee, agent, dealer, or other person is authorized to give any warranties of any nature on behalf of manufacturer.

### 2. Remedies And Procedures

- 2.01. This limited warranty is not effective unless the purchaser returns the registration and warranty form to manufacturer within 30 days of purchase.
- 2.02. Purchaser claims must be made in writing to the authorized dealer ("dealer") from whom purchaser purchased the goods or an approved authorized dealer ("dealer") within 30 days after purchaser learns of the facts on which the claim is based.
- 2.03. Purchaser is responsible for returning the goods in question to the dealer.
- 2.04. If after examining the goods and/or parts in question, manufacturer finds them to be defective under normal use and service due to defects in material or workmanship, manufacturer will:
  - (A) repair or replace the defective goods or part(s) or
  - (B) reimburse purchaser for the cost of the part(s) and reasonable labor charges (as determined by manufacturer) if purchaser paid for the repair and/or replacement prior to the final determination of applicability of the warranty by manufacturer. The choice of remedy shall belong to manufacturer.
- 2.05. Purchaser is responsible for any labor charges exceeding a reasonable amount as determined by manufacturer and for returning the goods to the dealer, whether or not the claim is approved. Purchaser is responsible for the transportation cost for the goods or part(s) from the dealer to the designated factory.

### 3. Limitation Of Liability

- 3.01. Manufacturer disclaims any express (except as set forth herein) and implied warranties with respect to the goods including, but not limited to, merchantability and fitness for a particular purpose.
- 3.02. Manufacturer makes no warranty as to the design, capability, capacity, or suitability for use of the goods.
- 3.03. Except as provided herein, manufacturer shall have no liability or responsibility to purchaser or any other person or entity with respect to any liability, loss, or damage caused or alleged to be caused directly or indirectly by the goods including, but not limited to, any indirect, special, consequential, or incidental damages resulting from the use or operation of the goods or any breach of this warranty. Notwithstanding the above limitations and warranties, manufacturer's liability hereunder for damages incurred by purchaser or others shall not exceed the price of the goods.
- 3.04. No action arising out of any claimed breach of this warranty or transactions under this warranty may be brought more than two (2) years after the cause of action has occurred.

### 4. Miscellaneous

- 4.01. Proper venue for any lawsuits arising from or related to this limited warranty shall be only in Guadalupe county, Texas.
- 4.02. Manufacturer may waive compliance with any of the terms of this limited warranty, but no waiver of any terms shall be deemed to be a waiver of any other term.
- 4.03. If any provision of this limited warranty shall violate any applicable law and is held to be unenforceable, then the invalidity of such provision shall not invalidate any other provisions herein.
- 4.04. Applicable law may provide rights and benefits to purchaser in addition to those provided herein.

*Keep for your records*

Attention: Purchaser should fill in the blanks below for his reference when buying repair parts and/or for proper machine identification when applying for warranty.

Alamo Industrial Implement Model \_\_\_\_\_ Serial Number \_\_\_\_\_  
Date Purchased \_\_\_\_\_ Dealer \_\_\_\_\_

Attention:  
Read your operator's manual



**ALAMO INDUSTRIAL**  
1502 E. Walnut  
Seguin, Texas 78155  
830-379-1480





**BUILT SHARPER<sup>®</sup>**

An Alamo Group Company

1502 E. Walnut St.  
Seguin, Texas 78155



## Sales and Marketing

Tel 800.882.5762      Fax 830.379.0864  
support@alamo-industrial.com

## Warranty Registration/Claims

[www.alamoparts.com](http://www.alamoparts.com)

## Return Authorizations

Online Part Orders  
Techical Information  
[www.alamoparts.com](http://www.alamoparts.com)  
Tel 800.356.6286      Fax 800.322.5141  
[www.alamo-industrial.com](http://www.alamo-industrial.com)

