



Exten-A-Kut II

Rotary Ditch and Bank Mower

Rev 04-19

Part No. 02969111P

PARTS MANUAL



ALAMO INDUSTRIAL

1502 E. Walnut
Seguin, Texas 78155
830-372-9595

¡ATENCIÓN!

LEA EL INSTRUCTIVO

Si No Lee Ingles, Pida Ayuda a Alguien
Que Si Lo Lea Para Que le Traduzca las
Medidas de Seguridad.



An Operator's Manual was shipped with the equipment in the Manual Canister. This Operator's Manual is an integral part of the safe operation of this machine and must be maintained with the unit at all times. **READ, UNDERSTAND, and FOLLOW** the Safety and Operation Instructions contained in this manual before operating the equipment. If the Operator's Manual is not with the equipment, contact your dealer or Alamo Industrial (800-356-6286) to obtain a Free copy before operating the equipment.

BOLT TORQUE

Mounting procedures for mowers will require a significant amount of bolt nut and washer installation.

Frame and structure mounting bolts should be installed using *Red Loctite*, and torqued to the dry values listed in the torque chart based on the bolt size and hardness.

Other structures such as pump mounting bolts should be installed with *Blue Loctite* and torqued to the dry values indicated in the chart.

Bolt tightness should be completed with and checked with a suitable torque wrench.

Torque checks should be completed throughout the life of the mower in accordance with the maintenance chart provided in this manual.



Loose bolts on a frame or in a casting may be a result of:

- Vibration from the mower due to imbalance of the mower blades
- Pulled threads due to over tightening
- Distortion of the hole due to under tightening during installation

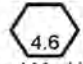
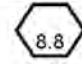
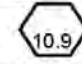
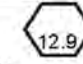
Bolts broken or sheared in the mounting structure or tractor may be the result of:

- Improper alignment of the Mounting Plate or Structure such that it is not sitting flat on the mating surface
- Distortion of the bolt due to over-tightening
- Under tightening of the bolts

Check the bolt torque during installation and prior to delivery with a suitable torque wrench.

Bolt Diameter		
	Head Marking Three Lines Grade Five	Head Marking Six Lines Grade Eight
	Pound - Foot Value Dry	Pound - Foot Value Dry
1/4"	7	10
5/16"	15	22
3/8"	26	39
7/16"	42	60
1/2"	64	88
9/16"	100	134
5/8"	128	180
3/4"	227	320
7/8"	365	515
1"	547	772

To get Newton-Meters multiply pound-foot of torque by 1.356

Bolt Diameter				
	Head Marking 4.6	Head Marking 8.8 or 9.8	Head Marking 10.9	Head Marking 12.9
	Pound - Foot Value Dry	Pound - Foot Value Dry	Pound - Foot Value Dry	Pound - Foot Value Dry
6mm	3	7	9	10
8mm	6.2	16	23	24
10mm	12	32	45	47
12mm	21	55	79	81
14mm	34	88	126	130
16mm	53	137	196	202
18mm	73	189	270	279
20mm	104	267	382	394
22mm	141	364	520	537
24mm	179	461	660	680
27mm	262	676	968	998
30mm	355	917	1312	1353

TO THE OWNER/OPERATOR/DEALER

All implements with moving parts are potentially hazardous. There is no substitute for a cautious, safe-minded operator who recognizes the potential hazards and follows reasonable safety practices. The manufacturer has designed this implement to be used with all its safety equipment properly attached to minimize the chance of accidents.

BEFORE YOU START!! Read the safety messages on the implement and shown in your manual.
Observe the rules of safety and common sense!

! DANGER

FAILING TO FOLLOW SAFETY MESSAGES AND OPERATING INSTRUCTION CAN CAUSE SERIOUS BODILY INJURY OR EVEN DEATH TO OPERATOR AND OTHERS IN THE AREA.

1. 	2. NO RIDERS. NO CHILDREN OPERATORS 	3. USE SAFETY SHOES, HARD HAT, SAFETY GLASSES, SEAT BELTS, ROPS & OPS. 	4. BLOCK UP SECURELY BEFORE WORKING UNDER. 
--	---	---	--

1. Study and understand Operator's Manuals, Safety Decals, and Instructional Decals for tractor and implement to prevent misuse, abuse, and accidents. Practice before operating in a confined area or near passersby.
 - Learn how to stop engine suddenly in an emergency. Be alert for passersby and especially children.
2. Allow no children on or near folding mower or tractor. Allow no riders on tractor or implement. Falling off may cause serious injury or death from being run over by tractor or mower or contact with rotating blades.
3. Operate only with tractor having Roll-Over Protective Structure (ROPS) and with seat belt securely fastened to prevent injury and possible death from falling off or tractor overturn.
 - Personal Protective Equipment such as Hard Hat, Safety Glasses, Safety Shoes, & Ear Plugs are recommended.
4. Block up or support raised machine and all lifted components securely before putting hands or feet under or working underneath any lifted component to prevent crushing injury or death from sudden dropping or inadvertent operation of controls. Make certain area is clear before lowering or folding.
5. Before transporting, put Lift Lever in detent or full-lift position. Install Transport Safety Devices securely on folding mowers. Put Booms securely in Transport Rest.
 - Folding and Boom Mowers have raised center of gravity. Slow down when turning and on hillsides.
6. Make certain that SMV sign, warning lights, and reflectors are clearly visible. Follow local traffic codes.
7. Never operate with Cutting Head or Folding Section raised if passersby, bystanders, or traffic are in the area to reduce possibility of injury or death from objects thrown by Blades under Guards or mower structure.
8. Before dismounting, secure implement in transport position or lower to ground.
 - Put tractor in park or set brake, disengage PTO, stop engine, remove key, and wait until noise of rotation has ceased to prevent crushing by entanglement in rotating parts which could cause injury or death.
 - Never mount or dismount a moving vehicle. Crushing from runover may cause serious injury or death.

5. TRANSPORT SAFELY, LOCK UP. 	6. USE SMV, LIGHTS, & REFLECTORS. 	7. DO NOT OPERATE WITH CUTTER OR WING RAISED 	8. DO NOT MOUNT OR DISMOUNT WHILE MOVING. 
---	---	---	---

02967827

WARRANTY INFORMATION:

Read and understand the complete Warranty Statement found in this Manual. Fill out the Warranty Registration Form in full and return it within 30 Days. Make certain the Serial Number of the Machine is recorded on the Warranty Card and on the Warranty Form that you retain. The use of "will-fit" parts will void your warranty and can cause catastrophic failure with possible injury or death.

CHANGE PAGES

The following is a listing of pages that have been changed since the latest publication date for the overall document.

Date of Change	Page Number
04-03-2013	(EXAMPLE ONLY: ECN##### - chg pages 17, 23, 137)
04-03-2013	document release date
08-15-2013	chg pg 29
10-13-2015	chg pgs 27-28zz
10-6-2016	chg pg 25
12-12-2016	chg pgs 27-28
08-22-2017	ecn 27958 obsoleted various parts
09-26-2017	ecn 28017 obsoleted speed increaser
04-22-2019	ecn 28506 chg pg 17

CHANGE PAGES

The following is a listing of pages that have been changed since the latest publication date for the overall document.

PARTS ORDERING GUIDE

The following instructions are offered to help eliminate needless delay and error in processing purchase orders for the equipment in this section.

1. The Parts Section is prepared in logical sequence and grouping of parts that belong to the basic machine featured in this manual. Part Numbers and Descriptions are given to help locate the parts and quantities required.
2. The Purchase Order must include the name and address of the person or organization ordering the parts, who should be charged, and if possible, the serial number of the machine for which the parts are ordered.
3. The Purchase Order must clearly list the quantity of each part, the complete and correct part number (be sure to include all periods), and the basic name of the part.
4. The Manufacturer reserves the right to substitute parts where applicable.
5. Some parts are unlisted items which are special production items not normally stocked and are subject to special handling. Request a quotation for such parts before sending a Purchase Order.
6. The Manufacturer reserves the right to change prices without prior notice.

Note: *Please refer to The Safety Section in the front of this Manual for the proper part number when ordering replacement safety decals.*



For maximum safety and to guarantee optimum product reliability, always use genuine Alamo Industrial Parts. The use of inferior replacement parts may cause premature or catastrophic failure which could result in serious injury or death. Direct any questions regarding parts to:



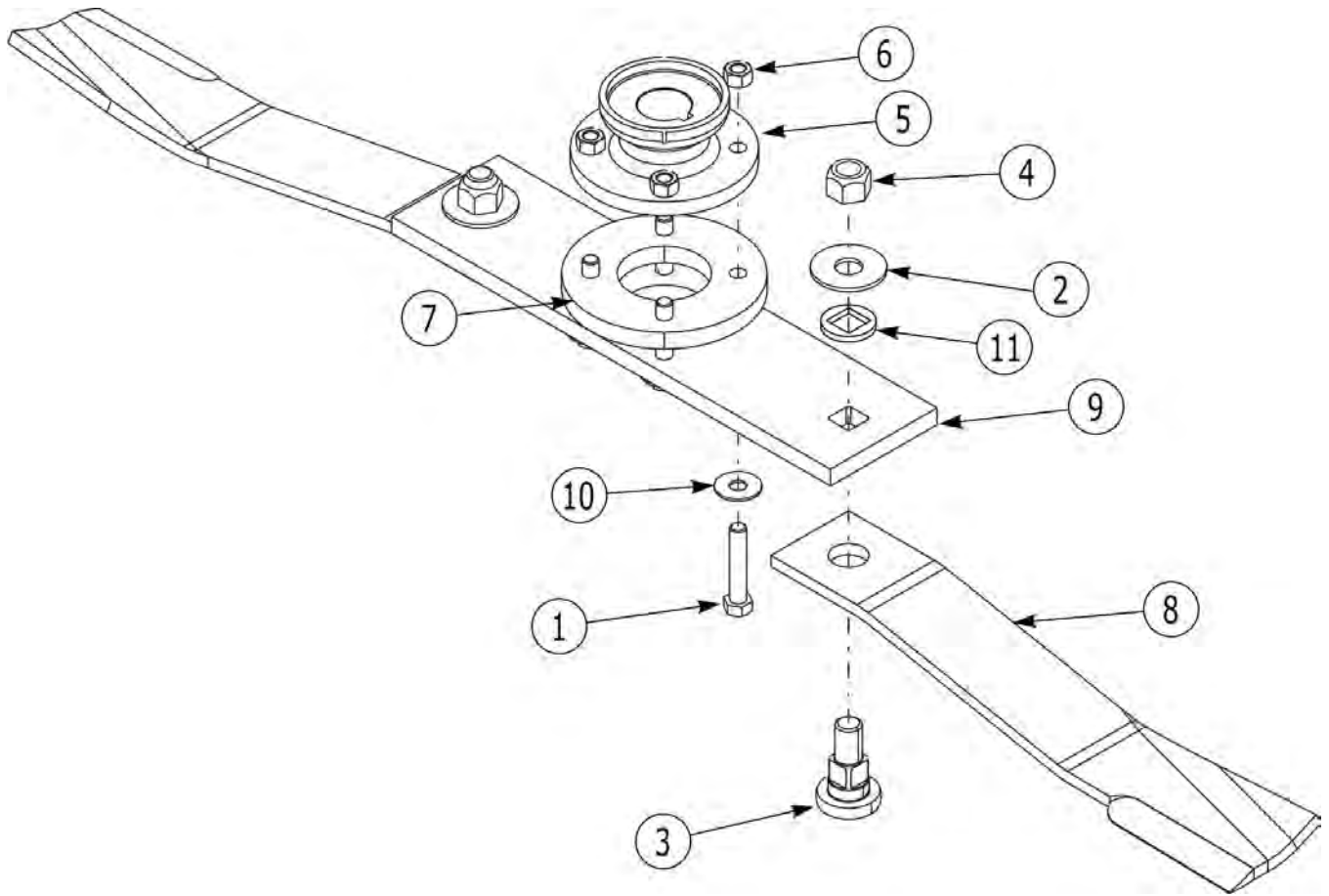
ALAMO INDUSTRIAL

1502 E. Walnut
Seguin, Texas 78155
830-379-1480

PART NAME INDEX

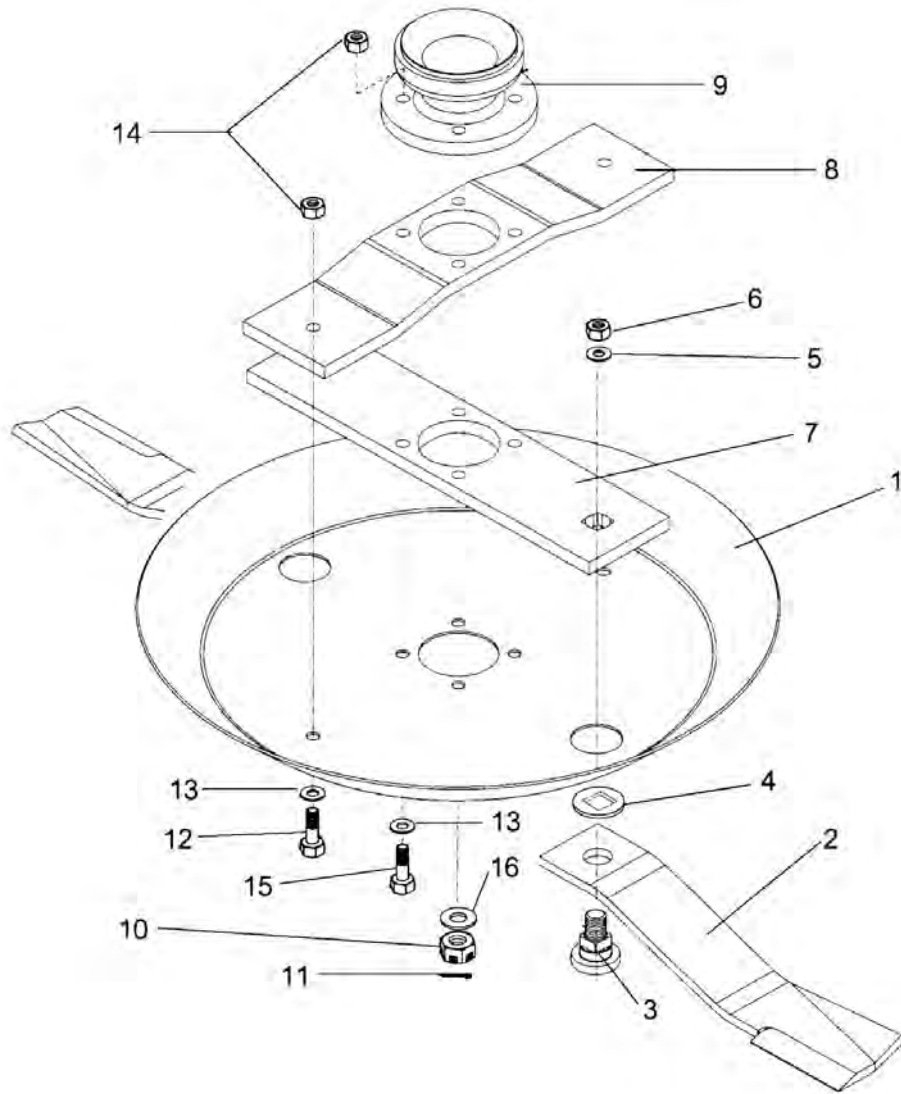
BLADE BAR ASY.....	4
BLADE PAN ASY.....	5
CHAIN GUARDS - FRONT & REAR - DOUBLE.....	7
CHAIN GUARDS - FRONT & REAR - SINGLE.....	8
DEFLECTORS - FRONT & REAR.....	9
HYD CYL ASY - EXTENSION - PN 02270401A.....	10
HYD CYL ASY - TILT - PN 00759947A.....	11
HYD HOSE SCHEMATIC.....	13
HYD MOTOR ASY.....	15
HYD MOTOR PARTS.....	17
HYD TANK ASY - PN 00776095.....	19
MAINFRAME ASY.....	21
MAINFRAME BOOM ASY.....	23
MOWER HEAD ASY.....	25
PUMP & SPEED INCREASER - INSTALLATION.....	27
PUMP & SPEED INCREASER ASY (540 & 1000 RPM).....	28
PUMP ASY - PN 02958595.....	29
SIDE CASTER WHEELS (INDIANA OPTION).....	31
SPINDLE & HOUSING ASY - PN 00763572.....	33
TAIL WHEEL ASY - PN 02964351 (OPTIONAL).....	35
VALVE - FENDER MOUNT.....	37
VALVE KIT ASY.....	38

BLADE BAR ASY



ITEM	PART NO.	QTY.	DESCRIPTION
	00776681	1	CARRIER ASSY BLADE BAR
1	00600700	4	HEXB 5/8 NC 3-1/4 PL5
2	9216	2	WASHER, STRUCTURAL 1
3	8251	2	BOLT, BLADE
4	5JRC16140	2	LOCKNUT TLM 1 NF PL
5	581036	1	HUB, BLADE
6	00695100	4	LOCKNUT 5/8 NC PLC
7	00777331	1	SPACER DISK
8	00775567	1	SET, MATCHED BLADE-DB150
9	00775241	1	BAR, BLADE UNFORMED
10	00756077	4	WASHER, 5/8 HARDENED
11	00758579	2	WASHER, 1-9/64 SQ HOLE X 2OD
	581037	1	KEY, ROUND END

BLADE PAN ASY



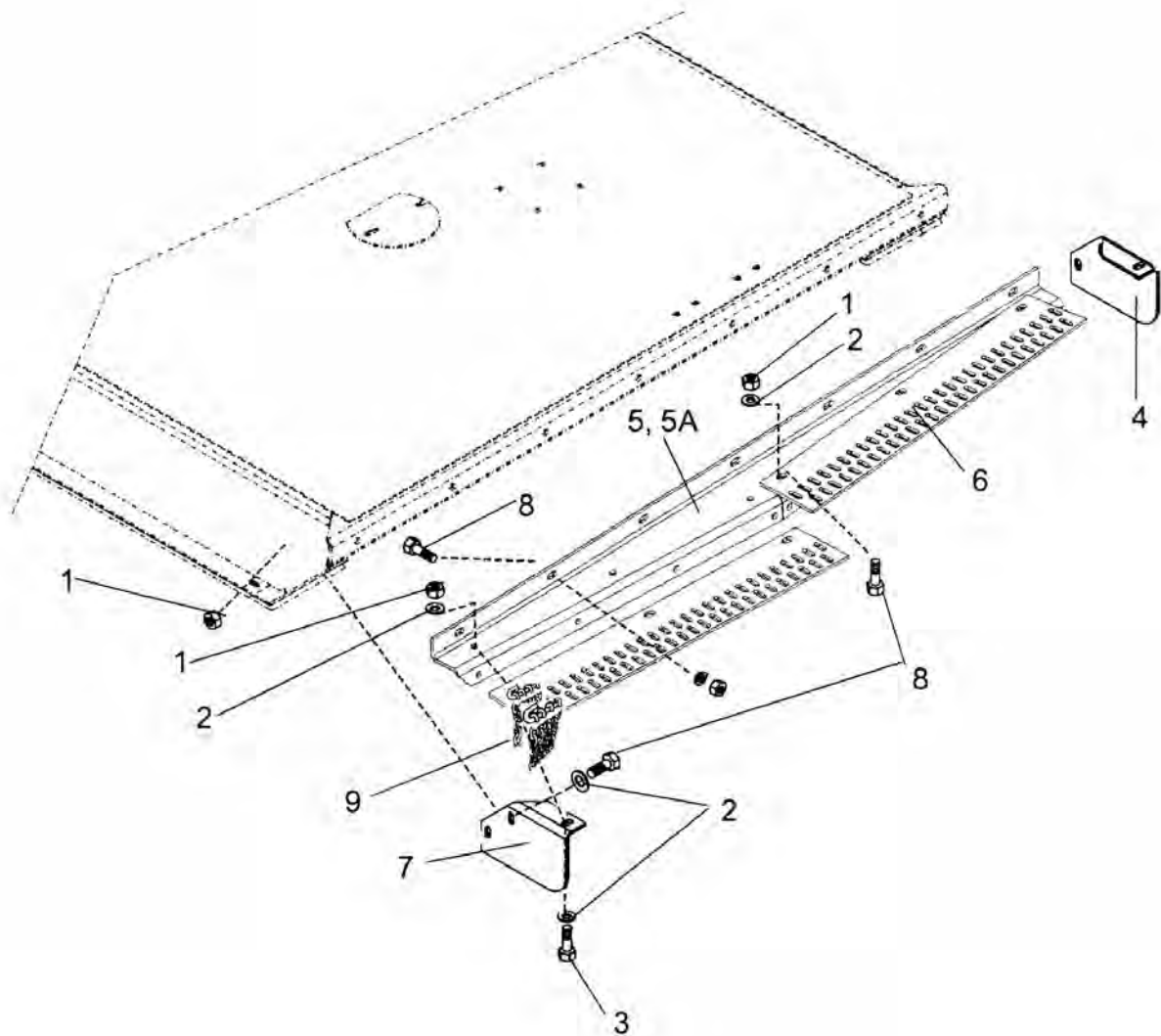
ITEM	PART NO.	QTY.	DESCRIPTION
1	00775242	1	BLADE PAN
2	00775567	1	BLADE
3	8251	2	BLADE BOLT
4	00758579	2	BLADE WASHER
5	9216	2	WASHER
6	5JRC16140	2	LOCKNUT
7	00775241	1	BLADE BAR, UNFORMED
8	00775240	1	BLADE BAR, FORMED
9	581036	1	HUB
10	5D20120	1	NUT
11	00606000	1	COTTER PIN
12	00753753	2	BOLT
13	00756077	6	WASHER

BLADE PAN ASY

Continued...

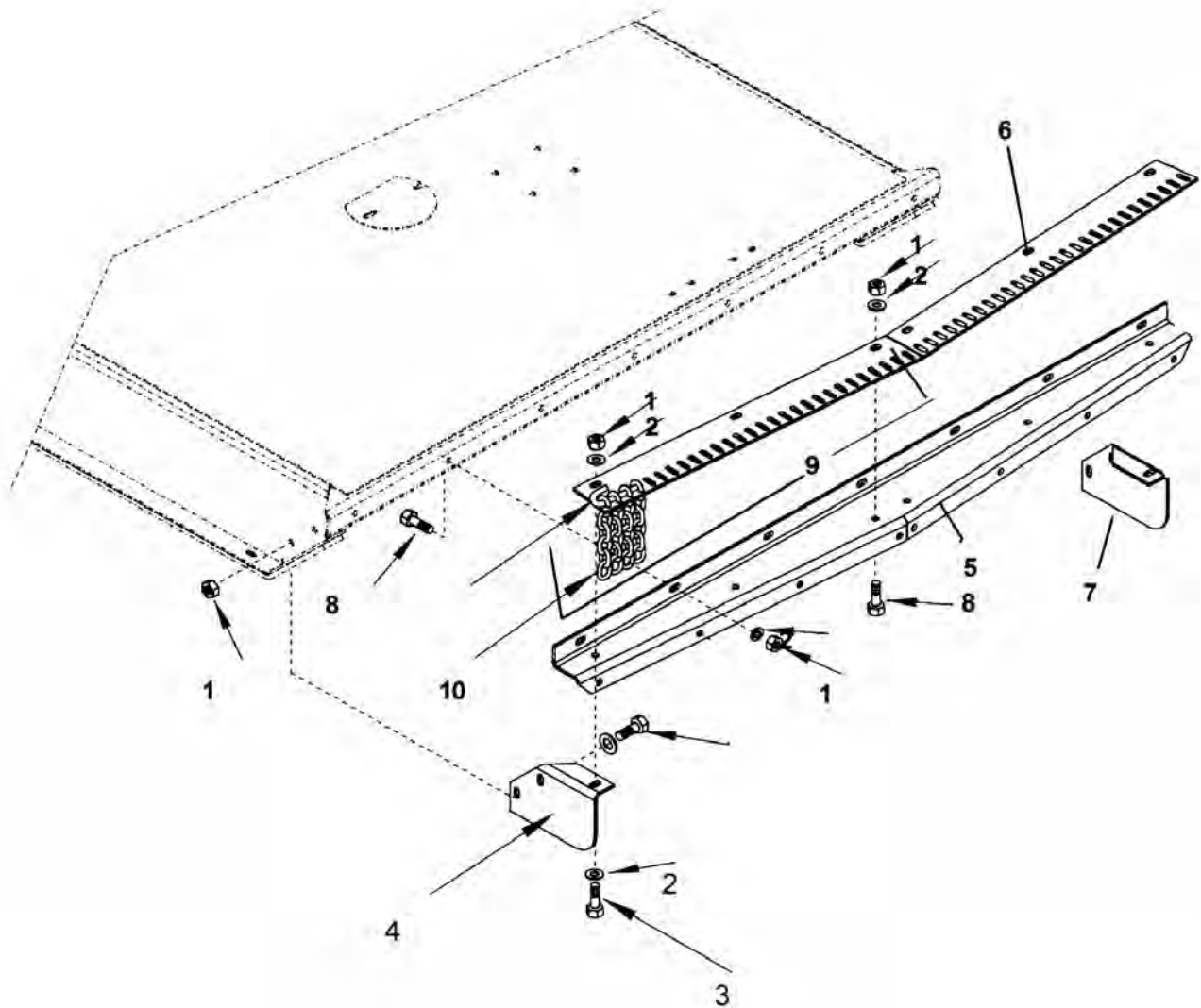
ITEM	PART NO.	QTY.	DESCRIPTION
14	00695100	6	NUT, TOPLOCK 5/8 NC PLC
15	00600700	4	BOLT
16	15C2000	1	WASHER
	581037	1	KEY,ROUND END

CHAIN GUARDS - FRONT & REAR - DOUBLE



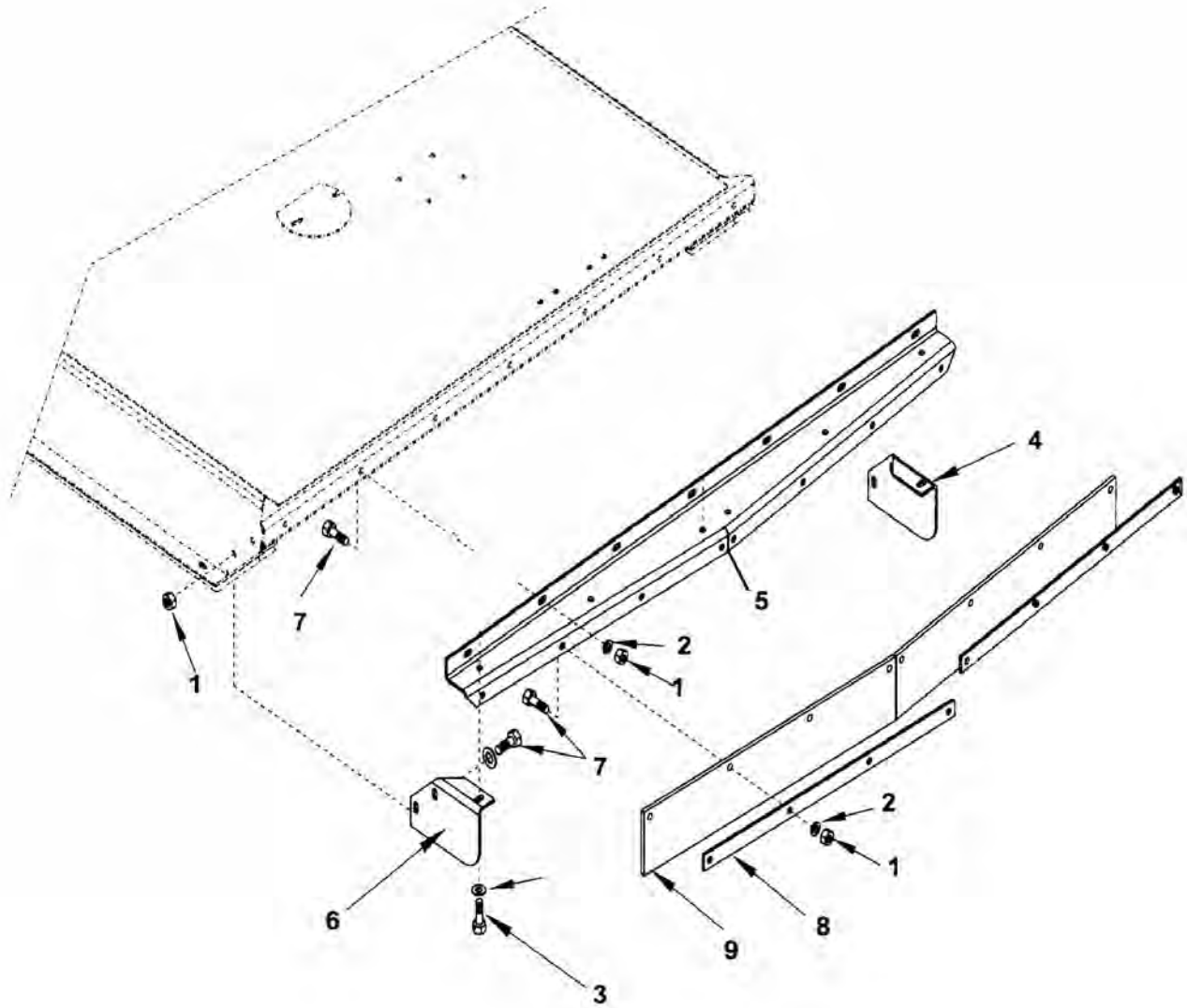
ITEM	PART NO.	QTY.	DESCRIPTION
1	00001800	25	LOCKNUT TLM 1/2 NC PLC
2	00002700	10	FLATWASHER
3	00748823	2	BOLT
4	00775554	1	RIGHT SIDE SHIELD
5	00775556	1	CHAINGUARD MOUNTING PLATE
5A	00775781	2	DOUBLE CHAIN GUARD ASY.
6	00775555	2	CHAINGUARD BRACKET
7	00775782	1	LEFT SIDE SHIELD
8	02030700	23	BOLT
9	00751126	56	CHAIN

CHAIN GUARDS - FRONT & REAR - SINGLE



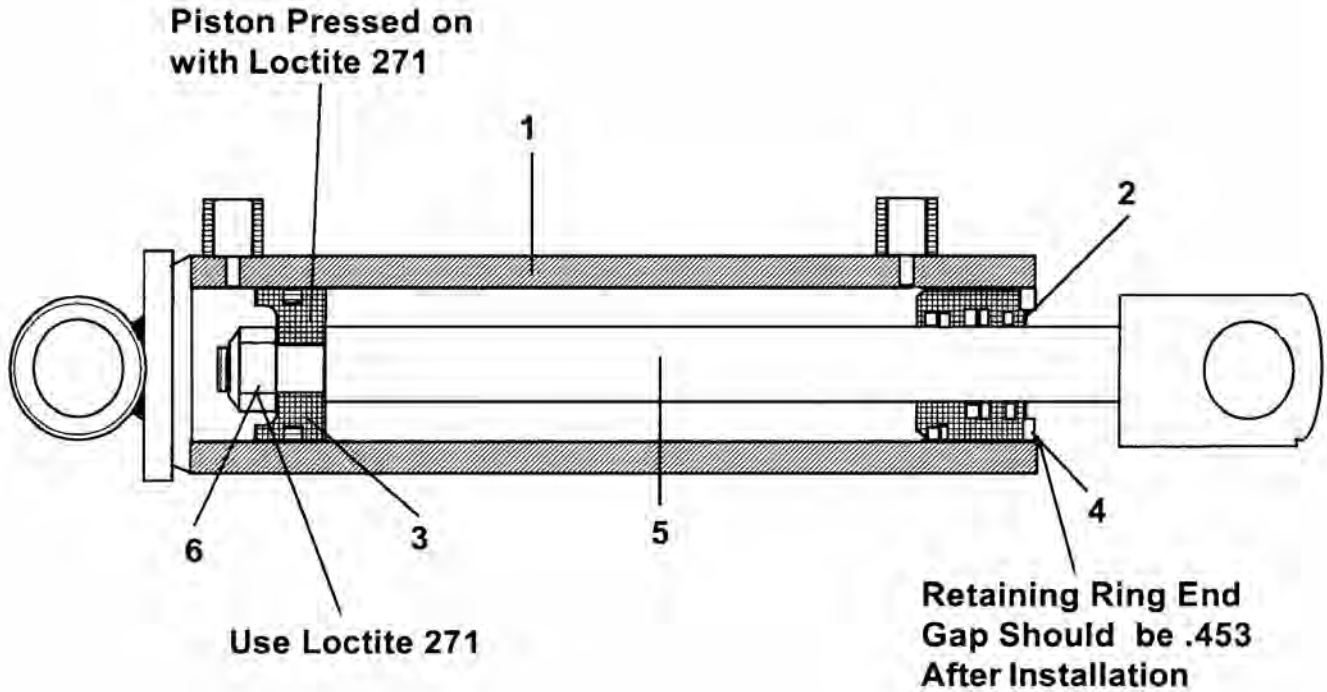
ITEM	PART NO.	QTY.	DESCRIPTION
1	00001800	25	LOCKNUT TLM 1/2 NC PLC
2	00002700	10	FLATWASHER
3	00748823	2	BOLT
4	00775554	1	RIGHT SIDE SHIELD
5	00775556	1	CHAINGUARD MOUNTING PLATE
6	00775555	1	CHAINGUARD BRACKET
7	00775782	1	LEFT SIDE SHIELD
8	02030700	23	BOLT
9	00775776	2	CHAIN GUARD ASY.
10	00751126	28	CHAIN

DEFLECTORS - FRONT & REAR



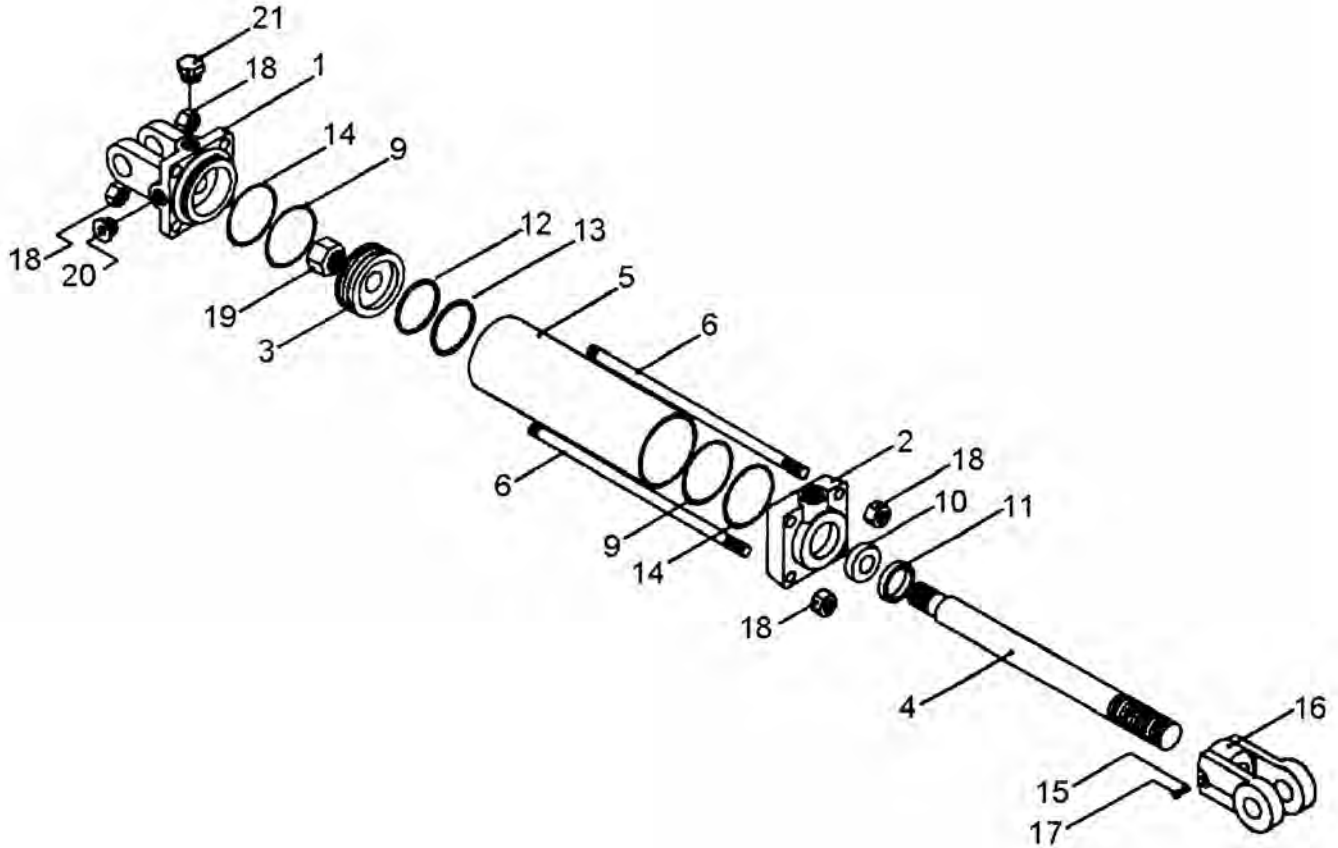
ITEM	PART NO.	QTY.	DESCRIPTION
1	00001800	25	LOCKNUT TLM 1/2 NC PLC
2	00002700	10	FLATWASHER
3	00748823	2	BOLT
4	00775554	1	RIGHT SIDE SHIELD
5	00775556	1	DEFLECTOR MOUNTING PLATE
6	00775782	1	LEFT SIDE SHIELD
7	02030700	23	BOLT
8	00775783	2	STRAP
9	00775784	2	RUBBER PANEL

HYD CYL ASY - EXTENSION - PN 02270401A



ITEM	PART NO.	QTY.	DESCRIPTION
1	02975909	1	BARREL WLD`MT
2	02975910	1	CYLINDER HEAD, GLAND
3	33309	1	PISTON
4	02721800	1	RETAINING RING
5	02975911	1	ROD
6	3047106	1	NUT
7	02975528	-	*SEAL KIT (ITEMS 8THRU 14)
8	*SEAL KIT	1	PISTON SEAL
9	*SEAL KIT	1	GLAND STATIC SEAL
10	*SEAL KIT	1	BACK-UP RING (ROD)
11	*SEAL KIT	1	BACK-UP RING (PISTON)
12	*SEAL KIT	1	ROD WIPER
13	*SEAL KIT	1	ROD STATIC SEAL
14	*SEAL KIT	1	ROD SEAL

HYD CYL ASY - TILT - PN 00759947A



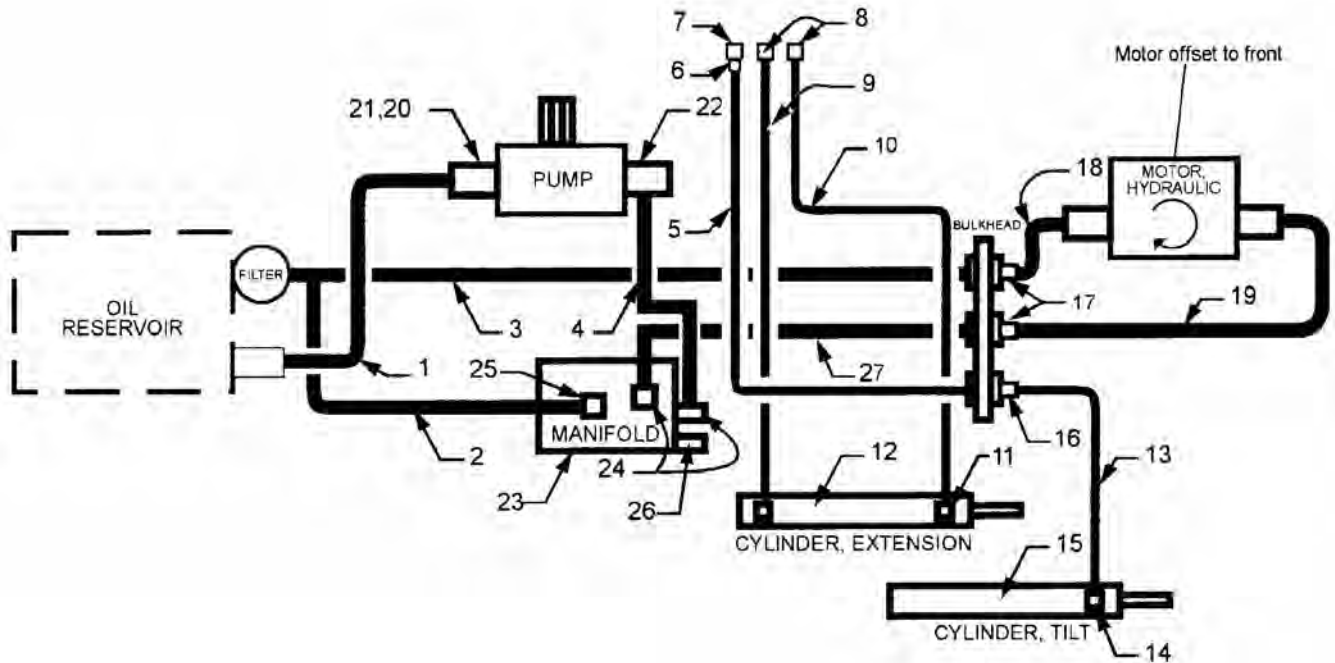
ITEM	PART NO.	QTY.	DESCRIPTION
1	2417158	1	CLEVIS CAP
2	2417157	1	ROD CAP
3	00774732	1	PISTON
4	00774738	1	ROD
5	00774749	1	TUBE
6	00774743	4	TIE ROD
9	*SEAL KIT	2	END CAP O-RING
10	*SEAL KIT	1	ROD WIPER SEAL
11	*SEAL KIT	1	ROD DUST SEAL
12	*SEAL KIT	1	PISTON SEAL
13	*SEAL KIT	1	PISTON WEAR RING
14	*SEAL KIT	1	END CAP - BACKUP WASHERS
15	3047117	1	NYLON THREAD PROTECTOR
16	1917140	1	ROD CLEVIS
17	00774740	1	SET SCREW
18	33005H5C	8	TIE ROD NUT
19	5JRC16140	1	PISTON NUT
20	1917132	1	PORT PLUG

HYD CYL ASY - TILT - PN 00759947A

Continued...

ITEM	PART NO.	QTY.	DESCRIPTION
21	2417154	1	BREATHER
22	00774761	1	*SEAL KIT (ITEMS 9 THRU 14)

HYD HOSE SCHEMATIC



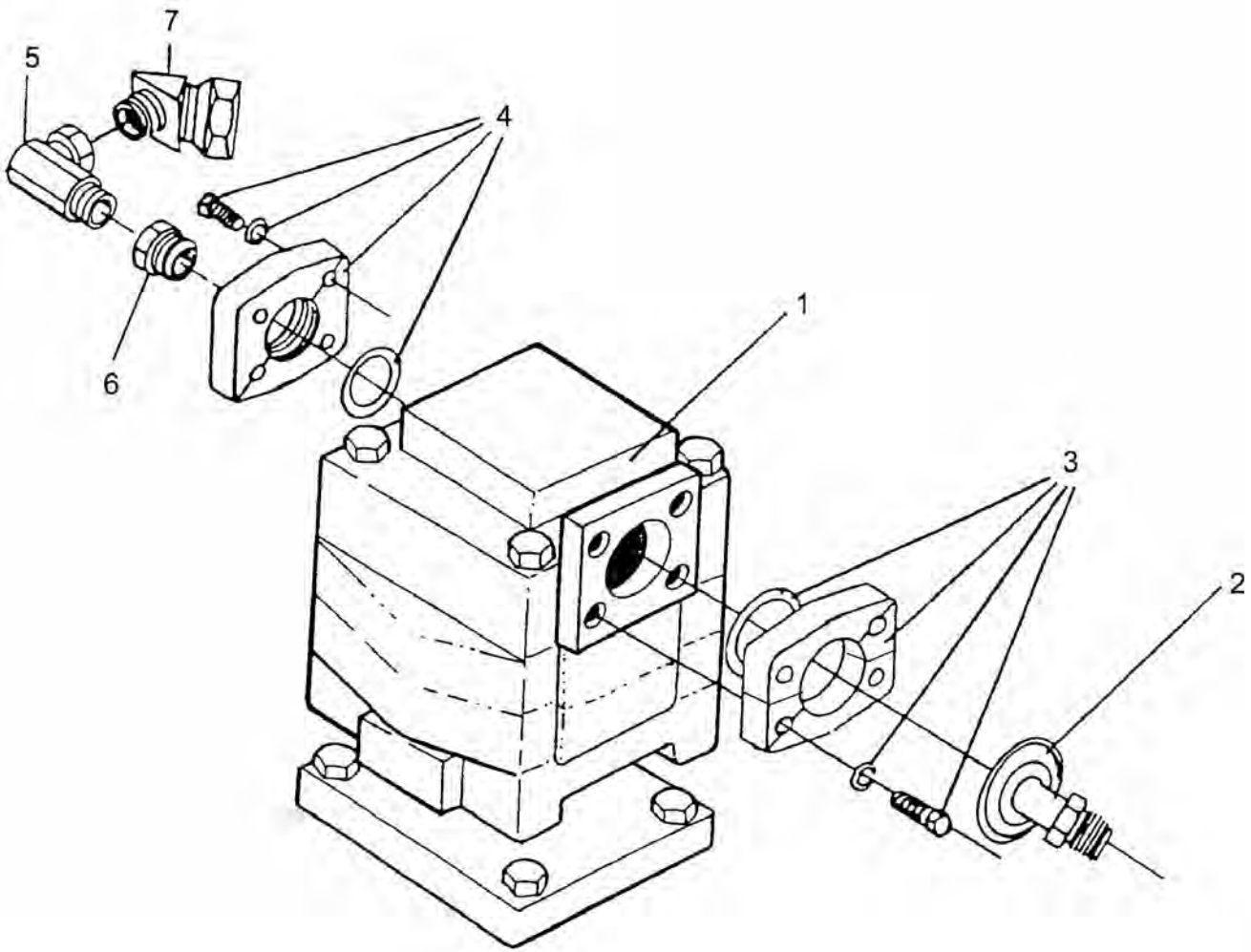
ITEM	PART NO.	QTY.	DESCRIPTION
1	02970453	1	HOSE - SUCTION
2	02958647	1	HOSE - MANIFOLD TO TANK
3	02964974	1	HOSE - BULKHEAD TO FILTER
4	02970454	1	HOSE - PUMP TO MANIFOLD
5	02964417	1	HOSE - TRACTOR TO BULKHEAD
6	00750983	1	ELBOW - 90 DEG.
7	02811300	1	RESTRICTOR VALVE
8	02957691	2	STRAIGHT ADAPTER
9	02964451	1	HOSE - TRACTOR TO EXTENSION CYL.
10	02964452	1	HOSE - TRACTOR TO EXTENSION CYL.
11	02045200	2	ELBOW ADAPTER
12	02270401	1	EXTENSION CYL.
13	02964418	1	HOSE - BULKHEAD TO TILT CYL.
14	61027400	1	STRAIGHT ADAPTER
15	00759947A	1	TILT CYL.
16	001627	1	BULKHEAD FITTING
17	02742500	2	BULKHEAD FITTING
18	02957460	1	HOSE - MOTOR RETURN
19	002478	1	HOSE - PRESSURE TO MOTOR
20	00751457	1	ADAPTER 90 DEG.
21	03200300	1	HOSE BIB
22	02949100	1	ADAPTER 90 DEG.

HYD HOSE SCHEMATIC

Continued...

ITEM	PART NO.	QTY.	DESCRIPTION
23	022870001	1	MANIFOLD
24	02957622	2	STRAIGHT ADAPTER
25	00752067	1	STRAIGHT ADAPTER
26	00751791	1	RELIEF VALVE
27	02966715	1	HOSE - MANIFOLD TO BULKHEAD

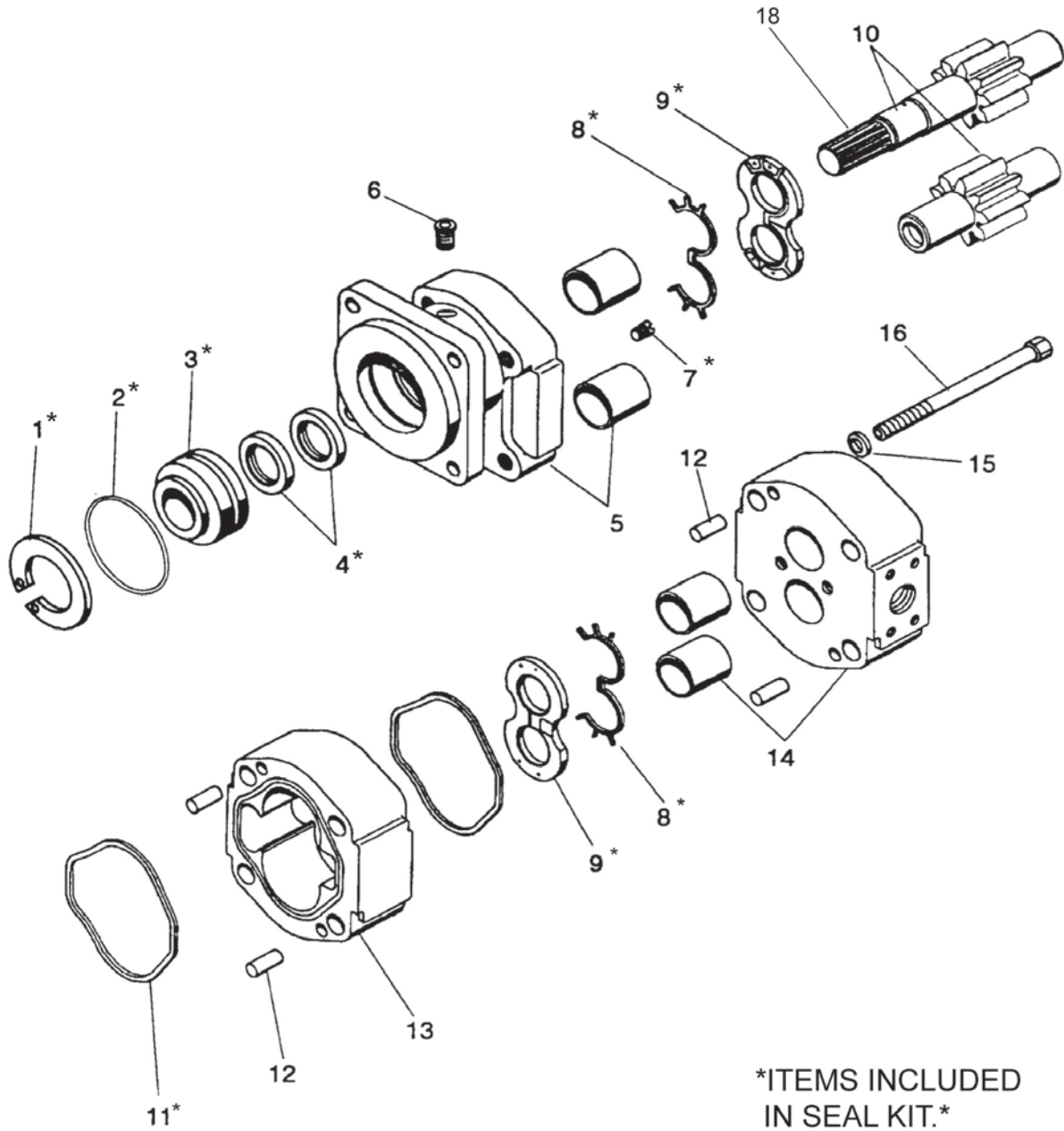
HYD MOTOR ASY



ITEM	PART NO.	QTY.	DESCRIPTION
1	02969107	1	MOTOR
2	00751842	1	FLANGE FITTING OUTLET
3	00749101	1	* SPLIT FLANGE SET
4	02827700	1	FLANGE KIT
5	02937300	1	ELBOW
6	02156700	1	REDUCER
7	02957226	1	ELBOW

THIS PAGE INTENTIONALLY LEFT BLANK

HYD MOTOR PARTS

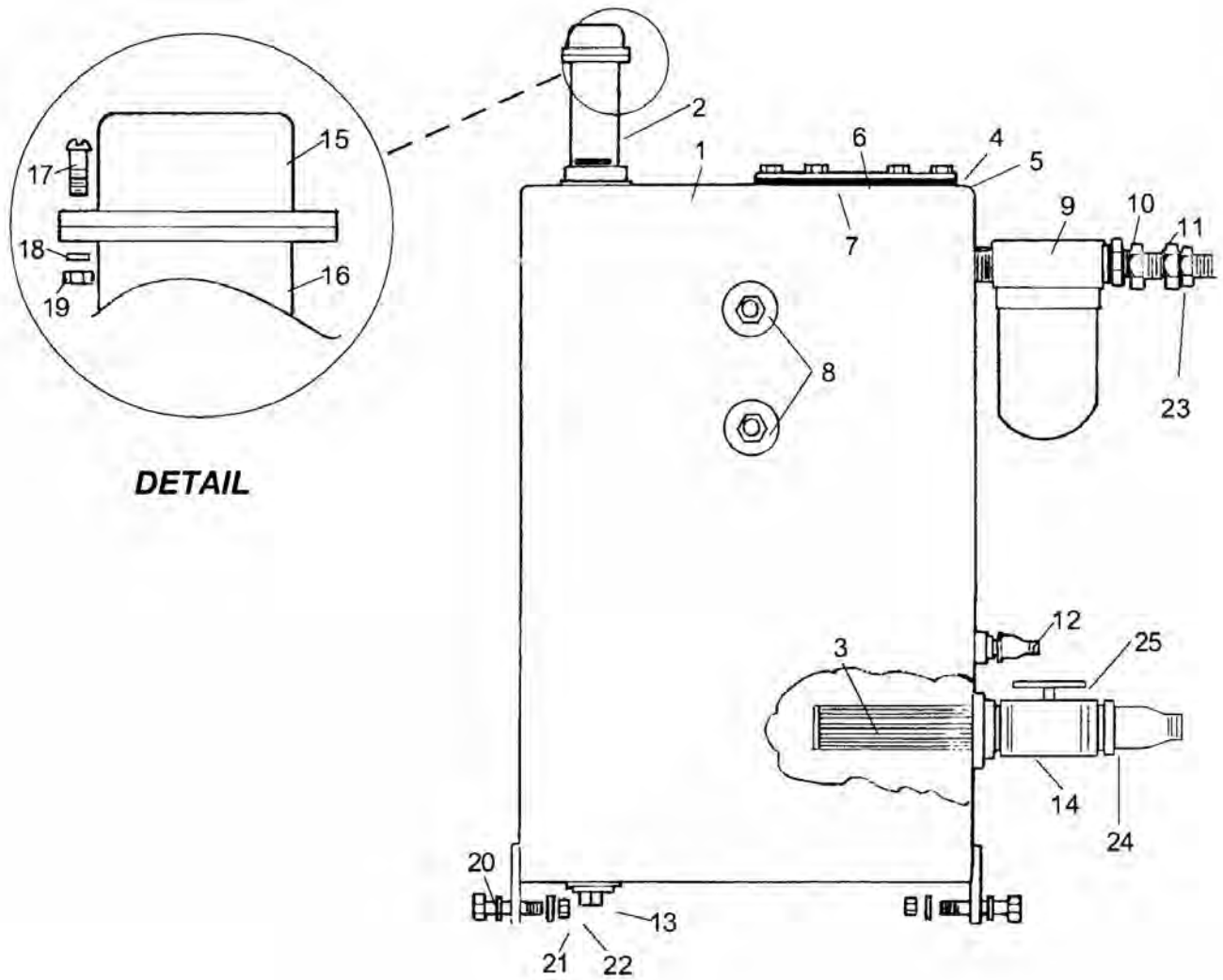


HYD MOTOR PARTS

Continued...

ITEM	PART NO.	QTY.	DESCRIPTION
1*	02979971	1	SNAP RING
2*	02980321	1	"O" RING
3*	02961932	1	SEAL RETAINER
4*	02979969	2	SEAL
5	02994367	1	FLANGE- MOTOR MTG
6	02961940	1	PLUG
7*		2	
8*	02979974	4	SEAL END
9*	02979973	2	THRUST PLATE
10	02975244	1	GEAR SET
11*	02979976	2	SQUARE SEAL
12	02979953	4	DOWEL PIN
13	02961928	1	GEAR HOUSING
14	02961927	1	PORTING FLANGE, W/ BUSHING
15	02961917	4	WASHER
16	02961918	4	BOLT
17*	-----	4	SIDE SEAL (NOT SHOWN)
18	02964956	1	KEY- .25 X .25 X 1.25 LONG (NOT SHOWN)
----	02994359	1	KIT, SEAL, HYD MOTOR

HYD TANK ASY - PN 00776095



DETAIL

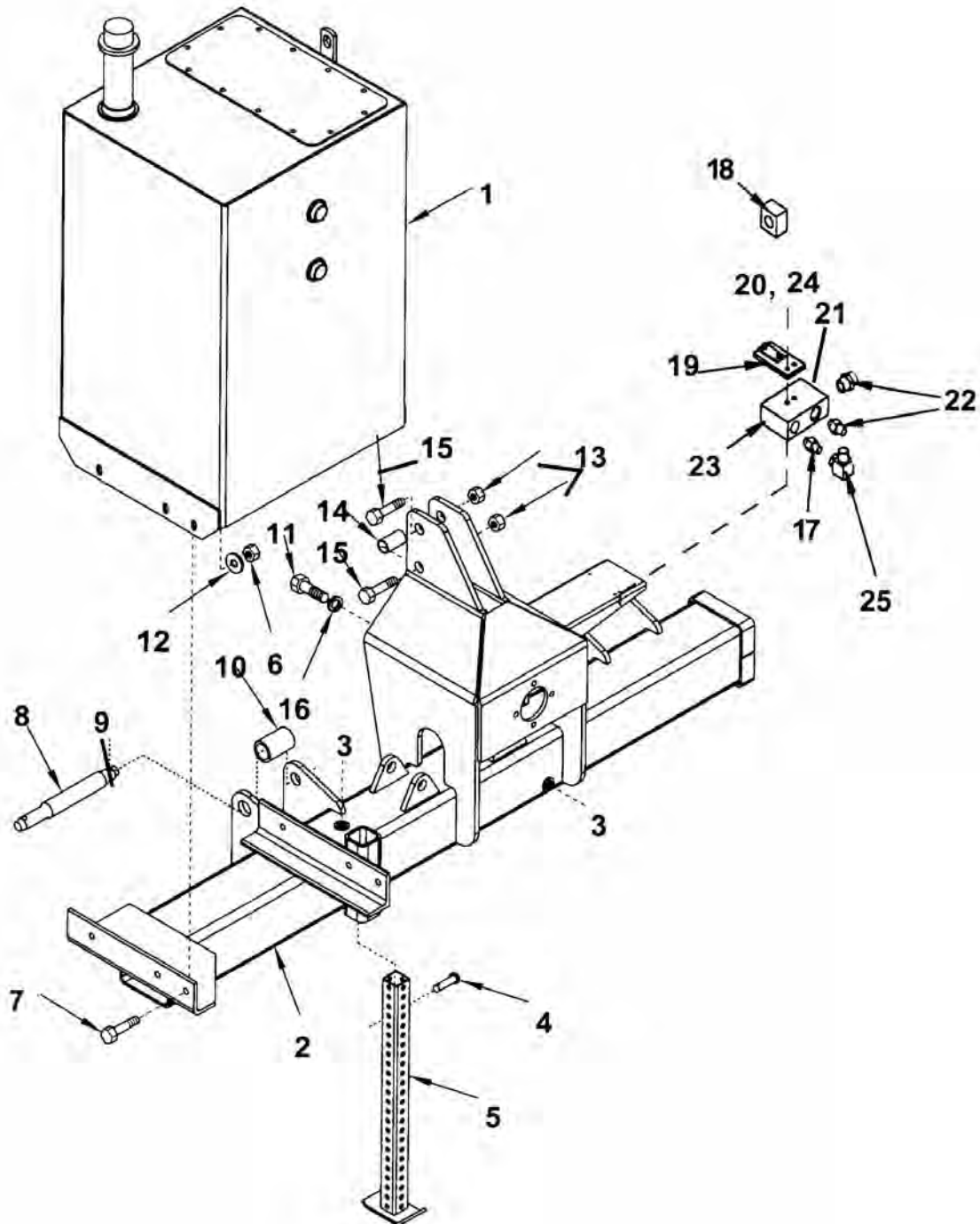
ITEM	PART NO.	QTY.	DESCRIPTION
1	00775557	1	TANK WLD'MT
2	02209500	1	FILLER TUBE ASY.
3	02964345	1	STRAINER - SUCTION
4	00011400	12	BOLT
5	02962864	12	WASHER
6	02964410	1	COVER PLATE
7	02966394	1	GASKET
8	02049700	2	SIGHT GUAGE
9	02978014	-	FILTER ASY.
	02978015	-	FILTER ELEMENT
10	00751471	-	REDUCER BUSHING
11	00752067	-	STRAIGHT ADAPTER
12	00752307	1	PIPE PLUG
13	02963659	1	PLUG

HYD TANK ASY - PN 00776095

Continued...

ITEM	PART NO.	QTY.	DESCRIPTION
14	03200300	1	HOSE BIB
15	02209600	1	FILLER CAP
16	02957390	1	FILLER CAP WLD`MT
17	63067100	6	SCREW
18	63121800	6	LOCKWASHER
19	63121700	6	NUT
20	00748823	4	BOLT
21	00002700	4	FLATWASHER
22	00001800	4	LOCKNUT TLM 1/2 NC PLC
23	02970466	-	ADAPTER TEE
24	03200300	1	HOSE BIB
25	02956885	1	SHUT OFF VALVE

MAINFRAME ASY

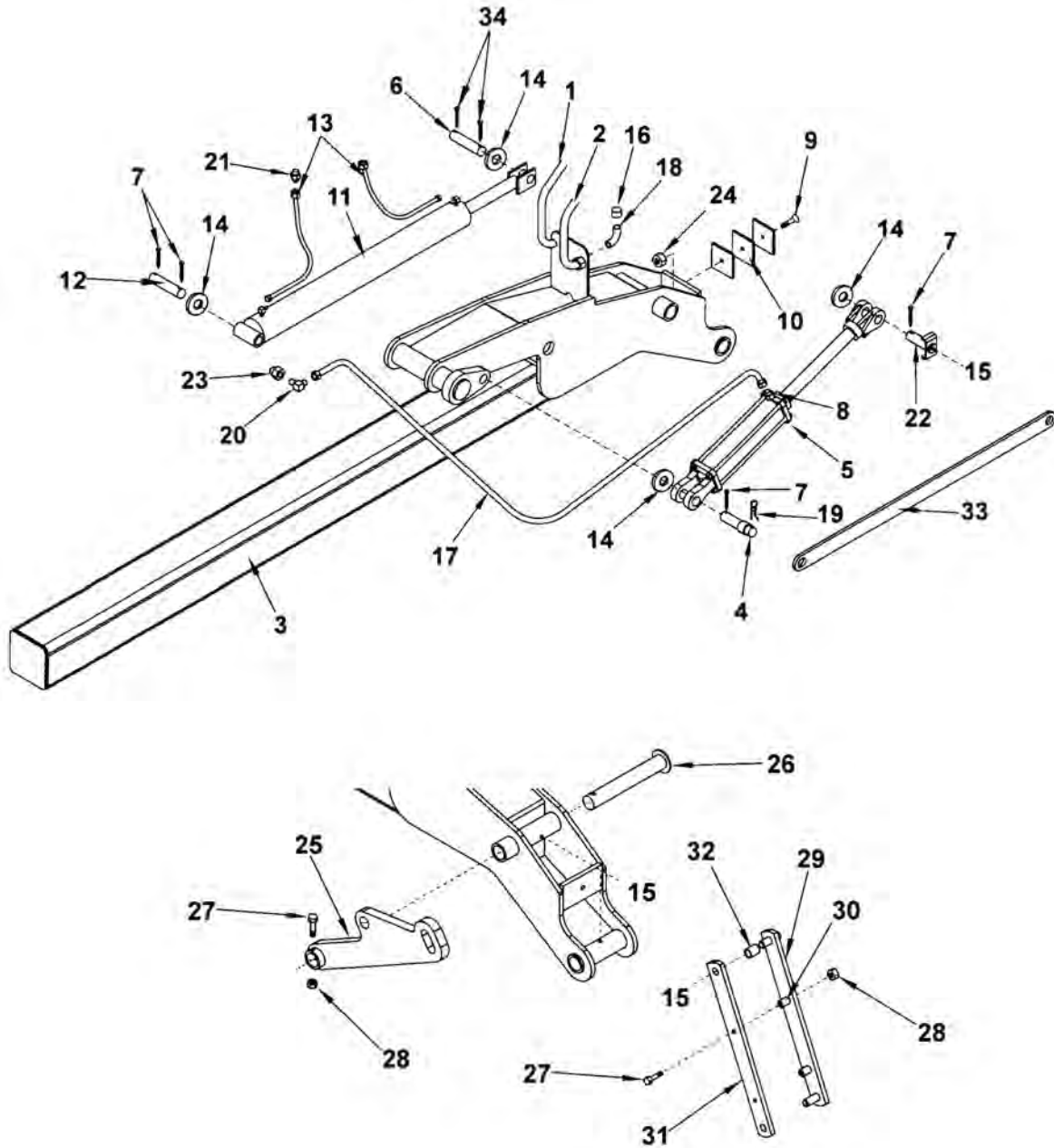


MAINFRAME ASY

Continued...

ITEM	PART NO.	QTY.	DESCRIPTION
1	00775766	1	OIL TANK ASY.
2	00775550	1	MAIN FRAME WLD`MT
3	00752482	3	GREASE FITTING
4	02961620	1	SAFETY CLIP PIN
5	00756214	1	STABILIZER WLD`MT
6	00001800	5	LOCKNUT TLM 1/2 NC PLC
7	00748823	4	BOLT
8	69141	2	HITCH PIN CAT II & CAT III
9	2196	4	LYNCH PIN
10	69134	2	HITCH PIN BUSHING
11	02958597	4	BOLT
12	00002700	4	FLATWASHER
13	02030300	2	LOCKNUT
14	0758550031	1	BUSHING
15	03200267	1	BOLT
16	00001300	6	LOCKWASHER
17	00752067	1	STRAIGHT ADAPTER
18	02965059	1	CLAMP
19	00776439	1	HOSE CLAMP WLD`MT
20	00015800	5	LOCKNUT
21	00751791	1	CARTRIDGE RELIEF
22	02957622	2	STRAIGHT HYD. ADAPTER
23	02287000	1	MANIFOLD BLOCK
24	00059900	2	BOLT
25	02956851	1	ADAPTER ELBOW

MAINFRAME BOOM ASY

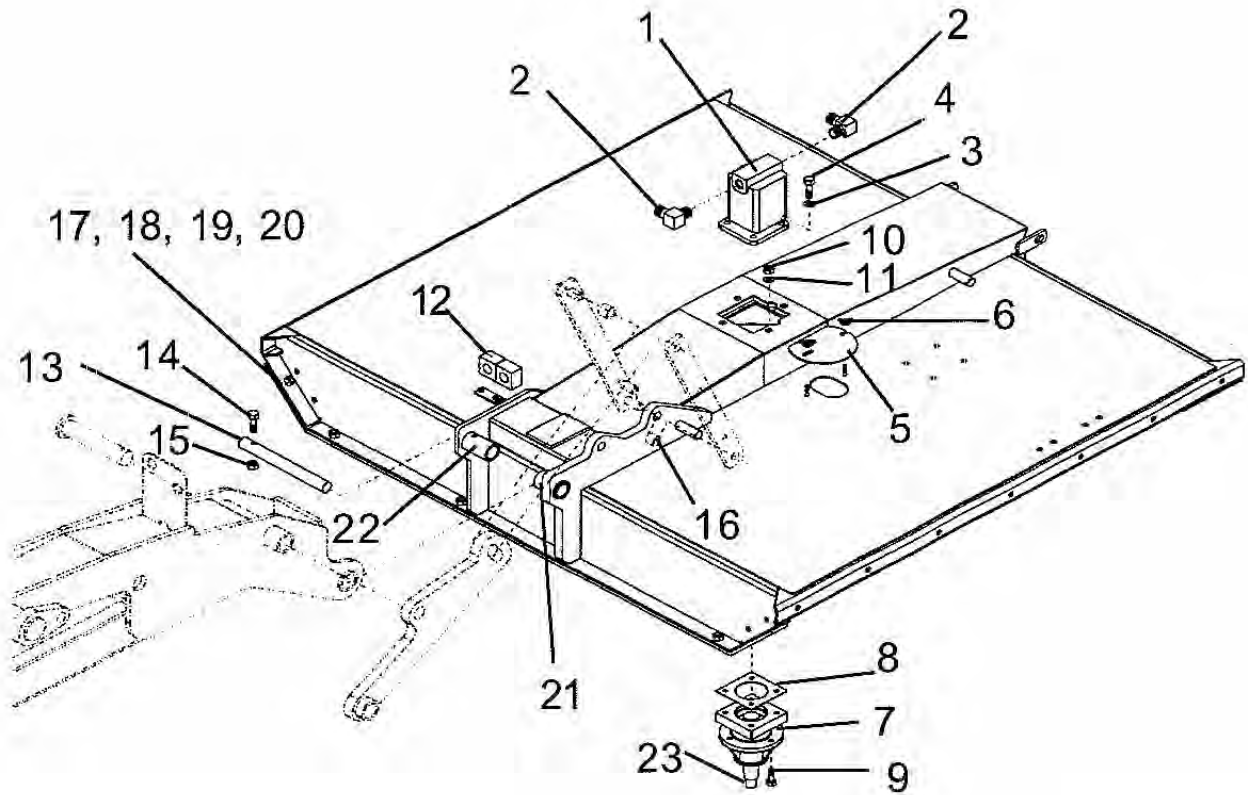


MAINFRAME BOOM ASY

Continued...

ITEM	PART NO.	QTY.	DESCRIPTION
1	02964415	1	HOSE
2	03200805	1	HOSE
3	00776096	1	BOOM WLD`MT
4	8352	1	CYLINDER PIN (540)
	37107B13	1	CYLINDER PIN (1000)
5	00759947A	1	CYLINDER
6	8354	1	CYLINDER PIN
7	00200600	3	COTTER PIN
8	02968850	1	HYD. ADAPTER
9	02958114	1	COUNTER SINK SCREW
10	02962439	3	RUBBER BUMPER
11	02270400	1	EXTENSION CYLINDER
12	02276600	1	PIN WLD`MT
13	02839000	2	HOSE
14	02822500	4	FLATWASHER
15	00003500	5	GREASE FITTING
16	02964952	2	CAP
17	02964417	1	HOSE ADAPTER
18	02742400	2	ADAPTER
19	37107B13	1	HAIR PIN
20	00750983	1	ELBOW
21	02957691	2	ADAPTER
22	02964809	1	CYLINDER PIN WLD`MT
23	02811300	1	CHECK VALVE
24	00013901	2	NUT
25	00775954	1	LEFT LINK
26	02964140	1	LIFT PIN WLD`MT
27	00013900	2	BOLT
28	00015800	2	LOCKNUT
29	00775942	1	CONNECTING LINK WLD`MT
30	02964137	2	SPACER
31	00775952	1	CONNECTING BAR LINK
32	651062D	1	BUSHING
33	00775956	1	TRANSPORT BAR
34	37107813	2	HAIR PIN CLIP

MOWER HEAD ASY



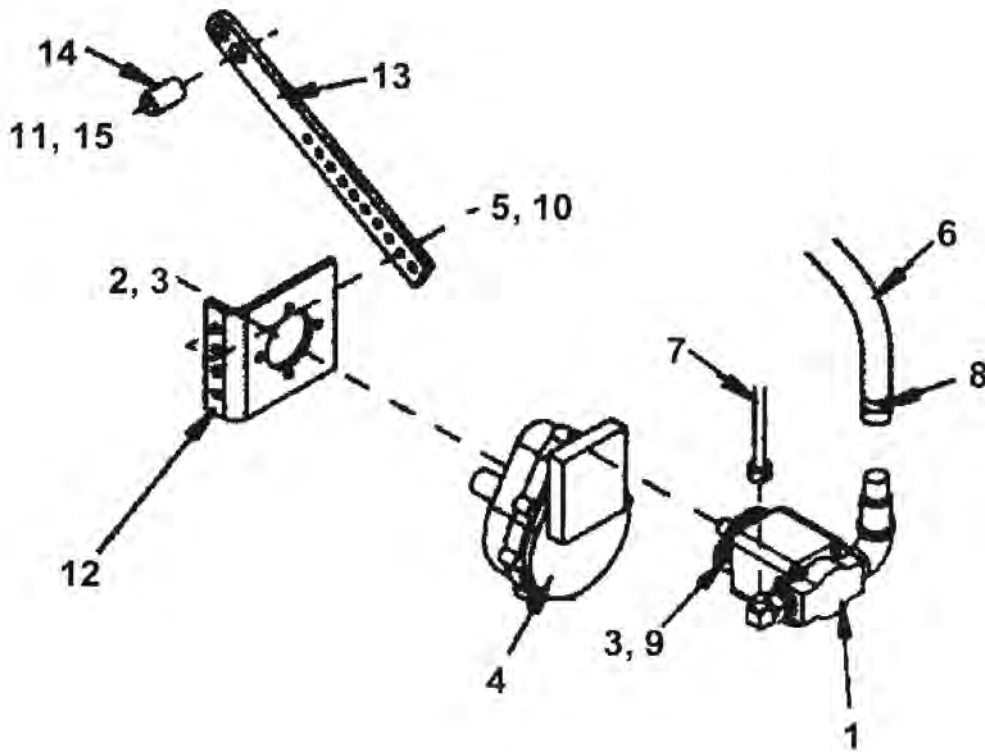
ITEM	PART NO.	QTY.	DESCRIPTION
1	02969107	1	HYDRAULIC MOTOR
2	02090800	2	ELBOW
3	00019600	4	LOCKWASHER
4	02892000	4	BOLT
5	5710121	1	COVER PLATE
6	5F5180	2	WING NUT
7	00763572	1	SPINDLE
8	00763460	1	GASKET
9	00755082	4	BOLT
10	00756077	8	WASHER
11	00695100	4	NUT, TOPLOCK 5/8 NC PLC
12	02965059	2	CLAMP
13	02964139	1	PIN
14	00013900	1	BOLT
15	0015800	1	LOCKNUT
16	02964349	1	BUSHING
17	02962473	2	SKID SHOE, (LH AND RH SAME P/N)
18	2A361612	12	PLOV BOLT, 3/8"-NC X 1-1/2"
19	00011100	12	FLATWASHER, 3/8" PL STD

MOWER HEAD ASY

Continued...

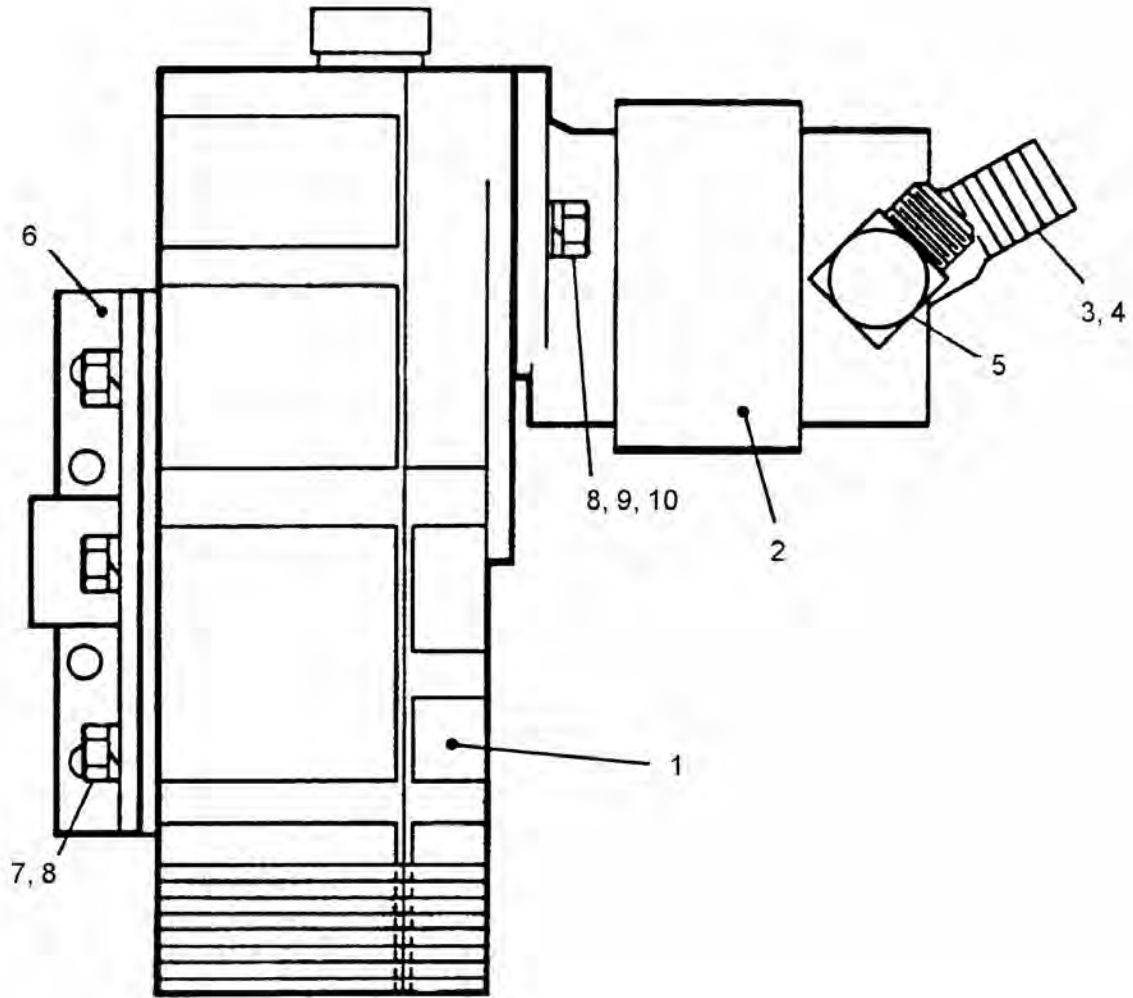
ITEM	PART NO.	QTY.	DESCRIPTION
20	00015800	12	LOCKNUT, TOPLOCK 3/8"-NC PLB
21	02964107	1	TILT BUSHING TUBE, 3" LONG
22	02964106	1	TILT BUSHING TUBE, 4" LONG
23	5D20120	1	NUT, HEX SLOTTED 1-1/4"-12NF PL (BLADE CARRIER RETAINING NUT - NOT SHOWN)

PUMP & SPEED INCREASER - INSTALLATION



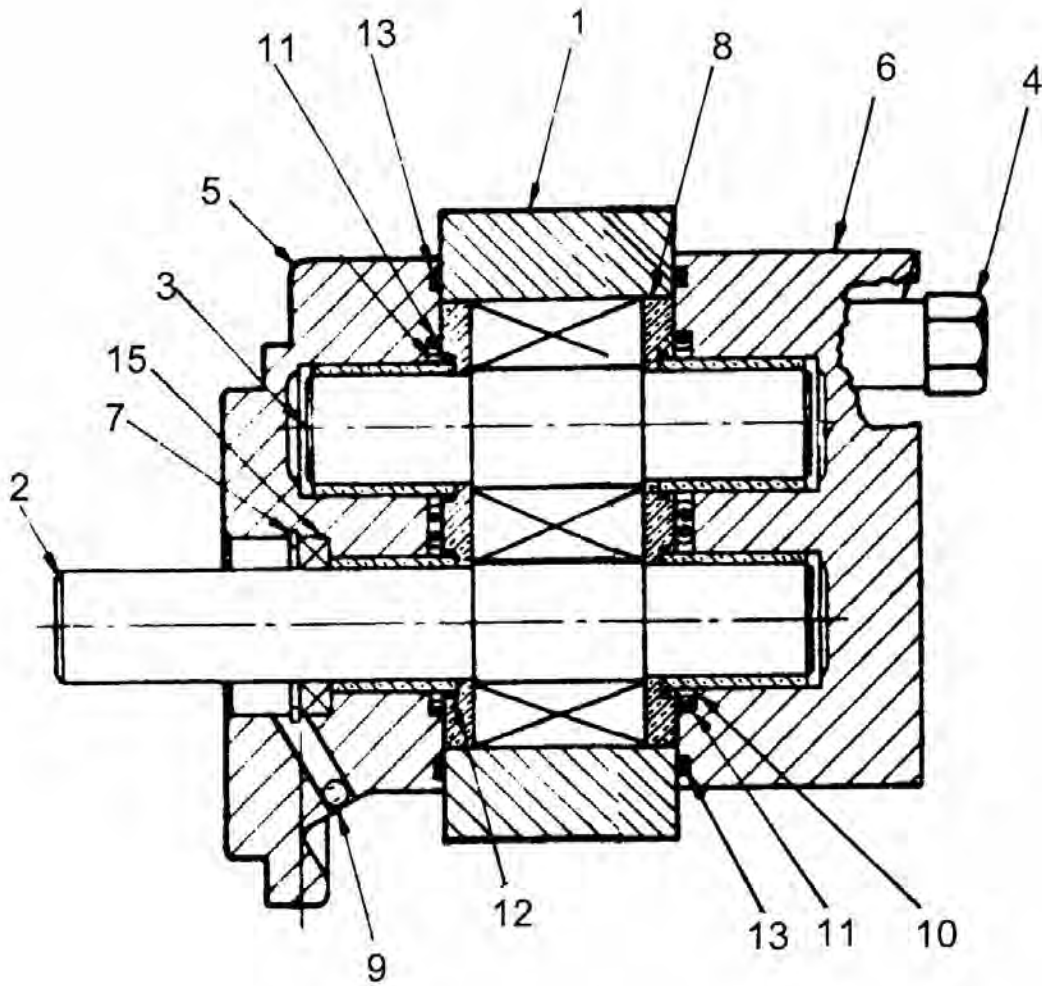
ITEM	PART NO.	QTY.	DESCRIPTION
1	02971911	1	PUMP ASY. W/ FITTINGS
2	02958597	4	HEX HEAD, CAP SCREW
3	00001300	6	LOCKWASHER
4	02997002	2	PTO SHAFT SEAL, BONDIOLI
	02997003	1	BONDIOLI G-BOX W/ OIL
5	00001800	6	LOCKNUT TLM 1/2 NC PLC
6	02970453	1	SUCTION HOSE
7	02970454	1	HOSE
8	02026200	2	HOSE CLAMP
9	00756026	2	HEX HEAD, CAP SCREW
10	00013300	3	HEX HEAD, CAP SCREW
11	02030300	3	LOCKNUT
12	02959659	1	SPEED CHANGER PLATE
13	02275300	1	MOTOR BAR
14	02959675	1	LINK SPACER, TUBE
15	02956972	1	HEX HEAD, CAP SCREW

PUMP & SPEED INCREASER ASY (540 & 1000 RPM)



ITEM	PART NO.	QTY.	DESCRIPTION
1	02997003	1	BONDIOLI G-BOX W/ OIL
	02997002	2	PTO SHAFT SEAL, BONDIOLI
	00755806*	1	SPEED INCREASER - 1000 RPM
2	02958595	1	PUMP
3	02589800	1	STREET ELBOW
4	02411000	1	HOSE BIB
5	02949100	1	ELBOW
6	02959659	1	MOUNT PLATE
7	02958597	4	BOLT
8	02043900	6	LOCKWASHER
9	63000500	2	WASHER
10	00756026	2	BOLT

PUMP ASY - PN 02958595



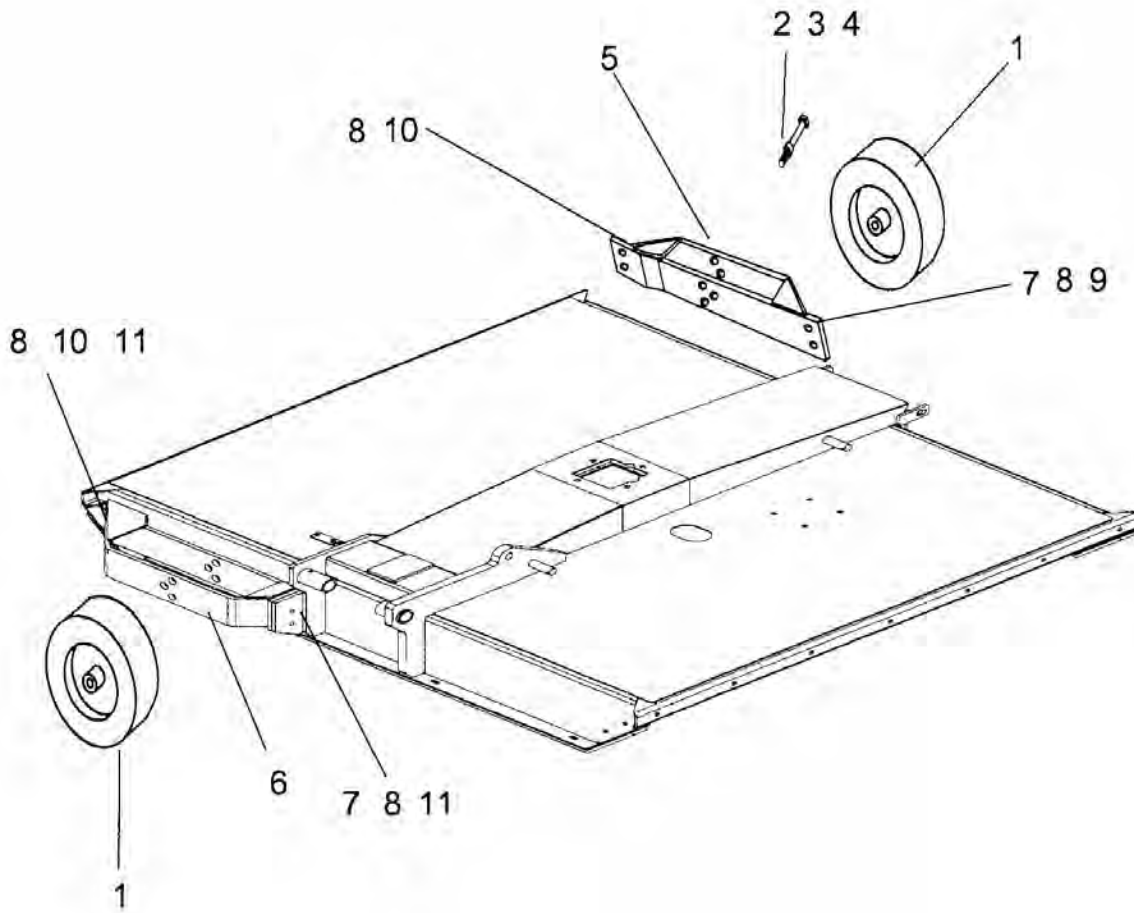
ITEM	PART NO.	QTY.	DESCRIPTION
1	02957995	1	GEAR PLATE
2	02959795	1	DRIVE GEAR
3	02957994	1	IDLE GEAR
4	02959797	4	CAPSCREW
5	02957975	1	FLANGE
6	02957984	1	COVER PLATE
7	02957972	1	SNAP RING
8	02957983	1	PRESSURE PLATE
9	02959802	1	PLUG
10	02957976	1	BACK-UP RING
11	02957977	2	O-RING
12	02959805	4	O-RING

PUMP ASY - PN 02958595

Continued...

ITEM	PART NO.	QTY.	DESCRIPTION
13	02957978	2	O-RING
14	02957982	8	DOWELS (NOT SHOWN)
15	02957973	2	SEAL
	02993296	1	KIT, SEAL, 4.874 PUMP

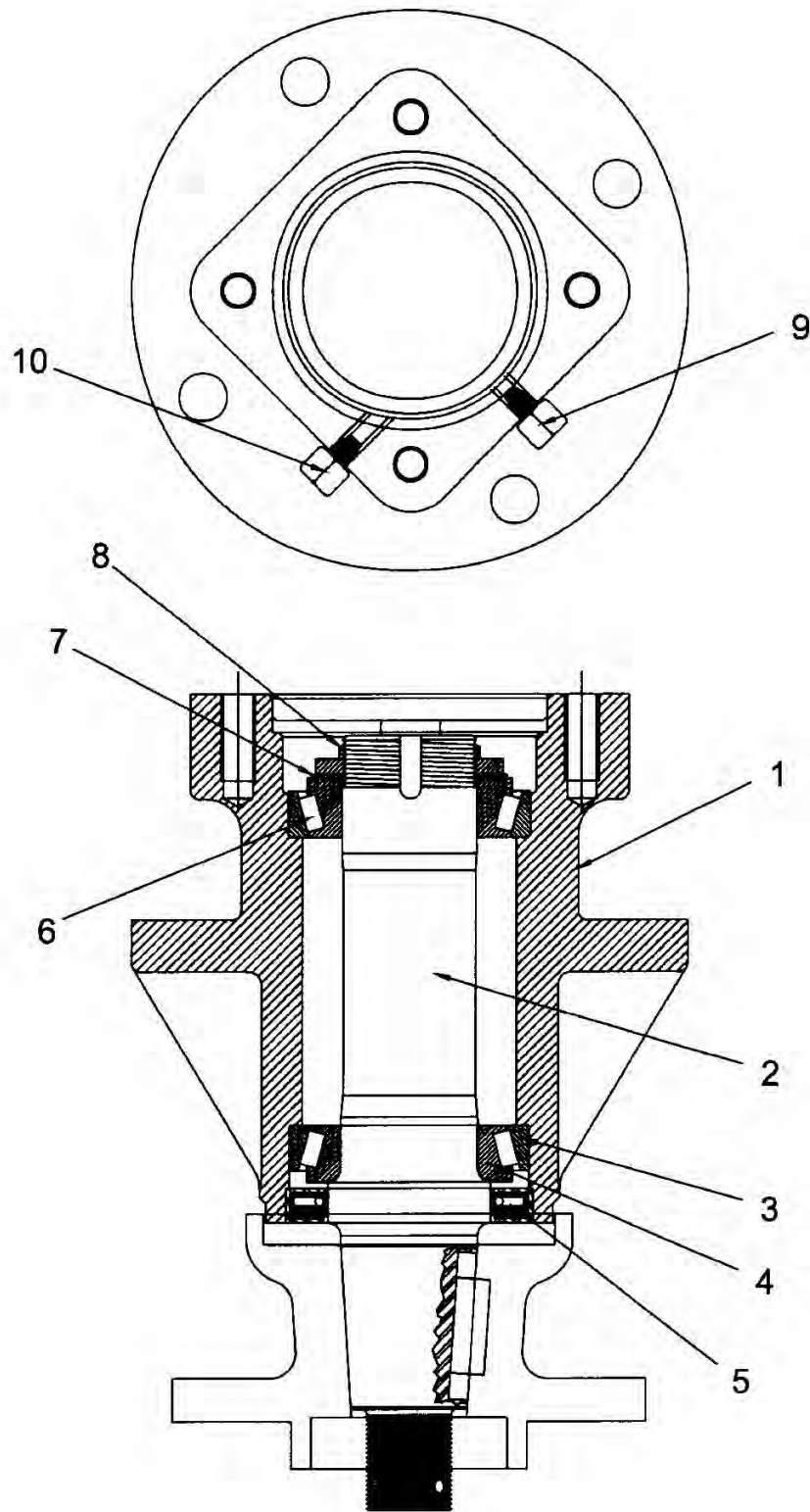
SIDE CASTER WHEELS (INDIANA OPTION)



ITEM	PART NO.	QTY.	DESCRIPTION
1	00130010	2	WHEEL
2	00016700	2	AXLE BOLT
3	02030300	2	LOCKNUT
4	00765337	4	WHEEL SPACER
5	00774874	1	WHEEL BRKT. - RH
6	00776201	1	WHEEL BRKT. - LH
7	00748823	4	BOLT
8	00002700	4	FLATWASHER
9	00001300	2	LOCKWASHER
10	00749130	4	BOLT
11	00001800	4	LOCKNUT TLM 1/2 NC PLC

THIS PAGE INTENTIONALLY LEFT BLANK

SPINDLE & HOUSING ASY - PN 00763572

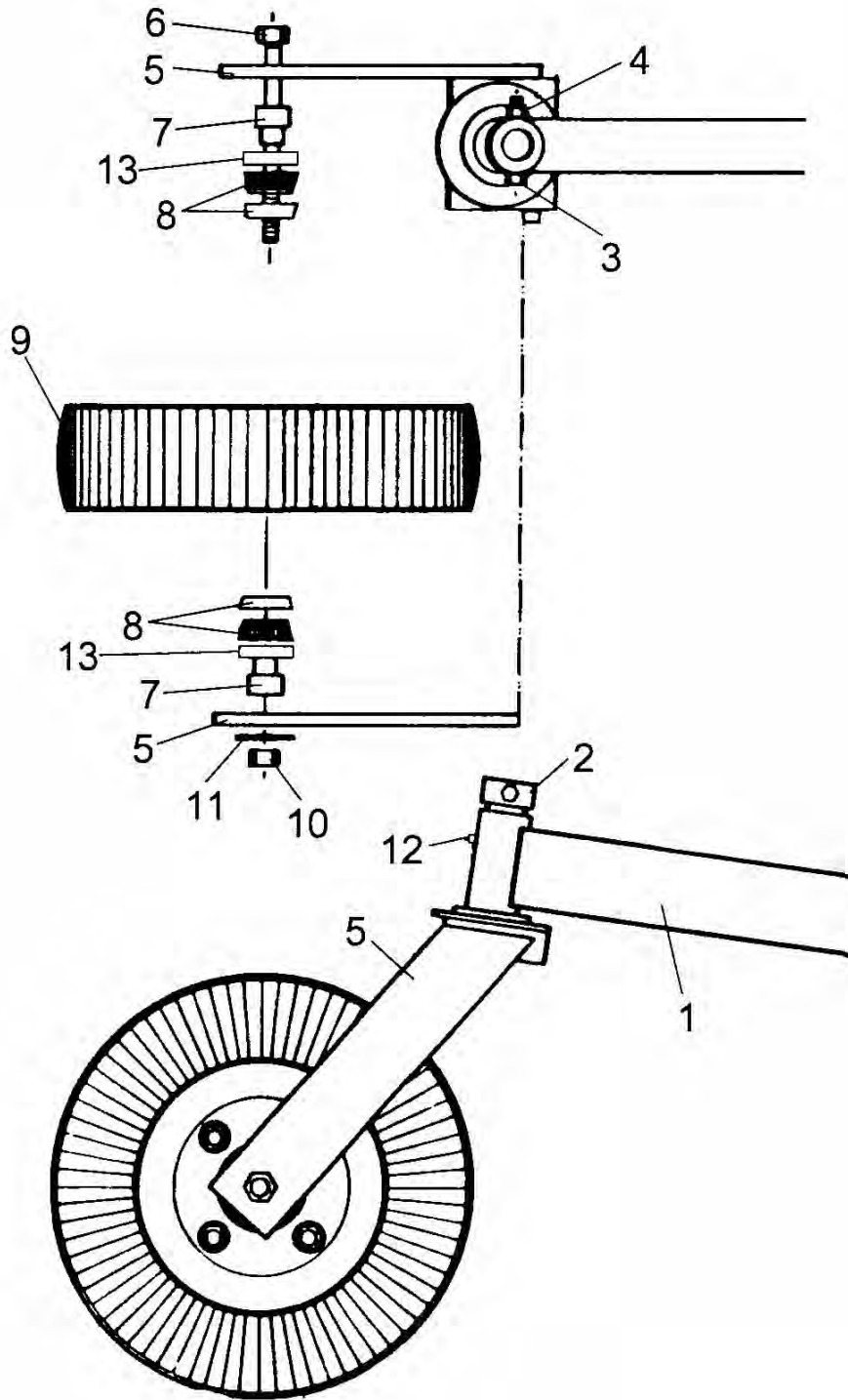


SPINDLE & HOUSING ASY - PN 00763572

Continued...

ITEM	PART NO.	QTY.	DESCRIPTION
1	00763571	1	HOUSING
2	00763570	1	SPINDLE
3	00748537	1	BEARING CUP
4	581038	1	BEARING CONE
5	5810310	1	OIL SEAL
6	00755628	1	BEARING CUP & CONE
7	02964269	1	LOCKWASHER
8	02962030	1	SPINDLE BEARING LOCKNUT
9	02959018	1	RELIEF FITTING
10	00565000	1	PLUG

TAIL WHEEL ASY - PN 02964351 (OPTIONAL)



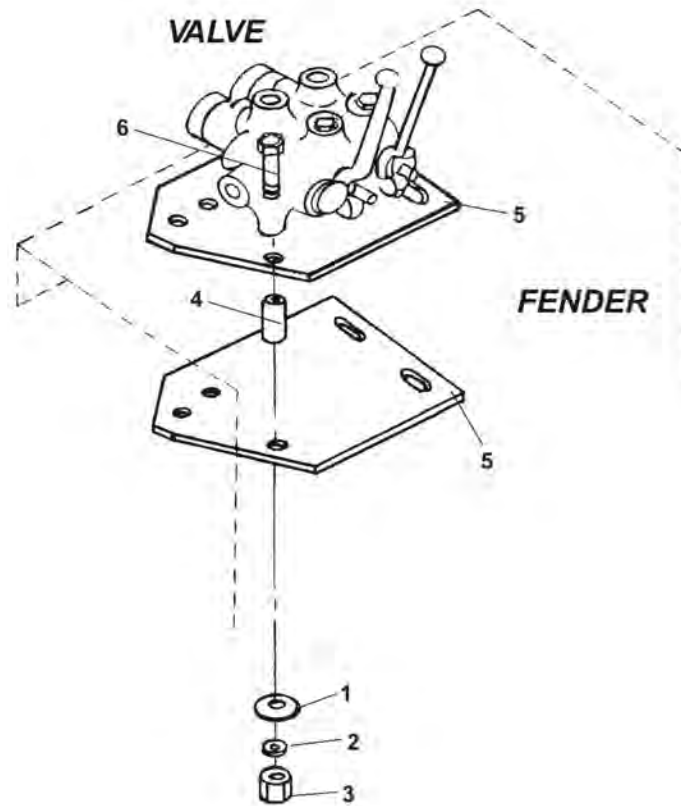
ITEM	PART NO.	QTY.	DESCRIPTION
1	00748670	1	TAIL WHEEL TUBE
2	00749264	1	COLLAR
3	00749413	1	BOLT

TAIL WHEEL ASY - PN 02964351 (OPTIONAL)

Continued...

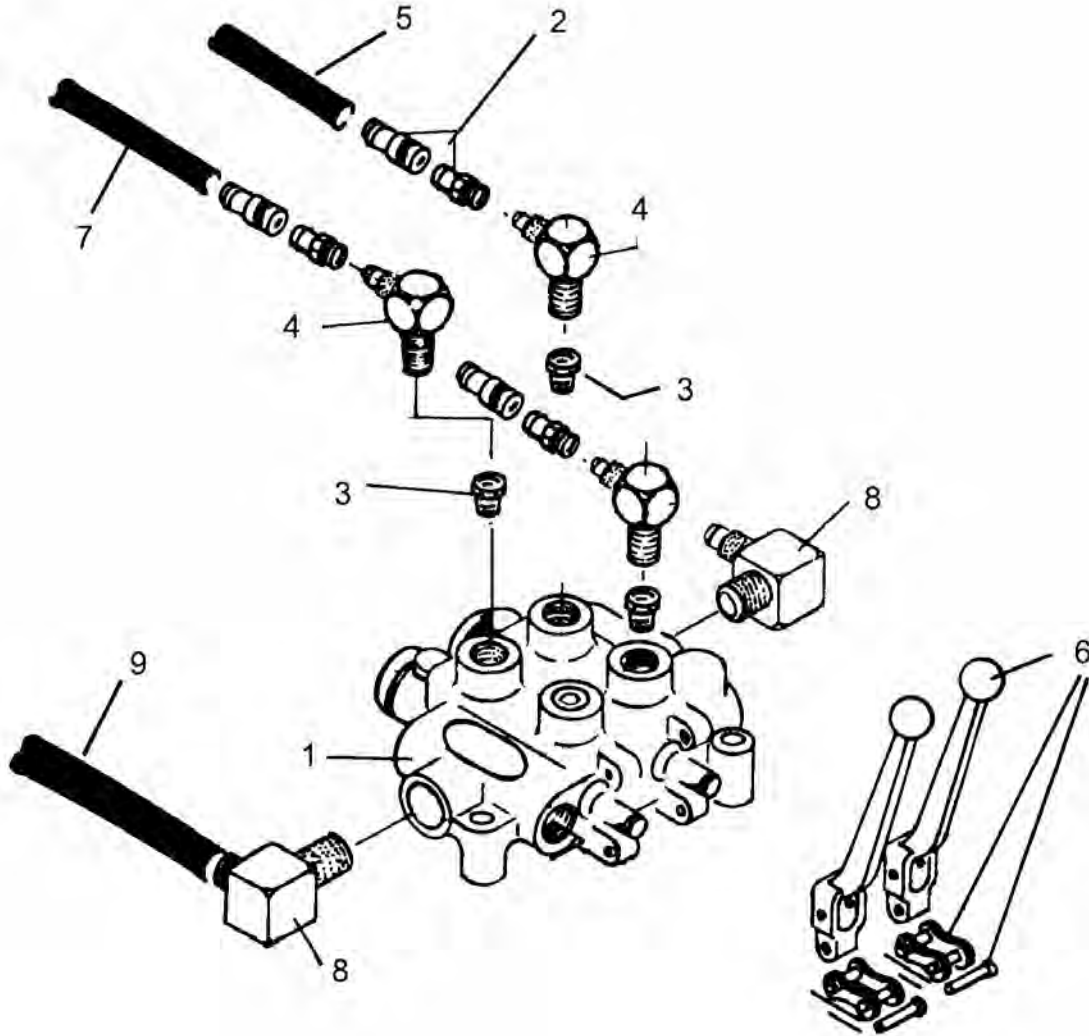
ITEM	PART NO.	QTY.	DESCRIPTION
4	00749017	1	NUT
5	00749271	1	CASTER FORK WLD'MT
6	00156503	1	BOLT
7	00752272	2	AXLE HUB
8	02817100	2	BEARING CUP & CONE ASY.
9	00130010	1	TIRE & RIM
10	00695100	1	NUT, TOPLOCK 5/8 NC PLC
11	00010300	1	LOCKWASHER
12	00752670	1	GREASE FITTING
13	00013600	2	SEAL

VALVE - FENDER MOUNT



ITEM	PART NO.	QTY.	DESCRIPTION
1	00011100	3	FLATWASHER
2	00012101	3	LOCKWASHER
3	00013901	3	NUT
4	00748675	3	LONG SPACER BUSHING
5	02881500	2	VALVE MOUNT PLATE
6	63084800	3	BOLT

VALVE KIT ASY



ITEM	PART NO.	QTY.	DESCRIPTION
1	02280901	1	VALVE - 2 SPOOL
	02280902	1	VALVE CLOSED CENTER*
2	00750368	3	COUPLER
3	00717800	3	REDUCER
4	00751143	3	ELBOW
5	02881100	2	HOSE
6	00751142	-	HANDLE ASY. KIT
7	02964959	1	HOSE
	00612100	-	HOSE KIT - VALVE TO TRACTOR
8	02049100	2	ELBOW
9	00424200	2	HOSE



TO THE OWNER/OPERATOR/DEALER

To keep your implement running efficiently and safely, read your manuals thoroughly and follow these directions and the Safety Messages in this Manual. The Table of Contents clearly identifies each section where you can easily find the information you need.

The OCCUPATIONAL SAFETY AND HEALTH ACT (1928.51 Subpart C) makes these minimum safety requirements of tractor operators:

REQUIRED OF THE OWNER

1. Provide a Roll-Over-Protective Structure that meets the requirements of this standard.
2. Provide seat belts that meet the requirements of this paragraph of this standard and SAE J4C.
3. Ensure that each employee uses such seat belt while the tractor is moving.
4. Ensure that each employee tightens the seat belt sufficiently to confine the employee to the protected area provided by the ROPS.

REQUIRED OF THE OPERATOR

1. Securely fasten seat belt if the tractor has a ROPS.
2. Where possible, avoid operating the tractor near ditches, embankments, and holes.
3. Reduce speed when turning, crossing slopes, and on rough, slick, or muddy surfaces.
4. Stay off slopes too steep for safe operation.
5. Watch where you are going, especially at row ends, on roads, and around trees.
6. Do not permit others to ride.
7. Operate the tractor smoothly, no jerky turns, starts, or stops.
8. Hitch only to the draw bar and hitch points recommended by the tractor manufacturer.
9. When the tractor is stopped, set brakes securely and use park lock, if available.



Keep children away from danger all day, every day...



Equip tractors with rollover protection (ROPS) and keep all machinery guards in place...



Please work, drive, play and live each day with care and concern for your safety and that of your family and fellow citizens.

ALAMO INDUSTRIAL

Limited Warranty

1. Limited Warranties

- 1.01. Alamo industrial warrants for one year from the purchase date to the original non-commercial, governmental, or municipal purchaser ("purchaser") and warrants for six months to the original commercial or industrial purchaser ("purchaser") that the goods purchased are free from defects in material or workmanship.
- 1.02. Manufacturer will replace for the purchaser any part or parts found, upon examination at one of its factories, to be defective under normal use and service due to defects in material or workmanship.
- 1.03. This limited warranty does not apply to any part of the goods which has been subjected to improper or abnormal use, negligence, alteration, modification, or accident, damaged due to lack of maintenance or use of wrong fuel, oil, or lubricants, or which has served its normal life. This limited warranty does not apply to any part of any internal combustion engine, or expendable items such as blades, shields, guards, or pneumatic tires except as specifically found in your operator's manual.
- 1.04. Except as provided herein, no employee, agent, dealer, or other person is authorized to give any warranties of any nature on behalf of manufacturer.

2. Remedies And Procedures

- 2.01. This limited warranty is not effective unless the purchaser returns the registration and warranty form to manufacturer within 30 days of purchase.
- 2.02. Purchaser claims must be made in writing to the authorized dealer ("dealer") from whom purchaser purchased the goods or an approved authorized dealer ("dealer") within 30 days after purchaser learns of the facts on which the claim is based.
- 2.03. Purchaser is responsible for returning the goods in question to the dealer.
- 2.04. If after examining the goods and/or parts in question, manufacturer finds them to be defective under normal use and service due to defects in material or workmanship, manufacturer will:
 - (A) repair or replace the defective goods or part(s) or
 - (B) reimburse purchaser for the cost of the part(s) and reasonable labor charges (as determined by manufacturer) if purchaser paid for the repair and/or replacement prior to the final determination of applicability of the warranty by manufacturer. The choice of remedy shall belong to manufacturer.
- 2.05. Purchaser is responsible for any labor charges exceeding a reasonable amount as determined by manufacturer and for returning the goods to the dealer, whether or not the claim is approved. Purchaser is responsible for the transportation cost for the goods or part(s) from the dealer to the designated factory.

3. Limitation Of Liability

- 3.01. Manufacturer disclaims any express (except as set forth herein) and implied warranties with respect to the goods including, but not limited to, merchantability and fitness for a particular purpose.
- 3.02. Manufacturer makes no warranty as to the design, capability, capacity, or suitability for use of the goods.
- 3.03. Except as provided herein, manufacturer shall have no liability or responsibility to purchaser or any other person or entity with respect to any liability, loss, or damage caused or alleged to be caused directly or indirectly by the goods including, but not limited to, any indirect, special, consequential, or incidental damages resulting from the use or operation of the goods or any breach of this warranty. Notwithstanding the above limitations and warranties, manufacturer's liability hereunder for damages incurred by purchaser or others shall not exceed the price of the goods.
- 3.04. No action arising out of any claimed breach of this warranty or transactions under this warranty may be brought more than two (2) years after the cause of action has occurred.

4. Miscellaneous

- 4.01. Proper venue for any lawsuits arising from or related to this limited warranty shall be only in Guadalupe county, Texas.
- 4.02. Manufacturer may waive compliance with any of the terms of this limited warranty, but no waiver of any terms shall be deemed to be a waiver of any other term.
- 4.03. If any provision of this limited warranty shall violate any applicable law and is held to be unenforceable, then the invalidity of such provision shall not invalidate any other provisions herein.
- 4.04. Applicable law may provide rights and benefits to purchaser in addition to those provided herein.

Keep for your records

Attention: Purchaser should fill in the blanks below for his reference when buying repair parts and/or for proper machine identification when applying for warranty.

Alamo Industrial Implement Model _____ Serial Number _____
Date Purchased _____ Dealer _____

Attention:
Read your operator's manual



ALAMO INDUSTRIAL
1502 E. Walnut
Seguin, Texas 78155
830-379-1480



BUILT SHARPER[®]

An Alamo Group Company

1502 E. Walnut St.
Seguin, Texas 78155



Sales and Marketing

Tel 800.882.5762 Fax 830.379.0864
support@alamo-industrial.com

Warranty Registration/Claims

www.alamoparts.com

Return Authorizations

Online Part Orders
Techical Information
www.alamoparts.com
Tel 800.356.6286 Fax 800.322.5141
www.alamo-industrial.com

