



# INTERSTATER Rear Mount

Flail



Rev 12-16

Part No. 02977160

## PARTS MANUAL



### ALAMO INDUSTRIAL

1502 E. Walnut  
Seguin, Texas 78155  
830-372-9595

**¡ATENCIÓN!** LEA EL INSTRUCTIVO

Si No Lee Ingles, Pida Ayuda a Alguien  
Que Si Lo Lea Para Que le Traduzca las  
Medidas de Seguridad.



An Operator's Manual was shipped with the equipment in the Manual Canister. This Operator's Manual is an integral part of the safe operation of this machine and must be maintained with the unit at all times. **READ, UNDERSTAND, and FOLLOW** the Safety and Operation Instructions contained in this manual before operating the equipment. If the Operator's Manual is not with the equipment, contact your dealer or Alamo Industrial (800-356-6286) to obtain a Free copy before operating the equipment.



# BOLT TORQUE

Mounting procedures for mowers will require a significant amount of bolt nut and washer installation.

Frame and structure mounting bolts should be installed using *Red Loctite*, and torqued to the dry values listed in the torque chart based on the bolt size and hardness.

Other structures such as pump mounting bolts should be installed with *Blue Loctite* and torqued to the dry values indicated in the chart.

Bolt tightness should be completed with and checked with a suitable torque wrench.

Torque checks should be completed throughout the life of the mower in accordance with the maintenance chart provided in this manual.



Loose bolts on a frame or in a casting may be a result of:

- Vibration from the mower due to imbalance of the mower blades
- Pulled threads due to over tightening
- Distortion of the hole due to under tightening during installation

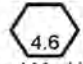
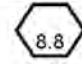
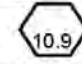
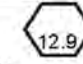
Bolts broken or sheared in the mounting structure or tractor may be the result of:

- Improper alignment of the Mounting Plate or Structure such that it is not sitting flat on the mating surface
- Distortion of the bolt due to over-tightening
- Under tightening of the bolts

Check the bolt torque during installation and prior to delivery with a suitable torque wrench.

Bolt Diameter		
	Head Marking Three Lines Grade Five	Head Marking Six Lines Grade Eight
	Pound - Foot Value Dry	Pound - Foot Value Dry
1/4"	7	10
5/16"	15	22
3/8"	26	39
7/16"	42	60
1/2"	64	88
9/16"	100	134
5/8"	128	180
3/4"	227	320
7/8"	365	515
1"	547	772

To get Newton-Meters multiply pound-foot of torque by 1.356

Bolt Diameter				
	Head Marking 4.6	Head Marking 8.8 or 9.8	Head Marking 10.9	Head Marking 12.9
	Pound - Foot Value Dry	Pound - Foot Value Dry	Pound - Foot Value Dry	Pound - Foot Value Dry
6mm	3	7	9	10
8mm	6.2	16	23	24
10mm	12	32	45	47
12mm	21	55	79	81
14mm	34	88	126	130
16mm	53	137	196	202
18mm	73	189	270	279
20mm	104	267	382	394
22mm	141	364	520	537
24mm	179	461	660	680
27mm	262	676	968	998
30mm	355	917	1312	1353

# TO THE OWNER/OPERATOR/DEALER

All implements with moving parts are potentially hazardous. There is no substitute for a cautious, safe-minded operator who recognizes the potential hazards and follows reasonable safety practices. The manufacturer has designed this implement to be used with all its safety equipment properly attached to minimize the chance of accidents.

**BEFORE YOU START!!** Read the safety messages on the implement and shown in your manual.  
Observe the rules of safety and common sense!

## ! DANGER

**FAILING TO FOLLOW SAFETY MESSAGES AND OPERATING INSTRUCTION CAN CAUSE SERIOUS BODILY INJURY OR EVEN DEATH TO OPERATOR AND OTHERS IN THE AREA.**

<p>1.</p> 	<p>2. NO RIDERS. NO CHILDREN OPERATORS</p> 	<p>3. USE SAFETY SHOES, HARD HAT, SAFETY GLASSES, SEAT BELTS, ROPS &amp; OPS.</p> 	<p>4. BLOCK UP SECURELY BEFORE WORKING UNDER.</p> 
---------------------------------------------------------------------------------------------	------------------------------------------------------------------------------------------------------------------------------	----------------------------------------------------------------------------------------------------------------------------------------------------------------------	---------------------------------------------------------------------------------------------------------------------------------------

1. Study and understand Operator's Manuals, Safety Decals, and Instructional Decals for tractor and implement to prevent misuse, abuse, and accidents. Practice before operating in a confined area or near passersby.
  - Learn how to stop engine suddenly in an emergency. Be alert for passersby and especially children.
2. Allow no children on or near folding mower or tractor. Allow no riders on tractor or implement. Falling off may cause serious injury or death from being run over by tractor or mower or contact with rotating blades.
3. Operate only with tractor having Roll-Over Protective Structure (ROPS) and with seat belt securely fastened to prevent injury and possible death from falling off or tractor overturn.
  - Personal Protective Equipment such as Hard Hat, Safety Glasses, Safety Shoes, & Ear Plugs are recommended.
4. Block up or support raised machine and all lifted components securely before putting hands or feet under or working underneath any lifted component to prevent crushing injury or death from sudden dropping or inadvertent operation of controls. Make certain area is clear before lowering or folding.
5. Before transporting, put Lift Lever in detent or full-lift position. Install Transport Safety Devices securely on folding mowers. Put Booms securely in Transport Rest.
  - Folding and Boom Mowers have raised center of gravity. Slow down when turning and on hillsides.
6. Make certain that SMV sign, warning lights, and reflectors are clearly visible. Follow local traffic codes.
7. Never operate with Cutting Head or Folding Section raised if passersby, bystanders, or traffic are in the area to reduce possibility of injury or death from objects thrown by Blades under Guards or mower structure.
8. Before dismounting, secure implement in transport position or lower to ground.
  - Put tractor in park or set brake, disengage PTO, stop engine, remove key, and wait until noise of rotation has ceased to prevent crushing by entanglement in rotating parts which could cause injury or death.
  - Never mount or dismount a moving vehicle. Crushing from runover may cause serious injury or death.

<p>5. TRANSPORT SAFELY, LOCK UP.</p> 	<p>6. USE SMV, LIGHTS, &amp; REFLECTORS.</p> 	<p>7. DO NOT OPERATE WITH CUTTER OR WING RAISED</p> 	<p>8. DO NOT MOUNT OR DISMOUNT WHILE MOVING.</p> 
--------------------------------------------------------------------------------------------------------------------------	----------------------------------------------------------------------------------------------------------------------------------	------------------------------------------------------------------------------------------------------------------------------------------	----------------------------------------------------------------------------------------------------------------------------------------

02967827

## WARRANTY INFORMATION:

Read and understand the complete Warranty Statement found in this Manual. Fill out the Warranty Registration Form in full and return it within 30 Days. Make certain the Serial Number of the Machine is recorded on the Warranty Card and on the Warranty Form that you retain. The use of "will-fit" parts will void your warranty and can cause catastrophic failure with possible injury or death.

# CHANGE PAGES

Date of Change	Page Number
04-03-2013	(EXAMPLE ONLY: ECN##### - chg pages 17, 23, 137)
04-03-2013	document release date
12-21-2016	chg pgs 4-8, 18



## CHANGE PAGES

The following is a listing of pages that have been changed since the latest publication date for the overall document.

# PARTS ORDERING GUIDE

The following instructions are offered to help eliminate needless delay and error in processing purchase orders for the equipment in this section.

1. The Parts Section is prepared in logical sequence and grouping of parts that belong to the basic machine featured in this manual. Part Numbers and Descriptions are given to help locate the parts and quantities required.
2. The Purchase Order must include the name and address of the person or organization ordering the parts, who should be charged, and if possible, the serial number of the machine for which the parts are ordered.
3. The Purchase Order must clearly list the quantity of each part, the complete and correct part number (be sure to include all periods), and the basic name of the part.
4. The Manufacturer reserves the right to substitute parts where applicable.
5. Some parts are unlisted items which are special production items not normally stocked and are subject to special handling. Request a quotation for such parts before sending a Purchase Order.
6. The Manufacturer reserves the right to change prices without prior notice.

**Note:** *Please refer to The Safety Section in the front of this Manual for the proper part number when ordering replacement safety decals.*



For maximum safety and to guarantee optimum product reliability, always use genuine Alamo Industrial Parts. The use of inferior replacement parts may cause premature or catastrophic failure which could result in serious injury or death. Direct any questions regarding parts to:



## ALAMO INDUSTRIAL

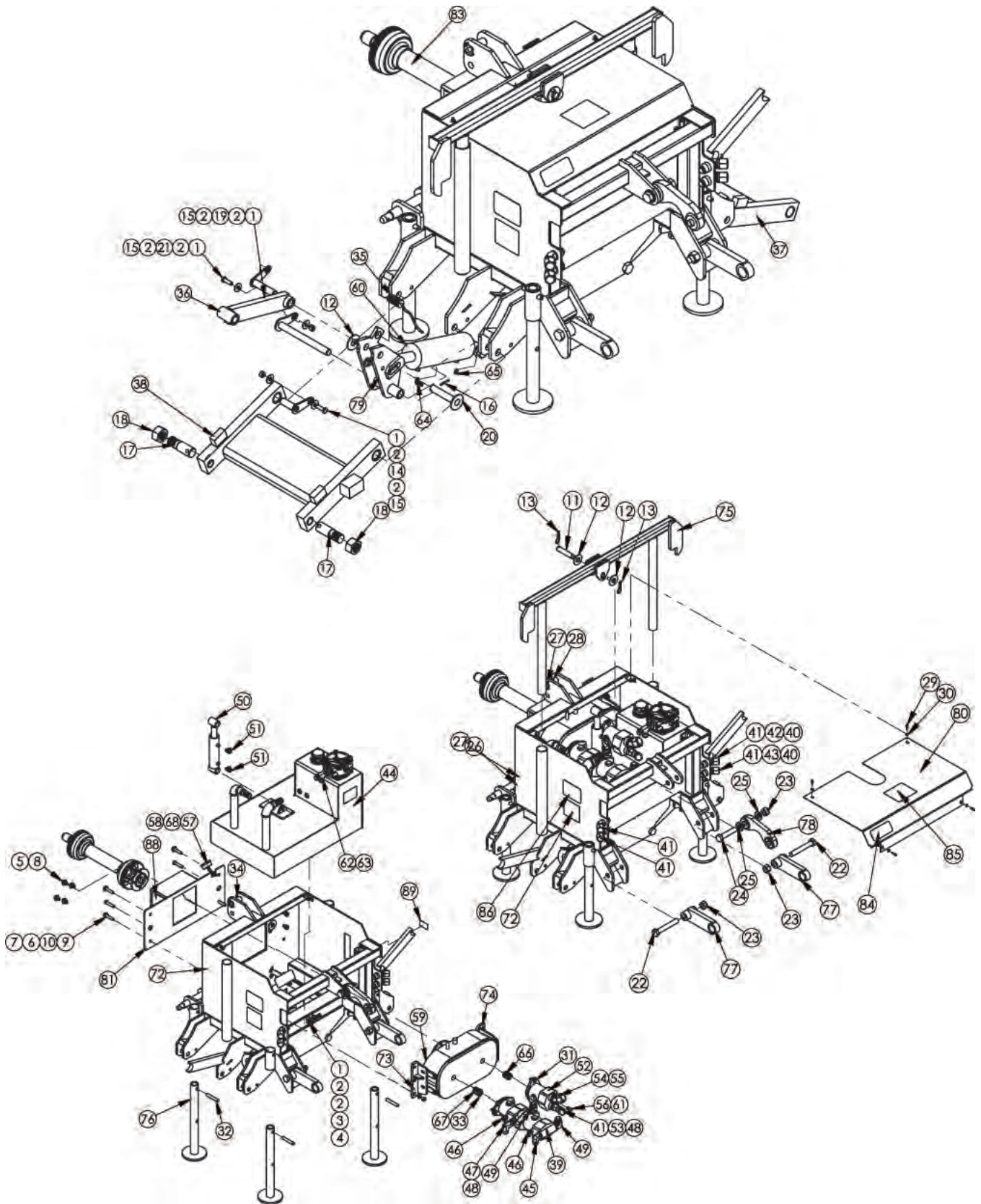
1502 E. Walnut  
Seguin, Texas 78155  
830-379-1480

## PART NAME INDEX

FRAME ASSEMBLY (PART 1) PN 704491.....	4
FRAME ASSEMBLY (PART 2) PN 704491.....	6
FRAME ASSEMBLY (PART 3) PN 704491.....	8
DRIVELINE P/N 02965064.....	10
HYD. MOTOR REPLACEMENT PARTS - P/N 02985522.....	12
HYDRAULIC SCHEMATIC.....	14
HYDRAULIC TANK - REAR UNIT.....	16
HYDRAULIC TANK ASSEMBLY PN 704490.....	18
LEFT WING HYDRAULIC MOTOR ASSEMBLY.....	20
REAR CUTTER UNIT ASSEMBLY 96 (PART 1).....	22
REAR CUTTER UNIT ASSEMBLY 96 (PART 2).....	24
REAR UNIT - MOTOR - HYDRAULIC.....	26
REAR UNIT A-FRAME ASSEMBLY.....	28
RIGHT WING HYDRAULIC MOTOR ASSEMBLY.....	30
BLANK PAGE 3.....	31
SAFETY.....	32
SINGLE PUMP HYDRAULIC CONNECTIONS.....	34
TANDEM PUMP HYDRAULIC CONNECTIONS.....	35
TILT CYLINDER ASSEMBLY.....	36
TRANSPORT LIGHT KIT ASY.....	38
WING LIFT ASSEMBLY.....	40
WING MOWER ASSEMBLY (PART 1).....	42
WING MOWER ASSEMBLY (PART 2).....	44
WING MOWER ASSEMBLY (PART 3).....	46



# FRAME ASSEMBLY (PART 1) PN 704491



02977160 - Interstater - Rear Mount (10-07)\_12-16

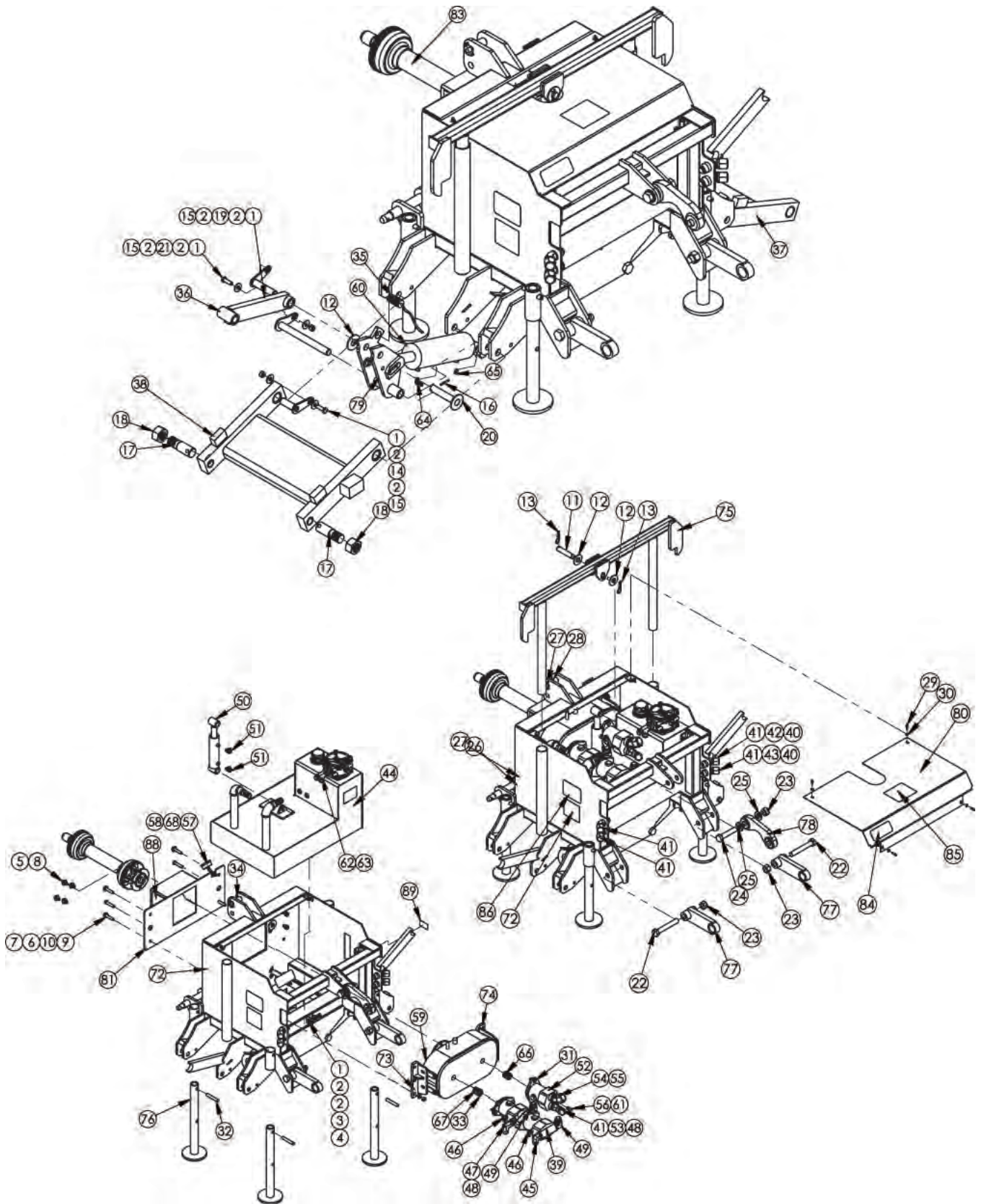
## FRAME ASSEMBLY (PART 1) PN 704491

Continued...

ITEM	PART NO.	QTY.	DESCRIPTION
1	00748823	9	HHCS 1/2-13UNC 1-1/2 GR.5 PL
2	00002700	18	FLATWASHER 1/2 PL STD
3	00001300	3	WASHER,LOCK 1/2 GR8 - YDP
4	00001200	3	NUT 1/2 NC HEX PL
5	00759635	4	WASHER,FLAT 1/2 HARDND NONPLT
6	02996612	6	LWHS, 9/16
7	02996606	6	NUT, HEX 9/16 - 12 NC
8	02996608	4	SHCS, 1/2 X 20 UNF X 1 LG.
9	02672800	6	HEXB 9/16NC 2-1/2 PL
10	02988928	4	WASHER 9/16 HARDENED
11	02976229	2	PIN 1DD 4-11/16 LG 2-HOLES
12	02822500	4	FLATWASHER 1 PL STD
13	37107B13	4	HAIRPIN,COTTER .148 X 2-15/16"
14	02965829	2	WLDMT- PIN
15	00001800	6	LOCKNUT TLM 1/2 NC PLC
16	00755153	4	PIN,COTTER 3/16 X 1-1/2 PLATED
17	02965777	4	PIVOT PIN
18	000760	4	NUT,HEX 1-3/8 12NF PLB
19	00763355	2	WDMT,PIN-LIFT ARM
20	02979779	2	WLDMT, PIN ACTUATOR
21	02965074	2	WLDMT- PIN
22	00754107	4	BOLT 1 - 8UNC X 6-1/2 PL8
23	02030300	5	NUT,TOPLock 1-8 UNC PL5
24	00750479	1	HEXB 1 NC 4-3/4 PL5- SPECIAL
25	571045	2	WASHER,SHOULDER BOLT - PLAIN
26	69141	2	PIN,HITCH CAT II & III
27	2196	3	CLIP (LYNCH PIN), 13/32 DIA.
28	3730110M	1	WDMT, TOP LINK PIN - PLATED
29	00751588	4	THUMB SCREW 1/4-20UNC-3/4LG
30	00024100	4	FLATWASHER STD 1/4 PL
31	02959661	4	HEXB, M12-P1.75 x 35mm PL8.8
32	002603	4	PIN JACK RETAINING
33	00769258	1	RETAINING RING.1.5 SHAFT
34	69113	1	BUSHING, TOP LINK - HT YDP
35	02985147	2	SWITCH PROXIMITY 12VDC 6A
36	02965113	2	ASSY-TILT LINK
37	02965828	1	WLDMT- LIFT FRAME LH
38	02965825	1	WLDMT- LIFT FRAME RH
39	002029	1	PUMP,TANDEM 2.77 CU/IN
40	02919400	4	ADP HYD BKHD 16MJ-16MJ45

02977160 - Interstater - Rear Mount (10-07)\_12-16

# FRAME ASSEMBLY (PART 2) PN 704491



02977160 - Interstater - Rear Mount (10-07)\_12-16

## FRAME ASSEMBLY (PART 2) PN 704491

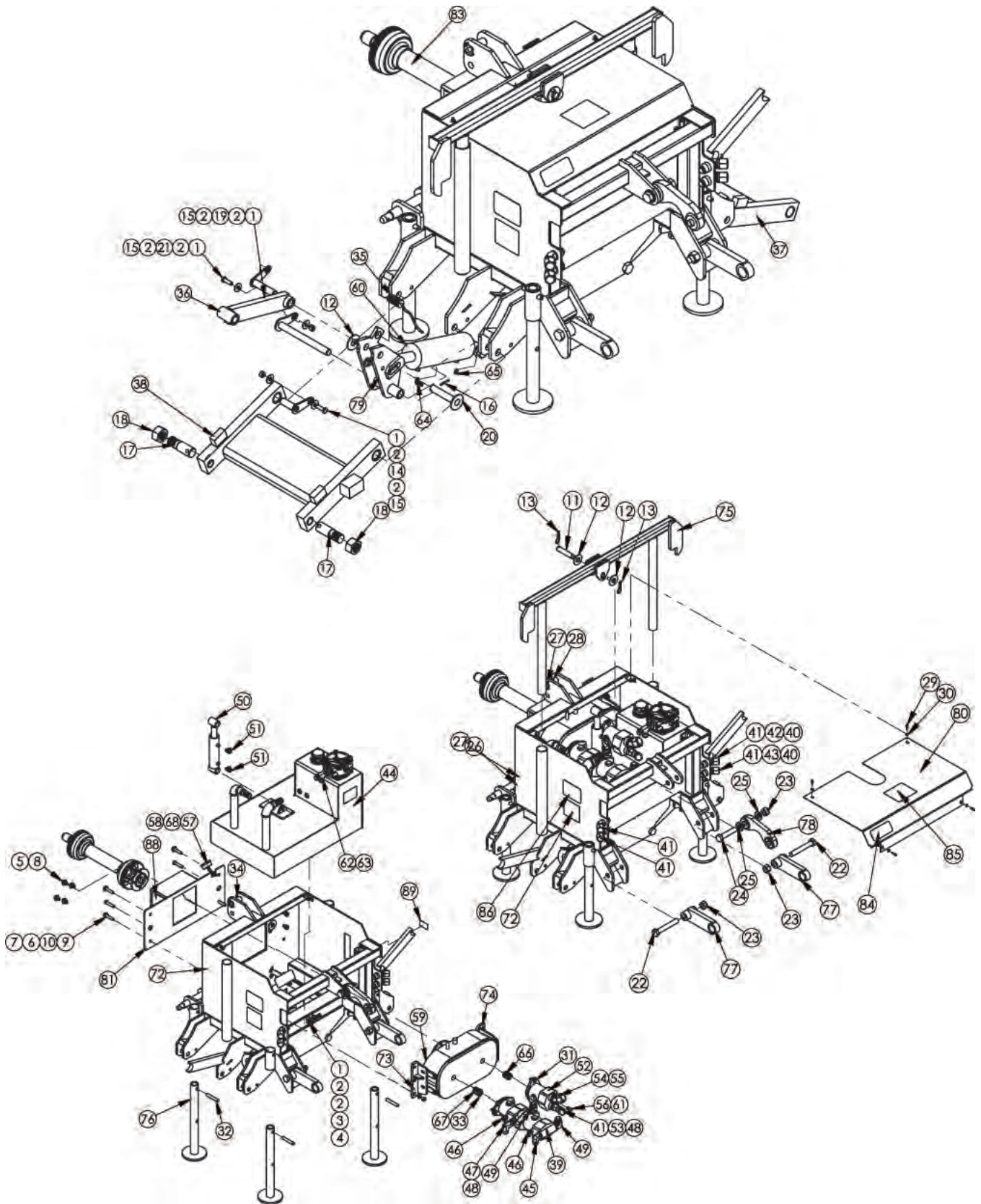
Continued...

ITEM	PART NO.	QTY.	DESCRIPTION
41	02956918	5	CAP,HYD #16FJIC
42	02968894	2	VINYL TAPE RED 1/2" WIDE
43	02968896	2	VINYL TAPE BLUE 1/2" WIDE
44	704490	1	ASY TANK JCB MOUNT
45	02090900	1	ADP HYD ELBOW 16MB-16MJ90
46	63149100	2	ADP HYD ELBOW 6MB-6MJ90
47	02956851	1	ADP HYD ELBOW 16MJ -16FJX 90
48	02957622	2	ADP HYD STGHT 16MB-16MJ
49	02961098	2	ADP HYD ELBOW 20MB -20MJ 90
50	02811000A	1	HYD CYL 2 BORE X 4.56 STROKE
51	02823100	2	ADAPTER, HYD, ELBOW
52	002460	1	PUMP- HYD. PISTON 2.77 DISP.
53	02959154	2	ADP HYD ELBOW 16MJ -16FJX 45
54	02960506	1	CAP #20FJIC
55	02961825	1	ADP HYD ELBOW 20MB -20MJ 45
56	02973563	1	CAPNUT 6FJ
57	02962963	1	DIAL INDICATOR-IN TANK FILTER
58	02996609	1	NPTF MALE PIPE JIC BKHD
59	02995817	1	FUNK SPEED INC, REAR MNT INT
60	02975962	2	HYD CYL 3-1/2 BORE X 6-3/16 ST
61	03200283	1	ADP HYD STGHT 6MB-6MJ
62	02970466	1	ADP HYD TEE 16FJX-16MJ-16MJ
63	02974620	2	ADP HYD STGHT 20MP - 16MJ
64	704512	2	ASY,MODIFIED HYDRAULIC ELBOW
65	02960054	2	PLUG #4 MB W/T-VENT & O-RING
66	00754951	1	SPLINED PUMP ADAPTER 7/8-13T
67	02966731	1	SPLINE COUPLING SAE 1-15
68	02979376	1	COUPLER, PIPE 1/4FP-1/4FP 45?
69	02996613	4	OIL, HYD, 1 QT, SYN LS 75W-90
70	02026200	2	HOSE CLAMP,1-5/16 TO 2-1/4
71	651312	4	COUPLER HALF, MALE
72	108652	1	WDMT,JCB MAINFRAME
73	02996600	1	WLDMT, LH SUPPORT
74	02996604	1	WLDMT, RH SUPPORT
75	108657	1	WDMT,WING LOCK
76	108649	4	WDMT,MAINFRAME JACKSTAND
77	108690	2	WLDMT LOWER SWIVEL LINKAGE
78	108651	1	WDMT,SWIVEL BALL LINKAGE
79	02995018	1	WLDMT, LH ACTUATOR PROXIMITY
80	108679	1	COVER FRAME

02977160 - Interstater - Rear Mount (10-07)\_12-16



# FRAME ASSEMBLY (PART 3) PN 704491



02977160 - Interstater - Rear Mount (10-07)\_12-16

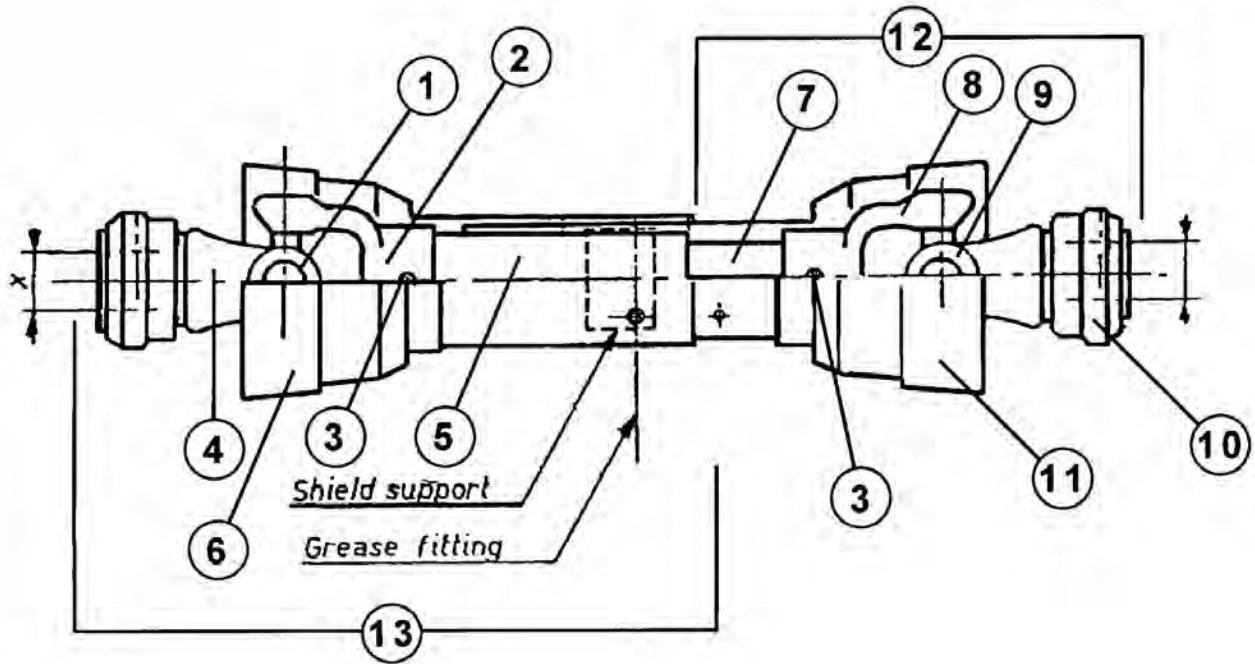
## FRAME ASSEMBLY (PART 3) PN 704491

Continued...

ITEM	PART NO.	QTY.	DESCRIPTION
81	02996610	1	WLDMT, PTO SHIELD
82	02995019	1	WLDMT, RH ACTUATOR PROXIMITY
83	02995818	1	DRIVELINE, REAR MNT INT
84	52740	1	DECAL, WARNING, OIL LEAK
85	D617	1	DECAL, OIL LEAK, HIGH PRESSURE
86	02960766	1	DECAL,ALAMO INDUSTRIAL LOGO
87	D565	1	DECAL,DANGER
88	D388	1	DECAL DANGER - D/L
89	03200286	1	DECAL-OIL LEVEL & SPEC



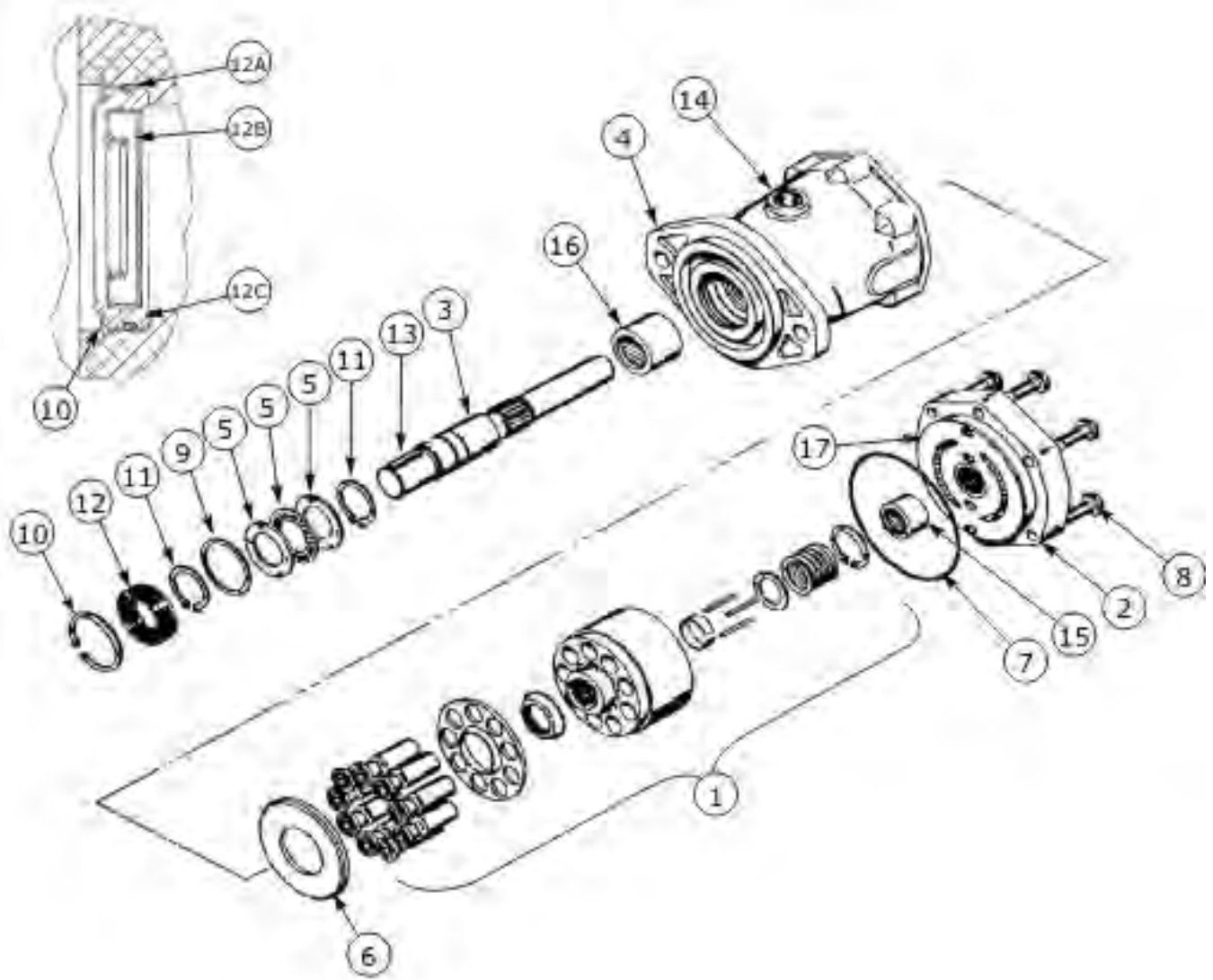
DRIVELINE P/N 02965064



ITEM	PART NO.	QTY.	DESCRIPTION
1	00752896	1	CROSS BEARING SERIES
2	00754154	1	YOKE OUTER TUBE
3	00754167	2	PIN ROLL
4	00752883	2	SLIDE YOKE
5	02965077	1	TUBE OUTER
6	02965080	1	SHIELD -OUTER COMP.
7	02965076	1	TUBE INNER
8	00754153	1	YOKE INNER
9	00752896	1	CROSS BEARING SERIES
10	00752883	1	SLIDE YOKE
11	02965081	1	SHIELD INNER COMP.
12	02965079	1	INNER TUBE HALF
13	02965078	1	OUTER TUBE HALF

**THIS PAGE INTENTIONALLY LEFT BLANK**

## HYD. MOTOR REPLACEMENT PARTS - P/N 02985522



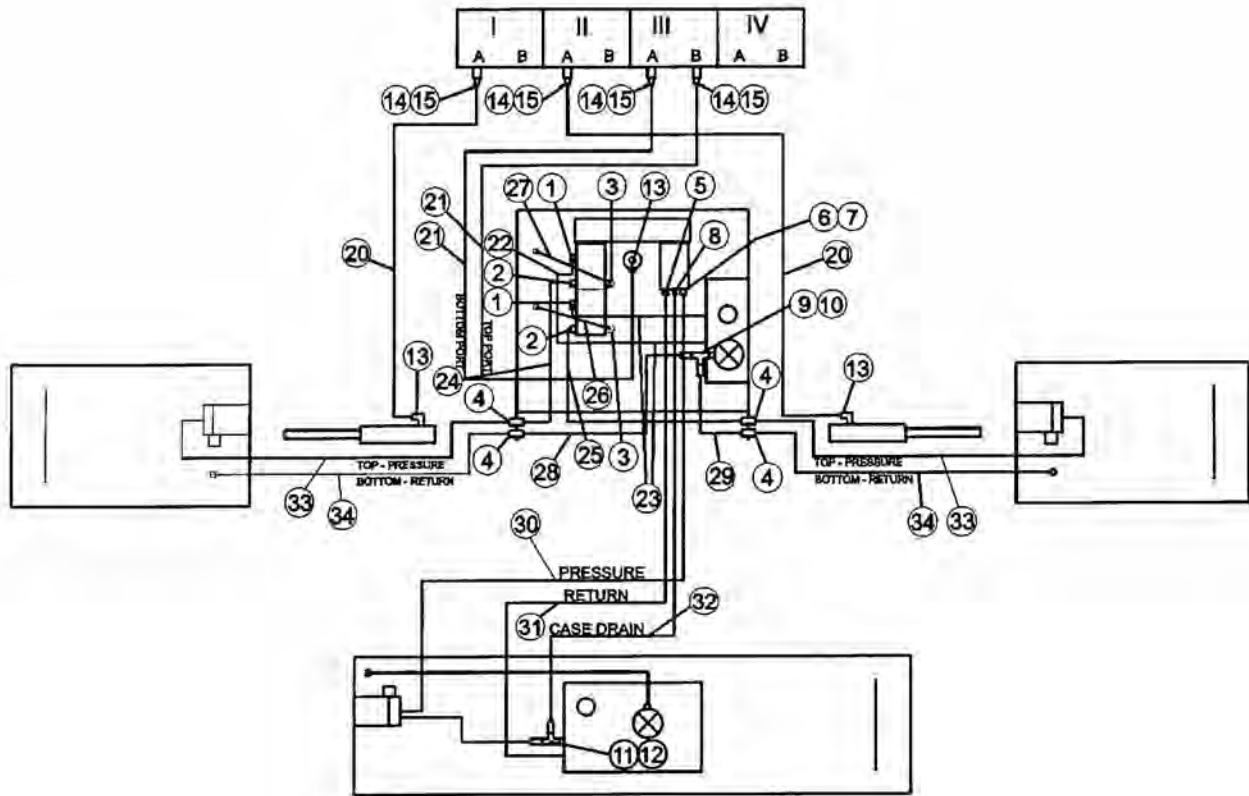
ITEM	PART NO.	QTY.	DESCRIPTION
	02985522	1	MOTOR ASY, W/KEY 2.48 CU/IN.
1	001641	1	ROTATING KIT ASY
2	02986032	1	PLATE ASY, BACKING
3	001643	1	SHAFT, KEYED
4	NFS	1	HOUSING ASY, (NOT FURNISHED AS PARTS)
5	001644	1	BEARING & RACE SET
6	001645	1	PLATE, CAM INSERT
7	03200409	1	O-RING
8	00016200	2	BOLT, HEX HEAD 5/16"-NC X 1-1/2"
9	03200411	1	WASHER
10	02966925	1	RING, SPIRAL
11	02977420	2	RETAINING RING
12	02966926	1	KIT, SEAL ADAPTER

## HYD. MOTOR REPLACEMENT PARTS - P/N 02985522

Continued...

ITEM	PART NO.	QTY.	DESCRIPTION
12A	02966924	1	O-RING, 2.0 X 1-13/16
12B	02966922	1	SEAL, HIGH PRESSURE
12C	02966923	1	SEAL ADAPTER, 2.00 BORE
13	03200521	1	STEP KEY, 1/4 X 5/16
14	03200587	1	PLUG, HEX HD # 8MB
15	002339	1	BEARING BACKPLATE
16	002340	1	BEARING HOUSING
	001648	1	SEAL KIT
17	02986033	1	VALVE PLATE

## HYDRAULIC SCHEMATIC



ITEM	PART NO.	QTY.	DESCRIPTION
1	63149100	2	ADP. HYD. ELBOW
2	02090900	2	ADJ. ELBOW
3	02961098	2	ADP. HYD. ELBOW
5	02961825	1	HYD. ADP. ELBOW
6	02957622	1	ST. ADAPTER
7	02959154	1	ELBOW
8	03200283	1	ADP. HYD STRAIGHT
9	02974620	2	ADP. HYD. STRAIGHT
10	02970466	1	ADAPTER HYD. TEE
11	61027400	1	ADAPTER HYD STRAIGHT
12	02965166	1	ADAPTER HYD. TEE
13	02960018	4	ADAPTER HYD. ELBOW
14	651312	4	COUPLER HALF
15	02957691	4	ADP. HYD STRAIGHT
20	001774	2	HOSE
21	00756811	2	HOSE
22	108696	2	HOSE
23	108699	2	HOSE

02977160 - Interstater - Rear Mount (10-07)\_12-16

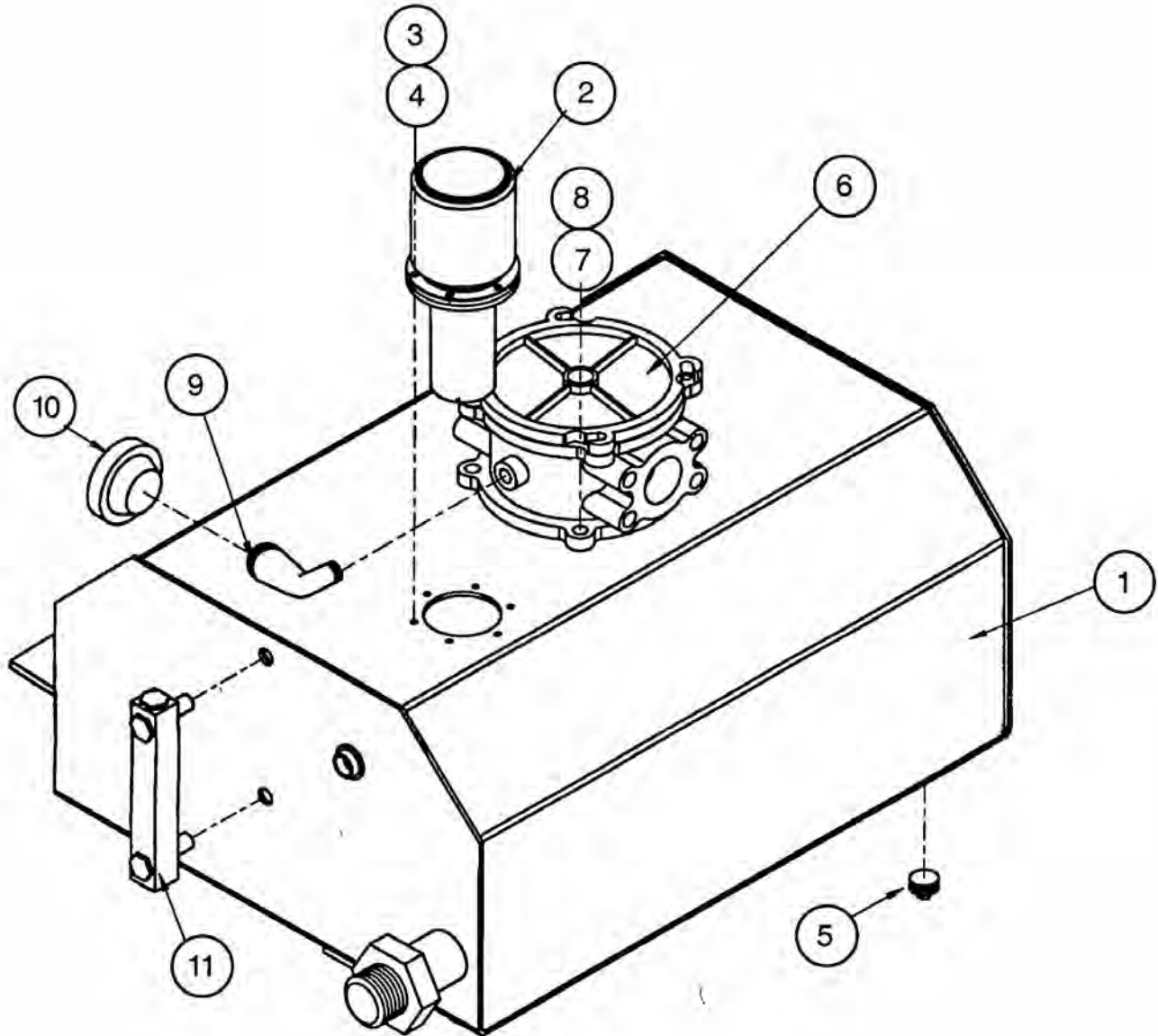
## HYDRAULIC SCHEMATIC

Continued...

ITEM	PART NO.	QTY.	DESCRIPTION
24	108699	1	HOSE
25	108698	1	HOSE
26	108700	2	HOSE
27	108700	2	HOSE
28	108697	1	HOSE
29	02970602	1	HOSE
30	108702	1	HOSE
31	108703	1	HOSE
32	03200276	1	HOSE ASSY.
33	001777	2	HOSE
34	001853	2	HOSE



## HYDRAULIC TANK - REAR UNIT



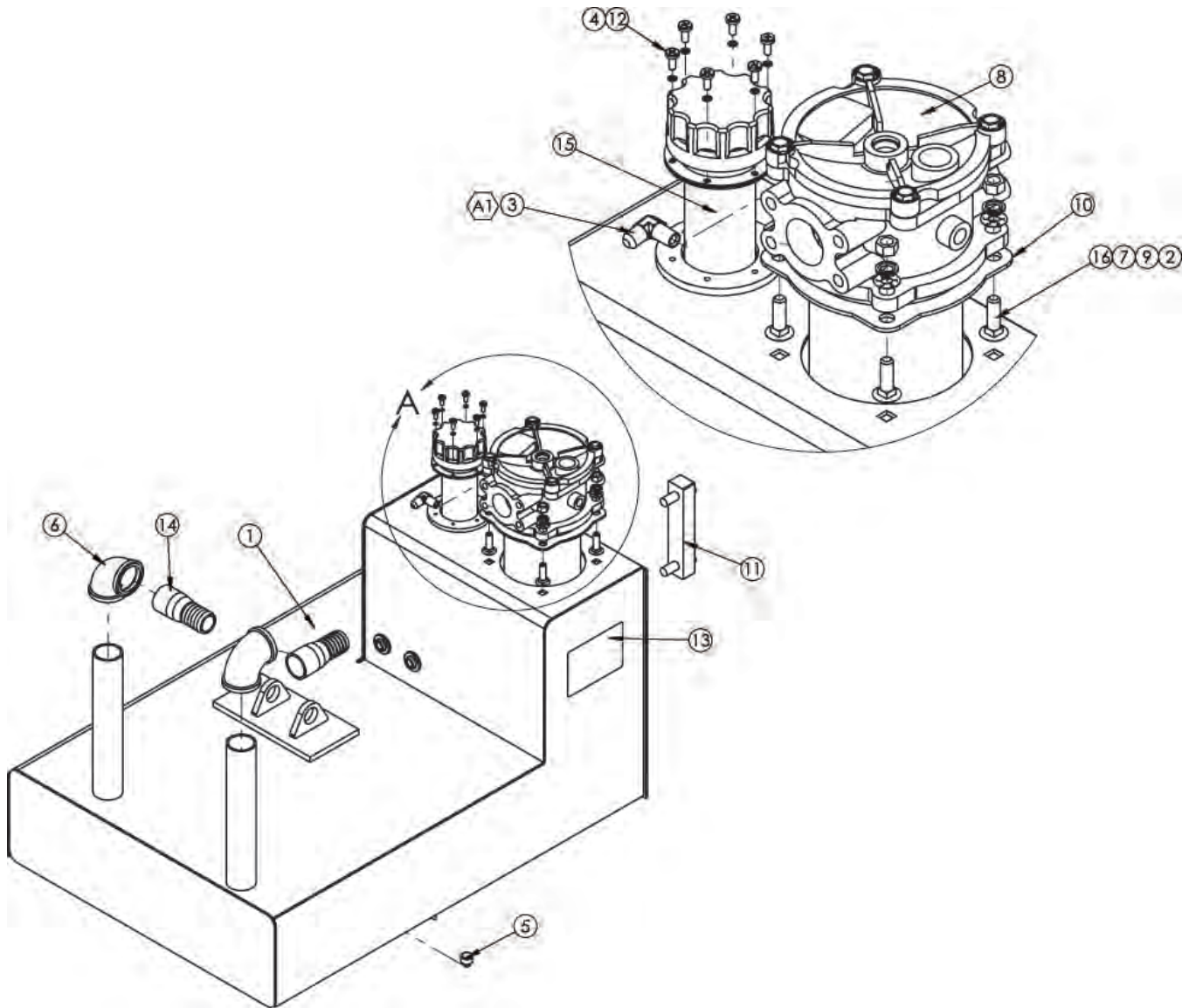
ITEM	PART NO.	QTY.	DESCRIPTION
	704501	-	HYDRAULIC TANK - REAR UNIT
1	108623	1	WLDMNT. HYD TANK
2	02968879	1	ASY FILLER BREATHER CAP
3	02969917	6	MACH METRIC 5-PO.8 - 12MM
4	00751984	6	STARWASHER
5	02963659	1	MAGNETIC PLUG
6	02964748	1	ASY. FILTER RETURN IN TANK
7	02049500	4	LOCKWASHER
8	000645	4	BOLT

## HYDRAULIC TANK - REAR UNIT

Continued...

ITEM	PART NO.	QTY.	DESCRIPTION
9	00751596	1	ELBOW STREET
10	02962963	1	DIAL INDICATOR
11	02968880	1	GUAGE, TEMP & SIGHT

## HYDRAULIC TANK ASSEMBLY PN 704490



ITEM	PART NO.	QTY.	DESCRIPTION
1	108667	1	WDMT,INTERNAL TANK
2	00015800	4	LOCKNUT TLM 3/8-NC PLC
3	001891	1	ADP HYD ELBOW 4MP - 6MJ
4	00751984	6	STARWSHR #10 EXT TOOTH TY A PL
5	00752307	1	MAGNETIC PLUG 1/2 NPTM
6	02961115	2	ADP,PIPE,20FP-20FP,90DEG
7	02961255	4	PUSHNUT, BOLT RETAINER, 3/8
8	02962617	1	FILTER ASSY W/ SHORT EXT TUBE
9	02962864	4	WASHER,SEALING 3/8
10	02963662	1	GASKET,FILTER ASY,FIBER
11	02968880	1	GAUGE,SIGHT/TEMPERATURE
12	02969917	6	MACH METRIC 5-P0.8 - 12MM

## HYDRAULIC TANK ASSEMBLY PN 704490

Continued...

ITEM	PART NO.	QTY.	DESCRIPTION
13	D625	1	DECAL, WARNING, TANK PRESSURE
14	03200300	2	HOSE BIB FITTING- 20MP-20 HOSE
15	02968879	1	CAP, ASY, FILLER/BREATHER
16	000644	4	CARB 3/8 NC 1-1/4 PL5

## LEFT WING HYDRAULIC MOTOR ASSEMBLY

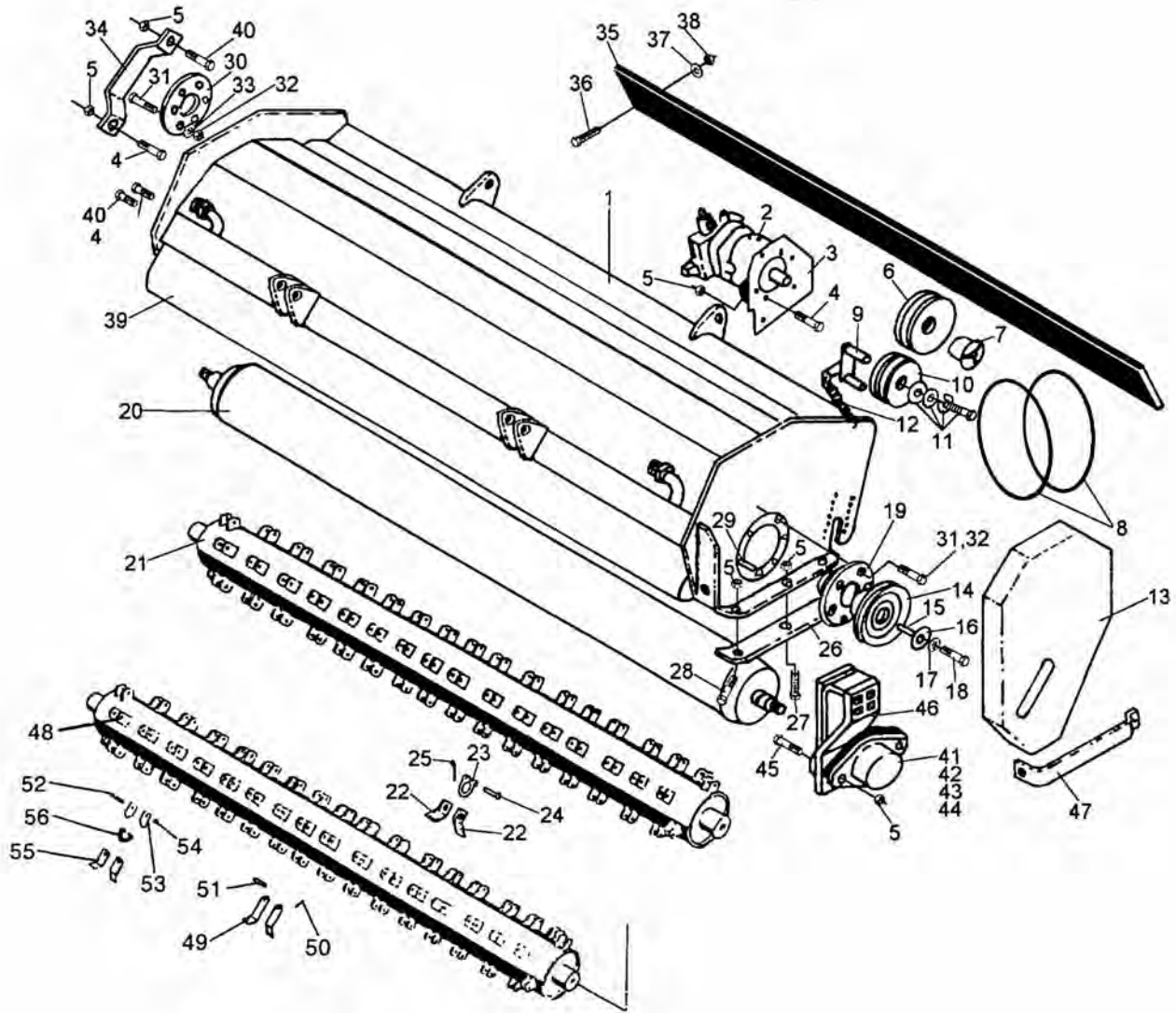


ITEM	PART NO.	QTY.	DESCRIPTION
1	001602	1	MOTOR
2	002502	1	SOLENOID VALVE - COMPLETE
	002099	1	SOLENOID VALVE CARTRIDGE W/SEALS
	002098	1	SOLENOID VALVE SEAL KIT
	002503	1	SOLENOID VALVE COIL
3	02964792	1	MANIFOLD BLOCK
4	001759	1	RELIEF
5	001574	1	CAP NUT
6	03200283	1	ADAPTER
7	02090900	2	ADAPTER 90 DEG.
8	63149100	1	ELBOW
9	001654	1	ELBOW
10	00011700	4	LOCKWASHER
11	63092200	4	BOLT
12	03200587	1	PLUG

**THIS PAGE INTENTIONALLY LEFT BLANK**



## REAR CUTTER UNIT ASSEMBLY 96 (PART 1)



ITEM	PART NO.	QTY.	DESCRIPTION
1	108016	1	CUTTER HOUSING 96" CUTTERSHAFT
2	703875	1	MOTOR ASSEMBLY
3	106458	1	PLATE
4	00748823	2	BOLT
5	00001800	12	LOCKNUT TLM 1/2 NC PLC
6	000671	1	PULLEY
7	001761	1	HUB
8	000702	1	BELT - MATCHED SET
9	106529	1	IDLER ARM - FORWARD ROTATION
10	103105	1	IDLER PULLEY
11	101778	1	SPACER

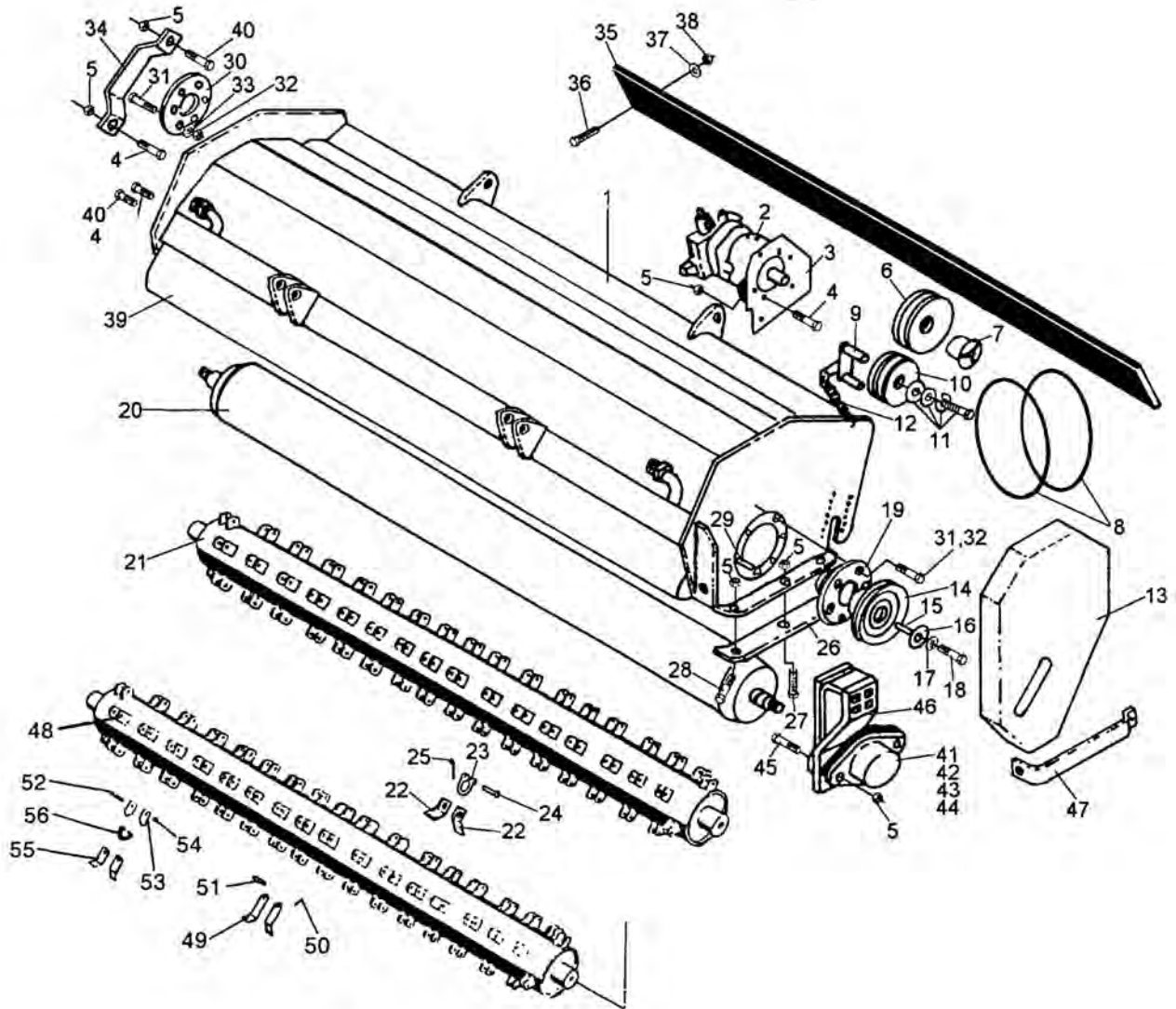
## REAR CUTTER UNIT ASSEMBLY 96 (PART 1)

Continued...

ITEM	PART NO.	QTY.	DESCRIPTION
12	000539	1	SPRING
	000001	1	BOLT
	00011700	1	LOCKWASHER
	00023500	1	FLATWASHER
	702747	1	IDLER ASSY. - FORWARD ROTATION
	000206	1	LUBRICAP
13	107029	1	WELDMENT - BELT GUARD
	02035400	2	BOLT
	00011100	2	FLATWASHER
	03101646	2	LOCKWASHER
14	103065	1	CUTTERSHAFT PULLEY
15	100768	1	KEY
16	100720	1	WASHER
17	00010300	1	LOCKWASHER
18	000407	1	BOLT
19	703845	1	CUTTERSHAFT BEARING & HOUSING ASSY. (DRIVE)
	002315	1	BEARING
20	107787	1	ROLLER
	000516	2	CARRIAGE BOLT
	00001800	2	LOCKNUT TLM 1/2 NC PLC
	703596	1	ROLLER ASSEMBLY
21	107745	1	96" COARSE CUT CUTTERSHAFT
22	100759	96	COARSE CUT KNIFE
23	100761	48	RING
24	102670	48	PIN
25	000026	48	PIN - COTTER
26	103051	2	SHOE WEAR PLATE
27	2A381312	4	PLOW BOLT
28	02886900	2	BOLT
29	106114	1	PIN - IDLER PIVOT
	00752670	1	GREASE FITTING
30	703271	1	CUTTERSHAFT BEARING & HOUSING ASSEMBLY
	002315	1	BEARING
31	00753642	12	BOLT
32	00015800	12	NUT
33	00011100	12	FLATWASHER
34	103064	1	FENDER
35	107753	1	DEFLECTOR
36	10058000	13	BOLT
37	00024100	10	WASHER
38	02959924	10	NUT

02977160 - Interstater - Rear Mount (10-07)\_12-16

## REAR CUTTER UNIT ASSEMBLY 96 (PART 2)



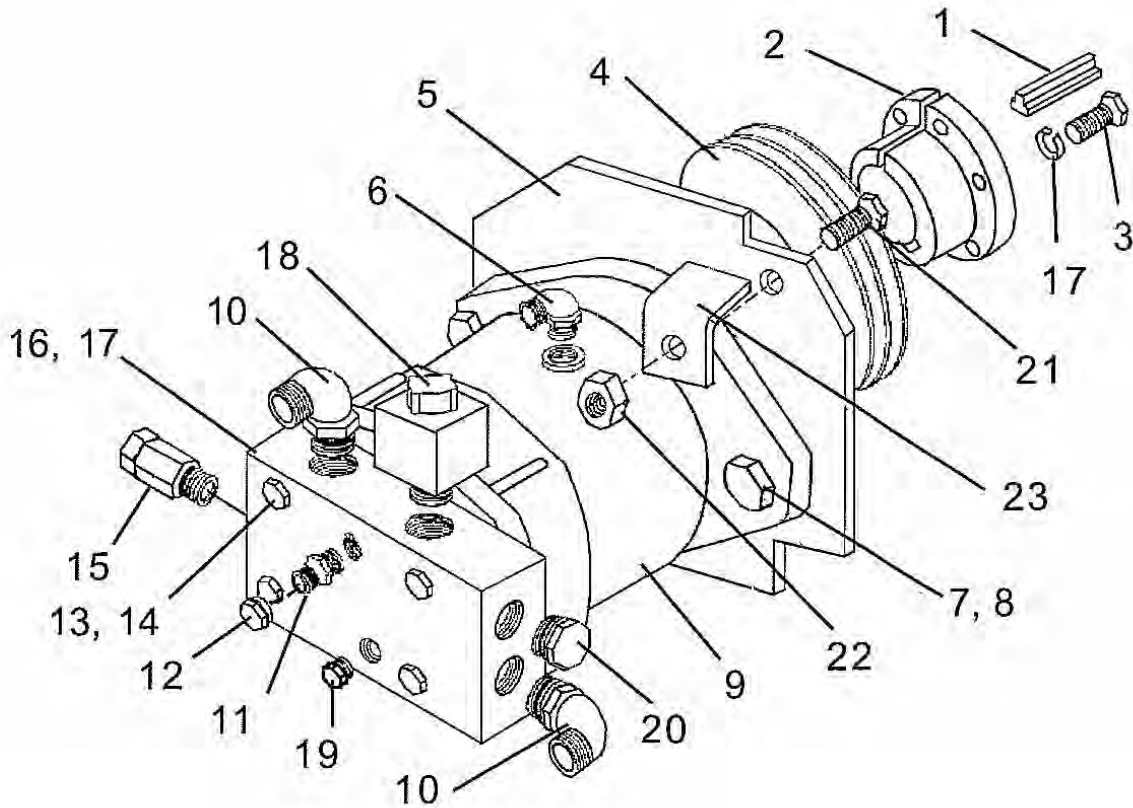
ITEM	PART NO.	QTY.	DESCRIPTION
39	108028	1	WLDMT,FOOT GUARD
40	02030700	6	HHCS 1/2 NC 1 1/4 PL5
	00019600	4	LOCKWASHER 1/2 HEAVY PL
	00001200	4	NUT 1/2 NC HEX PL
41	703692	2	ASY ROLLER BRG & HSG
	703976	2	ASY- ROLLER BRG W/HEX BORE
	107340	2	HOUSING,BEARING,MACHINED
42	002040	2	BEARING,ROLLER
	002486	2	BEARING-REAR ROLLER W/HEX BORE
43	002039	2	ASY GREASE FTG 1/4-28 90 DEG
44	002037	2	SEAL- ROLLER BRG

## REAR CUTTER UNIT ASSEMBLY 96 (PART 2)

Continued...

ITEM	PART NO.	QTY.	DESCRIPTION
45	000516	4	CARB 1/2 NC 1-3/4
46	107182	1	USE 02976761
	703263	1	ASSY,ROLLER BRG/BRKT,LH
	107380	1	USE 02976761
	703596	1	ASSY,ROLLER BRG/BRKT,RH
47	105604	1	FENDER,GUARD
48	107789	1	CUTTERSHAFT, WA VERSA PRO
49	02988196	246	KNIFE .083X1 1/4X4 7/8 OAL
50	000026	123	1/8X3/4 HAMMERLOCK COTTERPN<
51	101034	123	KNIFE PIN HEAT TREATED<
52	000032	123	HHCS 5/16NF 7/8 PL5
53	02990020	246	RING CLIP
54	000210	123	LOCKNUT CLM 5/16 NF PLB
55	101993	246	RING KNIFE
56	101991	123	RING

## REAR UNIT - MOTOR - HYDRAULIC



ITEM	PART NO.	QTY.	DESCRIPTION
	704519	1	HYDRAULIC MOTOR ASY
1	03200521	1	KEY, STEP KEY 1/4" X 5/16" STEP
2	000911	1	HUB, QD 1-1/8" BORE X 1-3/16" LONG
3	10121000	3	BOLT, HEX HEAD 5/16"-NC X 1-1/4" PL GR5
4	000671	1	PULLEY, 5.75" OD X 2 GROOVE
5	106458	1	PLATE, MOTOR MOUNT
6	03200588	1	ADAPTER HYD, ELBOW
7	00748823	2	BOLT, HEX HEAD 1/2"-13NC X 1-1/2" PL GR5
8	00001800	2	LOCKNUT TLM 1/2 NC PLC
9	001602	1	MOTOR W/KEY 2.48 CU/IN
10	02090900	2	ADAPTER HYD, ELBOW 16MB - 16MJ90
11	03200283	1	ADAPTER HYD, STRAIGHT
12	001574	1	NUT CAP, 3/8"-NC PL
13	63092200	4	BOLT, HEX HEAD 5/16"-NC X 3-1/2" PL GR5
14	00011700	7	LOCKWASHER, 5/16" PL STD
15	001759	1	RELIEF CARTRIDGE 4000 PSI
16	02964792	1	MANIFOLD BLOCK
17	02964793	2	O-RING
18	002502A	1	VALVE,SOLENOID

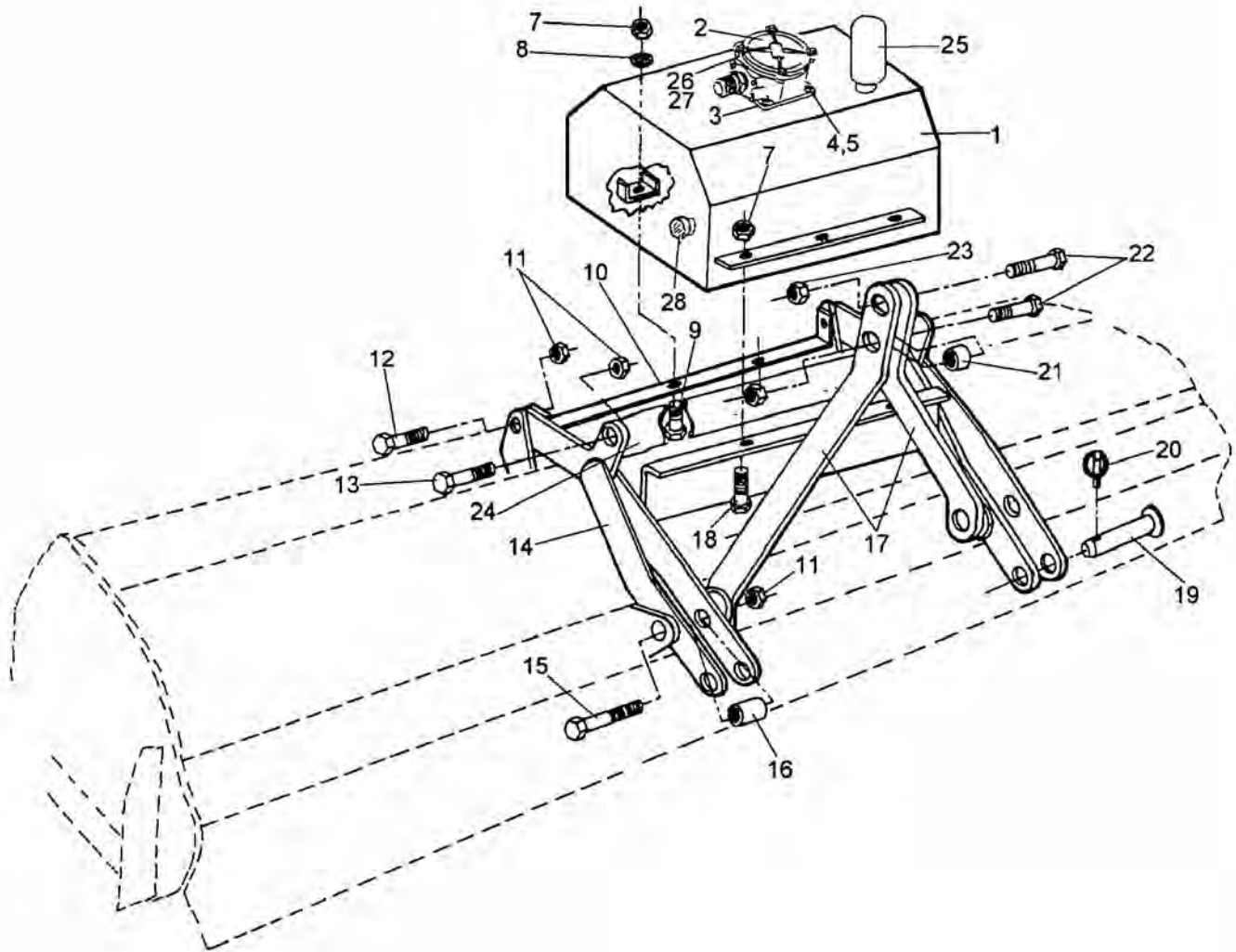
## REAR UNIT - MOTOR - HYDRAULIC

Continued...

ITEM	PART NO.	QTY.	DESCRIPTION
19	001582	1	PLUG, HEX HEAD # 6MB
20	03200587	1	PLUG, HEX HEAD # 8MB
21	00753642	2	BOLT, HEX HEAD 3/8"-NC X 1-1/4" ZP GR5
22	00015800	2	NUT, TOPLOCK 3/8"-NC PLB
23	702754	1	SUPPORT GUARD, TOP



## REAR UNIT A-FRAME ASSEMBLY



ITEM	PART NO.	QTY.	DESCRIPTION
1	704501	1	TANK
2	02964748	1	FILTER HOUSING ASY.
3	02967127	1	O-RING
4	000645	4	BOLT
5	02049500	4	LOCK WASHER
7	00001800	5	LOCKNUT TLM 1/2 NC PLC
8	00002700	2	WASHER
9	00748823	2	BOLT
10	107010	1	WELDMENT - MOUNT
11	00695100	6	NUT, TOPLOCK 5/8 NC PLC
12	02845500	2	BOLT

02977160 - Interstater - Rear Mount (10-07)\_12-16

## REAR UNIT A-FRAME ASSEMBLY

Continued...

ITEM	PART NO.	QTY.	DESCRIPTION
13	00008300	2	BOLT
14	107022	1	WELDMENT - OVERARM
15	00059000	2	BOLT
16	107032	2	SPACER
17	103715	2	WELDMENT - BRACE
18	02776600	3	BOLT
19	100743	2	PIN - HITCH
20	2196	2	CLIP- LYNCH PIN
21	102667	1	SPACER
22	02959332	2	BOLT
23	00037200	2	NUT
24	107031	1	WELDMENT - BRACE
25	00751530	1	BREATHER - FILTER ELEMENT
26	02961452	1	O-RING (PART OF ASY PN 02961000)
	02973782	1	BY-PASS SPRING (25 PSI) (PART OF ASY PN 02961000)
	02961001	1	FILTER ELEMENT (ONLY) (PART OF ASY PN 02961000)
	02963770	1	TOP COVER (PART OF ASY PN 02961000)
	02972678	1	SPRING (PART OF ASY PN 02961000, BIG END TOWARD COVER)
27	02961000	1	FILTER ASY
28	02049700	1	SIGHT GAUGE

## RIGHT WING HYDRAULIC MOTOR ASSEMBLY

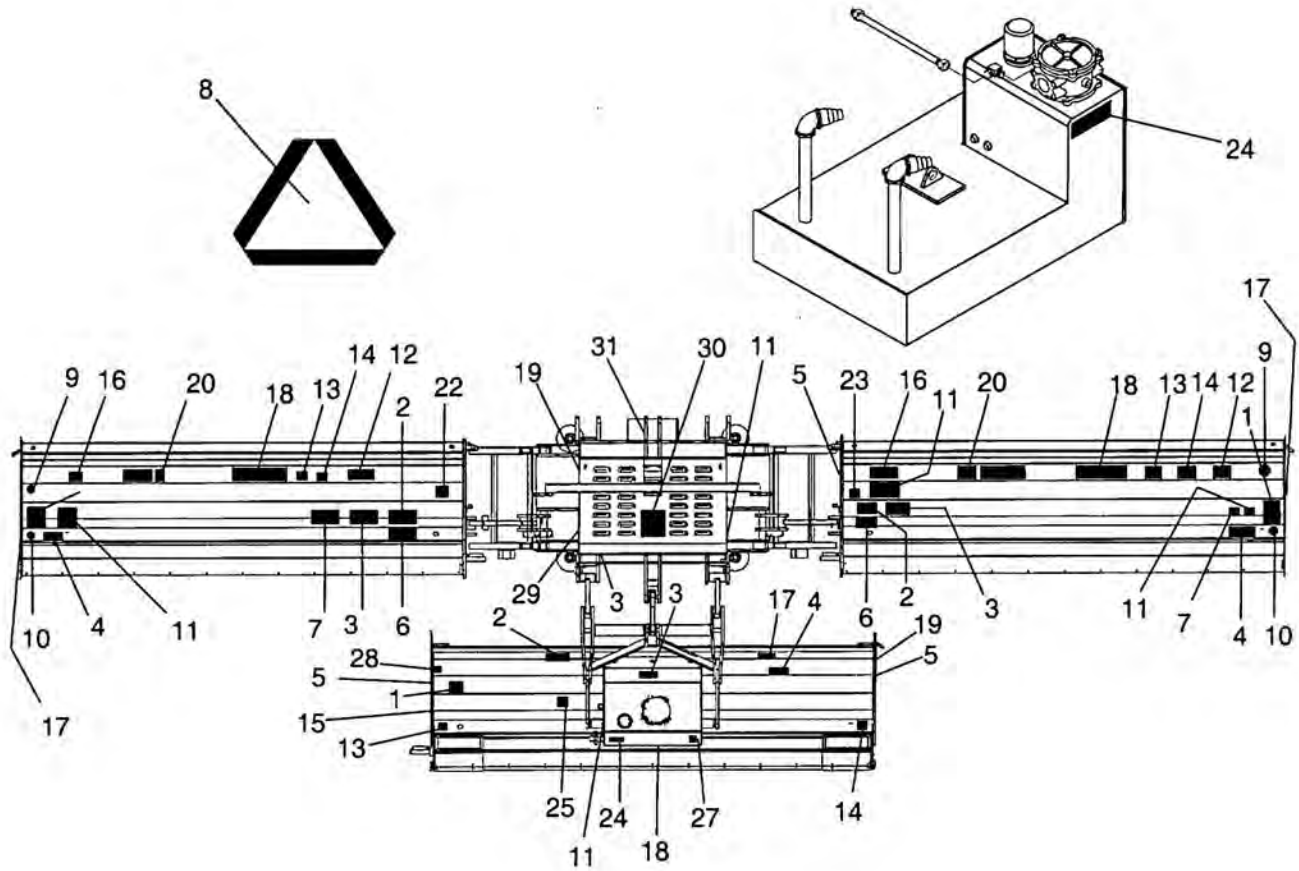


ITEM	PART NO.	QTY.	DESCRIPTION
1	02964792	1	MANIFOLD BLOCK
2	001602	1	MOTOR
3	001654	1	ELBOW
4	002502	1	SOLENOID VALVE - COMPLETE
	002099	1	SOLENOID VALVE CARTRIDGE W/ SEALS
	002098	1	SOLENOID VALVE SEAL KIT
	002503	1	SOLENOID VALVE COIL
	02970704	1	SOLENOID RETAINING NUT
5	001759	1	VALVE RELIEF
6	02957622	1	ADAPTER
7	02958858	1	ADAPTER 90 DEG.
8	02090900	1	ADAPTER
9	63149100	1	ELBOW
10	00011700	4	LOCKWASHER
11	63092200	4	BOLT
12	03200587	1	PLUG (NOT SHOWN)

02977160 - Interstater - Rear Mount (10-07)\_12-16



# SAFETY



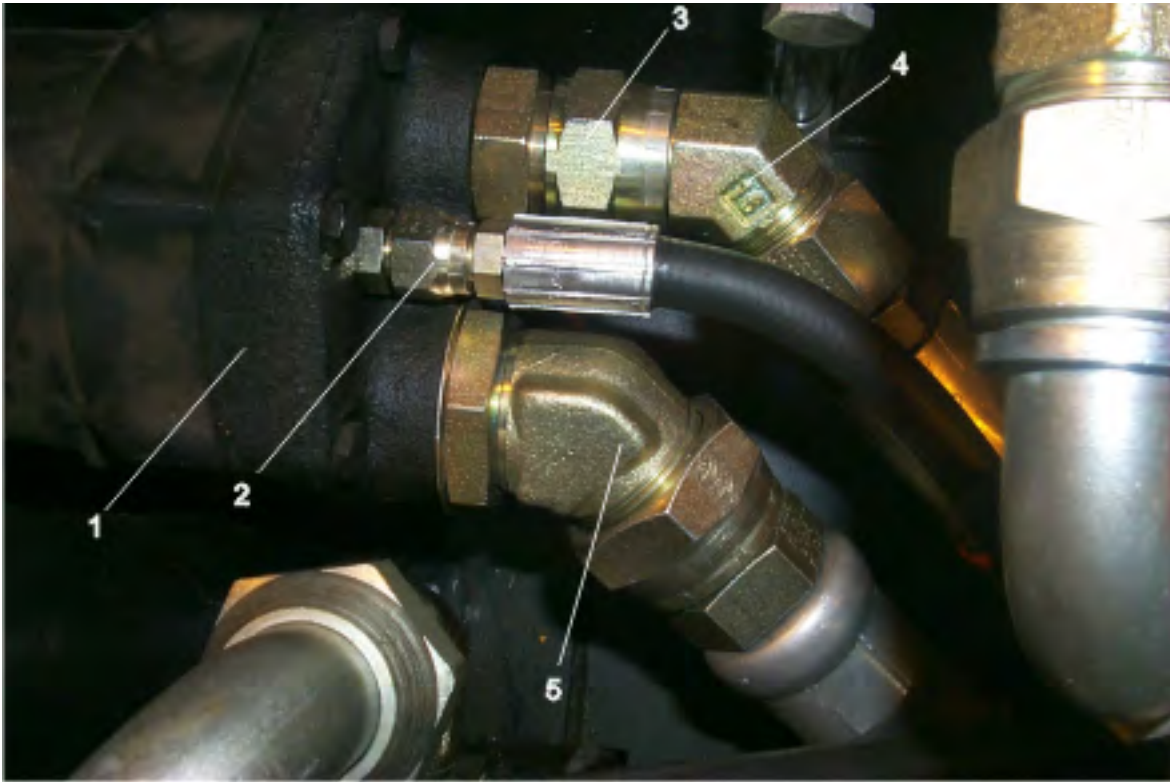
ITEM	PART NO.	QTY.	DESCRIPTION
1	002369	4	MULTIPLE-HAZARD
2	00756007	3	USE/REPAIR SHIELDS/GUARDS
3	00756059	4	OIL PENETRATION, LEAKS
4	00746485	3	CUTTING BLADES, THROWN OBJECTS
5	00758194	3	BELT/PULLEY PINCH POINT
6	02962765	2	CRUSHING FROM FOLDING HAZARD
7	002425	2	REMOVING FRONT SHIELD
8	03200347	-	SMV REFLECTOR
9	99203	2	RED REFLECTOR DECAL
10	99204	2	YELLOW REFLECTOR DECAL11
11	03200286	5	HYD OIL AND TYPE
12	03200432	2	GENUINE ALAMO FLAIL PARTS
13	002023	3	CUTTING HEIGHT ADJUSTMENT
14	000108	3	FLAIL OPERATION
15	000678	1	GREASE FITTING INSIDE

## SAFETY

**Continued...**

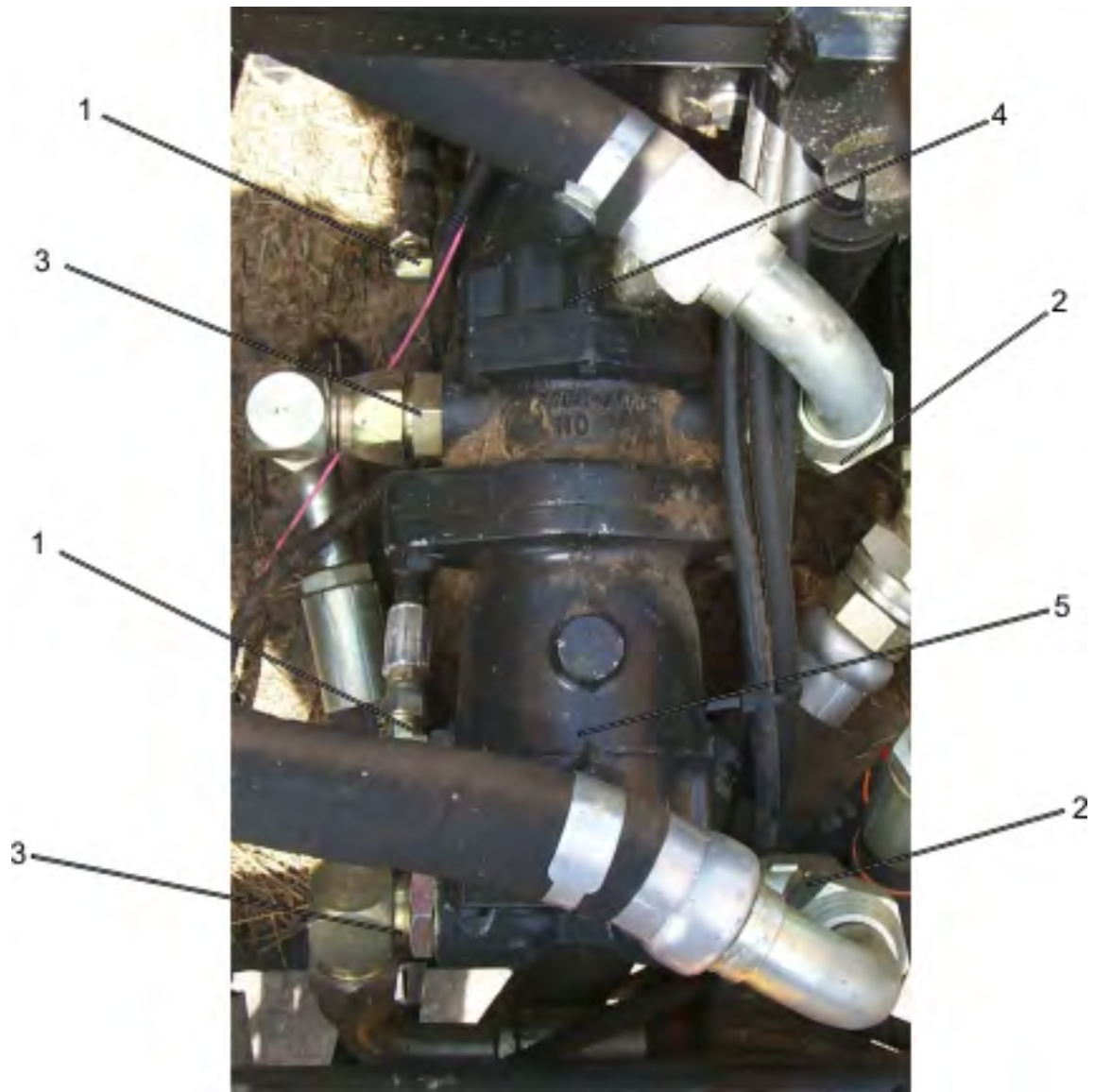
<b>ITEM</b>	<b>PART NO.</b>	<b>QTY.</b>	<b>DESCRIPTION</b>
16	002490	2	WING UNIT LUBE CHART
17	001650	3	ALAMO (7.5 X 7)
18	001651	3	ALAMO (BUILT BY MOTT)(4.5 X 16.5)
19	02960766	2	ALAMO (4 X 5)
20	002491	2	MOTT (NAME)
22	NFS (L)	1	LEFT WING SERIAL PLATE
23	NFS (R)	1	RIGHT WING SERIAL PLATE
24	02971123	2	PRESSURIZED TANK
25	002457	1	LUBRICATION CHART
27	00763977	1	NOTICE TO OWNER
28	NFS	1	ALAMO BY MOTT
29	00753840	2	SAFETY WING LOWERING
30	02965262	1	HOSE BURST
31	00756494	1	DRIVELINE

## SINGLE PUMP HYDRAULIC CONNECTIONS



ITEM	PART NO.	QTY.	DESCRIPTION
1	002460	1	PUMP
2	03200283	1	ADAPTER-STRAIGHT
3	02957622	1	ADAPTER-STRAIGHT
4	02959154	1	ADAPTER-ELBOW
5	02961825	1	ADAPTER-ELBOW

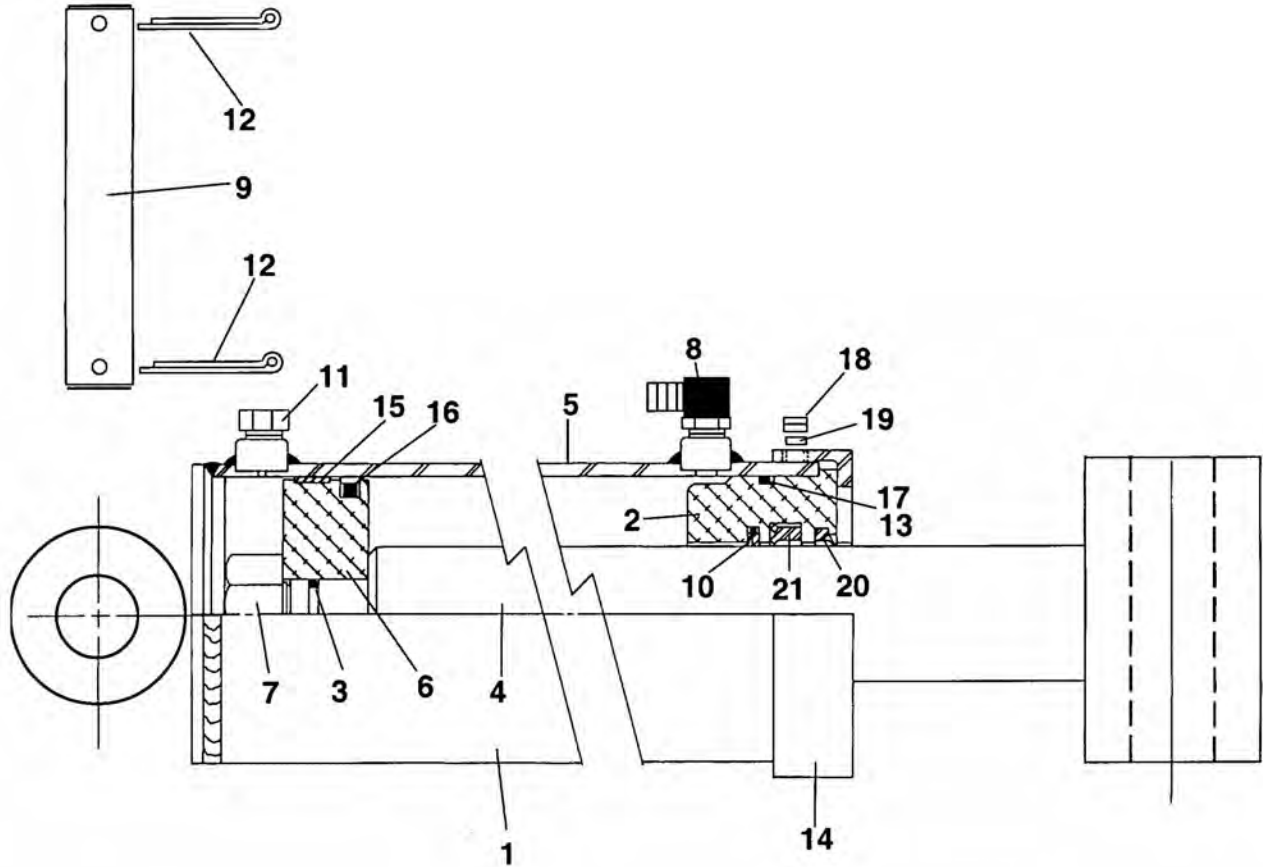
## TANDEM PUMP HYDRAULIC CONNECTIONS



ITEM	PART NO.	QTY.	DESCRIPTION
1	36149100	2	ADAPTER HYD. ELBOW
2	02961098	2	ADAPTER-HYD. ELBOW
3	02090900	2	ADAPTER-HYD. ELBOW
4	002460	1	PUMP
5	002029	1	PUMP



## TILT CYLINDER ASSEMBLY



ITEM	PART NO.	QTY.	DESCRIPTION
1	02975962	1	HYDRAULIC CYLINDER
2	02962134	1	GLAND
3	----	1	"O" RING
4	02962137	1	ROD ASSEMBLY
5	02962136	1	BARREL ASSEMBLY
6	02962131	1	PISTON
7	02840500	1	LOCKNUT
8	704512	1	ADAPTER
9	02963095	1	PIN
10	----	1	BUFFER SEAL
11	02960054	1	BREATHER PLUG
12	00606000	2	COTTER PIN
13	----	1	BACK-UP RING
14	02962129	1	COLLAR
15	----	1	WEAR RING
16	----	1	PISTON SEAL
17	----	1	"O" RING

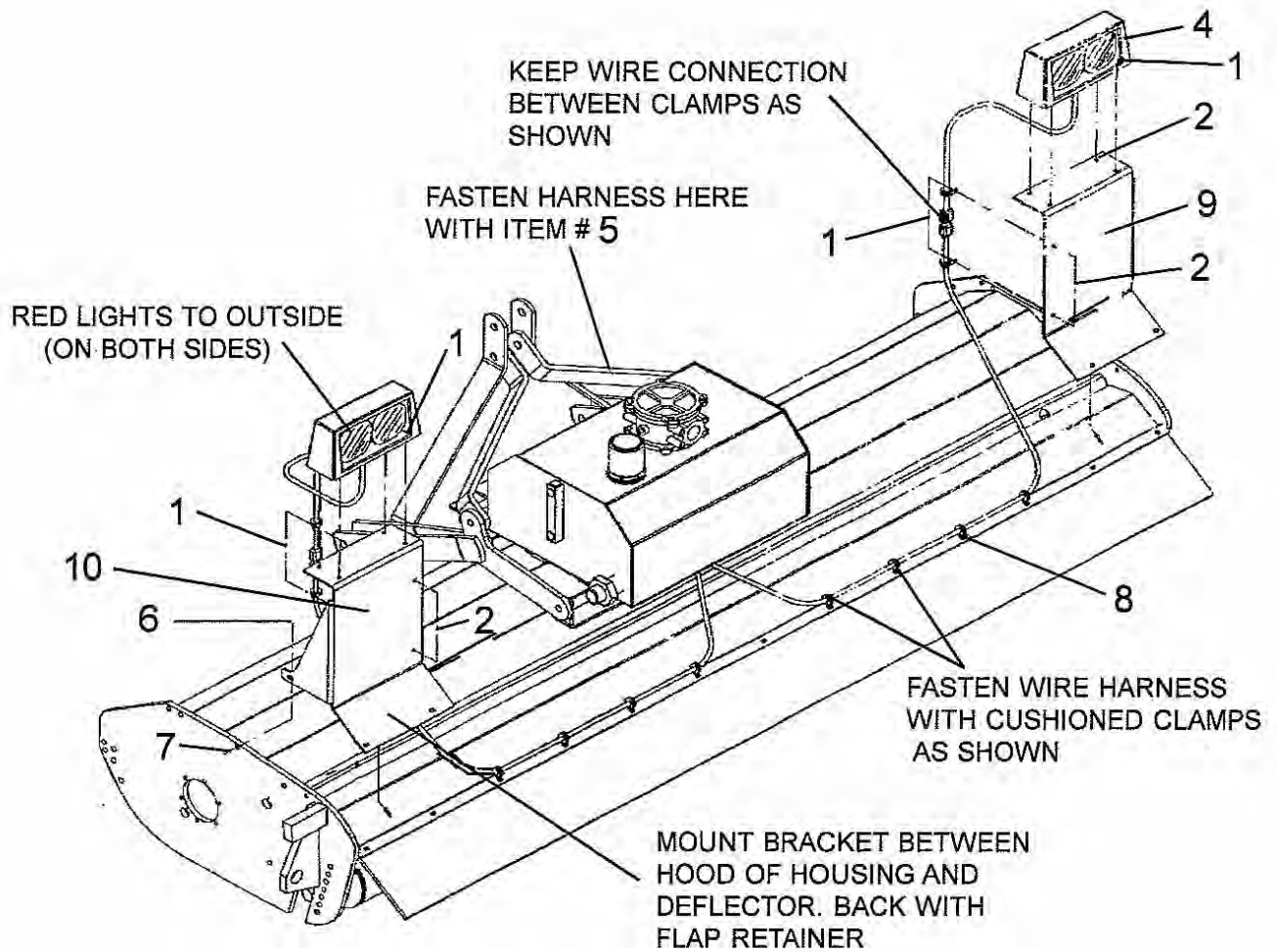
02977160 - Interstater - Rear Mount (10-07)\_12-16

## TILT CYLINDER ASSEMBLY

Continued...

ITEM	PART NO.	QTY.	DESCRIPTION
18	02962169	1	SET SCREW
20	-----	1	ROD WIPER
21	-----	1	ROD SEAL

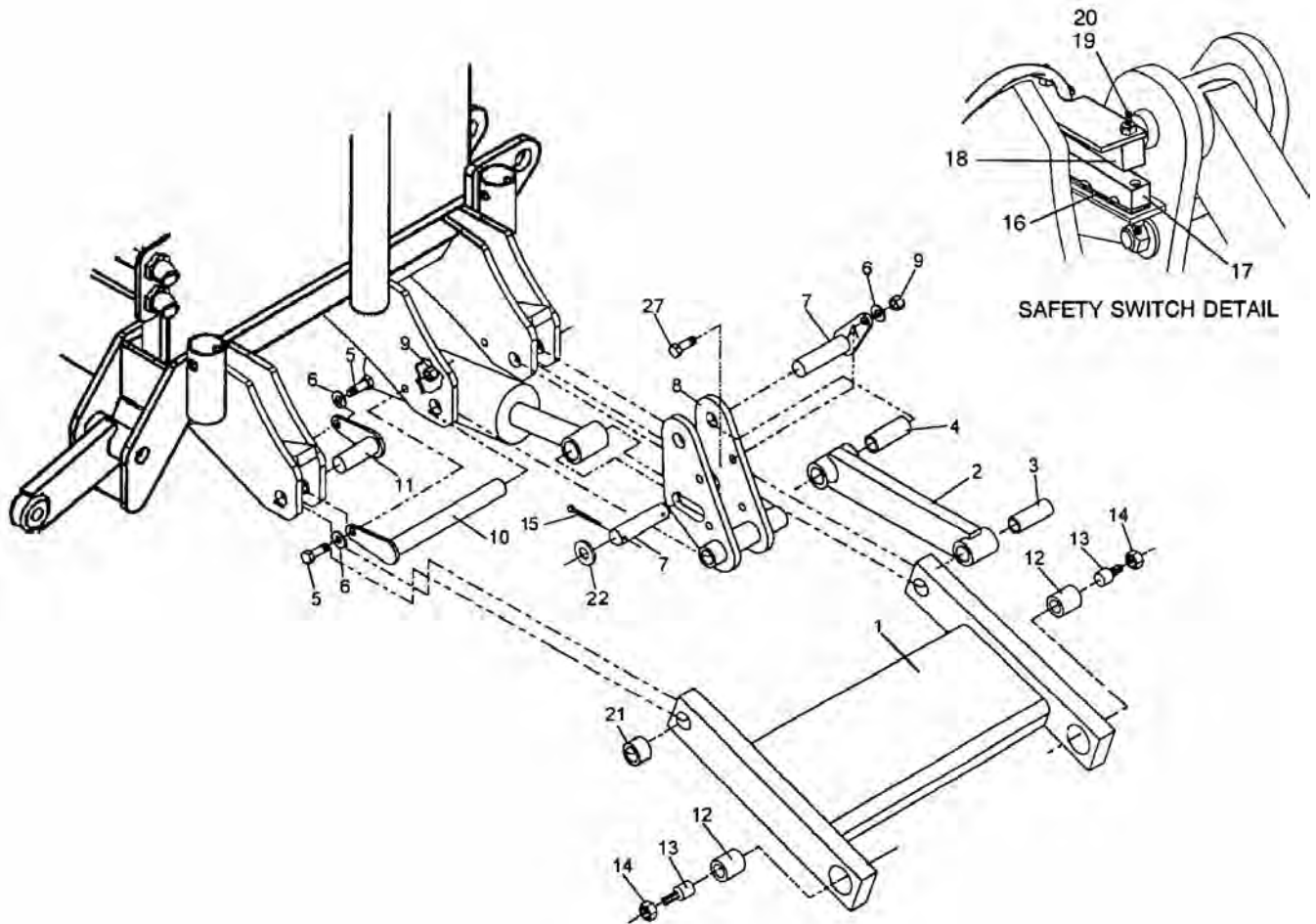
## TRANSPORT LIGHT KIT ASY



ITEM	PART NO.	QTY.	DESCRIPTION
1	10058000	12	BOLT, HEX HEAD 1/4"-NC X 1" PL GR5
2	02959924	12	LOCKNUT, TOPLOCK 1/4"-NC PLB
4	02975966	1	TRANSPORT LIGHT W/BRAKE LIGHT KIT
5	02753400	2	PLASTIC TIE, 15" LG
6	00753642	2	BOLT, HEX HEAD 3/8"-NC X 1-1/4" ZP GR5
7	00015800	2	LOCKNUT, TOPLOCK 3/8"-NC PLB
8	108741	12	CLAMP WITH CUSHION
9	108728	1	LIGHT PEDESTAL WELDMENT, RH
10	108729	1	LIGHT PEDESTAL WELDMENT, LH

**THIS PAGE INTENTIONALLY LEFT BLANK**

## WING LIFT ASSEMBLY



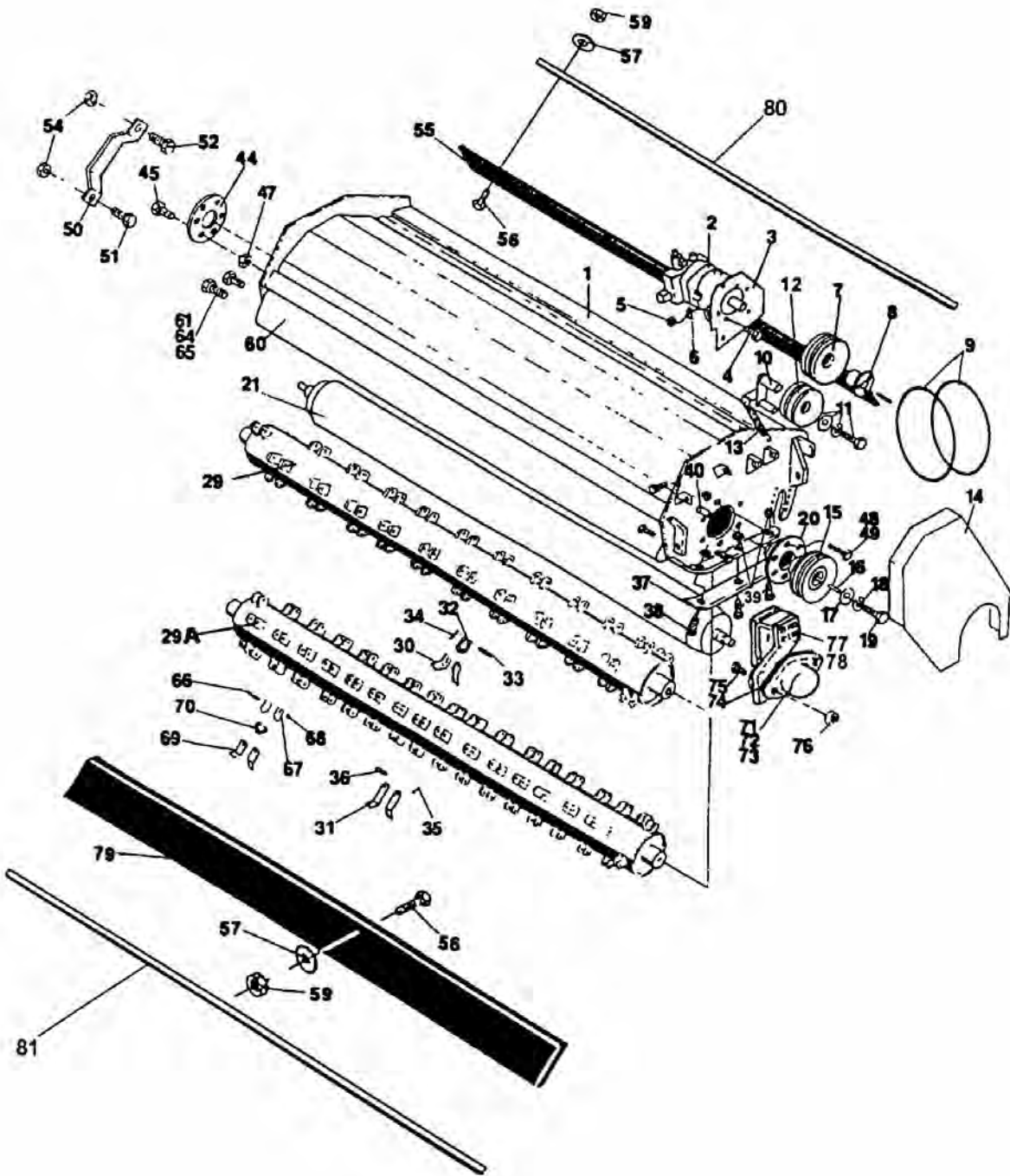
ITEM	PART NO.	QTY.	DESCRIPTION
1	02965828	1	WELDMENT W/BUSHING - LIFT FRAME (LH)
	02965825	1	WELDMENT W/BUSHING - LIFT FRAME (RH)
2	02964991	2	WELDMENT - LINK
3	02965212	2	BEARING
4	02965213	2	BEARING
5	00748823	4	BOLT
6	00002700	8	FLATWASHER
7	103266	2	PIN
7A	02965074	2	PIN
8	107769	1	WELDMENT - ACTUATOR (LH)
	107770	1	WELDMENT - ACTUATOR (RH)
9	00001800	6	LOCKNUT TLM 1/2 NC PLC
10	00763355	2	PIN
11	02965829	2	PIN
12	00764656	4	BUSHING
13	02965777	4	PIVOT PIN

## WING LIFT ASSEMBLY

Continued...

ITEM	PART NO.	QTY.	DESCRIPTION
14	000760	4	NUT
15	00755153	2	COTTER PIN
16	002020	4	SPACER
17	02985147	2	SWITCH PROXIMITY 12VDC 6A
18	703520	2	SWITCH
19	02963585	8	MACHINE SCREW
20	02963584	8	LOCKNUT
21	02965214	4	BUSHING
22	02822500	4	WASHER
23	00753753	1	BOLT
24	00695100	1	NUT, TOPLOCK 5/8 NC PLC
25	108002	1	CABLE MOUNTING PLATE (LH)
27	00755082	2	BOLT

# WING MOWER ASSEMBLY (PART 1)



Front Deflector is used only with reverse rotation.  
Double quantities for front deflector.

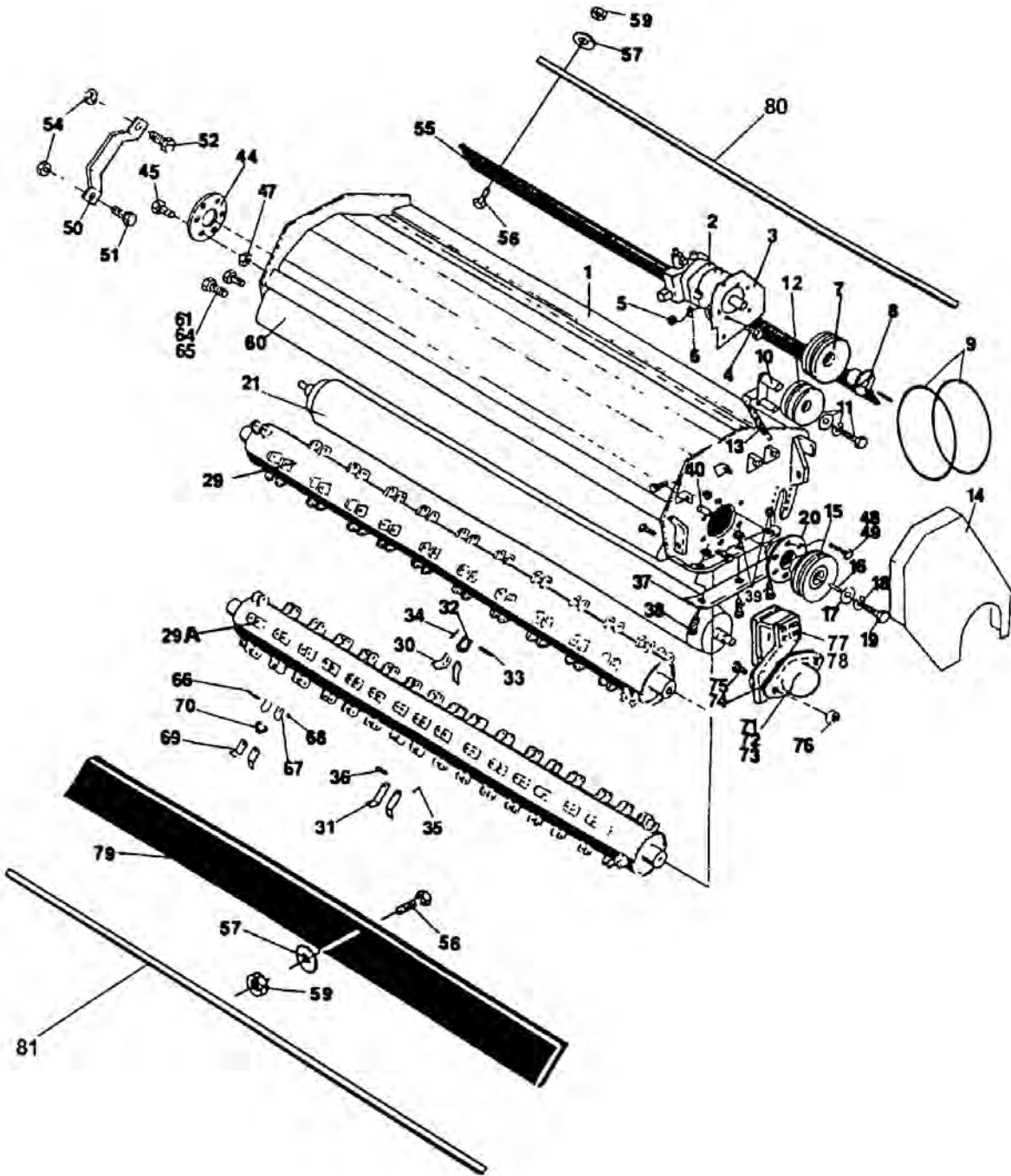
## WING MOWER ASSEMBLY (PART 1)

Continued...

ITEM	PART NO.	QTY.	DESCRIPTION
1	108444	1	RIGHT WING MOWER WELDMENT
	108443	1	LEFT WING MOWER WELDMENT
2	-----	1	HYD. MOTOR ASSY (SEE MOTOR ASSY FOR CORRECT PART #S)
	03200521	1	KEY
3	106458	1	MOTOR MOUNTING BRACKET
	00023100	2	BOLT
4	00748823	2	BOLT
5	00001800	2	LOCKNUT TLM 1/2 NC PLC
6	00019600	2	LOCKWASHER
7	100673	1	PULLEY
8	000911	1	HUB
	10121000	3	BOLT/HUB
	00011700	3	LOCKWASHER
9	000702	1	V-BELTS MATCHED PAIR
10	106529	1	RIGHT IDLER ARM FORWARD ROTATION
	106527	1	RIGHT IDLER ARM REVERSE ROTATION
	106526	1	LEFT IDLER ARM REVERSE ROTATION
	106528	1	LEFT IDLER ARM FORWARD ROTATION
11	103105	1	IDLER PULLEY
	000001	1	BOLT
	00011700	1	LOCKWASHER
	00023500	1	WASHER
12	107468	1	SPACER
13	000539	1	SPRING
	000001	1	BOLT
	00011700	1	LOCKWASHER
	702747	1	RIGHT IDLER ASSY - FWD ROTATION
	702748	1	LEFT IDLER ASSY - FWD ROTATION
	703085	1	RIGHT IDLER ASSY - REV ROTATION
	703086	1	LEFT IDLER ASSY - REV ROTATION
	000206	1	LUBRICAP
14	107390	1	RIGHT BELT GUARD FWD ROTATION
	107394	1	RIGHT BELT GUARD REV ROTATION
	107386	1	LEFT BELT GUARD FWD ROTATION
	107389	1	LEFT BELT GUARD FWD ROTATION
	02035400	2	BOLT
	00011100	2	LOCKWASHER
	03101646	2	FLATWASHER
	702754	1	GUARD SUPPORT
	00753642	1	BOLT
	00752036	1	NUT



## WING MOWER ASSEMBLY (PART 2)



Front Deflector is used only with reverse rotation.  
 Double quantities for front deflector.

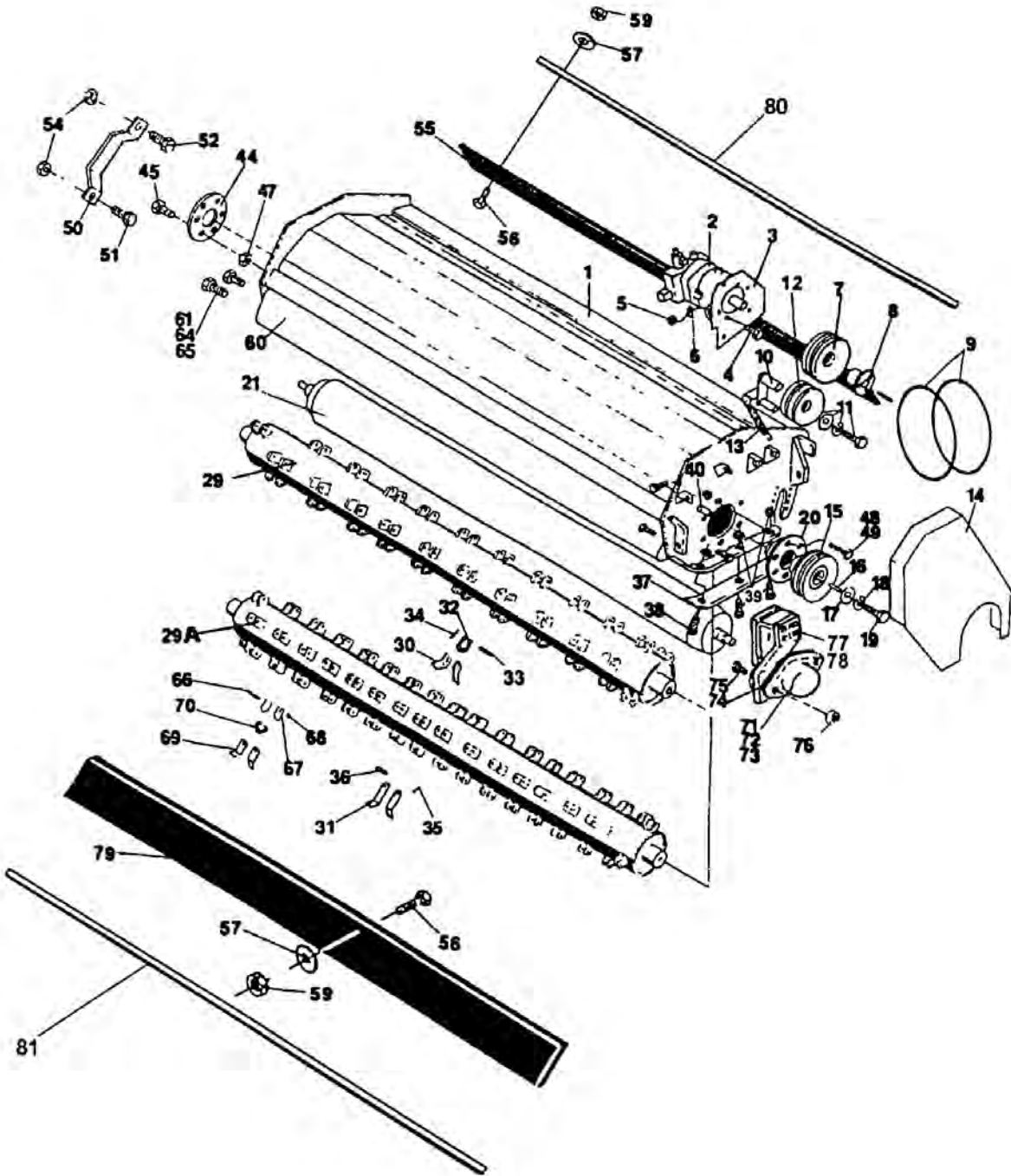
## WING MOWER ASSEMBLY (PART 2)

Continued...

ITEM	PART NO.	QTY.	DESCRIPTION
15	103065	1	CUTTERSHAFT PULLEY
16	100768	1	KEY,PULLEY,CTRSHAFT
17	100720	1	CUTTERSHAFT WASHER<
18	00010300	1	LOCKWASHER,5/8 PLATED
19	000407	1	HHCS,5/8NF X 1-1/2 ZP5
20	108444	1	WLDMT CUTTER HOUSING RH 96
	002315	1	BEARING CUTTERSHAFT
21	107787	1	WLDMT- ROLLER 96 W/HEX SHAFT
29	107745	1	CUTTERSHAFT, WA
29A	107789	1	CUTTERSHAFT, WA VERSA PRO
30	100759	100	KNIFE, CC SINGLE
	108381	100	KNIFE HD COARSE CUT
31	02988196	246	KNIFE .083X1 1/4X4 7/8 OAL
32	100761	50	RING COMPLETE
33	102670	50	PIN-HARDENED
34	000026	50	1/8X3/4 HAMMERLOCK COTTERPN<
35	000026	123	1/8X3/4 HAMMERLOCK COTTERPN<
36	101034	123	KNIFE PIN HEAT TREATED<
37	103051	2	SHOE/WEAR PLATE
38	02886900	2	CARB 1/2 NC 1-1/2 PL5
39	000700	4	BOLT,PLOW 1/2NC X 1-1/2 GR5
	00011700	6	LOCKWASHER,5/16 PL STD
40	702749	1	IDLER PIVOT PIN MA
	000853	1	GREASE FTG 1/4-28 SHORT THREAD
	000206	1	NO. 2 RED LUBRICAPS<
44	703271	1	BEARING, ASY, CUTTERSHAFT
	703694	1	BEARING, ASY, W/SETSCREW
45	00753642	6	HEXB 3/8 NC X 1-1/4 PL5
47	00752036	6	NUT TOPLOCK 3/8 NC PL
48	000130	6	HHCS 3/8 NC 1
49	000841	6	LOCKWASHER,3/8 EXTERNAL TOOTH
50	103064	1	FENDER
51	00748823	1	HHCS 1/2-13UNC 1-1/2 PL5
52	02030700	1	HHCS 1/2 NC 1 1/4 PL5
54	00001800	2	LOCKNUT TLM 1/2 NC PLC
55	107753	1	DEFLECTOR,TRASH,96 (REAR)
56	10058000	12	HHCS 1/4 NC 1 PL5
57	00024100	12	FLATWASHER STD 1/4 PL
59	02959924	12	NUT TOPLOCK 1/4 NC PLB
60	107754	1	WLDMT, FOOT GUARD 96 SHD
61	02030700	2	HHCS 1/2 NC 1 1/4 PL5

02977160 - Interstater - Rear Mount (10-07)\_12-16

# WING MOWER ASSEMBLY (PART 3)



Front Deflector is used only with reverse rotation.  
 Double quantities for front deflector.

## WING MOWER ASSEMBLY (PART 3)

Continued...

ITEM	PART NO.	QTY.	DESCRIPTION
	00748823	2	HHCS 1/2-13UNC 1-1/2 PL5
64	00019600	4	LOCKWASHER 1/2 HEAVY PL
65	00001200	4	NUT 1/2 NC HEX PL
66	000032	123	HHCS 5/16NF 7/8 PL5
67	02990020	246	RING CLIP
68	000210	123	LOCKNUT CLM 5/16 NF PLB
69	02986333	246	FINE CUT RING KNIFE
70	101991	123	RING
71	703575	2	ASSY- ROLLER BRG
	703976	2	ASY- ROLLER BRG W/HEX BORE
	107340	2	HOUSING,BEARING,MACHINED
72	703574	2	PKG,BRG ASSY W/SETSCREW
	002486	2	BEARING-REAR ROLLER W/HEX BORE
73	002039	2	ASY GREASE FTG 1/4-28 90 DEG
74	002037	2	SEAL- ROLLER BRG
75	000516	4	CARB 1/2 NC 1-3/4
76	00001800	4	LOCKNUT TLM 1/2 NC PLC
77	107182	1	USE 02976761
78	107380	1	USE 02976761
79	704098	1	PKG, 96 TRASH DEFLECTOR FRONT
	703977	1	ASY- ROLLER BRKT LH W/HEX BRG
	703978	1	ASY- ROLLER BRKT RH W/HEX BRG
80	02976084	1	BAR FLAP RETAINER 96 REAR
81	108753	1	BAR FLAP RETAINER 96 FRONT





## TO THE OWNER/OPERATOR/DEALER

To keep your implement running efficiently and safely, read your manuals thoroughly and follow these directions and the Safety Messages in this Manual. The Table of Contents clearly identifies each section where you can easily find the information you need.

The OCCUPATIONAL SAFETY AND HEALTH ACT (1928.51 Subpart C) makes these minimum safety requirements of tractor operators:

### REQUIRED OF THE OWNER

1. Provide a Roll-Over-Protective Structure that meets the requirements of this standard.
2. Provide seat belts that meet the requirements of this paragraph of this standard and SAE J4C.
3. Ensure that each employee uses such seat belt while the tractor is moving.
4. Ensure that each employee tightens the seat belt sufficiently to confine the employee to the protected area provided by the ROPS.

### REQUIRED OF THE OPERATOR

1. Securely fasten seat belt if the tractor has a ROPS.
2. Where possible, avoid operating the tractor near ditches, embankments, and holes.
3. Reduce speed when turning, crossing slopes, and on rough, slick, or muddy surfaces.
4. Stay off slopes too steep for safe operation.
5. Watch where you are going, especially at row ends, on roads, and around trees.
6. Do not permit others to ride.
7. Operate the tractor smoothly, no jerky turns, starts, or stops.
8. Hitch only to the draw bar and hitch points recommended by the tractor manufacturer.
9. When the tractor is stopped, set brakes securely and use park lock, if available.



**Keep children away from danger all day, every day...**



**Equip tractors with rollover protection (ROPS) and keep all machinery guards in place...**



**Please work, drive, play and live each day with care and concern for your safety and that of your family and fellow citizens.**

# ALAMO INDUSTRIAL

## Limited Warranty

### 1. Limited Warranties

- 1.01. Alamo industrial warrants for one year from the purchase date to the original non-commercial, governmental, or municipal purchaser ("purchaser") and warrants for six months to the original commercial or industrial purchaser ("purchaser") that the goods purchased are free from defects in material or workmanship.
- 1.02. Manufacturer will replace for the purchaser any part or parts found, upon examination at one of its factories, to be defective under normal use and service due to defects in material or workmanship.
- 1.03. This limited warranty does not apply to any part of the goods which has been subjected to improper or abnormal use, negligence, alteration, modification, or accident, damaged due to lack of maintenance or use of wrong fuel, oil, or lubricants, or which has served its normal life. This limited warranty does not apply to any part of any internal combustion engine, or expendable items such as blades, shields, guards, or pneumatic tires except as specifically found in your operator's manual.
- 1.04. Except as provided herein, no employee, agent, dealer, or other person is authorized to give any warranties of any nature on behalf of manufacturer.

### 2. Remedies And Procedures

- 2.01. This limited warranty is not effective unless the purchaser returns the registration and warranty form to manufacturer within 30 days of purchase.
- 2.02. Purchaser claims must be made in writing to the authorized dealer ("dealer") from whom purchaser purchased the goods or an approved authorized dealer ("dealer") within 30 days after purchaser learns of the facts on which the claim is based.
- 2.03. Purchaser is responsible for returning the goods in question to the dealer.
- 2.04. If after examining the goods and/or parts in question, manufacturer finds them to be defective under normal use and service due to defects in material or workmanship, manufacturer will:
  - (A) repair or replace the defective goods or part(s) or
  - (B) reimburse purchaser for the cost of the part(s) and reasonable labor charges (as determined by manufacturer) if purchaser paid for the repair and/or replacement prior to the final determination of applicability of the warranty by manufacturer. The choice of remedy shall belong to manufacturer.
- 2.05. Purchaser is responsible for any labor charges exceeding a reasonable amount as determined by manufacturer and for returning the goods to the dealer, whether or not the claim is approved. Purchaser is responsible for the transportation cost for the goods or part(s) from the dealer to the designated factory.

### 3. Limitation Of Liability

- 3.01. Manufacturer disclaims any express (except as set forth herein) and implied warranties with respect to the goods including, but not limited to, merchantability and fitness for a particular purpose.
- 3.02. Manufacturer makes no warranty as to the design, capability, capacity, or suitability for use of the goods.
- 3.03. Except as provided herein, manufacturer shall have no liability or responsibility to purchaser or any other person or entity with respect to any liability, loss, or damage caused or alleged to be caused directly or indirectly by the goods including, but not limited to, any indirect, special, consequential, or incidental damages resulting from the use or operation of the goods or any breach of this warranty. Notwithstanding the above limitations and warranties, manufacturer's liability hereunder for damages incurred by purchaser or others shall not exceed the price of the goods.
- 3.04. No action arising out of any claimed breach of this warranty or transactions under this warranty may be brought more than two (2) years after the cause of action has occurred.

### 4. Miscellaneous

- 4.01. Proper venue for any lawsuits arising from or related to this limited warranty shall be only in Guadalupe county, Texas.
- 4.02. Manufacturer may waive compliance with any of the terms of this limited warranty, but no waiver of any terms shall be deemed to be a waiver of any other term.
- 4.03. If any provision of this limited warranty shall violate any applicable law and is held to be unenforceable, then the invalidity of such provision shall not invalidate any other provisions herein.
- 4.04. Applicable law may provide rights and benefits to purchaser in addition to those provided herein.

*Keep for your records*

Attention: Purchaser should fill in the blanks below for his reference when buying repair parts and/or for proper machine identification when applying for warranty.

Alamo Industrial Implement Model \_\_\_\_\_ Serial Number \_\_\_\_\_  
Date Purchased \_\_\_\_\_ Dealer \_\_\_\_\_

Attention:  
Read your operator's manual



**ALAMO INDUSTRIAL**  
1502 E. Walnut  
Seguin, Texas 78155  
830-379-1480







**BUILT SHARPER<sup>®</sup>**

An Alamo Group Company

1502 E. Walnut St.  
Seguin, Texas 78155



## Sales and Marketing

Tel 800.882.5762

Fax 830.379.0864

support@alamo-industrial.com

## Warranty Registration/Claims

[www.alamoparts.com](http://www.alamoparts.com)

## Return Authorizations

Online Part Orders

Technical Information

[www.alamoparts.com](http://www.alamoparts.com)

Tel 800.356.6286

Fax 800.322.5141

[www.alamo-industrial.com](http://www.alamo-industrial.com)

