



# SWITCHBLADE

5 ft & 6 ft Sickle Bar Mower  
with Hydraulic Break-Away

Rev 11-20

Part No.02982612P

## PARTS MANUAL



### ALAMO INDUSTRIAL

1502 E. Walnut  
Seguin, Texas 78155  
830-372-9595

#### ¡ATENCIÓN!

LEA EL INSTRUCTIVO

Si No Lee Ingles, Pida Ayuda a Alguien  
Que Si Lo Lea Para Que le Traduzca las  
Medidas de Seguridad.



An Operator's Manual was shipped with the equipment in the Manual Canister. This Operator's Manual is an integral part of the safe operation of this machine and must be maintained with the unit at all times. **READ, UNDERSTAND, and FOLLOW** the Safety and Operation Instructions contained in this manual before operating the equipment. If the Operator's Manual is not with the equipment, contact your dealer or Alamo Industrial (800-356-6286) to obtain a Free copy before operating the equipment.

# TO THE OWNER/OPERATOR/DEALER

All implements with moving parts are potentially hazardous. There is no substitute for a cautious, safe-minded operator who recognizes the potential hazards and follows reasonable safety practices. The manufacturer has designed this implement to be used with all its safety equipment properly attached to minimize the chance of accidents.

**BEFORE YOU START!!** Read the safety messages on the implement and shown in your manual.  
Observe the rules of safety and common sense!

## ! DANGER

**FAILING TO FOLLOW SAFETY MESSAGES AND OPERATING INSTRUCTION CAN CAUSE SERIOUS BODILY INJURY OR EVEN DEATH TO OPERATOR AND OTHERS IN THE AREA.**

<p>1.</p> 	<p>2. NO RIDERS. NO CHILDREN OPERATORS</p> 	<p>3. USE SAFETY SHOES, HARD HAT, SAFETY GLASSES, SEAT BELTS, ROPS &amp; OPS.</p> 	<p>4. BLOCK UP SECURELY BEFORE WORKING UNDER.</p> 
---	--	--	---

1. Study and understand Operator's Manuals, Safety Decals, and Instructional Decals for tractor and implement to prevent misuse, abuse, and accidents. Practice before operating in a confined area or near passersby.
  - Learn how to stop engine suddenly in an emergency. Be alert for passersby and especially children.
2. Allow no children on or near folding mower or tractor. Allow no riders on tractor or implement. Falling off may cause serious injury or death from being run over by tractor or mower or contact with rotating blades.
3. Operate only with tractor having Roll-Over Protective Structure (ROPS) and with seat belt securely fastened to prevent injury and possible death from falling off or tractor overturn.
  - Personal Protective Equipment such as Hard Hat, Safety Glasses, Safety Shoes, & Ear Plugs are recommended.
4. Block up or support raised machine and all lifted components securely before putting hands or feet under or working underneath any lifted component to prevent crushing injury or death from sudden dropping or inadvertent operation of controls. Make certain area is clear before lowering or folding.
5. Before transporting, put Lift Lever in detent or full-lift position. Install Transport Safety Devices securely on folding mowers. Put Booms securely in Transport Rest.
  - Folding and Boom Mowers have raised center of gravity. Slow down when turning and on hillsides.
6. Make certain that SMV sign, warning lights, and reflectors are clearly visible. Follow local traffic codes.
7. Never operate with Cutting Head or Folding Section raised if passersby, bystanders, or traffic are in the area to reduce possibility of injury or death from objects thrown by Blades under Guards or mower structure.
8. Before dismounting, secure implement in transport position or lower to ground.
  - Put tractor in park or set brake, disengage PTO, stop engine, remove key, and wait until noise of rotation has ceased to prevent crushing by entanglement in rotating parts which could cause injury or death.
  - Never mount or dismount a moving vehicle. Crushing from runover may cause serious injury or death.

<p>5. TRANSPORT SAFELY, LOCK UP.</p> 	<p>6. USE SMV, LIGHTS, &amp; REFLECTORS.</p> 	<p>7. DO NOT OPERATE WITH CUTTER OR WING RAISED</p> 	<p>8. DO NOT MOUNT OR DISMOUNT WHILE MOVING.</p> 
--	--	--	--

02967827

## WARRANTY INFORMATION:

Read and understand the complete Warranty Statement found in this Manual. Fill out the Warranty Registration Form in full and return it within 30 Days. Make certain the Serial Number of the Machine is recorded on the Warranty Card and on the Warranty Form that you retain. The use of "will-fit" parts will void your warranty and can cause catastrophic failure with possible injury or death.

# BOLT TORQUE

Mounting procedures for mowers will require a significant amount of bolt nut and washer installation.

Frame and structure mounting bolts should be installed using *Red Loctite*, and torqued to the dry values listed in the torque chart based on the bolt size and hardness.

Other structures such as pump mounting bolts should be installed with *Blue Loctite* and torqued to the dry values indicated in the chart.

Bolt tightness should be completed with and checked with a suitable torque wrench.

Torque checks should be completed throughout the life of the mower in accordance with the maintenance chart provided in this manual.



Loose bolts on a frame or in a casting may be a result of:

- Vibration from the mower due to imbalance of the mower blades
- Pulled threads due to over tightening
- Distortion of the hole due to under tightening during installation

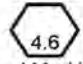
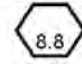
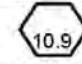
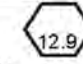
Bolts broken or sheared in the mounting structure or tractor may be the result of:

- Improper alignment of the Mounting Plate or Structure such that it is not sitting flat on the mating surface
- Distortion of the bolt due to over-tightening
- Under tightening of the bolts

Check the bolt torque during installation and prior to delivery with a suitable torque wrench.

Bolt Diameter		
	Head Marking Three Lines Grade Five	Head Marking Six Lines Grade Eight
	Pound - Foot Value Dry	Pound - Foot Value Dry
1/4"	7	10
5/16"	15	22
3/8"	26	39
7/16"	42	60
1/2"	64	88
9/16"	100	134
5/8"	128	180
3/4"	227	320
7/8"	365	515
1"	547	772

To get Newton-Meters multiply pound-foot of torque by 1.356

Bolt Diameter				
	Head Marking 4.6	Head Marking 8.8 or 9.8	Head Marking 10.9	Head Marking 12.9
	Pound - Foot Value Dry	Pound - Foot Value Dry	Pound - Foot Value Dry	Pound - Foot Value Dry
6mm	3	7	9	10
8mm	6.2	16	23	24
10mm	12	32	45	47
12mm	21	55	79	81
14mm	34	88	126	130
16mm	53	137	196	202
18mm	73	189	270	279
20mm	104	267	382	394
22mm	141	364	520	537
24mm	179	461	660	680
27mm	262	676	968	998
30mm	355	917	1312	1353

# CHANGE PAGES

The following is a listing of pages that have been changed since the latest publication date for the overall document.

Date of Change	Page Number	Description of Change
04-03-2013	(EX- chg pages 17, 23, 137)	
04-03-2013	document release date	
05-22-2013	chg pgs 15	
07-23-2013	chg pgs 52-55	
11-20-2013	chg pgs 9	
1-20-2014	chg pgs 9,26-27	
6-11-2014	add pg 65	
02-06-2017	chg pgs 9-11	
08-09-2017	chg pgs 57-59	ECN 27921 change img and boms
03-22-2018	chg pg 28	ECN 28140 change img and boms
11-17-2020	chg pg 28	ECN 28785 updated filter.

# CHANGE PAGES

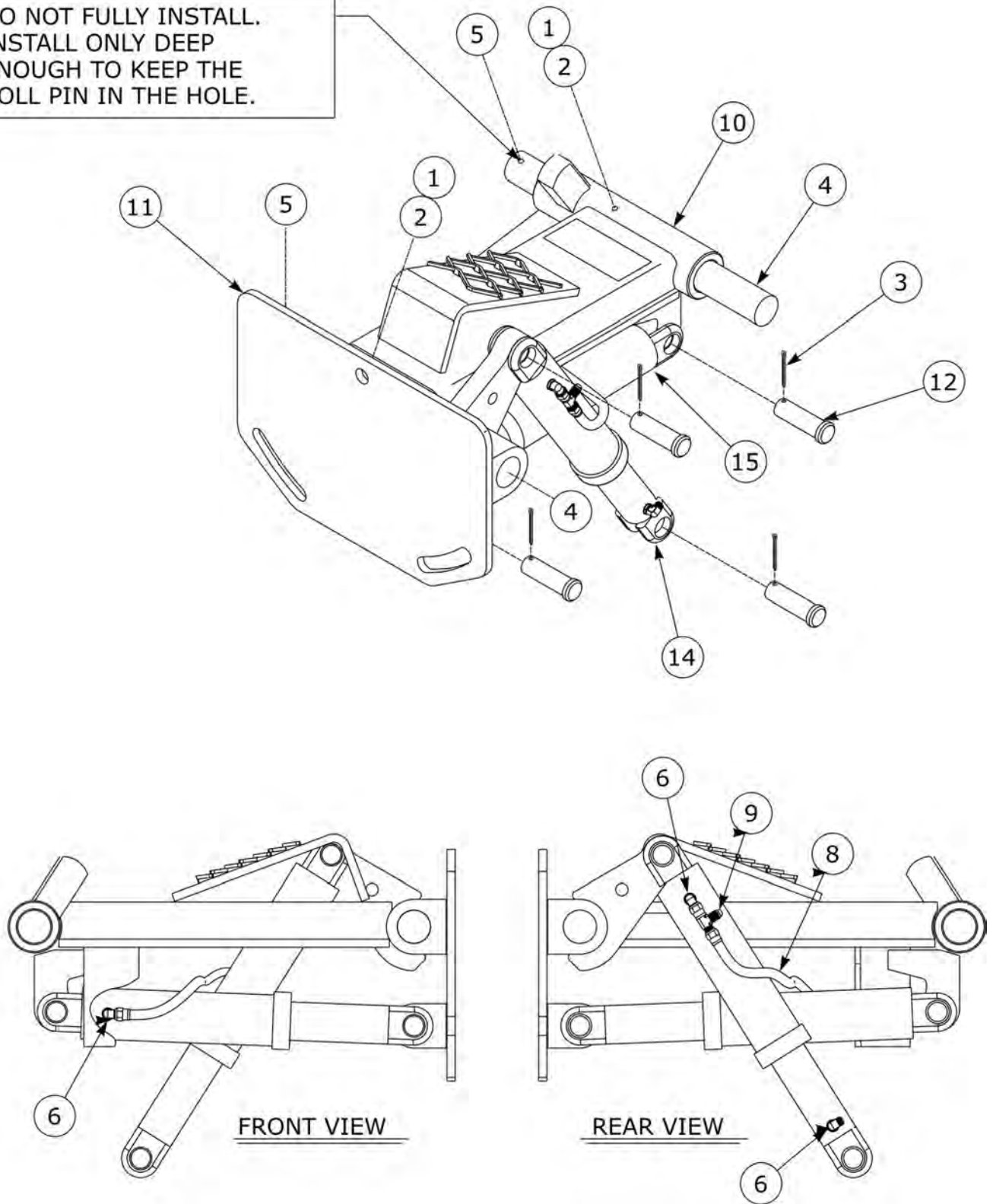
# **PARTS SECTION**

## PART NAME INDEX

CARRIAGE ARM ASY - LH WG - PN 02977721.....	5
CARRIAGE ARM ASY - RH WG - PN 02974362.....	7
COMMON COMPONENT BOX - DUAL WG - PN 02981759.....	9
COMMON COMPONENT BOX - SINGLE WG - PN 02981751.....	11
CUTTER BAR ASY - 5 FT LH WG - PN 02977715.....	13
CUTTER BAR ASY - 5 FT RH WG - PN 02974360.....	15
CUTTER BAR ASY - 6 FT LH WG - PN 02977717.....	17
CUTTER BAR ASY - 6 FT RH WG - PN 02974372.....	19
DRIVE ASY - PN 02974300 & PN 02974300A.....	21
DRIVE ASY - PN 02992069.....	22
HYD CYL ASY - BAR TILT - PN 0693500A.....	23
HYD CYL ASY - CURB LIFT - PN 0693400A.....	24
HYD DIVERTER VALVE - CYL CONTROL - PN 02977622.....	25
HYD DIVERTER VALVE - MOTOR CONTROL - PN 02992334.....	26
HYD DIVERTER VALVES - PN 02992334 & PN 02977622.....	27
HYD FILTER ASY - PN 32120940.....	28
HYD MOTOR ASY - PN 02974301 & PN 02974301A.....	30
HYD PUMP ASY - PN 02974302 (SN 10361 09-04 & DOWN).....	32
HYD PUMP ASY - PN 02974302A (SN 10362 10-04 TO 10770).....	34
HYD PUMP ASY - PN 02974302B (SN 10771 09-08 & UP).....	36
HYD PUMP ASY - PN 02974303 (SN 10361 09-04 & DOWN).....	37
HYD PUMP ASY - PN 02974303A (SN 10362 10-04 & UP).....	38
HYD PUMP ASY - PN 02974303B (SN 10771 09-08 & UP).....	40
HYD SCHEMATIC - SINGLE WG.....	42
HYD TANK ASY - PN 02981705.....	44
HYD VALVE ASY W-FITTINGS - PN 02982077.....	46
HYD VALVE ASY W-O FITTINGS - PN 02974306.....	48
HYD VALVE REMOTE CONTROL CABLES.....	50
HYD VALVE SOLENOID ASY - PN 02988789.....	52
KNIFE BAR ASY - 5 FT RH WG - PN 02974361.....	53
KNIFE BAR ASY - 6 FT RH WG - PN 02974373.....	54
KNIFE BAR ASY - 5 FT LH WG - PN 02977716.....	55
KNIFE BAR ASY - 6 FT LH WG - PN 02977718.....	56
SKID SHOE & ACTUATOR - LH WG - PN 02982034.....	58
SKID SHOE & ACTUATOR - RH WG - PN 02981981.....	60
SKID SHOE & BRKWY PRE-ASY - LH WG - PN 02982033.....	62
SKID SHOE & BRKWY PRE-ASY - RH WG - PN 02981980.....	64
UNDER GUARD RAIL 30 INCH CUT.....	66
WIRING HARNESS - DUAL WG - PN 02977754.....	68
WIRING HARNESS - SINGLE WG - PN 02974318.....	69

CARRIAGE ARM ASY - LH WG - PN 02977721

DO NOT FULLY INSTALL.  
INSTALL ONLY DEEP  
ENOUGH TO KEEP THE  
ROLL PIN IN THE HOLE.



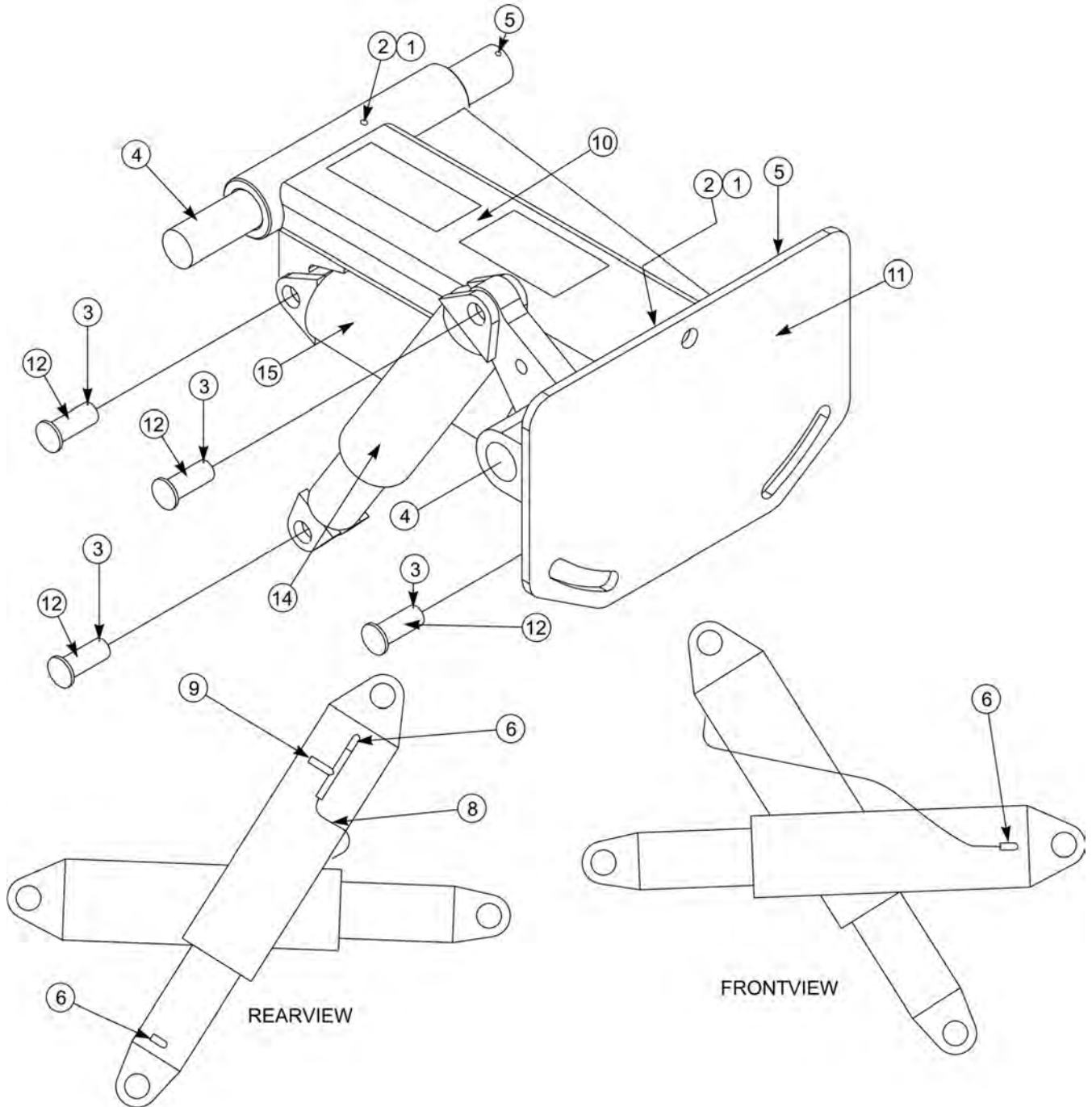


## CARRIAGE ARM ASY - LH WG - PN 02977721

Continued...

ITEM	PART NO.	QTY.	DESCRIPTION
	02977721	1	CARRIAGE ARM ASY, LH WING
1	000206	2	RED LUBRICAPS
2	00752670	2	GREASE FITTING
3	00755153	4	COTTER PIN
4	0112700	2	CARRIAGE PIN
5	0113400	2	PIN ROLL
6	02045200	3	ELBOW
8	02965475	1	HOSE, # 4 - 18" LG
9	02970702	1	HYD. ADAPTER
10	02977719	1	CARRIAGE ARM WLDâ€™MT, LH
11	02977720	4	PIVOT MOUNT WLDâ€™MT
12	0424200	1	PIN FOR CYLINDER LUGS
14	0693400A	1	CURB STOP CYLINDER ASY
15	0693500A	1	BAR LIFT CYLINDER ASY

CARRIAGE ARM ASY - RH WG - PN 02974362

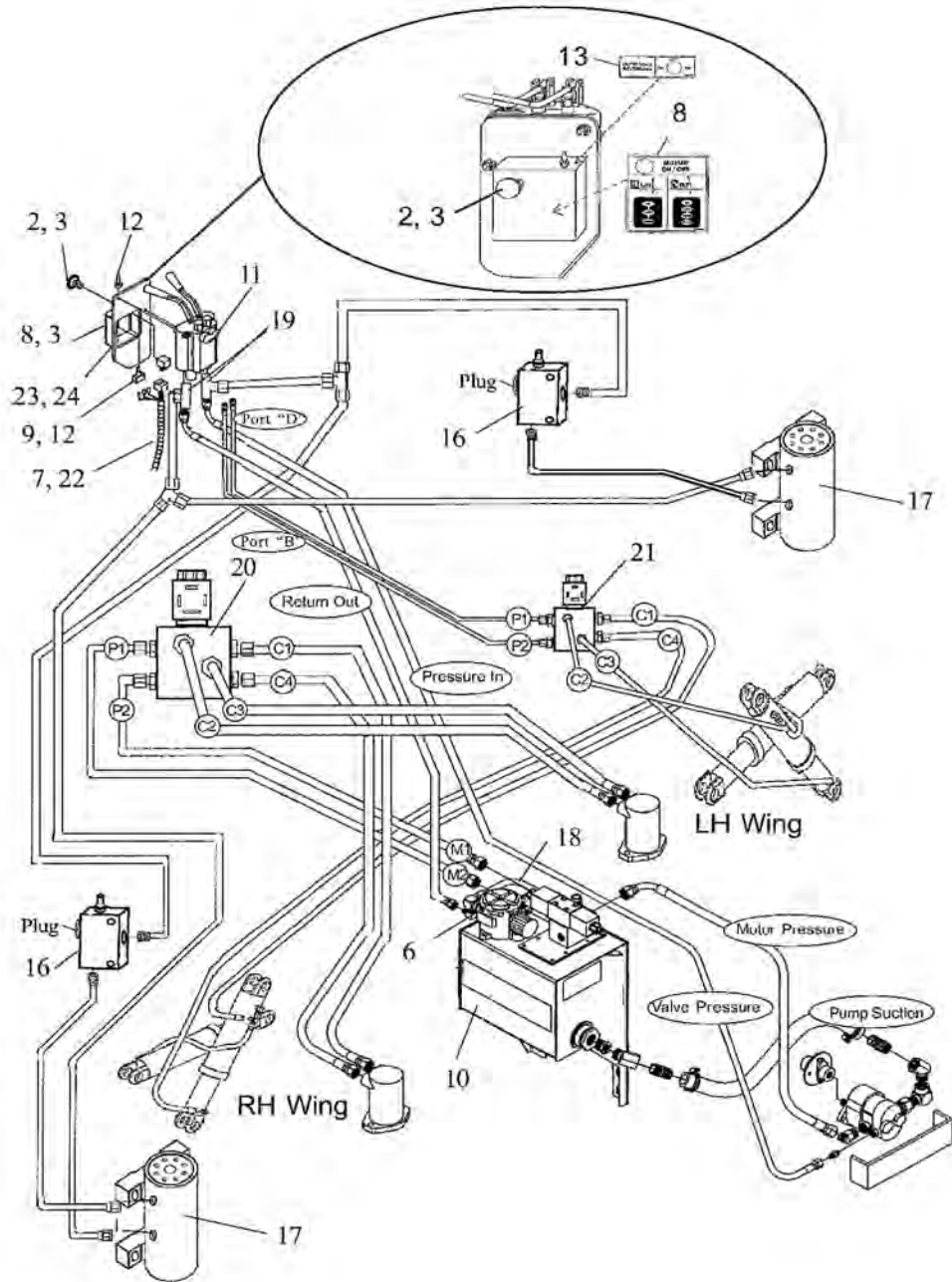


**CARRIAGE ARM ASY - RH WG - PN 02974362**

**Continued...**

<b>ITEM</b>	<b>PART NO.</b>	<b>QTY.</b>	<b>DESCRIPTION</b>
	02974362	1	CARRIAGE ARM ASY.
1	000206	2	NO. 2 RED LUBRICAPS<
2	00752670	2	FITTING,GREASE STRAIGHT 1/4-28
3	00755153	4	PIN,COTTER 3/16 X 1-1/2 PLATED
4	0112700	2	CARRIAGE PIN
5	0113400	2	PIN ROLL 3/8 X2-1/2
6	02045200	3	ADP HYD ELBOW 4MP-4MJ90
8	02965475	1	HOSE #4 - 4FJX - 4FJX - 18LG
9	02970702	1	ADP HYD TEE 4MJ-4MJ-4FJX
10	02974324	1	CARRIAGE ARM CASTING
11	02974329	1	PIVOT MOUNT CASTING
12	0424200	4	PIN CLEVIS 7/8 X2-3/4
14	0693400A	1	CURB STOP CYLINDER
15	0693500A	1	BAR LIFT CYLINDER

**COMMON COMPONENT BOX - DUAL WG - PN 02981759**

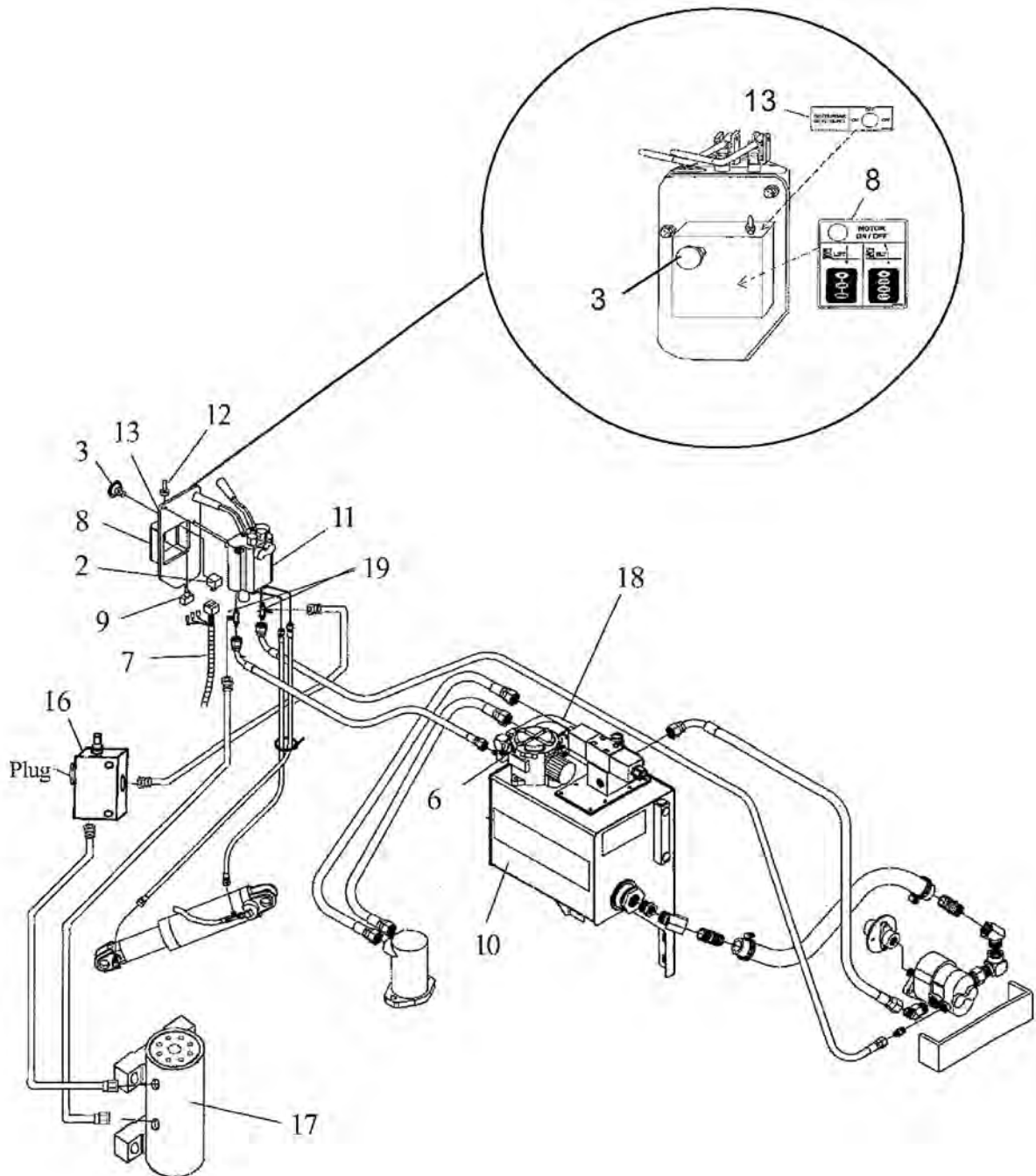


**COMMON COMPONENT BOX - DUAL WG - PN 02981759**

**Continued...**

<b>ITEM</b>	<b>PART NO.</b>	<b>QTY.</b>	<b>DESCRIPTION</b>
	02981759	1	COMMON COMPONENT BOX DUAL WINGS
2	02964028	1	PUSH PULL SWITCH ( W/ ITEM # 3 )
3	02982367	1	SWITCH KNOB ( REPLACEMENT PART )
	02982365	1	FACE NUT ( REPLACEMENT PART )
	02982366	1	JAM NUT ( REPLACEMENT PART )
6	02974310	1	FILTER ELEMENT
7	02974318	1	WIRE HARNESS
8	02974321	1	DECAL, VALVE & SWITCH OPERATION
9	02974322	1	3 - POSITION TOGGLE SWITCH
10	02981705	1	HYDRAULIC TANK ASY. ( INCLUDES ITEM # 18 )
11	02982077	1	VALVE ASY. 2 SPOOL W/ FITTINGS
12	02974962	1	TOGGLE SWITCH BOOT COVER
13	02975270	1	DECAL, REVERSING SWITCH INSTRUCTION
15	02974374A	1	SB5/6 OPERATORS MANUAL ASY.
16	02982296	2	BREAK-A-WAY VALVE KIT ( CONSIST OF NEXT 6 ITEMS )
	02965521	1	VALVE BODY
	02965526	1	CARTRIDGE RELIEF
	00751003	1	PIPE PLUG
	02823100	2	HYD. ELBOW ADAPTER
	00016200	2	BOLT
	00750940	2	LOCKNUT
17	02981979	1	ROTOR ACTUATOR ( NOT INCLUDED IN COMMON COMPONET BOX )
18	02974320	1	HOSE, # 8 - 14" LG ( TANK RETURN F/ SOLENOID TO RETURN FILTER INCLUDED IN ITEM # 10)
19	02965166	2	HYD. TEE ADAPTER
20	02992334	-	DIVERTER VALVE / SOLENOID,
	02962214	2	HYD. ELBOW ADAPTER
	00696800	4	HYD. ADAPTER, STRAIGHT
	02761100	2	HYD. ADAPTER ELBOW
21	02977622	1	DIVERTER VALVE / SOLENOID, # 4 PORTS F/ CYLINDERS (F/ DUAL WINGS)
	02977915	2	HYD. ELBOW ADAPTER
	02962181	4	HYD. ADAPTER STRAIGHT
22	02977754	1	WIRE HARNESS, LH DUAL WINGS (NOT SHOWN)
23	02977825	1	DECAL INST. LH & RH SWITCH (NOT SHOWN MOUNT IN CAB OR ON FENDER)
24	02977826	1	SWITCH SPST 2-POSITION ( LH DUAL WINGS )
----	02996646	1	RUBBER GROMMET, 2-1/4" HOLE

## COMMON COMPONENT BOX - SINGLE WG - PN 02981751



**Note:**

The hoses will vary with the model tractor used, See Assembly Manual for the Tractor model used and/or Operators / Parts Manuals for hose part numbers.

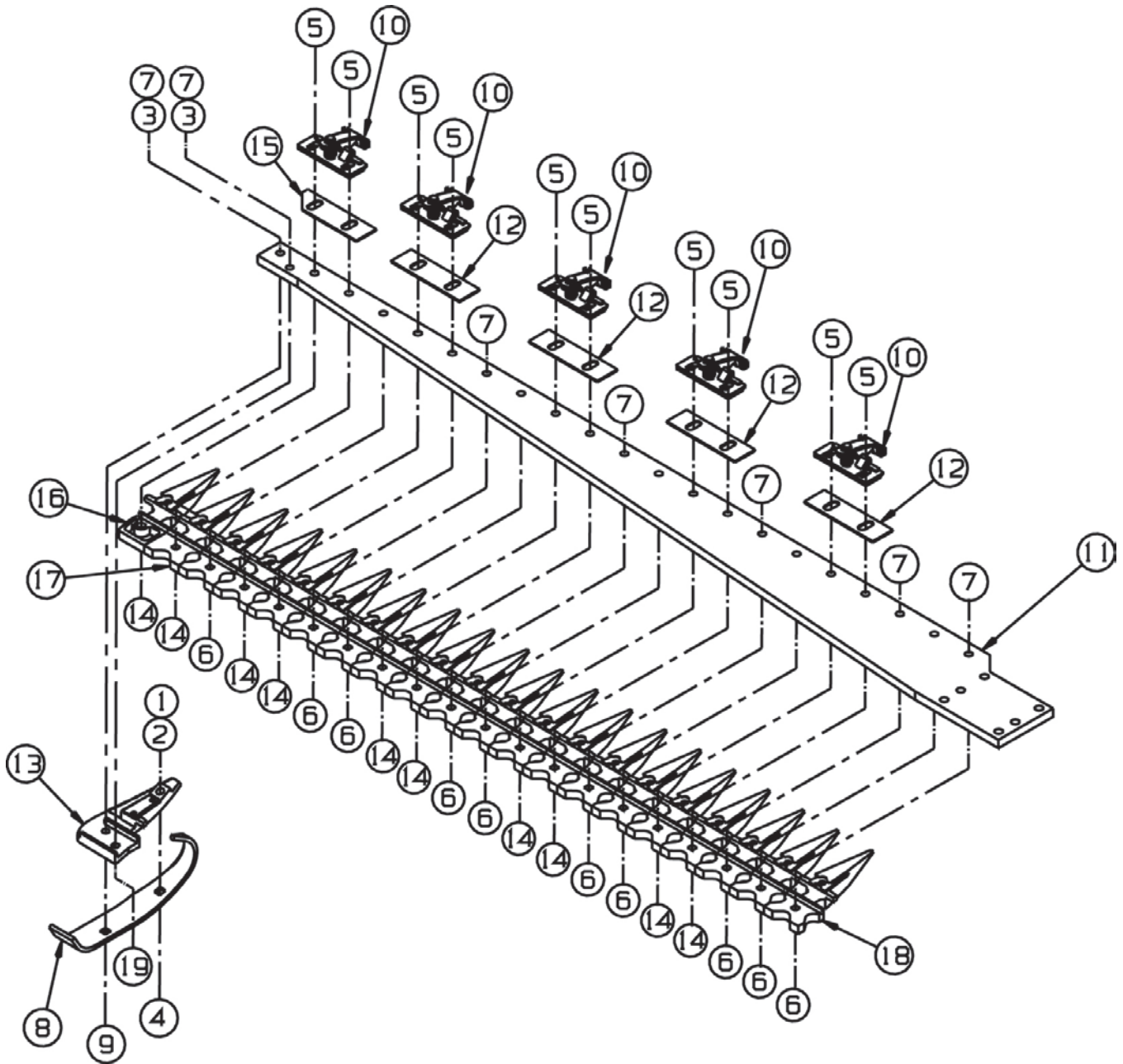
The Tank Assembly will include a short hose (item 18) which is the return hose from solenoid to the return filter, see tank assembly page for this hose.

**COMMON COMPONENT BOX - SINGLE WG - PN 02981751**

Continued...

<b>ITEM</b>	<b>PART NO.</b>	<b>QTY.</b>	<b>DESCRIPTION</b>
	02981751	1	COMMON COMPONENT BOX RH SINGLE WING
2	02964028	1	PUSH PULL SWITCH ( W/ ITEM # 3 )
3	02982367	1	SWITCH KNOB ( REPLACEMENT PART )
	02982365	1	FACE NUT ( REPLACEMENT PARTS )
	02982366	1	JAM NUT ( REPLACEMENT PARTS )
6	02974310	1	FILTER ELEMENT
7	02974318	1	WIRE HARNESS
8	02974321	1	DECAL, VALVE & SWITCH OPERATION
9	02974322	1	3 - POSITION TOGGLE SWITCH
10	02981705	1	HYDRAULIC TANK ASY. ( INCLUDES ITEM # 18 )
11	02982077	1	VALVE ASY. 2 SPOOL W/ FITTINGS
12	02974962	1	TOGGLE SWITCH BOOT COVER
13	02975270	1	DECAL, REVERSING SWITCH INSTRUCTION
15	02974374A	1	SB5/6 OPERATORS MANUAL ASY.
16	02982296	1	BREAK-A-WAY VALVE KIT ( CONSIST OF NEXT 6 ITEMS )
	02965521	1	VALVE BODY
	02982478	1	CARTRIDGE RELIEF
	00751003	1	PIPE PLUG
	02823100	2	HYD. ELBOW ADAPTER
	00016200	2	BOLT
	00750940	2	LOCKNUT
17	02981979	1	ROTOR ACTUATOR ( NOT INCLUDED IN COMMON COMPONET BOX )
18	02974320	1	HOSE, # 8 - 14" LG ( TANK RETURN F/ SOLENOID TO RETURN FILTER INCLUDED IN ITEM # 10)
19	02965166	2	HYD. TEE ADAPTER
----	02996646	1	RUBBER GROMMET, 2-1/4" HOLE

CUTTER BAR ASY - 5 FT LH WG - PN 02977715



ITEM	PART NO.	QTY.	DESCRIPTION
	02977715	1	ASY 5 LH SICKLE BAR
1	00001200	1	NUT 1/2 NC HEX PL
2	00019600	1	LOCKWASHER, 1/2, HVY, PL
3	00022200	2	HIGH ALLOY, L/W 7/16 YZ
4	000516	1	CARB 1/2 NC 1-3/4 PL5
5	4527	10	NUT, LOCK FLG WHIZ 7/16-14NC PL
7	00999316	12	NUT, HEX 7/16 NC PLT
8	0569500	1	OUTER SHOE SOLE, L.H.

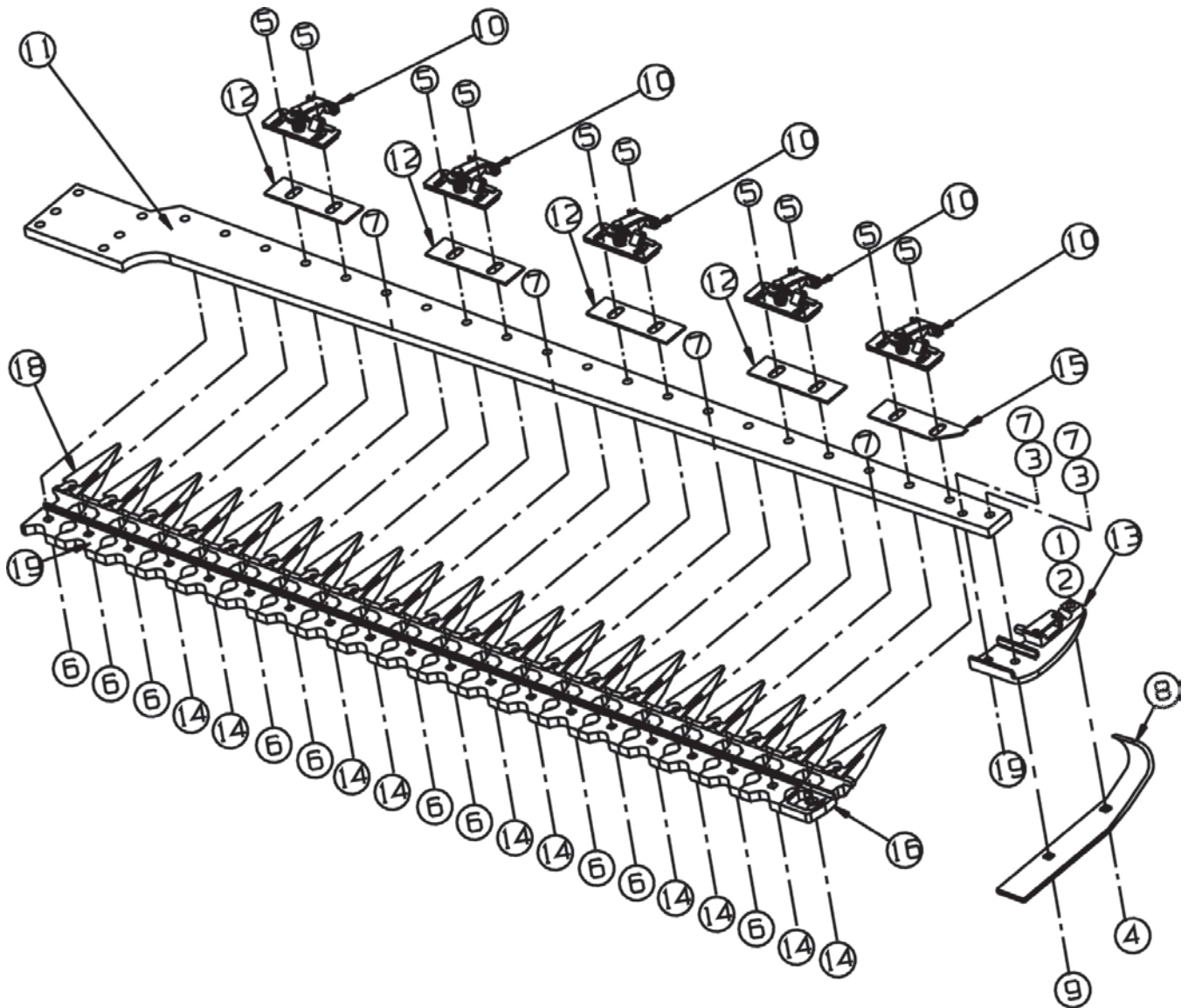


**CUTTER BAR ASY - 5 FT LH WG - PN 02977715**

**Continued...**

<b>ITEM</b>	<b>PART NO.</b>	<b>QTY.</b>	<b>DESCRIPTION</b>
9	0129000	1	CARB 7/16NC 1-3/4 PL5
10	02983841	5	LOW ARCH HOLD DOWN CLIP
11	02974345	1	BAR CUTTER 5
12	0532600	4	PLATE
13	1571000	1	MACHINED LH OUTER SHOE WELDMNT
14	0571800	10	PLOW #3 7/16NC 2 PL5
15	0571900	1	WEAR PLATE
16	0593500	1	INNER ROCK GUARD(2500/3500
17	0593700	18	CENTER ROCK GUARD
18	0596200	1	INNER ROCK GUARD, LH
19	12666000	1	CARB 7/16NC 1-1/2 PL5

**CUTTER BAR ASY - 5 FT RH WG - PN 02974360**



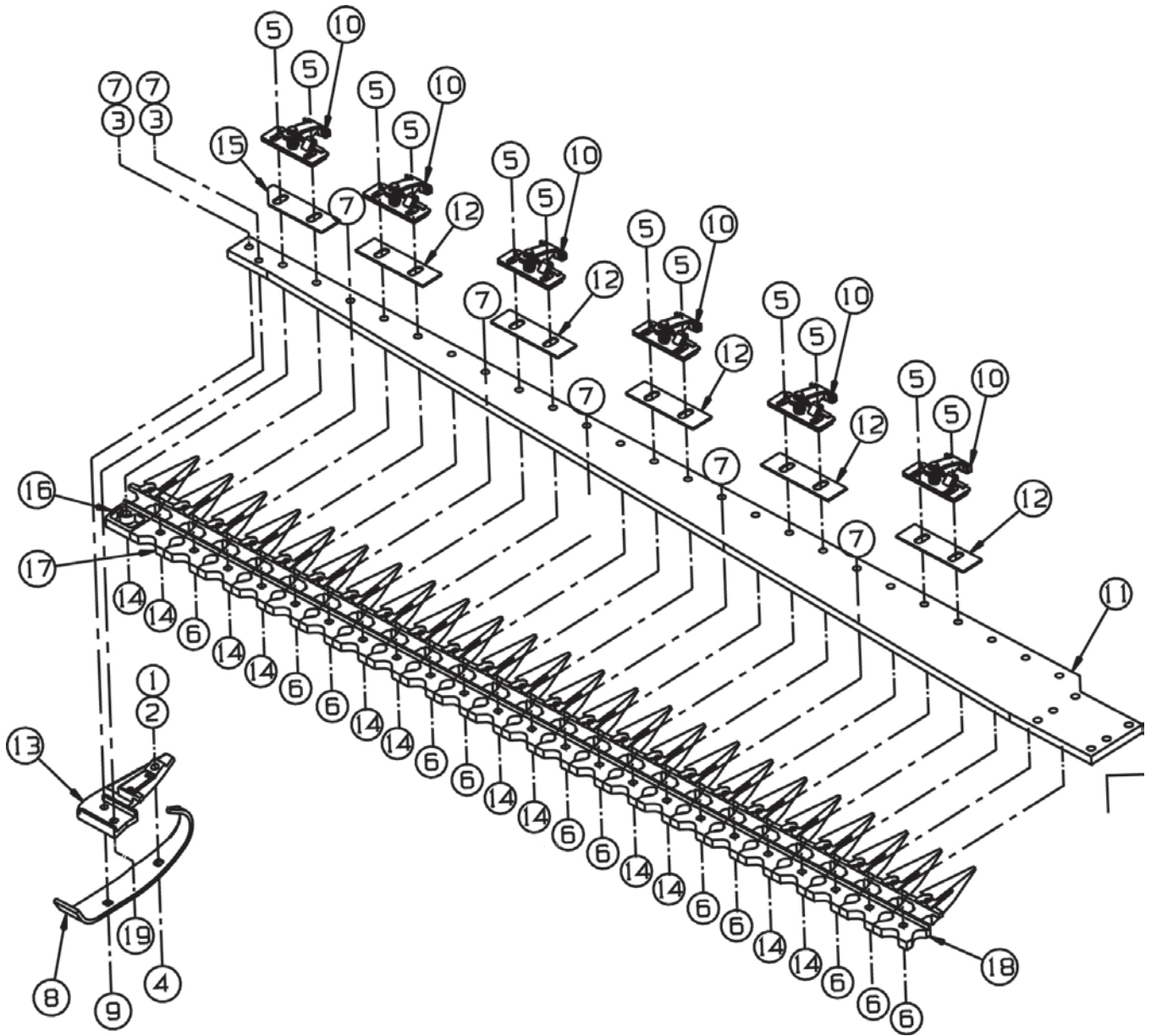
ITEM	PART NO.	QTY.	DESCRIPTION
	02974360	1	ASY 5 SICKLE BAR
1	00001200	1	NUT 1/2 NC HEX PL
2	00019600	1	LOCKWASHER, 1/2, HVY, PL
3	00022200	2	HIGH ALLOY, L/W 7/16 YZ
4	000516	1	CARB 1/2 NC 1-3/4 PL5
5	4527	10	NUT, LOCK FLG WHIZ 7/16-14NC PL
6	0046400	10	PLOW #3 7/16NC 1-1/2 PL5
7	00999316	12	NUT, HEX 7/16 NC PLT
8	0123800	1	OUTER SHOE SOLE
9	0129000	1	CARB 7/16NC 1-3/4 PL5
10	02983841	5	LOW ARCH HOLD DOWN CLIP
11	02974346	1	CUTTERBAR, 6

**CUTTER BAR ASY - 5 FT RH WG - PN 02974360**

**Continued...**

<b>ITEM</b>	<b>PART NO.</b>	<b>QTY.</b>	<b>DESCRIPTION</b>
12	0532600	4	PLATE
13	0570900	1	OUTER SHOE ASSEMBLY
14	0571800	10	PLOW #3 7/16NC 2 PL5
15	0571900	1	WEAR PLATE
16	0593600	1	OUTER ROCK GUARD
17	0593700	18	CENTER ROCK GUARD
18	0593800	1	INNER ROCK GUARD, RH
19	12666000	1	CARB 7/16NC 1-1/2 PL5

**CUTTER BAR ASY - 6 FT LH WG - PN 02977717**



ITEM	PART NO.	QTY.	DESCRIPTION
	02977717	1	ASY 6 LH SICKLE BAR
1	00001200	1	NUT 1/2 NC HEX PL
2	00019600	1	LOCKWASHER, 1/2, HVY, PL
3	00022200	2	HIGH ALLOY, L/W 7/16 YZ
4	000516	1	CARB 1/2 NC 1-3/4 PL5
5	4527	12	NUT, LOCK FLG WHIZ 7/16-14NC PL
6	0046400	12	PLOW #3 7/16NC 1-1/2 PL5
7	00999316	14	NUT, HEX 7/16 NC PLT
8	0569500	1	OUTER SHOE SOLE, L.H.
9	0129000	1	CARB 7/16NC 1-3/4 PL5

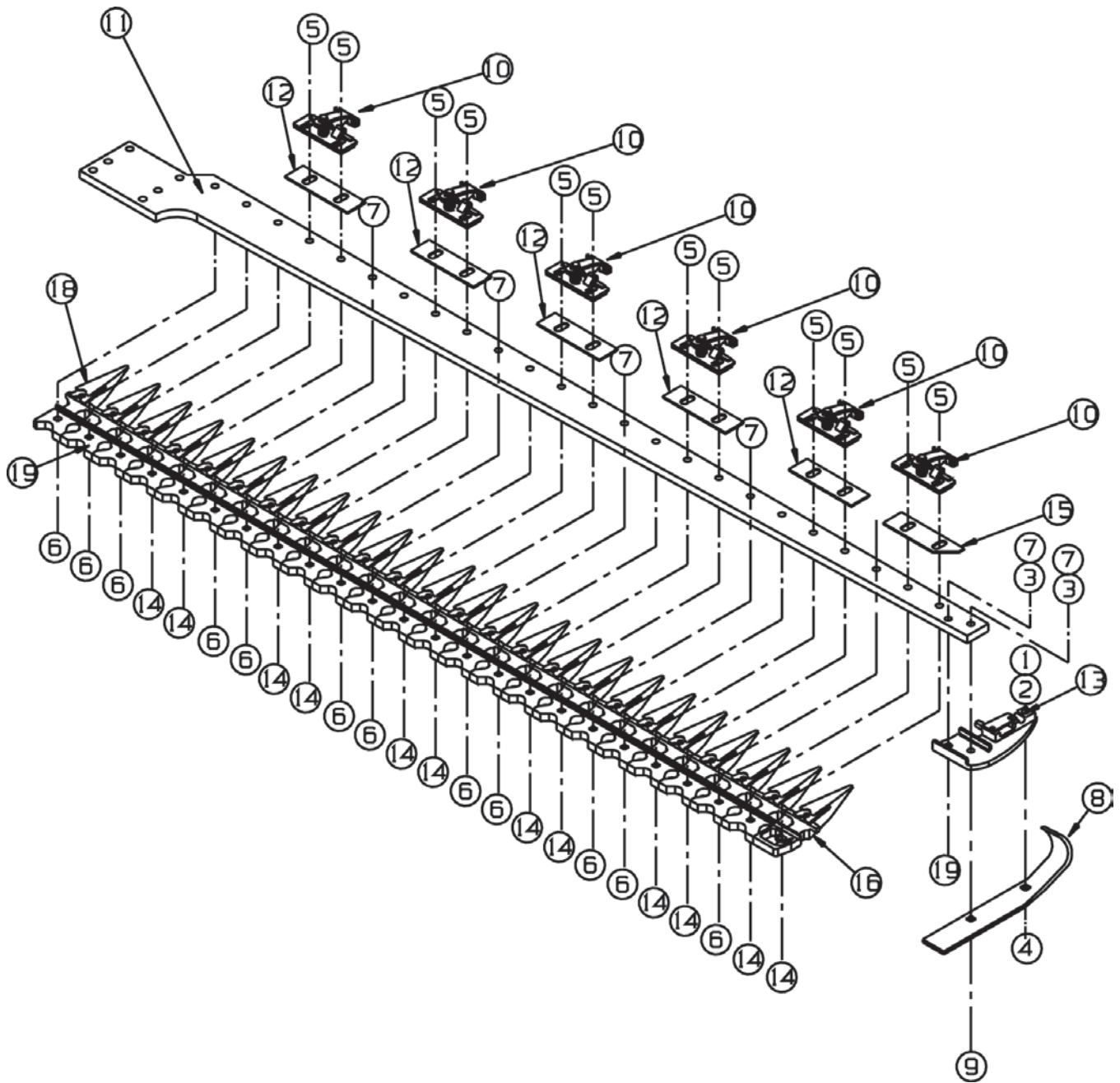
02982612P - Switchblade 5 FT and 6 FT Hyd Brk-Away (02-05)\_11-20

**CUTTER BAR ASY - 6 FT LH WG - PN 02977717**

**Continued...**

<b>ITEM</b>	<b>PART NO.</b>	<b>QTY.</b>	<b>DESCRIPTION</b>
10	02983841	6	LOW ARCH HOLD DOWN CLIP
11	02974346	1	CUTTERBAR, 6
12	0532600	5	PLATE
13	1571000	1	MACHINED LH OUTER SHOE WELDMNT
14	0571800	12	PLOW #3 7/16NC 2 PL5
15	0571900	1	WEAR PLATE
16	0593500	1	INNER ROCK GUARD(2500/3500
17	0593700	22	CENTER ROCK GUARD
18	0596200	1	INNER ROCK GUARD, LH
19	12666000	1	CARB 7/16NC 1-1/2 PL5

**CUTTER BAR ASY - 6 FT RH WG - PN 02974372**



ITEM	PART NO.	QTY.	DESCRIPTION
	02974372	1	ASY 6SICKLE BAR
1	00001200	1	NUT 1/2 NC HEX PL
2	00019600	1	LOCKWASHER, 1/2, HVY, PL
3	00022200	2	HIGH ALLOY, L/W 7/16 YZ
4	000516	1	CARB 1/2 NC 1-3/4 PL5
5	4527	12	NUT, LOCK FLG WHIZ 7/16-14NC PL
7	00999316	14	NUT, HEX 7/16 NC PLT

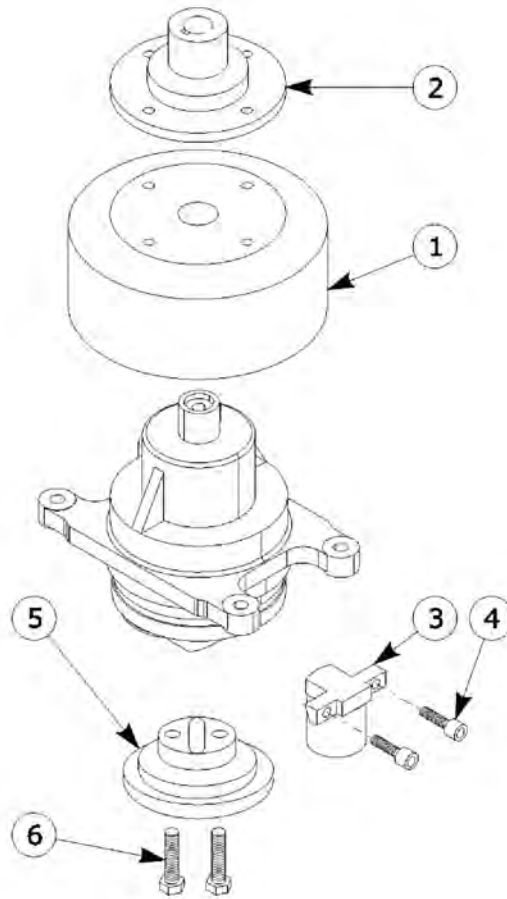
02982612P - Switchblade 5 FT and 6 FT Hyd Brk-Away (02-05)\_11-20

**CUTTER BAR ASY - 6 FT RH WG - PN 02974372**

**Continued...**

<b>ITEM</b>	<b>PART NO.</b>	<b>QTY.</b>	<b>DESCRIPTION</b>
8	0123800	1	OUTER SHOE SOLE
9	0129000	1	CARB 7/16NC 1-3/4 PL5
10	02983841	6	LOW ARCH HOLD DOWN CLIP
11	02974346	1	CUTTERBAR, 6
12	0532600	5	PLATE
13	0570900	1	OUTER SHOE ASSEMBLY
14	0571800	12	PLOW #3 7/16NC 2 PL5
15	0571900	1	WEAR PLATE
16	0593600	1	OUTER ROCK GUARD
17	0593700	22	CENTER ROCK GUARD
18	0593800	1	INNER ROCK GUARD, RH
19	12666000	1	CARB 7/16NC 1-1/2 PL5

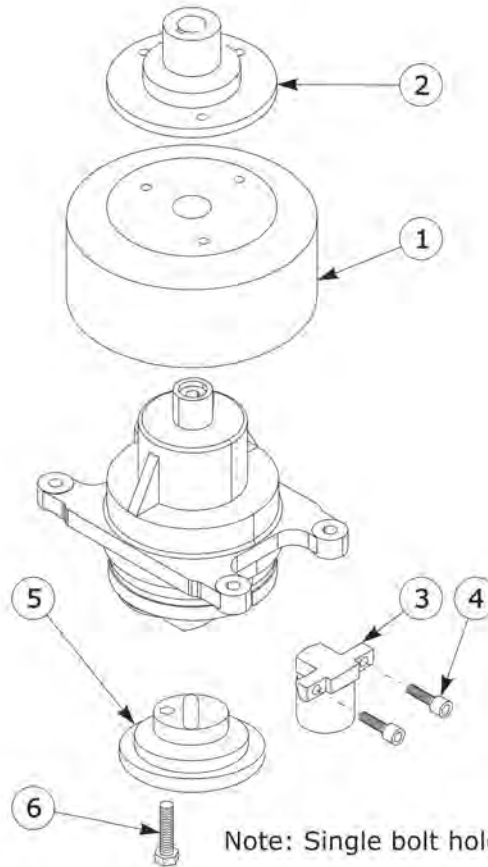
**DRIVE ASY - PN 02974300 & PN 02974300A**



ITEM	PART NO.	QTY.	DESCRIPTION
	02974300	1	HORIZONTAL KNIFE DRIVE ASY (W/ 5/16" KEY WAY) SWB6-10672 & DOWN
	02974300A	1	HORIZONTAL KNIFE DRIVE ASY (W/ 1/4" KEY WAY) SWB5-10168 & DOWN
1	02974311	1	FLYWHEEL
2	02974315	1	HUB ADAPTER (W/ 5/16" KEY WAY) SWB5-10673 & UP
	02974315A	1	HUB ADAPTER (W/ 1/4" KEY WAY) SWB6-10169 & UP
3	02974317	1	KNIFE DRIVE STUD ASY.
4*	02977820	2	SOCKET HEAD CAPSCREW, (TORQUE TO 35 FT. LBS)
5	02980453	1	SUPPORT HORIZONTAL KNIFE DRIVE
6	02967570	2	HEX BOLT

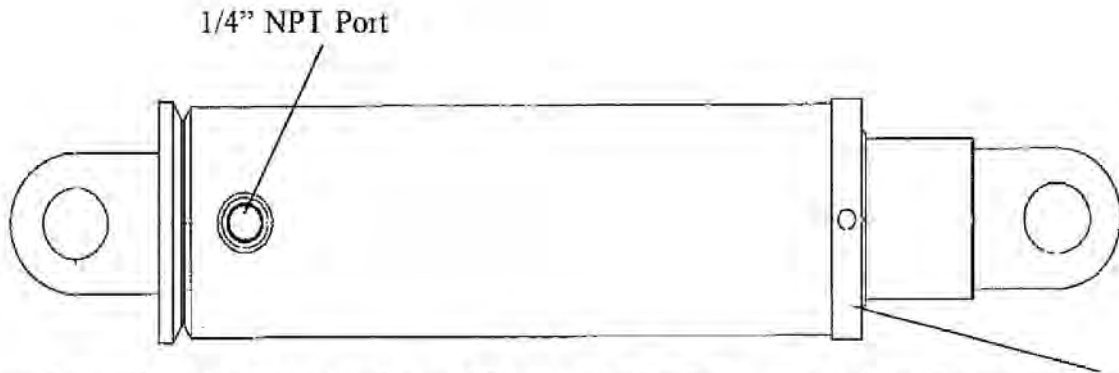


**DRIVE ASY - PN 02992069**

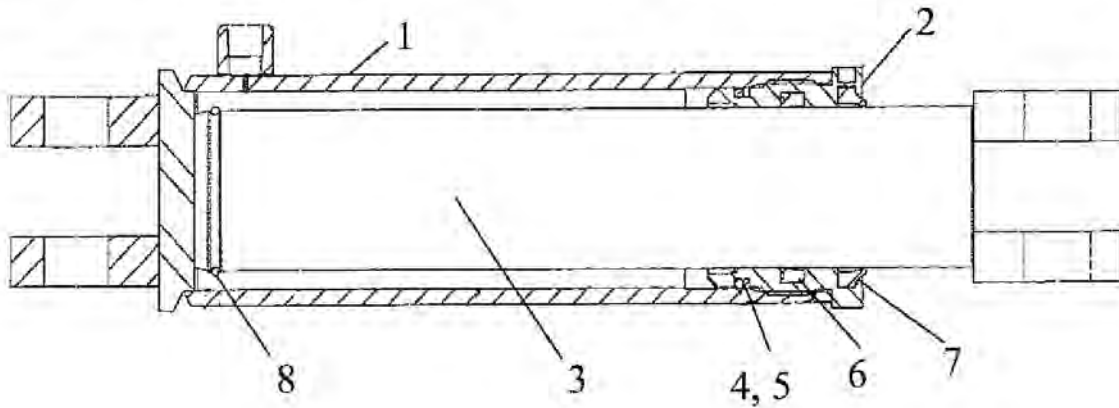


ITEM	PART NO.	QTY.	DESCRIPTION
	02992069	1	DRIVE ASY,HORIZ KNIFE SUPPORT SWB5-10253, 10905 & UP
1	02992084	1	FLYWHEEL, HORIZ KNF DRV
2	02974315A	1	ADAPTER HUB 1"ID X 1/4" KEYWAY
3	02974317	1	STUD KNIFE DRIVE BEARING
4	02977820	2	SHCS 10-P1.50 X 35MM PL8.8
5	02992070	1	CRANKSHAFT,HORIZ KNIFE SUPPORT
6	02967570	1	BOLT HEX 8MM X 1.25 X 35MM

HYD CYL ASY - BAR TILT - PN 0693500A

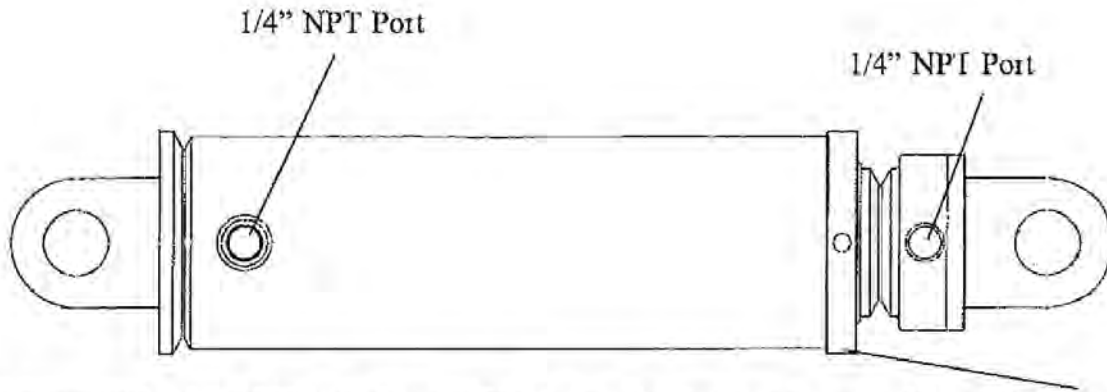


Apply a drop of Loctite 242 in 3 places 120° apart on the first two threads of the cylinder head

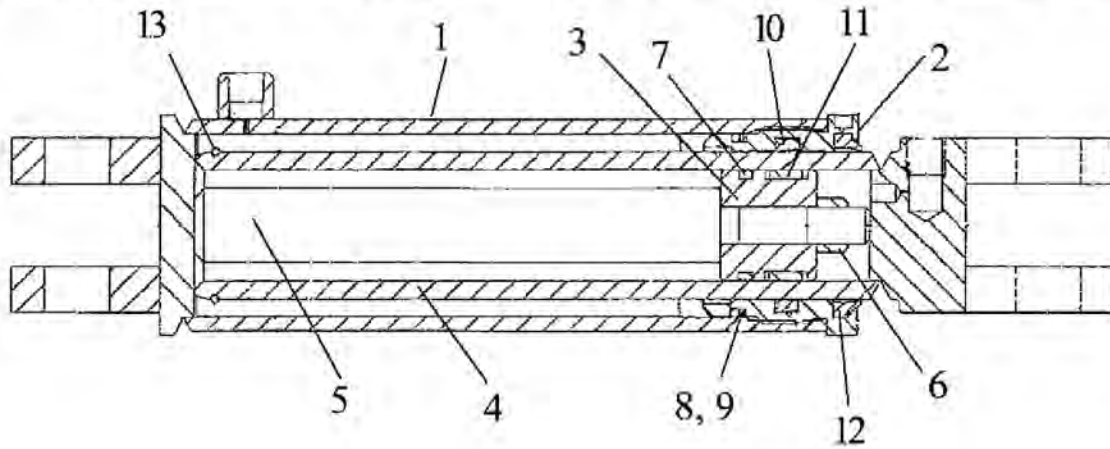


ITEM	PART NO.	QTY.	DESCRIPTION
	0693500A	1	BAR LIFT CYLINDER ASY.
1	02977114	1	TUBE WLD'MT
2	02977116	1	CYL HEAD
3	02977115	1	ROD WLD'MT
4	-----	1	* O-RING
5	-----	1	* BACK-UP SEAL RING
6	-----	1	* ROD SEAL
7	-----	1	* ROD WIPER
8	-----	1	* WIRE RING
9	02977121	1	SEAL KIT, ( * INCLUDES ITEMS 4, 5, 6, 7 & 8 )

HYD CYL ASY - CURB LIFT - PN 0693400A



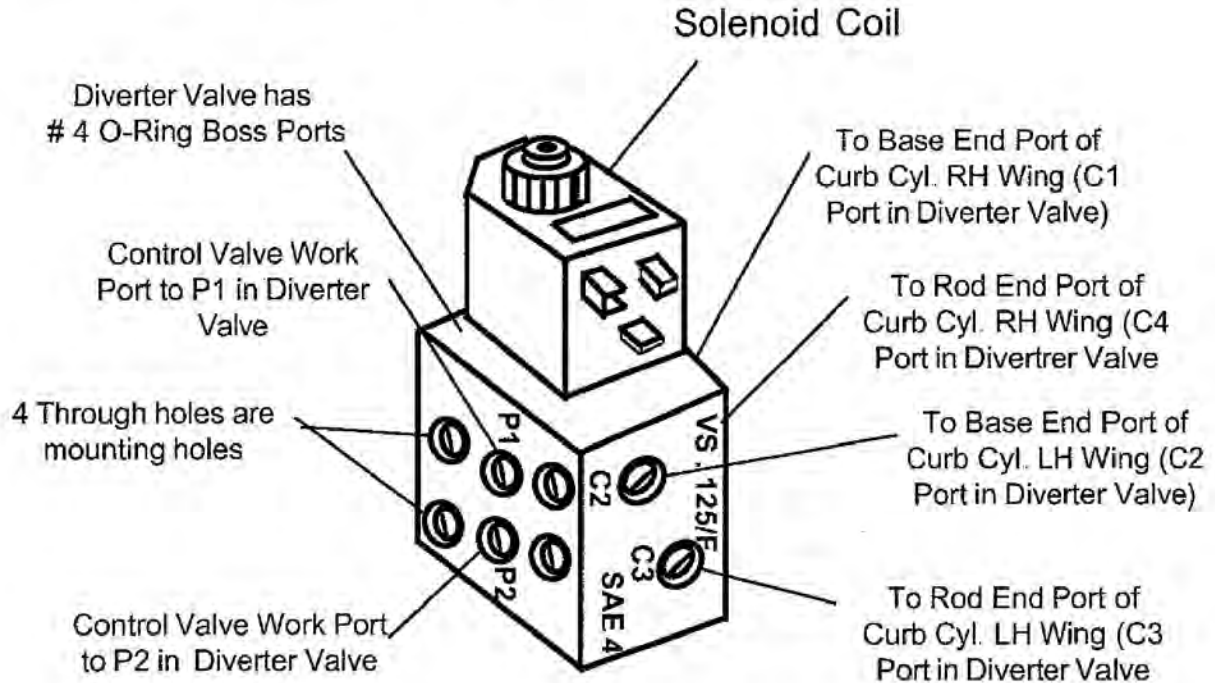
Apply a drop of Loctite 242 in 3 places 120° apart on the first two threads of the cylinder head



ITEM	PART NO.	QTY.	DESCRIPTION
	0693400A	1	CURB STOP CYLINDER ASY.
1	02977114	1	TUBE WLD'MT
2	02977116	1	CYLINDER HEAD
3	02977118	1	PISTON
4	02977122	1	ROD WLDMT
5	02977123	1	CYLINDER ROD
6	02716500	1	LOCKNUT
7	-----	1	* PSP SEAL
8	-----	1	* O-RING
9	-----	1	* BACK-UP RING
10	-----	1	* ROD SEAL
11	-----	1	* NYLON WEAR RING
12	-----	1	* SNAP IN ROD SEAL
13	-----	1	* WIRE RING
14	02977121	1	SEAL KIT, ( * INCLUDES ITEMS 7, 8, 9, 10, 11, 12 & 13 )

HYD DIVERTER VALVE - CYL CONTROL - PN 02977622

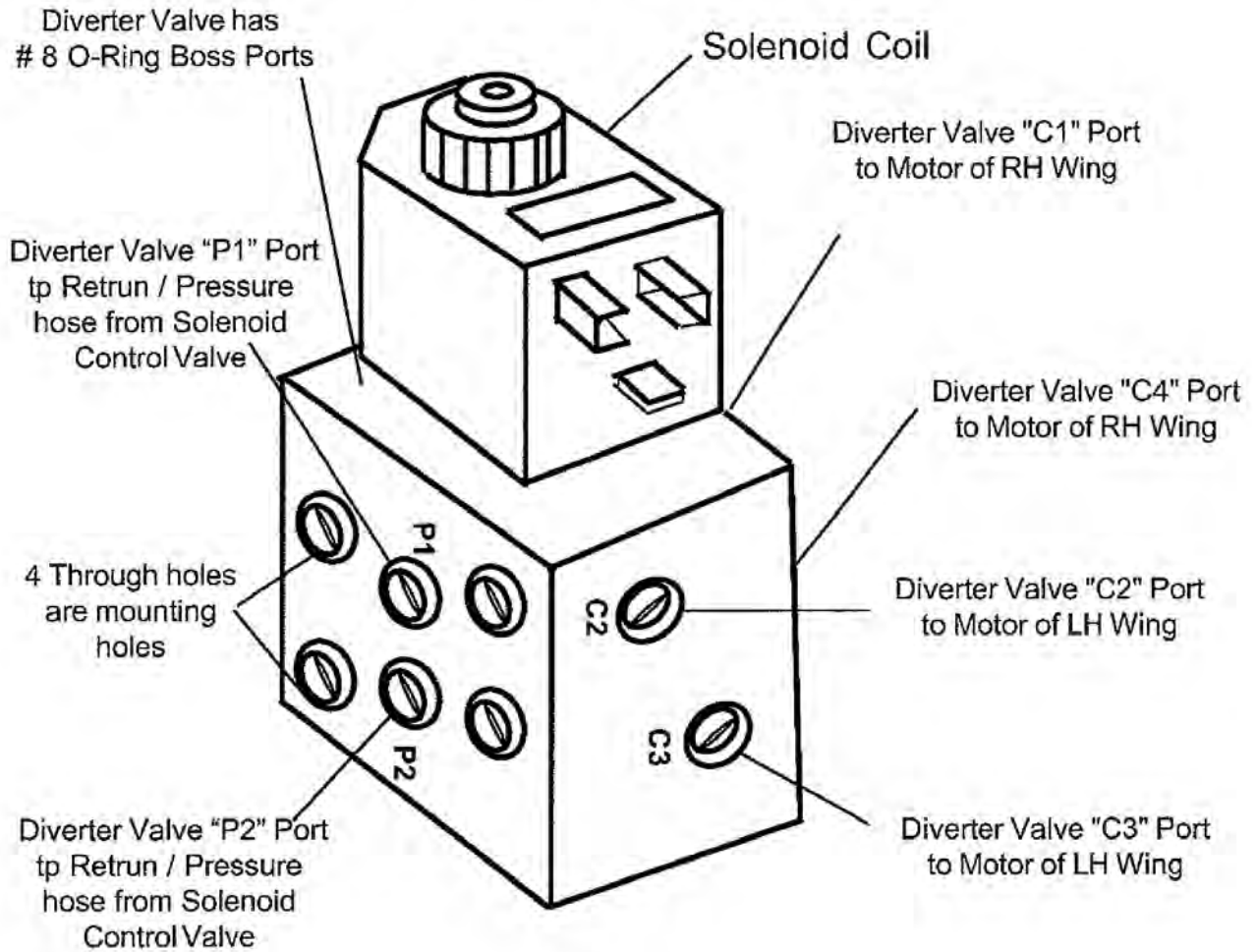
Diverter Valve 02977622 (Cylinder Control)



ITEM	PART NO.	QTY.	DESCRIPTION
1	02977622	1	VALVE, SOLENOID DIVERTER (USE W/ DUAL WINGS)
	02988755	1	SELECTOR, 6WAY, 6GPM SAE-4
	02988756	1	COIL, 12 VDC, 6 WAY VS125
	02988819	1	SOLENOID, VALVE, SELECTOR
	02988820	1	CONNECTOR, DIN, STANDARD

**HYD DIVERTER VALVE - MOTOR CONTROL - PN 02992334**

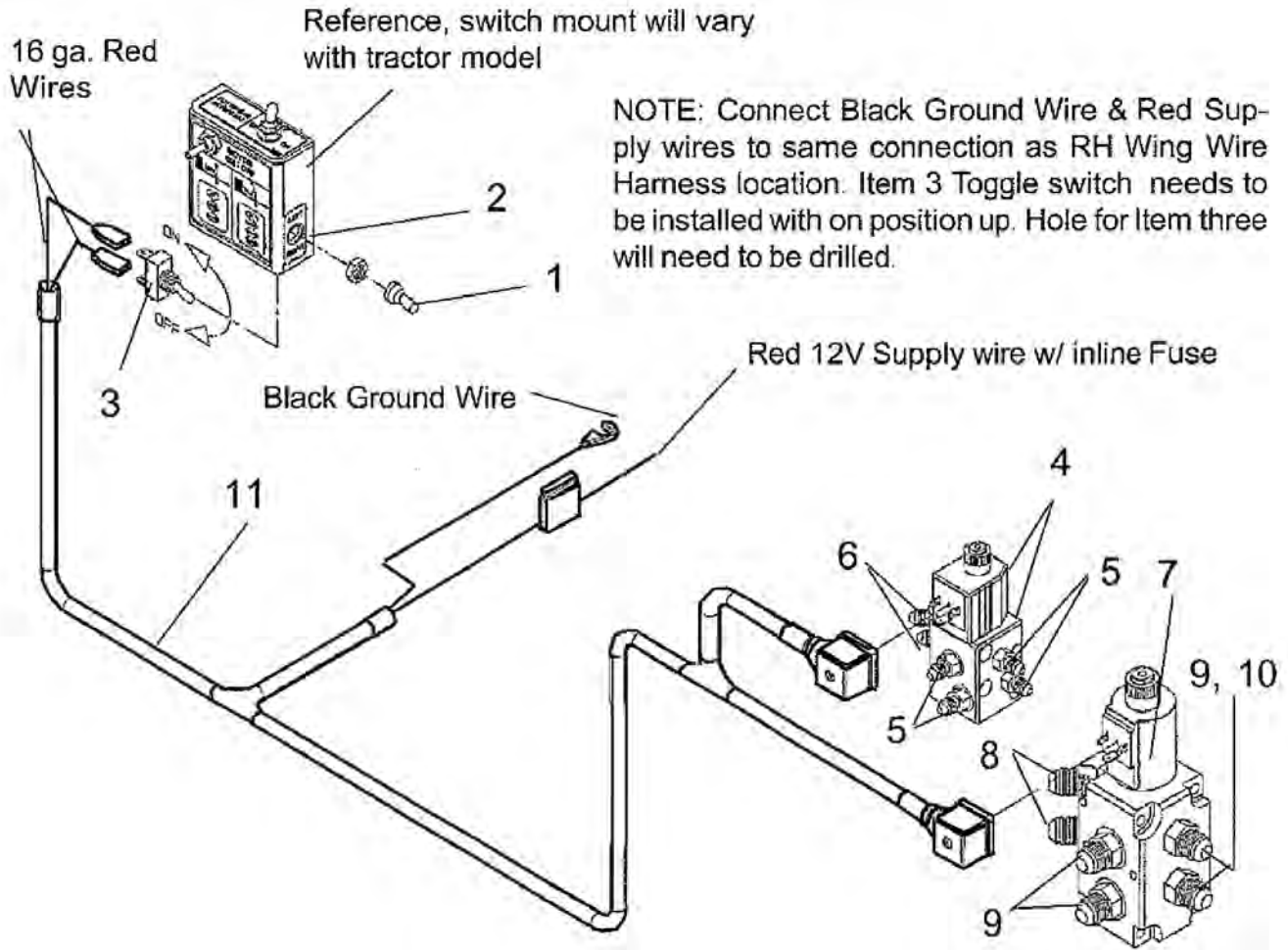
**Diverter Valve 02977621 (Motor Control)**



ITEM	PART NO.	QTY.	DESCRIPTION
1	02977621	1	VALVE, SOLENOID DIVERTER (USE W/ DUAL WINGS)

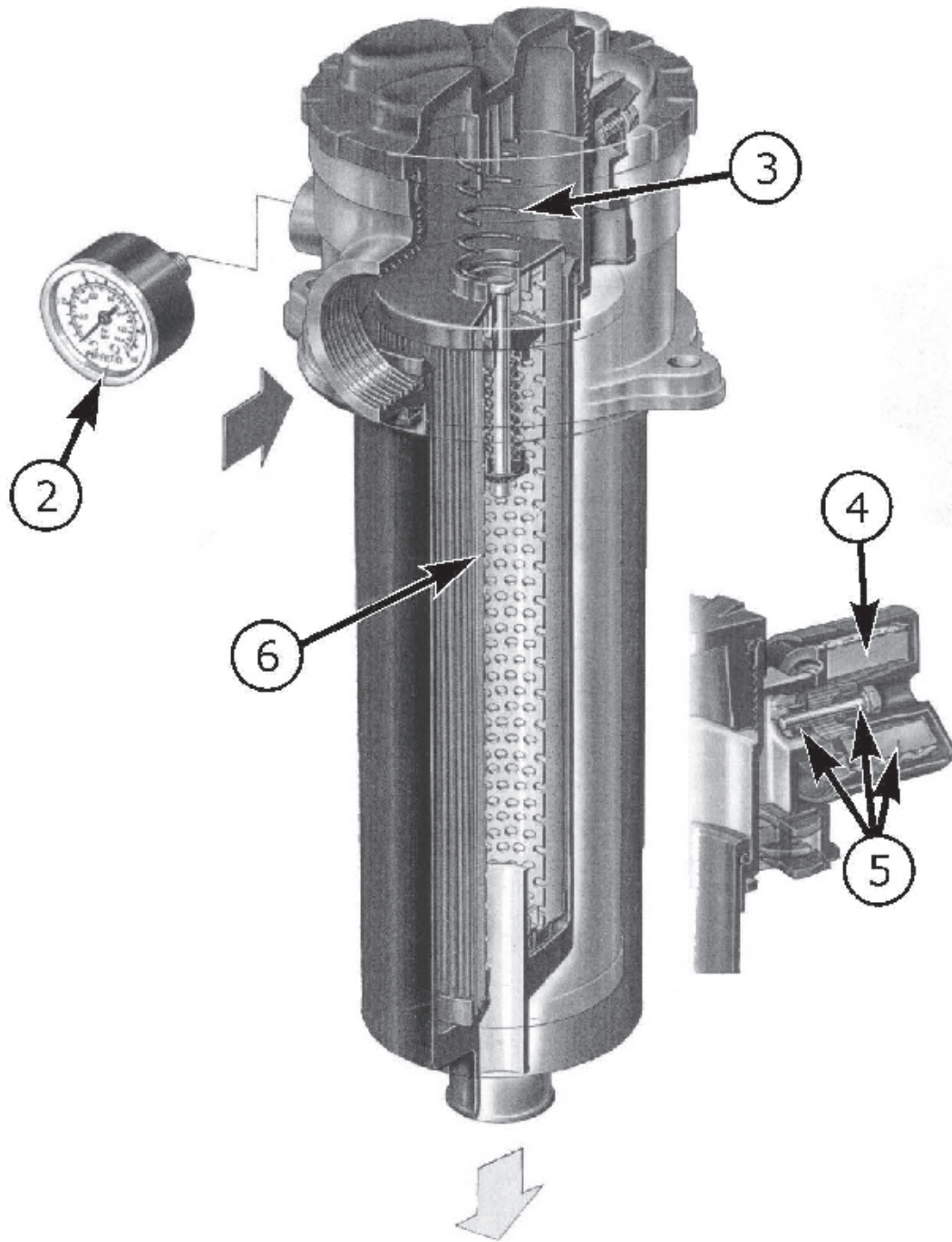
ITEM	PART NO.	QTY.	DESCRIPTION
1	02992334	1	VALVE, SOLENOID DIVERTER (USE W/ DUAL WINGS)

## HYD DIVERter VALVES - PN 02992334 & PN 02977622



ITEM	PART NO.	QTY.	DESCRIPTION
1	02974962	1	BOOT, TOGGLE SWITCH COVER
2	02977825	1	DECAL, INSTUCT. LEFT & RIGHT SWITCH
3	02977826	1	SWITCH, 2-POSITION "ON" & "OFF"
4	02977622	1	DIVERter VALVE & SOLENOID, # 4 PORTS
5	02962181	4	HYD. ADAPTER STRAIGHT
6	02977915	2	HYD. ADAPTER ELBOW
7	02992334	-	DIVERter VALVE
8	02962214	2	HYD. ADAPTER ELBOW
9	00696800	4	HYD. ADAPTER STRAIGHT
10	02761100	2	HYD. ADAPTER ELBOW
11	02977754	1	WIRE HARNESS, LH DUAL WINGS

HYD FILTER ASY - PN 32120940



ITEM	PART NO.	QTY.	DESCRIPTION
1		1	
2	02976907	1	FILTER CONDITION GAUGE
3	02976908	1	FILTER RETAINER SPRING

## HYD FILTER ASY - PN 32120940

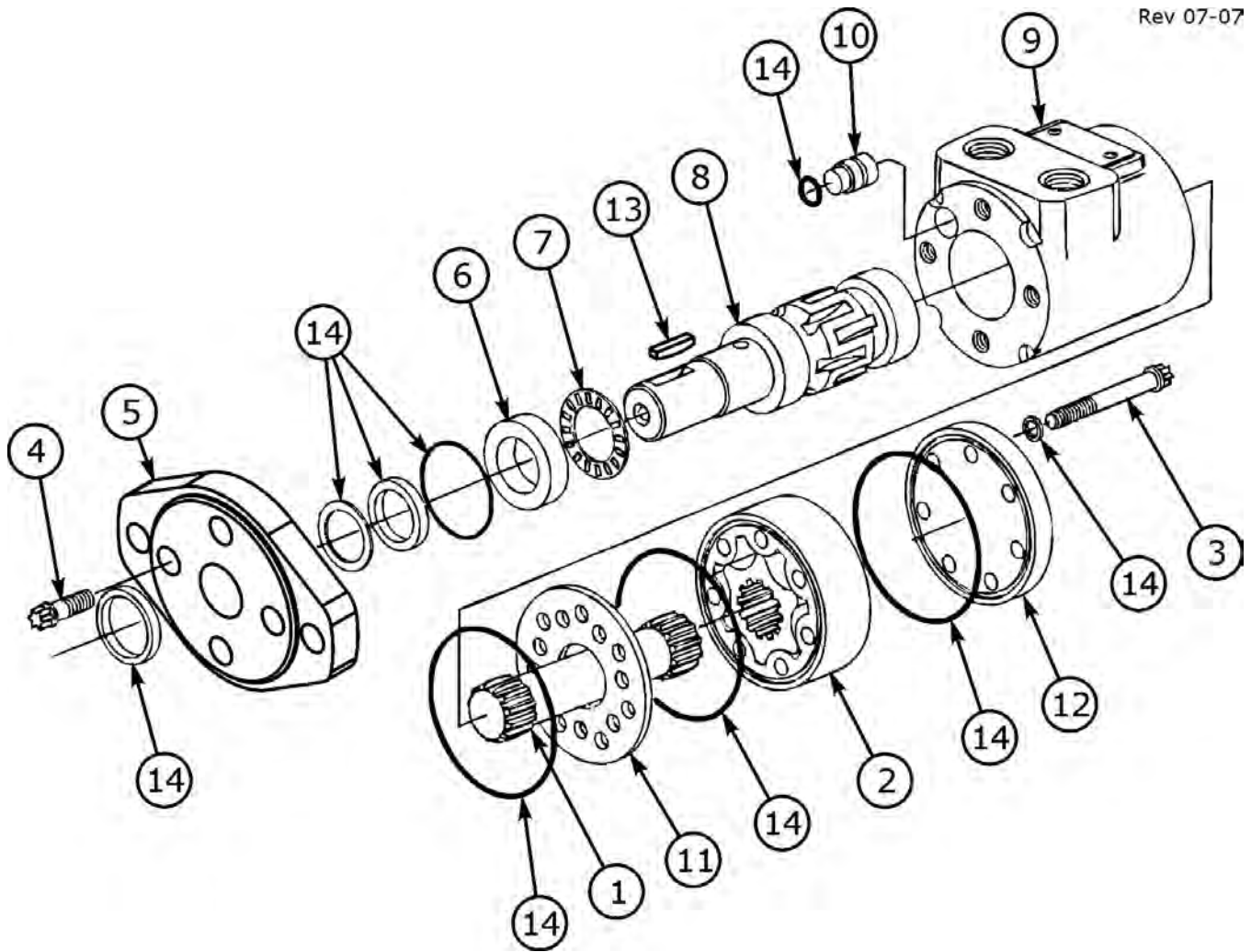
Continued...

ITEM	PART NO.	QTY.	DESCRIPTION
4	02974319	1	AIR BREATHER ELEMENT
5	32121086	1	AIR BREATHER KIT
6	02974310	1	FILTER ELEMENT
7	32121087	1	SEAL KIT



HYD MOTOR ASY - PN 02974301 & PN 02974301A

Rev 07-07



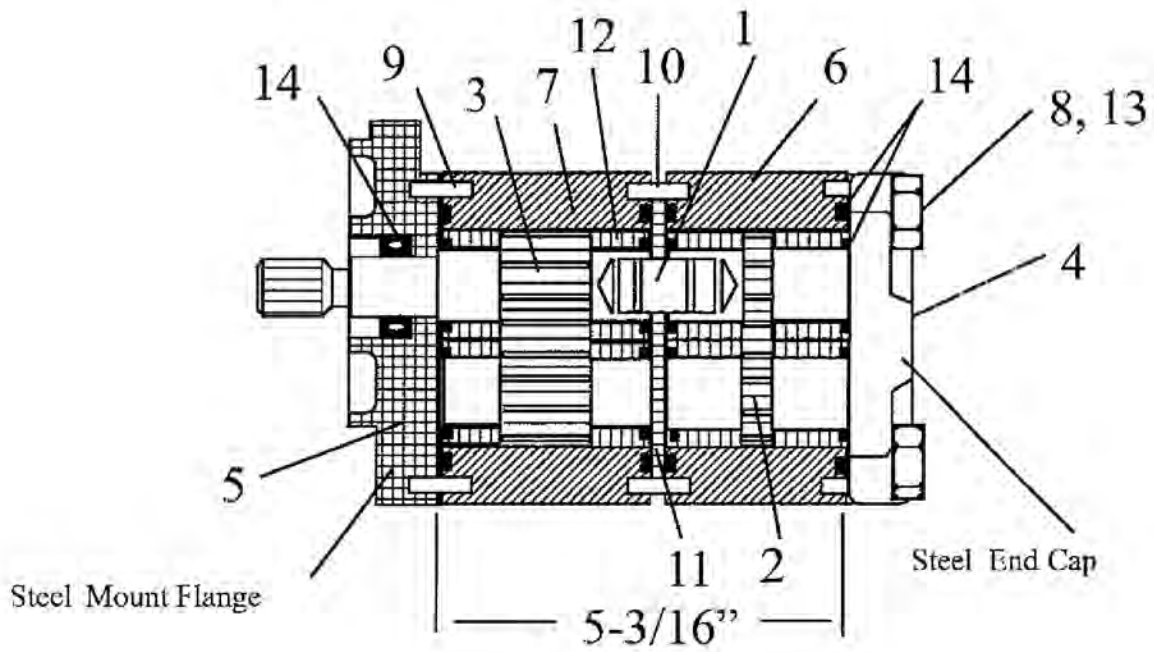
ITEM	PART NO.	QTY.	DESCRIPTION
	02974301	1	HORIZONTAL KNIFE DRIVE ASY (W/ 5/16" KEY WAY) SWB6-10672 & DOWN
	02997599	1	MOTOR GEROTOR 3CID 1"X1/4"KEY
1	02976883	1	INTERNAL DRIVE SHAFT
2	02976884	1	STAR & HOUSING SET
3	02976885	7	HOUSING TIE SCREW
4	02976886	4	FLANGE ATTACHMENT SCREW
5	02976887	1	FLANGE MOUNT
6	02976888	1	THRUST BEARING RACE
7	02976889	1	THRUST BEARING
8	02976890	1	OUTPUT SHAFT, (W/ 5/16" KEY WAY) SWB6-10672 & DOWN
	02976890A	1	OUTPUT SHAFT, (W/ 1/4" KEY WAY) SWB5-10673 & UP
9	02976891	1	MOTOR HOUSING
10	02976892	1	PLUG
11	02976893	1	SPACER PLATE
12	02976894	1	END CAP

## HYD MOTOR ASY - PN 02974301 & PN 02974301A

Continued...

ITEM	PART NO.	QTY.	DESCRIPTION
13	MA000229	1	KEY, 5/16" X 5/16" X 1" LG KEY SWB6-10672 & DOWN
	102268	1	KEY, 1/4" X 1/4" X 1" LG KEY SWB5-10673 & UP
	03200521	1	KEY, STEPPED 1/4" X 5/16" X 1" LG KEY (AS NEEDED)
14	02976895	1	SEAL KIT, GEROTOR MOTOR

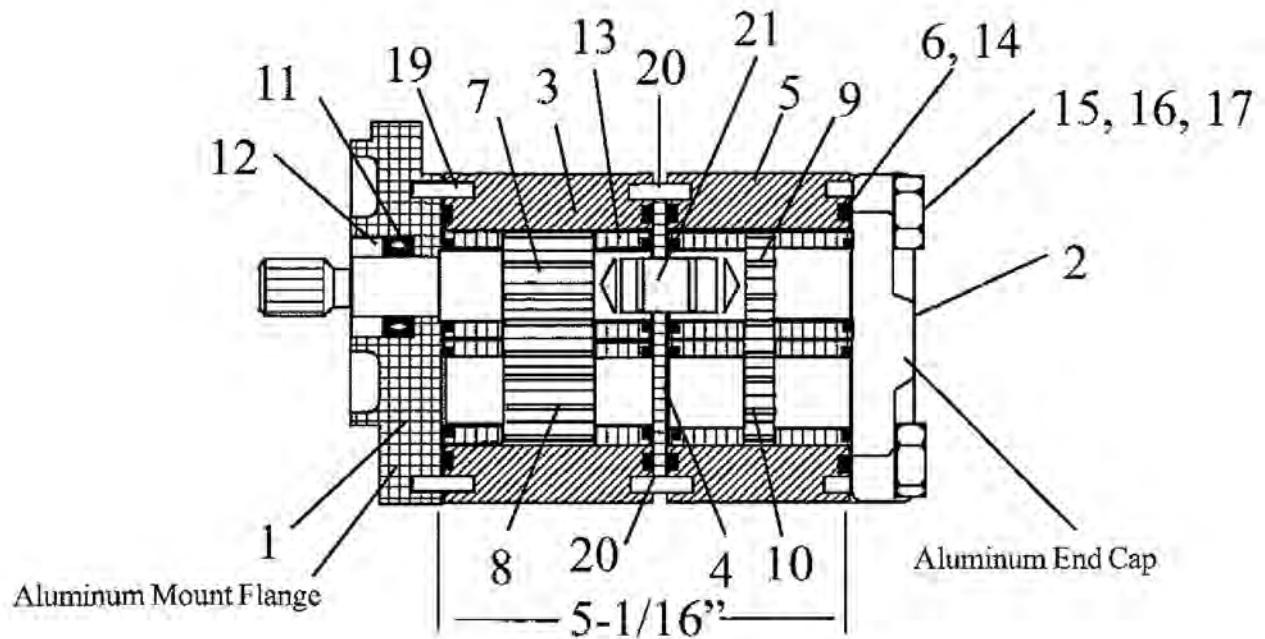
HYD PUMP ASY - PN 02974302 (SN 10361 09-04 & DOWN)



ITEM	PART NO.	QTY.	DESCRIPTION
	02974302	1	PUMP ASY, 1.16/0.49 CID/REV (STEEL MOUNTING FLANGE & END CAP)
1	02976923	1	CONNECTING SHAFT
2	02976922	1	GEAR SET
3	02976921	1	GEAR SET
4	02976920	1	END CAP (STEEL END CAP)
5	02976919	1	MOUNTING FLANGE (STEEL MOUNTING FLANGE)
6	02976918	1	GEAR HOUSING
7	02976917	1	GEAR HOUSING
8	02976916	4	HOUSING TIE BOLT
9	02976915	2	DOWEL PIN
10	02976914	2	DOWEL PIN
11	02976913	1	MID SPACER PLATE
12	02976912	4	THRUST BLOCK
13	02976911	4	WASHER
*	02976924	1	SEAL KIT ( INCLUDES ITEMS W / * )

**THIS PAGE INTENTIONALLY LEFT BLANK**

HYD PUMP ASY - PN 02974302A (SN 10362 10-04 TO 10770)



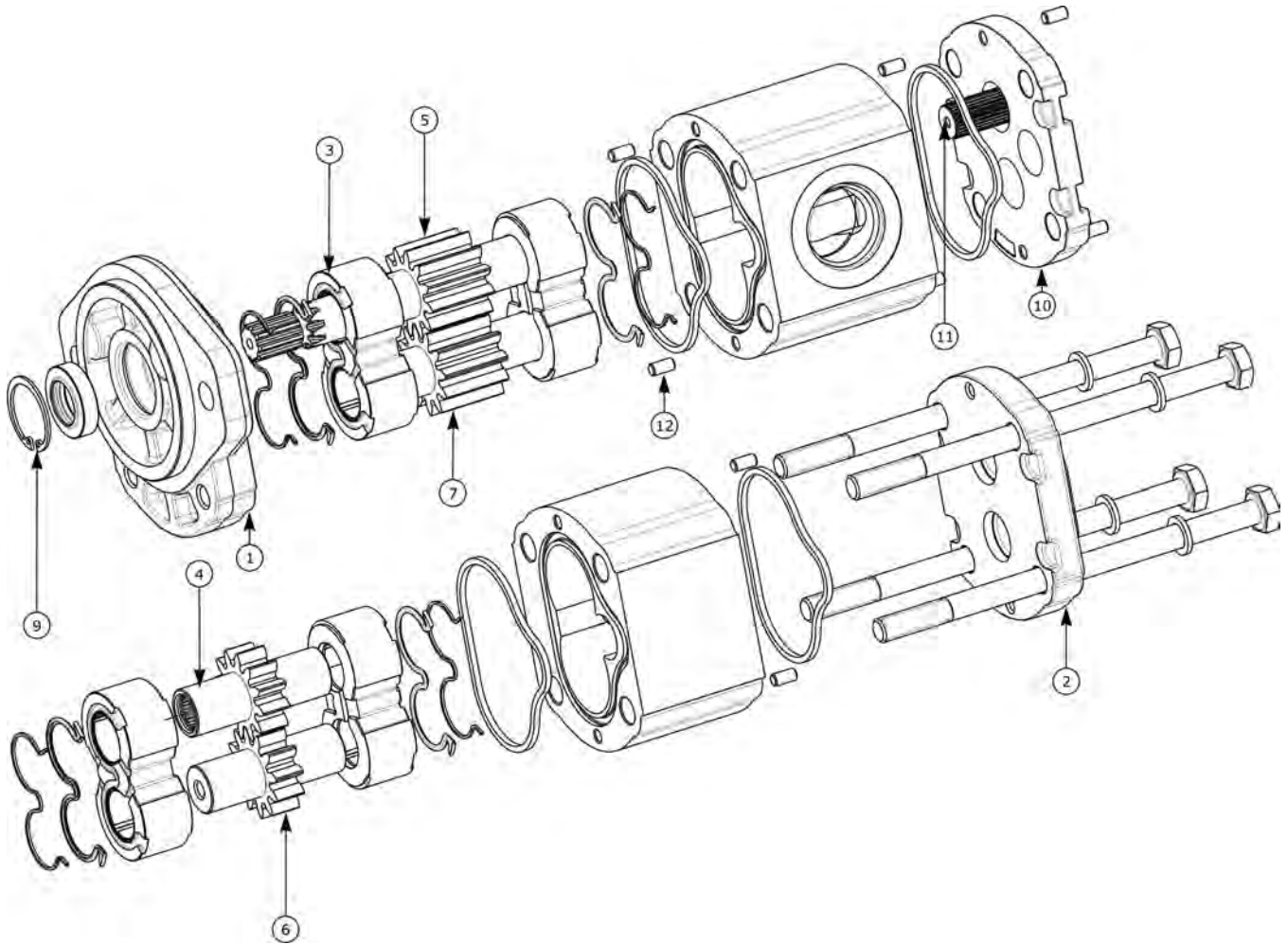
ITEM	PART NO.	QTY.	DESCRIPTION
	02974302A	1	PUMP ASY, 1.16/0.49 CID/REV (ALUMINUM MOUNTING FLANGE & END CAP)
1	02980846	1	MOUNTING FLANGE, (ALUMINUM MOUNTING FLANGE)
2	02980847	1	END CAP, (ALUMINUM END CAP)
3	02980848	1	HOUSING, (F/ LARGE GEAR SECTION)
4	02976913	1	MID SECTION SPACER PLATE
5	02980849	1	HOUSING, (F/ SMALL GEAR SECTION)
6	-----	4	SEAL, BACK UP (INCLUDED N SEAL KIT)
7	02980850	1	DRIVE GEAR, (LARGE GEAR)
8	02980851	1	DRIVEN GEAR, (LARGE GEAR)
9	02980852	1	DRIVE GEAR, (SMALL GEAR)
10	02980853	1	DRIVEN GEAR, (SMALL GEAR)
11	-----	1	SHAFT SEAL, (INCLUDED IN SEAL KIT)
12	02980856	1	SNAP RING
13	02980857	4	THRUST BLOCK, (F/ LARGE OR SMALL GEAR SECTION)
14	-----	4	CHANNEL SEAL, (INCLUDED IN SEAL KIT)
15	02976911	4	WASHER
16	02980854	4	FASTENER, (173MM)
17	02980855	4	NUT
18	-----	4	SECTIONAL SEAL, (INCLUDED IN SEAL KIT)
19	02976915	2	PIN, DOWEL, (SHORT PIN)
20	02976914	2	PIN, DOWEL, (LONG PIN)
21	02976923	1	CONNECTING, SHAFT
22	02980858	1	SEAL KIT, (F/ LARGE GEAR SECTION)

**HYD PUMP ASY - PN 02974302A (SN 10362 10-04 TO 10770)**

**Continued...**

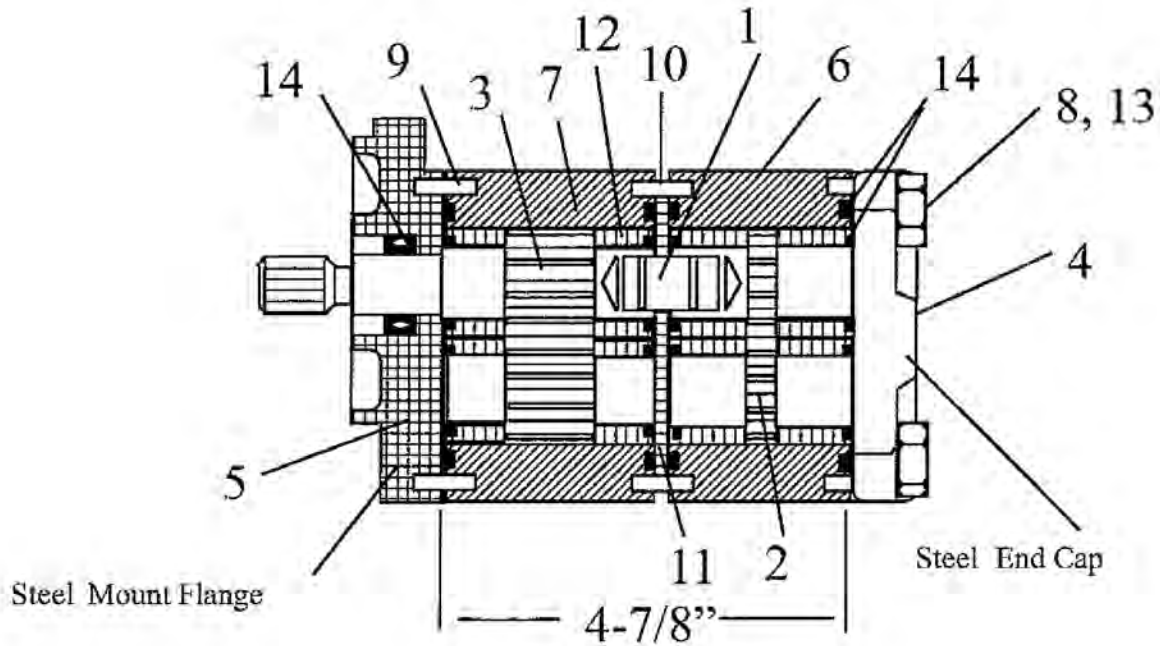
<b>ITEM</b>	<b>PART NO.</b>	<b>QTY.</b>	<b>DESCRIPTION</b>
23	02980859	1	SEAL KIT, (F/ SMALL GEAR SECTION)

## HYD PUMP ASY - PN 02974302B (SN 10771 09-08 & UP)



ITEM	PART NO.	QTY.	DESCRIPTION
	02974302B	1	PUMP TANDEM GEAR 1.16/.50 CID
1	02985005	1	PUMP FLANGE
2	02985006	1	REAR COVER
3	02988046	4	THRUST PLATE
4	02988047	1	DRIVE GEAR
5	02988048	1	SHAFT, DRIVE GEAR
6	02988049	1	DRIVEN GEAR
7	02988050	1	SHAFT, DRIVEN GEAR
8	02988051	1	KIT, M10 BOLT & WASHER, 4 EA.
9	02985014	1	RETAINING RING
10	02985015	1	MID-PLATE SPACER
11	02985016	1	SPLINED CONNECTING SHAFT
12	02985017	8	PIN, DOWEL
	02988051	1	BOLTS AND WASHERS KIT
	02985018	1	SEAL KIT

**HYD PUMP ASY - PN 02974303 (SN 10361 09-04 & DOWN)**

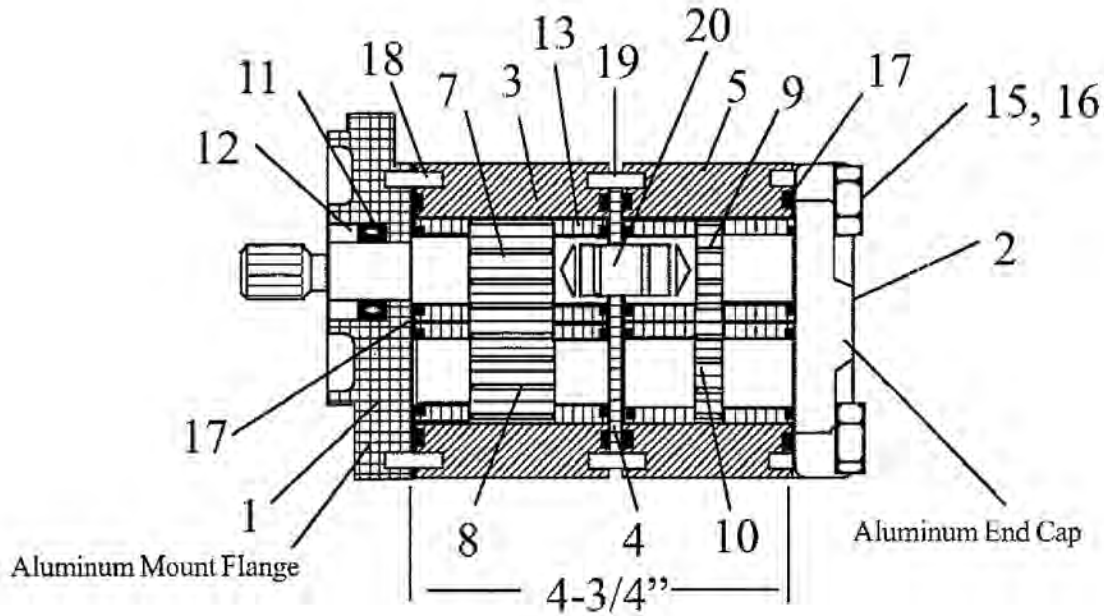


ITEM	PART NO.	QTY.	DESCRIPTION
	02974303	1	PUMP ASY, 0.98/0.37 CID/REV (STEEL END CAP & MOUNTING FLANGE)
1	02976923	1	CONNECTING SHAFT
2	02976929	1	GEAR SET, (SMALL GEARS)
3	02976928	1	GEAR SET, (LARGE GEARS)
4	02976920	1	END CAP (STEEL END CAP)
5	02976919	1	MOUNTING FLANGE (STEEL MOUNTING FLANGE)
6	02976927	1	GEAR HOUSING (F/ SMALL GEAR END)
7	02972926	1	GEAR HOUSING (F/ LARGE GEAR END)
8	02976925	4	HOUSING TIE BOLT
9	02976915	2	DOWEL PIN, (F/ MOUNTING FLANGE)
10	02976914	2	DOWEL PIN, (F/ GEAR HOUSINGS)
11	02976913	1	MID SPACER PLATE
12	02976912	4	THRUST BLOCK (F/ SMALL OR LARGE GEAR SECTION)
13	02976911	4	WASHER (F/ HOUSING TIE BOLTS)
14	02976924	1	SEAL KIT

NOTE:SEAL KIT ITEM 18 INCLUDES INPUT SEAL (1), BACKUP SEALS (2), CHANNEL SEALS (2) AND SECTION SEAL O-RINGS (2)OR FIRST PUMP SECTION. SEAL KIT ITEM 19 INCLUDES BACKUP SEALS (2), CHANNEL SEALS (2) AND SECTION SEAL O-RINGS (2)OR SECOND PUMP SECTION.



**HYD PUMP ASY - PN 02974303A (SN 10362 10-04 & UP)**



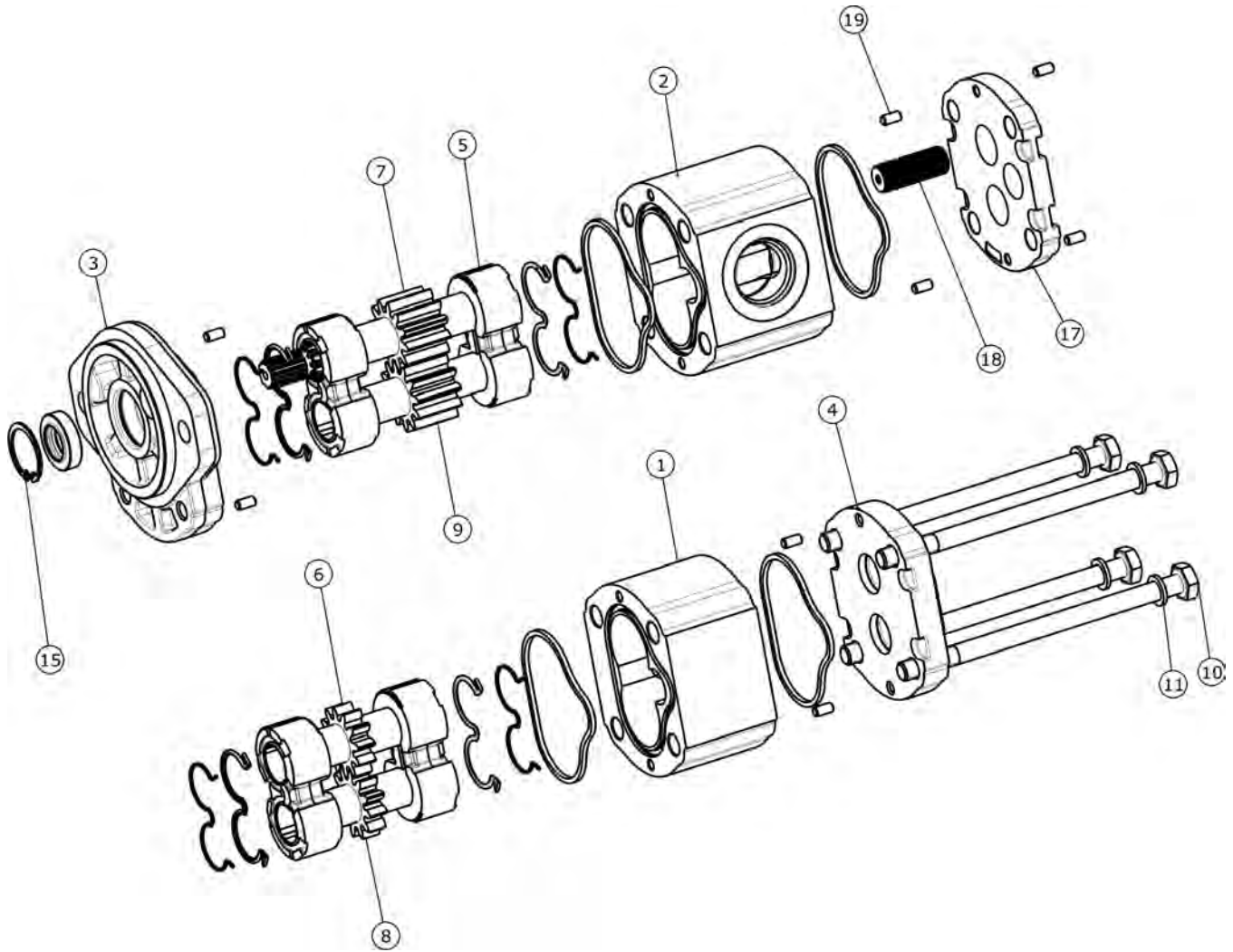
ITEM	PART NO.	QTY.	DESCRIPTION
	02974303A	1	PUMP ASY, 0.98/0.37 CID/REV (ALUMINUM MOUNTING FLANGE & END CAP)
1	02976911	4	WASHER
2	02976913	1	MID SPACER PLATE
3	02976914	2	PIN, DOWEL
4	02976915	2	PIN, DOWEL
5	02976923	1	CONNECTING, SHAFT
6	02980846	1	MOUNTING FLANGE (ALUMINUM MOUNTING FLANGE)
7	02980847	1	END CAP ( ALUMINUM END CAP )
8	02980860	1	GEAR HOUSING, ( F/ LARGE GEAR SET )
9	02980861	1	GEAR HOUSING, ( F/ SMALL GEAR SET )
10	02980862	1	DRIVE GEAR & INPUT SHAFT ( F/ LARGE GEAR )
11	02980863	1	DRIVEN GEAR ( F/ LARGE GEAR )
12	02980864	1	DRIVE GEAR ( F/ SMALL GEAR )
13	02980865	1	DRIVEN GEAR ( F/ SMALL GEAR )
14	02980866	4	HOUSING TIE BOLT - 150 MM
15	02980856	1	SNAP RING
16	02980857	4	THRUST BLOCK, (F/ LARGE OR SMALL GEAR SECTION)
17	-----	1	INPUT SEAL, (INCLUDED IN SEAL KIT)
18	02980858	1	SEAL KIT, (F/ LARGE GEAR SECTION)
19	02980859	1	SEAL KIT, (F/ SMALL GEAR SECTION)

**HYD PUMP ASY - PN 02974303A (SN 10362 10-04 & UP)**

**Continued...**

NOTE:SEAL KIT ITEM 18 INCLUDES INPUT SEAL (1), BACKUP SEALS (2), CHANNEL SEALS (2) AND SECTION SEAL O-RINGS (2)OR FIRST PUMP SECTION. SEAL KIT ITEM 19 INCLUDES BACKUP SEALS (2), CHANNEL SEALS (2) AND SECTION SEAL O-RINGS (2)OR SECOND PUMP SECTION.

## HYD PUMP ASY - PN 02974303B (SN 10771 09-08 & UP)



ITEM	PART NO.	QTY.	DESCRIPTION
	02974303B	1	PUMP TANDEM GEAR 0.98/0.38 CID
1	02985003	1	BODY .38 CID SECTION
2	02985004	1	BODY .98 CID SECTION
3	02985005	1	PUMP FLANGE
4	02985006	1	REAR COVER
5	02985007	4	THRUST PLATE
6	02985008	1	DRIVE GEAR .38 CID
7	02985009	1	DRIVE GEAR .98 CID
8	02985010	1	DRIVEN GEAR .38 CID
9	02985011	1	DRIVEN GEAR .98 CID
10	02985012	4	HHCS M10 X 165MM
11	02985013	4	WASHER
15	02985014	1	RETAINING RING
17	02985015	1	MID-PLATE SPACER

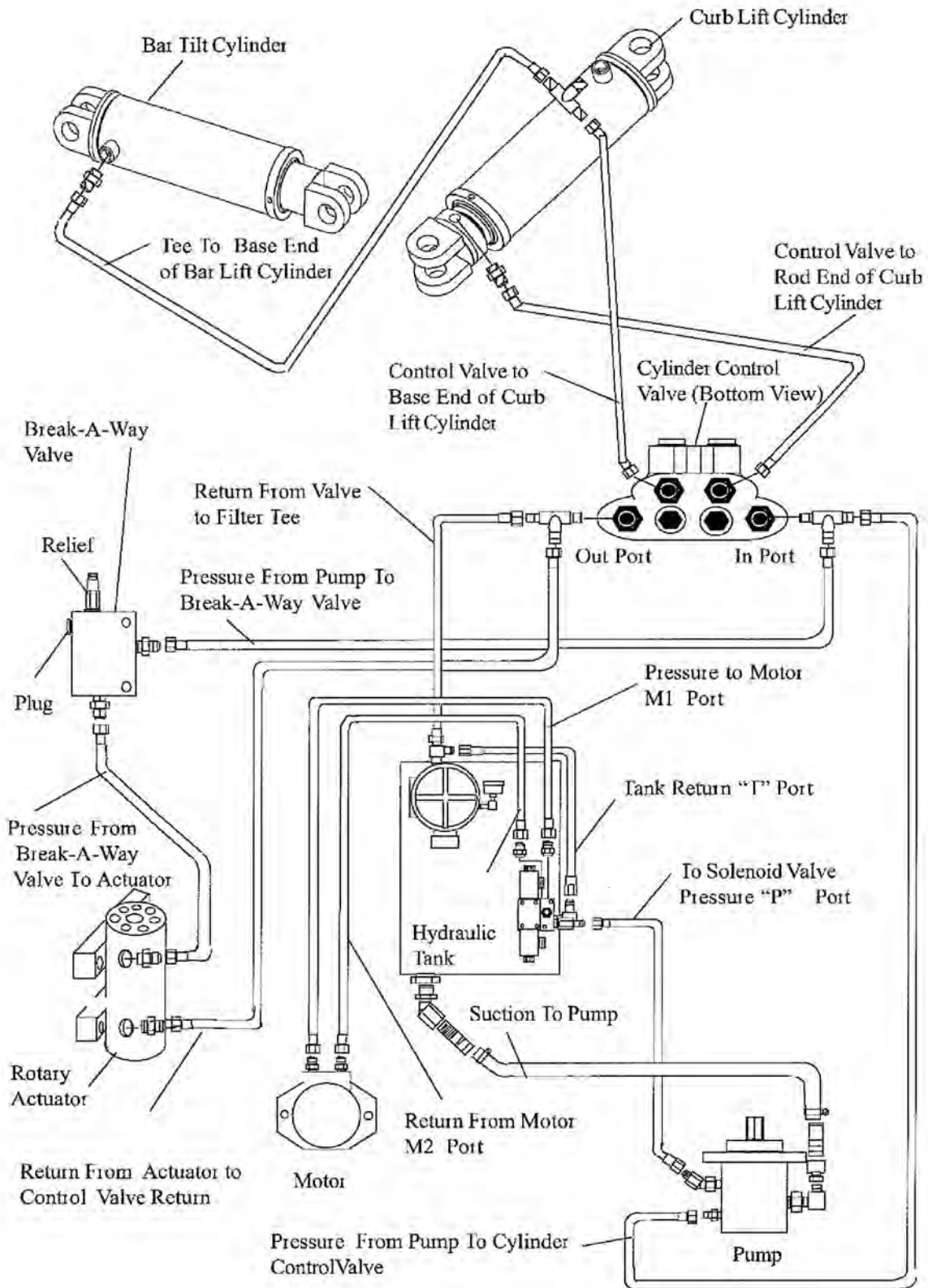
02982612P - Switchblade 5 FT and 6 FT Hyd Brk-Away (02-05)\_11-20

**HYD PUMP ASY - PN 02974303B (SN 10771 09-08 & UP)**

**Continued...**

<b>ITEM</b>	<b>PART NO.</b>	<b>QTY.</b>	<b>DESCRIPTION</b>
18	02985016	1	SPLINED CONNECTING SHAFT
19	02985017	8	PIN, DOWEL
	02985018	1	SEAL KIT

# HYD SCHEMATIC - SINGLE WG

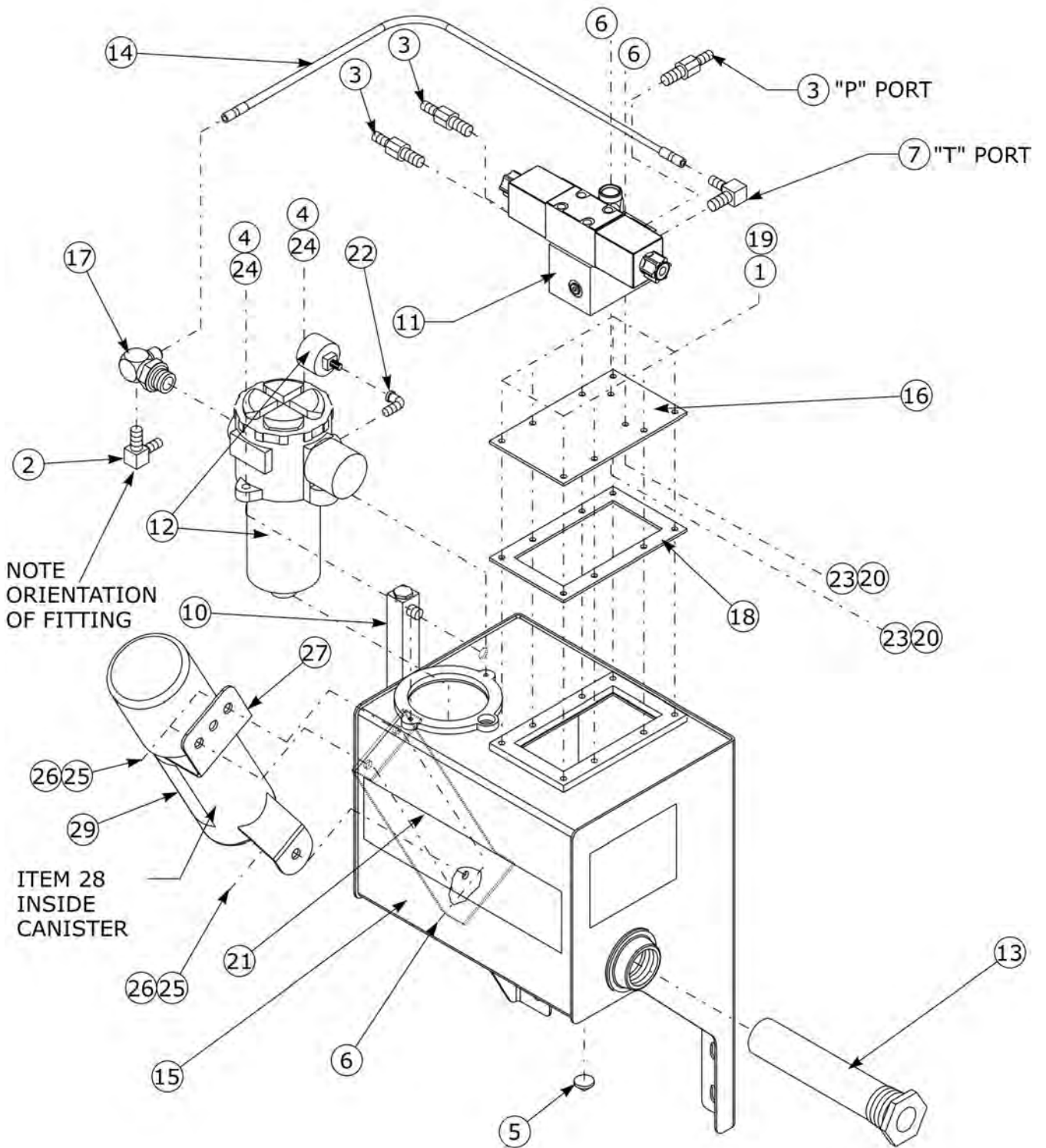


## HYD SCHEMATIC - SINGLE WG

Continued...

ITEM	PART NO.	QTY.	DESCRIPTION
1	02974302	1	PUMP TANDEM GEAR, 1.16/0.49 CID
	02974303	1	PUMP TANDEM GEAR, 0.98/0.37 CID
2	02981705	1	HYDRAULIC TANK ASY. ( NCLUDES NEXT 4 ITEMS )
	02974309	1	FILTER ASY.
	02974312	1	SUCTION STRAINER
	02988789	1	CONTROL VALVE SOLENOID
	02981527	1	TANK WLDMT
3	0693400A	1	CURB STOP CYLINDER ASY
4	0693500A	1	BAR LIFT CYLINDER ASY
5	02982296	1	BREAK-A-WAY VALVE ASY ( CONSIST OF THE FOLLOWING 6 ITEMS )
	02965521	1	VALVE BODY ONLY
	00751003	1	PIPE PLUG
	02823100	2	HYD. ADAPTER ELBOW
	00016200	2	BOLT
	00750940	2	LOCKNUT
	02982478	1	RELIEF CARTRIDGE ( 1550 PSI SETTING )
6	02981979	1	ROTARY ACTUATOR ASY.
7	02974301	1	MOTOR, 2.8 CID

HYD TANK ASY - PN 02981705



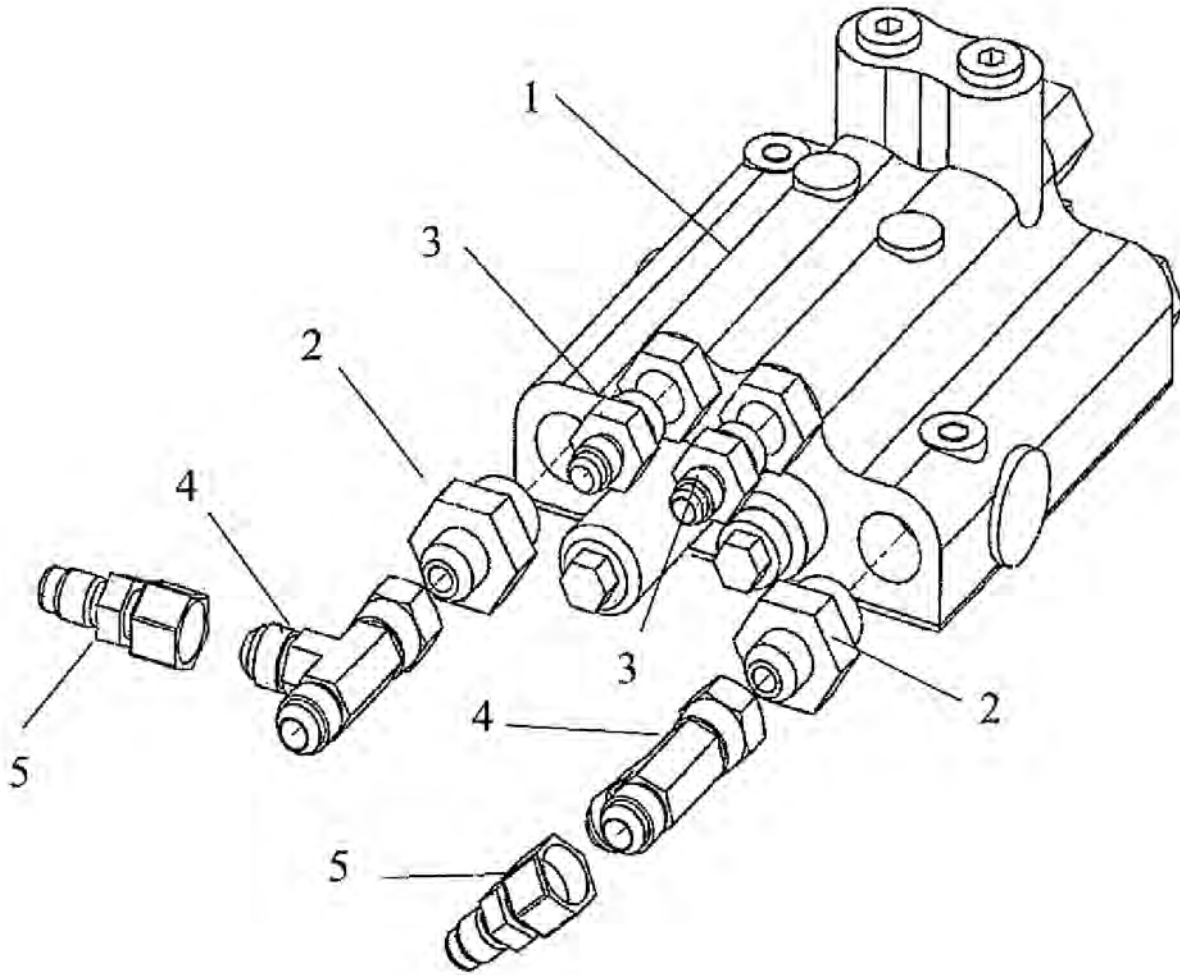
## HYD TANK ASY - PN 02981705

Continued...

ITEM	PART NO.	QTY.	DESCRIPTION
	02981705	1	ASSEMBLY HYDRAULIC TANK
1	00017000	8	LOCKWASHER 1/4 PL STD
2	001891	1	ADP HYD ELBOW 4MP-6MJ90
3	00696800	3	ADP HYD STGHT 8MJ-8MB
4	10119000	2	HHCS 5/16 NC 1 PL5
5	0117100	1	MAGNETIC DRAIN PLUG
6	02959924	5	NUT TOPLOCK 1/4 NC PLB
7	02962213	1	ADP HYD ELBOW 8MB-8MJ 90
10	02968880	1	GAUGE SIGHT TEMPERATURE
11	02988789	1	VALVE SOLENOID CONTROL
12	02974309	1	FILTER HOUSING W/FILTER GUAGE
13	02974312	1	SUCTION STRAINER
14	02974320	1	HOSE #8-8FJX-8FJX-15LG "
15	02981527	1	WELDMENT HYDRAULIC TANK
16	02974369	1	COVER TANK ACCESS
17	02974370	1	ADP HYD ELBOW SPCL 8MJ-12MB 90 W/4FP
18	064600D	1	COVER GASKET
19	00002100	8	HHCS 1/4 NC 1/2 PL5
20	10074000	2	HHCS 1/4 NC 3 PL5
21	02974997	1	DECAL,NAME SWITCH BLADE
22	000752	1	ELBOW 2MP-2FP 90
23	000752	2	SEAL WASHER 1/4
24	00011700	2	5/16 LOCKWASHER
25	00024100	3	1/4 FLATWASHER
26	10058000	3	HHCS 1/4 NC 1 PL5
27	00776031	1	CANISTER, PARTS MANUAL
28	02974374CA	1	MANUAL OPERATORS, SWITCH BLADE



**HYD VALVE ASY W-FITTINGS - PN 02982077**

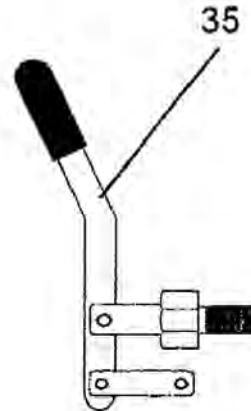
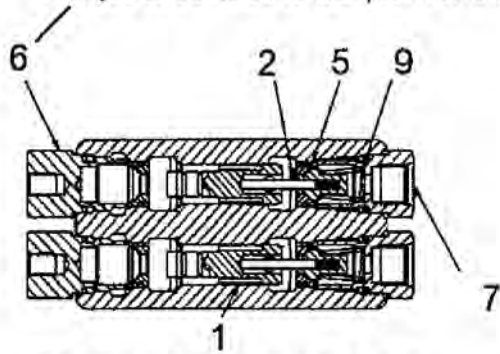


ITEM	PART NO.	QTY.	DESCRIPTION
	02982077	1	VALVE ASY, W/ FITTINGS ( 2-SPOOL )
	02982077	1	VALVE ASY, W/ FITTINGS ( 2-SPOOL )
1	02974306	1	VALVE, DIRECTIONAL CONTROL
	02974306	1	VALVE, DIRECTIONAL CONTROL
2	02968850	2	HYD. ADAPTER STRAIGHT
	02968850	2	HYD. ADAPTER STRAIGHT
3	03200284	2	HYD. ADAPTER STRAIGHT
	03200284	2	HYD. ADAPTER STRAIGHT
4	02965166	2	HYD. TEE ADAPTER
	02965166	2	HYD. TEE ADAPTER
5	02981896	2	HYD. ADAPTER
	02981896	2	HYD. ADAPTER

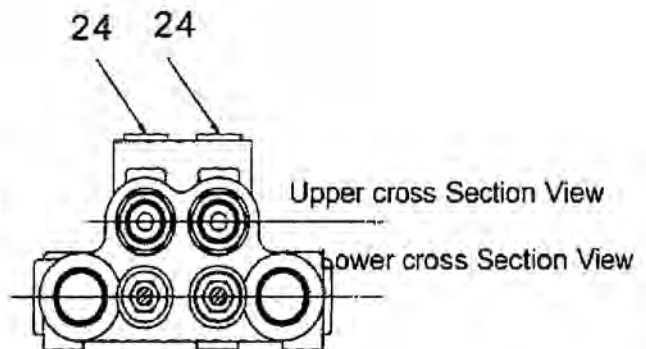
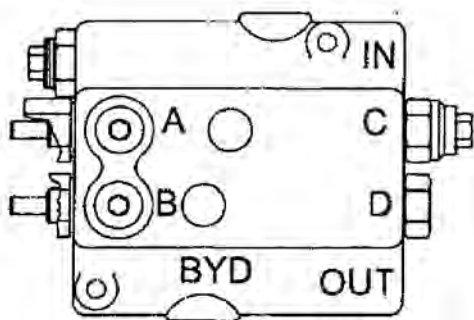
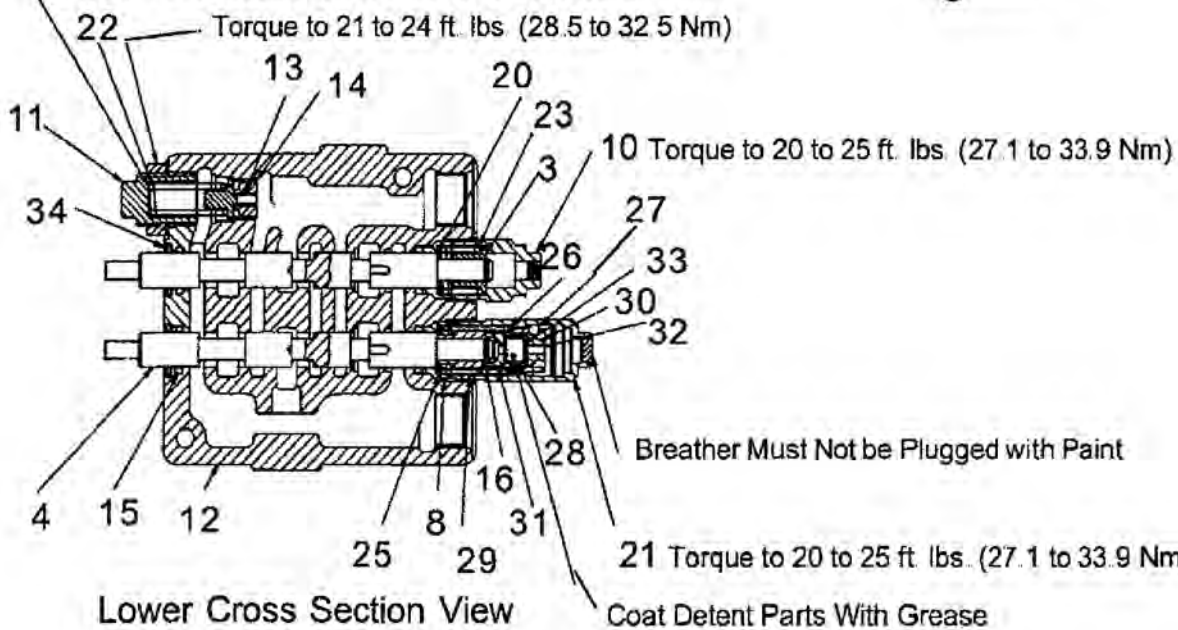
**THIS PAGE INTENTIONALLY LEFT BLANK**

HYD VALVE ASY W-O FITTINGS - PN 02974306

Torque to 30 to 35 ft. lbs. (40.7/47.5 Nm)



17, 18, 19 At least one shim must be installed

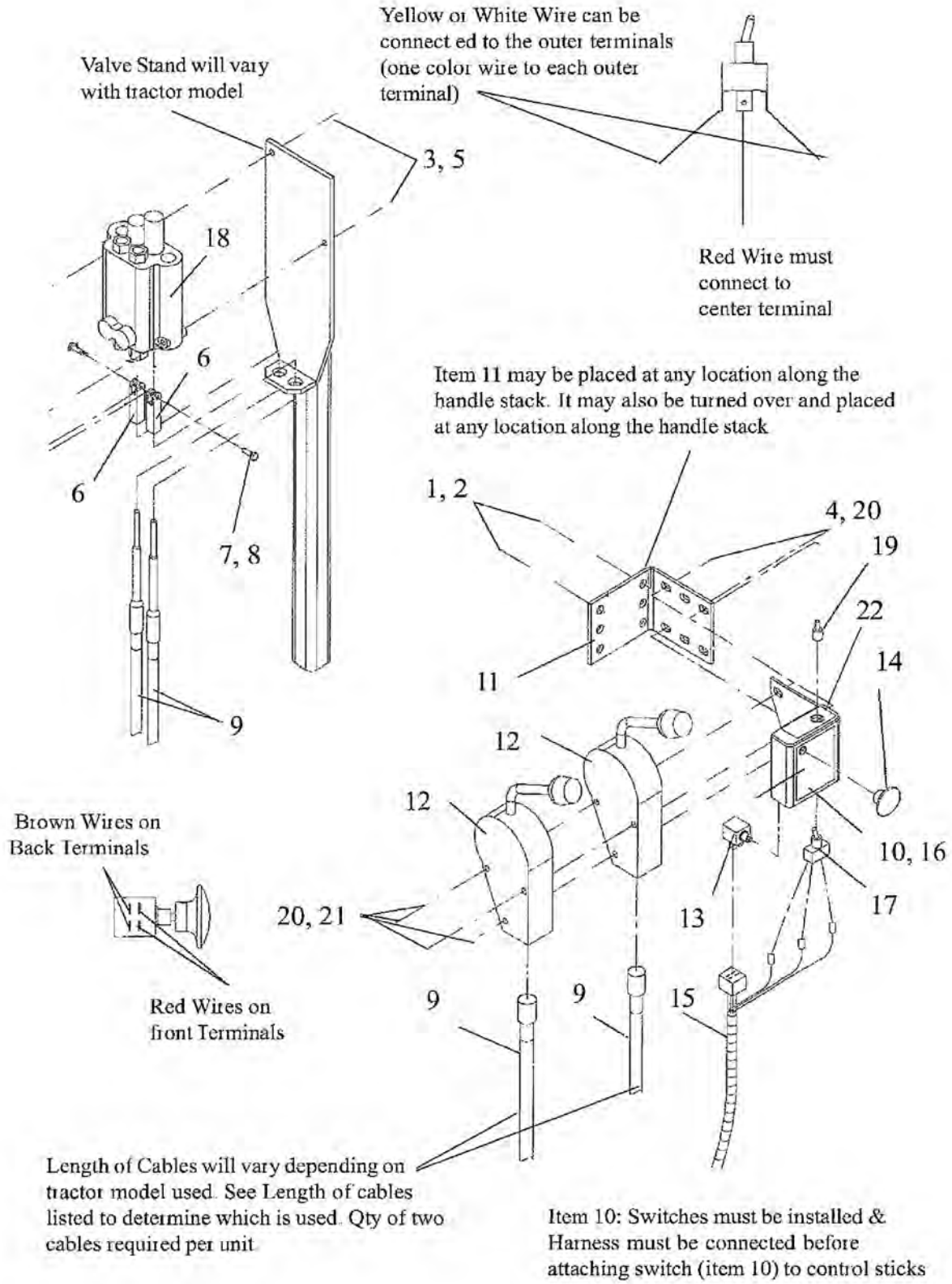


## HYD VALVE ASY W-O FITTINGS - PN 02974306

Continued...

ITEM	PART NO.	QTY.	DESCRIPTION
	02974306	1	VALVE ASY, 2 SPOOL W/O FITTINGS
1	02976934	2	UNLOAD PLUNGER
2	02966645	2	POPPET ASY.
3	02966646	1	SPACER
4	02976933	2	SPOOL
5	02966648	4	SEAT ASY.
6	02966649	2	PLUG ASY.
7	02966650	2	PLUG ASY.
8	02966651	2	BUSHING
9	02966652	2	LOCKOUT SPRING
10	02966653	1	CAP ASY.
11	02966654	1	PLUG ASY.
12	02976932	1	BODY
13	02976931	1	POPPET
14	02976930	1	SEAT
15	02966657	4	O-RING
16	02966658	2	RETAINING RING
17	02966659	1	WASHER
18	02966660	1	WASHER
19	02966661	1	WASHER
20	02966662	1	WASHER
21	02976946	1	CAP ASY.
22	02976945	1	SPRING
23	02966669	1	SPRING
24	02976944	2	PLUG ASY.
25	02976943	1	WASHER
26	02976942	1	WASHER
27	02976941	3	BALL
28	02976940	1	SPRING
29	02976939	1	SPRING
30	02976938	1	CONE
31	02976937	1	SPACER
32	02976936	1	ADAPTER CAP
33	02976935	1	WASHER
34	02966671	2	WIPER SEAL
35	02976957	2	HANDLE KIT

# HYD VALVE REMOTE CONTROL CABLES

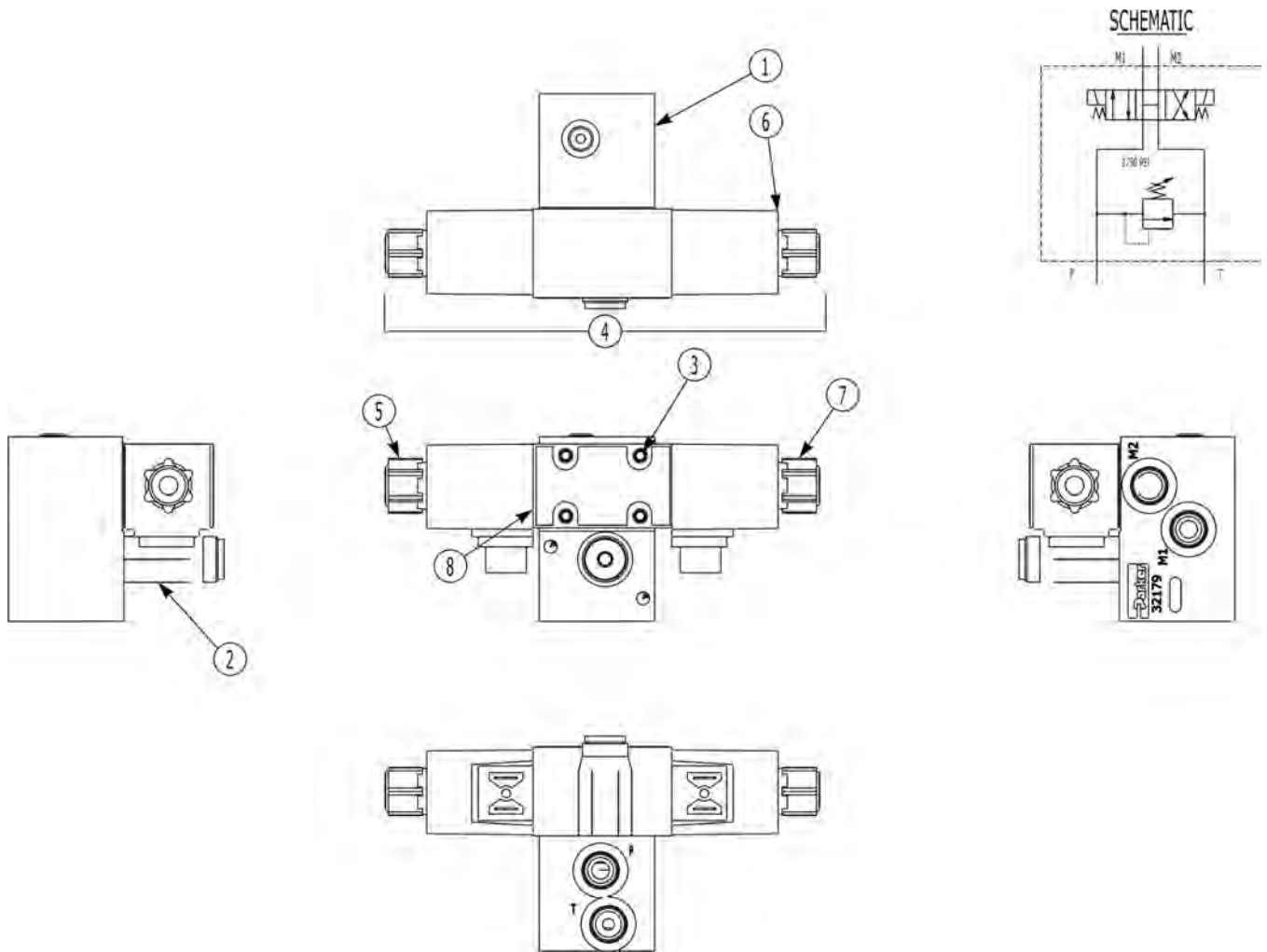


## HYD VALVE REMOTE CONTROL CABLES

Continued...

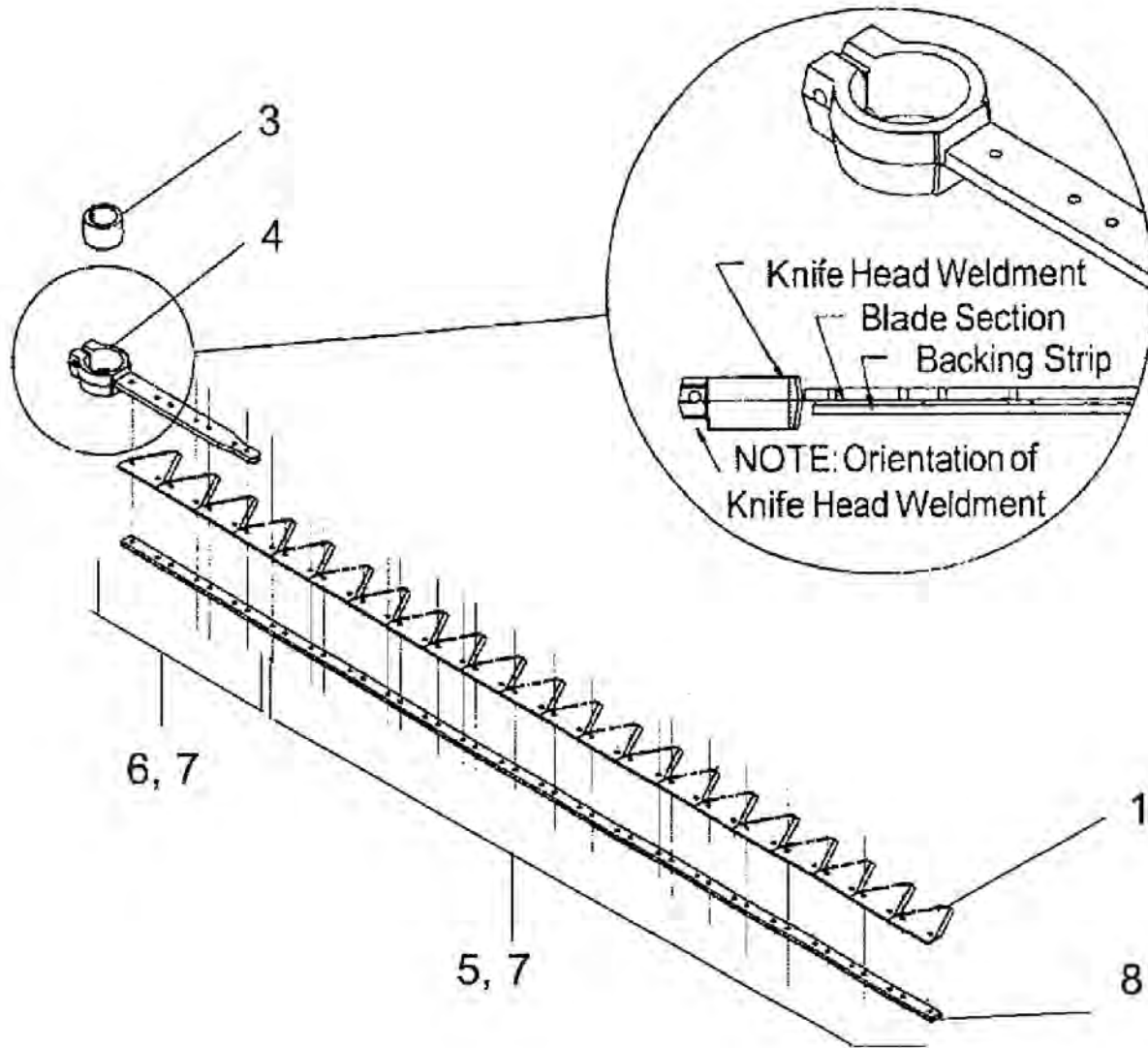
ITEM	PART NO.	QTY.	DESCRIPTION
1	00015800	2	LOCKNUT
2	000354	2	BOLT
3	001636	2	BOLT
4	00750940	3	LOCKNUT
5	02959924	2	LOCKNUT
6	02966687	2	ADJUSTING YOKE END
7	02966688	2	CLEVIS PIN
8	02968698	2	COTTER PIN
9	02971200	1	CABLE, REMOTE CONTROL - 48" LG
	02971201	1	CABLE, REMOTE CONTROL - 60" LG
	02971202	1	CABLE, REMOTE CONTROL - 72" LG
	02971203	1	CABLE, REMOTE CONTROL - 102" LG
10	02974296	1	SWITCH MOUNT WLD'MT
11	02974299	1	ANGLE, MOUNT
12	02974323	2	ANGLED SINGLE AXIS CONTROL ASY.
13	02964028	1	SWITCH, PUSH PULL ( W/ ITEMS 14 )
14	02982367	1	KNOB ( REPLACEMENT KNOB F/ ITEM # 13 )
	02982366	1	JAM NUT ( REPLACEMENT F/ ITEM # 13 )
	02982365	1	NUT ( REPLACEMENT F/ ITEM # 13 )
15	02964318	1	RELIEF VALVE ( SET @ 2500 PSI )
16	02974321	1	DECAL INSTRUCT VALVE & SWITCH
17	02974322	1	3 - POSITION TOGGLE SWITCH
18	02982077	1	VALVE ASY, W/ FITTINGS
19	02974962	1	BOOT, TOGGLE SWITCH COVER
20	00023500	6	FLATWASHER
21	02733700	3	BOLT
22	02975270	1	DECAL INSTRUCTIONS, REVERSING SWITCH

## HYD VALVE SOLENOID ASY - PN 02988789



ITEM	PART NO.	QTY.	DESCRIPTION
	02988789	1	VALVE SOLENOID ASY.
1	02979345	1	BODY
2	02979346	1	RELIEF CARTRIDGE
3	02979190	1	BOLT KIT
4	02989041	1	*SOLENOID ASY.
5	02988802	1	STEM TUBE ASY.
6	02988803	1	COIL SOLENOID
7	02988804	1	COIL NUT
*	*	1	CONSISTS OF REPLACEMENT PARTS; STEM TUBE,COIL SOLENOID,COIL NUT
	02988805	1	SEAL KIT (NOT SHOWN)
	02979191	1	SEAL KIT/RELIEF CARTRIDGE (NOT SHOWN)

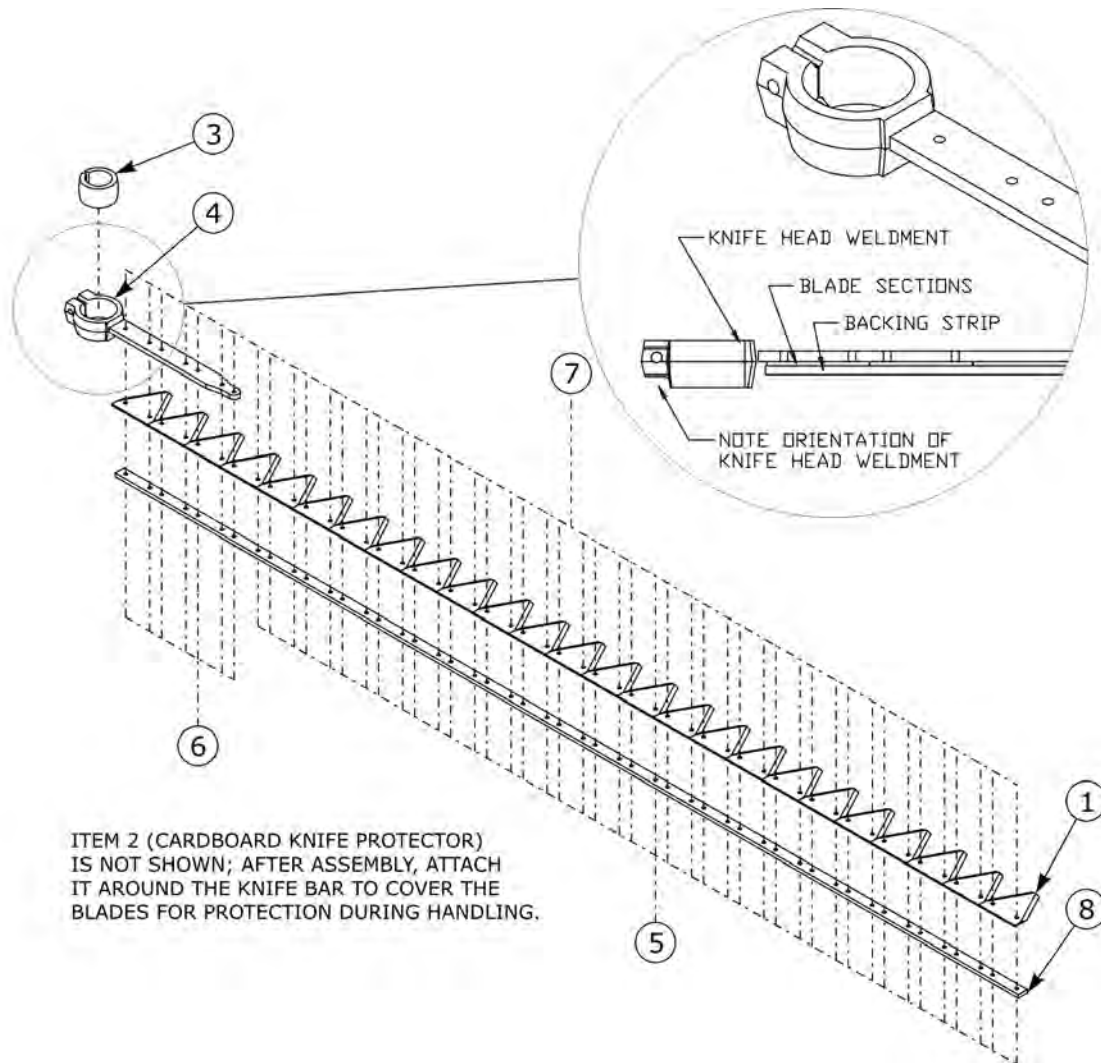
**KNIFE BAR ASY - 5 FT RH WG - PN 02974361**



ITEM	PART NO.	QTY.	DESCRIPTION
	02974361	1	5' KNIFE BAR, ASY RH WING
1	02982752	21	SERRATED KNIFE SECTION
0	02982800	-	KNF SCTNS TOP SER CHR PL BX 25
3	02974316	1	INSERT NYLON DRIVE BRG CLAMP
4	02974349	1	KNIFE HEAD WLD'MT
2	0189900	1	KNIFE PROTECTOR, CARDBOARD 63
5	02976270	35	SECTION BOLT
6	02976271	7	HEAD BOLT
7	02976272	42	LOCKNUT
8	0530100M	1	BACKING STRIP, 5'
	00756328	1	BOLT

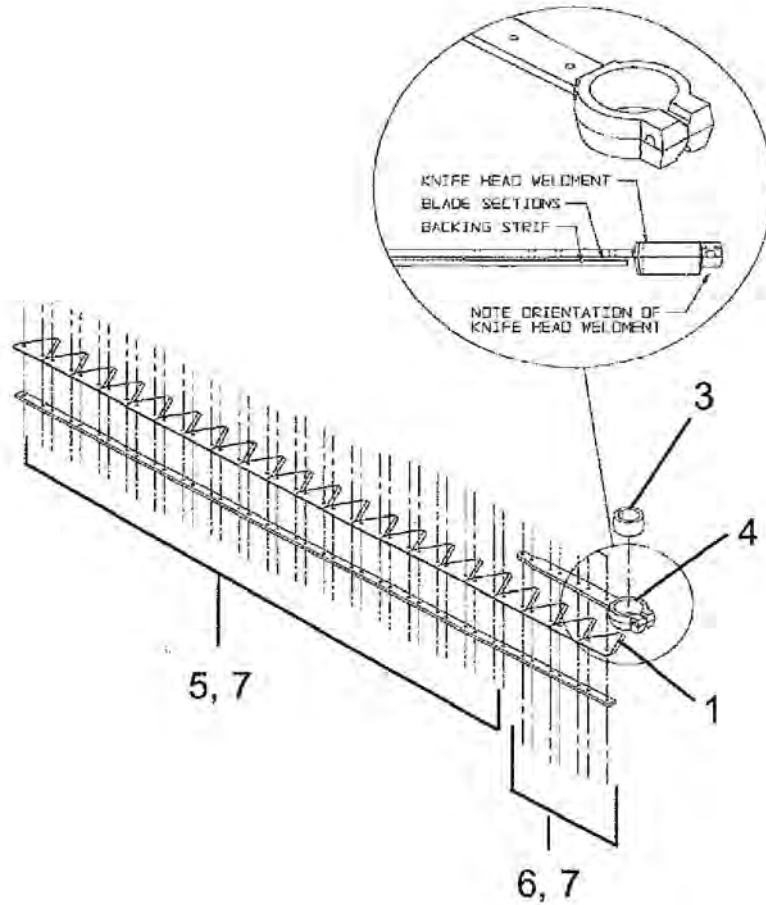


## KNIFE BAR ASY - 6 FT RH WG - PN 02974373



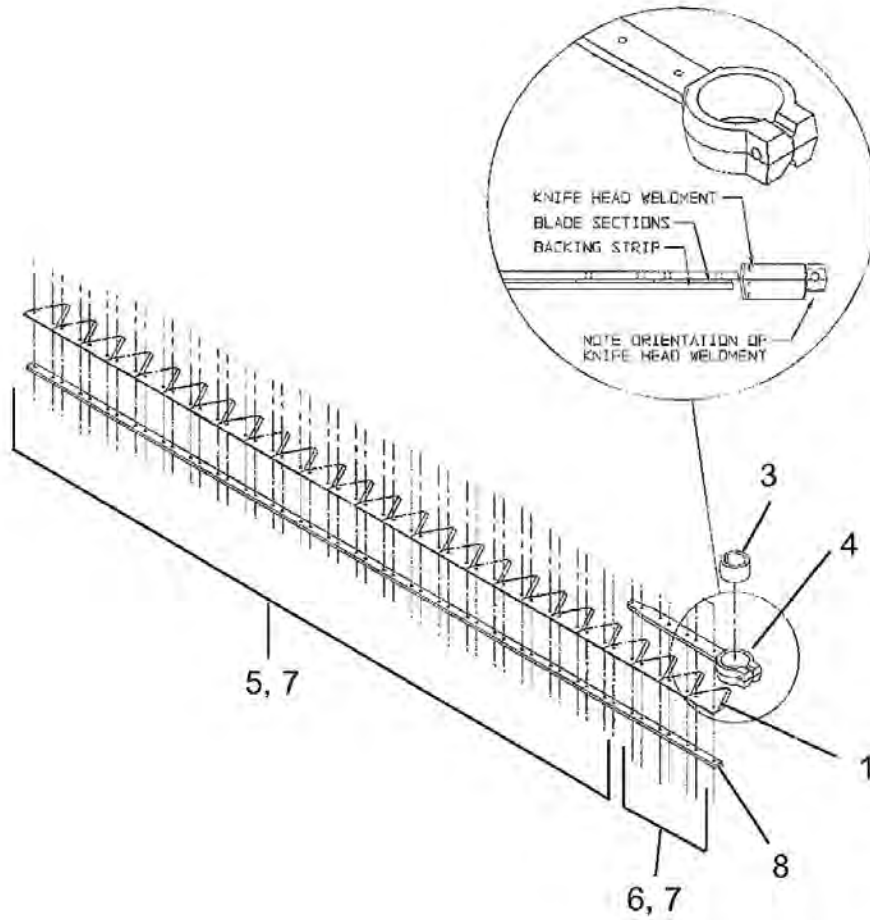
ITEM	PART NO.	QTY.	DESCRIPTION
	02974373	1	ASSEMBLY 6 SERR KNIFE BAR
1	02982752	25	KNIFE SECTION TOP SER CHR PLT
	02982800	-	KNF SCTNS TOP SER CHR PL BX 25
3	02974316	1	INSERT NYLON DRIVE BRG CLAMP
4	02974349	1	WELDMENT KNIFE HEAD
2	0687800	1	ANGLE, BOARD 84
6	02976271	7	HEAD BOLT 1-1/64 LONG
7	02976272	50	SECTION LOCKNUT (CONE)
8	0531900	1	BACKING STRIP 6'
5	02976270	43	SECTION BOLT 5/8 LONG

**KNIFE BAR ASY - 5 FT LH WG - PN 02977716**



ITEM	PART NO.	QTY.	DESCRIPTION
	02977716	1	5' KNIFE BAR ASY, LH WING
1	02982752	21	SERRATED KNIFE SECTION
	02982800	-	KNF SCTNS TOP SER CHR PL BX 25
3	02974316	1	INSERT NYLON DRIVE BRG CLAMP
4	02974349	1	KNIFE HEAD WLD'MT
2	0189900	1	KNIFE PROTECTOR, CARDBOARD 63
5	02976270	35	SECTION BOLT
6	02976271	7	HEAD BOLT
7	02976272	42	LOCKNUT
8	0530100M	1	BACKING STRIP, 5'
	00756328	1	BOLT

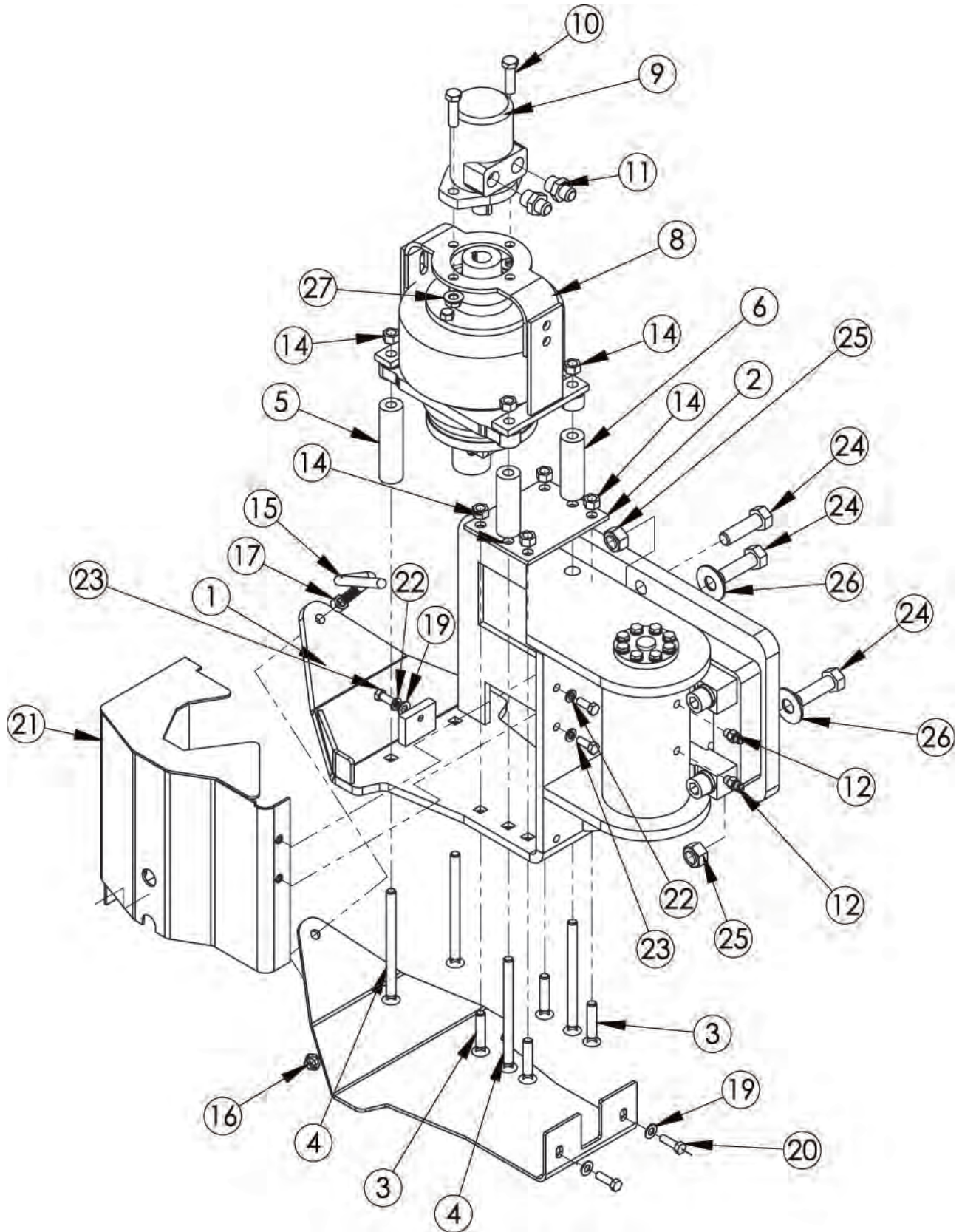
## KNIFE BAR ASY - 6 FT LH WG - PN 02977718



ITEM	PART NO.	QTY.	DESCRIPTION
	02977718	1	6' KNIFE BAR ASY, LH WING
1	02982752	25	SERRATED KNIFE SECTION
	02982800	-	KNF SCTNS TOP SER CHR PL BX 25
3	02974316	1	INSERT NYLON DRIVE BRG CLAMP
4	02974349	1	KNIFE HEAD WLD'MT
2	0189900	1	KNIFE PROTECTOR, CARDBOARD 63
5	02976270	43	SECTION BOLT
6	02976271	7	HEAD BOLT
7	02976272	50	LOCKNUT
8	0531900	1	BACKING STRIP, 6'
	00756328	1	BOLT

**THIS PAGE INTENTIONALLY LEFT BLANK**

SKID SHOE & ACTUATOR - LH WG - PN 02982034



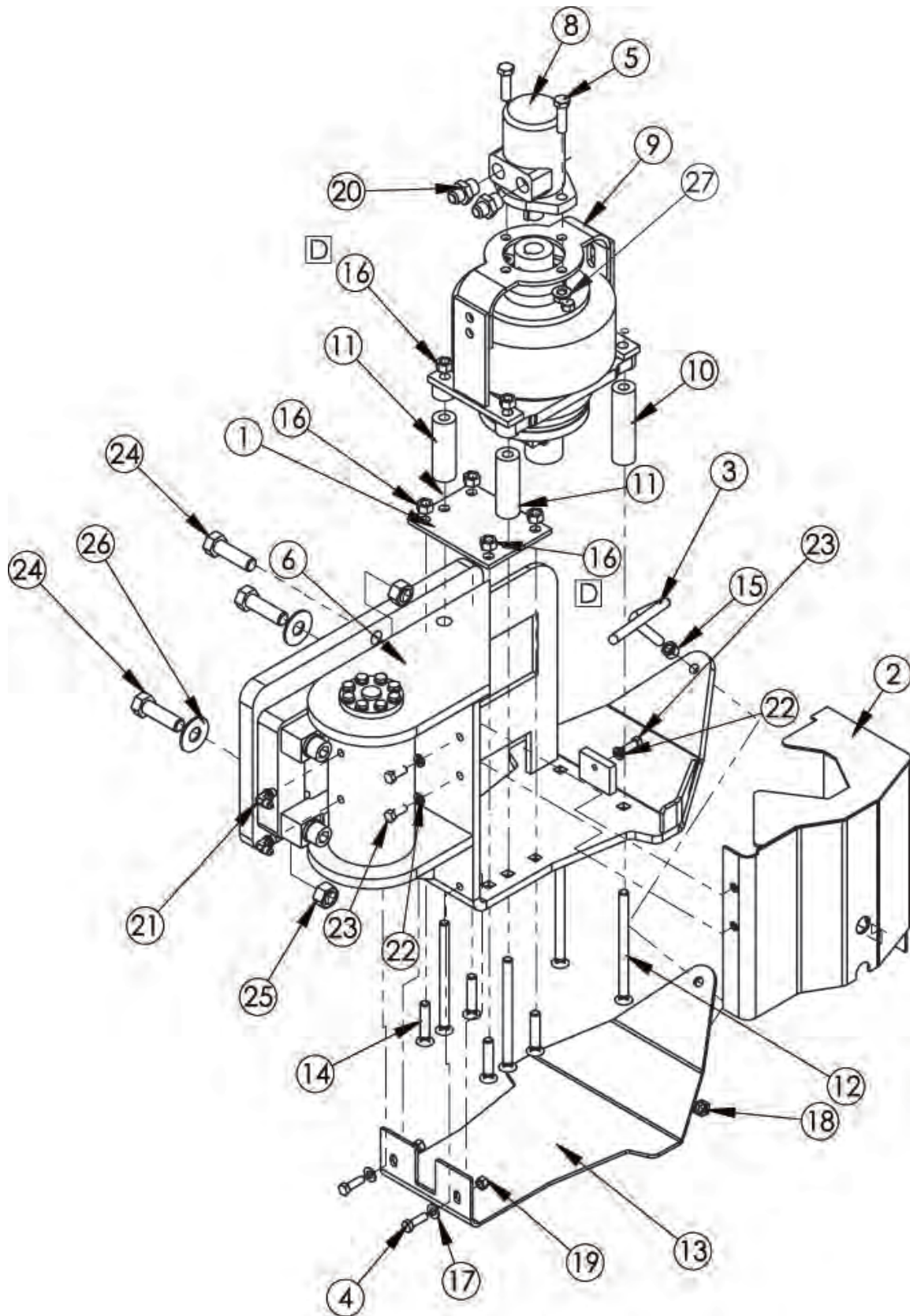
02982612P - Switchblade 5 FT and 6 FT Hyd Brk-Away (02-05)\_11-20

**SKID SHOE & ACTUATOR - LH WG - PN 02982034**

**Continued...**

<b>ITEM</b>	<b>PART NO.</b>	<b>QTY.</b>	<b>DESCRIPTION</b>
	02982034	1	ASY LH SHOE DRV ACTUATOR BRKWY
1	02982033	1	PRE-ASY,LH SKID SHOE& ACTUATOR
2	02974354	1	SPACER CUTTER BAR
3	02976853	4	PLOW BOLT #3 1/2 NC 2-1/2 PL8
4	02976854	4	PLOW BOLT #3 1/2 NC 7 PL8
5	02974342	2	TUBE 1-1/4 OD X 9/16 ID X4-5/8
6	02974343	2	TUBE 1-1/4 OD X 9/16 ID X3-3/4
7	02992069	1	DRIVE ASY,HORIZ KNIFE SUPPORT
8	02974313	1	BRACKET HYDRAULIC MOTOR ADAPTR
9	02997599	1	MOTOR GEROTOR 3CID 1"X1/4"KEY
10	00749130	2	HHCS 1/2-13UNC 1-3/4 PL5
11	02042300	2	ADP HYD STGHT 10MB-8MJ
12	02962181	2	ADP HYD STGHT 4MB-4MJ
13	02981959	1	SHOE BOTTOM
14	00001800	8	LOCKNUT TLM 1/2 NC PLC
15	02977740	1	ROD LH DEFLECTOR
16	5C8130	1	HEXNUT 1/2 JAM ZP
17	00001200	1	NUT 1/2 NC HEX PL
18	00015800	2	LOCKNUT TLM 3/8-NC PLC
19	00011100	3	FLATWASHER STD 3/8 - PLATED
20	00753642	2	HEXB 3/8 NC X 1-1/4 PL5
21	02982047	1	WLDMT,LH COVER SWITCHBLADE MTR
22	00012101	3	LOCKWASHER, 3/8, HVY, PL
23	00011400	3	HEXB 3/8-16 X 1 PL5
24	00037100	3	HEXB 3/4 NC 2-1/2 PL5
25	00037200	3	NUT,HEX TOPLOCK 3/4 NC GR.C PL
26	00002701	2	FLATWASHER,3/4,TYPE AW,ZP
27	02988071	2	FLANGE NUT, 1/2" NC

SKID SHOE & ACTUATOR - RH WG - PN 02981981



02982612P - Switchblade 5 FT and 6 FT Hyd Brk-Away (02-05)\_11-20

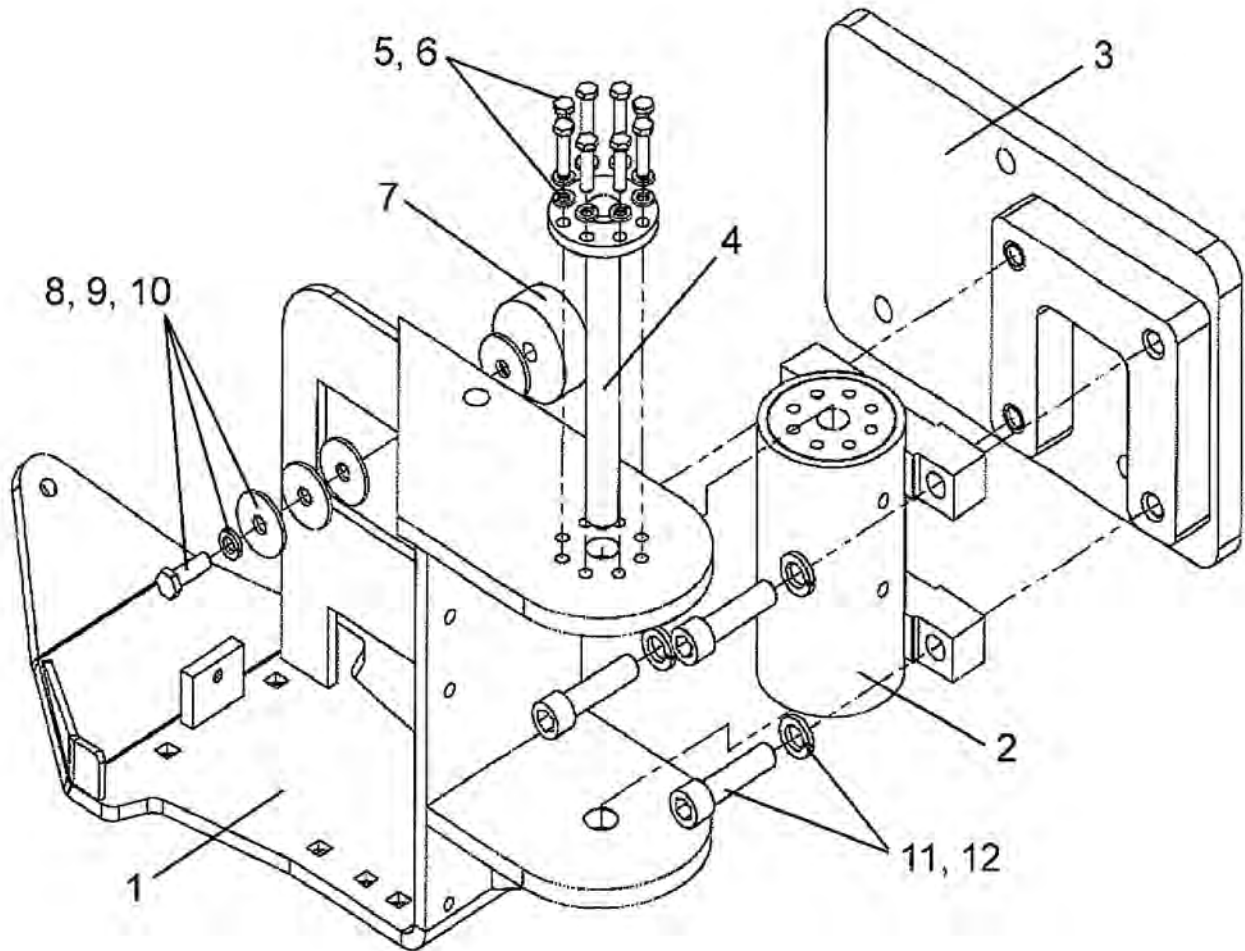
**SKID SHOE & ACTUATOR - RH WG - PN 02981981**

**Continued...**

<b>ITEM</b>	<b>PART NO.</b>	<b>QTY.</b>	<b>DESCRIPTION</b>
1	02974354	1	SPACER CUTTER BAR
2	02981984	1	WLDMT COVER SWITCHBLADE MOTOR
3	02974358	1	ROD DEFLECTOR
4	00753642	2	HEXB 3/8 NC X 1-1/4 PL5
5	00749130	2	HHCS 1/2-13UNC 1-3/4 PL5
6	02981980	1	PRE-ASY, SKID SHOE & ACTUATOR
7	02992069	1	DRIVE ASY,HORIZ KNIFE SUPPORT
8	02997599	1	MOTOR GEROTOR 3CID 1"X1/4"KEY
9	02974313	1	BRACKET HYDRAULIC MOTOR ADAPTR
10	02974342	2	TUBE 1-1/4 OD X 9/16 ID X4-5/8
11	02974343	2	TUBE 1-1/4 OD X 9/16 ID X3-3/4
12	02976854	4	PLOW BOLT #3 1/2 NC 7 PL8
13	02981959	1	SHOE BOTTOM
14	02976853	4	PLOW BOLT #3 1/2 NC 2-1/2 PL8
15	00001200	1	NUT 1/2 NC HEX PL
16	00001800	8	LOCKNUT TLM 1/2 NC PLC
17	00011100	2	FLATWASHER STD 3/8 - PLATED
18	5C8130	1	HEXNUT 1/2 JAM ZP
19	00015800	2	LOCKNUT TLM 3/8-NC PLC
20	02042300	2	ADP HYD STGHT 10MB-8MJ
21	02960018	2	ADP HYD ELBOW 4MB-4MJ90
22	00012101	3	LOCKWASHER, 3/8, HVY, PL
23	00011400	3	HEXB 3/8-16 X 1 PL5
24	00037100	3	HEXB 3/4 NC 2-1/2 PL5
25	00037200	3	NUT,HEX TOPLOCK 3/4 NC GR.C PL
26	00002701	2	FLATWASHER,3/4,TYPE AW,ZP
27	02988071	2	FLANGE NUT, 1/2" NC



SKID SHOE & BRKWY PRE-ASY - LH WG - PN 02982033



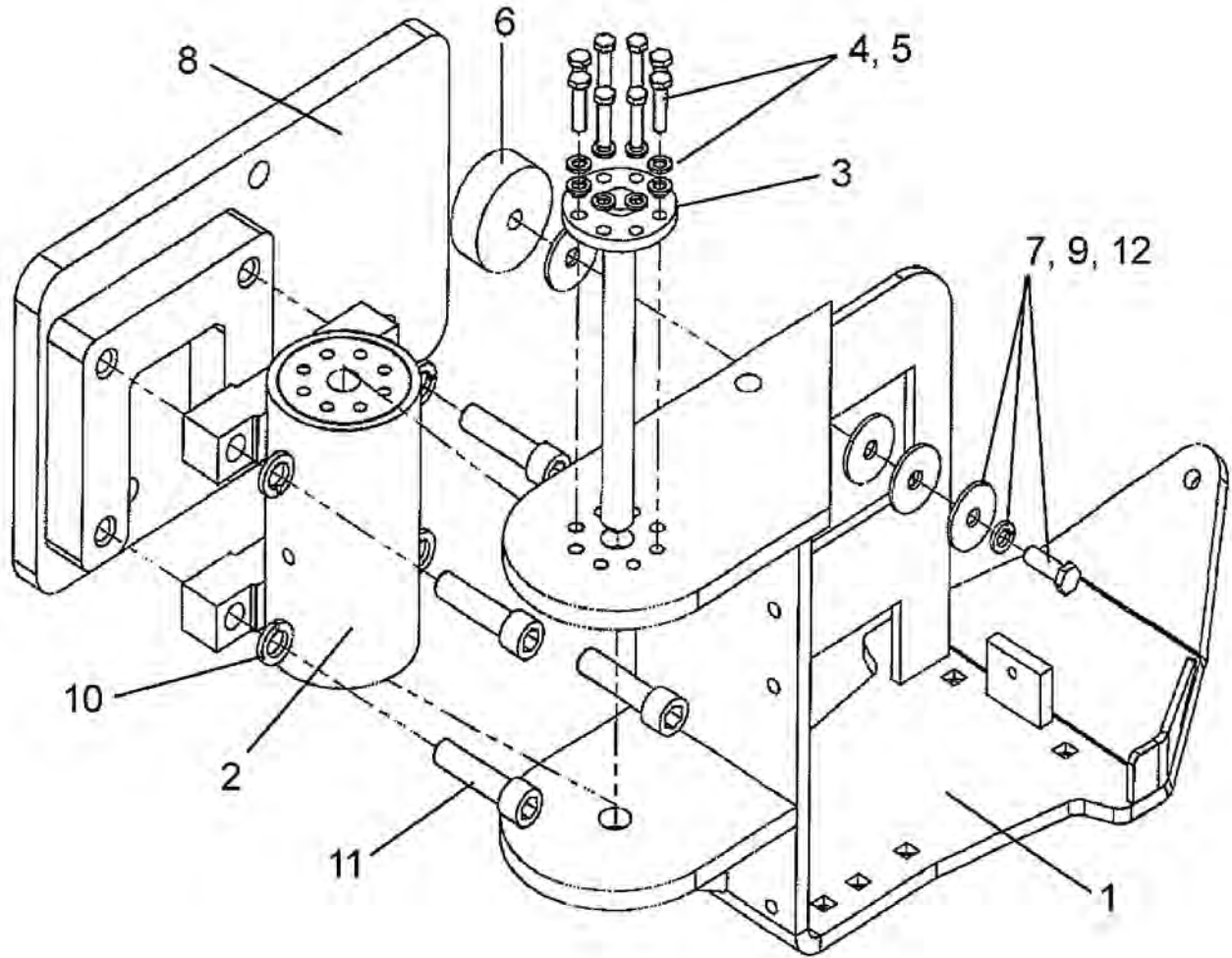
ITEM	PART NO.	QTY.	DESCRIPTION
	02982033	1	SKID SHOE & BREAK-A-WAY PRE-ASY. LH
1	02982032	1	SKID SHOE WLD'MT, LH
2	02981979	1	ROTOR ACTUATOR
3	02982031	1	BACK PIVOT PLATE, TAPPED
4	02981955	1	BREAK-A-WAY PIN WLD'MT
5	00012101	8	LOCKWASHER
6	02977955	8	BOLT
7	03200250	1	RUBBER BUMPER PAD
8	02974363	4	FLATWASHER
9	00019600	1	LOCKWASHER
10	00019300	1	BOLT
11	02972570	4	LOCKWASHER
12	02961298	4	BOLT

**SKID SHOE & BRKWY PRE-ASY - LH WG - PN 02982033**

**Continued...**

NOTE:AS OF FEBRUARY 2006, ITEM # 12 IS NO LONGER A HEX HEAD BOLT IT IS NOW A SOCKET HEAD BOLT.

SKID SHOE & BRKWY PRE-ASY - RH WG - PN 02981980



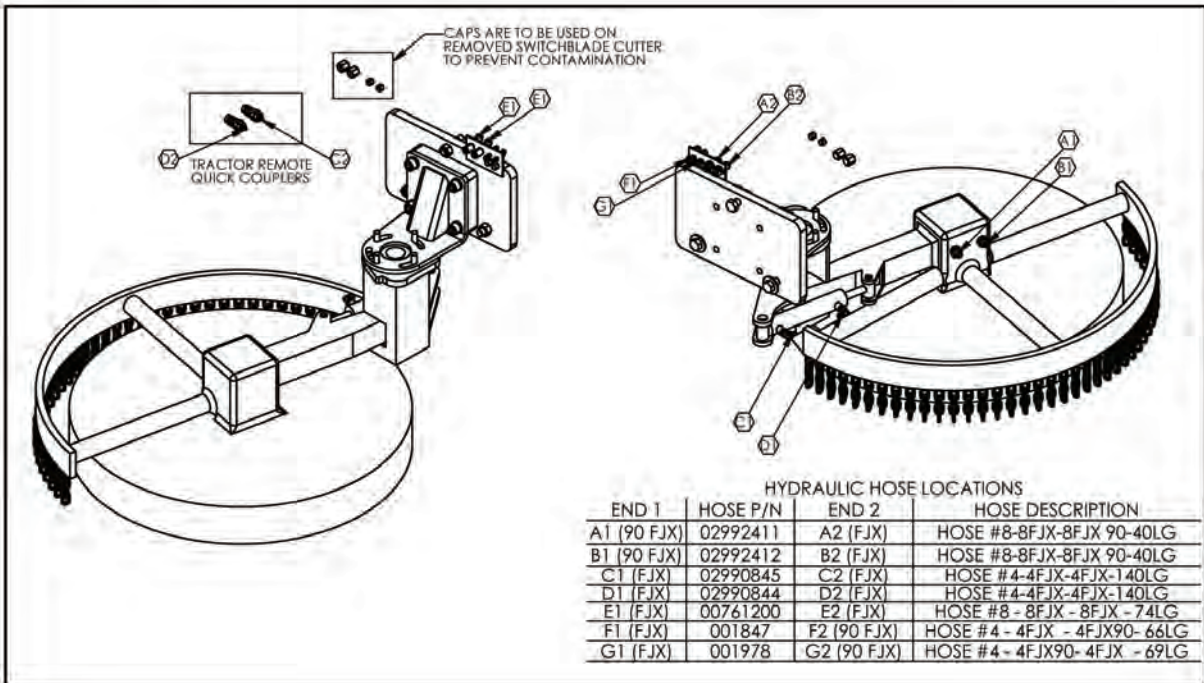
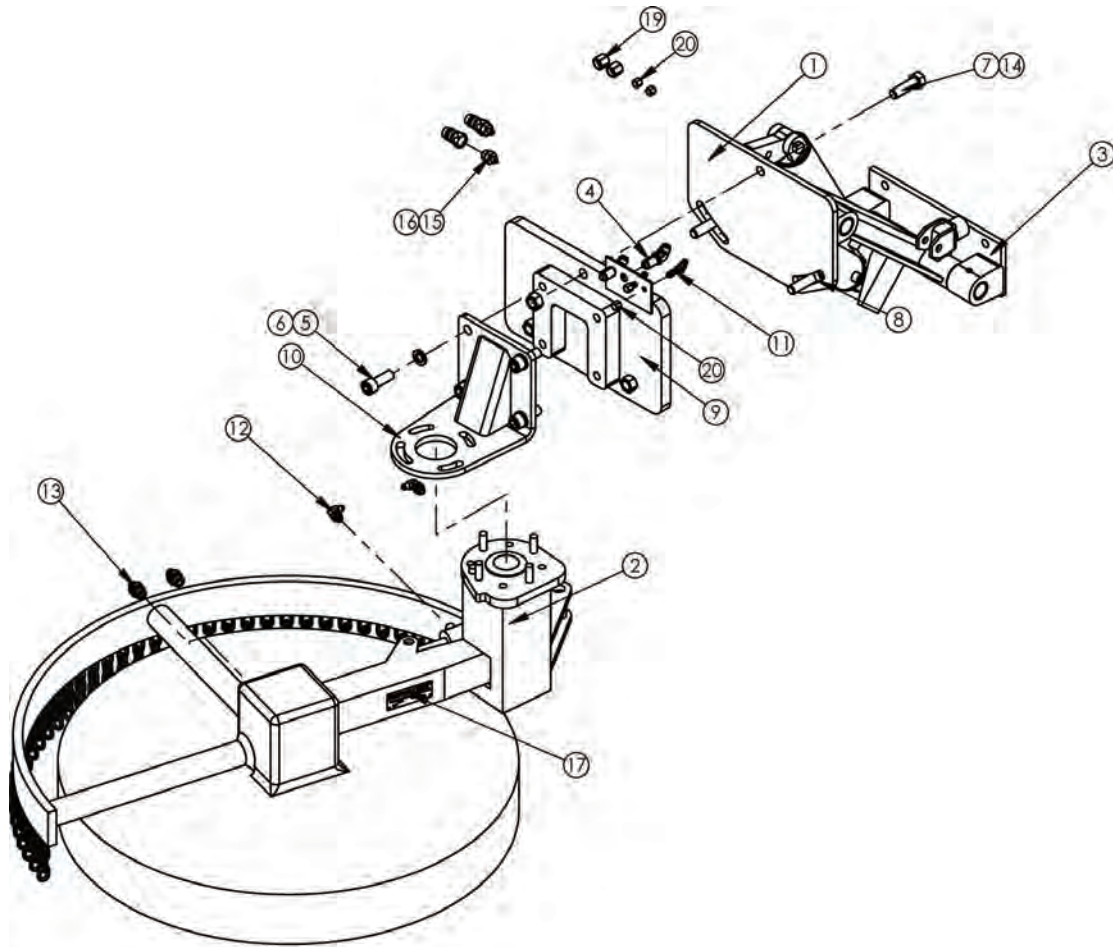
ITEM	PART NO.	QTY.	DESCRIPTION
	02981980	1	SKID SHOE & BREAK-A-WAY PRE-ASY, RH
1	02981960	1	SKID SHOE WLD'MT, RH
2	02981979	1	ROTOR ACTUATOR
3	02981955	1	BREAK-A-WAY PIN WLD'MT
4	00012101	8	LOCKWASHER
5	02977955	8	BOLT
6	03200250	1	RUBBER BUMPER PAD
7	02974363	4	WASHER
8	02981976	1	BACK PIVOT PLATE, TAPPED
9	00019600	1	LOCKWASHER
10	02972570	4	LOCKWASHER
11	02961298	4	BOLT
12	00019300	1	BOLT

**SKID SHOE & BRKWY PRE-ASY - RH WG - PN 02981980**

**Continued...**

NOTE:AS OF FEBRUARY 2006, ITEM # 11 WAS A HEX HEAD BOLT IT IS NOW A SOCKET HEAD BOLT.

# UNDER GUARD RAIL 30 INCH CUT

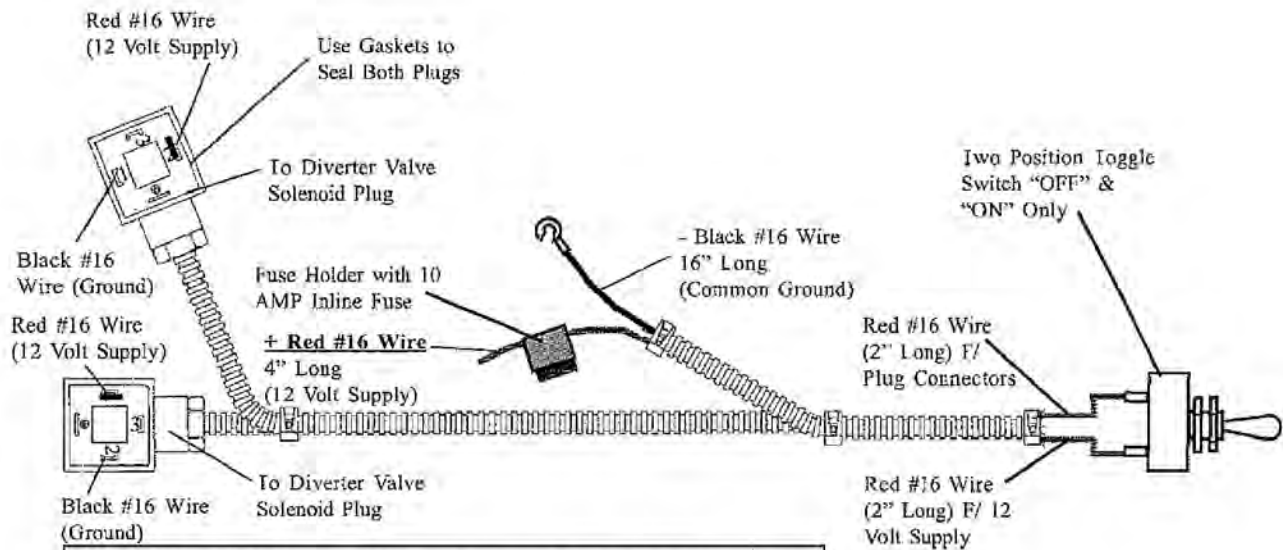


## UNDER GUARD RAIL 30 INCH CUT

Continued...

ITEM	PART NO.	QTY.	DESCRIPTION
1	02974362	1	ASY CARRIAGE ARM
2	02992410	1	UNDER THE GUARDRAIL MOWER(UGR)
3	0665400	1	SUBFRAME ASSEMBLY
4	02986421	2	ADP HYD ELBOW 8MJ-8MJ45 BKHD
5	02708700	4	SHCS 3/4 NC 2 PL8
6	02972570	4	HIGH ALLOY, L/W 3/4 YZ KG
7	00037100	3	HEXB 3/4 NC 2-1/2 PL5
8	00002701	2	FLATWASHER,3/4,TYPE AW,ZP
9	02993846	1	MACH, BACK PVT PLT TAPD, UGR
10	02992397	1	WLDMNT, UGR HITCH
11	02970951	2	ADP HYD BLKHD 4MJ - 4MJ 45 DEG
12	02993850	2	HYD FTG 4MBP-4MJ-90
13	02993849	2	HYD FTG 8MBP-8MJ
14	00037200	3	NUT,HEX TOPLOCK 3/4 NC GR.C PL
15	02822300	2	ADP HYD STGHT 8MB-4MJ
16	02990211	2	COUPLER MALE 1/2 ISO 5675-8FB
17	02979723	1	PLATE S/N UGR
18		4	
19	02972910	2	ADP HYD CAP 8FJ
20	02919600	4	CAP-NUT #4FJ
	02992411	1	HOSE #8-8FJX-8FJX 90-40LG
	02992412	1	HOSE #8-8FJX-8FJX 90-40LG
	02990845	1	HOSE #4-4FJX-4FJX-140LG
	02990844	1	HOSE #4-4FJX-4FJX-140LG

## WIRING HARNESS - DUAL WG - PN 02977754



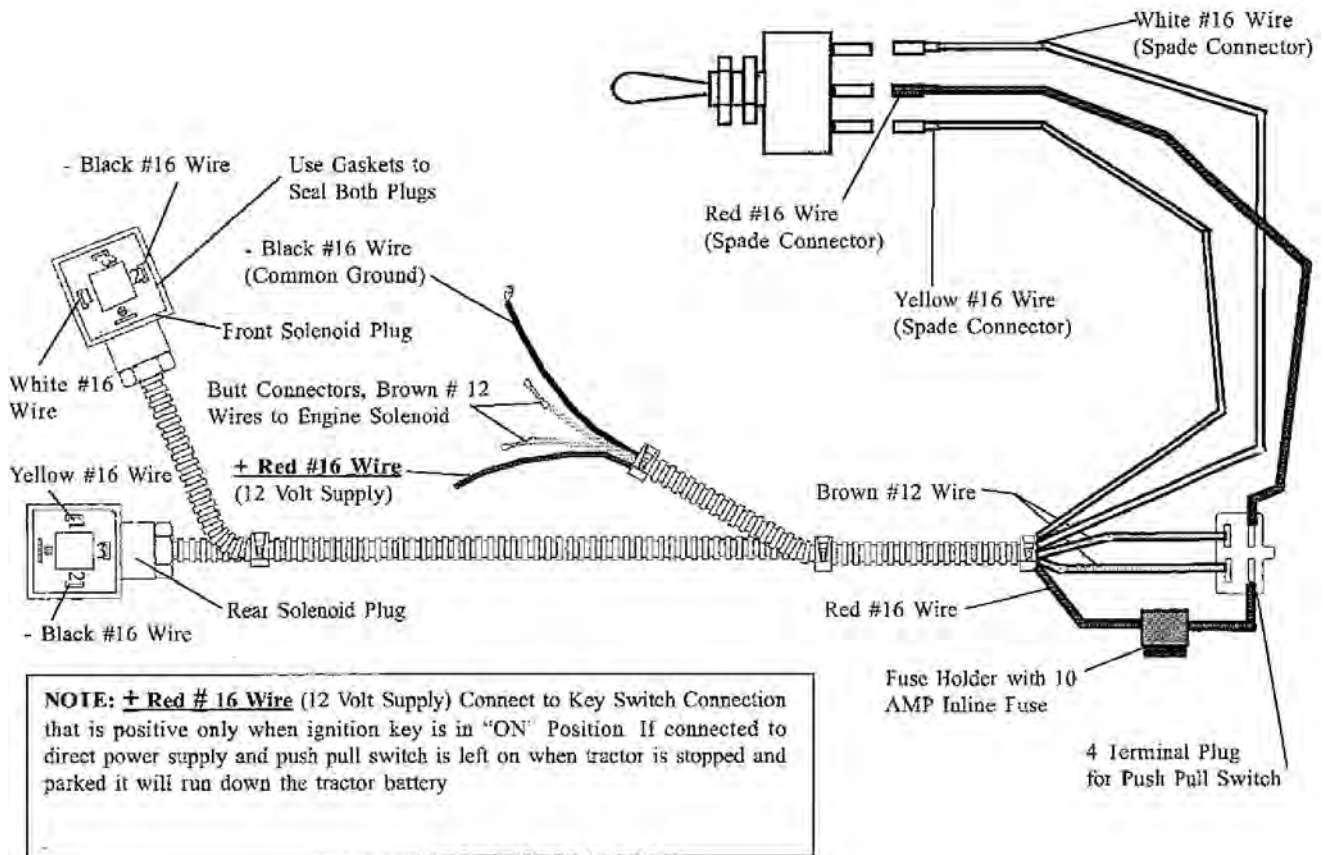
**NOTE: + Red # 16 Wire** (12 Volt Supply) Connect to Key Switch Connection that is positive only when ignition key is in "ON" Position. If connected to direct power supply and push pull switch is left on when tractor is stopped and parked it will run down the tractor battery.

It will not matter which plug goes on which diverter valve as both diverter valves are activated at the same time with the same toggle switch.

ITEM	PART NO.	QTY.	DESCRIPTION
	02977754	1	WIRE HARNESS LH DUAL WING
2	02965731	1	FUSE 10 AMP, TYPE ATO

NOTE: TOGGLE SWITCH IS SHOWN FOR ILLUSTRATION ONLY AND IS NOT INCLUDED WITH WIRE HARNESS. THIS WIRE HARNESS IS ONLY USED WHEN LH WING IS MOUNTED. IT DOES NOT REPLACE THE RH HARNESS BUT IS USED WITH IT.

## WIRING HARNESS - SINGLE WG - PN 02974318



ITEM	PART NO.	QTY.	DESCRIPTION
	02974318	1	WIRE HARNESS SINGLE WING
1	002504	2	CONNECTOR, COIL-HRSCHMANN TYPE
2	02965731	1	FUSE 10 AMP, TYPE ATO

NOTE: THIS WIRE HARNESS IS USED WITH A RH WING MOWER, WIRE HARNESS WILL NOT INCLUDE PUSH PULL SWITCH OR TOGGLE SWITCH. IF LH WING IS USED THIS WIRE HARNESS WILL STILL BE USED AND THE LH WING HARNESS WILL ALSO BE USED.





# ALAMO INDUSTRIAL

## Limited Warranty

### 1. Limited Warranties

- 1.01. Alamo industrial warrants for one year from the purchase date to the original non-commercial, governmental, or municipal purchaser ("purchaser") and warrants for six months to the original commercial or industrial purchaser ("purchaser") that the goods purchased are free from defects in material or workmanship.
- 1.02. Manufacturer will replace for the purchaser any part or parts found, upon examination at one of its factories, to be defective under normal use and service due to defects in material or workmanship.
- 1.03. This limited warranty does not apply to any part of the goods which has been subjected to improper or abnormal use, negligence, alteration, modification, or accident, damaged due to lack of maintenance or use of wrong fuel, oil, or lubricants, or which has served its normal life. This limited warranty does not apply to any part of any internal combustion engine, or expendable items such as blades, shields, guards, or pneumatic tires except as specifically found in your operator's manual.
- 1.04. Except as provided herein, no employee, agent, dealer, or other person is authorized to give any warranties of any nature on behalf of manufacturer.

### 2. Remedies And Procedures

- 2.01. This limited warranty is not effective unless the purchaser returns the registration and warranty form to manufacturer within 30 days of purchase.
- 2.02. Purchaser claims must be made in writing to the authorized dealer ("dealer") from whom purchaser purchased the goods or an approved authorized dealer ("dealer") within 30 days after purchaser learns of the facts on which the claim is based.
- 2.03. Purchaser is responsible for returning the goods in question to the dealer.
- 2.04. If after examining the goods and/or parts in question, manufacturer finds them to be defective under normal use and service due to defects in material or workmanship, manufacturer will:
  - (A) repair or replace the defective goods or part(s) or
  - (B) reimburse purchaser for the cost of the part(s) and reasonable labor charges (as determined by manufacturer) if purchaser paid for the repair and/or replacement prior to the final determination of applicability of the warranty by manufacturer. The choice of remedy shall belong to manufacturer.
- 2.05. Purchaser is responsible for any labor charges exceeding a reasonable amount as determined by manufacturer and for returning the goods to the dealer, whether or not the claim is approved. Purchaser is responsible for the transportation cost for the goods or part(s) from the dealer to the designated factory.

### 3. Limitation Of Liability

- 3.01. Manufacturer disclaims any express (except as set forth herein) and implied warranties with respect to the goods including, but not limited to, merchantability and fitness for a particular purpose.
- 3.02. Manufacturer makes no warranty as to the design, capability, capacity, or suitability for use of the goods.
- 3.03. Except as provided herein, manufacturer shall have no liability or responsibility to purchaser or any other person or entity with respect to any liability, loss, or damage caused or alleged to be caused directly or indirectly by the goods including, but not limited to, any indirect, special, consequential, or incidental damages resulting from the use or operation of the goods or any breach of this warranty. Notwithstanding the above limitations and warranties, manufacturer's liability hereunder for damages incurred by purchaser or others shall not exceed the price of the goods.
- 3.04. No action arising out of any claimed breach of this warranty or transactions under this warranty may be brought more than two (2) years after the cause of action has occurred.

### 4. Miscellaneous

- 4.01. Proper venue for any lawsuits arising from or related to this limited warranty shall be only in Guadalupe county, Texas.
- 4.02. Manufacturer may waive compliance with any of the terms of this limited warranty, but no waiver of any terms shall be deemed to be a waiver of any other term.
- 4.03. If any provision of this limited warranty shall violate any applicable law and is held to be unenforceable, then the invalidity of such provision shall not invalidate any other provisions herein.
- 4.04. Applicable law may provide rights and benefits to purchaser in addition to those provided herein.

*Keep for your records*

Attention: Purchaser should fill in the blanks below for his reference when buying repair parts and/or for proper machine identification when applying for warranty.

Alamo Industrial Implement Model \_\_\_\_\_ Serial Number \_\_\_\_\_  
Date Purchased \_\_\_\_\_ Dealer \_\_\_\_\_

Attention:  
Read your operator's manual



**ALAMO INDUSTRIAL**  
1502 E. Walnut  
Seguin, Texas 78155  
830-379-1480



## TO THE OWNER/OPERATOR/DEALER

To keep your implement running efficiently and safely, read your manuals thoroughly and follow these directions and the Safety Messages in this Manual. The Table of Contents clearly identifies each section where you can easily find the information you need.

The OCCUPATIONAL SAFETY AND HEALTH ACT (1928.51 Subpart C) makes these minimum safety requirements of tractor operators:

### REQUIRED OF THE OWNER

1. Provide a Roll-Over-Protective Structure that meets the requirements of this standard.
2. Provide seat belts that meet the requirements of this paragraph of this standard and SAE J4C.
3. Ensure that each employee uses such seat belt while the tractor is moving.
4. Ensure that each employee tightens the seat belt sufficiently to confine the employee to the protected area provided by the ROPS.

### REQUIRED OF THE OPERATOR

1. Securely fasten seat belt if the tractor has a ROPS.
2. Where possible, avoid operating the tractor near ditches, embankments, and holes.
3. Reduce speed when turning, crossing slopes, and on rough, slick, or muddy surfaces.
4. Stay off slopes too steep for safe operation.
5. Watch where you are going, especially at row ends, on roads, and around trees.
6. Do not permit others to ride.
7. Operate the tractor smoothly, no jerky turns, starts, or stops.
8. Hitch only to the draw bar and hitch points recommended by the tractor manufacturer.
9. When the tractor is stopped, set brakes securely and use park lock, if available.



**Keep children away from danger all day, every day...**



**Equip tractors with rollover protection (ROPS) and keep all machinery guards in place...**



**Please work, drive, play and live each day with care and concern for your safety and that of your family and fellow citizens.**



**BUILT SHARPER®**

An Alamo Group Company

1502 E. Walnut St.  
Seguin, Texas 78155



### Sales and Marketing

Tel 800.882.5762      Fax 830.379.0864  
support@alamo-industrial.com

### Warranty Registration/Claims

[www.alamoparts.com](http://www.alamoparts.com)

### Return Authorizations

Online Part Orders  
Techical Information  
[www.alamoparts.com](http://www.alamoparts.com)  
Tel 800.356.6286      Fax 800.322.5141  
[www.alamo-industrial.com](http://www.alamo-industrial.com)

