



# Falcon 10 Falcon 15

Hydraulic Flex Wing Cutter

Rev 03-21

Part No. 02985378P

## PARTS MANUAL

### SERIAL NO. FLN15-10120 TO CURRENT



## ALAMO INDUSTRIAL

1502 E. Walnut  
Seguin, Texas 78155  
830-372-9595

### ¡ATENCIÓN!

LEA EL INSTRUCTIVO

Si No Lee Ingles, Pida Ayuda a Alguien  
Que Si Lo Lea Para Que le Traduzca las  
Medidas de Seguridad.



An Operator's Manual was shipped with the equipment in the Manual Canister. This Operator's Manual is an integral part of the safe operation of this machine and must be maintained with the unit at all times. **READ, UNDERSTAND, and FOLLOW** the Safety and Operation Instructions contained in this manual before operating the equipment. If the Operator's Manual is not with the equipment, contact your dealer or Alamo Industrial (800-356-6286) to obtain a Free copy before operating the equipment.



# TO THE OWNER/OPERATOR/DEALER

All implements with moving parts are potentially hazardous. There is no substitute for a cautious, safe-minded operator who recognizes the potential hazards and follows reasonable safety practices. The manufacturer has designed this implement to be used with all its safety equipment properly attached to minimize the chance of accidents.

**BEFORE YOU START!!** Read the safety messages on the implement and shown in your manual.  
Observe the rules of safety and common sense!

## ! DANGER

**FAILING TO FOLLOW SAFETY MESSAGES AND OPERATING INSTRUCTION CAN CAUSE SERIOUS BODILY INJURY OR EVEN DEATH TO OPERATOR AND OTHERS IN THE AREA.**

<p>1.</p> 	<p>2. NO RIDERS. NO CHILDREN OPERATORS</p> 	<p>3. USE SAFETY SHOES, HARD HAT, SAFETY GLASSES, SEAT BELTS, ROPS &amp; OPS.</p> 	<p>4. BLOCK UP SECURELY BEFORE WORKING UNDER.</p> 
---	--	--	---

1. Study and understand Operator's Manuals, Safety Decals, and Instructional Decals for tractor and implement to prevent misuse, abuse, and accidents. Practice before operating in a confined area or near passersby.
  - Learn how to stop engine suddenly in an emergency. Be alert for passersby and especially children.
2. Allow no children on or near folding mower or tractor. Allow no riders on tractor or implement. Falling off may cause serious injury or death from being run over by tractor or mower or contact with rotating blades.
3. Operate only with tractor having Roll-Over Protective Structure (ROPS) and with seat belt securely fastened to prevent injury and possible death from falling off or tractor overturn.
  - Personal Protective Equipment such as Hard Hat, Safety Glasses, Safety Shoes, & Ear Plugs are recommended.
4. Block up or support raised machine and all lifted components securely before putting hands or feet under or working underneath any lifted component to prevent crushing injury or death from sudden dropping or inadvertent operation of controls. Make certain area is clear before lowering or folding.
5. Before transporting, put Lift Lever in detent or full-lift position. Install Transport Safety Devices securely on folding mowers. Put Booms securely in Transport Rest.
  - Folding and Boom Mowers have raised center of gravity. Slow down when turning and on hillsides.
6. Make certain that SMV sign, warning lights, and reflectors are clearly visible. Follow local traffic codes.
7. Never operate with Cutting Head or Folding Section raised if passersby, bystanders, or traffic are in the area to reduce possibility of injury or death from objects thrown by Blades under Guards or mower structure.
8. Before dismounting, secure implement in transport position or lower to ground.
  - Put tractor in park or set brake, disengage PTO, stop engine, remove key, and wait until noise of rotation has ceased to prevent crushing by entanglement in rotating parts which could cause injury or death.
  - Never mount or dismount a moving vehicle. Crushing from runover may cause serious injury or death.

<p>5. TRANSPORT SAFELY, LOCK UP.</p> 	<p>6. USE SMV, LIGHTS, &amp; REFLECTORS.</p> 	<p>7. DO NOT OPERATE WITH CUTTER OR WING RAISED</p> 	<p>8. DO NOT MOUNT OR DISMOUNT WHILE MOVING.</p> 
--	--	--	--

02967827

## WARRANTY INFORMATION:

Read and understand the complete Warranty Statement found in this Manual. Fill out the Warranty Registration Form in full and return it within 30 Days. Make certain the Serial Number of the Machine is recorded on the Warranty Card and on the Warranty Form that you retain. The use of "will-fit" parts will void your warranty and can cause catastrophic failure with possible injury or death.

# BOLT TORQUE

Mounting procedures for mowers will require a significant amount of bolt nut and washer installation.

Frame and structure mounting bolts should be installed using *Red Loctite*, and torqued to the dry values listed in the torque chart based on the bolt size and hardness.

Other structures such as pump mounting bolts should be installed with *Blue Loctite* and torqued to the dry values indicated in the chart.

Bolt tightness should be completed with and checked with a suitable torque wrench.

Torque checks should be completed throughout the life of the mower in accordance with the maintenance chart provided in this manual.



Loose bolts on a frame or in a casting may be a result of:

- Vibration from the mower due to imbalance of the mower blades
- Pulled threads due to over tightening
- Distortion of the hole due to under tightening during installation

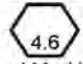
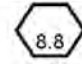
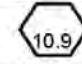
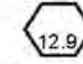
Bolts broken or sheared in the mounting structure or tractor may be the result of:

- Improper alignment of the Mounting Plate or Structure such that it is not sitting flat on the mating surface
- Distortion of the bolt due to over-tightening
- Under tightening of the bolts

Check the bolt torque during installation and prior to delivery with a suitable torque wrench.

Bolt Diameter		
	Head Marking Three Lines Grade Five	Head Marking Six Lines Grade Eight
	Pound - Foot Value Dry	Pound - Foot Value Dry
1/4"	7	10
5/16"	15	22
3/8"	26	39
7/16"	42	60
1/2"	64	88
9/16"	100	134
5/8"	128	180
3/4"	227	320
7/8"	365	515
1"	547	772

To get Newton-Meters multiply pound-foot of torque by 1.356

Bolt Diameter				
	Head Marking 4.6	Head Marking 8.8 or 9.8	Head Marking 10.9	Head Marking 12.9
	Pound - Foot Value Dry	Pound - Foot Value Dry	Pound - Foot Value Dry	Pound - Foot Value Dry
6mm	3	7	9	10
8mm	6.2	16	23	24
10mm	12	32	45	47
12mm	21	55	79	81
14mm	34	88	126	130
16mm	53	137	196	202
18mm	73	189	270	279
20mm	104	267	382	394
22mm	141	364	520	537
24mm	179	461	660	680
27mm	262	676	968	998
30mm	355	917	1312	1353

# CHANGE PAGES

The following is a listing of pages that have been changed since the latest publication date for the overall document.

Date of Change	Page Number	Description of Change
04-03-2013	(EX chg pages 17, 23, 137)	
04-03-2013	document release date	
12-09-2016	chg pgs 25-27	
04-03-2017	chg pg 69	added washer ECN 27795
08-29-2017	chg pg 64	added note to 02982097
04-02-2018	chg pg 34	ecn 28144
05-18-2018	chg pg 72	NS00784
06-25-2018	multiple	ECN 28231
11-13-2018	chg pg 34	NS00876
04-25-2019	chg pg 42-46	Ecn 28506 change boms
05-4-2019	chg pg 23	Ns00916
06-09-2020	chg pg 69	NS00975
06-30-2020	add pg 5	NS01019
07-08-2020	chg pg 65	ECN 28695
03-03-2021	updated axel rod assy	

# CHANGE PAGES

# **PARTS SECTION**

## PART NAME INDEX

AXLE & LEVEL ROD ASY.....	5
AXEL ASSEMBLY.....	7
AXEL ATTACHMENT.....	8
AXLE TURNBUCKLE ASSEMBLY.....	9
BLADE CARRIER ASSEMBLY.....	10
CHAINGUARD ASSEMBLY - FRONT CENTER.....	12
CHAINGUARD ASSEMBLY - FRONT WING.....	13
CHAINGUARD ASSEMBLY - REAR CENTER.....	14
CHAINGUARD ASSEMBLY - REAR WING.....	15
COMMON BOX.....	16
CYLINDER ASSEMBLY - CENTER.....	17
CYLINDER ASSEMBLY - WING.....	18
CYLINDER ATTACHMENT - CENTER.....	19
CYLINDER ATTACHMENT - WING.....	20
FALCON 10 COMPLETE ASSEMBLY.....	21
FALCON 15 COMPLETE ASSEMBLY.....	22
FALCON HYDRAULIC SCHEMATIC.....	23
FILTER ASSEMBLY.....	24
HITCH OPTION - CAPTIVE BALL COUPLER.....	25
HITCH OPTION - PINTLE HOOK.....	26
HOSE ROUTING DIAGRAM FALCON 10.....	27
HOSE ROUTING DIAGRAM FALCON 15.....	29
HYDRAULIC CONTROL VALVE - CLOSED CENTER.....	30
HYDRAULIC CONTROL VALVE - OPEN CENTER.....	31
HYDRAULIC CONTROL VALVE WITH MOUNTING KIT.....	32
HYDRAULIC MOTOR AND SPINDLE ASSEMBLY - CENTER.....	34
HYDRAULIC MOTOR AND SPINDLE ASSEMBLY - LEFT WING.....	36
HYDRAULIC MOTOR AND SPINDLE ASSEMBLY - RIGHT WING.....	38
HYDRAULIC MOTOR MANIFOLD - CENTER.....	40
HYDRAULIC MOTOR MANIFOLD - WING.....	42
HYDRAULIC MOTOR REPLACEMENT PARTS - CENTER.....	44
HYDRAULIC MOTOR REPLACEMENT PARTS - LEFT WING.....	46
HYDRAULIC MOTOR REPLACEMENT PARTS - RIGHT WING.....	48
HYDRAULIC PUMP ASSEMBLY FALCON 10.....	50
HYDRAULIC PUMP AND HOSE ASSEMBLY - TANDEM.....	52
HYDRAULIC PUMP REPLACEMENT PARTS - TANDEM.....	53
HYDRAULIC SCHEMATIC.....	55
HYDRAULIC TANK ASSEMBLY - DOUBLE FAN.....	57
LEVEL ROD ASSEMBLY.....	59
MOTOR ATTACHMENT.....	60

02985378P - FALCON 10 and 15 (SERIAL NO. FLN15-10120 TO CURRENT) (11-07)\_03-21

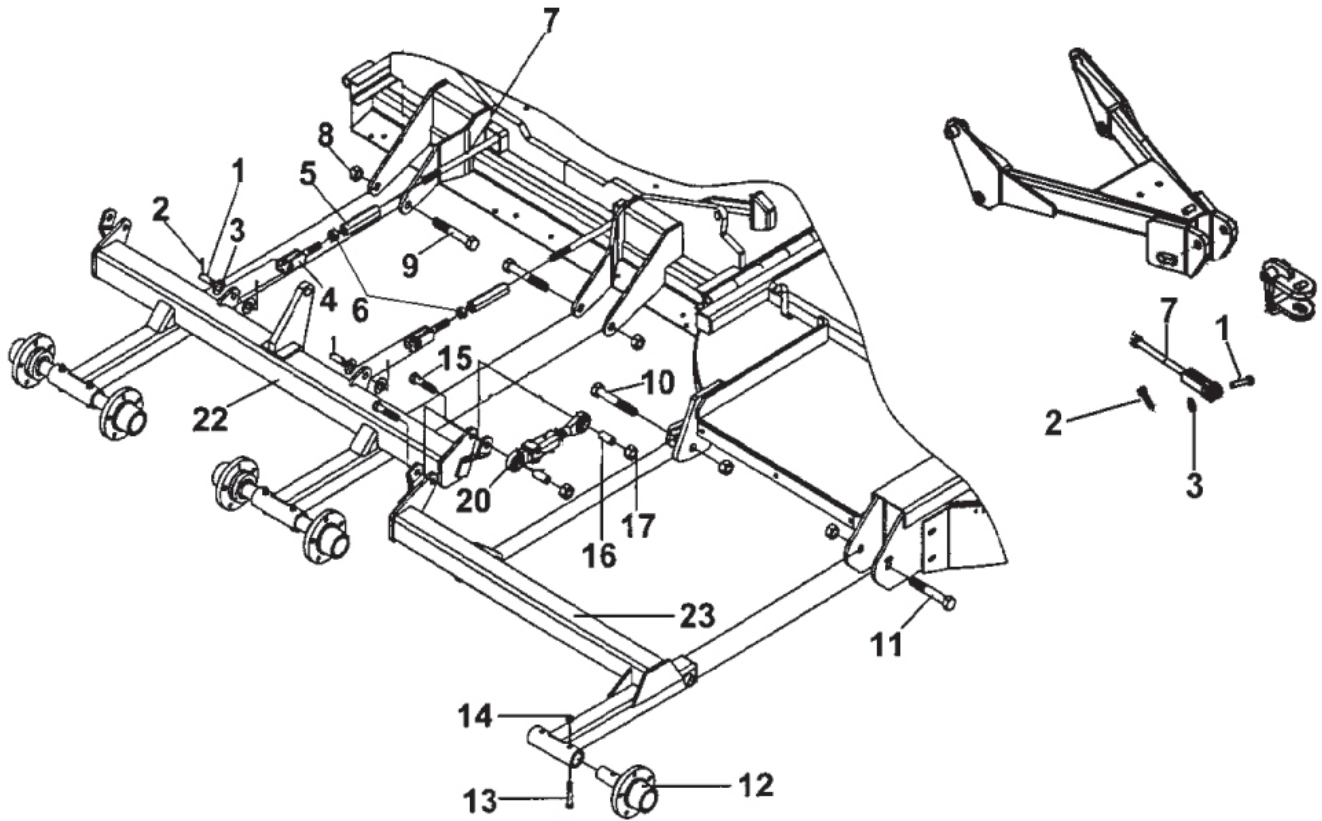
## PART NAME INDEX

SIDE SKIRTS AND SKID SHOES.....	61
SMV SIGN MOUNTING.....	63
SPEED INCREASER ASSEMBLY - PN 02990612.....	65
SPINDLE ASSEMBLY.....	67
TIRE AND WHEEL OPTION.....	69
TONGUE ASSEMBLY - LONG.....	71
WALKING AXLE ASSEMBLY - OPTION.....	73
WEIGHT BOX ASSEMBLY - FALCON 10.....	74
WHEEL HUB ASSEMBLY.....	75
WINCH AND STAND ASSEMBLY - OPTION.....	77
WIRING HARNESS - 15 FT.....	79
WIRING FALCON ELECTRONIC KIT.....	81

02985378P - FALCON 10 and 15 (SERIAL NO. FLN15-10120 TO CURRENT) (11-07)\_03-21



## AXLE & LEVEL ROD ASY



ITEM	PART NO.	QTY.	DESCRIPTION
1	651102	4	PIN, DRILLED
2	00755153	8	PIN,COTTER 3/16 X 1-1/2 PLATED
3	15B1200	8	WASHER 3/4 P SAE
4	00778163	2	WDMT,ROD,LEVEL,SHORT
5	00778159	2	NUT,ADJUSTING,9
6	00778160	2	NUT,HEX JAM 7/8-9 UNC LH PLT
7	00778164	2	WDMT,LONG LEVEL ROD
8	02030300	6	NUT,TOPLOCK 1-8 UNC PL5
9	00016700	2	HEXB 1 NC X 8 PL8 (OPTIONAL, 00764990-GREASEABLE PIN)
10	00750479	2	HEXB 1 NC 4-3/4 PL5- SPECIAL(OPTIONAL, 00764990-GREASEABLE PIN)
11	317918H5C	2	HEX CAP 1-8 X 7 1/2 GR.5 (OPTIONAL, 00764990-GREASEABLE PIN)
12	00775616A	6	ASY,HUB
13	00605600	6	HHCS 1/2 NC 3-1/4 PL5
14	00001800	6	LOCKNUT TLM 1/2 NC PLC
15	00009500	4	BOLT-HEX 3/4 NC 4-1/2 PL5
16	00751584	4	TUBE,SPACER
17	00037200	4	NUT,HEX TOPLOCK 3/4 NC GR.C PL
20	00763449	2	ASY,SWIVEL TURNBUCKLE
22	00778962	1	WDMT,CENTER AXLE

02985378P - FALCON 10 and 15 (SERIAL NO. FLN15-10120 TO CURRENT) (11-07)\_03-21

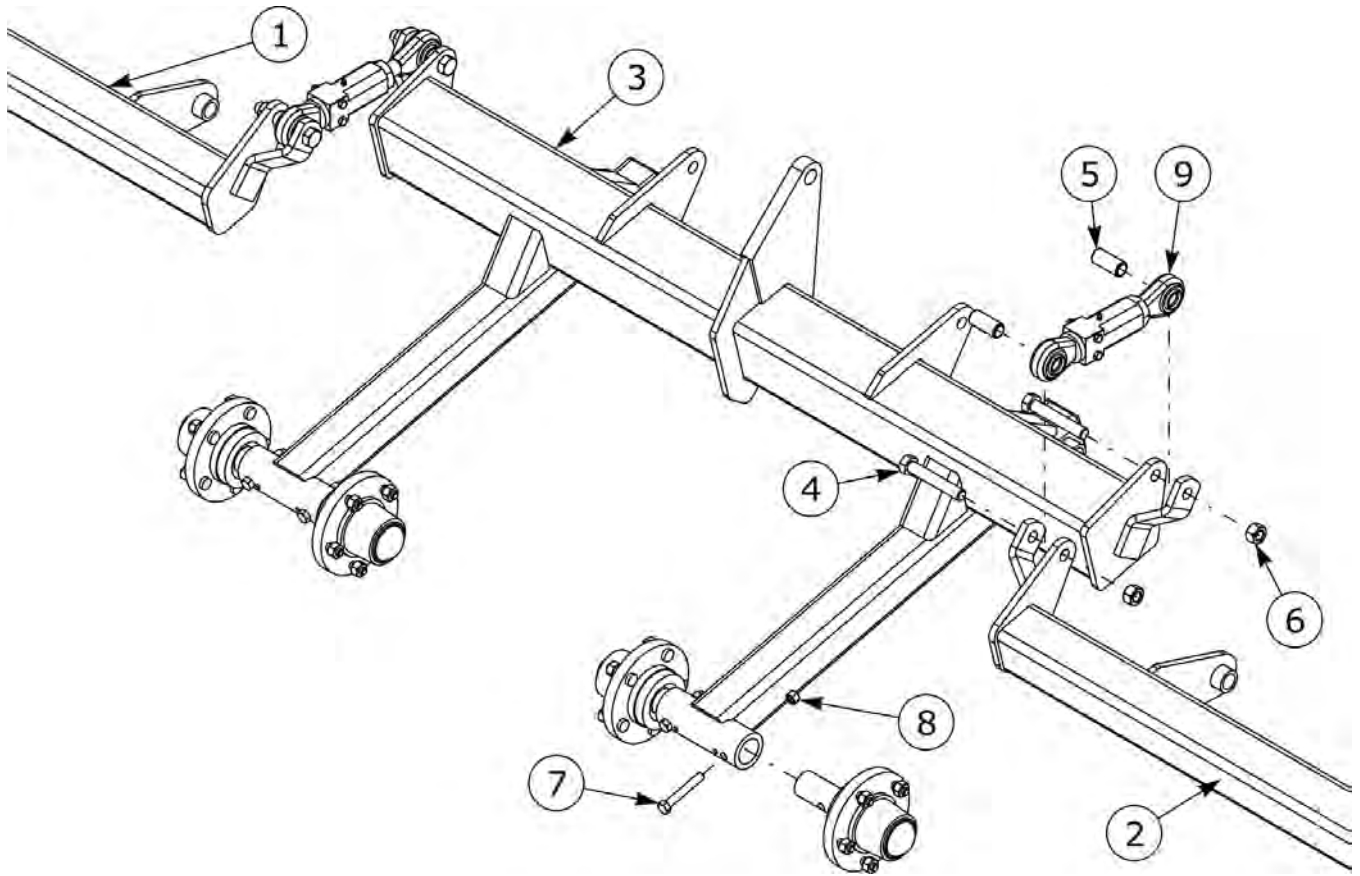
## AXLE & LEVEL ROD ASY

Continued...

ITEM	PART NO.	QTY.	DESCRIPTION
23	00777830	1	WDMT,RH WING AXLE
----	00777831	1	WDMT,LH WING AXLE

02985378P - FALCON 10 and 15 (SERIAL NO. FLN15-10120 TO CURRENT) (11-07)\_03-21

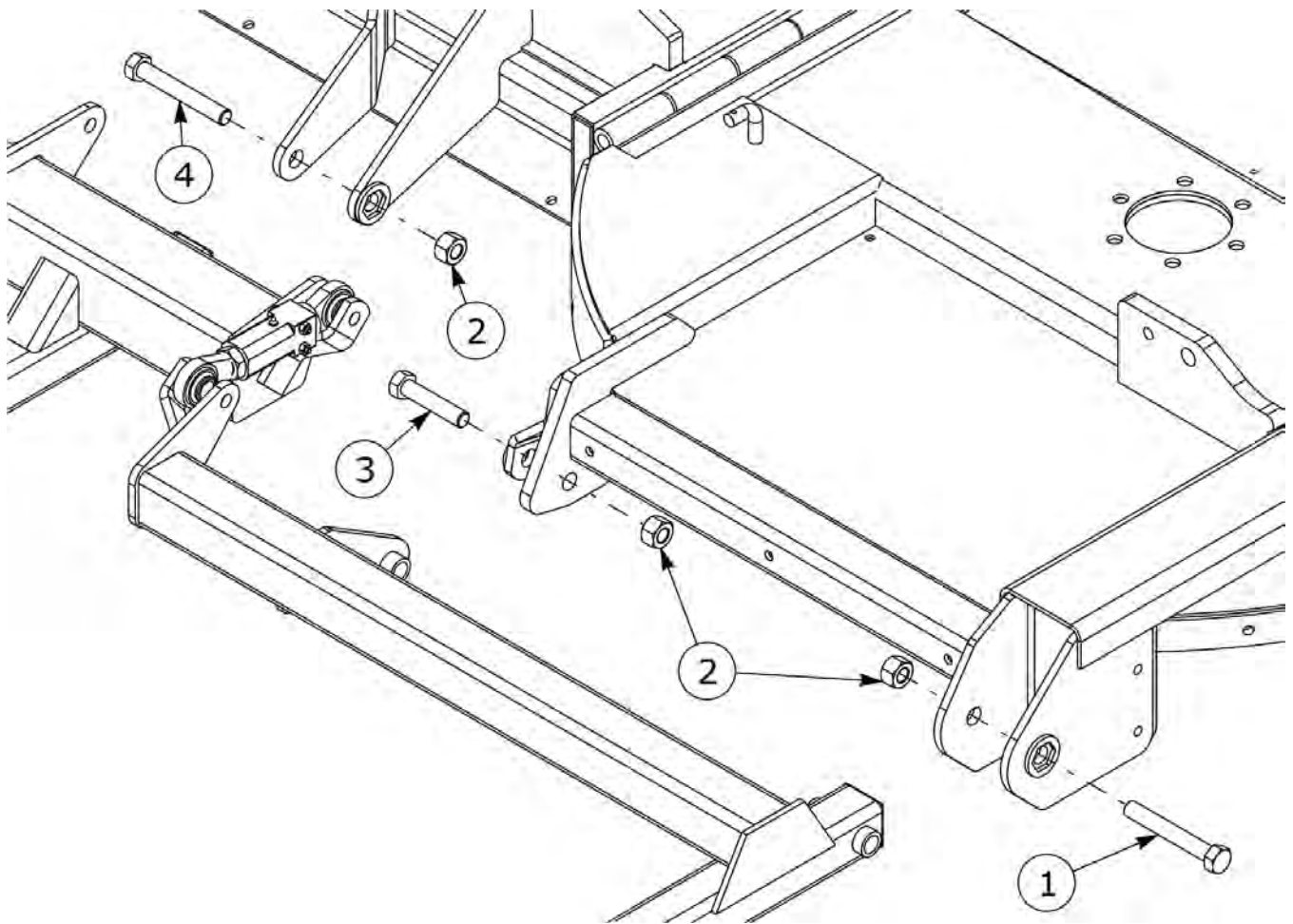
## AXEL ASSEMBLY



ITEM	PART NO.	QTY.	DESCRIPTION
1	00777831	1	WLDMT LH WING AXLE
2	00777830	1	WLDMT RH WING AXLE
3	00778962	1	WLDMT STANDARD AXLE
4	00009500	4	BOLT-HEX 3/4 NC 4-1/2 PL5
5	00751584	4	SPACER TUBE
6	00037200	4	NUT TOPLOCK 3/4 NC PLC
7	00764375	6	HHCS 1/2 NC 3-1/4 PL
8	00001800	6	LOCKNUT TLM 1/2 NC PLC
9	00763449	2	ASSEMBLY CONTROL ROD

02985378P - FALCON 10 and 15 (SERIAL NO. FLN15-10120 TO CURRENT) (11-07)\_03-21

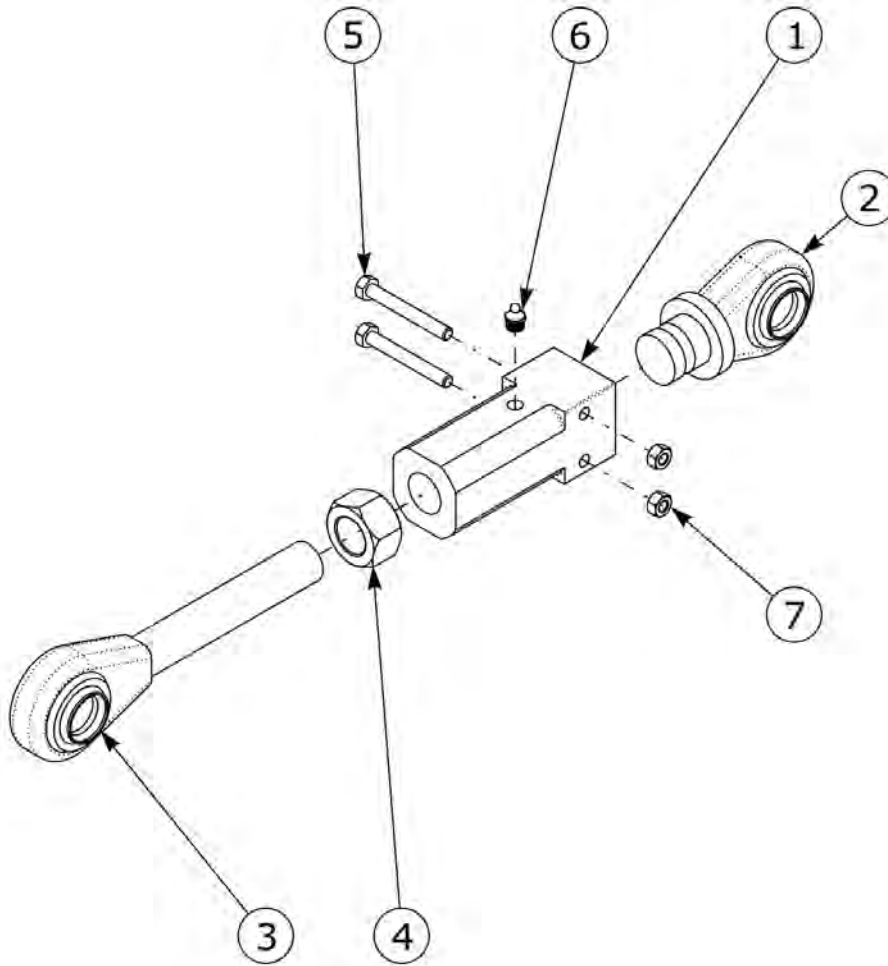
## AXEL ATTACHMENT



ITEM	PART NO.	QTY.	DESCRIPTION
1	00752278	2	HEXB 1 NC 7 PL5
2	02030300	6	NUT TOPLOCK 1 NC PLB
3	00750479	2	HEXB 1 NC 4-3/4 PL5
4	00016700	2	BOLT 1 NC 8 GR8

02985378P - FALCON 10 and 15 (SERIAL NO. FLN15-10120 TO CURRENT) (11-07)\_03-21

## AXLE TURNBUCKLE ASSEMBLY

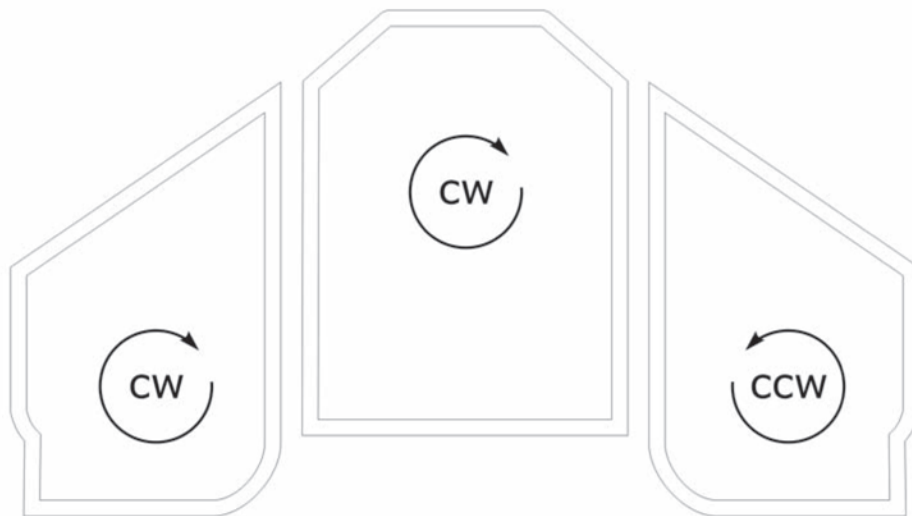
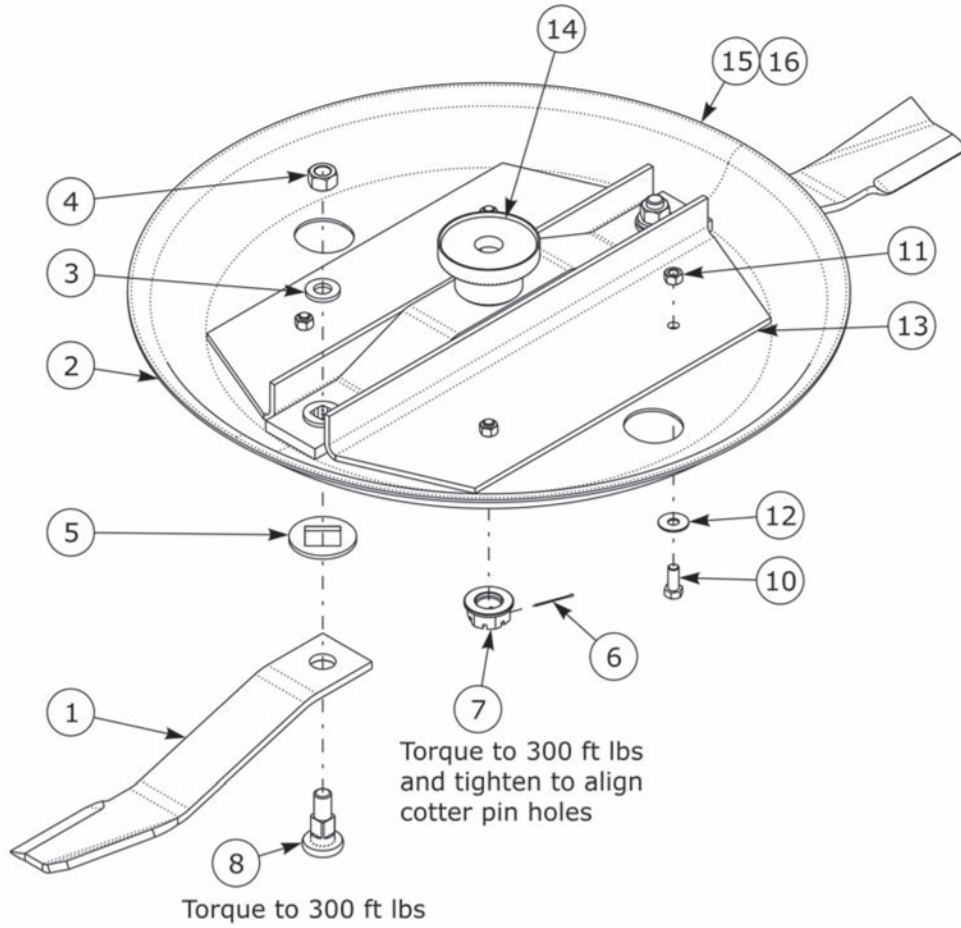


ITEM	PART NO.	QTY.	DESCRIPTION
----	00763449	1	ASSY-CONTROL-ROD
1	00763450A	1	TURNBUCKLE,1-1/8NC THRD 2 HOLE
2	00763962	1	WLDMT-TOP LINK
3	00763447	1	TOP LINK,THREADED
4	02012200	1	NUT HEX 1-1/8 NC PL
5	02152800	2	HEXB 5/16 NC 2-1/2PL
6	00780848	1	GREASE FITTING
7	00750940	2	NUT TOPLOCK 5/16 NC PLB

02985378P - FALCON 10 and 15 (SERIAL NO. FLN15-10120 TO CURRENT) (11-07)\_03-21



# BLADE CARRIER ASSEMBLY



02985378P - FALCON 10 and 15 (SERIAL NO. FLN15-10120 TO CURRENT) (11-07)\_03-21

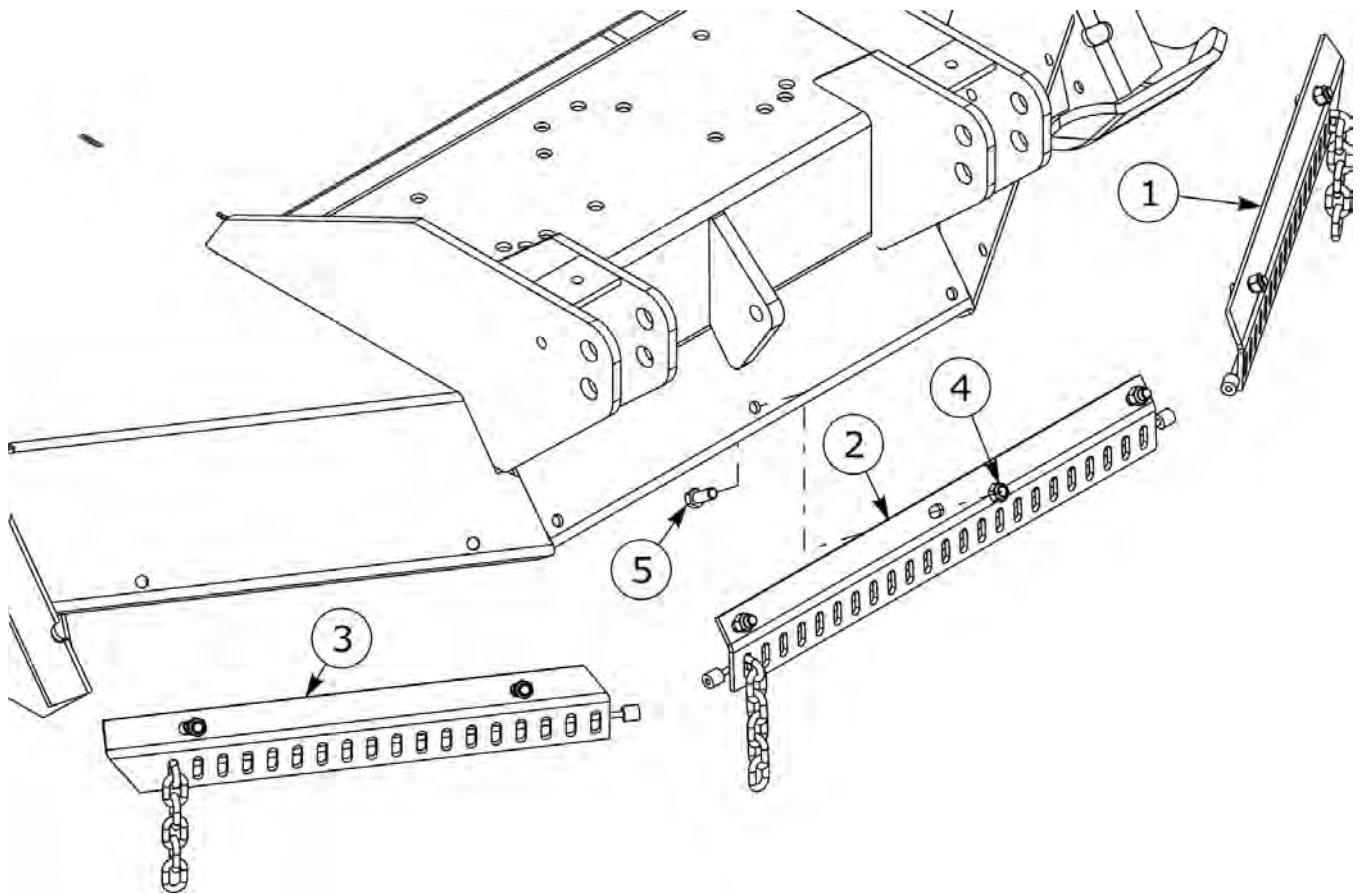
## BLADE CARRIER ASSEMBLY

Continued...

ITEM	PART NO.	QTY.	DESCRIPTION
1	0622010330	2	BLADE, CCW FAN (RIGHT WING)
----	0652010330	4	BLADE CW - (LEFT WING
	00762435	2	BLADE FAN CCW 5/8 HEAVY DUTY (RIGHT WING & CENTER)
	00762438	4	BLADE FAN CW 5/8 HEAVY DUTY (LEFT WING)
	0652010030	6	BLADE, FLAT ( RIGHT WING, LEFT WING, AND CENTER)
	00757830	2	BLADE, CCW TWISTED-HIGH SUCTION (RIGHT WING & CENTER)
	00757829	4	BLADE,CW TWISTED-HIGH SUCTION (LEFT WING)
2	00779371	2	BLADE PAN WELDMENT, WING SECTION LH OR RH
----	00779372	1	BLADE PAN WELDMENT, CENTER SECTION
3	571045	6	WASHER
4	5GL16140	6	LOCKNUT 1 -14 LH TLN PL (INCLUDED IN B571044)
5	00779283	6	WASHER, HARDENED BLADE WEAR
6	01422502	3	COTTER PIN
7	00777874	3	NUT, HEX SLOTTED FLANGED M36
8	B571044	3	BOLT SHOULDER - BLADE BOLT KIT (INCLUDES 2 BOLTS
10	02675800	4	HHCS 5/8-11UNC 1-1/2 PL5
11	00749136	4	NUT TOPLOCK 5/8 NF PLB
12	00756077	4	WASHER,5/8 HARDENED
13	00779373	1	WLDMT, WING BLADE BAR
15	00779372	1	CENTER BLADE PAN
16	00779371	-	WING BLADE PAN

02985378P - FALCON 10 and 15 (SERIAL NO. FLN15-10120 TO CURRENT) (11-07)\_03-21

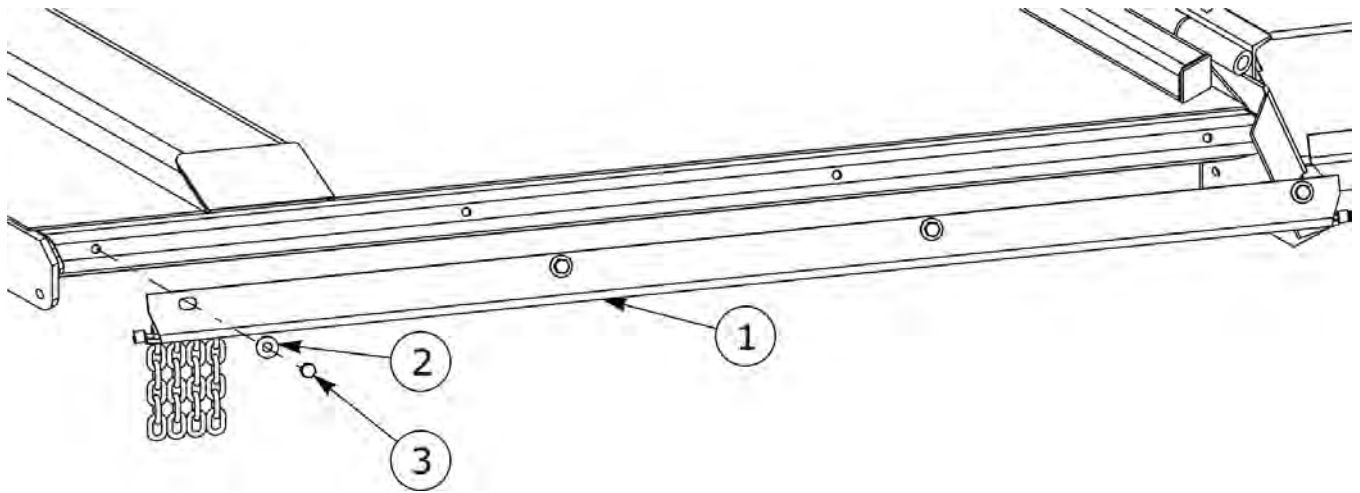
## CHAINGUARD ASSEMBLY - FRONT CENTER



ITEM	PART NO.	QTY.	DESCRIPTION
1	00778190	1	DOUBLE CHAINGUARD, ASY, CTR LH
2	00778192	1	DOUBLE CHAINGUARD, ASY, CTR FRT
3	00778191	1	DOUBLE CHAINGUARD, ASY, CTR FRT RH
4	4526	7	FLANGE LOCKNUT 1/2 NC
5	02030700	7	HHCS 1/2-13UNC 1-1/4 PL5

02985378P - FALCON 10 and 15 (SERIAL NO. FLN15-10120 TO CURRENT) (11-07)\_03-21

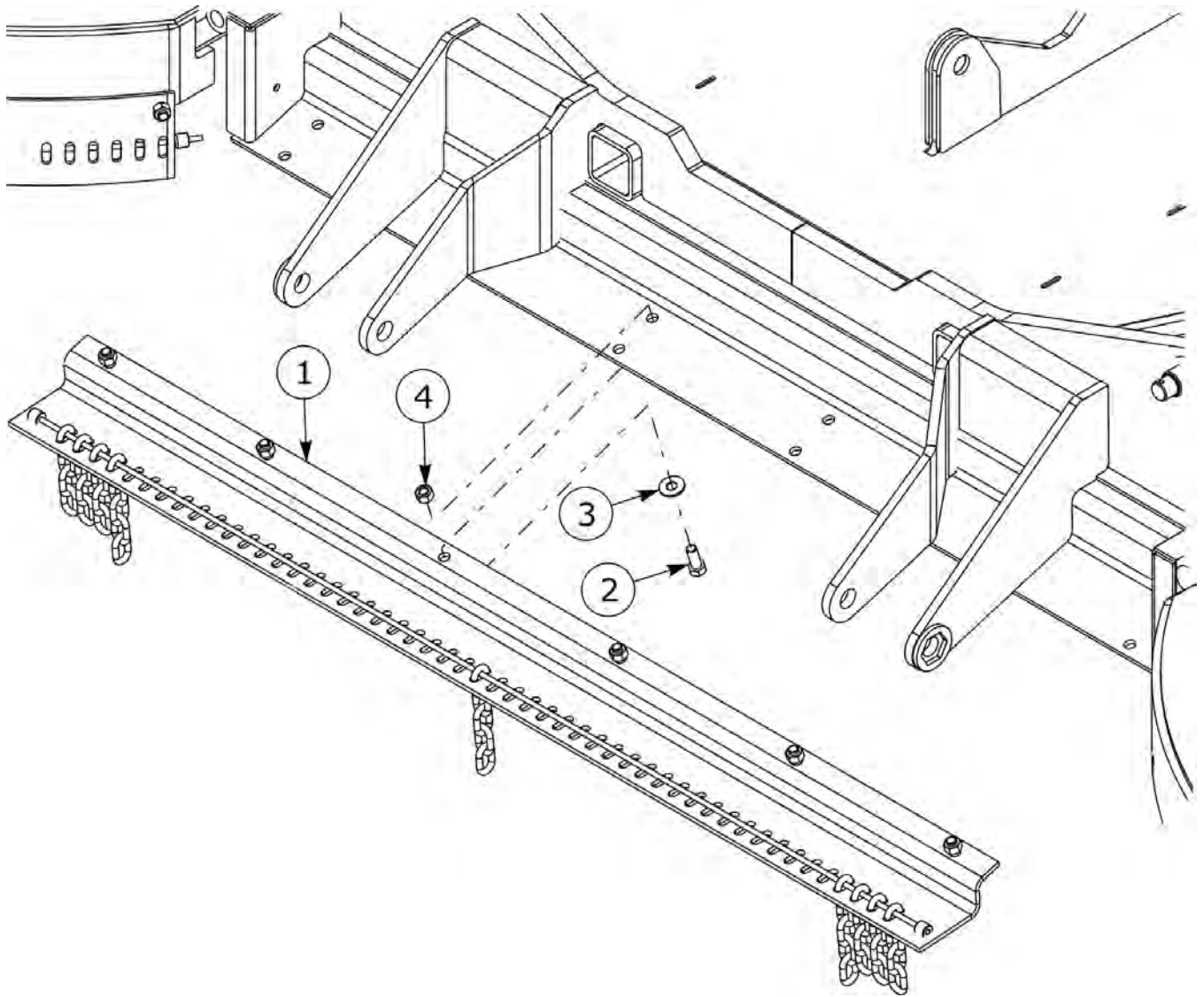
## CHAINGUARD ASSEMBLY - FRONT WING



ITEM	PART NO.	QTY.	DESCRIPTION
1	00778141	1	DOUBLE CHAINGUARD ASSY, FRONT WING
2	00002700	4	FLATWASHER 1/2 PL STD
3	02030700	4	HHCS 1/2-13UNC 1-1/4 PL5

02985378P - FALCON 10 and 15 (SERIAL NO. FLN15-10120 TO CURRENT) (11-07)\_03-21

## CHAINGUARD ASSEMBLY - REAR CENTER

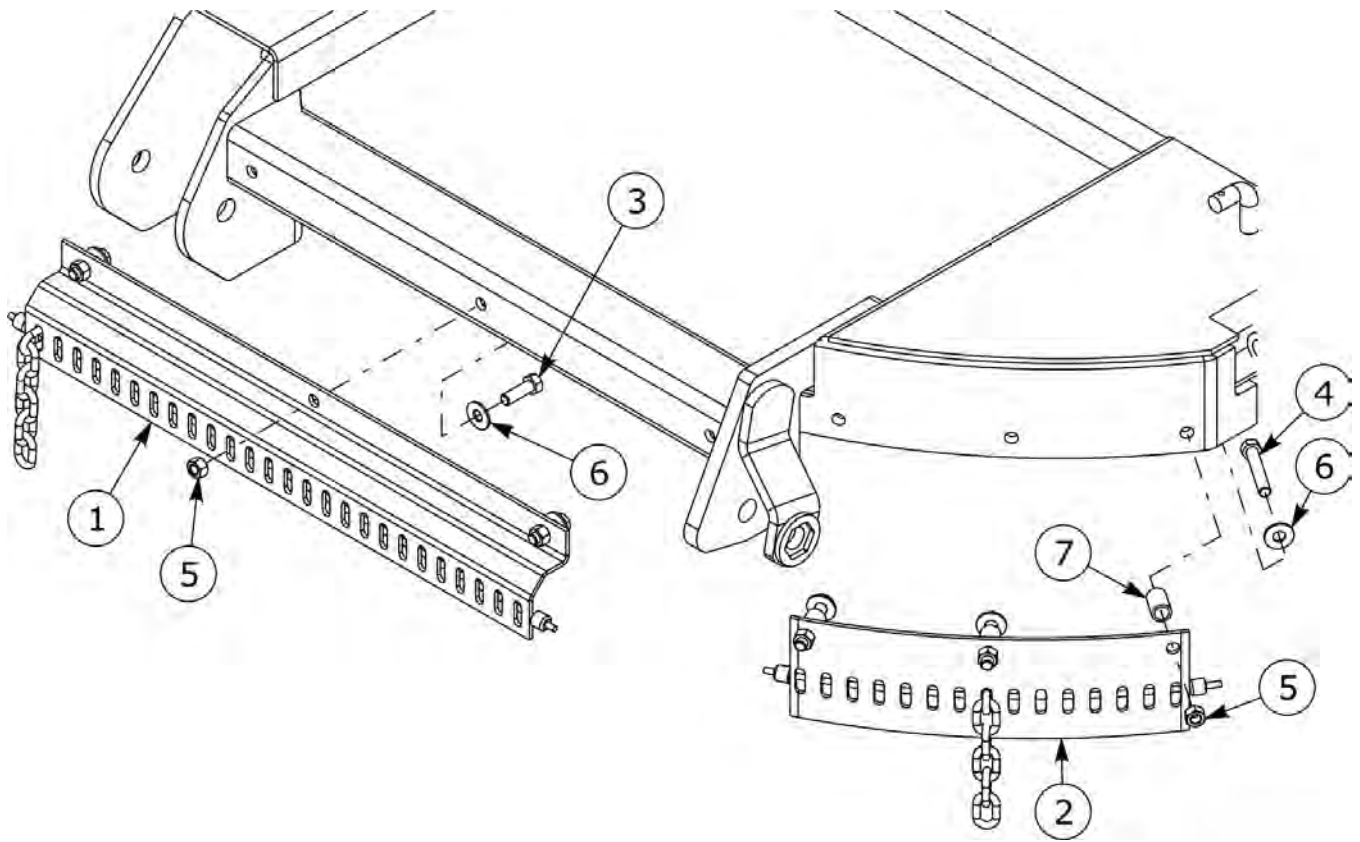


ITEM	PART NO.	QTY.	DESCRIPTION
1	00757447	1	DOUBLE CHAINGUARD ASSY, REAR CTR
2	02030700	6	HHCS 1/2-13UNC 1-1/4 PL5
3	00002700	6	FLATWASHER 1/2 PL STD
4	4526	6	NUT LOCK FLG WHIZ 1/2-13 NC PL

02985378P - FALCON 10 and 15 (SERIAL NO. FLN15-10120 TO CURRENT) (11-07)\_03-21



## CHAINGUARD ASSEMBLY - REAR WING



ITEM	PART NO.	QTY.	DESCRIPTION
1	00761275	1	DOUBLE CHAINGUARD ASSY, REAR WING
2	00763213	1	DOUBLE CHAINGUARD , REASSYAR INSIDE WING
3	00748823	3	HHCS 1/2-13UNC 1-1/2 PL5
4	00753013	3	HHCS 1/2 NC 3 PL8
5	4526	6	NUT LOCK FLG WHIZ 1/2-13 NC PL
6	00002700	3	FLATWASHER 1/2 PL STD
7	00761027	3	PIPE SPACER

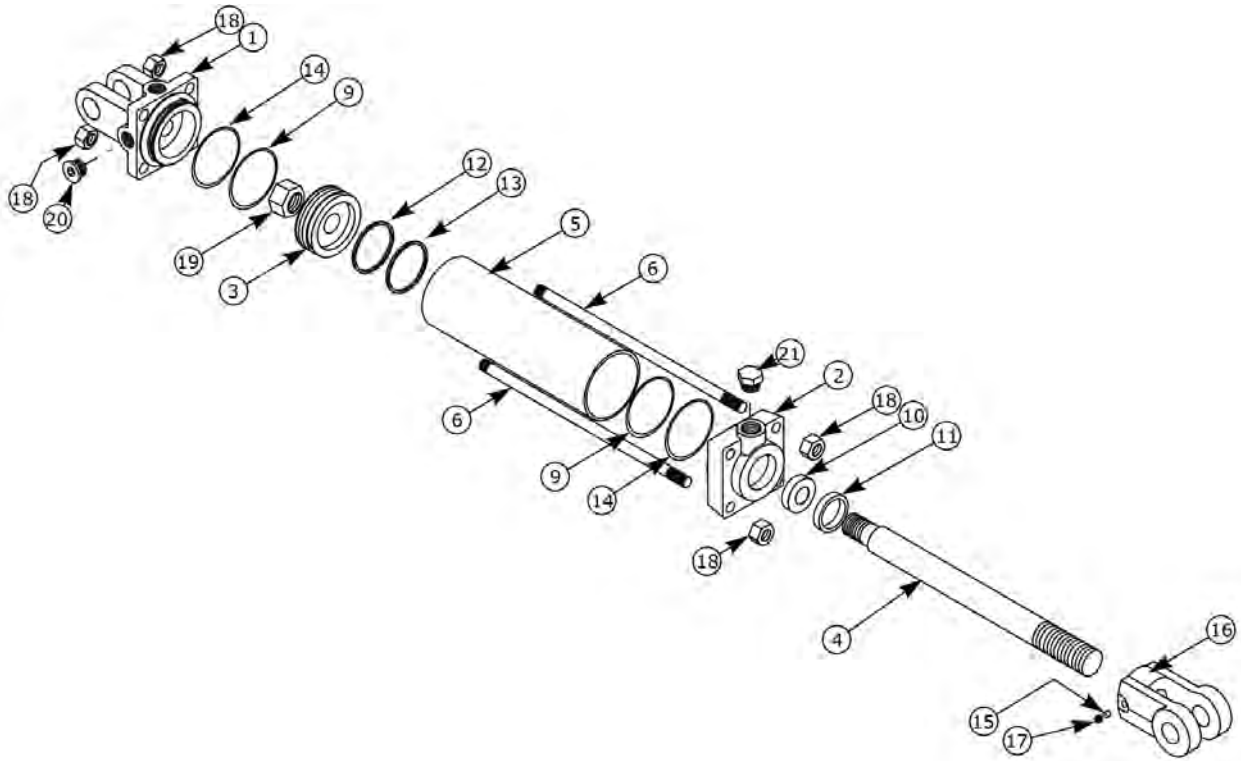
02985378P - FALCON 10 and 15 (SERIAL NO. FLN15-10120 TO CURRENT) (11-07)\_03-21

## COMMON BOX

<b>ITEM</b>	<b>PART NO.</b>	<b>QTY.</b>	<b>DESCRIPTION</b>
-----	02995040	1	COMMON BOX, FALCON
	02990612	1	SPEED INCREASER 1:4
	02961001	2	FILTER ELEMENT
	63096300	1	PAINT-SPRAY CAN YELLOW
	02985378A	1	ASY FALCON 15/10 MANUAL
	00001300	4	WASHER,LOCK 1/2 GR8 - YDP
	00748823	4	HHCS 1/2-13UNC 1-1/2 GR.5 PL
	02991218	1	KIT, ELECTRIC, FALCON
	02991971	1	KIT, REVERSER, FALCON

02985378P - FALCON 10 and 15 (SERIAL NO. FLN15-10120 TO CURRENT) (11-07)\_03-21

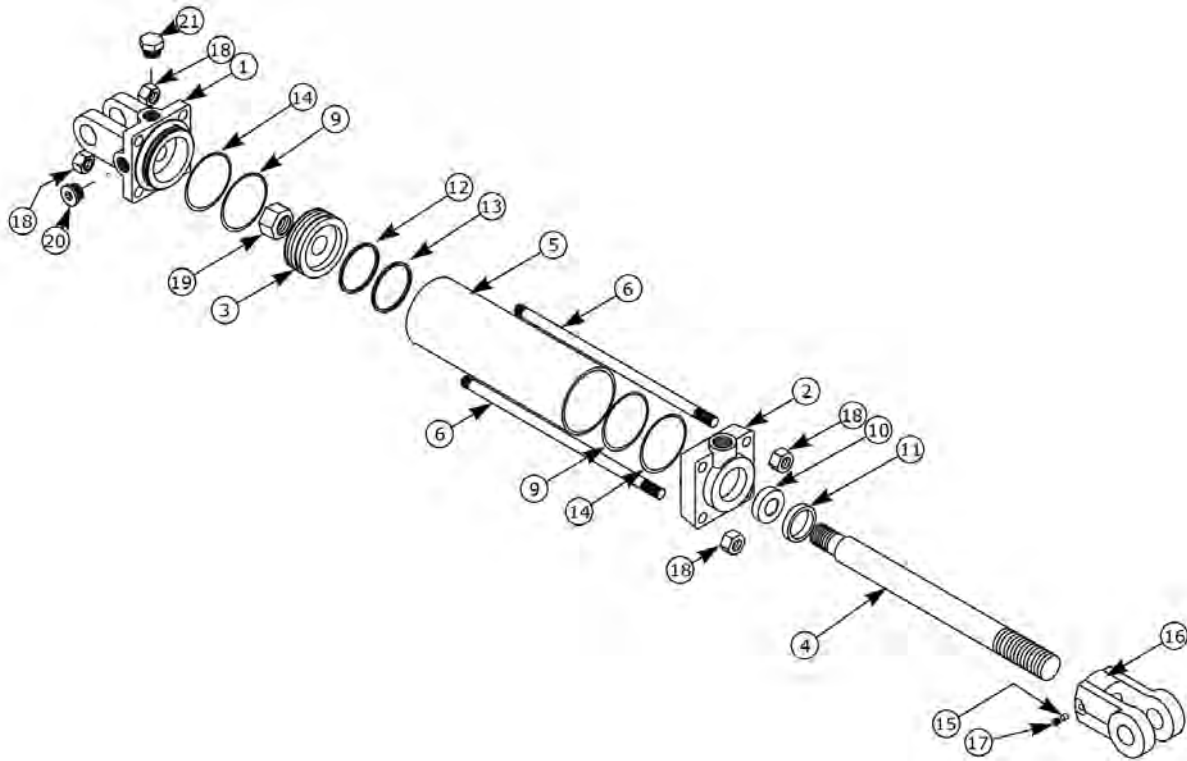
## CYLINDER ASSEMBLY - CENTER



ITEM	PART NO.	QTY.	DESCRIPTION
----	00759946A	1	CYLINDER ASSEMBLY
1	2417158	1	CLEVIS CAP
2	2417157	1	ROD CAP
3	00774732	1	PISTON
4	00774737	1	ROD
5	00774748	1	TUBE
6	00774742	4	TIE ROD
9	*	2	END CAP O-RING
10	*	1	ROD WIPER SEAL
11	*	1	ROD DUSTSEAL
12	*	1	PISTON SEAL
13	*	1	PISTON WEAR RING
14	*	2	END CAPBACKUPWASHERS
15	3047117	1	NYLONTHREAD PROTECTOR
16	1917140	1	ROD CLEVIS
17	00774740	1	SETSCREW
18	33005H5C	8	TIE ROD NUT
19	5JRC16140	1	PISTON NUT
20	1917132	1	PORTPLUG
21	2417154	1	BREATHER
*	00774761	1	SEAL KIT

02985378P - FALCON 10 and 15 (SERIAL NO. FLN15-10120 TO CURRENT) (11-07)\_03-21

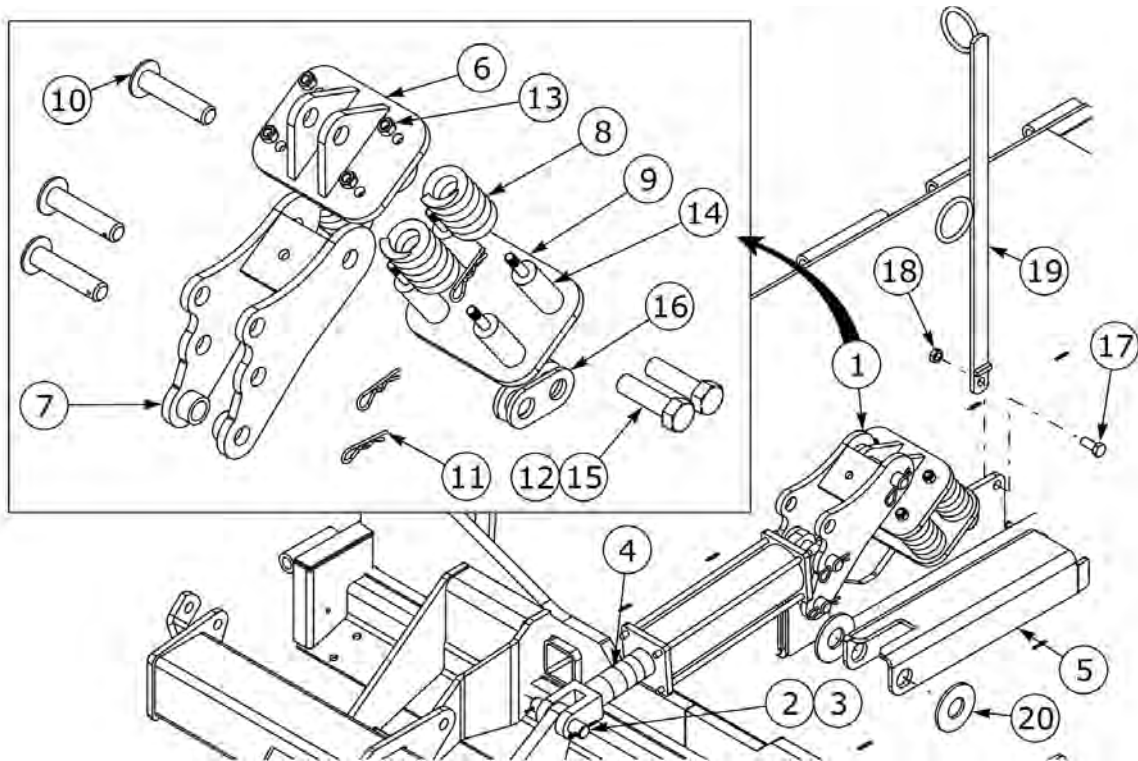
## CYLINDER ASSEMBLY - WING



ITEM	PART NO.	QTY.	DESCRIPTION
----	00759947A	1	CYLINDER ASSEMBLY
1	2417158	1	CLEVIS CAP
2	2417157	1	ROD CAP
3	00774732	1	PISTON
4	00774738	1	ROD
5	00774749	1	TUBE
6	00774743	4	TIE ROD
9	*	2	END CAP O-RING
10	*	1	ROD WIPER SEAL
11	*	1	ROD DUSTSEAL
12	*	1	PISTON SEAL
13	*	1	PISTON WEAR RING
14	*	2	END CAPBACKUPWASHERS
15	3047117	1	NYLONTHREAD PROTECTOR
16	1917140	1	ROD CLEVIS
17	00774740	1	SETSCREW
18	33005H5C	8	TIE ROD NUT
19	5JRC16140	1	PISTON NUT
20	1917132	1	PORTPLUG
21	2417154	1	BREATHER
*	00774761	1	SEAL KIT

02985378P - FALCON 10 and 15 (SERIAL NO. FLN15-10120 TO CURRENT) (11-07)\_03-21

## CYLINDER ATTACHMENT - CENTER

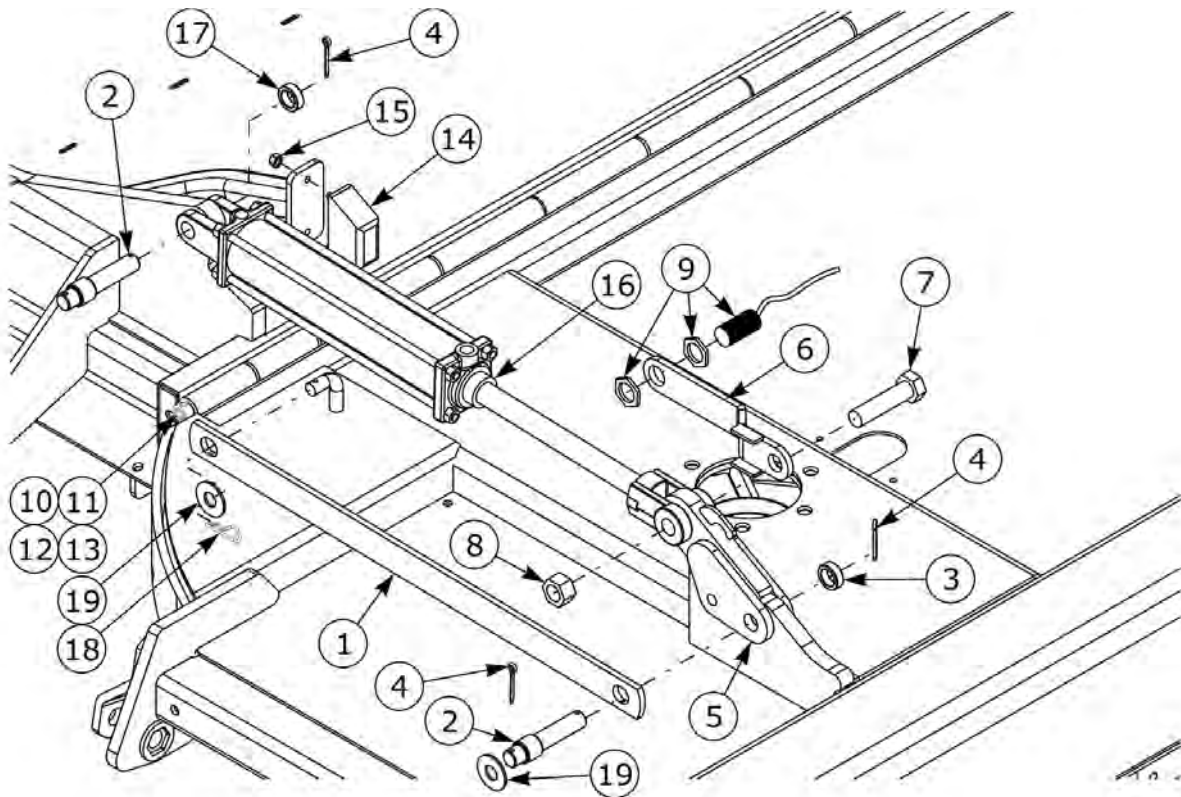


ITEM	PART NO.	QTY.	DESCRIPTION
1	00778942	1	ASY, SPRING POD
2	00606000	1	PIN-COTTER 3/16 X 2
3	103266	1	CYLINDER PIN
4	00755234	1	CONTROL SPACER KIT
5	00777963	1	PLATE, TRANSPORT LOCK
6	00778939	1	SPRING SUPPORT WELDMENT
7	00778940	2	WLDMT, PIVOT ARM
8	371063A	2	SPRING
9	00778933	1	WLDMT, BASE SPRING POD
10	0656460240	2	WLDMT-PIN
11	37107B13	4	CLIP-X HAIR PIN
12	02030300	1	NUT TOPLOCK 1 NC PLB
13	00001800	2	LOCKNUT TLM 1/2 NC PLC
14	00779069	3	SPRING GUIDE AND SPACER
15	00781043	2	HHCS 1 NC 3-1/2 PL5
16	00779106	2	SPRING POD SPACER
17	02675800	1	HHCS 5/8-11 X 1-1/2 PL5
18	00695100	1	NUT, TOPLOCK 5/8 NC PLC
19	02985379	1	WLDMT HOSE BRACKET
20	02822500	2	FLATWASHER 1 PL

02985378P - FALCON 10 and 15 (SERIAL NO. FLN15-10120 TO CURRENT) (11-07)\_03-21



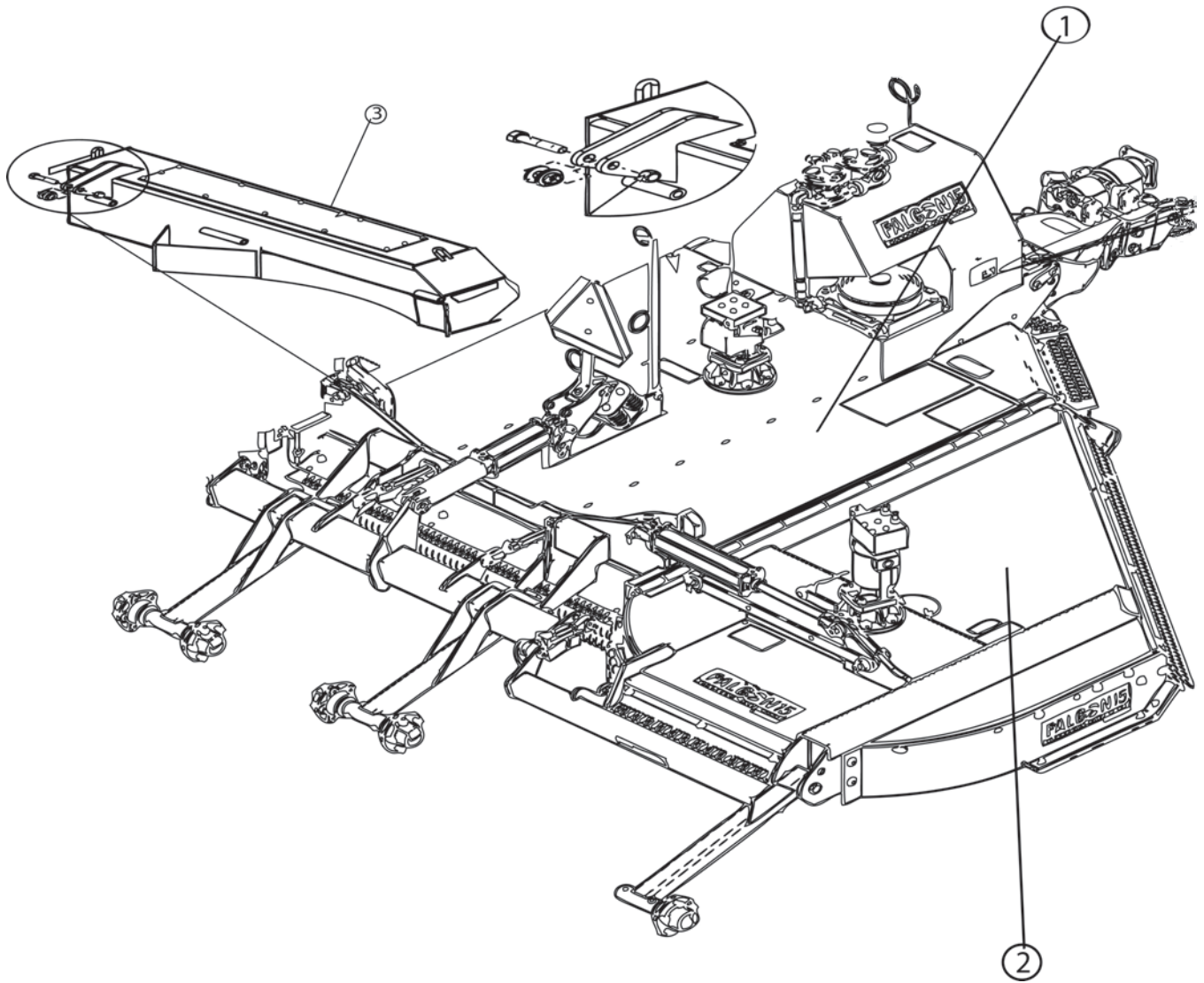
## CYLINDER ATTACHMENT - WING



ITEM	PART NO.	QTY.	DESCRIPTION
1	00775174	1	FLAT TRANSPORT BAR
2	8352	2	PIN ASSEMBLY
3	00761504	1	SPACER 1-1/2 OD X 1 ID X 1LG
4	00606000	4	PIN-COTTER 3/16 X 2
5	02985161	1	WLDMT FLOATING LINK
6	02985146	1	WLDMT SWITCH MOUNT BAR
7	02712500	1	HHCS 1 NC 4 PL8
8	02030300	1	NUT TOPLOCK 1 NC PLB
9	02985147	1	SWITCH PROXIMITY 12VDC 6A
10	00777186	2	HINGE ROD CAP
11	651091	1	WDMT, HINGE PIN
12	02766400	1	HEXB 5/16 NC 1-1/2
13	00750940	1	LOCKNUT TLM 5/16 NC
14	00776591	1	BUMPER, WING RUBBER
15	00755934	2	NUT MET 8MM-P1.25
16	02986239	1	SPACER CYLINDER COLLAR
17	00761503	1	SPACER 1-1/2 OD X 1 ID X 1/2 LG
18	37107B13	1	HAIRPIN CLIP
19	02822500	2	FLATWASHER 1 PL

02985378P - FALCON 10 and 15 (SERIAL NO. FLN15-10120 TO CURRENT) (11-07)\_03-21

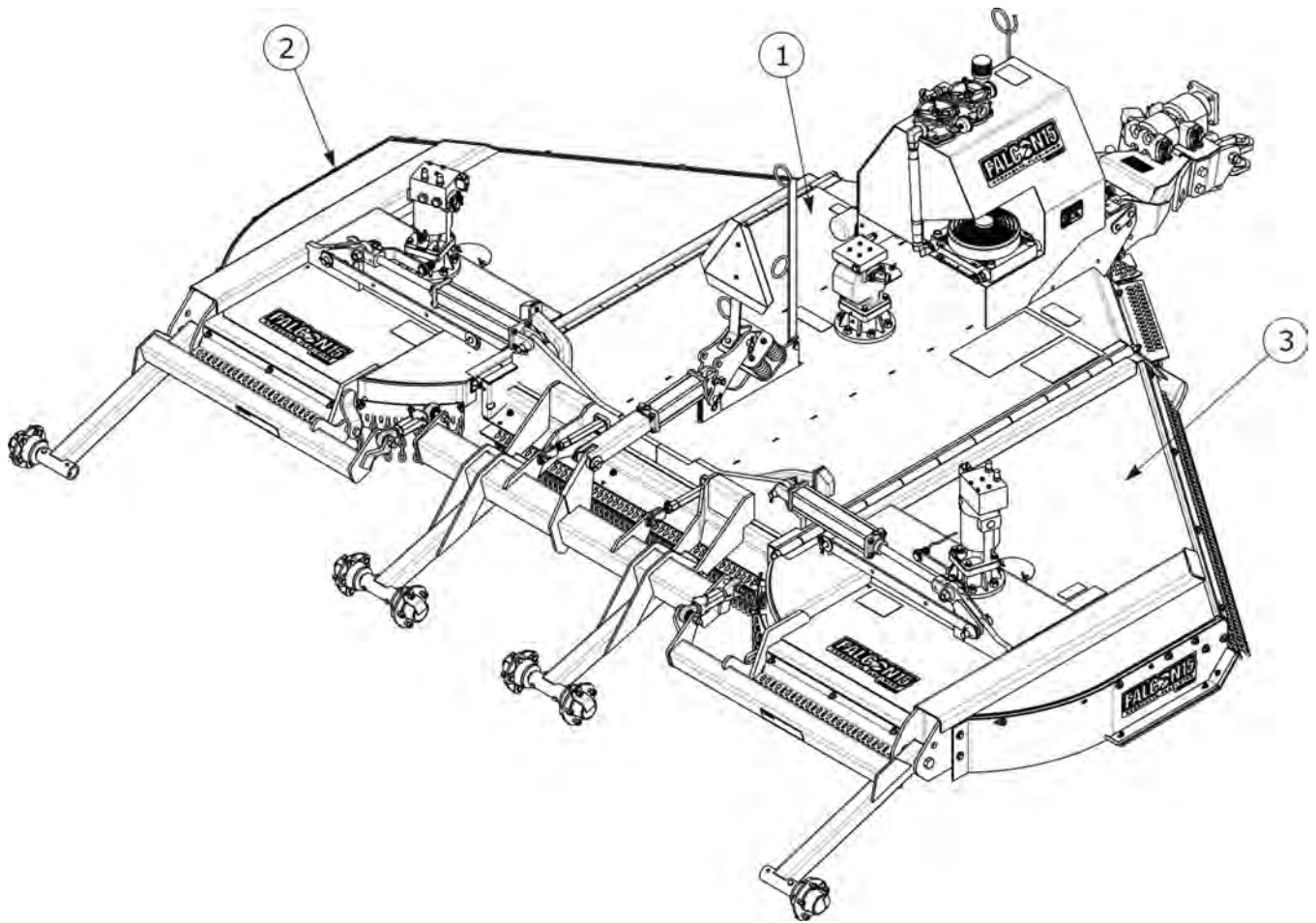
## FALCON 10 COMPLETE ASSEMBLY



ITEM	PART NO.	QTY.	DESCRIPTION
1	00779322	1	WDMT, CENTER SECTION - FALCON 10
2	00777799	1	WLDMT, LEFT WING - FALCON 110
3	00780279	1	ASSY, WEIGHT BOX L.H.

02985378P - FALCON 10 and 15 (SERIAL NO. FLN15-10120 TO CURRENT) (11-07)\_03-21

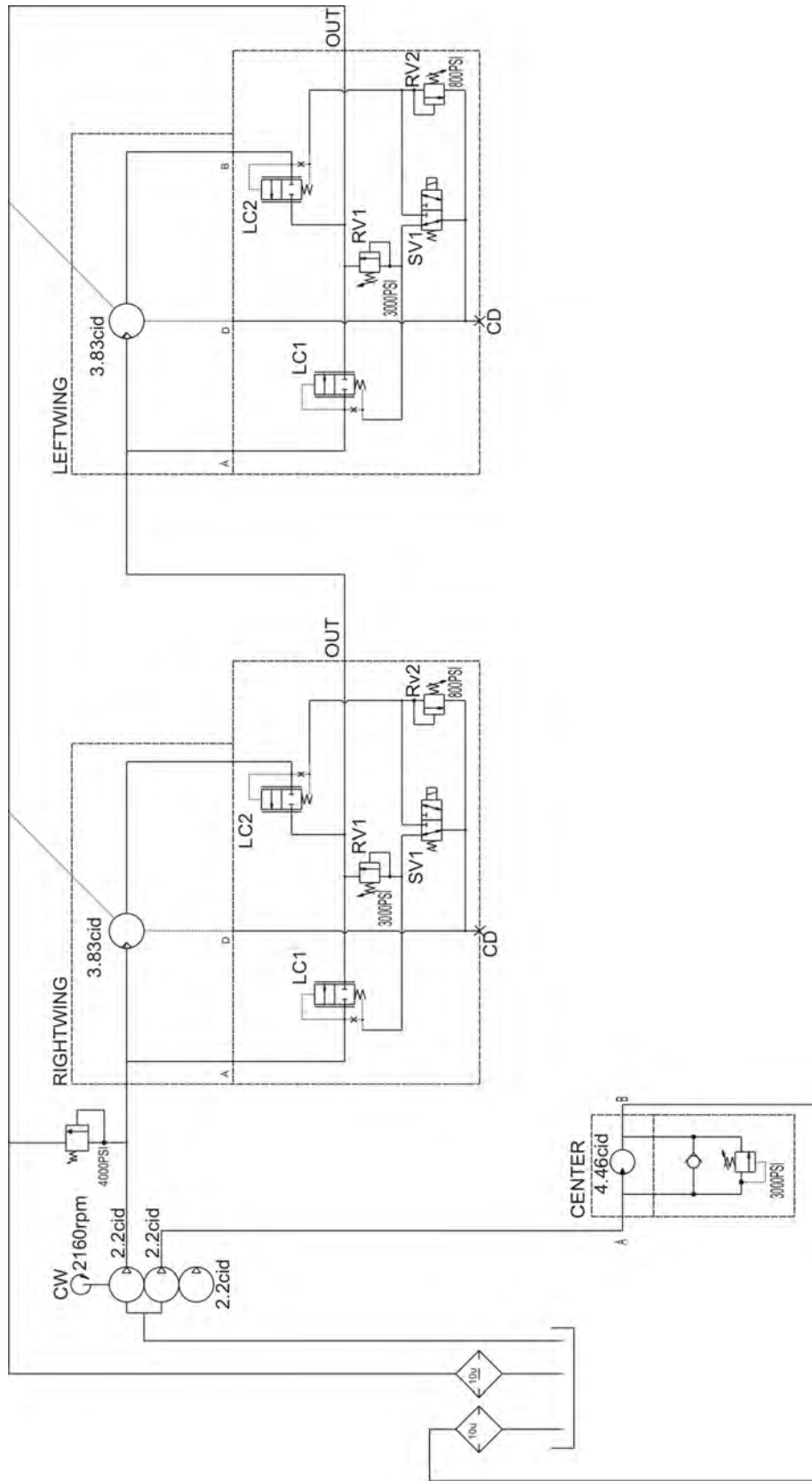
## FALCON 15 COMPLETE ASSEMBLY



ITEM	PART NO.	QTY.	DESCRIPTION
1	00779322	1	WDMT, CENTER SECTION - FALCON 15
2	00777798	1	WLDMT, LEFT WING - FALCON 15
3	00777799	1	WLDMT, RIGHT WING - FALCON 15

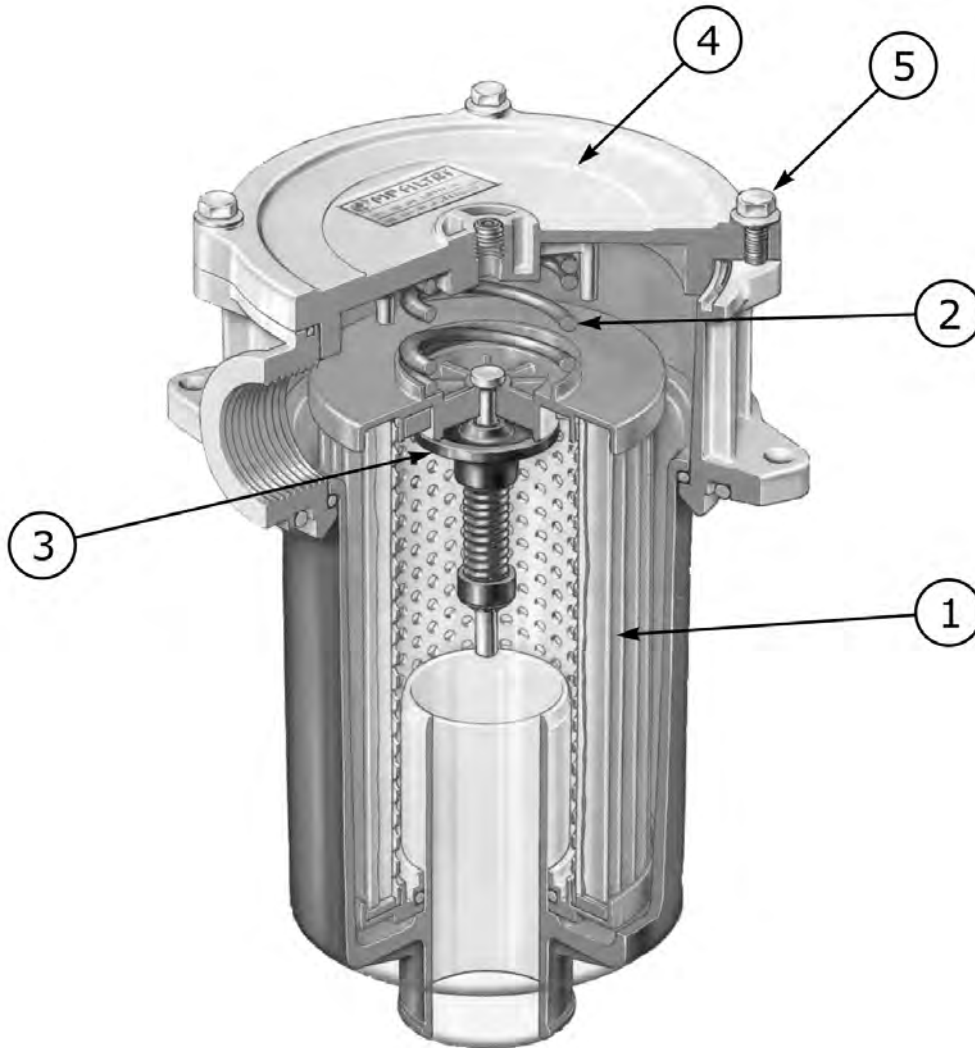
02985378P - FALCON 10 and 15 (SERIAL NO. FLN15-10120 TO CURRENT) (11-07)\_03-21

# FALCON HYDRAULIC SCHEMATIC



02985378P - FALCON 10 and 15 (SERIAL NO. FLN15-10120 TO CURRENT) (11-07)\_03-21

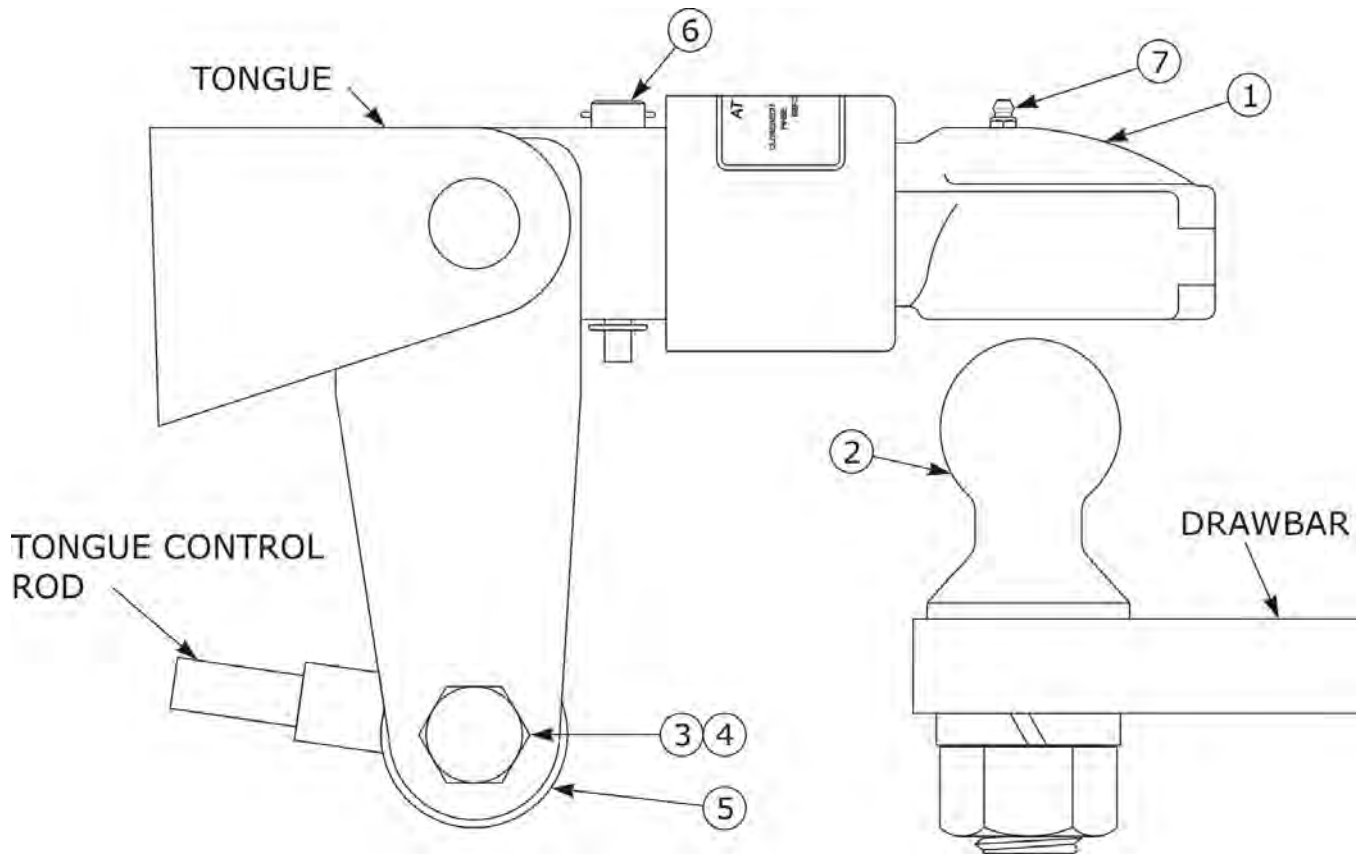
## FILTER ASSEMBLY



ITEM	PART NO.	QTY.	DESCRIPTION
----	02964748	1	FILTER ASY
1	02961001	1	FILTER ELEMENT REPLACEMENT ONLY
2	02972678	1	SPRING, FILTER CARTRIDGE
3	02973782	1	VALVE, FILTER BYPASS
4	02978349	1	FILTER COVER
5	02978355	1	NUT AND BOLT KIT F/ TOP COVER
----	02978354	1	SEAL KIT

02985378P - FALCON 10 and 15 (SERIAL NO. FLN15-10120 TO CURRENT) (11-07)\_03-21

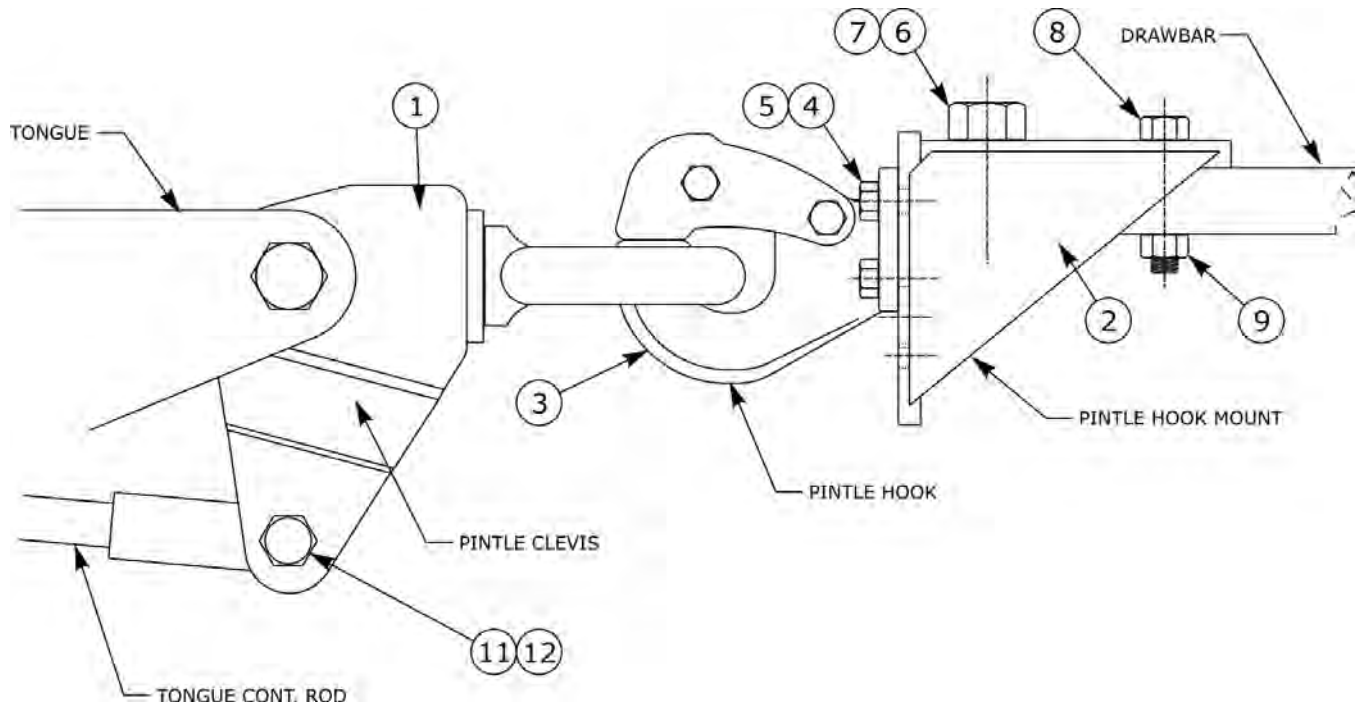
## HITCH OPTION - CAPTIVE BALL COUPLER



ITEM	PART NO.	QTY.	DESCRIPTION
----	00769178	1	ASY,CAPTIVE BALL HITCH
1	00769331	1	WLD,CAPTIVE BALL COUPLER CLEVI
2	00758938	1	BALL, HITCH 2-5/16 BALL 1-1/4
3	02960916	1	HHCS 3/4 NC 5 PL8
4	00037200	1	NUT TOPLOCK 3/4 NC PLC
5	15B1200	2	WASHER 3/4 P SAE
6	00769398	1	ASY,CHAIN & PIN
7	00752670	1	FITTING,GREASE STRAIGHT 1/4-28

02985378P - FALCON 10 and 15 (SERIAL NO. FLN15-10120 TO CURRENT) (11-07)\_03-21

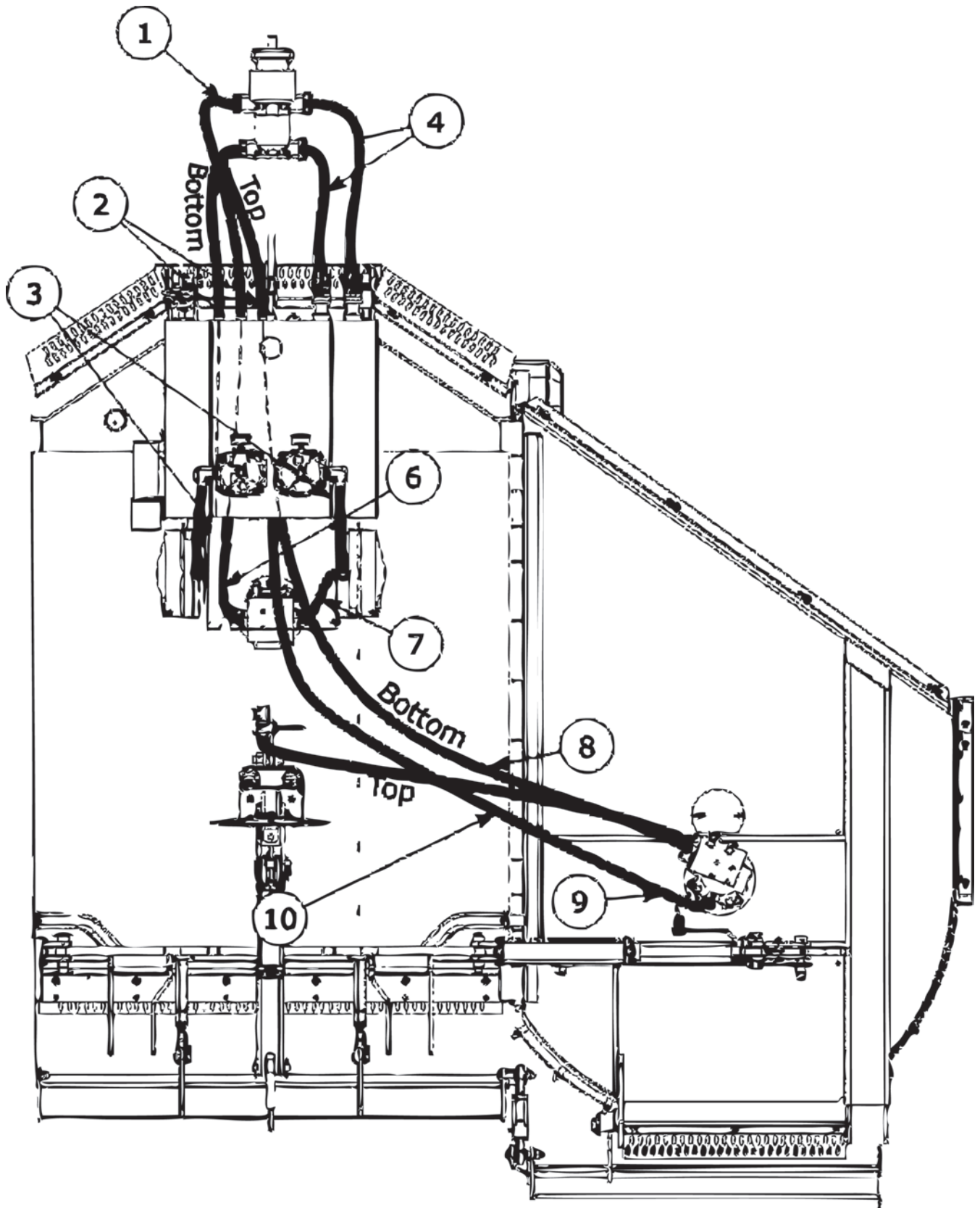
## HITCH OPTION - PINTLE HOOK



ITEM	PART NO.	QTY.	DESCRIPTION
----	00773869SP	1	ASY PINTLE HOOK OPTION
1	00773872	1	WLDMT PINTLE HOOK CLEVIS
2	00752283	1	WLDMT, PINTLE HOOK MOUNTING
3	00752279	1	PINTLE HOOK
4	02891800	4	HHCS 1/2 NC 1-3/4 PL8
5	00001800	4	LOCKNUT TLM 1/2 NC PLC
6	02712500	1	HHCS 1 NC 4 PL8 SPECIAL
7	02030300	1	NUT TOPLOCK 1 NC PLB
8	02845600	1	HEXB 5/8 NC 3 PL5
9	00695100	3	NUT, TOPLOCK 5/8 NC PLC
10	00003300	1	HEXB 3/4 NC 4 PL5
11	00037200	1	NUT TOPLOCK 3/4 NC PLC

02985378P - FALCON 10 and 15 (SERIAL NO. FLN15-10120 TO CURRENT) (11-07)\_03-21

# HOSE ROUTING DIAGRAM FALCON 10



02985378P - FALCON 10 and 15 (SERIAL NO. FLN15-10120 TO CURRENT) (11-07)\_03-21



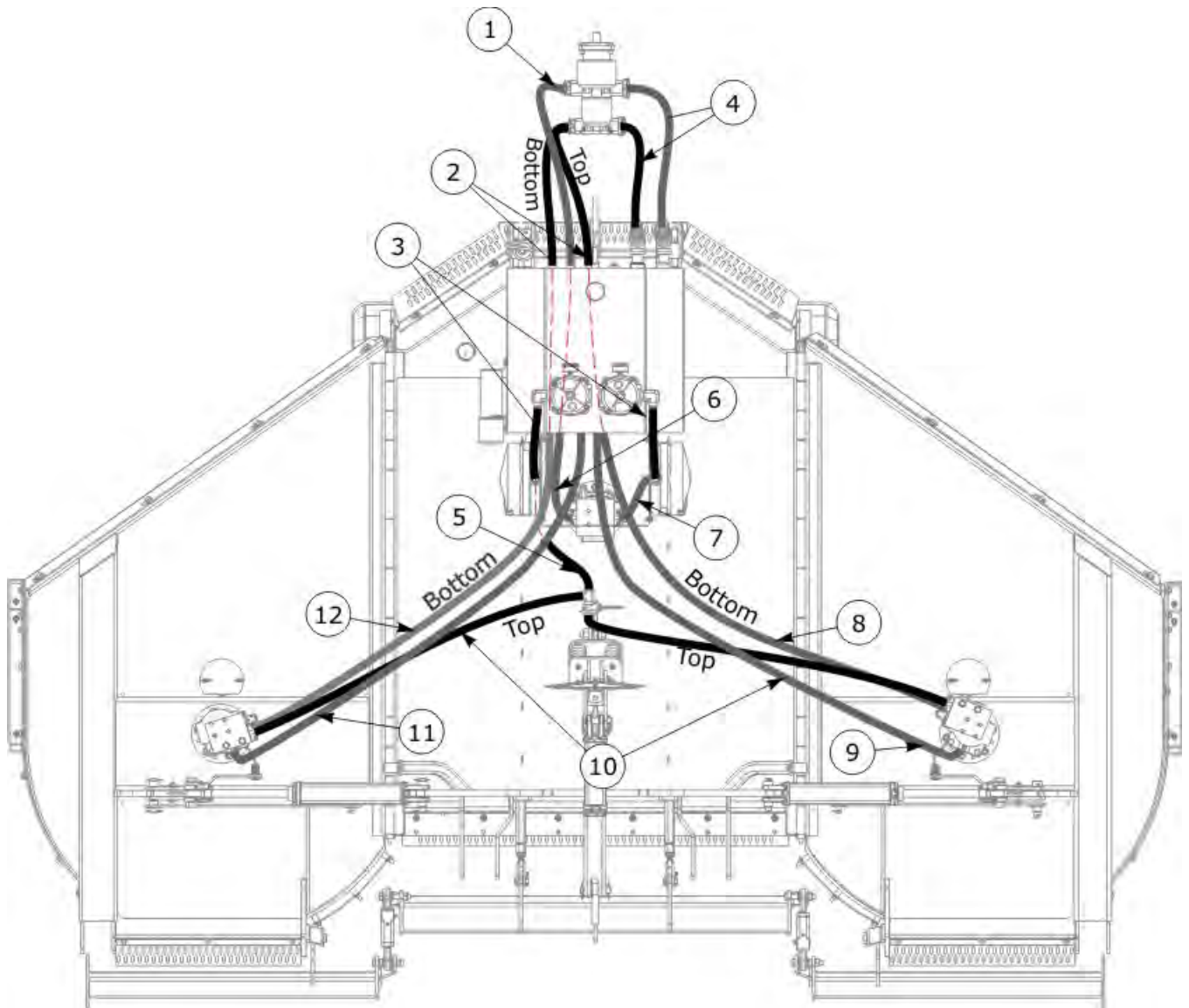
## HOSE ROUTING DIAGRAM FALCON 10

Continued...

ITEM	PART NO.	QTY.	DESCRIPTION
1	02979876	1	HOSE #16-16FJX-16FL90-63LG
2	02988917	2	HOSE #16-16FJX-16FL90-59LG
3	02990949	2	HOSE
4	02988916	2	HOSE #24-24FL90-BLANK-63LG WP
5	02990948	1	HOSE #16-16FJX-16FJX90-27LG
6	02985423	1	HOSE #16-16FJX-16FL90-40LG
7	02990949	3	HOSE #16-16FJX-16FJX-24LG
8	02990946	1	HOSE #16-16FJX-16FL-120LG
9	02969438	1	HOSE #4 - 4FJX - 4FJX90-130LG
10	02990947	2	HOSE #16-16FJX 90-16FL-72LG
11	02969438	2	HOSE #4 - 4FJX - 4FJX90-130LG
12	02990946	2	HOSE #16-16FJX-16FL-120LG

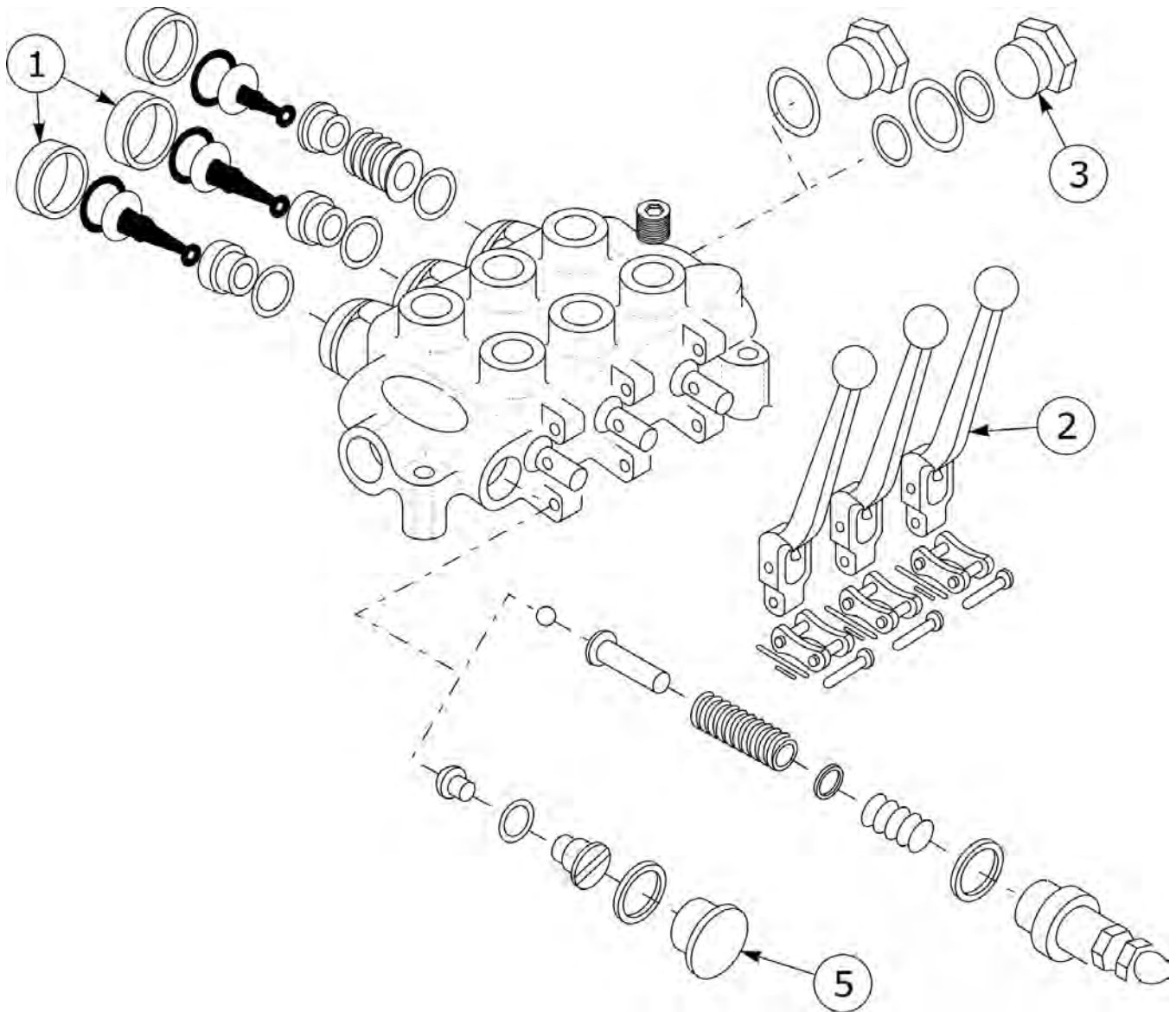
02985378P - FALCON 10 and 15 (SERIAL NO. FLN15-10120 TO CURRENT) (11-07)\_03-21

# HOSE ROUTING DIAGRAM FALCON 15



02985378P - FALCON 10 and 15 (SERIAL NO. FLN15-10120 TO CURRENT) (11-07)\_03-21

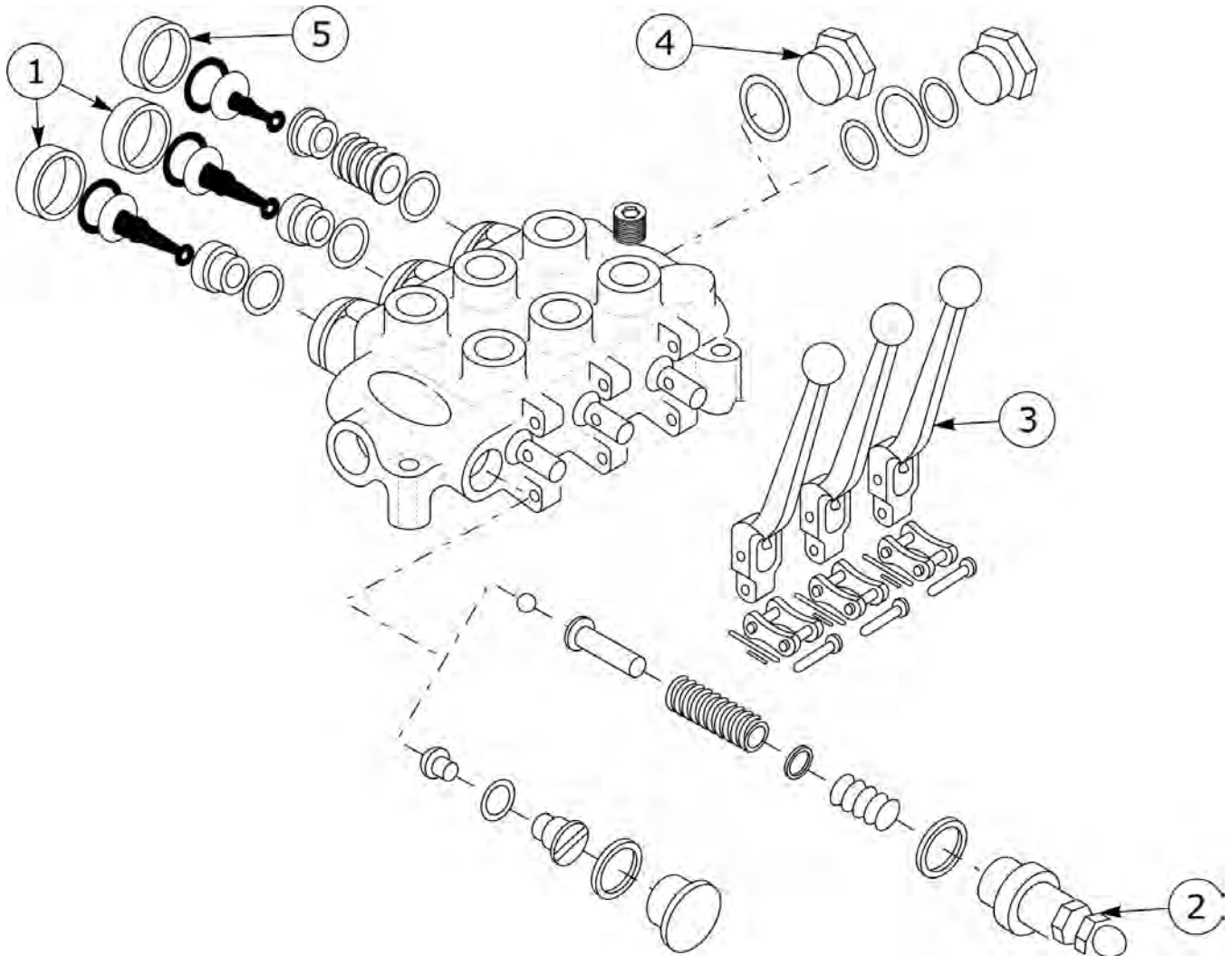
## HYDRAULIC CONTROL VALVE - CLOSED CENTER



ITEM	PART NO.	QTY.	DESCRIPTION
----	00759833	1	CLOSED CENTER VALVE
1	00751139	3	DETENT REPAIR KIT
2	00751142	3	HANDLE ASSEMBLY
3	00751002	1	CLOSED CENTER PLUG
4	00751556	1	SPOOL SEAL KIT FOR ITEM #1 OR #2 (NOT SHOWN)
5	00752057	1	NON-RELIEF VALVE PLUG (CLOSED CENTER)

02985378P - FALCON 10 and 15 (SERIAL NO. FLN15-10120 TO CURRENT) (11-07)\_03-21

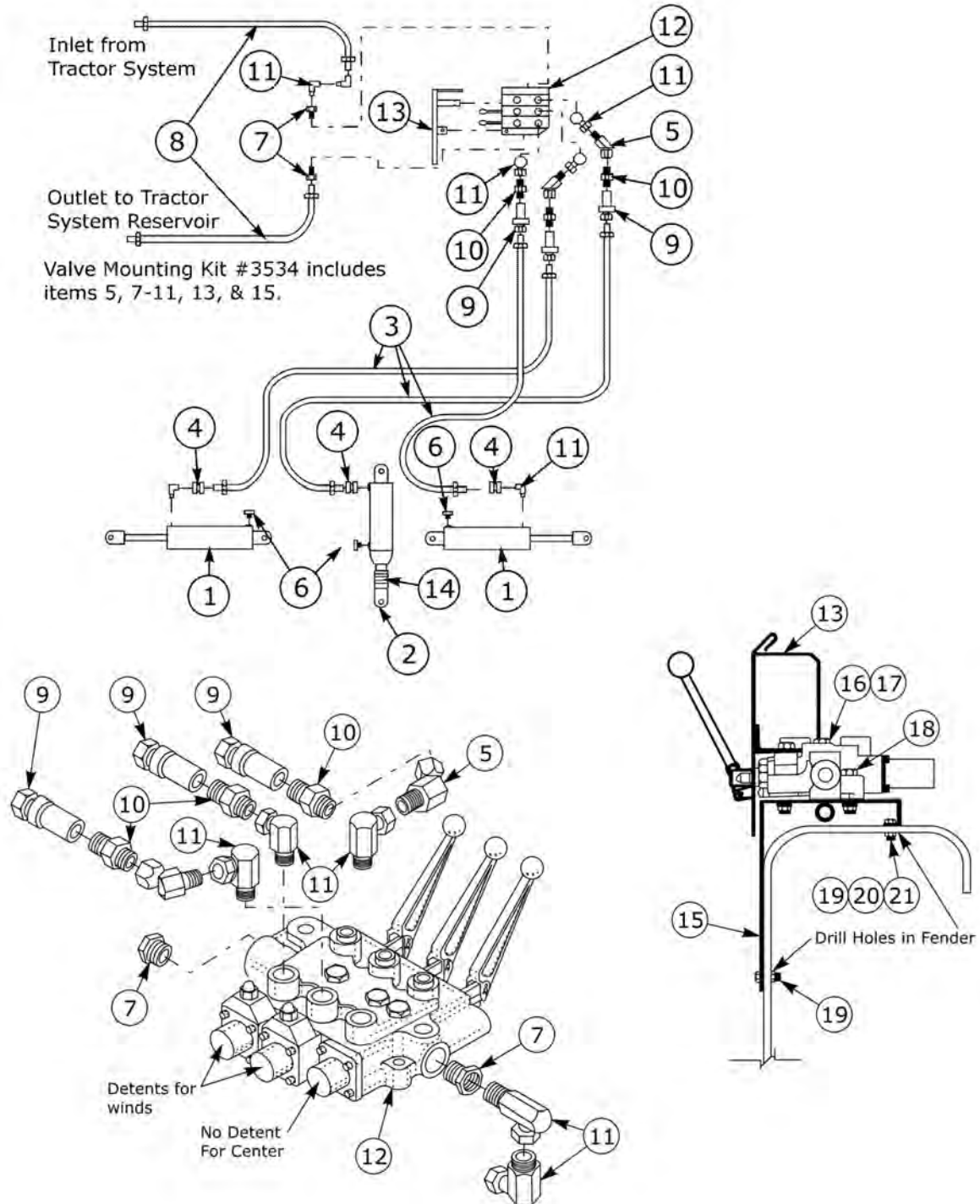
## HYDRAULIC CONTROL VALVE - OPEN CENTER



ITEM	PART NO.	QTY.	DESCRIPTION
----	00380200	1	OPEN CENTER VALVE
1	00751139	2	DETENT REPAIR KIT
2	00751140	1	HIGH PRESSURE RELIEF VALVE KIT
3	00751142	3	HANDLE ASSEMBLY
4	00751141	1	PLUG (OPEN CENTER)
5	00751358	1	REPAIR KIT-SPRING RETURN TO CENTER
6	00751556	1	SPOOL SEAL KIT FOR ITEM #1 OR #2 (NOT SHOWN)

02985378P - FALCON 10 and 15 (SERIAL NO. FLN15-10120 TO CURRENT) (11-07)\_03-21

# HYDRAULIC CONTROL VALVE WITH MOUNTING KIT



02985378P - FALCON 10 and 15 (SERIAL NO. FLN15-10120 TO CURRENT) (11-07)\_03-21

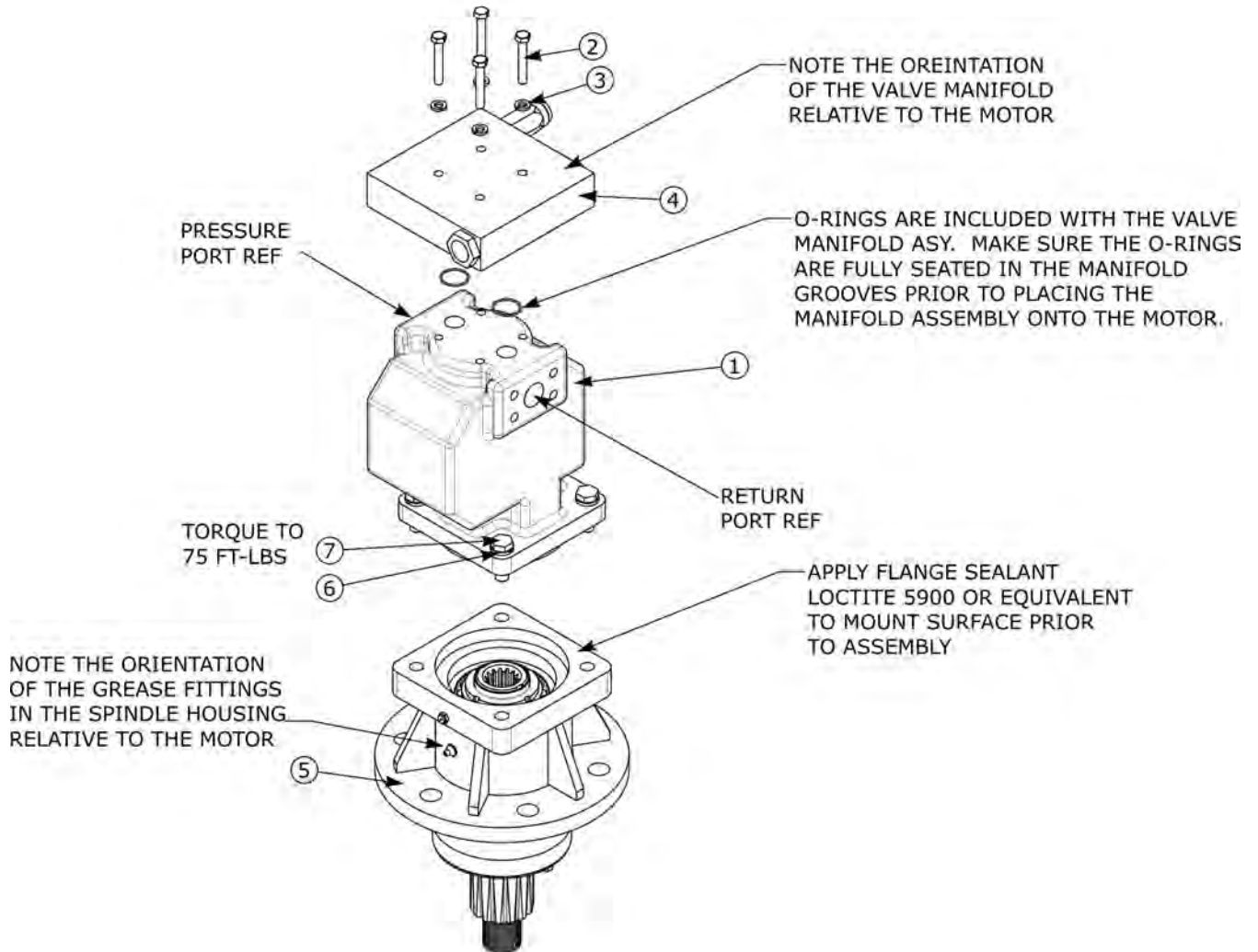
## HYDRAULIC CONTROL VALVE WITH MOUNTING KIT

Continued...

ITEM	PART NO.	QTY.	DESCRIPTION
1	-----	2	WING LIFT CYLINDER
2	-----	1	AXLE LIFT CYLINDER
3	-----	3	HYDRAULIC HOSE
4	00774574	2	RESTRICTOR ELBOW 90 DEG.
5	000999	2	ADP. PIPE ELBOW 45 DEG.
6	-----	3	BREATHER
7	7323	2	BUSHING REDUCER
8	1347	2	HYDRAULIC HOSE
9	2107	3	QUICK DISCONNECT COUPLER
10	02960460	3	STRAIGHT ADAPTER
11	94514	5	ELBOW 90 DEG. SWIVEL
12	-----	1	OPEN VALVE BANK
	-----	1	CLOSED VALVE BANK
13	00759682	1	SHIELD, KIT VALVE MOUNT
14	-----	1	STROKE CONTROL
15	8166	1	FENDER BRACKET
16	10204000	2	BOLT
17	7336	2	SPACER SHIELD
18	00010600	1	BOLT
19	00011400	4	BOLT
20	00012101	7	LOCKWASHER
21	00013901	7	NUT

02985378P - FALCON 10 and 15 (SERIAL NO. FLN15-10120 TO CURRENT) (11-07)\_03-21

## HYDRAULIC MOTOR AND SPINDLE ASSEMBLY - CENTER



02985378P - FALCON 10 and 15 (SERIAL NO. FLN15-10120 TO CURRENT) (11-07)\_03-21

## HYDRAULIC MOTOR AND SPINDLE ASSEMBLY - CENTER

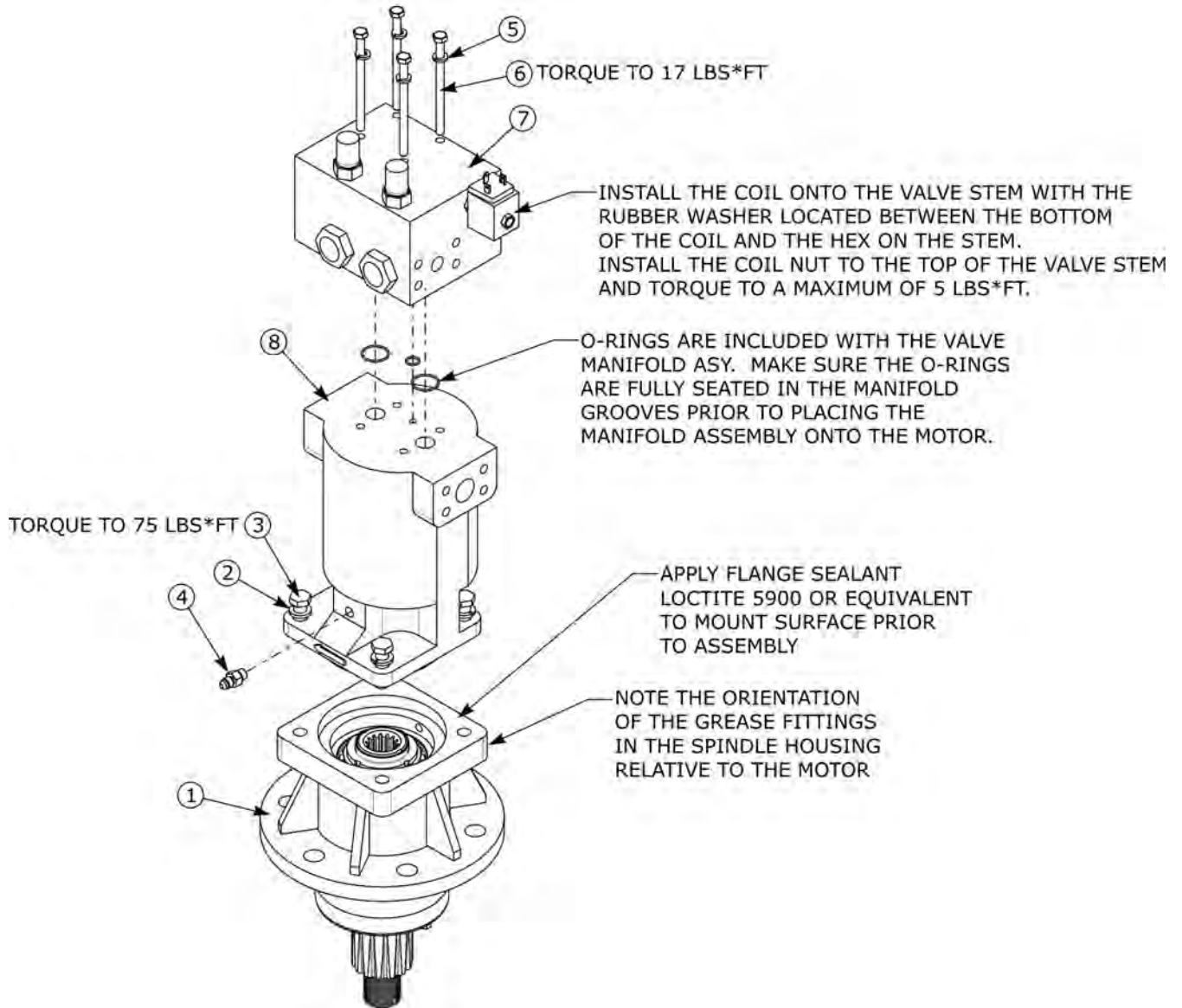
Continued...

ITEM	PART NO.	QTY.	DESCRIPTION
1	02990549	1	CENTER MOTOR
2	00016200	4	HHCS 5/16 NC 2 PL5
3	00011700	4	HIGH ALLOY, L/W 5/16 YZ KG
4	02990601	1	CENTER MOTOR MANIFOLD
5	02984764	1	ASSEMBLY SPINDLE
6	00001300	4	HIGH ALLOY, L/W 1/2 YZ KG
7	02892000	4	HHCS 1/2NC 1-1/2 LG PL8

02985378P - FALCON 10 and 15 (SERIAL NO. FLN15-10120 TO CURRENT) (11-07)\_03-21



## HYDRAULIC MOTOR AND SPINDLE ASSEMBLY - LEFT WING



02985378P - FALCON 10 and 15 (SERIAL NO. FLN15-10120 TO CURRENT) (11-07)\_03-21

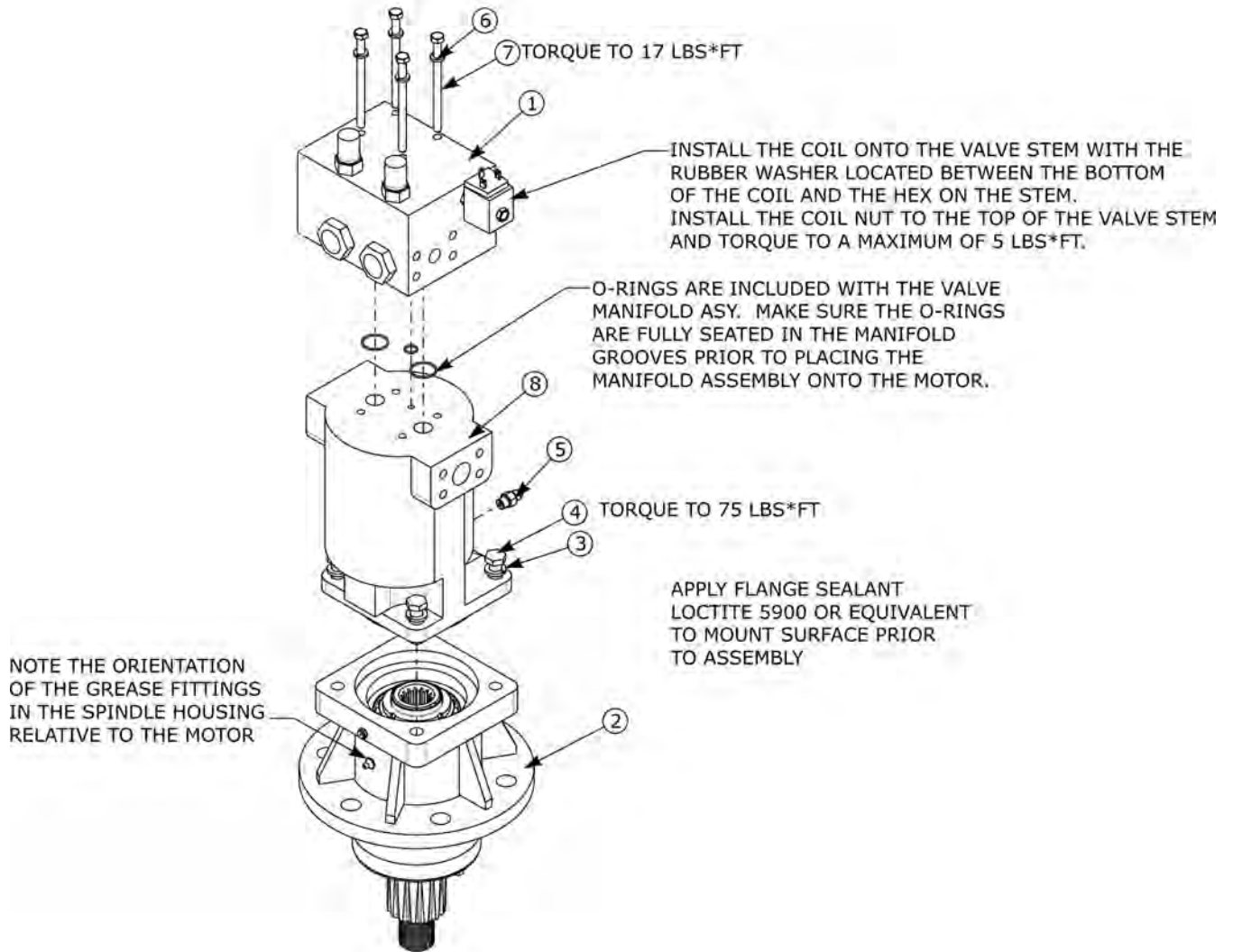
## HYDRAULIC MOTOR AND SPINDLE ASSEMBLY - LEFT WING

Continued...

ITEM	PART NO.	QTY.	DESCRIPTION
1	02984764	1	ASSEMBLY SPINDLE
2	00001300	4	LOCKWASHER 1/2
3	02892000	4	HHCS 1/2NC 1-1/2 LG PL8
4	02962181	1	ADP HYD STGHT 4MB-4MJ
5	00011700	4	LOCKWASHER 5/16 PL STD
6	02733700	4	HHCS 5/16 NC 4-1/2 LG PL5
7	02990602	1	WING MOTOR MAINFOLD
8	02990551	1	MOTOR, HYD,WING, LEFT (CCW)

02985378P - FALCON 10 and 15 (SERIAL NO. FLN15-10120 TO CURRENT) (11-07)\_03-21

## HYDRAULIC MOTOR AND SPINDLE ASSEMBLY - RIGHT WING



02985378P - FALCON 10 and 15 (SERIAL NO. FLN15-10120 TO CURRENT) (11-07)\_03-21

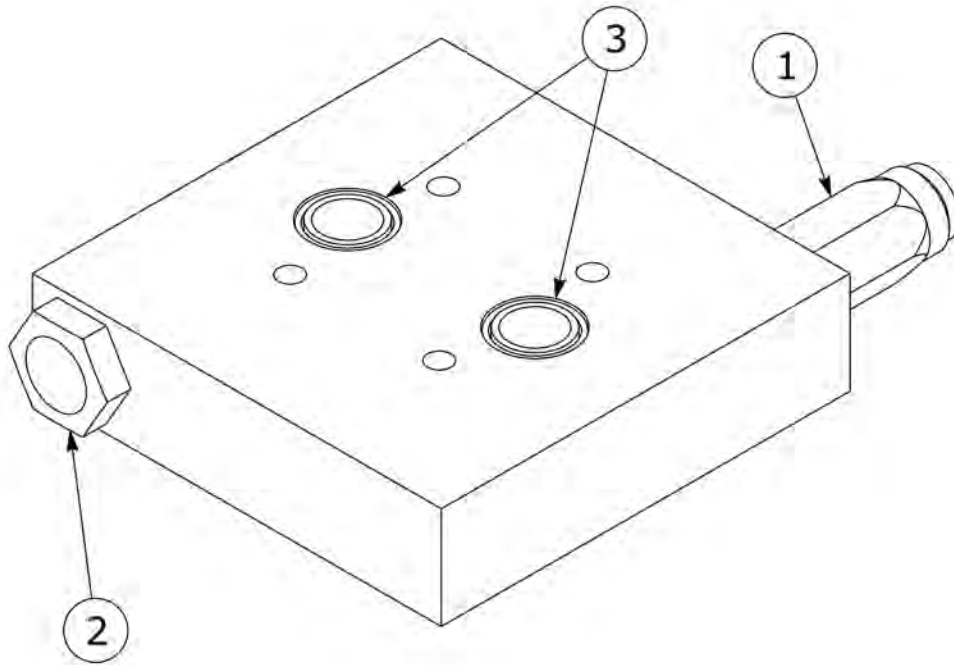
## HYDRAULIC MOTOR AND SPINDLE ASSEMBLY - RIGHT WING

Continued...

ITEM	PART NO.	QTY.	DESCRIPTION
1	02990602	1	WING MOTOR MAINFOLD
2	02984764	1	ASSEMBLY SPINDLE
3	00001300	4	LOCKWASHER 1/2
4	02892000	4	HHCS 1/2NC 1-1/2 LG PL8
5	02962181	1	ADP HYD STGHT 4MB-4MJ
6	00011700	4	LOCKWASHER 5/16 PL STD
7	02733700	4	HHCS 5/16 NC 4-1/2 LG PL5
8	02990550	1	MOTOR, HYD (CW)

02985378P - FALCON 10 and 15 (SERIAL NO. FLN15-10120 TO CURRENT) (11-07)\_03-21

## HYDRAULIC MOTOR MANIFOLD - CENTER



ITEM	PART NO.	QTY.	DESCRIPTION
	02990601	1	CENTER MOTOR MANIFOLD
1	02991748	1	VALVE, CHECK, CNTR MANIFOLD
2	02991749	1	ASY, VALVE, CNTR MANIFOLD
3	02991750	2	O-RING, PORT, CTNR MANIFOLD

02985378P - FALCON 10 and 15 (SERIAL NO. FLN15-10120 TO CURRENT) (11-07)\_03-21

**THIS PAGE INTENTIONALLY LEFT BLANK**

02985378P - FALCON 10 and 15 (SERIAL NO. FLN15-10120 TO CURRENT) (11-07)\_03-21



## HYDRAULIC MOTOR MANIFOLD - WING

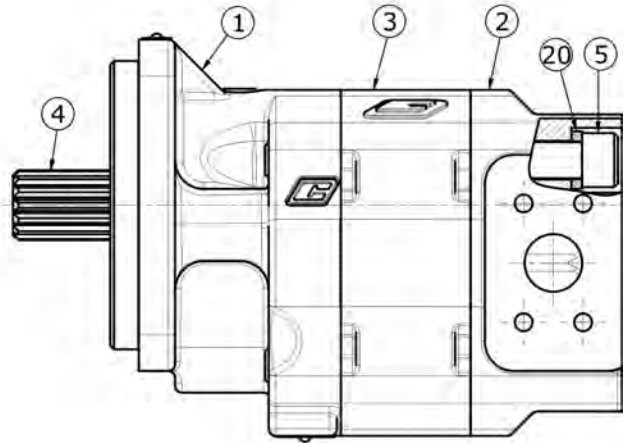
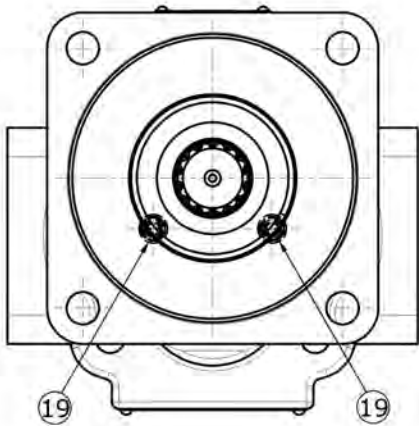
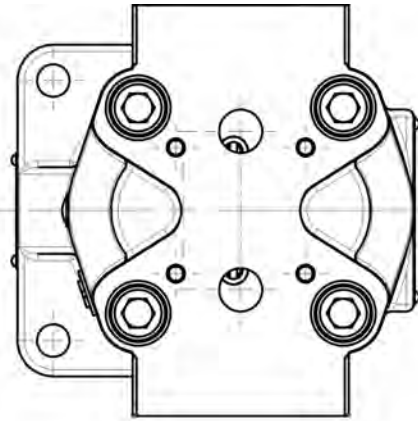
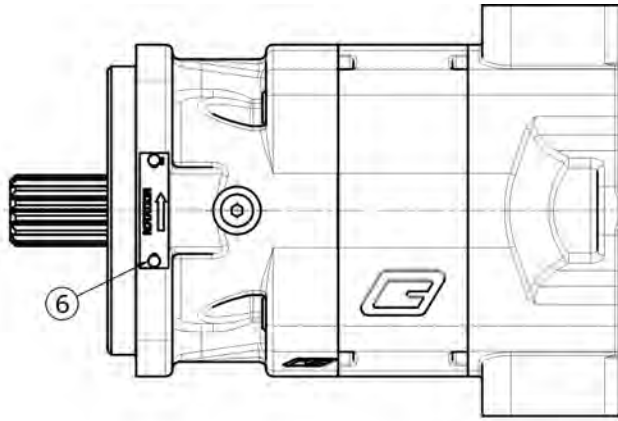
Continued...

ITEM	PART NO.	QTY.	DESCRIPTION
1	02991754	2	CARTRIDGE, LOGIC, SPOOL TYPE
2	02986000	1	CART, RELIEF 3000PSI W/VITON
3	02979492	1	CARTRIDGE RELIEF 800 PSI
4	02991755	1	VALVE, SOLENOID
5	02991756	1	COIL, 12VDC
6	02991757	1	O-RING, MANIFOLD, BRAKE
7	02991758	2	O-RING, MANIFOLD, BRAKE
8	02991759	10	PLUG,HEX,SAE 2,BRAKE MANIFOLD
9	02991760	1	PLUG,HEX,SAE 4,BRAKE MANIFOLD
10	02991761	2	PLUG,HEX,SAE 10,BRAKE MANIFOLD

02985378P - FALCON 10 and 15 (SERIAL NO. FLN15-10120 TO CURRENT) (11-07)\_03-21

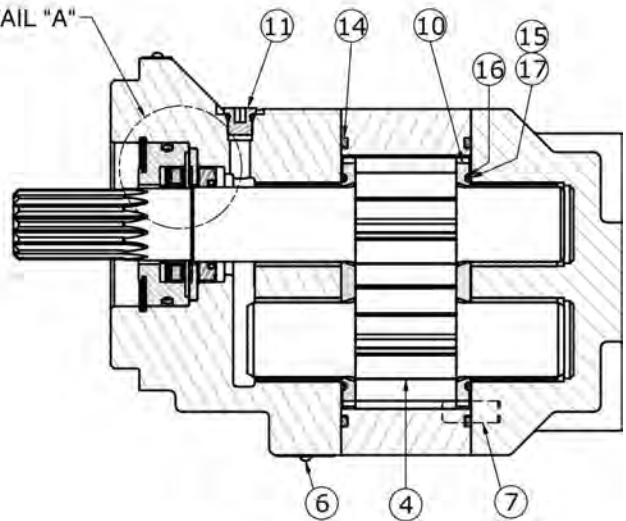


# HYDRAULIC MOTOR REPLACEMENT PARTS - CENTER



**DETAIL "A"**

SEE ENLARGED DETAIL "A"



02985378P - FALCON 10 and 15 (SERIAL NO. FLN15-10120 TO CURRENT) (11-07)\_03-21

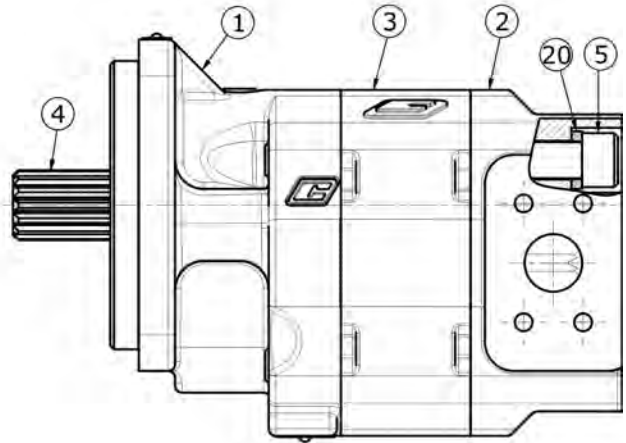
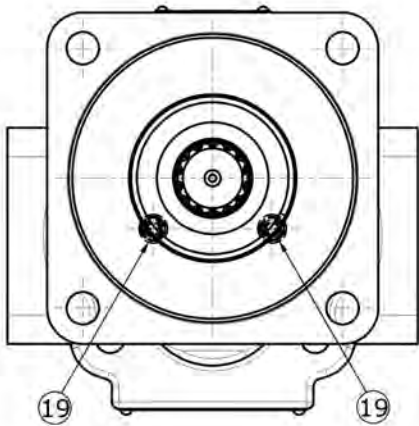
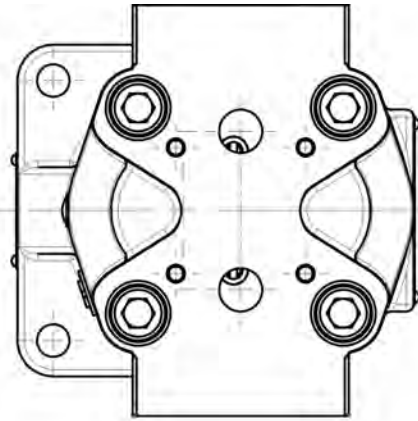
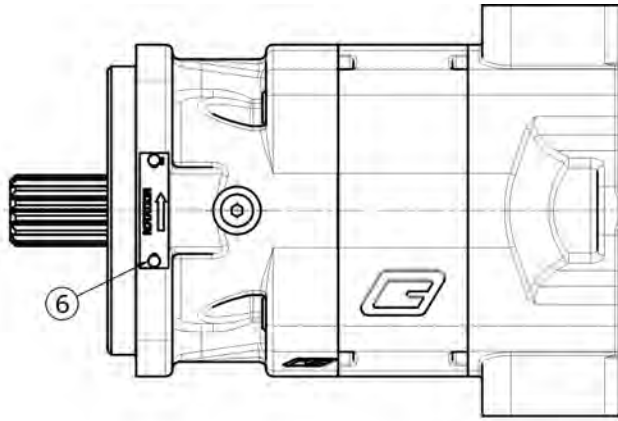
## HYDRAULIC MOTOR REPLACEMENT PARTS - CENTER

Continued...

ITEM	PART NO.	QTY.	DESCRIPTION
1	02991390	1	HOUSING,FLANGE MNT, FALCON15
2	02991391	1	HOUSING,END CAP,CNTR,FALCON15
3	02991393	1	HOUSING, GEAR, CNTR, FALCON
4	02991395	1	SET,GEAR,CNTR MOTOR,FALCON 15
5	00776596	4	CAPSCREW
6	02987938	4	SCREW, DRIVE, FRT PUMP ASY
7	02979953	4	DOWEL PIN, PUMP, HYDRO 15/10
10	02979973	2	THRPL, WING MOTOR, HYDRO
11	02961940	1	PLUG HEX SKT HD 4MB
12	02979971	1	SNAP RING, WING MOTOR, HYDRO
13	02979969	1	LIP SEAL, WING MOTOR, HYDRO
14	02979976	2	SEAL, SQ-R, WING MOTOR, HYDRO
15	02979975	4	SEAL, SIDE, WING MOTOR, HYDRO
16	02979974	4	SEAL, END, WING MOTOR, HYDRO
17	02979972	2	SEAL BACKUP, WING MOTOR, HYDRO
18	02961932	1	RETAINER SEAL
19		2	
20	00776597	4	WASHER
22	02990074	1	SEAL, HP, RETAINER, 5.73 CID
23	02980321	1	O-RING FOR 02962112 MTR.
24	02990073	1	SEAL, HP, LIP, 5.73 CID MOTOR
	02990075	1	KIT, HP, SEAL, 5.73 CID MOTOR

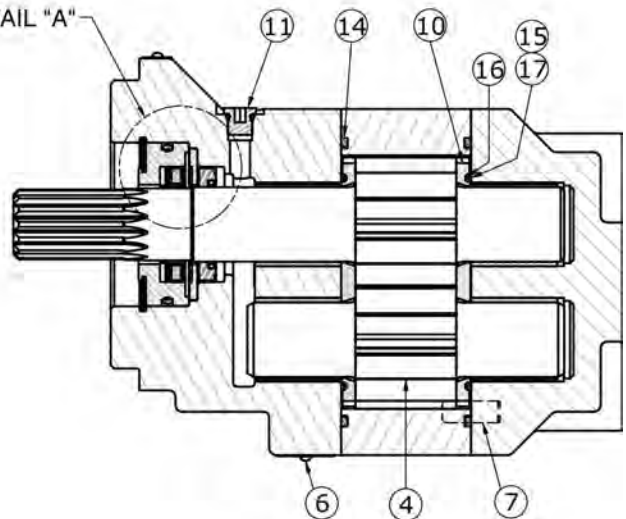
02985378P - FALCON 10 and 15 (SERIAL NO. FLN15-10120 TO CURRENT) (11-07)\_03-21

HYDRAULIC MOTOR REPLACEMENT PARTS - LEFT WING



DETAIL "A"

SEE ENLARGED DETAIL "A"



02985378P - FALCON 10 and 15 (SERIAL NO. FLN15-10120 TO CURRENT) (11-07)\_03-21

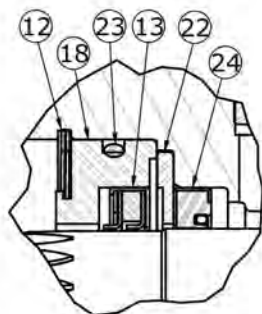
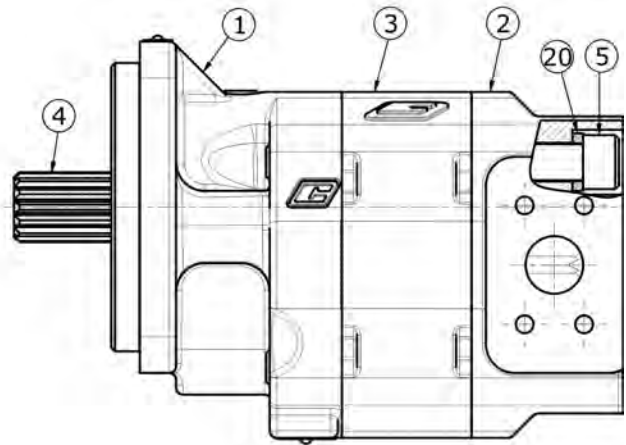
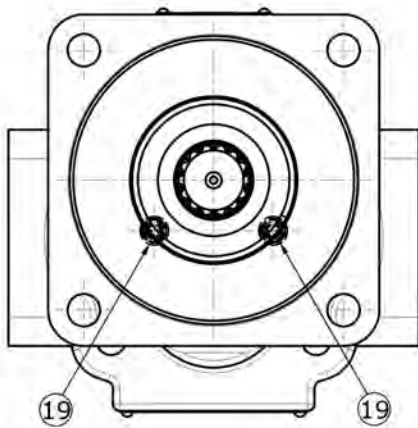
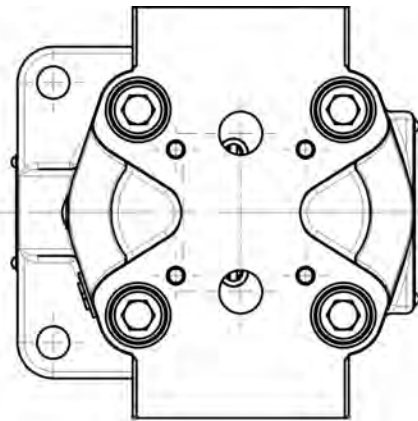
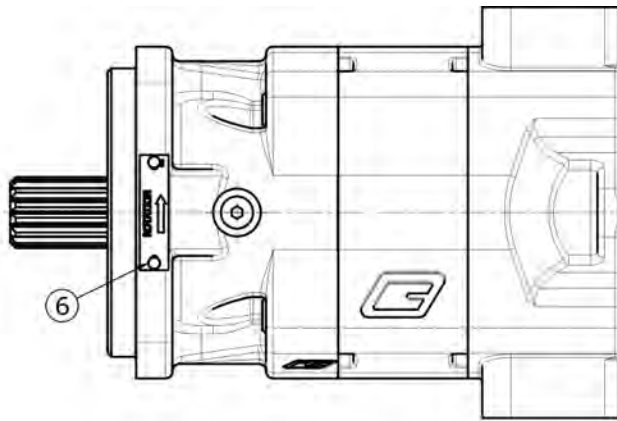
## HYDRAULIC MOTOR REPLACEMENT PARTS - LEFT WING

Continued...

ITEM	PART NO.	QTY.	DESCRIPTION
1	02991390	1	HOUSING,FLANGE MNT, FALCON15
2	02991392	1	HOUSING,END CAP, LFT/RGHT WING
3	02991394	1	HOUSING,GEAR, LFT/RGHT WING
4	02991396	1	SET,GEAR,LFT/RGHT MOTOR,FALC15
5	02991397	4	CAPSCREW, MOTOR, LFT/RGHT
6	02987938	4	SCREW, DRIVE, FRT PUMP ASY
7	02979953	4	DOWEL PIN, PUMP, HYDRO 15/10
10	02979973	2	THRPL, WING MOTOR, HYDRO
11	02961940	1	PLUG HEX SKT HD 4MB
12	02979971	1	SNAP RING, WING MOTOR, HYDRO
13	02979969	1	LIP SEAL, WING MOTOR, HYDRO
14	02979976	2	SEAL, SQ-R, WING MOTOR, HYDRO
15	02979975	4	SEAL, SIDE, WING MOTOR, HYDRO
16	02979974	4	SEAL, END, WING MOTOR, HYDRO
17	02979972	2	SEAL BACKUP, WING MOTOR, HYDRO
18	02961932	1	RETAINER SEAL
19		2	
20	00776597	4	WASHER
21	02991398	1	PLUG, ODT (1.00)
22	02990074	1	SEAL, HP, RETAINER, 5.73 CID
23	02980321	1	O-RING FOR 02962112 MTR.
24	02990073	1	SEAL, HP, LIP, 5.73 CID MOTOR
	02990075	1	KIT, HP, SEAL, 5.73 CID MOTOR

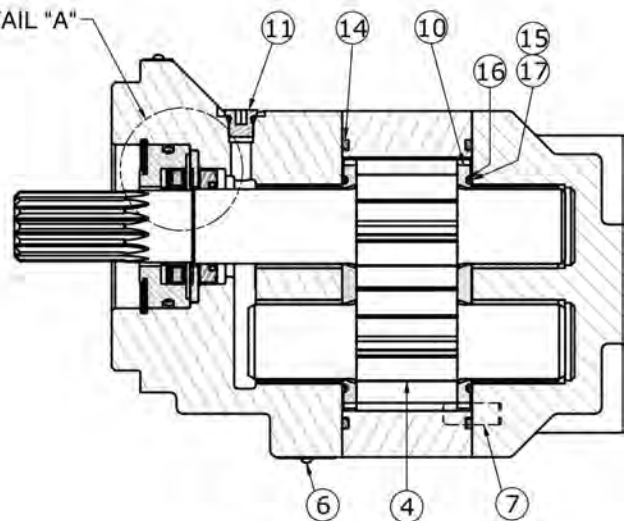
02985378P - FALCON 10 and 15 (SERIAL NO. FLN15-10120 TO CURRENT) (11-07)\_03-21

# HYDRAULIC MOTOR REPLACEMENT PARTS - RIGHT WING



**DETAIL "A"**

SEE ENLARGED DETAIL "A"



02985378P - FALCON 10 and 15 (SERIAL NO. FLN15-10120 TO CURRENT) (11-07)\_03-21

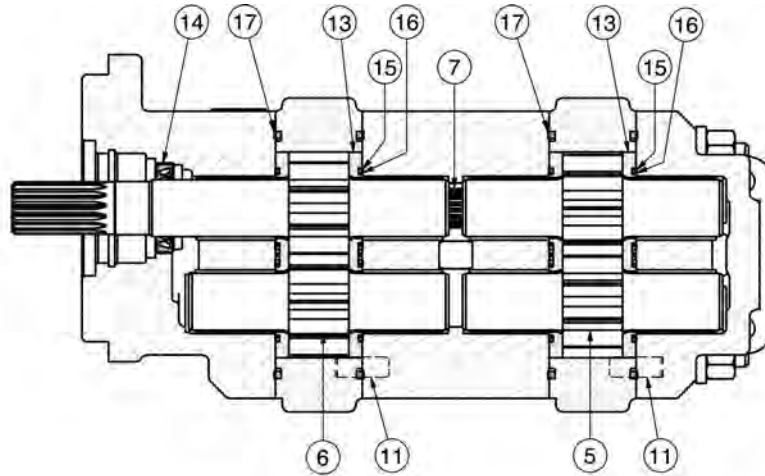
## HYDRAULIC MOTOR REPLACEMENT PARTS - RIGHT WING

Continued...

ITEM	PART NO.	QTY.	DESCRIPTION
1	02991390	1	HOUSING,FLANGE MNT, FALCON15
2	02991392	1	HOUSING,END CAP, LFT/RGHT WING
3	02991394	1	HOUSING,GEAR, LFT/RGHT WING
4	02991396	1	SET,GEAR,LFT/RGHT MOTOR,FALC15
5	02991397	4	CAPSCREW, MOTOR, LFT/RGHT
6	02987938	4	SCREW, DRIVE, FRT PUMP ASY
7	02979953	4	DOWEL PIN, PUMP, HYDRO 15/10
10	02979973	2	THRPL, WING MOTOR, HYDRO
11	02961940	1	PLUG HEX SKT HD 4MB
12	02979971	1	SNAP RING, WING MOTOR, HYDRO
13	02979969	1	LIP SEAL, WING MOTOR, HYDRO
14	02979976	2	SEAL, SQ-R, WING MOTOR, HYDRO
15	02979975	4	SEAL, SIDE, WING MOTOR, HYDRO
16	02979974	4	SEAL, END, WING MOTOR, HYDRO
17	02979972	2	SEAL BACKUP, WING MOTOR, HYDRO
18	02961932	1	RETAINER SEAL
19		2	
20	00776597	4	WASHER
21	02991398	1	PLUG, ODT (1.00)
22	02990074	1	SEAL, HP, RETAINER, 5.73 CID
23	02980321	1	O-RING FOR 02962112 MTR.
24	02990073	1	SEAL, HP, LIP, 5.73 CID MOTOR
	02990075	1	KIT, HP, SEAL, 5.73 CID MOTOR

02985378P - FALCON 10 and 15 (SERIAL NO. FLN15-10120 TO CURRENT) (11-07)\_03-21

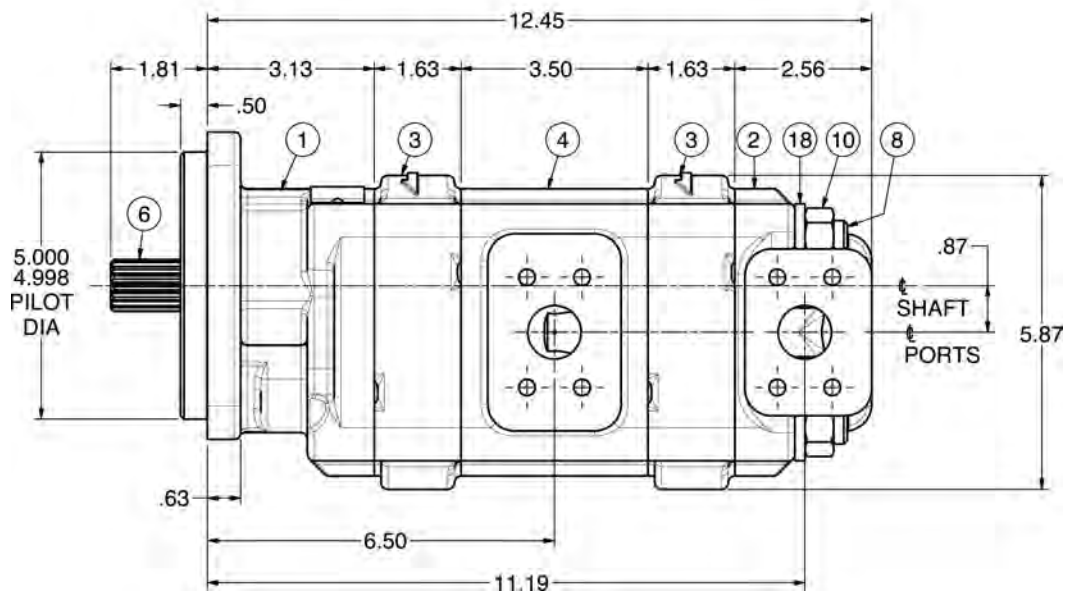
# HYDRAULIC PUMP ASSEMBLY FALCON 10



**NOTES:**

▽ FOR ASSEMBLY INSTRUCTIONS SEE DWG. "330-B1"  
"P330 PUMP ASSEMBLY INSTRUCTIONS."

FOR REPAIRS USE  
SOFT GOODS KIT  
391 1802 514



02985378P - FALCON 10 and 15 (SERIAL NO. FLN15-10120 TO CURRENT) (11-07)\_03-21

## HYDRAULIC PUMP ASSEMBLY FALCON 10

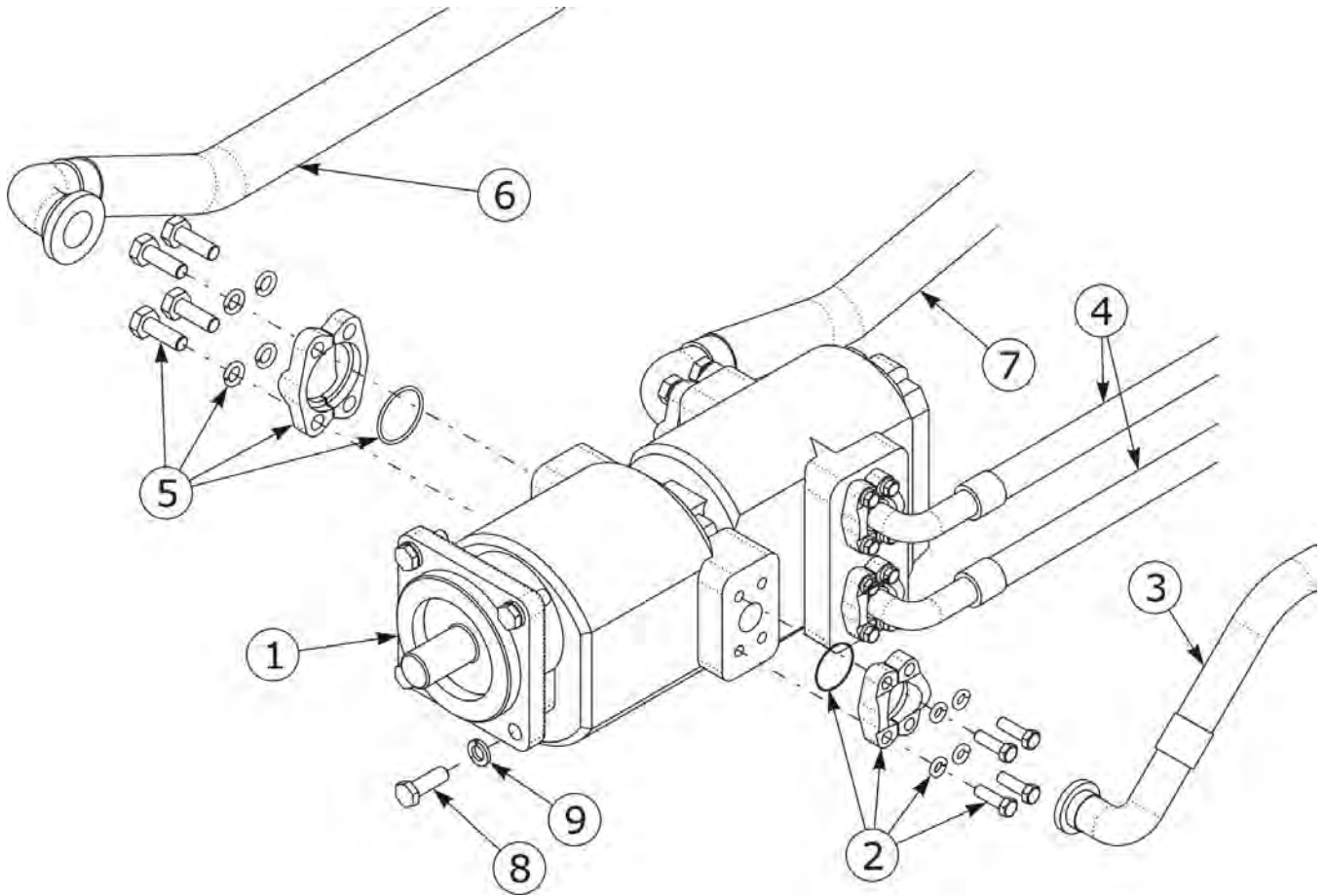
Continued...

ITEM	PART NO.	QTY.	DESCRIPTION
1	02991764	1	HOUSING, SEC
2	02992773	1	HOUSING, PEC
3	02991765	2	GEAR HOUSING
4	02991766	1	HOUSING, BEARING CARRIER
5	02991768	1	SET, GEAR
6	02991769	1	SET, GEAR SHAFT
7	02962624	1	SFT, CONN
8	02992772	4	STUD
9	02987938	2	SCREW, DRIVE
10	02962190	4	NUT, HEX
11	02979953	8	PIN, DOWEL
13	02979945	4	THRPL
14	0763777	1	SEAL, LIP
15	02979947	4	SEAL, CHAN
16	02979954	4	SEAL, BK-UP
17	02979946	4	SEAL SQ-R
18	02961917	4	WASHER
19	02962551	1	KIT, SEAL, MINOR REBUILD

02985378P - FALCON 10 and 15 (SERIAL NO. FLN15-10120 TO CURRENT) (11-07)\_03-21



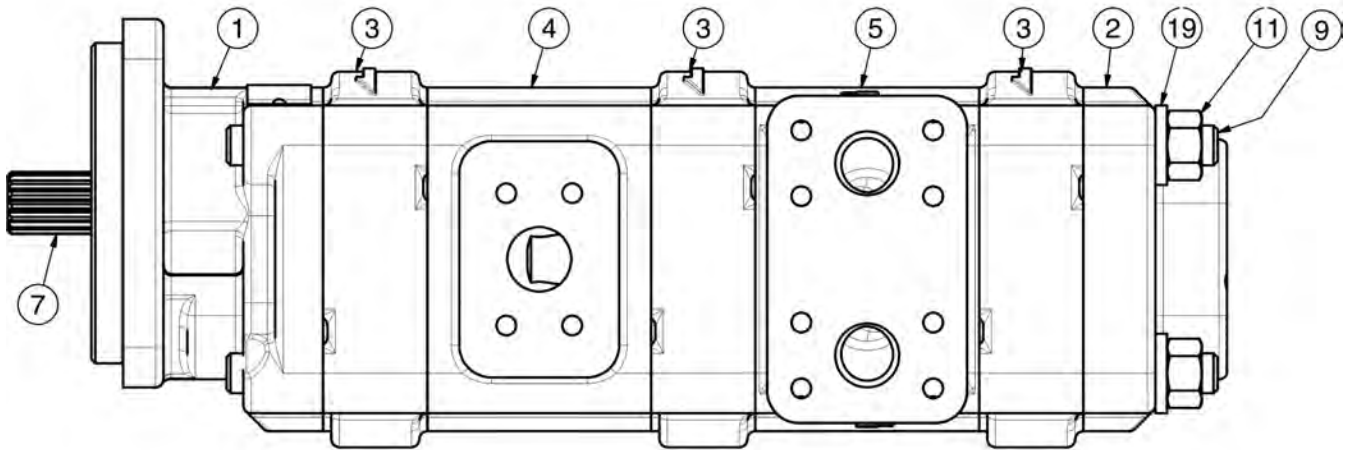
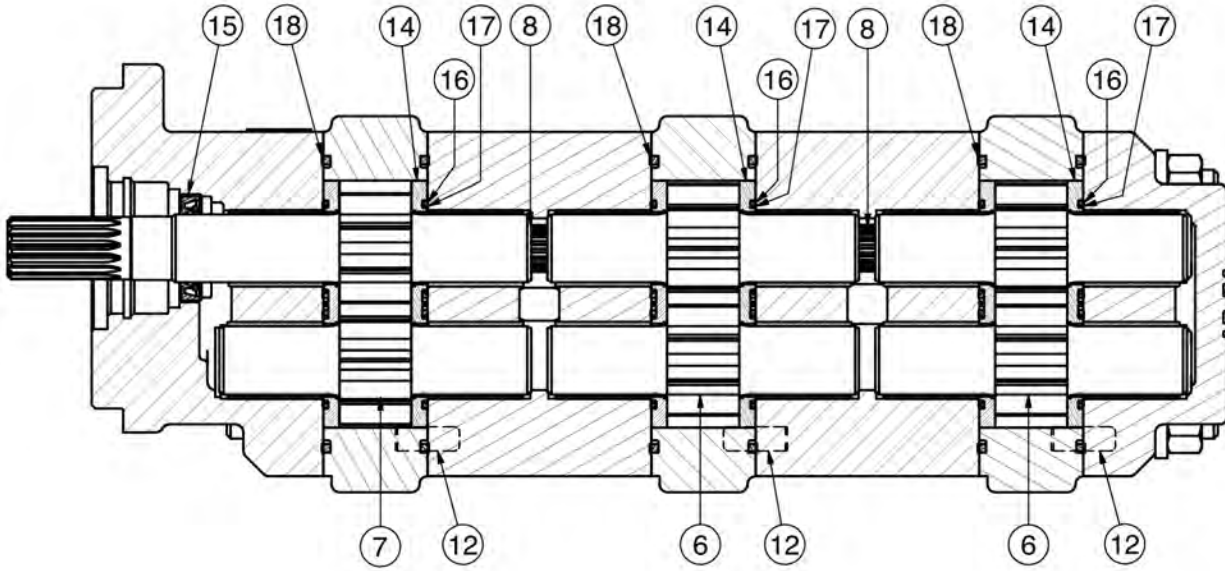
## HYDRAULIC PUMP AND HOSE ASSEMBLY - TANDEM



ITEM	PART NO.	QTY.	DESCRIPTION
1	02990604	1	HYD PUMP ASY (PUMP ONLY)
2	00750317	2	SPLIT FLG KIT, 1" W/FLNG 1/2 ,BOLTS,O-RING & WASHERS
	02778400	2	O-RING, REPLACEMENT (1.296" ID X .139 THK - AS-219)
3	02988917	1	HOSE #16-16FJX-16FL90-59LG
4	02979876	2	HOSE #16-16FJX-16FL90-59LG
5	00749101	2	SPLIT FLANGE KIT, 1-1/2" W/ FLNG 1/2", BOLTS, O-RING & WASHERS
	-----	2	O-RING, REPLACEMENT (1.859" ID X .139 THK - AS-225)
6	02988916	1	HOSE ASY, #24 - 24FL90 -63" LG (SUCTION)
7	02988916	1	HOSE ASY, #24 - 24FL90 -55" LG (SUCTION)
8	00748823	4	BOLT, HEX HEAD 1/2"-13UNC X 1-1/2" PL GR5 (PUMP TO SPEED INCREASER MOUNTING BOLTS)
9	00001300	4	LOCKWASHER, 1/2" PL STD (PUMP TO SPEED INCREASER MOUNTING WASHERS)

02985378P - FALCON 10 and 15 (SERIAL NO. FLN15-10120 TO CURRENT) (11-07)\_03-21

# HYDRAULIC PUMP REPLACEMENT PARTS - TANDEM



02985378P - FALCON 10 and 15 (SERIAL NO. FLN15-10120 TO CURRENT) (11-07)\_03-21

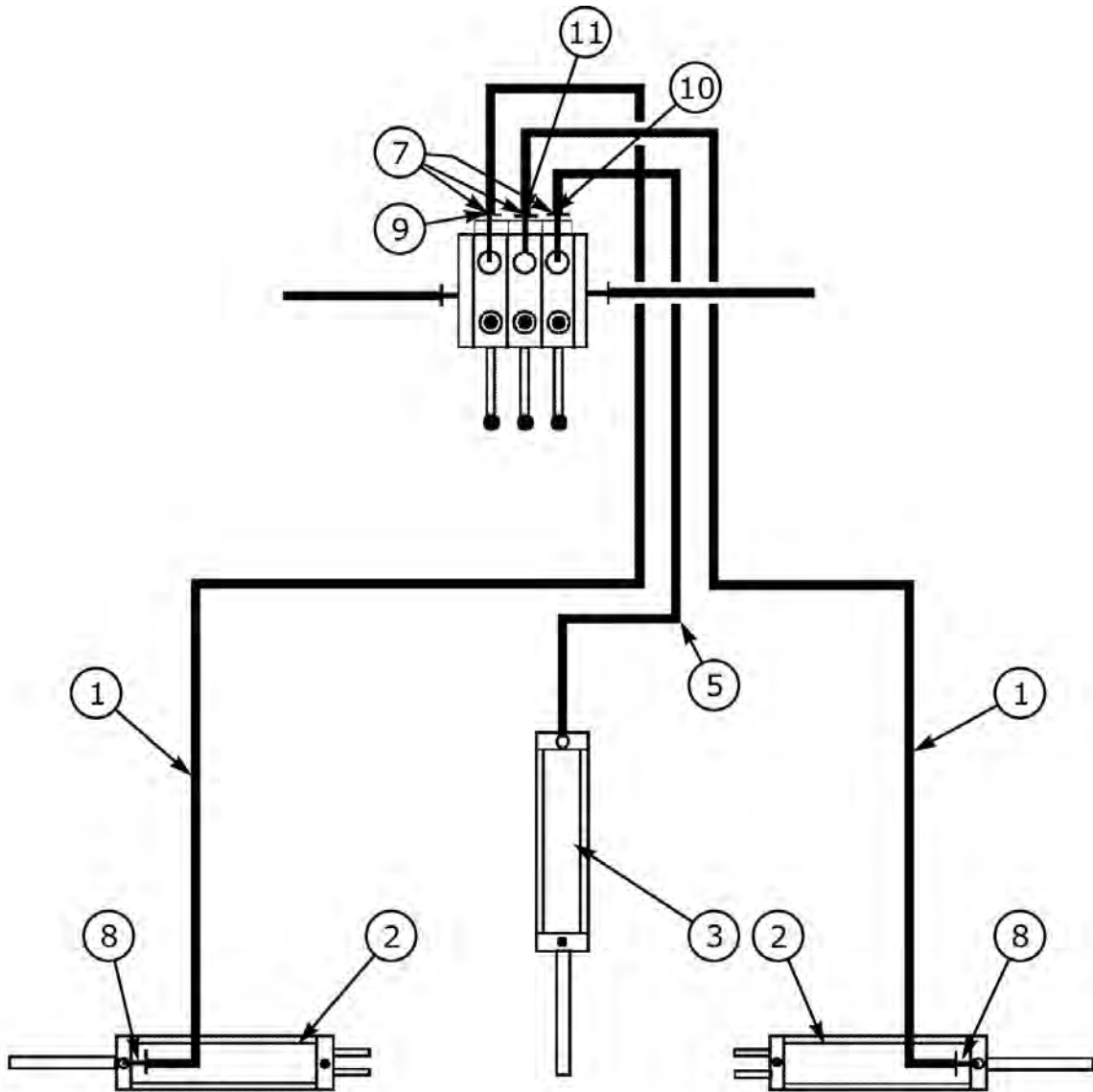
## HYDRAULIC PUMP REPLACEMENT PARTS - TANDEM

Continued...

ITEM	PART NO.	QTY.	DESCRIPTION
	02990604	1	HYD PUMP ASY
1	02991764	1	HOUSING, MNTING, FLANGE
2	02962626	1	FLANGE-PUMP END W/BUSHINGS
3	02991765	3	HOUSING, GEAR, HYD PUMP
4	02991766	1	BEARING, CARRIER, HYD PUMP
5	02991767	1	HOUSING, CARRIER BEARING
6	02991768	2	SET, GEAR
7	02991769	1	SHAFT, GEAR, SET
8	02962624	2	SHAFT CONNECTOR
9	02991770	1	STUD
10	02987938	2	SCREW, DRIVE, FRT PUMP ASY
11	02962190	4	NUT 5/8 NC PLB
12	02979953	12	DOWEL PIN, PUMP, HYDRO 15/10
14	02979945	6	THRPL, PUMP, HYDRO 15/10
15	00763777	1	LIP SEAL
16	02979947	6	SEAL CHAN, PUMP, HYDRO 15/10
17	02979954	6	SEAL, BACKUP, PUMP, HYDRO 15
18	02979946	6	SEAL, SQ-R, PUMP, HYDRO 15/10
19	02961917	4	WASHER
	02991771	1	KIT, SEAL, HYD PUMP, FALCON

02985378P - FALCON 10 and 15 (SERIAL NO. FLN15-10120 TO CURRENT) (11-07)\_03-21

## HYDRAULIC SCHEMATIC



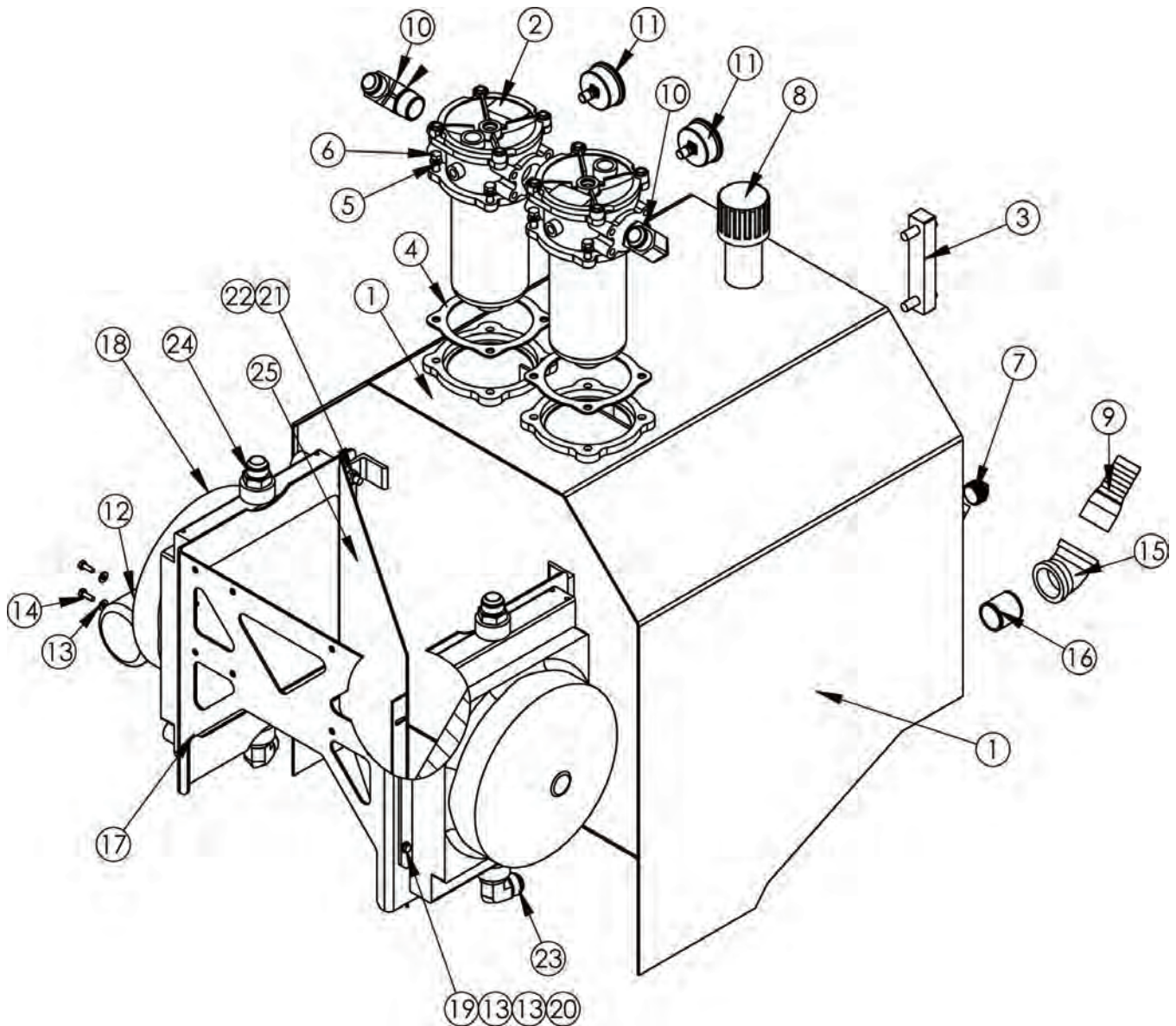
ITEM	PART NO.	QTY.	DESCRIPTION
1	00773043	2	HYDRAULIC HOSE
2	00759947A	2	HYDRAULIC CYLINDER
3	00759946A	1	HYDRAULIC CYLINDER
5	00774832	1	HYDRAULIC HOSE
7	94507	2	ADAPTER
8	00774574	2	ELBOW (W/ RESTRICTOR)
9	02968836	1	YELLOW TIE (LEFT WING HOSE)
10	02968830	1	BLUE TIE (CENTER AXLE HOSE)
11	02968832	1	GREEN TIE (RIGHT WING HOSE)

02985378P - FALCON 10 and 15 (SERIAL NO. FLN15-10120 TO CURRENT) (11-07)\_03-21

**THIS PAGE INTENTIONALLY LEFT BLANK**

02985378P - FALCON 10 and 15 (SERIAL NO. FLN15-10120 TO CURRENT) (11-07)\_03-21

## HYDRAULIC TANK ASSEMBLY - DOUBLE FAN



ITEM	PART NO.	QTY.	DESCRIPTION
1	02990539	1	WLDMT, FALCON HYD TANK
2	02964748	2	FILTER-MODIFIED
3	02968880	1	GAUGE,SIGHT/TEMPERATURE
4	02963662	2	GASKET,FILTER ASY,FIBER
5	00012101	8	LOCKWASHER, 3/8, HVY, PL
6	00011400	8	HEXB 3/8-16 X 1 PL5
7	02963659	1	PLUG,1 MAGNETIC
8	02980215	1	BREATHER CAP ONLY W/ RING
9	02411000	2	FITG HOSE BIB #24HOSE-#24MP
10	02985441	2	ADP HYD ELBOW 20MP-16MJ90
11	02962963	2	DIAL INDICATOR-IN TANK FILTER

02985378P - FALCON 10 and 15 (SERIAL NO. FLN15-10120 TO CURRENT) (11-07)\_03-21

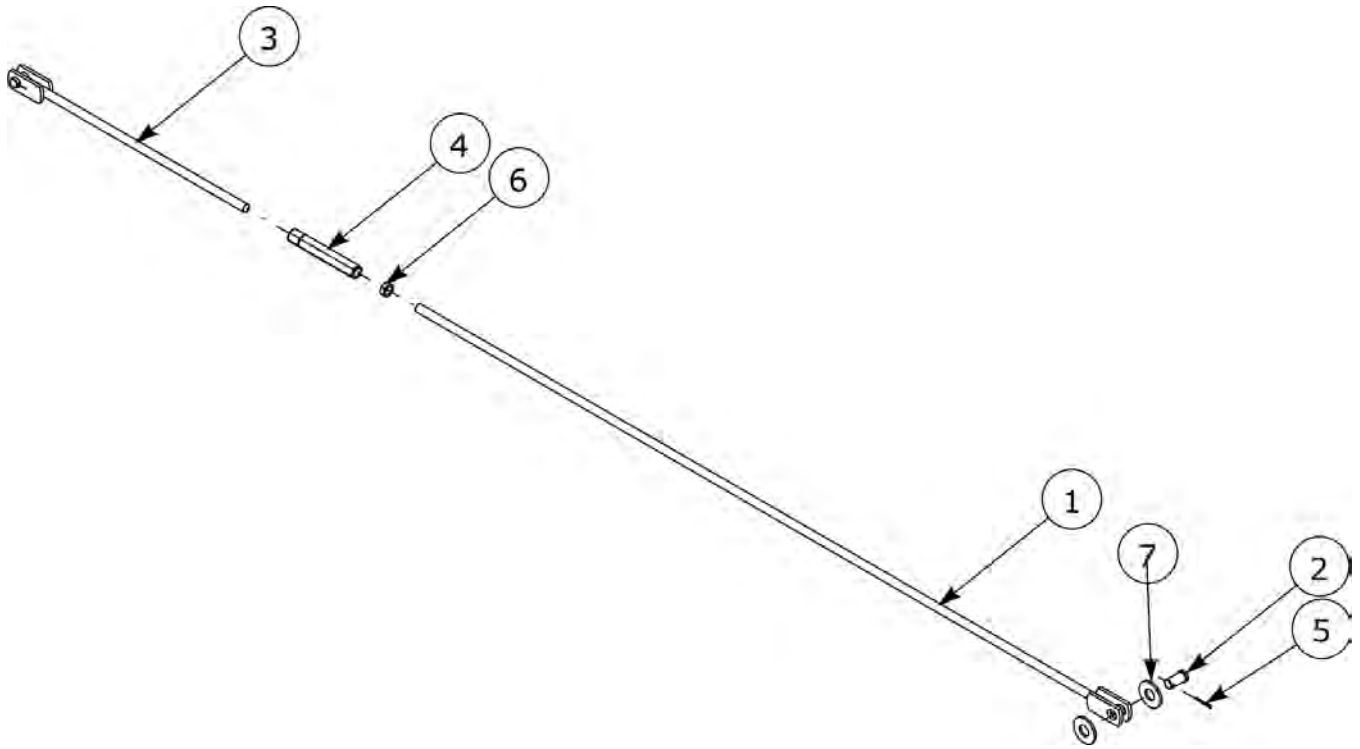
## HYDRAULIC TANK ASSEMBLY - DOUBLE FAN

Continued...

ITEM	PART NO.	QTY.	DESCRIPTION
12	00776031	1	CANISTER, PARTS MANUAL
13	00024100	19	FLATWASHER STD 1/4 PL
14	00021400	3	HHCS 1/4 NC 3/4 PL5
15	02969043	2	PIPE ELBOW 24FP-24FP 45
16	02047300	2	CLOSE NIPPLE 24MP-24MP
17	02991198	1	MOUNT, OIL COOLER
18	02991178	2	OIL COOLER W/FAN
----	02994420	1	OIL COOLER
	02994421	1	FAN
	02993484	1	O-RING PLUG
19	10058000	8	HHCS 1/4 NC 1 PL5
20	02959924	11	NUT,LOCK TLM 1/4-20 NC PLB
21	02957941	4	NUT 7/16 NC GR8 TOPLOCK
22	00999314	4	HHCS 7/16 NC X 1-1/4 PL5
23	02090900	2	ADP HYD ELBOW 16MB-16MJ90
24	02957622	2	ADP HYD STGHT 16MB-16MJ
25	02993295	1	FALCON FAN SHROUD

02985378P - FALCON 10 and 15 (SERIAL NO. FLN15-10120 TO CURRENT) (11-07)\_03-21

## LEVEL ROD ASSEMBLY

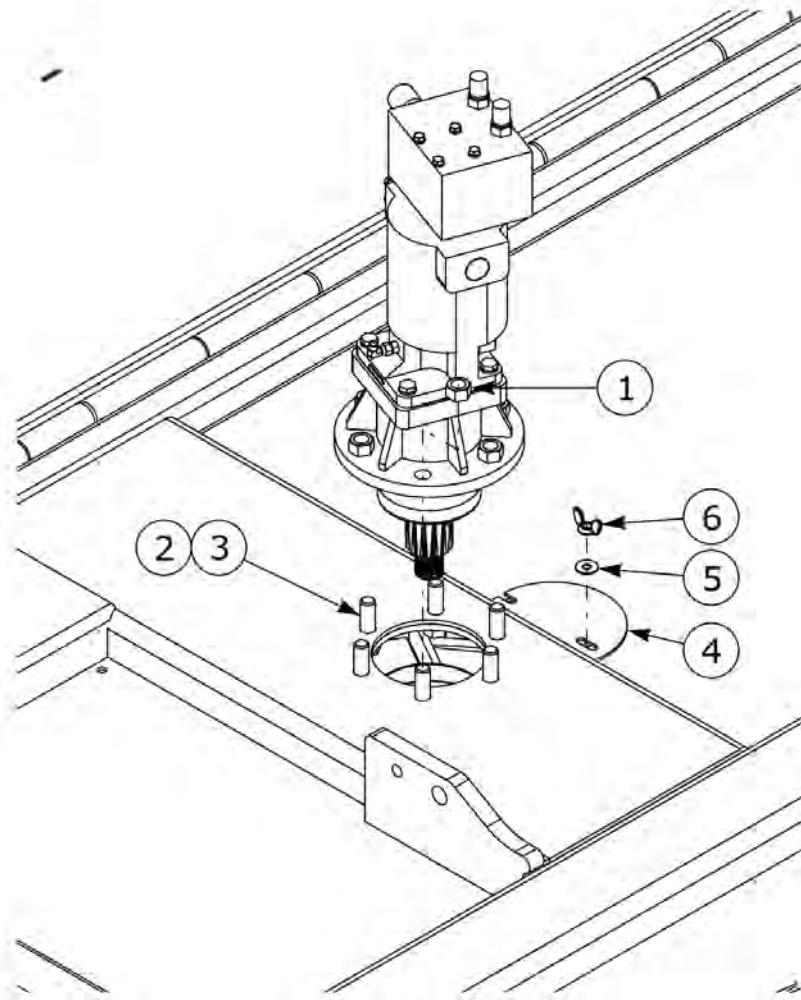


ITEM	PART NO.	QTY.	DESCRIPTION
	00778165W	1	ASSY, LEVEL ROD COMPLETE
1	00778164	1	WELDMENT, LONG LEVEL ROD
2	651102	2	PIN-DRILLED
3	00778163	1	WELDMENT, SHORT LEVEL ROD
4	00778159	1	NUT, 9"
5	00755153	2	PIN-COTTER 3/16 X 1-1/2 PLATED
6	00778160	1	HEXNUT 7/8 JAM LH ZP
7	15B1200	4	WASHER 3/4 P SAE

02985378P - FALCON 10 and 15 (SERIAL NO. FLN15-10120 TO CURRENT) (11-07)\_03-21



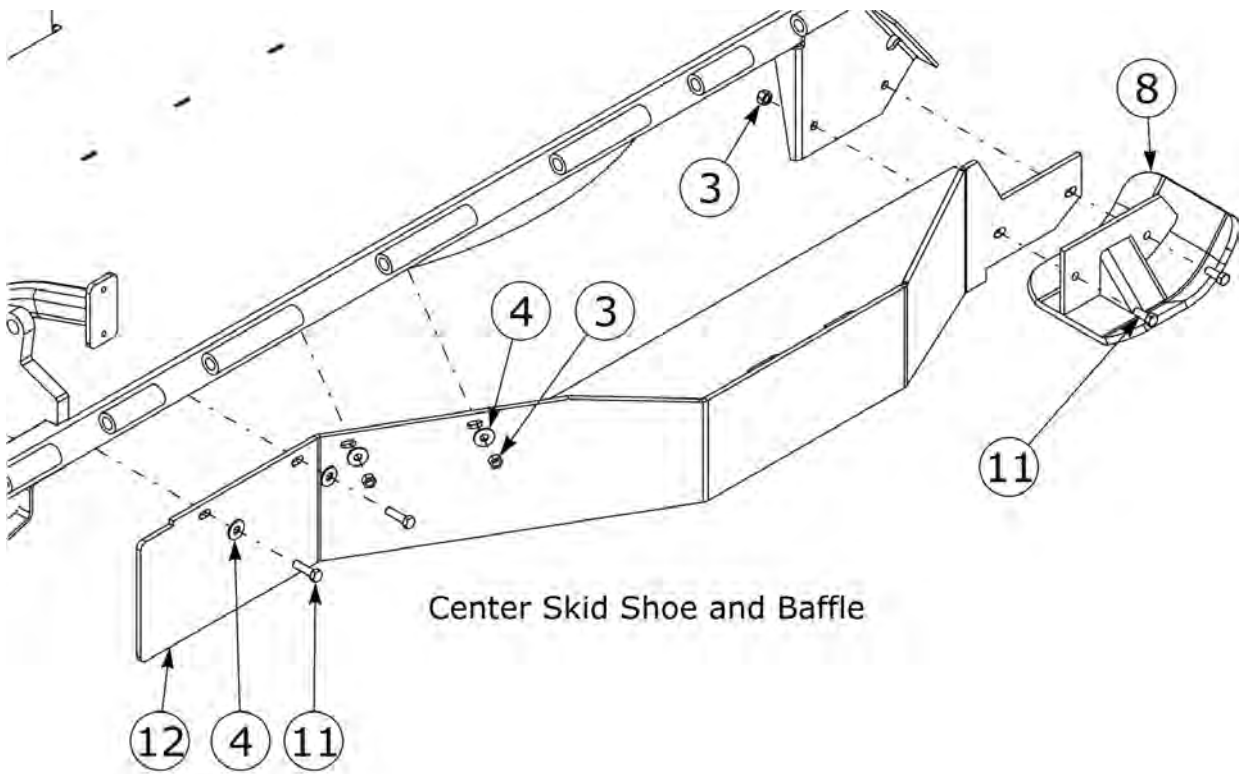
## MOTOR ATTACHMENT



ITEM	PART NO.	QTY.	DESCRIPTION
1	00037200	6	LOCKNUT 3/4NC PLC
2	5312316	6	WASHER
3	02963646	6	HHCS 3/4NC 2-1/2 PL8
4	5710121	1	COVER PLATE, BLADE ACCESS HOLE
5	00023500	2	FLATWASHER, 5/16 TYPE AW ZP
6	5F5180	2	NUT 5/16 NC WING

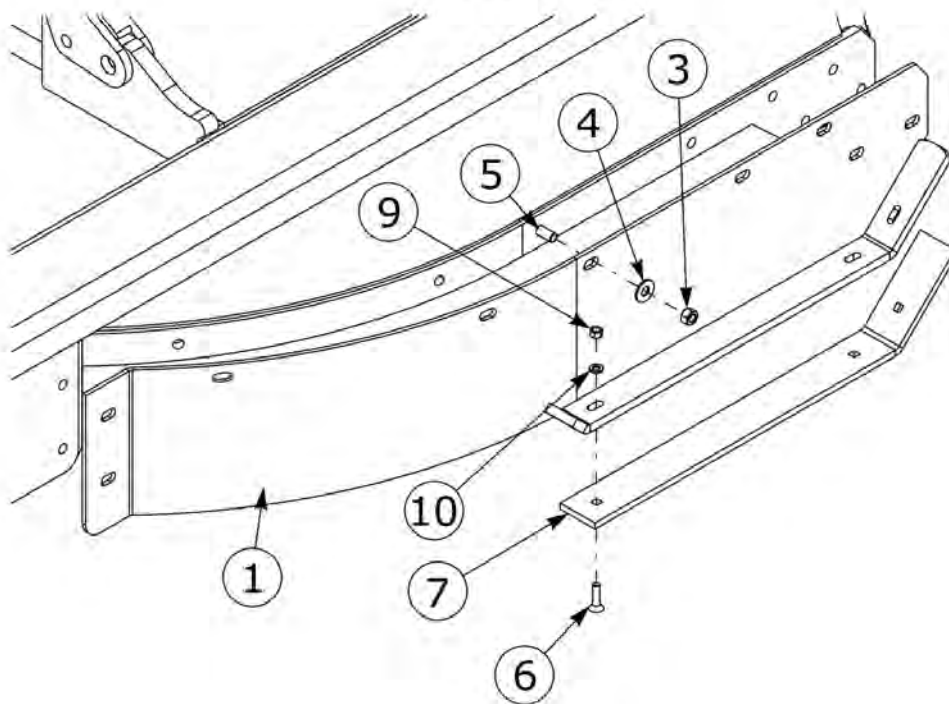
02985378P - FALCON 10 and 15 (SERIAL NO. FLN15-10120 TO CURRENT) (11-07)\_03-21

# SIDE SKIRTS AND SKID SHOES



Center Skid Shoe and Baffle

Wing Skid Shoe



02985378P - FALCON 10 and 15 (SERIAL NO. FLN15-10120 TO CURRENT) (11-07)\_03-21

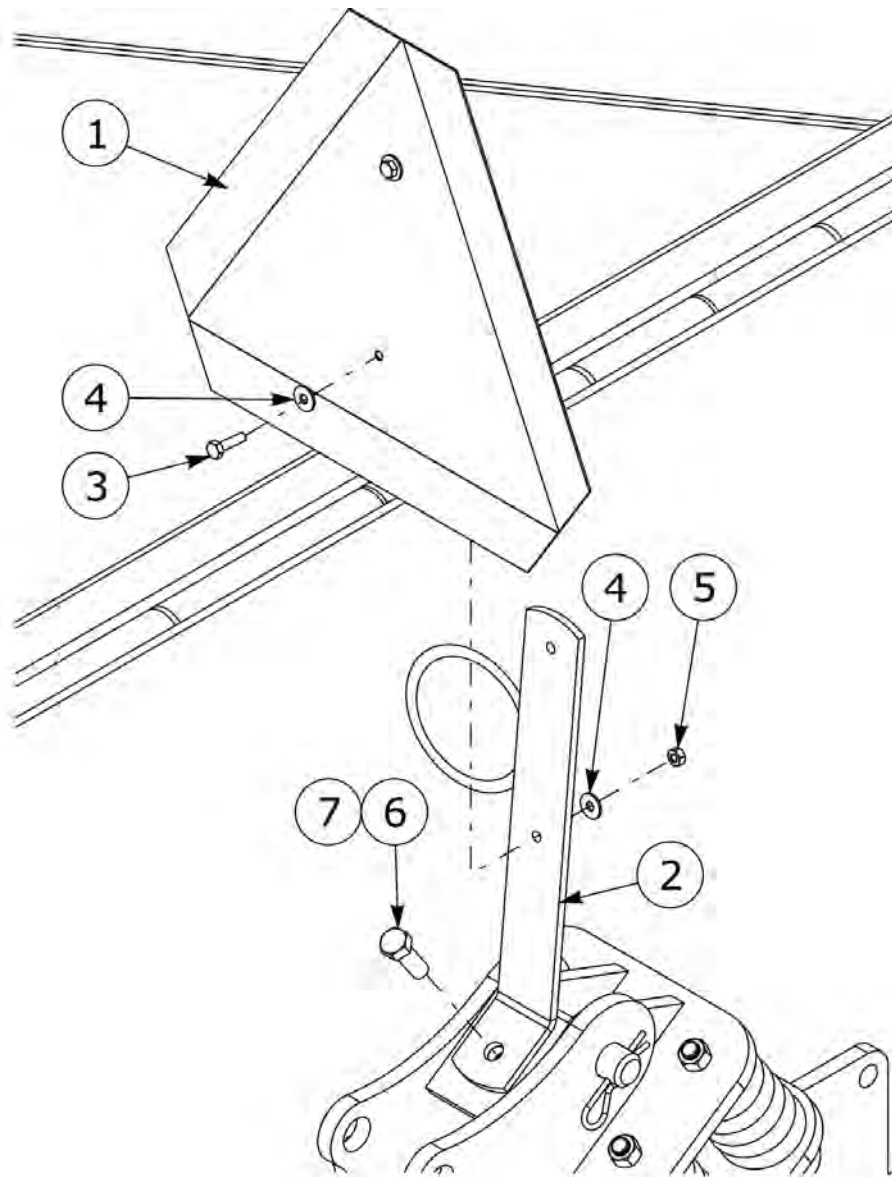
## SIDE SKIRTS AND SKID SHOES

Continued...

ITEM	PART NO.	QTY.	DESCRIPTION
1	00777736	1	WLDMT, RH SIDE SKIRT
2	00777737	1	WLDMT, SIDE SKIRT LH (NOT SHOWN)
3	00001800	15	LOCKNUT TLM 1/2 NC PLC
4	00002700	17	FLATWASHER 1/2 PL STD
5	00748823	9	HHCS 1/2-13UNC 1-1/2 PL5
6	2A361612	3	PLW-BLT 3/8 X 1 1/2
7	00776618	2	BAR WING SKID SHOE
8	00763996	1	WLDMT-SKID-RH
	00764020	1	WLDMT-SKID-LH (NOT SHOWN)
9	4528	3	FLANGE NUT 3/8 NC
10	00011100	3	FLATWASHER 3/8
11	02891800	6	HHCS 1/2 NC 1-3/4 PL8
12	02984960	1	WLDMT BAFFLE RH
	02984963	1	WLDMT BAFFLE LH (NOT SHOWN)

02985378P - FALCON 10 and 15 (SERIAL NO. FLN15-10120 TO CURRENT) (11-07)\_03-21

## SMV SIGN MOUNTING



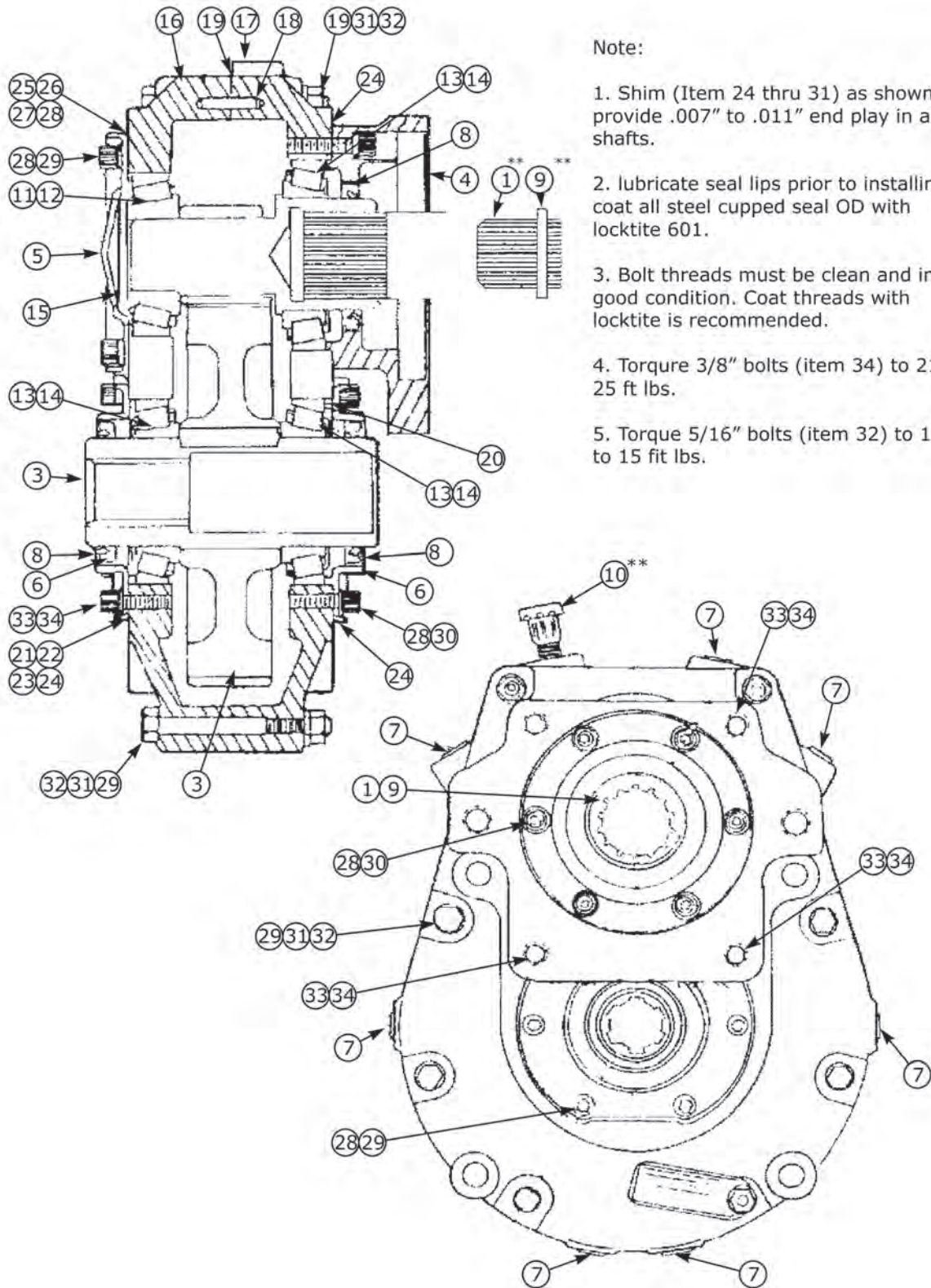
ITEM	PART NO.	QTY.	DESCRIPTION
1	03200347	1	EMBLEM, SMV
2	00785558	1	SMV BRACKET
3	10058000	2	HHCS 1/4 NC 1 PL5
4	00024100	4	FLATWASHER STD 1/4 PL
5	02959924	2	NUT TOPLOCK 1/4 NC PLB
6	00748823	1	HHCS 1/2-13UNC 1-1/2 PL5
7	00001800	1	LOCKNUT TLM 1/2 NC PLC

02985378P - FALCON 10 and 15 (SERIAL NO. FLN15-10120 TO CURRENT) (11-07)\_03-21

**THIS PAGE INTENTIONALLY LEFT BLANK**

02985378P - FALCON 10 and 15 (SERIAL NO. FLN15-10120 TO CURRENT) (11-07)\_03-21

## SPEED INCREASER ASSEMBLY - PN 02990612



02985378P - FALCON 10 and 15 (SERIAL NO. FLN15-10120 TO CURRENT) (11-07)\_03-21

## SPEED INCREASER ASSEMBLY - PN 02990612

Continued...

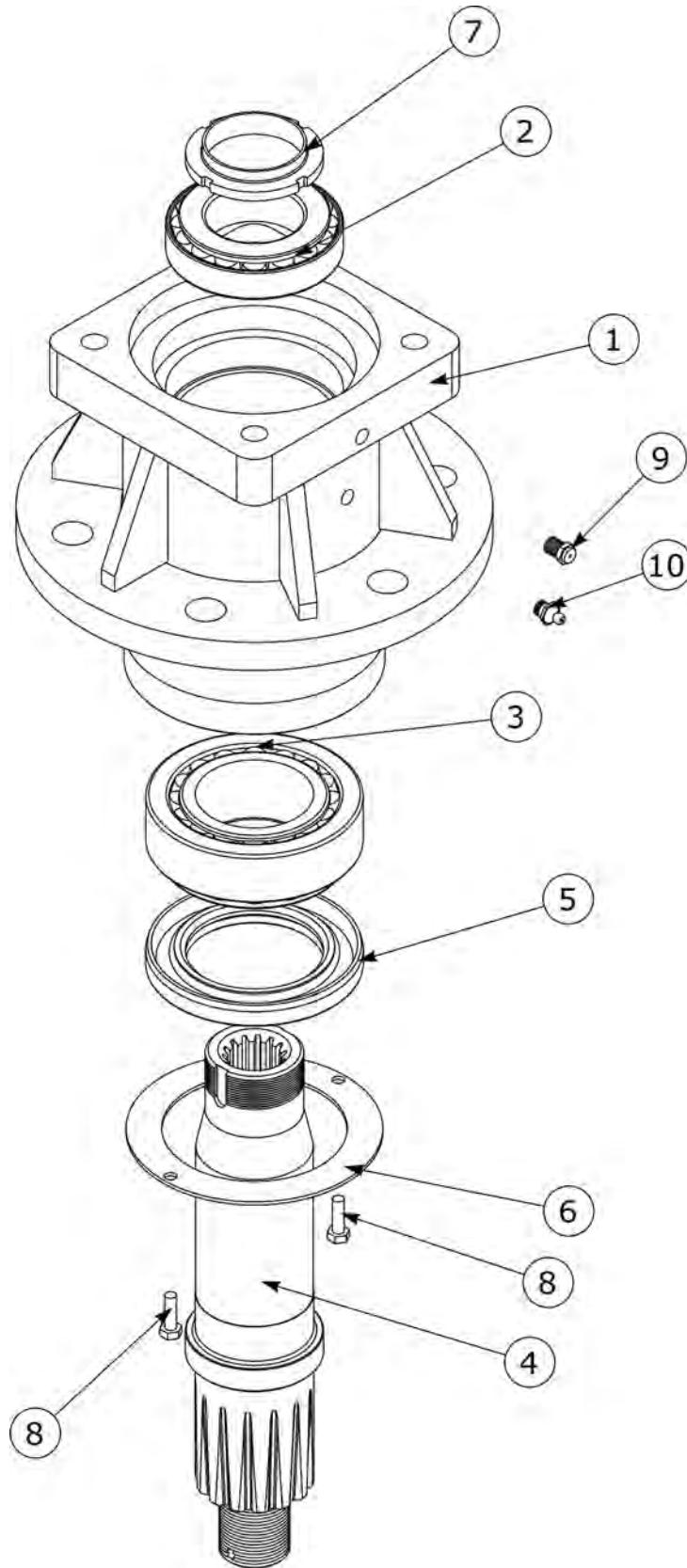
ITEM	PART NO.	QTY.	DESCRIPTION
	02990612	1	SPEED INCREASER ASY
	02982097 **	1	SPEED INCREASER 1:4 *PART ORDER REPLACEMENT PN 02982097W710*
1	02990611 **	1	SPLINE ADAPTER (1-3/4 13T EXT 1 15T INT COUPLE)
3	02960663	1	GEAR
4	00751948	1	PUMP FLANGE, C-2 C-4
5	00751949	1	COVER, CLOSED
6	00751950	2	COVER, OPEN
7	00751970	8	PIPE PLUG, 3/8
	00752772 **	1	MAGNETIC PLUG, 3/8
8	00751535	3	SEAL
9	00751954 **	1	RETAINING SNAP RING
10	00751942 **	1	BREATHER
11	00757533	1	BEARING CUP
12	00751533	1	BEARING CONE
13	00749201	3	BEARING CUP
14	00749200	3	BEARING CONE
15	00751953	1	SPACER RING
16	00751955	1	HOUSING
17	00751956	1	HOUSING, PUMP SIDE
18	00751957	2	DOWEL, 1/4" X 1"
19	00751958	1	GASKET (.015)
20	00751971	2	SPACER RING
21	00751959	6	SHIM (.005 ALUM)
22	00751960	4	SHIM (.007 ALUM)
23	00751961	2	SHIM (.020 ALUM)
25	00751963	4	SHIM (.005 ALUM)
26	00751965	2	SHIM (.007 ALUM)
27	00751966	2	SHIM (.020 ALUM)
28	00751967	24	BOLT, SOCKET HEAD 5/16"-NC X 1" PL GR5
29	00751969	8	BOLT, HEX HEAD 3/8"-NC X 3-1/4" PL GR5
30	00751968	24	LOCKWASHER, 5/16" HI COLLAR
31	00013901	8	NUT, HEX 3/8"-NC PL
32	00012101	8	LOCKWASHER, 3/8" PL HVY
33	00748823	4	BOLT, HEX HEAD 1/2-13UNC x 1/1/2" PL GR5 (PUMP MOUNTING BOLTS - COMMON BOX)
34	00001300	4	LOCKWASHER, 1/2" PL STD (PUMP MOUNTING LOCKWASHERS - COMMON BOX)

-  
- \*\* PARTS LOCATED IN ASY 02990612

-  
- ALL OTHER PARTS LOCATED IN ASY 02982097 UNLESS OTHERWISE NOTED

02985378P - FALCON 10 and 15 (SERIAL NO. FLN15-10120 TO CURRENT) (11-07)\_03-21

# SPINDLE ASSEMBLY



02985378P - FALCON 10 and 15 (SERIAL NO. FLN15-10120 TO CURRENT) (11-07)\_03-21



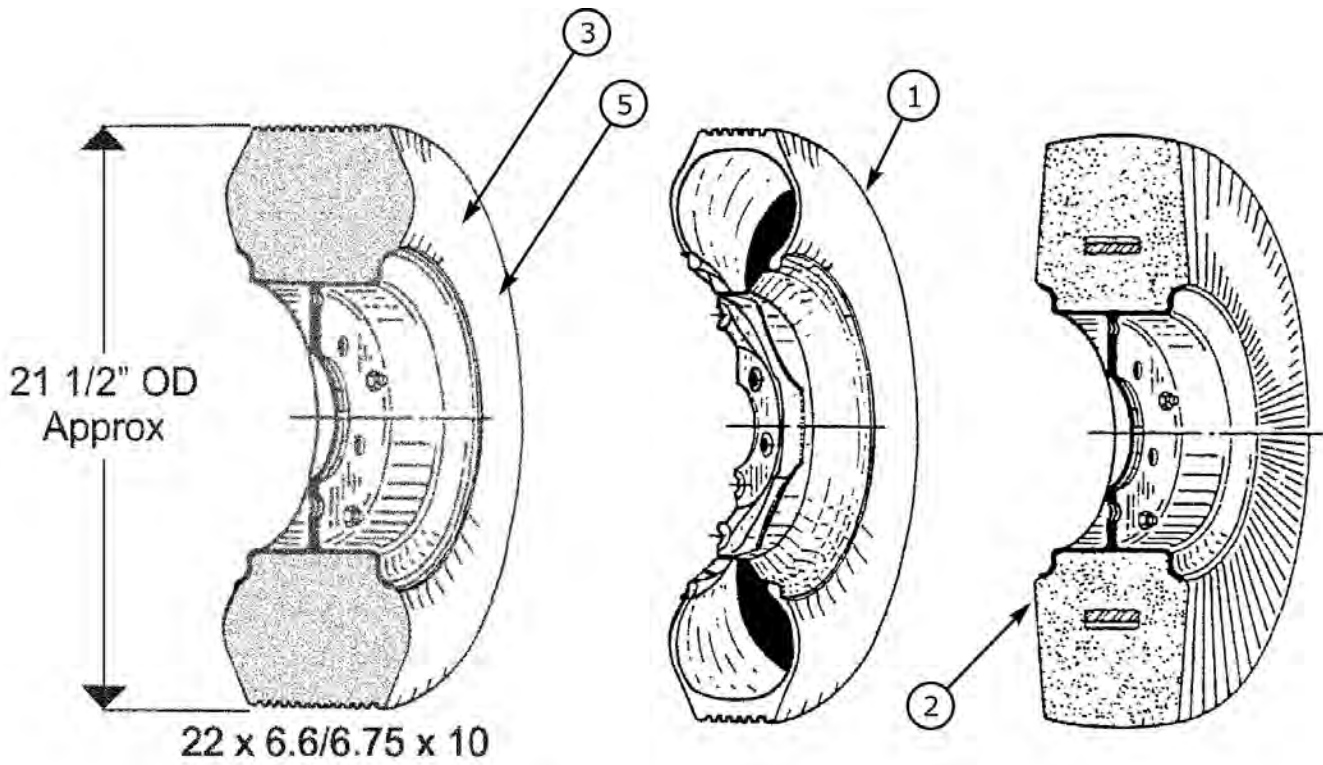
## SPINDLE ASSEMBLY

Continued...

ITEM	PART NO.	QTY.	DESCRIPTION
	02984764	1	ASY SPINDLE HOUSING
1	02984765	1	MACH SPINDLE HOUSING
2	00769938	1	BEARING (TOP)
3	00778226	1	BEARING 60 X 110 X 38 #33212
4	02984771	1	MACH SPINDLE SHAFT
5	00777873	1	SEAL 70 X 110 X 12.7 #27791
6	00778621	1	OUTPUT SEAL PLATE
7	02962030	1	LOCKNUT, SPINDLE BEARING
8	02969728	2	HHCS M6 - 1.0 X 20MM
9	02959018	1	GREASE RELIEF FITTING
10	00003500	1	GREASE FITTING 1/8" STRAIGHT

02985378P - FALCON 10 and 15 (SERIAL NO. FLN15-10120 TO CURRENT) (11-07)\_03-21

## TIRE AND WHEEL OPTION



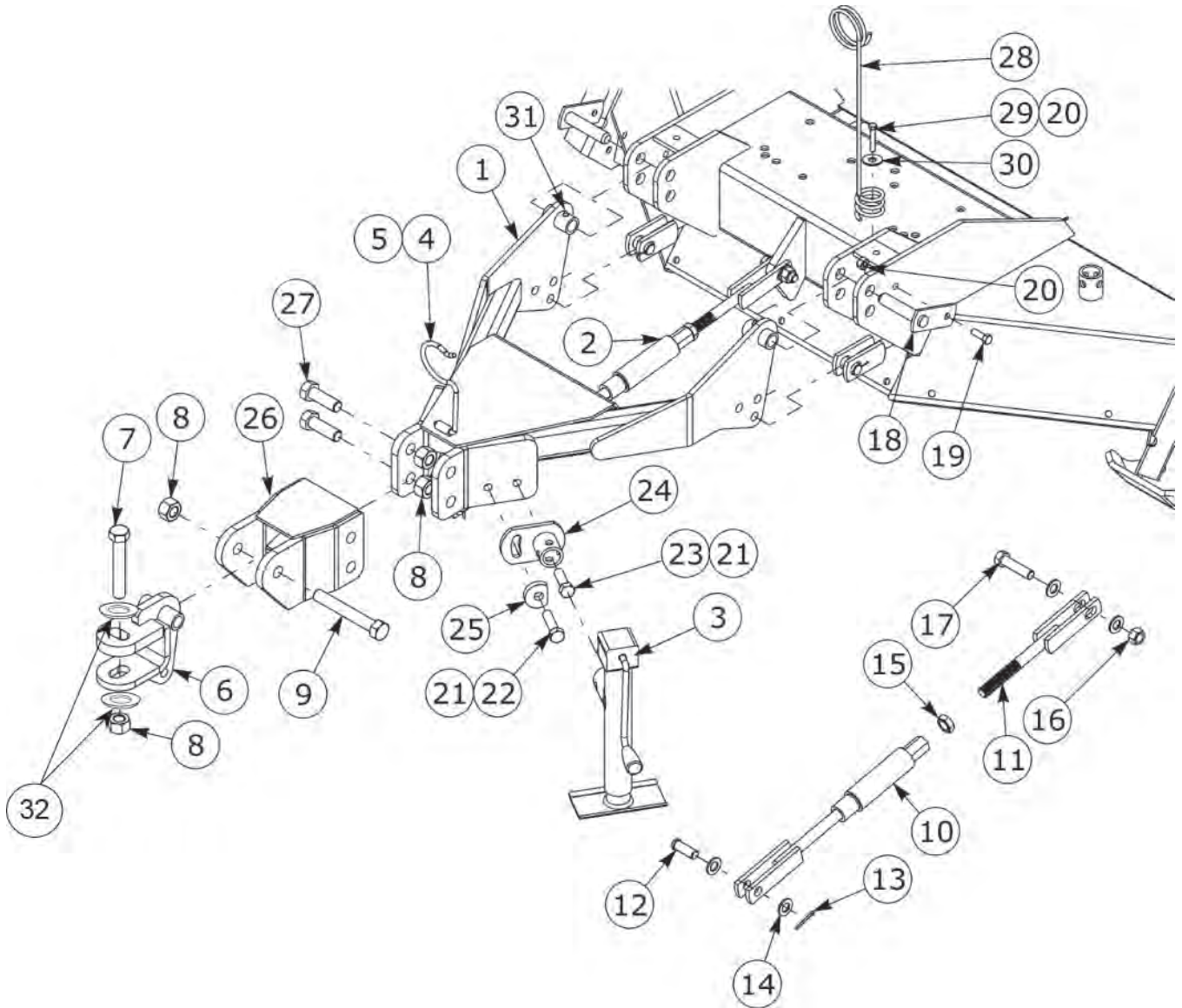
ITEM	PART NO.	QTY.	DESCRIPTION
1	00008700	1	WHEEL, 15 X 5.00 DC (RIM ONLY)
2	00025200	1	LAMINATED PUNCTURE-PROOF TIRE & WHEEL (21" OD) 6.00 X 9
3	00771461	1	USED AIRPLANE TIRE AND WHEEL
4	00749698	1	IMPLEMENT TIRE AND WHEEL
5	00766911	1	FOAM FILLED USED AIRPLANE TIRE AND WHEEL

02985378P - FALCON 10 and 15 (SERIAL NO. FLN15-10120 TO CURRENT) (11-07)\_03-21

**THIS PAGE INTENTIONALLY LEFT BLANK**

02985378P - FALCON 10 and 15 (SERIAL NO. FLN15-10120 TO CURRENT) (11-07)\_03-21

## TONGUE ASSEMBLY - LONG



ITEM	PART NO.	QTY.	DESCRIPTION
1	00779334	1	WLDMT, SHORT TONGUE
2	00768496	1	ASSY-LONG CONTROL ROD
3	00779350	1	JACK, PARKING 3000LB SIDEWIND
4	1431565	1	IID SHAFT TRANSPORT SUPPORT
5	40010000	1	PIN COTTER 1/8 X1
6	00764540A	1	WELDMENT CLEVIS
7	00755305	1	BOLT 1-8UNC-6 LG GRD 8
8	02030300	6	NUT TOPLOCK 1 NC PLB
9	00755224	1	BOLT 1 NC 7 GR8
10	00764536	1	WLDMT LONG CONTROL ROD
11	00764537	1	WLDMT CONTROL ROD THREADED

02985378P - FALCON 10 and 15 (SERIAL NO. FLN15-10120 TO CURRENT) (11-07)\_03-21

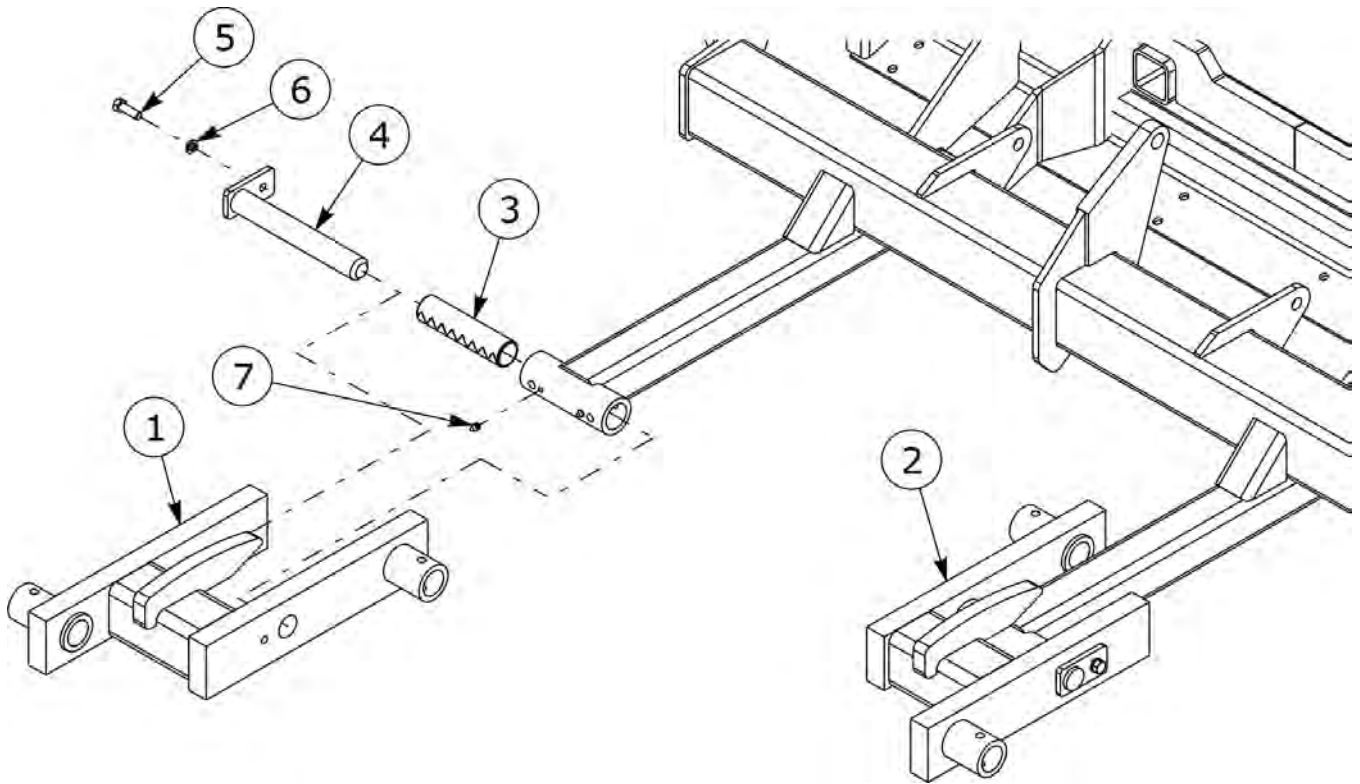
## TONGUE ASSEMBLY - LONG

Continued...

ITEM	PART NO.	QTY.	DESCRIPTION
12	651102	1	PIN-DRILLED
13	00755153	1	PIN-COTTER 3/16 X 1-1/2 PLATED
14	15B1200	4	WASHER 3/4 P SAE
15	5C1490	1	HEXNUT 7/8 JAM ZP
16	00037200	1	NUT TOPLOCK 3/4 NC PLC
17	03200269	1	HHCS 3/4 NC 3 PL8
18	00760895	2	WLDMT-TONGUE PIVOT PIN
19	00748823	2	HHCS 1/2-13UNC 1-1/2 PL5
20	00001800	2	LOCKNUT TLM 1/2 NC PLC
21	00037200	2	NUT TOPLOCK 3/4 NC PLC
22	03200269	1	HHCS 3/4 NC 3 PL8
23	02963646	1	HHCS 3/4 NC 2-1/2 PL8
24	00779360	1	WDMT, JACK BRACKET
25	00779361	1	WASHER, JACK
26	00774712A	1	WLDMT, TONGUE EXTENSION
27	7A16824	4	HHCS 1 NC 3 PL5
28	02965484	1	HOSE BRKT,SPRING BASE
29	00749130	1	HHCS 1/2-13UNC 1-3/4 PL5
30	00002700	1	FLATWASHER 1/2 PL STD
31	000941	2	GREASE FITTING 1/4-28 90 DEG
32	00759275	2	WASHER,HITCH CLEVIS-HARDENED
----	00764515	1	TOW CHAIN

02985378P - FALCON 10 and 15 (SERIAL NO. FLN15-10120 TO CURRENT) (11-07)\_03-21

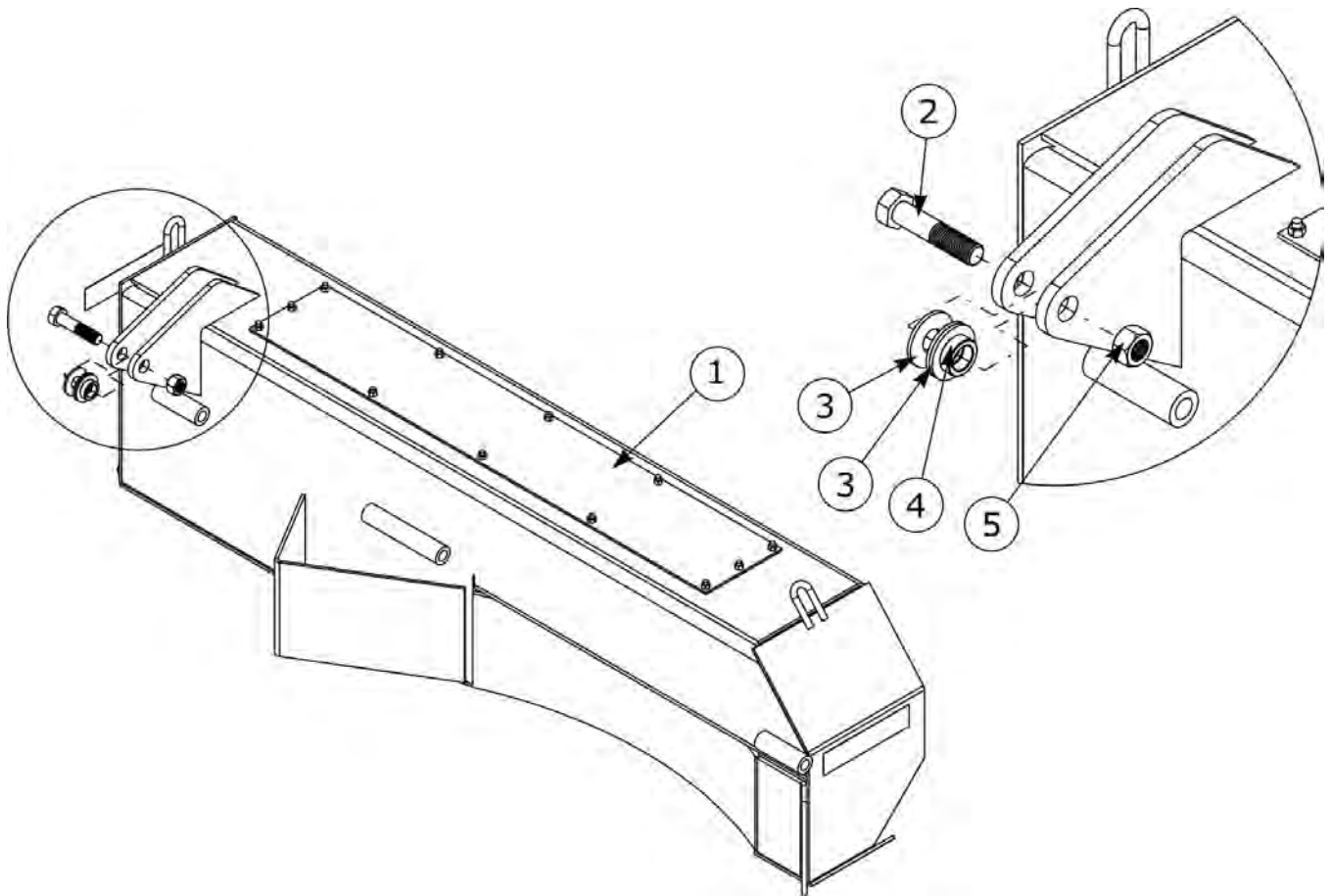
## WALKING AXLE ASSEMBLY - OPTION



ITEM	PART NO.	QTY.	DESCRIPTION
1	00778396A	1	WALKING AXLE WLDMT-LEFT
2	00778397A	1	WALKING AXLE WLDMT-RIGHT
3	00779063	2	BUSHING 1 3/4 OD X 1-1/2 ID X 7 LG
4	00778920	2	SPINDLE SHAFT ASSEMBLY
5	00748823	4	HHCS 1/2-13UNC 1-1/2 PL5
6	00001300	4	LOCKWASHER 1/2 PL STD
7	00003500	8	ZERK FITTING 1/8 STRAIGHT

02985378P - FALCON 10 and 15 (SERIAL NO. FLN15-10120 TO CURRENT) (11-07)\_03-21

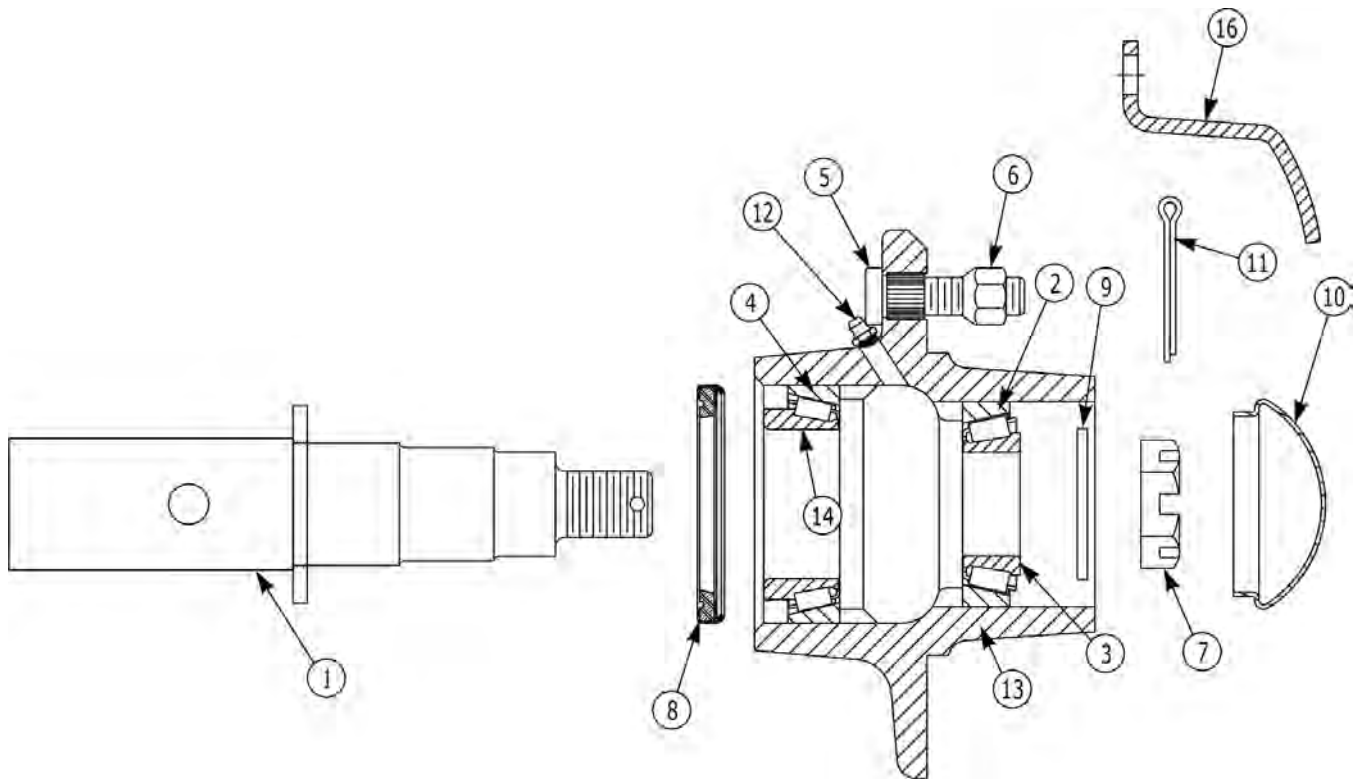
## WEIGHT BOX ASSEMBLY - FALCON 10



ITEM	PART NO.	QTY.	DESCRIPTION
	00780279	1	ASSY, WEIGHT BOX L.H.
1	00777999	1	WLDMT, WEIGHT BOX L.H.
2	7A14932	1	HHCS 7/8 NC 4 PL5
3	00761535	3	WASHER-7/8 STR PLAIN
4	00761503	1	SPACER 1-1/2 OD X11D X 1/2LG
5	00012300	1	NUT, 7/8 NC HEX PL
---	00786253	1	WDMT, THREADED ROD ADJUSTMENT
-----	00786274	1	PIN, COUNTERWEIGHT. ADJ. PIVOT

02985378P - FALCON 10 and 15 (SERIAL NO. FLN15-10120 TO CURRENT) (11-07)\_03-21

## WHEEL HUB ASSEMBLY



ITEM	PART NO.	QTY.	DESCRIPTION
	00776306	1	ASY, HUB AND SPINDLE
1	00778528	1	AXLE SPINDLE BOLT IN
2	00016900	1	BEARING CUP
3	02957149	1	BEARING CONE 14137A
4	371247D	1	BEARING CUP 332
5	13198	5	BOLT, HUB
6	00750614	5	NUT 1/2-20NF 90DEG.CONE LUG PL
7	371247J	1	NUT, 7/8-14 UNF STD SLOTTED
8	00778713	1	SEAL KIT
9	15B1400	1	WASHER 7/8 SAE P
10	371247G	1	CAP,HUB
11	00026200	1	PIN-COTTER 5/32 X 1-1/2
12	00003500	1	ZERK FITTING 1/8 STRAIGHT
14	00778715	1	BEARING CONE (INSIDE)
16	00779390	1	HUB CAP RETAINER

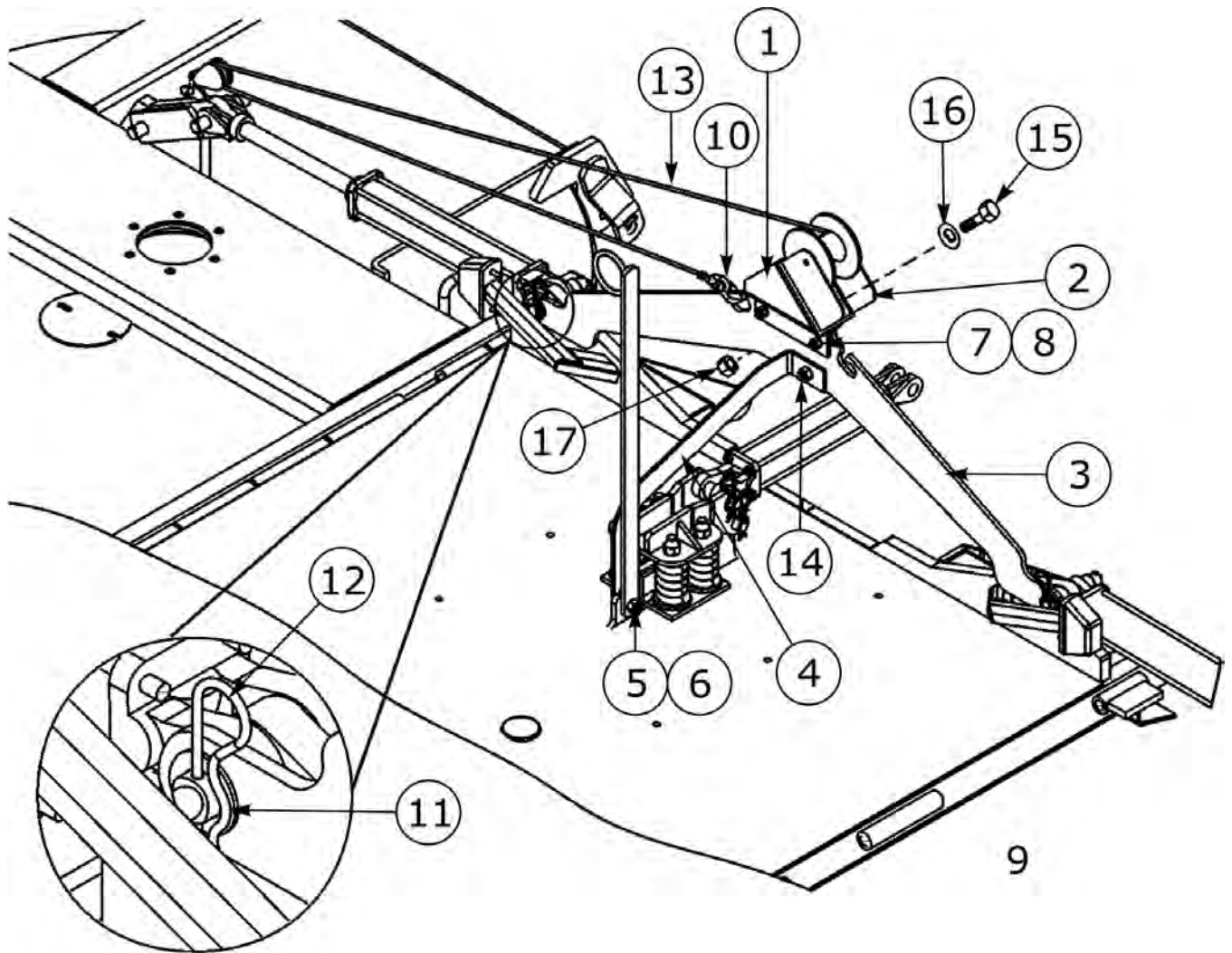
02985378P - FALCON 10 and 15 (SERIAL NO. FLN15-10120 TO CURRENT) (11-07)\_03-21



**THIS PAGE INTENTIONALLY LEFT BLANK**

02985378P - FALCON 10 and 15 (SERIAL NO. FLN15-10120 TO CURRENT) (11-07)\_03-21

## WINCH AND STAND ASSEMBLY - OPTION



ITEM	PART NO.	QTY.	DESCRIPTION
	00780570	1	WINCH & STAND KIT COMPLETE
1	02993551	1	WINCH STAND MOUNT WELDMENT
2	00750936	1	WINCH
3	00776957	1	MAIN STAND PLATE
4	00780569	1	WINCH STAND BRACE PLATE
5	02845500	1	BOLT
6	00695100	2	NUT, TOPLOCK 5/8 NC PLC
7	00749130	2	BOLT
8	00001800	2	LOCKNUT TLM 1/2 NC PLC
9	00753655	1	CABLE ,PULLEY & BLOCK
10	00753656	2	CHAIN
11	02822500	2	FLATWASHER
12	37107B13	2	CLIP HAIR PIN
13	00000801	1	WINCH CABLE ASSEMBLY

02985378P - FALCON 10 and 15 (SERIAL NO. FLN15-10120 TO CURRENT) (11-07)\_03-21

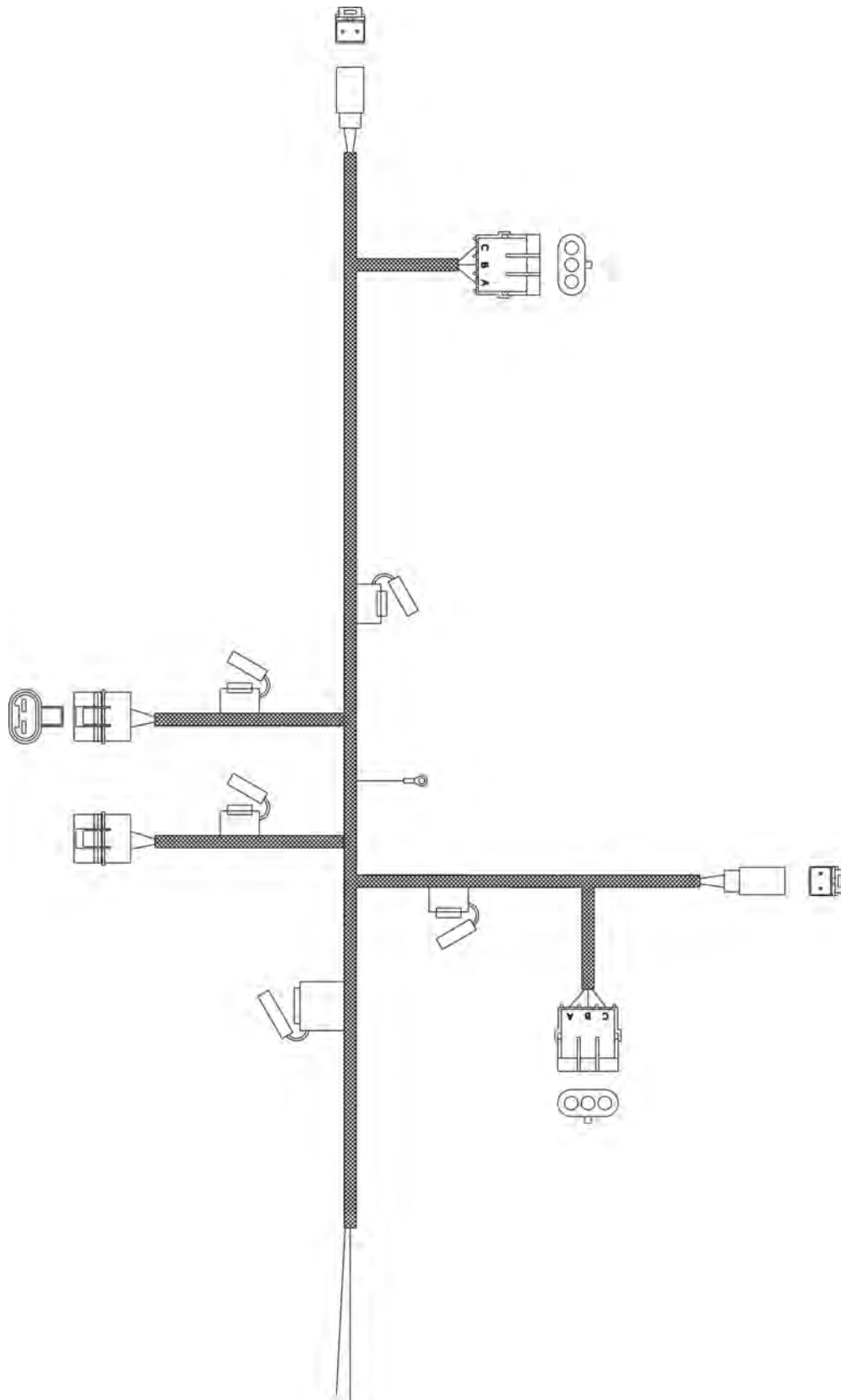
## WINCH AND STAND ASSEMBLY - OPTION

Continued...

ITEM	PART NO.	QTY.	DESCRIPTION
14	02675800	1	BOLT
15	00011400	2	BOLT
16	00011100	2	FLATWASHER
17	00015800	2	NUT

02985378P - FALCON 10 and 15 (SERIAL NO. FLN15-10120 TO CURRENT) (11-07)\_03-21

# WIRING HARNESS - 15 FT



02985378P - FALCON 10 and 15 (SERIAL NO. FLN15-10120 TO CURRENT) (11-07)\_03-21

## WIRING HARNESS - 15 FT

Continued...

ITEM	PART NO.	QTY.	DESCRIPTION
	02991197	1	WIRE HARNESS, FALCON 15
	02985403	2	FUSE MINI-BLADE 5 AMP
	02991411	2	FUSE MAXI-BLADE 50 AMP

02985378P - FALCON 10 and 15 (SERIAL NO. FLN15-10120 TO CURRENT) (11-07)\_03-21

## WIRING FALCON ELECTRONIC KIT

ITEM	PART NO.	QTY.	DESCRIPTION
	02991210	1	WIRE, YELLOW, 16GA X 180IN
	02991221	1	WIRE, BLACK, 16GA X 60IN
	02991208	1	RELAY, IGNITION, FALCON
	02991209	4	TERMINAL, RING, 6GA X 3/8
	02989501	-	TERMINAL, RING, 16-14 AWG
	02958206	1	QUICK-SPLICE 18-14 TO 18-14GA
	02991219	1	INST SHT, ELEC KIT, FALCON
	001636	2	HHCS 1/4 NC 2
	02959924	2	LOCKNUT 1/4 NC PLB
	00024100	4	FLATWASHER STD 1/4 PL

02985378P - FALCON 10 and 15 (SERIAL NO. FLN15-10120 TO CURRENT) (11-07)\_03-21



# ALAMO INDUSTRIAL

## Limited Warranty

### 1. Limited Warranties

- 1.01. Alamo industrial warrants for one year from the purchase date to the original non-commercial, governmental, or municipal purchaser ("purchaser") and warrants for six months to the original commercial or industrial purchaser ("purchaser") that the goods purchased are free from defects in material or workmanship.
- 1.02. Manufacturer will replace for the purchaser any part or parts found, upon examination at one of its factories, to be defective under normal use and service due to defects in material or workmanship.
- 1.03. This limited warranty does not apply to any part of the goods which has been subjected to improper or abnormal use, negligence, alteration, modification, or accident, damaged due to lack of maintenance or use of wrong fuel, oil, or lubricants, or which has served its normal life. This limited warranty does not apply to any part of any internal combustion engine, or expendable items such as blades, shields, guards, or pneumatic tires except as specifically found in your operator's manual.
- 1.04. Except as provided herein, no employee, agent, dealer, or other person is authorized to give any warranties of any nature on behalf of manufacturer.

### 2. Remedies And Procedures

- 2.01. This limited warranty is not effective unless the purchaser returns the registration and warranty form to manufacturer within 30 days of purchase.
- 2.02. Purchaser claims must be made in writing to the authorized dealer ("dealer") from whom purchaser purchased the goods or an approved authorized dealer ("dealer") within 30 days after purchaser learns of the facts on which the claim is based.
- 2.03. Purchaser is responsible for returning the goods in question to the dealer.
- 2.04. If after examining the goods and/or parts in question, manufacturer finds them to be defective under normal use and service due to defects in material or workmanship, manufacturer will:
  - (A) repair or replace the defective goods or part(s) or
  - (B) reimburse purchaser for the cost of the part(s) and reasonable labor charges (as determined by manufacturer) if purchaser paid for the repair and/or replacement prior to the final determination of applicability of the warranty by manufacturer. The choice of remedy shall belong to manufacturer.
- 2.05. Purchaser is responsible for any labor charges exceeding a reasonable amount as determined by manufacturer and for returning the goods to the dealer, whether or not the claim is approved. Purchaser is responsible for the transportation cost for the goods or part(s) from the dealer to the designated factory.

### 3. Limitation Of Liability

- 3.01. Manufacturer disclaims any express (except as set forth herein) and implied warranties with respect to the goods including, but not limited to, merchantability and fitness for a particular purpose.
- 3.02. Manufacturer makes no warranty as to the design, capability, capacity, or suitability for use of the goods.
- 3.03. Except as provided herein, manufacturer shall have no liability or responsibility to purchaser or any other person or entity with respect to any liability, loss, or damage caused or alleged to be caused directly or indirectly by the goods including, but not limited to, any indirect, special, consequential, or incidental damages resulting from the use or operation of the goods or any breach of this warranty. Notwithstanding the above limitations and warranties, manufacturer's liability hereunder for damages incurred by purchaser or others shall not exceed the price of the goods.
- 3.04. No action arising out of any claimed breach of this warranty or transactions under this warranty may be brought more than two (2) years after the cause of action has occurred.

### 4. Miscellaneous

- 4.01. Proper venue for any lawsuits arising from or related to this limited warranty shall be only in Guadalupe county, Texas.
- 4.02. Manufacturer may waive compliance with any of the terms of this limited warranty, but no waiver of any terms shall be deemed to be a waiver of any other term.
- 4.03. If any provision of this limited warranty shall violate any applicable law and is held to be unenforceable, then the invalidity of such provision shall not invalidate any other provisions herein.
- 4.04. Applicable law may provide rights and benefits to purchaser in addition to those provided herein.

*Keep for your records*

Attention: Purchaser should fill in the blanks below for his reference when buying repair parts and/or for proper machine identification when applying for warranty.

Alamo Industrial Implement Model \_\_\_\_\_ Serial Number \_\_\_\_\_  
Date Purchased \_\_\_\_\_ Dealer \_\_\_\_\_

Attention:  
Read your operator's manual



**ALAMO INDUSTRIAL**  
1502 E. Walnut  
Seguin, Texas 78155  
830-379-1480





## TO THE OWNER/OPERATOR/DEALER

To keep your implement running efficiently and safely, read your manuals thoroughly and follow these directions and the Safety Messages in this Manual. The Table of Contents clearly identifies each section where you can easily find the information you need.

The OCCUPATIONAL SAFETY AND HEALTH ACT (1928.51 Subpart C) makes these minimum safety requirements of tractor operators:

### REQUIRED OF THE OWNER

1. Provide a Roll-Over-Protective Structure that meets the requirements of this standard.
2. Provide seat belts that meet the requirements of this paragraph of this standard and SAE J4C.
3. Ensure that each employee uses such seat belt while the tractor is moving.
4. Ensure that each employee tightens the seat belt sufficiently to confine the employee to the protected area provided by the ROPS.

### REQUIRED OF THE OPERATOR

1. Securely fasten seat belt if the tractor has a ROPS.
2. Where possible, avoid operating the tractor near ditches, embankments, and holes.
3. Reduce speed when turning, crossing slopes, and on rough, slick, or muddy surfaces.
4. Stay off slopes too steep for safe operation.
5. Watch where you are going, especially at row ends, on roads, and around trees.
6. Do not permit others to ride.
7. Operate the tractor smoothly, no jerky turns, starts, or stops.
8. Hitch only to the draw bar and hitch points recommended by the tractor manufacturer.
9. When the tractor is stopped, set brakes securely and use park lock, if available.



**Keep children away from danger all day, every day...**



**Equip tractors with rollover protection (ROPS) and keep all machinery guards in place...**



**Please work, drive, play and live each day with care and concern for your safety and that of your family and fellow citizens.**





**BUILT SHARPER®**

An Alamo Group Company

1502 E. Walnut St.  
Seguin, Texas 78155



## Sales and Marketing

Tel 800.882.5762

Fax 830.379.0864

[support@alamo-industrial.com](mailto:support@alamo-industrial.com)

## Warranty Registration/Claims

[www.alamoparts.com](http://www.alamoparts.com)

## Return Authorizations

Online Part Orders

Technical Information

[www.alamoparts.com](http://www.alamoparts.com)

Tel 800.356.6286

Fax 800.322.5141

[www.alamo-industrial.com](http://www.alamo-industrial.com)

