



BUILT SHARPER®

An Alamo Group Company

REAR MOUNTED BOOM MOWER

PA5570

Parts Manual



Alamo Industrial®
1502 E. Walnut
Seguin, Texas 78155
830-379-1480
alamo-industrial.com

¡ATENCIÓN!

LEA EL INSTRUCTIVO

Si No Lee Ingles, Pida Ayuda a Alguien
Que Si Lo Lea Para Que le Traduzca las
Medidas de Seguridad.



An Operator's Manual was shipped with the equipment in the Manual Canister. This Operator's Manual is an integral part of the safe operation of this machine and must be maintained with the unit at all times. **READ, UNDERSTAND, and FOLLOW** the Safety and Operation Instructions contained in this manual before operating the equipment. If the Operator's Manual is not with the equipment, contact your dealer or Alamo Industrial (800-356-6286) to obtain a Free copy before operating the equipment.

Introduction

Health and Safety Statement

The health and safety of employees and guests of Alamo Industrial is of primary concern for Alamo Industrial. Alamo Industrial strives to comply with OSHA regulations and our own health, environmental and safety policies. Alamo Industrial is committed to the goal of providing an accident free work place by providing a safe and productive work environment. All employees and guests are required to comply with all Alamo Industrial safety rules in all of their activities. Employees and guests are required to wear Personal Protective Equipment, which includes safety glasses with side shields, hearing protection, safety shoes with metatarsal guards, while in the Alamo Industrial manufacturing facility.

Personnel safety requires each person to be aware of potential hazards associated with the work, paying attention, following instructions, not taking risks, and watching out for other workers. The help and support of each guest is essential to the success of our safety objectives. Each of us is responsible for our own safety and for the safety of fellow workers and guests. Together we can learn and work safely and enjoy our experiences at Alamo Industrial.

Contact Information

Contact Information

To help you assemble your new mower and mount it to your tractor, we provide you with drawings, instructions and general information. When needed, you can get information or clarification from Alamo Industrial Customer Service over the phone.

How to Contact Alamo Industrial To Place Orders

1. Visit www.alamo-industrial.com
2. Call or visit your local Alamo Industrial dealer (Dealer listing can be found on www.alamo-industrial.com)
3. Call Alamo Industrial Customer Support to speak with your assigned Account Manager*
4. Fax or e-mail your orders to your assigned Customer Support Account Manager*

*Orders placed over the phone, fax, or e-mail are subject to a 5% loss of contracted discount

For parts identification please visit <http://www.alamo-industrial.com/ProductManuals>

Customer Support Contact Information

Phone Toll Free 1-800-356-6286

Fax 1-800-322-5041

Operational Hours

8 AM to 5 PM CST.

Monday Through Friday

parts@alamo-industrial.com

CONTENTS

Section 10: Safety	7
General safety instructions and practices	8
Operator safety	9
Crushing Hazards	10
Connecting or disconnecting implement safety	11
Hazards	12
Parts information	21
Decal Location	21
Section 20: Parts Information	35
Evolution Controls 23581.01 D	36
Evolution 23581.12 H	38
Next Gen Arm Rest 23581.21	40
Valve Assembly 5570622	42
Manifold Kit 22523.08 I	44
Adapter Kit 22524.79 B	46
Control Kit 22525.03 H	48
Packing Module 5570625	50
RH Lower Cover Mod 5570691 B	52
Cooler Assembly 22389.17 B	54

RH TI Pump & GearBox 760 CW 5570697 C	56
Pump 8201760	58
Elbow Kit 8301058	60
RH Mainframe Module 5570701 C	62
RH Tank Module 5570705	64
Strainer 8401097	66
Filter Assembly 8401105 E	68
Tank Fittings Module 5570707C	70
Lighting Module 5570709D	72
Covers Module 5570711C	74
Hose Kit 557072224H	76
RH SS RCV Assembly 5570725F	78
Soft Start RCV 22677.13B	80
Hyd Inst Module 5570737D	82
Ram 22362.01D	84
Ram 22821.01	86
Ram 43317.07	88
Ram 45288.03C	90
Ram 45910.07B	92
Upper Dipper Module 7155819	94
RH VFR Dipper Module 7155821QR	96
Lower Dipper Module 7157777 D	98

Prop Module 7157778	100
Angling Module 7170714 D	102
Guard Kit 7313324	104
Pillar Module 7458504 F	106
Mod Rocker – Non EDS 7458578 E	108
Main Arm ModEnd 7458601 D	110
Stabilizer Module 7499634 C	112

SECTION 10

SAFETY



SAFETY

GENERAL SAFETY INSTRUCTIONS AND PRACTICES

A careful operator is the best operator. Safety is of primary importance to the manufacturer and should be to the owner/operator. Most accidents can be avoided by being aware of your equipment, your surroundings, and observing certain precautions. The first section of this manual includes a list of Safety Messages that, if followed, will help protect the operator and bystanders from injury or death. Read and understand these Safety Messages before assembling, operating or servicing this Implement. This equipment should only be operated by those persons who have read the manual, who are responsible and trained, and who know how to do so responsibly.



The Safety Alert Symbol combined with a Signal Word, as seen below, is used throughout this manual and on decals which are attached to the equipment. The Safety Alert Symbol means: "ATTENTION! BECOME ALERT! YOUR SAFETY IS INVOLVED!" The Symbol and Signal Word are intended to warn the owner/operator of impending hazards and the degree of possible injury faced when operating this equipment.

Practice all usual and customary safe working precautions and above all-- remember safety is up to YOU. Only YOU can prevent serious injury or death from unsafe practices.



Indicates an imminently hazardous situation that, if not avoided, WILL result in DEATH OR VERY SERIOUS INJURY.



Indicates an imminently hazardous situation that, if not avoided, COULD result in DEATH OR SERIOUS INJURY.



Indicates an imminently hazardous situation that, if not avoided, MAY result in MINOR INJURY.






Identifies special instructions or procedures that, if not strictly observed, could result in damage to, or destruction of the machine, attachments or the environment.

NOTE: Identifies points of particular interest for more efficient and convenient operation or repair.

READ, UNDERSTAND, and FOLLOW the following Safety Messages. Serious injury or death may occur unless care is taken to follow the warnings and instructions stated in this Manual and in the Safety Messages on the implement. Always follow the instruction in this manual and use good common sense to avoid hazards.



Pictographs are used throughout this manual to help bring your visual attention to safety issues.

SAFETY HAZARD	SAFETY AVOIDANCE	SAFETY PREVENTION
<p>Pictograph surrounded by a triangle indicates a Safety Hazard that must be avoided.</p> <p style="text-align: center;"><i>Example:</i></p>  <p style="text-align: center;">Equipment contacting overhead electrical lines</p>	<p>Pictograph by itself or inside a box indicates an avoidance procedure that should be followed to prevent injuries.</p> <p style="text-align: center;"><i>Example:</i></p>  <p style="text-align: center;">Always shut off engine and remove key before working on equipment.</p>	<p>A circle with a slash through it indicates an action that is prohibited.</p> <p style="text-align: center;"><i>Example:</i></p>  <p style="text-align: center;">No Smoking</p>

NOTE: If you want a translation of this safety section in one of the following Languages, please contact: Translations at 1502 E. Walnut Street Seguin, TX 78155; Fax: (830) 372-9529; Safety Section Translations are available in Spanish, Portuguese, French, German, Russian. PN 6S01

SAFETY

Operator Safety

				
Read and understand Operator's Manual	Always wear Safety Glasses	Wear Hard Hat Safety Shoes	Never use Drugs or Alcohol when operating equipment	Wear Safety Vest when operating on or near roads

WARNING

TO AVOID SERIOUS INJURY OR DEATH DO THE FOLLOWING:

- **READ, UNDERSTAND** and **FOLLOW** Operator's Manual instructions, Warnings and Safety Messages.
- **WEAR SAFETY GLASSES**, safety shoes, hard hat, hearing protection and gloves when operating or repairing equipment
- **WEAR** appropriate breathing respirator when operating in dusty conditions to avoid respiratory diseases.
- **DO NOT WEAR** loose clothing or jewelry to avoid rotating parts entanglement injury.
- **DO NOT USE DRUGS** or **ALCOHOL** before or while operating equipment.
- **DO NOT ALLOW** anyone to operate equipment under the influence of drug or alcohol.
- **CONSULT** medical professional for medication impairment side effects.
- **STAY CLEAR** of hot surfaces such as Mufflers, hydraulic pumps, valves and tanks.
- **STAY ALERT**, prolonged operation can cause fatigue, **STOP** and **REST**.

GENERAL OPERATING SAFETY

VISIBILITY CONDITIONS WHEN MOWING:

- **OPERATE IN DAYLIGHT** or with lights that gives at least 100 yards clear visibility.
- **BE ABLE TO SEE** and identify passersby, steep slopes, ditches, drop-offs, overhead obstructions, power lines, debris and foreign objects.
- Avoid backing up while mowing, vision may be limited, severe damage or injury can occur.
- **DO NOT** run tractor in enclosed building without adequate exhaust ventilation.

GROUND SPEED WHEN MOWING:

- **NORMAL SPEED** range is between 1 to 2 mph(1-3 kph).
- **ADJUST MOWING SPEED** for terrain conditions and grass type, density and cut height.
- **REDUCE MOWING SPEED** when near steep slopes, ditches, drop-offs, overhead obstructions, power lines and to avoid debris and foreign objects.

TRACTOR and MOWER

- **DO NOT** operate the tractor or mower unless the equipment is maintained and operating properly.
- **DISCONTINUE OPERATION** if tractor or mower electrical and hydraulic controls do no function properly.
- **DISCONTINUE OPERATION** of the tractor if the braking or steering systems do not function properly.
- **DO NOT** operate the tractor or mower if there are any hydraulic leaks.

INSECT INFESTATION

- **DO NOT** operate in areas where bees or insects may attack unless you **WEAR PROTECTIVE CLOTHING** or use enclosed tractor cab.

PTO SPEED:

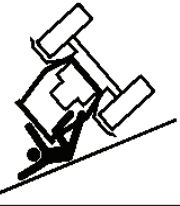
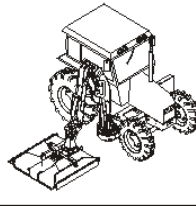



- **DO NOT EXCEED IMPLEMENT RATED PTO SPEED**
- **AVOID** exceeding rated PTO speeds that may result in broken drivelines or blade failures.

SAFETY SIGNS:

- **REPLACE** missing, damaged or unreadable safety signs immediately. *PN OSBM-01*

SAFETY

CRUSHING HAZARDS

				
Crushing injury from roll over	Use Cab Tractor With Boom Mowers	Always wear seatbelt	Pinch Point Hazard Keep Hands and body parts clear of pinch points	Crushing injury from boom or mower head falling



TO AVOID SERIOUS INJURY OR DEATH FROM FALLING OFF TRACTOR, EQUIPMENT RUN OVER, ROLLOVER AND CRUSHING BY FALLING WING OR IMPLEMENT:

- **USE ROPS** and **SEAT BELT** equipped tractors for mowing operations.
- **KEEP ROPS** lock in up position.
- **ALWAYS BUCKLE UP** seat belt when operating tractor and equipment.
- **ONLY OPERATE** tractor and equipment while seated in tractor seat.

WHEN RAISING BOOM MOWER:

- Raise or lower **ONLY WHILE SEATED** in tractor seat with seat belt buckled.
- **KEEP BYSTANDERS CLEAR** of area **TO AVOID** crushing.
- **KEEP** sufficient clearance around implement and wings **TO AVOID** contacting buildings or overhead power lines.

LIFTED Equipment can fall from mechanical or hydraulic failure or inadvertent Control Lever movement.



TO AVOID EQUIPMENT FALLING while working near or under lifted boom, components and Mower Head:

- **SECURELY SUPPORT** or **block up** raised equipment, wings and components.
- **BLOCK UP** and **securely support** equipment before putting hands, feet or body under raised equipment or lifted components.
- **KEEP BYSTANDERS CLEAR** of raised boom or mower head until **securely blocked up**.

WHEN PARKING Implement and Tractor:

- **LOWER** Mower Head to the ground or **BLOCK** lifted parts before leaving equipment.
- **NEVER** leave implement unattended in a raised position.

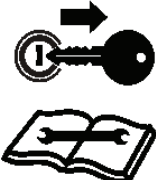





TO AVOID CHILDREN FALLING OFF OR BEING CRUSHED BY EQUIPMENT:

- **NEVER ALLOW** children to play on or around Tractor or Implement.
- **DO NOT** operate without operator **CAB** or **OVERHEAD** protection. Falling limbs and debris can cause injuries. *PN CHBM-01*

SAFETY

CONNECTING OR DISCONNECTING IMPLEMENT SAFETY

			
<p>Stop Tractor Remove Key Read Manual</p>	<p>Crushing Hazard Do Not get under boom when connecting mower head to boom</p>	<p>Stability Hazard Ensure 20% of tractor weight is on front wheels</p>	<p>Stability Hazard Ensure 1500lbs down force on left tire with boom extended</p>

⚠️ ⚠️ TO AVOID SERIOUS INJURY OR DEATH FROM BEING CRUSHED BY TRACTOR OR IMPLEMENT:

WHEN connecting mower head to the boom:

- **KEEP BYSTANDERS AWAY** from tractor and mower.
- Ensure there is enough room to lift and swing the boom with out hitting objects

BEFORE connecting and disconnecting the mower head or boom:

- **STOP TRACTOR ENGINE**, place transmission into park, engage parking brake and remove key.

WHEN connecting and disconnecting the mower head or boom:

- **DO NOT** crawl or walk under raised mower head or boom. *(Refer to Instructions in Operation Section)*

WHEN CONNECTING IMPLEMENT DRIVELINE:(If equipped)

TO AVOID implement driveline coming loose during operation:

- **LUBRICATE** yoke spring locking collar to ensure it freely slides on PTO shaft.
- **SECURELY** seat yoke locking balls in PTO shaft groove.
- **PUSH** and **PULL DRIVELINE** on both the tractor and implement **PTO SHAFTS** to ensure it is **SECURELY ATTACHED**.

TO AVOID broken driveline during operations:

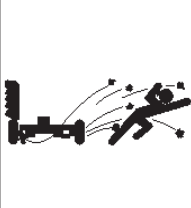

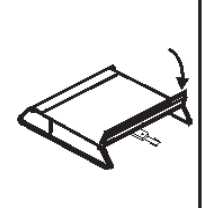

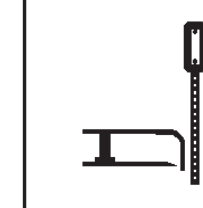
- **CHECK** driveline for proper length between PTO shaft and implement gearbox shaft. *(Refer to Instructions in Operation Section)*
- Drivelines too short can pull apart or disengage.
- Drivelines too long can bottom out.
- Bottoming driveline telescoping assembly will stop sliding and become solid.
- Driveline bottoming can push through support bearings and break off PTO shaft.

CONTACT DEALER if implement driveline does not match Tractor PTO shaft:

- **DO NOT USE PTO ADAPTER.**
Using a PTO adapter can cause:
 - Excessive vibration, thrown objects, blade and implement failures by doubling operating speed.
 - Increased working length exposing unshielded driveline areas and entanglement hazards. *PN CDBM-01*

SAFETY

THROWN OBJECTS HAZARDS

				
Mower Thrown Objects Hazard	Raised Mower Thrown Objects	Keep mower door closed when traffic comes within 300 feet	Inspect Area remove foreign objects	Do not let blades contact solid objects



ROTARY MOWERS CAN THROW OBJECTS 300 FEET OR MORE UNDER ADVERSE CONDITIONS.

TO AVOID SERIOUS INJURY OR DEATH TO OPERATOR OR BYSTANDERS FROM THROWN OBJECTS:

- KEEP bystanders 300 feet away

STOP MOWING IF PASSERSBY ARE WITHIN 300 FEET UNLESS:

- **ALL THROWN OBJECT SHIELDING** including, Front and Rear Deflectors, Chains Guards, Steel Guards, Bands, Side Skirts and Skid Shoes in place and in good condition when mowing.
- Mower is close and parallel to ground without exposing blades.
- **MOWING AREA** has been inspected and foreign materials and debris have been removed.
- **DO NOT** shred or mow loose or previously cut material if **BYSTANDERS** are within 300 feet.
- **PASSERSBY** are inside enclosed vehicle.

INSPECT AREA FOR POTENTIAL THROWN OBJECTS BEFORE MOWING:

- **REMOVE** debris, rocks, wire, cable, metal objects and other foreign material from area. Wire, cable, rope, chains and metal objects can be thrown or swing outside deck with great velocity:
 1. **MARK** objects that cannot be removed.
 2. **AVOID** these objects when mowing.

HIGH GRASS and WEED AREA INSPECTION:

- **INSPECT** for and **REMOVE** any hidden large debris.
- **MOW** at Intermediate height
- **INSPECT** and remove remaining debris
- **MOW** at final height.

MOWER THROWN OBJECT SHIELDING:

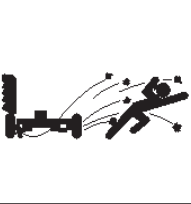

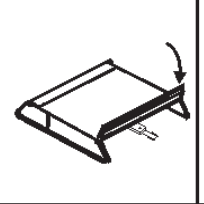

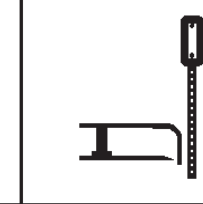
- **KEEP** all thrown object shielding including, Front and Rear Deflectors, Chains Guards, Steel Guards, Bands, Side Skirts and Skid Shoes in place and in good condition when mowing.
- **DO NOT OPERATE** with any thrown object shielding missing, damaged or removed.

RIGHT OF WAY (Highway) MOWING

- Stop mowing if any bystander comes within 300 feet of the mower.
- No shielding is 100% effective in preventing thrown objects. To Reduce Possibility of Injury:
 1. **MAINTAIN MOWER SHIELDING**, side skirts, skid shoes, and blades in good operational condition,
 2. **RAISE CUTTING HEIGHT** to **6 INCHES** minimum,
 3. **INSPECT AREA** thoroughly before mowing to **REMOVE** potential **THROWN OBJECT HAZARDS**,
 4. **NEVER ALLOW BLADES** to **CONTACT SOLID OBJECTS** like wire, rocks, post, curbs, guardrails, or ground while mowing. *PN TOBM-01*

SAFETY

THROWN OBJECTS HAZARDS (Continued)

				
Mower Thrown Objects Hazard	Raised Mower Thrown Objects	Keep mower door closed when traffic comes within 300 feet	Inspect Area remove foreign objects	Do not let blades contact solid objects

MOWER OPERATION:

- **DO NOT** exceed mower's rated Cutting Capacity or cut non-vegetative material.
- **USE ENCLOSED TRACTOR CABS** when two or more mowers are operating in mowing area.
- Do Not mow in areas where bees or insects may attack unless you **WEAR PROTECTIVE CLOTHING** or use enclosed tractor cab.
- **ADJUST** mower head close and parallel to ground without exposing blades.
- **ADJUST** cutting **HEIGHT** to **AVOID BLADE CONTACT** with solid objects like wire, rocks, posts, curbs, guard rails and fixed obstructions.
- **CLOSE** Mower door and stop operating if bystanders come within 300 feet of the mower.
- Keep mower door closed when cutting close to the ground.
- Open door only to cut large brush or tree limbs. Close door immediately after cutting limb.
- **DO NOT** push mower head down onto material to cut it, use the front tips of the mower blades to cut into the material.
- **DO NOT** operate mower when mower is in transport position.
- **STOP MOWING** immediately if blades strike heavy objects, fixed structures, metal guard rails and concrete structures:
 1. **BLADES CAN FAIL** from impact and objects can be thrown with great velocity.
 2. **INSPECT** and **REPLACE** any damaged blades.
 3. **CHECK** blade carrier and **REPLACE** if damaged.
- **DO NOT** mow in standing water **TO AVOID** possible **BLADE FAILURE**.
- **AVOID MOWING** in reverse:
 1. **STOP PTO** and back up mower.
 2. **LOWER** mower, engage **PTO** and mow forward.
- **DISENGAGE** mower head and wait until **BLADES** stop rotating before raising mower to transport position.
- **DO NOT ENGAGE PTO** with mower in transport position.
- **STOP** mowing when **EXCESSIVE VIBRATION** occurs:
 1. **STOP PTO** and tractor **ENGINE**.
 2. **INSPECT** mower for vibration source.
 3. **REPLACE** any damage parts and bent or damaged **BLADES**. PN TOBM-02

SAFETY

RUN OVER HAZARDS

		
Operator run over hazard	Rider fall off run over hazard	Bystander run over hazard

⚠️ ⚠️ TO AVOID SERIOUS INJURY OR DEATH FROM FALLING OFF TRACTOR OR EQUIPMENT RUN OVER:


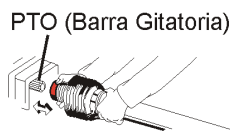
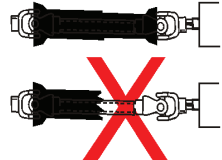
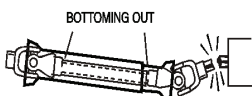
- **USE ROPS** and **SEAT BELT** equipped tractors for mowing operations.
- **KEEP ROPS** locked in **UP** position.
- **ONLY** start tractor while seated in tractor seat.
- **ALWAYS BUCKLE UP** seat belt when operating tractor and equipment.
- **ONLY OPERATE** tractor and equipment while seated in tractor seat.
- **NEVER ALLOW RIDERS** on tractor or implement.
- When not mowing stow Boom and Mower head in transport location before moving.

WHEN MOUNTING AND DISMOUNTING TRACTOR:

- **ONLY** mount or dismount when tractor and moving parts are stopped.
- **STOP ENGINE AND PTO**, engage parking brake, lower implement, allow all moving parts to stop and remove key before dismounting from tractor. *PN ROBM-01*

SAFETY

PTO ENTANGLEMENT HAZARDS

			
<p>Entanglement hazard Do Not approach or touch a rotating PTO driveshaft</p>	<p>Make sure PTO shaft is securely attached Do Not Use PTO Adapter</p>	<p>DO NOT Operate if PTO shields are damaged or missing</p>	<p>Make sure PTO shafts are proper length</p>



KEEP AWAY FROM ROTATING DRIVELINES AND ELEMENTS TO AVOID SERIOUS INJURY OR DEATH:

STAY AWAY and **KEEP** hands, feet and body **AWAY** from rotating blades, drivelines and parts until all moving elements have stopped.

- **STOP, LOOK** and **LISTEN** before approaching the mower to make sure all rotating motion has stopped.
- **ROTATING COMPONENTS CONTINUE** to **ROTATE** after the PTO is shut off.

PTO SHIELDING:

TO AVOID SERIOUS INJURY OR DEATH FROM ENTANGLEMENT WHEN OPERATING IMPLEMENT:

- **KEEP PTO** shields, integral driveline shields and input shields installed
- **DO NOT OPERATE** mower without shields and guards in place or missing
- **REPAIR OR REPLACE** if damage, broken or missing
- **ALWAYS REPLACE GUARDS** that have been removed for service or maintenance.
- Do Not use PTO or PTO guard as a step.

TO AVOID broken driveline during operations:

- **CHECK** driveline for proper length between PTO shaft and implement gearbox shaft. (*Refer to Instructions in Operation Section*)
- Drivelines too short can pull apart or disengage.
- Drivelines too long can bottom out.
Bottoming driveline telescoping assembly will stop sliding and become solid.
- Driveline bottoming can push through support bearings and break off PTO shaft
- **AVOID** sharp turns or lift mower to heights to cause driveline "knocking".
- Lubricate driveshaft-telescoping components weekly.




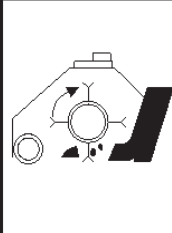
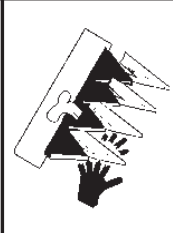
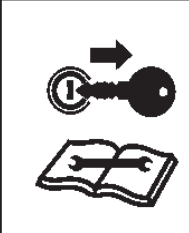
CONTACT DEALER if implement driveline does not match Tractor PTO shaft:

- **DO NOT USE PTO ADAPTER.**

Using a PTO adapter can cause excessive vibration, thrown objects, blade and implement failures by doubling operating speed. Increased working length exposing unshielded driveline areas. *PN PE01*

SAFETY

MOWER BLADE CONTACT HAZARDS

					
Do not put fingers underneath mower	Do not put hands underneath Flail Mower	Do not put foot underneath mower	Do not put foot underneath Flail Mower	Shearing Hazard from Sickle blades	Stop Tractor Remove Key Read Manual



KEEP AWAY FROM ROTATING BLADES TO AVOID SERIOUS INJURY OR DEATH FROM BLADE CONTACT:

- **STAY AWAY** and **KEEP HANDS, FEET** and **BODY AWAY** from rotating blades, drivelines and parts until all moving elements have stopped.
- **DO NOT** put hands or feet under mower decks
- **STOP** rotating **BLADES** disengage mower switch and PTO and wait for blade to stop rotating before raising mower head.
- **DO NOT** approach Sickle Bar head until Tractor Engine has been shut off.
- **STOP LOOK** and **LISTEN** before approaching the mower to make sure all rotating motion has stopped. *PN MBBM-01*

SAFETY

HIGH PRESSURE OIL LEAK HAZARD

			
High pressure oil penetrating skin	High pressure oil eroding skin	Using cardboard to check for oil leaks	Tank contents under pressure. Allow oil to cool before slowly removing cap



TO AVOID SERIOUS INJURY OR DEATH FROM HIGH PRESSURE HYDRAULIC OIL LEAKS PENERATING SKIN:

- **DO NOT OPERATE** equipment with oil or fuel leaks.
- **KEEP** all hydraulic hoses, lines and connections in **GOOD CONDITION** and **TIGHT** before applying system pressure.
- **RELIEVE HYDRAULIC PRESSURE** before disconnecting lines or working on the system.
- **REMOVE** and replace hose if you suspect it leaks. Have dealer test it for leaks.

HIGH PRESSURE FLUID LEAKS CAN BE INVISIBLE.

WHEN CHECKING FOR HYDRAULIC LEAKS AND WORKING AROUND HYDRAULIC SYSTEMS:

- **ALWAYS WEAR** safety glasses and impenetrable gloves.
- **USE** paper or cardboard to search for leaks.
- **DO NOT USE** hands or body parts to search for leak.
- **KEEP** hands and body **AWAY** from pin holes and nozzles ejecting hydraulic fluid.
- Hydraulic fluid may cause gangrene if not surgically removed immediately by a doctor familiar with this form of injury.

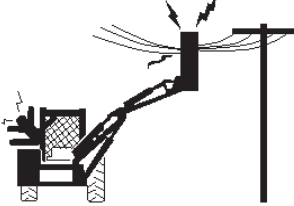


Use caution when removing Hydraulic Tank cap.

- Tank contents maybe under pressure
- Allow oil to cool before removing cap.
- Relieve oil pressure before removing cap slowly.
- Stay away from hot oil that may spray from tank.

PN HPBM-01

SAFETY

ELECTRICAL & FIRE HAZARDS

		
<p>Mower head or Boom contacting overhead electrical lines</p>	<p>Strike and explosion Hazard Blades Contacting Utility or Gas Lines</p>	<p>Fire Hazard Do Not operate near fires. Keep debris away from hydraulic pumps and valves</p>

⚠️ DANGER ⚠️ TO AVOID SERIOUS INJURY OR DEATH FROM ELECTRICAL CONTACT WHEN WORKING AROUND ELECTRICAL POWER LINES, GAS LINES AND UTILITY LINES:

- **INSPECT** mowing area for overhead or underground electrical power lines, obstructions, gas lines, cables and Utility, Municipal, or other type structure.
- **KEEP** all raised wings at a 10 feet or greater distance from all power lines and overhead obstructions.
- **DO NOT** allow mower to contact with any Utility, Municipal, or type of structures and obstructions.
- **CALL 811** and 1-800-258-0808 for identify buried utility lines.

FIRE PREVENTION GUIDELINES while Operating, Servicing, and Repairing Mower and Tractor to reduce equipment and grass fire Risk:

- **EQUIP** Tractor with a **FIRE EXTINGUISHER**
- **DO NOT OPERATE** mower on a tractor equipped with under frame exhaust
- **DO NOT SMOKE** or have open flame near Mower or Tractor
- **DO NOT DRIVE** into burning debris or freshly burnt area
- **AVOID FIRE IGNITION** by not allowing mower blade to contact solid objects like metal or rock.
- **DO NOT** operate if oil is leaking. Repair oil leak and remove all accumulated oil before operating.
- **CLEAR** any grass clippings or debris buildup around mower hydraulic pumps, valves or tanks.
- **SHUT OFF ENGINE** while refueling. *PN EFBM-01*

SAFETY

TRANSPORTING HAZARDS

		
Use SMV signs and Flashing Lights	Loss of Control Stopping Hazard	Loss of Control Speeding Hazard



TO AVOID SERIOUS INJURY AND DEATH WHEN TOWING OR TRANSPORTING EQUIPMENT:

- **KEEP** transport speed **BELOW** 20 mph to maintain control of equipment.
- **REDUCE SPEED** on inclines, on turns and in poor towing conditions.
- **DO NOT TOW** with trucks or other vehicles.
- **USE** only properly sized and equipped tractor for towing equipment.
- **FOLLOW** all local traffic regulations.

TRACTOR REQUIREMENTS FOR TOWING OR TRANSPORTING IMPLEMENTS:

- **ONLY TRANSPORT** with tractor with **ROPS** in the raised position.
- **USE** properly sized and equipped tractor that exceeds implement weight by at least 20%.
- **KEEP** 20% of tractor weight on front wheels to maintain safe steering.

BEFORE TRANSPORTING OR TOWING IMPLEMENT:

TRACTOR INSPECTION:

- **CHECK** steering and braking for proper operation and in good condition.
- **CHECK SMV** sign, reflectors and warning lights for proper operation and visibility behind unit.
- **CHECK** that your driving vision is not impaired by tractor, cab, or implement while seated in tractor seat.
- **ADJUST** your operating position, mirrors, and implement transport for clear vision for traveling and traffic conditions.

PREPARE IMPLEMENT FOR TRANSPORTING OR TOWING:

- Store Boom and Mower in transport positions and engage transport locks if equipped.

DETERMINE STOPPING CHARACTERISTICS OF TRACTOR AND IMPLEMENT FOR TRANSPORTING OR TOWING:

BRAKING TESTS:

- Stopping distance with implement attached may increase
- Observe **STOPPING** distances increases with increased speeds.
- **DETERMINE** the maximum safe transport speed that does not exceed 20 mph.
- Reduce travel speed in wet or icy roads, stopping distances increase.

DETERMINE MAXIMUM TURNING SPEED BEFORE OPERATING ON ROADS OR UNEVEN GROUND:

- **TEST** equipment in slowly increasing speed in turns to determine it can be operated at higher speeds.
- **USE REDUCED** turning speeds in sharp turns to avoid equipment turning over.



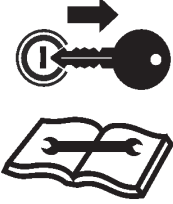

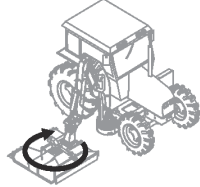
WHEN TOWING OR TRANSPORTING EQUIPMENT:

- Always **WEAR SEAT BELT** when operating or transporting mower.
- **USE** low speeds to avoid overturn with raised wings.
- **USE** low speeds and gradual steering on curves, hills, rough or uneven surfaces and on wet roads.
- **TURN ON** tractor **FLASHING WARNING LIGHTS**.
- **ALLOW** clearance for implement swing while turning.

KEEP raised boom mower 10 feet or greater distance from all power lines and overhead obstructions. PN THBM-01

SAFETY

HAZARDS WITH MAINTENANCE OF IMPLEMENT

				
Periodically inspect all moving parts, lubricate drivelines, and tighten all fasteners	Lower mower head to ground or block up before servicing	Stop engine remove key before conducting maintenance	Set mower head securely on the ground before servicing blades	Thrown Objects Hazard Ensure blades rotate clockwise viewed from above mower head



AVOID SERIOUS INJURY OR DEATH FROM COMPONENT FAILURE BY KEEPING IMPLEMENT IN GOOD OPERATING CONDITION IN PERFORMING PROPER SERVICE, REPAIRS AND MAINTENANCE.

BEFORE PERFORMING SERVICE, REPAIRS AND MAINTENANCE ON THE IMPLEMENT:

- **STOP ENGINE AND PTO**, engage parking brake, lower implement, allow all moving parts to stop and remove key before dismounting from tractor.
- **PLACE** implement on ground or securely block up raised equipment. Use large blocks on soft or wet soil.
- **PUSH** and **PULL** Remote Hydraulic Cylinder lever to relieve hydraulic pressure.
- **DISCONNECT Pump solenoid valve or PTO driveline connection before servicing mower head.**
- **WEAR SAFETY GLASSES, PROTECTIVE GLOVES** and follow **SAFETY PROCEDURES** when performing service, repairs and maintenance on the implement:
 - Always **WEAR** protective **GLOVES** when handling blades, knives, cutting edges or worn component with sharp edges.
 - Always **WEAR GLOVES** and **SAFETY GLASSES** when servicing hot components
 - **AVOID CONTACT** with hot hydraulic oil tanks, pumps, motors, valves and hose connection surfaces.
 - **SECURELY** support or **BLOCK UP** raised implement, framework and lifted components before working underneath equipment.
 - **FOLLOW INSTRUCTIONS** in maintenance section when replacing hydraulic cylinders to prevent component falling.
 - **STOP** any implement movements and **SHUT-OFF TRACTOR** engine before doing any work procedures.
 - **USE** ladder or raised stands to reach high equipment areas inaccessible from ground.
 - **ENSURE** good footing by standing on solid flat surfaces when getting on implement to perform work.
 - **FOLLOW** manufacturer's instructions in handling oils, solvents, cleansers, and other chemical agents.
 - **DO NOT** change any factory-set hydraulic calibrations to avoid component or equipment failures.
 - **DO NOT** modify or alter implement, functions or components.
 - **DO NOT WELD** or repair rotating mower components. These may cause vibrations and component failures being thrown from mower.

PERFORM SERVICE, REPAIRS, LUBRICATION AND MAINTENANCE OUTLINED IN IMPLEMENT MAINTENANCE SECTION:

- **INSPECT** for loose fasteners, worn or broken parts, leaky or loose fittings, missing or broken cotter keys and washers on pins, and all moving parts for wear.
- **REPLACE** any worn or broken parts with authorized service parts.
- Inspect mower blade spindle to ensure bearing preload. If loose repair before operating.
- **LUBRICATE** unit as specified by lubrication schedule
- **NEVER** lubricate, adjust or remove material while it is running or in motion.
- **TORQUE** all bolts and nuts as specified.

BLADE INSPECTION:

- Inspect blade carrier and blades daily.
- Check blade and blade carrier **BOLT TORQUE** daily. Loose bolts can cause blade or blade bolt failures.
- **REPLACE**, bent, damage, cracked and broken blades immediately with new blades.
- **AVOID** blade failures and thrown broken blades. **DO NOT** straighten, weld, or weld hard-facing blades.

SAFETY SHIELDS, GUARDS AND SAFETY DEVICES INSPECTION:

- **KEEP** all Deflectors, Chain Guards, Steel Guards, Gearbox Shields, and PTO integral shields, Bands, Side Skirts and Skid Shoes in place and in good condition.
- **REPLACE** any missing, broken or worn safety shields, guards and safety devices.
- **PROPOSITION 65** - Engine Exhaust, some of its constituents, and certain vehicle components contain or emit chemicals known to the state of California to cause cancer, birth defects or other reproductive harm.
- Battery posts, terminals and related accessories contain lead and lead compounds, chemicals known to the state of California to cause cancer, birth defects or other reproductive harm. **PN HMBM-01**

SAFETY

PARTS INFORMATION

PARTS INFORMATION

Alamo Industrial mowers use balanced and matched system components for blade carriers, blades, cuttershafts, knives, knife hangers, rollers, drivetrain components, and bearings. These parts are made and tested to Alamo Industrial specifications. Non-genuine "will fit" parts do not consistently meet these specifications. The use of "will fit" parts may reduce mower performance, void mower warranties, and present a safety hazard. Use genuine Alamo Industrial mower parts for economy and safety. (SPAM-1)

SEE YOUR ALAMO DEALER

Operator's & Parts Manuals

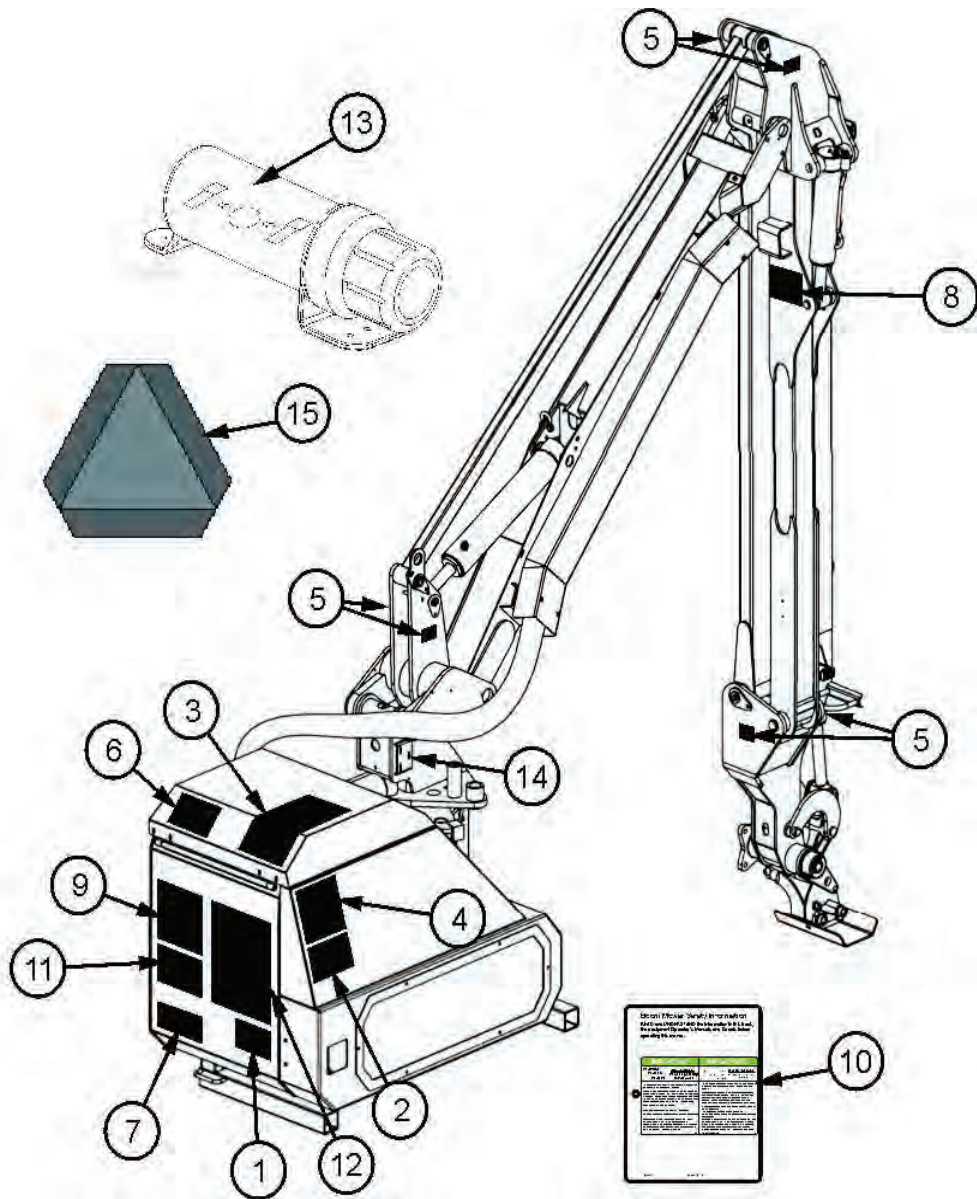


www.algqr.com/apm

Decal Location

NOTE: Alamo Industrial supplies safety decals on this product to promote safe operation. Damage to the decals may occur while in shipping, use, or reconditioning. Alamo Industrial cares about the safety of its customers, operators, and bystanders, and will replace the safety decals on this product in the field, free of charge (Some shipping and handling charges may apply). Contact your Alamo Industrial dealer to order replacement decals.

SAFETY

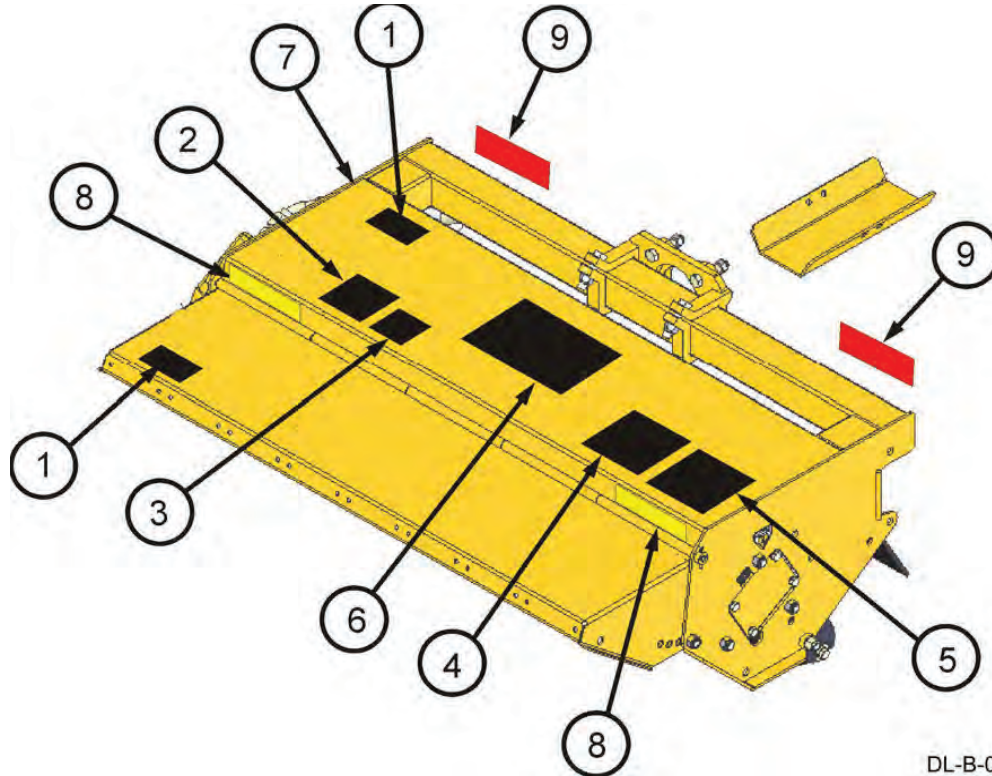


SAFETY

ITEM	PART NO.	QTY.	TYPE	DESCRIPTION
1.	D628	1	DANGER	Crushing Hazard-Pinch Points
2.	D617	1	WARNING	Oil Leaks
3.	D618	1	WARNING	Boom Multi-Hazard
4.	D547	1	DANGER	Driveline Hazard
5.	D623	6	WARNING	Pinch Points
6.	D625	1	WARNING	Pressurized Tank
7.	D716	1	WARNING	Stabilizers in Position
8.	D719	1	DANGER	Keep Clear-Automatic Breakaway Return
9.	D616	1	DANGER	Multi-Hazard
10.	D677	1	INSTRUCT	Safety Booklet
11.	D723	1	INSTRUCT	Lubrication Chart
12.	D827	1	DANGER	Multi-Language
13.	46505.01	1	_____	Canister
	02998056C	1	_____	Operator's Manual (Inside Canister)
14.	NFS	1	SERPLT	Serial Number Plate
15.	03200347	1	REFLECTOR	SMV Sign

SAFETY

FLAIL HEAD

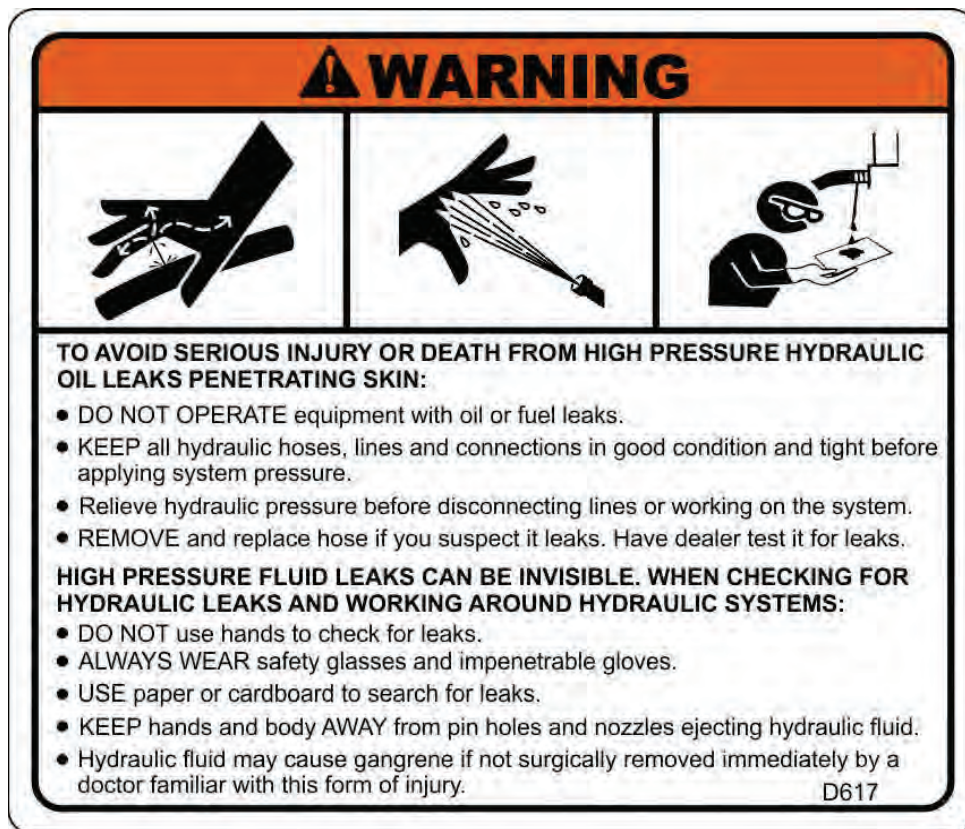


DL-B-0123

ITEM	PART NO.	QTY.	LEVEL	DESCRIPTION
1.	D626	2	DANGER	Maintain Deflectors in good condition
2.	D720	1	WARNING	Blade Bolt Torque
3.	D724	1	INSTRUCT	Lubrication Chart
4.	D564	1	WARNING	Alamo Industrial Genuine Parts
5.	D717	1	DANGER	Thrown Objects Hazard
6.	001650	1	LOGO	Alamo Industrial Logo
7.	NFS	1	SERPLT	Serial Number Plate
8.	1458393	2	REFLECTOR	Yellow Reflector
9.	1458392	2	REFLECTOR	Red Reflector

SAFETY

Decal Description



SAFETY

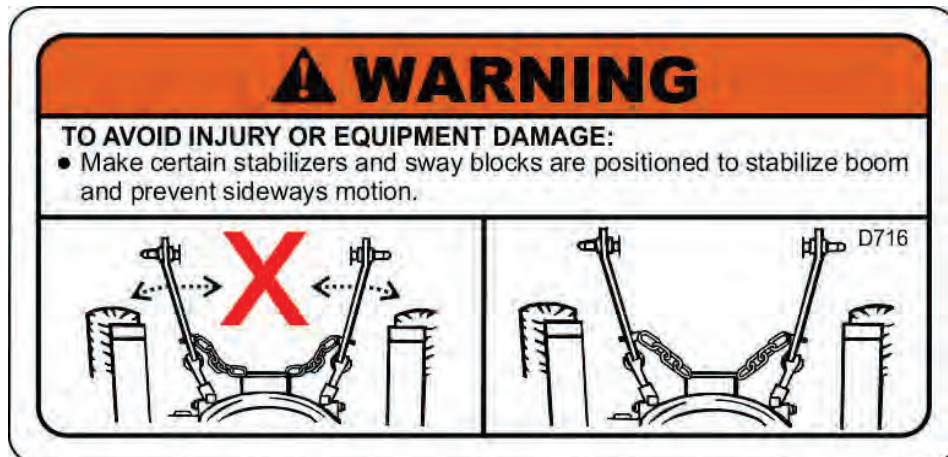
<p>⚠ WARNING</p>  <p>TO AVOID SERIOUS INJURY AND DEATH DURING TRANSPORTATION:</p> <ul style="list-style-type: none"> • ALWAYS BUCKLE UP seat belt. • PLACE boom securely in Transport Rest and turn off master switch. • CHECK SMV sign, reflectors and warning lights for visibility behind unit. • TURN ON tractor flashing warning lights. <p>TO AVOID LOSS OF TRANSPORTATION CONTROL:</p> <ul style="list-style-type: none"> • DO NOT travel at speeds over 20 mph. • REDUCE SPEED on inclines, in turn and in poor weather conditions. <p>D618_1</p>	<p>⚠ WARNING</p>  <p>TO AVOID SERIOUS INJURY AND DEATH DURING OPERATION:</p> <ul style="list-style-type: none"> • DO NOT lift implement while on steep slopes. • KEEP AWAY from soft ditch banks and holes. • ALWAYS MAINTAIN 1500 pounds of contact between wheels and surface. Widen wheel tread or add weight if needed. (see Operator's Manual) • ALWAYS MAINTAIN 20% of tractor weight on front wheels. • DO NOT start or accelerate suddenly. • KEEP mower AT LEAST 10 FEET AWAY from electric lines and pipe lines. <p>D618_2</p> 
<p>⚠ WARNING</p> <p>TO AVOID EQUIPMENT AND GRASS FIRES: D618_3</p> <ul style="list-style-type: none"> • CLEAR AWAY grass or debris from hydraulic lines, circuits and decks. <p>TO AVOID FIRE IGNITION:</p> <ul style="list-style-type: none"> • DO NOT ALLOW BLADES TO CONTACT rocks, metal or solid objects. • DO NOT ALLOW OIL TO SPRAY on hot equipment or components. D618 	

SAFETY

⚠ DANGER		
		
<p>TO AVOID SERIOUS INJURY OR DEATH FROM DRIVELINE CONTACT, DRIVELINE SEPARATION OR PTO STUB SHAFT FAILURE:</p> <ul style="list-style-type: none">• STOP, LOOK and LISTEN for rotating motion before approaching implement.• STAY AWAY and KEEP hands, feet and body AWAY from rotating parts until all moving elements have stopped.• ALWAYS shut off PTO before dismounting.• DO NOT operate if PTO shields are damaged or missing.• PUSH AND PULL on yoke until collar clicks and locks yoke in place.• CHECK driveline guards for free rotation and sufficient overlap to avoid unshielded areas.• DO NOT USE PTO ADAPTER		
		
⚠ WARNING		
<p>OPERATE THIS MACHINE AT 540 RPM TRACTOR PTO SPEED ONLY. Overspeeding PTO may cause component failure resulting in bodily injury. TRACTOR PTO ROTATION: CLOCKWISE</p>	 D547	

D547 B

SAFETY



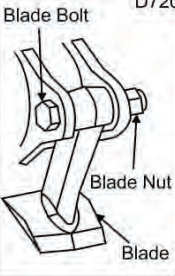
SAFETY

⚠ WARNING

TO AVOID SERIOUS INJURY OR DEATH FROM BLADE ATTACHMENT FAILURE:

- Check blade bolts DAILY for tightness.
- Torque blade bolt to 150 ft lbs.
- ALWAYS replace blades with new bolts and nuts.

Blade Bolt D720



Blade Nut

Blade

The diagram shows a side view of a blade assembly. A bolt is inserted through the blade and secured with a nut. Labels with arrows point to the 'Blade Bolt', 'Blade Nut', and 'Blade'.

⚠ DANGER

THROWN OBJECT HAZARD

TO AVOID SERIOUS INJURY OR DEATH:
DO NOT OPERATE if Thrown Object Shielding is damaged or missing.

- Maintain Rubber Deflectors in good condition.
- Inspect Rubber Deflectors frequently.

MAINTAIN Thrown Object Shielding

↙ HERE ↓



D626



Rubber Deflector



Chain Guards

The top diagram shows a person being struck by a flying object, with a large red 'X' over the scene. The middle diagram shows a long, cylindrical rubber deflector with arrows pointing to its segments. The bottom diagram shows a chain drive with arrows pointing to the protective covers (chain guards).

SAFETY

⚠ DANGER



THROWN OBJECTS HAZARD

Mower can throw objects up to 300 feet. **TO AVOID SERIOUS INJURY OR DEATH to operator or bystanders:**

- STOP mowing if bystanders or traffic come within 300 feet.
- DO NOT OPERATE with thrown object shielding removed.
- KEEP thrown object shielding in place and in good condition during operation. Thrown Objects shielding is subject to wear.
- REPAIR OR REPLACE shielding if damaged, broken or missing. See Operator's Manual for all Shields and Guards.
- INSPECT area for potential mower thrown object hazards before mowing.
- Remove and AVOID objects such as wire, cable, metal objects and all other foreign material.
- DO NOT ALLOW blades to contact solid objects like wire, rocks, posts, curbs or guard rails.
- DO NOT operate without operator protective shielding or cab.

⚠ DANGER



Run Over Hazard - Injury or Death

TO AVOID SERIOUS INJURY OR DEATH:

- ALWAYS BUCKLE UP seat belt.
- ONLY START Tractor while seated in the operator's seat.
- STOP ENGINE and PTO, engage parking brake, lower implement, allow all moving parts to stop and remove key before dismounting from tractor.
- KNOW HOW to stop tractor and equipment quickly for an emergency.
- DO NOT MOUNT or DISMOUNT Tractor in motion.
- NEVER ALLOW riders on tractor or implement.
- NEVER ALLOW children to operate or ride on tractor or implement.
- KEEP BYSTANDERS CLEAR of area before moving tractor or implement.
- KEEP ALERT and AVOID hitting stumps, holes, ruts, and uneven terrain.
- AVOID tree limbs, brush and other overhanging objects that can strike and throw the operator from seat.

SAFETY

⚠ DANGER	
ENTANGLEMENT HAZARD	
<p>TO AVOID SERIOUS INJURY OR DEATH:</p> <ul style="list-style-type: none"> DO NOT operate without guards in place and in good condition. PTO and gearbox guarding are SUBJECT TO WEAR. STAY AWAY and KEEP hands, feet and body AWAY from rotating blades, drivelines and parts that continue to move after power shut-off. WAIT until all moving elements have stopped. ALWAYS REPLACE GUARDS that have been removed for service or maintenance. STOP, LOOK and LISTEN for rotating motion before approaching implement. 	  

⚠ DANGER	
Crushing Hazard - Injury or Death	
<p>TO AVOID SERIOUS INJURY OR DEATH:</p> <ul style="list-style-type: none"> USE tractor equipped with Rollover Protective Structure ("ROPS") including roll bar and seat belt. Keep roll bar in raised position. CLEAR AREA of bystanders before raising or lowering mower. IMPLEMENT CAN FALL from hydraulic failure or accidental operation of controls. BLOCK UP and securely support equipment before putting hands, feet or body under raised equipment or lifted components. 	 

⚠ DANGER			
	 www.algqr.com/abe		
<p>TO AVOID SERIOUS INJURY OR DEATH:</p> <ul style="list-style-type: none"> READ AND UNDERSTAND the provided Operator's Manuals, safety signs and information decals for tractor and implement before operating equipment. CONTACT DEALER immediately if you do not have manuals. CONTACT DEALER to explain any instructions not fully understood. ALWAYS WEAR safety glasses. WEAR hard hat, safety shoes and gloves for protection when operating equipment. 			

D616

SAFETY

 PERIGO	 GEFAHR
<p>Caso você não leia inglês: antes de operar o equipamento, peça para alguém traduzir as mensagens de segurança ou visite a web e obtenha tais mensagens ou os decalques traduzidos.</p>	<p>Falls Sie Deutsch nicht lesen können: Lassen Sie sich, bevor Sie das Gerät in Betrieb nehmen, die Sicherheitshinweise von einer geeigneten Person in Ihre Sprache übersetzen. Oder suchen Sie auf unserer Website nach Übersetzungen von Schilderaufschriften und Sicherheitshinweisen.</p>
<p>Manual do Operador</p>   <p>www.algqr.com/abp</p>	<p>Benutzerhandbuch</p>   <p>www.algqr.com/abg</p>

D827_2

 PERIGO	 GEFAHR
<p>Caso você não leia inglês: antes de operar o equipamento, peça para alguém traduzir as mensagens de segurança ou visite a web e obtenha tais mensagens ou os decalques traduzidos.</p>	<p>Falls Sie Deutsch nicht lesen können: Lassen Sie sich, bevor Sie das Gerät in Betrieb nehmen, die Sicherheitshinweise von einer geeigneten Person in Ihre Sprache übersetzen. Oder suchen Sie auf unserer Website nach Übersetzungen von Schilderaufschriften und Sicherheitshinweisen.</p>
<p>Manual do Operador</p>   <p>www.algqr.com/abp</p>	<p>Benutzerhandbuch</p>   <p>www.algqr.com/abg</p>

D827_2

SAFETY

WARNING

**Non-genuine parts can fail catastrophically.
TO AVOID SERIOUS INJURY OR DEATH:**

- ONLY use genuine ALAMO INDUSTRIAL replacement parts.
- Non-genuine parts can fail creating hazardous conditions for operator and bystanders.

Contact local dealer or ALAMO INDUSTRIAL about repair parts

at: 1502 E. Walnut, Seguin, TX 78155.

Customer Service: 800-882-5762.

Email: support@alamo-industrial.com



www.algqr.com/apm

WARNING

Cancer and Reproductive Harm

www.P65Warnings.ca.gov

IMPORTANT

**BE AWARE
BE ALERT
BE ALIVE**

**BE TRAINED
Before Operating this Mower**



To prevent serious injury to yourself and/or bystanders, be trained in Safe Mowing Practices. Alamo Group Companies as well as AEM and FEMA provide training material that is critical for your Safety and the Safety of others when operating this equipment. Make these Safety Procedures an important part of every workday. Read and understand the Operator's Manual. www.algqr.com/abv

Do not let untrained individuals operate this equipment. Contact your Dealer, AEM (www.aem.org), FEMA (314-878-2304, www.FarmEquip.org), or Alamo Group (www.Alamo-Group.com) for information on training material or courses that provide training in Safer Operating Practices for Mowers.

D564

SAFETY

⚠ DANGER



THROWN OBJECTS HAZARD
Mower can throw objects up to 300 feet. TO AVOID SERIOUS INJURY OR DEATH to operator or bystanders:

- CLOSE MOWER DOOR and STOP operating if bystanders or traffic come within 300 feet.
- KEEP door fully closed when cutting grass and weeds.
- OPEN door ONLY to cut large brush. Keep door closed for all other mowing conditions.
- Deflectors are SUBJECT TO WEAR. Replace if worn or damaged.
- DO NOT OPERATE with door removed.
- ALWAYS transport with door closed.

IF MOWER DOOR IS OPEN:

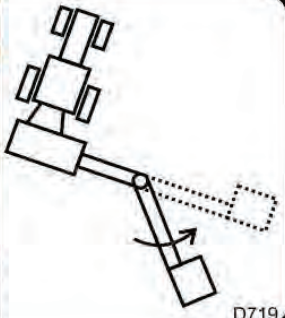
- DO NOT OPERATE if blades are rotating in reverse rotation (opposite to the tractor tires during forward travel).

D717

⚠ DANGER

KEEP AWAY
AUTOMATIC BREAKAWAY RETURN

Keep clear of the front of the arm and head.

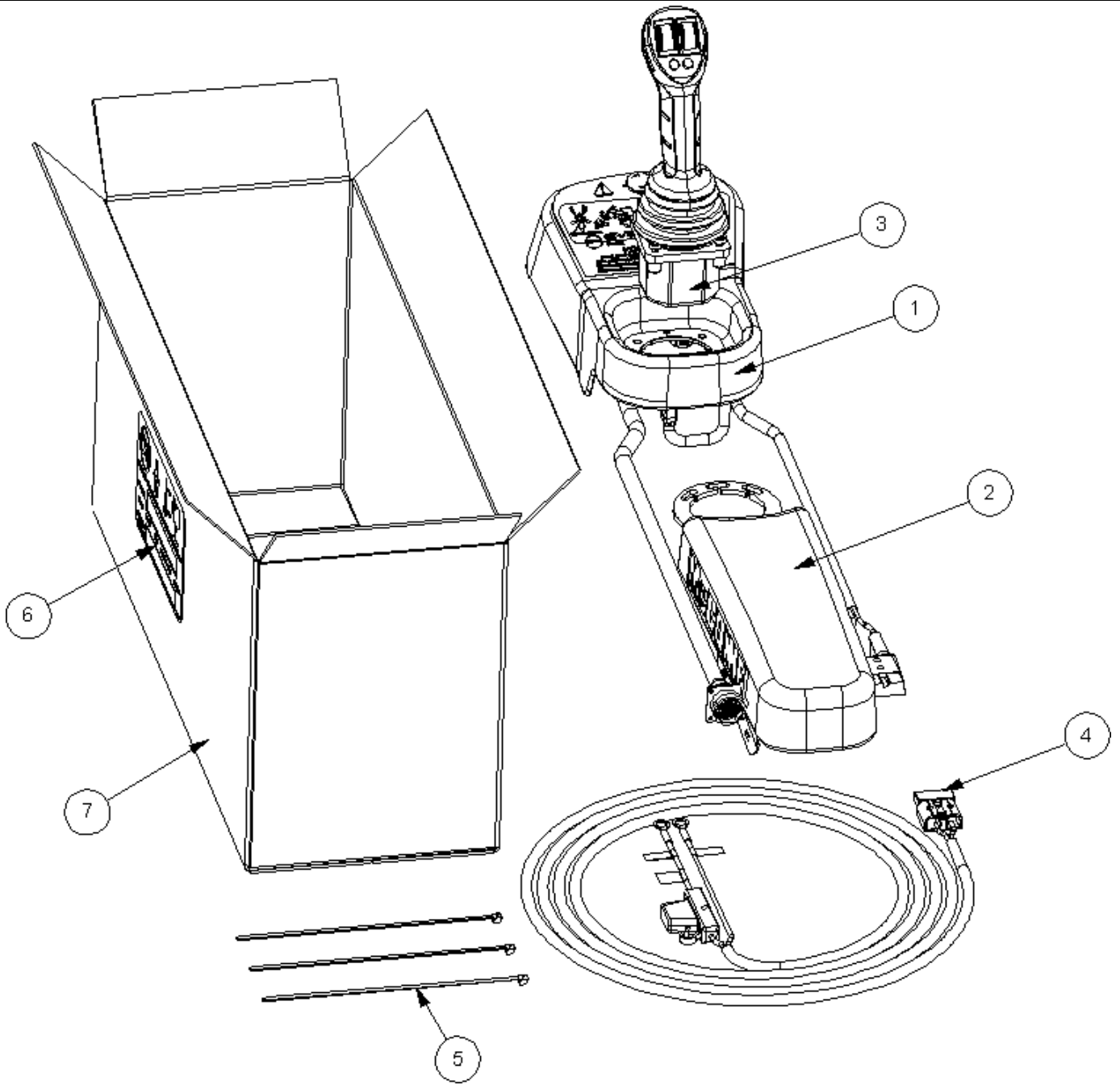


D719

SECTION 20

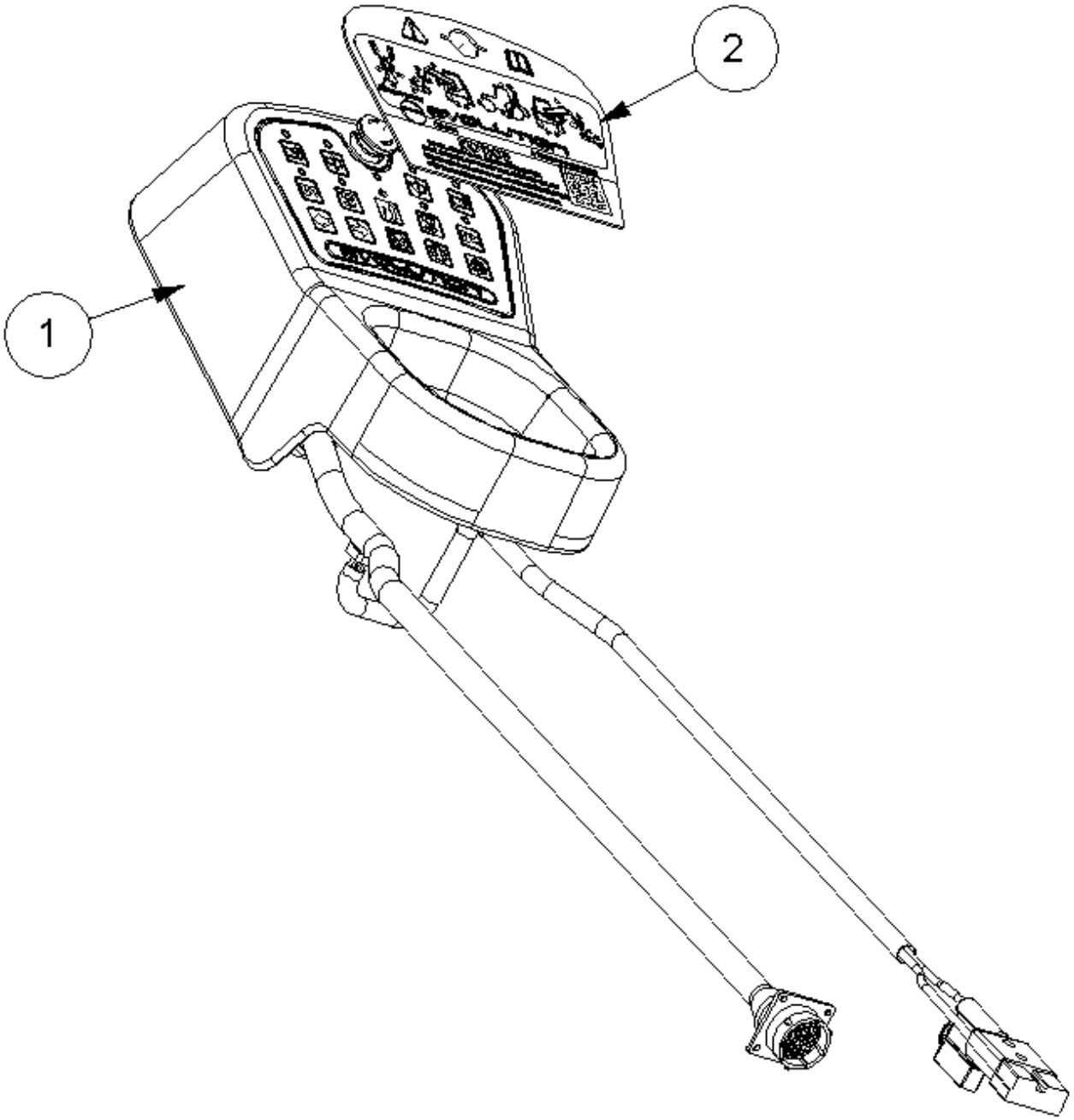
PARTS INFORMATION

23581.01 D - EVOLUTION CONTROLS



23581.01 D - EVOLUTION CONTROLS

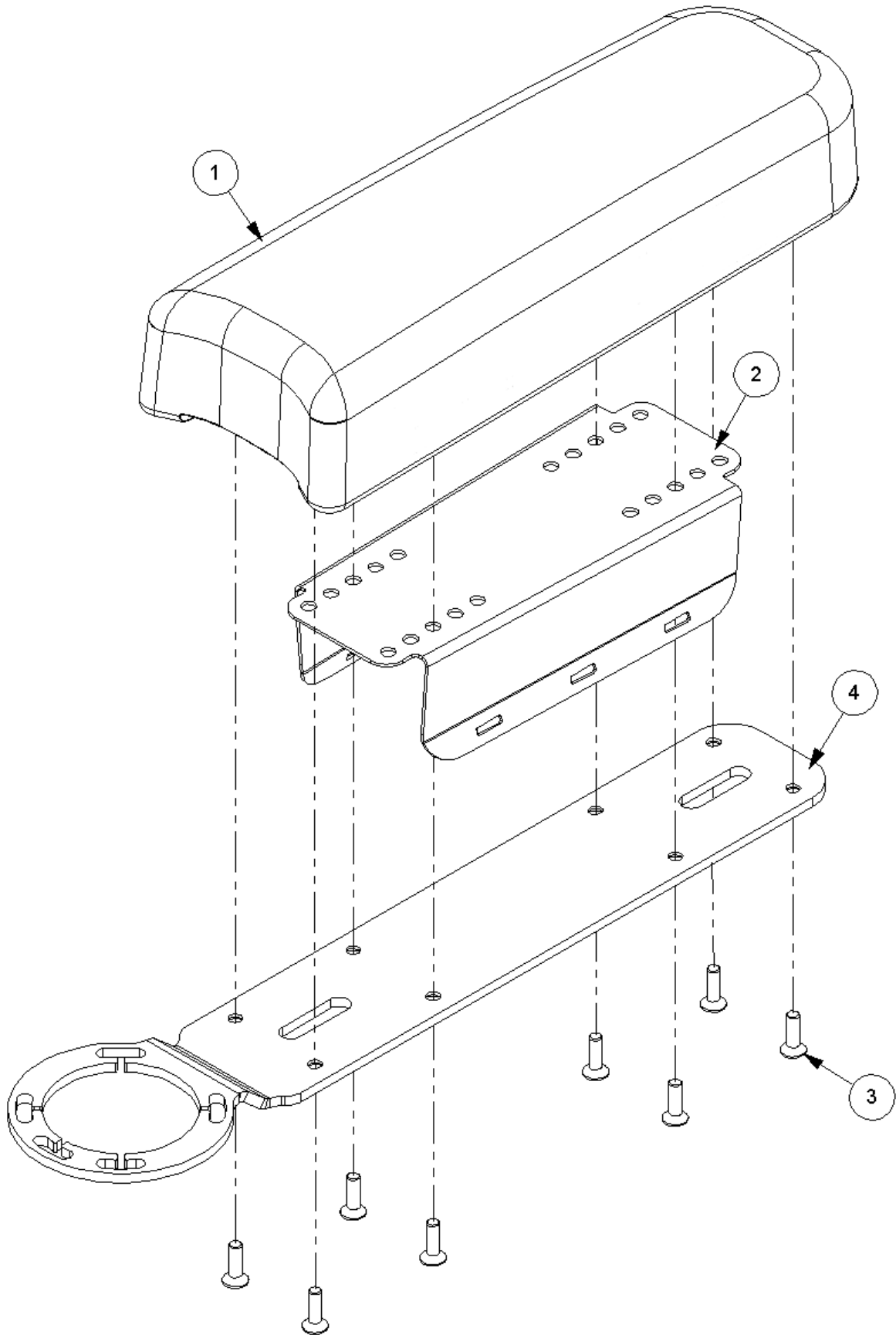
Ref	Part No	Description	Qty
1	23581.12	EVOLUTION	1
2	23581.21	NEXT GEN ARM REST	1
3	22991.30	JOYSTICK - REVOLUTION	1
4	8402237	LOOM	1
5	22342.02	CABLE TIE	3
6	1290717	DECAL	1
7	8402702	WATERPROOF PACKING	1



23581.12 H - EVOLUTION

Ref	Part No	Description	Qty
1	23581.12AP	EVOLUTION POD	1
2	1291051	OPERATION DECAL- EVOLUTION	1

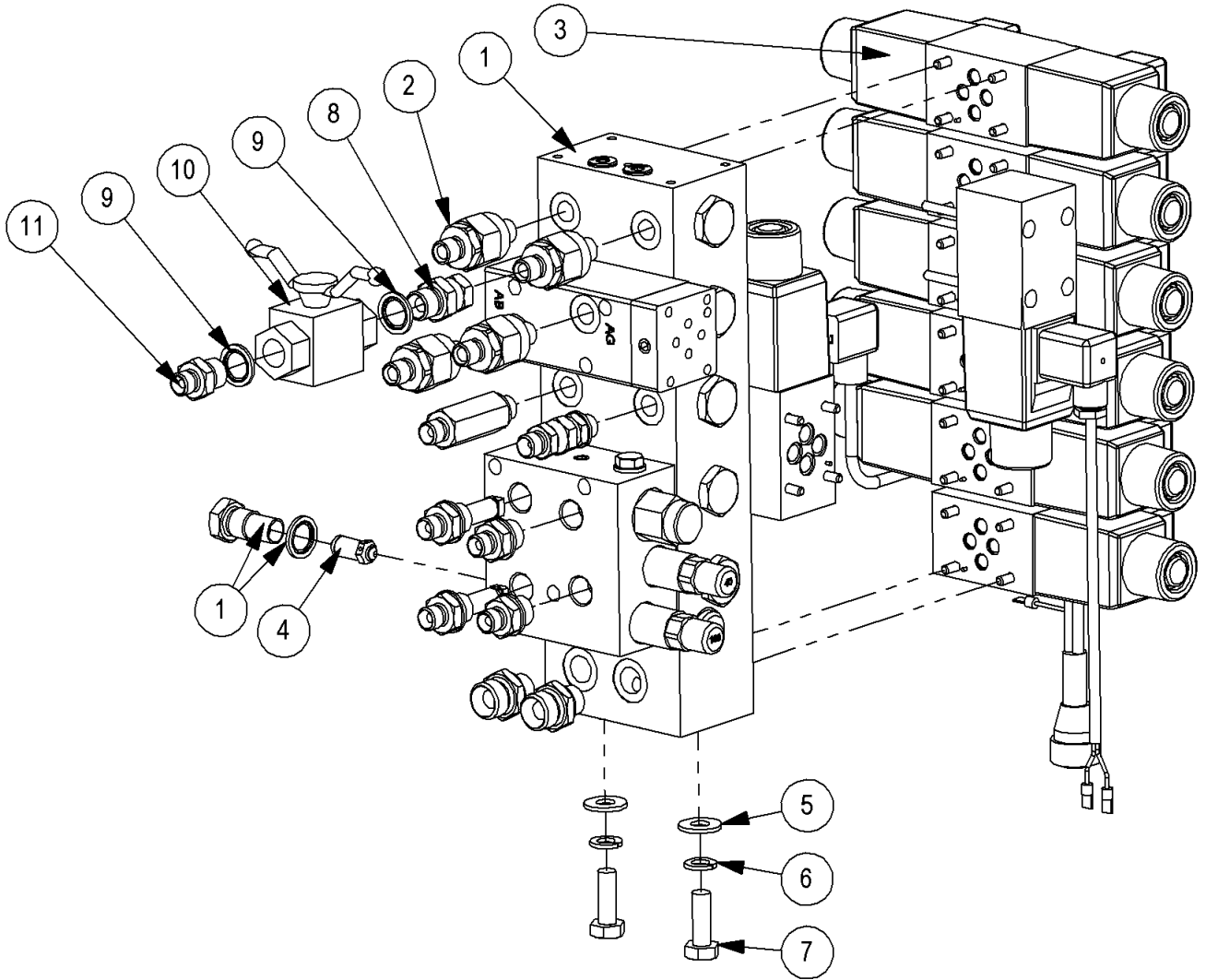
23581.21 - NEXT GEN ARM REST



23581.21 - NEXT GEN ARM REST

Ref	Part No	Description	Qty
1	23581.42	ARM REST PAD	1
2	23581.43	ARM REST PRESSING	1
3	9353043	SCREW	8
4	23581.48	LOLLY POP STICK	1

5570622 - VALVE ASSY

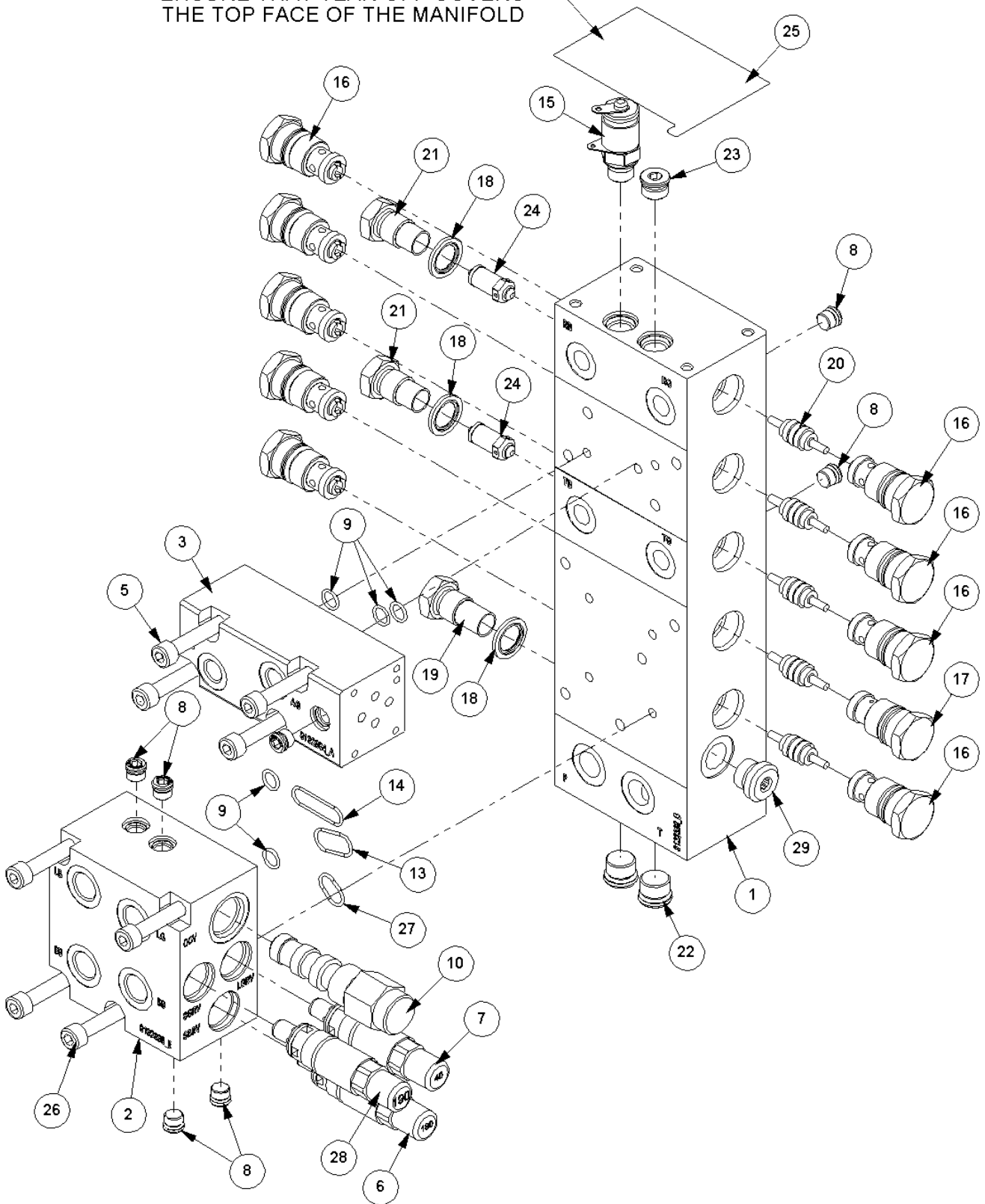


5570622 - VALVE ASSY

Ref	Part No	Description	Qty
1	22523.08	MANIFOLD KIT	1
2	22524.79	ADAPTOR KIT	1
3	22525.03	CONTROL KIT	1
4	8130030	VALVE	1
5	9100105	WASHER	2
6	9100205	WASHER	2
7	9313065	SCREW	2
8	8581259	ADAPTOR	1
9	8650103	SEAL	2
10	08.200.01	VALVE	1
11	8581115	ADAPTOR	1

22523.08 I - MANIFOLD KIT













FIT TEAR OFF PRIOR TO PAINT
ENSURE THAT TEAR OFF COVERS
THE TOP FACE OF THE MANIFOLD

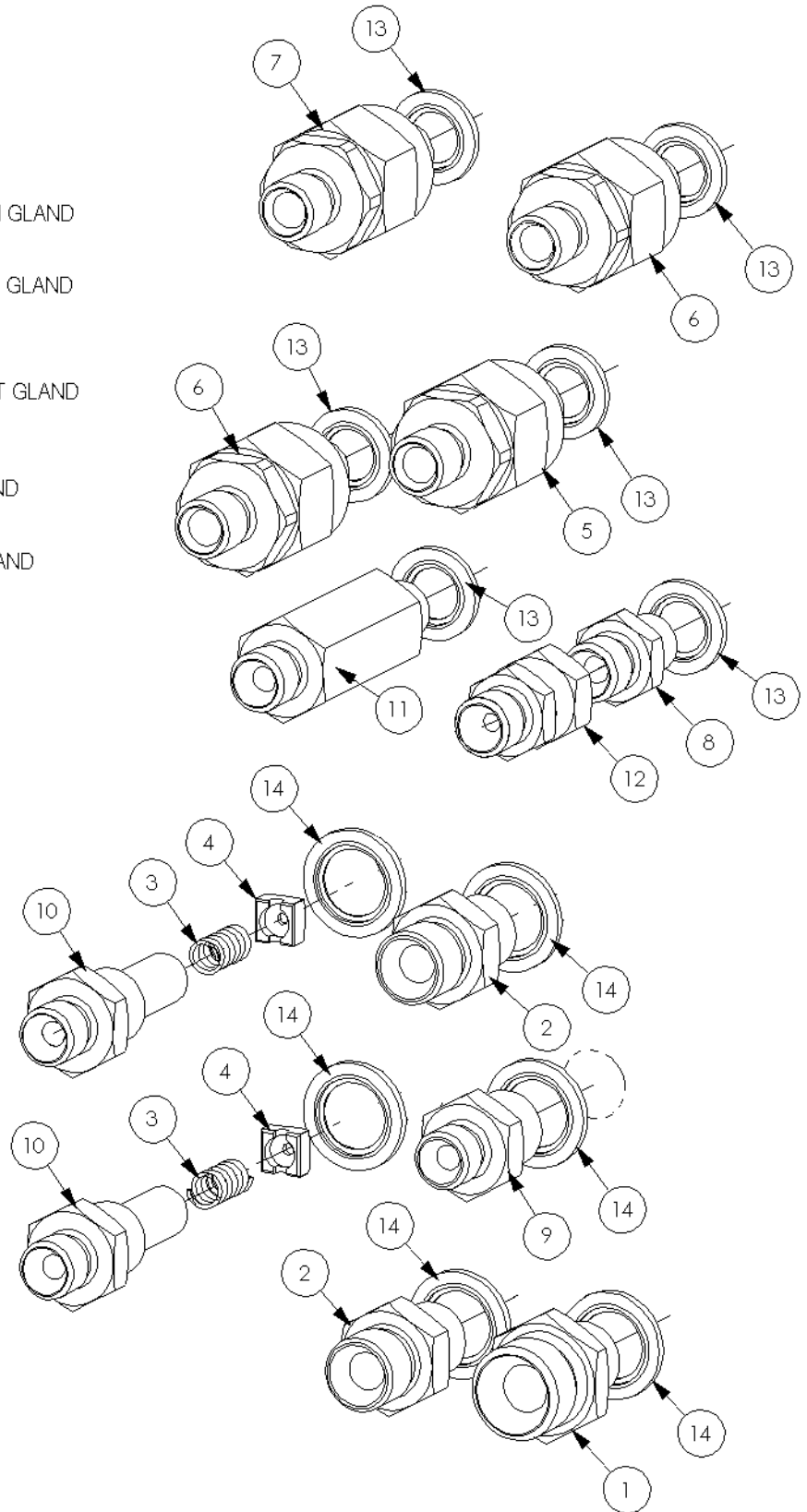


22523.08 I - MANIFOLD KIT

Ref	Part No	Description	Qty
1	8132338	MANIFOLD BLOCK	1
2	8132336	AUTO RESET BLOCK	1
3	8132334	FLOAT BLOCK	1
5	9343104	SCREW	4
6	G3812541	RELIEF VALVE	1
7	8130150	VALVE	1
8	23242.03	PLUG	7
9	8700511	"O" RING	5
10	8130204	VALVE	1
13	8700522	O RING	1
14	8700525	O RING	1
15	8131010	M14 TEST POINT	1
16	8130090	VALVE	9
17	8130354	VALVE	1
18	8650103	SEAL	3
19	8130032	CAP	1
20	8130087	ACTUATOR	5
21	8130710	CAP	2
22	23242.06	PLUG	2
23	23242.05	PLUG	1
24	8130092	VALVE	2
25	1291046	DECAL	1
26	9243124	SCREW	4
27	8700516	O RING	1
28	G3812542	RELIEF VALVE	1
29	8581436	ADAPTOR	1

22524.79 B - ADAPTOR KIT

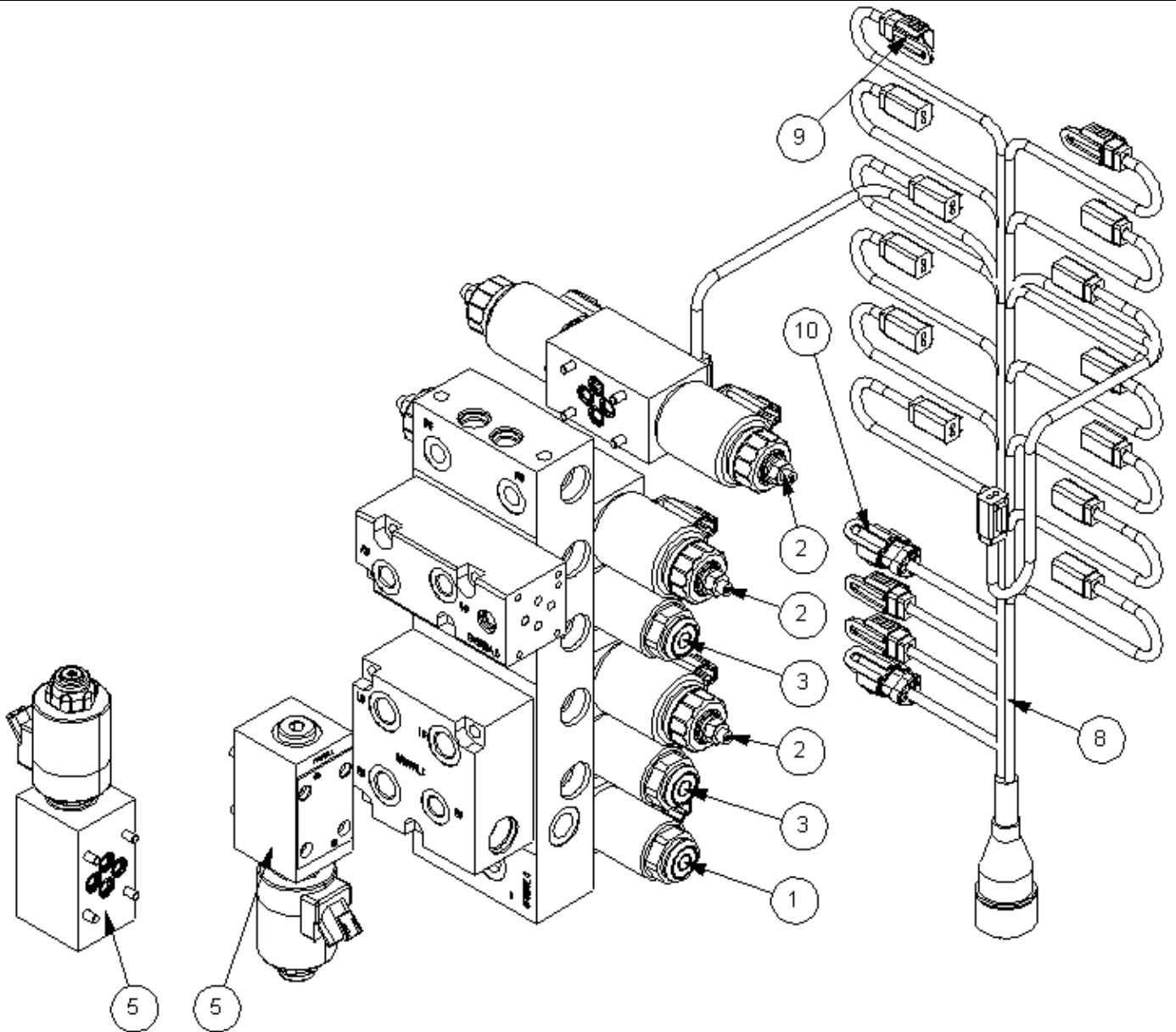
- | | | | |
|-------------|---|---|--------------|
| REACH BASE |  |  | REACH GLAND |
| ANGLE BASE |  |  | ANGLE GLAND |
| MIDCUT BASE |  |  | MIDCUT GLAND |
| LIFT BASE |  |  | LIFT GLAND |
| SLEW BASE |  |  | SLEW GLAND |
| PRESSURE |  |  | TANK LINE |



22524.79 B - ADAPTOR KIT

Ref	Part No	Description	Qty
1	6000112	ADAPTOR	2
3	8116011	SPRING	2
4	8123049	RESTRICTOR DISC	2
5	8123088	RESTRICTOR	1
6	8123090	RESTRICTOR	2
7	8123091	RESTRICTOR	1
8	8130038	RESTRICTOR	1
9	8581115	ADAPTOR	2
10	8581210	UNION	2
11	8581279	ADAPTOR	1
12	8581309	ADAPTOR	1
13	8650102	SEAL	6
14	8650103	SEAL	6

22525.03 H - CONTROL KIT

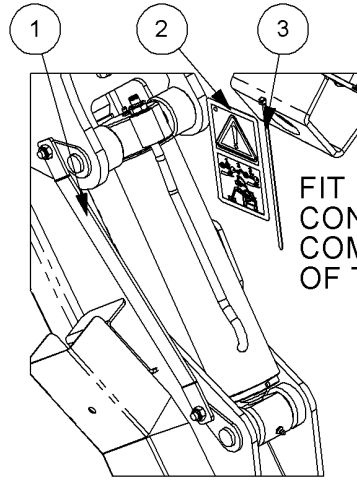


NOTE - HYDRAULIC BLOCKS FOR DISPLAY ONLY

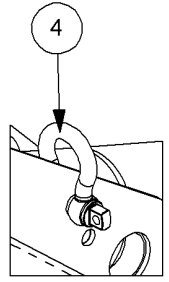
22525.03 H - CONTROL KIT

Ref	Part No	Description	Qty
1	23550.13	VALVE	1
2	23550.11	PROP DCV	3
3	23550.14	DCV	2
5	23550.17	VALVE	2
8	41844.32	LOOM 26 CORE 28WAY PLUG	1
9	45594.41	SEALING CAP	4
10	45594.42	SEALING CAP	2
22	23550.18	TOOL - MANUAL SOL. OPERATION	1

5570625 - PACKING MODULE

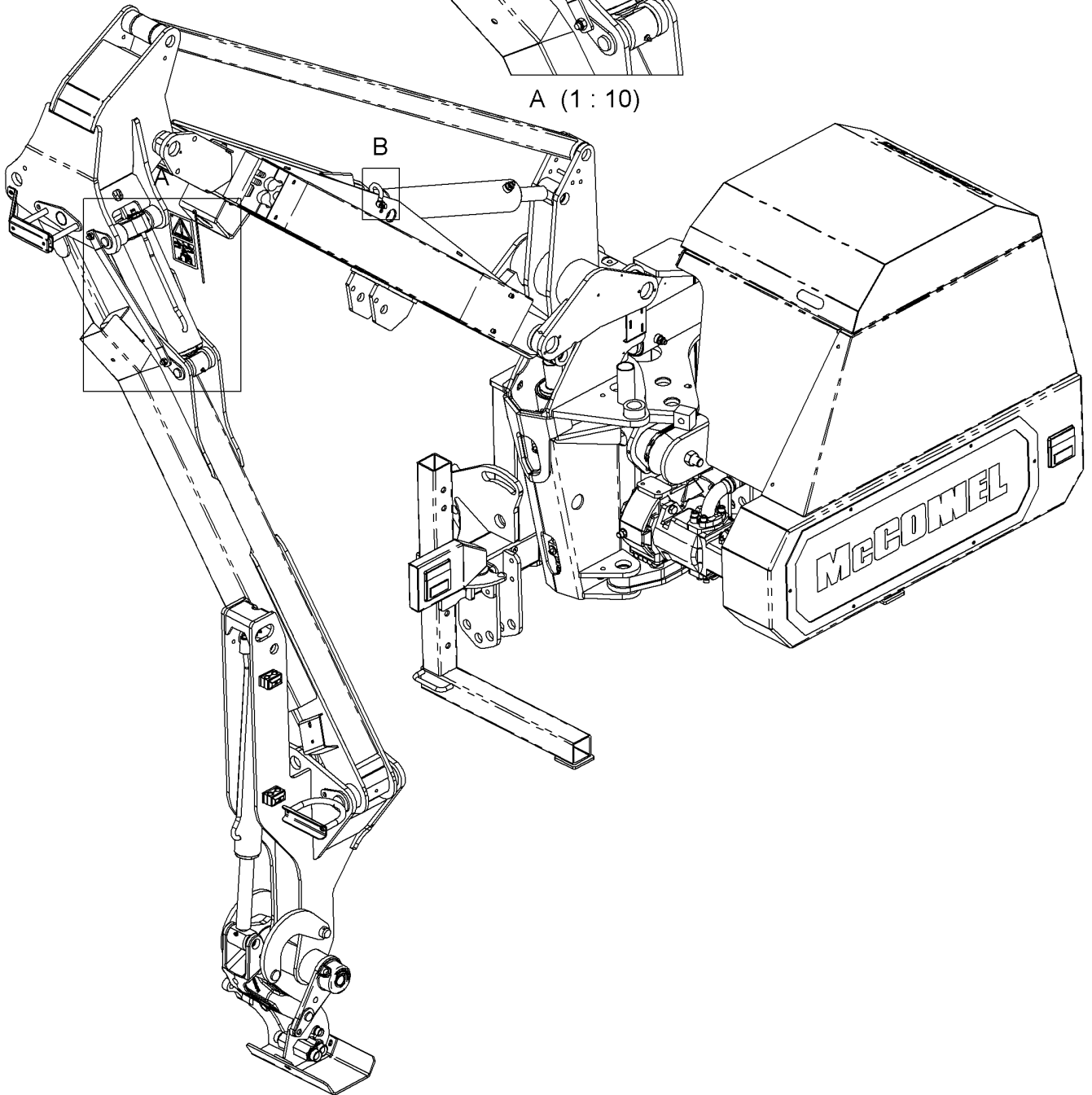


FIT LABEL TO
CONTROLS ON
COMPLETION
OF TESTING.



B (1 : 5)

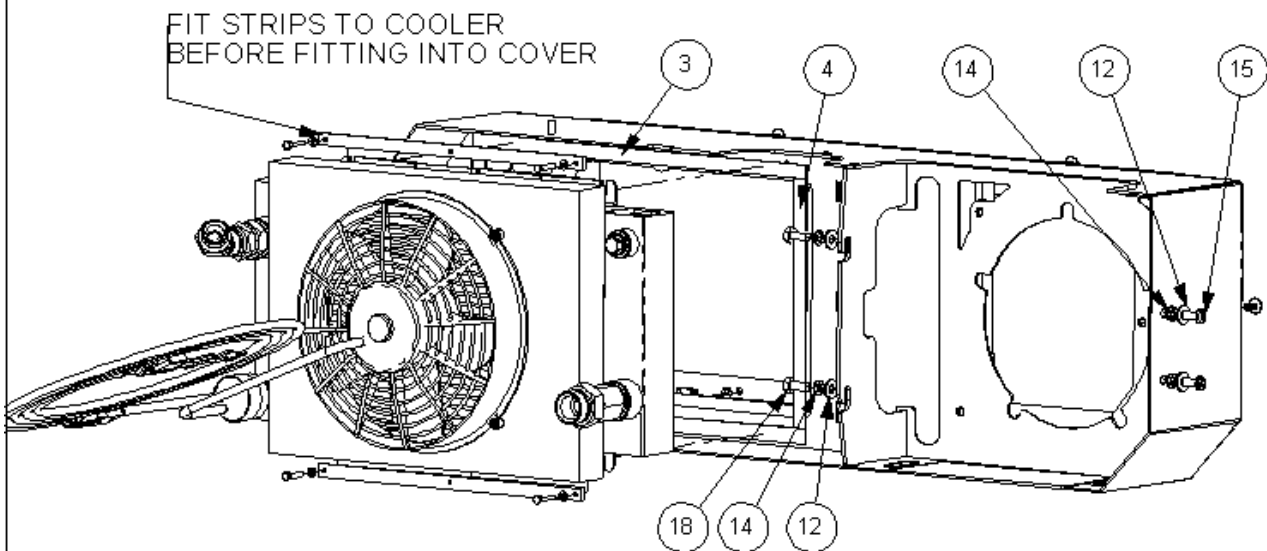
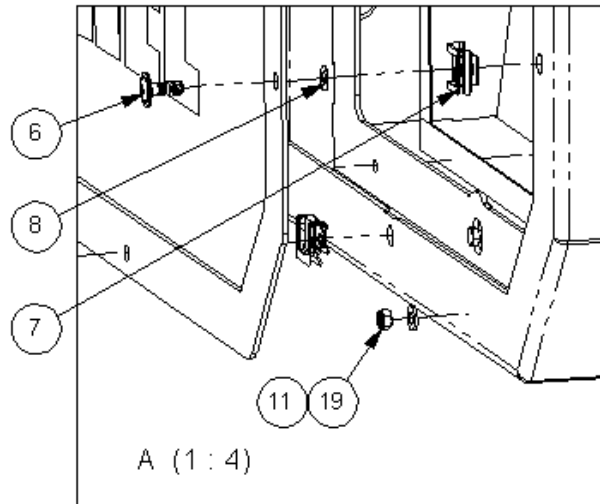
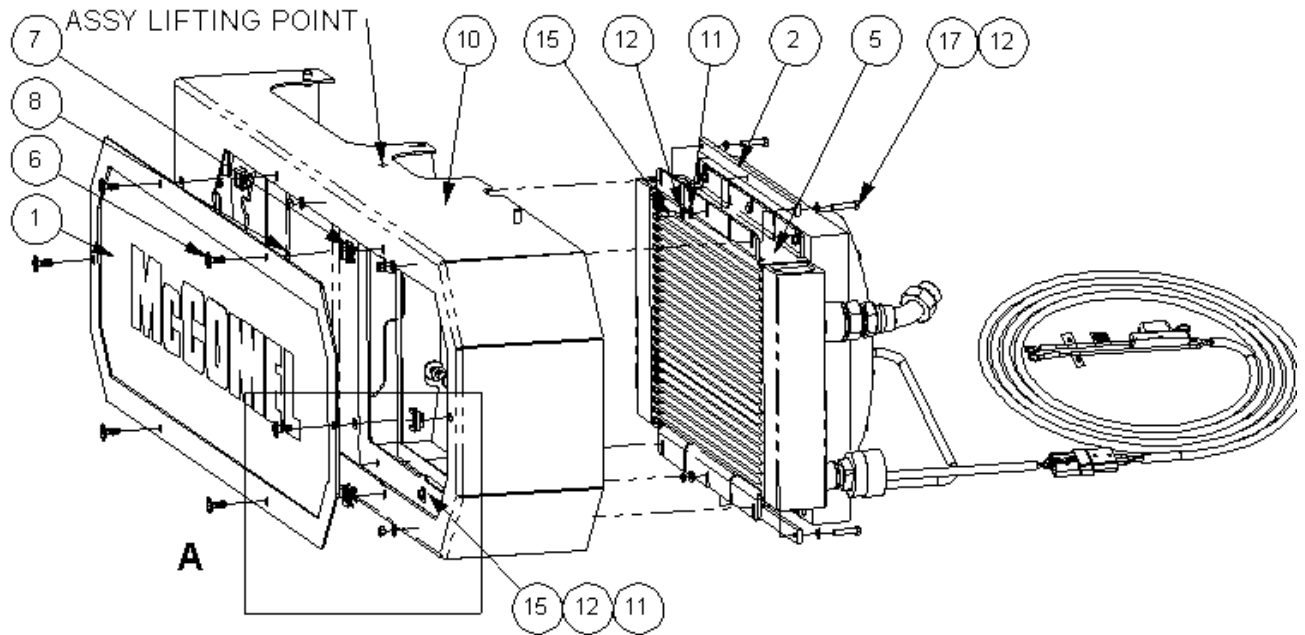
A (1 : 10)



5570625 - PACKING MODULE

Ref	Part No	Description	Qty
1	23194.01	PACKING STRAP	1
2	1291037	PRINTED LABEL	1
3	22342.02	CABLE TIE	1
4	22668.01	SHACKLE	1

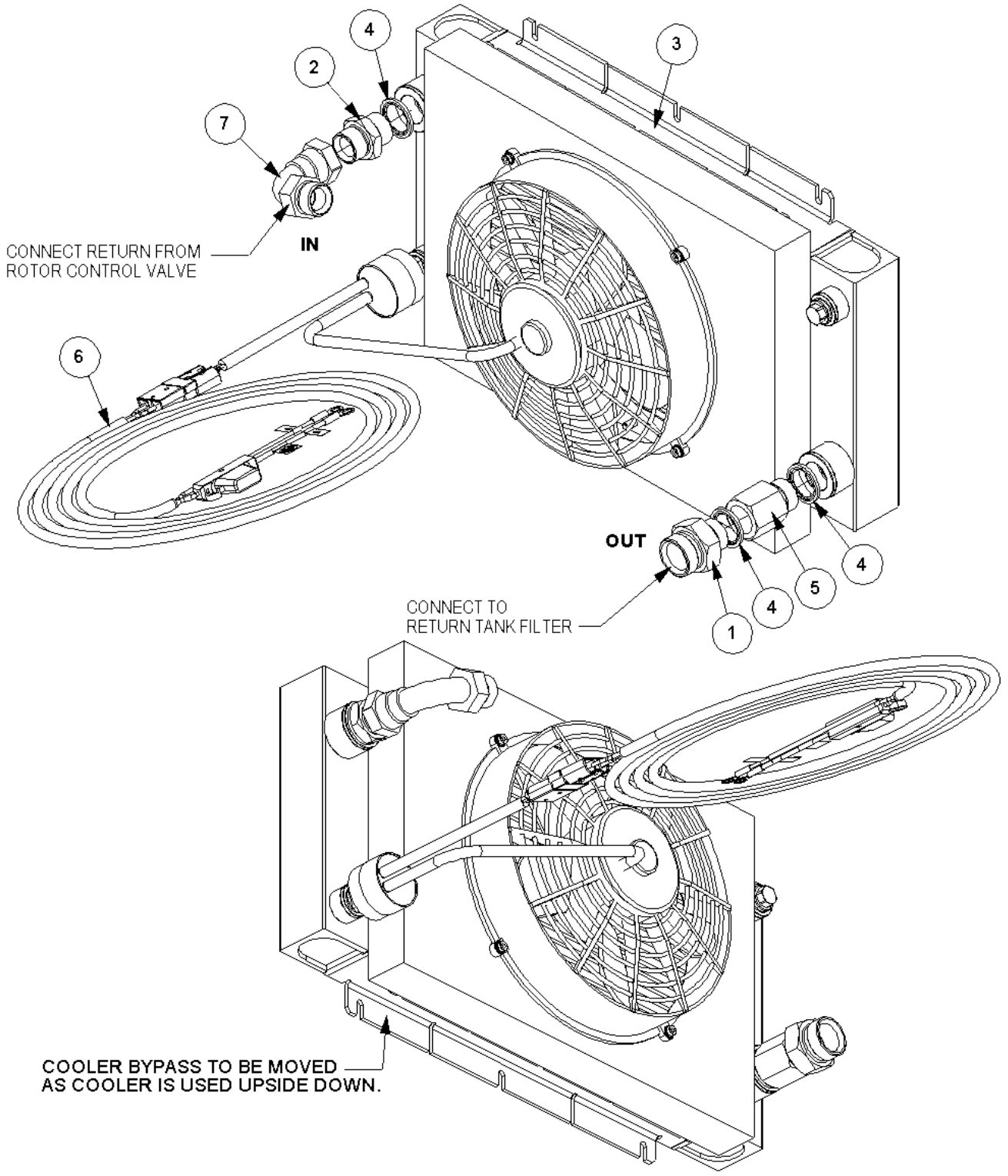
5570691 B - RH LOWER COVER MOD



5570691 B - RH LOWER COVER MOD

Ref	Part No	Description	Qty
1	21386.12	GUARD	1
2	21386.56	CLAMP STRIP-COOLER	2
3	21726.74	SEAL STRIP-545mm LG	2
4	21726.37	FOAM STRIP	2
5	22389.17	COOLER ASSY	1
6	22549.01	STUD	6
7	22549.02	RECEPTACLE	6
8	22549.03	RETAINER	6
10	22883.23Y	LOWER COVER	1
11	9100103	WASHER	6
12	9100105	WASHER	4
13	9100203	WASHER	6
14	9100205	WASHER	4
15	9300154	SCREW	2
16	9313043	SCREW	2
17	9313063	SCREW	4
18	9313055	SCREW	2
19	9163003	NUT	4

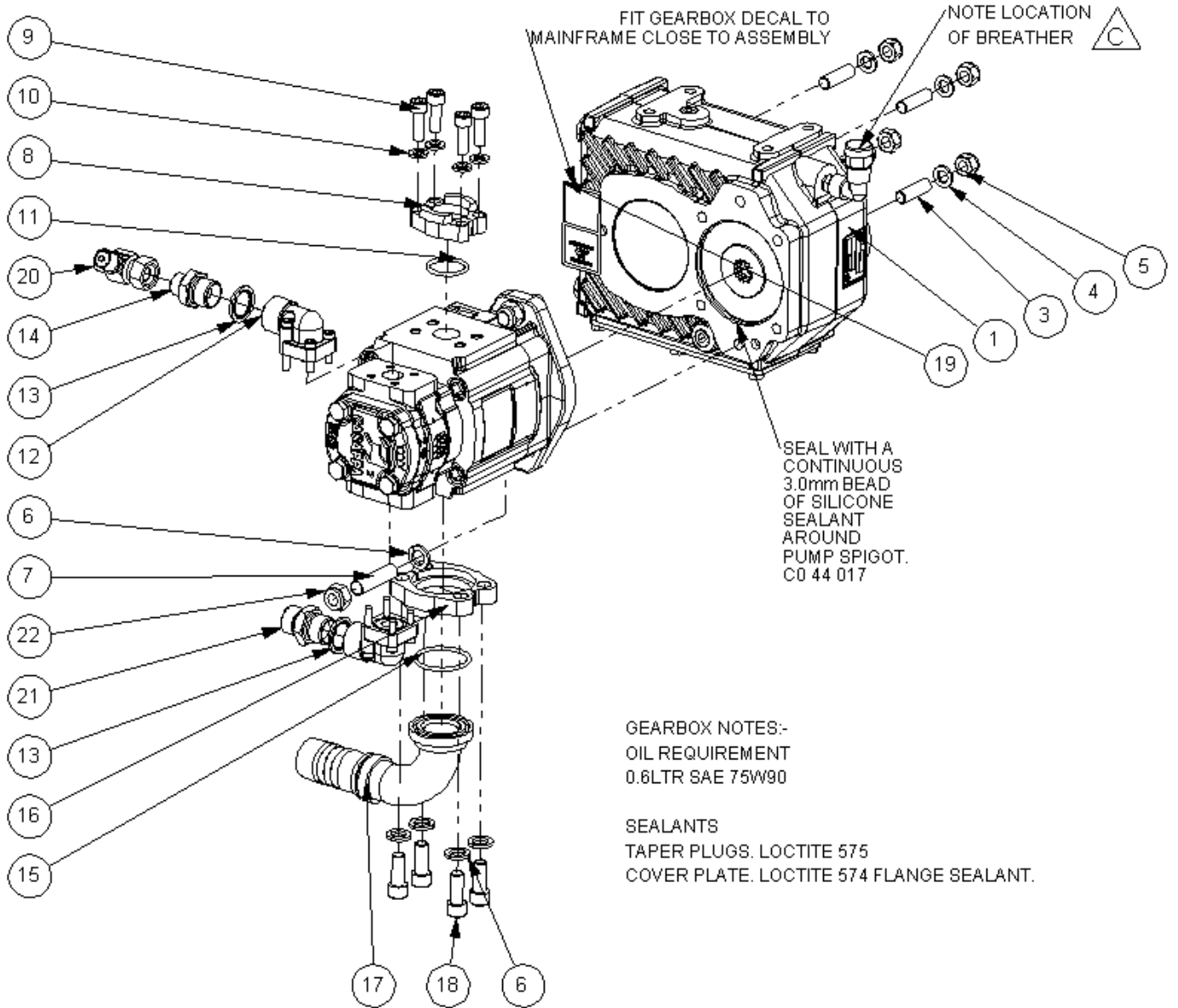
22389.17 B - COOLER ASSY



22389.17 B - COOLER ASSY

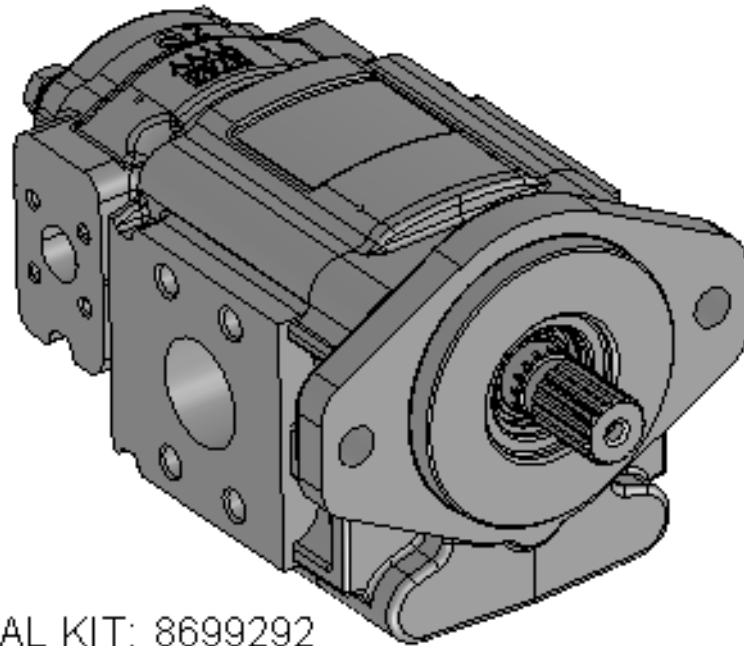
Ref	Part No	Description	Qty
1	05.131.01	ADAPTOR	1
2	05.434.01	ADAPTOR	1
3	8402436	COOLER	1
4	8650108	SEAL	3
5	8581241	ADAPTOR	1
6	8402237	LOOM	1
7	8581264	ADAPTOR	1

5570697 C - RH TI PUMP & G'BOX 760 CW



5570697 C - RH TI PUMP & G'BOX 760 CW

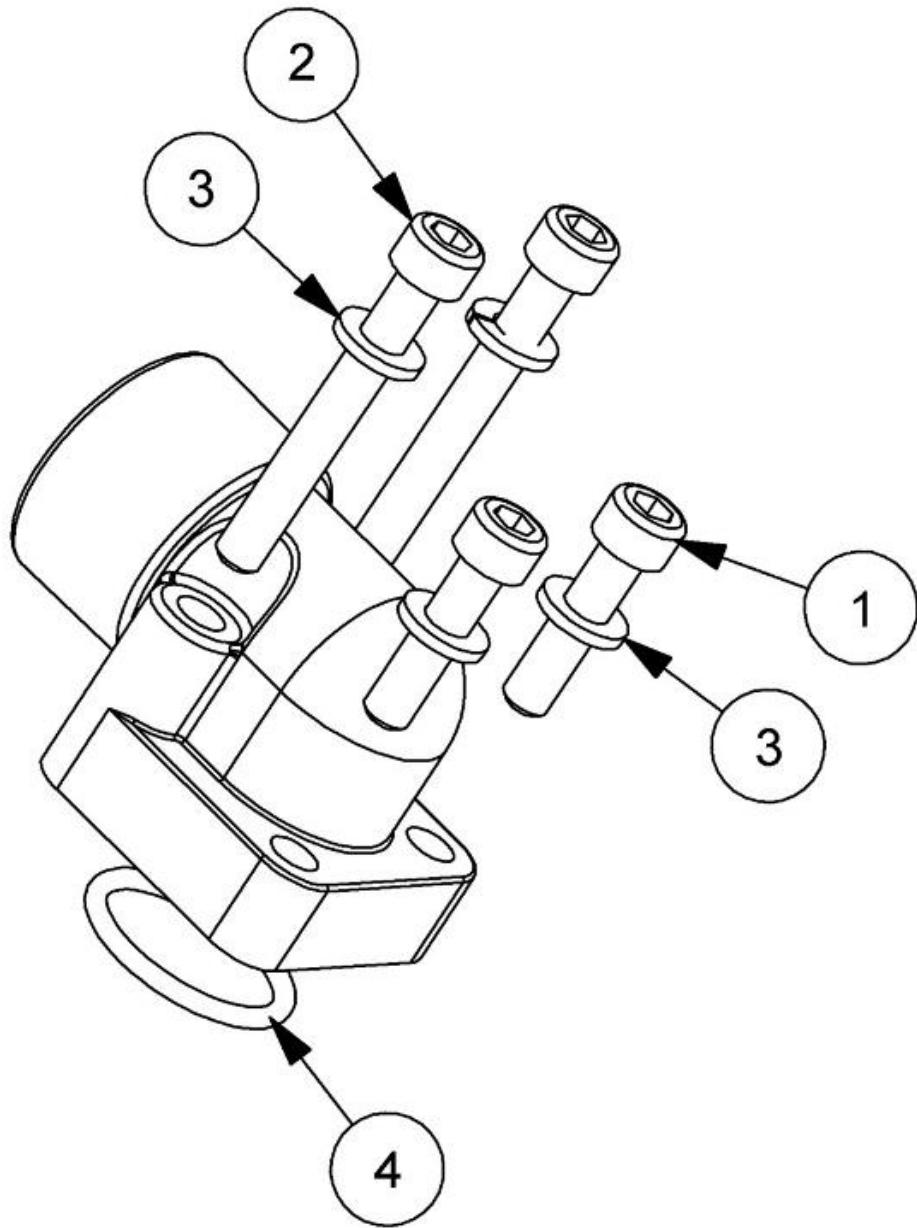
Ref	Part No	Description	Qty
1	22927.08	GEARBOX	1
2	8201760	PUMP	1
3	04.282.17	STUD	4
4	9100206	WASHER	4
5	05.968.03	NUT	4
6	05.282.08	WASHER	6
7	04.282.92	STUD	2
8	01.697.03	FLANGE (PAIR)	1
9	9343065	CAPSCREW	4
10	9100205	WASHER	4
11	8600124	O-RING	1
12	8301058	ELBOW KIT	2
13	8650106	SEAL	2
14	8581130	ADAPTOR	1
15	8600303	O-RING	1
16	41.294.01	FLANGE PAIR	1
17	8581489	ADAPTOR	1
18	9343066	SCREW	4
19	1291025	DECAL	1
20	8131009	UNION	1
21	8581136	ADAPTOR	1
22	1061042	NUT	2



SEAL KIT: 8699292

8201760 - PUMP

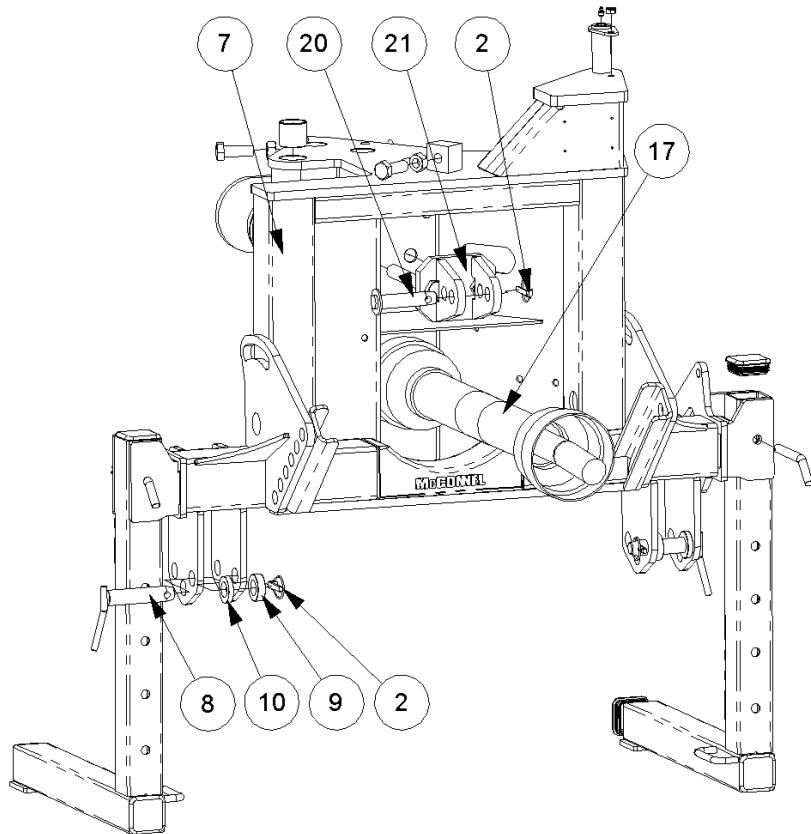
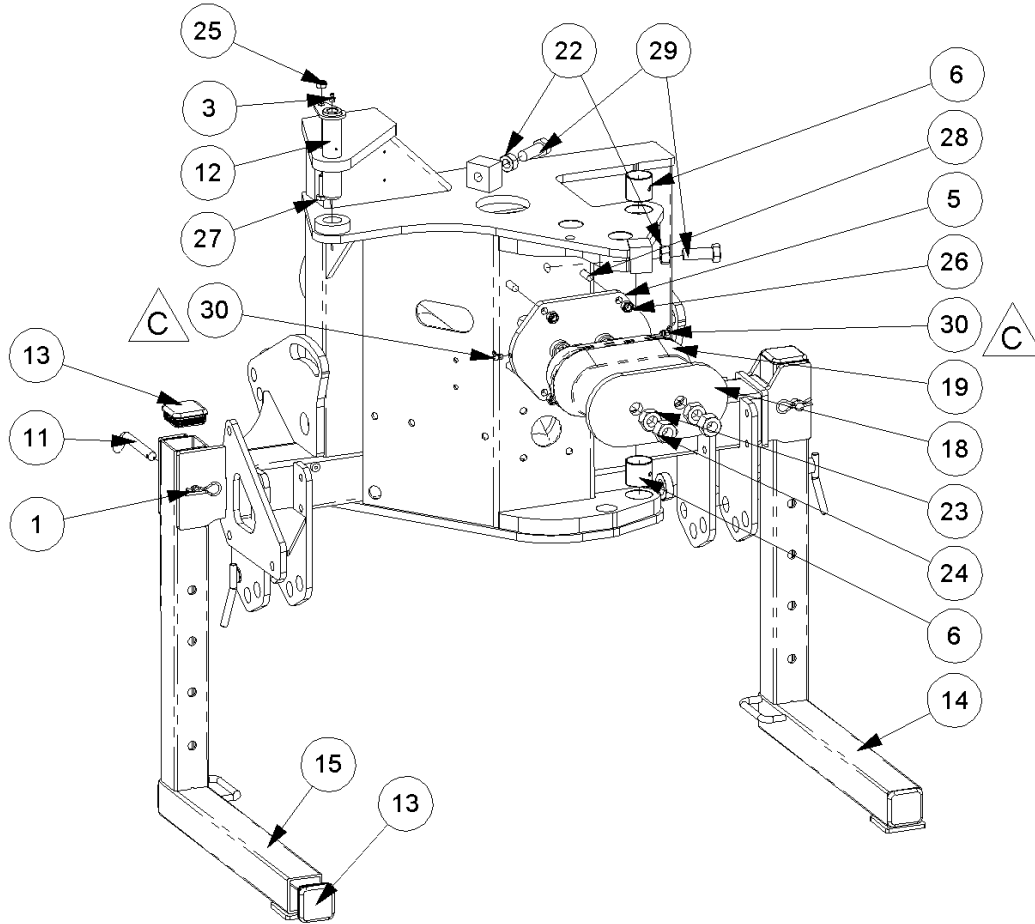
Ref	Part No	Description	Qty
1	8201762	REAR PUMP	1
2	8699292	SEAL KIT	1



8301058 - ELBOW KIT

Ref	Part No	Description	Qty
1	9343053	SCREW	2
2	T6985	SCREW	2
3	9100203	WASHER	4
4	8600403	"O" RING	1

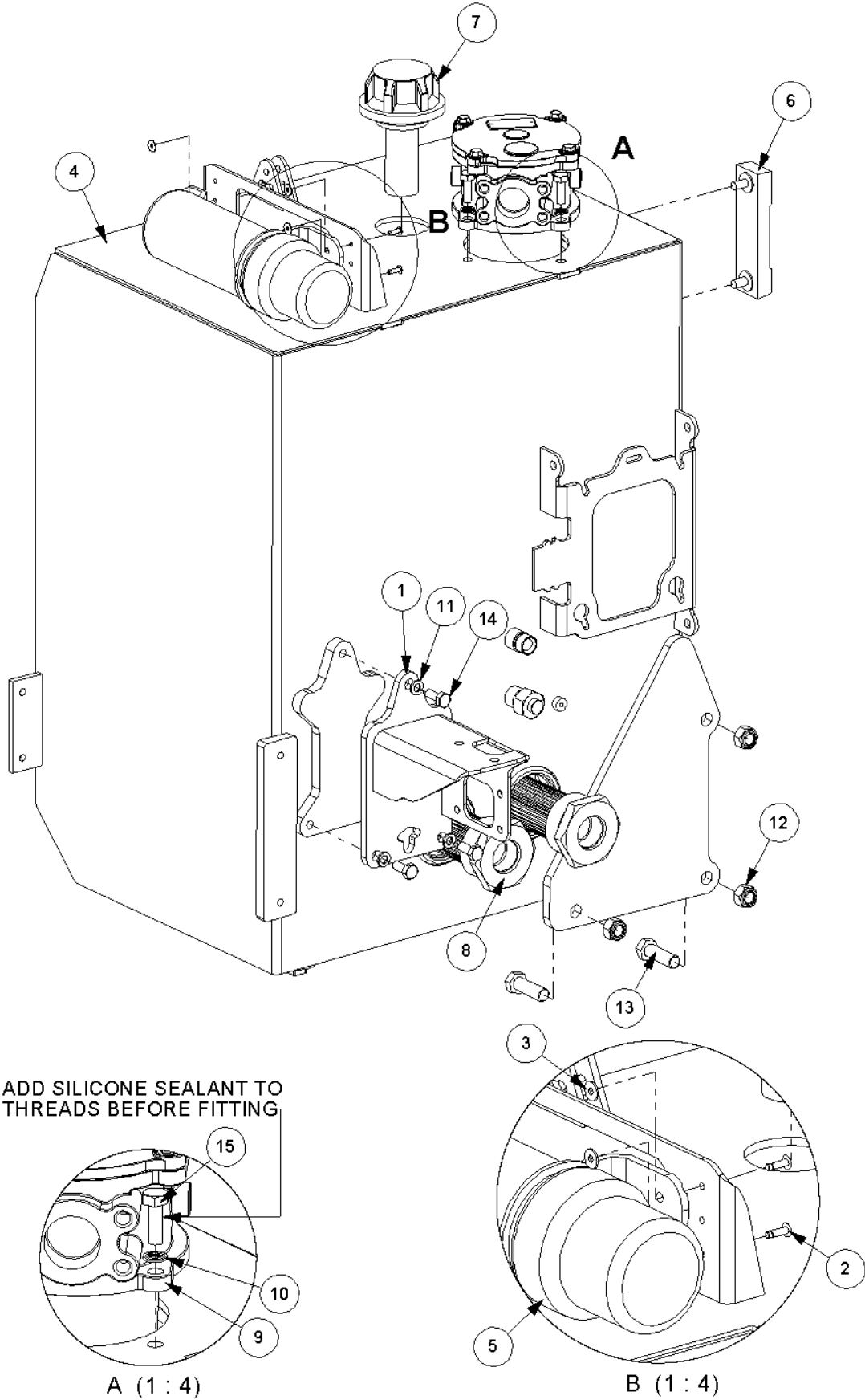
5570701 C - RH MAINFRAME MODULE



5570701 C - RH MAINFRAME MODULE

Ref	Part No	Description	Qty
1	0431105	PIN	2
2	0431217	PIN	3
3	0901121	GREASER	1
5	21277.01	PLATE	1
6	21649.05	BUSH	2
7	22970.02	MAIN FRAME -RH	1
8	41559.01	PIN	2
9	43332.01	SPACER	2
10	43332.02	SPACER	2
11	43327.02	PIN	2
12	45202.08	PIN	1
13	45210.01	PLUG	6
14	45293.07	LEG - LH	1
15	45293.08	LEG - RH	1
17	7550346	PTO SHAFT	1
18	7560130	PLATE	1
19	7560141	SPRING	1
20	7560144	PIN	1
21	7560398	BRACKET	1
22	9113008	NUT	2
23	9113009	NUT	2
24	9163009	NUT	2
25	9163005	NUT	1
26	9163006	NUT	4
27	9213085	BOLT	1
28	9313076	SCREW	4
29	9313118	SCREW	2
30	0901124	GREASER	2

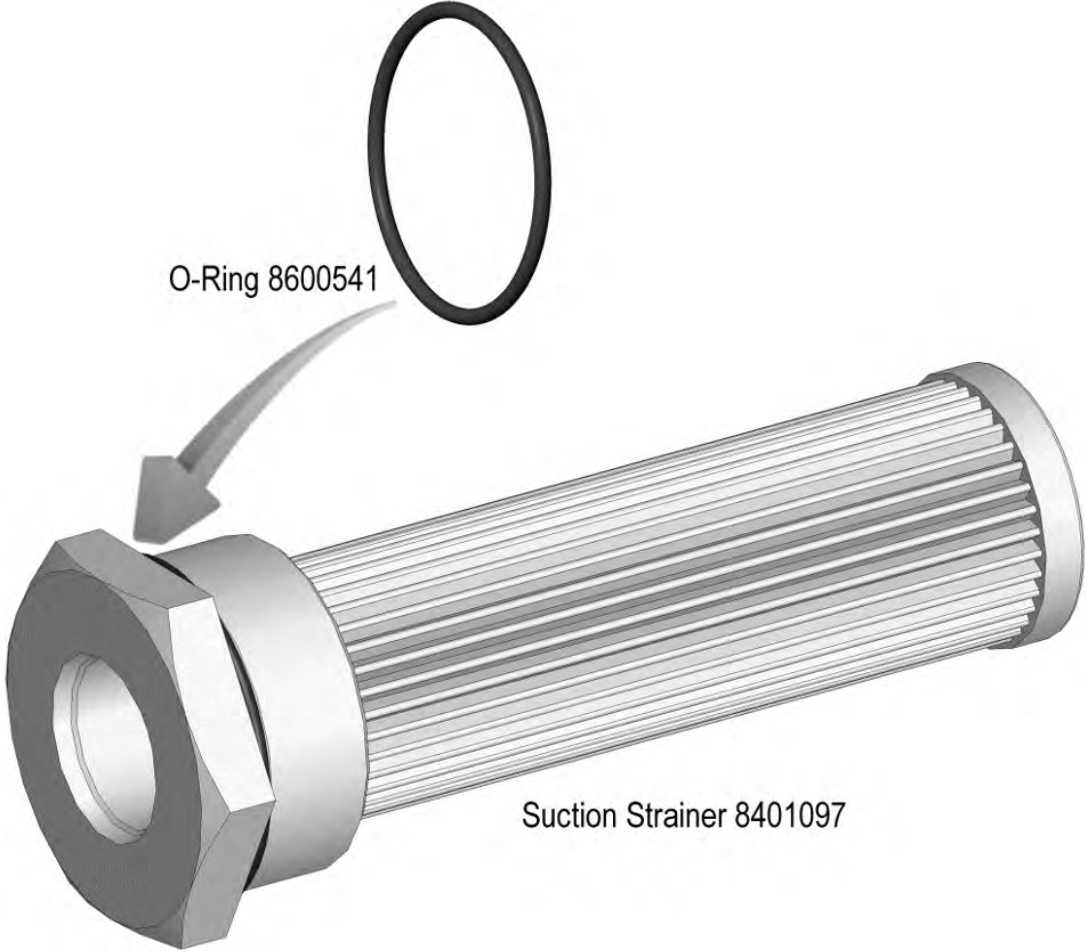
5570705 - RH TANK MODULE



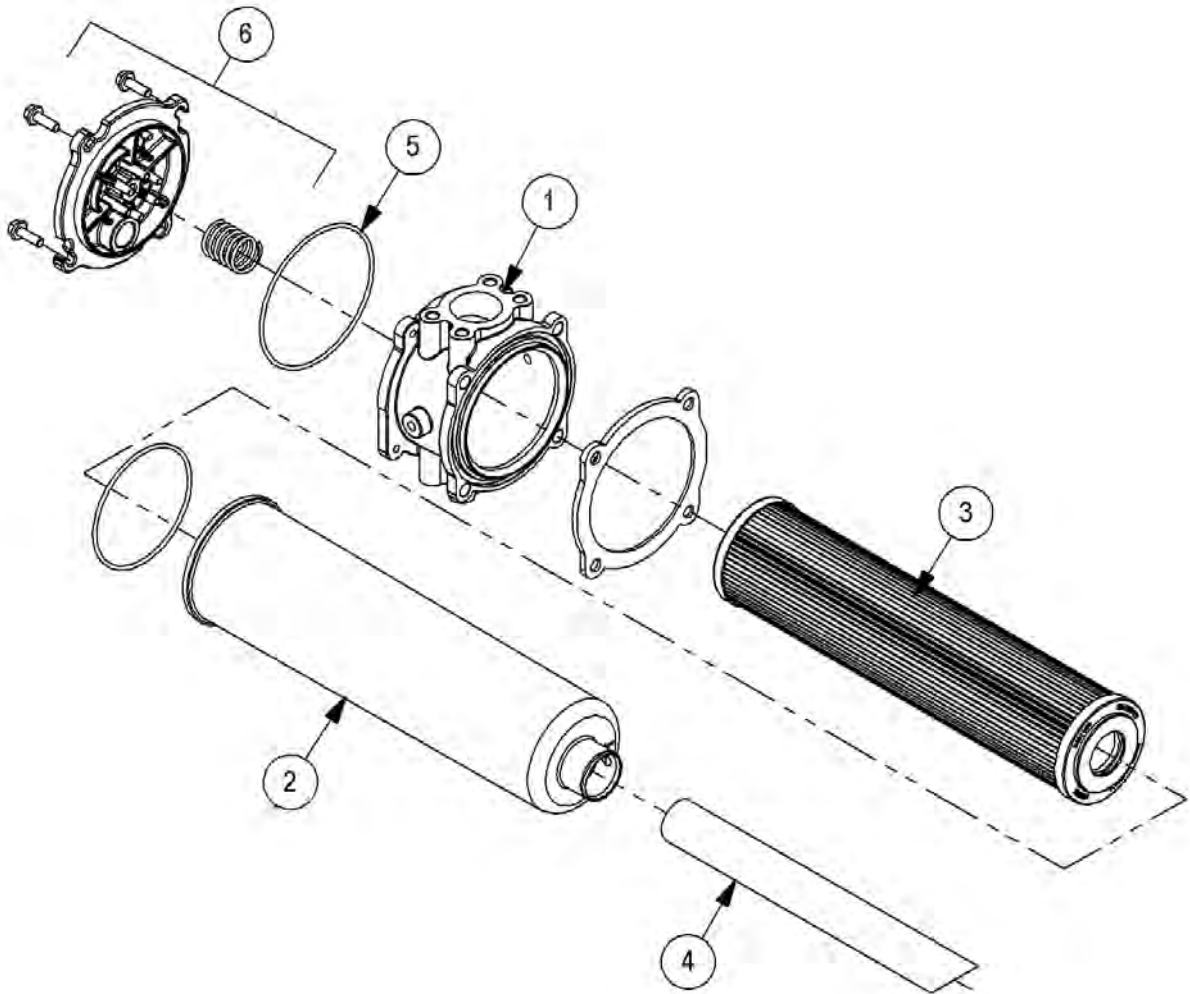
5570705 - RH TANK MODULE

Ref	Part No	Description	Qty
1	21104.23	RH VALVE BRKT	1
2	9313043	SCREW	3
3	9100103	WASHER	3
4	22964.02	RH TANK W.A.	1
5	46505.01	HOLDER	1
6	8401048	GAUGE	1
7	8401137	BREATHER	1
8	8401097	STRAINER	2
9	8401105	FILTER ASSY	1
10	8650310	SEAL	4
11	9100205	WASHER	3
12	9163007	NUT	3
13	9313097	SCREW	3
14	9313055	SCREW	3
15	9343075	SCREW	4
16	9163003	NUT	3

8401097 - STRAINER



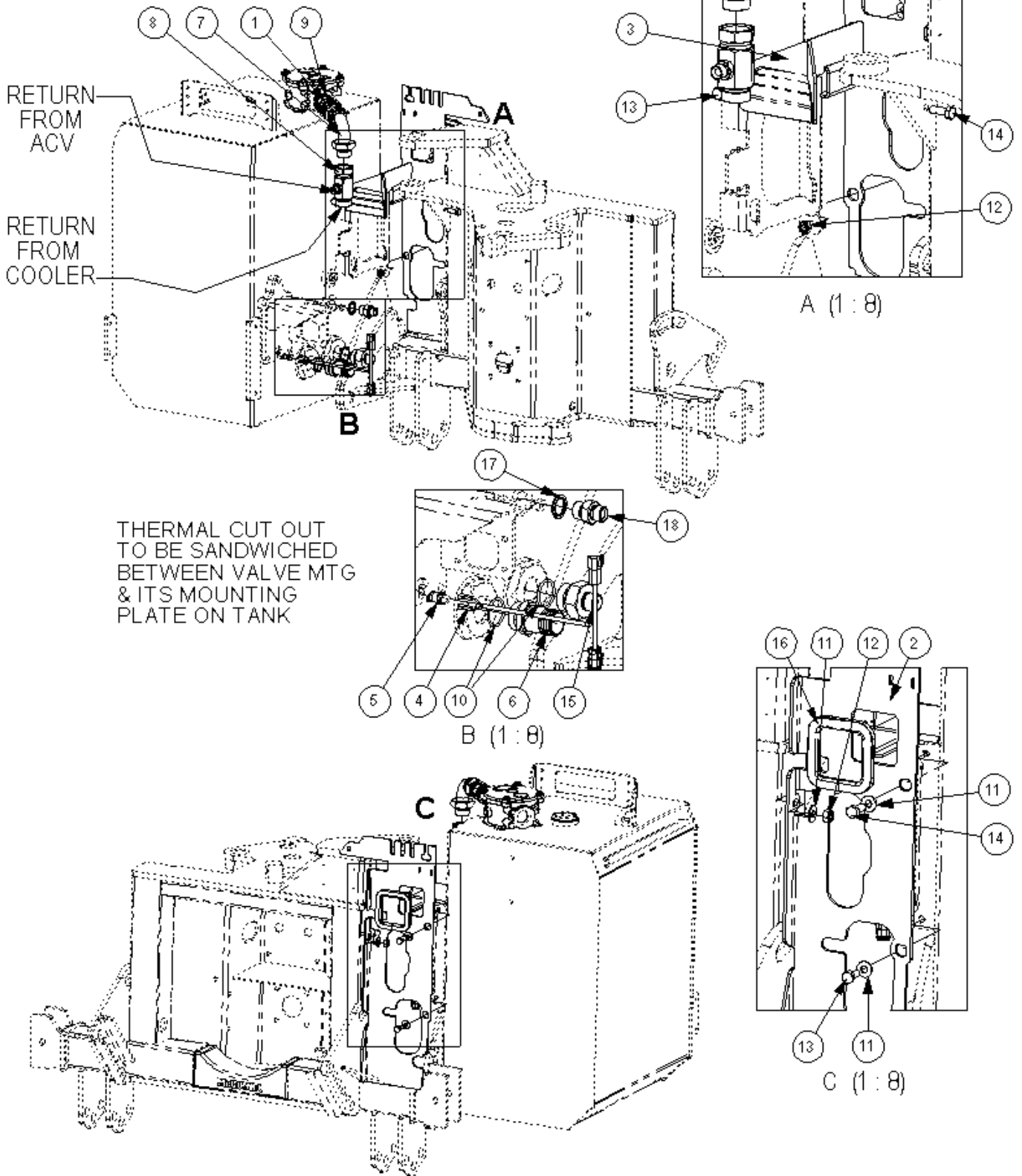
8401105 E - FILTER ASSY



8401105 E - FILTER ASSY

Ref	Part No	Description	Qty
1	8401107	FILTER (HSG)	1
2	8401108	FILTER (BOWL)	1
3	8401106	OIL FILTER	1
4	8401115	EXT. TUBE	1
5	8699282	SEAL KIT	1
6	8401127	LID KIT	1

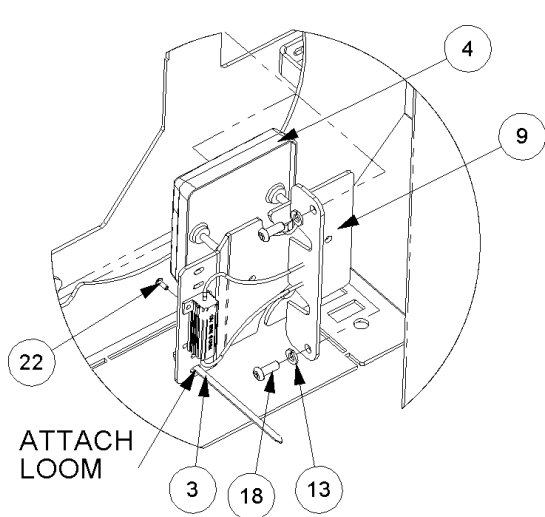
5570707 C - TANK FITTINGS MODULE



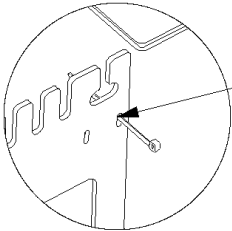
5570707 C - TANK FITTINGS MODULE

Ref	Part No	Description	Qty
1	05.375.01	ADAPTOR	1
2	22857.03	RH SHIELD PLATE	1
3	22985.02	RH HOSE BRIDGE	1
4	41844.52	THERMAL CUTOFF LOOM	1
5	8402236	SWITCH	1
6	8581260	ADAPTOR	1
7	8581434	ADAPTOR	1
8	8581579	ADAPTOR	1
9	8650109	SEAL	1
10	8700784	"O" RING	2
11	9100105	WASHER	3
12	9163005	NUT	2
13	9313055	SCREW	2
14	9313065	SCREW	2
15	T5342	ADAPTOR	1
16	22277.34	EDGING STRIP	1
17	8650106	SEAL	1
18	8581270	ADAPTOR	1

5570709 D - LIGHTING MODULE

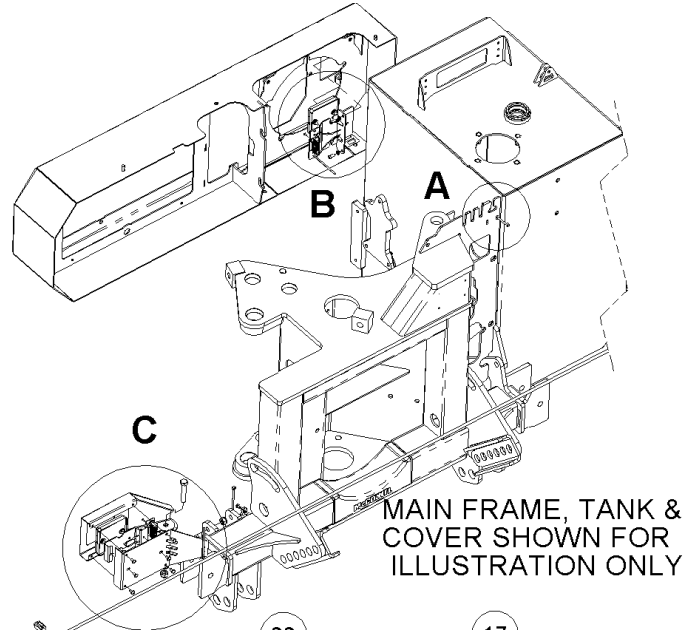


DETAIL B
SCALE 1 : 5

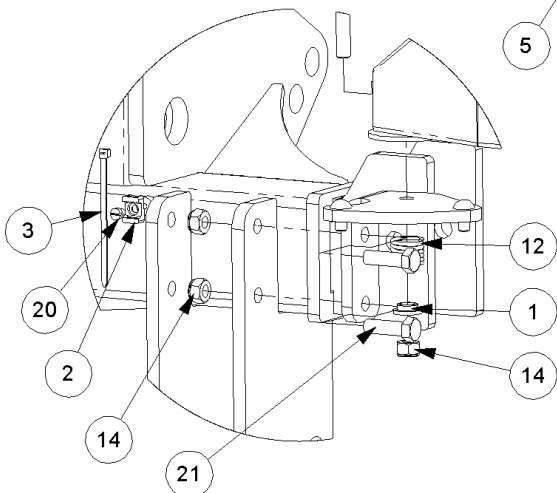


DETAIL A
SCALE 1 : 6

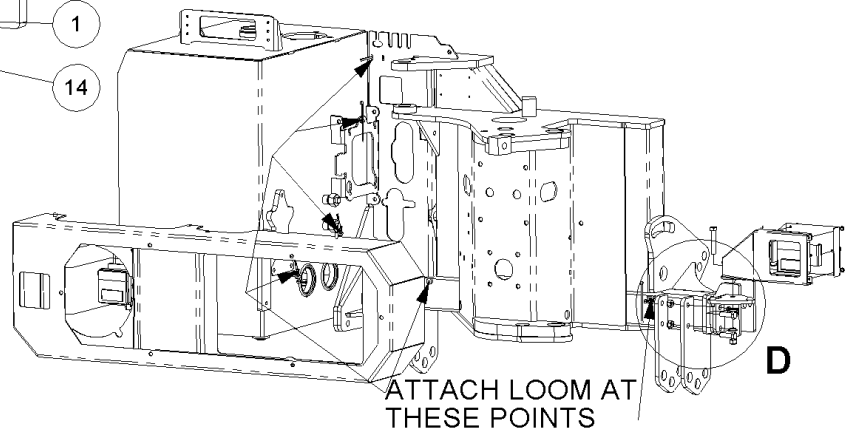
ATTACH LIGHTING LOOM
ALONG WITH ELECTRIC
CONTROL & COOLER LOOMS
(WHEN APPLICABLE)



DETAIL C
SCALE 1 : 4



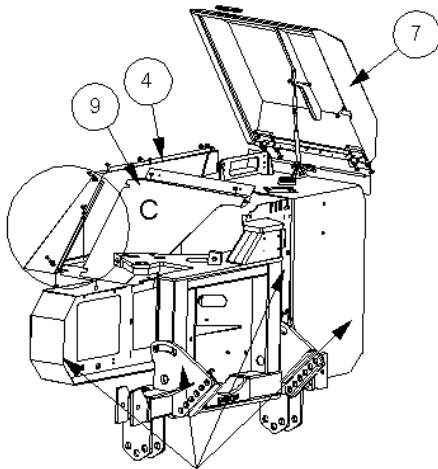
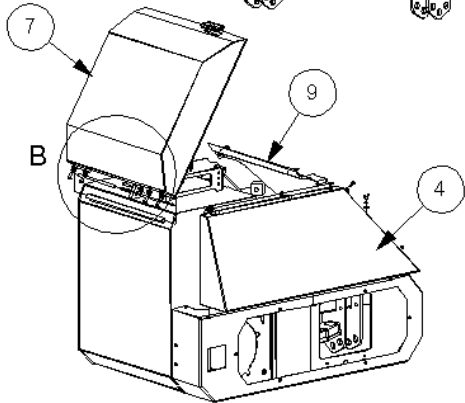
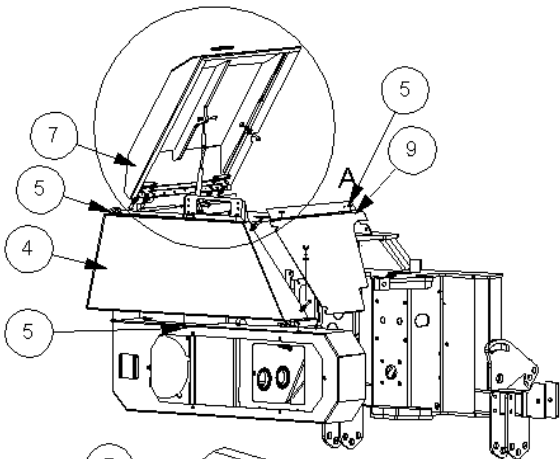
DETAIL D
SCALE 1 : 6



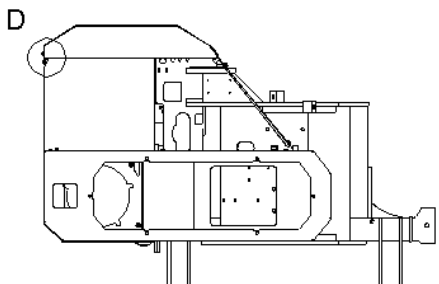
5570709 D - LIGHTING MODULE

Ref	Part No	Description	Qty
1	21757.01	LOCATOR	1
2	22340.01	MTG CRADLE	4
3	22342.01	CABLE TIE	8
4	22882.01	LAMP	2
5	22885.04	BRACKET -RH	1
6	22899.04	BRACKET RH	1
7	22900.04	RH LIGHT BRKT	1
8	22926.01	BRACKET	1
9	22939.01	BRACKET	1
11	45656.13	LOOM	1
12	8020178	SPRING	1
13	9100203	WASHER	2
14	9163006	NUT	3
15	9163007	NUT	2
17	9213146	BOLT	1
18	9300125	SCREW	2
19	9300164	SCREW	6
20	9300170	SCREW	4
21	9313086	SCREW	2
22	7103230	RIVET	4

5570711 C - COVERS MODULE

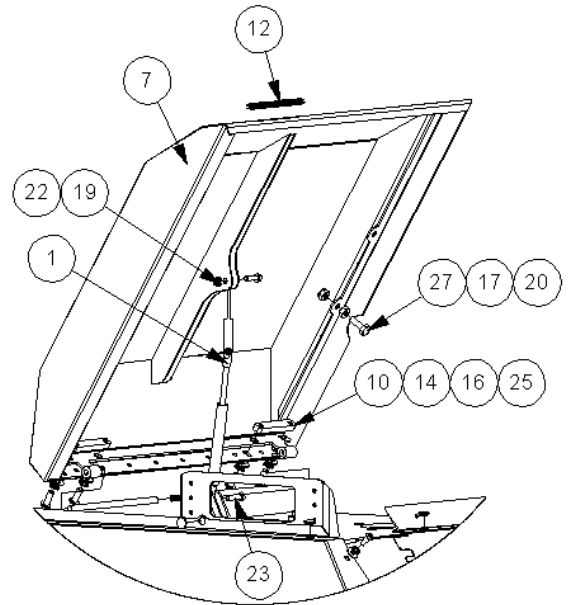
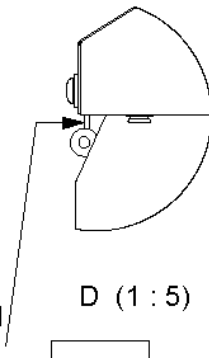


NOTE: ITEMS FOR ILLUSTRATION ONLY

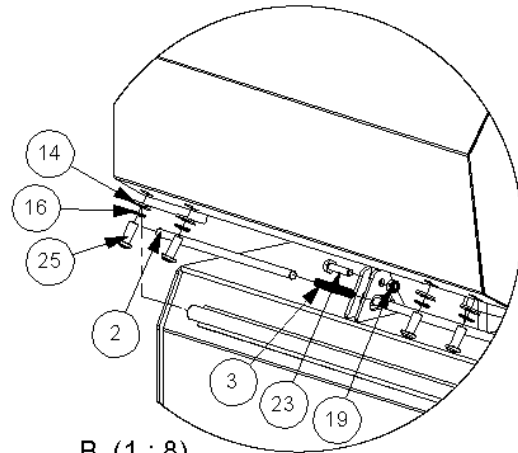


NOTE: REAR COVER HIDDEN

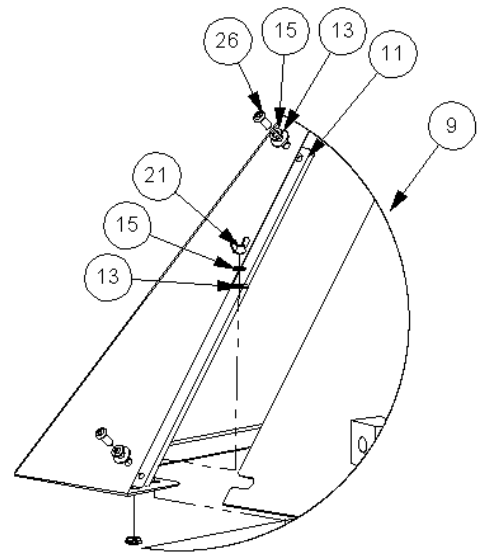
NOTE ORIENTATION OF COVER HINGE



A (1 : 12)



B (1 : 8)



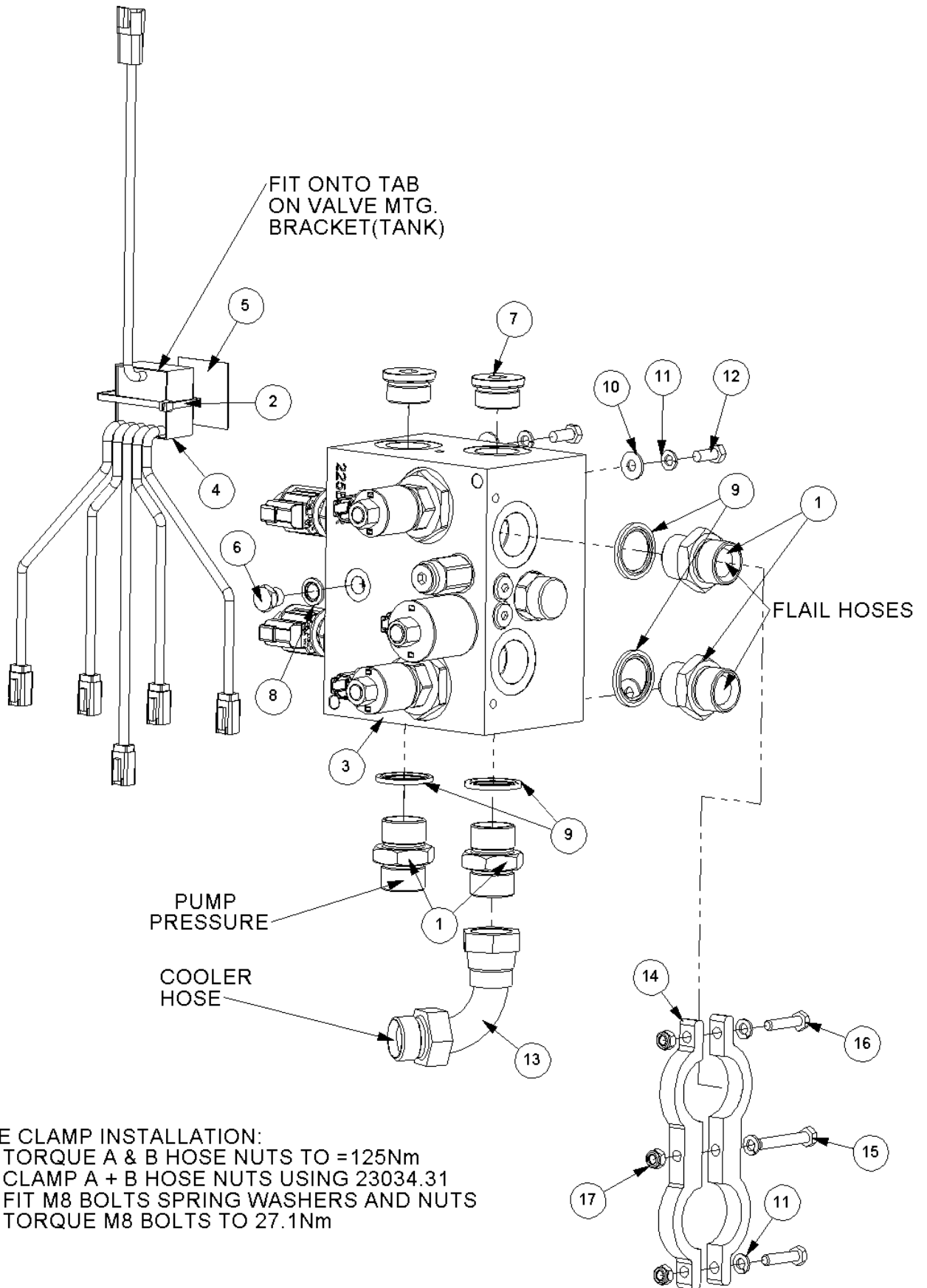
C (1 : 8)

5570711 C - COVERS MODULE

Ref	Part No	Description	Qty
1	21288.03	GAS SPRING	1
2	21325.05	PIN	2
3	21326.01	SPRING	1
4	21712.16Y	COVER	1
5	21721.03	RUBBER GROMMET	9
7	22853.04Y	COVER -RH	1
8	22854.02	HINGE	1
9	22856.06Y	COVER -RH	1
10	22868.01	PLATE	2
11	22958.01	CLAMP STRIP	1
12	43468.03	EDGING	1
13	9100104	WASHER	3
14	9100105	WASHER	4
15	9100204	WASHER	3
16	9100405	WASHER	4
17	9113005	NUT	1
19	9163004	NUT	2
20	9163005	NUT	1
21	9193004	NUT	1
22	9213064	BOLT	1
23	9213074	BOLT	1
25	9300154	SCREW	4
26	9300161	SCREW	2
27	9313065	SCREW	1

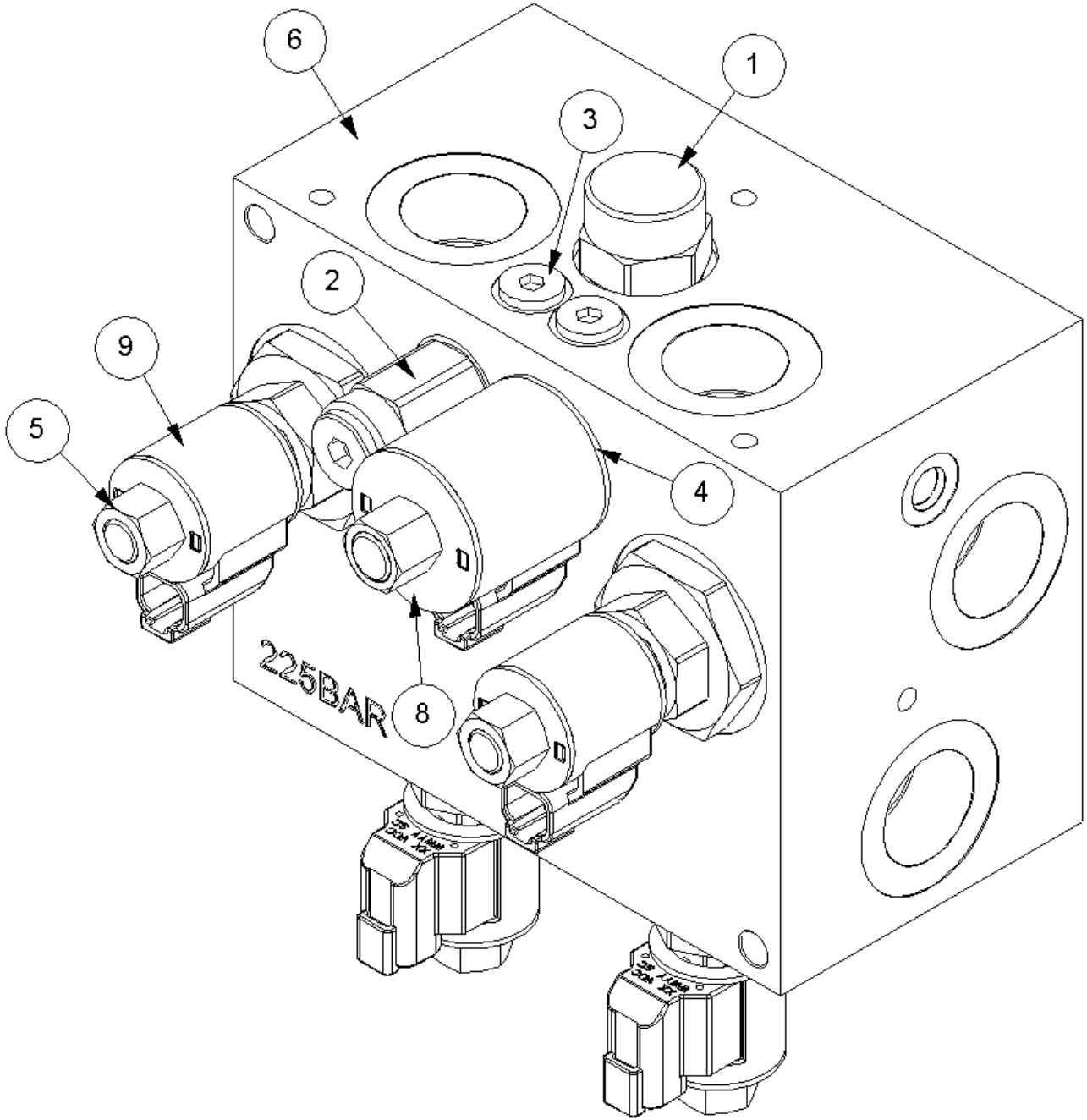
557072224 H - HOSE KIT

Ref	Part No	Description	Qty
1	10.021.28	HOSE	1
2	10.006.08	HOSE	1
3	10.005.14	HOSE	1
4	10.002.10	HOSE	1
5	10.002.14	HOSE	1
6	10.001.22	HOSE	2
7	10.001.44	HOSE	1
8	10.002.50	HOSE	1
9	10.002.64	HOSE	2
10	10.001.42	HOSE	2
11	10.002.49	1/4"BSP FS/FS90 3900	2
12	23530.41	HOSE	1
13	10.007.35	HOSE	1
14	8501435	HOSE	1
15	8501413	HOSE	1
16	10.011.18	HOSE	1
17	22950.14	HOSE	1
18	23542.34	HOSE	2
19	10.011.37	HOSE	2
20	8501424	HOSE	2



5570725 F - RH SS RCV ASSY

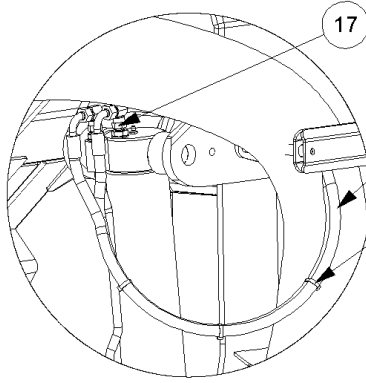
Ref	Part No	Description	Qty
1	05.434.01	ADAPTOR	4
2	22342.02	CABLE TIE	1
3	22677.13	SOFT START RCV	1
4	41844.36	PROPORTIONAL RCV LOOM DT	1
5	45831.02	PAD	0
6	520378	ADAPTOR	1
7	8581389	ADAPTOR	2
8	8650102	SEAL	1
9	8650108	SEAL	4
10	9100104	WASHER	4
11	9100204	WASHER	7
12	9313044	SCREW	4
13	8581264	ADAPTOR	1
14	23034.33	HOSE CLAMP	2
15	9213114	BOLT	1
16	9213074	BOLT	2
17	9163004	NUT	3



22677.13 B - SOFT START RCV

Ref	Part No	Description	Qty
1	22677.32	VALVE	1
2	22677.57	RELIEF VALVE	1
3	22677.34	PLUG	4
4	22677.37	VALVE	1
5	22677.38	VALVE	4
6	22677.47	NOT AVAILABLE	1
7	8699288	SEAL KIT	1
8699288 - SEAL KIT			
Ref	Part No	Description	Qty
1	8699302	SEAL KIT FOR 22677.37	1
2	8699303	SEAL KIT FOR 22677.38	4
3	8699304	SEAL KIT FOR 22677.50-51&56-59	1
4	8699305	SEAL KIT FOR 22677.32	1
8	22677.61	COIL	1
9	22677.60	COIL	4

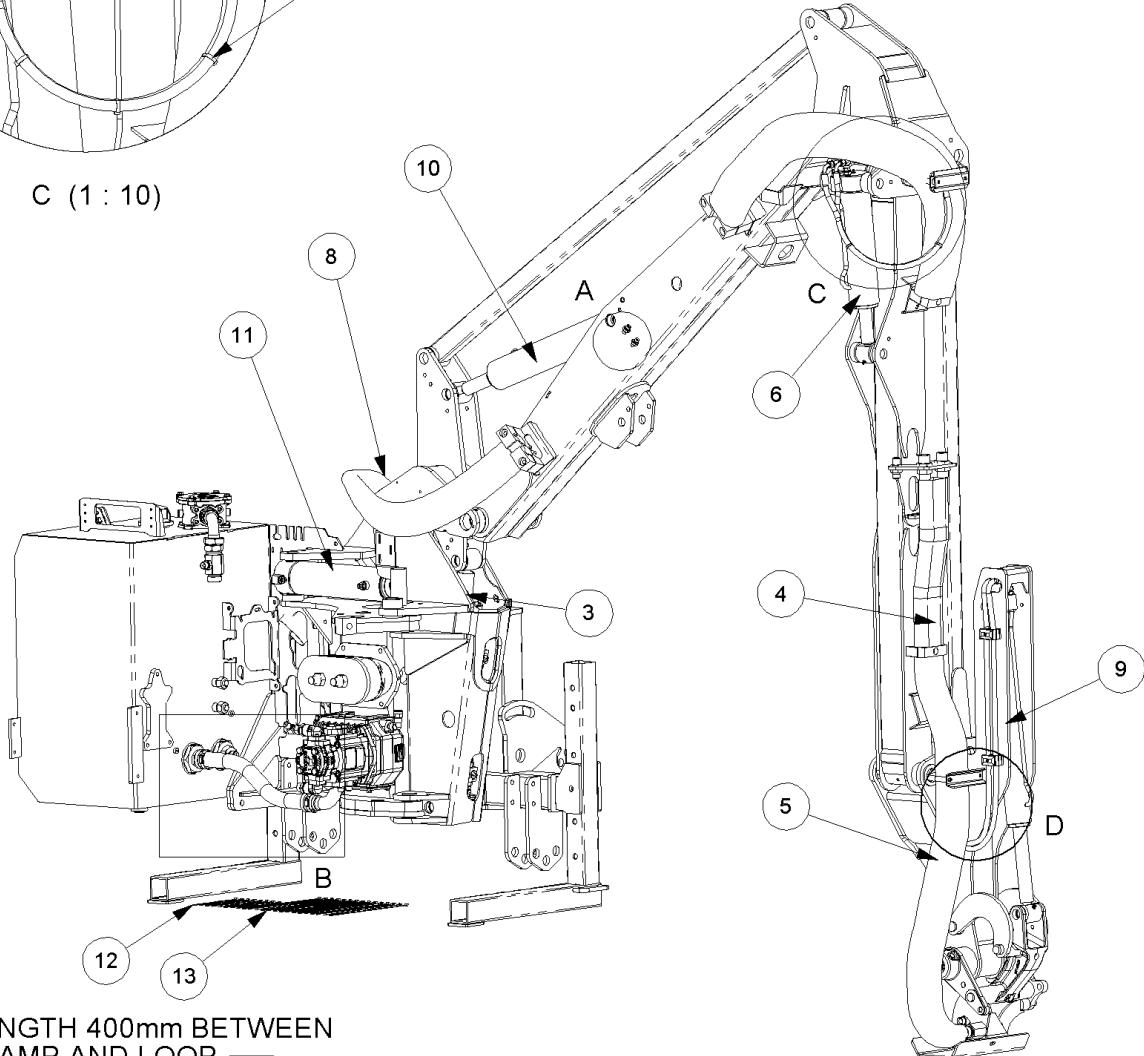
5570737 D - HYD.INST.MODULE



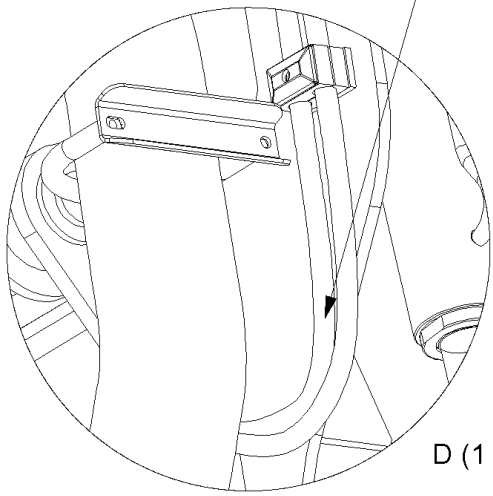
C (1 : 10)

HOSE LENGTH 750mm FROM CLAMP BRACKET TO 90° ELBOW

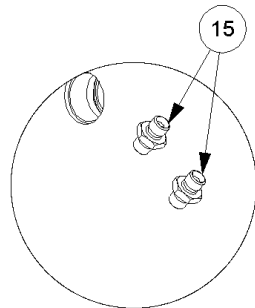
FIT 3 CABLE TIES (7135084) AS SHOWN



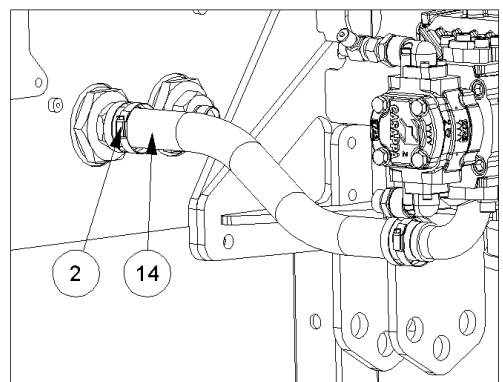
HOSE LENGTH 400mm BETWEEN HOSE CLAMP AND LOOP



D (1 : 5)



A (1 : 5)

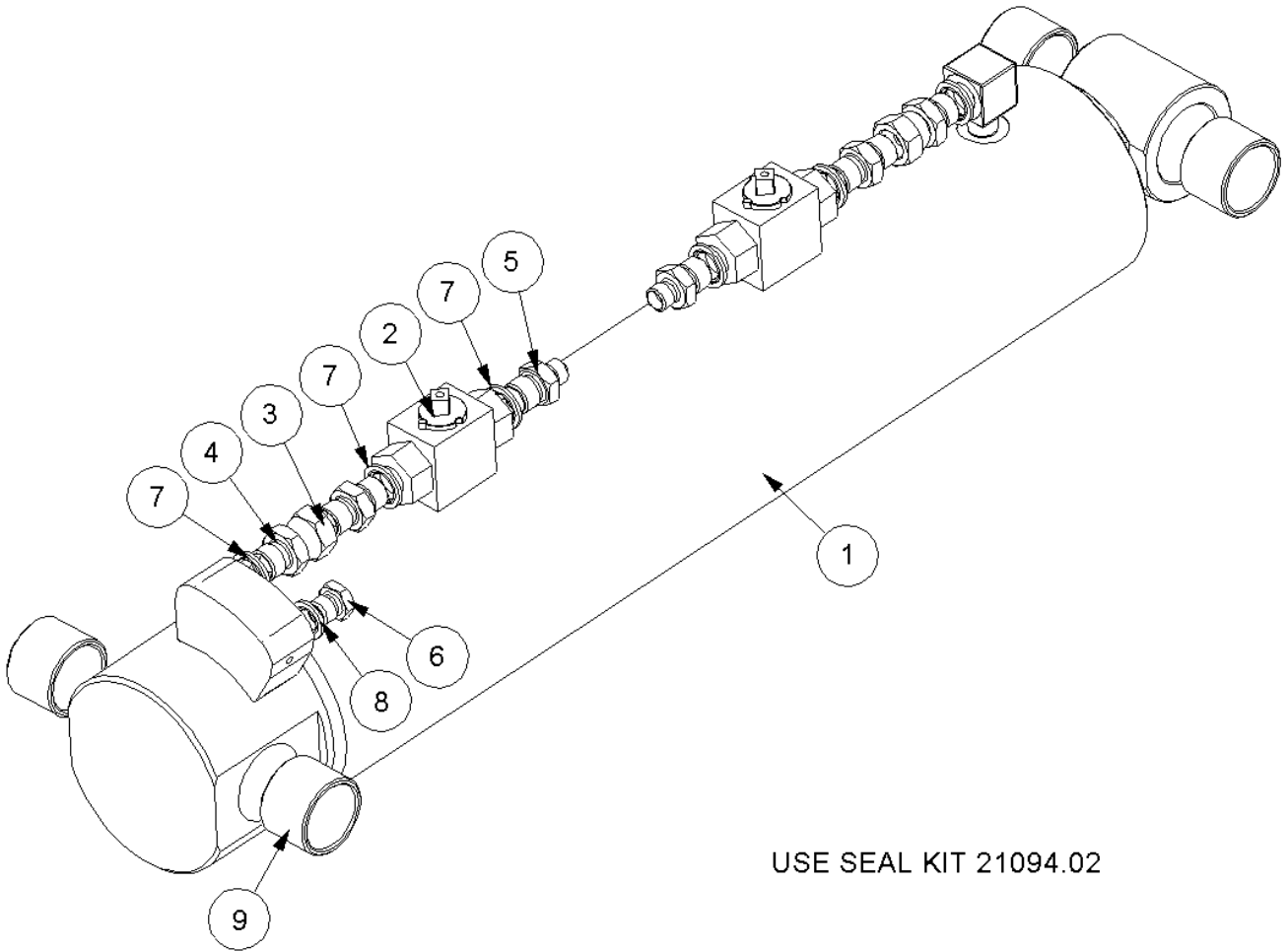


B (1 : 8)

5570737 D - HYD.INST.MODULE

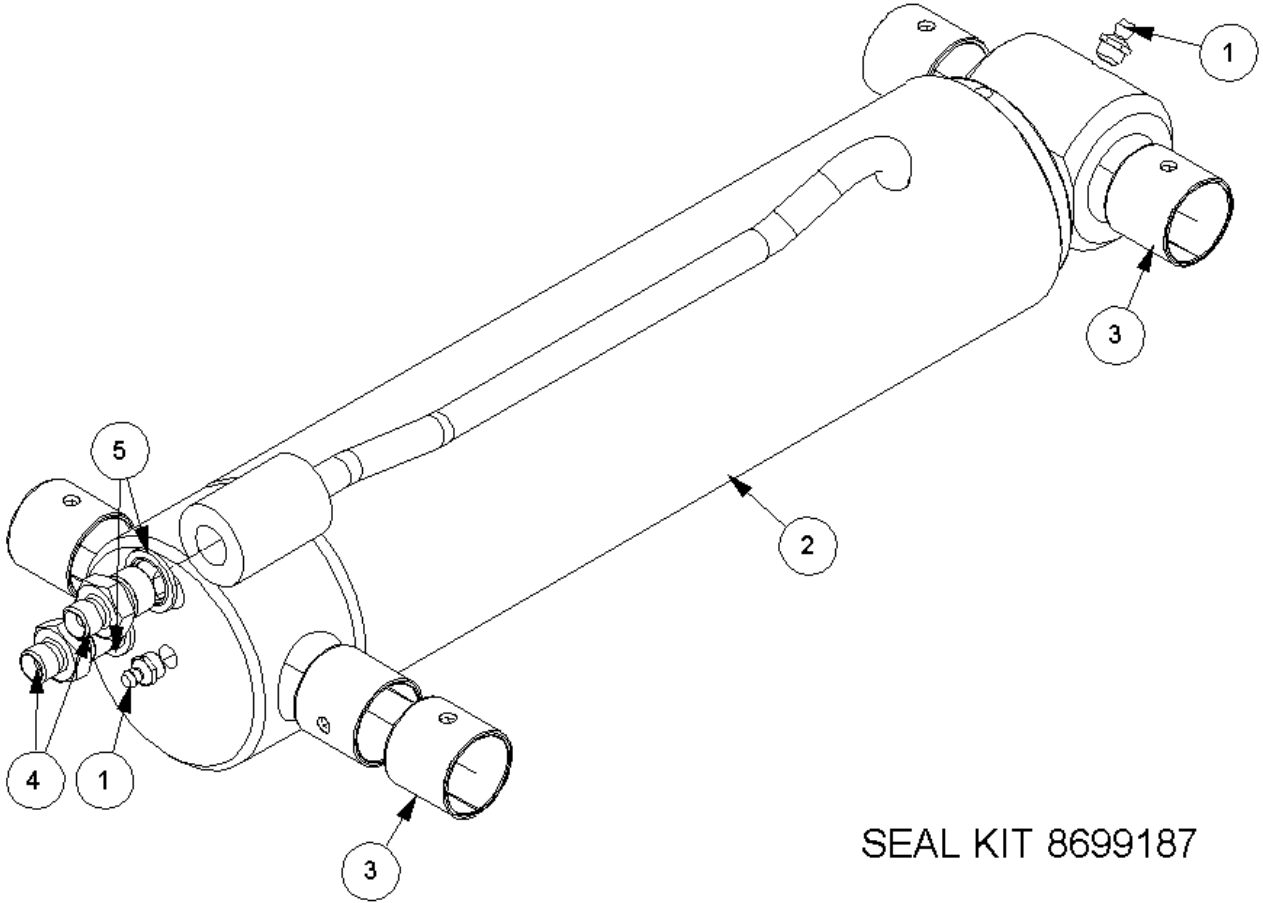
Ref	Part No	Description	Qty
2	0904107	CLIP	4
3	22362.01	RAM	1
4	22590.10	SLEEVE	1
5	22590.22	SLEEVE	1
6	22821.01	RAM	1
7	22974.22	SLEEVE	1
8	22974.29	SLEEVE	1
9	43317.07	RAM	1
10	45288.03	RAM	1
11	45910.07	RAM	1
12	7135084	HOSE TIE	8
13	7196045	HOSE TIE	15
14	8501479	HOSE	1
15	8581169	ADAPTOR	2
17	8581190	ADAPTOR	2

22362.01 D - RAM



22362.01 D - RAM

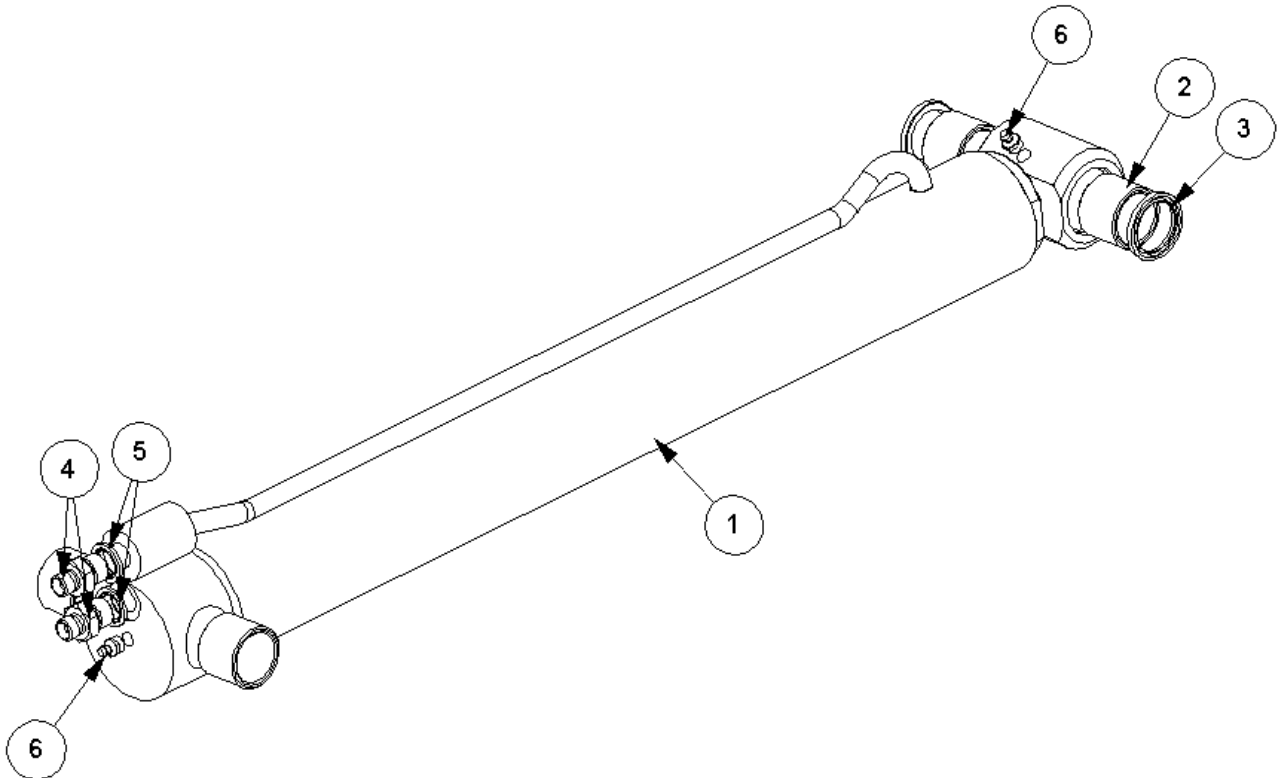
Ref	Part No	Description	Qty
1	22362.01AP	LIFT RAM	1
1	22362.01P	RAM -PAINTED	0
2	08.200.01	VALVE	2
3	6000113	ADAPTOR	2
4	8581178	ADAPTOR	2
5	8581115	ADAPTOR	2
6	520378	ADAPTOR	1
7	8650103	SEAL	6
8	8650102	SEAL	1
9	08.297.05	BUSH	5
10	21094.02	SEAL KIT	0



SEAL KIT 8699187

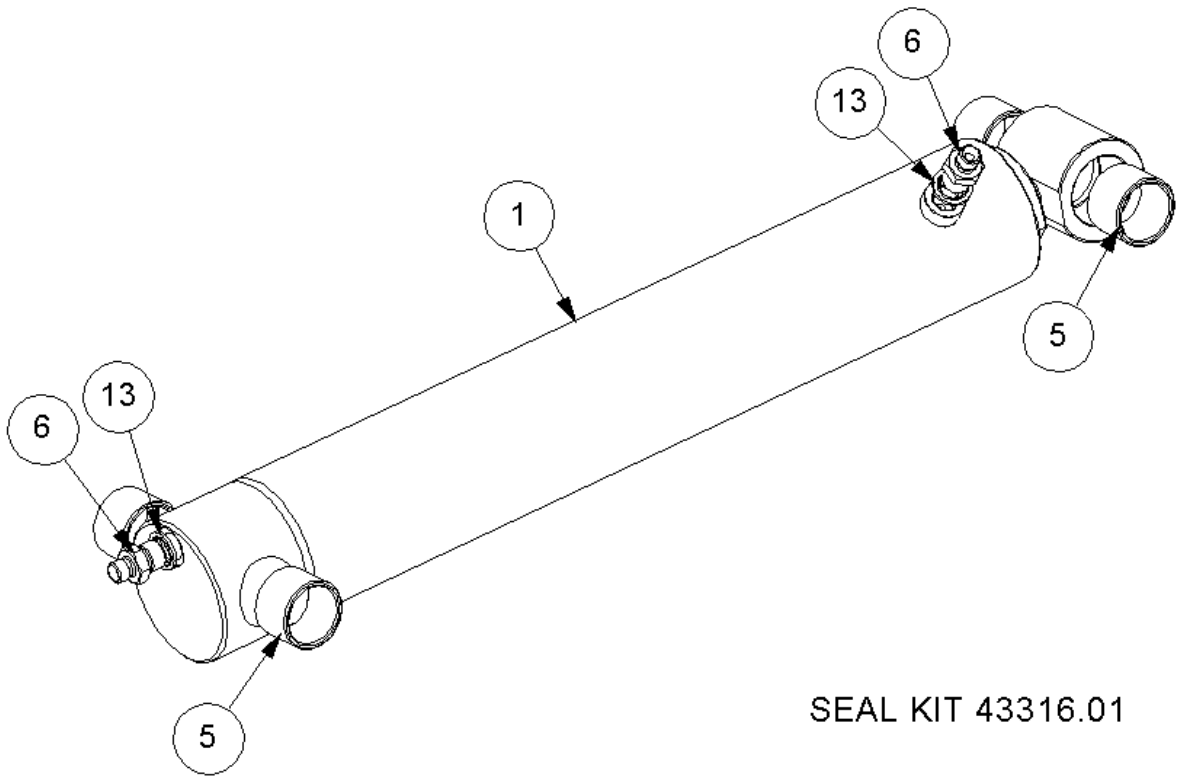
22821.01 - RAM

Ref	Part No	Description	Qty
1	0901121	GREASER	2
2	22821.01AP	RAM ASSY	1
2	22821.01P	RAM -PAINTED	0
3	42654.01	BUSH	5
4	8581115	ADAPTOR	2
5	8650103	SEAL	2
6	8699187	SEAL KIT	0



43317.07 - RAM

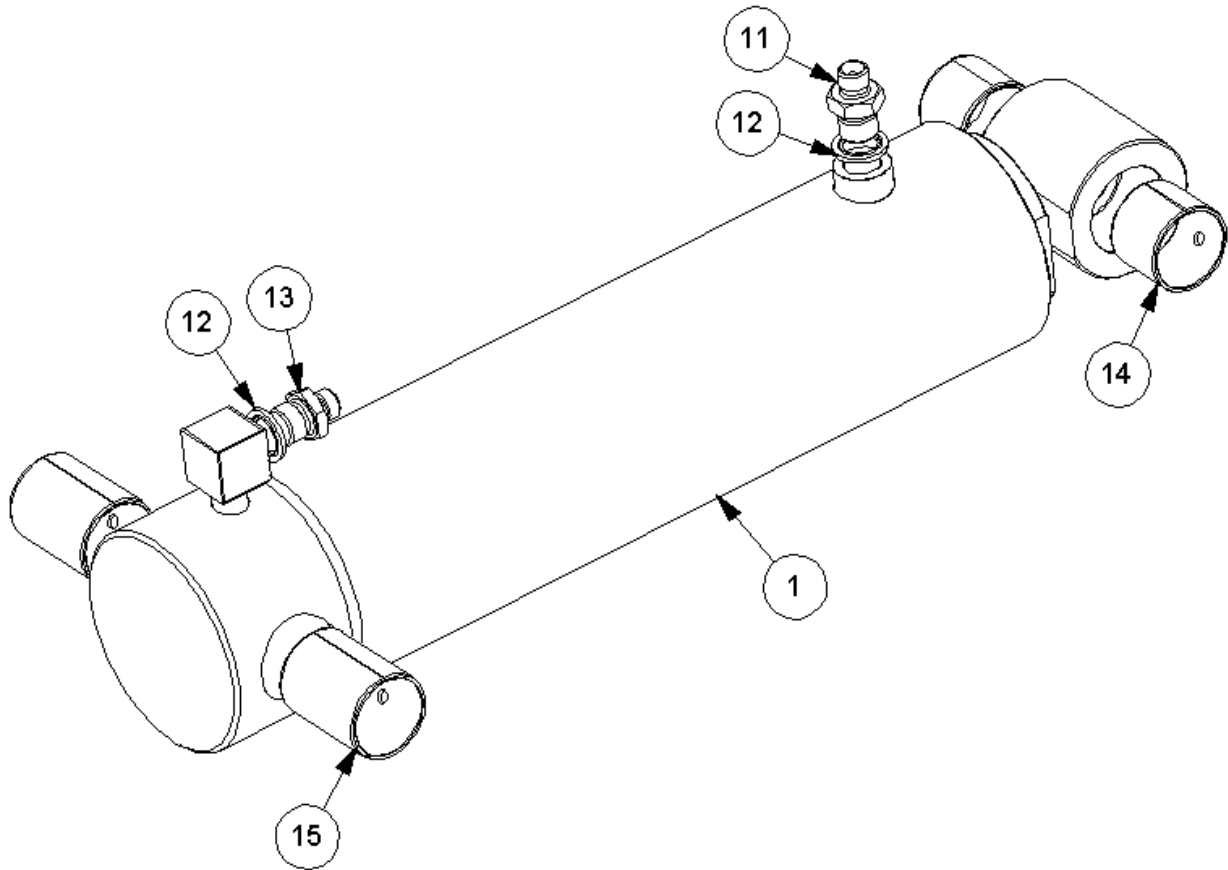
Ref	Part No	Description	Qty
1	43317.02AP	ANGLING RAM	1
2	08.297.04	BUSH	4
3	8629218	SEAL	2
4	8581115	ADAPTOR	2
5	8650103	SEAL	2
6	0901121	GREASER	2
7	43317.01	SEAL KIT	0



45288.03 C - RAM

Ref	Part No	Description	Qty
0	43316.01	SEAL KIT	0
1	45288.03AP	REACH RAM	1
1	45288.03P	RAM -PAINTED	0
5	08.297.05	BUSH	4
6	8581115	ADAPTOR	2
13	8650103	SEAL	2

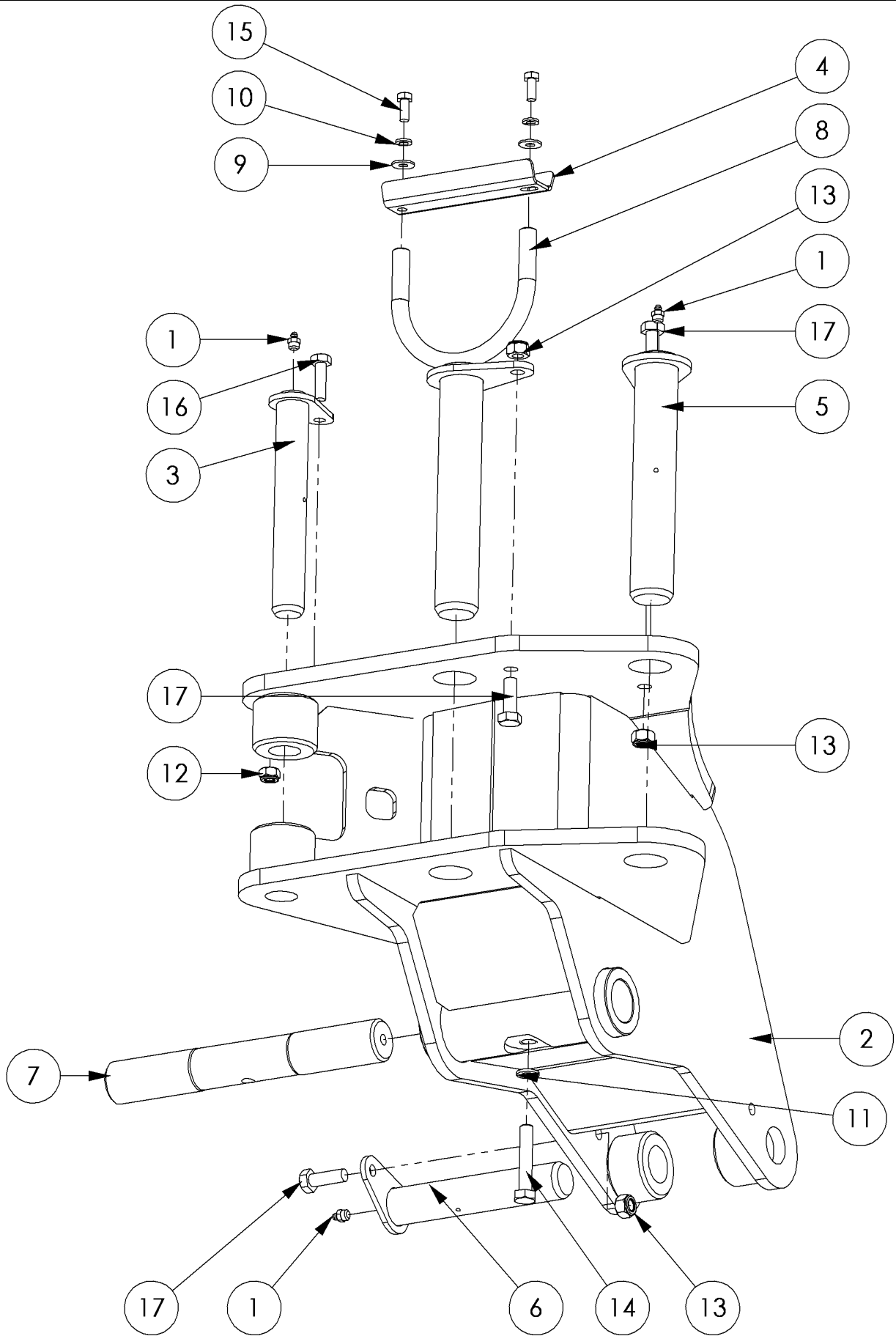
45910.07 B - RAM



45910.07 B - RAM

Ref	Part No	Description	Qty
1	45910.07AP	SLEW RAM ASSY	1
1	45910.07P	RAM - PAINTED	0
11	8581115	ADAPTOR	1
12	8650103	SEAL	2
13	8130066	RESTRICTOR	1
14	21649.08	BUSH	2
15	21649.09	BUSH	2
16	8699254	SEAL KIT	0

7155819 - UPPER DIPPER MODULE



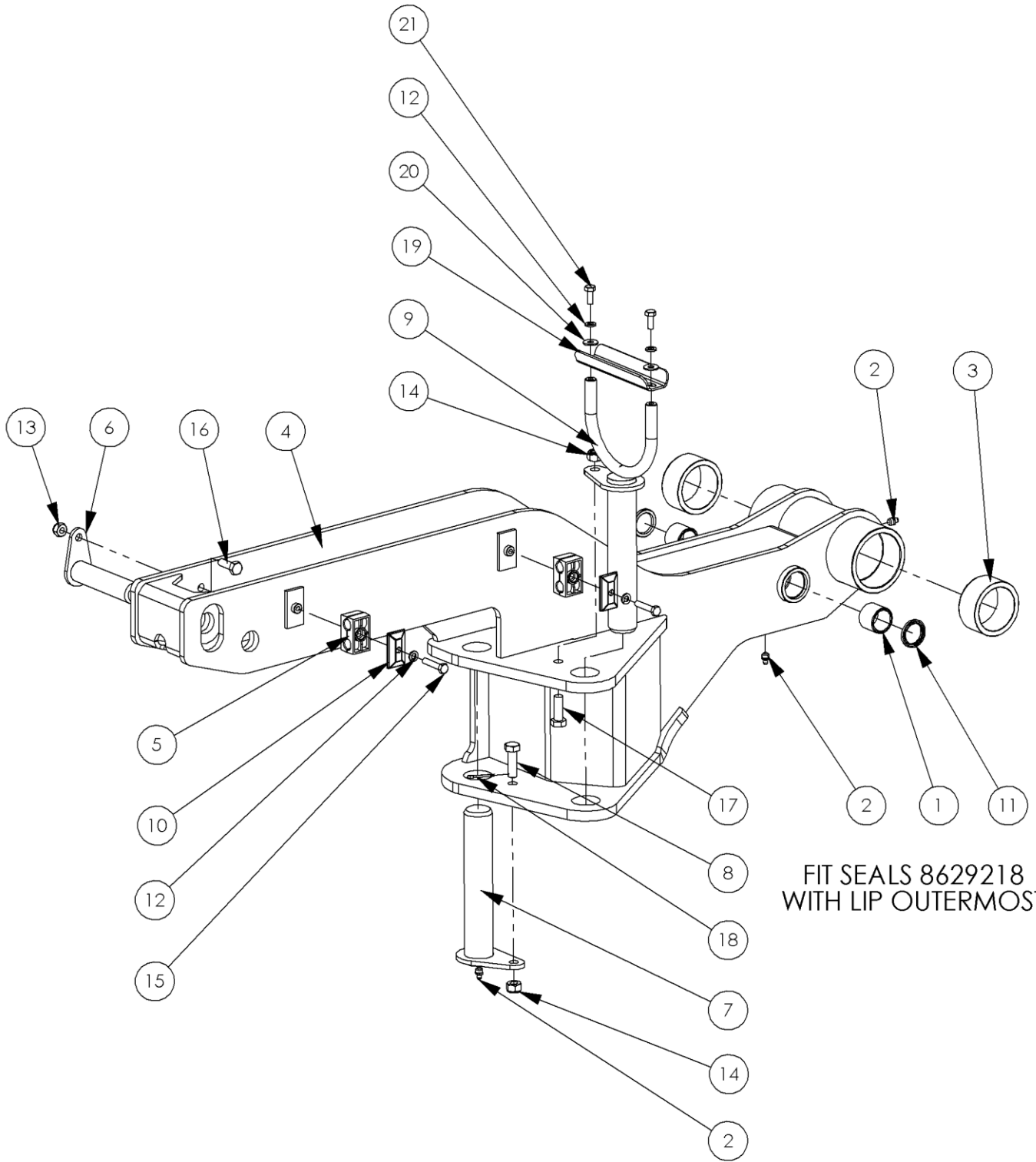
7155819 - UPPER DIPPER MODULE

Ref	Part No	Description	Qty
1	0901121	GREASER	2
2	22464.08	ARM -RH	1
3	42684.18	PIN	1
4	22825.01	HOSE RETAINER	1
5	43324.15	PIN	1
6	45202.11	PIN	1
7	45264.01	PIN	1
8	45609.03	PIN	1
9	9100104	WASHER	3
10	9100204	WASHER	2
11	9100206	WASHER	1
12	9163005	NUT	1
13	9163006	NUT	3
14	9213136	BOLT	1
15	9300161	SCREW	2
16	9313075	SCREW	1
17	9313076	SCREW	2
18	9163004	NUT	1
19	9300151	SCREW	1
20	9313106	SCREW	1

7155821QR - RH VFR DIPPER MODULE

Ref	Part No	Description	Qty
1	06.430.27	HOSE CLAMP-LOWER	2
2	06.430.28	CLAMP	2
3	08.128.03	ADAPTOR	2
4	T8085	ADAPTOR	1
5	0901121	GREASER	4
6	22465.04QR	RH VFR DIPPER W.A.	1
7	22466.02	PARALLEL LINK	1
8	22522.21	HOSE GUARD	1
9	22654.01	STUD	1
10	23016.02	STUD	1
11	42684.07	PIN	1
12	43468.10	EDGING -194	1
13	7115208	BUSH	8
14	9100031	NUT	1
15	9100104	WASHER	1
16	9100404	WASHER	3
17	9163004	NUT	2
18	9163005	NUT	1
19	9313065	SCREW	1
20	8581478	ADAPTOR	2

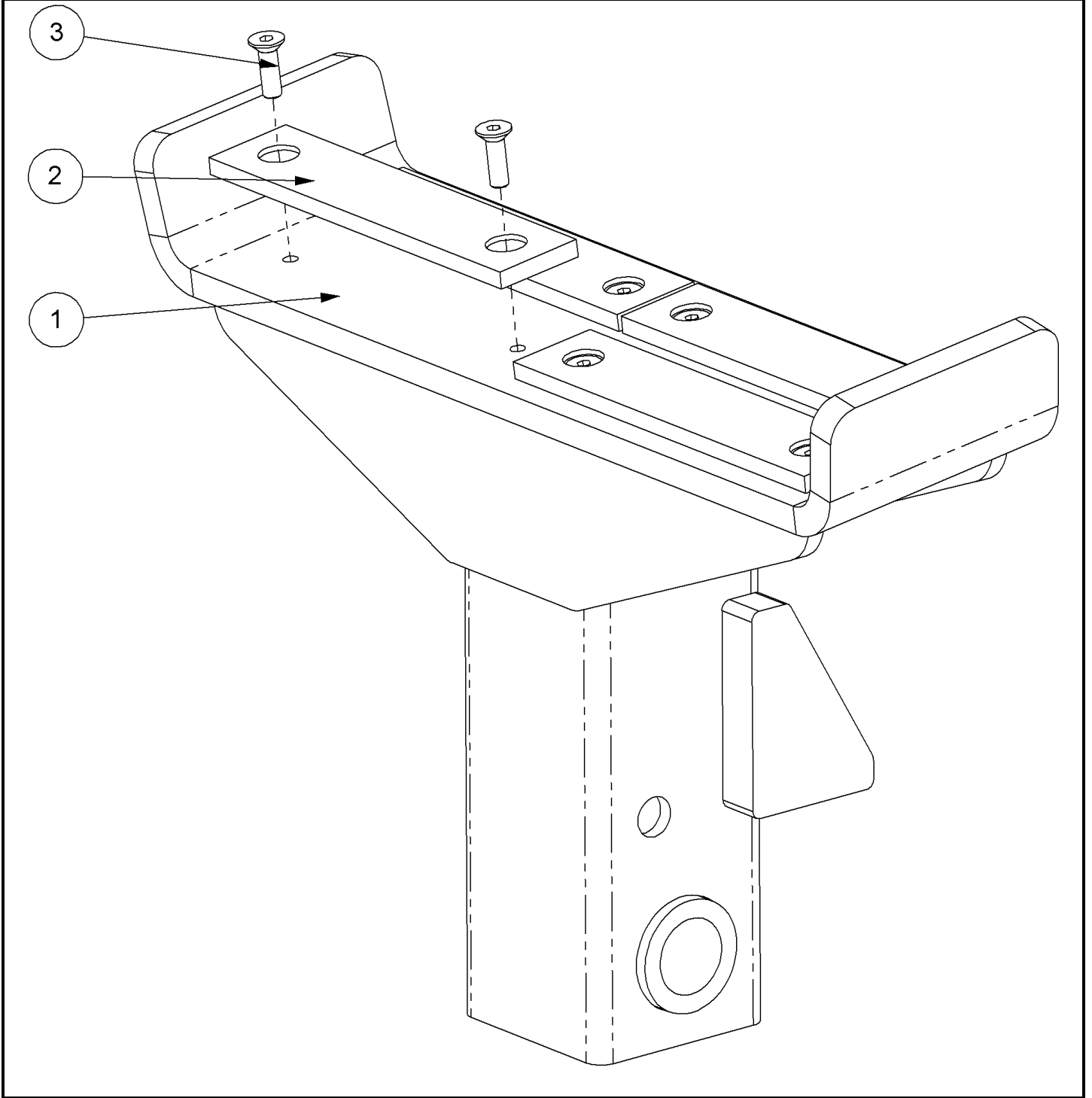
715777 D - LOWER DIPPER MODULE



7157777 D - LOWER DIPPER MODULE

Ref	Part No	Description	Qty
1	08.297.04	BUSH	2
2	0901121	GREASER	3
3	7136035	BUSH	2
4	22463.02	RH LOWER DIPPER	1
5	7193065	HOSE CLAMP	2
6	42684.07	PIN	1
7	43324.15	PIN	1
8	45416.01	SCREW	1
9	45609.02	PIN	1
10	7193066	PLATE	2
11	8629218	SEAL	2
12	9100204	WASHER	4
13	9163005	NUT	1
14	9163006	NUT	2
15	9213084	BOLT	2
16	9313065	SCREW	1
17	9313076	SCREW	2
18	9501255	PIN	1
19	43048.10	RETAINER	1
20	9100104	WASHER	2
21	9313044	SCREW	2

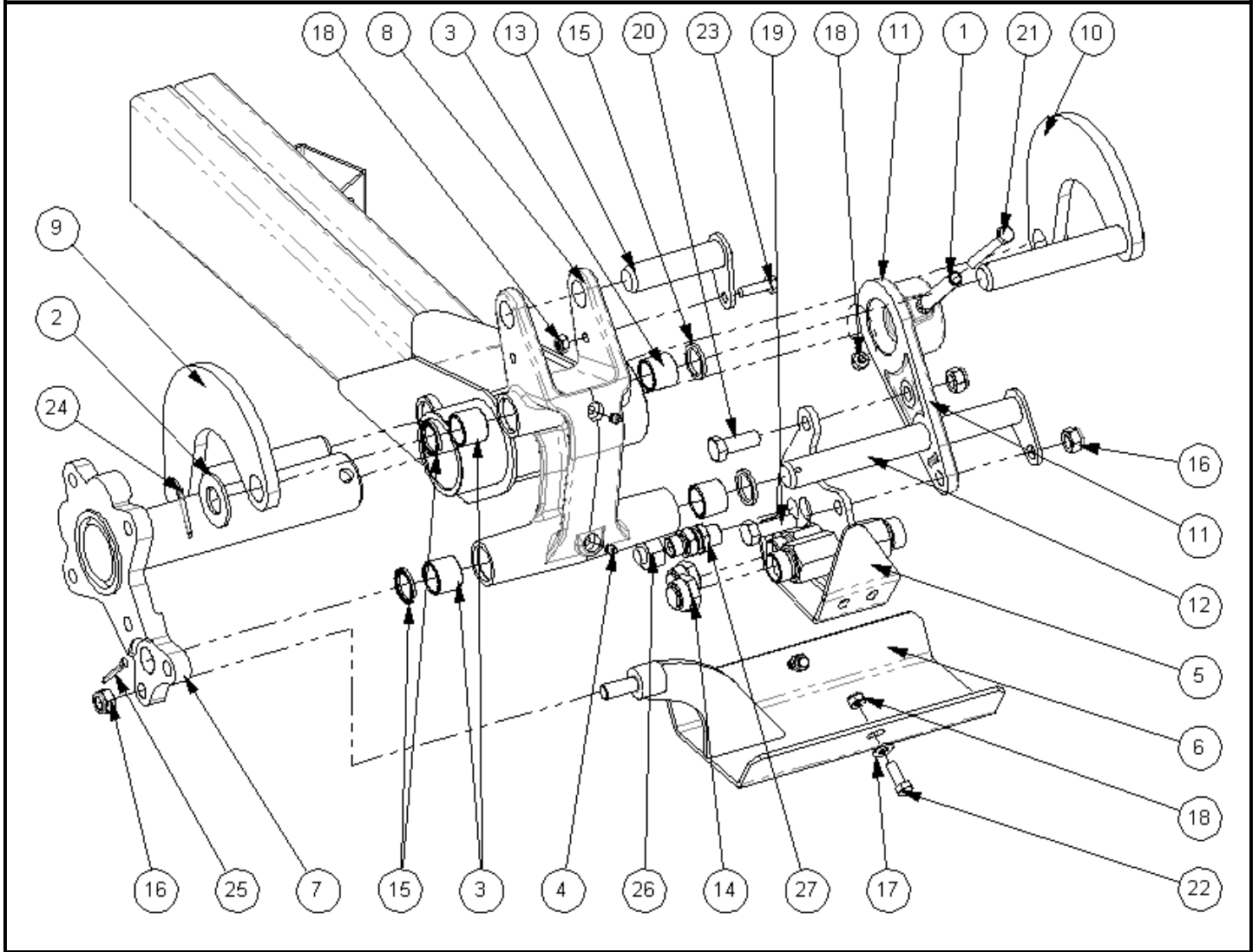
7157778 - PROP MODULE



7157778 - PROP MODULE

Ref	Part No	Description	Qty
1	43021.22	PROP	1
2	43091.03	PAD	4
3	9353043	SCREW	8

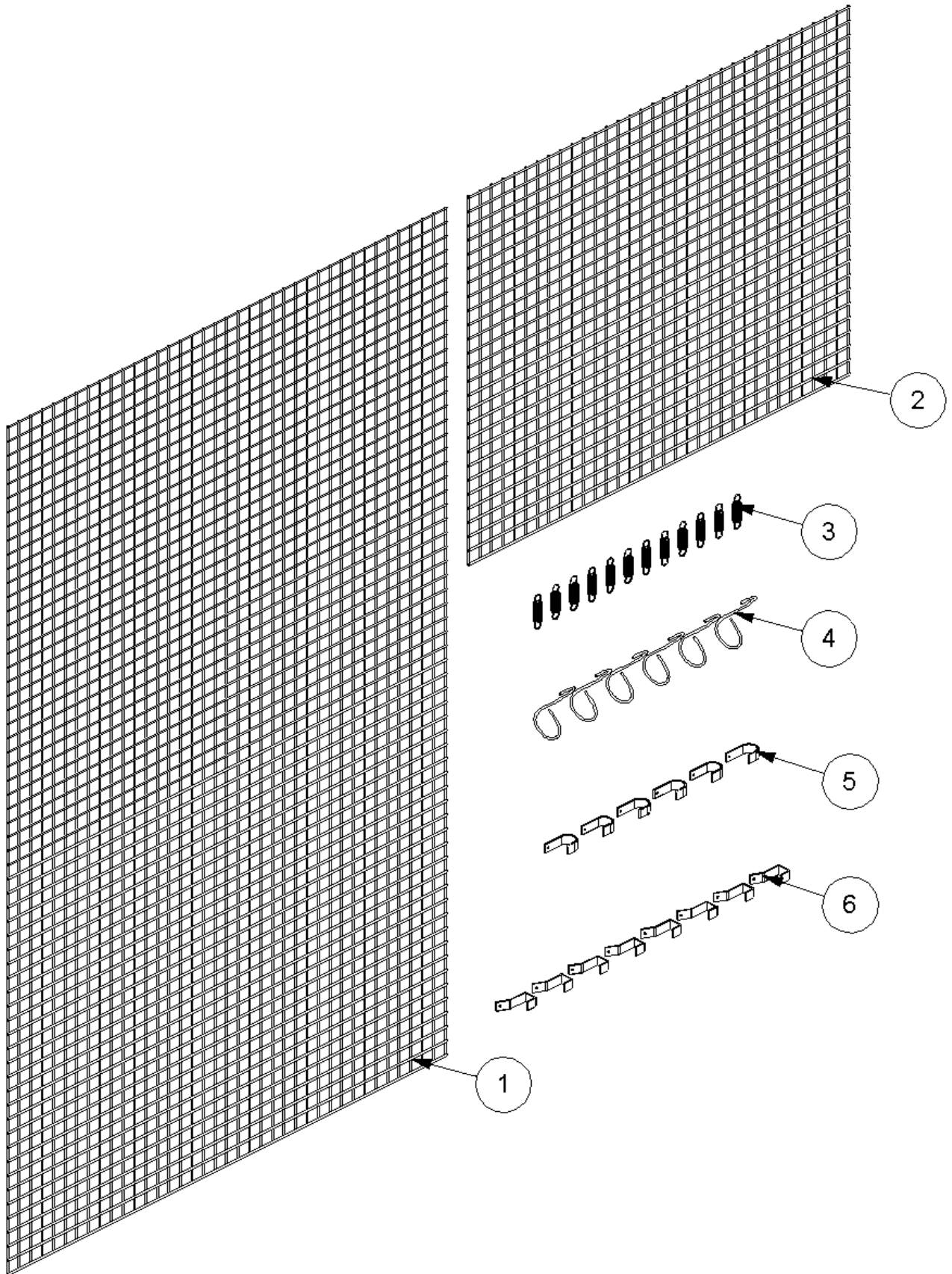
7170714 D - ANGLING MODULE



7170714 D - ANGLING MODULE

Ref	Part No	Description	Qty
1	0423556	PIN	1
2	05.281.18	WASHER	2
3	22774.04	BUSH	4
4	0901121	GREASER	2
5	21261.11	JUNCTION BRK	1
6	21262.01	TRAY	1
7	21263.01	PIVOT TUBE	1
8	21801.01	SLAVE LINK	1
9	42646.03	RADIUS ARM	1
10	42646.04	RADIUS ARM	1
11	42648.01	USE 42648.01C	1
12	42684.01	PIN	1
13	42684.05	PIN	1
14	8582058	ADAPTOR	2
15	8629218	SEAL	4
16	T7942	NUT	3
17	9100105	WASHER	2
18	9163005	NUT	4
19	9200025	BOLT	1
20	9200028	BOLT	1
21	9213205	BOLT	1
22	9313065	SCREW	2
23	9313075	SCREW	1
24	9501406	PIN	2
25	9501507	PIN	1
26	G3812119	ADAPTOR	1
27	08.128.16	ADAPTOR	1

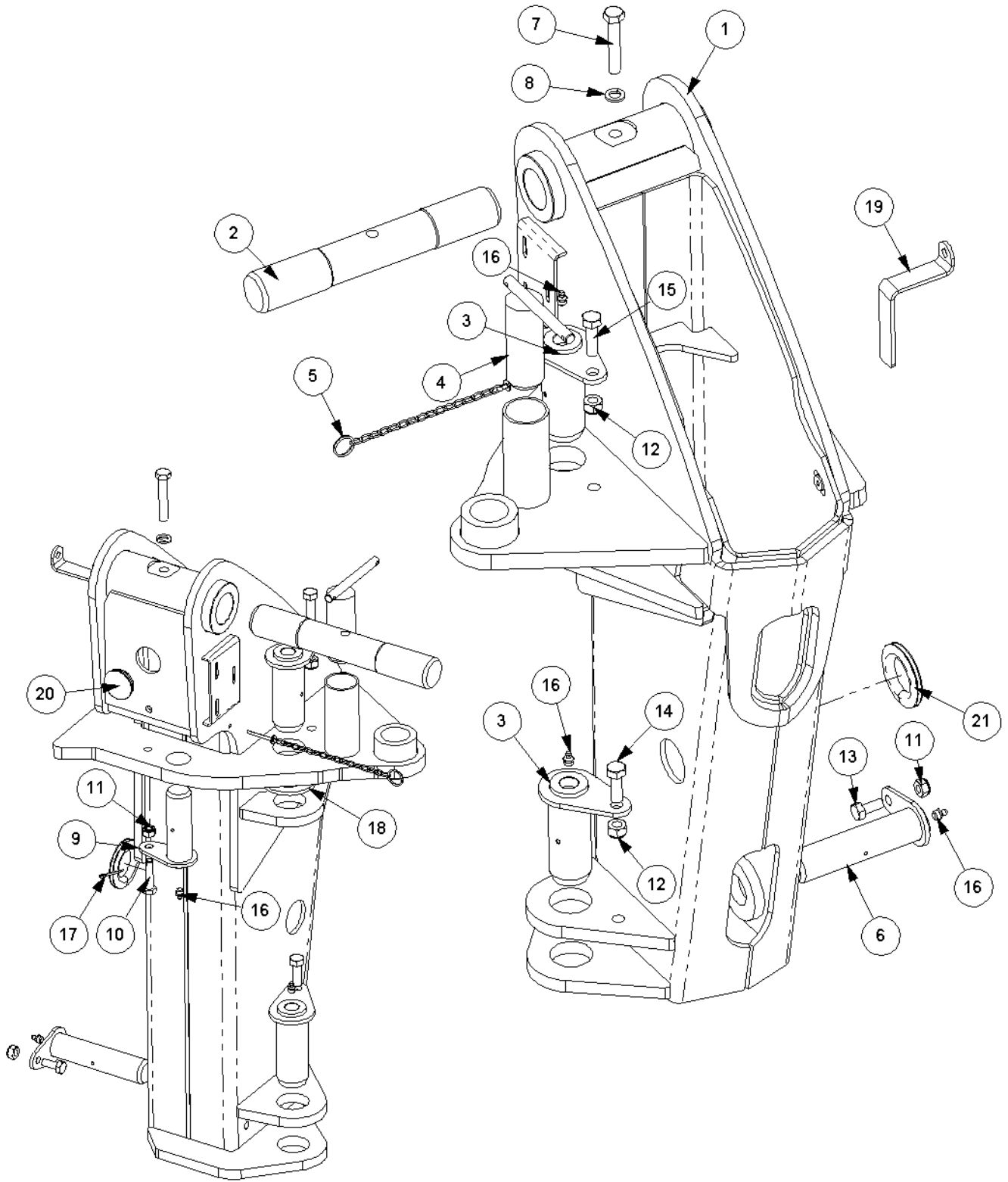
7313324 - GUARD KIT



7313324 - GUARD KIT

Ref	Part No	Description	Qty
1	7313049	GUARD PANEL	1
2	7313050	GUARD PANEL	1
3	6001064	SPRING	12
4	6001065	HOOK	6
5	41587.01	GUARD HOOK	6
6	41745.01	HOOK	8
7	22342.01	CABLE TIE	1
8	7196045	HOSE TIE	2

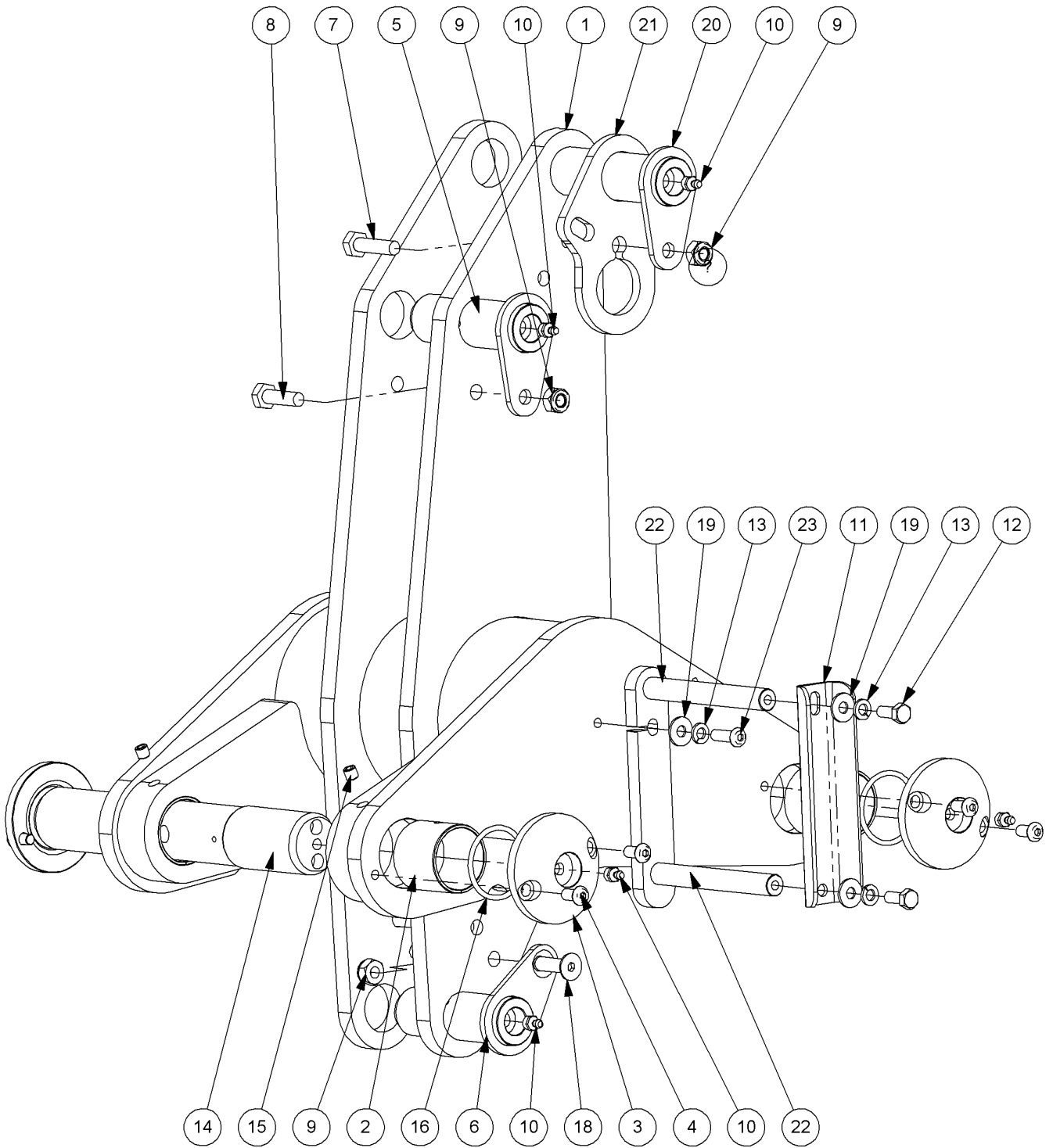
7458504 F - PILLAR MODULE



7458504 F - PILLAR MODULE

Ref	Part No	Description	Qty
1	21273.06	PILLAR	1
2	45264.04	PIN	1
3	45271.03	PIN	2
4	43323.01	PIN	1
5	03.255.05	RING	1
6	45202.05	PIN	1
7	9213146	BOLT	1
8	9100206	WASHER	1
9	45202.04	PIN	1
10	42269.07	BOLT	1
11	9163005	NUT	2
12	9163006	NUT	2
13	9313055	SCREW	1
14	9313076	SCREW	1
15	9313086	SCREW	1
16	0901121	GREASER	4
17	9501255	PIN	1
18	45298.02	WASHER	1
19	21193.01	HANDLE	1
20	21388.01	INSERT	1
21	03.231.12	RUBBER EDGING	1

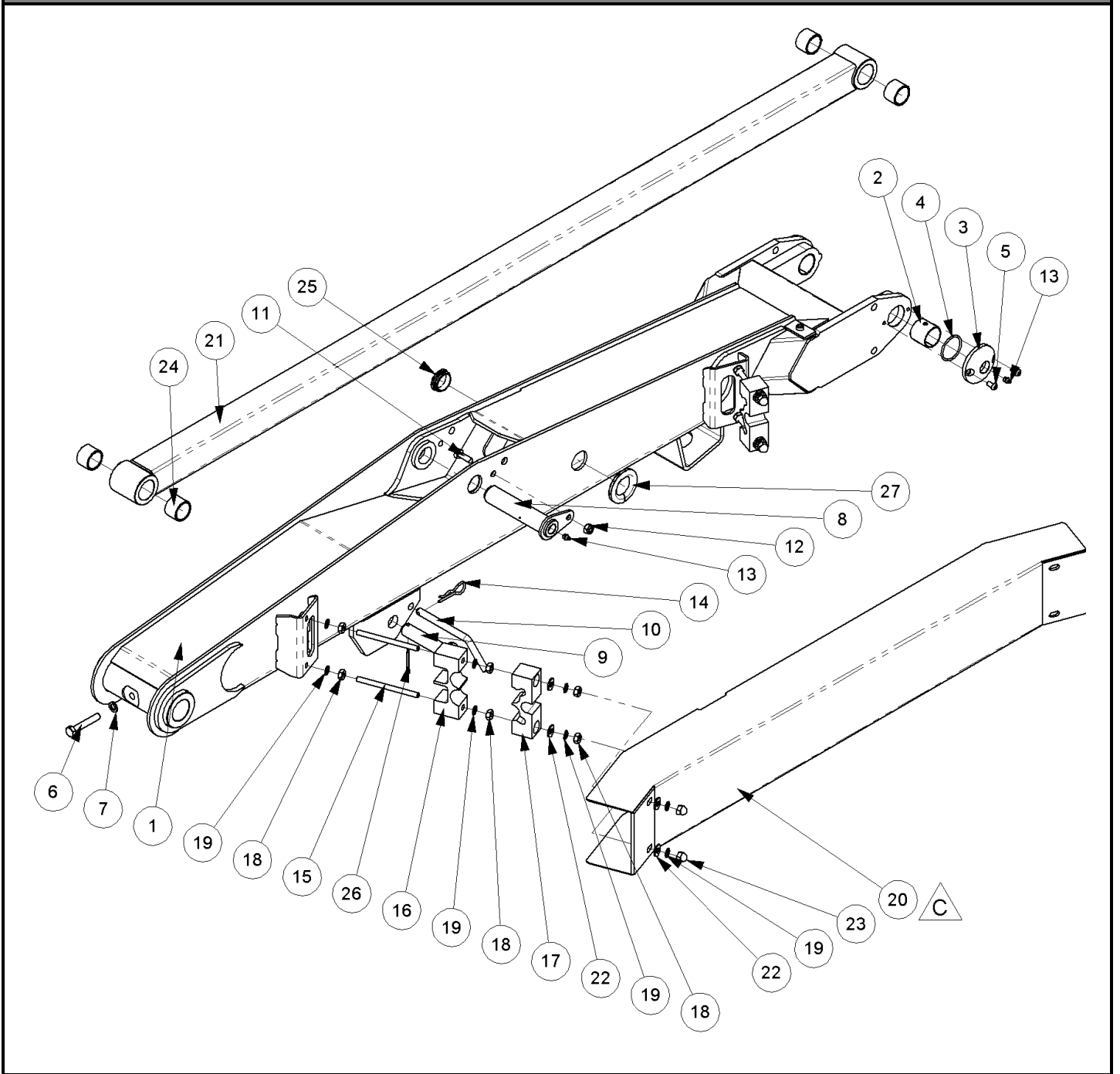
7458578 E - MOD ROCKER-NON EDS



7458578 E - MOD ROCKER-NON EDS

Ref	Part No	Description	Qty
1	45059.09	ROCKER	1
2	21649.05	BUSH	4
3	45266.01	CAP	4
4	9300159	SCREW	8
5	45202.04	PIN	1
6	45202.10	PIN	1
7	9313085	SCREW	1
8	9313075	SCREW	1
9	9163005	NUT	3
10	0901121	GREASER	7
11	43048.10	RETAINER	1
12	9313044	SCREW	2
13	9100204	WASHER	3
14	45264.04	PIN	1
15	8582041	PLUG	2
16	8600303	O-RING	4
18	9353075	SCREW	1
19	9100104	WASHER	3
20	45202.01	PIN	1
21	22667.01	SLINGING EYE	1
22	43048.17	HOSE CLAMP	1
23	9300158	SCREW	1

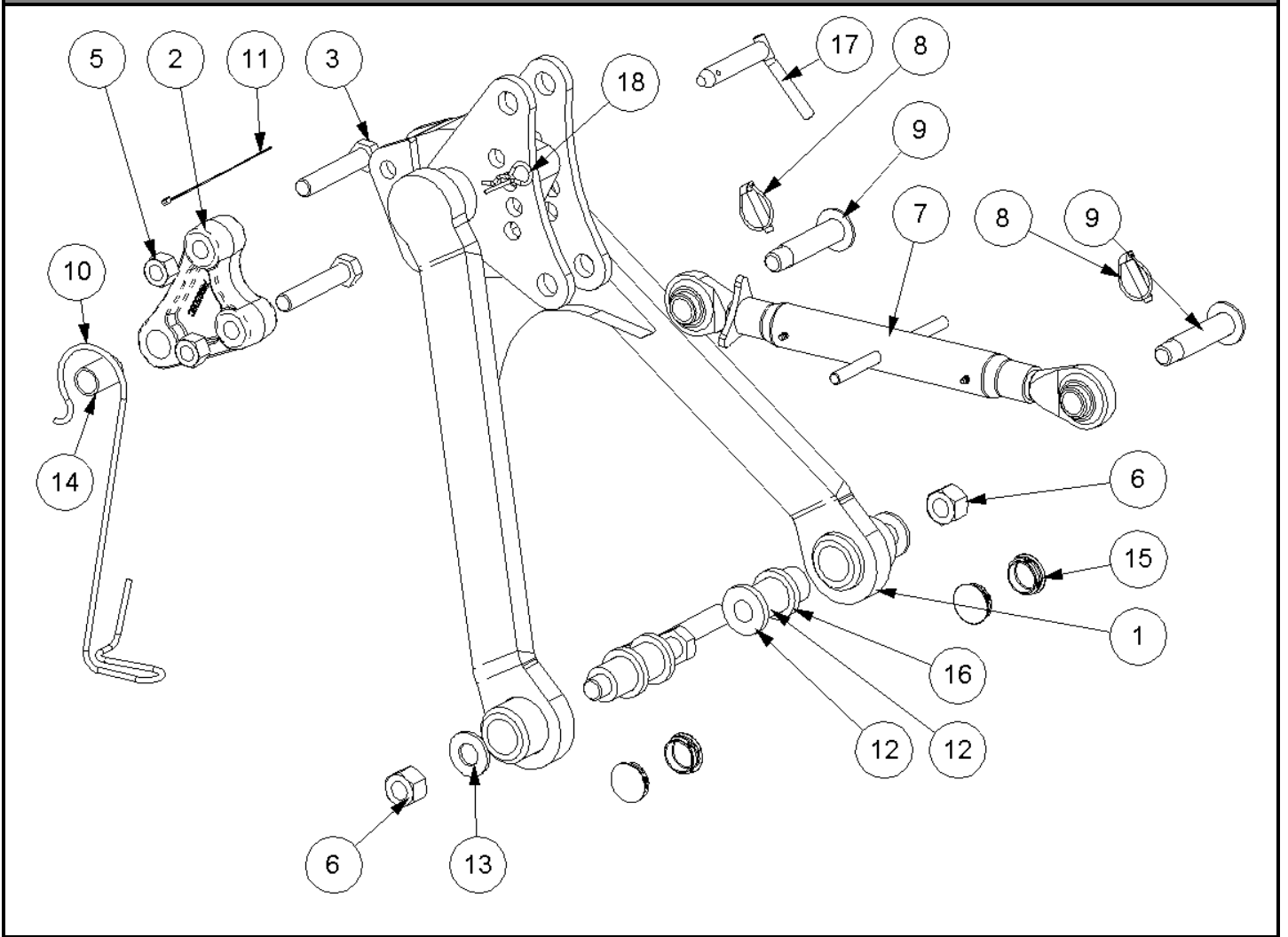
7458601 D - MAIN ARM MODEND



7458601 D - MAIN ARM MODEND

Ref	Part No	Description	Qty
1	21279.23	MAIN ARM -RH	1
1	23349.08	HOSE COVER WELDED ASSEMBLY	1
2	7115208	BUSH	2
3	45266.01	CAP	2
4	8600303	O-RING	2
5	9300159	SCREW	4
6	9213146	BOLT	1
7	9100206	WASHER	1
8	45202.08	PIN	1
9	43023.01	PIN	1
10	43074.01	PIN	1
11	9313065	SCREW	1
12	9163005	NUT	1
13	0901121	GREASER	3
14	0431105	PIN	1
15	42198.01	STUD	4
16	42024.31	HOSE CLAMP	2
17	42024.28	CLAMP	2
18	9113005	NUT	12
19	9100405	WASHER	16
21	21280.08	TENSION LINK	1
22	9100105	WASHER	8
23	9100025	NUT	4
24	08.297.05	BUSH	4
25	21388.01	INSERT	1
26	9501406	PIN	1
27	03.231.12	RUBBER EDGING	1

7499634 C - STABILIZER MODULE



7499634 C - STABILIZER MODULE

Ref	Part No	Description	Qty
1	41205.14	STABILIZER	1
2	7499506C	TONGUE STAB CAT 3 CAST	1
3	9213228	BOLT	2
4	9213309	BOLT	2
5	9163008	NUT	2
6	9163009	NUT	2
7	21370.01	TOP LINK	1
8	0431217	PIN	2
9	7560144	PIN	2
10	21160.03	HOOK	1
11	7196045	HOSE TIE	1
12	45999.05	SLEEVE	2
13	9100109	WASHER	2
14	21883.01	SLEEVE CAT 2-3	1
15	21388.01	INSERT	4
16	45999.04	SPACER	2
17	45784.01	PIN	1
18	0431105	PIN	1

SAFETY

Federal Laws and Regulations

This section is intended to explain in broad terms the concept and effect of federal laws and regulations concerning employer and employee equipment operators. This section is not intended as a legal interpretation of the law and should not be considered as such.

Employer-Employee Operator Regulations

U.S. Public Law 91-596 (The Williams-Steiger Occupational and Health Act of 1970) OSHA

This Act Seeks:

"...to assure so far as possible every working man and woman in the nation safe and healthful working conditions and to preserve our human resources..."

DUTIES

Sec. 5 (a) Each employer-

- (1) shall furnish to each of his employees employment and a place of employment which are free from recognized hazards that are causing or are likely to cause death or serious physical harm to his employees;
- (2) shall comply with occupational safety and health standards promulgated under this Act.
- (b) Each employee shall comply with occupational safety and health standards and all rules, regulations and orders issued pursuant to this Act which are applicable to his own actions and conduct.

OSHA Training Requirements

Title 29, Code of Federal Regulations Part 1928.57(a)(6). www.osha.gov

Operator instructions. At the time of initial assignment and at least annually thereafter, the employer shall instruct every employee who operates an agricultural tractor and implements in the safe operating practices and servicing of equipment with which they are or will be involved, and of any other practices dictated by the work environment.

Keep all guards in place when the machine is in operation;

Permit no riders on equipment

Stop engine, disconnect the power source, and wait for all machine movement to stop before servicing, adjusting, cleaning or unclogging the equipment, except where the machine must be running to be properly serviced or maintained, in which case the employer shall instruct employees as to all steps and procedures which are necessary to safely service or maintain the equipment.

Make sure everyone is clear of machinery before starting the engine, engaging power, or operating the machine.

Employer Responsibilities:

To ensure employee safety during Tractor and Implement operation, it is the employer's responsibility to:

1. Train the employee in the proper and safe operation of the Tractor and Implement.
2. Require that the employee read and fully understand the Tractor and Implement Operator's manual.
3. Permit only qualified and properly trained employees to operate the Tractor and Implement.
4. Maintain the Tractor and Implement in a safe operational condition and maintain all shields and guards on the equipment.
5. Ensure the Tractor is equipped with a functional ROPS and seat belt and require that the employee operator securely fasten the safety belt and operate with the ROPS in the raised position at all times.
6. Forbid the employee operator to carry additional riders on the Tractor or Implement.
7. Provide the required tools to maintain the Tractor and Implement in a good safe working condition and provide the necessary support devices to secure the equipment safely while performing repairs and service.
8. Require that the employee operator stop operation if bystanders or passersby come within 300 feet.

Child Labor Under 16 Years of Age

Some regulations specify that no one under the age of 16 may operate power machinery. It is your responsibility to know what these regulations are in your own area or situation. (Refer to U.S. Dept. of Labor, Employment Standard Administration, Wage & Home Division, Child Labor Bulletin #102.)



BUILT SHARPER®

An Alamo Group Company

1502 East Walnut St.
Seguin, TX 78155

Sales & Marketing

800-882-5762 830-379-0864 fax
support@alamo-industrial.com

Warranty Registration/Claims

www.alamoparts.com

Return Authorizations

Online Parts Orders

Technical Information

www.alamoparts.com

800-356-6286 800-322-5041 fax

www.alamo-industrial.com

