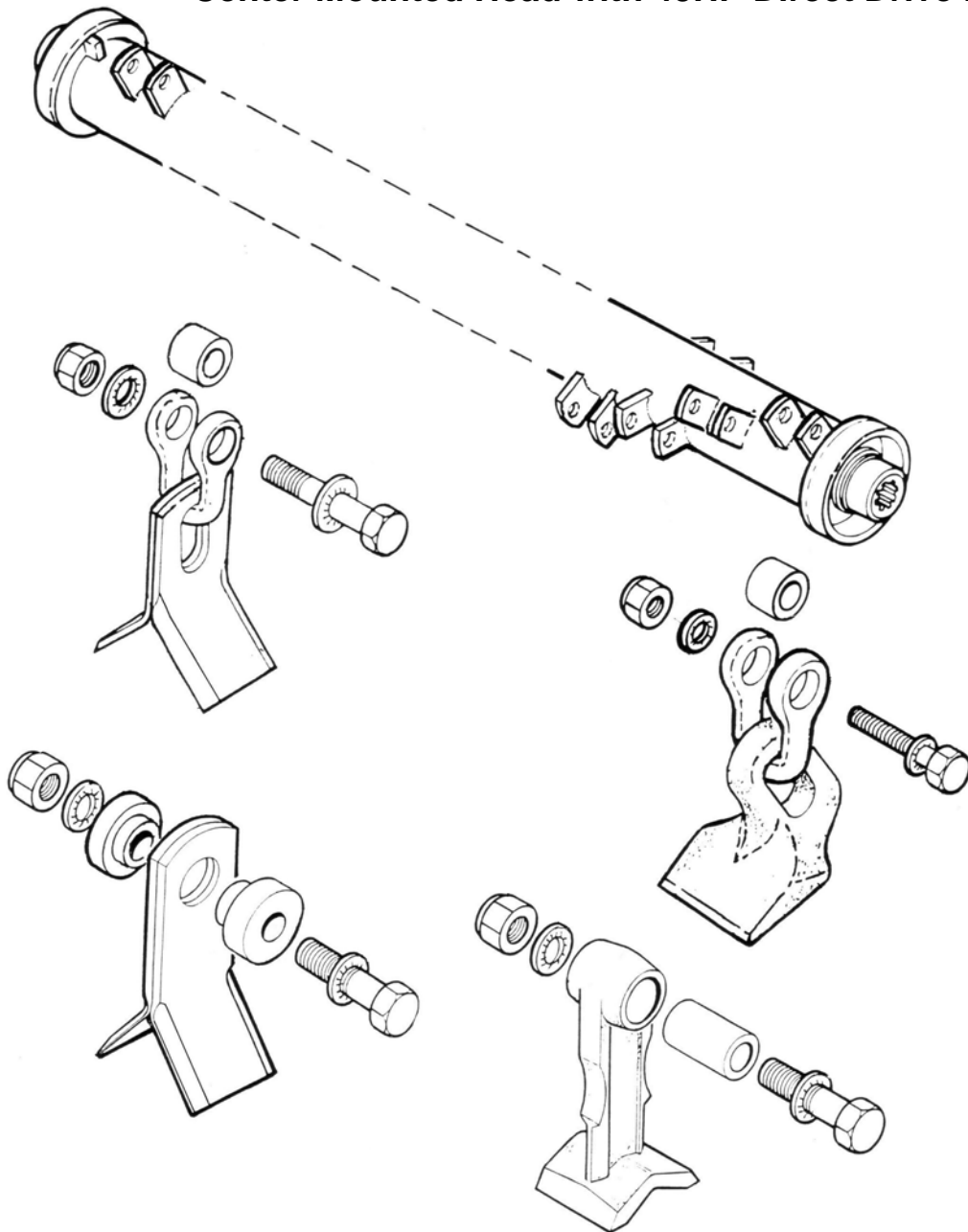


1.2M SUPERCUT FLAILHEAD

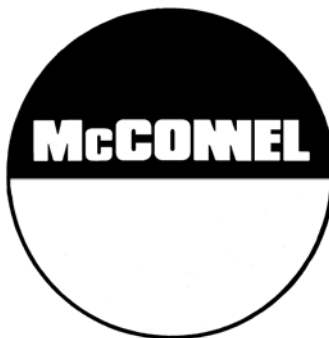


Parts Manual

Center Mounted Head with 45HP Direct Drive Motor



McCONEL



For best performance...
USE ONLY McCONNEL SERVICE PARTS
To be assured of the latest design improvements purchase your
'Genuine Replacements' from the **Original Equipment Manufacturer:**
McCONNEL LIMITED through your local Dealer or Stockist.

Always quote:

- **Machine Type**
- **Serial Number**
- **Part Number**

*Design Improvements may have altered some of the parts listed in this manual –
The latest part will always be supplied when it is interchangeable with an earlier one.*

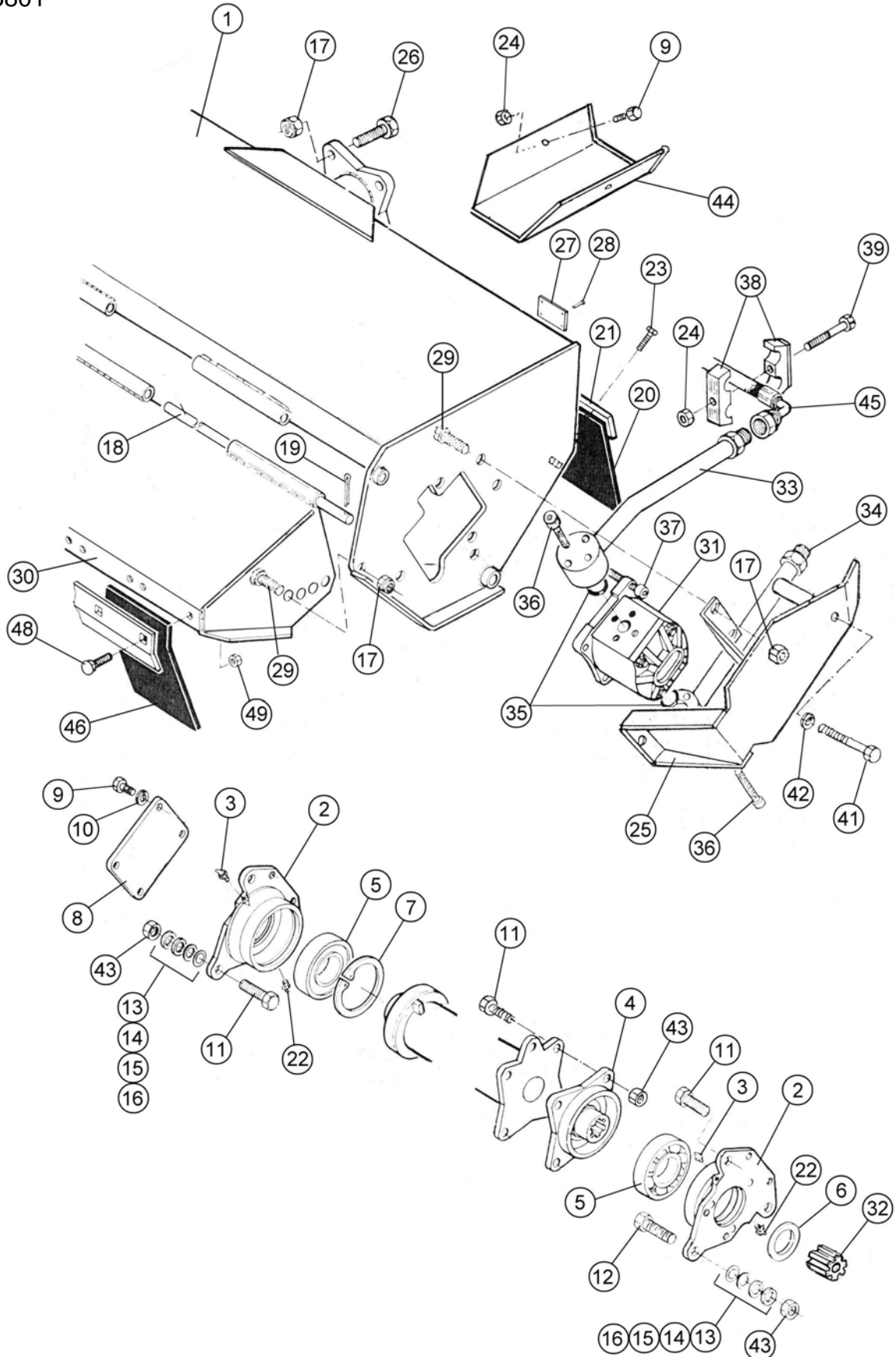


Genuine Parts ~ Quality Service



MAIN ASSEMBLY

Modules:
7345800
7345801

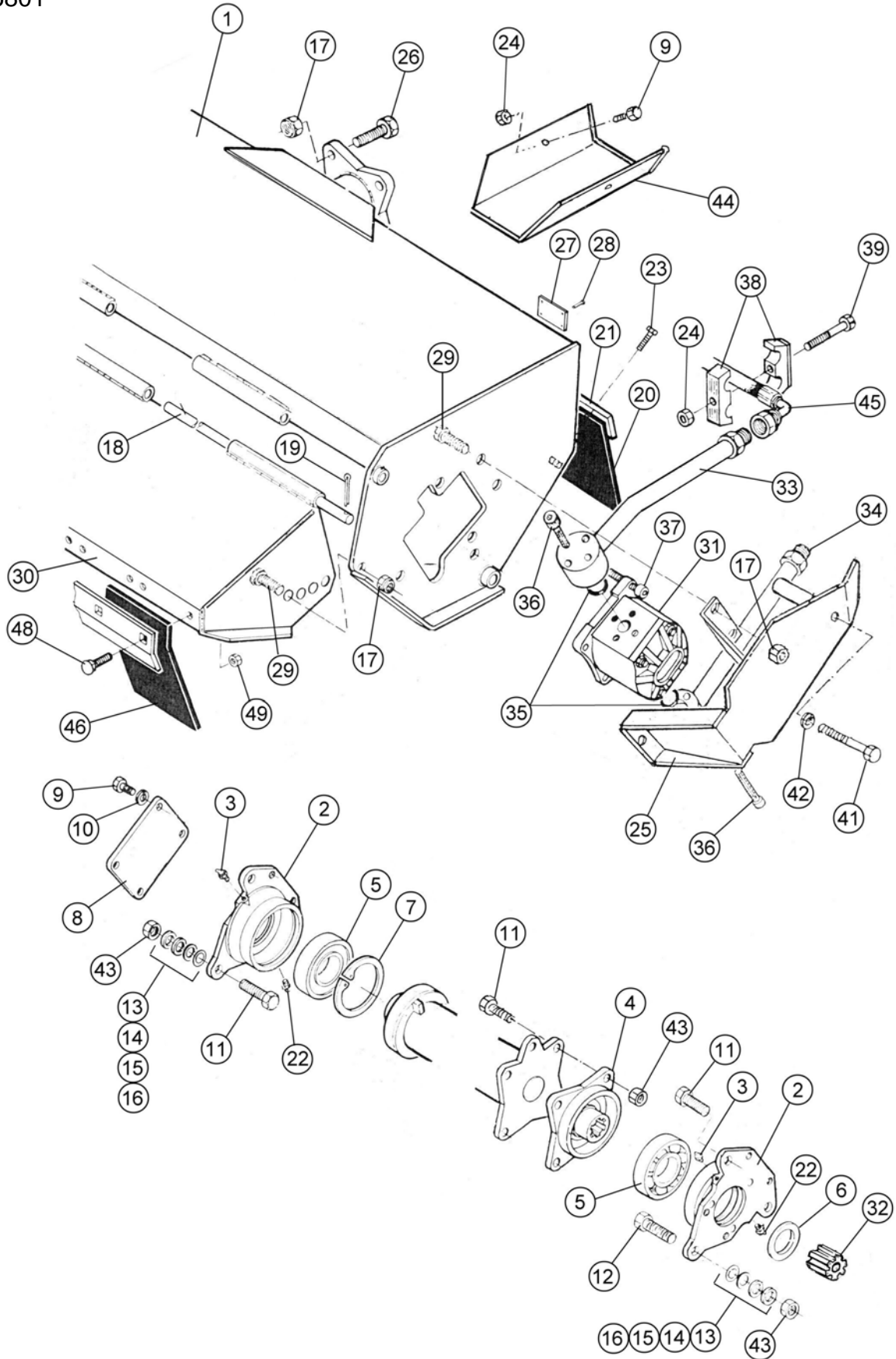


**MAIN ASSEMBLY**

REF.	QTY.	PART No.	DESCRIPTION
		7345800	1.2M CENTER MOUNT S/CUT FLAILHEAD
1	1	7192388	FLAIL CASING
2	2	7190261	BEARING HOUSING
3	2	0901124	GREASER - ANGLED
4	1	7191391	DRIVE HUB
5	2	0600018	BEARING
6	1	7190015	MOTOR LOCATING WASHER
7	2	7190022	INTERNAL CIRCLIP
8	1	7190444	COVER PLATE
9	4	9313045	SETSCREW
10	4	9100205	SPRING WASHER
11	3	0211166	BOLT - SPECIAL
12	5	0211146	BOLT - SPECIAL
13	<i>as req.</i>	8121044	SHIM - 0.24"
14	<i>as req.</i>	8121043	SHIM - 0.016"
15	<i>as req.</i>	7191099	SHIM - 2.5mm
16	<i>as req.</i>	7191098	SHIM - 1.5mm
17	18	0141006	SELF-LOCKING NUT
18	1	7191116	HOOD PIVOT PIN
19	1	9501406	SPLIT PIN
20	1	7191361	REAR FLAP
21	1	7191362	CLAMP STRIP
22	2	0901121	GREASER - STRAIGHT
23	12	9313055	SETSCREW
24	13	9143005	SELF-LOCKING NUT
25	1	42282.02	MOTOR COVER
26	4	0211186	BOLT - SPECIAL
27	1	1335246	SERIAL No. PLATE
28	4	7103230	POP RIVET
29	4	0311126	SETSCREW
30	1	7191352	FRONT HOOD
31	1	8301281	HYDRAULIC MOTOR
32	1	7190573	SPLINED DRIVE COUPLING
33	1	7190376	RIGID PIPE - UPPER
34	1	7190377	RIGID PIPE - LOWER
35	2	8600121	O RING
36	6	9300014	CAPSCREW
37	4	9300144	CAPSCREW
38	1	7190148	HOSE CLAMP (PAIR)
39	1	9213165	BOLT
40	1	10.010.18	HOSE - 3/4" BSP FS/F90 x 900mm

MAIN ASSEMBLY

Modules:
7345800
7345801



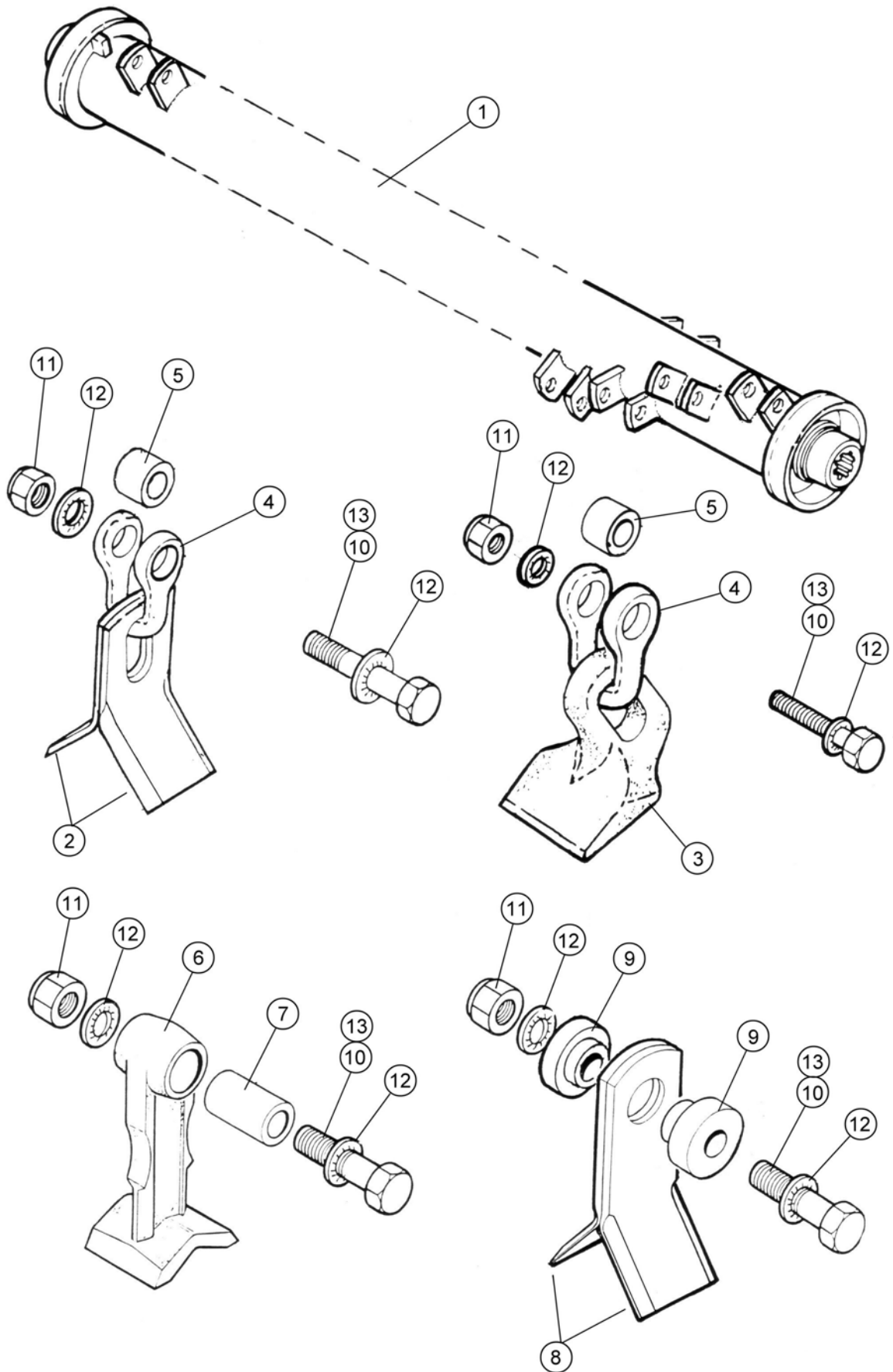


MAIN ASSEMBLY

REF.	QTY.	PART No.	DESCRIPTION
41	1	0211446	BOLT
42	1	0100206	SPRING WASHER
43	4	0311126	SELF-LOCKING NUT
44	1	7198333	HOSE TRAY
45	1	8538015	HOSE - 3/4" BSP SF/F90 x 33"
		7290375	FRONT FLAP KIT
46	8	7290053	FRONT FLAP
47	1	7190304	CLAMP
48	16	9293054	BOLT
49	16	9143004	SELF-LOCKING NUT
		8699236	SEAL KIT for Hydraulic Motor

ROTOR & FLAIL OPTIONS

Module:
7191382 – 1.2m Rotor





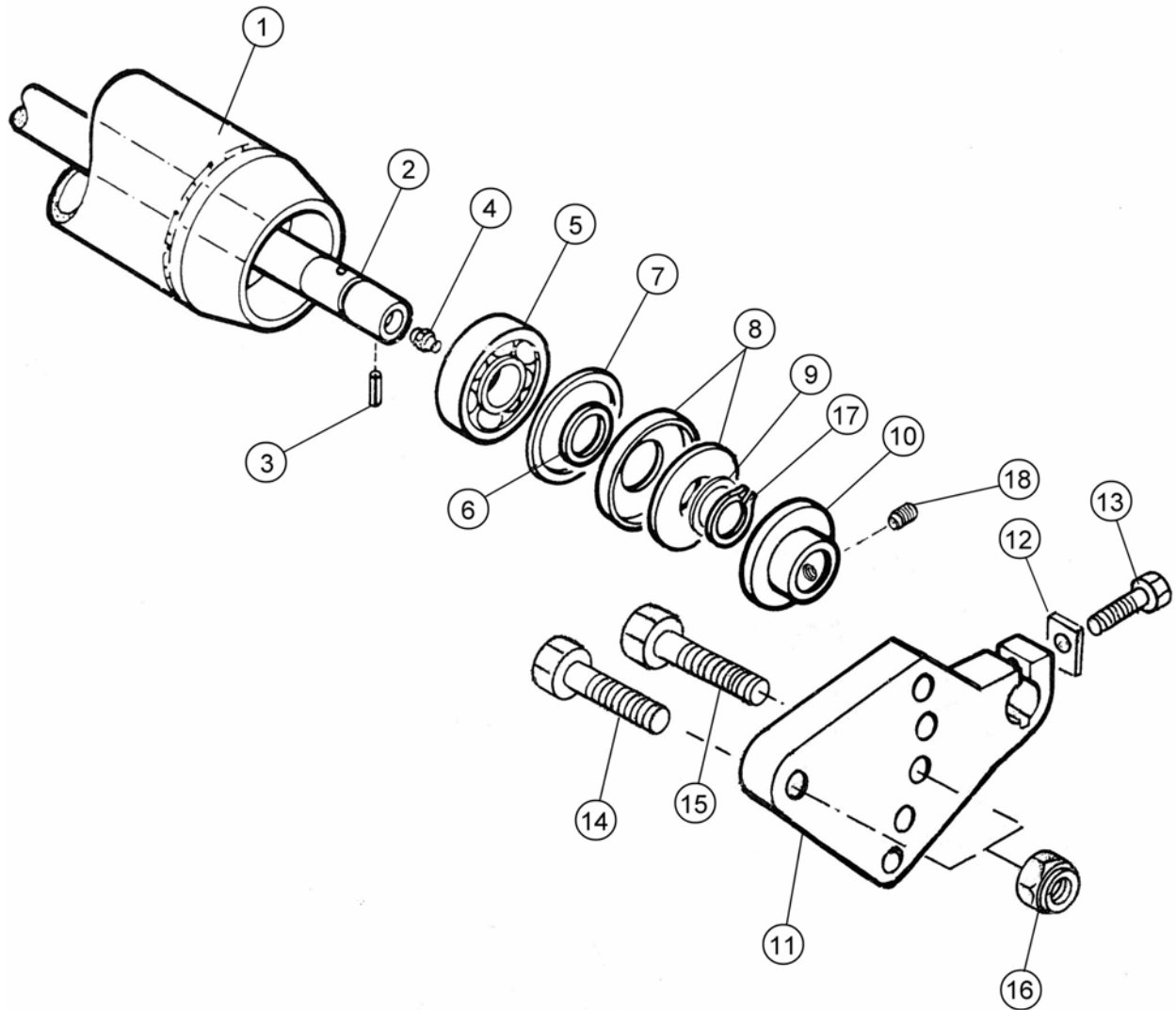
ROTOR & FLAIL OPTIONS

REF.	QTY.	PART No.	DESCRIPTION
			ROTOR & FLAILS OPTIONS
1	1	7191382	ROTOR - 1.2M
2	48	7190166	FLAIL
3	24	7190462	FLAIL
4	24	7191138	SHACKLE
5	24	7191139	SPACER
6	24	7191320	FLAIL
7	24	7191054	SPACER
8	48	7190315	FLAIL
9	48	7191095	BUSH
10	22	7191109	SPECIAL BOLT
11	24	0141005	SELF-LOCKING NUT
12	48	0100305	SHAKEPROOF WASHER - INTERNAL
13*	2	7114082	SPECIAL BOLT

* *Note: These items are used on end lugs only.*

ROLLER ASSEMBLY

Module:
7198392 – Roller Assembly

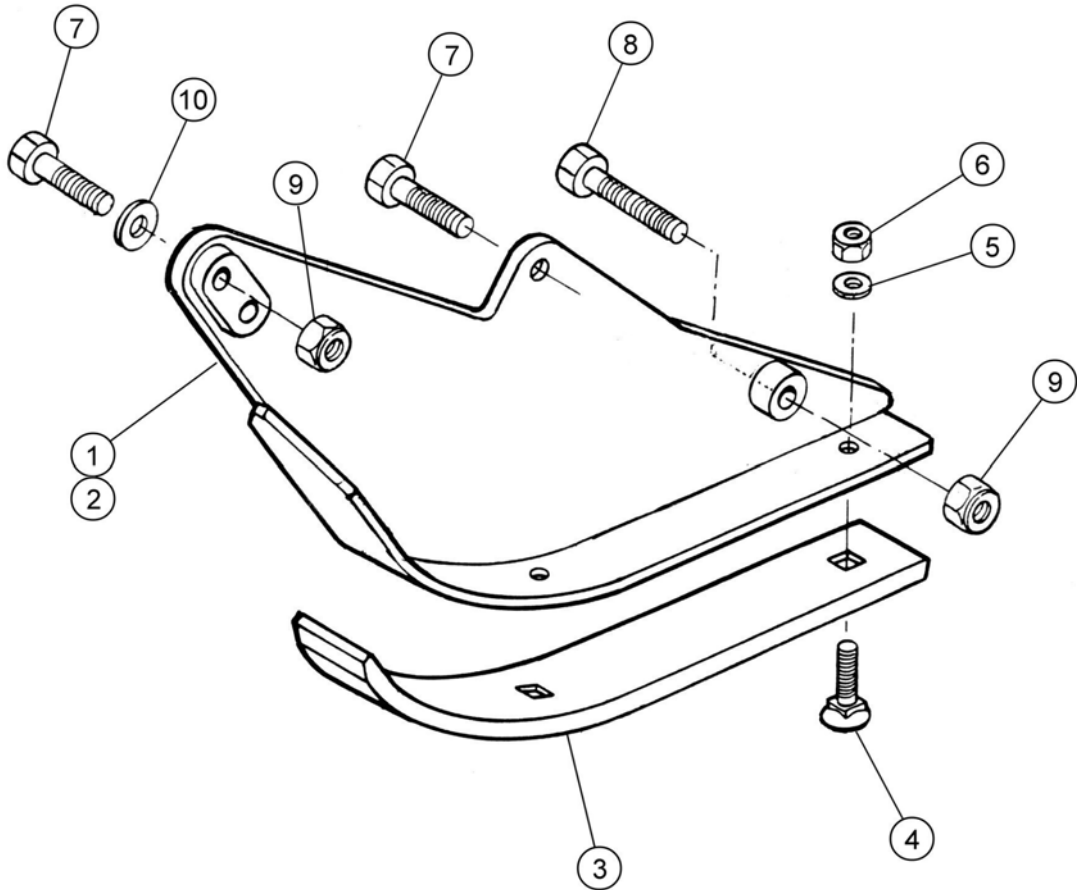


**ROLLER ASSEMBLY**

REF.	QTY.	PART No.	DESCRIPTION
		7198392	ROLLER ASSEMBLY
1	1	7191359	ROLLER
2	1	7191360	AXLE
3	1	0425408	SPRING DOWEL
4	2	0901121	GREASER - STRAIGHT
5	2	0600088	BEARING
6	2	7191092	SPACER WASHER - SMALL
7	2	7191093	SPACER WASHER - LARGE
8	2	7191091	SEALING WASHER SET
9	<i>as req'd</i>	7191107	ROLLER SHIM
10	2	7191285	ROLLER SPACER
11	2	7191378	ROLLER BRACKET
12	2	41777.01	TAB WASHER
13	2	0211165	BOLT
14	2	0211166	SETSCREW
15	2	0211186	SETSCREW
16	4	0141006	SELF-LOCKING NUT
17	2	0401225	EXTERNAL CIRCLIP
18	1	9300146	GRUBSCREW

SKID KIT (Optional Extra)

Module:
7198374



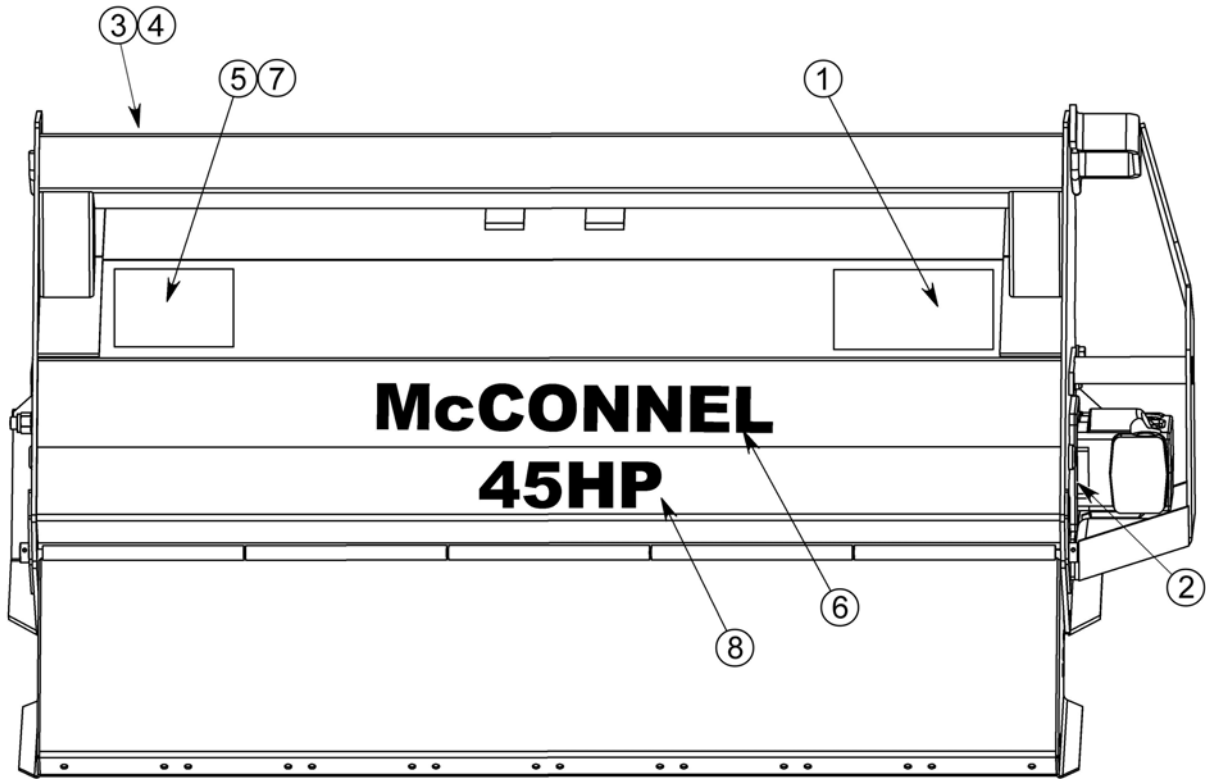


SKID KIT (Optional Extra)

REF.	QTY.	PART No.	DESCRIPTION
		7198374	SKID KIT
1	1	7198368	SKID - L/H
2	1	7198369	SKID - R/H (<i>not illustrated</i>)
3	2	7290391	WEAR SKID
4	6	6012034	TINE BOLT
5	6	0100104	PLAIN WASHER
6	6	0142004	SELF-LOCKING NUT
7	4	0311106	SETSCREW
8	2	0311126	SETSCREW
9	4	0141006	SELF-LOCKING NUT
10	6	0100106	PLAIN WASHER

DECALS

Module:
7191368





DECALS

REF.	QTY.	PART No.	DESCRIPTION
		7191368	DECAL KIT
1	1	1290341	DECAL - FLAIL GUARDING
2	1	1290392	DECAL - PARTS INFORMATION
3	1	1335246	SERIAL No. PLATE
4	4	7103230	POP RIVETS
5	1	09.810.01	DECAL - GREASING (8hrs)
6	1	1290527	DECAL - McCONNEL
7	1	1290462	DECAL - FLAIL WARNING
8	1	1290509	DECAL - 45HP