



**SHD** (Super Heavy Duty)

SHD62 / SHD74 / SHD88 / SHD96/ SHD112

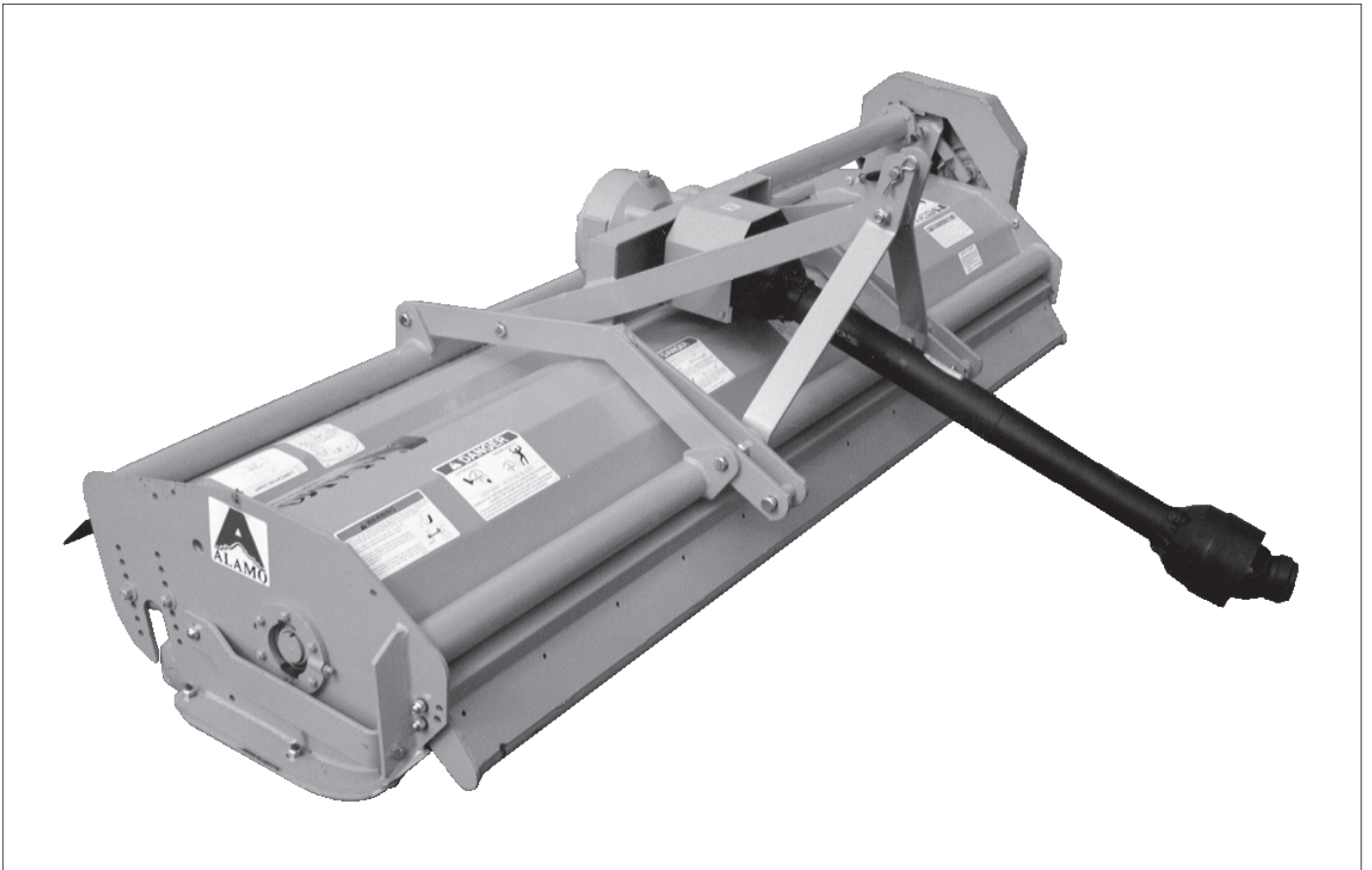
Flail Mower



Rev 06-20

Part No. 803211P

# PARTS MANUAL




**ALAMO INDUSTRIAL**

1502 E. Walnut  
Seguin, Texas 78155  
830-372-9595

**¡ATENCIÓN!** LEA EL INSTRUCTIVO

Si No Lee Ingles, Pida Ayuda a Alguien  
Que Si Lo Lea Para Que le Traduzca las  
Medidas de Seguridad.



An Operator's Manual was shipped with the equipment in the Manual Canister. This Operator's Manual is an integral part of the safe operation of this machine and must be maintained with the unit at all times. **READ, UNDERSTAND, and FOLLOW** the Safety and Operation Instructions contained in this manual before operating the equipment. If the Operator's Manual is not with the equipment, contact your dealer or Alamo Industrial (800-356-6286) to obtain a Free copy before operating the equipment.



# BOLT TORQUE

Mounting procedures for mowers will require a significant amount of bolt nut and washer installation.

Frame and structure mounting bolts should be installed using *Red Loctite*, and torqued to the dry values listed in the torque chart based on the bolt size and hardness.

Other structures such as pump mounting bolts should be installed with *Blue Loctite* and torqued to the dry values indicated in the chart.

Bolt tightness should be completed with and checked with a suitable torque wrench.

Torque checks should be completed throughout the life of the mower in accordance with the maintenance chart provided in this manual.



Loose bolts on a frame or in a casting may be a result of:

- Vibration from the mower due to imbalance of the mower blades
- Pulled threads due to over tightening
- Distortion of the hole due to under tightening during installation

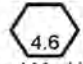
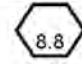
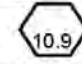
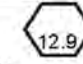
Bolts broken or sheared in the mounting structure or tractor may be the result of:

- Improper alignment of the Mounting Plate or Structure such that it is not sitting flat on the mating surface
- Distortion of the bolt due to over-tightening
- Under tightening of the bolts

Check the bolt torque during installation and prior to delivery with a suitable torque wrench.

Bolt Diameter		
	Head Marking Three Lines Grade Five	Head Marking Six Lines Grade Eight
	Pound - Foot Value Dry	Pound - Foot Value Dry
1/4"	7	10
5/16"	15	22
3/8"	26	39
7/16"	42	60
1/2"	64	88
9/16"	100	134
5/8"	128	180
3/4"	227	320
7/8"	365	515
1"	547	772

To get Newton-Meters multiply pound-foot of torque by 1.356

Bolt Diameter				
	Head Marking 4.6	Head Marking 8.8 or 9.8	Head Marking 10.9	Head Marking 12.9
	Pound - Foot Value Dry	Pound - Foot Value Dry	Pound - Foot Value Dry	Pound - Foot Value Dry
6mm	3	7	9	10
8mm	6.2	16	23	24
10mm	12	32	45	47
12mm	21	55	79	81
14mm	34	88	126	130
16mm	53	137	196	202
18mm	73	189	270	279
20mm	104	267	382	394
22mm	141	364	520	537
24mm	179	461	660	680
27mm	262	676	968	998
30mm	355	917	1312	1353

# TO THE OWNER/OPERATOR/DEALER

All implements with moving parts are potentially hazardous. There is no substitute for a cautious, safe-minded operator who recognizes the potential hazards and follows reasonable safety practices. The manufacturer has designed this implement to be used with all its safety equipment properly attached to minimize the chance of accidents.

**BEFORE YOU START!!** Read the safety messages on the implement and shown in your manual.  
Observe the rules of safety and common sense!

## ! DANGER

**FAILING TO FOLLOW SAFETY MESSAGES AND OPERATING INSTRUCTION CAN CAUSE SERIOUS BODILY INJURY OR EVEN DEATH TO OPERATOR AND OTHERS IN THE AREA.**

<p>1.</p> 	<p>2. NO RIDERS. NO CHILDREN OPERATORS</p> 	<p>3. USE SAFETY SHOES, HARD HAT, SAFETY GLASSES, SEAT BELTS, ROPS &amp; OPS.</p> 	<p>4. BLOCK UP SECURELY BEFORE WORKING UNDER.</p> 
---	--	--	---

1. Study and understand Operator's Manuals, Safety Decals, and Instructional Decals for tractor and implement to prevent misuse, abuse, and accidents. Practice before operating in a confined area or near passersby.
  - Learn how to stop engine suddenly in an emergency. Be alert for passersby and especially children.
2. Allow no children on or near folding mower or tractor. Allow no riders on tractor or implement. Falling off may cause serious injury or death from being run over by tractor or mower or contact with rotating blades.
3. Operate only with tractor having Roll-Over Protective Structure (ROPS) and with seat belt securely fastened to prevent injury and possible death from falling off or tractor overturn.
  - Personal Protective Equipment such as Hard Hat, Safety Glasses, Safety Shoes, & Ear Plugs are recommended.
4. Block up or support raised machine and all lifted components securely before putting hands or feet under or working underneath any lifted component to prevent crushing injury or death from sudden dropping or inadvertent operation of controls. Make certain area is clear before lowering or folding.
5. Before transporting, put Lift Lever in detent or full-lift position. Install Transport Safety Devices securely on folding mowers. Put Booms securely in Transport Rest.
  - Folding and Boom Mowers have raised center of gravity. Slow down when turning and on hillsides.
6. Make certain that SMV sign, warning lights, and reflectors are clearly visible. Follow local traffic codes.
7. Never operate with Cutting Head or Folding Section raised if passersby, bystanders, or traffic are in the area to reduce possibility of injury or death from objects thrown by Blades under Guards or mower structure.
8. Before dismounting, secure implement in transport position or lower to ground.
  - Put tractor in park or set brake, disengage PTO, stop engine, remove key, and wait until noise of rotation has ceased to prevent crushing by entanglement in rotating parts which could cause injury or death.
  - Never mount or dismount a moving vehicle. Crushing from runover may cause serious injury or death.

<p>5. TRANSPORT SAFELY, LOCK UP.</p> 	<p>6. USE SMV, LIGHTS, &amp; REFLECTORS.</p> 	<p>7. DO NOT OPERATE WITH CUTTER OR WING RAISED</p> 	<p>8. DO NOT MOUNT OR DISMOUNT WHILE MOVING.</p> 
--	--	--	--

02967827

## WARRANTY INFORMATION:

Read and understand the complete Warranty Statement found in this Manual. Fill out the Warranty Registration Form in full and return it within 30 Days. Make certain the Serial Number of the Machine is recorded on the Warranty Card and on the Warranty Form that you retain. The use of "will-fit" parts will void your warranty and can cause catastrophic failure with possible injury or death.

# CHANGE PAGES

<b>Date of Change</b>	<b>Page Number</b>	<b>Description of Change</b>
04-03-2013	(EX - chg pages 17, 23, 137)	
04-03-2013	document release date	
02-21-2014	chg pgs 26,40,52	
06-02-2015	chg pgs 26,40,52	
10-23-2015	chg pg 32	
11-19-2015	chg pgs 54-58	
06-02-2016	added pgs 60-66	
08-08-2016	added pg 60-62	
10-17-2016	chg pgs 24,38,44	
12-12-2016	chg pg 10	
03-06-2017	added pgs 64-70	
07-24-2017	chg pages 64-66	swapped bom and art
08-21-2017	added pg 8	ecn 27923 added art and bom
09-18-2017	added pgs 65,74-76	ecn 27995 added art and boms
08-16/2018	chg pgs 23,37,51	NS00798 added ES knives\
03-13-2019	chg pg 87	Ecn 28448
05-20-2020	chg pg 68-70	ECN 28759
06-04-2020	created pages 16 & 17	ECN 28833



## CHANGE PAGES

The following is a listing of pages that have been changed since the latest publication date for the overall document.

# PARTS ORDERING GUIDE

The following instructions are offered to help eliminate needless delay and error in processing purchase orders for the equipment in this section.

1. The Parts Section is prepared in logical sequence and grouping of parts that belong to the basic machine featured in this manual. Part Numbers and Descriptions are given to help locate the parts and quantities required.
2. The Purchase Order must include the name and address of the person or organization ordering the parts, who should be charged, and if possible, the serial number of the machine for which the parts are ordered.
3. The Purchase Order must clearly list the quantity of each part, the complete and correct part number (be sure to include all periods), and the basic name of the part.
4. The Manufacturer reserves the right to substitute parts where applicable.
5. Some parts are unlisted items which are special production items not normally stocked and are subject to special handling. Request a quotation for such parts before sending a Purchase Order.
6. The Manufacturer reserves the right to change prices without prior notice.

**Note:** *Please refer to The Safety Section in the front of this Manual for the proper part number when ordering replacement safety decals.*



For maximum safety and to guarantee optimum product reliability, always use genuine Alamo Industrial Parts. The use of inferior replacement parts may cause premature or catastrophic failure which could result in serious injury or death. Direct any questions regarding parts to:



## ALAMO INDUSTRIAL

1502 E. Walnut  
Seguin, Texas 78155  
830-379-1480

## PART NAME INDEX

CLUTCH ASY P/N 001461.....	5
CLUTCH ASY P/N 00754320.....	6
CLUTCH ASY P/N 00769131.....	7
DRIVELINE ASY P/N 001863 NEW STYLE.....	8
DRIVELINE ASY P/N 001863 OLD STYLE (ARCHIVED).....	10
DRIVELINE ASY P/N 702300.....	12
GEARBOX ASY P/N 702673.....	14
MOTOR ASY LH REV ROT P/N 32121102.....	16
MOTOR ASY RH REV ROT P/N 32121101.....	17
MOWER ASY - SHD 62 - 74 (PART 1).....	19
MOWER ASY - SHD 62 - 74 (PART 2).....	21
MOWER ASY - SHD 62 - 74 (PART 3).....	23
MOWER ASY - SHD 62 - 74 (PART 4).....	26
MOWER ASY - SHD 62 - 74 (PART 5).....	28
MOWER ASY - SHD 62 - 74 (PART 6).....	30
MOWER ASY - SHD 62 - 74 A - FRAME CAT II.....	32
MOWER ASY - SHD 88 (PART 1).....	34
MOWER ASY - SHD 88 (PART 2).....	36
MOWER ASY - SHD 88 (PART 3).....	38
MOWER ASY - SHD 88 (PART 4).....	40
MOWER ASY - SHD 88 (PART 5).....	42
MOWER ASY - SHD 88 (PART 6).....	44
MOWER ASY - SHD 88 A - FRAME CAT II.....	46
MOWER ASY - SHD 96 (PART 1).....	48
MOWER ASY - SHD 96 (PART 2).....	50
MOWER ASY - SHD 96 (PART 3).....	52
MOWER ASY - SHD 96 (PART 4).....	54
MOWER ASY - SHD 96 (PART 5).....	56
MOWER ASY - SHD 96 A - FRAME CAT II.....	58
MOWER ASY - SHD 112 (PART 1).....	60
MOWER ASY - SHD 112 (PART 2).....	62
MOWER ASY - SHD 112 CUTTER HOUSING ASSEMBLY COURSE CUT KNIVES PN 02995644.....	64
MOWER ASY - SHD 112 CUTTER HOUSING ASSEMBLY EXTREME SERVICE KNIVES PN 02996549.....	66
MOWER ASY - SHD 112 CUTTERSHAFT ASSEMBLY EXTREME SERVICE KNIVES PN 02996550.....	68
MOWER ASY - SHD 112 CUTTER HOUSING ASSY OFFSET RIGHT EXTREME SERVICE KNIVES PN 02997708.....	69
MOWER ASY - SHD 112 CUTTER HOUSING ASSEMBLY REVERSE ROTATION PN 32121090 (PART 1).....	71
MOWER ASY - SHD 112 CUTTER HOUSING ASSEMBLY REVERSE ROTATION PN 32121090 (PART 2).....	73
MOWER ASY - SHD 112 CUTTER HOUSING SUB ASSEMBLY REVERSE ROTATION PN 02997082.....	75
MOWER ASY - SHD 112 CUTTERSHAFT ASSEMBLY REVERSE ROTATION PN 02997080.....	77
MOWER ASY - SHD 112 6 INCH OFFSET RIGHT PN 02997707 (PART 1).....	78

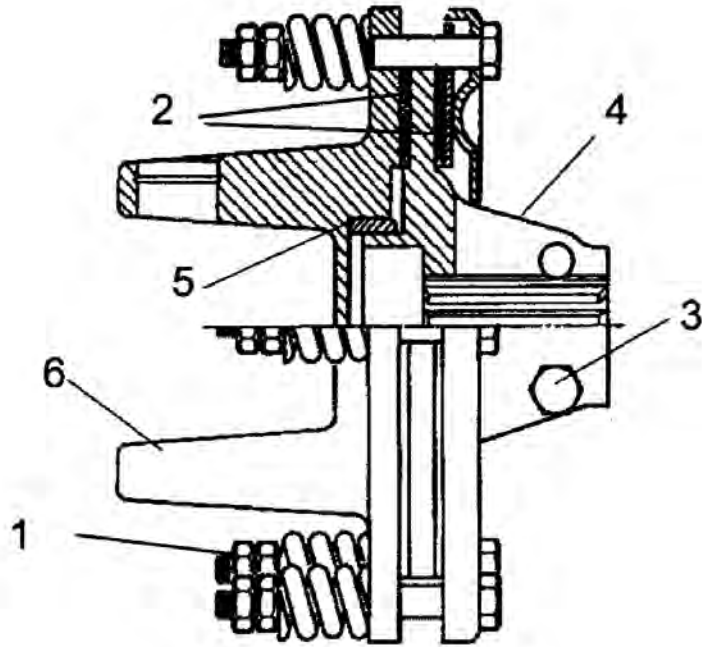


# PART NAME INDEX

MOWER ASY - SHD 112 6 INCH OFFSET RIGHT PN 02997707 (PART 2).....	80
MOWER ASY - SHD 112 6 INCH OFFSET PN 02996301 (PART 1).....	82
MOWER ASY - SHD 112 6 INCH OFFSET PN 02996301 (PART 2).....	84
MOWER ASY - SHD 112 6 INCH OFFSET SUB ASSEMBLY PN 02996302.....	86
MOWER ASY - SHD 112 6 INCH OFFSET WELDMNT PN 02996303.....	88
OPTIONAL CASTER WHEELS.....	90
OPTIONAL CHECK CHAINS.....	92
OPTIONAL EQUIPMENT.....	93

CLUTCH ASY P/N 001461

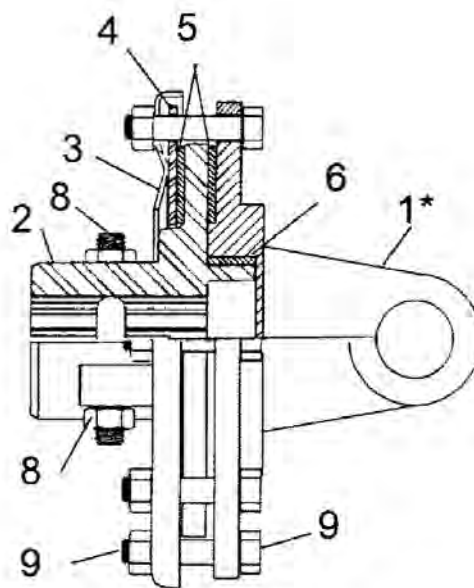
This Clutch used on Driveline P/N 702300 on S/N 13181 thru S/N 13281 only, this clutch was not used on the SHD 96 at all. To ID this clutch check length of the coil springs before tightening, they are about 1-3/16" long before tightening.



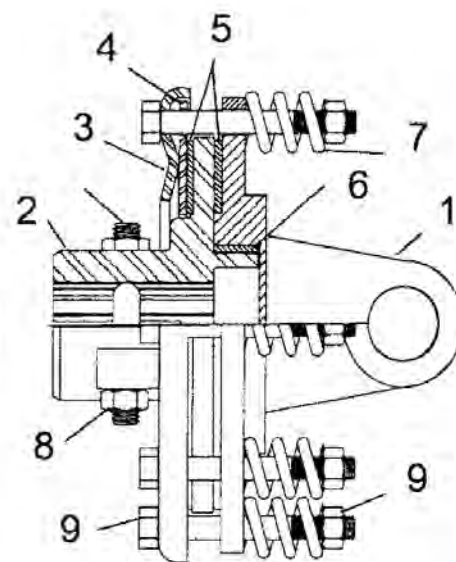
ITEM	PART NO.	QTY.	DESCRIPTION
	001461	1	CLUTCH ASY, 8 SPRING
1	001499	1	SPRING KIT, W/ 8 SPRINGS & FASTENERS
2	001500	2	FRICTION DISC
3	0020807	2	TAPERED PIN & NUT
4	001747	1	CLUTCH HUB, 1-3/8 X 6 SPLINE
5	002467	1	SPACER
6	001748	1	FLANGE YOKE

## CLUTCH ASY P/N 00754320

The clutch asy without springs P/N 00754320A is obsolete. If you have a clutch like this without springs a conversion kit P/N 00773222 is available to install on the springless clutch to convert it to the spring type.



Without Springs

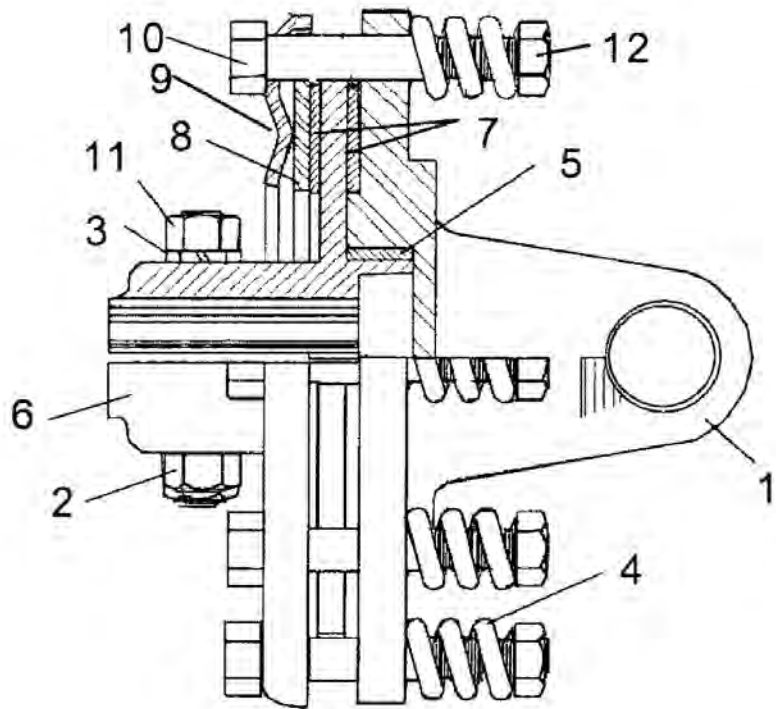


With Springs

ITEM	PART NO.	QTY.	DESCRIPTION
	00754320	-	CLUTCH ASY, W/ COIL SPRINGS
	00754320A	-	CLUTCH ASY, W/O COIL SPRINGS (OBSOLETE)
1	00754302	1	FLANGE YOKE
2	00754317	1	CLUTCH SUPPORT
3	00766810	1	PRESSURE PLATE
4	00754314	1	PLATE W/ HOLES
5	00754202	2	FRICTION DISC LINING
6	00754301	1	BUSHING
7	00754315	8	COIL SPRINGS
8	00752903	2	NUT & BOLT
9	00754316	8	NUT & BOLT
10	00773222	-	COIL SPRING CONVERSION KIT F/ CLUTCH ASY P/N 00754320A

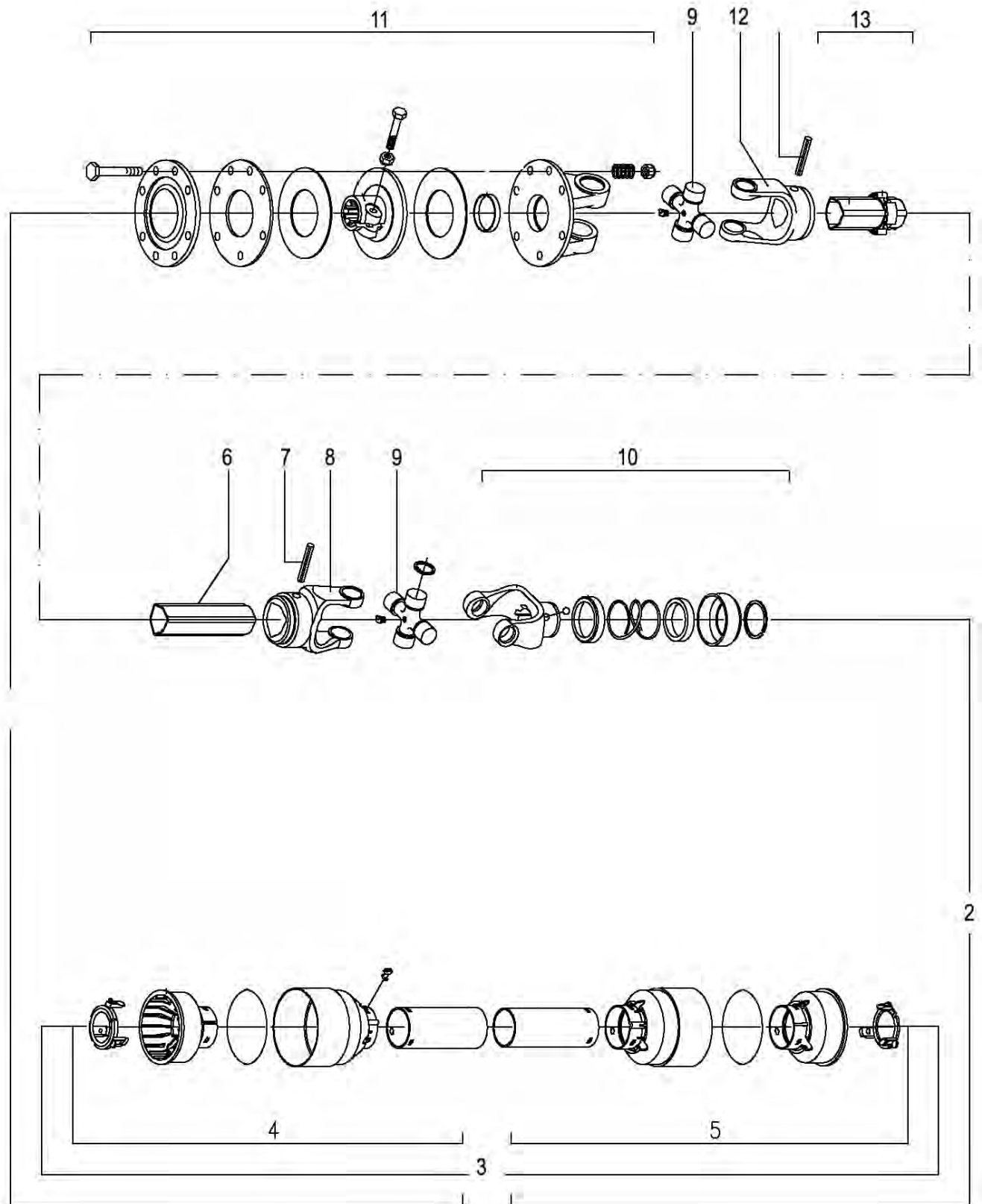
## CLUTCH ASY P/N 00769131

This Clutch used on Driveline P/N 001863 but was discontinued and is listed for replacement parts only. To ID this clutch check the Springs, there are 8 springs and they are grouped in pairs of two for the spacing between them



ITEM	PART NO.	QTY.	DESCRIPTION
	00769131	1	CLUTCH ASY, 8 SPRING UNEAUAL SPACING
1	00769137	1	FLANGE YOKE
2	02965273	2	BOLT
3	00762420	2	LOCKWASHER
4	00769136	8	SPRING
5	00762528	1	BUSHING
6	00769135	1	HUB, 1-3/8" X 6 SPLINE
7	00769120	2	FRICTION DISC
8	00769134	1	INSIDE PLATE
9	00769133	1	PRESSURE PLATE
10	00762523	8	BOLT
11	00762372	2	NUT
12	00756024	8	LOCKNUT

DRIVELINE ASY P/N 001863 NEW STYLE



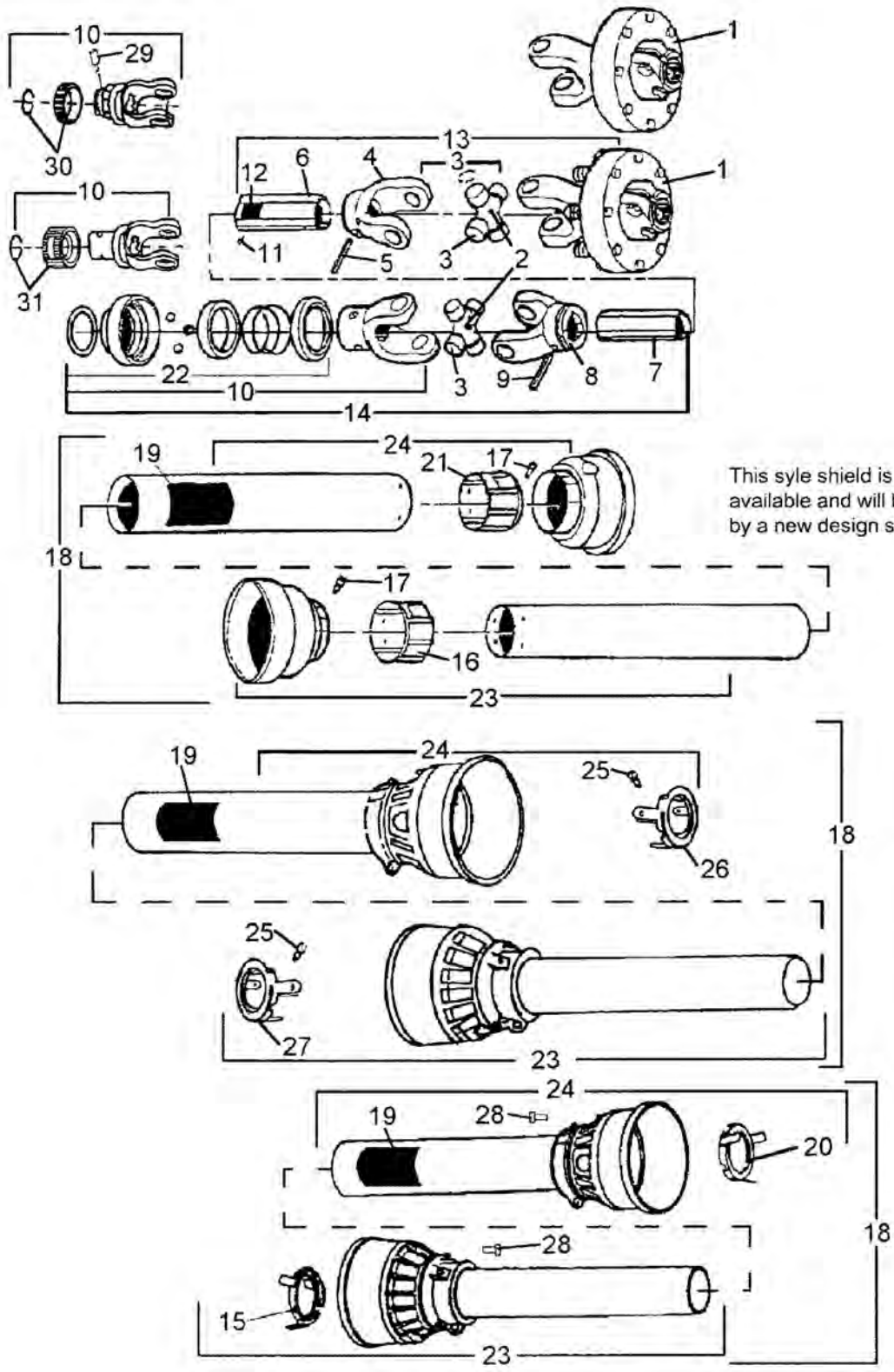
**DRIVELINE ASY P/N 001863 NEW STYLE**

**Continued...**

<b>ITEM</b>	<b>PART NO.</b>	<b>QTY.</b>	<b>DESCRIPTION</b>
1	02997642	1	ASY, D/L, S60 W/ GUARD, OUTER
2	02997641	1	ASY, D/L, S60 W/ GUARD, INNER
3	00760250	1	COMPLETE SHIELD
4	00760249A	1	HALF OUTER SHIELD
5	00760248A	1	HALF INNER SHIELD
6	00760243	1	INNER TUBE
7	00754167	1	PIN,ROLL 10MM X 75MM
8	00754153	1	YOKE INNER #6
9	00752896	2	KIT,CROSS & BEARING,SERIES 6
10	00752883	1	YOKE,1-3/8-6 #6 SLID
11	00754320	1	CLUTCH, 2 PLATE, 1-3
12	00754154	1	YOKE,OUTER TUBE #6
13	00760242	1	OUTER TUBE



DRIVELINE ASY P/N 001863 OLD STYLE (ARCHIVED)



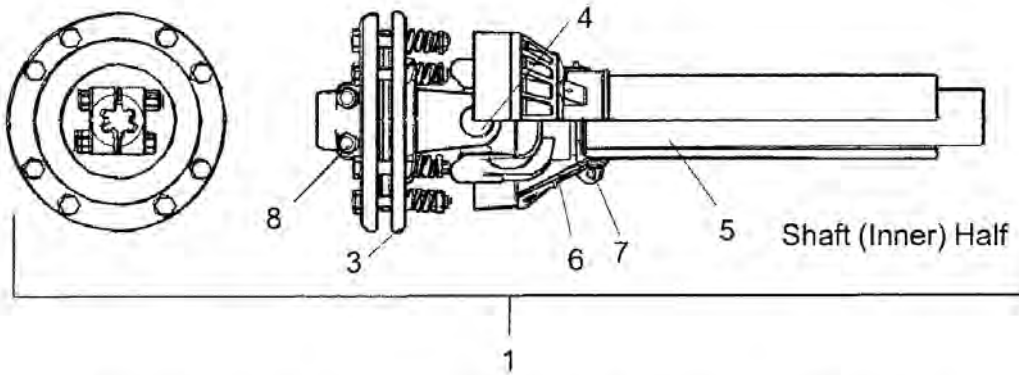
This style shield is no longer available and will be replaced by a new design shown below.

## DRIVELINE ASY P/N 001863 OLD STYLE (ARCHIVED)

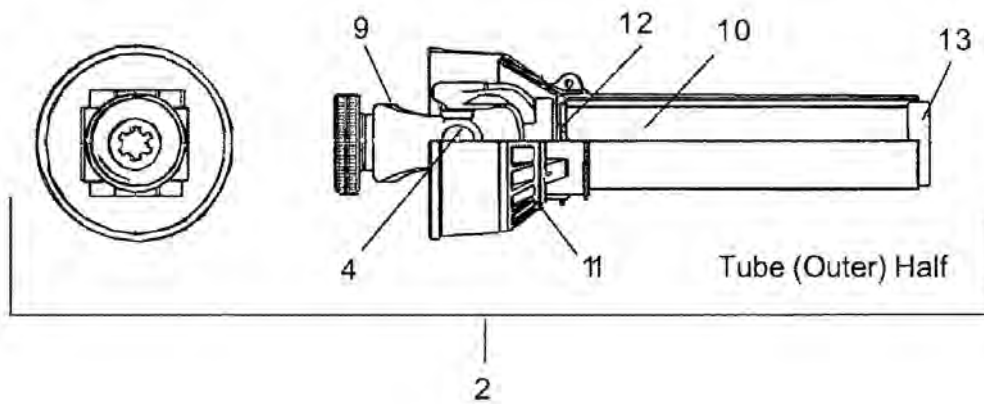
Continued...

ITEM	PART NO.	QTY.	DESCRIPTION
	001863	1	DRIVELINE ASY. W/ CLUTCH
1	00759948	1	CLUTCH ASY, W/ DIRT SHIELD & EQUAL SPACED BOLTS?
	00754320	1	CLUTCH ASY, NO DIRT SHIELD & EQUAL SPACED BOLTS
	00754320A	1	CLUTCH ASY, NO DIRT SHIELD OR COIL SPRINGS, EUAL SPCED BOLT (OBSOLETE)?
	00769131	1	CLUTCH ASY, NO DIRT SHIELD & UNEQUAL SPACED BOLTS?
2	00759517	2	GREASE FITTING, F/ X-KIT?
	00755610	2	GREASE FITTING, F/ X-KIT?
3	00752896	2	UNIVERSAL JOINT, X-KIT?
4	00754154	1	YOKE, F/ OUTER TUBE?
5	00754167	1	ROLL PIN?
6	00760242	1	TUBE, OUTER?
7	00760243	1	TUBE, INNER?
8	00754153?	1	YOKE, F/ INNER TUBE?
9	00754167	1	ROLL PIN?
10	00752883	1	YOKE, W/ SLIDE COLLAR 1-3/8" X 6 SPLINE?
11	00754335?	1	GREASE FITTING, F/ OUTER TUBE?
12	00756004	1	DECAL, DRIVELINE WARNING LABEL?
13	00760244	1	DRIVELINE HALF ASY W/CLUTCH?
14	00760245	1	DRIVELINE HALF ASY W/QD YOKE?
15	00763196	1	INNER SHIELD BRG, (USE W/ BOLT ITEM 25)?
16	00759216	1	INNER SHIELD BRG, (USE W/ SCREW ITEM 17)?
17	00759217	2	SCREW, (USE W/ITEM 16)?
18	00760250A	1	SHIELD ASY, COMPLETE INNER & OUTER?
19	00756005	1	DECAL, DRIVELINE SHIELD WARNING ?
20	00763195	1	SHIELD BRG, (USE W/ BOLT ITEM 25)EM)?
21	00759218	1	SHIELD BRG, (USE W/SCREW ITEM 16 & 17)?
22	00757144	1	SLIDE COLLAR KIT?, Q.D.
23	00760248A	1	SHIELD HALF ASY, INNER
24	00760249A	1	SHIELD HALF ASY, OUTER?
25	00754330	6	BOLT, NYLON (USE W/ ITEM 15 & 20)?
26	00754332	1	SHIELD LOCKING COLLAR, OUTER?
27	00754331	1	SHIELD LOCKING COLLAR, INNER?
28	00770769	2	PIN, PLASTIC STOP?
29	00754474	1	PUSH PIN SET
30	00759119	1	COLLAR, TWIST W/ SNAP RING?
31	00770391	1	COLLAR, TWIST, NEW STYLE?

## DRIVELINE ASY P/N 702300



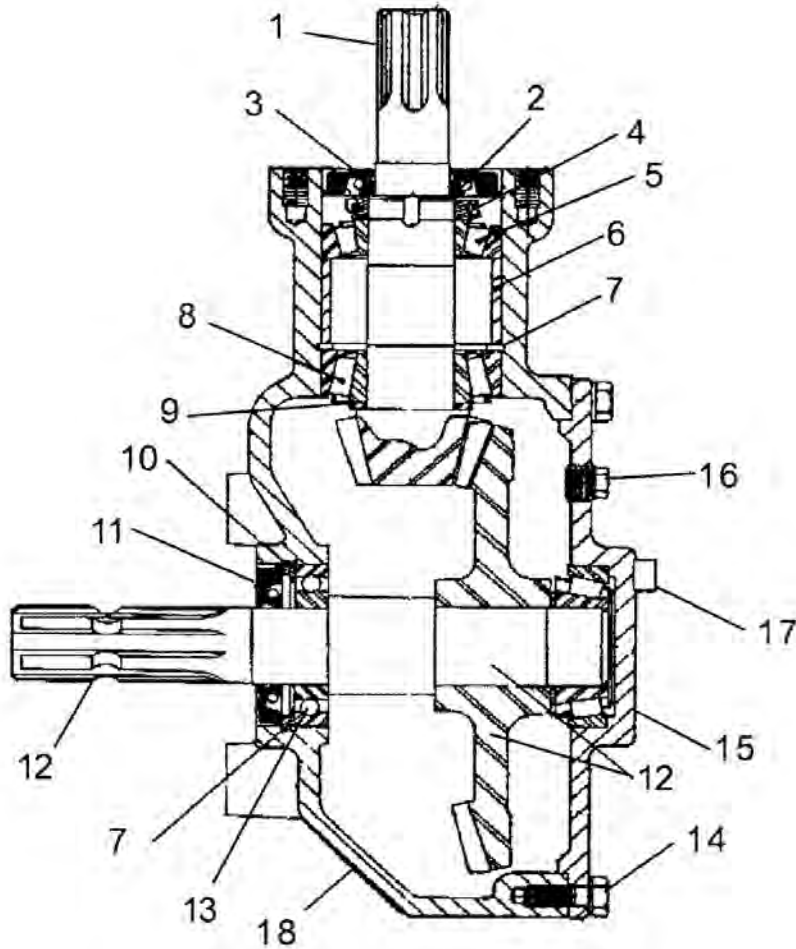
38" (Overall) Collapsed, 51-1/2" (Overall) Extended w/ 6" Overlap



ITEM	PART NO.	QTY.	DESCRIPTION
	702300	1	DRIVELINE ASY, W/ CLUTCH
1	001746	1	DRIVELINE HALF ASY, INNER SHAFT (MUST ORDER ENTIRE ASSEMBLY PN 001863)
2	001749	1	DRIVELINE HALF ASY, OUTER TUBE
3	001461	1	SLIP CLUTCH ASY.
4	001450	2	UNIVERSAL JOINT (X-KIT)
5	001460	1	SHAFT & YOKE WELDMENT
6	001456	1	SHIELD ASY, INNER
7	001691	1	LOCKING COLLAR, INNER SHIELD
8	002027	1	PIN & NUT (TAPERED)
	00755600	2	BOLT & NUT (HEX HEAD)
9	001452	1	YOKE ASY, W/ QD COLLAR
10	001458	1	TUBE & YOKE WELDMENT
11	001454	1	SHIELD ASY, OUTER
12	001692	1	LOCKING COLLAR, OUTER SHIELD
13	001814	1	SHIELD SUPPORT BEARING

**THIS PAGE INTENTIONALLY LEFT BLANK**

**GEARBOX ASY P/N 702673**



ITEM	PART NO.	QTY.	DESCRIPTION
	702673	1	GEARBOX ASY, REVERSE
1	001718	1	PINION SHAFT & GEAR
2	001719	1	SEAL, OUTPUT
3	001717	1	BEARING ADJUSTING NUT
4	001720	1	SPRING WASHER
5	00754757	2	BEARING CUP & CONE
6	001716	1	BEARING SPACER
7	00754752	2	CIRCLIP, INTERNAL
8	001722	1	BEARING CUP & CONE
9	00753222	2	SHIM
10	00754761	1	SHIM
11	001724	1	SEAL, INPUT
12	001725	1	SHAFT & GEAR ASY, INPUT
13	00754459	1	BEARING
14	001708	8	BOLT
15	001710	1	BEARING CAP COVER, REAR

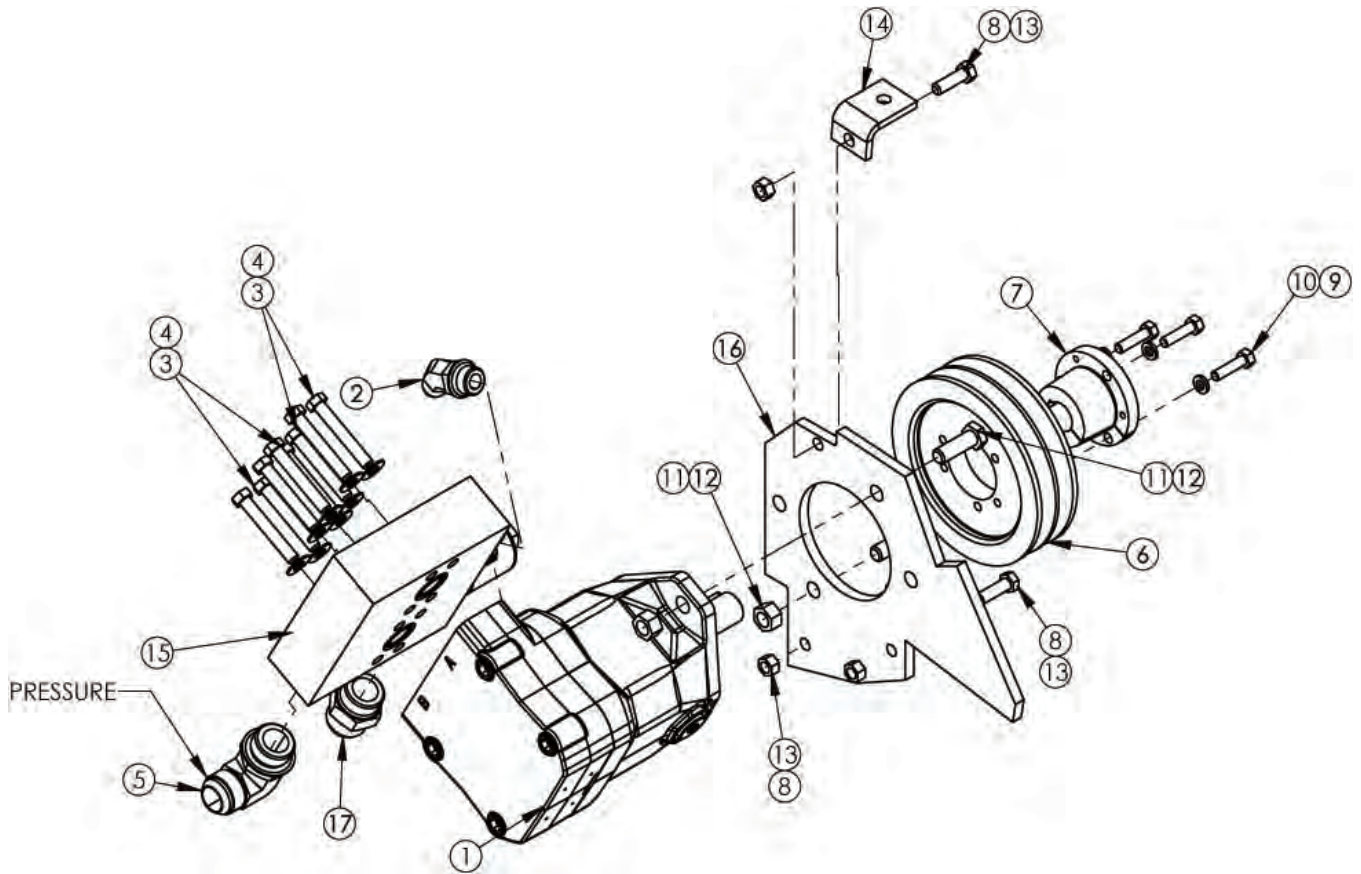
**GEARBOX ASY P/N 702673**

**Continued...**

<b>ITEM</b>	<b>PART NO.</b>	<b>QTY.</b>	<b>DESCRIPTION</b>
16	00755633	2	PLUG
17	000055	2	PLUG
18	002516	1	HOUSING,702673 GEARBOX

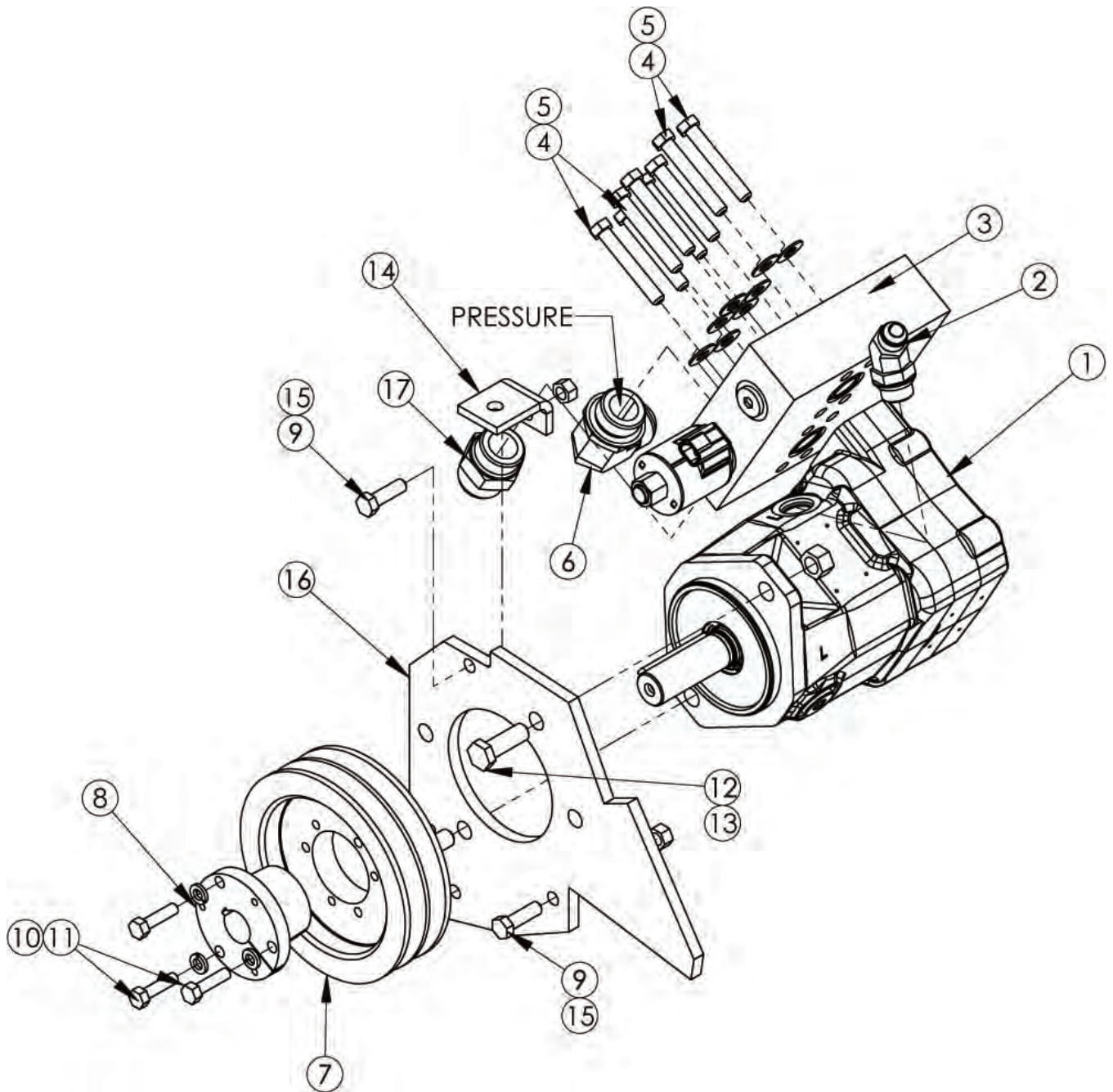


MOTOR ASY LH REV ROT P/N 32121102



ITEM	PART NO.	QTY.	DESCRIPTION
1	32120330	1	MOTOR, 37CC PISTON OL
2	02972817	1	ADP HYD ELBOW 10MB - 8MJ 45DEG
3	00758068	8	HEXB 3/8 NC 2-1/2 PL8
4	32120813	8	FLATWASHER 3/8 THRU HARDENED
5	02090900	2	ADP HYD ELBOW 16MB-16MJ90
6	000673	1	PULLEY 6.35 OD 2 GRV B SEC
7	32120888	1	BUSHING,QD 1" BORE 1-13/16
8	00753642	3	HEXB 3/8 NC X 1-1/4 PL5
9	00011700	3	HIGH ALLOY, L/W 5/16 YZ KG
10	10121000	3	HHCS 5/16NC 1-1/4 PL5
11	00748823	2	HHCS 1/2-13UNC 1-1/2 GR.5 PL
12	00001800	2	LOCKNUT TLM 1/2 NC PLC
13	00015800	3	LOCKNUT TLM 3/8-NC PLC
14	702754	1	SUPPORT, GUARD - TOP NA
15	32120796	1	MANIFOLD RH INT
16	32121110	1	PLATE,MOTOR MT. REV ROT.

MOTOR ASY RH REV ROT P/N 32121101



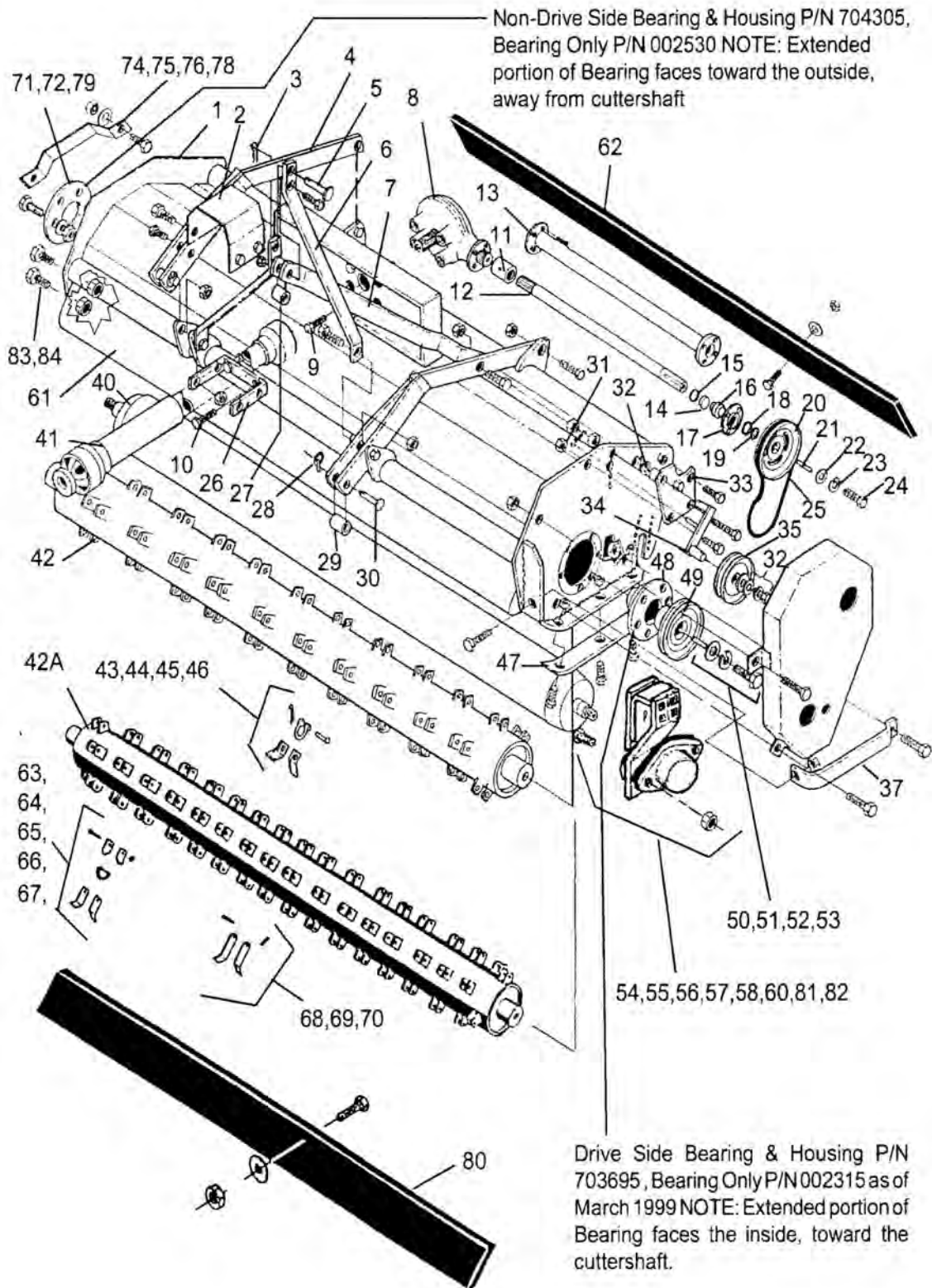
ITEM	PART NO.	QTY.	DESCRIPTION
1	32120330	1	MOTOR, 37CC PISTON OL
2	02972817	1	ADP HYD ELBOW 10MB - 8MJ 45DEG
3	32120797	1	MANIFOLD LH INT
4	00758068	8	HEXB 3/8 NC 2-1/2 PL8
5	32120813	8	FLATWASHER 3/8 THRU HARDENED
6	02090900	2	ADP HYD ELBOW 16MB-16MJ90
7	000673	1	PULLEY 6.35 OD 2 GRV B SEC

**MOTOR ASY RH REV ROT P/N 32121101**

**Continued...**

<b>ITEM</b>	<b>PART NO.</b>	<b>QTY.</b>	<b>DESCRIPTION</b>
8	32120888	1	BUSHING,QD 1" BORE 1-13/16
9	00753642	3	HEXB 3/8 NC X 1-1/4 PL5
10	00011700	3	HIGH ALLOY, L/W 5/16 YZ KG
11	10121000	3	HHCS 5/16NC 1-1/4 PL5
12	00748823	2	HHCS 1/2-13UNC 1-1/2 GR.5 PL
13	00001800	2	LOCKNUT TLM 1/2 NC PLC
14	702754	1	SUPPORT, GUARD - TOP NA
15	00015800	3	LOCKNUT TLM 3/8-NC PLC
16	32121110	1	PLATE,MOTOR MT. REV ROT.

MOWER ASY - SHD 62 - 74 (PART 1)

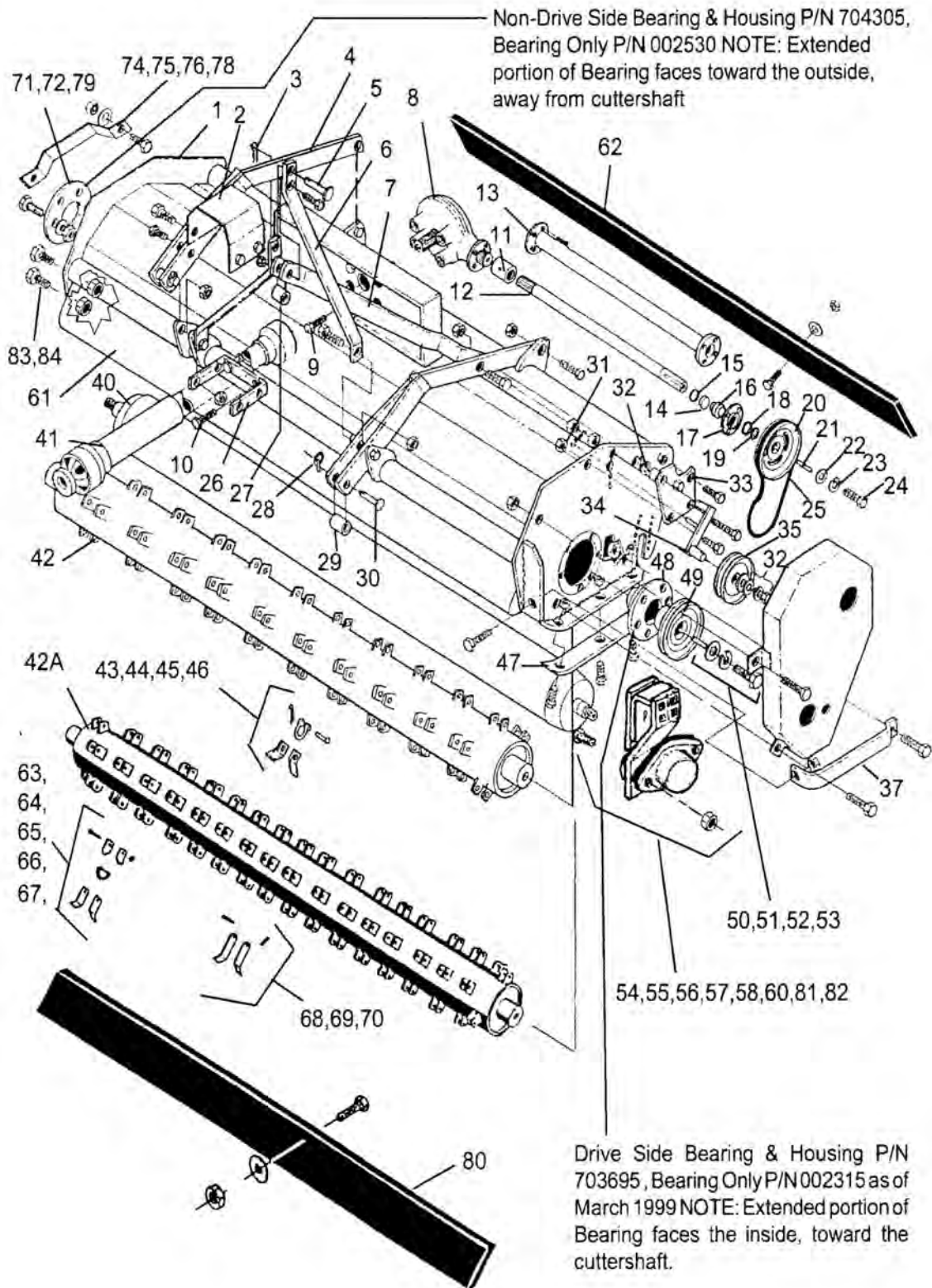


## MOWER ASY - SHD 62 - 74 (PART 1)

Continued...

ITEM	PART NO.	QTY.	DESCRIPTION
1	107173	1	CUTTER HSG, 62
	107194	1	CUTTER HSG, 62 W/CSTR BRKTS
	107199	1	CUTTER HSG, 62 RENOVATING
	107173	1	CUTTER HSG, 62
	107194	1	CUTTER HSG, 62 W/CSTR BRKTS
	107172	1	CUTTER HSG, 74
	107210	1	CUTTER HSG, 74 W/CSTR BRKTS
	107215	1	CUTTER HSG, 74 RENOVATING
	107172	1	CUTTER HSG, 74
	107210	1	CUTTER HSG, 74 W/CSTR BRKTS
	107217	1	CUTTER HSG, 74
	107212	1	CUTTER HSG, 74 W/CSTR BRKTS
	107213	1	CUTTER HSG, 74
	107214	1	CUTTER HSG, 74 W/CSTR BRKTS
	107216	1	CUTTER HSG, 74 RENOVATING
2	702705	1	PTO SHIELD
	000132	4	BOLT
	000019	4	LOCKWASHER
3	102549	1	QUICK COTTER
4	102658	2	OVERARMS
	02045000	2	BOLT
	000716	6	BOLT
	00695100	8	NUT, TOPLOCK 5/8 NC PLC
	000874	1	BOLT
	102667	1	SPACER, A-FRAME
	000168	1	LOCKWASHER
	00037200	1	LOCKNUT
5	101779	1	HITCH PIN, TOP LINK
6	103715	2	A-FRAME
7	02977728	1	G/B MNTG FRAME, 62 S/N 01033 & 74 S/N 60382 & UP
	103713	1	G/B MNTG FRAME, 62 S/N 01032 & 74 S/N 60381 & DOWN
8	702673	1	G/B ASY, 62 OR 74
	701653	1	EXT'N SHAFT ASY, 62 FWD/REV
	700523	1	EXT'N SHAFT ASY, 74 FWD/REV
	701455	1	EXT'N SHAFT ASY, 74 FWD
	700554	1	EXT'N SHAFT ASY, 74 FWD
9	000510	2	BOLT, UPPER
10	000511	2	BOLT, LOWER
	000521	4	LOCKWASHER
	000552	6	G/B SHIM, QTY AS NEEDED
11	700171	1	SPLINED COUPLER ASY, W/ ZERK

MOWER ASY - SHD 62 - 74 (PART 2)



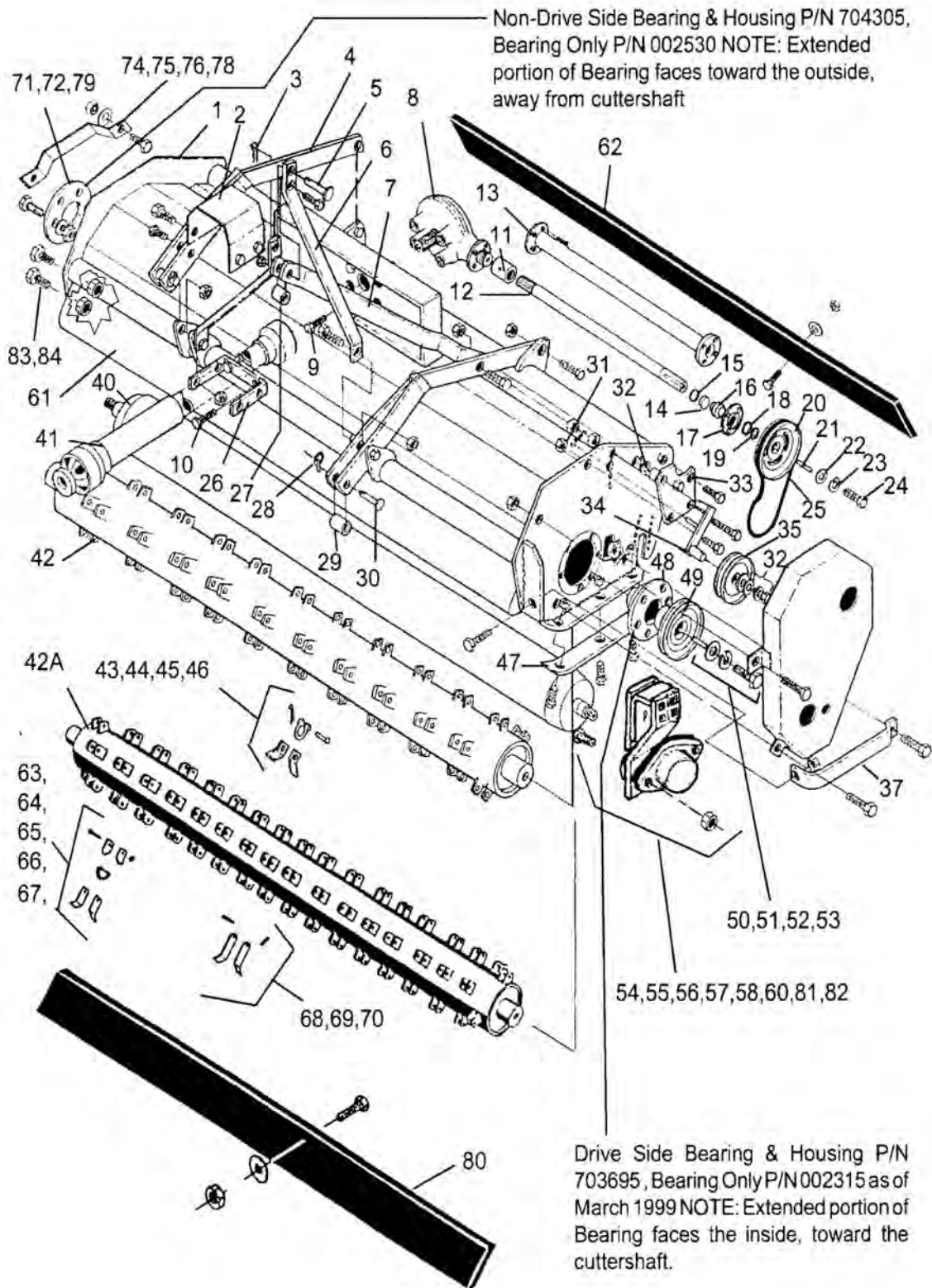


## MOWER ASY - SHD 62 - 74 (PART 2)

Continued...

ITEM	PART NO.	QTY.	DESCRIPTION
12	104685	1	G/B EXT'N SHAFT 22-9/16 LONG F/62
	100778	1	G/B EXT'N SHAFT 29-9/16 LONG F/74
	100288	1	G/B EXT'N SHAFT 21-5/8 LONG F/ 74
	100286	1	G/B EXT'N SHAFT 15-5/8 LONG F/ 74
13	104683	1	G/B EXT'N SHAFT HSG, 62
	100776	1	G/B EXT'N SHAFT HSG, 74
	102874	1	G/B EXT'N SHAFT HSG, 74
	102637	1	G/B EXT'N SHAFT HSG, 74
14	100010	1	BEVEL RING
15	100057	1	RETAINING RING
16	000398	1	BEARING
	700491	1	BEARING & HSG ASY
	000206	1	LUBRICAP, RED
	000937	4	BOLT
	00752036	4	LOCKNUT
17	700739	1	BEARING HSG, W/ZERK
18	000402	2	RETAINING RING
19	102651	3	PULLEY SHIMS, QTY AS NEEDED
20	102501	3	PULLEY, F/ DRIVESHAFT
21	101782	1	KEY
22	101780	1	FLATWASHER, HEAVY
23	000520	1	LOCKWASHER
24	000555	1	BOLT
25	100706	1	DRIVE BELT
26	105597	1	SHIELD MNTG BRKT
27	103717	1	BUSHING, UPPER (X - CAT I TO CAT II )
28	2196	2	CLIP (LYNCH PIN), 13/32 DIA.
29	103716	2	BUSHING, LOWER (X- CAT I TO CAT II)
30	100743	2	HITCH PIN, LOWER
31	000539	1	SPRING
32	101778	4	SPACER, PULLY ARM BRG PLATE
	000001	1	BOLT
	000018	1	LOCKWASHER
	000017	1	FLATWASHER
	000523	2	COTTER PIN
	700494	1	IDLER ASY, CTR & OFFSET
	701851	1	IDLER ASY, CTR
33	701905	1	BRG PLATE, OUTBOARD W/ZERK
	701847	1	BRG PLATE, OUTBOARD, W/ZERK
	000206	1	LUBRICAP, RED
	000135	1	BOLT

MOWER ASY - SHD 62 - 74 (PART 3)



## MOWER ASY - SHD 62 - 74 (PART 3)

Continued...

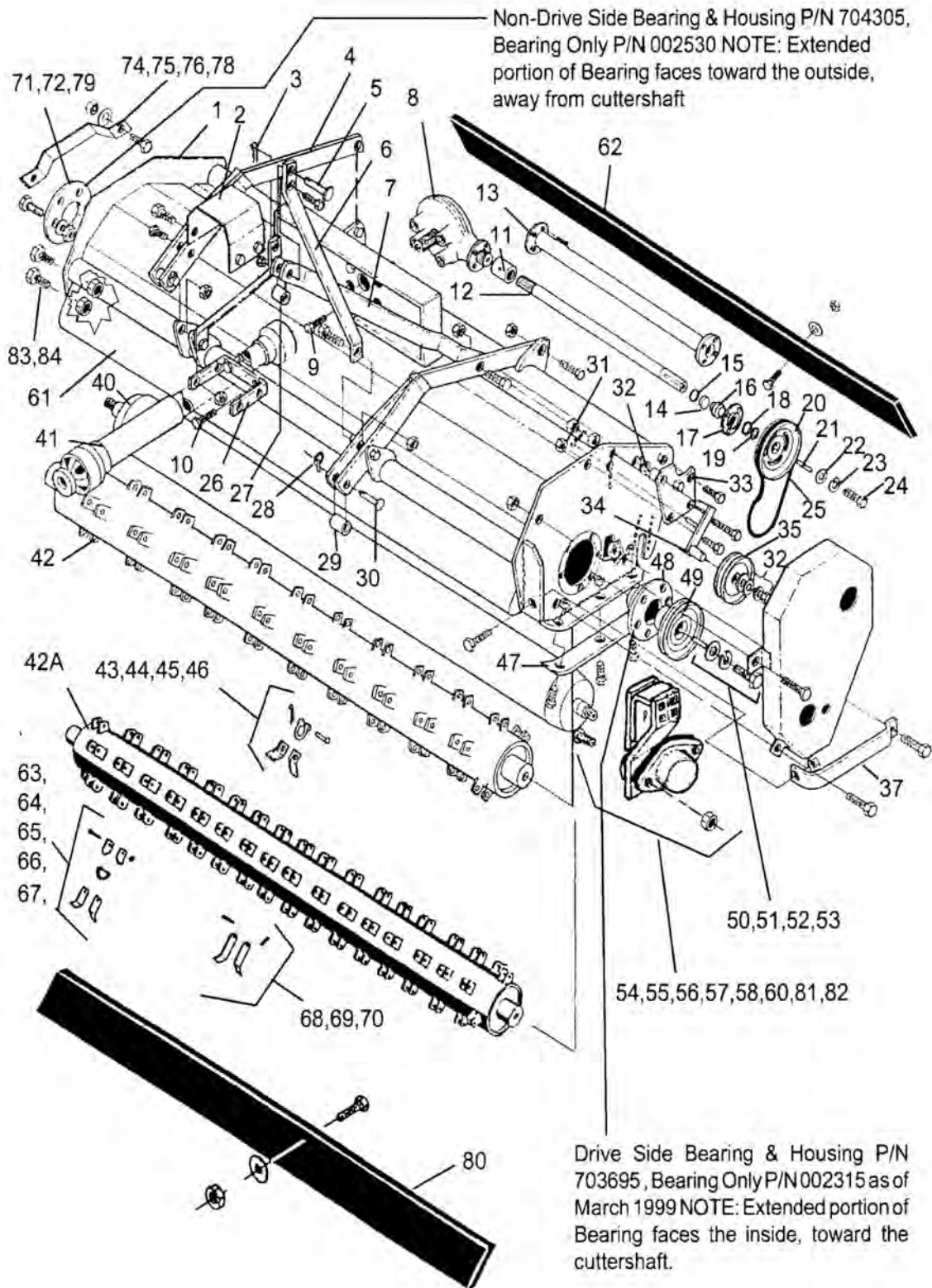
ITEM	PART NO.	QTY.	DESCRIPTION
	000645	1	BOLT
	00752036	2	LOCKNUT
	000171	3	NUT
34	100727	1	IDLER ARM, CTR & OFFSET
	104938	1	IDLER ARM, CTR
35	000547	1	IDLER PULLEY
	700494	1	IDLER ASY, (ITEM 32,34,35 W/FASTENERS)
	701851	1	IDLER ASY, (ITEM 32,34,35 W/FASTENERS)
36	700488	1	BELT GRD PKG W/FASTENERS
	701485	1	BELT GRD PKG W/FASTENERS
	000544	3	BOLT
	520	3	LOCKWASHER, FWD & REV ROTATION
	000139	1	BOLT
	000508	2	BOLT
	000063	2	FLATWASHER
	00001800	1	LOCKNUT TLM 1/2 NC PLC
37	103117	1	BELT GRD FENDER, FWD ROT
	104935	1	BELT GRD FENDER, REV ROT
	000141	1	BOLT, FRONT
	000140	1	BOLT, REAR
	00001800	2	LOCKNUT TLM 1/2 NC PLC
38	107468	1	SPACER
40	107176	1	ROLLER, 62 W/ KEYED SHAFT
	107784	1	ROLLER, 62 W/ HEX SHAFT
	107177	1	ROLLER, 74 W/ KEYED SHAFT
	107785	1	ROLLER, 74 W/ HEX SHAFT
	703262	1	ROLLER ASY 62 W/ HEX SHAFT (ITEM 10,55,81,82,54 & 56)
	703261	1	ROLLER ASY 74 W/ HEX SHAFT
41	001863	1	DRIVELINE ASY W/ CLUTCH, 62
	001863	1	DRIVELINE ASY W/ CLUTCH, 74
42	107123	1	CUTTERSHAFT CC, 62
	107127	1	CUTTERSHAFT FC, 62
	107124	1	CUTTERSHAFT, CC 74
	107128	1	CUTTERSHAFT, FC 74
43	000026	36	COTTER PIN (CC)
44	100761	36	RING, (CC)
45	102670	36	PIN, HARDENED (CC)
46	02986276	72	KNIFE, EXTREME SERVICE
	02986332	72	KNIFE, CCSTD SERVICE
	108381	72	KNIFE, CC EXT. SERVICE
	700616	1	KNIFE PKG, CC (100759 KNIFE)

**MOWER ASY - SHD 62 - 74 (PART 3)**

**Continued...**

<b>ITEM</b>	<b>PART NO.</b>	<b>QTY.</b>	<b>DESCRIPTION</b>
	702255A	1	KNIFE PKG, CC (108381 KNIFE)

MOWER ASY - SHD 62 - 74 (PART 4)



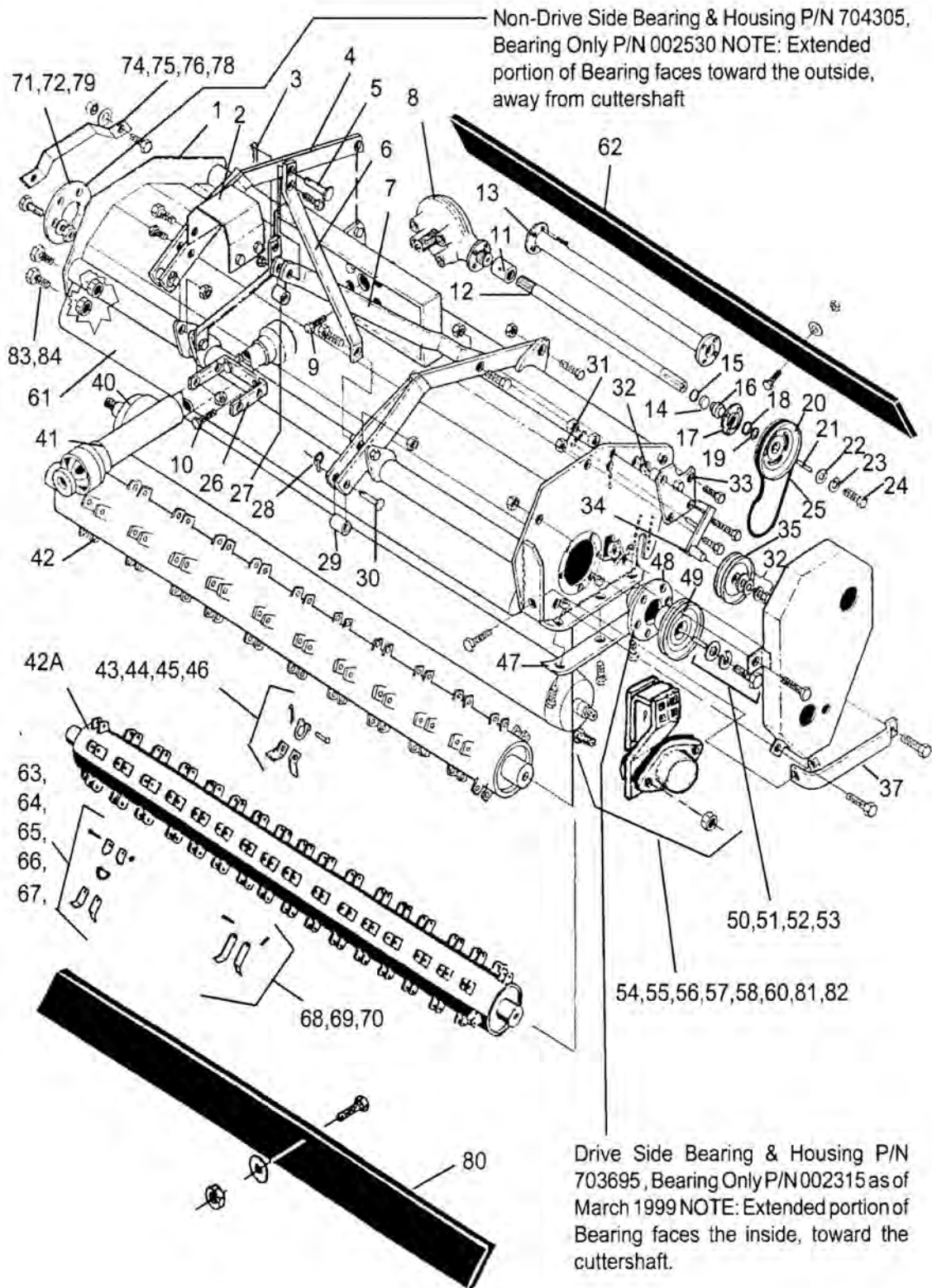
## MOWER ASY - SHD 62 - 74 (PART 4)

Continued...

ITEM	PART NO.	QTY.	DESCRIPTION
47	103051	2	WEAR SHOE PLATE
	000515	2	CARRIAGE BOLT
	000700	4	PLOW BOLT
	00001800	6	LOCKNUT TLM 1/2 NC PLC
48	001480	1	BRG & HSG ASY, (DRIVE END)
	703695	1	BRG ASY, (DRIVE END)
	002315	1	BRG ONLY (DRIVE END)
	000206	1	LUBRICAP, RED
	000354	6	BOLT
	00752036	6	LOCKNUT
49	102652	1	PULLEY, CUTTERSHAFT
50	100768	1	KEY
51	100720	1	CLAMP WASHER
52	000521	1	LOCKWASHER
53	000407	1	BOLT
54	703575	2	BRG & HSG ASY, KEYED W/ZERK
	703976	2	BRG & HSG ASY, HEX W/SERK & SETSCREW
	107340	2	BRG HSG, CAST
	703574	2	BEARING, KEYED BORE
	002486	2	BEARING, HEX BORE
	002039	2	GREASE FITTING
55	002037	2	SEAL,, F/ ROLLER BRGS
56	000516	4	CARRAIGE BOLT
57	00001800	4	LOCKNUT TLM 1/2 NC PLC
58	000516	4	CARRIAGE BOLT
60	00001800	4	LOCKNUT TLM 1/2 NC PLC
	000206	2	LUBRICAP
61	107254	1	FOOT GRD, 62
	107256	1	FOOT GRD, 74
62	104682	1	DEFLECTOR,TRASH,62 (REAR)
	100783	1	DEFLECTOR,TRASH,74 (REAR)
	10058000	9	BOLT
	10058000	11	BOLT
	00024100	9	WASHER, PLAIN
	00024100	11	WASHER, PLAIN
	02959924	9	LOCKNUT
	02959924	11	LOCKNUT
63	000032	76	BOLT, (FC RING MNT'D KNIFE)
	000032	92	BOLT, (FC RING MNT'D KNIFE)
64	02990020	152	RING CLIP, (FC RING MOUNTED KNIFE)
	02990020	184	RING CLIP, (FC RING MOUNTED KNIFE)



MOWER ASY - SHD 62 - 74 (PART 5)

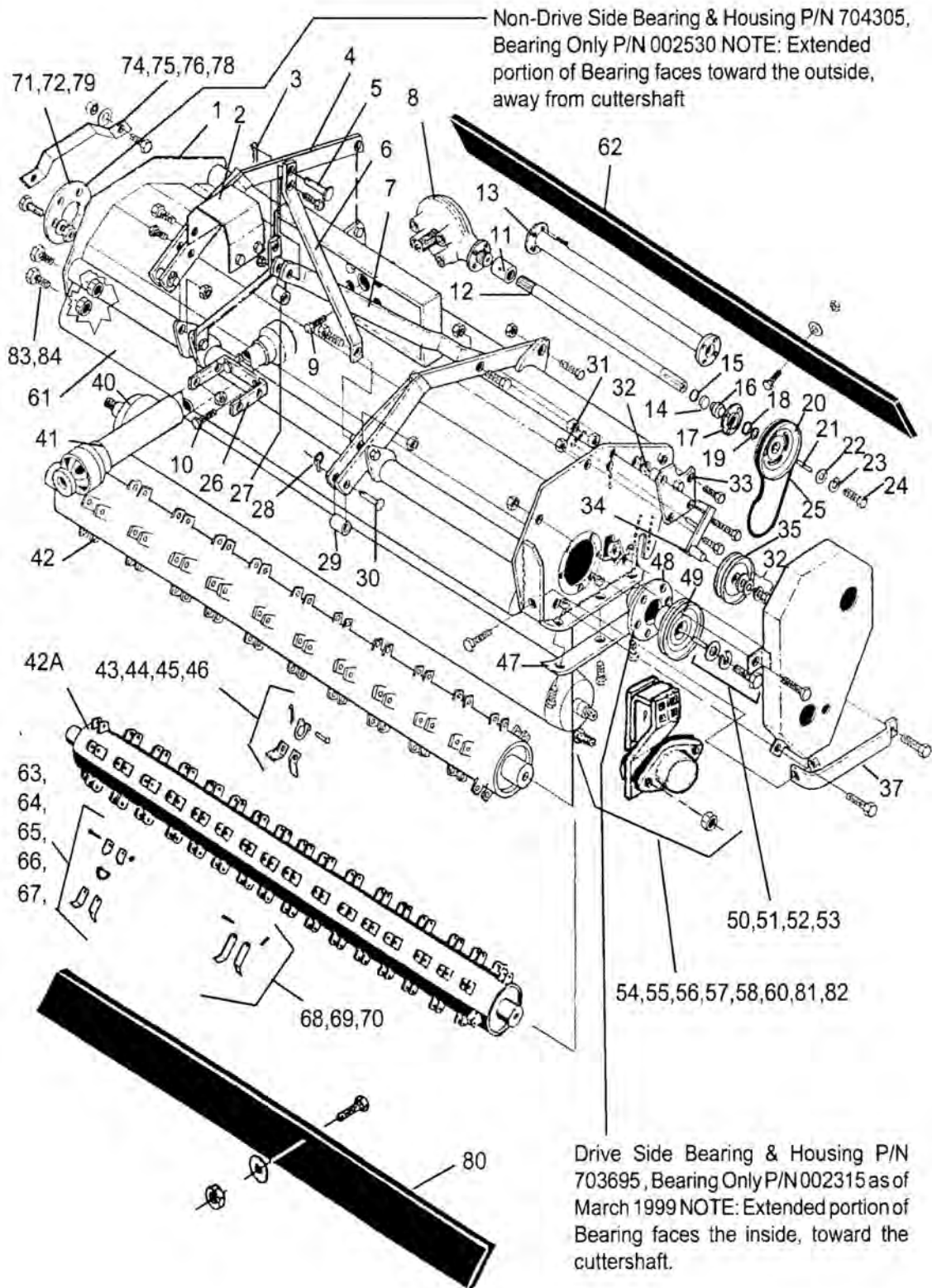


## MOWER ASY - SHD 62 - 74 (PART 5)

Continued...

ITEM	PART NO.	QTY.	DESCRIPTION
65	000210	76	LOCKNUT, (FC RING MNT'D KNIFE)
	000210	92	LOCKNUT, (FC RING MNT'D KNIFE)
66	101991	76	KNIFE RING, (FC RING MNT'D KNIFE)
	101991	92	KNIFE RING, (FC RING MNT'D KNIFE)
67	02986333	152	FINE CUT RING KNIFE
-	02986333	184	FINE CUT RING KNIFE
	701655	1	KNIFE PKG, FC (RING MNT'D) 62
	700801	1	KNIFE PKG, FC (RING MNT'D) 74
68	101034	76	KNIFE PIN FC, HARDENED 74
	101034	92	KNIFE PIN FC, HARDENED 74
69	000026	76	COTTER PIN, FC (PIN MNT'D)
	000026	92	COTTER PIN, FC (PIN MNT'D)
70	02988196	152	KNIFE, FINE CUT
-	02988196	184	KNIFE, FINE CUT
	02986837	1	KIT,FC KNIVES GK FLAILWING-160
	02986838	1	KIT,FC KNIVES GK FLAILWING-194
	700515	1	KNIFE PKG, FC 62 (KNIFE 102087 )
71	000354	6	BOLT
73	00752036	6	LOCKNUT
74	103064	1	FENDER
75	000141	1	BOLT, FRONT
76	000140	1	BOLT, REAR
78	00001800	2	LOCKNUT TLM 1/2 NC PLC
79	704305	1	BEARING ASY, NON-DRIVE SIDE
	002530	1	BEARING, NON-DRIVE SIDE
80	106779	1	TRASH DEFLCTR, FRONT 62
	106779	1	TRASH DEFLCTR, FRONT 62
	106780	1	TRASH DEFLCTR, FRONT 74
	106780	1	TRASH DEFLCTR, FRONT 74
	000860	9	BOLT
	000860	11	BOLT
	00024100	9	WASHER, PLAIN
	00024100	11	WASHER, PLAIN
	02959924	9	LOCKNUT
	02959924	11	LOCKNUT
81	107182	1	ROLLER BRACKET, LH
82	107380	1	ROLLER BRACKET, RH
	703263	1	BRG & BRKT ASY LH, KEYED BORE
	703596	1	BRG & BRKT ASY RH, KEYED BORE
	703977	1	BRG & BRKT ASY LH, HEX BORE

MOWER ASY - SHD 62 - 74 (PART 6)

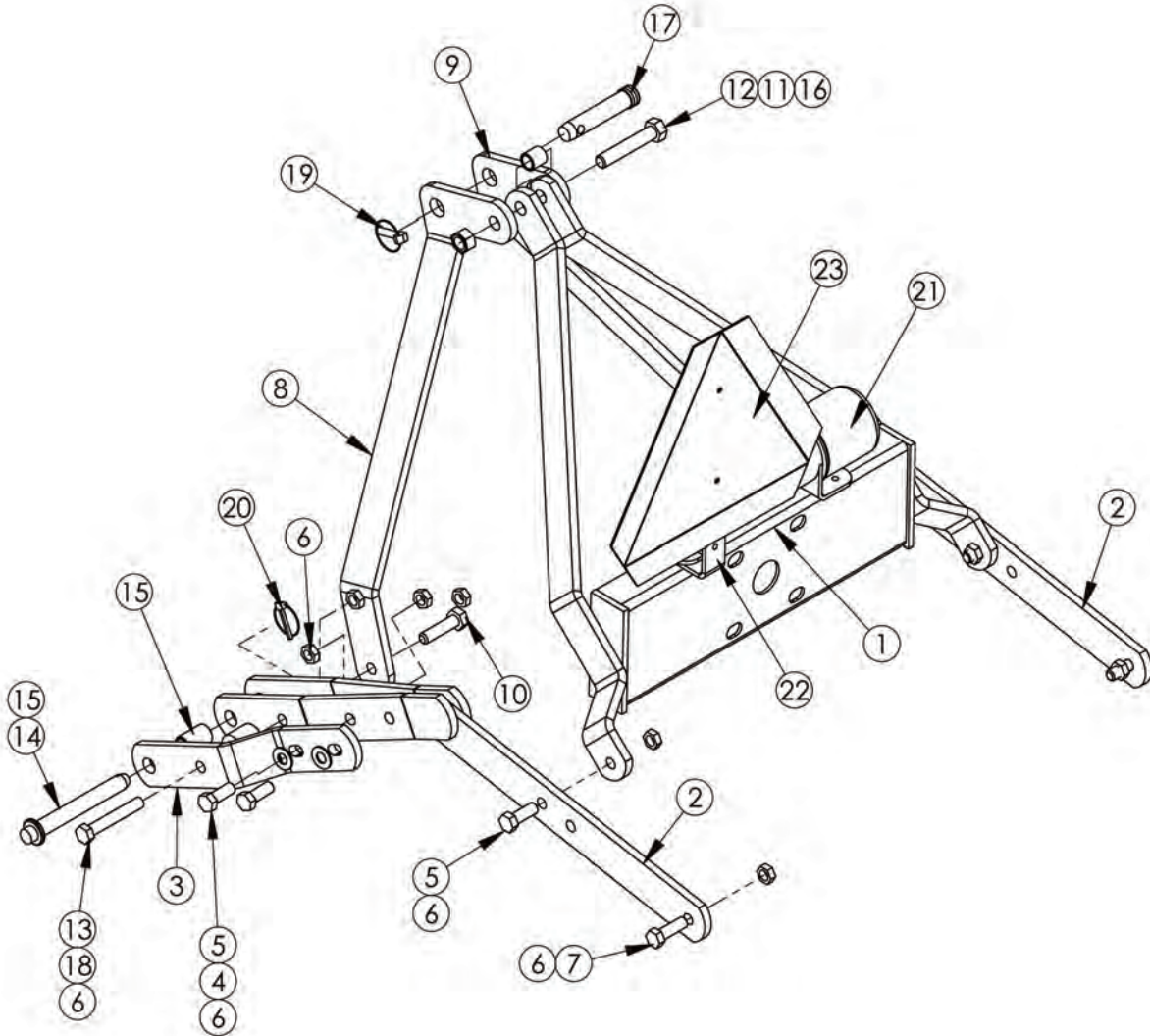


## MOWER ASY - SHD 62 - 74 (PART 6)

Continued...

ITEM	PART NO.	QTY.	DESCRIPTION
	703978	1	BRG & BRKT ASY RH, HEX BORE
	02886900	4	CARRIAGE BOLT
	02979042	4	LOCKNUT
	701777	1	KNIFE PKG CC (KNIFE 103026)
	100704	2	WEAR SHOES, RENOVATING
	000140	4	BOLTS
	00001800	1	LOCKNUT TLM 1/2 NC PLC
83	00749130	4	BOLT
84	00001800	4	LOCKNUT TLM 1/2 NC PLC
	701650	1	PKG, 62 TRASH DEFLECTOR REAR
	700524	1	PKG, 74 TRASH DEFLECTOR REAR
	108742	1	BAR,FLAP RETAINER - 62
	108743	1	BAR FLAP RETAINER 74 REAR

MOWER ASY - SHD 62 - 74 A - FRAME CAT II

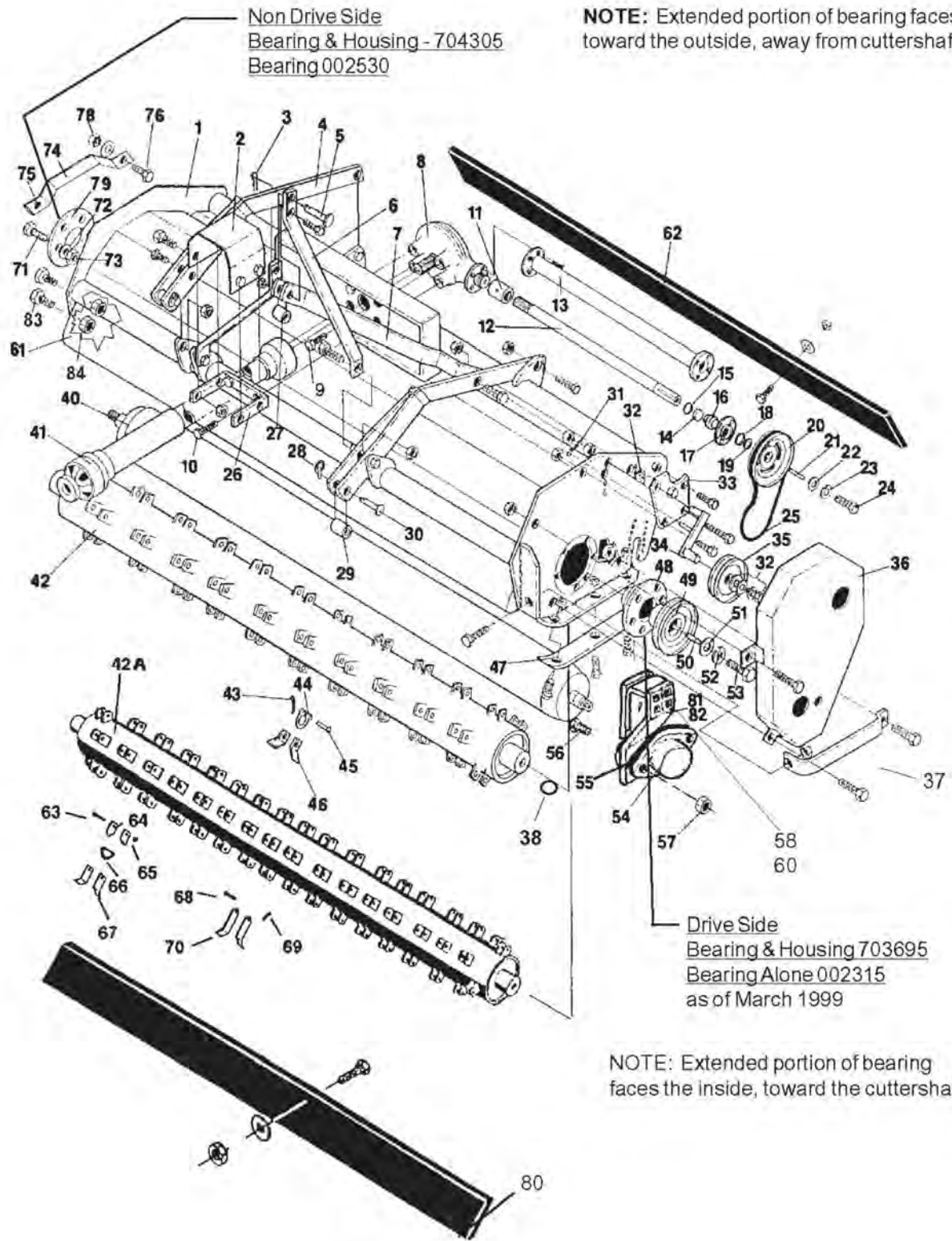


**MOWER ASY - SHD 62 - 74 A - FRAME CAT II**

**Continued...**

<b>ITEM</b>	<b>PART NO.</b>	<b>QTY.</b>	<b>DESCRIPTION</b>
1	02990976	1	WDMT,GEARBOX MTG. SHD
2	102658	2	WLDMT,OVERARM ASSY
3	02988116	2	PLATE, OVERARM HITCH ADDON
4	00756077	4	WASHER,5/8 HARDENED - PLATED
5	7AH5101114	6	HHCS 5/8 NC X 1-3/4" PL8
6	00695100	12	NUT,TOPLOCK 5/8 NC PLC
7	00753753	2	HEXB 5/8 NC 2 PL 8
8	02990977	1	UPRIGHT, A-FRAME LH
9	02990978	1	UPRIGHT, A-FRAME RH
10	00755082	2	HEXB 5/8 NC 2-1/2PL8
11	102667	1	A-FRAME, SPACER
12	02959332	1	HHCS 3/4 NC 4 PL8
13	02967051	2	HHCS 5/8 NC 4 PL8
14	02988126	2	PIN, HITCH 7/8 X 6 1/2
15	103716	2	TUBE,SPACER,LOWER ARM
16	00037200	1	NUT,HEX TOPLOCK 3/4 NC GR.C PL
17	02991412	1	PIN, TOP LINK CATII SHD
18	02988125	2	TUBE, HITCH ADDON SPACER
19	2196	1	CLIP (LYNCH PIN), 13/32 DIA.
20	03100493	2	PIN-LYNCH 1/4
22	02993546	1	BRACKET MTG. SMV SIGN SHD
23	03200347	1	EMBLEM, SMV
24	10062000	1	HHCS 1/4 NC 1-1/2 PL5

# MOWER ASY - SHD 88 (PART 1)



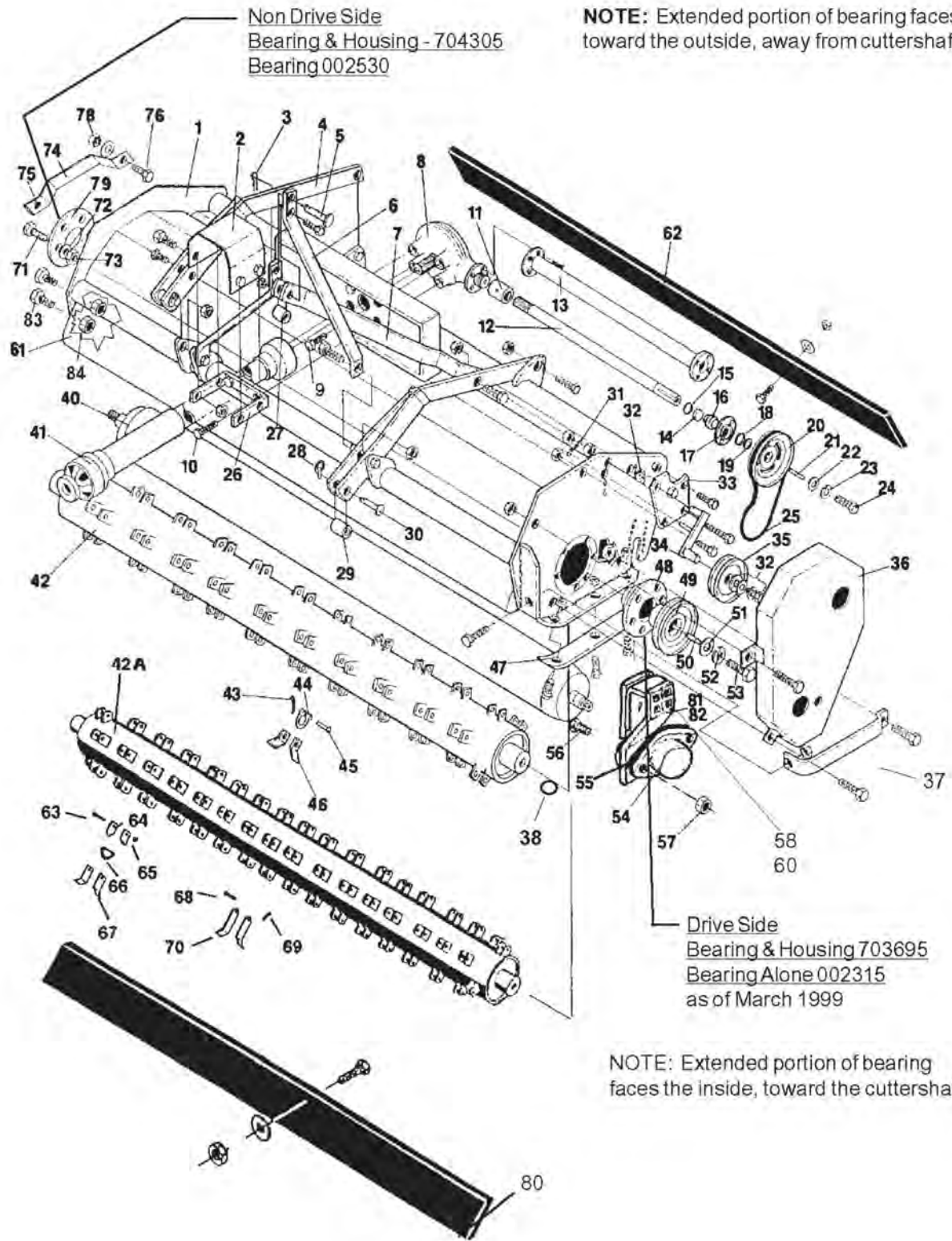
## MOWER ASY - SHD 88 (PART 1)

Continued...

ITEM	PART NO.	QTY.	DESCRIPTION
1	107171	1	CUTTER HSG ( CTR FWD )
	107201	1	CUTTER HSG, W/ CSTR BRKTS ( CTR FWD )
	107171	1	CUTTER HSG ( CTR REV )
	107201	1	CUTTER HSG, W/ CSTR BRKTS ( CTR REV )
	107220	1	CUTTER HSG ( OR 6.5" )
	107221	1	CUTTER HSG, W/ CSTR BRKTS ( OR 6.5" )
	107203	1	CUTTER HSG ( OR 8.5" )
	107202	1	CUTTER HSG, W/ CSTR BRKTS ( OR 8.5" )
	107204	1	CUTTER HSG ( OR 14.5" )
	107205	1	CUTTER HSG, W/ CSTR BRKTS ( OR 14.5" )
	107206	1	CUTTER HSG ( OR 20.5" )
	107207	1	CUTTER HSG, W/ CSTR BRKTS ( OR 20.5" )
	107539	1	CUTTER HSG ( OR 26.5" )
2	702705	1	PTO SHIELD ( ALL )
	000132	4	BOLT ( ALL )
	000019	4	LOCKWASHER ( ALL )
3	102549	1	QUICK COTTER ( ALL )
4	102658	2	OVERARM ( ALL )
	02045000	2	BOLT, OVERARM ATTACHING ( ALL )
	000716	6	BOLT, OVERARM ATTACHING ( ALL )
	00695100	8	NUT, TOPLOCK 5/8 NC PLC ( ALL )
	000874	1	BOLT ( ALL )
	102667	1	SPACER, A-FRAME ( ALL )
	00037200	1	LOCKNUT ( ALL )
5	101779	1	HITCH PIN, TOP LINK ( ALL )
6	103715	2	A-FRAME ( ALL )
7	02977728	1	G/B MNTG FRAME, S/N 19881 & UP ( ALL )
	103713	1	G/B MNTG FRAME, S/N 19880 & DOWN ( ALL )
8	702673	1	G/B ASY ( ALL )
	700489	1	G/B & EXT SHAFT ASY ( CTR FWD )
	700489	1	G/B & EXT SHAFT ASY ( CTR REV )
	700523	1	G/B & EXT SHAFT ASY ( OR 6.5" )
	701457	1	G/B & EXT SHAFT ASY ( OR 8.5" )
	701455	1	G/B & EXT SHAFT ASY ( OR 14.5" )
	700554	1	G/B & EXT SHAFT ASY ( OR 20.5" )
	703757	1	G/B & EXT SHAFT ASY ( OR 26.5" )
9	000510	2	BOLT, UPPER ( ALL )
10	000511	2	BOLT, LOWER ( ALL )
	000521	4	LOCKWASHER ( ALL )
	000552	6	G/B SHIM, QTY AS NEEDED ( ALL )
11	700171	1	SPLINED COUPLER ASY ( ALL )



# MOWER ASY - SHD 88 (PART 2)



Non Drive Side  
 Bearing & Housing - 704305  
 Bearing 002530

NOTE: Extended portion of bearing faces toward the outside, away from cuttershaft.

Drive Side  
 Bearing & Housing 703695  
 Bearing Alone 002315  
 as of March 1999

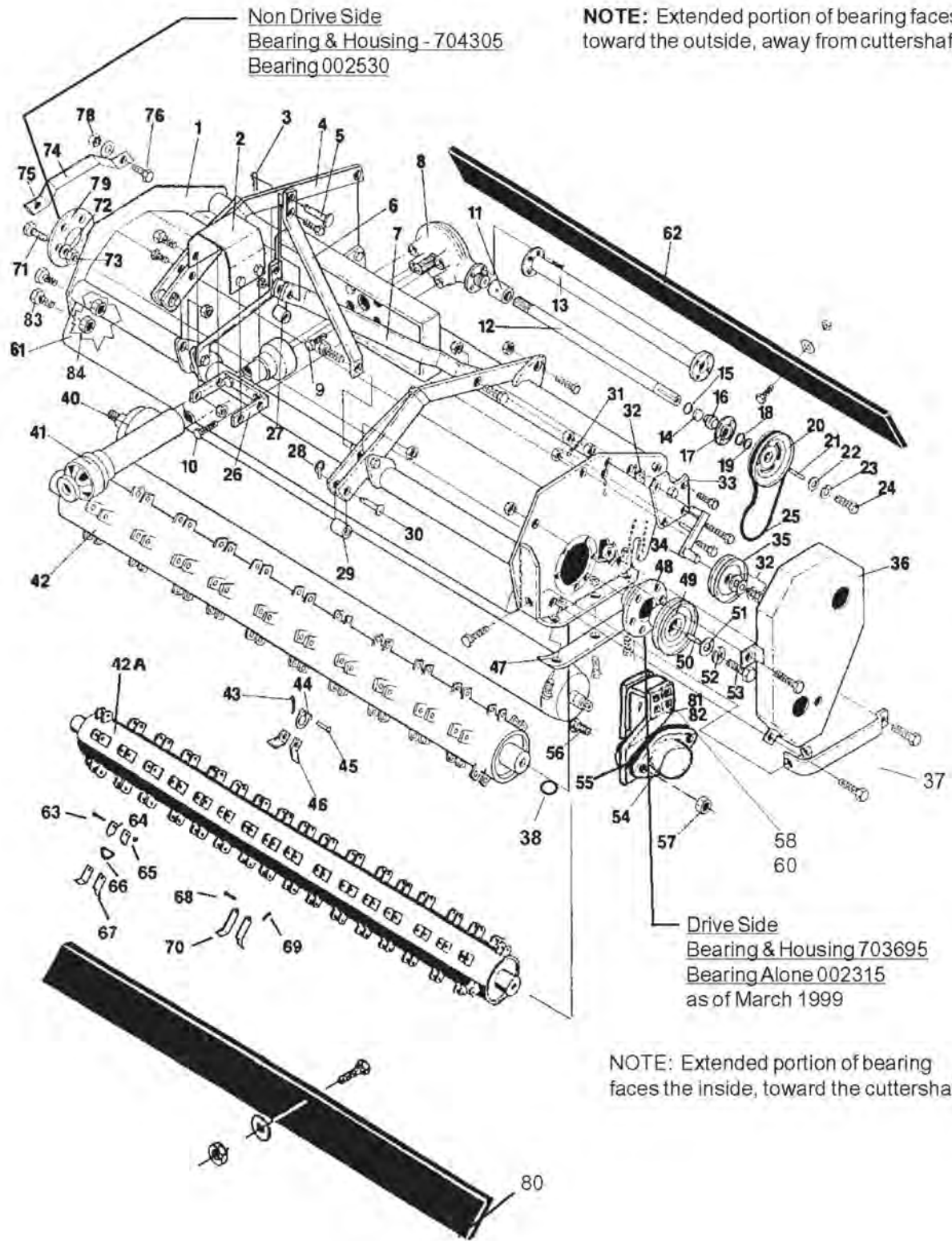
NOTE: Extended portion of bearing faces the inside, toward the cuttershaft.

## MOWER ASY - SHD 88 (PART 2)

Continued...

ITEM	PART NO.	QTY.	DESCRIPTION
	001727	4	SCREW, COUNTER BORE ( ALL )
	000019	4	LOCKWASHER ( ALL )
12	100724	1	EXT? SHAFT, 36-1/8" ( CTR FWD )
	100724	1	EXT? SHAFT, 36-1/8" ( CTR REV )
	100778	1	EXT? SHAFT, 29-9/16" ( OR 6.5" )
	100287	1	EXT? SHAFT, 27-5/8" ( OR 8.5" )
	100288	1	EXT? SHAFT, 21-5/8" ( OR 14.5" )
	100286	1	EXT? SHAFT, 15-5/8" ( OR 20.5" )
	107540	1	EXT? SHAFT, 9-11/16" ( OR 26.5" )
13	100721	1	EXT? SHAFT HSG ( CTR FWD )
	100721	1	EXT? SHAFT HSG ( CTR REV )
	100776	1	EXT? SHAFT HSG ( OR 6.5" )
	102804	1	EXT? SHAFT HSG ( OR 8.5" )
	102874	1	EXT? SHAFT HSG ( OR 14.5" )
	102637	1	EXT? SHAFT HSG ( OR 20.5" )
	107541	1	EXT? SHAFT HSG ( OR 26.5" )
	001727	1	SCREW, COUNTER BORE ( ALL )
	000019	1	LOCKWASHER ( ALL )
14	100010	1	BEVEL RING ( ALL )
15	100057	1	SNAP RING ( ALL )
16	000398	1	BEARING ( ALL )
	700491	1	BEARING & HSG ASY. ( ALL )
	000206	1	LUBRICAP, RED ( ALL )
	000937	4	BOLT ( ALL )
	00752036	4	NUT ( ALL )
17	700739	1	BEARING HSG ( ALL )
18	000402	2	BEARING RETAINING RING ( ALL )
19	102651	1	PULLEY SHIM, QTY AS NEEDED ( ALL )
20	102501	1	DRIVE SHAFT PULLEY ( ALL )
21	101782	1	KEY ( ALL )
22	101780	1	WASHER, HEAVY ( ALL )
23	000520	1	LOCKWASHER ( ALL )
24	000555	1	BOLT ( ALL )
25	100706	1	DRIVE BELT ( ALL )
26	105597	1	SHIELD MNTG BRKT ( ALL )
27	103717	1	BUSHING, UPPER (CONVERT CAT I TO CAT II) ( ALL )
28	2196	2	CLIP (LYNCH PIN), 13/32 DIA.
29	103716	2	BUSHING, LOWER (CONVERT CAT I TO CAT II) ( ALL )
30	100743	2	HITCH PIN, LOWER ( ALL )
31	000539	1	SPRING ( ALL )
32	101778	4	PULLEY ARM BEARING SPACER ( ALL )

# MOWER ASY - SHD 88 (PART 3)

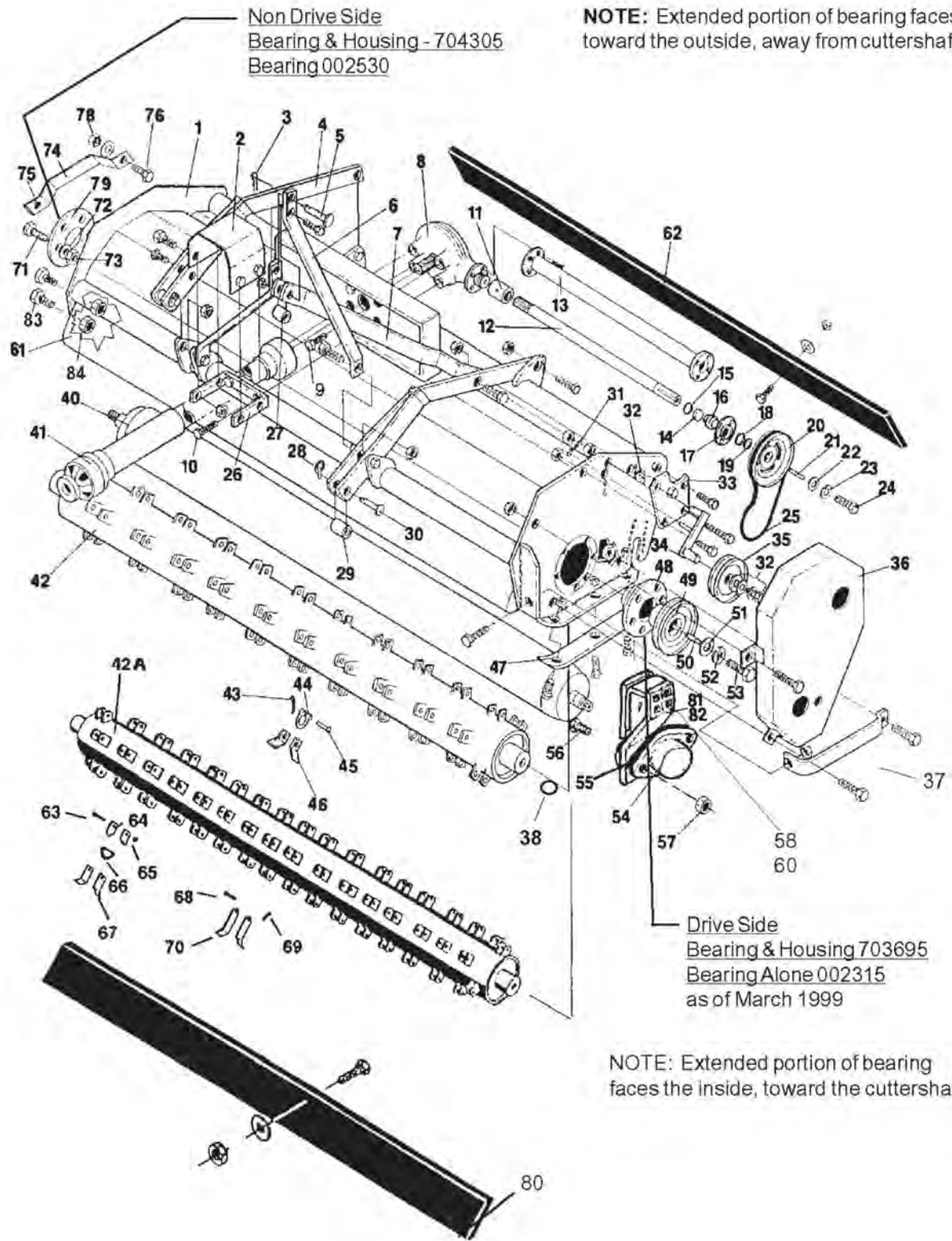


## MOWER ASY - SHD 88 (PART 3)

Continued...

ITEM	PART NO.	QTY.	DESCRIPTION
	000001	1	BOLT ( ALL )
	000018	1	LOCKWASHER ( ALL )
	000017	1	WASHER ( ALL )
	700494	1	IDLER ARM ASY, CTR FWD MODEL ( CTR FWD )
	701851	1	IDLER ARM ASY, CTR REV MODEL ( CTR REV )
	700494	1	IDLER ARM ASY, O/S MODELS ( ALL O/S )
33	701905	1	OUTBOARD BRG PLATE W/ZERK ( CTR FWD )
	701847	1	OUTBOARD BRG PLATE W/ZERK ( CTR REV )
	701905	1	OUTBOARD BRG PLATE W/ZERK ( ALL O/S )
	000206	1	LUBRICAP, RED ( ALL )
	000135	1	BOLT, LONG ( ALL )
	000645	1	BOLT ( ALL )
	00752036	2	LOCKNUT ( ALL )
	000171	1	NUT ( ALL )
34	100727	1	IDLER ARM WLDMNT ( CTR FWD )
	104938	1	IDLER ARM WLDMNT ( CTR REV )
	100727	1	IDLER ARM WLDMNT ( ALL O/S )
	000523	2	COTTER PIN ( ALL )
35	000547	1	IDLER PULLEY ( ALL )
	700494	1	IDLER ASY, ITEMS 32 - 35 & FASTENERS ( CTR FWD )
	701851	1	IDLER ASY, ITEMS 32, 34, 35 W/ FASTENERS ( CTR REV )
	700494	1	IDLER ASY, ITEMS 32 - 35 & FASTENERS ( ALL O/S )
36	700488	1	BELT GRD PKG W/FASTENERS ( CTR FWD )
	701485	1	BELT GRD PKG W/FASTENERS ( CTR REV )
	700488	1	BELT GRD PKG W/FASTENERS ( ALL O/S )
	000139	3	BOLT ( CTR FWD )
	000139	3	BOLT ( ALL O/S )
	00001800	3	LOCKNUT TLM 1/2 NC PLC ( CTR FWD )
	00001800	3	LOCKNUT TLM 1/2 NC PLC ( ALL O/S )
	000139	1	BOLT ( CTR REV )
	000508	2	BOLT ( CTR REV )
	000520	2	LOCKWASHER ( CTR REV )
	000063	1	LOCKWASHER ( CTR REV )
	00001800	1	LOCKNUT TLM 1/2 NC PLC ( CTR REV )
37	103117	1	BELT GRD FENDER ( CTR FWD )
	104935	1	BELT GRD FENDER ( CTR REV )
	103117	1	BELT GRD FENDER ( ALL O/S )
	103064	1	FENDER, RH FWD / LH REV ( ALL )
	000141	1	BOLT, FRONT ( ALL )
	000140	1	BOLT, REAR ( ALL )
	00001800	2	LOCKNUT TLM 1/2 NC PLC ( ALL )

# MOWER ASY - SHD 88 (PART 4)

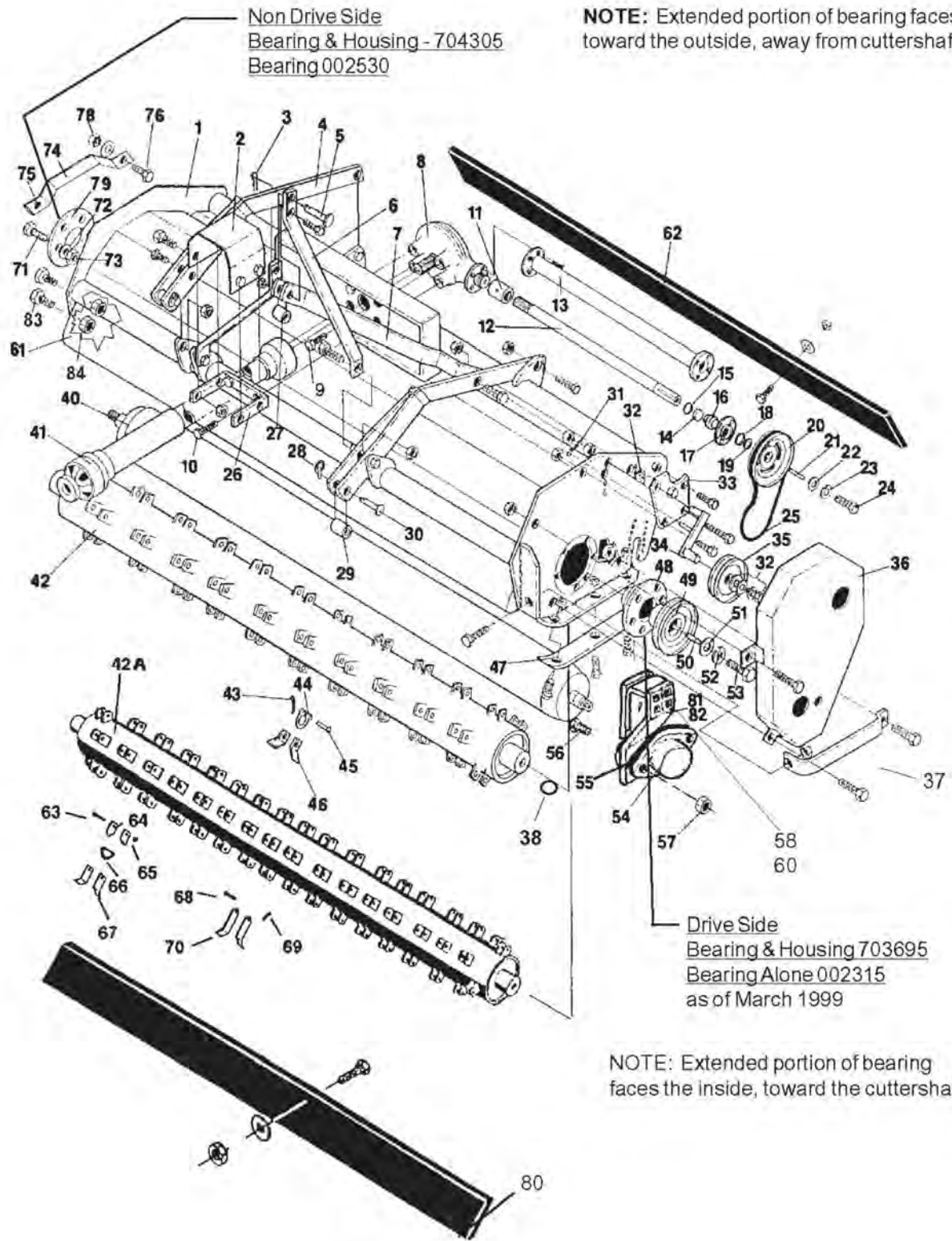


## MOWER ASY - SHD 88 (PART 4)

Continued...

ITEM	PART NO.	QTY.	DESCRIPTION
38	107468	1	SPACER ( ALL )
40	107178	1	ROLLER WLDMNT, KEYED SHAFT ( ALL )
	107786	1	ROLLER WLDMNT, HEX SHAFT ( ALL )
	703260	1	ROLLER ASY, HEX (W/ITEMS 40,54-57,81,82) ( ALL )
41	001863	1	DRIVELINE ASY, W/ CLUTCH ( ALL )
42	107125	1	CUTTERSHAFT, CC ( ALL CC )
42A	107129	1	CUTTERSHAFT, FC ( ALL FC )
43	000026	44	COTTER PIN ( ALL CC )
44	100761	44	RING ( ALL CC )
45	102670	44	KNIFE PIN, HARDENED ( ALL CC )
46	02986332	88	KNIFE, CC ( ALL CC )
	02986276	88	KNIFE, EXTREME SERVICE
	108381	88	KNIFE, CC EXT SERV (S/N 17721 & UP) ( ALL CC )
	700592	1	KNIFE PKG, CC (100759 KNIFE) ( ALL CC )
	702256A	1	KNIFE PKG, CC (108381 KNIFE) ( ALL CC )
	701778	1	KNIFE PKG, CC RENOVATING ( ALL CC )
47	103051	2	SHOE WEAR PLATE ( ALL )
	000515	2	CARRIAGE BOLT ( ALL )
	000700	4	PLOW BOLT ( ALL )
	00001800	6	LOCKNUT TLM 1/2 NC PLC ( ALL )
	100704	2	WEAR SHOE, RENOVATING ( ALL )
	000140	4	BOLT ( ALL )
	00001800	4	LOCKNUT TLM 1/2 NC PLC ( ALL )
48	703695	1	BEARING & HSG ASY (DRV END) ( ALL )
	002315	1	BEARING ( ALL )
	000206	2	LUBRICAP, RED ( ALL )
	000354	6	BOLT ( ALL )
	00752036	6	NUT ( ALL )
49	102652	1	PULLEY, F/ CUTTERSHAFT ( ALL )
50	100768	1	KEY ( ALL )
51	100720	1	CLAMP WASHER ( ALL )
52	000521	1	LOCKWASHER ( ALL )
53	000407	1	BOLT ( ALL )
54	703575	2	BEARING & HSG ASY KEYED W/ZERK ( ALL )
	703976	2	BEARING & HSG ASY HEX W/ZERK ( ALL )
	107340	2	BEARING HSG, CAST ( ALL )
	703574	2	BEARING, KEYED BORE ( ALL )
	002486	2	BEARING, HEX BORE ( ALL )
	002039	2	GREASE FITTING ( ALL )
55	002037	2	SEAL ( ALL )
56	000516	4	CARRIAGE BOLT ( ALL )

# MOWER ASY - SHD 88 (PART 5)



Non Drive Side  
Bearing & Housing - 704305  
Bearing 002530

**NOTE:** Extended portion of bearing faces toward the outside, away from cuttershaft.

Drive Side  
Bearing & Housing 703695  
Bearing Alone 002315  
as of March 1999

**NOTE:** Extended portion of bearing faces the inside, toward the cuttershaft.

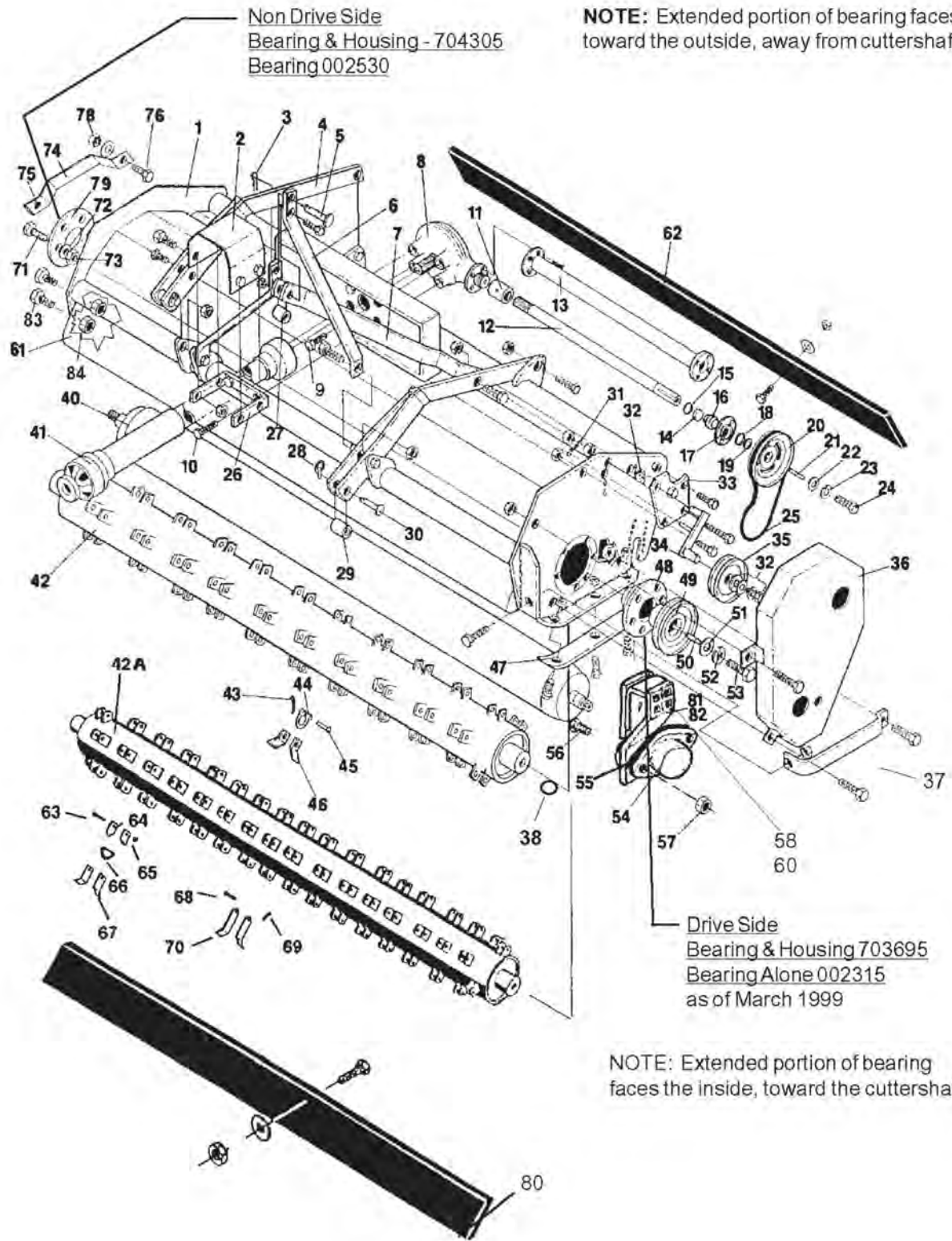
## MOWER ASY - SHD 88 (PART 5)

Continued...

ITEM	PART NO.	QTY.	DESCRIPTION
57	00001800	4	LOCKNUT TLM 1/2 NC PLC ( ALL )
58	000516	4	CARRIAGE BOLT ( ALL )
60	00001800	4	LOCKNUT TLM 1/2 NC PLC ( ALL )
	000206	2	LUBRICAP, RED ( ALL )
61	107258	1	FOOT GRD, FRONT ( ALL )
62	100755	1	RUBBER DEFLECTOR, REAR ( ALL )
	10058000	12	BOLT ( ALL )
	00024100	12	WASHER ( ALL )
	02959924	12	NUT ( ALL )
63	000032	108	BOLT ( ALL )
64	02990020	226	RING CLIP ( ALL )
65	000210	108	LOCKNUT ( ALL )
66	101991	108	RING, FC ( ALL FC )
67	02986333	216	KNIFE, FC RING MNT ( ALL FC )
	700803	1	KNIFE PKG FC, (ITEMS 63 - 67) ( ALL FC )
68	101034	108	KNIFE PIN, HARDENED ( ALL FC )
69	000026	108	COTTER PIN ( ALL FC )
70	02988196	216	KNIFE, FINE CUT
-	02986839	1	KIT, 226 FC KNIVES&COTTERPINS
71	000354	6	BOLT ( ALL )
73	00752036	6	NUT ( ALL )
74	103064	1	FENDER ( ALL )
75	000141	1	BOLT ( ALL )
76	000140	1	BOLT ( ALL )
78	00001800	2	LOCKNUT TLM 1/2 NC PLC ( ALL )
79	704305	1	BEARING & HSG ASY, NON DRV END
	002530	1	BEARING W/ SETSCREW ( ALL )
80	106781	1	RUBBER DEFLECTOR, FRONT ( CTR REV )
	000860	12	BOLT ( ALL )
	00024100	12	WASHER ( ALL )
	02959924	12	NUT ( ALL )
81	107182	1	BRACKET, LH ( ALL )
82	107380	1	BRACKET, RH ( ALL )
	703263	1	BRG & BRKT ASY LH W/KEYED BRG ( ALL )
	703596	1	BRG & BRKT ASY RH W/KEYED BRG ( ALL )
	703977	1	BRG & BRKT ASY LH W/HEX BRG ( ALL )
	703978	1	BRG & BRKT ASY RH W/HEX BRG ( ALL )
	02886900	4	CARRIAGE BOLT ( ALL )
	02979042	4	LOCKNUT ( ALL )
83	00749130	4	BOLT ( ALL )



# MOWER ASY - SHD 88 (PART 6)



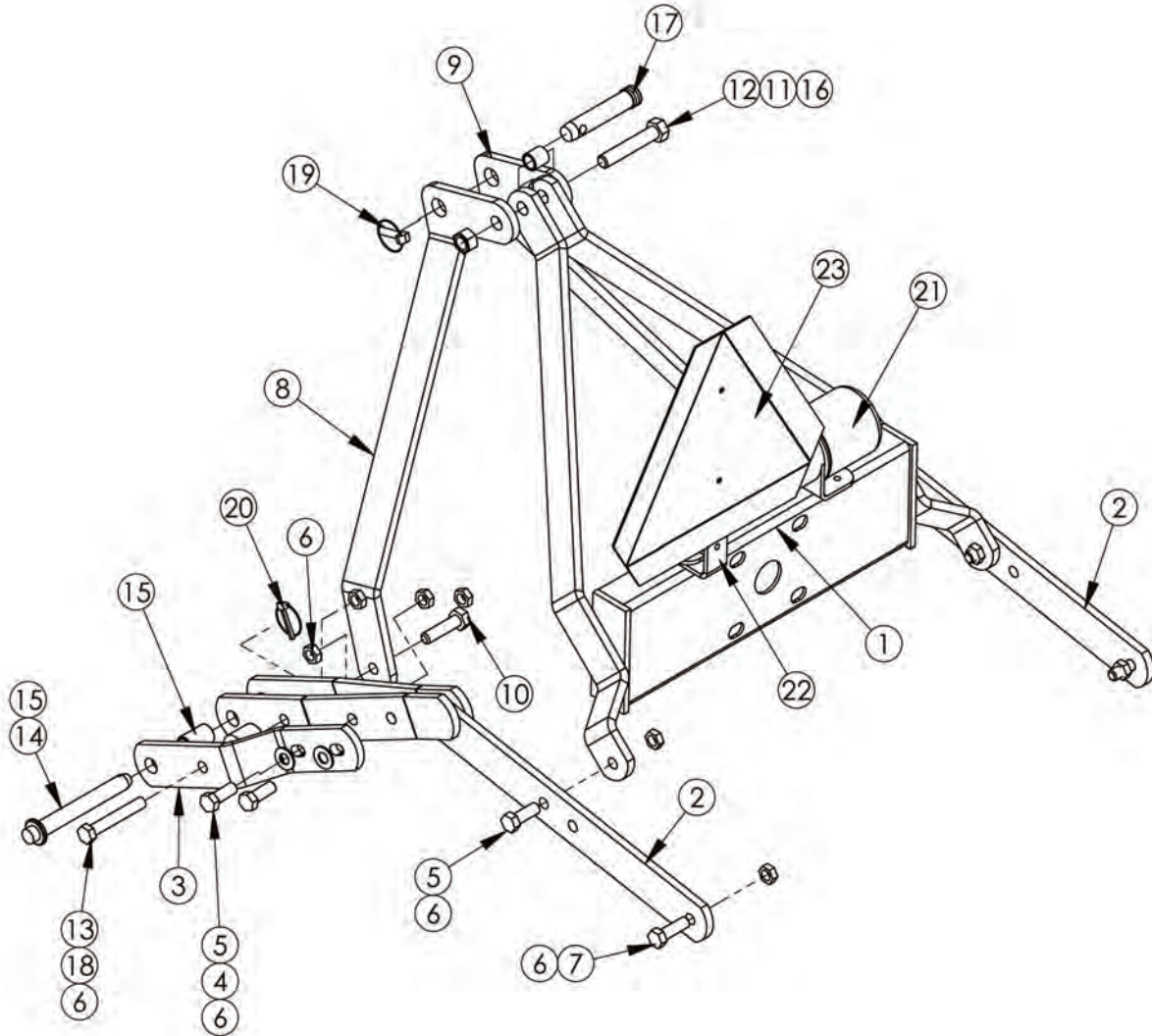
## MOWER ASY - SHD 88 (PART 6)

Continued...

ITEM	PART NO.	QTY.	DESCRIPTION
84	00001800	4	LOCKNUT TLM 1/2 NC PLC ( ALL )
	108744	1	BAR,FLAP RETAINER - 88

NOTE: THE SHD 88 IS OFFERED IN OPTIONAL CONFIGURATION. FINE CUT OR COARSE CUT CUTTER SHAFTS. FORWARD OR REVERSE ROTATION (REVERSE ROTATION CENTER MOUNT ONLY). CENTER MOUNT OR OFFSET MOUNT (A-FRAME). ALL OFFSET MODELS ARE OFFSET TO THE RIGHT (OR). THERE ARE OFFSET MODELS OF 6-1/2", 8-1/2", 14-1/2", 20-1/2" AND 26-1/2" OFFSET (O/S) TO THE RIGHT (OR).

MOWER ASY - SHD 88 A - FRAME CAT II



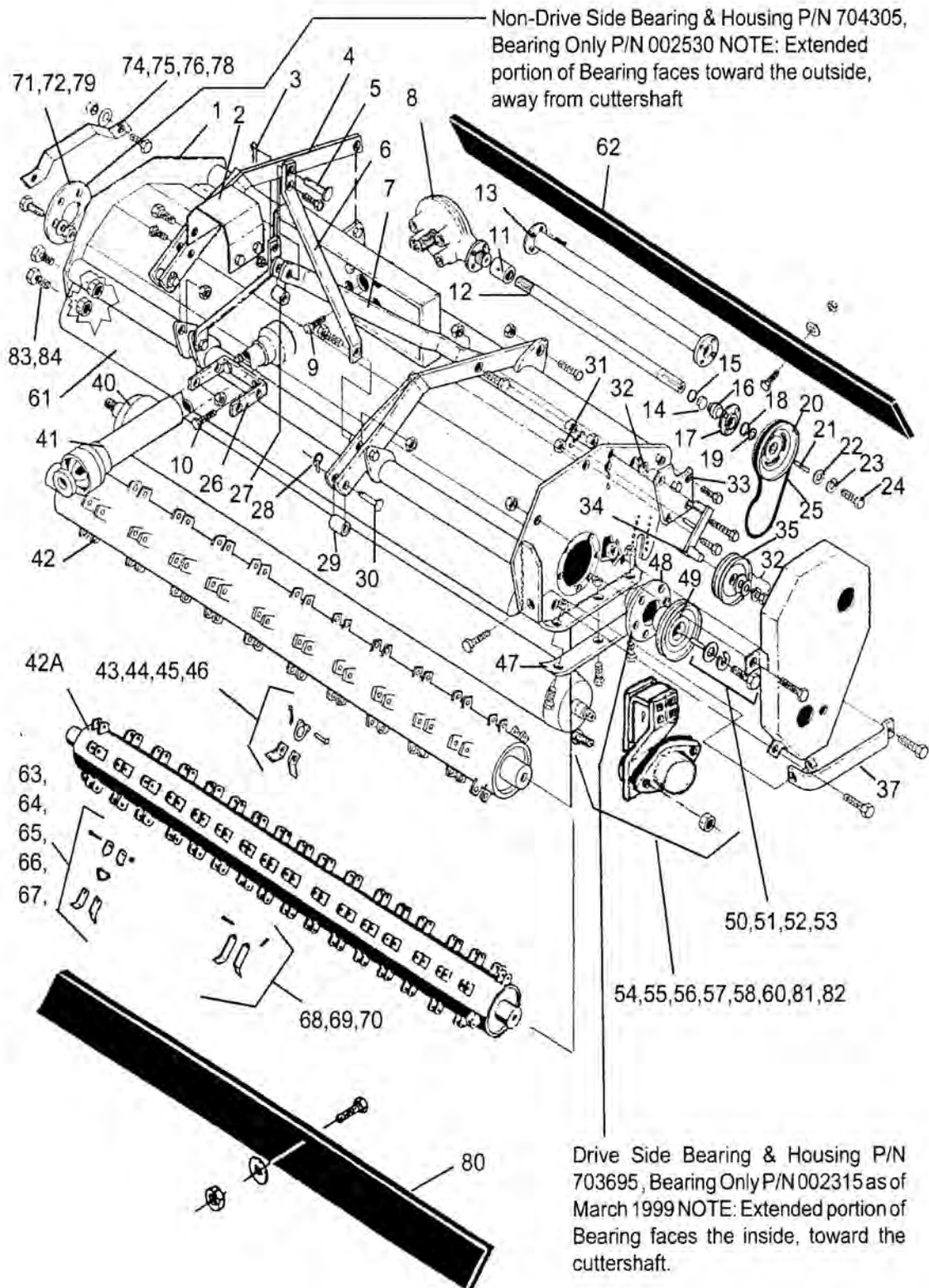
## MOWER ASY - SHD 88 A - FRAME CAT II

Continued...

ITEM	PART NO.	QTY.	DESCRIPTION
1	02990976	1	WDMT,GEARBOX MTG. SHD
2	102658	2	WLDMT,OVERARM ASSY
3	02988116	2	PLATE, OVERARM HITCH ADDON
4	00756077	4	WASHER,5/8 HARDENED - PLATED
5	7AH5101114	6	HHCS 5/8 NC X 1-3/4" PL8
6	00695100	12	NUT,TOPLOCK 5/8 NC PLC
7	00753753	2	HEXB 5/8 NC 2 PL 8
8	02990977	1	UPRIGHT, A-FRAME LH
9	02990978	1	UPRIGHT, A-FRAME RH
10	00755082	2	HEXB 5/8 NC 2-1/2PL8
11	102667	1	A-FRAME, SPACER
12	02959332	1	HHCS 3/4 NC 4 PL8
13	02967051	2	HHCS 5/8 NC 4 PL8
14	02988126	2	PIN, HITCH 7/8 X 6 1/2
15	103716	2	TUBE,SPACER,LOWER ARM
16	00037200	1	NUT,HEX TOPLOCK 3/4 NC GR.C PL
17	02991412	1	PIN, TOP LINK CATII SHD
18	02988125	2	TUBE, HITCH ADDON SPACER
19	2196	1	CLIP (LYNCH PIN), 13/32 DIA.
20	03100493	2	PIN-LYNCH 1/4
22	02993546	1	BRACKET MTG. SMV SIGN SHD
23	03200347	1	EMBLEM, SMV
24	10062000	1	HHCS 1/4 NC 1-1/2 PL5

NOTE:\*CAT II FRAME FOR SERIAL NUMBERS: 3247306-RH88-02324 AND 3211178-RH88-02323

# MOWER ASY - SHD 96 (PART 1)

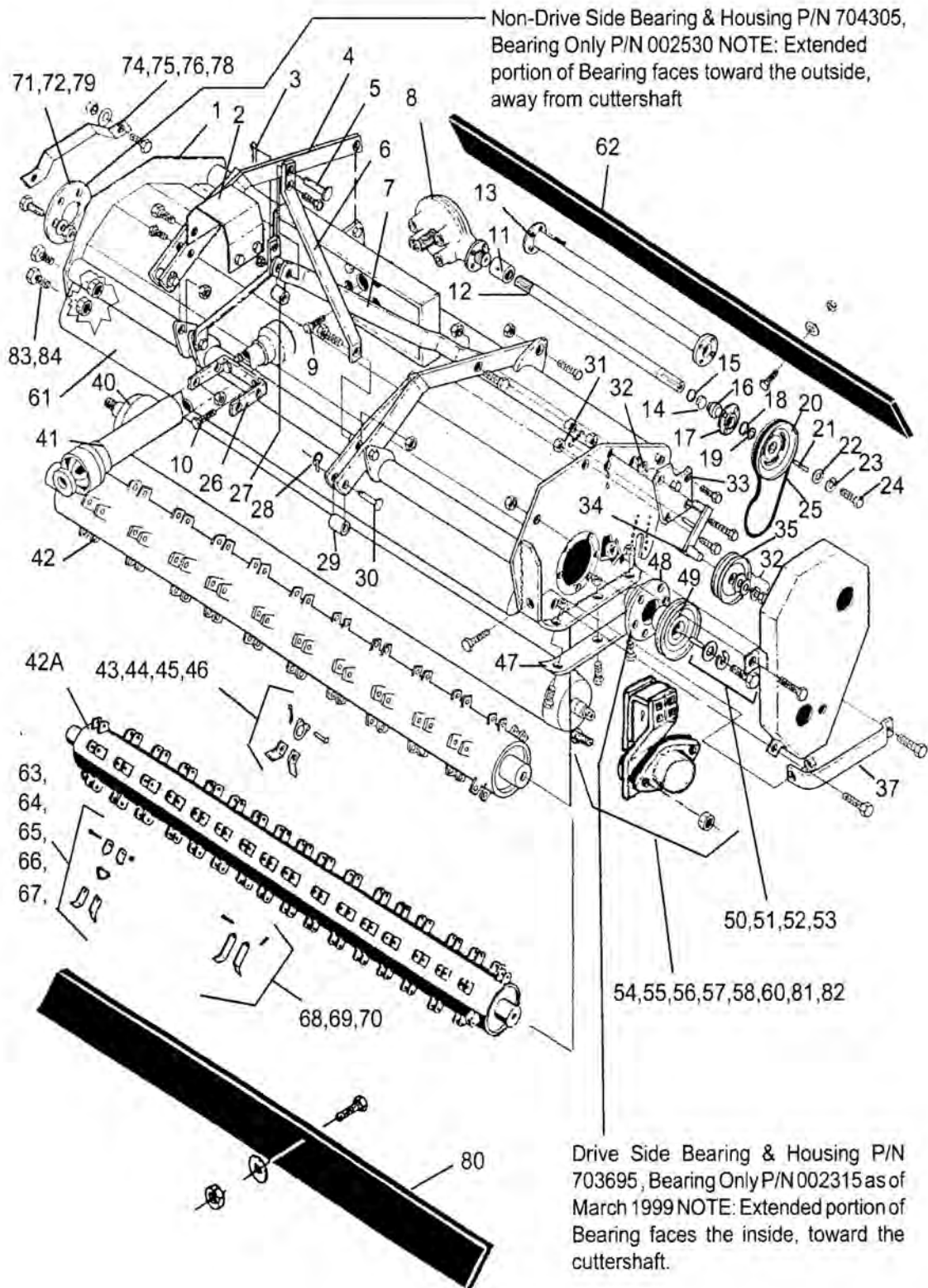


## MOWER ASY - SHD 96 (PART 1)

Continued...

ITEM	PART NO.	QTY.	DESCRIPTION
1	107768	1	CUTTER HSG WLDMNT, CENTERED
	107768	1	CUTTER HSG WLDMNT, CENTERED
	107777	1	CUTTER HSG WLDMNT, OFFSET
2	702705	1	PTO SHIELD
	000132	4	BOLT
	000019	4	LOCKWASHER
3	102549	1	QUICK COTTER
4	102658	2	OVERARM
	02045000	2	BOLT, OVERARM ATTACHING
	000716	6	BOLT, OVERARM ATTACHING
	00695100	8	NUT, TOPLOCK 5/8 NC PLC
	000874	1	BOLT
	102667	1	SPACER, A-FRAME
	00037200	1	LOCKNUT
5	101779	1	HITCH PIN, TOP LINK
6	103715	2	A-FRAME
7	02977728	1	G/B MNTG FRAME, S/N 01229 & UP
	103713	1	G/B MNTG FRAME, S/N 01228 & DOWN
8	702673	1	GEARBOX ASY.
	703946	1	G/B & EXT'N SHAFT ASY
	703946	1	G/B & EXT'N SHAFT ASY
	703757	1	G/B & EXT'N SHAFT ASY
9	000510	2	BOLT, UPPER
10	000511	2	BOLT, LOWER
	000521	4	LOCKWASHER
	000552	6	G/B SHIM, QTY AS NEEDED
11	700171	1	COUPLER ASY, SPLINED
	001727	4	SCREW, COUNTER BORE
	000019	4	LOCKWASHER
12	107748	1	G/B EXT'N SHAFT, 40-5/32 LONG
	107748	1	G/B EXT'N SHAFT, 40-5/32 LONG
	107540	1	G/B EXT'N SHAFT, 9-5/32 LONG
13	107747	1	G/B EXT'N SHAFT HSG
	107747	1	G/B EXT'N SHAFT HSG
	107541	1	G/B EXT'N SHAFT HSG
	001727	1	SCREW, COUNTER BORE
	000019	1	LOCKWASHER
14	100010	1	BEVEL RING
15	100057	1	SNAP RING
16	000398	1	BEARING
	700491	1	BEARING & HSG ASY

# MOWER ASY - SHD 96 (PART 2)



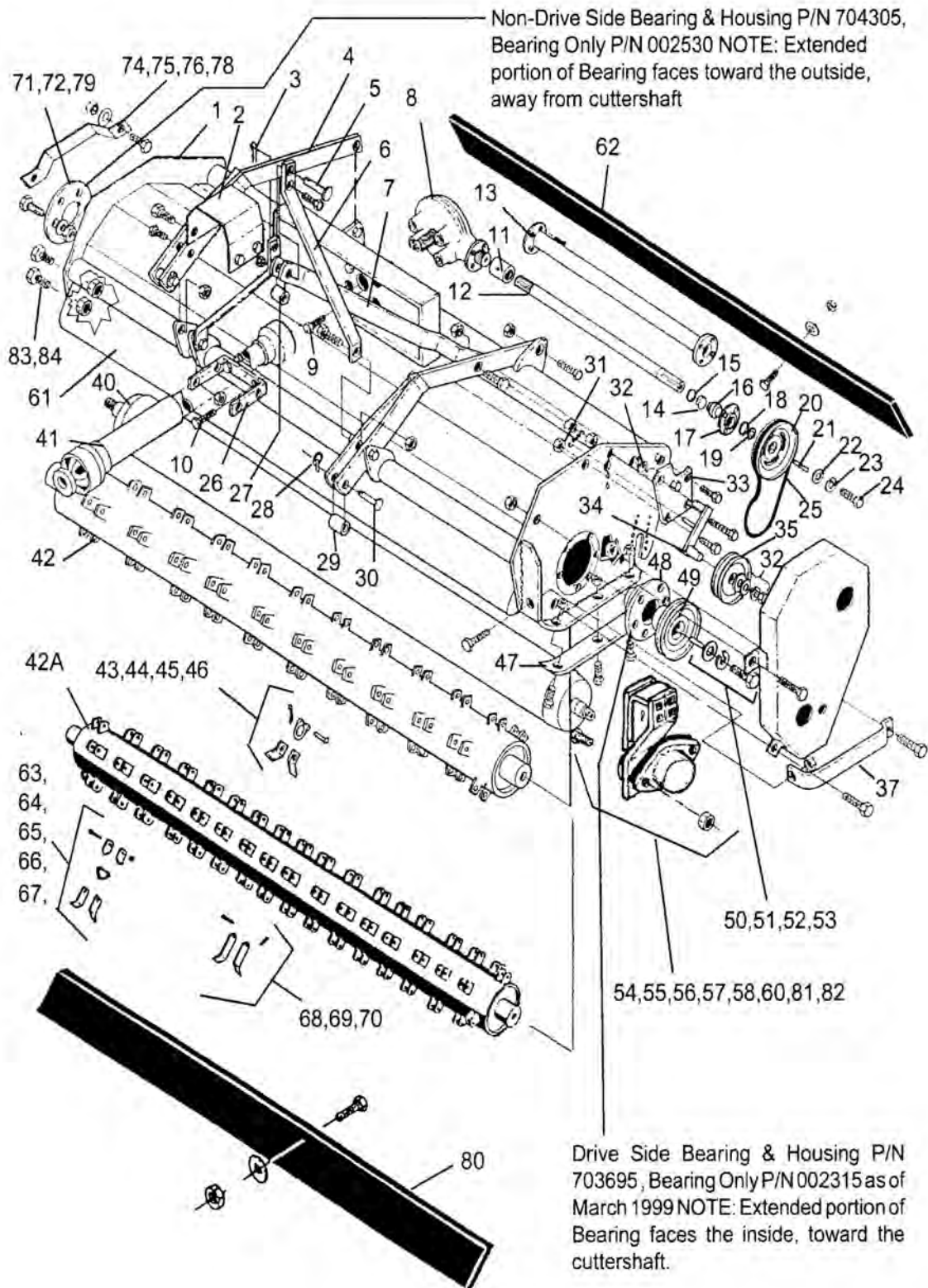
## MOWER ASY - SHD 96 (PART 2)

Continued...

ITEM	PART NO.	QTY.	DESCRIPTION
	000206	1	LUBRICAP, RED
	000937	4	BOLT
	00752036	4	NUT
17	700739	1	BEARNG HSG W/ ZERK
18	000402	2	BEARING RETAINING RING
19	102651	3	PULLEY SHIM, QTY AS NEEDED
20	102501	1	DRIVESHAFT PULLEY
21	101782	1	KEY
22	101780	1	WASHER, HEAVY
23	000520	1	LOCKWASHER
24	000555	1	BOLT
25	100706	1	DRIVE BELT
26	105597	1	SHIELD MNTG BRKT
27	103717	1	BUSHING, UPPER, (CAT I TO CATII CONVERSION)
28	2196	2	CLIP (LYNCH PIN), 13/32 DIA.
29	103716	2	BUSHING, LOWER (CAT I TO CAT II CONVERSION)
30	100743	2	HITCH PIN, LOWER
31	000539	1	SPRING
32	101778	1	SPACER, PULLEY ARM BRG PLATE
	000001	4	BOLT
	000018	1	LOCKWASHER
	000017	1	WASHER
	700494	1	IDLER ARM ASY, FWD ROTATION
	701851	1	IDLER ARM ASY, REV ROTATION
	700494	1	IDLER ARM ASY, FWD ROTATION
33	701905	1	OUTBOARD BRG PLATE W/ZERK
	701847	1	OUTBOARD BRG PLATE W/ZERK
	701905	1	OUTBOARD BRG PLATE W/ZERK
	000206	1	LUBRICAP, RED
	000135	1	BOLT, LONG
	000645	1	BOLT
	00752036	2	LOCKNUT
	000171	1	NUT
34	100727	1	IDLER ARM, FWD ROTATION
	104938	1	IDLER ARM, REV ROTATION
	100727	1	IDLER ARM, FWD ROTATION
	000523	2	COTTER PIN
35	000547	1	IDLER PULLEY
	700494	1	IDLER ASY, W/32 - 35 & FASTENERS
	701851	1	IDLER ASY, W/32 - 35 & FASTENERS
	700494	1	IDLER ASY, W/32 - 35 & FASTENERS



# MOWER ASY - SHD 96 (PART 3)

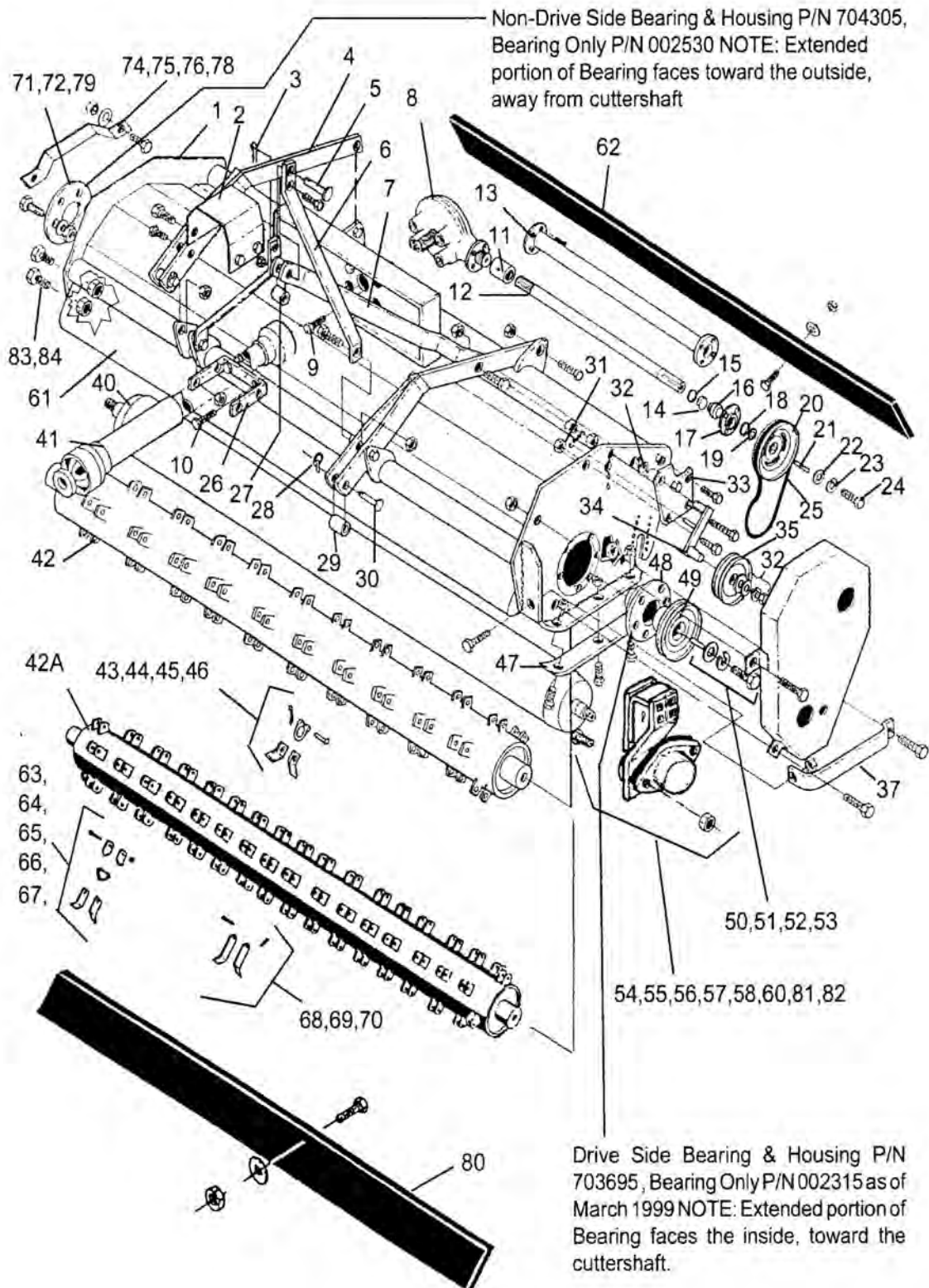


## MOWER ASY - SHD 96 (PART 3)

Continued...

ITEM	PART NO.	QTY.	DESCRIPTION
36	700488	1	BELT GRD PKG W/FASTENERS
	701485	1	BELT GRD PKG W/FASTENERS
	700488	1	BELT GRD PKG W/FASTENERS
	000139	3	BOLT
	000139	1	BOLT
	000139	3	BOLT
	00001800	3	LOCKNUT TLM 1/2 NC PLC
	00001800	1	LOCKNUT TLM 1/2 NC PLC
	00001800	3	LOCKNUT TLM 1/2 NC PLC
	000508	2	BOLT
	000520	2	LOCKWASHER
	000063	1	FLATWASHER
37	103117	1	BELT GRD FENDER
	104935	1	BELT GRD FENDER
	103117	1	BELT GRD FENDER
	103064	1	FENDER, RH FWD / LH REV
	000141	1	BOLT, FRONT
	000140	1	BOLT, REAR
	00001800	2	LOCKNUT TLM 1/2 NC PLC
38	107468	1	SPACER
40	107682	1	ROLLER W/ KEYED SHSFT
	107787	1	ROLLER W/HEX SHAFT
41	001863	1	DRIVELINE ASY W/ CLUTCH
42	107745	1	CUTTERSHAFT F/ CC KNIVES
	107789	1	CUTTERSHAFT F/ FC KNIVES
43	000026	48	COTTER PIN
44	100761	48	RING
45	102670	48	KNIFE PIN, HARDENED
46	02986332	96	KNIFE, CC
	02986276	96	KNIFE, EXTREME SERVICE
	108381	96	KNIFE, CC (EXT SER) S/N 00707 & UP
	703874A	1	KNIFE PKG. (EXT SER) S/N 00707 & UP
47	103051	2	SHOE, WEAR PLATE, STD
	000515	2	CARRIAGE BOLT
	000700	4	PLOW BOLT
	00001800	6	LOCKNUT TLM 1/2 NC PLC
	100704	2	SHOE, WEAR PLATE, RENOVATING
	000140	4	BOLT
	00001800	4	LOCKNUT TLM 1/2 NC PLC
48	703695	1	BEARING & HSG ASY, DRIVE END
	002315	1	BEARING, DRIVE END

# MOWER ASY - SHD 96 (PART 4)

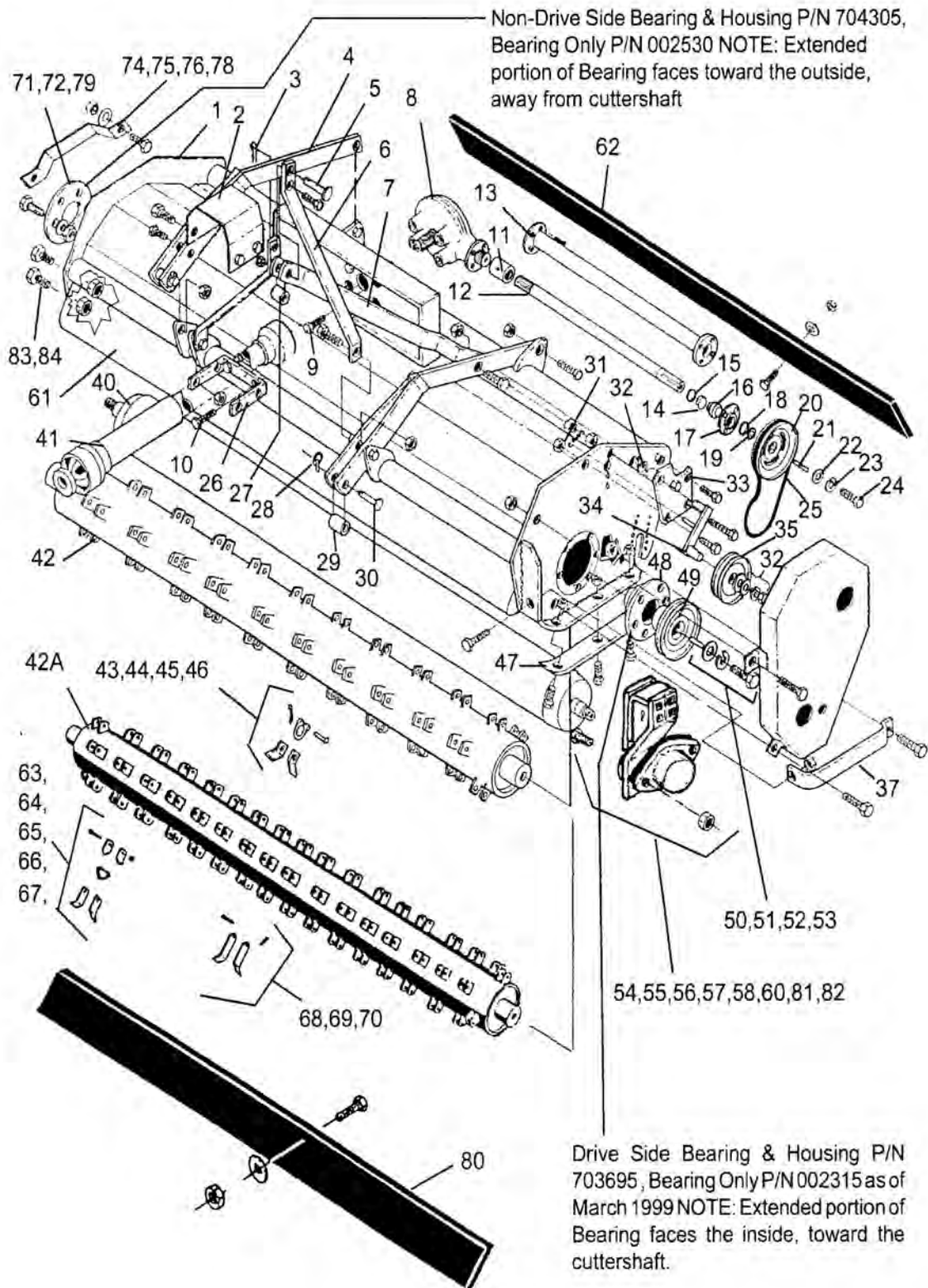


## MOWER ASY - SHD 96 (PART 4)

Continued...

ITEM	PART NO.	QTY.	DESCRIPTION
	000206	2	LUBRICAP, RED
	000354	6	BOLT
	00752036	6	NUT
49	102652	1	PULLEY, CUTTERSHAFT
50	100768	1	KEY
51	100720	1	CLAMP WASHER
52	000521	1	LOCKWASHER
53	000407	1	BOLT
54	703575	2	BEARING & HSG ASY, KEYED ROLLER
	703976	2	BEARING & HSG ASY, HEX ROLLER
	107340	2	BEARING HSG, CAST
	703574	2	BEARING, F/ KEYED ROLLER SHAFT
	002486	2	BEARING, F/ HEX ROLLER SHAFT
	002039	2	GREASE FITTING
55	002037	2	SEAL
56	000516	4	CARRIAGE BOLT
57	00001800	4	LOCKNUT TLM 1/2 NC PLC
58	000516	4	CARRIAGE BOLT
60	00001800	4	LOCKNUT TLM 1/2 NC PLC
	000206	2	LUBRICAP, RED
61	107754	1	FOOT GRD, FRONT
62	107753	1	RUBBER TRASH DEFLECTOR, REAR
	10058000	13	BOLT
	00024100	13	WASHER
	02959924	13	NUT
63	000032	118	BOLT
64	02990020	246	RING CLIP, FC (RING MNT' D)
65	000210	118	LOCKNUT, FC (RING MNT' D)
66	101991	118	RING, FC KNIFE(RING MNT' D)
67	02986333	236	FINE CUT RING KNIFE
68	101034	118	KNIFE PIN, HARDENED (PIN MNT' D)
69	000026	118	COTTER PIN (PIN MNT;D
70	02988196	236	KNIFE, FINE CUT
71	000354	6	BOLT
73	00752036	6	NUT
74	103064	1	FENDER
75	000141	1	BOLT
76	000140	1	BOLT
78	00001800	2	LOCKNUT TLM 1/2 NC PLC
79	704305	1	BEARING & HSG ASY, NON DRIVE END

MOWER ASY - SHD 96 (PART 5)

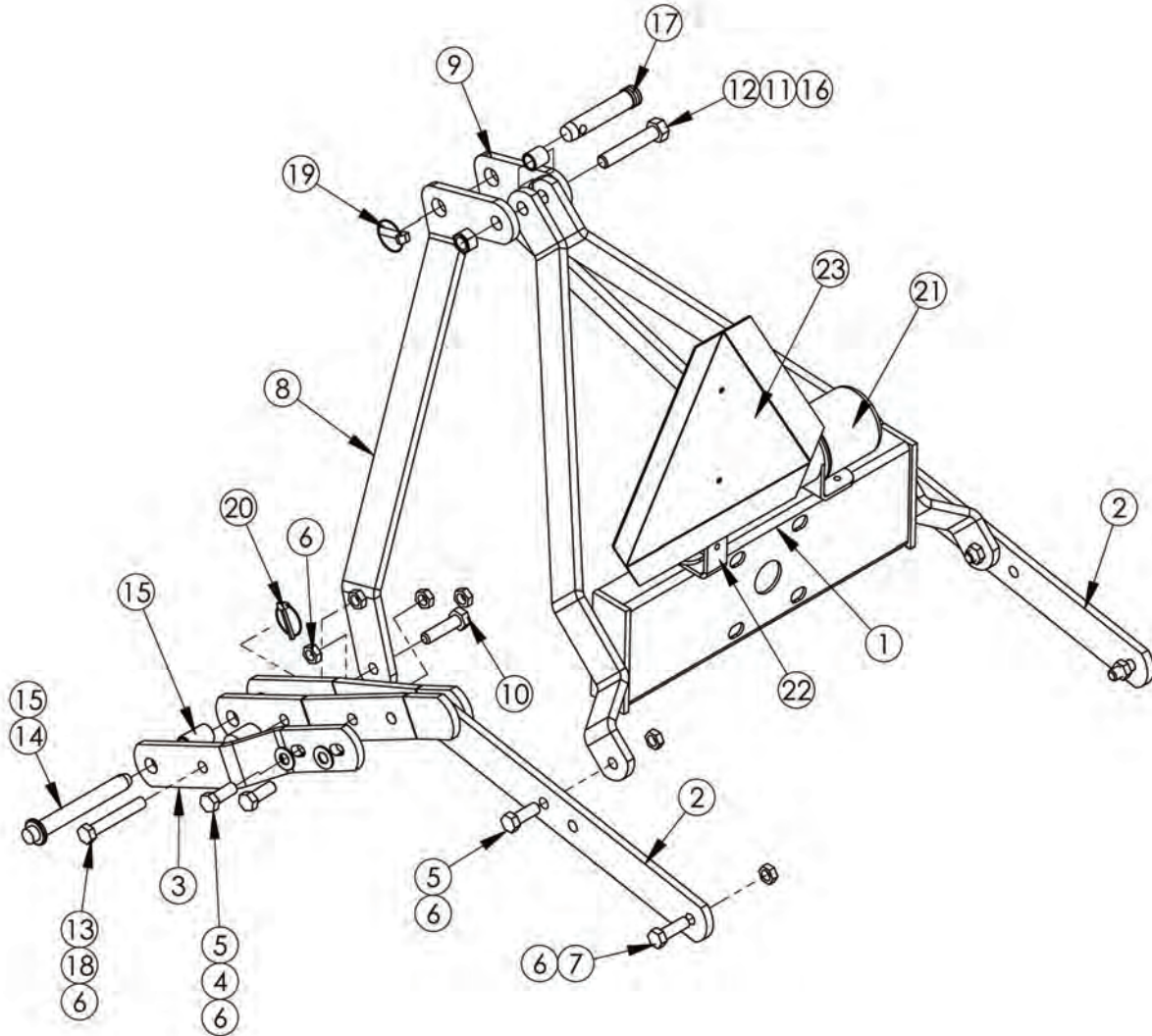


## MOWER ASY - SHD 96 (PART 5)

Continued...

ITEM	PART NO.	QTY.	DESCRIPTION
	002530	1	BEARING W/SETSCREW, NON- DRIVE END
81	107182	1	ROLLER BRG BRKT, LH
80	704098	1	PKG, 96 TRASH DEFLECTOR FRONT
82	107380	1	ROLLER BRG BRKT, RH
	703263	1	ROLLER BRG & BRKT ASY LH, KEYED SHAFT (ITEMS 81,54 - 57)
	703596	1	ROLLER BRG & BRKT ASY RH, KEYED SHAFT (ITEMS 82,54 -57)
	703977	1	ROLLER BRG & BRKT ASY LH, HEX SHAFT
	703978	1	ROLLER BRG & BRKT ASY RH, HEX SHAFT
	02886900	4	CARRIAGE BOLT
	02979042	4	LOCKNUT
83	00749130	4	BOLT
84	00001800	1	LOCKNUT TLM 1/2 NC PLC
	703940	1	96 TRASH DEFLECTOR REAR
	02976084	1	BAR FLAP RETAINER 96 REAR

MOWER ASY - SHD 96 A - FRAME CAT II



## MOWER ASY - SHD 96 A - FRAME CAT II

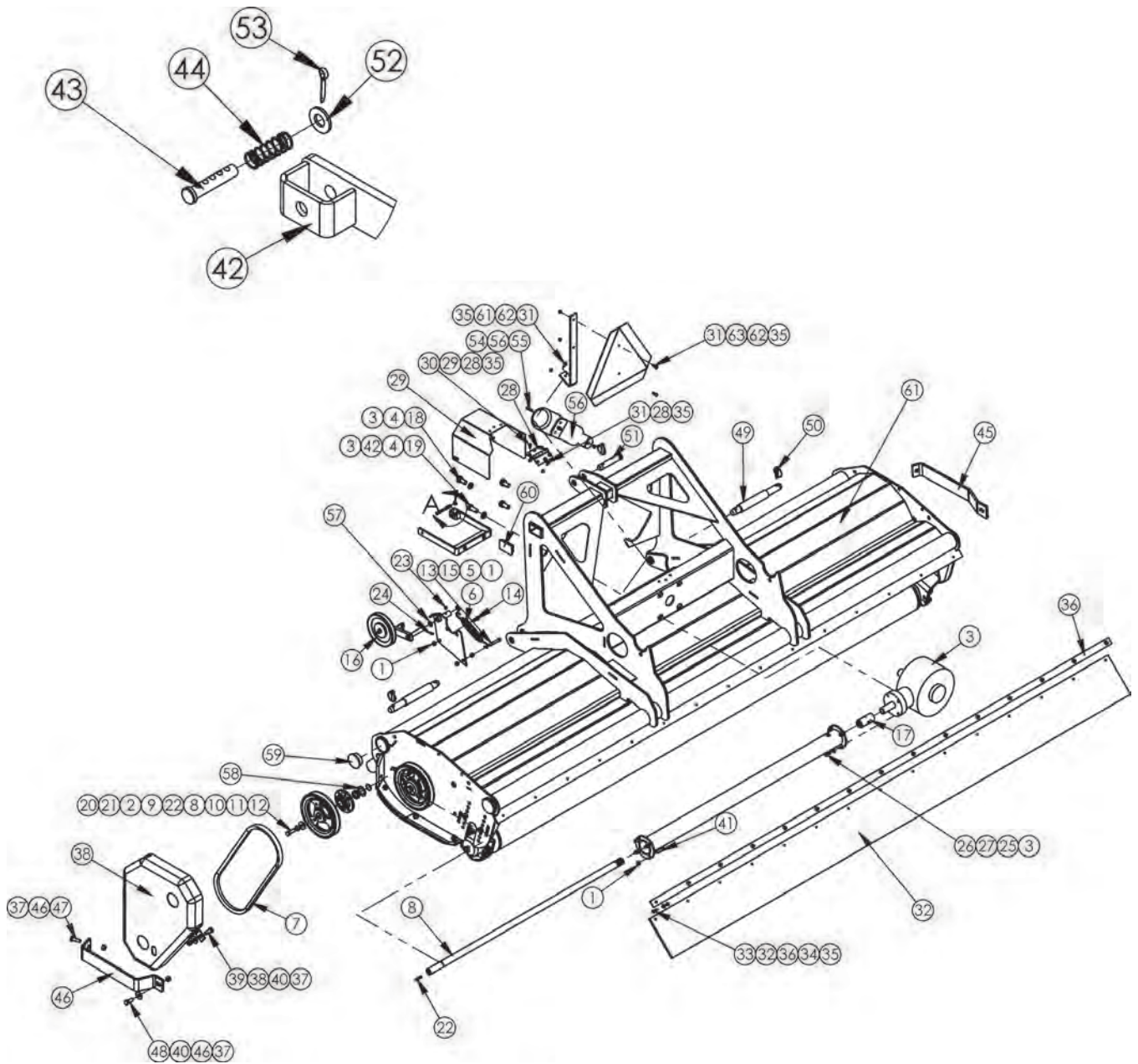
Continued...

ITEM	PART NO.	QTY.	DESCRIPTION
1	02990976	1	WDMT,GEARBOX MTG. SHD
2	102658	2	WLDMT,OVERARM ASSY
3	02988116	2	PLATE, OVERARM HITCH ADDON
4	00756077	4	WASHER,5/8 HARDENED - PLATED
5	7AH5101114	6	HHCS 5/8 NC X 1-3/4" PL8
6	00695100	12	NUT,TOPLOCK 5/8 NC PLC
7	00753753	2	HEXB 5/8 NC 2 PL 8
8	02990977	1	UPRIGHT, A-FRAME LH
9	02990978	1	UPRIGHT, A-FRAME RH
10	00755082	2	HEXB 5/8 NC 2-1/2PL8
11	102667	1	A-FRAME, SPACER
12	02959332	1	HHCS 3/4 NC 4 PL8
13	02967051	2	HHCS 5/8 NC 4 PL8
14	02988126	2	PIN, HITCH 7/8 X 6 1/2
15	103716	2	TUBE,SPACER,LOWER ARM
16	00037200	1	NUT,HEX TOPLOCK 3/4 NC GR.C PL
17	02991412	1	PIN, TOP LINK CATII SHD
18	02988125	2	TUBE, HITCH ADDON SPACER
19	2196	1	CLIP (LYNCH PIN), 13/32 DIA.
20	03100493	2	PIN-LYNCH 1/4
22	02993546	1	BRACKET MTG. SMV SIGN SHD
23	03200347	1	EMBLEM, SMV
24	10062000	1	HHCS 1/4 NC 1-1/2 PL5

NOTE:\*CAT II FRAME FOR SERIAL NUMBER: 2335512 - SH96-02619



# MOWER ASY - SHD 112 (PART 1)



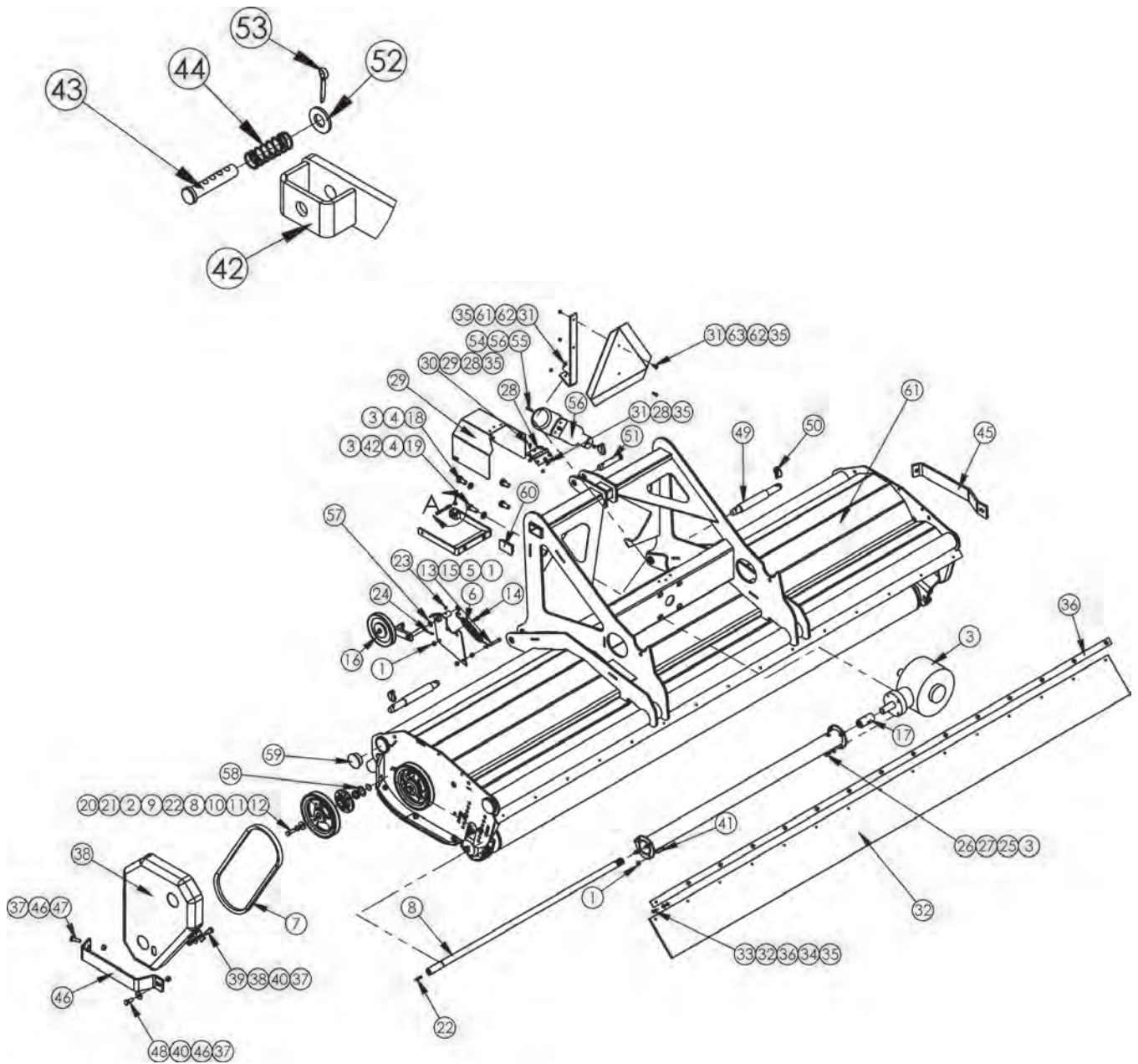
ITEM	PART NO.	QTY.	DESCRIPTION
1	00015800	6	LOCKNUT TLM 3/8-NC PLC
2	700491	1	HOUSING AND BEARING ASSEMBLY
3	702673	1	GEARBOX, OILED & TESTED
4	00010300	4	WASHER, LOCK 5/8 GR8 - YDP
5	100725	1	WLDMT, BRG PLATE, SHD
6	000539	1	SPRING, EXTENSION
7	100706	1	BELT
8	02995637	1	SHAFT, OUTPUT SHD 112
9	102501	1	PULLEY, 8.99 DIA X 1.125 BORE

**MOWER ASY - SHD 112 (PART 1)**

**Continued...**

<b>ITEM</b>	<b>PART NO.</b>	<b>QTY.</b>	<b>DESCRIPTION</b>
10	101780	1	WASHER,BRG 1-7/16X33/64X3/16
11	00019600	1	LOCKWASHER, 1/2, HVY, PL
12	00019300	1	HHCS 1/2 NF 1-1/2 PL5
13	10190000	1	HHCS 3/8 NC 2-1/4 PL5
14	000645	1	HHCS 3/8 NC 7/8 PL5
15	00013901	1	NUT HEX 3/8 NC PL
16	700494	1	ASSY,IDLER ARM (SHD)
17	700171	1	COUPLER, W/ZERK, SPLINED
18	00752658	2	HEXB 5/8 NC 1-1/4 PL5
19	02675800	2	HHCS 5/8-11 X 1-1/2 PL5
20	100057	1	RETAINING RING
21	100010	1	OUTPUT BEVEL RING
22	101782	1	KEY,DRIVE PULLEY
23	00752670	1	FITTING,GREASE-STR 1/4-28 UNF
24	00755153	1	PIN,COTTER 3/16 X 1-1/2 PLATED
25	02995625	1	WLDMT, SHAFT HOUSING, SHD
26	001727	4	SCREW, FLNG HD 12PT, CTR-BORE
27	00012101	4	LOCKWASHER, 3/8, HVY, PL
28	02995629	1	HINGE, PTO SHIELD, SHD
29	02995628	1	SHEET, PTO SHIELD SHD
30	00002100	3	HHCS 1/4 NC 1/2 PL

## MOWER ASY - SHD 112 (PART 2)



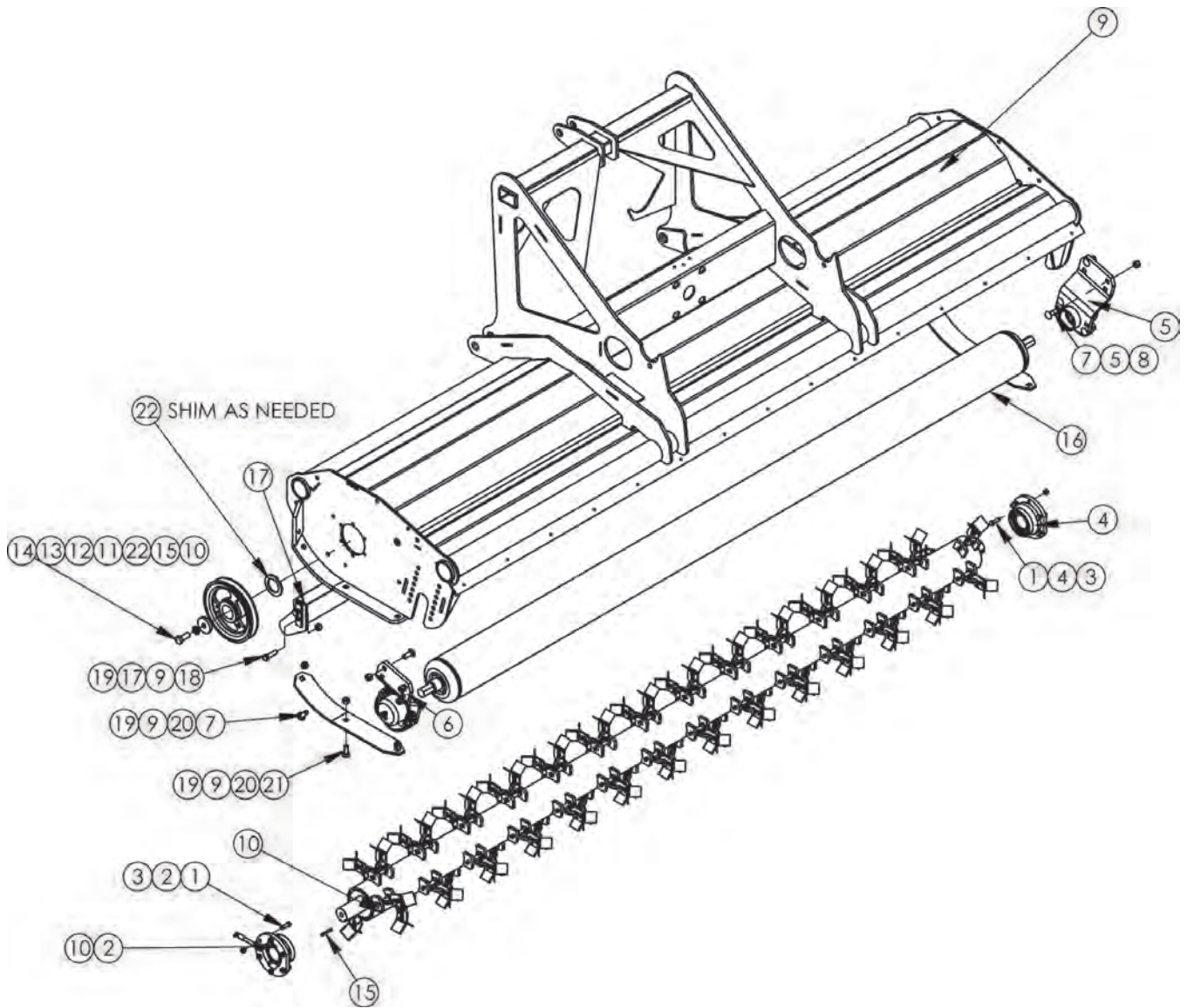
ITEM	PART NO.	QTY.	DESCRIPTION
31	00021400	6	HHCS 1/4 NC 3/4 PL5
32	02995619	1	RUBBER, 112 FLAP, SHD
33	02153100	15	HHCS 1/4 NC 1-1/4 PL
34	00024100	15	FLATWASHER STD 1/4 PL
35	02959924	24	NUT, TOPLOCK 1/4 NC PLB
36	02995618	1	PLATE, FLAP CLAMP, SHD
37	00001800	7	LOCKNUT TLM 1/2 NC PLC
38	100747	1	WLDMT,BELT GUARD (SHD)
39	02776600	3	HHCS, 1/2-13 NC X 1 1/4" PL8

## MOWER ASY - SHD 112 (PART 2)

Continued...

ITEM	PART NO.	QTY.	DESCRIPTION
40	00002700	5	FLATWASHER 1/2 PL STD
41	00023100	4	HHCS 3/8 -16UNC 1-1/2 PL5
42	02995633	1	WLDMT, PTO SHIELD BASE, SHD
43	02995630	1	PIN, CLEVIS 5/16" x 1-1/2" ADJ
44	02995631	1	SPRING, 8.2 LB/IN, SHD
45	103064	1	FENDER
46	103117	1	FENDER, GUARD (SHD)
47	00748823	2	HHCS 1/2-13UNC 1-1/2 GR.5 PL
48	02030700	2	HHCS 1/2 NC 1-1/4 PL5
49	69141	2	PIN, HITCH CAT II & III
50	2196	3	CLIP (LYNCH PIN), 13/32 DIA.
51	02991412	1	PIN, TOP LINK CATII SHD
52	00023500	1	FLATWASHER 5/16 PL
53	02968698	1	PIN COTTER 3/32X 3/4
54	00021800	2	NUT HEX 5/16 NC PL
55	10119000	2	HEXB 5/16 X 1 NC GR5
56	00776031	1	CANISTER, PARTS MANUAL
57	101778	4	IDLER BEARING SPACER<
58	102651	4	PULLEY SHIM<
59	02995639	4	END CAP, RND 3"
60	02995640	2	END CAP, RECT 3" X 2"
61	02995644	1	ASY, CTRHSG 112CC CTR
62	02995655	1	BRACKET MTG. SMV SIGN SHD
63	03200347	1	EMBLEM, SMV

**MOWER ASY - SHD 112 CUTTER HOUSING ASSEMBLY COURSE CUT KNIVES PN 02995644**



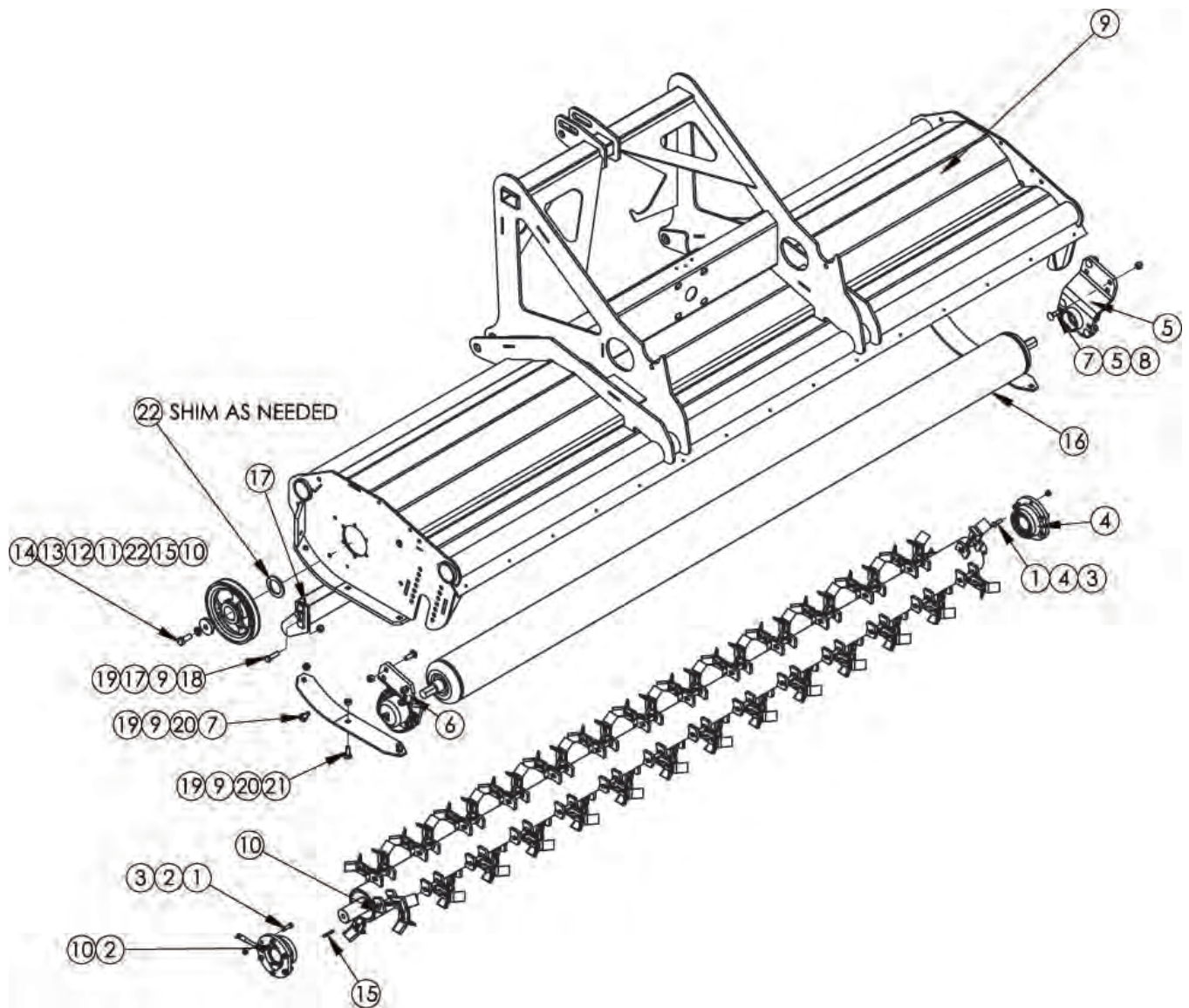
ITEM	PART NO.	QTY.	DESCRIPTION
1	00753642	12	HEXB 3/8 NC X 1-1/4 PL5
2	703695	1	BEARING, ASY, CUTTERSHAFT
3	00015800	12	LOCKNUT TLM 3/8-NC PLC
4	704305	1	BEARING, ASY
5	703977	1	ASY- ROLLER BRKT LH W/HEX BRG
6	703978	1	ASY- ROLLER BRKT RH W/HEX BRG
7	02886900	6	CARB 1/2-13 NC X 1-1/2 PL5
8	02979042	4	LOCKNUT,SP INSET 1/2 NC PLB
9	02995636	1	WLDMT,112 SHD
10	02995615	1	ASY CTRSHFT W/112CC KNIVE
11	102652	1	PULLEY 8-3/4-1-15/16 BORE<
12	100720	1	WASHER, CUTTERSHAFT

**MOWER ASY - SHD 112 CUTTER HOUSING ASSEMBLY COURSE CUT KNIVES PN 02995644****Continued...**

<b>ITEM</b>	<b>PART NO.</b>	<b>QTY.</b>	<b>DESCRIPTION</b>
13	00010300	1	WASHER,LOCK 5/8 GR8 - YDP
14	000407	1	HHCS,5/8NF X 1-1/2 ZP5
15	100768	1	KEY,PULLEY,CTRSHAFT
16	02995623	1	WLDMT, ROLLER 112", SHD
17	02995620	1	WLDMT, FOOT GUARD 112, SHD
18	00749130	4	HHCS 1/2-13UNC 1-3/4 PL5
19	00001800	10	LOCKNUT TLM 1/2 NC PLC
20	103051	2	SHOE/WEAR PLATE
21	2A381312	4	BOLT,PLOW 1/2 NC X 1-1/2 GR.5
22	107468	4	SPACER-CUTTERSHAFT- SHD



**MOWER ASY - SHD 112 CUTTER HOUSING ASSEMBLY EXTREME SERVICE KNIVES PN 02996549**



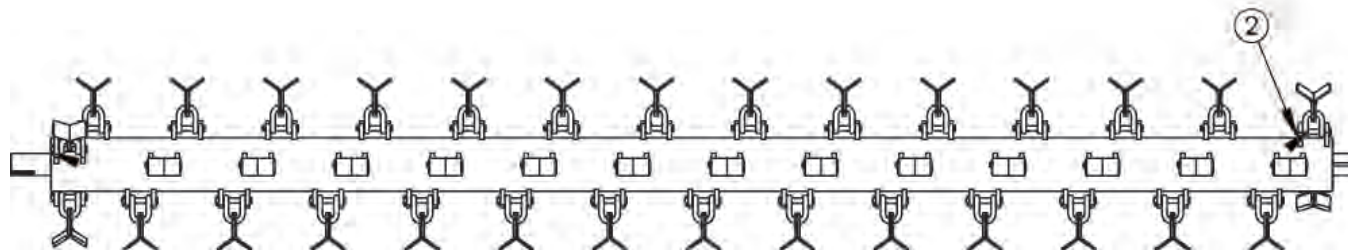
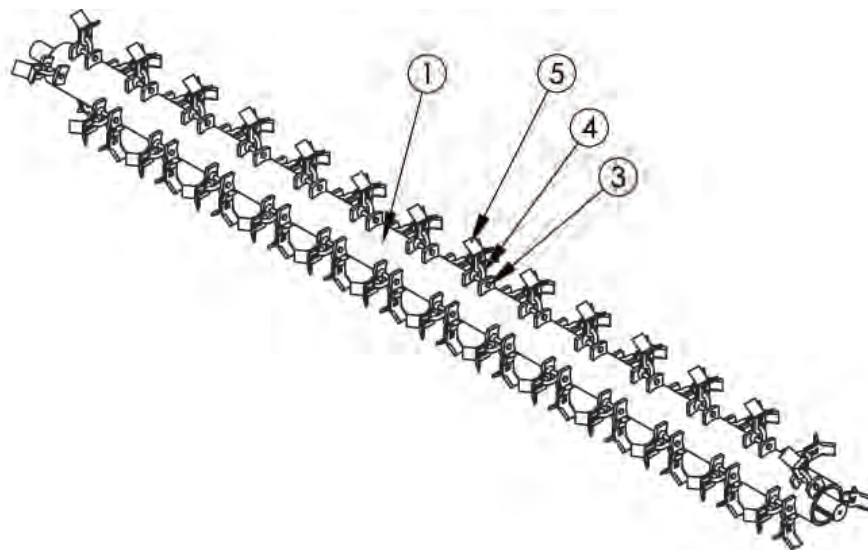
ITEM	PART NO.	QTY.	DESCRIPTION
1	00753642	12	HEXB 3/8 NC X 1-1/4 PL5
2	703695	1	BEARING, ASY, CUTTERSHAFT
3	00015800	12	LOCKNUT TLM 3/8-NC PLC
4	704305	1	BEARING, ASY
5	703977	1	ASY- ROLLER BRKT LH W/HEX BRG
6	703978	1	ASY- ROLLER BRKT RH W/HEX BRG
7	02886900	6	CARB 1/2-13 NC X 1-1/2 PL5
8	02979042	4	LOCKNUT,SP INSET 1/2 NC PLB
9	02995636	1	WLDMT,112 SHD
10	02996550	1	ASY CTRSHFT 112 W/ES KNIVES
11	102652	1	PULLEY 8-3/4-1-15/16 BORE<
12	100720	1	WASHER, CUTTERSHAFT

**MOWER ASY - SHD 112 CUTTER HOUSING ASSEMBLY EXTREME SERVICE KNIVES PN 02996549****Continued...**

<b>ITEM</b>	<b>PART NO.</b>	<b>QTY.</b>	<b>DESCRIPTION</b>
13	00010300	1	WASHER,LOCK 5/8 GR8 - YDP
14	000407	1	HHCS,5/8NF X 1-1/2 ZP5
15	100768	1	KEY,PULLEY,CTRSHAFT
16	02995623	1	WLDMT, ROLLER 112", SHD
17	02995620	1	WLDMT, FOOT GUARD 112, SHD
18	00749130	4	HHCS 1/2-13UNC 1-3/4 PL5
19	00001800	10	LOCKNUT TLM 1/2 NC PLC
20	103051	2	SHOE/WEAR PLATE
21	2A381312	4	BOLT,PLOW 1/2 NC X 1-1/2 GR.5
22	107468	4	SPACER-CUTTERSHAFT- SHD

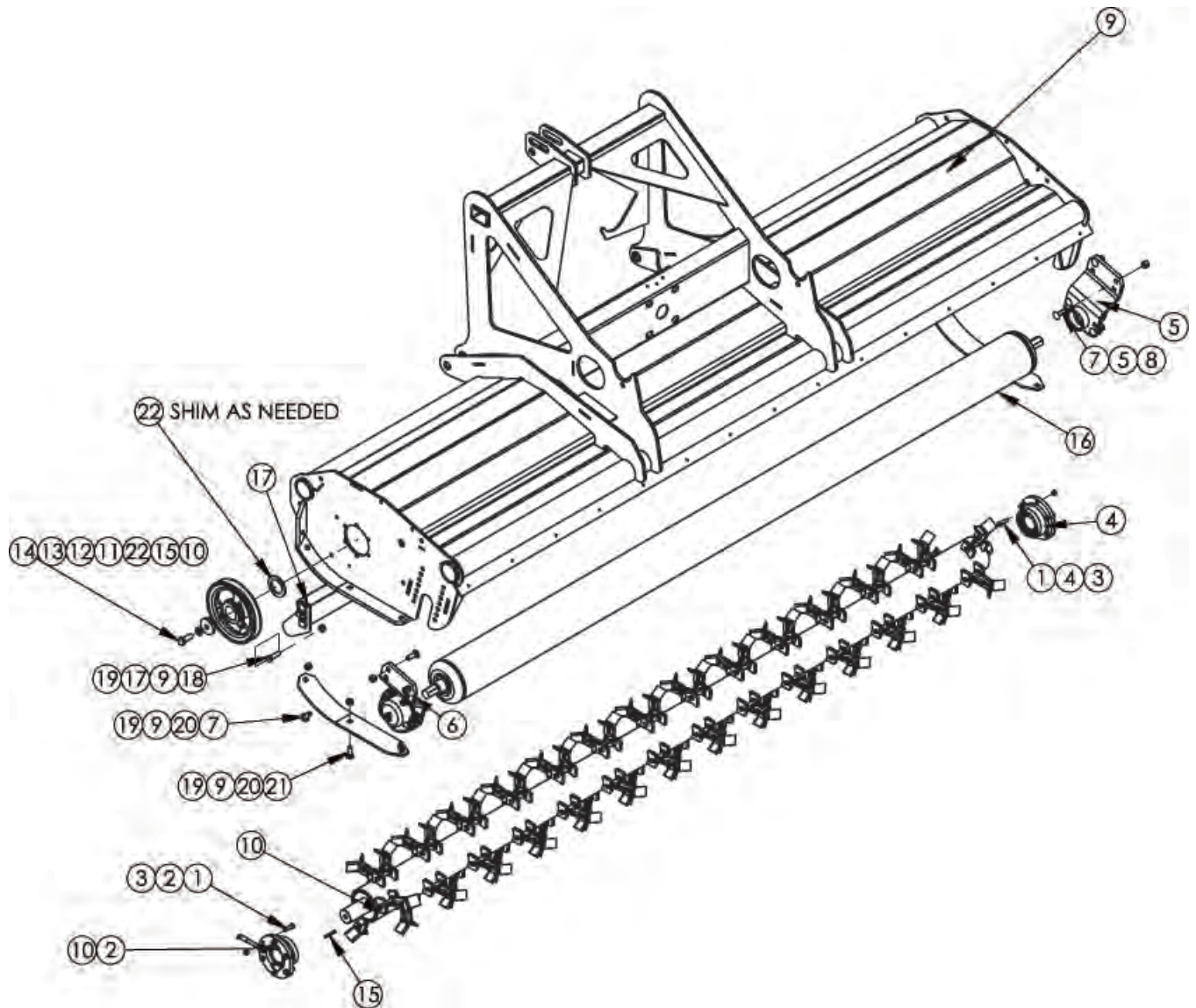


**MOWER ASY - SHD 112 CUTTERSHAFT ASSEMBLY EXTREME SERVICE KNIVES PN 02996550**



ITEM	PART NO.	QTY.	DESCRIPTION
1	02995616	1	WLDMT 112" CC CUTTERSHAFT
2	000026	56	1/8X3/4 HAMMERLOCK COTTERPN<
3	102670	56	PIN-HARDENED
4	100761	56	RING COMPLETE
5	02986276	112	KNIFE,EXTREME SERVICE

**MOWER ASY - SHD 112 CUTTER HOUSING ASSY OFFSET RIGHT EXTREME SERVICE KNIVES PN 02997708**

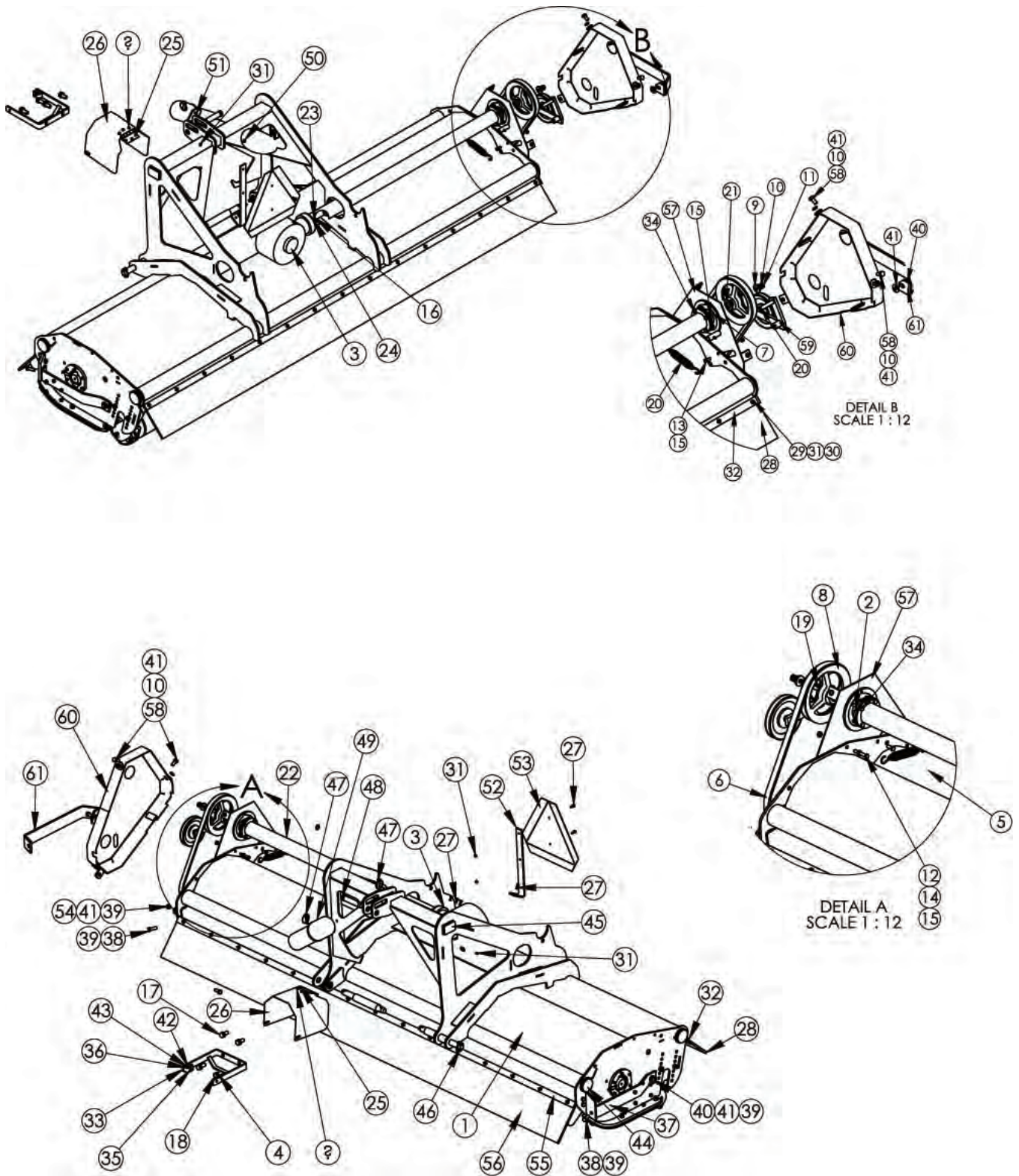


ITEM	PART NO.	QTY.	DESCRIPTION
1	00753642	12	HEXB 3/8 NC X 1-1/4 PL5
2	703695	1	BEARING, ASY, CUTTERSHAFT
3	00015800	12	LOCKNUT TLM 3/8-NC PLC
4	704305	1	BEARING, ASY
5	703977	1	ASY- ROLLER BRKT LH W/HEX BRG
6	703978	1	ASY- ROLLER BRKT RH W/HEX BRG
7	02886900	6	CARB 1/2-13 NC X 1-1/2 PL5
8	02979042	4	LOCKNUT,SP INSET 1/2 NC PLB
9	02996303	1	WLDMT,112 SHD, 6" OFF
10	02996550	1	ASY CTRSHFT 112 W/ES KNIVES
11	102652	1	PULLEY 8-3/4-1-15/16 BORE<
12	100720	1	WASHER, CUTTERSHAFT

**MOWER ASY - SHD 112 CUTTER HOUSING ASSY OFFSET RIGHT EXTREME SERVICE KNIVES PN 02997708****Continued...**

<b>ITEM</b>	<b>PART NO.</b>	<b>QTY.</b>	<b>DESCRIPTION</b>
13	00010300	1	WASHER,LOCK 5/8 GR8 - YDP
14	000407	1	HHCS,5/8NF X 1-1/2 ZP5
15	100768	1	KEY,PULLEY,CTRSHAFT
16	02995623	1	WLDMT, ROLLER 112", SHD
17	02995620	1	WLDMT, FOOT GUARD 112, SHD
18	00749130	4	HHCS 1/2-13UNC 1-3/4 PL5
19	00001800	10	LOCKNUT TLM 1/2 NC PLC
20	103051	2	SHOE/WEAR PLATE
21	2A381312	4	BOLT,PLOW 1/2 NC X 1-1/2 GR.5
22	107468	4	SPACER-CUTTERSHAFT- SHD

**MOWER ASY - SHD 112 CUTTER HOUSING ASSEMBLY REVERSE ROTATION PN 32121090 (PART 1)**



ITEM	PART NO.	QTY.	DESCRIPTION
1	32121091	1	ASY,CTRHSNG,112,OR6,FC, REV

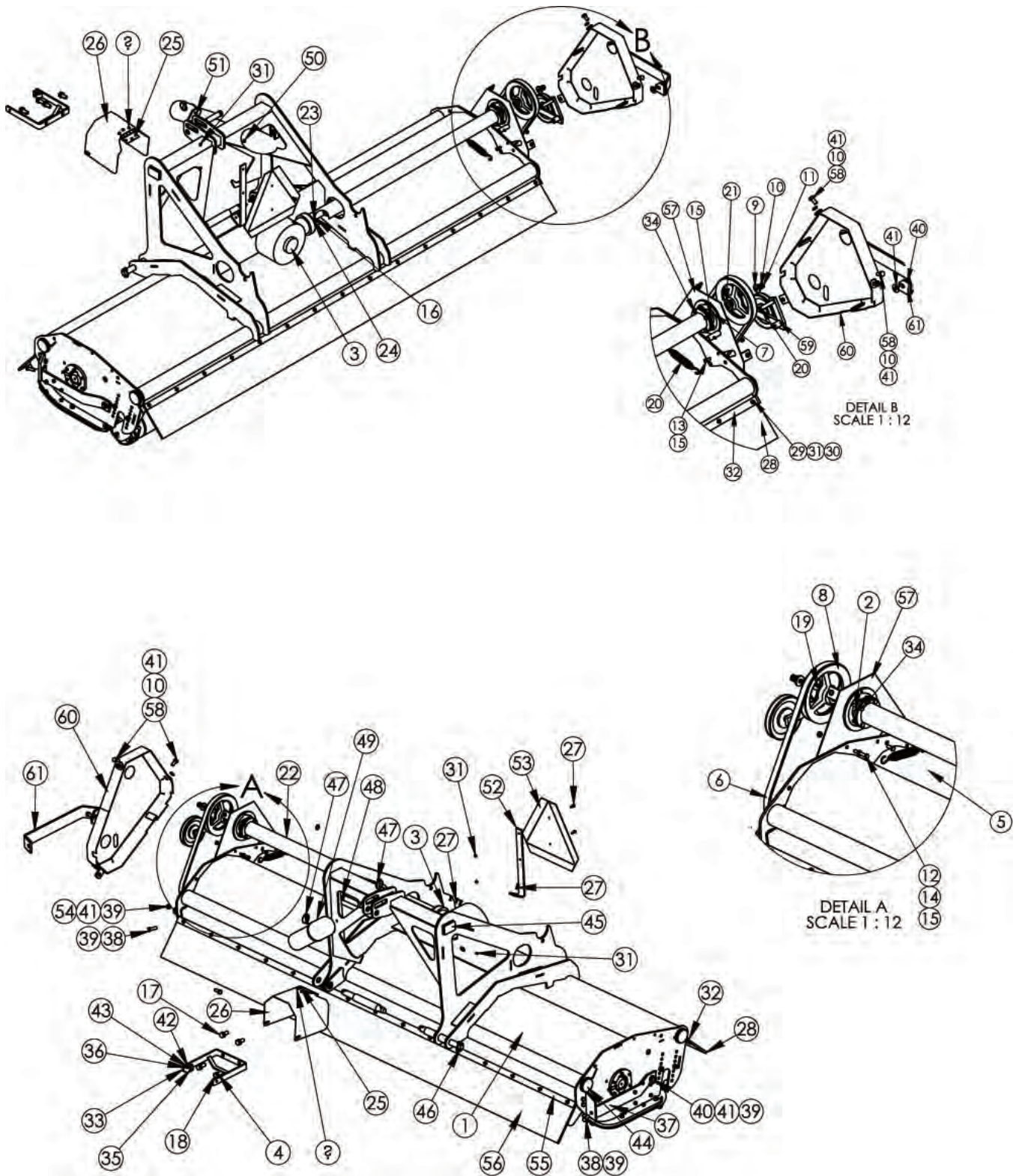
**MOWER ASY - SHD 112 CUTTER HOUSING ASSEMBLY REVERSE ROTATION PN 32121090 (PART 1)**

Continued...

<b>ITEM</b>	<b>PART NO.</b>	<b>QTY.</b>	<b>DESCRIPTION</b>
2	700491	1	HOUSING AND BEARING ASSEMBLY
3	702673	1	GEARBOX, OILED & TESTED
4	00010300	4	WASHER,LOCK 5/8 GR8 - YDP
5	000539	1	SPRING,EXTENSION
6	100706	1	BELT
7	32121094	1	SHAFT,OUTPUT SHD 112 OR6 REV
8	102501	1	PULLEY, 8.99 DIA X 1.125 BORE
9	101780	1	WASHER,BRG 1-7/16X33/64X3/16
10	00019600	3	LOCKWASHER, 1/2, HVY, PL
11	00019300	1	HHCS 1/2 NF 1-1/2 PL5
12	10190000	1	HHCS 3/8 NC 2-1/4 PL5
13	000645	1	HHCS 3/8 NC 7/8 PL5
14	00013901	1	NUT HEX 3/8 NC PL
15	00015800	4	LOCKNUT TLM 3/8-NC PLC
16	700171	1	COUPLER, W/ZERK, SPLINED
17	00752658	2	HEXB 5/8 NC 1-1/4 PL5
18	02675800	2	HHCS 5/8-11 X 1-1/2 PL5
19	101782	1	KEY,DRIVE PULLEY
20	101778	2	IDLER BEARING SPACER<
21	102651	2	PULLEY SHIM<
22	32121096	1	WLDMT. SHAFT HSG. SHD 112 OR6
23	001727	4	SCREW, FLNG HD 12PT, CTR-BORE
24	00012101	4	LOCKWASHER, 3/8, HVY, PL
25	02995629	1	HINGE, PTO SHIELD, SHD
26	02995628	1	SHEET, PTO SHIELD SHD
27	00021400	9	HHCS 1/4 NC 3/4 PL5
28	02995619	1	RUBBER, 112 FLAP, SHD
29	02153100	30	HHCS 1/4 NC 1-1/4 PL
30	00024100	30	FLATWASHER STD 1/4 PL
31	02959924	39	NUT,LOCK TLM 1/4-20 NC PLB
32	02995618	1	PLATE, FLAP CLAMP, SHD
33	02995633	1	WLDMT, PTO SHIELD BASE, SHD
34	00023100	4	HHCS 3/8 -16UNC 1-1/2 PL5
35	02995630	1	PIN, CLEVIS 5/16" x 1-1/2" ADJ
36	02995631	1	SPRING, 8.2 LB/IN, SHD
37	103064	1	FENDER
38	00748823	2	HHCS 1/2-13UNC 1-1/2 GR.5 PL
39	00001800	5	LOCKNUT TLM 1/2 NC PLC
40	02030700	2	HHCS 1/2 NC 1-1/4 PL5



**MOWER ASY - SHD 112 CUTTER HOUSING ASSEMBLY REVERSE ROTATION PN 32121090 (PART 2)**



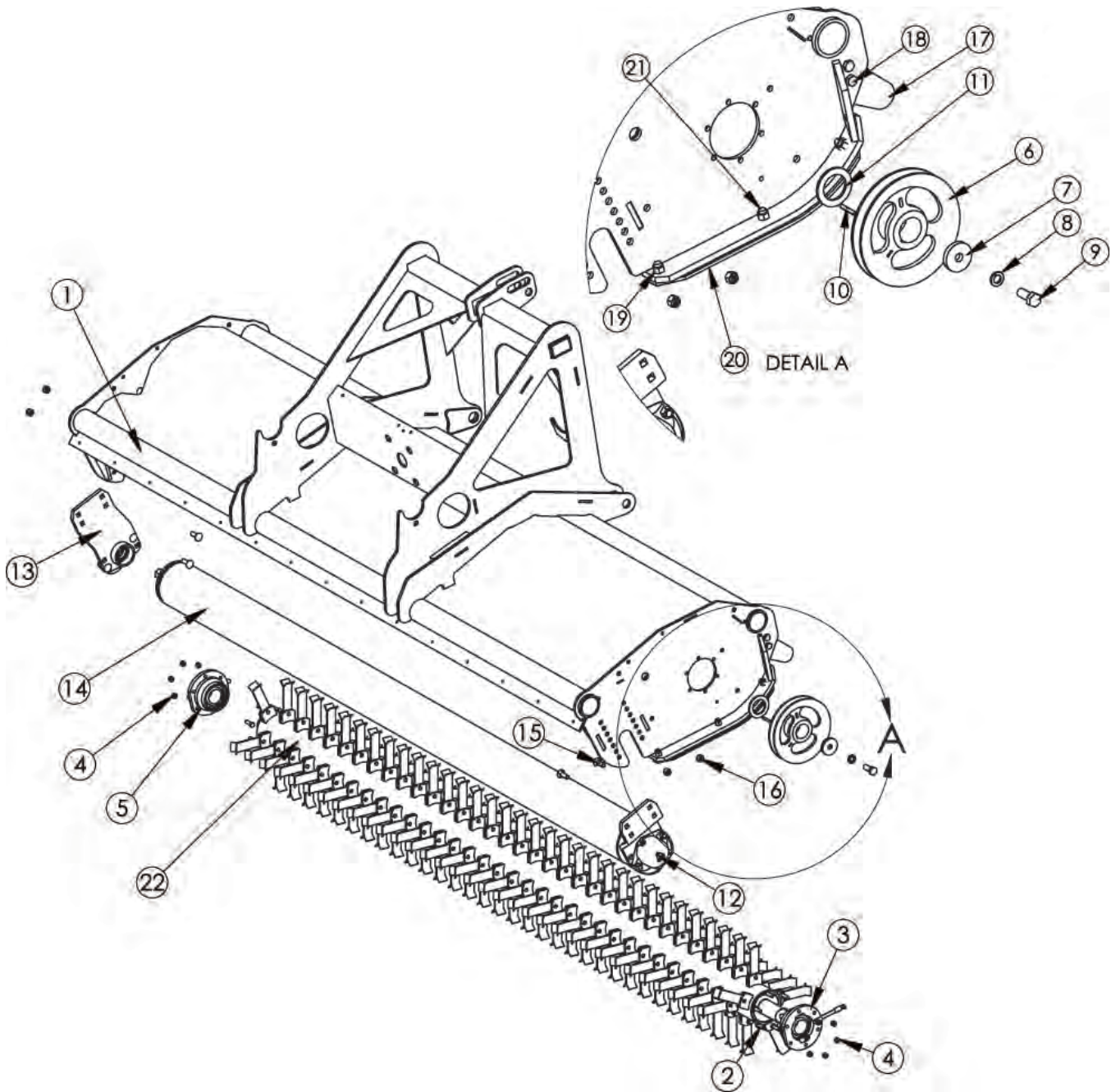
ITEM	PART NO.	QTY.	DESCRIPTION
41	00002700	5	FLATWASHER 1/2 PL STD

**MOWER ASY - SHD 112 CUTTER HOUSING ASSEMBLY REVERSE ROTATION PN 32121090 (PART 2)**

Continued...

<b>ITEM</b>	<b>PART NO.</b>	<b>QTY.</b>	<b>DESCRIPTION</b>
42	00023500	1	FLATWASHER 5/16 PL
43	02968698	1	PIN COTTER 3/32X 3/4
44	02995639	4	END CAP, RND 3"
45	02995640	2	END CAP, RECT 3" X 2"
46	69141	2	PIN,HITCH CAT II & III
47	2196	3	CLIP (LYNCH PIN), 13/32 DIA.
48	02991412	1	PIN, TOP LINK CATII SHD
49	00776031	1	CANISTER,MANUAL
50	00021800	2	NUT HEX 5/16 NC PL
51	10119000	2	HEXB 5/16 X 1 NC GR5
52	02995655	1	BRACKET MTG. SMV SIGN SHD
53	03200347	1	EMBLEM, SMV
54	02776600	1	HHCS, 1/2-13 NC X 1 1/4" PL8
55	02997421	1	BAR FLAP RETAINER FRT 112 HEAD
56	02997422	1	TRASH DFLECTOR 112 FRONT
57	701847	1	ASSY,OUTBRD BRG PLATE (SHD-RR)
58	00752255	2	BOLT,HHCS 1/2 NF X 1 PL5
59	701851	1	ASSY,IDLER ARM (SHD-RR)
60	703897	1	GUARD, ASY, BELT
61	104935	1	WLDMT,GUARD FENDER (SHD-RR)

**MOWER ASY - SHD 112 CUTTER HOUSING SUB ASSEMBLY REVERSE ROTATION PN 02997082**



ITEM	PART NO.	QTY.	DESCRIPTION
1	02995636	1	WLDMT,112 SHD
2	00753642	12	HEXB 3/8 NC X 1-1/4 PL5
3	703695	1	BEARING, ASY, CUTTERSHAFT
4	00015800	12	LOCKNUT TLM 3/8-NC PLC
5	704305	1	BEARING, ASY
6	102652	1	PULLEY 8-3/4-1-15/16 BORE<
7	100720	1	WASHER, CUTTERSHAFT

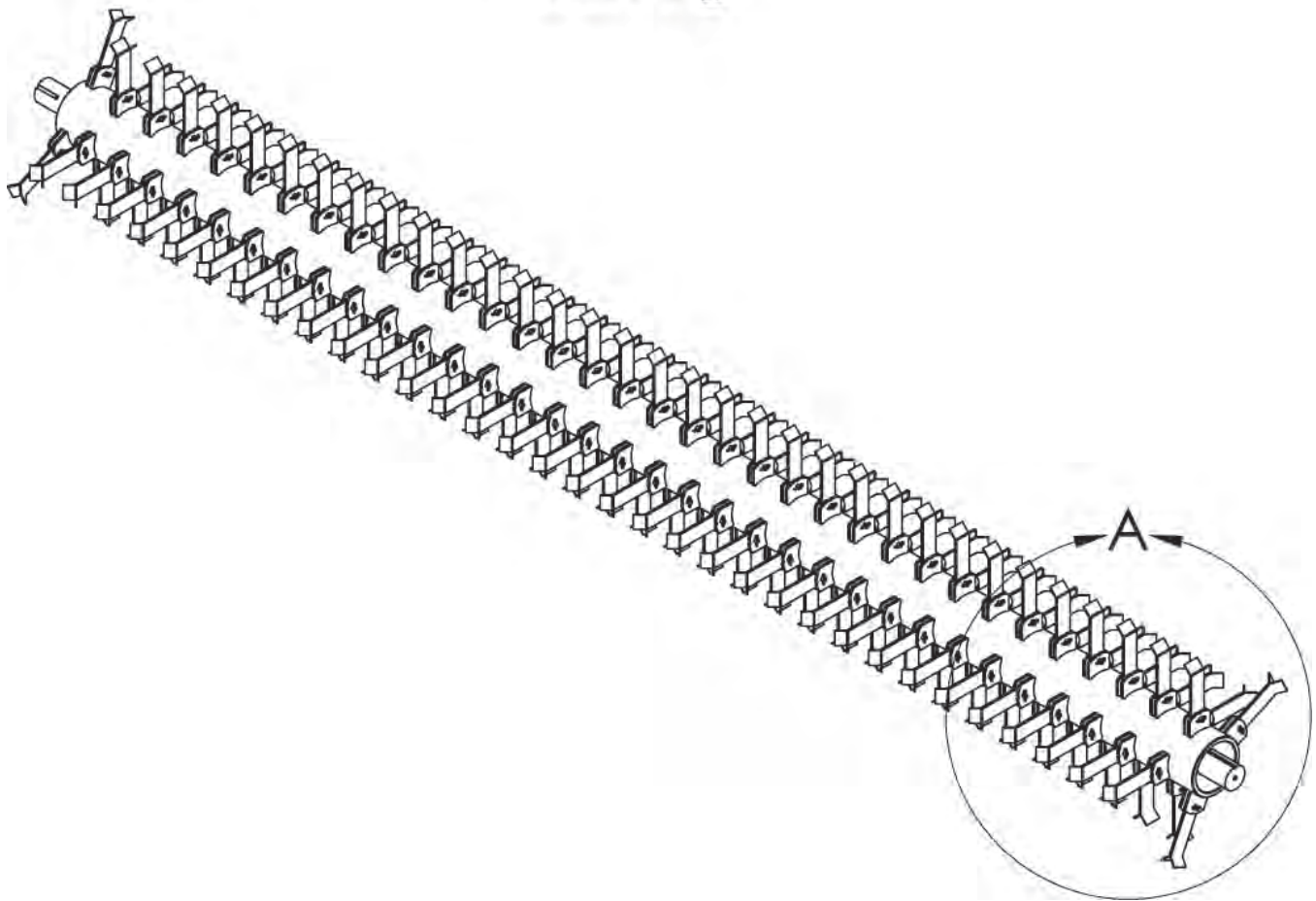
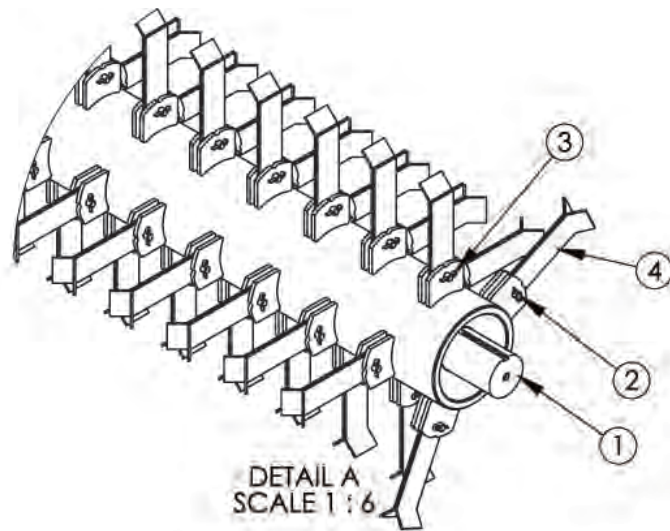


**MOWER ASY - SHD 112 CUTTER HOUSING SUB ASSEMBLY REVERSE ROTATION PN 02997082**

Continued...

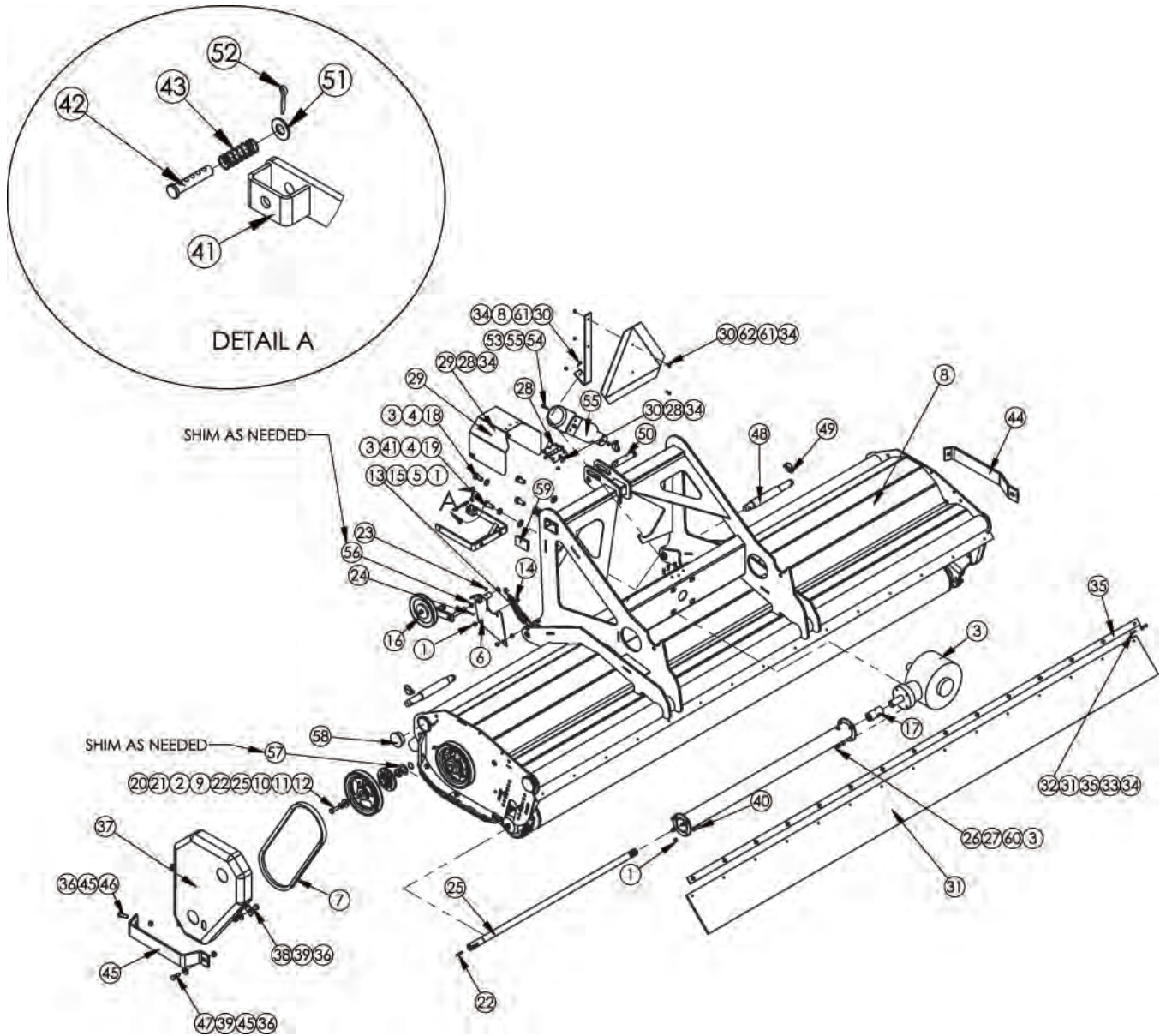
<b>ITEM</b>	<b>PART NO.</b>	<b>QTY.</b>	<b>DESCRIPTION</b>
8	00010300	1	WASHER,LOCK 5/8 GR8 - YDP
9	000407	1	HHCS,5/8NF X 1-1/2 ZP5
10	100768	1	KEY,PULLEY,CTRSHAFT
11	107468	1	SPACER-CUTTERSHAFT- SHD
12	703977	1	ASY- ROLLER BRKT LH W/HEX BRG
13	703978	1	ASY- ROLLER BRKT RH W/HEX BRG
14	02995623	1	WLDMT, ROLLER 112", SHD
15	02886900	6	CARB 1/2-13 NC X 1-1/2 PL5
16	02979042	4	LOCKNUT,SP INSET 1/2 NC PLB
17	02995620	1	WLDMT, FOOT GUARD 112, SHD
18	00749130	4	HHCS 1/2-13UNC 1-3/4 PL5
19	00001800	10	LOCKNUT TLM 1/2 NC PLC
20	103051	2	SHOE/WEAR PLATE
21	2A381312	4	BOLT,PLOW 1/2 NC X 1-1/2 GR.5
22	02997080	1	ASY CTRSHFT W/112FC REV ROT

**MOWER ASY - SHD 112 CUTTERSHAFT ASSEMBLY REVERSE ROTATION PN 02997080**



ITEM	PART NO.	QTY.	DESCRIPTION
1	02997081	1	WLDMT 112" FC CUTTERSHAFT
2	101034	136	KNIFE PIN HEAT TREATED<
3	000026	136	1/8X3/4 HAMMERLOCK COTTERPN<
4	02988196	272	KNIFE, FINE CUT

**MOWER ASY - SHD 112 6 INCH OFFSET RIGHT PN 02997707 (PART 1)**



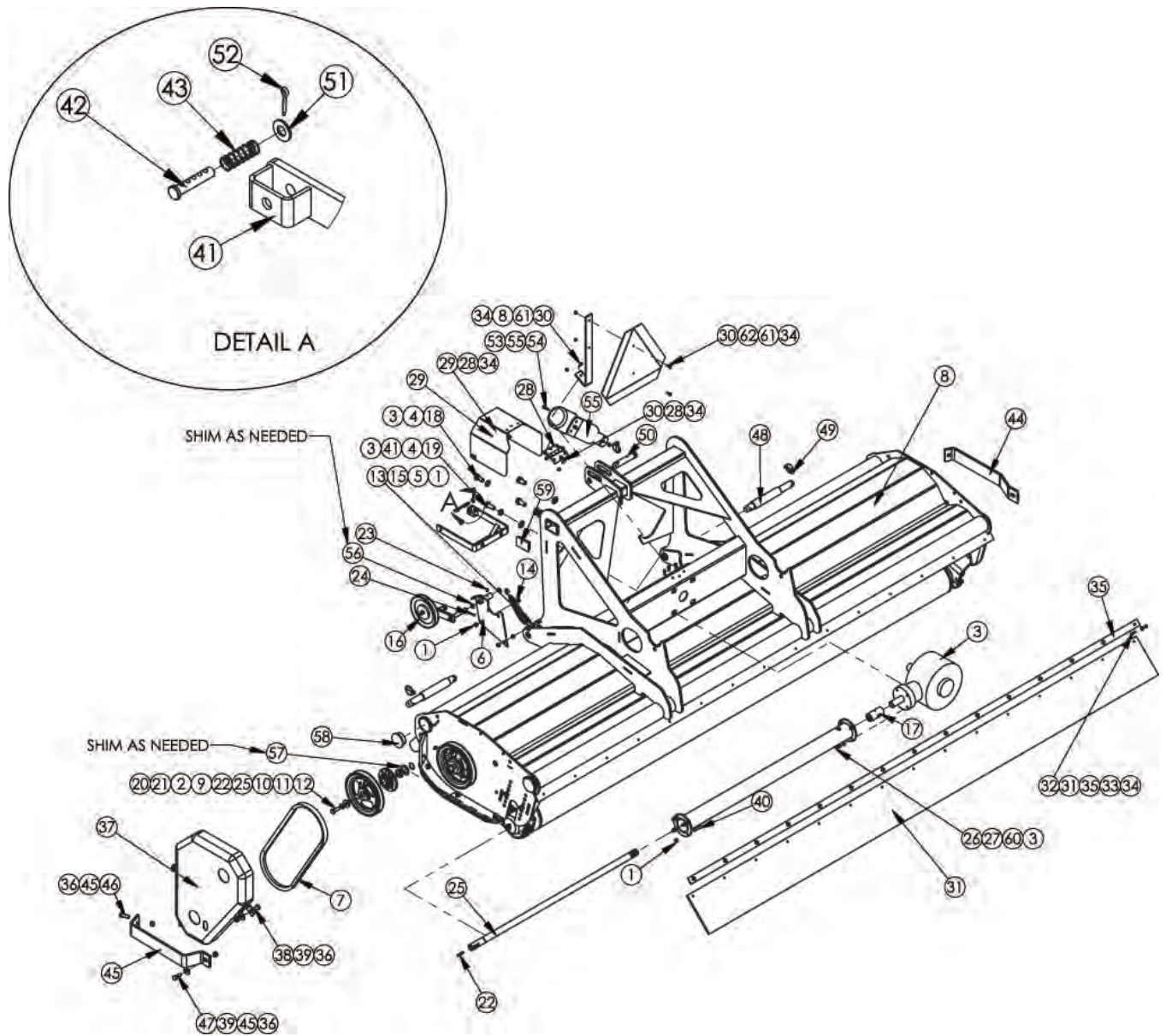
ITEM	PART NO.	QTY.	DESCRIPTION
1	00015800	6	LOCKNUT TLM 3/8-NC PLC
2	700491	1	HOUSING AND BEARING ASSEMBLY
3	702673	1	GEARBOX, OILED & TESTED
4	00010300	4	WASHER, LOCK 5/8 GR8 - YDP
5	100725	1	WLDMT, BRG PLATE, SHD
6	000539	1	SPRING, EXTENSION
7	100706	1	BELT
8	02997710	1	INST DWG, SHD 112 OR6 ES PRE
9	102501	1	PULLEY, 8.99 DIA X 1.125 BORE
10	101780	1	WASHER, BRG 1-7/16X33/64X3/16

**MOWER ASY - SHD 112 6 INCH OFFSET RIGHT PN 02997707 (PART 1)**

Continued...

<b>ITEM</b>	<b>PART NO.</b>	<b>QTY.</b>	<b>DESCRIPTION</b>
11	00019600	1	LOCKWASHER, 1/2, HVY, PL
12	00019300	1	HHCS 1/2 NF 1-1/2 PL5
13	10190000	1	HHCS 3/8 NC 2-1/4 PL5
14	000645	1	HHCS 3/8 NC 7/8 PL5
15	00013901	1	NUT HEX 3/8 NC PL
16	700494	1	ASSY,IDLER ARM (SHD)
17	700171	1	COUPLER, W/ZERK, SPLINED
18	00752658	2	HEXB 5/8 NC 1-1/4 PL5
19	02675800	2	HHCS 5/8-11 X 1-1/2 PL5
20	100057	1	RETAINING RING
21	100010	1	OUTPUT BEVEL RING
22	101782	1	KEY,DRIVE PULLEY
23	00752670	1	FITTING,GREASE-STR 1/4-28 UNF
24	00755153	1	PIN,COTTER 3/16 X 1-1/2 PLATED
25	02996306	1	SHAFT,OUTPUT SHD 112, 6" OFF
26	001727	4	SCREW, FLNG HD 12PT, CTR-BORE
27	00012101	4	LOCKWASHER, 3/8, HVY, PL
28	02995629	1	HINGE, PTO SHIELD, SHD
29	02995628	1	SHEET, PTO SHIELD SHD
30	00021400	9	HHCS 1/4 NC 3/4 PL5
31	02995619	1	RUBBER, 112 FLAP, SHD
32	02153100	15	HHCS 1/4 NC 1-1/4 PL
33	00024100	15	FLATWASHER STD 1/4 PL
34	02959924	24	NUT,LOCK TLM 1/4-20 NC PLB
35	02995618	1	PLATE, FLAP CLAMP, SHD
36	00001800	7	LOCKNUT TLM 1/2 NC PLC
37	100747	1	WLDMT,BELT GUARD (SHD)
38	02776600	3	HHCS, 1/2-13 NC X 1 1/4" PL8
39	00002700	5	FLATWASHER 1/2 PL STD
40	00023100	4	HHCS 3/8 -16UNC 1-1/2 PL5

# MOWER ASY - SHD 112 6 INCH OFFSET RIGHT PN 02997707 (PART 2)



ITEM	PART NO.	QTY.	DESCRIPTION
41	02995633	1	WLDMT, PTO SHIELD BASE, SHD
42	02995630	1	PIN, CLEVIS 5/16" x 1-1/2" ADJ
43	02995631	1	SPRING, 8.2 LB/IN, SHD
44	103064	1	FENDER
45	103117	1	FENDER, GUARD (SHD)
46	00748823	2	HHCS 1/2-13UNC 1-1/2 GR.5 PL
47	02030700	2	HHCS 1/2 NC 1-1/4 PL5
48	69141	2	PIN, HITCH CAT II & III
49	2196	3	CLIP (LYNCH PIN), 13/32 DIA.
50	02991412	1	PIN, TOP LINK CATII SHD

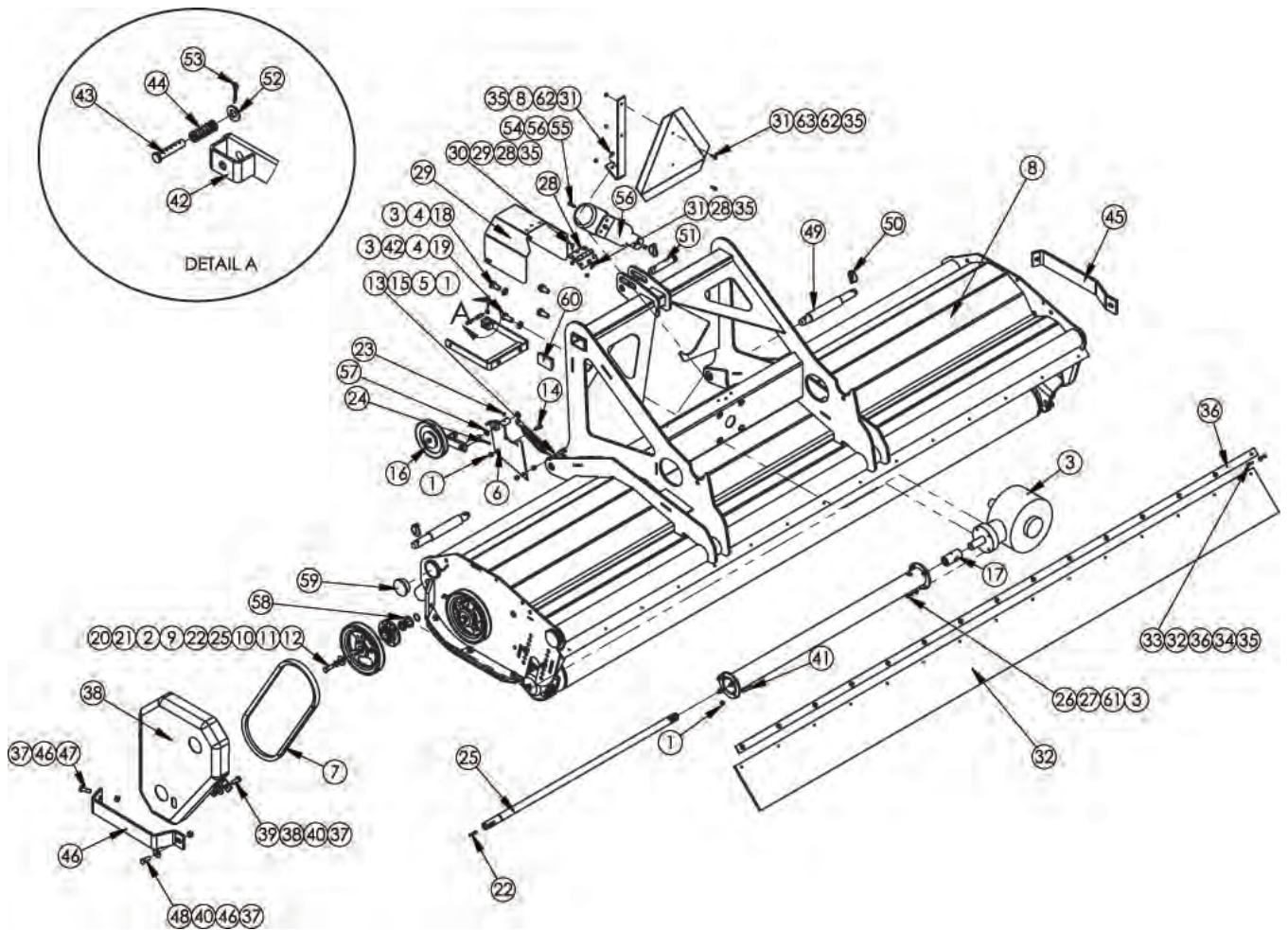
**MOWER ASY - SHD 112 6 INCH OFFSET RIGHT PN 02997707 (PART 2)**

**Continued...**

<b>ITEM</b>	<b>PART NO.</b>	<b>QTY.</b>	<b>DESCRIPTION</b>
51	00023500	1	FLATWASHER 5/16 PL
52	02968698	1	PIN COTTER 3/32X 3/4
53	00021800	2	NUT HEX 5/16 NC PL
54	10119000	2	HEXB 5/16 X 1 NC GR5
55	00776031	1	CANISTER, PARTS MANUAL
56	101778	4	IDLER BEARING SPACER<
57	102651	4	PULLEY SHIM<
58	02995639	4	END CAP, RND 3"
59	02995640	2	END CAP, RECT 3" X 2"
60	02996304	1	WLDMT, SHAFT HSING, SHD 6" OFF
61	02995655	1	BRACKET MTG. SMV SIGN SHD
62	03200347	1	EMBLEM, SMV
63	00001400	4	FLATWASHER 5/8 PL STD



## MOWER ASY - SHD 112 6 INCH OFFSET PN 02996301 (PART 1)



ITEM	PART NO.	QTY.	DESCRIPTION
1	00015800	6	LOCKNUT TLM 3/8-NC PLC
2	700491	1	HOUSING AND BEARING ASSEMBLY
3	702673	1	GEARBOX, OILED & TESTED
4	00010300	4	WASHER, LOCK 5/8 GR8 - YDP
5	100725	1	WLDMT, BRG PLATE, SHD
6	000539	1	SPRING, EXTENSION
7	100706	1	BELT
8	02996302	1	INST DWG, SHD 112 PR-PNT, 6" OFF
9	102501	1	PULLEY, 8.99 DIA X 1.125 BORE
10	101780	1	WASHER, BRG 1-7/16X33/64X3/16
11	00019600	1	LOCKWASHER, 1/2, HVY, PL
12	00019300	1	HHCS 1/2 NF 1-1/2 PL5
13	10190000	1	HHCS 3/8 NC 2-1/4 PL5
14	000645	1	HHCS 3/8 NC 7/8 PL5
15	00013901	1	NUT HEX 3/8 NC PL
16	700494	1	ASSY, IDLER ARM (SHD)

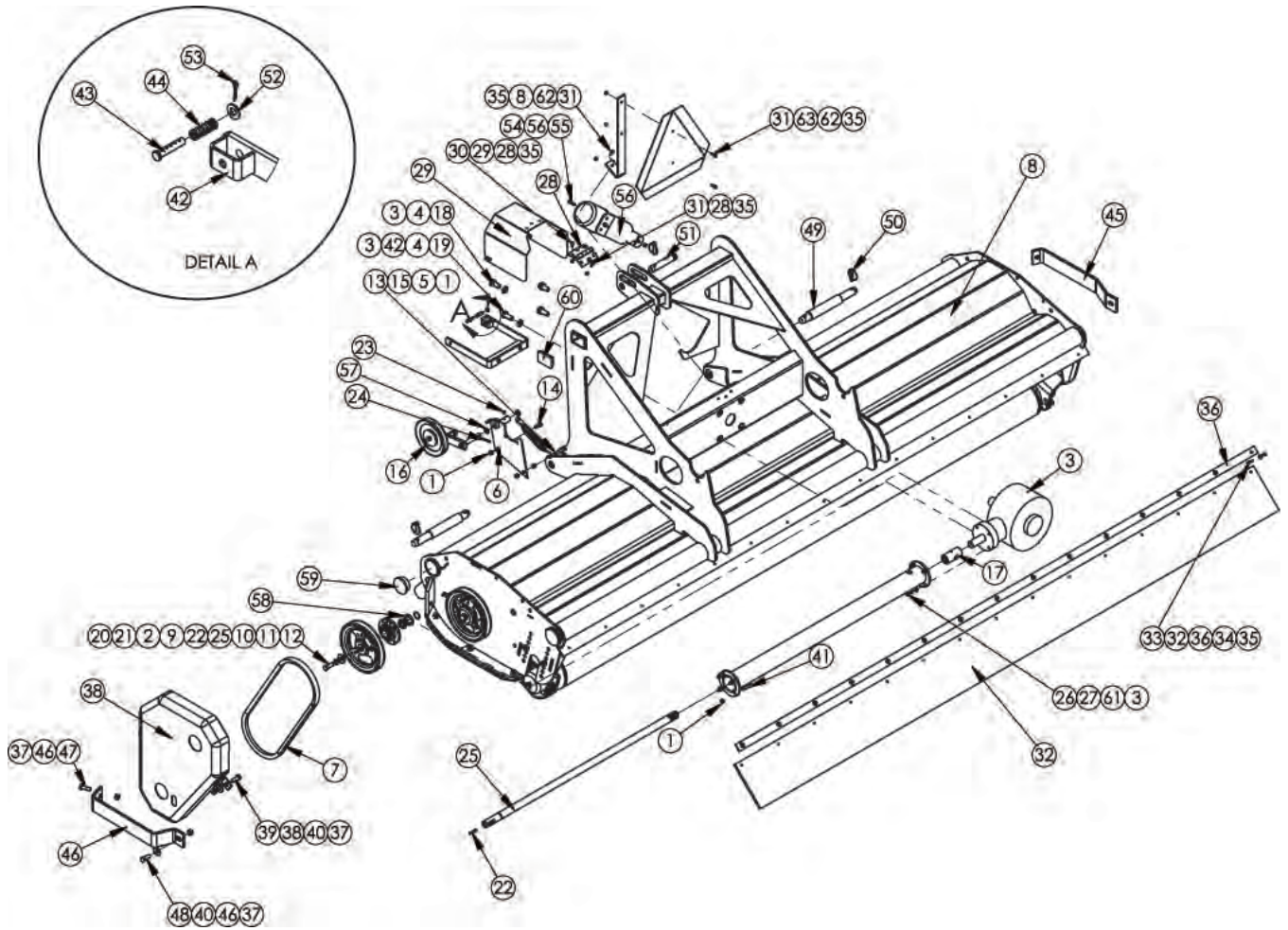
**MOWER ASY - SHD 112 6 INCH OFFSET PN 02996301 (PART 1)**

Continued...

<b>ITEM</b>	<b>PART NO.</b>	<b>QTY.</b>	<b>DESCRIPTION</b>
17	700171	1	COUPLER, W/ZERK, SPLINED
18	00752658	2	HEXB 5/8 NC 1-1/4 PL5
19	02675800	2	HHCS 5/8-11 X 1-1/2 PL5
20	100057	1	RETAINING RING
21	100010	1	OUTPUT BEVEL RING
22	101782	1	KEY,DRIVE PULLEY
23	00752670	1	FITTING,GREASE-STR 1/4-28 UNF
24	00755153	1	PIN,COTTER 3/16 X 1-1/2 PLATED
25	02996306	1	SHAFT,OUTPUT SHD 112, 6" OFF
26	001727	4	SCREW, FLNG HD 12PT, CTR-BORE
27	00012101	4	LOCKWASHER, 3/8, HVY, PL
28	02995629	1	HINGE, PTO SHIELD, SHD
29	02995628	1	SHEET, PTO SHIELD SHD
30	00002100	3	HHCS 1/4 NC 1/2 PL
31	00021400	6	HHCS 1/4 NC 3/4 PL5
32	02995619	1	RUBBER, 112 FLAP, SHD
33	02153100	15	HHCS 1/4 NC 1-1/4 PL
34	00024100	15	FLATWASHER STD 1/4 PL
35	02959924	24	NUT,LOCK TLM 1/4-20 NC PLB
36	02995618	1	PLATE, FLAP CLAMP, SHD
37	00001800	7	LOCKNUT TLM 1/2 NC PLC
38	100747	1	WLDMT,BELT GUARD (SHD)
39	02776600	3	HHCS, 1/2-13 NC X 1 1/4" PL8
40	00002700	5	FLATWASHER 1/2 PL STD



## MOWER ASY - SHD 112 6 INCH OFFSET PN 02996301 (PART 2)



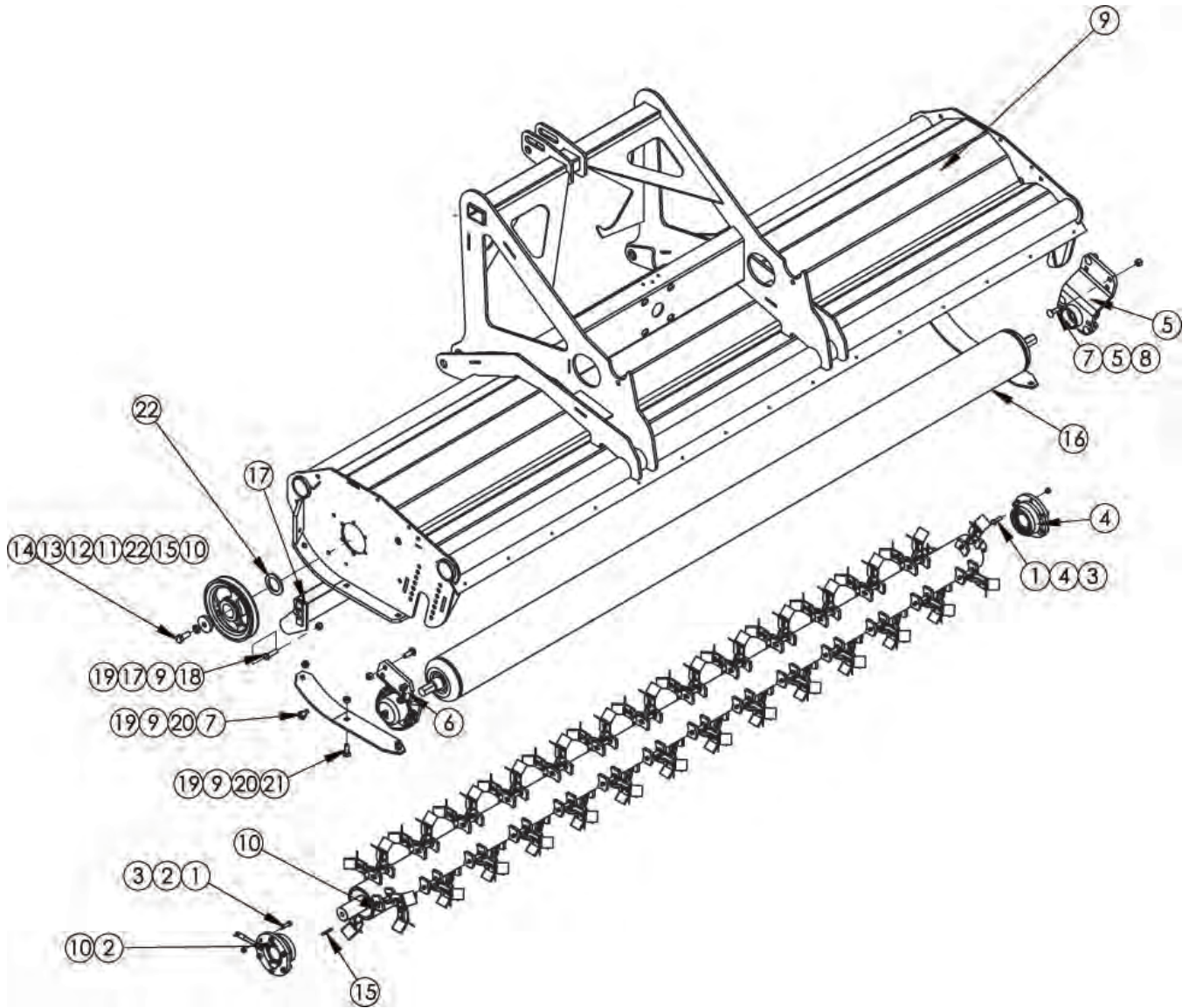
ITEM	PART NO.	QTY.	DESCRIPTION
41	00023100	4	HHCS 3/8 -16UNC 1-1/2 PL5
42	02995633	1	WLDMT, PTO SHIELD BASE, SHD
43	02995630	1	PIN, CLEVIS 5/16" x 1-1/2" ADJ
44	02995631	1	SPRING, 8.2 LB/IN, SHD
45	103064	1	FENDER
46	103117	1	FENDER, GUARD (SHD)
47	00748823	2	HHCS 1/2-13UNC 1-1/2 GR.5 PL
48	02030700	2	HHCS 1/2 NC 1-1/4 PL5
49	69141	2	PIN, HITCH CAT II & III
50	2196	3	CLIP (LYNCH PIN), 13/32 DIA.
51	02991412	1	PIN, TOP LINK CATII SHD
52	00023500	1	FLATWASHER 5/16 PL
53	02968698	1	PIN COTTER 3/32X 3/4
54	00021800	2	NUT HEX 5/16 NC PL
55	10119000	2	HEXB 5/16 X 1 NC GR5
56	00776031	1	CANISTER, PARTS MANUAL

**MOWER ASY - SHD 112 6 INCH OFFSET PN 02996301 (PART 2)**

**Continued...**

<b>ITEM</b>	<b>PART NO.</b>	<b>QTY.</b>	<b>DESCRIPTION</b>
57	101778	4	IDLER BEARING SPACER<
58	102651	4	PULLEY SHIM<
59	02995639	4	END CAP, RND 3"
60	02995640	2	END CAP, RECT 3" X 2"
61	02996304	1	WLDMT, SHAFT HSING, SHD 6" OFF
62	02995655	1	BRACKET MTG. SMV SIGN SHD
63	03200347	1	EMBLEM, SMV

**MOWER ASY - SHD 112 6 INCH OFFSET SUB ASSEMBLY PN 02996302**



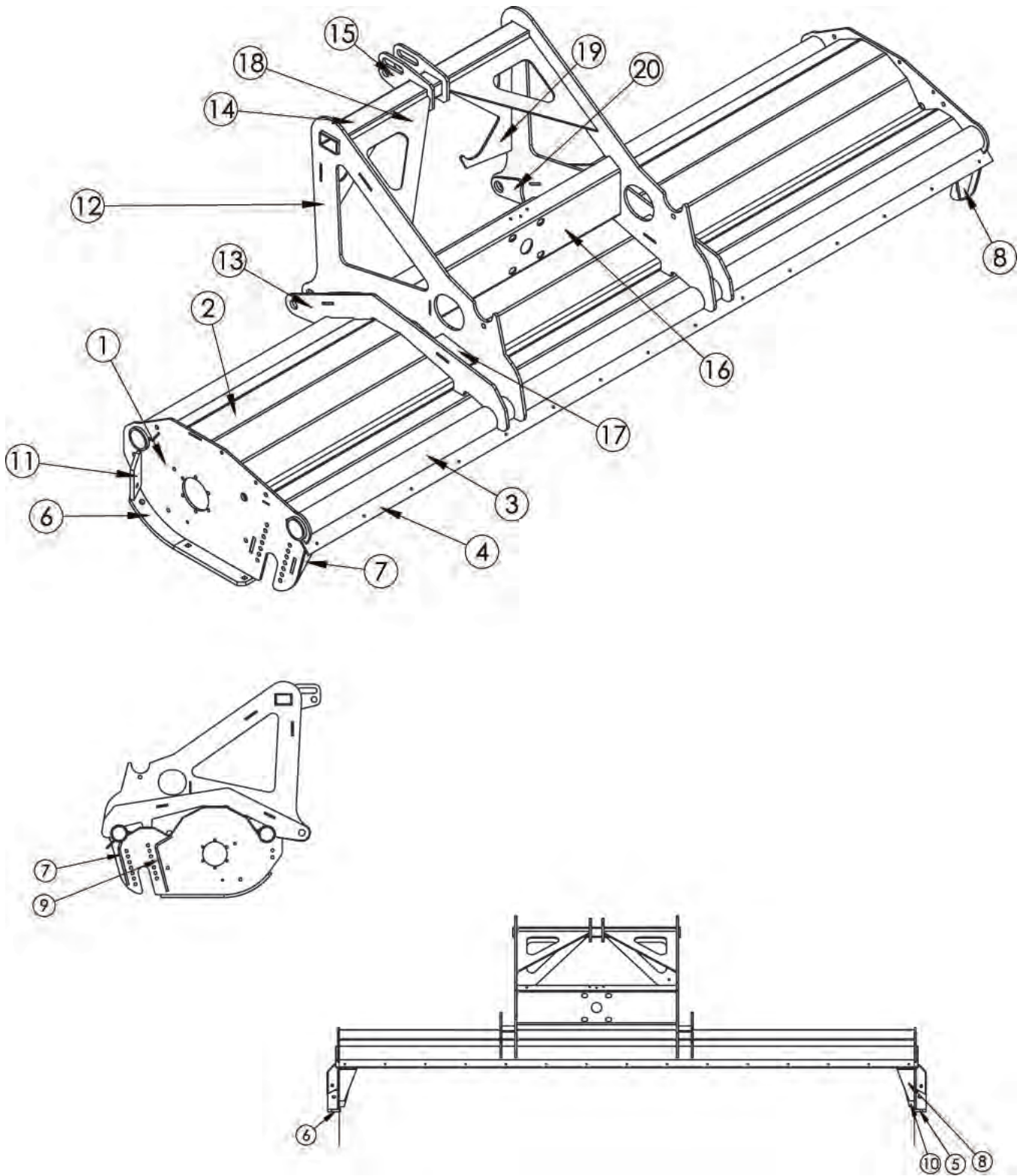
ITEM	PART NO.	QTY.	DESCRIPTION
1	00753642	12	HEXB 3/8 NC X 1-1/4 PL5
2	703695	1	BEARING, ASY, CUTTERSHAFT
3	00015800	12	LOCKNUT TLM 3/8-NC PLC
4	704305	1	BEARING, ASY
5	703977	1	ASY- ROLLER BRKT LH W/HEX BRG
6	703978	1	ASY- ROLLER BRKT RH W/HEX BRG
7	02886900	6	CARB 1/2-13 NC X 1-1/2 PL5
8	02979042	4	LOCKNUT,SP INSET 1/2 NC PLB
9	02996303	1	WLDMT,112 SHD, 6" OFF
10	02995615	1	ASY CTRSHFT W/112CC KNIVE
11	102652	1	PULLEY 8-3/4-1-15/16 BORE<
12	100720	1	WASHER, CUTTERSHAFT

**MOWER ASY - SHD 112 6 INCH OFFSET SUB ASSEMBLY PN 02996302**

**Continued...**

<b>ITEM</b>	<b>PART NO.</b>	<b>QTY.</b>	<b>DESCRIPTION</b>
13	00010300	1	WASHER,LOCK 5/8 GR8 - YDP
14	000407	1	HHCS,5/8NF X 1-1/2 ZP5
15	100768	1	KEY,PULLEY,CTRSHAFT
16	02995623	1	WLDMT, ROLLER 112", SHD
17	02995620	1	WLDMT, FOOT GUARD 112, SHD
18	00749130	4	HHCS 1/2-13UNC 1-3/4 PL5
19	00001800	10	LOCKNUT TLM 1/2 NC PLC
20	103051	2	SHOE/WEAR PLATE
21	2A381312	4	BOLT,PLOW 1/2 NC X 1-1/2 GR.5
22	107468	4	SPACER-CUTTERSHAFT- SHD

MOWER ASY - SHD 112 6 INCH OFFSET WELDMNT PN 02996303



ITEM	PART NO.	QTY.	DESCRIPTION
1	02995597	2	PLATE, HOUSING SIDE 112 SHD

**MOWER ASY - SHD 112 6 INCH OFFSET WELDMNT PN 02996303**

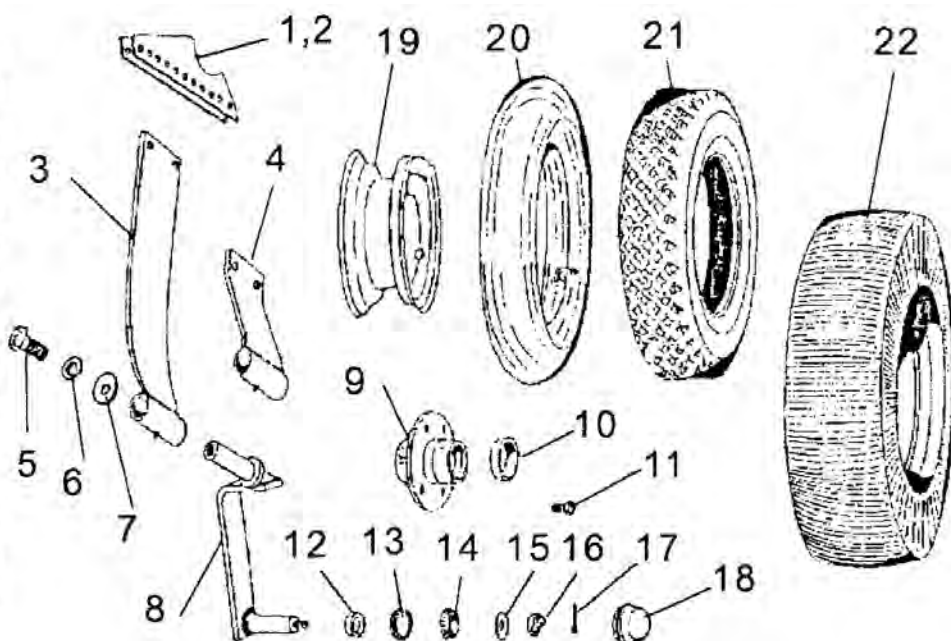
**Continued...**

<b>ITEM</b>	<b>PART NO.</b>	<b>QTY.</b>	<b>DESCRIPTION</b>
2	02995596	1	SHEET, 112 HOUSING, SHD
3	02995598	2	TUBE, 112 SUPT, SHD
4	02995605	1	PLATE, 112 TRSH DEFL BRKT, SHD
5	02995607	1	PLATE, RH SHOE, SHD
6	02995606	1	PLATE, LH SHOE, SHD
7	02995611	1	PLATE, LH OUT GUSSET 112, SHD
8	02995610	1	PLATE, RH OUT GUSSET 112, SHD
9	02995609	1	PLATE, LH IN GUSSET 112, SHD
10	02995608	1	PLATE, RH IN GUSSET 112, SHD
11	02995612	2	PLATE, SHOE BRACE, SHD
12	02995599	2	PLATE, TOP LINK O-ARM, SHD
13	02995600	2	PLATE, O-ARM, SHD
14	02995603	1	TUBE, LINK MNT, SHD
15	02995604	2	PLATE, TOP LINK MNT, SHD
16	02995601	1	PLATE, 112 GBOX MNT, SHD
17	02995602	4	PLATE, 112 OVERARM GUS, SHD
18	02995613	3	PLATE, TOP LINK GUSSET, SHD
19	02995614	1	PLATE, TOP GUSSET W/HOOK, SHD
20	02995634	2	PLATE, ARM EXTENSION, SHD



## OPTIONAL CASTER WHEELS

Caster Wheels are optional equipment, Items 1 & 2 show the field installed brackets, if the unit was ordered from factory with caster wheels on it then these brackets will already be welded to deck weldment. Wheel options are 180 deg. swivel or 360 deg. swivel, sectional or pneumatic tires and wheel. Items 21 & 22



ITEM	PART NO.	QTY.	DESCRIPTION
1	100752	2	CSTR BRKT RH, FIELD INSTALL
2	100753	2	CSTR BRKT LH, FIELD INSTALL
3	701058M	2	CSTR SCKT ASY W/ZERK 360 DEG.
4	700191	2	CSTR SCKT ASY W/ZERK 180 DEG.
	000142	4	BOLT
	000520	4	LOCKWASHER
	000170	4	NUT
5	000554	2	BOLT
6	000520	2	LOCKWASHER
7	103767	2	WASHER
8	100141	2	CSTR HALF FORK, LH OR RH
9	000621	2	HUB, W/ BRG CUPS
10	000226	4	BEARING CUP
11	000622	8	HUB BOLT, W/ ITEM 19
	000554	8	HUB BOLT
	000520	8	LOCKWASHER
12	000573	2	SPACER
13	000201	2	SEAL
14	000225	4	BEARING CONE
15	101780	2	WASHER
16	000122	2	NUT, SLOTTED
17	000123	2	COTTER PIN
18	000247	2	HUB CAP
	000620	2	HUB COMPLETE, (ITEMS 9.12-14,18)

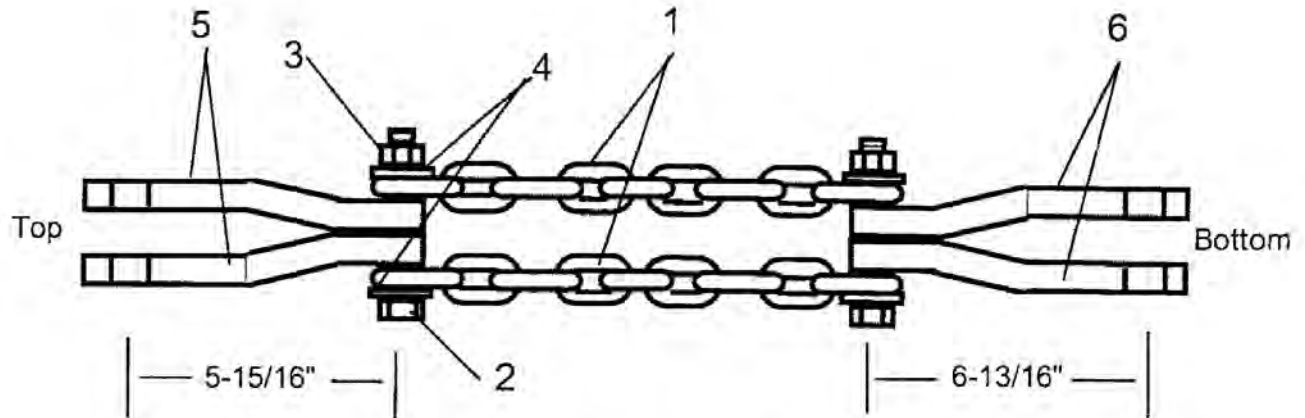
## OPTIONAL CASTER WHEELS

Continued...

ITEM	PART NO.	QTY.	DESCRIPTION
	702272	2	FORK ASY, LOWER (ITEMS 8,9,12-18)
19	000619	2	WHEEL, (TUBE TYPE TIRE)
20	000623	2	TUBE, (TUBE TYPE TIRE)
21	000618	2	TIRE, (TUBE TYPE)
		2	
22	700280	2	LAMINATED TIRE/WHL ASY (OPTIONAL EQUIPMENT)



## OPTIONAL CHECK CHAINS



2 Required Per Unit to replace the three point lift Link, Item 5 connects at the top & Item 6 connects at the bottom, Check dimensions to make certain they are connected correctly. This is an optional order item.

ITEM	PART NO.	QTY.	DESCRIPTION
	702264	1	LIFT CHAIN ASY KIT
1	103333	2	CHAIN, 9 LINKS
2	000413	4	BOLT
3	000414	4	NUT
4	101780	4	WASHER
5	104736	2	LIFT CHAIN CLEVIS, UPPER
6	104926	2	LIFT CHAIN CLEVIS, LOWER

## OPTIONAL EQUIPMENT

ITEM	PART NO.	QTY.	DESCRIPTION
1	702321	1	KNIFE GRINDER, SHARPEN ALAMO KNIVES
2	700413	1	KNIFE STRAIGHTENER, 2 OF 102092 BARS
3	107176	1	ROLLER WLDMNT, 62
4	107177	1	ROLLER WLDMNT, 74
5	107178	1	ROLLER WLDMNT, 88
6	001967	1	RUBBER CVR, F/ 62 ROLLER
7	001968	1	RUBBER CVR, F/ 74 ROLLER
8	001969	1	RUBBER CVR, F/ 88 ROLLER
9	703262	1	RUBBER CVR'D ROLLER ASY, 62
10	703261	1	RUBBER CVR'D ROLLER ASY, 74
11	703260	1	RUBBER CVR'D ROLLER ASY, 88
12	703602	1	ROLLER SCRAPER KIT, 62
13	703603	1	ROLLER SCRAPER KIT, 74
14	703604	1	ROLLER SCRAPER KIT, 88
15	700500	1	PNEUMATIC CSTR WHL PKG, 180 DEG. FIELD INSTALL
16	700502	1	LAMINATED CSTR WHL PKG, 180 DEG. FIELD INSTALL
17		1	
18	701057M	1	LAMINATED CSTR WHL PKG, 360 DEG. FIELD INSTALL





## TO THE OWNER/OPERATOR/DEALER

To keep your implement running efficiently and safely, read your manuals thoroughly and follow these directions and the Safety Messages in this Manual. The Table of Contents clearly identifies each section where you can easily find the information you need.

The OCCUPATIONAL SAFETY AND HEALTH ACT (1928.51 Subpart C) makes these minimum safety requirements of tractor operators:

### REQUIRED OF THE OWNER

1. Provide a Roll-Over-Protective Structure that meets the requirements of this standard.
2. Provide seat belts that meet the requirements of this paragraph of this standard and SAE J4C.
3. Ensure that each employee uses such seat belt while the tractor is moving.
4. Ensure that each employee tightens the seat belt sufficiently to confine the employee to the protected area provided by the ROPS.

### REQUIRED OF THE OPERATOR

1. Securely fasten seat belt if the tractor has a ROPS.
2. Where possible, avoid operating the tractor near ditches, embankments, and holes.
3. Reduce speed when turning, crossing slopes, and on rough, slick, or muddy surfaces.
4. Stay off slopes too steep for safe operation.
5. Watch where you are going, especially at row ends, on roads, and around trees.
6. Do not permit others to ride.
7. Operate the tractor smoothly, no jerky turns, starts, or stops.
8. Hitch only to the draw bar and hitch points recommended by the tractor manufacturer.
9. When the tractor is stopped, set brakes securely and use park lock, if available.



**Keep children away from danger all day, every day...**



**Equip tractors with rollover protection (ROPS) and keep all machinery guards in place...**



**Please work, drive, play and live each day with care and concern for your safety and that of your family and fellow citizens.**

# ALAMO INDUSTRIAL

## Limited Warranty

### 1. Limited Warranties

- 1.01. Alamo industrial warrants for one year from the purchase date to the original non-commercial, governmental, or municipal purchaser ("purchaser") and warrants for six months to the original commercial or industrial purchaser ("purchaser") that the goods purchased are free from defects in material or workmanship.
- 1.02. Manufacturer will replace for the purchaser any part or parts found, upon examination at one of its factories, to be defective under normal use and service due to defects in material or workmanship.
- 1.03. This limited warranty does not apply to any part of the goods which has been subjected to improper or abnormal use, negligence, alteration, modification, or accident, damaged due to lack of maintenance or use of wrong fuel, oil, or lubricants, or which has served its normal life. This limited warranty does not apply to any part of any internal combustion engine, or expendable items such as blades, shields, guards, or pneumatic tires except as specifically found in your operator's manual.
- 1.04. Except as provided herein, no employee, agent, dealer, or other person is authorized to give any warranties of any nature on behalf of manufacturer.

### 2. Remedies And Procedures

- 2.01. This limited warranty is not effective unless the purchaser returns the registration and warranty form to manufacturer within 30 days of purchase.
- 2.02. Purchaser claims must be made in writing to the authorized dealer ("dealer") from whom purchaser purchased the goods or an approved authorized dealer ("dealer") within 30 days after purchaser learns of the facts on which the claim is based.
- 2.03. Purchaser is responsible for returning the goods in question to the dealer.
- 2.04. If after examining the goods and/or parts in question, manufacturer finds them to be defective under normal use and service due to defects in material or workmanship, manufacturer will:
  - (A) repair or replace the defective goods or part(s) or
  - (B) reimburse purchaser for the cost of the part(s) and reasonable labor charges (as determined by manufacturer) if purchaser paid for the repair and/or replacement prior to the final determination of applicability of the warranty by manufacturer. The choice of remedy shall belong to manufacturer.
- 2.05. Purchaser is responsible for any labor charges exceeding a reasonable amount as determined by manufacturer and for returning the goods to the dealer, whether or not the claim is approved. Purchaser is responsible for the transportation cost for the goods or part(s) from the dealer to the designated factory.

### 3. Limitation Of Liability

- 3.01. Manufacturer disclaims any express (except as set forth herein) and implied warranties with respect to the goods including, but not limited to, merchantability and fitness for a particular purpose.
- 3.02. Manufacturer makes no warranty as to the design, capability, capacity, or suitability for use of the goods.
- 3.03. Except as provided herein, manufacturer shall have no liability or responsibility to purchaser or any other person or entity with respect to any liability, loss, or damage caused or alleged to be caused directly or indirectly by the goods including, but not limited to, any indirect, special, consequential, or incidental damages resulting from the use or operation of the goods or any breach of this warranty. Notwithstanding the above limitations and warranties, manufacturer's liability hereunder for damages incurred by purchaser or others shall not exceed the price of the goods.
- 3.04. No action arising out of any claimed breach of this warranty or transactions under this warranty may be brought more than two (2) years after the cause of action has occurred.

### 4. Miscellaneous

- 4.01. Proper venue for any lawsuits arising from or related to this limited warranty shall be only in Guadalupe county, Texas.
- 4.02. Manufacturer may waive compliance with any of the terms of this limited warranty, but no waiver of any terms shall be deemed to be a waiver of any other term.
- 4.03. If any provision of this limited warranty shall violate any applicable law and is held to be unenforceable, then the invalidity of such provision shall not invalidate any other provisions herein.
- 4.04. Applicable law may provide rights and benefits to purchaser in addition to those provided herein.

*Keep for your records*

Attention: Purchaser should fill in the blanks below for his reference when buying repair parts and/or for proper machine identification when applying for warranty.

Alamo Industrial Implement Model \_\_\_\_\_ Serial Number \_\_\_\_\_  
Date Purchased \_\_\_\_\_ Dealer \_\_\_\_\_

Attention:  
Read your operator's manual



**ALAMO INDUSTRIAL**  
1502 E. Walnut  
Seguin, Texas 78155  
830-379-1480





**BUILT SHARPER®**

An Alamo Group Company

1502 E. Walnut St.  
Seguin, Texas 78155



## Sales and Marketing

Tel 800.882.5762      Fax 830.379.0864  
support@alamo-industrial.com

## Warranty Registration/Claims

[www.alamoparts.com](http://www.alamoparts.com)

## Return Authorizations

Online Part Orders  
Techical Information  
[www.alamoparts.com](http://www.alamoparts.com)  
Tel 800.356.6286      Fax 800.322.5141  
[www.alamo-industrial.com](http://www.alamo-industrial.com)

