



EAGLE 20 & 14

20 ft. & 14 ft. FLEX-WING MECHANICAL
LEVEL LIFT ROTARY CUTTER/SHREDDER

Published 02/06

Part No. 00779092P

PART'S MANUAL



ATENCIÓN!

LEA EL INSTRUCTIVO

Si No Lee Ingles, Pida Ayuda a Alguien
Que Si Lo Lea Para Que le Traduzca las
Medidas de Seguridad.



An Operator's Manual was shipped with the equipment in the Manual Canister. This Operator's Manual is an integral part of the safe operation of this machine and must be maintained with the unit at all times. **READ, UNDERSTAND, and FOLLOW** the Safety and Operation Instructions contained in this manual before operating the equipment. If the Operator's Manual is not with the equipment, contact your dealer or Alamo Industrial (830-379-1480) to obtain a Free copy before operating the equipment.

ALAMO INDUSTRIAL

1502 E. Walnut
Seguin, Texas 78155
830-379-1480



TO THE OWNER/OPERATOR/DEALER

All implements with moving parts are potentially hazardous. There is no substitute for a cautious, safe-minded operator who recognizes the potential hazards and follows reasonable safety practices. The manufacturer has designed this implement to be used with all its safety equipment properly attached to minimize the chance of accidents.

BEFORE YOU START!! Read the safety messages on the implement and shown in your manual.
Observe the rules of safety and common sense!



DANGER

FAILING TO FOLLOW SAFETY MESSAGES AND OPERATING INSTRUCTIONS CAN CAUSE SERIOUS BODILY INJURY OR EVEN DEATH TO OPERATOR AND OTHERS IN THE AREA.

<p>1.</p>	<p>2. NO RIDERS, NO CHILDREN OPERATORS</p>	<p>3. USE SAFETY SHOES, HARD HAT, SAFETY GLASSES, SEAT BELTS, & ROPS</p>	<p>4. BLOCK UP SECURELY BEFORE WORKING UNDER.</p>
-----------	--	--	---

- Study and understand Operator's Manuals, Safety Signs, and Instructional Decals for tractor & flail mower to prevent misuse, abuse, & accidents. Practice before operating mower in a confined area or near passersby.
 - Learn how to stop engine suddenly in an emergency. Be alert for passersby and especially children.
- Allow no children on or near implement or tractor. Allow no riders on tractor or implement. Falling off can cause serious injury or death from being runover by tractor or mower or contact with Flail Mower Blades.
- Operate only with tractor having Roll-Over Protective Structure (ROPS) and with seatbelt fastened securely and snugly to prevent injury and possible death from falling off or tractor overturn. Personal Protective Equipment such as Hard Hat, Safety Glasses, Safety Shoes, and Ear Plugs are recommended.
- Block up or support raised machine and all lifted components securely before putting hands or feet under or working underneath any lifted component to prevent crushing injury or death from sudden dropping or inadvertent operation of controls. Make certain that area is clear before lowering or folding.
- Before transporting, put Lift Lever in detent or full-lift position. Install Transport Safety Devices securely on folding implements. Slow down when turning and on hillsides.
 - Install **Restrictor in folding circuit to slow down lowering and unfolding if action is faster than is desirable.
- Make certain that SMV sign, Warning Lights, and Reflectors are clearly visible. Follow local traffic codes.
- Never operate with Flail Mower or Folding Section raised if passersby, bystanders or traffic are in the area to reduce possibility of injury or death from objects thrown by Blades under Shields or implement structure.
- Before dismounting, secure flail mower in transport position or lower to ground.
 - Put tractor in park or set brake, disengage PTO, stop engine, remove key, and wait until noise of rotation has ceased to prevent entanglement in rotating parts which may cause injury or death.
 - Never mount or dismount a moving vehicle. Crushing from runover may cause injury or death.

<p>5. TRANSPORT SAFELY, LOCK UP.</p>	<p>6. USE SMV, LIGHTS, & REFLECTORS.</p>	<p>7. DO NOT OPERATE WITH MOWER OR WING RAISED.</p>	<p>8. DO NOT MOUNT OR DISMOUNT WHILE MOVING.</p>
--------------------------------------	--	---	--

Read and understand the complete Warranty Statement found in this Manual. Fill out the Warranty Registration Form in full and return it within 30 Days. Make certain the Serial Number of the Machine is recorded on the Warranty Card and on the Warranty Form that you retain. The use of "will-fit" parts will void your warranty and can cause catastrophic failure with possible injury or death.

WARRANTY INFORMATION

002369

PARTS SECTION

PARTS ORDERING GUIDE

The following instructions are offered to help eliminate needless delay and error in processing purchase orders for the equipment in this section.

1. The Parts Section is prepared in logical sequence and grouping of parts that belong to the basic machine featured in this manual. Part Numbers and Descriptions are given to help locate the parts and quantities required.
2. The Purchase Order must include the name and address of the person or organization ordering the parts, who should be charged, and if possible, the serial number of the machine for which the parts are ordered.
3. The Purchase Order must clearly list the quantity of each part, the complete and correct part number (be sure to include all periods), and the basic name of the part.
4. The Manufacturer reserves the right to substitute parts where applicable.
5. Some parts are unlisted items which are special production items not normally stocked and are subject to special handling. Request a quotation for such parts before sending a Purchase Order.
6. The Manufacturer reserves the right to change prices without prior notice.

NOTE: Please refer to The Safety Section in the front of this Manual for the proper Part Number when ordering Replacement Safety Decals.



For maximum safety and to guarantee optimum product reliability, always use genuine Servis-Rhino Parts. The use of inferior replacement parts may cause premature or catastrophic failure which could result in serious injury or death. Direct any questions regarding parts to:



ALAMO INDUSTRIAL

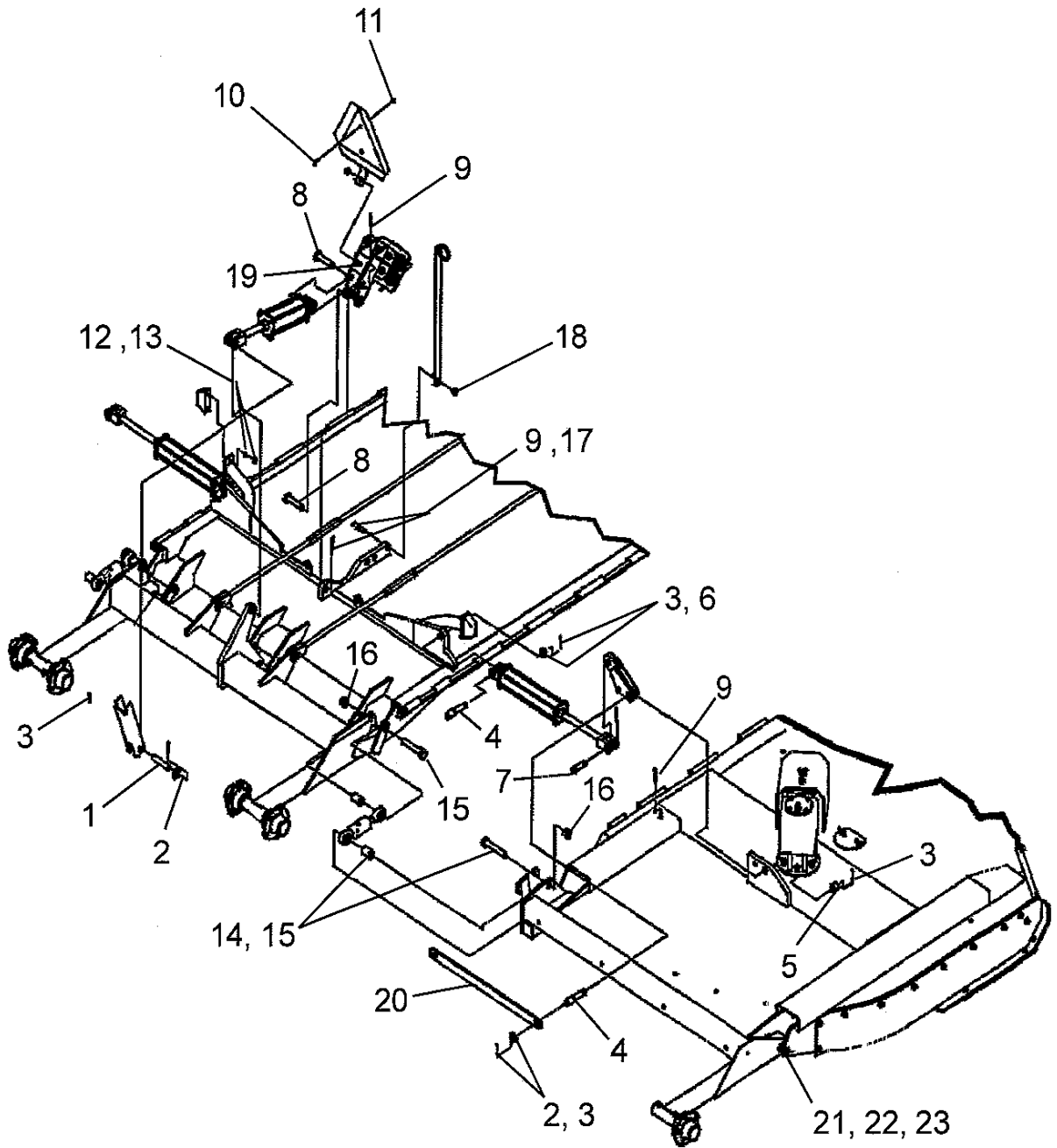
1502 E. Walnut
Seguin, Texas 78155
830-379-1480



PART NAME INDEX

AXLE ASY - STANDARD AXLE	4
AXLE ASY - WALKING AXLE - OPTIONAL	6
AXLE TURNBUCKLE ASY	7
BAFFLE ASY - OPTIONAL	60
BLADE BAR ASY	38
BLADE PAN ASY	37
CHAIN GUARD ASY - CENTER FRONT - DOUBLE CHAIN	58
CHAIN GUARD ASY - CENTER FRONT - SINGLE CHAIN.....	57
CHAIN GUARD ASY - CENTER REAR - DOUBLE & SINGLE CHAIN	56
CHAIN GUARD ASY - WING FRONT - DOUBLE CHAIN	55
CHAIN GUARD ASY - WING FRONT - SINGLE CHAIN.....	54
CHAIN GUARD ASY - WING REAR - DOUBLE CHAIN	53
CHAIN GUARD ASY - WING REAR - SINGLE CHAIN	52
COUNTER WEIGHT ASY - WING - EAGLE 14	59
CYLINDER ASY - AXLE LIFT - PN 00761802A	40
CYLINDER ASY - WING LIFT - PN 00759947A.....	39
DEFLECTOR ASY - FRONT	50
DEFLECTOR ASY - REAR	51
DRIVELINE ASY - CAT 5 (CV) 1000 RPM - 20 SPL PTO	18
DRIVELINE ASY - CAT 5 (CV) 1000 RPM - 21 SPL PTO	17
DRIVELINE ASY - CAT 5 (CV) 540 RPM - 6 SPL PTO	16
DRIVELINE ASY - CENTER INTERMEDIATE 540 & 1000 RPM.....	12
DRIVELINE ASY - WING (540 & 1000 RPM)	13
DRIVELINE ASY - 44R (NON-CV) 1000 RPM - 20 SPL PTO.....	11
DRIVELINE ASY - 44R (NON-CV) 1000 RPM - 21 SPL PTO.....	15
DRIVELINE ASY - 44R (NON-CV) 540 RPM - 6 SPL PTO.....	14
GEARBOX ASY - CENTER 1000 RPM - PN 00769930.....	23
GEARBOX ASY - CENTER 540 RPM - PN 00769912.....	25
GEARBOX ASY - DIVIDER 1000 RPM - PN 00769116.....	21
GEARBOX ASY - DIVIDER 540 RPM - PN 00769115.....	19
GEARBOX ASY - LH WING 1000 RPM - PN 00769927	33
GEARBOX ASY - LH WING 540 RPM - PN 00769921	31
GEARBOX ASY - RH WING 1000 RPM - PN 00769924	27
GEARBOX ASY - RH WING 540 RPM - PN 00769918	29
GEARBOX SHIELD ATTACHMENT - CENTER & WINGS	36
GEARBOX SHIELD ATTACHMENT - DIVIDER	35
HITCH - CAPTIVE BALL COUPLER CLEVIS - OPTIONAL	61
HITCH - PINTLE HOOK - OPTIONAL.....	62
HYDRAULIC CONTROL VALVE	44
HYDRAULIC CONTROL VALVE - W MOUNTING KIT	42
HYDRAULIC SCHEMATIC	41
LEVEL ROD ASY	9
SIDE SKIRT ASY - WING	49
SPRING POD ASY	10
TONGUE ASY & LEVEL ROD ASY	8
WHEEL & TIRE ASY	45
WHEEL & TIRE ASY FOAM FILLED - USED AIR CRAFT TIRE	48
WHEEL HUB & SPINDLE ASY - PN 00776306 (S/N 11000 & UP 05-06).....	47
WHEEL HUB & SPINDLE ASY - PN 00780344 (S/N 10999 & DOWN 04-06)	46

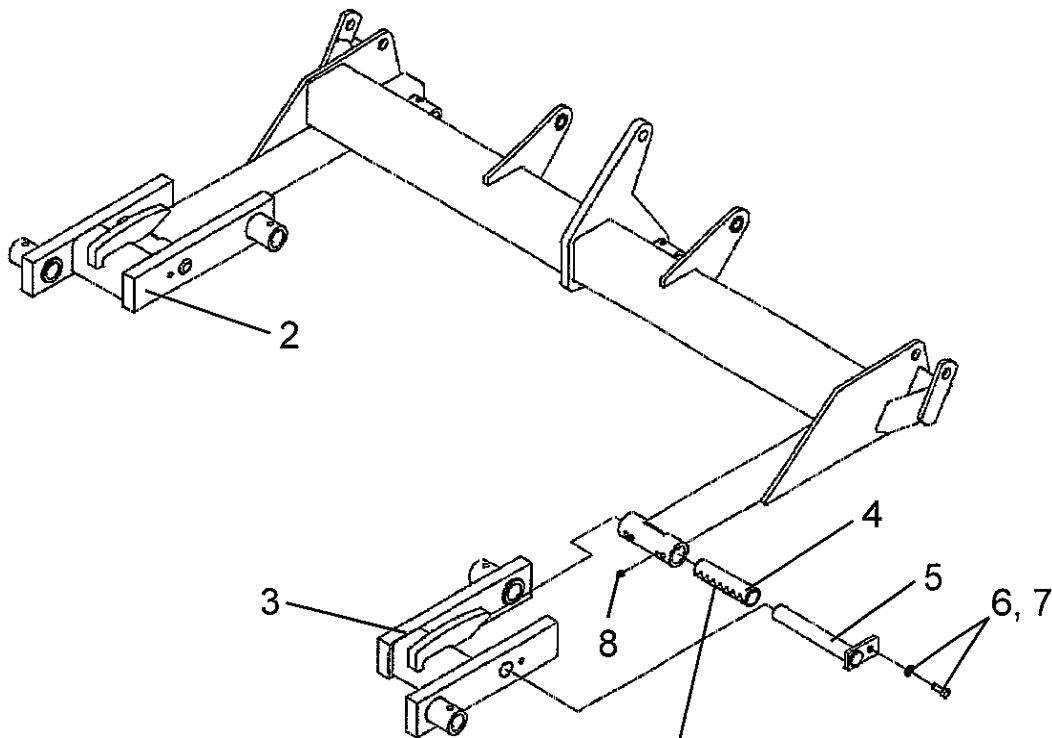
AXLE ASY - STANDARD AXLE



AXLE ASY - STANDARD AXLE

ITEM	PART NO.	QTY.	DESCRIPTION
1	103266	1	CYLINDER PIN
2	02822500	4	FLATWASHER, 1" PL STD
3	00606000	10	COTTER PIN, 3/16" X 2"
4	8352	4	PIN ASY
5	00761504	2	SPACER, 1-1/2" OD X 1" ID X 1" LG
6	00761503	2	SPACER, 1-1/2" OD X 1" ID X 1/2" LG
7	8354	2	PIN, F/ HYD CYLINDER
8	0656460240	2	PIN WELDMENT
9	37107B13	4	HAIR PIN CLIP
10	10058000	5	BOLT, HEX HEAD, 1/4"-NC X 1" PL GR5
11	02959924	5	LOCKNUT, TOPLOCK 1/4"-NC PLB
12	00011700	16	LOCKWASHER, 5/16" PL STD
13	00755934	4	NUT, HEX M8-P1.25
14	00778417	4	SPACER TUBE
15	00766447	4	BOLT, HEX HEAD 1"-NC X 6-1/2" PL GR5
16	02030300	4	LOCKNUT, TOPLOCK 1"-NC PLB
17	02675800	1	BOLT, HEX HEAD 5/8"-11UNC X 1-1/2" PL GR5
18	00695100	1	LOCKNUT, TOPLOCK 5/8"-NC PLB
19	00748823	1	BOX, HEX HEAD 1/2"-13UNC X 1-1/2" PL GR5
20	8345	1	TRANSPORT BAR
21	02030700	9	BOLT, HEX HEAD 1/2"-13UNC X 1-1/4" PL GR5
22	00001800	9	LOCKNUT, TOPLOCK 1/2"-NC PLB
23	00764990	4	PIN WELDMENT

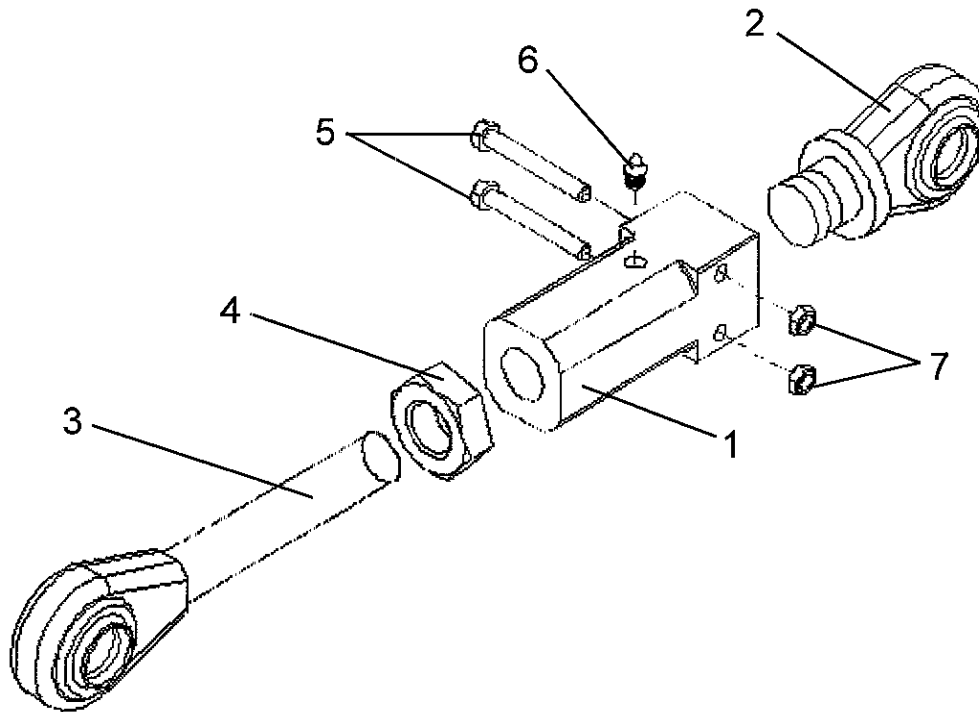
AXLE ASY - WALKING AXLE - OPTIONAL



**NOTE: Press hardened bushing
so opening in split bushing aligns
with grease fittings**

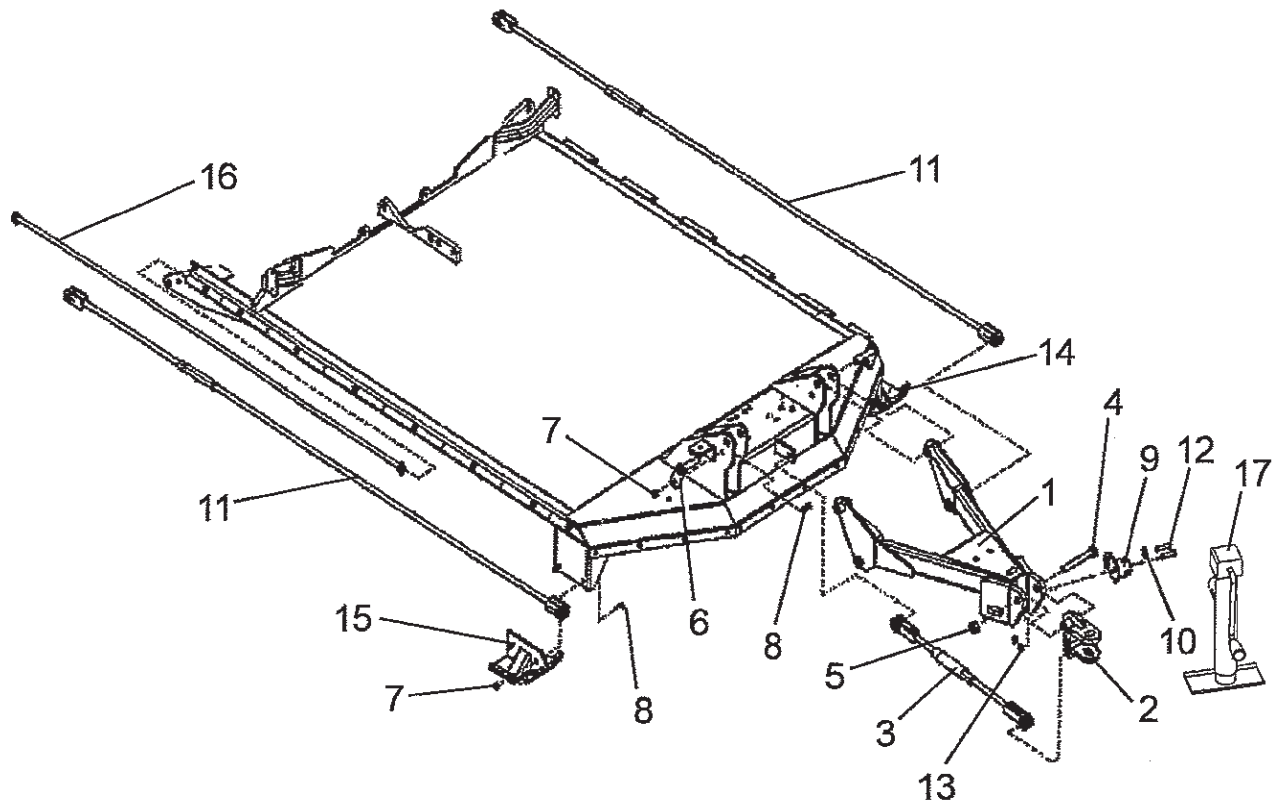
ITEM	PART NO.	QTY.	DESCRIPTION
2	00778396A	1	WALKING AXLE LEFT WLDMT
3	00778397A	1	WALKING AXLE RIGHT WLDMT
4	00779063	2	CONNEX BUSHING 1 3/4 X 1 1/2 X 7
5	00778920	2	SPINDLE SHAFT ASSEMBLY
6	00748823	2	HHCS 1/2-13UNC 1-1/2 PL5
7	00001300	2	LOCKWASHER 1/2 PL STD
8	00003500	4	ZERK FITTING 1/8 STRAIGHT

AXLE TURNBUCKLE ASY



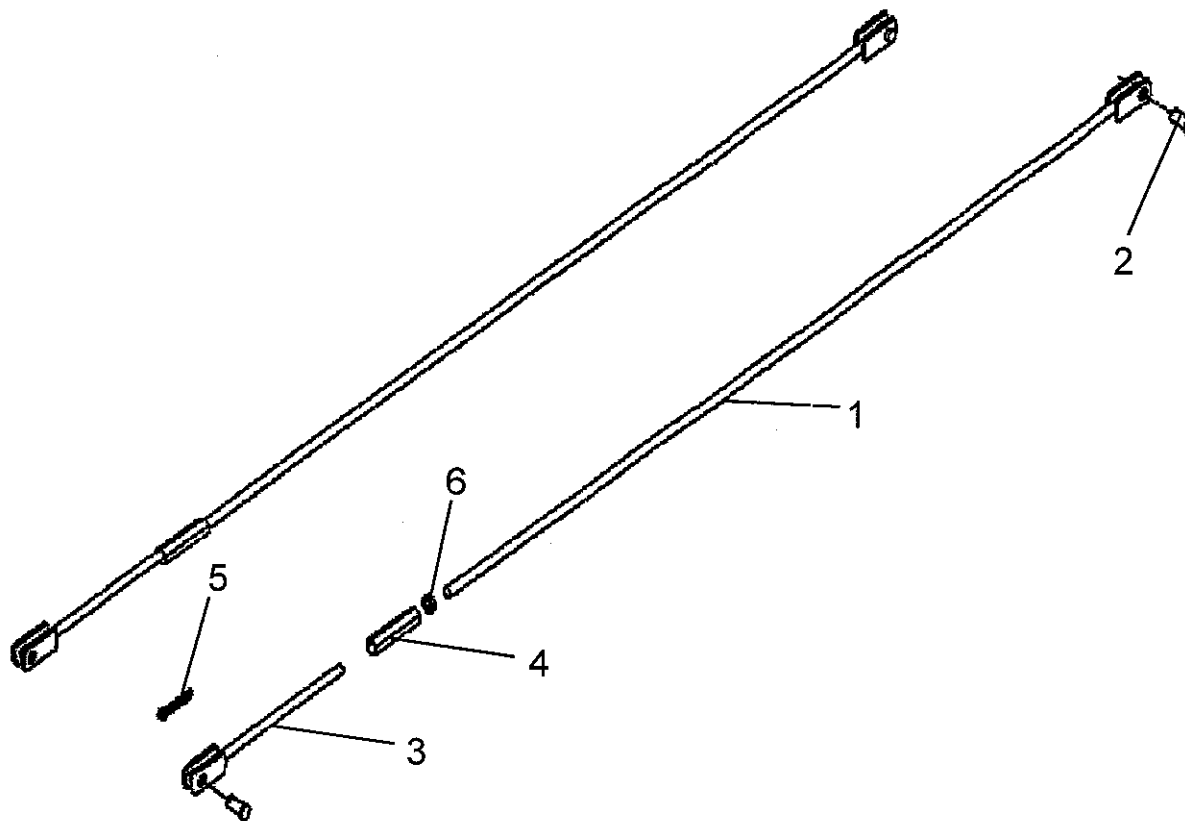
ITEM	PART NO.	QTY.	DESCRIPTION
	00763449	-	ASSY-CONTROL-ROD
1	00763450A	1	TURNBUCKLE,1-1/8NC THRD 2 HOLE
2	00763962	1	WLDMT-TOP LINK
3	00763447	1	TOP LINK,THREADED
4	02012200	1	NUT HEX 1-1/8 NC PL
5	02152800	2	HEXB 5/16 NC 2-1/2PL
6	00752670	1	GREASE FITTING 1/4-28 BOLT THD
7	00750940	2	NUT TOPLOCK 5/16 NC PLB

TONGUE ASY & LEVEL ROD ASY



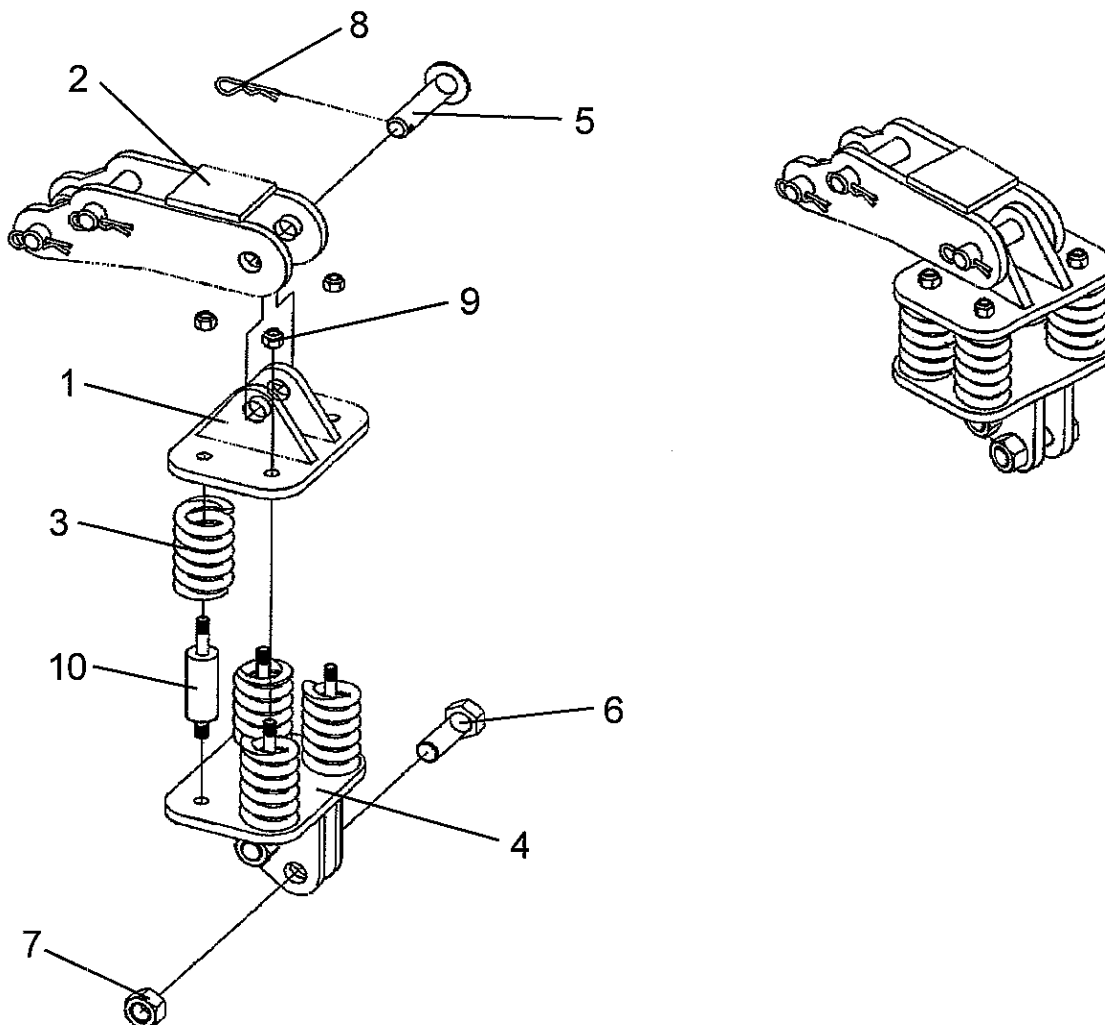
ITEM	PART NO.	QTY.	DESCRIPTION
1	00776245	1	TONGUE WLD'MT
2	00779468	1	CLEVIS WLD'MT
3	00765376A	1	CONTROL ROD ASY
4	317918H5C	1	HEX CAP 1-8 X 7 1/2 GR.5
5	02030300	1	NUT TOPLOCK 1 NC PLB
6	00760895	2	TONGUE PIVOT PIN WLD'MT
7	00001800	9	LOCKNUT TLM 1/2 NC PLB
8	00748823	13	HHCS 1/2-13UNC 1-1/2 PL5
9	00779360	1	JACK BRACKET WLD'MT
10	00779361	1	WASHER, SPECIAL
11	00778372	2	LEVEL ROD ASY
12	02880900	2	HHCS 3/4-NC X X 2 3/4 PL5
13	00037200	2	NUT, TOPLOCK 3/4 NC GRC PL
14	00764020	1	WLDMT-SKID-LH
15	00763996	1	WLDMT-SKID-RH
16	651091	2	HINGE PIN WLD'MT
17	00779350	1	PARKING JACK (INCLUDES ITEMS 9 & 10)

LEVEL ROD ASY



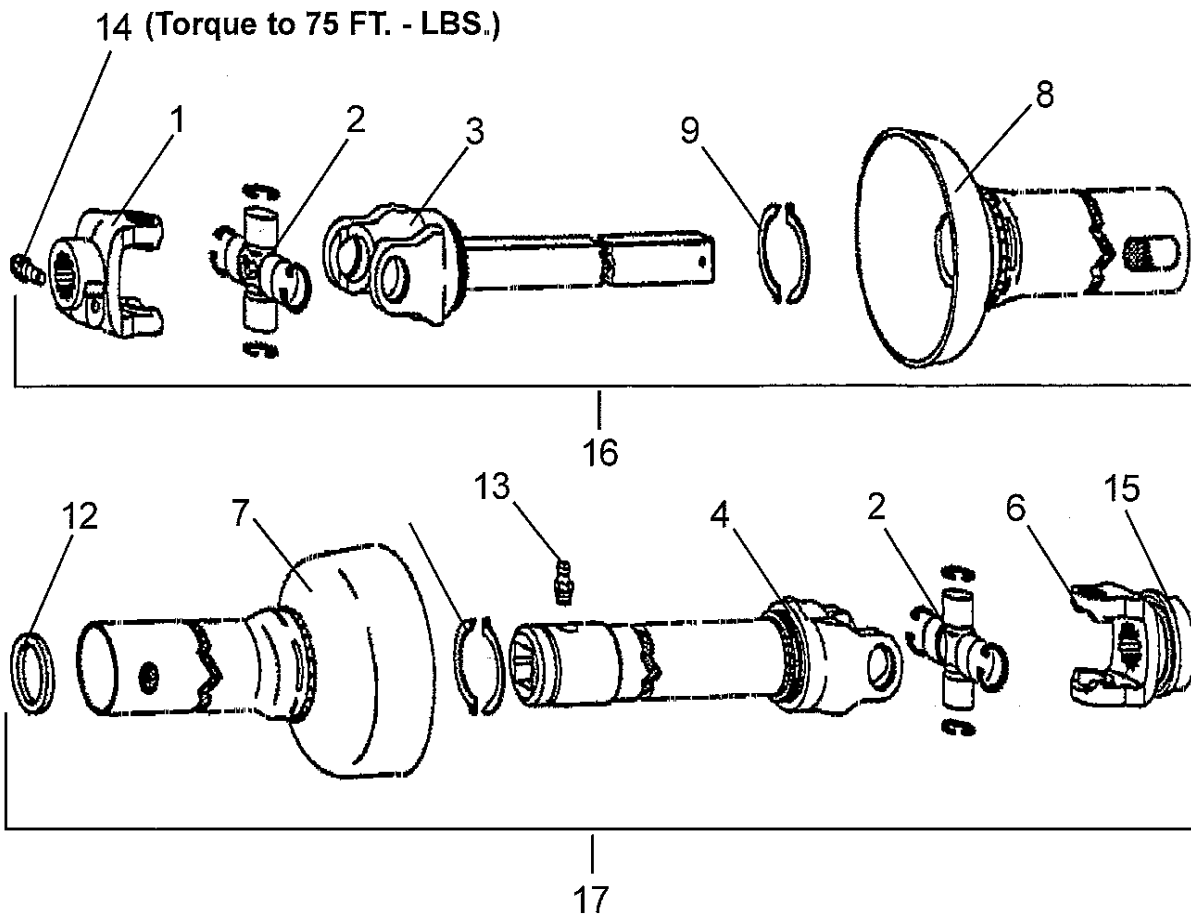
ITEM	PART NO.	QTY.	DESCRIPTION
	00778372	-	ASSEMBLY, LEVEL ROD
1	00778370	1	WELDMENT LEVEL ROD, LONG
2	00776238	2	PIN, LEVEL ROD
3	00778371	1	WLDMT, LEVEL ROD, SHORT
4	00778159	1	NUT, 9" ADJUSTING
5	00755153	2	PIN-COTTER 3/16 X 1-1/2 PLATED
6	5C1490	1	HEXNUT 7/8 JAM ZP

SPRING POD ASY



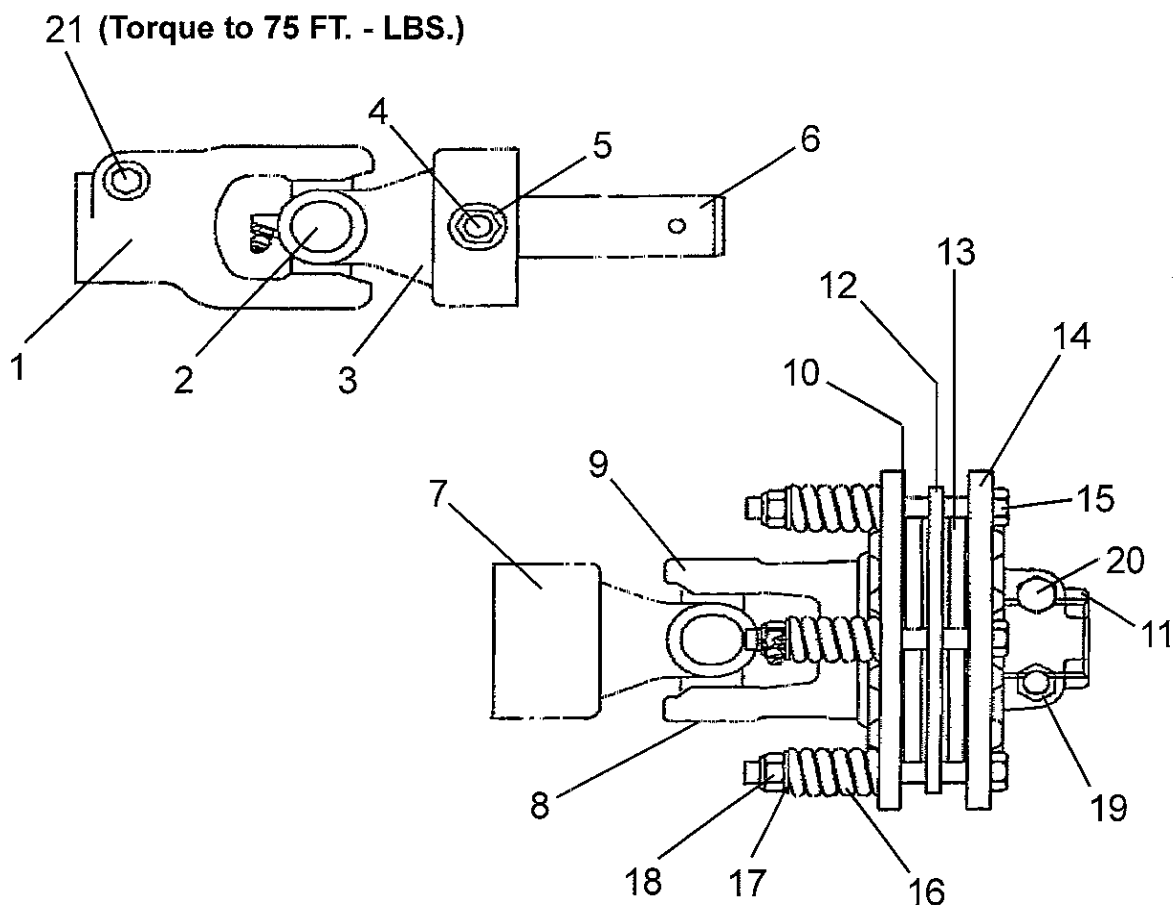
ITEM	PART NO.	QTY.	DESCRIPTION
1	00778939	1	SPRING SUPPORT WELDMENT
2	00778940	1	WLDMT, PIVOT ARM
3	371063A	4	SPRING
4	00778933	1	WLDMT, BASE SPRING POD
5	0656460240	3	WLDMT-PIN
6	00781043	2	HHCS 1 NC 3-1/2" PL5
7	02030300	2	NUT TOPLOCK 1 NC PLB
8	37107B13	3	CLIP-X HAIR PIN
9	00001800	8	LOCKNUT TLM 1/2 NC PLB
10	00779069	4	SPRING GUIDE AND SPACER

DRIVELINE ASY - 44R (NON-CV) 1000 RPM - 20 SPL PTO



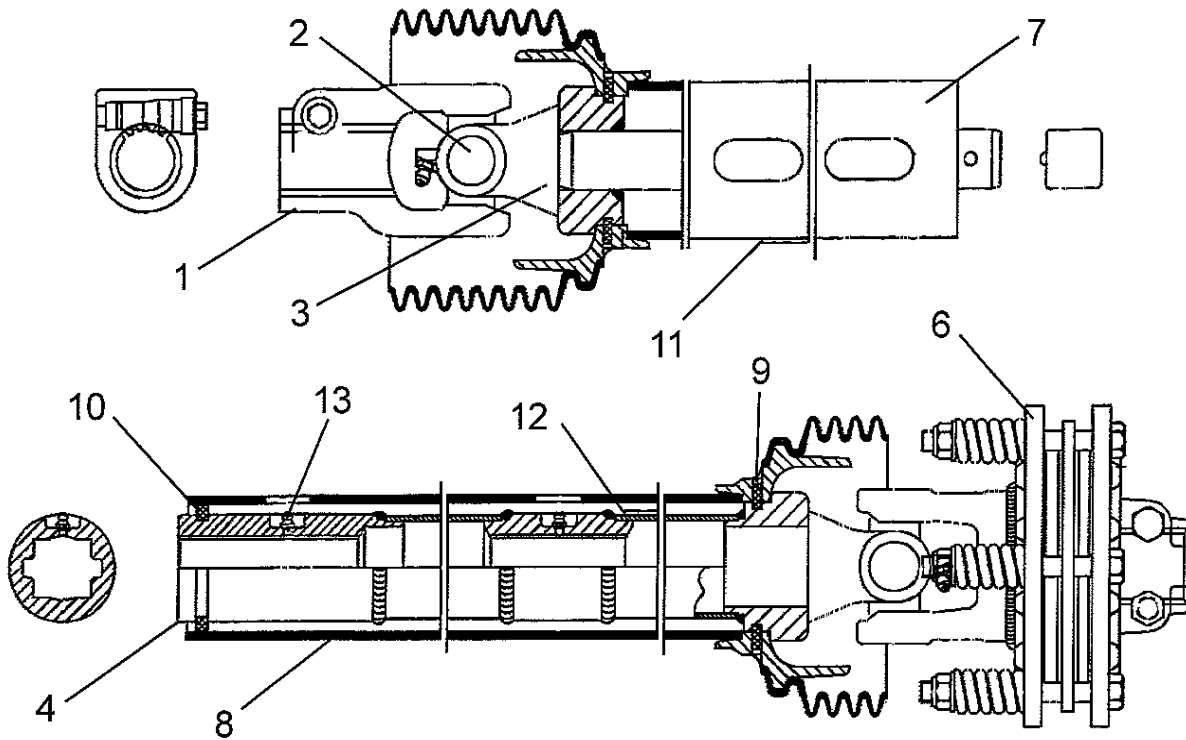
ITEM	PART NO.	QTY.	DESCRIPTION
	00773071	1	COMPLETE DRIVELINE
1	00775005	1	CLAMP YOKE, 1-3/4"-20 SPLINE
2	W-840	2	CROSS & BEARING KIT
3	W-816F	1	YOKE & SHAFT WELDMENT
4	00769034	1	YOKE, TUBE & SLEEVE
6	00775394	1	YOKE 1 3/4"-20 SPLINE
7	00769035	1	INNER SHIELD TUBE ASSY.
8	W-811S	1	OUTER SHIELD TUBE ASSY.
9	00759212	4	SHIELD BEARING
12	00760519	1	BEARING RING
13	00752670	2	GREASE FITTING
14	00774208	1	LOCK ASSY. CC YOKE
15	00759556	1	Q.D. COLLAR KIT
16	W805F11	1	DRIVELINE INNER HALF W/ SHIELD
17	00775763	1	DRIVELINE OUTER HALF W/ SHIELD

DRIVELINE ASY - CENTER INTERMEDIATE 540 & 1000 RPM



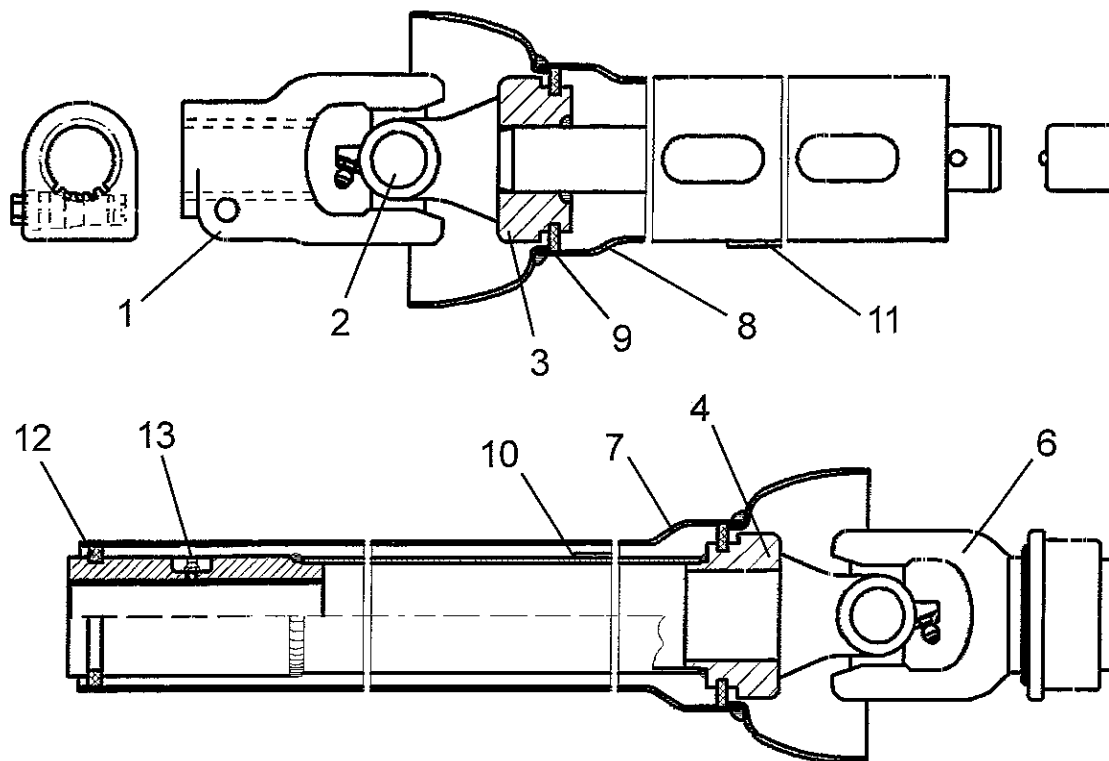
ITEM	PART NO.	QTY.	DESCRIPTION
	00775811	-	DRIVELINE-INTERMEDIATE
1	00775005	1	YOKE
2	W840	1	CROSS & BEARING KIT
3	00761488	1	INBOARD YOKE
4	00999422	1	BOLT
5	00001800	1	LOCKNUT
6	00775817	1	BAR
7	W823	1	SLIP YOKE
8	00775382	1	FRICTION CLUTCH
9	00775383	1	YOKE FLANGE
10	8366	4	FRICTION DISK
11	00775334	1	HUB SPLINE
12	00775335	1	DRIVE PLATE
13	00775336	1	DRIVE PLATE
14	00775337	1	THRUST PLATE
15	00775338	6	BOLT
16	00775339	6	COMPRESSION SPRING
17	00754566	6	LOCKWASHER
18	00756164	6	NUT
19	0775327	2	NUT
20	0775328	2	BOLT
21	00774208	1	CC LOCK PIN

DRIVELINE ASY - WING (540 & 1000 RPM)



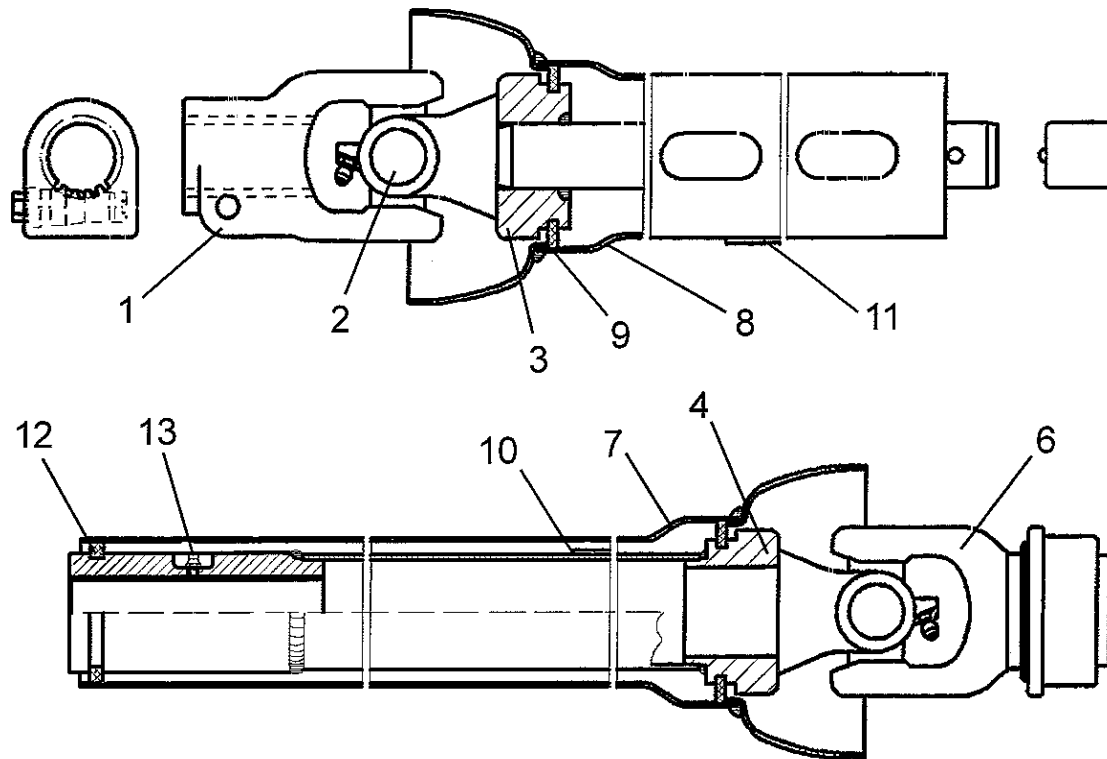
ITEM	PART NO.	QTY.	DESCRIPTION
	00775478	-	DRIVELINE, 1-3/4-20 SPL CAT5
1	0077005	1	YOKE
2	W840	2	CROSS REPR KIT
3	00779147	1	YOKE & BAR
4	00775500	1	I.B. YOKE, TUBE AND SLEEVE WA
6	00775382	1	FRICITION CLUTCH
7	00775827	1	OUTER SHIELD TUBE ASSY
8	00775801	1	INNER SHIELD TUBE ASSY
9	00775347	4	SHIELD BEARING
10	00775348	1	SUPPORT BEARING
11	7387	1	DECAL, DECK U-JOINT
12	7397	1	N/A USE 00756004
13	00752670	2	GREASE FITTING 1/4-28 BOLT THD

DRIVELINE ASY - 44R (NON-CV) 540 RPM - 6 SPL PTO



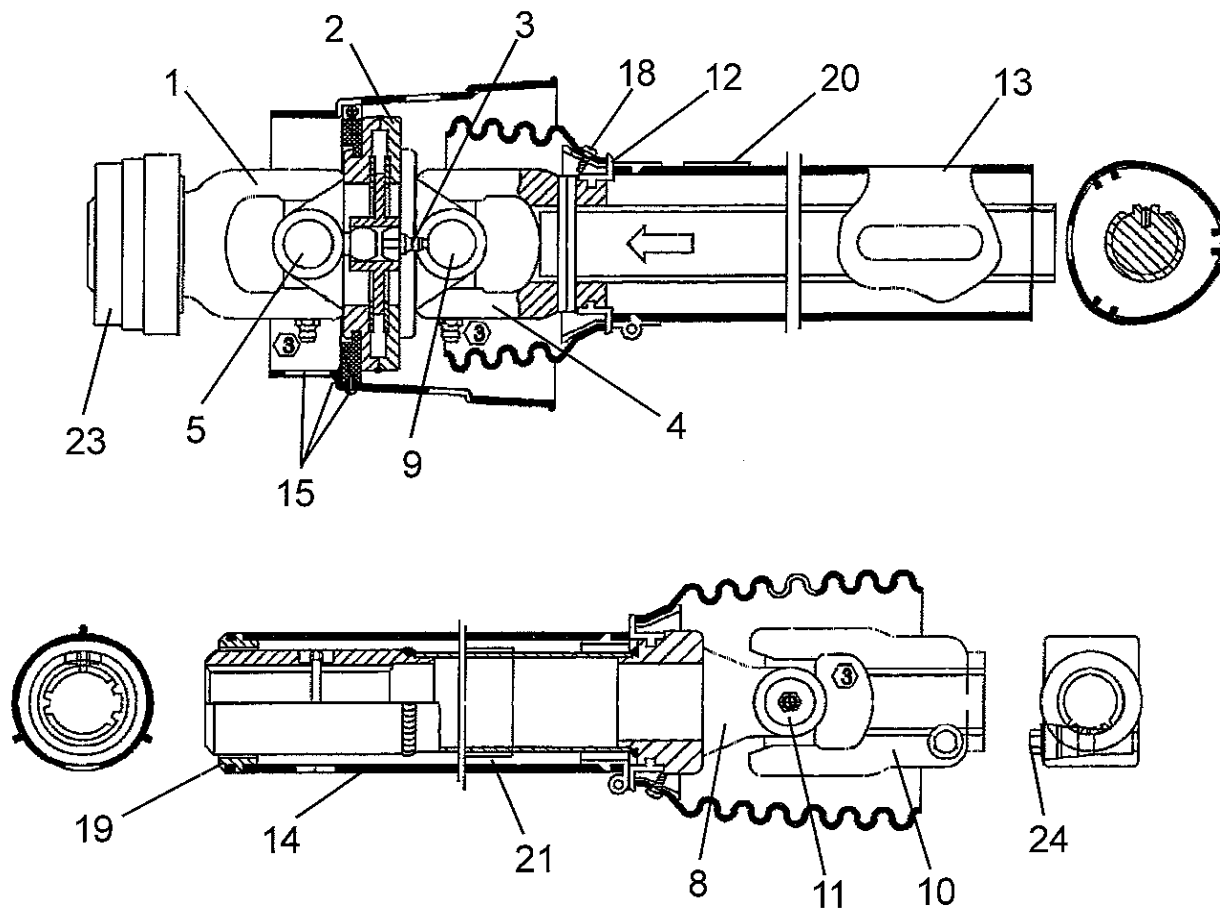
ITEM	PART NO.	QTY.	DESCRIPTION
	00777973	-	DRIVELINE W1440 CAT 5 540 RPM
1	00775005	1	YOKE 44R 1-3/4-20 TAPER PIN
2	W840	2	CROSS REPR KIT
3	W816F	1	YOKE & SQ SHFT PAINT BLACK
4	00769034	1	I.B.YOKE, TUBE & SLEEVE W.A.
6	W821A	1	YOKE,Q.D. 6BSPLN PAINT BLACK
7	00769035	1	INNER SHIELD TYBE ASY
8	W811S	1	SHLD OUT ASSY PAINT BLACK
9	00759212	4	RETAINER, NYLON BEARING
10	00756004	1	DECAL-SHIELD MISSING
11	00756005	1	DECAL-ROTATING DRIVELINE
12	00760519	1	RING, BEARING
13	00752670	2	GREASE FITTING 1/4-28 BOLT THD

DRIVELINE ASY - 44R (NON-CV) 1000 RPM - 21 SPL PTO



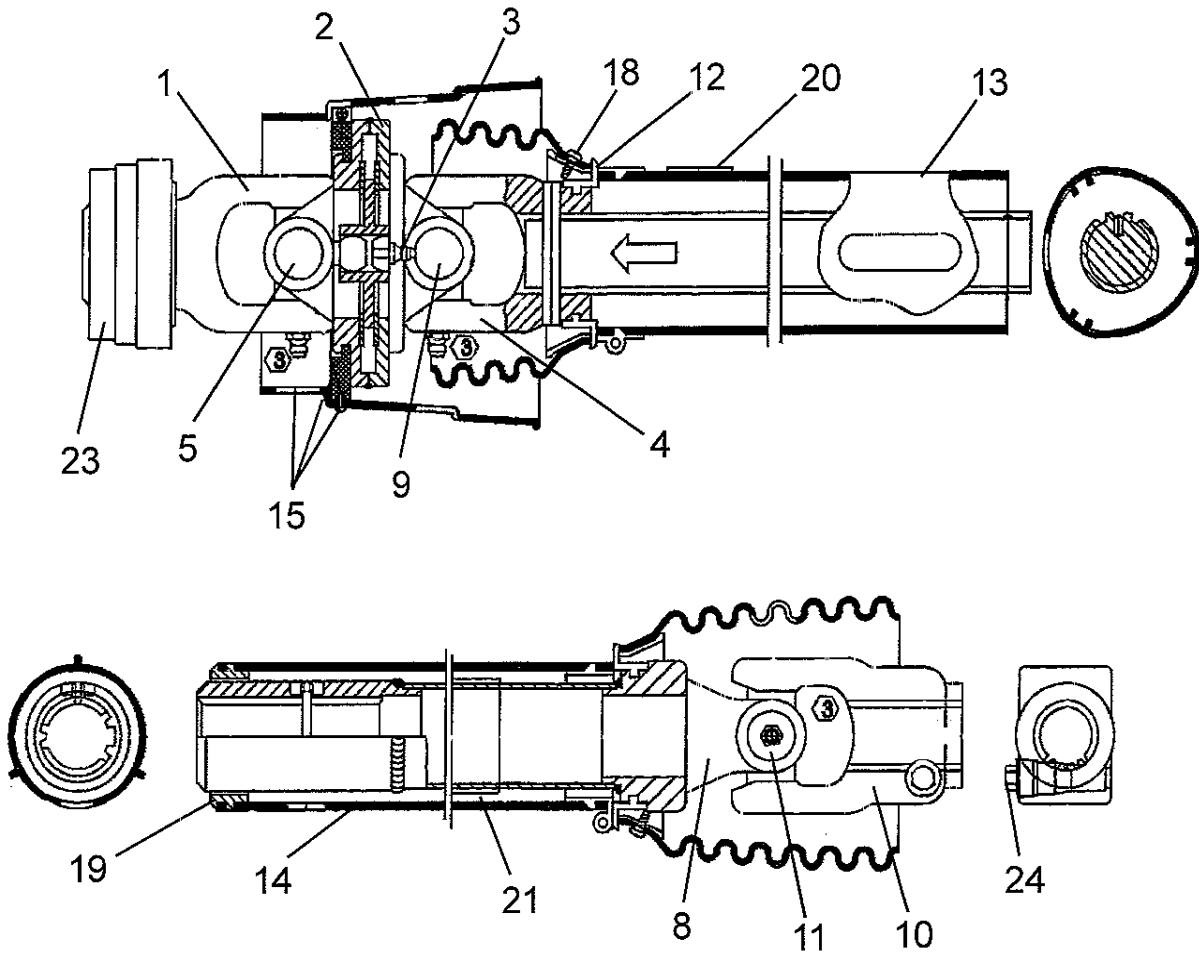
ITEM	PART NO.	QTY.	DESCRIPTION
	00777974		DRIVELINE W1440 CAT 5 1000 RPM
1	00775005	1	YOKE 44R 1-3/4-20 TAPER PIN
2	W840	2	CROSS REPR KIT
3	W816F	1	YOKE & SQ SHFT PAINT BLACK
4	00769034	1	I.B.YOKE, TUBE & SLEEVE W.A.
6	W825A	1	YOKE 1-3/8-21 PAINT BLACK
7	00769035	1	INNER SHIELD TYBE ASY
8	W811S	1	SHLD OUT ASSY PAINT BLACK
9	00759212	4	RETAINER, NYLON BEARING
10	00756004	1	DECAL-SHIELD MISSING
11	00756005	1	DECAL-ROTATING DRIVELINE
12	00760519	1	RING, BEARING
13	00752670	2	GREASE FITTING 1/4-28 BOLT THD

DRIVELINE ASY - CAT 5 (CV) 540 RPM - 6 SPL PTO



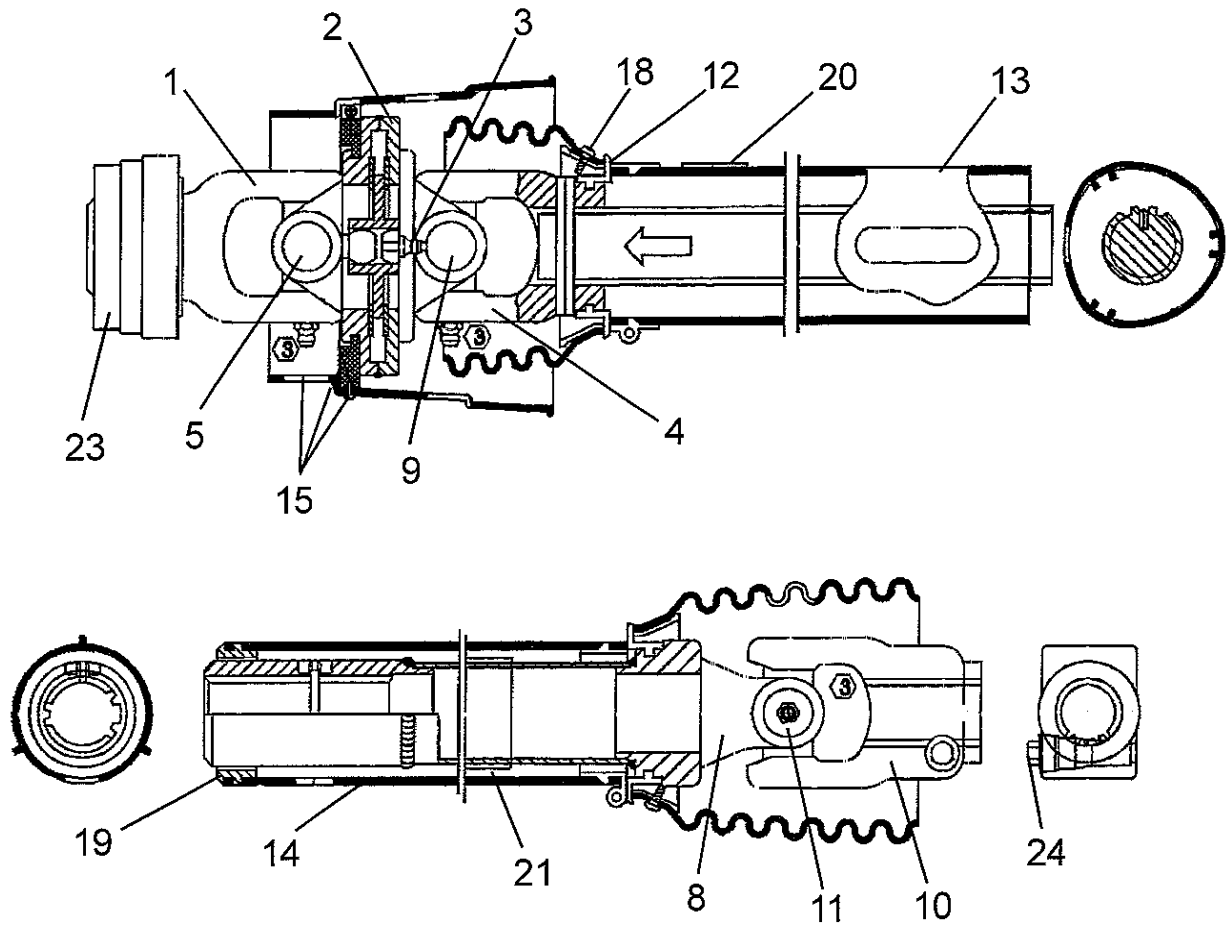
ITEM	PART NO.	QTY.	DESCRIPTION
	00778930	-	DRIVELINE ASSEMBLY-CV
1	00779118	1	YOKE, W/ SLIDE COLLAR
2	8482	1	DOUBLE YOKE W/ GREASE FITTING
3	8382	1	GREASE FITTING
4	00779145	1	YOKE & SHAFT ASY
5	00779119	1	CROSS AND BEARING KIT
8	00779120	1	YOKE, TUBE AND SLEEVE
9	00779121	1	CROSS AND BEARING KIT
10	00774207	1	YOKE, W/ ITEM # 24
11	00779122	1	CROSS AND BEARING KIT
12	8393	2	BEARING RING
15	00779123	1	CONE AND BEARING ASY.
18	00759217	8	SCREW
19	00779124	1	SUPPORT BEARING SHIELD
20	00756005	1	DECAL OUT
21	00756004	1	DECAL IN
22	00779125	1	SHIELD KIT (INCLUDES ITEMS 12, 13, 14, & 18)
23	00779126	1	QD COLLAR KIT
24	00774208	1	LOCK ASY CC YOKE

DRIVELINE ASY - CAT 5 (CV) 1000 RPM - 21 SPL PTO



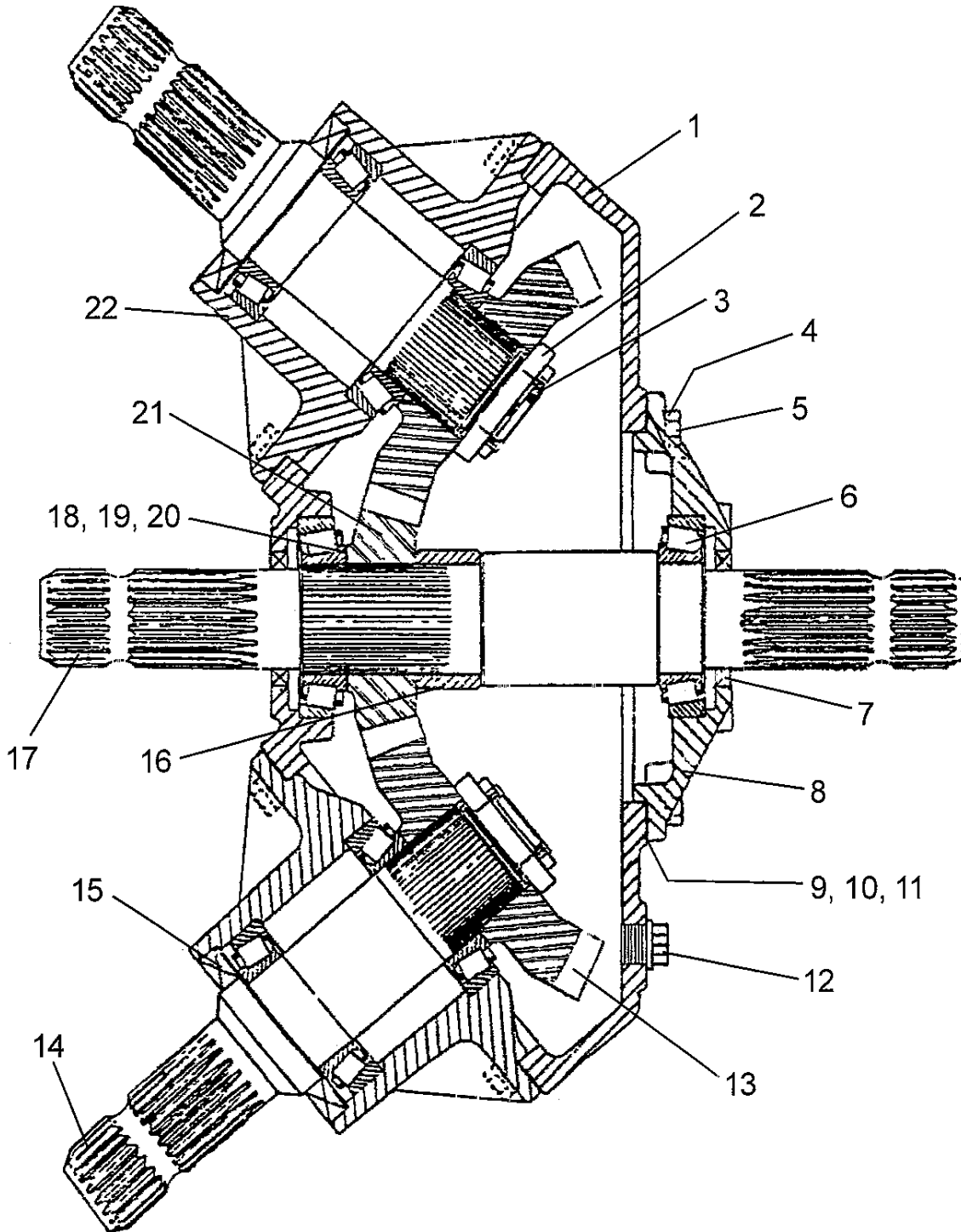
ITEM	PART NO.	QTY.	DESCRIPTION
	00778931	-	DRIVELINE ASSEMBLY-CV
1	00779127	1	YOKE, W/ SLIDE COLLAR
2	8482	1	DOUBLE YOKE W/ GREASE FITTING
3	8382	1	GREASE FITTING
4	00779145	1	YOKE & SHAFT ASY
5	00779119	1	CROSS AND BEARING KIT
8	00779120	1	YOKE, TUBE AND SLEEVE
9	00779121	1	CROSS AND BEARING KIT
10	00774207	1	YOKE, W/ ITEM # 24
11	00779122	1	CROSS AND BEARING KIT
12	8393	2	BEARING RING
15	00779123	1	CONE AND BEARING ASY.
18	00759217	8	SCREW
19	00779124	1	SUPPORT BEARING SHIELD
20	00756005	1	DECAL OUT
21	00756004	1	DECAL IN
22	00779125	1	SHIELD KIT (INCLUDES ITEMS 12, 13, 14, & 18)
23	00779126	1	QD COLLAR KIT
24	00774208	1	LOCK ASY CC YOKE

DRIVELINE ASY - CAT 5 (CV) 1000 RPM - 20 SPL PTO



ITEM	PART NO.	QTY.	DESCRIPTION
	00778932	-	DRIVELINE ASSEMBLY-CV
1	00779128	1	YOKE, W/ SLIDE COLLAR
2	8482	1	DOUBLE YOKE W/GREASE FITTING
3	8382	1	GREASE FITTING
4	00779145	1	YOKE & SHAFT ASY
5	00779119	1	CROSS AND BEARING KIT
8	00779120	1	YOKE, TUBE AND SLEEVE
9	00779121	1	CROSS AND BEARING KIT
10	00774207	1	YOKE, W/ ITEM # 24
11	00779122	1	CROSS AND BEARING KIT
12	8393	2	BEARING RING
15	00779123	1	CONE AND BEARING ASY.
18	00759217	8	SCREW
19	00779124	1	SUPPORT BEARING SHIELD
20	00756005	1	DECAL OUT
21	00756004	1	DECAL IN
22	00779125	1	SHIELD KIT (INCLUDES ITEMS 12, 13, 14, & 18)
23	00779126	1	QD COLLAR KIT
24	00774208	1	LOCK ASY CC YOKE

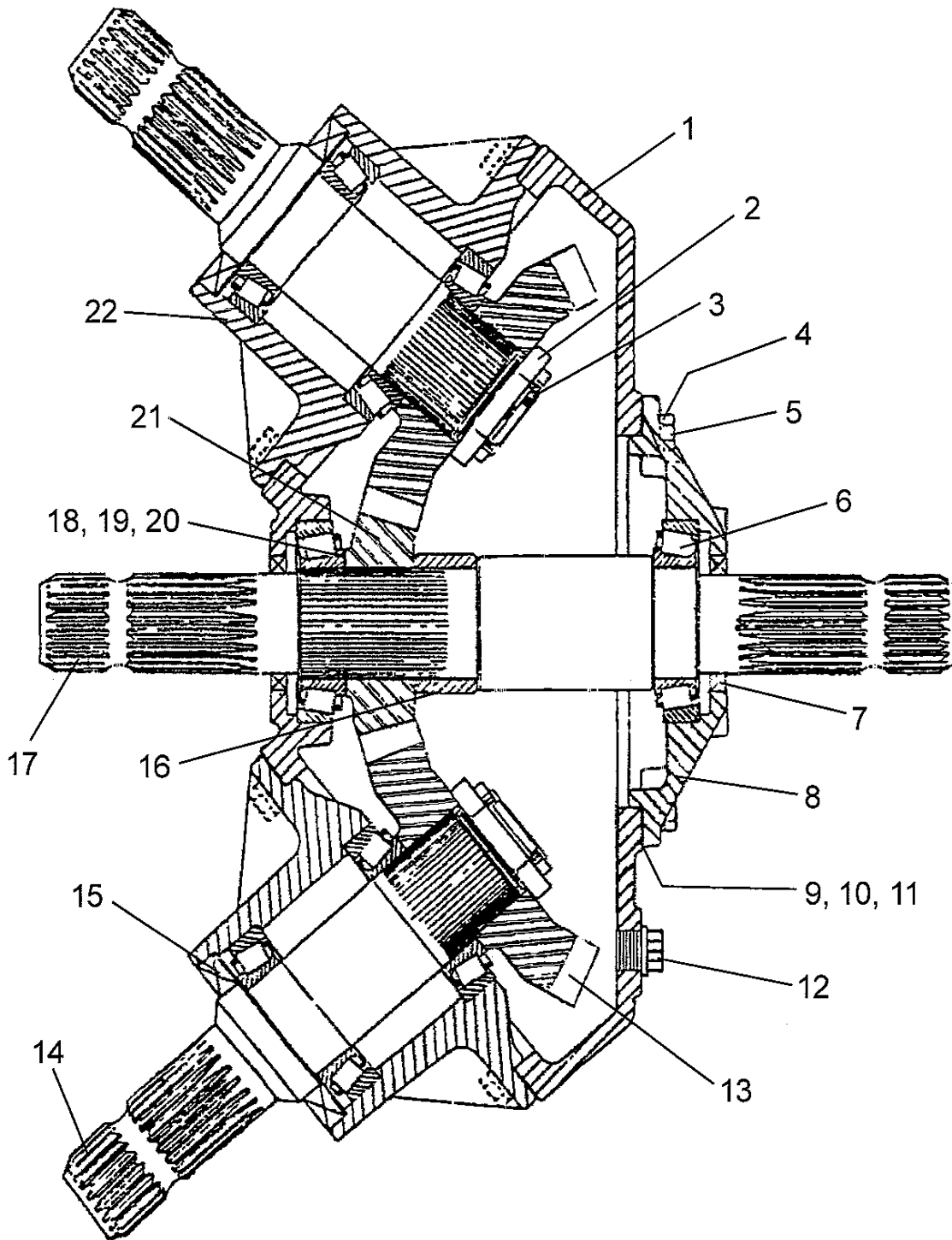
GEARBOX ASY - DIVIDER 540 RPM - PN 00769115



GEARBOX ASY - DIVIDER 540 RPM - PN 00769115

ITEM	PART NO.	QTY.	DESCRIPTION
	00769115	-	GEARBOX ASSEMBLY
1	00769162	1	HOUSING DIVIDER GEARBOX
2	00762121	2	NUT MET SLOT
3	00026200	2	COTTER PIN
4	00755954	24	LOCKWASHER
5	00758659	24	BOLT
6	00755628	6	BEARING
7	00758653	2	SEAL
8	00762128	1	INPUT CAP
9	00758646	var	SHIM ADJUSTMENT 0.1
10	00758647	var	SHIM ADJUSTMENT 0.25
11	00758648	var	SHIM ADJUSTMENT 0.5
12	00762123	1	PLUG LEVEL
13	00769160	2	GEAR 20 TOOTH
14	00762522	2	SIDE INPUT SHAFT
15	00762521	2	SEAL
16	00758657	1	SPACER, INPUT SHAFT
17	00769163	1	MAIN INPUT SHAFT
18	00758667	var	SHIM ADJUSTMENT 0.3
19	00758666	var	SHIM ADJUSTMENT 0.4
20	00758668	var	SHIM ADJUSTMENT 0.4
21	00769161	1	GEAR 23 TOOTH
22	00762520	2	HORZ. HUB CAP
23	00762114	1	PIPE PLUG VENTED (NOT SHOWN)

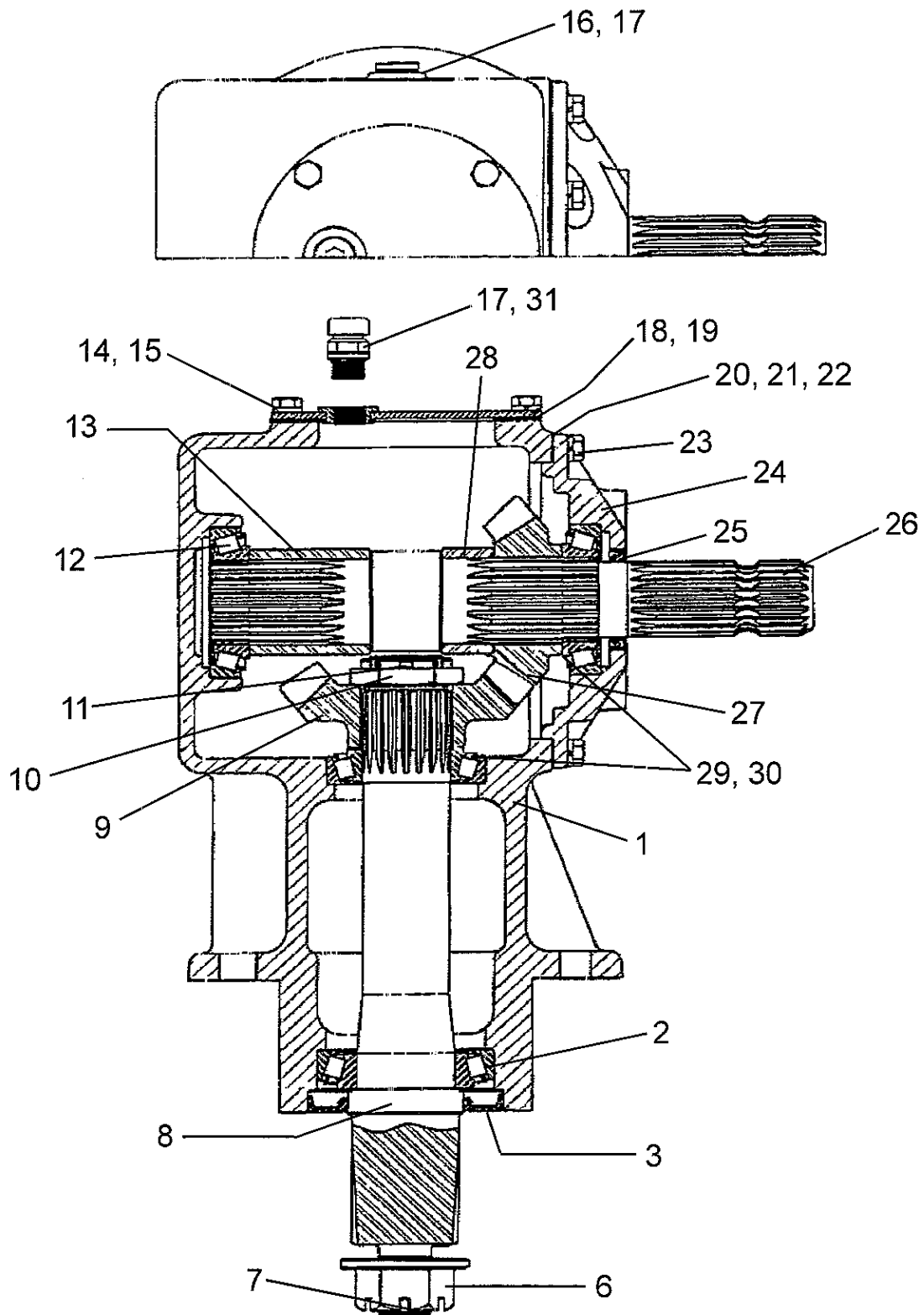
GEARBOX ASY - DIVIDER 1000 RPM - PN 00769116



GEARBOX ASY - DIVIDER 1000 RPM - PN 00769116

ITEM	PART NO.	QTY.	DESCRIPTION
	00769116	-	GEARBOX ASY, 1000 RPM
1	00769162	1	HOUSING DIVIDER GEARBOX
2	00762121	2	NUT MET SLOT
3	00026200	2	COTTER PIN
4	00755954	24	LOCKWASHER
5	00758659	24	BOLT
6	00755628	6	BEARING
7	00758653	2	SEAL
8	00762128	1	INPUT CAP
9	00758646	var	SHIM ADJUSTMENT 0.1
10	00758647	var	SHIM ADJUSTMENT 0.25
11	00758648	var	SHIM ADJUSTMENT 0.5
12	00762123	1	PLUG LEVEL
13	≠00769159	2	GEAR 26 TOOTH
14	00762522	2	SIDE INPUT SHAFT
15	00762521	2	SEAL
16	00758657	1	SPACER, INPUT SHAFT
17	00769163	1	MAIN INPUT SHAFT
18	00758667	var	SHIM ADJUSTMENT 0.3
19	00758666	var	SHIM ADJUSTMENT 0.4
20	00758668	var	SHIM ADJUSTMENT 0.4
21	≠00769158	1	GEAR 20 TOOTH
22	00762520	2	HORZ. HUB CAP
23	00762114	1	PIPE PLUG VENTED (NOT SHOWN)

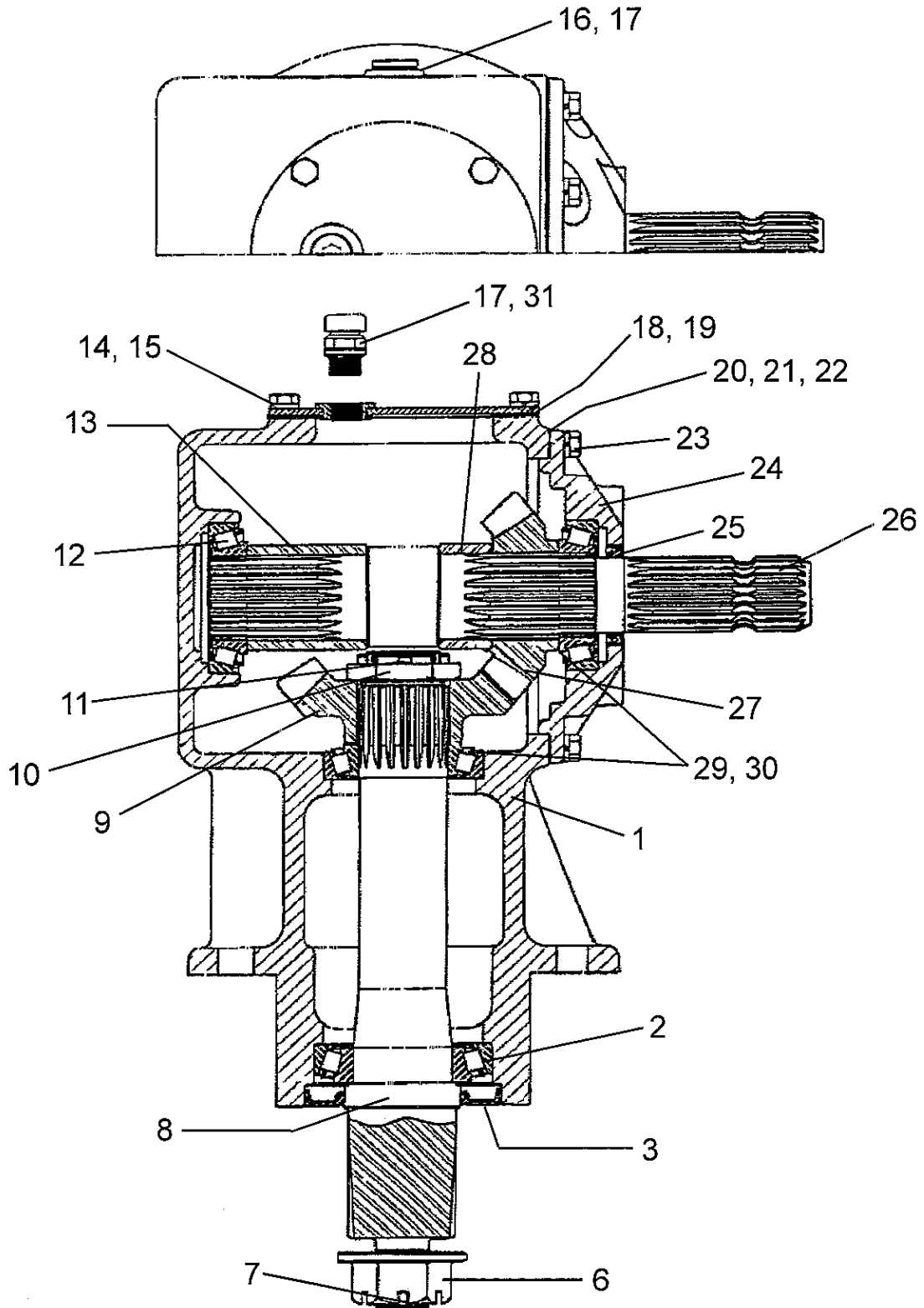
GEARBOX ASY - CENTER 1000 RPM - PN 00769930



GEARBOX ASY - CENTER 1000 RPM - PN 00769930

ITEM	PART NO.	QTY.	DESCRIPTION
	00769930	-	GEARBOX ASY, 1000 RPM CENTER SECTION
1	00770724	1	HOUSING
2	00770725	1	BEARING ASY
3	00770726	1	OIL SEAL
6	00771226	1	FLANGE NUT SLOT
7	01422502	1	COTTER PIN
8	00770728	1	VERTICAL OUTPUT SHAFT
9	00770729	1	19 TOOTH GEAR (G/B P/N 00769930)
10	00762121	1	NUT MET SLOT
11	00606000	1	COTTER PIN
12	00755628	3	BEARING ASY
13	00770731	1	INPUT SHAFT SPACER LONG
14	00766083	12	LOCKWASHER
15	00754338	4	BOLT
16	00762517	1	PLUG, SOCKET HEAD
17	00769321	2	SEALING WASHER
18	00770732	1	INSPECTION COVER
19	00770733	1	INSPECTION COVER GASKET
20	00758646	A/R	SHIM ADJUSTMENT (0.10)
21	00758647	A/R	SHIM ADJUSTMENT (0.25)
22	00758648	A/R	SHIM ADJUSTMENT (0.50)
23	00765905	8	BOLT
24	00770734	1	INPUT CAP
25	00758653	1	SEAL
26	00770735	1	INPUT SHAFT
27	00770736	1	13 TOOTH GEAR (G/B P/N 00769930)
28	00758657	1	INPUT SHAFT SPACER
29	00758667	A/R	SHIM (0.30)
30	00758668	A/R	SHIM (0.50)
31	00762114	1	PLUG VENT

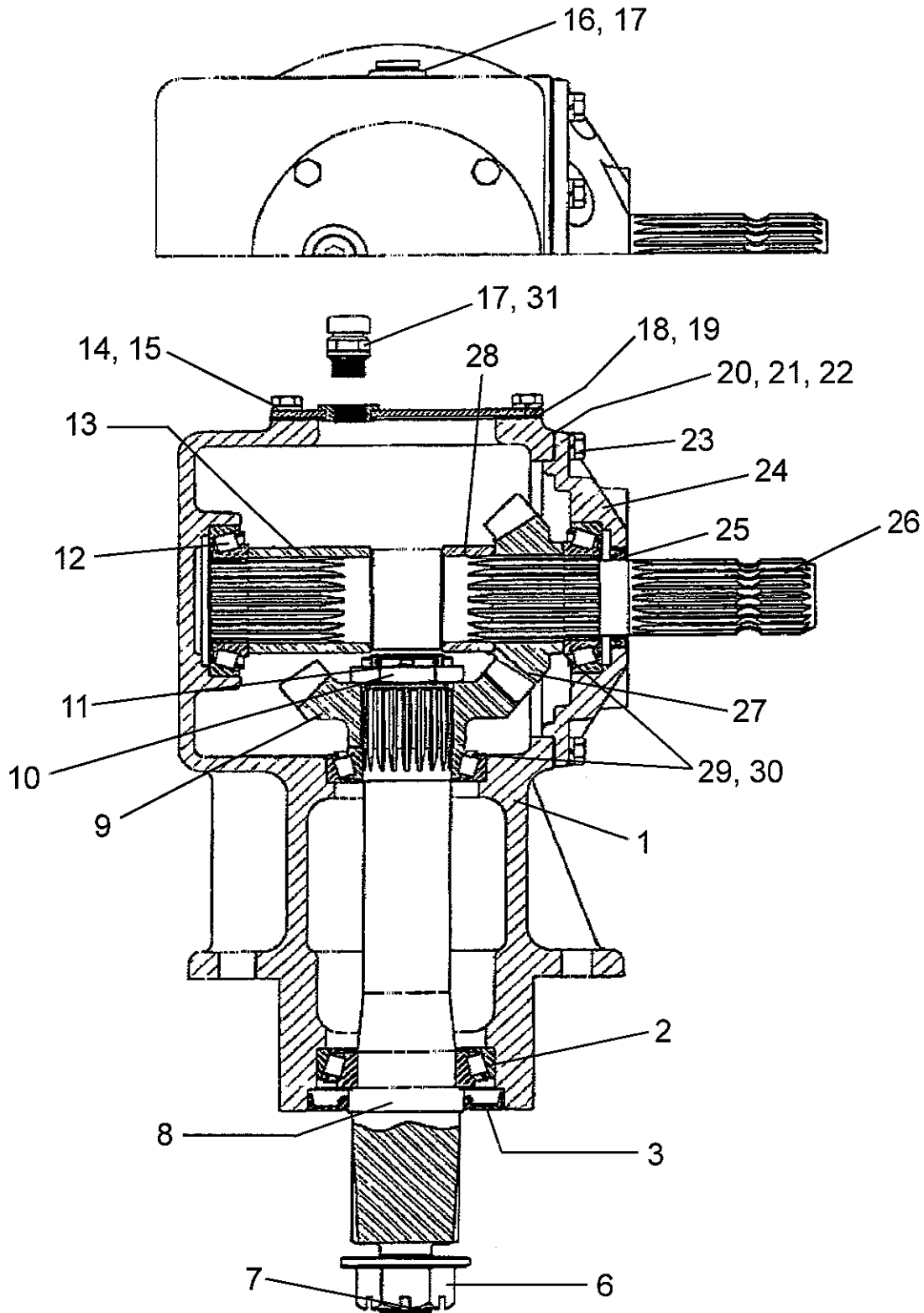
GEARBOX ASY - CENTER 540 RPM - PN 00769912



GEARBOX ASY - CENTER 540 RPM - PN 00769912

ITEM	PART NO.	QTY.	DESCRIPTION
	00769912	-	GEARBOX ASY, 540 RPM CENTER SECTION
1	00770724	1	HOUSING
2	00770725	1	BEARING ASSEMBLY
3	00770726	1	OIL SEAL
6	00771226	1	FLANGE NUT SLOT
7	01422502	1	COTTER PIN
8	00770728	1	VERTICAL OUTPUT SHAFT
9	00770736	1	13 TOOTH PINION (G/X P/N 00769912)
10	00762121	1	NUT MET SLOT
11	00606000	1	COTTER PIN
12	00755628	3	BEARING ASSEMBLY
13	00770731	1	INPUT SHAFT SPACER LONG
14	00766083	12	LOCKWASHER
15	00754338	4	BOLT
16	00762517	1	PLUG, SOCKET HEAD
17	00769321	2	SEALING WASHER
18	00770732	1	INSPECTION COVER
19	00770733	1	INSPECTION COVER GASKET
20	00758646	A/R	SHIM ADJUSTMENT (0.10)
21	00758647	A/R	SHIM ADJUSTMENT (0.25)
22	00758648	A/R	SHIM ADJUSTMENT (0.50)
23	00765905	8	BOLT
24	00770734	1	INPUT CAP
25	00758653	1	SEAL
26	00770735	1	INPUT SHAFT
27	00770729	1	19 TOOTH GEAR (G/X P/N 00769912)
28	00758657	1	INPUT SHAFT SPACER
29	00758667	A/R	SHIM (0.30)
30	00758668	A/R	SHIM (0.50)
31	00762114	1	PLUG VENT

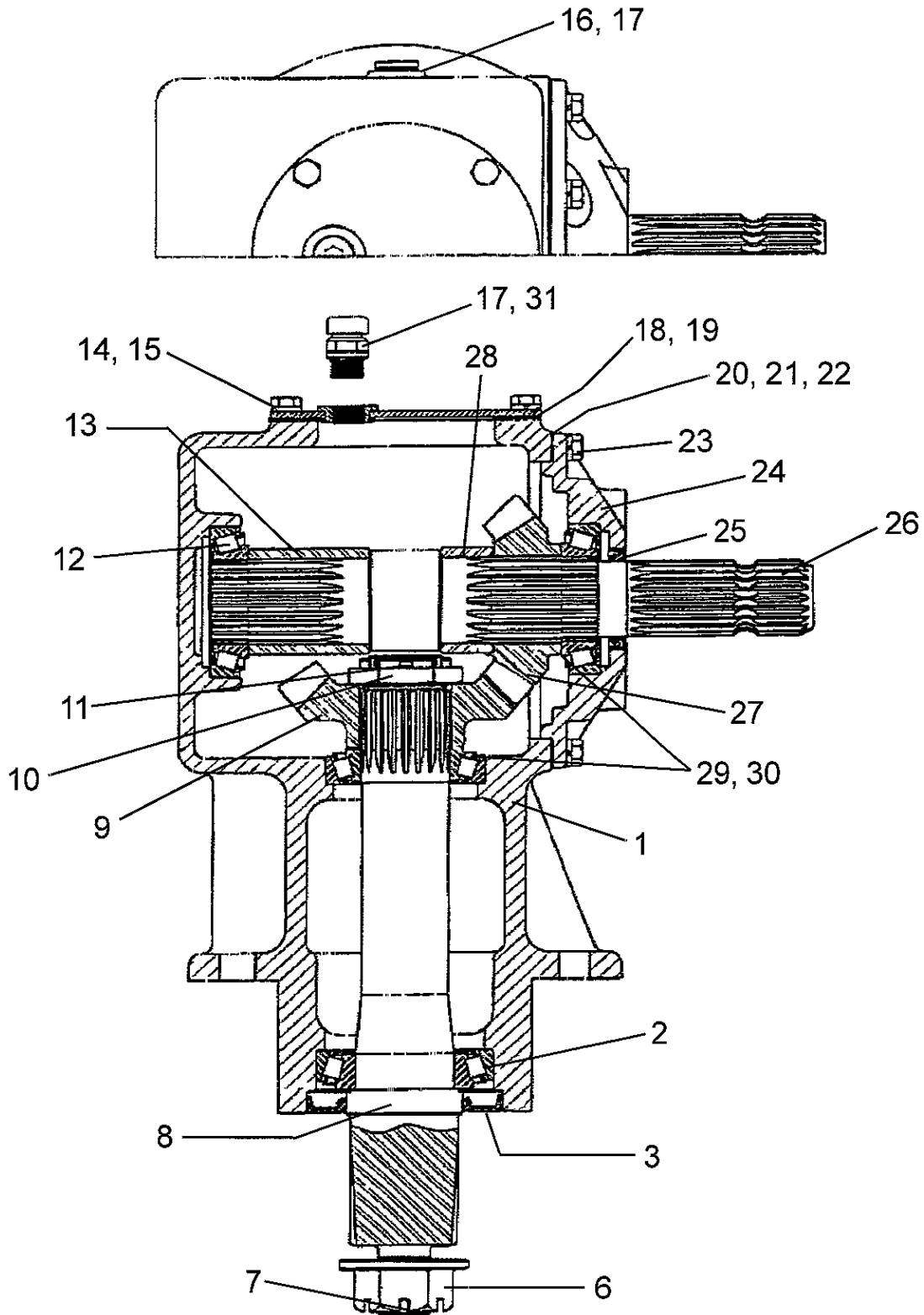
GEARBOX ASY - RH WING 1000 RPM - PN 00769924



GEARBOX ASY - RH WING 1000 RPM - PN 00769924

ITEM	PART NO.	QTY.	DESCRIPTION
	00769924	-	GEARBOX ASY, 1000 RPM R-WING
1	00770724	1	HOUSING
2	00770725	1	BEARING ASY
3	00770726	1	OIL SEAL
6	00771226	1	FLANGE NUT SLOT
7	01422502	1	COTTER PIN
8	00770728	1	VERTICAL OUTPUT SHAFT
9	00770739	1	17 TOOTH GEAR (G/B P/N 00769924)
10	00762121	1	NUT MET SLOT
11	00606000	1	COTTER PIN
12	00755628	3	BEARING ASY
13	00770731	1	INPUT SHAFT SPACER SHORT
14	00766083	12	LOCKWASHER
15	00754338	4	BOLT
16	00762517	1	PLUG SOCKET HEAD
17	00769321	2	SEALING WASHER
18	00770732	1	INSPECTION COVER
19	00770733	1	INSPECTION COVER GASKET
20	00758646	A/R	SHIM ADJUSTMENT (0.10)
21	00758647	A/R	SHIM ADJUSTMENT (0.25)
22	00758648	A/R	SHIM ADJUSTMENT (0.50)
23	00765905	8	BOLT
24	00770734	1	INPUT CAP
25	00758653	1	SEAL
26	00770735	1	INPUT SHAFT
27	00770738	1	14 TOOTH GEAR (G/B P/N 00769924)
28	00758657	1	INPUT SHAFT SPACER LONG
29	00758667	A/R	SHIM (0.30)
31	00758668	A/R	SHIM (0.50)
32	00762114	1	PLUG VENT

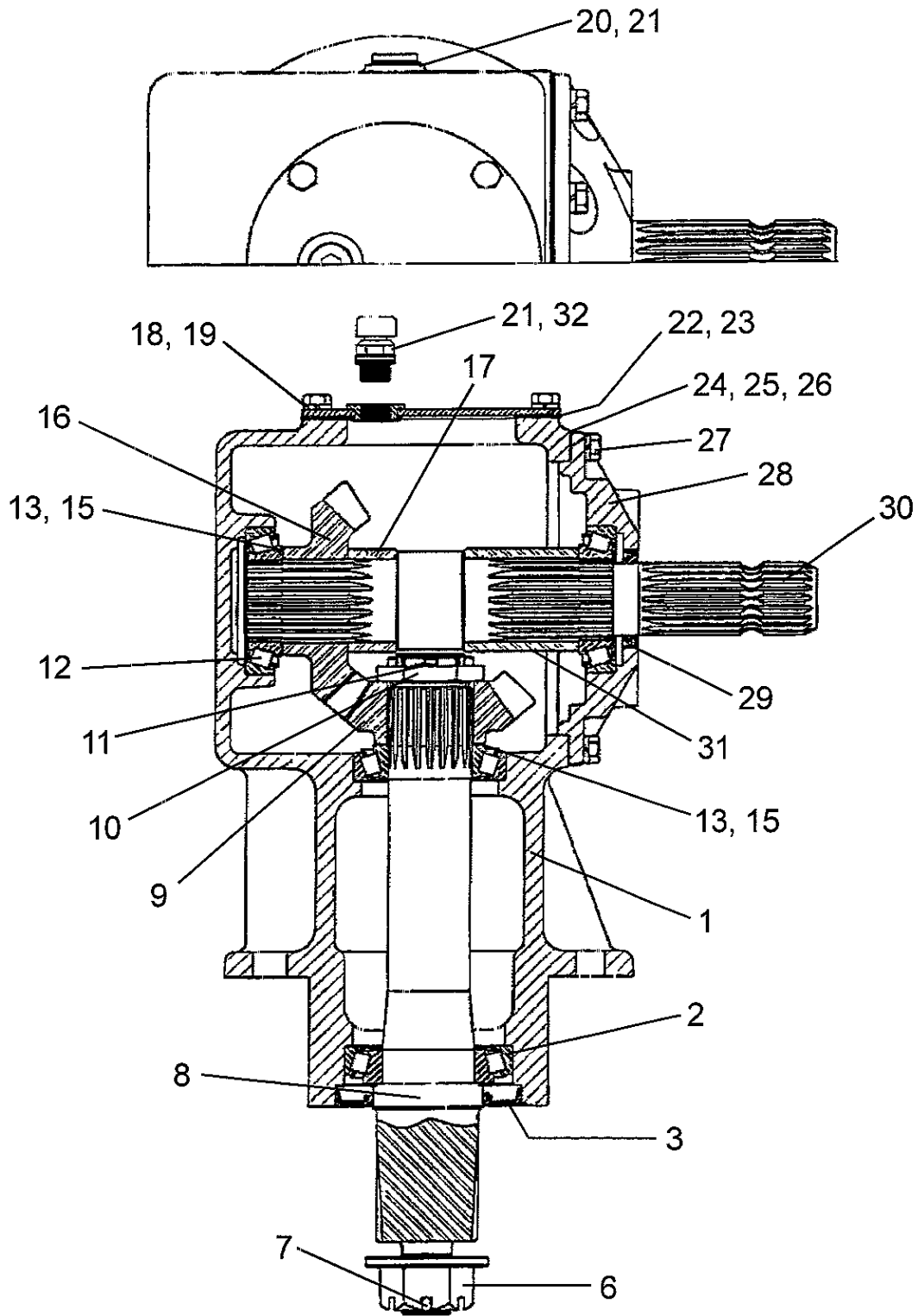
GEARBOX ASY - RH WING 540 RPM - PN 00769918



GEARBOX ASY - RH WING 540 RPM - PN 00769918

ITEM	PART NO.	QTY.	DESCRIPTION
	00769918	-	GEARBOX ASY, 540 RPM R-WING
1	00770724	1	HOUSING
2	00770725	1	BEARING ASY
3	00770726	1	OIL SEAL
6	00771226	1	FLANGE NUT SLOT
7	01422502	1	COTTER PIN
8	00770728	1	VERTICAL OUTPUT SHAFT
9	00770738	1	14 TOOTH GEAR (G/B P/N 00769918)
10	00762121	1	NUT MET SLOT
11	00606000	1	COTTER PIN
12	00755628	3	BEARING ASY
13	00770731	1	INPUT SHAFT SPACER SHORT
14	00766083	12	LOCKWASHER
15	00754338	4	BOLT
16	00762517	1	PLUG SOCKET HEAD
17	00769321	2	SEALING WASHER
18	00770732	1	INSPECTION COVER
19	00770733	1	INSPECTION COVER GASKET
20	00758646	A/R	SHIM ADJUSTMENT (0.10)
21	00758647	A/R	SHIM ADJUSTMENT (0.25)
22	00758648	A/R	SHIM ADJUSTMENT (0.50)
23	00765905	8	BOLT
24	00770734	1	INPUT CAP
25	00758653	1	SEAL
26	00770735	1	INPUT SHAFT
27	00770739	1	17 TOOTH GEAR (G/B P/N 00769918)
28	00758657	1	INPUT SHAFT SPACER LONG
29	00758667	A/R	SHIM (0.30)
31	00758668	A/R	SHIM (0.50)
32	00762114	1	PLUG VENT

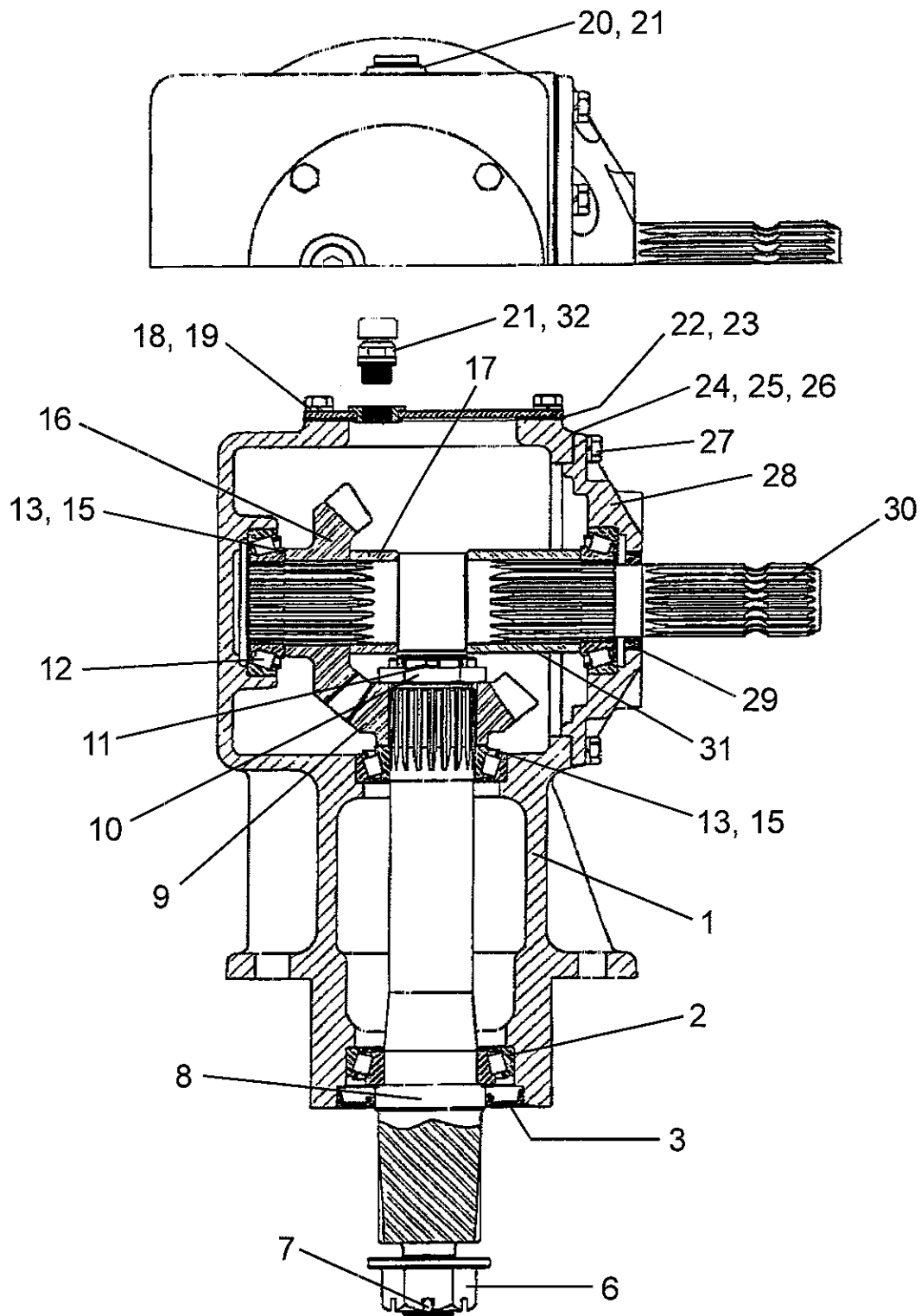
GEARBOX ASY - LH WING 540 RPM - PN 00769921



GEARBOX ASY - LH WING 540 RPM - PN 00769921

ITEM	PART NO.	QTY.	DESCRIPTION
	00769921	-	GEARBOX ASY, 540 RPM L-WING
1	00770724	1	HOUSING
2	00770725	1	BEARING ASY
3	00770726	1	OIL SEAL
6	00771226	1	FLANGE NUT SLOT
7	01422502	1	COTTER PIN
8	00770728	1	VERTICAL OUTPUT SHAFT
9	00770738	1	14 TOOTH GEAR (G/X P/N 00769921)
10	00762121	1	NUT MET SLOT
11	00606000	1	COTTER PIN
12	00755628	3	BEARING ASY
13	00758667	A/R	SHIM (0.30)
15	00758668	A/R	SHIM (0.50)
16	00770739	1	17 TOOTH GEAR (G/X P/N 00769921)
17	00758657	1	INPUT SHAFT SPACER LONG
18	00766083	12	LOCKWASHER
19	00754338	4	BOLT
20	00762517	1	PLUG SOCKET HEAD
21	00769321	2	SEALING WASHER
22	00770732	1	INSPECTION COVER
23	00770733	1	INSPECTION COVER GASKET
24	00758646	A/R	SHIM ADJUSTMENT (0.10)
25	00758647	A/R	SHIM ADJUSTMENT (0.25)
26	00758648	A/R	SHIM ADJUSTMENT (0.50)
27	00765905	8	BOLT
28	00770734	1	INPUT CAP
29	00758653	1	OIL SEAL
30	00770735	1	INPUT SHAFT
31	00770731	1	INPUT SHAFT SPACER SHORT
32	00762114	1	PLUG VENT

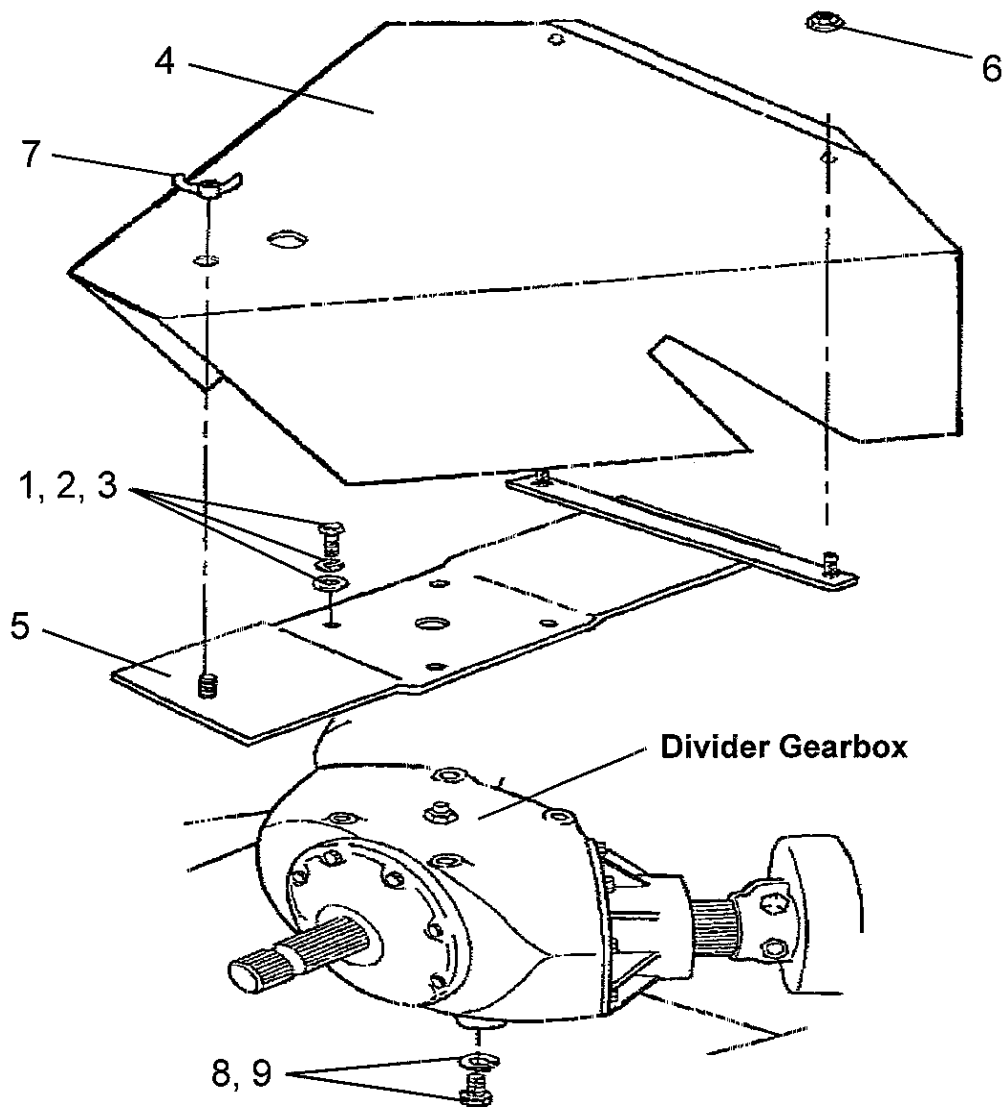
GEARBOX ASY - LH WING 1000 RPM - PN 00769927



GEARBOX ASY - LH WING 1000 RPM - PN 00769927

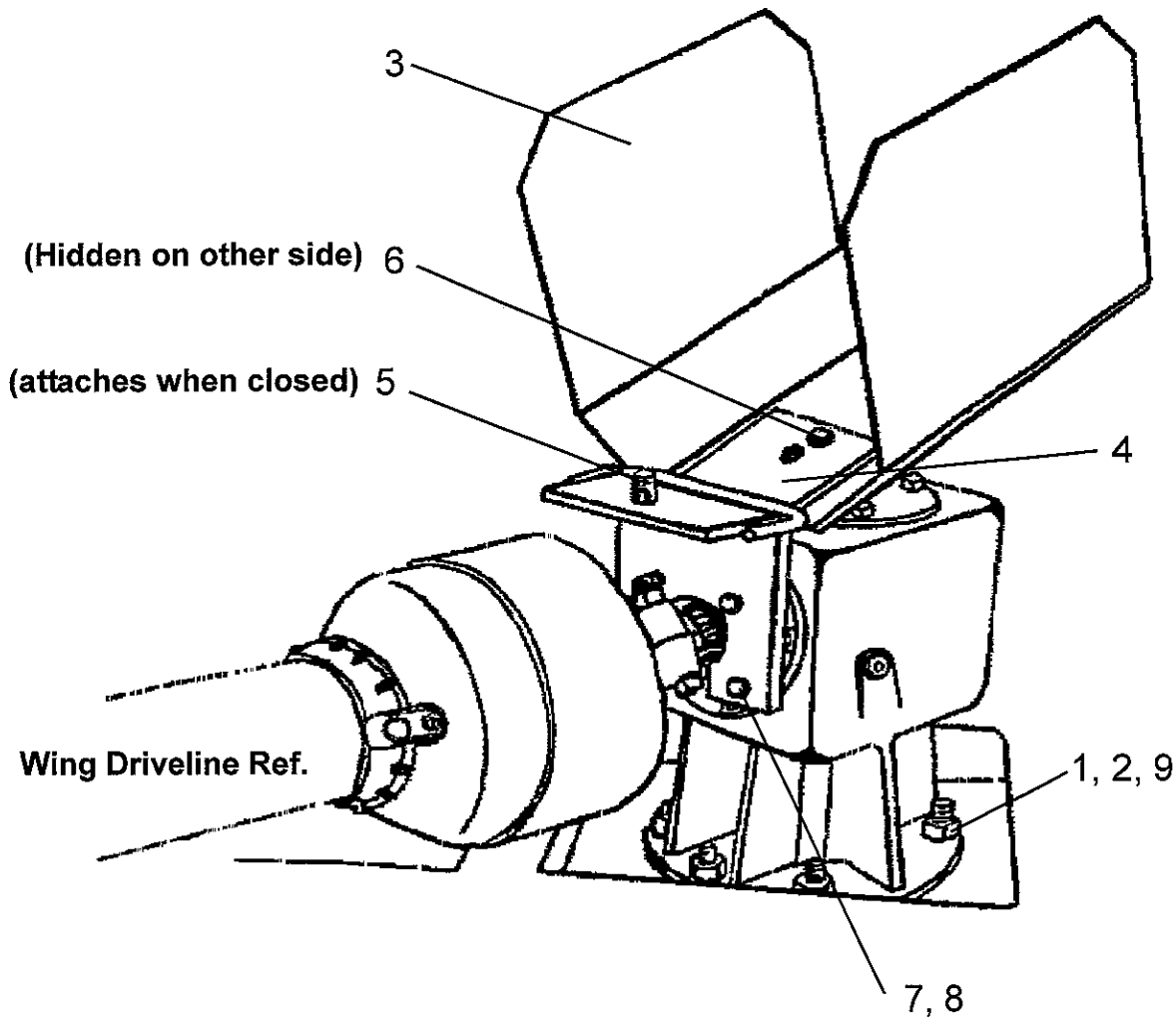
ITEM	PART NO.	QTY.	DESCRIPTION
	00769927	-	GEARBOX ASY, 1000 RPM L-WING
1	00770724	1	HOUSING
2	00770725	1	BEARING ASY
3	00770726	1	OIL SEAL
6	00771226	1	FLANGE NUT SLOT
7	01422502	1	COTTER PIN
8	00770728	1	VERTICAL OUTPUT SHAFT
9	00770739	1	17 TOOTH GEAR (G/B P/N 00769927)
10	00762121	1	NUT MET SLOT
11	00606000	1	COTTER PIN
12	00755628	3	BEARING ASY
13	00758667	A/R	SHIM (0.30)
15	00758668	A/R	SHIM (0.50)
16	00770738	1	14 TOOTH GEAR (G/X P/N 00769927)
17	00758657	1	INPUT SHAFT SPACER LONG
18	00766083	12	LOCKWASHER
19	00754338	4	BOLT
20	00762517	1	PLUG SOCKET HEAD
21	00769321	2	SEALING WASHER
22	00770732	1	INSPECTION COVER
23	00770733	1	INSPECTION COVER GASKET
24	00758646	A/R	SHIM ADJUSTMENT (0.10)
25	00758647	A/R	SHIM ADJUSTMENT (0.25)
26	00758648	A/R	SHIM ADJUSTMENT (0.50)
27	00765905	8	BOLT
28	00770734	1	INPUT CAP
29	00758653	1	OIL SEAL
30	00770735	1	INPUT SHAFT
31	00770731	1	INPUT SHAFT SPACER SHORT
32	00762114	1	PLUG VENT

GEARBOX SHIELD ATTACHMENT - DIVIDER



ITEM	PART NO.	QTY.	DESCRIPTION
1	02030700	4	BOLT
2	00002700	4	FLATWASHER
3	00001300	4	LOCKWASHER
4	00769085	1	GEAR BOX SHIELD
5	00769089	1	WLDMT. SHIELD BRACKET
6	4528	2	LOCKNUT
7	5F8130	1	WING NUT
8	00010300	6	LOCKWASHER
9	00752658	6	BOLT

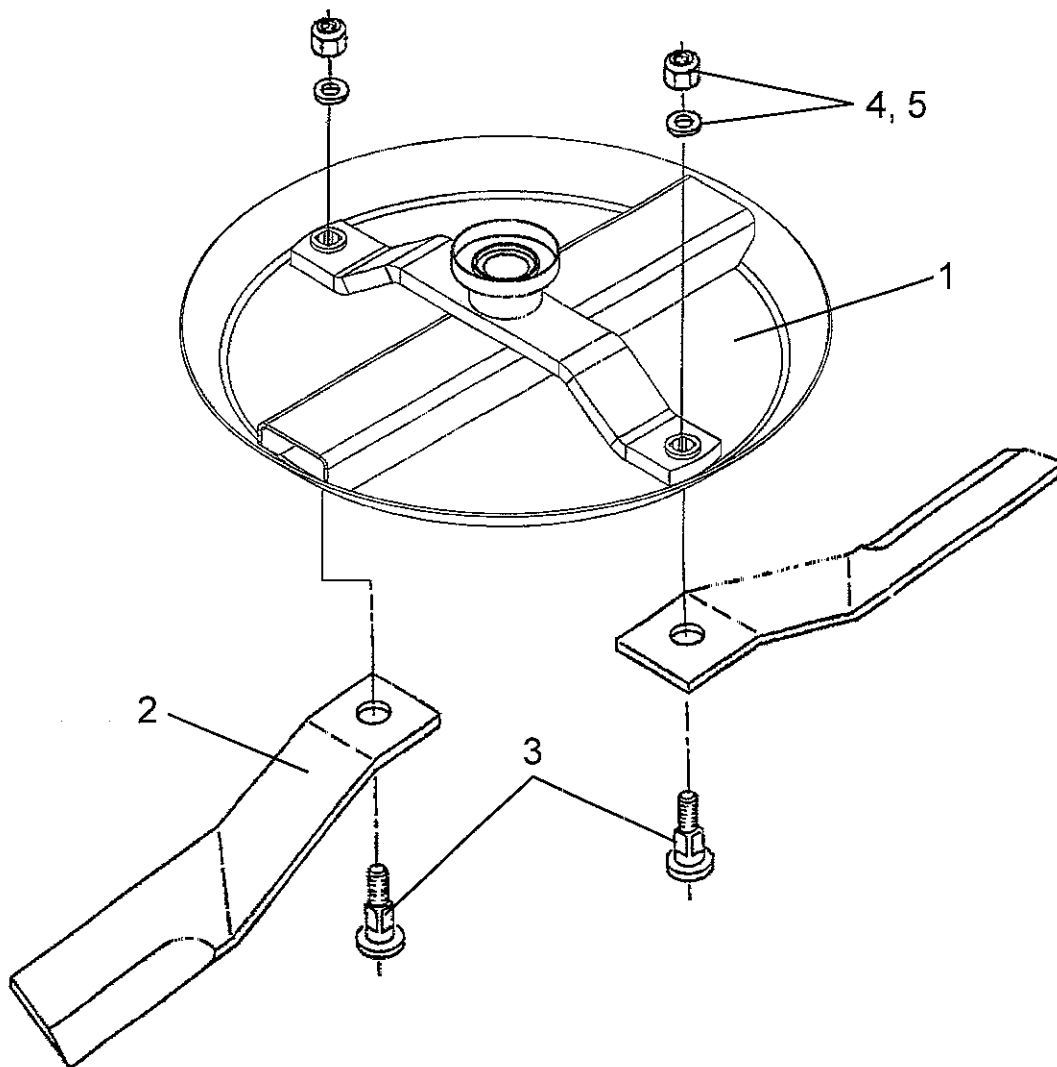
GEARBOX SHIELD ATTACHMENT - CENTER & WINGS



ITEM	PART NO.	QTY.	DESCRIPTION
1	00749127	6	BOLT, FINE THREAD
2	00749136	6	LOCKNUT, FINE THREAD
3	0651450301	1	DRIVELINE SHIELD
4	00769101	1	WLDMT. SHIELD BRACKET
5	5F8130	1	WING NUT (NOT SHOWN)
6	4526	3	NUT, WHIZ FLG.
7	00753723	12	METRIC BOLT
8	00011700	12	LOCKWASHER
9	00756077	6	WASHER (UNDER BOLT HEAD)

NOTE: Only Wing Gearbox Attachment is Shown, Center Gearbox has a different driveline

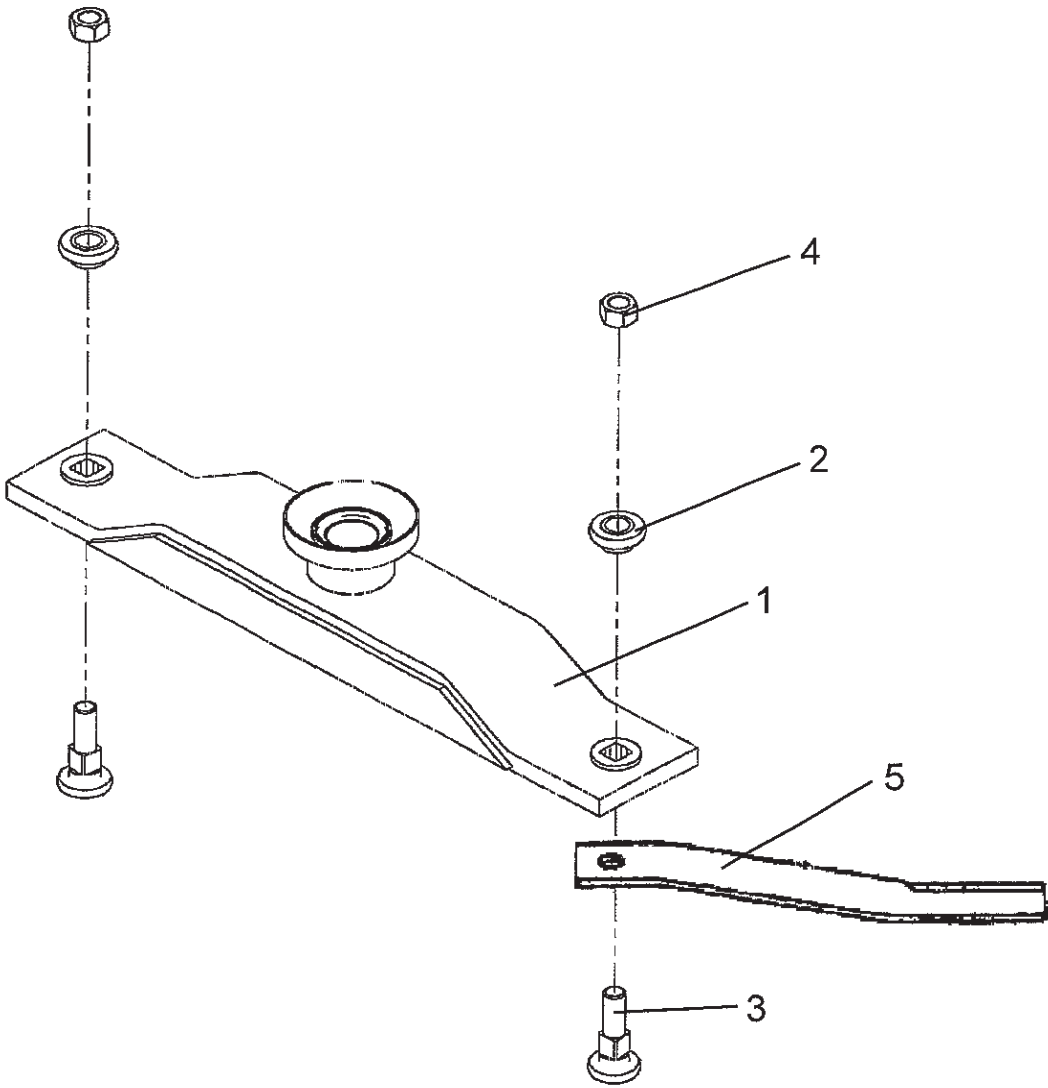
BLADE PAN ASY



ITEM	PART NO.	QTY.	DESCRIPTION
1	00779234	3	WLDMT. DISHPAN HUB (L-WING, R-WING & CENTER)
2	00752974	4	BLADE UPDRAFT CCW (L-WING & CENTER)
	00753254	2	BLADE SUCTION UPDRAFT CW (R-WING)
3	8227	6	BLADE BOLT
4	9216	6	WASHER 1" STRUCTURAL
5	5JRC16140	6	LOCKNUT

Qty shown above is for left wing, right wing and center section of mower.

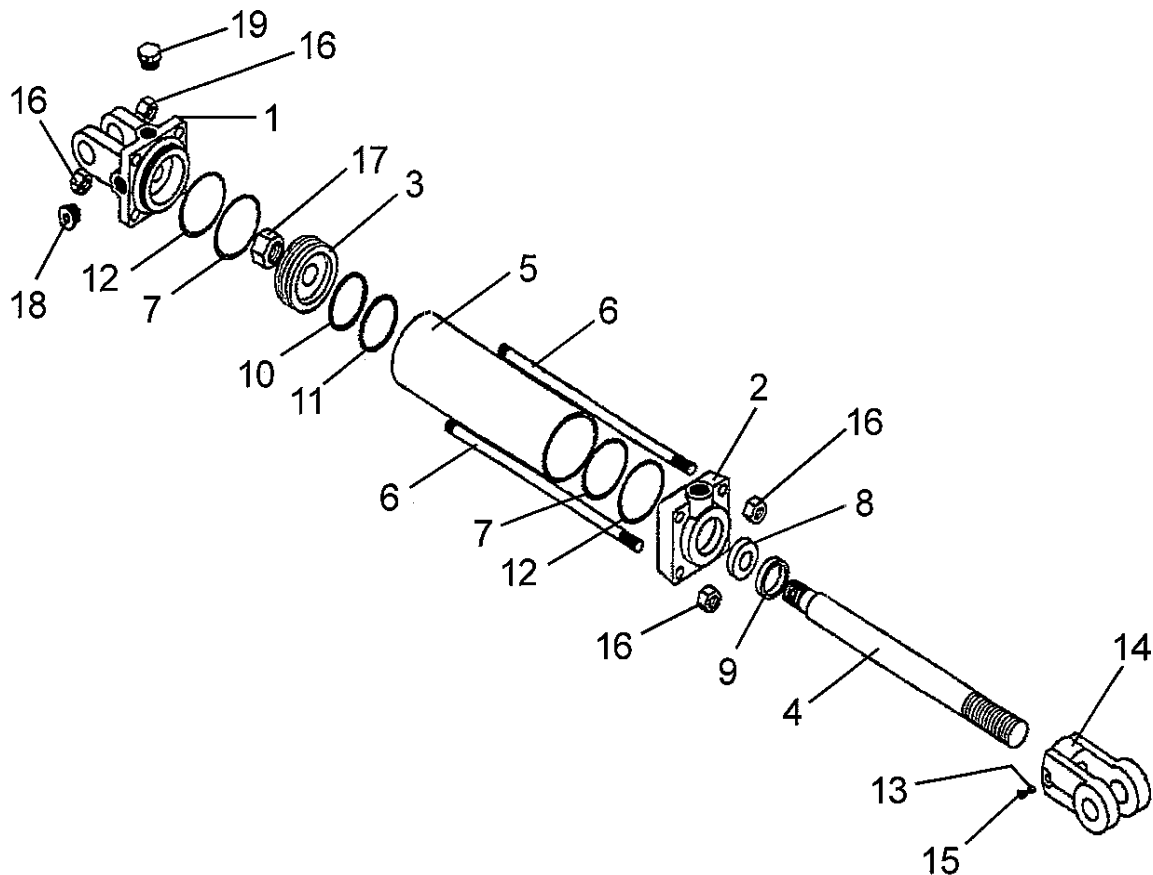
BLADE BAR ASY



ITEM	PART NO.	QTY.	DESCRIPTION
1	00779242	3	BLADE BAR WELDMENT, (L-WING, R-WING & CENTER)
2	00778689	6	PIVOT BUSHING
3	00780471	6	BLADE BOLT
4	5GL16140	6	LOCKNUT 1 -14 LH TLN PL
5	0582010330P	4	BLADE, CCW (L-WING & CENTER)
	0582010332P	2	BLADE CW (R-WING)

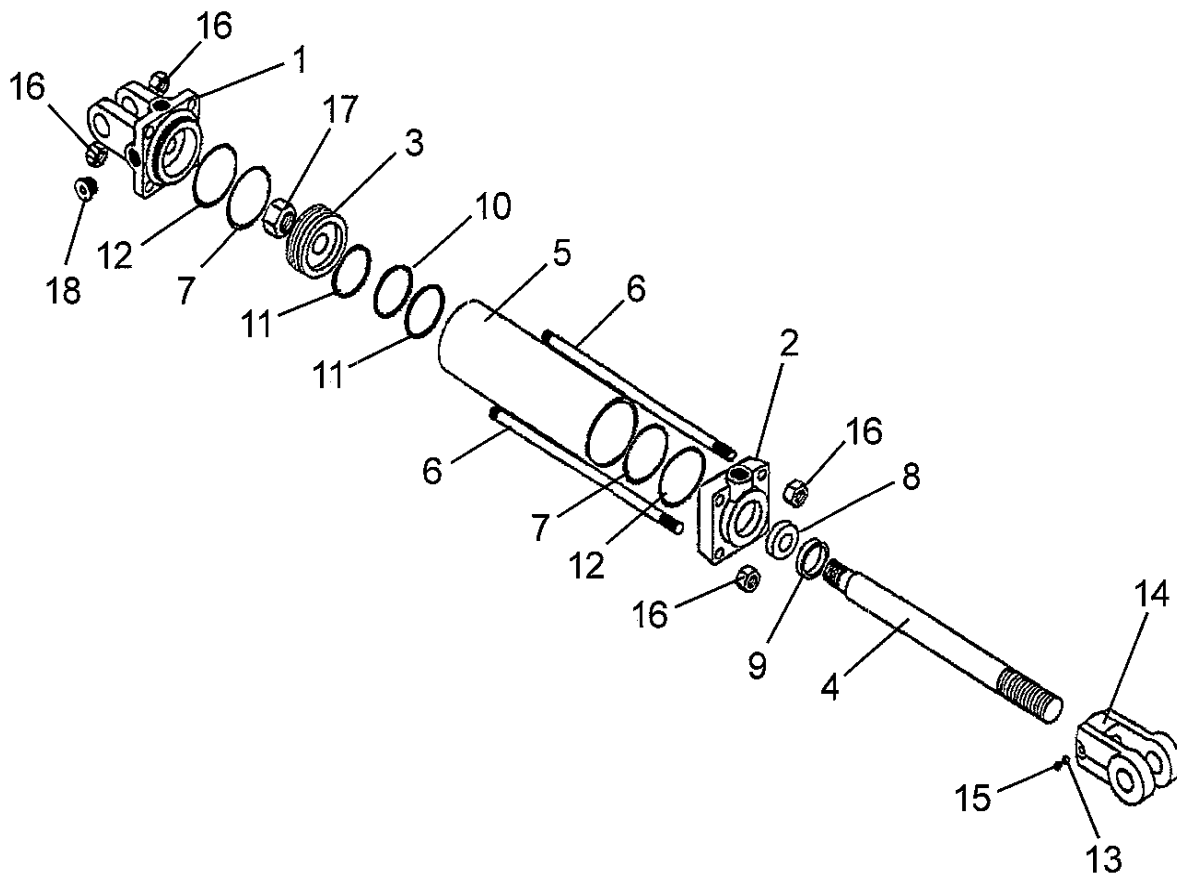
Qty shown above is for left wing, right wing and center section of mower.

CYLINDER ASY - WING LIFT - PN 00759947A



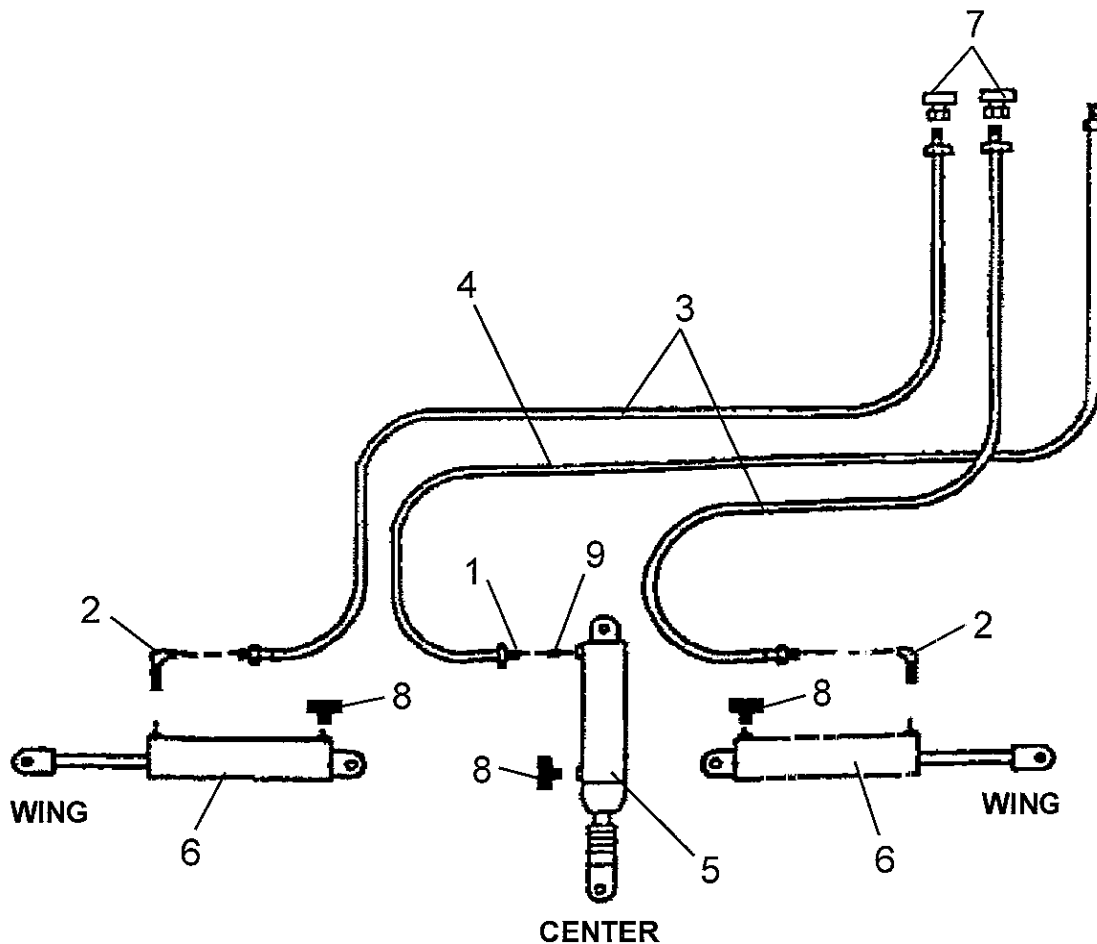
ITEM	PART NO.	QTY.	DESCRIPTION
	00759947A	1	CYLINDER ASSEMBLY
1	2417158	1	CLEVIS CAP
2	2417157	1	ROD CAP
3	00774732	1	PISTON
4	00774738	1	ROD
5	00774749	1	TUBE
6	00774743	4	TIE ROD
7	*	2	O-RING
8	*	1	ROD WIPER SEAL
9	*	1	ROD DUST SEAL
10	*	1	PISTON SEAL
11	*	1	PISTON WEAR RING
12	*	2	BACKUP WASHERS
13	3047117	1	NYLON THREAD PROTECTOR
14	1917140	1	ROD CLEVIS
15	00774740	1	SET SCREW
16	33005H5C	8	TIE ROD NUT
17	5JRC16140	1	PISTON NUT
18	1917132	1	PORT PLUG
19	2417154	1	BREATHER
*	00774761	-	SEAL KIT FOR 00759946A &

CYLINDER ASY - AXLE LIFT - PN 00761802A



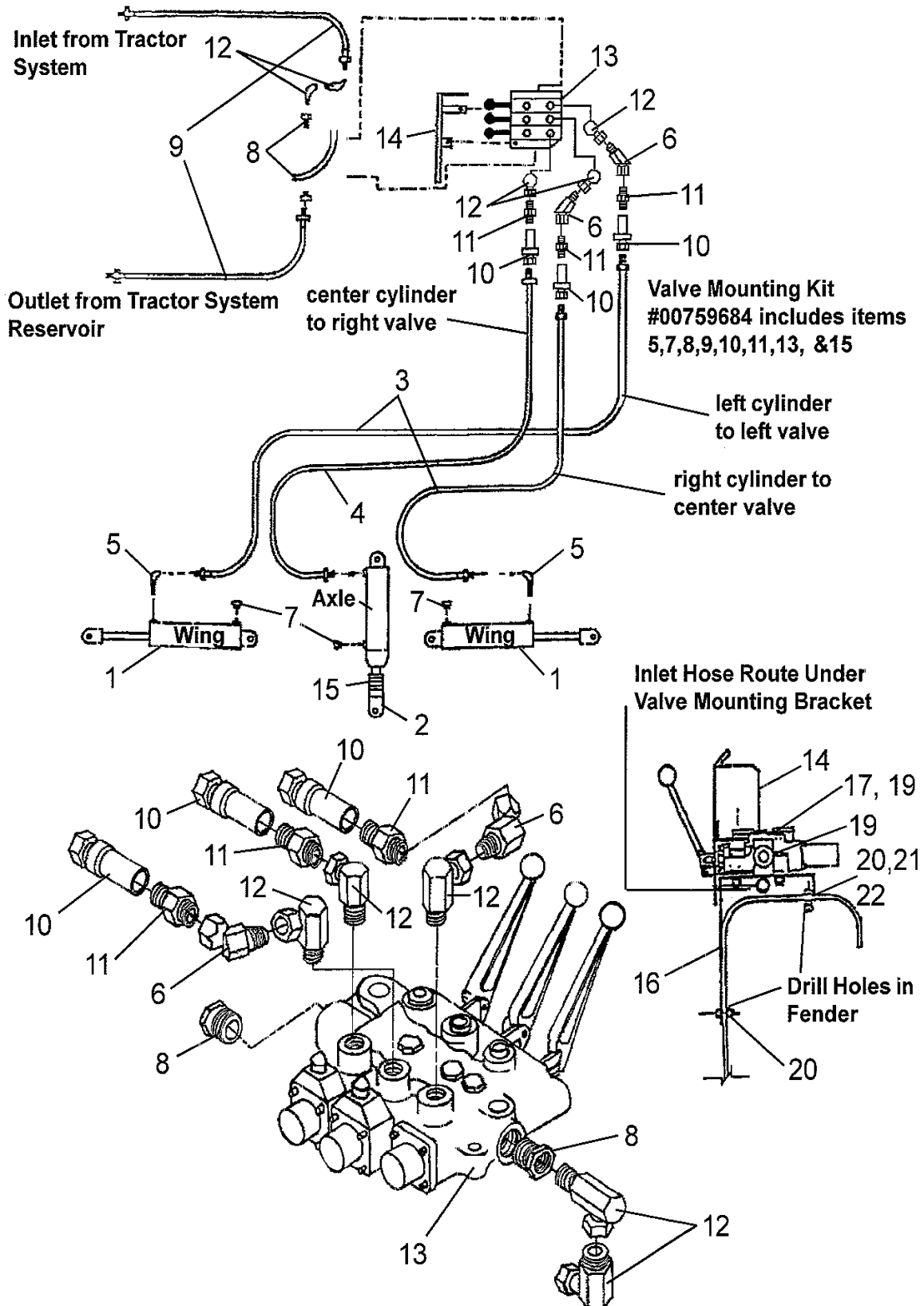
ITEM	PART NO.	QTY.	DESCRIPTION
	00761802A	1	CYLINDER ASSEMBLY
1	00774728	1	CLEVIS CAP
2	00774735	1	ROD CAP
3	00774733	1	PISTON
4	00774739	1	ROD
5	00774750	1	TUBE
6	00774745	4	TIE ROD
7	*	2	O-RING
8	*	1	ROD WIPER SEAL
9	*	1	ROD DUST SEAL
10	*	1	PISTON SEAL
11	*	2	PISTON WEAR RING
12	*	2	BACKUP WASHERS
13	3047117	1	NYLON THREAD PROTECTOR
14	1917140	1	ROD CLEVIS
15	00774740	1	SET SCREW
16	33017H5C	8	TIE ROD NUT
17	5JRC16140	1	PISTON NUT
18	1917132	1	PORT PLUG
*	00774759	-	SEAL KIT FOR 00761802A CYL

HYDRAULIC SCHEMATIC



ITEM	PART NO.	QTY.	DESCRIPTION
1	7320	1	BACK-UP
2	94517	2	HYDRAULIC ADAPTOR 90DEGREES W/ RESTRICTOR
3	0811261100	2	HYDRAULIC HOSE
4	0811251000	1	HYDRAULIC HOSE
5	00761802	1	HYDRAULIC CYLINDER 3-1/2" DIA.
6	00759947	2	HYDRAULIC CYLINDER 3" DIA
7	94507	2	PIPE REDUCER
8			BREATHER
9			ADAPTER

HYDRAULIC CONTROL VALVE - W MOUNTING KIT

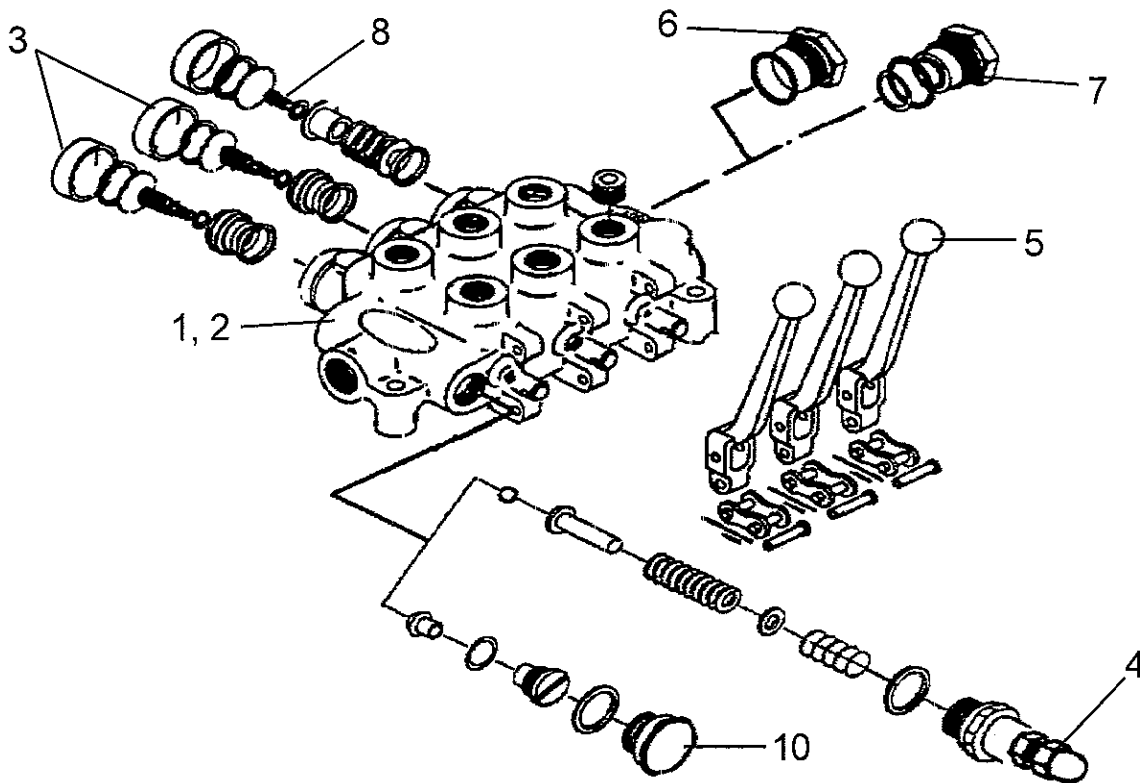


HYDRAULIC CONTROL VALVE - W MOUNTING KIT

ITEM	PART NO.	QTY.	DESCRIPTION
1	-----	2	WING LIFT CYLINDER
2	-----	1	AXLE LIFT CYLINDER
3	-----	2	HYDRAULIC HOSE
4	-----	1	HYDRAULIC HOSE
5	-----	3	RESTRICTOR FITTING
6	000999	2	ELBOW 45 DEG.
7	-----	3	BREATHER
8	7323	2	REDUCER
9	1347	2	HYDRAULIC HOSE
10	2107	3	QUICK DISCONNECT COUPLER
11	02960460	3	STRAIGHT ADAPTER
12	94514	5	ELBOW 90 DEG.
13	00380200	1	OPEN VALVE BANK
	00759833	1	CLOSED VALVE BANK
14	00759682	1	SHIELD
15	-----	1	STROKE CONTROL
16	8166	1	FENDER BRACKET
17	10204000	2	BOLT
18	7336	2	SPACER
19	00010600	1	BOLT
20	00011400	4	BOLT
22	03101646	7	LOCKWASHER
23	00013901	7	NUT
24	-----	2	ELBOW 90 DEG.

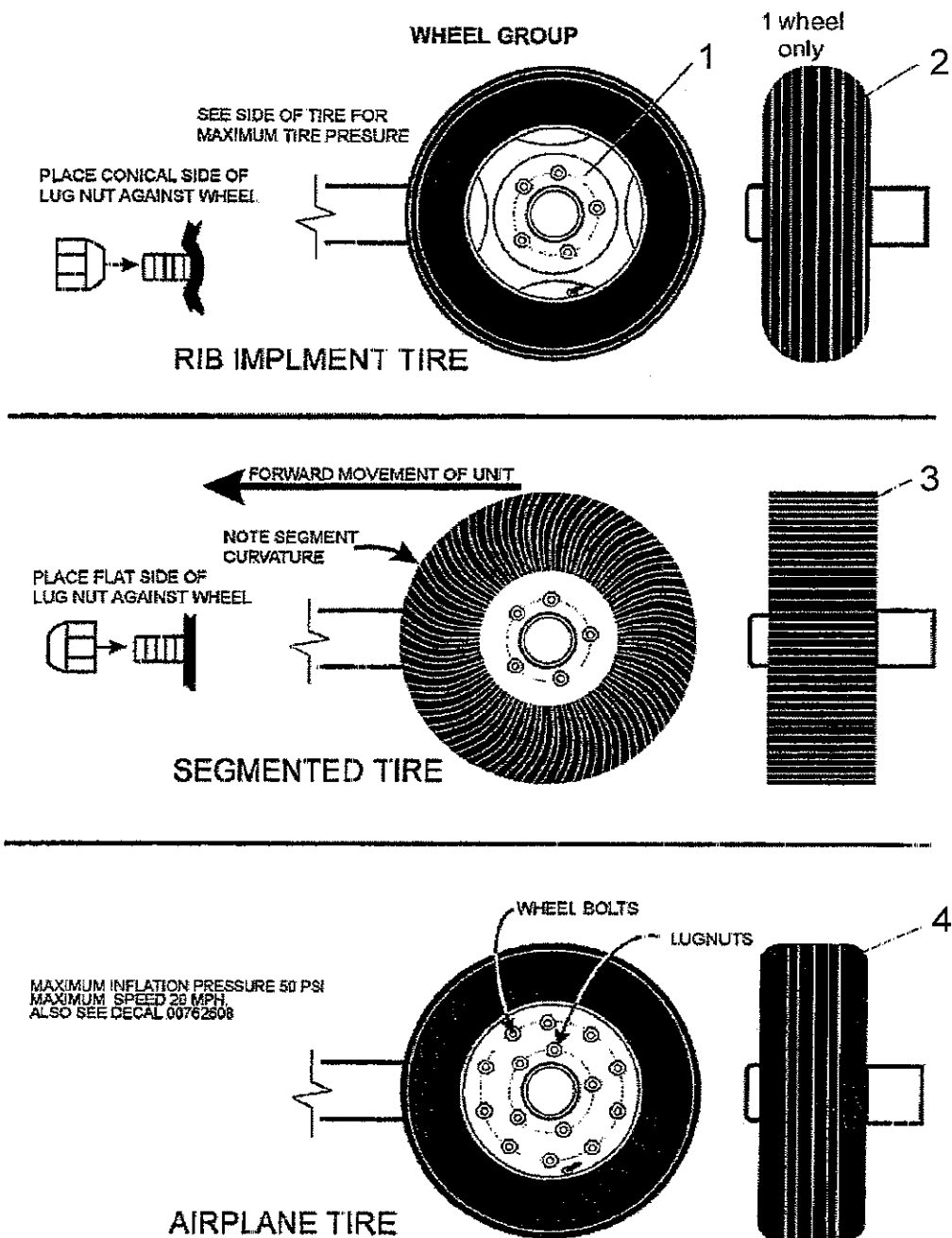
NOTE: Items with no part numbers are supplied with base machine

HYDRAULIC CONTROL VALVE



ITEM	PART NO.	CLOSED CENTER QTY	OPEN CENTER QTY	DESCRIPTION
1	00380200	-	1	OPEN CENTER VALVE
2	00759833	1	-	CLOSED CENTER VALVE
3	00751139	3	2	DETENT REPAIR KIT
4	00751140	-	1	HIGH PRESSURE RELIEF VALVE KIT
5	00751142	3	3	HANDLE ASSEMBLY
6	00751141	-	1	PLUG (OPEN CENTER)
7	00751002	1	-	CLOSED CENTER PLUG
8	00751358	-	1	REPAIR KIT-SPRING RETURN TO CENTER
9	00751556	1	1	SPOOL SEAL KIT FOR ITEM #1 OR #2 (NOT SHOWN)
10	00752057	1	-	NON-RELIEF VALVE PLUG (CLOSED CENTER)

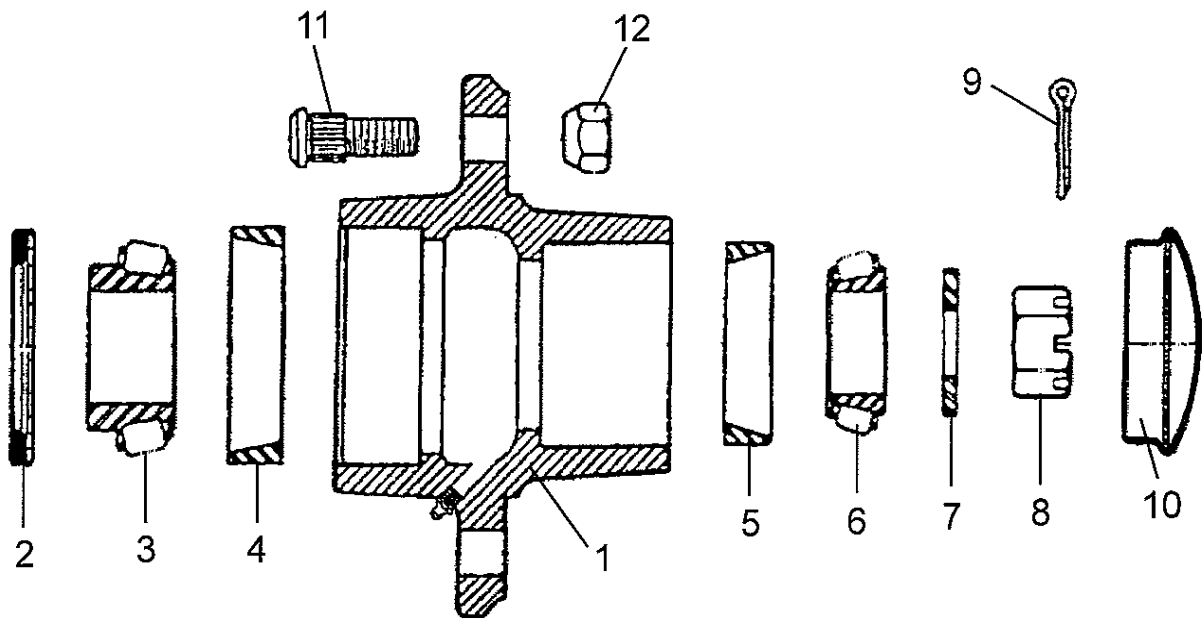
WHEEL & TIRE ASY



ITEM	PART NO.	QTY.	DESCRIPTION
1	00008700	6	WHEEL, 15 X 5.00 DC (WHEEL ONLY)
2	00749698	6	RIB IMPLEMENT - TIRE AND WHEEL COMPLETE
3	00025200	6	LAMINATED PUNCTURE-PROOF TIRE & WHEEL ASSEMBLY (21" OD) 6.00 X 9
4	00771461	6	USED 14" AIRPLANE TIRE AND WHEEL
5	00779290	6	TUBE FOR 00771461

(Quantities Shown for 1-Cutter, Complete)

WHEEL HUB & SPINDLE ASY - PN 00780344 (S/N 10999 & DOWN 04-06)



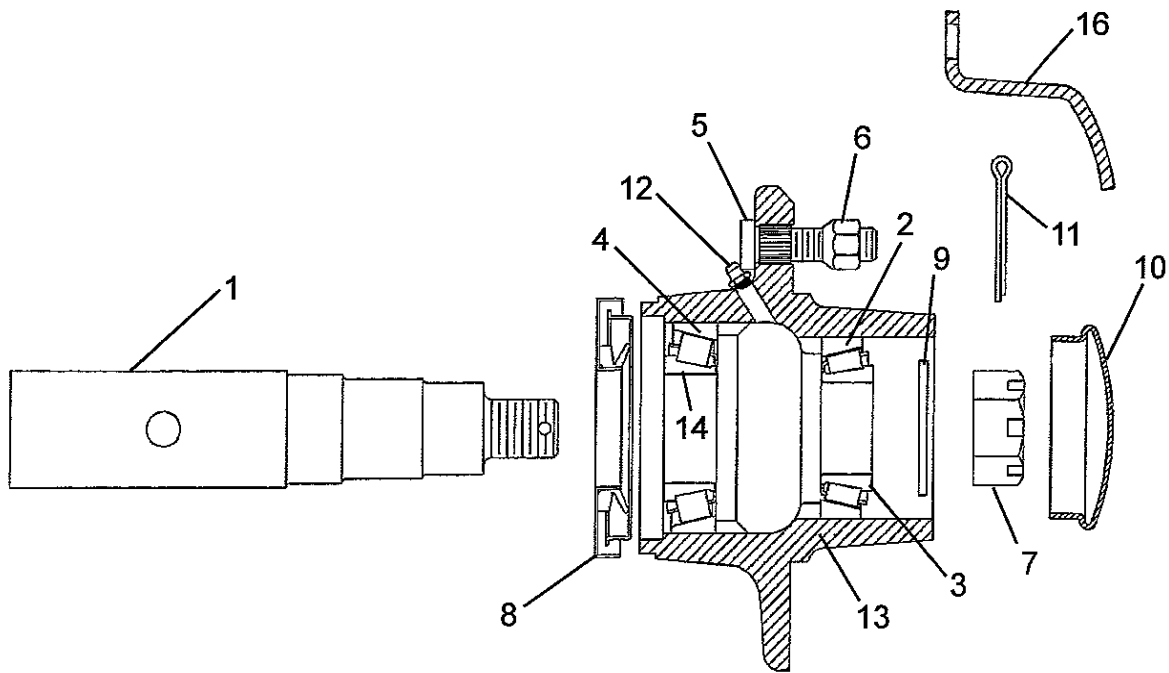
ITEM	PART NO.	QTY.	DESCRIPTION
	00780344	-	ASSY-HUB & SPINDLE COMPLETE
1	371247SA	1	HUB SUB ASSEMBLY
2	371247F	1	GREASE SEAL
3	371247E	1	INNER BEARING CONE
4	371247D	1	INNER BEARING CUP
5	00016900	1	OUTER BEARING CUP
6	02957149	1	OUTER BEARING CONE
7	15B1400	1	SPINDLE WASHER
8	371247J	1	SPINDLE NUT
9	00026200	1	COTTER PIN
10	371247G	1	HUB CAP
11	13198	5	HUB BOLT
12	00750614	5	HUB NUT
13	00776305	1	SPINDLE, AXLE BOLT IN

*Includes Hub and 1 Each # 371247D and # 00016900 Bearing Cups Pressed in Place with 5 Each # 13198 Hub Bolts and # 00750614 Hub Nuts

NOTE: Hub only is not offered as a Separate Repair Part. When ordering Bearings, it is recommended that both cup and cone be specified

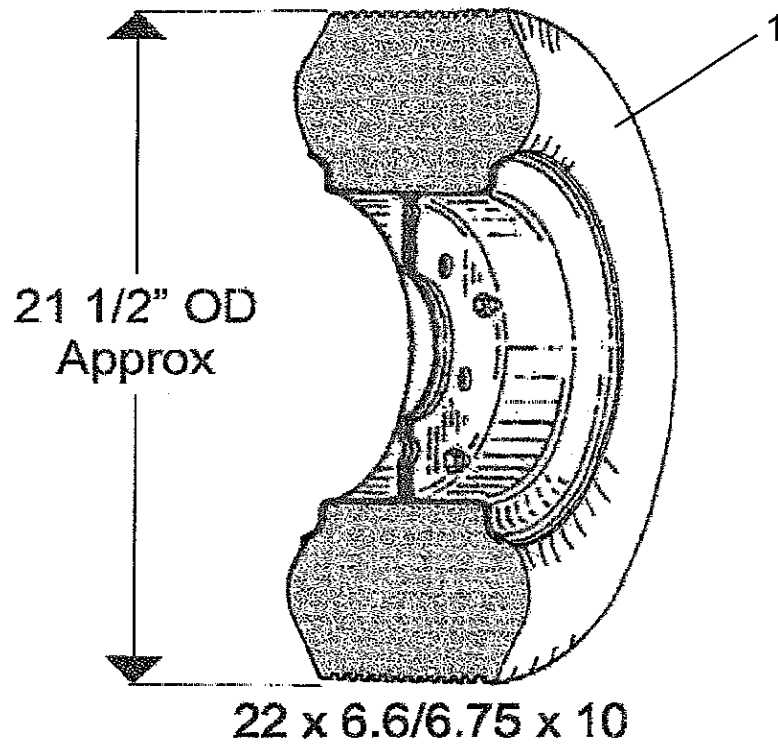
NOTE: TWO ASSEMBLIES REQUIRED PER UNIT

WHEEL HUB & SPINDLE ASY - PN 00776306 (S/N 11000 & UP 05-06)



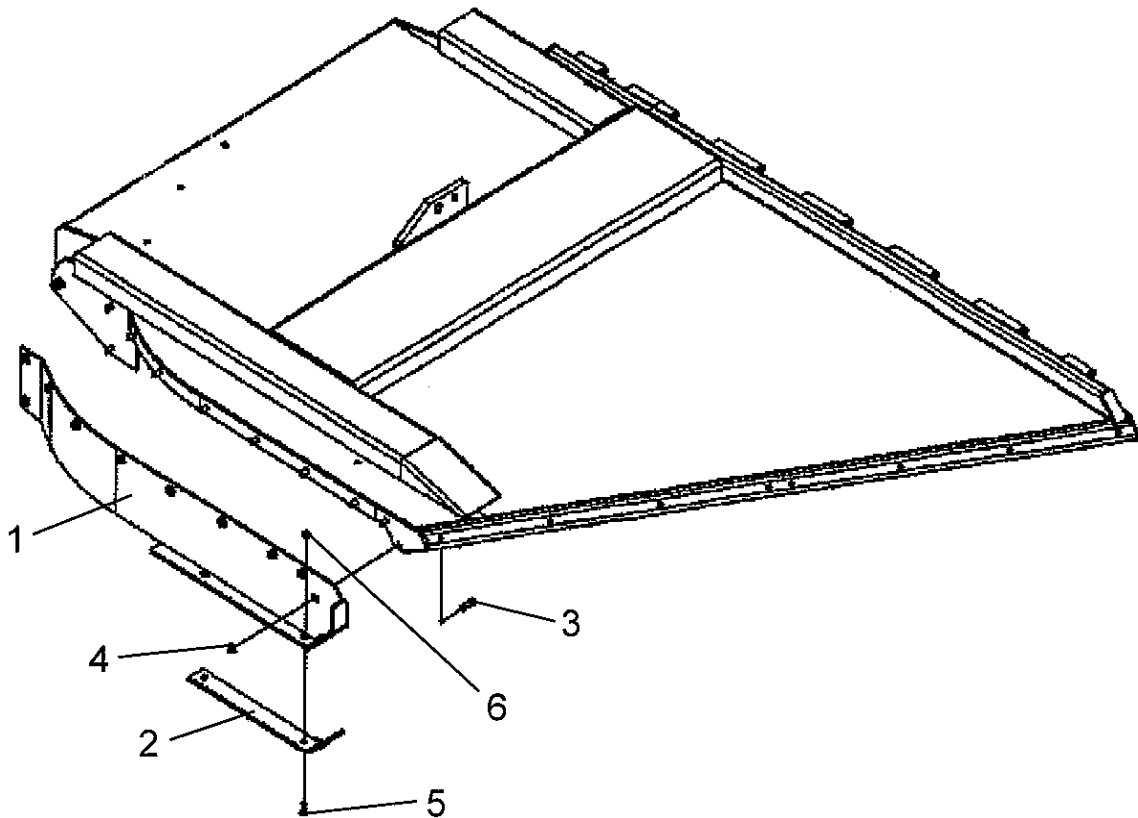
ITEM	PART NO.	QTY.	DESCRIPTION
	00776306	-	HUB AND SPINDLE ASY
1	00778528	1	AXLE SPINDLE BOLT IN
2	00016900	1	BEARING CUP
3	02957149	1	BEARING CONE 14137A
4	371247D	1	BEARING CUP 332
5	13198	5	BOLT, HUB
6	00750614	5	NUT, 1/2-20NF 90DEG.CONE LUG PL
7	371247J	1	NUT, 7/8-14 UNF STD SLOTTED
8	00778713	1	SEAL KIT
9	15B1400	1	WASHER, 7/8 SAE P
10	371247G	1	CAP, HUB
11	00026200	1	COTTER PIN, 5/32 X 1-1/2
12	00003500	1	ZERK FITTING, 1/8 STRAIGHT
13	00778714	1	WHEEL HUB
14	00778715	1	BEARING CONE (INSIDE)
15	371247SA	1,REF	HUB
16	00779390	1	HUB CAP RETAINER

WHEEL & TIRE ASY FOAM FILLED - USED AIR CRAFT TIRE



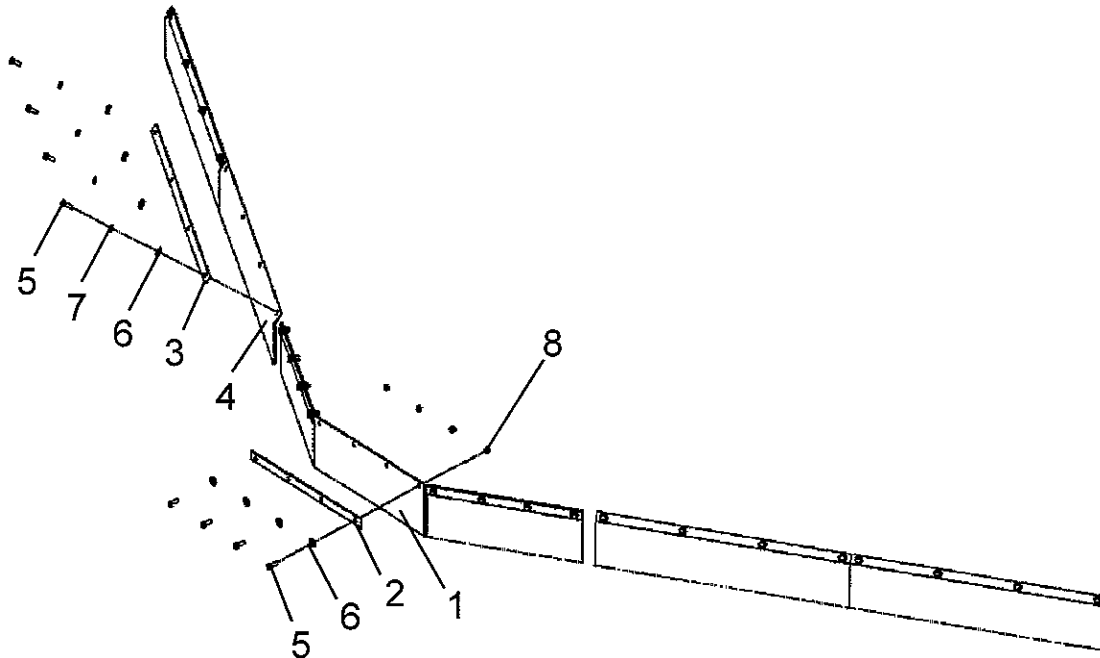
ITEM	PART NO.	QTY.	DESCRIPTION
1	00766911	-	ASY,AIRCRAFT TIRE & WHEEL (CURRENT PRODUCTION)

SIDE SKIRT ASY - WING



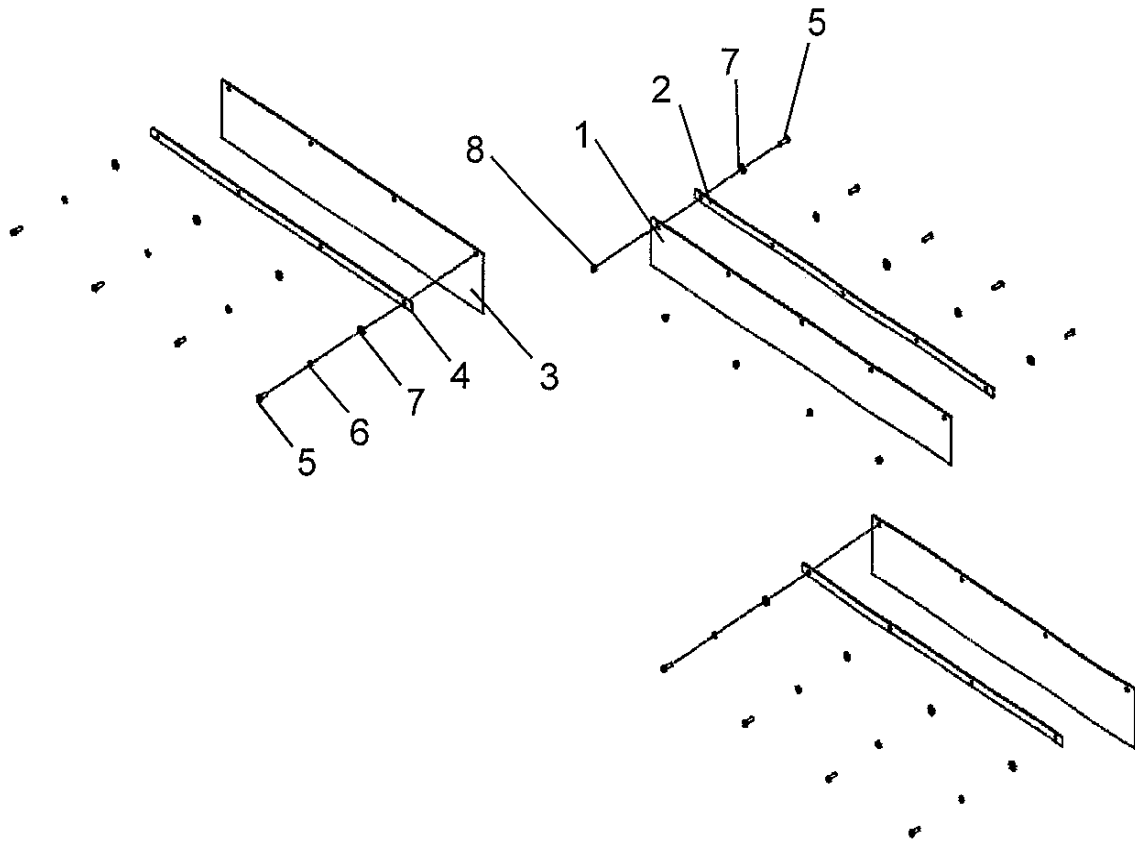
ITEM	PART NO.	QTY.	DESCRIPTION
1	00778415	1	WLDMT, SIDE SKIRT RH
	00778414	1	WLDMT, SIDE SKIRT LH (NOT SHOWN)
2	00776618	1	BAR WING SKID SHOE
3	00748823	12	HHCS 1/2-13UNC 1-1/2 PL5
4	4526	10	NUT LOCK FLG WHIZ 1/2-13 NC PL
5	8277	3	PLOW BOLT 3/8 NC 1-1/4 #3 PL
6	4528	3	NUT, LOCK 3/8-16 FLG WHIZ

DEFLECTOR ASY - FRONT



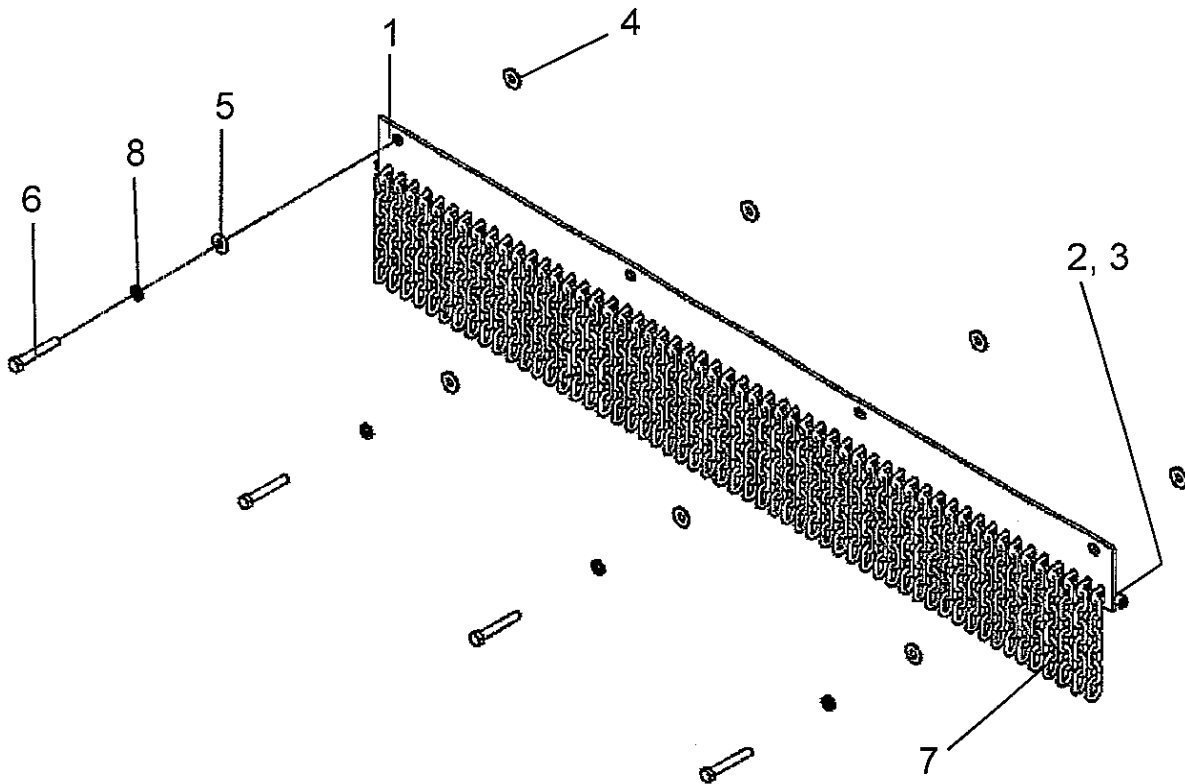
ITEM	PART NO.	QTY.	DESCRIPTION
1	00778744	3	CENTER SECTION DEFLECTOR, FRONT
2	00778748	3	FRONT CTR. SEC. DEF. BAR
3	00778750	4	FRONT WING DEFLECTOR BAR
4	00778746	4	WING DEFLECTOR FRONT
5	00748823	28	HHCS 1/2-13UNC 1-1/2 PL5
6	00002700	28	FLATWASHER 1/2 PL STD
7	00001300	16	LOCKWASHER 1/2 PL STD
8	00001800	12	LOCKNUT TLM 1/2 NC PLB

DEFLECTOR ASY - REAR



ITEM	PART NO.	QTY.	DESCRIPTION
1	00778745	1	REAR CTR SEC DEFLECTOR
2	00778749	1	REAR CTR. SEC. DEF. BAR
3	00778747	2	REAR WING DEFLECTOR
4	00778751	2	REAR WING DEFLECTOR BAR
5	00748823	13	HHCS 1/2-13UNC 1-1/2 PL5
6	00001300	8	LOCKWASHER 1/2 PL STD
7	00002700	13	FLATWASHER 1/2 PL STD
8	00001800	5	LOCKNUT TLM 1/2 NC PLB

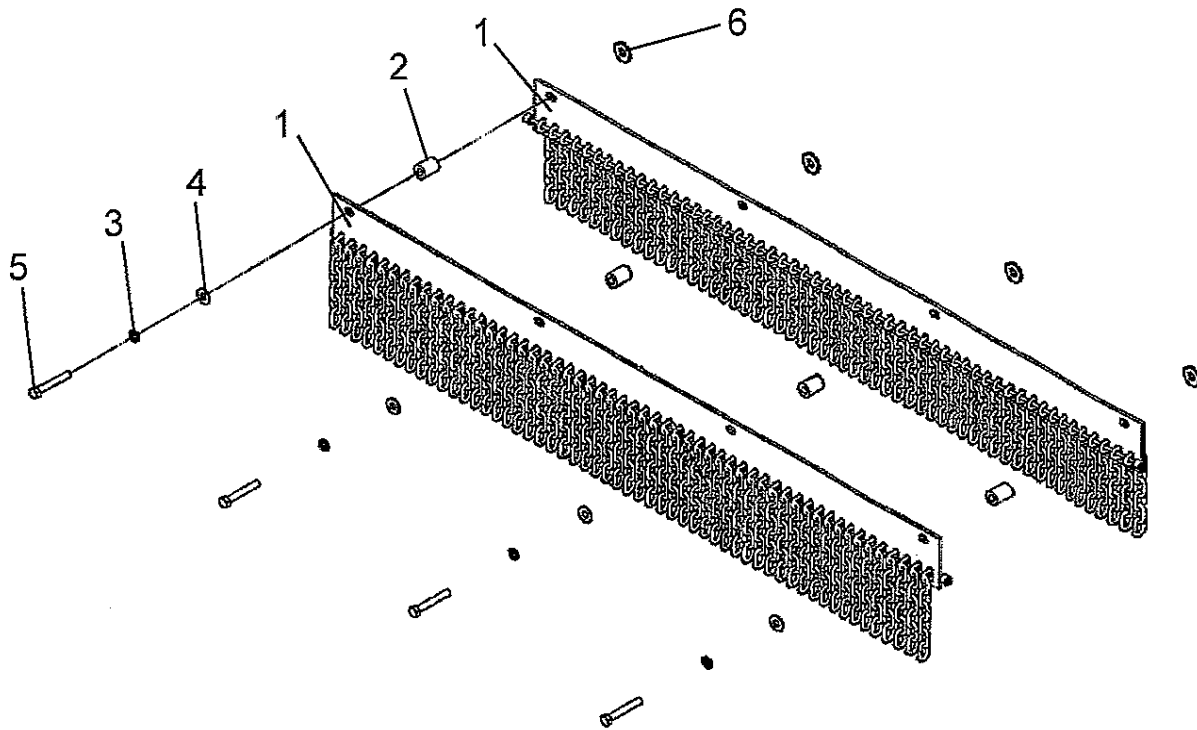
CHAIN GUARD ASY - WING REAR - SINGLE CHAIN



ITEM	PART NO.	QTY.	DESCRIPTION
	00778444	1	ASSY CHAINGUARD WING, REAR
1	00778449	1	WING CHAINGUARD BRACKET,REAR
2	00777374	2	CABLE STOP, ALUMINUM 1/4"
3	00992000	AR	CABLE, 1/4 GA AIRCRAFT (7X19)
4	00001800	4	LOCKNUT TLM 1/2 NC PLB
5	00002700	4	FLATWASHER 1/2 PL STD
6	00748823	4	HHCS 1/2-13UNC 1-1/2 PL5
7	00777371	55	CHAIN,5/16"X7 LINK ZINC PLATED
8	00001300	4	LOCKWASHER 1/2 PL STD

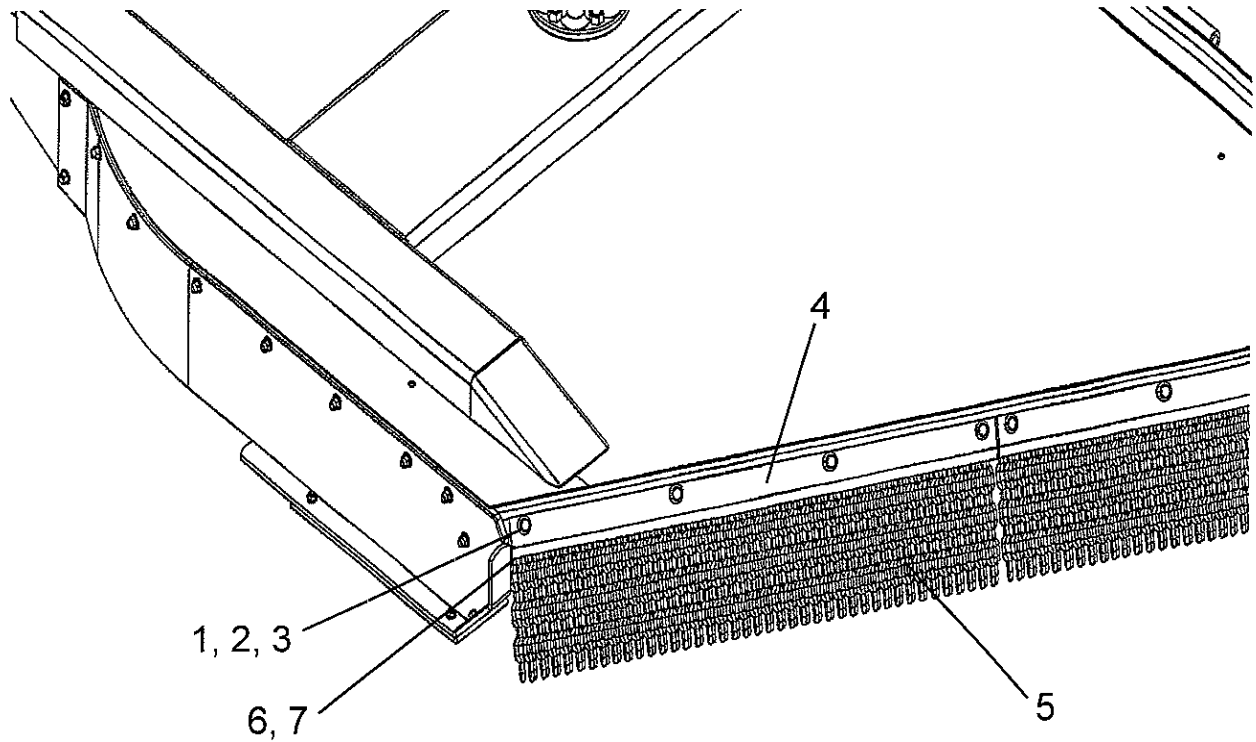
NOTE: Items shown are for one wing

CHAIN GUARD ASY - WING REAR - DOUBLE CHAIN



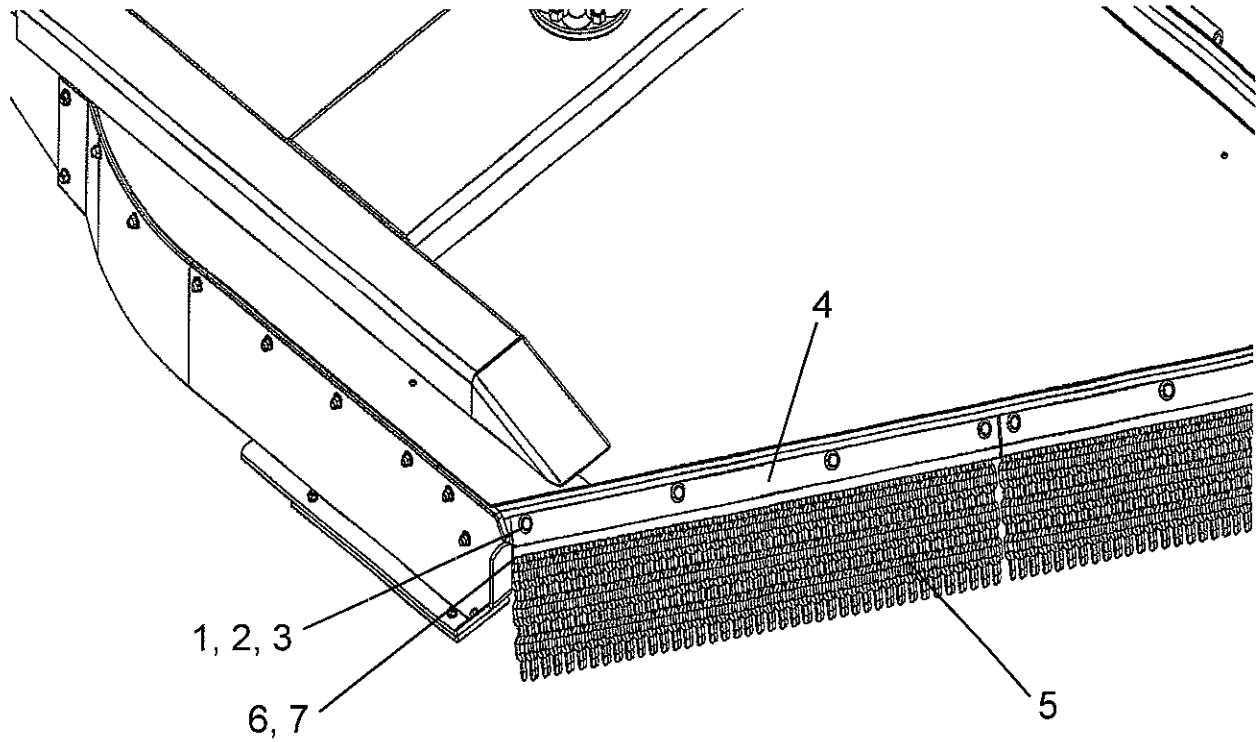
ITEM	PART NO.	QTY.	DESCRIPTION
1	00778444	2	ASSY CHAINGUARD WING, REAR
2	00772542	4	TUBE MT
3	00001300	4	LOCKWASHER 1/2 PL STD
4	00002700	4	FLATWASHER 1/2 PL STD
5	00764375	4	HHCS 1/2NC X 3-1/4 PL5
6	00001800	4	LOCKNUT TLM 1/2 NC PLB

CHAIN GUARD ASY - WING FRONT - SINGLE CHAIN



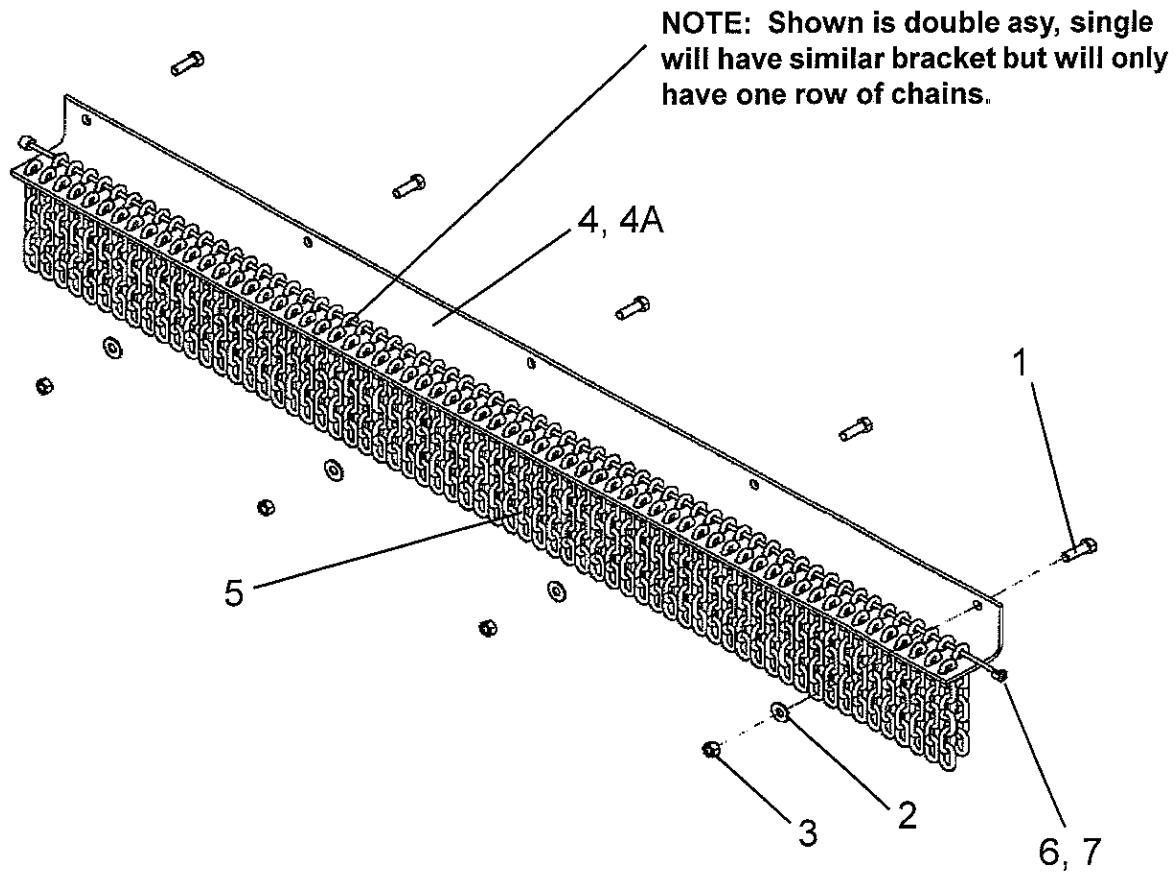
ITEM	PART NO.	QTY.	DESCRIPTION
	00778443	-	ASSY SINGLE CHAIN GUARD WING, FRONT
1	00748823	4	HHCS 1/2-13UNC 1-1/2 PL5
2	00002700	4	FLATWASHER 1/2 PL STD
3	00001300	4	LOCKWASHER 1/2 PL STD
4	00778448	1	WING CHAINGUARD BRACKET
5	00777371	41	CHAIN,5/16"X7 LINK ZINC PLATED
6	00992000	AR	CABLE, 1/4 GA AIRCRAFT (7X19)
7	00777374	2	CABLE STOP, ALUMINUM 1/4"

CHAIN GUARD ASY - WING FRONT - DOUBLE CHAIN



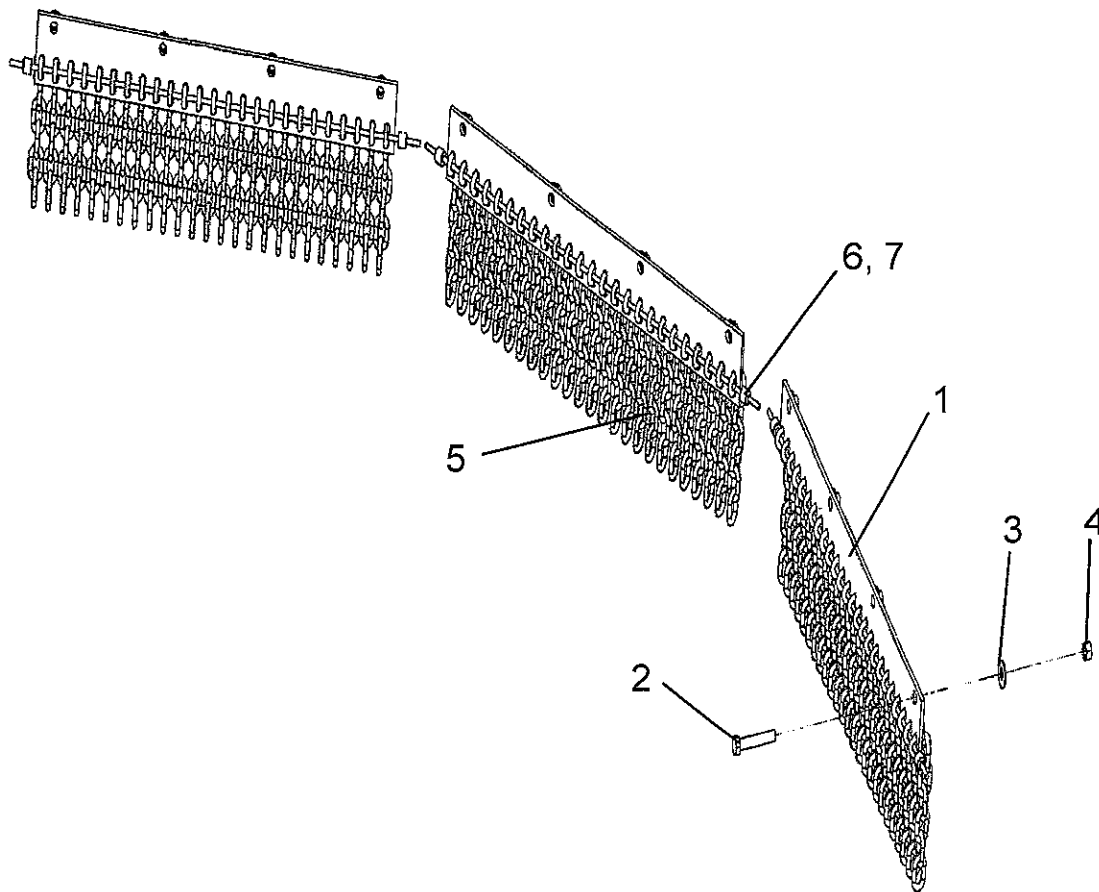
ITEM	PART NO.	QTY.	DESCRIPTION
	00778724	-	ASSY DOUBLE CHAIN GUARD WING, FRONT
1	00748823	4	HHCS 1/2-13UNC 1-1/2 PL5
2	00002700	4	FLATWASHER 1/2 PL STD
3	00001300	4	LOCKWASHER 1/2 PL STD
4	00778721	1	WING CHAINGUARD BRACKET
5	00777371	41	CHAIN,5/16"X7 LINK ZINC PLATED
6	00992000	AR	CABLE, 1/4 GA AIRCRAFT (7X19)
7	00777374	2	CABLE STOP, ALUMINUM 1/4"

CHAIN GUARD ASY - CENTER REAR - DOUBLE & SINGLE CHAIN



ITEM	PART NO.	QTY.	DESCRIPTION
	00778726	-	ASSY DOUBLE CHAIN GUARD CTR, REAR
	00778445	-	ASSY SINGLE CHAIN GUARD CTR, REAR
1	00748823	5	HHCS 1/2-13UNC 1-1/2 PL5
2	00002700	5	FLATWASHER 1/2 PL STD
3	00001800	5	LOCKNUT TLM 1/2 NC PLB
4	00778446	1	REAR CHAINGUARD BRACKET, CTR
4A	00778722	1	REAR DOUBLE CG BRACKET CENTER
5	00777370	127	CHAIN,5/16"X6 LINK (64 PCS FOR SINGLE/127 PCS FOR DOUBLE)
6	00992000	AR	CABLE, 1/4 GA AIRCRAFT (7X19)
7	00777374	2	CABLE STOP, ALUMINUM 1/4"

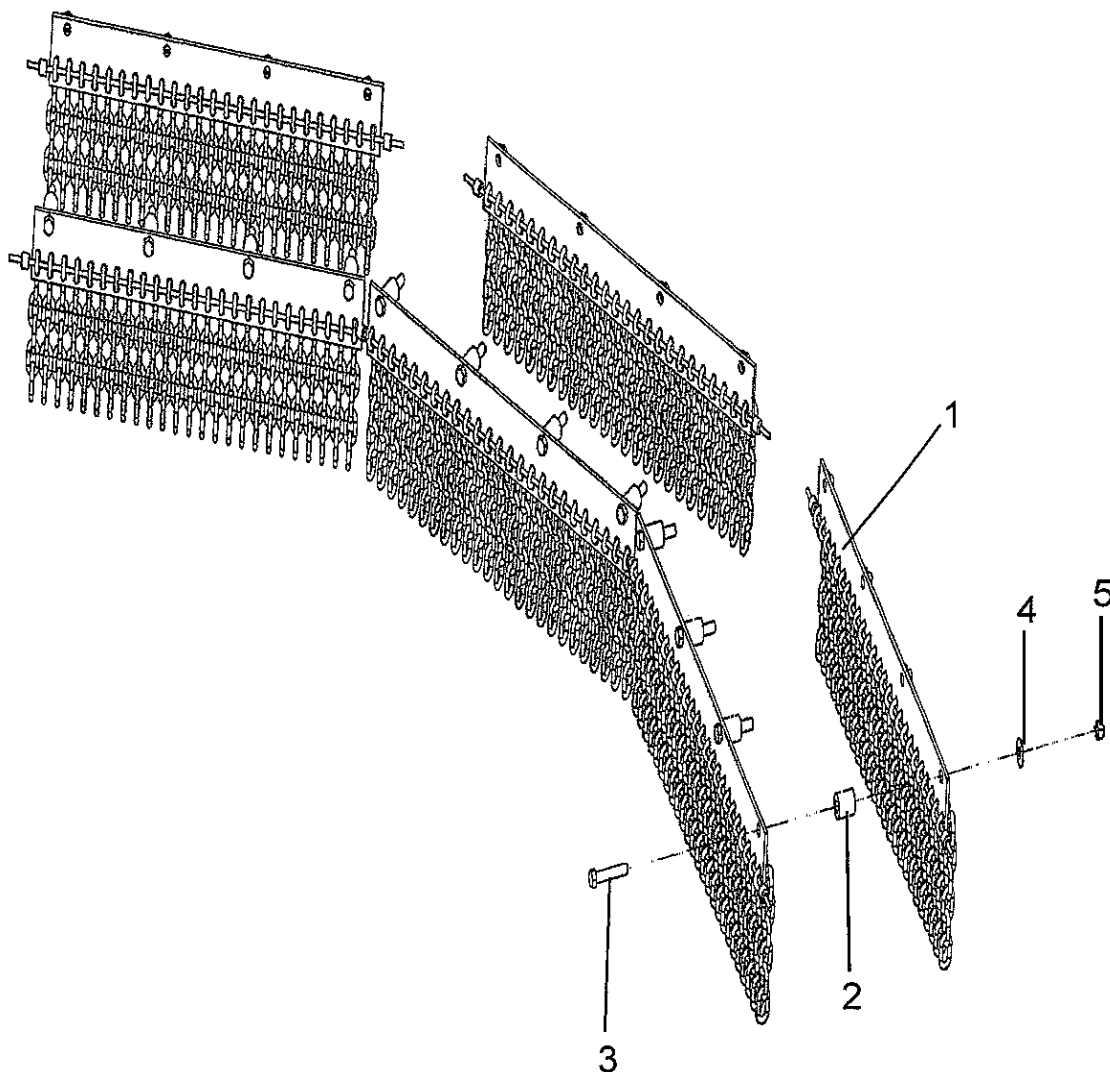
CHAIN GUARD ASY - CENTER FRONT - SINGLE CHAIN



ITEM	PART NO.	QTY.	DESCRIPTION
	00778442	3	ASSY CHAINGUARD FRT, CTR
1	00778447	1	CHAINGUARD BRACKET
2	00748823	4	HHCS 1/2-13UNC 1-1/2 PL5
3	00002700	4	FLATWASHER 1/2 PL STD
4	00001800	4	LOCKNUT TLM 1/2 NC PLB
5	00777371	25	CHAIN,5/16"X7 LINK ZINC PLATED
6	00992000	AR	CABLE, 1/4 GA AIRCRAFT (7X19)
7	00777374	2	CABLE STOP, ALUMINUM 1/4"

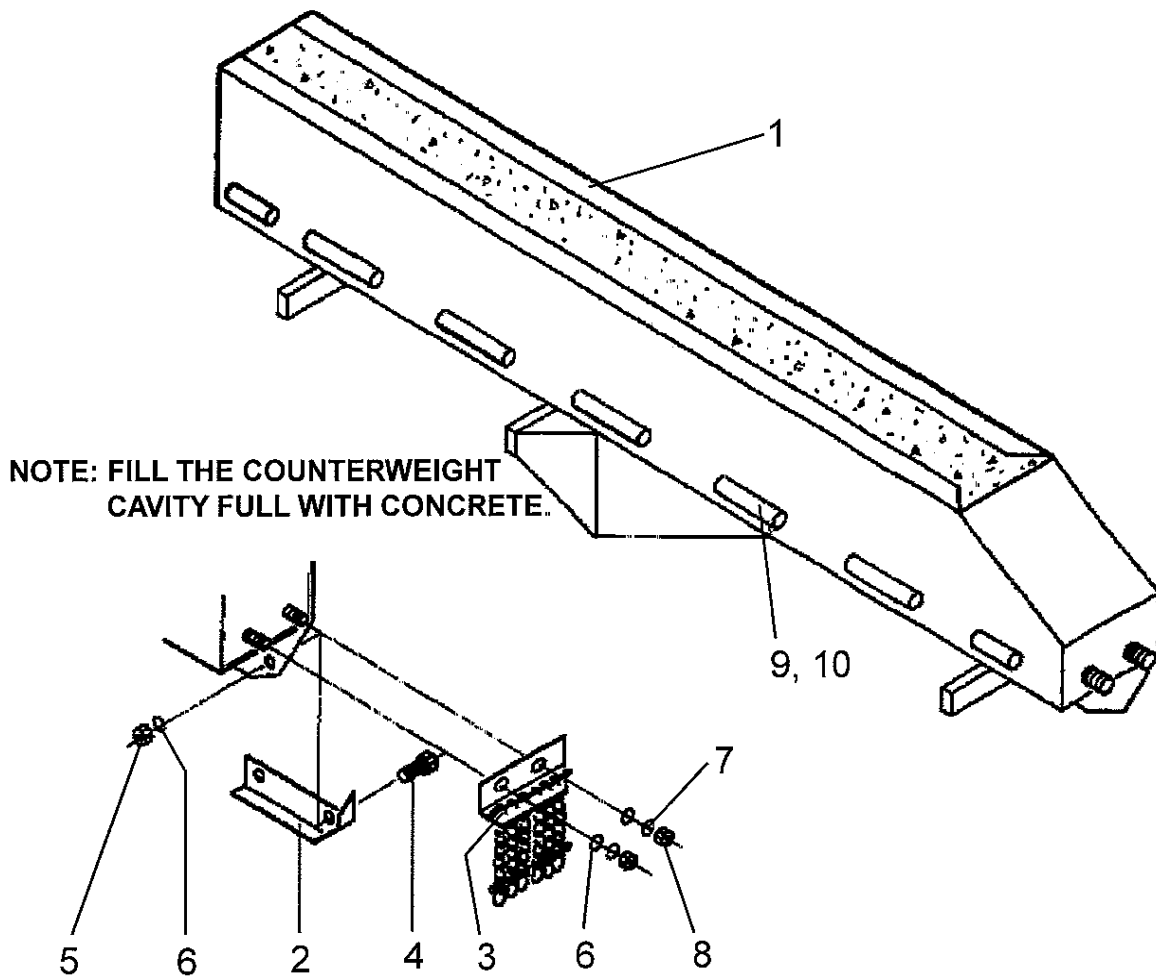
NOTE: QUANTITIES ARE PER CHAINGUARD TOTAL OF 3 PCS. FOR COMPLETE ASSEMBLY IS NEEDED.

CHAIN GUARD ASY - CENTER FRONT - DOUBLE CHAIN



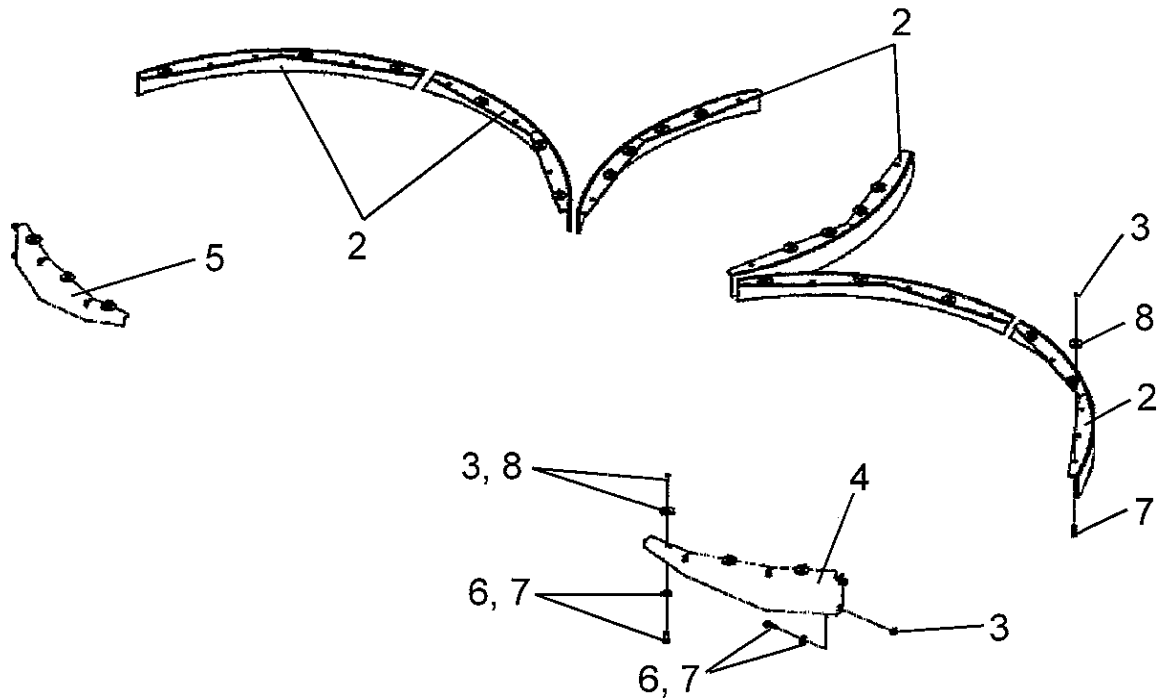
ITEM	PART NO.	QTY.	DESCRIPTION
1	00778442	6	ASSY CHAINGUARD FRT, CTR
2	00772542	12	TUBE MOUNT
3	00753013	12	HHCS 1/2 NC 3 PL8
4	00002700	12	FLATWASHER 1/2 PL STD
5	00001800	12	LOCKNUT TLM 1/2 NC PLB

COUNTER WEIGHT ASY - WING - EAGLE 14



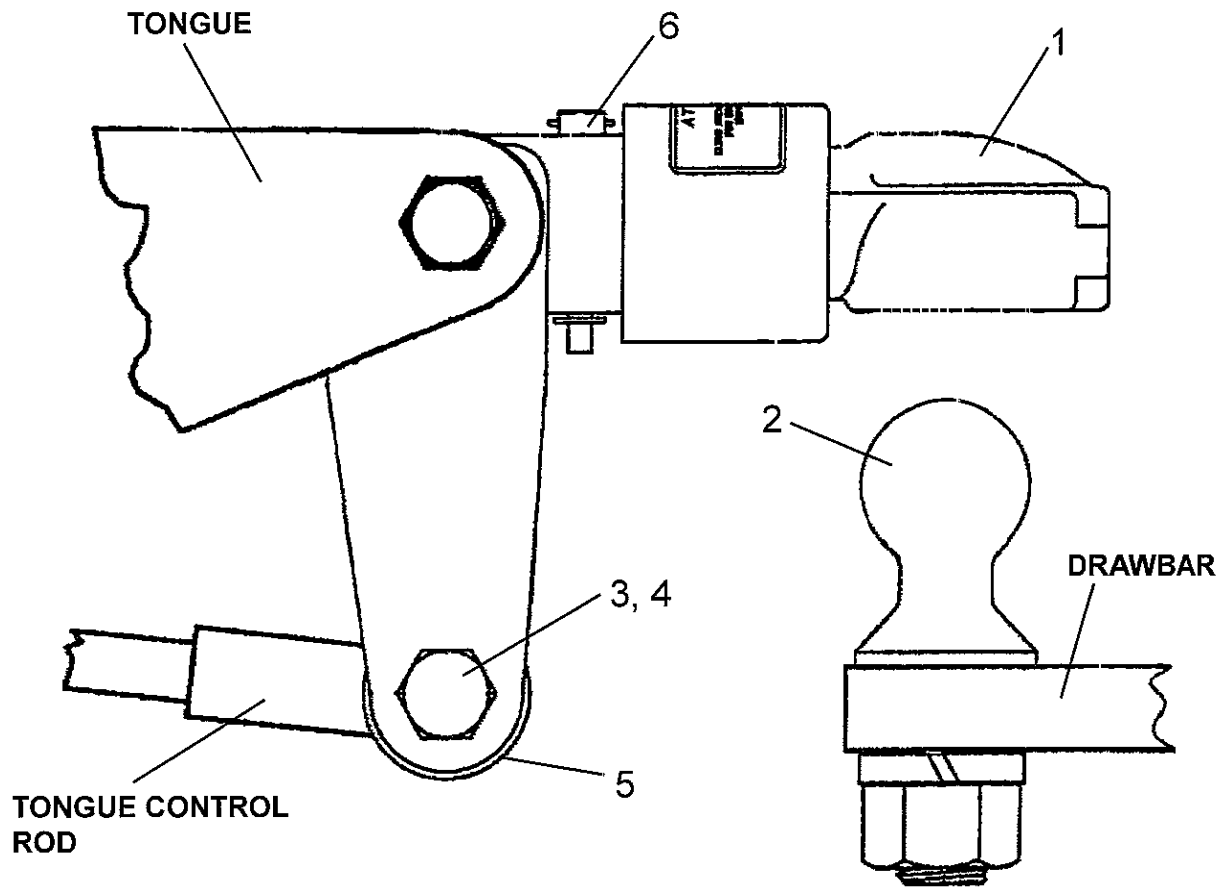
ITEM	PART NO.	QTY.	DESCRIPTION
1	00760511	1	LEFT HAND COUNTERWEIGHT WELDMENT (SHOWN ABOVE)
2	00750989	1	LEFT HAND SKID SHOE WELDMENT (SHOWN ABOVE)
3	00751203	1	LEFT HAND CHAINGUARD (SHOWN ABOVE)
4	00749171	2	BOLT
5	02716500	2	NUT
6	00002700	4	FLATWASHER
7	00001300	2	LOCKWASHER
8	00001200	2	NUT
9	00751042	Ref	HINGE PIN (NOT SHOWN)
10	00751107	Ref	RETAINING ROLL PIN (NOT SHOWN)

BAFFLE ASY - OPTIONAL



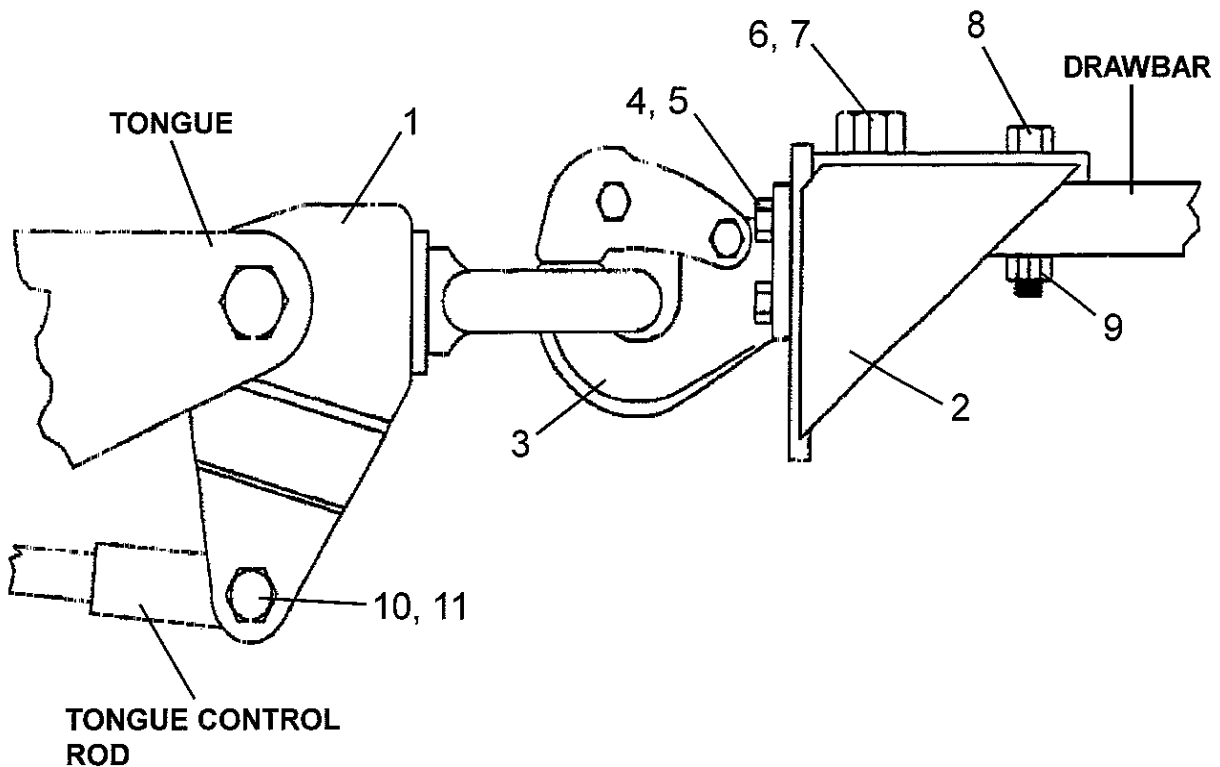
ITEM	PART NO.	QTY.	DESCRIPTION
2	00778708	6	CENTER BAFFLE WLDMT
3	00001800	30	LOCKNUT TLM 1/2 NC PLB
4	00778710	1	WING BAFFLE, REAR RH.
5	00778711	1	WING BAFFLE, REAR LH.
6	00002700	10	FLATWASHER 1/2 PL STD
7	00748823	30	HHCS 1/2-13UNC 1-1/2 PL5
8	00773990	26	WASHER 9/16X2X1/4

HITCH - CAPTIVE BALL COUPLER CLEVIS - OPTIONAL



ITEM	PART NO.	QTY.	DESCRIPTION
1	00769331	1	COUPLER CLEVIS WELDMENT
2	00758938	1	HITCH BALL
3	02960916	1	BOLT
4	00037200	1	LOCKNUT
5	15B1200	2	FLATWASHER
6	00769398	1	PIN ASSEMBLY

HITCH - PINTLE HOOK - OPTIONAL



ITEM	PART NO.	QTY.	DESCRIPTION
	00773869	-	PINTLE HOOK HITCH ASSEMBLY
1	00773872	1	PINTLE HOOK CLEVIS
2	00752283	1	PINTLE HOOK MOUNT
3	00752279	1	PINTLE HOOK
4	02891800	4	BOLT
5	00001800	4	LOCKNUT
6	02712500	1	BOLT
7	02030300	1	LOCKNUT
8	02845600	1	BOLT
9	00695100	3	LOCKNUT
10	00003300	1	BOLT
11	00037200	1	LOCKNUT

Alamo Industrial

LIMITED WARRANTY

1. LIMITED WARRANTIES

- 1.01. Servis-Rhino warrants for one year from the purchase date to the original non-commercial, governmental, or municipal purchaser ("Purchaser") and warrants for six months to the original commercial or industrial purchaser ("Purchaser") that the goods purchased are free from defects in material or workmanship.
- 1.02. Manufacturer will replace for the Purchaser any part or parts found, upon examination at one of its factories, to be defective under normal use and service due to defects in material or workmanship.
- 1.03. This limited warranty does not apply to any part of the goods which has been subjected to improper or abnormal use, negligence, alteration, modification, or accident, damaged due to lack of maintenance or use of wrong fuel, oil, or lubricants, or which has served its normal life. This limited warranty does not apply to any part of any internal combustion engine, or expendable items such as blades, shields, guards, or pneumatic tires except as specifically found in your Operator's Manual.
- 1.04. Except as provided herein, no employee, agent, Dealer, or other person is authorized to give any warranties of any nature on behalf of Manufacturer.

2. REMEDIES AND PROCEDURES.

- 2.01. This limited warranty is not effective unless the Purchaser returns the Registration and Warranty Form to Manufacturer within 30 days of purchase.
- 2.02. Purchaser claims must be made in writing to the Authorized Dealer ("Dealer") from whom Purchaser purchased the goods or an approved Authorized Dealer ("Dealer") within 30 days after Purchaser learns of the facts on which the claim is based.
- 2.03. Purchaser is responsible for returning the goods in question to the Dealer.
- 2.04. If after examining the goods and/or parts in question, Manufacturer finds them to be defective under normal use and service due to defects in material or workmanship, Manufacturer will:
 - (a) Repair or replace the defective goods or part(s) or
 - (b) Reimburse Purchaser for the cost of the part(s) and reasonable labor charges (as determined by Manufacturer) if Purchaser paid for the repair and/or replacement prior to the final determination of applicability of the warranty by Manufacturer.The choice of remedy shall belong to Manufacturer.
- 2.05. Purchaser is responsible for any labor charges exceeding a reasonable amount as determined by Manufacturer and for returning the goods to the Dealer, whether or not the claim is approved. Purchaser is responsible for the transportation cost for the goods or part(s) from the Dealer to the designated factory.

3. LIMITATION OF LIABILITY.

- 3.01. MANUFACTURER DISCLAIMS ANY EXPRESS (EXCEPT AS SET FORTH HEREIN) AND IMPLIED WARRANTIES WITH RESPECT TO THE GOODS INCLUDING, BUT NOT LIMITED TO, MERCHANTABILITY AND FITNESS FOR A PARTICULAR PURPOSE.
- 3.02. MANUFACTURER MAKES NO WARRANTY AS TO THE DESIGN, CAPABILITY, CAPACITY, OR SUITABILITY FOR USE OF THE GOODS.
- 3.03. EXCEPT AS PROVIDED HEREIN, MANUFACTURER SHALL HAVE NO LIABILITY OR RESPONSIBILITY TO PURCHASER OR ANY OTHER PERSON OR ENTITY WITH RESPECT TO ANY LIABILITY, LOSS, OR DAMAGE CAUSED OR ALLEGED TO BE CAUSED DIRECTLY OR INDIRECTLY BY THE GOODS INCLUDING, BUT NOT LIMITED TO, ANY INDIRECT, SPECIAL, CONSEQUENTIAL, OR INCIDENTAL DAMAGES RESULTING FROM THE USE OR OPERATION OF THE GOODS OR ANY BREACH OF THIS WARRANTY. NOTWITHSTANDING THE ABOVE LIMITATIONS AND WARRANTIES, MANUFACTURER'S LIABILITY HEREUNDER FOR DAMAGES INCURRED BY PURCHASER OR OTHERS SHALL NOT EXCEED THE PRICE OF THE GOODS.
- 3.04. NO ACTION ARISING OUT OF ANY CLAIMED BREACH OF THIS WARRANTY OR TRANSACTIONS UNDER THIS WARRANTY MAY BE BROUGHT MORE THAN TWO (2) YEARS AFTER THE CAUSE OF ACTION HAS OCCURRED.

4. MISCELLANEOUS.

- 4.01. Proper Venue for any lawsuits arising from or related to this limited warranty shall be only in Guadalupe County, Texas.
- 4.02. Manufacturer may waive compliance with any of the terms of this limited warranty, but no waiver of any terms shall be deemed to be a waiver of any other term.
- 4.03. If any provision of this limited warranty shall violate any applicable law and is held to be unenforceable, then the invalidity of such provision shall not invalidate any other provisions herein.
- 4.04. Applicable law may provide rights and benefits to purchaser in addition to those provided herein.

KEEP FOR YOUR RECORDS

ATTENTION: Purchaser should fill in the blanks below for his reference when buying repair parts and/or for proper machine identification when applying for warranty.

Servis-Rhino Implement Model _____ Serial Number _____

Date Purchased _____ Dealer _____

ATTENTION:
READ YOUR OPERATOR'S MANUAL





TO THE OWNER/OPERATOR/DEALER

To keep your implement running efficiently and safely, read your manual thoroughly and follow these directions and the Safety Messages in this Manual. The Table of Contents clearly identifies each section where you can easily find the information you need.

The OCCUPATIONAL SAFETY AND HEALTH ACT (1928.51 Subpart C) makes these minimum safety requirements of tractor operators:

REQUIRED OF THE OWNER:

1. Provide a Roll-Over-Protective Structure that meets the requirements of this Standard; and
2. Provide Seatbelts that meet the requirements of this paragraph of this Standard and SAE J4C; and
3. Ensure that each employee uses such Seatbelt while the tractor is moving; and
4. Ensure that each employee tightens the Seatbelt sufficiently to confine the employee to the protected area provided by the ROPS.

REQUIRED OF THE OPERATOR

1. Securely fasten seatbelt if the tractor has a ROPS.
2. Where possible, avoid operating the tractor near ditches, embankments, and holes.
3. Reduce speed when turning, crossing slopes, and on rough, slick, or muddy surfaces.
4. Stay off slopes too steep for safe operation.
5. Watch where you are going - especially at row ends, on roads, and around trees.
6. Do not permit others to ride.
7. Operate the tractor smoothly - no jerky turns, starts, or stops.
8. Hitch only to the drawbar and hitch points recommended by the tractor manufacturer.
9. When the tractor is stopped, set brakes securely and use park lock, if available.



Keep children away from danger all day, every day...



Equip tractors with rollover protection (ROPS) and keep all machinery guards in place...



Please work, drive, play and live each day with care and concern for your safety and that of your family and fellow citizens.



Eagle 20/14 Flex Wing Rotary Cutter/Shredder (02/06)

© 2006 Alamo Group Inc.