

M1019248

Parts Manual for

**WGC No: 7441971**

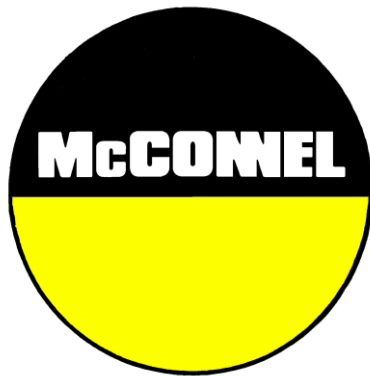
**PA41 RH FMNT CABLE SI JIC NO ARM HEAD VALVE 540ACW PUMP**

Print date: 19/02/2010

Applicable to Works Order No: 81209B

For Build Serial No: M1019248

M1019248



**All parts are not created equal and before you settle on an imitation part, know this - McConnel Genuine Parts offer the safety, durability and warranty protection you expect. You've made an investment in your equipment; now invest in its future.**

- We design and build to exact specifications requiring strict chemical strength and performance characteristics. (Never reverse engineered like imitation parts).
- McConnel Genuine Parts meet the rigid guidelines necessary to satisfy warranty requirements.
- Our parts experts are available to answer any questions and have first -hand knowledge of all equipment.
- McConnel Genuine Parts are tested to meet all safety standards.
- McConnel parts have a 6 month warranty when fitted by an authorised Dealer.

## **McCONEL LIMITED**

***For parts supply contact your local Dealer or Stockist***

**To help them help you, always quote:**

- ***Machine Type***
- ***Serial Number***
- ***Part Number***

*Design improvements may alter some of the parts listed in this manual – the latest part will always be supplied when it is interchangeable with an earlier one.*

**McCONNEL PARTS DEPARTMENT**

**Telephone:** +44 (0)1584 873131 **Fax:** +44 (0)1584 872223  
**Direct Parts Line:** +44 (0)1584 876888 **Email:** parts@mccconnel.com

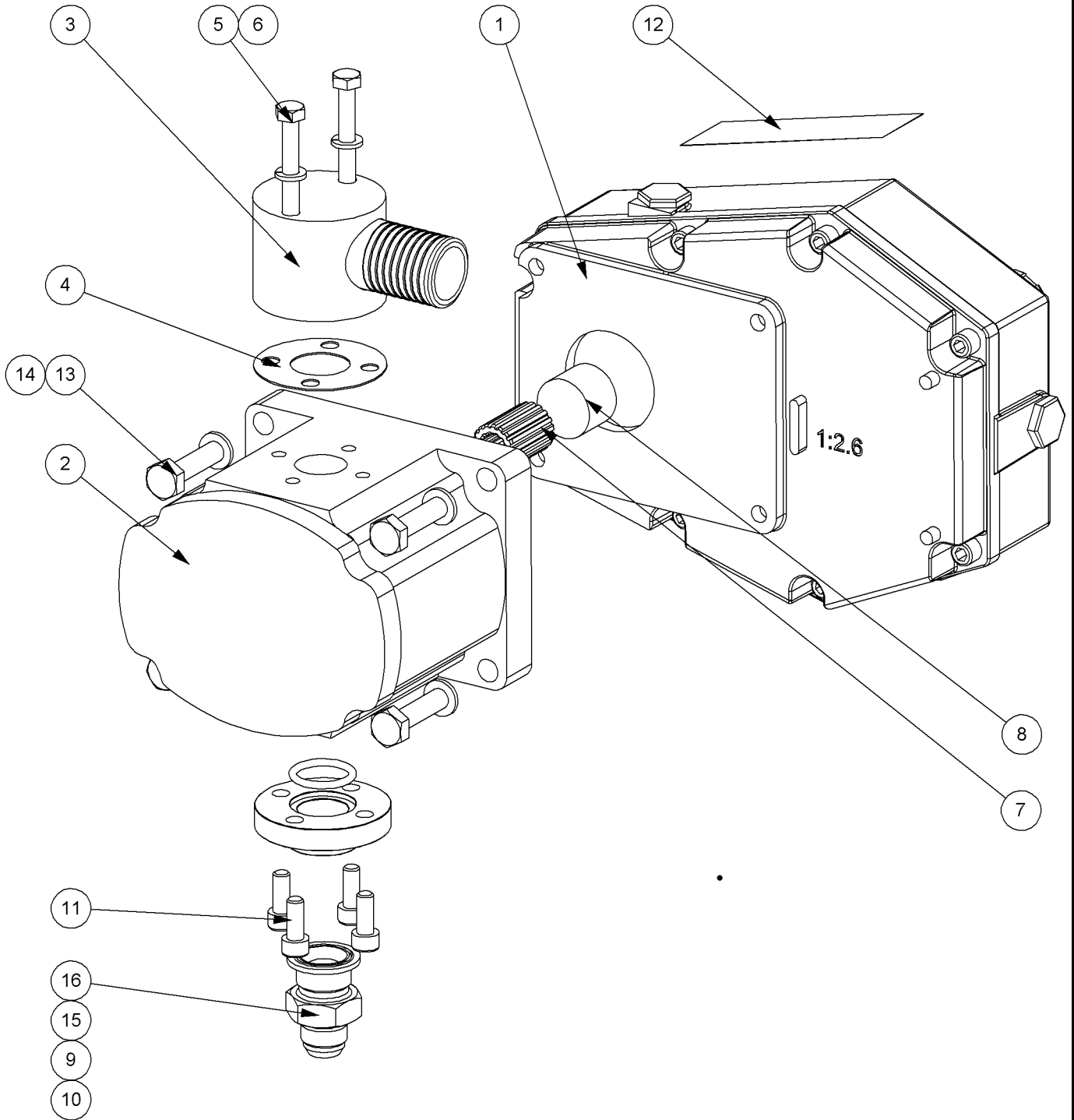
M1019248

**CONTENTS**

Page No	Schedule No	Schedule Description
1	41316.09	PUMP ASSY MOD PA41
3	8013443	GEARBOX
5	41320.25	HOSE KIT
7	7313282	CAB CTRL MTG MOD
9	7313324	GUARD KIT
11	7441256	PACKING KIT
13	7441401	ROCKER MOD
15	7441403	DIPPER UPPER MOD
17	7441413	M/FRAME MOD LH
19	7441417	STICKER KIT
21	7441420	M/ARM MOD
23	7441425	COVER MOD.
25	7441445	HYD INST MOD JIC
27	7446525	CABLE REVERSING MOD
29	7490711	MOD-D.LOWER-RH
31	7490815	TANK ASSY
33	7499613	STABILIZER MOD
35*	7441830	1.2M HD HOLDER
39*	8126296	FLOAT KIT
41*	8402194	SWITCH KIT

\* optional component

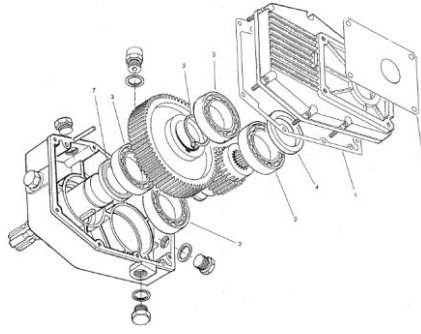
41316.09 - PUMP ASSY MOD PA41



## 41316.09 - PUMP ASSY MOD PA41

Ref	Part No	Description	Qty
1	8013443	GEARBOX	1
2	8201463	HYD PUMP	1
3	8013022B	S.CONN/BARE	1
4	8013023	GASKET	1
5	9213144	BOLT	2
6	9100204	WASHER	2
7	8013097	ADAPTOR	1
8	42415.01	SPACER	1
9	8013088	FLANGE	1
10	8600119	"O" RING	1
11	9300147	SCREW	4
12	1290030	DECAL	1
13	9213095	BOLT	4
14	9100205	WASHER	4
15	8650106	SEAL	1
16	8581271	ADAPTOR	1

8013443 - GEARBOX

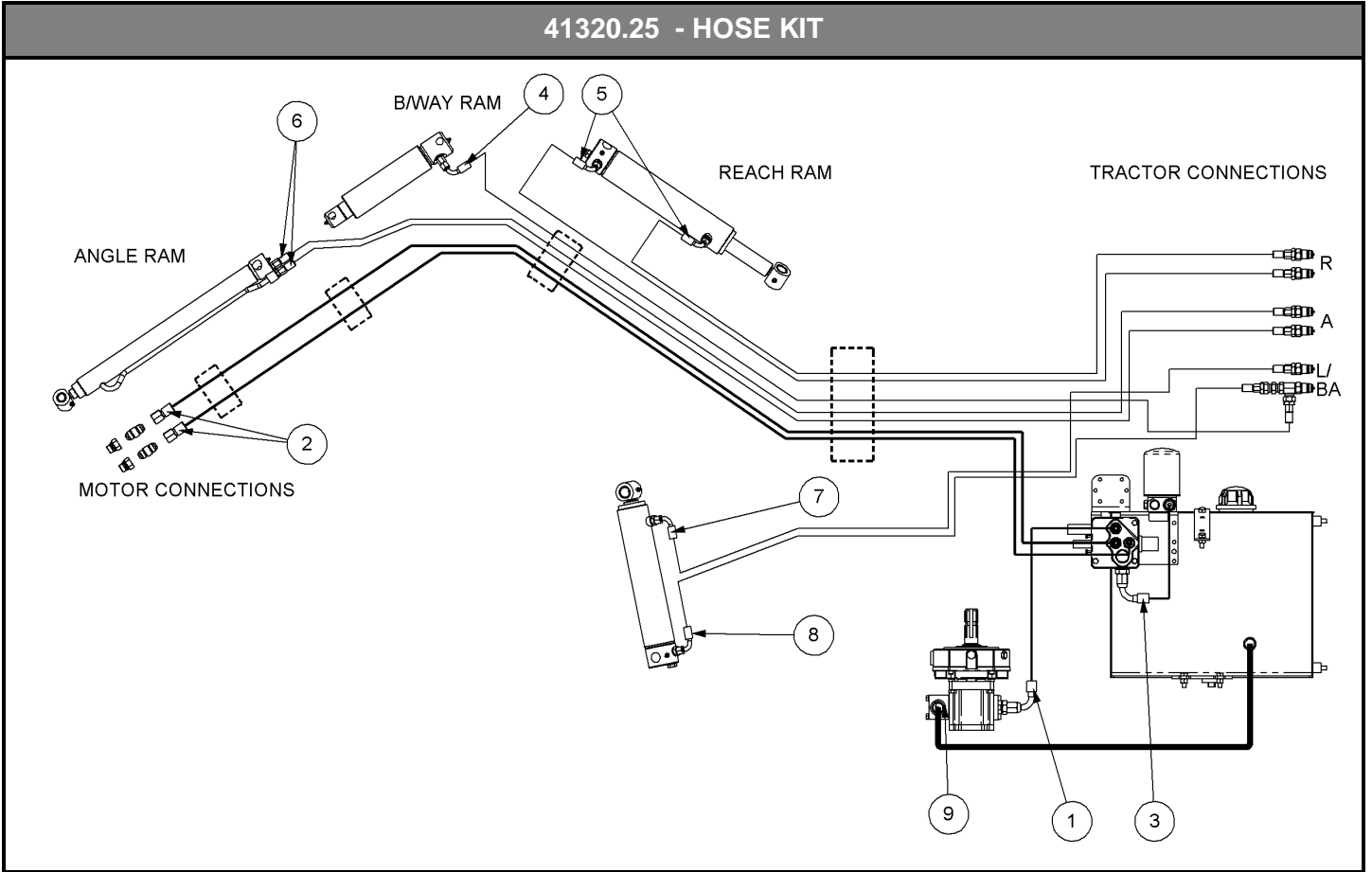




## 8013443 - GEARBOX

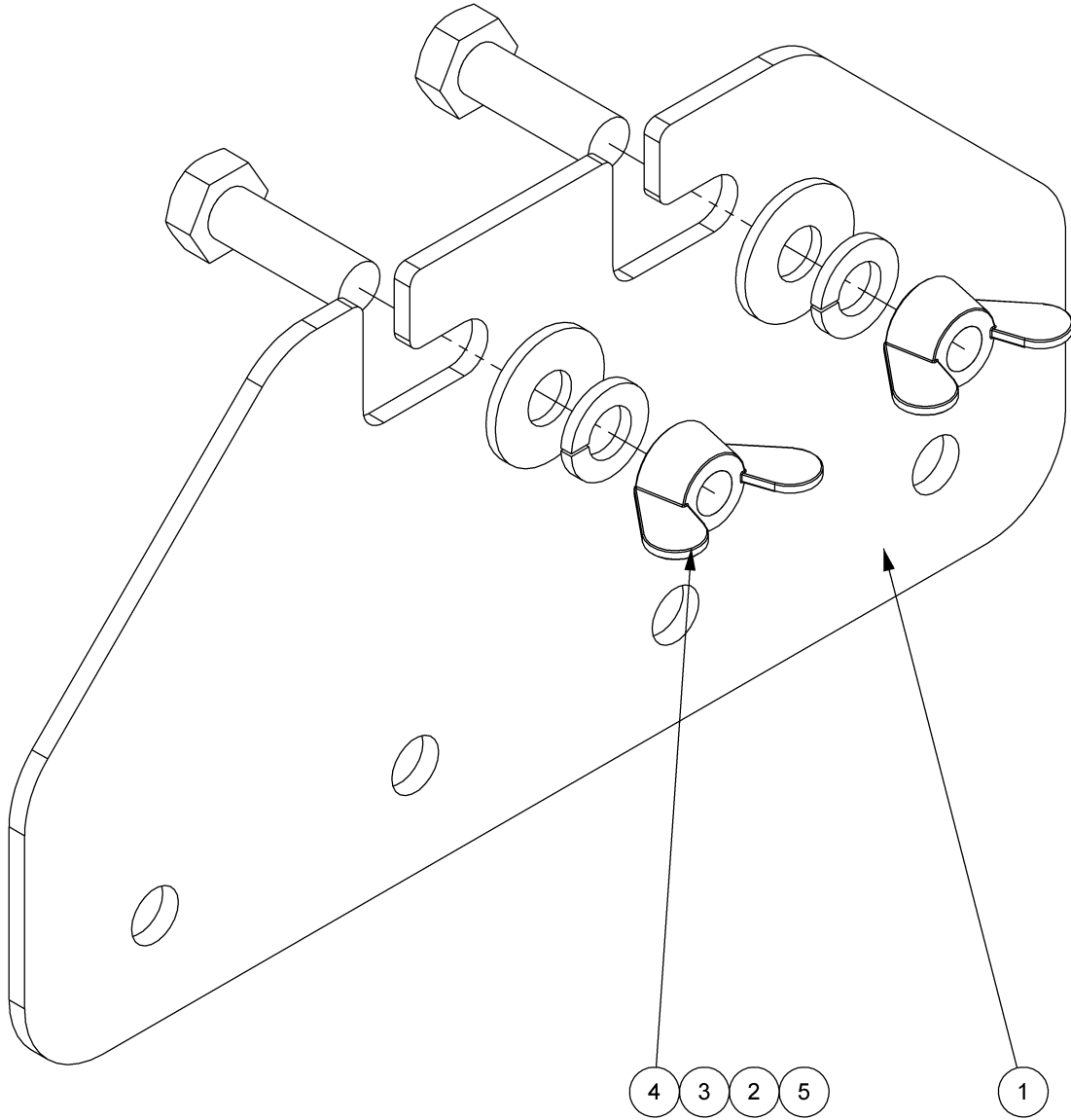
Ref	Part No	Description	Qty
1	8013087	GASKET	1
2	0600047	BEARING	2
3	0600048	BEARING	2
4	8629139	SEAL	1
5	0401250	CIRCLIP	1
7	8629134	SEAL	1

41320.25 - HOSE KIT



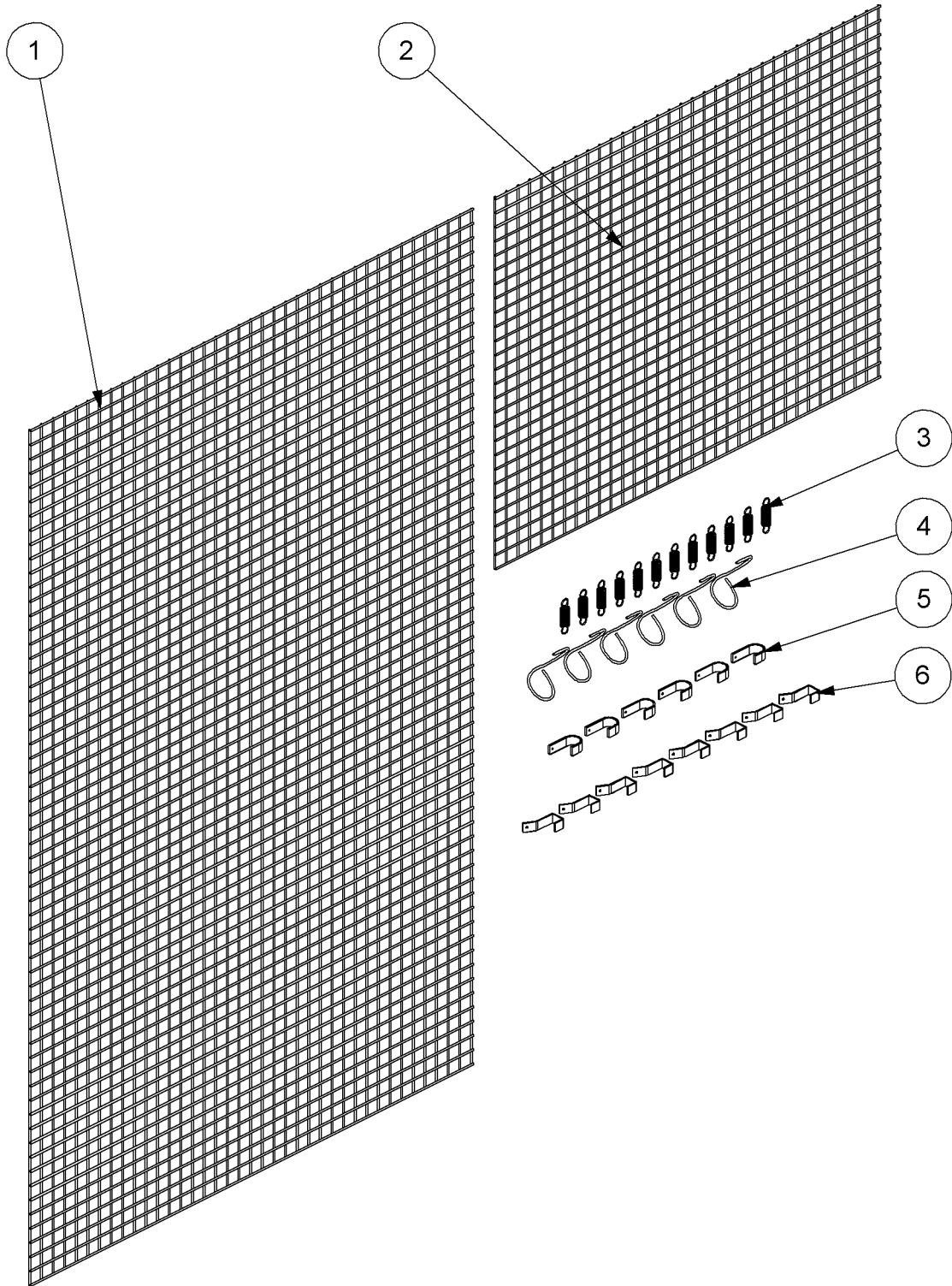
## 41320.25 - HOSE KIT

Ref	Part No	Description	Qty
1	41675.22	7/8" JIC HOSE FS/F90	1
2	41674.55	7/8" JIC HOSE FS/FS	2
3	41671.12	7/8" HOSE FS/F90	1
4	08.957.58	HOSE	1
5	08.957.37	HOSE	2
6	41721.60	HOSE	2
7	08.957.34	HOSE	1
8	08.957.35	HOSE	1
9	8501273	HOSE	1



## 7313282 - CAB CTRL MTG MOD

Ref	Part No	Description	Qty
1	42491.01	PLATE	1
2	9100104	WASHER	2
3	9100204	WASHER	2
4	9193004	NUT	2
5	9313054	SCREW	2



## 7313324 - GUARD KIT

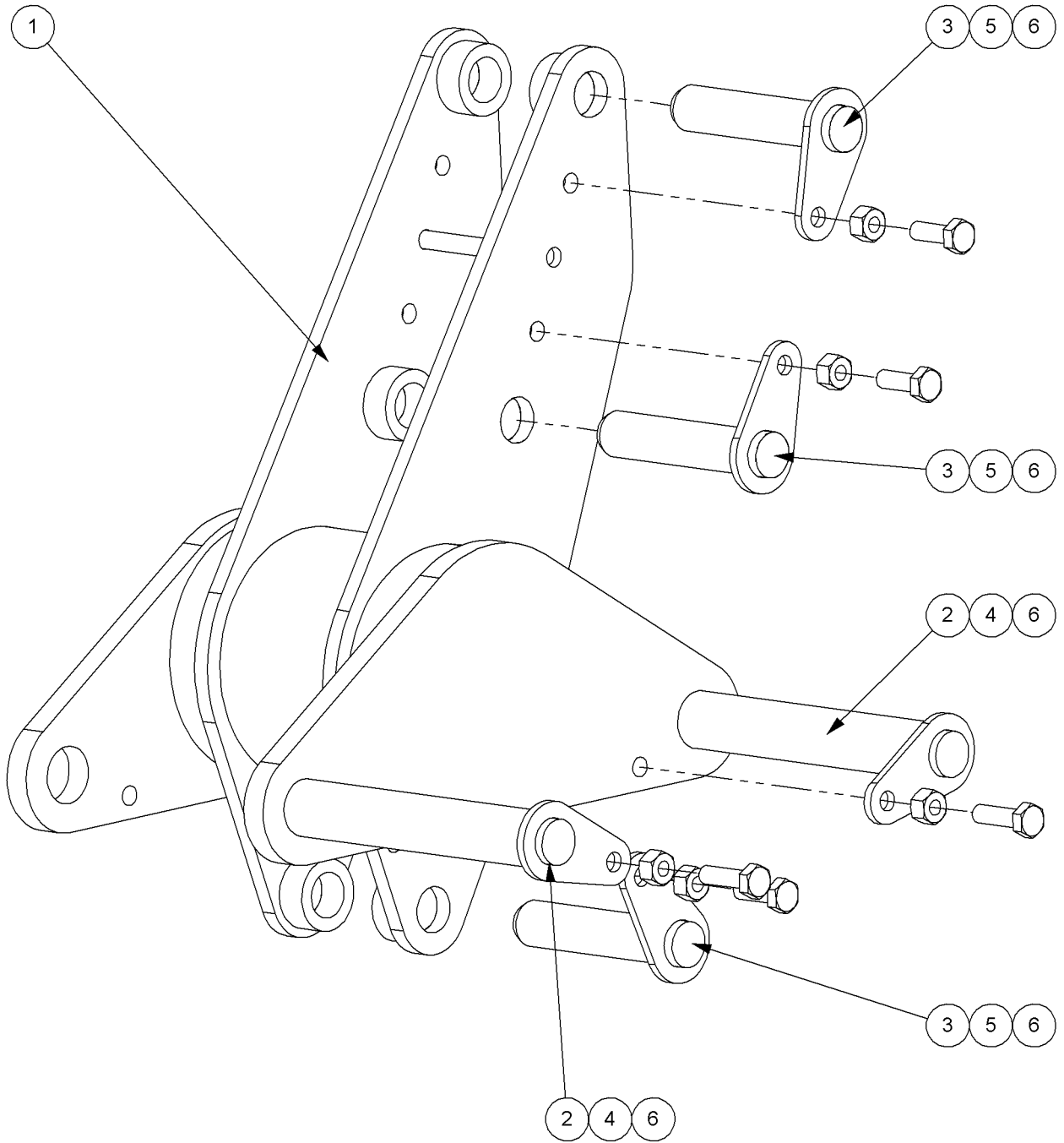
Ref	Part No	Description	Qty
1	7313049	GUARD PANEL	1
2	7313050	GUARD PANEL	1
3	6001064	SPRING	12
4	6001065	HOOK	6
5	41587.01	GUARD HOOK	6
6	41745.01	HOOK	8

**No Picture  
Available**



## 7441256 - PACKING KIT

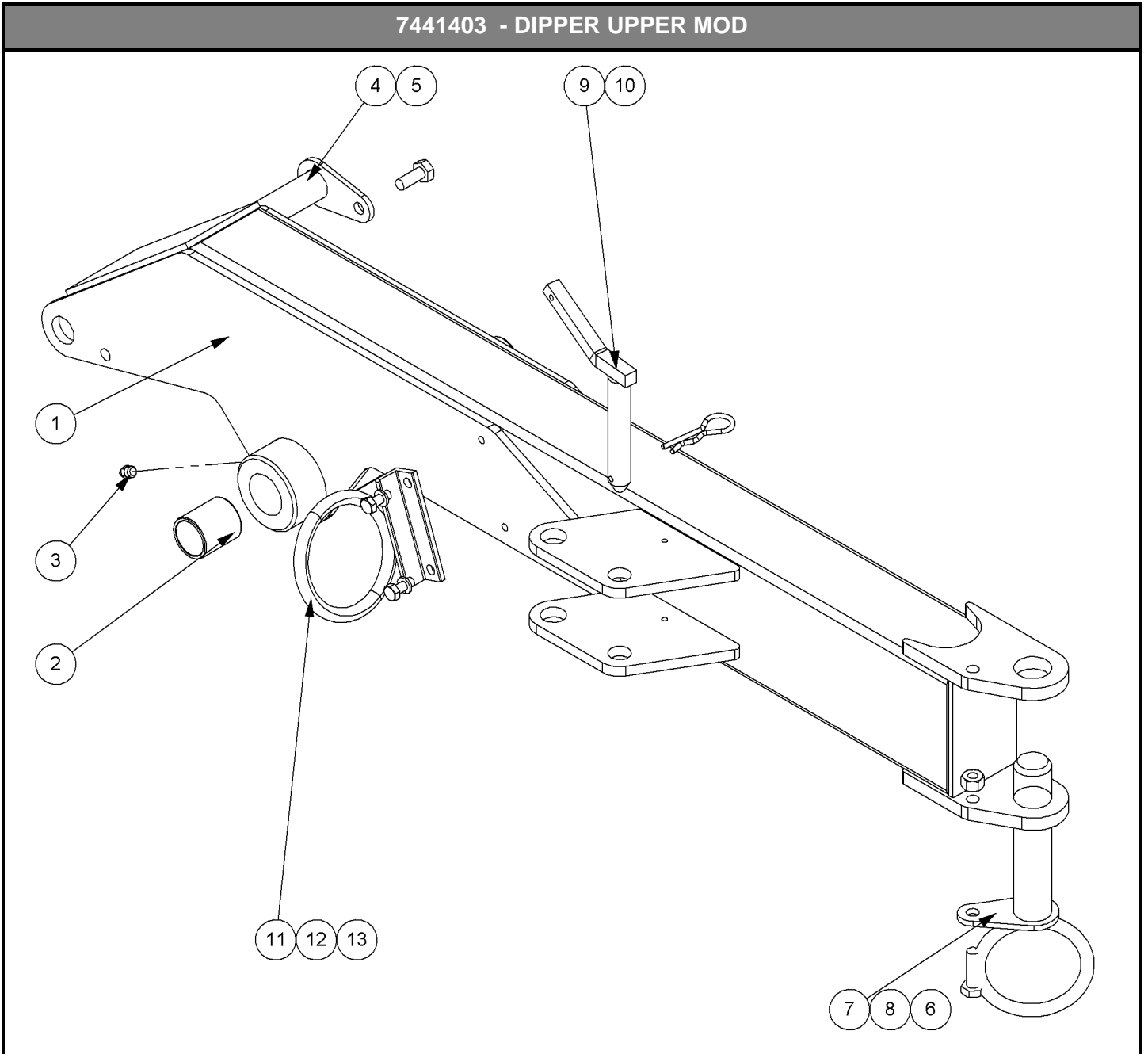
Ref	Part No	Description	Qty
1	41939.04	FRAME	1
2	45660.01	STRAP	1
3	45660.02	STRAP	1
4	9313075	SCREW	2
5	9313065	SCREW	2
6	9143005	NUT	4



## 7441401 - ROCKER MOD

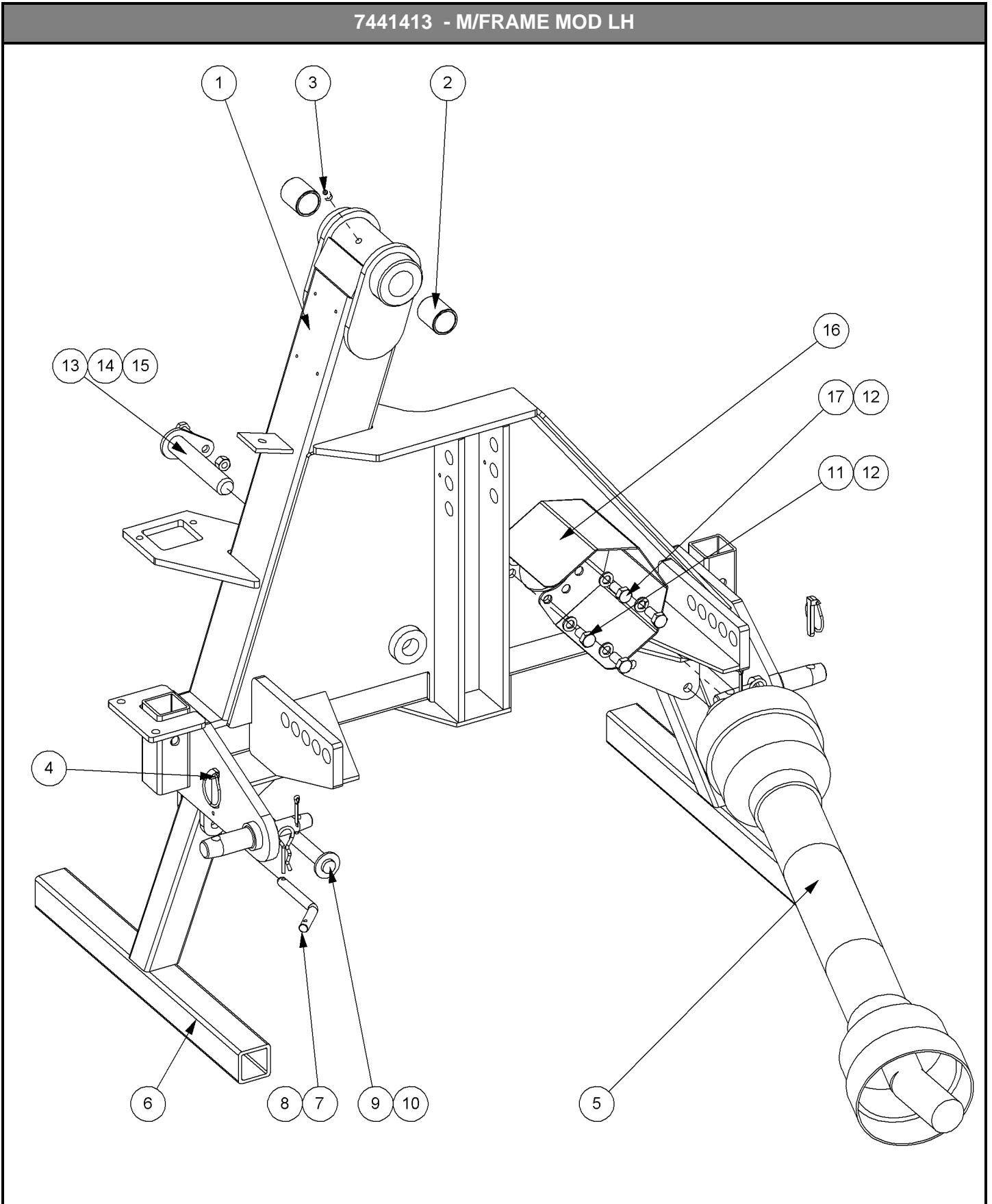
Ref	Part No	Description	Qty
1	41861.02	ROCKER	1
2	41268.02	PIN	2
3	41691.02	PIN	3
4	9313075	SCREW	2
5	9313065	SCREW	3
6	9143005	NUT	5

7441403 - DIPPER UPPER MOD



## 7441403 - DIPPER UPPER MOD

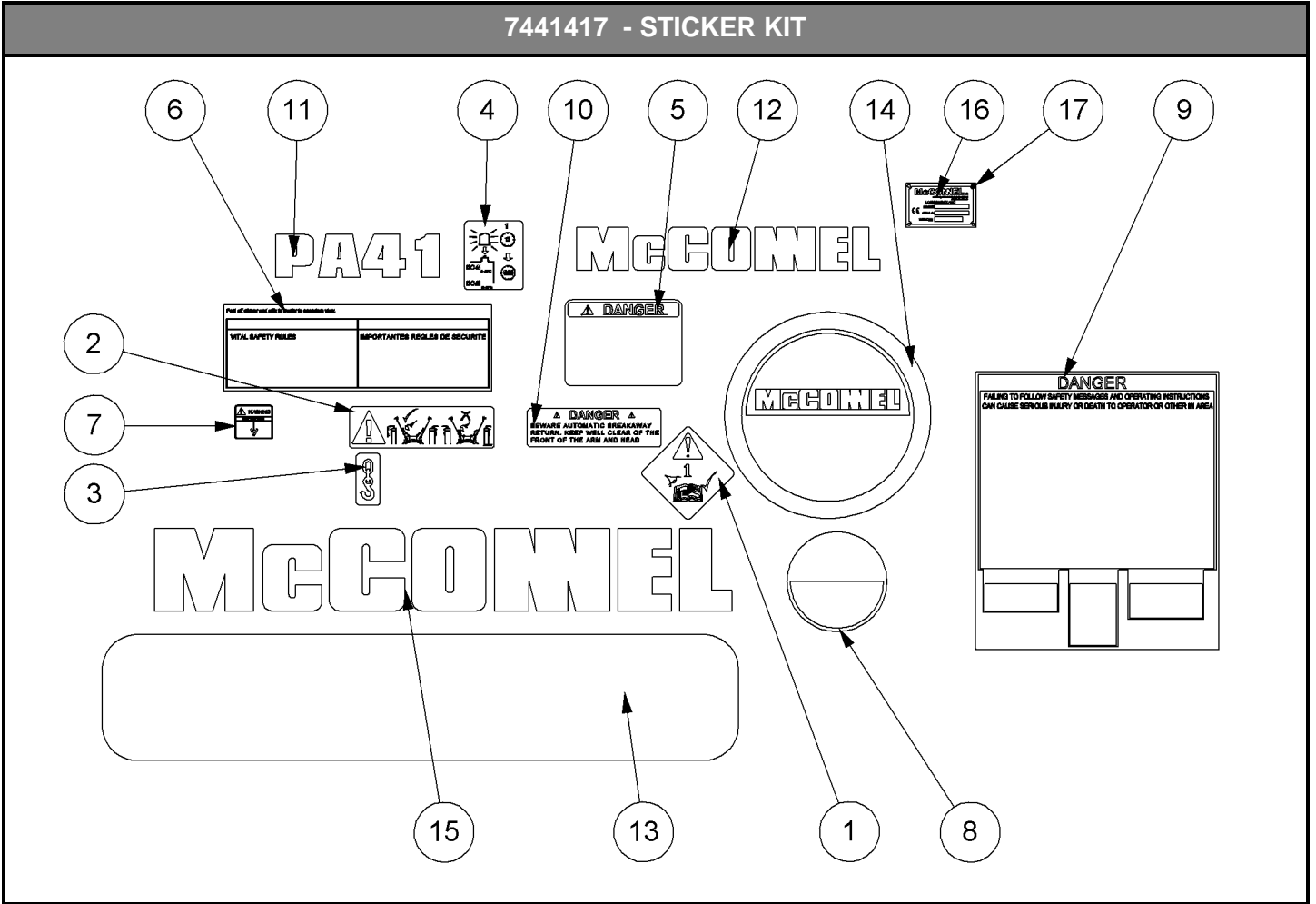
Ref	Part No	Description	Qty
1	41201.04	DIPPER ARM -RH	1
2	21149.01	BUSH	2
3	0901121	GREASER	1
4	41267.05	PIN	1
5	9313055	SCREW	1
6	9143005	NUT	2
8	41269.01	PIN	1
9	9313075	SCREW	1
11	7191036	PIN	1
12	0431105	PIN	1
14	43158.01	HOOP	1
15	9313044	SCREW	2
16	9100204	WASHER	2



## 7441413 - M/FRADE MOD LH

Ref	Part No	Description	Qty
1	41197.05	MAINFRAME	1
3	21149.01	BUSH	2
4	0901121	GREASER	1
5	0431217	PIN	2
6	7114289	PTO SHAFT	1
7	41203.02	LEG	2
8	43020.02	PIN	2
9	0431105	PIN	2
10	1090043	PIN	2
11	9501326	PIN	2
13	9313046	SCREW	1
14	9100206	WASHER	4
15	41267.02	PIN	1
15	9143005	NUT	1
16	9313065	SCREW	1
25	21855.01	PTO GUARD	1
26	9313056	SCREW	3

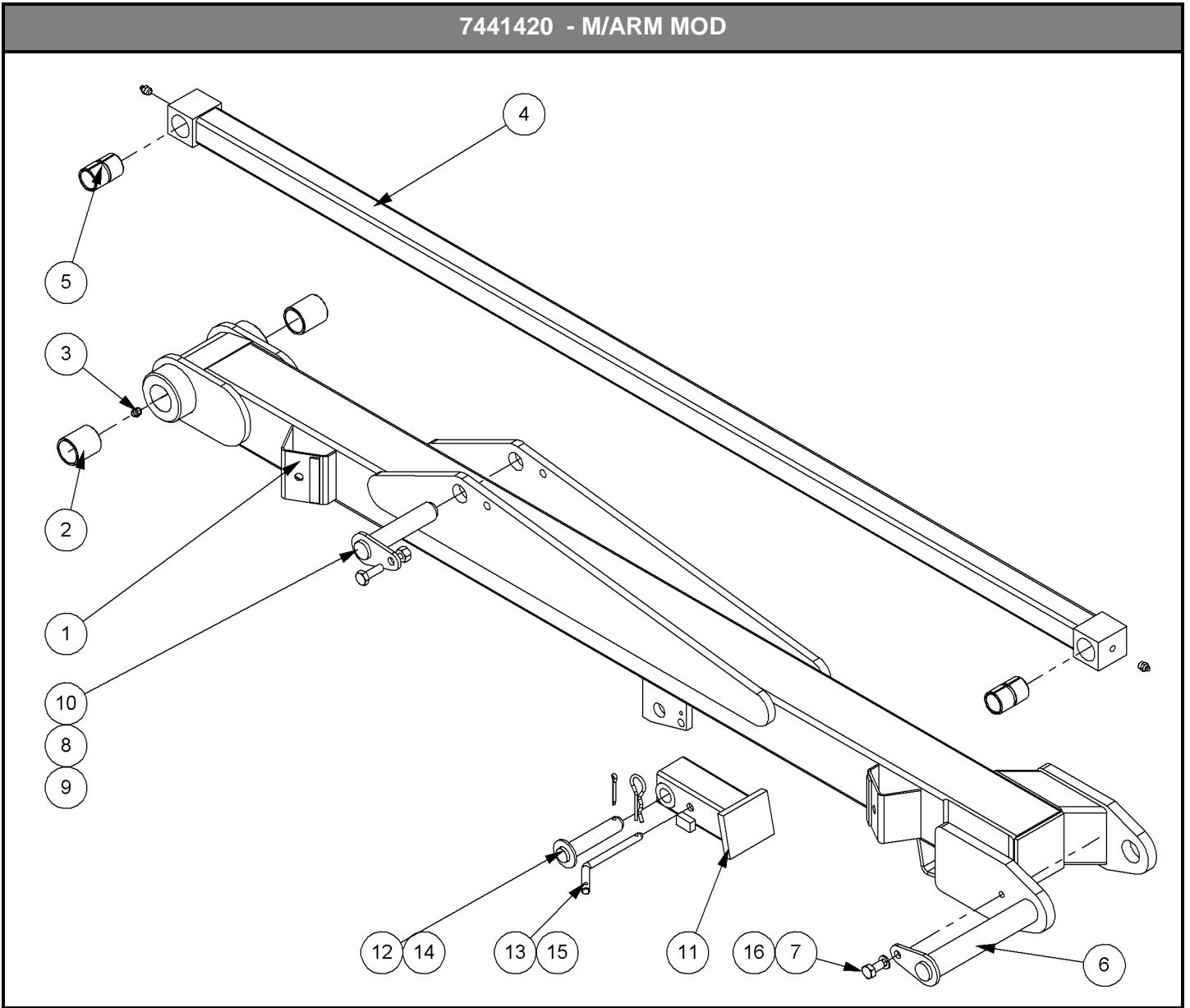
7441417 - STICKER KIT





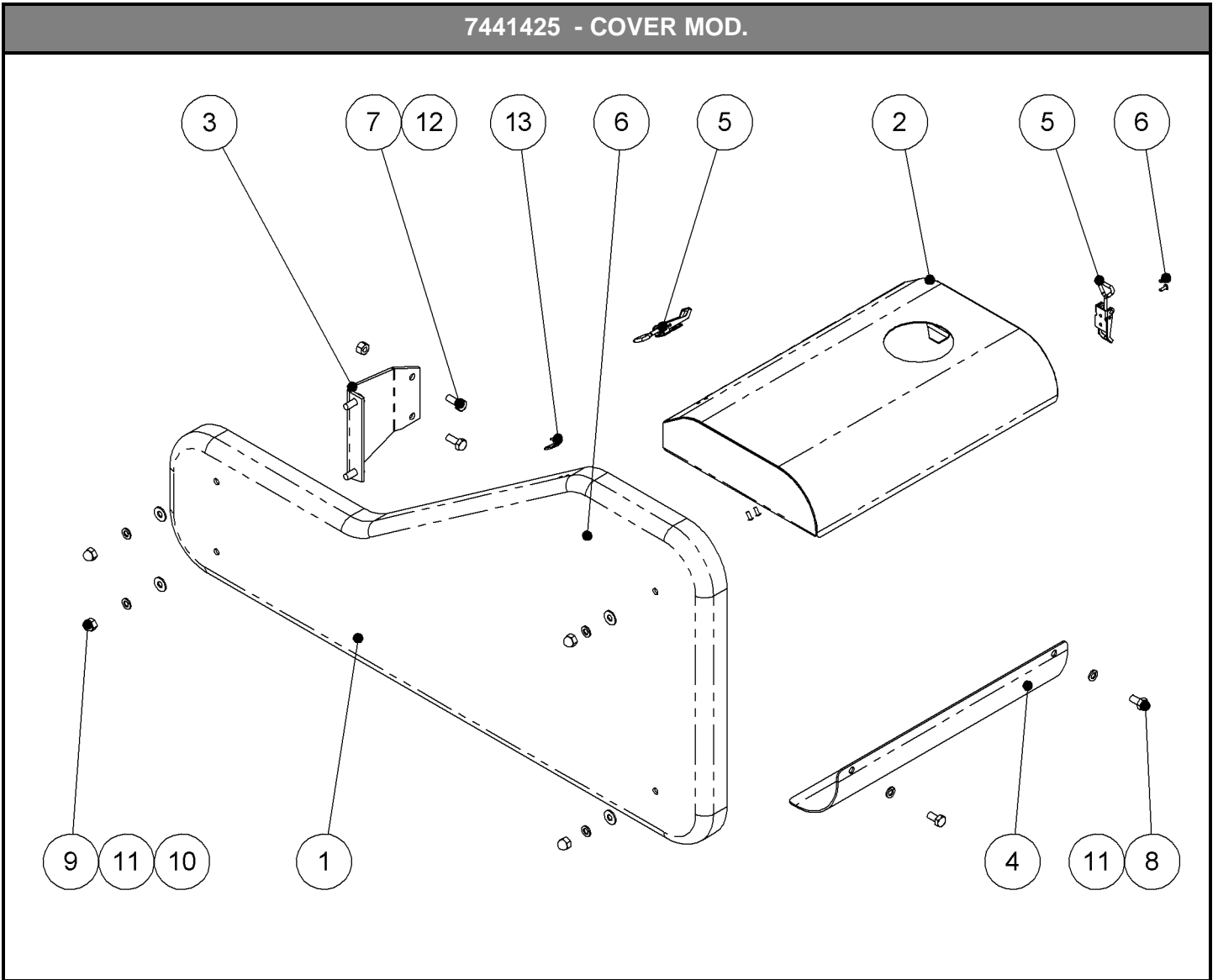
## 7441417 - STICKER KIT

Ref	Part No	Description	Qty
1	7105130	DECAL	1
2	7135295	DECAL	1
3	1290074	DECAL	2
4	1290023	DECAL	1
5	00756494	DECAL	1
6	1290352	DECAL	1
7	02962764	DECAL	5
8	1290296	DECAL	1
9	1290391	DECAL	1
10	1290403	DECAL	1
14	1290530	DECAL	2
15	1290255	DECAL	2
16	1290553	DECAL	1
17	1290554	DECAL	1
18	1290527	DECAL	1
20	1335246	SERIAL NO.PLATE	1
21	7103230	RIVET	4



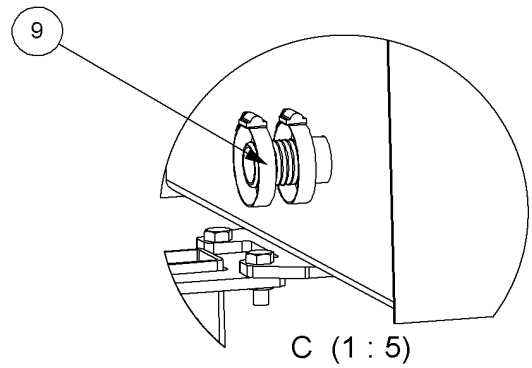
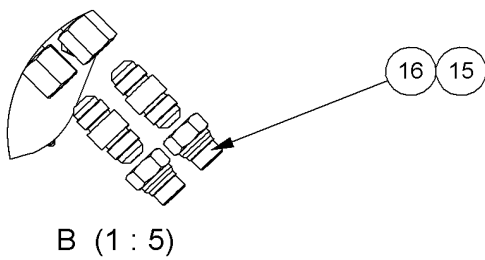
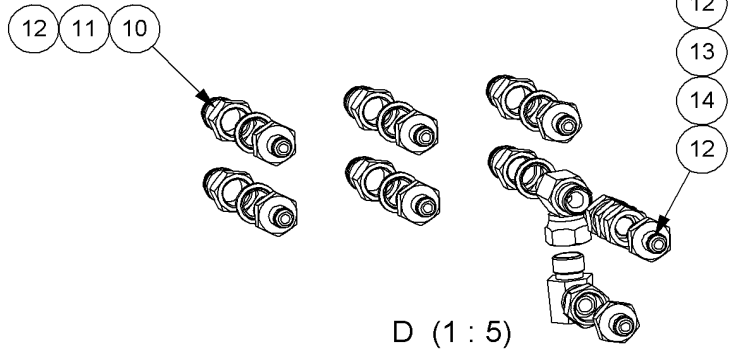
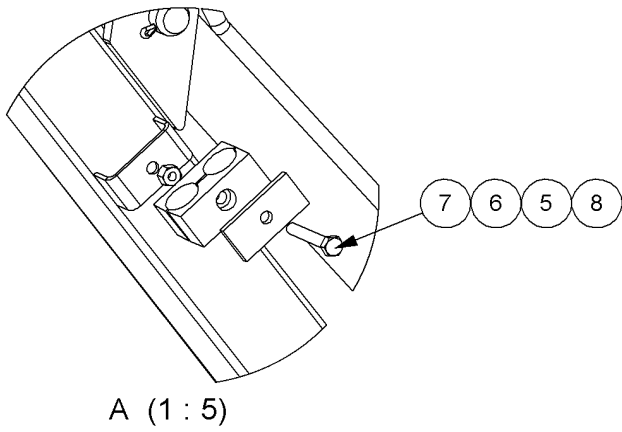
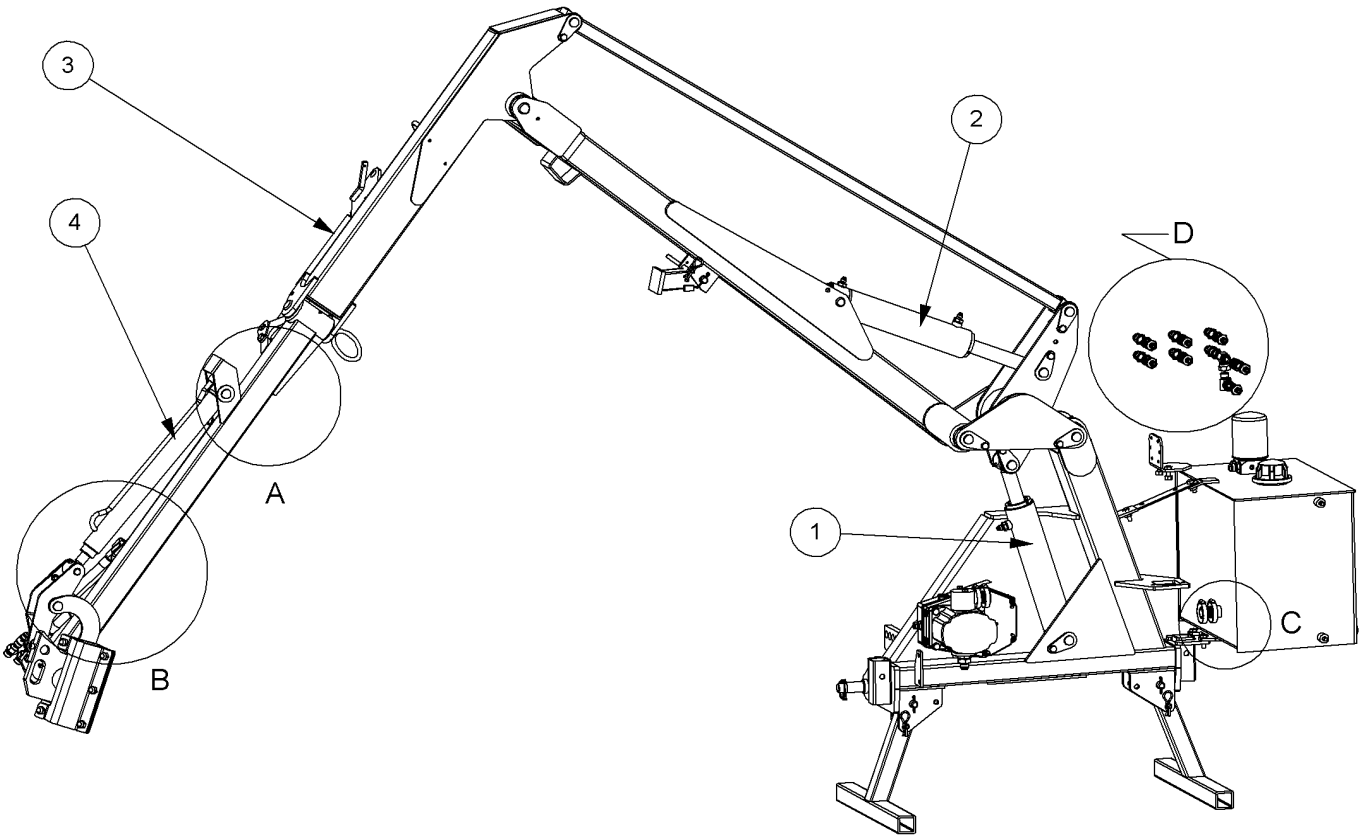
## 7441420 - M/ARM MOD

Ref	Part No	Description	Qty
1	41199.05	MAIN ARM	1
2	21149.01	BUSH	2
3	0901121	GREASER	3
4	41200.02	TENSION LINK	1
5	7105050	BUSH	2
6	41268.02	PIN	1
7	9313045	SCREW	1
8	9143005	NUT	1
9	41691.04	PIN	1
10	9313065	SCREW	1
12	43021.05	TRANSPORT PROP	1
13	43114.01	PIN	1
14	43115.01	PIN	1
15	9501326	PIN	1
16	0431105	PIN	1
16	9100205	WASHER	1



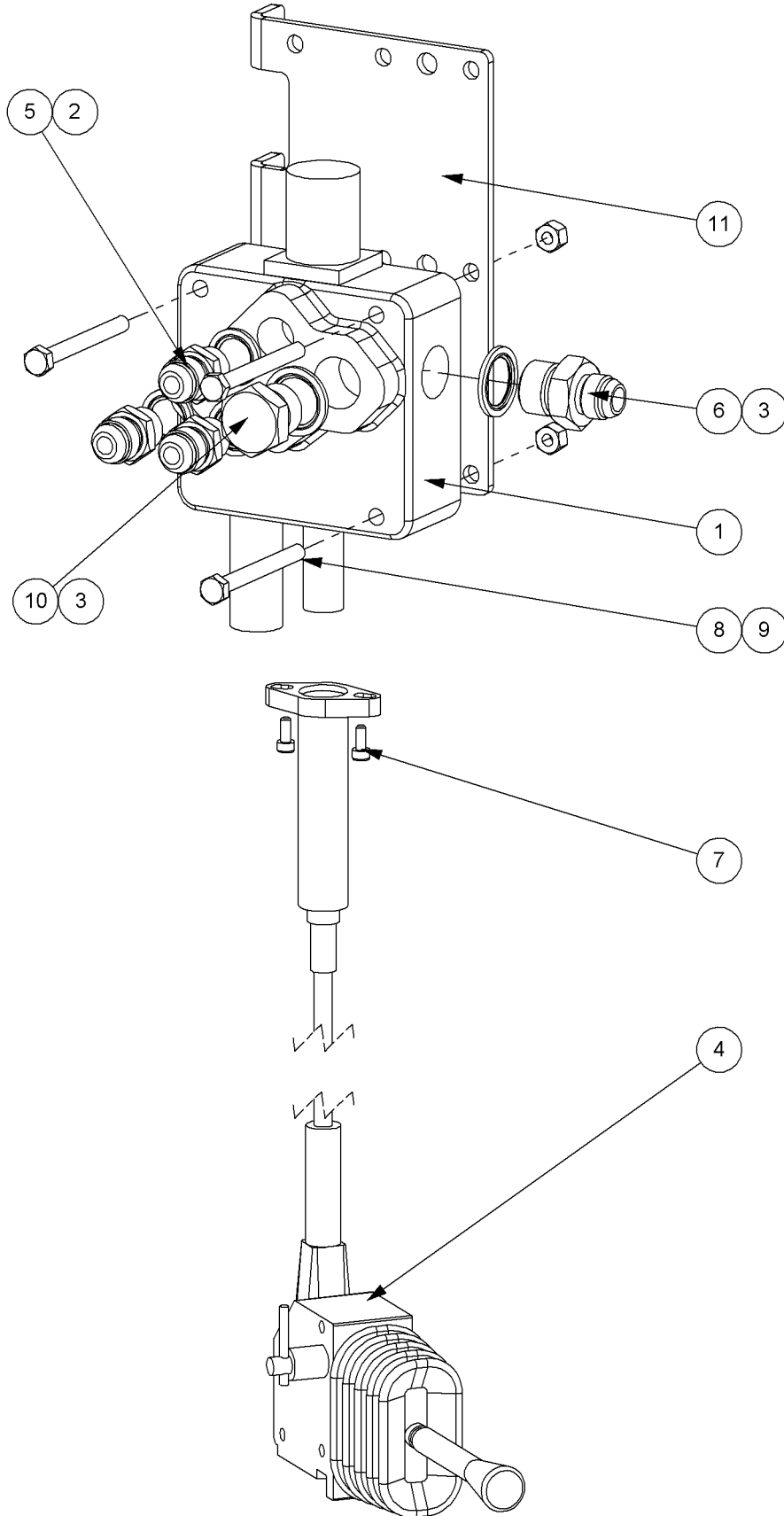
## 7441425 - COVER MOD.

Ref	Part No	Description	Qty
1	45629.01	REAR COVER	1
2	45633.01	COVER	1
3	45636.01	BRACKET	1
4	45638.01	FAIRING	1
5	43449.02	FASTENER	2
6	1069088	RIVET	6
7	9313055	SCREW	2
8	9313045	SCREW	2
9	9100025	NUT	4
10	9100105	WASHER	8
11	9100205	WASHER	6
12	9143005	NUT	2
13	46007.01	HOOK	1



## 7441445 - HYD INST MOD JIC

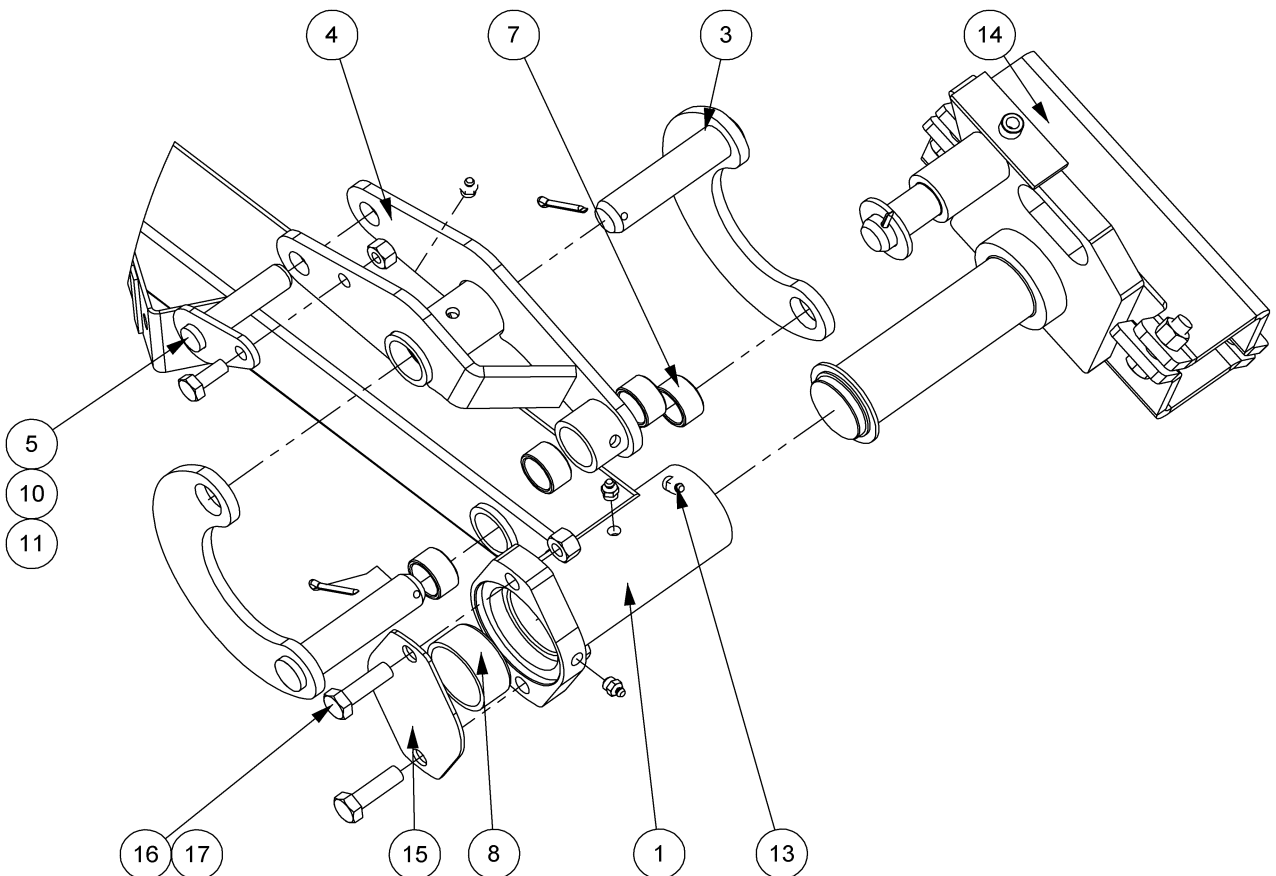
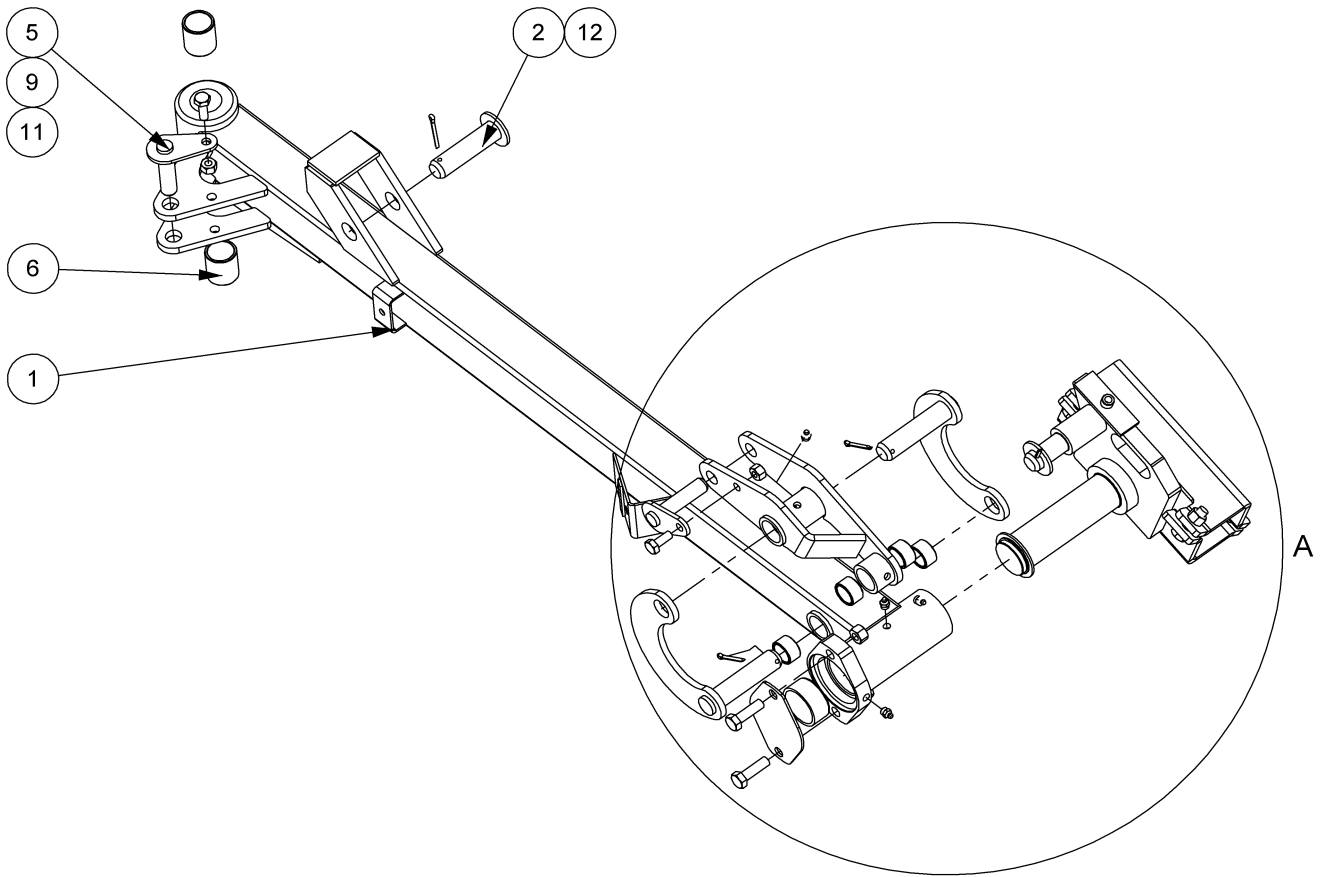
Ref	Part No	Description	Qty
1	41014.14	LIFT RAM ASSY JIC	1
2	41014.15	REACH RAM ASSY JIC	1
3	7198293	BREAK AWAY RAM	1
4	7442258	RAM ASSY	1
5	06.430.09	CLAMP (2 PCS)	4
6	06.418.03	PLATE	4
7	9213114	BOLT	4
8	9143004	NUT	4
9	0904107	CLIP	4
10	8590074	COUPLING	6
11	8650104	SEAL	6
12	8581278	1/2BSP-9/16JIC	7
13	04.056.13	ADAPTOR	1
14	G3813054	1/2"BSP FEMALE	1
15	41297.33	UNION	2
16	05.433.13	PLUG	2
17	G5200331	ELBOW	1
18	00900913	SLEEVE	1020





## 7446525 - CABLE REVERSING MOD

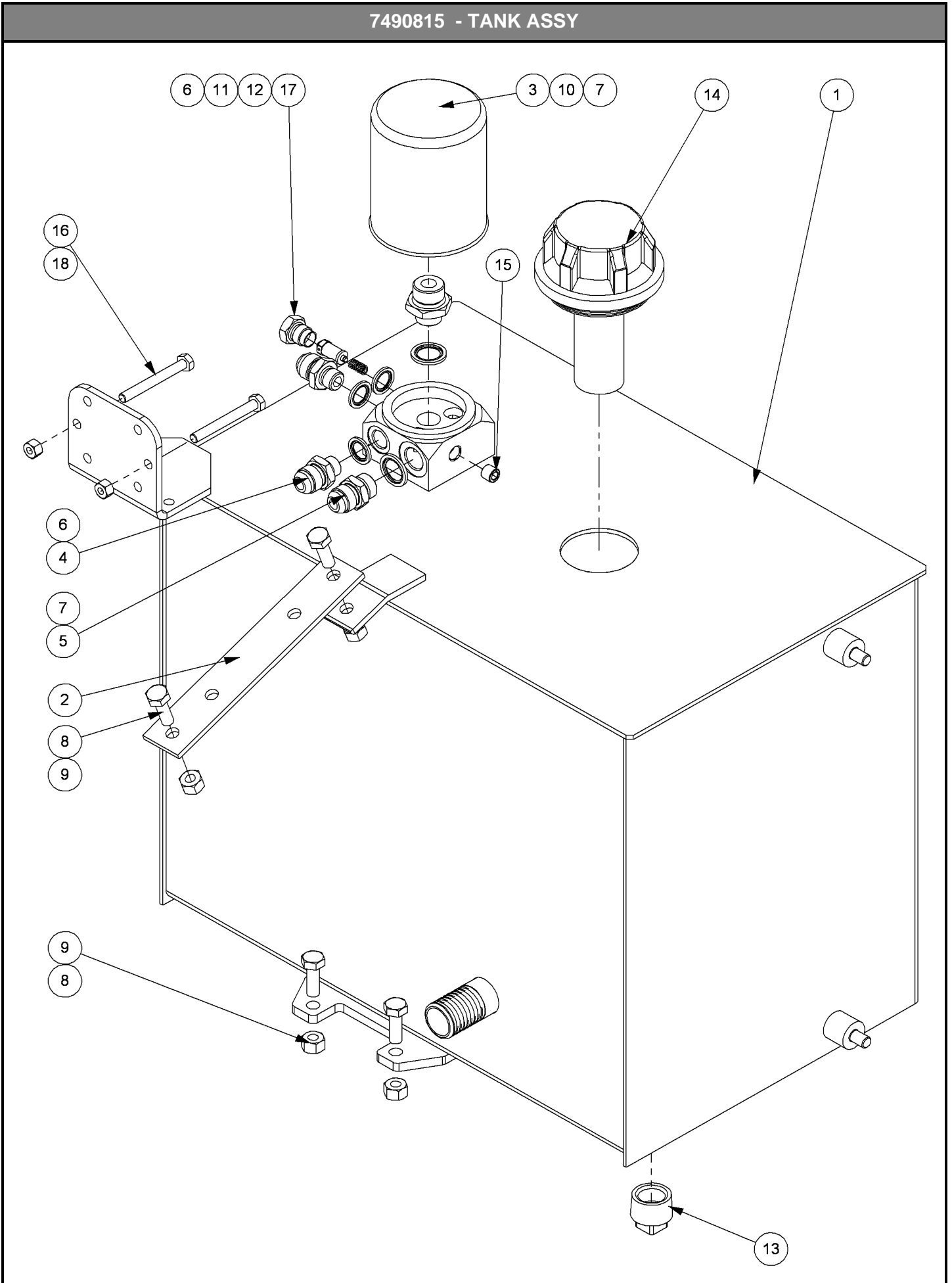
Ref	Part No	Description	Qty
1	8125343	VALVE	1
2	8650104	SEAL	3
3	8650106	SEAL	2
4	8017039	CABLE	1
5	8581226	ADAPTOR	3
6	8581271	ADAPTOR	1
7	9343022	SCREW	2
8	9213164	BOLT	3
9	9143004	NUT	3
10	05.313.01	PLUG	1
11	41328.01	BRACKET	1



## 7490711 - MOD-D.LOWER-RH

Ref	Part No	Description	Qty
1	41202.02	DIPPER ARM -RH	1
2	7191041	PIN	1
3	41206.01	RADIUS ARM	2
4	41207.02	LINK	1
5	41270.01	PIN	2
6	21149.01	BUSH	2
7	7214060	BUSH	6
8	1090001	BEARING	2
9	9313065	SCREW	1
10	9313055	SCREW	1
11	9143005	NUT	2
12	9501406	PIN	3
13	0901121	GREASER	5
14	7490813	BRACKET KIT	1
15	41261.44	PLATE	1
16	9313086	SCREW	2
17	9143006	NUT	2

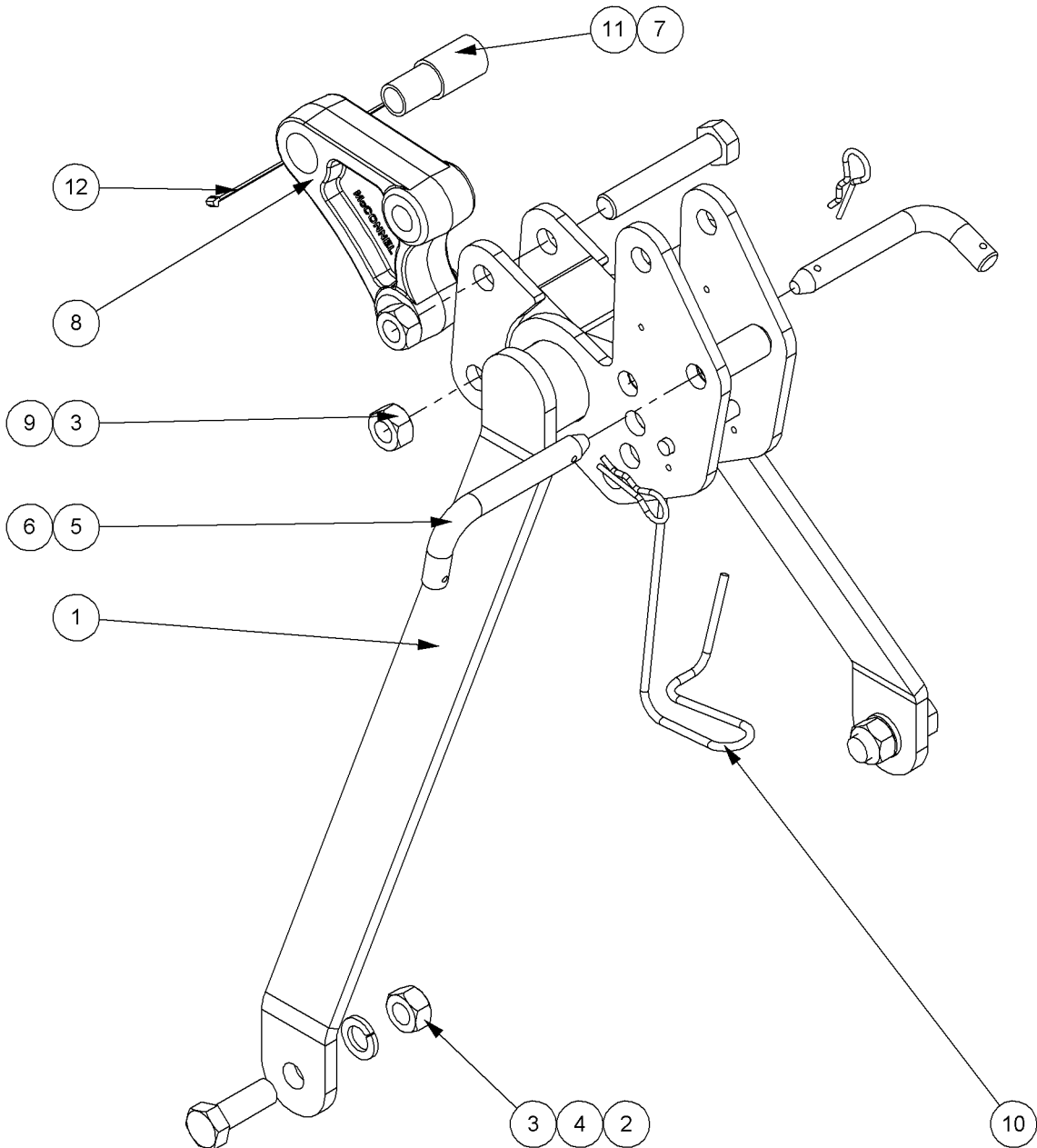
7490815 - TANK ASSY



## 7490815 - TANK ASSY

Ref	Part No	Description	Qty
1	41196.05	TANK WDMT	1
2	41204.01	TANK STRAP	1
3	8401045	FILTER	1
4	8581222	ADAPTOR	2
5	8581226	ADAPTOR	1
6	8650103	SEAL	3
7	8650104	SEAL	2
8	9313065	SCREW	4
9	9143005	NUT	4
10	8581174	UNION	1
11	8116011	SPRING	1
12	8130030	VALVE	1
13	8581203	PLUG	1
14	T6334	FILLER/BREATHER	1
15	8582042	PLUG	1
16	9213144	BOLT	2
17	8130031	CAP	1
18	9143004	NUT	2

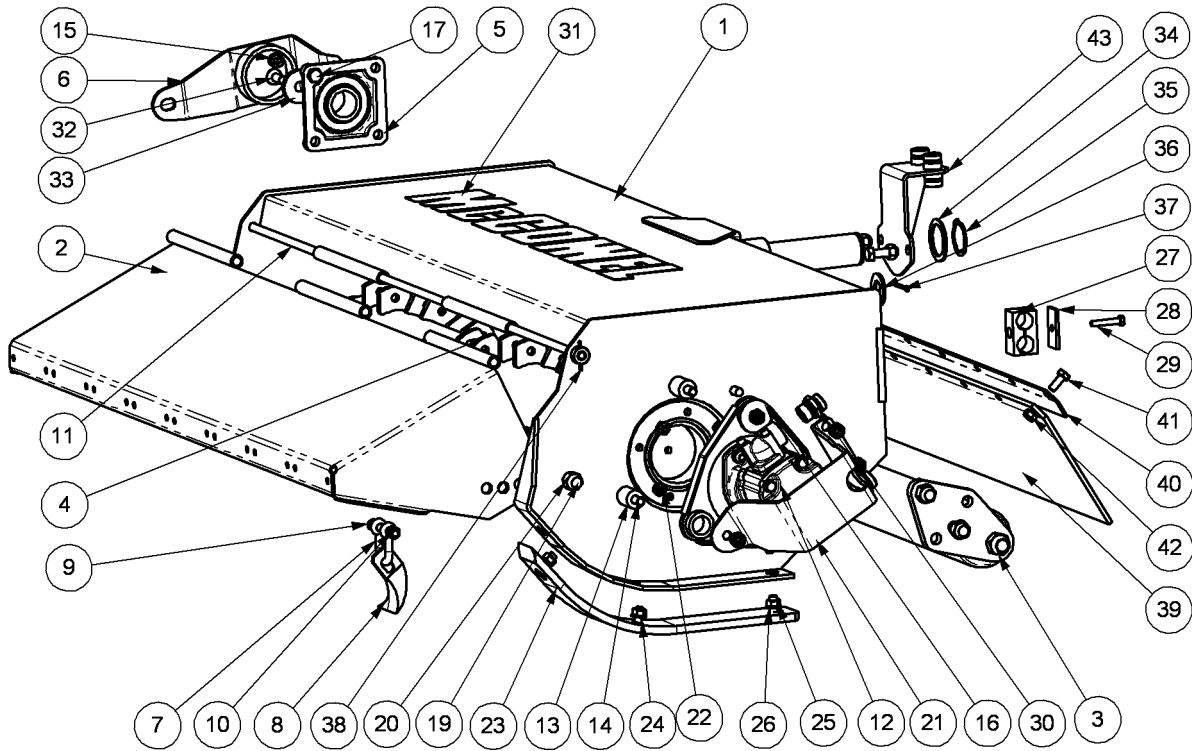
7499613 - STABILIZER MOD



## 7499613 - STABILIZER MOD

Ref	Part No	Description	Qty
1	41205.02	STABILIZER	1
2	9313118	SETSCREW	2
3	9113008	NUT	4
4	9100208	WASHER	2
6	7192026	PIN	2
7	0431105	PIN	2
8	1467063	SLEEVE	2
13	7499506C	TONGUE	1
14	9213228	BOLT	2
15	21160.03	HOOK	1
16	21883.01	SLEEVE	1
16	7196045	HOSE TIE	1

7441830 - 1.2M HD HOLDER





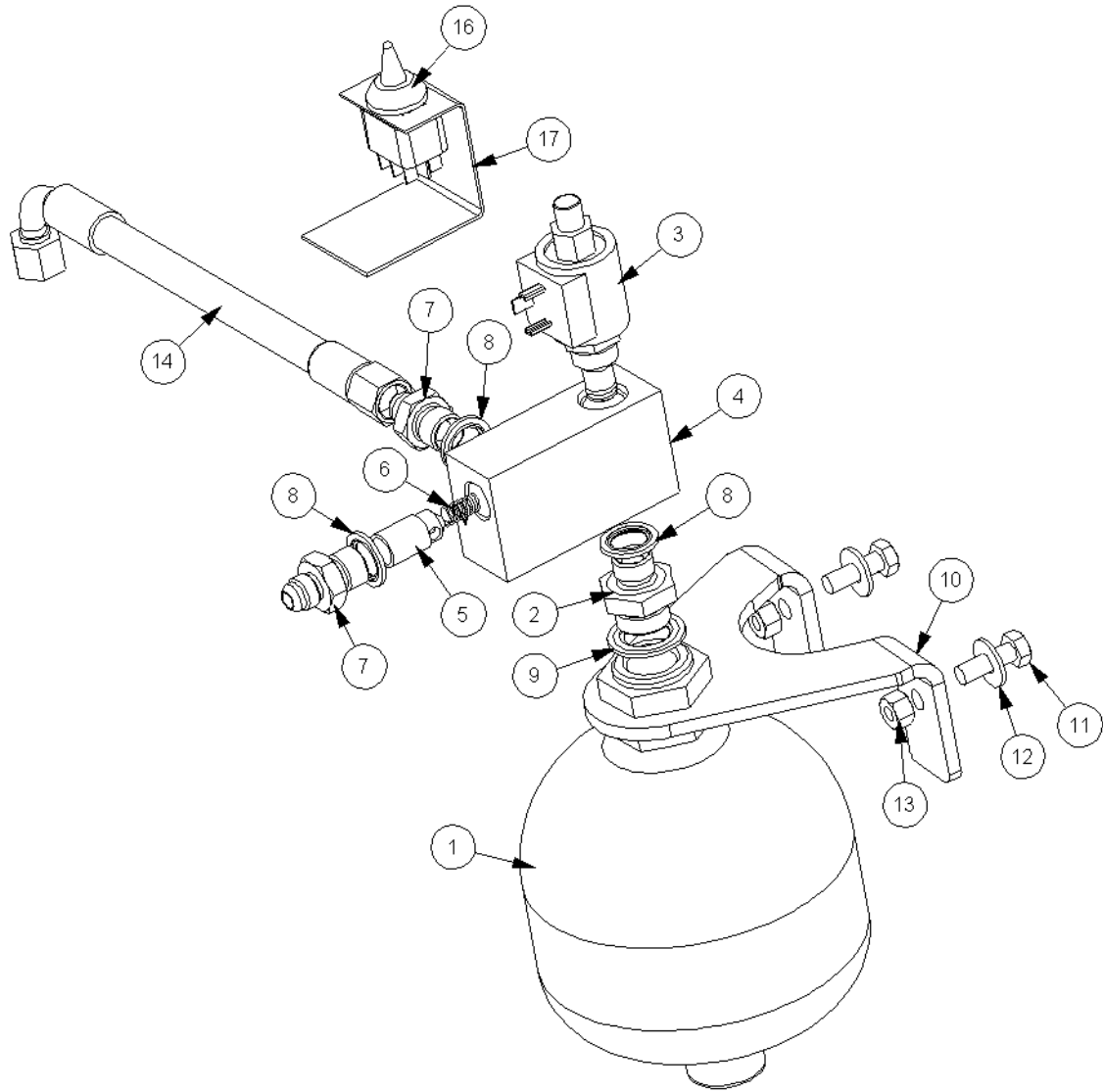
## 7441830 - 1.2M HD HOLDER

Ref	Part No	Description	Qty
1	22116.01	CASING	1
2	22123.01	HOOD W/ASSY	1
3	21960.02	ROLLER MODULE	1
4	45727.01	ROTOR WDMT	1
5	03.008.01	BEARING	1
6	42496.02	COVER W/ASSY	1
7	7190086	U SHACKLE	24
8	09.374.06	FLAIL	24
9	7190088	BOLT	24
10	0141004	NUT	24
11	7191116	PIN	1
12	42603.03	MOTOR ASSY	1
13	03.871.01	BUSH	3
14	9213136	BOLT	3
15	9163006	NUT	12
16	02.824.01	WASHER	2
17	9313076	SCREW	4
18	9313056	SCREW	3
19	9313087	SCREW	2
20	9143007	NUT	2
21	41288.01	COVER	1
22	05.968.02	NUT	4
23	7290391	SHOE	2
24	6012034	TINE BOLT	6
25	0142004	NUT	6
26	0100104	WASHER	6
27	06.430.09	CLAMP (2 PCS)	2
28	06.418.03	PLATE	2
29	9313094	SCREW	2
30	8581362	ADAPTOR	2
31	21978.02	MODULE	1
32	9353076	CAPSCREW	1
33	42503.01	WASHER	1
34	1090037	WASHER	1
35	0406247	CIRCLIP	1
36	0100109	WASHER	1
37	9501406	PIN	1
38	9501325	PIN	1

## M1019248

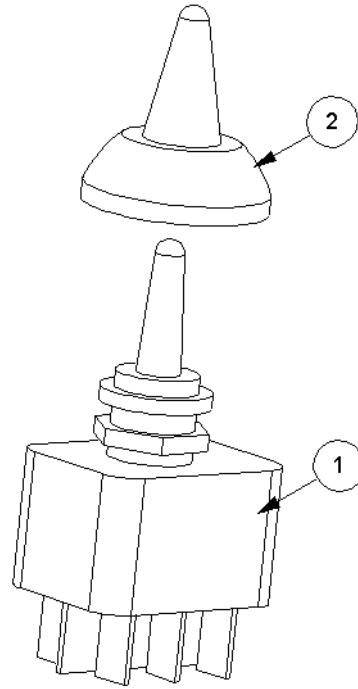
39	7191361	FLAP	1
40	7191362	CLAMP STRIP	1
41	9313055	SCREW	10
42	9163005	NUT	10
43	41297.03	BRACKET	1
44	9313086	SCREW	2
45	8501385	HOSE	2





## 8126296 - FLOAT KIT

Ref	Part No	Description	Qty
1	8126042	ACCUMULATOR	1
2	G2410380	ADAPTOR	1
3	8130183	VALVE	1
4	8126287	BLOCK	1
5	8126037	PISTON	1
6	8116011	SPRING	1
7	08.955.06	ADAPTOR	2
8	8650103	SEAL	3
9	8650322	SEAL	1
10	8126286	PLATE	1
11	9313054	SCREW	2
12	9100104	WASHER	2
13	9143004	NUT	2
14	08.957.07	HOSE	1
15	1290061	DECAL	1
16	8402194	SWITCH KIT	1
17	7192081	BRACKET	1



ITEM 3 - POWER SUPPLY HARNESS (not illustrated)

## 8402194 - SWITCH KIT

Ref	Part No	Description	Qty
1	8402182	SWITCH	1
2	8402024	COVER	1
3	8402284	HARNESS	1
4	8402062	CONNECTOR	0
5	8402114	FUSE HOLDER	0
6	8402037	FUSE	0