

Parts Manual for

WGC No: 7247933

PA47MK4 RH TI JIC CABLE-CABLE CW LIFT & ANGLE FLOAT

Print date: 28/09/2010

CONTENTS

Page No	Schedule No	Schedule Description
1	41571.86	MANUAL
3	7146711	STABILIZER MODULE
5	7147703	MAIN FRAME MODULE
7	7147705	ROCKER MODULE
9	7147707	MAIN ARM MODULE
11	7147711	DIPPER ARM MODULE
13	7147715	COVERS MODULE
15	714772227	HOSE KIT
17	7147734	VALVE ASSY
19	22595.09	LEVER KIT
21	7147751	DECALS MODULE
23	7147752	DECALS MODULE
25	7147763	PACKING MODULE
27	7147777	HYD.INST.MODULE
31	22600.01	RAM ASSY
33	7198377	RAM
35	7198377	RAM
37	7150705	TANK MODULE
39	8401088	FILTER ASSY
41	7170709	ANGLING MODULE
43	7313282	CAB CTRL MTG MOD
45	7313324	GUARD KIT
47	8013611	PUMP & G.BOX ASSY
49	21931.01	GEARBOX
51	8201466	HYD PUMP
53	8126347	FLOAT KIT
55*	7198817	1.2M RH UNIV HD
59*	42241.23	USE 22808.01
61*	7191368	STICKER KIT
63*	7290375	FLAP KIT

* optional component

Publication 586
March 2009
Part No. 41571.86



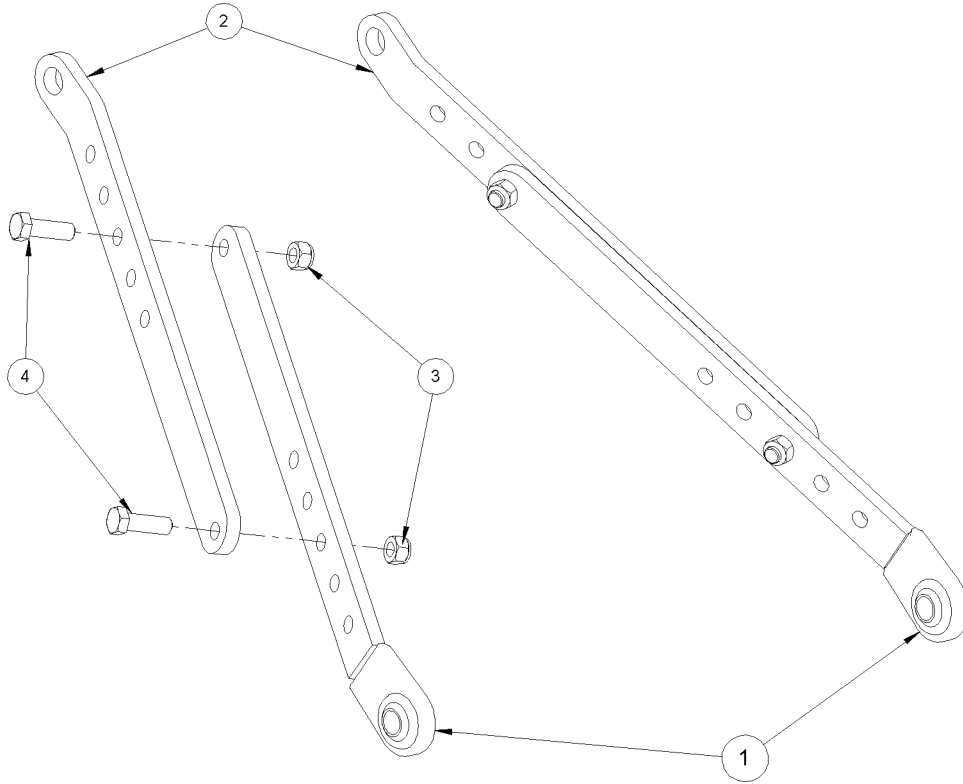
PA47

Mk3 & Mk4

Operator Manual



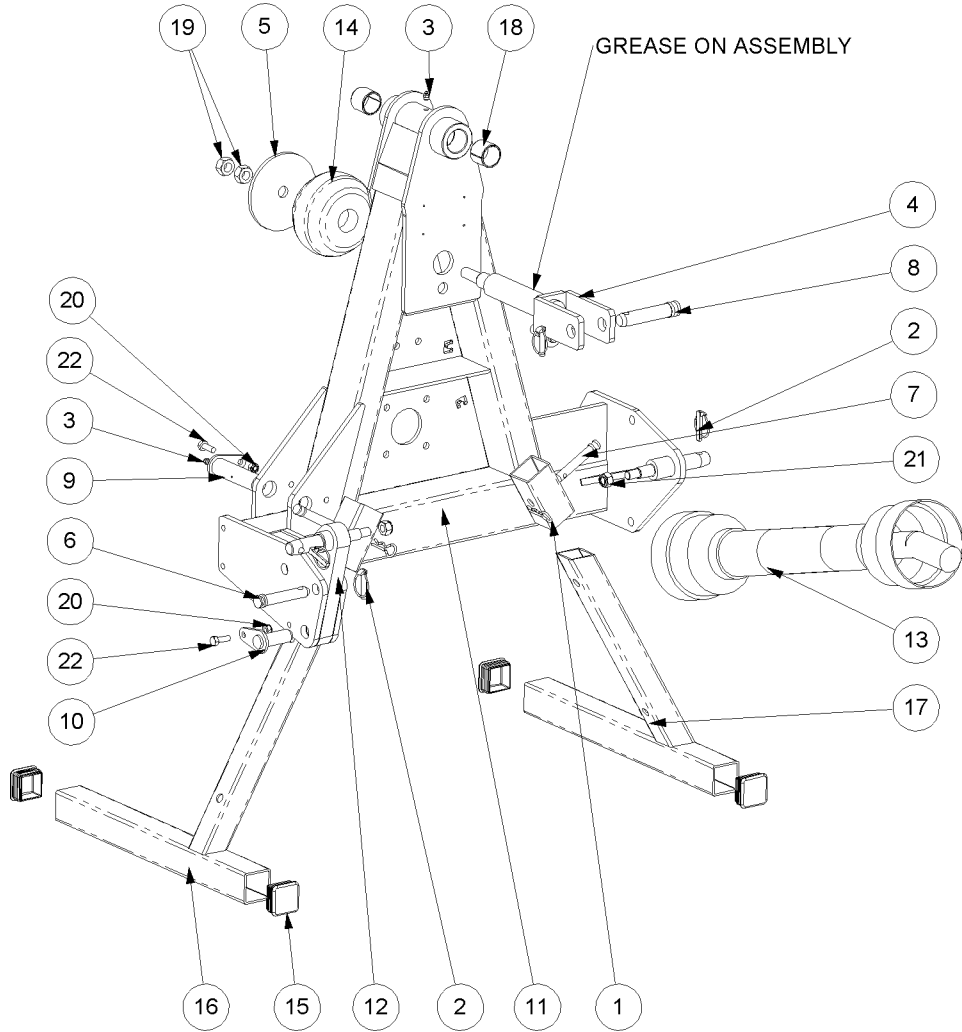
7146711 - STABILIZER MODULE



7146711 - STABILIZER MODULE

Ref	Part No	Description	Qty
1	42366.06	STABILIZER	2
2	42366.07	STABILIZER	2
3	9163007	NUT	4
4	9213107	BOLT	4

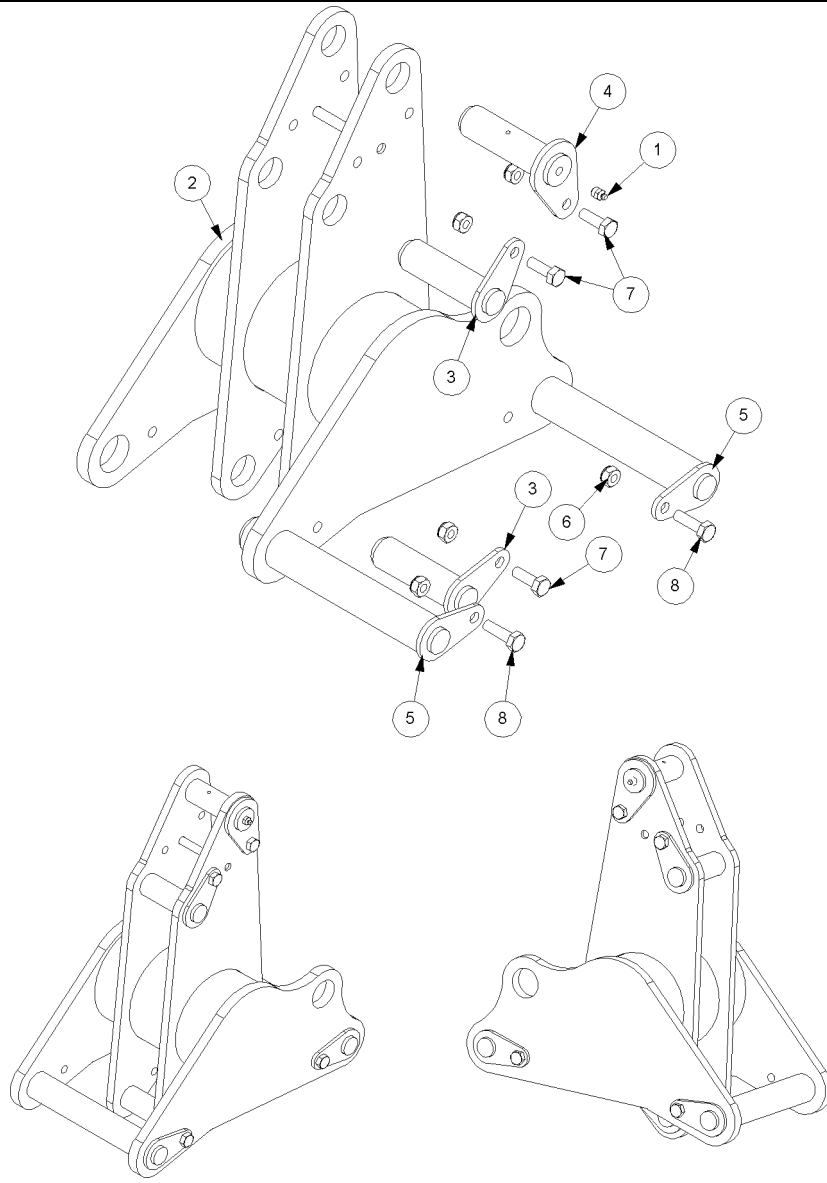
7147703 - MAIN FRAME MODULE



7147703 - MAIN FRAME MODULE

Ref	Part No	Description	Qty
1	0431105	PIN	2
2	0431217	PIN	4
3	0901121	GREASER	2
4	21557.01	BRACKET	1
5	21558.01	PLATE	1
6	21770.01	PIN	1
7	21997.01	PIN	2
8	41267.06	PIN	1
9	41692.03	PIN	1
10	41693.06	PIN	1
11	41860.10	MAINFRAME	1
12	42350.01	LINK	1
13	7114289	PTO SHAFT	1
14	7135033	RUBBER SPRING	1
15	7191108	BUNG	4
16	7198016	LEG	1
17	7198046	LEG -LH	1
18	7213023	BUSH	2
19	9113008	NUT	2
20	9163005	NUT	2
21	9163007	NUT	2
22	9313065	SCREW	2

7147705 - ROCKER MODULE



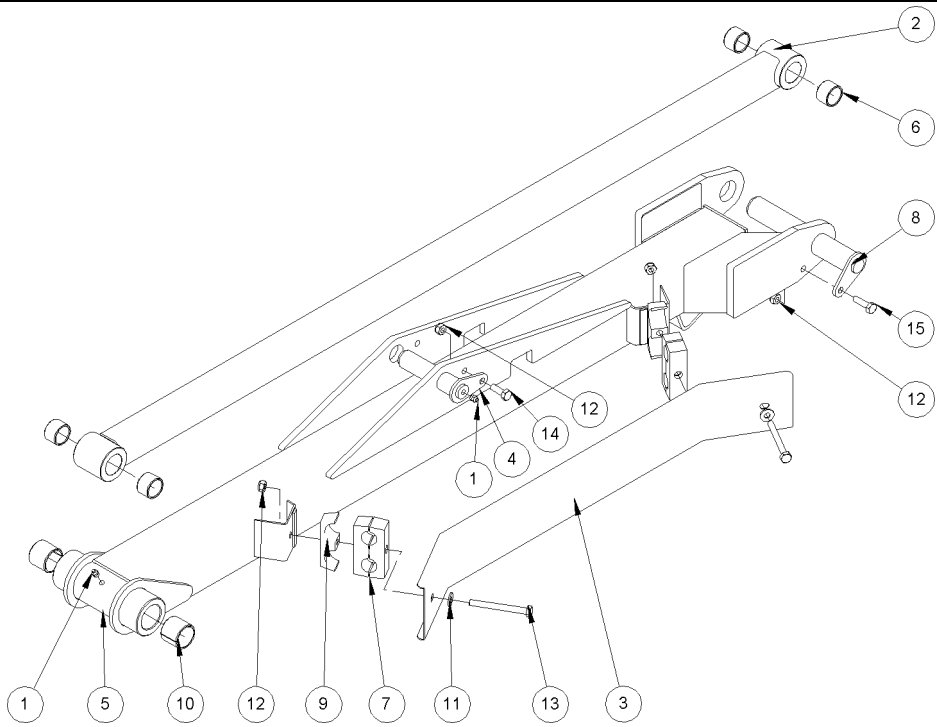
SHOWN ASSEMBLED
FOR LH MACHINE BUILD

SHOWN ASSEMBLED
FOR RH MACHINE BUILD

7147705 - ROCKER MODULE

Ref	Part No	Description	Qty
1	0901121	GREASER	1
2	41861.01	ROCKER	1
3	41692.02	PIN	2
4	41692.13	PIN W.A.	1
5	7191033	PIN	2
6	9163005	NUT	5
7	9313065	SCREW	3
8	9313075	SCREW	2

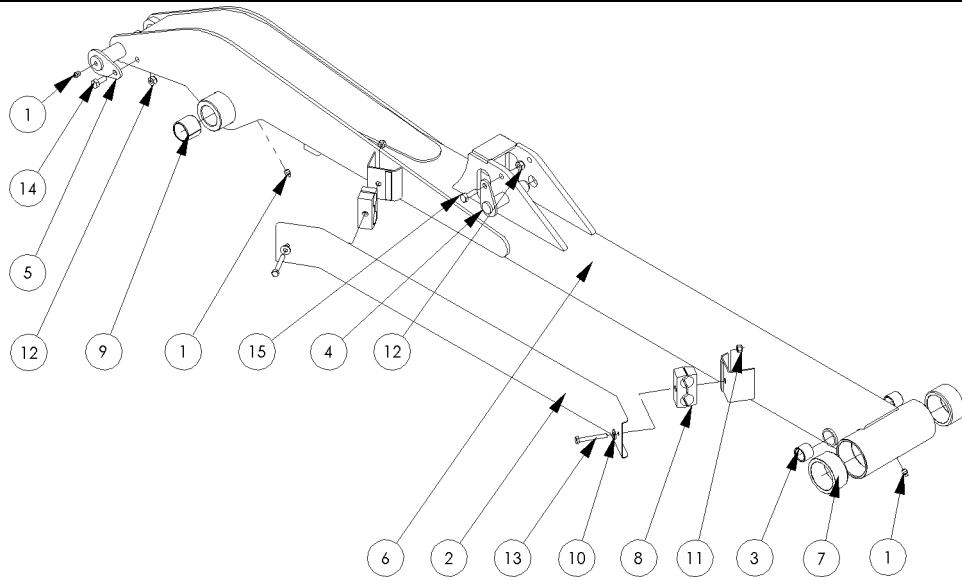
7147707 - MAIN ARM MODULE



7147707 - MAIN ARM MODULE

Ref	Part No	Description	Qty
1	0901121	GREASER	2
2	22499.01	TENSION LINK	1
3	22556.01	HOSE COVER	1
4	41692.03	PIN	1
5	41862.01	MAIN ARM WMT-LH	1
6	6012032	BUSH	4
7	7190148	CLAMP -2	2
8	7191033	PIN	1
9	7193063	CLAMP	1
10	7213023	BUSH	2
11	9100105	WASHER	2
12	9163005	NUT	4
13	9213205	BOLT	2
14	9313065	SCREW	1
15	9313075	SCREW	1

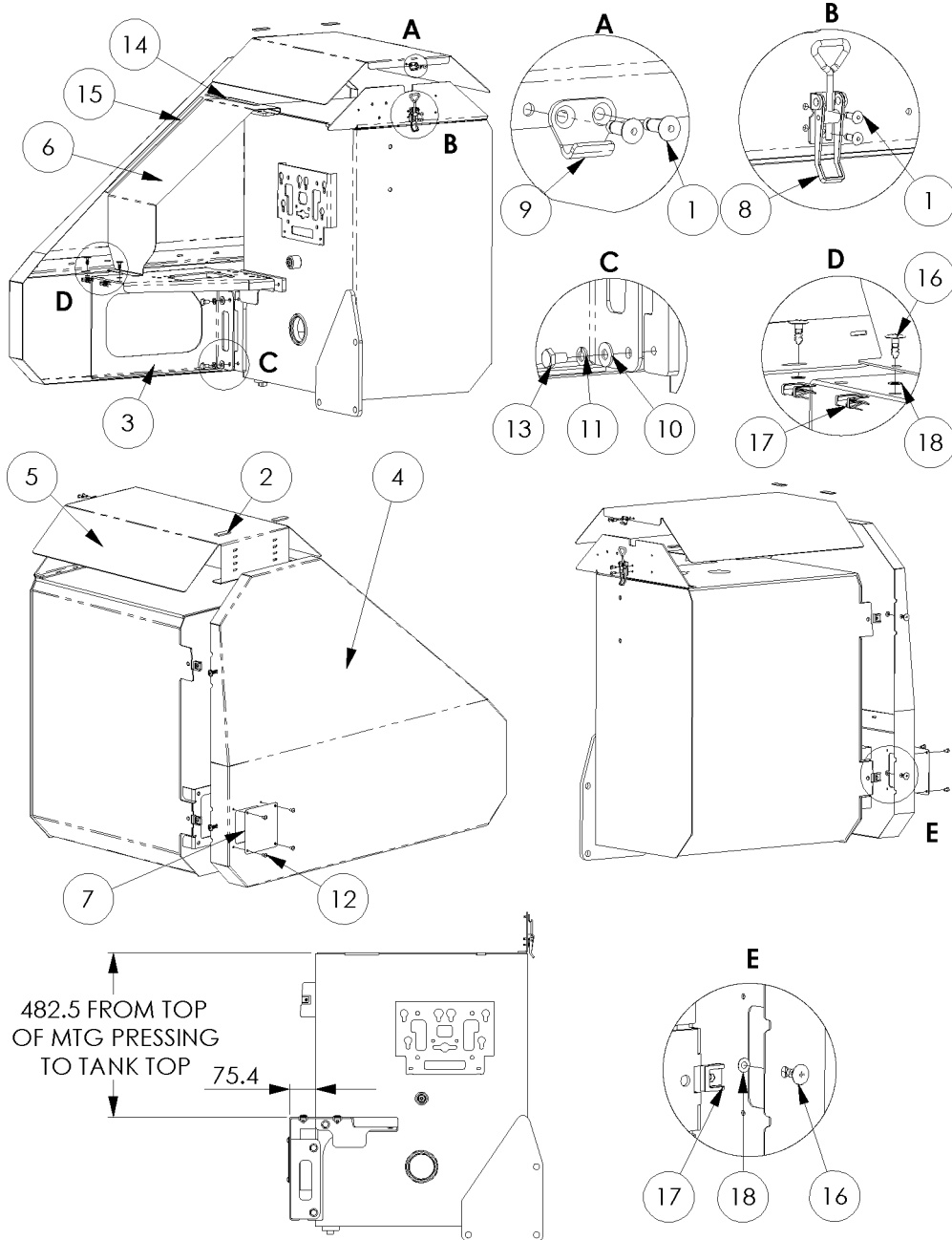
7147711 - DIPPER ARM MODULE



7147711 - DIPPER ARM MODULE

Ref	Part No	Description	Qty
1	0901121	GREASER	4
2	22556.02	HOSE COVER	1
3	41690.01	BUSH	2
4	41691.01	PIN	1
5	41692.14	PIN W.A.	1
6	41869.08	DIPPER ARM	1
7	7136035	BUSH	2
8	7198077	CLAMP	2
9	7213023	BUSH	2
10	9100104	WASHER	2
11	9163004	NUT	2
12	9163005	NUT	2
13	9213124	BOLT	2
14	9313055	SCREW	1
15	9313065	SCREW	1

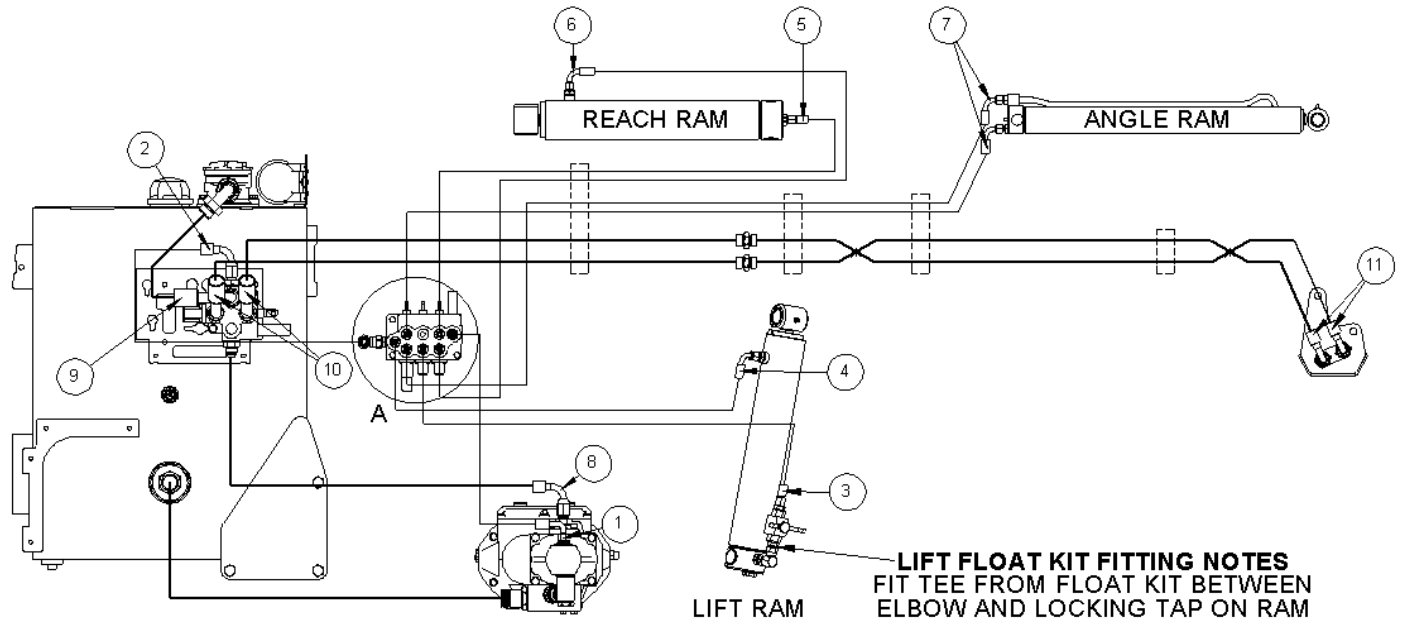
7147715 - COVERS MODULE



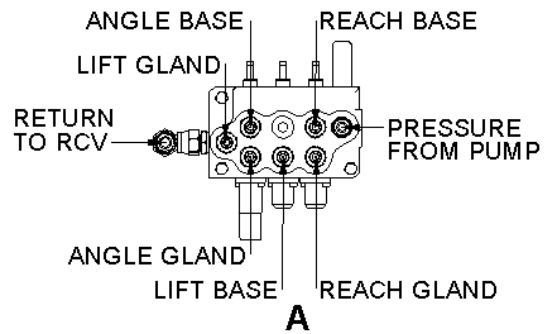
7147715 - COVERS MODULE

Ref	Part No	Description	Qty
1	21612.01	RIVET	4
2	21726.31	PAD	2
3	22472.02	COVER -RH	1
4	22476.04	REAR COVER	1
5	22477.03	COVER	1
6	22513.02	VALVE COVER	1
7	22531.01	BLANKING PLATE	1
8	43449.02	FASTENER	1
9	46007.01	HOOK	1
10	9100105	WASHER	4
11	9100205	WASHER	4
12	9300164	SCREW	4
13	9313035	SCREW	4
14	21726.34	FOAM STRIP	1
15	21726.35	FOAM STRIP	1
16	22549.01	STUD	4
17	22549.02	RECEPTACLE	4
18	22549.03	RETAINER	4

714772227 - HOSE KIT



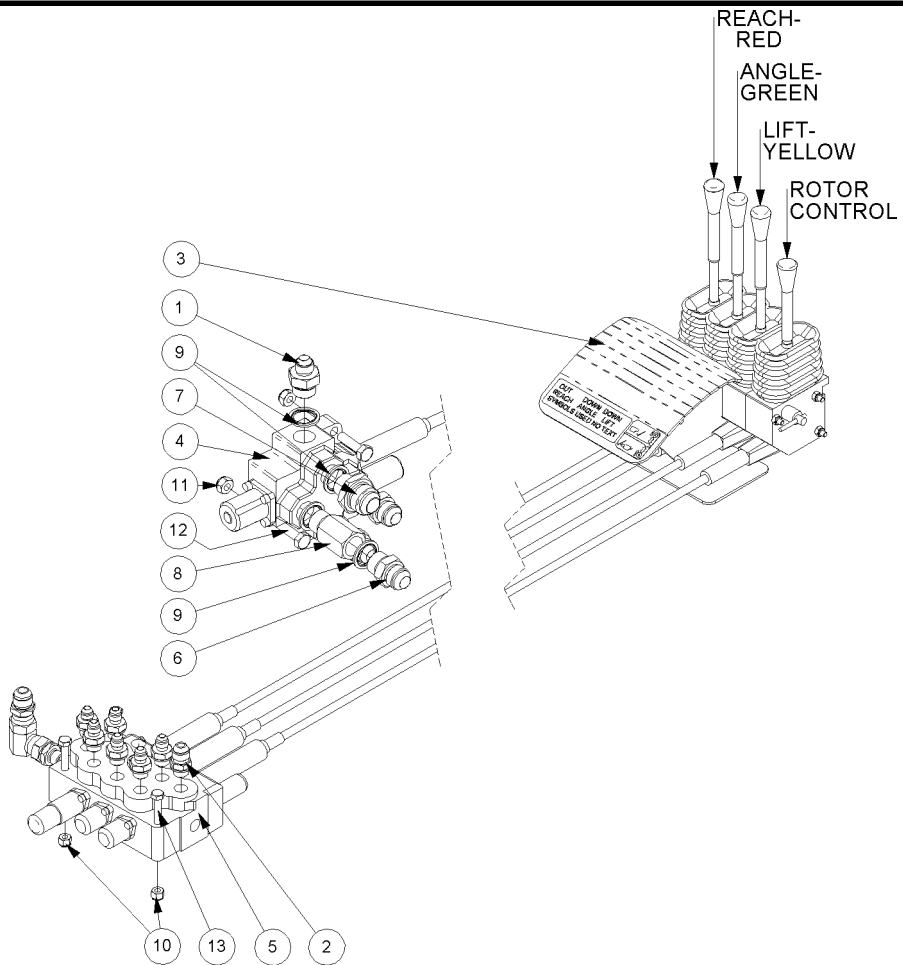
LIFT FLOAT KIT FITTING NOTES
 FIT TEE FROM FLOAT KIT BETWEEN
 ELBOW AND LOCKING TAP ON RAM



714772227 - HOSE KIT

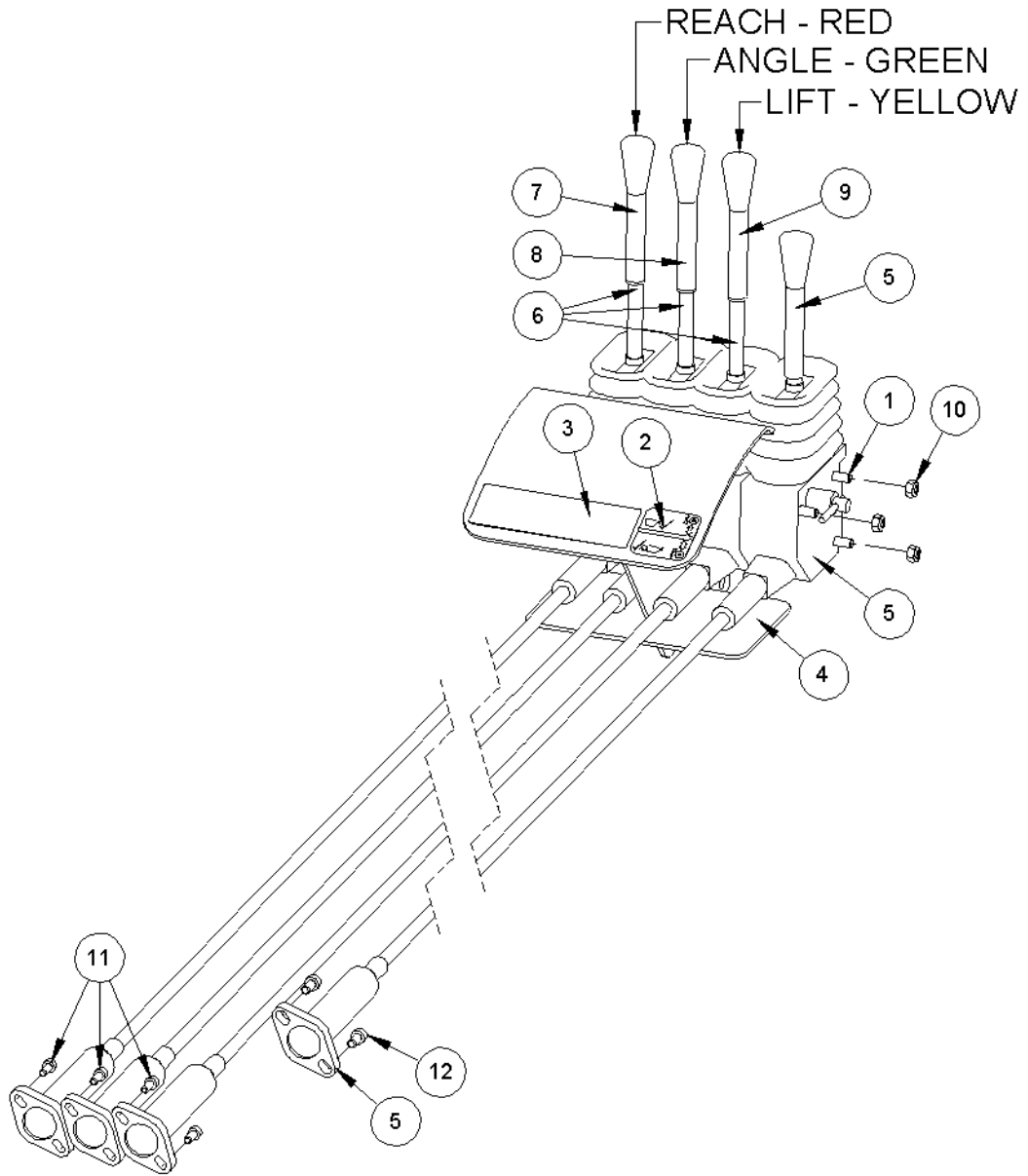
Ref	Part No	Description	Qty
1	08.958.14	HOSE	1
2	41671.11	HOSE	1
3	41721.20	HOSE	1
4	08.957.18	HOSE	1
5	41721.33	HOSE	1
6	08.957.36	HOSE	1
7	08.957.44	HOSE	2
8	08.959.04	HOSE	1
9	08.961.02	HOSE	1
10	41677.07	HOSE	2
11	08.959.40	HOSE	2

7147734 - VALVE ASSY



7147734 - VALVE ASSY

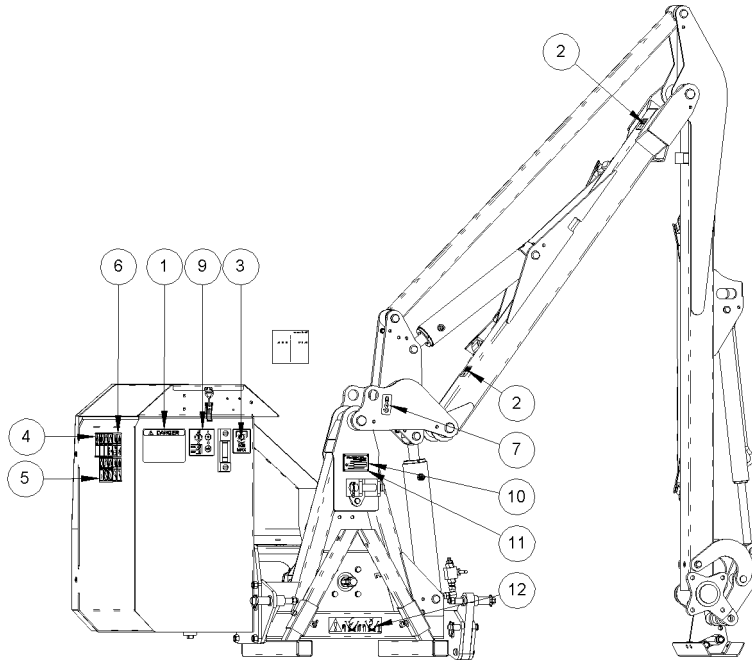
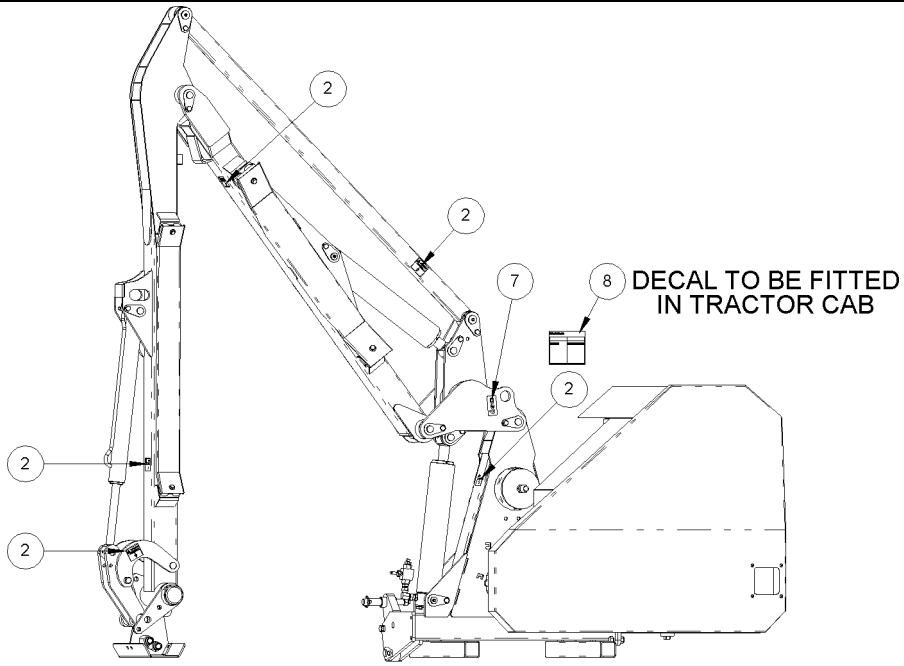
Ref	Part No	Description	Qty
1	8581271	ADAPTOR	1
2	22524.32	ADAPTOR KIT	1
22524.32 - ADAPTOR KIT			
Ref	Part No	Description	Qty
1	08.955.06	ADAPTOR	1
2	6000112	REDUCER	1
3	8124120	RESTRICTOR	2
4	8124121	RESTRICTOR	2
5	8124125	RESTRICTOR 1.5MM	1
6	8581170	UNION	1
7	8581220	ADAPTOR	1
8	8650103	SEAL	8
9	G5200331	ELBOW	1
3	22595.09	LEVER KIT	1
4	8125355	VALVE	1
5	8130260	VALVE	1
6	8581167	UNION	3
7	8581192	UNION	1
8	8581224	ADAPTOR	1
9	8650106	SEAL	6
10	9163004	NUT	3
11	9163005	NUT	2
12	9213085	BOLT	2
13	9213134	BOLT	3



22595.09 - LEVER KIT

Ref	Part No	Description	Qty
1	04.282.70	STUD	3
2	1290338	DECAL	1
3	1290368	DECAL	1
4	7650306	ARM REST BRACKET	1
5	8017065	CABLE	1
6	8017066	CABLE	3
7	09.968.99	KNOB	1
8	8017067	KNOB -GREEN	1
9	8017068	KNOB - YELLOW	1
10	9163003	NUT	6
11	9343022	SCREW	6
12	9343023	SCREW	2

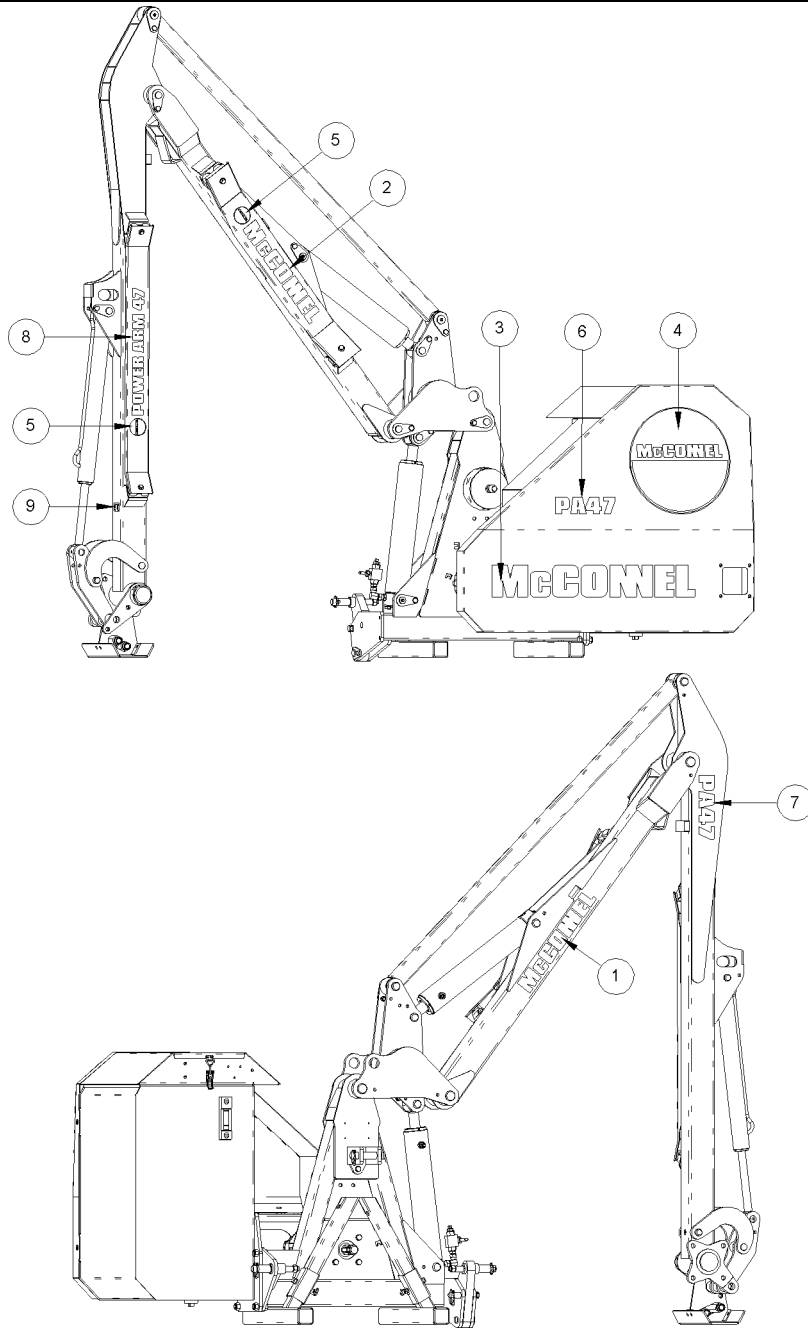
7147751 - DECALS MODULE



7147751 - DECALS MODULE

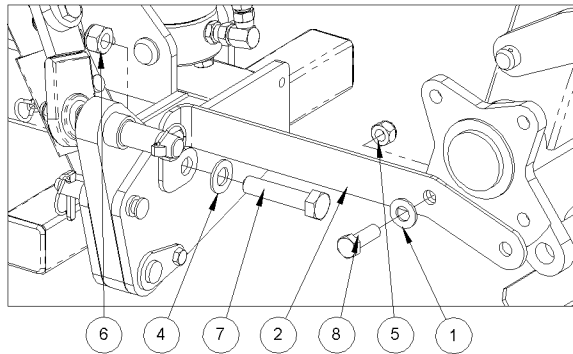
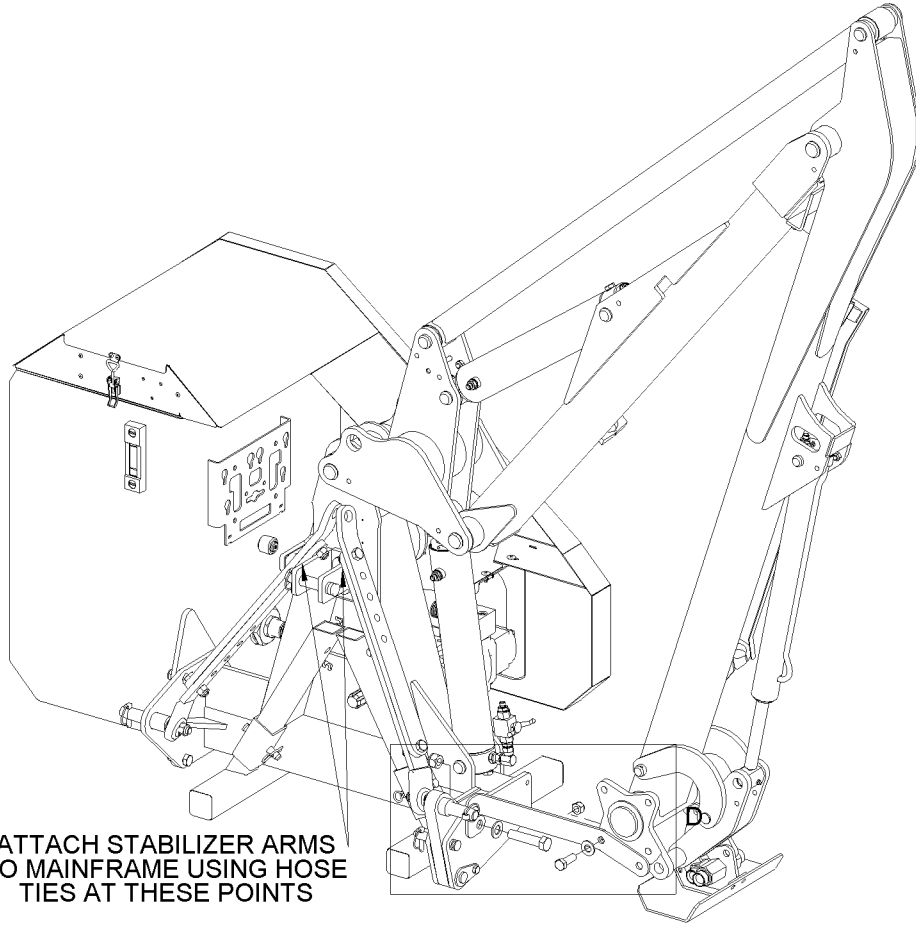
Ref	Part No	Description	Qty
1	00756494	DECAL	1
2	02962764	DECAL	7
3	09.811.03	DECAL	1
4	09.821.28	DECAL	1
5	09.821.32	DECAL	1
6	09.821.35	DECAL	1
7	1290074	DECAL	2
8	1290352	DECAL	1
9	1290774	DECAL	1
10	1335246	SERIAL NO.PLATE	1
11	7103230	RIVET	4
12	7135295	DECAL	1

7147752 - DECALS MODULE



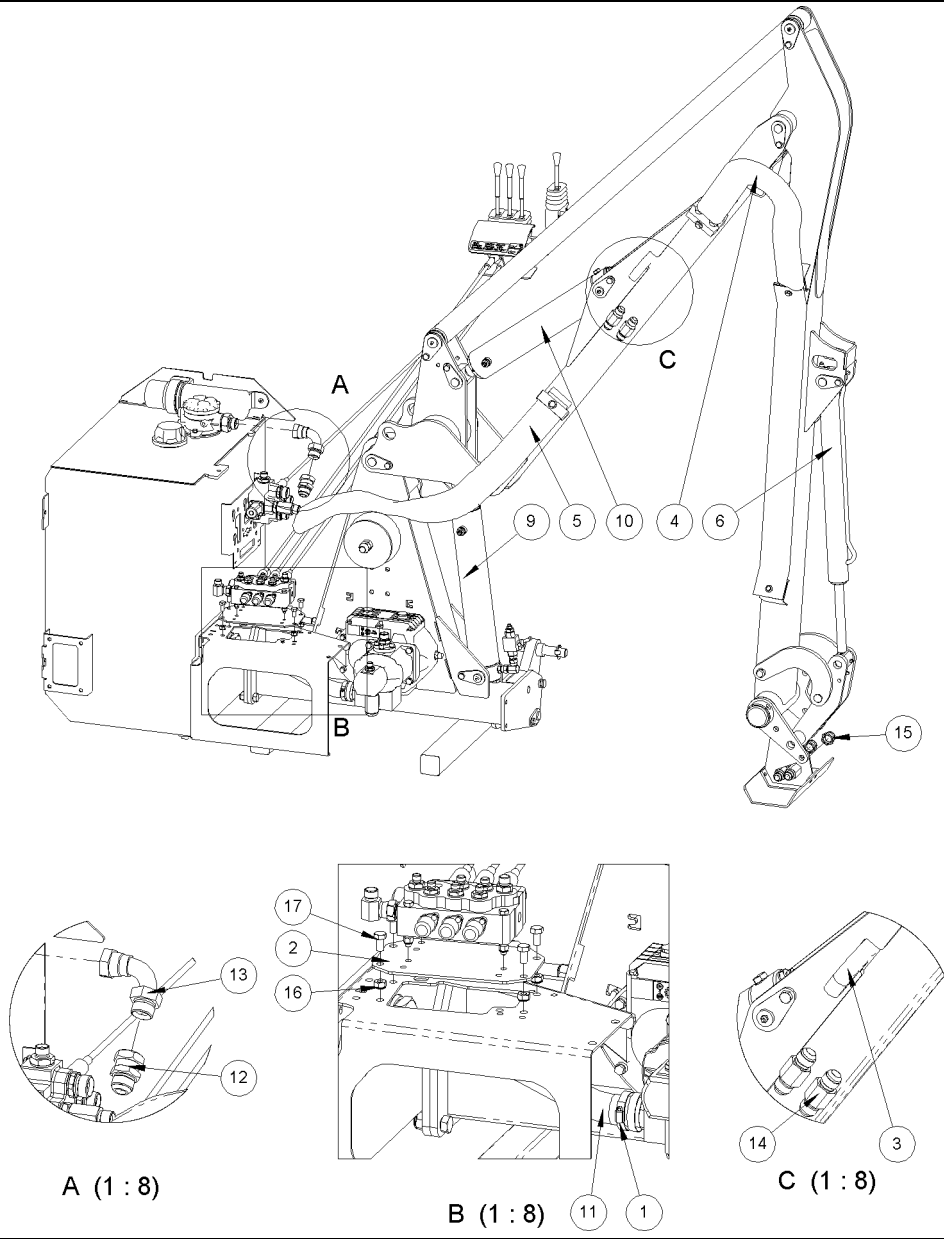
7147752 - DECALS MODULE

Ref	Part No	Description	Qty
1	1290255	DECAL	1
2	1290614	DECAL	1
3	1290649	DECAL	1
4	1290697	DECAL	1
5	1290742	DECAL	2
6	1290776	DECAL	1
7	1290778	DECAL	1
8	1290780	DECAL	1
9	21917.01	DECAL	1



7147763 - PACKING MODULE

Ref	Part No	Description	Qty
1	0100106	WASHER	1
2	22622.01	STRAP	1
3	7196045	HOSE TIE	4
4	9100108	WASHER	1
5	9163007	NUT	1
6	9163008	NUT	1
7	9213188	BOLT	1
8	9313097	SCREW	1



7147777 - HYD.INST.MODULE

Ref	Part No	Description	Qty
1	0904107	CLIP	4
2	22506.03	MTG PLATE	1
3	22591.03	HOSE SLEEVING	1
4	22591.17	HOSE SLEEVING	1
5	22591.20	HOSE SLEEVING	1
6	22600.01	RAM ASSY	1
7	7135084	HOSE TIE	3
8	7196045	HOSE TIE	4
9	7198423	RAM ASSY	1

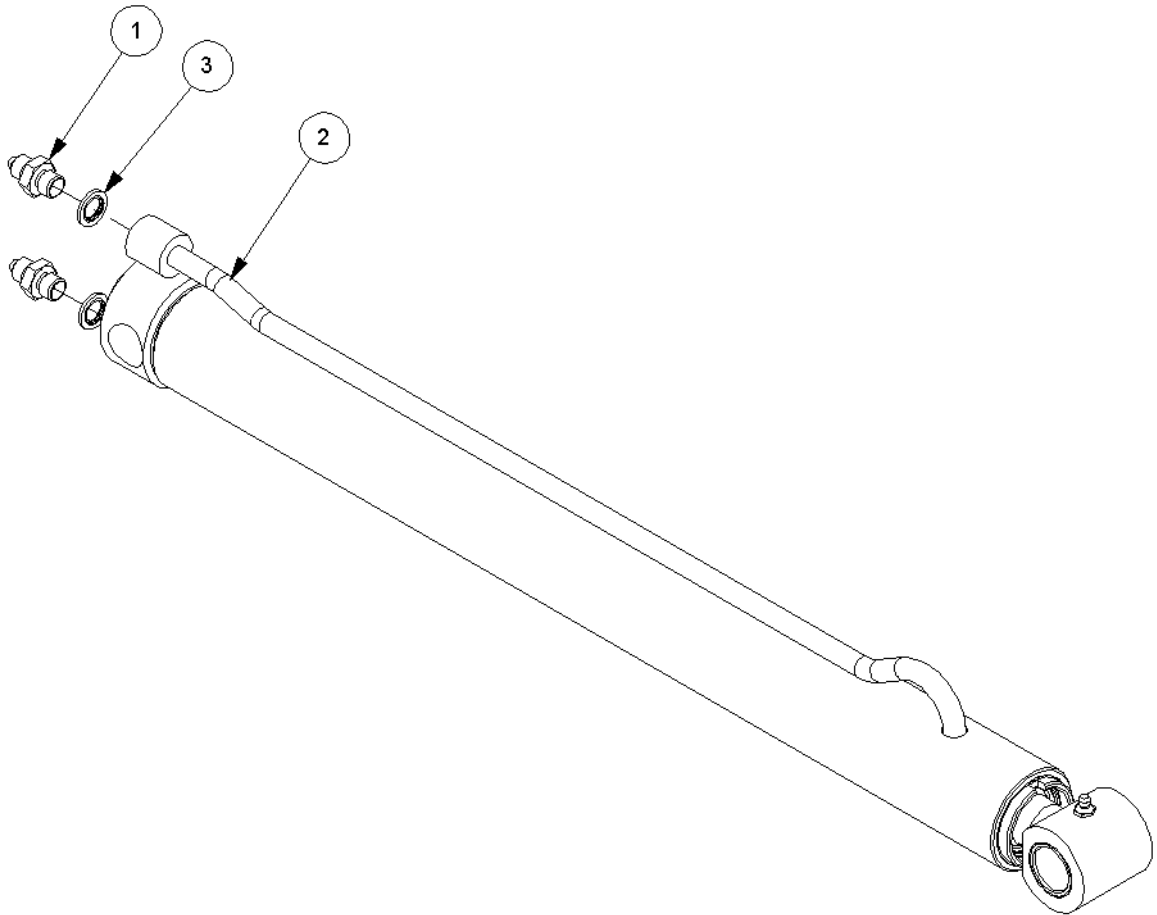
7198423 - RAM ASSY			
Ref	Part No	Description	Qty
1	08.200.01	VALVE	1
2	08.955.06	ADAPTOR	2
3	0901121	GREASER	1
4	0901124	GREASER	1
5	21149.02	BUSH	2
6	6000113	UNION	1
7	6012032	BUSH	2
8	7198377	RAM	1
9	8003001	PLUG	1
10	8581117	CONNECTOR	1
11	8581178	UNION	1
12	8650103	SEAL	5

10	7198424	RAM ASSY	1
----	---------	----------	---

7198424 - RAM ASSY			
Ref	Part No	Description	Qty
1	08.955.06	ADAPTOR	2
2	0901121	GREASER	1
3	0901124	GREASER	1
4	21149.02	BUSH	2
5	6012032	BUSH	2
6	7198377	RAM	1
7	8003001	PLUG	1
8	8650103	SEAL	3

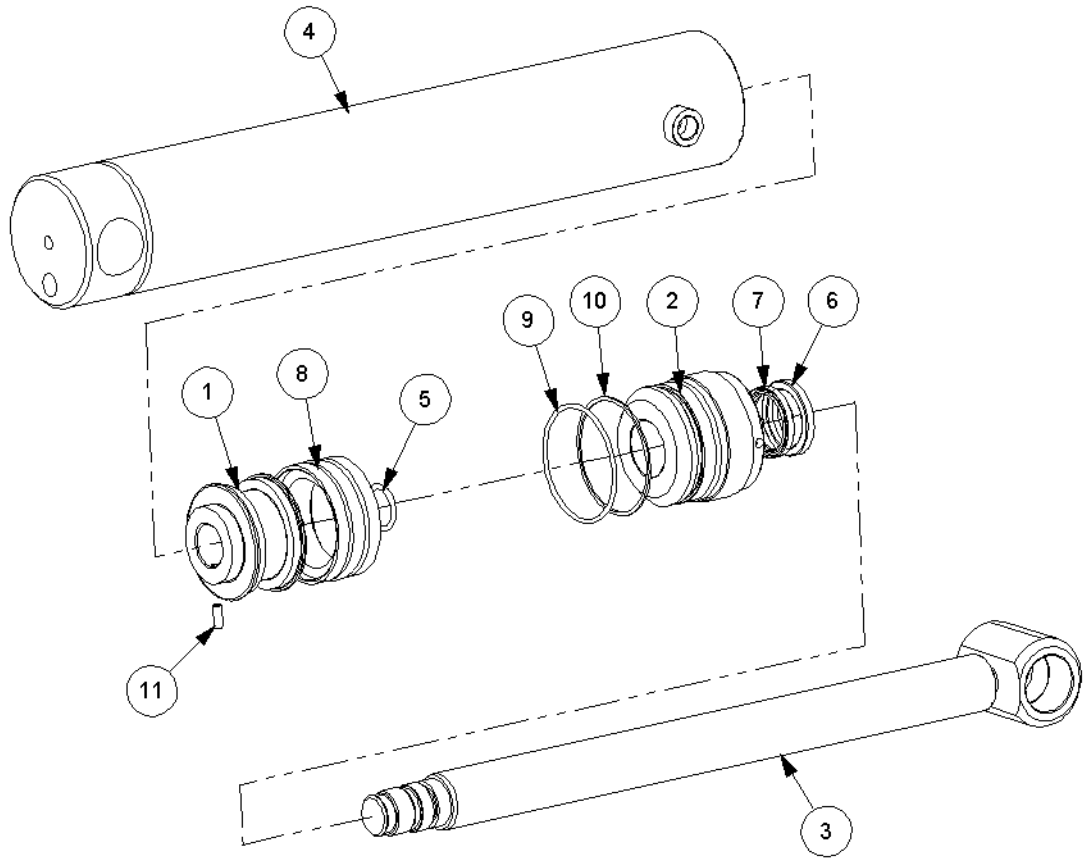
11	8501400	HOSE	1
12	8581233	ADAPTOR	1
13	8581264	ELBOW	1
14	8581562	ADAPTOR	2
15	8581563	BLANKING CAP	2
16	9163005	NUT	4

22600.01 - RAM ASSY



22600.01 - RAM ASSY

Ref	Part No	Description	Qty
1	08.955.01	ADAPTOR	2
2	7560354	50MM DIA RAM. B	1
2	7560354P	BASIC RAM - PAINTED	0
3	8650102	SEAL	2
4	8699188	SEAL KIT	0

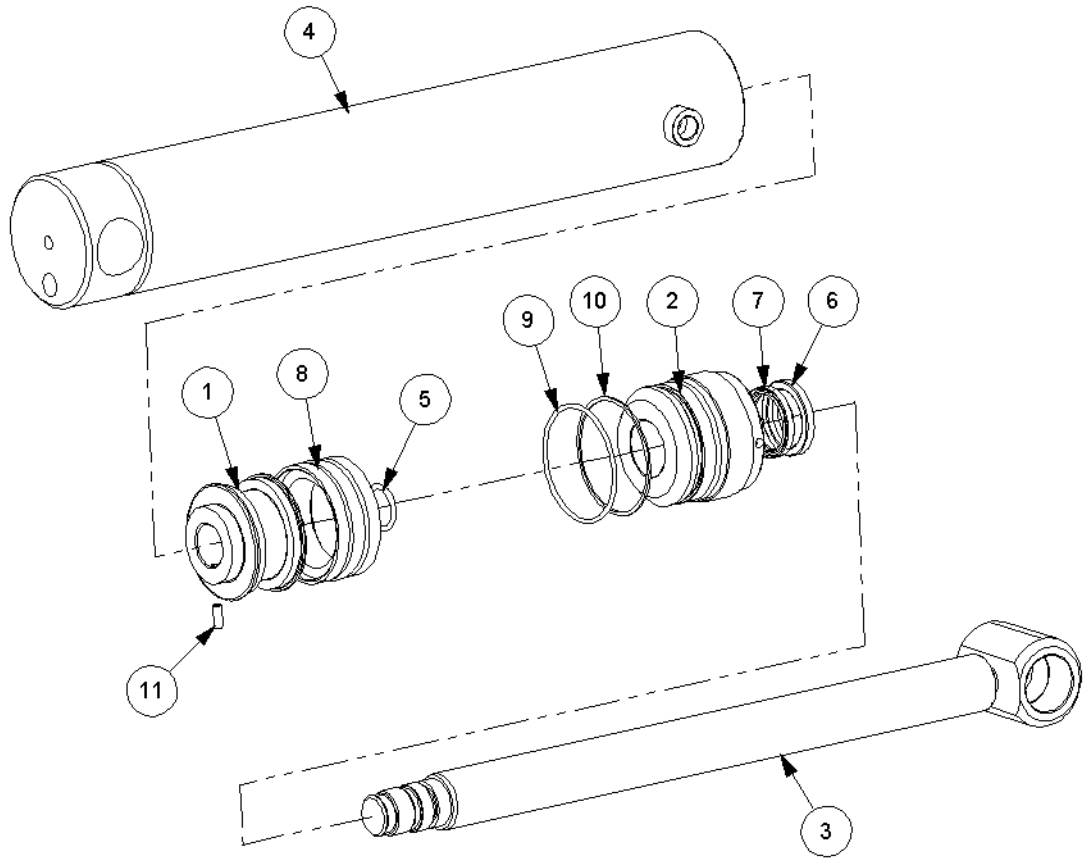


SEAL KIT 8699187

7198377 - RAM

Ref	Part No	Description	Qty
1	7135004	PISTON	1
2	7135282	HOUSING	1
3	7198091	PISTON ROD	1
4	7198378	BARREL	1
5	8600119	"O" RING	1
6	8629147	SEAL	1
7	8629164	SEAL	1
8	8638740	SEAL	1
9	8700740	"O" RING	1
10	8709740	ANTI.EXT.RING	1
11	9363033	SCREW	1

7198377 - RAM

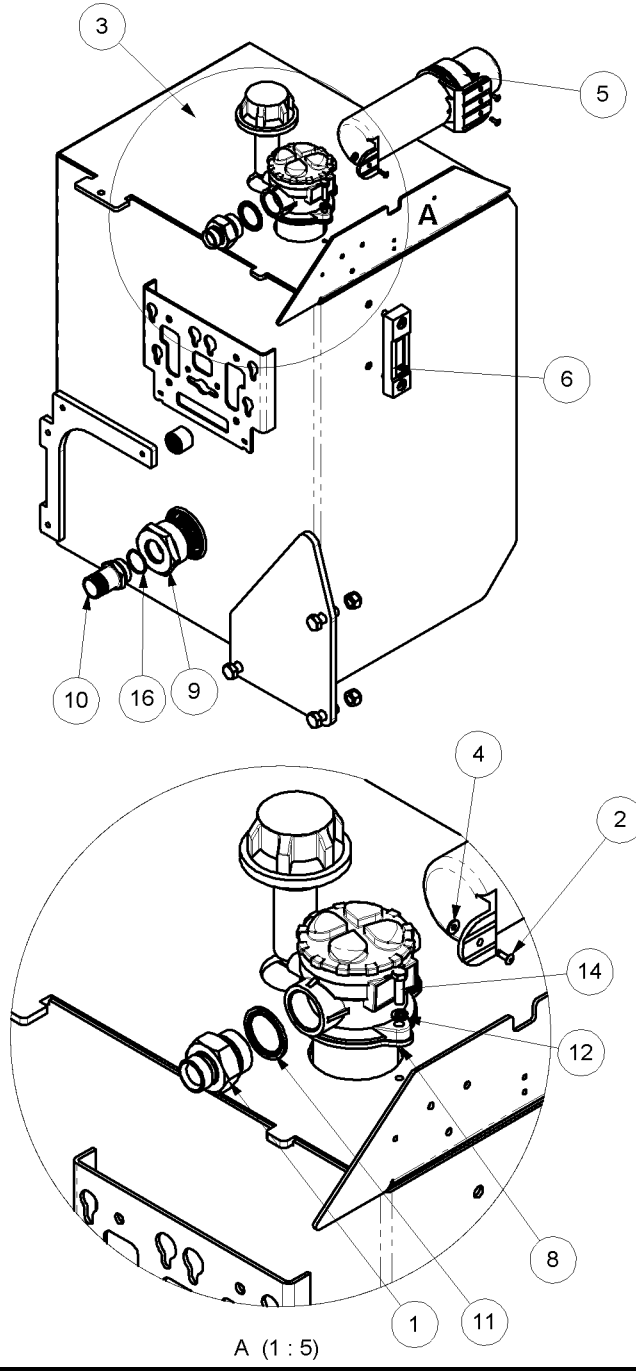


SEAL KIT 8699187

7198377 - RAM

Ref	Part No	Description	Qty
1	7135004	PISTON	1
2	7135282	HOUSING	1
3	7198091	PISTON ROD	1
4	7198378	BARREL	1
5	8600119	"O" RING	1
6	8629147	SEAL	1
7	8629164	SEAL	1
8	8638740	SEAL	1
9	8700740	"O" RING	1
10	8709740	ANTI.EXT.RING	1
11	9363033	SCREW	1

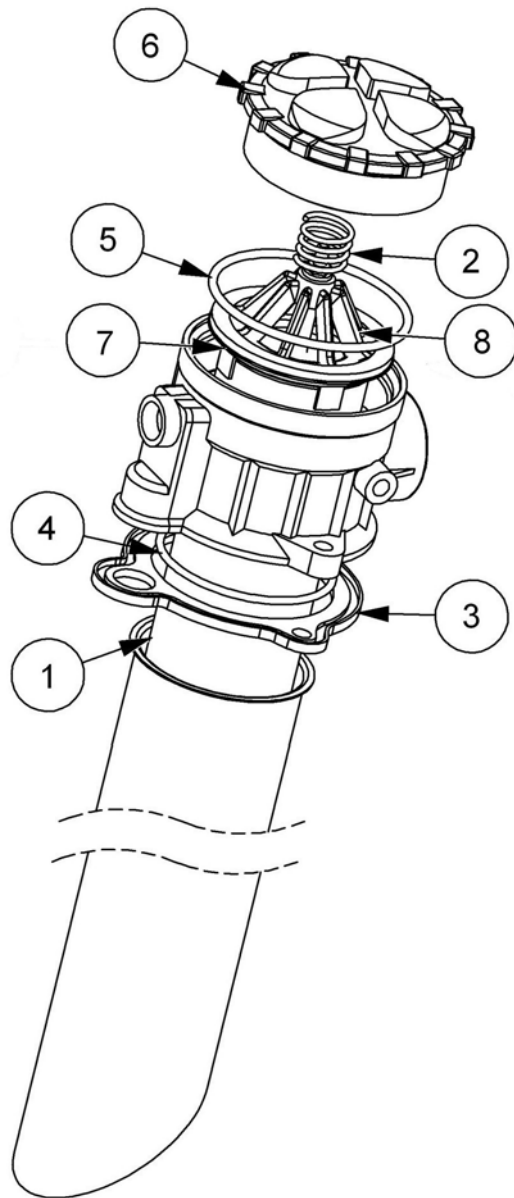
7150705 - TANK MODULE



7150705 - TANK MODULE

Ref	Part No	Description	Qty
1	05.131.01	ADAPTOR	1
2	21612.02	RIVET	3
3	22470.04	TANK	1
4	22530.01	WASHER	3
5	46505.01	HOLDER	1
6	8401048	GAUGE	1
7	8401050	BREATHER	1
8	8401088	FILTER ASSY	1
9	8401097	STRAINER	1
10	8581260	ADAPTOR	1
11	8650109	SEAL	1
12	9100204	WASHER	2
13	9163007	NUT	3
14	9313064	SCREW	2
15	9313097	SCREW	3
16	8700784	"O" RING	1

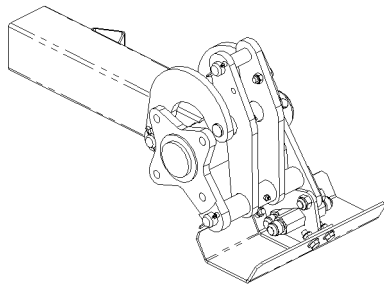
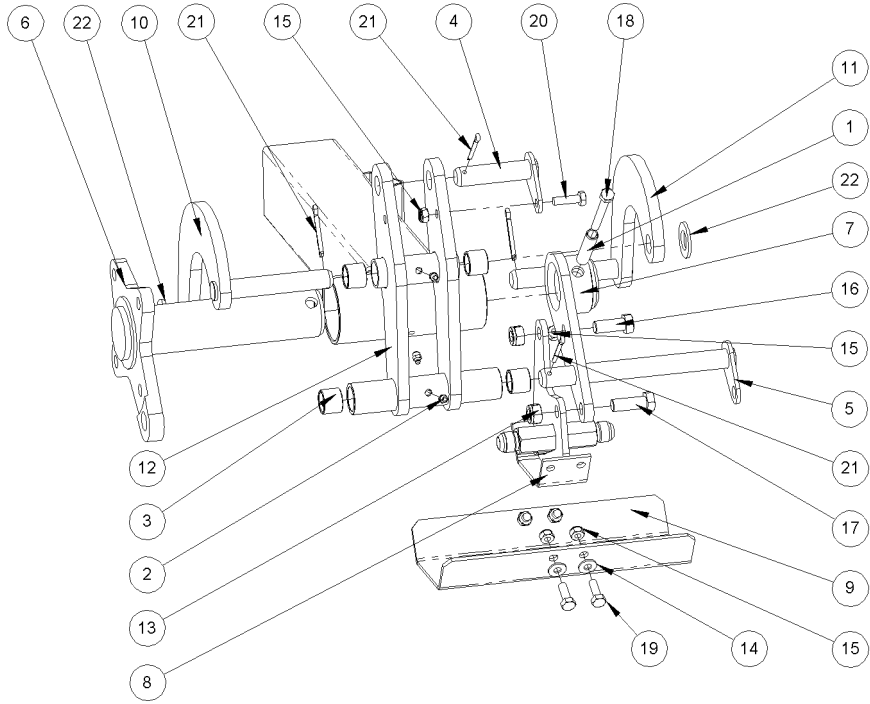
8401088 - FILTER ASSY



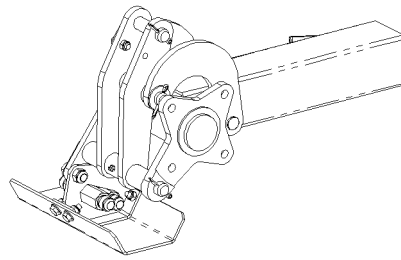
8401088 - FILTER ASSY

Ref	Part No	Description	Qty
1	8401089	ELEMENT	1
2	8401092	SPRING	1
3	8401093	SEAL	1
4	8700235	O RING	1
5	8700092	O RING	1
6	212.013.04	FILLER CAP	1
7	8401103	SEAL	1
8	8401104	HOUSING	1

7170709 - ANGLING MODULE



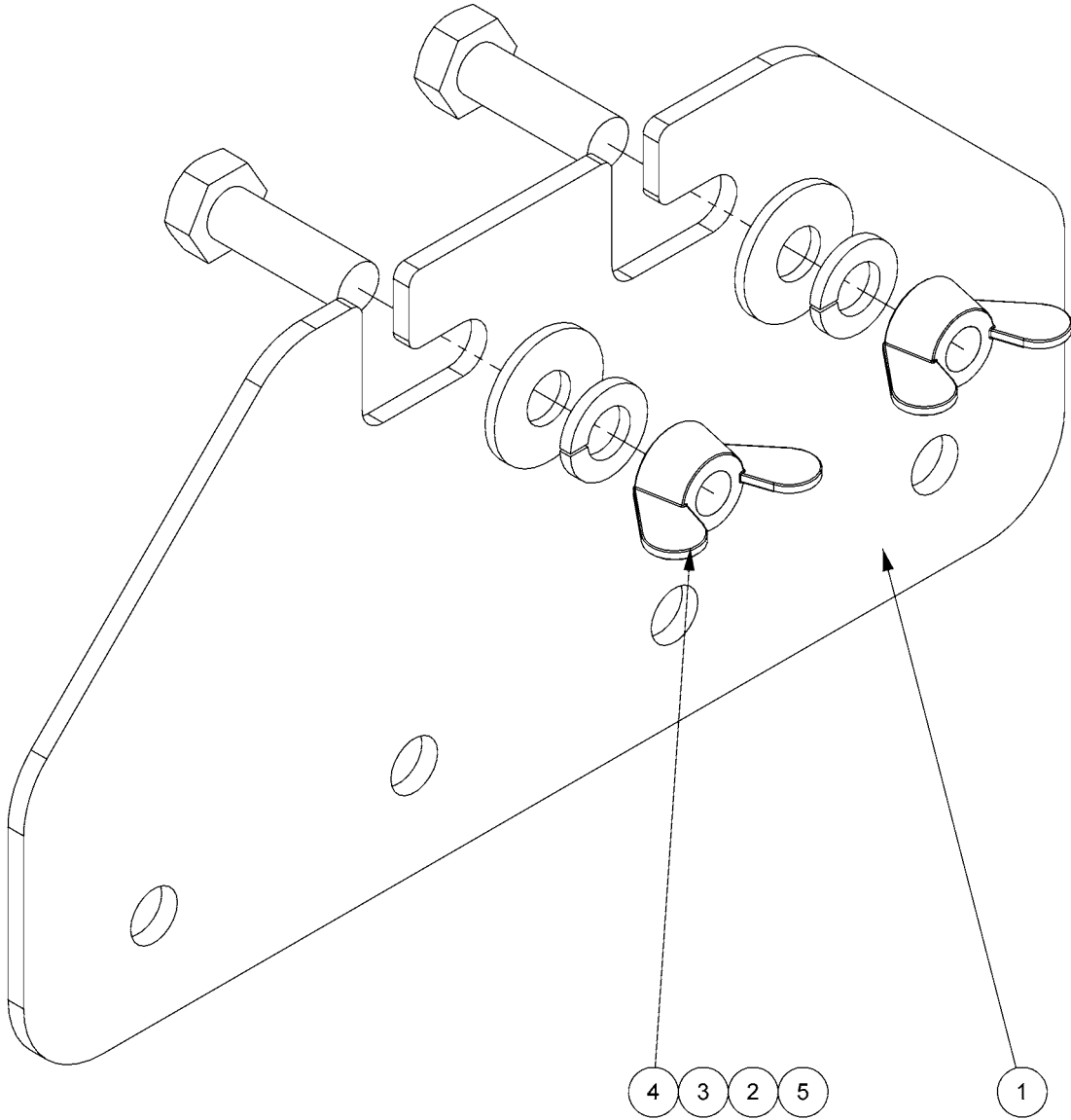
ASSEMBLED FOR LH BUILD



ASSEMBLED FOR RH BUILD

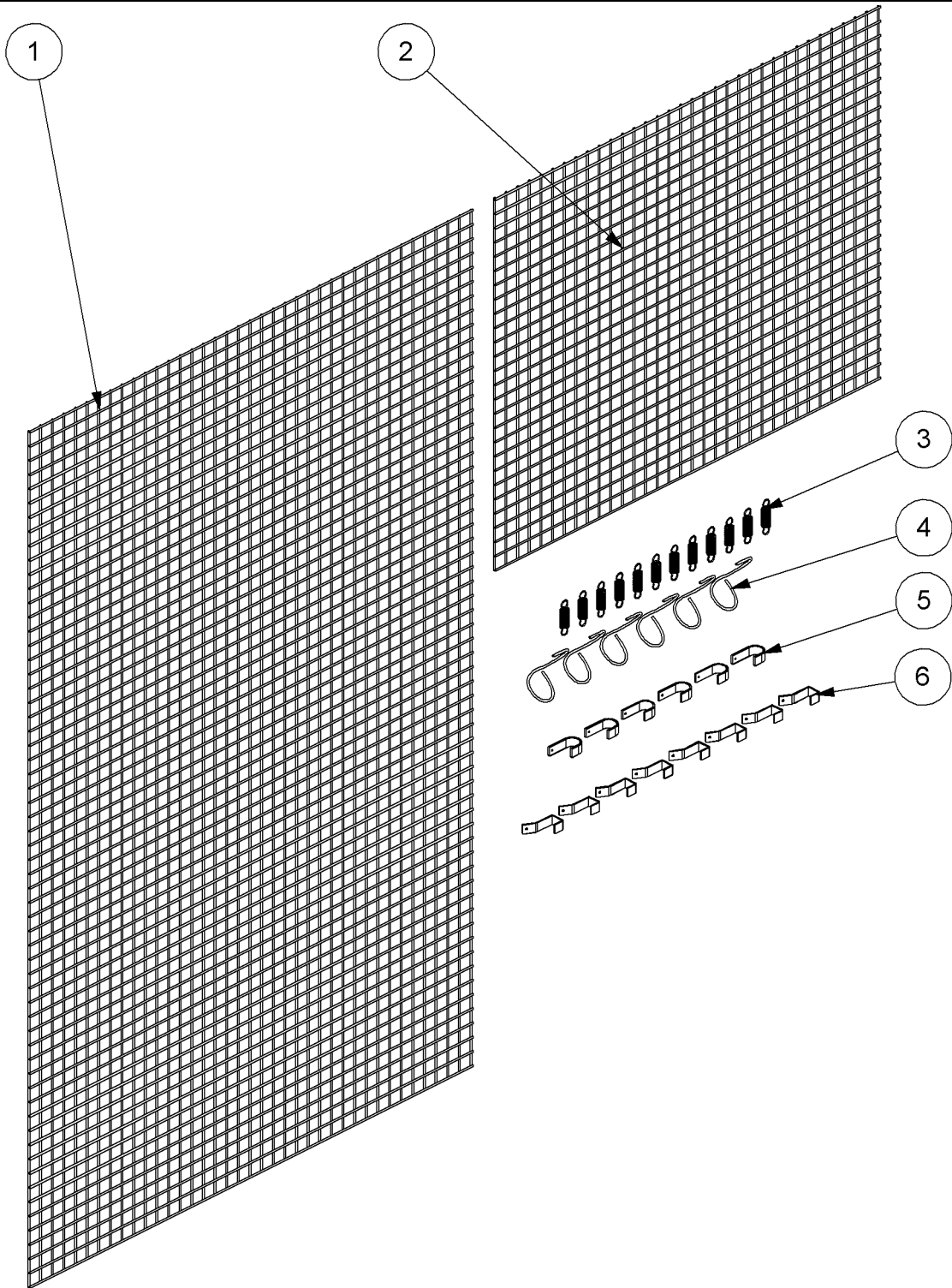
7170709 - ANGLING MODULE

Ref	Part No	Description	Qty
1	0423548	PIN	1
2	0901121	GREASER	3
3	41690.01	BUSH	4
4	41693.01	PIN	1
5	7192009	PIN	1
6	7192308	TUBE WDMT	1
7	7192316	PLATE	1
8	22621.01	JUNCTION BRKT	1
9	7198333	TRAY	1
10	7450250	RAD.ARM -REAR	1
11	7450251	RAD.ARM -FRONT	1
12	7450252	LINK	1
13	9100028	NUT	2
14	9100105	WASHER	4
15	9163005	NUT	6
16	30.073.25	BOLT	1
17	9200028	BOLT	1
18	9213185	BOLT	1
19	9313065	SCREW	4
20	9313075	SCREW	1
21	9501406	PIN	4
22	0100109	WASHER	2



7313282 - CAB CTRL MTG MOD

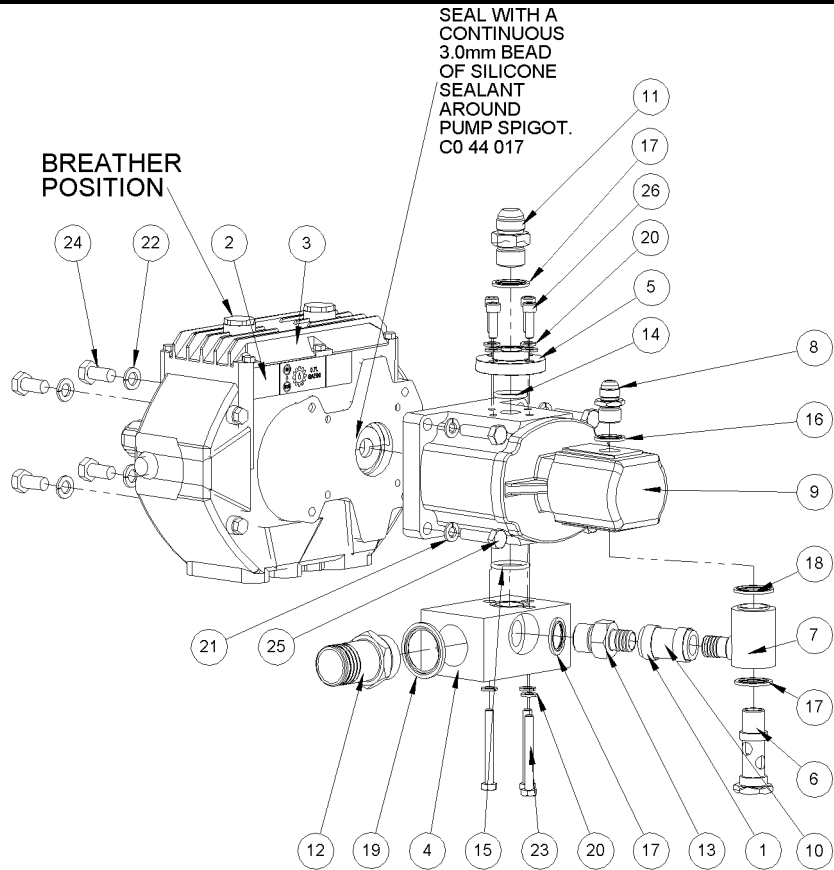
Ref	Part No	Description	Qty
1	42491.01	PLATE	1
2	9100104	WASHER	2
3	9100204	WASHER	2
4	9193004	NUT	2
5	9313054	SCREW	2



7313324 - GUARD KIT

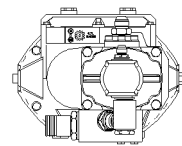
Ref	Part No	Description	Qty
1	7313049	GUARD PANEL	1
2	7313050	GUARD PANEL	1
3	6001064	SPRING	12
4	6001065	HOOK	6
5	41587.01	GUARD HOOK	6
6	41745.01	HOOK	8

8013611 - PUMP & G.BOX ASSY



GEARBOX NOTES:-
 OIL REQUIREMENT
 0.7 LITRE OF MOBIL - "MOBILAND"
 MULTIPURPOSE TRACTOR OIL
 OR SAE EP80

SEALANTS
 TAPER PLUGS. LOCTITE 575
 COVER PLATE. LOCTITE 574 FLANGE SEALANT.

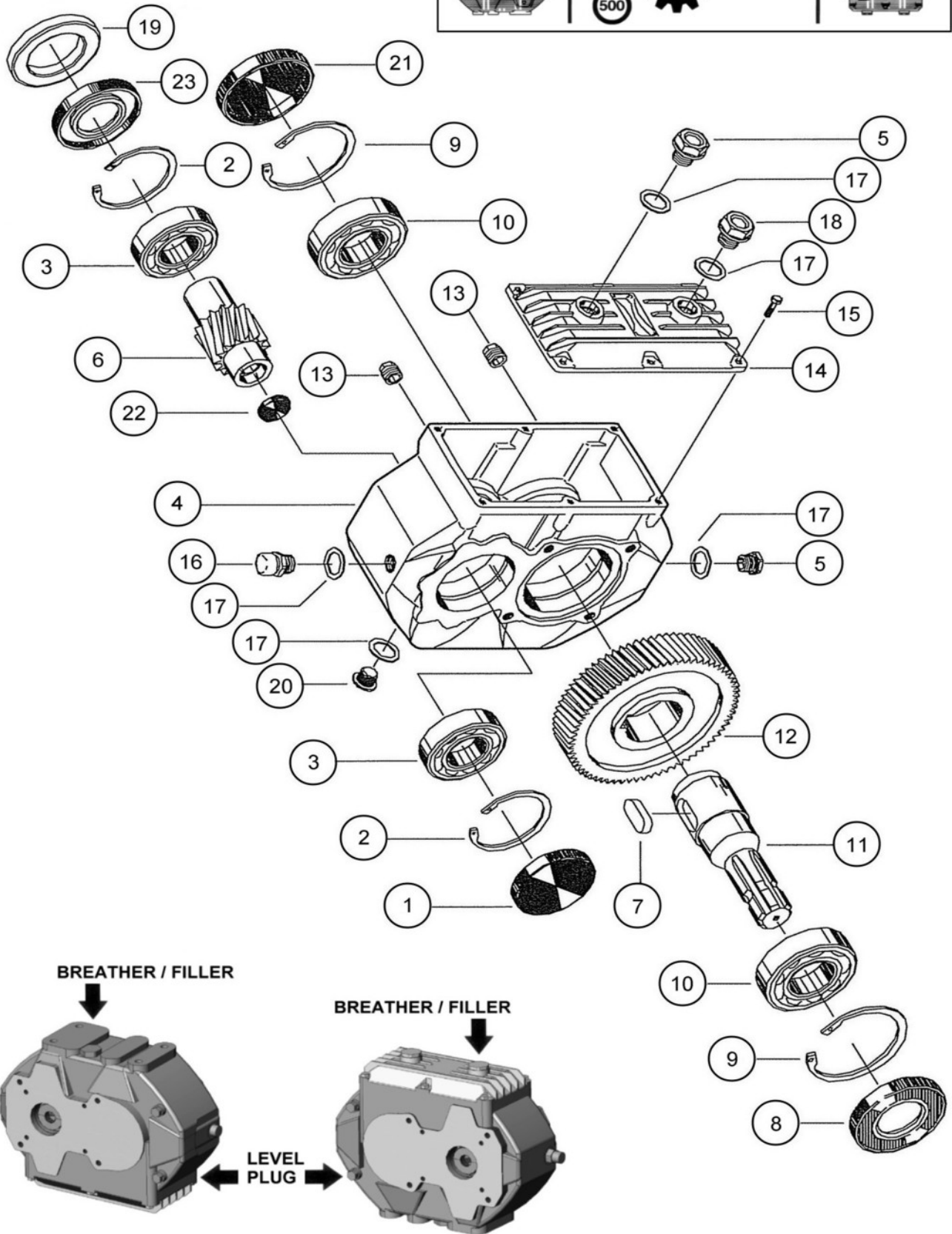


ORIENTATION OF UNIT WHEN FITTED TO MACHINE

8013611 - PUMP & G.BOX ASSY

Ref	Part No	Description	Qty
1	0904103	CLIP	2
2	1290092	DECAL	1
3	21931.01	GEARBOX	1
4	7192372	SUCTION BLOCK	1
5	8013088	FLANGE	1
6	8013095	BANJO BOLT	1
7	8013096	BANJO	1
8	8120003	ADAPTOR	1
9	8201466	HYD PUMP	1
10	8501213	HOSE	1
11	8581167	UNION	1
12	8581260	ADAPTOR	1
13	8581301	ADAPTOR	1
14	8600119	"O" RING	1
15	8600122	"O" RING	1
16	8650104	SEAL	1
17	8650106	SEAL	3
18	8650107	SEAL	1
19	8650109	SEAL	1
20	9100204	WASHER	7
21	9100205	WASHER	4
22	9100206	WASHER	4
23	9213144	BOLT	3
24	9313056	SCREW	4
25	9313085	SCREW	4
26	9343054	SCREW	4

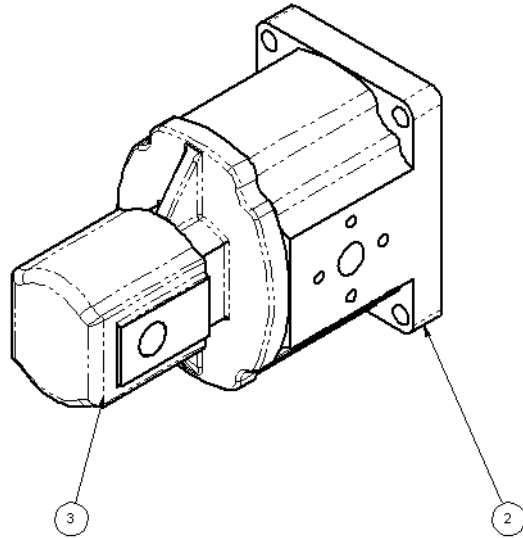
21931.01 - GEARBOX



NOTE: Plug positions are dependent on gearbox orientation

21931.01 - GEARBOX

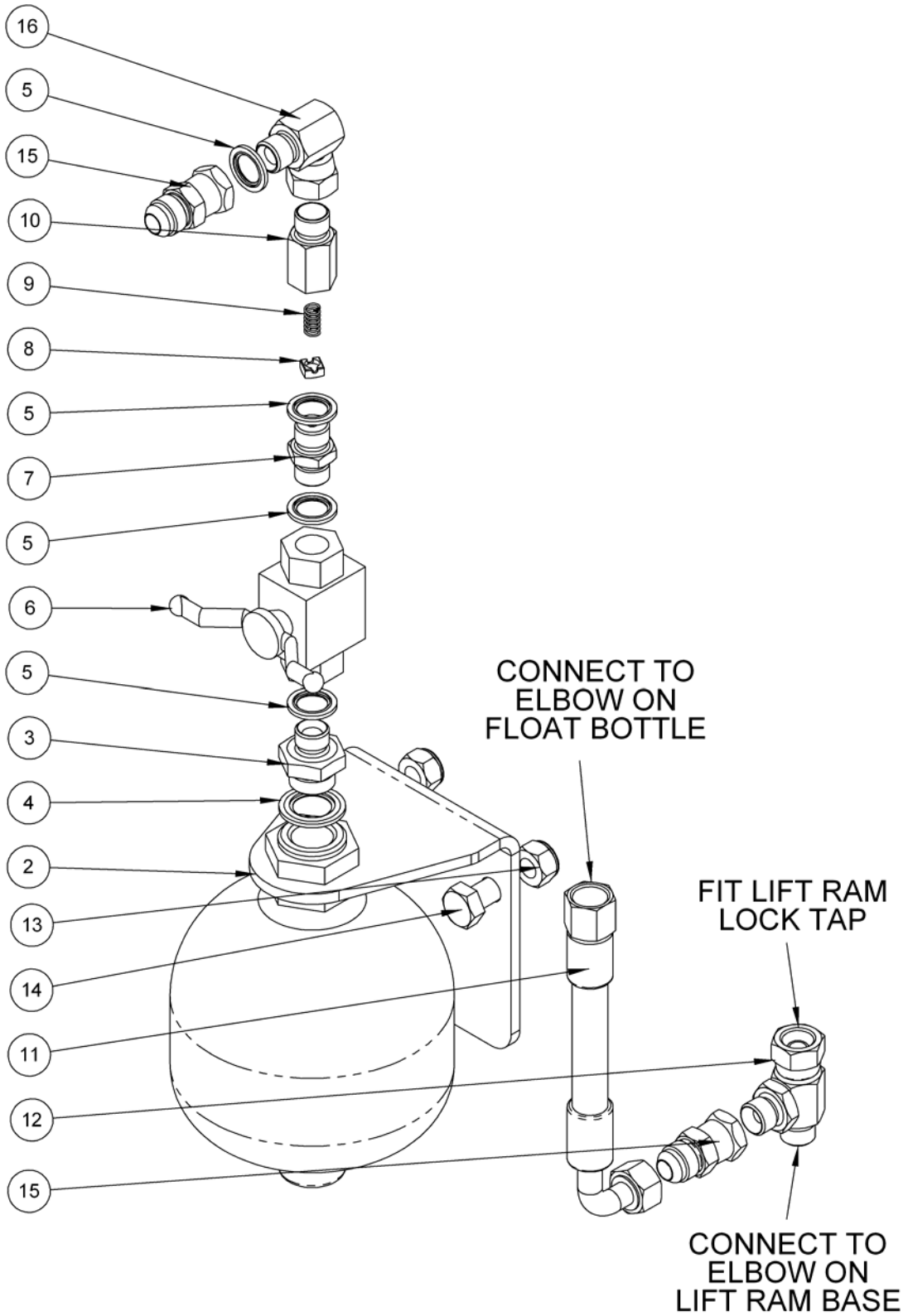
Ref	Part No	Description	Qty
1	8013530	CAP	1
2	8013529	CIRCLIP	2
3	8013528	BEARING	2
4	8013585	BIMA CASTING	1
5	8013533	PLUG	2
6	8013575	SHAFT	1
7	8013586	BIMA KEY	1
8	8013526	SEAL	1
9	8013525	CIRCLIP	2
10	8013524	BEARING	2
11	8013522	SHAFT	1
12	8013587	BIMA GEAR	1
13	8013534	PLUG	2
14	8013589	BIMA G.BOX COVER	1
15	9313033	SCREW	6
16	8013590	PLUG	1
17	8013591	WASHER	5
18	8013592	BIMA G/BOX OIL PLUG	1
19	8013576	RING	1
20	8013593	PLUG	1
21	8013527	CAP	1
22	8013594	PLUG	1
23	8699264	SEAL	1



8201466 - HYD PUMP

Ref	Part No	Description	Qty
1	8699231	SEAL KIT	0
2	8201684	HYD PUMP F-HALF	1
3	8201677	HYD PUMP	1

8126347 - FLOAT KIT



8126347 - FLOAT KIT

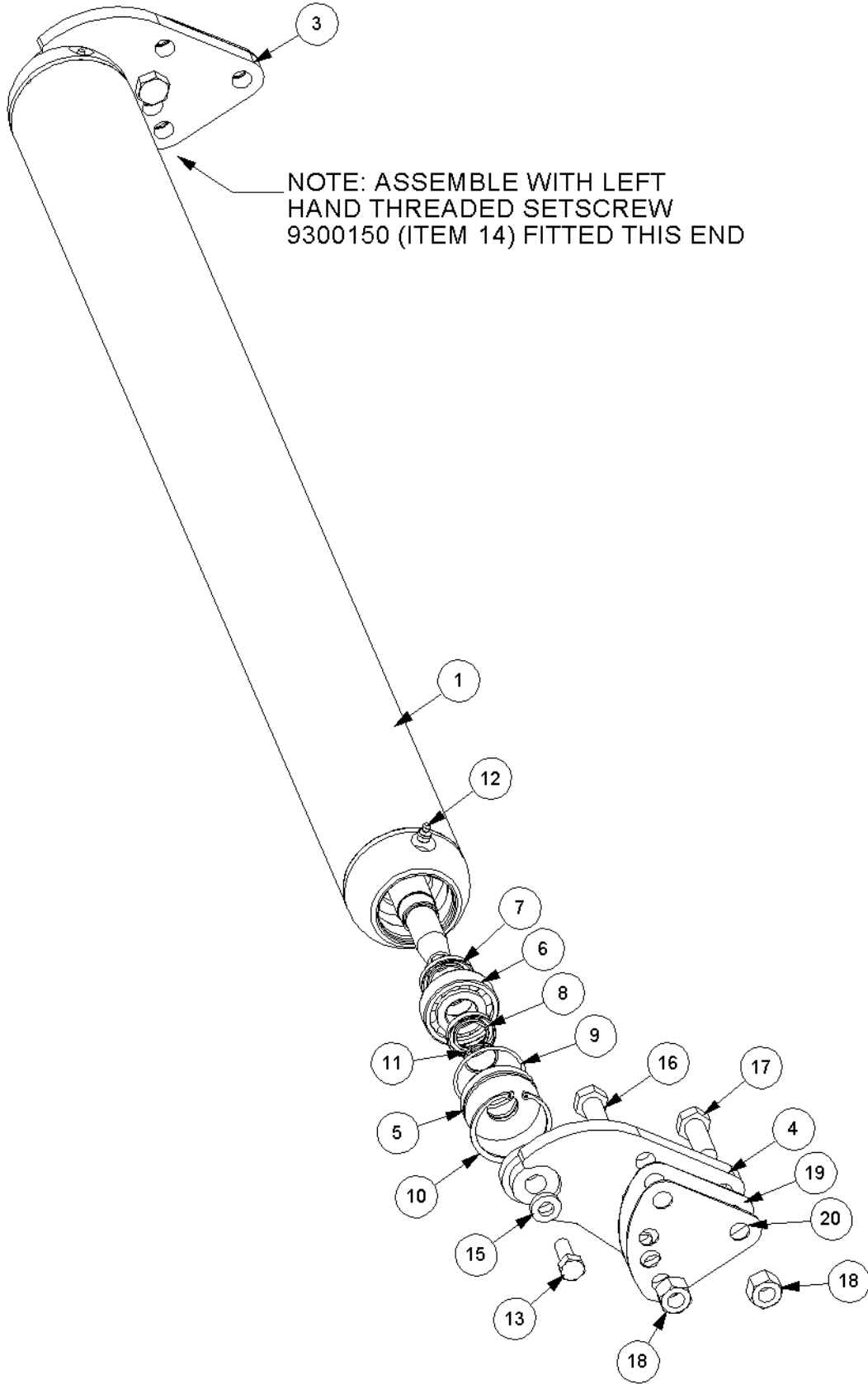
Ref	Part No	Description	Qty
1	8126044	ACCUMULATOR	1
2	8126318	BRACKET	1
3	G2410380	ADAPTOR	1
4	8650322	SEAL	1
5	8650103	SEAL	4
6	08.200.01	VALVE	1
7	8581209	UNION	1
8	8123041	RESTRICTOR DISC	1
9	8116011	SPRING	1
10	8581346	ADAPTOR	1
11	08.958.18	HOSE	1
12	11.068.69	ADAPTOR	1
13	9143006	NUT	2
14	9313056	SCREW	2
15	8581221	ADAPTOR	2
16	8581117	CONNECTOR	1

**No Picture
Available**

7198817 - 1.2M RH UNIV HD

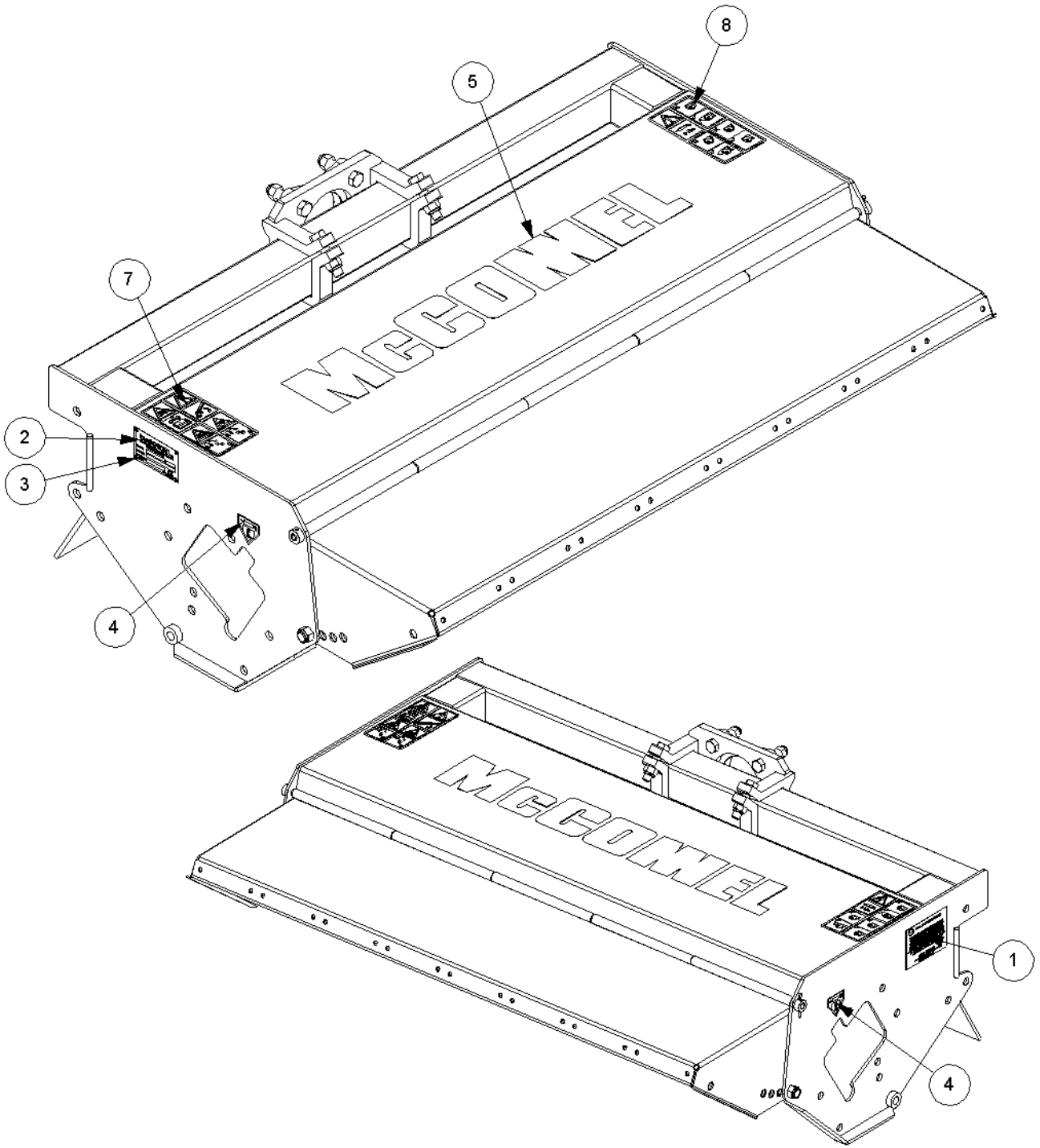
Ref	Part No	Description	Qty
1	7192388	CASING	1
2	0311106	SCREW	4
3	0141006	NUT	22
4	7191361	FLAP	1
5	7191362	CLAMP STRIP	1
6	9313055	SCREW	10
7	9313075	SCREW	1
8	9143005	NUT	12
9	7191382	ROTOR WDMT	1
10	7190261	HOUSING	2
11	0901124	GREASER	4
12	0600018	BEARING	2
13	7190022	CIRCLIP	2
14	8301281	MOTOR	1
8301281 - MOTOR			
Ref	Part No	Description	Qty
0	8301010	KEY	1
0	8629209	SEAL	2
0	8699236	SEAL KIT	1
0	9100015	NUT	1
15	7190444	PLATE	1
16	9313045	SCREW	4
17	9100205	WASHER	4
18	0311126	SCREW	5
19	0311146	SCREW	1
20	7190015	WASHER	1
21	7191098	SHIM	5
22	7191099	SHIM	5
23	8121043	SPACER	5
24	8121044	SPACER	5
25	7190573	USE 7190580/549	1
26	7191116	PIN	1
27	9501406	PIN	1
28	7191352	FRONT HOOD	1
29	7191283	COVER	1
30	42241.23	USE 22808.01	1
31	7190376	PIPE UPPER	1
32	7190377	PIPE LOWER	1
33	9300144	SCREW	4
34	9300014	SCREW	6
35	8600121	"O" RING	2

36	7190148	CLAMP -2	1
38	0211186	BOLT	4
39	7198333	TRAY	1
40	7191368	STICKER KIT	1
41	7290375	FLAP KIT	1
42	9213165	BOLT	1
44	08.959.09	HOSE	2
45	7190462	FLAIL	24
46	7191138	SHACKLE	24
47	7191139	SPACER	24
48	7191109	BOLT	24
49	0141005	NUT	24
50	0100305	WASHER	48
51	8581230	ADAPTOR	2



42241.23 - USE 22808.01

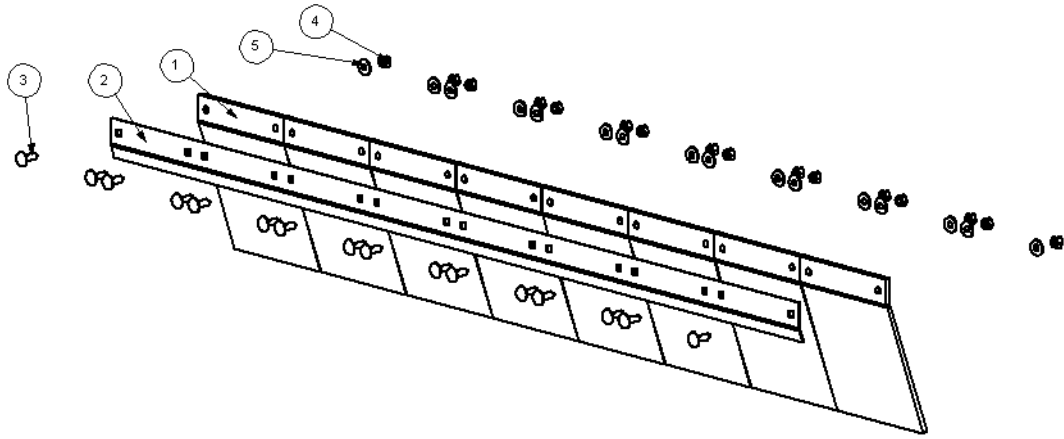
Ref	Part No	Description	Qty
1	42241.11	ROLLER WDMT	1
2	42242.05	AXLE	1
3	42246.04	BRACKET	1
4	42246.05	BRACKET	1
5	42573.01	CARRIER	2
6	0600107	BEARING	2
7	8629215	SEAL	2
8	8629216	SEAL	2
9	8600422	"O" RING	2
10	0411262	CIRCLIP	2
11	0412117	CIRCLIP	2
12	0901121	GREASER	2
13	9300149	SCREW	1
14	9300150	SCREW	1
15	42503.02	WASHER	2
16	9213117	BOLT	2
17	9313097	SCREW	2
18	9143007	NUT	4
19	42257.03	SHIM	3
20	42257.04	SHIM	3



7191368 - STICKER KIT

Ref	Part No	Description	Qty
4	1290392	DECAL	1
6	1335246	SERIAL NO.PLATE	1
7	09.821.35	DECAL	1
7	7103230	RIVET	4
8	1290738	DECAL	1
9	09.810.01	DECAL	1
10	1290527	DECAL	1
11	1290462	DECAL	1

7290375 - FLAP KIT



7290375 - FLAP KIT

Ref	Part No	Description	Qty
1	7290053	FLAP	8
2	7190304	STRIP	1
3	9293054	BOLT	16
4	9143004	NUT	16
5	9100104	WASHER	16



McConnel Limited, Temeside Works, Ludlow, Shropshire SY8 1JL. England.
Telephone: 01584 873131. Facsimile: 01584 876463. www.mcconnel.com